

773



Bobcat®

**G-SERIES
Parts
Manual**

S/N 500K11001 & Above

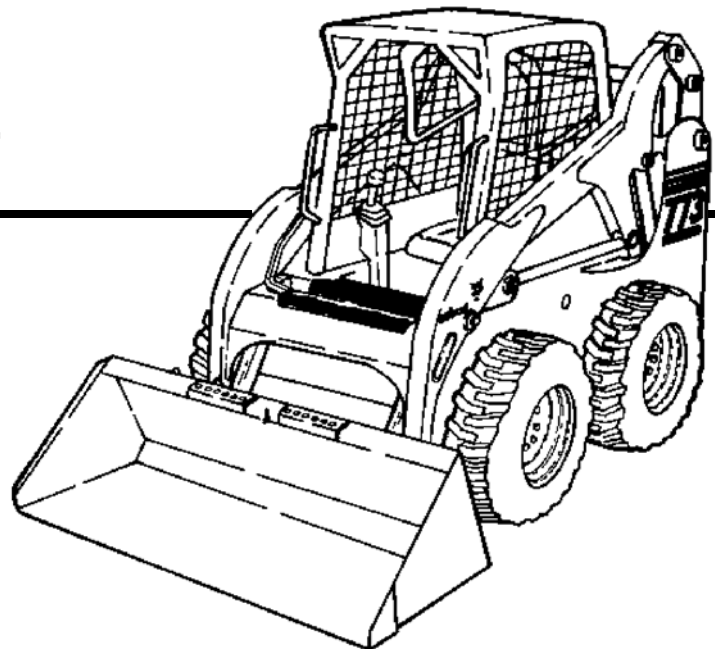
S/N 518011001 & Above

S/N 518111001 - 518114999

S/N 519011001 - 519027999

S/N 519211001 - 519214999

S/N 517611001 - 517624999



**EQUIPPED WITH
BOBCAT INTERLOCK
CONTROL SYSTEM (BICS)**

6900939 (5-05) Revised (7-09)

Printed in U.S.A.

© Bobcat Company 2009

GENERAL INFORMATION

Before ordering parts, ALWAYS provide dealer with your product model number and complete serial number information. Before ordering parts, verify correct part numbers and/or serial numbers with your dealer. When using the machine serial number, use the complete number.

Some serial number breaks are not available at time of printing. These are listed as & Bel or & Abv or - (thru)

The number shown in the quantity column in this manual is the number of parts needed for the illustration on the page. For some parts an "x" will be shown in the quantity column. This "x" indicates that the quantity to be used is "As Needed".

When references LH (Left Hand) and RH (Right Hand) are used in this manual, it is done from the operator's seat in the forward operating position.

When "See Illustration...." appears in the remarks column, refer to the contents page for the illustration title to find page number location.

Some of the illustrations and information found in this parts manual were supplied to Bobcat by machine component companies.

For additional information on the Bobcat website visit www.bobcat.com

ABBREVIATIONS

| | |
|---|-----------------------|
| SALES = Order from Gwinner Sales Department | PM = Parts Manual |
| NSS = Not Serviced Separately | S/L = Service Letter |
| NAP = Not Available as Parts | W/ = With |
| BTI = Bobcat Technical Information Bulletin | W/ O= Without |
| OM = Operation & Maintenance Manual | ID = Inside Diameter |
| SM = Service Manual | OD = Outside Diameter |
| AHC = Advanced Hand Controls | " = Inches |
| ACS = Advanced Control System | ' = Feet |
| SJC = Selectable Joystick Controls | MM = Millimeters |

TRANSLATION KITS & DECAL KITS

AR = Argentina (Spanish) BR = Brazil (Portugese) JP = Japanese
(Translation Kit includes Safety Manual, Operators Manual & Decal Kit)

DISPOSITION

(Found in the Remarks Column)

| | | |
|-----|---|---|
| [A] | = | Use Up |
| [B] | = | Use Up on Other Applications |
| [C] | = | File PDR Report with Bobcat Parts Sales |
| [D] | = | Part Number Error |

NOTE D'INFORMATION

Pour toute référence au numéro de série de l'engin, toujours donner le numéro complet.

Le chiffré apparaissant dans la colonne des quantités de ce manuel représentent le nombre de pièces nécessaires pour l'illustration reprise sur la page. Dans certains cas, on lira un "x" dans la colonne des quantités. Cet "x" indique que la quantité nécessaire est "selon besoin".

Pour toute référence vers la GAUCHE ou la DROITE dans ce manuel, considérer que la personne se trouve assise dans le siège de l'opérateur, en position de fonctionnement en marche avant.

Certaines illustrations et informations reprises dans ce manuel de pièces de rechange ont été fournies à Bobcat/Ingersoll-Rand par des fabricants de composants.

ABREVIATIONS & SYMBOLES

| | |
|----------------------------|---|
| SALES | = Commander au Service Ventes à Bruxelles |
| NSS | = Pas vendu séparément |
| NAP | = Non disponible comme pièce de rechange |
| * | = Chapitre, page ou numéro de pièce modifié ou supplémentaire |
| BTI | = Bobcat Technical Information Bulletin : voir à la fin de la microfiché du modèle concerné ou la microfiche générale reprenant l'ensemble des "BTI". |
| was 6535403 | = était avant 6535403 |
| adj. (adjustment) | = réglage |
| Assembly | = ensemble |
| available W/Ref. | = disponible avec réf. |
| bulk/sold per foot | = en vrac/vendu par pied |
| does not include | = ne comprend pas |
| included with | = compris dans |
| I.D. | = D.I. (diamètre intérieur) |
| O.D. | = D.E. (diamètre extérieur) |
| not in kit | = pas en kit |
| W/ - WO/ | = inclus/ - non inclus/ |
| Qty | = quantité requise |
| see page/ref. | = voir page/réf. |
| used with ref/ | = utilisé avec réf. |
| 0,05 inch thickness | = 0,05 pouce d'épaisseur (un pouce = 25.4 mm) |
| weld on | = à souder |

ALLGEMEINE INFORMATIONEN

Bei Angabe der Maschinen-Seriennummer stets die komplette Nummer angeben.

Bei der in der Mengenspalte (Anzahl) in diesem Handbuch angegebenen Zahl handelt es sich um die Anzahl von Teilen, die für die Abbildung auf der betreffenden Seite benötigt werden. Bei manchen Teilen in der Mengenspalte ist ein "x" angegeben. Dieses "x" weist darauf hin, dass sich die Anzahl der verwendeten Teile auf den "Bedarf" bezieht.

Bei Verwendung der Seitenangaben links und rechts in diesem Handbuch gelten diese für die Blickrichtung vom Fahrersitz aus, und zwar in Vorwärts-Betriebsrichtung.

Einige der in diesem Ersatzteihandbuch aufgeführten Abbildungen und Informationen wurden der Bobcat/Ingersoll-Rand von den Herstellern von Maschinenbauteilen zur Verfügung gestellt.

ABKÜRZUNGEN UND SYMBOLE

| | |
|----------------------------|--|
| SALES | = Bestellung bei der Verkaufsabteilung in Brüssel |
| NSS | = Nicht einzeln erhältlich |
| NAP | = Nicht als Ersatzteil erhältlich |
| * | = Geänderte oder hinzugefügte Abschnitte, Seiten oder Teilenummern |
| BTI | = Bobcat Technical Information Bulletin : Siehe am Ende der Mikrokarte des jeweiligen Modells oder der allgemeinen Mikrokarte der BTI. |
| was 6535403 | = War 6535403 |
| adj. | = Einstellung |
| Assembly | = Baugruppe |
| available W/Ref. | = erhältlich mit der Referenz |
| bulk/sold per foot | = Mengenabnahme / Verkauf pro Fuss |
| does not include | = beinhaltet nicht |
| included with | = enthalten in |
| I.D. | = Innendurchmesser |
| O.D. | = Aussendurchmesser |
| not in kit | = nicht in Bausatz |
| W/ - WO/ | = mit/ - ohne/ |
| Qty | = Anzahl |
| see page/ref. | = Siehe Seite / Referenz |
| used with ref. | = verwendet mit Referenz |
| 0.05 inch thickness | = Dicke : 0.05 Zoll (ein Zoll = 25.4 mm) |
| weld on | = anschweißen |

INFORMAZIONI GENERALI

Quando si usa il numero di serie della macchina usare il numero completo.

Il numero mostrato nella colonna della quantità di questo manuale corrisponde al numero di componenti necessari per l'illustrazione della pagina. Per alcuni componenti appare "X" nella colonna delle quantità. Questa "X" indica che la quantità da usare è "come necessario".

See in questo manuale si fa riferimento alla parte destra o sinistra, si intende dal sedile dell'operatore nella posizione in avanti di funzionamento.

Alcune delle illustrazioni e informazioni trovate in questo manuale di componenti sono state fornite alla Bobcat/Ingersoll-Rand da società di componenti di macchine.

SIMBOLI E ABBREVIAZIONI

| | |
|----------------------------|---|
| SALES | = Ordinare al servizio vendite di Bruxelles |
| NSS | = Non vendute separatamente |
| NAP | = Non disponibile come componente |
| * | = Sezioni, pagine o numeri di componente cambiati o aggiunti |
| BTI | = (Bobcat Technical information) Ved. al termine del microfiche del modello relativo oppure microfiche generale |
| was 6535403 | = era 6535403 |
| adj. (adjustment) | = regol. (regolazione) |
| Assembly | = Complessivo |
| available W/Ref. | = disponibile con rif. |
| bulk/sold per foot | = alla rinfusa/venduto al piede |
| does not include | = non comprende |
| Included with | = compreso con |
| I.D. | = d. i. |
| O.D. | = d. e. |
| not in kit | = non fa parte del kit |
| W/ - WO/ | = con - senza |
| Qty | = Qtà |
| see page/ref | = ved. pagina/rif. |
| used with ref. | = usato con il rif. |
| 0,05 inch thickness | = spessore 0,05 pollici (un pollice = 25,4 mm) |
| weld on | = a saldare |

INFORMACION GENERAL

Al utilizar el número de serie de la máquina, debe emplearse el número completo.

El número que figura en la columna de “Unidades” en este manual es el número de piezas que se necesitan para la ilustración que consta en la página. En algunas piezas aparece una “x” en la columna de “Unidades”. Esta “x” indica que las unidades a utilizar son “según sea necesario”.

Cuando se empleen las referencias izq. y dcha., éstas se entienden mirando desde el asiento del conductor, en posición de marcha adelante.

Algunas de las ilustraciones y la información que figuran en este manual de piezas han sido facilitadas a Bobcat/Ingersoll-Rand por empresas de componentes de máquinas.

ABREVIATURAS Y SIMBOLOS

| | |
|----------------------------|--|
| VENTAS | = Pedido al Departamento de Ventas de Bruselas |
| NSS | = No se vende por separado |
| NAP | = No disponible como pieza de repuesto |
| * | = Secciones, páginas o referencias modificadas o añadidas |
| BTI | = (Bobcat Technical Information) Ver al final de la microficha del modelo afectado o en la microficha general “Boletín de Información Técnica Bobcat”. |
| was 6535403 | = era anteriormente el 6535403 |
| adj. (adjustment) | = ajuste |
| assembly | = conjunto |
| available W/Ref. | = disponible con la ref. |
| bulk/sold per foot | = a granel/vendido por pies |
| does not include | = no incluye |
| included with | = incluido en |
| I.D. | = diámetro interior |
| O.D. | = diámetro exterior |
| not in kit | = no en el kit |
| W/ - WO/ | = con/ - sin |
| Qty | = Unidades |
| see page /ref. | = ver página/ref. |
| used with ref. | = empleado con la ref. |
| 0,05 inch thickness | = 0,05 pulgadas de espesor (1 pulgada = 25,4 mm) |
| weld on | = debe ser soldado |

ALGEMENE INFORMATIE

Als u het serienummer van de machine gebruikt, geef dan het gehele serienummer.

Het cijfer dat voorkomt in de kolom "Aantal", in deze handleiding, is het aantal onderdelen dat nodig is van de illustratie op de pagina. Voor sommige onderdelen staat er een "x" in de kolom "Aantal". Deze "x" betekent dat er een aantal "zoals nodig" vereist is.

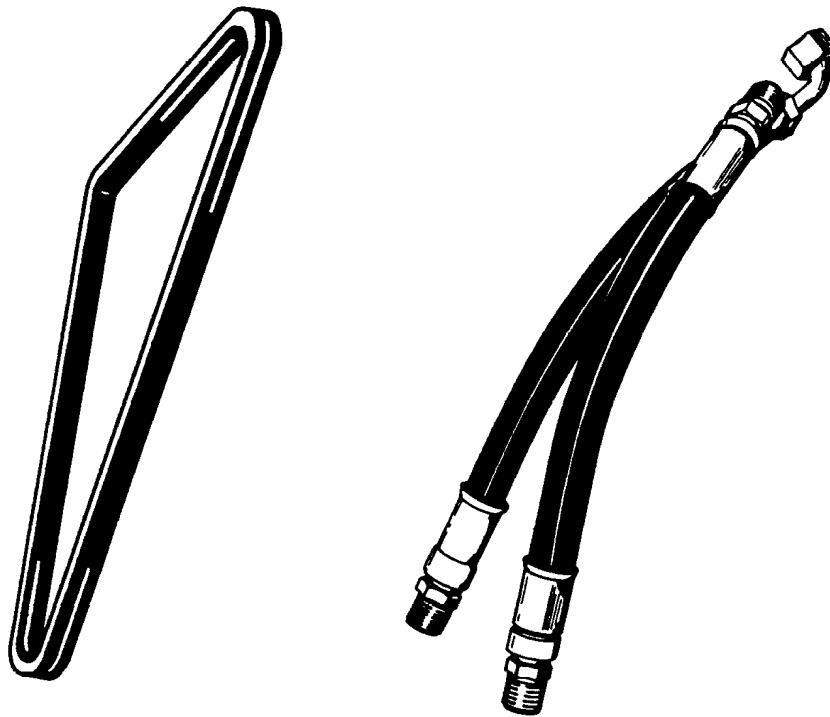
Wanneer er in deze handleiding naar "links" en naar "rechts" gerefereerd wordt, moet dit verstaan worden voor een bestuurder die in de bestuurdersstoel zit in de voorwaartse bedrijfsstand.

Sommige van de illustraties en informatie in deze onderdelen-handleiding werden door firma's van machine-componenten geleverd aan Bobcat/Ingersoll-Rand.

AFKORTINGEN EN SYMBOLEN

| | |
|----------------------------|--|
| SALES | = Bestellen bij de Verkoopafdeling te Brussel |
| NSS | = Niet afzonderlijk te verkrijgen |
| NAP | = Niet beschikbaar als onderdeel |
| * | = Gewijzigde of toegevoegde paragrafen, pagina's of onderdeelnummers |
| BTI | = Bobcat Technical Information Bulletin : Zie einde van de microfiche van het desbetreffende model of einde van de algemene microfiche die het geheel van alle "BTI" herneemt. |
| was 6535403 | = was vroeger 6535403 |
| adj. (adjustment) | = afstelling |
| Assembly | = geheel |
| available W/Ref. | = beschikbaar met ref. |
| bulk/sold per foot | = bulk/aan de meter verkocht |
| does not include | = bevat niet |
| includes with | = is bevat in |
| I.D. | = ϕ inw. (inwendige diameter) |
| O.D. | = ϕ uitw. (uitwendige diameter) |
| not in kit | = niet in de kit |
| W/ - WO/ | = met/ - zonder/ |
| Qty | = vereiste aantal |
| see page/ref. | = zie pagina/ref. |
| used with ref/ | = gebruikt met ref. |
| 0,05 inch thickness | = 0.05 inch dik (een inch = 25.4 mm) |
| weld on | = te lassen |

**Use only Bobcat belts and hoses
to maintain maximum service life.**



Available from Bobcat Parts.



CONTENTS

| | |
|-----------------------------------|----------------|
| MAINTENANCE ITEMS | 1-2 |
| MAINTENANCE ITEMS | 1 |
| MAIN FRAME | 3-32 |
| SEAT & SEAT BAR | 11 |
| SEAT | 13 |
| PANELS | 15 |
| REAR DOOR | 17-20 |
| LIFT ARMS & BOB-TACH | 21-26 |
| BOB-TACH | 27 |
| FUEL SYSTEM | 29-32 |
| MAIN FRAME | 3-6 |
| OPERATOR CAB | 7-10 |
| DRIVE TRAIN | 33-44 |
| DRIVE TRAIN | 33 |
| AXLE | 35 |
| MOTOR CARRIER | 37 |
| DISC BRAKE | 39-44 |
| HYDRAULIC SYSTEM | 45-146 |
| BICS CONTROL VALVE | 141 |
| MANUAL LIFT RELEASE VALVE | 143 |
| PRESSURE RELEASE VALVE | 145 |
| HYDRAULIC CIRCUITRY | 45-68 |
| MANUAL LIFT RELEASE SYSTEM | 69 |
| AUXILIARY HYDRAULICS | 71-80 |
| TILT CYLINDER | 81-86 |
| LIFT CYLINDER | 87-92 |
| CONTROL PEDALS | 93 |
| HYDRAULIC CONTROL VALVE | 95-140 |
| HIGH FLOW HYDRAULICS | 147-162 |
| HIGH FLOW HYDRAULICS | 147-162 |
| HYDROSTATIC SYSTEM | 163-206 |
| HYDROSTATIC CIRCUITRY | 163-178 |
| HAND CONTROLS | 179-182 |
| HYDROSTATIC MOTOR | 183-186 |
| HYDROSTATIC PUMP | 187-198 |
| GEAR PUMP | 199-202 |
| HYDROSTATIC OIL FILTER | 203-206 |
| ELECTRICAL SYSTEM | 207-250 |
| CAB ELECTRICAL CIRCUITRY | 207-210 |
| ENGINE ELECTRICAL CIRCUITRY | 211-218 |
| CONTROLS ELECTRICAL | 219-242 |
| ALTERNATOR | 243-246 |
| STARTER | 247-250 |
| POWER UNIT | 251-368 |
| COOLING SYSTEM | 251-254 |
| ENGINE & ATTACHING PARTS | 255-268 |
| THROTTLE | 269 |
| COOLING FAN DRIVE ASSY. | 271-274 |
| ENGINE & GASKET KITS | 275-320 |
| GEARCASE | 279-322 |
| CRANKCASE | 281-328 |
| ROCKER ARM COVER | 283-330 |

CONTENTS (Cont'd)

POWER UNIT

| | |
|---------------------------------|---------|
| VALVE ROCKER ARM | 285-332 |
| CYLINDER HEAD | 287-334 |
| OIL PAN | 289-336 |
| PISTON & CRANKSHAFT | 291-338 |
| FUEL CAMSHAFT | 293-340 |
| CAMSHAFT | 295-342 |
| WATER PUMP | 297-344 |
| WATER FLANGE & THERMOSTAT | 299-346 |
| MANIFOLDS | 301-348 |
| ENGINE STOP LEVER | 303-354 |
| GOVERNOR | 305-356 |
| SPEED CONTROL PLATE | 307-358 |
| FUEL & INJECTION PUMPS | 309-360 |
| INJECTION PUMP | 311-362 |
| INJECTOR NOZZLES | 313-364 |
| INJECTOR HOLDER | 315-366 |
| OIL COOLER | 323-326 |
| TURBO CHARGER | 349 |
| OIL PIPE | 351 |
| AIR CLEANER | 367 |

REPLACEMENT ENGINE 369-446

| | |
|---------------------------------|---------|
| ENGINE & GASKET KITS | 369-406 |
| GEARCASE | 371-408 |
| OIL PAN | 373-420 |
| CRANKCASE | 375-412 |
| ROCKER ARM COVER | 377-414 |
| VALVE ROCKER ARM | 379-416 |
| CYLINDER HEAD | 381-418 |
| PISTON & CRANKSHAFT | 383-422 |
| FUEL CAMSHAFT | 385-424 |
| CAMSHAFT | 387-426 |
| WATER PUMP | 389-428 |
| WATER FLANGE & THERMOSTAT | 391-430 |
| MANIFOLDS | 393-432 |
| ENGINE STOP LEVER | 395-438 |
| GOVERNOR | 397-440 |
| SPEED CONTROL PLATE | 399-442 |
| FUEL & INJECTION PUMP | 401 |
| INJECTOR NOZZLES | 403-446 |
| OIL COOLER | 409 |
| TURBO CHARGER | 433 |
| OIL PIPE | 435 |
| FUEL & INJECTION PUMPS | 443 |

ACCESSORIES & OPTIONS 447-666

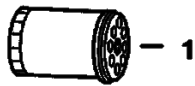
| | |
|---------------------------|-----|
| ACCESS COVER | 447 |
| ACCESSORIES HARNESS | 449 |
| ACS CONVERSION KIT | 451 |
| AXLE SEAL KIT | 453 |
| BACK-UP ALARM | 455 |
| BEACON | 457 |
| BLOCK HEATER | 459 |

CONTENTS (Cont'd)

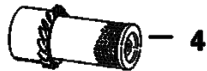
ACCESSORIES & OPTIONS

| | |
|------------------------------------|----------------|
| BOB-TACH LEVERS | 461 |
| BUCKET POSITIONING VALVE KIT | 463-468 |
| BUCKET POSITIONING VALVE | 469 |
| CAB DOOR | 471-490 |
| CAB ENCLOSURE | 491-494 |
| CAB WINDOWS | 495-502 |
| COUNTERWEIGHT KIT | 503-506 |
| DECALS | 507-510 |
| DELUXE CAB | 511-514 |
| DUAL BATTERY KIT | 515-518 |
| ELECTRICAL CONNECTOR KIT | 519 |
| ELECTRICAL CONTROLS KIT | 521-528 |
| ENGINE MOUNT KIT | 529 |
| EUROPEAN ACCESSORIES | 531-536 |
| EUROPEAN ACCESSORIES | 537-540 |
| FIRE EXTINGUISHER | 541 |
| F.O.P.S. KIT | 543 |
| FLASHER LIGHTS | 545 |
| GAS SPRING KIT | 547 |
| FRONT AUXILIARY | 549 |
| HAND CONTROL KIT | 551-554 |
| HEATER & A/C | 555-580 |
| HEATER | 573 |
| HORN KIT | 581 |
| LIFT KIT | 583-586 |
| LIGHT KIT | 587 |
| MUFFLER/PURIFIER KIT | 589 |
| PEDAL EXTENDERS | 591 |
| POWER BOB-TACH KIT | 593-600 |
| POWER BOB-TACH | 601-614 |
| RADIATOR SCREEN KIT | 615 |
| REAR AUXILIARY | 617-630 |
| REAR AUXILIARY VALVE | 631 |
| REAR DOOR LOCK | 633 |
| SEAL ENCLOSURE KIT | 635 |
| REAR WIPER | 637 |
| SEAT | 639-642 |
| SEAT BELT | 643-648 |
| SOUND KIT | 649 |
| SOUND OPTION | 651 |
| SOUND REDUCTION HARDHAT | 653 |
| STROBE LIGHT | 655 |
| TIRES & RIMS | 657-660 |
| WHITE DECAL KIT | 661 |
| BULK ITEMS | 663-666 |
| NUMERICAL INDEX | 668-731 |

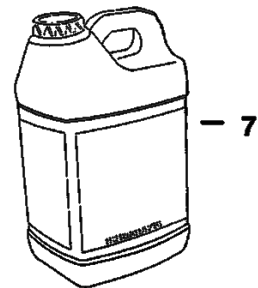
MAINTENANCE ITEMS



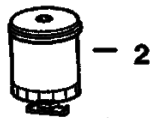
1



4



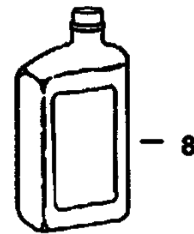
7



2



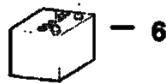
5



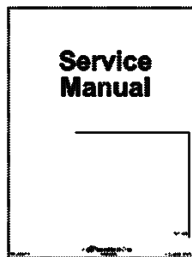
8



3



6



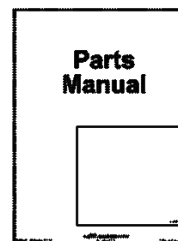
**Service
Manual**

9



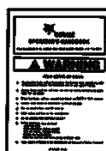
**Operation &
Maintenance
Manual**

10



**Parts
Manual**

11



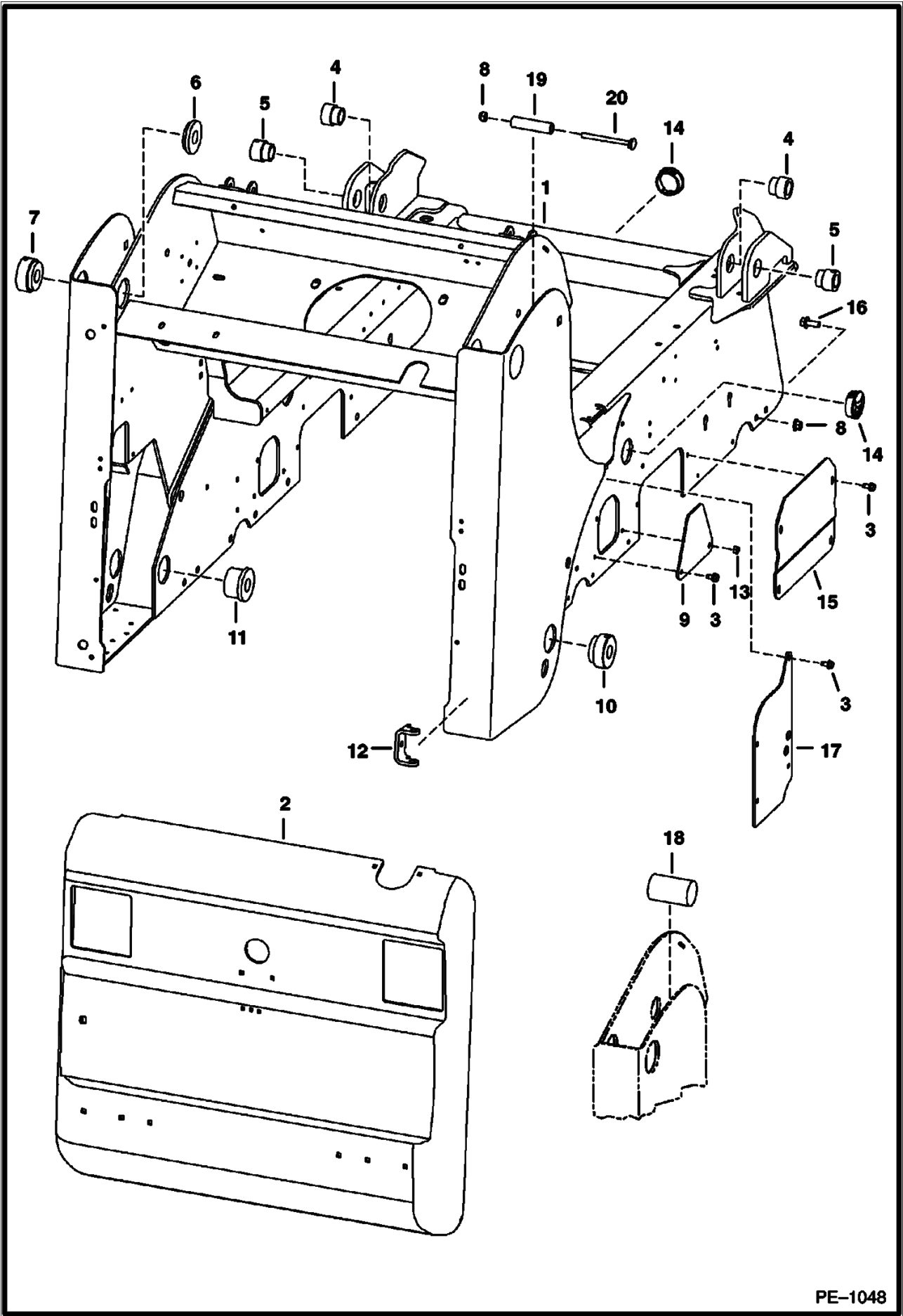
12

B-22668

MAINTENANCE ITEMS (Cont'd)

| Ref No | Part Number | Description | Remarks | Serial Number | Qty |
|--------|-------------|----------------------------------|--|---------------|-----|
| 1 | 6675517 | FILTER, OIL ENG | See Illustration GEARCASE/ B17146 See Illustration GEARCASE/ B13160 | | x |
| 2 | 6667352 | FILTER, FUEL W/SEPERATOR 12 | See Illustration FUEL SYSTEM/ PE1627 | | x |
| 3 | 6598362 | ELEMENT | See Illustration AIR CLEANER/ B16478 - inner air cleaner | | x |
| 4 | 6598492 | ELEMENT | See Illustration AIR CLEANER/ B16478 - outer air cleaner | | x |
| 5 | 6661248 | FILTER, OIL HYD 12 | See Illustration HYDROSTATIC OIL FILTER/ B17469 hydrostatic #3 media - 6" (152,4mm) long | | x |
| 5 | 6661807 | FILTER, OIL HYD | See Illustration HYDROSTATIC OIL FILTER/ B13527 - in-line | | x |
| 6 | 6674687 | BATTERY, DRY 600 AMP | See Illustration ENGINE ELECTRICAL CIRCUITRY/ PE1040R See Illustration ENGINE ELECTRICAL CIRCUITRY/ PE1104 | | x |
| 7 | 6903117 | FLUID, OIL HYD 2.5 GAL 2 | Was 6563328 [A] | | x |
| 7 | 6903118 | FLUID, OIL HYD 5 GAL | Was 6722344 [A] | | x |
| 7 | 6903119 | FLUID, OIL HYD 55 GAL | Was 6563330 [A] | | x |
| 8 | 6903107 | OIL, 10W30 QT. 12 | Was 6657301 [A] | | x |
| 8 | 6903108 | OIL, 10W30 GAL. 6 | Was 6724557 [A] | | x |
| 8 | 6903112 | OIL, 10W30 2.5 GAL 2 | Was 6674205 [A] | | x |
| 8 | 6903105 | OIL, 15W40 QT. 12 | Was 6657299 [A] | | x |
| 8 | 6903106 | OIL, 15W40 GAL. 6 | Was 6724558 [A] | | x |
| 8 | 6903113 | OIL, 15W40 2.5 GAL. 2 | Was 6674204 [A] | | x |
| 8 | 6903109 | OIL 30W QT. 12 | Was 6657303 [A] | | x |
| 8 | 6903110 | OIL, 30W GAL. 6 | Was 6724559 [A] | | x |
| 8 | 6903111 | OIL 30W 2.5 GAL 2 | Was 6674206 [A] | | x |
| 9 | 6900834 | MANUAL SERVICE 773 LOADER | Service Manual | | 1 |
| 10 | 6900842 | MANUAL OPERATION 773/773H LOADER | Operation & Maintenance Manual | | 1 |
| 11 | 6900939 | MANUAL PARTS 773 LOADER | printed | | 1 |
| 11 | 6900939-CD | MANUAL PARTS 773 LOADER CD | | | 1 |
| 12 | 6718719 | HANDBOOK, OPERATOR'S | See Illustration DECALS/ B17183 W/wire rope [A] | | 1 |

MAIN FRAME

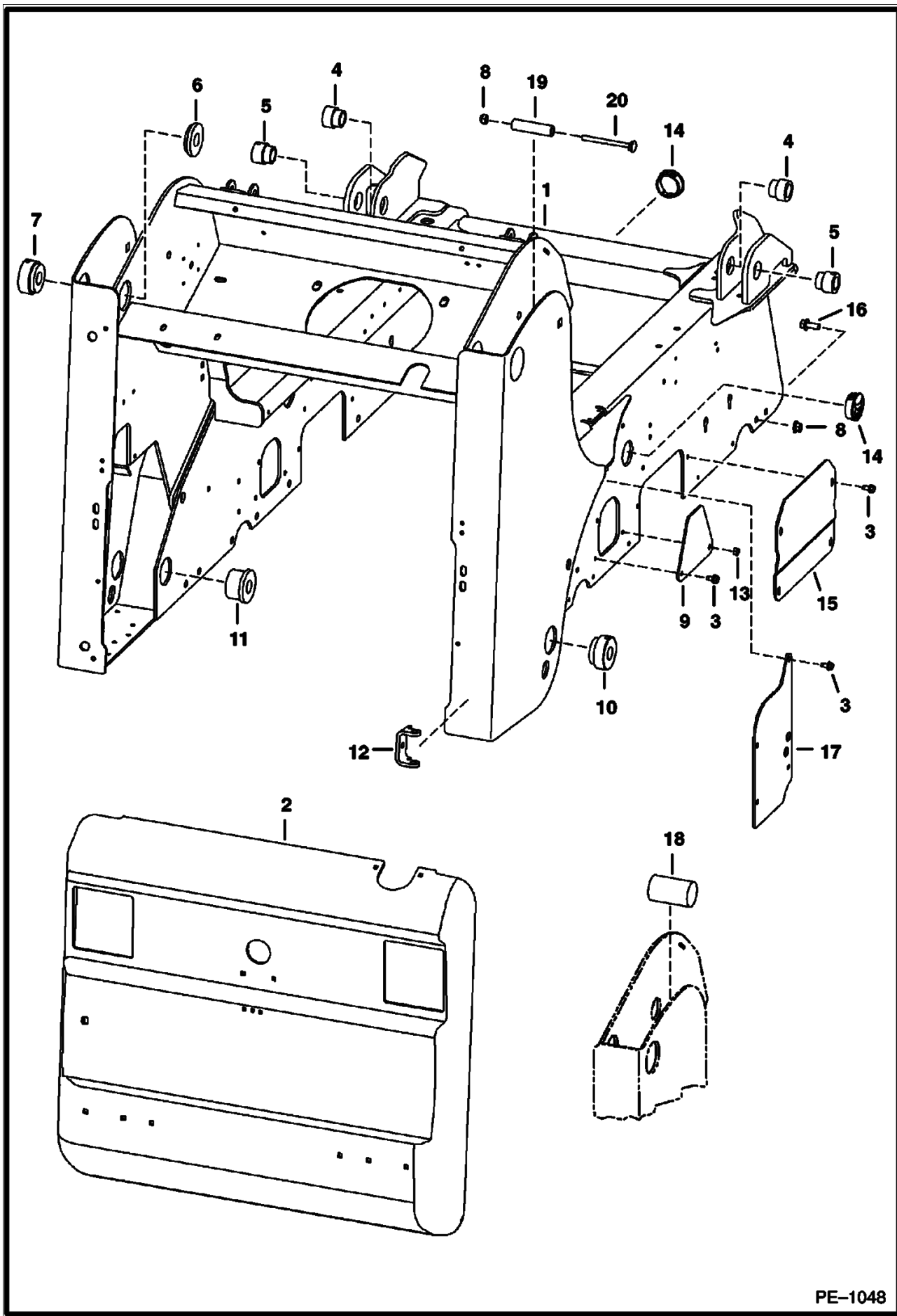


PE-1048

MAIN FRAME (Cont'd)

| Ref No | Part Number | Description | Remarks | Serial Number | Qty |
|--------|-------------|-------------|--|------------------|-----|
| 1 | 6717052 | MAIN FRAME | | 5176 18740 & Bel | 1 |
| 1 | 6717052 | MAIN FRAME | | 5180 12130 & Bel | 1 |
| 1 | 6717052 | MAIN FRAME | | 5190 17712 & Bel | 1 |
| 1 | 6717052 | MAIN FRAME | | 5181 12066 & Bel | 1 |
| 1 | 6717052 | MAIN FRAME | | 5192 12070 & Bel | 1 |
| 1 | | MAIN FRAME | NAP - Order 6733002 Main Frame & 2 of Ref. 15 (6719201 cover) - Was 6726150 [A] | 500K 11001 & Abv | 1 |
| 1 | | MAIN FRAME | NAP - Order 6733002 Main Frame & 2 of Ref. 15 (6719201 cover) - Was 6726150 [A] | 5176 18741 & Abv | 1 |
| 1 | | MAIN FRAME | NAP - Order 6733002 Main Frame & 2 of Ref. 15 (6719201 cover) - Was 6726150 [A] | 5181 12067 & Abv | 1 |
| 1 | | MAIN FRAME | NAP - Order 6733002 Main Frame & 2 of Ref. 15 (6719201 cover) - Was 6726150 [A] | 5180 12131 & Abv | 1 |
| 1 | | MAIN FRAME | NAP - Order 6733002 Main Frame & 2 of Ref. 15 (6719201 cover) - Was 6726150 [A] | 5190 17713 & Abv | 1 |
| 1 | | MAIN FRAME | NAP - Order 6733002 Main Frame & 2 of Ref. 15 (6719201 cover) - Was 6726150 [A] | 5192 12071 & Abv | 1 |
| 1 | 6733002 | MAIN FRAME | | | 1 |
| 2 | 6711524 | REAR DOOR | See Illustration REAR DOOR/ TS1523 | | 1 |
| 3 | 84G3712 | BOLT | | 5176 18740 & Bel | 11 |
| 3 | 84G3712 | BOLT | | 5192 12070 & Bel | 11 |
| 3 | 84G3712 | BOLT | | 5180 12130 & Bel | 11 |
| 3 | 84G3712 | BOLT | | 5181 12066 & Bel | 11 |
| 3 | 84G3712 | BOLT | | 5190 17712 & Bel | 11 |
| 3 | 84G3712 | BOLT | | 500K 11001 & Abv | 23 |
| 3 | 84G3712 | BOLT | | 5180 12131 & Abv | 23 |
| 3 | 84G3712 | BOLT | | 5190 17713 & Abv | 23 |
| 3 | 84G3712 | BOLT | | 5192 12071 & Abv | 23 |
| 3 | 84G3712 | BOLT | | 5181 12067 & Abv | 23 |
| 3 | 84G3712 | BOLT | | 5176 18741 & Abv | 23 |
| 4 | 6717278 | BUSHING | weld on | | 2 |
| 5 | 6717277 | BUSHING | weld on | | 2 |
| 6 | 6717356 | BUSHING | weld on | | 2 |
| 7 | 6717357 | BUSHING | weld on - flat edge | | 2 |
| 7 | 6731578 | BUSHING | weld on - tapered edge | | 2 |
| 8 | 83D8 | NUT 5 | | 5176 18740 & Bel | 28 |
| 8 | 83D8 | NUT 5 | | 5192 12070 & Bel | 28 |
| 8 | 83D8 | NUT 5 | | 5180 12130 & Bel | 28 |
| 8 | 83D8 | NUT 5 | | 5181 12066 & Bel | 28 |
| 8 | 83D8 | NUT 5 | | 5190 17712 & Bel | 28 |
| 8 | 83D8 | NUT 5 | | 500K 11001 & Abv | 26 |
| 8 | 83D8 | NUT 5 | | 5180 12131 & Abv | 26 |
| 8 | 83D8 | NUT 5 | | 5190 17713 & Abv | 26 |
| 8 | 83D8 | NUT 5 | | 5192 12071 & Abv | 26 |
| 8 | 83D8 | NUT 5 | | 5181 12067 & Abv | 26 |
| 8 | 83D8 | NUT 5 | | 5176 18741 & Abv | 26 |
| 9 | 6718791 | COVER | | 5176 18740 & Bel | 2 |
| 9 | 6718791 | COVER | | 5180 12130 & Bel | 2 |
| 9 | 6718791 | COVER | | 5181 12066 & Bel | 2 |
| 9 | 6718791 | COVER | | 5192 12070 & Bel | 2 |
| 9 | 6718791 | COVER | | 5190 17712 & Bel | 2 |
| 9 | 7136696 | COVER | Was 6726069 [A] | 500K 11001 & Abv | 2 |
| 9 | 7136696 | COVER | Was 6726069 [A] | 5190 17713 & Abv | 2 |
| 9 | 7136696 | COVER | Was 6726069 [A] | 5192 12071 & Abv | 2 |
| 9 | 7136696 | COVER | Was 6726069 [A] | 5181 12067 & Abv | 2 |
| 9 | 7136696 | COVER | Was 6726069 [A] | 5176 18741 & Abv | 2 |
| 9 | 7136696 | COVER | Was 6726069 [A] | 5180 12131 & Abv | 2 |

MAIN FRAME (Cont'd)

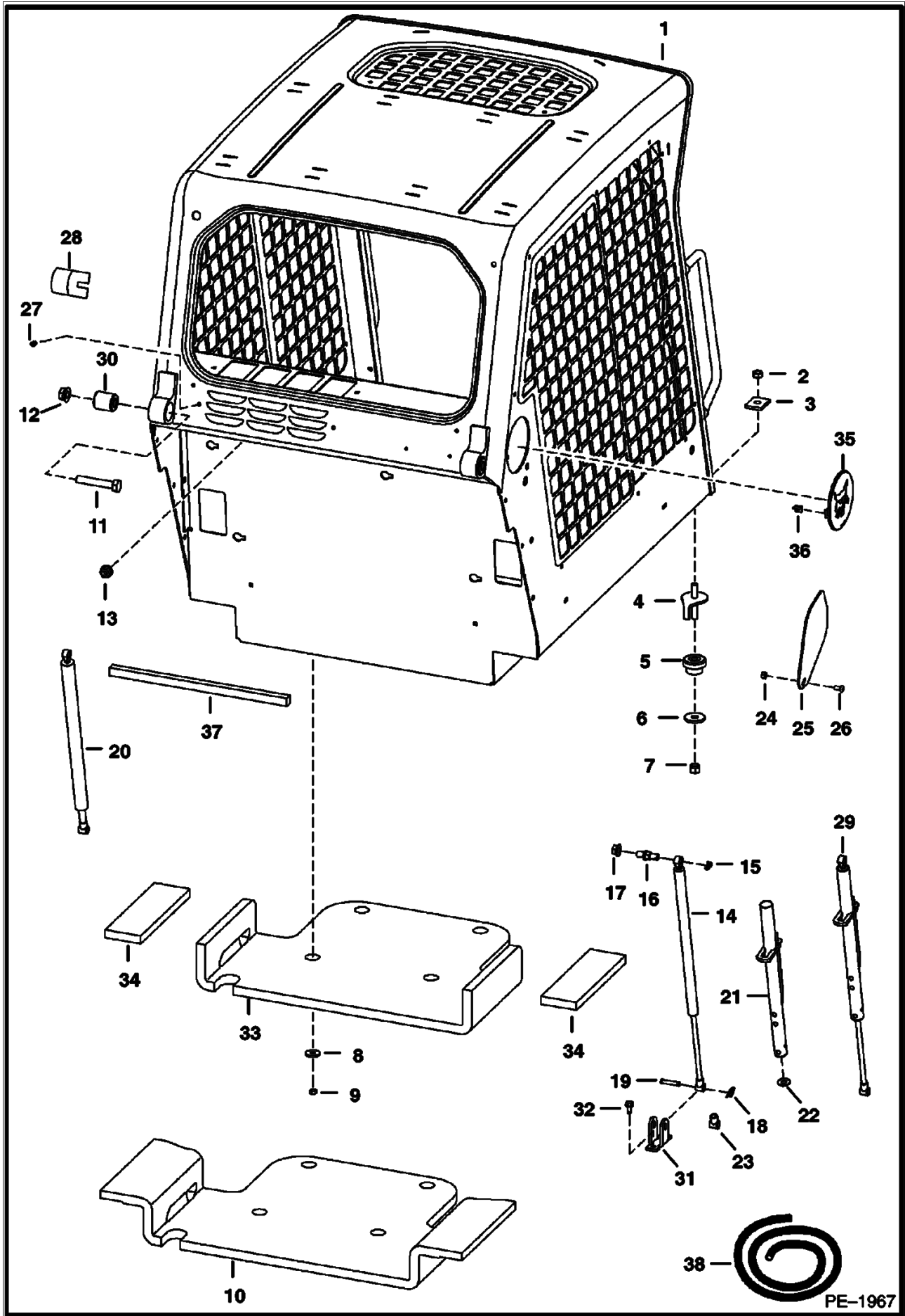


PE-1048

MAIN FRAME (Cont'd)

| Ref No | Part Number | Description | Remarks | Serial Number | Qty |
|--------|-------------|----------------|------------------------------------|------------------|-----|
| 10 | 6717359 | BUSHING | weld on - bottom upright | | 2 |
| 10 | 6731578 | BUSHING | weld on - bottom upright | | 2 |
| 11 | 6717358 | BUSHING | weld on | | 2 |
| 12 | 6708987 | HINGE, WELD-ON | | | 2 |
| 13 | 61D6 | NUT 5 | | | 1 |
| 14 | 6718796 | PLUG | | | 3 |
| 15 | 6706808 | COVER | A - 12.80" (325,1 mm) hole pattern | | 2 |
| 15 | 6719201 | COVER | 13.80" (350,5 mm) hole pattern | | 2 |
| 16 | 31C820 | BOLT | | 5176 18740 & Bel | 28 |
| 16 | 31C820 | BOLT | | 5181 12066 & Bel | 28 |
| 16 | 31C820 | BOLT | | 5192 12070 & Bel | 28 |
| 16 | 31C820 | BOLT | | 5190 17712 & Bel | 28 |
| 16 | 31C820 | BOLT | | 5180 12130 & Bel | 28 |
| 16 | 31C820 | BOLT | | 500K 11001 & Abv | 26 |
| 16 | 31C820 | BOLT | | 5180 12131 & Abv | 26 |
| 16 | 31C820 | BOLT | | 5176 18741 & Abv | 26 |
| 16 | 31C820 | BOLT | | 5181 12067 & Abv | 26 |
| 16 | 31C820 | BOLT | | 5192 12071 & Abv | 26 |
| 16 | 31C820 | BOLT | | 5190 17713 & Abv | 26 |
| 17 | 6726062 | SHIELD | | 500K 11001 & Abv | 2 |
| 17 | 6726062 | SHIELD | | 5180 12131 & Abv | 2 |
| 17 | 6726062 | SHIELD | | 5192 12071 & Abv | 2 |
| 17 | 6726062 | SHIELD | | 5190 17713 & Abv | 2 |
| 17 | 6726062 | SHIELD | | 5181 12067 & Abv | 2 |
| 17 | 6726062 | SHIELD | | 5176 18741 & Abv | 2 |
| 18 | 6718994 | MOUNT | weld on - solid | | 2 |
| 19 | 6732225 | SPACER | hollow - .56" ID | | 2 |
| 20 | 37C888 | BOLT | Use W/Ref. 19 | | 2 |

OPERATOR CAB

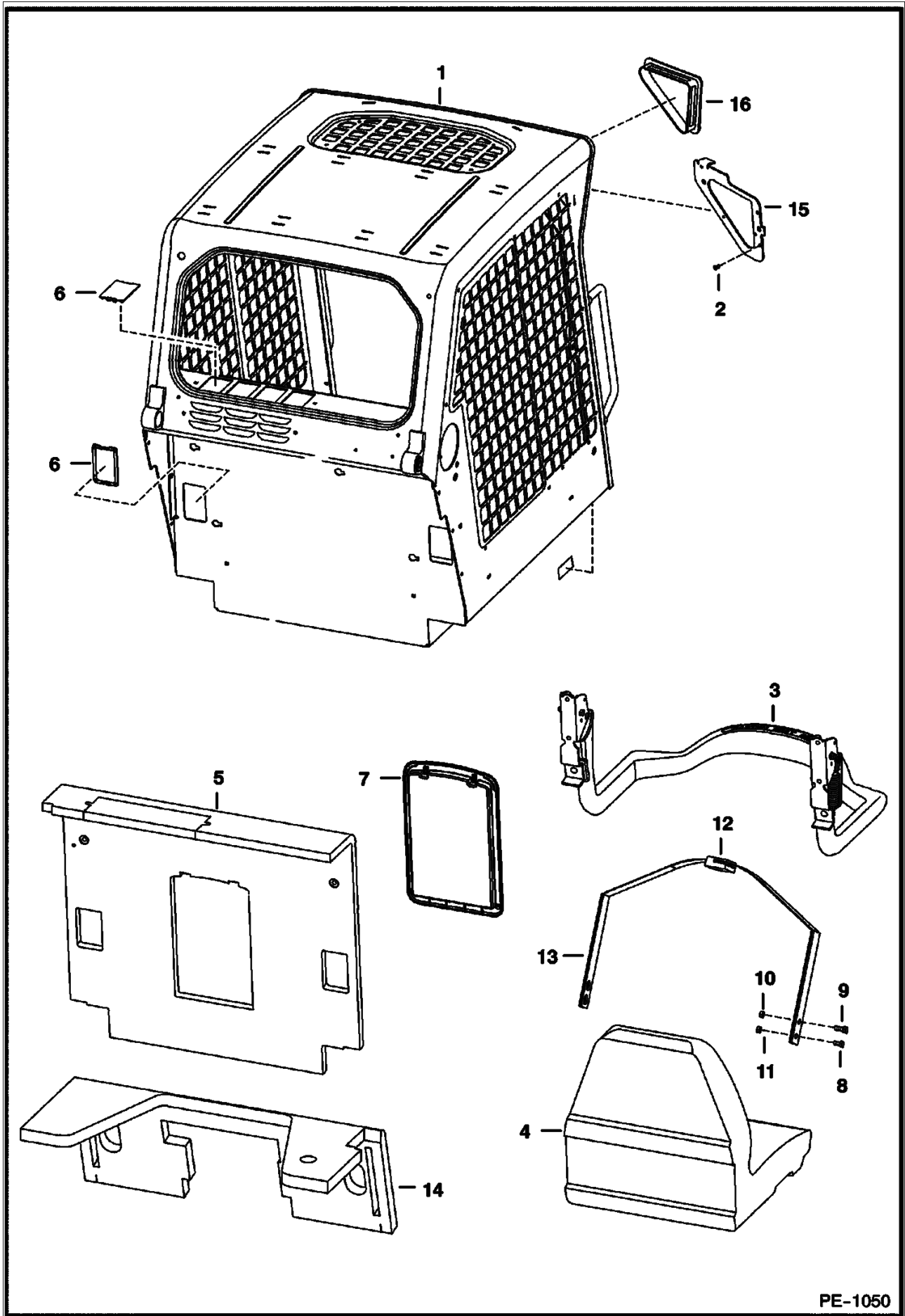


PE-1967

OPERATOR CAB (Cont'd)

| Ref No | Part Number | Description | Remarks | Serial Number | Qty |
|--------|-------------|--------------|---|---------------|-----|
| 1 | | OPERATOR CAB | Does not include cab decals - Order 6719672 cab & 7129949 cover | | 1 |
| 2 | 59D8 | NUT 5 | | | 2 |
| 3 | 6553709 | WASHER | rectangular | | 2 |
| 4 | 6702971 | BOLT | | | 2 |
| 5 | 6560633 | DAMPENER | | | 2 |
| 6 | 6515817 | WASHER | | | 2 |
| 7 | 85D8 | NUT, 5 | | | 2 |
| 8 | 619021 | WASHER, 5 | | | 4 |
| 9 | 59D5 | NUT 5 | | | 4 |
| 10 | | INSULATION | NAP - seat pan - Order Ref. 33 & (2) Ref. 34 - Was 6719360 [A] | | 1 |
| 11 | 17C1056 | BOLT | | | 2 |
| 12 | 53D10 | NUT | | | 2 |
| 13 | 53D6 | NUT | | | 4 |
| 14 | 6675135 | GAS SPRING | RH | | 1 |
| 15 | 6675140 | SNAP RING | | | 2 |
| 16 | 6719064 | MOUNT | Was 6719005 [A] | | 2 |
| 17 | 95D8 | NUT | Was 83D000008B [B] | | 2 |
| 18 | 6631418 | PIN | ring | | 2 |
| 19 | 6567743 | PIN | | | 2 |
| 20 | 6675134 | GAS SPRING | L.H. | | 1 |
| 20 | 6675136 | GAS SPRING | LH - heavy duty | | 1 |
| 21 | 6708189 | TUBE | stop - RH | | 1 |
| 22 | 6701174 | WASHER | | | 1 |
| 23 | 6675257 | CLEVIS | | | 1 |
| 24 | 95D5 | NUT | | | 2 |
| 25 | 6718784 | COVER | | | 2 |
| 26 | 25G512 | SCREW | Was 25G000510B [B] | | 2 |
| 27 | 6675033 | INSERT | filter cover | | 2 |
| 28 | 6579613 | STOP | | | 2 |
| 29 | | GAS SPRING | NAP - R.H. - W/latch - Order Ref. 14 & 21-23 - Was 6719072 [A] | | 1 |
| 30 | 6562602 | BUSHING | | | 2 |
| 31 | 6706349 | MOUNT | gas spring | | 2 |
| 32 | 84G3112 | BOLT 5 | | | 4 |
| 33 | 6729013 | INSULATION | seat pan | | 1 |
| 34 | 6729012 | INSULATION | seat pan | | 2 |
| 35 | 6733107 | PLUG ASSY | W/Bobcat head & Ref. 35 | | 2 |
| 36 | 6679990 | CLIP | | | 2 |
| 37 | 6679994 | SEAL | 32" (818,8 mm) long | | 1 |
| 38 | | SEAL | NAP -bulk - Sold Per Foot - Order Ref. 37 | | x |

OPERATOR CAB

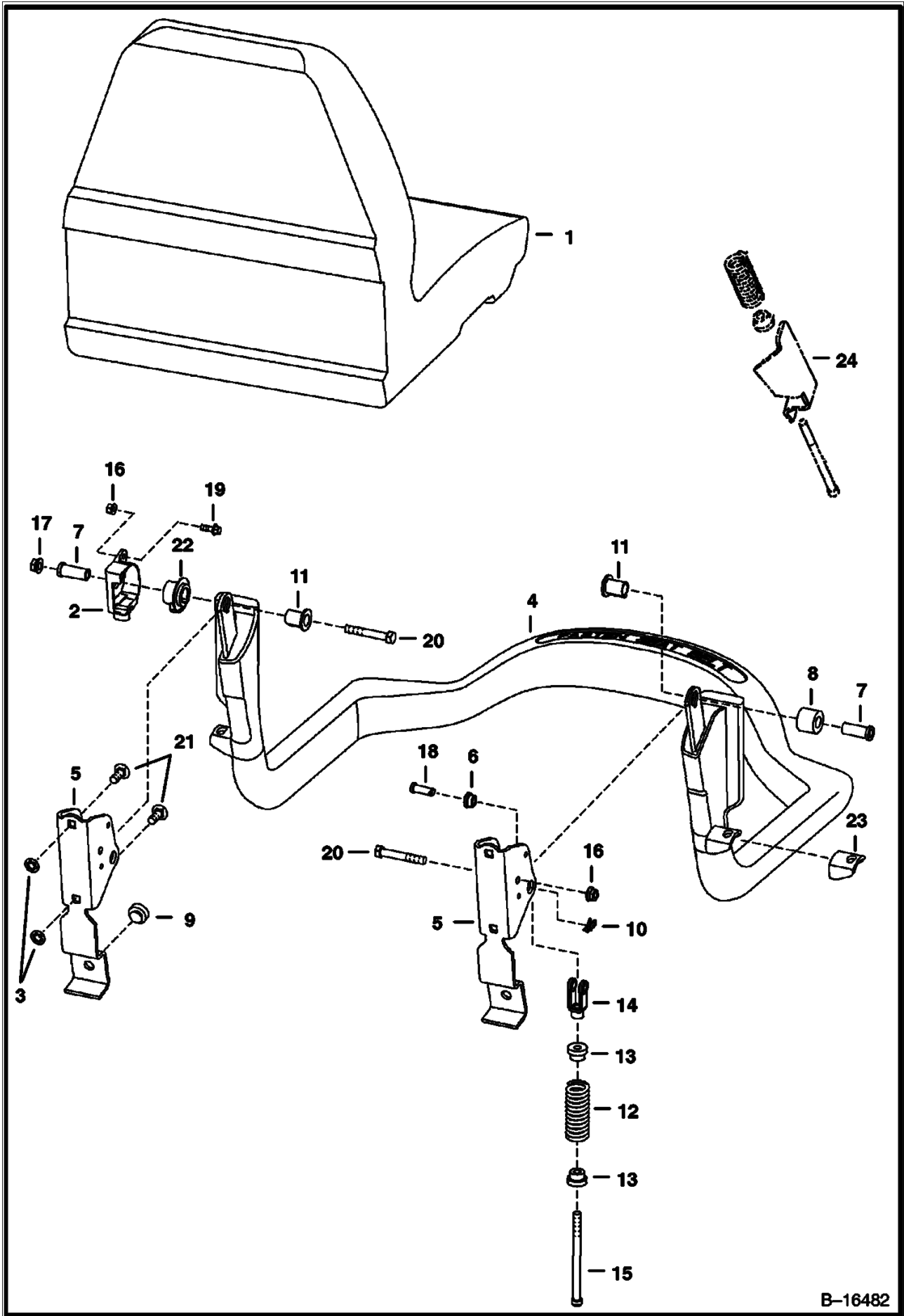


PE-1050

OPERATOR CAB (Cont'd)

| Ref No | Part Number | Description | Remarks | Serial Number | Qty |
|--------|-------------|-----------------|---|---------------|-----|
| 1 | | OPERATOR CAB | See Illustration OPERATOR CAB/ PE1967 Does not include cab decals | | 1 |
| 2 | 6675033 | INSERT | See Illustration CAB ELECTRICAL CIRCUITRY/ PE1039 | | 6 |
| 3 | | SEAT BAR | See Illustration SEAT & SEAT BAR/ B16482 | | 1 |
| 4 | 6669135 | SEAT | See Illustration SEAT/ B14720 | | 1 |
| 5 | 6719504 | INSULATION | W/Ref. 7 | | 1 |
| 6 | 6718101 | COVER | | | 6 |
| 7 | | CONTAINER | NAP - manuals - Order 6725301 container & 6725303 cover - Was 6719503 [A] | | 1 |
| 7 | 6675524 | CLIP | | | 2 |
| 7 | 6725301 | OP MANUAL COVER | | | 1 |
| 7 | 6725303 | OP MANUAL PAN | | | 1 |
| 8 | 17C612 | BOLT 5 | 3/8 x 3/4 | | 2 |
| 9 | 17C716 | BOLT | | | 4 |
| 10 | 85D7 | NUT | | | 2 |
| 11 | 85D6 | LOCK NUT | | | 2 |
| 12 | | SEAT BELT | NAP - Order 6675074 Seat Belt & (2) of Ref. 13 (6725373 Spring Plate) - Was 6667875 [A] | | 1 |
| 12 | | SEAT BELT | NAP - W/spring plates - Order 6675074 Seat Belt & (2) of Ref. 13 (6725373 Spring Plate) - Was 6725403 [A] | | 1 |
| 12 | 6675074 | SEAT BELT | W/O spring plates | | 1 |
| 13 | | GUIDE ASSY | NAP - Order 6711908 Spring Plate, 6565355 Guide & (2) of 6630207 Rivets - Was 6711907 [A] | | 2 |
| 13 | 6711908 | SPRING PLATE | Use W/Ref. 12 (NAP/6667875 Seat Belt) | | 2 |
| 13 | | GUIDE | NAP - Order 6703703 - Was 6565355 | | 2 |
| 13 | 6630207 | RIVET | | | 4 |
| 13 | 6725373 | SPRING PLATE | Use W/Ref. 12 (6675074 Seat Belt) | | 2 |
| 14 | 7139184 | INSULATION | steering panel - Was 6718489 [A] | | 1 |
| 15 | | PLATE | NSS - R.H. - weld on | | 1 |
| 15 | | PLATE | NSS - L.H. - weld on | | 1 |
| 16 | 6674403 | COVER | no lights | | 2 |

SEAT & SEAT BAR

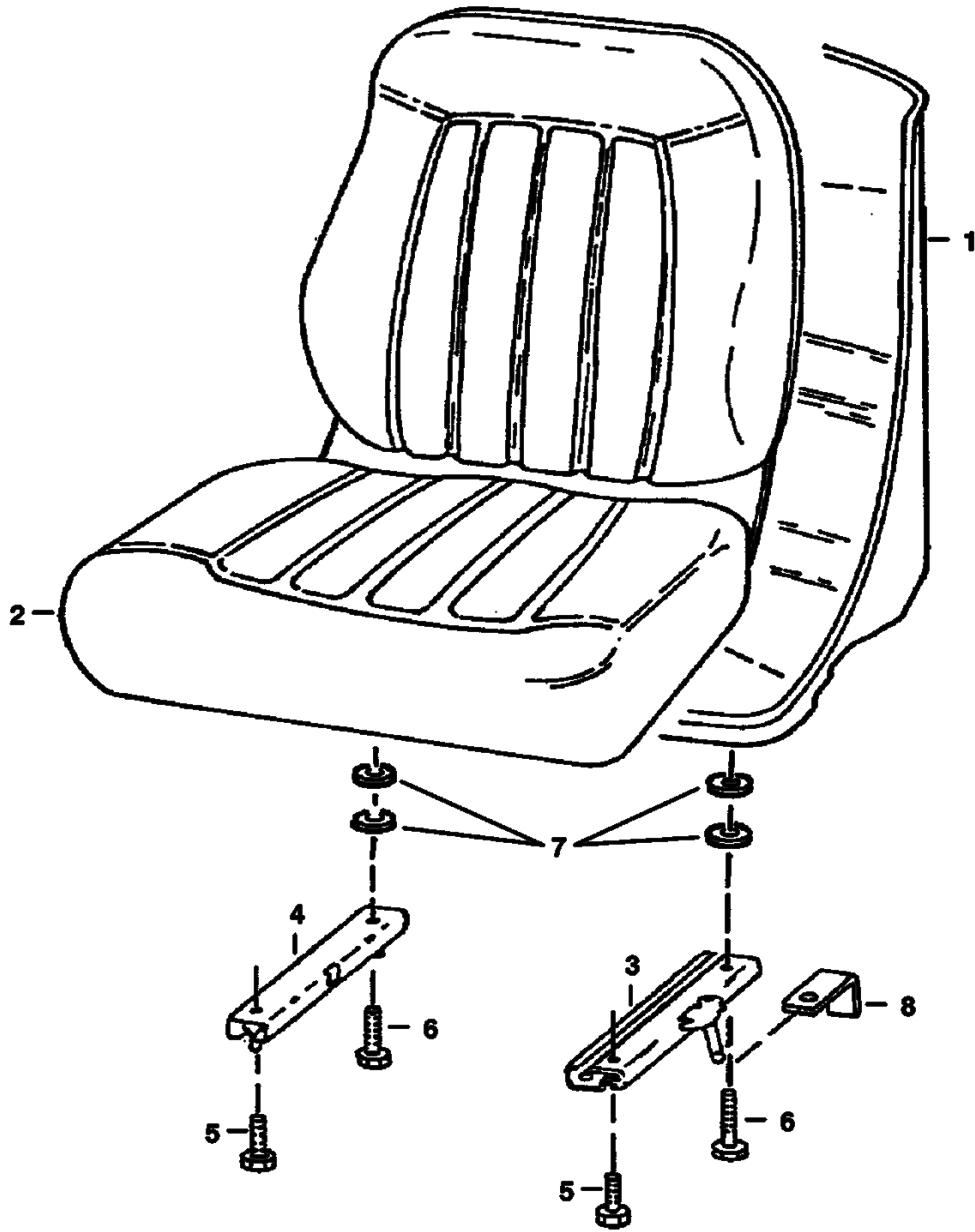


B-16482

SEAT & SEAT BAR (Cont'd)

| Ref No | Part Number | Description | Remarks | Serial Number | Qty |
|--------|-------------|---------------------------|-------------------------------|---------------|-----|
| 1 | 6669135 | SEAT | See Illustration SEAT/ B14720 | | 1 |
| 2 | 6680429 | SENSOR, SEAT BAR POSITION | Was 6674406 [A] | | 1 |
| 3 | 6674894 | NUT | | | 4 |
| 4 | 6715860 | SEAT BAR | | | 1 |
| 5 | 6715863 | BRACKET | | | 1 |
| 6 | 6715864 | BUSHING | | | 2 |
| 7 | 6715865 | BUSHING | | | 2 |
| 8 | 6715866 | BUSHING | | | 1 |
| 9 | 6519178 | BUMPER | | | 2 |
| 10 | 6631418 | PIN | ring | | 2 |
| 11 | 6680441 | BUSHING | keyed - Was 6664882 [A] | | 2 |
| 12 | 6701535 | SPRING | | | 2 |
| 13 | 6710659 | BUSHING | | | 2 |
| 14 | 6713589 | CLEVIS | | | 2 |
| 15 | 6713887 | BOLT | | | 2 |
| 16 | 83D4 | NUT 10 | | | 1 |
| 17 | 53D6 | NUT | | | 2 |
| 18 | 4F6106 | PIN | | | 2 |
| 19 | 35C412 | BOLT | | | 1 |
| 20 | 17C640 | BOLT 5 | | | 2 |
| 21 | 10C616 | BOLT 10 | | | 4 |
| 22 | 6680443 | BUSHING, MAGNET | Was 6674405 [A] | | 1 |
| 23 | | MOUNT | NAP - Order Ref. 4 | & Abv | 1 |
| 24 | | MOUNT | NAP - Order Ref. 4 | & Bel | 1 |

SEAT (Michigan)

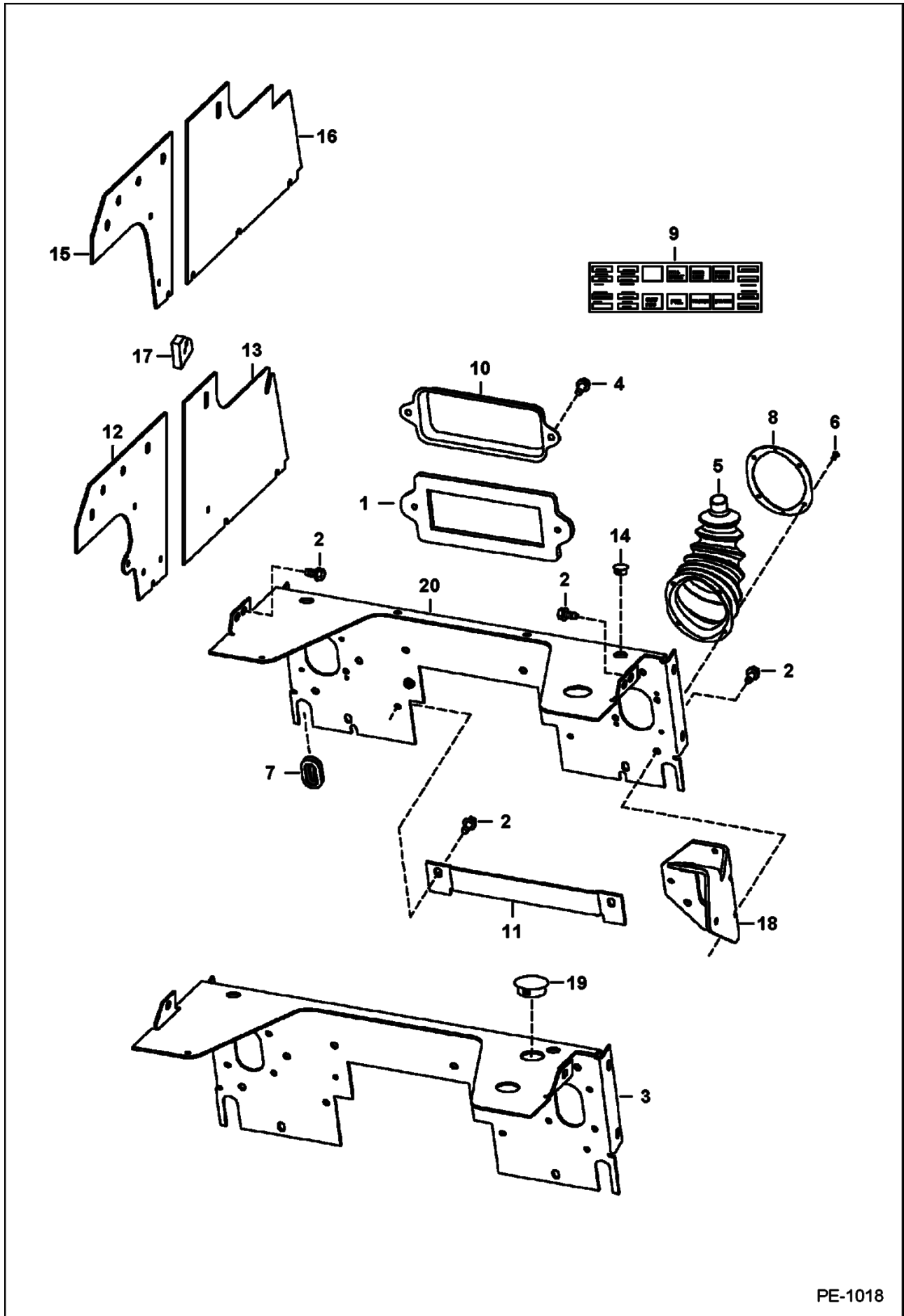


B-14720

SEAT (Cont'd) (Michigan)

| Ref No | Part Number | Description | Remarks | Serial Number | Qty |
|--------|-------------|-------------|-------------------------------|---------------|-----|
| 1 | 6669135 | SEAT | W/Ref. 2-7 | | 1 |
| 2 | 6670160 | CUSHION | W/edging, clip & (2) grommets | | 1 |
| 2 | | EDGING | NSS | | 1 |
| 2 | | CLIP | NSS | | 1 |
| 3 | 6674013 | TRACK | LH - W/ 8" (203,2 mm) latch | | 1 |
| 4 | 6669089 | TRACK | RH - W/O latch | | 1 |
| 5 | 25G512 | SCREW | | | 2 |
| 6 | 25G520 | SCREW | | | 2 |
| 7 | 6672715 | SPACER | Was 7000010 [A] | | 4 |
| 8 | 6668953 | BRACKET | | | 2 |

PANELS

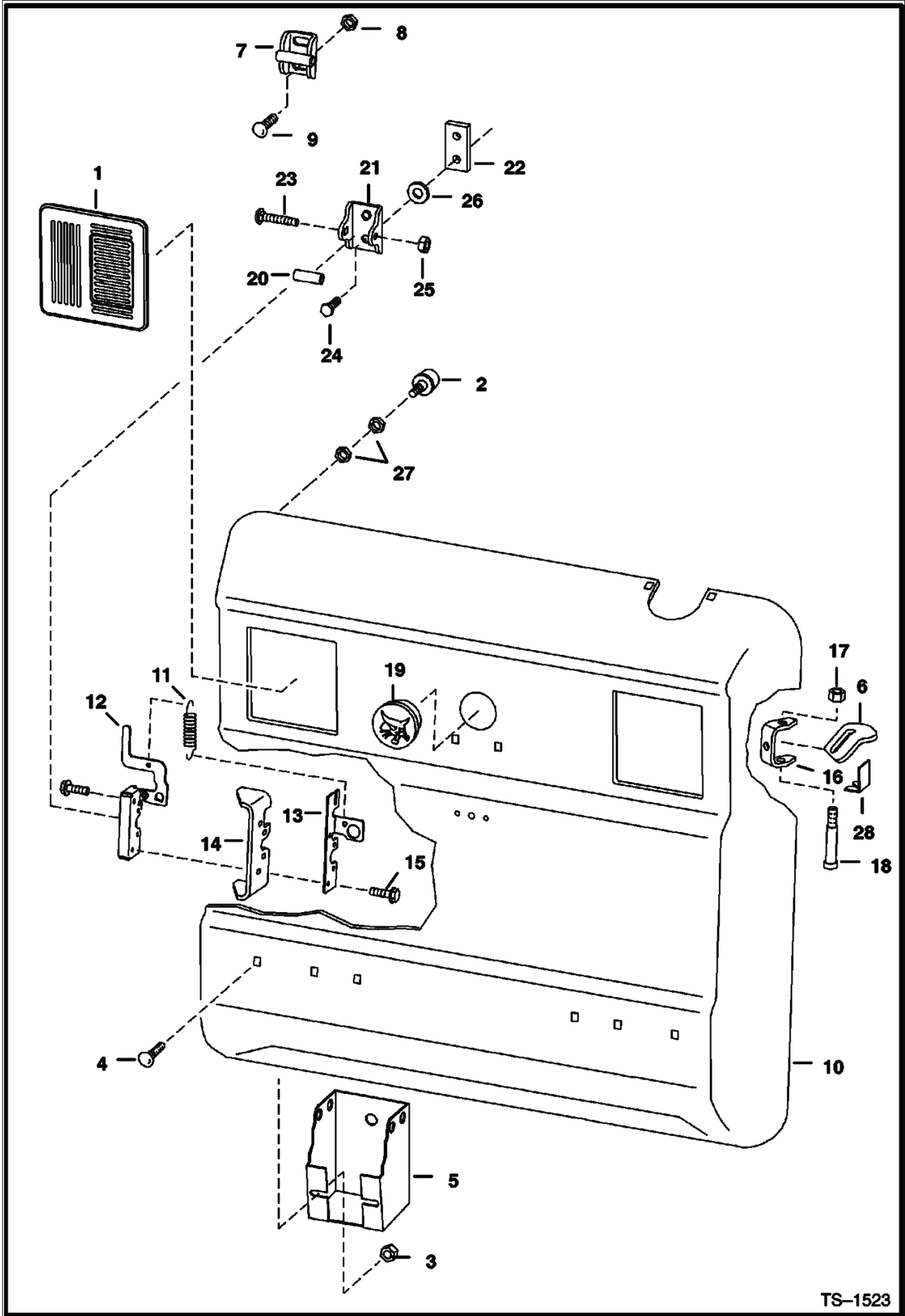


PE-1018

PANELS (Cont'd)

| Ref No | Part Number | Description | Remarks | Serial Number | Qty |
|--------|-------------|-------------|---|---------------|-----|
| 1 | 6725302 | GASKET | | | 1 |
| 2 | 84G3712 | BOLT | Use W/Ref. 12 & 13 | | 16 |
| 2 | 84G3712 | BOLT | Use W/Ref. 15 & 16 | | 14 |
| 3 | | SHIELD | NAP - Order Ref. 20 & 6734520 cover - Was 7106687 [A] | | 1 |
| 4 | 84G3112 | BOLT 5 | | | 2 |
| 5 | 6532127 | BOOT | W/Ref. 8 | | 2 |
| 6 | 6630207 | RIVET | | | 12 |
| 7 | 6577961 | GROMMET | | | 2 |
| 8 | | PLATE | NAP - Order Ref. 5 | | 2 |
| 9 | | DECAL | NAP - fuse/relay - 2.10" x 9.40" (53,3 mm x 238,8 mm) - Order 6718774 Decal | | 1 |
| 9 | 6718774 | DECAL | fuse/relay - 2" x 7" (50,8 mm x 177,8 mm) | | 1 |
| 10 | 6716621 | COVER | fuse/relay | | 1 |
| 10 | 6736071 | KIT | extreme applications - W/decal & insulation | | 1 |
| 10 | 6718774 | DECAL | extreme applications | | 1 |
| 10 | 6731275 | INSULATION | fuse/ relay | | 1 |
| 11 | 6717890 | COVER | | | 1 |
| 12 | 6717207 | PANEL | side | | 2 |
| 13 | 6717313 | PANEL | side front | | 2 |
| 14 | 6657719 | PLUG | for .75" (19,1 mm) dia hole | | 2 |
| 14 | 6648348 | PLUG | for .812" (20,6 mm) dia hole | | 2 |
| 15 | 7117232 | PANEL | rear side - Was 6732620 [A] | | 2 |
| 16 | 6732621 | PANEL | side - front | | 2 |
| 17 | 6733529 | SEAL | Use W/Ref. 16 | | 2 |
| 18 | | BRACKET | See Illustration HAND CONTROLS/ B21594 R.H. - Was 6733022 [A] | | 1 |
| 18 | | BRACKET | See Illustration HAND CONTROLS/ B21594 L.H. - Was 6733024 [A] | | 1 |
| 19 | 6681469 | PLUG | for 1.375" (34,9 mm) dia hole - Was 6665697 [A] | | 1 |
| 20 | 7139183 | SHIELD | | | 1 |

REAR DOOR
 S/N 500K12464 & BEL, 517620710 & BEL, 518012495 & BEL,
 518112378 & Bel. 519022771 & Bel. 519212427 & Bel)

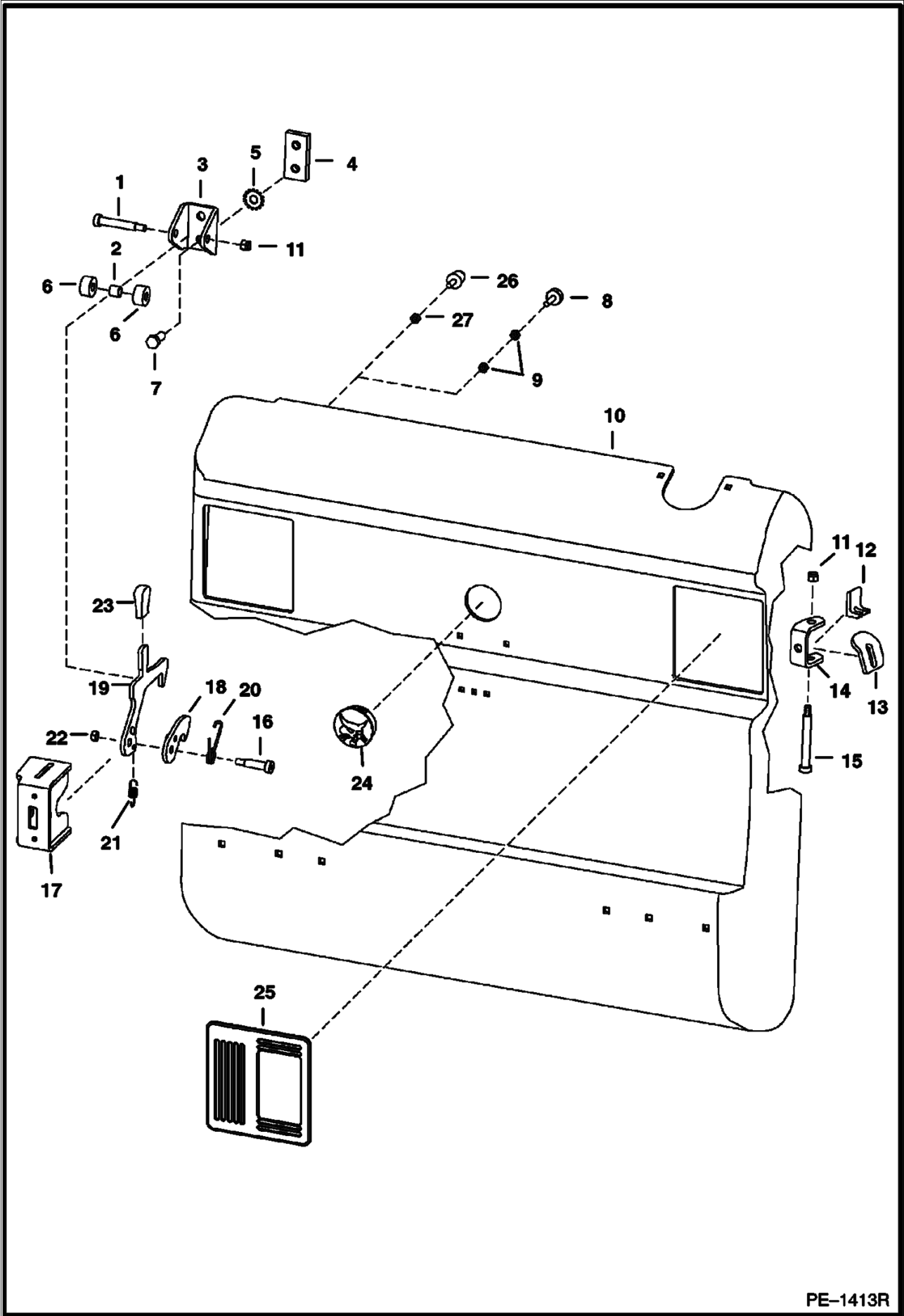


TS-1523

REAR DOOR (Cont'd)
S/N 500K12464 & BEL, 517620710 & BEL, 518012495 & BEL,
518112378 & Bel. 519022771 & Bel. 519212427 & Bel)

| Ref No | Part Number | Description | Remarks | Serial Number | Qty |
|--------|-------------|------------------|--|---------------|-----|
| 1 | 6670287 | COVER | | | 2 |
| 2 | 6655399 | BUMPER | Was 6714454 [B,D] | | 2 |
| 3 | 55D6 | NUT | | | 2 |
| 4 | 37C612 | BOLT | | | 2 |
| 5 | 6715318 | TOOL HOLDER | | | 1 |
| 6 | 6714126 | DOOR STOP | | | 1 |
| 7 | | STRIKER ASSY. | NAP - Order Ref. 20 - 26 - Was 6715157 [A] | | 1 |
| 8 | 57D8 | NUT 10 | | | 2 |
| 9 | 37C820 | BOLT | carriage | | 2 |
| 10 | | REAR DOOR | See BTI357 NAP - Was 6711524 [A] | | 1 |
| 11 | 6714210 | SPRING | | | 1 |
| 12 | 6670867 | LATCH, REAR DOOR | | | 1 |
| 13 | 6711664 | GUIDE, LATCH | latch | | 1 |
| 14 | 6711527 | LATCH PLATE | weld on | | 1 |
| 15 | 31C420 | BOLT 5 | | | 4 |
| 16 | 6733575 | HINGE, REAR DOOR | weld on - Was 6711526 [A] | | 2 |
| 17 | 59D6 | NUT | | | 2 |
| 18 | 6809845 | BOLT | Was 38C000856B [B] | | 2 |
| 19 | 6718796 | PLUG | Was 6660646 [A] | | 1 |
| 20 | 6719550 | TUBE | striker | | 1 |
| 21 | 6719524 | STRIKER | | | 1 |
| 22 | 6719525 | BAR | threaded striker | | 1 |
| 23 | 37C644 | BOLT | carriage | | 1 |
| 24 | 17C820 | BOLT | | | 2 |
| 25 | 61D6 | NUT 5 | | | 2 |
| 26 | 6675273 | WASHER | lock - Was 6675263 [B,D] | | 2 |
| 27 | 61D5 | NUT | | | 2 |
| 28 | 6719766 | STOP | | | 1 |

REAR DOOR
 S/N 500K12465 & Abv, 517620711 & Abv, 518012496 & Abv,
 518112379 & Abv, 519022772 & Abv, 519212428 & Abv)

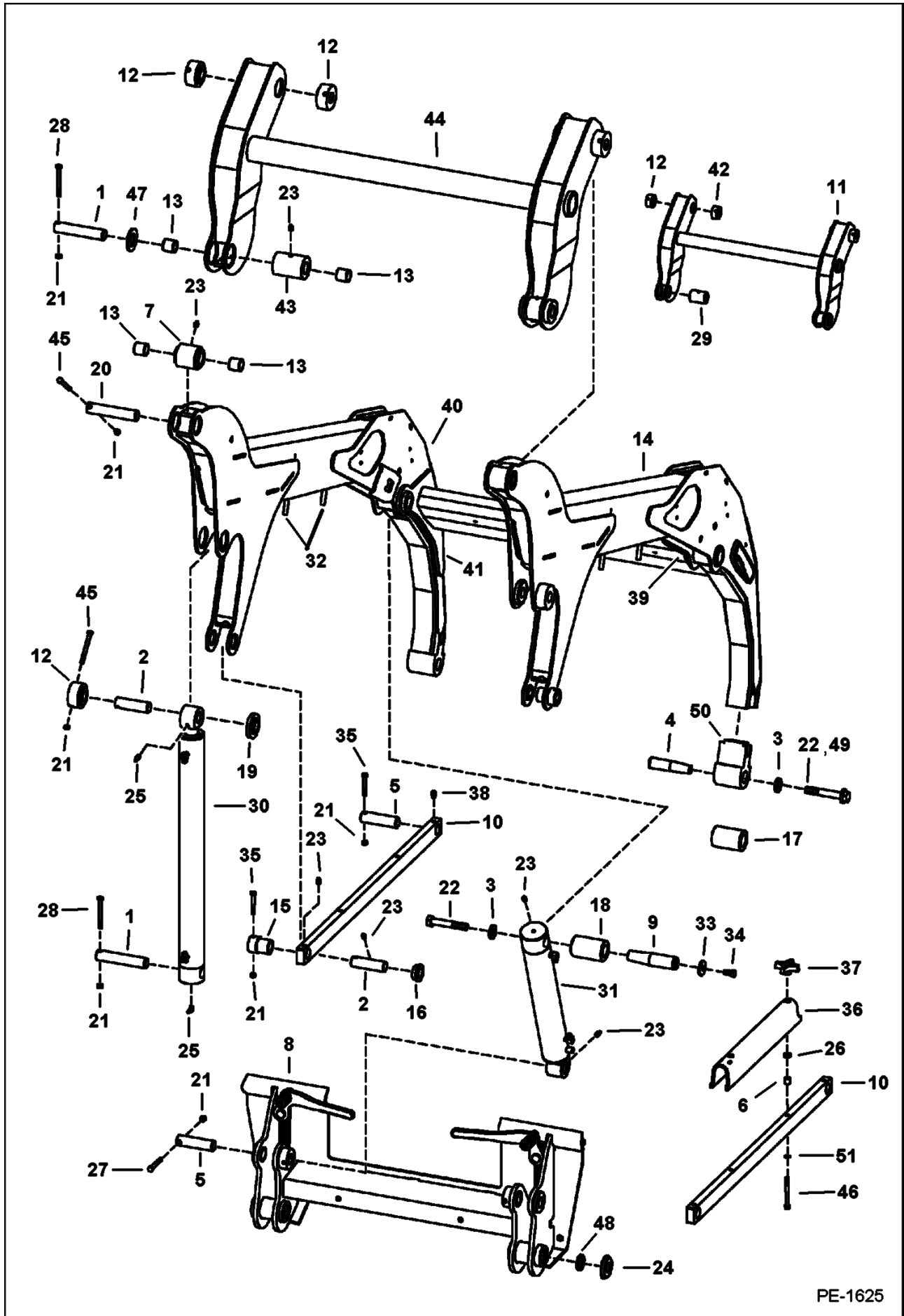


PE-1413R

REAR DOOR (Cont'd)
S/N 500K12465 & Abv, 517620711 & Abv, 518012496 & Abv,
518112379 & Abv, 519022772 & Abv, 519212428 & Abv)

| Ref No | Part Number | Description | Remarks | Serial Number | Qty |
|--------|-------------|------------------|--|---------------|-----|
| 1 | 38C840 | BOLT | carriage | | 1 |
| 2 | 6809734 | BUSHING | flat - Use W/Ref. 10 (NAP - Rear Door) | | 1 |
| 3 | 6809727 | CHANNEL | | | 1 |
| 4 | 6719525 | BAR | threaded striker | | 1 |
| 5 | 6675273 | WASHER | lock | | 2 |
| 6 | 6809726 | ROLLER | | | 2 |
| 7 | 17C820 | BOLT | | | 2 |
| 8 | 6655399 | BUMPER | | | 2 |
| 9 | 61D5 | NUT | | | 4 |
| 10 | | REAR DOOR | NAP - W/ two hole bumper braces - order 6729991 Rear Door & 2 of Ref. 26 - Was 6729991 [A] | | 1 |
| 10 | 6729991 | REAR DOOR | W/ one hole bumper braces | | 1 |
| 11 | 59D6 | NUT | | | 3 |
| 12 | 6719766 | STOP | | | 1 |
| 13 | 6714126 | DOOR STOP | | | 1 |
| 14 | 6733575 | HINGE, REAR DOOR | weld on - Was 6711526 [A] | | 2 |
| 15 | 6809845 | BOLT | Was 38C000856B [B] | | 2 |
| 16 | 38C824 | SCREW | | | 1 |
| 17 | 6729939 | LATCH PLATE | weld on | | 1 |
| 18 | 6733667 | LATCH, REAR DOOR | Was 6811910 [A] | | 1 |
| 19 | 6732715 | LATCH | Was 6729685 [A] | | 1 |
| 20 | 6810132 | SPRING | | | 1 |
| 21 | 6810141 | SPRING | | | 1 |
| 22 | 85D6 | LOCK NUT | | | 1 |
| 23 | 6564452 | GRIP | | | 1 |
| 24 | 6718796 | PLUG | | | 1 |
| 25 | 6670287 | COVER | | | 2 |
| 26 | 6733616 | BUMPER | tapered - Use w/ Ref. 10 (6729991 Rear Door) | | 2 |
| 27 | 61D5 | NUT | | | 2 |

LIFT ARMS & BOB-TACH

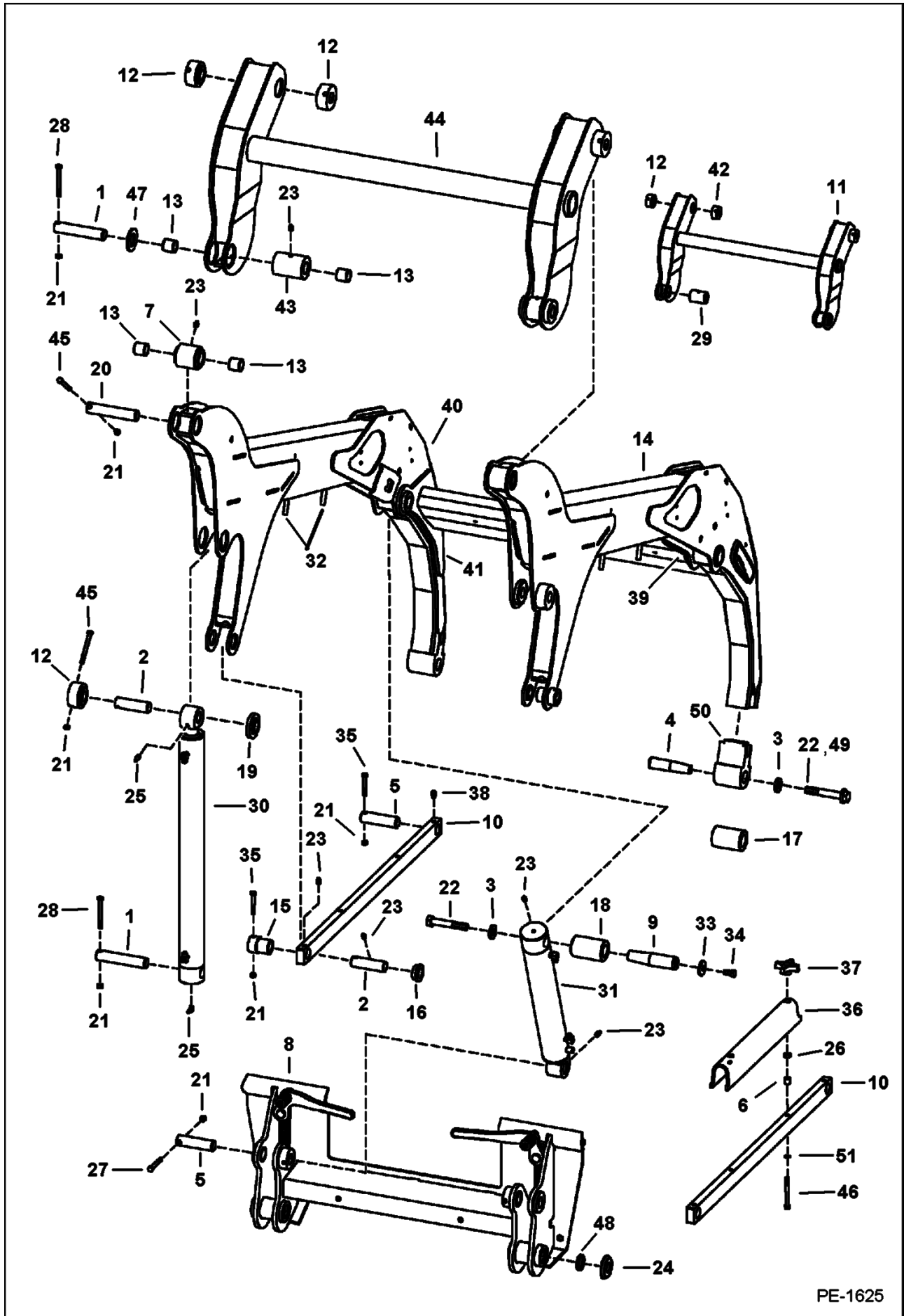


PE-1625

LIFT ARMS & BOB-TACH (Cont'd)

| Ref No | Part Number | Description | Remarks | Serial Number | Qty |
|--------|-------------|--------------------|---|------------------|-----|
| 1 | 6717560 | PIN | 1.25" x 6.46" (31,8 mm x 164,0 mm) | | 6 |
| 2 | 6718789 | PIN | 1.25" x 4.40" (31,8 mm x 111,8 mm) | | 4 |
| 3 | 6576033 | WASHER | .15" thickness x 1.5" O.D. | | 4 |
| 3 | 6718723 | WASHER | .25" thickness x 1.625 - Use W/Ref. 22 (17C-1272 bolt) | | 4 |
| 3 | 27E10 | WASHER | Use W/Ref. 22 (17C-1080 bolt) | | 4 |
| 4 | 6717536 | PIN | tapered - 1.5" x 4.8 or 4.65" (38,1 mm x 121,9 mm or 118,1 mm) | | 2 |
| 4 | | PIN | tapered - 1.5" x 4.17" (38,1 mm x 105,9 mm) - Was 6734661 [A] | & Abv | 2 |
| 4 | 7101078 | PIN, PIVOT TAPERED | tapered - 1.5" x 4.05" (38,1 mm x 102,9 mm) | | 2 |
| 5 | 6577954 | PIN | 1.25" x 4.65" (31,7 mm x 118 mm) | | 4 |
| 6 | 6532347 | SPACER | Was 6718816 [A] | | 2 |
| 7 | 6717039 | BUSHING | weld on | | 2 |
| 8 | | BOB-TACH | See Illustration BOB-TACH/ PE1626 SALES | | 2 |
| 9 | 6717486 | PIN | tapered - 1.5" x 6.2" (38,1 mm x 157,5 mm) | | 2 |
| 9 | 6734662 | PIN, PIVOT TAPERED | tapered - 1.5" x 5.7" (38,1 mm x 144,8 mm) | | 2 |
| 10 | 6717015 | ROD LINK | | 5176 18180 & Bel | 2 |
| 10 | 6717015 | ROD LINK | | 5180 12038 & Bel | 2 |
| 10 | 6717015 | ROD LINK | | 5181 12013 & Bel | 2 |
| 10 | 6717015 | ROD LINK | | 5192 12013 & Bel | 2 |
| 10 | 6717015 | ROD LINK | | 5190 16400 & Bel | 2 |
| 10 | 6727863 | ROD LINK | | 500K 11001 & Abv | 2 |
| 10 | 6727863 | ROD LINK | | 5180 12039 & Abv | 2 |
| 10 | 6727863 | ROD LINK | | 5176 18181 & Abv | 2 |
| 10 | 6727863 | ROD LINK | | 5181 12014 & Abv | 2 |
| 10 | 6727863 | ROD LINK | | 5191 11001 & Abv | 2 |
| 10 | 6727863 | ROD LINK | | 5192 12014 & Abv | 2 |
| 10 | 6727863 | ROD LINK | | 5190 16401 & Abv | 2 |
| 11 | | FRAME LINK | NAP - Order 6732264 frame link & (2) of Ref. 10 (6727863 Rod Link) & (2) of Ref. 47 - Was 6717243 [A] | 5176 18180 & Bel | 1 |
| 11 | | FRAME LINK | NAP - Order 6732264 frame link & (2) of Ref. 10 (6727863 Rod Link) & (2) of Ref. 47 - Was 6717243 [A] | 5180 12038 & Bel | 1 |
| 11 | | FRAME LINK | NAP - Order 6732264 frame link & (2) of Ref. 10 (6727863 Rod Link) & (2) of Ref. 47 - Was 6717243 [A] | 5181 12013 & Bel | 1 |
| 11 | | FRAME LINK | NAP - Order 6732264 frame link & (2) of Ref. 10 (6727863 Rod Link) & (2) of Ref. 47 - Was 6717243 [A] | 5192 12013 & Bel | 1 |
| 11 | | FRAME LINK | NAP - Order 6732264 frame link & (2) of Ref. 10 (6727863 Rod Link) & (2) of Ref. 47 - Was 6717243 [A] | 5190 16400 & Bel | 1 |
| 12 | 6717246 | BUSHING | weld on | 5180 12038 & Bel | 4 |
| 12 | 6717246 | BUSHING | weld on | 5181 12013 & Bel | 4 |
| 12 | 6717246 | BUSHING | weld on | 5190 16400 & Bel | 4 |
| 12 | 6717246 | BUSHING | weld on | 5192 12013 & Bel | 4 |
| 12 | 6717246 | BUSHING | weld on | 5176 18180 & Bel | 4 |
| 12 | 6717246 | BUSHING | weld on | 500K 11001 & Abv | 6 |
| 12 | 6717246 | BUSHING | weld on | 5176 18181 & Abv | 6 |
| 12 | 6717246 | BUSHING | weld on | 5180 12039 & Abv | 6 |
| 12 | 6717246 | BUSHING | weld on | 5192 12014 & Abv | 6 |
| 12 | 6717246 | BUSHING | weld on | 5191 11001 & Abv | 6 |
| 12 | 6717246 | BUSHING | weld on | 5190 16401 & Abv | 6 |

LIFT ARMS & BOB-TACH (Cont'd)

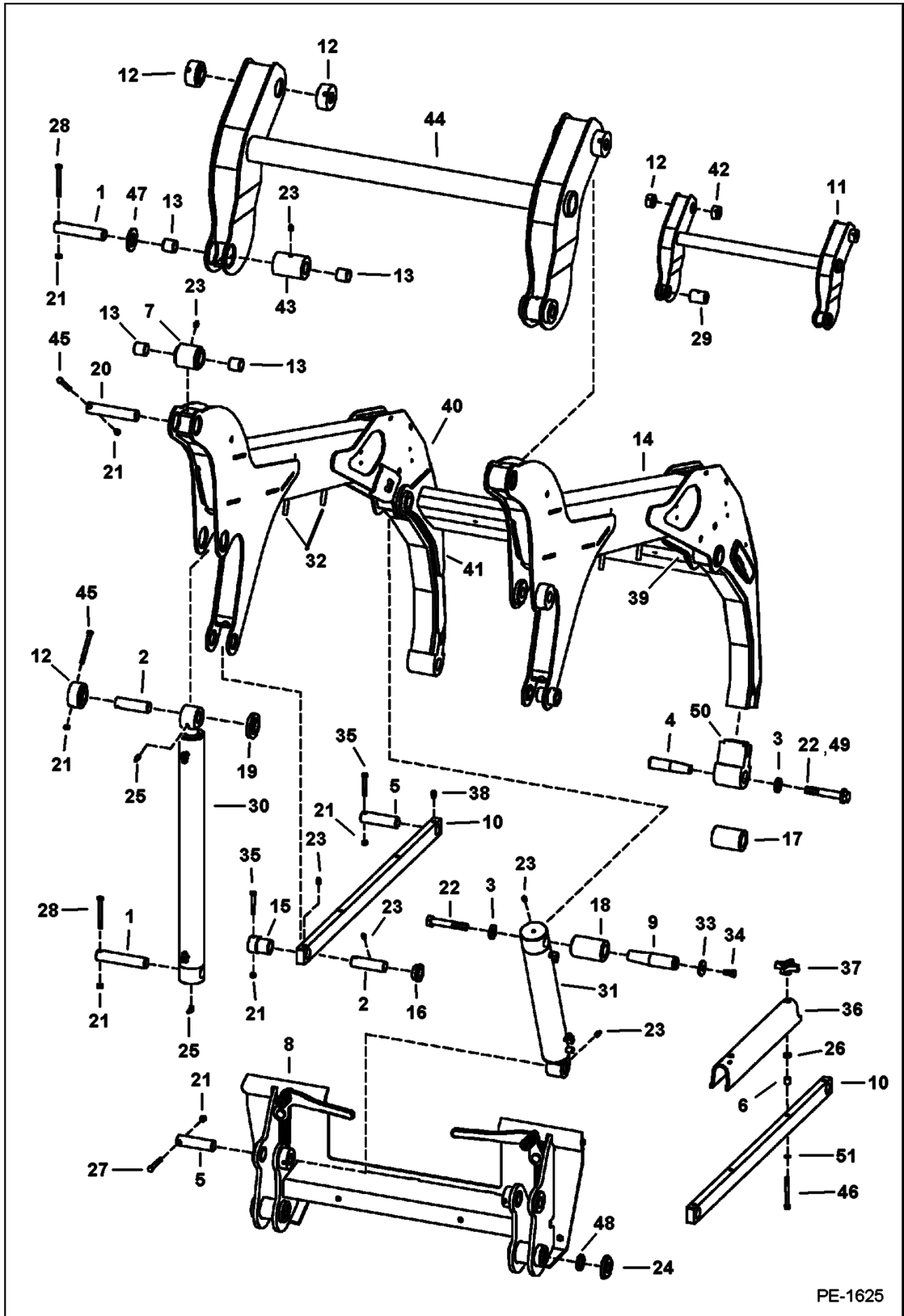


PE-1625

LIFT ARMS & BOB-TACH (Cont'd)

| Ref No | Part Number | Description | Remarks | Serial Number | Qty |
|--------|-------------|-------------------|--|------------------|-----|
| 12 | 6717246 | BUSHING | weld on | 5181 12014 & Abv | 6 |
| 13 | 6717562 | BUSHING | wear | | 8 |
| 14 | | LIFT ARM | NAP - Order 7114257 lift arm, 6735669 boom step & (2) ea. of Ref. 3 (27E-10 washer), Ref. 4 (6734661 pin), Ref. 9 (6734662 pin), Ref. 33 (6731160 washer), Ref. 34 (17C-1016 bolt) & Ref. 49 (47C-1088 bolt) - Was 6717017 | | 1 |
| 14 | | LIFT ARM | NAP - Order 7114257 lift arm, 6735669 boom step & (2) ea. of Ref. 3 (27E-10 washer), Ref. 4 (6734661 pin), Ref. 9 (6734662 pin), Ref. 33 (6731160 washer), Ref. 34 (17C-1016 bolt) & Ref. 49 (47C-1088 bolt) - Was 6729824 [A] | | 1 |
| 14 | | LIFT ARM | NAP - Order 7114257 lift arm & (2) of Ref. 49 (47C-1088 bolt) - Was 7114758 [A] | | 1 |
| 14 | 7114257 | LIFT ARM | | | 1 |
| 15 | 6717026 | BUSHING | weld on - 1.26" ID | | 2 |
| 16 | 6717025 | BUSHING | weld on | | 2 |
| 17 | 6717037 | BUSHING | weld on - W/ tapered hole for Ref. 4 (6717536 pin) | | 2 |
| 17 | | BUSHING | NAP - weld on - w/tapered hole for Ref. 4 (NAP/ 6734661 pin) | | 2 |
| 17 | 7120498 | BUSHING | weld on - service only - 3.05" (77,5 mm) long - W/tapered hole for 1.5" (38,1 mm) dia pin - use W/Ref. 14 (NAP/6734088 lift arm) | | 2 |
| 17 | 7160425 | BUSHING, TAPERED | weld on - service only - 3.50" (87,6 mm) long for Ref.14 (7114257 lift arm) - W/tapered hole for 1.5" (38,1 mm) dia pin | | 2 |
| 18 | | BUSHING | NAP - weld on - Use W/Ref. 14 - (NAP/ 6717017 lift arm) - Order 6729819 bushing - Was 6717038 [A] | | 2 |
| 18 | 6729819 | BUSHING | weld on - Use W/Ref. 14 (NAP/ 6729824 lift arm) | | 2 |
| 18 | 6734660 | BUSHING | weld on - Use W/Ref. 14 (7114257 lift arm & NAP/ 7114758 lift arm) | | 2 |
| 19 | 6717041 | BUSHING | weld on | | 2 |
| 20 | | PIN | NAP - 1.25" x 6.5" (31,8 mm x 165 mm) - Order Ref. 1 - Was 6717561 [A] | | 4 |
| 21 | 85D6 | LOCK NUT | | | 14 |
| 22 | 17C1272 | BOLT | Use W/Ref. 4 (6717536 pin) & Ref. 9 (6717486 pin) | | 4 |
| 22 | 17C1080 | SCREW | Use W/Ref. 4 (6734661 pin) & Ref. 9 (6734662 pin) | | 4 |
| 22 | 17C1080 | SCREW | Use W/Ref. 4 (6734661 pin) & Ref. 9 (6734662 pin) | | 2 |
| 23 | 10H25 | FITTING, GREASE 5 | | | 10 |
| 24 | 6732443 | CUP | seal | | 2 |
| 25 | 11H15 | GREASE FITTING | | | 4 |
| 26 | 6718942 | NUT | | | 2 |
| 27 | 17C648 | BOLT 5 | | | 2 |
| 28 | 17C660 | BOLT | | | 4 |
| 29 | 6717021 | BUSHING | weld on | 5176 18180 & Bel | 2 |
| 29 | 6717021 | BUSHING | weld on | 5192 12013 & Bel | 2 |
| 29 | 6717021 | BUSHING | weld on | 5180 12038 & Bel | 2 |
| 29 | 6717021 | BUSHING | weld on | 5181 12013 & Bel | 2 |
| 29 | 6717021 | BUSHING | weld on | 5190 16400 & Bel | 2 |
| 30 | | CYLINDER | See Illustration LIFT CYLINDER/ B13593 LIFT | | 2 |
| 31 | | CYLINDER | See Illustration TILT CYLINDER/ B17176 TILT | | 2 |
| 32 | 1313995 | STUD | weld on | | 4 |
| 33 | 6515817 | WASHER | Use W/Ref. 34 (17C-816 bolt) | | 2 |
| 33 | 6731160 | WASHER | Use W/Ref. 34 (17C-1016 bolt) | | 1 |
| 34 | 17C816 | BOLT | Use W/Ref. 9 (6717486 pin) | | 2 |
| 34 | 17C1016 | SCREW | Use W/Ref. 9 (6734662 pin) | | 2 |

LIFT ARMS & BOB-TACH (Cont'd)

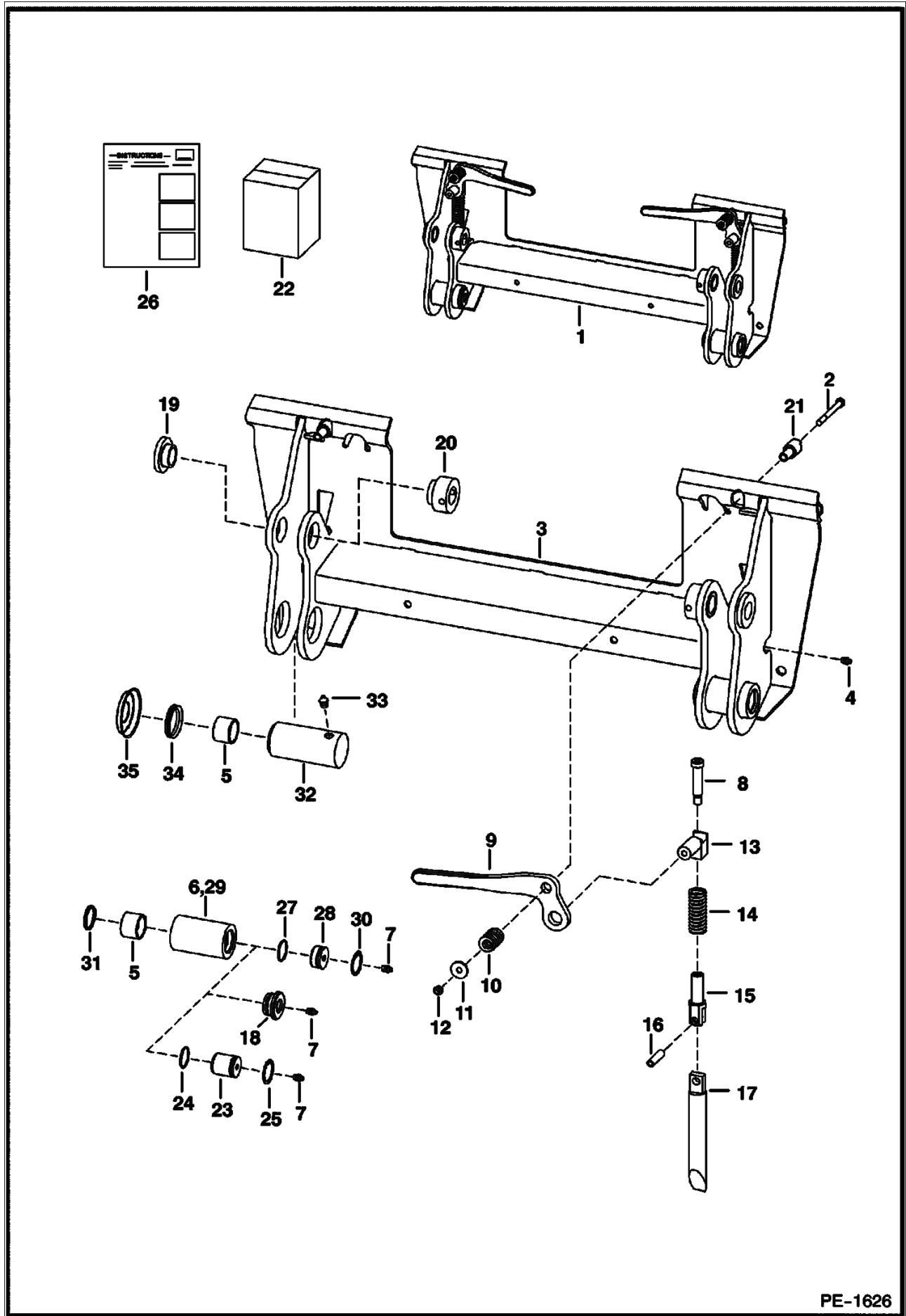


PE-1625

LIFT ARMS & BOB-TACH (Cont'd)

| Ref No | Part Number | Description | Remarks | Serial Number | Qty |
|--------|-------------|-------------|---|------------------|-----|
| 35 | 17C640 | BOLT 5 | | | 4 |
| 36 | 6718312 | STOP | lift arm | | 1 |
| 37 | 6684932 | KNOB | Was 6675358 [A] | | 2 |
| 38 | 12H15 | GREASE ZERK | | | 2 |
| 39 | 6718880 | GUSSET | R.H. | | 1 |
| 40 | | GUSSET | NAP - L.H. - Was 6718879 [A] | | 1 |
| 41 | 6717961 | GUSSET | | | 2 |
| 42 | 6725291 | BUSHING | weld on | 5176 18180 & Bel | 2 |
| 42 | 6725291 | BUSHING | weld on | 5180 12038 & Bel | 2 |
| 42 | 6725291 | BUSHING | weld on | 5181 12013 & Bel | 2 |
| 42 | 6725291 | BUSHING | weld on | 5192 12013 & Bel | 2 |
| 42 | 6725291 | BUSHING | weld on | 5190 16400 & Bel | 2 |
| 43 | 6726897 | BUSHING | weld on - 3.625" (92,1 mm) wide | 500K 11001 & Abv | 2 |
| 43 | 6726897 | BUSHING | weld on - 3.625" (92,1 mm) wide | 5180 12039-12548 | 2 |
| 43 | 6726897 | BUSHING | weld on - 3.625" (92,1 mm) wide | 5190 16401-23927 | 2 |
| 43 | 6726897 | BUSHING | weld on - 3.625" (92,1 mm) wide | 5192 12014-12460 | 2 |
| 43 | 6726897 | BUSHING | weld on - 3.625" (92,1 mm) wide | 5181 12014-12462 | 2 |
| 43 | 6726897 | BUSHING | weld on - 3.625" (92,1 mm) wide | 5176 18181-21116 | 2 |
| 43 | 6732265 | BUSHING | weld on - 3.80" (96,5 mm) wide | 5176 21117 & Abv | 2 |
| 43 | 6732265 | BUSHING | weld on - 3.80" (96,5 mm) wide | 5181 12463 & Abv | 2 |
| 43 | 6732265 | BUSHING | weld on - 3.80" (96,5 mm) wide | 5180 12549 & Abv | 2 |
| 43 | 6732265 | BUSHING | weld on - 3.80" (96,5 mm) wide | 5190 23928 & Abv | 2 |
| 43 | 6732265 | BUSHING | weld on - 3.80" (96,5 mm) wide | 5192 12461 & Abv | 2 |
| 44 | | FRAME LINK | NAP - Order 6732264 frame link & (2) of Ref. 47 - Was 6727862 [A] | 500K 11001 & Abv | 1 |
| 44 | | FRAME LINK | NAP - Order 6732264 frame link & (2) of Ref. 47 - Was 6727862 [A] | 5176 18181-21116 | 1 |
| 44 | | FRAME LINK | NAP - Order 6732264 frame link & (2) of Ref. 47 - Was 6727862 [A] | 5190 16401-23927 | 1 |
| 44 | | FRAME LINK | NAP - Order 6732264 frame link & (2) of Ref. 47 - Was 6727862 [A] | 5181 12014-12462 | 1 |
| 44 | | FRAME LINK | NAP - Order 6732264 frame link & (2) of Ref. 47 - Was 6727862 [A] | 5180 12039-12548 | 1 |
| 44 | | FRAME LINK | NAP - Order 6732264 frame link & (2) of Ref. 47 - Was 6727862 [A] | 5192 12014-12460 | 1 |
| 44 | 6732264 | FRAME LINK | | 5176 21117 & Abv | 1 |
| 44 | 6732264 | FRAME LINK | | 5192 12461 & Abv | 1 |
| 44 | 6732264 | FRAME LINK | | 5190 23928 & Abv | 1 |
| 44 | 6732264 | FRAME LINK | | 5181 12463 & Abv | 1 |
| 44 | 6732264 | FRAME LINK | | 5180 12549 & Abv | 1 |
| 45 | 17C656 | BOLT | | | 4 |
| 46 | 6730290 | BOLT | stainless steel | | 2 |
| 47 | 6732280 | SHIM | .175" thickness | 5176 21116 & Bel | 2 |
| 47 | 6732280 | SHIM | .175" thickness | 5192 12460 & Bel | 2 |
| 47 | 6732280 | SHIM | .175" thickness | 5190 23927 & Bel | 2 |
| 47 | 6732280 | SHIM | .175" thickness | 5180 12548 & Bel | 2 |
| 47 | 6732280 | SHIM | .175" thickness | 5181 12462 & Bel | 2 |
| 48 | 6651709 | SEAL | | | 2 |
| 49 | 47C1080 | BOLT | W/pre-applied thread lock - Use W/Ref. 14 (NAP/6734088 lift arm) | | 2 |
| 49 | 47C1088 | BOLT | W/pre-applied thread lock - Use W/Ref. 14 (7114257 lift arm) | | 2 |
| 50 | | ARM | NSS- lower - weld on | | 2 |
| 51 | 6E6 | WASHER | | | 2 |

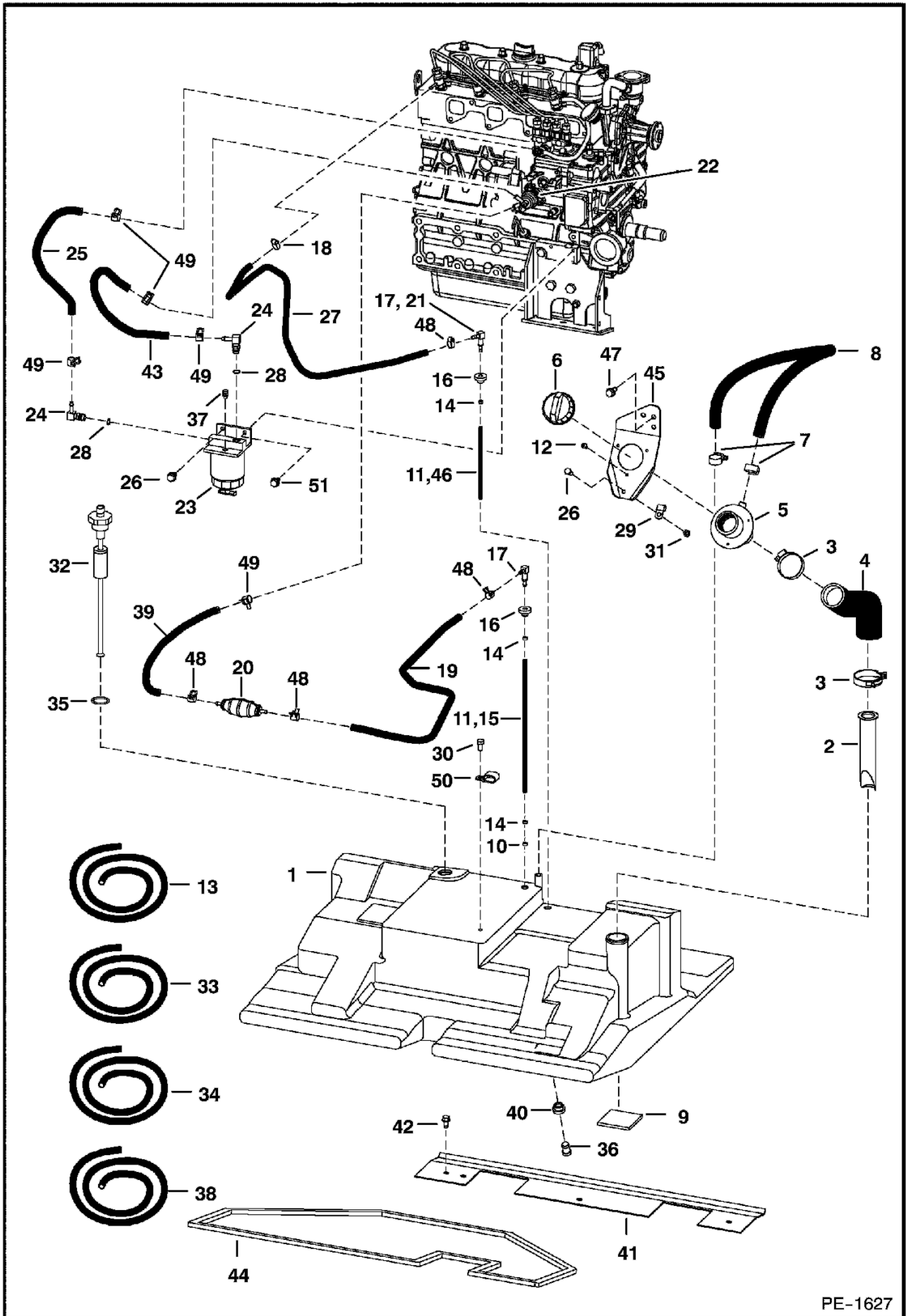
BOB-TACH



BOB-TACH (Cont'd)

| Ref No | Part Number | Description | Remarks | Serial Number | Qty |
|--------|-------------|------------------------|---|------------------|-----|
| 1 | | BOB-TACH | See Illustration DECALS/ B17183 Also Order 6561383 decal - NAP - Ref. 2-31 - Order 7143508 Bob-Tach & (2) each of 6734661 pin, 17C1080 bolt, Ref. 34 & 35 - Was 6717284 [A] | | 1 |
| 1 | 7143508 | BOB-TACH | Ref. 2-17, 19-21, 32 & 33 - Was 6732537 [A] | | 1 |
| 1 | | KIT | See Illustration POWER BOB-TACH KIT/ TS2033 POWER BOB-TACH | | 1 |
| 2 | 17C660 | BOLT | | | 2 |
| 3 | | FRAME | NAP | | 1 |
| 4 | 10H35 | GREASE ZERK | | | 2 |
| 5 | 6730997 | BUSHING | Press Fit - Was 711273B [A] | | 2 |
| 6 | | BUSHING | NAP - 1.48"(37,6 mm) I.D. - weld on - W/Ref. 5 - Order Ref. 27 - 29 - Was 6717190 [A] | 5176 13470 & Bel | 2 |
| 6 | | | | 5180 11111 & Bel | 2 |
| 6 | | | | 5190 11218 & Bel | 2 |
| 7 | 10H25 | FITTING, GREASE 5 | | | 2 |
| 8 | 6728473 | BOLT | shoulder - Was 38C001036B [A] | | 2 |
| 9 | 6702904 | LEVER | RH | | 1 |
| 9 | 6702903 | LEVER | LH | | 1 |
| 10 | 6713040 | SPRING | | | 2 |
| 11 | 619021 | WASHER, 5 | | | 2 |
| 12 | 85D6 | LOCK NUT | | | 2 |
| 13 | 6731119 | PIVOT, WEDGE | Was 6704240 [B,D] | | 2 |
| 14 | 6578253 | SPRING, COMPRESSION | Was 6562018 [A] | | 2 |
| 15 | 6704248 | PIVOT | wedge | | 2 |
| 16 | 14J5032 | PIN, STRAIGHT | | | 2 |
| 17 | 6737191 | WEDGE | Was 6704242 [A] | | 2 |
| 18 | | PLUG | NAP - urethane - Order Ref. 22 - Was 6717361 [A] | | 2 |
| 19 | 6717259 | BUSHING | weld on | | 2 |
| 20 | 6717260 | BUSHING | weld on | | 2 |
| 21 | 6702958 | BUSHING, WELD-ON | | | 2 |
| 22 | 6725318 | KIT | plug - Ref. 7 & 23-26 - Use W/Ref. 6 | | 1 |
| 23 | 6719510 | PLUG | 1.48"(37,6 mm) O.D. x 1.71"(43,4 mm) long | | 2 |
| 24 | 25K40108 | O RING 10 | | | 2 |
| 25 | 7JM38 | SNAP RING | Was 7JM00038B [A] | | 2 |
| 26 | 6900999 | INSTRUCTIONS | | | 1 |
| 27 | 25K30112 | O-RING | | | 2 |
| 28 | 6725293 | PLUG | 1.55"(39,4 mm) O.D. x .75"(19,1 mm) long | | 2 |
| 29 | 6725295 | BUSHING | weld on - 1.55"(39,4 mm) I.D. - 2.50" (57,15 mm) O.D. x 4.06" (103,11 mm) long - Order Ref. 5, 32 & 33 | | 2 |
| 30 | 7JM40 | SNAP RING | | | 2 |
| 31 | 6631067 | SEAL, OIL | | | 2 |
| 32 | 6731979 | BUSHING | weld on - 2.50" (57,15 mm) O.D. x 5.28" (134,11 mm) long - also order Ref. 5 & 33 | | 2 |
| 33 | 743332 | GREASE ZERK 5 | | | 2 |
| 34 | 6651709 | SEAL | See Illustration LIFT ARMS & BOB-TACH/ PE1625 | | 2 |
| 35 | 6732443 | CUP | See Illustration LIFT ARMS & BOB-TACH/ PE1625 seal | | 2 |

FUEL SYSTEM

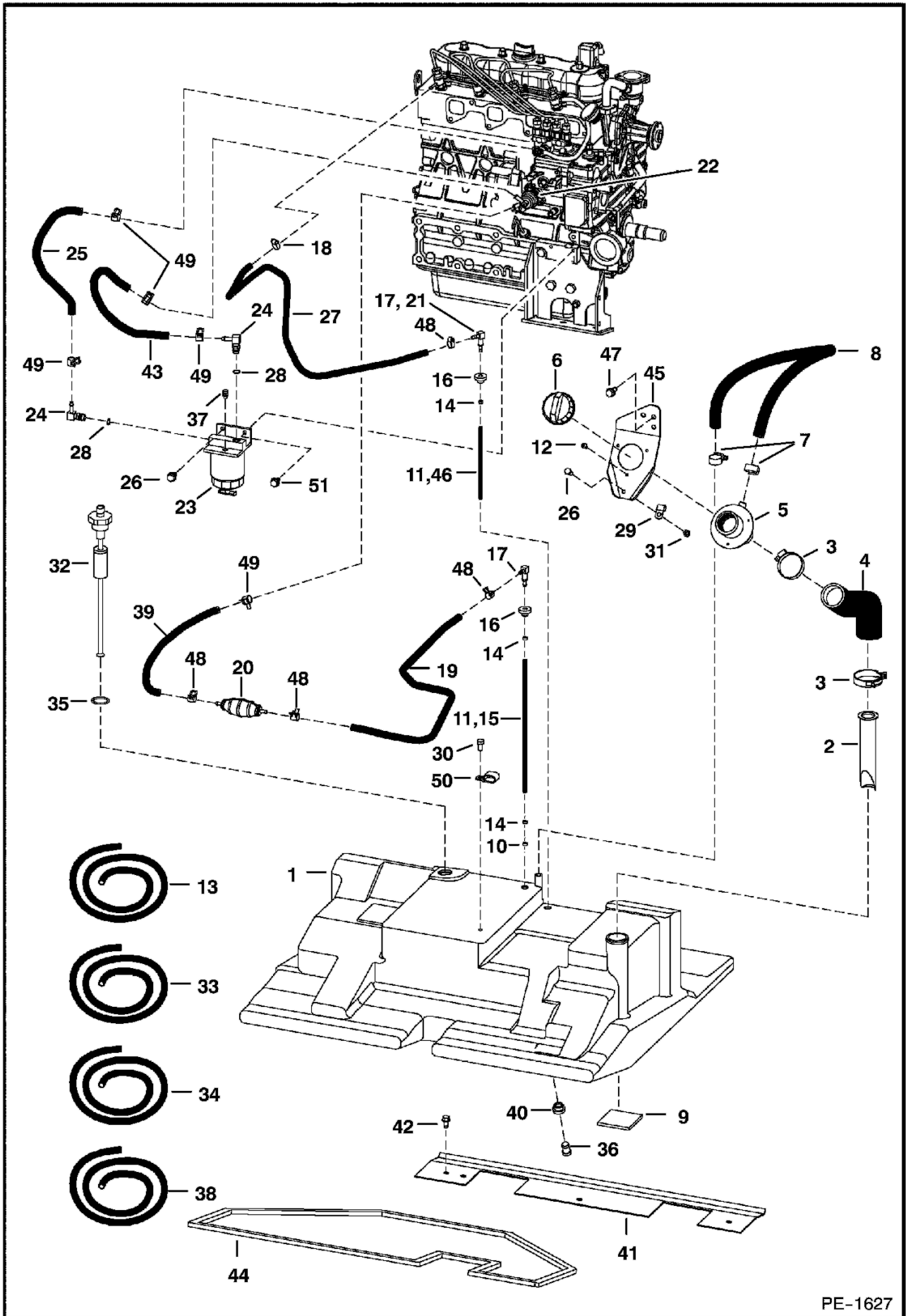


PE-1627

FUEL SYSTEM (Cont'd)

| Ref No | Part Number | Description | Remarks | Serial Number | Qty |
|--------|-------------|-----------------------------|--|---------------|-----|
| 1 | | TANK | NAP - Order 6736660 & Ref. 41 (6737368 bracket) - Was 6717067 [A] | | 1 |
| 2 | 6569219 | SCREEN | | | 1 |
| 3 | 42H32 | HS CLAMP5 | worm gear | | 2 |
| 3 | 5HM58 | CLAMP | constant tension | | 2 |
| 4 | 6717704 | HOSE | | | 1 |
| 5 | 6701449 | FILLER TUBE | | | 1 |
| 6 | 6661114 | CAP | green | | 1 |
| 6 | | CAP | NAP - locking - W/Key - Code GC020 | | 1 |
| 6 | 6654374 | KEY | Code GC020 | | 1 |
| 6 | 6661696 | CAP | locking - W/Key - Code PK510 | | 1 |
| 6 | 6587458 | KEY | Code PK510 | | 1 |
| 7 | 42H10 | HOSECLAM5 | worm gear | | 2 |
| 7 | 5HM24 | CLAMP | constant tension | | 2 |
| 8 | | HOSE | NAP - 24"(609,6 mm)long - Order Ref. 15 | | 1 |
| 9 | 6578278 | PAD | self adhesive one side | | 2 |
| 10 | 6650239 | SCREEN, FUEL PICKUP | Used W/Ref. 11 & 15 | | 1 |
| 11 | | HOSE | NAP - 12.5"(317,5 mm) long - Was 6579554 [A] | | 2 |
| 12 | 6706517 | SCREW | | | 3 |
| 13 | 6578172 | HOSE | bulk - sold per foot | | x |
| 14 | 6661213 | RING, COMPRESSION | Use W/Ref. 17 | | 3 |
| 15 | | HOSE | NAP - 9.75"(247,7 mm) long - Was 6729853 [D] | | 1 |
| 15 | 6729853 | HOSE | 10.25"(260,4 mm) long | | 1 |
| 16 | 6553411 | BUSHING | .375" (9,53 mm) ID | | 2 |
| 17 | 6598908 | ELBOW | single barb on inlet & outlet - Was 6681462 [A] | | 2 |
| 18 | 42HS4 | CLAMP | Was 6515575 [B] | | 2 |
| 19 | | HOSE | NAP - 35" (889,0 mm) long - Order Ref. 33 | | 1 |
| 20 | 6657734 | PUMP | hand primer - 4.88" long (123.9 mm) | | 1 |
| 21 | 7101291 | ELBOW | 3 barb on outlet end | | 1 |
| 22 | 6655216 | FUEL PUMP | See Illustration FUEL & INJECTION PUMPS/ B13157A See Illustration FUEL & INJECTION PUMPS/ B13157 | | 1 |
| 23 | 6667353 | FILTER ASSY | W/Ref. 37 | | 1 |
| 23 | 6667352 | FILTER, FUEL W/SEPERATOR 12 | | | 1 |
| 23 | 72F1 | FITTING | | | 1 |
| 24 | 6715183 | ELBOW | W/Ref. 28 - check boss face to determine correct replacement o-ring | | 2 |
| 25 | | HOSE | See Illustration FUEL & INJECTION PUMPS/ B13157A See Illustration FUEL & INJECTION PUMPS/ B13157 NAP - 13" (330,2 mm) long - Order Ref. 34 | | 2 |
| 26 | 17C512 | BOLT 5 | | | 3 |
| 26 | 17C516 | BOLT | See Illustration ENGINE & ATTACHING PARTS/ E2098 Used W/Ref. 35 - W/ threaded thru holes | | 2 |
| 27 | 84G3112 | BOLT 5 | 5/16 x 3/4" - thread rolling | | 1 |
| 27 | | HOSE | NAP - 53" (1346,2 mm) long - Order Ref. 38 | | 1 |
| 28 | 99K5 | O-RING | tapered boss face | | x |
| 28 | 79K8 | O RING 10 | flat boss face | | x |
| 29 | 30H22 | CLIP | | | 1 |
| 30 | 17C610 | BOLT | Was 17C000612B [B] | | 1 |
| 31 | 85D5 | NUT 5 | | | 1 |
| 32 | | SENSOR | See Illustration ENGINE ELECTRICAL CIRCUITRY/ PE1040R See Illustration ENGINE ELECTRICAL | | 1 |

FUEL SYSTEM (Cont'd)

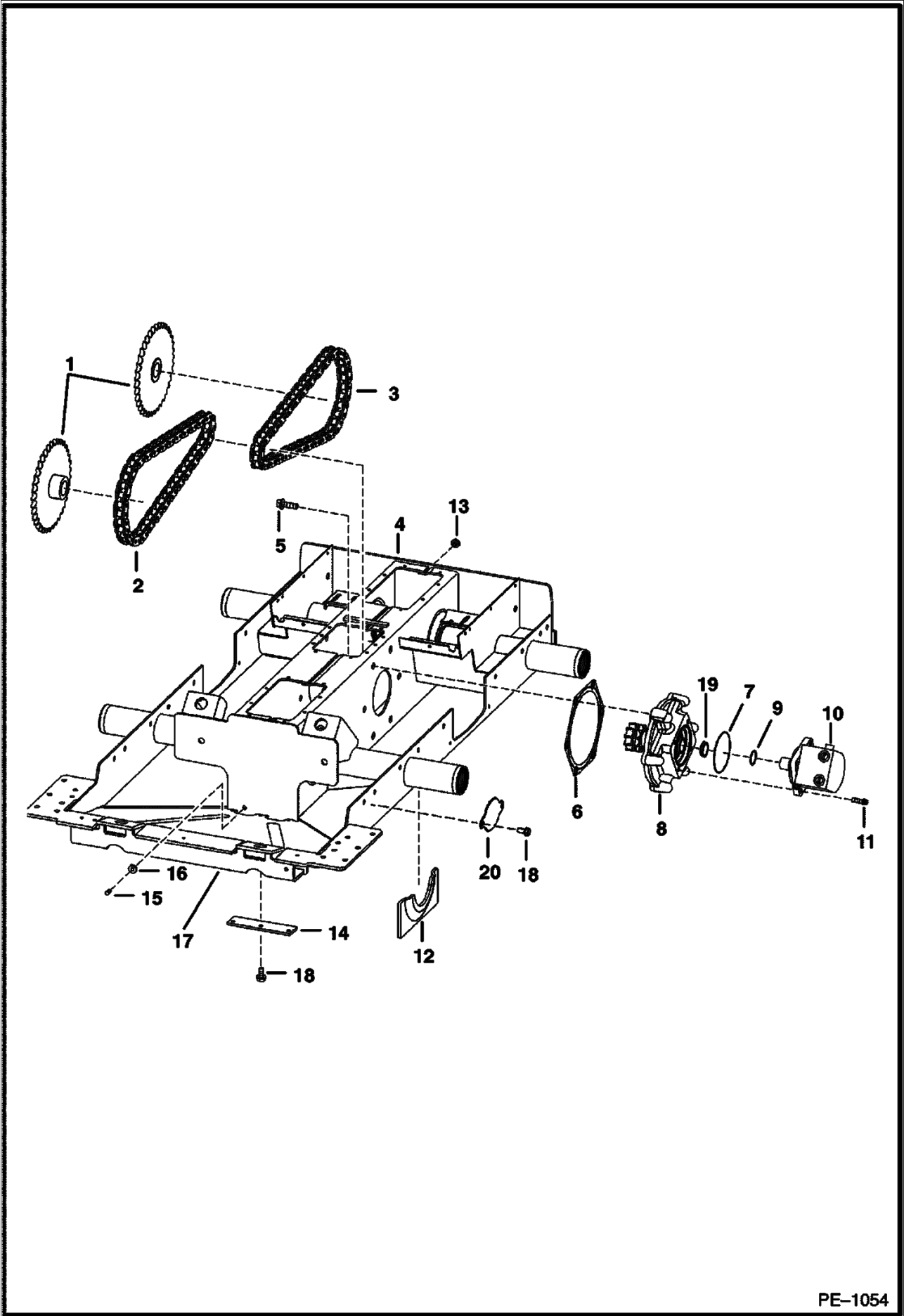


PE-1627

FUEL SYSTEM (Cont'd)

| Ref No | Part Number | Description | Remarks | Serial Number | Qty |
|--------|-------------|-------------|---|---------------|-----|
| | | | CIRCUITRY/ PE1104 NAP - FUEL - W/Ref. 35 (79K-14 O-RING) - ORDER 6680436 SENSOR - WAS 7000004 [D] | | |
| 32 | 6680436 | SENSOR | fuel - W/Ref. 35 (6717579 Gasket) - Was 7000004 [A] | | 1 |
| 33 | 6577821 | HOSE | bulk - sold per foot | | x |
| 34 | 6577822 | HOSE | bulk - sold per foot | | x |
| 35 | 79K14 | O RING 10 | | | 1 |
| 35 | 6717579 | GASKET | | | 1 |
| 36 | 6717401 | PLUG | fuel drain | | 1 |
| 37 | 6658180 | PLUG, BLEED | bleed | | 1 |
| 38 | 6578169 | HOSE | .187" (4,75 mm) ID - bulk - sold per foot | | x |
| 39 | | HOSE | See Illustration FUEL & INJECTION PUMPS/ B13157A See Illustration FUEL & INJECTION PUMPS/ B13157 NAP - 18"(457,2 mm)long - Order Ref. 13 | | 1 |
| 40 | 6717402 | BUSHING | .54" (13,7mm) ID | | 1 |
| 41 | 6717504 | BRACKET | Use W/Ref. 1 (NAP/6717067 tank) | | 1 |
| 41 | 6737368 | BRACKET | Use W/Ref. 1 (6736660 Tank) | | 1 |
| 42 | 84G3712 | BOLT | | | 2 |
| 43 | | HOSE | See Illustration FUEL & INJECTION PUMPS/ B13157A See Illustration FUEL & INJECTION PUMPS/ B13157 NAP - 42"(1066,8 mm)long - Order Ref. 13 | | x |
| 44 | 6717859 | GASKET | .375" x .75" x 106.75" long | | 1 |
| 45 | 6731059 | INLET | fuel fill - Was 6717705 [A] | | 1 |
| 46 | | HOSE | NAP - 12"(304,8 mm) long - Was 6729854 [A] | | 1 |
| 46 | 6729854 | TUBE | 12.5"(317,5 mm) long | | 1 |
| 47 | 84G3716 | SCREW 5 | 3/8 x 1" - thread rolling | | 2 |
| 48 | 5HM13 | CLAMP | | | 4 |
| 49 | 5HM14 | CLAMP | | | 5 |
| 50 | 31H27 | CLIP | | | 1 |
| 51 | 84G3116 | SCREW | thread rolling - 5/16 x 1" | | 1 |

DRIVE TRAIN

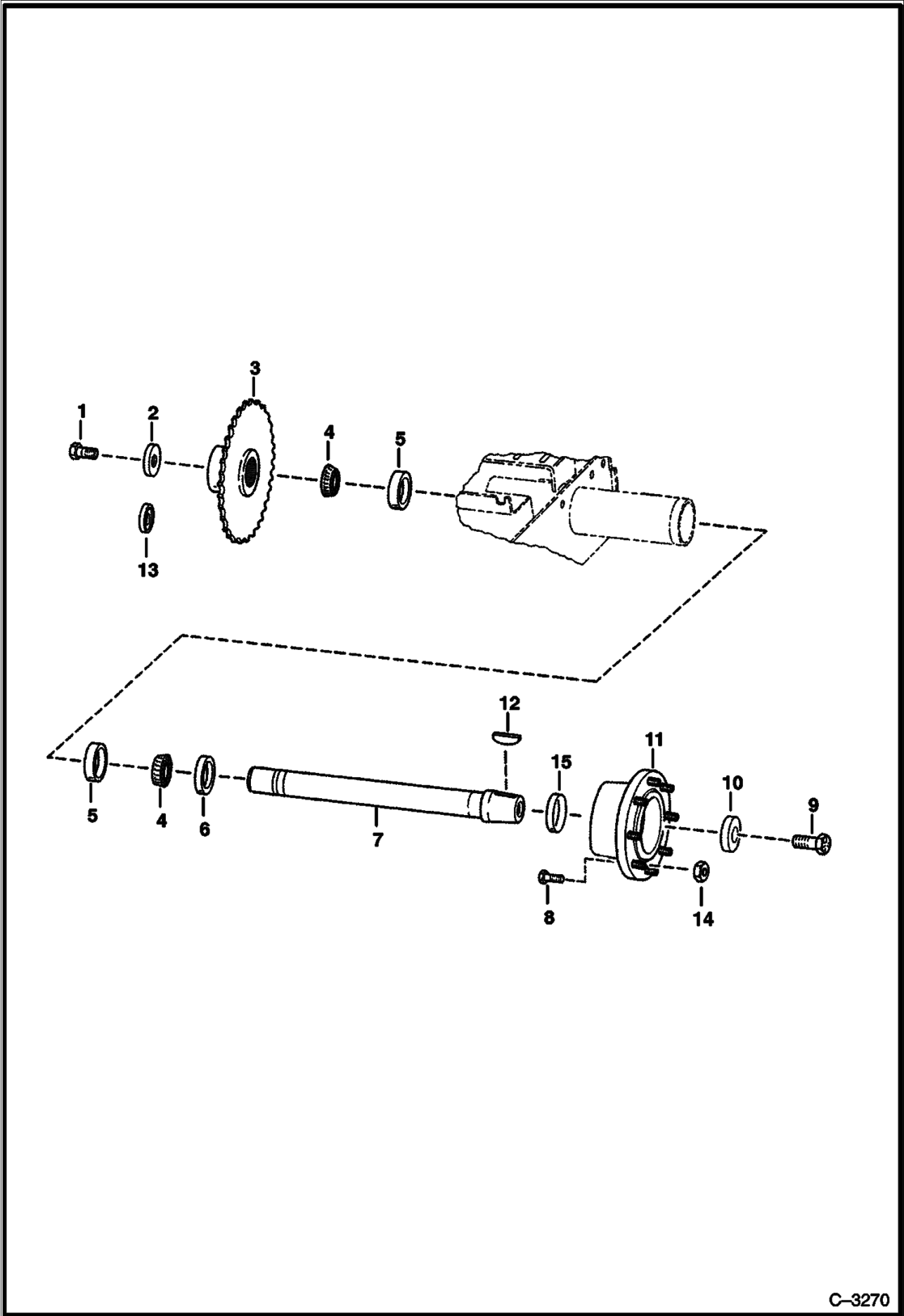


PE-1054

DRIVE TRAIN (Cont'd)

| Ref No | Part Number | Description | Remarks | Serial Number | Qty |
|--------|-------------|--------------|--|---------------|-----|
| 1 | 7134137 | SPROCKET | Was 6577204 [A] | | 4 |
| 2 | | CHAIN | NAP - 68 pitch - hour glass shape link - Diamond - Was 6703915 [A] | | 2 |
| 2 | | CHAIN | NAP - 68 pitch - oval shape link - Diamond - Was 6731217 [A] | | 2 |
| 2 | 6689652 | CHAIN, DRIVE | 68 pitch - hour glass shape link - Tsubaki | | 2 |
| 2 | 6510171 | LINK | conn. - hour glass shape - Diamond | | x |
| 2 | 6675332 | LINK | conn. - oval shape - Diamond | | x |
| 2 | 6690709 | LINK | conn. - hour glass shape - Tsubaki | | x |
| 3 | | CHAIN | NAP - 62 pitch - hour glass shape link - Diamond - Was 6579127 [A] | | 2 |
| 3 | | CHAIN | NAP - 62 pitch - oval shape link - Diamond - Was 6731218 [A] | | 2 |
| 3 | 6689651 | CHAIN, DRIVE | 62 pitch - hour glass shape link - Tsubaki | | x |
| 3 | 6510171 | LINK | conn. - hour glass shape - Diamond | | x |
| 3 | 6675332 | LINK | conn. - oval shape - Diamond | | x |
| 3 | 6690709 | LINK | conn. - hour glass shape - Tsubaki | | x |
| 4 | | CHAINCASE | See BT1359 NAP - Was 6717106 [A] | | 1 |
| 4 | | CHAINCASE | See BT1359 NAP - flat top - Was 6734230 [A] | | 1 |
| 5 | 35C1032 | BOLT | | | 12 |
| 6 | 6704878 | GASKET | install W/rib toward chaincase | | 2 |
| 7 | 25K30508 | O-RING, 10 | | | 2 |
| 8 | 6712402 | MOUNT ASSY. | See Illustration MOTOR CARRIER/ MC1937 DRIVE MOTOR | | 2 |
| 9 | 6664815 | SEAL, OIL | supplied W/motor | | 2 |
| 10 | | MOTOR | See Illustration HYDROSTATIC MOTOR/ C3431 - W/Ref. 9 | | 2 |
| 11 | 93G824 | BOLT | Was 73G824 [A] | | 8 |
| 12 | 6707647 | BRACE | axle | | 4 |
| 13 | 6731121 | PLUG | chaincase fill - Was 11F000012B [A] | | 1 |
| 14 | 6700182 | COVER, DRAIN | | | 1 |
| 15 | 6599645 | PLUG, STEEL | chaincase drain | | 1 |
| 16 | 6553411 | BUSHING | | | 2 |
| 17 | 6706485 | HOOK | tie down - weld on | | 2 |
| 18 | 84G3712 | BOLT | | | 11 |
| 19 | 6735505 | SPACER | hardened .25" thick x 1.25" O.D. | | 1 |
| 20 | 6730078 | COVER | | | 2 |

AXLE

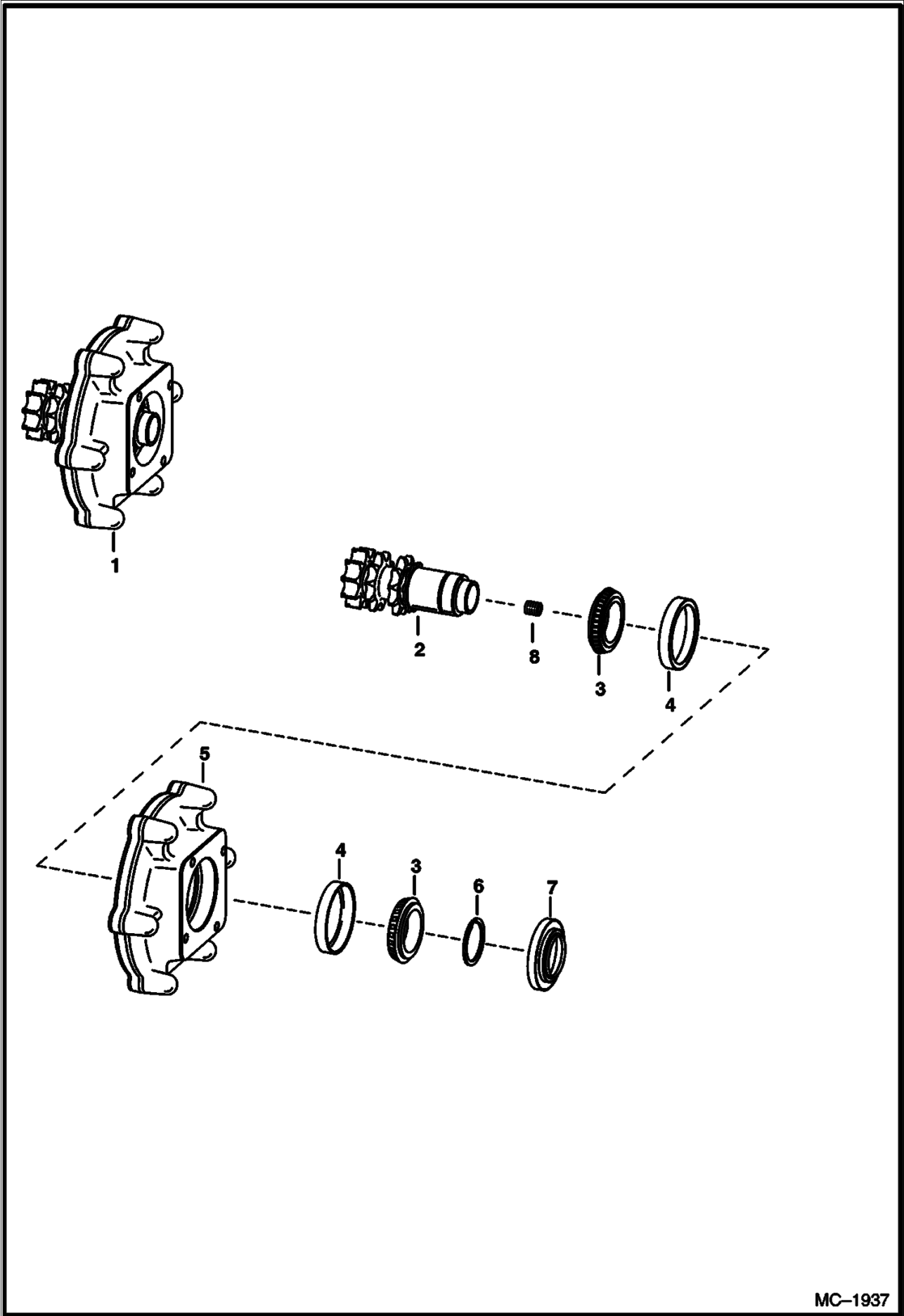


C-3270

AXLE (Cont'd)

| Ref No | Part Number | Description | Remarks | Serial Number | Qty |
|--------|-------------|---------------|---|---------------|-----|
| 1 | 18C1224 | BOLT | 1.50"(38,1 mm) long | | 1 |
| 1 | 6679247 | BOLT | plated - 1.75" (44,5 mm) long | | 1 |
| 2 | 6552871 | WASHER | | | 1 |
| 3 | 7134137 | SPROCKET | Was 6577204 [A] | | 1 |
| 4 | 6689775 | BEARING, AXLE | Was 6519925 [A] | | 2 |
| 5 | 6689638 | CUP, BEARING | Was 6634609 [A] | | 2 |
| 6 | 6658228 | SEAL, OIL | | | 1 |
| 7 | | AXLE | NAP - W/ .75" dia. x 1.25" deep full threaded end - Use W/Ref. 1 (18C-1224 bolt) - Was 6706427 [A] | | 1 |
| 7 | 6706427 | AXLE | W/ .75" dia. x 1.50" deep full threaded end - Use W/Ref. 1 (6679247 bolt) | | 1 |
| 8 | 6559502 | STUD | wheel | | 8 |
| 9 | 18C1636 | BOLT | 2.25"(57,2 mm) long | | 1 |
| 10 | 6716843 | WASHER | recessed | | 1 |
| 11 | 6578689 | HUB | W/Ref. 8 | | 1 |
| 12 | 6J1664 | KEY | | | 1 |
| 13 | 6563606 | WASHER | recessed - Used to take up .005 or .010 end play on axle | | 1 |
| 14 | 6564669 | NUT | wheel | | 8 |
| 15 | 6662306 | RING | wear - service part only | | 1 |
| 15 | 6722907 | KIT | See Illustration AXLE SEAL KIT/ B4041 - axle seal & wear sleeve | | 4 |

MOTOR CARRIER (Drive Motor Mount Assy.)

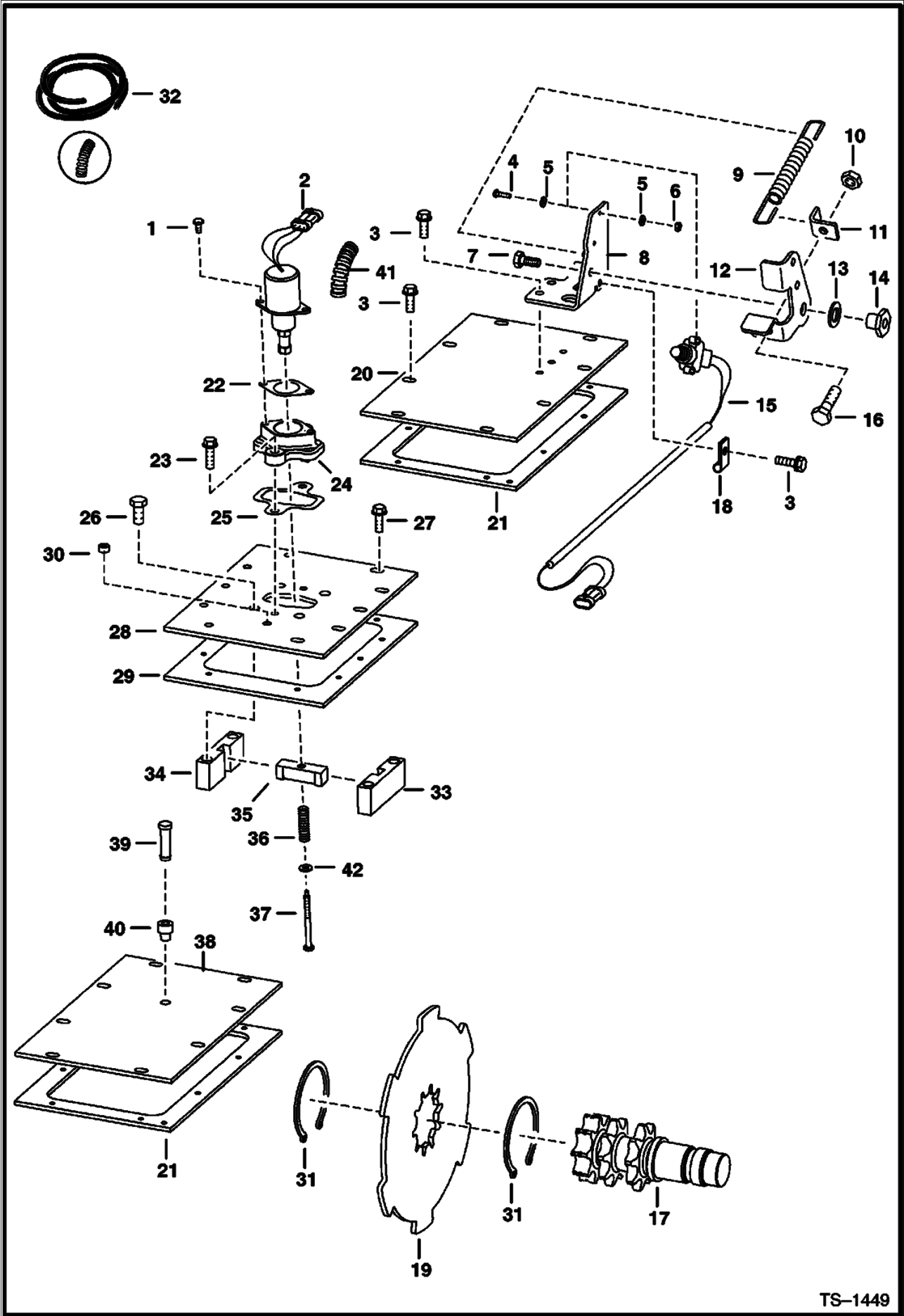


MC-1937

**MOTOR CARRIER (Cont'd)
(Drive Motor Mount Assy.)**

| Ref No | Part Number | Description | Remarks | Serial Number | Qty |
|--------|-------------|---------------|--|---------------|-----|
| 1 | | MOUNT ASSY. | NAP - drive motor - Ref. 2 - 7 - Order 6733695 Mount Assy. - Was 6712402 [A] | | 1 |
| 2 | 6713456 | SHAFT, TRANS | W/double snap ring groove | | 1 |
| 3 | 6632218 | CONE, BEARING | | | 2 |
| 4 | 6632541 | RACE | | | 2 |
| 5 | 6704492 | HOUSING | | | 1 |
| 6 | 6571851 | SNAP RING | .118" (3,0 mm) thickness | | 1 |
| 6 | 6571852 | SNAP RING | .125" (3,18 mm) thickness | | 1 |
| 7 | 6705847 | SEAL, OIL | | | 1 |
| 8 | | PLUG | NSS - Was 16F000006B [B] | | 1 |

DISC BRAKE
 (Non-Flat Top Chaincase) (S/N 517617999 & Below, 518011999 & Below,
 518111999 & Below, 519015999 & Below, 519211999 & Below)

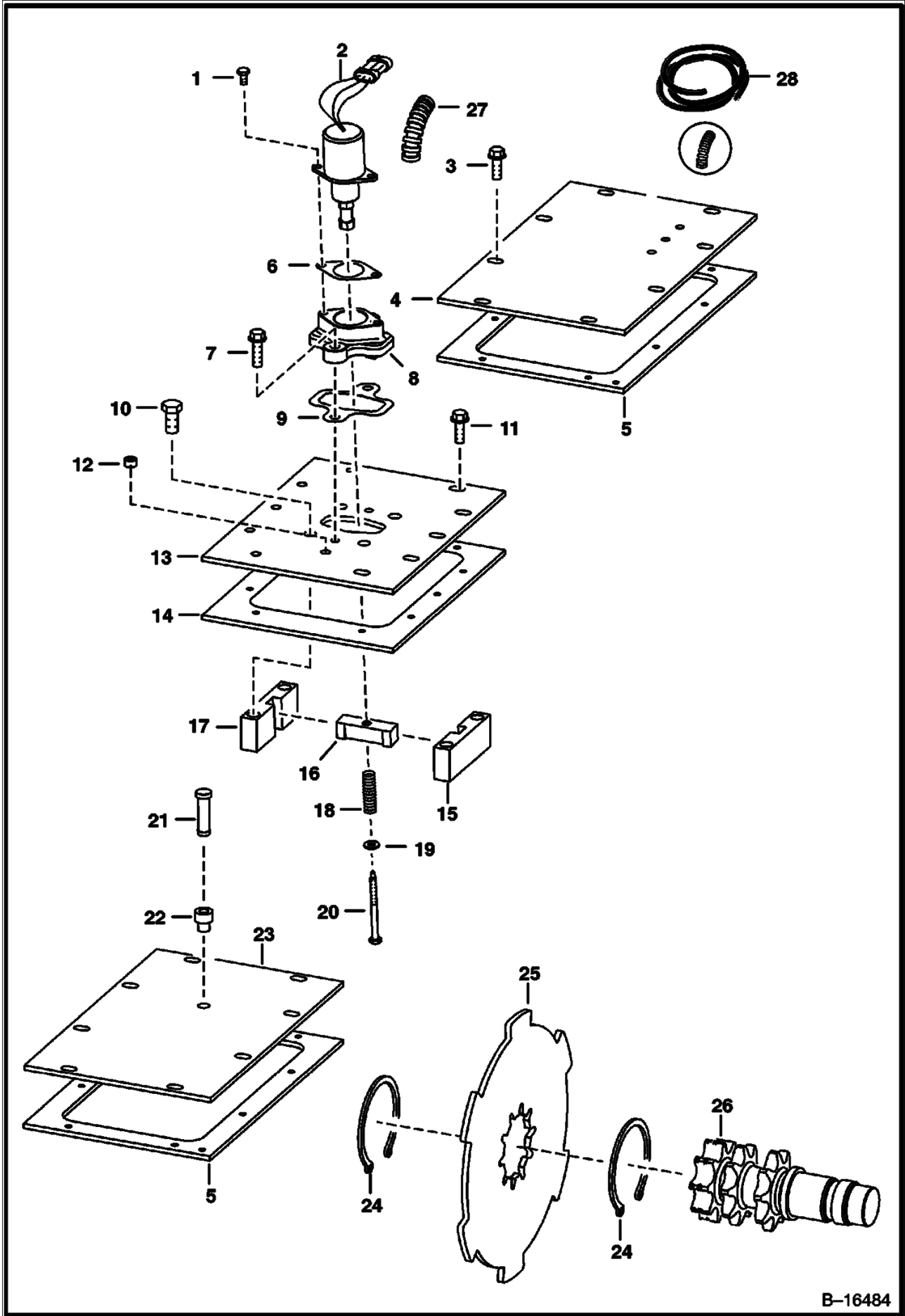


TS-1449

DISC BRAKE (Cont'd)
(Non-Flat Top Chaincase) (S/N 517617999 & Below, 518011999 & Below,
518111999 & Below. 519015999 & Below. 519211999 & Below)

| Ref No | Part Number | Description | Remarks | Serial Number | Qty |
|--------|-------------|-----------------------|--|---------------|-----|
| 1 | 17C412 | BOLT 5 | | | 2 |
| 2 | 6681512 | SOLENOID | W/Ref. 41 - Was 6667992 [A] | | 1 |
| 3 | 84G3712 | BOLT | | | 18 |
| 4 | 23G812 | SCREW | | | 2 |
| 5 | 25E8 | WSHR | | | 4 |
| 6 | 12D8 | NUT | | | 2 |
| 7 | 17C610 | BOLT | | | 1 |
| 8 | 6707313 | PEDAL MOUNT | | | 1 |
| 9 | 6585860 | SPRING | | | 1 |
| 10 | 95D6 | NUT | Was 91D000006B [A] | | 2 |
| 11 | 6707315 | ANGLE | | | 1 |
| 12 | 6707314 | PEDAL | brake | | 1 |
| 13 | 6700170 | WASHER | plastic | | 2 |
| 14 | 6559479 | NUT | | | 1 |
| 15 | 6707337 | SWITCH, LOCK TRACTION | | | 1 |
| 16 | 17C620 | BOLT | | | 2 |
| 17 | 6713456 | SHAFT, TRANS | See Illustration MOTOR CARRIER/ MC1937 DOUBLE SNAP RING GROOVE | | 2 |
| 18 | 30H23 | CLAMP | | | 1 |
| 19 | 7120111 | BRAKE, DISC | disc - Was 6716228 [A] | | 2 |
| 20 | 6578505 | COVER | | | 1 |
| 21 | 6703097 | GASKET, TRANS COVER | | | 2 |
| 22 | 6706737 | GASKET | | | 1 |
| 23 | 84G3720 | BOLT | | | 2 |
| 24 | 6706718 | MOUNT | | | 1 |
| 25 | 6708016 | GASKET | | | 1 |
| 26 | 17C820 | BOLT | | | 4 |
| 26 | 47C820 | BOLT | | | 4 |
| 27 | 84G3716 | SCREW 5 | | | 10 |
| 28 | 6706042 | COVER | | | 1 |
| 29 | 6706968 | GASKET | | | 1 |
| 30 | 6544654 | BUSHING | spacer | | 1 |
| 31 | 6658672 | SNAP RING | | | 4 |
| 32 | 6584978 | CONDUIT | bulk - sold per foot | | x |
| 33 | 6719057 | BLOCK | guide - RH | | 1 |
| 34 | 6719056 | BLOCK | guide - LH | | 1 |
| 35 | 6714278 | GUIDE | | | 1 |
| 36 | 6708018 | SPRING | | | 1 |
| 37 | 6708267 | BOLT | | | 1 |
| 38 | 6700330 | COVER | | | 1 |
| 39 | 6680970 | BREATHER | Was 6670627 [A] | | 1 |
| 40 | 6553411 | BUSHING | | | 1 |
| 41 | | CONDUIT | NAP - 5" (127 mm) long - Order Ref. 32 | | 1 |
| 42 | 25E13 | WASHER 5 | | | 1 |

DISC BRAKE
 S/N 500K11001 & Above, 517618000 & Above, 518012000 & Above,
 518112000 & Above, 519016000 & Above, 519212000 & Above)

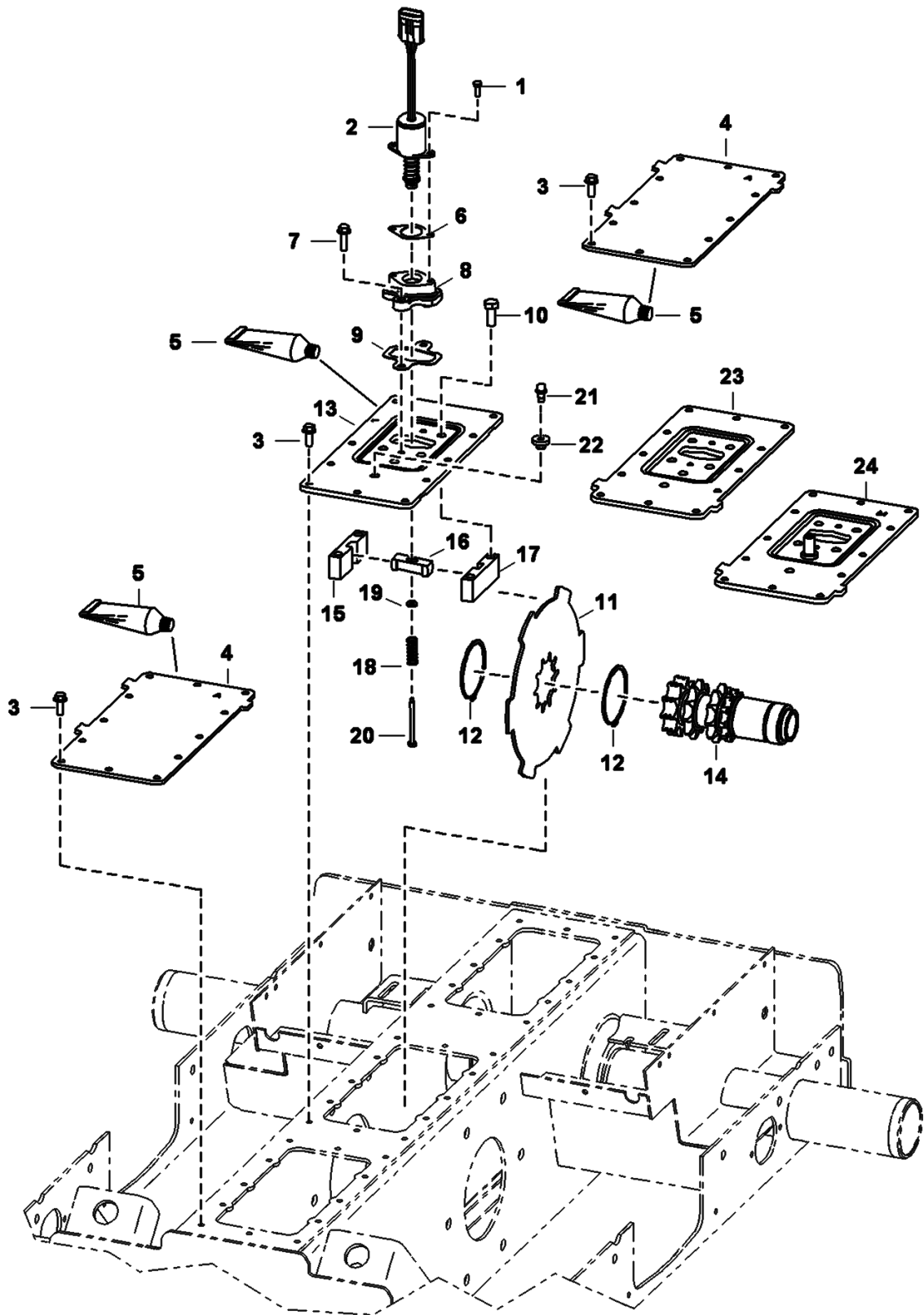


B-16484

DISC BRAKE (Cont'd)
S/N 500K11001 & Above, 517618000 & Above, 518012000 & Above,
518112000 & Above. 519016000 & Above. 519212000 & Above)

| Ref No | Part Number | Description | Remarks | Serial Number | Qty |
|--------|-------------|---------------------|--|---------------|-----|
| 1 | 17C412 | BOLT 5 | | | 2 |
| 2 | 6681512 | SOLENOID | Was 6667992 [A] | | 1 |
| 3 | 84G3712 | BOLT | | | 14 |
| 4 | 6729173 | COVER | | | 1 |
| 5 | 6703097 | GASKET, TRANS COVER | | | 2 |
| 6 | 6706737 | GASKET | | | 1 |
| 7 | 84G3720 | BOLT | | | 2 |
| 8 | 6706718 | MOUNT | | | 1 |
| 9 | 6708016 | GASKET | | | 1 |
| 10 | 17C820 | BOLT | | | 4 |
| 10 | 47C820 | BOLT | | | 4 |
| 11 | 84G3716 | SCREW 5 | | | 10 |
| 12 | 6544654 | BUSHING | spacer | | 1 |
| 13 | 6706042 | COVER | | | 1 |
| 14 | 6706968 | GASKET | | | 1 |
| 15 | 6719057 | BLOCK | guide - RH | | 1 |
| 16 | 6714278 | GUIDE | | | 1 |
| 17 | 6719056 | BLOCK | guide - LH | | 1 |
| 18 | 6708018 | SPRING | | | 1 |
| 19 | 25E13 | WASHER 5 | | | 1 |
| 20 | 6708267 | BOLT | | | 1 |
| 21 | 6680970 | BREATHER | Was 6670627 [A] | | 1 |
| 22 | 6553411 | BUSHING | | | 1 |
| 23 | 6700330 | COVER | | | 1 |
| 24 | 6658672 | SNAP RING | | | 4 |
| 25 | 7120111 | BRAKE, DISC | disc - Was 6716228 [A] | | 2 |
| 26 | 6713456 | SHAFT, TRANS | See Illustration MOTOR CARRIER/ MC1937 DOUBLE SNAP RING GROOVE | | 2 |
| 27 | | CONDUIT | NAP - 5" (127 mm) long - Order Ref. 28 | | 1 |
| 28 | 6584978 | CONDUIT | bulk - sold per foot | | x |

**DISC BRAKE
(Flat Top Chaincase)
(Modified Design)**

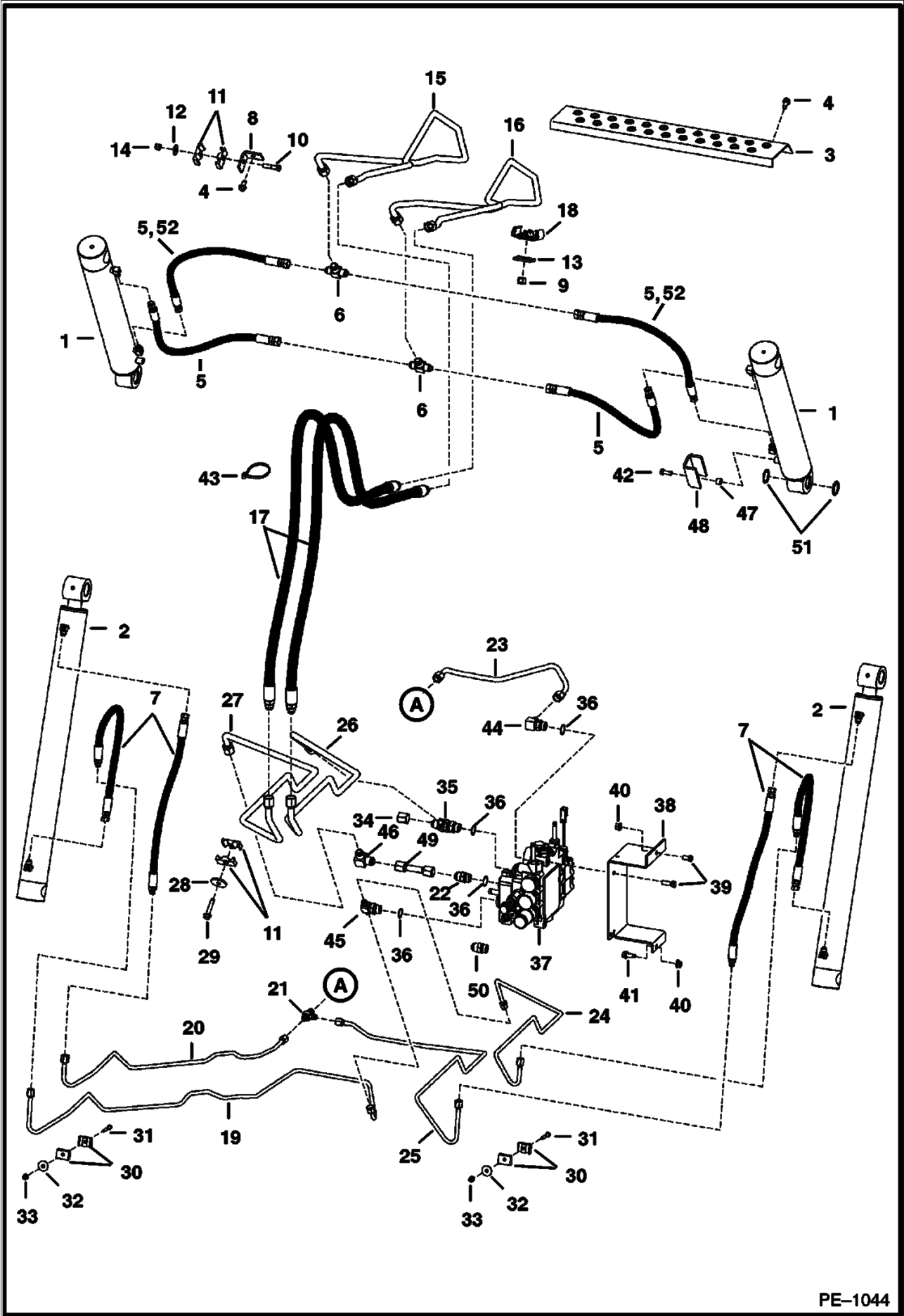


PE-2278

**DISC BRAKE (Cont'd)
(Flat Top Chaincase)
(Modified Design)**

| Ref No | Part Number | Description | Remarks | Serial Number | Qty |
|--------|-------------|---------------------------|---|---------------|-----|
| 1 | 17C412 | BOLT 5 | | | 2 |
| 2 | 6681512 | SOLENOID | | | 1 |
| 3 | 84G3716 | SCREW 5 | | | 36 |
| 4 | 7129987 | COVER | Was 6733956 [A] | | 2 |
| 5 | 6685372 | SEALANT, GASKET LIQUID | tube - 20 oz | | x |
| 6 | 6706737 | GASKET | | | 1 |
| 7 | 84G3720 | BOLT | | | 2 |
| 8 | 6706718 | MOUNT | | | 1 |
| 9 | 6708016 | GASKET | | | 1 |
| 10 | 47C820 | BOLT | | | 4 |
| 11 | 7120111 | BRAKE, DISC | disc - Was 6716228 [A] | | 2 |
| 12 | 6658672 | SNAP RING | | | 4 |
| 13 | 6735316 | COVER | B stamped | | 1 |
| 14 | 7161187 | SHAFT, TRANS | double snap ring groove - Was 6733621 [A] | | 2 |
| 15 | 6719056 | BLOCK | guide - LH | | 1 |
| 16 | 6714278 | GUIDE | | | 1 |
| 17 | 6719057 | BLOCK | guide - RH | | 1 |
| 18 | 6708018 | SPRING | | | 1 |
| 19 | 25E13 | WASHER 5 | | | 1 |
| 20 | 6708267 | BOLT | | | 1 |
| 21 | 6680970 | BREATHER | | | 1 |
| 22 | 6553411 | BUSHING | | | 1 |
| 23 | | COVER | NAP - M stamped - Order Ref. 24, 17C612 bolt & 6557831 washer - Was 7130297 [A] | | 1 |
| 24 | 7156265 | COVER | See Illustration CONTROL PEDALS/ PE1031 - M stamped | | 1 |

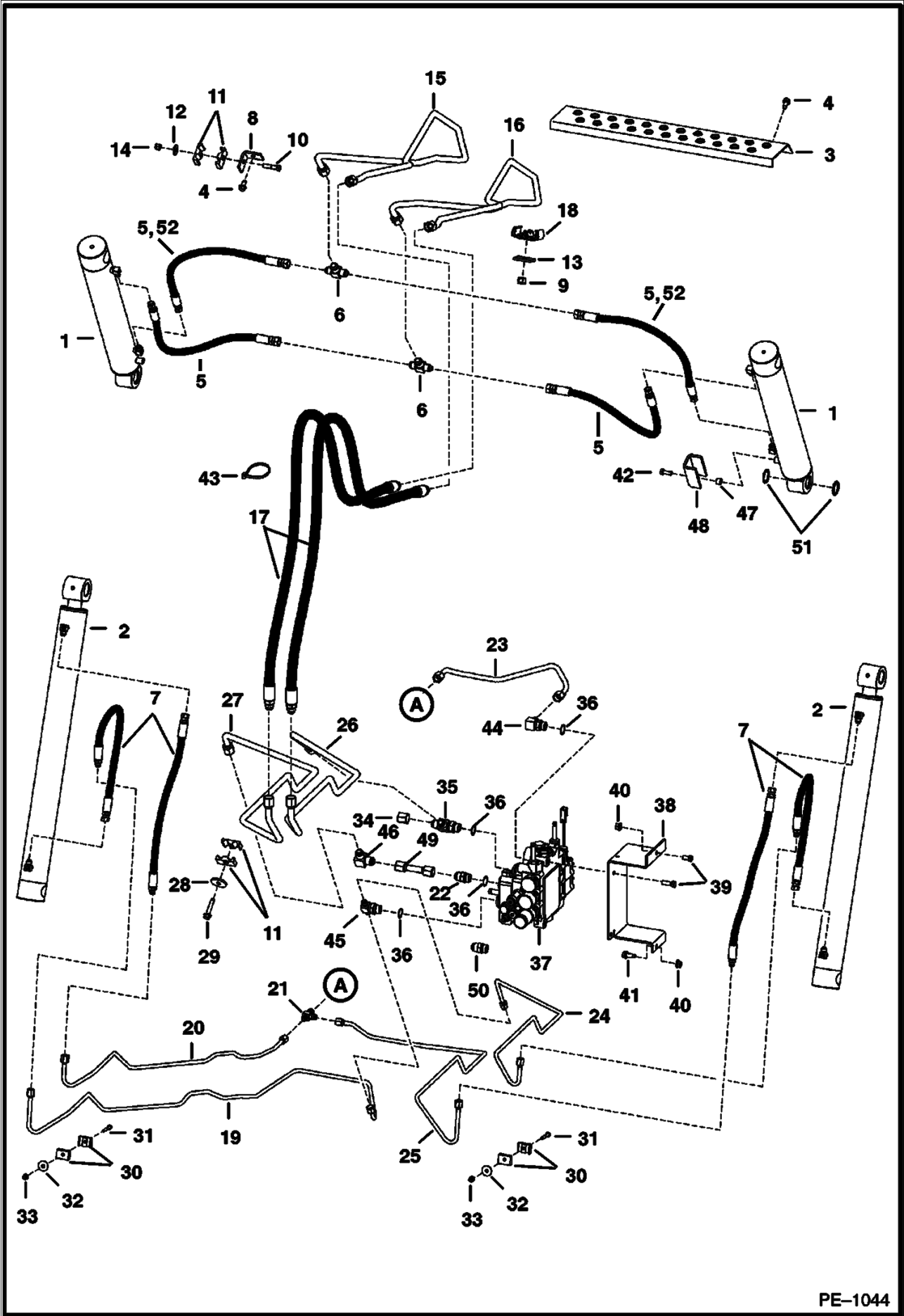
HYDRAULIC CIRCUITRY
 (W/O) (S/N 500K11038 & Below, 517619258 & Below,
 518012218 & Below, 518112089 & Below, 519018909 & Below, 519212154 & Below)



HYDRAULIC CIRCUITRY (Cont'd)
(W/O) (S/N 500K11038 & Below, 517619258 & Below,
518012218 & Below. 518112089 & Below. 519018909 & Below. 519212154 & Below)

| Ref No | Part Number | Description | Remarks | Serial Number | Qty |
|--------|-------------|-------------|--|---------------|-----|
| 1 | | CYLINDER | See Illustration TILT CYLINDER/ B17176 TILT | | 2 |
| 2 | | CYLINDER | See Illustration LIFT CYLINDER/ B13593 LIFT | | 2 |
| 3 | 6717502 | BOOM STEP | W/ 2" (598 mm) mtg. hole surface | | 1 |
| 3 | 6735669 | BOOM STEP | W/ 3.4" (86,4 mm) mtg hole surface | | 1 |
| 4 | 84G3712 | BOLT | | | 4 |
| 5 | 6718066 | HOSE | .5625" thread & .75" thread female ends - Use (2) per tilt cylinder W/.5625" thread base end fitting | | 4 |
| 5 | | | .5625" thread & .75" thread female ends - Use (1) per tilt cylinder W/.75" thread base end fitting | | 2 |
| 6 | 6716061 | TEE | | | 2 |
| 7 | 7116564 | HOSE | Was 7104132 [A] | | 4 |
| 8 | 6718238 | BRACKET | | | 1 |
| 9 | 59D8 | NUT 5 | | | 2 |
| 10 | 17C628 | BOLT | | | 1 |
| 11 | 6701893 | CLAMP | | | 2 |
| 12 | 27E6 | WASHER 5 | | | 1 |
| 13 | 6553709 | WASHER | | | 2 |
| 14 | 59D6 | NUT | | | 1 |
| 15 | 6718030 | TUBE | | | 1 |
| 16 | 6725337 | TUBE | routes behind lift arm crossmember | | 1 |
| 17 | 6719439 | HOSE | | | 2 |
| 18 | 6717933 | CLAMP | | | 2 |
| 19 | 6717437 | TUBE | | | 1 |
| 20 | 6717441 | TUBE | | | 1 |
| 21 | 6719424 | TEE | | | 1 |
| 22 | 15KB1010 | FITTING | W/Ref. 36 - check boss face to determine correct replacement o-ring - Was 15KV00007B [A] | | 1 |
| 22 | 97K10 | O-RING 10 | flared end | | 1 |
| 23 | 6717382 | TUBE | | | 1 |
| 24 | 6717444 | TUBE | | | 1 |
| 25 | 6717445 | TUBE | | | 1 |
| 26 | 6717442 | TUBE | | | 1 |
| 27 | 6717443 | TUBE | | | 1 |
| 28 | 872229 | WASHER | | | 1 |
| 29 | 84G3732 | BOLT | | | 1 |
| 30 | 6578870 | CLAMP | | | 4 |
| 31 | 17C428 | BOLT | | | 2 |
| 32 | 6701174 | WASHER | | | 2 |
| 33 | 83D4 | NUT 10 | | | 2 |
| 34 | 36K7 | FITTING | | | 1 |
| 35 | 21KB1010 | TEE | W/Ref. 36 - check boss face to determine correct replacement o-ring - Was 21KN00007B [A] | | 2 |
| 35 | 97K10 | O-RING 10 | flared end | | 1 |
| 36 | 99K10 | O'RING | tapered boss face | | x |
| 36 | 79K10 | O RING 10 | flat boss face | | x |
| 37 | | VALVE | See Illustration HYDRAULIC CONTROL VALVE/ B17144 | | 1 |
| 38 | 6717143 | MOUNT | | | 1 |
| 39 | 17C612 | BOLT 5 | | | 2 |
| 40 | 83D6 | NUT 5 | | | 2 |
| 41 | 84G3716 | SCREW 5 | | | 1 |
| 42 | 17C616 | BOLT 5 | | | 2 |
| 43 | 6624289 | STRAP 10 | | | 2 |
| 44 | | ELBOW | NAP - W/Ref. 36 - flat boss face - Was 6715716 [A] | | 1 |
| 44 | 97K8 | O-RING | flared end | | 1 |
| 44 | 17KB810 | ELBOW | W/Ref. 36 - flat boss face | | 1 |
| 45 | | TEE | See Illustration HYDRAULIC CONTROL VALVE/ | | 1 |

HYDRAULIC CIRCUITRY (Cont'd)
(W/O) (S/N 500K11038 & Below, 517619258 & Below,
518012218 & Below, 518112089 & Below, 519018909 & Below, 519212154 & Below)

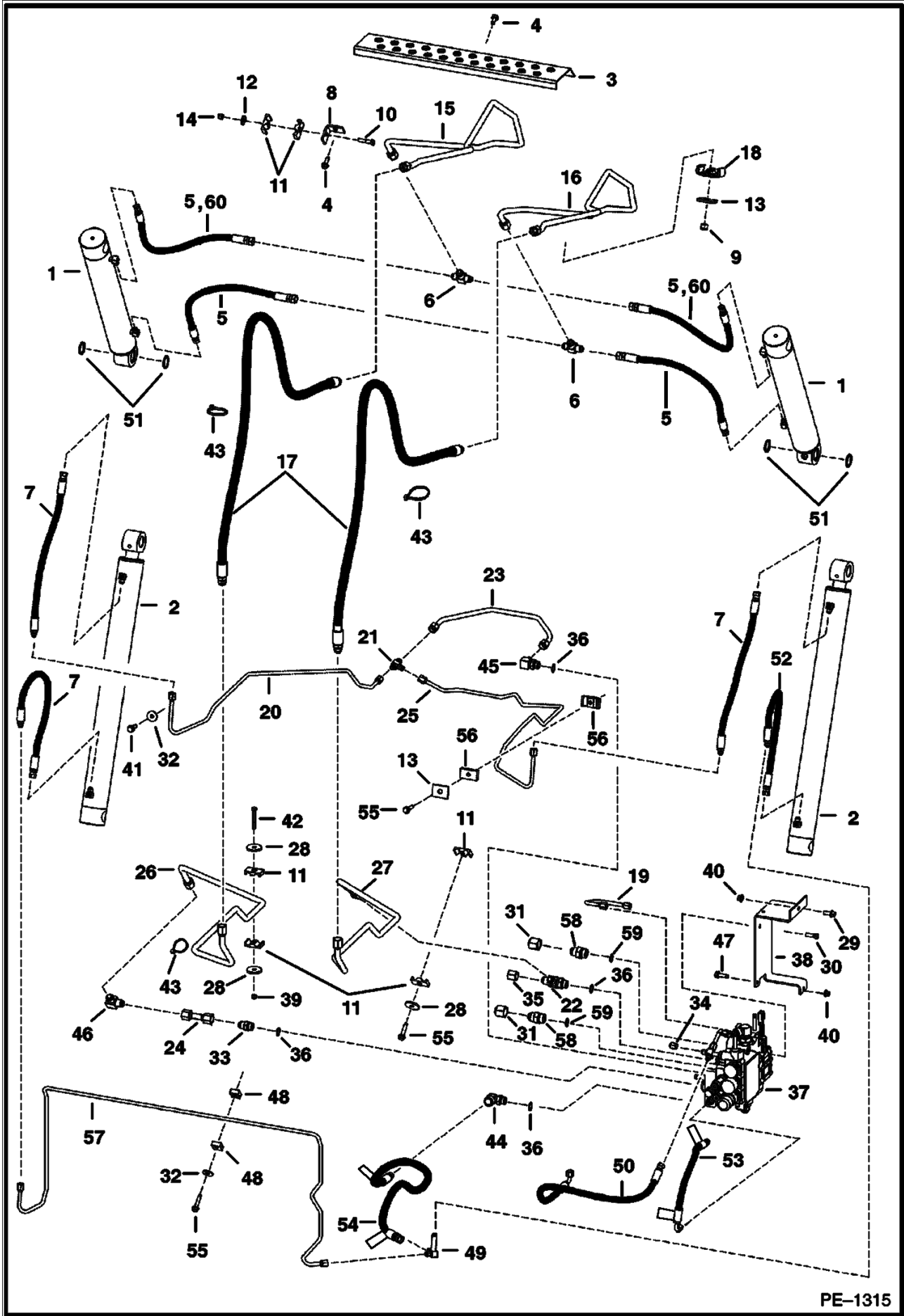


PE-1044

HYDRAULIC CIRCUITRY (Cont'd)
(W/O) (S/N 500K11038 & Below, 517619258 & Below,
518012218 & Below. 518112089 & Below. 519018909 & Below. 519212154 & Below)

| Ref No | Part Number | Description | Remarks | Serial Number | Qty |
|--------|-------------|-------------|---|---------------|-----|
| | | | B17144 NAP - W/Ref. 36 - USE W/VALVE - tapered boss face - Was 6717492 [A] | | |
| 45 | 97K6 | O'RING | flared end | | 2 |
| 45 | 19KB610 | TEE | W/Ref. 36 - flat boss face - Was 19KB00610B [A] | | 1 |
| 46 | 77F7 | ELBOW | | | 1 |
| 47 | 6725969 | SPACER | | | 2 |
| 48 | 6725592 | GUARD | | | 2 |
| 49 | 6710573 | TUBE | | | 1 |
| 50 | 6715184 | ADAPTER | See Illustration HYDRAULIC CONTROL VALVE/ B17144 USE W/VALVE | | 1 |
| 51 | 6654117 | SEAL, OIL | 2" (5,08 mm) OD | | 4 |
| 51 | 225855 | SEAL, OIL | 1.5" (3,81 mm) OD | | 4 |
| 52 | 7114236 | HOSE | .75" thread female ends - Use (1) per tilt cylinder W/.75" thread base end fitting | | 2 |

HYDRAULIC CIRCUITRY
 (W/O BPV) S/N 500K11039-11977, 517619259-20140
 518012219-12386, 518112090-12245, 519018910-21020, 519212155-12363)

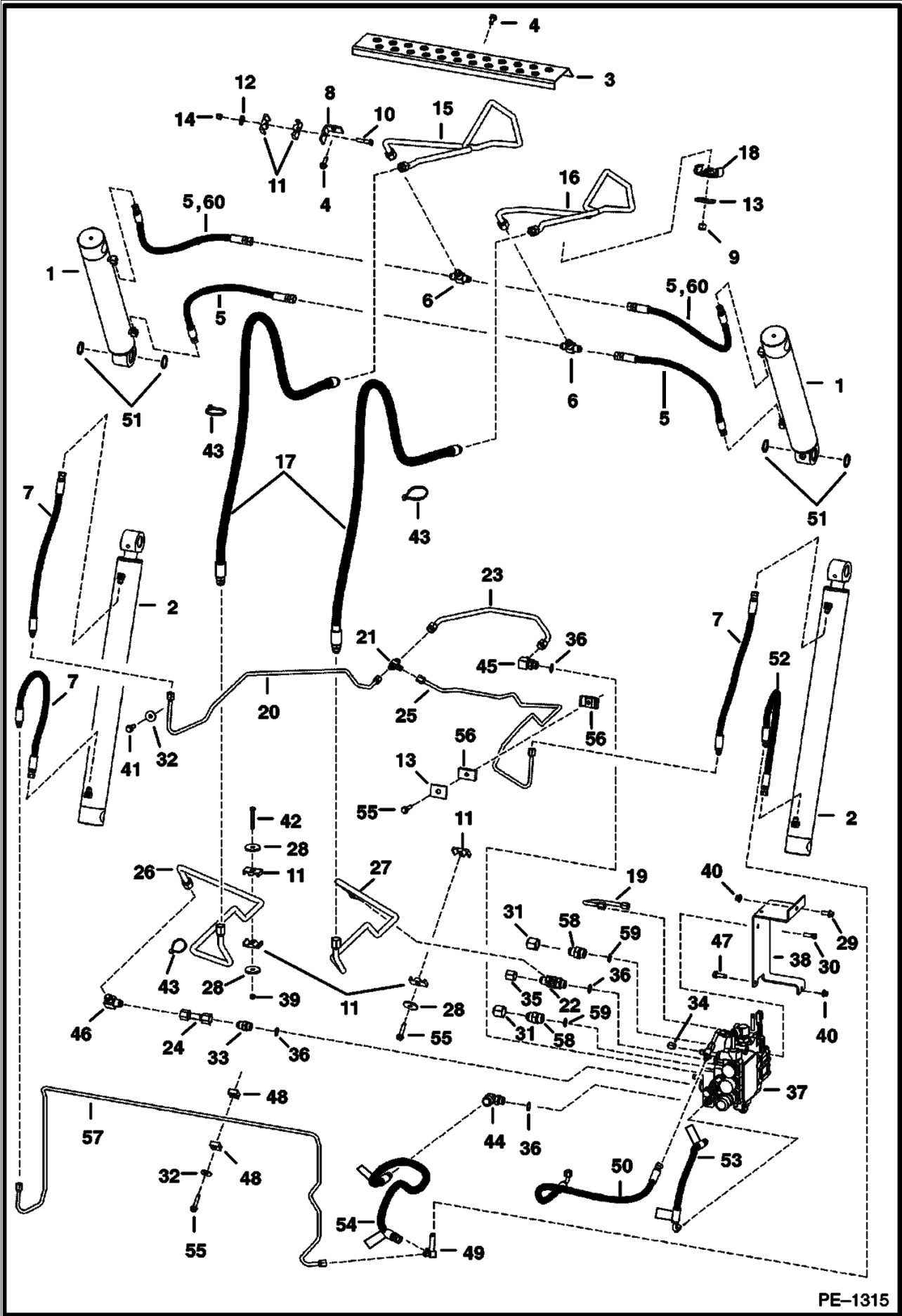


PE-1315

HYDRAULIC CIRCUITRY (Cont'd)
(W/O BPV) S/N 500K11039-11977, 517619259-20140
518012219-12386, 518112090-12245, 519018910-21020, 519212155-12363)

| Ref No | Part Number | Description | Remarks | Serial Number | Qty |
|--------|-------------|-------------|--|---------------|-----|
| 1 | | CYLINDER | See Illustration TILT CYLINDER/ PE1056 TILT | | 2 |
| 2 | | CYLINDER | See Illustration LIFT CYLINDER/ B13593 LIFT | | 2 |
| 3 | 6717502 | BOOM STEP | W/ 2" (50,8 mm) mtg. hole surface | | 1 |
| 3 | 6735669 | BOOM STEP | W/ 3.4" (86,4 mm) mtg hole surface | | 1 |
| 4 | 84G3712 | BOLT | | | 4 |
| 5 | 6718066 | HOSE | .5625" thread & .75" thread female ends - Use (2) per tilt cylinder W/.5625" thread base end fitting | | 4 |
| 5 | | | .5625" thread & .75" thread female ends - Use (1) per tilt cylinder W/.75" thread base end fitting | | 2 |
| 6 | 6716061 | TEE | | | 2 |
| 7 | 7116564 | HOSE | Was 7104132 [A] | | 3 |
| 8 | 6718238 | BRACKET | | | 1 |
| 9 | 59D8 | NUT 5 | | | 2 |
| 10 | 17C628 | BOLT | | | 1 |
| 11 | 6701893 | CLAMP | | | 6 |
| 12 | 27E6 | WASHER 5 | | | 1 |
| 13 | 6553709 | WASHER | | | 2 |
| 14 | 59D6 | NUT | | | 1 |
| 15 | 6718030 | TUBE | | | 1 |
| 16 | 6725337 | TUBE | | | 1 |
| 17 | 6719439 | HOSE | | | 2 |
| 18 | 6717933 | CLAMP | | | 2 |
| 19 | 6727702 | TUBE | | | 1 |
| 20 | 6726168 | TUBE | | | 1 |
| 21 | 6719424 | TEE | | | 1 |
| 21 | 97K6 | O'RING | flared end | | 2 |
| 21 | 97K8 | O-RING | flared end | | 1 |
| 22 | 21KB1010 | TEE | W/Ref. 36 - check boss face to determine correct replacement o-ring - Was 21KN00007B [A] | | 1 |
| 22 | 97K10 | O-RING 10 | flared end | | 1 |
| 23 | 6726166 | TUBE | | | 1 |
| 24 | 6727644 | TUBE | | | 1 |
| 25 | 6726169 | TUBE | | | 1 |
| 26 | 6726172 | TUBE | | | 1 |
| 27 | 6726171 | TUBE | | | 1 |
| 28 | 872229 | WASHER | | | 3 |
| 29 | 35C616 | BOLT 5 | | | 2 |
| 30 | 17C620 | BOLT | | | 2 |
| 31 | 36K8 | CAP | | | 2 |
| 32 | 619021 | WASHER, 5 | | | 2 |
| 33 | 15KB1010 | FITTING | W/Ref. 36 - check boss face to determine correct replacement o-ring - Was 15KV00007B [A] | | 2 |
| 33 | 97K10 | O-RING 10 | flared end | | 1 |
| 34 | 36K5 | CAP | | | 1 |
| 35 | 36K7 | FITTING | | | 1 |
| 36 | 99K10 | O'RING | tapered boss face | | x |
| 36 | 79K10 | O RING 10 | flat boss face | | x |
| 37 | | VALVE | See Illustration HYDRAULIC CONTROL VALVE/ B17144 | | 1 |
| 38 | 6726253 | MOUNT | | | 1 |
| 39 | 59D5 | NUT 5 | | | 1 |
| 40 | 83D6 | NUT 5 | | | 4 |
| 41 | 84G3724 | BOLT | | | 1 |
| 42 | 17C540 | BOLT | | | 1 |
| 43 | 6624289 | STRAP 10 | | | 3 |
| 44 | | ELBOW | NAP - W/ 1.0" W/Ref. 36 (99K-12 o-ring) - Was 6727639 [A] | | 1 |

HYDRAULIC CIRCUITRY (Cont'd)
 (W/O BPV) S/N 500K11039-11977, 517619259-20140
 518012219-12386, 518112090-12245, 519018910-21020, 519212155-12363)

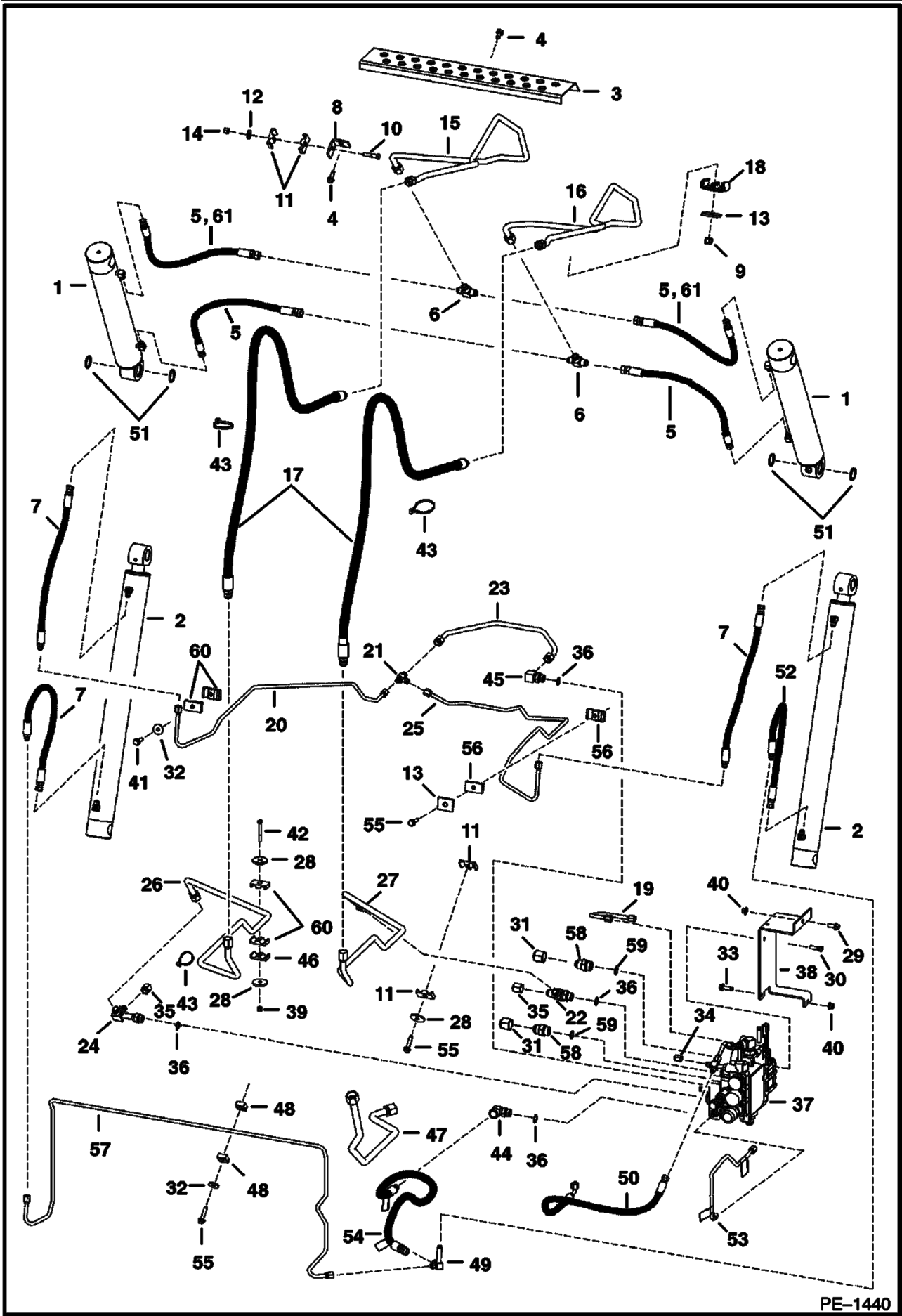


PE-1315

HYDRAULIC CIRCUITRY (Cont'd)
(W/O BPV) S/N 500K11039-11977, 517619259-20140
518012219-12386, 518112090-12245, 519018910-21020, 519212155-12363)

| Ref No | Part Number | Description | Remarks | Serial Number | Qty |
|--------|-------------|-------------|--|---------------|-----|
| 44 | 6814531 | ELBOW | W/ 1.0625" nut - W/Ref. 36 (79K-10 o-ring) | | 1 |
| 45 | | ELBOW | NAP - W/Ref. 36 - flat boss face - Was 6715716 [A] | | 1 |
| 45 | 97K8 | O-RING | flared end | | 1 |
| 45 | 17KB810 | ELBOW | W/Ref. 36 - flat boss face | | 1 |
| 46 | 77F7 | ELBOW | Was 77FN00007B [A] | | 1 |
| 47 | 6727640 | TUBE | See Illustration HYDROSTATIC CIRCUITRY/ PE1629 Ref. 7 | | 1 |
| 48 | 6727707 | CLAMP | | | 2 |
| 49 | 6727638 | TEE | | | 1 |
| 49 | 97K6 | O'RING | flared end | | 2 |
| 49 | 97K8 | O-RING | flared end | | 1 |
| 50 | 6737648 | HOSE | Was 6725436 [A] | | 1 |
| 51 | 6654117 | SEAL, OIL | 2" (5,08 mm) OD | | 4 |
| 51 | 225855 | SEAL, OIL | 1.5" (3,81 mm) OD | | 4 |
| 52 | 7116565 | HOSE | Was 7104133 [A] | | 2 |
| 53 | 6727703 | HOSE | available only as an assembly W/two danger decals installed | | 1 |
| 53 | 6809511 | DECAL | danger | | 2 |
| 54 | 6727705 | HOSE | available only as an assembly W/two danger decals installed | | 1 |
| 54 | 6809511 | DECAL | danger | | 2 |
| 54 | 79K8 | O RING 10 | | | 1 |
| 55 | 84G3728 | BOLT | | | 3 |
| 56 | 6727708 | CLAMP | | | 2 |
| 57 | 6726167 | TUBE | | | 1 |
| 58 | 15KB1212 | ADAPTER | W/Ref. 59 - check boss face to determine correct replacement o-ring - Was 15KV00008B [A] | | 2 |
| 58 | 97K12 | O'RING | flared end | | 1 |
| 59 | 99K12 | O'RING | tapered boss face | | x |
| 59 | 79K12 | O RING 10 | flat boss face | | x |
| 60 | 7114236 | HOSE | .75" thread female ends - Use (1) per tilt cylinder W/.75" thread base end fitting | | 2 |

HYDRAULIC CIRCUITRY
 (W/O BPV) (S/N 500K11978 & Above, 517620141 & Above,
 518012387 & Above, 518112246 & Above, 519021021 & Above, 519212364 & Above)

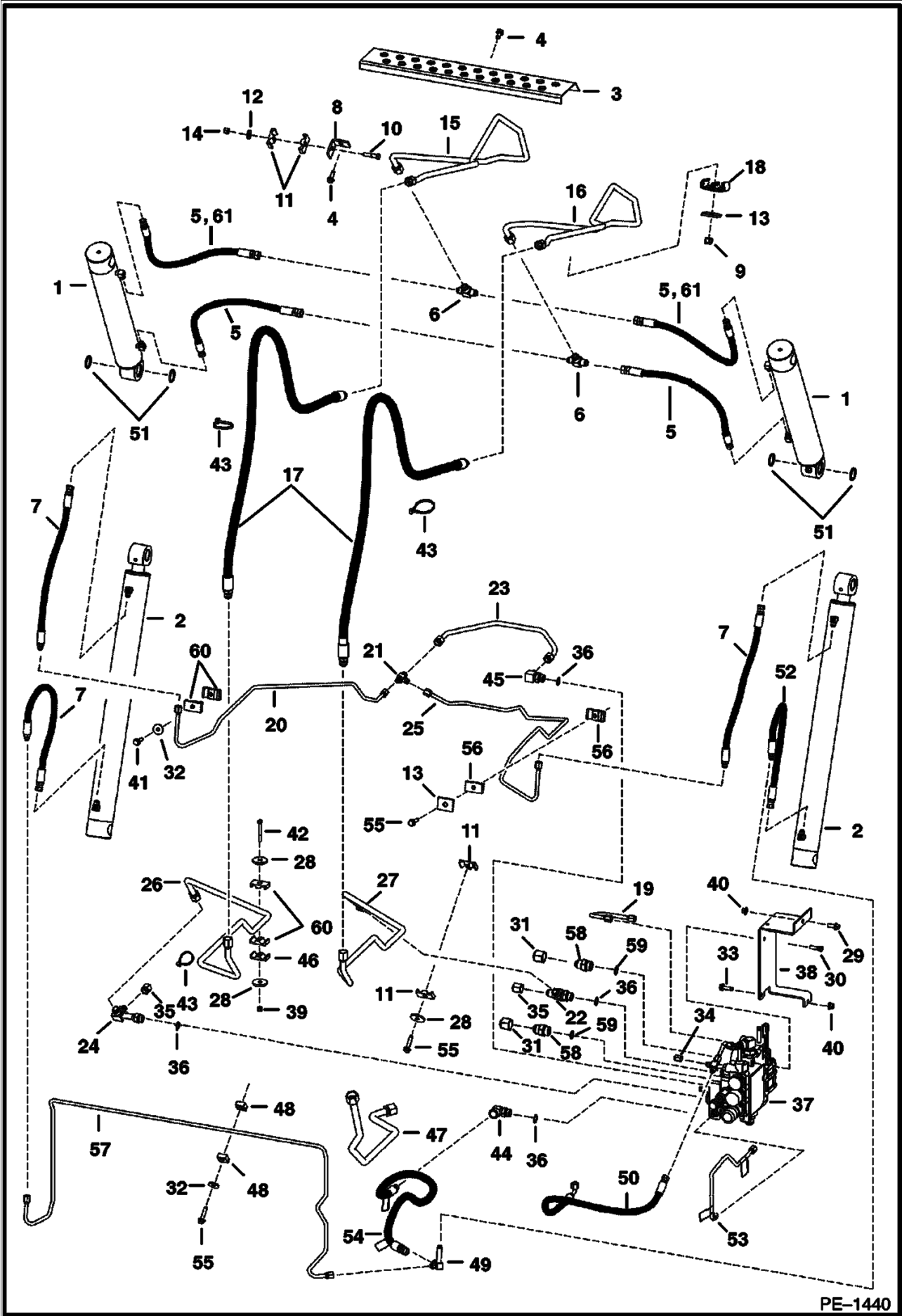


PE-1440

HYDRAULIC CIRCUITRY (Cont'd)
(W/O BPV) (S/N 500K11978 & Above, 517620141 & Above,
518012387 & Above, 518112246 & Above, 519021021 & Above, 519212364 & Above)

| Ref No | Part Number | Description | Remarks | Serial Number | Qty |
|--------|-------------|-------------|--|---------------|-----|
| 1 | | CYLINDER | See Illustration TILT CYLINDER/ PE1056 TILT | | 2 |
| 2 | | CYLINDER | See Illustration LIFT CYLINDER/ B13593 LIFT | | 2 |
| 3 | 6717502 | BOOM STEP | W/ 2" (50,8 mm) mtg. hole surface | | 1 |
| 3 | 6735669 | BOOM STEP | W/ 3.4" (86,4 mm) mtg hole surface | | 1 |
| 4 | 84G3712 | BOLT | | | 4 |
| 5 | 6718066 | HOSE | .5625" thread & .75" thread female ends - Use (2) per tilt cylinder W/.5625" thread base end fitting | | 4 |
| 5 | | | .5625" thread & .75" thread female ends - Use (1) per tilt cylinder W/.75" thread base end fitting | | 2 |
| 6 | 6716061 | TEE | | | 2 |
| 7 | 7116564 | HOSE | Was 7104132 [A] | | 3 |
| 8 | 6718238 | BRACKET | | | 1 |
| 9 | 59D8 | NUT 5 | | | 2 |
| 10 | 17C628 | BOLT | | | 1 |
| 11 | 6701893 | CLAMP | | | 6 |
| 12 | 27E6 | WASHER 5 | | | 1 |
| 13 | 6553709 | WASHER | | | 2 |
| 14 | 59D6 | NUT | | | 1 |
| 15 | 6718030 | TUBE | | | 1 |
| 16 | 6725337 | TUBE | | | 1 |
| 17 | 6719439 | HOSE | | | 2 |
| 18 | 6717933 | CLAMP | | | 2 |
| 19 | 6727702 | TUBE | See Illustration MANUAL LIFT RELEASE SYSTEM/ PE1492R | | 1 |
| 20 | 6726168 | TUBE | | | 1 |
| 21 | 6719424 | TEE | | | 1 |
| 21 | 97K6 | O'RING | flared end | | 2 |
| 21 | 97K8 | O-RING | flared end | | 1 |
| 22 | 21KB1010 | TEE | W/Ref. 36 - check boss face to determine correct replacement o-ring - Was 21KN00007B [A] | | 1 |
| 22 | 97K10 | O-RING 10 | flared end | | 1 |
| 23 | 6726166 | TUBE | | | 1 |
| 24 | 6730142 | TEE | W/Ref. 36 - check boss face to determine correct replacement o-ring | | 1 |
| 24 | 99K10 | O'RING | flared end | | x |
| 25 | 6730201 | TUBE | | | 1 |
| 26 | 6730203 | TUBE | | | 1 |
| 27 | 6730202 | TUBE | | | 1 |
| 28 | 872229 | WASHER | | | 3 |
| 29 | 35C616 | BOLT 5 | | | 2 |
| 30 | 17C620 | BOLT | | | 2 |
| 31 | 36K8 | CAP | | | 2 |
| 32 | 619021 | WASHER, 5 | | | 2 |
| 33 | 84G3720 | BOLT | | | 1 |
| 34 | 36K5 | CAP | | | 1 |
| 35 | 36K7 | FITTING | | | 2 |
| 36 | 79K10 | O RING 10 | flat boss face | | x |
| 36 | 99K10 | O'RING | tapered boss face | | x |
| 37 | | VALVE | See Illustration HYDRAULIC CONTROL VALVE/ B17144 | | 1 |
| 38 | 6726253 | MOUNT | | | 1 |
| 39 | 59D5 | NUT 5 | | | 1 |
| 40 | 83D6 | NUT 5 | | | 2 |
| 41 | 84G3724 | BOLT | | | 1 |
| 42 | 17C540 | BOLT | | | 1 |
| 43 | 6624289 | STRAP 10 | | | 2 |
| 44 | | ELBOW | NAP - W/ 1.0" nut - W/Ref. 36 - check boss face to | | 1 |

HYDRAULIC CIRCUITRY (Cont'd)
 (W/O BPV) (S/N 500K11978 & Above, 517620141 & Above,
 518012387 & Above, 518112246 & Above, 519021021 & Above, 519212364 & Above)

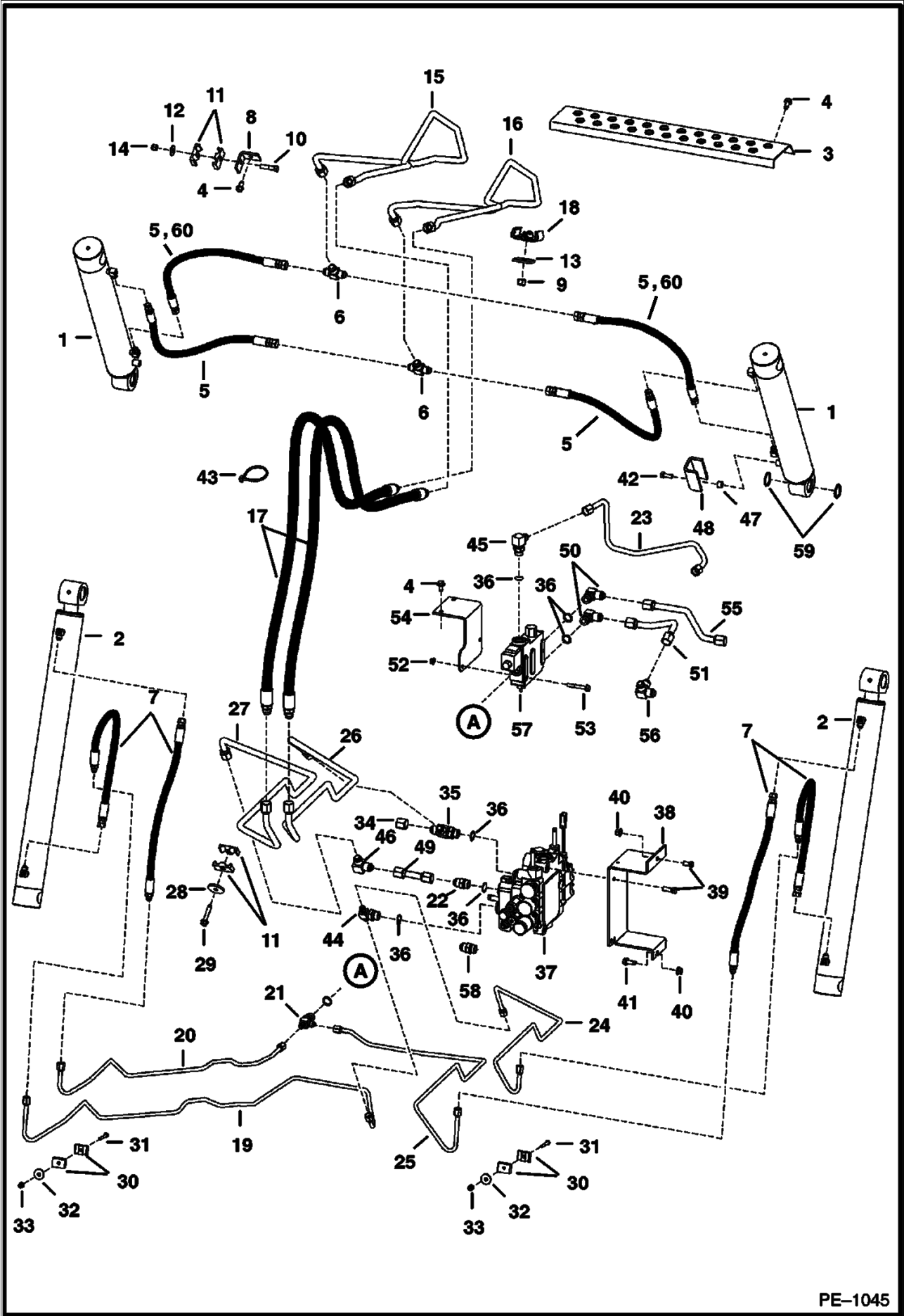


PE-1440

HYDRAULIC CIRCUITRY (Cont'd)
(W/O BPV) (S/N 500K11978 & Above, 517620141 & Above,
518012387 & Above, 518112246 & Above, 519021021 & Above, 519212364 & Above)

| Ref No | Part Number | Description | Remarks | Serial Number | Qty |
|--------|-------------|-------------|--|---------------|-----|
| | | | determine correct replacement o-ring - Was 6727639 [A] | | |
| 44 | 6814531 | ELBOW | W/ 1.06.25" nut - W/Ref. 36 - flat boss face | | 1 |
| 45 | | ELBOW | NAP - W/Ref. 36 - tapered boss face - Was 6715716 [A] | | 1 |
| 45 | 97K8 | O-RING | flared end | | 2 |
| 45 | 17KB810 | ELBOW | W/Ref. 36 - flat boss face | | 1 |
| 46 | 30H45 | CLIP | | | 1 |
| 47 | 6727640 | TUBE | See Illustration HYDROSTATIC CIRCUITRY/ PE1629 Ref. 7 | | 1 |
| 48 | 6727707 | CLAMP | | | 2 |
| 49 | 6727638 | TEE | | | 1 |
| 49 | 97K6 | O-RING | flared end | | 2 |
| 49 | 97K8 | O-RING | flared end | | 1 |
| 50 | 6737648 | HOSE | See Illustration HYDROSTATIC CIRCUITRY/ PE1364 Ref. 55 - Was 6725436 [A] | | 1 |
| 51 | 6654117 | SEAL, OIL | 2" (5,08 mm) OD | | 4 |
| 51 | 225855 | SEAL, OIL | 1.5" (3,81 mm) OD | | 4 |
| 52 | 7116564 | HOSE | Was 7104132 [A] | | 2 |
| 53 | 6729909 | TUBE | | | 1 |
| 53 | 6809511 | DECAL | danger | | 2 |
| 54 | 6727705 | HOSE | available only as an assembly W/two danger decals installed | | 1 |
| 54 | 6809511 | DECAL | danger | | 2 |
| 54 | 79K8 | O RING 10 | | | 1 |
| 55 | 84G3728 | BOLT | | | 3 |
| 56 | 6727708 | CLAMP | | | 2 |
| 57 | 6726167 | TUBE | | | 1 |
| 58 | 15KB1212 | ADAPTER | W/Ref. 59 - check boss face to determine correct replacement o-ring - Was 15KV00008B [A] | | 2 |
| 58 | 97K12 | O-RING | flared end | | 1 |
| 59 | 99K12 | O-RING | | | x |
| 59 | 79K12 | O RING 10 | flat boss face | | x |
| 60 | 6726277 | CLAMP | | | 4 |
| 61 | 7114236 | HOSE | .75" thread female ends - Use (1) per tilt cylinder W/.75" thread base end fitting | | 2 |

HYDRAULIC CIRCUITRY
 (W/BPV) (S/N 500K11038 & Below, 517619258 & Below,
 518012218 & Below. 518112089 & Below. 519018909 & Below. 519212154 & Below)

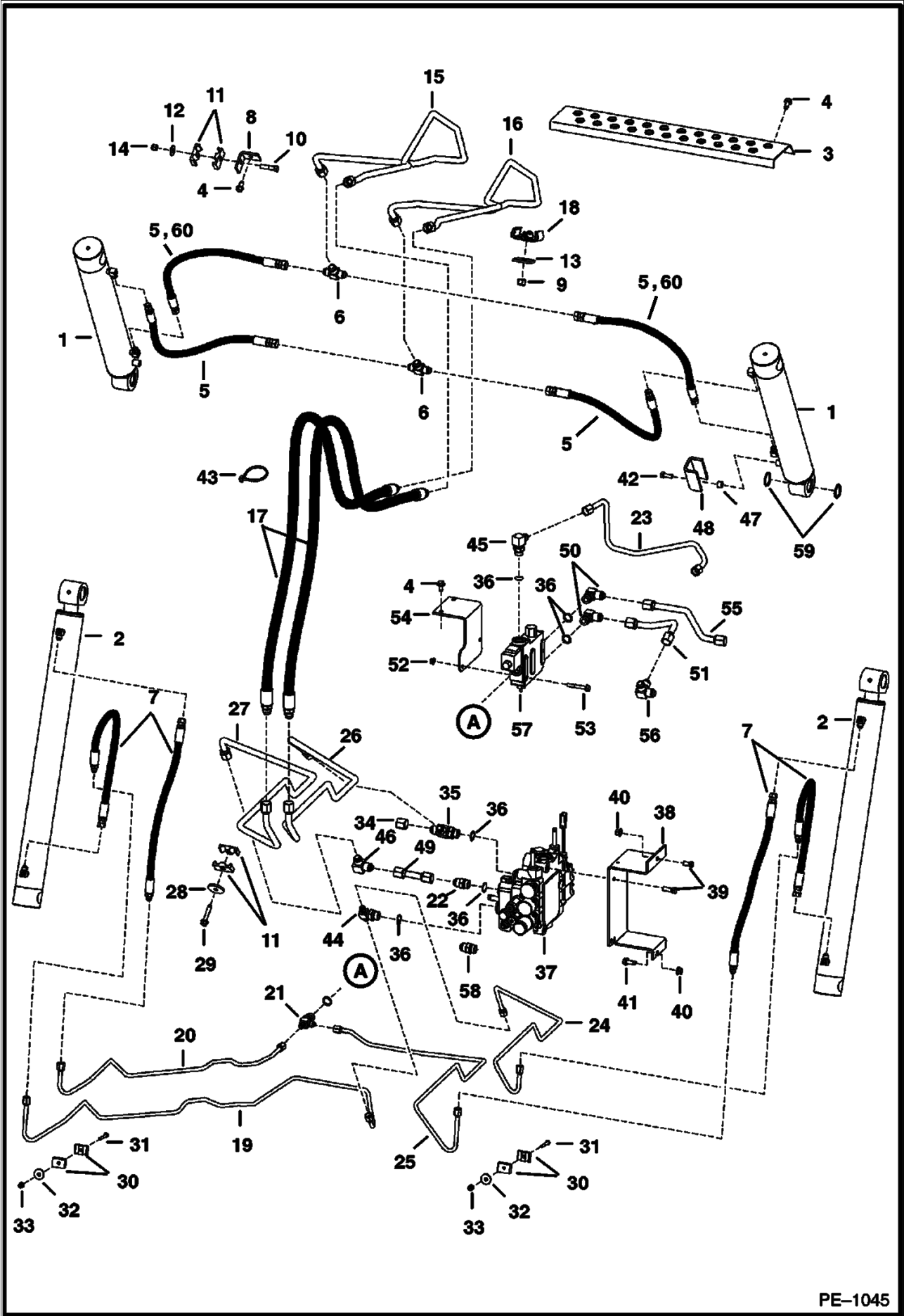


PE-1045

HYDRAULIC CIRCUITRY (Cont'd)
(W/BPV) (S/N 500K11038 & Below, 517619258 & Below,
518012218 & Below. 518112089 & Below. 519018909 & Below. 519212154 & Below)

| Ref No | Part Number | Description | Remarks | Serial Number | Qty |
|--------|-------------|-------------|--|---------------|-----|
| 1 | | CYLINDER | See Illustration TILT CYLINDER/ B17176 TILT | | 2 |
| 2 | | CYLINDER | See Illustration LIFT CYLINDER/ B13593 LIFT | | 2 |
| 3 | 6717502 | BOOM STEP | W/ 2" (50,8 mm) mtg. hole surface | | 1 |
| 3 | 6735669 | BOOM STEP | W/ 3.4" (86,4 mm) mtg hole surface | | 1 |
| 4 | 84G3712 | BOLT | | | 4 |
| 5 | 6718066 | HOSE | .5625" thread & .75" thread female ends - Use (2) per tilt cylinder W/.5625" thread base end fitting | | 4 |
| 5 | 6718066 | HOSE | .5625" thread & .75" thread female ends - Use (1) per tilt cylinder W/.75" thread base end fitting | | 2 |
| 6 | 6716061 | TEE | | | 2 |
| 7 | 7116564 | HOSE | Was 7104132 [A] | | 4 |
| 8 | 6718238 | BRACKET | | | 1 |
| 9 | 59D8 | NUT 5 | | | 2 |
| 10 | 17C628 | BOLT | | | 1 |
| 11 | 6701893 | CLAMP | | | 2 |
| 12 | 27E6 | WASHER 5 | | | 1 |
| 13 | 6553709 | WASHER | | | 2 |
| 14 | 59D6 | NUT | | | 1 |
| 15 | 6718030 | TUBE | | | 1 |
| 16 | 6725337 | TUBE | | | 1 |
| 17 | 6719439 | HOSE | | | 2 |
| 18 | 6717933 | CLAMP | | | 2 |
| 19 | 6717437 | TUBE | | | 1 |
| 20 | 6717441 | TUBE | | | 1 |
| 21 | | TEE | NAP - W/Ref. 36 - tapered boss face - Was 6717503 [A] | | 1 |
| 21 | 97K6 | O'RING | flared end | | 2 |
| 21 | 21KB610 | FITTING | W/Ref. 36 - flat boss face | | 1 |
| 22 | 15KB1010 | FITTING | W/Ref. 36 - check boss face to determine correct replacement o-ring - Was 15KV00007B [A] | | 1 |
| 22 | 97K10 | O-RING 10 | flared end | | 1 |
| 23 | 6717436 | TUBE | | | 1 |
| 24 | 6717444 | TUBE | | | 1 |
| 25 | 6717445 | TUBE | | | 1 |
| 26 | 6717442 | TUBE | | | 1 |
| 27 | 6717443 | TUBE | | | 1 |
| 28 | 872229 | WASHER | | | 1 |
| 29 | 84G3732 | BOLT | | | 1 |
| 30 | 6578870 | CLAMP | | | 4 |
| 31 | 17C428 | BOLT | | | 2 |
| 32 | 6701174 | WASHER | | | 2 |
| 33 | 83D4 | NUT 10 | | | 2 |
| 34 | 36K7 | FITTING | | | 1 |
| 35 | 21KB1010 | TEE | W/Ref. 36 - check boss face to determine correct replacement o-ring - Was 21KN00007B [A] | | 1 |
| 35 | 97K10 | O-RING 10 | flared end | | 6 |
| 36 | 99K10 | O'RING | tapered boss face | | x |
| 36 | 79K10 | O RING 10 | flat boss face | | x |
| 37 | | VALVE | See Illustration HYDRAULIC CONTROL VALVE/ B17144 | | 1 |
| 38 | 6717143 | MOUNT | | | 1 |
| 39 | 17C620 | BOLT | Was 17C000612B [B] | | 2 |
| 40 | 83D6 | NUT 5 | | | 2 |
| 41 | 84G3716 | SCREW 5 | | | 1 |
| 42 | 17C616 | BOLT 5 | | | 2 |
| 43 | 6624289 | STRAP 10 | | | 2 |
| 44 | | TEE | NAP - W/Ref. 36 - tapered boss face - Was 6717492 | | 1 |

HYDRAULIC CIRCUITRY (Cont'd)
 (W/BPV) (S/N 500K11038 & Below, 517619258 & Below,
 518012218 & Below, 518112089 & Below, 519018909 & Below, 519212154 & Below)

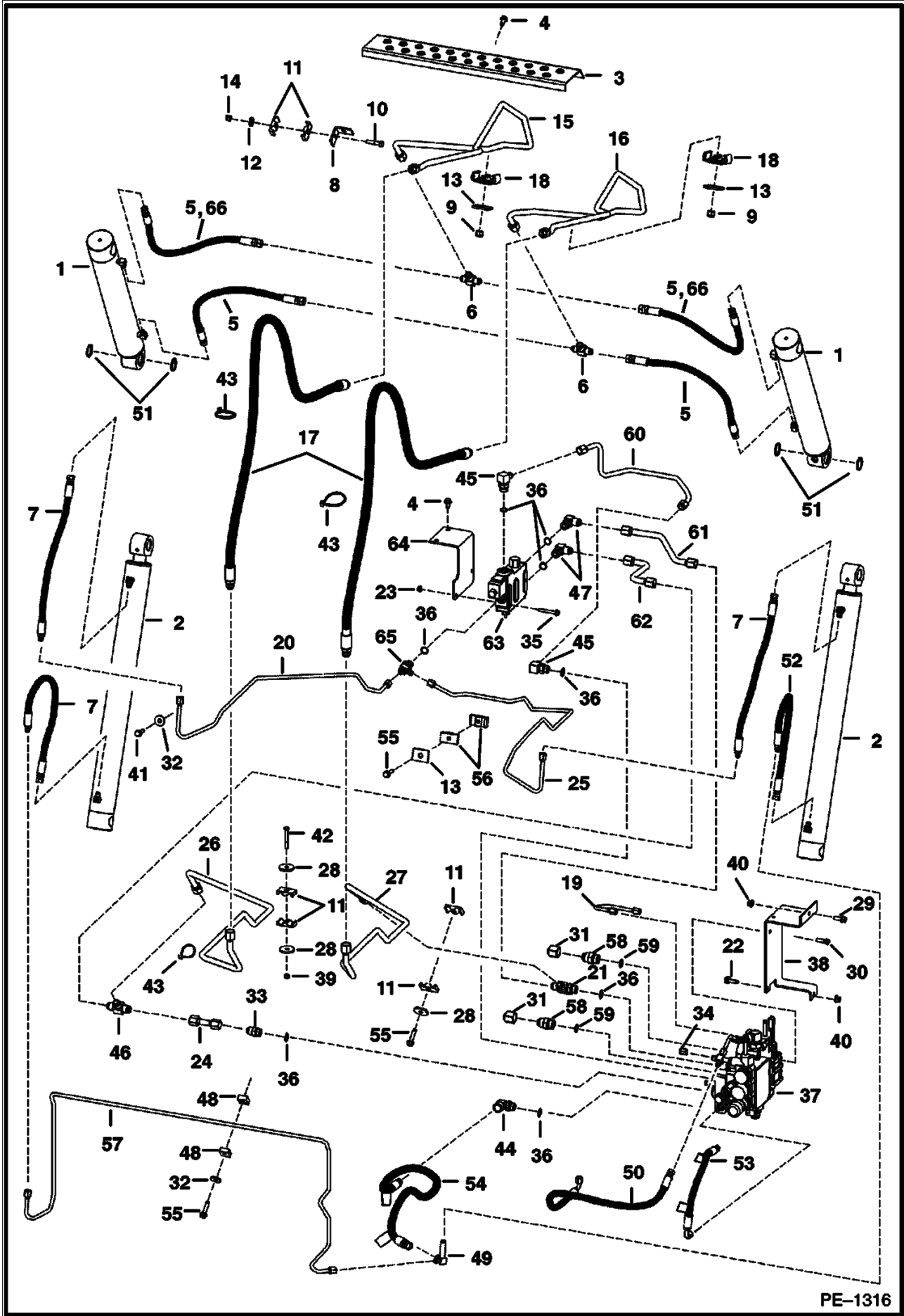


PE-1045

HYDRAULIC CIRCUITRY (Cont'd)
(W/BPV) (S/N 500K11038 & Below, 517619258 & Below,
518012218 & Below. 518112089 & Below. 519018909 & Below. 519212154 & Below)

| Ref No | Part Number | Description | Remarks | Serial Number | Qty |
|--------|-------------|-------------|---|---------------|-----|
| | | | [A] | | |
| 44 | 19KB610 | TEE | W/Ref. 36 - flat boss face | | 1 |
| 45 | | ELBOW | NAP - W/Ref. 36 - flat boss face - Was 6715716 [A] | | 2 |
| 45 | 97K8 | O-RING | flared end | | 6 |
| 45 | 17KB810 | ELBOW | W/Ref. 36 - flat boss face | | 2 |
| 46 | 77F7 | ELBOW | | | 1 |
| 47 | 6725969 | SPACER | | | 2 |
| 48 | 6725592 | GUARD | U shaped guard | | 2 |
| 49 | 6710573 | TUBE | 3.25"(82,6 mm) long | | 1 |
| 50 | 17KB1010 | ELBOW | W/Ref. 36 - check boss face to determine correct replacement o-ring - Was 17KV00007B | | 2 |
| 50 | 97K10 | O-RING 10 | flared end | | 6 |
| 51 | 6717435 | TUBE | | | 1 |
| 52 | 57D5 | NUT | | | 2 |
| 53 | 35C536 | BOLT | | | 2 |
| 54 | 6717142 | BRACKET | | | 1 |
| 55 | 6717434 | TUBE | | | 1 |
| 56 | 6705070 | TEE | | | 1 |
| 57 | | VALVE | See Illustration BUCKET POSITIONING VALVE/ MS1943 NAP - order 6673959 valve - If loader is not equipped with an on/off switch also order 6647784 pluf, 79K8 O-ring, 6647785 spring, & 6647783 load check - Was 6666341 | | 1 |
| 58 | 6715184 | ADAPTER | See Illustration HYDRAULIC CONTROL VALVE/ B17144 USE W/VALVE | | 1 |
| 59 | 6654117 | SEAL, OIL | 2" (5,08 mm) OD | | 4 |
| 59 | 225855 | SEAL, OIL | 1.5" (3,81 mm) OD | | 4 |
| 60 | 7114236 | HOSE | .75" thread female ends - Use (1) per tilt cylinder W/.75" thread base end fitting | | 2 |

HYDRAULIC CIRCUITRY
 (W/BPV) (S/N 500K11039-11977, 517619259-20140
 518012219-12386, 518112090-12245, 519018910-21020, 519212155-12363)

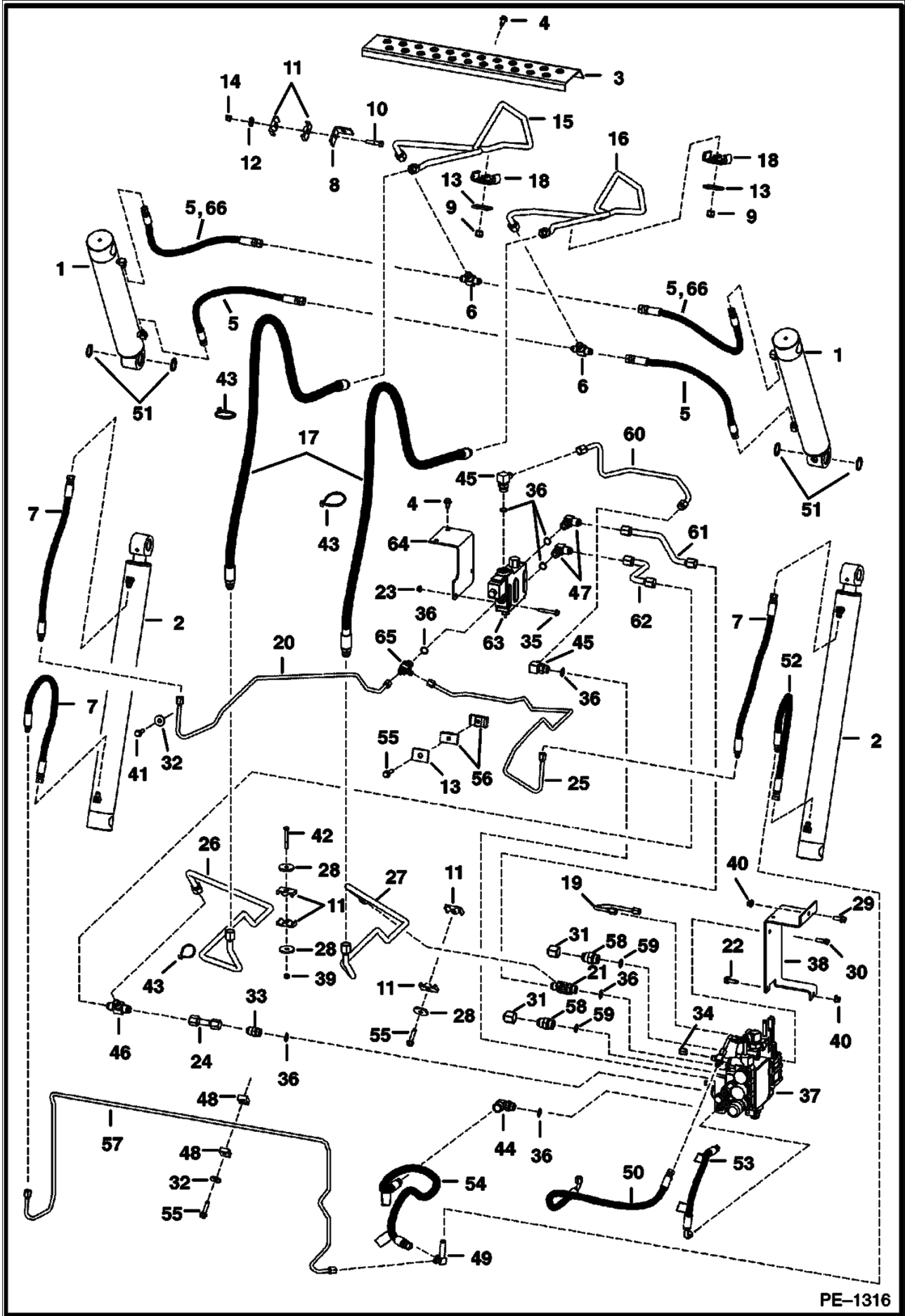


PE-1316

HYDRAULIC CIRCUITRY (Cont'd)
(W/BPV) (S/N 500K11039-11977, 517619259-20140
518012219-12386, 518112090-12245, 519018910-21020, 519212155-12363)

| Ref No | Part Number | Description | Remarks | Serial Number | Qty |
|--------|-------------|-------------|--|---------------|-----|
| 1 | | CYLINDER | See Illustration TILT CYLINDER/ PE1056 TILT | | 2 |
| 2 | | CYLINDER | See Illustration LIFT CYLINDER/ B13593 LIFT | | 2 |
| 3 | 6717502 | BOOM STEP | W/ 2" (50,8 mm) mtg. hole surface | | 1 |
| 3 | 6735669 | BOOM STEP | W/ 3.4" (86,4 mm) mtg hole surface | | 1 |
| 4 | 84G3712 | BOLT | | | 4 |
| 5 | 6718066 | HOSE | .5625" thread & .75" thread female ends - Use (2) per tilt cylinder W/.5625" thread base end fitting | | 4 |
| 5 | 6718066 | HOSE | .5625" thread & .75" thread female ends - Use (1) per tilt cylinder W/.75" thread base end fitting | | 2 |
| 6 | 6716061 | TEE | | | 2 |
| 7 | 7116564 | HOSE | Was 7104132 [A] | | 3 |
| 8 | 6718238 | BRACKET | | | 1 |
| 9 | 59D8 | NUT 5 | | | 2 |
| 10 | 17C628 | BOLT | | | 1 |
| 11 | 6701893 | CLAMP | | | 6 |
| 12 | 27E6 | WASHER 5 | | | 1 |
| 13 | 6553709 | WASHER | | | 2 |
| 14 | 59D6 | NUT | | | 1 |
| 15 | 6718030 | TUBE | | | 1 |
| 16 | 6725337 | TUBE | | | 1 |
| 17 | 6719439 | HOSE | | | 2 |
| 18 | 6717933 | CLAMP | | | 2 |
| 19 | 6727702 | TUBE | | | 1 |
| 20 | 6726168 | TUBE | | | 1 |
| 21 | 10K7 | TEE | Was 10KN00007B [A] | | 1 |
| 21 | 97K6 | O'RING | flared end | | 2 |
| 21 | 97K8 | O-RING | flared end | | 1 |
| 22 | 84G3720 | BOLT | | | 1 |
| 23 | 57D5 | NUT | | | 2 |
| 24 | 6727644 | TUBE | 2.75"(69,9 mm) long | | 1 |
| 25 | 6730201 | TUBE | Was 6726169 [C] | | 1 |
| 26 | 6726172 | TUBE | | | 1 |
| 27 | 6726171 | TUBE | | | 1 |
| 28 | 872229 | WASHER | | | 3 |
| 29 | 35C616 | BOLT 5 | | | 2 |
| 30 | 17C620 | BOLT | | | 2 |
| 31 | 36K8 | CAP | | | 2 |
| 32 | 619021 | WASHER, 5 | | | 2 |
| 33 | 15KB1010 | FITTING | W/Ref. 36 - check boss face to determine correct replacement o-ring - Was 15KV00007B [A] | | 1 |
| 33 | 97K10 | O-RING 10 | flared end | | 1 |
| 34 | 36K5 | CAP | | | 1 |
| 35 | 35C536 | BOLT | | | 2 |
| 36 | 99K10 | O'RING | tapered boss face | | x |
| 36 | 79K10 | O RING 10 | flat boss face | | x |
| 37 | | VALVE | See Illustration HYDRAULIC CONTROL VALVE/ B17144 | | 1 |
| 38 | 6726253 | MOUNT | | | 1 |
| 39 | 59D5 | NUT 5 | | | 1 |
| 40 | 83D6 | NUT 5 | | | 4 |
| 41 | 84G3724 | BOLT | | | 1 |
| 42 | 17C540 | BOLT | | | 1 |
| 43 | 6624289 | STRAP 10 | | | 3 |
| 44 | | ELBOW | NAP - W/ 1.0" nut - W/Ref. 36 - check boss face to determine correct replacement o-ring- Was 6727639 [A] | | 1 |
| 44 | 6814531 | ELBOW | W/ 1.0625" nut - W/Ref. 36 - flat boss face | | 1 |

HYDRAULIC CIRCUITRY (Cont'd)
 (W/BPV) (S/N 500K11039-11977, 517619259-20140
 518012219-12386, 518112090-12245, 519018910-21020, 519212155-12363)

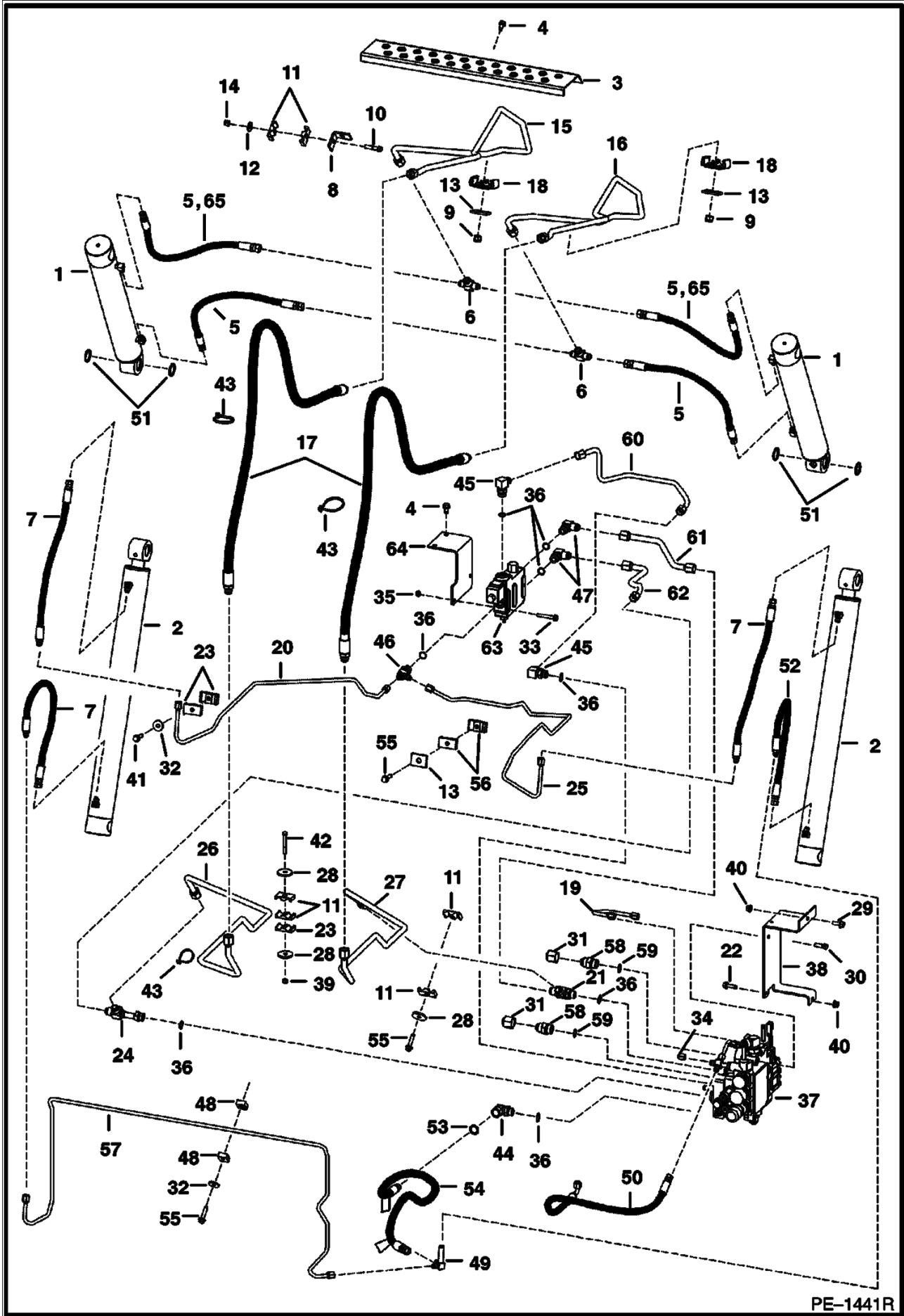


PE-1316

HYDRAULIC CIRCUITRY (Cont'd)
(W/BPV) (S/N 500K11039-11977, 517619259-20140
518012219-12386, 518112090-12245, 519018910-21020, 519212155-12363)

| Ref No | Part Number | Description | Remarks | Serial Number | Qty |
|--------|-------------|-------------|---|---------------|-----|
| 45 | | ELBOW | NAP - W/Ref. 36 - check boss face to determine correct replacement o-ring - Was 6715716 [A] | | 2 |
| 45 | 97K8 | O-RING | flared end | | 2 |
| 45 | 17KB810 | ELBOW | W/Ref. 36 - flat boss face | | 2 |
| 46 | 77F7 | ELBOW | Was 77FN00007B [A] | | 1 |
| 47 | | ELBOW | NAP - W/Ref. 36 - tapered boss face - Was 17KV00007B [A] | | 2 |
| 47 | 17KB1010 | ELBOW | W/Ref. 36 - flat boss face | | 2 |
| 47 | 97K10 | O-RING 10 | flare end | | 2 |
| 48 | 6727707 | CLAMP | | | 2 |
| 49 | 6727638 | TEE | | | 1 |
| 49 | 97K6 | O'RING | flared end | | 2 |
| 49 | 97K8 | O-RING | flared end | | 1 |
| 50 | 6737648 | HOSE | Was 6725436 [A] | | 1 |
| 51 | 6654117 | SEAL, OIL | 2" (5,08 mm) OD | | 4 |
| 51 | 225855 | SEAL, OIL | 1.5" (3,81 mm) OD | | 4 |
| 52 | 7116565 | HOSE | Was 7104133 [A] | | 1 |
| 53 | 6727703 | HOSE | available only as an assembly W/two danger decals installed | | 1 |
| 53 | 6809511 | DECAL | danger | | 2 |
| 54 | 6727705 | HOSE | available only as an assembly W/two danger decals installed | | 1 |
| 54 | 6809511 | DECAL | danger | | 2 |
| 54 | 79K8 | O RING 10 | | | 1 |
| 55 | 84G3728 | BOLT | | | 3 |
| 56 | 6727708 | CLAMP | | | 2 |
| 57 | 6726167 | TUBE | | | 1 |
| 58 | 15KB1212 | ADAPTER | W/Ref. 59 - check boss face to determine correct replacement o-ring - Was 15KV00008B [A] | | 2 |
| 58 | 97K12 | O'RING | flared end | | 2 |
| 59 | 99K12 | O'RING | | | x |
| 60 | 6726180 | TUBE | | | 1 |
| 61 | 6717434 | TUBE | | | 1 |
| 62 | 6726182 | TUBE | | | 1 |
| 63 | | VALVE | NAP - order 6673959 valve - Was 6666341 [A] | | 1 |
| 64 | 6727646 | BRACKET | | | 1 |
| 65 | | TEE | NAP - W/Ref. 36 - tapered boss face - Was 6717503 [A] | | 1 |
| 65 | 97K6 | O'RING | flared end | | 2 |
| 65 | 21KB610 | FITTING | W/Ref. 36 - flat boss face | | 1 |
| 66 | 7114236 | HOSE | .75" thread female ends - Use (1) per tilt cylinder W/.75" thread base end fitting | | 2 |

HYDRAULIC CIRCUITRY
 (W/BPV) (S/N 500K11978 & Above, 517620141 & Above,
 518012387 & Abov. 518112246 & Above. 519021021 & Above. 519212364 & Above)

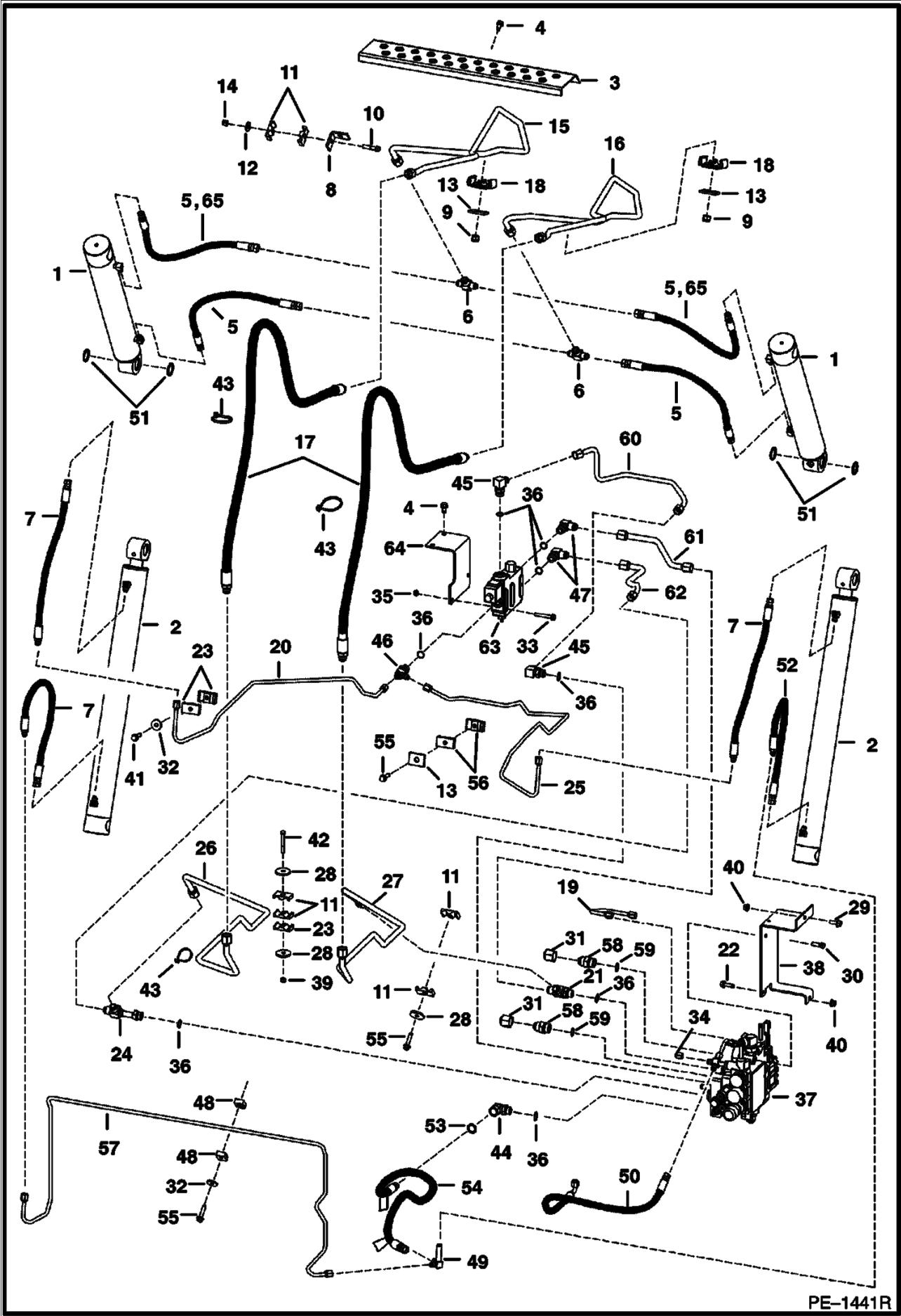


PE-1441R

HYDRAULIC CIRCUITRY (Cont'd)
(W/BPV) (S/N 500K11978 & Above, 517620141 & Above,
518012387 & Abov. 518112246 & Above. 519021021 & Above. 519212364 & Above)

| Ref No | Part Number | Description | Remarks | Serial Number | Qty |
|--------|-------------|-------------|--|---------------|-----|
| 1 | | CYLINDER | See Illustration TILT CYLINDER/ PE1056 TILT | | 2 |
| 2 | | CYLINDER | See Illustration LIFT CYLINDER/ B13593 LIFT | | 2 |
| 3 | 6717502 | BOOM STEP | W/ 2" (50,8 mm) mtg. hole surface | | 1 |
| 3 | 6735669 | BOOM STEP | W/ 3.4" (86,4 mm) mtg hole surface | | 1 |
| 4 | 84G3712 | BOLT | | | 4 |
| 5 | 6718066 | HOSE | .5625" thread & .75" thread female ends - Use (2) per tilt cylinder W/.5625" thread base end fitting | | 4 |
| 5 | 6718066 | HOSE | .5625" thread & .75" thread female ends - Use (1) per tilt cylinder W/.75" thread base end fitting | | 2 |
| 6 | 6716061 | TEE | | | 2 |
| 7 | 7116564 | HOSE | Was 7104132 [A] | | 3 |
| 8 | 6718238 | BRACKET | | | 1 |
| 9 | 59D8 | NUT 5 | | | 2 |
| 10 | 17C628 | BOLT | | | 1 |
| 11 | 6701893 | CLAMP | | | 6 |
| 12 | 27E6 | WASHER 5 | | | 1 |
| 13 | 6553709 | WASHER | | | 2 |
| 14 | 59D6 | NUT | | | 1 |
| 15 | 6718030 | TUBE | | | 1 |
| 16 | 6725337 | TUBE | | | 1 |
| 17 | 6719439 | HOSE | | | 2 |
| 18 | 6717933 | CLAMP | | | 2 |
| 19 | 6727702 | TUBE | See Illustration MANUAL LIFT RELEASE SYSTEM/ PE1492R | | 1 |
| 20 | 6726168 | TUBE | | | 1 |
| 21 | 21KB1010 | TEE | W/Ref. 36 - check boss face to determine correct replacement o-ring - Was 21KN00007B [A] | | 1 |
| 21 | 97K6 | O'RING | flared end | | 2 |
| 22 | 84G3720 | BOLT | | | 1 |
| 23 | 6726277 | CLAMP | | | 4 |
| 24 | 6730142 | TEE | W/Ref. 36 - check boss face to determine correct replacement o-ring | | 1 |
| 25 | 6730201 | TUBE | | | 1 |
| 26 | 6730203 | TUBE | | | 1 |
| 27 | 6730202 | TUBE | | | 1 |
| 28 | 872229 | WASHER | | | 3 |
| 29 | 35C616 | BOLT 5 | | | 2 |
| 30 | 17C620 | BOLT | | | 2 |
| 31 | 36K8 | CAP | | | 2 |
| 32 | 619021 | WASHER, 5 | | | 2 |
| 33 | 35C536 | BOLT | | | 2 |
| 34 | 36K5 | CAP | | | 1 |
| 35 | 57D5 | NUT | | | 2 |
| 36 | 99K10 | O'RING | tapered boss face | | x |
| 36 | 79K10 | O RING 10 | flat boss face | | x |
| 37 | | VALVE | See Illustration HYDRAULIC CONTROL VALVE/ B17144 | | 1 |
| 38 | 6726253 | MOUNT | | | 1 |
| 39 | 59D5 | NUT 5 | | | 1 |
| 40 | 83D6 | NUT 5 | | | 2 |
| 41 | 84G3724 | BOLT | | | 1 |
| 42 | 17C540 | BOLT | | | 1 |
| 43 | 6624289 | STRAP 10 | | | 3 |
| 44 | | ELBOW | NAP - W/ 1.0" W/Ref. 36 - check boss face to determine correct replacement o-ring - Was 6727639 [A] | | 1 |
| 44 | 6814531 | ELBOW | W/ 1.0625" nut - W/Ref. 36 - flat boss face | | 1 |

HYDRAULIC CIRCUITRY (Cont'd)
 (W/BPV) (S/N 500K11978 & Above, 517620141 & Above,
 518012387 & Abov. 518112246 & Above. 519021021 & Above. 519212364 & Above)

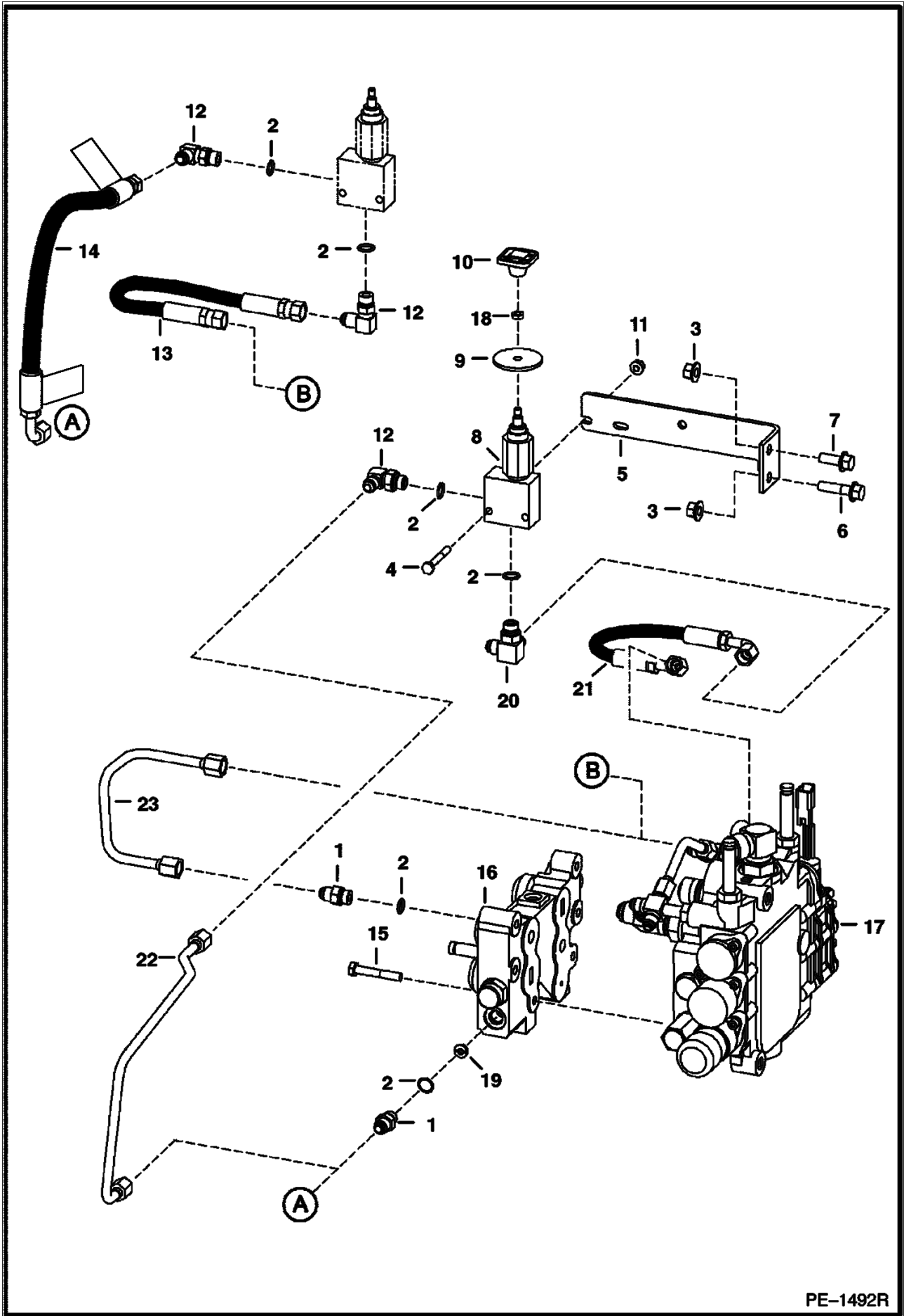


PE-1441R

HYDRAULIC CIRCUITRY (Cont'd)
(W/BPV) (S/N 500K11978 & Above, 517620141 & Above,
518012387 & Abov. 518112246 & Above. 519021021 & Above. 519212364 & Above)

| Ref No | Part Number | Description | Remarks | Serial Number | Qty |
|--------|-------------|-------------|---|---------------|-----|
| 45 | | ELBOW | NAP - W/Ref. 36 - check boss face to determine correct replacement o-ring - Was 6715716 [A] | | 2 |
| 45 | 97K8 | O-RING | flared end | | 2 |
| 45 | 17KB810 | ELBOW | W/Ref. 36 - flat boss face | | 2 |
| 46 | | TEE | NAP - W/Ref. 36 - tapered boss face - Was 6717503 [A] | | 1 |
| 46 | 97K6 | O'RING | flared end | | 2 |
| 46 | 21KB610 | FITTING | W/Ref. 36 - flat boss face | | 1 |
| 47 | 17KB1010 | ELBOW | W/Ref. 36 - check boss face to determine correct replacement o-ring - Was 17KV-7 [A] | | 2 |
| 47 | 97K10 | O-RING 10 | flared end | | 2 |
| 48 | 6727707 | CLAMP | | | 2 |
| 49 | 6727638 | TEE | | | 1 |
| 49 | 97K6 | O'RING | flared end | | 2 |
| 49 | 97K8 | O-RING | flared end | | 1 |
| 50 | 6737648 | HOSE | Was 6725436 [A] | | 1 |
| 51 | 6654117 | SEAL, OIL | 2" (5,08 mm) OD | | 4 |
| 51 | 225855 | SEAL, OIL | 1.5" (3,81 mm) OD | | 4 |
| 52 | 7116565 | HOSE | Was 7104133 [A] | | 1 |
| 53 | 79K8 | O RING 10 | | | 1 |
| 54 | 6727705 | HOSE | available only as an assembly W/two danger decals installed | | 1 |
| 54 | 6809511 | DECAL | danger | | 2 |
| 55 | 84G3728 | BOLT | | | 3 |
| 56 | 6727708 | CLAMP | | | 2 |
| 57 | 6726167 | TUBE | | | 1 |
| 58 | 15KB1212 | ADAPTER | W/Ref. 59 - flat boss face - Was 6812646 [A] | | 2 |
| 58 | 97K12 | O'RING | flared end | | 1 |
| 59 | 79K12 | O RING 10 | flat boss face | | x |
| 60 | 6726180 | TUBE | | | 1 |
| 61 | 6733684 | TUBE | Was 6730285 [A] | | 1 |
| 62 | 6730209 | TUBE | | | 1 |
| 63 | | VALVE | NAP - order 6673959 valve - Was 6666341 [A] | | 1 |
| 64 | 6727646 | BRACKET | | | 1 |
| 65 | 7114236 | HOSE | .75" thread female ends - Use (1) per tilt cylinder W/.75" thread base end fitting | | 2 |

MANUAL LIFT RELEASE SYSTEM

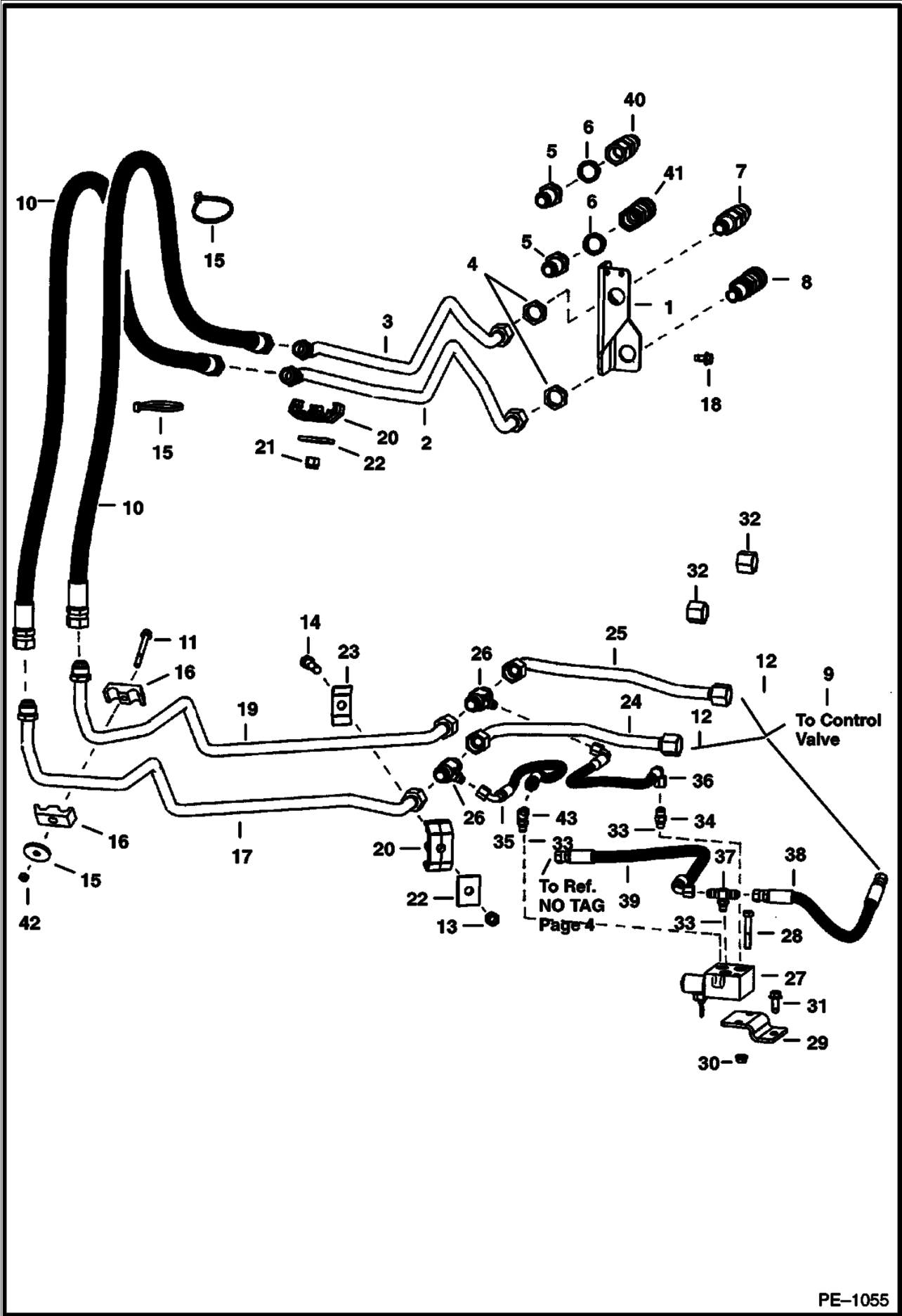


PE-1492R

MANUAL LIFT RELEASE SYSTEM (Cont'd)

| Ref No | Part Number | Description | Remarks | Serial Number | Qty |
|--------|-------------|--------------------|---|---------------|-----|
| 1 | | ADAPTER | NAP - W/Ref. 2 - check boss face to determine correct replacement o-ring - Was 15KV00005B [A] | | 2 |
| 1 | 97K6 | O'RING | flared end | | 2 |
| 1 | 15KB606 | ADAPTER | W/Ref. 2 - flat boss face | | 2 |
| 2 | 99K6 | O'RING | tapered boss face | | x |
| 2 | 79K6 | O RING 10 | flat boss face | | x |
| 3 | 83D6 | NUT 5 | | | 2 |
| 4 | 17C428 | BOLT | | | 2 |
| 5 | 6717151 | MOUNT | | | 1 |
| 6 | 17C624 | BOLT 5 | | | 1 |
| 7 | 17C612 | BOLT 5 | | | 1 |
| 8 | 6667844 | VALVE, LIFT MANUAL | See Illustration MANUAL LIFT RELEASE VALVE/ C3422 - manual lift release | | 1 |
| 9 | 6707101 | SEAL | neoprene | | 1 |
| 10 | 6737524 | KNOB | red square - Was 6668913 [A] | | 1 |
| 11 | 83D4 | NUT 10 | | | 2 |
| 12 | 17KB606 | ELBOW | W/Ref. 2 - check boss face to determine correct replacement o-ring - Was 17KV00005B [A] | | 2 |
| 12 | 97K6 | O'RING | flared end | | 2 |
| 13 | 6535451 | HOSE | | | 1 |
| 13 | 6727702 | TUBE | Use W/Rear Aux. Power Bob-Tach & standard hyd. flow combination | | 1 |
| 14 | 6717386 | HOSE | | | 1 |
| 15 | 43C532 | BOLT | | | 6 |
| 16 | 6628571 | VALVE ASSY | See Illustration BICS CONTROL VALVE/ TS1365 BICS CONTROL | | 1 |
| 17 | | VALVE | See Illustration HYDRAULIC CONTROL VALVE/ B17144 NSS - CONTROL - ORDER COMPLETE VALVE | | 1 |
| 18 | 7D4 | NUT | | | 1 |
| 19 | 6668791 | ORIFICE | | | 1 |
| 20 | 6725182 | TEE | W/Ref. 2 - check boss face to determine correct replacement o-ring | | 1 |
| 21 | 6736213 | HOSE | | | 1 |
| 22 | 6729909 | TUBE | | | 1 |

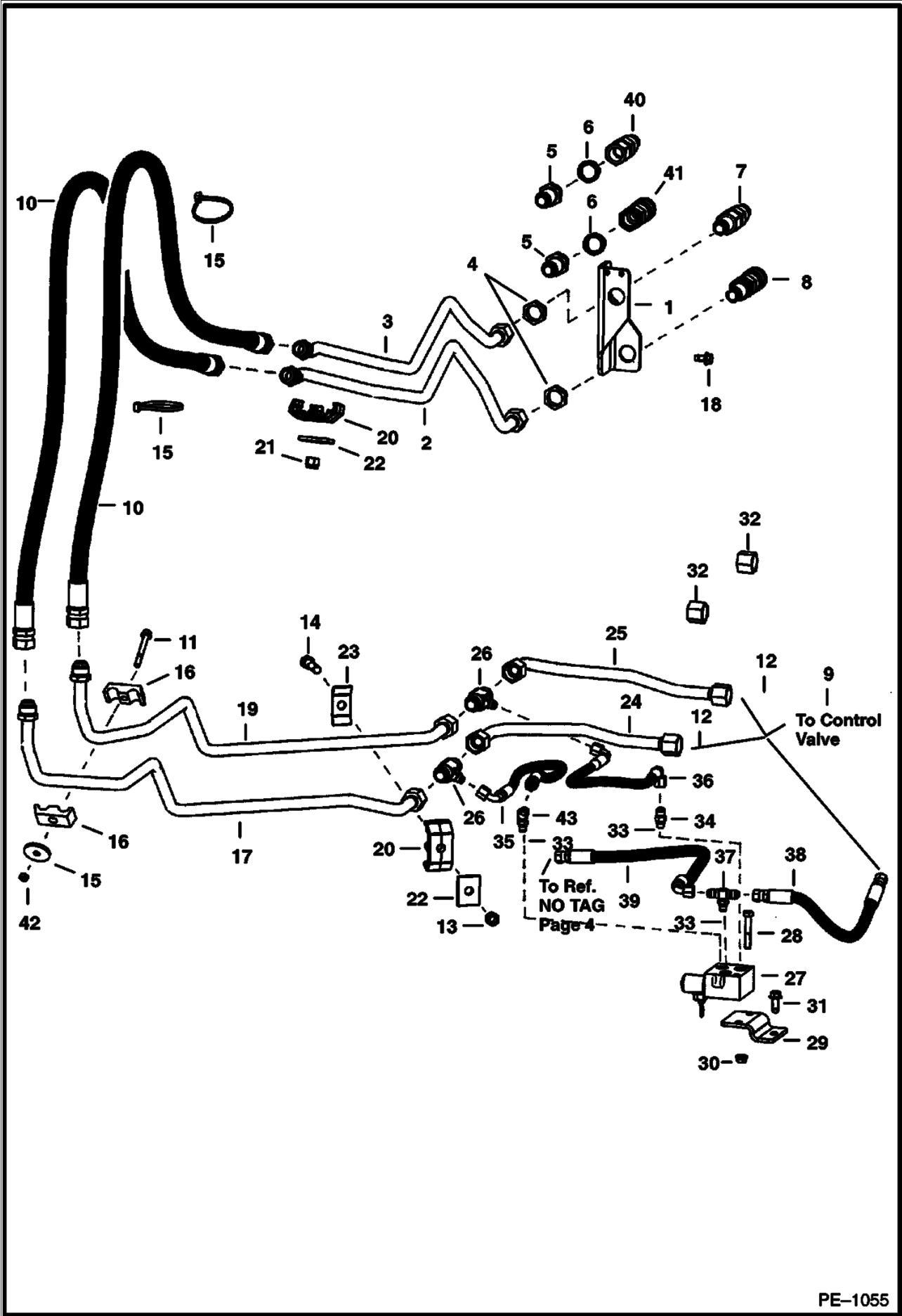
AUXILIARY HYDRAULICS
 (W/Pressure Relief) (S/N 500K11977 & Below, 517620140 & Below,
 518012386 & Below, 518112245 & Below, 519021020 & Below, 519212363 & Below)



AUXILIARY HYDRAULICS (Cont'd)
(W/Pressure Relief) (S/N 500K11977 & Below, 517620140 & Below,
518012386 & Below. 518112245 & Below. 519021020 & Below. 519212363 & Below)

| Ref No | Part Number | Description | Remarks | Serial Number | Qty |
|--------|-------------|-------------|--|------------------|-----|
| 1 | 6714665 | MOUNT | | | 1 |
| 2 | 6718027 | TUBE | | | 1 |
| 3 | 6718028 | TUBE | | | 1 |
| 4 | 86F8 | NUT 5 | | | 2 |
| 5 | | CONNECTOR | NAP - W/Ref. 6 - tapered boss face - Order 6812823 - Was 6716090 [A] | | 2 |
| 5 | 97K12 | O'RING | flared end | | 1 |
| 5 | 6812823 | ADAPTER | W/Ref. 6 - flat boss face | | 2 |
| 6 | 99K12 | O'RING | tapered boss face | | x |
| 6 | 79K12 | O RING 10 | flat boss face | | x |
| 7 | 6676445 | COUPLER | male - FF | 500K 11001 & Abv | 1 |
| 7 | 6676445 | COUPLER | | 5176 18311 & Abv | 1 |
| 7 | 6676445 | COUPLER | | 5180 12074 & Abv | 1 |
| 7 | 6676445 | COUPLER | | 5181 12055 & Abv | 1 |
| 7 | 6676445 | COUPLER | | 5190 16765 & Abv | 1 |
| 7 | 6676445 | COUPLER | | 5192 12035 & Abv | 1 |
| 8 | 6676447 | COUPLER | female - FF | 500K 11001 & Abv | 1 |
| 8 | 6676447 | COUPLER | | 5176 18311 & Abv | 1 |
| 8 | 6676447 | COUPLER | | 5180 12074 & Abv | 1 |
| 8 | 6676447 | COUPLER | | 5181 12055 & Abv | 1 |
| 8 | 6676447 | COUPLER | | 5190 16765 & Abv | 1 |
| 8 | 6676447 | COUPLER | | 5192 12035 & Abv | 1 |
| 9 | | VALVE | See Illustration HYDRAULIC CONTROL VALVE/ B17144 | | 1 |
| 10 | 6729161 | HOSE | W/cover - Was 6718069 [A] | | 2 |
| 11 | 35C540 | BOLT | | | 1 |
| 12 | | ADAPTER | NAP - W/Ref. 6 - tapered boss face - Was 15KN00008B [A] | | 2 |
| 12 | 97K12 | O'RING | flared end | | 2 |
| 12 | 15KB1212 | ADAPTER | W/Ref. 6 - flat boss face | | 2 |
| 13 | 61D8 | NUT 5 | | | 1 |
| 14 | 17C832 | BOLT | | | 1 |
| 15 | 6624289 | STRAP 10 | | | 2 |
| 16 | 6592506 | CLAMP | | | 2 |
| 17 | 6717867 | TUBE | | | 1 |
| 18 | 84G3712 | BOLT | | | 2 |
| 19 | 6717440 | TUBE | | | 1 |
| 20 | 6717951 | CLAMP | | | 1 |
| 21 | 59D8 | NUT 5 | | | 2 |
| 22 | 6553709 | WASHER | | | 3 |
| 23 | 6718657 | CLAMP | | | 1 |
| 24 | 6717866 | TUBE | | | 1 |
| 25 | 6717439 | TUBE | | | 1 |
| 26 | 6717923 | TEE | | | 2 |
| 26 | 97K12 | O'RING | flared end | | 2 |
| 27 | | VALVE | See Illustration PRESSURE RELEASE VALVE/ PE1017 NAP - W/.4375" threaded ports - Order 6678150 valve, 15KB606, 17KB606 & 19KB606 fittings - Was 6674372 [A] | | 1 |
| 27 | 6678150 | VALVE | See Illustration PRESSURE RELEASE VALVE/ PE1017 W/.5625" threaded ports | | 1 |
| 28 | 17C636 | BOLT | | | 2 |
| 29 | 6717384 | BRACKET | | | 1 |
| 30 | 55D6 | NUT | | | 2 |
| 31 | 84G3716 | SCREW 5 | | | 1 |
| 32 | 36K8 | CAP | W/O front auxiliaries | | 2 |
| 33 | 79K4 | O RING 10 | flat boss face | | x |

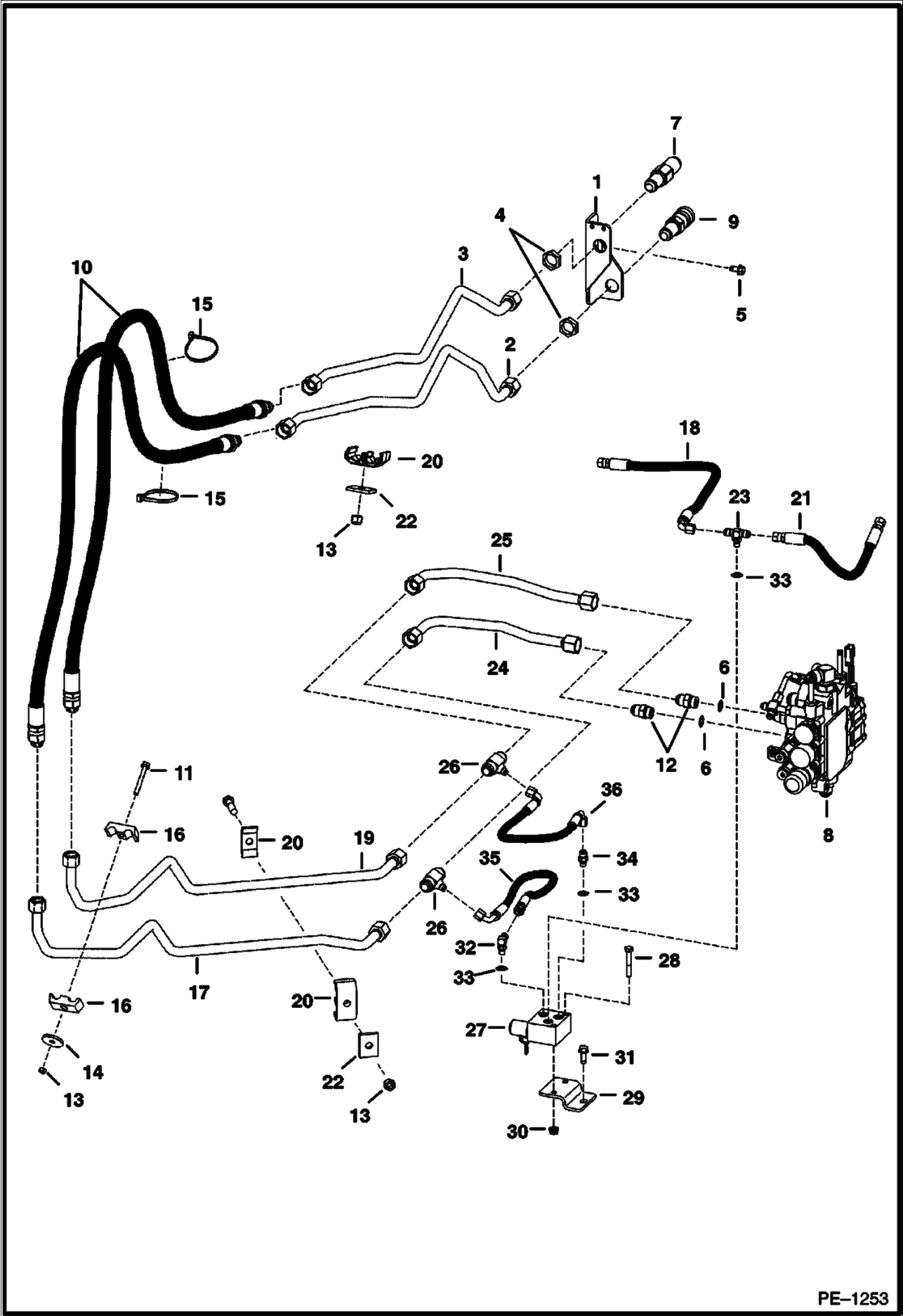
AUXILIARY HYDRAULICS (Cont'd)
 (W/Pressure Relief) (S/N 500K11977 & Below, 517620140 & Below,
 518012386 & Below, 518112245 & Below, 519021020 & Below, 519212363 & Below)



AUXILIARY HYDRAULICS (Cont'd)
(W/Pressure Relief) (S/N 500K11977 & Below, 517620140 & Below,
518012386 & Below. 518112245 & Below. 519021020 & Below. 519212363 & Below)

| Ref No | Part Number | Description | Remarks | Serial Number | Qty |
|--------|-------------|---------------|--|---------------|-----|
| 33 | 99K6 | O'RING | tapered boss face | | x |
| 33 | 79K6 | O RING 10 | flat boss face | | x |
| 33 | 99K6 | O'RING | tapered boss face | | x |
| 34 | | ADAPTER | NAP - W/Ref. 33 (99K4) - flat boss face - Use W/Ref. 27 (NAP/6674372 Valve) - Was 6718109 [A] | | 1 |
| 34 | 97K6 | O'RING | flared end | | 1 |
| 34 | 15KB604 | CONNECTOR | W/Ref. 33 (79K4) - flat boss face - Use W/Ref. 27 (NAP/6674372 Valve) | | 1 |
| 34 | | ADAPTER | W/Ref. 33 (99K6 O-Ring) - Use W/Ref. 27 (6678150 Valve) - Order 15KB606 - Was 15KV00005B [A] | | 1 |
| 34 | 97K6 | O'RING | flared end | | 1 |
| 34 | 15KB606 | ADAPTER | W/Ref. 33 (79K6) - Use W/Ref. 27 (6678150 Valve) | | 1 |
| 35 | 6718962 | HOSE | | | 1 |
| 36 | 6717387 | HOSE | | | 1 |
| 37 | | TEE | NAP - W/Ref. 33 (99K4 O-Ring) - Use W/Ref. 27 (NAP/6674372 Valve) - Order 19KB604 - Was 6718183 [A] | | 1 |
| 37 | 97K6 | O'RING | flared end | | 2 |
| 37 | 19KB604 | TEE | W/Ref. 33 (79K4) - flat boss face - Use W/Ref. 27 (NAP/6674372 Valve) | | 1 |
| 37 | | TEE | NAP - W/Ref. 33 (99K-4 O-Ring) - Use W/Ref. 27 (6678150 Valve) - Order 19KB606 - Was 19KV00005B [A] | | 1 |
| 37 | 97K6 | O'RING | flared end | | 2 |
| 37 | 19KB606 | TEE | W/Ref. 33 (79K6) - Use W/Ref. 27 (6678150 Valve) | | 1 |
| 38 | 6717385 | HOSE | | | 1 |
| 39 | 6711166 | HOSE | | | 1 |
| 40 | | QUICK COUPLER | NAP - male FF - Order Ref. 7 - Was 6667808 [B] | | 1 |
| 40 | 6679841 | SEAL | Was 6672026 [A] | | 1 |
| 41 | | QUICK COUPLER | NAP - female FF - Order Ref. 8 - Was 6672960 [B] | | 1 |
| 42 | 85D5 | NUT 5 | | | 1 |
| 43 | | ELBOW | NAP - W/Ref. 33 (99K4) - Use W/Ref. 27 (NAP/6674372 Valve) tapered boss face - Order 17KB604 - Was 6718182 [A] | | 1 |
| 43 | 97K6 | O'RING | flared end | | 1 |
| 43 | 17KB604 | ELBOW | W/Ref. 33 (79K4) - Use W/Ref. 27 (NAP/6674372 Valve) flat boss face | | 1 |
| 43 | | ELBOW | NAP - W/Ref. 33 (99K6) tapered boss face - Use W/Ref. 27 (6678150 Valve) Order 17KB606 - Was 17KV00005B [A] | | 1 |
| 43 | 97K6 | O'RING | flared end | | 1 |
| 43 | 17KB606 | ELBOW | W/Ref. 33 (79K6) - Use W/Ref. 27 (6678150 Valve) | | 1 |

AUXILIARY HYDRAULICS
 (W/Pressure Relief)(S/N 500K 11978 & Abv, 5176 20141 - 21198
 5180 12387-12551, 5181 12246-12468, 5190 21021 - 24161, 5192 12364 - 12516)

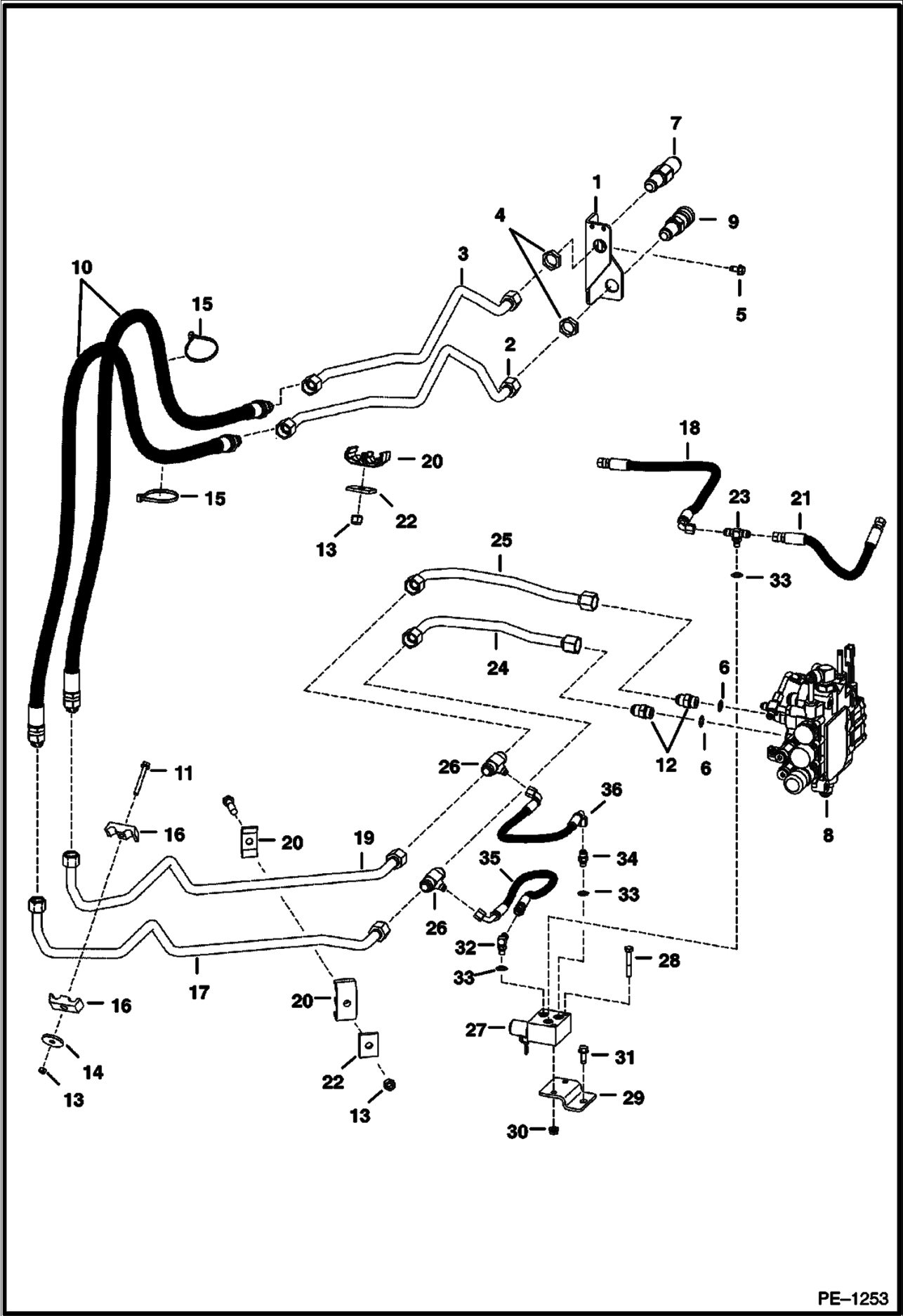


PE-1253

AUXILIARY HYDRAULICS (Cont'd)
(W/Pressure Relief)(S/N 500K 11978 & Abv, 5176 20141 - 21198
5180 12387-12551, 5181 12246-12468, 5190 21021 - 24161, 5192 12364 - 12516)

| Ref No | Part Number | Description | Remarks | Serial Number | Qty |
|--------|-------------|-------------|---|---------------|-----|
| 1 | 6714665 | MOUNT | | | 1 |
| 2 | 6727649 | TUBE | | | 1 |
| 3 | 6727658 | TUBE | | | 1 |
| 4 | 86F8 | NUT 5 | | | 2 |
| 5 | 84G3712 | BOLT | | | 2 |
| 6 | 99K12 | O'RING | tapered boss face | | x |
| 6 | 79K12 | O RING 10 | flat boss face | | x |
| 7 | 6676445 | COUPLER | male - FF | | 1 |
| 8 | | VALVE | See Illustration HYDRAULIC CONTROL VALVE/ B17144A | | 1 |
| 9 | 6676447 | COUPLER | female - FF | | 1 |
| 10 | 6727657 | HOSE | W/cover | | 2 |
| 11 | 84G3736 | BOLT | | | 2 |
| 12 | | ADAPTER | NAP - W/Ref. 6 - tapered boss face - Order 15KB1212 - Was 15KV00008B [A] | | 2 |
| 12 | 97K12 | O'RING | flared end | | 2 |
| 12 | 15KB1212 | ADAPTER | W/Ref. 6 - flat boss face | | 2 |
| 13 | 59D8 | NUT 5 | | | 2 |
| 14 | 872229 | WASHER | | | 1 |
| 15 | 6624289 | STRAP 10 | | | 2 |
| 16 | 6592506 | CLAMP | | | 2 |
| 17 | 6726186 | TUBE | | | 1 |
| 18 | 6702669 | HOSE | | | 1 |
| 19 | 6726185 | TUBE | | | 1 |
| 20 | 6717951 | CLAMP | | | 2 |
| 21 | 6717385 | HOSE | | | 1 |
| 22 | 6553709 | WASHER | | | 2 |
| 23 | | TEE | NAP - W/Ref. 33 (99K4 O-ring) - Use W/Ref. 27 (NAP/6674372 Valve) - Order 19KB604 - Was 6718183 [A] | | 1 |
| 23 | 97K6 | O'RING | | | 2 |
| 23 | 19KB604 | TEE | W/Ref. 33 (79K4) - flat boss face - Use W/Ref. 27 (NAP/6674372 Valve) | | 1 |
| 23 | | TEE | NAP - W/Ref. 33 (99K6 O-ring) - Use W/Ref. 27 (6678150 Valve) - Order 19KB606 - Was 19KV00005B [A] | | 1 |
| 23 | 97K6 | O'RING | flared end | | 2 |
| 23 | 19KB606 | TEE | W/Ref. 33 (79K6) - flat boss face - Use W/Ref. 27 (6678150 Valve) | | 1 |
| 24 | 6726188 | TUBE | | | 1 |
| 25 | 6726187 | TUBE | | | 1 |
| 26 | 6717923 | TEE | | | 2 |
| 26 | 97K12 | O'RING | flared end | | 2 |
| 27 | | VALVE | See Illustration PRESSURE RELEASE VALVE/ PE1017 NAP - W/.4375" threaded ports - Order 6678150 valve, 15KB606, 17KB606 & 19KB606 fittings - Was 6674372 | | 1 |
| 27 | 6678150 | VALVE | See Illustration PRESSURE RELEASE VALVE/ PE1017 W/.5625" threaded ports | | 1 |
| 28 | 17C636 | BOLT | | | 2 |
| 29 | 6717384 | BRACKET | | | 1 |
| 30 | 55D6 | NUT | | | 2 |
| 31 | 84G3716 | SCREW 5 | | | 1 |
| 32 | 6726270 | HOSE | | | 1 |
| 33 | 79K4 | O RING 10 | flat boss face | | x |
| 33 | 79K6 | O RING 10 | flat boss face | | x |
| 33 | 99K4 | O'RING | tapered boss face | | x |

AUXILIARY HYDRAULICS (Cont'd)
 (W/Pressure Relief)(S/N 500K 11978 & Abv, 5176 20141 - 21198
 5180 12387-12551, 5181 12246-12468, 5190 21021 - 24161, 5192 12364 - 12516)

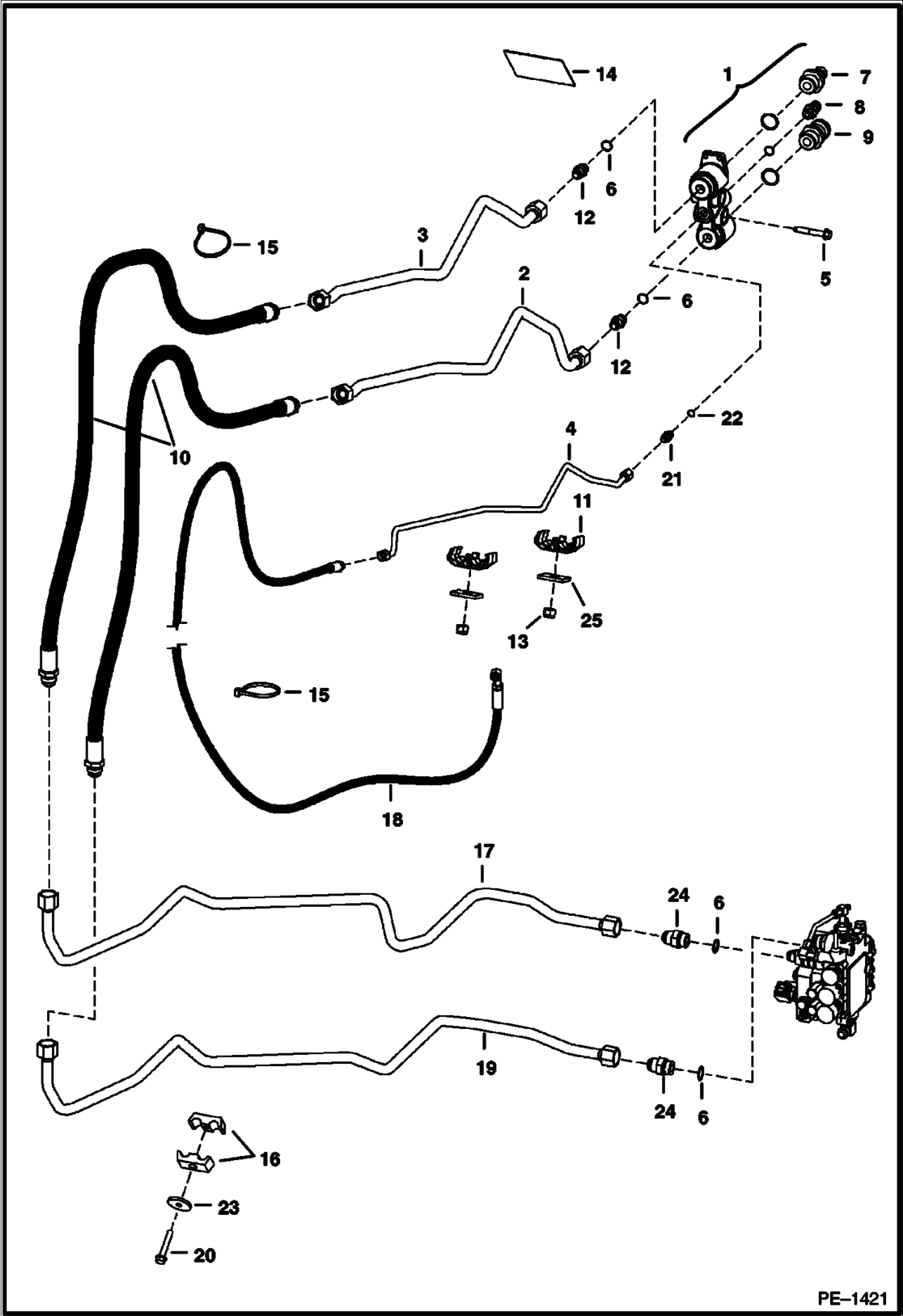


PE-1253

AUXILIARY HYDRAULICS (Cont'd)
(W/Pressure Relief)(S/N 500K 11978 & Abv, 5176 20141 - 21198
5180 12387-12551. 5181 12246-12468. 5190 21021 - 24161. 5192 12364 - 12516)

| Ref No | Part Number | Description | Remarks | Serial Number | Qty |
|--------|-------------|-------------|--|---------------|-----|
| 33 | 99K6 | O'RING | tapered boss face | | x |
| 34 | | CONNECTOR | NAP - W/Ref. 33 (99K4) - tapered boss face - Use W/Ref. 27 (NAP/6674372 Valve) - Order 15KB604 - Was 6718109 [A] | | 1 |
| 34 | 97K6 | O'RING | | | 1 |
| 34 | 15KB604 | CONNECTOR | W/Ref. 33 (79K4) - flat boss face - Use W/Ref. 27 (NAP/6674372 Valve) | | 1 |
| 34 | | ADAPTER | NAP - W/Ref. 33 (99K6) - Use W/Ref. 27 (6678150 Valve) - Order 15KB606 - Was 15KV00005B [A] | | 1 |
| 34 | 97K6 | O'RING | flared end | | 1 |
| 34 | 15KB606 | ADAPTER | W/Ref. 33 (79K6) - flat boss face | | 1 |
| 35 | | ELBOW | NAP - W/Ref. 33 (99K4) - Use W/Ref. 27 (NAP/6674372 Valve) - tapered boss face - Order 17KB604 - Was 6718182 [A] | | 1 |
| 35 | 97K6 | O'RING | flared end | | 1 |
| 35 | 17KB604 | ELBOW | W/Ref. 33 (79K4) - flat boss face - Use W/Ref. 27 (NAP/6674372 Valve) | | 1 |
| 35 | | ELBOW | NAP - W/Ref. 33 (99K6 O-ring) - Use W/Ref. 27 (6678150 Valve) - Order 17KB606 - Was 17KV00005B [A] | | 1 |
| 35 | 97K6 | O'RING | | | 1 |
| 35 | 17KB606 | ELBOW | W/Ref. 33 (79K6) - flat boss face - Use W/Ref. 27 (6678150 Valve) | | 1 |
| 36 | 6717387 | HOSE | | | 1 |

AUXILIARY HYDRAULICS
 (W/Pressure Relief) (519212517 & Above,
 517621199 & Above. 518012552 & Above. 518112469 & Above. 519024162 & Above)



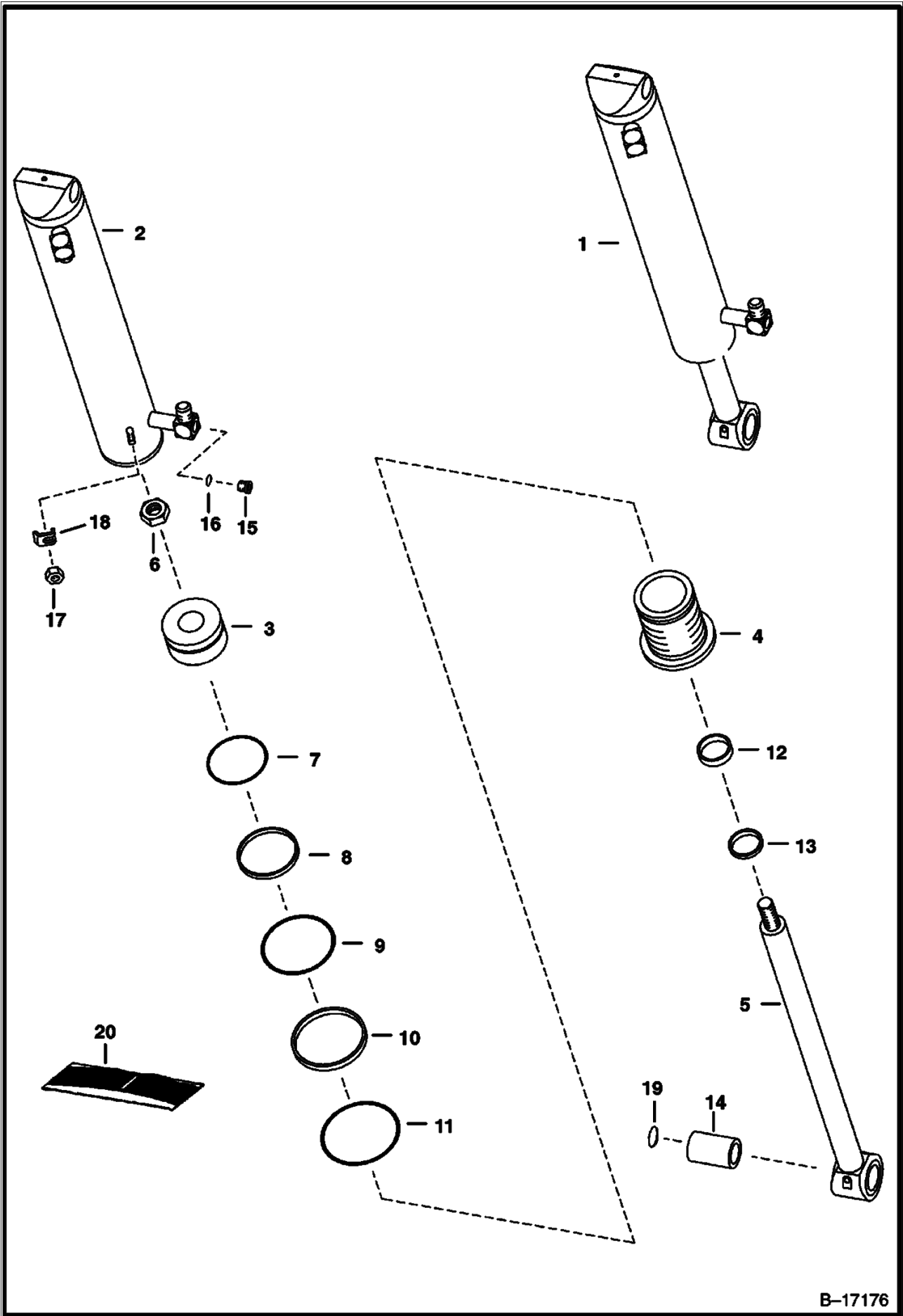
PE-1421

AUXILIARY HYDRAULICS (Cont'd)
(W/Pressure Relief) (519212517 & Above,

517621199 & Above. 518012552 & Above. 518112469 & Above. 519024162 & Above)

| Ref No | Part Number | Description | Remarks | Serial Number | Qty |
|--------|-------------|--------------|---|---------------|-----|
| 1 | 6678076 | BLOCK | coupler - Ref. 7-9 & (2) of Ref. 12 | | 1 |
| 2 | 6731230 | TUBE | | | 1 |
| 3 | 6731229 | TUBE | | | 1 |
| 4 | 6731231 | TUBE | | | 1 |
| 5 | 84G3740 | BOLT | | | 2 |
| 6 | 79K12 | O RING 10 | | | x |
| 7 | 6679837 | COUPLER | coupler - male - FF | | 1 |
| 7 | 6679841 | SEAL | blue | | 1 |
| 7 | 6680020 | SEAL KIT | (3) O-rings & (3) back-up washers | | 1 |
| 8 | 6679838 | COUPLER | coupler - male | | 1 |
| 8 | 6679840 | SEAL | blue | | 1 |
| 9 | | KIT | coupler - female - FF - Order 6680018 coupler kit - Was 6679839 [A] | | 1 |
| 9 | 6680018 | COUPLER, KIT | female - Use W/hydraulic breaker | | 1 |
| 9 | 6680020 | SEAL KIT | (3) O-rings & (3) back-up washers | | 1 |
| 10 | 6727657 | HOSE | W/cover | | 2 |
| 11 | 6717951 | CLAMP | | | 2 |
| 12 | 6679836 | ADAPTER | adapter - W/spring & Ref. 6 | | 2 |
| 13 | 59D8 | NUT 5 | | | 2 |
| 14 | 6731757 | DECAL | | | 1 |
| 15 | 6624289 | STRAP 10 | | | 2 |
| 16 | 6592506 | CLAMP | | | 2 |
| 17 | 6733683 | TUBE | | | 1 |
| 18 | 6718311 | HOSE | | | 1 |
| 19 | 6731228 | TUBE | | | 1 |
| 20 | 84G3736 | BOLT | | | 1 |
| 21 | 15KB606 | ADAPTER | W/Ref. 22 | | 1 |
| 22 | 79K6 | O RING 10 | | | x |
| 23 | 872229 | WASHER | | | 1 |
| 24 | 15KB1212 | ADAPTER | W/Ref. 6 | | 2 |
| 25 | 6553709 | WASHER | | | 2 |

TILT CYLINDER

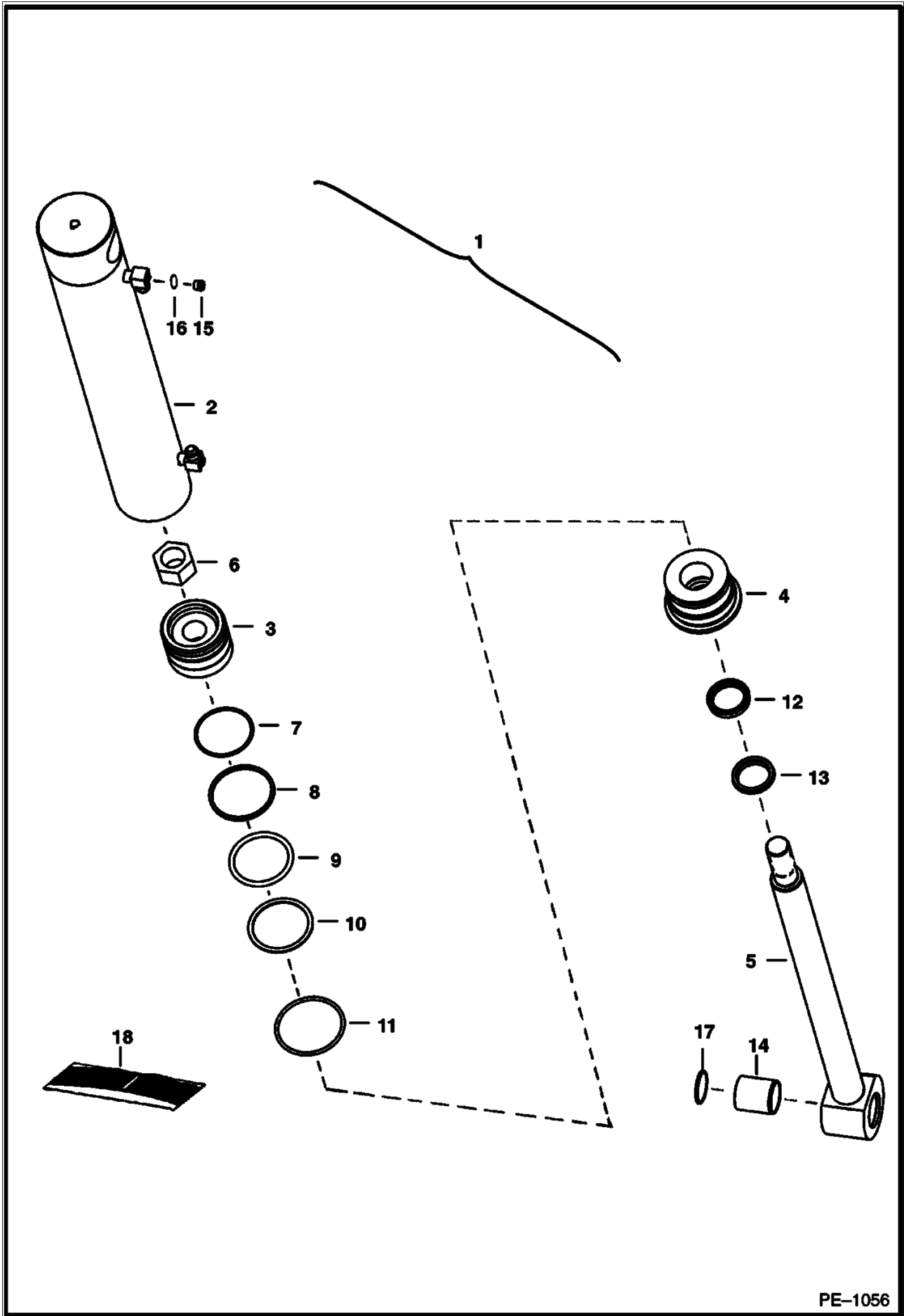


B-17176

TILT CYLINDER (Cont'd)

| Ref No | Part Number | Description | Remarks | Serial Number | Qty |
|--------|-------------|---------------------|--|---------------|-----|
| 1 | | CYLINDER | See Illustration TILT CYLINDER/ PE1056 NAP - TILT - REF. 2-16 - .5625" thread base end fitting - ORDER 7117174 CYLINDER & 7114236 hose - WAS 6806331 [A] | | 2 |
| 2 | | CASE | See Illustration TILT CYLINDER/ PE1056 NAP - 2.75" (69,9 MM) I.D. - .5625" thread base end fitting - ORDER 7117175 case & 7114236 hose - WAS 6806337 [A] | | 1 |
| 3 | 6806315 | PISTON | | | 1 |
| 4 | 6536968 | HEAD | Was 6806332 [A] | | 1 |
| 5 | 6809903 | SHAFT, ROD CYL TILT | 1.375" (34,9 mm) - W/Ref. 14 - Was 6806336 [A] | | 1 |
| 6 | 92D16 | NUT | | | 1 |
| 7 | 25K30210 | O-RING | Was 54K30210 [B] | | 1 |
| 8 | 6516229 | PISTON SEAL | | | 1 |
| 9 | 25K60212 | O RING 10 | Was 54K60212 [B] | | 1 |
| 10 | 80K332 | WASHER | back-up | | 1 |
| 11 | 25K40224 | O RING 10 | Was 54K40224 [B] | | 1 |
| 12 | 6667325 | SEAL | rod | | 1 |
| 13 | 6666543 | SEAL | wiper | | 1 |
| 14 | 6805453 | BUSHING | wear | | 1 |
| 15 | 90KV2 | PLUG | W/Ref. 16 - allen socket head - tapered boss face - Was 90KV00005B [A] | | 2 |
| 16 | 95K3 | O'RING | | | 2 |
| 17 | 85D6 | LOCK NUT | | | 1 |
| 18 | 6562266 | CLAMP | | | 1 |
| 19 | 6654117 | SEAL, OIL | 2" (5,08 mm) OD | | 2 |
| 19 | 225855 | SEAL, OIL | 1.5" (3,81 mm) OD | | 2 |
| 20 | 6806330 | KIT, SEAL | Ref. 6-13 | | 1 |

TILT CYLINDER

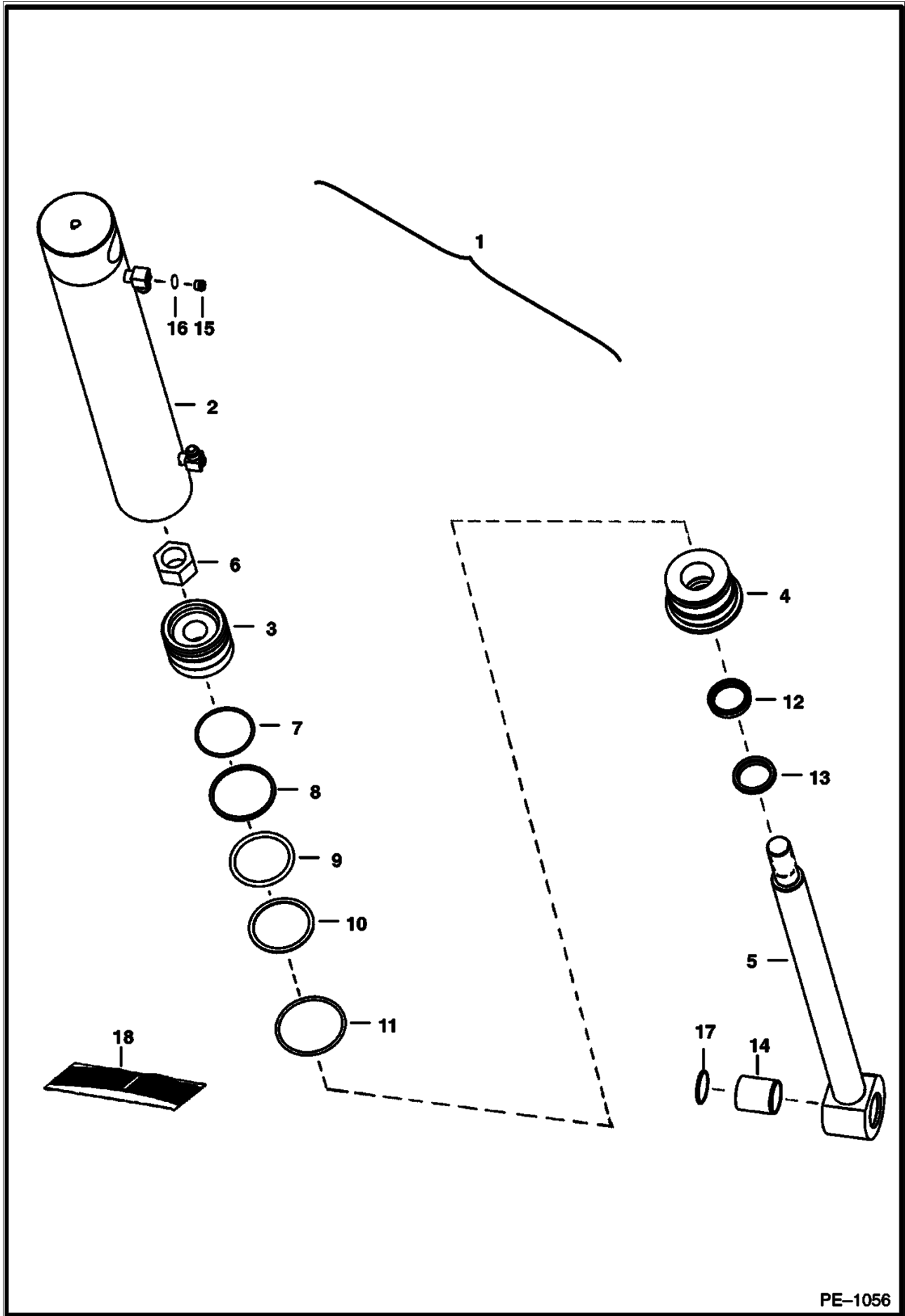


PE-1056

TILT CYLINDER (Cont'd)

| Ref No | Part Number | Description | Remarks | Serial Number | Qty |
|--------|-------------|---------------------|--|---------------|-----|
| 1 | | CYLINDER | See Illustration TILT CYLINDER/ PE1056 NAP - TILT - REF. 2-16 - .5625" thread base end fitting - ORDER 7117175 CYLINDER & 7114236 hose - WAS 6807415 [A] | | 2 |
| 2 | | CASE | NAP - 2.75" (69,9 mm) I.D. - W/.5625" thread base end fitting - Order 7117175 case & 7114236 hose - Was 6807440 [A] | | 1 |
| 3 | 6806315 | PISTON | | | 1 |
| 4 | 6536968 | HEAD | Was 6806332 [A] | | 1 |
| 5 | 6809903 | SHAFT, ROD CYL TILT | 1.375" (34,9 mm) - W/Ref. 14 - Was 6806336 [A] | | 1 |
| 6 | 92D16 | NUT | | | 1 |
| 7 | 25K30210 | O-RING | Was 54K30210 [B] | | 1 |
| 8 | 6516229 | PISTON SEAL | | | 1 |
| 9 | 25K60212 | O RING 10 | Was 54K60212 [B] | | 1 |
| 10 | 80K332 | WASHER | back-up | | 1 |
| 11 | 25K40224 | O RING 10 | Was 54K40224 [B] | | 1 |
| 12 | 6667325 | SEAL | rod | | 1 |
| 13 | 6666543 | SEAL | wiper | | 1 |
| 14 | 6805453 | BUSHING | wear | | 1 |
| 15 | 90KV2 | PLUG | W/Ref. 16 - allen socket head - tapered boss face | | 2 |
| 16 | 95K3 | O'RING | | | 2 |
| 17 | 6654117 | SEAL, OIL | 2" (5,08 mm) OD | | 2 |
| 17 | 225855 | SEAL, OIL | 1.5" (3,81 mm) OD | | 2 |
| 18 | 6806330 | KIT, SEAL | Ref. 6-13 | | 1 |

TILT CYLINDER

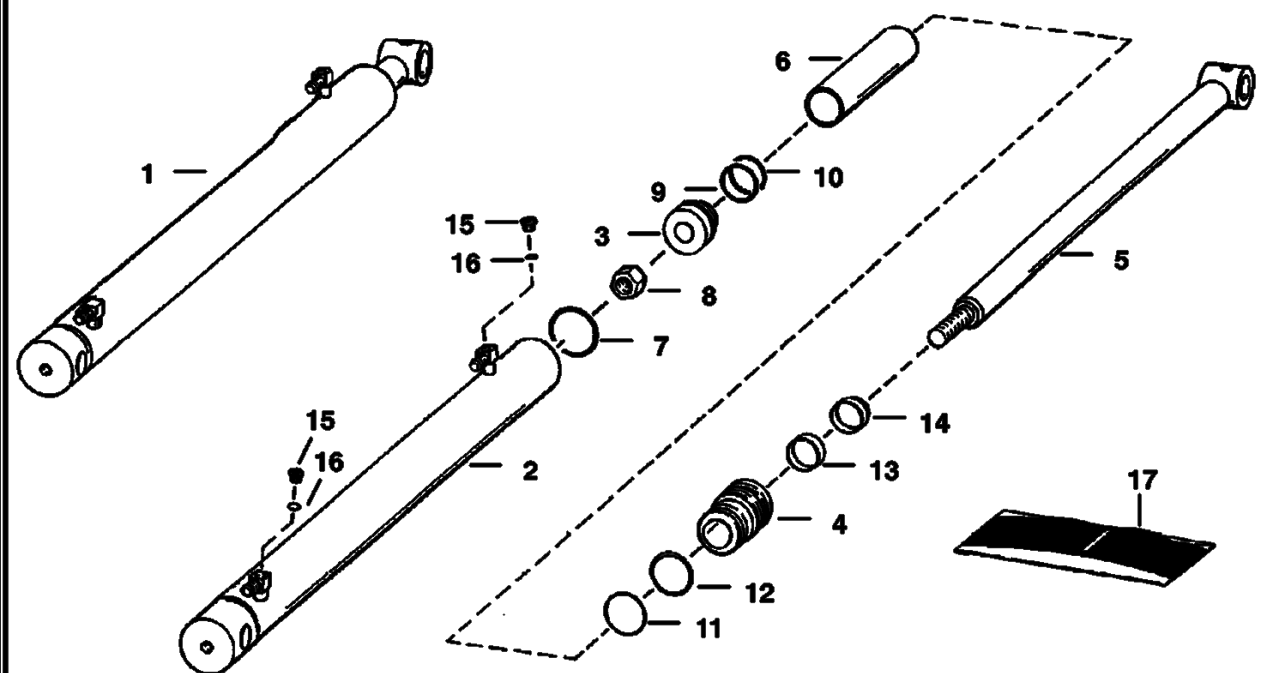


PE-1056

TILT CYLINDER (Cont'd)

| Ref No | Part Number | Description | Remarks | Serial Number | Qty |
|--------|-------------|---------------------|---|---------------|-----|
| 1 | | CYLINDER | NAP - tilt - Ref. 2-16 - W/.5625" thread base end fitting - Order 7117174 cylinder & 7114236 hose - Was 6809802 | | 2 |
| 1 | 7117174 | CYLINDER, TILT | tilt - Ref. 2-16 - W/.750" thread base end fitting | | 2 |
| 2 | | CASE | NAP - 2.75" (69,9 mm) I.D. - W/.5625" thread base end fitting - Order 7117175 case & 7114236 hose - Was 6809904 | | 1 |
| 2 | 7117175 | TUBE, CASE CYL TILT | tilt - 2.75" (69,9 mm) I.D. - W/.750" thread base end fitting | | 1 |
| 3 | 6806315 | PISTON | | | 1 |
| 4 | 6536968 | HEAD | Was 6806332 [A] | | 1 |
| 5 | 6809903 | SHAFT, ROD CYL TILT | 1.375" (34,9 mm) - W/Ref. 14 | | 1 |
| 6 | 92D16 | NUT | | | 1 |
| 7 | 25K30210 | O-RING | Was 54K30210 [B] | | 1 |
| 8 | 6516229 | PISTON SEAL | | | 1 |
| 9 | 25K60212 | O RING 10 | Was 54K60212 [B] | | 1 |
| 10 | 80K332 | WASHER | back-up | | 1 |
| 11 | 25K40224 | O RING 10 | Was 54K40224 [B] | | 1 |
| 12 | 6667325 | SEAL | rod | | 1 |
| 13 | 6666543 | SEAL | wiper | | 1 |
| 14 | 6805453 | BUSHING | wear | | 1 |
| 15 | 90KV2 | PLUG | W/Ref. 16 (95K-3 o-ring allen socket head - tapered boss face | | 2 |
| 15 | 6812170 | PLUG | W/Ref. 16 (75k-3 o-ring) hex head - flat boss face | | 2 |
| 16 | 95K3 | O'RING | tapered boss face | | 2 |
| 16 | 75K3 | O-RING | flat boss face | | 2 |
| 17 | 6654117 | SEAL, OIL | 2" (5,08 mm) OD | | 2 |
| 17 | 225855 | SEAL, OIL | 1.5" (3,81 mm) OD | | 2 |
| 18 | 6806330 | KIT, SEAL | Ref. 6-13 | | 1 |

LIFT CYLINDER

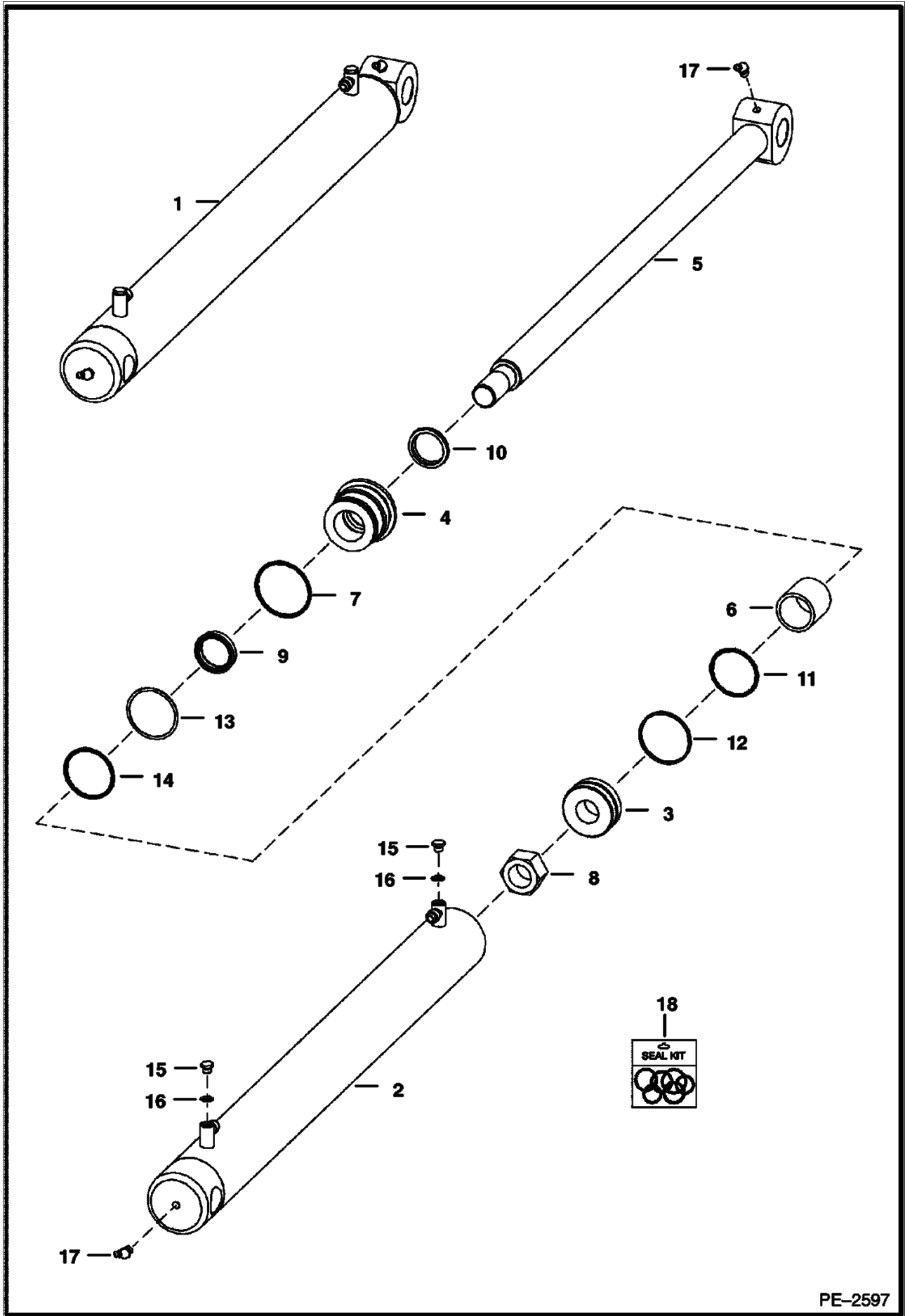


B-13593

LIFT CYLINDER (Cont'd)

| Ref No | Part Number | Description | Remarks | Serial Number | Qty |
|--------|-------------|--------------|--|---------------|-----|
| 1 | | CYLINDER | See Illustration LIFT CYLINDER/ PE2748 NAP - Ref. 2 - 17 - Order 7117667 cylinder & 7116565 hose - Was 6805056 [A] | | 2 |
| 1 | | CYLINDER | See Illustration LIFT CYLINDER/ PE2748 NAP - Ref. 2 - 17 - Order 7117667 cylinder & 7116565 hose - Was 6811995 [A] | | 2 |
| 2 | | CASE | NAP - Order 7117667 cylinder & 7116565 hose - Was 6805087 [A] | | 1 |
| 3 | 6678931 | PISTON | W/Ref. 9 & 10 - Also has Non-Replaceable wear sleeves - Was 6677197 [A] | | 1 |
| 4 | 6806124 | HEAD | | | 1 |
| 5 | 6810430 | ROD | 32.44" (824 mm) long - Was 6805086 [A] | | 1 |
| 6 | 6539645 | SPACER | 2.02" (51,3 mm) long | | 1 |
| 7 | 82K230 | SEAL | Was 58K000230B [A] | | 1 |
| 8 | 6810539 | NUT | Was 6804592 [A] | | 1 |
| 9 | 1522534 | SEAL | | | 1 |
| 10 | 25K30202 | O RING 10 | | | 1 |
| 11 | 25K40208 | O RING 10 | Was 54K40208 [B] | | 1 |
| 12 | 73K228 | BACK-UP RING | back-up | | 1 |
| 13 | 6667326 | SEAL | rod | | 1 |
| 14 | 6690707 | SEAL | wiper - Was 6665086 [A] | | 1 |
| 15 | 90KV2 | PLUG | W/Ref. 16 (95K-3 O-ring) Allen Socket Head - tapered boss face | | 2 |
| 15 | 6812170 | PLUG | W/Ref. 16 (75K-3 O-ring) hex head - flat boss face | | 2 |
| 16 | 95K3 | O'RING | tapered boss face | | 2 |
| 16 | 75K3 | O-RING | flat boss face | | 2 |
| 17 | 7135559 | SEAL KIT | Ref. 7-14 - Was 6816537 [A] | | 1 |

LIFT CYLINDER

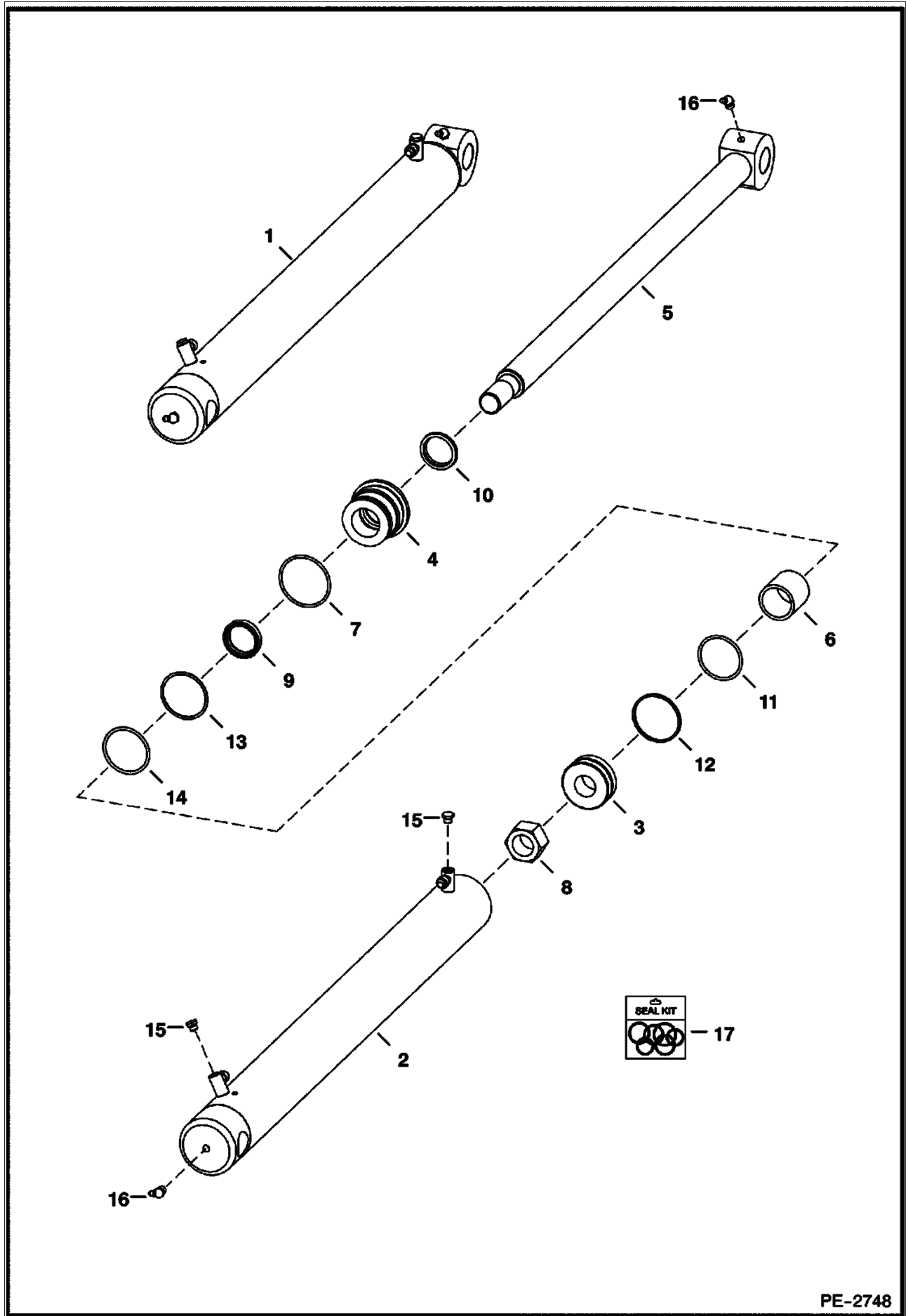


PE-2597

LIFT CYLINDER (Cont'd)

| Ref No | Part Number | Description | Remarks | Serial Number | Qty |
|--------|-------------|----------------|---|---------------|-----|
| 1 | | CYLINDER | See Illustration LIFT CYLINDER/ PE2748 NAP - Ref 2 - 17 - Order 7117667 cylinder & 7116565 hose - Was 7107895 [A] | | 2 |
| 2 | | CASE | See Illustration LIFT CYLINDER/ PE2748 NAP - Order 7117667 cylinder & 7116565 hose - Was 6805087 [A] | | 1 |
| 3 | 6678931 | PISTON | W/Ref. 9 & 10 - Also has Non-Replaceable wear sleeves | | 1 |
| 4 | 6806124 | HEAD | | | 1 |
| 5 | 7107896 | ROD | 32.29" (820,2mm) long | | 1 |
| 6 | 6809593 | SPACER | | | 1 |
| 7 | 82K230 | SEAL | | | 1 |
| 8 | 6810539 | NUT | | | 1 |
| 9 | 1522534 | SEAL | | | 1 |
| 10 | 25K30202 | O RING 10 | | | 1 |
| 11 | 25K40208 | O RING 10 | Was 54K40208 [B] | | 1 |
| 12 | 73K228 | BACK-UP RING | back-up | | 1 |
| 13 | 6667326 | SEAL | rod | | 1 |
| 14 | 6690707 | SEAL | wiper - Was 6665086 [A] | | 1 |
| 15 | 6812170 | PLUG | W/Ref. 16 | | 2 |
| 16 | 75K3 | O-RING | | | 2 |
| 17 | 11H15 | GREASE FITTING | | | 2 |
| 18 | 7135559 | SEAL KIT | Ref. 7-14 - Was 6816537 [A] | | 1 |

LIFT CYLINDER

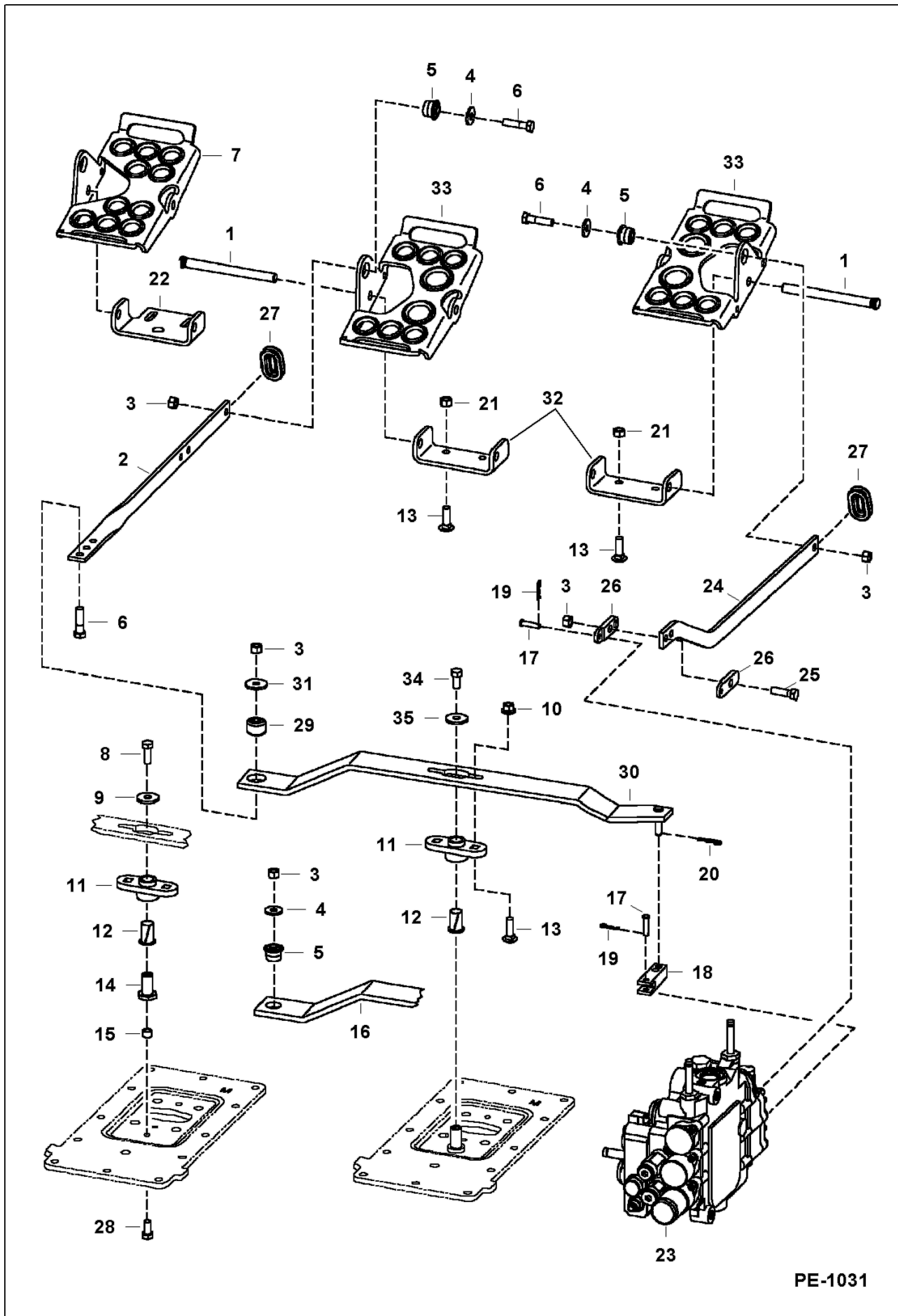


PE-2748

LIFT CYLINDER (Cont'd)

| Ref No | Part Number | Description | Remarks | Serial Number | Qty |
|--------|-------------|---------------------|---|---------------|-----|
| 1 | 7117667 | CYLINDER, LIFT | Ref. 2 - 16 | | 2 |
| 2 | 7117668 | TUBE, CASE CYL LIFT | | | 1 |
| 3 | 6678931 | PISTON | W/Ref. 9 & 10 - Also has Non-Replaceable wear sleeves | | 1 |
| 4 | 6806124 | HEAD | | | 1 |
| 5 | 7107896 | ROD | 32.29" (820,2mm) long | | 1 |
| 6 | 6809593 | SPACER | | | 1 |
| 7 | 82K230 | SEAL | | | 1 |
| 8 | 6810539 | NUT | | | 1 |
| 9 | 1522534 | SEAL | | | 1 |
| 10 | 25K30202 | O RING 10 | | | 1 |
| 11 | 25K40208 | O RING 10 | Was 54K40208 [B] | | 1 |
| 12 | 73K228 | BACK-UP RING | back-up | | 1 |
| 13 | 6667326 | SEAL | rod | | 1 |
| 14 | 6690707 | SEAL | wiper - Was 6665086 [A] | | 1 |
| 15 | 6812170 | PLUG | | | 2 |
| 15 | 75K3 | O-RING | | | 2 |
| 16 | 11H15 | GREASE FITTING | | | 2 |
| 17 | 7135559 | SEAL KIT | Ref. 7-14 - Was 6816537 [A] | | 1 |

CONTROL PEDALS

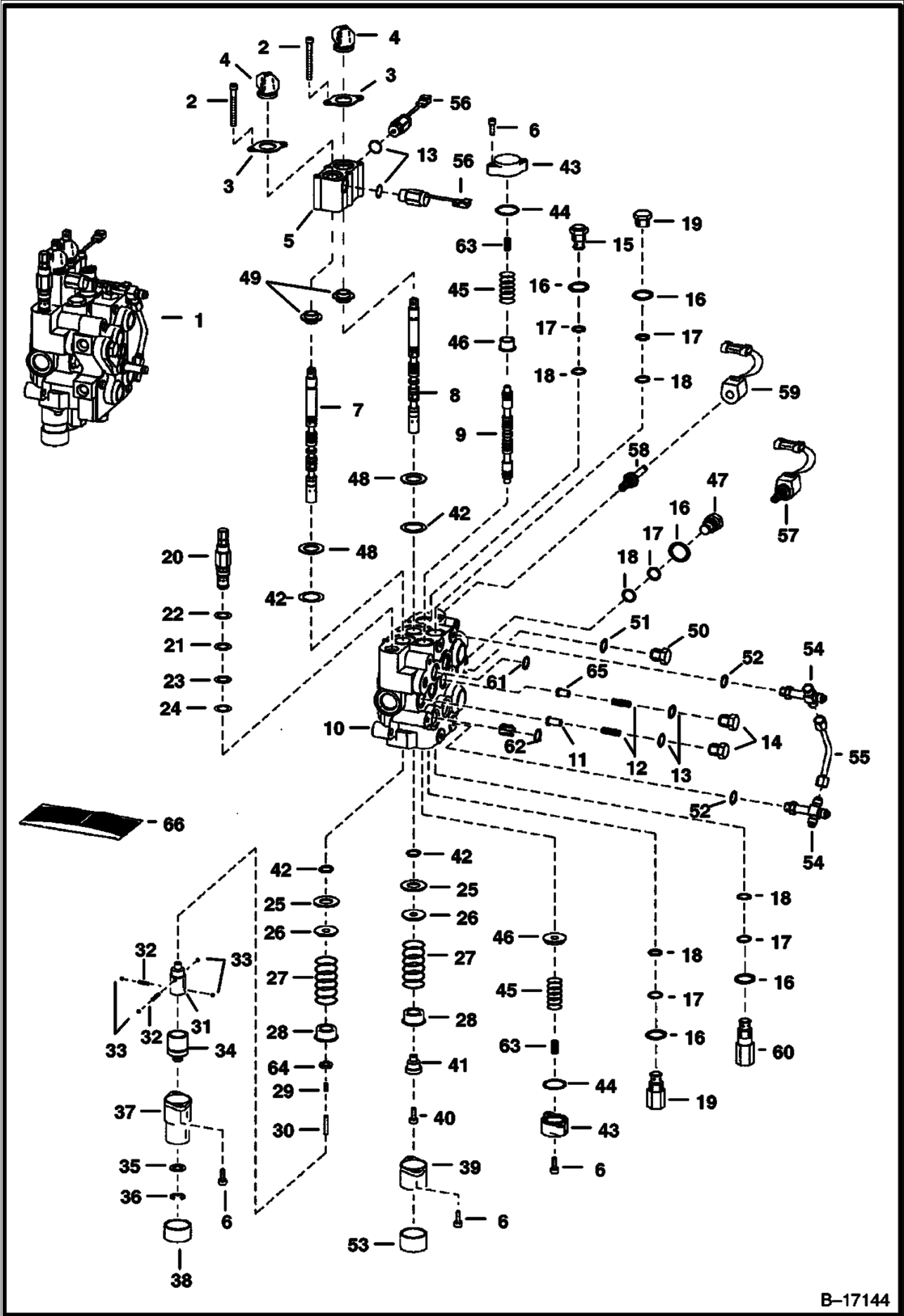


PE-1031

CONTROL PEDALS (Cont'd)

| Ref No | Part Number | Description | Remarks | Serial Number | Qty |
|--------|-------------|-----------------------|---|---------------|-----|
| 1 | 6564657 | PIN | | | 2 |
| 2 | 6576302 | BAR | | | 1 |
| 3 | 95D6 | NUT | | | 5 |
| 4 | 6563914 | WASHER | Used W/Ref 5 - 1" OD x 3/8" ID | | 2 |
| 5 | 6665701 | BUSHING, PRESS FIT | Use W/Ref. 33 | | 2 |
| 6 | 17C624 | BOLT 5 | 3/8 x 1.5" - grade 8 | | 2 |
| 7 | | PEDAL | NAP - Order Ref. 33 - Was 6726680 [A] | | 2 |
| 8 | 6665839 | BOLT | | | 1 |
| 9 | 619021 | WASHER, 5 | 1.25" (31,8 mm) OD | | 1 |
| 10 | 83D6 | NUT 5 | | | 2 |
| 11 | 6708043 | BUSHING | flange | | 1 |
| 12 | 6512026 | BUSHING | | | 1 |
| 13 | 37C620 | BOLT | 3/8 x 1.25" - carriage | | 5 |
| 14 | 6706104 | RETAINING NUT | | | 1 |
| 15 | 6544654 | BUSHING | spacer | | 1 |
| 16 | 6717945 | LEVER | flat sided | | 1 |
| 17 | | PIN | NAP - Was 6564654 [A] | | 2 |
| 18 | 6706105 | YOKE | | | 1 |
| 19 | 6513495 | COTTER PIN | | | 2 |
| 20 | 1306637 | CLIP | | | 1 |
| 21 | 57D6 | NUT 5 | | | 4 |
| 22 | 6726679 | MOUNT | | | 2 |
| 23 | | VALVE | | | 1 |
| 24 | 6717820 | BAR | | | 1 |
| 25 | 17C620 | BOLT | | | 1 |
| 26 | 6708009 | LINK | 2.69" (68,3 mm) long | | 2 |
| 27 | 6577961 | GROMMET | | | 2 |
| 28 | 35C612 | BOLT | | | 1 |
| 29 | 6685060 | BUSHING, TORSION | torsion - 1.055" (26,797 mm) OD - Was 6678067 [A] | | 1 |
| 30 | 7108408 | LEVER | side is notched - Was 6733940 [A] | | 1 |
| 31 | 6737388 | WASHER | Used W/Ref. 5 & 16 | | 2 |
| 32 | 7115220 | MOUNT | | | 2 |
| 33 | 7115219 | PEDAL | Was 6726680 [A] | | 2 |
| 34 | 17C612 | BOLT 5 | | | 1 |
| 35 | 6557831 | WASHER | .875" (22,23 mm) OD | | 1 |

HYDRAULIC CONTROL VALVE (BICS Combo Valve)

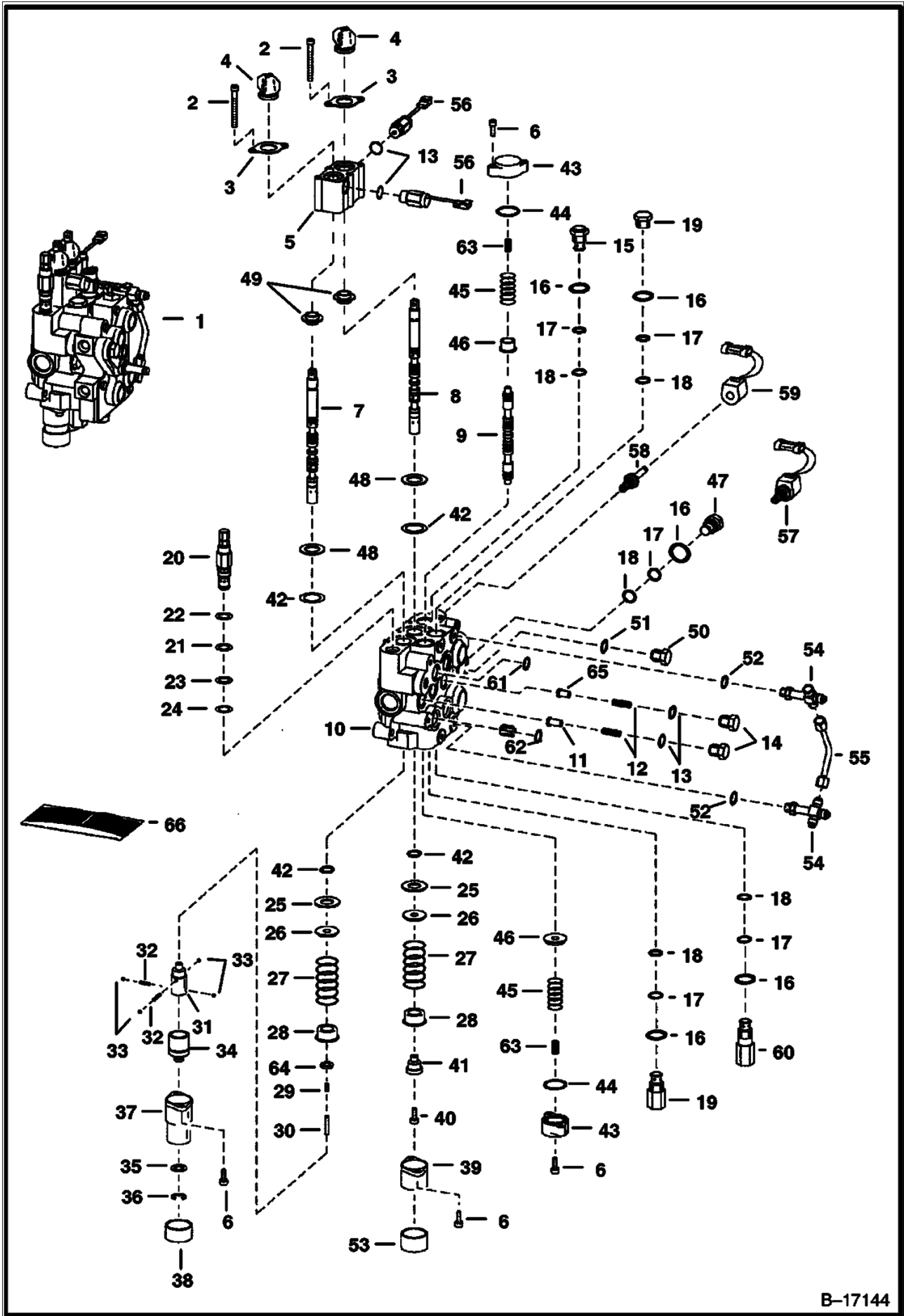


B-17144

HYDRAULIC CONTROL VALVE (Cont'd) (BICS Combo Valve)

| Ref No | Part Number | Description | Remarks | Serial Number | Qty |
|--------|-------------|-------------|---|-------------------|-----|
| 1 | | VALVE | See BTI336 - NAP - valve is minus all fittings, relief valves, anti-cavitation valves, solenoid coils & solenoid spools - remove & use existing parts from old valve or order new parts as needed - Was 6805516 [A] | 500K 11038 & Bel | 1 |
| 1 | | VALVE | See BTI336 - NAP - valve is minus all fittings, relief valves, anti-cavitation valves, solenoid coils & solenoid spools - remove & use existing parts from old valve or order new parts as needed - Was 6805516 [A] | 5190 18909 & Bel | 1 |
| 1 | | VALVE | See BTI336 - NAP - valve is minus all fittings, relief valves, anti-cavitation valves, solenoid coils & solenoid spools - remove & use existing parts from old valve or order new parts as needed - Was 6805516 [A] | 5192 12154 & Bel | 1 |
| 1 | | VALVE | See BTI336 - NAP - valve is minus all fittings, relief valves, anti-cavitation valves, solenoid coils & solenoid spools - remove & use existing parts from old valve or order new parts as needed - Was 6805516 [A] | 5181 12089 & Bel | 1 |
| 1 | | VALVE | See BTI336 - NAP - valve is minus all fittings, relief valves, anti-cavitation valves, solenoid coils & solenoid spools - remove & use existing parts from old valve or order new parts as needed - Was 6805516 [A] | 5176 19258 & Bel. | 1 |
| 1 | | VALVE | See BTI336 - NAP - valve is minus all fittings, relief valves, anti-cavitation valves, solenoid coils & solenoid spools - remove & use existing parts from old valve or order new parts as needed - Was 6805516 [A] | 5180 12218 & Bel. | 1 |
| 1 | | VALVE | See BTI336 - NAP - valve is minus all fittings, relief valves, anti-cavitation valves, solenoid coils & solenoid spools - remove & use existing parts from old valve or order new parts as needed - Was 6810451 [A] | 500K 11039-11977 | 1 |
| 1 | | VALVE | See BTI336 - NAP - valve is minus all fittings, relief valves, anti-cavitation valves, solenoid coils & solenoid spools - remove & use existing parts from old valve or order new parts as needed - Was 6810451 [A] | 5176 19259-20140 | 1 |
| 1 | | VALVE | See BTI336 - NAP - valve is minus all fittings, relief valves, anti-cavitation valves, solenoid coils & solenoid spools - remove & use existing parts from old valve or order new parts as needed - Was 6810451 [A] | 5192 12155-12363 | 1 |
| 1 | | VALVE | See BTI336 - NAP - valve is minus all fittings, relief valves, anti-cavitation valves, solenoid coils & solenoid spools - remove & use existing parts from old valve or order new parts as needed - Was 6810451 [A] | 5181 12090-12245 | 1 |
| 1 | | VALVE | See BTI336 - NAP - valve is minus all fittings, relief valves, anti-cavitation valves, solenoid coils & solenoid spools - remove & use existing parts from old valve or order new parts as needed - Was 6810451 [A] | 5190 18910-21020 | 1 |
| 1 | | VALVE | See BTI336 - NAP - valve is minus all fittings, relief valves, anti-cavitation valves, solenoid coils & | 5180 12219-12386 | 1 |

HYDRAULIC CONTROL VALVE (Cont'd) (BICS Combo Valve)

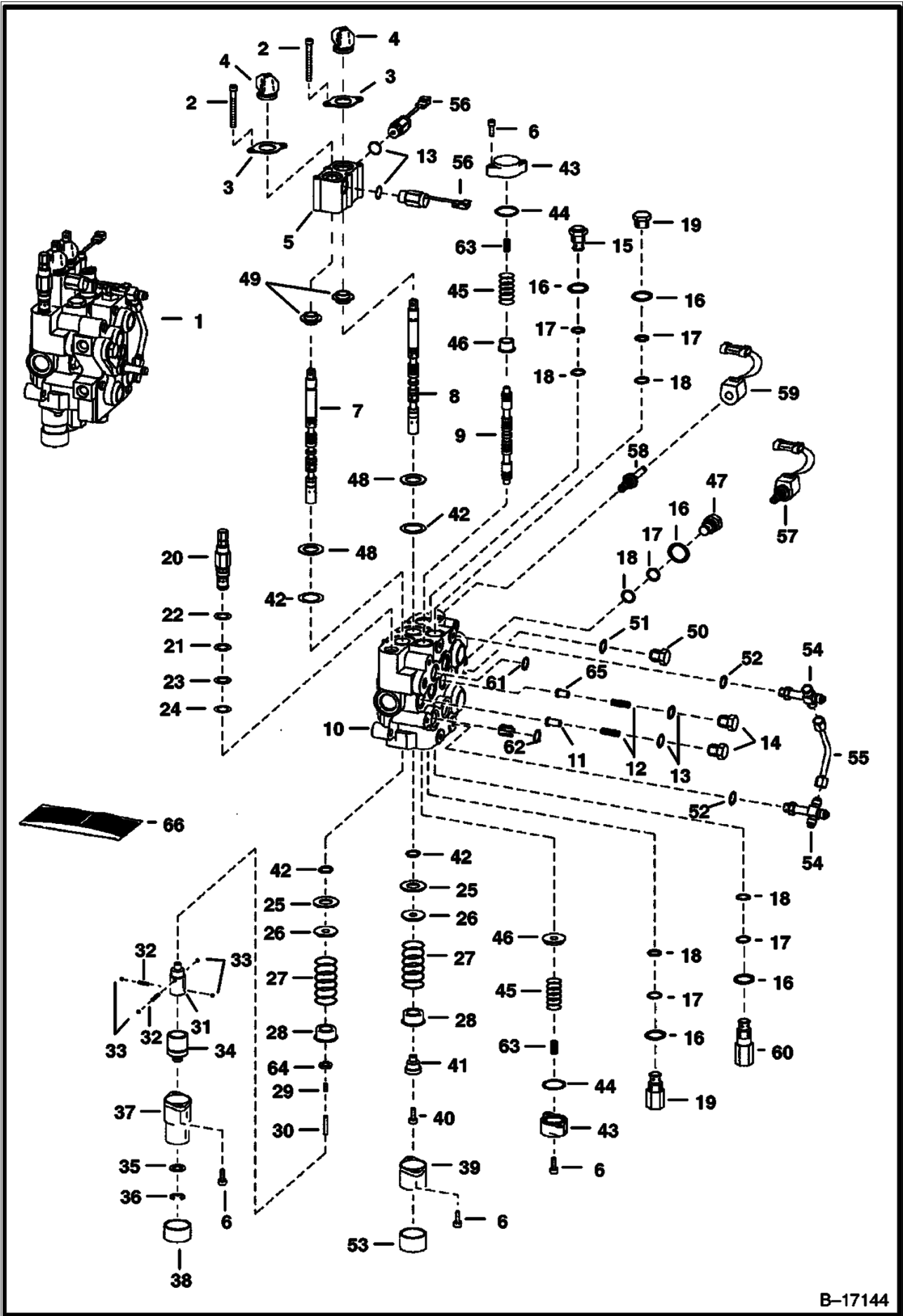


B-17144

HYDRAULIC CONTROL VALVE (Cont'd) (BICS Combo Valve)

| Ref No | Part Number | Description | Remarks | Serial Number | Qty |
|--------|-------------|--------------------------|---|---------------|-----|
| | | | solenoid spools - remove & use existing parts from old valve or order new parts as needed - Was 6810451 [A] | | |
| 1 | | VALVE ASSY | See Illustration BICS CONTROL VALVE/ TS1365 BICS CONTROL | | 1 |
| 2 | 29G444 | BOLT | | | 4 |
| 3 | 6589564 | RETAINER | | | 2 |
| 4 | 6587763 | BOOT | | | 2 |
| 5 | 6812031 | BLOCK | Was 6805657 [A] | | 1 |
| 6 | 29G416 | BOLT | | | 8 |
| 7 | 6814511 | SPOOL | lift - # 1 or Red - Was 6674808 [A] | | 1 |
| 8 | 6815152 | SPOOL | tilt - # 1 or Red - Was 6674814 [A] | | 1 |
| 9 | 6588074 | SPOOL | auxiliary | | 3 |
| 10 | | BODY | NSS | | 1 |
| 11 | 6592115 | SEAT | load check | | 2 |
| 12 | 6592117 | SPRING | | | 3 |
| 13 | 79K8 | O RING 10 | | | 3 |
| 14 | 6592116 | NUT | load check | | 3 |
| 15 | 6667549 | VALVE | anti-cavity check - W/Ref. 16-18 - Was 6675230 [B] | | 1 |
| 16 | 79K10 | O RING 10 | | | 2 |
| 17 | 80K14 | BACK-UP WASHER | Was 73K000014B | | 5 |
| 18 | 58K14 | O RING 10 | | | 5 |
| 19 | 6678574 | RELIEF VALVE | port relief - W/Ref. 16-18 - Was 6673184 [A] | | 2 |
| 20 | | VALVE | NAP - main relief - pressure preset at factory - W/Ref. 21-24 - Order 6686360 - Was 6676200 [A] | | 1 |
| 20 | 6686360 | VALVE | pressure to be set in field | | 1 |
| 21 | 58K17 | O RING 10 | | | 1 |
| 22 | 6665569 | WASHER | back-up | | 1 |
| 23 | 25K20016 | O RING 10 | | | 1 |
| 24 | 6665570 | RING | glide | | 1 |
| 25 | 6595663 | BUSHING | | | 2 |
| 26 | 6587523 | WASHER | | | 2 |
| 27 | 6587580 | SPRING | | | 2 |
| 28 | 6592100 | COLLAR | | | 2 |
| 29 | 6596807 | PLUG | plastic - .460" long | | 1 |
| 30 | 6586918 | SCREW | | | 1 |
| 31 | 6587575 | ADAPTER | | | 1 |
| 32 | 6592107 | SPRING | | | 2 |
| 33 | 6592105 | BALL | | | 4 |
| 34 | 6531270 | SLEEVE | | | 1 |
| 35 | 6592098 | WASHER | | | 1 |
| 36 | 799119 | RING | | | 1 |
| 37 | 6589226 | BONNET | .625" flange | | 1 |
| 38 | 6660644 | CAP | | | 1 |
| 39 | 7101345 | BONNET, DETENT HYD VALVE | Was 6587633 [A] | | 1 |
| 40 | 30G416 | BOLT | | | 1 |
| 41 | 6592109 | ADAPTER | | | 1 |
| 42 | 6683274 | SEAL, SPOOL | See BTI374 - spool - Was 6665846 [A] | | 4 |
| 43 | 6588781 | END CAP | | | 2 |
| 44 | 58K124 | O RING 10 | | | 2 |
| 45 | 6806007 | SPRING | | | 2 |
| 46 | 7108780 | SLEEVE | Was 6595951 [A] | | 2 |
| 47 | 6592720 | PLUG | W/Ref. 16 - 18 | | 1 |
| 48 | 1K127 | O-RING 10 | Was 93K127 [A] | | 2 |

HYDRAULIC CONTROL VALVE (Cont'd) (BICS Combo Valve)

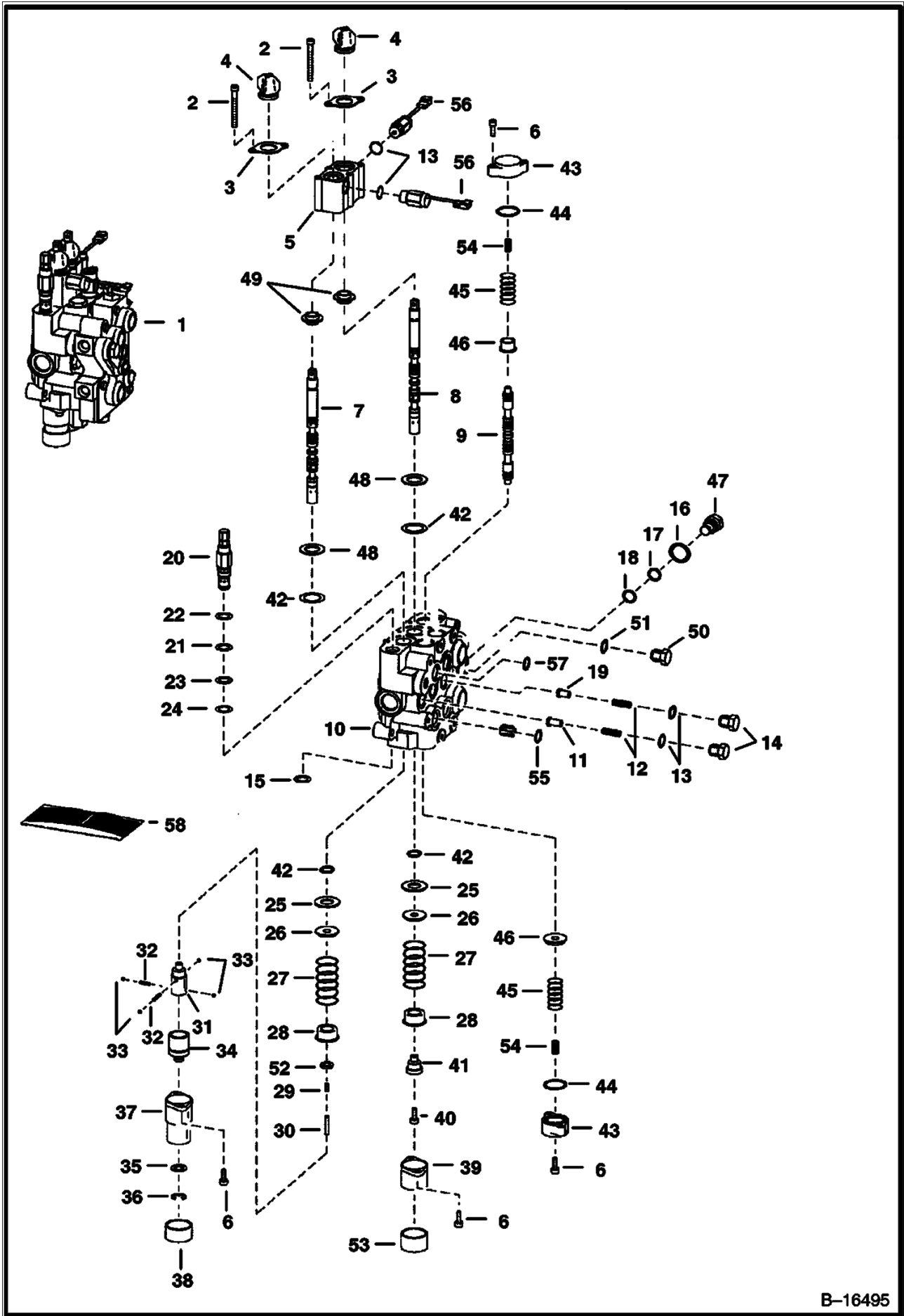


B-17144

HYDRAULIC CONTROL VALVE (Cont'd) (BICS Combo Valve)

| Ref No | Part Number | Description | Remarks | Serial Number | Qty |
|--------|-------------|---------------|---|---------------|-----|
| 49 | 6805102 | BUSHING | | | 2 |
| 50 | 90K8 | PLUG | W/Ref. 51 - tapered boss face - socket head - Was 90KV00008B [A] | | 1 |
| 51 | 95K12 | O-RING | tapered boss face | | 1 |
| 52 | 99K6 | O'RING | tapered boss face | | x |
| 52 | 79K6 | O RING 10 | flat boss face | | x |
| 53 | 6662848 | CAP | | | 1 |
| 54 | 6817553 | CROSS | W/Ref. 52 - flat boss face - Was 6805241 [A] | | 2 |
| 54 | 97K6 | O'RING | flared end | | 6 |
| 55 | 6577690 | TUBE | | | 1 |
| 56 | | SOLENOID | NAP - spool lock - 3" (76,2 mm) wire - Order 6677383 Solenoid - W/Ref. 13 - Was 6674786 [A] | | 2 |
| 56 | 6676029 | SOLENOID | spool lock - 5" (127mm) wire - Was 6677383 [A] | | 2 |
| 57 | 6665084 | SOLENOID | W/Ref. 58 & 59 | | 2 |
| 57 | 6586459 | SEAL KIT | | | x |
| 58 | 6666616 | STEM | | | 2 |
| 58 | 79K7 | O RING 10 | | | 2 |
| 59 | 6717706 | COIL, 10 VOLT | 10 volt - W/nut - Was 6665759 [D] | | 2 |
| 59 | 6676566 | NUT | | | 2 |
| 60 | 6678552 | VALVE | standard - port relief & anti-cav. W/Ref. 16 - 3500 PSI - use in tilt cylinder base end port - Was 6671632 [A] | | 1 |
| 61 | 55K204 | O RING 10 | See Illustration BICS CONTROL VALVE/ TS1365 | | 1 |
| 62 | 55K212 | O RING 10 | See Illustration BICS CONTROL VALVE/ TS1365 | | 4 |
| 63 | 6596332 | SPRING | | | 2 |
| 64 | 54K20002 | O'RING 10 | | | 1 |
| 65 | 6596569 | SEAT | aux. load | | 1 |
| 66 | 6816252 | SEAL KIT | two spool - Ref. 2, 4, 29, 42, 48 & 64 - Was 6806941 [A] | | x |
| 66 | 6632279 | KIT, SEAL | main relief - Ref. 21-24 | | x |
| 66 | 6809425 | SEAL KIT | Ref. 13 & 16-18 - Was 6586461 [A] | | x |
| 66 | 6816253 | KIT, SEAL | complete - Ref. 2, 4, 13, 16-18, 21-24, 42, 44, 48, 52, 61 & 62 - also Order 6816252 seal kit - Was 6809448 [A] | | x |

HYDRAULIC CONTROL VALVE (Service Valve) (BICS Combo Valve)

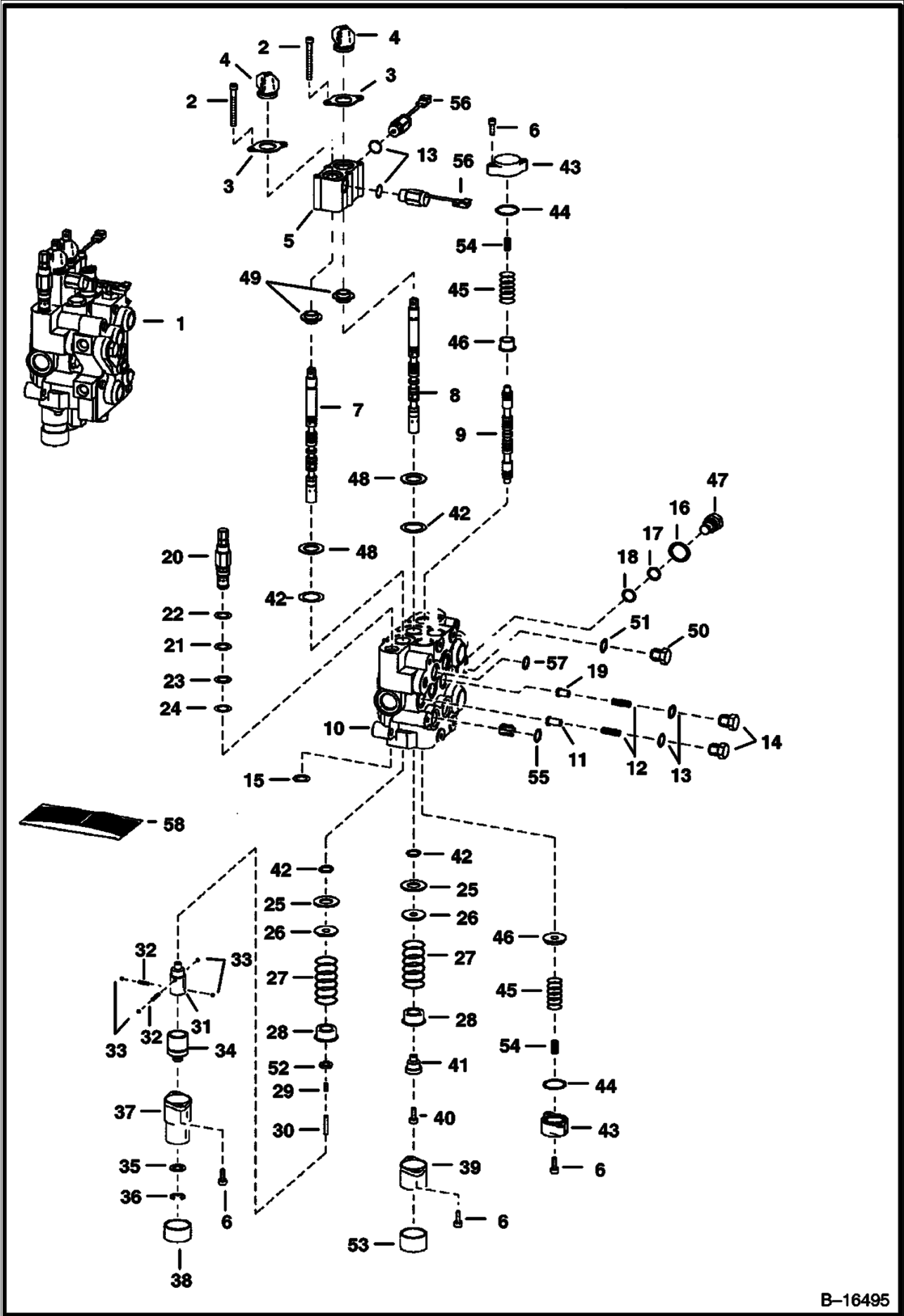


B-16495

**HYDRAULIC CONTROL VALVE (Cont'd)
(Service Valve) (BICS Combo Valve)**

| Ref No | Part Number | Description | Remarks | Serial Number | Qty |
|--------|-------------|--------------------------------|---|---------------|-----|
| 1 | 6812927 | VALVE, CONTROL SERVICE | See BTI336 - valve is minus all fittings, relief valves, anti-cavitation valves, solenoid coils & solenoid spools - remove & use existing parts from old valve or order new parts as needed | | 1 |
| 1 | | VALVE ASSY | See Illustration BICS CONTROL VALVE/ TS1365 BICS control | | 1 |
| 2 | 29G444 | BOLT | | | 4 |
| 3 | 6589564 | RETAINER | | | 2 |
| 4 | 6587763 | BOOT | | | 2 |
| 5 | 6812031 | BLOCK | | | 1 |
| 6 | 29G416 | BOLT | | | 8 |
| 7 | 6814511 | SPOOL | lift - Was 6674808 [A] | | 1 |
| 8 | 6815152 | SPOOL | tilt - Was 6814512 [A] | | 1 |
| 9 | 6588074 | SPOOL | auxiliary | | 3 |
| 10 | | BODY | NSS | | 1 |
| 11 | 6592115 | SEAT | load check | | 3 |
| 12 | 6592117 | SPRING | | | 3 |
| 13 | 79K8 | O RING 10 | | | 3 |
| 14 | 6592116 | NUT | load check | | 3 |
| 15 | 6668791 | ORIFICE | | | 1 |
| 16 | 79K10 | O RING 10 | | | 2 |
| 17 | 80K14 | BACK-UP WASHER | Was 73K000014B | | 5 |
| 18 | 58K14 | O RING 10 | | | 5 |
| 19 | 6596569 | SEAT | | | 1 |
| 20 | 6686360 | VALVE | main relief - W/Ref. 21-24 - pressure to be set in field - Was 6685017 [A] | | 1 |
| 21 | 58K17 | O RING 10 | | | 1 |
| 22 | 6665569 | WASHER | back-up | | 1 |
| 23 | 25K20016 | O RING 10 | | | 1 |
| 24 | 6665570 | RING | glide | | 1 |
| 25 | 6595663 | BUSHING | | | 2 |
| 26 | 6587523 | WASHER | | | 2 |
| 27 | 6587580 | SPRING | | | 2 |
| 28 | 6592100 | COLLAR | | | 2 |
| 29 | 6596807 | PLUG | plastic - .460" long | | 1 |
| 30 | 6586918 | SCREW | | | 1 |
| 31 | 6587575 | ADAPTER | | | 1 |
| 32 | 6592107 | SPRING | | | 2 |
| 33 | 6592105 | BALL | | | 4 |
| 34 | 6531270 | SLEEVE | | | 1 |
| 35 | 6592098 | WASHER | | | 1 |
| 36 | 799119 | RING | | | 1 |
| 37 | 6589226 | BONNET | .625" flange | | 1 |
| 38 | 6660644 | CAP | | | 1 |
| 39 | 7101345 | BONNET, DETENT HYD VALVE | Was 6587633 [A] | | 1 |
| 40 | 30G416 | BOLT | | | 1 |
| 41 | 6592109 | ADAPTER | | | 1 |
| 42 | 6683274 | SEAL, SPOOL | See BTI374 - spool - Was 6665846 [A] | | 4 |
| 43 | 6588781 | END CAP | | | 2 |
| 44 | 58K124 | O RING 10 | | | 2 |
| 45 | 6806007 | SPRING | | | 2 |
| 46 | 7108780 | SLEEVE | Was 6595951 [A] | | 2 |
| 47 | 6592720 | PLUG | W/Ref. 16-18 | | 1 |
| 48 | 1K127 | O-RING 10 | Was 93K127 [A] | | 2 |

HYDRAULIC CONTROL VALVE (Cont'd)
 (Service Valve) (BICS Combo Valve)

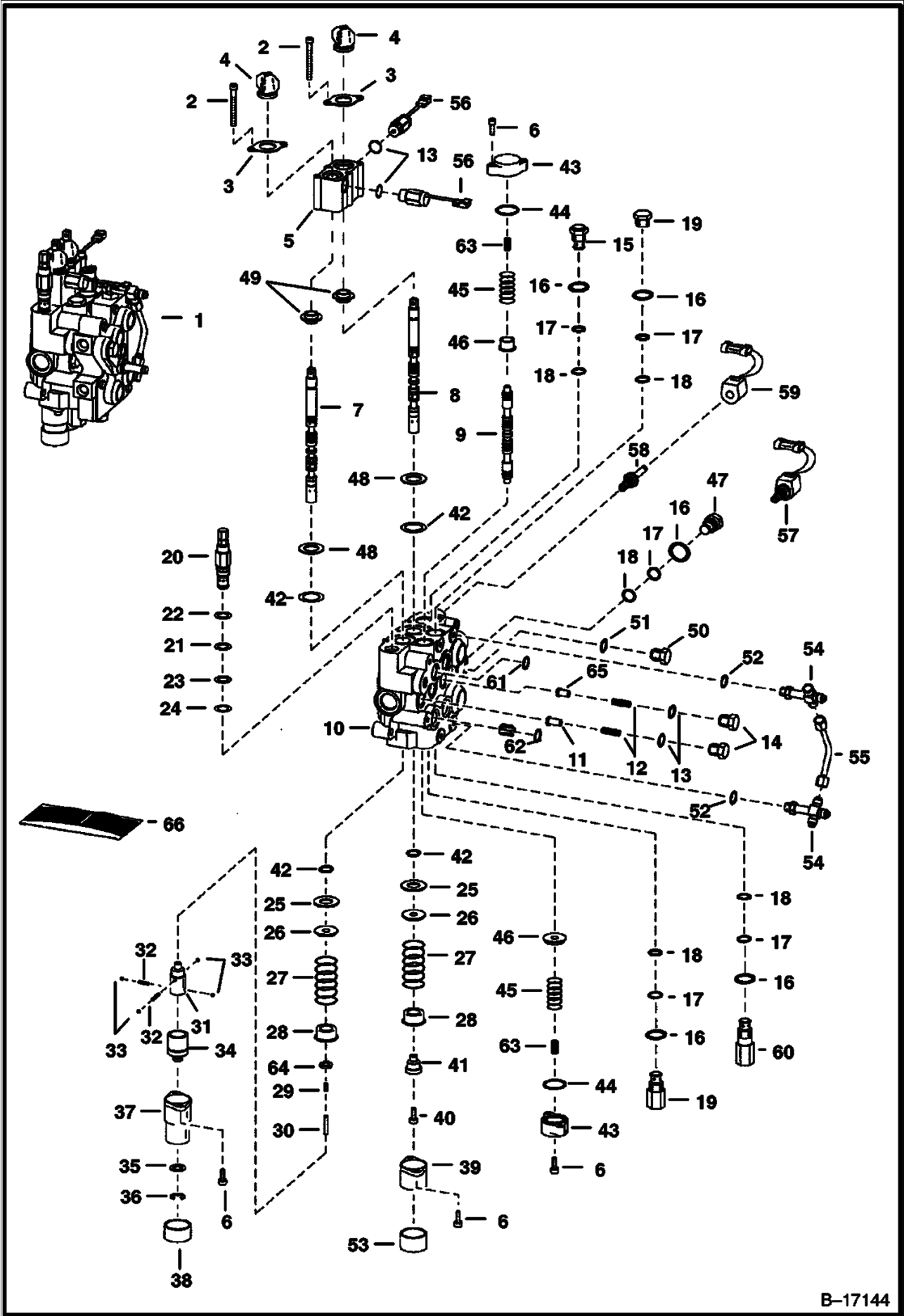


B-16495

**HYDRAULIC CONTROL VALVE (Cont'd)
(Service Valve) (BICS Combo Valve)**

| Ref No | Part Number | Description | Remarks | Serial Number | Qty |
|--------|-------------|-------------|---|---------------|-----|
| 49 | 6805102 | BUSHING | | | 2 |
| 50 | 90K8 | PLUG | W/Ref. 51 - socket head | | 1 |
| 51 | 95K12 | O-RING | | | 1 |
| 52 | 54K20002 | O'RING 10 | | | 1 |
| 53 | 6662848 | CAP | | | 1 |
| 54 | 6596332 | SPRING | | | 2 |
| 55 | 55K212 | O RING 10 | See Illustration BICS CONTROL VALVE/ TS1365 | | 4 |
| 56 | 6676029 | SOLENOID | spool lock - 5" (127mm) wire - Was 6677383 [A] | | 2 |
| 57 | 55K204 | O RING 10 | See Illustration BICS CONTROL VALVE/ TS1365 | | 1 |
| 58 | 6816252 | SEAL KIT | one spool - Ref. 2, 4, 29, 42 48 & 52 - Was 6806941 [A] | | x |
| 58 | 6632279 | KIT, SEAL | main relief - Ref. 21-24 | | x |
| 58 | 6809425 | SEAL KIT | Ref. 13 & 16-18 | | x |
| 58 | 6816253 | KIT, SEAL | complete - Ref. 2 4, 6, 13, 16-18, 21-24, 42, 44, 48, 55 & 57 - also Order 6816252 seal kit - Was 6809448 [A] | | x |

HYDRAULIC CONTROL VALVE (BICS Combo Valve)

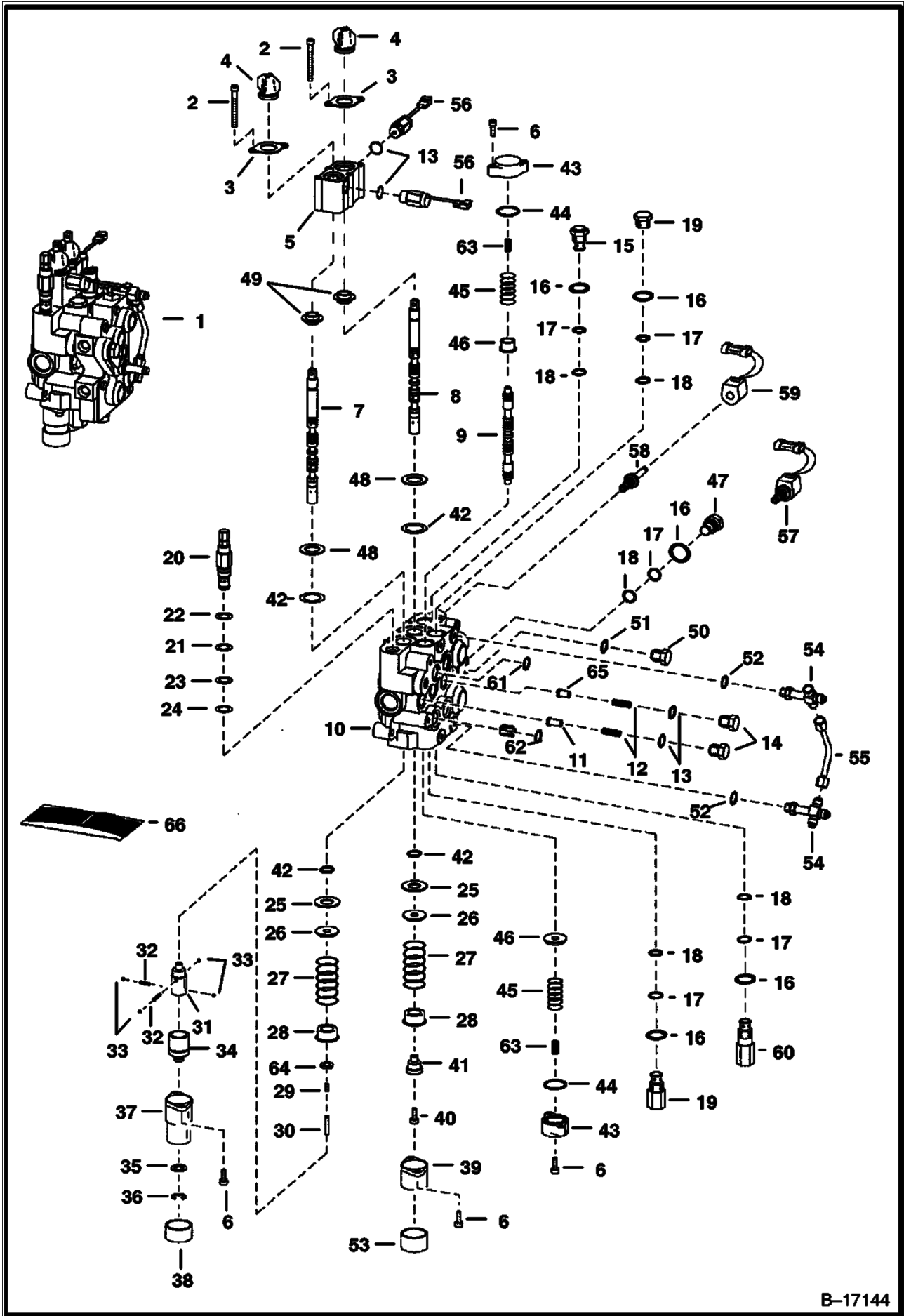


B-17144

HYDRAULIC CONTROL VALVE (Cont'd) (BICS Combo Valve)

| Ref No | Part Number | Description | Remarks | Serial Number | Qty |
|--------|-------------|----------------|---|------------------|-----|
| 1 | | VALVE | See BTI336 - NAP - valve is minus all fittings, relief valves, anti-cavitation valves, solenoid coils & solenoid spools - remove & use existing parts from old valve or order new parts as needed - Was 6811069 [A] | 500K 11978 & Abv | 1 |
| 1 | | VALVE | See BTI336 - NAP - valve is minus all fittings, relief valves, anti-cavitation valves, solenoid coils & solenoid spools - remove & use existing parts from old valve or order new parts as needed - Was 6811069 [A] | 5181 12246-12999 | 1 |
| 1 | | VALVE | See BTI336 - NAP - valve is minus all fittings, relief valves, anti-cavitation valves, solenoid coils & solenoid spools - remove & use existing parts from old valve or order new parts as needed - Was 6811069 [A] | 5192 12364-12999 | 1 |
| 1 | | VALVE | See BTI336 - NAP - valve is minus all fittings, relief valves, anti-cavitation valves, solenoid coils & solenoid spools - remove & use existing parts from old valve or order new parts as needed - Was 6811069 [A] | 5190 21021-24999 | 1 |
| 1 | | VALVE | See BTI336 - NAP - valve is minus all fittings, relief valves, anti-cavitation valves, solenoid coils & solenoid spools - remove & use existing parts from old valve or order new parts as needed - Was 6811069 [A] | 5180 12387-12999 | 1 |
| 1 | | VALVE | See BTI336 - NAP - valve is minus all fittings, relief valves, anti-cavitation valves, solenoid coils & solenoid spools - remove & use existing parts from old valve or order new parts as needed - Was 6811069 [A] | 5176 20141-21999 | 1 |
| 1 | | VALVE ASSY | See Illustration BICS CONTROL VALVE/ TS1365 BICS CONTROL | | 1 |
| 2 | 29G444 | BOLT | | | 4 |
| 3 | 6589564 | RETAINER | | | 2 |
| 4 | 6587763 | BOOT | | | 2 |
| 5 | 6812031 | BLOCK | Was 6805657 [A] | | 1 |
| 6 | 29G416 | BOLT | | | 8 |
| 7 | 6812031 | BLOCK | lift - # 1 or Red - Was 6674808 [A] | | 1 |
| 8 | 6815152 | SPOOL | tilt - # 1 or Red - Was 6674814 [A] | | 1 |
| 9 | 6588074 | SPOOL | auxiliary | | 3 |
| 10 | | BODY | NSS | | 1 |
| 11 | 6592115 | SEAT | load check | | 3 |
| 12 | 6592117 | SPRING | | | 3 |
| 13 | 79K8 | O RING 10 | | | 3 |
| 14 | 6592116 | NUT | load check | | 3 |
| 15 | 6667549 | VALVE | anti-cavity check - W/Ref. 16-18 | | 1 |
| 16 | 79K10 | O RING 10 | | | 2 |
| 17 | 80K14 | BACK-UP WASHER | Was 73K000014B | | 5 |
| 18 | 58K14 | O RING 10 | | | 5 |
| 19 | 6678574 | RELIEF VALVE | port relief - W/Ref. 16 - 18 - Was 6673184 [A] | | 2 |
| 20 | | VALVE | NAP - main relief - pressure preset at factory - W/Ref. 21-24 - Was 6677669 [A] | | 1 |
| 20 | 6686360 | VALVE | main relief - W/Ref. 21-24 - pressure to be set in field | | 1 |
| 21 | 58K17 | O RING 10 | | | 1 |
| 22 | 6665569 | WASHER | back-up | | 1 |
| 23 | 25K20016 | O RING 10 | | | 1 |

HYDRAULIC CONTROL VALVE (Cont'd) (BICS Combo Valve)

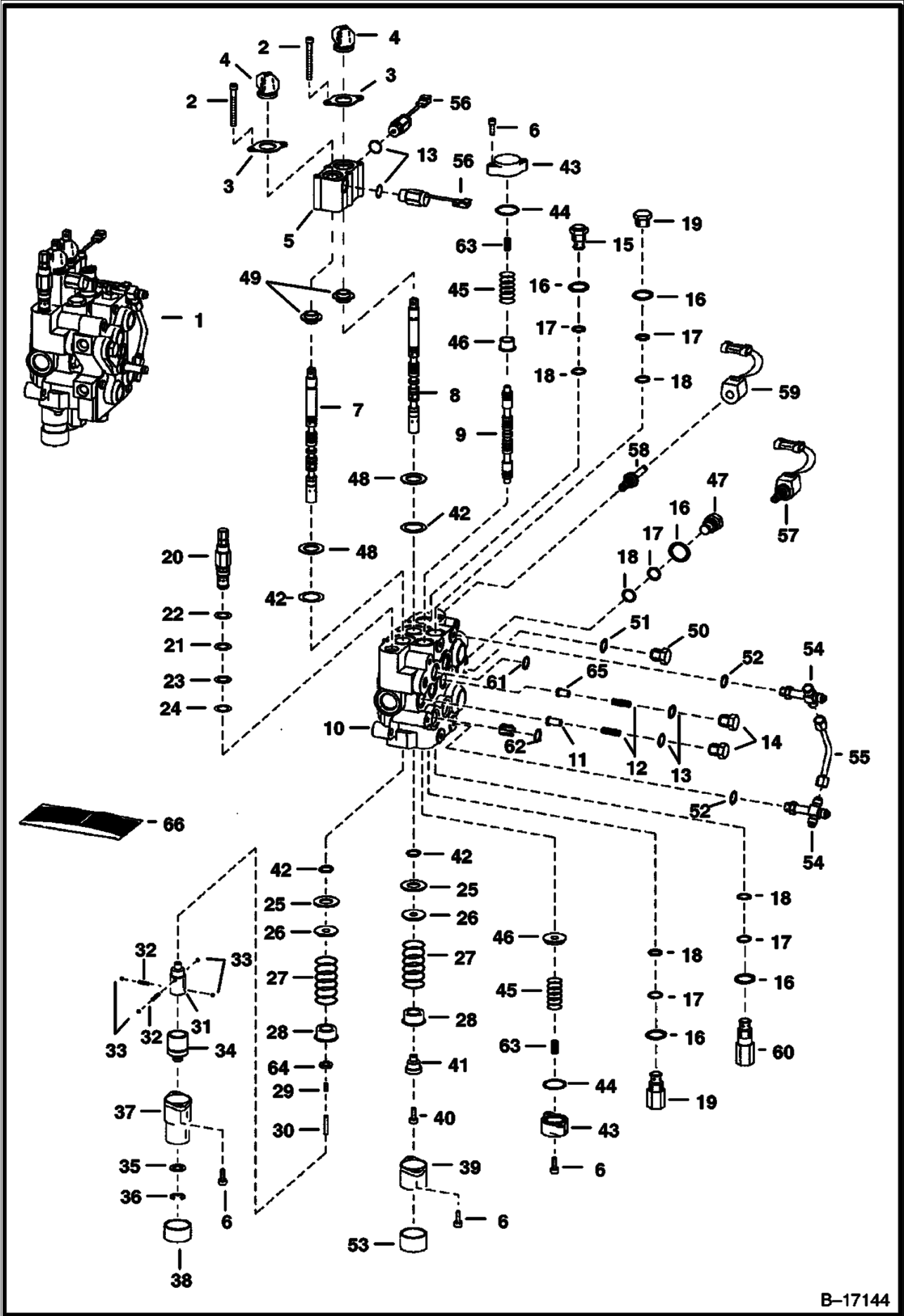


B-17144

HYDRAULIC CONTROL VALVE (Cont'd) (BICS Combo Valve)

| Ref No | Part Number | Description | Remarks | Serial Number | Qty |
|--------|-------------|--------------------------------|---|---------------|-----|
| 24 | 6665570 | RING | glide | | 1 |
| 25 | 6595663 | BUSHING | | | 2 |
| 26 | 6587523 | WASHER | | | 2 |
| 27 | 6587580 | SPRING | | | 2 |
| 28 | 6592100 | COLLAR | | | 2 |
| 29 | 6596807 | PLUG | plastic - .460" long | | 1 |
| 30 | 6586918 | SCREW | | | 1 |
| 31 | 6587575 | ADAPTER | | | 1 |
| 32 | 6592107 | SPRING | | | 2 |
| 33 | 6592105 | BALL | | | 4 |
| 34 | 6531270 | SLEEVE | | | 1 |
| 35 | 6592098 | WASHER | | | 1 |
| 36 | 799119 | RING | | | 1 |
| 37 | 6589226 | BONNET | .625" flange | | 1 |
| 38 | 6660644 | CAP | | | 1 |
| 39 | 7101345 | BONNET, DETENT HYD VALVE | Was 6587633 [A] | | 1 |
| 40 | 30G416 | BOLT | | | 1 |
| 41 | 6592109 | ADAPTER | | | 1 |
| 42 | 6683274 | SEAL, SPOOL | See BTI374 - spool - Was 6665846 [A] | | 4 |
| 43 | 6588781 | END CAP | | | 2 |
| 44 | 58K124 | O RING 10 | | | 2 |
| 45 | 6806007 | SPRING | | | 2 |
| 46 | 7108780 | SLEEVE | Was 6595951 [A] | | 2 |
| 47 | 6592720 | PLUG | W/Ref. 16-18 | | 1 |
| 48 | 1K127 | O-RING 10 | Was 93K127 [A] | | 2 |
| 49 | 6805102 | BUSHING | | | 2 |
| 50 | 90K8 | PLUG | W/Ref. 51 - socket head - Was 90KV00008B [A] | | 1 |
| 51 | 95K12 | O-RING | | | 1 |
| 52 | 99K6 | O'RING | tapered boss face | | x |
| 52 | 79K6 | O RING 10 | flat boss face | | x |
| 53 | 6662848 | CAP | | | 1 |
| 54 | 6817553 | CROSS | W/Ref. 52 - flat boss face - Was 6805241 [A] | | 2 |
| 54 | 97K6 | O'RING | flared end | | 6 |
| 55 | 6577690 | TUBE | | | 1 |
| 56 | 6676029 | SOLENOID | spool lock - 5" (127mm) wire - Was 6677383 [A] | | 2 |
| 57 | 6665084 | SOLENOID | W/Ref. 58 & 59 | | 2 |
| 57 | 6586459 | SEAL KIT | | | x |
| 57 | 6676566 | NUT | | | x |
| 58 | 6666616 | STEM | | | 2 |
| 58 | 79K7 | O RING 10 | Was 79K7 [B,D] | | 2 |
| 59 | 6717706 | COIL, 10 VOLT | 10 volt | | 2 |
| 59 | 6676566 | NUT | | | 2 |
| 60 | 6678552 | VALVE | standard - port relief & anti-cav. W/Ref. 16 - 3500 PSI - use in tilt cylinder base end port - Was 6671632 [A] | | 1 |
| 61 | 55K204 | O RING 10 | See Illustration BICS CONTROL VALVE/ TS1365 | | 1 |
| 62 | 55K212 | O RING 10 | See Illustration BICS CONTROL VALVE/ TS1365 | | 4 |
| 63 | 6596332 | SPRING | | | 2 |
| 64 | 54K20002 | O'RING 10 | | | 1 |
| 65 | 6596569 | SEAT | aux. load | | 1 |
| 66 | 6816252 | SEAL KIT | two spool - Ref. 2, 4, 29, 42, 48 & 64 - Was 6806941 [A] | | x |
| 66 | 6632279 | KIT, SEAL | main relief - Ref. 21-24 | | x |
| 66 | 6809425 | SEAL KIT | Ref. 13 & 16-18 | | x |
| 66 | 6816253 | KIT, SEAL | complete - Ref. 2, 4, 6, 13, 16-18, 21-24, 42, 44, 48, 52, 61 & 62 - also Order 6816252 seal kit - Was | | x |

HYDRAULIC CONTROL VALVE (Cont'd) (BICS Combo Valve)

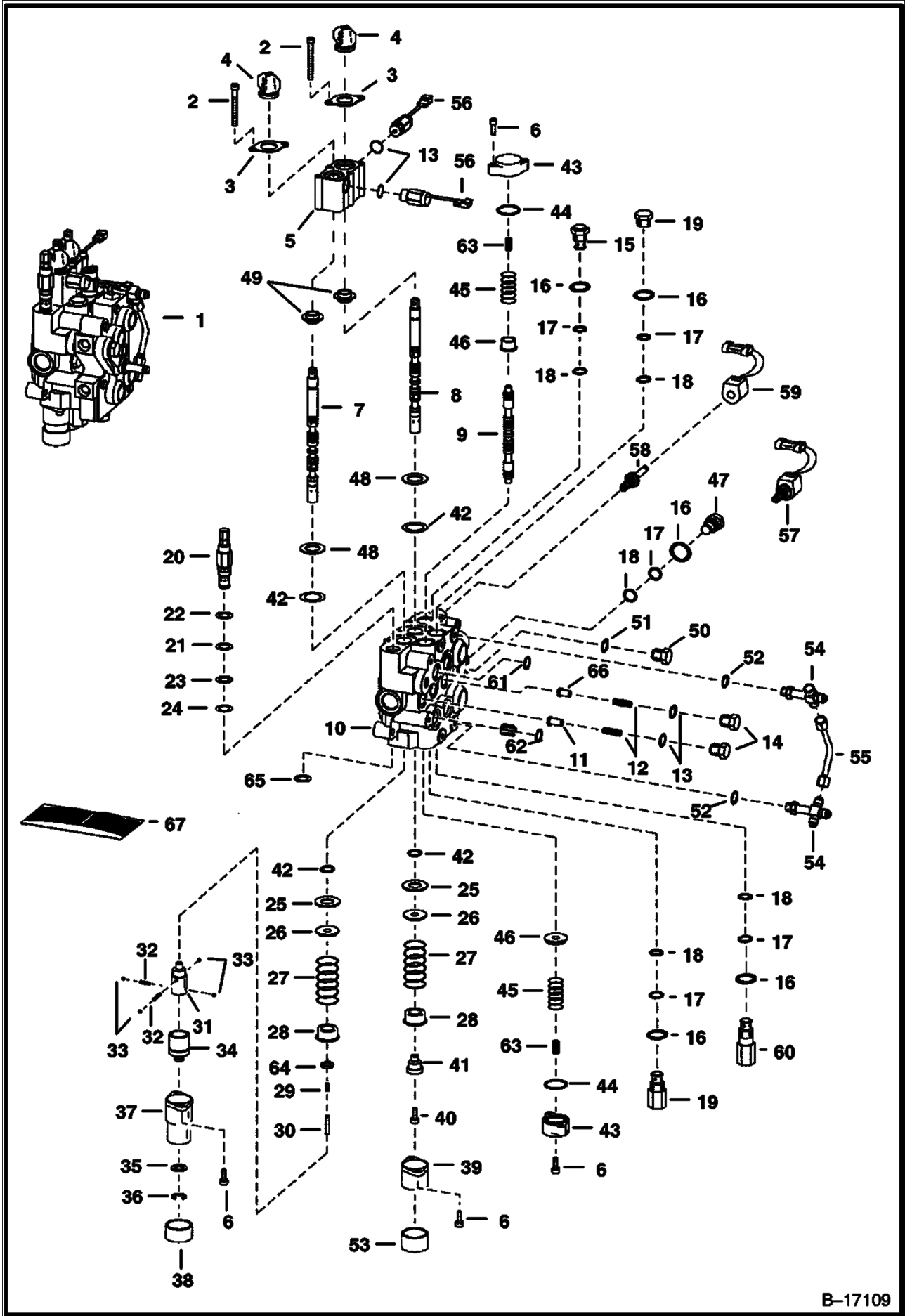


B-17144

HYDRAULIC CONTROL VALVE (Cont'd)
(BICS Combo Valve)

| Ref No | Part Number | Description | Remarks | Serial Number | Qty |
|---------------|--------------------|--------------------|----------------|----------------------|------------|
| | | | 6809448 [A] | | |

HYDRAULIC CONTROL VALVE (BICS Combo Valve)

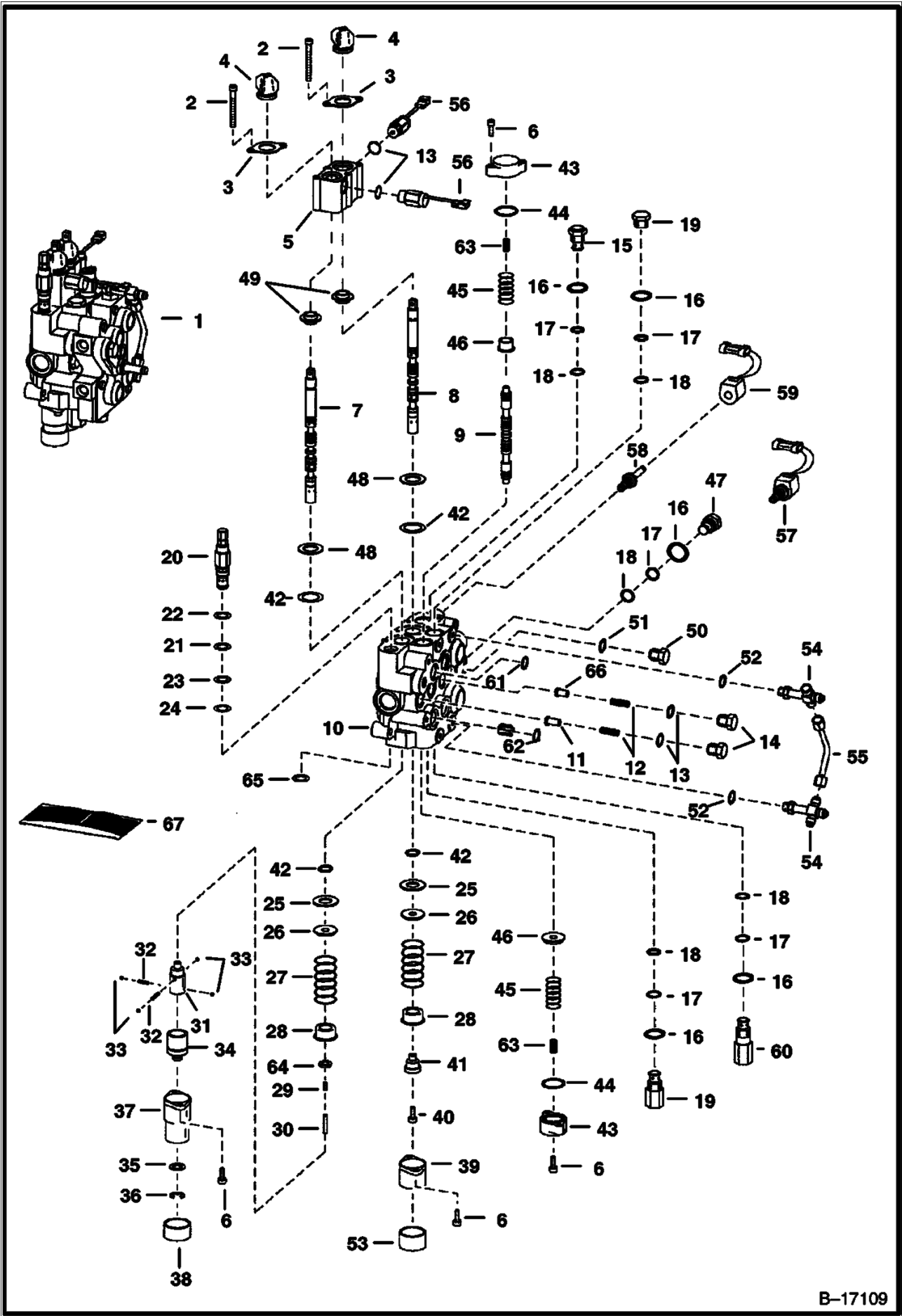


B-17109

HYDRAULIC CONTROL VALVE (Cont'd) (BICS Combo Valve)

| Ref No | Part Number | Description | Remarks | Serial Number | Qty |
|--------|-------------|----------------|---|-------------------|-----|
| 1 | | VALVE | See BTI336 - NAP - valve is minus all fittings, relief valves, anti-cavitation valves, solenoid coils & solenoid spools - remove & use existing parts from old valve or order new parts as needed - Was 6811966 [A] | 5176 22000 & Abv | 1 |
| 1 | | VALVE | See BTI336 - NAP - valve is minus all fittings, relief valves, anti-cavitation valves, solenoid coils & solenoid spools - remove & use existing parts from old valve or order new parts as needed - Was 6811966 [A] | 5180 13000 & Abv | 1 |
| 1 | | VALVE | See BTI336 - NAP - valve is minus all fittings, relief valves, anti-cavitation valves, solenoid coils & solenoid spools - remove & use existing parts from old valve or order new parts as needed - Was 6811966 [A] | 5181 13000 & Abv | 1 |
| 1 | | VALVE | See BTI336 - NAP - valve is minus all fittings, relief valves, anti-cavitation valves, solenoid coils & solenoid spools - remove & use existing parts from old valve or order new parts as needed - Was 6811966 [A] | 5190 25000 & Abv. | 1 |
| 1 | | VALVE | See BTI336 - NAP - valve is minus all fittings, relief valves, anti-cavitation valves, solenoid coils & solenoid spools - remove & use existing parts from old valve or order new parts as needed - Was 6811966 [A] | 5192 13000 & Abv. | 1 |
| 1 | | VALVE ASSY | See Illustration BICS CONTROL VALVE/ TS1365 BICS CONTROL | | 1 |
| 2 | 29G444 | BOLT | | | 4 |
| 3 | 6589564 | RETAINER | | | 2 |
| 4 | 6587763 | BOOT | | | 2 |
| 5 | 6812031 | BLOCK | Was 6805657 [A] | | 1 |
| 6 | 29G416 | BOLT | | | 8 |
| 7 | | SPOOL | NAP - lift - #1 or red - Order 6814511 spool - Was 6674808 [A] | | 1 |
| 7 | | SPOOL | NAP - lift - #2 or green - Order 6814511 spool - Was 6674809 [A] | | 1 |
| 7 | | SPOOL | NAP - tilt - #3 or black - Order 6814511 spool - Was 6674810 [A] | | 1 |
| 7 | 6814511 | SPOOL | lift | | 1 |
| 8 | | SPOOL | NAP - tilt - #1 or red - Order 6815152 spool - Was 6674814 [A] | | 1 |
| 8 | | SPOOL | NAP - tilt - #2 or green - Order 6815152 spool - Was 6674815 [A] | | 1 |
| 8 | | SPOOL | NAP - tilt - #3 or black - Order 6815152 spool - Was 6674816 [A] | | 1 |
| 8 | 6815152 | SPOOL | tilt - Was 6814512 [A] | | 1 |
| 9 | 6588074 | SPOOL | auxiliary | | 3 |
| 10 | | BODY | NSS | | 1 |
| 11 | 6592115 | SEAT | load check | | 3 |
| 12 | 6592117 | SPRING | | | 3 |
| 13 | 79K8 | O RING 10 | | | 3 |
| 14 | 6592116 | NUT | load check | | 3 |
| 15 | 6667549 | VALVE | anti-cavity check - W/Ref. 16-18 | | 1 |
| 16 | 79K10 | O RING 10 | | | 2 |
| 17 | 80K14 | BACK-UP WASHER | Was 73K000014B | | 5 |
| 18 | 58K14 | O RING 10 | | | 5 |

HYDRAULIC CONTROL VALVE (Cont'd) (BICS Combo Valve)

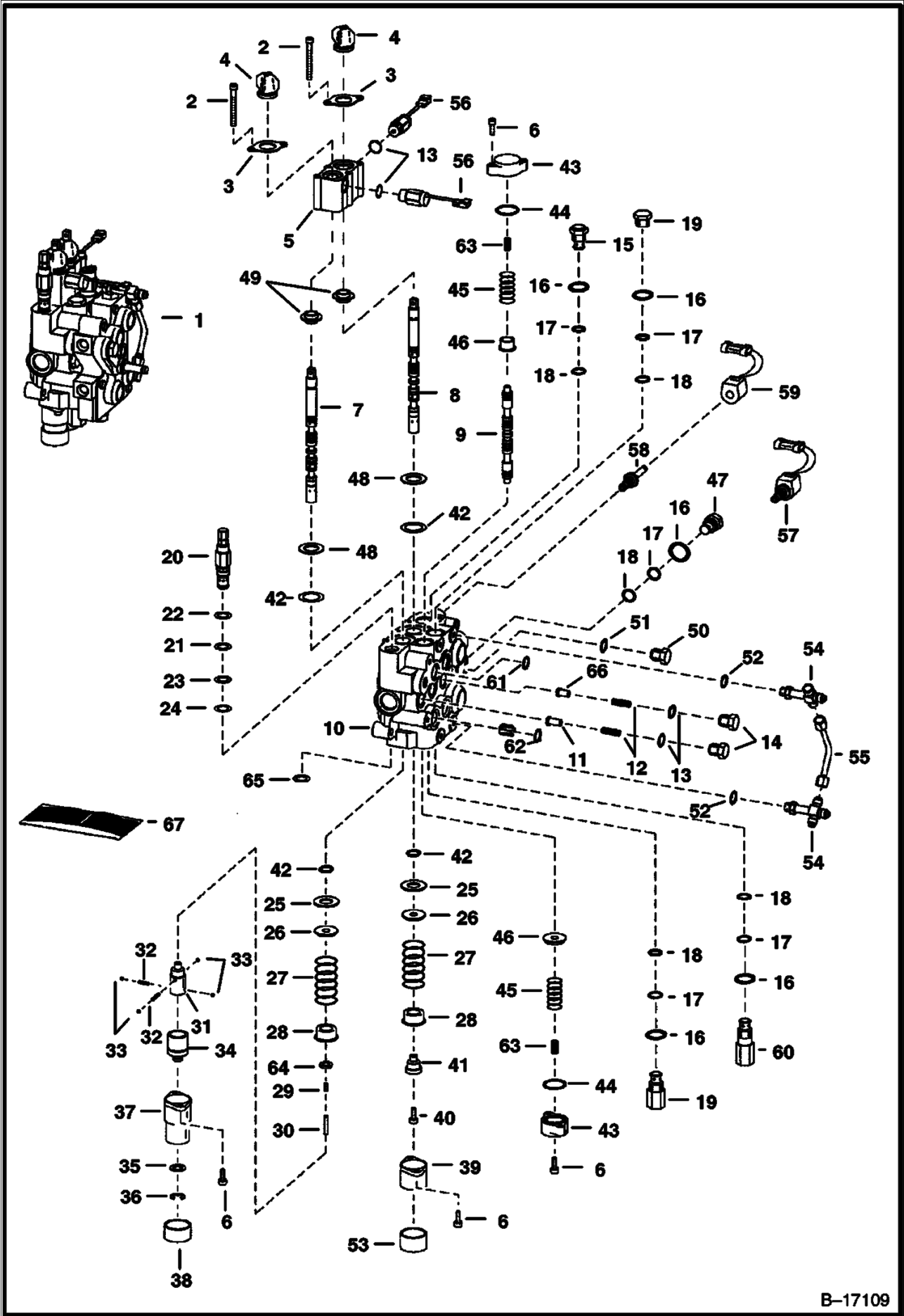


B-17109

HYDRAULIC CONTROL VALVE (Cont'd) (BICS Combo Valve)

| Ref No | Part Number | Description | Remarks | Serial Number | Qty |
|--------|-------------|--------------------------------|--|---------------|-----|
| 19 | 6678574 | RELIEF VALVE | port relief - W/Ref. 16-18 - Was 6673184 [A] | | 2 |
| 20 | | VALVE | NAP - main relief - pressure preset at factory - W/Ref. 21-24 - Was 6677669 [A] | | 1 |
| 20 | 6686360 | VALVE | main relief - W/Ref. 21-24 - pressure to be set in field | | 1 |
| 21 | 58K17 | O RING 10 | | | 1 |
| 22 | 6665569 | WASHER | back-up | | 1 |
| 23 | 25K20016 | O RING 10 | | | 1 |
| 24 | 6665570 | RING | glide | | 1 |
| 25 | 6595663 | BUSHING | | | 2 |
| 26 | 6587523 | WASHER | | | 2 |
| 27 | 6587580 | SPRING | | | 2 |
| 28 | 6592100 | COLLAR | | | 2 |
| 29 | 6596807 | PLUG | plastic - .460" long | | 1 |
| 30 | 6586918 | SCREW | | | 1 |
| 31 | 6587575 | ADAPTER | | | 1 |
| 32 | 6592107 | SPRING | | | 2 |
| 33 | 6592105 | BALL | | | 4 |
| 34 | 6531270 | SLEEVE | | | 1 |
| 35 | 6592098 | WASHER | | | 1 |
| 36 | 799119 | RING | | | 1 |
| 37 | 6589226 | BONNET | .625" flange | | 1 |
| 38 | 6660644 | CAP | | | 1 |
| 39 | 7101345 | BONNET, DETENT HYD VALVE | Was 6587633 [A] | | 1 |
| 40 | 30G416 | BOLT | | | 1 |
| 41 | 6592109 | ADAPTER | | | 1 |
| 42 | 6683274 | SEAL, SPOOL | See BTI374 - spool - Was 6665846 [A] | | 4 |
| 43 | 6588781 | END CAP | | | 2 |
| 44 | 58K124 | O RING 10 | | | 2 |
| 45 | 6806007 | SPRING | | | 2 |
| 46 | 7108780 | SLEEVE | Was 6595951 [A] | | 2 |
| 47 | 6592720 | PLUG | W/Ref. 16 - 18 | | 1 |
| 48 | 1K127 | O-RING 10 | Was 93K127 [A] | | 2 |
| 49 | 6805102 | BUSHING | | | 2 |
| 50 | 90K8 | PLUG | W/Ref. 51 - socket head - Was 90KV00008B [A] | | 1 |
| 51 | 95K12 | O-RING | | | 1 |
| 52 | 99K6 | O'RING | tapered boss face | | x |
| 52 | 79K6 | O RING 10 | flat boss face | | x |
| 53 | 6662848 | CAP | | | 1 |
| 54 | 6817553 | CROSS | W/Ref. 52 - flat boss face - Was 6805241 [A] | | 2 |
| 54 | 97K6 | O'RING | flared end | | 6 |
| 55 | 6577690 | TUBE | | | 1 |
| 56 | 6676029 | SOLENOID | spool lock - 5" (127mm) wire - Was 6677383 [A] | | 2 |
| 57 | | SOLENOID | NAP - W/Ref. 58 & 59 - Was 6678893 [A] | | 2 |
| 57 | 6685603 | SEAL KIT | | | x |
| 58 | 6688743 | STEM, VALVE CONTROL | w/ screen Was 6678892 | | 2 |
| 58 | 79K7 | O RING 10 | | | 2 |
| 59 | 6678891 | COIL | 10 volt - W/nut | | 2 |
| 59 | 6691022 | NUT | Was 6690705 [A] | | 2 |
| 60 | 6678552 | VALVE | standard - port relief & anti-cav. W/Ref. 16 - 3500 PSI - use in tilt cylinder base end port - Was 6671632 [A] | | 1 |
| 61 | 55K204 | O RING 10 | See Illustration BICS CONTROL VALVE/ TS1365 | | 1 |
| 62 | 55K212 | O RING 10 | See Illustration BICS CONTROL VALVE/ TS1365 | | 4 |
| 63 | 6596332 | SPRING | | | 2 |
| 64 | 54K20002 | O'RING 10 | | | 1 |

HYDRAULIC CONTROL VALVE (Cont'd) (BICS Combo Valve)

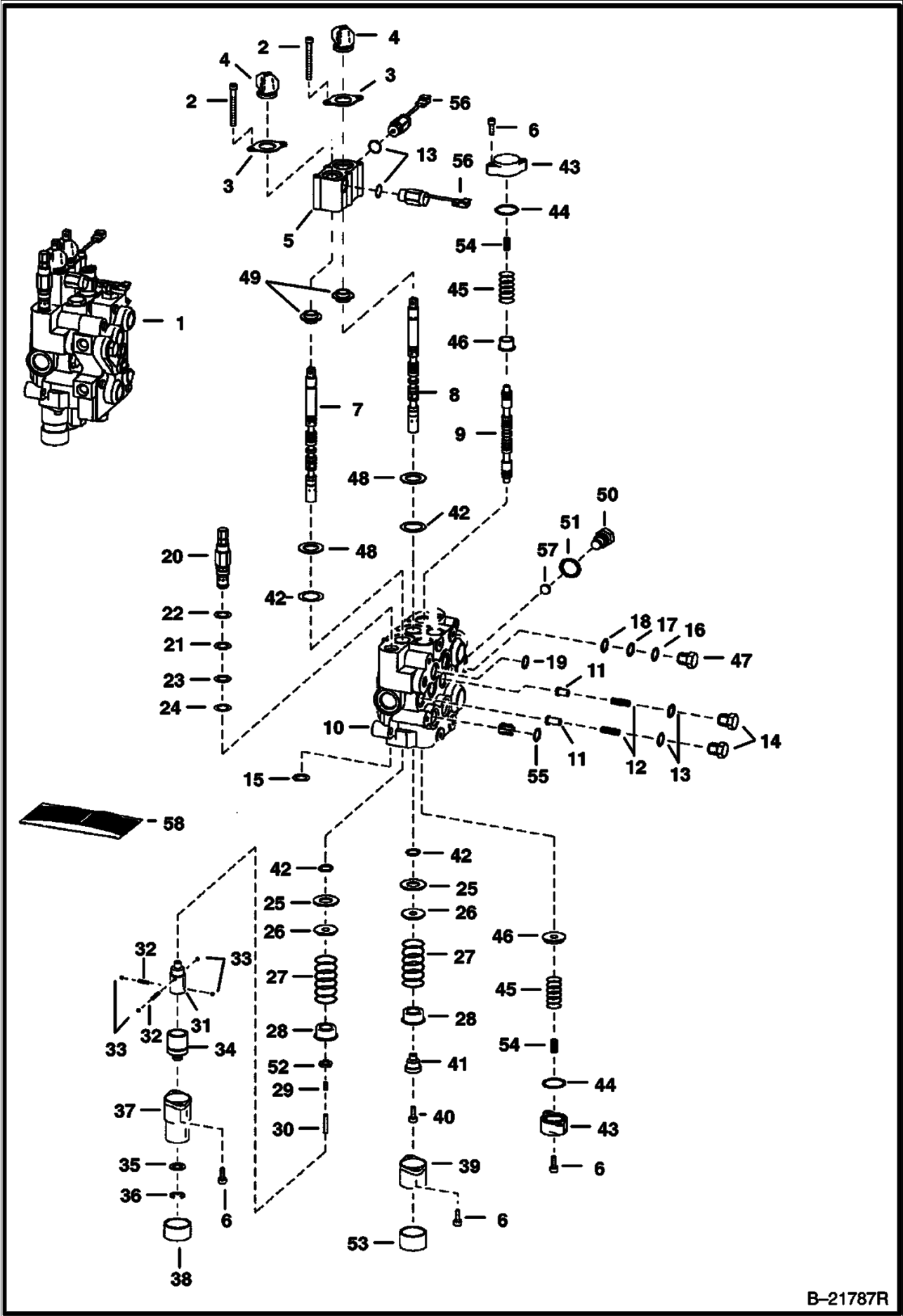


B-17109

HYDRAULIC CONTROL VALVE (Cont'd) (BICS Combo Valve)

| Ref No | Part Number | Description | Remarks | Serial Number | Qty |
|--------|-------------|-------------|--|---------------|-----|
| 65 | 6668791 | ORIFICE | | | 1 |
| 66 | 6596569 | SEAT | aux. load | | 1 |
| 67 | 6816252 | SEAL KIT | one spool - Ref. 2, 4, 29, 42, 48 & 64 - Was 6806941 [A] | | x |
| 67 | 6632279 | KIT, SEAL | main relief - Ref. 21-24 | | x |
| 67 | 6809425 | SEAL KIT | Ref. 13 & 16-18 | | x |
| 67 | 6816253 | KIT, SEAL | complete - Ref. 4, 13, 16-18, 21-24, 42, 44, 52, 61 & 62 - also Order 6816252 seal kit - Was 6809448 [A] | | x |

HYDRAULIC CONTROL VALVE (Service Valve) (BICS Combo Valve)

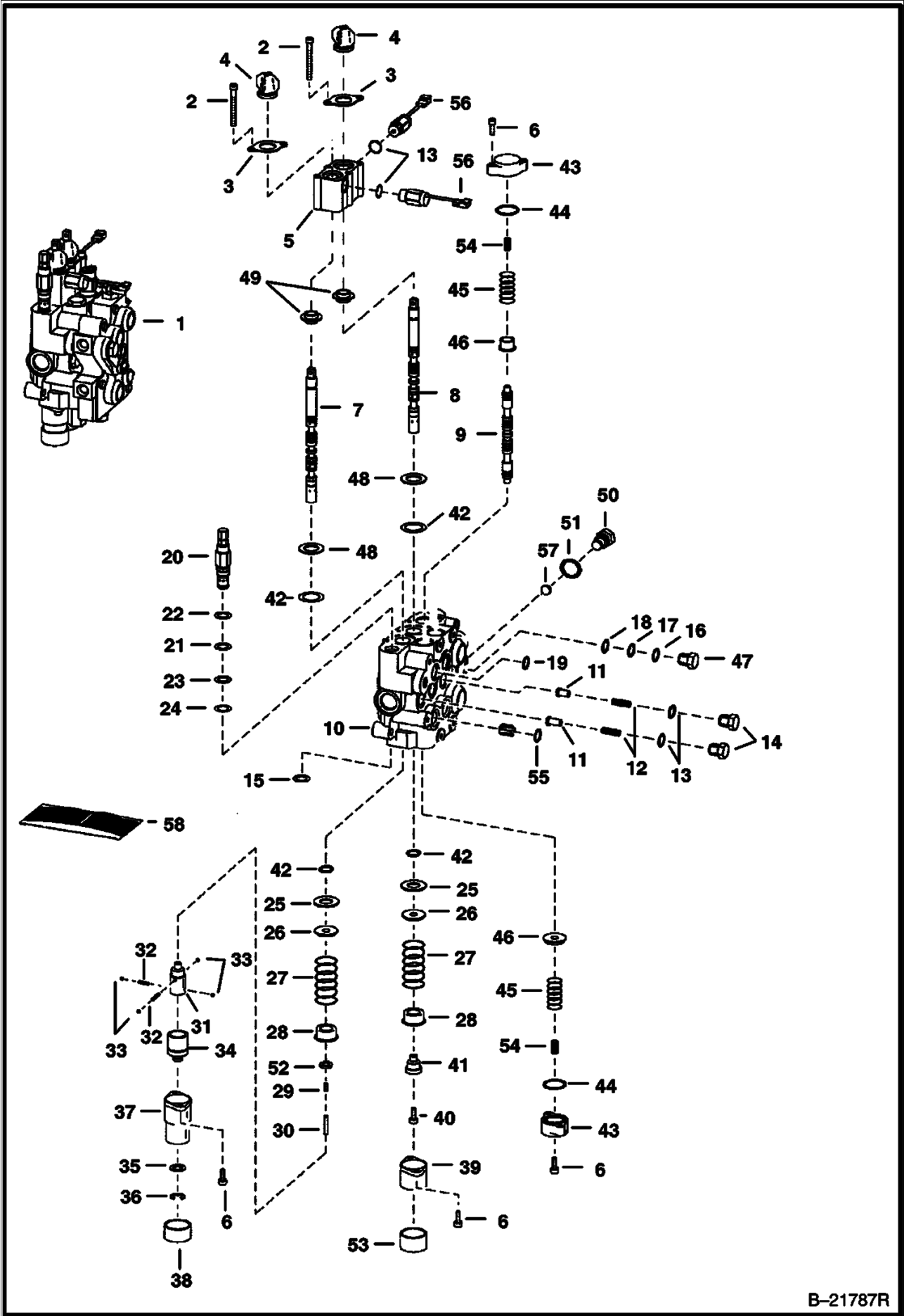


B-21787R

**HYDRAULIC CONTROL VALVE (Cont'd)
(Service Valve) (BICS Combo Valve)**

| Ref No | Part Number | Description | Remarks | Serial Number | Qty |
|--------|-------------|--------------------------------|---|---------------|-----|
| 1 | 6815480 | VALVE, CONTROL SERVICE | See BTI336 - valve is minus all fittings, relief valves, anti-cavitation valves, solenoid coils & solenoid spools - remove & use existing parts from old valve or order new parts as needed | | 1 |
| 1 | | BLOCK | See Illustration BICS CONTROL VALVE/ TS1365 - BICS CONTROL | | 1 |
| 2 | 29G444 | BOLT | | | 4 |
| 3 | 6589564 | RETAINER | | | 2 |
| 4 | 6587763 | BOOT | | | 2 |
| 5 | 6812031 | BLOCK | | | 1 |
| 6 | 29G416 | BOLT | | | 8 |
| 7 | 6814511 | SPOOL | lift - # 1 or Red - Was 6674808 [A] | | 1 |
| 8 | 6815152 | SPOOL | tilt - # 1 or Red - Was 6674814 [A] | | 1 |
| 9 | 6588074 | SPOOL | auxiliary | | 3 |
| 10 | | BODY | NSS | | 1 |
| 11 | 6592115 | SEAT | load check | | 3 |
| 12 | 6592117 | SPRING | | | 3 |
| 13 | 79K8 | O RING 10 | | | 3 |
| 14 | 6592116 | NUT | load check | | 3 |
| 15 | 6668791 | ORIFICE | ORIFICE | | 1 |
| 16 | 79K10 | O RING 10 | | | 2 |
| 17 | 80K14 | BACK-UP WASHER | Was 73K000014B | | 5 |
| 18 | 58K14 | O RING 10 | | | 5 |
| 19 | 55K204 | O RING 10 | See Illustration BICS CONTROL VALVE/ TS1365 | | 1 |
| 20 | 6686360 | VALVE | main relief - W/Ref. 21-24 - pressure to be set in field - Was 6685017 [A] | | 1 |
| 21 | 58K17 | O RING 10 | | | 1 |
| 22 | 6665569 | WASHER | back-up | | 1 |
| 23 | 25K20016 | O RING 10 | | | 1 |
| 24 | 6665570 | RING | glide | | 1 |
| 25 | 6595663 | BUSHING | | | 2 |
| 26 | 6587523 | WASHER | | | 2 |
| 27 | 6587580 | SPRING | | | 2 |
| 28 | 6592100 | COLLAR | | | 2 |
| 29 | 6596807 | PLUG | plastic - .460" long | | 1 |
| 30 | 6586918 | SCREW | | | 1 |
| 31 | 6587575 | ADAPTER | | | 1 |
| 32 | 6592107 | SPRING | | | 2 |
| 33 | 6592105 | BALL | | | 4 |
| 34 | 6531270 | SLEEVE | | | 1 |
| 35 | 6592098 | WASHER | | | 1 |
| 36 | 799119 | RING | | | 1 |
| 37 | 6589226 | BONNET | .625" flange | | 1 |
| 38 | 6660644 | CAP | | | 1 |
| 39 | 7101345 | BONNET, DETENT HYD VALVE | Was 6587633 [A] | | 1 |
| 40 | 7102652 | SCREW | Was 30G000416B [B] | | 1 |
| 41 | 6592109 | ADAPTER | | | 1 |
| 42 | 6683274 | SEAL, SPOOL | See BTI374 | | 4 |
| 43 | 6588781 | END CAP | | | 2 |
| 44 | 58K124 | O RING 10 | | | 2 |
| 45 | 6596332 | SPRING | | | 2 |
| 46 | 7108780 | SLEEVE | Was 6595951 [A] | | 2 |
| 47 | 6592720 | PLUG | W/Ref. 16-18 | | 1 |
| 48 | 1K127 | O-RING 10 | Was 93K127 [A] | | 2 |

HYDRAULIC CONTROL VALVE (Cont'd)
 (Service Valve) (BICS Combo Valve)

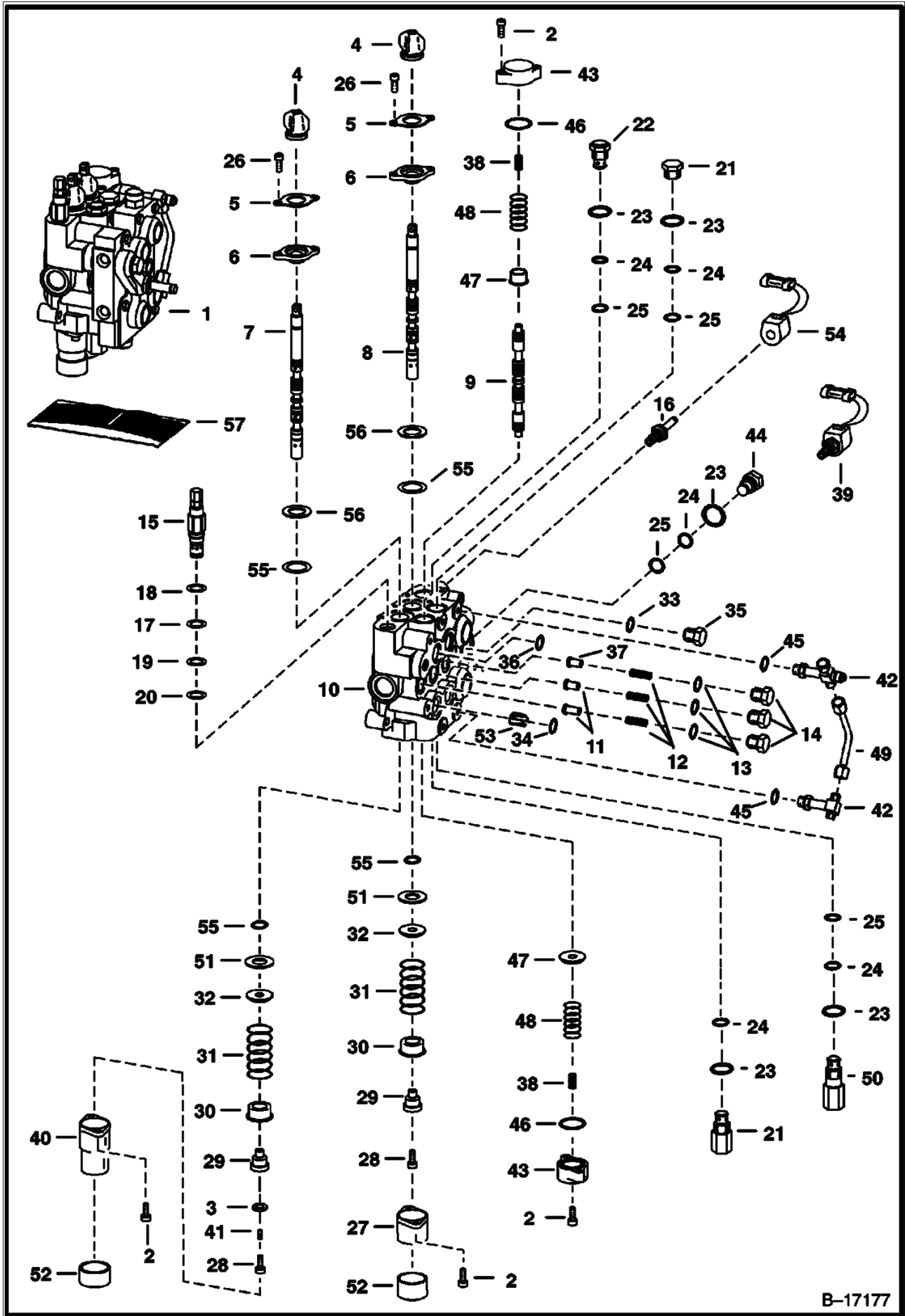


B-21787R

**HYDRAULIC CONTROL VALVE (Cont'd)
(Service Valve) (BICS Combo Valve)**

| Ref No | Part Number | Description | Remarks | Serial Number | Qty |
|--------|-------------|-------------|--|---------------|-----|
| 49 | 6805102 | BUSHING | | | 2 |
| 50 | 6806561 | PLUG | W/Ref. 51 - socket head | | 1 |
| 51 | 95K12 | O-RING | | | 1 |
| 52 | 54K20002 | O'RING 10 | | | 1 |
| 53 | 6662848 | CAP | | | 1 |
| 54 | 6806007 | SPRING | blue | | 2 |
| 55 | 55K212 | O RING 10 | See Illustration BICS CONTROL VALVE/ TS1365 | | 4 |
| 56 | 6676029 | SOLENOID | spool lock - 5" (127mm) wire - Was 6677383 [A] | | 2 |
| 57 | 25K20012 | O RING 10 | | | 1 |
| 58 | 6816252 | SEAL KIT | two spool - Ref. 2, 4, 29, 42, 48 & 52 | | x |
| 58 | 6632279 | KIT, SEAL | main relief - Ref. 21-24 | | x |
| 58 | 6809425 | SEAL KIT | Ref. 13 & 16-18 | | x |
| 58 | 6816253 | KIT, SEAL | complete - Ref. 2, 4, 6, 13, 16-18, 21-24, 42, 44, 48 & 55 - also Order 6816252 seal kit | | x |

HYDRAULIC CONTROL VALVE (Advanced Hand Controls) (W/BICS Combo Valve)

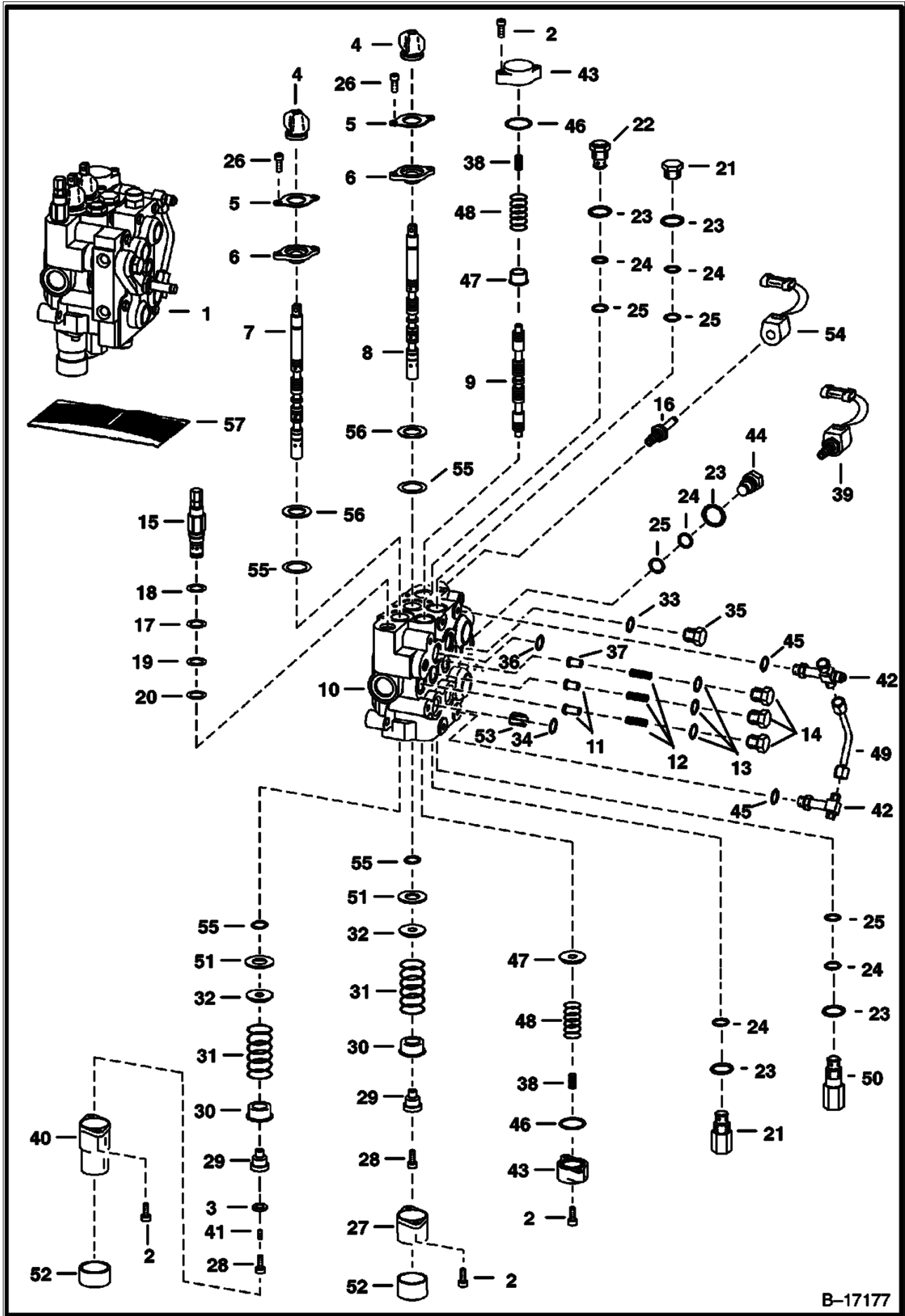


B-17177

HYDRAULIC CONTROL VALVE (Cont'd)
(Advanced Hand Controls) (W/BICS Combo Valve)

| Ref No | Part Number | Description | Remarks | Serial Number | Qty |
|--------|-------------|--------------|---|------------------|-----|
| 1 | | VALVE | See BTI368 - NAP - valve is minus all fittings, relief valves, anti-cavitation valves, solenoid coils & solenoid spools - remove & use existing parts from old valve or order new parts as needed - Was 6805929 [A] | 5180 12385 & Bel | 1 |
| 1 | | VALVE | See BTI368 - NAP - valve is minus all fittings, relief valves, anti-cavitation valves, solenoid coils & solenoid spools - remove & use existing parts from old valve or order new parts as needed - Was 6805929 [A] | 5190 21019 & Bel | 1 |
| 1 | | VALVE | See BTI368 - NAP - valve is minus all fittings, relief valves, anti-cavitation valves, solenoid coils & solenoid spools - remove & use existing parts from old valve or order new parts as needed - Was 6805929 [A] | 5192 12362 & Bel | 1 |
| 1 | | VALVE | See BTI368 - NAP - valve is minus all fittings, relief valves, anti-cavitation valves, solenoid coils & solenoid spools - remove & use existing parts from old valve or order new parts as needed - Was 6805929 [A] | 5176 20139 & Bel | 1 |
| 1 | | VALVE | See BTI368 - NAP - valve is minus all fittings, relief valves, anti-cavitation valves, solenoid coils & solenoid spools - remove & use existing parts from old valve or order new parts as needed - Was 6805929 [A] | 5181 12244 & Bel | 1 |
| 1 | | VALVE ASSY | See Illustration BICS CONTROL VALVE/ TS1365 - BICS CONTROL | | 1 |
| 2 | 29G416 | BOLT | | | 8 |
| 3 | 54K20002 | O'RING 10 | | | 1 |
| 4 | 6587763 | BOOT | | | 2 |
| 5 | 6589564 | RETAINER | | | 2 |
| 6 | 6589565 | BUSHING | seal | | 2 |
| 7 | 6674297 | SPOOL | lift - # 1 or Red - Was 6674805 [B,D] | | 1 |
| 7 | 6674298 | SPOOL | lift - # 2 or Green - Was 6674806 [B,D] | | 1 |
| 7 | 6674299 | SPOOL | lift - # 3 or Black - Was 6674807 [B,D] | | 1 |
| 8 | 6674300 | SPOOL | tilt - # 1 or Red - Was 6674811 [B,D] | | 1 |
| 8 | 6674301 | SPOOL | tilt - # 2 or Green - Was 6674812 [B,D] | | 1 |
| 8 | 6674302 | SPOOL | tilt - # 3 or Black - Was 6674813 [B,D] | | 1 |
| 9 | 6588074 | SPOOL | auxiliary | | 3 |
| 10 | | BODY | NSS | | 1 |
| 11 | 6592115 | SEAT | load check | | 2 |
| 12 | 6592117 | SPRING | | | 3 |
| 13 | 79K8 | O RING 10 | | | 3 |
| 14 | 6592116 | NUT | load check | | 3 |
| 15 | | VALVE | NAP - main relief - W/Ref. 17 - 20 2450 PSI - pressure preset at factory - Order 6686360 - Was 6676200 [A] | | 1 |
| 15 | 6686360 | VALVE | pressure to be set in field | | 1 |
| 16 | 6666616 | STEM | | | 2 |
| 17 | 58K17 | O RING 10 | | | 1 |
| 18 | 6665569 | WASHER | back-up | | 1 |
| 19 | 25K20016 | O RING 10 | | | 1 |
| 20 | 6665570 | RING | glide | | 1 |
| 21 | 6678574 | RELIEF VALVE | port relief - 3400-3600 PSI - W/Ref. 16-18 - Was 6673184 [A] | | 2 |
| 22 | 6667549 | VALVE | anti-cavity check -W/Ref. 23-25 - Was 6675230 [A] | | 1 |
| 23 | 79K10 | O RING 10 | | | 2 |
| 24 | 80K14 | BACK-UP | Was 73K000014B | | 5 |

HYDRAULIC CONTROL VALVE (Cont'd) (Advanced Hand Controls) (W/BICS Combo Valve)

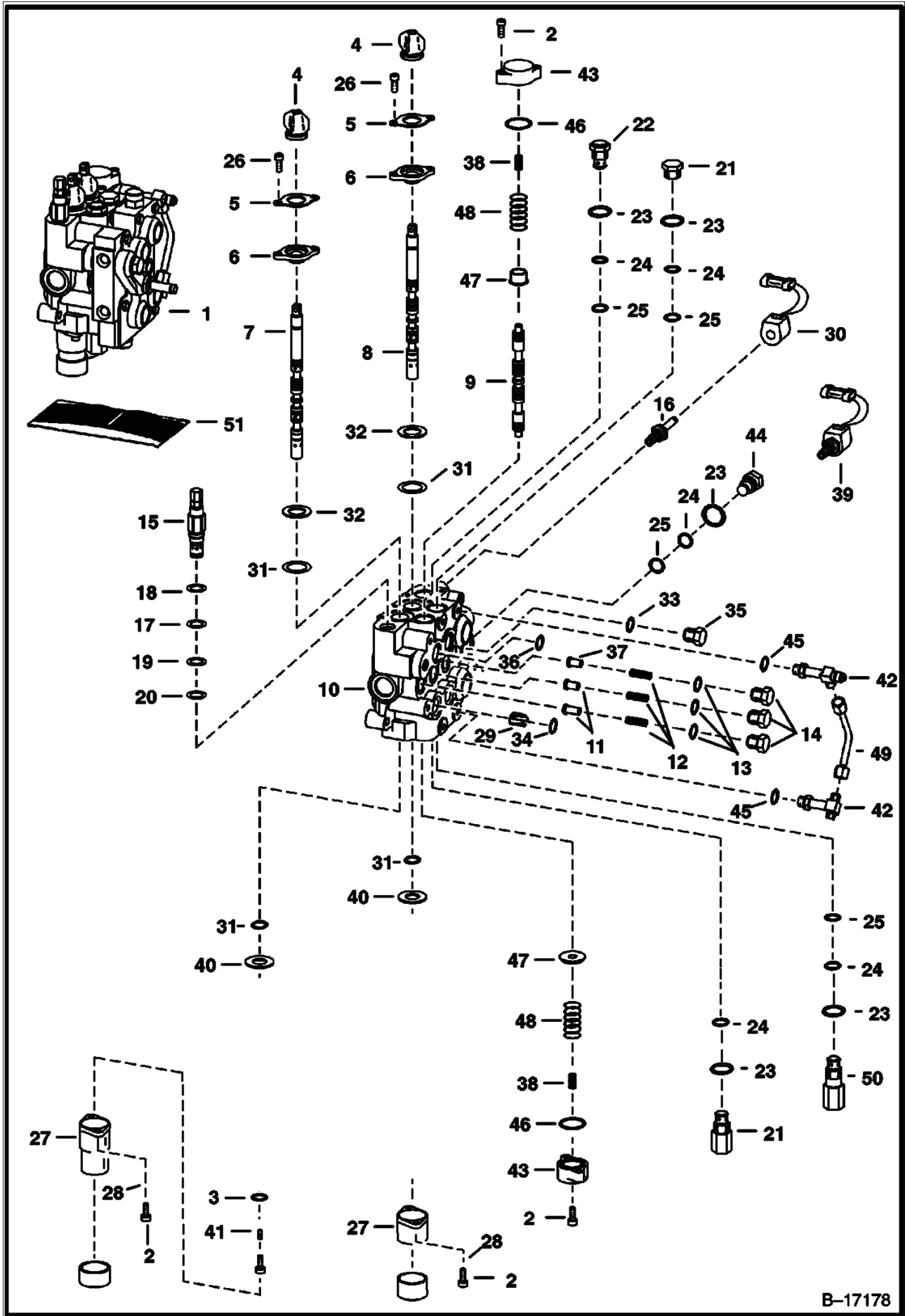


B-17177

HYDRAULIC CONTROL VALVE (Cont'd)
(Advanced Hand Controls) (W/BICS Combo Valve)

| Ref No | Part Number | Description | Remarks | Serial Number | Qty |
|--------|-------------|--------------------------------|--|---------------|-----|
| | | WASHER | | | |
| 25 | 58K14 | O RING 10 | | | 5 |
| 26 | 29G412 | BOLT | | | 4 |
| 27 | 7101345 | BONNET, DETENT HYD VALVE | Was 6587633 [A] | | 1 |
| 28 | 30G416 | BOLT | | | 2 |
| 29 | 6592109 | ADAPTER | | | 1 |
| 30 | 6592100 | COLLAR | | | 2 |
| 31 | 6587580 | SPRING | | | 2 |
| 32 | 6587523 | WASHER | | | 2 |
| 33 | 95K12 | O-RING | tapered boss face - socket head - Was 99K000012B [B,D] | | x |
| 34 | 55K212 | O RING 10 | | | 4 |
| 35 | 90K8 | PLUG | W/Ref. 33 - tapered boss face - Was 90KV00008B [A] | | 1 |
| 36 | 55K204 | O RING 10 | | | 1 |
| 37 | 6596569 | SEAT | | | 1 |
| 38 | 6806007 | SPRING | white | | 2 |
| 39 | 6665084 | SOLENOID | W/Ref. 16 & 54 -Was 6653395 [D] | | 2 |
| 39 | 6586459 | SEAL KIT | | | x |
| 40 | 6803092 | BONNET | .625" flange | | 1 |
| 41 | 6801167 | PLUG | plastic - .685" long | | 1 |
| 42 | 6817553 | CROSS | W/Ref. 45 - flat boss face - Was 6805241 [A] | | 2 |
| 42 | 97K6 | O'RING | flared end | | 2 |
| 43 | 6588781 | END CAP | | | 2 |
| 44 | 6592720 | PLUG | W/Ref. 23-25 | | 1 |
| 45 | 99K6 | O'RING | Was 79K6 [A] | | x |
| 45 | 79K6 | O RING 10 | flat boss face | | x |
| 46 | 58K124 | O RING 10 | | | 2 |
| 47 | 7108780 | SLEEVE | Was 6595951 [A] | | 2 |
| 48 | 6596332 | SPRING | | | 2 |
| 49 | 6577690 | TUBE | | | 1 |
| 50 | 6678552 | VALVE | port relief - 3400-3600 PSI - W/Ref. 23-25 - Was 6671632 [A] | | 1 |
| 51 | 6595663 | BUSHING | | | 2 |
| 52 | 6662848 | CAP | | | 1 |
| 53 | 6800124 | ORIFICE | 0.185 | | 1 |
| 54 | 6717706 | COIL, 10 VOLT | W/Nut - Was 6666547 [A] | | 2 |
| 54 | 6676566 | NUT | | | 2 |
| 55 | 6683274 | SEAL, SPOOL | See BTI374 - spool - Was 6665846 [A] | | 4 |
| 56 | 1K127 | O-RING 10 | Was 93K127 [A] | | 2 |
| 57 | 6816250 | KIT, SEAL | one spool - Ref. 2, 3, 4, 26, 55 & 56 - Was 6803605 [A] | | x |
| 57 | 6632279 | KIT, SEAL | main relief - Ref. 17-20 - main relief | | x |
| 57 | 6809425 | SEAL KIT | Ref. 13 & 23-25 - Was 6586461 [A] | | x |
| 57 | 6816253 | KIT, SEAL | complete - Ref. 2, 4, 13, 17-20, 23-26, 34, 36, 45, 46 , 55 & 56 - also Order 6816250 seal kit - Was 6809448 [A] | | x |

HYDRAULIC CONTROL VALVE (Advanced Control System) (W/BICS Combo Valve)

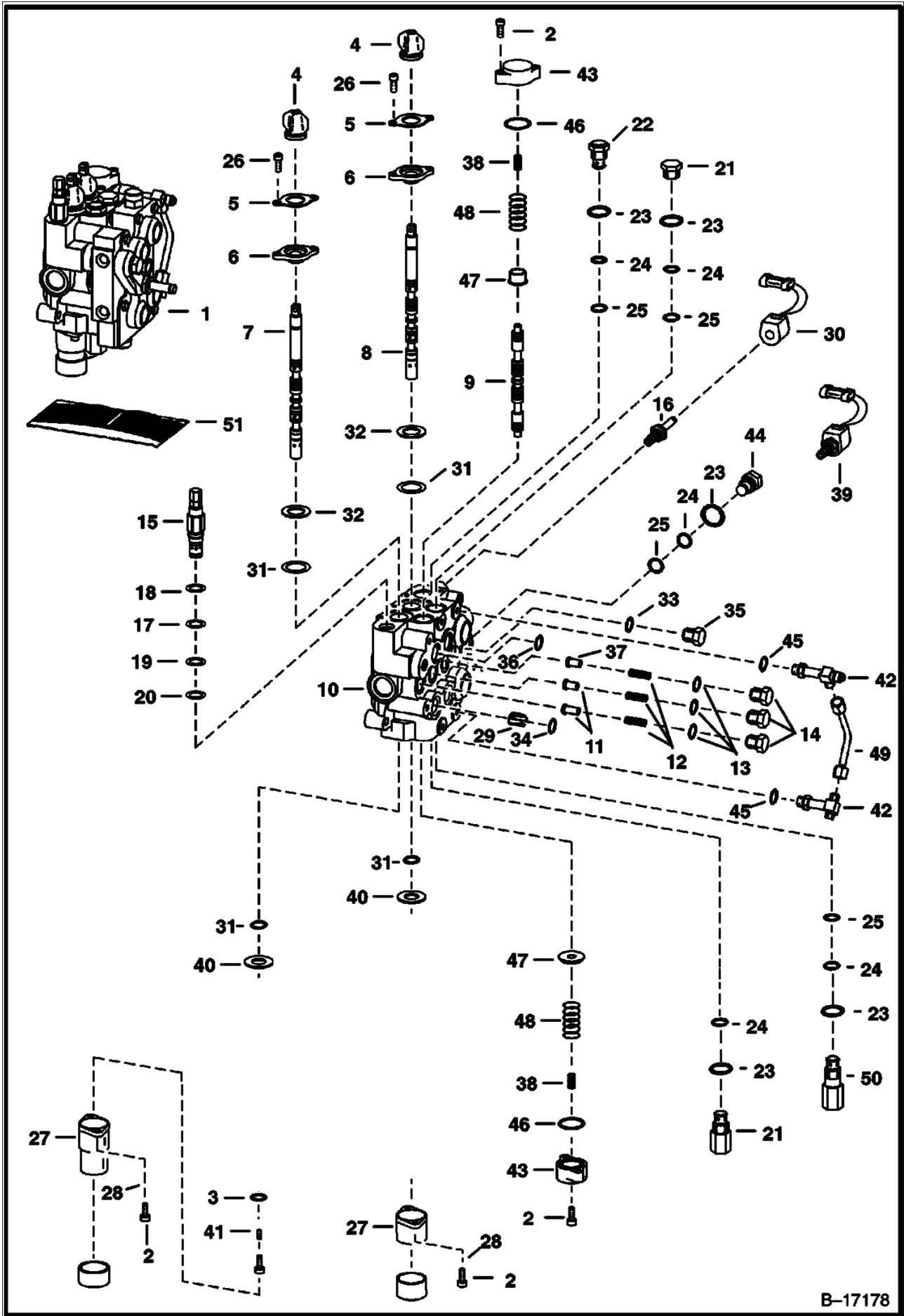


B-17178

HYDRAULIC CONTROL VALVE (Cont'd) (Advanced Control System) (W/BICS Combo Valve)

| Ref No | Part Number | Description | Remarks | Serial Number | Qty |
|--------|-------------|-------------|---|-------------------|-----|
| 1 | | VALVE | See BTI368 - NAP - valve is minus all fittings, relief valves, anti-cavitation valves, solenoid coils & solenoid spools - remove & use existing parts from old valve or order new parts as needed - Was 6809105 [A] | | 1 |
| 1 | | VALVE | See BTI368 - NAP - valve is minus all fittings, relief valves, anti-cavitation valves, solenoid coils & solenoid spools - remove & use existing parts from old valve or order new parts as needed - Was 6810453 [A] | | 1 |
| 1 | | VALVE | See BTI368 - NAP - valve is minus all fittings, relief valves, anti-cavitation valves, solenoid coils & solenoid spools - remove & use existing parts from old valve or order new parts as needed - Was 6811071 [A] | 5176 20140-21999 | 1 |
| 1 | | VALVE | See BTI368 - NAP - valve is minus all fittings, relief valves, anti-cavitation valves, solenoid coils & solenoid spools - remove & use existing parts from old valve or order new parts as needed - Was 6811071 [A] | 5180 12386-12999 | 1 |
| 1 | | VALVE | See BTI368 - NAP - valve is minus all fittings, relief valves, anti-cavitation valves, solenoid coils & solenoid spools - remove & use existing parts from old valve or order new parts as needed - Was 6811071 [A] | 5190 21020-24999 | 1 |
| 1 | | VALVE | See BTI368 - NAP - valve is minus all fittings, relief valves, anti-cavitation valves, solenoid coils & solenoid spools - remove & use existing parts from old valve or order new parts as needed - Was 6811071 [A] | 5192 12363-12999 | 1 |
| 1 | | VALVE | See BTI368 - NAP - valve is minus all fittings, relief valves, anti-cavitation valves, solenoid coils & solenoid spools - remove & use existing parts from old valve or order new parts as needed - Was 6811071 [A] | 5181 12999-12999 | 1 |
| 1 | | VALVE | See BTI368 - NAP - valve is minus all fittings, relief valves, anti-cavitation valves, solenoid coils & solenoid spools - remove & use existing parts from old valve or order new parts as needed | 5180 13000 & Abv. | 1 |
| 1 | | VALVE | See BTI368 - NAP - valve is minus all fittings, relief valves, anti-cavitation valves, solenoid coils & solenoid spools - remove & use existing parts from old valve or order new parts as needed | 5181 13000 & Abv. | 1 |
| 1 | | VALVE | See BTI368 - NAP - valve is minus all fittings, relief valves, anti-cavitation valves, solenoid coils & solenoid spools - remove & use existing parts from old valve or order new parts as needed | 5176 22000 & Abv. | 1 |
| 1 | | VALVE | See BTI368 - NAP - valve is minus all fittings, relief valves, anti-cavitation valves, solenoid coils & solenoid spools - remove & use existing parts from old valve or order new parts as needed | 5192 13000 & Abv. | 1 |
| 1 | | VALVE | See BTI368 - NAP - valve is minus all fittings, relief valves, anti-cavitation valves, solenoid coils & solenoid spools - remove & use existing parts from old valve or order new parts as needed | 5190 25000 & Abv. | 1 |
| 1 | | VALVE ASSY | See Illustration BICS CONTROL VALVE/ TS1365 - BICS CONTROL | | 1 |

HYDRAULIC CONTROL VALVE (Cont'd) (Advanced Control System) (W/BICS Combo Valve)

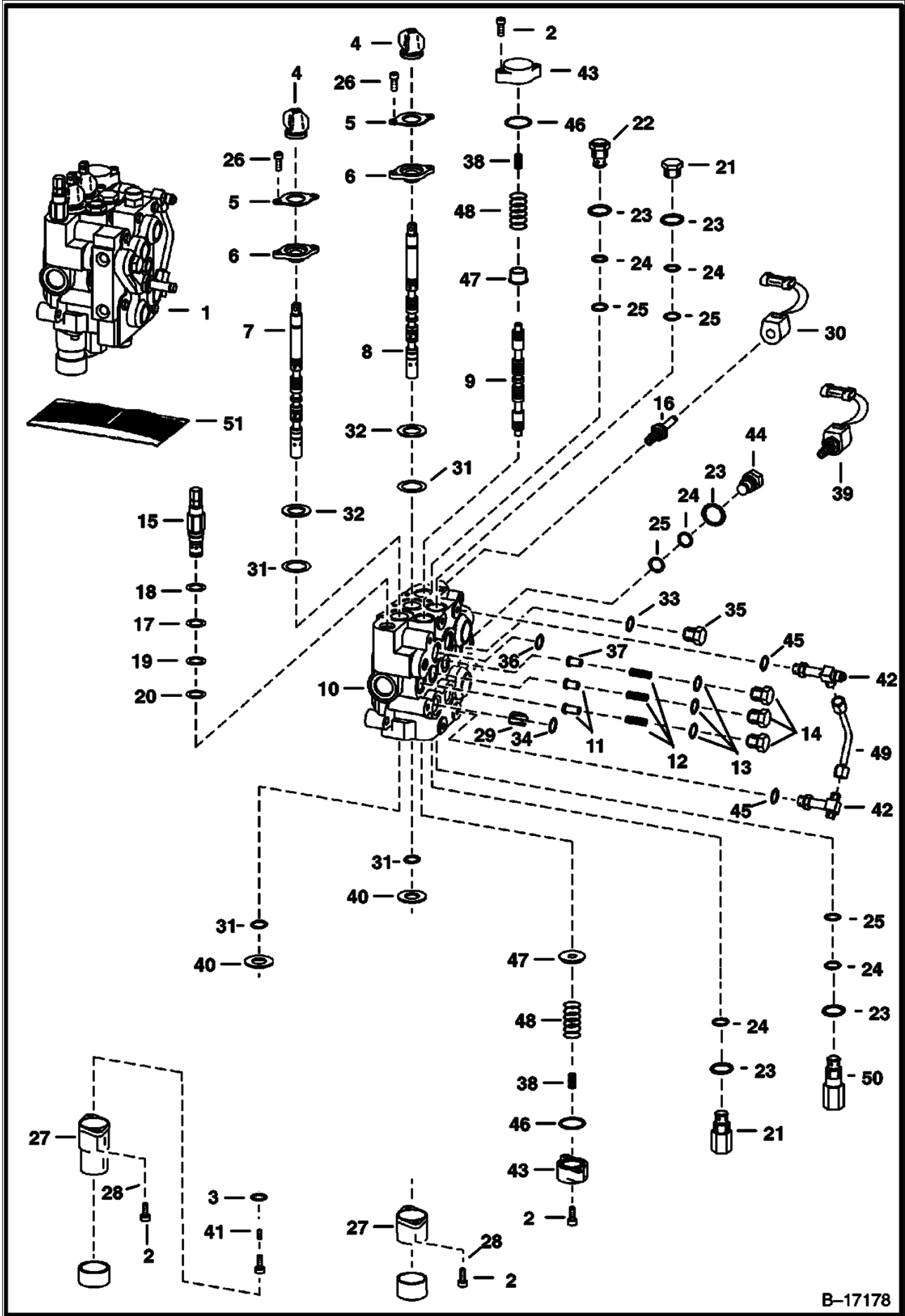


B-17178

HYDRAULIC CONTROL VALVE (Cont'd)
(Advanced Control System) (W/BICS Combo Valve)

| Ref No | Part Number | Description | Remarks | Serial Number | Qty |
|--------|-------------|---------------------|---|--------------------|-----|
| 2 | 29G416 | BOLT | | | 8 |
| 3 | 54K20002 | O'RING 10 | | | 1 |
| 4 | 6587763 | BOOT | | | 2 |
| 5 | 6589564 | RETAINER | | | 2 |
| 6 | 6589565 | BUSHING | seal | | 2 |
| 7 | | SPOOL | NAP - lift - # 1 or Red - Order 7108251 - Was 6677660 [A] | | 1 |
| 7 | | SPOOL | NAP - lift - # 2 or Green - Order 7108251 - Was 6677661 [A] | | 1 |
| 7 | 7108251 | SPOOL | lift - Was 7101151 [A] | | 1 |
| 8 | | SPOOL | NAP - tilt - # 1 or Red - Order 7108242 - Was 6677662 [A] | | 1 |
| 8 | | SPOOL | NAP - tilt - # 2 or Green - Order 7108242 - Was 6677663 [A] | | 1 |
| 8 | 7108242 | TILT SPOOL | tilt | | 1 |
| 9 | 6588074 | SPOOL | auxiliary | | 3 |
| 10 | | BODY | NSS | | 1 |
| 11 | 6592115 | SEAT | load check | | 2 |
| 12 | 6592117 | SPRING | | | 3 |
| 13 | 79K8 | O RING 10 | | | 3 |
| 14 | 6592116 | NUT | load check | | 3 |
| 15 | | VALVE | NAP - main relief - W/Ref. 17-20 - pressure preset in factory - Was 6676200 [A] | | 1 |
| 15 | 6686360 | VALVE | main relief - W/Ref. 17-20 - pressure to be set in field | | 1 |
| 16 | 6666616 | STEM | | 5180 12386 - 12999 | 2 |
| 16 | 6666616 | STEM | | 5190 21020 - 24999 | 2 |
| 16 | 6666616 | STEM | | 5192 12363 - 12999 | 2 |
| 16 | 6666616 | STEM | | 5181 12999 - 12999 | 2 |
| 16 | 6666616 | STEM | | 5176 20140 - 21999 | 2 |
| 16 | 6688743 | STEM, VALVE CONTROL | W/Screen Was 6678892 | 5176 23000 & Abv. | 2 |
| 16 | 6688743 | STEM, VALVE CONTROL | W/Screen Was 6678892 | 5181 13000 & Abv. | 2 |
| 16 | 6688743 | STEM, VALVE CONTROL | W/Screen Was 6678892 | 5180 13000 & Abv. | 2 |
| 16 | 6688743 | STEM, VALVE CONTROL | W/Screen Was 6678892 | 5192 13000 & Abv. | 2 |
| 16 | 6688743 | STEM, VALVE CONTROL | W/Screen Was 6678892 | 5190 21020 - 24999 | 2 |
| 17 | 58K17 | O RING 10 | | | 1 |
| 18 | 6665569 | WASHER | back-up | | 1 |
| 19 | 25K20016 | O RING 10 | | | 1 |
| 20 | 6665570 | RING | glide | | 1 |
| 21 | 6678574 | RELIEF VALVE | port relief - 3400-3600 PSI - W/Ref. 23-25 - Was 6673184 [A] | | 2 |
| 22 | 6667549 | VALVE | anti-cavity check - W/Ref. 23-25 | | 1 |
| 23 | 79K10 | O RING 10 | | | 2 |
| 24 | 80K14 | BACK-UP WASHER | Was 73K000014B | | 5 |
| 25 | 58K14 | O RING 10 | | | 5 |
| 26 | 29G412 | BOLT | | | 4 |
| 27 | 6676496 | BONNET | | | 2 |

HYDRAULIC CONTROL VALVE (Cont'd) (Advanced Control System) (W/BICS Combo Valve)

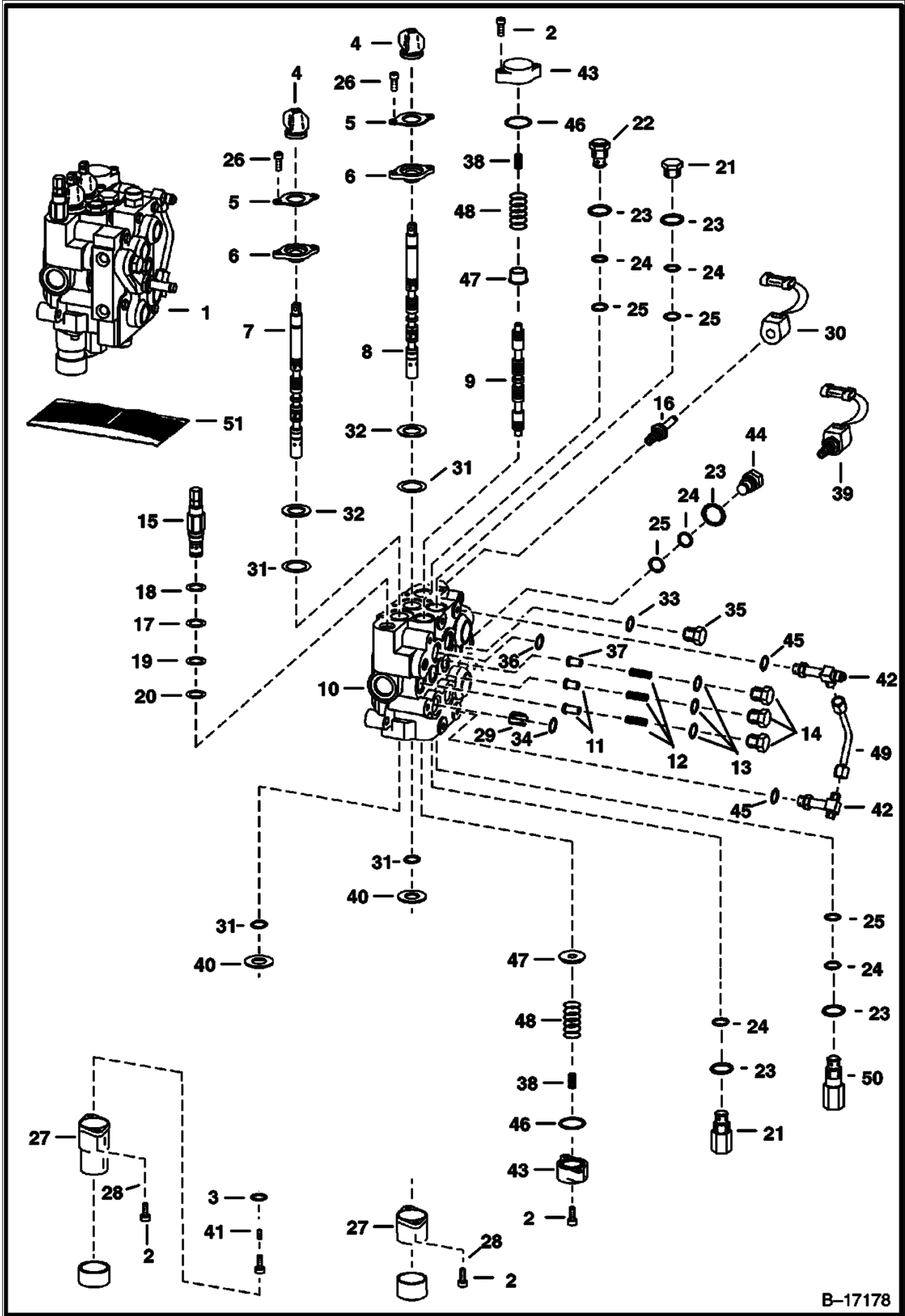


B-17178

HYDRAULIC CONTROL VALVE (Cont'd)
(Advanced Control System) (W/BICS Combo Valve)

| Ref No | Part Number | Description | Remarks | Serial Number | Qty |
|--------|-------------|--------------------------------|---|-----------------------|-----|
| 27 | 7101345 | BONNET, DETENT HYD VALVE | for Ref. 1 (6812670 Valve) - Was 6587633 [A] | | 1 |
| 28 | 25E13 | WASHER 5 | | | 4 |
| 29 | 6800124 | ORIFICE | 0.185 | | 1 |
| 30 | 6717706 | COIL, 10 VOLT | 10 volt - W/ 6676566 nut - for 6666616 stem | | 2 |
| 30 | 6676566 | NUT | for 6666616 stem and 6717706 coil | | 2 |
| 30 | 6678891 | COIL | 10 volt - W/ 6691022 nut - for 6688743 stem | | 2 |
| 30 | 6691022 | NUT | for 6688743 stem and 6678891 coil - Was 6690705 [A] | | 2 |
| 31 | 6683274 | SEAL, SPOOL | See BTI374 - spool - Was 6665846 [A] | | 4 |
| 32 | 1K127 | O-RING 10 | Was 93K127 [A] | | 2 |
| 33 | 95K12 | O-RING | tapered boss face - Was 99K000012B [B] | | x |
| 34 | 55K212 | O RING 10 | | | 4 |
| 35 | 90K8 | PLUG | W/Ref. 33 - tapered boss face - socket head - Was 90KV00008B [A] | | 1 |
| 36 | 55K204 | O RING 10 | | | 1 |
| 37 | 6596569 | SEAT | | | 1 |
| 38 | 6806007 | SPRING | white | | 2 |
| 39 | 6665084 | SOLENOID | W/Ref. 16 (6666616 stem) & 30 (6717706 coil) | 5176 20140 - 21999 | 2 |
| 39 | 6665084 | SOLENOID | W/Ref. 16 (6666616 stem) & 30 (6717706 coil) | 5192 12363 - 12999 | 2 |
| 39 | 6665084 | SOLENOID | W/Ref. 16 (6666616 stem) & 30 (6717706 coil) | 5190 21020 - 24999 | 2 |
| 39 | 6665084 | SOLENOID | W/Ref. 16 (6666616 stem) & 30 (6717706 coil) | 5180 12386 - 12999 | 2 |
| 39 | 6665084 | SOLENOID | W/Ref. 16 (6666616 stem) & 30 (6717706 coil) | 5181 12999 - 12999 | 2 |
| 39 | 6586459 | SEAL KIT | | | x |
| 39 | | SOLENOID | NAP - W/Ref. 16 (6678892 Stem) & 30 (6678891 coil) - Was 6678893 [A] | 5180 13000 & Abv. | 2 |
| 39 | | SOLENOID | NAP - W/Ref. 16 (6678892 Stem) & 30 (6678891 coil) - Was 6678893 [A] | 5181 13000 & Abv. | 2 |
| 39 | | SOLENOID | NAP - W/Ref. 16 (6678892 Stem) & 30 (6678891 coil) - Was 6678893 [A] | 5176 22000 & Abv. | 2 |
| 39 | | SOLENOID | NAP - W/Ref. 16 (6678892 Stem) & 30 (6678891 coil) - Was 6678893 [A] | 5190 25000 & Abv. | 2 |
| 39 | | SOLENOID | NAP - W/Ref. 16 (6678892 Stem) & 30 (6678891 coil) - Was 6678893 [A] | 5192 13000 & Abv. | 2 |
| 40 | 6595663 | BUSHING | | | 2 |
| 41 | 6801167 | PLUG | plastic - .685" long | | 1 |
| 42 | 6817553 | CROSS | W/Ref. 45 - flat boss face - Was 6805241 [A] | | 2 |
| 42 | 97K6 | O'RING | flared end | | 2 |
| 43 | 6588781 | END CAP | | | 2 |
| 44 | 6592720 | PLUG | W/Ref. 23-25 | | 1 |
| 45 | 97K6 | O'RING | | | x |
| 45 | 79K6 | O RING 10 | flat boss face | | x |
| 46 | 58K124 | O RING 10 | | | 2 |
| 47 | 7108780 | SLEEVE | Was 6595951 [A] | | 2 |
| 48 | 6596332 | SPRING | | | 2 |
| 49 | 6577690 | TUBE | | | 1 |
| 50 | 6678552 | VALVE | port relief - 3400-3600 PSI - W/Ref. 23-25 - Was 6671632 [A] | | 1 |
| 51 | 6816250 | KIT, SEAL | one spool - Ref. 2, 3, 4, 26, 32 & 32 - Was 6803605 [A] | | x |
| 51 | 6632279 | KIT, SEAL | main relief - Ref. 17-20 - main relief | | x |

HYDRAULIC CONTROL VALVE (Cont'd) (Advanced Control System) (W/BICS Combo Valve)

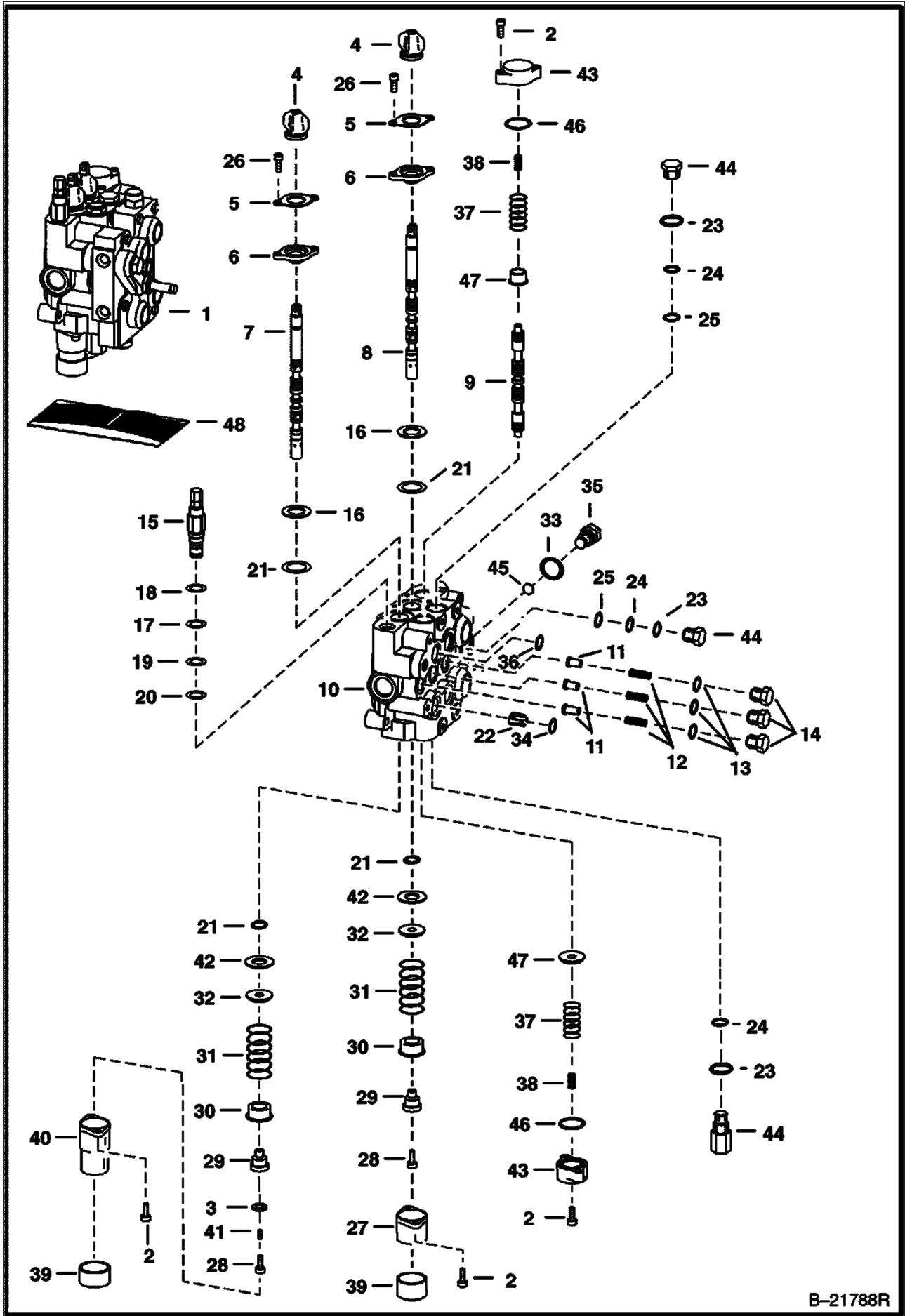


B-17178

**HYDRAULIC CONTROL VALVE (Cont'd)
(Advanced Control System) (W/BICS Combo Valve)**

| Ref No | Part Number | Description | Remarks | Serial Number | Qty |
|---------------|--------------------|--------------------|---|----------------------|------------|
| 51 | 6809425 | SEAL KIT | Ref. 13 & 23-25 - Was 6586461 [A] | | x |
| 51 | 6816253 | KIT, SEAL | complete - Ref. 2, 4, 13, 17-20, 23-26, 31, 32, 34, 36, 45 & 46 - also Order 6816250 seal kit - Was 6809448 [A] | | x |

HYDRAULIC CONTROL VALVE (Service Valve) (Advanced Control Systems)

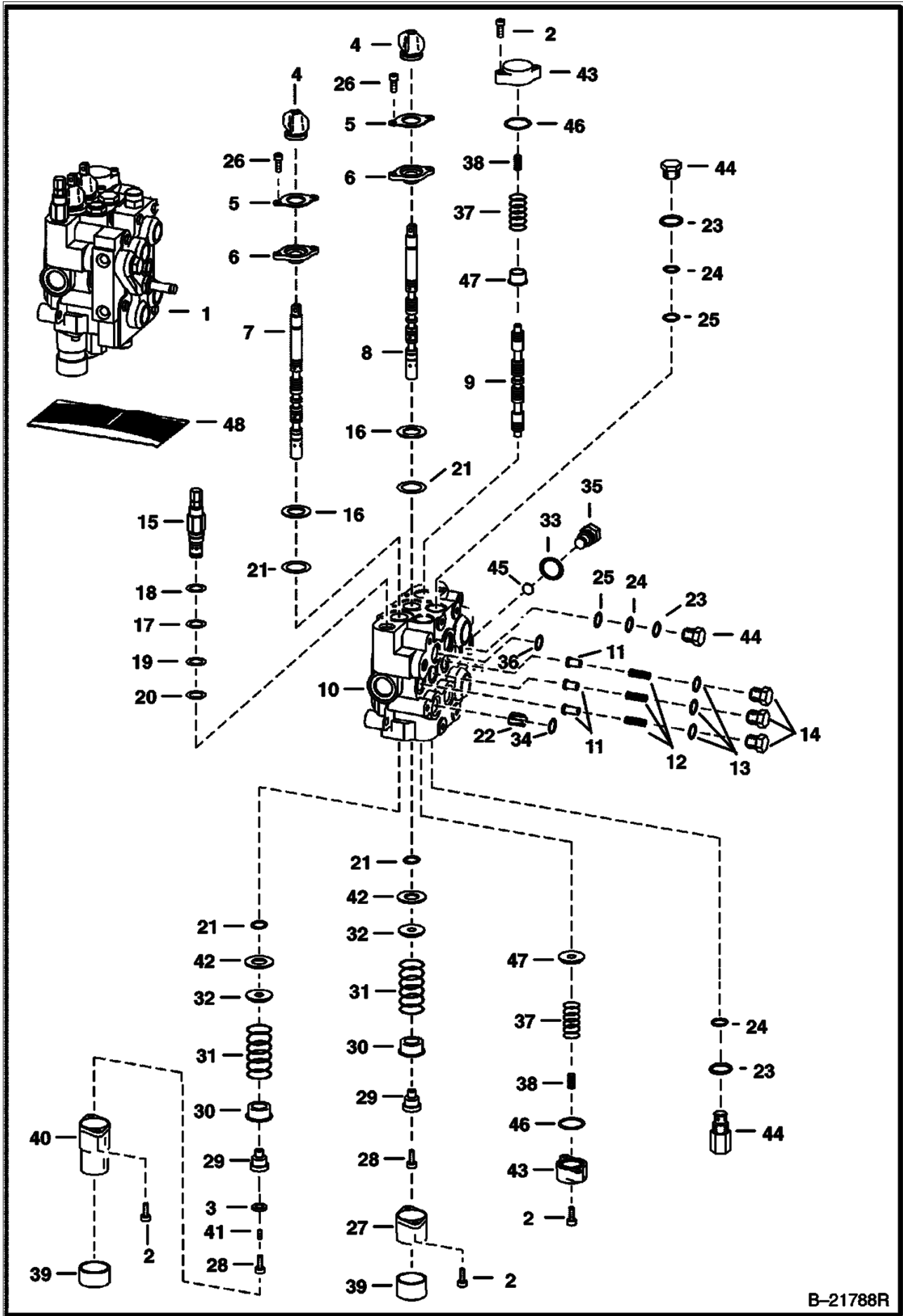


B-21788R

**HYDRAULIC CONTROL VALVE (Cont'd)
(Service Valve) (Advanced Control Systems)**

| Ref No | Part Number | Description | Remarks | Serial Number | Qty |
|--------|-------------|--------------------------------|---|---------------|-----|
| 1 | | VALVE, CONTROL SERVICE | See BT1368 - NAP - valve is minus all fittings, relief valves, anti-cavitation valves, solenoid coils & solenoid spools - remove & use existing parts from old valve or order new parts as needed - Was 6815690 [A] | | 1 |
| 1 | | BODY | See Illustration BICS CONTROL VALVE/ TS1365 - NSS - BICS CONTROL - WAS 6628571 [D] | | 1 |
| 2 | 29G416 | BOLT | | | 8 |
| 3 | 54K20002 | O'RING 10 | | | 1 |
| 4 | 6587763 | BOOT | | | 2 |
| 5 | 6589564 | RETAINER | | | 2 |
| 6 | 6589565 | BUSHING | seal | | 2 |
| 7 | | SPOOL | NAP - Lift - #1 Or Red - Order 7108251 - Was 6677660 [A] | | 1 |
| 7 | | SPOOL | NAP - Lift - #2 Or Green - Order 7108251 - Was 6677661 [A] | | 1 |
| 7 | 7108251 | SPOOL | lift - Was 7101151 [A] | | 1 |
| 8 | | SPOOL | NAP - tilt - # 1 or Red - Order 7108242 - Was 6677662 [A] | | 1 |
| 8 | | SPOOL | NAP - tilt - # 2 or Green - Order 7108242 - Was 6677663 [A] | | 1 |
| 8 | 7108242 | TILT SPOOL | tilt | | 1 |
| 9 | 6588074 | SPOOL | auxiliary | | 3 |
| 10 | | BODY | NSS | | 1 |
| 11 | 6592115 | SEAT | load check | | 3 |
| 12 | 6592117 | SPRING | | | 3 |
| 13 | 79K8 | O RING 10 | | | 3 |
| 14 | 6592116 | NUT | load check | | 3 |
| 15 | | VALVE | NAP - Main Relief - W/Ref. 17-20 - Pressure Preset At Factory - Was 6676195 [A] | | 1 |
| 15 | 6686360 | VALVE | Main Relief - W/Ref. 17-20 - Pressure To Be Set In Field - Was 6685017 [A] | | 1 |
| 16 | 1K127 | O-RING 10 | Was 93K127 [A] | | 2 |
| 17 | 58K17 | O RING 10 | | | 1 |
| 18 | 6665569 | WASHER | back-up | | 1 |
| 19 | 25K20016 | O RING 10 | | | 1 |
| 20 | 6665570 | RING | glide | | 1 |
| 21 | 6683274 | SEAL, SPOOL | See BT1374 - spool - Was 6665846 [A] | | 4 |
| 22 | 6534630 | RESTRICTOR | .134/.141 | | 1 |
| 23 | 79K10 | O RING 10 | | | 2 |
| 24 | 80K14 | BACK-UP WASHER | Was 73K000014B | | 5 |
| 25 | 58K14 | O RING 10 | back-up washer required | | 5 |
| 25 | 6677106 | O-RING | back-up washer not required | | 5 |
| 26 | 29G412 | BOLT | | | 4 |
| 27 | 7101345 | BONNET, DETENT HYD VALVE | Was 6587633 [A] | | 1 |
| 28 | 7102652 | SCREW | Was 30G000416B [B] | | 2 |
| 29 | 6592109 | ADAPTER | | | 1 |
| 30 | 6592100 | COLLAR | | | 2 |
| 31 | 6587580 | SPRING | | | 2 |
| 32 | 6587523 | WASHER | | | 2 |
| 33 | 79K7 | O RING 10 | Was 75K-12 [D] | | x |
| 34 | 55K212 | O RING 10 | | | 4 |
| 35 | 6806561 | PLUG | W/Ref. 33 & 48 - Hex Head | | 1 |
| 36 | 55K204 | O RING 10 | | | 1 |

HYDRAULIC CONTROL VALVE (Cont'd) (Service Valve) (Advanced Control Systems)

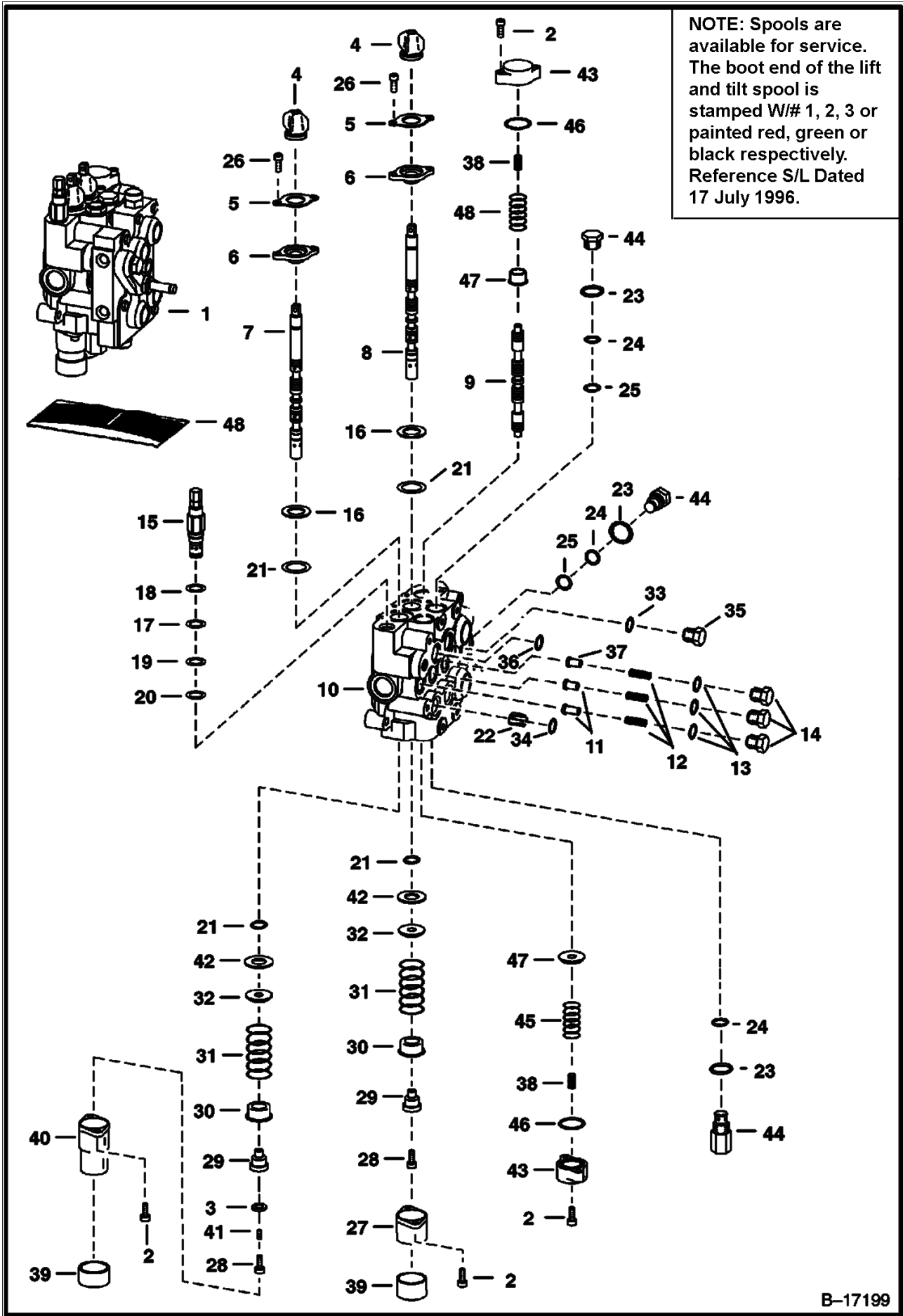


B-21788R

**HYDRAULIC CONTROL VALVE (Cont'd)
(Service Valve) (Advanced Control Systems)**

| Ref No | Part Number | Description | Remarks | Serial Number | Qty |
|--------|-------------|-------------|---|---------------|-----|
| 37 | 6596332 | SPRING | | | 2 |
| 38 | 6806007 | SPRING | blue | | 2 |
| 39 | 6662848 | CAP | | | 1 |
| 40 | 6803092 | BONNET | .625" flange | | 1 |
| 41 | 6801167 | PLUG | plastic - .685" long | | 1 |
| 42 | 6595663 | BUSHING | | | 2 |
| 43 | 6588781 | END CAP | | | 2 |
| 44 | 6592720 | PLUG | W/ Ref. 23-25 | | 5 |
| 45 | 25K20012 | O RING 10 | | | 1 |
| 46 | 58K124 | O RING 10 | | | 2 |
| 47 | 7108780 | SLEEVE | Was 6595951 [A] | | 2 |
| 48 | 6816250 | KIT, SEAL | One Spool - Ref. 2, 3, 4, 16, 21 & 26 - Was 6803605 [A] | | x |
| 48 | 6632279 | KIT, SEAL | main relief - Ref. 17-20 - main relief | | x |
| 48 | 6809425 | SEAL KIT | Ref. 13 & 23-25 | | x |
| 48 | 6816253 | KIT, SEAL | Complete - Ref. 2, 4, 13, 16-20, 21, 23-26, 34, 36 & 46 - also Order 6816250 seal kit - Was 6809448 [A] | | x |

HYDRAULIC CONTROL VALVE (Service Valve) (Advanced Control System)



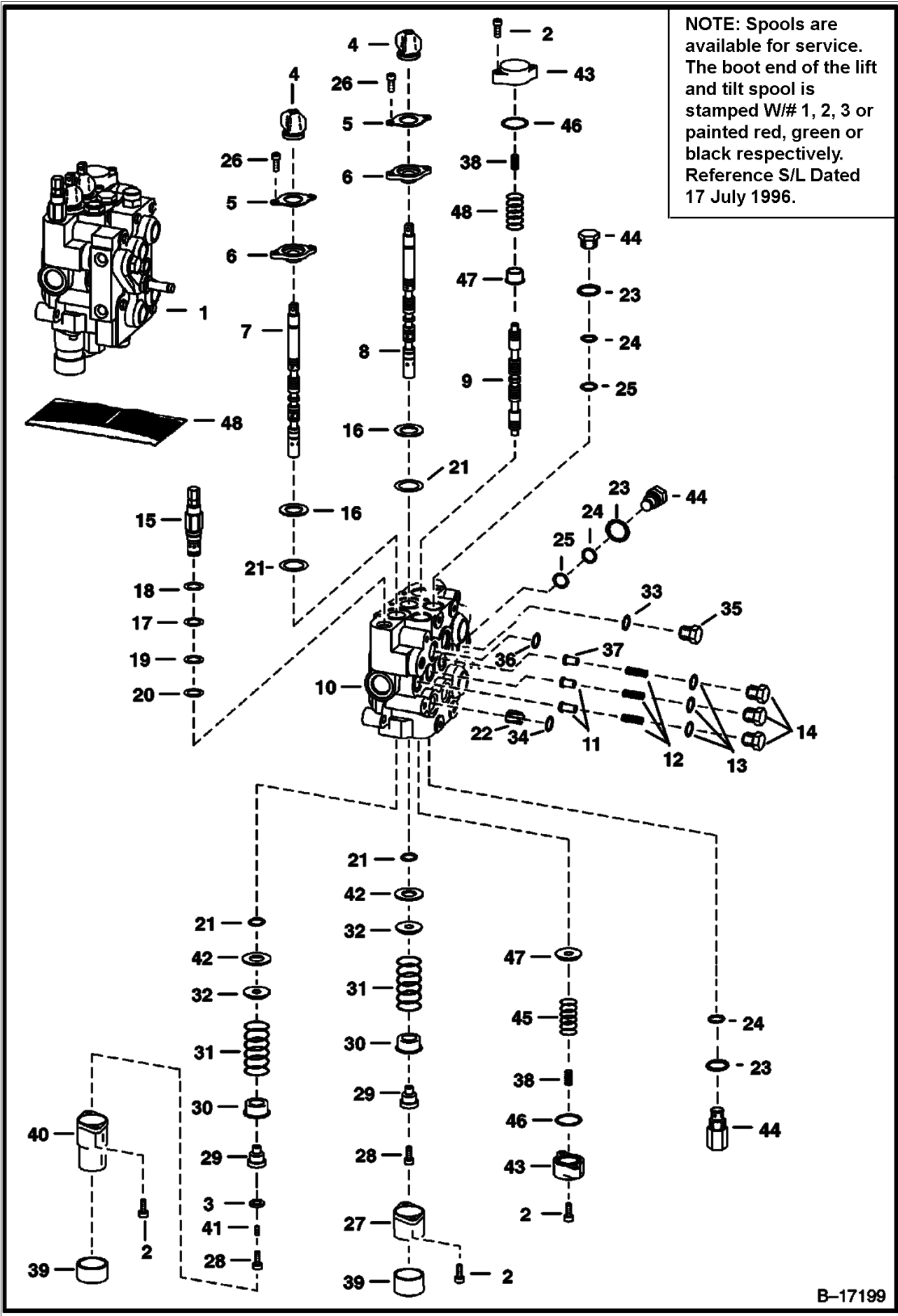
B-17199

HYDRAULIC CONTROL VALVE (Cont'd) (Service Valve) (Advanced Control System)

| Ref No | Part Number | Description | Remarks | Serial Number | Qty |
|--------|-------------|--------------------------------|---|---------------|-----|
| 1 | 6810026 | VALVE, CONTROL SERVICE | See BT1368 - valve is minus all fittings, relief valves, anti-cavitation valves, solenoid coils & solenoid spools - remove & use existing parts from old valve or order new parts as needed | | 1 |
| 1 | | VALVE ASSY | See Illustration BICS CONTROL VALVE/ TS1365 - BICS CONTROL | | 1 |
| 2 | 29G416 | BOLT | | | 8 |
| 3 | 54K20002 | O'RING 10 | | | 1 |
| 4 | 6587763 | BOOT | | | 2 |
| 5 | 6589564 | RETAINER | | | 2 |
| 6 | 6589565 | BUSHING | seal | | 2 |
| 7 | | SPOOL | NAP - lift - # 1 or Red - Order 7108251 - Was 6677660 [A] | | 1 |
| 7 | | SPOOL | NAP - lift - # 2 or Green - Order 7108251 - Was 6677660 [A] | | 1 |
| 7 | 7108251 | SPOOL | lift - Was 7101151 [A] | | 1 |
| 8 | | SPOOL | NAP - tilt - # 1 or red - Order 7108242 spool - SEE NOTE - Was 6677662 [A] | | 1 |
| 8 | | SPOOL | NAP - tilt - # 2 or green - Order 7108242 spool - SEE NOTE - Was 6677663 [A] | | 1 |
| 9 | 6588074 | SPOOL | auxiliary | | 3 |
| 10 | | BODY | NSS | | 1 |
| 11 | 6592115 | SEAT | load check | | 2 |
| 12 | 6592117 | SPRING | | | 3 |
| 13 | 79K8 | O RING 10 | | | 3 |
| 14 | 6592116 | NUT | load check | | 3 |
| 15 | 6686360 | VALVE | main relief W/Ref. 17-20 - Was 6685017 [A] | | 1 |
| 16 | 1K127 | O-RING 10 | Was 93K127 [A] | | 2 |
| 17 | 58K17 | O RING 10 | | | 1 |
| 18 | 6665569 | WASHER | back-up | | 1 |
| 19 | 25K20016 | O RING 10 | | | 1 |
| 20 | 6665570 | RING | glide | | 1 |
| 21 | 6683274 | SEAL, SPOOL | See BT1374 - spool - Was 6665846 [A] | | 4 |
| 22 | 6534630 | RESTRICTOR | .134/.141 | | 1 |
| 23 | 79K10 | O RING 10 | | | 2 |
| 24 | 80K14 | BACK-UP WASHER | Was 73K000014B | | 5 |
| 25 | 58K14 | O RING 10 | back-up washer required | | 5 |
| 25 | 6677106 | O-RING | back-up washer not required | | 5 |
| 26 | 29G412 | BOLT | | | 4 |
| 27 | 7101345 | BONNET, DETENT HYD VALVE | Was 6587633 [A] | | 1 |
| 28 | 30G416 | BOLT | | | 2 |
| 29 | 6592109 | ADAPTER | | | 1 |
| 30 | 6592100 | COLLAR | | | 2 |
| 31 | 6587580 | SPRING | | | 2 |
| 32 | 6587523 | WASHER | | | 2 |
| 33 | 95K12 | O-RING | tapered boss face - socket head | | x |
| 34 | 55K212 | O RING 10 | | | 4 |
| 35 | 90K8 | PLUG | W/Ref. 33 - tapered boss face - socket head - Was 90KV00008B [A] | | 1 |
| 36 | 55K204 | O RING 10 | | | 1 |
| 37 | 6596569 | SEAT | | | 1 |
| 38 | 6589045 | SPRING | white | | 2 |
| 39 | 6662848 | CAP | | | 1 |
| 40 | 6803092 | BONNET | .625" flange | | 1 |

HYDRAULIC CONTROL VALVE (Cont'd) (Service Valve) (Advanced Control System)

NOTE: Spools are available for service. The boot end of the lift and tilt spool is stamped W/# 1, 2, 3 or painted red, green or black respectively. Reference S/L Dated 17 July 1996.

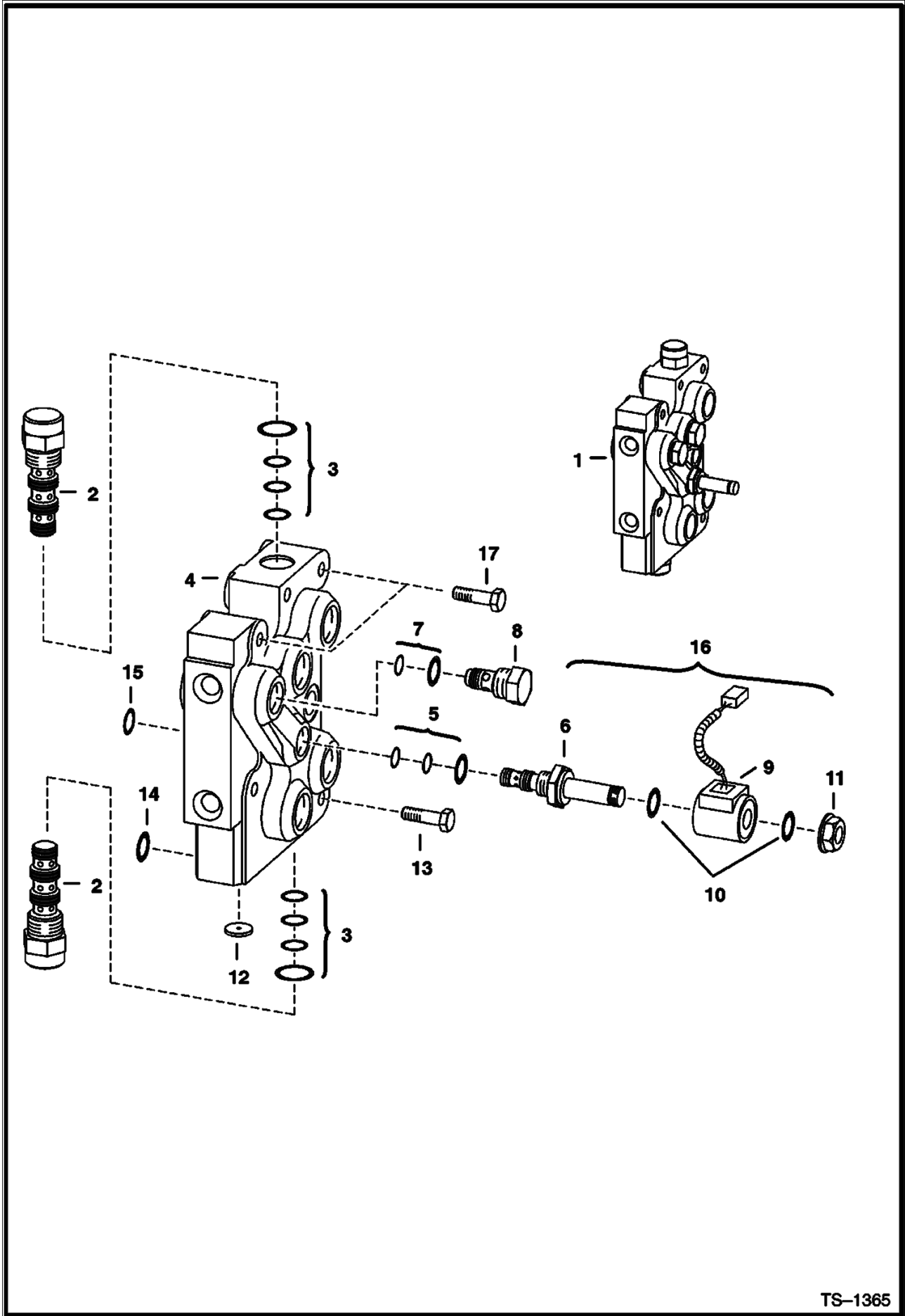


B-17199

**HYDRAULIC CONTROL VALVE (Cont'd)
(Service Valve) (Advanced Control System)**

| Ref No | Part Number | Description | Remarks | Serial Number | Qty |
|--------|-------------|-------------|---|---------------|-----|
| 41 | 6801167 | PLUG | plastic - .685" long | | 1 |
| 42 | 6595663 | BUSHING | | | 2 |
| 43 | 6588781 | END CAP | | | 2 |
| 44 | 6592720 | PLUG | W/Ref. 23-25 | | 1 |
| 45 | 6596332 | SPRING | | | 2 |
| 46 | 58K124 | O RING 10 | | | 2 |
| 47 | 7108780 | SLEEVE | Was 6595951 [A] | | 2 |
| 48 | 6816250 | KIT, SEAL | one spool - Ref. 2, 3, 4, 16 & 21 - Was 6803605 [A] | | x |
| 48 | 6632279 | KIT, SEAL | main relief - Ref. 17-20 | | x |
| 48 | 6809425 | SEAL KIT | Ref. 13 & 23-25 | | x |
| 48 | 6816253 | KIT, SEAL | complete - Ref. 2, 4, 13, 16-21, 23-25, 26, 34, & 46 - Was 6809448 [A] | | x |

BICS CONTROL VALVE

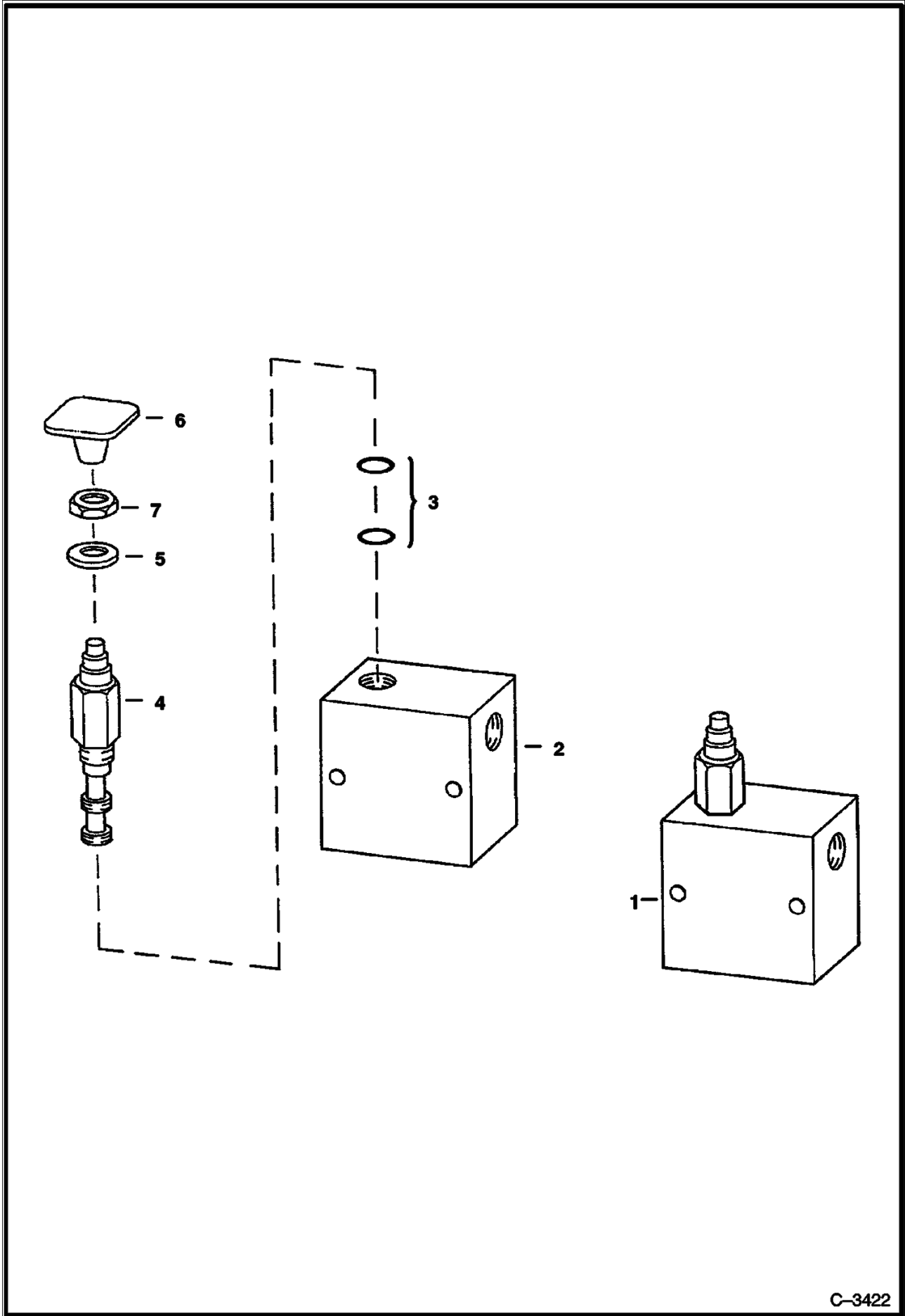


TS-1365

BICS CONTROL VALVE (Cont'd)

| Ref No | Part Number | Description | Remarks | Serial Number | Qty |
|--------|-------------|-------------|------------------------------------|---------------|-----|
| 1 | 6628571 | VALVE ASSY | Ref. 2 - 8 | | 1 |
| 2 | 6689739 | VALVE | pilot operated - Was 6668765 [A] | | 2 |
| 3 | 6669734 | KIT, SEAL | | | x |
| 4 | | BODY | NSS | | 1 |
| 5 | 6669732 | KIT, SEAL | | | x |
| 6 | 6667687 | STEM | solenoid valve - Was 6665004 [A] | | 1 |
| 7 | 6669733 | SEAL KIT | | | x |
| 8 | 6669057 | CHECK VALVE | filter | | 1 |
| 9 | 6671025 | COIL | W/Ref. 10 & 11 - W/diode | | 1 |
| 10 | 54K20028 | O RING 10 | | | 2 |
| 11 | 6668820 | NUT | | | 1 |
| 12 | 6668791 | ORIFICE | | | 1 |
| 13 | 43C532 | BOLT | | | 4 |
| 14 | 55K212 | O RING 10 | | | 4 |
| 15 | 55K204 | O RING 10 | | | 1 |
| 16 | 6672471 | VALVE | W/Ref. 5, 6, & 9 - Was 6675559 [B] | | 1 |
| 17 | 43C524 | BOLT | | | 2 |

MANUAL LIFT RELEASE VALVE

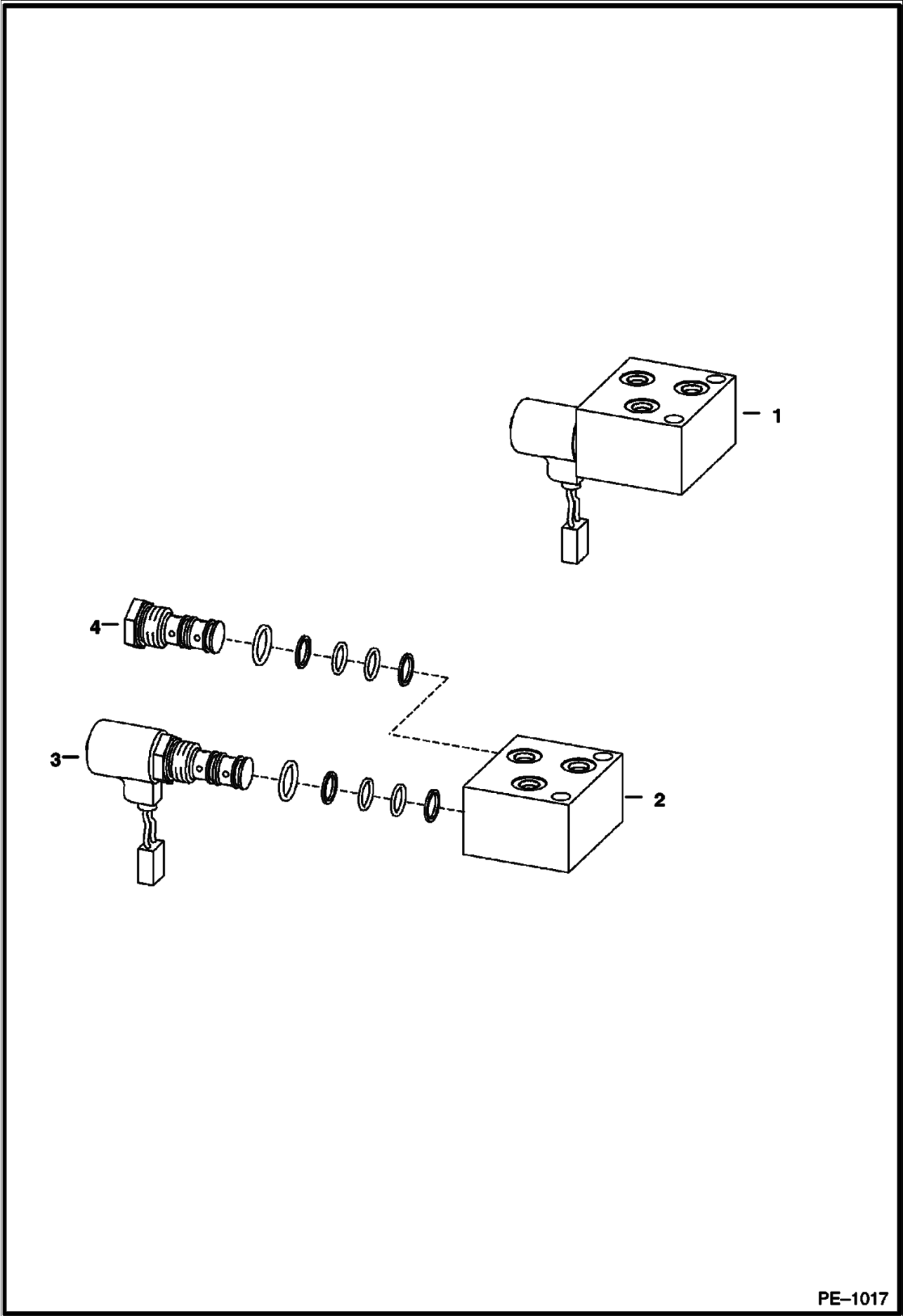


C-3422

MANUAL LIFT RELEASE VALVE (Cont'd)

| Ref No | Part Number | Description | Remarks | Serial Number | Qty |
|--------|-------------|-----------------------|--------------------------------------|---------------|-----|
| 1 | 6667844 | VALVE, LIFT MANUAL | Ref. 2-4 | | 1 |
| 2 | | BLOCK | NSS | | 1 |
| 3 | 6669087 | SEAL KIT | | | 1 |
| 4 | | VALVE | NSS - Order Ref. 1 - Was 6669085 [A] | | 1 |
| 5 | 6707101 | SEAL | neoprene | | 1 |
| 6 | 6737524 | KNOB | red square - Was 6668913 [A] | | 1 |
| 7 | 7D4 | NUT | | | 1 |

PRESSURE RELEASE VALVE (Front Auxiliary)

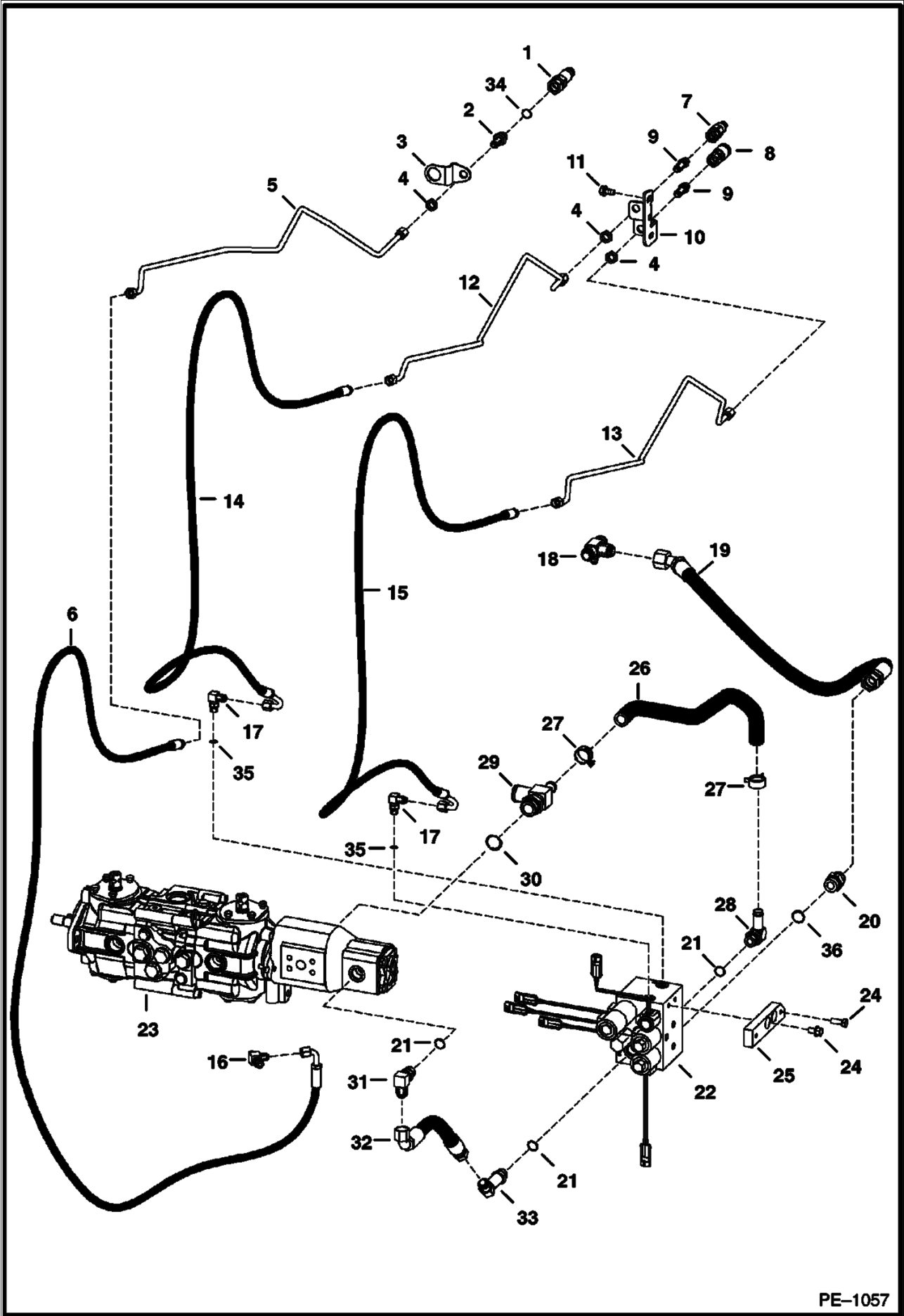


PE-1017

**PRESSURE RELEASE VALVE (Cont'd)
(Front Auxiliary)**

| Ref No | Part Number | Description | Remarks | Serial Number | Qty |
|--------|-------------|---------------|---|---------------|-----|
| 1 | | VALVE | NAP - W/.4375" threaded ports - Order 6678150 Valve, 15KB606 Adapter, 17KB606 Elbow & 19KB606 Tee - Was 6674372 [A] | | 1 |
| 1 | 6678150 | VALVE | W/.5625" threaded ports | | 1 |
| 2 | | BLOCK | NSS | | 1 |
| 3 | | VALVE | NSS - solenoid | | 1 |
| 3 | 6675285 | STEM | | | 1 |
| 3 | 6676564 | SEAL KIT | | | 1 |
| 3 | 6672962 | COIL | | | 1 |
| 3 | 6676566 | NUT | | | 1 |
| 4 | 6675284 | SHUTTLE VALVE | | | 1 |
| 4 | 6657409 | SEAL KIT | | | 1 |

HIGH FLOW HYDRAULICS
 (S/N 500K11038 & Below, 517619258 & Below, 518012218 & Below,
 518112089 & Below. 519018909 & Below. 519212154 & Below)

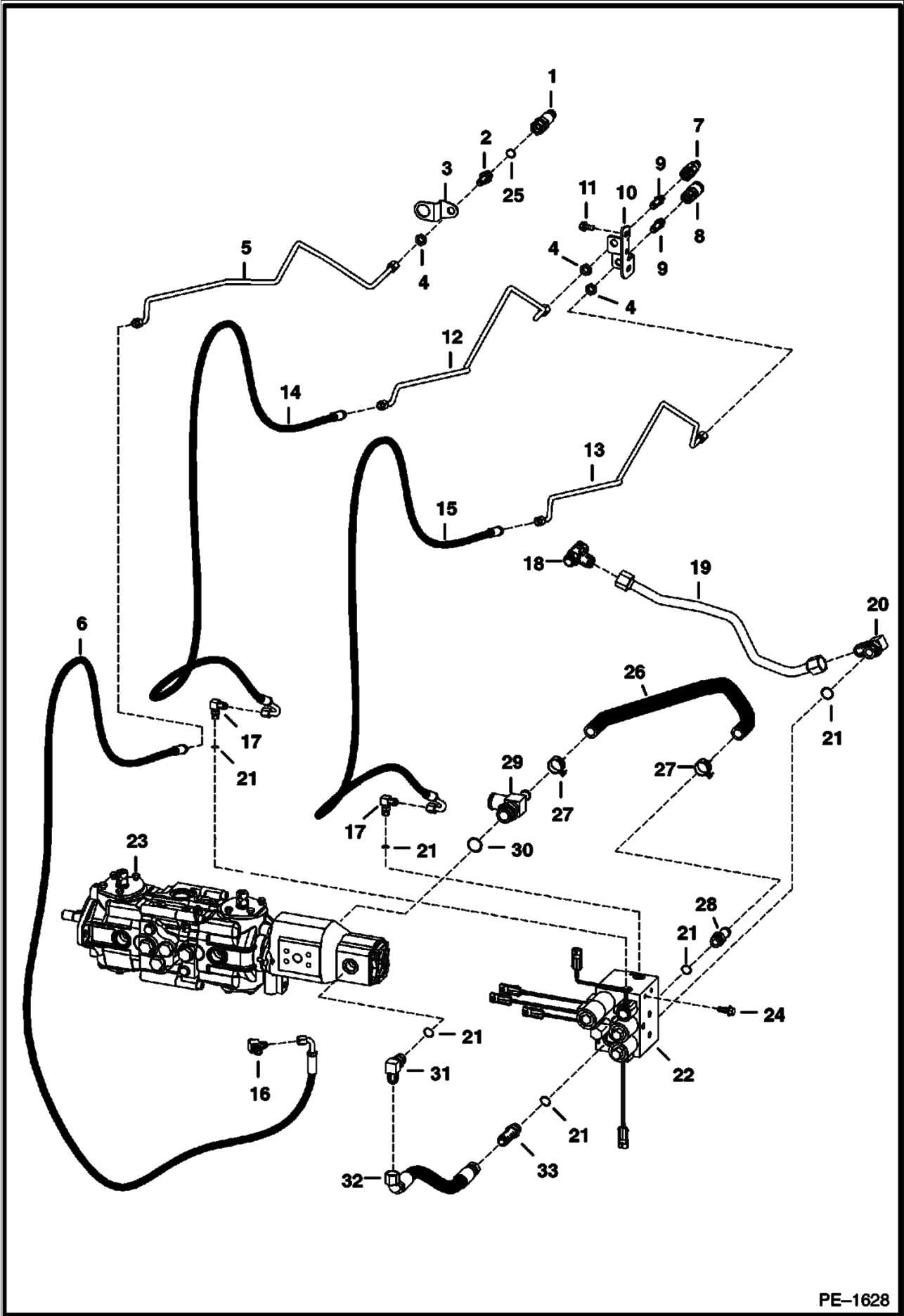


PE-1057

HIGH FLOW HYDRAULICS (Cont'd)
(S/N 500K11038 & Below, 517619258 & Below, 518012218 & Below,
518112089 & Below. 519018909 & Below. 519212154 & Below)

| Ref No | Part Number | Description | Remarks | Serial Number | Qty |
|--------|-------------|-------------|---|---------------|-----|
| 1 | 6667806 | COUPLER | male | | 1 |
| 1 | 6669659 | O-RING | | | 1 |
| 2 | 6726479 | ADAPTER | W/Ref. 34 - flat boss face - Was 6711628 [A] | | 1 |
| 2 | 6726479 | ADAPTER | W/Ref. 34 - tapered boss face - Was 6711628 [A] | | 1 |
| 2 | 97K6 | O'RING | flared end | | 1 |
| 3 | 6711913 | BRACKET | | | 1 |
| 4 | 86F5 | NUT | | | 3 |
| 5 | 6718136 | TUBE | | | 1 |
| 6 | 7114121 | HOSE | Was 6734664 [A] | | 1 |
| 7 | 6667804 | COUPLER | male | | 1 |
| 7 | 6669657 | SEAL KIT | | | 1 |
| 8 | 6667803 | COUPLER | female | | 1 |
| 9 | 6716089 | CONNECTOR | W/ O-rings | | 2 |
| 10 | 6711674 | MOUNT | | | 1 |
| 11 | 84G3712 | BOLT | | | 2 |
| 12 | 6718245 | TUBE | | | 1 |
| 13 | 6718244 | TUBE | | | 1 |
| 14 | | HOSE | NAP - Order Ref. 15 - Was 6718455 [A] | | 1 |
| 15 | 6718454 | HOSE | | | 1 |
| 16 | 21KB606 | TEE | W/Ref. 21 - Was 21KV00005B [A] | | 1 |
| 16 | 97K6 | O'RING | flared end | | 1 |
| 17 | 17KB606 | ELBOW | W/Ref. 21 - Was 17KV00005B [A] | | 2 |
| 17 | 97K6 | O'RING | flared end | | 2 |
| 18 | 6718098 | CONNECTOR | | | 1 |
| 19 | 6729146 | HOSE | Was 6712856 [A] | | 1 |
| 20 | 6659459 | CHECK VALVE | inline check | | 1 |
| 21 | 99K10 | O'RING | tapered boss face | | x |
| 21 | 79K10 | O RING 10 | flat boss face | | x |
| 22 | 6669203 | VALVE | See Illustration HIGH FLOW HYDRAULICS/ TS1434R - select | | 1 |
| 23 | | PUMP | See Illustration HYDROSTATIC PUMP/ B17103 | | 1 |
| 24 | 17C616 | BOLT 5 | | | 4 |
| 25 | 6705471 | MOUNT | | | 1 |
| 26 | 6717886 | HOSE | | | 1 |
| 27 | 5HM29 | HOSECLAMP | constant tension - Was 5HM00027B [A] | | 2 |
| 28 | 6717885 | ELBOW | W/Ref. 21 - check boss face to determine correct replacement o-ring | | 1 |
| 29 | 6714904 | TEE | W/Ref. 30 - check boss face to determine correct replacement o-ring | | 1 |
| 30 | 79K16 | O RING 10 | flat boss face | | x |
| 30 | 99K16 | O-RING | tapered boss face | | x |
| 31 | 17KB1010 | ELBOW | W/Ref. 21 - Was 17KV00007B [A] | | 1 |
| 31 | 97K10 | O-RING 10 | flared end | | 1 |
| 32 | 6728613 | HOSE | Was 6718074 [A] | | 1 |
| 33 | 6718080 | ELBOW | W/Ref. 21 | | 1 |
| 34 | 79K8 | O RING 10 | O-RING | | 1 |
| 34 | 99K8 | O-RING | tapered boss face | | 1 |
| 35 | 79K6 | O RING 10 | flat boss face | | x |
| 35 | 99K6 | O'RING | tapered boss face | | x |
| 36 | 79K12 | O RING 10 | flat boss face | | x |
| 36 | 99K12 | O'RING | tapered boss face | | x |

HIGH FLOW HYDRAULICS
(S/N 500K11039-12193, 517619259-20247, 518012219 & Above,
518112090-12285, 519018910-21332, 519212155-12389)

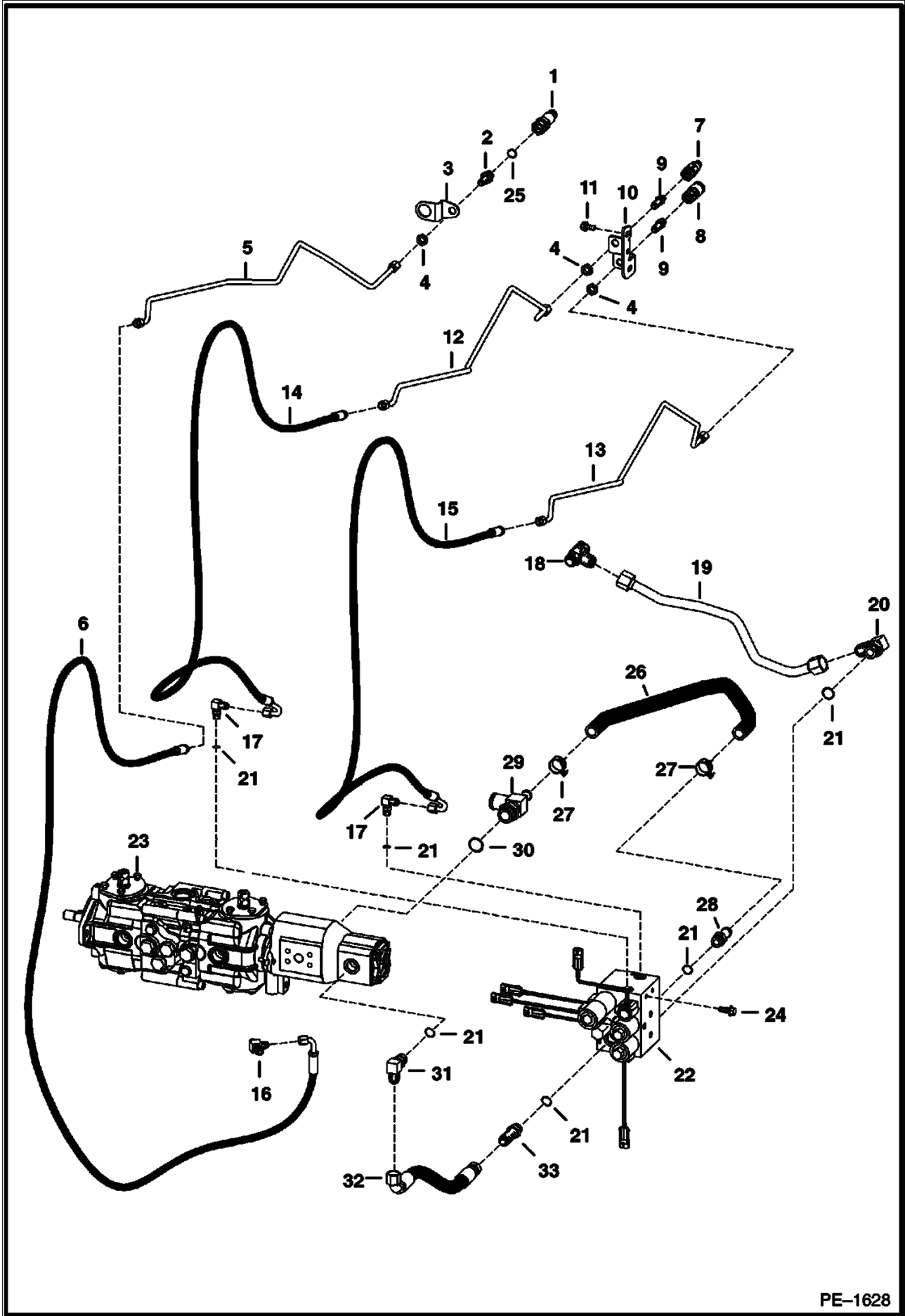


PE-1628

HIGH FLOW HYDRAULICS (Cont'd)
(S/N 500K11039-12193, 517619259-20247, 518012219 & Above,
518112090-12285, 519018910-21332, 519212155-12389)

| Ref No | Part Number | Description | Remarks | Serial Number | Qty |
|--------|-------------|-------------|---|---------------|-----|
| 1 | 6667806 | COUPLER | male | | 1 |
| 1 | 6669659 | O-RING | | | 1 |
| 2 | 6726479 | ADAPTER | W/Ref. 25 - check boss face to determine correct replacement o-ring - Was 6711628 [A] | | 1 |
| 2 | 97K6 | O'RING | flared end | | 1 |
| 3 | 6711913 | BRACKET | | | 1 |
| 4 | 86F5 | NUT | | | 3 |
| 5 | 6718136 | TUBE | | | 1 |
| 6 | 7114121 | HOSE | Was 6734664 [A] | | 1 |
| 7 | 6667804 | COUPLER | male | | 1 |
| 7 | 6669657 | SEAL KIT | | | 1 |
| 8 | 6667803 | COUPLER | female | | 1 |
| 9 | 6716089 | CONNECTOR | W/ O-rings | | 2 |
| 10 | 6711674 | MOUNT | | | 1 |
| 11 | 84G3712 | BOLT | | | 2 |
| 12 | 6718245 | TUBE | | | 1 |
| 13 | 6718244 | TUBE | | | 1 |
| 14 | | HOSE | NAP - Order Ref. 15 - Was 6718455 [A] | | 1 |
| 15 | 6718454 | HOSE | 107" (2,717 mm) long - 37 degree flare female swivel 90 degree and 37 degree flare male | | 2 |
| 16 | 21KB606 | TEE | W/Ref. 34 - check boss face to determine correct replacement o-ring - Was 21KV00005B [A] | | 1 |
| 16 | 97K6 | O'RING | flared end | | 1 |
| 16 | 17KB606 | ELBOW | See Illustration HYDROSTATIC CIRCUITRY/ PE1037 W/Ref. 34 - check boss face to determine correct replacement o-ring - For Standard Flow Hydraulics See Ref. 28 on ILL. PE1037 - Was 17KV00005B [A] | | 1 |
| 17 | 17KB606 | ELBOW | W/Ref. 34 - check boss face to determine correct replacement o-ring - Was 17KV00005B [A] | | 2 |
| 17 | 97K6 | O'RING | flared end | | 2 |
| 18 | 6718098 | CONNECTOR | | | 1 |
| 19 | 6726192 | TUBE | | | 1 |
| 20 | 6676944 | VALVE | 90 degrees inline check - W/Ref. 35 - check boss face to determine correct replacement o-ring | | 1 |
| 21 | 99K10 | O'RING | tapered boss face | | x |
| 21 | 79K10 | O RING 10 | flat boss face | | x |
| 22 | 6669203 | VALVE | See Illustration HIGH FLOW HYDRAULICS/ TS1434R - select | | 1 |
| 23 | | PUMP | See Illustration HYDROSTATIC PUMP/ B17103 | | 1 |
| 24 | 35C616 | BOLT 5 | | | 2 |
| 25 | 99K8 | O-RING | tapered boss face | | 1 |
| 25 | 79K8 | O RING 10 | flat boss face | | x |
| 26 | 6726196 | HOSE | | | 1 |
| 27 | 5HM29 | HOSECLAMP | constant tension - Was 5HM00027B [A] | | 2 |
| 28 | 1316263 | ADAPTER | W/Ref. 21 - check boss face to determine correct replacement o-ring | | 1 |
| 29 | 6714904 | TEE | W/Ref. 30 | | 1 |
| 30 | 79K16 | O RING 10 | | | x |
| 31 | 17KB1010 | ELBOW | W/Ref. 21 - check boss face to determine correct replacement o-ring - Was 17KV00007B [A] | | 1 |
| 31 | 97K10 | O-RING 10 | flared end | | 1 |
| 32 | 6729094 | HOSE | Use W/Ref. 33 (16KN-7 Adapter) | | 1 |
| 32 | 6705497 | HOSE | Use W/Ref. 33 (15KV-7 Adapter) | | 1 |
| 33 | 16KB1010 | CONNECTOR | W/Ref. 21 - Use W/Ref. 32 - check boss face to determine correct replacement o-ring - (6729094 Hose) - Was 16KN00007B [A] | | 1 |
| 33 | 15KB1010 | FITTING | W/Ref. 21 - Use W/Ref. 32 - check boss face to | | 1 |

HIGH FLOW HYDRAULICS (Cont'd)
 (S/N 500K11039-12193, 517619259-20247, 518012219 & Above,
 518112090-12285, 519018910-21332, 519212155-12389)

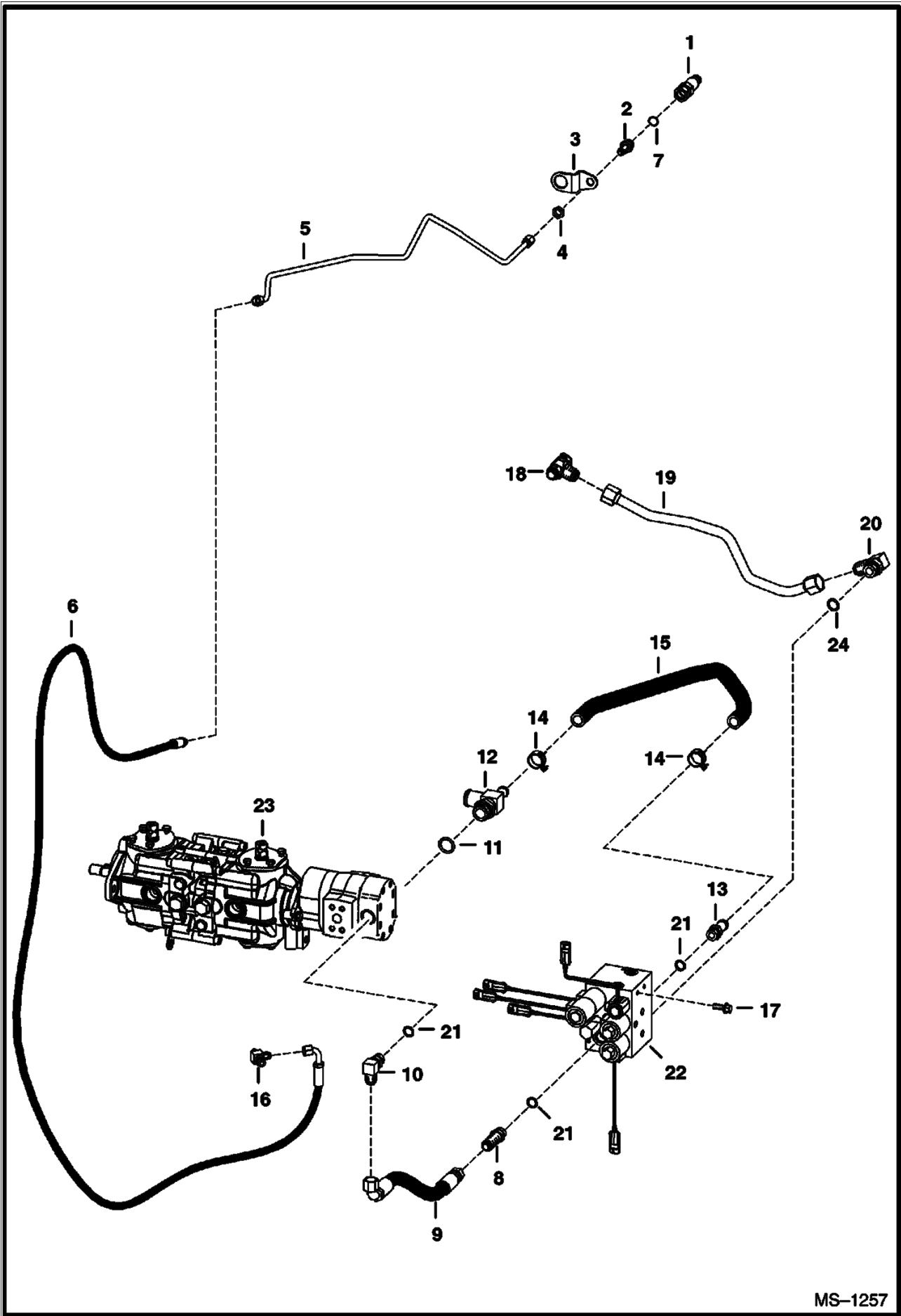


PE-1628

HIGH FLOW HYDRAULICS (Cont'd)
(S/N 500K11039-12193, 517619259-20247, 518012219 & Above,
518112090-12285. 519018910-21332. 519212155-12389)

| Ref No | Part Number | Description | Remarks | Serial Number | Qty |
|--------|-------------|-------------|--|---------------|-----|
| | | | determine correct replacement o-ring - (6705497 Hose) - Was 15KV00007B [A] | | |
| 34 | 99K6 | O'RING | tapered boss face | | x |
| 34 | 79K6 | O RING 10 | flat boss face | | x |
| 35 | 99K12 | O'RING | tapered boss face | | x |
| 35 | 79K12 | O RING 10 | flat boss face | | x |

HIGH FLOW HYDRAULICS
 (S/N 500K12194 & Above, 517620248 - 517621198, 518112286 - 518112468
 519021333 - 519024161, 519212390 - 519112516)

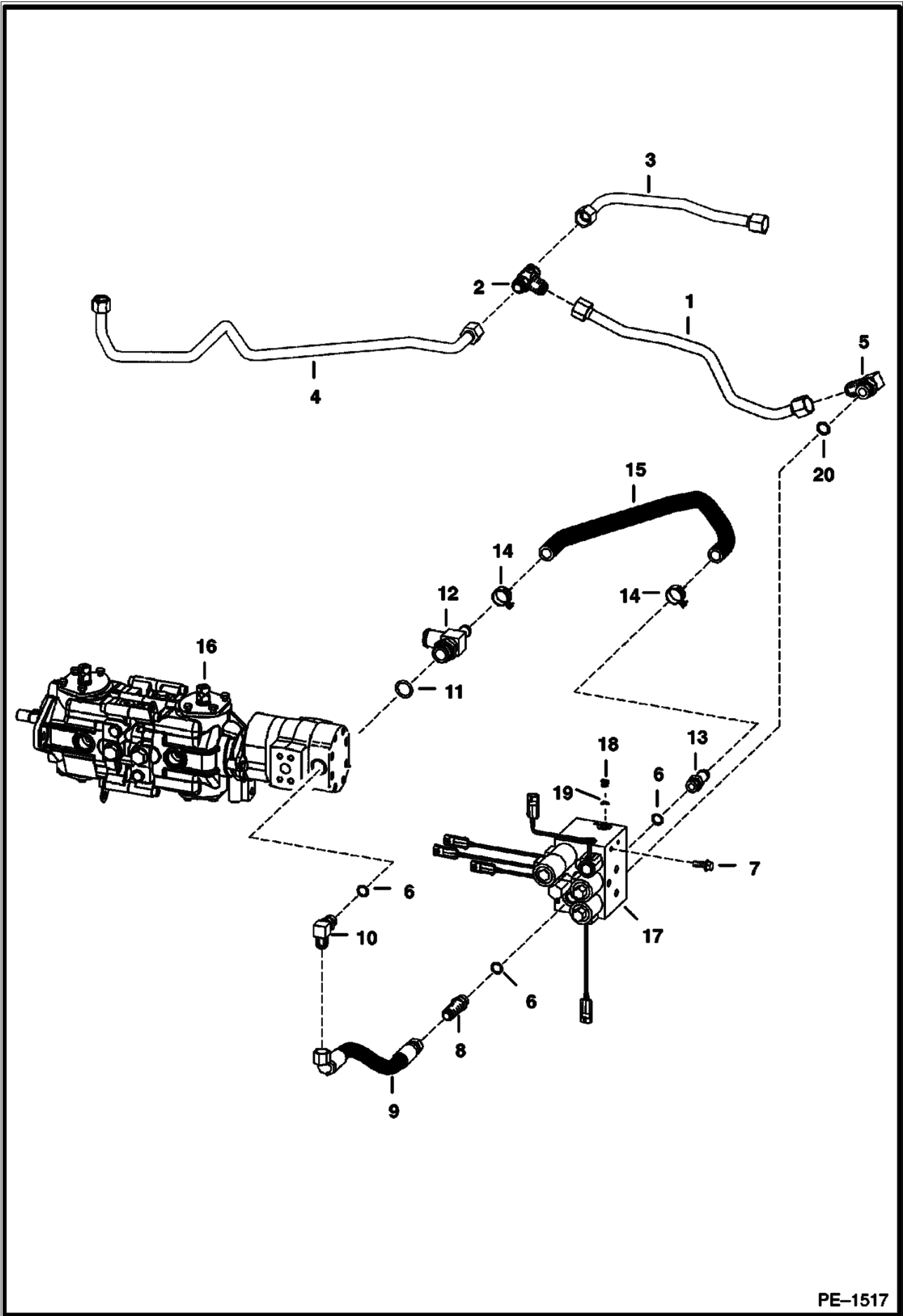


MS-1257

HIGH FLOW HYDRAULICS (Cont'd)
(S/N 500K12194 & Above, 517620248 - 517621198, 518112286 - 518112468
519021333 - 519024161, 519212390 - 519112516)

| Ref No | Part Number | Description | Remarks | Serial Number | Qty |
|--------|-------------|-------------|---|---------------|-----|
| 1 | 6667806 | COUPLER | male | | 1 |
| 1 | 6669659 | O-RING | | | 1 |
| 2 | 6726479 | ADAPTER | W/Ref. 7 - check boss face to determine correct replacement o-ring - Was 6711628 [A] | | 1 |
| 2 | 97K6 | O'RING | flared end | | 1 |
| 3 | 6711913 | BRACKET | | | 1 |
| 4 | 86F5 | NUT | | | 3 |
| 5 | 6718136 | TUBE | | | 1 |
| 6 | 7114121 | HOSE | Was 6734664 [A] | | 1 |
| 7 | 99K8 | O-RING | tapered boss face | | 1 |
| 7 | 79K8 | O RING 10 | flat boss face | | x |
| 8 | 16KB1010 | CONNECTOR | W/Ref. 21 - Was 16KN00007B [A] | | 1 |
| 9 | 6729094 | HOSE | | | 1 |
| 10 | 17KB1010 | ELBOW | W/Ref. 21 - Was 17KV00007B [A] | | 1 |
| 10 | 97K10 | O-RING 10 | flared end | | 1 |
| 11 | 79K16 | O RING 10 | flat boss face | | x |
| 12 | 6714904 | TEE | W/Ref. 11 | | 1 |
| 13 | 1316263 | ADAPTER | W/Ref. 21 - check boss face to determine correct replacement o-ring | | 1 |
| 14 | 5HM29 | HOSECLAMP | constant tension - Was 5HM00027B [A] | | 2 |
| 15 | 6726196 | HOSE | | | 1 |
| 16 | 21KB606 | TEE | Was 21KV00005B [A] | | 1 |
| 16 | 97K6 | O'RING | flared end | | 1 |
| 16 | 17KB606 | ELBOW | See Illustration HYDROSTATIC CIRCUITRY/ PE1037 for standard flow hydraulics see Ref. 28 on ILL. PE1037 - Was 17KV00005B [A] | | 1 |
| 16 | 99K6 | O'RING | tapered boss face | | x |
| 16 | 79K6 | O RING 10 | flat boss face | | x |
| 17 | 35C616 | BOLT 5 | | | 2 |
| 18 | 6718098 | CONNECTOR | | | 1 |
| 19 | 6726192 | TUBE | | | 1 |
| 20 | 6676944 | VALVE | 90 degrees inline check - W/Ref. 24 - check boss face to determine correct replacement o-ring | | 1 |
| 21 | 99K10 | O'RING | tapered boss face | | x |
| 21 | 79K10 | O RING 10 | flat boss face | | x |
| 22 | 6669203 | VALVE | See Illustration HIGH FLOW HYDRAULICS/ TS1434R - select | | 1 |
| 23 | | PUMP | See Illustration HYDROSTATIC PUMP/ B17103 | | 1 |
| 24 | 99K12 | O'RING | tapered boss face | | x |
| 24 | 79K12 | O RING 10 | flat boss face | | x |

HIGH FLOW HYDRAULICS
(S/N 517621199 & Above, 518112469 & Above, 519024162 & Above,
519212517 & Above)

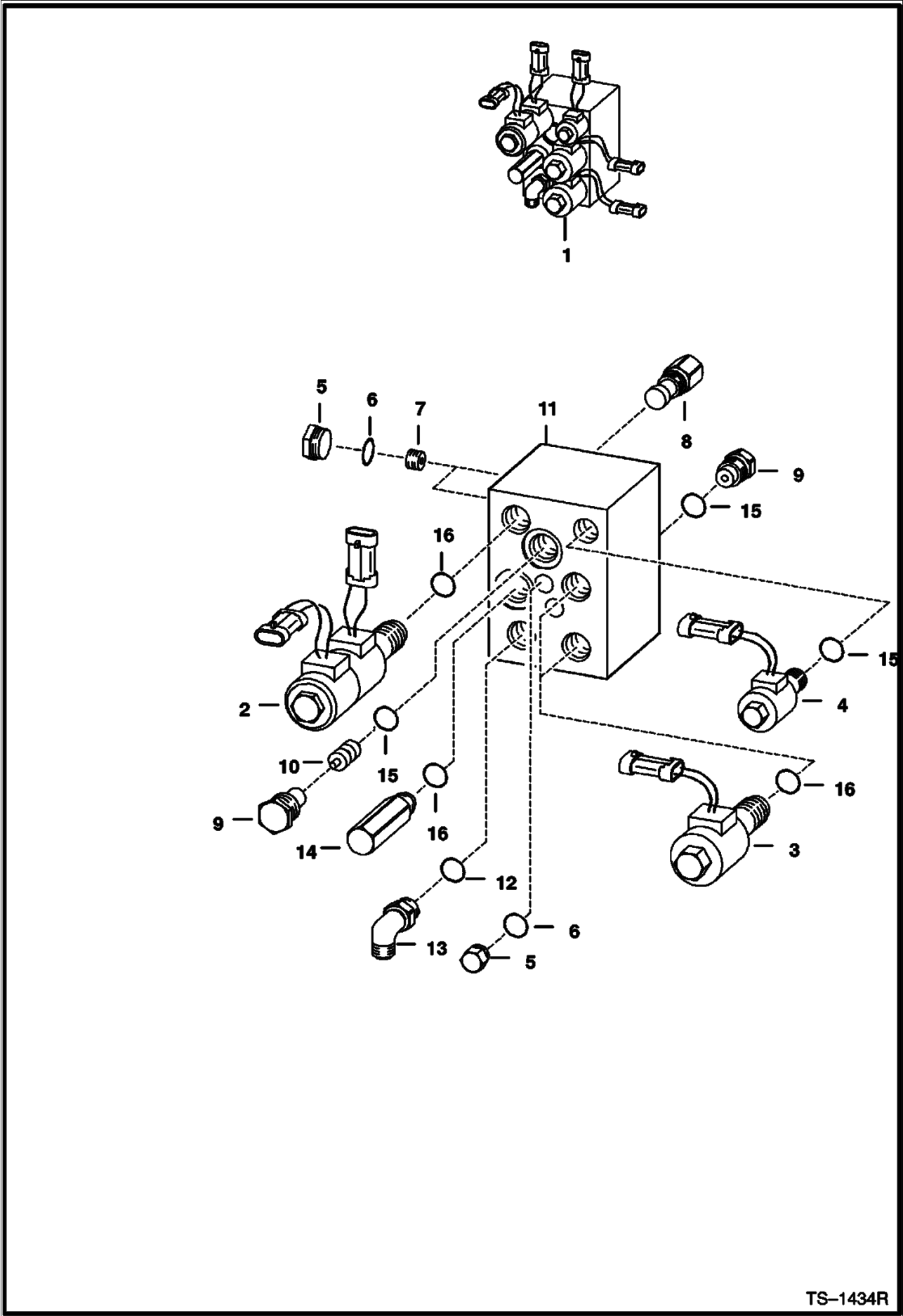


PE-1517

HIGH FLOW HYDRAULICS (Cont'd)
(S/N 517621199 & Above, 518112469 & Above, 519024162 & Above,
519212517 & Above)

| Ref No | Part Number | Description | Remarks | Serial Number | Qty |
|--------|-------------|-------------|---|---------------|-----|
| 1 | 6726192 | TUBE | | | 1 |
| 2 | 10K8 | TEE | | | 1 |
| 3 | 6726188 | TUBE | | | 1 |
| 4 | 6726186 | TUBE | | | 1 |
| 5 | 6676944 | VALVE | 90 degrees inline check - check boss face to determine correct replacement o-ring - W/Ref. 20 | | 1 |
| 6 | 99K10 | O'RING | tapered boss face | | x |
| 6 | 79K10 | O RING 10 | flat boss face | | x |
| 7 | 35C616 | BOLT 5 | | | 2 |
| 8 | 15KB1010 | FITTING | W/Ref. 6 - check boss face to determine correct replacement o-ring - Was 15KV00007B [A] | | 1 |
| 9 | 6705497 | HOSE | | | 1 |
| 10 | 17KB1010 | ELBOW | W/Ref. 6 - check boss face to determine correct replacement o-ring - Was 17KV00007B [A] | | 1 |
| 10 | 97K10 | O-RING 10 | flared end | | 1 |
| 11 | 79K16 | O RING 10 | | | x |
| 12 | 6714904 | TEE | W/Ref. 11 | | 1 |
| 13 | 1316263 | ADAPTER | W/Ref. 6 - check boss face to determine correct replacement o-ring | | 1 |
| 14 | 5HM29 | HOSECLAMP | constant tension - Was 5HM00027B [A] | | 2 |
| 15 | 6726196 | HOSE | | | 1 |
| 16 | | PUMP | See Illustration HYDROSTATIC PUMP/ B17103 | | 1 |
| 17 | 6669203 | VALVE | See Illustration HIGH FLOW HYDRAULICS/ TS1434R - select | | 1 |
| 18 | 90K5 | PLUG | W/Ref. 19 | | 2 |
| 19 | 79K6 | O RING 10 | | | 2 |
| 20 | 99K12 | O'RING | tapered boss face | | x |
| 20 | 79K12 | O RING 10 | flat boss face | | x |

HIGH FLOW HYDRAULICS (Select Valve)

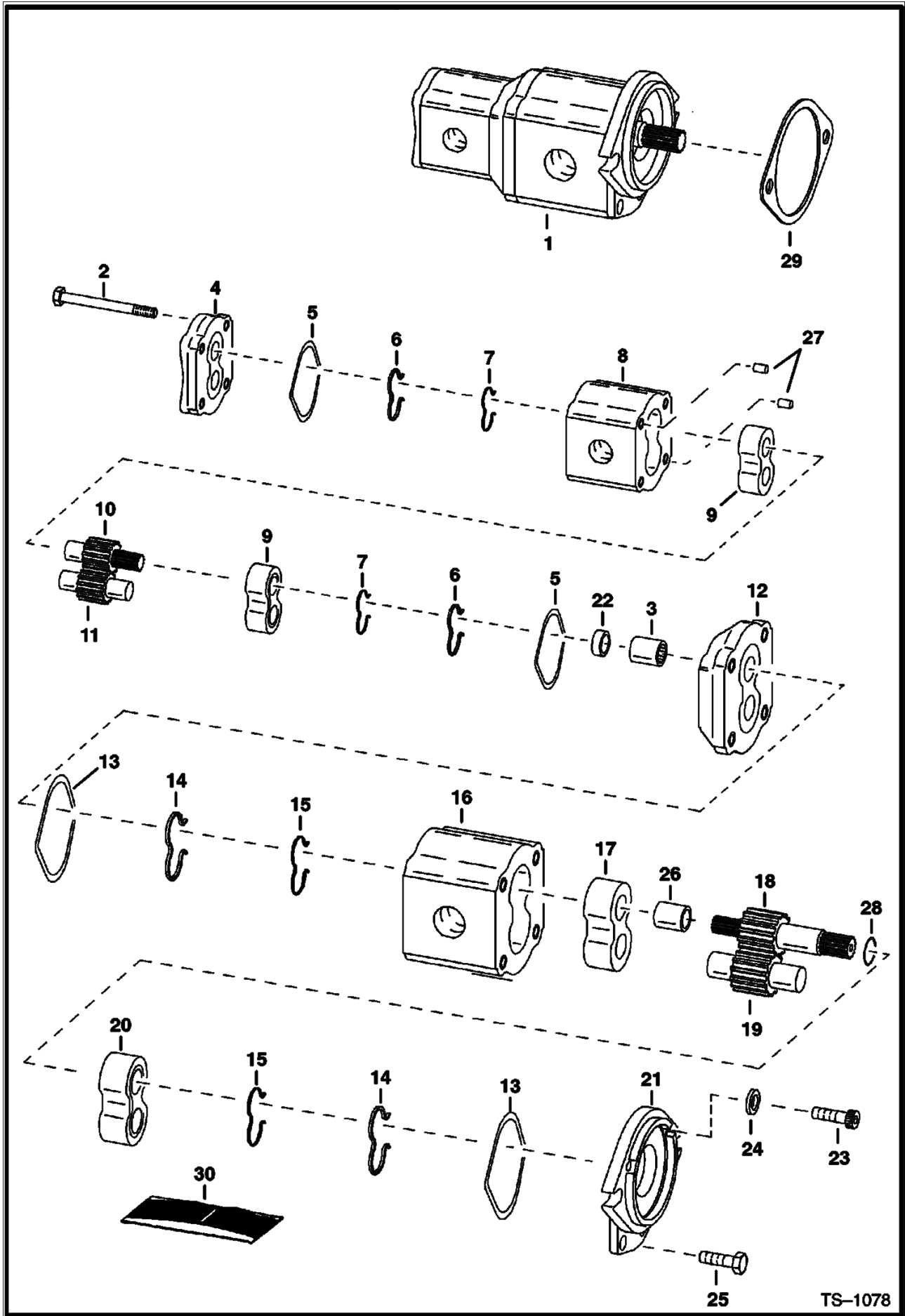


TS-1434R

HIGH FLOW HYDRAULICS (Cont'd) (Select Valve)

| Ref No | Part Number | Description | Remarks | Serial Number | Qty |
|--------|-------------|---------------|---|---------------|-----|
| 1 | 6669203 | VALVE | Ref. 2 - 12 & 14 - 16 | | 1 |
| 2 | 6672450 | VALVE ASSY. | solenoid - W/Ref. 16 | | 1 |
| 2 | 6664025 | STEM | | | 1 |
| 2 | 6671026 | COIL | W/Connector | | 2 |
| 2 | 6671628 | NUT | | | 1 |
| 2 | 6679068 | SPACER | | | 1 |
| 2 | 6661448 | SEAL KIT | | | 1 |
| 3 | 6672449 | VALVE ASSY. | solenoid - W/Ref. 16 | | 1 |
| 3 | 6664024 | STEM | | | 2 |
| 3 | 6671026 | COIL | W/Connector | | 2 |
| 3 | 6671629 | NUT | | | 2 |
| 3 | 6664032 | SEAL KIT | | | 2 |
| 4 | 6672448 | VALVE ASSY. | solenoid - W/Ref. 15 | | 1 |
| 4 | 6665702 | STEM | | | 1 |
| 4 | 6671025 | COIL | W/Connector | | 2 |
| 4 | 6671628 | NUT | | | 1 |
| 4 | 6672515 | KIT, SEAL | Was 6664033 [A] | | 1 |
| 5 | 6665719 | PLUG | W/Ref. 6 | | 11 |
| 6 | 95K4 | O-RING | Was 79K5 [D] | | x |
| 7 | 6669615 | ORIFICE | 0.02 | | 2 |
| 8 | 6669729 | SHUTTLE VALVE | | | 1 |
| 8 | 6669736 | SEAL KIT | | | 1 |
| 9 | 6669728 | CHECK VALVE | W/Ref. 15 | | 2 |
| 9 | 6672515 | KIT, SEAL | Was 6670635 [A] | | 1 |
| 10 | 6673990 | PISTON | Was 6664028 [A] | | 1 |
| 11 | | BLOCK | NSS - Order Ref. 1 | | 1 |
| 12 | 99K10 | O-RING | tapered boss face | | x |
| 12 | 79K10 | O RING 10 | flat boss face | | x |
| 13 | | ELBOW | NAP - W/Ref. 12 - tapered boss face - Was 17KV00007B [A] | | 1 |
| 13 | 97K10 | O-RING 10 | flared end | | 1 |
| 13 | 17KB1010 | ELBOW | W/Ref 12 - flat boss face | | 1 |
| 14 | | RELIEF VALVE | NAP - 2850 PSI - Order 6676155 Relief Valve - Was 6672451 [A] | | 1 |
| 14 | 6676155 | RELIEF VALVE | 3300 PSI - W/Ref. 16 | | 1 |
| 14 | 6664032 | SEAL KIT | Was 6669737 [A] | | 1 |
| 15 | 79K8 | O RING 10 | | | x |
| 16 | 79K10 | O RING 10 | | | x |

HIGH FLOW HYDRAULICS (Double Gear Pump)

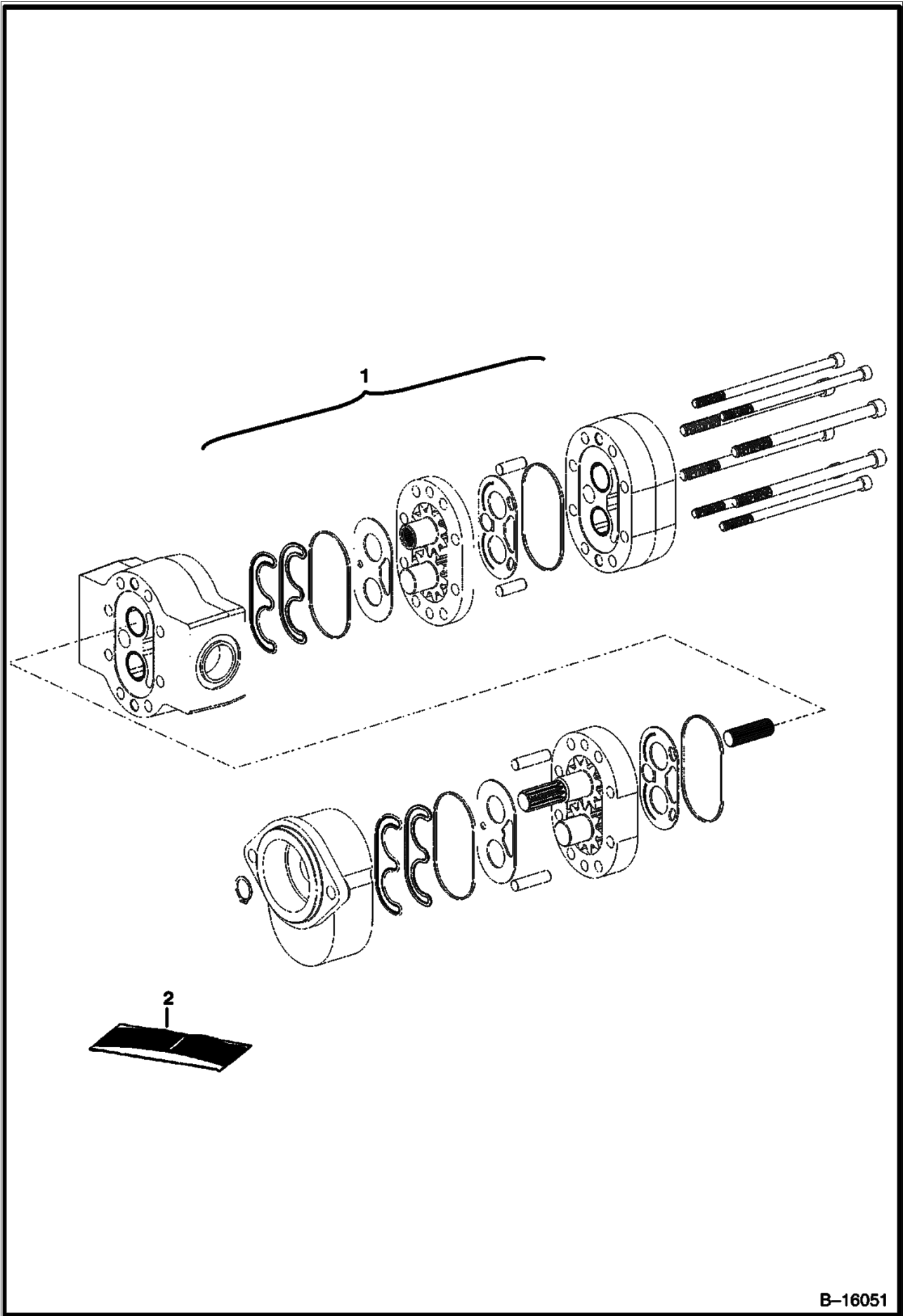


TS-1078

HIGH FLOW HYDRAULICS (Cont'd) (Double Gear Pump)

| Ref No | Part Number | Description | Remarks | Serial Number | Qty |
|--------|-------------|-------------|--|---------------|-----|
| 1 | 6675344 | PUMP | See Illustration HYDROSTATIC PUMP/ B17103 MODEL B5501-37614 - USE W/6674379 PUMP | | 1 |
| 2 | | BOLT | NSS | | 4 |
| 3 | | COUPLER | NSS | | 1 |
| 4 | | COVER | NSS | | 1 |
| 5 | | O-RING | NSS - seal | | 2 |
| 6 | | SEAL | NSS | | 2 |
| 7 | | RING | NSS | | 2 |
| 8 | | BODY | NSS | | 1 |
| 9 | | BEARING | NSS | | 2 |
| 10 | | GEAR | NSS - drive | | 1 |
| 11 | | GEAR | NSS | | 1 |
| 12 | | COVER | NSS | | 1 |
| 13 | | O-RING | NSS - seal | | 2 |
| 14 | | SEAL | NSS | | 2 |
| 15 | | RING | NSS | | 2 |
| 16 | | BODY | NSS | | 1 |
| 17 | | BEARING | NSS | | 1 |
| 18 | | GEAR | NSS - drive | | 1 |
| 19 | | GEAR | NSS - idler | | 1 |
| 20 | | BEARING | NSS | | 1 |
| 21 | | COVER | NSS | | 1 |
| 22 | | BUSHING | NSS | | 1 |
| 23 | | BOLT | NSS | | 2 |
| 24 | | SEAL | NSS | | 2 |
| 25 | | BOLT | NSS | | 2 |
| 26 | | SPACER | NSS | | 1 |
| 27 | | DOWEL | NSS | | 2 |
| 28 | | RING | NSS - retaining | | 1 |
| 29 | 6660339 | GASKET | | | 1 |
| 30 | 6678853 | SEAL KIT | Ref. 5-7, 13-15, 24 & 28 - Use W/Ref. 1 (6675344 Pump) - Was 6674370 [A] | | 1 |

HIGH FLOW HYDRAULICS (Double Gear Pump - Cast Iron)



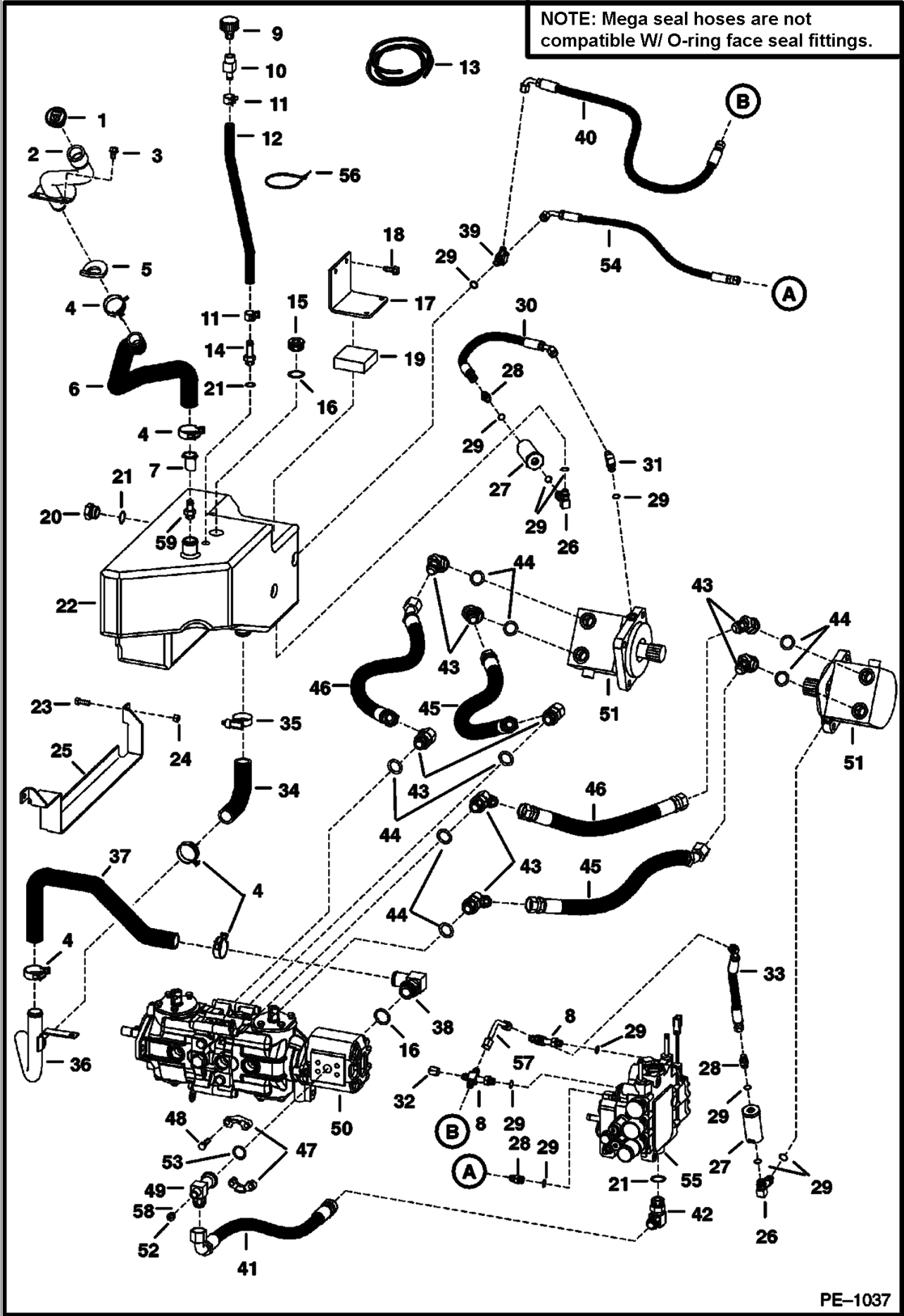
B-16051

HIGH FLOW HYDRAULICS (Cont'd) (Double Gear Pump - Cast Iron)

| Ref No | Part Number | Description | Remarks | Serial Number | Qty |
|--------|-------------|-------------|---|---------------|-----|
| 1 | | PUMP | See Illustration HYDROSTATIC PUMP/ B17103 NAP - MODEL 163D-1183 - USE W/6677648 PUMP - Order 6686705 Pump - Was 6678041 [A] | | 1 |
| 1 | | PUMP | NAP - Model 163D-1305 - Use W/ 6677648 - Order 6686705 pump - Was 6681594 [A] | | 1 |
| 1 | 6686705 | PUMP, GEAR | Model 163D-1484 | | 1 |
| 2 | 6688326 | SEAL KIT | Was 6678733 [A] | | 1 |

HYDROSTATIC CIRCUITRY
 (S/N 500K11038 & Below, 517619258 & Below,
 518012218 & Below, 518112089 & Below, 519018909 & Below, 519212154 & Below)

NOTE: Mega seal hoses are not compatible W/ O-ring face seal fittings.



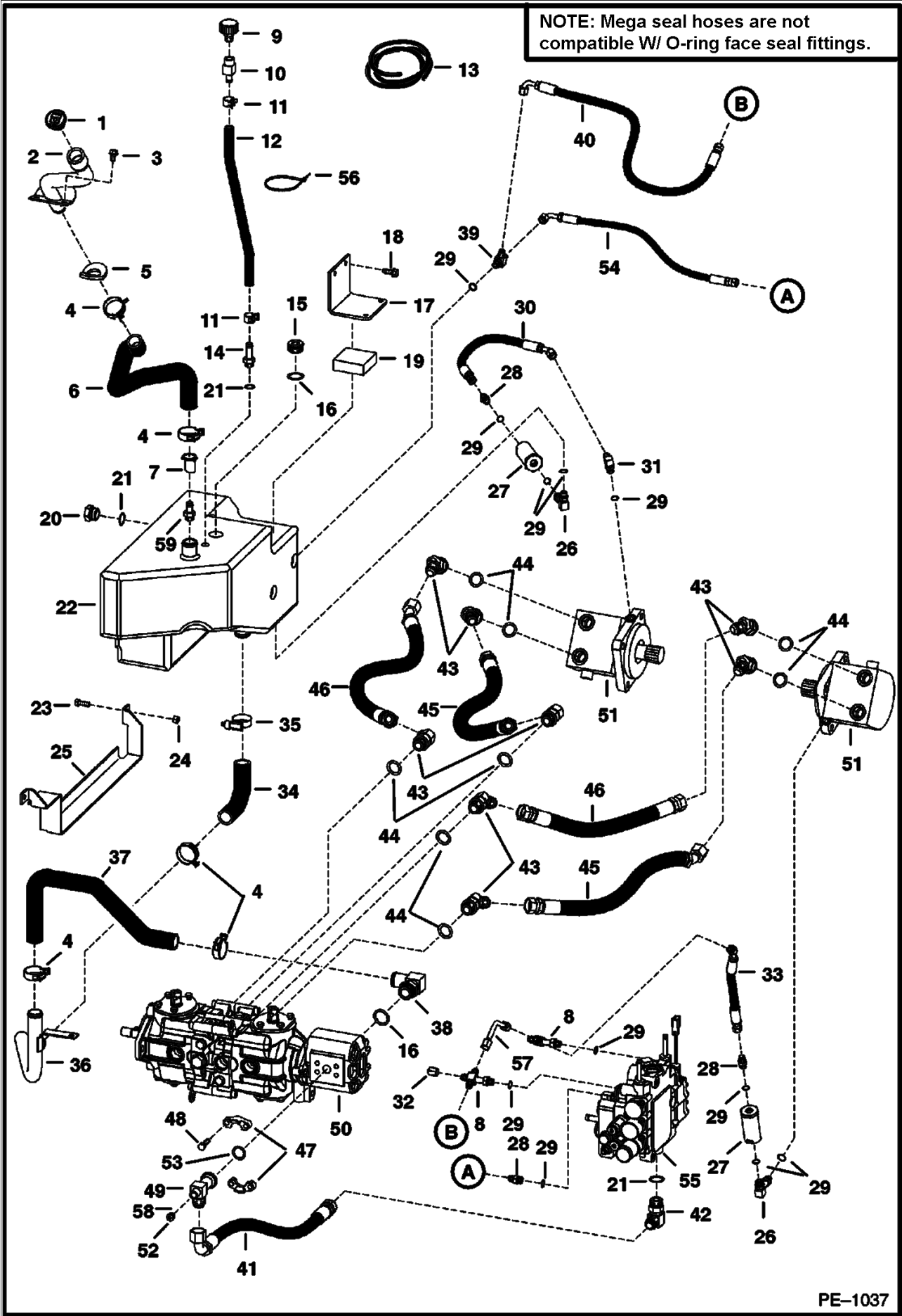
PE-1037

HYDROSTATIC CIRCUITRY (Cont'd)
(S/N 500K11038 & Below, 517619258 & Below,
518012218 & Below. 518112089 & Below. 519018909 & Below. 519212154 & Below)

| Ref No | Part Number | Description | Remarks | Serial Number | Qty |
|--------|-------------|--------------|--|------------------|-----|
| 1 | 6717827 | CAP | | | 1 |
| 2 | 6717830 | TUBE | | | 1 |
| 3 | 84G3710 | SCREW | | | 2 |
| 4 | 5HM42 | HOSECLAMP | | | 5 |
| 5 | 6718772 | GASKET | | | 1 |
| 6 | 6718020 | HOSE | | | 1 |
| 7 | 6726258 | SCREEN | | 5176 18418 & Bel | 1 |
| 7 | 6726258 | SCREEN | | 5180 12703 & Bel | 1 |
| 7 | 6726258 | SCREEN | | 5181 12055 & Bel | 1 |
| 7 | 6726258 | SCREEN | | 5190 17043 & Bel | 1 |
| 7 | 6726258 | SCREEN | | 5192 12054 & Bel | 1 |
| 8 | 6817553 | CROSS | See Illustration HYDRAULIC CONTROL VALVE/ B17144 W/Ref. 29 - flat boss face - Was 6817553 [A] | | 2 |
| 8 | 97K6 | O'RING | flared end | | 1 |
| 9 | 6684923 | BREATHER | breather - Was 6648944 [A] | | 1 |
| 10 | 6717389 | ADAPTER | | | 1 |
| 11 | 5HM20 | CLAMP | | | 2 |
| 12 | | HOSE | NAP - 17.25"(438,1 mm) long - Order Ref. 13 | | 1 |
| 13 | 6654057 | HOSE | bulk - Sold Per Foot | | x |
| 14 | 1310706 | FITTING HOSE | | | 1 |
| 15 | 47K10 | PLUG | W/Ref. 16 | | 1 |
| 16 | 99K16 | O-RING | tapered boss face | | x |
| 16 | 79K16 | O RING 10 | flat boss face | | x |
| 17 | 6718498 | BRACKET | | | 1 |
| 18 | 84G3716 | SCREW 5 | | | 2 |
| 19 | 6716449 | PAD | bumper | | 1 |
| 20 | 6665915 | GAUGE | W/Ref. 21 - flat boss face | | 1 |
| 20 | 6734563 | WASHER KIT | | | 1 |
| 20 | 6734561 | WASHER | | | 1 |
| 20 | 25K30118 | O RING 10 | | | 1 |
| 21 | 99K12 | O'RING | tapered boss face | | x |
| 21 | 79K12 | O RING 10 | flat boss face | | x |
| 22 | | TANK | See BTI346 NAP - W/threaded inlet port - Used W/Ref. 7 - Was 6717112 [B] | 5176 18418 & Bel | 1 |
| 22 | | TANK | See BTI346 NAP - W/threaded inlet port - Used W/Ref. 7 - Was 6717112 [B] | 5192 12054 & Bel | 1 |
| 22 | | TANK | See BTI346 NAP - W/threaded inlet port - Used W/Ref. 7 - Was 6717112 [B] | 5180 12103 & Bel | 1 |
| 22 | | TANK | See BTI346 NAP - W/threaded inlet port - Used W/Ref. 7 - Was 6717112 [B] | 5181 12055 & Bel | 1 |
| 22 | | TANK | See BTI346 NAP - W/threaded inlet port - Used W/Ref. 7 - Was 6717112 [B] | 5190 17043 & Bel | 1 |
| 22 | | TANK | See BTI346 - NAP - W/O threaded inlet port - Was 6717112 [A] | 500K 11038 & Bel | 1 |
| 22 | | TANK | See BTI346 - NAP - W/O threaded inlet port - Was 6717112 [A] | 5180 12056-12089 | 1 |
| 22 | | TANK | See BTI346 - NAP - W/O threaded inlet port - Was 6717112 [A] | 5190 17047-18910 | 1 |
| 22 | | TANK | See BTI346 - NAP - W/O threaded inlet port - Was 6717112 [A] | 5192 12055-12154 | 1 |
| 22 | | TANK | See BTI346 - NAP - W/O threaded inlet port - Was 6717112 [A] | 5190 17044-18910 | 1 |
| 22 | | TANK | See BTI346 - NAP - W/O threaded inlet port - Was 6717112 [A] | 5176 18419-19258 | 1 |
| 23 | 17C616 | BOLT 5 | | | 2 |
| 24 | 61D6 | NUT 5 | | | 2 |
| 25 | 6717145 | BRACKET | | | 1 |

HYDROSTATIC CIRCUITRY (Cont'd)
 (S/N 500K11038 & Below, 517619258 & Below,
 518012218 & Below, 518112089 & Below, 519018909 & Below, 519212154 & Below)

NOTE: Mega seal hoses are not compatible W/ O-ring face seal fittings.



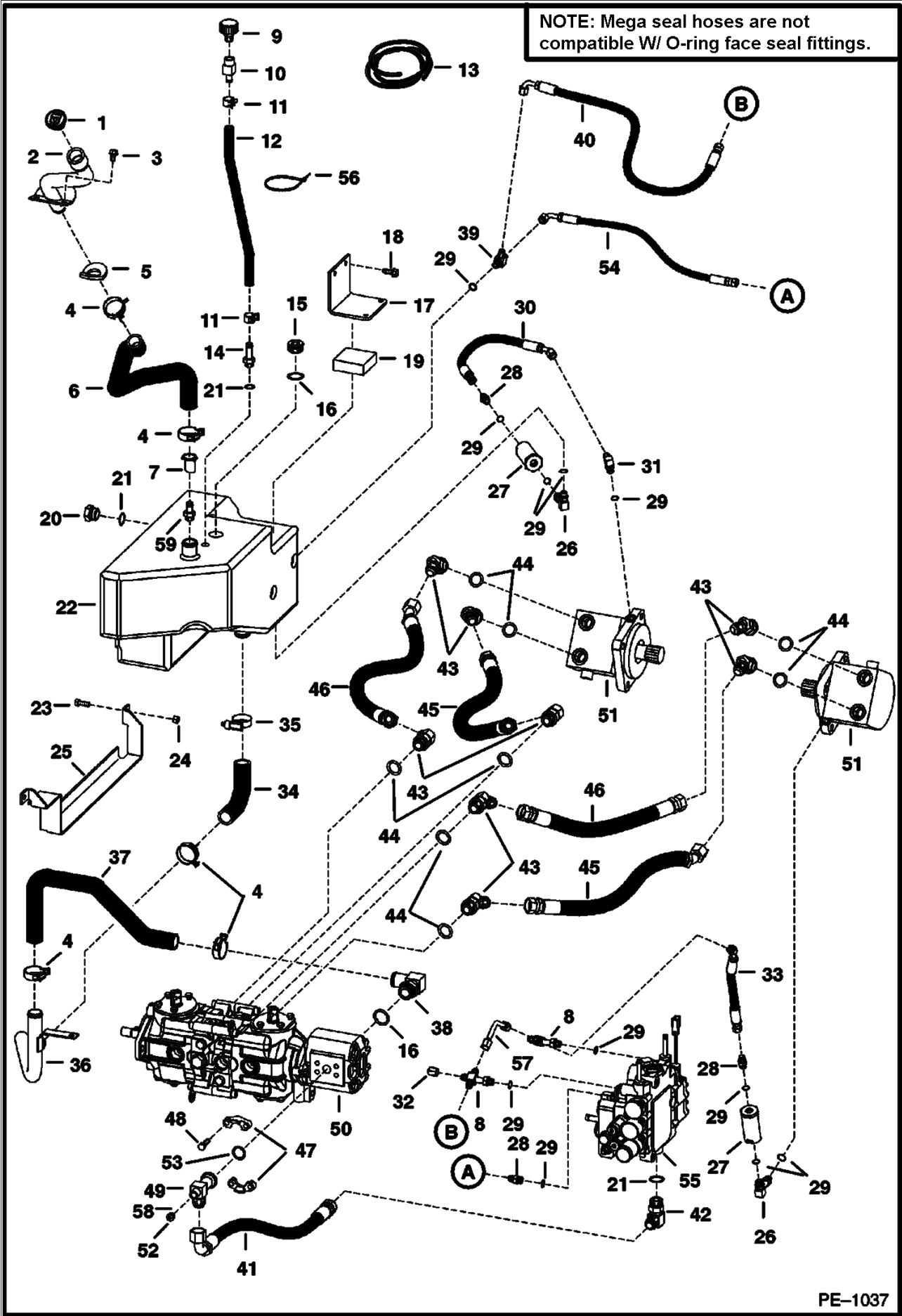
PE-1037

HYDROSTATIC CIRCUITRY (Cont'd)
(S/N 500K11038 & Below, 517619258 & Below,
518012218 & Below. 518112089 & Below. 519018909 & Below. 519212154 & Below)

| Ref No | Part Number | Description | Remarks | Serial Number | Qty |
|--------|-------------|----------------|--|---------------|-----|
| 26 | 6715190 | ELBOW | W/Ref. 29 - check boss face to determine correct replacement o-ring | | 2 |
| 27 | 6661022 | FILTER | | | 2 |
| 28 | 15KB606 | ADAPTER | W/Ref. 29 - check boss face to determine correct replacement o-ring - Was 15KV00005B [A] | | 2 |
| 28 | 97K6 | O'RING | flared end | | 1 |
| 28 | 21KB606 | TEE | See Illustration HIGH FLOW HYDRAULICS/ PE1057 - W/Ref. 29 - check boss face to determine correct replacement o-ring - Was 21KV00005B [A] | | 1 |
| 28 | 97K6 | O'RING | flared end | | 1 |
| 29 | 99K6 | O'RING | tapered boss face [B] | | x |
| 29 | 79K6 | O RING 10 | flat boss face | | x |
| 30 | 6704631 | HOSE | | | 1 |
| 31 | 17KB606 | ELBOW | W/Ref. 29 - check boss face to determine correct replacement o-ring - Was 17KV00005B | | 1 |
| 31 | 97K6 | O'RING | flared end | | 1 |
| 32 | 36K5 | CAP | | | 1 |
| 33 | 6728079 | HOSE | Was 6717332 [A] | | 1 |
| 34 | 6717905 | HOSE | | | 1 |
| 35 | 6672281 | CLAMP | | | 1 |
| 36 | 6717909 | TUBE | | | 1 |
| 37 | 6717908 | HOSE | | | 1 |
| 38 | 6715191 | ELBOW | W/Ref. 16 - check boss face to determine correct replacement o-ring | | 1 |
| 39 | 21KB606 | TEE | W/Ref. 29 - check boss face to determine correct replacement o-ring - Was 21KV00005B [A] | | 1 |
| 39 | 97K6 | O'RING | flared end | | 1 |
| 39 | 6578209 | TEE | for High Flow Hyd - W/Ref. 29 - check boss face to determine correct replacement o-ring - Was 6718250 [A] | | 1 |
| 39 | 97K6 | O'RING | flared end | | 1 |
| 40 | 6714808 | HOSE | W/O front aux. - Was 6711166 [B] | | 1 |
| 40 | 6717385 | HOSE | See Illustration AUXILIARY HYDRAULICS/ PE1055 W/ FRONT AUX. | | 1 |
| 41 | 6717144 | HOSE | | | 1 |
| 42 | 17KB1212 | ELBOW | W/Ref. 21 - check boss face to determine correct replacement o-ring - Was 17KV00008B | | 1 |
| 42 | 97K12 | O'RING | flared end | | 1 |
| 43 | 6737453 | ELBOW | W/Ref. 44 - check boss face to determine correct replacement o-ring - Was 6718181 [A] | | 8 |
| 43 | 99K12 | O'RING | tapered boss face | | 8 |
| 44 | 79K12 | O RING 10 | flat boss face - Was 58K000018B [B] | | 8 |
| 45 | 6675144 | HOSE, HYD ASSY | mega seal - SEE NOTE | | 2 |
| 46 | 6736200 | HOSE | mega seal - SEE NOTE - Was 6675143 [A] | | 2 |
| 47 | 19J12 | CLAMP | | | 2 |
| 48 | 17C620 | BOLT | | | 4 |
| 49 | 7103953 | TEE | split flange - Was 6717662 [A] | | 1 |
| 50 | | PUMP | See Illustration HYDROSTATIC PUMP/ B17103 | | 1 |
| 51 | | MOTOR | See Illustration HYDROSTATIC MOTOR/ C3431 | | 1 |
| 52 | 90KV5 | PLUG | W/Ref. 58 | | 1 |
| 53 | 58K214 | O RING 10 | | | 1 |
| 54 | 6716391 | HOSE | | | 1 |
| 55 | | VALVE | See Illustration HYDRAULIC CONTROL VALVE/ B17144 | | 1 |
| 56 | 6610510 | TIE | | | 2 |
| 57 | 6577690 | TUBE | See Illustration HYDRAULIC CONTROL VALVE/ | | 1 |

HYDROSTATIC CIRCUITRY (Cont'd)
 (S/N 500K11038 & Below, 517619258 & Below,
 518012218 & Below, 518112089 & Below, 519018909 & Below, 519212154 & Below)

NOTE: Mega seal hoses are not compatible W/ O-ring face seal fittings.



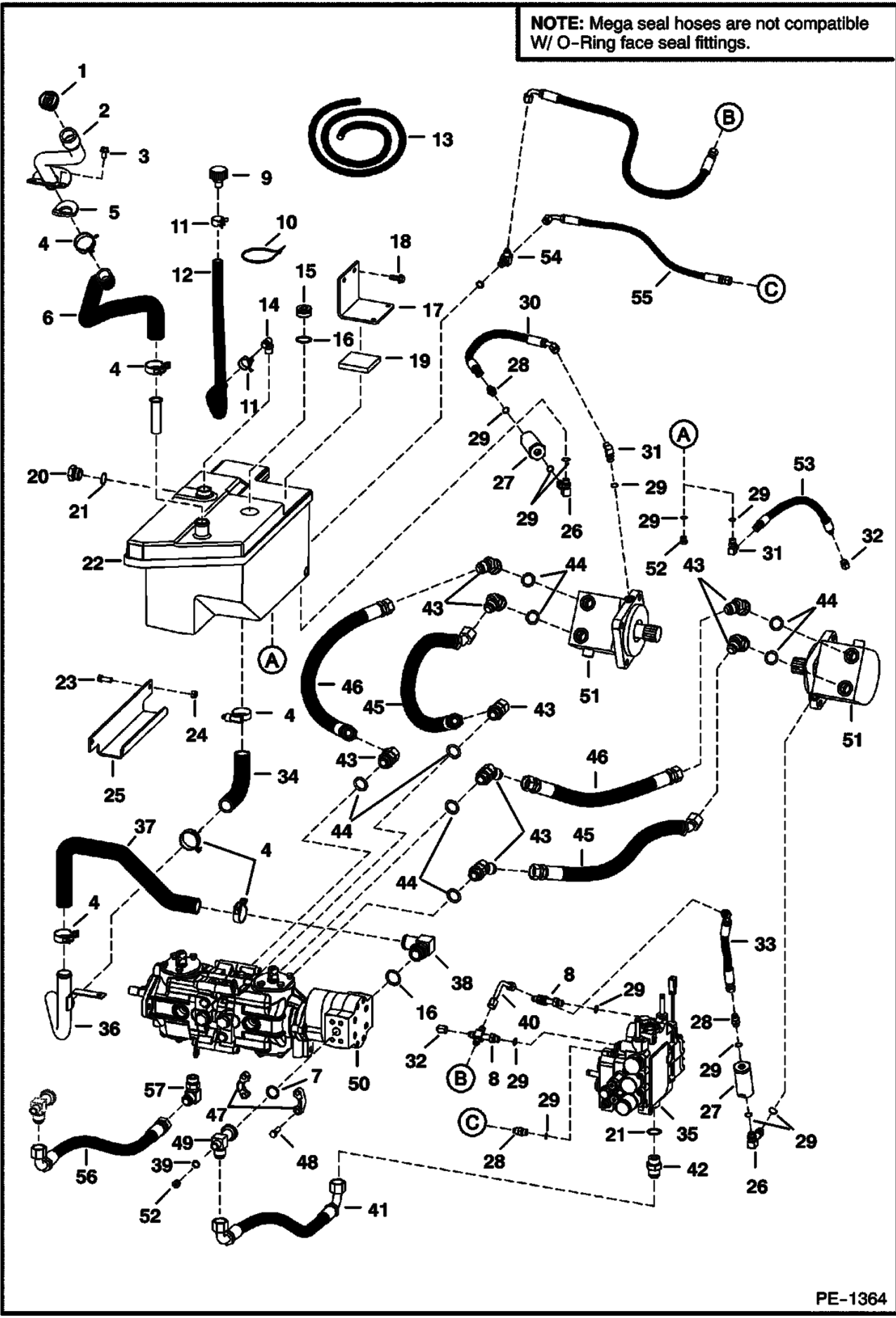
PE-1037

HYDROSTATIC CIRCUITRY (Cont'd)
(S/N 500K11038 & Below, 517619258 & Below,
518012218 & Below. 518112089 & Below. 519018909 & Below. 519212154 & Below)

| Ref No | Part Number | Description | Remarks | Serial Number | Qty |
|--------|-------------|-------------|---------|-------------------|-----|
| | | | B17144 | | |
| 58 | 95K6 | O'RING | | | 1 |
| 59 | 6717815 | ADAPTER | | 5176 17418 & Bel | 1 |
| 59 | 6717815 | ADAPTER | | 5192 12054 & Bel. | 1 |
| 59 | 6717815 | ADAPTER | | 5180 12703 & Bel | 1 |
| 59 | 6717815 | ADAPTER | | 5181 12055 & Bel. | 1 |
| 59 | 6717815 | ADAPTER | | 5190 17043 & Bel. | 1 |

HYDROSTATIC CIRCUITRY
 (S/N 500K11039 & Above, 517619259 & Above,
 518012219 & Above. 518112090 & Above. 519018910 & Above. 519212155 & Above)

NOTE: Mega seal hoses are not compatible
 W/ O-Ring face seal fittings.



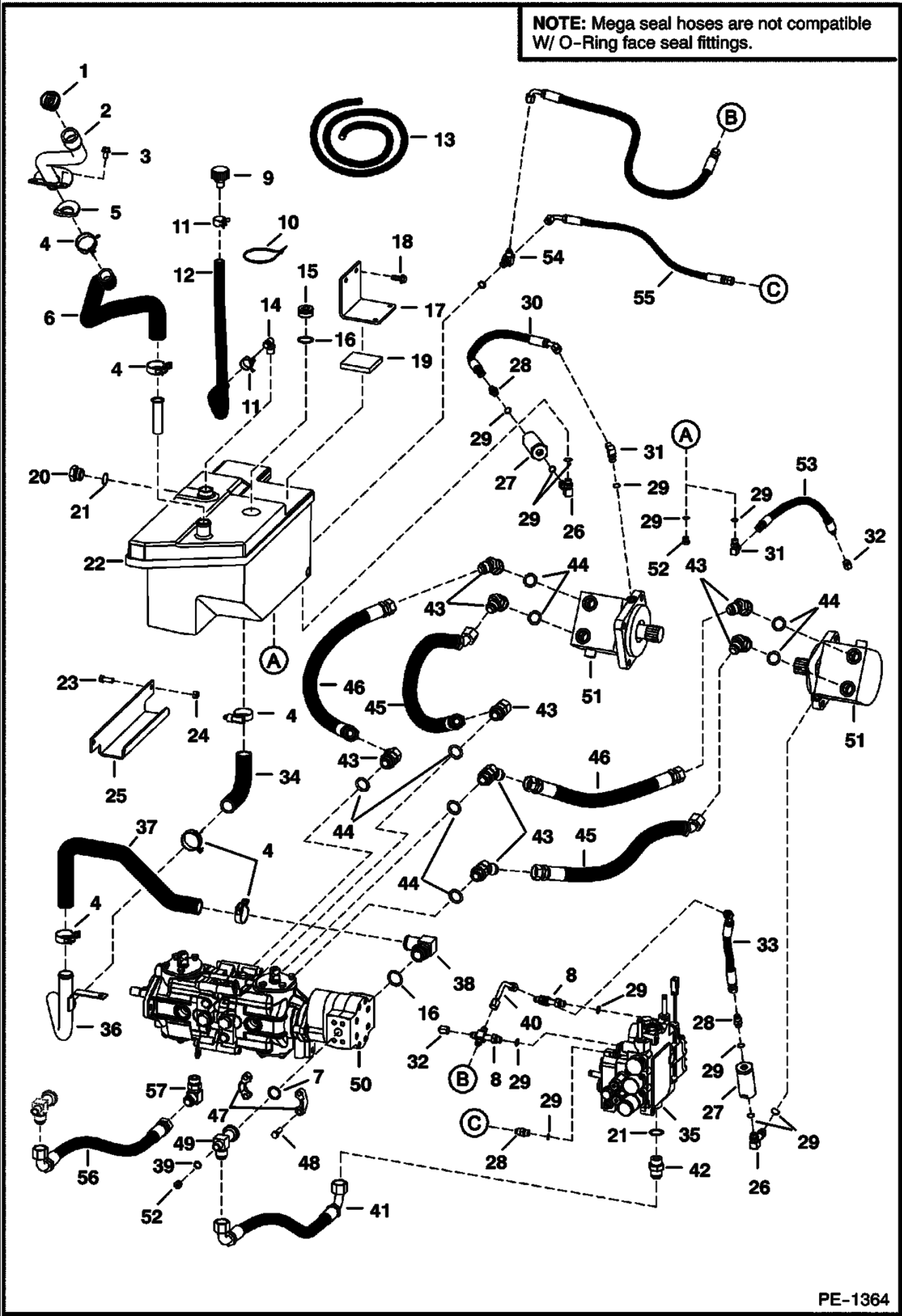
PE-1364

HYDROSTATIC CIRCUITRY (Cont'd)
(S/N 500K11039 & Above, 517619259 & Above,
518012219 & Above, 518112090 & Above, 519018910 & Above, 519212155 & Above)

| Ref No | Part Number | Description | Remarks | Serial Number | Qty |
|--------|-------------|-------------|--|------------------|-----|
| 1 | 6717827 | CAP | | | 1 |
| 2 | 6717830 | TUBE | | | 1 |
| 3 | 84G3710 | SCREW | | | 2 |
| 4 | 5HM42 | HOSECLAMP | | | 6 |
| 5 | 6718772 | GASKET | | | 1 |
| 6 | 6718020 | HOSE | | | 1 |
| 7 | 58K214 | O RING 10 | | | 1 |
| 8 | 6817553 | CROSS | See Illustration HYDRAULIC CONTROL VALVE/ B17144 W/Ref. 29 - flat boss face - Was 6805241 [A] | | 2 |
| 8 | 97K6 | O'RING | flared end | | 1 |
| 9 | 6684923 | BREATHER | breather - Was 6648944 [A] | | 1 |
| 10 | 6610510 | TIE | | | 2 |
| 11 | 5HM24 | CLAMP | | | 2 |
| 12 | | HOSE | NAP - 21.5"(546,1 mm) long - Order Ref. 13 | | 1 |
| 13 | 6578172 | HOSE | bulk - sold per foot | | x |
| 14 | 6727637 | ELBOW | barbed | | 1 |
| 15 | 47K10 | PLUG | W/Ref. 16 - flat boss face | | 1 |
| 16 | 99K16 | O-RING | tapered boss face | | x |
| 16 | 79K16 | O RING 10 | flat boss face | | x |
| 17 | 6726254 | BRACKET | | | 1 |
| 18 | 84G3716 | SCREW 5 | | | 2 |
| 19 | 6726255 | PAD | bumper | | 1 |
| 20 | 6665915 | GAUGE | W/Ref. 21 - flat boss face | | 1 |
| 20 | 6734563 | WASHER KIT | | | 1 |
| 20 | 6734561 | WASHER | | | 1 |
| 20 | 25K30118 | O RING 10 | | | 1 |
| 21 | 99K12 | O'RING | tapered boss face | | 1 |
| 21 | 79K12 | O RING 10 | flat boss face | | 1 |
| 22 | 6728673 | TANK | | | 1 |
| 23 | 17C616 | BOLT 5 | | | 2 |
| 24 | 61D6 | NUT 5 | | | 2 |
| 25 | 6726162 | BRACKET | | | 1 |
| 26 | 6715190 | ELBOW | W/Ref. 29 - check boss face to determine correct replacement o-ring | | 2 |
| 27 | 6661022 | FILTER | | | 2 |
| 28 | 15KB606 | ADAPTER | W/Ref. 29 - check boss face to determine correct replacement o-ring - Was 15KV00005B [A] | | 1 |
| 28 | 97K6 | O'RING | flared end | | 1 |
| 29 | 99K6 | O'RING | tapered boss face | | x |
| 29 | 79K6 | O RING 10 | flat boss face | | x |
| 30 | 6704631 | HOSE | | | 1 |
| 31 | 17KB606 | ELBOW | W/Ref. 29 - check boss face to determine correct replacement o-ring - Was 17KV00005B [A] | | 1 |
| 31 | 97K6 | O'RING | flared end | | 1 |
| 32 | 36K5 | CAP | | | 2 |
| 33 | 6728079 | HOSE | | | 1 |
| 34 | 6717905 | HOSE | | | 1 |
| 35 | | VALVE | See Illustration HYDRAULIC CONTROL VALVE/ B17144 | | 1 |
| 36 | 6727645 | TUBE | | | 1 |
| 37 | 6717908 | HOSE | | | 1 |
| 38 | 6715191 | ELBOW | W/Ref. 16 - check boss face to determine correct replacement o-ring | | 1 |
| 39 | 95K6 | O'RING | | | 1 |
| 40 | 6577690 | TUBE | See Illustration HYDRAULIC CONTROL VALVE/ B17144 | | 1 |
| 41 | 6726251 | HOSE | | 5176 19034 & Abv | 1 |

HYDROSTATIC CIRCUITRY (Cont'd)
 (S/N 500K11039 & Above, 517619259 & Above,
 518012219 & Above, 518112090 & Above, 519018910 & Above, 519212155 & Above)

NOTE: Mega seal hoses are not compatible
 W/ O-Ring face seal fittings.

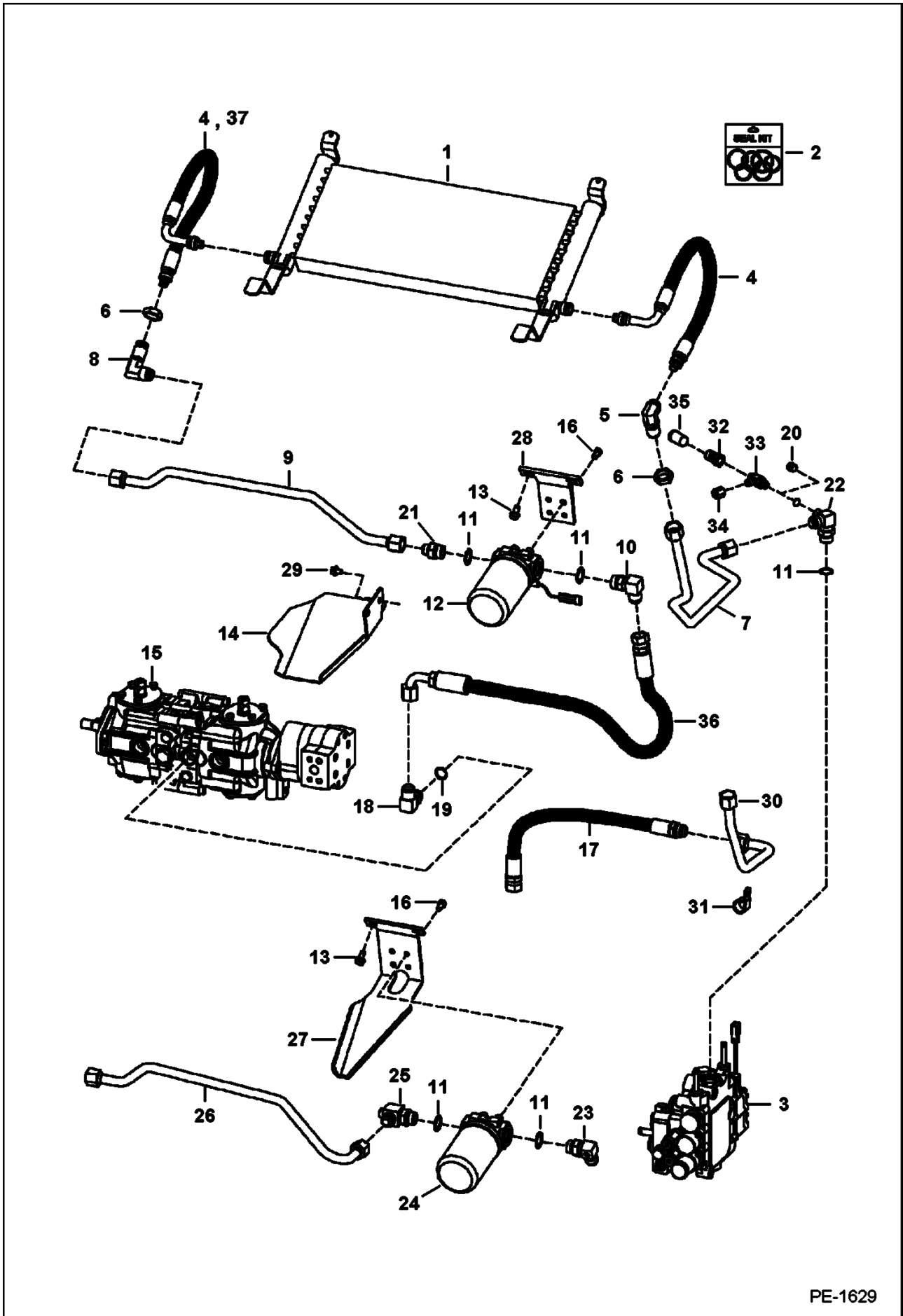


PE-1364

HYDROSTATIC CIRCUITRY (Cont'd)
(S/N 500K11039 & Above, 517619259 & Above,
518012219 & Above, 518112090 & Above, 519018910 & Above, 519212155 & Above)

| Ref No | Part Number | Description | Remarks | Serial Number | Qty |
|--------|-------------|----------------|---|------------------|-----|
| 42 | 15KB1212 | ADAPTER | W/Ref. 21- check boss face to determine correct replacement o-ring - Was 15KV00008B [A] | | 1 |
| 42 | 97K12 | O'RING | flared end | | 1 |
| 43 | 6737453 | ELBOW | W/Ref. 44 - check boss face to determine correct replacement o-ring - Was 6718181 [A] | | 8 |
| 44 | 99K12 | O'RING | tapered boss face | | 8 |
| 44 | 79K12 | O RING 10 | flat boss face - Was 58K000018B [B,D] | | 8 |
| 45 | 6675144 | HOSE, HYD ASSY | mega seal - SEE NOTE | | 2 |
| 46 | 6736200 | HOSE | mega seal - SEE NOTE - Was 6675143 [A] | | 2 |
| 47 | 19J12 | CLAMP | | | 2 |
| 48 | 17C620 | BOLT | | | 4 |
| 49 | 7103953 | TEE | split flange - Was 6717662 [A] | | 1 |
| 50 | | PUMP | See Illustration HYDROSTATIC PUMP/ B17103 | | 1 |
| 51 | | MOTOR | See Illustration HYDROSTATIC MOTOR/ C3431 | | 1 |
| 52 | 90KV5 | PLUG | W/Ref. 39 | | 2 |
| 52 | 17KB606 | ELBOW | See Illustration REAR AUXILIARY/ TS2011 - W/Ref. 29 - check boss face to determine correct replacement o-ring - Was 17KV00005B [A] | | 1 |
| 52 | 97K6 | O'RING | flared end | | 1 |
| 52 | 21KB606 | TEE | See Illustration HIGH FLOW HYDRAULICS/ PE1057 - Ref. 16 - W/Ref. 29 on this page - check boss face to determine correct replacement o-ring - Was 21KV00005B [A] | | 1 |
| 52 | 97K6 | O'RING | flared end | | 1 |
| 53 | 7106212 | HOSE | Was 6537040 [A] | | 1 |
| 54 | 6725182 | TEE | W/Ref. 29 - check boss face to determine correct replacement o-ring | | 1 |
| 55 | 6719605 | HOSE | | | 1 |
| 56 | 6717144 | HOSE | | 5176 19259-19833 | 1 |
| 57 | 17KB1212 | ELBOW | W/Ref. 21 - flat boss face | 5176 19259-19833 | 1 |

HYDROSTATIC CIRCUITRY

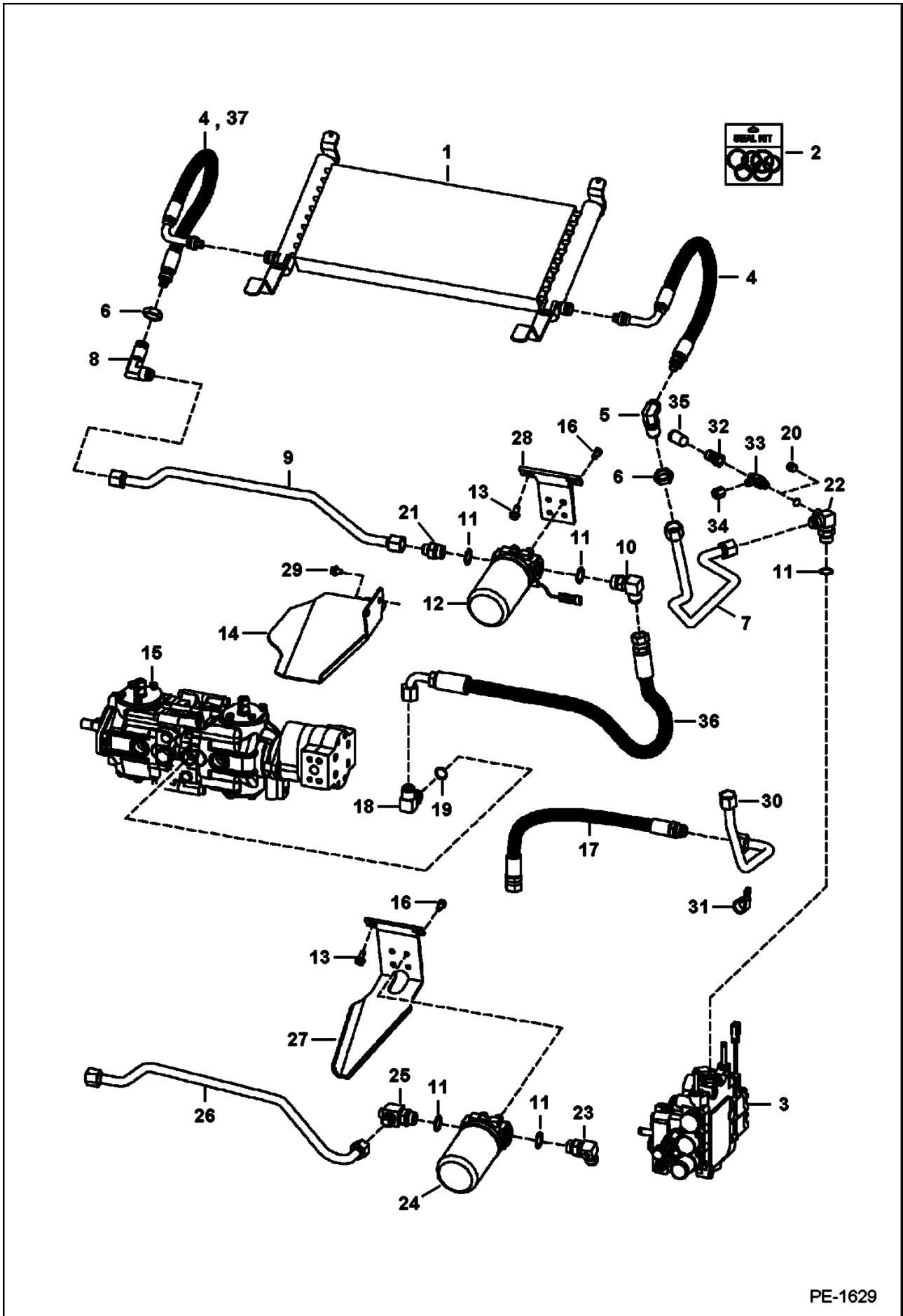


PE-1629

HYDROSTATIC CIRCUITRY (Cont'd)

| Ref No | Part Number | Description | Remarks | Serial Number | Qty |
|--------|-------------|--------------------------|---|------------------|-----|
| 1 | 6675405 | OIL COOLER | Was 6675130 [A] | 500K 11038 & Bel | 1 |
| 1 | 6675405 | OIL COOLER | | 5176 17999 & Bel | 1 |
| 1 | 6675405 | OIL COOLER | | 5180 11999 & Bel | 1 |
| 1 | 6675405 | OIL COOLER | | 5181 11999 & Bel | 1 |
| 1 | 6675405 | OIL COOLER | | 5190 15999 & Bel | 1 |
| 1 | 6675405 | OIL COOLER | | 5192 11999 & Bel | 1 |
| 1 | 6728157 | EXCHANGER, OIL COOLER | | 500K 11039 & Abv | 1 |
| 1 | 6728157 | EXCHANGER, OIL COOLER | | 5176 18000 & Abv | 1 |
| 1 | 6728157 | EXCHANGER, OIL COOLER | | 5180 12000 & Abv | 1 |
| 1 | 6728157 | EXCHANGER, OIL COOLER | | 5181 12000 & Abv | 1 |
| 1 | 6728157 | EXCHANGER, OIL COOLER | | 5190 16000 & Abv | 1 |
| 1 | 6728157 | EXCHANGER, OIL COOLER | | 5192 12000 & Abv | 1 |
| 2 | 6674798 | REPAIR KIT | For Ref. 1, 5 or 8 - Includes internal retainer ring (1), o-ring (1), & backspring (1) | | x |
| 3 | | VALVE | See Illustration HYDRAULIC CONTROL VALVE/ B17144 | | 1 |
| 4 | 6673828 | HOSE, HYD ASSY | STC 90 degree fitting & STC straight fitting | | 2 |
| 5 | 6670831 | ELBOW | STC & 37 degree flare | | 1 |
| 5 | 6690949 | O-RING | | | 1 |
| 6 | 86F8 | NUT 5 | | | 2 |
| 7 | 6727640 | TUBE | Was 6725369 [A] | | 1 |
| 8 | | ELBOW | NAP - STC & 37 degree flare - Order 88F10 (fitting), 86F8 (nut), & Ref. 37 - Was 6718748 [A] | | 1 |
| 8 | 88F10 | FITTING | 37 degree flare | | 1 |
| 8 | 97K12 | O'RING | flared end | | 1 |
| 8 | 6690949 | O-RING | | | 1 |
| 9 | 6726649 | TUBE | | 500K 11039 & Abv | 1 |
| 9 | 6726649 | TUBE | | 5176 18000 & Abv | 1 |
| 9 | 6726649 | TUBE | | 5180 12000 & Abv | 1 |
| 9 | 6726649 | TUBE | | 5181 12000 & Abv | 1 |
| 9 | 6726649 | TUBE | | 5190 16000 & Abv | 1 |
| 9 | 6726649 | TUBE | | 5192 12000 & Abv | 1 |
| 10 | 17KB1212 | ELBOW | W/Ref. 11 - check boss face to determine correct replacement o-ring - Was 17KV00008B [A] | 500K 11039 & Abv | 1 |
| 10 | 17KB1212 | ELBOW | W/Ref. 11 - check boss face to determine correct replacement o-ring - Was 17KV00008B [A] | 5176 18000 & Abv | 1 |
| 10 | 17KB1212 | ELBOW | W/Ref. 11 - check boss face to determine correct replacement o-ring - Was 17KV00008B [A] | 5181 12000 & Abv | 1 |
| 10 | 17KB1212 | ELBOW | W/Ref. 11 - check boss face to determine correct replacement o-ring - Was 17KV00008B [A] | 5192 12000 & Abv | 1 |
| 10 | 17KB1212 | ELBOW | W/Ref. 11 - check boss face to determine correct replacement o-ring - Was 17KV00008B [A] | 5190 16000 & Abv | 1 |
| 10 | 17KB1212 | ELBOW | W/Ref. 11 - check boss face to determine correct replacement o-ring - Was 17KV00008B [A] | 5180 12000 & Abv | 1 |
| 10 | 97K12 | O'RING | flared end | | 1 |
| 11 | 99K12 | O'RING | tapered boss face | | x |
| 11 | 79K12 | O RING 10 | flat boss face | | x |
| 12 | | FILTER ASSY | See Illustration HYDROSTATIC OIL FILTER/ B17469 | | 1 |
| 12 | 6661248 | FILTER, OIL HYD 12 | 6" (152,4mm) long | | 1 |

HYDROSTATIC CIRCUITRY (Cont'd)

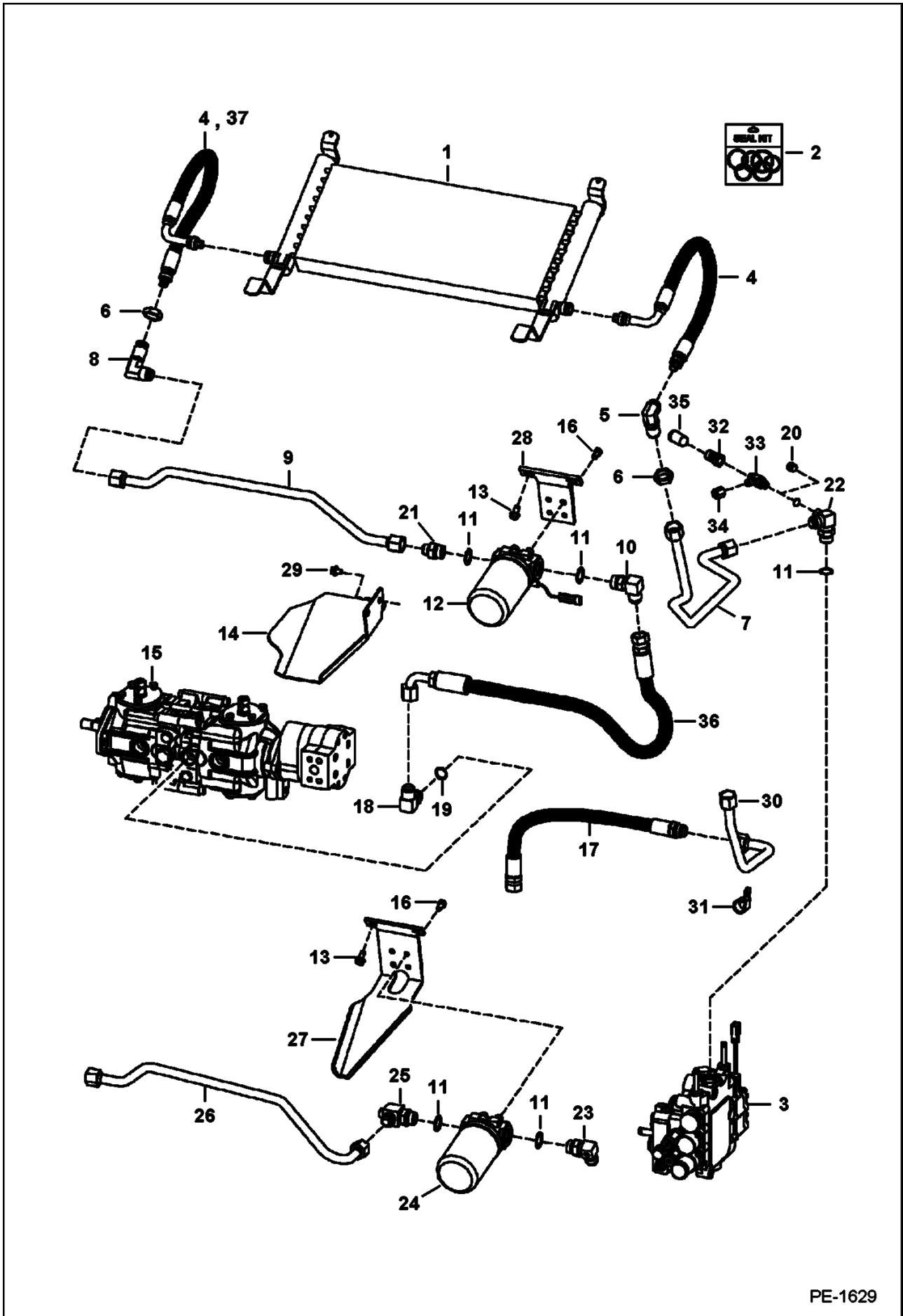


PE-1629

HYDROSTATIC CIRCUITRY (Cont'd)

| Ref No | Part Number | Description | Remarks | Serial Number | Qty |
|--------|-------------|--------------------|--|-------------------|-----|
| 13 | 84G3712 | BOLT | | | 2 |
| 14 | 6729083 | MOUNT | Was 6728140 [A] | 500K 11039 & Abv | 1 |
| 15 | | PUMP | See Illustration HYDROSTATIC PUMP/ B17103 | | 1 |
| 16 | 17C610 | BOLT | | | 4 |
| 17 | | HOSE | NAP - 18.5" (469,9 mm) long - Order Ref. 36 - Was 6735651 [A] | | 1 |
| 18 | 17KB1210 | ELBOW | W/Ref. 19 - Was 6714901 [A] | | 1 |
| 19 | 79K10 | O RING 10 | | | x |
| 20 | 90K5 | PLUG | socket head - check boss face to determine correct replacement o-ring - Was 90KV00008B [D] | | 1 |
| 21 | 15KB1212 | ADAPTER | W/Ref. 11 - Was 15KV00008B | 500K 11039 & Abv | 1 |
| 21 | 15KB1212 | ADAPTER | W/Ref. 11 - Was 15KV00008B | 5190 16000 & Abv. | 1 |
| 21 | 15KB1212 | ADAPTER | W/Ref. 11 - Was 15KV00008B | 5181 12000 & Abv | 1 |
| 21 | 15KB1212 | ADAPTER | W/Ref. 11 - Was 15KV00008B | 5192 12000 & Abv | 1 |
| 21 | 15KB1212 | ADAPTER | W/Ref. 11 - Was 15KV00008B | 5180 12000 & Abv | 1 |
| 21 | 15KB1212 | ADAPTER | W/Ref. 11 - Was 15KV00008B | 5176 18000 & Abv | 1 |
| 21 | 97K12 | O'RING | flared end | | 1 |
| 22 | 6715653 | TEE | W/Ref. 11 - check boss face to determine correct replacement o-ring | | 1 |
| 22 | 97K12 | O'RING | flared end | | 1 |
| 23 | 6718661 | ELBOW | W/Ref. 11 - check boss face to determine correct replacement o-ring | 500K 11038 & Bel | 1 |
| 23 | 6718661 | ELBOW | W/Ref. 11 - check boss face to determine correct replacement o-ring | 5192 11999 & Bel | 1 |
| 23 | 6718661 | ELBOW | W/Ref. 11 - check boss face to determine correct replacement o-ring | 5180 11999 & Bel | 1 |
| 23 | 6718661 | ELBOW | W/Ref. 11 - check boss face to determine correct replacement o-ring | 5181 11999 & Bel | 1 |
| 23 | 6718661 | ELBOW | W/Ref. 11 - check boss face to determine correct replacement o-ring | 5190 15999 & Bel | 1 |
| 23 | 6718661 | ELBOW | W/Ref. 11 - check boss face to determine correct replacement o-ring | 5176 17999 & Bel | 1 |
| 24 | | FILTER ASSY | See Illustration HYDROSTATIC OIL FILTER/ B17469 | | 1 |
| 24 | 6661248 | FILTER, OIL HYD 12 | 6" (152,4mm) long | | 1 |
| 25 | 6700599 | ELBOW | W/Ref. 11 - check boss face to determine correct replacement o-ring | 500K 11038 & Bel | 1 |
| 25 | 6700599 | ELBOW | W/Ref. 11 - check boss face to determine correct replacement o-ring | 5180 11999 & Bel | 1 |
| 25 | 6700599 | ELBOW | W/Ref. 11 - check boss face to determine correct replacement o-ring | 5192 11999 & Bel | 1 |
| 25 | 6700599 | ELBOW | W/Ref. 11 - check boss face to determine correct replacement o-ring | 5190 15999 & Bel | 1 |
| 25 | 6700599 | ELBOW | W/Ref. 11 - check boss face to determine correct replacement o-ring | 5181 11999 & Bel | 1 |
| 25 | 6700599 | ELBOW | W/Ref. 11 - check boss face to determine correct replacement o-ring | 5176 17999 & Bel | 1 |
| 26 | 6719992 | TUBE | Was 6717417 [A] | 500K 11038 & Bel | 1 |
| 26 | 6719992 | TUBE | Was 6717417 [A] | 5176 17999 & Bel | 1 |
| 26 | 6719992 | TUBE | Was 6717417 [A] | 5180 11999 & Bel | 1 |
| 26 | 6719992 | TUBE | Was 6717417 [A] | 5192 11999 & Bel | 1 |
| 26 | 6719992 | TUBE | Was 6717417 [A] | 5190 15999 & Bel | 1 |
| 26 | 6719992 | TUBE | Was 6717417 [A] | 5181 11999 & Bel | 1 |
| 27 | | MOUNT | NAP - filter drain - Order Ref. 14, 28 & (2) of Ref. 29 - Was 6717381 [A] | | 1 |
| 28 | 6729082 | MOUNT | | 5176 18000 & Abv | 1 |

HYDROSTATIC CIRCUITRY (Cont'd)

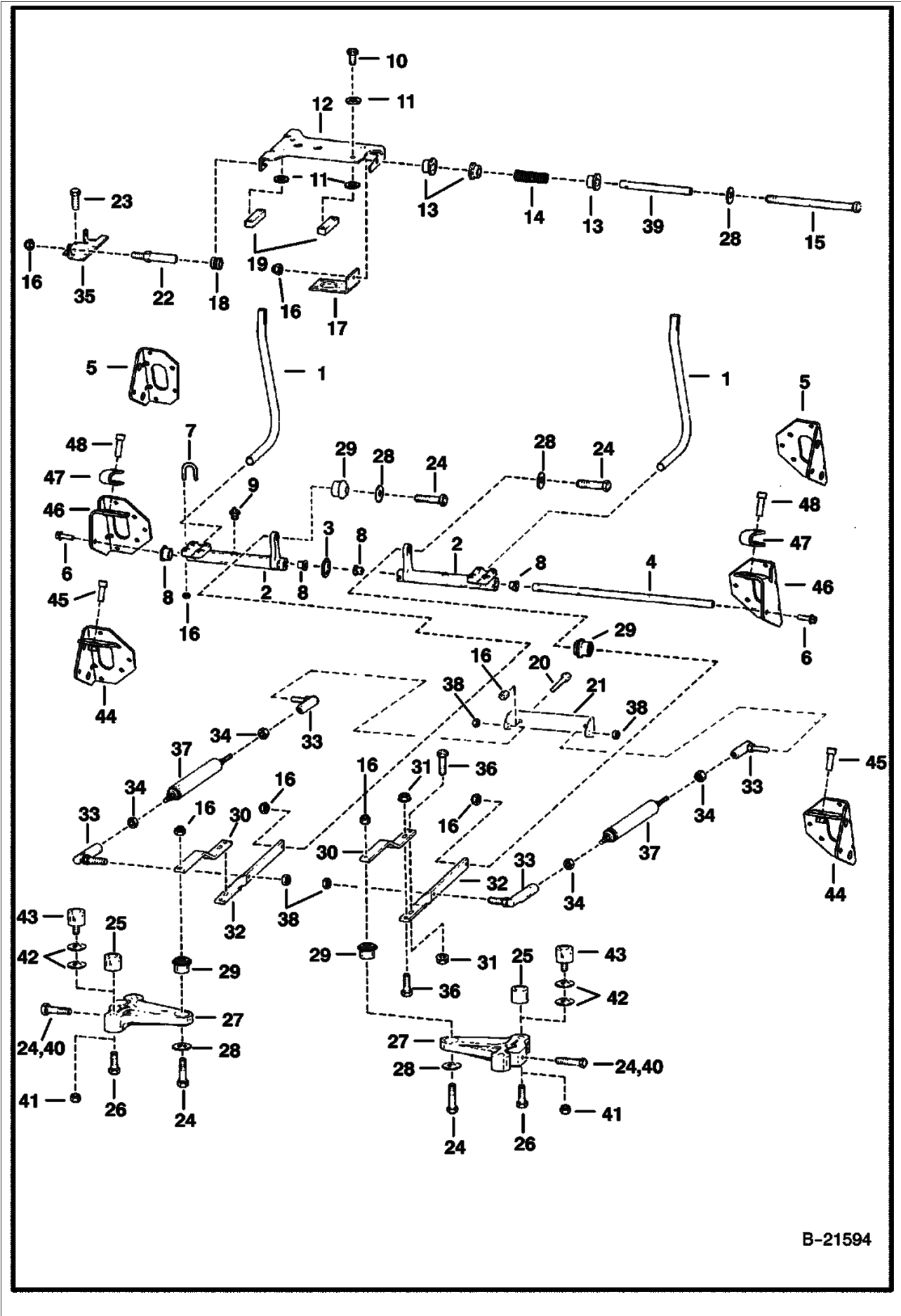


PE-1629

HYDROSTATIC CIRCUITRY (Cont'd)

| Ref No | Part Number | Description | Remarks | Serial Number | Qty |
|--------|-------------|-------------|--|------------------|-----|
| 28 | 6729082 | MOUNT | | 5192 12000 & Abv | 1 |
| 28 | 6729082 | MOUNT | | 5190 16000 & Abv | 1 |
| 28 | 6729082 | MOUNT | | 5181 12000 & Abv | 1 |
| 28 | 6729082 | MOUNT | | 5180 12000 & Abv | 1 |
| 28 | 6729082 | MOUNT | | 500K 11039 & Abv | 1 |
| 29 | 84G3708 | SCREW | | 5190 16000 & Abv | 3 |
| 29 | 84G3708 | SCREW | | 5176 18000 & Abv | 3 |
| 29 | 84G3708 | SCREW | | 5180 12000 & Abv | 3 |
| 29 | 84G3708 | SCREW | | 500K 11039 & Abv | 3 |
| 29 | 84G3708 | SCREW | | 5192 12000 & Abv | 3 |
| 29 | 84G3708 | SCREW | | 5181 12000 & Abv | 3 |
| 30 | 6727647 | TUBE | | | 1 |
| 31 | 30H44 | CLAMP | | 500K 11039 & Abv | 1 |
| 31 | 30H44 | CLAMP | | 5192 12000 & Abv | 1 |
| 31 | 30H44 | CLAMP | | 5190 16000 & Abv | 1 |
| 31 | 30H44 | CLAMP | | 5181 12000 & Abv | 1 |
| 31 | 30H44 | CLAMP | | 5180 12000 & Abv | 1 |
| 31 | 30H44 | CLAMP | | 5176 18000 & Abv | 1 |
| 32 | 6684125 | COUPLER | | | 1 |
| 33 | | TEE | NAP - Order Ref. 20 - Was 6817237 [D] | | 1 |
| 34 | 36K5 | CAP | | | 1 |
| 35 | 6685602 | CAP | | | 1 |
| 36 | 7107782 | HOSE | 32" (812,8 mm) long | | 1 |
| 37 | 7169850 | HOSE | 90 degree STC end & straight end 37 degree flare | | 1 |

HAND CONTROLS

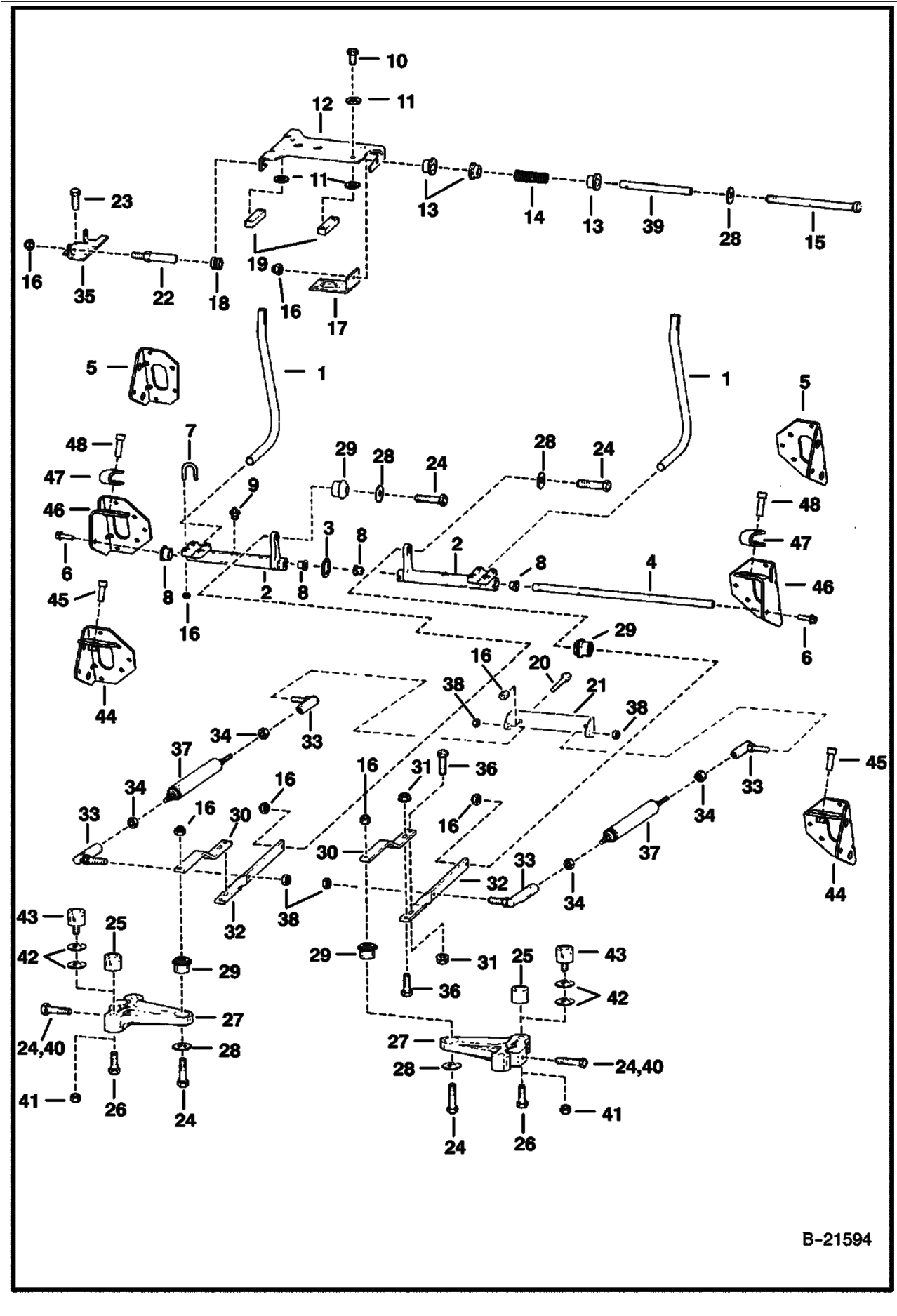


B-21594

HAND CONTROLS (Cont'd)

| Ref No | Part Number | Description | Remarks | Serial Number | Qty |
|--------|-------------|------------------------|---|---------------|-----|
| 1 | 6702543 | LEVER, STEERING | | | 2 |
| 2 | | BELLCRANK | NAP - W/ Notch for bushing tab - Order 7110571 Bellcrank, Ref. 9 (10H35), Ref. 28 (619021B Washer) & Ref. 29 (6678067 Bushing) - Was 6703880 [A] | | 2 |
| 2 | | BELLCRANK | W/ Notch for bushing tab - Use W/Ref. 9 (6518200 Grease Zerk) - Order 7110571 Bellcrank & Ref. 9 (10H35 Grease Zerk) - Was 7101047 [A] | | 2 |
| 2 | 6716977 | BELLCRANK | AHC - W/O Notch for bushing tab | | 2 |
| 2 | 7110571 | BELLCRANK, STEERING | W/notch for Ref. 8 (6703897 bushing) - Use W/Ref. 9 (10H35 grease zerk) | | 2 |
| 3 | 6599741 | WASHER | wave | | 1 |
| 4 | 6716545 | ROD | | | 1 |
| 5 | 6577230 | BRACKET | | | 2 |
| 6 | 45C620 | BOLT | | | 2 |
| 7 | 6732997 | U-BOLT | Was 6700768 [A] | | 4 |
| 8 | 6703879 | BUSHING, PLASTIC | W/tab | | 4 |
| 8 | 6673710 | BEARING, NEEDLE | needle - AHC - W/O notch | | 2 |
| 9 | 6518200 | GREASE ZERK | press fit | | 2 |
| 9 | 10H35 | GREASE ZERK | threaded | | 2 |
| 10 | 17C616 | BOLT 5 | Was 8C616 [B,D] | | 4 |
| 11 | 6557831 | WASHER | | | 8 |
| 12 | 6706095 | MOUNT | | | 1 |
| 13 | 6715163 | BUSHING, PRESS FIT | | | 3 |
| 14 | 6701535 | SPRING | | | 1 |
| 15 | 17C680 | BOLT | | | 1 |
| 16 | 95D6 | NUT | Was 91D6 [A] | | 21 |
| 17 | 6576196 | MOUNT | | | 1 |
| 18 | 6706098 | GUIDE | | | 2 |
| 19 | 6702716 | BLOCK | | | 2 |
| 20 | 17C612 | BOLT 5 | | | 2 |
| 21 | 6706106 | MOUNT | | | 1 |
| 22 | 6577058 | PIN | | | 2 |
| 23 | 1CM820 | BOLT | | | 8 |
| 24 | 17C626 | BOLT | | | 6 |
| 24 | 17C626 | BOLT | See Ref. 40 | | 4 |
| 25 | 6711643 | CAM | | | 4 |
| 26 | 35C612 | BOLT | | | 4 |
| 27 | | LEVER | NAP - .8725"(22,2 mm) I.D. hole for Ref. 29 (6665701 bushing) - Order 6729956 Lever Ref. 28 (619021 washer) & Ref. 29 (6678067 Bushing) - Was 6711644 [A] | | 2 |
| 27 | 6729956 | LEVER, PINTLE | 1.0475"(26,5 mm) I.D. hole for Ref. 29 (6678067 bushing) | | 2 |
| 28 | 6563914 | WASHER | 1.00"(25,4 mm) O.D. | | 4 |
| 28 | 619021 | WASHER, 5 | 1.25"(31,8 mm) O.D. | | 4 |
| 29 | 6665701 | BUSHING, PRESS FIT | neoprene - .885"(22,5 mm) O.D. | | 4 |
| 29 | 6685060 | BUSHING, TORSION | torsion - 1.055" (26,797 mm) OD - Was 6678067 [A] | | 4 |
| 30 | 6717239 | LINK | | | 2 |
| 31 | 83D6 | NUT 5 | | | 4 |
| 32 | 6576195 | LINK | | | 2 |
| 33 | 6599744 | BALL JOINT | | | 4 |

HAND CONTROLS (Cont'd)

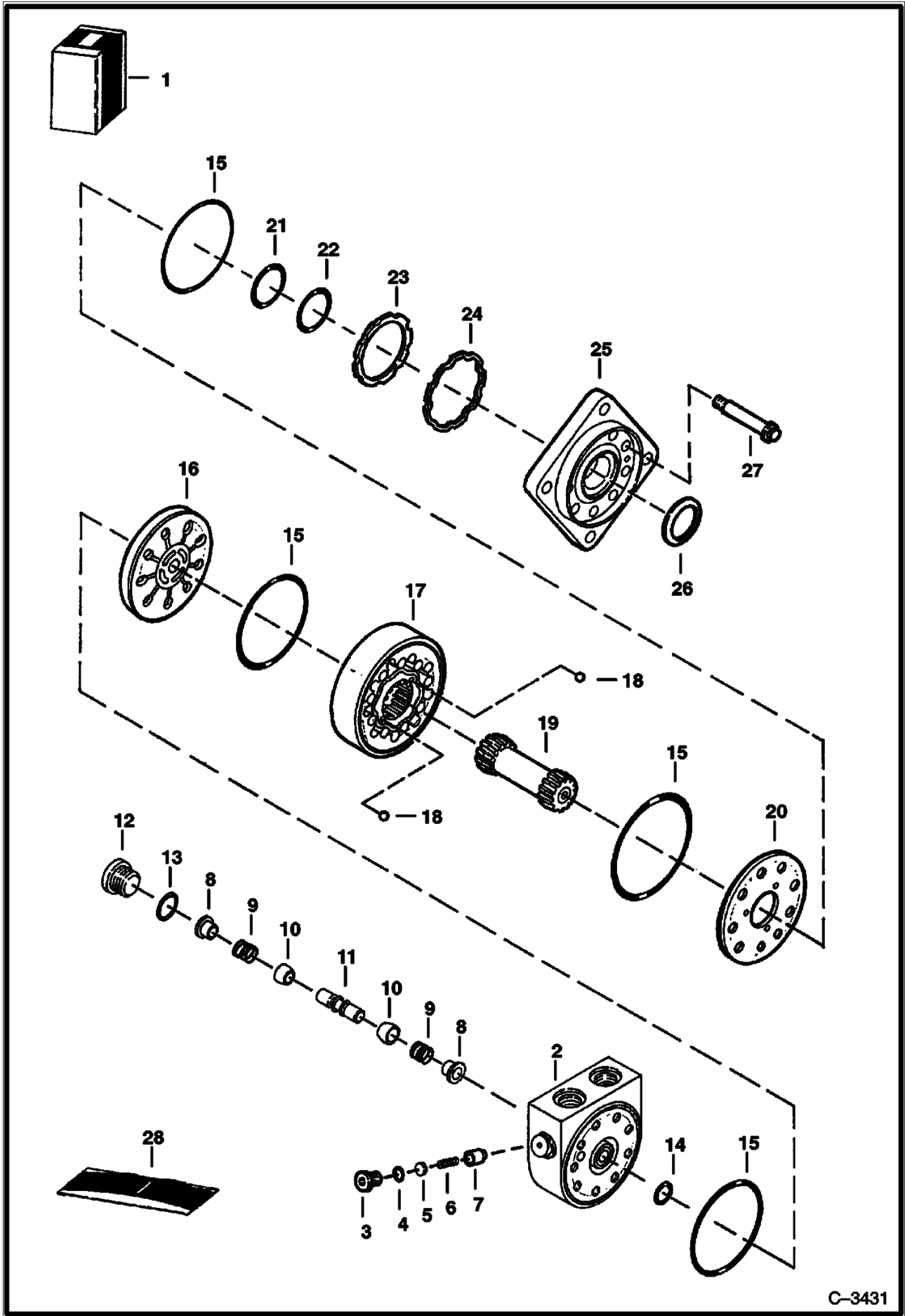


B-21594

HAND CONTROLS (Cont'd)

| Ref No | Part Number | Description | Remarks | Serial Number | Qty |
|--------|-------------|----------------|--|---------------|-----|
| 34 | 8D6 | NUT 5 | | | 4 |
| 35 | 6706096 | MOUNT | | | 1 |
| 36 | 17C620 | BOLT | | | 4 |
| 37 | 6649551 | SHOCK | | | 2 |
| 38 | 62D6 | NUT 5 | | | 2 |
| 39 | 6715164 | SLEEVE, SPRING | | | 1 |
| 40 | 35C624 | BOLT | 3/8 x 1.5" - grade 5 | | 2 |
| 41 | 98D6 | NUT | See Illustration CONTROLS ELECTRICAL/ PE1139 AHC | | 4 |
| 42 | 25E17 | WASHER 5 | | | 8 |
| 43 | 6673789 | BEARING | roller - AHC - W/ Threaded Stud | | 4 |
| 44 | | BRACKET | NAP -R.H. - Order Ref . 46-48 - Was 6733022 [A] | | 1 |
| 44 | | BRACKET | NAP - L.H. - Order Ref. 46-48 - Was 6733024 [A] | | 1 |
| 45 | 93G824 | BOLT | Was 73G824 [A] | | 2 |
| 46 | 7128600 | BRACKET | RH | | 1 |
| 46 | 7128601 | BRACKET | LH | | 1 |
| 47 | 7121779 | PAD | | | 2 |
| 48 | 73G828 | BOLT | | | 2 |

HYDROSTATIC MOTOR

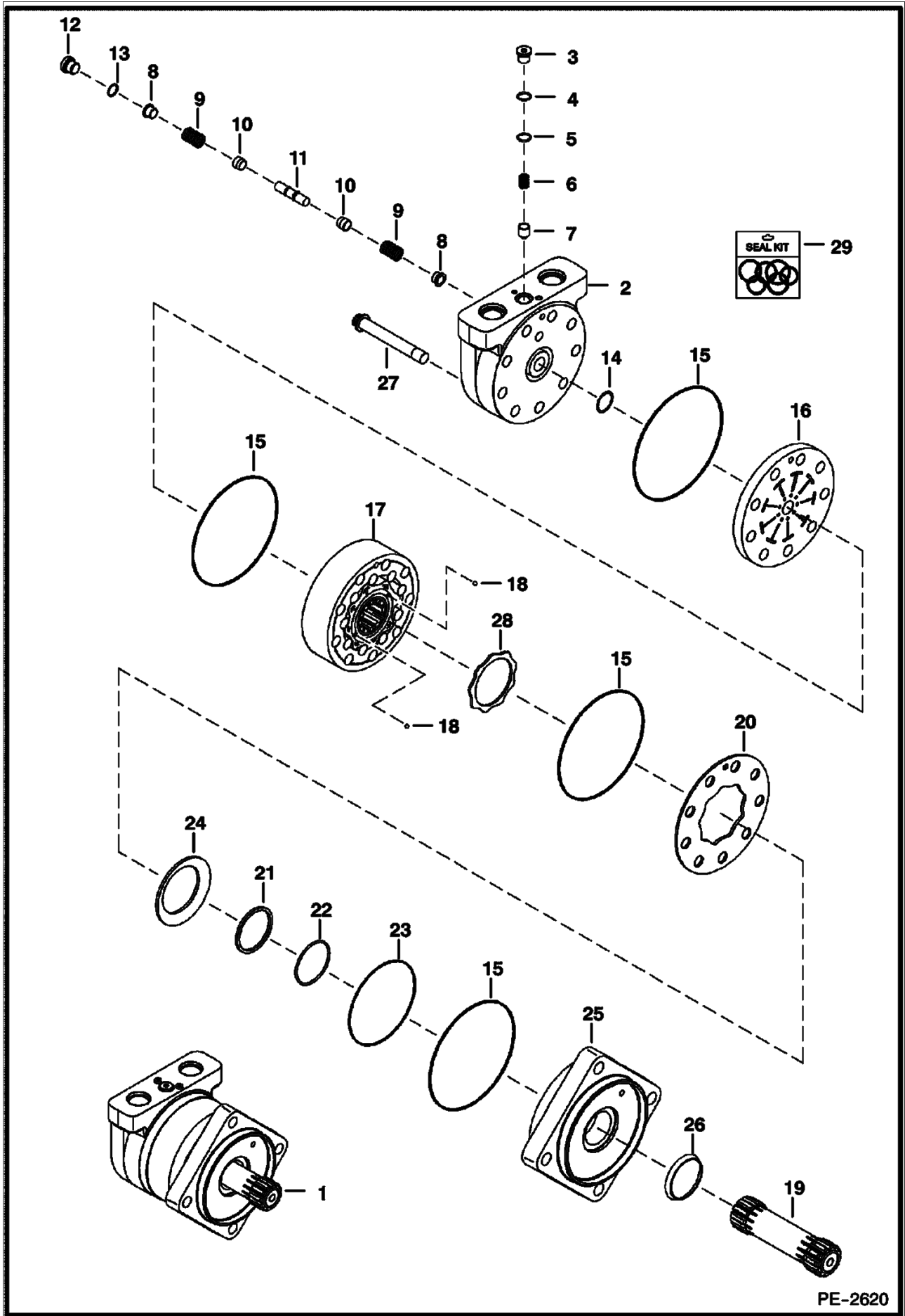


C-3431

HYDROSTATIC MOTOR (Cont'd)

| Ref No | Part Number | Description | Remarks | Serial Number | Qty |
|--------|-------------|-------------|--|---------------|-----|
| 1 | | MOTOR | See BTI367 NAP - Ref. 2-27 - Was 6671617 [A] | | 1 |
| 2 | 6669442 | HOUSING | W/Ref. 3-7 | | 1 |
| 3 | 6668079 | PLUG | W/Ref. 4 | | 1 |
| 4 | 79K5 | O RING 10 | | | 1 |
| 5 | 6668080 | SHIM | | | x |
| 6 | 6669444 | SPRING | | | 1 |
| 7 | 6668082 | POPPET | | | 1 |
| 8 | 6561218 | SHUTTLE | | | 2 |
| 9 | 6513533 | SPRING | | | 2 |
| 10 | 6513532 | POPPET | | | 2 |
| 11 | 6668088 | PISTON | shuttle - round | | 1 |
| 11 | 6668088 | PISTON | shuttle - W/flat - fast acting - Was 6685066 [A] | | 1 |
| 12 | 6668089 | PLUG | W/Ref. 13 | | 1 |
| 13 | 79K6 | O RING 10 | | | 1 |
| 14 | 6669452 | O-RING | | | 1 |
| 15 | 6669446 | O-RING | | | 4 |
| 16 | 6669447 | PLATE | valve | | 1 |
| 17 | | GEROLER | NAP - Was 6672126 [A] | | 1 |
| 18 | 6651542 | BALL | | | 2 |
| 19 | 6669469 | SHAFT | | | 1 |
| 20 | 6669448 | PLATE | balance | | 1 |
| 21 | 6669450 | RING | backup | | 1 |
| 22 | 6669449 | O-RING | | | 1 |
| 23 | 6669453 | SEAL | | | 1 |
| 24 | 6669454 | RING | backup | | 1 |
| 25 | 6669451 | FLANGE | mounting | | 1 |
| 26 | 6664815 | SEAL, OIL | | | 1 |
| 27 | 6669470 | BOLT | | | 9 |
| 28 | 6669455 | KIT, SEAL | W/Ref. 4, 13, 14, 21-24 & 26 | | 1 |

HYDROSTATIC MOTOR

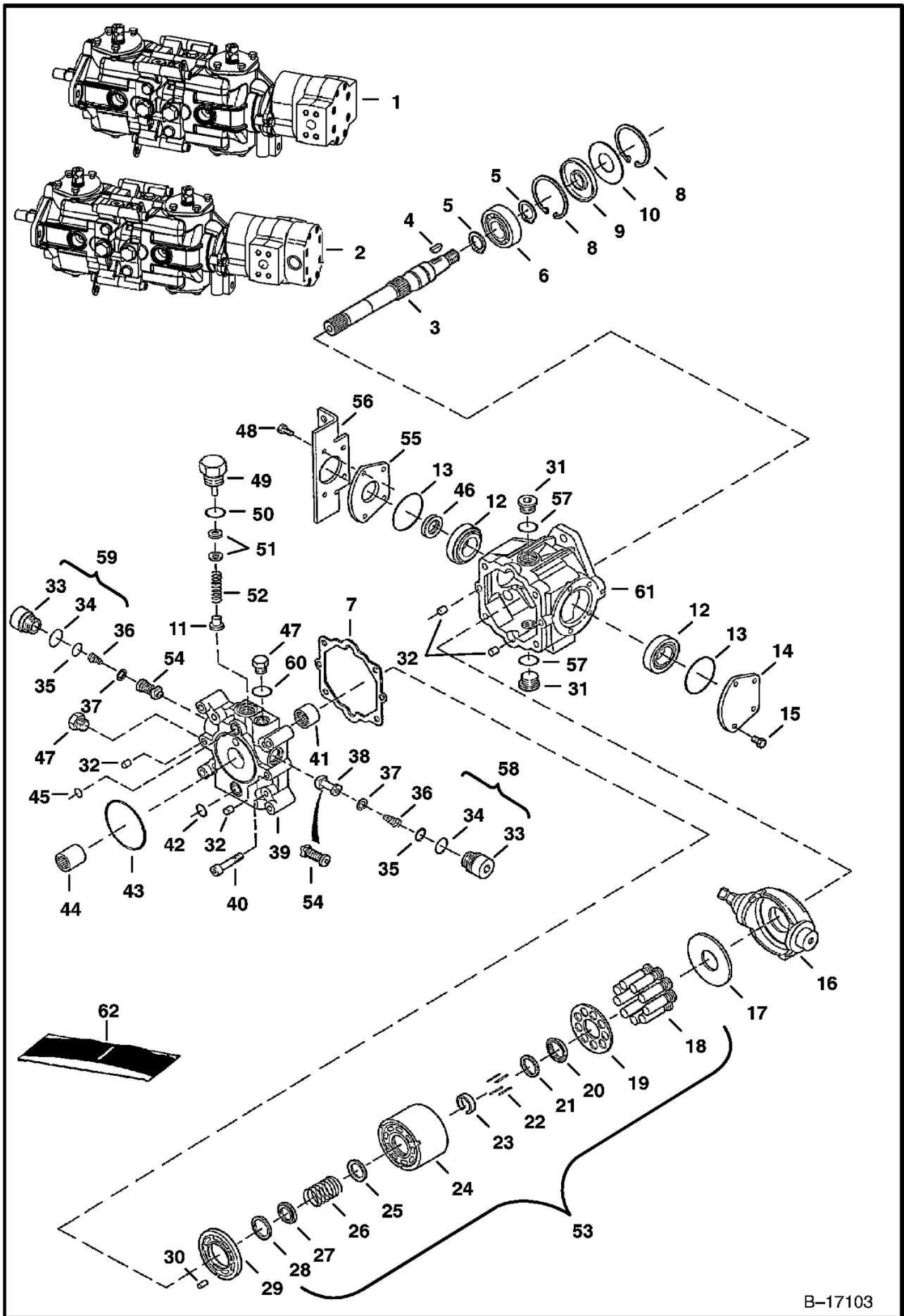


PE-2620

HYDROSTATIC MOTOR (Cont'd)

| Ref No | Part Number | Description | Remarks | Serial Number | Qty |
|--------|-------------|--------------------|--|---------------|-----|
| 1 | 6682034 | MOTOR | Ref. 2-27 | | 1 |
| 2 | 6689697 | HOUSING | W/Ref. 3-7 - Was 6685063 [B,D] | | 1 |
| 3 | 6668079 | PLUG | W/Ref. 4 | | 1 |
| 4 | 79K5 | O RING 10 | | | 1 |
| 5 | 6668080 | SHIM | | | x |
| 6 | 6688521 | SPRING | | | 1 |
| 7 | 6668082 | POPET | Was 6685064 [A] | | 1 |
| 8 | 6685065 | SHUTTLE | | | 2 |
| 9 | 6513533 | SPRING | | | 2 |
| 10 | 6513532 | POPET | | | 2 |
| 11 | 6668088 | PISTON | shuttle - W/flat - fast acting - Was 6685066 [A] | | 1 |
| 12 | 6668089 | PLUG | W/Ref. 13 | | 1 |
| 13 | 79K6 | O RING 10 | | | 1 |
| 14 | 6669452 | O-RING | | | 1 |
| 15 | 6678000 | SEAL | | | 4 |
| 16 | 6689698 | PLATE | valve - Was 6678001 [B,D] | | 1 |
| 17 | 6691343 | GEROLER | Was 6685067 [B,D] | | 1 |
| 18 | 6651542 | BALL | | | 2 |
| 19 | 6682862 | SHAFT, DRIVE | | | 1 |
| 20 | 6689700 | PLATE | balance - outer - Was 6678003 [B,D] | | 1 |
| 21 | 6678006 | BACK-UP RING | backup | | 1 |
| 22 | 6682860 | O-RING | | | 1 |
| 23 | 6682897 | SEAL | | | 1 |
| 24 | 6685069 | RING, BACK-UP | backup | | 1 |
| 25 | 6685068 | FLANGE | mounting | | 1 |
| 26 | 6664815 | SEAL, OIL | | | 1 |
| 27 | 6682863 | BOLT | | | 9 |
| 28 | 6678004 | PLATE | balance - inner | | 1 |
| 29 | 6685070 | KIT, SEAL COMPLETE | W/Ref. 4, 13-15, 21-23 & 26 | | 1 |

HYDROSTATIC PUMP

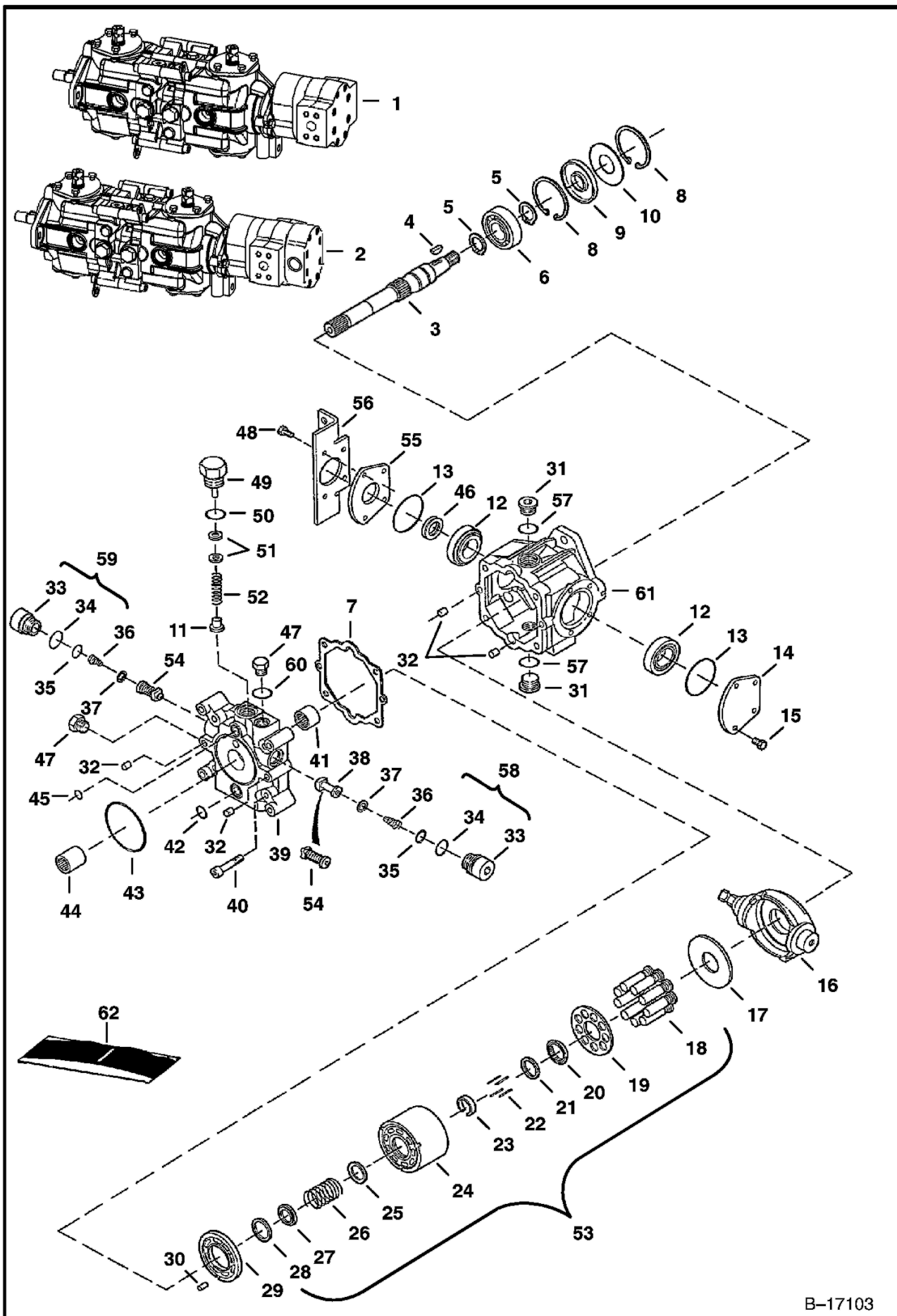


B-17103

HYDROSTATIC PUMP (Cont'd)

| Ref No | Part Number | Description | Remarks | Serial Number | Qty |
|--------|-------------|------------------|--|------------------|-----|
| 1 | 6674378 | PUMP, HYD TANDEM | Model 4445070 - W/aluminum gear pump - must use brackets 6576196 & 6706096 from old pump | 500K 11563 & Bel | 1 |
| 1 | 6674378 | PUMP, HYD TANDEM | Model 4445070 - W/aluminum gear pump - must use brackets 6576196 & 6706096 from old pump | 5181 12187 & Bel | 1 |
| 1 | 6674378 | PUMP, HYD TANDEM | Model 4445070 - W/aluminum gear pump - must use brackets 6576196 & 6706096 from old pump | 5192 12217 & Bel | 1 |
| 1 | 6674378 | PUMP, HYD TANDEM | Model 4445070 - W/aluminum gear pump - must use brackets 6576196 & 6706096 from old pump | 5190 20246 & Bel | 1 |
| 1 | 6674378 | PUMP, HYD TANDEM | Model 4445070 - W/aluminum gear pump - must use brackets 6576196 & 6706096 from old pump | 5180 12335 & Bel | 1 |
| 1 | 6674378 | PUMP, HYD TANDEM | Model 4445070 - W/aluminum gear pump - must use brackets 6576196 & 6706096 from old pump | 5176 19833 & Bel | 1 |
| 1 | | PUMP | NAP - Model 4445096 - W/cast iron gear pump - Order 6686702 - Was 6677647 [A] | | 1 |
| 1 | | PUMP | NAP - Model 4445132 - W/cast iron gear pump - Order 6686702 - Was 6681635 [A] | | 1 |
| 1 | | PUMP | NAP - Model 4445160 - W/cast iron gear pump - Order 6686702 - Was 6685032 [A] | | 1 |
| 1 | | PUMP | NAP - Model 4445192 - Order 6686702 - Was 6687632 [A] | | 1 |
| 1 | 6686702 | PUMP, HYD TANDEM | Model 4445187 - must use brackets 6576196 & 6706096 from old pump | | 1 |
| 2 | 6674379 | PUMP | Model 4445071 - W/double aluminum gear pump for High Flow Hydraulics - must use brackets 6576196 & 6706096 from old pump | 500K 11563 & Bel | 1 |
| 2 | 6674379 | PUMP | Model 4445071 - W/double aluminum gear pump for High Flow Hydraulics - must use brackets 6576196 & 6706096 from old pump | 5181 12187 & Bel | 1 |
| 2 | 6674379 | PUMP | Model 4445071 - W/double aluminum gear pump for High Flow Hydraulics - must use brackets 6576196 & 6706096 from old pump | 5180 12335 & Bel | 1 |
| 2 | 6674379 | PUMP | Model 4445071 - W/double aluminum gear pump for High Flow Hydraulics - must use brackets 6576196 & 6706096 from old pump | 5176 19833 & Bel | 1 |
| 2 | 6674379 | PUMP | Model 4445071 - W/double aluminum gear pump for High Flow Hydraulics - must use brackets 6576196 & 6706096 from old pump | 5190 20246 & Bel | 1 |
| 2 | 6674379 | PUMP | Model 4445071 - W/double aluminum gear pump for High Flow Hydraulics - must use brackets 6576196 & 6706096 from old pump | 5192 12217 & Bel | 1 |
| 2 | | PUMP | NAP - Model 4445097 - W/double cast iron gear pump for High Flow Hydraulics - Order 6686704 - Was 6681636 [A] | | 1 |
| 2 | | PUMP | NAP - Model 4445161 - W/double cast iron gear pump for High Flow Hydraulics - Order 6686704 - Was 6685033 [A] | | 1 |
| 2 | | PUMP | NAP - Model 4445202 - W/double cast iron gear pump for High Flow Hydraulics - Order 6686704 - Was 6687633 [A] | | 1 |
| 2 | 6686704 | PUMP | Model 4445187 - must use brackets 6576196 & 6706096 from old pump | | 1 |
| 3 | | SHAFT | NAP - W/woodruff key - Order 6682260 Shaft and Ref. 4 (6682261 Key) - Was 6669408 [A] | | 1 |
| 3 | 6682260 | SHAFT | W/square key | | 1 |
| 4 | 6J807 | KEY, WOODRUFF | | | 1 |
| 4 | 6682261 | KEY | square | | 1 |

HYDROSTATIC PUMP (Cont'd)

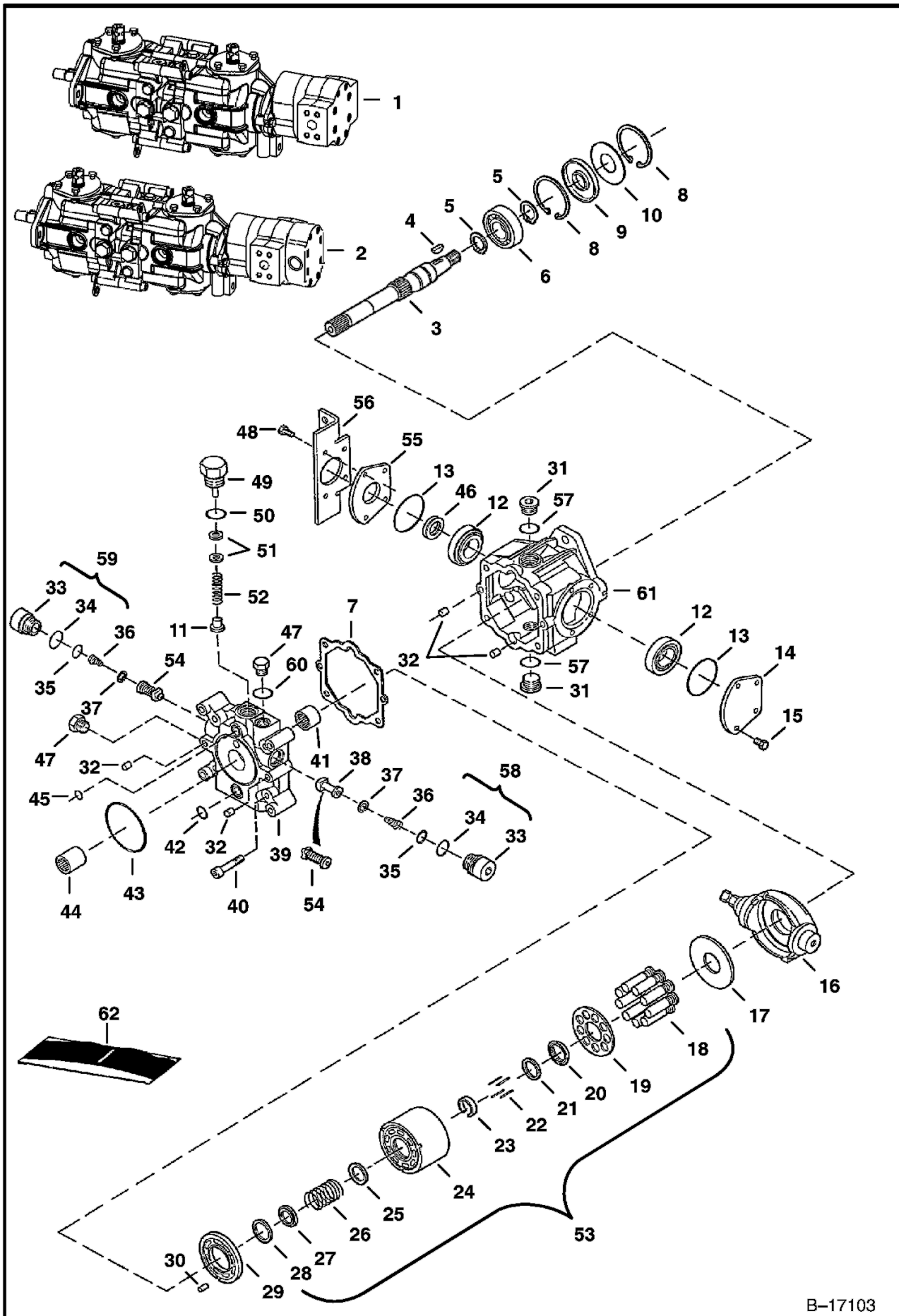


B-17103

HYDROSTATIC PUMP (Cont'd)

| Ref No | Part Number | Description | Remarks | Serial Number | Qty |
|--------|-------------|-----------------|---|---------------|-----|
| 5 | 658128 | RING, SNAP | | | 2 |
| 6 | 654299 | BEARING | | | 1 |
| 7 | 6650634 | GASKET | | | 1 |
| 8 | 669863 | RING, SNAP | | | 2 |
| 9 | 6687191 | SEAL, OIL | Was 6645090 [A] | | 1 |
| 10 | 6669409 | WASHER | | | 1 |
| 11 | 6650652 | POPPET | charge relief | | 1 |
| 12 | 6669411 | BEARING | | | 2 |
| 13 | 6660814 | O-RING | | | 2 |
| 14 | 6657068 | COVER | | | 2 |
| 15 | 6650668 | BOLT | | | 4 |
| 16 | 6685344 | SWASHPLATE | W/threaded shaft hole - Was 6671513 [A] | | 1 |
| 17 | 6650627 | PLATE | | | 1 |
| 18 | | PISTON ASSY | NAP - Order Ref. 53 | | 1 |
| 19 | | RETAINER | NAP - Order Ref. 53 | | 1 |
| 20 | | RETAINER | NAP - guide - Order Ref. 53 | | 1 |
| 21 | 6666338 | WASHER | | | 1 |
| 22 | 6650629 | PIN | | | 4 |
| 23 | 6650630 | RETAINER | | | 1 |
| 24 | | BLOCK | NAP - Order Ref. 53 | | 1 |
| 25 | | WASHER | NAP - Order Ref. 53 | | 1 |
| 26 | | SPRING | NAP - Order Ref. 53 | | 1 |
| 27 | | WASHER | NAP - Order Ref. 53 | | 1 |
| 28 | | WASHER | NAP - Order Ref. 53 | | 1 |
| 29 | | | See BTI361 NAP - For Models 4445070, 4445071, 4445096, 4445097, 4445132, 4445160 & 4445161 Pump - Was 6675340 [A] | | 1 |
| 29 | 6687774 | PLATE, PUMP HYD | For Models 4445192 & 4445202 Pump | | 1 |
| 30 | 6650636 | PIN | | | 1 |
| 31 | 47K8 | PLUG | W/Ref. 57 | | 2 |
| 32 | 6675342 | PIN | | | 4 |
| 33 | | PLUG | NAP - Order Ref. 58 or 59 | | 2 |
| 34 | 6657028 | O-RING | | | 2 |
| 35 | 79K8 | O RING 10 | | | 2 |
| 36 | | SPRING | NAP - Order Ref. 58 or 59 | | 2 |
| 37 | | RETAINER | NAP - Order Ref. 58 or 59 | | 2 |
| 38 | | CHECK VALVE | NAP - poppet - Order Ref. 58 | | 1 |
| 39 | 6669406 | END PLATE | | | 1 |
| 40 | 6650637 | BOLT | | | 4 |
| 41 | 6650635 | BEARING | | | 1 |
| 42 | 6650647 | O-RING | | | 1 |
| 43 | 6645081 | O-RING | | | 1 |
| 44 | 6650675 | COUPLER | | | 1 |
| 45 | 6650646 | O-RING | | | 1 |
| 46 | 6678226 | SEAL, OIL | Was 6673881 [A] | | 1 |
| 47 | 6645086 | PLUG | W/Ref. 60 | | 2 |
| 48 | 6671518 | BOLT | | | 4 |
| 49 | 6650648 | PLUG | charge relief | | 1 |
| 50 | 79K10 | O RING 10 | | | 1 |
| 51 | 6669410 | KIT, SHIM | charge relief | | 1 |
| 52 | 6658301 | SPRING | | | 1 |
| 53 | 6671512 | GROUP, ROTARY | Was 6675341 [B,D] | | 1 |
| 54 | | RELIEF VALVE | NAP - 5000 PSI (345 bar) - Order Ref. 59 | | 1 |
| 55 | 6657067 | COVER | Was 6675338 [A] | | 1 |
| 56 | 6706096 | MOUNT | | | 1 |
| 57 | 79K12 | O RING 10 | | | 2 |

HYDROSTATIC PUMP (Cont'd)

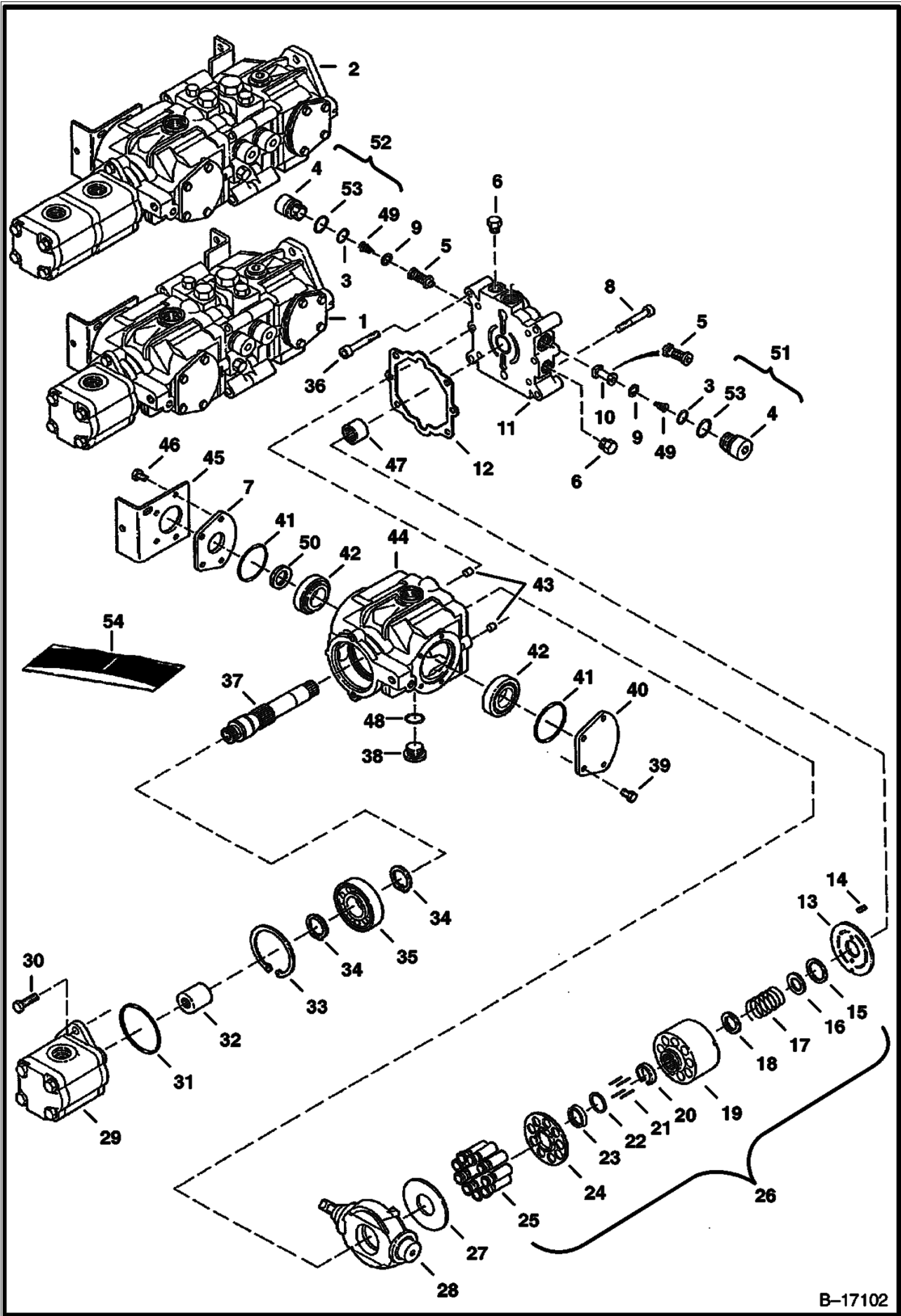


B-17103

HYDROSTATIC PUMP (Cont'd)

| Ref No | Part Number | Description | Remarks | Serial Number | Qty |
|--------|-------------|--------------|---|---------------|-----|
| 58 | 6670684 | CHECK VALVE | | | 1 |
| 59 | 6671510 | RELIEF VALVE | | | 1 |
| 60 | 6661481 | O-RING | | | 2 |
| 61 | 6669402 | HOUSING | | | 1 |
| 62 | 6671516 | KIT, SEAL | Ref. 7, 9, 13, 34, 35, 42, 43, 45 & 46 - Also includes Ref. 3, 12, 41 & 53 on next page | | 1 |

HYDROSTATIC PUMP

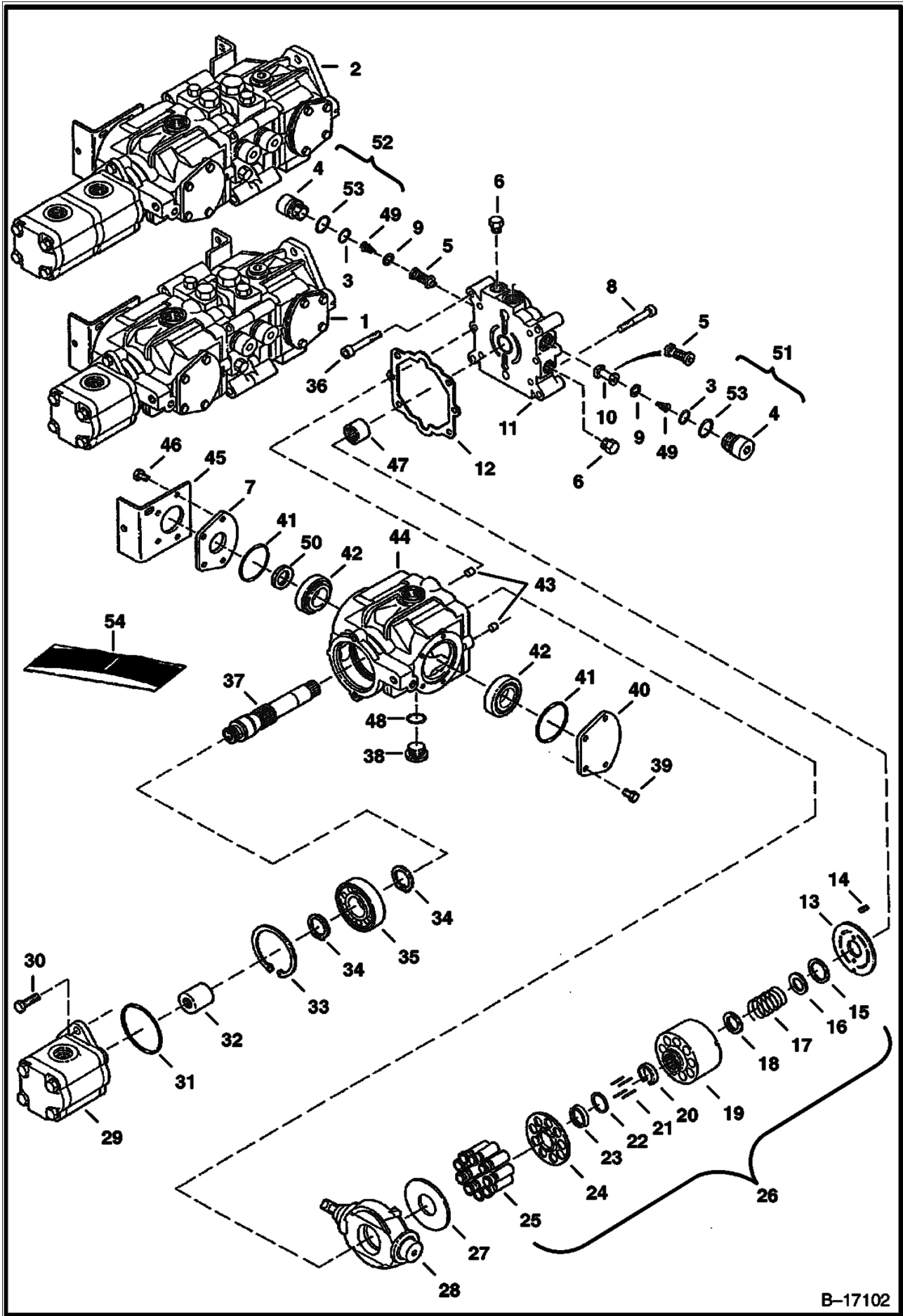


B-17102

HYDROSTATIC PUMP (Cont'd)

| Ref No | Part Number | Description | Remarks | Serial Number | Qty |
|--------|-------------|------------------|--|------------------|-----|
| 1 | 6674378 | PUMP, HYD TANDEM | Model 4445070 - W/aluminum gear pump - must use brackets 6576196 & 6706096 from old pump | 500K 11563 & Bel | 1 |
| 1 | 6674378 | PUMP, HYD TANDEM | Model 4445070 - W/aluminum gear pump - must use brackets 6576196 & 6706096 from old pump | 5181 12187 & Bel | 1 |
| 1 | 6674378 | PUMP, HYD TANDEM | Model 4445070 - W/aluminum gear pump - must use brackets 6576196 & 6706096 from old pump | 5192 12217 & Bel | 1 |
| 1 | 6674378 | PUMP, HYD TANDEM | Model 4445070 - W/aluminum gear pump - must use brackets 6576196 & 6706096 from old pump | 5190 20246 & Bel | 1 |
| 1 | 6674378 | PUMP, HYD TANDEM | Model 4445070 - W/aluminum gear pump - must use brackets 6576196 & 6706096 from old pump | 5180 12335 & Bel | 1 |
| 1 | 6674378 | PUMP, HYD TANDEM | Model 4445070 - W/aluminum gear pump - must use brackets 6576196 & 6706096 from old pump | 5176 19833 & Bel | 1 |
| 1 | | PUMP | NAP - Model 4445096 - W/cast iron gear pump - Order 6686702 Pump - must use brackets 6576196 & 6706096 from old pump - Was 6677647 [A] | | 1 |
| 1 | | PUMP | NAP - Model 4445132 - W/cast iron gear pump - Order 6686702 Pump - must use brackets 6576196 & 6706096 from old pump - Was 6681635 [A] | | 1 |
| 1 | | PUMP | NAP - Model 4445160 - W/cast iron gear pump - Order 6686702 Pump - must use brackets 6576196 & 6706096 from old pump - Was 6685032 [A] | | 1 |
| 1 | | PUMP | NAP - Model 4445192 - Order 6686702 - must use brackets 6576196 & 6706096 from old pump - Was 6687632 [A] | | 1 |
| 1 | 6686702 | PUMP, HYD TANDEM | Model 4445187 - must use brackets 6576196 & 6706096 from old pump | | 1 |
| 2 | 6674379 | PUMP | Model 4445071 - W/double aluminum gear pump for High Flow Hydraulics - must use brackets 6576196 & 6706096 from old pump | 500K 11563 & Bel | 1 |
| 2 | 6674379 | PUMP | Model 4445071 - W/double aluminum gear pump for High Flow Hydraulics - must use brackets 6576196 & 6706096 from old pump | 5176 19833 & Bel | 1 |
| 2 | 6674379 | PUMP | Model 4445071 - W/double aluminum gear pump for High Flow Hydraulics - must use brackets 6576196 & 6706096 from old pump | 5192 12217 & Bel | 1 |
| 2 | 6674379 | PUMP | Model 4445071 - W/double aluminum gear pump for High Flow Hydraulics - must use brackets 6576196 & 6706096 from old pump | 5190 20246 & Bel | 1 |
| 2 | 6674379 | PUMP | Model 4445071 - W/double aluminum gear pump for High Flow Hydraulics - must use brackets 6576196 & 6706096 from old pump | 5181 12187 & Bel | 1 |
| 2 | 6674379 | PUMP | Model 4445071 - W/double aluminum gear pump for High Flow Hydraulics - must use brackets 6576196 & 6706096 from old pump | 5180 12335 & Bel | 1 |
| 2 | | PUMP | NAP - Model 4445097 - W/double gear pump for high flow hydraulics - Order 6686704 Pump and replace new mounting brackets with brackets from old pump - Was 6681636 [A] | | 1 |
| 2 | | PUMP | NAP - Model 4445161 - W/double gear pump for high flow hydraulics - Order 6686704 Pump - Was 6685033 [A] | | 1 |
| 2 | | PUMP | NAP - Model 4445202 - W/double gear pump for High Flow Hydraulics - Order 6686704 - must use brackets 6576196 & 6706096 from old pump - Was 6687633 [A] | | 1 |
| 2 | 6686704 | PUMP | Model 4445186 - W/double gear pump for High Flow Hydraulics - must use brackets 6576196 & 6706096 | | 1 |

HYDROSTATIC PUMP (Cont'd)

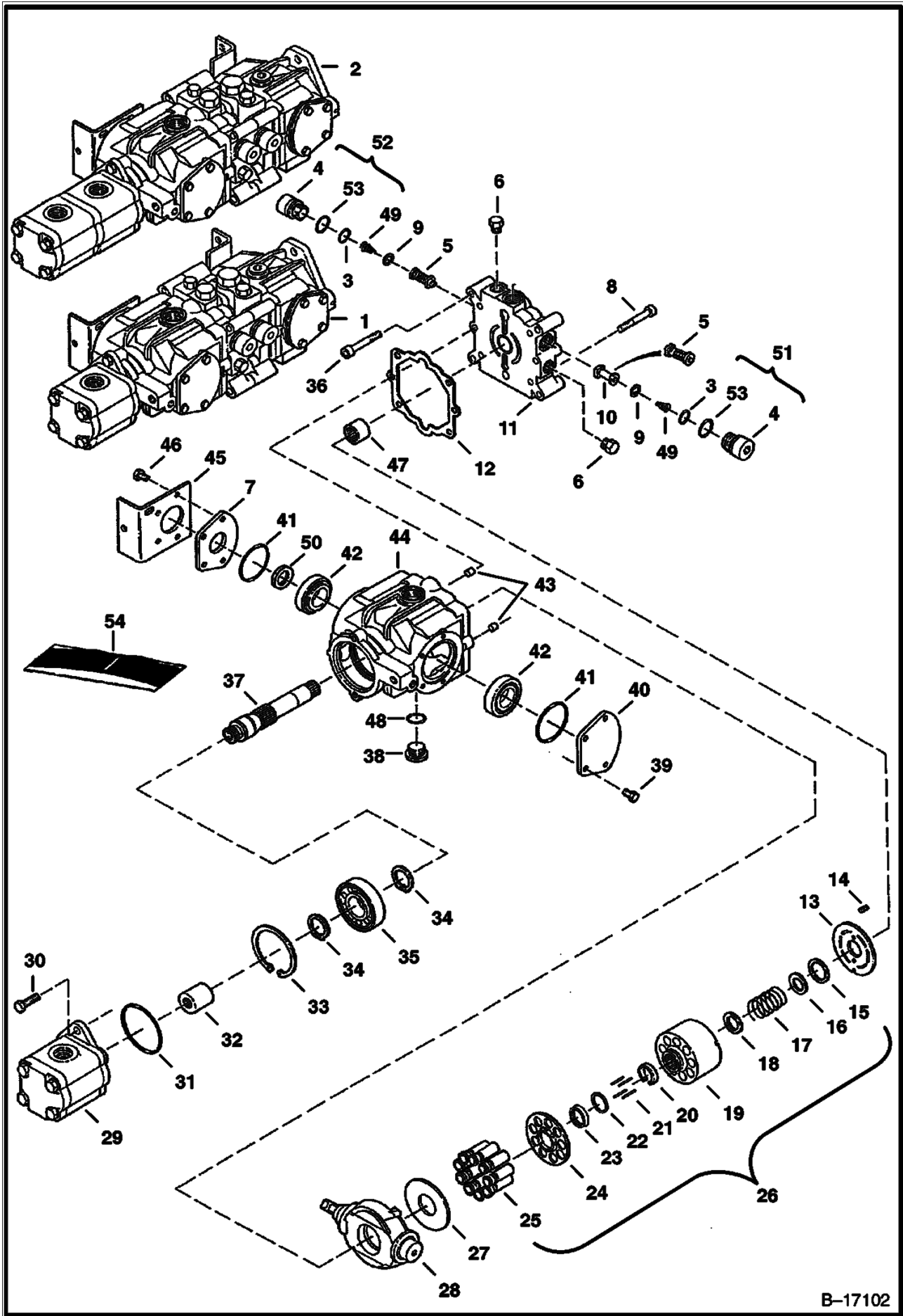


B-17102

HYDROSTATIC PUMP (Cont'd)

| Ref No | Part Number | Description | Remarks | Serial Number | Qty |
|--------|-------------|-----------------|---|---------------|-----|
| | | | from old pump | | |
| 3 | 79K8 | O RING 10 | | | 2 |
| 4 | | PLUG | NAP - Order Ref. 51 or 52 | | 2 |
| 5 | | RELIEF VALVE | NAP - 5000 PSI (345 bar) - Order Ref. 52 | | 1 |
| 6 | 6645086 | PLUG | | | 4 |
| 7 | 6657067 | COVER | Was 6675338 [A] | | 1 |
| 8 | 6650637 | BOLT | | | 2 |
| 9 | | RETAINER | NAP - Order Ref. 51 or 52 | | 4 |
| 10 | | CHECK VALVE | NAP - poppet - Order Ref. 51 | | 1 |
| 11 | 6669405 | END CAP | | | 1 |
| 12 | 6650634 | GASKET | | | 1 |
| 13 | | | See BTI361 NAP - For Models 4445070, 4445071, 4445096, 4445097, 4445132, 4445160 & 4445161 Pump - Was 6675339 [A] | | 1 |
| 13 | 6687773 | PLATE, PUMP HYD | For Models 4445192 & 4445202 Pump | | 1 |
| 14 | 6650636 | PIN | | | 2 |
| 15 | | RETAINER | NAP - Order Ref. 26 | | 1 |
| 16 | | WASHER | NAP - Order Ref. 26 | | 1 |
| 17 | | SPRING | NAP - Order Ref. 26 | | 1 |
| 18 | | WASHER | NAP - Order Ref. 26 | | 1 |
| 19 | | BLOCK | NAP - Order Ref. 26 | | 1 |
| 20 | 6650630 | RETAINER | | | 1 |
| 21 | 6650629 | PIN | | | 4 |
| 22 | 6666338 | WASHER | | | 1 |
| 23 | | RETAINER | NAP - Order Ref. 26 | | 1 |
| 24 | | RETAINER | NAP - Order Ref. 26 | | 1 |
| 25 | | PISTON ASSY | NAP - Order Ref. 26 | | 1 |
| 26 | 6671512 | GROUP, ROTARY | Was 6675341 [B,D] | | 1 |
| 27 | 6650627 | PLATE | | | 1 |
| 28 | 6685344 | SWASHPLATE | W/threaded shaft hole - Was 6671513 [A] | | 1 |
| 29 | | GEAR PUMP | See Illustration GEAR PUMP/ TS1022 SINGLE - ALUMINUM - For Ref. 1 (6674378 PUMP) | | 1 |
| 29 | | GEAR PUMP | See Illustration GEAR PUMP/ TS1022 SINGLE - CAST IRON - For Ref. 1 (6677647 PUMP) | | 1 |
| 29 | | GEAR PUMP | See Illustration HIGH FLOW HYDRAULICS/ TS1078 DOUBLE - ALUMINUM - For Ref. 2 (6674379 PUMP) | | 1 |
| 29 | | GEAR PUMP | See Illustration HIGH FLOW HYDRAULICS/ TS1078 DOUBLE CAST IRON -For Ref. 2 (6677648 PUMP) | | 1 |
| 30 | 6666339 | BOLT | | | 2 |
| 31 | 6645080 | O-RING | For Ref. 1 | | 1 |
| 31 | 6660339 | GASKET | For Ref. 2 | | 1 |
| 32 | 6671509 | COUPLER | | | 1 |
| 33 | 669863 | RING, SNAP | | | 1 |
| 34 | 658128 | RING, SNAP | | | 2 |
| 35 | 654299 | BEARING | | | 1 |
| 36 | 6652018 | BOLT | | | 4 |
| 37 | 6669407 | SHAFT | | | 1 |
| 38 | 47K8 | PLUG | W/Ref. 48 | | 1 |
| 39 | 6650668 | BOLT | | | 4 |
| 40 | 6657068 | COVER | | | 1 |
| 41 | 6660814 | O-RING | | | 2 |
| 42 | 6669411 | BEARING | | | 2 |
| 43 | 6675342 | PIN | | | 2 |
| 44 | 6669403 | HOUSING | | | 1 |
| 45 | 6576196 | MOUNT | | | 1 |
| 46 | 6650668 | BOLT | | | 4 |

HYDROSTATIC PUMP (Cont'd)

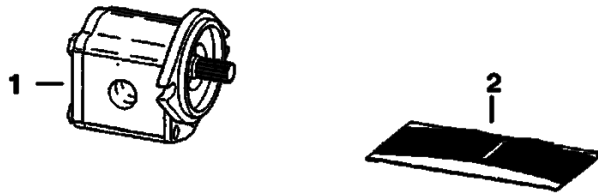


B-17102

HYDROSTATIC PUMP (Cont'd)

| Ref No | Part Number | Description | Remarks | Serial Number | Qty |
|--------|-------------|--------------|---|---------------|-----|
| 47 | 6650635 | BEARING | | | 1 |
| 48 | 79K12 | O RING 10 | | | 1 |
| 49 | | SPRING | NAP - Order Ref. 51 or 52 | | 2 |
| 50 | 6678226 | SEAL, OIL | Was 6673881 [A] | | 1 |
| 51 | 6670684 | CHECK VALVE | | | 1 |
| 52 | 6671510 | RELIEF VALVE | | | 1 |
| 53 | 6657028 | O-RING | | | 2 |
| 54 | 6671516 | KIT, SEAL | Ref. 3, 12, 41 & 53 - Also includes Ref. 7, 9, 13, 34, 35, 42, 43, 45 & 46 on previous page | | 1 |

GEAR PUMP

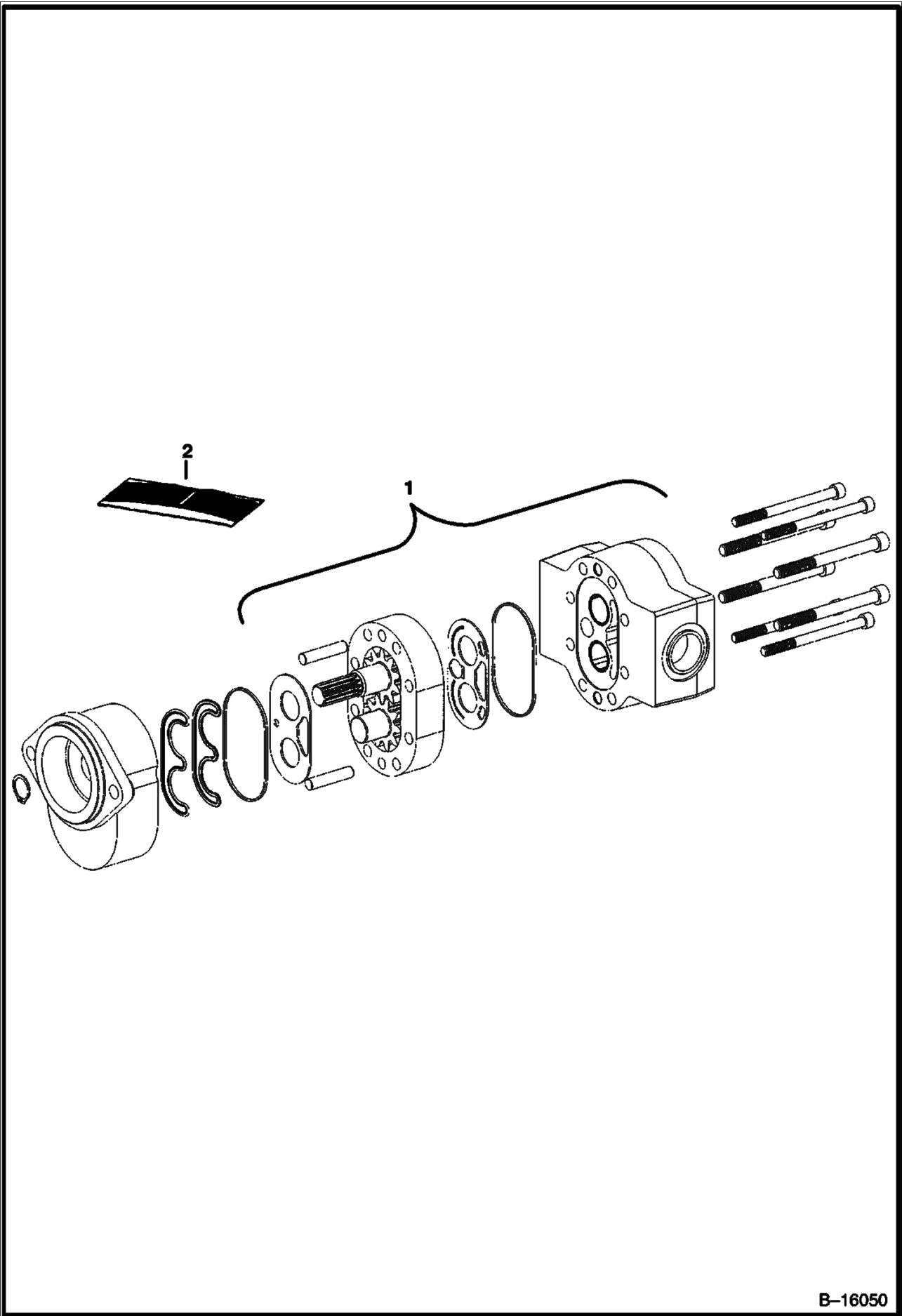


TS-1022

GEAR PUMP (Cont'd)

| Ref No | Part Number | Description | Remarks | Serial Number | Qty |
|--------|-------------|-------------|---|---------------|-----|
| 1 | 6675343 | PUMP | See Illustration HYDROSTATIC PUMP/ B17103 ALUMINUM - MODEL B5501-37468 - USE W/6674378 PUMP | | 1 |
| 2 | 6674371 | SEAL KIT | | | 1 |

GEAR PUMP (Cast Iron)

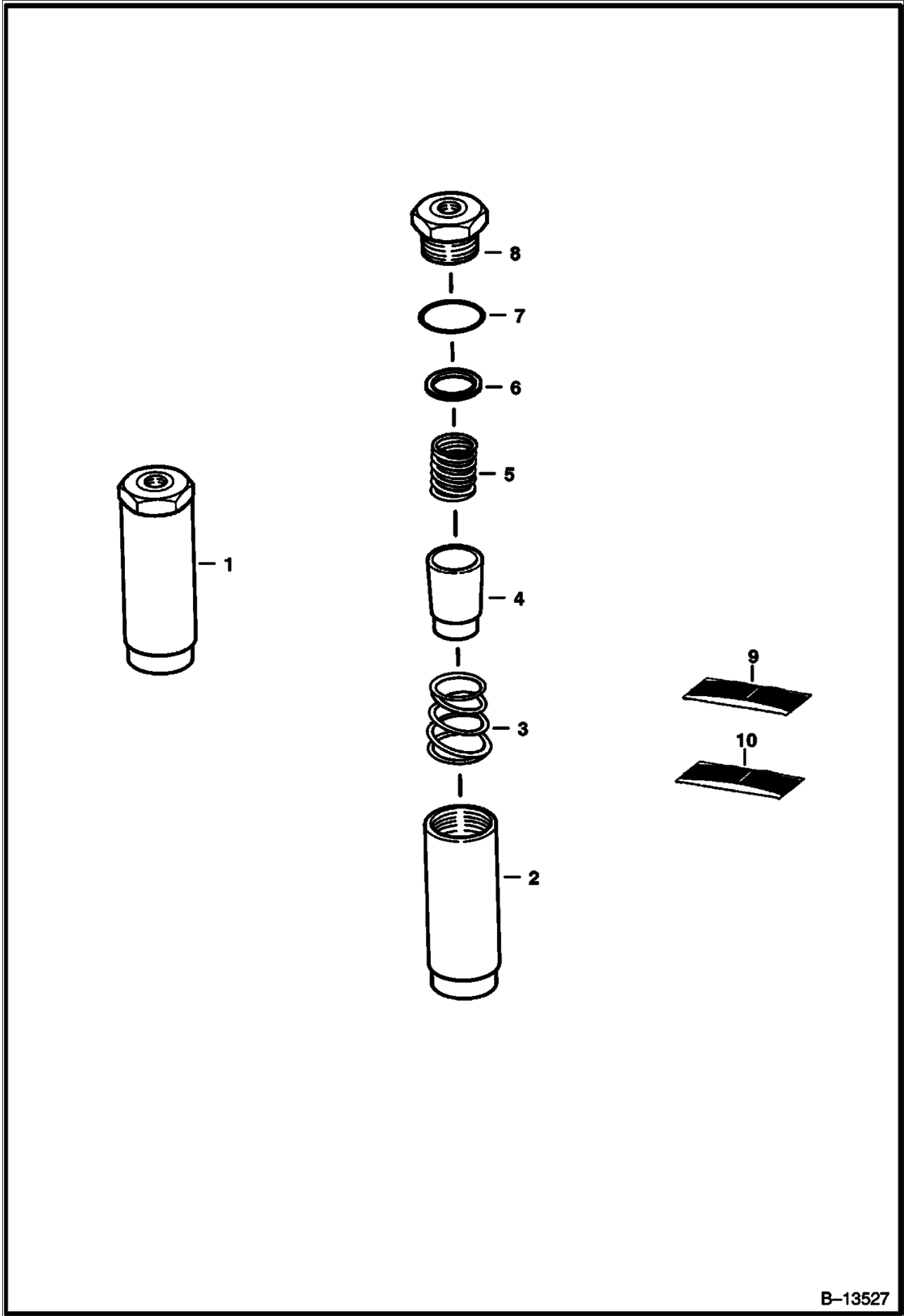


B-16050

GEAR PUMP (Cont'd) (Cast Iron)

| Ref No | Part Number | Description | Remarks | Serial Number | Qty |
|--------|-------------|-------------|---|---------------|-----|
| 1 | | PUMP | NAP - Model 163D-1184 - Use W/NAP/6677647 Pump - Was 6678042 [A] | | 1 |
| 1 | | PUMP | NAP - Model 163D-1306 - Use W/NAP/6677647 Pump - Order 6686703 Pump - Was 6681595 [A] | | 1 |
| 1 | | PUMP | NAP - Model 163D-1286 - Use W/6679993 Pump - Order 6686703 Pump - Was 6681580 [A] | | 1 |
| 1 | | PUMP | NAP - Model 163D-1309 - Use W/6679993 Pump - Order 6686703 Pump - Was 6681602 [A] | | 1 |
| 1 | 6686703 | PUMP, GEAR | cast iron - Model 163D-1483 | | 1 |
| 2 | 6678732 | SEAL KIT | For Pump Model 163D-1184 & 163D-1306 - Was 6678550 [A] | | 1 |
| 2 | 6688325 | KIT, SEAL | For Pump Model 163D-1286, 163D-1309 & 163D-1483 - Was 6681581 [A] | | 1 |

HYDROSTATIC OIL FILTER (In-Line)

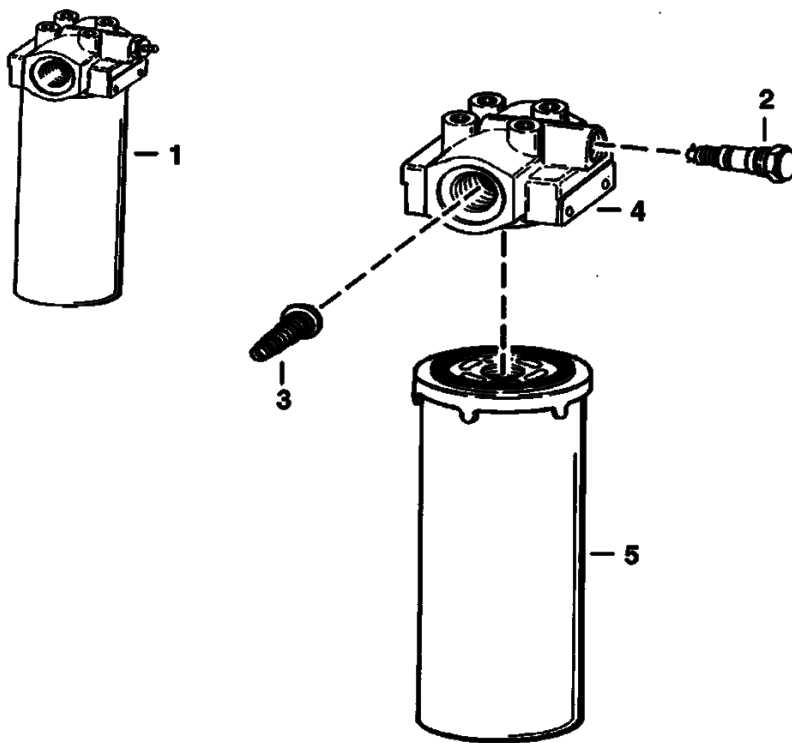


B-13527

HYDROSTATIC OIL FILTER (Cont'd) (In-Line)

| Ref No | Part Number | Description | Remarks | Serial Number | Qty |
|--------|-------------|-----------------|-------------------------|---------------|-----|
| 1 | 6661022 | FILTER | Ref. 2-8 | | 1 |
| 2 | | HOUSING | NSS | | 1 |
| 3 | | SPRING | NSS | | 1 |
| 4 | | ELEMENT | NSS | | 1 |
| 5 | | SPRING | NSS | | 1 |
| 6 | | GASKET | NSS | | 1 |
| 7 | | O-RING | NSS | | 1 |
| 8 | | PLUG | NSS | | 1 |
| 9 | 6661807 | FILTER, OIL HYD | element - Ref. 4, 6 & 7 | | 1 |
| 10 | 6661808 | KIT | spring - Ref. 3 & 5 | | 1 |

HYDROSTATIC OIL FILTER

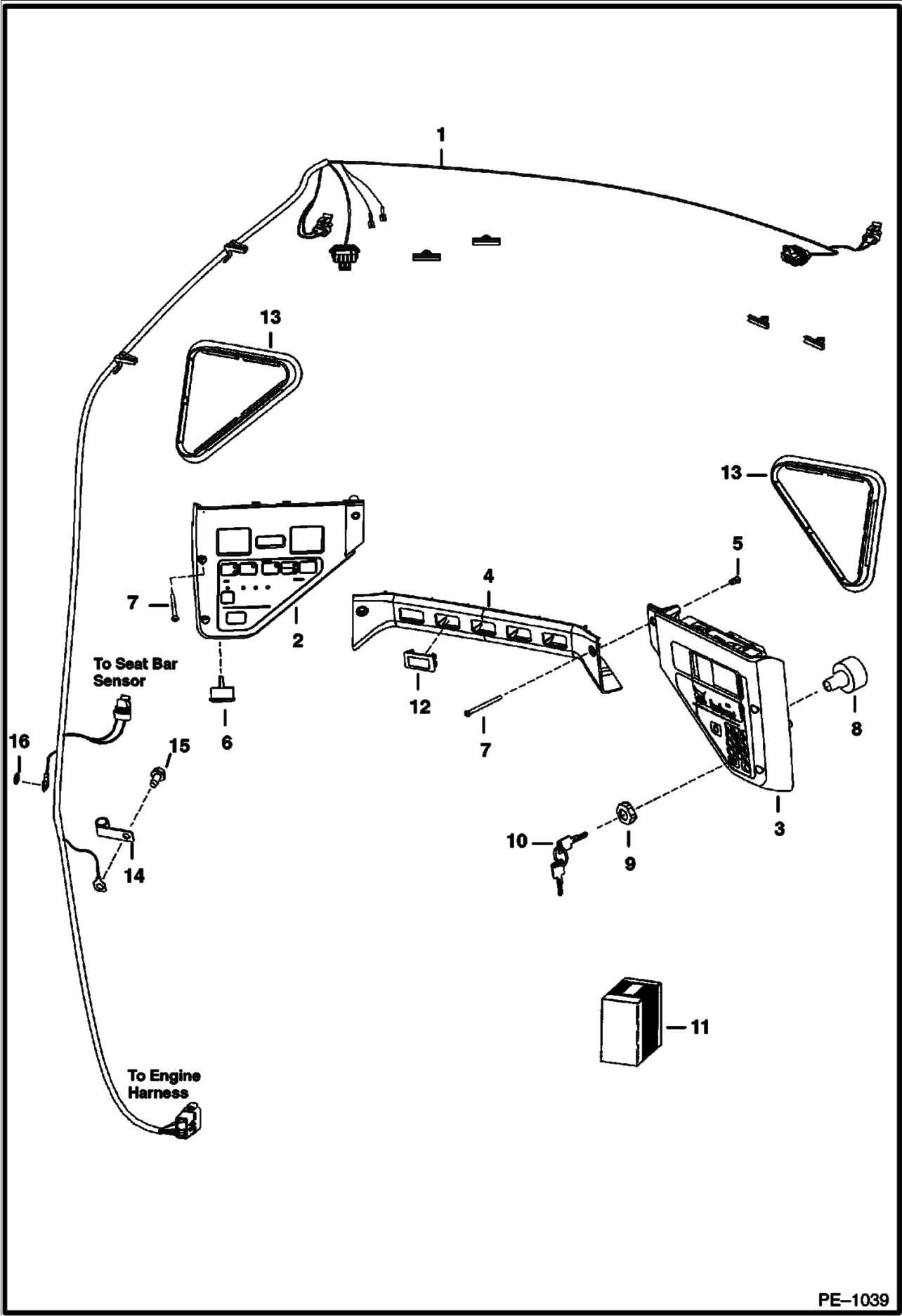


B-17469

HYDROSTATIC OIL FILTER (Cont'd)

| Ref No | Part Number | Description | Remarks | Serial Number | Qty |
|--------|-------------|-----------------------|---------------------------------------|------------------|-----|
| 1 | 6661247 | FILTER | W/Ref. 2-5 (50 PSI by-pass & switch) | 500K 11038 & Bel | 1 |
| 1 | 6661247 | FILTER | W/Ref. 2-5 (50 PSI by-pass & switch) | 5181 11999 & Bel | 1 |
| 1 | 6661247 | FILTER | W/Ref. 2-5 (50 PSI by-pass & switch) | 5192 11999 & Bel | 1 |
| 1 | 6661247 | FILTER | W/Ref. 2-5 (50 PSI by-pass & switch) | 5190 15999 & Bel | 1 |
| 1 | 6661247 | FILTER | W/Ref. 2-5 (50 PSI by-pass & switch) | 5180 11999 & Bel | 1 |
| 1 | 6661247 | FILTER | W/Ref. 2-5 (50 PSI by-pass & switch) | 5176 17999 & Bel | 1 |
| 1 | 6676969 | FILTER | W/Ref. 2-5 (50 PSI by-pass & switch) | 500K 11039 & Abv | 1 |
| 1 | 6676969 | FILTER | W/Ref. 2-5 (50 PSI by-pass & switch) | 5176 18000 & Abv | 1 |
| 1 | 6676969 | FILTER | W/Ref. 2-5 (50 PSI by-pass & switch) | 5180 12000 & Abv | 1 |
| 1 | 6676969 | FILTER | W/Ref. 2-5 (50 PSI by-pass & switch) | 5190 16000 & Abv | 1 |
| 1 | 6676969 | FILTER | W/Ref. 2-5 (50 PSI by-pass & switch) | 5192 12000 & Abv | 1 |
| 1 | 6676969 | FILTER | W/Ref. 2-5 (50 PSI by-pass & switch) | 5181 12000 & Abv | 1 |
| 2 | 6660260 | SWITCH | pressure - normally closed | | 1 |
| 2 | 6599365 | KIT | Nut, washer & o-rings | | 1 |
| 3 | | VALVE | NAP - by-pass (50 PSI - Order Ref.1) | | 1 |
| 4 | | HEAD | NSS - Order Ref. 1 | | 1 |
| 5 | 6661248 | FILTER, OIL HYD 12 | 6" (152,4mm) long | | 1 |

CAB ELECTRICAL CIRCUITRY
 (S/N 500K10038 & Below, 517617999 & Below, 518019999 & Below,
 518111999 & Below, 519015999 & Below, 519211999 & Below)

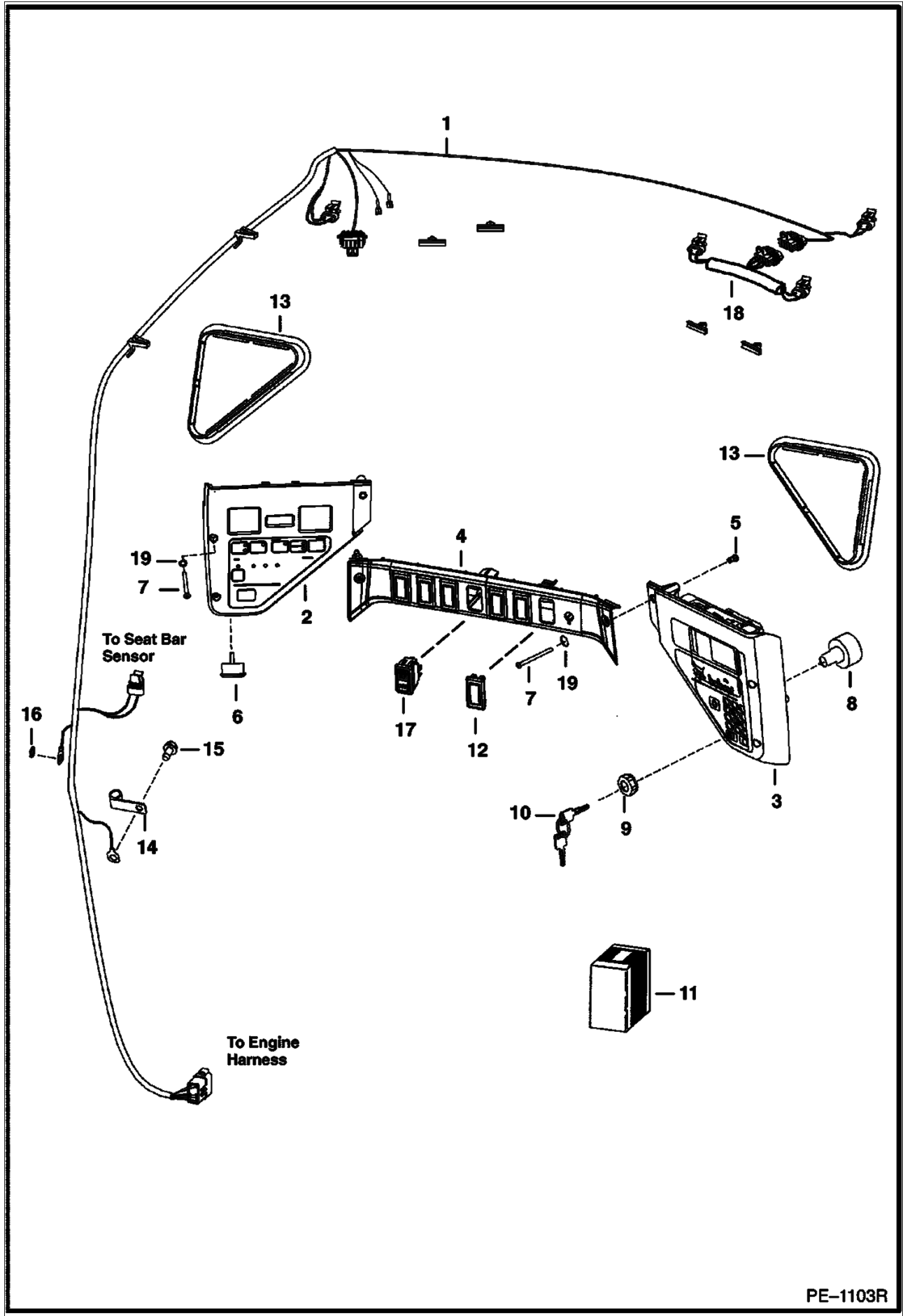


Page 218 - OSS# 2071349 - All rights reserved by Bobcat Company - 12/01/2009 - 20:50:59 - Produced by Ken Cook Co. with medialoff

CAB ELECTRICAL CIRCUITRY (Cont'd)
(S/N 500K10038 & Below, 517617999 & Below, 518019999 & Below,
518111999 & Below. 519015999 & Below. 519211999 & Below)

| Ref No | Part Number | Description | Remarks | Serial Number | Qty |
|--------|-------------|---------------------|--|---------------|-----|
| 1 | 6718870 | HARNESS | | | 1 |
| 2 | | PANEL | NAP - L.H. - W/Ref. 6 - gauges lit by bulbs - Order 6689754 panel - Was 6688405 [A] | | 1 |
| 2 | 6675982 | PLUG | covers backlighting service hole | | 1 |
| 2 | 6679855 | BULB | Was 6675337 [A] | | 2 |
| 2 | 6689754 | PANEL INSTRUMENT LH | LH - W/Ref. 6 - lit guages | | 1 |
| 3 | 6688404 | PANEL, KEY STANDARD | RH - W/Ref. 8 & 9 - Was 6678681 [A] | | 1 |
| 3 | 6688403 | PANEL | deluxe - RH - keyless - Was 6686510 [A] | | 1 |
| 3 | 6675982 | PLUG | covers backlighting service hole | | 1 |
| 3 | | INSTRUCTIONS | NAP - for deluxe panel - See Service Manual - Was 6900860 [A] | | 1 |
| 4 | | CROSSMEMBER | See Illustration CAB ELECTRICAL CIRCUITRY/ PE1103R NAP - Order 6679845 Crossmember - Was 6674317 [A] | | 1 |
| 5 | 6675033 | INSERT | threaded | | 6 |
| 6 | 6679856 | ALARM | W/nut - Was 6675390 [A] | | 1 |
| 7 | 7105983 | BOLT | Was 6719084 [A] | | 6 |
| 8 | | SWITCH | NAP - W/Ref. 9 & 10 - Order 6693245 switch, 6693241 key, 7000329 adapter & 6697965 harness - Was 6679842 [A] | | 1 |
| 8 | 6693245 | SWITCH, IGN | W/Ref. 9 (7009081 nut) - also order Ref. 10 (6693241 key) | | 1 |
| 8 | 7000329 | ADAPTER, SWITCH IGN | for 6693245 switch | | 1 |
| 8 | 6697965 | HARNESS | for 6693245 switch | | 1 |
| 9 | 6674202 | NUT | for NAP 6679842 switch | | 1 |
| 9 | 7009081 | NUT | for 6693245 switch | | 1 |
| 10 | | KEY | NAP - ignition - includes two keys W/ring - Order 6693241 - Was 6709527 [A] | | 1 |
| 10 | 6693241 | KEY 10 | single key W/O ring - use W/NAP 6679842 switch & 6693245 switch | | x |
| 11 | | KIT | NAP - keyless ign. - Order 6672348 Panel and 6900860 Instructions | | 1 |
| 12 | 6665314 | PLUG | Was 6719038 [A] | | 5 |
| 13 | 6674403 | COVER | | | 2 |
| 14 | 6675171 | CLAMP | | | 1 |
| 15 | 84G3712 | BOLT | | | 1 |
| 16 | 6E5 | WASHER | | | 1 |

CAB ELECTRICAL CIRCUITRY
 (S/N 500K11039 & Above, 517618000 & Above, 518012000 & Above,
 518112000 & Above, 519016000 & Above, 519212000 & Above)

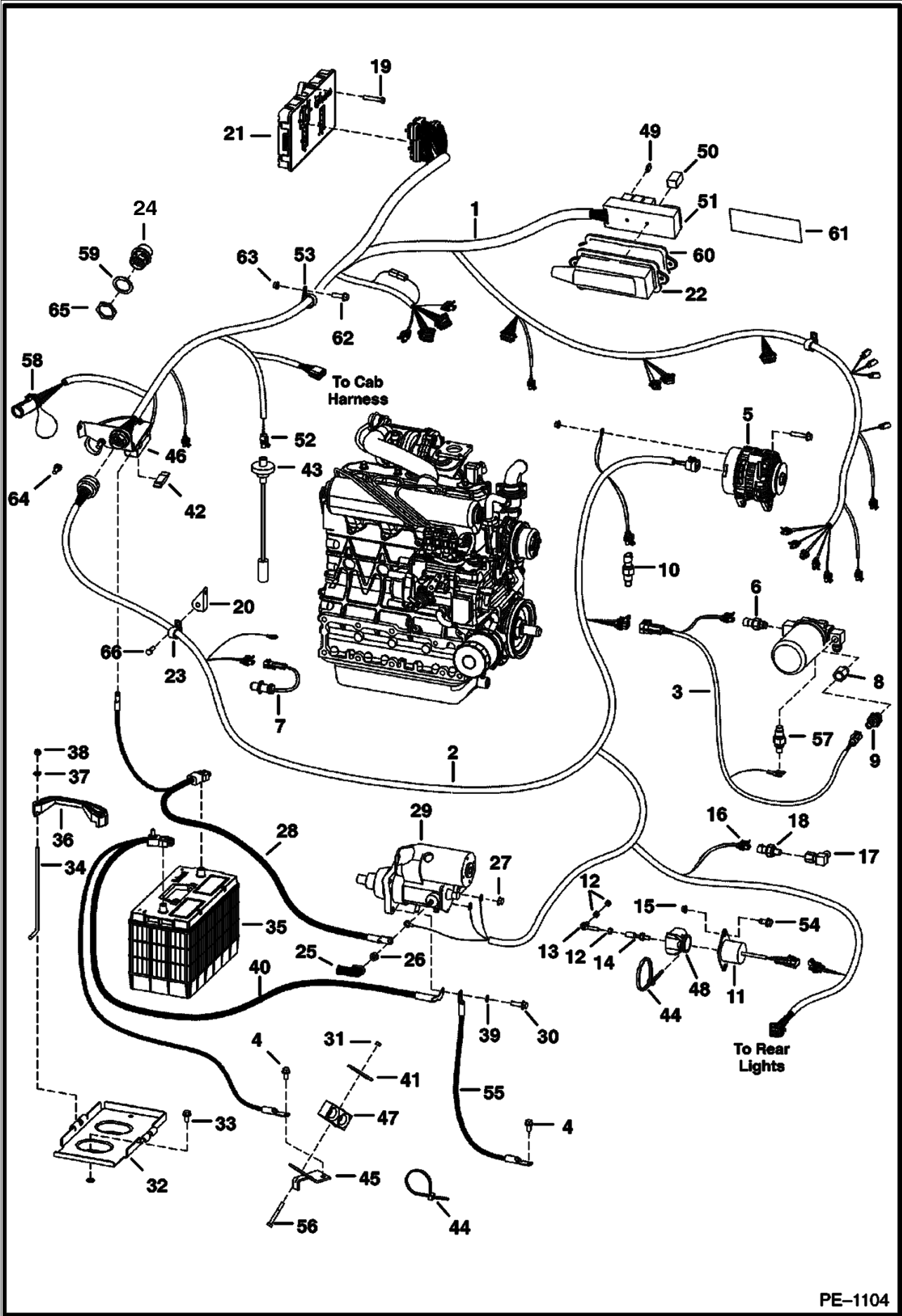


PE-1103R

CAB ELECTRICAL CIRCUITRY (Cont'd)
(S/N 500K11039 & Above, 517618000 & Above, 518012000 & Above,
518112000 & Above. 519016000 & Above. 519212000 & Above)

| Ref No | Part Number | Description | Remarks | Serial Number | Qty |
|--------|-------------|---------------------|--|------------------|-----|
| 1 | 6727178 | HARNESS | | | 1 |
| 2 | | PANEL | NAP - L.H. - W/Ref. 6 - gauges lit by bulbs - Order 6689754 panel - Was 6688405 [A] | | 1 |
| 2 | 6675982 | PLUG | backlighting service hole | | 1 |
| 2 | | BULB | Was 6675337 [A] | | 2 |
| 2 | 6689754 | PANEL INSTRUMENT LH | LH - W/Ref. 6 - lit guages | | 1 |
| 3 | 6688404 | PANEL, KEY STANDARD | RH - W/Ref. 8 & 9 - Was 6678681 [A] | | 1 |
| 3 | 6688403 | PANEL | deluxe - RH - keyless - not in kit - Was 6686510 [A] | | 1 |
| 3 | 6675982 | PLUG | covers backlighting service hole | | 1 |
| 3 | | INSTRUCTIONS | NAP - for deluxe panel - See Service Manual - Was 6900860 [A] | | 1 |
| 4 | 6679845 | CROSSMEMBER | Was 6676723 [A] | | 1 |
| 5 | 6675033 | INSERT | threaded | | 6 |
| 6 | 6679856 | ALARM | W/nut - Was 6675390 [A] | | 1 |
| 7 | 7105983 | BOLT | Was 6719084 [A] | | 6 |
| 8 | | SWITCH | NAP - W/Ref. 9 & 10 - Order 6693245 switch, 6693241 key, 7000329 adapter & 6697965 harness - Was 6679842 [A] | | 1 |
| 8 | 6693245 | SWITCH, IGN | W/Ref. 9 (7009081 nut) - also order Ref. 10 (6693241 key) | | 1 |
| 8 | 7000329 | ADAPTER, SWITCH IGN | for 6693245 switch | | 1 |
| 8 | 6697965 | HARNESS | for 6693245 switch | | 1 |
| 9 | 6674202 | NUT | for NAP 6679842 switch | | 1 |
| 9 | 7009081 | NUT | for 6693245 switch | | 1 |
| 10 | | KEY | NAP - ignition - includes two keys W/ring - Order 6693241 - Was 6709527 [A] | | 1 |
| 10 | 6693241 | KEY 10 | single key W/O ring - use W/NAP 6679842 switch & 6693245 switch | | x |
| 11 | | KIT | NAP - keyless ign. - Order 6672348 Panel - See Service Manual | | 1 |
| 12 | 6665314 | PLUG | Was 6719038 [A] | | x |
| 13 | 6674403 | COVER | | | 2 |
| 14 | 6675171 | CLAMP | | | 1 |
| 15 | 84G3712 | BOLT | | | 1 |
| 16 | 6E5 | WASHER | | | 1 |
| 17 | 6676536 | SWITCH | park brake | | 1 |
| 18 | 6683171 | CONTROLLER | boost - for Ref. 3 (6678682 panel) | 5176 21148 & Abv | 1 |
| 18 | 6683171 | CONTROLLER | boost - for Ref. 3 (6678682 panel) | 5190 24027 & Abv | 1 |
| 18 | 6683171 | CONTROLLER | boost - for Ref. 3 (6678682 panel) | 5181 12466 & Abv | 1 |
| 18 | 6683171 | CONTROLLER | boost - for Ref. 3 (6678682 panel) | 5180 12550 & Abv | 1 |
| 18 | 6683171 | CONTROLLER | boost - for Ref. 3 (6678682 panel) | 5192 24169 & Abv | 1 |
| 19 | 25E10 | WASHER | | | 2 |

ENGINE ELECTRICAL CIRCUITRY
 (S/N 500K10038 & Below, 517617999 & Below, 518019999 & Below,
 518111999 & Below, 519015999 & Below, 519211999 & Below)

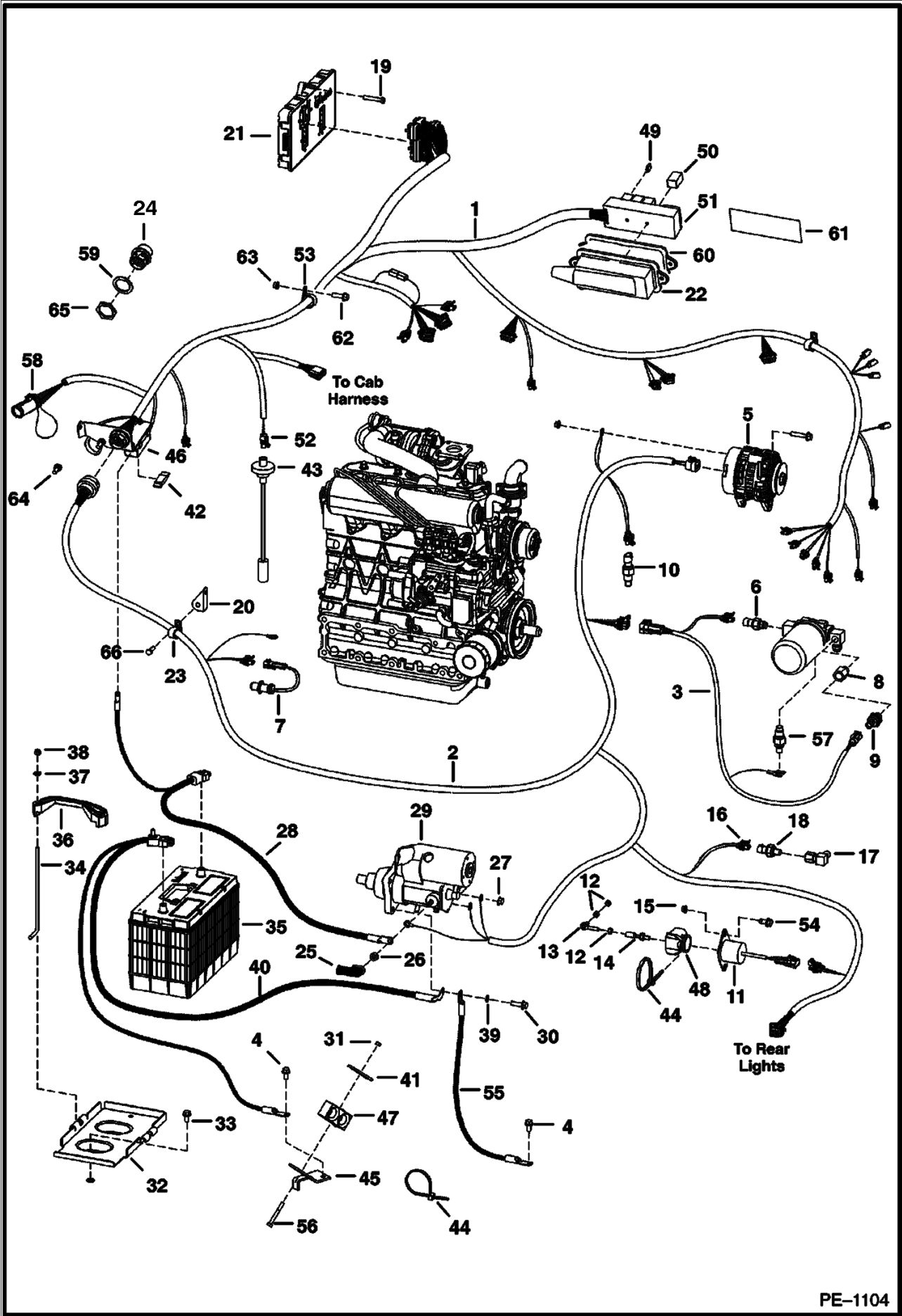


PE-1104

ENGINE ELECTRICAL CIRCUITRY (Cont'd)
(S/N 500K10038 & Below, 517617999 & Below, 518019999 & Below,
518111999 & Below. 519015999 & Below. 519211999 & Below)

| Ref No | Part Number | Description | Remarks | Serial Number | Qty |
|--------|-------------|--------------------------|--|---------------|-----|
| 1 | 6718912 | HARNESS | See Illustration CONTROLS ELECTRICAL/ PE1041 MAIN FRAME - W/Ref. 49-51 & 53 | | 1 |
| 1 | 6718913 | HARNESS | See Illustration CONTROLS ELECTRICAL/ PE1042 MAIN FRAME - AHC - W/Ref. 49-51 & 53 | | 1 |
| 2 | 6718871 | HARNESS | engine - W/Ref. 20 & 66 | | 1 |
| 3 | 6715975 | HARNESS | filter | | 1 |
| 4 | 84G3712 | BOLT | | | 3 |
| 5 | | ALTERNATOR | See Illustration ALTERNATOR/ C3312 | | 1 |
| 6 | 6718417 | SENDER | hyd. temp. - Was 6727869 [D] | | 1 |
| 7 | 6684037 | SENSOR | rpm - Was 6658260 [B] | | 1 |
| 8 | 6718948 | SNUBBER | W/filter | | 1 |
| 8 | 6675278 | FILTER | | | 1 |
| 9 | 6674316 | SWITCH, PRESS OIL HYD | 3-pin molded connector | | 1 |
| 10 | 6718415 | SWITCH | eng. temp. | | 1 |
| 11 | 6681513 | SOLENOID | fuel shut off - Was 6667993 [A] | | 1 |
| 12 | 62D4 | NUT | | | 3 |
| 13 | 6578363 | ROD END | swivel | | 1 |
| 14 | 6578366 | BALL JOINT | | | 1 |
| 15 | 61D4 | NUT 5 | | | 2 |
| 16 | 6672750 | CONNECTOR | 3-pin | | 1 |
| 17 | 6707040 | ELBOW | | | 1 |
| 18 | 6674315 | SENSOR | eng oil pressure | | 1 |
| 19 | 43C616 | BOLT | Was 35C000616B [B] | | 3 |
| 20 | 6714979 | BRACKET | | | 2 |
| 21 | | CONTROLLER | NAP - See BTI 339 - Bobcat - Was 6678068 [A] | | 1 |
| 21 | | CONTROLLER | NAP - 4 connectors - w/o boost - Order 6682421 - Was 6678673 [A] | | 1 |
| 21 | 6682421 | CONTROLLER, BOBCAT | 4 connectors - w/ boost | | 1 |
| 22 | 6718659 | HOUSING | fuse block | | 1 |
| 23 | 6675171 | CLAMP | | | 1 |
| 24 | 6664584 | CONNECTOR | 21-pin | | 1 |
| 25 | 6560172 | COVER | | | 1 |
| 26 | 4DM10 | NUT | | | 1 |
| 27 | 4DM5 | NUT | | | 1 |
| 28 | 6719060 | CABLE | pos. - 29"(736,6 mm) long | | 1 |
| 28 | 6727528 | CABLE | pos. - 33"(838,2 mm) long | | 1 |
| 29 | | STARTER | See Illustration STARTER/ D2297 | | 1 |
| 30 | 35C620 | BOLT 5 | | | 1 |
| 31 | 91D5 | NUT 5 | | | 1 |
| 32 | 6718260 | BATTERY PAN | | | 1 |
| 33 | 84G3716 | SCREW 5 | | | 2 |
| 34 | 6576280 | BOLT | | | 2 |
| 35 | 6674687 | BATTERY, DRY 600 AMP | | | 1 |
| 36 | 6569203 | CLAMP | | | 1 |
| 37 | 25E15 | WASHER | | | 2 |
| 38 | 59D5 | NUT 5 | | | 2 |
| 39 | 6E6 | WASHER | | | 1 |
| 40 | 6719059 | CABLE | ground - 19"(482,6 mm) long | | 1 |
| 40 | 6727527 | CABLE | ground - 23"(584,2 mm) long | | 1 |
| 41 | 6715132 | RETAINER | | | 1 |
| 42 | 6675155 | FUSE | 100 amp | | 1 |
| 42 | 6675154 | HOLDER | high amp fuse | | 1 |
| 43 | 6680436 | SENSOR | fuel - W/gasket - Was 7000004 [A] | | 1 |
| 43 | 6717579 | GASKET | | | 1 |

ENGINE ELECTRICAL CIRCUITRY (Cont'd)
 (S/N 500K10038 & Below, 517617999 & Below, 518019999 & Below,
 518111999 & Below, 519015999 & Below, 519211999 & Below)

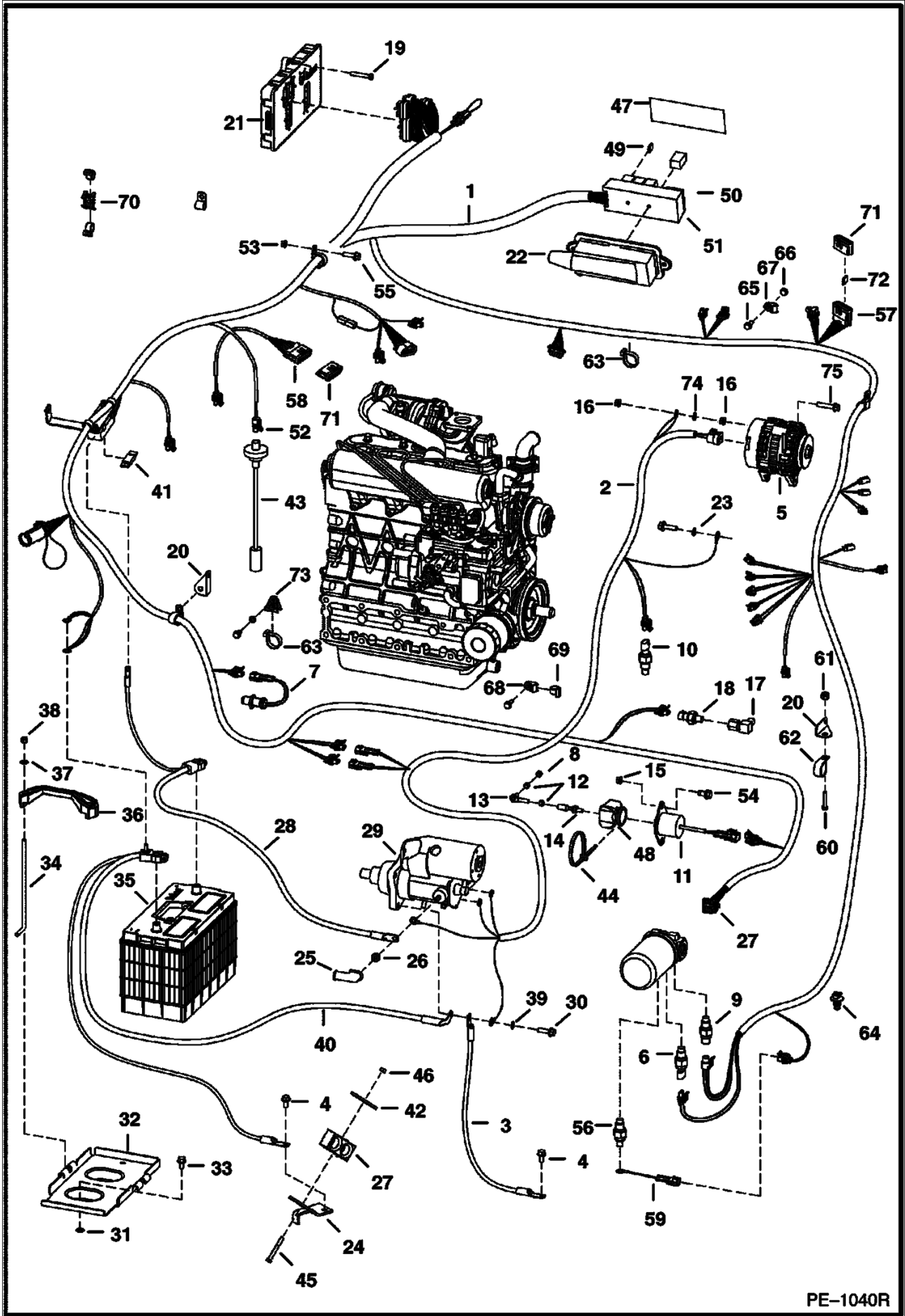


PE-1104

ENGINE ELECTRICAL CIRCUITRY (Cont'd)
(S/N 500K10038 & Below, 517617999 & Below, 518019999 & Below,
518111999 & Below. 519015999 & Below. 519211999 & Below)

| Ref No | Part Number | Description | Remarks | Serial Number | Qty |
|--------|-------------|-------------|---|---------------|-----|
| 44 | 6610510 | TIE | | | 3 |
| 45 | 6719230 | BRACKET | Use W/Ref. 28 (6719060 Cable) & Ref. 40 (6719059 Cable) | | 1 |
| 45 | 6715131 | BRACKET | Use W/Ref. 28 (6727528 Cable) & Ref. 40 (6727527 Cable) - Was 6727508 [A] | | 1 |
| 46 | 6726503 | BRACKET | Was 6718970 [A] | | 1 |
| 47 | 6715197 | CLAMP | | | 1 |
| 48 | 6664286 | BOOT | Also Order Ref. 44 | | 1 |
| 49 | 6654806 | FUSE, 15A | | | 2 |
| 49 | 6702444 | FUSE 25A 5 | | | 6 |
| 49 | 6718034 | FUSE, 30A | | | 2 |
| 50 | 6679820 | RELAY | switch - Was 6674376 [A] | | 7 |
| 51 | 6673200 | FUSE BLOCK | | | 1 |
| 52 | 6646383 | CONNECTOR | fuel sender | | 1 |
| 52 | 6648330 | TERMINAL | female - Was 6632946 [A] | | 2 |
| 53 | 6674673 | CLAMP | | | 1 |
| 54 | 17C410 | BOLT 10 | | | 2 |
| 55 | 6565170 | CABLE | Was 6713821 [B,D] | | 1 |
| 56 | 17C540 | BOLT | Was 6716744 [A] | | 1 |
| 57 | 6660260 | SWITCH | See Illustration HYDROSTATIC OIL FILTER/ B17469 - hyd. chg. pressure diagnostics | | 1 |
| 58 | 6667533 | COVER | | | 1 |
| 59 | 6664971 | WASHER | | | 1 |
| 60 | 6725302 | GASKET | See Illustration PANELS/ PE1018 | | 1 |
| 61 | | DECAL | See Illustration PANELS/ PE1018 - NAP - fuse/relay - 2.10" X 9.40" (53,3 mm X 238,8 mm) - Order 6718774 decal | | 1 |
| 61 | 6718774 | DECAL | See Illustration PANELS/ PE1018 - 2" X 7" (50,8 mm X 177,8 mm) | | 1 |
| 62 | 35C616 | BOLT 5 | | | 1 |
| 63 | 95D6 | NUT | Was 91D000006B [A] | | 1 |
| 64 | 57D6 | NUT 5 | Was 59D000006B [B] | | 1 |
| 65 | 6664972 | NUT | | | 1 |
| 66 | 17C512 | BOLT 5 | | | 2 |

ENGINE ELECTRICAL CIRCUITRY
 (S/N 500K11039 & Above, 517618000 & Above, 518012000 & Above,
 518112000 & Above, 519016000 & Above, 519212000 & Above)

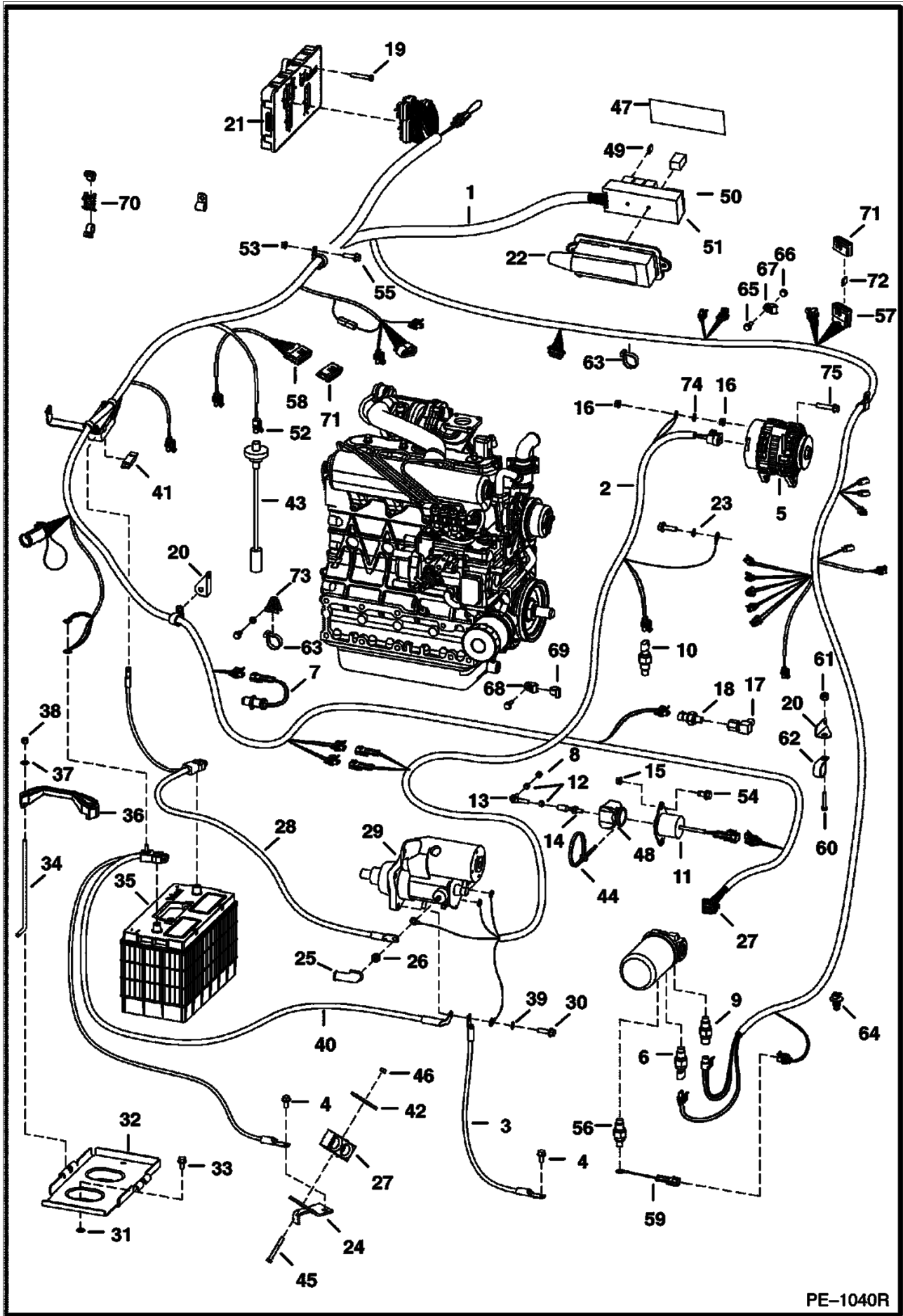


PE-1040R

ENGINE ELECTRICAL CIRCUITRY (Cont'd)
(S/N 500K11039 & Above, 517618000 & Above, 518012000 & Above,
518112000 & Above. 519016000 & Above. 519212000 & Above)

| Ref No | Part Number | Description | Remarks | Serial Number | Qty |
|--------|-------------|-----------------------|---|--------------------|-----|
| 1 | 6729056 | HARNESS, MFR | loader | 500K 11039 & Above | 1 |
| 1 | 6729056 | HARNESS, MFR | loader | 5176 18000-21147 | 1 |
| 1 | 6729056 | HARNESS, MFR | loader | 5181 12000-12465 | 1 |
| 1 | 6729056 | HARNESS, MFR | loader | 5180 12000-12549 | 1 |
| 1 | 6729056 | HARNESS, MFR | loader | 5190 16000-24026 | 1 |
| 1 | 6729056 | HARNESS, MFR | loader | 5192 12000-24168 | 1 |
| 1 | 6729974 | HARNESS | loader | 5180 12550 & Abv | 1 |
| 1 | 6729974 | HARNESS | loader | 5190 24027 & Abv | 1 |
| 1 | 6729974 | HARNESS | loader | 5192 24169 & Abv | 1 |
| 1 | 6729974 | HARNESS | loader | 5181 12466 & Abv | 1 |
| 1 | 6729974 | HARNESS | loader | 5176 21148 & Abv | 1 |
| 2 | 6726601 | HARNESS | See Illustration STARTER/ D2297 - use W/starter | | 1 |
| 2 | 7101311 | HARNESS | See Illustration STARTER/ B16488R - use W/starter - Was 6729973 [A] | 5176 21148 & Abv | 1 |
| 2 | 7101311 | HARNESS | See Illustration STARTER/ B16488R - use W/starter - Was 6729973 [A] | 5190 24027 & Abv | 1 |
| 2 | 7101311 | HARNESS | See Illustration STARTER/ B16488R - use W/starter - Was 6729973 [A] | 5192 24169 & Abv | 1 |
| 2 | 7101311 | HARNESS | See Illustration STARTER/ B16488R - use W/starter - Was 6729973 [A] | 5181 12466 & Abv | 1 |
| 2 | 7101311 | HARNESS | See Illustration STARTER/ B16488R - use W/starter - Was 6729973 [A] | 5180 12550 & Abv | 1 |
| 3 | 6565170 | CABLE | neg | | 1 |
| 4 | 84G3712 | BOLT | | | 4 |
| 5 | | ALTERNATOR | See Illustration ALTERNATOR/ C3312 | | 1 |
| 6 | 6727869 | SENDER, HYD TEMP | | | 1 |
| 7 | 6684037 | SENSOR | rpm - Was 6658260 [B] | | 1 |
| 8 | 66D4 | NUT | | | 1 |
| 9 | 6674316 | SWITCH, PRESS OIL HYD | 3-pin molded connector | | 1 |
| 10 | 6718415 | SWITCH | eng. temp. | | 1 |
| 11 | 6681513 | SOLENOID | fuel shut off - Was 6658260 [A] | | 1 |
| 12 | 62D4 | NUT | | | 2 |
| 13 | 6578363 | ROD END | swivel | | 1 |
| 14 | 6578366 | BALL JOINT | | | 1 |
| 15 | 61D4 | NUT 5 | | | 2 |
| 16 | 43DM8 | NUT | | | 2 |
| 17 | 6707040 | ELBOW | | | 1 |
| 18 | 6674315 | SENSOR | eng oil pressure | | 1 |
| 19 | 43C616 | BOLT | | | 3 |
| 20 | 6714979 | BRACKET | | | 2 |
| 21 | | CONTROLLER | See BTI339 - NAP - Bobcat - Was 6678068 [A] | | 1 |
| 21 | | CONTROLLER | NAP - Bobcat - 4 pin connector - W/ O Boost - Order 6682421 - Was 6678673 [A] | | 1 |
| 21 | 6682421 | CONTROLLER, BOBCAT | Bobcat - 4 pin connector - W/ Boost | | 1 |
| 22 | 6718659 | HOUSING | fuse - boot | | 1 |
| 23 | 6E5 | WASHER | | | 1 |
| 24 | 6715131 | BRACKET | Was 6727508 [A] | | 1 |
| 25 | 6560172 | COVER | | | 1 |
| 26 | 4DM10 | NUT | | | 1 |
| 27 | 6715197 | CLAMP | | | 1 |
| 28 | 6727528 | CABLE | See Illustration STARTER/ D2297 - pos - Use W/starter | | 1 |
| 28 | 6731256 | CABLE | See Illustration STARTER/ B16488R - pos - Use | | 1 |

ENGINE ELECTRICAL CIRCUITRY (Cont'd)
 (S/N 500K11039 & Above, 517618000 & Above, 518012000 & Above,
 518112000 & Above, 519016000 & Above, 519212000 & Above)

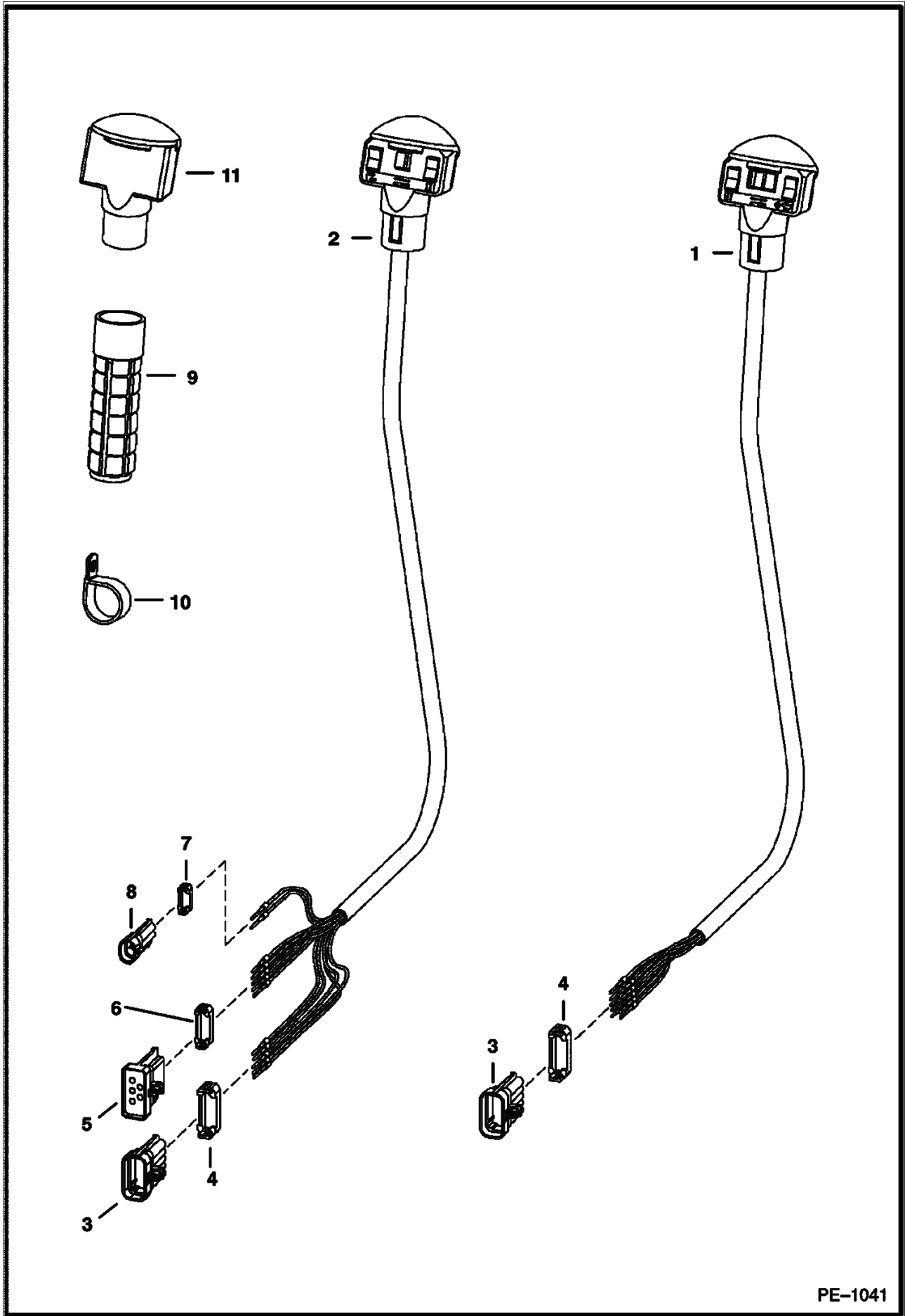


PE-1040R

ENGINE ELECTRICAL CIRCUITRY (Cont'd)
(S/N 500K11039 & Above, 517618000 & Above, 518012000 & Above,
518112000 & Above. 519016000 & Above. 519212000 & Above)

| Ref No | Part Number | Description | Remarks | Serial Number | Qty |
|--------|-------------|-------------------------|--|---------------|-----|
| | | | W/starter | | |
| 29 | | STARTER | See Illustration STARTER/ D2297 | | 1 |
| 30 | 35C620 | BOLT 5 | | | 3 |
| 31 | 616783 | WASHER | | | 2 |
| 32 | 6718260 | BATTERY PAN | | | 1 |
| 33 | 84G3716 | SCREW 5 | | | 2 |
| 34 | 6576280 | BOLT | | | 2 |
| 35 | 6674687 | BATTERY, DRY 600 AMP | | | 1 |
| 36 | 6569203 | CLAMP | | | 1 |
| 37 | 25E15 | WASHER | | | 2 |
| 38 | 59D5 | NUT 5 | | | 2 |
| 39 | 6E6 | WASHER | | | 1 |
| 40 | 6729008 | CABLE | ground | | 1 |
| 41 | 6675155 | FUSE | 100 amp | | 1 |
| 41 | 6675154 | HOLDER | high amp fuse | | 1 |
| 42 | 6715132 | RETAINER | | | 1 |
| 43 | 6680436 | SENSOR | fuel - W/gasket - Was 7000004 [A] | | 1 |
| 43 | 6717579 | GASKET | | | 1 |
| 44 | 6610510 | TIE | | | 3 |
| 45 | 17C540 | BOLT | | | 2 |
| 46 | 95D5 | NUT | | | 1 |
| 47 | 6718774 | DECAL | See Illustration PANELS/ PE1018 - 2" X 7" (50,8 mm X 177,8 mm) | | 1 |
| 48 | 6664286 | BOOT | Also Order Ref. 44 | | 1 |
| 49 | 6654806 | FUSE, 15A | | | 2 |
| 49 | 6702444 | FUSE 25A 5 | | | 6 |
| 49 | 6718034 | FUSE, 30A | | | 2 |
| 50 | 6679820 | RELAY | switch - Was 6674376 [A] | | 7 |
| 51 | 6673200 | FUSE BLOCK | See Illustration PANELS/ PE1018 | | 1 |
| 52 | 6646383 | CONNECTOR | fuel sender | | 1 |
| 52 | 6648330 | TERMINAL | female - Was 6632946 [A] | | 2 |
| 53 | 95D6 | NUT | Was 91D000006B [A] | | 2 |
| 54 | 17C410 | BOLT 10 | | | 2 |
| 55 | 35C616 | BOLT 5 | | | 1 |
| 56 | 6660260 | SWITCH | See Illustration HYDROSTATIC OIL FILTER/ B17469 | | 1 |
| 57 | 6676400 | CONNECTOR | | | x |
| 58 | 6677216 | CONNECTOR | | | x |
| 59 | 6728626 | HARNESS | | | 1 |
| 60 | 17C512 | BOLT 5 | | | 3 |
| 61 | 85D5 | NUT 5 | | | 2 |
| 62 | 6675171 | CLAMP | | | 1 |
| 63 | 6624289 | STRAP 10 | | | 21 |
| 64 | 6678666 | TREE MOUNT | push in - Use W/tie strap | | 1 |
| 65 | 17C412 | BOLT 5 | | | 1 |
| 66 | 83D4 | NUT 10 | | | 1 |
| 67 | 6678667 | MOUNT | | | 4 |
| 68 | 6679034 | MOUNT | | | 1 |
| 69 | 6678669 | STRAP | | | 1 |
| 70 | 6678668 | STRAP, DUAL TIE | | | 1 |
| 71 | 6684126 | COVER | | | 2 |
| 72 | 6684415 | BUSS BAR | | | 1 |
| 73 | 6678818 | MOUNT | | | 1 |
| 74 | 7106764 | SPACER | alt. | | 1 |
| 75 | 29CM820 | SCREW | | | 2 |

CONTROLS ELECTRICAL

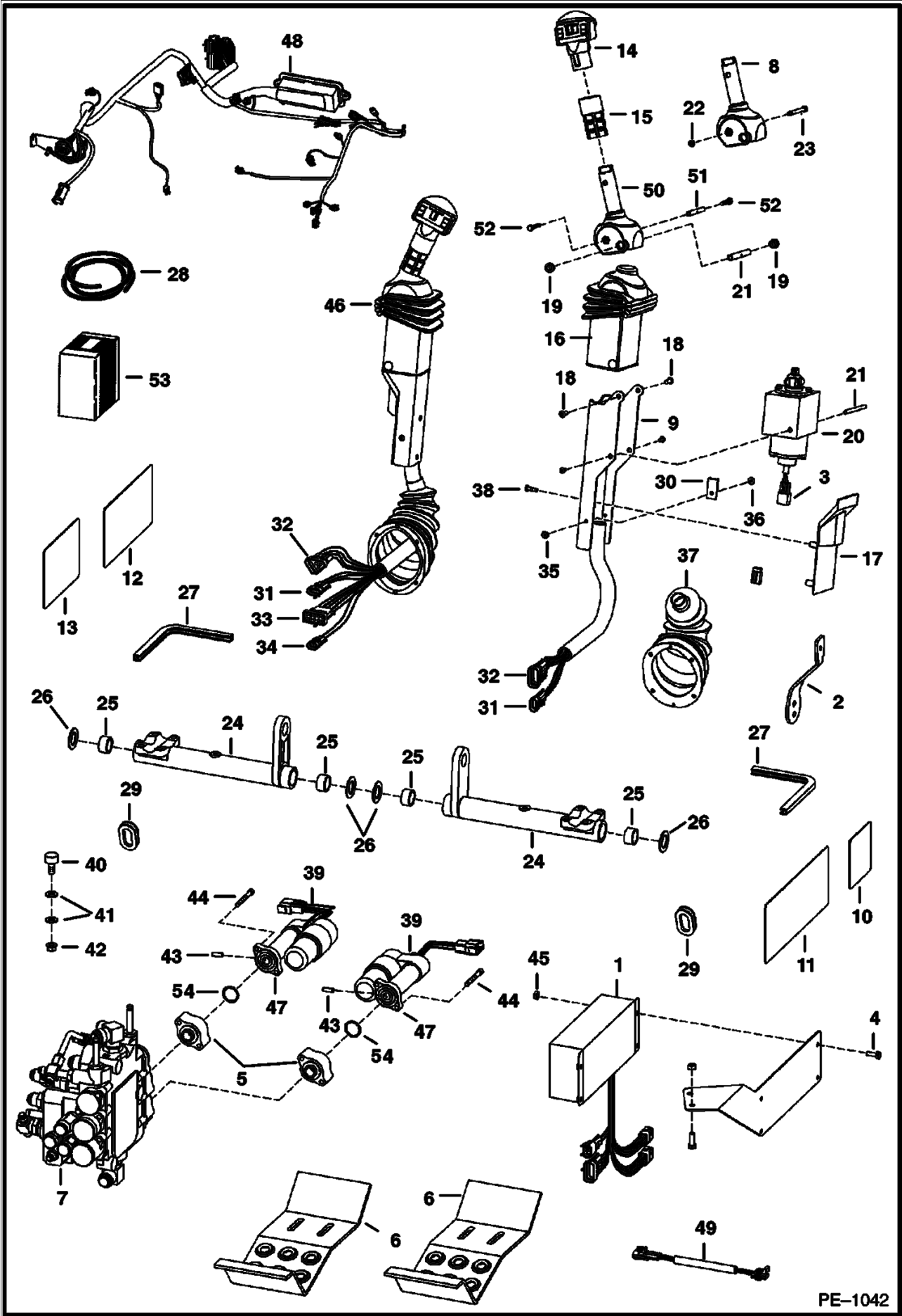


PE-1041

CONTROLS ELECTRICAL (Cont'd)

| Ref No | Part Number | Description | Remarks | Serial Number | Qty |
|--------|-------------|--------------|--|---------------|-----|
| 1 | 6680418 | HANDLE ASSY. | RH - Also Order Ref. 3 & 4 - Was 6675468 [A] | | 1 |
| 1 | 6640690 | PIN | | | 9 |
| 1 | 6641176 | SEAL | | | 9 |
| 2 | 6680419 | HANDLE ASSY. | LH - Also Order Ref. 3-8 - Was 6674450 [A] | | 1 |
| 2 | 6640690 | PIN | | | 10 |
| 2 | 6641176 | SEAL | | | 10 |
| 2 | 6680447 | DECAL | Was 6677370 [A] | | 1 |
| 3 | 6640692 | CONNECTOR | 10-pin | | 1 |
| 4 | 6640694 | LOCK | Use W/ 10-pin connector | | 1 |
| 5 | 6667144 | CONNECTOR | 5-pin | | 1 |
| 6 | 6667145 | LOCK | Use W/ 5-pin connector | | 1 |
| 7 | 6641180 | LOCK | Use W/ 2-pin connector | | 1 |
| 8 | 6641179 | CONNECTOR | 2-pin | | 2 |
| 9 | 6702621 | GRIP | | | 2 |
| 10 | 6674000 | CLAMP | | | 2 |
| 11 | 6680415 | HANDLE | LH blank - Was 6705920 [A] | | 2 |

CONTROLS ELECTRICAL
(AHC) (W/O Push Button Float) (S/N 517611001 - 517615809,
518011001 - 518111504. 519011001 - 519013962. 519211001 - 519215809

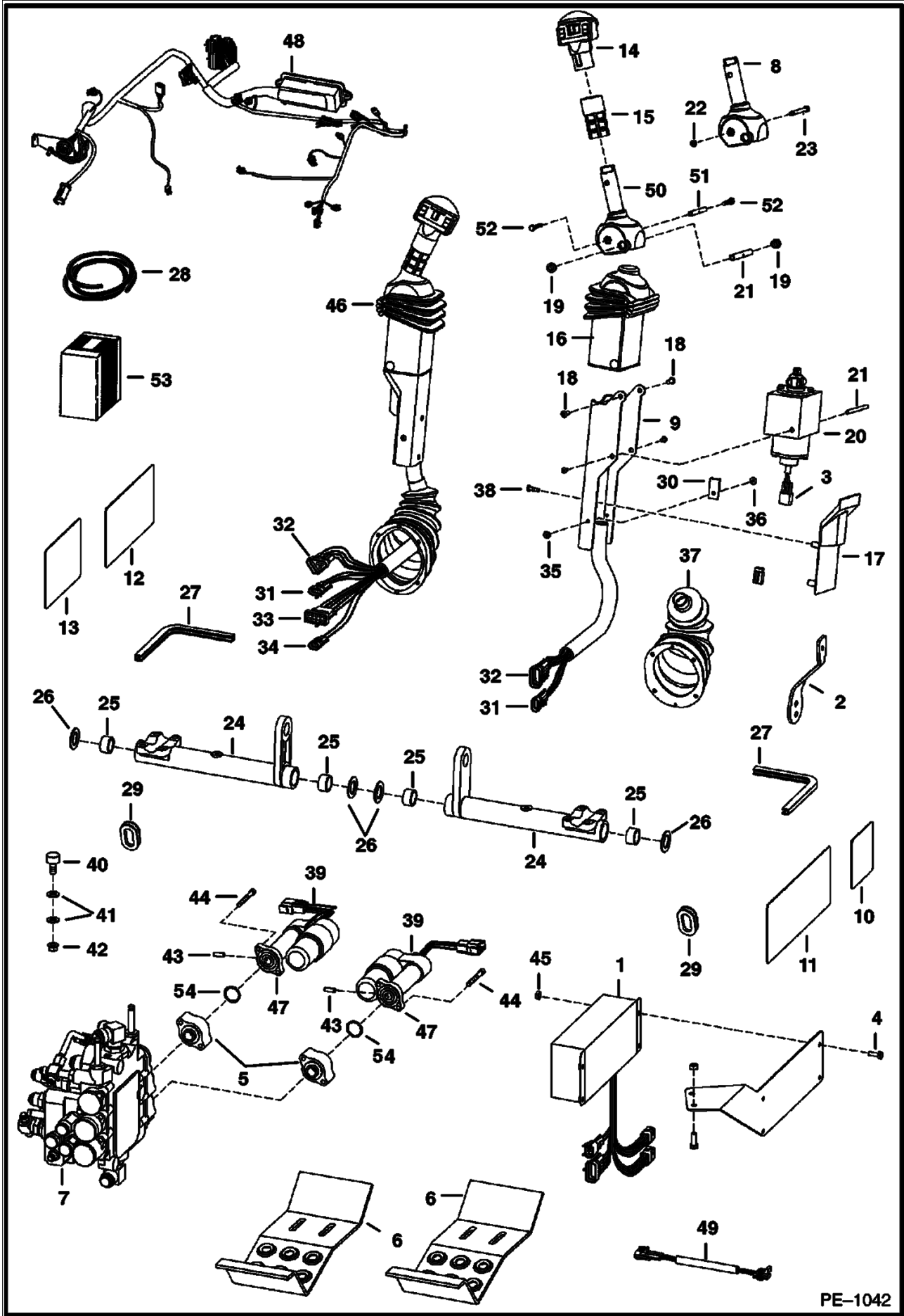


PE-1042

CONTROLS ELECTRICAL (Cont'd)
(AHC) (W/O Push Button Float) (S/N 517611001 - 517615809,
518011001 - 518111504. 519011001 - 519013962. 519211001 - 519215809

| Ref No | Part Number | Description | Remarks | Serial Number | Qty |
|--------|-------------|--------------------------|---|---------------|-----|
| 1 | 6674804 | CONTROLLER, AHC METAL | metal | | 1 |
| 2 | 6717393 | LEVER | throttle | | 1 |
| 3 | 6670707 | CONNECTOR | 3-way | | 2 |
| 3 | 6670710 | LOCK | 3-way | | 2 |
| 4 | 17C412 | BOLT 5 | | | 4 |
| 5 | 6725128 | ADAPTER | actuator - W/ O-ring groove - Use W/Ref. 39 (NAP/ 6678775 actuator) - Was 6718801 [A] | | 2 |
| 5 | 7101705 | ADAPTER, ACTUATOR | W/O O-ring groove - Use W/Ref. 39 (NAP/ 7103129 actuator & 7104842 actuator) | | 2 |
| 6 | 6712365 | STEP | | | 2 |
| 7 | | VALVE | See Illustration HYDRAULIC CONTROL VALVE/ B17177 - AHC | | 1 |
| 8 | | HANDLE | NAP - R.H. - tilt - Order Ref. 50, 51 & (2) of Ref. 52 - Was 6597774 [A] | | 1 |
| 8 | | HANDLE | NAP - L.H. - lift - Order Ref. 50, 51 & (2) of Ref. 52 - Was 6717163 [A] | | 1 |
| 9 | | LEVER | NAP - R.H. - tilt - "L" shaped - Order 6597775 Lever - Was 6717055 [A] | | 1 |
| 9 | 6597775 | LEVER | "S" shaped | | 1 |
| 9 | | LEVER | NAP - L.H. - lift - "L" shaped - Order 6597776 Lever - Was 6717056 [A] | | 1 |
| 9 | 6597776 | LEVER | "S" shaped | | 1 |
| 10 | 6718706 | DECAL | warning | | 1 |
| 11 | 6728539 | DECAL | Was 6718699 [A] | | 1 |
| 12 | 6718702 | DECAL | operation | | 1 |
| 13 | 6718704 | DECAL | opeation | | 1 |
| 14 | | HANDLE | See BT1335 - NAP - R.H. - tilt - Was 6675249 [A] | | 1 |
| 14 | 6640690 | PIN | | | 11 |
| 14 | 6670715 | PIN | | | 3 |
| 14 | 6641176 | SEAL | | | 11 |
| 14 | 6680455 | HANDLE ASSY | LH - lift - Also Order Ref. 31 & 32 - Was 6675250 [A] | | 1 |
| 14 | 6640690 | PIN | | | 13 |
| 14 | 6670715 | PIN | | | 3 |
| 14 | 6641176 | SEAL | | | 13 |
| 14 | 6680447 | DECAL | Was 6677370 [A] | | 1 |
| 15 | 6713349 | GRIP | | | 2 |
| 16 | 6680471 | COVER | Was 6713898 [A] | | 2 |
| 17 | 6715957 | COVER | | | 2 |
| 18 | 25GT410 | SCREW | | | 8 |
| 19 | 6702990 | BUSHING | | | 4 |
| 20 | | CONTROL | See Illustration HAND CONTROL KIT/ PE1586 - NAP - R.H. - TILT -ORDER 6727298 AHC KIT -WAS 6712398 [A] | | 1 |
| 20 | | CONTROL | See Illustration HAND CONTROL KIT/ PE1586 - NAP - L.H. - LIFT -ORDER 6727298 AHC KIT -WAS 6712397 [A] | | 1 |
| 21 | 6713043 | SPACER | | | 4 |
| 22 | 12D10 | NUT | Use W/Ref. 23 | | 2 |
| 23 | 6716826 | BOLT | Use W/Ref. 8 | | 2 |
| 24 | 6716977 | BELLCRANK | | | 2 |
| 25 | 6673710 | BEARING, NEEDLE | needle | | 4 |
| 26 | 6716916 | WASHER | plastic | | 4 |
| 27 | 6654139 | MOULDING | bulk - sold per foot | | x |
| 28 | | MOULDING | NAP - 10.5"(266mm) long - Order Ref. 27 | | 2 |
| 29 | 6714726 | GROMMET | | | 2 |

CONTROLS ELECTRICAL (Cont'd)
(AHC) (W/O Push Button Float) (S/N 517611001 - 517615809,
518011001 - 518111504. 519011001 - 519013962. 519211001 - 519215809

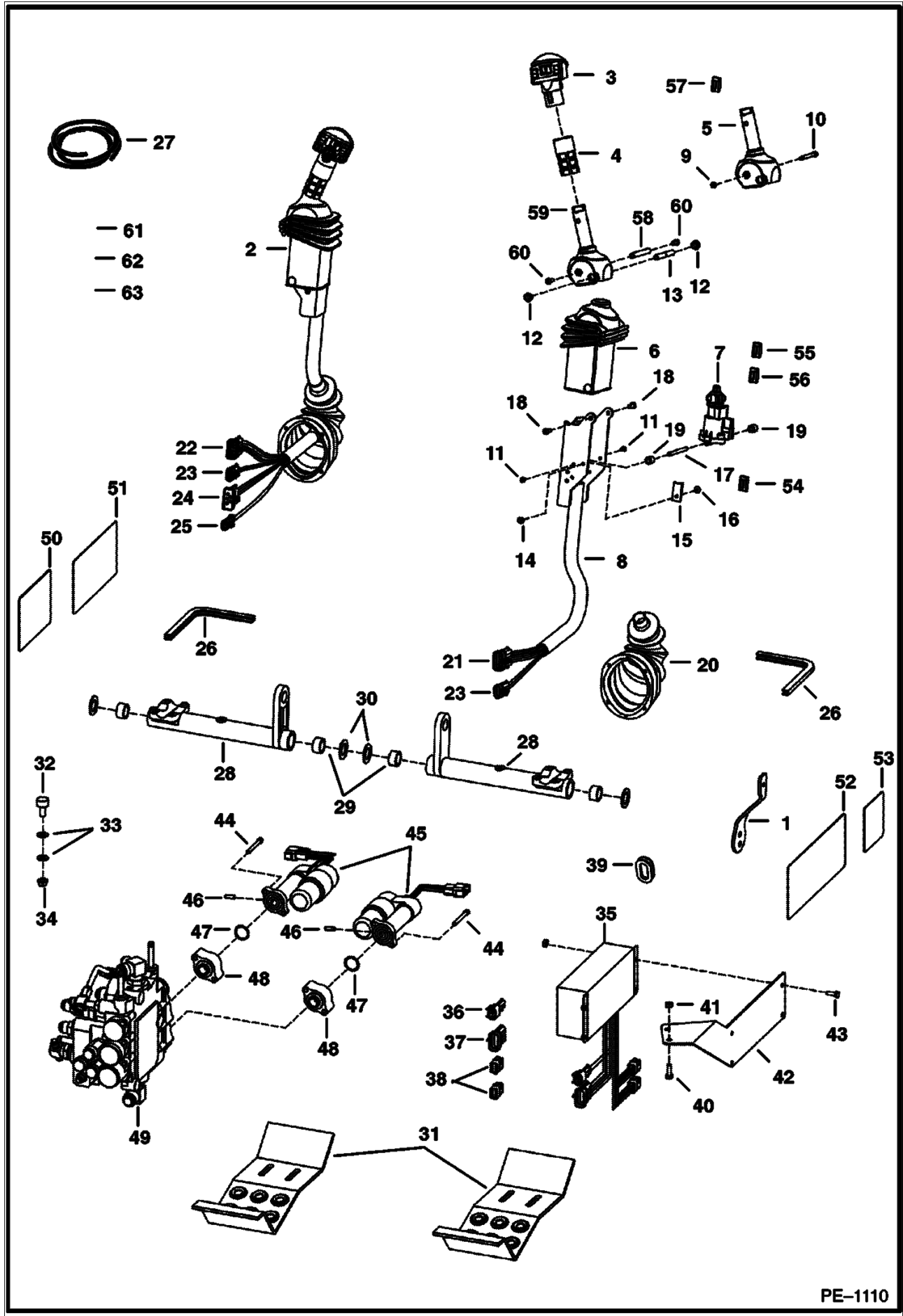


PE-1042

CONTROLS ELECTRICAL (Cont'd)
(AHC) (W/O Push Button Float) (S/N 517611001 - 517615809,
518011001 - 518111504. 519011001 - 519013962. 519211001 - 519215809

| Ref No | Part Number | Description | Remarks | Serial Number | Qty |
|--------|-------------|-------------|--|---------------|-----|
| 30 | 6665000 | CLIP | | | 2 |
| 31 | 6640699 | CONNECTOR | | | 1 |
| 31 | 6640700 | LOCK | | | 1 |
| 32 | 6640692 | CONNECTOR | | | 2 |
| 32 | 6640694 | LOCK | Use W/ 10-pin connector | | 2 |
| 33 | 6667144 | CONNECTOR | 5-pin | | 1 |
| 33 | 6667145 | LOCK | Use W/ 5-pin connector | | 1 |
| 34 | 6641179 | CONNECTOR | 2-pin | | 1 |
| 34 | 6641180 | LOCK | Use W/ 2-pin connector | | 1 |
| 35 | 6665322 | RIVET | female | | 2 |
| 36 | 6665321 | RIVET | male | | 2 |
| 37 | 6532127 | BOOT | | | 2 |
| 38 | 6669224 | BOLT | | | 4 |
| 39 | | ACTUATOR | NAP - Use W/Ref. 5 (6725128 adapter) & Ref. 54 (58K120 O-ring) - Order 7104842 actuator & Ref. 5 (7101705 adapter) - Was 6678775 [A] | | 2 |
| 39 | | ACTUATOR | NAP - W/Ref. 54 (6686220 O-ring) - Use W/Ref. 5 (7101705 adapter) - Was 7103129 [A] | | 2 |
| 39 | 7104842 | ACTUATOR | W/Ref. 54 (58K120 O-ring) - Use W/Ref. 5 (7101705 adapter) | | 2 |
| 40 | 6673789 | BEARING | | | 4 |
| 41 | 25E17 | WASHER 5 | | | 8 |
| 42 | 98D6 | NUT | | | 4 |
| 43 | 7108236 | PIN | Was 6718506 [A] | | 2 |
| 44 | 69G436 | BOLT | | | 4 |
| 45 | 61D4 | NUT 5 | | | 5 |
| 46 | | LEVER ASSY | See Illustration HAND CONTROL KIT/ PE1586 - NAP - R.H. - TILT - "L" SHAPED - ORDER 6727298 AHC KIT - WAS 6718195 [A] | | 1 |
| 46 | | LEVER ASSY | See Illustration HAND CONTROL KIT/ PE1586 - NAP - "S" SHAPED - ORDER 6727298 AHC KIT - WAS 6718201 [A] | | 1 |
| 46 | | LEVER ASSY | See Illustration HAND CONTROL KIT/ PE1586 - NAP - L.H. - LIFT - "L" SHAPED - ORDER 6727298 AHC KIT - WAS 6718194 [A] | | 1 |
| 46 | | LEVER ASSY | See Illustration HAND CONTROL KIT/ PE1586 - NAP - "S" SHAPED - ORDER 6727298 AHC KIT - WAS 6718202 [A] | | 1 |
| 47 | | FLANGE | NAP - Was 6674879 [A] | | 4 |
| 48 | 6718913 | HARNESS | AHC | | 1 |
| 48 | 6670707 | CONNECTOR | 3-way | | 2 |
| 48 | 6670711 | LOCK | 3-way | | 2 |
| 49 | 6728742 | HARNESS | jumper - enhance boom lift | | 1 |
| 50 | 6729594 | HANDLE | RH | | 1 |
| 50 | 6729595 | HANDLE | LH | | 1 |
| 51 | 6680469 | SPACER | 2.285" threaded at both ends - Use W/Ref. 50 - Was 6729600 [A] | | 1 |
| 52 | 6727065 | BOLT | button head - 24UNC | | 2 |
| 53 | 6727298 | KIT | See Illustration HAND CONTROL KIT/ PE1586 - AHC | | 1 |
| 54 | 58K120 | O-RING | Use W/Ref. 39 (NAP/ 6678775 actuator & 7104842 actuator) | | 2 |
| 54 | 6686220 | O-RING | Use W/Ref. 39 (NAP/ 7103129 actuator) | | 2 |

CONTROLS ELECTRICAL
 (AHC) (W/Push Button Float) (S/N 500K11007 & Below, 517615810 - 19167,
 518011505 - 12188, 518112000 - 12086, 519013963 - 18754, 519211118 - 12116)

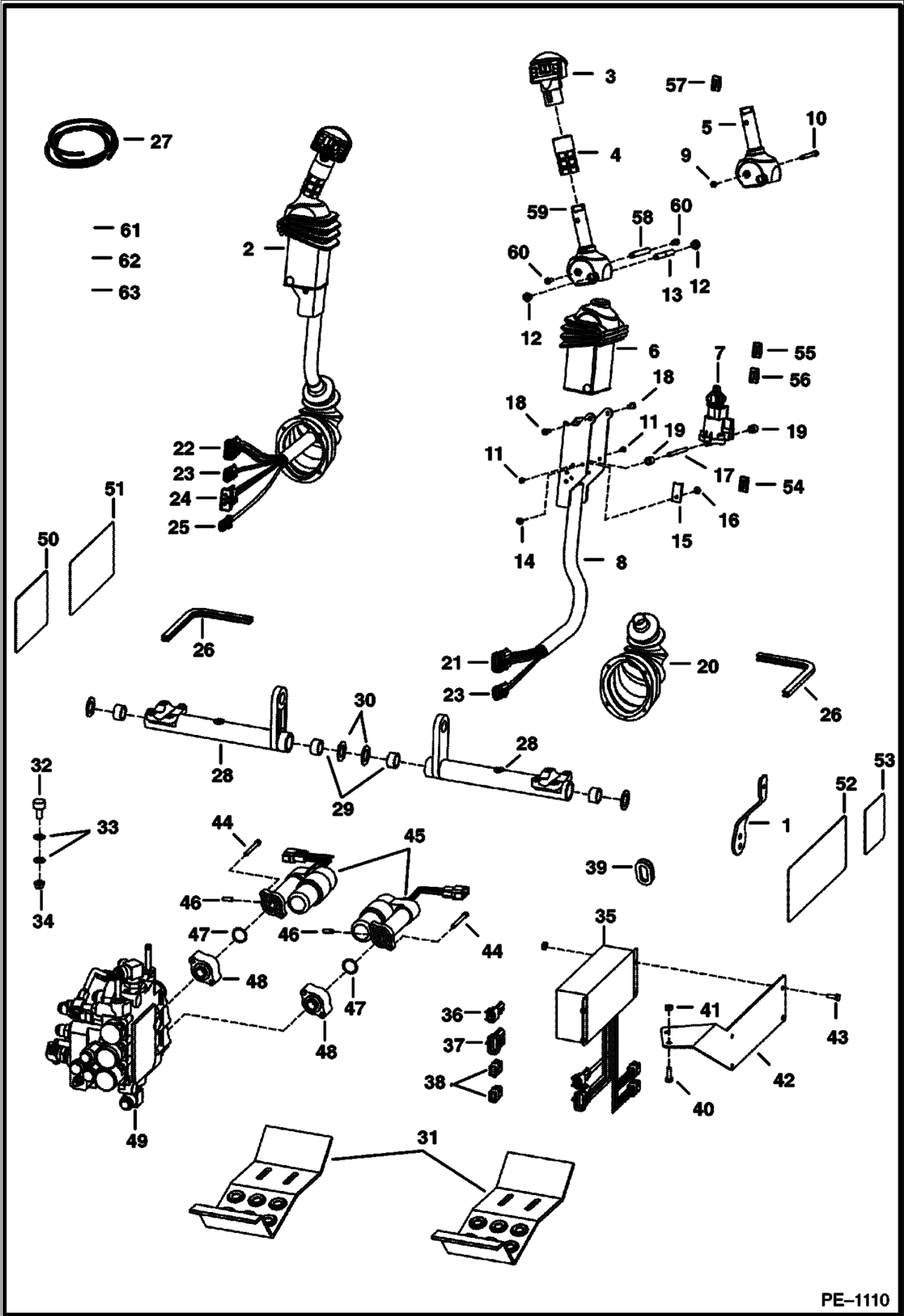


PE-1110

CONTROLS ELECTRICAL (Cont'd)
(AHC) (W/Push Button Float) (S/N 500K11007 & Below, 517615810 - 19167,
518011505 - 12188. 518112000 - 12086. 519013963 - 18754. 519211118 - 12116)

| Ref No | Part Number | Description | Remarks | Serial Number | Qty |
|--------|-------------|------------------|---|---------------|-----|
| 1 | 6717393 | LEVER | throttle | | 1 |
| 2 | 6684913 | LEVER | tilt - RH - Was 6675742 [A] | | 1 |
| 2 | 6684914 | LEVER | lift - LH - Was 6675750 [A] | | 1 |
| 3 | | HANDLE | See BT1335 - NAP - lift - R.H. - Was 6675469 [A] | | 1 |
| 3 | 6680417 | HANDLE | lift - LH - Was 6675749 [A] | | 1 |
| 4 | | GRIP | NAP - Order 6702621 grip & cut to 2.8 inches long - Was 6713349 | | 2 |
| 5 | | HANDLE | NAP - R.H. - Order Ref. 58, 59 & (2) of Ref. 60 - Was 6597774 [A] | | 1 |
| 5 | | HANDLE | NAP - L.H. - OrderRef. 58, 59 & (2) of Ref. 60 - Was 6717163 [A] | | 1 |
| 6 | 6680471 | COVER | Was 6713898 [A] | | 2 |
| 7 | 6684910 | SENSOR, ELEC AHC | Was 6675741 [A] | | 2 |
| 7 | 6670706 | CONNECTOR | | | 1 |
| 7 | 6670715 | PIN | | | 3 |
| 7 | 6670710 | LOCK | | | 1 |
| 8 | 6680481 | CHANNEL | RH - Was 6719712 [A] | | 1 |
| 8 | 6680480 | CHANNEL | LH - Was 6719711 [A] | | 1 |
| 9 | 12D10 | NUT | Use W/Ref. 10 | | 2 |
| 10 | 6716826 | BOLT | Used W/Ref 5 | | 2 |
| 11 | 25GT410 | SCREW | | | 8 |
| 12 | 6702990 | BUSHING | | | 4 |
| 13 | 6713043 | SPACER | | | 4 |
| 14 | 6665321 | RIVET | male | | 2 |
| 15 | 6665000 | CLIP | | | 2 |
| 16 | 6665322 | RIVET | female | | 2 |
| 17 | 6719834 | SPACER | threaded | | 2 |
| 18 | 6727065 | BOLT | | | 4 |
| 19 | 6719835 | SLEEVE | | | 4 |
| 20 | 6532127 | BOOT | | | 2 |
| 21 | 6640692 | CONNECTOR | 10-pin | | 1 |
| 21 | 6640690 | PIN | | | 8 |
| 21 | 6640694 | LOCK | Use W/ 10-pin connector | | 1 |
| 21 | 6641176 | SEAL | | | 8 |
| 21 | 6646582 | PLUG | cavity | | 1 |
| 22 | 6640692 | CONNECTOR | 10-pin | | 1 |
| 22 | 6640690 | PIN | | | 6 |
| 22 | 6640694 | LOCK | Use W/ 10-pin connector | | 1 |
| 22 | 6641176 | SEAL | | | 6 |
| 22 | 6646582 | PLUG | cavity | | 4 |
| 23 | 6640699 | CONNECTOR | 3-pin | | 2 |
| 23 | 6640690 | PIN | | | 3 |
| 23 | 6641176 | SEAL | | | 3 |
| 23 | 6640700 | LOCK | | | 3 |
| 24 | 6667144 | CONNECTOR | 5-pin | | 2 |
| 24 | 6640690 | PIN | | | 3 |
| 24 | 6641176 | SEAL | | | 3 |
| 24 | 6646582 | PLUG | cavity | | 1 |
| 24 | 6667145 | LOCK | Use W/ 5-pin connector | | 1 |
| 25 | 6641179 | CONNECTOR | 2-pin | | 1 |
| 25 | 6640690 | PIN | | | 2 |
| 25 | 6641176 | SEAL | | | 2 |
| 25 | 6641180 | LOCK | Use W/ 2-pin connector | | 1 |
| 26 | | MOULDING | NAP - 10.5"(266,7 mm)long - Order Ref. 27 | | 1 |
| 27 | 6654139 | MOULDING | bulk - sold per foot | | x |
| 28 | 6716977 | BELLCRANK | | | 2 |

CONTROLS ELECTRICAL (Cont'd)
(AHC) (W/Push Button Float) (S/N 500K11007 & Below, 517615810 - 19167,
518011505 - 12188, 518112000 - 12086, 519013963 - 18754, 519211118 - 12116)

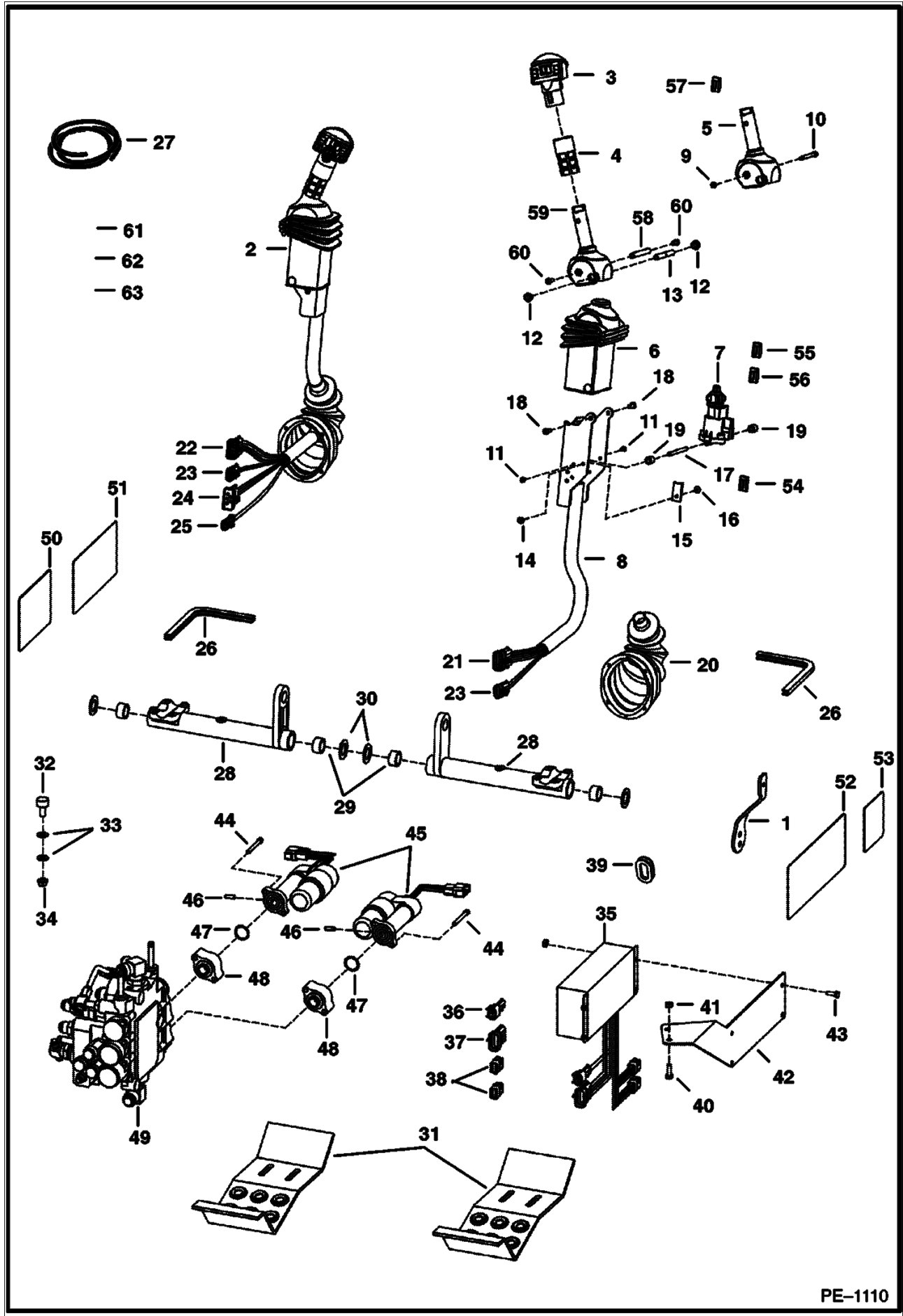


PE-1110

CONTROLS ELECTRICAL (Cont'd)
(AHC) (W/Push Button Float) (S/N 500K11007 & Below, 517615810 - 19167,
518011505 - 12188, 518112000 - 12086, 519013963 - 18754, 519211118 - 12116)

| Ref No | Part Number | Description | Remarks | Serial Number | Qty |
|--------|-------------|-----------------|--|------------------|-----|
| 29 | 6673710 | BEARING, NEEDLE | | | 4 |
| 30 | 6716916 | WASHER | plastic | | 4 |
| 31 | 6712365 | STEP | | | 2 |
| 32 | 6673789 | BEARING | | | 4 |
| 33 | 25E17 | WASHER 5 | | | 8 |
| 34 | 98D6 | NUT | | | 4 |
| 35 | 6676153 | CONTROLLER | metal | 5176 15810-18625 | 1 |
| 35 | 6676153 | CONTROLLER | metal | 5181 12000-12059 | 1 |
| 35 | 6676153 | CONTROLLER | metal | 5190 13963-17501 | 1 |
| 35 | 6676153 | CONTROLLER | metal | 5180 11505-12099 | 1 |
| 35 | 6676153 | CONTROLLER | metal | 5192 11118-12068 | 1 |
| 35 | 6680410 | CONTROLLER | plastic - W/ 3 connector plug - Was 6676337 [A] | 500K 11007 & Bel | 1 |
| 35 | 6680410 | CONTROLLER | plastic - W/ 3 connector plug - Was 6676337 [A] | 5176 18626-19167 | 1 |
| 35 | 6680410 | CONTROLLER | plastic - W/ 3 connector plug - Was 6676337 [A] | 5180 12100-12188 | 1 |
| 35 | 6680410 | CONTROLLER | plastic - W/ 3 connector plug - Was 6676337 [A] | 5190 17502 18754 | 1 |
| 35 | 6680410 | CONTROLLER | plastic - W/ 3 connector plug - Was 6676337 [A] | 5192 12069-12116 | 1 |
| 35 | 6680410 | CONTROLLER | plastic - W/ 3 connector plug - Was 6676337 [A] | 5181 12060-12086 | 1 |
| 36 | 6640692 | CONNECTOR | 10-pin | | 1 |
| 36 | 6640690 | PIN | | | 9 |
| 36 | 6640694 | LOCK | Use W/ 10-pin connector | | 1 |
| 36 | 6641176 | SEAL | | | 9 |
| 36 | 6646582 | PLUG | cavity | | 1 |
| 37 | 6648307 | CONNECTOR | 2-pin | | 1 |
| 38 | 6670709 | CONNECTOR | 8-pin | | 2 |
| 39 | 6714726 | GROMMET | | | 1 |
| 40 | 17C612 | BOLT 5 | | | 2 |
| 41 | 61D6 | NUT 5 | | | 2 |
| 42 | 6725165 | MOUNT | | | 1 |
| 43 | 17C412 | BOLT 5 | | | 4 |
| 44 | 69G436 | BOLT | | | 4 |
| 45 | | ACTUATOR | NAP - Use W/Ref. 47 (58K120 O-ring) & Ref. 48 (6725128 adapter) - Order 7104842 actuator & Ref. 48 (7101705 adapter) - Was 6678775 [A] | | 2 |
| 45 | | ACTUATOR | NAP - W/Ref. 47 (6686220 O-ring) - Use W/Ref. 48 (7101705 adapter) - Was 7103129 [A] | | 2 |
| 45 | 7104842 | ACTUATOR | W/Ref. 47 (58K120 O-ring) - Use W/Ref. 48 (7101705 adapter) | 5176 15810-18625 | 1 |
| 45 | 7104842 | ACTUATOR | W/Ref. 47 (58K120 O-ring) - Use W/Ref. 48 (7101705 adapter) | 5180 11505-12099 | 1 |
| 45 | 7104842 | ACTUATOR | W/Ref. 47 (58K120 O-ring) - Use W/Ref. 48 (7101705 adapter) | 5192 11118-12068 | 1 |
| 45 | 7104842 | ACTUATOR | W/Ref. 47 (58K120 O-ring) - Use W/Ref. 48 (7101705 adapter) | 5190 13963-17501 | 1 |
| 45 | 7104842 | ACTUATOR | W/Ref. 47 (58K120 O-ring) - Use W/Ref. 48 (7101705 adapter) | 5181 12000-12059 | 1 |
| 45 | 7101672 | ACTUATOR | W/Ref. 47 (58K120 O-ring) - Use W/Ref. 48 (7101705 adapter) | 500K 11007 & Bel | 1 |
| 45 | 7101672 | ACTUATOR | W/Ref. 47 (58K120 O-ring) - Use W/Ref. 48 (7101705 adapter) | 5176 18626-19167 | 1 |
| 45 | 7101672 | ACTUATOR | W/Ref. 47 (58K120 O-ring) - Use W/Ref. 48 (7101705 adapter) | 5180 12100-12188 | 1 |
| 45 | 7101672 | ACTUATOR | W/Ref. 47 (58K120 O-ring) - Use W/Ref. 48 (7101705 adapter) | 5192 12069-12116 | 1 |
| 45 | 7101672 | ACTUATOR | W/Ref. 47 (58K120 O-ring) - Use W/Ref. 48 (7101705 adapter) | 5190 17502-18754 | 1 |
| 45 | 7101672 | ACTUATOR | W/Ref. 47 (58K120 O-ring) - Use W/Ref. 48 (7101705 adapter) | 5181 12060-12086 | 1 |

CONTROLS ELECTRICAL (Cont'd)
 (AHC) (W/Push Button Float) (S/N 500K11007 & Below, 517615810 - 19167,
 518011505 - 12188, 518112000 - 12086, 519013963 - 18754, 519211118 - 12116)

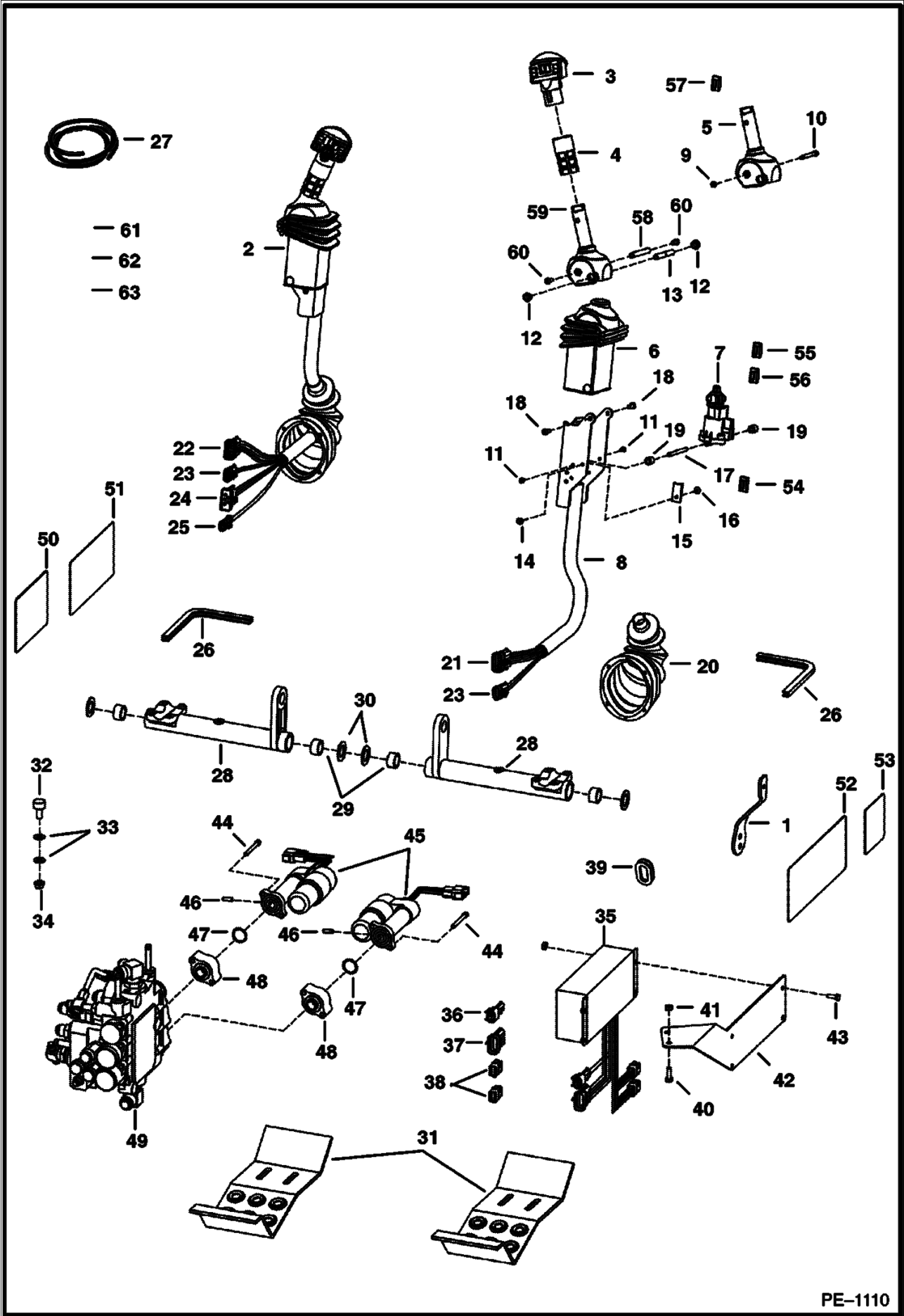


PE-1110

CONTROLS ELECTRICAL (Cont'd)
(AHC) (W/Push Button Float) (S/N 500K11007 & Below, 517615810 - 19167,
518011505 - 12188, 518112000 - 12086, 519013963 - 18754, 519211118 - 12116)

| Ref No | Part Number | Description | Remarks | Serial Number | Qty |
|--------|-------------|-------------------|--|-----------------------|-----|
| | | | adapter) | | |
| 46 | 7108236 | PIN | Was 6718506 [A] | | 2 |
| 47 | 58K120 | O-RING | Use W/Ref. 45 (NAP/ 6678775 actuator, 7104842 actuator & 7101672 actuator) | | 2 |
| 47 | 6682660 | SPACER | Use W/Ref. 45 (NAP/ 7103129 actuator) | | 1 |
| 48 | 6725128 | ADAPTER | actuator - W/ O-ring groove - Use W/Ref. 45 (NAP/ 6678775 actuator) | | 2 |
| 48 | 7101705 | ADAPTER, ACTUATOR | W/O O-ring groove - Use W/Ref. 45 (NAP/ 7103129 actuator, 7104842 actuator & 7101672 actuator) | | 2 |
| 49 | | VALVE | See Illustration HYDRAULIC CONTROL VALVE/ B17177 | | 1 |
| 50 | 6718704 | DECAL | | | 1 |
| 51 | 6727155 | DECAL | | 517615810 - 517618625 | 1 |
| 51 | 6727155 | DECAL | | 518112000 - 518112059 | 1 |
| 51 | 6727155 | DECAL | | 519211118 - 519212068 | 1 |
| 51 | 6727155 | DECAL | | 519013963 - 519017501 | 1 |
| 51 | 6727155 | DECAL | | 518011505 - 518012099 | 1 |
| 51 | 6728328 | DECAL | | 500K 11007 & Bel | 1 |
| 51 | 6728328 | DECAL | | 517618626 - 517619167 | 1 |
| 51 | 6728328 | DECAL | | 518112060 - 518112086 | 1 |
| 51 | 6728328 | DECAL | | 518012100 - 518012188 | 1 |
| 51 | 6728328 | DECAL | | 519017502 - 519018754 | 1 |
| 51 | 6728328 | DECAL | | 519212069 - 519212116 | 1 |
| 52 | 6728539 | DECAL | Was 6718699 [A] | | 1 |
| 53 | 6718706 | DECAL | | | 1 |
| 54 | 6670707 | CONNECTOR | 3-pin | | 1 |
| 54 | 6670715 | PIN | | | 3 |
| 54 | 6670711 | LOCK | | | 1 |
| 55 | 6677364 | CONNECTOR | 3-pin | | 1 |
| 55 | 6676640 | SEAL | | | 3 |
| 56 | 6676870 | CONNECTOR | 3-pin | | 1 |
| 56 | 6676640 | SEAL | | | 1 |
| 56 | 6670715 | PIN | | | 1 |
| 56 | 6670711 | LOCK | | | 1 |
| 57 | 6676537 | SWITCH | ACS | | 1 |
| 58 | | SPACER | 2.285" thread on both ends | | 1 |
| 59 | 6729594 | HANDLE | RH | | 1 |
| 59 | 6729595 | HANDLE | LH | | 1 |
| 60 | 6727065 | BOLT | button head - 24UNC | | 2 |
| 61 | 6728742 | HARNESS | jumper - W/capacitor | | 1 |
| 62 | 6727130 | HARNESS | | 517615810 - 517618625 | 1 |
| 62 | 6727130 | HARNESS | | 518112000 - 518112059 | 1 |
| 62 | 6727130 | HARNESS | | 518011505 - 518012099 | 1 |
| 62 | 6727130 | HARNESS | | 519013963 - | 1 |

CONTROLS ELECTRICAL (Cont'd)
(AHC) (W/Push Button Float) (S/N 500K11007 & Below, 517615810 - 19167,
518011505 - 12188, 518112000 - 12086, 519013963 - 18754, 519211118 - 12116)

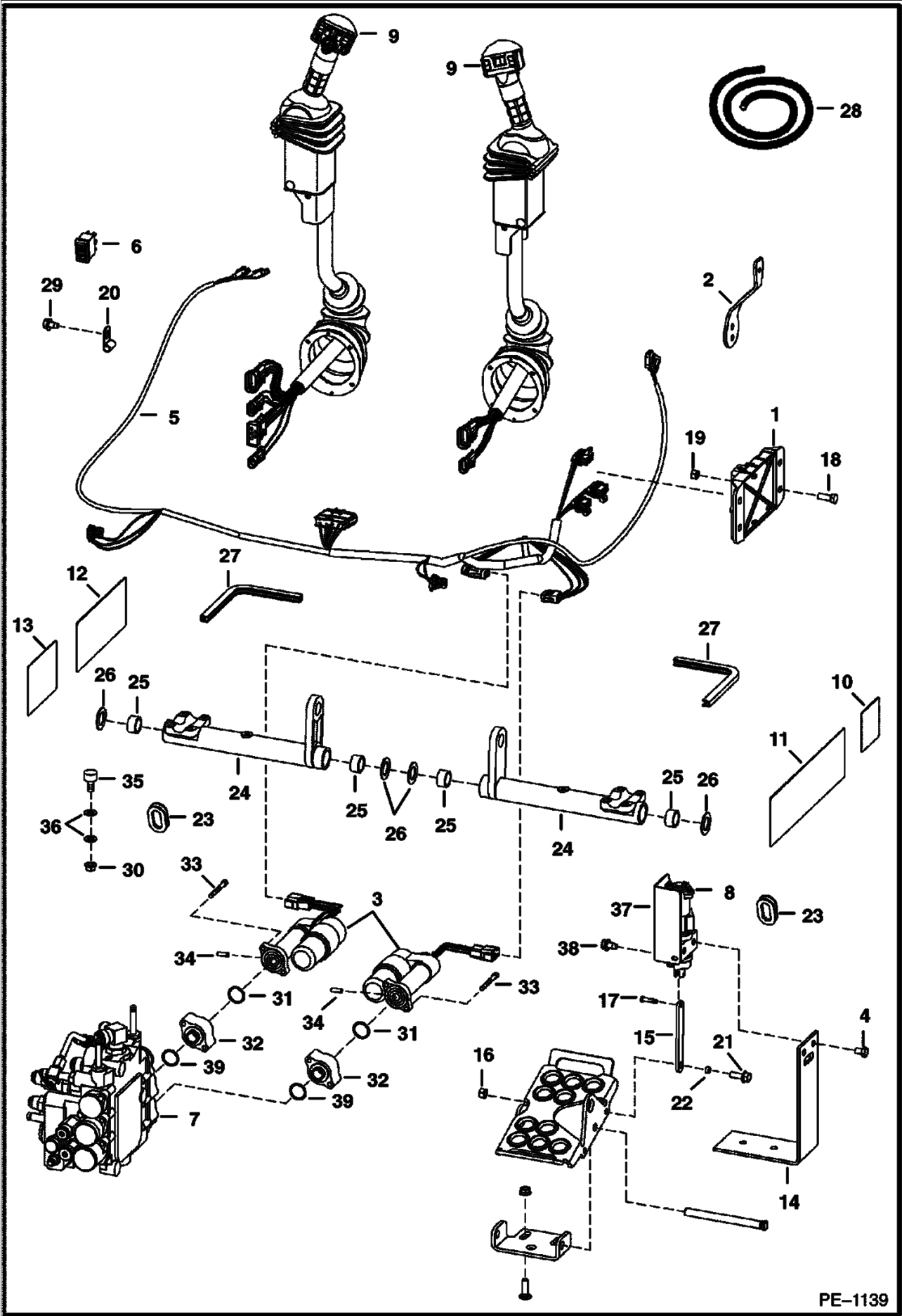


PE-1110

CONTROLS ELECTRICAL (Cont'd)
(AHC) (W/Push Button Float) (S/N 500K11007 & Below, 517615810 - 19167,
518011505 - 12188, 518112000 - 12086, 519013963 - 18754, 519211118 - 12116)

| Ref No | Part Number | Description | Remarks | Serial Number | Qty |
|--------|-------------|--------------|--|--------------------------|-----|
| | | | | 519017501 | |
| 62 | 6727130 | HARNESS | | 519211118 - 519212068 | 1 |
| 62 | 6733292 | HARNESS, ACS | Was 6729023 [A] | 500K11007 & Below | 1 |
| 62 | 6733292 | HARNESS, ACS | Was 6729023 [A] | 517618626 - 517619167 | 1 |
| 62 | 6733292 | HARNESS, ACS | Was 6729023 [A] | 518112060 - 518112086 | 1 |
| 62 | 6733292 | HARNESS, ACS | Was 6729023 [A] | 519212069 - 519212116 | 1 |
| 62 | 6733292 | HARNESS, ACS | Was 6729023 [A] | 519017502 - 519018754 | 1 |
| 62 | 6733292 | HARNESS, ACS | Was 6729023 [A] | 518012100 - 518012188 | 1 |
| 63 | 6729054 | HARNESS | Use W/Ref. 35 - W/capacitor (6676153 Controller) | 517615810 - 517618625 | 1 |
| 63 | 6729054 | HARNESS | Use W/Ref. 35 - W/capacitor (6676153 Controller) | 518011505 - 518012099 | 1 |
| 63 | 6729054 | HARNESS | Use W/Ref. 35 - W/capacitor (6676153 Controller) | 518112000 - 518112059 | 1 |
| 63 | 6729054 | HARNESS | Use W/Ref. 35 - W/capacitor (6676153 Controller) | 519013963 - 519017501 | 1 |
| 63 | 6729054 | HARNESS | Use W/Ref. 35 - W/capacitor (6676153 Controller) | 519211118 - 519212068 | 1 |

CONTROLS ELECTRICAL
 (ACS) (S/N 500K11008 & Above, 517619168 & Above, 518012189 & Above)
 518112087 & Above. 519018755 & Above. 519111001 & Above. 519212117 & Above)

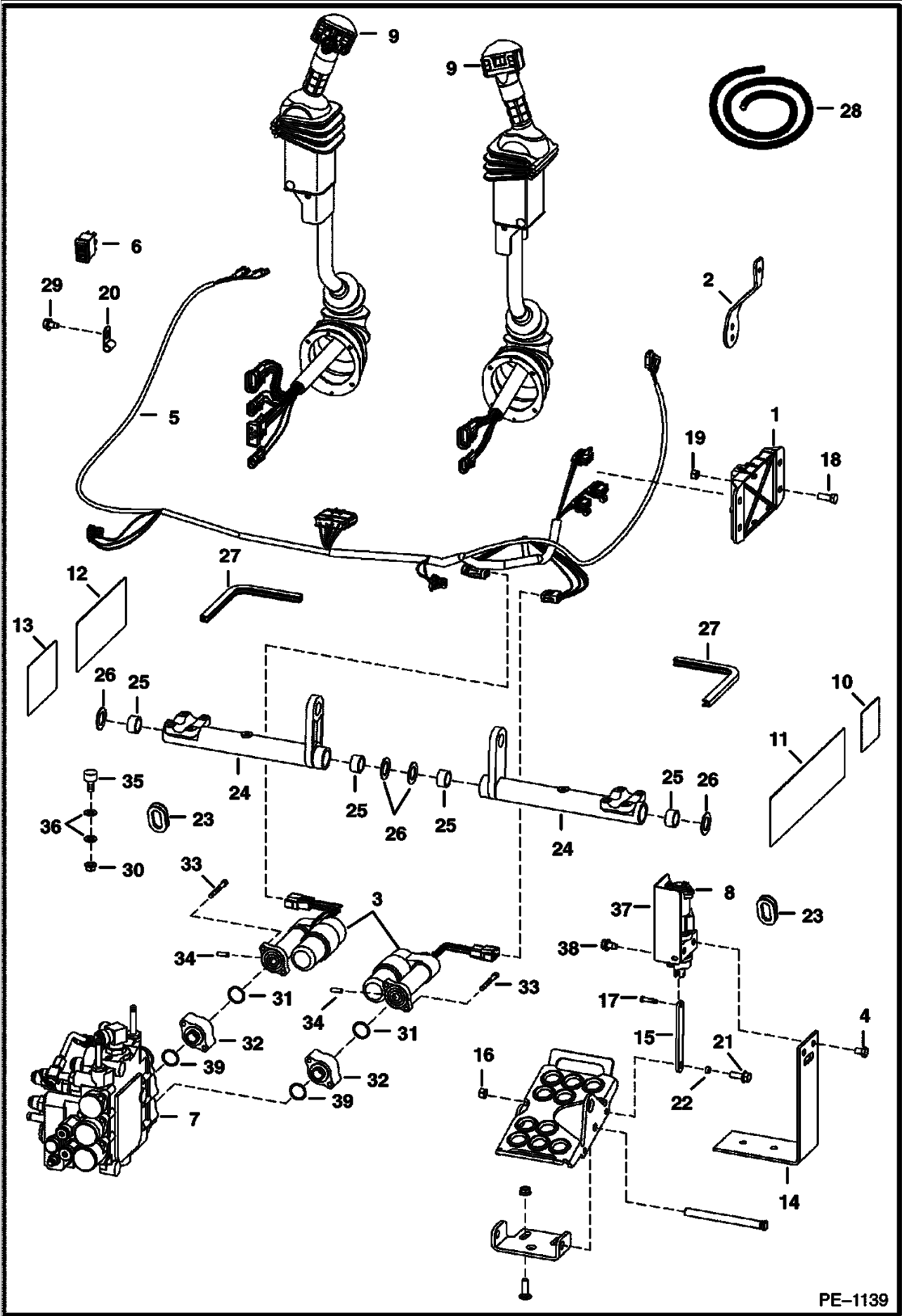


PE-1139

CONTROLS ELECTRICAL (Cont'd)
(ACS) (S/N 500K11008 & Above, 517619168 & Above, 518012189 & Above)
518112087 & Above, 519018755 & Above, 519111001 & Above, 519212117 & Above)

| Ref No | Part Number | Description | Remarks | Serial Number | Qty |
|--------|-------------|-------------------|--|---------------|-----|
| 1 | 6680410 | CONTROLLER | plastic - W/ 3 connector plug - Was 6676337 [A] | | 1 |
| 2 | 6717393 | LEVER | throttle | | 1 |
| 3 | | ACTUATOR | NAP - Use W/Ref. 31 (58K120 O-ring) & Ref. 32 (6725128 adapter) - Order 7101672 actuator & Ref. 32 (7101705 adapter) - Was 6678775 [A] | | 2 |
| 3 | | ACTUATOR | NAP - W/Ref. 31 (6686220 O-ring) - Use W/Ref. 32 (7101705 adapter) - Was 7103129 [A] | | 2 |
| 3 | 7101672 | ACTUATOR | W/Ref. 31 (58K120 O-ring) - Use W/Ref. 32 (7101705 adapter) | | 2 |
| 4 | 17C608 | BOLT | | | 4 |
| 5 | 6733292 | HARNESS, ACS | Was 6726925 [B] | | 1 |
| 6 | 6676537 | SWITCH | | | 1 |
| 7 | | VALVE | See Illustration HYDRAULIC CONTROL VALVE/ B17178 | | 1 |
| 8 | 6684912 | SENSOR, FOOT RH | See Illustration CONTROLS ELECTRICAL/ PE1553 - Was 6676493 [A] | | 1 |
| 8 | 6676029 | SOLENOID | | | 1 |
| 8 | 6684911 | SENSOR, FOOT LH | See Illustration CONTROLS ELECTRICAL/ PE1553 - Was 6676492 [A] | | 1 |
| 8 | 6676029 | SOLENOID | | | 1 |
| 9 | 6684915 | LEVER, ACS RH | See Illustration CONTROLS ELECTRICAL/ PE1365 - tilt - RH - Was 6676333 [A] | | 1 |
| 9 | 6684916 | LEVER, ACS LH | See Illustration CONTROLS ELECTRICAL/ PE1365 - lift - LH - Was 6676497 [A] | | 1 |
| 10 | 6718706 | DECAL | | | 1 |
| 11 | 6728539 | DECAL | | | 1 |
| 12 | 6727926 | DECAL | | | 1 |
| 13 | 6727926 | DECAL | Was 6727941 [A] | | 1 |
| 14 | 7126869 | BRACKET | Was 6726573 [A] | | 2 |
| 15 | 6726681 | LINK | | | 2 |
| 16 | 95D5 | NUT | | | 2 |
| 17 | 6727496 | PIN | | | 2 |
| 18 | 17C616 | BOLT 5 | | | 2 |
| 19 | 95D6 | NUT | | | 6 |
| 20 | 30H62 | CLIP | | | 2 |
| 21 | 17C514 | BOLT | | | 2 |
| 22 | 6729467 | SPACER | | | 2 |
| 23 | 6714726 | GROMMET | | | 2 |
| 24 | 6716977 | BELLCRANK | | | 2 |
| 25 | 6673710 | BEARING, NEEDLE | | | 4 |
| 26 | 6716916 | WASHER | plastic | | 4 |
| 27 | | MOULDING | NAP - Order Ref. 28 - 10.5"(266,7 mm) long | | 1 |
| 28 | 6654139 | MOULDING | bulk - sold per foot | | x |
| 29 | 84G3710 | SCREW | | | 2 |
| 30 | 98D6 | NUT | | | 2 |
| 31 | 58K120 | O-RING | Use W/Ref. 3 (NAP/ 6678775 actuator & 7101672 actuator) | | 2 |
| 31 | 6686220 | O-RING | Use W/Ref. 3 (NAP/ 7103129 actuator) | | 2 |
| 32 | 6725128 | ADAPTER | actuator - W/ O-ring groove - Use W/Ref. 3 (NAP/ 6678775 actuator) | | 2 |
| 32 | 7101705 | ADAPTER, ACTUATOR | W/O O-ring groove - Use W/Ref. 3 (NAP/ 7103129 actuator & 7101672 actuator) | | 2 |
| 33 | 69G436 | BOLT | | | 4 |
| 34 | 7108236 | PIN | Was 6718506 [A] | | 2 |
| 35 | 6673789 | BEARING | | | 4 |
| 36 | 25E17 | WASHER 5 | | | 8 |

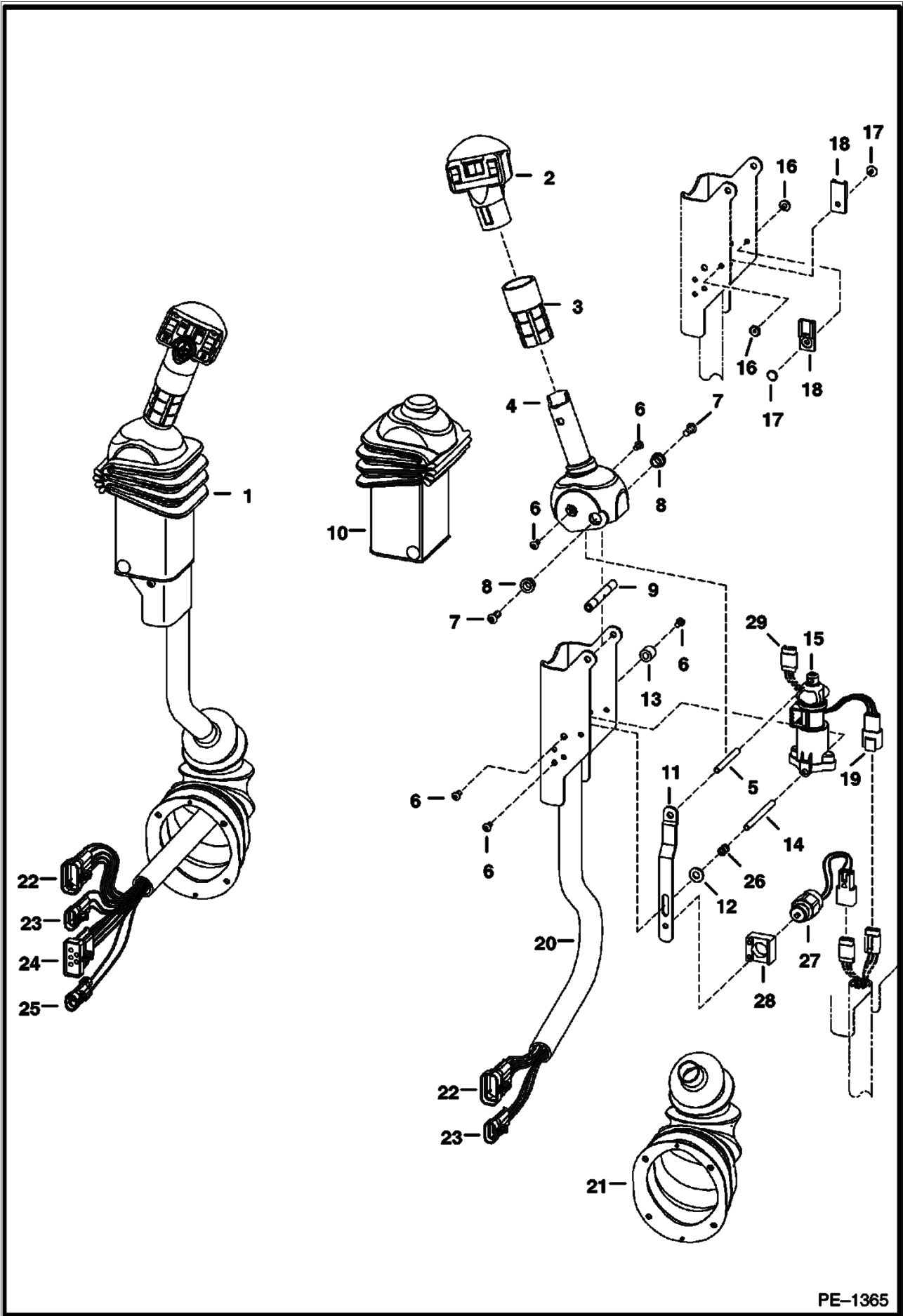
CONTROLS ELECTRICAL (Cont'd)
 (ACS) (S/N 500K11008 & Above, 517619168 & Above, 518012189 & Above)
 518112087 & Above, 519018755 & Above, 519111001 & Above, 519212117 & Above)



CONTROLS ELECTRICAL (Cont'd)
(ACS) (S/N 500K11008 & Above, 517619168 & Above, 518012189 & Above)
518112087 & Above, 519018755 & Above, 519111001 & Above, 519212117 & Above)

| Ref No | Part Number | Description | Remarks | Serial Number | Qty |
|--------|-------------|-------------|------------------------------|---------------|-----|
| 37 | 6680478 | SHIELD | RH - Was 6727231 [A] | | 1 |
| 37 | | SHIELD | NAP - L.H. - Was 6727284 [A] | | 1 |
| 38 | 43C408 | BOLT | | | 4 |
| 39 | 1K127 | O-RING 10 | Was 93K127 [A] | | x |

CONTROLS ELECTRICAL
(AHC) (ACS) (Handle Assembly)

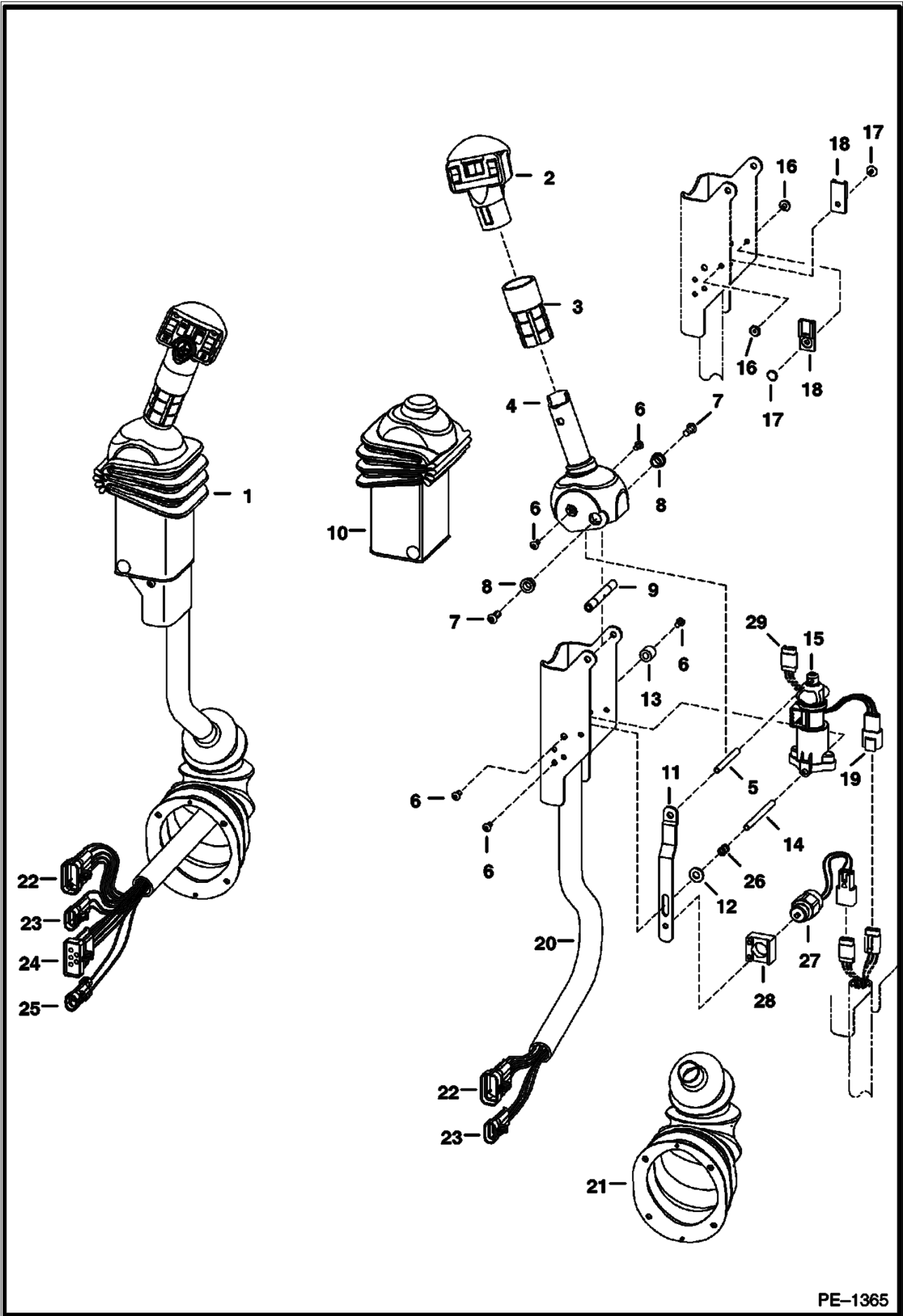


PE-1365

**CONTROLS ELECTRICAL (Cont'd)
(AHC) (ACS) (Handle Assembly)**

| Ref No | Part Number | Description | Remarks | Serial Number | Qty |
|--------|-------------|------------------|---|---------------|-----|
| 1 | 6684915 | LEVER, ACS RH | tilt - RH - Was 6680424 [A] | | 1 |
| 1 | 6684916 | LEVER, ACS LH | lift - LH - Was 6680423 [A] | | 1 |
| 2 | 6680462 | HANDLE, ACS RH | tilt - RH - Was 6677536 [A] | | 1 |
| 2 | 6680417 | HANDLE | lift - LH - Was 6675749 [A] | | 1 |
| 3 | | GRIP | Order 6702621 Grip and Cut to 2.8 inches long - Was 6713349 [A] | | 1 |
| 4 | 6729594 | HANDLE | RH | | 1 |
| 4 | 6729595 | HANDLE | LH | | 1 |
| 5 | 6680469 | SPACER | threaded - Was 6729600 [A] | | 1 |
| 6 | 6727065 | BOLT | | | 6 |
| 7 | 25GT410 | SCREW | | | 8 |
| 8 | 6702990 | BUSHING | | | 4 |
| 9 | 6713043 | SPACER | | | 4 |
| 10 | 6680471 | COVER | Was 6713898 [A] | | 2 |
| 11 | 6680477 | STRAP | stop - Was 6719715 [A] | | 1 |
| 12 | 25E13 | WASHER 5 | | | 1 |
| 13 | 6719835 | SLEEVE | | | 4 |
| 14 | 6719834 | SPACER | threaded | | 2 |
| 15 | 6684910 | SENSOR, ELEC AHC | Was 6675741 [A] | | 2 |
| 15 | 6670706 | CONNECTOR | | | 1 |
| 15 | 6670715 | PIN | | | 3 |
| 15 | 6670710 | LOCK | | | 1 |
| 16 | 6665322 | RIVET | female | | 2 |
| 17 | 6665321 | RIVET | male | | 2 |
| 18 | 6665000 | CLIP | | | 2 |
| 19 | 6670707 | CONNECTOR | | | 1 |
| 19 | 6670715 | PIN | | | 3 |
| 19 | 6670711 | LOCK | | | 1 |
| 20 | 6680481 | CHANNEL | RH - Was 6719712 [A] | | 1 |
| 20 | 6680480 | CHANNEL | LH - Was 6719711 [A] | | 1 |
| 21 | 6532127 | BOOT | | | 2 |
| 22 | 6640692 | CONNECTOR | 10-pin | | 1 |
| 22 | 6640690 | PIN | | | 8 |
| 22 | 6640694 | LOCK | Use W/ 10-pin connector | | 1 |
| 22 | 6641176 | SEAL | | | 8 |
| 22 | 6646582 | PLUG | cavity | | 1 |
| 23 | 6640699 | CONNECTOR | 3-pin | | 2 |
| 23 | 6640690 | PIN | | | 3 |
| 23 | 6641176 | SEAL | | | 3 |
| 23 | 6640700 | LOCK | | | 3 |
| 24 | 6667144 | CONNECTOR | 5-pin | | 2 |
| 24 | 6640690 | PIN | | | 3 |
| 24 | 6641176 | SEAL | | | 3 |
| 24 | 6646582 | PLUG | cavity | | 1 |
| 24 | 6641180 | LOCK | Use W/ 2-pin connector | | 1 |
| 25 | 6641179 | CONNECTOR | 2-pin | | 1 |
| 25 | 6640690 | PIN | | | 2 |
| 25 | 6641176 | SEAL | | | 2 |
| 25 | 6641180 | LOCK | Use W/ 2-pin connector | | 1 |
| 26 | 6680470 | SPRING | Was 6675745 [A] | | 1 |
| 27 | 6676029 | SOLENOID | | | 1 |
| 28 | 6680468 | MOUNT | Was 6719716 [A] | | 1 |
| 29 | 6676870 | CONNECTOR | 3-pin | | 1 |
| 29 | 6670711 | LOCK | | | 1 |
| 29 | 6670715 | PIN | | | 1 |

CONTROLS ELECTRICAL (Cont'd)
 (AHC) (ACS) (Handle Assembly)

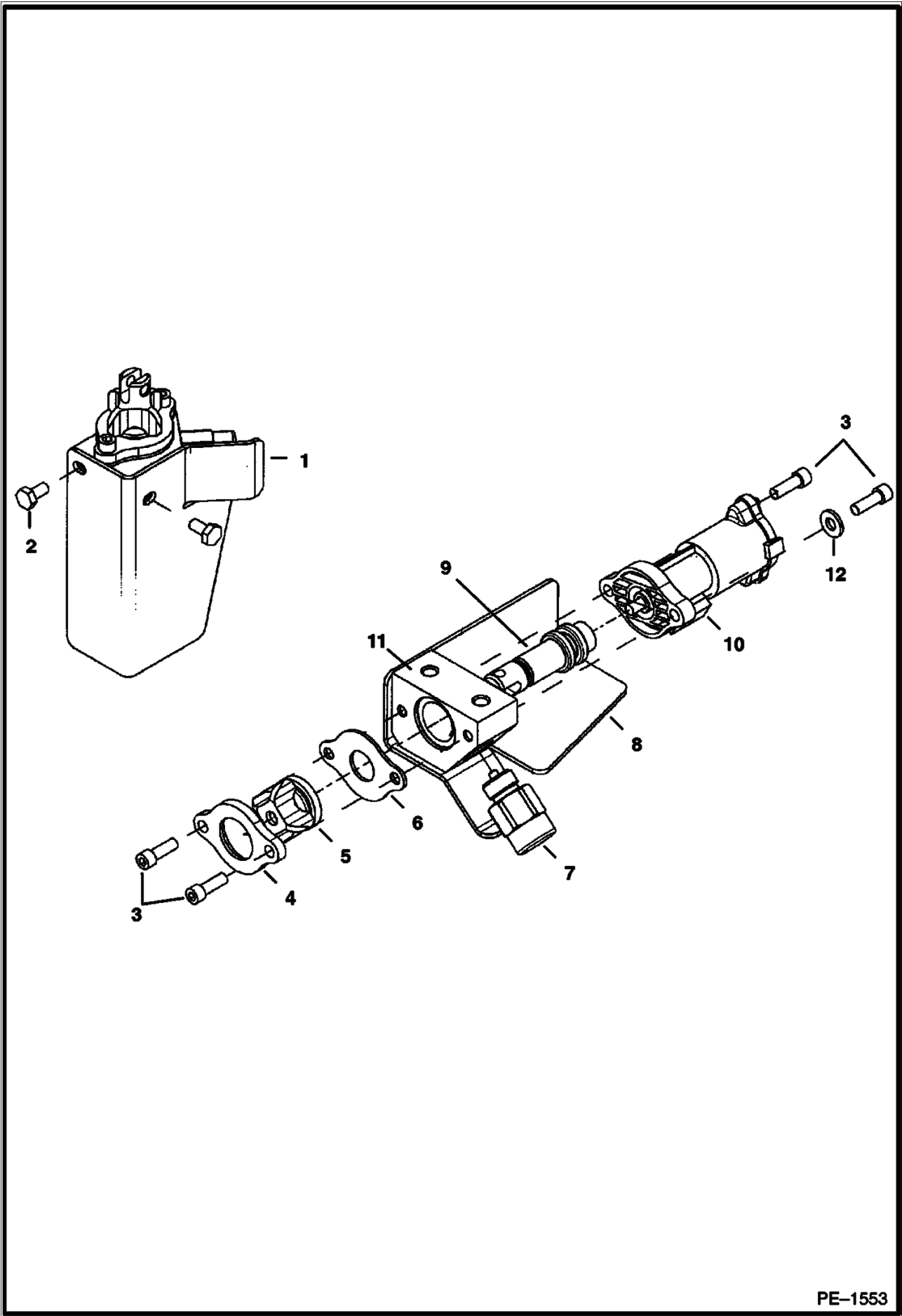


PE-1365

**CONTROLS ELECTRICAL (Cont'd)
(AHC) (ACS) (Handle Assembly)**

| Ref No | Part Number | Description | Remarks | Serial Number | Qty |
|---------------|--------------------|--------------------|----------------|----------------------|------------|
| 29 | 6676640 | SEAL | | | 5 |

CONTROLS ELECTRICAL (ACS) (Foot Pedal Assembly)

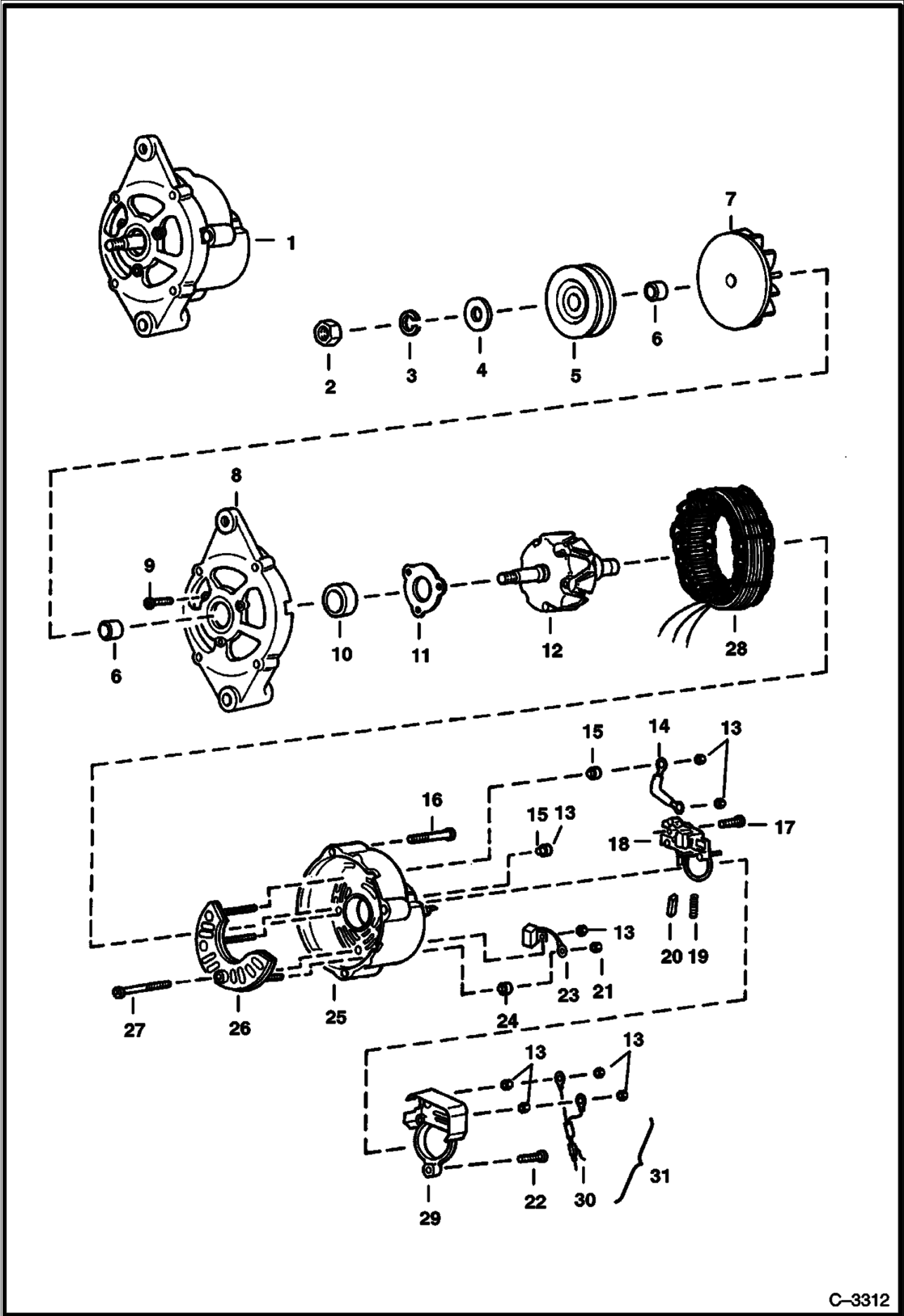


PE-1553

**CONTROLS ELECTRICAL (Cont'd)
(ACS) (Foot Pedal Assembly)**

| Ref No | Part Number | Description | Remarks | Serial Number | Qty |
|--------|-------------|-----------------|------------------------------|---------------|-----|
| 1 | 6684912 | SENSOR, FOOT RH | Was 6676493 [A] | | 1 |
| 1 | 6684911 | SENSOR, FOOT LH | Was 6676492 [A] | | 1 |
| 2 | 43C408 | BOLT | | | 2 |
| 3 | 98G412 | BOLT | | | 4 |
| 4 | | RETAINER | NAP - boot - Was 6726574 [A] | | 1 |
| 5 | 6587763 | BOOT | | | 1 |
| 6 | | STOP PLATE | NAP - Was 6726695 [A] | | 1 |
| 7 | 6676029 | SOLENOID | | | 1 |
| 8 | 6680478 | SHIELD | RH - Was 6727231 [A] | | 1 |
| 8 | 6680479 | SHIELD | LH - Was 6727284 [A] | | 1 |
| 9 | | SPOOL | NSS | | 1 |
| 10 | | SENSOR | NSS | | 1 |
| 11 | | BLOCK | NSS | | 1 |
| 12 | 25E13 | WASHER 5 | | | 2 |

ALTERNATOR
 (Bobcat) (S/N 517617999 & Below, 518011999 & Below,
 518111999 & Below, 519015999 & Below, 519211999 & Below)

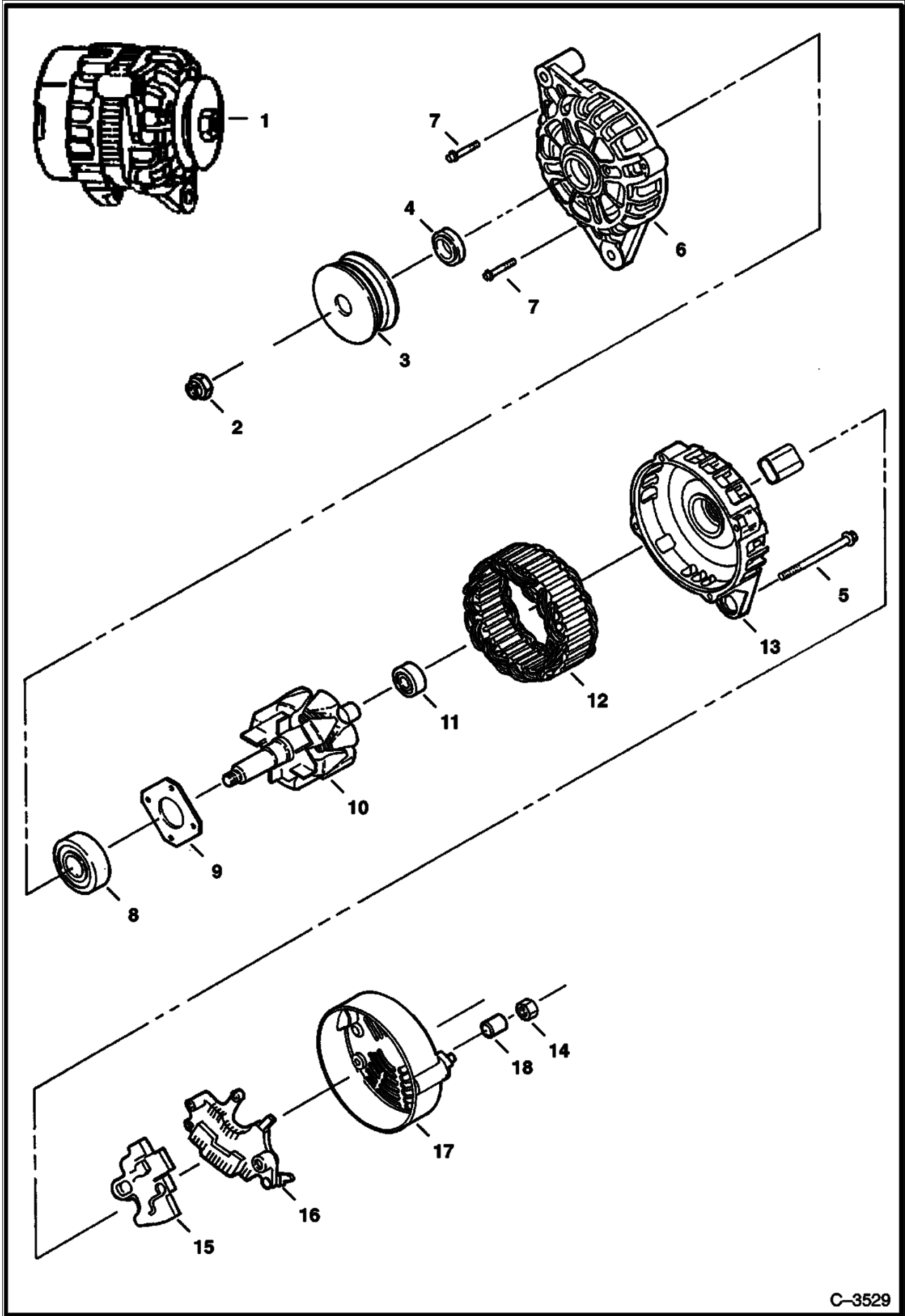


C-3312

ALTERNATOR (Cont'd)
(Bobcat) (S/N 517617999 & Below, 518011999 & Below,
518111999 & Below. 519015999 & Below. 519211999 & Below)

| Ref No | Part Number | Description | Remarks | Serial Number | Qty |
|--------|-------------|-----------------------|---|---------------|-----|
| 1 | 6661611 | ALTERNATOR | Less Fan & Pulley | | 1 |
| 1 | 6661611REM | ALTERNATOR, 55 AMP | | | 1 |
| 2 | 6659371 | NUT | | | 1 |
| 3 | 6659372 | WASHER | | | 1 |
| 4 | 6632323 | WASHER | | | 1 |
| 5 | 6571536 | PULLEY | | | 1 |
| 6 | 6659374 | SPACER | | | 2 |
| 7 | 6659375 | FAN | | | 1 |
| 8 | 6659376 | BRACKET | W/Ref. 9-11 | | 1 |
| 9 | 6659378 | BOLT | | | 3 |
| 10 | 6659379 | BEARING | | | 1 |
| 11 | | RETAINER | NAP - Was 6632228 [A] | | 1 |
| 12 | 6659380 | ROTOR | | | 1 |
| 13 | 6659387 | NUT | | | 7 |
| 14 | 6659397 | TERMINAL | | | 1 |
| 15 | 6659386 | HOLDER | | | 2 |
| 16 | 6659392 | BOLT | | | 3 |
| 17 | 6659396 | SCREW | | | 2 |
| 18 | 6659393 | REGULATOR | W.Ref. 19 & 20 | | 1 |
| 19 | 6659395 | SPRING | | | 2 |
| 20 | 6659394 | BRUSH | | | 2 |
| 21 | 6659391 | NUT | | | 1 |
| 22 | 6659399 | SCREW | | | 1 |
| 23 | 6659388 | CONDENSER | | | 1 |
| 24 | 6659390 | HOLDER | | | 1 |
| 25 | 6659382 | BRACKET | rear - W/Ref. 13, 15, 21 & 23 - 27 | | 1 |
| 26 | 6659384 | RECTIFIER | | | 1 |
| 27 | 6659385 | SCREW | | | 1 |
| 28 | 6659381 | STATOR | | | 1 |
| 29 | 6659398 | COVER | | | 1 |
| 30 | 6659400 | CONNECTOR | assy. | | 1 |
| 31 | 6577456 | KIT | Weather-Pak Connector - Includes both male & female parts | | 1 |

ALTERNATOR
 (S/N 500K11001 & Above, 517618000 & Above, 518012000 & Above,
 518112000 & Above, 519016000 & Above, 519212000 & Above)

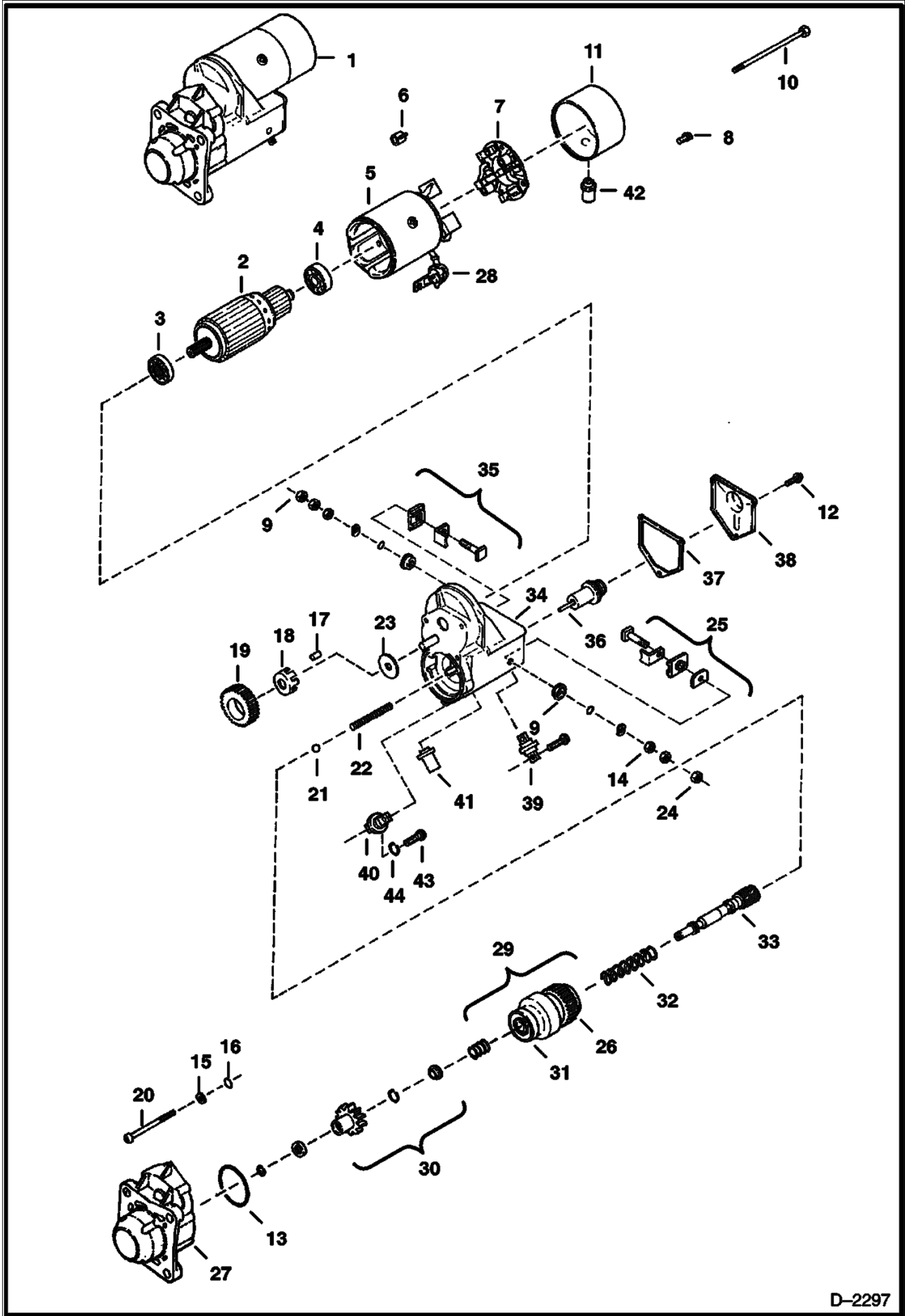


C-3529

ALTERNATOR (Cont'd)
(S/N 500K11001 & Above, 517618000 & Above, 518012000 & Above,
518112000 & Above. 519016000 & Above. 519212000 & Above)

| Ref No | Part Number | Description | Remarks | Serial Number | Qty |
|--------|-------------|-----------------------|--------------------------|---------------|-----|
| 1 | 6678205 | ALTERNATOR, 90 AMP | 90 amp - Was 6675292 [A] | | 1 |
| 1 | 6678205REM | ALTERNATOR, 90 AMP | 90 amp - Ref. 2-18 | | 1 |
| 2 | 6677497 | NUT | | | 1 |
| 3 | 6677496 | PULLEY | | | 1 |
| 4 | 6677495 | SPACER | front | | 1 |
| 5 | 6677494 | BOLT | | | 4 |
| 6 | 6677491 | BRACKET | rear | | 1 |
| 7 | 6677817 | BOLT | | | 4 |
| 8 | 6677818 | BEARING | | | 1 |
| 9 | 6677819 | RETAINER | | | 1 |
| 10 | 6677492 | ROTOR | | | 1 |
| 11 | 6677820 | BEARING | | | 1 |
| 12 | 6677493 | STATOR | | | 1 |
| 13 | 6677490 | BRACKET | | | 1 |
| 14 | 6677486 | NUT | | | 1 |
| 15 | 6677489 | REGULATOR ASSY | | | 1 |
| 16 | 6677488 | RECTIFIER | | | 1 |
| 17 | 6677487 | COVER | | | 1 |
| 18 | 6677485 | SPACER | rear | | 1 |

STARTER (Nippondenso)

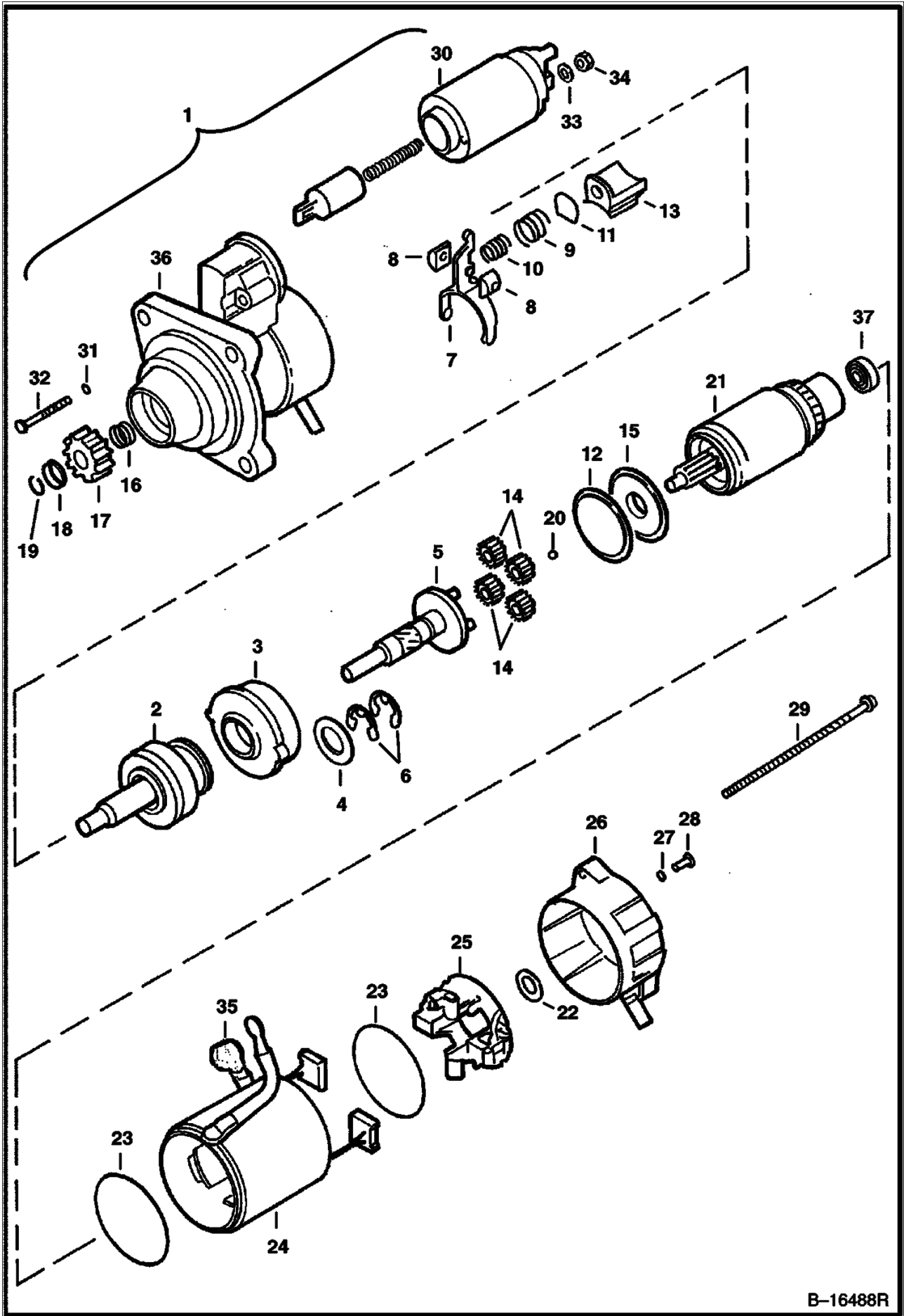


D-2297

**STARTER (Cont'd)
(Nippondenso)**

| Ref No | Part Number | Description | Remarks | Serial Number | Qty |
|--------|-------------|---------------|----------------------------------|---------------|-----|
| 1 | | STARTER | See BTI342 NAP - Was 6667587 [A] | | 1 |
| 1 | 6667587REM | STARTER | | | 1 |
| 2 | 6666621 | ARMATURE | W/Ref. 3 & 4 | | 1 |
| 3 | 6632417 | BEARING | | | 1 |
| 4 | 6632418 | BEARING | | | 1 |
| 4 | 6671128 | BEARING | | | 1 |
| 4 | 6671129 | BEARING | | | 1 |
| 5 | 6632419 | HOUSING ASSY. | | | 1 |
| 6 | 6632421 | SPRING | | | 4 |
| 7 | 6632420 | BRUSH HOLDER | W/Ref. 6 | | 1 |
| 8 | 6666634 | BOLT | 5mm x 9,4 mm | | 2 |
| 9 | 6666637 | NUT | | | 1 |
| 10 | 6666636 | BOLT | 6mm x 181mm | | 2 |
| 11 | 6671121 | COVER | | | 1 |
| 12 | 6666635 | BOLT | 5mm x 8mm | | 1 |
| 13 | 6666632 | O-RING | | | 1 |
| 14 | 6666630 | WASHER | 10mm | | 1 |
| 15 | 6666629 | WASHER | | | 3 |
| 16 | 6666631 | WASHER | | | 3 |
| 17 | 6632430 | ROLLER | | | 5 |
| 18 | 6632429 | RETAINER | | | 1 |
| 19 | 6632428 | PINION | | | 1 |
| 20 | 6666633 | BOLT | 6mm x 50mm | | 3 |
| 21 | 6671122 | BALL | | | 3 |
| 22 | 6632436 | SPRING | | | 1 |
| 23 | 6662437 | WASHER | | | 1 |
| 24 | 6666628 | NUT | 10mm | | 1 |
| 25 | 6671117 | TERMINALS | | | 1 |
| 26 | 6666622 | DRIVE | | | 1 |
| 27 | 6671124 | HOUSING | | | 1 |
| 28 | 6669365 | BOOT | | | 1 |
| 29 | 6671119 | CLUTCH ASSY. | Ref. 26 & 30-33 | | 1 |
| 30 | 6671118 | PINION | | | 1 |
| 31 | 6671127 | BEARING | | | 1 |
| 32 | 6632441 | SPRING | | | 1 |
| 33 | 6669354 | SHAFT | | | 1 |
| 34 | 6671123 | HOUSING | | | 1 |
| 35 | 6671116 | TERMINALS | | | 1 |
| 36 | 6632432 | PLUNGER | | | 1 |
| 37 | 6632433 | GASKET | | | 1 |
| 38 | 6632434 | COVER | | | 1 |
| 39 | 6669359 | TERMINAL | | | 1 |
| 40 | 6671120 | TERMINAL | | | 1 |
| 41 | 6669360 | BUSHING | | | 1 |
| 42 | 6669372 | COVER | | | 1 |
| 43 | 6671126 | SCREW | | | 1 |
| 44 | 6671125 | WASHER | | | 1 |

STARTER (Valeo)

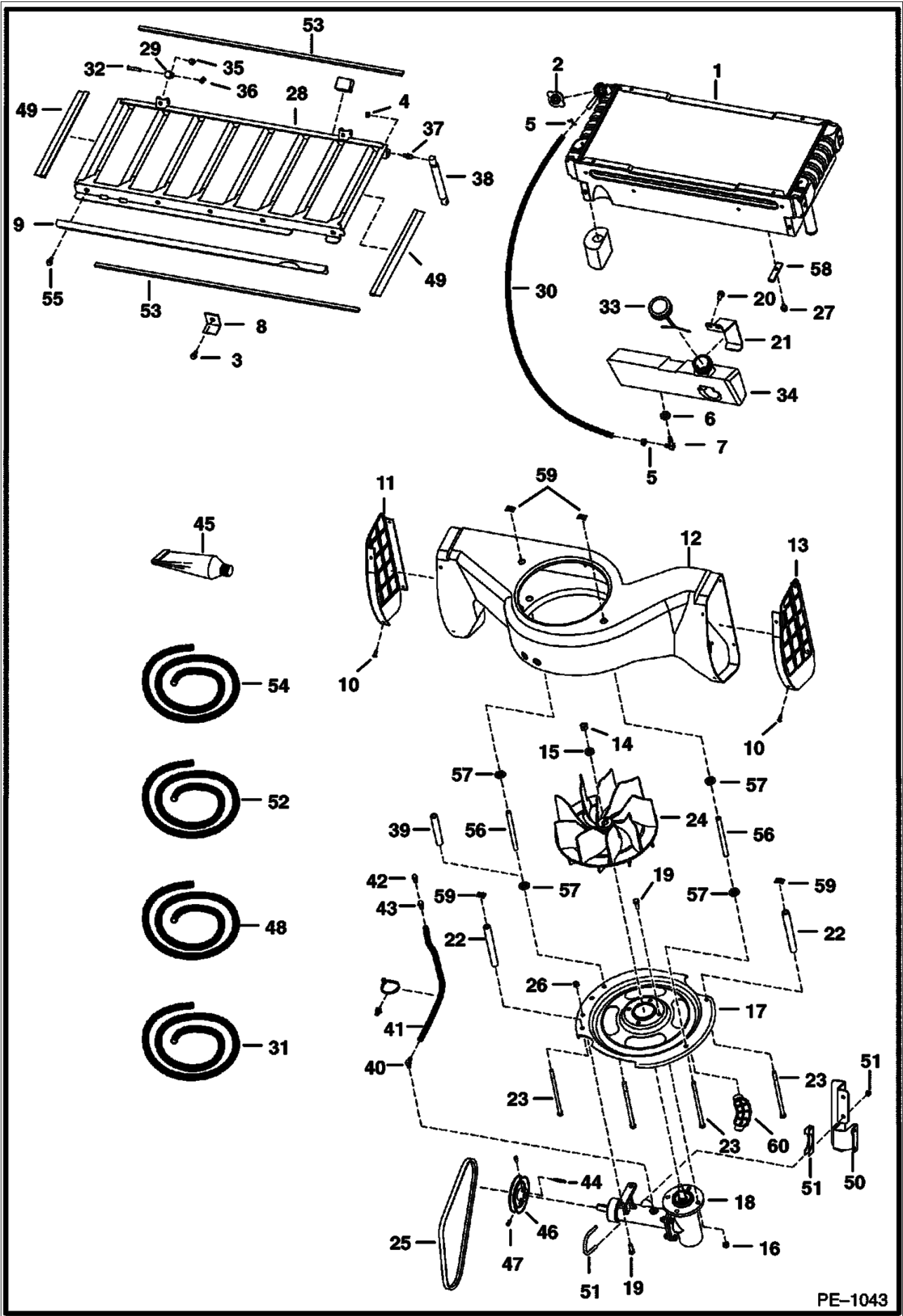


B-16488R

**STARTER (Cont'd)
(Valeo)**

| Ref No | Part Number | Description | Remarks | Serial Number | Qty |
|--------|-------------|-------------------|---------------------------------------|---------------|-----|
| 1 | 6685190 | STARTER | See BTI342 Was 6676958 [A] | | 1 |
| 1 | 6685190REM | STARTER | | | 1 |
| 2 | 6680375 | SHAFT | ORC assy | | 1 |
| 3 | 6680367 | GEAR | | | 1 |
| 4 | 6680378 | WASHER | | | 1 |
| 5 | 6680365 | SHAFT | | | 1 |
| 6 | 6680368 | STOP RING | | | 2 |
| 7 | 6680364 | LEVER | | | 1 |
| 8 | 6680357 | HOLDER | | | 2 |
| 9 | 6680381 | SPRING | | | 1 |
| 10 | 6680382 | SPRING | | | 1 |
| 11 | 6680370 | PLATE | | | 1 |
| 12 | 6680369 | SEAL | | | 1 |
| 13 | 6680371 | LEVER | | | 1 |
| 14 | 6680366 | GEAR | | | 4 |
| 15 | 6680372 | BRACKET | | | 1 |
| 16 | 6680361 | SPRING | | | 1 |
| 17 | 6680390 | GEAR | | | 1 |
| 18 | 6680360 | STOP | | | 1 |
| 19 | 6680359 | STOP RING | | | 1 |
| 20 | 6680362 | BALL | | | 1 |
| 21 | 6680374 | ARMATURE | W/Ref. 37 | | 1 |
| 22 | 6680363 | WASHER | | | 1 |
| 23 | 6680380 | SEAL | | | 2 |
| 24 | 6680373 | YOKE | | | 1 |
| 25 | 6680377 | HOLDER | | | 1 |
| 26 | 6680389 | BRACKET | | | 1 |
| 27 | 6680358 | RING | rubber | | 2 |
| 28 | 6680384 | BOLT | | | 2 |
| 29 | 6680356 | BOLT | | | 2 |
| 30 | 6680376 | SWITCH | | | 1 |
| 31 | 6680379 | SEAL | | | 2 |
| 32 | 6680383 | BOLT | | | 2 |
| 33 | 6EM80 | WASHER, SPRING | | | 1 |
| 34 | 4DM8 | NUT | | | 1 |
| 35 | 6680355 | BOOT | | | 1 |
| 36 | 6680385 | BRACKET | W/Ref. 7-11 | | 1 |
| 37 | | BEARING | NAP - Order 6680374 - Was 6687631 [A] | | 1 |

COOLING SYSTEM

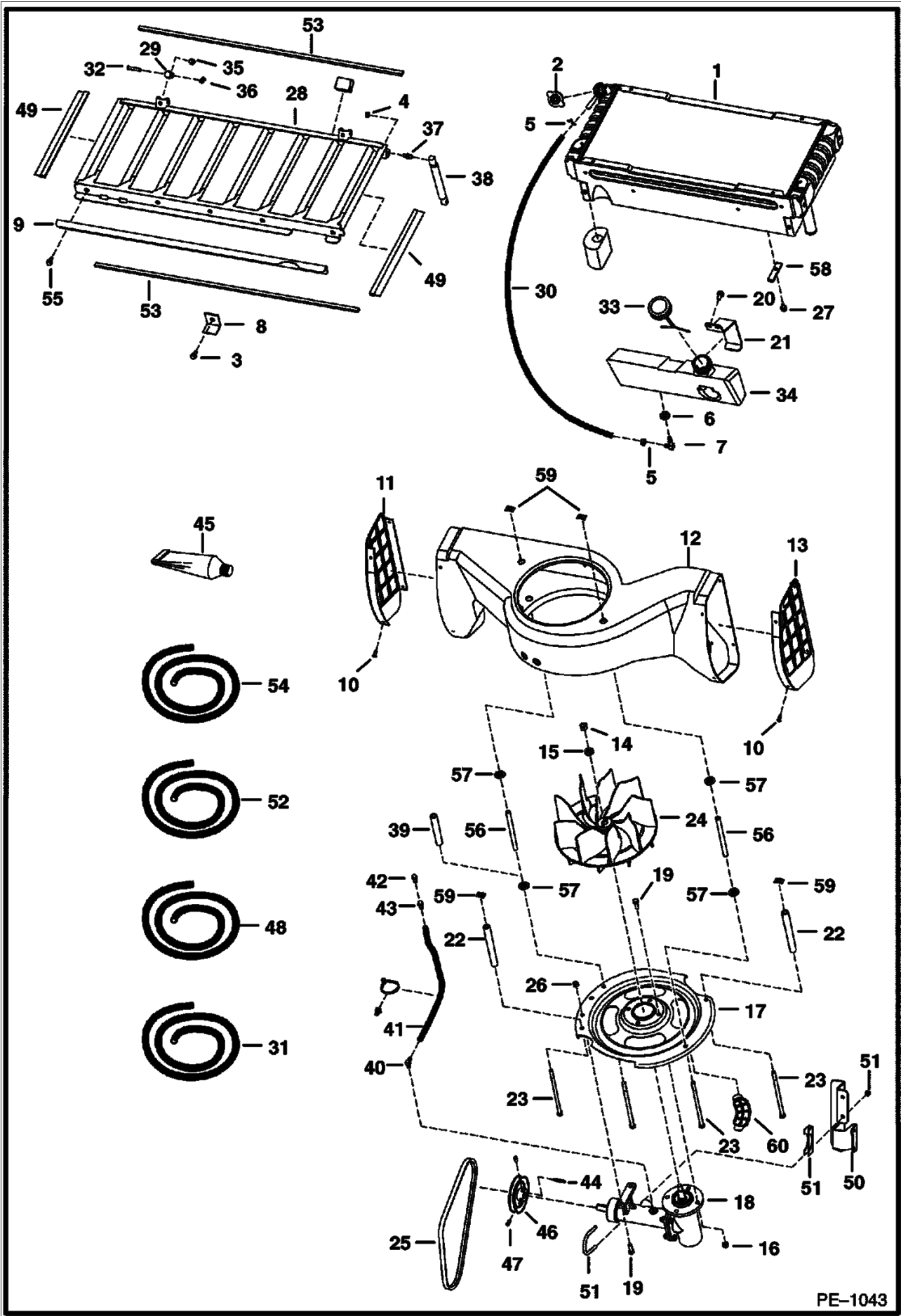


PE-1043

COOLING SYSTEM (Cont'd)

| Ref No | Part Number | Description | Remarks | Serial Number | Qty |
|--------|-------------|---------------------------------|-----------------------------|--------------------------|-----|
| 1 | 6675266 | RADIATOR | | 517611001 - 517615367 | 1 |
| 1 | 6675266 | RADIATOR | | 518011001 - 518011448 | 1 |
| 1 | 6685733 | EXCHANGER, WATER RADIATOR | Was 6718648 [A] | 500K11001 & Above | 1 |
| 1 | 6685733 | EXCHANGER, WATER RADIATOR | Was 6718648 [A] | 519211001 & Above | 1 |
| 1 | 6685733 | EXCHANGER, WATER RADIATOR | Was 6718648 [A] | 518011449 & Above | 1 |
| 1 | 6685733 | EXCHANGER, WATER RADIATOR | Was 6718648 [A] | 518111001 & Above | 1 |
| 1 | 6685733 | EXCHANGER, WATER RADIATOR | Was 6718648 [A] | 517615368 & Above | 1 |
| 1 | 6685733 | EXCHANGER, WATER RADIATOR | Was 6718648 [A] | 519011001 & Above | 1 |
| 2 | 6646678 | CAP | 14 PSI | 517611001 - 517615367 | 1 |
| 2 | 6646678 | CAP | 14 PSI | 518011001 - 518011448 | 1 |
| 2 | 6672491 | CAP | 14 PSI | 500K11001 & Above | 1 |
| 2 | 6672491 | CAP | 14 PSI | 519211001 & Above | 1 |
| 2 | 6672491 | CAP | 14 PSI | 518011449 & Above | 1 |
| 2 | 6672491 | CAP | 14 PSI | 518111001 & Above | 1 |
| 2 | 6672491 | CAP | 14 PSI | 517615368 & Above | 1 |
| 2 | 6672491 | CAP | 14 PSI | 519011001 & Above | 1 |
| 3 | 84G3712 | BOLT | | | 1 |
| 4 | 61D5 | NUT | | | 1 |
| 5 | 42HS4 | CLAMP | Was 6515575 [B] | | 2 |
| 6 | 6553411 | BUSHING | | | 1 |
| 7 | 7126672 | ELBOW | barbed - Was 6666302 [A] | | 1 |
| 8 | 6718672 | BRACKET | W/Ref. 1 (6675266 Radiator) | 517611001 - 517615367 | 1 |
| 8 | 6718672 | BRACKET | W/Ref. 1 (6675266 Radiator) | 518011001 - 518011448 | 1 |
| 9 | 6703471 | BRACKET | | | 1 |
| 10 | 6706517 | SCREW | plastic louvers | | 8 |
| 11 | 6716571 | LOUVER, PLASTIC LH | plastic - LH | | 1 |
| 12 | 7153544 | HOUSING, FAN | Was 7104117 [A] | | 1 |
| 13 | 6716573 | LOUVER, PLASTIC RH | plastic - RH | | 1 |
| 14 | 96D8 | NUT | | | 1 |
| 15 | 6701097 | WASHER | | | 1 |
| 16 | 7D6 | NUT | | | 4 |

COOLING SYSTEM (Cont'd)

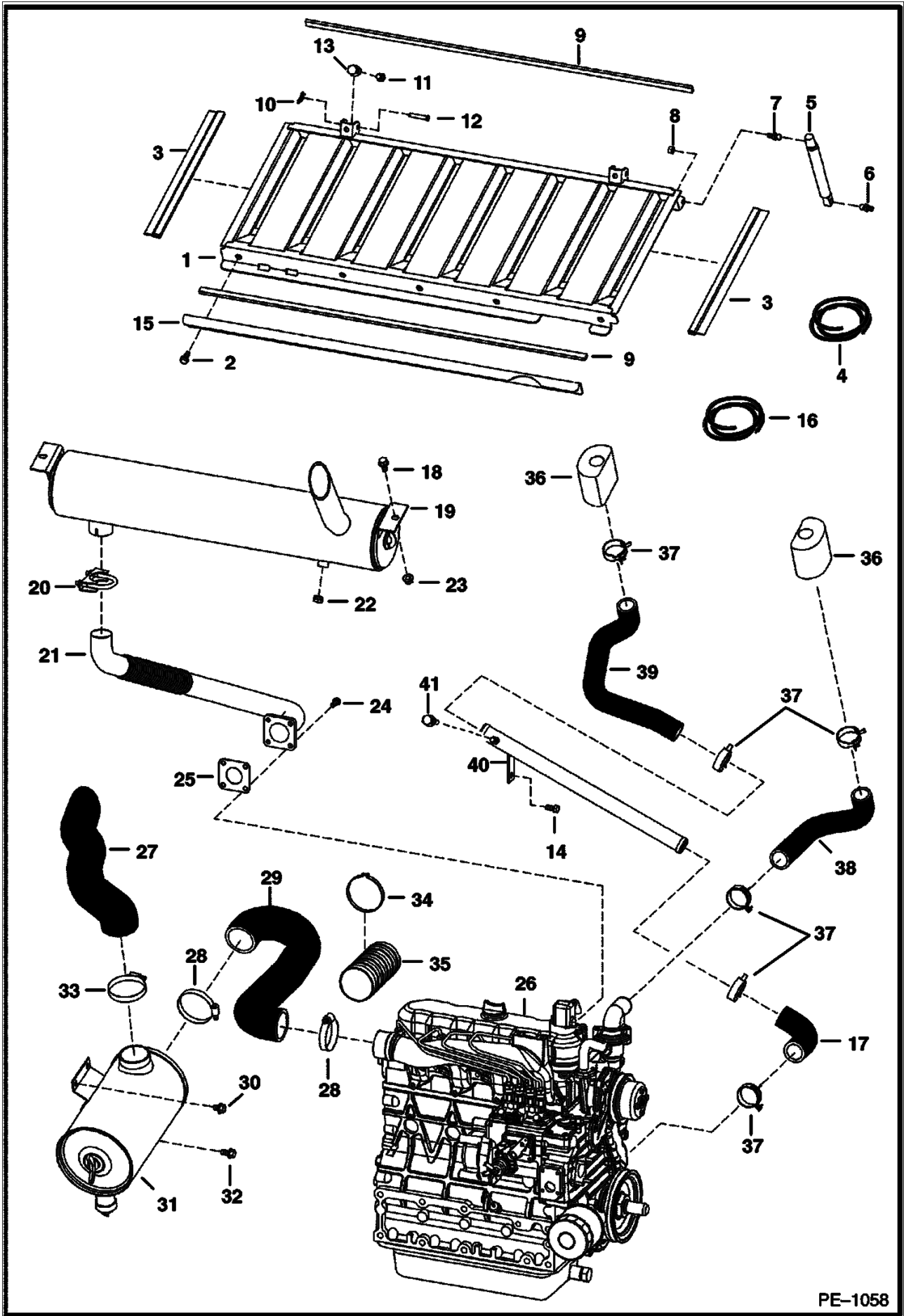


PE-1043

COOLING SYSTEM (Cont'd)

| Ref No | Part Number | Description | Remarks | Serial Number | Qty |
|--------|-------------|-------------------------|--|---------------|-----|
| 17 | 7107175 | INLET | 4 slot - Was 6717478 [A] | | 1 |
| 18 | 6734104 | HOUSING ASSY. | See Illustration COOLING FAN DRIVE ASSY./ TS1002 Was 6702138 [A] | | 1 |
| 19 | 17C616 | BOLT 5 | | | 6 |
| 20 | 84G3710 | SCREW | | | 2 |
| 21 | 6717650 | MOUNT | | | 1 |
| 22 | 6577382 | SPACER | | | 2 |
| 23 | 17C6116 | BOLT | | | 4 |
| 24 | 6715142 | FAN | | | 1 |
| 25 | 6718730 | BELT, FAN | fan - 42"(1066,8 mm) long - Use W/ Ref. 46 (6715924 Pulley) | | 1 |
| 25 | 6732416 | BELT | fan - 41" (104,4 mm) long - Use W/Ref. 46 (6703483 Pulley) | | 1 |
| 26 | 61D6 | NUT 5 | | | 6 |
| 27 | 35C508 | BOLT | | | 2 |
| 28 | 6718291 | GRILL | | | 1 |
| 29 | 6579326 | MOUNT | | | 2 |
| 30 | | HOSE | NAP - 36"(914,4 mm)long - Order Ref. 52 | | 1 |
| 31 | 6577822 | HOSE | bulk - sold per foot | | x |
| 32 | 6567743 | PIN | | | 2 |
| 33 | 6675551 | CAP | | | 1 |
| 34 | 6717637 | TANK | | | 1 |
| 35 | 17C608 | BOLT | | | 2 |
| 36 | 6631418 | PIN | ring | | 2 |
| 37 | 6649244 | STUD | | | 1 |
| 38 | 6674285 | GAS SPRING | | | 1 |
| 39 | | SPACER | NAP - Order Ref. 56 & (2) of Ref. 57 | | 2 |
| 40 | 6657376 | ELBOW | | | 1 |
| 41 | | HOSE | NAP - 19.5 (495,3 mm) long - 16.5" (419,1 mm) - Order Ref. 31 | | 1 |
| 42 | 6680970 | BREATHER | Was 6670627 [A] | | 1 |
| 43 | 6610510 | TIE | | | 1 |
| 44 | 7J2108 | KEY | | | 1 |
| 45 | 6650407 | ADHESIVE | tube - 1 oz | | x |
| 46 | 6715924 | PULLEY | 4.5"(114,3 mm) O.D. - Use W/Ref. 25 (6718730 bolt) | | 1 |
| 46 | 6703483 | PULLEY, FAN DRIVE IDLER | 5.25" (133,35 mm) O.D. - Use W/Ref. 25 (6732416 Belt) | | 1 |
| 47 | 6715143 | SET SCREW | bond - W/Ref. 45 | | 2 |
| 48 | 6646705 | SEAL | bulk - sold per foot | | x |
| 49 | | MOULDING | NAP - 14.65"(372 mm) long - Order Ref. 48 | | 2 |
| 50 | 7102200 | SHIELD | belt - Was 6719851 [A] | | 1 |
| 51 | 6626631 | CLAMP | | | 1 |
| 52 | 6667189 | HOSE | bulk - Sold Per Foot | | x |
| 53 | | FOAM STRIP | NAP - 34.5"(876,3mm) long - Order Ref. 54 | | 2 |
| 54 | 6511855 | SEAL | self adhesive - bulk - sold per foot | | x |
| 55 | 84G3112 | BOLT 5 | | | 3 |
| 56 | 6732318 | SPACER | | | 2 |
| 57 | 6732457 | WASHER | step | | 4 |
| 58 | 6679991 | SEAL | washer | | 1 |
| 59 | 6674894 | NUT | spring | | 2 |
| 60 | 6684474 | INSERT FAN INLET | | | 4 |

ENGINE & ATTACHING PARTS
 (S/N 517611001 & Above, 518011001 & Above)

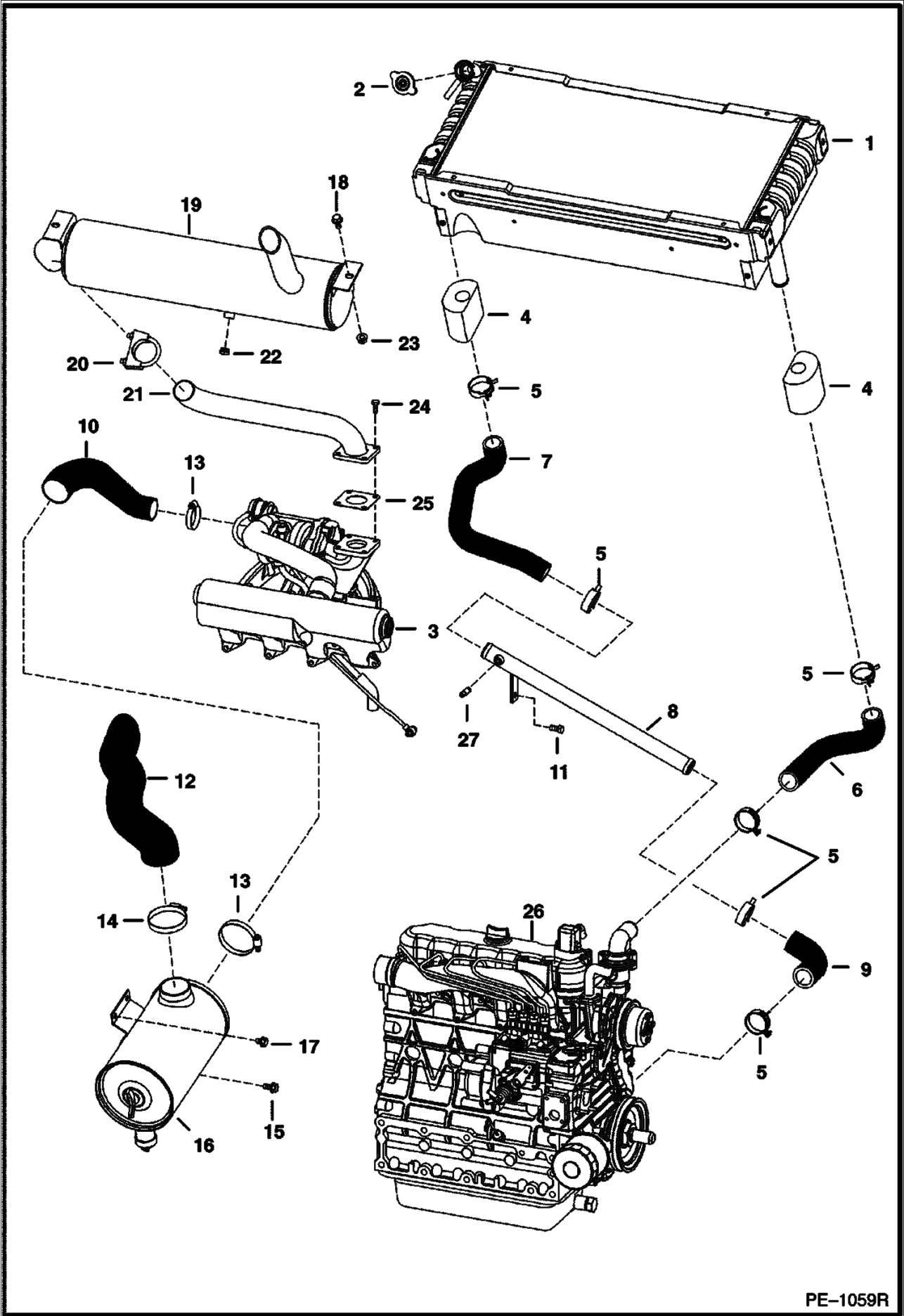


PE-1058

ENGINE & ATTACHING PARTS (Cont'd)
(S/N 517611001 & Above, 518011001 & Above)

| Ref No | Part Number | Description | Remarks | Serial Number | Qty |
|--------|-------------|-----------------------|--|---------------|-----|
| 1 | 6718291 | GRILL | Was 6705131 [A] | | 1 |
| 2 | 84G3112 | BOLT 5 | | | 3 |
| 3 | | MOULDING | NAP - 14.65" (372,1 mm) long - Order Ref. 4 | | 2 |
| 4 | 6646705 | SEAL | bulk - sold per foot | | x |
| 5 | 6674285 | GAS SPRING | | | 1 |
| 6 | 6674285 | GAS SPRING | | | 1 |
| 7 | 6649244 | STUD | | | 1 |
| 8 | 61D5 | NUT | | | 1 |
| 9 | | FOAM STRIP | NAP - Order Ref. 16 | | 2 |
| 10 | 6631418 | PIN | ring | | 2 |
| 11 | 17C608 | BOLT | | | 2 |
| 12 | 6567743 | PIN | | | 2 |
| 13 | 6579326 | MOUNT | | | 2 |
| 14 | 17C612 | BOLT 5 | | | 1 |
| 15 | 6703471 | BRACKET | Was 6708981 [A] | | 1 |
| 16 | 6511855 | SEAL | self adhesive - bulk - sold per foot | | x |
| 17 | 6576028 | HOSE | | | 1 |
| 18 | 35C612 | BOLT | | | 2 |
| 19 | 7100840 | MUFFLER, EXHAUST | 31.5" - Was 6671667 [A] | | 1 |
| 20 | 6677363 | CLAMP, FULL CIRCLE | Was 657904B [B] | | 1 |
| 21 | 6701151 | PIPE | | | 1 |
| 22 | 6661062 | PLUG | brass 3/8" (9,5 mm) | | 1 |
| 23 | 61D6 | NUT 5 | | | 2 |
| 24 | 6701123 | SCREW | | | 4 |
| 25 | 6727752 | GASKET | Was 6575580 [B] | | 1 |
| 26 | | ENGINE | See Illustration ENGINE & GASKET KITS/ B16450 | | 1 |
| 27 | 6717674 | HOSE | | | 1 |
| 28 | 42HL300 | CLAMP | Was 6598799 | | 2 |
| 28 | 42H52 | CLAMP | | | 2 |
| 29 | | HOSE | NAP - W/Ref. 34 & 35 (6706393 sheild) - Was 6714889 [A] | | 1 |
| 29 | 7100573 | HOSE | W/ (2) of Ref. 34 & (1) of Ref. 35 (6706394 shield) | | 1 |
| 30 | 84G3708 | SCREW | | | 2 |
| 31 | | AIR CLEANER | See Illustration AIR CLEANER/ B16478 | | 1 |
| 32 | 84G3712 | BOLT | | | 1 |
| 33 | 42HL325 | CLAMP | Was 42H000032B [B] | | 1 |
| 34 | 6664004 | CLAMP | Use W/Ref. 35 (6706393 shield) | | 1 |
| 34 | 6664004 | CLAMP | Use W/Ref. 35 (6706394 shield) | | 2 |
| 35 | 6706393 | SHIELD | 5" (127 mm) long | | 1 |
| 35 | 6706394 | SHIELD | 8" (203,2 mm) long | | 1 |
| 36 | 6726433 | SPACER | | | 2 |
| 37 | 5HM42 | HOSECLAMP | | | 6 |
| 38 | 6717591 | HOSE | | | 1 |
| 39 | 6717592 | HOSE | | | 1 |
| 40 | 6730999 | TUBE ASSY | Was 6576029 [A] | | 1 |
| 41 | 40K6 | PLUG | | | 1 |

ENGINE & ATTACHING PARTS
 (S/N 500K1001 & Above, 519011001 & Above,
 518111001 & Above, 519211001 & Above)

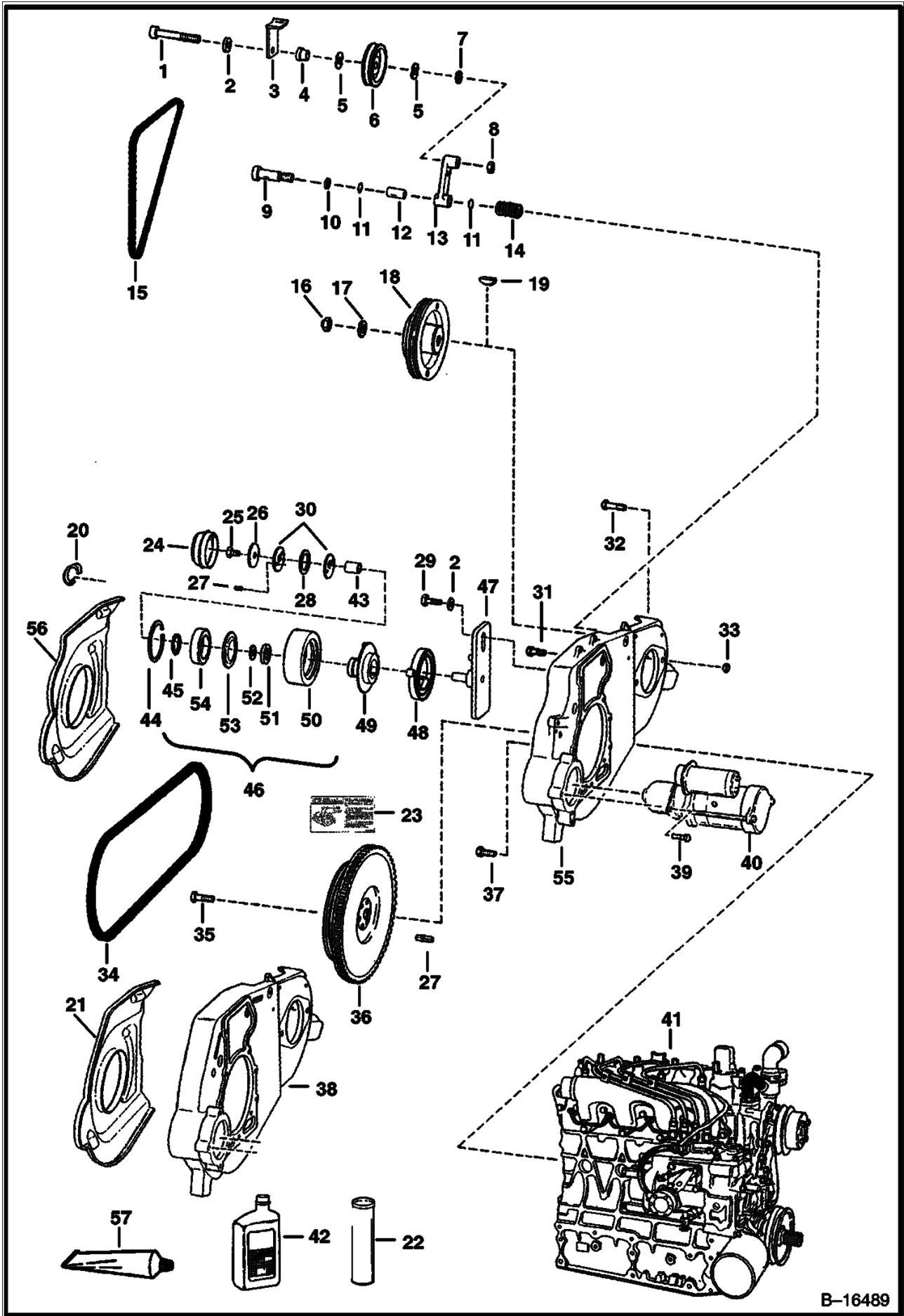


PE-1059R

ENGINE & ATTACHING PARTS (Cont'd)
(S/N 500K1001 & Above, 519011001 & Above,
518111001 & Above, 519211001 & Above)

| Ref No | Part Number | Description | Remarks | Serial Number | Qty |
|--------|-------------|---------------------------------|---|---------------|-----|
| 1 | 6685733 | EXCHANGER, WATER RADIATOR | Was 6718648 [A] | | 1 |
| 2 | 6672491 | CAP | 14 PSI - Was 6646678 [B,D] | | 1 |
| 3 | | TURBO | See Illustration TURBO CHARGER/ B16456 | | 1 |
| 4 | 6726433 | SPACER | | | 2 |
| 5 | 5HM42 | HOSECLAMP | | | 6 |
| 6 | 6717591 | HOSE | | | 1 |
| 7 | 6717592 | HOSE | | | 1 |
| 8 | 6730999 | TUBE ASSY | Was 6576029 [A] | | 1 |
| 9 | 6576028 | HOSE | | | 1 |
| 10 | 6719565 | HOSE | | | 1 |
| 11 | 17C612 | BOLT 5 | | | 1 |
| 12 | 6717674 | HOSE | | | 1 |
| 13 | 42HL300 | CLAMP | Was 6598799 [A] | | 2 |
| 13 | 42H52 | CLAMP | | | 2 |
| 14 | 42H32 | HS CLAMP5 | | | 1 |
| 15 | 84G3712 | BOLT | | | 1 |
| 16 | | AIR CLEANER | See Illustration AIR CLEANER/ B16478 | | 1 |
| 17 | 84G3708 | SCREW | | | 2 |
| 18 | 35C612 | BOLT | | | 2 |
| 19 | 6676728 | MUFFLER, EXHAUST | Was 6718564 [A] | | 1 |
| 20 | 6677363 | CLAMP, FULL CIRCLE | Was 657904B [B] | | 1 |
| 21 | 6677371 | PIPE, TUBE EXHAUST | Was 6719566 [A] | | 1 |
| 22 | 6661062 | PLUG | brass 3/8" (9,5 mm) | | 1 |
| 23 | 61D6 | NUT 5 | | | 2 |
| 24 | 6701123 | SCREW | | | 4 |
| 25 | 6727753 | GASKET | Was 6666816 [A] | | 1 |
| 26 | | ENGINE, V2003- T-EB-BOBCAT-1 | See Illustration ENGINE & GASKET KITS/ B16451 | | 1 |
| 27 | 40K6 | PLUG | | | 1 |

ENGINE & ATTACHING PARTS (Belt Drive System)

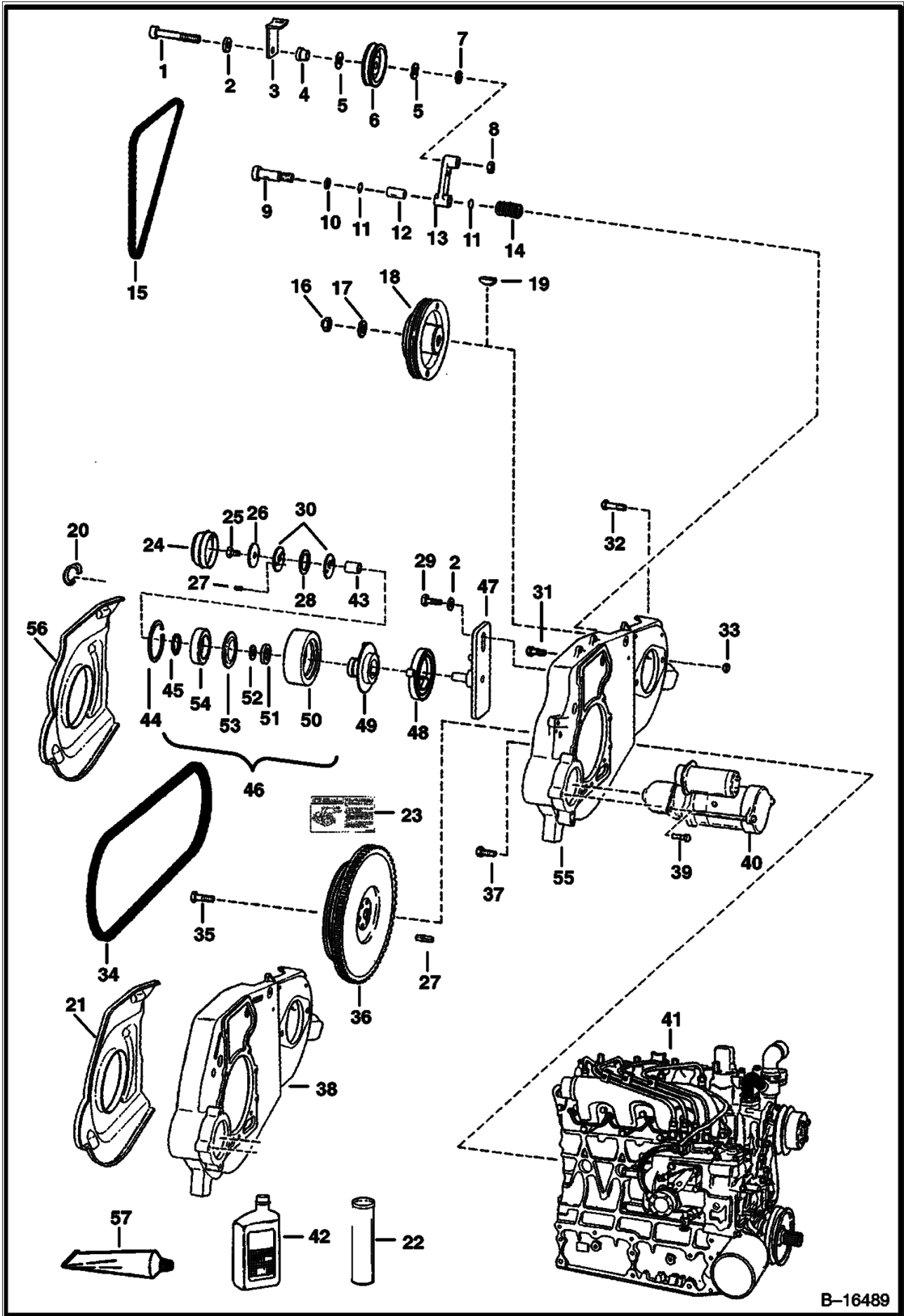


B-16489

ENGINE & ATTACHING PARTS (Cont'd)
(Belt Drive System)

| Ref No | Part Number | Description | Remarks | Serial Number | Qty |
|--------|-------------|-------------------------------|---|------------------|-----|
| 1 | 73G656 | SCREW | | | 1 |
| 2 | 6704484 | WASHER | thrust | | 3 |
| 3 | 6702474 | RETAINER | fan drive idler belt | | 1 |
| 4 | 6704443 | BUSHING | spacer | | 1 |
| 5 | 6660995 | GREASE RING | grease | | 2 |
| 6 | 6662997 | PULLEY, FAN DRIVE IDLER | fan drive idler | | 1 |
| 7 | 6704444 | WASHER | | | 1 |
| 8 | 61D6 | NUT 5 | | | 1 |
| 9 | 38C820 | SCREW | shoulder | | 1 |
| 10 | 6655781 | BEARING | | | 1 |
| 11 | 6704820 | O-RING | | | 2 |
| 12 | 6670682 | BEARING | nylon | | 1 |
| 13 | 6725212 | ARM | W/Ref. 12 - Was 6703507 [A] | | 1 |
| 14 | 6700115 | SPRING, TORSION | | | 1 |
| 15 | | BELT | See Illustration COOLING SYSTEM/ PE1043 - Ref. 25 - fan drive | | 1 |
| 16 | 92D12 | NUT | | | 1 |
| 17 | 6576033 | WASHER | | | 1 |
| 18 | 6704424 | PULLEY, PUMP HYD | to hyd. pump - 3 groove - 7.4" (188 mm) dia. | 5176 16547 & Bel | 1 |
| 18 | 6704424 | PULLEY, PUMP HYD | to hyd. pump - 3 groove - 7.4" (188 mm) dia. | 5180 11614 & Bel | 1 |
| 18 | 6704424 | PULLEY, PUMP HYD | to hyd. pump - 3 groove - 7.4" (188 mm) dia. | 5190 15163 & Bel | 1 |
| 18 | 6704424 | PULLEY, PUMP HYD | to hyd. pump - 3 groove - 7.4" (188 mm) dia. | 5192 11131 & Bel | 1 |
| 18 | 6726539 | PULLEY | to hyd. pump - 3 groove - 7.95" (202 mm) dia. | 500K 11001 & Abv | 1 |
| 18 | 6726539 | PULLEY | to hyd. pump - 3 groove - 7.95" (202 mm) dia. | 5190 15164 & Abv | 1 |
| 18 | 6726539 | PULLEY | to hyd. pump - 3 groove - 7.95" (202 mm) dia. | 5192 11132 & Abv | 1 |
| 18 | 6726539 | PULLEY | to hyd. pump - 3 groove - 7.95" (202 mm) dia. | 5180 11615 & Abv | 1 |
| 18 | 6726539 | PULLEY | to hyd. pump - 3 groove - 7.95" (202 mm) dia. | 5176 16548 & Abv | 1 |
| 19 | 6J807 | KEY, WOODRUFF | | | 1 |
| 19 | 6682261 | KEY | square key | | 1 |
| 20 | 6703022 | CLIP | | | 3 |
| 21 | 6704450 | SHIELD | Use W/Ref. 18 (6704424 Pulley) | 5176 16547 & Bel | 1 |
| 21 | 6704450 | SHIELD | Use W/Ref. 18 (6704424 Pulley) | 5192 11131 & Bel | 1 |
| 21 | 6704450 | SHIELD | Use W/Ref. 18 (6704424 Pulley) | 5190 15163 & Bel | 1 |
| 21 | 6704450 | SHIELD | Use W/Ref. 18 (6704424 Pulley) | 5180 11614 & Bel | 1 |
| 22 | 6903122 | GREASE, MULTI PURPOSE #2 - 10 | W/Ref. 39 - Was 6599719 [A] | | x |
| 23 | 6709030 | DECAL | belt tension spring loaded idler | | 1 |
| 24 | 6708770 | CAP | dust | | 1 |
| 25 | 43C610 | BOLT | pre-applied thread locker - Was 17C610 [B] | | 1 |
| 26 | 6705232 | WASHER | | | 1 |
| 27 | 6713370 | PIN | | | 2 |
| 28 | 6710585 | WASHER | wave spring | | 1 |
| 29 | 17C620 | BOLT | | | 1 |
| 30 | 6705231 | WASHER | | | 2 |
| 31 | 6719828 | BOLT | Was 6CM01230B [B] | | 2 |
| 32 | 17C828 | BOLT | hyd pump mount | | 2 |
| 33 | 85D8 | NUT, 5 | | | 2 |
| 34 | 6672021 | BELT, DRIVE | pump drive - Use W/Ref. 18 (6704424 Pulley) | 5176 16547 & Bel | 1 |
| 34 | 6672021 | BELT, DRIVE | pump drive - Use W/Ref. 18 (6704424 Pulley) | 5180 11614 & Bel | 1 |
| 34 | 6672021 | BELT, DRIVE | pump drive - Use W/Ref. 18 (6704424 Pulley) | 5190 15163 & Bel | 1 |

ENGINE & ATTACHING PARTS (Cont'd) (Belt Drive System)

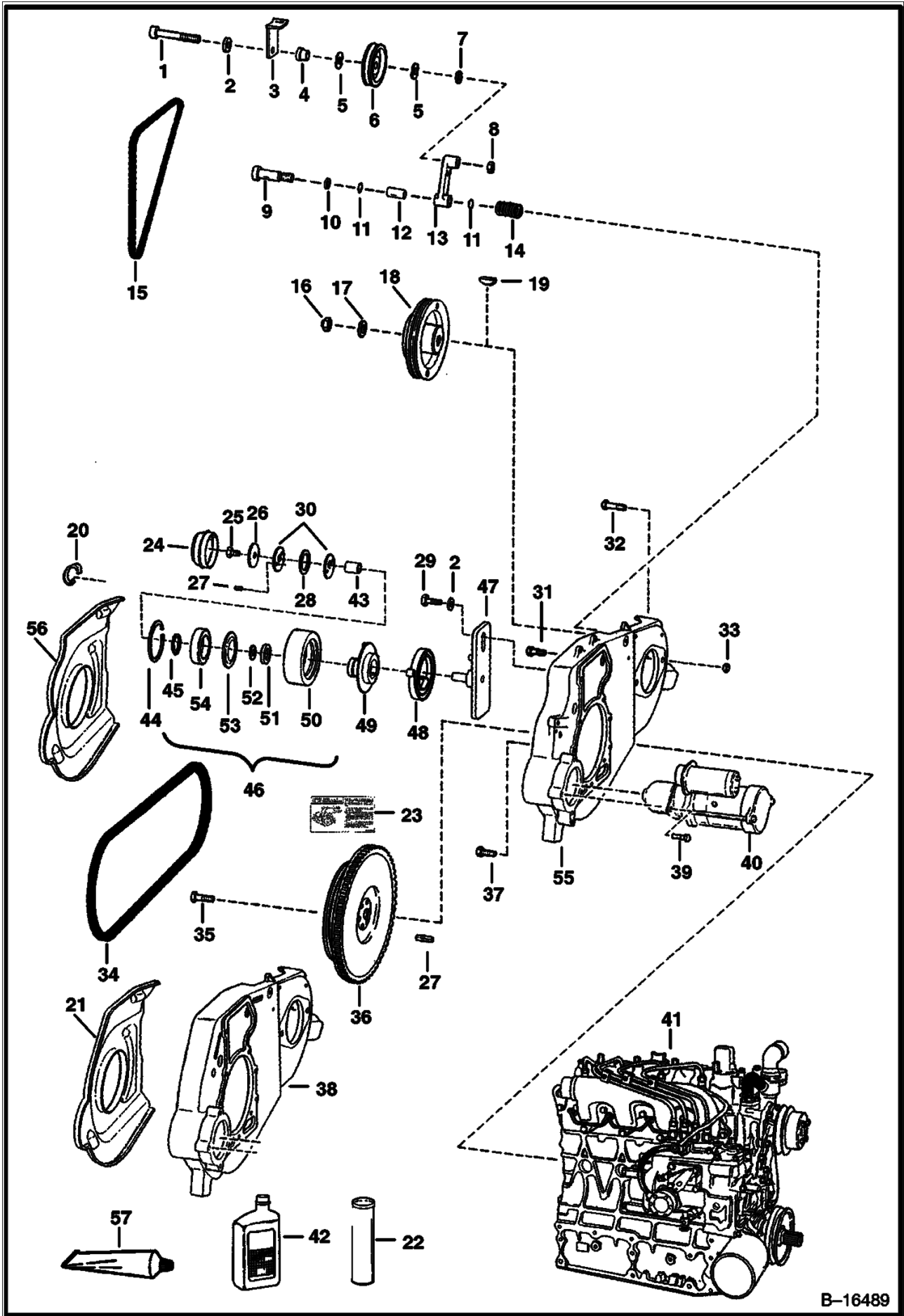


B-16489

ENGINE & ATTACHING PARTS (Cont'd)
(Belt Drive System)

| Ref No | Part Number | Description | Remarks | Serial Number | Qty |
|--------|-------------|---------------|--|------------------|-----|
| 34 | 6672021 | BELT, DRIVE | pump drive - Use W/Ref. 18 (6704424 Pulley) | 5192 11131 & Bel | 1 |
| 34 | 6726898 | BELT | pump drive - Use W/Ref. 18 (6726539 Pulley) | 500K 11001 & Abv | 1 |
| 34 | 6726898 | BELT | pump drive - Use W/Ref. 18 (6726539 Pulley) | 5176 16548 & Abv | 1 |
| 34 | 6726898 | BELT | pump drive - Use W/Ref. 18 (6726539 Pulley) | 5192 11132 & Abv | 1 |
| 34 | 6726898 | BELT | pump drive - Use W/Ref. 18 (6726539 Pulley) | 5190 15164 & Abv | 1 |
| 34 | 6726898 | BELT | pump drive - Use W/Ref. 18 (6726539 Pulley) | 5180 11615 & Abv | 1 |
| 35 | 6598275 | BOLT | Was 6652487 [A] | | 6 |
| 36 | 6715165 | FLYWHEEL | W/Ring Gear - Use W/Ref. 18 (6704424 Pulley) | 5176 16547 & Bel | 1 |
| 36 | 6715165 | FLYWHEEL | W/Ring Gear - Use W/Ref. 18 (6704424 Pulley) | 5190 15163 & Bel | 1 |
| 36 | 6715165 | FLYWHEEL | W/Ring Gear - Use W/Ref. 18 (6704424 Pulley) | 5192 11131 & Bel | 1 |
| 36 | 6715165 | FLYWHEEL | W/Ring Gear - Use W/Ref. 18 (6704424 Pulley) | 5180 11614 & Bel | 1 |
| 36 | 6510470 | RING GEAR | | | 1 |
| 36 | 6726933 | FLYWHEEL ASSY | W/Ring Gear - Use W/Ref. 18 (6726539 Pulley) | 500K 11001 & Abv | 1 |
| 36 | 6726933 | FLYWHEEL ASSY | W/Ring Gear - Use W/Ref. 18 (6726539 Pulley) | 5180 11615 & Abv | 1 |
| 36 | 6726933 | FLYWHEEL ASSY | W/Ring Gear - Use W/Ref. 18 (6726539 Pulley) | 5176 16548 & Abv | 1 |
| 36 | 6726933 | FLYWHEEL ASSY | W/Ring Gear - Use W/Ref. 18 (6726539 Pulley) | 5190 15164 & Abv | 1 |
| 36 | 6726933 | FLYWHEEL ASSY | W/Ring Gear - Use W/Ref. 18 (6726539 Pulley) | 5192 11132 & Abv | 1 |
| 36 | 6510470 | RING GEAR | | | 1 |
| 37 | 6719825 | BOLT | Was 5CM01025B [B] | | 7 |
| 38 | | MOUNT | NAP - Order Ref. 55 & 56 - It may be necessary to reposition the battery & battery pan - Was 6700541 [A] | | 1 |
| 39 | 35C620 | BOLT 5 | | | 3 |
| 40 | | STARTER | See Illustration STARTER/ D2297 | | 1 |
| 41 | | ENGINE | See Illustration ENGINE & GASKET KITS/ B16451 See Illustration ENGINE & GASKET KITS/ B16450 | | 1 |
| 42 | 6661405 | OIL | | | x |
| 43 | 6682442 | SLEEVE | bronze sleeve - Was 6704393 [A] | | 1 |
| 44 | 6658847 | RING | | | 1 |
| 45 | 6658536 | RING | | | 1 |
| 46 | 6735884 | IDLER ASSY. | SPRING LOADED - REF. 24 - 29 & 43 - 53 - Also Order Ref. 23 - Was 6711698 [A] | | 1 |
| 46 | 6714212 | PULLEY ASSY. | Ref. 43-46 & 49 - 43 | | 1 |
| 47 | 6735883 | BRACKET | Was 6708767 [A] | | 1 |
| 48 | 6705491 | SPRING | torsion | | 1 |
| 49 | 6711699 | HUB ASSY. | | | 1 |
| 50 | 6704391 | PULLEY | idler | | 1 |
| 51 | 6685735 | SEAL | Was 6661112 [A] | | 1 |
| 52 | 6703168 | BEARING | thrust | | 1 |
| 53 | 6664209 | SEAL | | | 1 |
| 54 | 6668114 | BEARING | ball | | 1 |
| 55 | 6728062 | MOUNT | | 500K 11001 & Abv | 1 |
| 55 | 6728062 | MOUNT | | 5192 11132 & Abv | 1 |
| 55 | 6728062 | MOUNT | | 5190 15164 & Abv | 1 |
| 56 | 6726938 | SHIELD | Use W/Ref. 18 (6726539 Pulley) | 500K 11001 & Abv | 1 |
| 56 | 6726938 | SHIELD | Use W/Ref. 18 (6726539 Pulley) | 5192 11132 & Abv | 1 |
| 56 | 6726938 | SHIELD | Use W/Ref. 18 (6726539 Pulley) | 5190 15164 & Abv | 1 |
| 56 | 6726938 | SHIELD | Use W/Ref. 18 (6726539 Pulley) | 5176 16548 & Abv | 1 |
| 56 | 6726938 | SHIELD | Use W/Ref. 18 (6726539 Pulley) | 5180 11615 & Abv | 1 |
| 56 | 7109712 | SHIELD | Use W/ref. 18 (6726539 Pulley) - Use W/ A/C Option only - Was 6726937 [A] | 500K 11001 & Abv | 1 |
| 56 | 7109712 | SHIELD | Use W/ref. 18 (6726539 Pulley) - Use W/ A/C Option | 5176 16548 & Abv | 1 |

ENGINE & ATTACHING PARTS (Cont'd) (Belt Drive System)

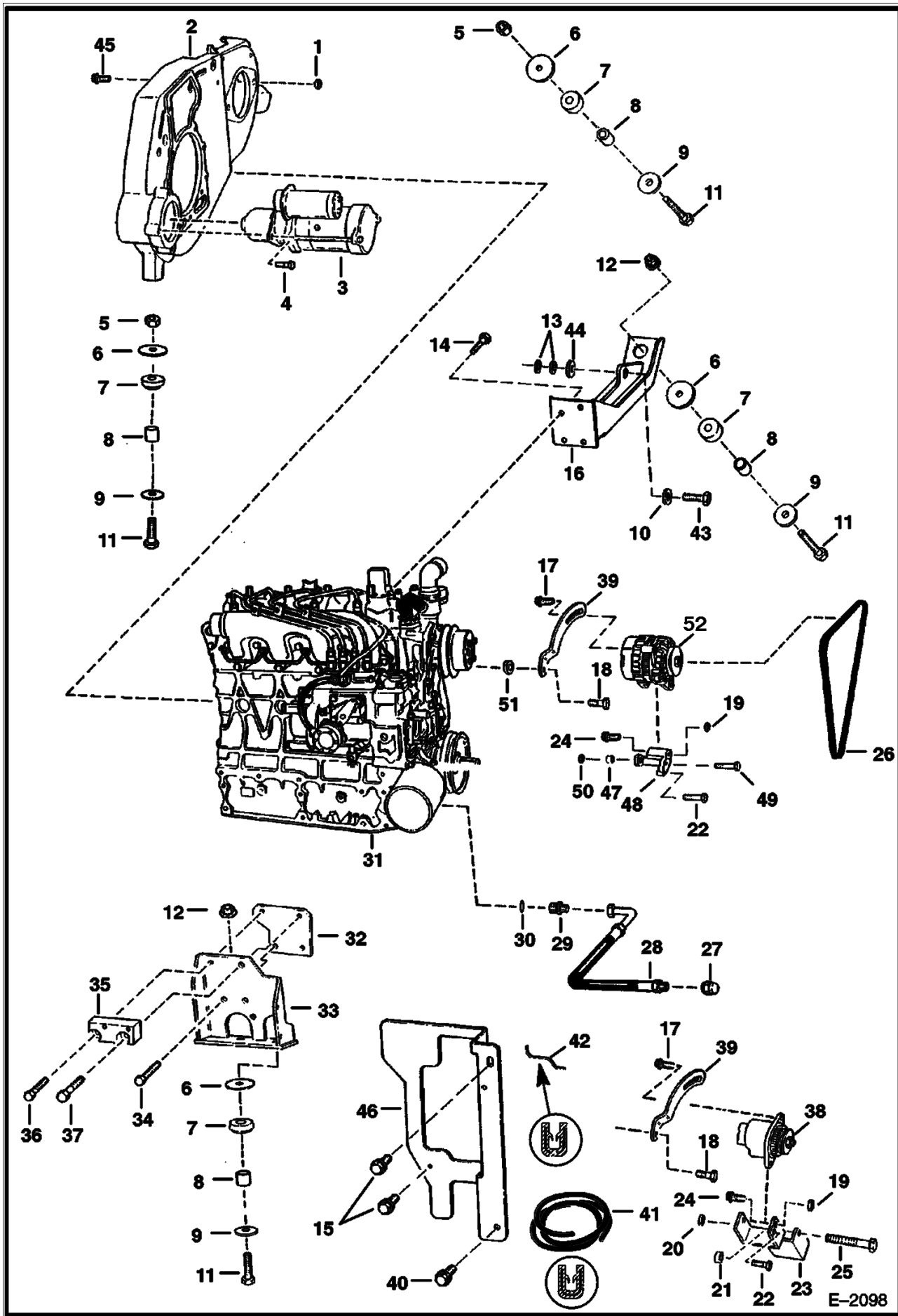


B-16489

**ENGINE & ATTACHING PARTS (Cont'd)
(Belt Drive System)**

| Ref No | Part Number | Description | Remarks | Serial Number | Qty |
|--------|-------------|-------------|---|------------------|-----|
| | | | only - Was 6726937 [A] | | |
| 56 | 7109712 | SHIELD | Use W/ref. 18 (6726539 Pulley) - Use W/ A/C Option only - Was 6726937 [A] | 5192 11132 & Abv | 1 |
| 56 | 7109712 | SHIELD | Use W/ref. 18 (6726539 Pulley) - Use W/ A/C Option only - Was 6726937 [A] | 5190 15164 & Abv | 1 |
| 56 | 7109712 | SHIELD | Use W/ref. 18 (6726539 Pulley) - Use W/ A/C Option only - Was 6726937 [A] | 5180 11615 & Abv | 1 |
| 57 | 6633583 | SEALANT | | | x |

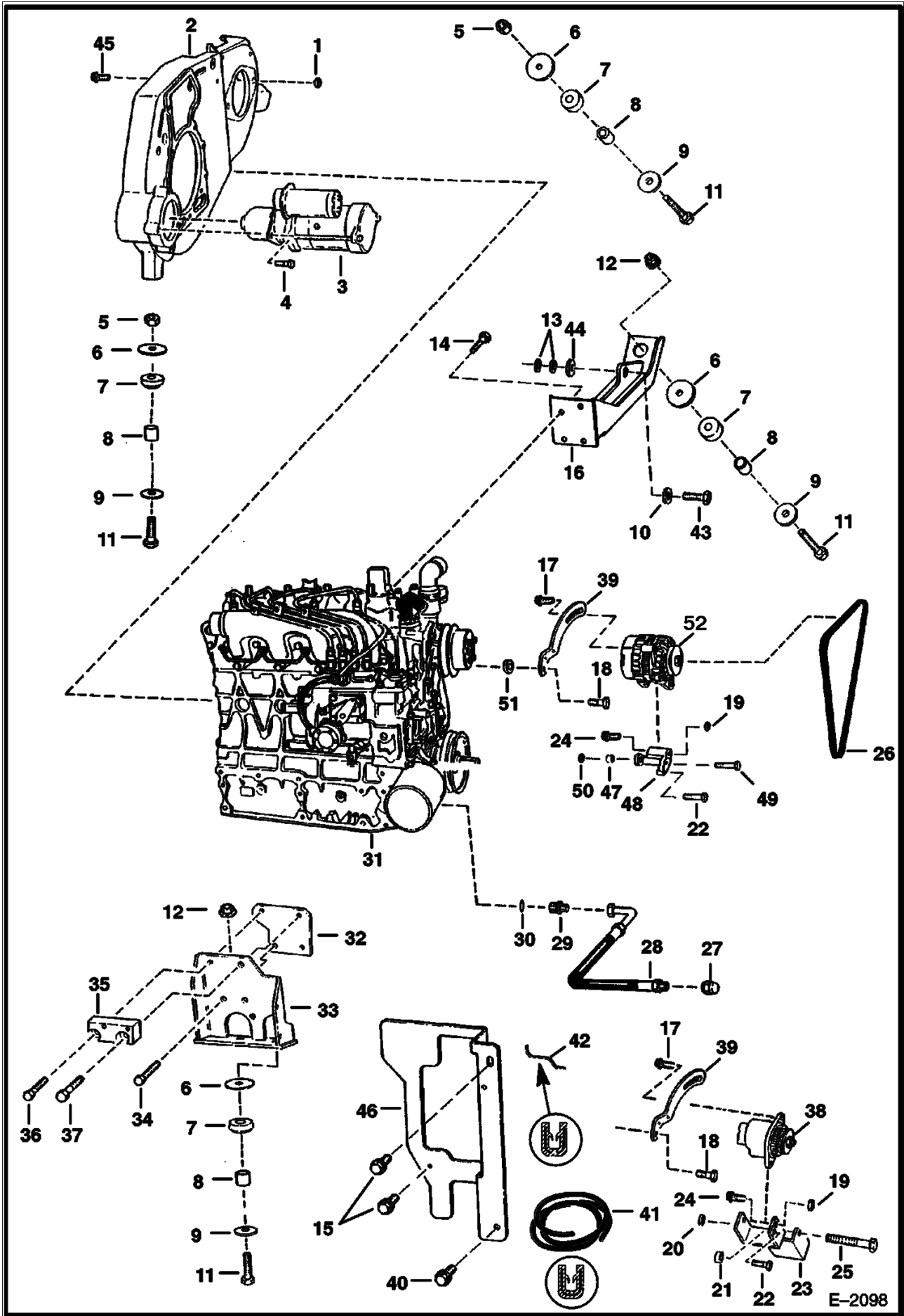
ENGINE & ATTACHING PARTS (Engine Mounts)



ENGINE & ATTACHING PARTS (Cont'd)
(Engine Mounts)

| Ref No | Part Number | Description | Remarks | Serial Number | Qty |
|--------|-------------|-------------|--|---------------|-----|
| 1 | 85D8 | NUT, 5 | | | 2 |
| 2 | | MOUNT | See Illustration ENGINE & ATTACHING PARTS/ B16489 | | 1 |
| 3 | | STARTER | See Illustration STARTER/ D2297 | | 1 |
| 4 | 35C620 | BOLT 5 | | | 3 |
| 5 | 6652918 | NUT | | | 2 |
| 6 | 6705106 | WASHER | | | 4 |
| 7 | 6661785 | MOUNT, ENG | | | 4 |
| 8 | 6706043 | SPACER | | | 4 |
| 9 | 6661787 | WASHER | | | 4 |
| 10 | 742640 | WASHER | .25" thick - (17C-830 Bolt) - Use W/Ref. 43 | | 1 |
| 10 | 6716408 | SPACER | .40" thick - (47C-832 Bolt) - Use W/Ref. 43 | | 1 |
| 10 | 6728337 | SPACER | .58" thick - (6675221 Bolt) - Use W/Ref. 43 | | 1 |
| 10 | 6734432 | SPACER | 1.0" thick - Use W/Ref. 43 | | 1 |
| 11 | 43C852 | BOLT | Was 43C000848B [B] | | 4 |
| 12 | 83D8 | NUT 5 | | | 2 |
| 13 | 25E21 | WASHER 5 | use 2 max. | | x |
| 14 | 6719827 | BOLT | Was 6CM01225B [B] | | 4 |
| 15 | 84G3712 | BOLT | | | 2 |
| 16 | 7104568 | MOUNT | engine & hyd. pump - for horizontal hardware mounting of hydrostatic pump - Was 6712161 [A] | | 1 |
| 17 | 35C516 | BOLT 10 | | | 3 |
| 18 | 1CM870 | BOLT | Use W/Ref. 38 | | 1 |
| 18 | 29CM820 | SCREW | Use W/Ref. 52 | | 1 |
| 19 | 57D5 | NUT | | | 1 |
| 20 | 85D6 | LOCK NUT | | | 1 |
| 21 | 6568877 | WASHER | | | 1 |
| 22 | 1CM890 | BOLT | | | 1 |
| 23 | 6562257 | MOUNT | | | 1 |
| 24 | 17C556 | BOLT | | | 1 |
| 25 | 17C648 | BOLT 5 | | | 1 |
| 26 | 6704720 | BELT, ALT | alternator - Use W/Ref. 38 | | 1 |
| 26 | 6675837 | BELT | alternator - Used W/Ref. 52 | | 1 |
| 27 | 36K6 | CAP | | | 1 |
| 28 | 6704012 | HOSE | | | 1 |
| 29 | 15KB808 | CONNECTOR | W/Ref. 30 - Was 15KN00006B [A] | | 1 |
| 29 | 97K8 | O-RING | flared end | | 1 |
| 30 | 99K8 | O-RING | | | x |
| 31 | | ENGINE | See Illustration ENGINE & GASKET KITS/ B16451 See Illustration ENGINE & GASKET KITS/ B16450 | | 1 |
| 32 | 6700535 | SPACER | | | 1 |
| 33 | 6703981 | MOUNT | W/Ref. 32 | | 1 |
| 34 | 6719828 | BOLT | Was 6CM01230B [B] | | 2 |
| 35 | 6704322 | MOUNT | fuel filter | | 1 |
| 36 | 6719826 | BOLT | Was 5CM01035B [B] | | 1 |
| 37 | 6719829 | BOLT | Was 6CM01235B [B] | | 1 |
| 38 | | ALTERNATOR | See Illustration ALTERNATOR/ C3312 | | 1 |
| 39 | 6705711 | BRACKET | Used W/Ref. 38 | | 1 |
| 39 | 6727084 | BRACKET | Used W/Ref. 52 | | 1 |
| 40 | 84G3716 | SCREW 5 | | | 2 |
| 41 | 6654139 | MOULDING | bulk - sold per foot | | x |
| 42 | | MOULDING | NAP - 5.5"(139,7 mm) long - Order Ref. 41 | | 1 |
| 43 | 17C830 | BOLT | hyd. pump mount - 1.875" long | | 1 |
| 43 | 47C832 | BOLT | hyd. pump mount - 2" long | | 1 |
| 43 | 6675221 | BOLT | hyd. pump mount - 2.25" long | | 1 |
| 44 | 6703140 | WASHER | | | 1 |
| 45 | 17C828 | BOLT | hyd pump mount | | 2 |

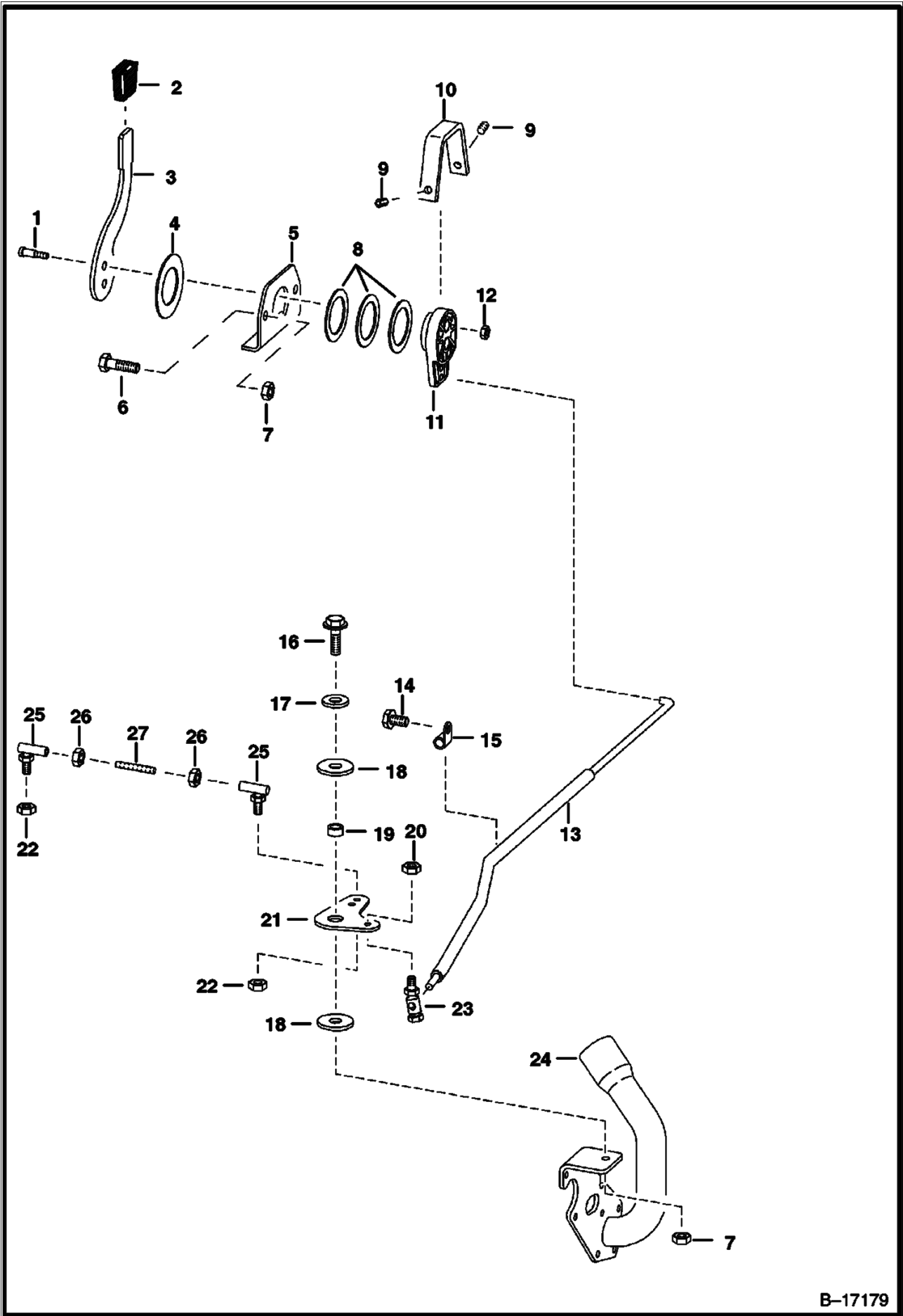
ENGINE & ATTACHING PARTS (Cont'd) (Engine Mounts)



**ENGINE & ATTACHING PARTS (Cont'd)
(Engine Mounts)**

| Ref No | Part Number | Description | Remarks | Serial Number | Qty |
|--------|-------------|-------------|--|---------------|-----|
| 46 | 6731060 | SHIELD | bolts to upright - Was 6717812 [A] | | 1 |
| 47 | 6675838 | BUSHING | Used W/Ref. 52 | | 1 |
| 48 | 6725427 | BRACKET | Used W/Ref. 52 | | 1 |
| 49 | 1CM8100 | SCREW | Used W/Ref. 52 | | 2 |
| 50 | 53DM8 | NUT | Used W/Ref. 52 | | 2 |
| 51 | 6E5 | WASHER | | | 1 |
| 52 | | ALTERNATOR | See Illustration ALTERNATOR/ C3529 90 AMP. | | 1 |

THROTTLE

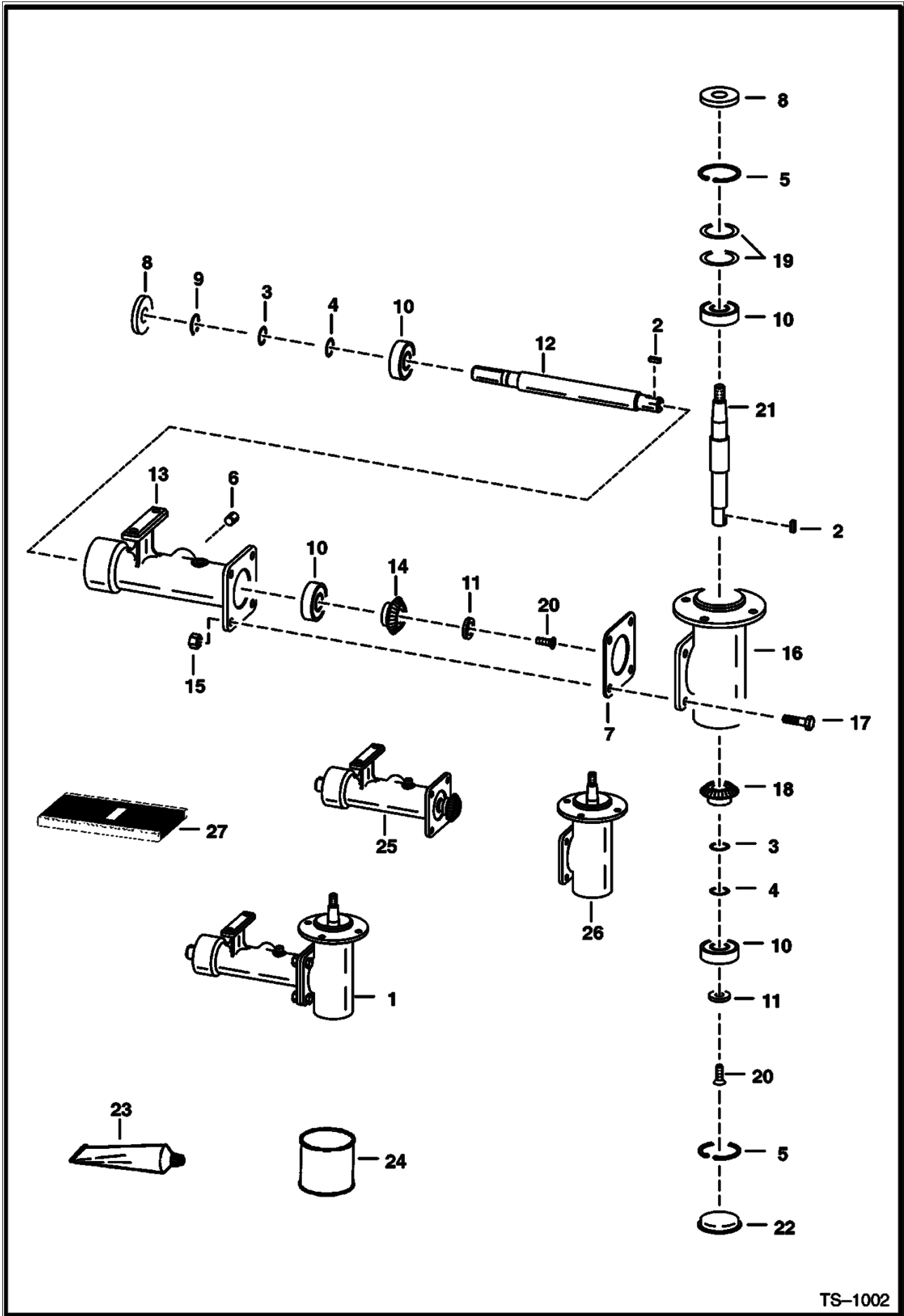


B-17179

THROTTLE (Cont'd)

| Ref No | Part Number | Description | Remarks | Serial Number | Qty |
|--------|-------------|-------------|--|---------------|-----|
| 1 | 38C610 | BOLT | shoulder | | 2 |
| 2 | 6564452 | GRIP | | | 1 |
| 3 | 6705452 | LEVER | | | 1 |
| 4 | 6567962 | WASHER | | | 1 |
| 5 | 6576262 | MOUNT | | | 1 |
| 6 | 17C626 | BOLT | | | 2 |
| 7 | 95D6 | NUT | Was 91D000006B [A] | | 2 |
| 8 | 6630945 | WASHER | | | 3 |
| 9 | 6706572 | SET SCREW | | | 2 |
| 10 | 6576261 | COVER | Was 6734520 [A] | | 1 |
| 11 | | LEVER | NAP - 2-hole rod attachment - Order 6734416 lever - Was 6709022 [A] | | 1 |
| 11 | 6734416 | LEVER | 3-hole rod attachment | | 1 |
| 12 | 85D5 | NUT 5 | | | 2 |
| 13 | 6717566 | ROD | | | 1 |
| 14 | 84G3712 | BOLT | | | 1 |
| 15 | 31H38 | CLAMP | | | 1 |
| 16 | 84G3716 | SCREW 5 | | | 1 |
| 17 | 25E18 | WASHER | | | 1 |
| 18 | 6700170 | WASHER | plastic | | 2 |
| 19 | 6564343 | SPACER | | | 1 |
| 20 | 59D4 | NUT 5 | Was 85D000004B [B] | | 1 |
| 21 | 6578268 | BELLCRANK | | | 1 |
| 22 | 66D4 | NUT | Was 86D000004B [B] | | 2 |
| 23 | 6557291 | BALL JOINT | | | 1 |
| 24 | 6719048 | MOUNT | See Illustration GEARCASE/ B13160 FUEL SHUTOFF SOLENOID & OIL FILL | | 1 |
| 25 | 6554858 | BALL JOINT | | | 2 |
| 26 | 62D4 | NUT | | | 2 |
| 27 | 6576252 | ROD | | | 1 |

COOLING FAN DRIVE ASSY.

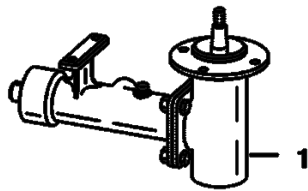


TS-1002

COOLING FAN DRIVE ASSY. (Cont'd)

| Ref No | Part Number | Description | Remarks | Serial Number | Qty |
|--------|-------------|---------------|---|---------------|-----|
| 1 | | HOUSING ASSY. | See Illustration COOLING FAN DRIVE ASSY./ PE2349 - NAP - Ref. 2-22 - Order 6734104 housing assy - Was 6702138 [A] | | 1 |
| 2 | 7J2010 | KEY | | | 2 |
| 3 | 6702165 | SHIM | .002" (0,05mm) thickness - 1" (25,4mm) OD | | x |
| 4 | 6701159 | SHIM | .005" (0,13mm) thickness - 1" (25,4mm) OD | | x |
| 5 | 6653758 | SNAP RING | | | 2 |
| 6 | 16F8 | PLUG | | | 1 |
| 7 | 6578284 | SHIM | .003" (0,08 mm) thickness | | x |
| 8 | 6653702 | SEAL, OIL | | | 2 |
| 9 | 6653757 | SNAP RING | | | 1 |
| 10 | 6646627 | BEARING | | | 4 |
| 11 | | WASHER | NAP - countersink - Was 6702140 [A] | | 2 |
| 12 | 6702137 | SHAFT | keyed | | 1 |
| 13 | 6579641 | HOUSING | | | 1 |
| 14 | 6702103 | GEAR, PINION | keyed | | 1 |
| 15 | 95D6 | NUT | | | 4 |
| 16 | | HOUSING | NSS - Order 6702138 Housing or Ref. 26 | | 1 |
| 17 | 17C620 | BOLT | | | 4 |
| 18 | 6702102 | GEAR | keyed | | 1 |
| 19 | 6702166 | SHIM | .0002" (0,05mm) thickness - 2" (50,8mm) OD | | x |
| 19 | 6702144 | SHIM | .005" (0,13mm) thickness - 2" (50,8mm) OD | | x |
| 20 | 9G512 | SCREW | | | 2 |
| 21 | 6702135 | SHAFT | keyed | | 1 |
| 22 | 6700782 | CAP | grease | | 1 |
| 23 | 6672486 | SEALANT | polyurethane - Use W/Ref. 7 & 22 | | x |
| 24 | 6903121 | LUBE, GEAR 12 | Was 6634393 [A] | | x |
| 25 | | HOUSING ASSY. | NAP - half - Order Ref. 1 - Was 6707078 [A] | | 1 |
| 26 | | HOUSING ASSY. | NAP - half - Order Ref. 1 - Was 6707077 [A] | | 1 |
| 27 | 6669384 | SPEEDI SLEEVE | for .785" - .789" (19,94 mm - 20,04 mm) dia. shaft | | 1 |
| 27 | 6692357 | SPEEDI SLEEVE | for .780" - .784" (19,81 mm - 19,91 mm) dia. shaft | | 1 |

COOLING FAN DRIVE ASSY.

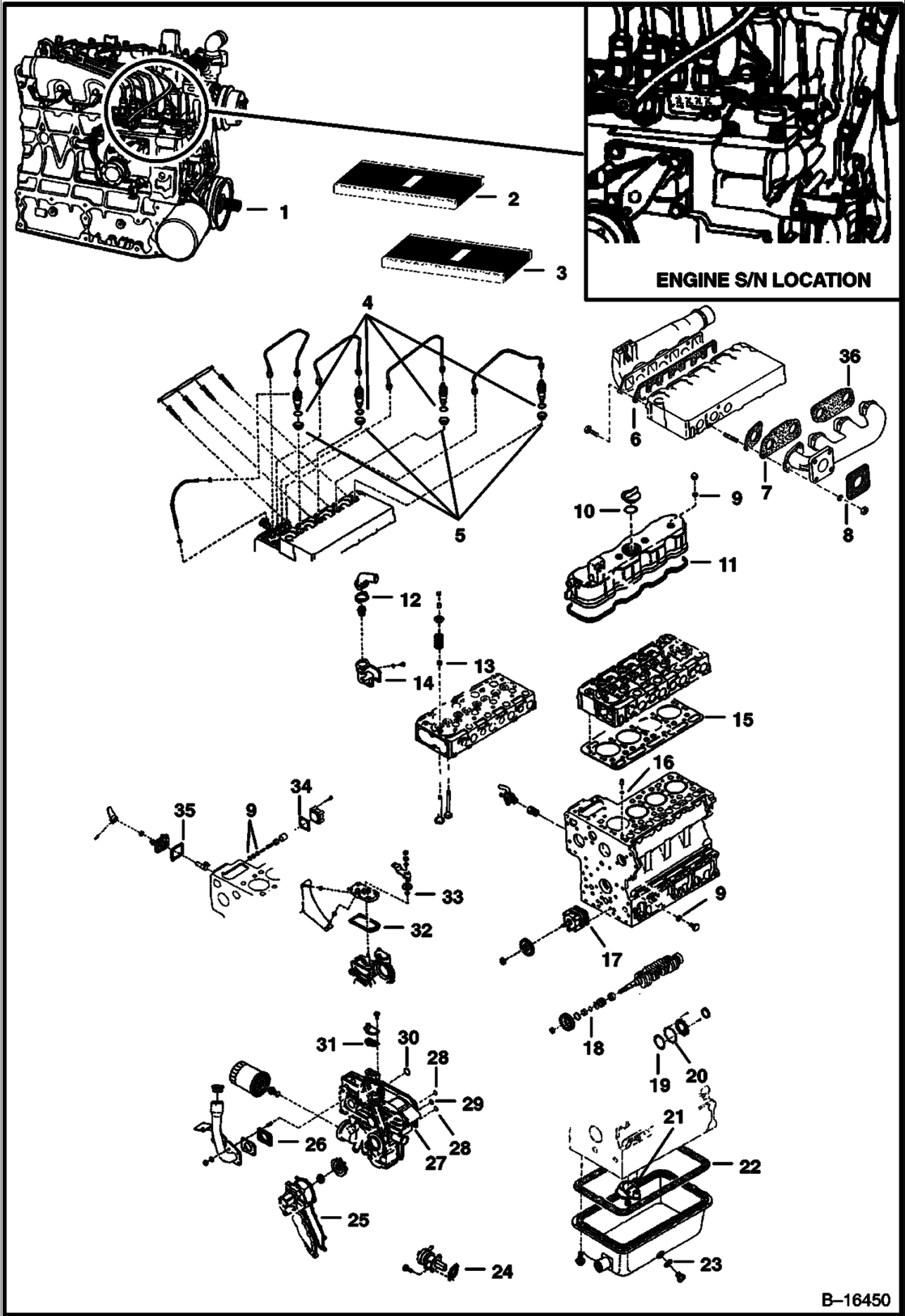


PE-2349

COOLING FAN DRIVE ASSY. (Cont'd)

| Ref No | Part Number | Description | Remarks | Serial Number | Qty |
|--------|-------------|---------------|--|---------------|-----|
| 1 | 6734104 | HOUSING ASSY. | | | 1 |
| 1 | 6692357 | SPEEDI SLEEVE | for .780" - .784" (18,81 mm - 19,91 mm) dia. shaft | | 1 |

**ENGINE & GASKET KITS
(Kubota - V2203) (1G608-41000)**

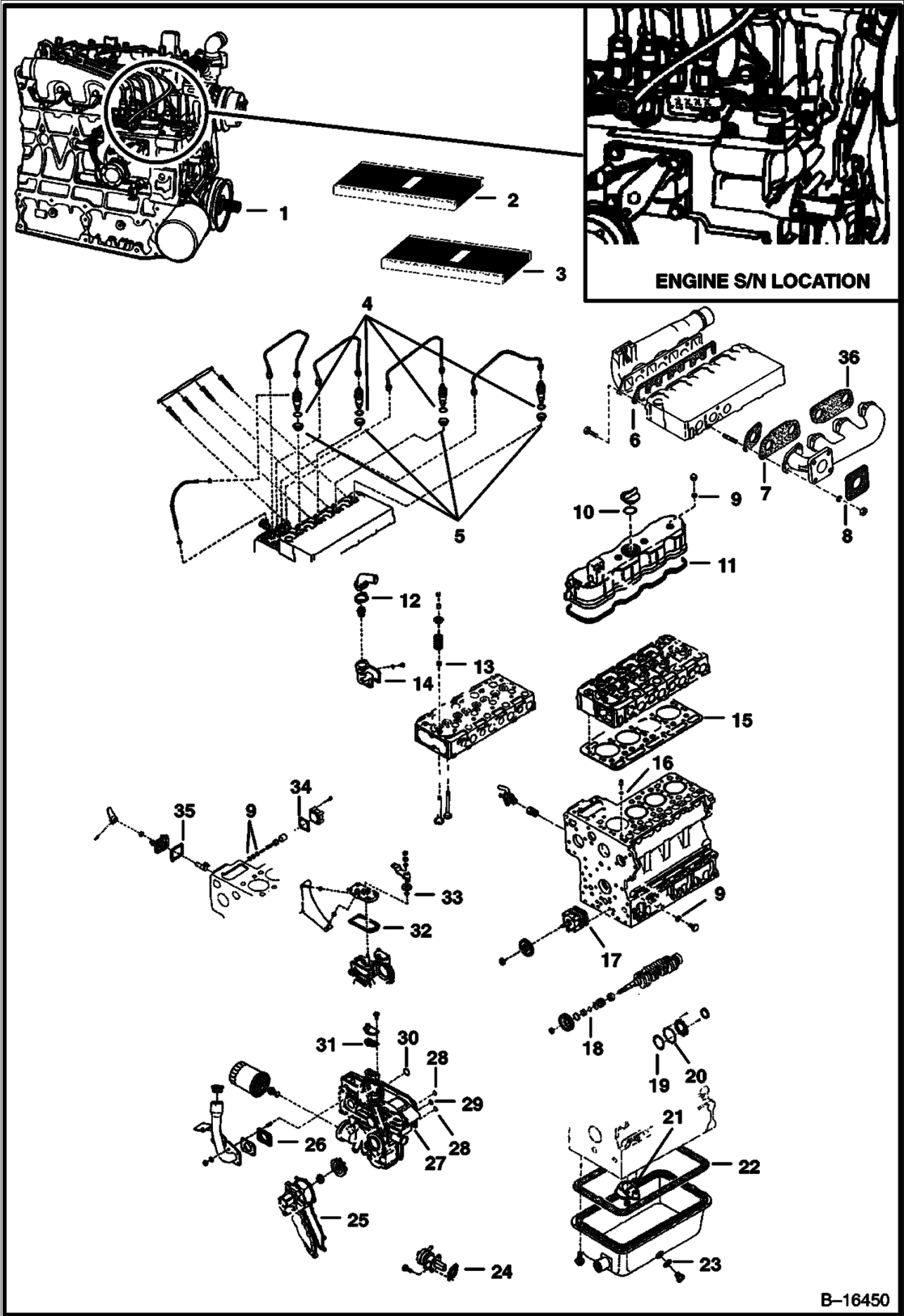


B-16450

ENGINE & GASKET KITS (Cont'd)
(Kubota - V2203) (1G608-41000)

| Ref No | Part Number | Description | Remarks | Serial Number | Qty |
|--------|-------------|----------------------|--|------------------|-----|
| 1 | | ENGINE | NAP - Does not include starter, alternator, flywheel, & flywheel housing - Order 6685981 - Was 6704441 [A] | 5180 11001 & Abv | 1 |
| 1 | | ENGINE | NAP - Does not include starter, alternator, flywheel, & flywheel housing - Order 6685981 - Was 6704441 [A] | 5176 11001 & Abv | 1 |
| 1 | | ENGINE | NAP - Does not include starter, alternator, flywheel, & flywheel housing - Order 6685981 - Was 6704441 [A] | 5181 11001 & Abv | 1 |
| 1 | | SHORT BLOCK | NAP | | 1 |
| 1 | 6704441REM | ENGINE, KUBOTA V2203 | | 5176 11001 & Abv | 1 |
| 1 | 6704441REM | ENGINE, KUBOTA V2203 | | 5181 11001 & Abv | 1 |
| 1 | 6704441REM | ENGINE, KUBOTA V2203 | | 5180 11001 & Abv | 1 |
| 2 | 6657401 | GASKET KIT | Upper - Ref. 6-16 & 36 | | 1 |
| 3 | 7003006 | GASKET | Lower - Does not include rear oil seal - Ref. 17-35 - Was 6657402 [A] | | 1 |
| 4 | 6655218 | GASKET | See Illustration INJECTOR NOZZLES/ B13155 | | 4 |
| 5 | 6655872 | HEAT SEAL | See Illustration INJECTOR NOZZLES/ B13155 | | 4 |
| 6 | 6666811 | GASKET | See Illustration MANIFOLDS/ B13140 | | 1 |
| 7 | 6666781 | GASKET | See Illustration MANIFOLDS/ B13140 | | 1 |
| 8 | 6727752 | GASKET | See Illustration MANIFOLDS/ B13140 muffler - Was 6575580 [B] | | 1 |
| 9 | 3974095 | MET-GASK | See Illustration CRANKCASE/ B13159 | | 7 |
| 10 | 6684782 | O-RING | See Illustration ROCKER ARM COVER/ B13158 - oil fill plug - Was 3966602 [A] | | 1 |
| 11 | 6598136 | GASKET, COVER VALVE | See Illustration ROCKER ARM COVER/ B13158 | | 1 |
| 12 | 6732199 | GASKET | See Illustration WATER FLANGE & THERMOSTAT/ B13141 THERMOSTAT COVER - Was 6666790 [A] | | 1 |
| 13 | 6653830 | SEAL, STEM VALVE | See Illustration VALVE ROCKER ARM/ B17305 | | 8 |
| 14 | 6666802 | GASKET | See Illustration WATER FLANGE & THERMOSTAT/ B13141 - water flange | | 1 |
| 15 | 6655159 | GASKET | See Illustration CYLINDER HEAD/ B13153 CYLINDER HEAD | | 1 |
| 16 | 3974038 | O RING | See Illustration CRANKCASE/ B13159 | | 1 |
| 17 | 6666782 | GASKET | See Illustration CRANKCASE/ B13159 WAS 3974456B [A] | | 1 |
| 18 | 3974577 | O RING | See Illustration PISTON & CRANKSHAFT/ B13145 - crankshaft frt | | 1 |
| 19 | 6684788 | GASKET | See Illustration PISTON & CRANKSHAFT/ B13145 Was 6655165 [A] | | 1 |
| 20 | 6666814 | GASKET | See Illustration PISTON & CRANKSHAFT/ B13145 WAS 6655167 [A] | | 1 |
| 21 | 3966516 | O RING | See Illustration OIL PAN/ B13148 | | 1 |
| 22 | 6666817 | GASKET | See Illustration OIL PAN/ B13148 OIL PAN - WAS 3975449B [A] | | 1 |
| 23 | 6680484 | GASKET | See Illustration OIL PAN/ B13148 Was 3974403 [B] | | 1 |
| 24 | 3974502 | GASKET | See Illustration FUEL & INJECTION PUMPS/ B13157 FUEL PUMP | | 1 |
| 25 | 6666804 | GASKET | See Illustration WATER PUMP/ B13142 WAS 3974995B [A] | | 1 |
| 26 | 6714543 | GASKET | See Illustration GEARCASE/ B13160 | | 1 |
| 27 | 6666800 | GASKET | See Illustration GEARCASE/ B13160 GEARCASE - | | 1 |

ENGINE & GASKET KITS (Cont'd)
 (Kubota - V2203) (1G608-41000)

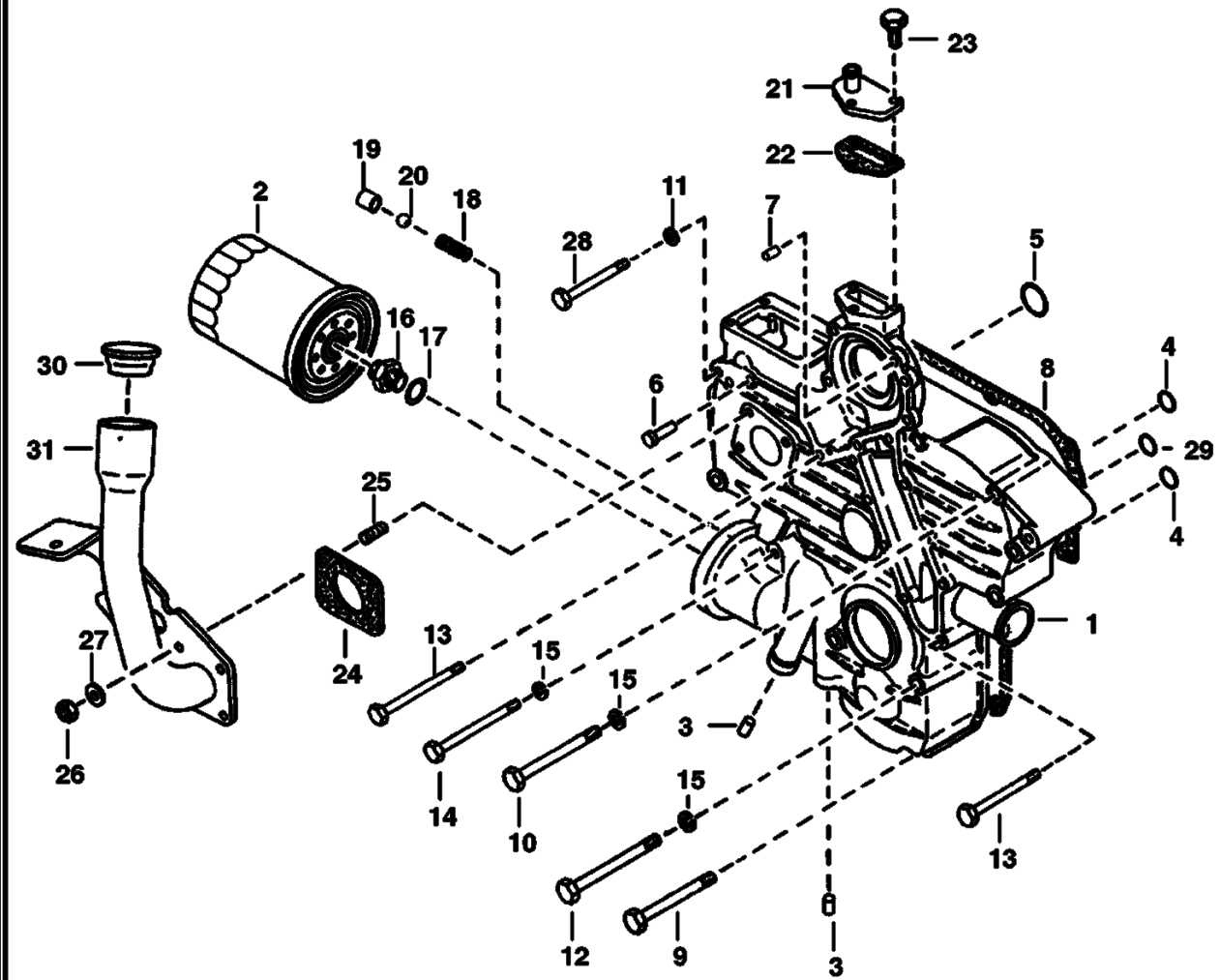


B-16450

ENGINE & GASKET KITS (Cont'd)
(Kubota - V2203) (1G608-41000)

| Ref No | Part Number | Description | Remarks | Serial Number | Qty |
|--------|-------------|-------------|--|---------------|-----|
| | | | WAS 6653806 [A] | | |
| 28 | 3966515 | O RING | See Illustration GEARCASE/ B13160 | | 2 |
| 29 | 6655162 | O-RING | See Illustration GEARCASE/ B13160 | | 1 |
| 30 | 3966530 | O RING | See Illustration GEARCASE/ B13160 | | 1 |
| 31 | 6666803 | GASKET | See Illustration GEARCASE/ B13160 WATER RETURN FLANGE - WAS 3974895B [A] | | 1 |
| 32 | 6666792 | GASKET | See Illustration SPEED CONTROL PLATE/ B13137 WAS 6635392 [A] | | 1 |
| 33 | 3966512 | O RING | See Illustration SPEED CONTROL PLATE/ B13137 | | 1 |
| 34 | 6666827 | GASKET | See Illustration FUEL CAMSHAFT/ B13144 WAS 3974630B [A] | | 1 |
| 35 | 6666783 | GASKET | See Illustration ENGINE STOP LEVER/ B13139 PUMP COVER - WAS 3974601B [A] | | 1 |
| 36 | 6666791 | GASKET | See Illustration MANIFOLDS/ B13140 | | 1 |

GEARCASE
(Kubota - V2203) (1G608-41000)

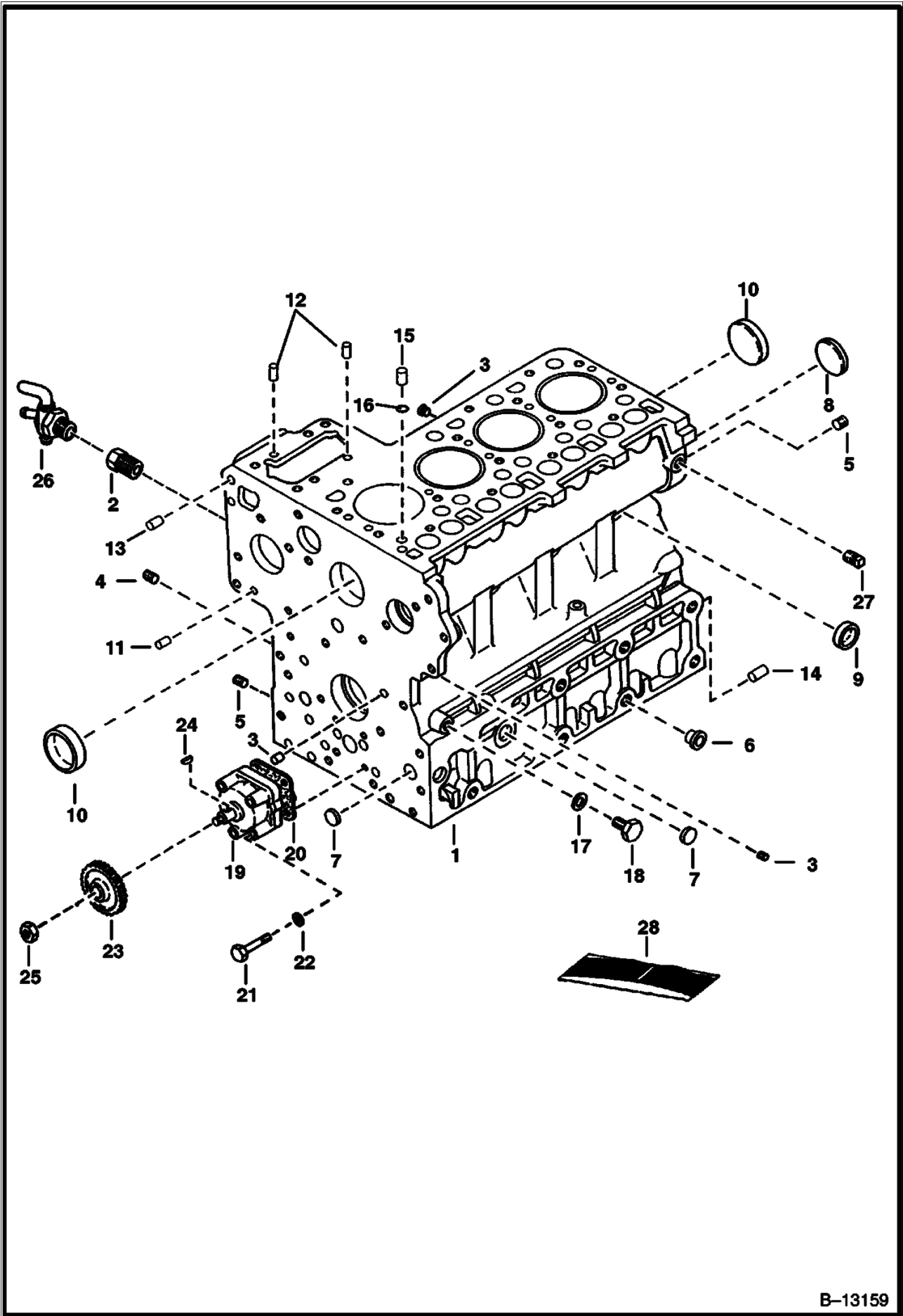


B-13160

GEARCASE (Cont'd)
(Kubota - V2203) (1G608-41000)

| Ref No | Part Number | Description | Remarks | Serial Number | Qty |
|--------|-------------|-----------------|---|-----------------|-----|
| 1 | | CASE ASSY. | NAP - W/Ref. 3-7 & 29 - Order 6688640 & Ref. 4-7 & 29 - Was 6674164 [A] | | 1 |
| 1 | 6688640 | GEAR HOUSING | W/Ref. 3 | | 1 |
| 2 | 6675517 | FILTER, OIL ENG | Was 3974896B [A] | | 1 |
| 3 | 6667425 | PLUG | pin | | 2 |
| 4 | 3966515 | O RING | | | 2 |
| 5 | 3966530 | O RING | | | 1 |
| 6 | 6652592 | PIN | start spring | | 1 |
| 7 | 3974395 | PIN | straight | | 2 |
| 8 | 6666800 | GASKET | gearcase - Was 6653806 [A] | | 1 |
| 9 | 3974888 | BOLT | | | 2 |
| 10 | 1CM870 | BOLT | | | 5 |
| 11 | 2EM8 | WASHER, PLAIN | | | 1 |
| 12 | 1CM880 | BOLT | | | 2 |
| 13 | 6653808 | BOLT | | | 3 |
| 14 | 1CM895 | BOLT | | | 2 |
| 15 | 6EM80 | WASHER, SPRING | | | 9 |
| 16 | 6653809 | CONNECTOR | | | 1 |
| 17 | 15EM180 | WASHER | | E/ YW4276 & Bel | 1 |
| 17 | 6685501 | WASHER | | E/ YY0001 & Abv | 1 |
| 18 | 6652652 | SPRING | | | 1 |
| 19 | 3974893 | SEAT | valve | | 1 |
| 20 | 10J13 | BALL | | | 1 |
| 21 | 3974894 | FLANGE | water return | | 1 |
| 22 | 6666803 | GASKET | water return flange - Was 3974895B [A] | | 1 |
| 23 | 4CM620 | BOLT | | | 3 |
| 24 | 6714543 | GASKET | | | 1 |
| 25 | 6652764 | STUD | | | 4 |
| 26 | 1DM6 | NUT | | | 4 |
| 27 | 6EM60 | WASHER, SPRING | spring | | 4 |
| 28 | 6653807 | BOLT | | | 1 |
| 29 | 6655162 | O-RING | | | 1 |
| 30 | 6703736 | CAP | | | 1 |
| 31 | 6719048 | MOUNT | | | 1 |

CRANKCASE (Kubota - V2203) (1G608-41000)

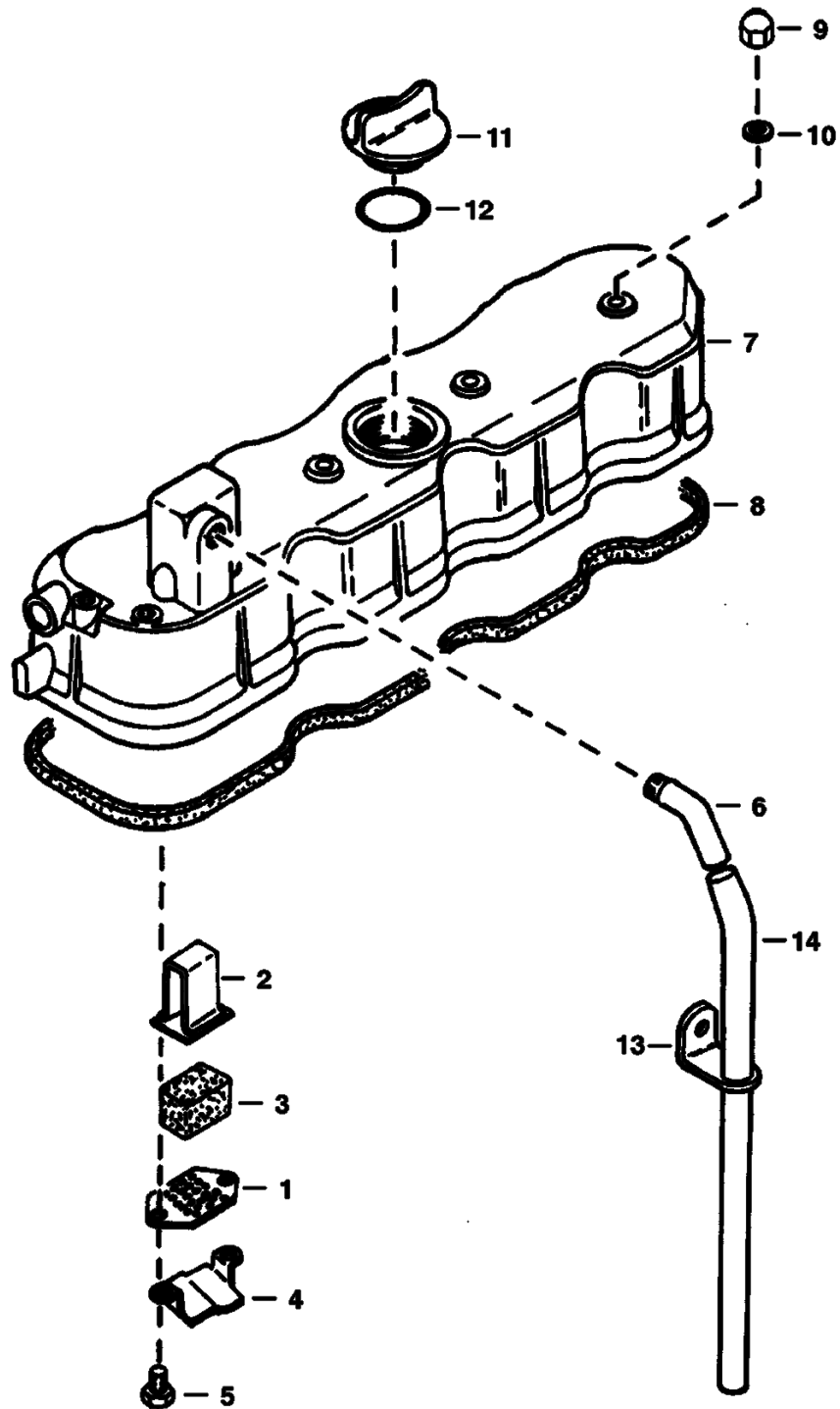


B-13159

CRANKCASE (Cont'd)
(Kubota - V2203) (1G608-41000)

| Ref No | Part Number | Description | Remarks | Serial Number | Qty |
|--------|-------------|-------------------|---|---------------|-----|
| 1 | | CRANKCASE | NAP - assy - W/Ref. 2-15 - for 2.044" (51,94mm) crankshaft journals - use (1) each of 6689503, 6685483, 6685484, 6685486, (4) 6685487 & (2) 6685488 - Was 6655149 [A] | | 1 |
| 2 | 3974871 | CONNECTOR | | | 1 |
| 3 | 6652574 | PLUG | | | 6 |
| 4 | 6655869 | PLUG | | | 12 |
| 5 | 6652575 | PLUG | | | 2 |
| 6 | 6598187 | PLUG | | | 21 |
| 7 | 4FM18 | PLUG | expansion | | 3 |
| 8 | 4FM45 | PLUG | expansion | | 1 |
| 9 | 3974389 | CAP, SEALING | sealing | | 6 |
| 10 | 3974390 | PLUG | sealing | | 2 |
| 11 | 3974393 | PIN | straight | | 2 |
| 12 | 3974394 | PIN | straight | | 2 |
| 13 | 3974395 | PIN | straight | | 2 |
| 14 | 3974868 | PIN | straight | | 1 |
| 15 | 3974037 | PIN | pipe | | 1 |
| 16 | 3974038 | O RING | | | 1 |
| 17 | 3974095 | MET-GASK | | | 1 |
| 18 | 6655884 | PLUG | | | 1 |
| 19 | 6689441 | PUMP, OIL ENG | Was 3975426 [A] | | 1 |
| 20 | 6666782 | GASKET | Was 3974456B [A] | | 1 |
| 21 | 6655195 | BOLT | | | 4 |
| 22 | 6EM60 | WASHER, SPRING | | | 4 |
| 23 | 3975441 | GEAR | | | 1 |
| 24 | 6969805 | KEY,FEATHER | Was 15JM00410B [A] | | 1 |
| 25 | 3DM12 | NUT | | | 1 |
| 26 | 6672190 | DRAINCOCK | | | 1 |
| 27 | 16F2 | PLUG | | | 1 |
| 28 | 7003006 | GASKET | Lower - Does not include rear oil seal - Was 6657402 [A] | | 1 |

ROCKER ARM COVER
(Kubota - V2203) (1G608-41000)

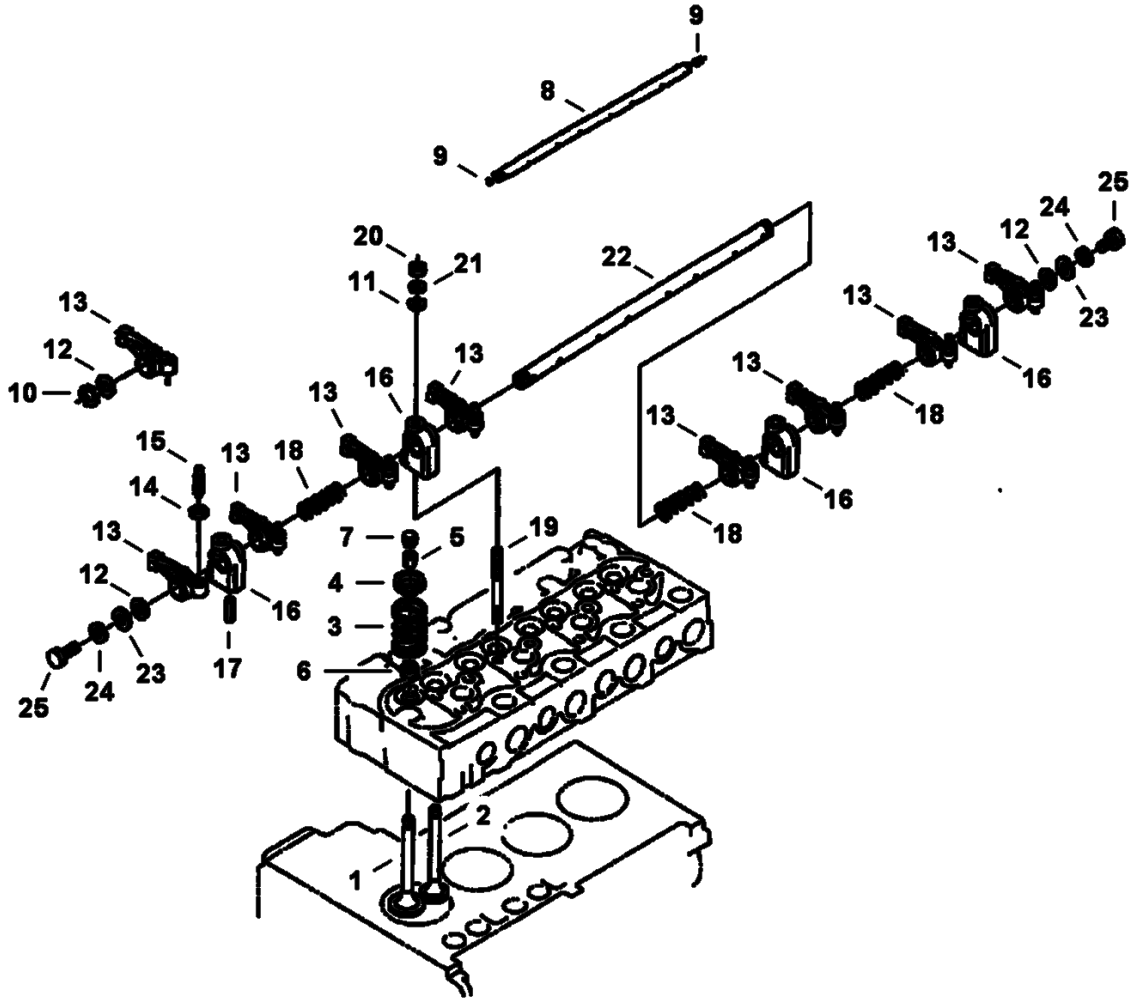


B-13158

**ROCKER ARM COVER (Cont'd)
(Kubota - V2203) (1G608-41000)**

| Ref No | Part Number | Description | Remarks | Serial Number | Qty |
|--------|-------------|---------------------|---------------|---------------|-----|
| 1 | 3974924 | PLATE | element | | 1 |
| 2 | 3974925 | PLATE | element | | 1 |
| 3 | 3974926 | BREATHER | breather | | 1 |
| 4 | 3974927 | SHIELD | breather | | 1 |
| 5 | 3975436 | SCREW | W/Washer | | 2 |
| 6 | 6652624 | JOINT | breather pipe | | 1 |
| 7 | 6655175 | COVER | valve | | 1 |
| 8 | 6598136 | GASKET, COVER VALVE | | | 1 |
| 9 | 3974923 | NUT | cap | | 4 |
| 10 | 3974095 | MET-GASK | | | 4 |
| 11 | 6652653 | PLUG | oil filler | | 1 |
| 12 | 3966602 | O RING | oil fill plug | | 1 |
| 13 | 3974931 | CLAMP | pipe | | 1 |
| 14 | 3974930 | PIPE | breather | | 1 |

VALVE ROCKER ARM (Kubota - V2203) (1G608-41000)

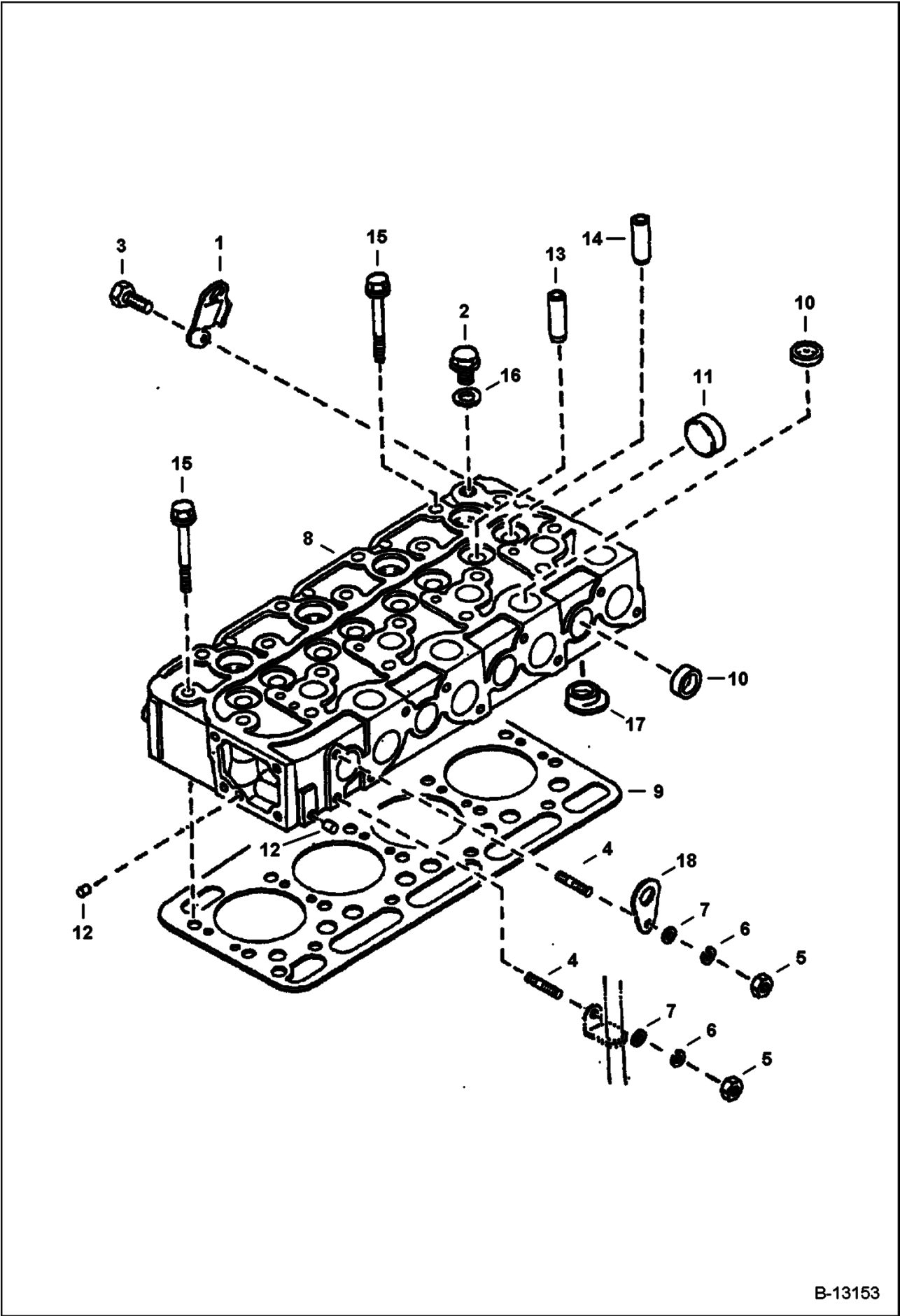


B-17305

VALVE ROCKER ARM (Cont'd)
(Kubota - V2203) (1G608-41000)

| Ref No | Part Number | Description | Remarks | Serial Number | Qty |
|--------|-------------|------------------|--|-----------------|-----|
| 1 | 6655173 | VALVE | inlet | | 4 |
| 2 | 6655174 | VALVE | exhaust | | 4 |
| 3 | 3974514 | SPRING 5 | valve | | 8 |
| 4 | 3974515 | RETAINER | valve spring | | 8 |
| 5 | 6684874 | COLLAR | valve spring - set of 2 - Was 3974516B [A] | | 8 |
| 6 | 6653830 | SEAL, STEM VALVE | | | 8 |
| 7 | 3974518 | CAP | valve | | 8 |
| 8 | | SHAFT | NAP - rocker arm - W/Ref. 9 - Order Ref. 22-25 - Was 6682545 [A] | E/ 1Y1240 & Bel | 1 |
| 9 | 25GM8010 | SCREW | | E/ 1Y1240 & Bel | 2 |
| 10 | 5JM14 | SNAP RING | external | E/ 1Y1240 & Bel | 2 |
| 11 | 2EM8 | WASHER, PLAIN | plain | | 4 |
| 12 | 3974524 | WASHER | | | 2 |
| 13 | 6655870 | ROCKER ARM | rocker - W/Ref. 14 & 15 | | 8 |
| 14 | 2DM8 | NUT | | | 8 |
| 15 | 3974920 | SCREW | adjusting | | 8 |
| 16 | 3974521 | MOUNT | rocker arm | | 4 |
| 17 | 6667461 | PIN | | | 4 |
| 18 | 6653833 | SPRING | rocker arm | | 3 |
| 19 | 6653832 | STUD | | | 4 |
| 20 | 6652792 | NUT | | | 4 |
| 21 | 6EM80 | WASHER, SPRING | | | 4 |
| 22 | 6684875 | SHAFT | | E/ 2A0001 & Abv | 2 |
| 23 | 6667451 | WASHER | plain | E/ 2A0001 & Abv | 2 |
| 24 | 6667422 | WASHER | spring | E/ 2A0001 & Abv | 2 |
| 25 | 5CM812 | BOLT | | E/ 2A0001 & Abv | 2 |

CYLINDER HEAD
(Kubota - V2203) (1G608-41000)

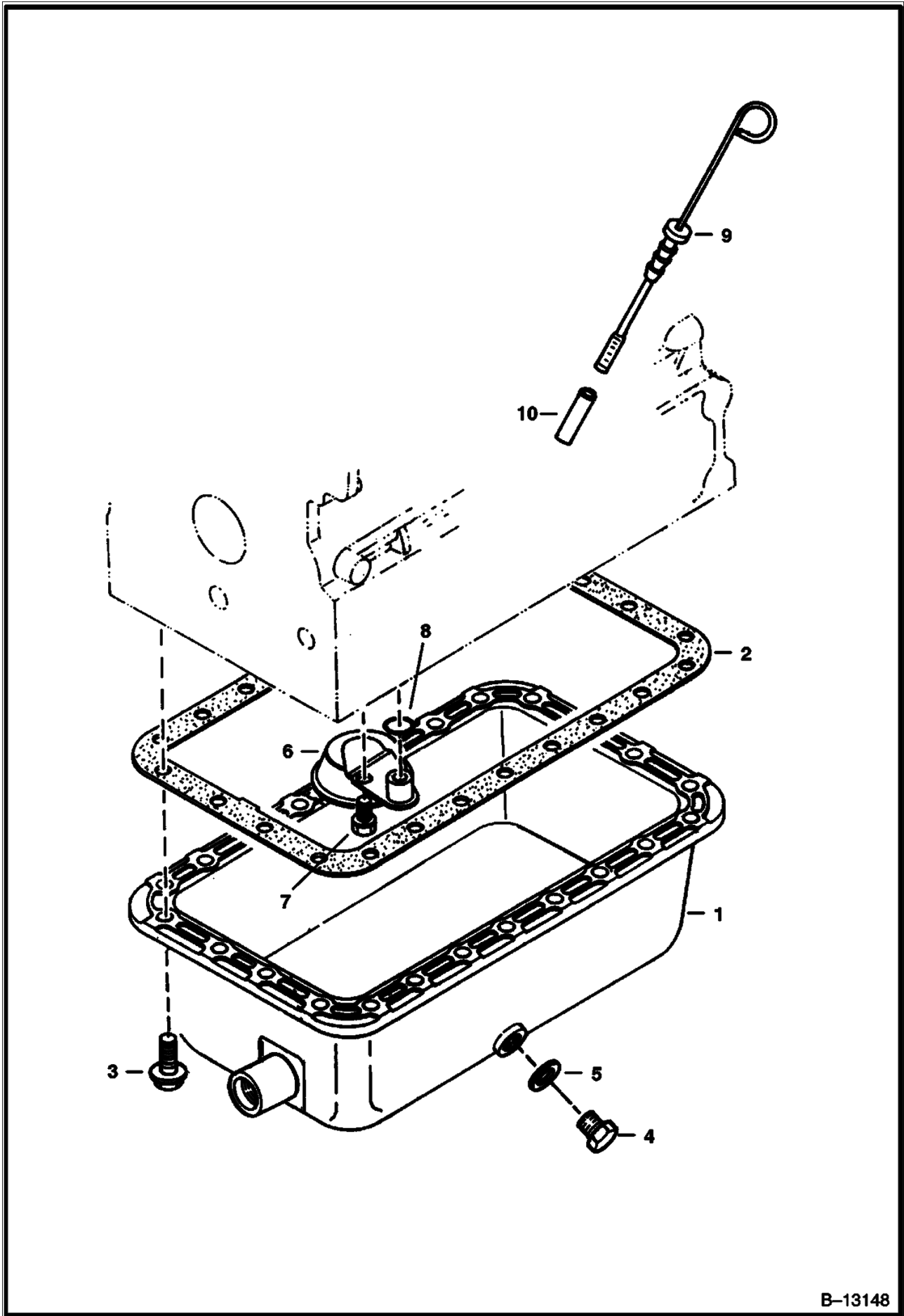


B-13153

CYLINDER HEAD (Cont'd)
(Kubota - V2203) (1G608-41000)

| Ref No | Part Number | Description | Remarks | Serial Number | Qty |
|--------|-------------|-------------------|---------------------------------|---------------|-----|
| 1 | 6655152 | HOOK | engine | | 1 |
| 2 | 6655160 | PLUG | | | 1 |
| 3 | 4CM816 | BOLT | | | 1 |
| 4 | 6652670 | STUD | | | 2 |
| 5 | 6652792 | NUT | | | 2 |
| 6 | 6EM80 | WASHER, SPRING | | | 2 |
| 7 | 2EM8 | WASHER, PLAIN | plain | | 2 |
| 8 | 6655153 | HEAD | cylinder - W/Ref. 10-14 & 17 | | 1 |
| 9 | 6655159 | GASKET | cylinder head | | 1 |
| 10 | 3974432 | PLUG | sealing | | 12 |
| 11 | 3974433 | PLUG | sealing | | 1 |
| 12 | 6598116 | PLUG | Was 6652797 [A] | | 2 |
| 13 | 6655154 | GUIDE | intake valve | | 4 |
| 14 | 6969990 | GUIDE | exhaust valve - Was 6653803 [A] | | 4 |
| 15 | 6655158 | BOLT | | | 18 |
| 16 | 6655161 | WASHER | W/rubber | | 1 |
| 17 | 6667480 | CHAMBER | combustion | | 4 |
| 18 | 3974882 | HOOK | | | 1 |

OIL PAN
(Kubota - V2203) (1G608-41000)

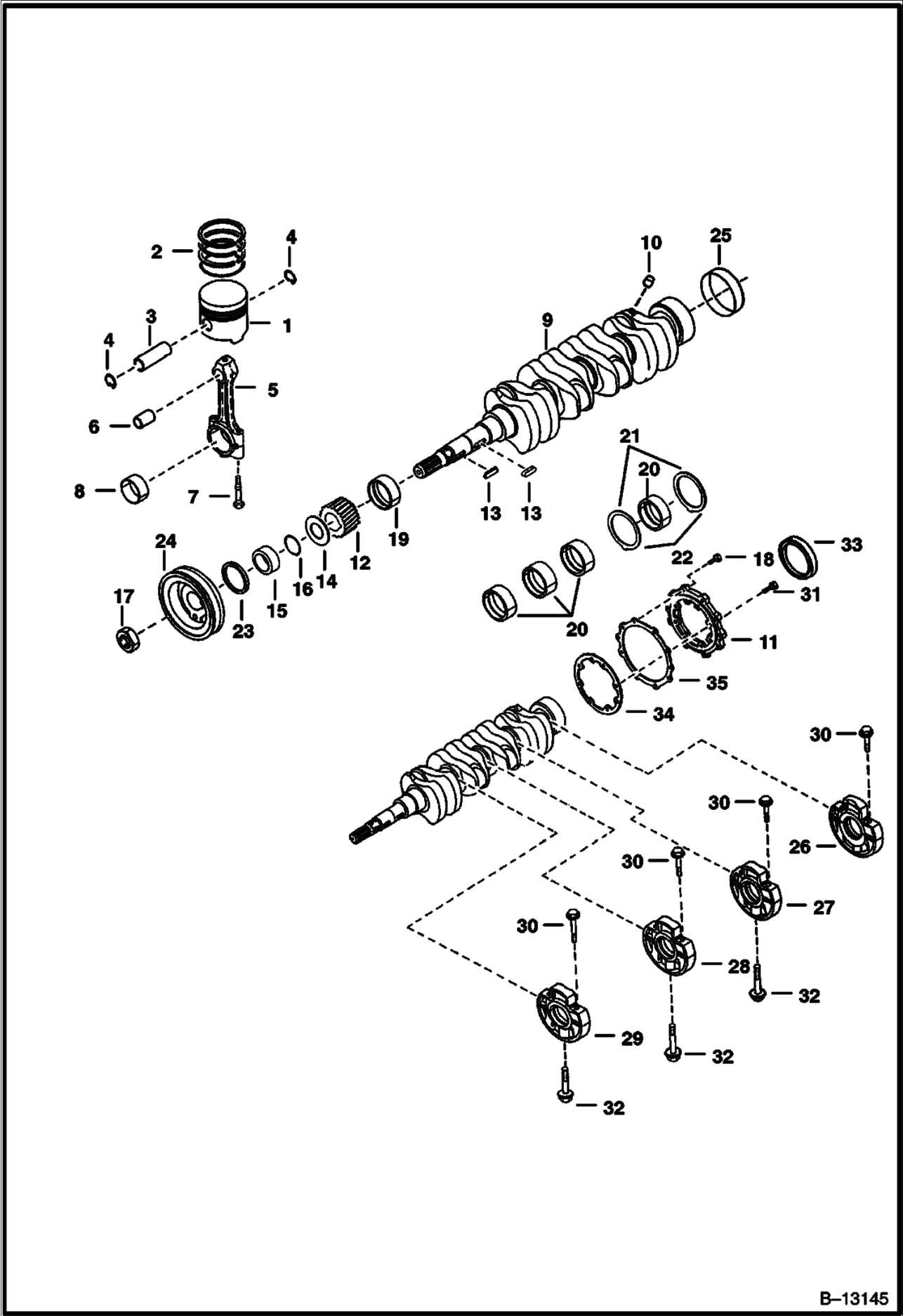


B-13148

OIL PAN (Cont'd)
(Kubota - V2203) (1G608-41000)

| Ref No | Part Number | Description | Remarks | Serial Number | Qty |
|--------|-------------|----------------------|--|---------------|-----|
| 1 | 6655151 | PAN, OIL | | | 1 |
| 2 | 6666817 | GASKET | oil pan - Was 3975449B [A] | | 1 |
| 3 | 6653798 | BOLT | | | 24 |
| 4 | 3974402 | PLUG | drain | | 1 |
| 5 | 6680484 | GASKET | Was 3974403 [B] | | 1 |
| 6 | 6655194 | SCREEN, OIL | | | 1 |
| 7 | 4CM816 | BOLT | | | 1 |
| 8 | 3966516 | O RING | | | 1 |
| 9 | | DIPSTICK | NAP - oil - Order 6677202 Dipstick - Was 6658245 [A] | | 1 |
| 9 | 6677202 | DIPSTICK, OIL ENG | oil - long | | 1 |
| 10 | 6677203 | GUIDE | for long dipstick | | 1 |

PISTON & CRANKSHAFT (Kubota - V2203) (1G608-41000)

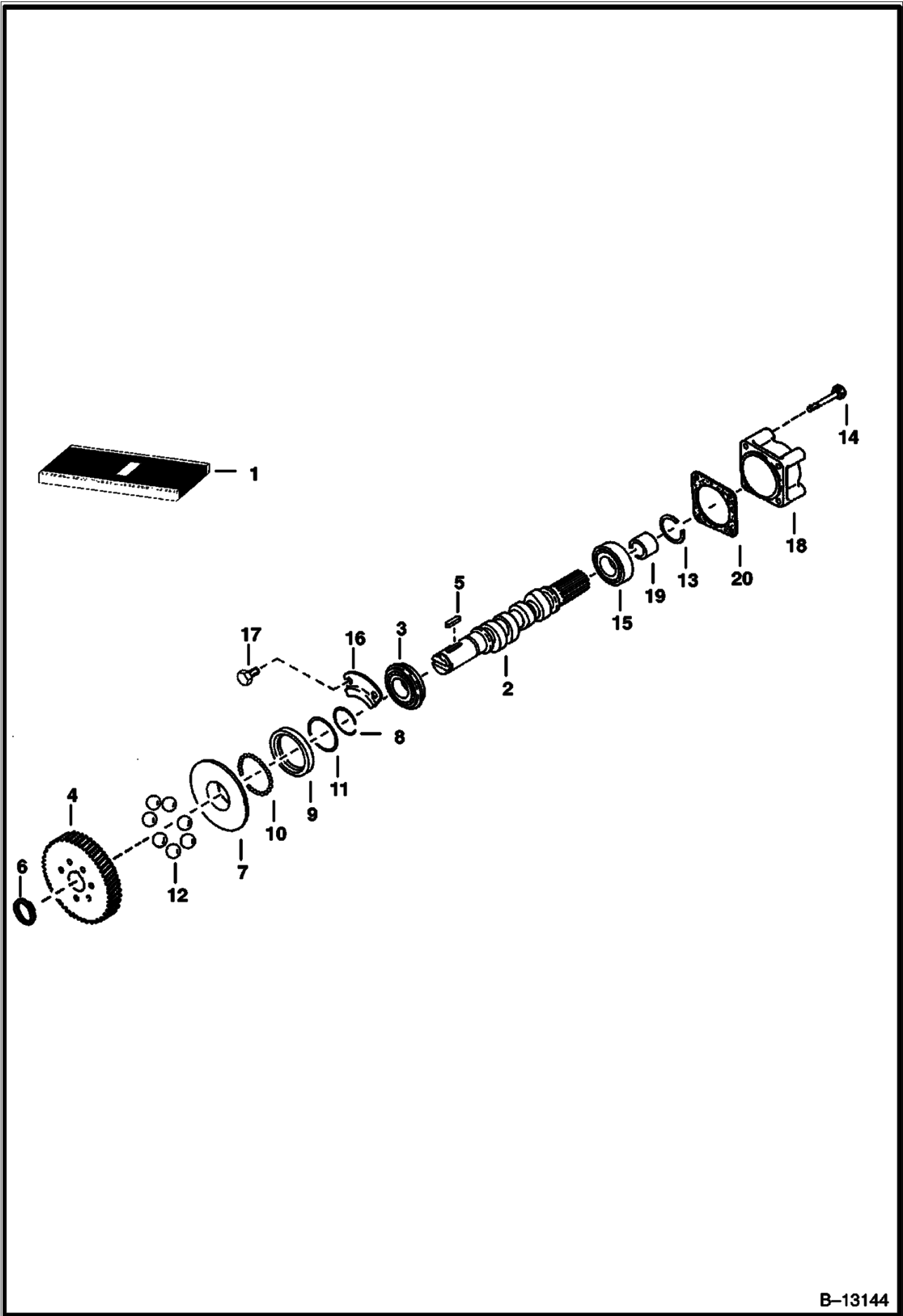


B-13145

PISTON & CRANKSHAFT (Cont'd)
(Kubota - V2203) (1G608-41000)

| Ref No | Part Number | Description | Remarks | Serial Number | Qty |
|--------|-------------|--------------------|---|---------------|-----|
| 1 | | PISTON | NAP - Std. - Order 6689595 piston and 2 of 6686997 cir-clip - Was 6655177 [A] | | 4 |
| 1 | | PISTON | NAP - (0,5 mm - .0197) - Order 6689744 piston and 2 of 6686997 cir-clip - Was 6657695 [A] | | 4 |
| 2 | 6678075 | RINGS | piston - Std. - Was 6655178 [A] | | 4 |
| 2 | 6657696 | RINGS | piston - (0,5 mm - .0197) | | 4 |
| 3 | 6655179 | PIN, PISTON ENG | | | 4 |
| 4 | 6655180 | CIR-CLIP | | | 8 |
| 5 | 6655181 | ROD, CONNECTING | connecting - W/Ref. 6, 7 & 8 | | 4 |
| 6 | 6655243 | BUSHING | | | 4 |
| 7 | 6655498 | BOLT | | | 8 |
| 8 | 6655183 | BEARING | rod - std. | | 4 |
| 8 | 6655236 | BEARING | rod (-0,20 mm) | | 4 |
| 8 | 6655237 | BEARING | rod (-0,40 mm) | | 4 |
| 9 | 6655184 | CRANKSHAFT | Ref. 10 & 25 - install Ref. 10 before installation - See S/L dated 3 Jan. 85 | | 1 |
| 10 | 6652633 | BALL | Must be installed before using Ref. 9 crankshaft | | 4 |
| 11 | 6655166 | COVER | | | 1 |
| 12 | 6598142 | GEAR | | | 1 |
| 13 | 3974546 | KEY | | | 1 |
| 14 | 6653861 | SLINGER, OIL | oil | | 1 |
| 15 | 3975337 | COLLAR | | | 1 |
| 16 | 3974577 | O RING | | | 1 |
| 17 | 3974671 | NUT | | | 1 |
| 18 | 4CM825 | BOLT | | | 8 |
| 19 | 6655185 | BEARING | main - Std. | | 4 |
| 19 | 6655238 | BEARING | main (0,2 mm-.0079) | | 1 |
| 19 | 6655239 | BEARING | main (0,4 mm-.0157) | | 1 |
| 20 | 6655186 | BEARING | main - Std. | | 4 |
| 20 | 6655240 | BEARING | main (0,2 mm-.0079) | | 4 |
| 20 | 6655241 | BEARING | main (0,4 mm-.0157) | | 4 |
| 21 | 3974945 | WASHER, THRUST | thrust - Std. | | 2 |
| 21 | 3975021 | WASHER | thrust (0,2 mm-.0079) | | 2 |
| 21 | 3975022 | WASHER, THRUST | thrust (0,4 mm-.0157) | | 2 |
| 22 | 6653865 | WASHER, THRUST | thrust - Std. | | 2 |
| 22 | 6654002 | WASHER, THRUST | thrust (0,2 mm-.0079) | | 2 |
| 22 | 6654003 | WASHER, THRUST | thrust (0,4 mm-.0157) | | 2 |
| 23 | 6631664 | SEAL | oil | | 1 |
| 24 | 6655235 | PULLEY | | | 1 |
| 25 | 6653859 | SLEEVE | | | 1 |
| 26 | 6655163 | CASE | main bearing - W/Ref. 30 | | 1 |
| 27 | 6655170 | CASE | main bearing - W/Ref. 30 | | 1 |
| 28 | 6655169 | CASE | main bearing - W/Ref. 30 | | 1 |
| 29 | 6655168 | CASE | main bearing - W/Ref. 30 | | 1 |
| 30 | 6655164 | BOLT | | | 8 |
| 31 | 4CM828 | BOLT | | | 8 |
| 32 | 6653821 | BOLT | | | 3 |
| 33 | 6649300 | SEAL | oil | | 1 |
| 34 | 6684788 | GASKET | Was 6655165 [A] | | 1 |
| 35 | 6666814 | GASKET | | | 1 |

FUEL CAMSHAFT
(Kubota - V2203) (1G608-41000)

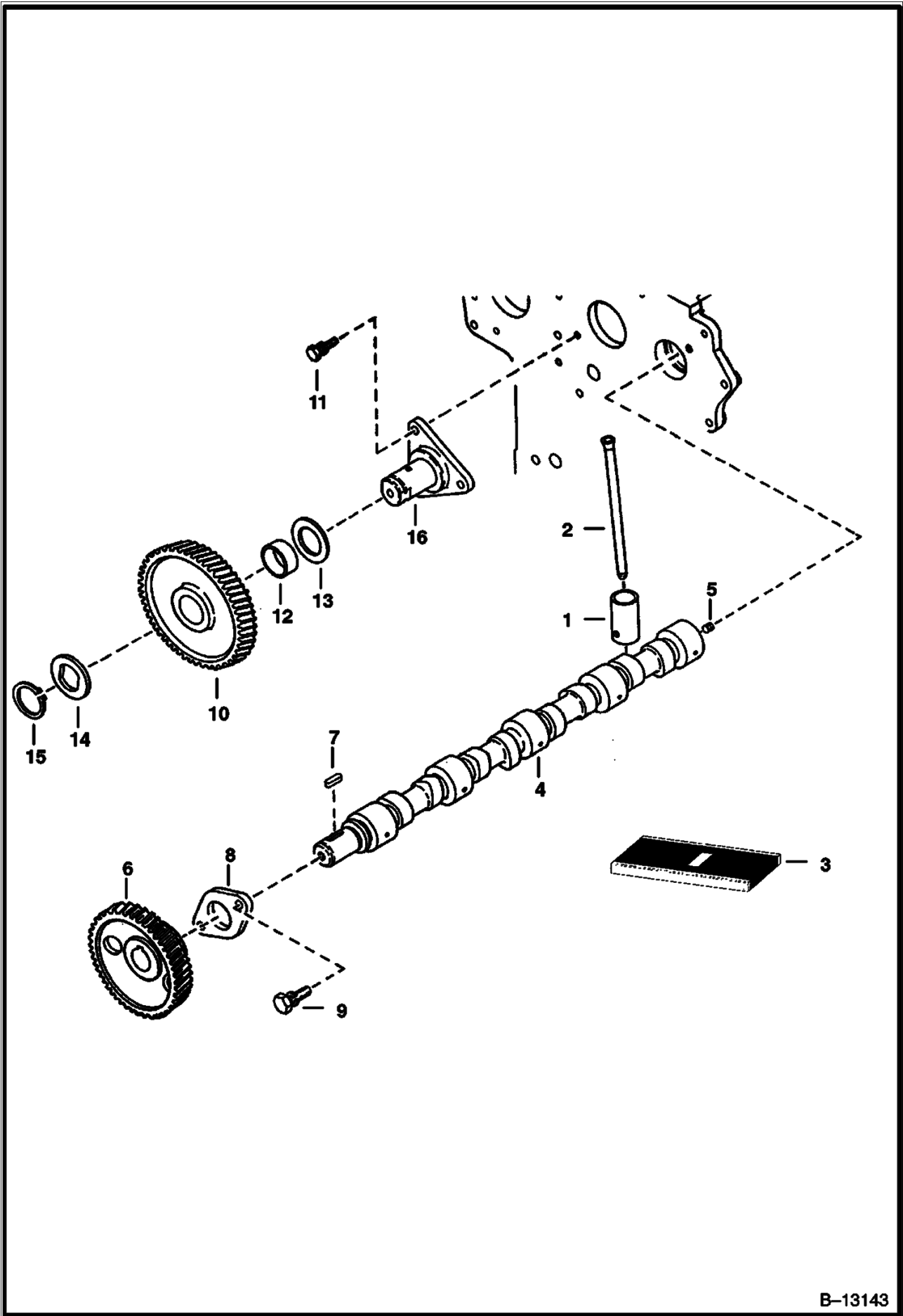


B-13144

FUEL CAMSHAFT (Cont'd)
(Kubota - V2203) (1G608-41000)

| Ref No | Part Number | Description | Remarks | Serial Number | Qty |
|--------|-------------|--------------|-----------------------------|---------------|-----|
| 1 | 6655211 | CAMSHAFT | assy. - Ref. 2-14 | | 1 |
| 2 | 6655875 | CAMSHAFT | fuel | | 1 |
| 3 | 851242 | BEARING | | | 1 |
| 4 | 6655212 | GEAR | injection pump | | 1 |
| 5 | 6598099 | KEY | | | 1 |
| 6 | 5JM24 | CIRCLIP | external | | 1 |
| 7 | 6655213 | SLEEVE | governor | | 1 |
| 8 | 3974618 | CIR-CLIP | sleeve | | 1 |
| 9 | 6655214 | CASE | governor ball | | 1 |
| 10 | 10J5 | BALL | | | 39 |
| 11 | 3974620 | CIR-CLIP | ball case | | 1 |
| 12 | 6655215 | BALL | | | 7 |
| 13 | 6598158 | CIRCLIP | external - Was 3975432B [A] | | 1 |
| 14 | 6651934 | BOLT | | | 7 |
| 15 | 6598101 | BALL BEARING | | | 1 |
| 16 | 3974624 | STOPPER | | | 1 |
| 17 | 4CM814 | BOLT | | | 2 |
| 18 | 3974996 | COVER | fuel camshaft | | 1 |
| 19 | 6598179 | COLLAR | Was 6655523 [A] | | 1 |
| 20 | 6666827 | GASKET | Was 3974630B [A] | | 1 |

CAMSHAFT
(Kubota - V2203) (1G608-41000)

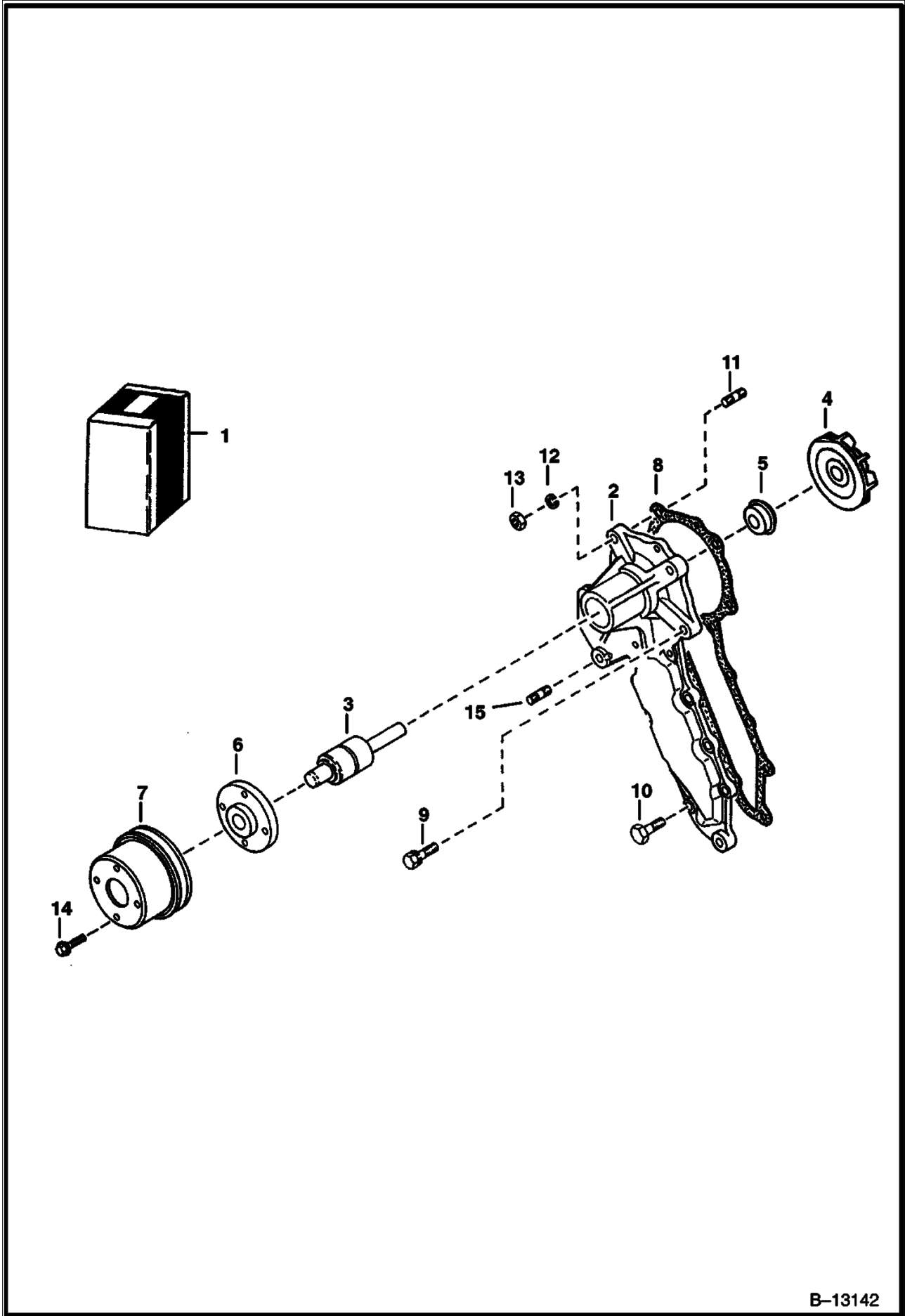


B-13143

CAMSHAFT (Cont'd)
(Kubota - V2203) (1G608-41000)

| Ref No | Part Number | Description | Remarks | Serial Number | Qty |
|--------|-------------|-------------|---|-----------------|-----|
| 1 | 6667428 | TAPPET | | | 8 |
| 2 | 6655176 | PUSHROD | | | 8 |
| 3 | 6655427 | CAMSHAFT | assy. - Ref. 4-8 | | 1 |
| 4 | | CAMSHAFT | NAP - Order Ref. 3 - Was 6655384 [A] | | 1 |
| 5 | 6653839 | SCREW | seat | | 1 |
| 6 | 6692387 | GEAR | camshaft - Was 6653840 [A] | | 1 |
| 7 | 3974546 | KEY | | | 1 |
| 8 | 3974547 | STOPPER | camshaft - Was 6653843 [A] | | 1 |
| 9 | 1CM818 | BOLT | Was 4CM818 [A] | | 2 |
| 10 | | GEAR ASSY. | NAP - idle - W/Ref. 12 - Order 6684793 gear, 6684795 collar, 6667433 cir-clip & 6684796 shaft - Was 6655187 [A] | E/ 1W1377 & Bel | 1 |
| 10 | 6684793 | GEAR | idle - W/Ref. 12 | E/ 1Y0001 & Abv | 1 |
| 11 | 4CM816 | BOLT | | | 3 |
| 12 | 6655242 | BUSHING | idle gear | E/ 1W1377 & Bel | 1 |
| 12 | 6684794 | BUSHING | idle gear | E/ 1Y0001 & Abv | 1 |
| 13 | 6655190 | COLLAR | | E/ 1W1377 & Bel | 1 |
| 14 | 6655191 | COLLAR | | E/ 1W1377 & Bel | 1 |
| 14 | 6684795 | COLLAR | | E/ 1Y0001 & Abv | 1 |
| 15 | 6655192 | CIR-CLIP | external | E/ 1W1377 & Bel | 1 |
| 15 | 6667433 | CIRCLIP | external | E/ 1Y0001 & Abv | 1 |
| 16 | 6655193 | SHAFT | idle gear | E/ 1W1377 & Bel | 1 |
| 16 | 6684796 | SHAFT | idle gear | E/ 1Y0001 & Abv | 1 |

WATER PUMP
(Kubota - V2203) (1G608-41000)

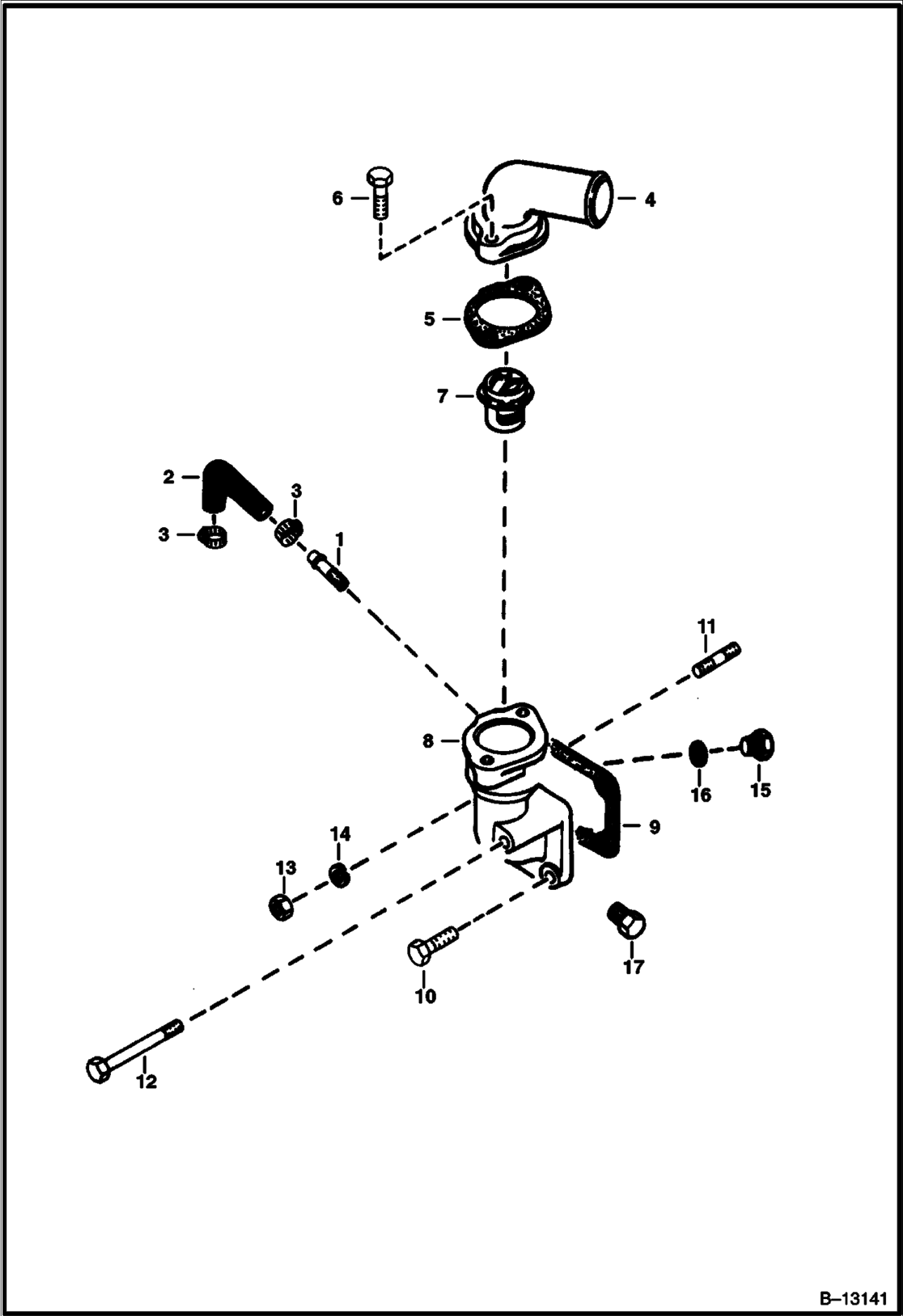


B-13142

WATER PUMP (Cont'd)
(Kubota - V2203) (1G608-41000)

| Ref No | Part Number | Description | Remarks | Serial Number | Qty |
|--------|-------------|-------------------|----------------------------|---------------|-----|
| 1 | 6684225 | WATER PUMP | Ref. 2-6 - Was 6653941 [A] | | 1 |
| 2 | | BODY | NAP | | 1 |
| 3 | 3974991 | BEARING | | | 1 |
| 4 | 6653944 | IMPELLER | | | 1 |
| 4 | 6667460 | IMPELLER | for one piece seal Ref. 5 | | 1 |
| 5 | 6653945 | SET SEAL | | | 1 |
| 5 | 6667465 | SEAL | one piece | | 1 |
| 6 | 3974992 | FLANGE | | | 1 |
| 7 | 6598155 | PULLEY | fan | | 1 |
| 8 | 6666804 | GASKET | Was 3974995B [A] | | 1 |
| 9 | 4CM828 | BOLT | | | 2 |
| 10 | 6652580 | BOLT | | | 6 |
| 11 | 3974267 | STUD | Was 6653946 [A] | | 2 |
| 12 | 6EM80 | WASHER, SPRING | | | 2 |
| 13 | 6652792 | NUT | | | 2 |
| 14 | 6652762 | BOLT | | | 4 |
| 15 | 6683174 | ROLL PIN | | | 1 |

WATER FLANGE & THERMOSTAT
(Kubota - V2203) (1G608-41000)

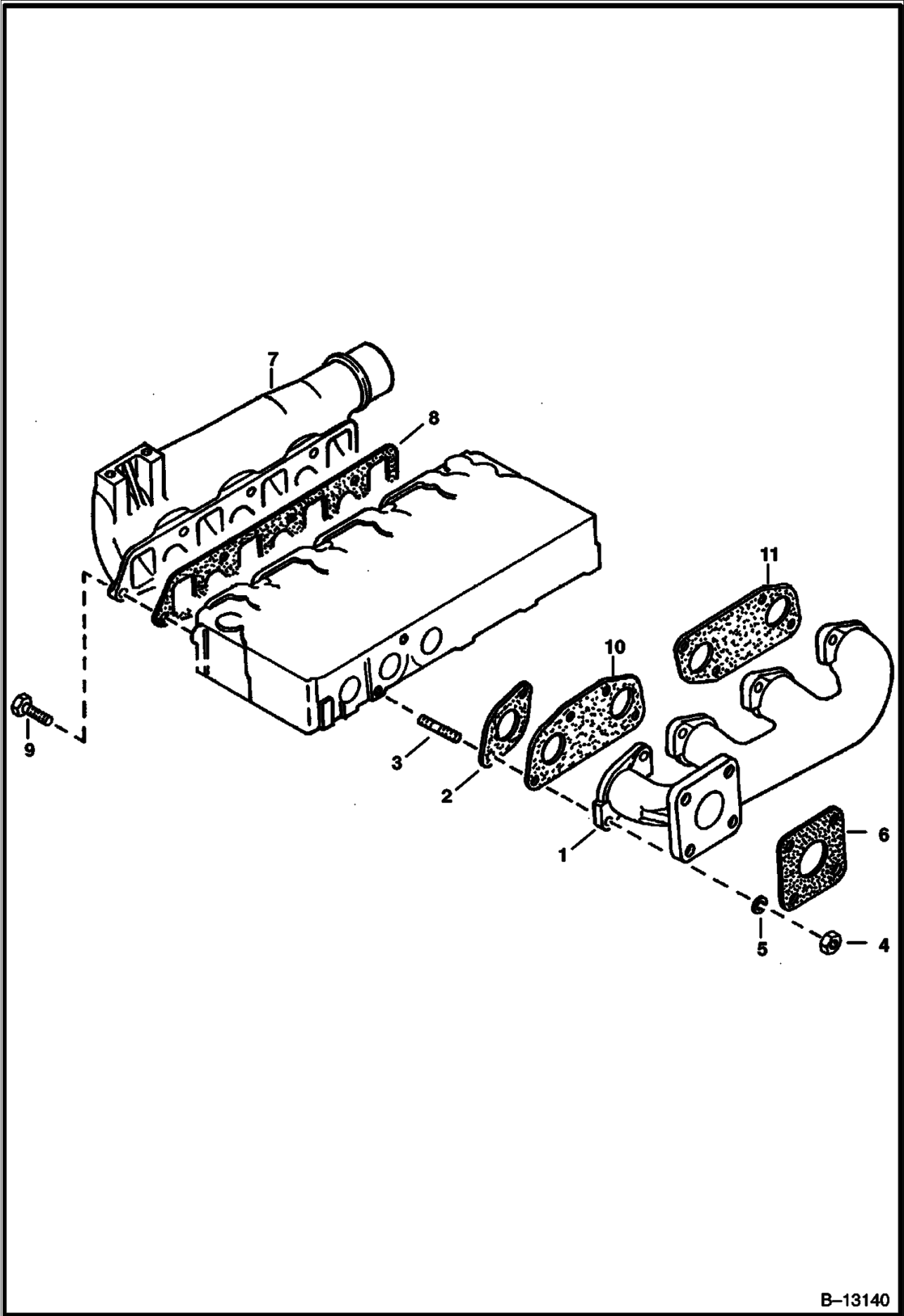


B-13141

WATER FLANGE & THERMOSTAT (Cont'd)
(Kubota - V2203) (1G608-41000)

| Ref No | Part Number | Description | Remarks | Serial Number | Qty |
|--------|-------------|-------------------|--|---------------|-----|
| 1 | 6655880 | PIPE | water return | | 1 |
| 2 | 3974988 | PIPE | water return | | 1 |
| 3 | 3974679 | BAND | pipe | | 2 |
| 4 | 6651489 | COVER | thermostat | | 1 |
| 5 | 6732199 | GASKET | THERMOSTAT COVER - Was 6666790 [A] | | 1 |
| 6 | 1CM835 | BOLT | | | 2 |
| 7 | 6653948 | THERMOSTAT | | | 1 |
| 7 | 6630184 | THERMOSTAT | 179.6 degrees F (82 degeees C) - Used W/cab heater | | 1 |
| 8 | 6655966 | FLANGE | W/Ref. 1 | | 1 |
| 9 | 6666802 | GASKET | water flange | | 1 |
| 10 | 4CM822 | BOLT | | | 2 |
| 11 | 3974627 | STUD | | | 1 |
| 12 | 1CM865 | SCREW | | | 1 |
| 13 | 6652792 | NUT | | | 1 |
| 14 | 6EM80 | WASHER, SPRING | | | 1 |
| 15 | 6649536 | PLUG | | | 1 |
| 16 | 6653562 | GASKET | | | 1 |
| 17 | 40K2 | PLUG | | | 1 |

MANIFOLDS
(Kubota - V2203) (1G608-41000)

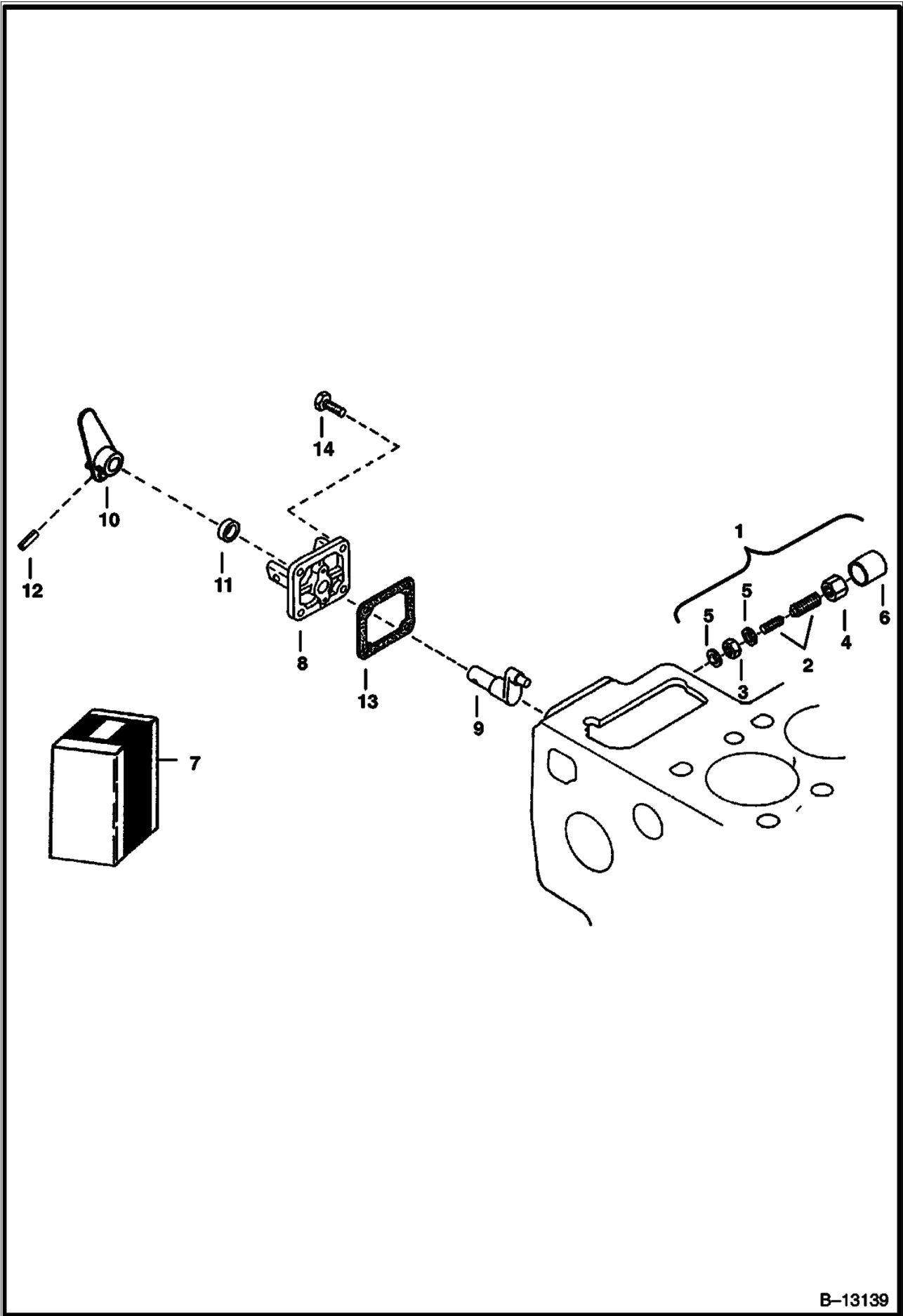


B-13140

MANIFOLDS (Cont'd)
(Kubota - V2203) (1G608-41000)

| Ref No | Part Number | Description | Remarks | Serial Number | Qty |
|--------|-------------|----------------------|---------------------------|---------------|-----|
| 1 | 6651482 | MANIFOLD, EXHAUST | exhaust | | 1 |
| 2 | | GASKET | NAP - Order 10 & 11 | | 4 |
| 3 | 6652670 | STUD | | | 8 |
| 4 | 6652792 | NUT | | | 8 |
| 5 | 6EM80 | WASHER, SPRING | | | 12 |
| 6 | 6727752 | GASKET | muffler - Was 6575580 [B] | | 1 |
| 7 | 6655171 | MANIFOLD | intake | | 1 |
| 8 | 6666811 | GASKET | | | 1 |
| 9 | 4CM822 | BOLT | | | 7 |
| 10 | 6666781 | GASKET | | | 1 |
| 11 | 6666791 | GASKET | | | 1 |

ENGINE STOP LEVER (Kubota - V2203) (1G608-41000)

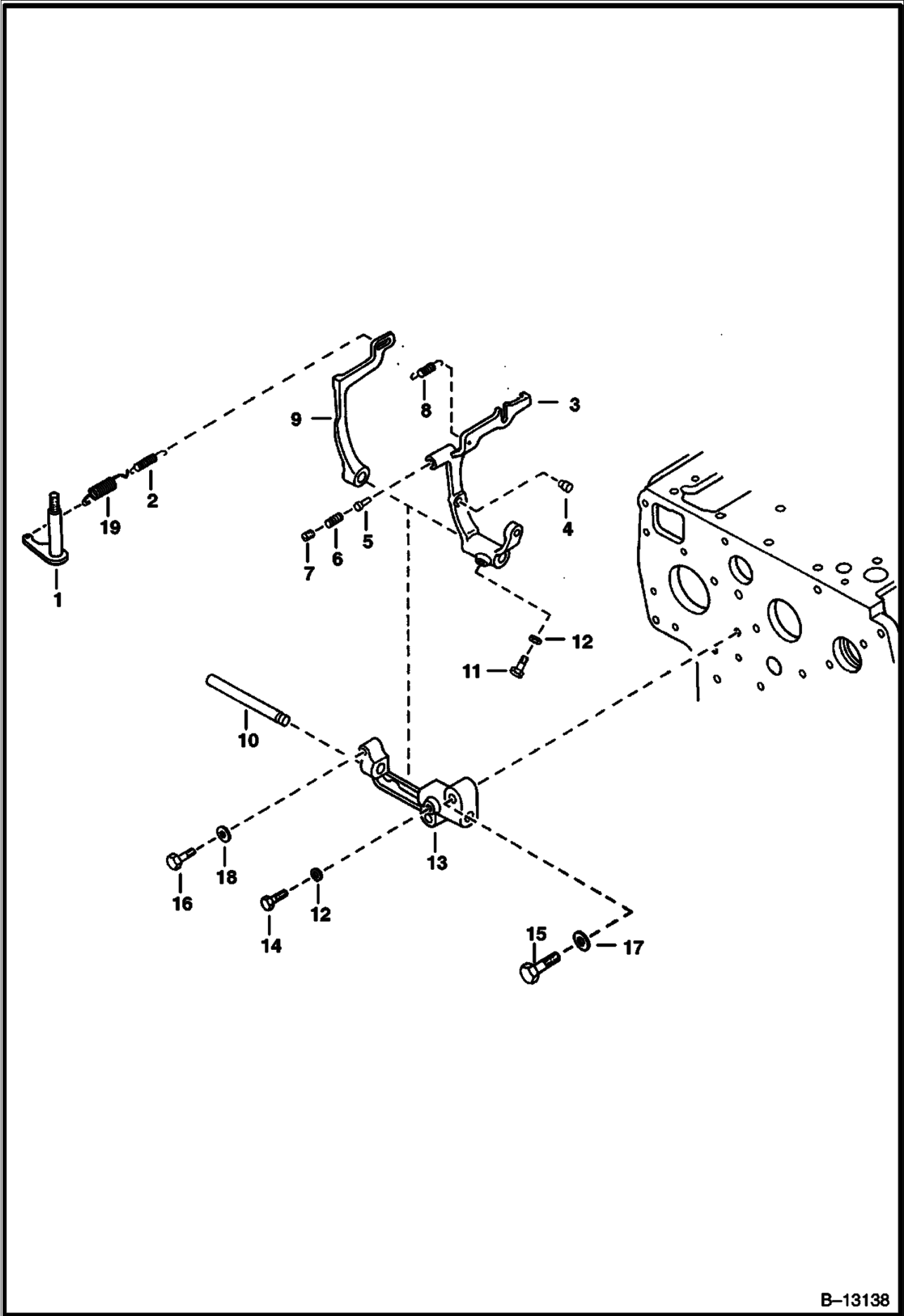


B-13139

**ENGINE STOP LEVER (Cont'd)
(Kubota - V2203) (1G608-41000)**

| Ref No | Part Number | Description | Remarks | Serial Number | Qty |
|--------|-------------|-------------|-------------------------------------|---------------|-----|
| 1 | 3974975 | IDLER | assy., idle - Ref. 2-6 | | 1 |
| 2 | 6653906 | BOLT ASSY. | adjusting | | 1 |
| 3 | 2DM8 | NUT | adjusting | | 1 |
| 4 | 3974978 | NUT | | | 1 |
| 5 | 3974095 | MET-GASK | | | 2 |
| 6 | 3974979 | CAP | | | 1 |
| 7 | 6676060 | LEVER ASSY. | eng. stop - Ref. 8-12 - Was 6655879 | | 1 |
| 8 | 6655230 | COVER | injection pump | | 1 |
| 9 | 6655231 | SHAFT | lever | | 1 |
| 10 | 6655232 | LEVER | engine stop | | 1 |
| 11 | 6685476 | SEAL | oil - Was 6598703 [B] | | 1 |
| 12 | 6598098 | PIN | spring | | 1 |
| 13 | 6666783 | GASKET | pump cover - Was 3974601B [A] | | 1 |
| 14 | 6652580 | BOLT | | | 3 |

GOVERNOR
(Kubota - V2203) (1G608-41000)

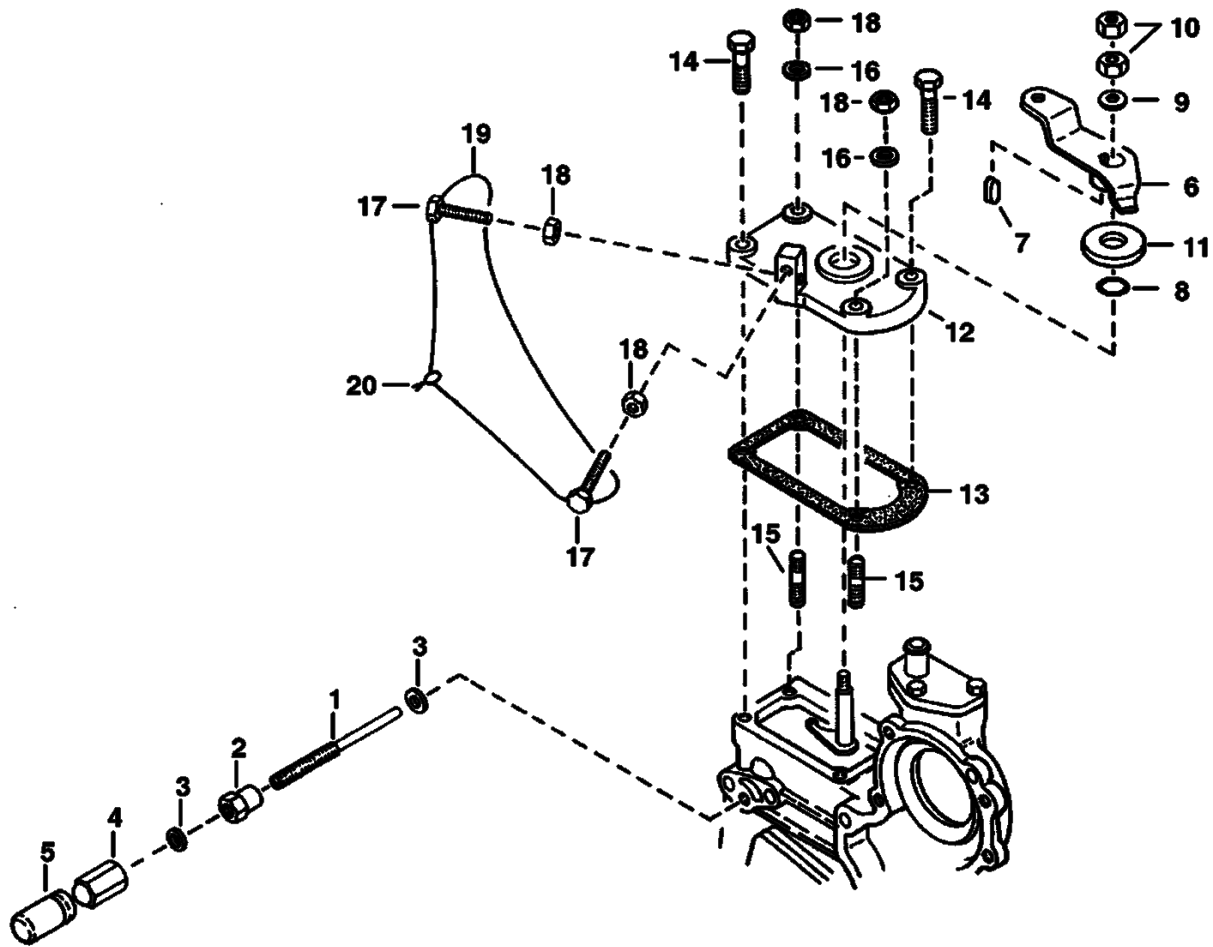


B-13138

GOVERNOR (Cont'd)
(Kubota - V2203) (1G608-41000)

| Ref No | Part Number | Description | Remarks | Serial Number | Qty |
|--------|-------------|-------------------|-------------------|---------------|-----|
| 1 | 6598174 | LEVER | governor | | 1 |
| 2 | 6655227 | SPRING | | | 1 |
| 3 | 6655876 | LEVER | fork - W/Ref. 4-7 | | 1 |
| 4 | | PIN | NSS | | 2 |
| 5 | | PIN | NSS | | 1 |
| 6 | | SPRING | NSS | | 1 |
| 7 | | SCREW | NSS | | 1 |
| 8 | 6655225 | SPRING | | | 1 |
| 9 | 6655877 | LEVER | | | 1 |
| 10 | 3974658 | SHAFT | | | 1 |
| 11 | 3974659 | BOLT | | | 1 |
| 12 | 6EM60 | WASHER, SPRING | | | 2 |
| 13 | 6653916 | HOLDER | Was 3974661B [A] | | 1 |
| 14 | 3974192 | BOLT | | | 1 |
| 15 | 6598355 | BOLT | | | 2 |
| 16 | 4CM628 | BOLT | | | 1 |
| 17 | 2EM8 | WASHER, PLAIN | | | 2 |
| 18 | 1EM60 | WASHER | | | 1 |
| 19 | 6655878 | SPRING | governor | | 1 |

SPEED CONTROL PLATE
(Kubota - V2203) (1G608-41000)

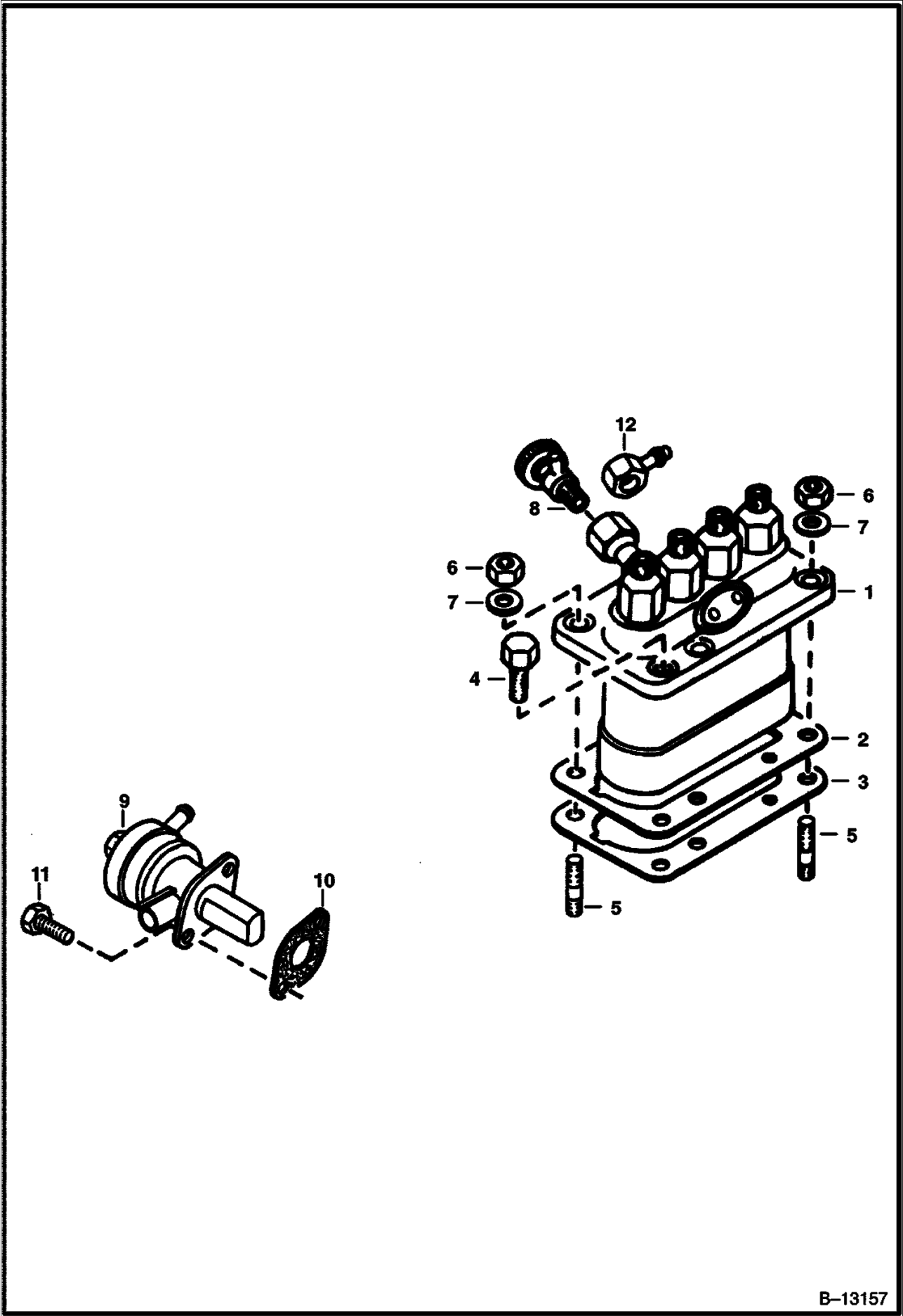


B-13137

SPEED CONTROL PLATE (Cont'd)
(Kubota - V2203) (1G608-41000)

| Ref No | Part Number | Description | Remarks | Serial Number | Qty |
|--------|-------------|----------------------------|-----------------|---------------|-----|
| 1 | 3974970 | BOLT | adjusting | | 1 |
| 2 | 3974971 | NUT | | | 1 |
| 3 | 3974972 | GASKET | | | 2 |
| 4 | 6655223 | NUT | cap | | 1 |
| 5 | 6653905 | CAP | | | 1 |
| 6 | 6598176 | LEVER | speed control | | 1 |
| 7 | 15JM48 | KEY | feather | | 1 |
| 8 | 3966512 | O RING | | | 1 |
| 9 | 1EM80 | WASHER | plain | | 1 |
| 10 | 1DM8 | NUT | | | 2 |
| 11 | 3974644 | COLLAR | friction | | 1 |
| 12 | 6641231 | PLATE, CONTROL SPEED | speed control | | 1 |
| 13 | 6666792 | GASKET | Was 6635392 [A] | | 1 |
| 14 | 4CM620 | BOLT | | | 2 |
| 15 | 6652764 | STUD | | | 2 |
| 16 | 6EM60 | WASHER, SPRING | spring | | 2 |
| 17 | 6655228 | STOPPER | | | 2 |
| 18 | 1DM6 | NUT | | | 4 |
| 19 | | WIRE | NAP | | 1 |
| 20 | | LEAD | NAP - sealing | | 1 |

FUEL & INJECTION PUMPS
(Kubota - V2203) (1G608-41000)

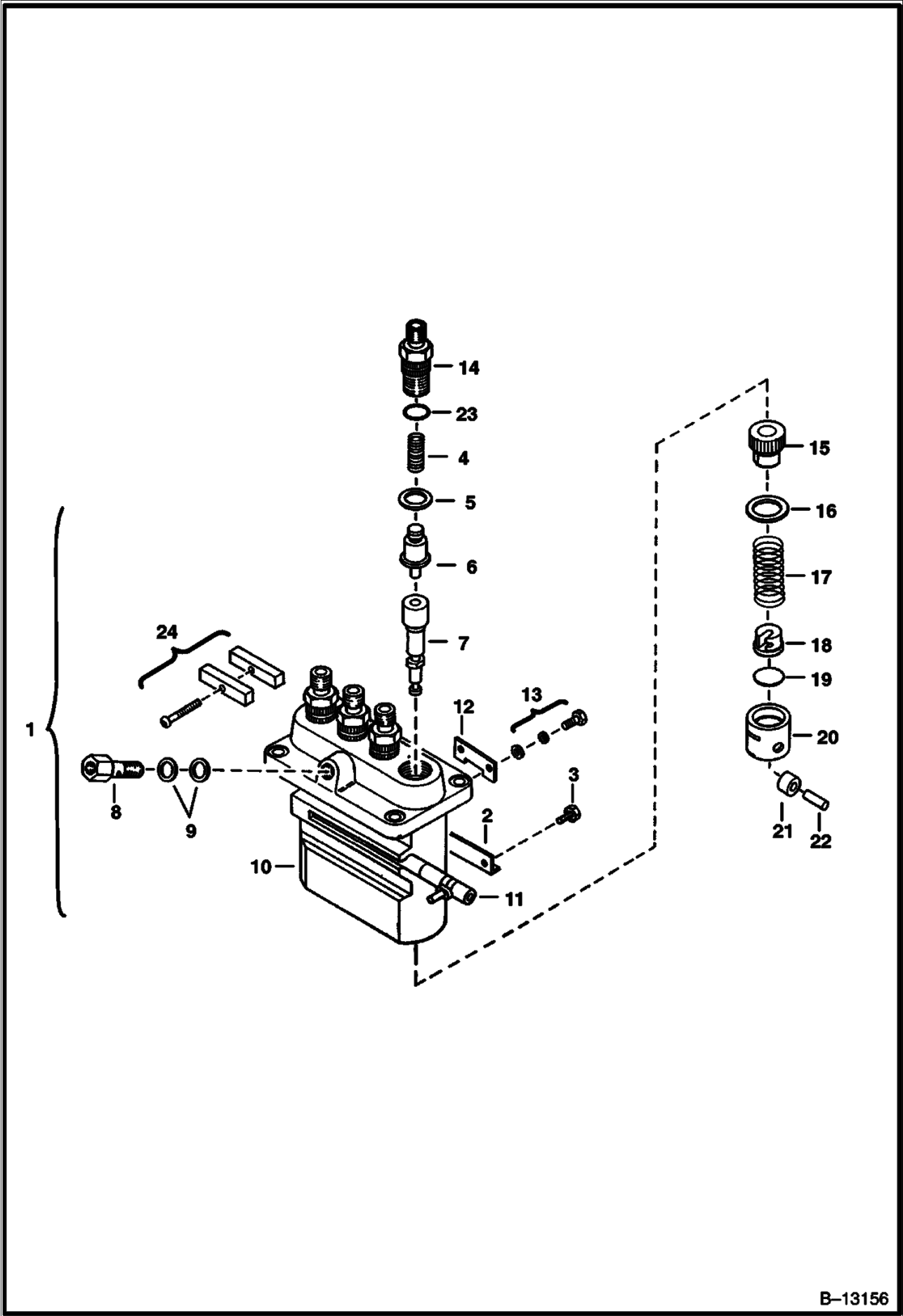


B-13157

FUEL & INJECTION PUMPS (Cont'd)
(Kubota - V2203) (1G608-41000)

| Ref No | Part Number | Description | Remarks | Serial Number | Qty |
|--------|-------------|-------------------|---|---------------|-----|
| 1 | 6674676 | PUMP | See Illustration INJECTION PUMP/ B13156 | | 1 |
| 2 | 3974626 | SHIM | 0,20 mm - injection pump | | 2 |
| 3 | 6655210 | SHIM | 0,30 mm - injection pump | | 1 |
| 4 | 4CM822 | BOLT | | | 4 |
| 5 | 6652670 | STUD | | | 2 |
| 6 | 6652792 | NUT | | | 2 |
| 7 | 6EM80 | WASHER, SPRING | | | 2 |
| 8 | 6598102 | VALVE | jet start | | 1 |
| 9 | 6655216 | FUEL PUMP | | | 1 |
| 10 | 3974502 | GASKET | fuel pump | | 1 |
| 11 | 4CM616 | BOLT | | | 2 |
| 12 | 6655515 | JOINT | See Illustration FUEL SYSTEM/ PE1627 EYE - CONNECTS TO REF. 25 | | 1 |

INJECTION PUMP
(Kubota - V2203) (1G608-41000)

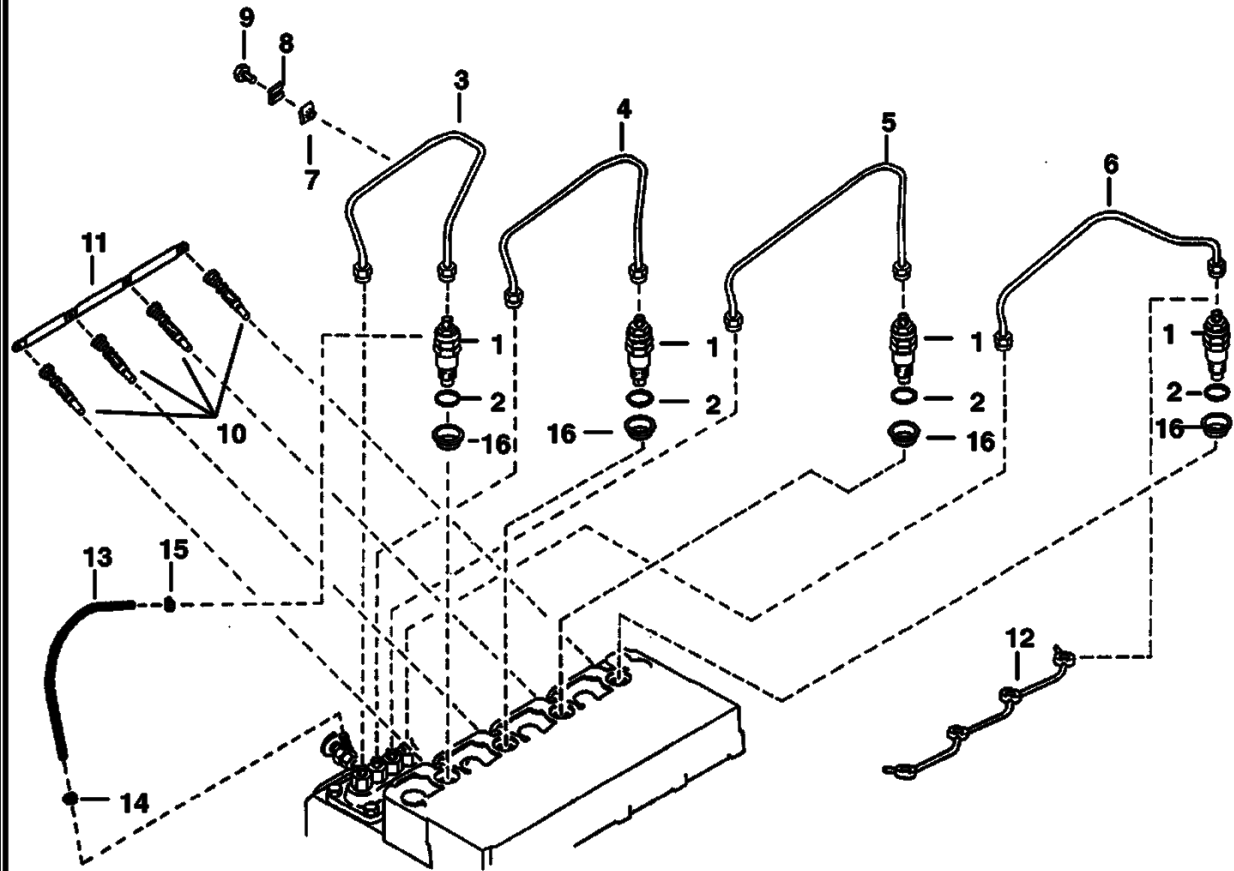


B-13156

INJECTION PUMP (Cont'd)
(Kubota - V2203) (1G608-41000)

| Ref No | Part Number | Description | Remarks | Serial Number | Qty |
|--------|-------------|-------------|--|---------------|-----|
| 1 | 6674676 | PUMP | injection - No service parts available - Take to injection pump specialist | | 1 |
| 2 | 6655207 | PLATE | adjust | | 3 |
| 3 | 6655206 | BOLT | | | 3 |
| 4 | 6655203 | SPRING | delivery valve | | 4 |
| 5 | 3974368 | GASKET | delivery valve | | 4 |
| 6 | 6655202 | VALVE | delivery | | 4 |
| 7 | 6655201 | ELEMENT | pump | | 4 |
| 8 | 3975428 | SCREW | | | 1 |
| 9 | 6698120 | GASKET | Was 3975389 [A] | | 2 |
| 10 | | HOUSING | NSS - pump | | 1 |
| 11 | 3974787 | RACK | control | | 1 |
| 12 | 6655209 | PLATE | adjusting | | 3 |
| 13 | 3974366 | BOLT | | | 3 |
| 14 | 6655204 | HOLDER | delivery valve | | 4 |
| 15 | 6653894 | SLEEVE | control | | 4 |
| 16 | 3974381 | SEAT | spring - Upper | | 4 |
| 17 | 3974382 | SPRING | plunger | | 4 |
| 18 | 3974383 | SEAT | spring - Under | | 4 |
| 19 | 3974384 | SHIM | | | 4 |
| 20 | 3974385 | TAPPETASY | W/Ref. 21 & 22 | | 4 |
| 21 | | ROLLER | NSS | | 4 |
| 22 | | PIN | NSS | | 4 |
| 23 | 6655518 | O-RING | | | 4 |
| 24 | 6655205 | PLATE ASSY. | | | 2 |

INJECTOR NOZZLES (Kubota - V2203) (1G608-41000)

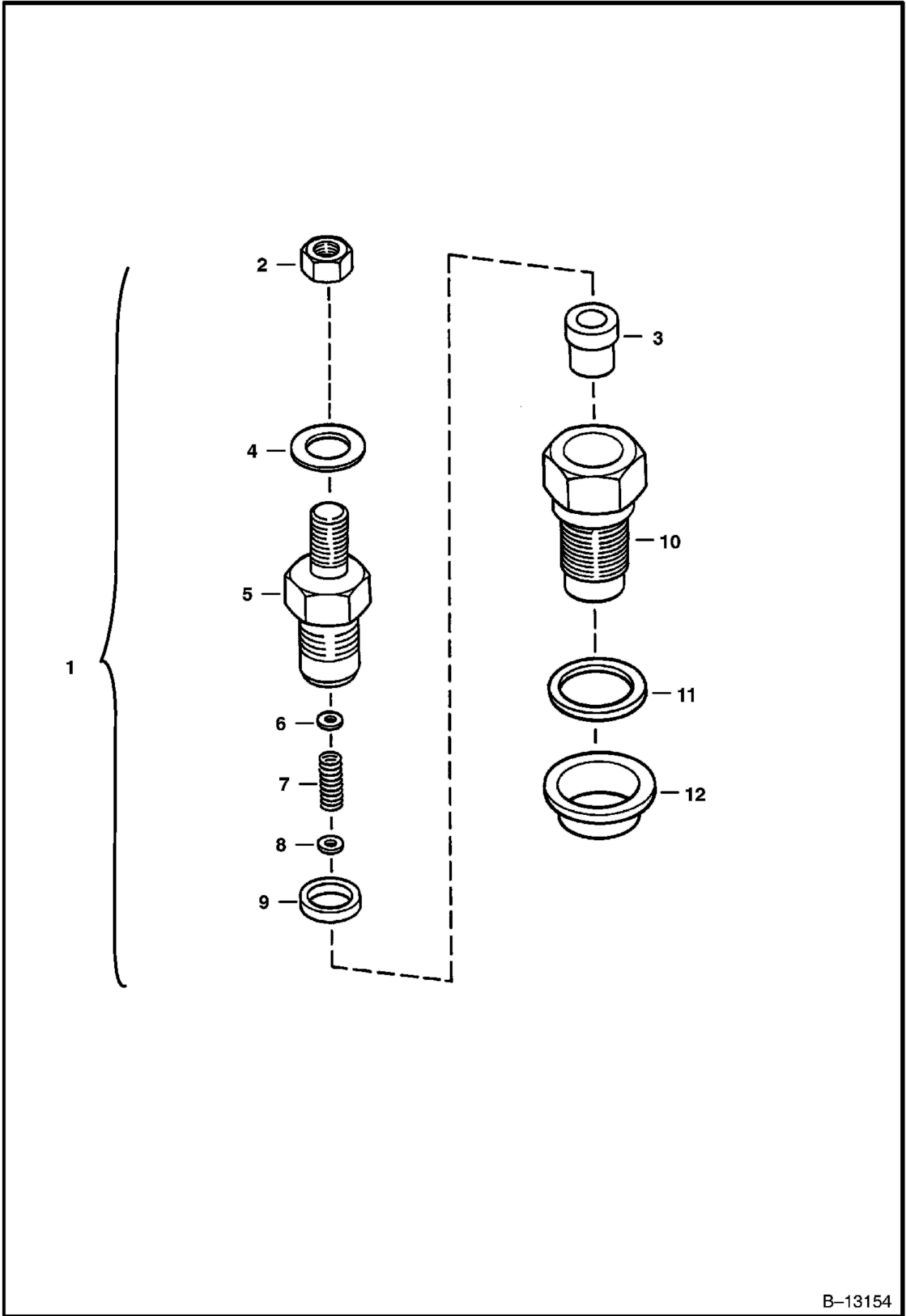


B-13155

INJECTOR NOZZLES (Cont'd)
(Kubota - V2203) (1G608-41000)

| Ref No | Part Number | Description | Remarks | Serial Number | Qty |
|--------|-------------|-------------|---|---------------|-----|
| 1 | | HOLDER KIT | See Illustration INJECTOR HOLDER/ B13154 - nozzle - W/Ref. 2 & 16 - Was 6722147 | | 4 |
| 2 | 6655218 | GASKET | | | 4 |
| 3 | 6655219 | PIPE | injection (1) | | 1 |
| 4 | 6655220 | PIPE | injection (2) | | 1 |
| 5 | 6655221 | PIPE | injection (3) | | 1 |
| 6 | 6655222 | PIPE | injection (4) | | 1 |
| 7 | 6652688 | CLAMP | pipe (1) | | 3 |
| 8 | 6652689 | CLAMP | pipe (2) | | 3 |
| 9 | 3974260 | SCREW | with washer | | 3 |
| 10 | 6655233 | GLOW PLUG | | | 4 |
| 11 | 6655234 | CORD | glow plug - Was 6686987 [A] | | 3 |
| 12 | 6655198 | PIPE | fuel over flow | | 3 |
| 13 | 6598146 | PIPE | fuel over flow (2) | | 1 |
| 14 | 6654718 | CLAMP | pipe - Was 6680795 [A] | | 1 |
| 15 | 6654718 | CLAMP | pipe | | 1 |
| 16 | 6655872 | HEAT SEAL | | | 4 |

INJECTOR HOLDER (Kubota - V2203) (1G608-41000)

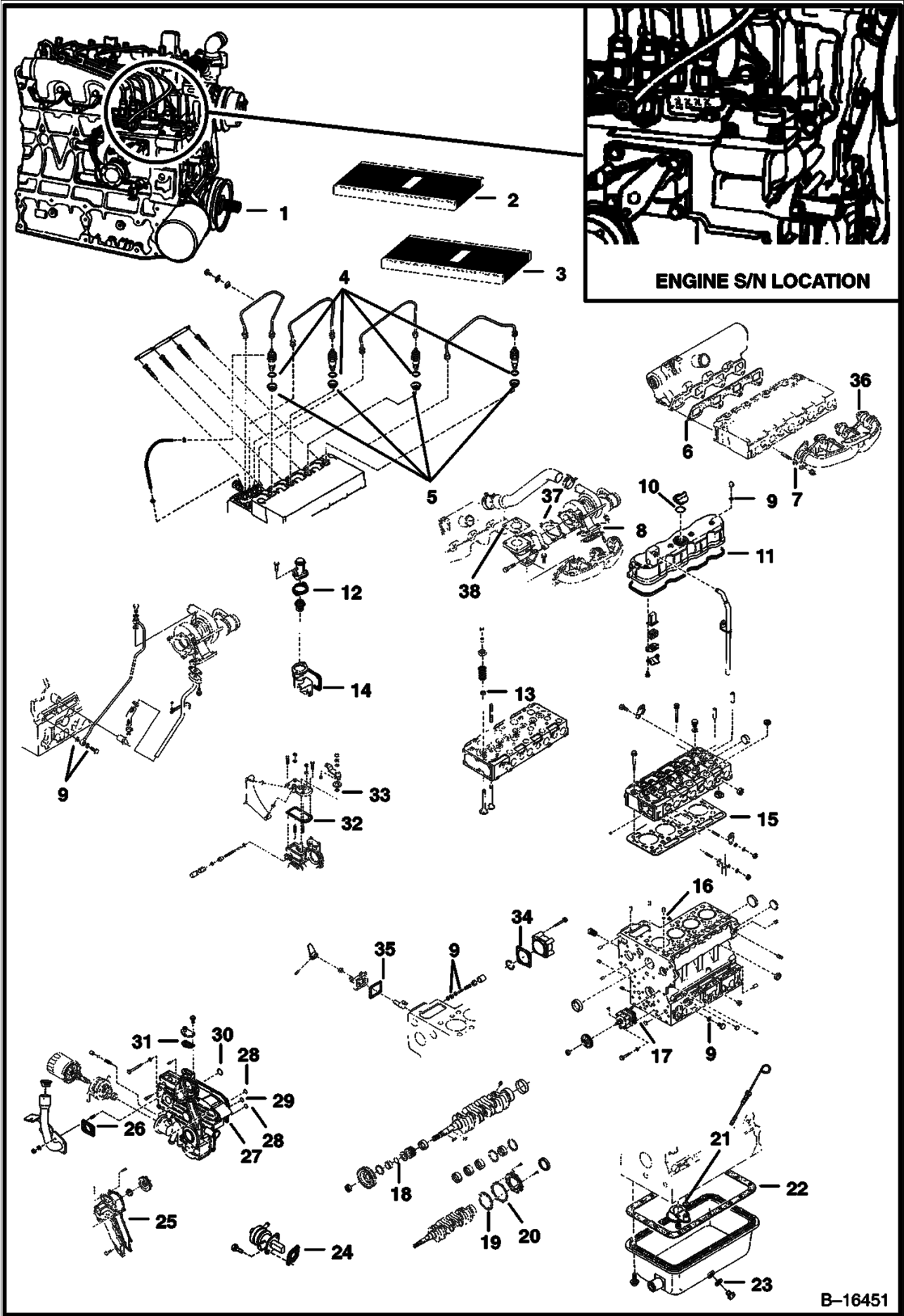


B-13154

INJECTOR HOLDER (Cont'd)
(Kubota - V2203) (1G608-41000)

| Ref No | Part Number | Description | Remarks | Serial Number | Qty |
|--------|-------------|--------------------------------------|--------------------------------|---------------|-----|
| 1 | 6722147 | HOLDER KIT | nozzle - Ref. 2-12 | | 4 |
| 1 | 6722147REM | NOZZLE, FUEL INJ. KUBOTA V2203 | nozzle - Ref. 2-12 | | 4 |
| 2 | 6657460 | NUT | | | 1 |
| 3 | 6655873 | NOZZLE | nozzle | | 1 |
| 4 | 6657463 | WASHER | W/(2) bleeder holes | | 1 |
| 5 | | BODY | NSS - nozzle holder | | 1 |
| 6 | 6657742 | KIT | washer - (.900mm thru 1.950mm) | | x |
| 6 | 6656126 | WASHER | adjusting (1,000 mm) | | x |
| 6 | 6656127 | WASHER | adjusting (1,050 mm) | | x |
| 6 | 6656128 | WASHER | adjusting (1,100 mm) | | x |
| 6 | 6656129 | WASHER | adjusting (1,150 mm) | | x |
| 6 | 6656130 | WASHER | adjusting (1,200 mm) | | x |
| 6 | 6656131 | WASHER | adjusting (1,250 mm) | | x |
| 6 | 6656132 | WASHER | adjusting (1,300 mm) | | x |
| 7 | | SPRING | NSS - nozzle | | 1 |
| 8 | | PIECE | NSS - distance | | 1 |
| 9 | | PUSH ROD | NSS | | 1 |
| 10 | | NUT | NSS - nozzle | | 1 |
| 11 | 6655218 | GASKET | | | 1 |
| 12 | 6655872 | HEAT SEAL | | | 1 |

**ENGINE & GASKET KITS
(Kubota - V2003T) (1G622-00000)**

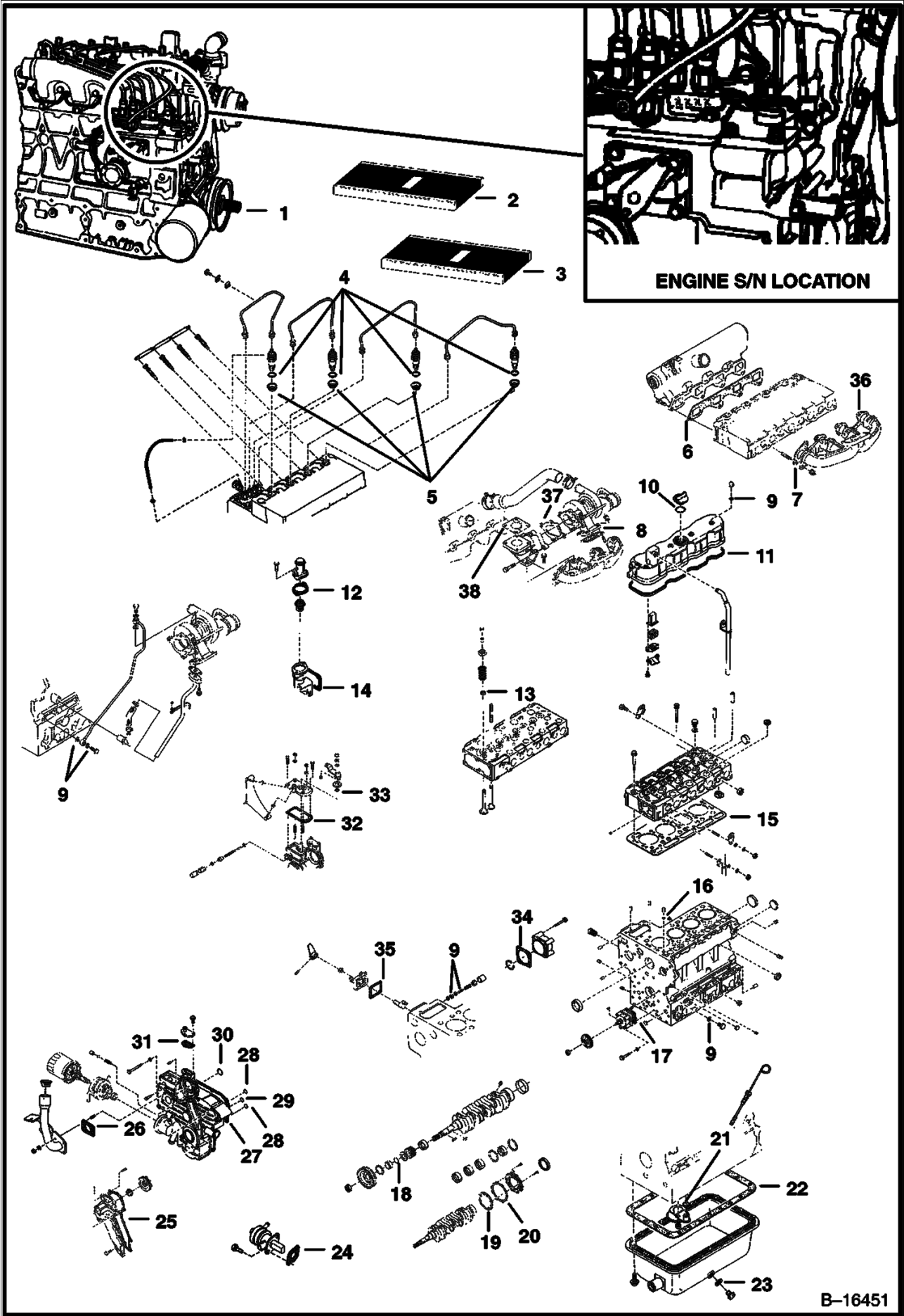


B-16451

ENGINE & GASKET KITS (Cont'd)
(Kubota - V2003T) (1G622-00000)

| Ref No | Part Number | Description | Remarks | Serial Number | Qty |
|--------|-------------|---------------------------------|--|-------------------|-----|
| 1 | | ENGINE | NAP - Does not include starter, alternator, flywheel, & flywheel housing - for new engine order 6685982 Engine - Was 6718628 [A] | 500K 11001 & Abv | 1 |
| 1 | | ENGINE | NAP - Does not include starter, alternator, flywheel, & flywheel housing - for new engine order 6685982 Engine - Was 6718628 [A] | 5192 11001 & Abv | 1 |
| 1 | | ENGINE | NAP - Does not include starter, alternator, flywheel, & flywheel housing - for new engine order 6685982 Engine - Was 6718628 [A] | 5191 11001 & Abv | 1 |
| 1 | | ENGINE | NAP - Does not include starter, alternator, flywheel, & flywheel housing - for new engine order 6685982 Engine - Was 6718628 [A] | 5190 11001 & Abv | 1 |
| 1 | | SHORT BLOCK | NAP | | 1 |
| 1 | 6718628REM | ENGINE, KUBOTA V2003T-EB TIER 1 | does not include turbo | 500K11001 & Above | 1 |
| 1 | 6718628REM | ENGINE, KUBOTA V2003T-EB TIER 1 | does not include turbo | 5190 11001 & Abv | 1 |
| 1 | 6718628REM | ENGINE, KUBOTA V2003T-EB TIER 1 | does not include turbo | 5191 11001 & Abv | 1 |
| 1 | 6718628REM | ENGINE, KUBOTA V2003T-EB TIER 1 | does not include turbo | 5192 11001 & Abv | 1 |
| 2 | 6676059 | GASKET KIT | Upper - Ref. 6-16 & 36-37 | | 1 |
| 3 | 7003006 | GASKET | Lower - Does not include rear oil seal - Ref. 17-35 - Was 6657402 [A] | | 1 |
| 4 | 6655218 | GASKET | See Illustration INJECTOR NOZZLES/ B13155A | | 4 |
| 5 | 6655872 | HEAT SEAL | See Illustration INJECTOR NOZZLES/ B13155A | | 4 |
| 6 | 6666811 | GASKET | See Illustration MANIFOLDS/ B16455 | | 1 |
| 7 | 6666781 | GASKET | See Illustration MANIFOLDS/ B16455 | | 1 |
| 8 | 6675636 | GASKET | See Illustration TURBO CHARGER/ B16456 turbo - Was 6575580 [B,D] | | 1 |
| 9 | 3974095 | MET-GASK | See Illustration CRANKCASE/ B16452 See Illustration ENGINE STOP LEVER/ B13139A See Illustration ROCKER ARM COVER/ B13158A | | 7 |
| 10 | 6684782 | O-RING | See Illustration CRANKCASE/ B16452 - oil fill plug - Was 3966602 [A] | | 1 |
| 11 | 6598136 | GASKET, COVER VALVE | See Illustration CRANKCASE/ B16452 | | 1 |
| 12 | 6684863 | GASKET | See Illustration WATER FLANGE & THERMOSTAT/ B16454 thermostat cover - Was 6732199 [B] | | 1 |
| 13 | 6653830 | SEAL, STEM VALVE | See Illustration VALVE ROCKER ARM/ B17305A | | 8 |
| 14 | 6666802 | GASKET | See Illustration WATER FLANGE & THERMOSTAT/ B16454 - water flange | | 1 |
| 15 | 6675643 | GASKET | See Illustration CYLINDER HEAD/ B13153A CYLINDER HEAD | | 1 |
| 16 | 3974038 | O RING | See Illustration CRANKCASE/ B16452 | | 1 |
| 17 | 6666782 | GASKET | See Illustration CRANKCASE/ B16452 WAS 3974456B [A] | | 1 |
| 18 | 3974577 | O RING | See Illustration PISTON & CRANKSHAFT/ B13145A - crankshaft frt | | 1 |
| 19 | 6684788 | GASKET | See Illustration PISTON & CRANKSHAFT/ B13145A Was 6655165 [A] | | 1 |
| 20 | 6666814 | GASKET | See Illustration PISTON & CRANKSHAFT/ B13145A | | 1 |

ENGINE & GASKET KITS (Cont'd)
 (Kubota - V2003T) (1G622-00000)

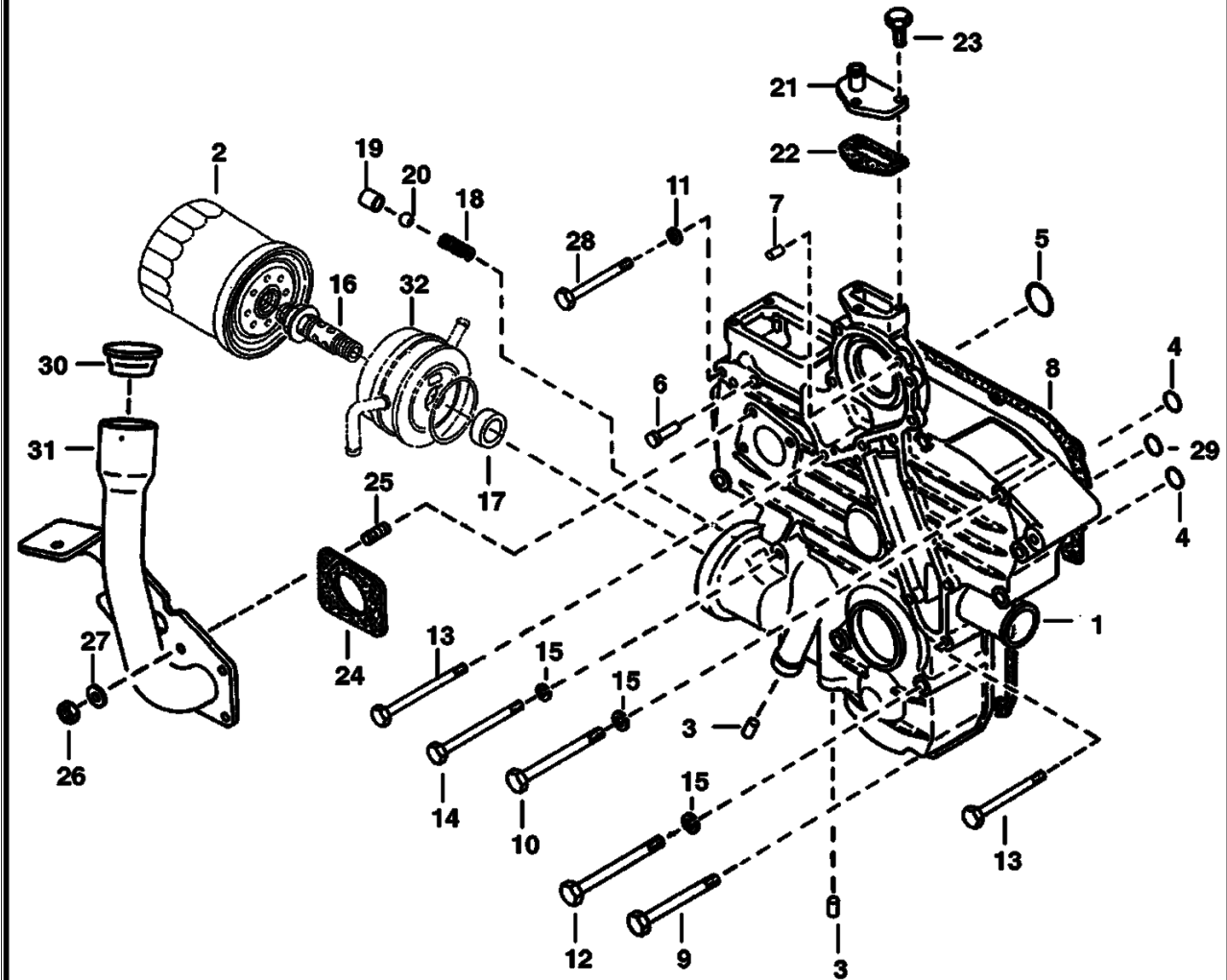


B-16451

ENGINE & GASKET KITS (Cont'd)
(Kubota - V2003T) (1G622-00000)

| Ref No | Part Number | Description | Remarks | Serial Number | Qty |
|--------|-------------|-------------|---|---------------|-----|
| | | | WAS 6655167 [A] | | |
| 21 | 3966516 | O RING | See Illustration OIL PAN/ B16453 | | 1 |
| 22 | 6666817 | GASKET | See Illustration OIL PAN/ B16453 OIL PAN - WAS 3975449B [A] | | 1 |
| 23 | 6680484 | GASKET | See Illustration OIL PAN/ B16453 Was 3974403 [B] | | 1 |
| 24 | 3974502 | GASKET | See Illustration FUEL & INJECTION PUMPS/ B13157A FUEL PUMP | | 1 |
| 25 | 6666804 | GASKET | See Illustration WATER PUMP/ B13142A WAS 3974995B [A] | | 1 |
| 26 | 6666785 | GASKET | See Illustration GEARCASE/ B17146 Was 6714543 [B,D] | | 1 |
| 27 | 6666800 | GASKET | See Illustration GEARCASE/ B17146 GEARCASE - WAS 6653806 [A] | | 1 |
| 28 | 3966515 | O RING | See Illustration GEARCASE/ B17146 | | 2 |
| 29 | 6655162 | O-RING | See Illustration GEARCASE/ B17146 | | 1 |
| 30 | 3966530 | O RING | See Illustration GEARCASE/ B17146 | | 1 |
| 31 | 6666803 | GASKET | See Illustration GEARCASE/ B17146 WATER RETURN FLANGE - WAS 3974895B [A] | | 1 |
| 32 | 6666792 | GASKET | See Illustration SPEED CONTROL PLATE/ B13137A WAS 6635392 [A] | | 1 |
| 33 | 3966512 | O RING | See Illustration PISTON & CRANKSHAFT/ B13145A | | 1 |
| 34 | 6666827 | GASKET | See Illustration PISTON & CRANKSHAFT/ B13145A WAS 3974630B [A] | | 1 |
| 35 | 6666783 | GASKET | See Illustration ENGINE STOP LEVER/ B13139A PUMP COVER - WAS 3974601B [A] | | 1 |
| 36 | 6666791 | GASKET | See Illustration MANIFOLDS/ B16455 | | 1 |
| 37 | 6675637 | GASKET | See Illustration TURBO CHARGER/ B16456 | | 1 |
| 38 | 6727753 | GASKET | See Illustration TURBO CHARGER/ B16456 MUFFLER - WAS 6666816 [A] | | 1 |

GEARCASE
(Kubota - V2003T) (1G622-00000)

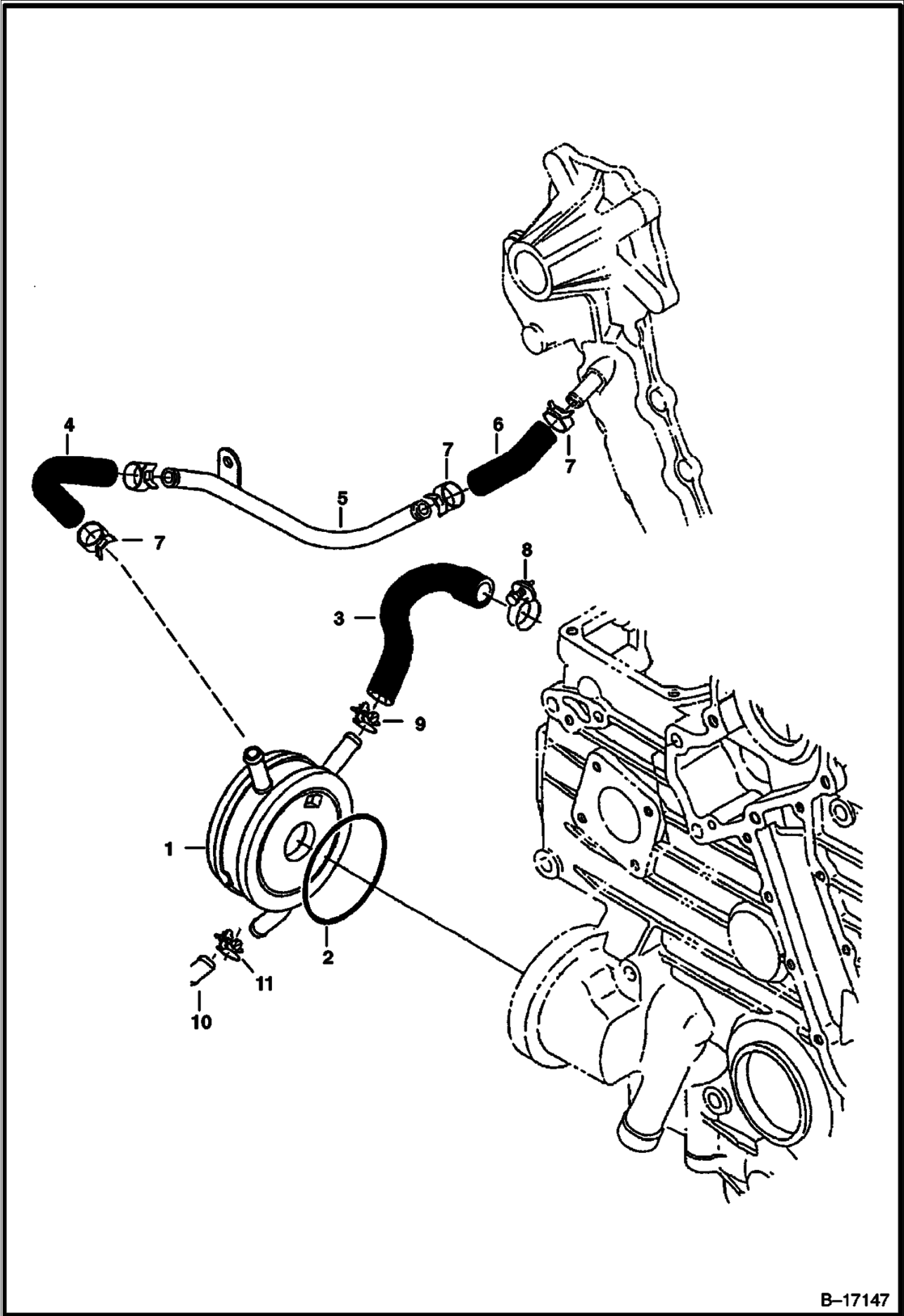


B-17146

GEARCASE (Cont'd)
(Kubota - V2003T) (1G622-00000)

| Ref No | Part Number | Description | Remarks | Serial Number | Qty |
|--------|-------------|-----------------|---|---------------|-----|
| 1 | | CASE ASSY. | NAP - W/Ref. 3-7 & 29 - Order 6688640 & Ref. 4-7 & 29 - Was 6655479 [A] | | 1 |
| 1 | 6688640 | GEAR HOUSING | W/Ref. 3 | | 1 |
| 2 | 6675517 | FILTER, OIL ENG | Was 3974896B [A] | | 1 |
| 3 | 6667425 | PLUG | pin | | 2 |
| 4 | 3966515 | O RING | | | 2 |
| 5 | 3966530 | O RING | | | 1 |
| 6 | 6652592 | PIN | start spring | | 1 |
| 7 | 3974395 | PIN | straight | | 2 |
| 8 | 6666800 | GASKET | gearcase - Was 6653806 [A] | | 1 |
| 9 | 3974888 | BOLT | | | 2 |
| 10 | 1CM870 | BOLT | | | 5 |
| 11 | 2EM8 | WASHER, PLAIN | | | 1 |
| 12 | 1CM880 | BOLT | | | 2 |
| 13 | 6653808 | BOLT | | | 3 |
| 14 | 1CM895 | BOLT | | | 2 |
| 15 | 6EM80 | WASHER, SPRING | | | 9 |
| 16 | 6675681 | ADAPTER | Was 6653809 [B,D] | | 1 |
| 17 | 6675671 | COLLAR | Was 15EM00180B [B,D] | | 1 |
| 18 | 6652652 | SPRING | | | 1 |
| 19 | 3974893 | SEAT | valve | | 1 |
| 20 | 10J13 | BALL | | | 1 |
| 21 | 3974894 | FLANGE | water return | | 1 |
| 22 | 6666803 | GASKET | water return flange - Was 3974895B [A] | | 1 |
| 23 | 4CM620 | BOLT | | | 3 |
| 24 | 6666785 | GASKET | Was 6714543 [B,D] | | 1 |
| 25 | 6652764 | STUD | | | 4 |
| 26 | 1DM6 | NUT | | | 4 |
| 27 | 6EM60 | WASHER, SPRING | spring | | 4 |
| 28 | 6653807 | BOLT | | | 1 |
| 29 | 6655162 | O-RING | | | 1 |
| 30 | 6703736 | CAP | | | 1 |
| 31 | 6719048 | MOUNT | | | 1 |
| 32 | | OIL COOLER | See Illustration OIL COOLER/ B17147 | | 1 |

OIL COOLER
(Kubota - V2003T) (1G622-00000)
S/N 500K12421 & Below, 519022517 & Below, 519212422 & Below



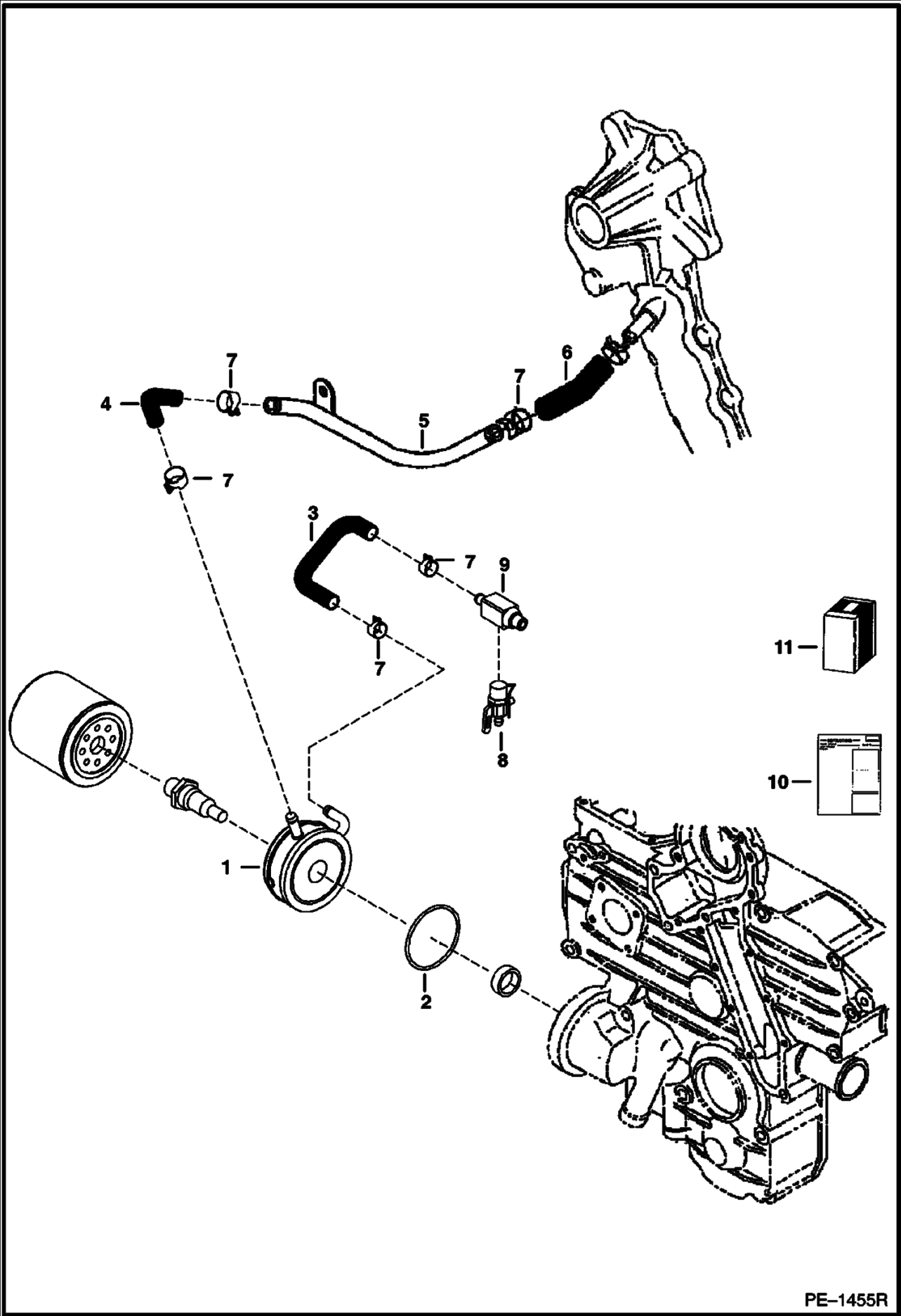
B-17147

OIL COOLER (Cont'd)
(Kubota - V2003T) (1G622-00000)

S/N 500K12421 & Below. 519022517 & Below. 519212422 & Below

| Ref No | Part Number | Description | Remarks | Serial Number | Qty |
|---------------|--------------------|--------------------|--|----------------------|------------|
| 1 | | OIL COOLER | See Illustration OIL COOLER/ PE1455R NAP - W/Ref. 2 - ORDER 6731956 OIL COOLER KIT - WAS 6675680 [A] | | 1 |
| 2 | 6698244 | ORING | Was 6657422 [B,D] | | 1 |
| 3 | 6675670 | HOSE | | | 1 |
| 4 | 6675653 | PIPE, OIL COVER | | | 1 |
| 5 | 6675682 | TUBE | | | 1 |
| 6 | 6675651 | PIPE, WATER | | | 1 |
| 7 | 6680580 | CLAMP | Was 6652748 [A] | | 4 |
| 8 | 3974679 | BAND | | | 1 |
| 9 | 6599040 | BAND, PIPE | | | 1 |
| 10 | 6677123 | CAP | Was 6725443 [A] | | 1 |
| 11 | 5HM15 | CLAMP | | | 1 |

OIL COOLER
(Kubota - V2003T) (1G622-00000)
(S/N 500K12422 & Above, 519022518 & Above, 519212423 & Above)

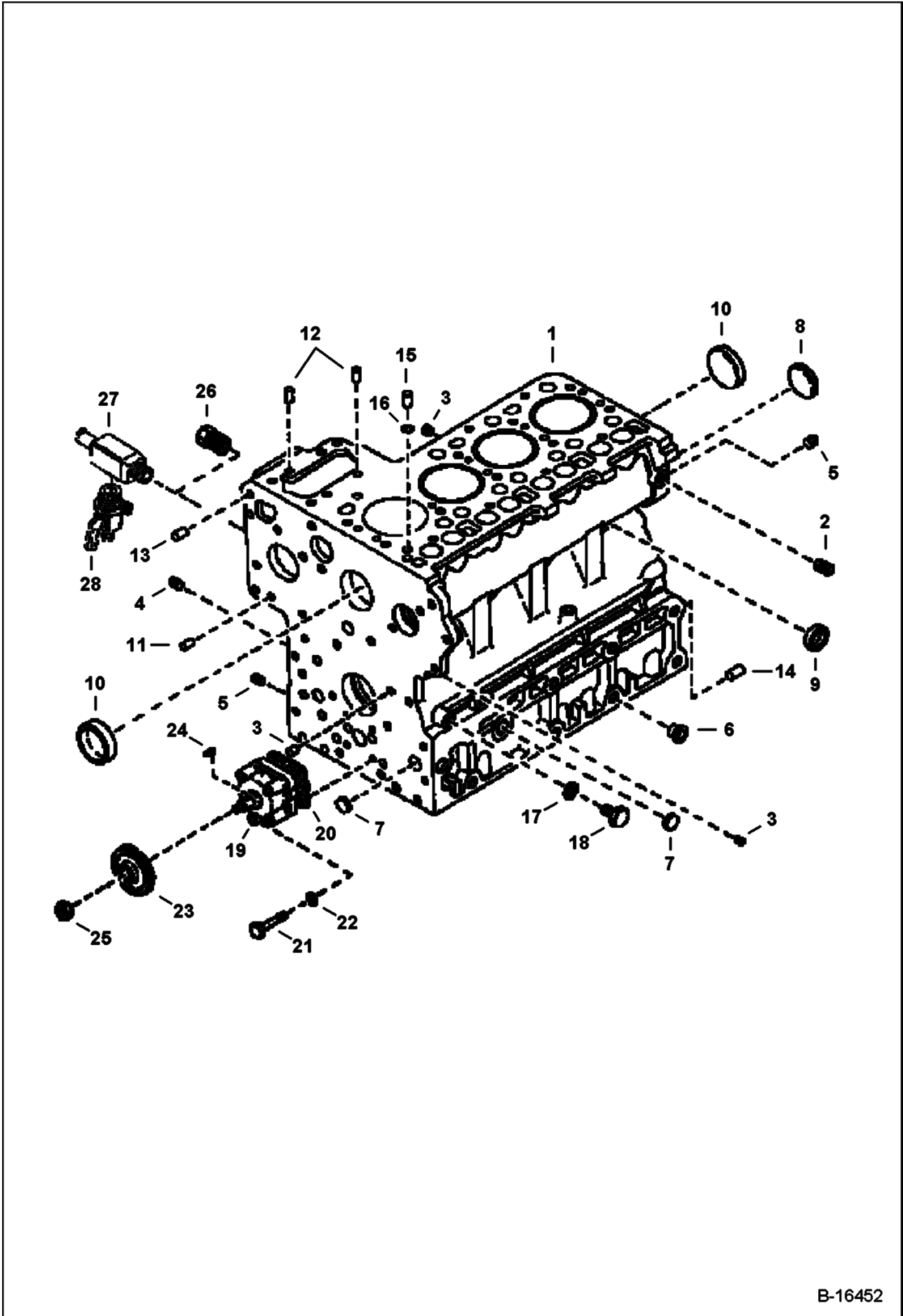


PE-1455R

OIL COOLER (Cont'd)
(Kubota - V2003T) (1G622-00000)
(S/N 500K12422 & Above. 519022518 & Above. 519212423 & Above)

| Ref No | Part Number | Description | Remarks | Serial Number | Qty |
|--------|-------------|-----------------|---|---------------|-----|
| 1 | | OIL COOLER | See Illustration OIL COOLER/ B17147 NAP - W/Ref. 2 - SOME LATER BUILT S/N LOADERS MAY NOT HAVE THIS OIL COOLER DESIGN - FOR ALTERNATE DESIGN - Was 6685641 [A] | | 1 |
| 2 | 6698244 | ORING | Was 6657422 [B,D] | | 1 |
| 3 | 6678945 | HOSE | | | 1 |
| 4 | 6675653 | PIPE, OIL COVER | | | 1 |
| 5 | 6675682 | TUBE | | | 1 |
| 6 | 6675651 | PIPE, WATER | | | 1 |
| 7 | 6680580 | CLAMP | Was 6652748 [A] | | 6 |
| 8 | 6678943 | VALVE | | | 1 |
| 9 | 6678946 | ADAPTER | | | 1 |
| 10 | 6901701 | INSTRUCTIONS | | | 1 |
| 11 | 6731956 | KIT | oil cooler - Ref. 1, 3 & 7 - 10 | | 1 |

CRANKCASE (Kubota - V2003T) (1G622-00000)

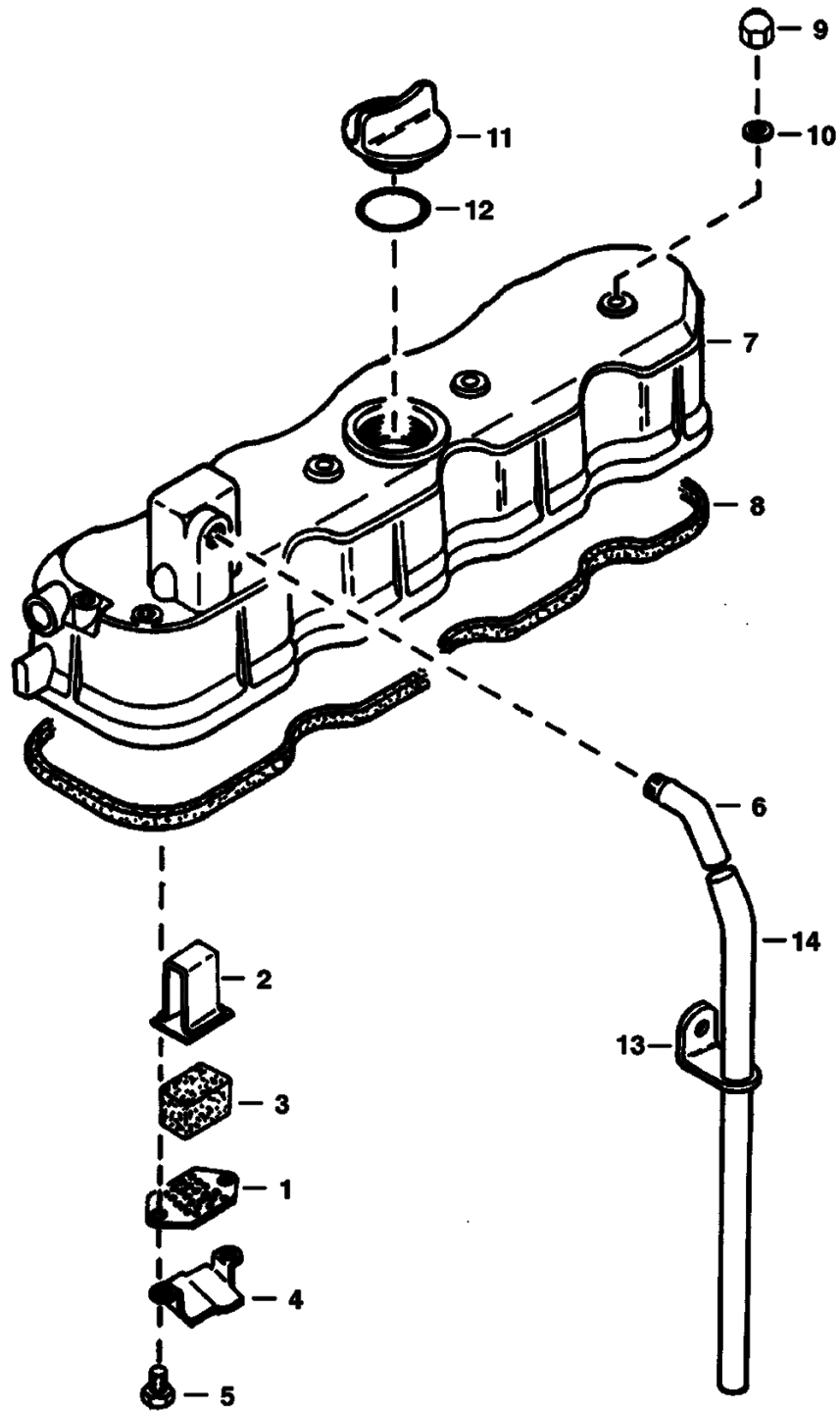


B-16452

CRANKCASE (Cont'd)
(Kubota - V2003T) (1G622-00000)

| Ref No | Part Number | Description | Remarks | Serial Number | Qty |
|--------|-------------|-------------------|----------------------------------|-----------------|-----|
| 1 | 6675654 | CRANKCASE | assy. - W/Ref. 2-15 | | 1 |
| 2 | 16F2 | PLUG | | | 1 |
| 3 | 6652574 | PLUG | | | 6 |
| 4 | 6655869 | PLUG | | | 12 |
| 5 | 6652575 | PLUG | | | 2 |
| 6 | 6598187 | PLUG | | | 21 |
| 7 | 4FM18 | PLUG | expansion | | 3 |
| 8 | 4FM45 | PLUG | expansion | | 1 |
| 9 | 3974389 | CAP, SEALING | sealing | | 6 |
| 10 | 3974390 | PLUG | sealing | | 2 |
| 11 | 3974393 | PIN | straight | | 2 |
| 12 | 3974394 | PIN | straight | | 2 |
| 13 | 3974395 | PIN | straight | | 2 |
| 14 | 3974868 | PIN | straight | | 1 |
| 15 | 3974037 | PIN | pipe | | 1 |
| 16 | 3974038 | O RING | | | 1 |
| 17 | 3974095 | MET-GASK | | | 1 |
| 18 | 6655884 | PLUG | | | 1 |
| 19 | 6689441 | PUMP, OIL ENG | Was 3975426 [A] | | 1 |
| 20 | 6666782 | GASKET | Was 3974456B [A] | | 1 |
| 21 | 6655195 | BOLT | | | 4 |
| 22 | 6EM60 | WASHER, SPRING | | | 4 |
| 23 | 3975441 | GEAR | | | 1 |
| 24 | 6969805 | KEY,FEATHER | Was 15JM00410B [A] | | 1 |
| 25 | 3DM12 | NUT | | | 1 |
| 26 | 3974677 | PIPE | water return - Was 3974871 [B,D] | E/ 1Q1216 & Bel | 1 |
| 27 | 6678946 | ADAPTER | | E/ 1S0001 & Abv | 1 |
| 28 | 6672190 | DRAINCOCK | | E/ 1S0001 & Abv | 1 |

ROCKER ARM COVER
(Kubota - V2003T) (1G622-00000)

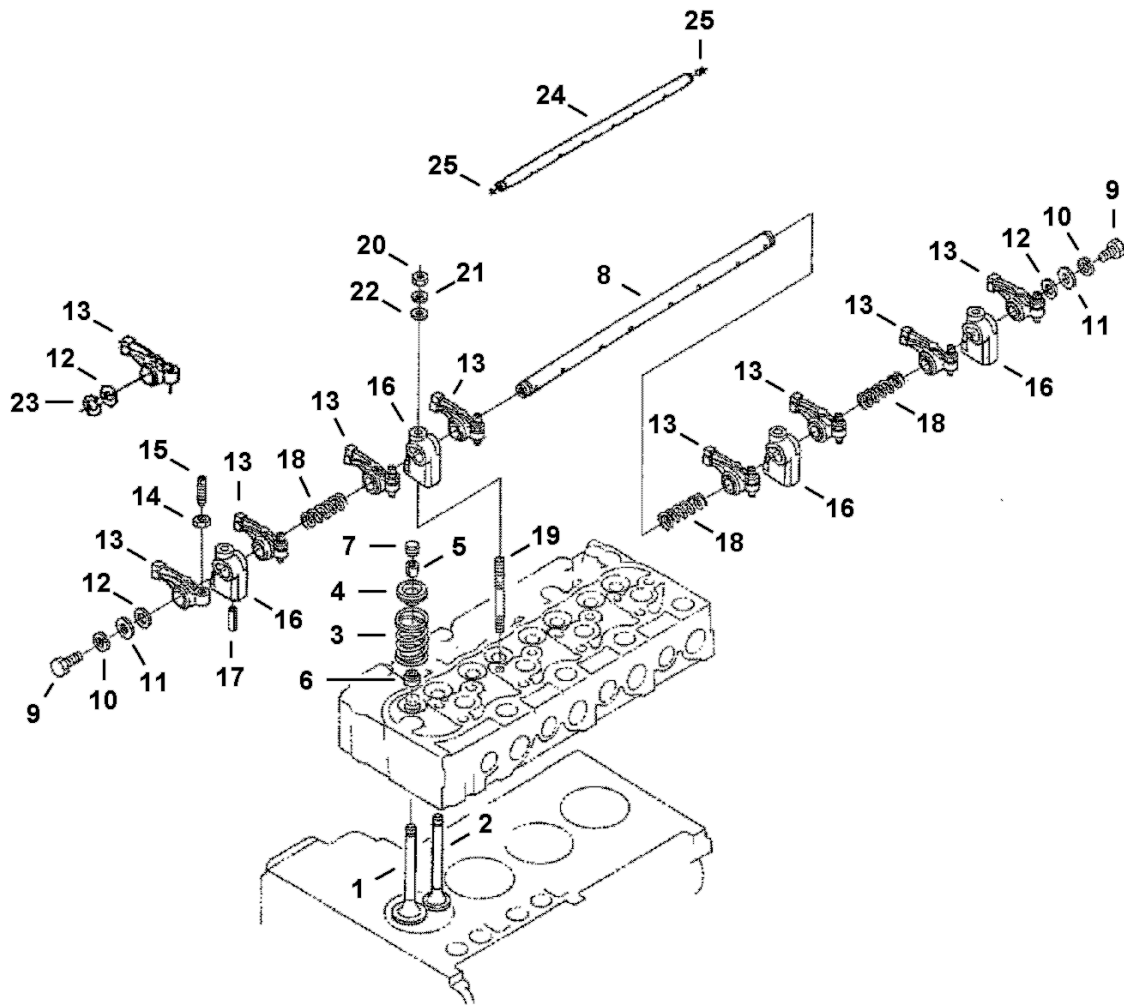


B-13158A

**ROCKER ARM COVER (Cont'd)
(Kubota - V2003T) (1G622-00000)**

| Ref No | Part Number | Description | Remarks | Serial Number | Qty |
|--------|-------------|---------------------|---------------|---------------|-----|
| 1 | 3974924 | PLATE | element | | 1 |
| 2 | 3974925 | PLATE | element | | 1 |
| 3 | 3974926 | BREATHER | breather | | 1 |
| 4 | 3974927 | SHIELD | breather | | 1 |
| 5 | 3975436 | SCREW | W/Washer | | 2 |
| 6 | 6652624 | JOINT | breather pipe | | 1 |
| 7 | 6655175 | COVER | valve | | 1 |
| 8 | 6598136 | GASKET, COVER VALVE | | | 1 |
| 9 | 3974923 | NUT | cap | | 4 |
| 10 | 3974095 | MET-GASK | | | 4 |
| 11 | 6652653 | PLUG | oil filter | | 1 |
| 12 | 3966602 | O RING | oil fill plug | | 1 |
| 13 | 3974931 | CLAMP | pipe | | 1 |
| 14 | 3974930 | PIPE | breather | | 1 |

VALVE ROCKER ARM (Kubota - V2003T) (1G622-00000)

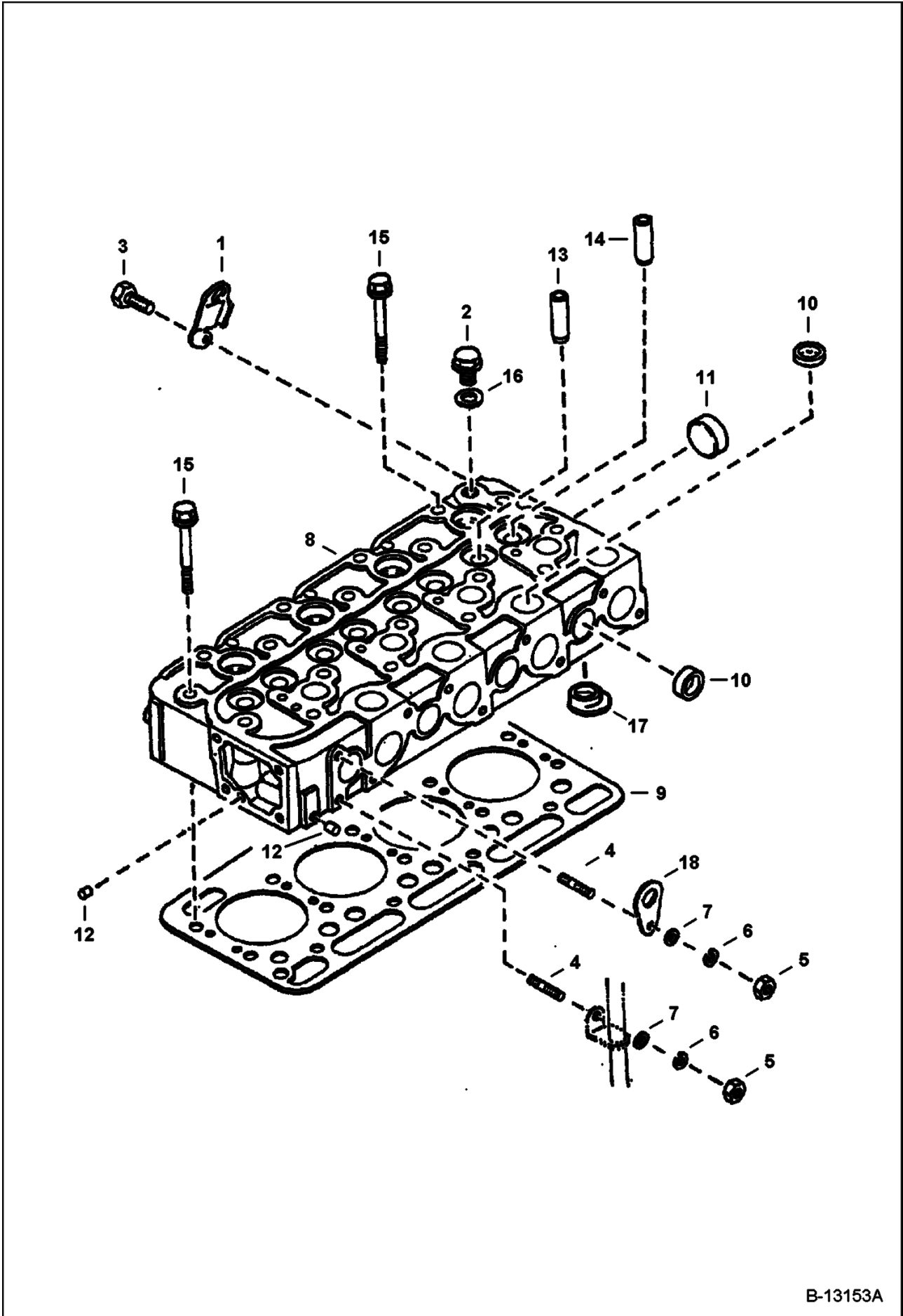


B-17305A

VALVE ROCKER ARM (Cont'd)
(Kubota - V2003T) (1G622-00000)

| Ref No | Part Number | Description | Remarks | Serial Number | Qty |
|--------|-------------|---------------------|--|-----------------|-----|
| 1 | 6655173 | VALVE | inlet | | 4 |
| 2 | 6675629 | VALVE, EXHAUST | exhaust | | 4 |
| 3 | 3974514 | SPRING 5 | valve | | 8 |
| 4 | 3974515 | RETAINER | valve spring | | 8 |
| 5 | 6684874 | COLLAR | valve spring - set of 2 - Was 3974516B [A] | | 8 |
| 6 | 6653830 | SEAL, STEM VALVE | | | 8 |
| 7 | 3974518 | CAP | valve | | 8 |
| 8 | | SHAFT | NAP - rocker arm - W/Ref. 9 - Order Ref. 22-25 - Was 6682545 [A] | E/ 1Y1240 & Bel | 1 |
| 9 | 25GM8010 | SCREW | | E/ 1Y1240 & Bel | 2 |
| 10 | 5JM14 | SNAP RING | external | E/ 1Y1240 & Bel | 2 |
| 11 | 2EM8 | WASHER, PLAIN | plain | | 4 |
| 12 | 3974524 | WASHER | | | 2 |
| 13 | 6655870 | ROCKER ARM | rocker - W/Ref. 14 & 15 | | 8 |
| 14 | 2DM8 | NUT | | | 8 |
| 15 | 3974920 | SCREW | adjusting | | 8 |
| 16 | 3974521 | MOUNT | rocker arm | | 4 |
| 17 | 6667461 | PIN | | | 4 |
| 18 | 6653833 | SPRING | rocker arm | | 3 |
| 19 | 6653832 | STUD | | | 4 |
| 20 | 6652792 | NUT | | | 4 |
| 21 | 6EM80 | WASHER, SPRING | | | 4 |
| 22 | 6684875 | SHAFT | | E/ 2A0001 & Abv | 2 |
| 23 | 6667451 | WASHER | plain | E/ 2A0001 & Abv | 2 |
| 24 | 6667422 | WASHER | spring | E/ 2A0001 & Abv | 2 |
| 25 | 5CM812 | BOLT | | E/ 2A0001 & Abv | 2 |

CYLINDER HEAD
(Kubota - V2003T) (1G622-00000)

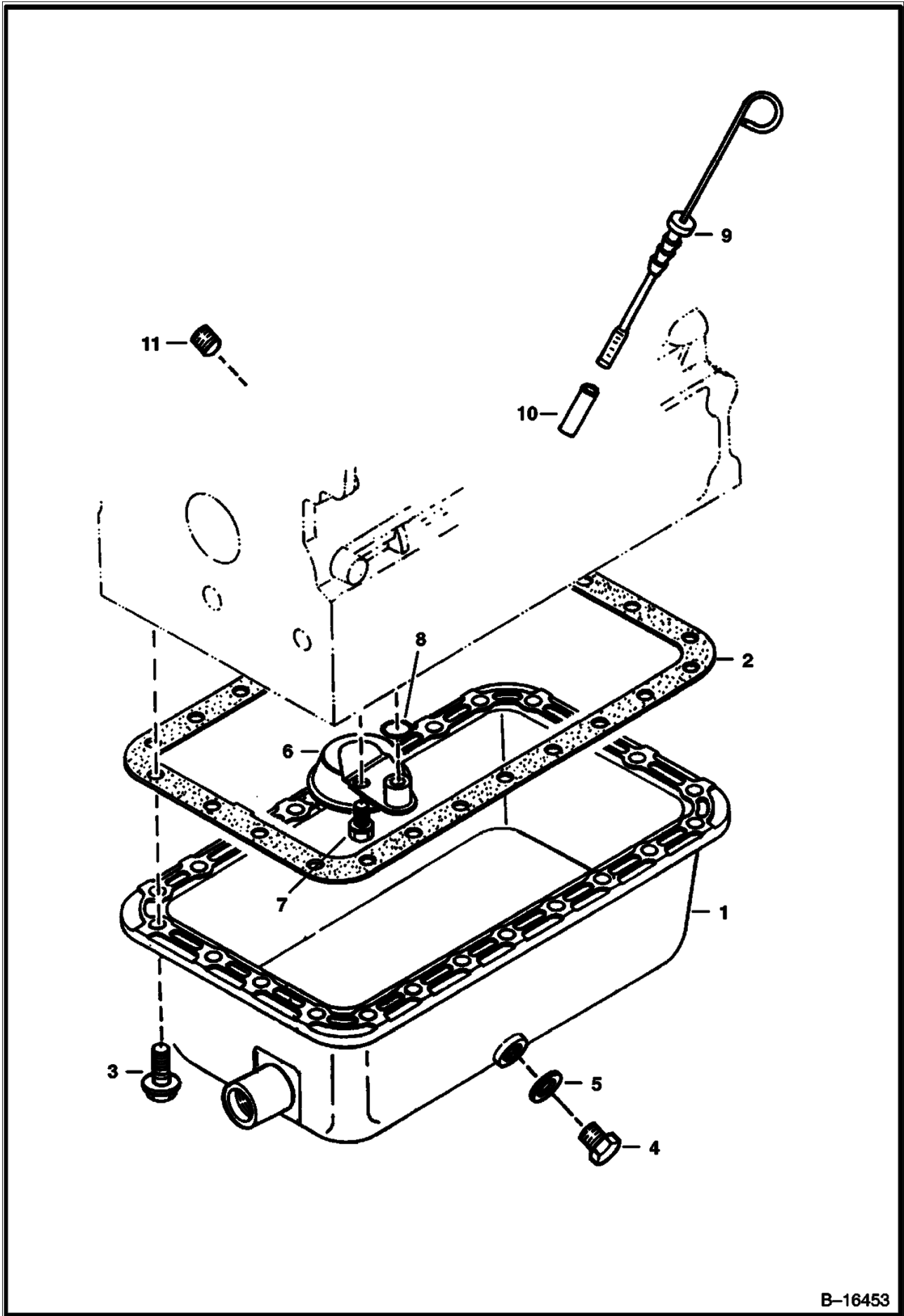


B-13153A

CYLINDER HEAD (Cont'd)
(Kubota - V2003T) (1G622-00000)

| Ref No | Part Number | Description | Remarks | Serial Number | Qty |
|--------|-------------|-------------------|---------------------------------|---------------|-----|
| 1 | 6655152 | HOOK | engine | | 1 |
| 2 | 6655160 | PLUG | | | 1 |
| 3 | 4CM816 | BOLT | | | 1 |
| 4 | 6652670 | STUD | | | 2 |
| 5 | 6652792 | NUT | | | 2 |
| 6 | 6EM80 | WASHER, SPRING | | | 2 |
| 7 | 2EM8 | WASHER, PLAIN | plain | | 2 |
| 8 | 6675642 | HEAD | cylinder - W/Ref. 10-14 | | 1 |
| 9 | 6675643 | GASKET | cylinder head | | 1 |
| 10 | 3974432 | PLUG | sealing | | 12 |
| 11 | 3974433 | PLUG | sealing | | 1 |
| 12 | 6598116 | PLUG | Was 6652797 [A] | | 2 |
| 13 | 6655154 | GUIDE | intake valve | | 4 |
| 14 | 6969990 | GUIDE | exhaust valve - Was 6653803 [A] | | 4 |
| 15 | 6655158 | BOLT | | | 18 |
| 16 | 6655161 | WASHER | W/rubber | | 1 |
| 17 | 6667480 | CHAMBER | combustion | | 4 |
| 18 | 3974882 | HOOK | | | 1 |

OIL PAN
(Kubota - V2003T) (1G622-00000)

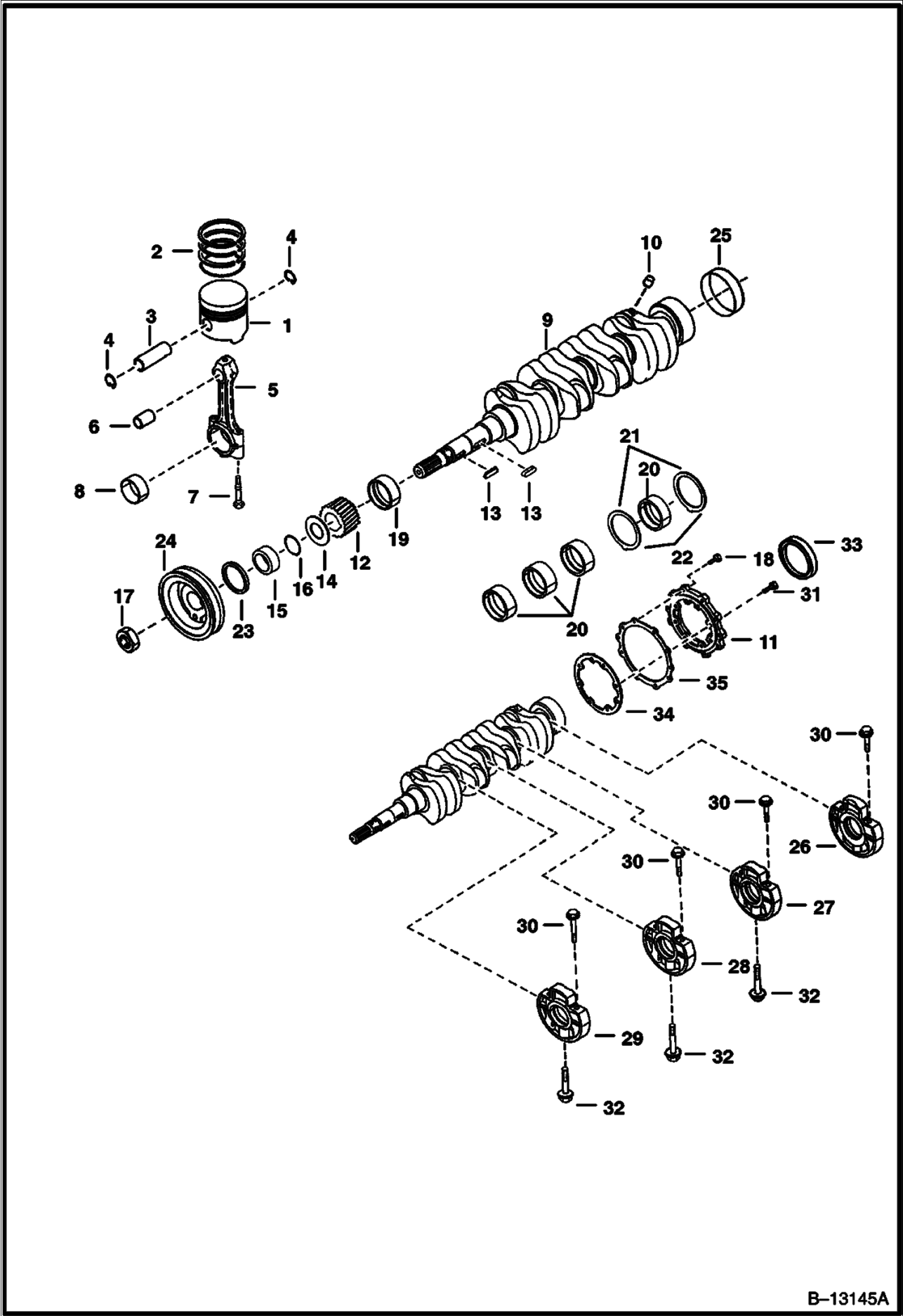


B-16453

OIL PAN (Cont'd)
(Kubota - V2003T) (1G622-00000)

| Ref No | Part Number | Description | Remarks | Serial Number | Qty |
|--------|-------------|----------------------|--|---------------|-----|
| 1 | 6655151 | PAN, OIL | | | 1 |
| 2 | 6666817 | GASKET | oil pan - Was 3975449B [A] | | 1 |
| 3 | 6653798 | BOLT | | | 24 |
| 4 | 3974402 | PLUG | drain | | 1 |
| 5 | 6680484 | GASKET | Was 3974403 [B] | | 1 |
| 6 | 6655194 | SCREEN, OIL | | | 1 |
| 7 | 4CM816 | BOLT | | | 1 |
| 8 | 3966516 | O RING | | | 1 |
| 9 | | DIPSTICK | NAP - oil - Order 6677202 Dipstick - Was 6658245 [A] | | 1 |
| 9 | 6677202 | DIPSTICK, OIL ENG | oil - long | | 1 |
| 10 | 6677203 | GUIDE | for long dipstick | | 1 |
| 11 | 6675641 | PLUG | dipstick | | 1 |

PISTON & CRANKSHAFT (Kubota - V2003T) (1G622-00000)

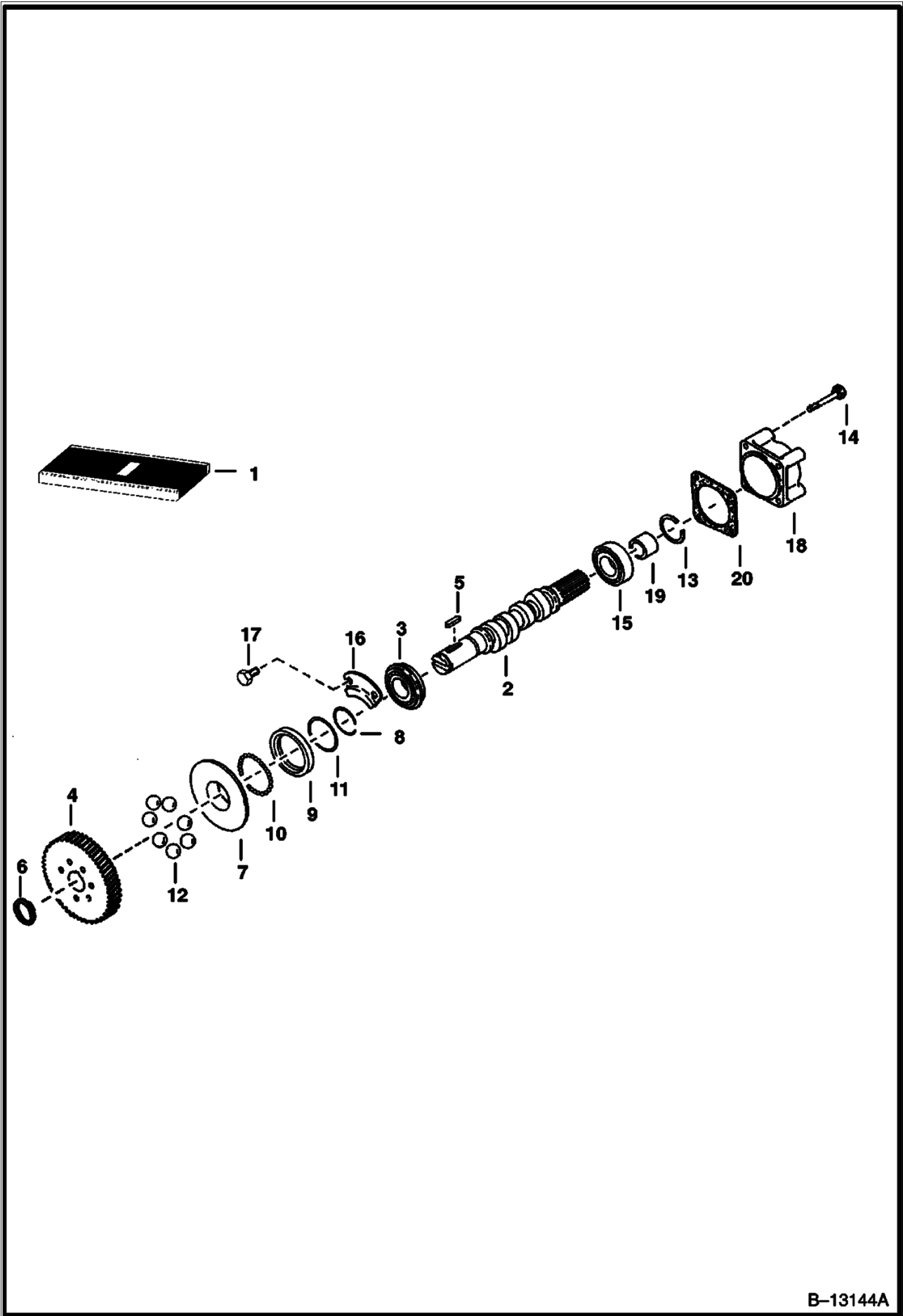


B-13145A

PISTON & CRANKSHAFT (Cont'd)
(Kubota - V2003T) (1G622-00000)

| Ref No | Part Number | Description | Remarks | Serial Number | Qty |
|--------|-------------|-----------------|---|---------------|-----|
| 1 | | PISTON | Std. - Order 6689939 piston & (2) 6686997 cir-clip - Was 6675638 [A] | | 4 |
| 1 | | PISTON | NAP - (0,5 mm - .0197) - Was 6676057 [A] | | 4 |
| 2 | 6675655 | RING, PISTON | piston - Std. | | 4 |
| 2 | 6676058 | RINGS | piston - (0,5 mm - .0197) | | 4 |
| 3 | 6655179 | PIN, PISTON ENG | | | 4 |
| 4 | 6655180 | CIR-CLIP | | | 8 |
| 5 | 6655181 | ROD, CONNECTING | connecting - W/Ref. 6, 7 & 8 | | 4 |
| 6 | 6655243 | BUSHING | | | 4 |
| 7 | 6655498 | BOLT | | | 8 |
| 8 | 6655183 | BEARING | rod - std. | | 4 |
| 8 | 6655236 | BEARING | rod (-0,20 mm) | | 4 |
| 8 | 6655237 | BEARING | rod (-0,40 mm) | | 4 |
| 9 | 6655184 | CRANKSHAFT | Ref. 10 & 25 - Ref. 10 must be installed before using | | 1 |
| 10 | 6652633 | BALL | Must be installed before using Ref. 9 crankshaft - See S/L dated 3 Jan 85 | | 1 |
| 11 | 6655166 | COVER | | | 1 |
| 12 | 6598142 | GEAR | | | 1 |
| 13 | 3974546 | KEY | | | 1 |
| 14 | 6653861 | SLINGER, OIL | oil | | 1 |
| 15 | 3975337 | COLLAR | | | 1 |
| 16 | 3974577 | O RING | | | 1 |
| 17 | 3974671 | NUT | | | 1 |
| 18 | 4CM825 | BOLT | | | 8 |
| 19 | 6655185 | BEARING | main - Std. | | 4 |
| 19 | 6655238 | BEARING | main (0,2 mm-.0079) | | 1 |
| 19 | 6655239 | BEARING | main (0,4 mm-.0157) | | 1 |
| 20 | 6655186 | BEARING | main - Std. | | 4 |
| 20 | 6655240 | BEARING | main (0,2 mm-.0079) | | 4 |
| 20 | 6655241 | BEARING | main (0,4 mm-.0157) | | 4 |
| 21 | 3974945 | WASHER, THRUST | thrust - Std. | | 2 |
| 21 | 3975021 | WASHER | thrust (0,2 mm-.0079) | | 2 |
| 21 | 3975022 | WASHER, THRUST | thrust (0,4 mm-.0157) | | 2 |
| 22 | 6653865 | WASHER, THRUST | thrust - Std. | | 2 |
| 22 | 6654002 | WASHER, THRUST | thrust (0,2 mm-.0079) | | 2 |
| 22 | 6654003 | WASHER, THRUST | thrust (0,4 mm-.0157) | | 2 |
| 23 | 6631664 | SEAL | oil | | 1 |
| 24 | 6655235 | PULLEY | | | 1 |
| 25 | 6653859 | SLEEVE | | | 1 |
| 26 | 6675628 | CASE | main bearing - W/Ref. 30 | | 1 |
| 27 | 6675634 | CASE | main bearing - W/Ref. 30 | | 1 |
| 28 | 6675639 | CASE | main bearing - W/Ref. 30 | | 1 |
| 29 | 6675627 | CASE | main bearing - W/Ref. 30 | | 1 |
| 30 | 6655164 | BOLT | | | 8 |
| 31 | 4CM828 | BOLT | | | 8 |
| 32 | 6653821 | BOLT | | | 3 |
| 33 | 6649300 | SEAL | oil | | 1 |
| 34 | 6684788 | GASKET | Was 6655165 [A] | | 1 |
| 35 | 6666814 | GASKET | | | 1 |

FUEL CAMSHAFT (Kubota - V2003T) (1G622-00000)

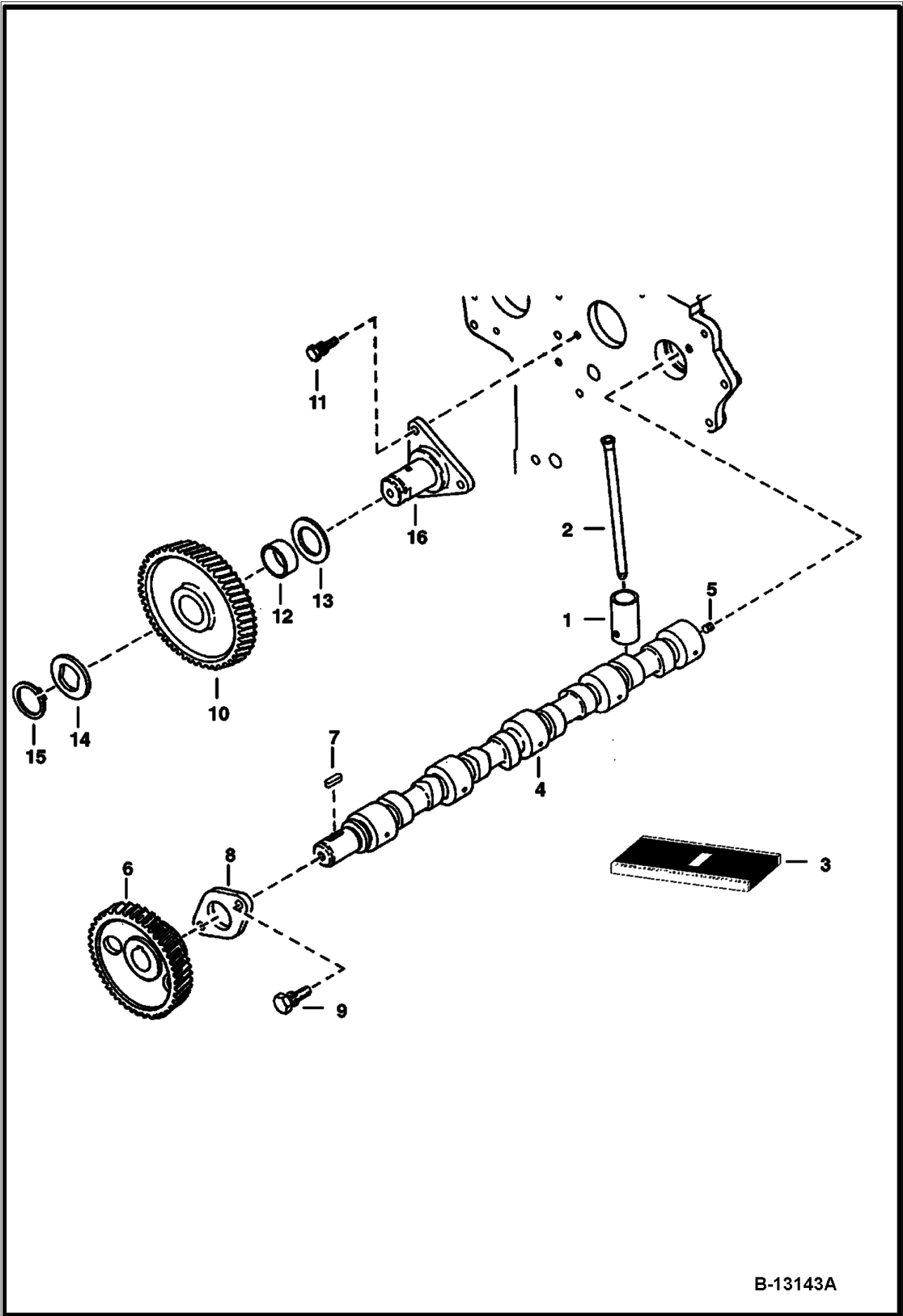


B-13144A

FUEL CAMSHAFT (Cont'd)
(Kubota - V2003T) (1G622-00000)

| Ref No | Part Number | Description | Remarks | Serial Number | Qty |
|--------|-------------|--------------|-----------------------------|---------------|-----|
| 1 | 6655211 | CAMSHAFT | assy. - Ref. 2-14 | | 1 |
| 2 | 6655875 | CAMSHAFT | fuel | | 1 |
| 3 | 851242 | BEARING | | | 1 |
| 4 | 6655212 | GEAR | injection pump | | 1 |
| 5 | 6598099 | KEY | | | 1 |
| 6 | 5JM24 | CIRCLIP | external | | 1 |
| 7 | 6655213 | SLEEVE | governor | | 1 |
| 8 | 3974618 | CIR-CLIP | sleeve | | 1 |
| 9 | 6655214 | CASE | governor ball | | 1 |
| 10 | 10J5 | BALL | | | 39 |
| 11 | 3974620 | CIR-CLIP | ball case | | 1 |
| 12 | 6655215 | BALL | | | 7 |
| 13 | 6598158 | CIRCLIP | external - Was 3975432B [A] | | 1 |
| 14 | 6651934 | BOLT | | | 7 |
| 15 | 6598101 | BALL BEARING | | | 1 |
| 16 | 3974624 | STOPPER | | | 1 |
| 17 | 4CM814 | BOLT | | | 2 |
| 18 | 3974996 | COVER | fuel camshaft | | 1 |
| 19 | 6598179 | COLLAR | Was 6655523 [A] | | 1 |
| 20 | 6666827 | GASKET | Was 3974630B [A] | | 1 |

CAMSHAFT
(Kubota - V2003T) (1G622-00000)

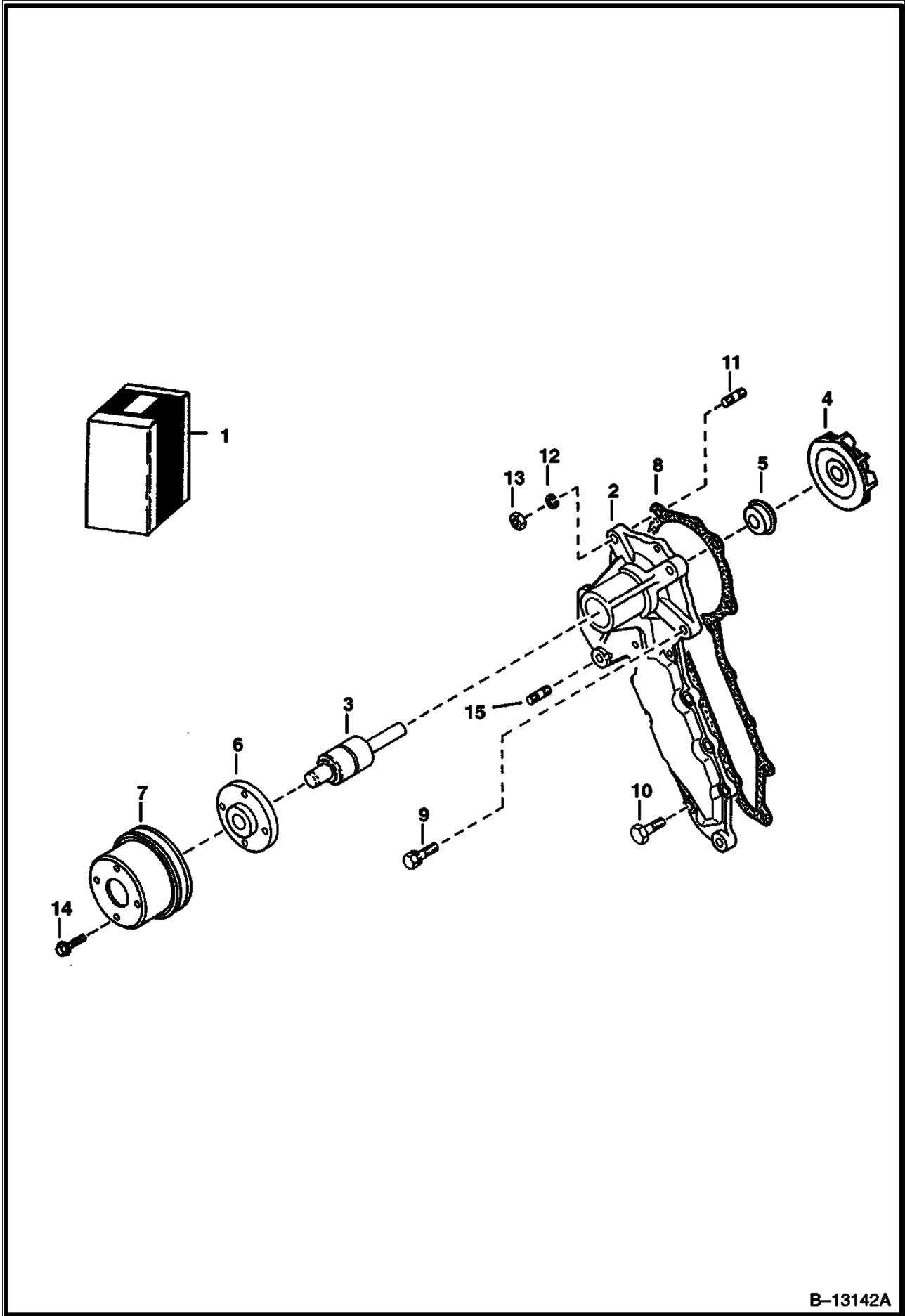


B-13143A

CAMSHAFT (Cont'd)
(Kubota - V2003T) (1G622-00000)

| Ref No | Part Number | Description | Remarks | Serial Number | Qty |
|--------|-------------|-------------|---|-----------------|-----|
| 1 | 6667428 | TAPPET | | | 8 |
| 2 | 6655176 | PUSHROD | | | 8 |
| 3 | 6675645 | CAMSHAFT | assy. - Ref. 4-8 | | 1 |
| 4 | 6675646 | CAMSHAFT | | | 1 |
| 5 | 6653839 | SCREW | seat | | 1 |
| 6 | 6692387 | GEAR | camshaft - Was 6653840 [A] | | 1 |
| 7 | 3974546 | KEY | | | 1 |
| 8 | 3974547 | STOPPER | camshaft - Was 6653843 [A] | | 1 |
| 9 | 1CM818 | BOLT | Was 4CM818 [A] | | 2 |
| 10 | | GEAR ASSY. | NAP - idle - W/Ref. 12 - Order 6684793 gear, 6684795 collar, 6667433 cir-clip & 6684796 shaft - Was 6655187 [A] | E/ 1W1377 & Bel | 1 |
| 10 | 6684793 | GEAR | idle - W/Ref. 12 | E/ 1Y0001 & Abv | 1 |
| 11 | 4CM816 | BOLT | | | 3 |
| 12 | 6655242 | BUSHING | idle gear | E/ 1W1377 & Bel | 1 |
| 12 | 6684794 | BUSHING | idle gear | E/ 1Y0001 & Abv | 1 |
| 13 | 6655190 | COLLAR | | E/ 1W1377 & Bel | 1 |
| 14 | 6655191 | COLLAR | | E/ 1W1377 & Bel | 1 |
| 14 | 6684795 | COLLAR | | E/ 1Y0001 & Abv | 1 |
| 15 | 6655192 | CIR-CLIP | external | E/ 1W1377 & Bel | 1 |
| 15 | 6667433 | CIRCLIP | external | E/ 1Y0001 & Abv | 1 |
| 16 | 6655193 | SHAFT | idle gear | E/ 1W1377 & Bel | 1 |
| 16 | 6684796 | SHAFT | idle gear | E/ 1Y0001 & Abv | 1 |

WATER PUMP
(Kubota - V2003T) (1G622-00000)

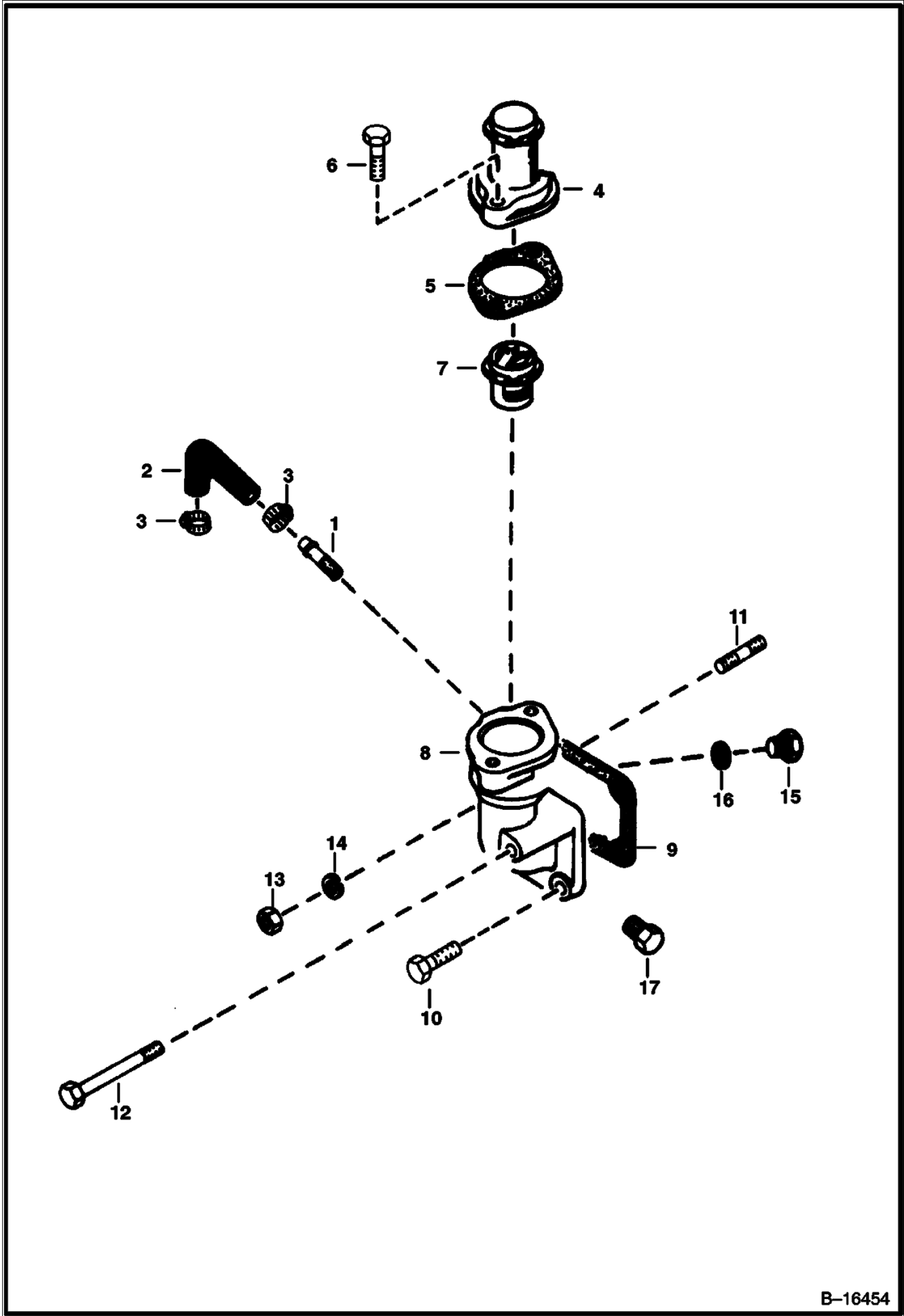


B-13142A

WATER PUMP (Cont'd)
(Kubota - V2003T) (1G622-00000)

| Ref No | Part Number | Description | Remarks | Serial Number | Qty |
|--------|-------------|-------------------|--|---------------|-----|
| 1 | | PUMP | NAP - Ref. 2-6 - Order 6681879 Water Pump & 6686081 Hose - Was 6675652 [A] | | 1 |
| 2 | | BODY | NAP | | 1 |
| 3 | 3974991 | BEARING | | | 1 |
| 4 | 6653944 | IMPELLER | | | 1 |
| 4 | 6667460 | IMPELLER | for one piece seal Ref. 5 | | 1 |
| 5 | 6653945 | SET SEAL | | | 1 |
| 5 | 6667465 | SEAL | one piece | | 1 |
| 6 | 3974992 | FLANGE | | | 1 |
| 7 | 6598155 | PULLEY | fan | | 1 |
| 8 | 6666804 | GASKET | Was 3974995B [A] | | 1 |
| 9 | 4CM828 | BOLT | | | 2 |
| 10 | 6652580 | BOLT | | | 6 |
| 11 | 3974267 | STUD | Was 6653946 [A] | | 2 |
| 12 | 6EM80 | WASHER, SPRING | | | 2 |
| 13 | 6652792 | NUT | | | 2 |
| 14 | 6652762 | BOLT | | | 4 |
| 15 | 6683174 | ROLL PIN | | | 1 |

WATER FLANGE & THERMOSTAT
(Kubota - V2003T) (1G622-00000)

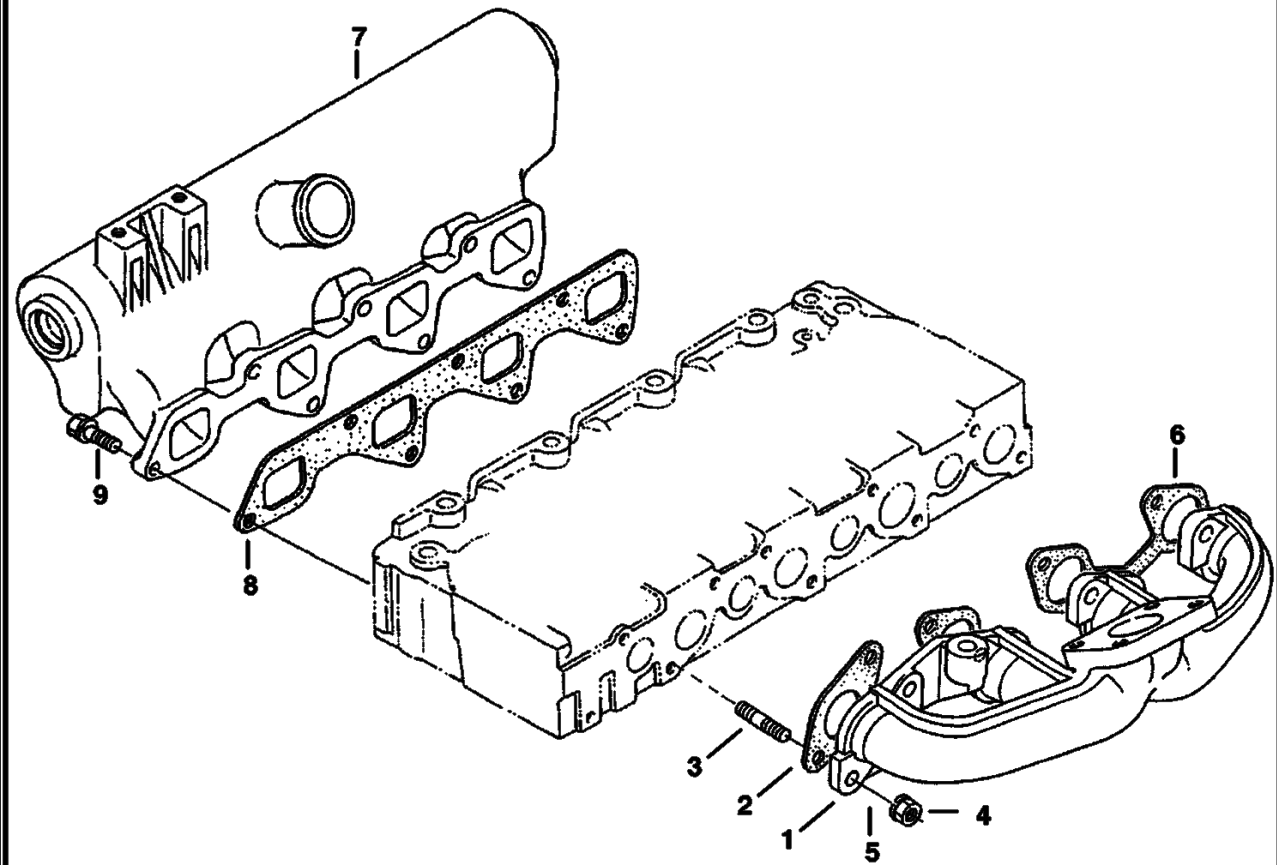


B-16454

WATER FLANGE & THERMOSTAT (Cont'd)
(Kubota - V2003T) (1G622-00000)

| Ref No | Part Number | Description | Remarks | Serial Number | Qty |
|--------|-------------|-------------------|--|---------------|-----|
| 1 | 6655880 | PIPE | water return | | 1 |
| 2 | 3974988 | PIPE | water return | | 1 |
| 3 | 3974679 | BAND | pipe | | 2 |
| 4 | 6651489 | COVER | thermostat | | 1 |
| 5 | 6732199 | GASKET | THERMOSTAT COVER - Was 6666790 [A] | | 1 |
| 6 | 1CM835 | BOLT | | | 2 |
| 7 | 6653948 | THERMOSTAT | | | 1 |
| 7 | 6630184 | THERMOSTAT | 179.6 degrees F (82 degeees C) - Used W/cab heater | | 1 |
| 8 | 6655966 | FLANGE | W/Ref. 1 | | 1 |
| 9 | 6666802 | GASKET | water flange | | 1 |
| 10 | 4CM822 | BOLT | | | 2 |
| 11 | 3974627 | STUD | | | 1 |
| 12 | 1CM865 | SCREW | | | 1 |
| 13 | 6652792 | NUT | | | 1 |
| 14 | 6EM80 | WASHER, SPRING | | | 1 |
| 15 | 6649536 | PLUG | | | 1 |
| 16 | 6653562 | GASKET | | | 1 |
| 17 | 40K2 | PLUG | | | 1 |

MANIFOLDS
(Kubota - V2003T) (1G622-00000)

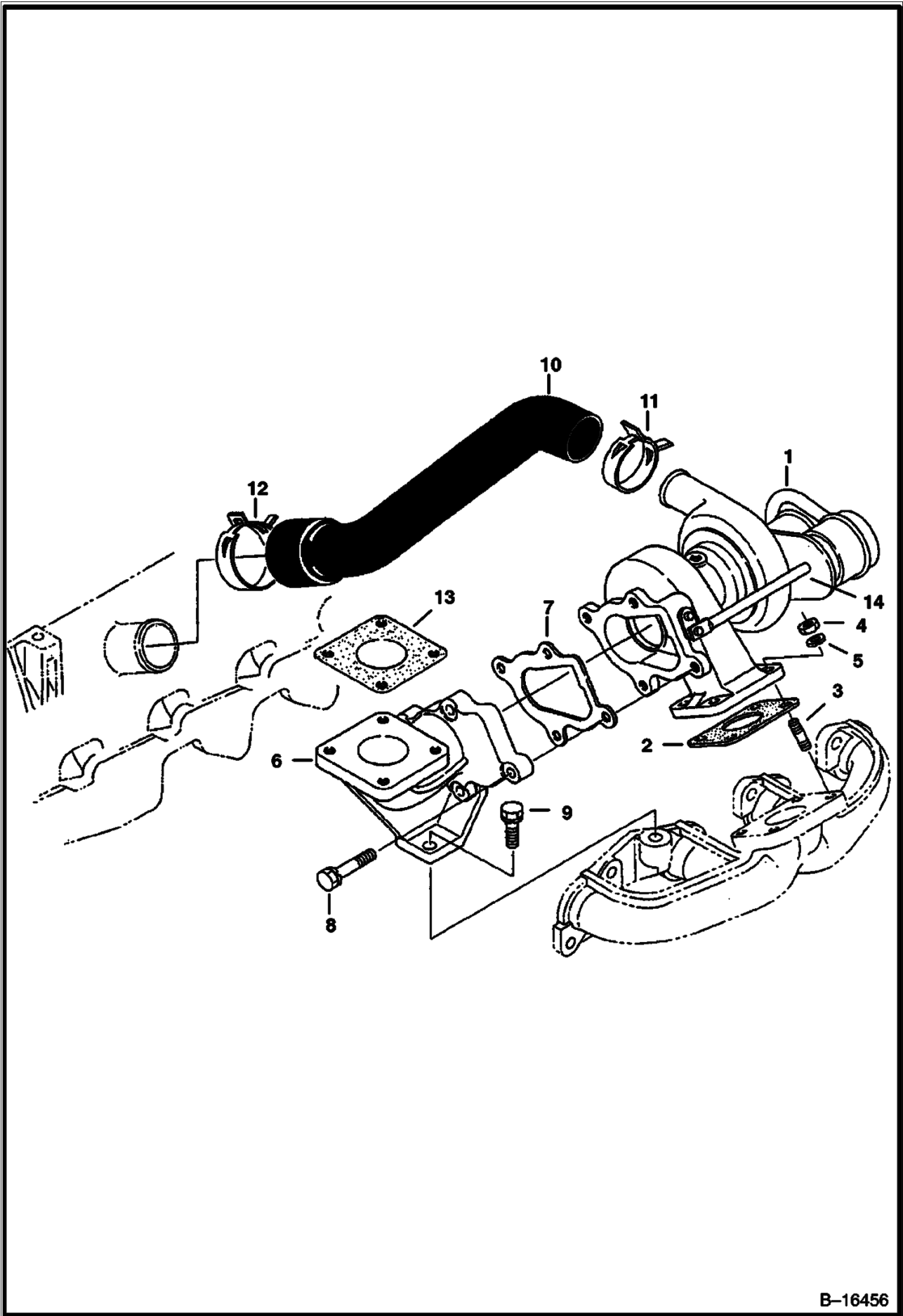


B-16455

MANIFOLDS (Cont'd)
(Kubota - V2003T) (1G622-00000)

| Ref No | Part Number | Description | Remarks | Serial Number | Qty |
|--------|-------------|--------------------|-----------------------------|---------------|-----|
| 1 | 6675674 | MANIFOLD | exhaust - Was 6651482 [B,D] | | 1 |
| 2 | 6666781 | GASKET | | | 1 |
| 3 | 6652670 | STUD | | | 8 |
| 4 | 6652792 | NUT | | | 8 |
| 5 | 6EM80 | WASHER, SPRING | | | 12 |
| 6 | 6666791 | GASKET | | | 1 |
| 7 | 6675644 | MANIFOLD, INLET | intake | | 1 |
| 8 | 6666811 | GASKET | | | 1 |
| 9 | 4CM822 | BOLT | | | 7 |

TURBO CHARGER
(Kubota - V2003T) (1G622-00000)

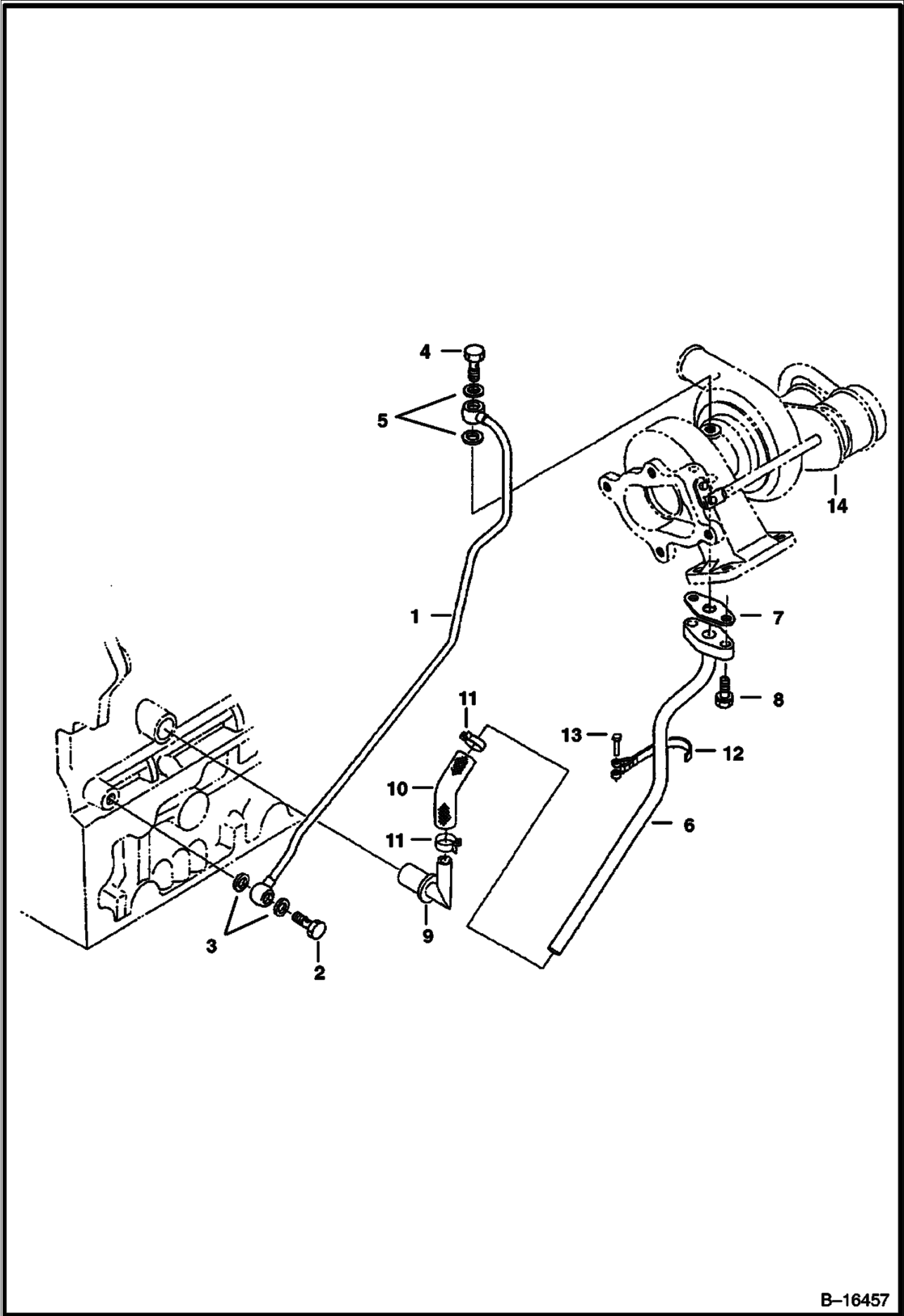


B-16456

TURBO CHARGER (Cont'd)
(Kubota - V2003T) (1G622-00000)

| Ref No | Part Number | Description | Remarks | Serial Number | Qty |
|--------|-------------|-------------------|-----------------|---------------|-----|
| 1 | 6675676 | TURBO | | | 1 |
| 2 | 6675636 | GASKET | | | 1 |
| 3 | 6675617 | STUD | | | 4 |
| 4 | 6652792 | NUT | | | 4 |
| 5 | 6EM80 | WASHER, SPRING | | | 4 |
| 6 | 6675675 | FLANGE | | | 1 |
| 7 | 6675637 | GASKET | | | 1 |
| 8 | 6657416 | BOLT | | | 4 |
| 9 | 6640728 | BOLT | | | 1 |
| 10 | 6675673 | HOSE | | | 1 |
| 11 | 6675635 | BAND | | | 1 |
| 12 | 6675624 | CLAMP | | | 1 |
| 13 | 6727753 | GASKET | Was 6666816 [A] | | 1 |
| 14 | 6680991 | HOSE | W/ clamps | | 1 |

OIL PIPE
(Kubota - V2003T) (1G622-00000) (Turbo Charger)

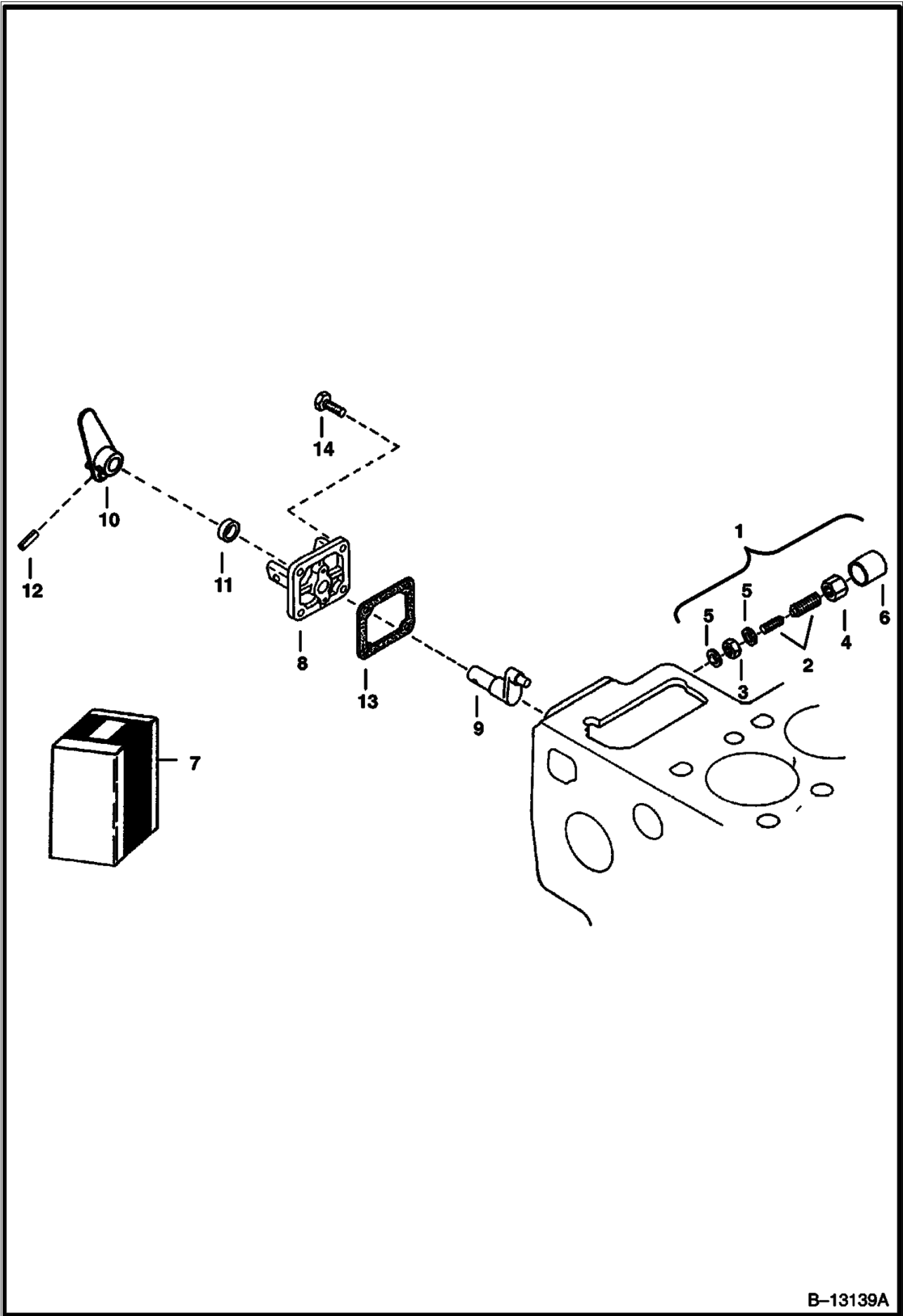


B-16457

OIL PIPE (Cont'd)
(Kubota - V2003T) (1G622-00000) (Turbo Charger)

| Ref No | Part Number | Description | Remarks | Serial Number | Qty |
|--------|-------------|-----------------|---|-----------------|-----|
| 1 | 6675677 | PIPE | | | 1 |
| 2 | 6680791 | BOLT | eye - Was 6675622 [A] | | 1 |
| 3 | 3974095 | MET-GASK | | | 2 |
| 4 | 6675625 | BOLT, EYE JOINT | eye | | 1 |
| 5 | 6685962 | GASKET | consists of 2 gaskets attached by a tab - Was 6675623 [A] | | x |
| 6 | 6675678 | PIPE | | | 1 |
| 7 | 6680570 | GASKET | oil return tube - Was 6675626 [A] | | 1 |
| 8 | 4CM620 | BOLT | | E/ 2G1576 & Bel | 2 |
| 8 | 6652580 | BOLT | | E/ 2J0001 & Abv | 2 |
| 9 | 6675630 | PIPE ASSY, OIL | | E/ YW0740 & Bel | 1 |
| 9 | 6684884 | PIPE | oil | E/ YY0001 & Abv | 1 |
| 10 | 6675679 | PIPE | | | 1 |
| 11 | 6675618 | CLAMP | | | 2 |
| 12 | 6685601 | CLAMP | pipe - Was 6675621 [A] | | 1 |
| 13 | 6675683 | PIN, BAND | | | 1 |
| 14 | 6675676 | TURBO | See Illustration TURBO CHARGER/ B16456 | | 1 |

ENGINE STOP LEVER
(Kubota - V2003T) (1G622-00000)

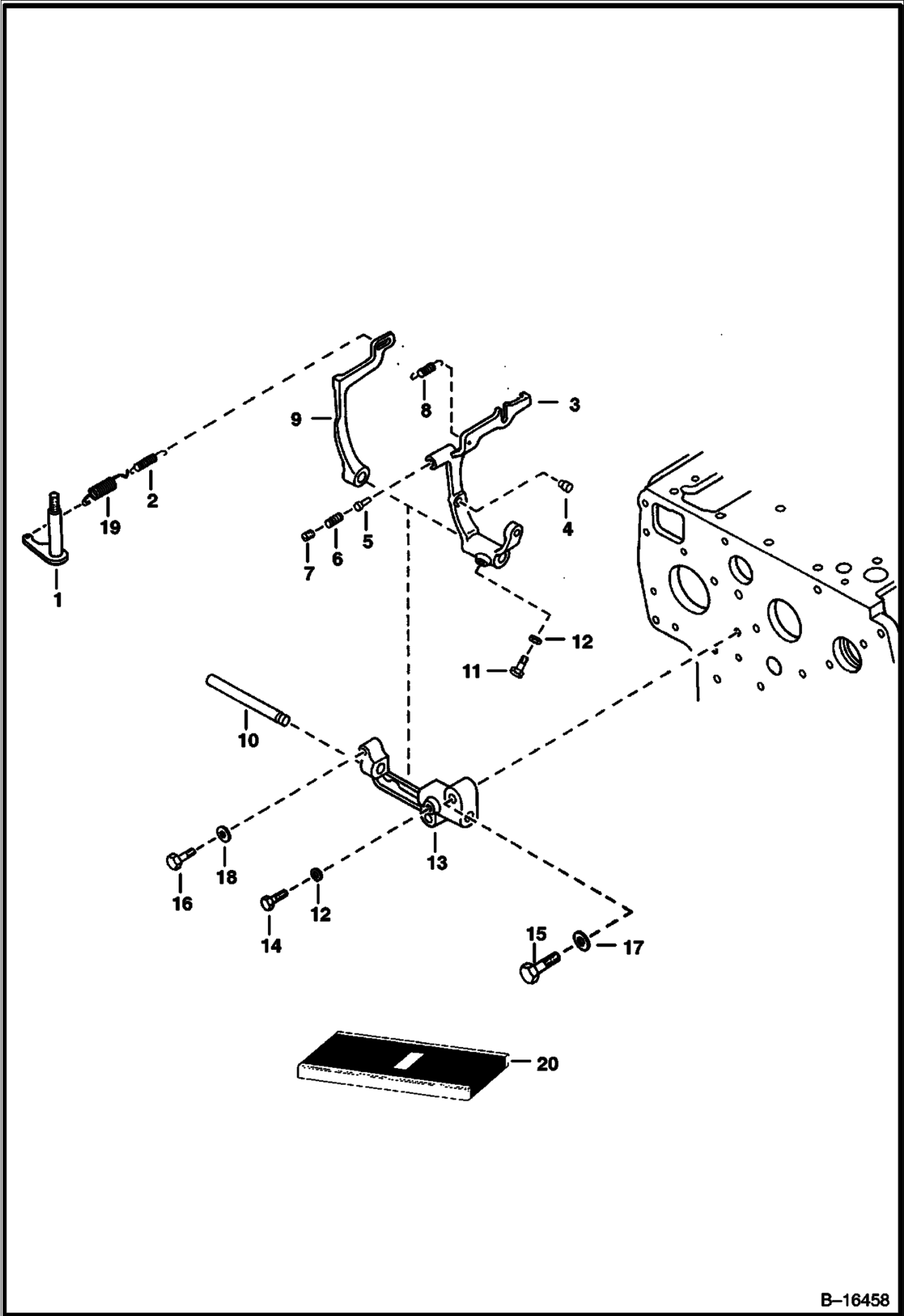


B-13139A

**ENGINE STOP LEVER (Cont'd)
(Kubota - V2003T) (1G622-00000)**

| Ref No | Part Number | Description | Remarks | Serial Number | Qty |
|--------|-------------|-------------|---|---------------|-----|
| 1 | 3974975 | IDLER | assy., idle - Ref. 2-6 | | 1 |
| 2 | 6653906 | BOLT ASSY. | adjusting | | 1 |
| 3 | 2DM8 | NUT | adjusting | | 1 |
| 4 | 3974978 | NUT | | | 1 |
| 5 | 3974095 | MET-GASK | | | 2 |
| 6 | 3974979 | CAP | | | 1 |
| 7 | 6676060 | LEVER ASSY. | eng. stop - Ref. 8-12 - Was 6655879 [A] | | 1 |
| 8 | 6655230 | COVER | injection pump | | 1 |
| 9 | 6655231 | SHAFT | lever | | 1 |
| 10 | 6655232 | LEVER | engine stop | | 1 |
| 11 | 6685476 | SEAL | oil - Was 6598703 [B] | | 1 |
| 12 | 6598098 | PIN | spring | | 1 |
| 13 | 6666783 | GASKET | pump cover - Was 3974601B [A] | | 1 |
| 14 | 6652580 | BOLT | | | 3 |

GOVERNOR
(Kubota - V2003T) (1G622-00000)

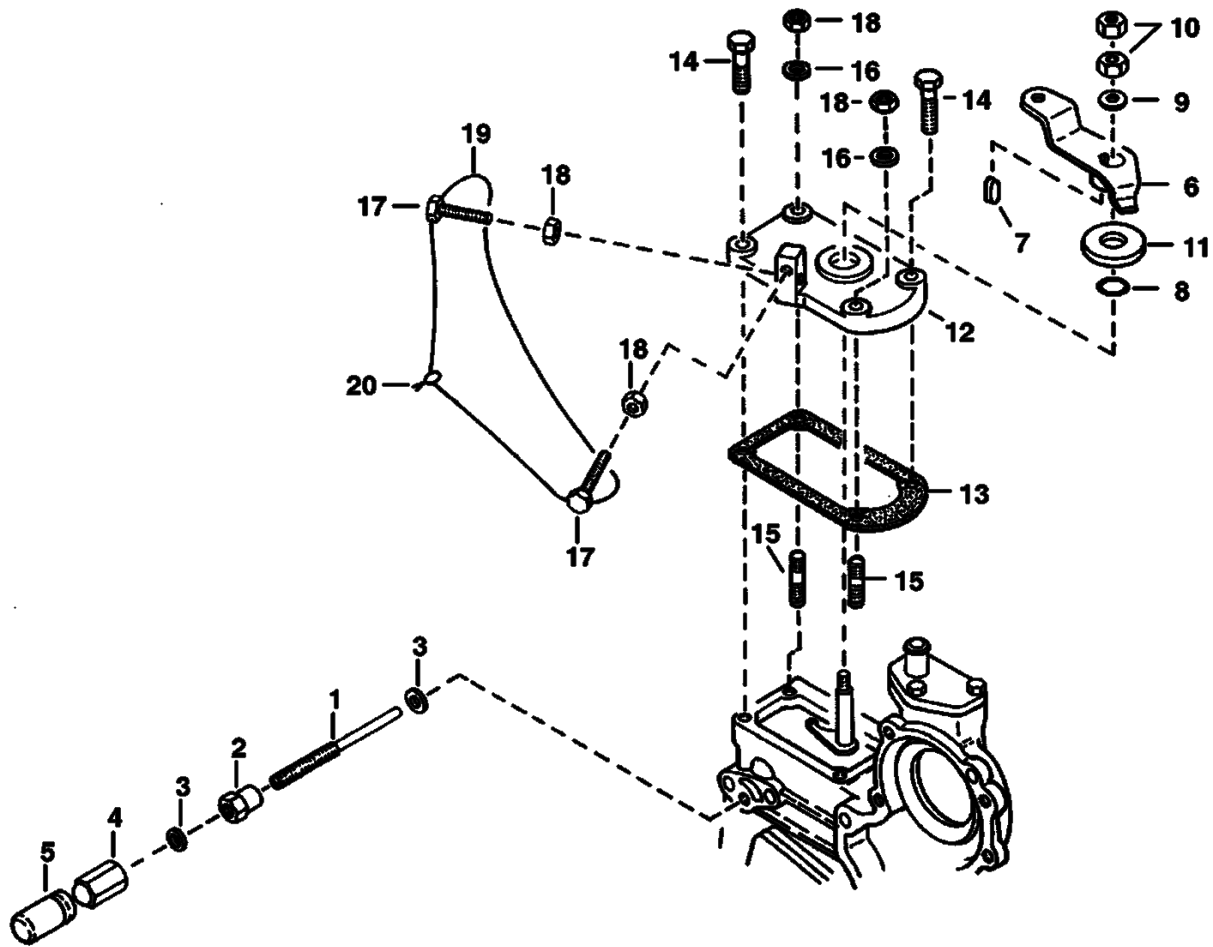


B-16458

GOVERNOR (Cont'd)
(Kubota - V2003T) (1G622-00000)

| Ref No | Part Number | Description | Remarks | Serial Number | Qty |
|--------|-------------|-------------------|-------------------------------------|---------------|-----|
| 1 | 6598174 | LEVER | governor | | 1 |
| 2 | 6655227 | SPRING | | | 1 |
| 3 | 6675672 | LEVER | fork - W/Ref. 4-7 - Was 6675657 [A] | | 1 |
| 4 | | PIN | NSS | | 2 |
| 5 | | PIN | NSS | | 1 |
| 6 | | SPRING | NSS | | 1 |
| 7 | | SCREW | NSS | | 1 |
| 8 | 6655225 | SPRING | | | 1 |
| 9 | 6655877 | LEVER | | | 1 |
| 10 | 3974658 | SHAFT | | | 1 |
| 11 | 3974659 | BOLT | | | 1 |
| 12 | 6EM60 | WASHER, SPRING | | | 2 |
| 13 | 6653916 | HOLDER | Was 3974661B [A] | | 1 |
| 14 | 3974192 | BOLT | | | 1 |
| 15 | 6598355 | BOLT | | | 2 |
| 16 | 4CM628 | BOLT | | | 1 |
| 17 | 2EM8 | WASHER, PLAIN | | | 2 |
| 18 | 1EM60 | WASHER | | | 1 |
| 19 | 6675640 | SPRING | governor | | 1 |
| 20 | 6675672 | LEVER | fork - Ref. 3 & 9 - 14 | | 1 |

SPEED CONTROL PLATE
(Kubota - V2003T) (1G622-00000)

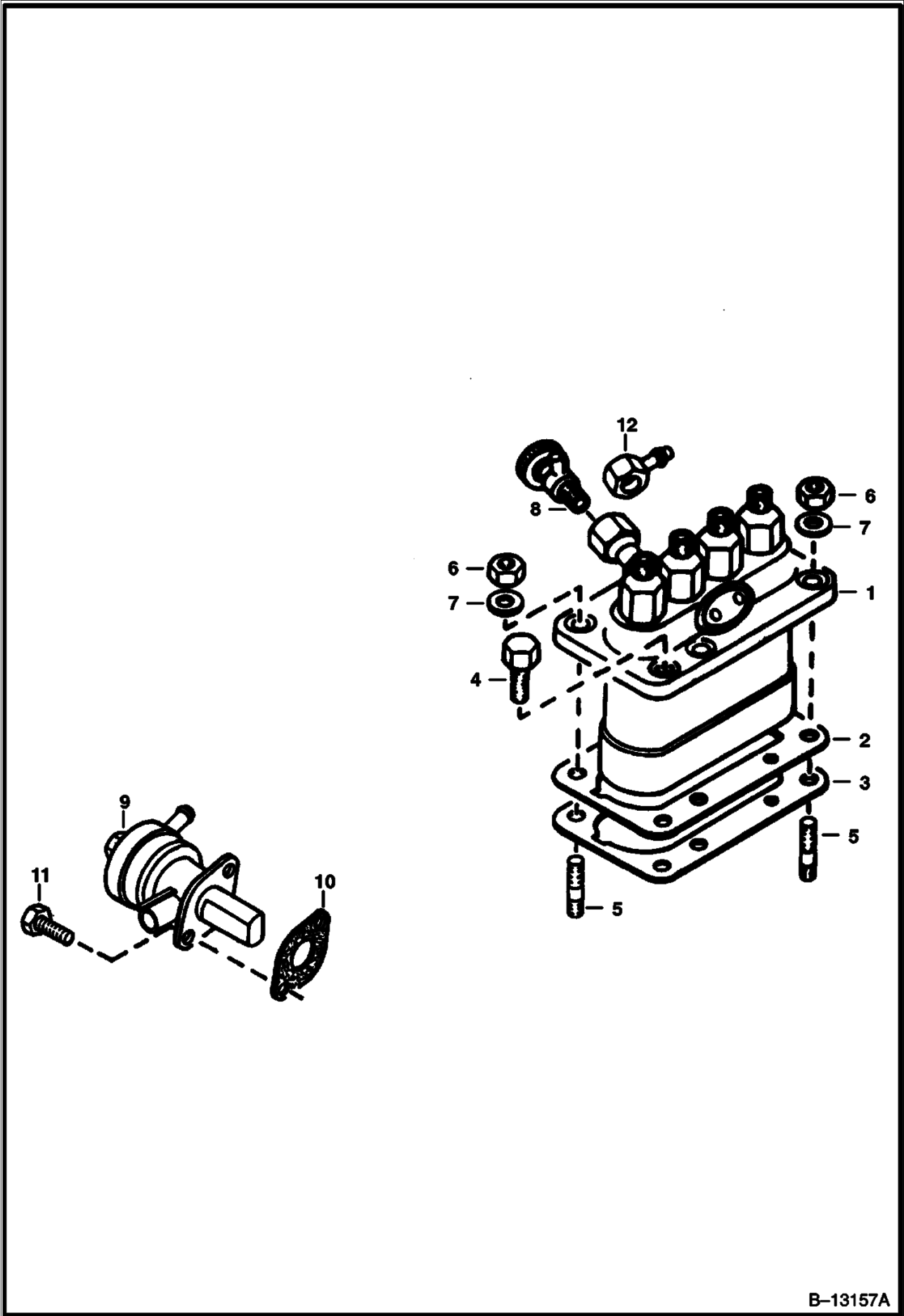


B-13137A

SPEED CONTROL PLATE (Cont'd)
(Kubota - V2003T) (1G622-00000)

| Ref No | Part Number | Description | Remarks | Serial Number | Qty |
|--------|-------------|----------------------------|-----------------|---------------|-----|
| 1 | 3974970 | BOLT | adjusting | | 1 |
| 2 | 3974971 | NUT | | | 1 |
| 3 | 3974972 | GASKET | | | 2 |
| 4 | 6655223 | NUT | cap | | 1 |
| 5 | 6653905 | CAP | | | 1 |
| 6 | 6598176 | LEVER | speed control | | 1 |
| 7 | 15JM48 | KEY | feather | | 1 |
| 8 | 3966512 | O RING | | | 1 |
| 9 | 1EM80 | WASHER | plain | | 1 |
| 10 | 1DM8 | NUT | | | 2 |
| 11 | 3974644 | COLLAR | friction | | 1 |
| 12 | 6641231 | PLATE, CONTROL SPEED | speed control | | 1 |
| 13 | 6666792 | GASKET | Was 6635392 [A] | | 1 |
| 14 | 4CM620 | BOLT | | | 2 |
| 15 | 6652764 | STUD | | | 2 |
| 16 | 6EM60 | WASHER, SPRING | spring | | 2 |
| 17 | 6655228 | STOPPER | | | 2 |
| 18 | 1DM6 | NUT | | | 4 |
| 19 | | WIRE | NAP | | 1 |
| 20 | | LEAD | NAP - sealing | | 1 |

FUEL & INJECTION PUMPS (Kubota - V2003T) (1G622-00000)

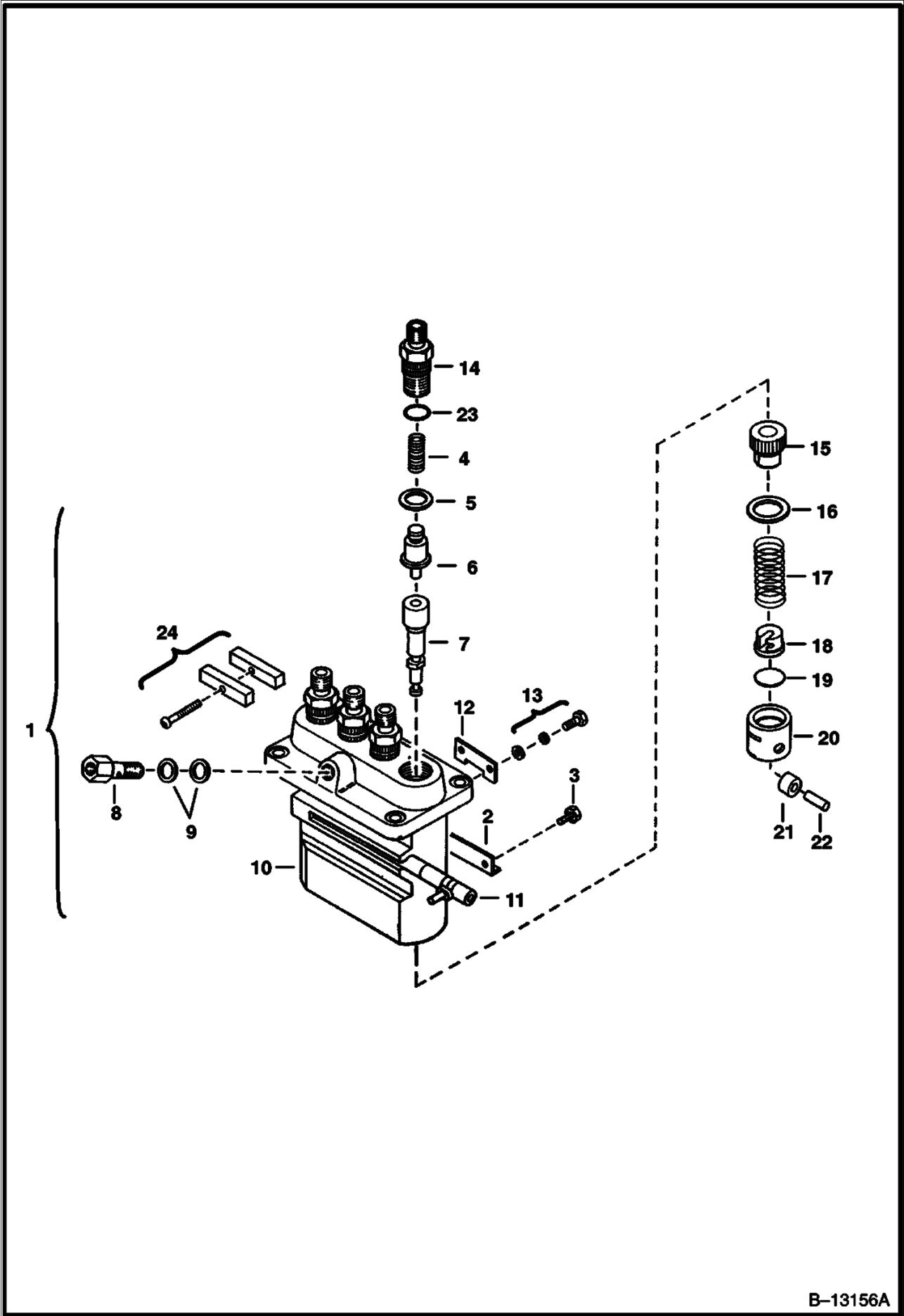


B-13157A

FUEL & INJECTION PUMPS (Cont'd)
(Kubota - V2003T) (1G622-00000)

| Ref No | Part Number | Description | Remarks | Serial Number | Qty |
|--------|-------------|-------------------|---|---------------|-----|
| 1 | | PUMP | See Illustration INJECTION PUMP/ B13156A | | 1 |
| 2 | 3974626 | SHIM | 0,20 mm - injection pump | | 2 |
| 3 | 6655210 | SHIM | 0,30 mm - injection pump | | 1 |
| 4 | 4CM822 | BOLT | | | 4 |
| 5 | 6652670 | STUD | | | 2 |
| 6 | 6652792 | NUT | | | 2 |
| 7 | 6EM80 | WASHER, SPRING | | | 2 |
| 8 | 6598102 | VALVE | jet start | | 1 |
| 9 | 6655216 | FUEL PUMP | | | 1 |
| 10 | 3974502 | GASKET | fuel pump | | 1 |
| 11 | 4CM616 | BOLT | | | 2 |
| 12 | 6655515 | JOINT | See Illustration FUEL SYSTEM/ PE1627 EYE - CONNECTS TO REF. 25 | | 1 |

INJECTION PUMP
(Kubota - V2003T) (1G622-00000)

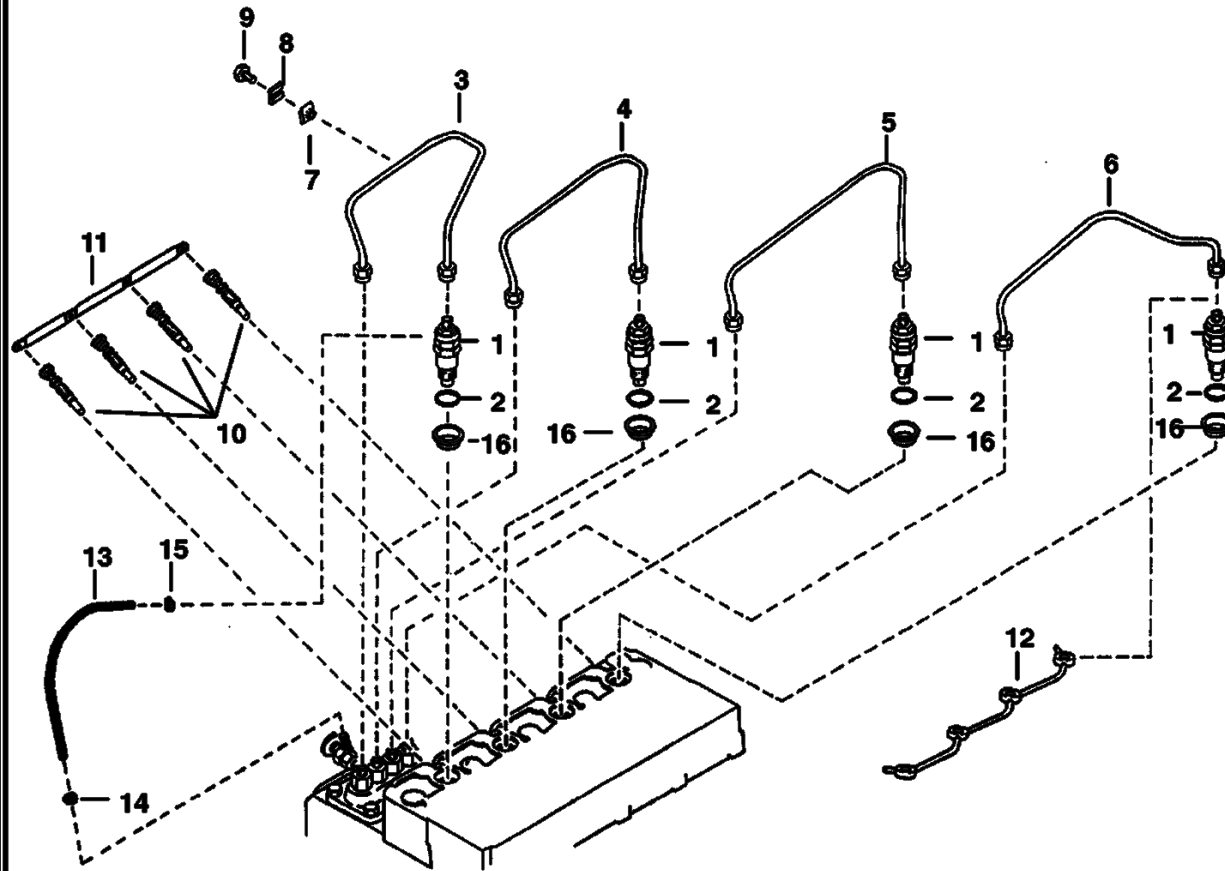


B-13156A

INJECTION PUMP (Cont'd)
(Kubota - V2003T) (1G622-00000)

| Ref No | Part Number | Description | Remarks | Serial Number | Qty |
|--------|-------------|-------------|--|---------------|-----|
| 1 | 6675656 | PUMP | injection - No service parts available - Take to injection pump specialist | | 1 |
| 2 | 6655207 | PLATE | adjust | | 3 |
| 3 | 6655206 | BOLT | | | 3 |
| 4 | 6655203 | SPRING | delivery valve | | 4 |
| 5 | 3974368 | GASKET | delivery valve | | 4 |
| 6 | 6655202 | VALVE | delivery | | 4 |
| 7 | 6655201 | ELEMENT | pump | | 4 |
| 8 | 3975428 | SCREW | | | 1 |
| 9 | 6698120 | GASKET | Was 3975389 [A] | | 2 |
| 10 | | HOUSING | NSS - pump | | 1 |
| 11 | 3974787 | RACK | control | | 1 |
| 12 | 6655209 | PLATE | adjusting | | 3 |
| 13 | 3974366 | BOLT | | | 3 |
| 14 | 6655204 | HOLDER | delivery valve | | 4 |
| 15 | 6653894 | SLEEVE | control | | 4 |
| 16 | 3974381 | SEAT | spring - Upper | | 4 |
| 17 | 3974382 | SPRING | plunger | | 4 |
| 18 | 3974383 | SEAT | spring - Under | | 4 |
| 19 | 3974384 | SHIM | | | 4 |
| 20 | 3974385 | TAPPETASY | W/Ref. 21 & 22 | | 4 |
| 21 | | ROLLER | NSS | | 4 |
| 22 | | PIN | NSS | | 4 |
| 23 | 6655518 | O-RING | | | 4 |
| 24 | 6655205 | PLATE ASSY. | | | 2 |

INJECTOR NOZZLES (Kubota - V2003T) (1G622-00000)

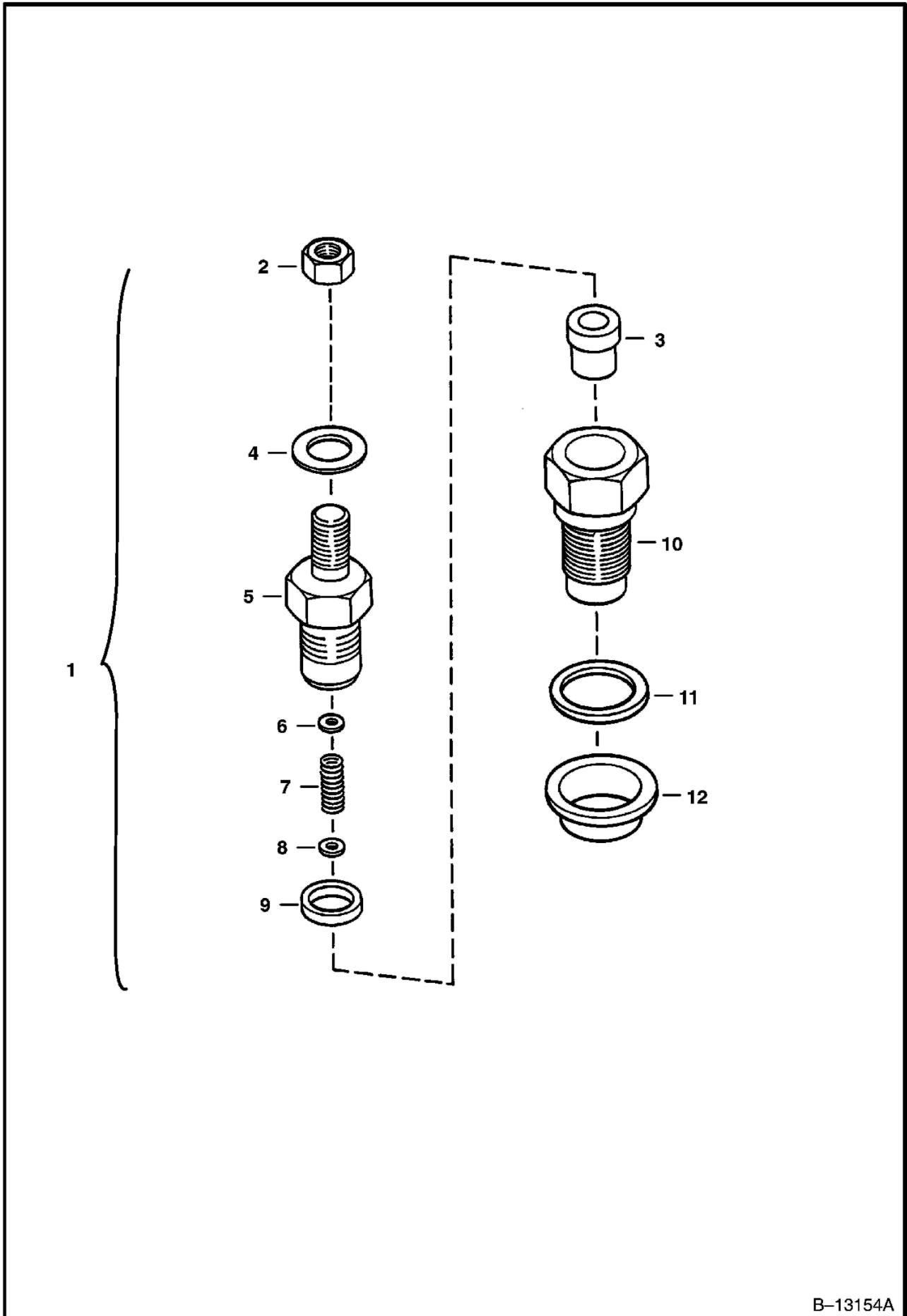


B-13155A

INJECTOR NOZZLES (Cont'd)
(Kubota - V2003T) (1G622-00000)

| Ref No | Part Number | Description | Remarks | Serial Number | Qty |
|--------|-------------|-------------|--|---------------|-----|
| 1 | | HOLDER KIT | See Illustration INJECTOR HOLDER/ B13154A - nozzle - W/Ref. 2 & 16 - Was 6722147 | | 4 |
| 2 | 6655218 | GASKET | | | 4 |
| 3 | 6675647 | PIPE | injection (1) | | 1 |
| 4 | 6675648 | PIPE | injection (2) | | 1 |
| 5 | 6675649 | PIPE | injection (3) | | 1 |
| 6 | 6675650 | PIPE | injection (4) | | 1 |
| 7 | 6652688 | CLAMP | pipe (1) | | 3 |
| 8 | 6652689 | CLAMP | pipe (2) | | 3 |
| 9 | 3974260 | SCREW | with washer | | 3 |
| 10 | 6655233 | GLOW PLUG | | | 4 |
| 11 | 6655234 | CORD | glow plug - Was 6686987 [A] | | 3 |
| 12 | 6655198 | PIPE | fuel over flow | | 3 |
| 13 | 6598146 | PIPE | fuel over flow (2) | | 1 |
| 14 | 6654718 | CLAMP | pipe - Was 6680795 [A] | | 1 |
| 15 | 6654718 | CLAMP | pipe | | 1 |
| 16 | 6655872 | HEAT SEAL | | | 4 |

INJECTOR HOLDER (Kubota - V2003T) (1G622-00000)

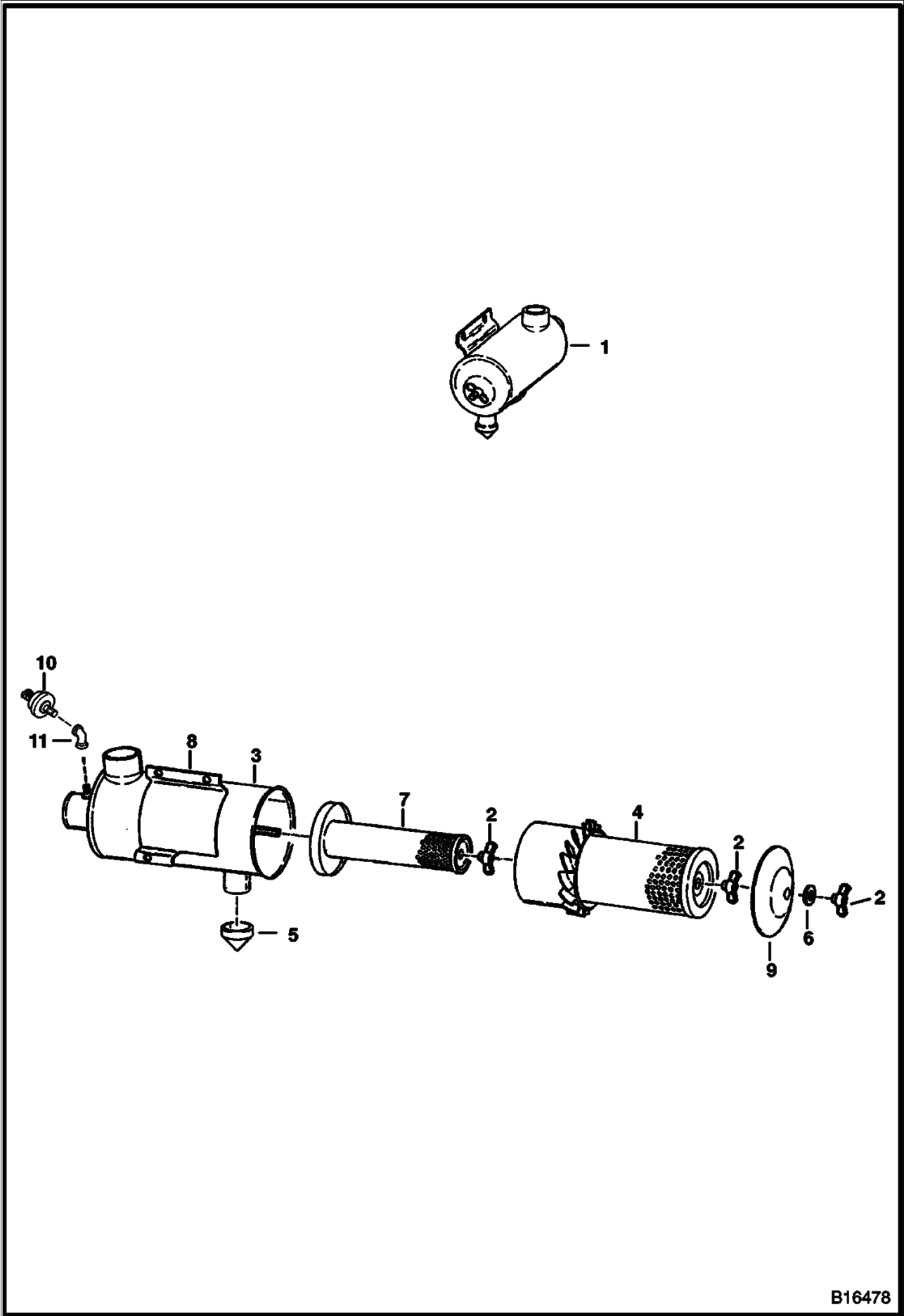


B-13154A

INJECTOR HOLDER (Cont'd)
(Kubota - V2003T) (1G622-00000)

| Ref No | Part Number | Description | Remarks | Serial Number | Qty |
|--------|-------------|--------------------------------------|--------------------------------|---------------|-----|
| 1 | 6722147 | HOLDER KIT | nozzle - Ref. 2-12 | | 4 |
| 1 | 6722147REM | NOZZLE, FUEL INJ. KUBOTA V2203 | nozzle - Ref. 2-12 | | 4 |
| 2 | 6657460 | NUT | | | 1 |
| 3 | 6655873 | NOZZLE | nozzle | | 1 |
| 4 | 6657463 | WASHER | W/(2) bleeder holes | | 1 |
| 5 | | BODY | NSS - nozzle holder | | 1 |
| 6 | 6657742 | KIT | washer - (.900mm thru 1.950mm) | | x |
| 6 | 6656126 | WASHER | adjusting (1,000 mm) | | x |
| 6 | 6656127 | WASHER | adjusting (1,050 mm) | | x |
| 6 | 6656128 | WASHER | adjusting (1,100 mm) | | x |
| 6 | 6656129 | WASHER | adjusting (1,150 mm) | | x |
| 6 | 6656130 | WASHER | adjusting (1,200 mm) | | x |
| 6 | 6656131 | WASHER | adjusting (1,250 mm) | | x |
| 6 | 6656132 | WASHER | adjusting (1,300 mm) | | x |
| 7 | | SPRING | NSS - nozzle | | 1 |
| 8 | | PIECE | NSS - distance | | 1 |
| 9 | | PUSH ROD | NSS | | 1 |
| 10 | | NUT | NSS - nozzle | | 1 |
| 11 | 6655218 | GASKET | | | 1 |
| 12 | 6655872 | HEAT SEAL | | | 1 |

AIR CLEANER
(Kubota Engine - V2203 & V2003T)

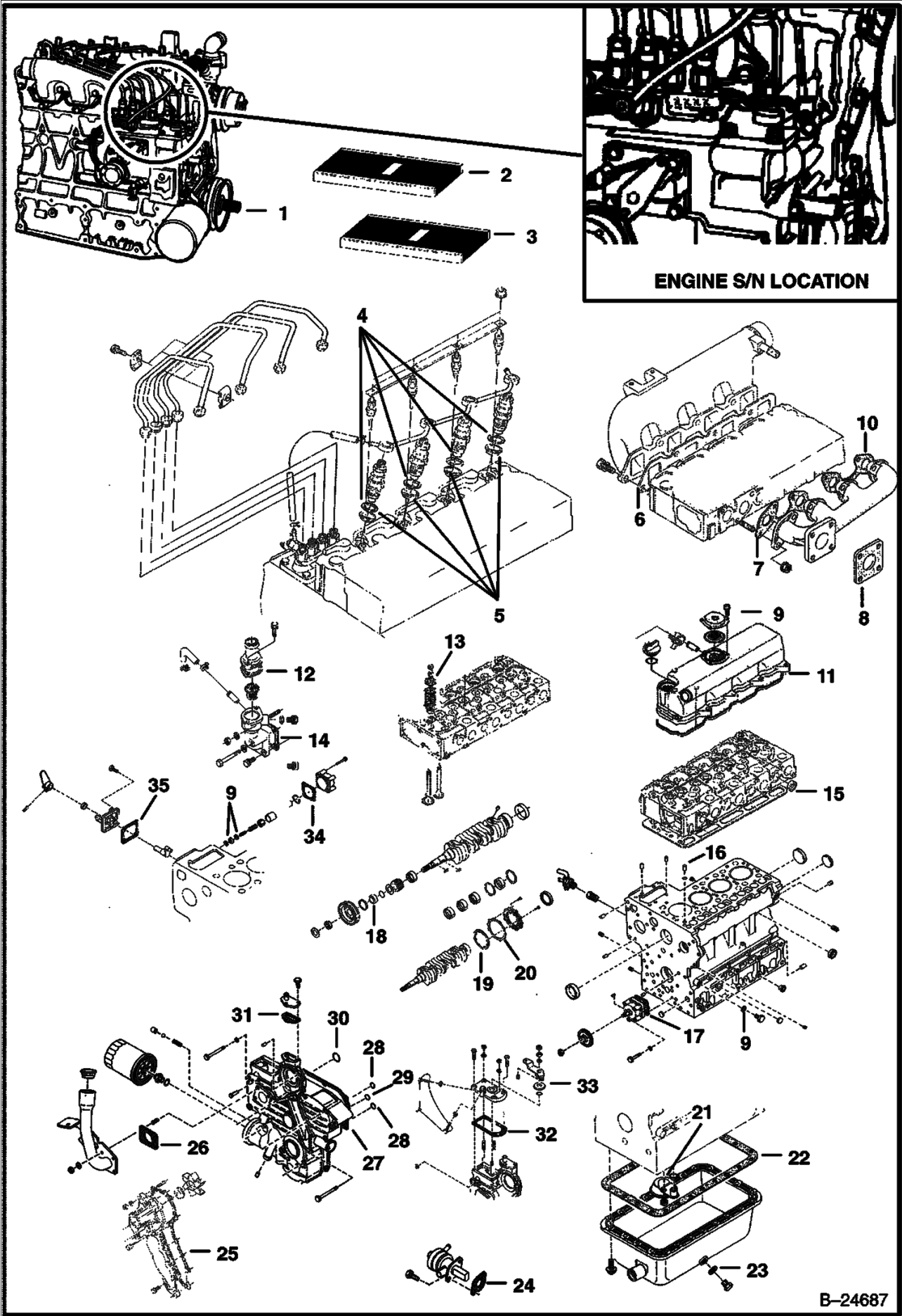


B16478

AIR CLEANER (Cont'd)
(Kubota Engine - V2203 & V2003T)

| Ref No | Part Number | Description | Remarks | Serial Number | Qty |
|--------|-------------|---------------------|---|---------------|-----|
| 1 | 6700711 | AIR CLEANER | W/ 1.5" Evacuator Valve - Was 6661400 [A] | | 1 |
| 1 | 6735285 | AIR CLEANER | European | | 1 |
| 2 | 6661243 | WING NUT | | | 3 |
| 3 | | TANK | NAP | | 1 |
| 4 | 6598492 | ELEMENT | outer | | 1 |
| 5 | 6655938 | VALVE, EVACUATOR | 1.5" (38,1 mm) ID | | 1 |
| 6 | 6661244 | WASHER | | | 1 |
| 7 | 6598362 | ELEMENT | inner | | 1 |
| 8 | 866028 | CLAMP | | | 1 |
| 9 | 6661242 | COVER | | | 1 |
| 10 | 6665371 | SWITCH | condition indicator | | 1 |
| 11 | 6725502 | ELBOW | Was 23F000001B [A] | | 1 |

**ENGINE & GASKET KITS
(Kubota - V2203 2EB - Tier II Replacement)
(1G975-41000)**

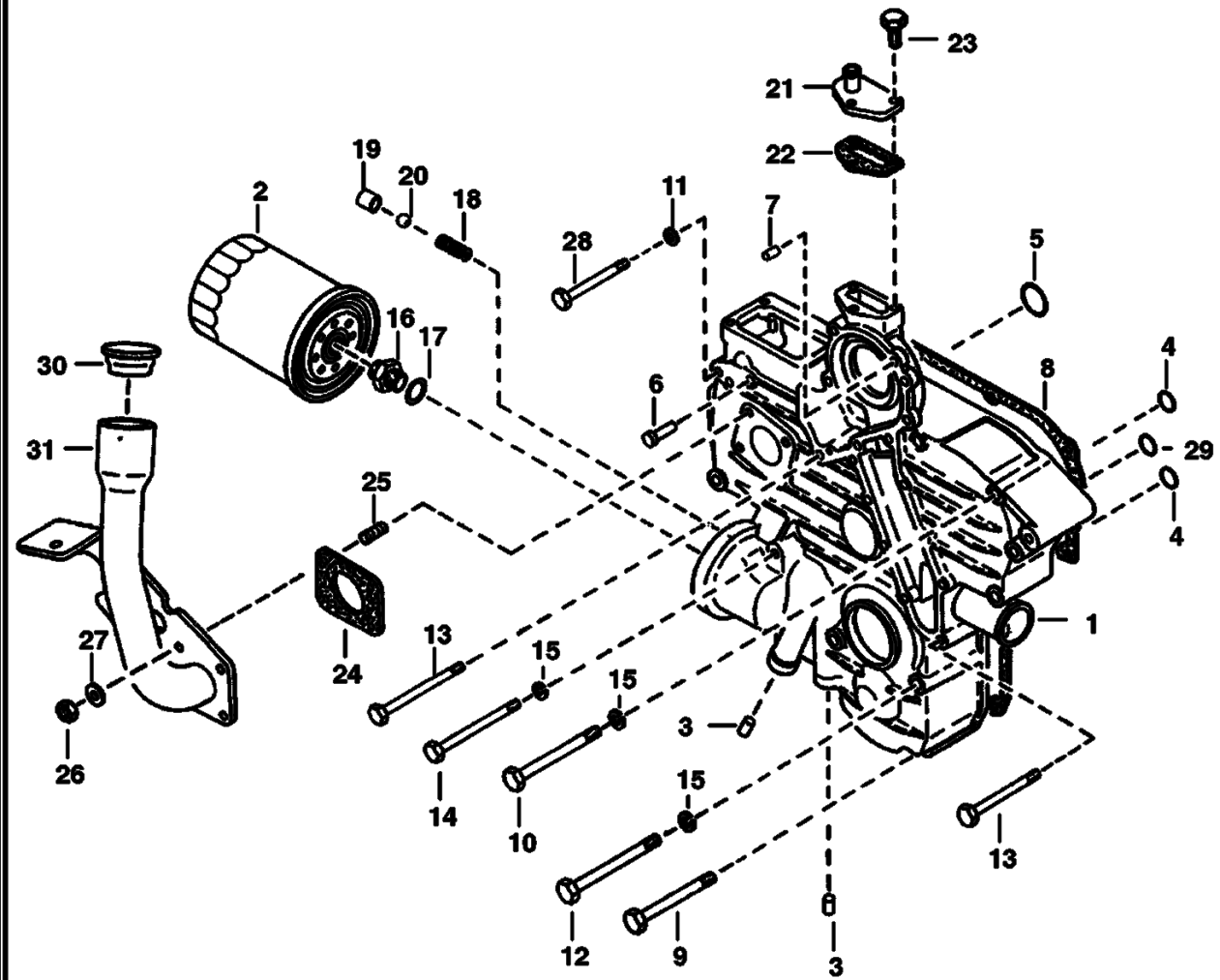


B-24687

ENGINE & GASKET KITS (Cont'd)
(Kubota - V2203 2EB - Tier II Replacement)
(1G975-41000)

| Ref No | Part Number | Description | Remarks | Serial Number | Qty |
|--------|-------------|---------------------------------|---|---------------|-----|
| 1 | 6685981 | ENGINE, V2203-E2B-BOBCAT-3 | See BT1388 - Does not include starter, alternator, flywheel, & flywheel housing | | 1 |
| 1 | | SHORT BLOCK | NAP | | 1 |
| 1 | 6685981REM | ENGINE, KUBOTA V2203 TIER 2 | See BT1388 must have Tier 2 engine for exchange | | 1 |
| 2 | | KIT, UPPER GASKET | NAP - upper - Order individual components - Was 6689014 [B,D] | | 1 |
| 3 | | LOWER GASKET KIT TIER II ENGINE | NAP - lower - Order individual components - Was 6689018 [B,D] | | 1 |
| 4 | 6655218 | GASKET | | | 4 |
| 5 | 6655872 | HEAT SEAL | | | 4 |
| 6 | 6684877 | GASKET | Was 6685876 [B,D] | | 1 |
| 7 | 6666781 | GASKET | exhaust manifold - front - Was 6685878 [B,D] | | 1 |
| 8 | 6727752 | GASKET | muffler - Was 6666791 [B,D] | | 1 |
| 9 | 3974095 | MET-GASK | | | 7 |
| 10 | 6666791 | GASKET | exhaust manifold - rear - Was 6684782 [B,D] | | 1 |
| 11 | 6684780 | GASKET | | | 1 |
| 12 | 6684863 | GASKET | thermostat cover | | 1 |
| 13 | 6653830 | SEAL, STEM VALVE | | | 8 |
| 14 | 6666802 | GASKET | water flange - Was 6684860 [A] | | 1 |
| 15 | 6655159 | GASKET | cylinder head | | 1 |
| 16 | 3974038 | O RING | | | 1 |
| 17 | 6666782 | GASKET | oil pump - Was 6684786 [A] | | 1 |
| 18 | 3974577 | O RING | - crankshaft frt | | 1 |
| 19 | 6684788 | GASKET | | | 1 |
| 20 | 6666814 | GASKET | | | 1 |
| 21 | 6684754 | O-RING | | | 1 |
| 22 | 6666817 | GASKET | oil pan - Was 6684753 | | 1 |
| 23 | 6680484 | GASKET | | | 1 |
| 24 | 6686037 | GASKET | fuel pump | | 1 |
| 25 | 6666804 | GASKET | | | 1 |
| 26 | 6714543 | GASKET | | | 1 |
| 27 | 6666800 | GASKET | gearcase | | 1 |
| 28 | 6685466 | O-RING | - gear case | | 2 |
| 29 | 6686981 | O-RING | | | 1 |
| 30 | 6685468 | O-RING | - gear case | | 1 |
| 31 | 6666803 | GASKET | water return flange - Was 6684774 [A] | | 1 |
| 32 | 6666792 | GASKET | | | 1 |
| 33 | 3966512 | O RING | Was 6686986 [A] | | 1 |
| 34 | 6692386 | GASKET | Was 6684813 [A] | | 1 |
| 35 | 6666783 | GASKET | pump cover | | 1 |

GEARCASE
(Kubota - V2203 2EB - Tier II Replacement)
(1G975-41000)

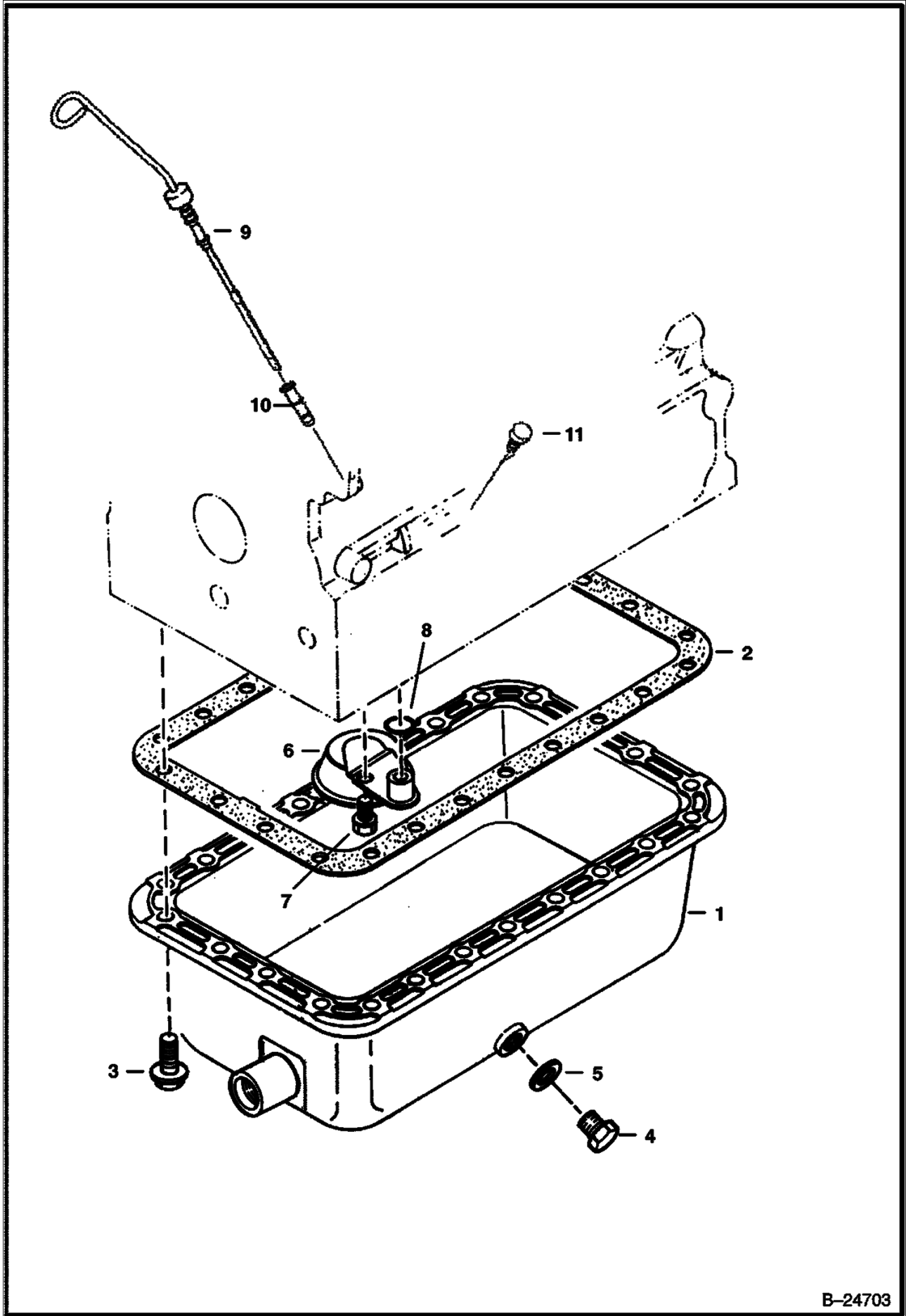


B-13160A

GEARCASE (Cont'd)
(Kubota - V2203 2EB - Tier II Replacement)
(1G975-41000)

| Ref No | Part Number | Description | Remarks | Serial Number | Qty |
|--------|-------------|-------------------|---|-----------------|-----|
| 1 | | CASE ASSY. | NAP - W/Ref. 3-7 & 29 - Order 6688640 & Ref. 4-7 & 29 - Was 6674164 [A] | | 1 |
| 1 | 6688640 | GEAR HOUSING | W/Ref. 3 | | 1 |
| 2 | 6675517 | FILTER, OIL ENG | | | 1 |
| 3 | 6667425 | PLUG | pin | | 2 |
| 4 | 6685466 | O-RING | | | 2 |
| 5 | 6685468 | O-RING | | | 1 |
| 6 | 6652592 | PIN | start spring | | 1 |
| 7 | 3974395 | PIN | straight | | 2 |
| 8 | 6666800 | GASKET | gearcase | | 1 |
| 9 | 3974888 | BOLT | | E/ 5V9999 & Bel | 2 |
| 9 | 7001903 | BOLT | flange | E/ 5W0001 & Abv | 2 |
| 10 | 1CM870 | BOLT | | E/ 5V9999 & Bel | 5 |
| 10 | 6692375 | BOLT | flange | E/ 5W0001 & Abv | 5 |
| 11 | 2EM8 | WASHER, PLAIN | | E/ 5V9999 & Bel | 1 |
| 12 | 1CM880 | BOLT | | E/ 5V9999 & Bel | 2 |
| 12 | 7001904 | BOLT | flange | E/ 5W0001 & Abv | 2 |
| 13 | 6653808 | BOLT | | E/ 5V9999 & Bel | 3 |
| 13 | 6692377 | BOLT | flange | E/ 5W0001 & Abv | 3 |
| 14 | 1CM895 | BOLT | | E/ 5V9999 & Bel | 2 |
| 14 | 7001905 | BOLT | flange | E/ 5W0001 & Abv | 2 |
| 15 | 6667422 | WASHER | | E/ 5V9999 & Bel | 9 |
| 16 | 6653809 | CONNECTOR | | | 1 |
| 17 | 6685501 | WASHER | | | 1 |
| 18 | 6652652 | SPRING | | | 1 |
| 19 | 3974893 | SEAT | valve | | 1 |
| 20 | 10J13 | BALL | | | 1 |
| 21 | 3974894 | FLANGE | water return | | 1 |
| 22 | 6666803 | GASKET | water return flange - Was 6684774 [A] | | 1 |
| 23 | 4CM620 | BOLT | | | 3 |
| 24 | 6714543 | GASKET | | | 1 |
| 25 | 6652764 | STUD | | | 4 |
| 26 | 1DM6 | NUT | | | 4 |
| 27 | 6EM60 | WASHER, SPRING | spring | | 4 |
| 28 | 6653807 | BOLT | | E/ 5V9999 & Bel | 1 |
| 28 | 6680686 | BOLT | flange | E/ 5W0001 & Abv | 1 |
| 29 | 6686981 | O-RING | | | 1 |
| 30 | 6703736 | CAP | | | 1 |
| 31 | 6719048 | MOUNT | | | 1 |

OIL PAN
(Kubota - V2203 2EB - Tier II Replacement)
(1G975-41000)

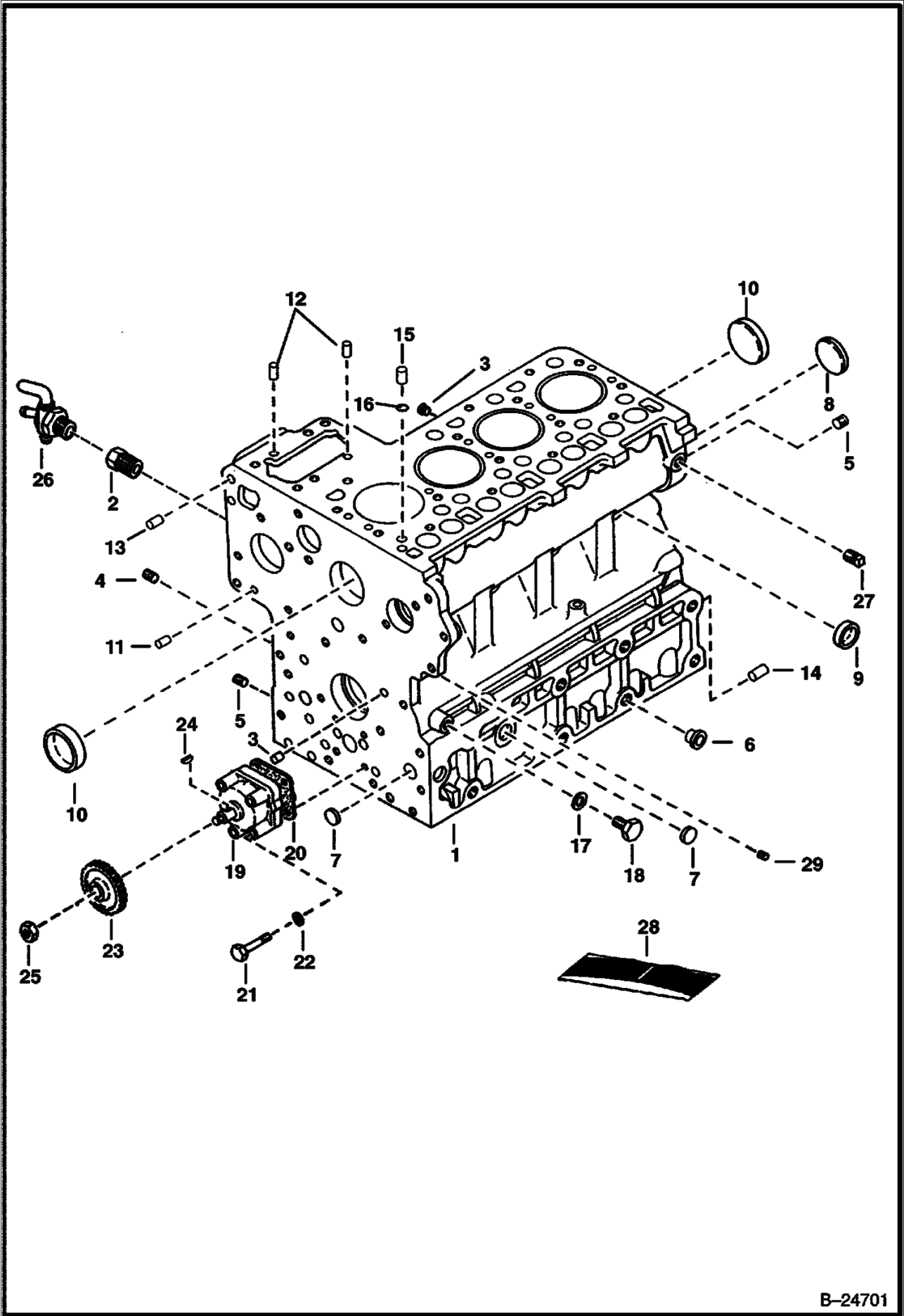


B-24703

OIL PAN (Cont'd)
(Kubota - V2203 2EB - Tier II Replacement)
(1G975-41000)

| Ref No | Part Number | Description | Remarks | Serial Number | Qty |
|--------|-------------|----------------------|-----------------------|-----------------|-----|
| 1 | 6655151 | PAN, OIL | | | 1 |
| 2 | 6666817 | GASKET | oil pan - Was 6684753 | | 1 |
| 3 | 7001922 | BOLT | Was 6653798 [B,D] | E/ 5R9999 & Bel | 24 |
| 3 | 7001922 | BOLT | Was 6698100 [A] | E/ 5S0001 & Abv | 24 |
| 4 | 6686979 | PLUG | drain | | 1 |
| 5 | 6680484 | GASKET | | | 1 |
| 6 | 6655194 | SCREEN, OIL | Was 6653568 [A] | | 1 |
| 7 | 6667421 | BOLT | | | 1 |
| 8 | 6684754 | O-RING | | | 1 |
| 9 | 6677202 | DIPSTICK, OIL ENG | oil - Was 6684784 [A] | | 1 |
| 10 | 6677203 | GUIDE | for long dipstick | | 1 |
| 11 | 6969804 | PLUG,OIL GAUGE | Was 6684785 [A] | | 1 |

CRANKCASE
(Kubota - V2203 2EB - Tier II Replacement)
(1G975-41000)

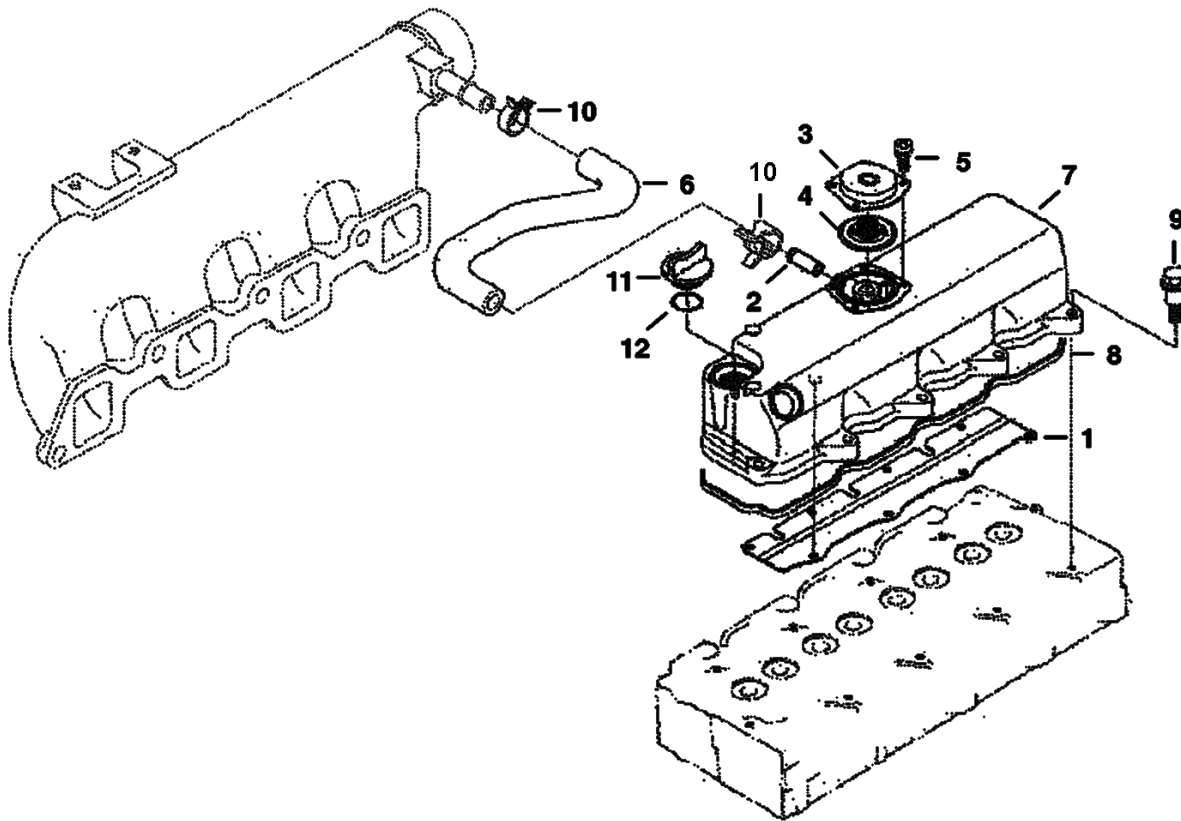


B-24701

CRANKCASE (Cont'd)
(Kubota - V2203 2EB - Tier II Replacement)
(1G975-41000)

| Ref No | Part Number | Description | Remarks | Serial Number | Qty |
|--------|-------------|---------------|---|---------------|-----|
| 1 | | CRANKCASE | NAP - assy - W/Ref. 2-15 - Use (1) each of 6689503, 6685483, 6685484, 6685486, 6655166, 6655184, 6685485, 6693412 and (2) each of 6685488 & 6685489, (4) of 6685487 - Was 6655149 [A] | | 1 |
| 2 | 3974871 | CONNECTOR | | | 1 |
| 3 | 6652574 | PLUG | | | 5 |
| 4 | 6655869 | PLUG | | | 12 |
| 5 | 6652575 | PLUG | | | 2 |
| 6 | 6598187 | PLUG | | | 21 |
| 7 | 6667418 | PLUG | expansion | | 3 |
| 8 | 6657663 | PLUG | expansion | | 1 |
| 9 | 3974389 | CAP, SEALING | sealing | | 6 |
| 10 | 3974390 | PLUG | sealing - Was 6680639 [A] | | 2 |
| 11 | 3974393 | PIN | straight | | 2 |
| 12 | 3974394 | PIN | straight | | 2 |
| 13 | 3974395 | PIN | straight | | 2 |
| 14 | 3974868 | PIN | straight | | 1 |
| 15 | 3974037 | PIN | pipe | | 1 |
| 16 | 3974038 | O RING | | | 1 |
| 17 | 3974095 | MET-GASK | | | 1 |
| 18 | 6683104 | PLUG | | | 1 |
| 19 | 6689441 | PUMP, OIL ENG | Was 3975426 [A] | | 1 |
| 20 | 6666782 | GASKET | oil pump - Was 6684786 [A] | | 1 |
| 21 | 6655195 | BOLT | | | 4 |
| 22 | 6667419 | WASHER | | | 4 |
| 23 | 3975441 | GEAR | | | 1 |
| 24 | 6969805 | KEY,FEATHER | Was 15JM00410B [A] | | 1 |
| 25 | 6653888 | NUT | | | 1 |
| 26 | 6672190 | DRAINCOCK | Was 6630177 [A] | | 1 |
| 27 | 16F2 | PLUG | | | 1 |
| 28 | | GASKET KIT | Lower - Does not include rear oil seal | | 1 |
| 29 | 6685477 | PLUG | | | 1 |

ROCKER ARM COVER
(Kubota - V2203 2EB - Tier II Replacement)
(1G975-41000)

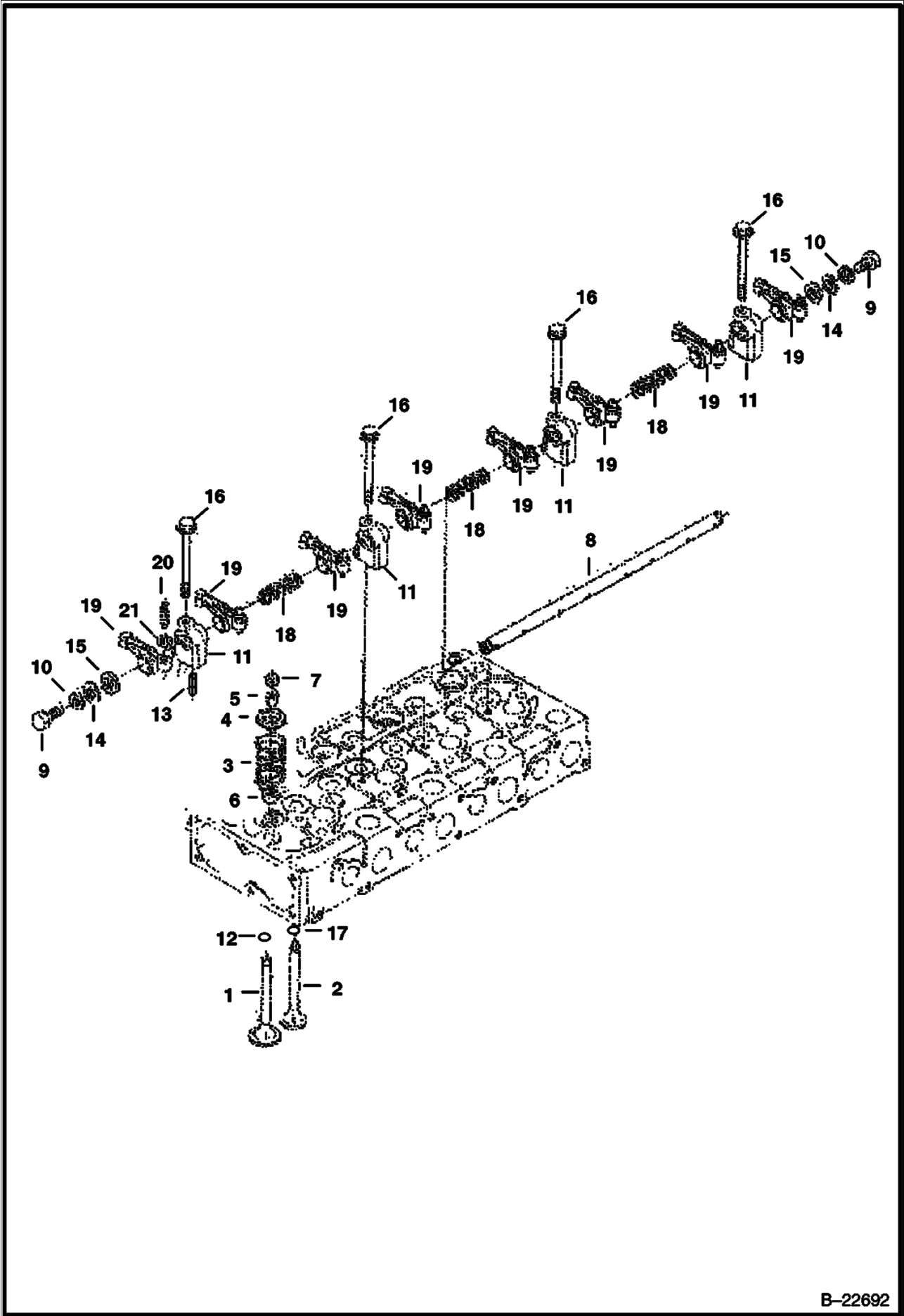


B-22674

ROCKER ARM COVER (Cont'd)
(Kubota - V2203 2EB - Tier II Replacement)
(1G975-41000)

| Ref No | Part Number | Description | Remarks | Serial Number | Qty |
|--------|-------------|--------------------|---|---------------|-----|
| 1 | | SHIELD | NAP - breather - Order Ref. 7 - Was 6684779 [A] | | 1 |
| 2 | 6655880 | PIPE | | | 1 |
| 3 | 6969803 | COVER, BREATHER | Was 6685086 [A] | | 1 |
| 4 | 6685087 | VALVE | | | 1 |
| 5 | 3975436 | SCREW | W/Washer - Was 3974928B [A] | | 4 |
| 6 | 6685524 | PIPE | breather | | 1 |
| 7 | 6685085 | COVER | valve | | 1 |
| 8 | 6684780 | GASKET | | | 1 |
| 9 | 6684781 | BOLT | | | 10 |
| 10 | 3974679 | BAND | pipe | | 2 |
| 11 | 6652653 | PLUG | oil filler | | 1 |
| 12 | 6684782 | O-RING | | | 1 |

VALVE ROCKER ARM
(Kubota - V2203 2EB - Tier II Replacement)
(1G975-41000)

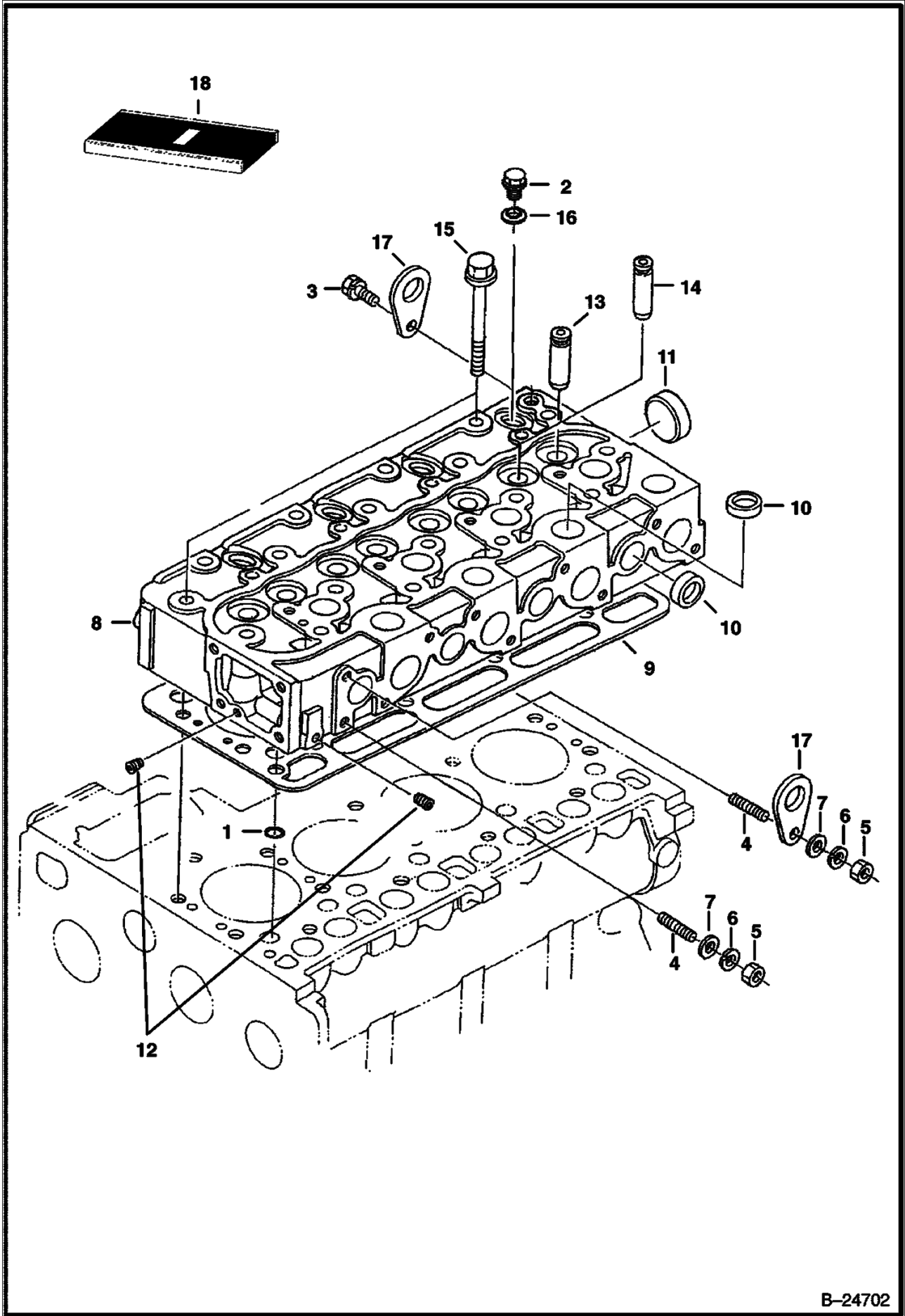


B-22692

VALVE ROCKER ARM (Cont'd)
(Kubota - V2203 2EB - Tier II Replacement)
(1G975-41000)

| Ref No | Part Number | Description | Remarks | Serial Number | Qty |
|--------|-------------|---------------------|-------------------------|-----------------|-----|
| 1 | 6655173 | VALVE | inlet | E/ 6H9999 & Bel | 4 |
| 1 | 6698634 | VALVE, INLET | | E/ 6J0001 & Abv | 4 |
| 2 | 6655174 | VALVE | exhaust | E/ 6H9999 & Bel | 4 |
| 2 | 6698635 | VALVE, EXHAUST | | E/ 6J0001 & Abv | 4 |
| 3 | 3974514 | SPRING 5 | valve | | 8 |
| 4 | 3974515 | RETAINER | valve spring | | 8 |
| 5 | 6684874 | COLLAR | valve spring - set of 2 | | 8 |
| 6 | 6653830 | SEAL, STEM VALVE | | | 8 |
| 7 | 3974518 | CAP | valve | | 8 |
| 8 | 6684875 | SHAFT | rocker arm | | 1 |
| 9 | 5CM812 | BOLT | | | 2 |
| 10 | 6667422 | WASHER | external | | 2 |
| 11 | 3974521 | MOUNT | rocker arm | | 4 |
| 12 | 6655155 | SEAT | valve inlet | | 4 |
| 13 | 6667461 | PIN | spring | | 4 |
| 14 | 6667451 | WASHER | plain | | 4 |
| 15 | 3974524 | WASHER | | | 2 |
| 16 | 6680685 | BOLT | | | 1 |
| 17 | 6655156 | SEAT | valve exhaust | | 4 |
| 18 | 6653833 | SPRING | rocker arm | | 3 |
| 19 | 6655870 | ROCKER ARM | rocker - W/Ref. 20 & 21 | | 8 |
| 20 | 3974920 | SCREW | adjusting | | 8 |
| 21 | 2DM8 | NUT | Was 6680874 [A] | | 8 |

CYLINDER HEAD
(Kubota - V2203 2EB - Tier II Replacement)
(1G975-41000)

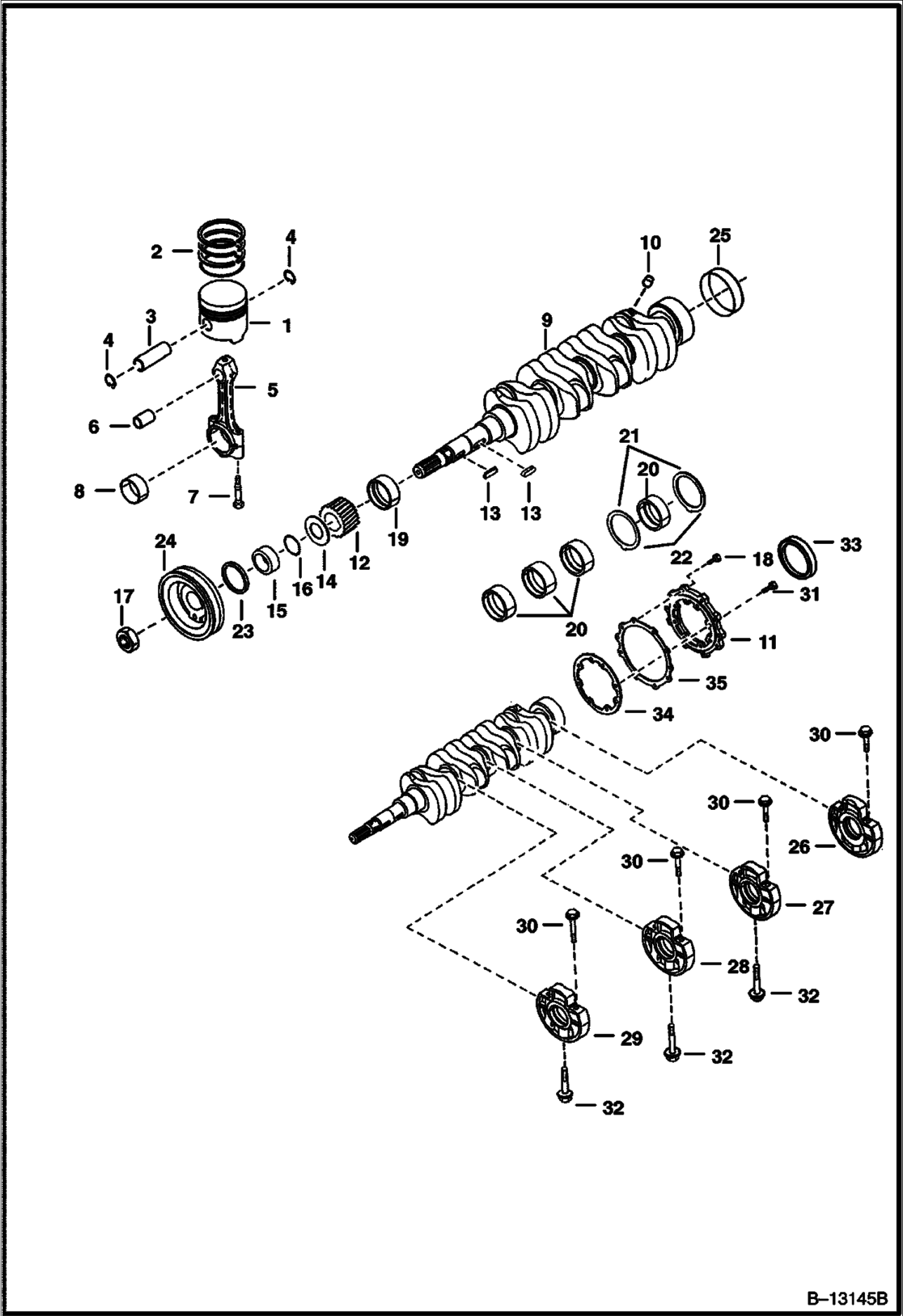


B-24702

CYLINDER HEAD (Cont'd)
(Kubota - V2203 2EB - Tier II Replacement)
(1G975-41000)

| Ref No | Part Number | Description | Remarks | Serial Number | Qty |
|--------|-------------|--------------------|---------------------------------|---------------|-----|
| 1 | 3974038 | O RING | | | 1 |
| 2 | 6655160 | PLUG | | | 1 |
| 3 | 6667421 | BOLT | | | 1 |
| 4 | 6652670 | STUD | | | 2 |
| 5 | 6652792 | NUT | | | 2 |
| 6 | 6667422 | WASHER | spring | | 2 |
| 7 | 2EM8 | WASHER, PLAIN | plain | | 2 |
| 8 | 6686996 | HEAD | cylinder - W/Ref. 10 - 13 | | 1 |
| 8 | 6686996REM | HEAD, KUBOTA V2203 | | | 1 |
| 9 | 6655159 | GASKET | cylinder head | | 1 |
| 10 | 3974432 | PLUG | sealing - Was 6680665 [A] | | 12 |
| 11 | 6680666 | PLUG | sealing | | 1 |
| 12 | 6598116 | PLUG | | | 2 |
| 13 | 6969990 | GUIDE | exhaust valve - Was 6653803 [A] | | 4 |
| 14 | 6655154 | GUIDE | intake valve | | 4 |
| 15 | 6655158 | BOLT | | | 18 |
| 16 | 6655161 | WASHER | W/rubber | | 1 |
| 17 | 3974882 | HOOK | | | 1 |
| 18 | | GASKET KIT | upper | | 1 |

PISTON & CRANKSHAFT
(Kubota - V2203 2EB - Tier II Replacement)
(1G975-41000)

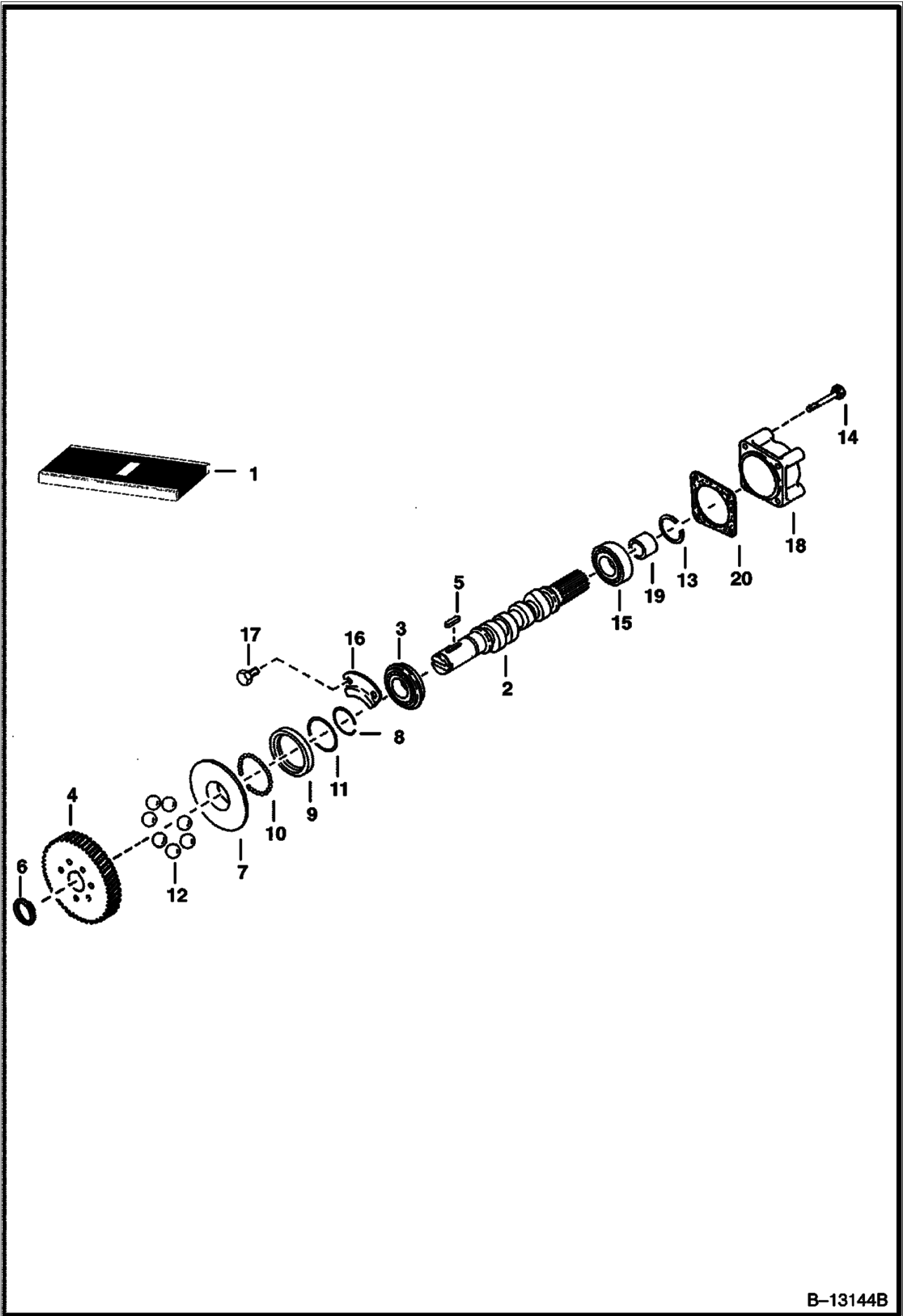


B-13145B

PISTON & CRANKSHAFT (Cont'd)
(Kubota - V2203 2EB - Tier II Replacement)
(1G975-41000)

| Ref No | Part Number | Description | Remarks | Serial Number | Qty |
|--------|-------------|-----------------|--|-----------------|-----|
| 1 | | PISTON | NAP - std - Order 6688379 piston & (2) 6686997 circlip - Was 6667435 [A] | | 4 |
| 1 | | PISTON | NAP - (0,5 mm - .0197) - Order 6688533 piston & (2) 6686997 circlips - Was 6667436 [A] | | 4 |
| 2 | 6678075 | RINGS | piston - Std. | | 4 |
| 2 | 6657696 | RINGS | piston - (0,5 mm - .0197) | | 4 |
| 3 | 6655179 | PIN, PISTON ENG | | | 4 |
| 4 | 6686997 | CIR-CLIP | | | 8 |
| 5 | 6655181 | ROD, CONNECTING | connecting - W/Ref. 6, 7 & 8 | | 4 |
| 6 | 6655243 | BUSHING | | | 4 |
| 7 | 6655498 | BOLT | | | 8 |
| 8 | 6655183 | BEARING | rod - std. | | 4 |
| 8 | 6655236 | BEARING | rod (-0,20 mm) | | 4 |
| 8 | 6655237 | BEARING | rod (-0,40 mm) | | 4 |
| 9 | 6691495 | CRANKSHAFT | Ref. 10 & 25 - Ref. 10 must be installed before using - Was 6667437 [B,D] | E/ 6P9999 & Bel | 1 |
| 9 | 7010623 | CRANKSHAFT, ENG | W/Ref. 25 | E/ 6Q0001 & Abv | 1 |
| 10 | 6652633 | BALL | Must be installed before using Ref. 9 crankshaft - See S/L dated 3 Jan 85 | | 4 |
| 11 | 6655166 | COVER | Was 6685515 [A] | | 1 |
| 12 | 6598142 | GEAR | | | 1 |
| 13 | 3974546 | KEY | | | 1 |
| 14 | 6653861 | SLINGER, OIL | oil | | 1 |
| 15 | 3975337 | COLLAR | | | 1 |
| 16 | 3974577 | O RING | | | 1 |
| 17 | 3974671 | NUT | | | 1 |
| 18 | 4CM825 | BOLT | | | 8 |
| 19 | 6685486 | BEARING | main - Std. | | 1 |
| 19 | 6685490 | BEARING | main (0,2 mm-.0079) | | 1 |
| 19 | 6685491 | BEARING | main (0,4 mm-.0157) | | 1 |
| 20 | 6685487 | BEARING | main - Std. | | 4 |
| 20 | 6685492 | BEARING | main (0,2 mm-.0079) | | 4 |
| 20 | 6685493 | BEARING | main (0,4 mm-.0157) | | 4 |
| 21 | 6685488 | WASHER | thrust - Std. | | 2 |
| 21 | 6685494 | WASHER | thrust (0,2 mm-.0079) | | 2 |
| 21 | 6685495 | WASHER | thrust (0,4 mm-.0157) | | 2 |
| 22 | 6685489 | WASHER | thrust - Std. | | 2 |
| 22 | 6685496 | WASHER | thrust (0,2 mm-.0079) | | 2 |
| 22 | 6685497 | WASHER | thrust (0,4 mm-.0157) | | 2 |
| 23 | 6631664 | SEAL | oil | | 1 |
| 24 | 6655235 | PULLEY | | | 1 |
| 25 | 6653859 | SLEEVE | Was 6684807 [A] | | 1 |
| 26 | 6689503 | CASE MAIN BRG | main bearing - W/Ref. 30 - Was 6685480 [A] | | 1 |
| 27 | 6685485 | CASE | main bearing - W/Ref. 30 | | 1 |
| 28 | 6685484 | CASE, MAIN BRG. | main bearing - W/Ref. 30 | | 1 |
| 29 | 6685483 | CASE, MAIN BRG. | main bearing - W/Ref. 30 | | 1 |
| 30 | 6685482 | BOLT | | | 8 |
| 31 | 4CM828 | BOLT | | | 8 |
| 32 | 6653821 | BOLT | | | 3 |
| 33 | 6684789 | SEAL | oil | | 1 |
| 34 | 6684788 | GASKET | | | 1 |
| 35 | 6666814 | GASKET | | | 1 |

FUEL CAMSHAFT
(Kubota - V2203 2EB - Tier II Replacement)
(1G975-41000)

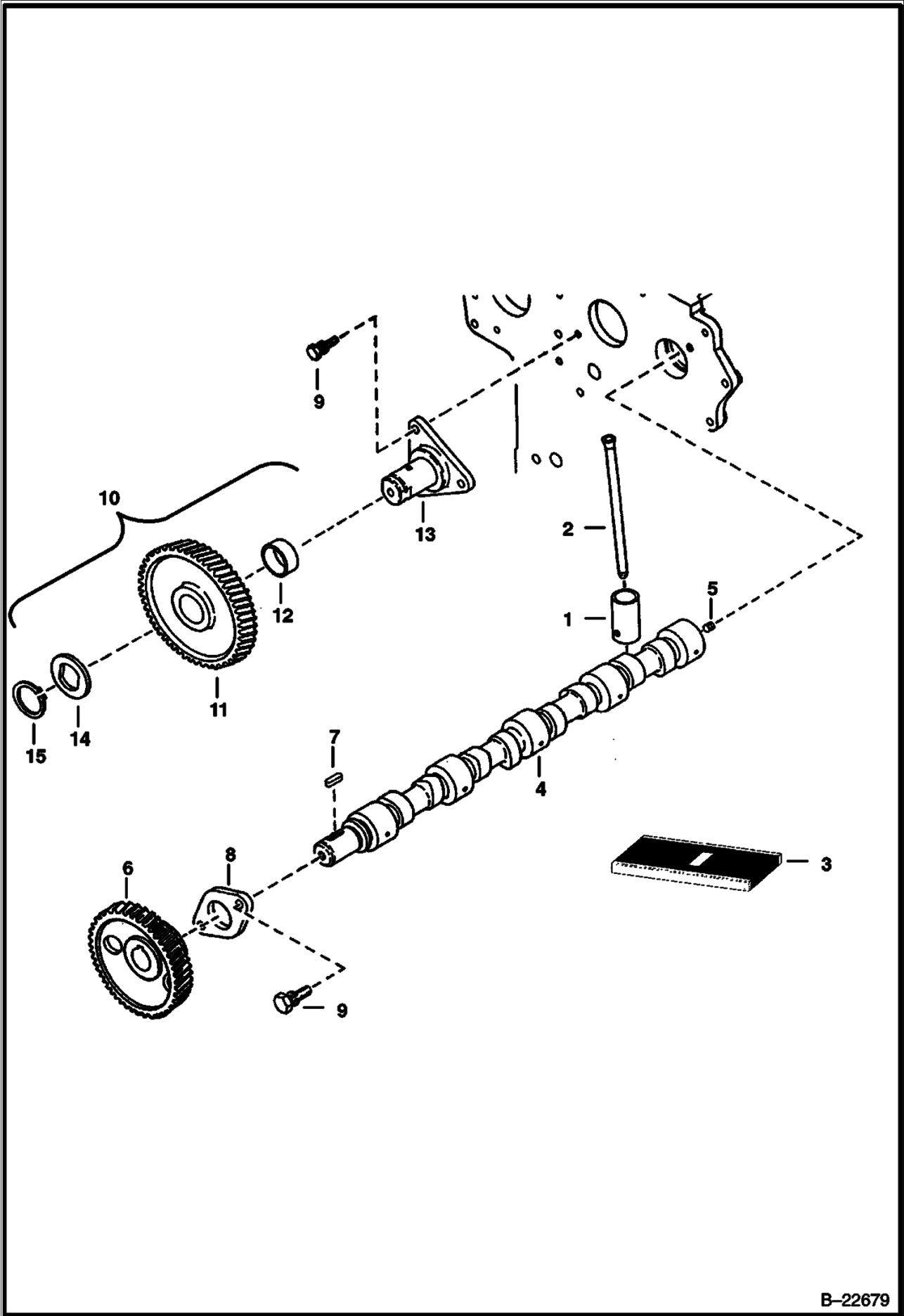


B-13144B

FUEL CAMSHAFT (Cont'd)
(Kubota - V2203 2EB - Tier II Replacement)
(1G975-41000)

| Ref No | Part Number | Description | Remarks | Serial Number | Qty |
|--------|-------------|--------------|-------------------|---------------|-----|
| 1 | 6655211 | CAMSHAFT | assy. - Ref. 2-14 | | 1 |
| 2 | 6655875 | CAMSHAFT | fuel | | 1 |
| 3 | 851242 | BEARING | | | 1 |
| 4 | 6655212 | GEAR | injection pump | | 1 |
| 5 | 6598099 | KEY | | | 1 |
| 6 | 5JM24 | CIRCLIP | external | | 1 |
| 7 | 6655213 | SLEEVE | governor | | 1 |
| 8 | 3974618 | CIR-CLIP | sleeve | | 1 |
| 9 | 6655214 | CASE | governor ball | | 1 |
| 10 | 10J5 | BALL | | | 39 |
| 11 | 3974620 | CIR-CLIP | ball case | | 1 |
| 12 | 6655215 | BALL | | | 7 |
| 13 | 6598158 | CIRCLIP | external | | 1 |
| 14 | 6651934 | BOLT | | | 7 |
| 15 | 6684812 | BALL BEARING | | | 1 |
| 16 | 3974624 | STOPPER | | | 1 |
| 17 | 6667420 | BOLT | | | 2 |
| 18 | 6666804 | GASKET | fuel camshaft | | 1 |
| 19 | 6598179 | COLLAR | | | 1 |
| 20 | 6692386 | GASKET | Was 6684813 [A] | | 1 |

CAMSHAFT
(Kubota - V2203 2EB - Tier II Replacement)
(1G975-41000)

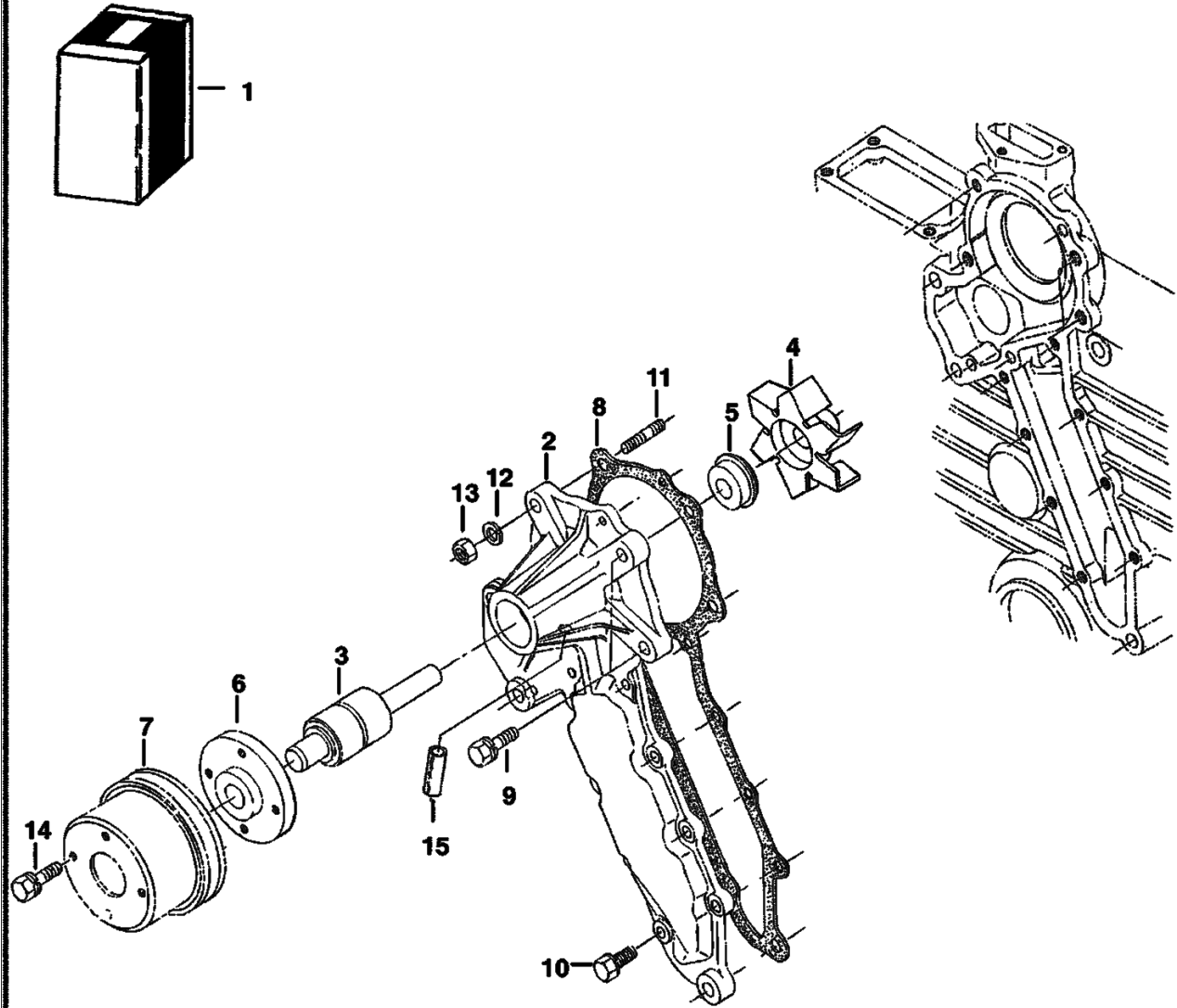


B-22679

CAMSHAFT (Cont'd)
(Kubota - V2203 2EB - Tier II Replacement)
(1G975-41000)

| Ref No | Part Number | Description | Remarks | Serial Number | Qty |
|--------|-------------|-------------|----------------------------|---------------|-----|
| 1 | 6667428 | TAPPET | Was 6680707 [A] | | 8 |
| 2 | 6655176 | PUSHROD | | | 8 |
| 3 | 6655427 | CAMSHAFT | assy. - Ref. 4-8 | | 1 |
| 4 | | CAMSHAFT | NAP - Was 6655384 [A] | | 1 |
| 5 | 6652633 | BALL | | | 1 |
| 6 | 6653840 | GEAR | camshaft | | 1 |
| 7 | 3974546 | KEY | | | 1 |
| 8 | 3974547 | STOPPER | camshaft | | 1 |
| 9 | 1CM818 | BOLT | | | 2 |
| 10 | 6684793 | GEAR | idle - W/Ref. 11 & 12 | | 1 |
| 11 | | GEAR | NSS - idle - Order Ref. 10 | | 2 |
| 12 | 6655242 | BUSHING | idle gear | | 1 |
| 13 | 6684796 | SHAFT | | | 1 |
| 14 | 6684795 | COLLAR | | | 1 |
| 15 | 6667433 | CIRCLIP | external | | 1 |

WATER PUMP
(Kubota - V2203 2EB - Tier II Replacement)
(1G975-41000)

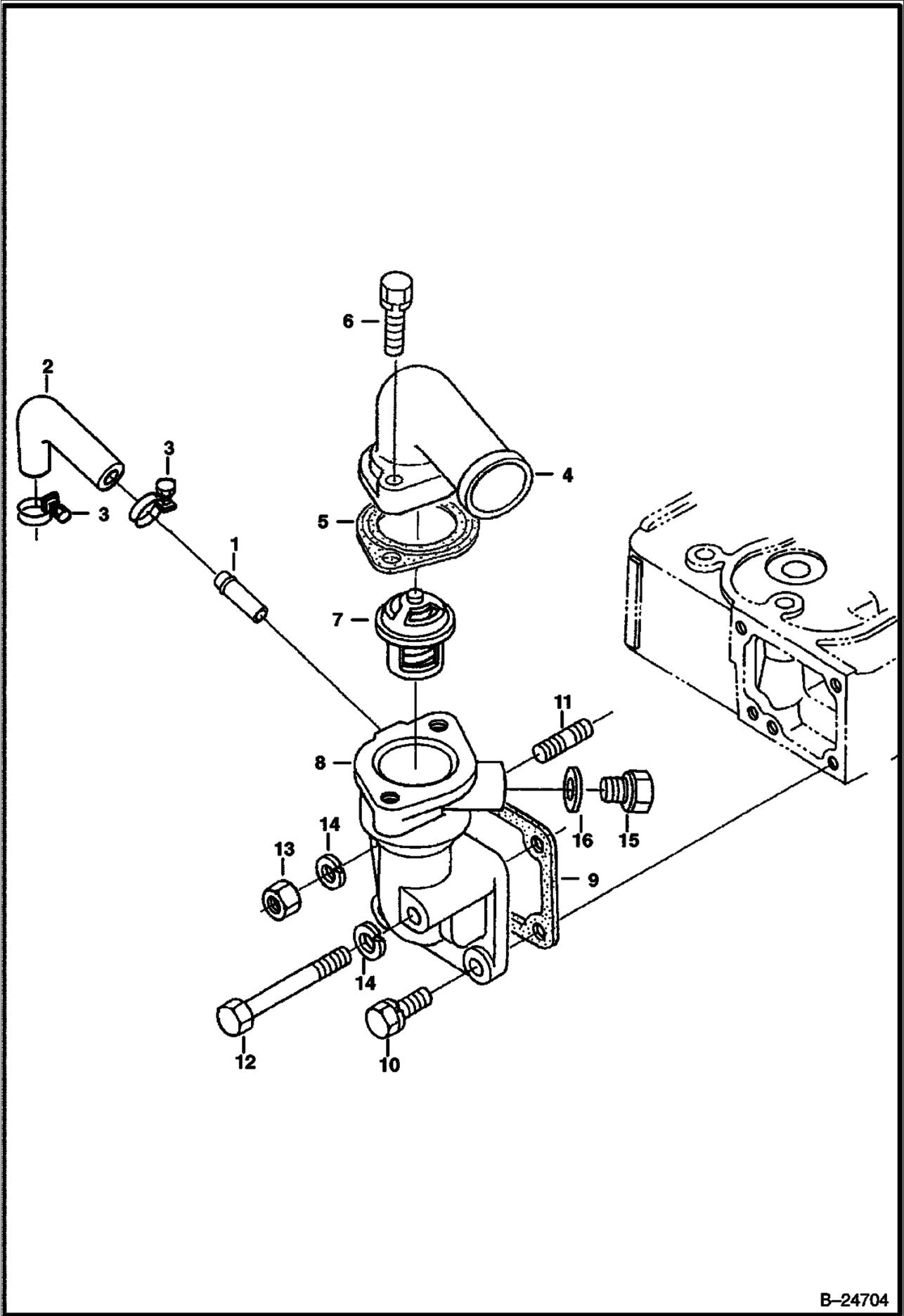


B-24690

WATER PUMP (Cont'd)
(Kubota - V2203 2EB - Tier II Replacement)
(1G975-41000)

| Ref No | Part Number | Description | Remarks | Serial Number | Qty |
|--------|-------------|-------------|-----------------|---------------|-----|
| 1 | 6686989 | WATER PUMP | Ref. 2-6 | | 1 |
| 2 | | BODY | NAP | | 1 |
| 3 | 6685474 | BEARING | | | 1 |
| 4 | 6667460 | IMPELLER | Was 6684867 [A] | | 1 |
| 5 | 6684868 | SEAL | | | 1 |
| 6 | 6684869 | FLANGE | | | 1 |
| 7 | 6674169 | PULLEY | fan | | 1 |
| 8 | 6666804 | GASKET | | | 1 |
| 9 | 4CM828 | BOLT | | | 2 |
| 10 | 6652580 | BOLT | | | 6 |
| 11 | 3974267 | STUD | | | 2 |
| 12 | 6667422 | WASHER | spring | | 2 |
| 13 | 6652792 | NUT | | | 2 |
| 14 | 29CM612 | BOLT | | | 4 |
| 15 | 6683174 | ROLL PIN | | | 1 |

WATER FLANGE & THERMOSTAT
(Kubota - V2203 2EB - Tier II Replacement)
(1G975-41000)

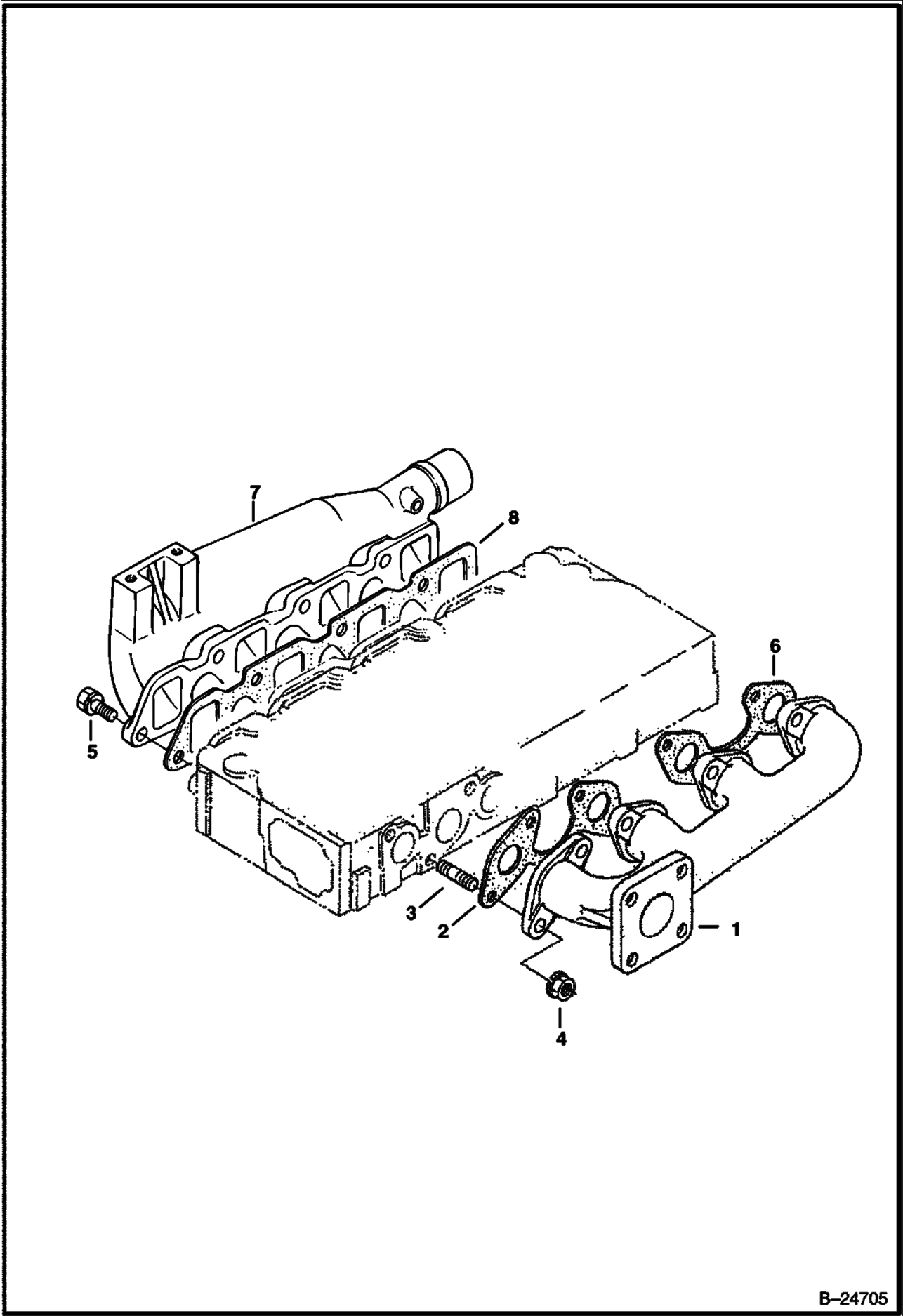


B-24704

WATER FLANGE & THERMOSTAT (Cont'd)
(Kubota - V2203 2EB - Tier II Replacement)
(1G975-41000)

| Ref No | Part Number | Description | Remarks | Serial Number | Qty |
|--------|-------------|-------------|--------------------------------|---------------|-----|
| 1 | 6655880 | PIPE | water return | | 1 |
| 2 | 6686988 | PIPE | water return | | 1 |
| 3 | 3974679 | BAND | pipe | | 2 |
| 4 | 6651489 | COVER | thermostat | | 1 |
| 5 | 6684863 | GASKET | thermostat cover | | 1 |
| 6 | 1CM835 | BOLT | | | 2 |
| 7 | 6674172 | THERMOSTAT | | | 1 |
| 8 | 6674167 | FLANGE | W/Ref. 1 | | 1 |
| 9 | 6666802 | GASKET | water flange - Was 6684860 [A] | | 1 |
| 10 | 4CM822 | BOLT | | | 2 |
| 11 | 6652670 | STUD | | | 1 |
| 12 | 1CM865 | SCREW | | | 1 |
| 13 | 6652792 | NUT | | | 1 |
| 14 | 6667422 | WASHER | | | 1 |
| 15 | 6649536 | PLUG | | | 1 |
| 16 | 6653562 | GASKET | | | 1 |

MANIFOLDS
(Kubota - V2203 2EB - Tier II Replacement)
(1G975-41000)

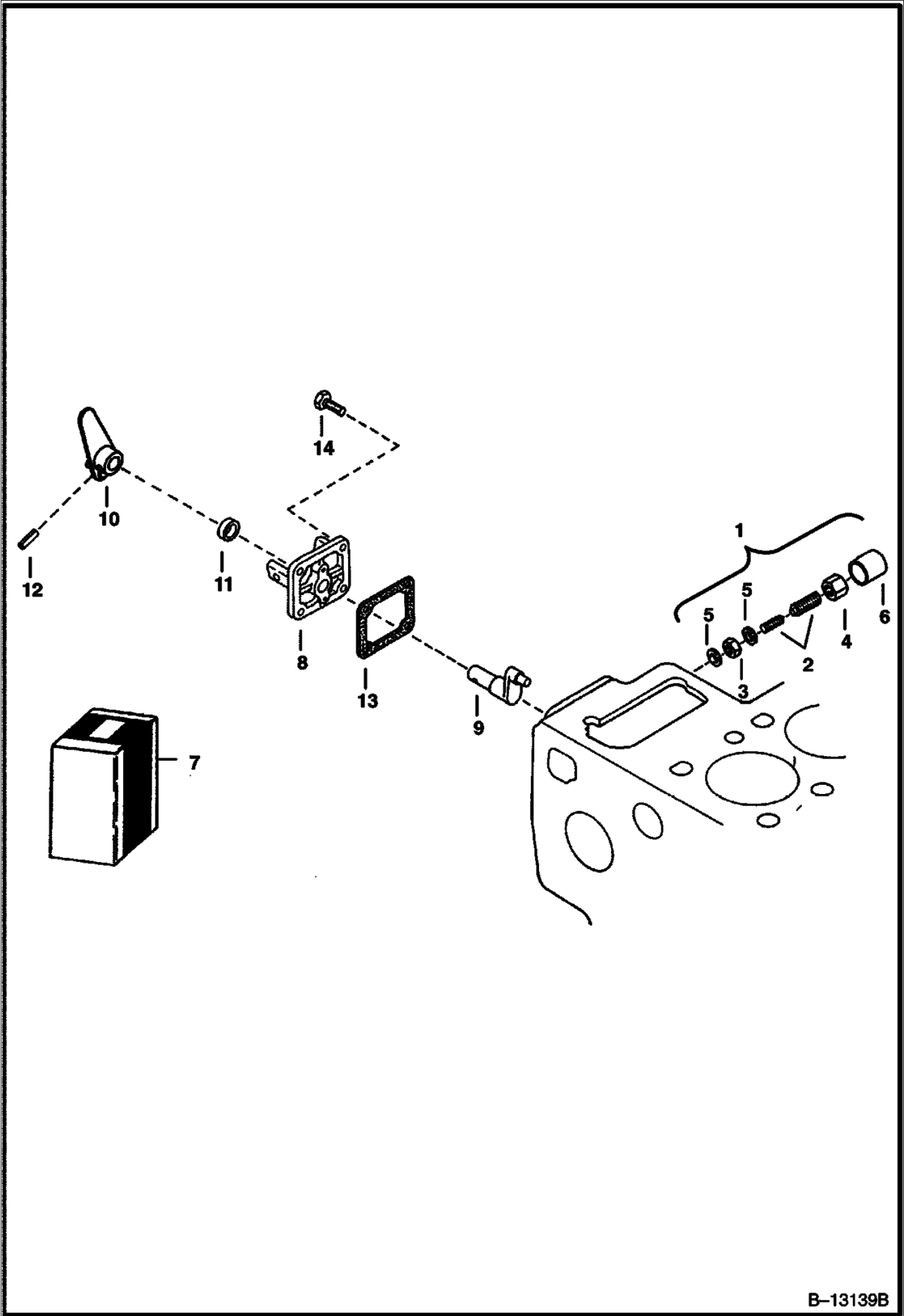


B-24705

MANIFOLDS (Cont'd)
(Kubota - V2203 2EB - Tier II Replacement)
(1G975-41000)

| Ref No | Part Number | Description | Remarks | Serial Number | Qty |
|--------|-------------|-------------|---------------------------|---------------|-----|
| 1 | 6685475 | MANIFOLD | exhaust | | 1 |
| 2 | 6666781 | GASKET | Was 6685878 [B,D] | | 1 |
| 3 | 6652670 | STUD | | | 8 |
| 4 | 6682532 | NUT | | | 8 |
| 5 | 4CM822 | BOLT | | | 7 |
| 6 | 6666791 | GASKET | muffler - Was 6684879 [A] | | 1 |
| 7 | 6686990 | MANIFOLD | intake | | 1 |
| 8 | 6684877 | GASKET | Was 6685876 [B,D] | | 1 |

ENGINE STOP LEVER
(Kubota - V2203 2EB - Tier II Replacement)
(1G975-41000)

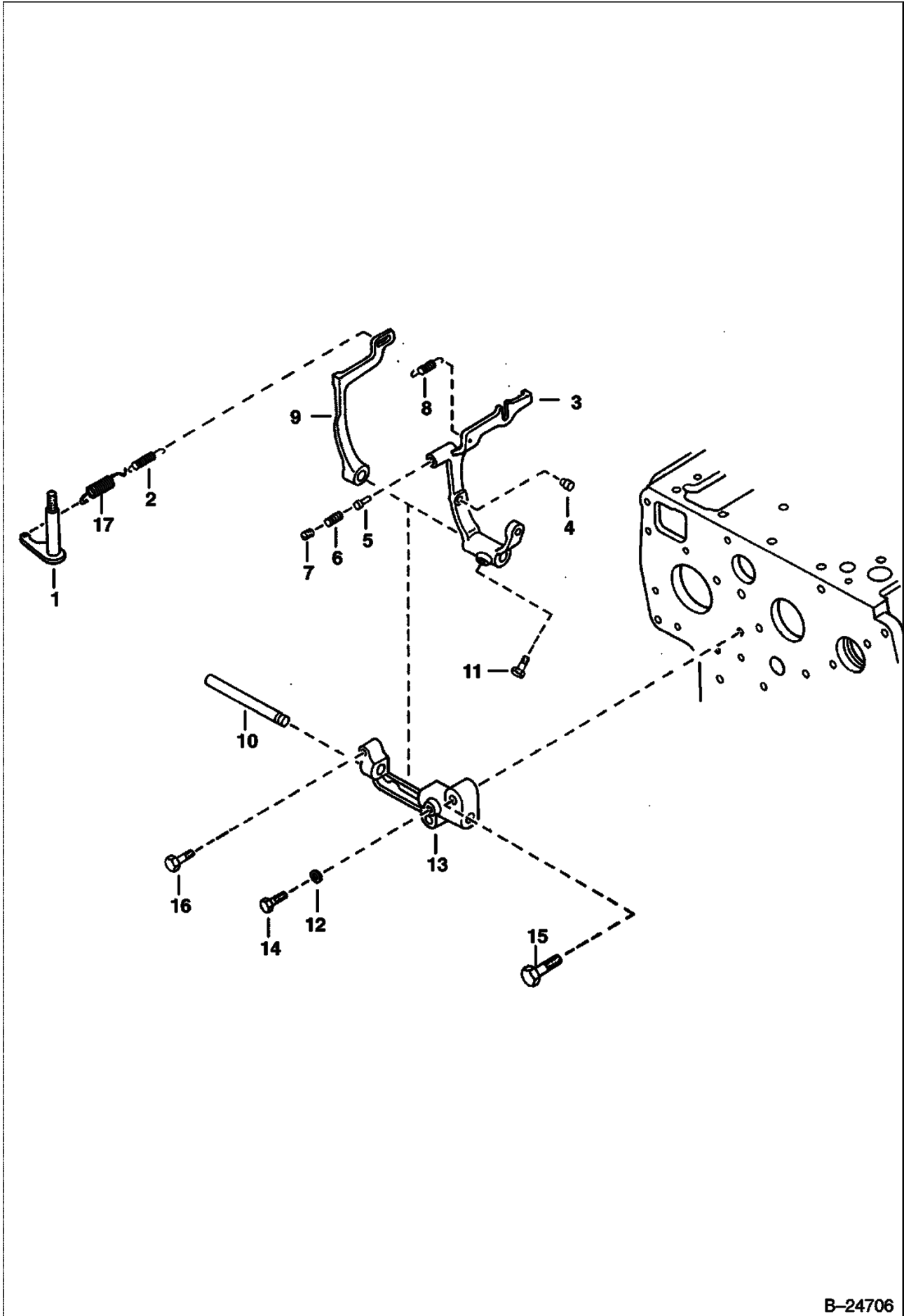


B-13139B

ENGINE STOP LEVER (Cont'd)
(Kubota - V2203 2EB - Tier II Replacement)
(1G975-41000)

| Ref No | Part Number | Description | Remarks | Serial Number | Qty |
|--------|-------------|-------------|------------------------|---------------|-----|
| 1 | 3974975 | IDLER | assy., idle - Ref. 2-6 | | 1 |
| 2 | 6653906 | BOLT ASSY. | adjusting | | 1 |
| 3 | 3974425 | NUT | adjusting | | 1 |
| 4 | 3974978 | NUT | | | 1 |
| 5 | 3974095 | MET-GASK | | | 2 |
| 6 | 3974979 | CAP | | | 1 |
| 7 | 6676060 | LEVER ASSY. | eng. stop - Ref. 8-12 | | 1 |
| 8 | 6655540 | COVER | injection pump | | 1 |
| 9 | 6655231 | SHAFT | lever | | 1 |
| 10 | 6655232 | LEVER | engine stop | | 1 |
| 11 | 6685476 | SEAL | oil | | 1 |
| 12 | 6598098 | PIN | spring | | 1 |
| 13 | 6666783 | GASKET | pump cover | | 1 |
| 14 | 6652580 | BOLT | | | 3 |

GOVERNOR
(Kubota - V2203 2EB - Tier II Replacement)
(1G975-41000)

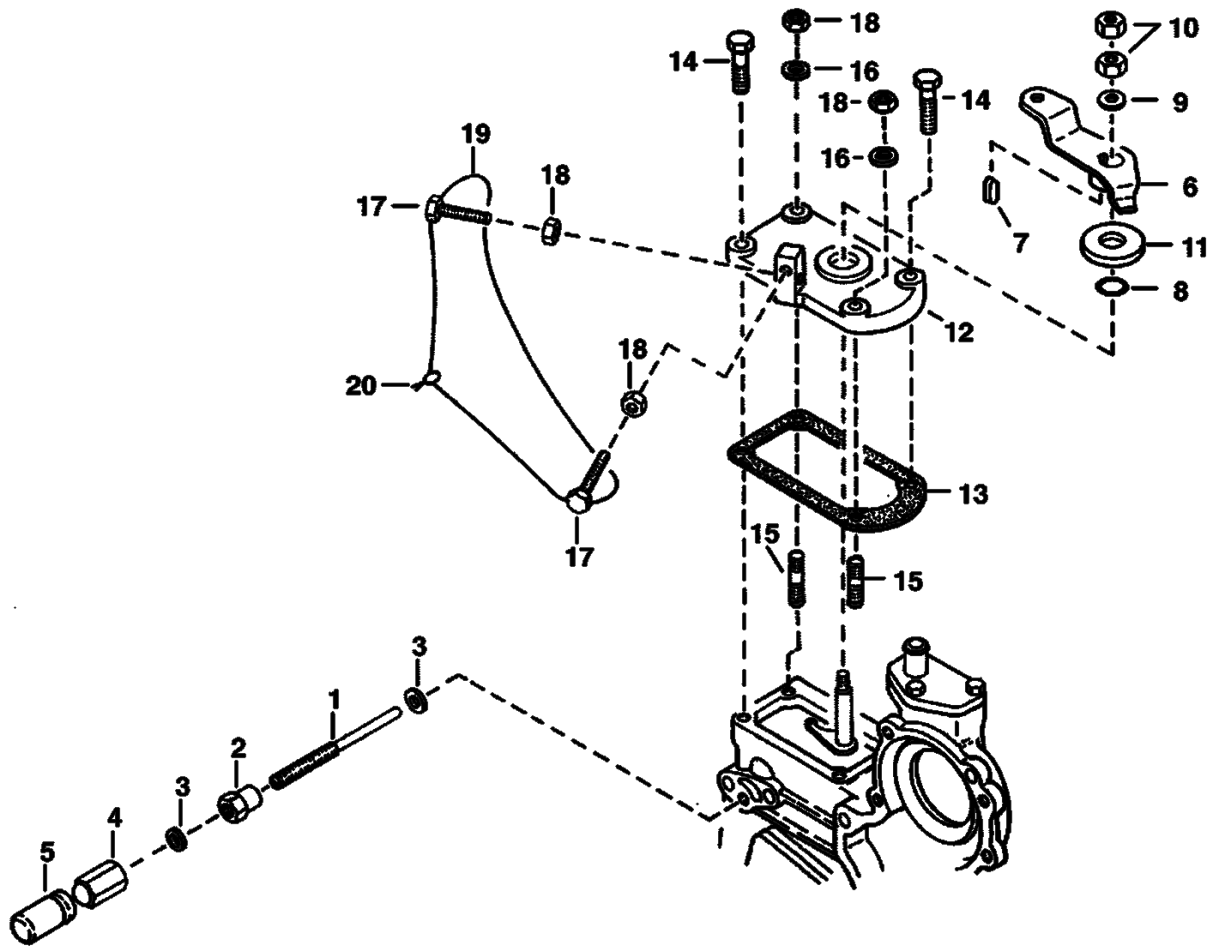


B-24706

GOVERNOR (Cont'd)
(Kubota - V2203 2EB - Tier II Replacement)
(1G975-41000)

| Ref No | Part Number | Description | Remarks | Serial Number | Qty |
|--------|-------------|-------------|-------------------|---------------|-----|
| 1 | 6598174 | LEVER | governor | | 1 |
| 2 | 6655227 | SPRING | | | 1 |
| 3 | 6655224 | LEVER | fork - W/Ref. 4-7 | | 1 |
| 4 | | PIN | NSS | | 2 |
| 5 | | PIN | NSS | | 1 |
| 6 | | SPRING | NSS | | 1 |
| 7 | | SCREW | NSS | | 1 |
| 8 | 6655225 | SPRING | | | 1 |
| 9 | 6655877 | LEVER | | | 1 |
| 10 | 6684833 | SHAFT | | | 1 |
| 11 | 6680830 | BOLT | | | 1 |
| 12 | 6667419 | WASHER | | | 2 |
| 13 | 6653916 | HOLDER | Was 6684834 [A] | | 1 |
| 14 | 3974192 | BOLT | | | 1 |
| 15 | 6680706 | BOLT | | | 2 |
| 16 | 6685464 | BOLT | | | 1 |
| 17 | 6655878 | SPRING | governor | | 1 |

SPEED CONTROL PLATE
(Kubota - V2203 2EB - Tier II Replacement)
(1G975-41000)

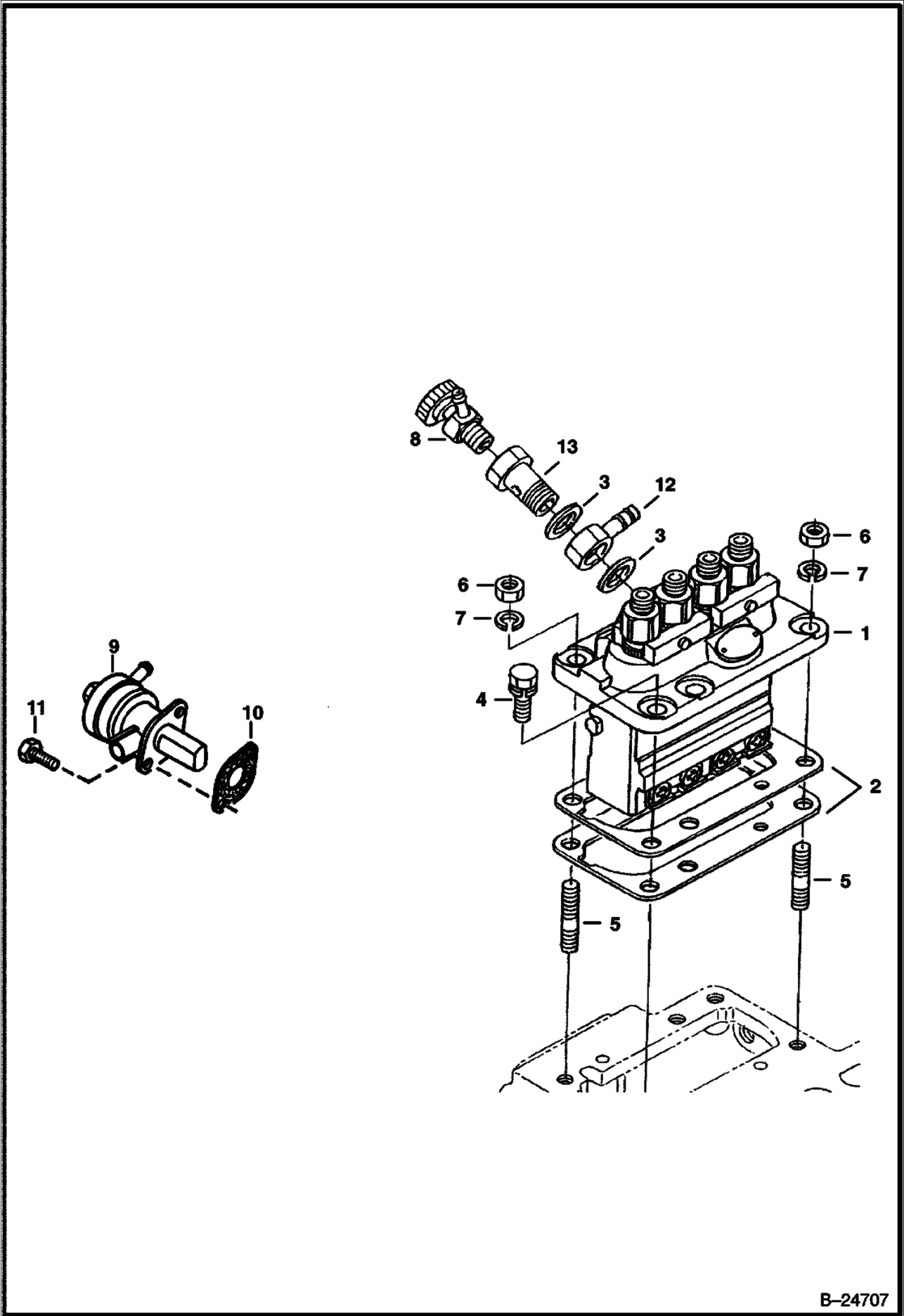


B-13137B

SPEED CONTROL PLATE (Cont'd)
(Kubota - V2203 2EB - Tier II Replacement)
(1G975-41000)

| Ref No | Part Number | Description | Remarks | Serial Number | Qty |
|--------|-------------|----------------------------|-----------------|---------------|-----|
| 1 | 6684836 | BOLT, ADJUSTING | adjusting | | 1 |
| 2 | 3974971 | NUT | | | 1 |
| 3 | 3974972 | GASKET | | | 2 |
| 4 | 6655223 | NUT | cap | | 1 |
| 5 | 6653905 | CAP | | | 1 |
| 6 | 6598176 | LEVER | speed control | | 1 |
| 7 | 15JM48 | KEY | feather | | 1 |
| 8 | 3966512 | O RING | Was 6686986 [A] | | 1 |
| 9 | 6667451 | WASHER | plain | | 1 |
| 10 | 1DM8 | NUT | | | 2 |
| 11 | 3974644 | COLLAR | friction | | 1 |
| 12 | 6641231 | PLATE, CONTROL SPEED | speed control | | 1 |
| 13 | 6666792 | GASKET | | | 1 |
| 14 | 4CM620 | BOLT | | | 2 |
| 15 | 6652764 | STUD | | | 2 |
| 16 | 6667419 | WASHER | spring | | 2 |
| 17 | 6655228 | STOPPER | | | 2 |
| 18 | 1DM6 | NUT | | | 4 |
| 19 | | WIRE | NAP | | 1 |
| 20 | | LEAD | NAP - sealing | | 1 |

FUEL & INJECTION PUMP
(Kubota - V2203 2EB - Tier II Replacement)
(1G975-41000)



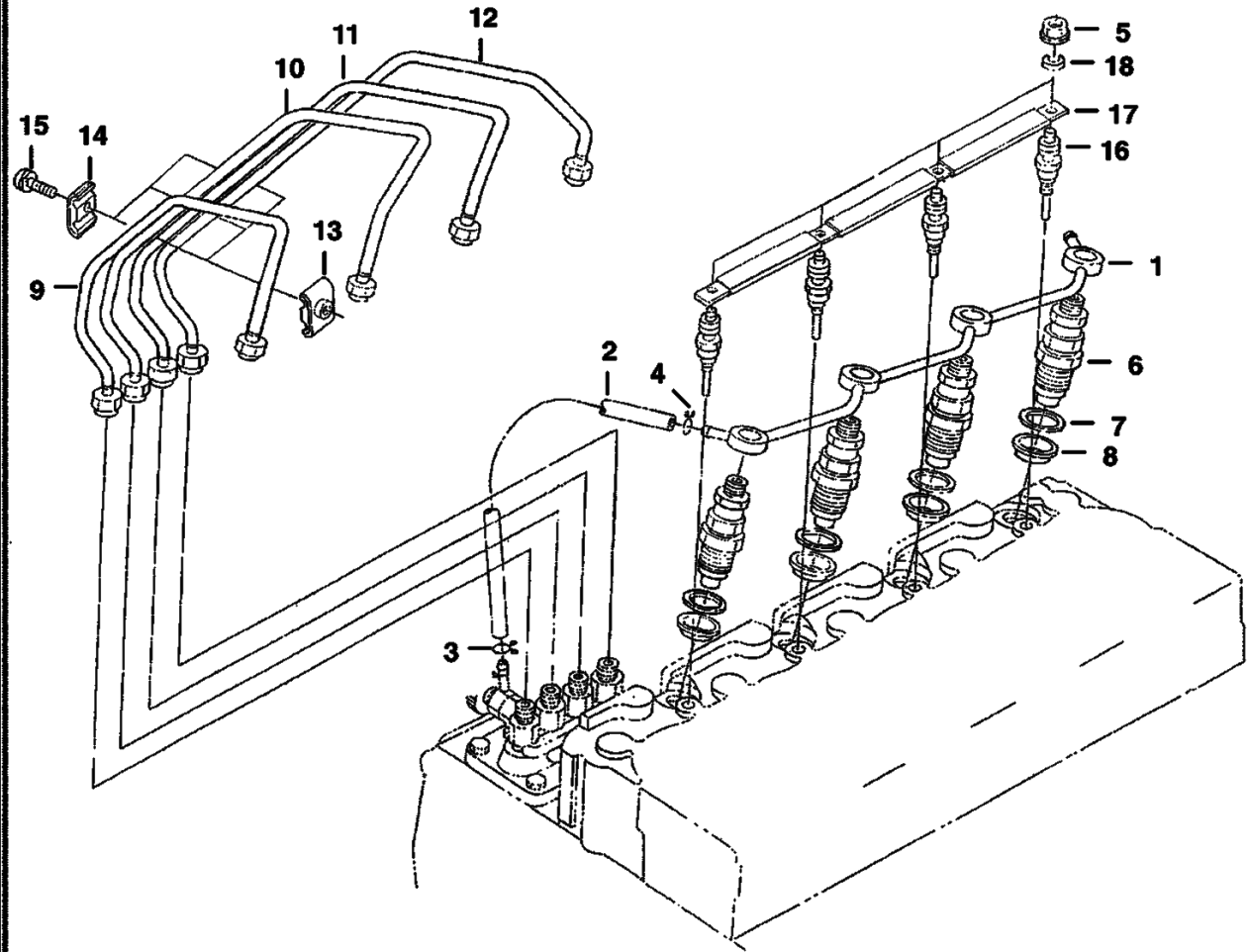
B-24707

FUEL & INJECTION PUMP (Cont'd)
(Kubota - V2203 2EB - Tier II Replacement)
(1G975-41000)

| Ref No | Part Number | Description | Remarks | Serial Number | Qty |
|--------|-------------|-------------|--------------------------|---------------|-----|
| 1 | 6674676 | PUMP | | | 1 |
| 2 | 3974626 | SHIM | 0.20mm - Was 6682514 [A] | | x |
| 2 | 6682515 | SHIM | 0,25 mm - injection pump | | x |
| 2 | 6655210 | SHIM | 0,30 mm - injection pump | | x |
| 3 | 6698120 | GASKET | Was 3975389 [A] | | 2 |
| 4 | 4CM822 | BOLT | | | 4 |
| 5 | 6652670 | STUD | | | 2 |
| 6 | 6652792 | NUT | | | 2 |
| 7 | 6667422 | WASHER | spring | | 2 |
| 8 | 6598102 | VALVE | jet start | | 1 |
| 9 | 6655216 | FUEL PUMP | | | 1 |
| 10 | 6686037 | GASKET | fuel pump | | 1 |
| 11 | 4CM615 | BOLT | | | 2 |
| 12 | 6655515 | JOINT | eye | | 1 |
| 13 | 3975428 | SCREW | hollow | | 1 |

INJECTOR NOZZLES

(Kubota - V2203 2EB - Tier II Replacement)
(1G975-41000)

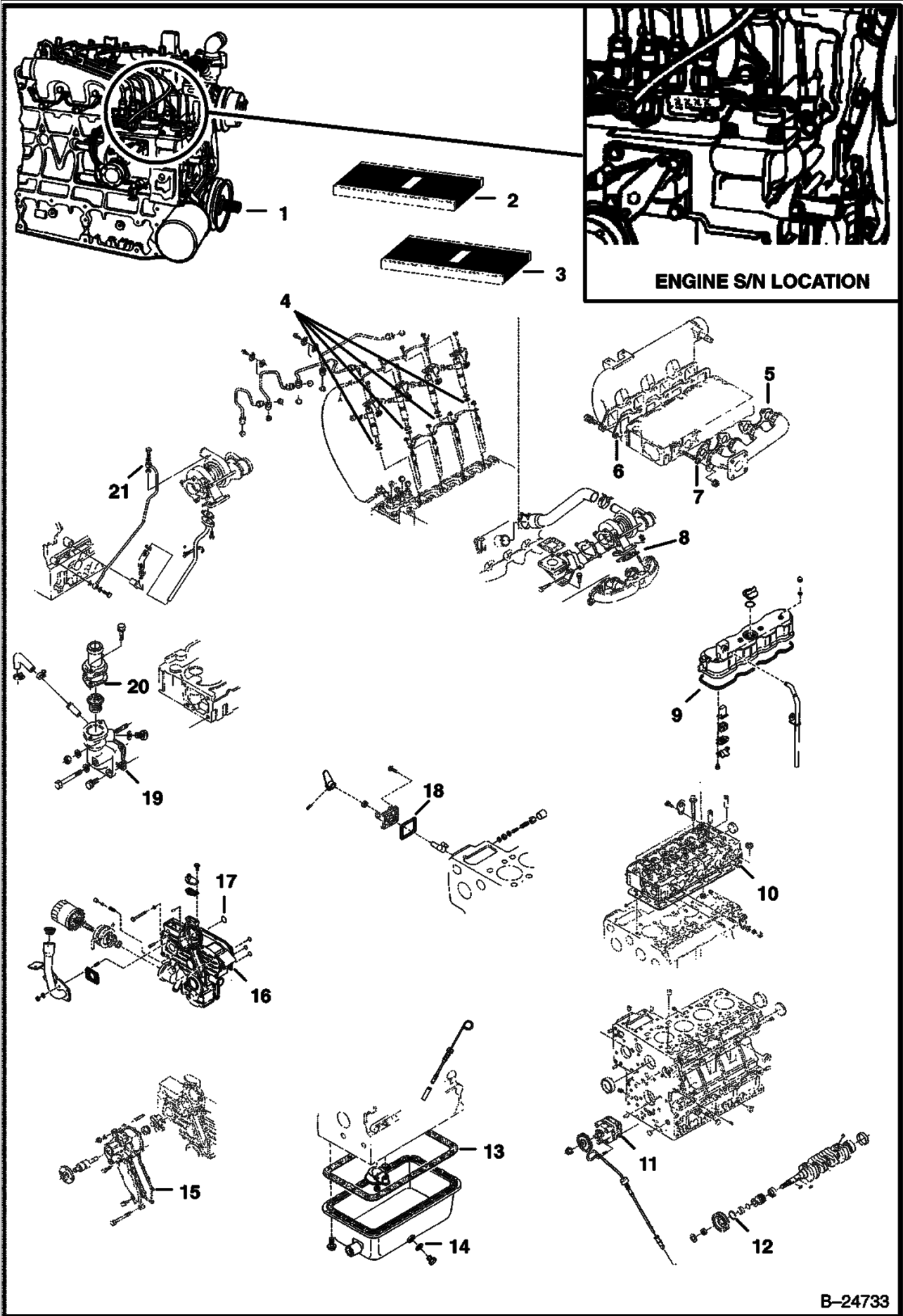


B-24708

INJECTOR NOZZLES (Cont'd)
(Kubota - V2203 2EB - Tier II Replacement)
(1G975-41000)

| Ref No | Part Number | Description | Remarks | Serial Number | Qty |
|--------|-------------|--------------------------------------|----------------------------------|---------------|-----|
| 1 | 6682521 | PIPE | | | 1 |
| 2 | 6974656 | TUBE ASSY, OVERFLOW | fuel over flow - Was 6681931 [A] | | 1 |
| 3 | 6654718 | CLAMP | pipe - Was 6680795 [A] | | 1 |
| 4 | 6654718 | CLAMP | pipe | | 1 |
| 5 | 6670472 | NUT | | | 4 |
| 6 | 6722147 | HOLDER KIT | nozzle | | 4 |
| 6 | 6722147REM | NOZZLE, FUEL INJ. KUBOTA V2203 | nozzle | | 4 |
| 7 | 6655218 | GASKET | | | 4 |
| 8 | 6655872 | HEAT SEAL | | | 4 |
| 9 | 6655219 | PIPE | injection | | 1 |
| 10 | 6655220 | PIPE | injection | | 1 |
| 11 | 6655221 | PIPE | injection | | 1 |
| 12 | 6655222 | PIPE | injection | | 1 |
| 13 | 6652688 | CLAMP | pipe | | 3 |
| 14 | 6680786 | CLAMP | pipe | | 3 |
| 15 | 3974260 | SCREW | | | 3 |
| 16 | 6655233 | GLOW PLUG | | | 4 |
| 17 | 6655234 | CORD | glow plug - Was 6686987 [A] | | 3 |
| 18 | 6670473 | WASHER | | | 1 |

**ENGINE & GASKET KITS
(Kubota - V2003-T-2EB - Tier II Replacement)
(1G970-41000)**

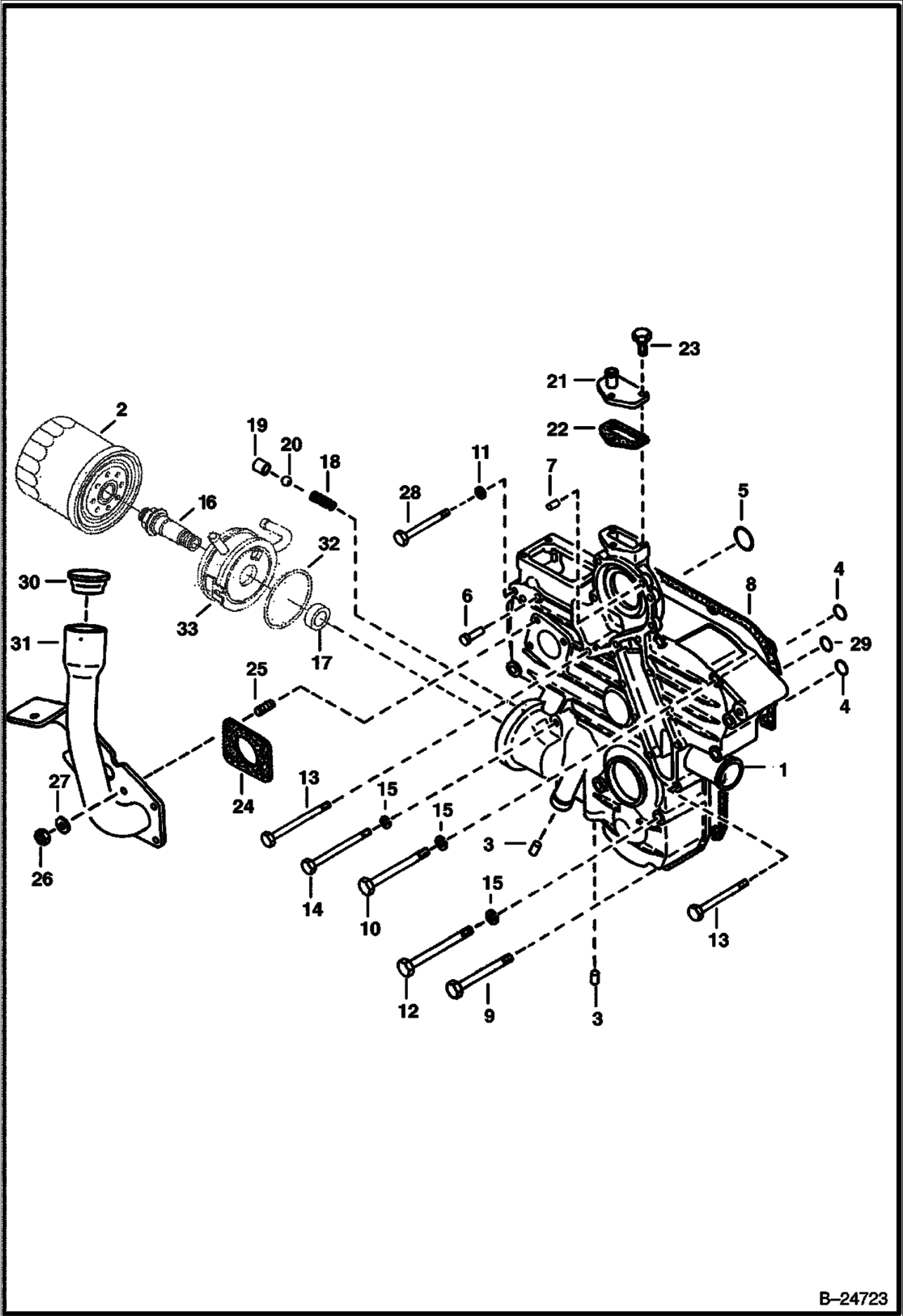


B-24733

ENGINE & GASKET KITS (Cont'd)
(Kubota - V2003-T-2EB - Tier II Replacement)
(1G970-41000)

| Ref No | Part Number | Description | Remarks | Serial Number | Qty |
|--------|-------------|----------------------------------|--|---------------|-----|
| 1 | 6685982 | ENGINE, V2003-T-E2B-BOBCAT-1 | See BTI388 - does not include starter, alternator, flywheel, & flywheel housing | | 1 |
| 1 | 6685982REM | ENGINE, KUBOTA V2003T E2B TIER 2 | See BTI388 - does not include turbo, starter, alternator, flywheel & flywheel housing - must have Tier 2 engine for exchange | | 1 |
| 2 | | KIT, UPPER GASKET | NAP - Order individual gaskets - Was 6689014 [D] | | 1 |
| 3 | | LOWER GASKET KIT TIER II ENGINE | NAP - Order individual gaskets - Was 6689018 [D] | | 1 |
| 4 | 6655218 | GASKET | | | 4 |
| 5 | 6666791 | GASKET | exhaust manifold - rear - Was 6684879 [A] | | 1 |
| 6 | 6666811 | GASKET | Was 6686991 [A] | | 1 |
| 7 | 6666781 | GASKET | exhaust manifold - front - Was 6685878 [B,D] | | 1 |
| 8 | 6675636 | GASKET | | | 1 |
| 9 | 6598136 | GASKET, COVER VALVE | | | 1 |
| 10 | 6675643 | GASKET | cylinder head | | x |
| 11 | 6666782 | GASKET | oil pump - Was 6684786 [A] | | 7 |
| 12 | 6631664 | SEAL | | | 1 |
| 13 | 6666817 | GASKET | oil pan - Was 6684753 | | 1 |
| 14 | 6680484 | GASKET | | | 1 |
| 15 | 6666804 | GASKET | | | 1 |
| 16 | 6666800 | GASKET | gearcase | | 1 |
| 17 | 6685468 | O-RING | - gear case | | 1 |
| 18 | 6666783 | GASKET | speed control plate | | 1 |
| 19 | 6666802 | GASKET | water flange - Was 6684860 [A] | | 1 |
| 20 | 6684863 | GASKET | thermostat cover | | 1 |
| 21 | 6685962 | GASKET | consists of 2 gaskets attached by a tab | | x |

GEARCASE
(Kubota - V2003-T-2EB - Tier II Replacement)
(1G970-41000)

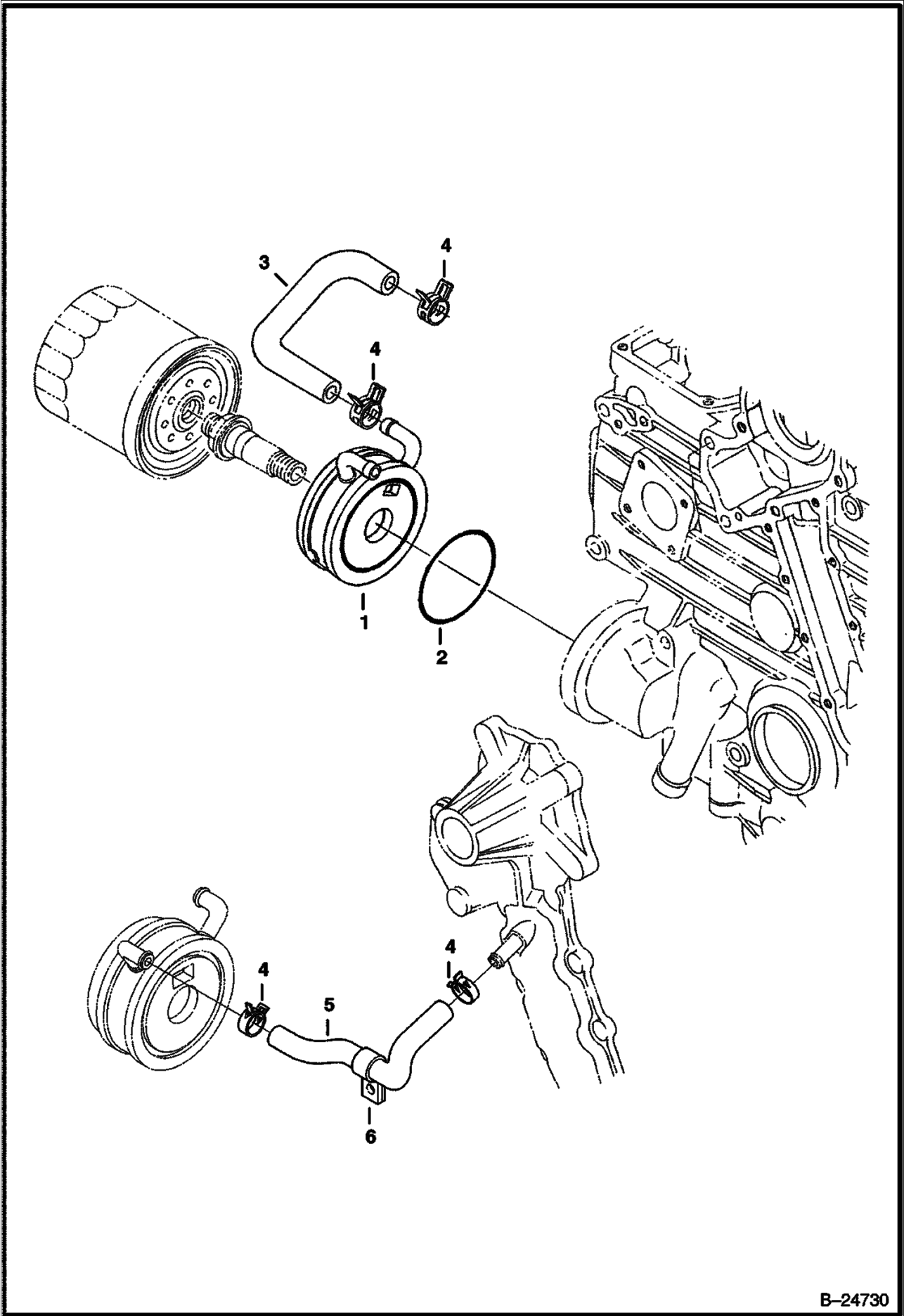


B-24723

GEARCASE (Cont'd)
(Kubota - V2003-T-2EB - Tier II Replacement)
(1G970-41000)

| Ref No | Part Number | Description | Remarks | Serial Number | Qty |
|--------|-------------|-----------------|---|-----------------|-----|
| 1 | | CASE ASSY. | NAP - W/Ref. 3-7 & 29 - Order 6688640 & Ref. 4-7 & 29 - Was 6674164 [A] | | 1 |
| 1 | 6688640 | GEAR HOUSING | W/Ref. 3 | | 1 |
| 2 | 6675517 | FILTER, OIL ENG | | | 1 |
| 3 | 6667425 | PLUG | pin | | 2 |
| 4 | 6685466 | O-RING | | | 2 |
| 5 | 6685468 | O-RING | | | 1 |
| 6 | 6652592 | PIN | start spring - Was 6680774 [D] | | 1 |
| 7 | 3974395 | PIN | straight | | 2 |
| 8 | 6666800 | GASKET | gearcase | | 1 |
| 9 | 3974888 | BOLT | | E/ 5V9999 & Bel | 2 |
| 9 | 7001903 | BOLT | flange | E/ 5W0001 & Abv | 2 |
| 10 | 1CM870 | BOLT | | E/ 5V9999 & Bel | 5 |
| 10 | 6692375 | BOLT | flange | E/ 5W0001 & Abv | 5 |
| 11 | 2EM8 | WASHER, PLAIN | | E/ 5V9999 & Bel | 1 |
| 12 | 1CM880 | BOLT | | E/ 5V9999 & Bel | 2 |
| 12 | 7001904 | BOLT | flange | E/ 5W0001 & Abv | 2 |
| 13 | 6653808 | BOLT | | E/ 5V9999 & Bel | 3 |
| 13 | 6692377 | BOLT | flange | E/ 5W0001 & Abv | 3 |
| 14 | 1CM895 | BOLT | | E/ 5V9999 & Bel | 2 |
| 14 | 7001905 | BOLT | flange | E/ 5W0001 & Abv | 2 |
| 15 | 6667422 | WASHER | | E/ 5V9999 & Bel | 9 |
| 16 | 6675681 | ADAPTER | | | 1 |
| 17 | 6675671 | COLLAR | | | 1 |
| 18 | 6652652 | SPRING | | | 1 |
| 19 | 3974893 | SEAT | valve | | 1 |
| 20 | 10J13 | BALL | | | 1 |
| 21 | 3974894 | FLANGE | water return | | 1 |
| 22 | 6666803 | GASKET | water return flange - Was 6684774 [A] | | 1 |
| 23 | 4CM620 | BOLT | | | 3 |
| 24 | 6714543 | GASKET | | | 1 |
| 25 | 6652764 | STUD | | | 4 |
| 26 | 1DM6 | NUT | | | 4 |
| 27 | 6EM60 | WASHER, SPRING | spring | | 4 |
| 28 | 6653807 | BOLT | | E/ 5V9999 & Bel | 1 |
| 28 | 6680686 | BOLT | flange | E/ 5W0001 & Abv | 1 |
| 29 | 6686981 | O-RING | | | 1 |
| 30 | 6703736 | CAP | | | 1 |
| 31 | 6719048 | MOUNT | | | 1 |
| 32 | 6698244 | ORING | Was 6657422 [B,D] | | 1 |
| 33 | | OIL COOLER | NAP - W/Ref. 32 - Was 6685641 [A] | | 1 |

OIL COOLER
(Kubota - V2003-T-2EB - Tier II Replacement)
(1G970-41000)

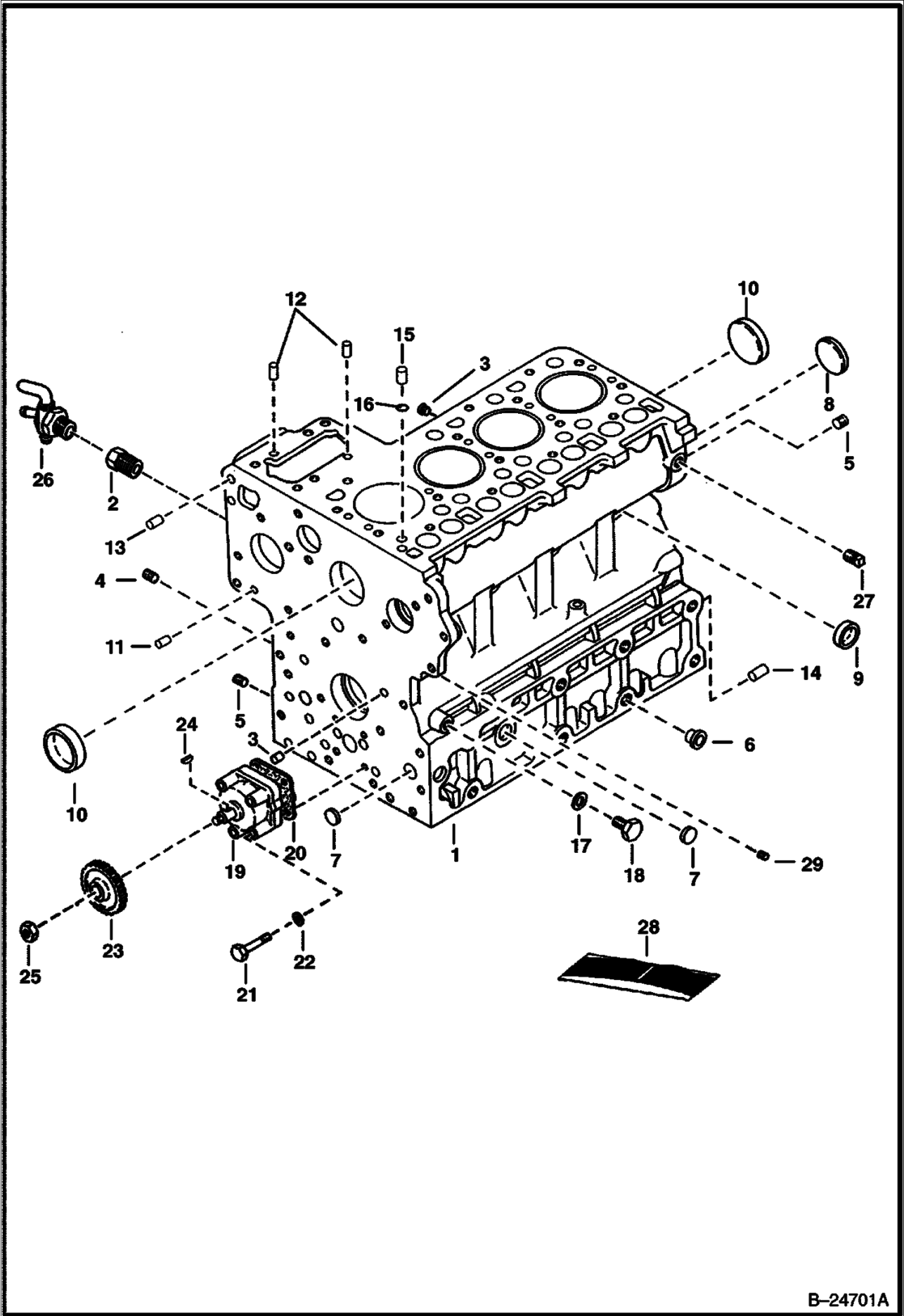


B-24730

OIL COOLER (Cont'd)
(Kubota - V2003-T-2EB - Tier II Replacement)
(1G970-41000)

| Ref No | Part Number | Description | Remarks | Serial Number | Qty |
|--------|-------------|-------------|----------------------------------|---------------|-----|
| 1 | | OIL COOLER | NAP - W/Ref. 2 - Was 6685641 [A] | | 1 |
| 2 | 6698244 | ORING | Was 6657422 [B,D] | | 1 |
| 3 | 6678945 | HOSE | | | 1 |
| 4 | 6680580 | CLAMP | | | 4 |
| 5 | 6683173 | PIPE | Was 6686082 [A] | | 1 |
| 6 | 6684479 | CLAMP | | | 1 |

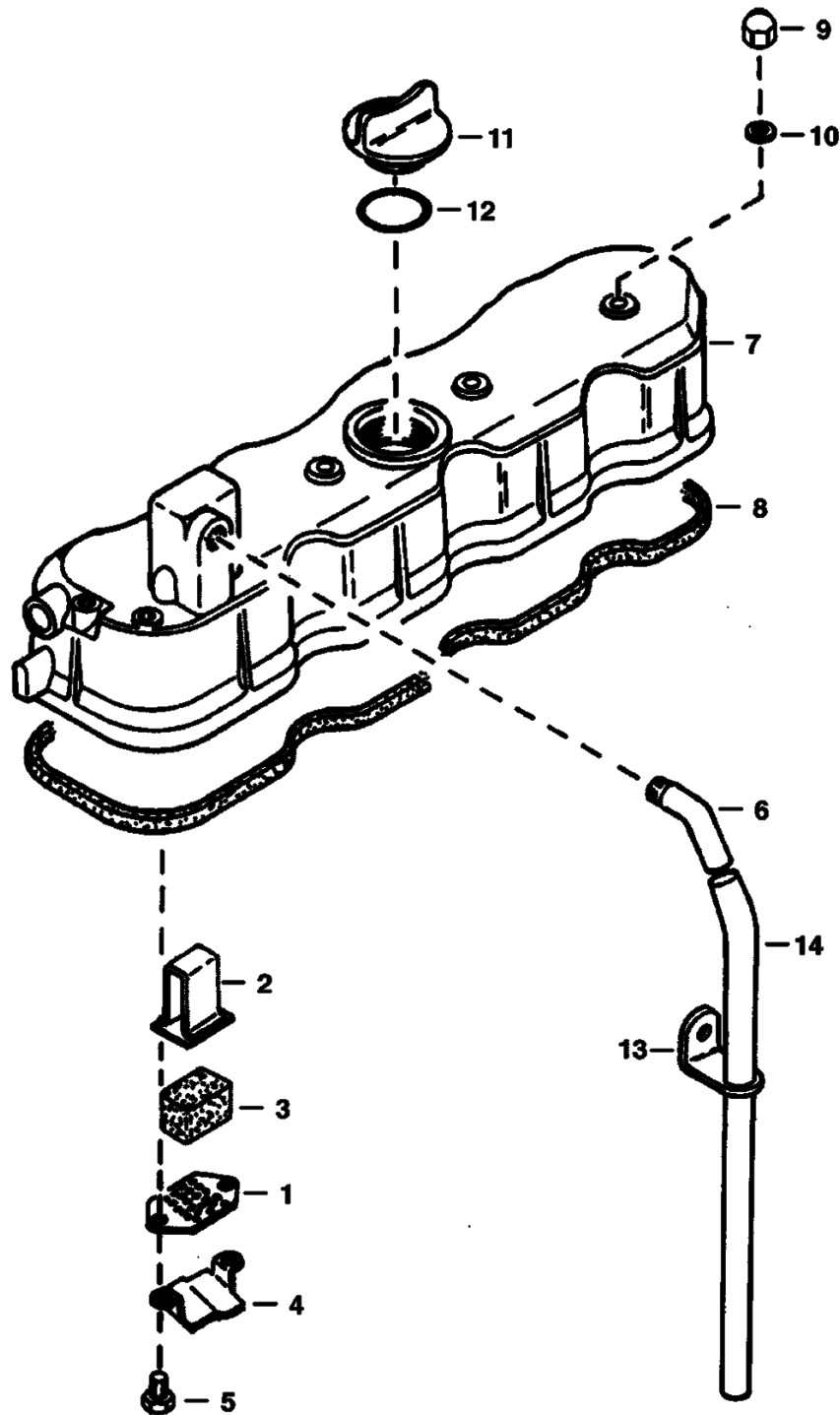
CRANKCASE
(Kubota - V2003-T-2EB - Tier II Replacement)
(1G970-41000)



CRANKCASE (Cont'd)
(Kubota - V2003-T-2EB - Tier II Replacement)
(1G970-41000)

| Ref No | Part Number | Description | Remarks | Serial Number | Qty |
|--------|-------------|--------------|--|---------------|-----|
| 1 | 6686993 | CRANKCASE | assy. - W/Ref. 2 - 15 | | 1 |
| 2 | 6678946 | ADAPTER | | | 1 |
| 3 | 6652574 | PLUG | | | 5 |
| 4 | 6655869 | PLUG | | | 12 |
| 5 | 6652575 | PLUG | | | 2 |
| 6 | 6598187 | PLUG | | | 21 |
| 7 | 6667418 | PLUG | expansion | | 3 |
| 8 | 6657663 | PLUG | expansion | | 1 |
| 9 | 3974389 | CAP, SEALING | sealing | | 6 |
| 10 | 3974390 | PLUG | sealing - Was 6680639 [A] | | 2 |
| 11 | 3974393 | PIN | straight | | 2 |
| 12 | 3974394 | PIN | straight | | 2 |
| 13 | 3974395 | PIN | straight | | 2 |
| 14 | 3974868 | PIN | straight | | 1 |
| 15 | 3974037 | PIN | pipe | | 1 |
| 16 | 3974038 | O RING | | | 1 |
| 17 | 3974095 | MET-GASK | | | 1 |
| 18 | 6683104 | PLUG | | | 1 |
| 19 | 6692380 | OIL PUMP | Was 6682498 [D] | | 1 |
| 20 | 6666782 | GASKET | oil pump - Was 6684786 [A] | | 1 |
| 21 | 6655195 | BOLT | | | 4 |
| 22 | 6667419 | WASHER | | | 4 |
| 23 | 3975441 | GEAR | | | 1 |
| 24 | 6969805 | KEY,FEATHER | Was 15JM00410B [A] | | 1 |
| 25 | 6653888 | NUT | | | 1 |
| 26 | 6672190 | DRAINCOCK | Was 6630177 [A] | | 1 |
| 27 | 16F2 | PLUG | | | 1 |
| 28 | | GASKET KIT | Lower - Does not include rear oil seal | | 1 |
| 29 | 6685477 | PLUG | | | 1 |

ROCKER ARM COVER
(Kubota - V2003-T-2EB - Tier II Replacement)
(1G970-41000)

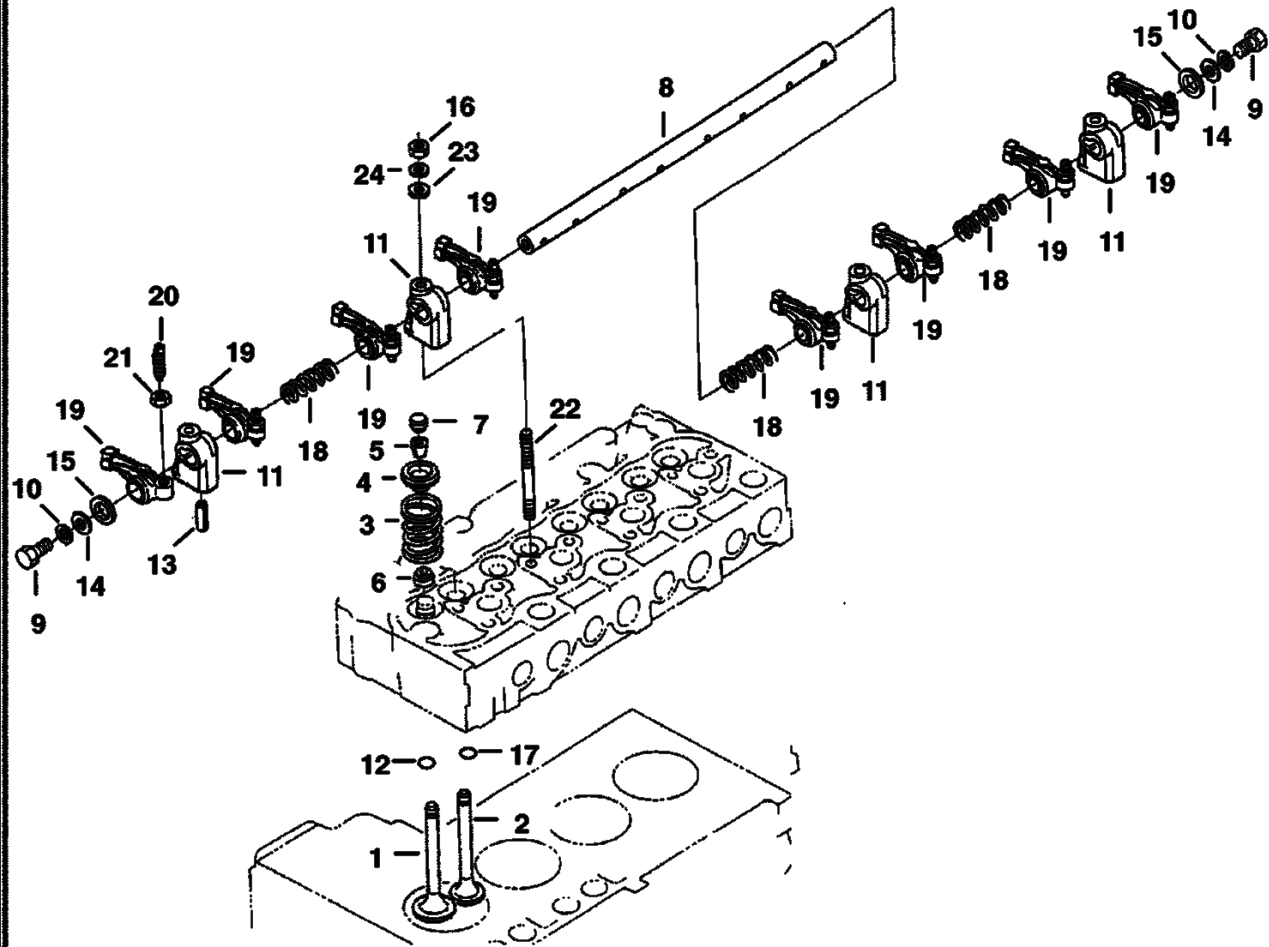


B-13158B

ROCKER ARM COVER (Cont'd)
(Kubota - V2003-T-2EB - Tier II Replacement)
(1G970-41000)

| Ref No | Part Number | Description | Remarks | Serial Number | Qty |
|--------|-------------|---------------------|---------------|---------------|-----|
| 1 | 3974924 | PLATE | element | | 1 |
| 2 | 3974925 | PLATE | element | | 1 |
| 3 | 3974926 | BREATHER | breather | | 1 |
| 4 | 3974927 | SHIELD | breather | | 1 |
| 5 | 6667426 | SCREW | W/Washer | | 2 |
| 6 | 6652624 | JOINT | breather pipe | | 1 |
| 7 | 6655175 | COVER | valve | | 1 |
| 8 | 6598136 | GASKET, COVER VALVE | | | 1 |
| 9 | 3974923 | NUT | cap | | 4 |
| 10 | 3974095 | MET-GASK | | | 4 |
| 11 | 6652653 | PLUG | oil filler | | 1 |
| 12 | 6684782 | O-RING | | | 1 |
| 13 | 3974931 | CLAMP | pipe | | 1 |
| 14 | 6686994 | PIPE | breather | | 1 |

VALVE ROCKER ARM
 (Kubota - V2003-T-2EB - Tier II Replacement)
 (1G970-41000)

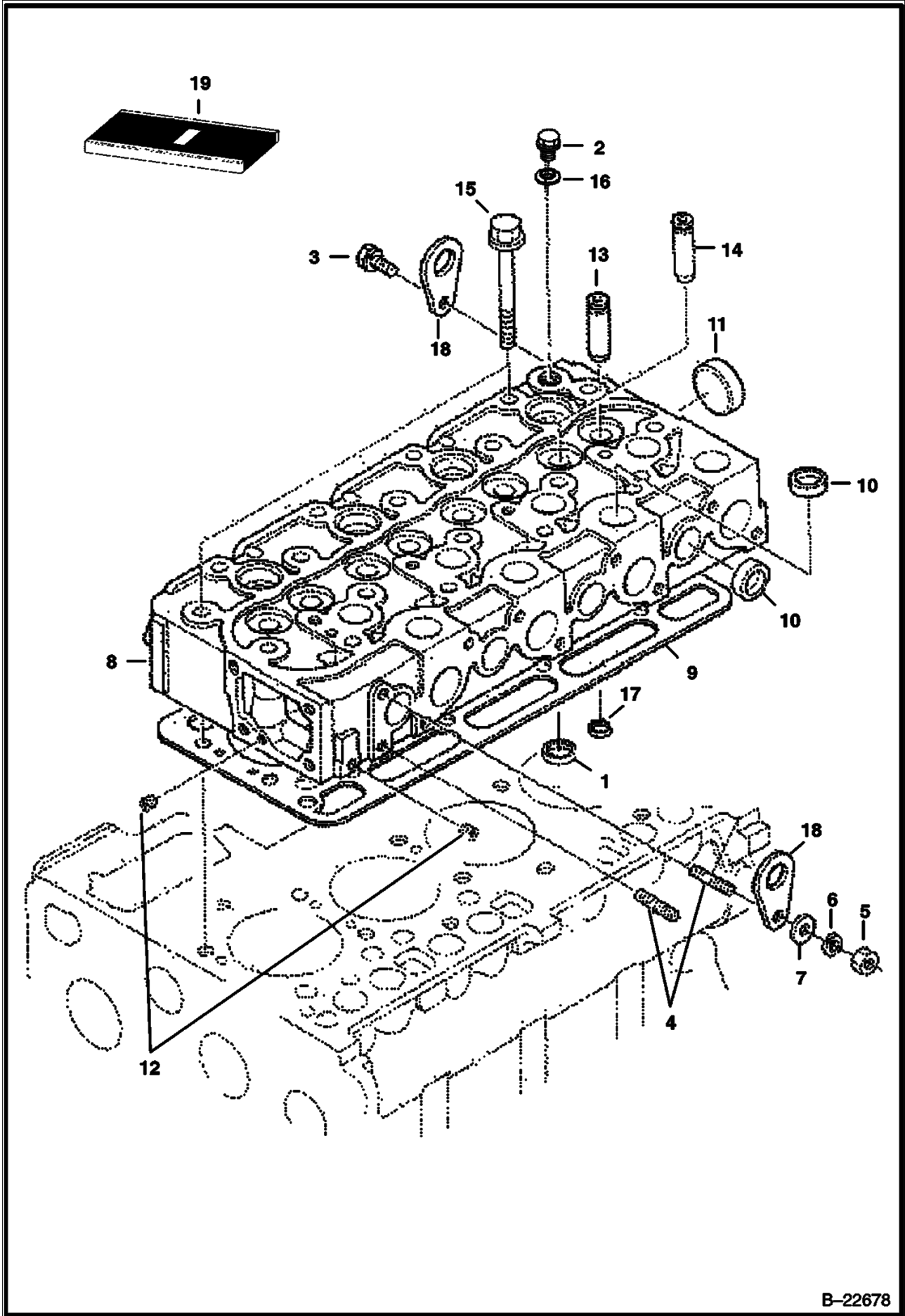


B-24725

VALVE ROCKER ARM (Cont'd)
(Kubota - V2003-T-2EB - Tier II Replacement)
(1G970-41000)

| Ref No | Part Number | Description | Remarks | Serial Number | Qty |
|--------|-------------|------------------|-------------------------|---------------|-----|
| 1 | 6655173 | VALVE | inlet | | 4 |
| 2 | 6655174 | VALVE | exhaust | | 4 |
| 3 | 3974514 | SPRING 5 | valve | | 8 |
| 4 | 3974515 | RETAINER | valve spring | | 8 |
| 5 | 6684874 | COLLAR | valve spring - set of 2 | | 8 |
| 6 | 6653830 | SEAL, STEM VALVE | | | 8 |
| 7 | 3974518 | CAP | valve | | 8 |
| 8 | 6684875 | SHAFT | rocker arm | | 1 |
| 9 | 5CM812 | BOLT | | | 2 |
| 10 | 6667422 | WASHER | external | | 2 |
| 11 | 3974521 | MOUNT | rocker arm | | 4 |
| 12 | 6655155 | SEAT | valve inlet | | 4 |
| 13 | 6667461 | PIN | spring | | 4 |
| 14 | 6667451 | WASHER | plain | | 4 |
| 15 | 3974524 | WASHER | | | 2 |
| 16 | 6652792 | NUT | | | 4 |
| 17 | 6655156 | SEAT | valve exhaust | | 4 |
| 18 | 6653833 | SPRING | rocker arm | | 3 |
| 19 | 6655870 | ROCKER ARM | rocker - W/Ref. 20 & 21 | | 8 |
| 20 | 3974920 | SCREW | adjusting | | 8 |
| 21 | 2DM8 | NUT | Was 6680874 [A] | | 8 |
| 22 | 6653832 | STUD | | | 4 |
| 23 | 2EM8 | WASHER, PLAIN | | | 4 |
| 24 | 6667422 | WASHER | | | 4 |

CYLINDER HEAD
(Kubota - V2003-T-2EB - Tier II Replacement)
(1G970-41000)

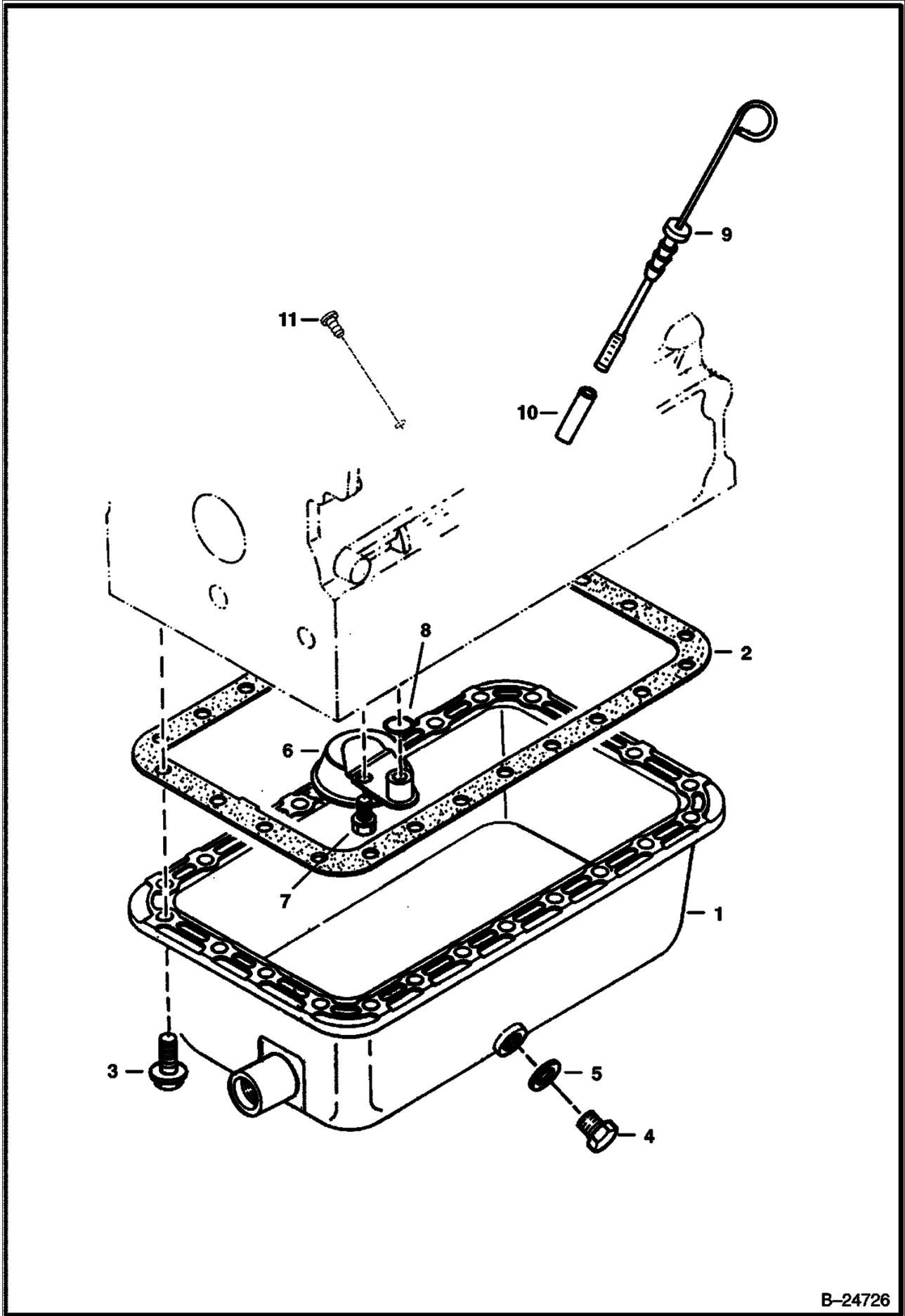


B-22678

CYLINDER HEAD (Cont'd)
(Kubota - V2003-T-2EB - Tier II Replacement)
(1G970-41000)

| Ref No | Part Number | Description | Remarks | Serial Number | Qty |
|--------|-------------|---------------|---------------------------------|---------------|-----|
| 1 | 6655155 | SEAT | inlet valve | | 1 |
| 2 | 6655160 | PLUG | | | 1 |
| 3 | 6667421 | BOLT | | | 1 |
| 4 | 6652670 | STUD | | | 2 |
| 5 | 6652792 | NUT | | | 2 |
| 6 | 6667422 | WASHER | spring | | 2 |
| 7 | 2EM8 | WASHER, PLAIN | plain | | 2 |
| 8 | 6675642 | HEAD | cylinder - W/Ref. 10 - 13 | | 1 |
| 9 | 6675643 | GASKET | cylinder head | | 1 |
| 10 | 3974432 | PLUG | sealing - Was 6680665 [A] | | 12 |
| 11 | 6680666 | PLUG | sealing | | 1 |
| 12 | 6598116 | PLUG | | | 2 |
| 13 | 6969990 | GUIDE | exhaust valve - Was 6653803 [A] | | 4 |
| 14 | 6655154 | GUIDE | intake valve | | 4 |
| 15 | 6655158 | BOLT | | | 18 |
| 16 | 6655161 | WASHER | W/rubber | | 1 |
| 17 | 6655156 | SEAT | exhaust valve | | 4 |
| 18 | 3974882 | HOOK | | | 2 |
| 19 | | GASKET KIT | upper | | 1 |

OIL PAN
(Kubota - V2003-T-2EB - Tier II Replacement)
(1G970-41000)

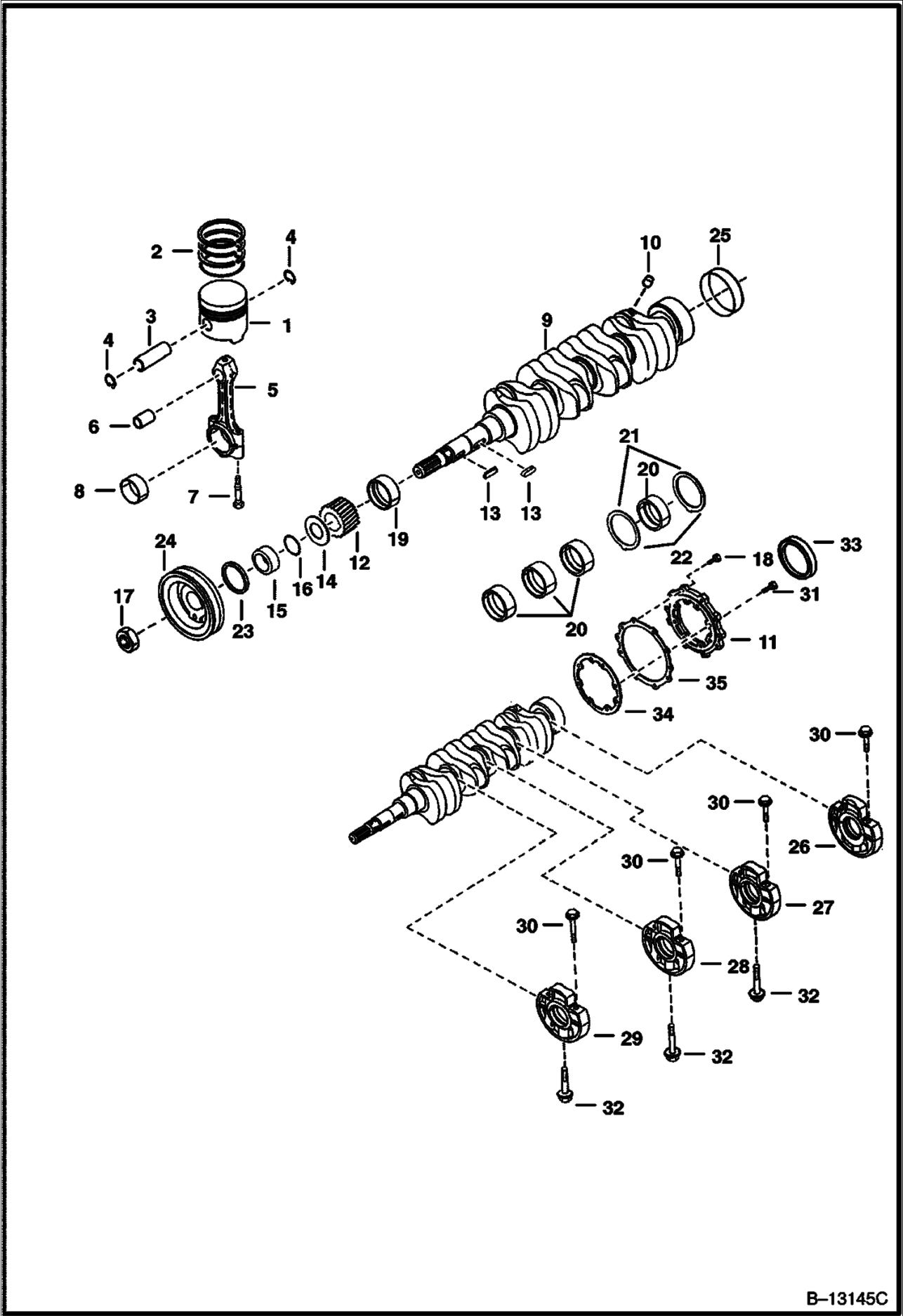


B-24726

OIL PAN (Cont'd)
(Kubota - V2003-T-2EB - Tier II Replacement)
(1G970-41000)

| Ref No | Part Number | Description | Remarks | Serial Number | Qty |
|--------|-------------|----------------------|-----------------------|-----------------|-----|
| 1 | 6655151 | PAN, OIL | | | 1 |
| 2 | 6666817 | GASKET | oil pan - Was 6684753 | | 1 |
| 3 | 7001922 | BOLT | Was 6653798 [B,D] | E/ 5R9999 & Bel | 24 |
| 3 | 7001922 | BOLT | Was 6698100 [A] | E/ 5S0001 & Abv | 24 |
| 4 | 6686979 | PLUG | drain | | 1 |
| 5 | 6680484 | GASKET | | | 1 |
| 6 | 6655194 | SCREEN, OIL | Was 6653568 [A] | | 1 |
| 7 | 6667421 | BOLT | | | 1 |
| 8 | 6684754 | O-RING | | | 1 |
| 9 | 6677202 | DIPSTICK, OIL ENG | oil - Was 6684784 [A] | | 1 |
| 10 | 6677203 | GUIDE | for long dipstick | | 1 |
| 11 | 6969804 | PLUG,OIL GAUGE | Was 6684785 [A] | | 1 |

PISTON & CRANKSHAFT
(Kubota - V2003-T-2EB - Tier II Replacement)
(1G970-41000)

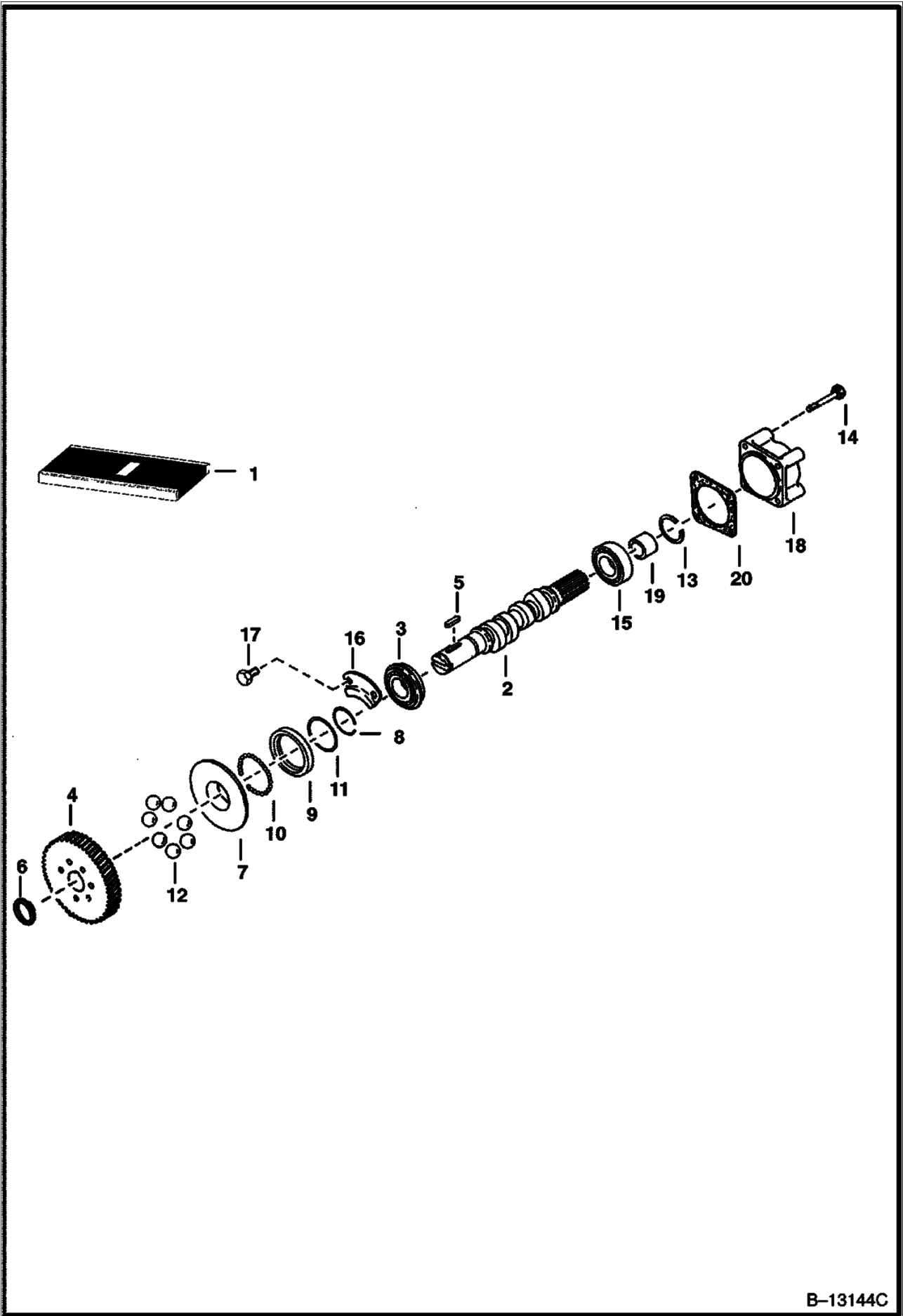


B-13145C

PISTON & CRANKSHAFT (Cont'd)
(Kubota - V2003-T-2EB - Tier II Replacement)
(1G970-41000)

| Ref No | Part Number | Description | Remarks | Serial Number | Qty |
|--------|-------------|-----------------|---|-----------------|-----|
| 1 | | PISTON | Std. - Order 6689939 piston & (2) 6686997 cir-clip - Was 6675638 [A] | | 4 |
| 1 | | PISTON | NAP - (0,5 mm - .0197) - Was 6676057 [A] | | 4 |
| 2 | 6675655 | RING, PISTON | piston - Std. | | 4 |
| 2 | 6676058 | RINGS | piston - (0,5 mm - .0197) | | 4 |
| 3 | 6655179 | PIN, PISTON ENG | | | 4 |
| 4 | 6655180 | CIR-CLIP | Was 6684805 [A] | | 8 |
| 5 | 6655181 | ROD, CONNECTING | connecting - W/Ref. 6, 7 & 8 | | 4 |
| 6 | 6655243 | BUSHING | | | 4 |
| 7 | 6655498 | BOLT | | | 8 |
| 8 | 6655183 | BEARING | rod - std. | | 4 |
| 8 | 6655236 | BEARING | rod (-0,20 mm) | | 4 |
| 8 | 6655237 | BEARING | rod (-0,40 mm) | | 4 |
| 9 | 6691495 | CRANKSHAFT | Ref. 10 & 25 - Ref. 10 must be installed before using - Was 6667437 [B,D] | E/ 6P9999 & Bel | 1 |
| 9 | 7010623 | CRANKSHAFT, ENG | W/Ref. 25 | E/ 6Q0001 & Abv | 1 |
| 10 | 6652633 | BALL | Must be installed before using Ref. 9 crankshaft - See S/L dated 3 Jan 85 | | 4 |
| 11 | 6655166 | COVER | Was 6685515 [A] | | 1 |
| 12 | 6598142 | GEAR | | | 1 |
| 13 | 3974546 | KEY | | | 1 |
| 14 | 6653861 | SLINGER, OIL | oil | | 1 |
| 15 | 3975337 | COLLAR | | | 1 |
| 16 | 3974577 | O RING | | | 1 |
| 17 | 3974671 | NUT | | | 1 |
| 18 | 4CM825 | BOLT | | | 8 |
| 19 | 6685486 | BEARING | main - Std. | | 1 |
| 19 | 6685490 | BEARING | main (0,2 mm-.0079) | | 1 |
| 19 | 6685491 | BEARING | main (0,4 mm-.0157) | | 1 |
| 20 | 6685487 | BEARING | main - Std. | | 4 |
| 20 | 6685492 | BEARING | main (0,2 mm-.0079) | | 4 |
| 20 | 6685493 | BEARING | main (0,4 mm-.0157) | | 4 |
| 21 | 6685488 | WASHER | thrust - Std. | | 2 |
| 21 | 6685494 | WASHER | thrust (0,2 mm-.0079) | | 2 |
| 21 | 6685495 | WASHER | thrust (0,4 mm-.0157) | | 2 |
| 22 | 6685489 | WASHER | thrust - Std. | | 2 |
| 22 | 6685496 | WASHER | thrust (0,2 mm-.0079) | | 2 |
| 22 | 6685497 | WASHER | thrust (0,4 mm-.0157) | | 2 |
| 23 | 6631664 | SEAL | oil | | 1 |
| 24 | 6655235 | PULLEY | | | 1 |
| 25 | 6653859 | SLEEVE | Was 6684807 [A] | | 1 |
| 26 | 6689503 | CASE MAIN BRG | main bearing - W/Ref. 30 - Was 6685480 [A] | | 1 |
| 27 | 6685486 | BEARING | main bearing - W/Ref. 30 | | 1 |
| 28 | 6685485 | CASE | main bearing - W/Ref. 30 | | 1 |
| 29 | 6685484 | CASE, MAIN BRG. | main bearing - W/Ref. 30 | | 1 |
| 30 | 6685482 | BOLT | | | 8 |
| 31 | 4CM828 | BOLT | | | 8 |
| 32 | 6653821 | BOLT | | | 3 |
| 33 | 6684789 | SEAL | oil | | 1 |
| 34 | 6684788 | GASKET | | | 1 |
| 35 | 6666814 | GASKET | | | 1 |

FUEL CAMSHAFT
(Kubota - V2003-T-2EB - Tier II Replacement)
(1G970-41000)

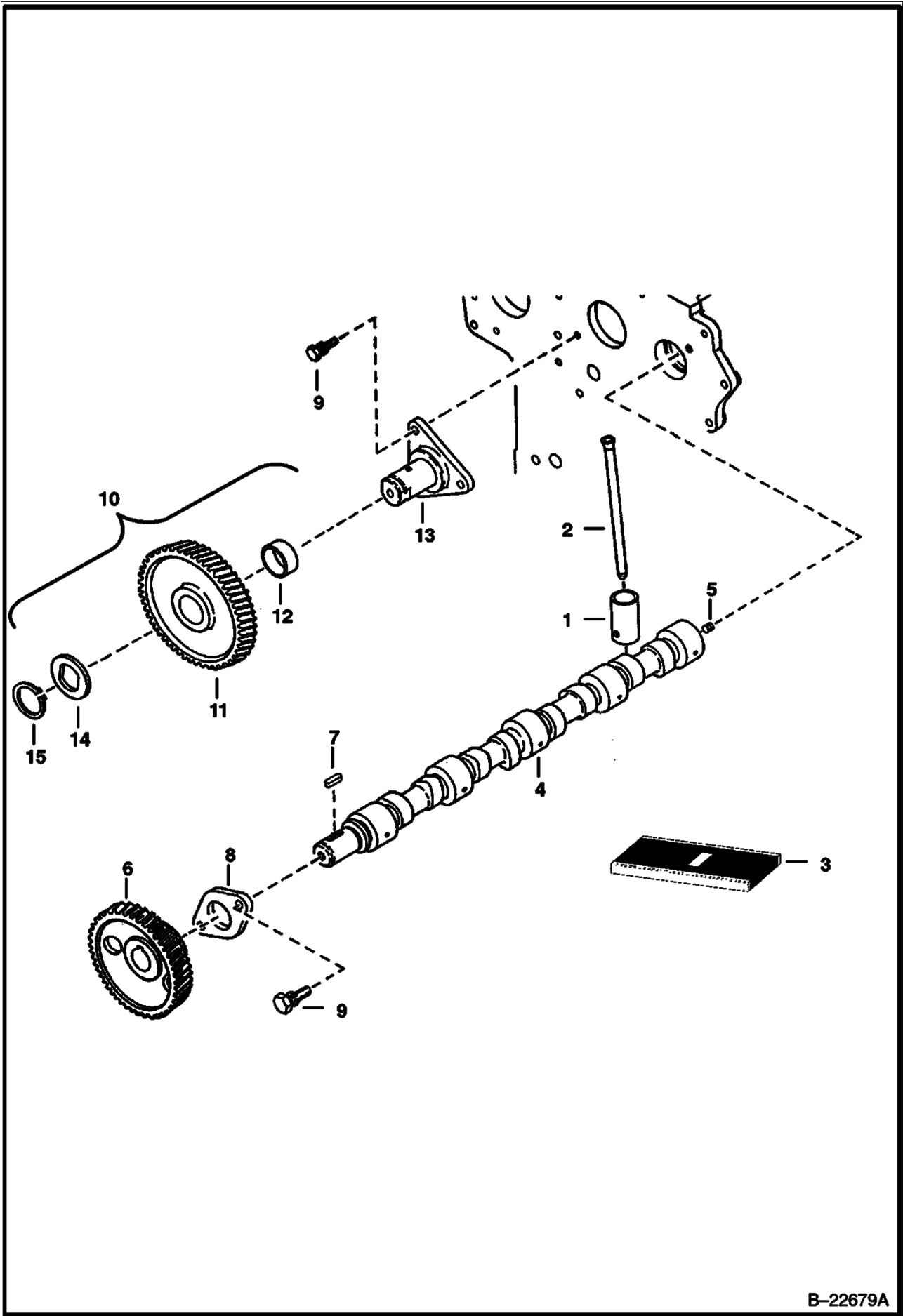


B-13144C

FUEL CAMSHAFT (Cont'd)
(Kubota - V2003-T-2EB - Tier II Replacement)
(1G970-41000)

| Ref No | Part Number | Description | Remarks | Serial Number | Qty |
|--------|-------------|--------------|-------------------|---------------|-----|
| 1 | 6655211 | CAMSHAFT | assy. - Ref. 2-14 | | 1 |
| 2 | 6655875 | CAMSHAFT | fuel | | 1 |
| 3 | 851242 | BEARING | | | 1 |
| 4 | 6655212 | GEAR | injection pump | | 1 |
| 5 | 6598099 | KEY | | | 1 |
| 6 | 5JM24 | CIRCLIP | external | | 1 |
| 7 | 6655213 | SLEEVE | governor | | 1 |
| 8 | 3974618 | CIR-CLIP | sleeve | | 1 |
| 9 | 6655214 | CASE | governor ball | | 1 |
| 10 | 10J5 | BALL | | | 39 |
| 11 | 3974620 | CIR-CLIP | ball case | | 1 |
| 12 | 6655215 | BALL | | | 7 |
| 13 | 6598158 | CIRCLIP | external | | 1 |
| 14 | 6651934 | BOLT | | | 7 |
| 15 | 6684812 | BALL BEARING | | | 1 |
| 16 | 3974624 | STOPPER | | | 1 |
| 17 | 6667420 | BOLT | | | 2 |
| 18 | 6666804 | GASKET | fuel camshaft | | 1 |
| 19 | 6598179 | COLLAR | | | 1 |
| 20 | 6692386 | GASKET | Was 6684813 [A] | | 1 |

CAMSHAFT
(Kubota - V2003-T-2EB - Tier II Replacement)
(1G970-41000)

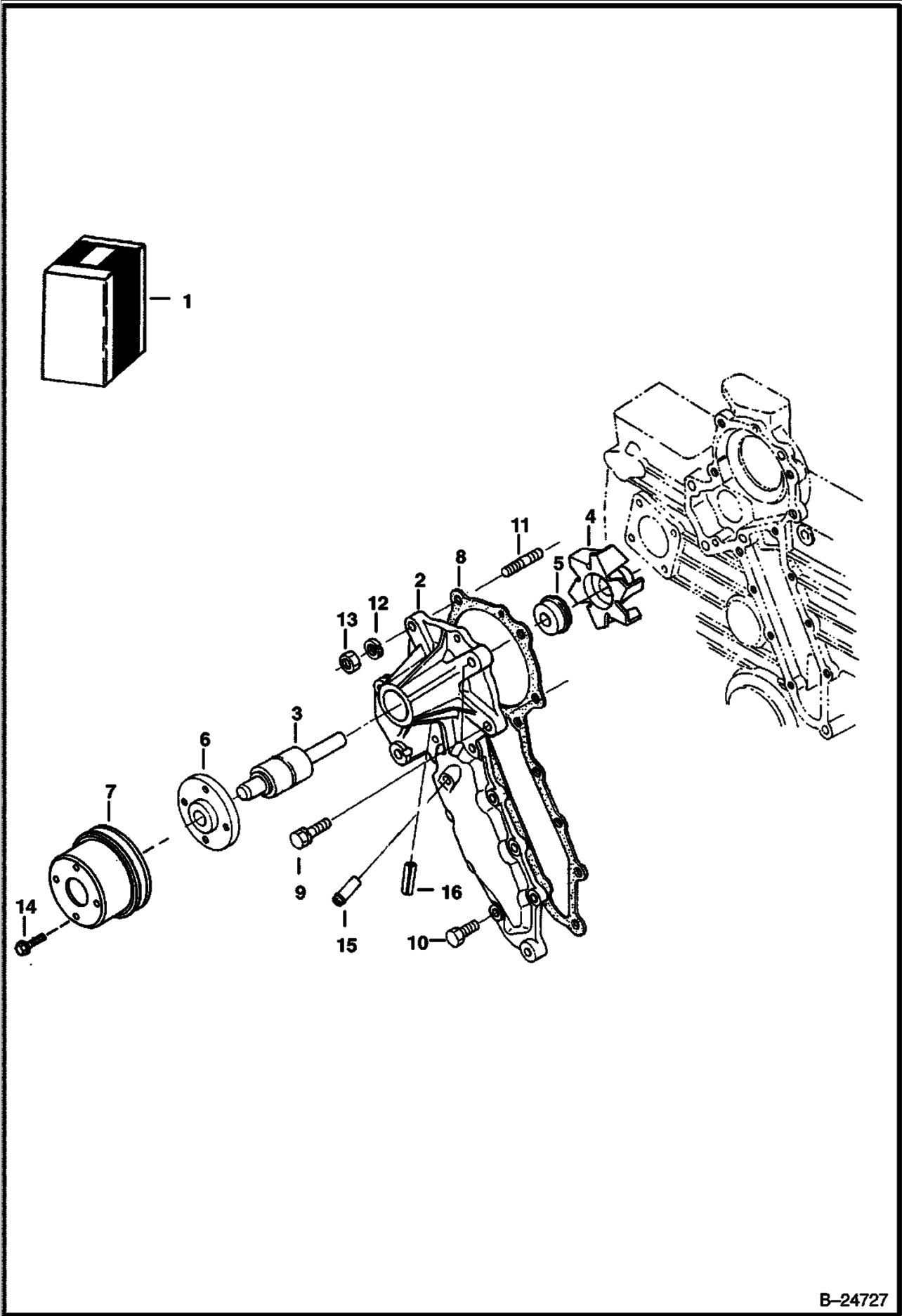


B-22679A

CAMSHAFT (Cont'd)
(Kubota - V2003-T-2EB - Tier II Replacement)
(1G970-41000)

| Ref No | Part Number | Description | Remarks | Serial Number | Qty |
|--------|-------------|-------------|----------------------------|---------------|-----|
| 1 | 6667428 | TAPPET | Was 6680707 [A] | | 8 |
| 2 | 6655176 | PUSHROD | | | 8 |
| 3 | 6675645 | CAMSHAFT | assy. - Ref. 4-8 | | 1 |
| 4 | 6675646 | CAMSHAFT | | | 1 |
| 5 | 6652633 | BALL | | | 1 |
| 6 | 6653840 | GEAR | camshaft | | 1 |
| 7 | 3974546 | KEY | | | 1 |
| 8 | 3974547 | STOPPER | camshaft | | 1 |
| 9 | 1CM818 | BOLT | | | 5 |
| 10 | 6684793 | GEAR | idle - W/Ref. 11 & 12 | | 1 |
| 11 | | GEAR | NSS - idle - Order Ref. 10 | | 2 |
| 12 | 6655242 | BUSHING | idle gear | | 1 |
| 13 | 6684796 | SHAFT | | | 1 |
| 14 | 6684795 | COLLAR | | | 1 |
| 15 | 6667433 | CIRCLIP | external | | 1 |

WATER PUMP
(Kubota - V2003-T-2EB - Tier II Replacement)
(1G970-41000)

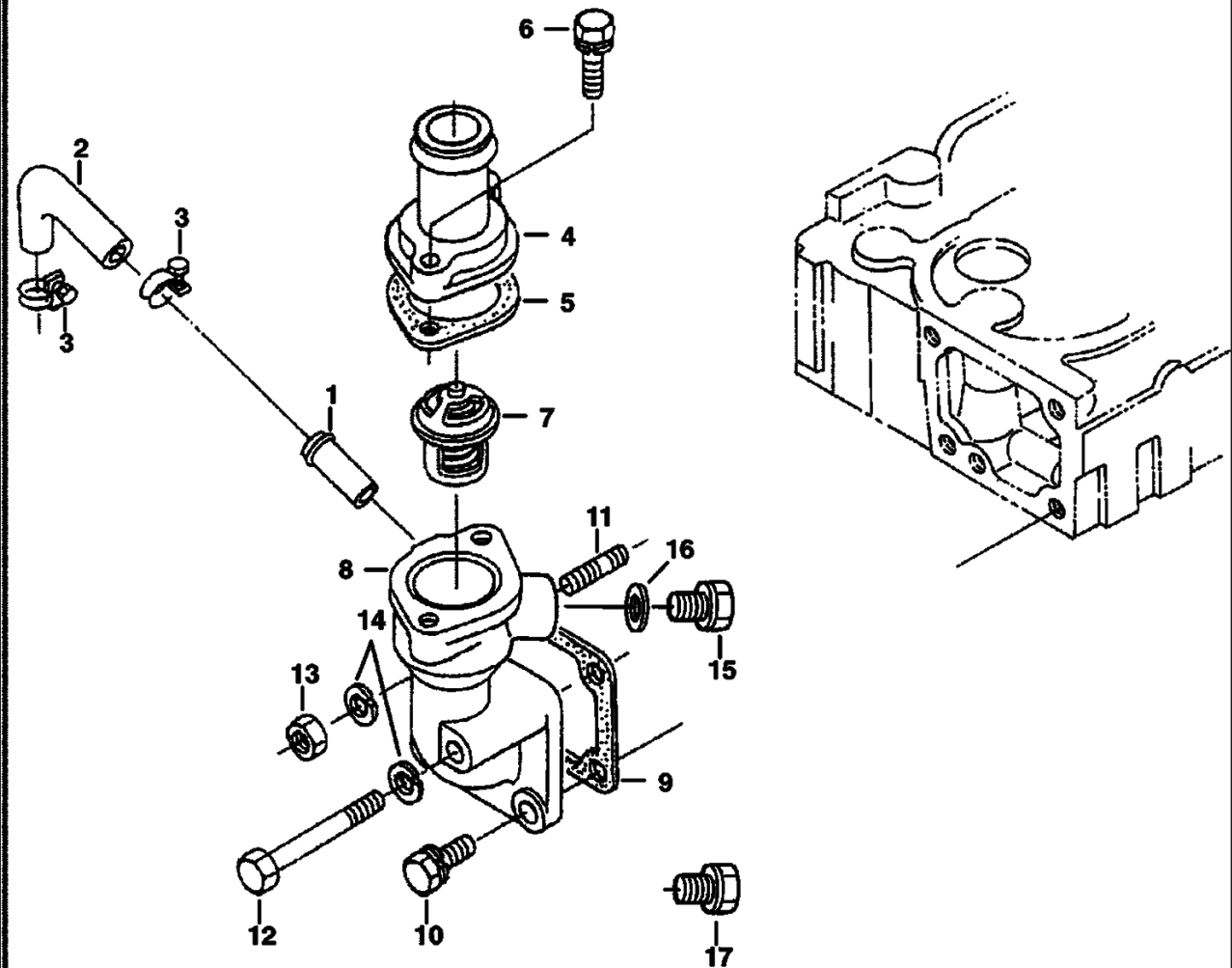


B-24727

WATER PUMP (Cont'd)
(Kubota - V2003-T-2EB - Tier II Replacement)
(1G970-41000)

| Ref No | Part Number | Description | Remarks | Serial Number | Qty |
|--------|-------------|-------------|-----------------|---------------|-----|
| 1 | 6681879 | WATER PUMP | Ref. 2-6 | | 1 |
| 2 | | BODY | NAP | | 1 |
| 3 | 3974991 | BEARING | | | 1 |
| 4 | 6667460 | IMPELLER | Was 6684867 [A] | | 1 |
| 5 | 6684868 | SEAL | | | 1 |
| 6 | 6684869 | FLANGE | | | 1 |
| 7 | 6674169 | PULLEY | fan | | 1 |
| 8 | 6666804 | GASKET | | | 1 |
| 9 | 4CM828 | BOLT | | | 2 |
| 10 | 6652580 | BOLT | | | 6 |
| 11 | 3974267 | STUD | | | 2 |
| 12 | 6667422 | WASHER | spring | | 2 |
| 13 | 6652792 | NUT | | | 2 |
| 14 | 29CM612 | BOLT | | | 4 |
| 15 | 6670785 | PIPE | | | 1 |
| 16 | 6683174 | ROLL PIN | | | 1 |

WATER FLANGE & THERMOSTAT
(Kubota - V2003-T-2EB - Tier II Replacement)
(1G970-41000)

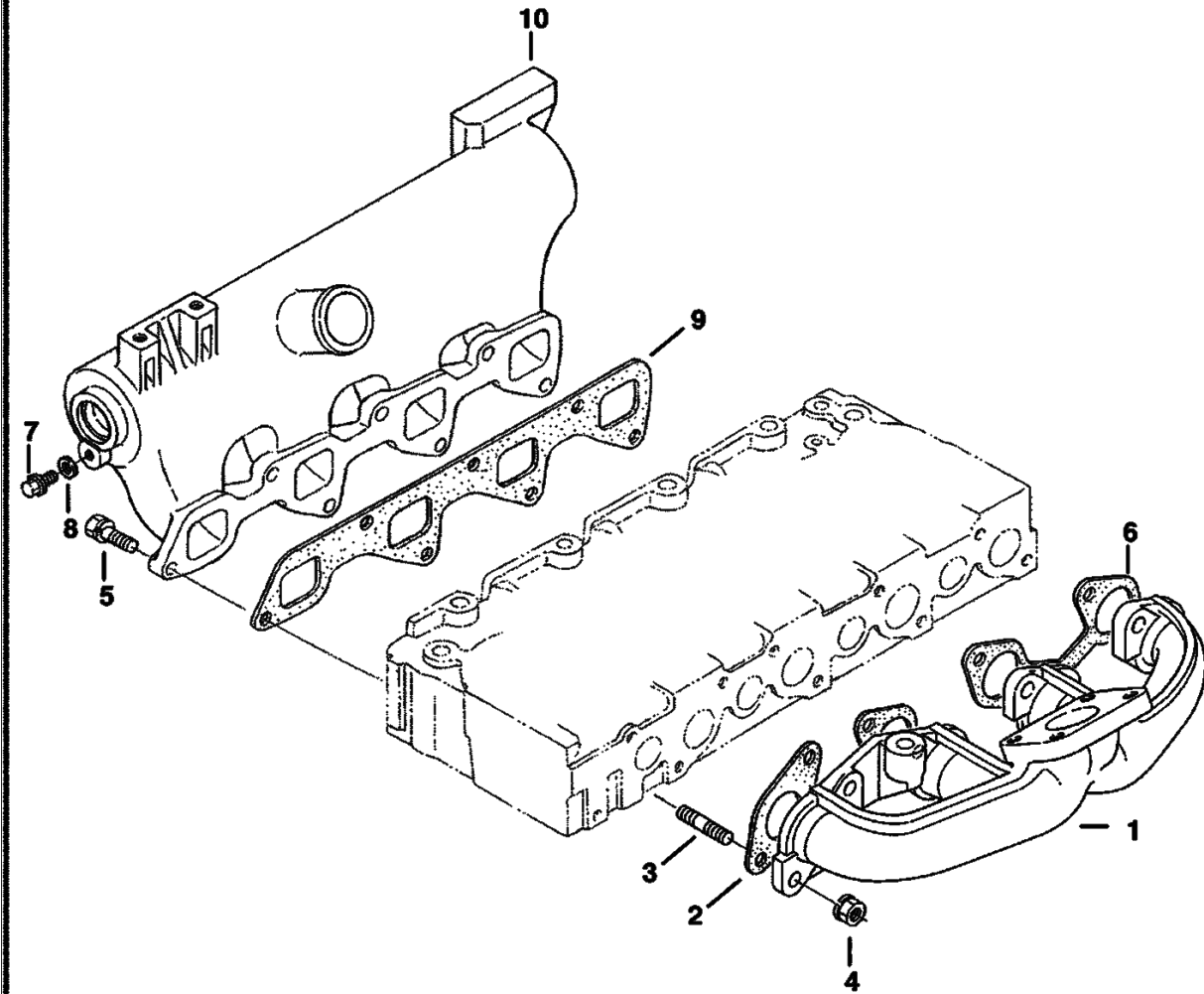


B-24691

WATER FLANGE & THERMOSTAT (Cont'd)
(Kubota - V2003-T-2EB - Tier II Replacement)
(1G970-41000)

| Ref No | Part Number | Description | Remarks | Serial Number | Qty |
|--------|-------------|-------------|--------------------------------|---------------|-----|
| 1 | 6655880 | PIPE | water return | | 1 |
| 2 | 6686988 | PIPE | water return | | 1 |
| 3 | 3974679 | BAND | pipe | | 2 |
| 4 | 6651489 | COVER | thermostat | | 1 |
| 5 | 6684863 | GASKET | thermostat cover | | 1 |
| 6 | 1CM835 | BOLT | | | 2 |
| 7 | 6674172 | THERMOSTAT | | | 1 |
| 8 | 6674167 | FLANGE | W/Ref. 1 | | 1 |
| 9 | 6666802 | GASKET | water flange - Was 6684860 [A] | | 1 |
| 10 | 4CM822 | BOLT | | | 2 |
| 11 | 6652670 | STUD | | | 1 |
| 12 | 1CM865 | SCREW | | | 1 |
| 13 | 6652792 | NUT | | | 1 |
| 14 | 6667422 | WASHER | | | 1 |
| 15 | 6649536 | PLUG | | | 1 |
| 16 | 6653562 | GASKET | | | 1 |
| 17 | 40K2 | PLUG | | | 1 |

MANIFOLDS
(Kubota - V2003-T-2EB - Tier II Replacement)
(1G970-41000)

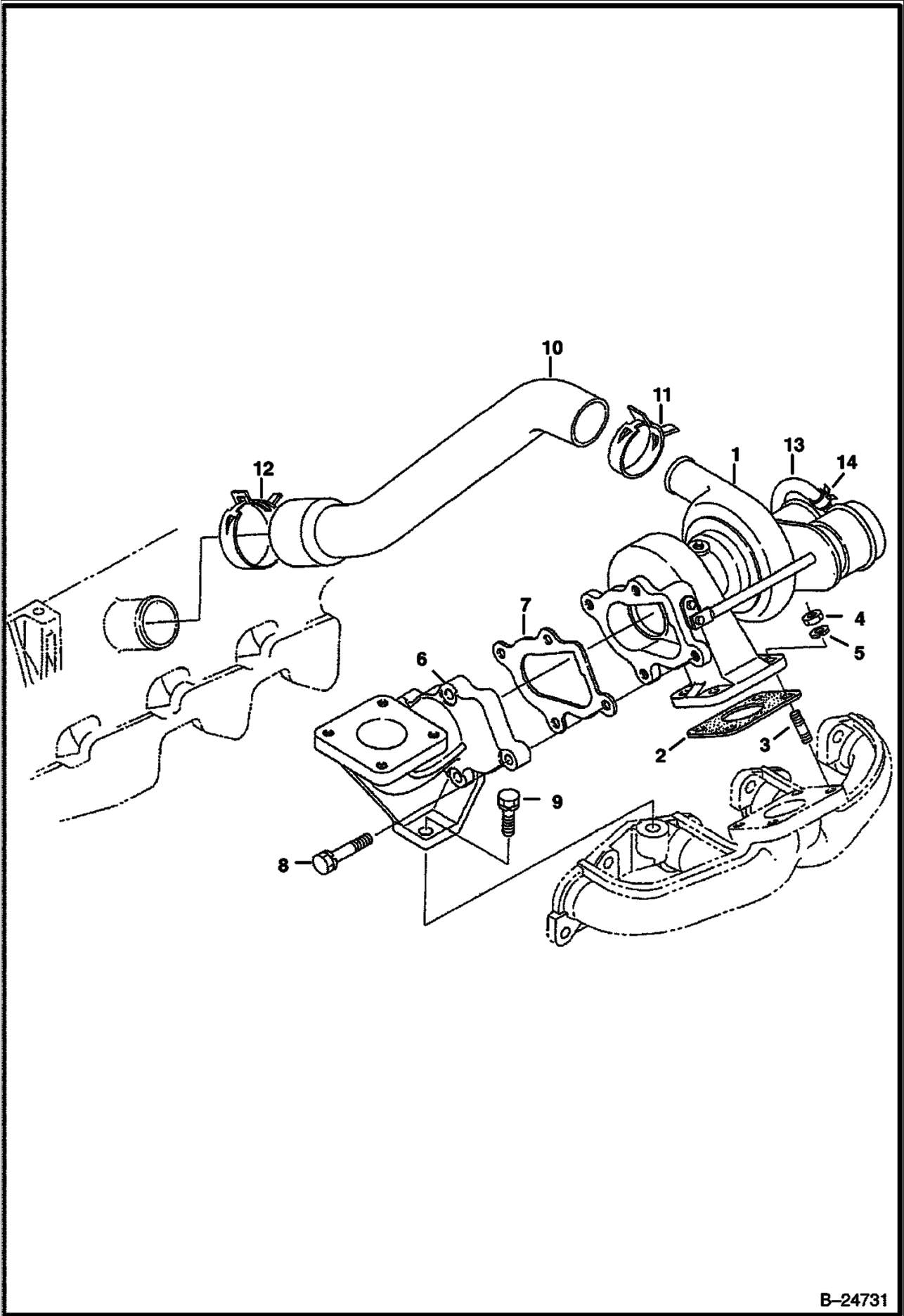


B-24728

MANIFOLDS (Cont'd)
(Kubota - V2003-T-2EB - Tier II Replacement)
(1G970-41000)

| Ref No | Part Number | Description | Remarks | Serial Number | Qty |
|--------|-------------|-------------|---------------------------|---------------|-----|
| 1 | 6687093 | MANIFOLD | exhaust | | 1 |
| 2 | 6666781 | GASKET | Was 6685878 [B,D] | | 1 |
| 3 | 6652670 | STUD | | | 8 |
| 4 | 6682532 | NUT | | | 8 |
| 5 | 4CM822 | BOLT | | | 7 |
| 6 | 6666791 | GASKET | muffler - Was 6684879 [A] | | 1 |
| 7 | 29CM612 | BOLT | | | 1 |
| 8 | 3974972 | GASKET | | | 1 |
| 9 | 6666811 | GASKET | Was 6686991 [A] | | 1 |
| 10 | 6686995 | MANIFOLD | intake | | 1 |

TURBO CHARGER
(Kubota - V2003-T-2EB - Tier II Replacement)
(1G970-41000)

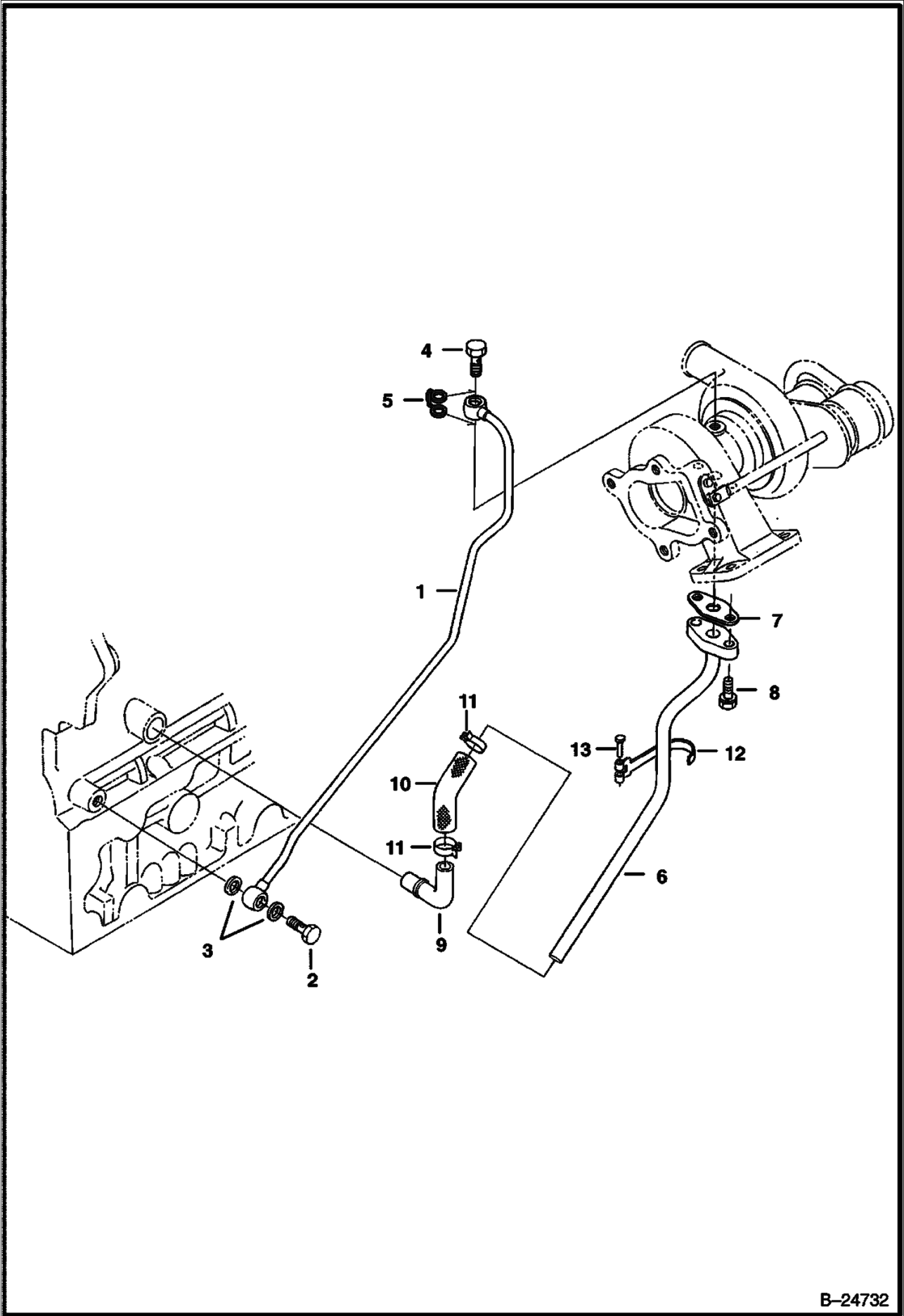


B-24731

TURBO CHARGER (Cont'd)
(Kubota - V2003-T-2EB - Tier II Replacement)
(1G970-41000)

| Ref No | Part Number | Description | Remarks | Serial Number | Qty |
|--------|-------------|-------------|-----------|---------------|-----|
| 1 | 6675676 | TURBO | W/Ref. 13 | | 1 |
| 2 | 6675636 | GASKET | | | 1 |
| 3 | 6680564 | STUD | | | 4 |
| 4 | 6652792 | NUT | | | 4 |
| 5 | 6667422 | WASHER | | | 4 |
| 6 | 6675675 | FLANGE | | | 1 |
| 7 | 6675637 | GASKET | | | 1 |
| 8 | 6657416 | BOLT | | | 4 |
| 9 | 6686043 | BOLT | | | 1 |
| 10 | 6675673 | HOSE | | | 1 |
| 11 | 6675635 | BAND | | | 1 |
| 12 | 6675624 | CLAMP | | | 1 |
| 13 | 6680991 | HOSE | W/Ref. 14 | | 1 |
| 14 | 6680555 | CLAMP | | | 2 |

OIL PIPE
(Turbo Charger) (Kubota - V2003-T-2EB - Tier II Replacement)
(1G970-41000)

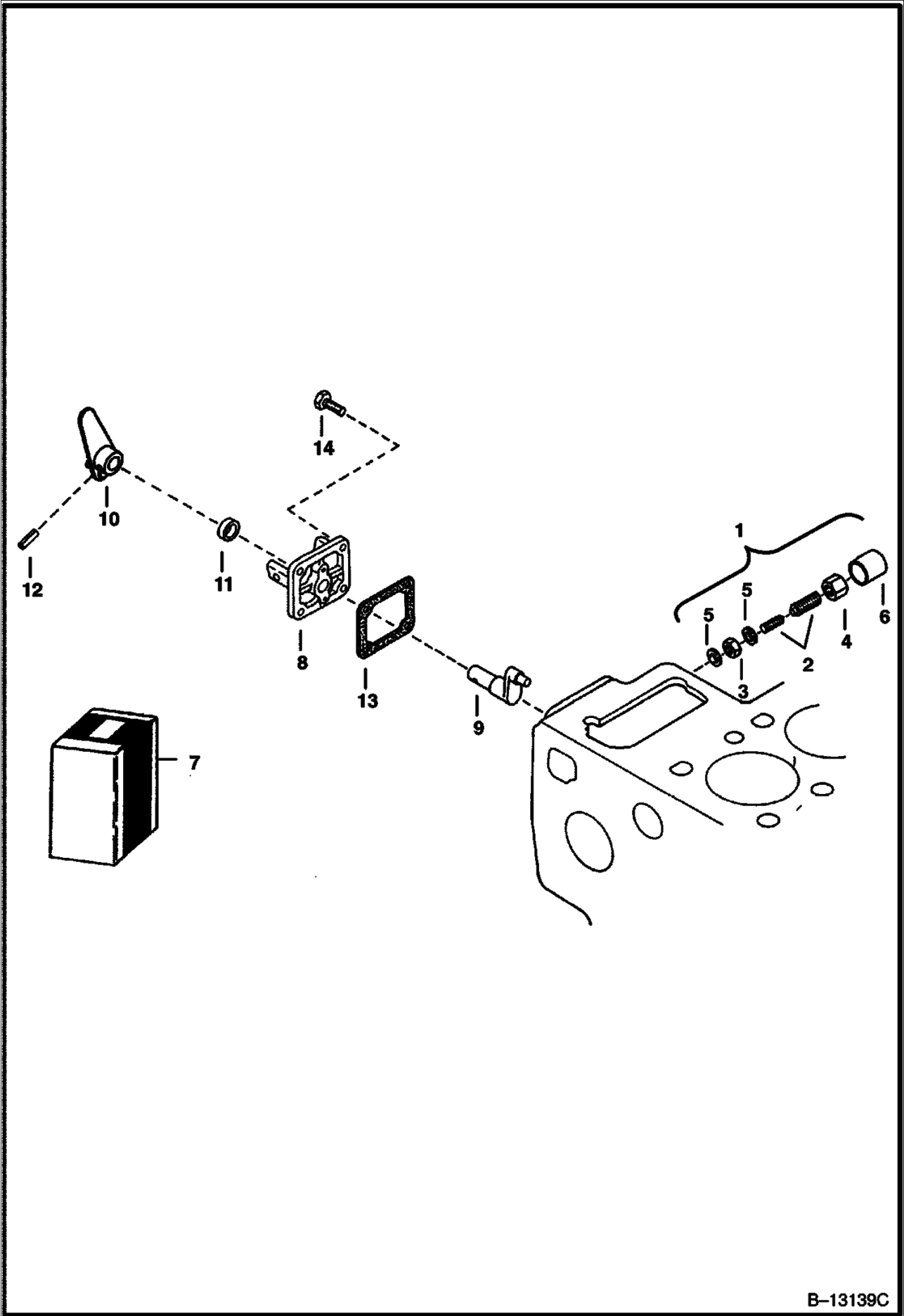


B-24732

OIL PIPE (Cont'd)
(Turbo Charger) (Kubota - V2003-T-2EB - Tier II Replacement)
(1G970-41000)

| Ref No | Part Number | Description | Remarks | Serial Number | Qty |
|--------|-------------|-----------------|---|-----------------|-----|
| 1 | 6675677 | PIPE | | | 1 |
| 2 | 6680791 | BOLT | eye | | 1 |
| 3 | 3974095 | MET-GASK | | | 2 |
| 4 | 6675625 | BOLT, EYE JOINT | eye - Was 6680566 [A] | | 1 |
| 5 | 6685962 | GASKET | consists of 2 gaskets attached by a tab | | x |
| 6 | 6675678 | PIPE | | E/ 8HZ999 & Bel | 1 |
| 6 | 7010622 | PIPE, OIL | | E/ 8J0001 & Abv | 1 |
| 7 | 6680570 | GASKET | Was 6685964 [A] | | 1 |
| 8 | 6652580 | BOLT | | E/ 8HZ999 & Bel | 2 |
| 8 | 4CM614 | BOLT | | E/ 8J0001 & Abv | 2 |
| 9 | 6684884 | PIPE | | | 1 |
| 10 | 6675679 | PIPE | | | 1 |
| 11 | 6675618 | CLAMP | | | 2 |
| 12 | 6685601 | CLAMP | | | 1 |
| 13 | 6680576 | PIN | | | 1 |

ENGINE STOP LEVER
(Kubota - V2003-T-2EB - Tier II Replacement)
(1G970-41000)

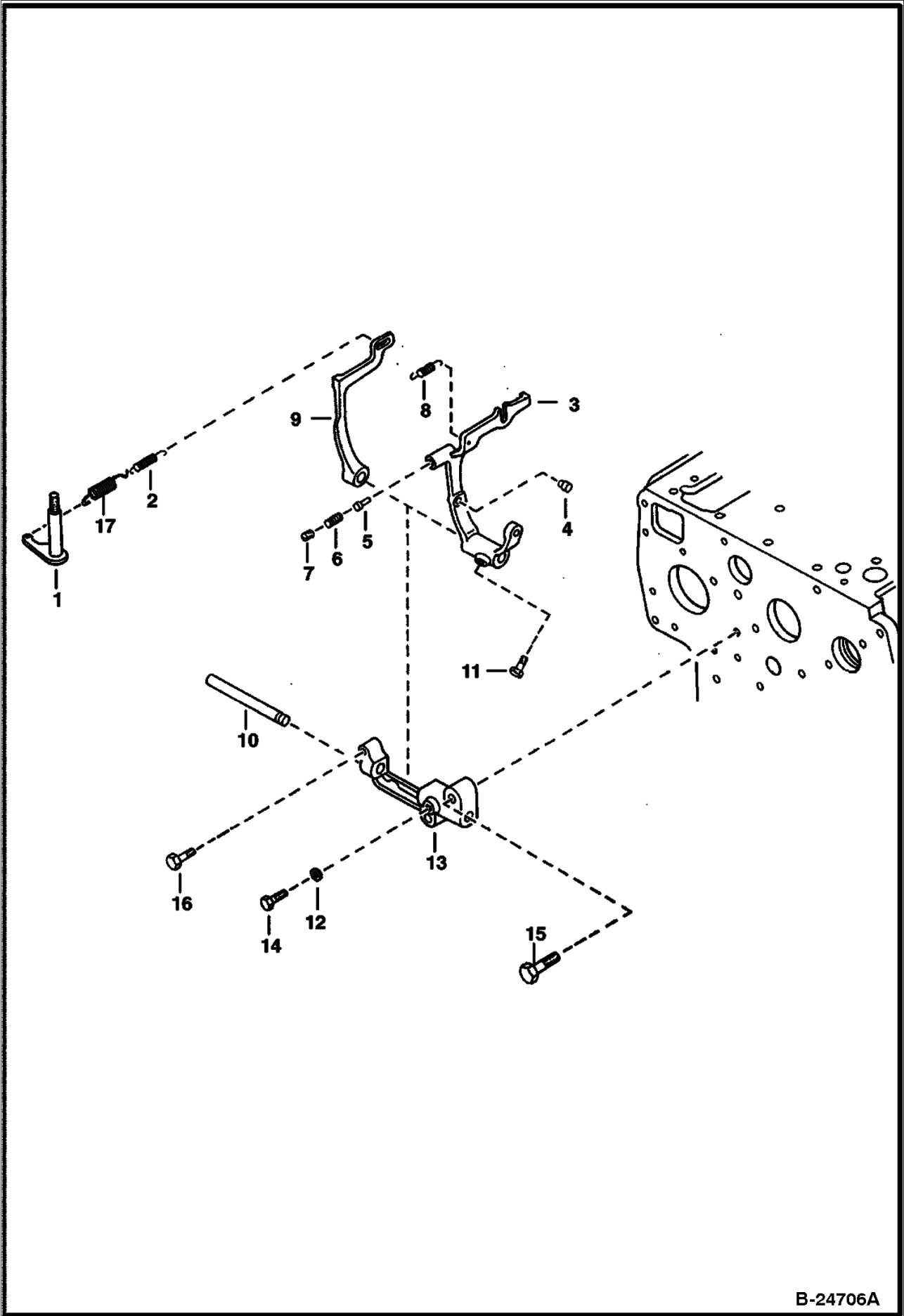


B-13139C

ENGINE STOP LEVER (Cont'd)
(Kubota - V2003-T-2EB - Tier II Replacement)
(1G970-41000)

| Ref No | Part Number | Description | Remarks | Serial Number | Qty |
|--------|-------------|-------------|------------------------|---------------|-----|
| 1 | 3974975 | IDLER | assy., idle - Ref. 2-6 | | 1 |
| 2 | 6653906 | BOLT ASSY. | adjusting | | 1 |
| 3 | 3974425 | NUT | adjusting | | 1 |
| 4 | 3974978 | NUT | | | 1 |
| 5 | 3974095 | MET-GASK | | | 2 |
| 6 | 3974979 | CAP | | | 1 |
| 7 | 6676060 | LEVER ASSY. | eng. stop - Ref. 8-12 | | 1 |
| 8 | 6655540 | COVER | injection pump | | 1 |
| 9 | 6655231 | SHAFT | lever | | 1 |
| 10 | 6655232 | LEVER | engine stop | | 1 |
| 11 | 6685476 | SEAL | oil | | 1 |
| 12 | 6598098 | PIN | spring | | 1 |
| 13 | 6666783 | GASKET | pump cover | | 1 |
| 14 | 6652580 | BOLT | | | 3 |

GOVERNOR
(Kubota - V2003-T-2EB - Tier II Replacement)
(1G970-41000)

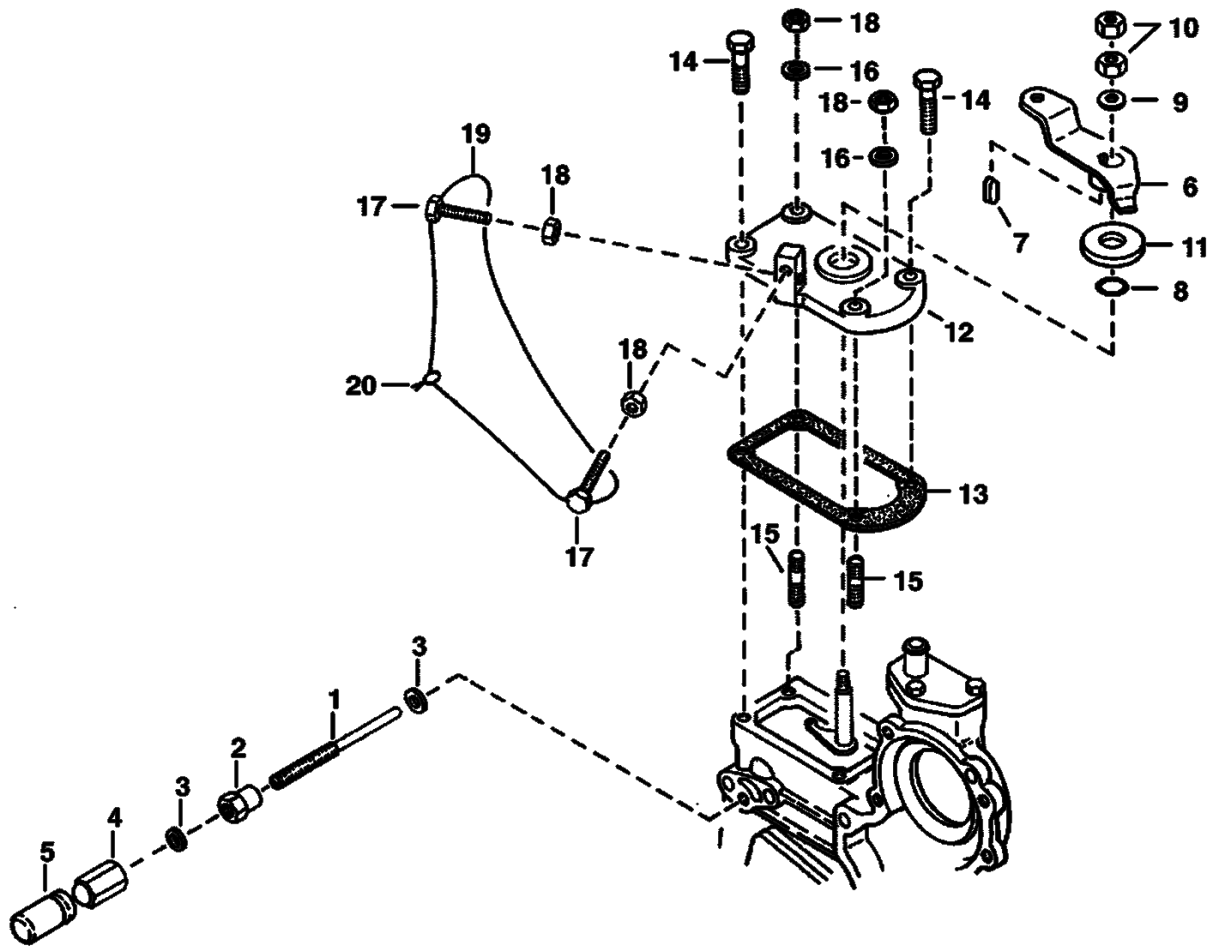


B-24706A

GOVERNOR (Cont'd)
(Kubota - V2003-T-2EB - Tier II Replacement)
(1G970-41000)

| Ref No | Part Number | Description | Remarks | Serial Number | Qty |
|--------|-------------|-------------|-------------------|---------------|-----|
| 1 | 6598174 | LEVER | governor | | 1 |
| 2 | 6655227 | SPRING | | | 1 |
| 3 | 6675672 | LEVER | fork - W/Ref. 4-7 | | 1 |
| 4 | | PIN | NSS | | 2 |
| 5 | | PIN | NSS | | 1 |
| 6 | | SPRING | NSS | | 1 |
| 7 | | SCREW | NSS | | 1 |
| 8 | 6655225 | SPRING | | | 1 |
| 9 | 6655877 | LEVER | | | 1 |
| 10 | 6684833 | SHAFT | | | 1 |
| 11 | 6680830 | BOLT | | | 1 |
| 12 | 6667419 | WASHER | | | 2 |
| 13 | 6653916 | HOLDER | Was 6684834 [A] | | 1 |
| 14 | 3974192 | BOLT | | | 1 |
| 15 | 6680706 | BOLT | | | 2 |
| 16 | 6685464 | BOLT | | | 1 |
| 17 | 6675640 | SPRING | governor | | 1 |

SPEED CONTROL PLATE
(Kubota - V2003-T-2EB - Tier II Replacement)
(1G970-41000)

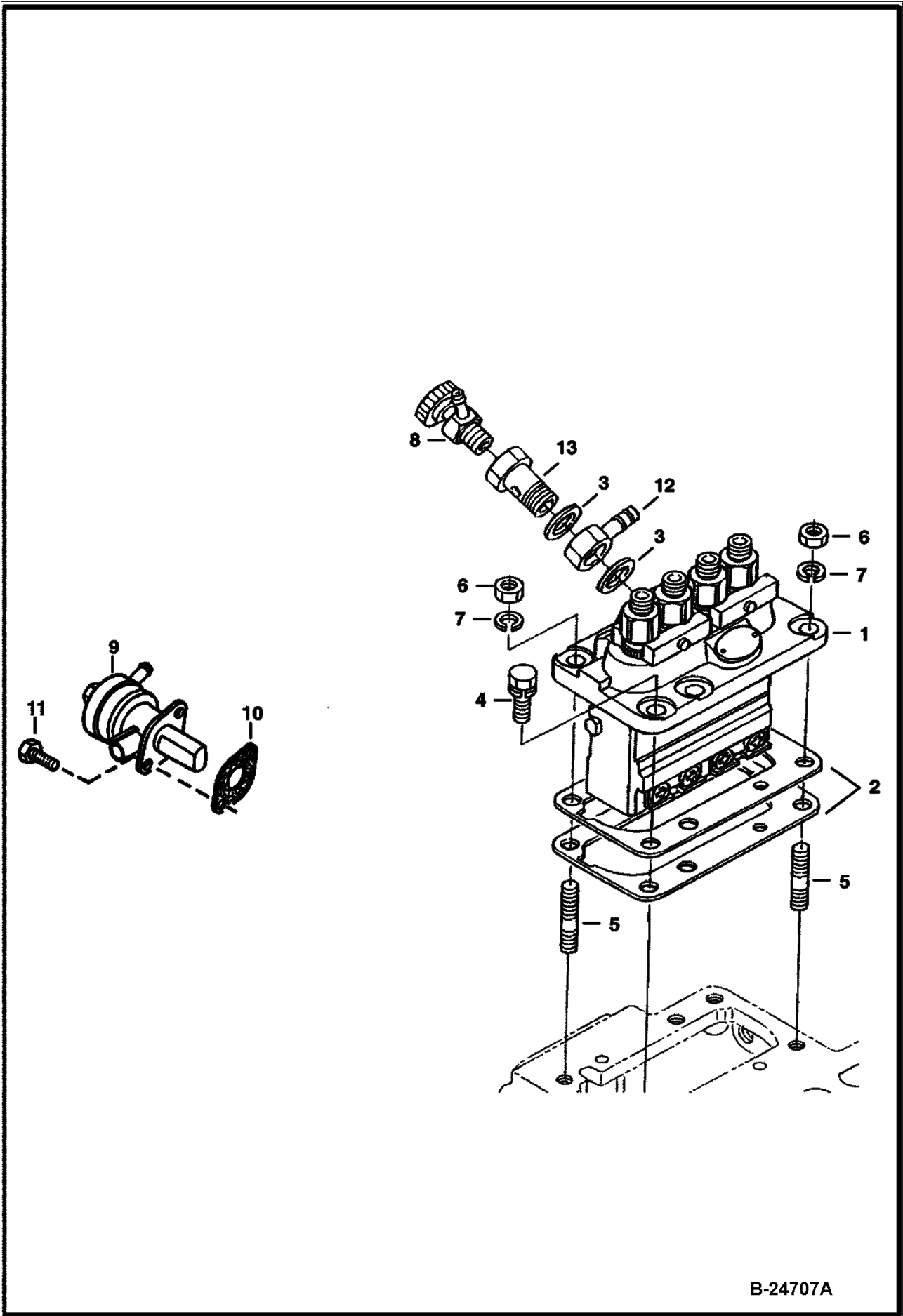


B-13137C

SPEED CONTROL PLATE (Cont'd)
(Kubota - V2003-T-2EB - Tier II Replacement)
(1G970-41000)

| Ref No | Part Number | Description | Remarks | Serial Number | Qty |
|--------|-------------|----------------------------|-----------------|---------------|-----|
| 1 | 6686985 | BOLT, ADJUSTING | adjusting | | 1 |
| 2 | 3974971 | NUT | | | 1 |
| 3 | 3974972 | GASKET | | | 2 |
| 4 | 6655223 | NUT | cap | | 1 |
| 5 | 6653905 | CAP | | | 1 |
| 6 | 6598176 | LEVER | speed control | | 1 |
| 7 | 15JM48 | KEY | feather | | 1 |
| 8 | 3966512 | O RING | Was 6686986 [A] | | 1 |
| 9 | 6667451 | WASHER | plain | | 1 |
| 10 | 1DM8 | NUT | | | 2 |
| 11 | 3974644 | COLLAR | friction | | 1 |
| 12 | 6641231 | PLATE, CONTROL SPEED | speed control | | 1 |
| 13 | 6666792 | GASKET | | | 1 |
| 14 | 4CM620 | BOLT | | | 2 |
| 15 | 6652764 | STUD | | | 2 |
| 16 | 6667419 | WASHER | spring | | 2 |
| 17 | 6655228 | STOPPER | | | 2 |
| 18 | 1DM6 | NUT | | | 4 |
| 19 | | WIRE | NAP | | 1 |
| 20 | | LEAD | NAP - sealing | | 1 |

FUEL & INJECTION PUMPS
(Kubota - V2003-T-2EB - Tier II Replacement)
(1G970-41000)

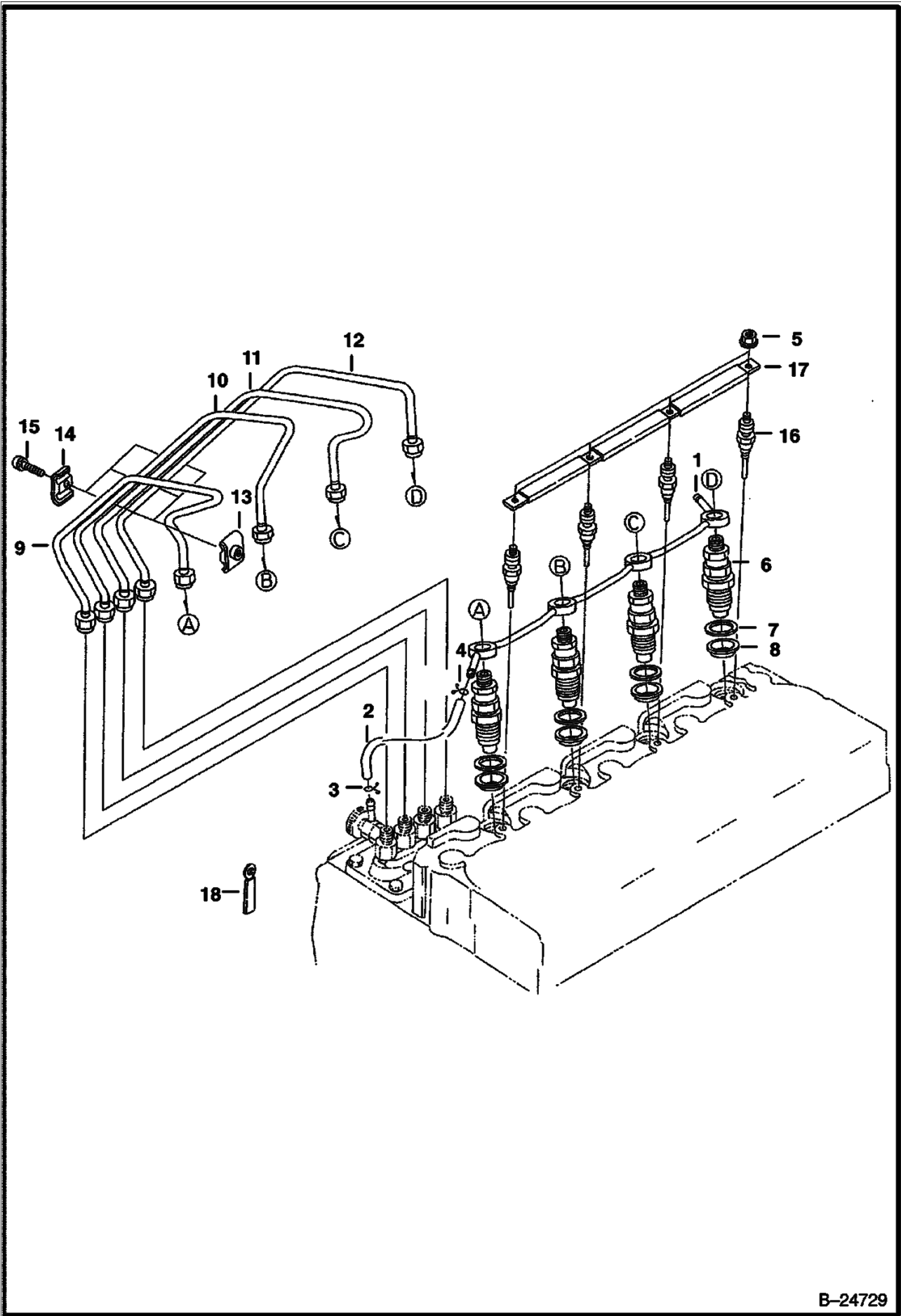


B-24707A

FUEL & INJECTION PUMPS (Cont'd)
(Kubota - V2003-T-2EB - Tier II Replacement)
(1G970-41000)

| Ref No | Part Number | Description | Remarks | Serial Number | Qty |
|--------|-------------|-------------|--------------------------|---------------|-----|
| 1 | 6675656 | PUMP | | | 1 |
| 2 | 3974626 | SHIM | 0.20mm - Was 6682514 [A] | | x |
| 2 | 6682515 | SHIM | 0,25 mm - injection pump | | x |
| 2 | 6655210 | SHIM | 0,30 mm - injection pump | | x |
| 3 | 6698120 | GASKET | Was 3975389 [A] | | 2 |
| 4 | 4CM822 | BOLT | | | 4 |
| 5 | 6652670 | STUD | | | 2 |
| 6 | 6652792 | NUT | | | 2 |
| 7 | 6667422 | WASHER | spring | | 2 |
| 8 | 6598102 | VALVE | jet start | | 1 |
| 9 | 6655216 | FUEL PUMP | | | 1 |
| 10 | 6686037 | GASKET | fuel pump | | 1 |
| 11 | 4CM615 | BOLT | | | 2 |
| 12 | 6655515 | JOINT | eye | | 1 |
| 13 | 3975428 | SCREW | hollow | | 1 |

INJECTOR NOZZLES
(Kubota - V2003-T-2EB - Tier II Replacement)
(1G970-41000)

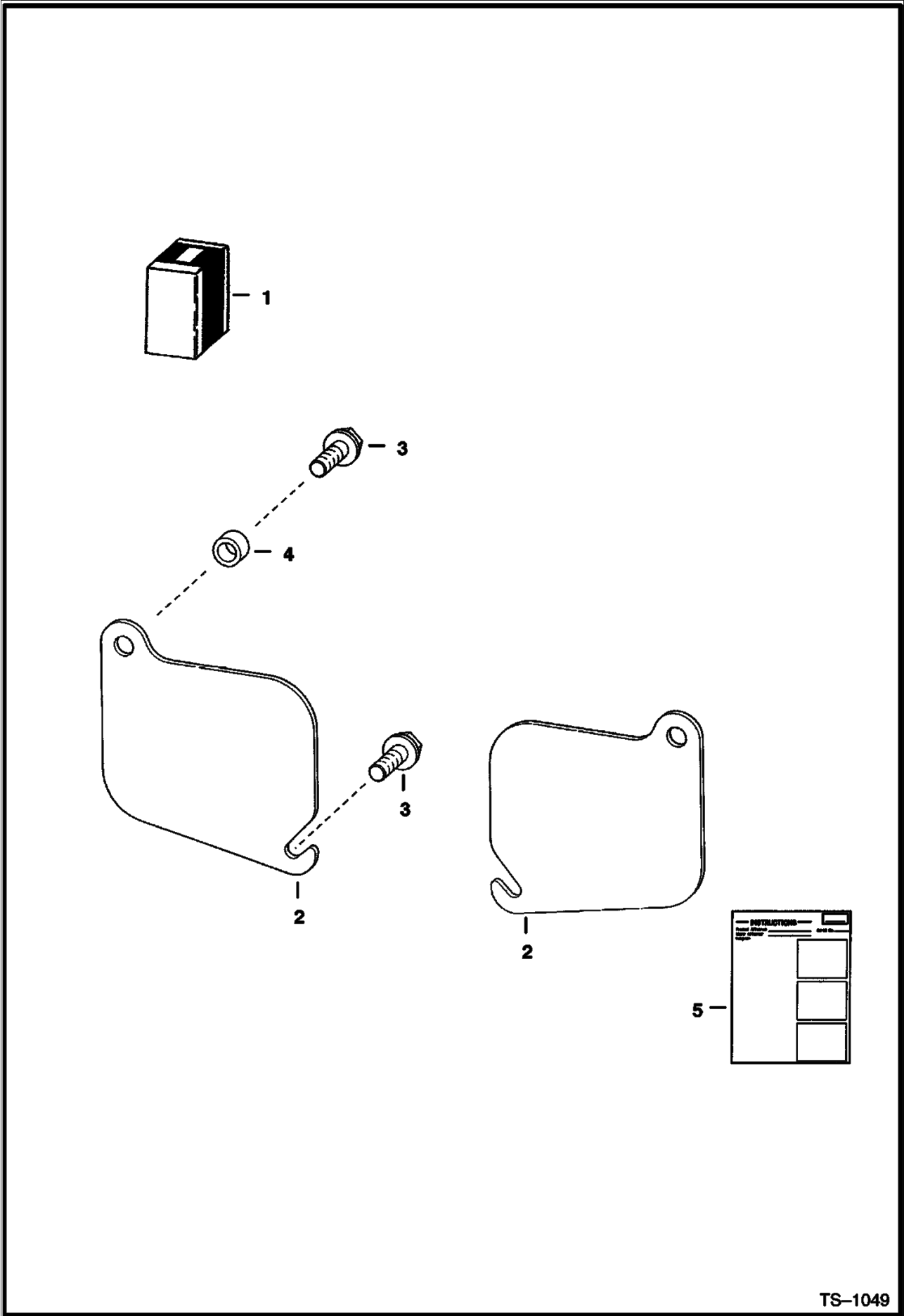


B-24729

INJECTOR NOZZLES (Cont'd)
(Kubota - V2003-T-2EB - Tier II Replacement)
(1G970-41000)

| Ref No | Part Number | Description | Remarks | Serial Number | Qty |
|--------|-------------|------------------------|----------------------------------|---------------|-----|
| 1 | 6682521 | PIPE | | | 1 |
| 2 | 6974656 | TUBE ASSY, OVERFLOW | fuel over flow - Was 6681931 [A] | | 1 |
| 3 | 6654718 | CLAMP | pipe - Was 6680795 [A] | | 1 |
| 4 | 6654718 | CLAMP | pipe | | 1 |
| 5 | 6670472 | NUT | | | 4 |
| 6 | 6682522 | HOLDER KIT | nozzle | | 4 |
| 7 | 6655218 | GASKET | | | 4 |
| 8 | 6655872 | HEAT SEAL | | | 4 |
| 9 | 6675647 | PIPE | injection | | 1 |
| 10 | 6675648 | PIPE | injection | | 1 |
| 11 | 6682523 | PIPE | | | 1 |
| 12 | 6675650 | PIPE | injection | | 1 |
| 13 | 6652688 | CLAMP | pipe | | 3 |
| 14 | 6680786 | CLAMP | pipe | | 3 |
| 15 | 3974260 | SCREW | | | 3 |
| 16 | 6655233 | GLOW PLUG | | | 4 |
| 17 | 6655234 | CORD | glow plug - Was 6686987 [A] | | 3 |
| 18 | 6667457 | CLAMP | | | 1 |

ACCESS COVER (Cleanout - Lower Front of Chaincase)

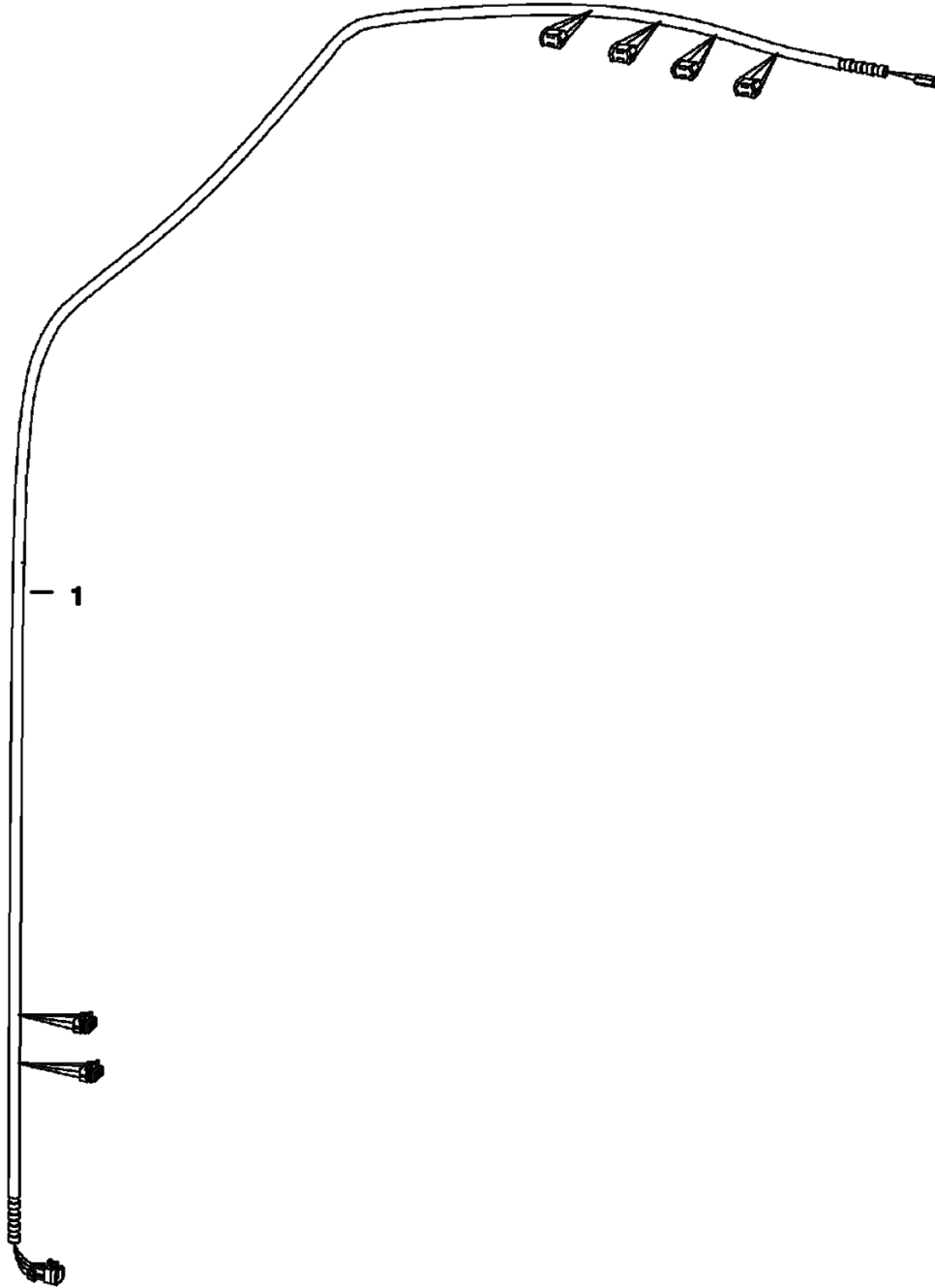


ACCESS COVER (Cont'd)
(Cleanout - Lower Front of Chaincase)

| Ref No | Part Number | Description | Remarks | Serial Number | Qty |
|--------|-------------|---------------------|--------------------------------------|---------------|-----|
| 1 | 6577880 | KIT | Ref. 2-5 | | 1 |
| 2 | | COVER | NAP - Use W/Ref. 4 - Was 6577812 [A] | | 2 |
| 2 | 6737088 | COVER, FRONT ACCESS | | | 2 |
| 3 | 84G3720 | BOLT | | | 4 |
| 4 | 6562619 | BUSHING | not in kit | | 2 |
| 5 | 6570931 | INSTRUCTIONS | | | 1 |

ACCESSORIES HARNESS (Standard - Non Deluxe Cab)

NOTE: If loader is not equipped with Deluxe Cab Option, this harness must be used to run Flasher Lights, Turn Indicators, Hazard Lights, Rotating Beacon and/or Strobe Lights.

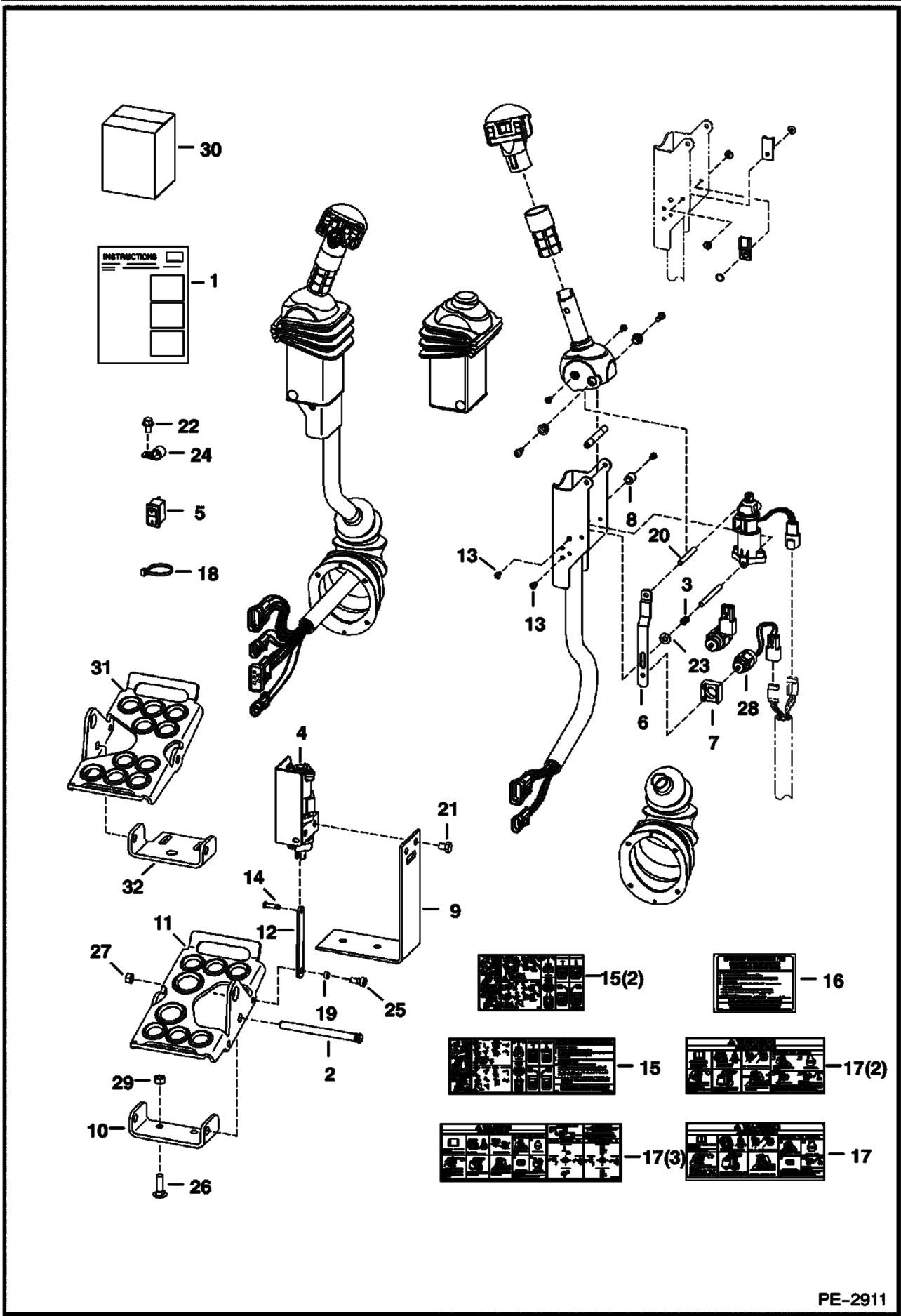


PE-1557

ACCESSORIES HARNESS (Cont'd)
(Standard - Non Deluxe Cab)

| Ref No | Part Number | Description | Remarks | Serial Number | Qty |
|--------|-------------|-----------------|--|-------------------|-----|
| 1 | 6727468 | HARN.STD ACCESS | SEE NOTE - W/ pin connectors to loader harness | 500K 11001 & Abv | 1 |
| 1 | 6727468 | HARN.STD ACCESS | SEE NOTE - W/ pin connectors to loader harness | 5181 12000 & Abv | 1 |
| 1 | 6727468 | HARN.STD ACCESS | SEE NOTE - W/ pin connectors to loader harness | 5192 12000 & Abv | 1 |
| 1 | 6727468 | HARN.STD ACCESS | SEE NOTE - W/ pin connectors to loader harness | 5191 12000 & Abv | 1 |
| 1 | 6727468 | HARN.STD ACCESS | SEE NOTE - W/ pin connectors to loader harness | 5190 16000 & Abv | 1 |
| 1 | 6727468 | HARN.STD ACCESS | SEE NOTE - W/ pin connectors to loader harness | 5180 12000 & Abv | 1 |
| 1 | 6727468 | HARN.STD ACCESS | SEE NOTE - W/ pin connectors to loader harness | 5176 18000 & Abv | 1 |
| 1 | 6715365 | HARNESS | w/ 8 pin connector to loader harness | 5176 17999 & Bel. | 1 |
| 1 | 6715365 | HARNESS | w/ 8 pin connector to loader harness | 5181 11999 & Bel | 1 |
| 1 | 6715365 | HARNESS | w/ 8 pin connector to loader harness | 5191 11999 & Bel | 1 |
| 1 | 6715365 | HARNESS | w/ 8 pin connector to loader harness | 5192 11999 & Bel. | 1 |
| 1 | 6715365 | HARNESS | w/ 8 pin connector to loader harness | 5190 15999 & Bel. | 1 |
| 1 | 6715365 | HARNESS | w/ 8 pin connector to loader harness | 5180 11999 & Bel | 1 |

ACS CONVERSION KIT
 (S/N 500K11001 & Above, 517618626 & Above, 518012100 & Above,
 518112060 & Above, 519017502 & Above, 519212069 & Above)

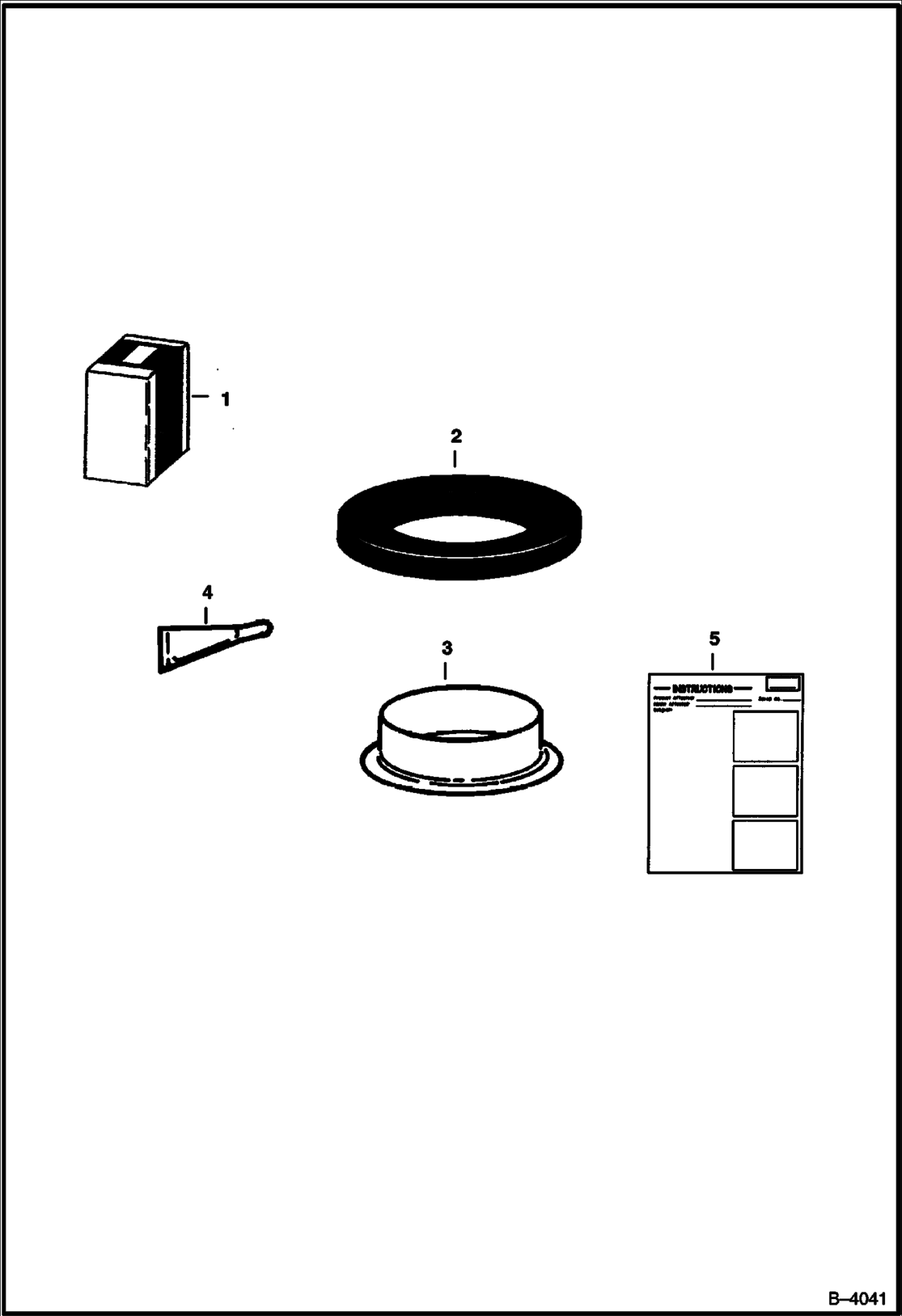


PE-2911

ACS CONVERSION KIT (Cont'd)
(S/N 500K11001 & Above, 517618626 & Above, 518012100 & Above,
518112060 & Above. 519017502 & Above. 519212069 & Above)

| Ref No | Part Number | Description | Remarks | Serial Number | Qty |
|--------|-------------|-----------------|---|---------------|-----|
| 1 | 6731151 | KIT | foot control - Ref. 2-14 & 17-30 - loader must be equipped W/advanced hand control option | | 1 |
| 2 | 6564657 | PIN | | | 2 |
| 3 | 6680470 | SPRING | Was 6675745 [A] | | 2 |
| 4 | 6684912 | SENSOR, FOOT RH | Was 6680420 [A] | | 1 |
| 4 | 6676029 | SOLENOID | | | 1 |
| 4 | 6684911 | SENSOR, FOOT LH | Was 6680421 [A] | | 1 |
| 4 | 6676029 | SOLENOID | | | 1 |
| 5 | 6676537 | SWITCH | | | 2 |
| 6 | 6680477 | STRAP | Was 6719715 [A] | | 2 |
| 7 | 6680468 | MOUNT | solenoid - Was 6719716 [A] | | 2 |
| 8 | | SPACER | NAP - Was 6719835 [A] | | 2 |
| 8 | 6719834 | SPACER | | | 2 |
| 9 | 7126869 | BRACKET | Was 6726573 [A] | | 2 |
| 10 | 7115220 | MOUNT | W/round hole [B] | | 2 |
| 11 | 7115219 | PEDAL | | | 2 |
| 12 | 6726681 | LINK | | | 2 |
| 13 | 6727065 | BOLT | | | 12 |
| 14 | 6727496 | PIN | | | 2 |
| 15 | 6727926 | DECAL | operations - 773G, 863G, 873G, 883, 963G | | 1 |
| 15 | 6728045 | DECAL | operations - T190, T200 | | 1 |
| 16 | | DECAL | NAP - ACS operations - Order Ref. 15 (6727926 Decal) - Was 6727941 [A] | | 1 |
| 17 | 6728539 | DECAL | warning - 773G, 863G, 873G, 883, 963G | | 1 |
| 17 | 6728540 | DECAL | warning - T190, T200 | | 1 |
| 18 | 6624289 | STRAP 10 | | | 2 |
| 19 | 6729467 | SPACER | | | 2 |
| 20 | 6680469 | SPACER | threaded - Was 6729600 [A] | | 2 |
| 21 | 17C608 | BOLT | | | 4 |
| 22 | 84G3710 | SCREW | | | 2 |
| 23 | 25E13 | WASHER 5 | | | 2 |
| 24 | 30H62 | CLIP | | | 2 |
| 25 | 35C514 | BOLT | Was 17C514 [B] | | 2 |
| 26 | 37C620 | BOLT | | | 4 |
| 27 | 95D5 | NUT | | | 2 |
| 28 | 6676029 | SOLENOID | | | 2 |
| 29 | 61D6 | NUT 5 | Was 57D6 [B] | | 4 |
| 30 | 6901492 | INSTRUCTIONS | INSTRUCTIONS Was 6901493 [B] | | 1 |
| 31 | | PEDAL | NAP - Order Ref. 11 - Was 6726680 [B] | | 2 |
| 32 | | MOUNT | NAP - W/slotted holes - Order Ref. 10 - Was 6726679 [B] | | 2 |

AXLE SEAL KIT

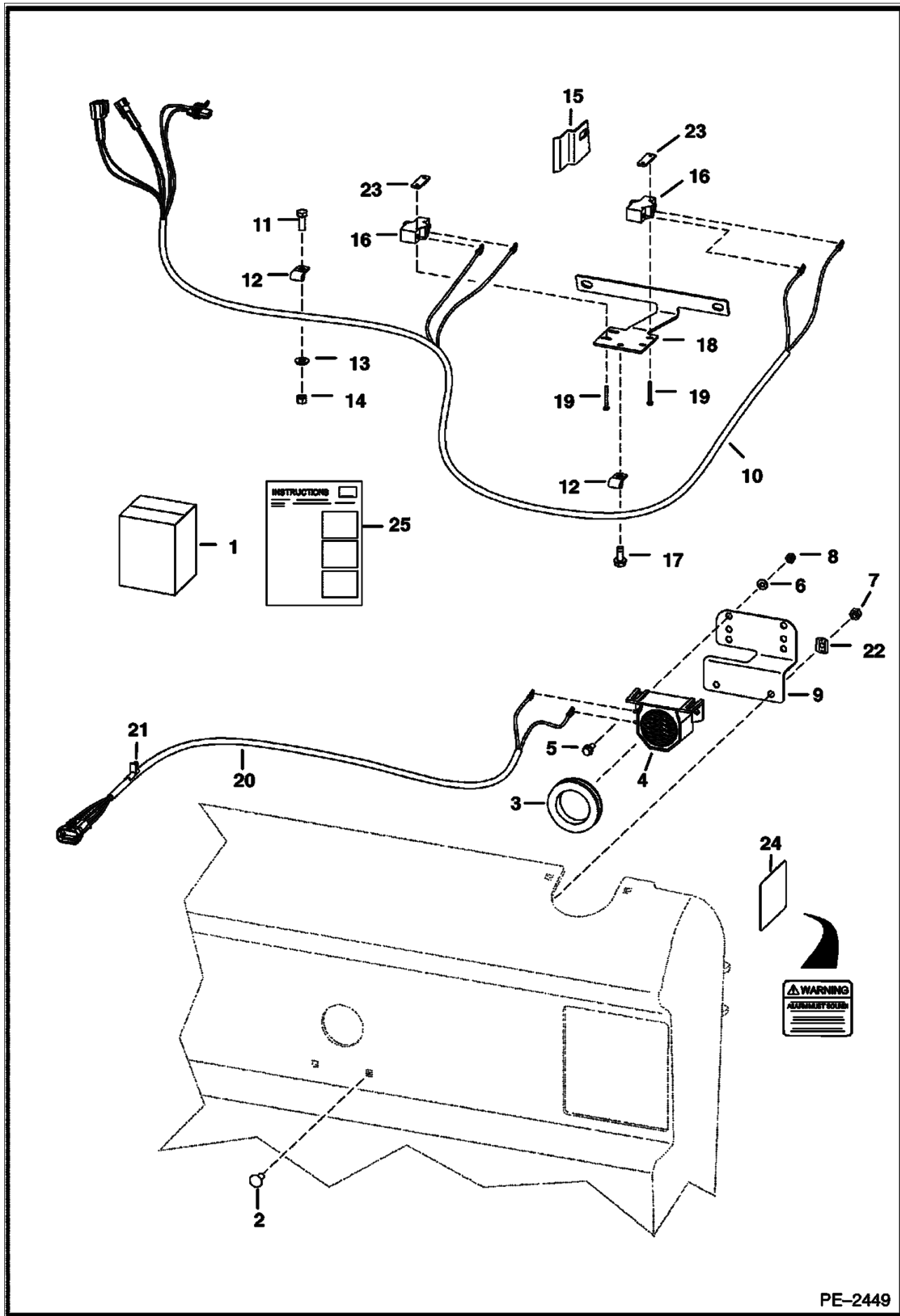


B-4041

AXLE SEAL KIT (Cont'd)

| Ref No | Part Number | Description | Remarks | Serial Number | Qty |
|--------|-------------|---|-----------------|---------------|-----|
| 1 | 6722907 | KIT | Ref. 2-5 | | 1 |
| 2 | 6658228 | SEAL, OIL | | | 1 |
| 3 | 6662306 | RING | | | 1 |
| 4 | 6987915 | THREADLOCKER 271 - HEAVY DUTY RED - 0.5ML AMPULE 1 | Was 6598485 [A] | | 1 |
| 5 | 6722908 | INSTRUCTIONS | | | 1 |

BACK-UP ALARM

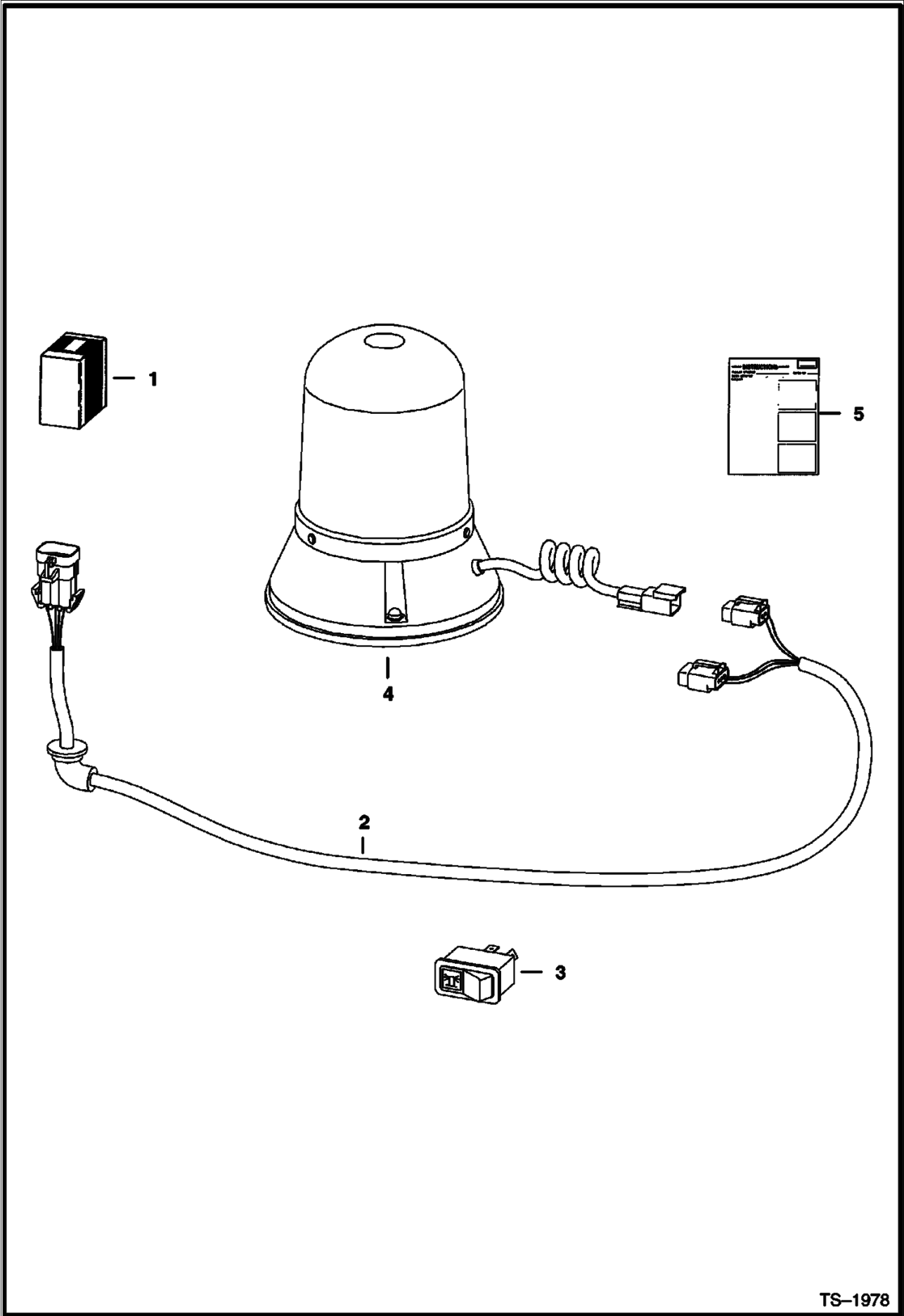


PE-2449

BACK-UP ALARM (Cont'd)

| Ref No | Part Number | Description | Remarks | Serial Number | Qty |
|--------|-------------|--------------|---|---------------|-----|
| 1 | 6718822 | KIT | backup alarm - Ref. 2 - 24 | | 1 |
| 2 | 10C512 | BOLT | Was 37C000512B [B] | | 2 |
| 3 | 6577545 | GROMMET | | | 1 |
| 4 | 6599931 | ALARM | backup | | 1 |
| 4 | 6668879 | DECAL | | | 1 |
| 5 | 17C410 | BOLT 10 | 5/8 x 1/4 - grade 8 | | 2 |
| 5 | 35C410 | BOLT 5 | 5/8 x 1/4 - grade 5 | | 2 |
| 6 | 25E13 | WASHER 5 | Not in Kit - flat | | 2 |
| 7 | 57D5 | NUT | Was 61D000005B [B] | | 2 |
| 8 | 83D4 | NUT 10 | locknut W/ washer - grade 8 | | 2 |
| 8 | 97D4 | NUT | flanged locknut - grade 5 | | 2 |
| 9 | 6733970 | MOUNT | Was 6707726 [A] | | 1 |
| 10 | 6718820 | HARNESS | | | 1 |
| 11 | 17C412 | BOLT 5 | | | 1 |
| 12 | 30H19 | CLIP | insulated - Was 30H000019B [B] | | 2 |
| 13 | 6E4 | WASHER 10 | | | 1 |
| 14 | 61D4 | NUT 5 | | | 1 |
| 15 | 6713793 | BRACKET | switch | | 2 |
| 16 | 6646781 | SWITCH | alarm | | 2 |
| 17 | 84G3112 | BOLT 5 | | | 1 |
| 18 | 7100153 | MOUNT | switch - Was 6713792 [A] | | 1 |
| 19 | 59G616 | SCREW 10 | | | 4 |
| 20 | 6715659 | HARNESS | Used on loaders W/O rear lights - comes W/Ref. 21 | | 1 |
| 21 | 6672492 | RETAINER | | | 1 |
| 22 | 774220 | NUT | | | 2 |
| 23 | 6702593 | SPACER | | | 2 |
| 24 | 6737189 | DECAL | | | 1 |
| 25 | 6900857 | INSTRUCTIONS | INSTRUCTIONS Warning | | 1 |

BEACON

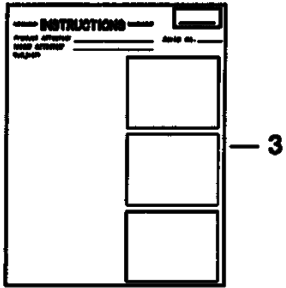
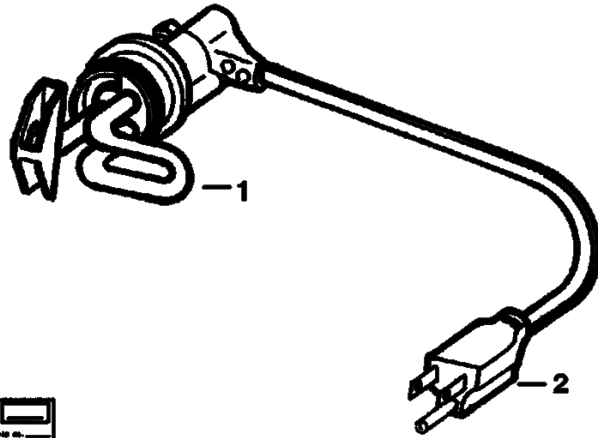


TS-1978

BEACON (Cont'd)

| Ref No | Part Number | Description | Remarks | Serial Number | Qty |
|--------|-------------|--------------|---|---------------|-----|
| 1 | 6719854 | KIT | See Illustration ACCESSORIES HARNESS/ PE1557 - rotating beacon - if loader is not equipped W/deluxe cab option Also Order 6727468 harness | | 1 |
| 2 | 6718872 | HARNESS | | | 1 |
| 3 | 6665317 | SWITCH | horizontal - not in kit | | 1 |
| 3 | 6668816 | SWITCH | vertical | | 1 |
| 4 | 6675523 | BEACON | | | 1 |
| 4 | 6666571 | BULB | | | 1 |
| 5 | 6900991 | INSTRUCTIONS | | | 1 |

BLOCK HEATER (Engine)

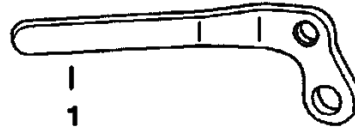
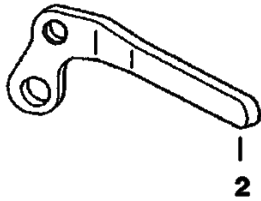


B-12299

BLOCK HEATER (Cont'd) (Engine)

| Ref No | Part Number | Description | Remarks | Serial Number | Qty |
|--------|-------------|--------------|----------|---------------|-----|
| 1 | 6720736 | PLUG | W/Ref. 2 | | 1 |
| 2 | 6668881 | CORD | | | 1 |
| 3 | 6720038 | INSTRUCTIONS | | | 1 |

BOB-TACH LEVERS
(For Use W/Industrial Grapple Fork)

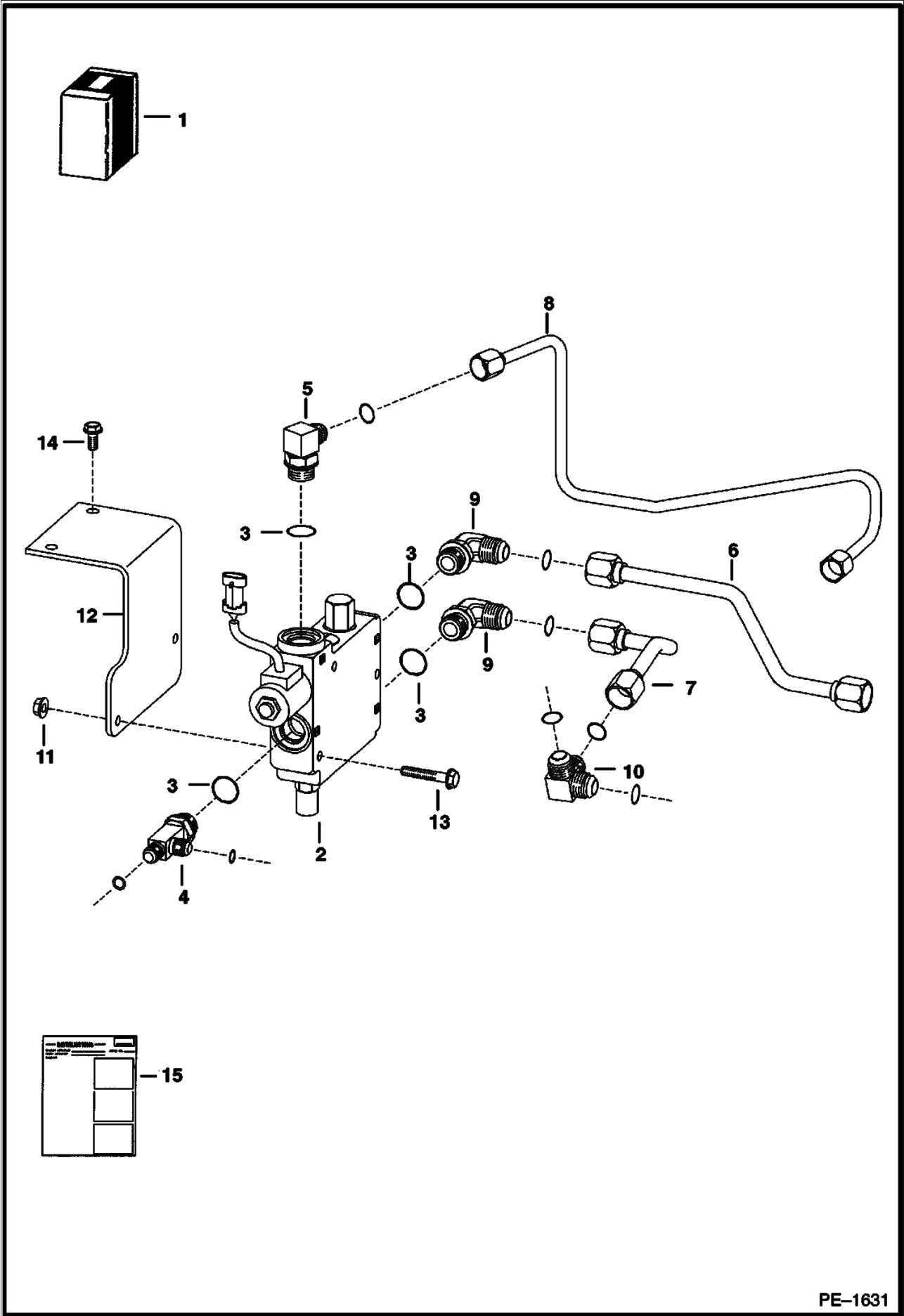


TS-1019

BOB-TACH LEVERS (Cont'd)
(For Use W/Industrial Grapple Fork)

| Ref No | Part Number | Description | Remarks | Serial Number | Qty |
|---------------|--------------------|--------------------|----------------|----------------------|------------|
| 1 | 6578139 | LEVER | RH | | 1 |
| 2 | 6578140 | LEVER | LH | | 1 |

BUCKET POSITIONING VALVE KIT
 (S/N 500K11038 & Below, 517619258 & Below, 518012218 & Below,
 518012218 & Below. 518112089 & Below. 519018909 & Below. 519212154 & Below)

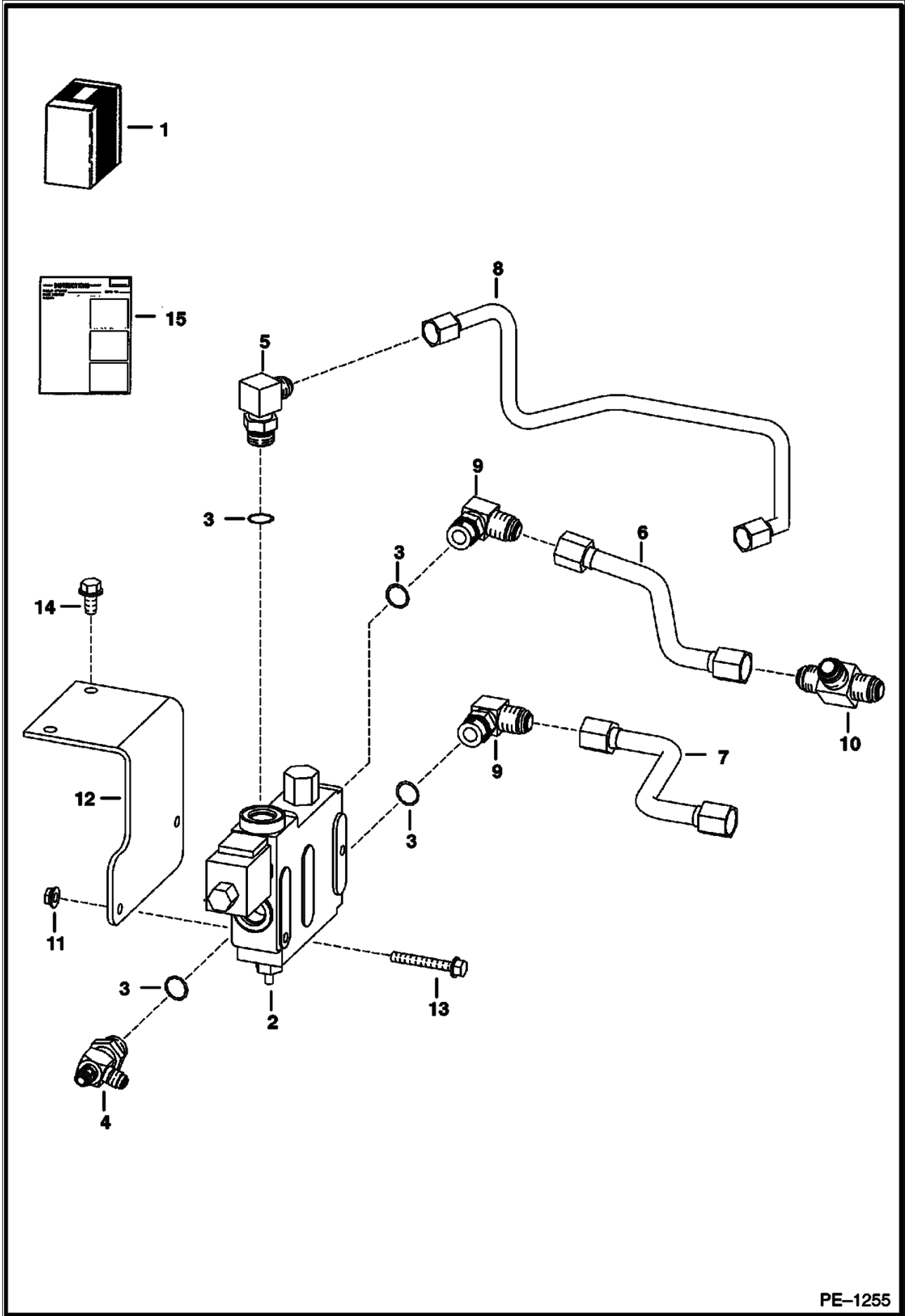


PE-1631

BUCKET POSITIONING VALVE KIT (Cont'd)
(S/N 500K11038 & Below, 517619258 & Below, 518012218 & Below,
518012218 & Below. 518112089 & Below. 519018909 & Below. 519212154 & Below)

| Ref No | Part Number | Description | Remarks | Serial Number | Qty |
|--------|-------------|--------------|---|---------------|-----|
| 1 | 6718142 | KIT | Ref. 2 - 16 | | 1 |
| 2 | | VALVE | See Illustration BUCKET POSITIONING VALVE/ MS1943 NAP - order 6673959 valve - Was 6666341 [A] | | 1 |
| 3 | 99K10 | O'RING | tapered boss face | | x |
| 3 | 79K10 | O RING 10 | flat boss face | | x |
| 4 | | TEE | NAP - W/Ref. 3 - tapered boss face - Was 6717503 [A] | | 1 |
| 4 | 97K6 | O'RING | flared end | | 2 |
| 4 | 21KB610 | FITTING | W/Ref. 3 - flat boss face | | 1 |
| 5 | | ELBOW | NAP - W/Ref. 3 - flat boss face - Was 6715716 [A] | | 1 |
| 5 | 97K8 | O-RING | flared end | | 2 |
| 5 | 17KB810 | ELBOW | W/Ref. 3 - flat boss face | | 1 |
| 6 | 6717434 | TUBE | | | 1 |
| 7 | 6717435 | TUBE | | | 1 |
| 8 | 6717436 | TUBE | | | 1 |
| 9 | | ELBOW | NAP - W/Ref. 3 - tapered boss face - Was 17KV00007B [A] | | 2 |
| 9 | 97K10 | O-RING 10 | flared end | | 2 |
| 9 | 17KB1010 | ELBOW | W/Ref. 3 - flat boss face | | 2 |
| 10 | 6705070 | TEE | | | 1 |
| 11 | 57D5 | NUT | | | 2 |
| 12 | 6717142 | BRACKET | | | 1 |
| 13 | 35C536 | BOLT | | | 2 |
| 14 | 84G3712 | BOLT | | | 2 |
| 15 | 6900838 | INSTRUCTIONS | | | 1 |

BUCKET POSITIONING VALVE KIT
 (S/N 500K11039-11977, 517619259-20140,
 518012219-12386, 518112090-12245, 519018910-21020, 519212155-12363)

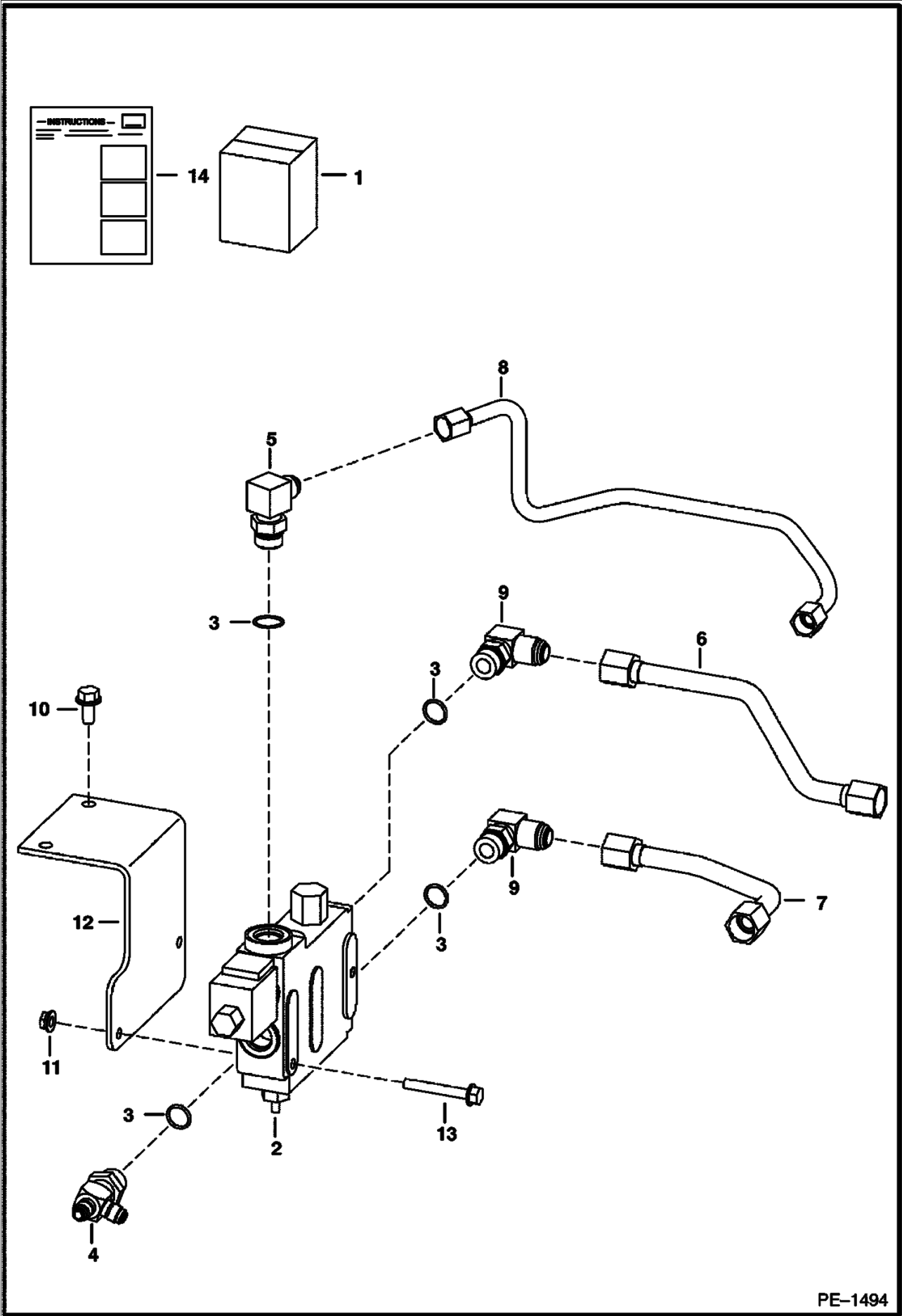


PE-1255

BUCKET POSITIONING VALVE KIT (Cont'd)**(S/N 500K11039-11977, 517619259-20140,****518012219-12386, 518112090-12245, 519018910-21020, 519212155-12363)**

| Ref No | Part Number | Description | Remarks | Serial Number | Qty |
|--------|-------------|--------------|---|---------------|-----|
| 1 | 6726178 | KIT | Ref. 2 - 16 | | 1 |
| 2 | | VALVE | See Illustration BUCKET POSITIONING VALVE/ MS1943 NAP - order 6673959 valve - Was 6666341 [A] | | 1 |
| 3 | 99K10 | O'RING | tapered boss face | | x |
| 3 | 79K10 | O RING 10 | flat boss face | | x |
| 4 | | TEE | NAP - W/Ref. 3 - tapered boss face - Was 6717503 [A] | | 1 |
| 4 | 97K6 | O'RING | flared end | | 2 |
| 4 | 21KB610 | FITTING | W/Ref. 3 - flat boss face | | 1 |
| 5 | | ELBOW | NAP - W/Ref. 3 - flat boss face - Was 6715716 [A] | | 1 |
| 5 | 97K8 | O-RING | flared end | | 2 |
| 5 | 17KB810 | ELBOW | W/Ref. 3 - flat boss face | | 1 |
| 6 | 6717434 | TUBE | | | 1 |
| 7 | 6726182 | TUBE | | | 1 |
| 8 | 6726180 | TUBE | | | 1 |
| 9 | | ELBOW | NAP - W/Ref. 3 - tapered boss face - Was 17KV00007B [A] | | 2 |
| 9 | 97K10 | O-RING 10 | flared end | | 2 |
| 9 | 17KB1010 | ELBOW | W/Ref. 3 - flat boss face | | 2 |
| 10 | 10K7 | TEE | Was 10KN00007B [A] | | 1 |
| 11 | 57D5 | NUT | | | 2 |
| 12 | 6727646 | BRACKET | | | 1 |
| 13 | 35C536 | BOLT | | | 2 |
| 14 | 84G3712 | BOLT | | | 2 |
| 15 | 6900838 | INSTRUCTIONS | | | 1 |

BUCKET POSITIONING VALVE KIT
(S/N 500K11978 & Above, 517620141 & Above,
518012387 & Above, 518112246 & Above, 519021021 & Above, 519212364 & Above)



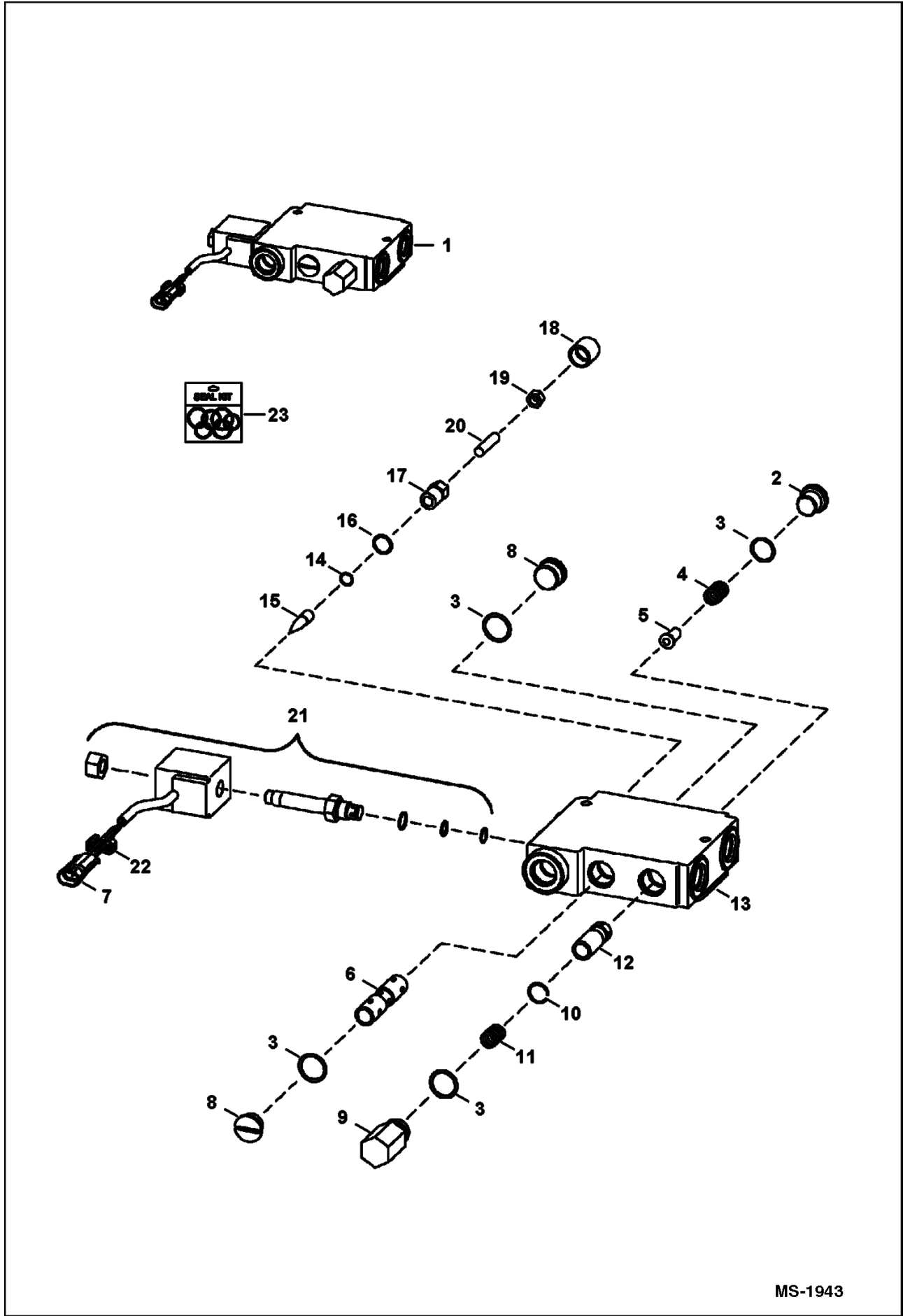
PE-1494

BUCKET POSITIONING VALVE KIT (Cont'd)
(S/N 500K11978 & Above, 517620141 & Above,

518012387 & Above, 518112246 & Above, 519021021 & Above, 519212364 & Above)

| Ref No | Part Number | Description | Remarks | Serial Number | Qty |
|--------|-------------|--------------|--|---------------|-----|
| 1 | 6730886 | KIT | Ref. 2 - 16 | | 1 |
| 2 | | VALVE | See Illustration BUCKET POSITIONING VALVE/ MS1943 - NAP - Order 6673959 valve - if loader is not equipped with an on/off switch, Also Order 6647784 plug, 79K8 O-ring, 6647785 spring & 6647783 load check - Was 6666341 [A] | | 1 |
| 3 | 99K10 | O'RING | tapered boss face | | x |
| 3 | 79K10 | O RING 10 | flat boss face | | x |
| 4 | | TEE | NAP - W/Ref. 3 - tapered boss face - Was 6717503 [A] | | 1 |
| 4 | 97K6 | O'RING | flared end | | 2 |
| 4 | 21KB610 | FITTING | W/Ref. 3 - flat boss face | | 1 |
| 5 | | ELBOW | NAP - W/Ref. 3 - flat boss face - Was 6715716 [A] | | 1 |
| 5 | 97K8 | O-RING | flared end | | 2 |
| 5 | 17KB810 | ELBOW | W/Ref. 3 - flat boss face | | 1 |
| 6 | 6733684 | TUBE | Was 6730285 [A] | | 1 |
| 7 | 6730209 | TUBE | | | 1 |
| 8 | 6726180 | TUBE | | | 1 |
| 9 | | ELBOW | NAP - W/Ref. 3 - tapered boss face - Was 17KV00007B [A] | | 2 |
| 9 | 97K10 | O-RING 10 | flared end | | 2 |
| 9 | 17KB1010 | ELBOW | W/Ref. 3 - flat boss face | | 2 |
| 10 | 84G3712 | BOLT | | | 2 |
| 11 | 57D5 | NUT | | | 2 |
| 12 | 6727646 | BRACKET | | | 1 |
| 13 | 35C536 | BOLT | | | 2 |
| 14 | 6900838 | INSTRUCTIONS | | | 1 |

BUCKET POSITIONING VALVE

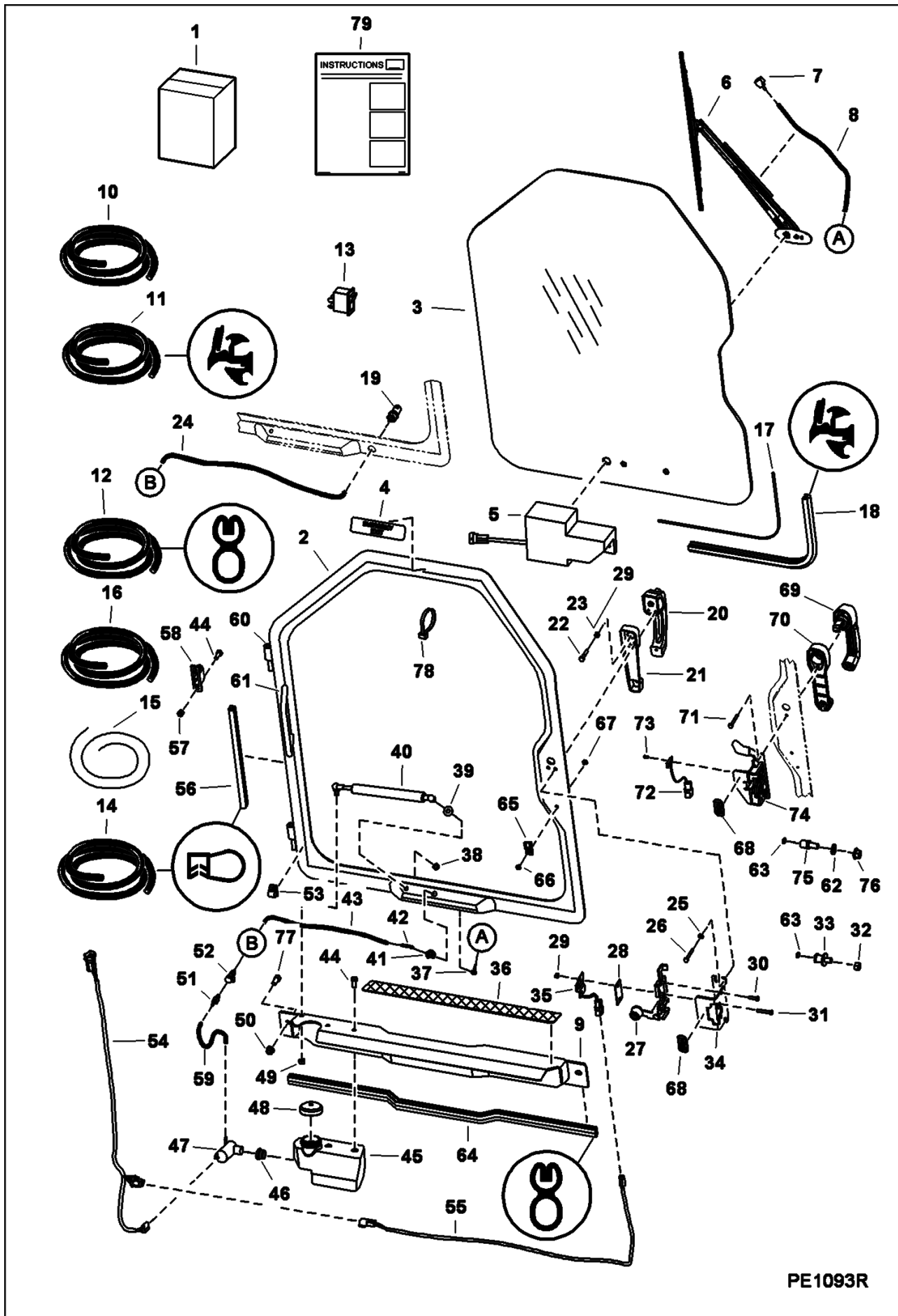


MS-1943

BUCKET POSITIONING VALVE (Cont'd)

| Ref No | Part Number | Description | Remarks | Serial Number | Qty |
|--------|-------------|--------------------|--|---------------|-----|
| 1 | | VALVE | NAP - W/O solenoid - Order 6673959 valve - If loader is not equipped with an on/off switch also order 6647784 plug, 79K10 O-ring, 6647785 spring, & 6647783 load check - Was 6666341 [A] | | 1 |
| 1 | 6673959 | VALVE, BPV | white - W/solenoid - Ref. 2-23 | | 1 |
| 2 | 6647784 | PLUG | W/Ref. 3 | | 1 |
| 3 | 79K10 | O RING 10 | Was 79K8 [B,D] | | 4 |
| 4 | 6647785 | SPRING | | | 1 |
| 5 | 6647783 | LOAD CHECK | | | 1 |
| 6 | | SPOOL | NSS | | 1 |
| 7 | 6641179 | CONNECTOR | 2-pin | | 1 |
| 8 | 6676543 | PLUG | W/Ref. 3 - Was 6647780 [A] | | 2 |
| 9 | 6667176 | PLUG | W/Ref. 3 | | 1 |
| 10 | 6667680 | SNAP RING | | | 1 |
| 11 | 6648294 | SPRING | | | 1 |
| 12 | | SPOOL | NSS | | 1 |
| 13 | | BODY | NSS | | 1 |
| 14 | 6667677 | O-RING | | | 1 |
| 15 | 6647777 | PIN | | | 1 |
| 16 | 79K6 | O RING 10 | Was 6634874 [B,D] | | 1 |
| 17 | 6647778 | CAP | | | 1 |
| 18 | 6667676 | COVER | | | 1 |
| 19 | 8D4 | NUT | Was 6631561 [A] | | 1 |
| 20 | 6648293 | SCREW | | | 1 |
| 21 | 6672863 | VALVE, SOLENOID | | | 1 |
| 21 | 6671527 | NUT | | | 1 |
| 21 | 6670634 | SEAL KIT | | | 1 |
| 21 | 6675781 | COIL | W/Ref. 7 & 22 - Was 6674331 [A] | | 1 |
| 21 | 6675780 | CARTRIDGE | Was 6676545 [A] | | 1 |
| 22 | 6641180 | LOCK | Use W/ 2-pin connector | | 1 |
| 23 | 6647786 | SEAL KIT | Ref. 3, 14, 16, & 18 | | 1 |

CAB DOOR

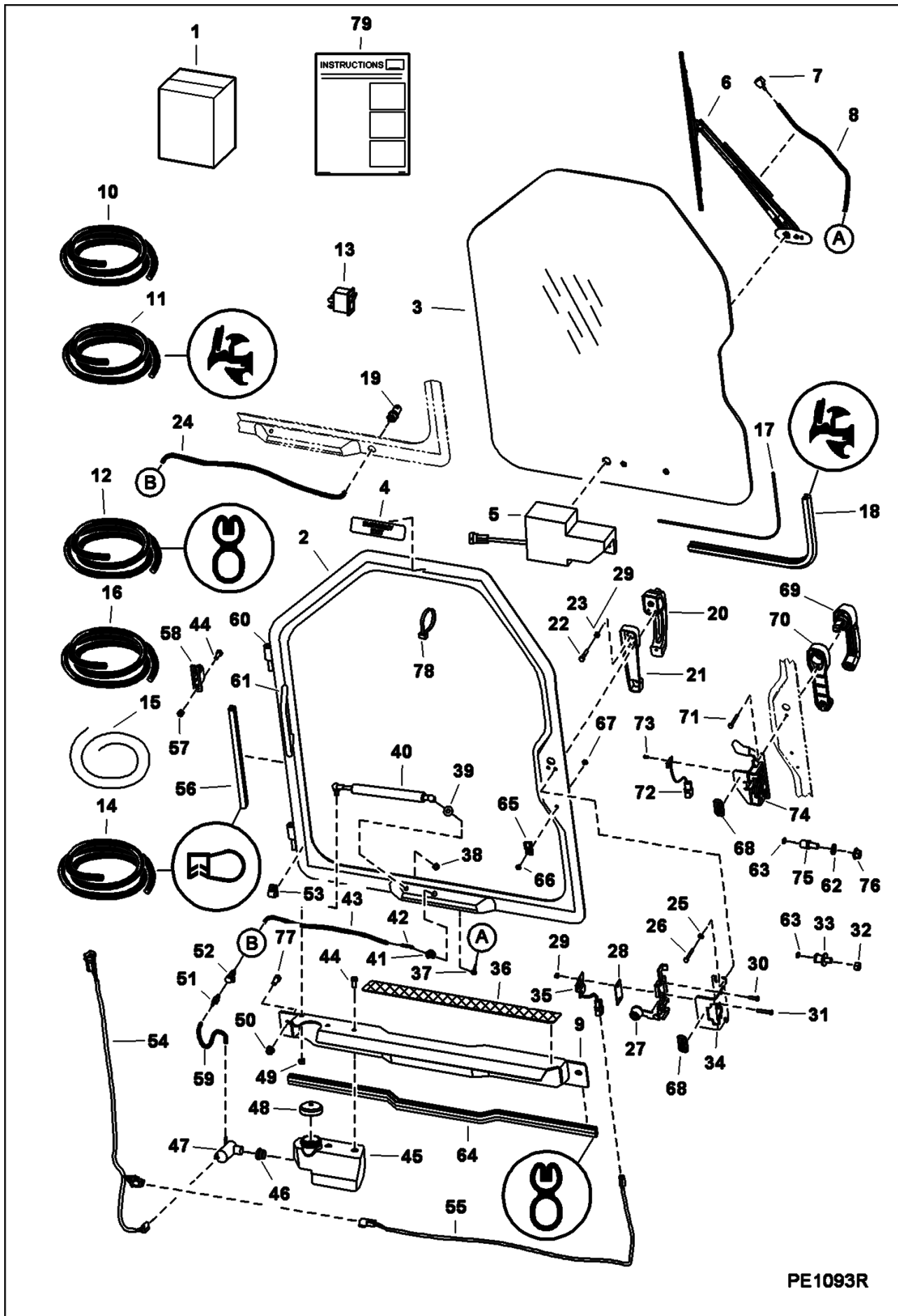


PE1093R

CAB DOOR (Cont'd)

| Ref No | Part Number | Description | Remarks | Serial Number | Qty |
|--------|-------------|-----------------|--|------------------|-----|
| 1 | 6718807 | KIT | door - Ref. 2-18 & 36-78 - For loaders W/standard cab, Also Order Deluxe Cab Kit | 500K 12290 & Bel | 1 |
| 1 | 6718807 | KIT | door - Ref. 2-18 & 36-78 - For loaders W/standard cab, Also Order Deluxe Cab Kit | 5181 12312 & Bel | 1 |
| 1 | 6718807 | KIT | door - Ref. 2-18 & 36-78 - For loaders W/standard cab, Also Order Deluxe Cab Kit | 5192 12397 & Bel | 1 |
| 1 | 6718807 | KIT | door - Ref. 2-18 & 36-78 - For loaders W/standard cab, Also Order Deluxe Cab Kit | 5190 21566 & Bel | 1 |
| 1 | 6718807 | KIT | door - Ref. 2-18 & 36-78 - For loaders W/standard cab, Also Order Deluxe Cab Kit | 5180 12473 & Bel | 1 |
| 1 | 6718807 | KIT | door - Ref. 2-18 & 36-78 - For loaders W/standard cab, Also Order Deluxe Cab Kit | 5176 20338 & Bel | 1 |
| 1 | 6730822 | KIT | door - Ref. 2-18 & 36-78 - For loaders W/standard cab, Also Order Deluxe Cab Kit | 500K 12291 & Abv | 1 |
| 1 | 6730822 | KIT | door - Ref. 2-18 & 36-78 - For loaders W/standard cab, Also Order Deluxe Cab Kit | 5176 20338 & Abv | 1 |
| 1 | 6730822 | KIT | door - Ref. 2-18 & 36-78 - For loaders W/standard cab, Also Order Deluxe Cab Kit | 5181 12312 & Abv | 1 |
| 1 | 6730822 | KIT | door - Ref. 2-18 & 36-78 - For loaders W/standard cab, Also Order Deluxe Cab Kit | 5192 12397 & Abv | 1 |
| 1 | 6730822 | KIT | door - Ref. 2-18 & 36-78 - For loaders W/standard cab, Also Order Deluxe Cab Kit | 5190 21566 & Abv | 1 |
| 1 | 6730822 | KIT | door - Ref. 2-18 & 36-78 - For loaders W/standard cab, Also Order Deluxe Cab Kit | 5180 12473 & Abv | 1 |
| 2 | | DOOR | See BTI369 NAP - W/Ref. 60 & 61 - uses 3 bolt mount handle - .5" longer than 6726435 door - See BTI 369 - Was 6717590 [A] | | 1 |
| 2 | | DOOR | See BTI369 NAP - W/Ref. 60 & 61 - uses 3 bolt mount handle - .5" shorter than NAP 6717590 door - See BTI 369 - Was 6726435 [A] | | 1 |
| 2 | 7109665 | FRAME, DOOR CAB | Uses 2 bolt mount handle - W/Ref. 60 & 61 - Also Order Ref. 4 | | 1 |
| 3 | | WINDOW | See Illustration CAB DOOR/ MS1205 - .25" thick glass | | 1 |
| 4 | 6707852 | DECAL | exit | | 1 |
| 5 | | MOTOR | See Illustration CAB DOOR/ MS1205 - wiper | | 1 |
| 6 | | ARM ASSY | See Illustration CAB DOOR/ MS1205 - wiper | | 1 |
| 7 | | NOZZLE | See Illustration CAB DOOR/ MS1205 - wiper arm mounted | | 1 |
| 8 | | HOSE | See Illustration CAB DOOR/ MS1205 | | 1 |
| 9 | 6725171 | SHIELD | | 5176 20338 & Bel | 1 |
| 9 | 6725171 | SHIELD | | 5180 12473 & Bel | 1 |
| 9 | 6725171 | SHIELD | | 5190 21566 & Bel | 1 |
| 9 | 6725171 | SHIELD | | 5181 12312 & Bel | 1 |
| 9 | 6725171 | SHIELD | | 5192 12397 & Bel | 1 |
| 9 | 6725171 | SHIELD | | 500K 12290 & Bel | 1 |
| 9 | 6730816 | SHIELD | | 500K 12291 & Abv | 1 |
| 9 | 6730816 | SHIELD | | 5190 21566 & Abv | 1 |
| 9 | 6730816 | SHIELD | | 5192 12397 & Abv | 1 |
| 9 | 6730816 | SHIELD | | 5181 12312 & Abv | 1 |
| 9 | 6730816 | SHIELD | | 5176 20338 & Abv | 1 |
| 9 | 6730816 | SHIELD | | 5180 12473 & Abv | 1 |
| 10 | 6708310 | HOSE | clear - .154" (3,91 mm) ID - bulk - sold per foot | | x |
| 11 | 6665568 | EXTRUSION | bulk - sold per foot | | x |
| 12 | 6513152 | SEAL | bulk - sold per foot | | x |
| 13 | 6665707 | SWITCH | front wiper | | 1 |
| 14 | 7011039 | SEAL, BULK/FT | bulk - sold per foot bulk - sold per foot - Was | | x |

CAB DOOR (Cont'd)

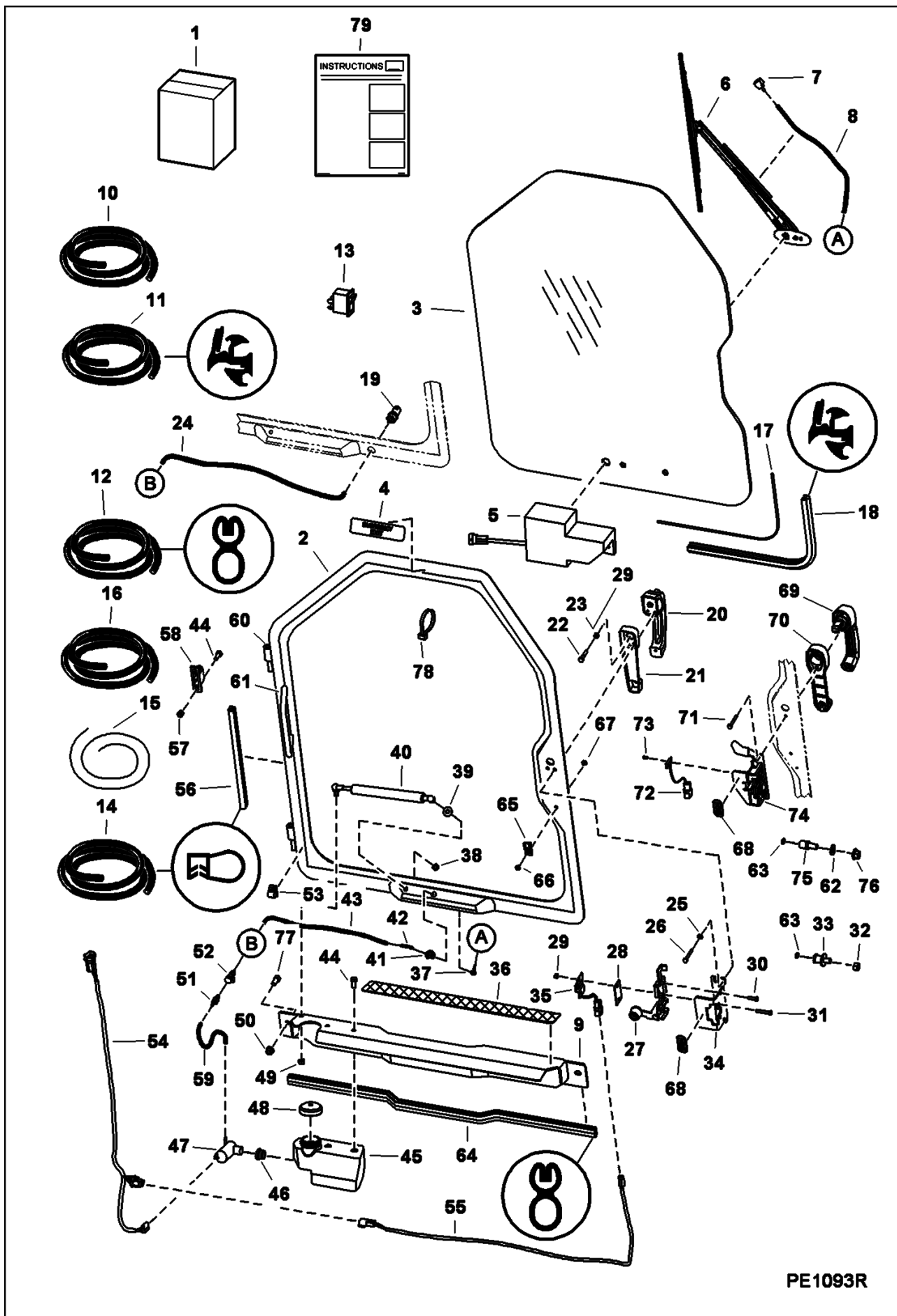


PE1093R

CAB DOOR (Cont'd)

| Ref No | Part Number | Description | Remarks | Serial Number | Qty |
|--------|-------------|--------------------|--|---------------|-----|
| | | 34 | 6675558 [A] | | |
| 15 | 6554149 | CORD | bulk - sold per foot | | x |
| 16 | 6676003 | HOSE | black - .109" (2,77 mm) ID - bulk - sold per foot - Was 6708310 [B] | | x |
| 17 | | CORD | NAP - window - 113.3" (2877,8 mm) long - Order Ref. 15 - Also Order Ref. 78 | | 1 |
| 18 | | SEAL | NAP - window - 113.3" (2877,8 mm) - Order Ref. 11 | | 1 |
| 19 | 6664555 | NOZZLE | door mounted | | 1 |
| 20 | | HANDLE | NAP - 3 bolt mount - See BTI 370 - Was 6674667 [A] | | 1 |
| 20 | | KEY | NAP - ignition & rear door - includes two keys W/ring - Order 6693241 - Was 6709527 [A] | | 1 |
| 20 | 6693241 | KEY 10 | single key W/O ring | | x |
| 21 | | SPACER | NAP - 3 bolt mount - See BTI 370 - Was 6717146 [A] | | 1 |
| 22 | 17C420 | CAPSCREW | for 3 bolt handle | | 1 |
| 22 | 1CM630 | BOLT | for 3 bolt handle | | 1 |
| 23 | 61D4 | NUT 5 | Used W/Ref. 22 - grade 5 | | 1 |
| 24 | | HOSE | NAP - washer - 25.25" (641,4 mm) long - Order Ref. 16 | | 1 |
| 25 | 6EM60 | WASHER, SPRING | | | 3 |
| 26 | 1CM640 | SCREW | For 3 bolt mount handle | | 3 |
| 27 | | LATCH | NAP - 3 bolt mount - See BTI 370 - Was 6674666 [A] | | 1 |
| 28 | 6718520 | COVER | latch - Use W/Ref. 27 | | 1 |
| 29 | 1DM6 | NUT | for 3 bolt latch - Was 4DM6 [A] | | 2 |
| 29 | 1DM6 | NUT | for 3 bolt latch - Was 4DM6 [A] | | 3 |
| 30 | 1CM620 | BOLT | Used W/Ref. 27 | | 2 |
| 31 | 4CM635 | BOLT | Used W/Ref. 28 - Was 1CM00635B [A] | | 2 |
| 32 | 91D7 | NUT | 7/16" thread | | 1 |
| 33 | | BOLT | NAP - striker - 7/16" thread - Order Ref. 75 (7109664 striker), Ref. 76 (51DM12 nut) & Ref. 62 (18EM1224 washer) - Was 6677194 [A] | | 1 |
| 34 | 6717369 | BRACKET | Used W/Ref. 27 latch | | 1 |
| 35 | 6731212 | SENSOR | for Ref. 27 (NAP 6674666 latch) | | 1 |
| 36 | 6542731 | SAFETY TREAD | | | 1 |
| 37 | 6676500 | ELBOW | | | 1 |
| 38 | 46D5 | NUT | acorn | | 1 |
| 39 | 25E16 | WSHR | | | 1 |
| 40 | 7157893 | GAS SPRING | Was 6682586 [A] | | 1 |
| 40 | 6678548 | SOCKET | ball | | 2 |
| 40 | 6649244 | STUD | ball | | 2 |
| 40 | 6649245 | RETAINER | spring | | 2 |
| 41 | 6676499 | GROMMET | wiper | | 1 |
| 42 | 6676917 | ELBOW | | | 1 |
| 43 | | HOSE | NAP - 18.25" (463,6 mm) long - Order Ref. 16 | | 1 |
| 44 | 17C512 | BOLT 5 | .3125" dia. - Use (2) W/Ref. 45 (NAP/ 6730830 tank) & (4) W/Ref. 58 | | 6 |
| 44 | 35C408 | BOLT | .25" dia - Use W/Ref. 45 (NAP/6736875 tank & 7133211 tank) | | 2 |
| 45 | | TANK | NAP - washer - Order 7133211 tank & (2) of Ref. 44 (35C-408 bolt) - Was 6730830 [A] | | 1 |
| 45 | 7133211 | TANK, WASHER | Was 6736875 [A] | | 1 |
| 46 | 6666766 | GROMMET | | | 1 |
| 47 | 6664554 | PUMP, WIPER WASHER | | | 1 |
| 48 | 6674993 | CAP | vented | | 1 |
| 49 | 61D5 | NUT | | | 1 |
| 50 | 61D6 | NUT 5 | | | 2 |

CAB DOOR (Cont'd)



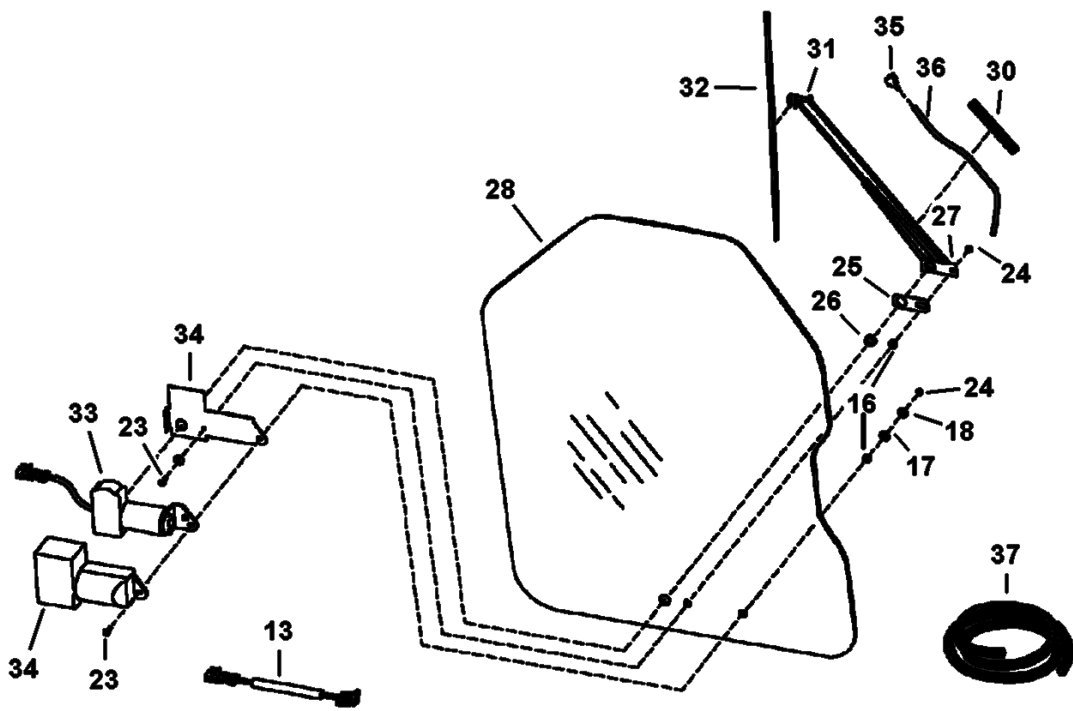
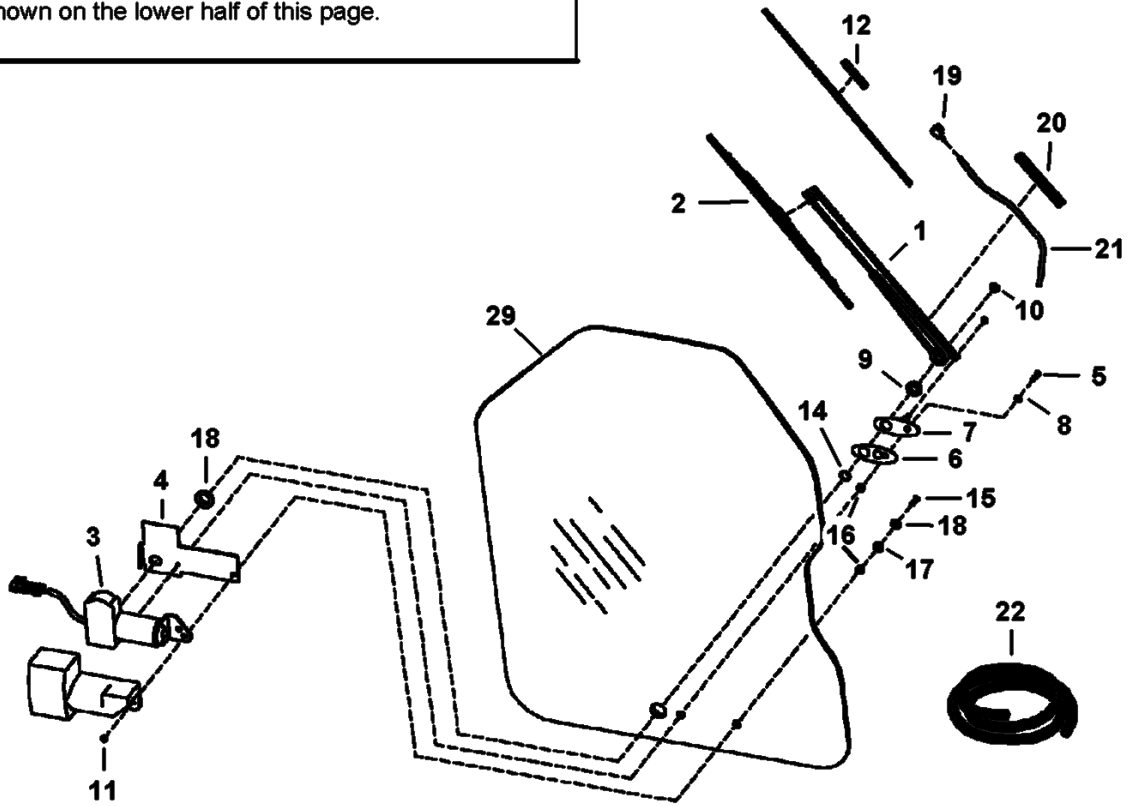
PE1093R

CAB DOOR (Cont'd)

| Ref No | Part Number | Description | Remarks | Serial Number | Qty |
|--------|-------------|----------------------|--|---------------|-----|
| 51 | 6675299 | COUPLER | insert | | 1 |
| 52 | 6675298 | COUPLER, BODY | body | | 1 |
| 53 | 6675378 | CLIP | wire - W/adhesive back - Use W/Ref. 19 | | 2 |
| 53 | 6675378 | CLIP | wire - W/adhesive back - Use W/doors W/O welded on retainers | | 3 |
| 54 | 6718295 | HARNESS | wiper - W/ 18" (457,2 mm) long 3-pin connector extension - use W/Ref. 5 (NAP/6668137 Motor) | | 1 |
| 54 | | HARNESS | NAP - wiper - W/fuse - use W/Ref. 5 (NAP 6677835 motor) - Order 7106277 - Was 6729739 [A] | | 1 |
| 54 | | HARNESS | NAP - Order 7104465 harness & 7106277 harness - Was 6730885 [A] | | 1 |
| 54 | 7106277 | WIPER HARNESS | wiper | | 1 |
| 55 | 7104465 | DOOR SWITCH HARNESS | door sensor | | 1 |
| 56 | | SEAL | NAP - door - 127.3" (3233,4 mm) - Order Ref. 14 | | 1 |
| 57 | 59D5 | NUT 5 | | | 4 |
| 58 | 6717593 | HINGE | base | | 2 |
| 59 | | HOSE | NAP - 4.25" (107,9 mm) long - Order Ref. 10 | | 1 |
| 60 | 6718376 | HINGE | door | | 2 |
| 61 | 7138347 | HANDLE | grab - Was 6718521 [B] | | 1 |
| 62 | 18EM1224 | WASHER | use W/Ref. 75 (7109664 striker bolt) | | 1 |
| 63 | 6677192 | MAGNET | | | 1 |
| 64 | | SEAL | NAP - threshold - 36" (914,4 mm) - used W/Ref. 9 (6725171 & 6730816 shield) - Order (3) ft. of Ref. 12 | | 1 |
| 65 | 6665000 | CLIP | | | 1 |
| 66 | 6665321 | RIVET | male plastic | | 1 |
| 67 | 6665322 | RIVET | female plastic | | 1 |
| 68 | 7110316 | DECAL | door switch - Was 6732975 [A] | | 1 |
| 69 | 7109662 | HANDLE, LATCH DOOR | 2 bolt mount | | 1 |
| 70 | 7109663 | SPACER | 2 bolt mount | | 1 |
| 71 | 1CM640 | SCREW | For 2 bolt mount handle | | 2 |
| 72 | 6728459 | DOOR SENSOR | for Ref. 74 (7109661 latch) | | 1 |
| 73 | 6677193 | RIVET | plastic | | 2 |
| 74 | 7109661 | LATCH, DOOR W/SENSOR | 2 bolt mount - W/Ref. 72 | | 1 |
| 75 | 7109664 | BOLT | striker - 12 mm thread | | 1 |
| 76 | 51DM12 | NUT | 12 mm thread | | 1 |
| 77 | 17C612 | BOLT 5 | | | 2 |
| 78 | 6610510 | TIE | | | 1 |
| 78 | 6624289 | STRAP 10 | Use W/doors W/welded-on retainers | | 3 |
| 79 | 6900854 | INSTRUCTIONS | INSTRUCTIONS - Was 6901013 [B,D] | | 1 |

CAB DOOR (Window & Wiper)

NOTE: It is necessary to identify the correct style of wiper motor before ordering wiper replacement parts. Components for wipers W/threaded shaft ends & built in fuse are shown on the upper half of this page. Components for wipers W/knurled shaft ends are shown on the lower half of this page.

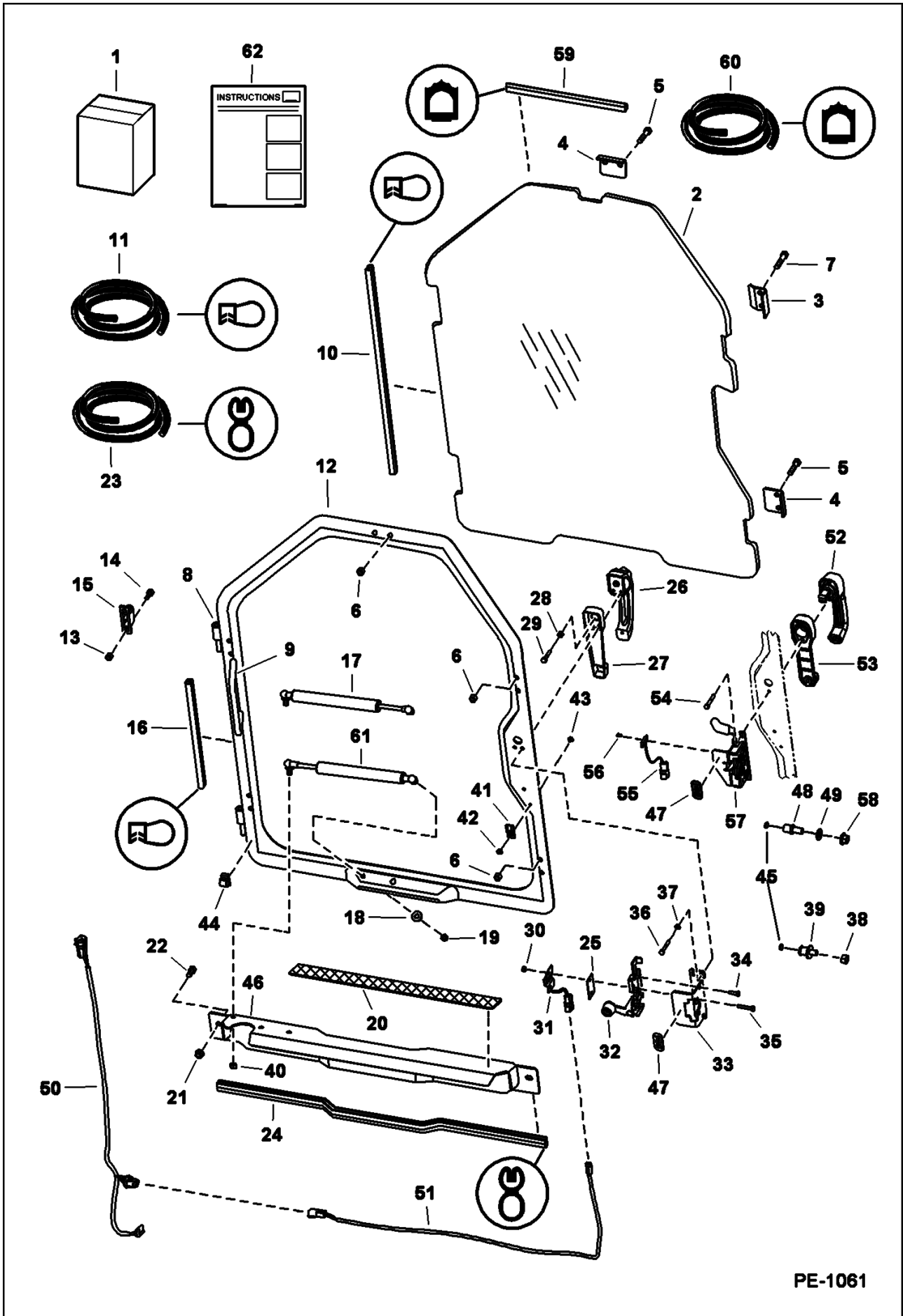


MS-1205

CAB DOOR (Cont'd) (Window & Wiper)

| Ref No | Part Number | Description | Remarks | Serial Number | Qty |
|--------|-------------|-------------------------|---|---------------|-----|
| 1 | 6677833 | ARM ASSY | W/Ref. 19-21 | | 1 |
| 2 | 7147359 | BLADE, WIPER WINDOW | one piece blade | | 1 |
| 2 | 6677834 | BLADE | Also Order Ref. 12 | | 1 |
| 3 | 6679476 | MOTOR | W/threaded shaft end & built in fuse - SEE NOTE - Was 6677835 [A] | | 1 |
| 3 | 6640699 | CONNECTOR | electrical connector | | 1 |
| 4 | 6677836 | COVER | | | 1 |
| 5 | 6677837 | BOLT | | | 1 |
| 6 | 6677839 | GASKET | | | 1 |
| 7 | 6677840 | SWIVEL, PLATE ASSY | | | 1 |
| 8 | 6677841 | WASHER | tooth lock | | 1 |
| 9 | 6677842 | NUT | | | 1 |
| 10 | 6677843 | NUT | | | 1 |
| 11 | 6677844 | NUT | | | 2 |
| 12 | 6677845 | ADAPTER | wiper blade - Use W/Ref. 2 (6677834 blade) | | 1 |
| 13 | 6730123 | HARNESS | 7"(177,8 mm) long wiper jumper - W/fuse - Use W/Ref. 33 | | 1 |
| 14 | 6677848 | SLEEVE | rubber - Use W/Ref. 3 & Ref. 28 | | 1 |
| 14 | 6677847 | GROMMET | rubber - Use W/Ref. 3 & Ref. 29 | | 1 |
| 15 | 6678198 | BOLT | | | 1 |
| 16 | 6664085 | BUSHING | nylon | | 2 |
| 17 | 6801059 | WASHER | neoprene | | 1 |
| 18 | | WASHER | NAP - nylon - Was 6664065 [A] | | 1 |
| 18 | 6678739 | WASHER | steel | | 2 |
| 19 | 6678920 | NOZZLE | for Ref. 1 | | 1 |
| 20 | 6678921 | GUIDE | hose | | 1 |
| 21 | | HOSE | NAP - 18"(457,2 mm) long - Order Ref. 22 | | x |
| 22 | 6676003 | HOSE | black - .109" (2,77 mm) ID - bulk - sold per foot | | x |
| 23 | 6664566 | BOLT | | | 2 |
| 24 | 6664103 | NUT | acorn | | 2 |
| 25 | 6664178 | GASKET | | | 1 |
| 26 | 6667201 | SPACER | nylon - Use W/Ref. 28 & Ref. 33 | | 1 |
| 27 | 6670288 | END | plastic | | 2 |
| 28 | | WINDOW | NAP - .25" thick glass W/.77" dia. wiper motor shaft hole - Order Ref. 14(6677847 grommet) & Ref. 29 - Was 6717360 [A] | | 1 |
| 29 | 6729776 | WINDOW, DOOR CURVED CAB | .25" thick glass W/1.00" dia. wiper motor shaft hole | | 1 |
| 30 | 6676501 | CLIP | | | 1 |
| 31 | 6664095 | ARM, WIPER | W/Ref. 27 & 30 | | 1 |
| 32 | 6664096 | BLADE, WIPER WINDOW | | | 1 |
| 33 | 6668137 | WIPER MOTOR | See BT1337 wiper - W/knurled shaft end - Use W/Ref. 13 - SEE NOTE - Was NAP [D] | | 1 |
| 33 | 6631928 | SHAFT | | | 1 |
| 33 | | GEAR | NAP - Was 6631927 [A] | | 1 |
| 33 | 6670164 | LINK | | | 1 |
| 33 | 961528 | PK PARTS | | | 1 |
| 34 | 6664097 | COVER | | | 1 |
| 35 | 6676498 | NOZZLE | For Ref. 31. | | 1 |
| 36 | | HOSE | NAP - 10.25"(260,4 mm) long - Order Ref. 37 | | 1 |
| 37 | 6676918 | HOSE | 50' (15,240mm) long roll - .125" ID - black | | x |

CAB DOOR (Special Applications)

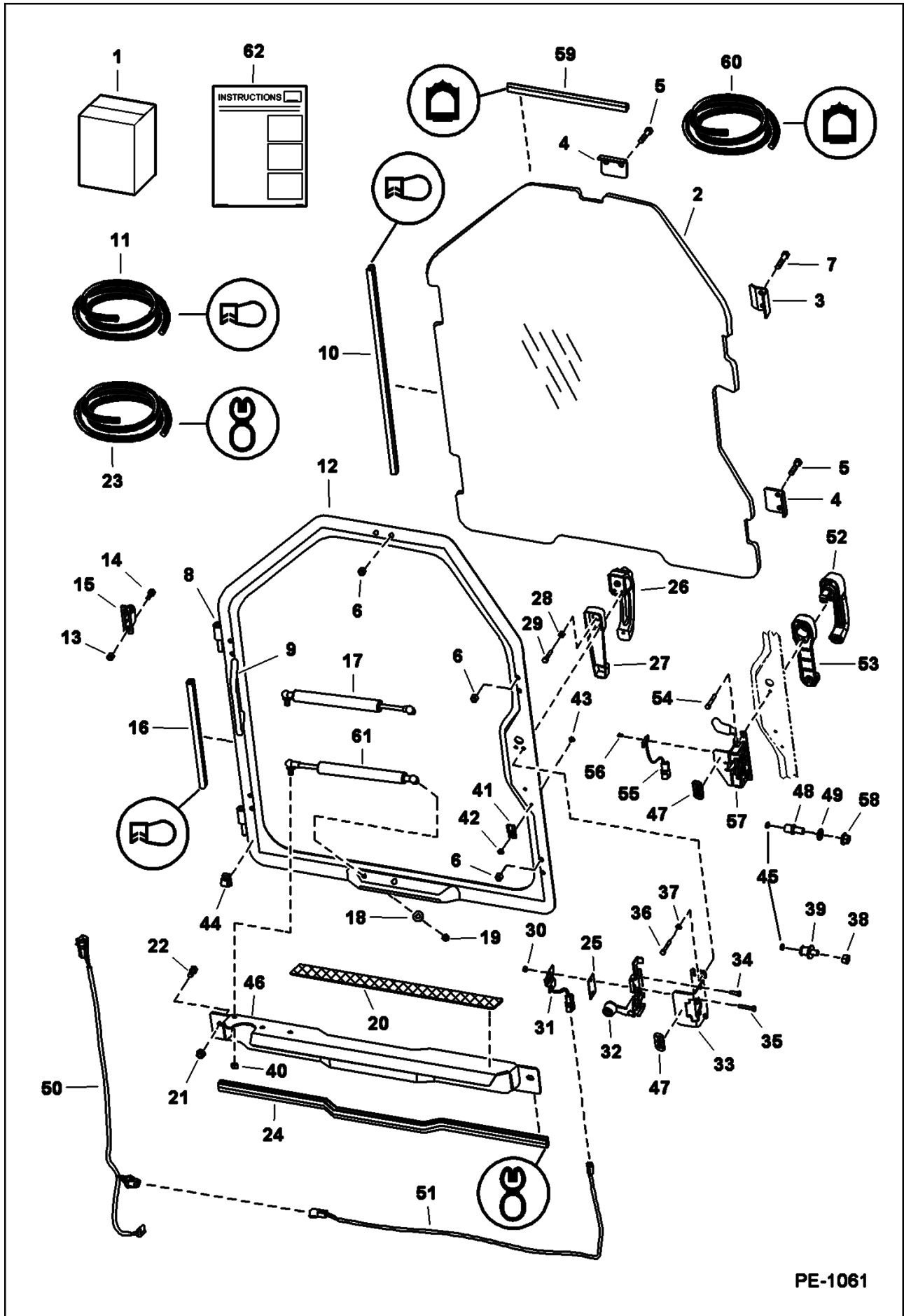


PE-1061

CAB DOOR (Cont'd) (Special Applications)

| Ref No | Part Number | Description | Remarks | Serial Number | Qty |
|--------|-------------|-------------------|---|------------------|-----|
| 1 | 6726420 | KIT | door - Ref. 2-24 & 40-62 | 500K 12290 & Bel | 1 |
| 1 | 6726420 | KIT | door - Ref. 2-24 & 40-62 | 5181 12312 & Bel | 1 |
| 1 | 6726420 | KIT | door - Ref. 2-24 & 40-62 | 5192 12397 & Bel | 1 |
| 1 | 6726420 | KIT | door - Ref. 2-24 & 40-62 | 5190 21566 & Bel | 1 |
| 1 | 6726420 | KIT | door - Ref. 2-24 & 40-62 | 5180 12473 & Bel | 1 |
| 1 | 6726420 | KIT | door - Ref. 2-24 & 40-62 | 5176 20338 & Bel | 1 |
| 1 | 6730823 | KIT | door - Ref. 2-24 & 40-62 - wiper is not included because it may scratch special applications window | 500K 12291 & Abv | 1 |
| 1 | 6730823 | KIT | door - Ref. 2-24 & 40-62 - wiper is not included because it may scratch special applications window | 5176 20339 & Abv | 1 |
| 1 | 6730823 | KIT | door - Ref. 2-24 & 40-62 - wiper is not included because it may scratch special applications window | 5180 12474 & Abv | 1 |
| 1 | 6730823 | KIT | door - Ref. 2-24 & 40-62 - wiper is not included because it may scratch special applications window | 5190 21567 & Abv | 1 |
| 1 | 6730823 | KIT | door - Ref. 2-24 & 40-62 - wiper is not included because it may scratch special applications window | 5192 12398 & Abv | 1 |
| 1 | 6730823 | KIT | door - Ref. 2-24 & 40-62 - wiper is not included because it may scratch special applications window | 5181 12313 & Abv | 1 |
| 2 | | WINDOW | NAP - .5" thick polycarbonate W/O top notch - Order 6732351 window, Ref. 4 & (2) each of Ref. 5 & 6 - Was 6725935 [A] | | 1 |
| 2 | 6732351 | WINDOW | .5" thick polycarbonate - W/ top notch | | 1 |
| 3 | 6725938 | CLAMP | | | 3 |
| 4 | 6725937 | CLAMP | | | 2 |
| 5 | 17C628 | BOLT | | | 6 |
| 6 | 95D6 | NUT | | | 10 |
| 7 | 17C624 | BOLT 5 | | | 4 |
| 8 | 6718376 | HINGE | door | | 2 |
| 9 | 7138347 | HANDLE | grab - Was 6718521 [B] | | 1 |
| 10 | | SEAL | NAP - 115" (2921 mm) long - Order Ref. 11 | | 1 |
| 11 | 7011039 | SEAL, BULK/FT 34 | bulk - sold per foot bulk - sold per foot - Was 6675558 [A] | | x |
| 12 | | DOOR | NAP - W/Ref. 8 & 9 - Uses 3 bolt mount handle - See BTI 369 - Was 6726932 [A] | | 1 |
| 12 | 7110430 | SPECIAL APPS DOOR | Uses 2 bolt mount handle - W/Ref. 8 & 9 | | 1 |
| 13 | 59D5 | NUT 5 | | | 4 |
| 14 | 17C512 | BOLT 5 | | | 4 |
| 15 | 6717593 | HINGE | base | | 2 |
| 16 | | SEAL | NAP - 127.3" (3233,4 mm) long - Order Ref. 11 | | 1 |
| 17 | | GAS SPRING | NAP - Order Ref. 61 - Was 6682586 [A] | | 1 |
| 17 | 6678548 | SOCKET | ball | | 2 |
| 17 | 6649244 | STUD | ball | | 2 |
| 17 | 6649245 | RETAINER | spring | | 2 |
| 18 | 25E16 | WSHR | | | 1 |
| 19 | 46D5 | NUT | acorn | | 1 |
| 20 | 6542731 | SAFETY TREAD | | | 1 |
| 21 | 55D6 | NUT | | | 2 |
| 22 | 17C612 | BOLT 5 | | | 2 |
| 23 | 6513152 | SEAL | bulk - sold per foot | | x |
| 24 | | SEAL | NAP - 36"(914,4 mm) long -Order Ref. 23 | | 1 |
| 25 | 6718520 | COVER | latch - Use W/Ref. 32 | | 1 |
| 26 | | HANDLE | NAP - 3 bolt mount - See BTI 370 - Was 6674667 [A] | | 1 |
| 26 | | KEY | NAP - ignition & rear door - includes two keys W/ring - Order 6693241 key - Was 6709527 [A] | | 1 |
| 26 | 6693241 | KEY 10 | single key W/O ring | | x |
| 27 | | SPACER | NAP - 3 bolt mount - See BTI 370- Was 6717146 [A] | | 1 |

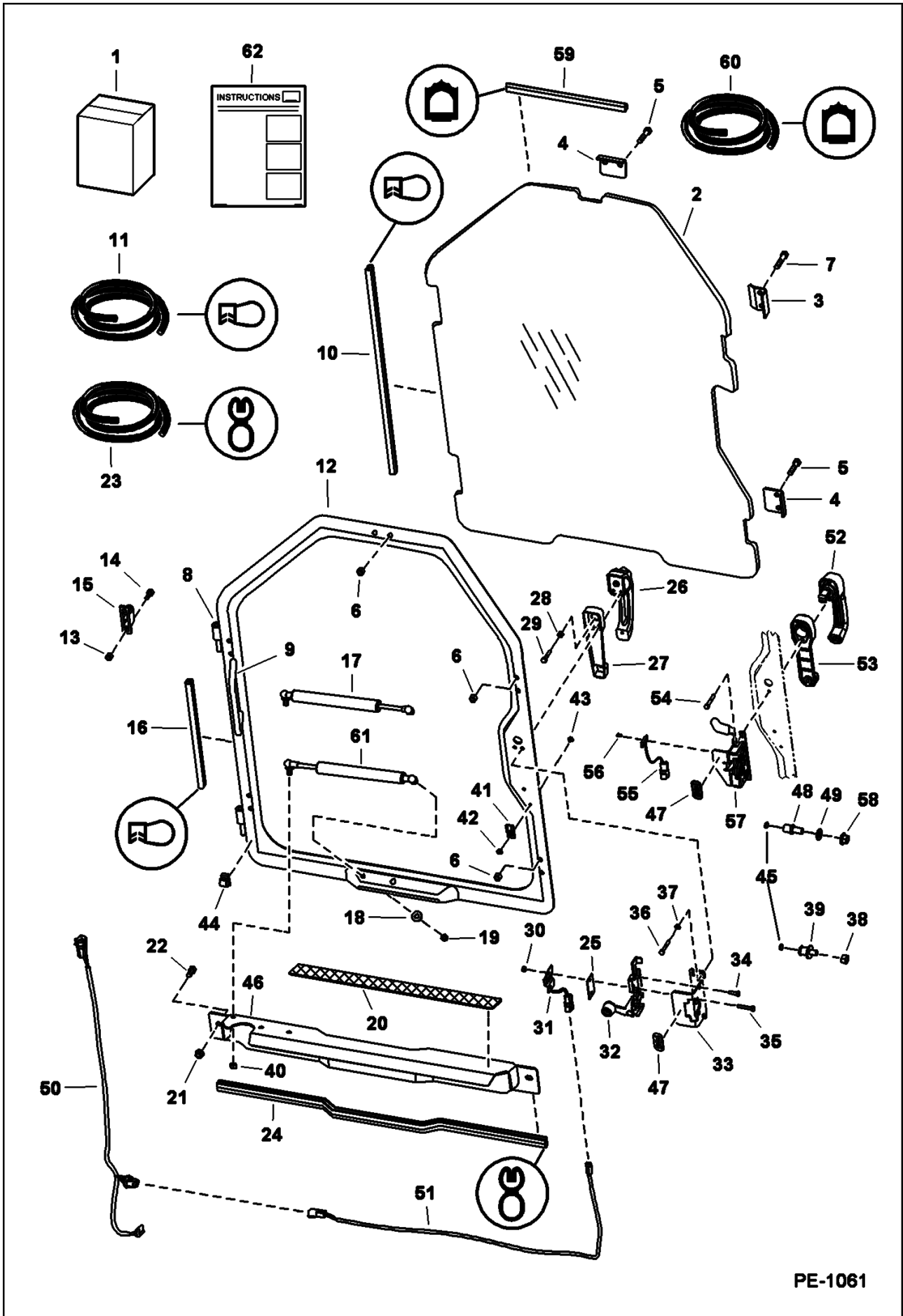
CAB DOOR (Cont'd) (Special Applications)



CAB DOOR (Cont'd) (Special Applications)

| Ref No | Part Number | Description | Remarks | Serial Number | Qty |
|--------|-------------|----------------------|---|------------------|-----|
| 28 | 61D4 | NUT 5 | For 3 bolt mount handle | | 1 |
| 29 | 17C420 | CAPSCREW | For 3 bolt mount handle | | 1 |
| 29 | 1CM630 | BOLT | For 3 bolt mount handle | | 1 |
| 30 | 1DM6 | NUT | For 2 bolt mount handle - Was 4DM6 [A] | | 2 |
| 30 | 1DM6 | NUT | For 2 bolt mount handle - Was 4DM6 [A] | | 3 |
| 31 | 6731212 | SENSOR | Use W/Ref. 32 | | 1 |
| 32 | | LATCH | NAP - 3 bolt mount - See BTI 370 - Was 6674666 [A] | | 1 |
| 33 | 6717369 | BRACKET | Use W/Ref 32 | | 1 |
| 34 | 1CM620 | BOLT | For 3 bolt mount handle | | 2 |
| 35 | 1CM635 | BOLT | For 3 bolt mount handle | | 2 |
| 36 | 1CM640 | SCREW | For 3 bolt mount handle | | 3 |
| 37 | 6EM60 | WASHER, SPRING | lock washer | | 3 |
| 38 | 91D7 | NUT | 7/16" thread - Use W/Ref. 39 (NAP 6677194 striker bolt) | | 1 |
| 39 | 6649483 | STRIKER BOLT | 7/16" thread - W/O sensor - Was 6654170 | | 1 |
| 39 | | BOLT | NAP - striker - 7/16" thread - Use W/ latch W/sensor - Order Ref.'s 48,49 & 58- Was 6677194 [A] | | 1 |
| 40 | 61D5 | NUT | | | 1 |
| 41 | 6665000 | CLIP | | | 1 |
| 42 | 6665321 | RIVET | male - plastic | | 1 |
| 43 | 6665322 | RIVET | female - plastic | | 1 |
| 44 | 6624289 | STRAP 10 | Use W/doors W/welded-on retainers | | 3 |
| 45 | 6677192 | MAGNET | | | 1 |
| 46 | 6725171 | SHIELD | | 500K 12290 & Bel | 1 |
| 46 | 6725171 | SHIELD | | 5180 12473 & Bel | 1 |
| 46 | 6725171 | SHIELD | | 5176 20338 & Bel | 1 |
| 46 | 6725171 | SHIELD | | 5192 12397 & Bel | 1 |
| 46 | 6725171 | SHIELD | | 5190 21566 & Bel | 1 |
| 46 | 6725171 | SHIELD | | 5181 12312 & Bel | 1 |
| 46 | 6730816 | SHIELD | | 500K 12291 & Abv | 1 |
| 46 | 6730816 | SHIELD | | 5180 12474 & Abv | 1 |
| 46 | 6730816 | SHIELD | | 5176 20339 & Abv | 1 |
| 46 | 6730816 | SHIELD | | 5181 12313 & Abv | 1 |
| 46 | 6730816 | SHIELD | | 5192 12398 & Abv | 1 |
| 46 | 6730816 | SHIELD | | 5190 21567 & Abv | 1 |
| 47 | 7110316 | DECAL | Was 6732975 [A] | | 1 |
| 48 | 7109664 | BOLT | striker - 12 mm thread - Use W/ latch W/sensor | | 1 |
| 49 | 18EM1224 | WASHER | Use W/Ref. 48 | | 1 |
| 50 | | HARNESS | NAP - Order 7104465 harness & 7106277 harness - Was 6730885 [A] | | 1 |
| 50 | 7106277 | WIPER HARNESS | wiper | | 1 |
| 51 | 7104465 | DOOR SWITCH HARNESS | door sensor | | 1 |
| 52 | 7109662 | HANDLE, LATCH DOOR | 2 bolt mount | | 1 |
| 53 | 7109663 | SPACER | 2 bolt mount | | 1 |
| 54 | 1CM640 | SCREW | For 2 bolt mount handle | | 2 |
| 55 | 6728459 | DOOR SENSOR | Use W/Ref. 57 | | 1 |
| 56 | 6677193 | RIVET | plastic | | 2 |
| 57 | 7109661 | LATCH, DOOR W/SENSOR | 2 bolt mount - W/Ref. 55 | | 1 |
| 58 | 51DM12 | NUT | 12 mm thread - Use W/Ref. 48 | | 1 |
| 59 | | SEAL | NAP - 12" (304,8 mm) long - Order Ref. 60 - Use W/Ref. 2 (W/O notch) | | 1 |
| 60 | 6670759 | SEAL | bulk - sold per foot | | x |
| 61 | 7157893 | GAS SPRING | | | 1 |

CAB DOOR (Cont'd) (Special Applications)

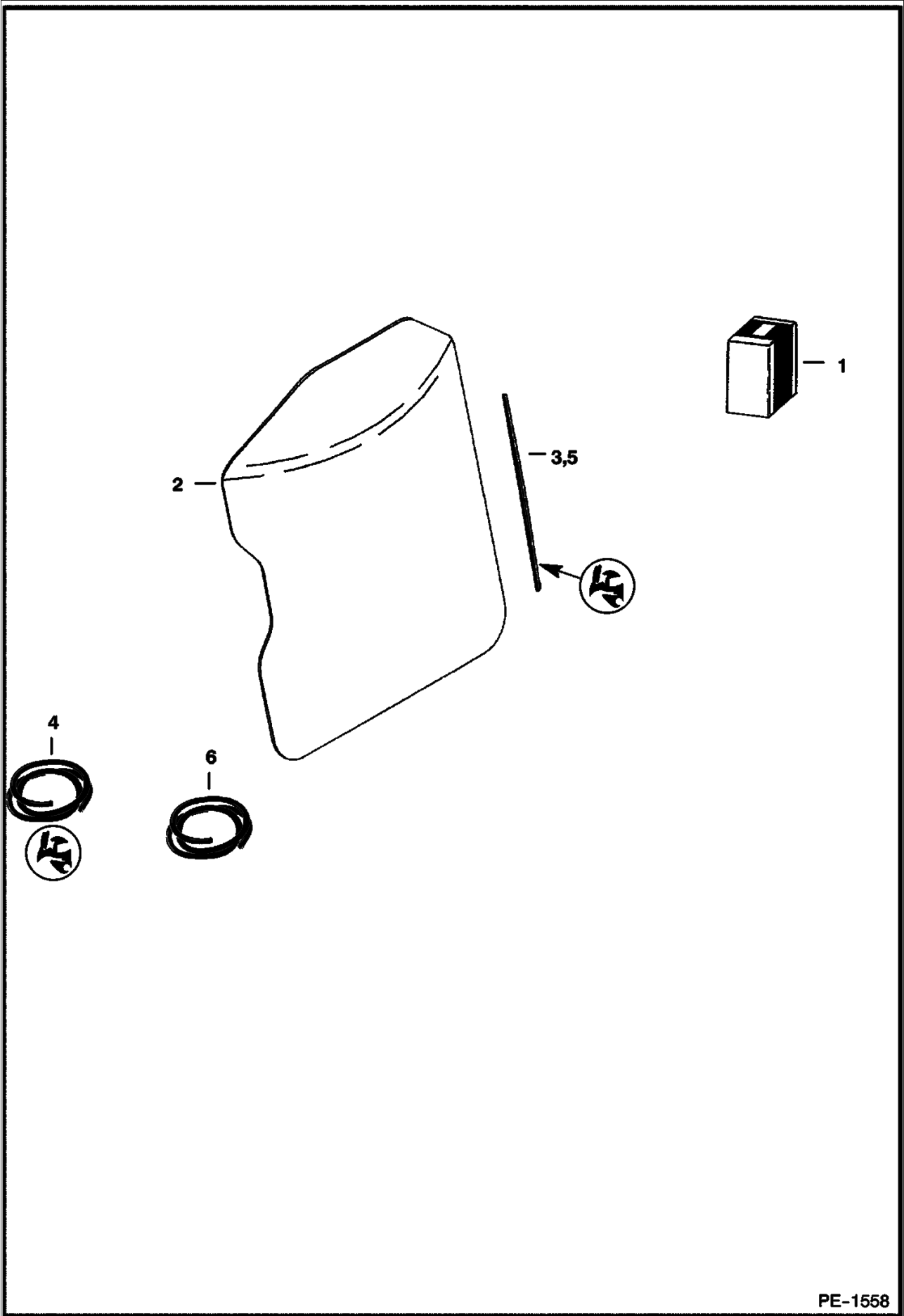


PE-1061

**CAB DOOR (Cont'd)
(Special Applications)**

| Ref No | Part Number | Description | Remarks | Serial Number | Qty |
|---------------|--------------------|--------------------|--|----------------------|------------|
| 62 | 6675378 | CLIP | wire - W/adhesive back - Use W/doors W/O welded on retainers | | 3 |
| 63 | 6901013 | INSTRUCTIONS | | | 1 |

CAB DOOR (Lexan Window)

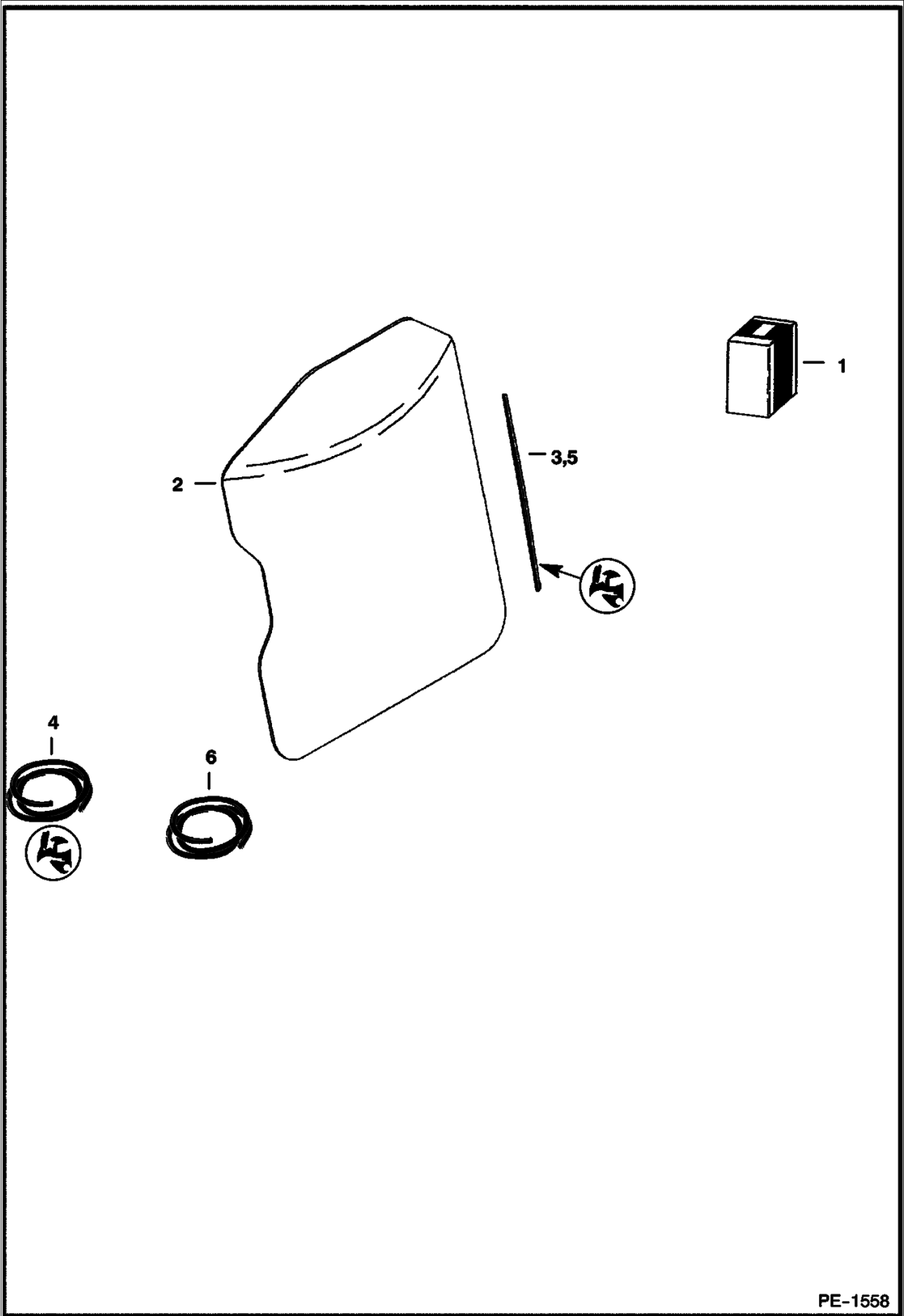


PE-1558

CAB DOOR (Cont'd) (Lexan Window)

| Ref No | Part Number | Description | Remarks | Serial Number | Qty |
|--------|-------------|-------------|---|------------------|-----|
| 1 | | KIT | See Illustration CAB DOOR/ PE1061 NAP - **IMPORTANT** This Lexan window kit has been discontinued. Order KIT 6726420 SPECIAL APPLICATIONS if safety glass application is needed. | 500K 12290 & Bel | 1 |
| 1 | | KIT | See Illustration CAB DOOR/ PE1061 NAP - **IMPORTANT** This Lexan window kit has been discontinued. Order KIT 6726420 SPECIAL APPLICATIONS if safety glass application is needed. | 5176 20338 & Bel | 1 |
| 1 | | KIT | See Illustration CAB DOOR/ PE1061 NAP - **IMPORTANT** This Lexan window kit has been discontinued. Order KIT 6726420 SPECIAL APPLICATIONS if safety glass application is needed. | 5192 12397 & Bel | 1 |
| 1 | | KIT | See Illustration CAB DOOR/ PE1061 NAP - **IMPORTANT** This Lexan window kit has been discontinued. Order KIT 6726420 SPECIAL APPLICATIONS if safety glass application is needed. | 5190 21566 & Bel | 1 |
| 1 | | KIT | See Illustration CAB DOOR/ PE1061 NAP - **IMPORTANT** This Lexan window kit has been discontinued. Order KIT 6726420 SPECIAL APPLICATIONS if safety glass application is needed. | 5181 12312 & Bel | 1 |
| 1 | | KIT | See Illustration CAB DOOR/ PE1061 NAP - **IMPORTANT** This Lexan window kit has been discontinued. Order KIT 6726420 SPECIAL APPLICATIONS if safety glass application is needed. | 5180 12473 & Bel | 1 |
| 1 | | KIT | See Illustration CAB DOOR/ PE1061 NAP - **IMPORTANT** This Lexan window kit has been discontinued. Order KIT 6730823 SPECIAL APPLICATIONS if safety glass application is needed. | 500K 12291 & Abv | 1 |
| 1 | | KIT | See Illustration CAB DOOR/ PE1061 NAP - **IMPORTANT** This Lexan window kit has been discontinued. Order KIT 6730823 SPECIAL APPLICATIONS if safety glass application is needed. | 5176 20339 & Abv | 1 |
| 1 | | KIT | See Illustration CAB DOOR/ PE1061 NAP - **IMPORTANT** This Lexan window kit has been discontinued. Order KIT 6730823 SPECIAL APPLICATIONS if safety glass application is needed. | 5180 12474 & Abv | 1 |
| 1 | | KIT | See Illustration CAB DOOR/ PE1061 NAP - **IMPORTANT** This Lexan window kit has been discontinued. Order KIT 6730823 SPECIAL APPLICATIONS if safety glass application is needed. | 5190 21567 & Abv | 1 |
| 1 | | KIT | See Illustration CAB DOOR/ PE1061 NAP - **IMPORTANT** This Lexan window kit has been discontinued. Order KIT 6730823 SPECIAL APPLICATIONS if safety glass application is needed. | 5192 12398 & Abv | 1 |
| 1 | | KIT | See Illustration CAB DOOR/ PE1061 NAP - **IMPORTANT** This Lexan window kit has been discontinued. Order KIT 6730823 SPECIAL APPLICATIONS if safety glass application is needed. | 5181 12313 & Abv | 1 |

CAB DOOR (Cont'd)
(Lexan Window)

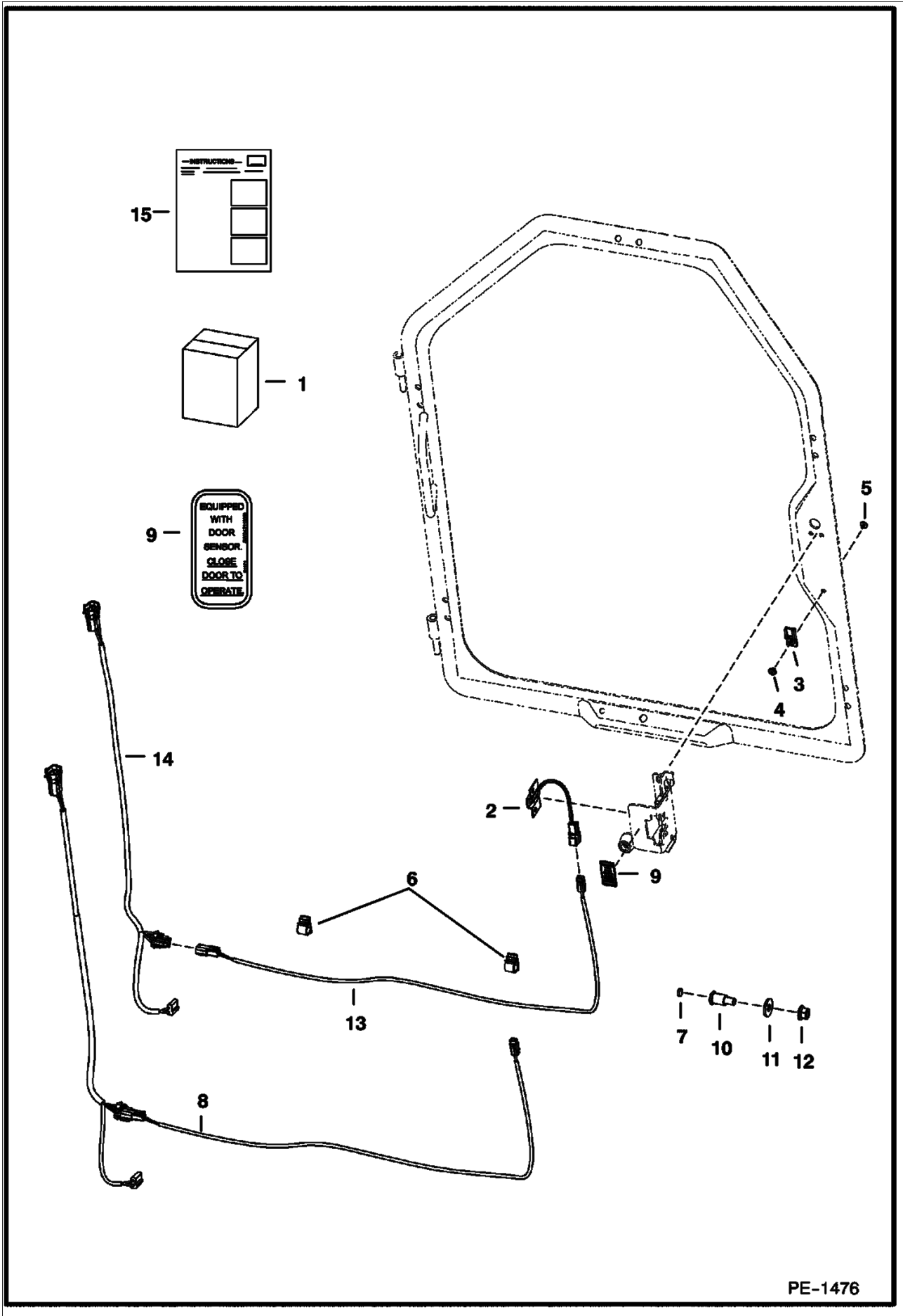


PE-1558

**CAB DOOR (Cont'd)
(Lexan Window)**

| Ref No | Part Number | Description | Remarks | Serial Number | Qty |
|--------|-------------|-------------|---|------------------|-----|
| | | | discontinued. Order KIT 6730823 SPECIAL APPLICATIONS if safety glass application is needed. | | |
| 2 | | WINDOW | NAP - Order KIT 6726420 SPECIAL APPLICATIONS if safety glass application is needed - it contains 6732351 WINDOW - .5" thick polycarbonate safety glass. | 500K 12290 & Bel | 1 |
| 2 | | WINDOW | NAP - Order KIT 6726420 SPECIAL APPLICATIONS if safety glass application is needed - it contains 6732351 WINDOW - .5" thick polycarbonate safety glass. | 5192 12397 & Bel | 1 |
| 2 | | WINDOW | NAP - Order KIT 6726420 SPECIAL APPLICATIONS if safety glass application is needed - it contains 6732351 WINDOW - .5" thick polycarbonate safety glass. | 5180 12473 & Bel | 1 |
| 2 | | WINDOW | NAP - Order KIT 6726420 SPECIAL APPLICATIONS if safety glass application is needed - it contains 6732351 WINDOW - .5" thick polycarbonate safety glass. | 5181 12312 & Bel | 1 |
| 2 | | WINDOW | NAP - Order KIT 6726420 SPECIAL APPLICATIONS if safety glass application is needed - it contains 6732351 WINDOW - .5" thick polycarbonate safety glass. | 5190 21566 & Bel | 1 |
| 2 | | WINDOW | NAP - Order KIT 6726420 SPECIAL APPLICATIONS if safety glass application is needed - it contains 6732351 WINDOW - .5" thick polycarbonate safety glass. | 5176 20338 & Bel | 1 |
| 2 | | WINDOW | NAP - Order KIT 6730823 SPECIAL APPLICATIONS if safety glass application is needed - it contains 6732351 WINDOW - .5" thick polycarbonate safety glass. | 500K 12291 & Abv | 1 |
| 2 | | WINDOW | NAP - Order KIT 6730823 SPECIAL APPLICATIONS if safety glass application is needed - it contains 6732351 WINDOW - .5" thick polycarbonate safety glass. | 5192 12398 & Abv | 1 |
| 2 | | WINDOW | NAP - Order KIT 6730823 SPECIAL APPLICATIONS if safety glass application is needed - it contains 6732351 WINDOW - .5" thick polycarbonate safety glass. | 5190 21567 & Abv | 1 |
| 2 | | WINDOW | NAP - Order KIT 6730823 SPECIAL APPLICATIONS if safety glass application is needed - it contains 6732351 WINDOW - .5" thick polycarbonate safety glass. | 5181 12313 & Abv | 1 |
| 2 | | WINDOW | NAP - Order KIT 6730823 SPECIAL APPLICATIONS if safety glass application is needed - it contains 6732351 WINDOW - .5" thick polycarbonate safety glass. | 5176 20339 & Abv | 1 |
| 2 | | WINDOW | NAP - Order KIT 6730823 SPECIAL APPLICATIONS if safety glass application is needed - it contains 6732351 WINDOW - .5" thick polycarbonate safety glass. | 5180 12474 & Abv | 1 |
| 3 | | SEAL | NAP | | x |
| 4 | | EXTRUSION | NAP for this kit - bulk - Sold Per Foot | | x |
| 5 | | CORD | NAP | | x |
| 6 | | CORD | NAP for this kit - bulk - Sold Per Foot | | x |

CAB DOOR (Sensor Kit)

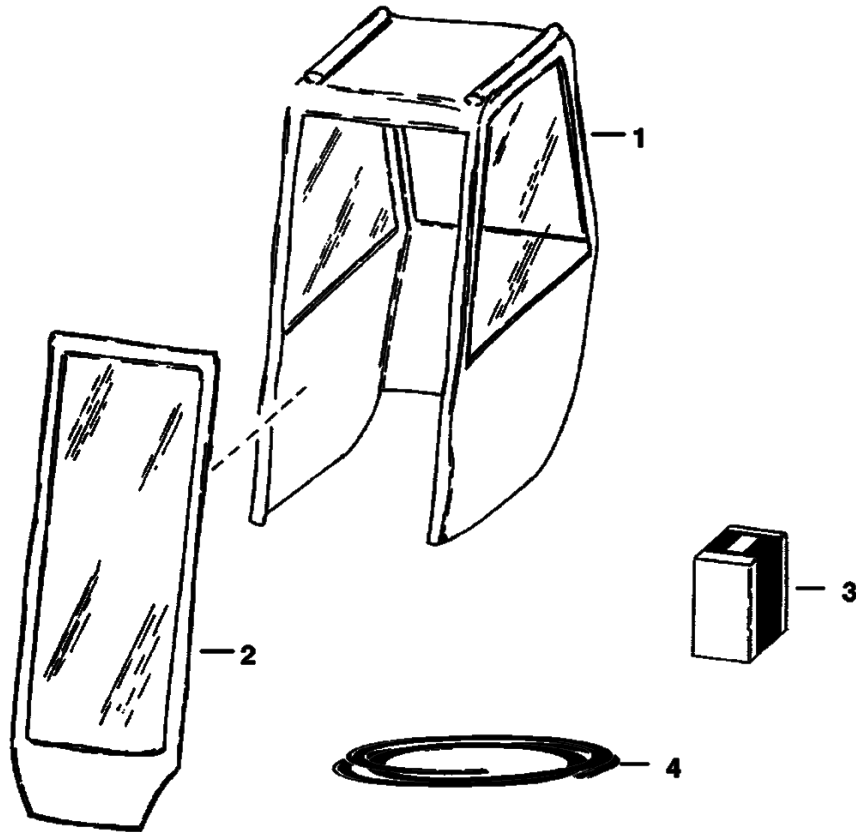


PE-1476

**CAB DOOR (Cont'd)
(Sensor Kit)**

| Ref No | Part Number | Description | Remarks | Serial Number | Qty |
|--------|-------------|---------------------|---|---------------|-----|
| 1 | 6732451 | KIT | door switch - Ref. 2-7 & 9-15 | | 1 |
| 2 | 6731212 | SENSOR | door assy. | | 1 |
| 2 | 6677193 | RIVET | plastic | | 2 |
| 3 | 6665000 | CLIP | mounting | | 1 |
| 4 | 6665322 | RIVET | plastic - female | | 1 |
| 5 | 6665321 | RIVET | plastic - male | | 1 |
| 6 | 6675378 | CLIP | wire - W/adhesive back | | 2 |
| 7 | 6677192 | MAGNET | door switch | | 1 |
| 8 | | HARNESS | NAP - Order 7104465 harness & 7106277 harness - Was 6730885 [A] | & Bel | 1 |
| 9 | 7110316 | DECAL | Was 6732975 [A] | | 1 |
| 10 | | BOLT | NAP - striker - 7/16" thread - Order 7109664 striker, Ref. 11 & Ref. 12 - Was 6677194 | | 1 |
| 10 | 7109664 | BOLT | striker - 12 mm thread - Was 6677194 [A] | | 1 |
| 11 | 18EM1224 | WASHER | Use W/Ref. 10 (7109664 bolt) | | 1 |
| 12 | 91D7 | NUT | 7/16" thread - Use W/Ref. 10 (NAP 6677194 bolt) | | 1 |
| 12 | 51DM12 | NUT | 12 mm thread - Use W/Ref. 10 (7109664 bolt) | | 1 |
| 13 | 7104465 | DOOR SWITCH HARNESS | door sensor | | 1 |
| 14 | 7106277 | WIPER HARNESS | wiper | | 1 |
| 15 | 6901734 | INSTRUCTION | INSTRUCTION | | 1 |

CAB ENCLOSURE (Envelope)

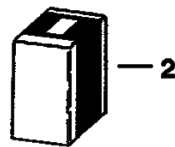
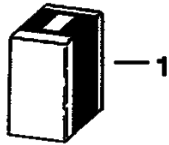


B-1413

**CAB ENCLOSURE (Cont'd)
(Envelope)**

| Ref No | Part Number | Description | Remarks | Serial Number | Qty |
|--------|-------------|-------------|--|---------------|-----|
| 1 | 6675544 | CANVAS CAB | W/Ref. 2-4 - fits over cab - Was 6660340 [B,D] | | 1 |
| 2 | 6675590 | DOOR | vinyl - Was 6599721 [B,D] | | 1 |
| 3 | 6675591 | HINGE KIT | Was 6662839 [B,D] | | 1 |
| 4 | 6722597 | VELCRO | 27 feet (8229,6 mm) | | 1 |

**CAB ENCLOSURE
(Cab Enclosure Kit) (Special Applications Kit)**



NOTE:

Ref. 1 - Cab Enclosure Kit

Ref. 2 - Special Applications Kit - To complete the Cab Enclosure Also Order Side Windows Kit, 3rd Gas Spring Kit & Access Cover Kit.

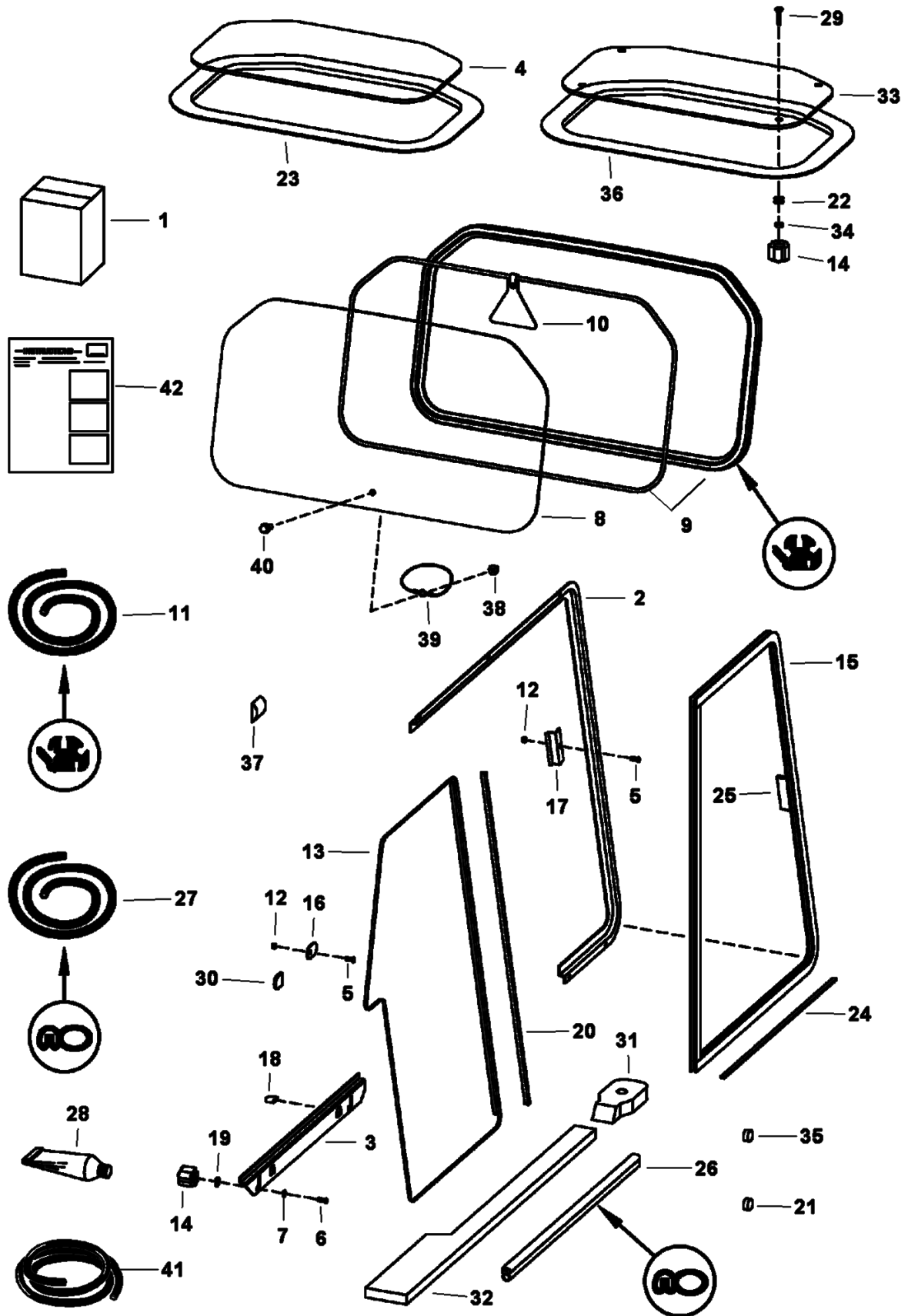
B-17100

**CAB ENCLOSURE (Cont'd)
(Cab Enclosure Kit) (Special Applications Kit)**

| Ref No | Part Number | Description | Remarks | Serial Number | Qty |
|---------------|--------------------|--------------------|---|----------------------|------------|
| 1 | | KIT | SALES #6731938 - includes access cover kit, dual tilt door kit, 3rd gas spring kit & side window kit - if loader is not equipped W/deluxe cab accessories harness, heater, A/C, SJC, ACS, rotating beacon, rear wiper kit, power Bob-Tach, (non-power port plug-in) strobe light and/or 4-way flashers, Also Order deluxe harness | | 1 |
| 2 | | KIT | SALES #6731937 - special applications kit - special applications kit - includes dual door kit, lexan top window kit & lexan rear window kit - if loader is not equipped W/deluxe cab accessories harness, heater, A/C, SJC, ACS, rotating beacon, rear wiper kit, power Bob-Tach, (non-power port plug-in) strobe light and/or 4-way flashers, Also Order deluxe harness - SEE NOTE | | 1 |

CAB WINDOWS (Top, Rear & Side)

NOTE: Order Side Window Kit from Gwinner Sales #6718806 .



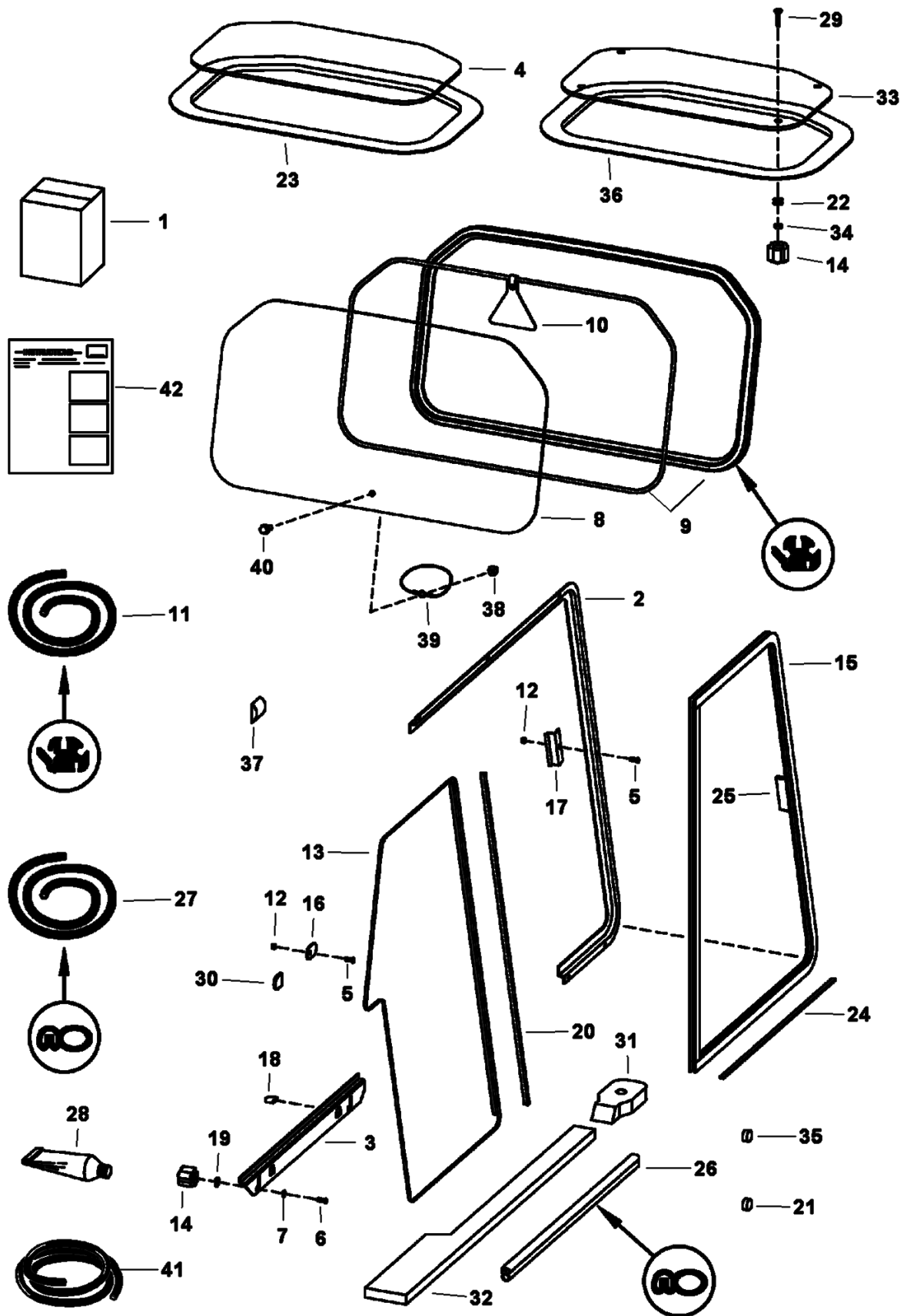
MS1375

CAB WINDOWS (Cont'd)
(Top, Rear & Side)

| Ref No | Part Number | Description | Remarks | Serial Number | Qty |
|--------|-------------|--------------------|--|---------------|-----|
| 1 | 6718805 | KIT | top & rear window - Ref. 8-10, 14, 33 & 41 - Was SALES [A] | | 1 |
| 1 | | KIT | SALES - Side Window - SEE NOTE | | 1 |
| 2 | 6717870 | FRAME | LH side | | 1 |
| 2 | 6717872 | FRAME | RH side | | 1 |
| 3 | 6717871 | FRAME | LH bottom | | 1 |
| 3 | 6717873 | FRAME | RH bottom | | 1 |
| 4 | | WINDOW | NAP - top - Order Ref. 33 - Was 6725360 [A] | | 1 |
| 5 | 10C410 | BOLT | carriage | | 14 |
| 6 | 10C416 | BOLT | carriage | | 8 |
| 7 | 25E14 | WSHR | | | 4 |
| 8 | 6717874 | WINDOW | rear | | 1 |
| 8 | 6719413 | WINDOW | rear - polycarbonate | | 1 |
| 9 | | EXTRUSION | NAP - 75.75"(1924 mm) long - Order Ref. 11 | | x |
| 9 | | CORD | NAP - 75.75"(1924 mm) long - Order Ref. 11 - Also Order Ref. 10 (6731478 exit tag) | | x |
| 10 | 6731478 | EXIT TAG | Was 6559515 [A] | | 1 |
| 11 | 6675387 | EXTRUSION | bulk - Sold Per Foot - Was 6674524 [A] | | x |
| 11 | 6554149 | CORD | bulk - sold per foot | | x |
| 12 | 59D4 | NUT 5 | | | 18 |
| 13 | 6691001 | WINDOW | rear - LH - W/Ref. 20 - Was 6674520 [A] | | 1 |
| 13 | 6691003 | WINDOW | rear - RH - W/Ref. 20 - Was 6674522 [A] | | 1 |
| 14 | | KNOB | NAP - 5/8" deep threads - Was 6674741 [A] | | 8 |
| 14 | 6681614 | KNOB | 11/16" deep thread | | 8 |
| 15 | 7003481 | WINDOW, LEFT ASSY | sliding - W/Ref. 25- Was 6691000 [A] | | 1 |
| 15 | 7003482 | WINDOW, RIGHT ASSY | sliding - W/Ref. 25 - Was 6691002 [A] | | 1 |
| 16 | 6719063 | STOP | | | 2 |
| 17 | 6719037 | STRIKER | | | 2 |
| 18 | 6719065 | COVER TAB | tab | | 4 |
| 19 | 6675212 | RETAINER | bolt | | 4 |
| 20 | 6675833 | SEAL | rear window dual wiper W/tape | | 2 |
| 21 | 6657719 | PLUG | for .75" (19,1 mm) dia hole | | 2 |
| 22 | 6675545 | GROMMET | | | 4 |
| 23 | | SEAL | NAP - Order Ref. 36 - Was 6675546 [A] | | x |
| 24 | | FELT STRIP | NAP - 20.38" (517,7 mm) long - Order Ref. 41 | | 2 |
| 25 | 6678283 | HANDLE | side window | | 2 |
| 26 | | SEAL | NAP - 24"(609,6 mm) long - Order Ref. 27 | | 1 |
| 27 | 6555351 | SEAL | bulk - sold per foot | | x |
| 28 | | ADHESIVE | NAP - 1 oz. - for top window seal Ref. 1 - Was 6675694 [B] | | 1 |
| 29 | 91G416 | SCREW | Use W/Ref. 14 (NAP/ 6674741 knob) | | 4 |
| 29 | 91G420 | SCREW | Use W/ 6681614 knob | | 4 |
| 30 | 6677198 | TAB | tab | | 2 |
| 31 | 6729011 | SEAL | cab mount | | 2 |
| 32 | 6729010 | SEAL | foam - LH | | 1 |
| 32 | 6729009 | SEAL | foam - RH | | 1 |
| 33 | 7105034 | WINDOW TOP | | | 1 |
| 34 | 6664085 | BUSHING | nylon | | 4 |
| 35 | 6677973 | PLUG | for .22" dia hole | | 2 |
| 36 | 7165265 | SEAL, WINDOW | | | 1 |
| 37 | 7103075 | SEAL | side screen | | 2 |
| 38 | 83D5 | NUT 5 | | | 1 |
| 39 | 6555331 | WIRE ROPE | | | 1 |
| 40 | 35C516 | BOLT 10 | | | 1 |
| 41 | 6676927 | FELT STRIP | bulk - sold per foot | | x |

CAB WINDOWS (Cont'd) (Top, Rear & Side)

NOTE: Order Side Window Kit from Gwinner Sales #6718806 .

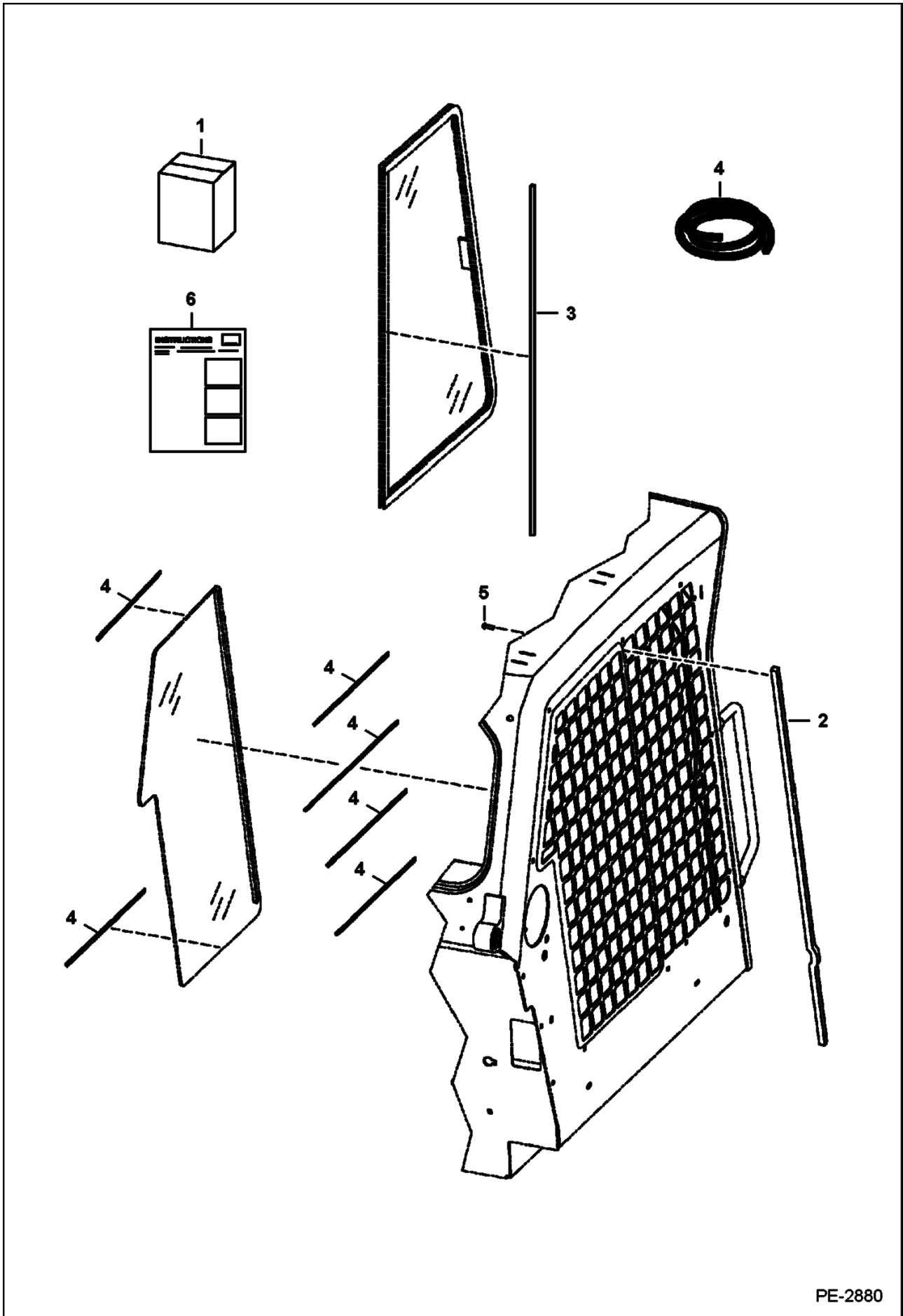


MS1375

CAB WINDOWS (Cont'd)
(Top, Rear & Side)

| Ref No | Part Number | Description | Remarks | Serial Number | Qty |
|---------------|--------------------|--------------------|---------------------------|----------------------|------------|
| 42 | 6900852 | INSTRUCTIONS | INSTRUCTIONS top & rear | | 1 |
| 42 | 6900853 | INSTRUCTIONS | INSTRUCTIONS side windows | | 1 |

CAB WINDOWS (Window Rib Kit)

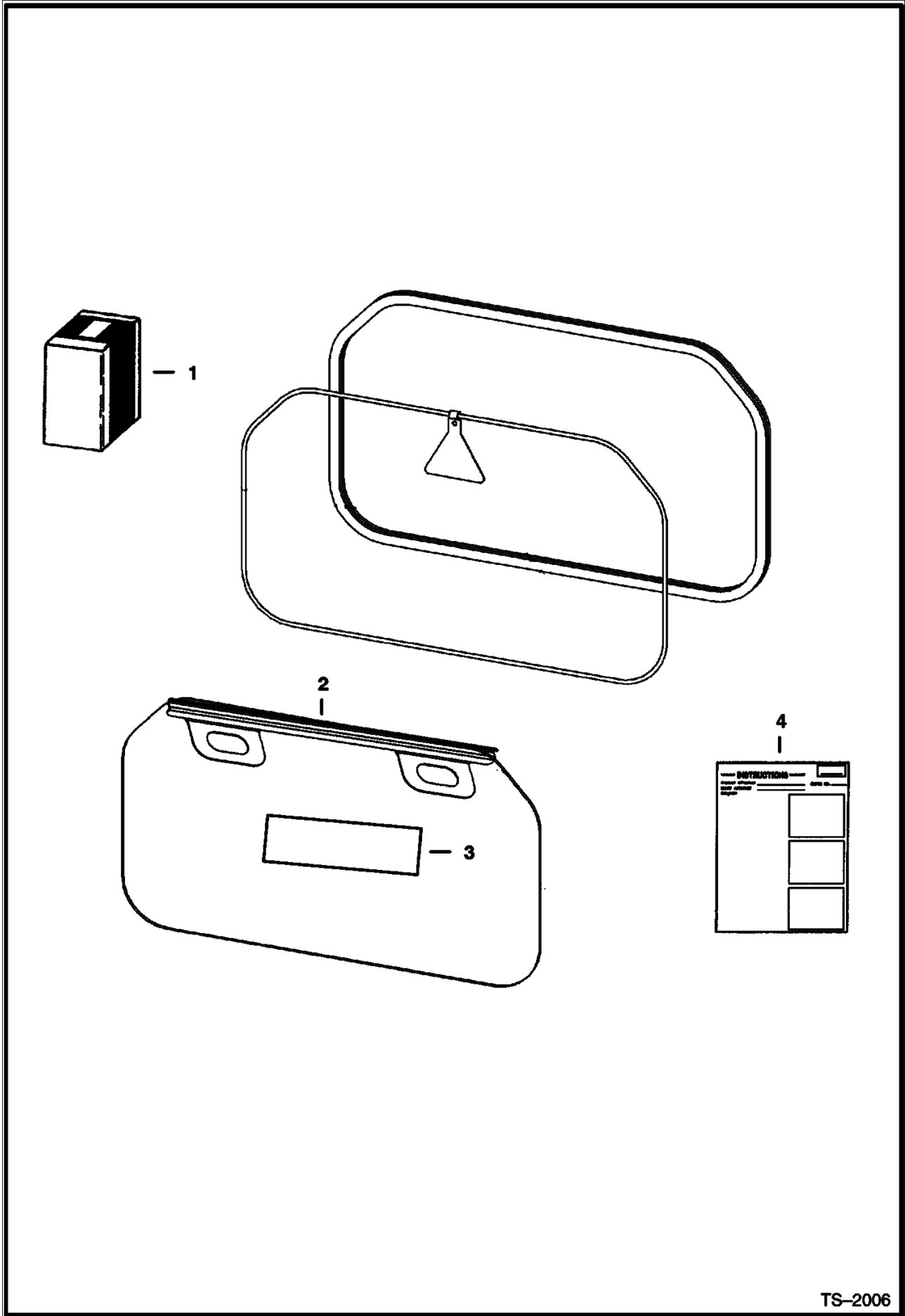


PE-2880

**CAB WINDOWS (Cont'd)
(Window Rib Kit)**

| Ref No | Part Number | Description | Remarks | Serial Number | Qty |
|---------------|--------------------|--------------------|---|----------------------|------------|
| 1 | 7122462 | KIT, RIB WINDOW | Ref. 2-6 - can NOT use W/single point lift kits | | 1 |
| 2 | 7153099 | BRACE, CAB | Was 7121556 [A] | | 2 |
| 3 | 7122487 | 2 SEAL, WIPER | | | 2 |
| 4 | 7122488 | SEAL, BULB | 180" (4572 mm) long - cut to fit | | 1 |
| 5 | 7142024 | SCREW | Was 25GT412 [B] | | 8 |
| 6 | 6904744 | INSTRUCTIONS | | | 1 |

CAB WINDOWS (Rear Window Removal Kit)

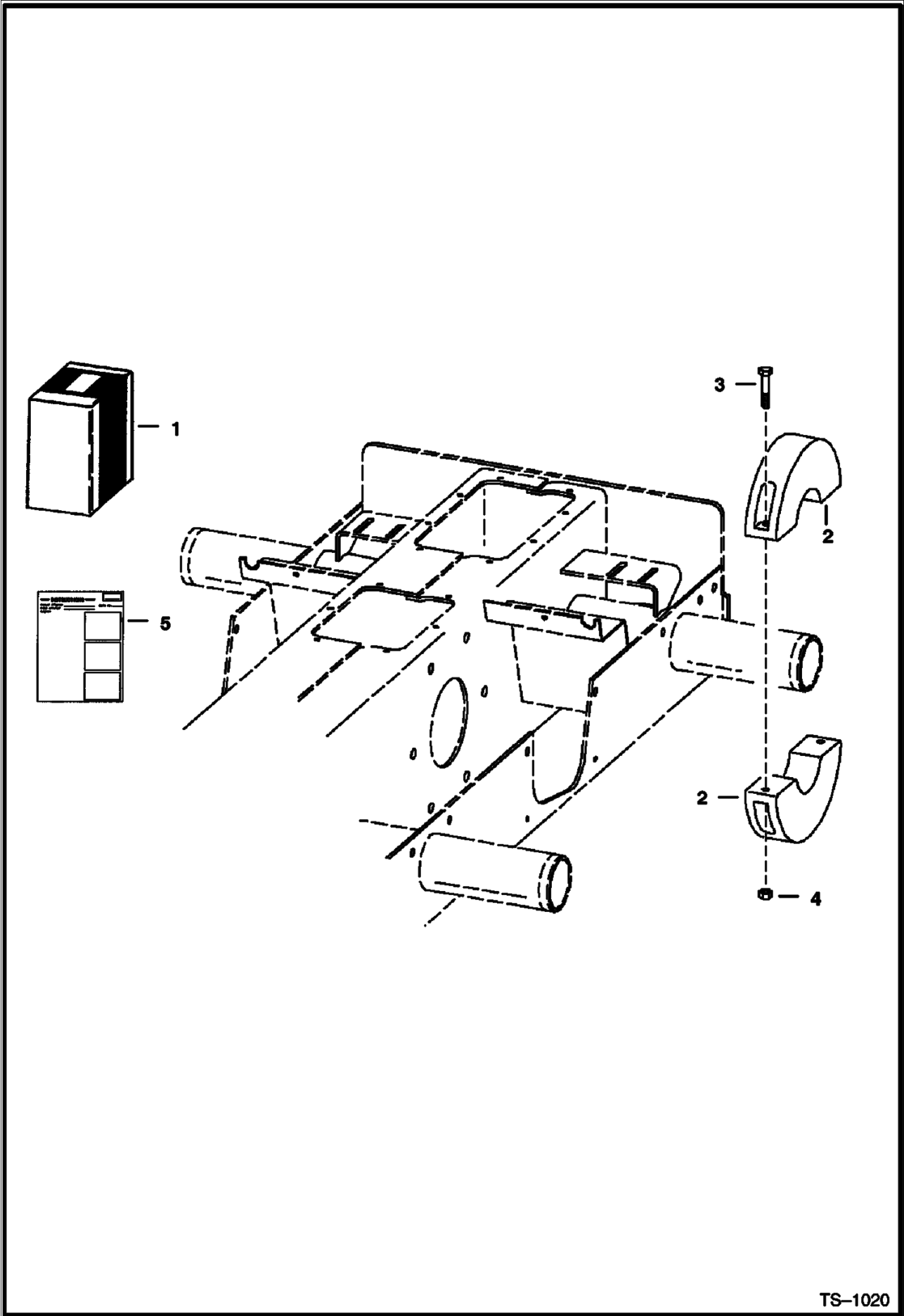


TS-2006

**CAB WINDOWS (Cont'd)
(Rear Window Removal Kit)**

| Ref No | Part Number | Description | Remarks | Serial Number | Qty |
|---------------|--------------------|--------------------|----------------|----------------------|------------|
| 1 | 6725946 | KIT | Ref. 2-4 | | 1 |
| 2 | 6725421 | HANDLE | | | 1 |
| 3 | 6726303 | DECAL | | | 1 |
| 4 | 6901029 | INSTRUCTIONS | | | 1 |

COUNTERWEIGHT KIT (Front Axle)

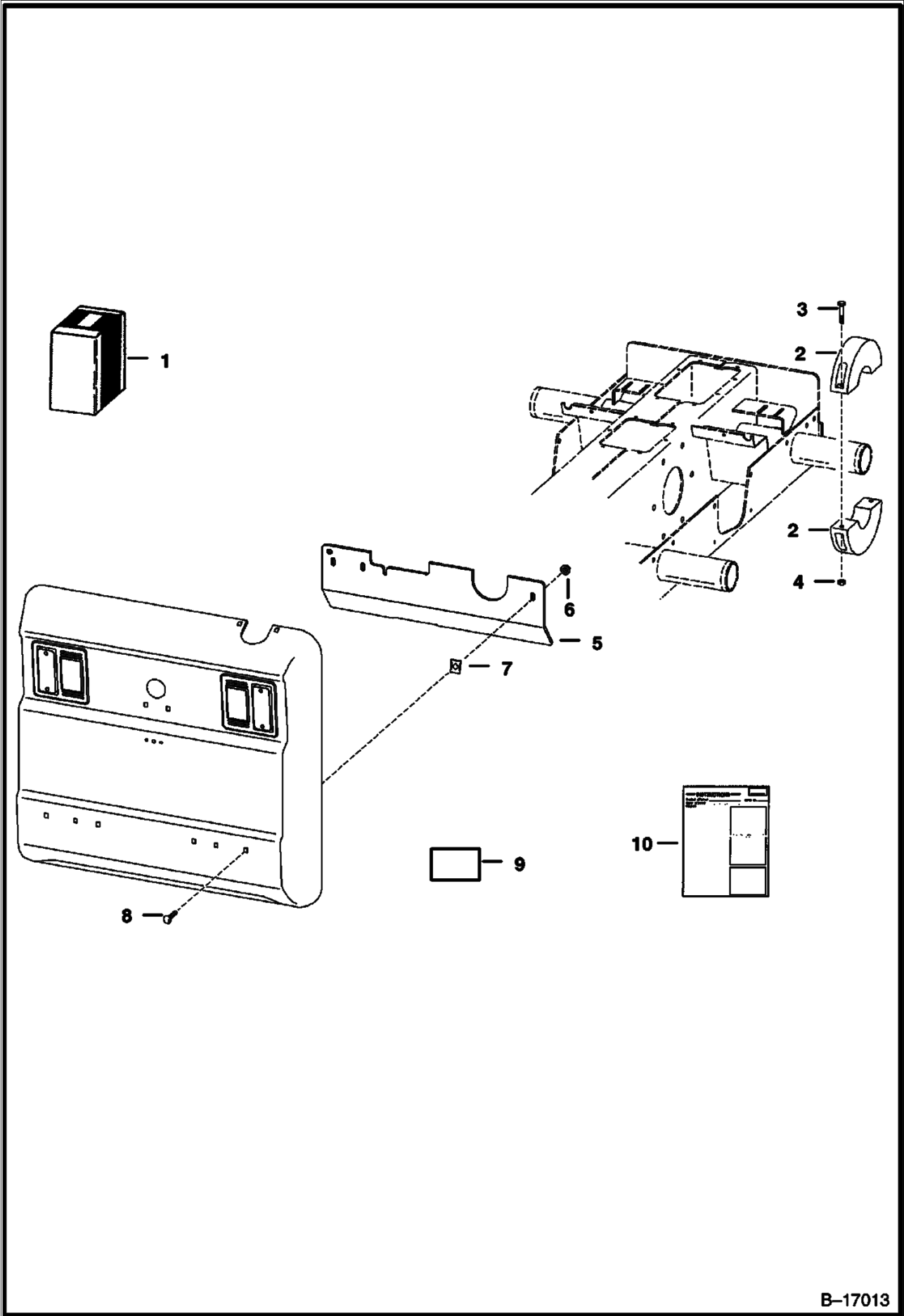


TS-1020

COUNTERWEIGHT KIT (Cont'd) (Front Axle)

| Ref No | Part Number | Description | Remarks | Serial Number | Qty |
|--------|-------------|-----------------------|---|---------------|-----|
| 1 | 6704284 | KIT, COUNTERWEIGHT | counterweight | | 1 |
| 2 | 6714361 | WEIGHT | 38.7 lbs (17,6 kg) - 4.5" (114,3 mm) wide | | 4 |
| 3 | 17C640 | BOLT 5 | | | 8 |
| 4 | 61D6 | NUT 5 | | | 8 |
| 5 | 6900366 | INSTRUCTIONS | | | 1 |

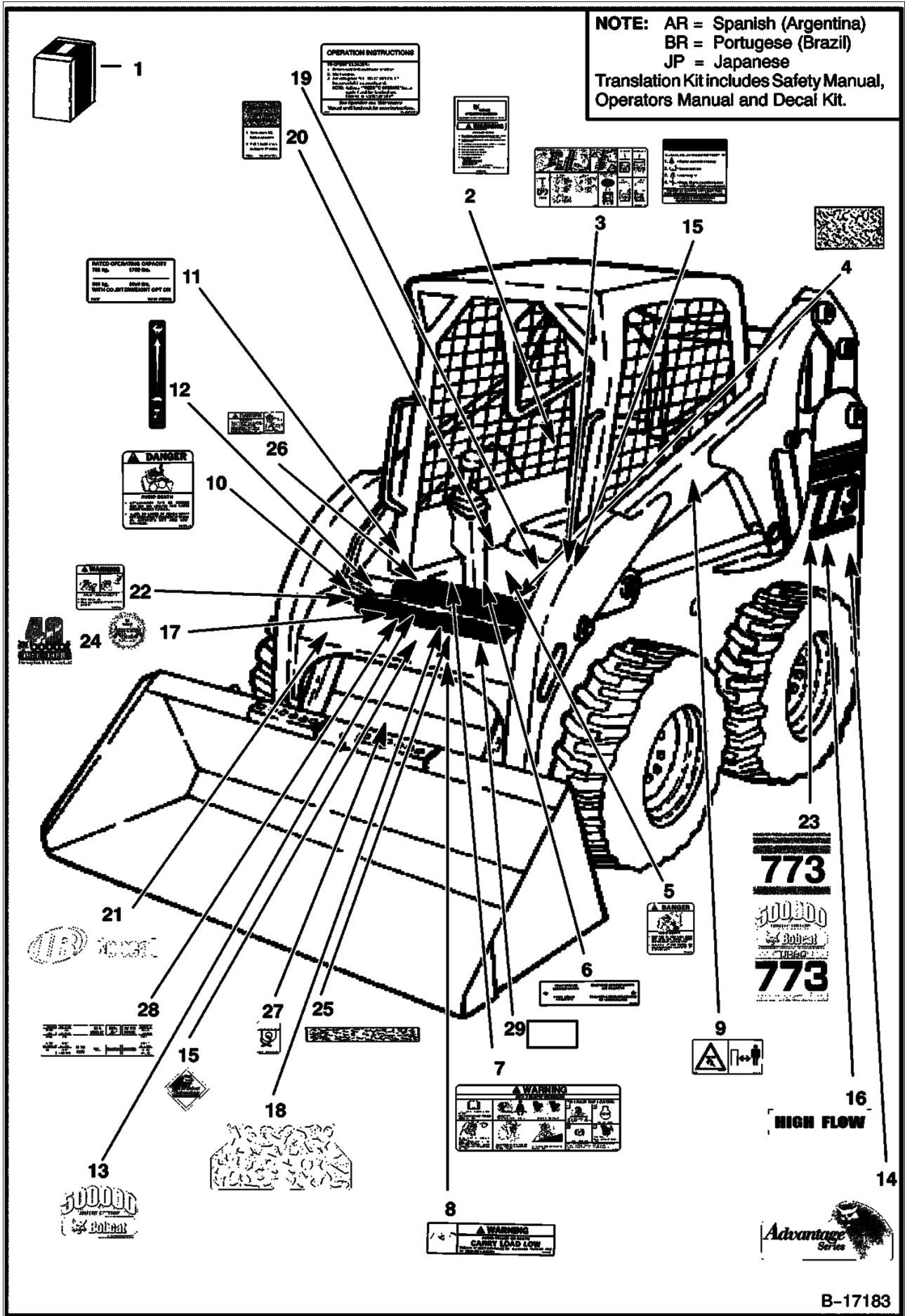
COUNTERWEIGHT KIT (1850 lb) (839 kg)



COUNTERWEIGHT KIT (Cont'd)
(1850 lb) (839 kg)

| Ref No | Part Number | Description | Remarks | Serial Number | Qty |
|--------|-------------|-----------------------|--|---------------|-----|
| 1 | 6714932 | KIT, COUNTERWEIGHT | counterweight | | 1 |
| 2 | 6714361 | WEIGHT | front axle - 38.7 lbs (17,6 kg) - 4.5" (114,3 mm) wide | | 4 |
| 3 | 17C640 | BOLT 5 | | | 4 |
| 4 | 61D6 | NUT 5 | | | 4 |
| 5 | 6725256 | COUNTERWEIGHT | Was 6714053 [A] | | 3 |
| 6 | 57D6 | NUT 5 | | | 3 |
| 7 | 1612281 | SPRINGNUT | spring - not in kit | | 3 |
| 8 | 37C632 | BOLT | | | 3 |
| 9 | 6725092 | DECAL | 1850 lb. - not in kit | | 1 |
| 10 | 6900410 | INSTRUCTIONS | | | 1 |

DECALS



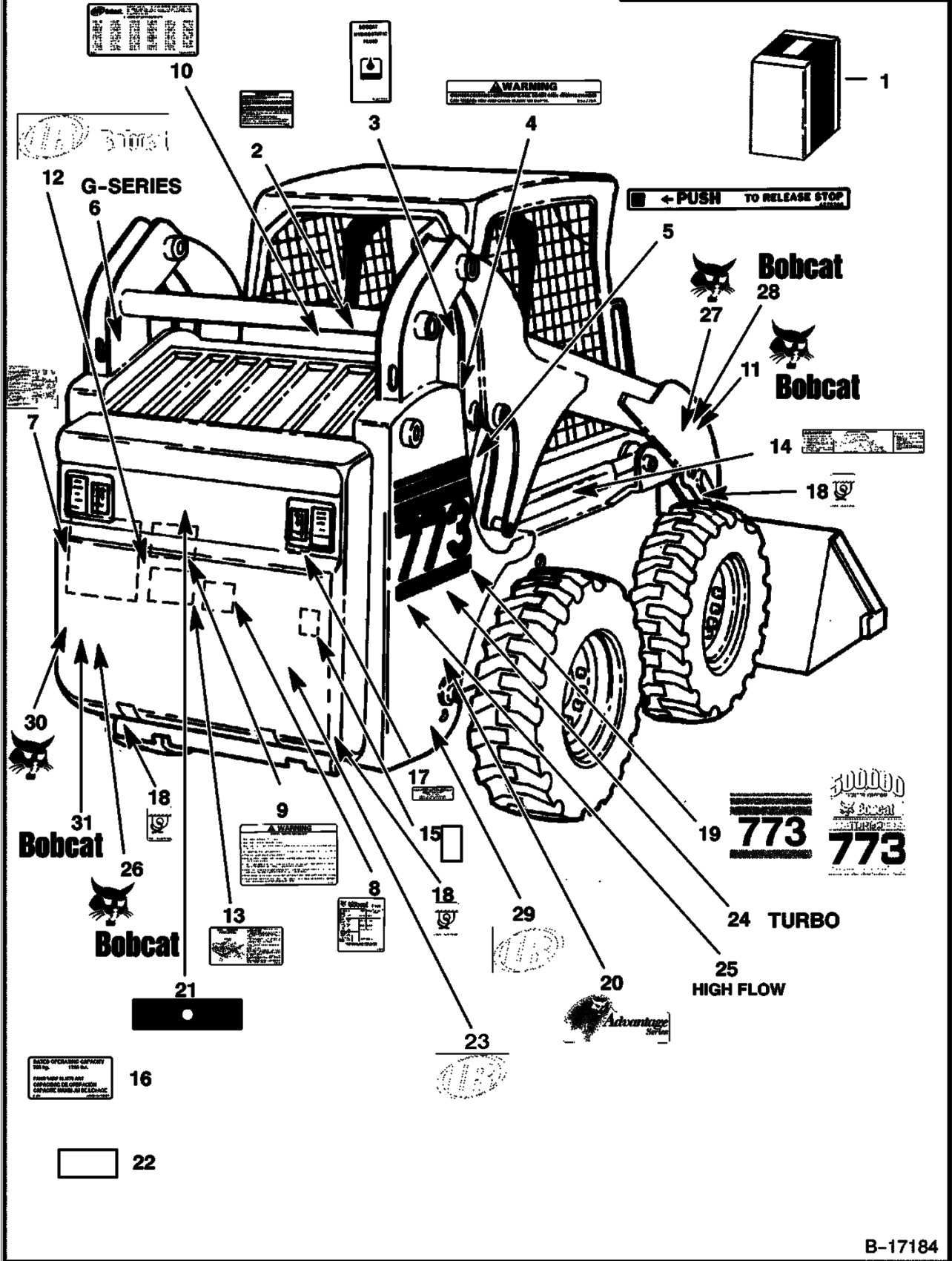
B-17183

DECALS (Cont'd)

| Ref No | Part Number | Description | Remarks | Serial Number | Qty |
|--------|-------------|-------------------------|---|------------------|-----|
| 1 | 6901068 | KIT | decal - Was 6719796 [D] | | 1 |
| 1 | 6719796AR | KIT | decal - SEE NOTE | | 1 |
| 1 | 6719796BR | KIT | decal - SEE NOTE | | 1 |
| 1 | 6719796JP | KIT | decal - SEE NOTE | | 1 |
| 1 | 6719795AR | KIT | translation - SEE NOTE | | 1 |
| 1 | 6719795BR | KIT | translation - SEE NOTE | | 1 |
| 2 | 6718719 | HANDBOOK, OPERATOR'S | W/wire rope - not in kit - Was 6737783 [A] | | 1 |
| 2 | 6558309 | WIRE ROPE | bulk - sold per foot - Also Order (2) of 6558310 sleeve | | x |
| 2 | 6558310 | SLEEVE | wire rope | | 2 |
| 2 | 17C512 | BOLT 5 | | | 1 |
| 2 | 61D5 | NUT | | | 1 |
| 2 | 84G3112 | BOLT 5 | | | 1 |
| 3 | 6728327 | DECAL | operating - foot pedal - Was 6718701 [A] | | 1 |
| 3 | 6727926 | DECAL | operating - ACS | | 1 |
| 4 | 6554100 | TREAD | 3" x 6" (76,2 mm x 152,4 mm) | | 4 |
| 5 | 6579639 | DECAL | danger | | 1 |
| 6 | 6561383 | DECAL | Bob-tach | | 1 |
| 7 | 6728539 | DECAL | warning - Was 6718698 [A] | | 1 |
| 8 | 6579528 | DECAL | carry load low | | 1 |
| 9 | 6713507 | DECAL | stay clear - European -Not in Kit | | 2 |
| 10 | 6579509 | DECAL | danger | | 1 |
| 11 | 6725092 | DECAL | capacity - Was 6561376 [A] | | 1 |
| 11 | 6725374 | DECAL | capacity - limited edition - Not in Kit | 500K 11001 & Abv | 1 |
| 12 | 6735140 | DECAL | throttle - Was 6557565 [A] | | 1 |
| 13 | 6729647 | DECAL | limited edition - Not in Kit | 500K 11001 & Abv | 1 |
| 14 | 6718271 | DECAL | advantage series - L.H. - Not in Kit | | 1 |
| 15 | 6718275 | DECAL | Bobcat advantage | | 1 |
| 16 | 6727913 | DECAL | high flow - Not in Kit - Was 6714534 [A] | | 1 |
| 17 | 6705088 | DECAL | America's Best | | 1 |
| 18 | | SAFETY TREAD | NAP - 12" x 25.30" (304,8 mm x 642,6 mm) - Order 7108222 - Was 6712791 [A] | | 1 |
| 18 | 7108222 | SAFETY TREAD | 22.5" (571,5 mm) wide irregular shape | | 1 |
| 19 | 6727926 | DECAL | operations - Was 6718703 [A] | | 1 |
| 19 | 6717639 | DECAL | seat & seat bar operating - AHC - Not in Kit | | 1 |
| 19 | 6727926 | DECAL | ACS operations - not in kit - Was 6727941 [A] | | 1 |
| 20 | 6711840 | DECAL | lift lock | | 1 |
| 21 | 6727310 | DECAL | Ingersoll Rand - black letters - Was 6711329 [A] | | 1 |
| 22 | 6710358 | DECAL | warning | | 1 |
| 23 | 6714535 | DECAL | model no. | | 2 |
| 23 | 6729646 | DECAL | model - limited edition - Not in Kit | 500K 11001 & Abv | 1 |
| 23 | 6732532 | DECAL | no. decal on S175 | | 1 |
| 23 | 6732533 | DECAL | no. decal on S185 | | 1 |
| 24 | 6715912 | DECAL | 40th anniversary - Not in Kit | | 1 |
| 25 | 6710746 | SAFETY TREAD | 1.25" x 15"(31,8 mm x 381 mm) | | 2 |
| 26 | 6717343 | DECAL | danger | | 2 |
| 27 | 6727595 | DECAL | tie down - Was 6595014 [B] | | 1 |
| 28 | | DECAL | NAP - fuse/relay - Not in Kit - 2.10" x 9.40"(53,3 mm x 238,8 mm) - Order 6718774 Decal | | 1 |
| 28 | 6718774 | DECAL | fuse/relay - 2" x 7" (50,8 mm x 177,8 mm) | | 1 |
| 29 | 6731757 | DECAL | front aux. couple block - Not in kit | | 1 |

DECALS

NOTE: AR = Spanish (Argentina)
 BR = Portuguese (Brazil)
 JP = Japanese
 Translation Kit includes Safety Manual,
 Operators Manual and Decal Kit.



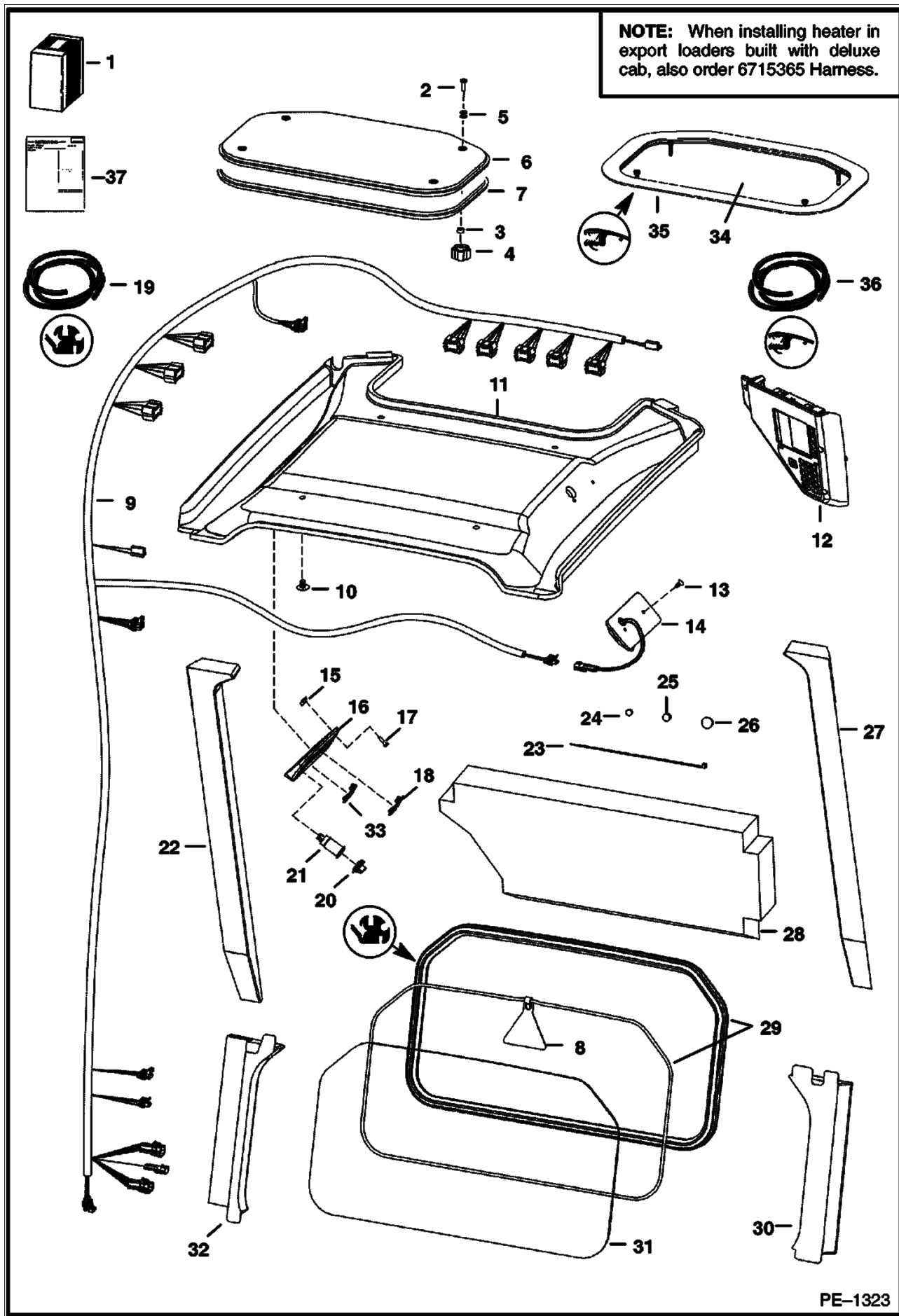
B-17184

DECALS (Cont'd)

| Ref No | Part Number | Description | Remarks | Serial Number | Qty |
|--------|-------------|---------------|---|------------------|-----|
| 1 | 6901068 | KIT | decal - Was 6719796 [D] | | 1 |
| 1 | 6719796AR | KIT | decal - SEE NOTE | | 1 |
| 1 | 6719796BR | KIT | decal - SEE NOTE | | 1 |
| 1 | 6719796JP | KIT | decal - SEE NOTE | | 1 |
| 1 | 6719795AR | KIT | translation - SEE NOTE | | 1 |
| 1 | 6719795BR | KIT | translation - SEE NOTE | | 1 |
| 2 | 6560573 | DECAL | spark arrestor | | 1 |
| 3 | 6565990 | DECAL | hydrostatic fluid fill | | 1 |
| 4 | 6577754 | DECAL | warning | | 2 |
| 5 | 6578368 | DECAL | push | | 1 |
| 6 | 6717907 | DECAL | "G" Series - Not in kit | | 1 |
| 7 | 6734534 | DECAL | service/warning/service parts - Was 6718398 [A] | | 1 |
| 8 | 6565200 | DECAL | filters - Was 6709781 [A] | | 1 |
| 9 | 6579511 | DECAL | warning - Not in Kit | | 1 |
| 10 | 6557224 | DECAL | patent | | 1 |
| 11 | 6730909 | DECAL | R.H. - Was 6727755 [A] | | 1 |
| 11 | 6730910 | DECAL | L.H. | | 1 |
| 12 | 6727311 | DECAL | IR Logo - Was 6714139 [A] | | 1 |
| 13 | 6709030 | DECAL | belt tension - spring loaded idler | | 1 |
| 14 | 6719018 | DECAL | boom stop | | 1 |
| 15 | 6719574 | DECAL | coolant level | | 1 |
| 16 | | DECAL | NAP - load - Not in Kit - Was 6718200 [A] | | 1 |
| 16 | | DECAL | NAP - load - Not in Kit - Was 6717343 [B,D] | 500K 11001 & Abv | 1 |
| 17 | 6708929 | DECAL | propylene glycol antifreeze | | 1 |
| 18 | 6727595 | DECAL | tie down - Was 6595014 [A] | | 4 |
| 19 | 6714535 | DECAL | model | | 1 |
| 19 | 6729646 | DECAL | model - limited edition - Not in Kit | 500K 11001 & Abv | 1 |
| 20 | 6718272 | DECAL | advantage series - R.H. - Not in Kit | | 1 |
| 21 | 6714242 | DECAL | black - rear door | | 1 |
| 22 | 6725374 | DECAL | load 1850 - Not in Kit - Was 6719017 [B] | | 1 |
| 23 | 6732423 | DECAL | IR White | | 1 |
| 24 | 6727912 | DECAL | turbo - Not in Kit - Was 6714526 [A] | | 2 |
| 25 | 6727913 | DECAL | hi-flow - Not in Kit - Was 6714534 [A] | | 1 |
| 26 | 6735901 | DECAL, BOBCAT | W/Bobcat head - white | | 1 |
| 27 | 6731507 | DECAL | R.H. Bobcat head - black | | 1 |
| 27 | 6731508 | DECAL | L.H. Bobcat head - black | | 1 |
| 28 | 6731509 | DECAL | Bobcat - black | | 2 |
| 29 | 6735864 | DECAL | I.R. - black | | 2 |
| 30 | | DECAL | NAP - Bobcat head - white - Order Ref. 26 - Was 6732420 [A] | | 1 |
| 31 | | DECAL | NAP - Bobcat - white - Order Ref. 26 - Was 6732419 [A] | | 1 |

DELUXE CAB

NOTE: When installing heater in export loaders built with deluxe cab, also order 6715365 Harness.



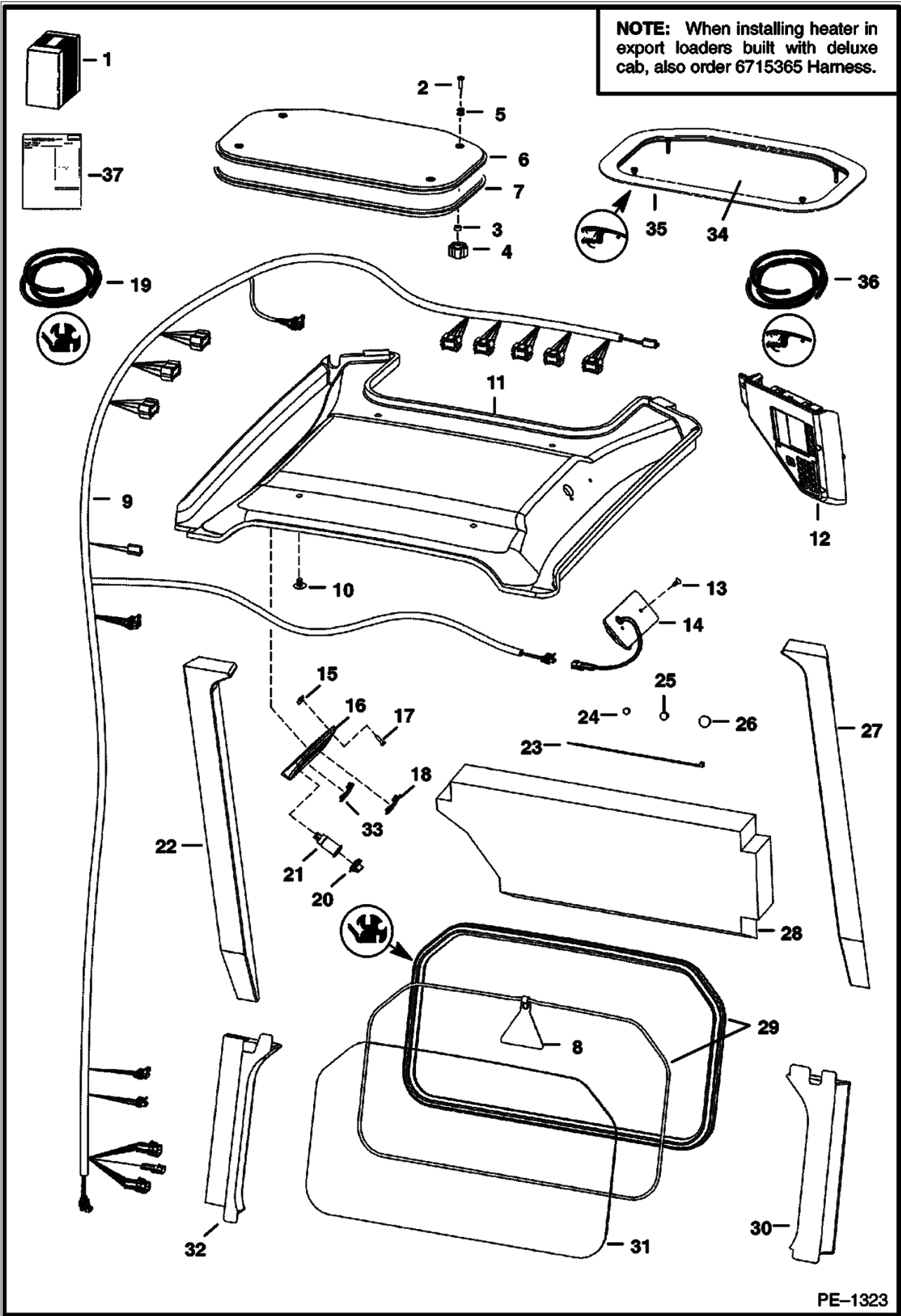
PE-1323

DELUXE CAB (Cont'd)

| Ref No | Part Number | Description | Remarks | Serial Number | Qty |
|--------|-------------|--------------|---|-------------------|-----|
| 1 | 6718804 | KIT | deluxe cab - SEE NOTE | 517617999 & Below | 1 |
| 1 | 6718804 | KIT | deluxe cab - SEE NOTE | 518011999 & Below | 1 |
| 1 | 6718804 | KIT | deluxe cab - SEE NOTE | 518111999 & Below | 1 |
| 1 | 6718804 | KIT | deluxe cab - SEE NOTE | 519015999 & Below | 1 |
| 1 | 6718804 | KIT | deluxe cab - SEE NOTE | 519211999 & Below | 1 |
| 1 | 6729233 | KIT | deluxe cab - SEE NOTE | 517618000 & Above | 1 |
| 1 | 6729233 | KIT | deluxe cab - SEE NOTE | 500K11001 & Above | 1 |
| 1 | 6729233 | KIT | deluxe cab - SEE NOTE | 519016000 & Above | 1 |
| 1 | 6729233 | KIT | deluxe cab - SEE NOTE | 519212000 & Above | 1 |
| 1 | 6729233 | KIT | deluxe cab - SEE NOTE | 518112000 & Above | 1 |
| 1 | 6729233 | KIT | deluxe cab - SEE NOTE | 518012000 & Above | 1 |
| 2 | 91G416 | SCREW | Use W/Ref. 4 (NAP/ 6674741 knob) - Was 88G1216 [B] | | 4 |
| 2 | 91G420 | SCREW | Use W/ 6681614 knob | | 4 |
| 3 | 6664085 | BUSHING | nylon | | 4 |
| 4 | | KNOB | NAP - 5/8" deep thread - Was 6674741 [A] | | 4 |
| 4 | 6681614 | KNOB | 11/16" deep thread | | 4 |
| 5 | 6675545 | GROMMET | | | 4 |
| 6 | 7105034 | WINDOW TOP | Was 7105035 [A] | | 1 |
| 7 | 7165265 | SEAL, WINDOW | | | x |
| 8 | 6731478 | EXIT TAG | Was 6559515 [A] | | 1 |
| 9 | | HARNESS | NAP - Order 6725273 Harness & 6725275 Harness - Was 6715366 [A] | | 1 |
| 9 | 6725273 | HARNESS | Part of Ref. 1 (6718804 Kit) | 517617999 & Below | 1 |
| 9 | 6725273 | HARNESS | Part of Ref. 1 (6718804 Kit) | 518111999 & Below | 1 |
| 9 | 6725273 | HARNESS | Part of Ref. 1 (6718804 Kit) | 519211999 & Below | 1 |
| 9 | 6725273 | HARNESS | Part of Ref. 1 (6718804 Kit) | 519015999 & Below | 1 |
| 9 | 6725273 | HARNESS | Part of Ref. 1 (6718804 Kit) | 518011999 & Below | 1 |
| 9 | 6727190 | HARNESS | Part of Ref. 1 (6729233 Kit) | 500K11001 & Above | 1 |
| 9 | 6727190 | HARNESS | Part of Ref. 1 (6729233 Kit) | 517618000 & Above | 1 |
| 9 | 6727190 | HARNESS | Part of Ref. 1 (6729233 Kit) | 518012000 & Above | 1 |
| 9 | 6727190 | HARNESS | Part of Ref. 1 (6729233 Kit) | 518112000 & Above | 1 |
| 9 | 6727190 | HARNESS | Part of Ref. 1 (6729233 Kit) | 519212000 & Above | 1 |
| 9 | 6727190 | HARNESS | Part of Ref. 1 (6729233 Kit) | 519016000 & Above | 1 |
| 9 | 6715365 | HARNESS | accessories - Export - SEE NOTE - Not in Kits | | 1 |

DELUXE CAB (Cont'd)

NOTE: When installing heater in export loaders built with deluxe cab, also order 6715365 Harness.

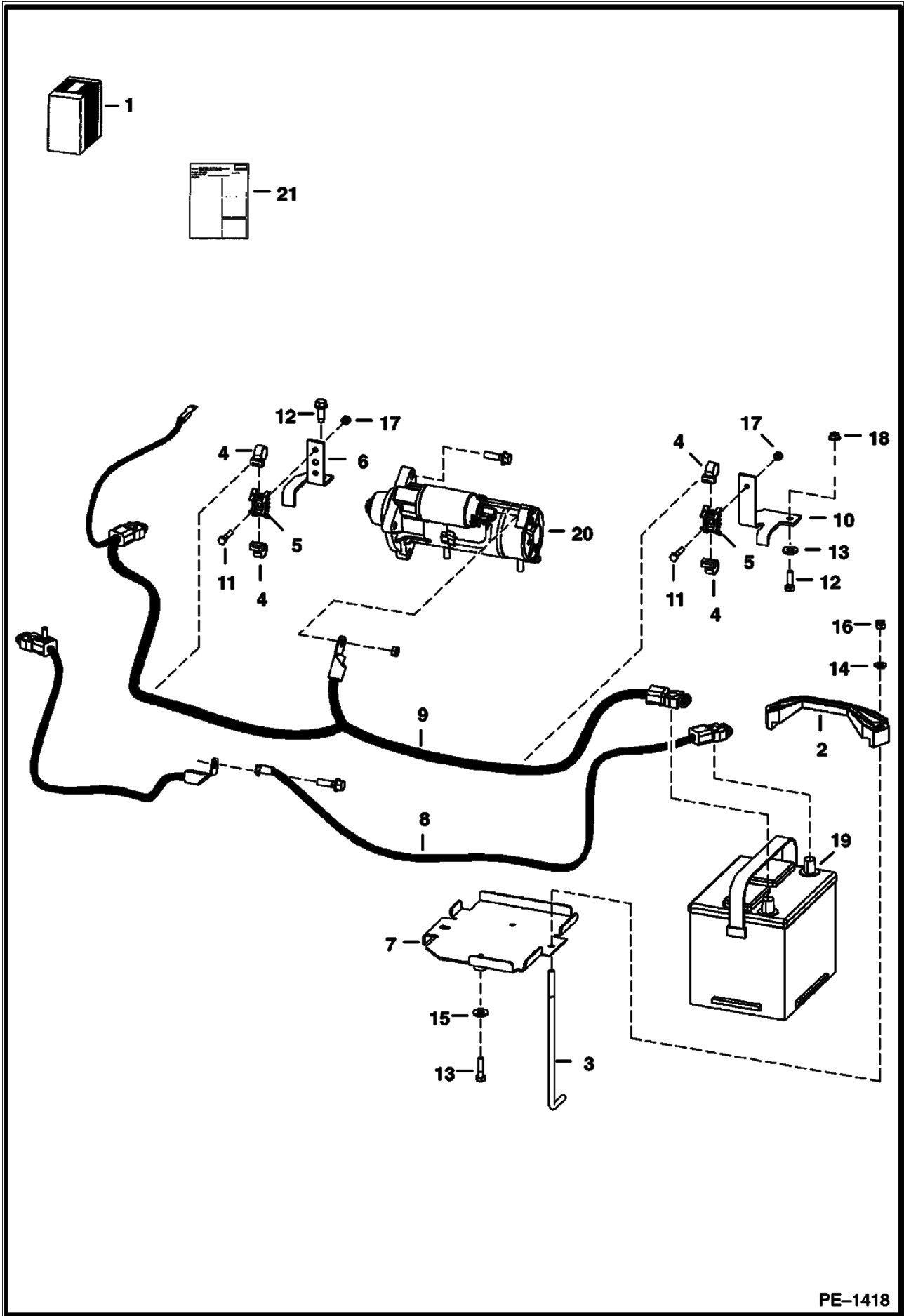


PE-1323

DELUXE CAB (Cont'd)

| Ref No | Part Number | Description | Remarks | Serial Number | Qty |
|--------|-------------|----------------------|---|---------------|-----|
| 10 | 6674895 | RETAINER | snap in | | 4 |
| 11 | | INSULATION | headliner - Use W/Ref. 30 (6717518 insulation) & Ref. 32 (6717517 insulation) - Order 7148195 insulation, Ref. 30 (7149198 insulation) & Ref. 32 (7149197 insulation) - Was 6737704 [A] | | 1 |
| 11 | 7148195 | INSULATION HEADLINER | headliner - Use W/Ref. 30 (7148198 insulation) & Ref. 32 (7148197 insulation) | | 1 |
| 12 | 6688403 | PANEL | deluxe - RH - keyless - not in kit - Was 6686510 [A] | | 1 |
| 12 | | INSTRUCTIONS | NAP - See Loader Was 6900860 [A] | | 1 |
| 13 | 6664221 | RETAINER | snap in | | 2 |
| 14 | 6680326 | LIGHT | dome - Was 6664368 [A] | | 1 |
| 14 | 6665367 | BULB | | | 1 |
| 15 | 6669091 | CLIP | | | 4 |
| 16 | 6718580 | PANEL | | | 1 |
| 17 | 6669224 | BOLT | | | 4 |
| 18 | 6665314 | PLUG | switch - Was 6719038 [A] | | 5 |
| 19 | 6675387 | EXTRUSION | bulk - Sold Per Foot - Was 6674524 [A] | | x |
| 19 | 6554149 | CORD | bulk - sold per foot | | x |
| 20 | 6664224 | CAP | | | 1 |
| 21 | 6664223 | OUTLET | | | 1 |
| 22 | 7148199 | INSULATION | Was 6717519 [A] | | 1 |
| 23 | 6610510 | TIE | | | 6 |
| 24 | 5289686 | PLUG | black - plugs a .375" hole | | 1 |
| 25 | 6649949 | PLUG | plugs a .50" hole | | 2 |
| 26 | 6657719 | PLUG | for .75" (19,1 mm) dia hole | | 1 |
| 27 | 7148200 | INSULATION | Was 6717520 [A] | | 1 |
| 28 | 6727299 | INSULATION | cab back | | 1 |
| 29 | | EXTRUSION | NAP - 75.75"(1924 mm) long - Order Ref. 19 | | x |
| 29 | | CORD | NAP - 75.75"(1924 mm) long - Order Ref. 19 - Also Order Ref. 8 (6731478 exit tag) | | x |
| 30 | 6717518 | INSULATION | Use W/Ref. 11 (NAP/ 6737704 insulation) | | 1 |
| 30 | 7148198 | INSULATION | Use W/Ref. 11 (7148195 insulation) | | 1 |
| 31 | 6717874 | WINDOW | rear | | 1 |
| 32 | 6717517 | INSULATION | Use W/Ref. 11 (NAP/ 6737704 insulation) | | 1 |
| 32 | 7148197 | INSULATION | Use W/Ref. 11 (7148195 insulation) | | 1 |
| 33 | 6668742 | SWITCH | travel control - Export | | 1 |
| 34 | | WINDOW | NAP - Order Ref. 6 - Was 6725360 [A] | | 1 |
| 35 | | SEAL | NAP - Order Ref. 7 | | x |
| 36 | | SEAL | NAP - bulk - Sold Per Foot - Order Ref. 6 - Was 6675546 [A] | | x |
| 37 | 6900851 | INSTRUCTIONS | | | 1 |

DUAL BATTERY KIT
(W/ Starter) (S/N 500K12372 & Below, 519021916 & Below, 519212417 & Below)

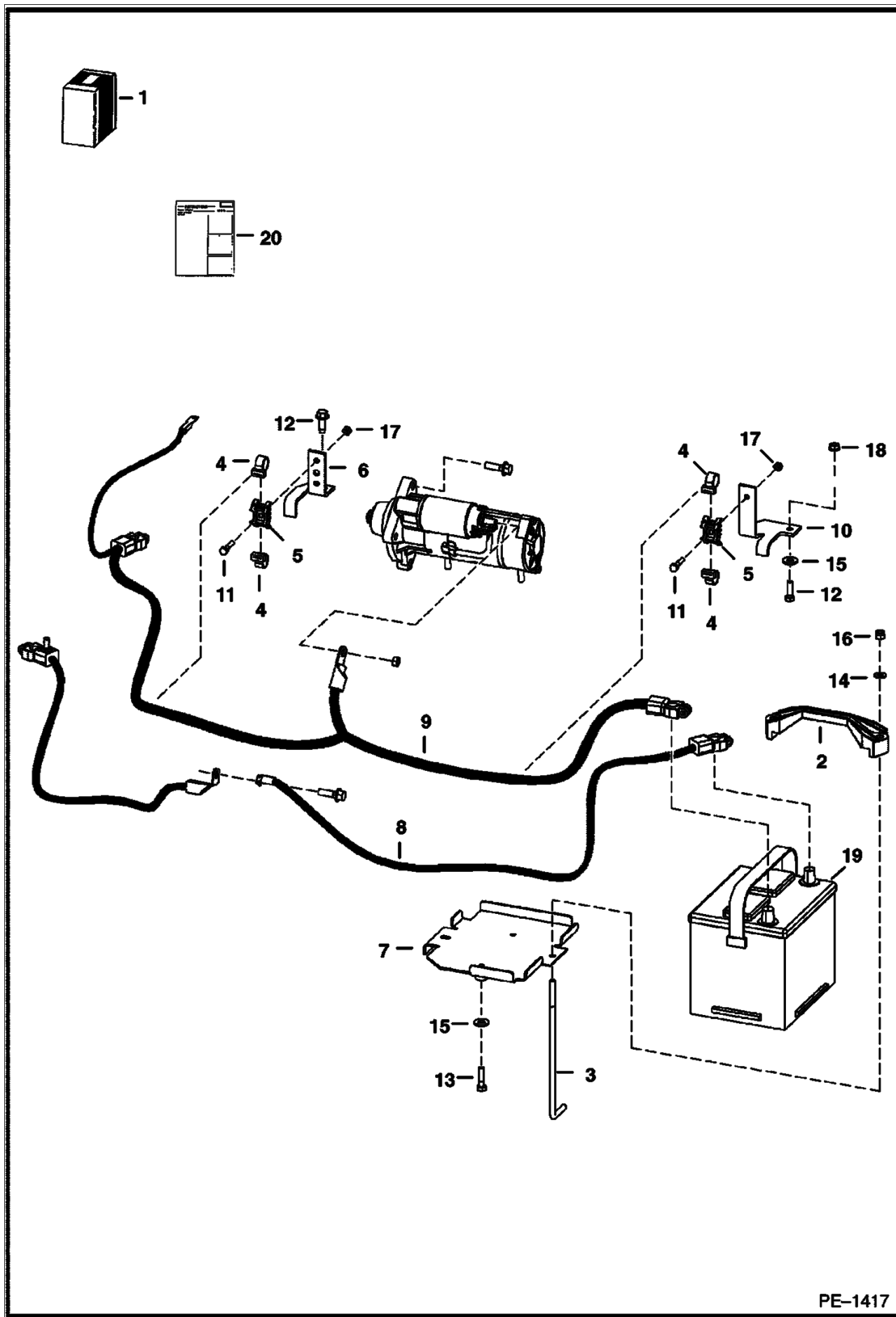


PE-1418

DUAL BATTERY KIT (Cont'd)
(W/ Starter) (S/N 500K12372 & Below, 519021916 & Below, 519212417 & Below)

| Ref No | Part Number | Description | Remarks | Serial Number | Qty |
|--------|-------------|-------------------------|---|---------------|-----|
| 1 | 6731695 | KIT | See Illustration DUAL BATTERY KIT/ PE1417 See Illustration OIL COOLER/ PE1455R DUAL BATTERY - REF. 2-18, 20 & 21 - IF LOADER IS EQUIPPED W/VALEO STARTER ORDER 6731694 DUAL BATTERY KIT & 6731956 OIL COOLER KIT - Also order 6670251 battery | | 1 |
| 2 | 6569203 | CLAMP | | | 1 |
| 3 | 6576280 | BOLT | | | 2 |
| 4 | 6678669 | STRAP | | | 4 |
| 5 | 6678974 | MOUNT | | | 2 |
| 6 | 6715131 | BRACKET | Was 6727508 [A] | | 1 |
| 7 | 6731617 | PAN | battery | | 1 |
| 8 | 6731665 | CABLE | negative | | 1 |
| 9 | 6731666 | CABLE | positive | | 1 |
| 10 | 6731746 | BRACKET | | | 1 |
| 11 | 17C420 | CAPSCREW | | | 2 |
| 12 | 17C516 | BOLT | | | 1 |
| 13 | 17C520 | BOLT 5 | | | 2 |
| 14 | 25E15 | WASHER | | | 2 |
| 15 | 25E16 | WSHR | | | 3 |
| 16 | 59D5 | NUT 5 | | | 2 |
| 17 | 61D4 | NUT 5 | | | 2 |
| 18 | 97D5 | NUT | | | 1 |
| 19 | 6670251 | BATTERY, DRY 530 AMP | not in kit | | 1 |
| 20 | 6685190 | STARTER | Was 6676957 [A] | | 1 |
| 21 | 6901603 | INSTRUCTIONS | | | 1 |

DUAL BATTERY KIT
 (W/O Starter) (S/N 500K12373 & Above, 519021917 & Above, 519212418 & Above)

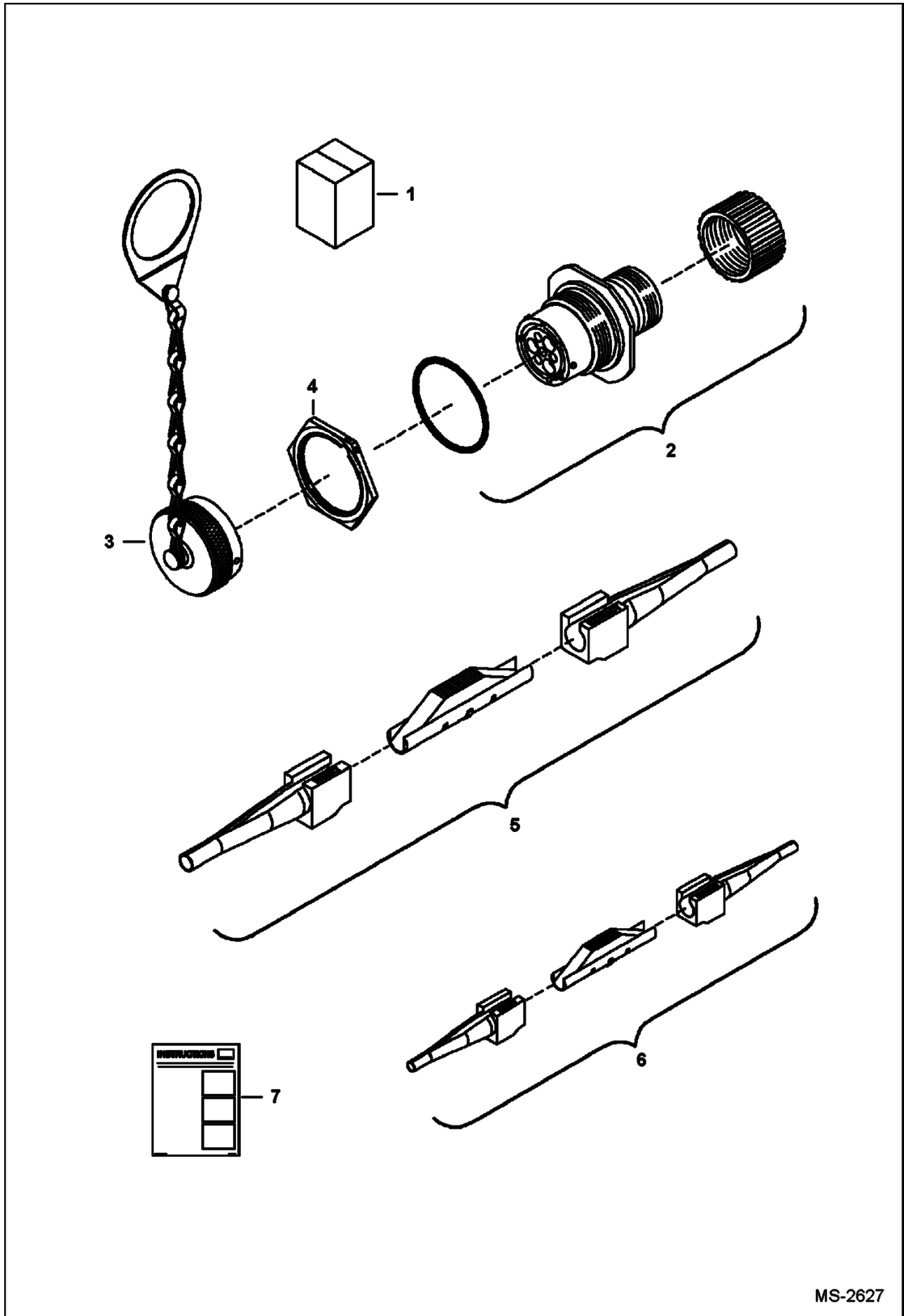


PE-1417

DUAL BATTERY KIT (Cont'd)
(W/O Starter) (S/N 500K12373 & Above, 519021917 & Above, 519212418 & Above)

| Ref No | Part Number | Description | Remarks | Serial Number | Qty |
|--------|-------------|-------------------------|--|---------------|-----|
| 1 | 6731694 | KIT | See Illustration OIL COOLER/ PE1455R See Illustration OIL COOLER/ B17147 DUAL BATTERY - REF. 2-18 & 20 - FOR S/N 500K 12737-12421, 5190 21917-22517 & 5192 12418-12422 LOADERS, ALSO ORDER 6731956 OIL COOLER KIT SOME LATER S/N LOADERS MAY ALSO REQUIRE 6731956 OIL COOLER KIT DEPENDING ON THE OIL COOLER DESIGN - REF. TO IDENTIFY CORRECT OIL COOLER DESIGN | | 1 |
| 2 | 6569203 | CLAMP | | | 1 |
| 3 | 6576280 | BOLT | | | 2 |
| 4 | 6678669 | STRAP | | | 4 |
| 5 | 6678974 | MOUNT | | | 2 |
| 6 | 6715131 | BRACKET | Was 6727508 [A] | | 1 |
| 7 | 6731617 | PAN | battery | | 1 |
| 8 | 6731665 | CABLE | negative | | 1 |
| 9 | 6731666 | CABLE | positive | | 1 |
| 10 | 6731746 | BRACKET | | | 1 |
| 11 | 17C420 | CAPSCREW | | | 2 |
| 12 | 17C516 | BOLT | | | 1 |
| 13 | 17C520 | BOLT 5 | | | 2 |
| 14 | 25E15 | WASHER | | | 2 |
| 15 | 25E16 | WSHR | | | 3 |
| 16 | 59D5 | NUT 5 | | | 2 |
| 17 | 61D4 | NUT 5 | | | 2 |
| 18 | 97D5 | NUT | | | 1 |
| 19 | 6670251 | BATTERY, DRY 530 AMP | not in kit | | 1 |
| 20 | 6901602 | INSTRUCTIONS | | | 1 |

ELECTRICAL CONNECTOR KIT (7-Pin)

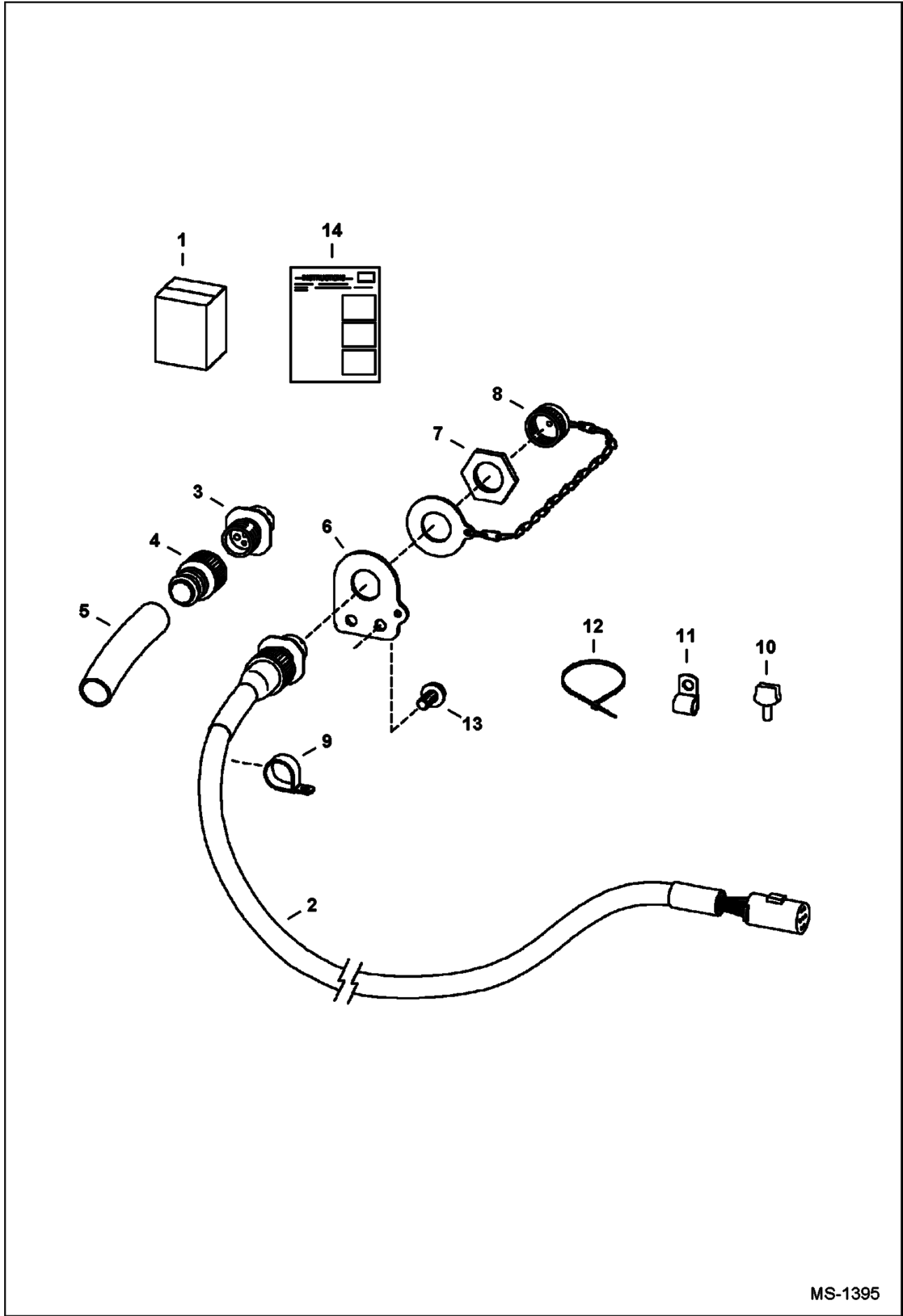


MS-2627

**ELECTRICAL CONNECTOR KIT (Cont'd)
(7-Pin)**

| Ref No | Part Number | Description | Remarks | Serial Number | Qty |
|--------|-------------|---------------------------------|--------------------------------|---------------|-----|
| 1 | 6727176 | KIT | W/Ref. 2-4 & 7 | | 1 |
| 2 | 6674802 | CONNECTOR | 7-pin does not include sockets | | 1 |
| 2 | 6669549 | SOCKET | small | | 4 |
| 2 | 6677136 | SOCKET | large - 12 ga | | 3 |
| 3 | 6675026 | CAP | | | 1 |
| 4 | 6688338 | NUT | | | 1 |
| 5 | 7000461 | TOOL, DISCONNECT TERMINAL | yellow/white | | 1 |
| 6 | 7000460 | TOOL, DISCONNECT TERMINAL | blue/white | | 1 |
| 7 | 6901076 | INSTRUCTIONS | | | 1 |

ELECTRICAL CONTROLS KIT (7 Pin Attachments)

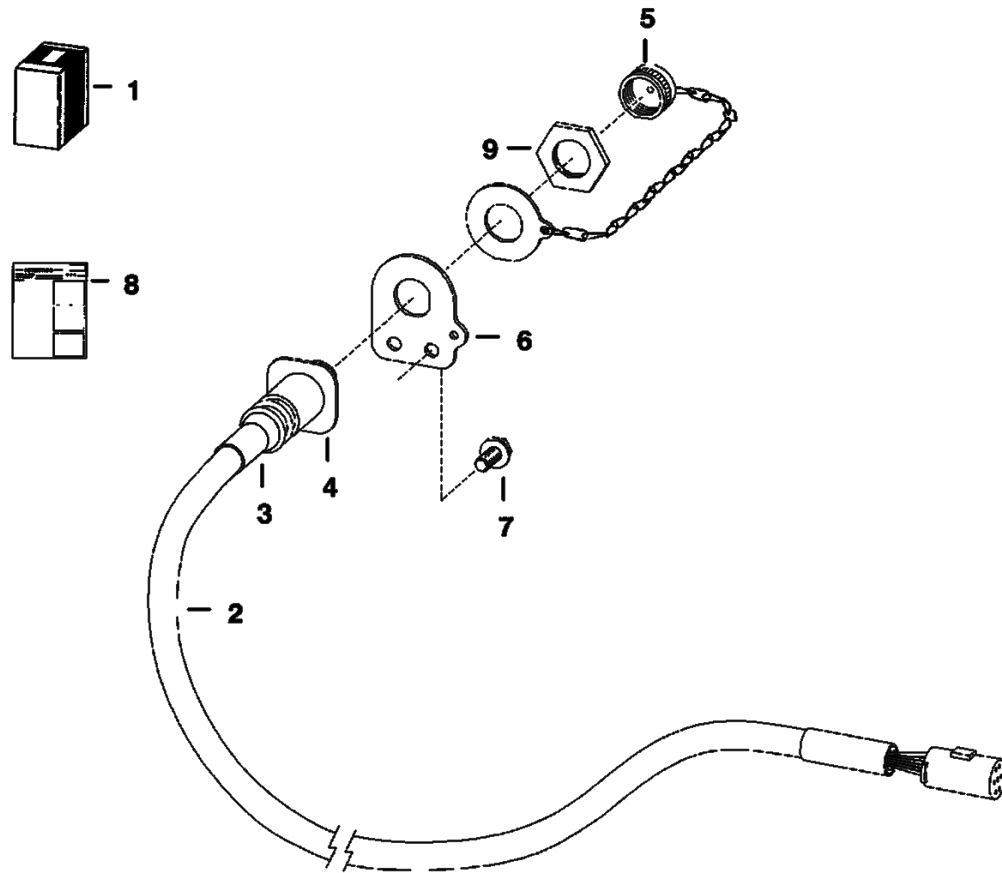


MS-1395

**ELECTRICAL CONTROLS KIT (Cont'd)
(7 Pin Attachments)**

| Ref No | Part Number | Description | Remarks | Serial Number | Qty |
|--------|-------------|------------------|--|---------------|-----|
| 1 | 6733142 | KIT | Ref. 2-14 | | 1 |
| 2 | 6718426 | HARNESS, BOOM | W/Ref. 3-8 | | 1 |
| 3 | 6674802 | CONNECTOR | See Illustration ELECTRICAL CONNECTOR KIT/ MS2627 - 7-pin - W/Ref. 7 does not include sockets | | 1 |
| 3 | 6669549 | SOCKET | small | | 4 |
| 3 | 6677136 | SOCKET | large - 12 ga | | 3 |
| 4 | 6674799 | ADAPTER | heat shrink | | 1 |
| 5 | | HEAT SHRINK | NSS - purchase locally | | 1 |
| 6 | 6718750 | MOUNT | | | 1 |
| 7 | 6688338 | NUT | jam | | 1 |
| 8 | 6675026 | CAP | | | 1 |
| 9 | 30H35 | CLAMP 10 | | | 1 |
| 10 | 6675281 | MOUNT | | | 1 |
| 11 | 30H27 | CLAMP | | | 6 |
| 12 | 6624289 | STRAP 10 | | | 7 |
| 13 | 84G3112 | BOLT 5 | | | 8 |
| 14 | 6901871 | INSTRUCTIONS | | | 1 |

ELECTRICAL CONTROLS KIT (7 Pin Attachments)



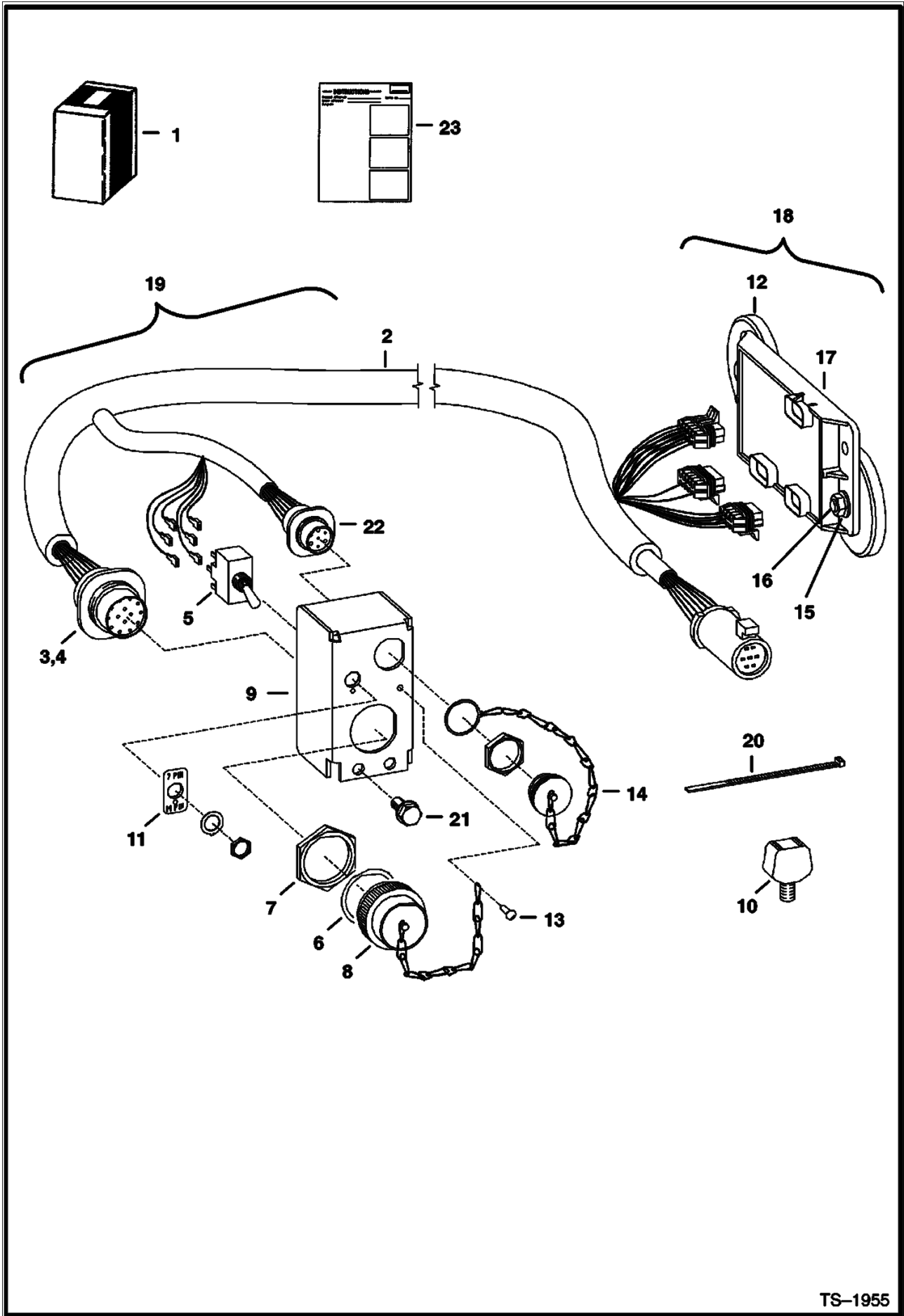
NOTE: This kit will be used for chipper and mixer attachments.

TS-1935

**ELECTRICAL CONTROLS KIT (Cont'd)
(7 Pin Attachments)**

| Ref No | Part Number | Description | Remarks | Serial Number | Qty |
|--------|-------------|---------------|---|---------------|-----|
| 1 | | KIT | NAP - Ref. 2 - 8 - Order 6733142 kit - Was 6718812 [A] | | 1 |
| 2 | 6718426 | HARNESS, BOOM | W/Ref. 3-6 & 9 | | 1 |
| 3 | 6674799 | ADAPTER | heat shrink | | 1 |
| 4 | 6674802 | CONNECTOR | See Illustration ELECTRICAL CONNECTOR KIT/ MS2627 - 7-pin - W/Ref. 7 does not include sockets | | 1 |
| 4 | 6669549 | SOCKET | small | | 4 |
| 4 | 6677136 | SOCKET | large - 12 ga | | 3 |
| 5 | 6675026 | CAP | | | 1 |
| 6 | 6718750 | MOUNT | | | 1 |
| 7 | 84G3112 | BOLT 5 | | | 2 |
| 8 | | INSTRUCTIONS | INSTRUCTIONS NAP - Order 6901871 Instruction - Was 6900855 [A] | | 1 |
| 9 | 6688338 | NUT | | | 1 |

**ELECTRICAL CONTROLS KIT
(To Run G-Series Attachments & Old Attachments)(W/ Toggle Switch)**

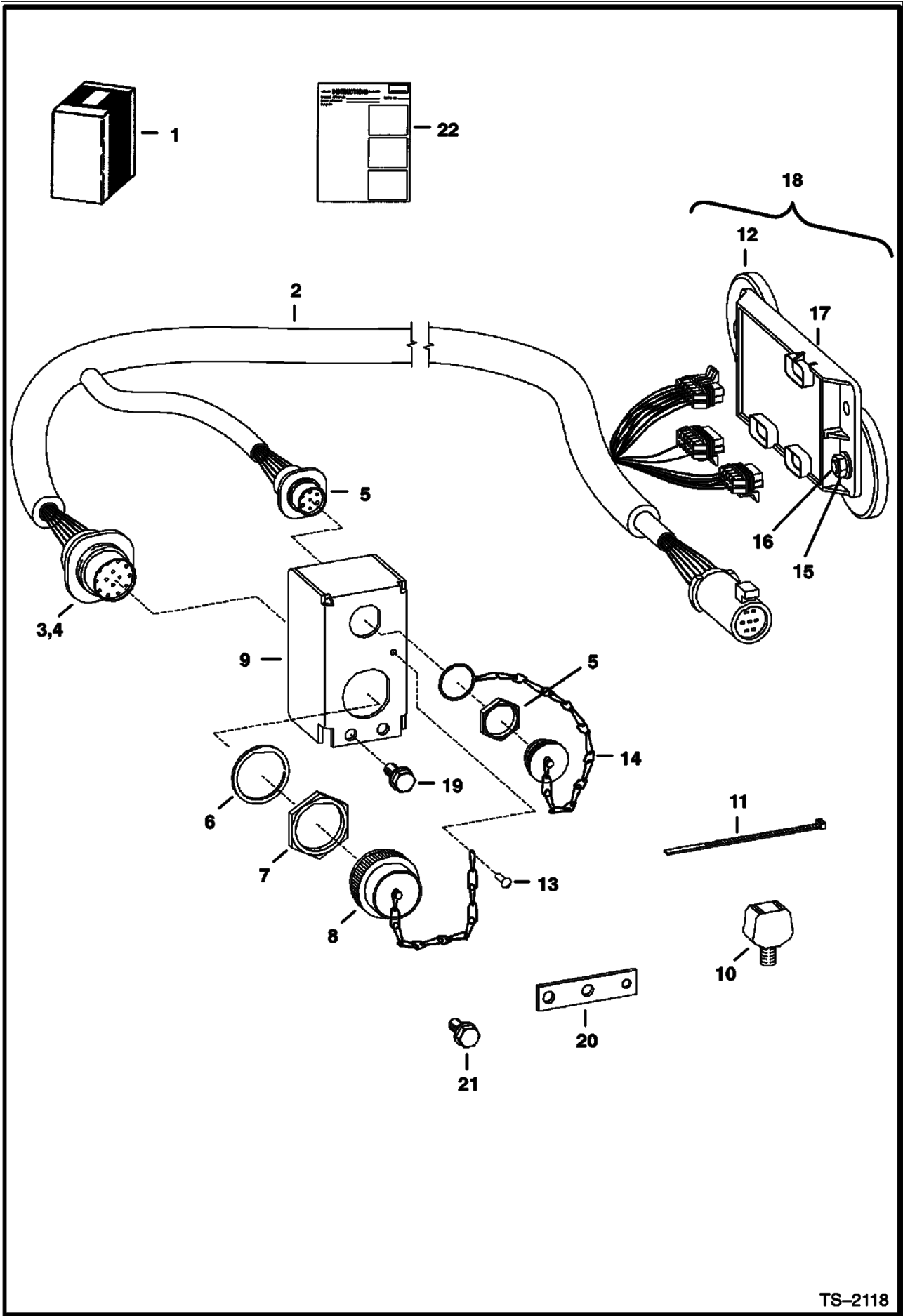


TS-1955

ELECTRICAL CONTROLS KIT (Cont'd)
(To Run G-Series Attachments & Old Attachments)(W/ Toggle Switch)

| Ref No | Part Number | Description | Remarks | Serial Number | Qty |
|--------|-------------|------------------------------|---|---------------|-----|
| 1 | | KIT | See Illustration ELECTRICAL CONTROLS KIT/ TS2118 NAP - ORDER 6727739 KIT - WAS 6719431 [A] | | 1 |
| 2 | 6719434 | HARNESS | W/Ref. 3, 4, 6 - 8 & 14 | | 1 |
| 3 | 6667569 | CONNECTOR, RECEPTICAL | Also Order (14) of Ref. 4 | | 1 |
| 4 | 6664040 | PIN | male | | x |
| 5 | 6675389 | SWITCH | | | 1 |
| 6 | 6664037 | WASHER | | | 2 |
| 7 | 6664036 | NUT | | | 2 |
| 8 | 6664035 | CAP | | | 1 |
| 9 | 6719442 | MOUNT | | | 1 |
| 10 | 6675281 | MOUNT | 773G only | | 1 |
| 11 | 6719441 | DECAL | | | 1 |
| 12 | 6719448 | MAGNET, CONTROL ATTACH | 100 lbs (45,5 kg) force | | 4 |
| 13 | 6704892 | RIVET | Was 84G001908B [B] | | 1 |
| 14 | 6675026 | CAP | | | 2 |
| 15 | 83D6 | NUT 5 | | | 2 |
| 16 | 25G612 | SCREW | | | 2 |
| 17 | 6676514 | CONTROLLER | Was 6674943 [A] | | 1 |
| 18 | | CONTROLLER | NAP - assy - Ref. 12 & 15 - 17 - Order Ref. 17 & (2) ea. of Ref. 12, 15 & 16 - Was 6675495 [A] | | 1 |
| 19 | | CONTROL | NAP - Order 2, 5, 9, 11 & 13 - assy - Was 6725269 [A] | | 1 |
| 20 | 6624289 | STRAP 10 | Was 6610510 [B] | | 8 |
| 21 | 84G3112 | BOLT 5 | | | 2 |
| 22 | 6674802 | CONNECTOR | See Illustration ELECTRICAL CONNECTOR KIT/ MS2627 - 7-pin - W/Ref. 7 does not include sockets | | 1 |
| 22 | 6669549 | SOCKET | small | | 4 |
| 22 | 6677136 | SOCKET | large - 12 ga | | 3 |
| 23 | 6900921 | INSTRUCTIONS | | | 1 |

ELECTRICAL CONTROLS KIT
 (To Run G-Series Attachments & Old Attachments) (W/O Toggle Switch)

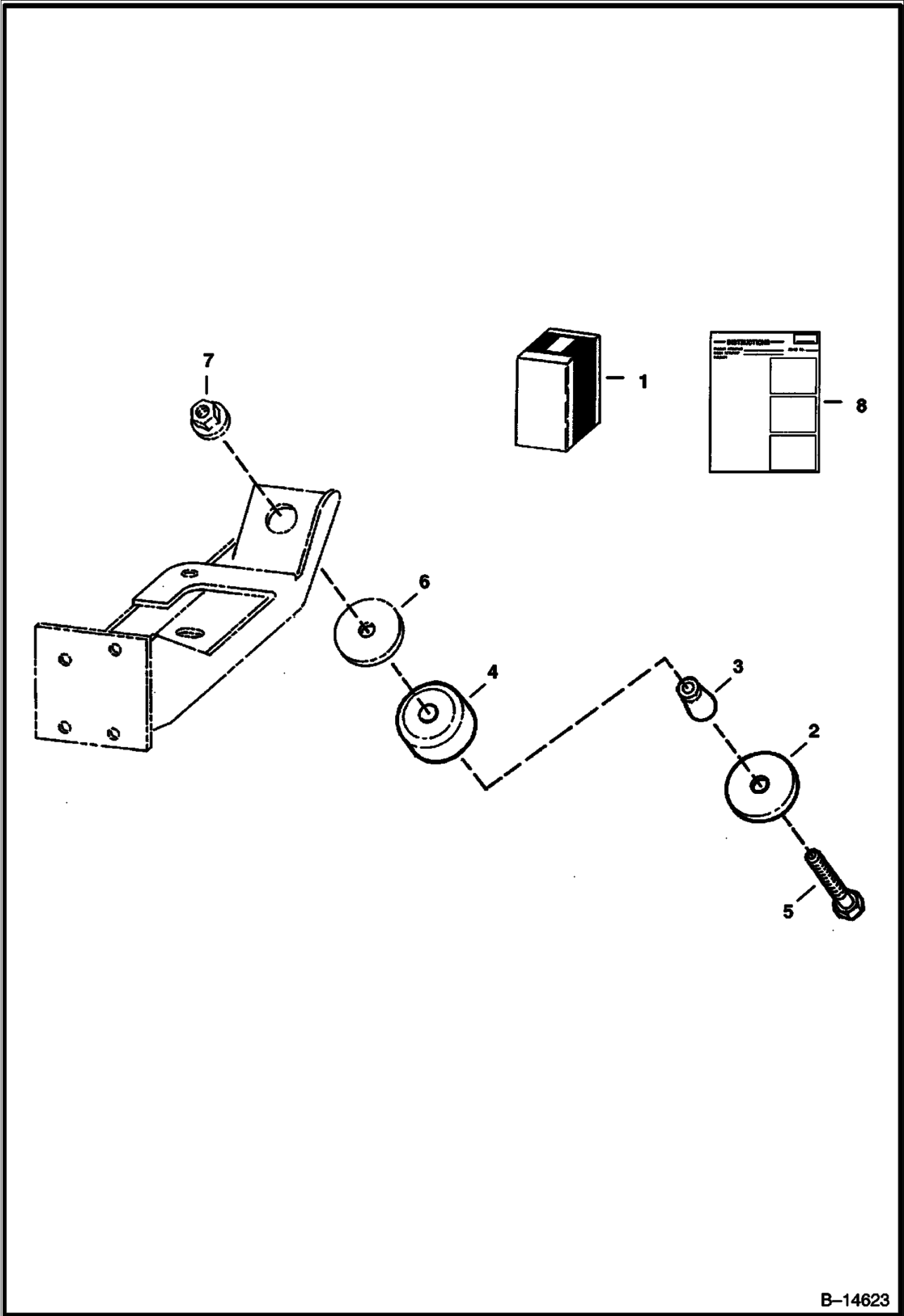


TS-2118

ELECTRICAL CONTROLS KIT (Cont'd)
(To Run G-Series Attachments & Old Attachments) (W/O Toggle Switch)

| Ref No | Part Number | Description | Remarks | Serial Number | Qty |
|--------|-------------|-----------------------------------|--|---------------|-----|
| 1 | 6727739 | KIT | | | 1 |
| 2 | 6729380 | HARNESS, CONTROL ATTACH DLX | W/Ref. 3-8 & 14 | | 1 |
| 3 | 6667569 | CONNECTOR, RECEPTICAL | Also Order (14) of Ref. 4 | | 1 |
| 4 | 6664040 | PIN | male | | x |
| 5 | 6674802 | CONNECTOR | See Illustration ELECTRICAL CONNECTOR KIT/ MS2627 - 7-pin - W/Ref. 7 does not include sockets | | 1 |
| 5 | 6669549 | SOCKET | small | | 4 |
| 5 | 6677136 | SOCKET | large - 12 ga | | 3 |
| 6 | 6664037 | WASHER | | | 2 |
| 7 | 6664036 | NUT | | | 2 |
| 8 | 6664035 | CAP | | | 1 |
| 9 | 6726945 | MOUNT | | | 1 |
| 10 | 6675281 | MOUNT | 773G only | | 1 |
| 11 | 6624289 | STRAP 10 | | | 8 |
| 12 | 6719448 | MAGNET, CONTROL ATTACH | 100 lbs (45,5 kg) force | | 4 |
| 13 | 6704892 | RIVET | | | 1 |
| 14 | 6675026 | CAP | | | 2 |
| 15 | 83D6 | NUT 5 | | | 2 |
| 16 | 25G612 | SCREW | | | 2 |
| 17 | 6678675 | CONTROLLER, ACD DLX | Was 6676514 [A] | | 1 |
| 18 | | CONTROLLER | NAP - assy - Ref. 12 & 15-17 - Order Ref. 17 & (2) each of Ref. 12, 15 & 16 - Was 6676515 [A] | | 1 |
| 19 | 84G3112 | BOLT 5 | | | 2 |
| 20 | 6730291 | BRACKET | 873G - 883 only | | 1 |
| 21 | 35C512 | BOLT | | | 2 |
| 22 | 6901116 | INSTRUCTIONS | | | 1 |

ENGINE MOUNT KIT (For Rough Application)

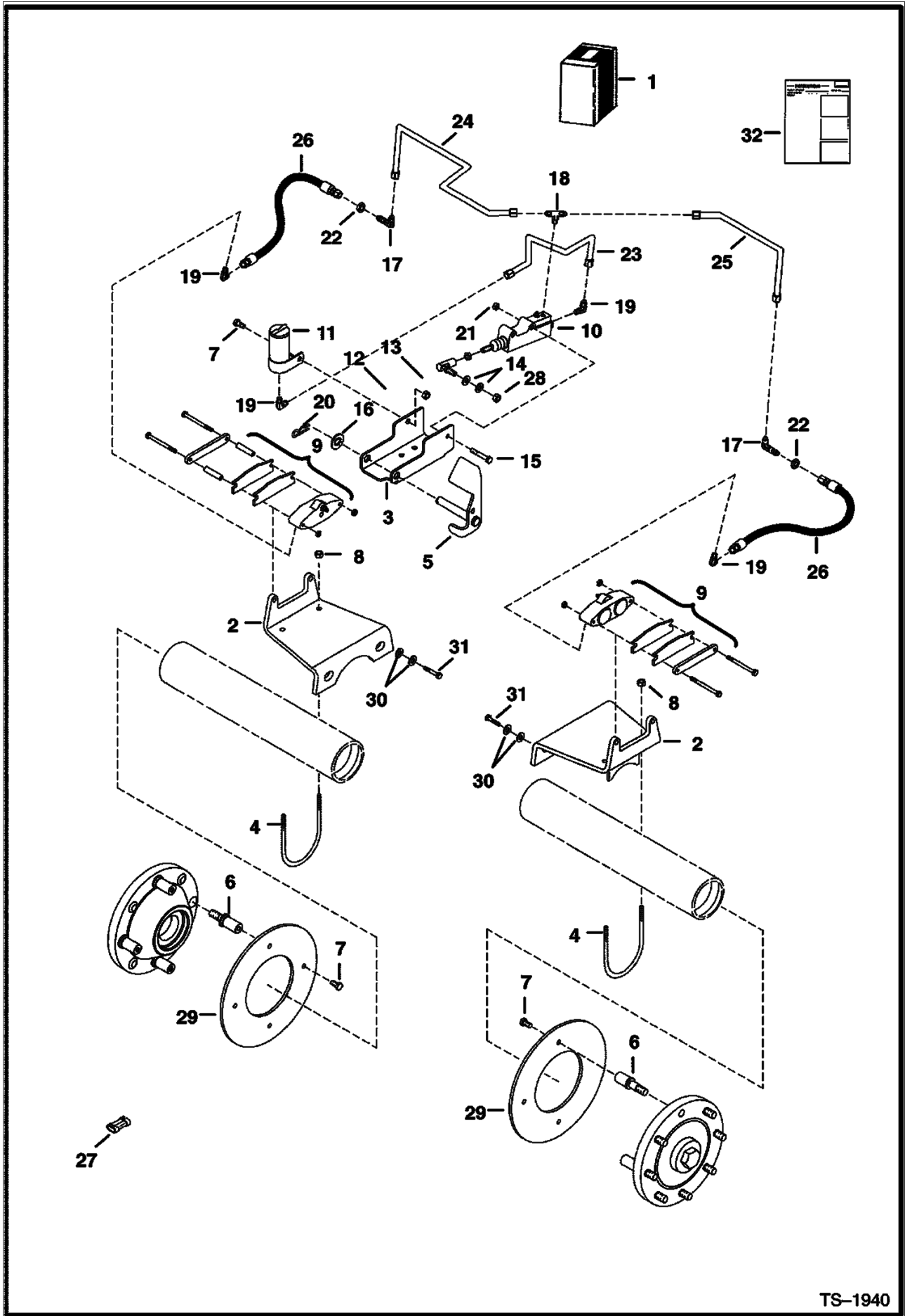


B-14623

ENGINE MOUNT KIT (Cont'd) (For Rough Application)

| Ref No | Part Number | Description | Remarks | Serial Number | Qty |
|--------|-------------|--------------------|---------------------------|---------------|-----|
| 1 | 6711632 | MOUNTING KIT | Ref. 2-8 | | 1 |
| 2 | 6661787 | WASHER | | | 4 |
| 3 | 7110276 | SPACER, TAPERED | tapered - Was 6715287 [A] | | 4 |
| 4 | 6668104 | MOUNT, ENG | | | 4 |
| 5 | 43C852 | BOLT | | | 4 |
| 6 | 6705106 | WASHER | | | 4 |
| 7 | 6652918 | NUT | | | 4 |
| 8 | 6724482 | INSTRUCTIONS | | | 1 |

EUROPEAN ACCESSORIES (Caliper Brake Kit)

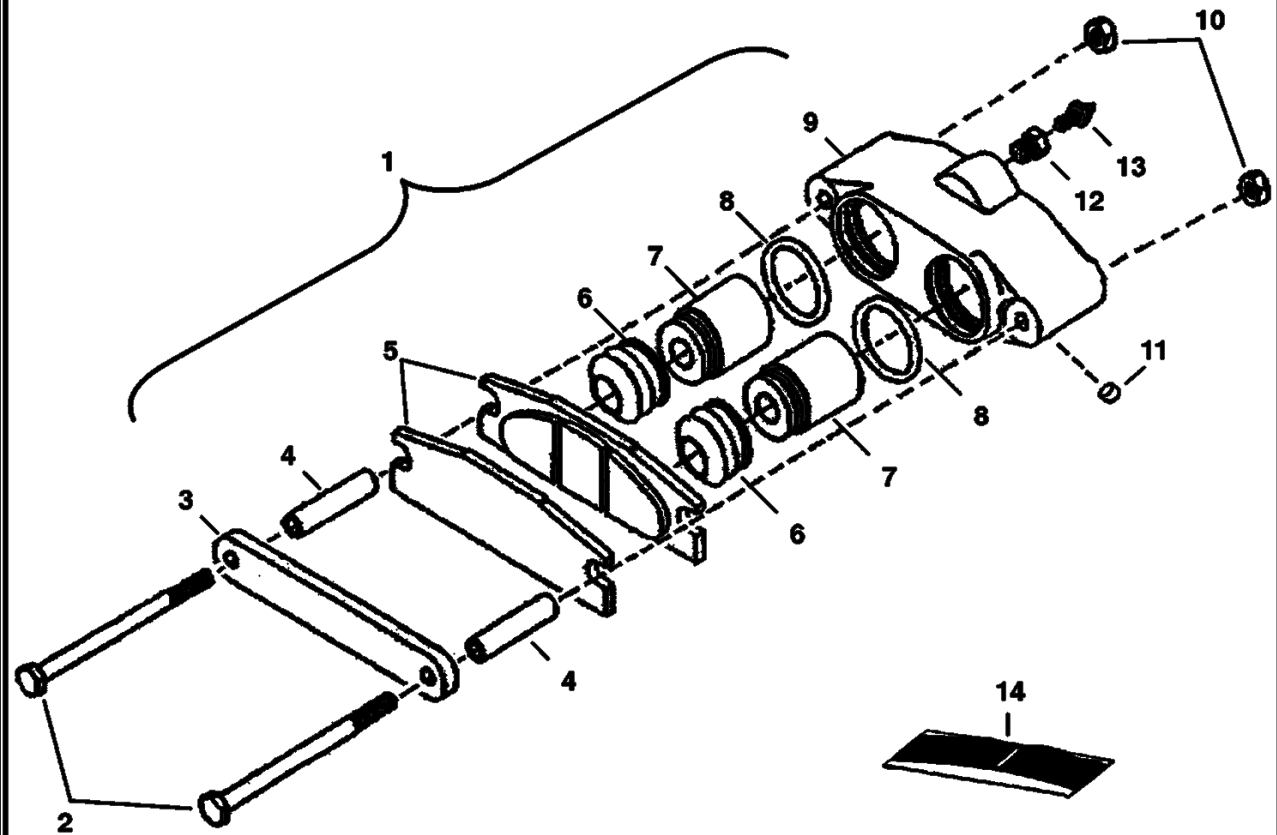


TS-1940

**EUROPEAN ACCESSORIES (Cont'd)
(Caliper Brake Kit)**

| Ref No | Part Number | Description | Remarks | Serial Number | Qty |
|--------|-------------|--------------|---|---------------|-----|
| 1 | 6719150 | KIT | Ref. 2-32 | | 1 |
| 2 | 6718728 | MOUNT ASSY. | caliper - Was 6710469 [B,D] | | 2 |
| 3 | 6709236 | MOUNT | pedal | | 1 |
| 4 | 6709237 | CLAMP | | | 2 |
| 5 | 6709239 | PEDAL ASSY. | brake | | 1 |
| 6 | 6709229 | BOLT | wheel | | 8 |
| 7 | 17C612 | BOLT 5 | | | 9 |
| 8 | 95D6 | NUT | Was 91D000006B [A] | | 5 |
| 9 | 6666932 | BRAKE | See Illustration EUROPEAN ACCESSORIES/ B14851 | | 2 |
| 10 | 6666933 | CYLINDER | See Illustration EUROPEAN ACCESSORIES/ B14851 | | 1 |
| 11 | 6661117 | TANK | | | 1 |
| 12 | 6599744 | BALL JOINT | | | 1 |
| 13 | 8D6 | NUT 5 | | | 1 |
| 14 | 25E17 | WASHER 5 | | | 2 |
| 15 | 17C532 | BOLT 5 | | | 2 |
| 16 | 25E25 | WASHER 10 | | | 1 |
| 17 | 45K3 | FITTING | Was 45KV00003B [B] | | 2 |
| 17 | 97K4 | O'RING | flared end | | 4 |
| 18 | | TEE | NAP - Was 98F000003B [A] | | 1 |
| 19 | 83F3 | ELBOW 5 | | | 4 |
| 20 | 1318565 | COTTER PIN | | | 1 |
| 21 | 91D5 | NUT 5 | | | 2 |
| 22 | 86F3 | LOCKNUT | | | 2 |
| 23 | 6709400 | TUBE | | | 1 |
| 24 | 6718205 | TUBE | Was 6709409 [B,D] | | 1 |
| 25 | 6718206 | TUBE | Was 6709410 [B,D] | | 1 |
| 26 | 6709547 | HOSE | Was 6709545 [B] | | 2 |
| 27 | 6667139 | CAP | | | 1 |
| 28 | 62D6 | NUT 5 | | | 1 |
| 29 | 6709234 | DISC | brake | | 2 |
| 30 | 25E11 | WASHER | Was 27E000008B [B,D] | | 8 |
| 31 | 31C824 | BOLT 10 | | | 4 |
| 32 | 6900934 | INSTRUCTIONS | INSTRUCTIONS Was 6724380 [B] | | 1 |

EUROPEAN ACCESSORIES (Caliper Brake)

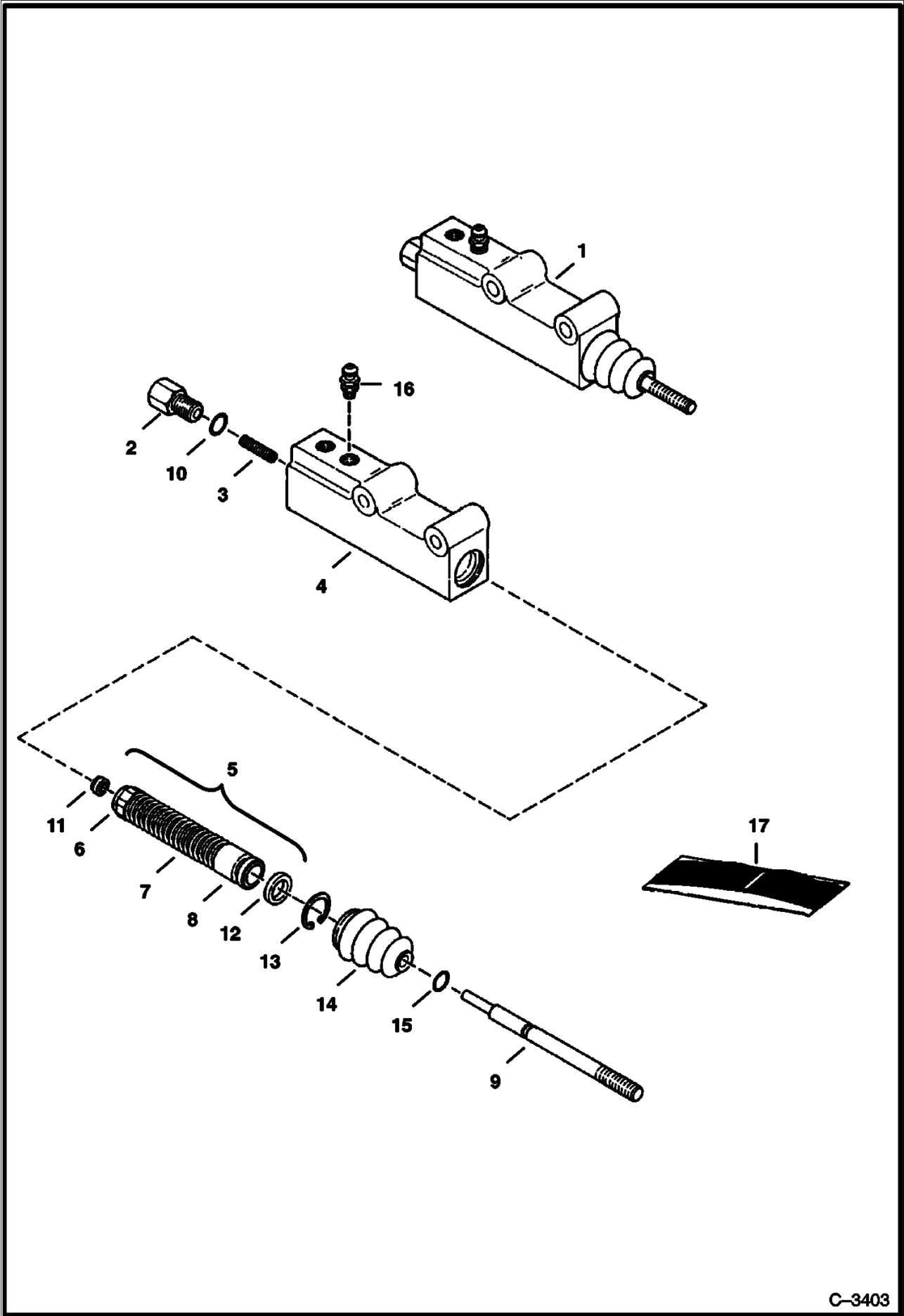


B-14851

EUROPEAN ACCESSORIES (Cont'd)
(Caliper Brake)

| Ref No | Part Number | Description | Remarks | Serial Number | Qty |
|--------|-------------|--------------|---------------------|---------------|-----|
| 1 | 6666932 | BRAKE | W/Ref. 2-12 | | 1 |
| 2 | 6669154 | BOLT | | | 2 |
| 3 | 6669155 | PLATE | | | 1 |
| 4 | 6669156 | SPACER | | | 2 |
| 5 | 6669184 | STATOR ASSY. | | | 1 |
| 6 | | BOOT | NSS - Order Ref. 14 | | 2 |
| 7 | 6669159 | PISTON | | | 2 |
| 8 | | O-RING | NSS - Order Ref. 14 | | 2 |
| 9 | | HOUSING | NSS - Order Ref. 1 | | 1 |
| 10 | 6669162 | NUT | | | 2 |
| 11 | 6669163 | PLUG | | | 1 |
| 12 | 6669164 | ADAPTER | | | 1 |
| 13 | 6669165 | SCREW | bleeder | | 1 |
| 14 | 6669185 | SEAL KIT | W/Ref. 6 & 8 | | 1 |

EUROPEAN ACCESSORIES (Caliper Brakes - Master Cylinder)

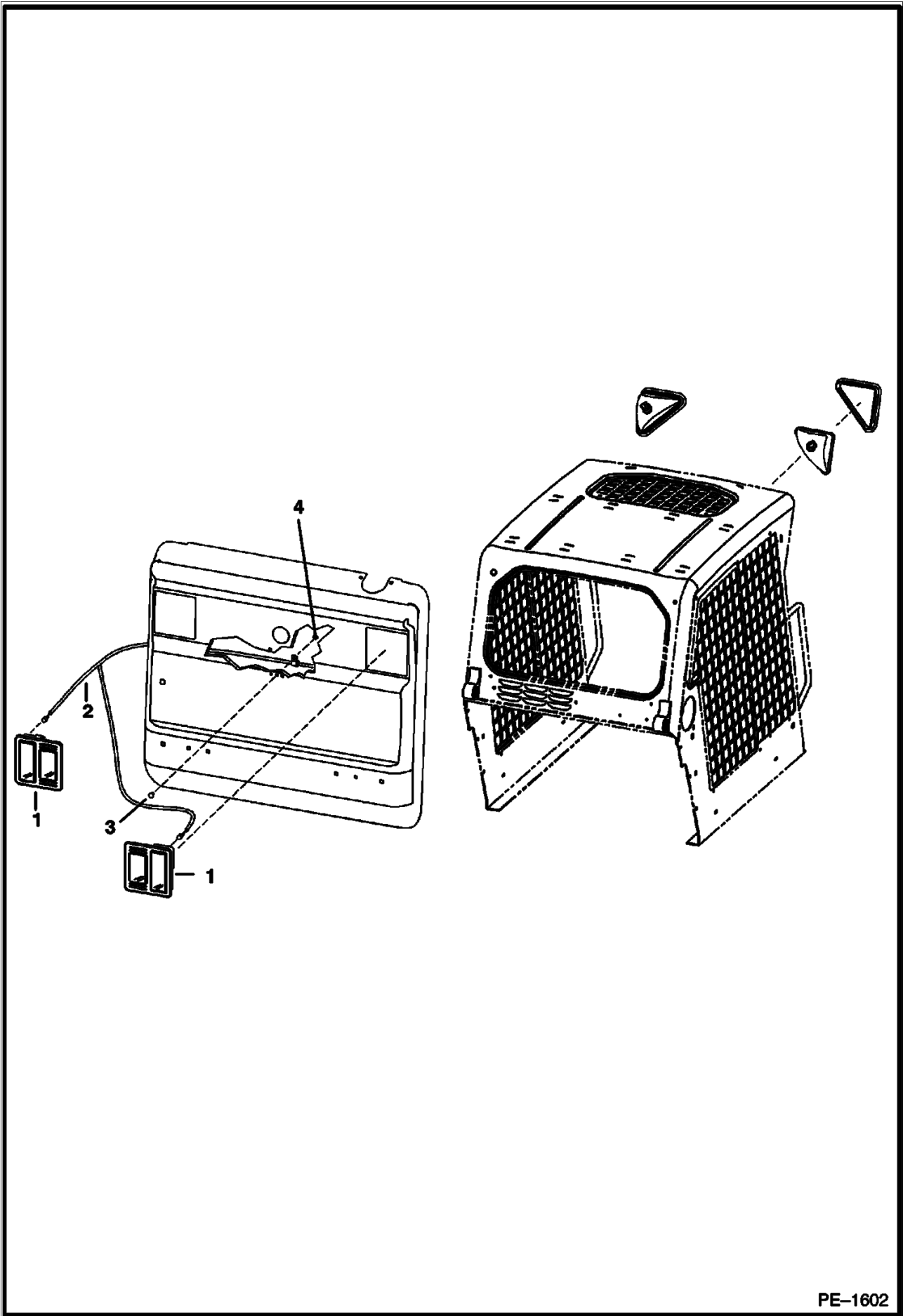


C-3403

EUROPEAN ACCESSORIES (Cont'd)
(Caliper Brakes - Master Cylinder)

| Ref No | Part Number | Description | Remarks | Serial Number | Qty |
|--------|-------------|--------------|--------------------------|---------------|-----|
| 1 | 6666933 | CYLINDER | master brake - Ref. 2-16 | | 1 |
| 2 | | ADAPTER | NSS | | 1 |
| 3 | | SPRING | NSS | | 1 |
| 4 | | BODY | NSS | | 1 |
| 5 | | SPRING ASSY. | NSS - Ref. 6-8 & 11 | | 1 |
| 6 | | RETAINER | NSS | | 1 |
| 7 | | SPRING | NSS | | 1 |
| 8 | | PISTON | NSS | | 1 |
| 9 | | PUSH ROD | NSS | | 1 |
| 10 | | O-RING | NSS | | 1 |
| 11 | | SEAT | NSS | | 1 |
| 12 | | CUP | NSS | | 1 |
| 13 | | SNAP RING | NSS | | 1 |
| 14 | | BOOT | NSS | | 1 |
| 15 | | O-RING | NSS | | 1 |
| 16 | 6668097 | SCREW | bleeder | | 1 |
| 17 | 6661608 | SEAL KIT | Ref. 10-15 | | 1 |

EUROPEAN ACCESSORIES (Rear Door Lights)

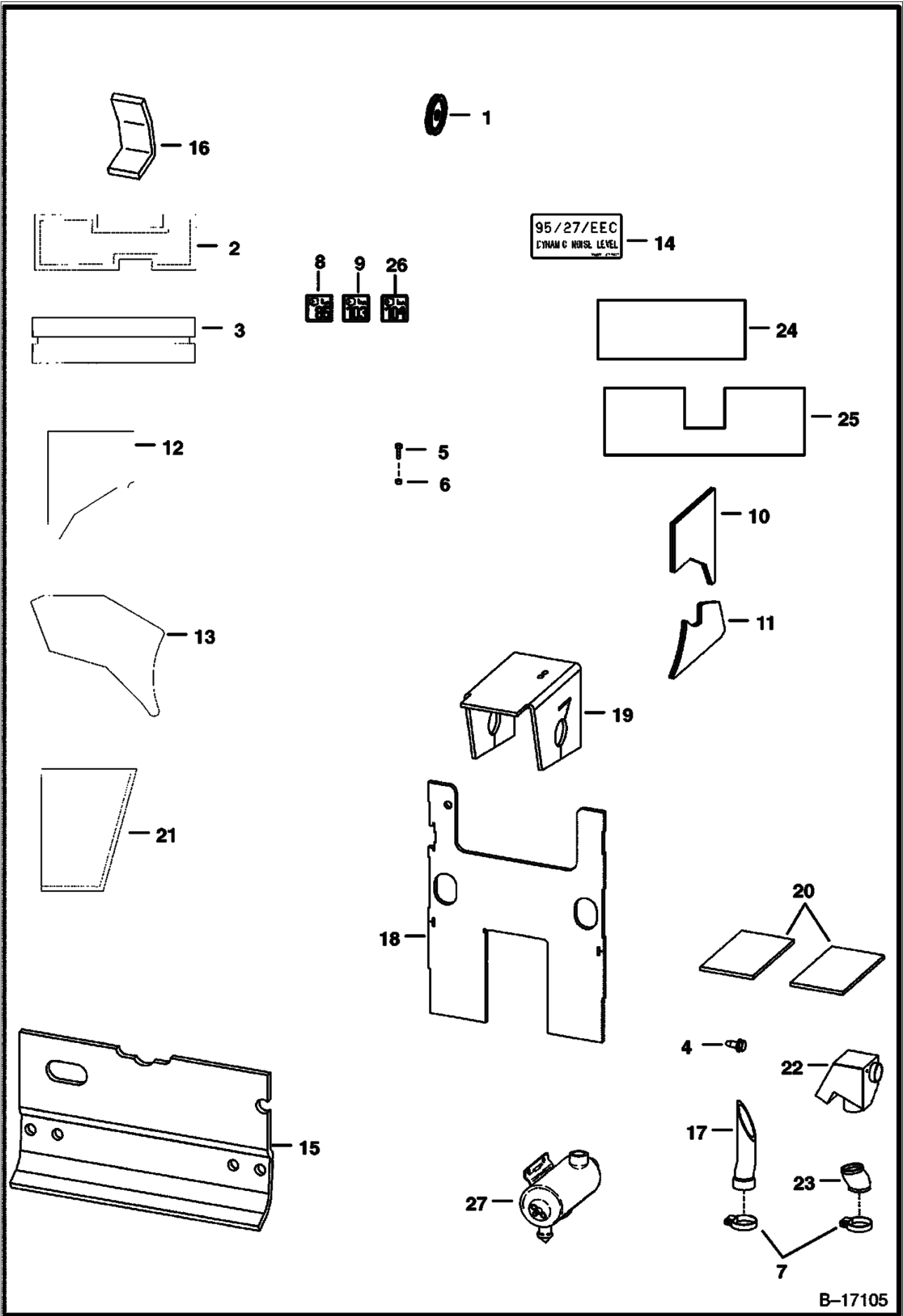


PE-1602

EUROPEAN ACCESSORIES (Cont'd)
(Rear Door Lights)

| Ref No | Part Number | Description | Remarks | Serial Number | Qty |
|--------|-------------|-------------|---|---------------|-----|
| 1 | 6707789 | LIGHT | rear | | 2 |
| 1 | 6666568 | BULB | 21W | | 2 |
| 1 | 6667887 | BULB | 21/5W | | 2 |
| 1 | 6668007 | SCREW | | | 2 |
| 1 | 6668010 | LENS | | | 2 |
| 1 | 6671027 | LIGHT | | | 2 |
| 2 | | HARNESS | NAP - Order 6718198 Harness - Was 6714546 [A] | | 1 |
| 2 | 6718198 | HARNESS | deluxe | | 1 |
| 3 | 37C512 | BOLT | | | 1 |
| 4 | 4DM5 | NUT | | | 1 |

EUROPEAN ACCESSORIES (Sound Option)

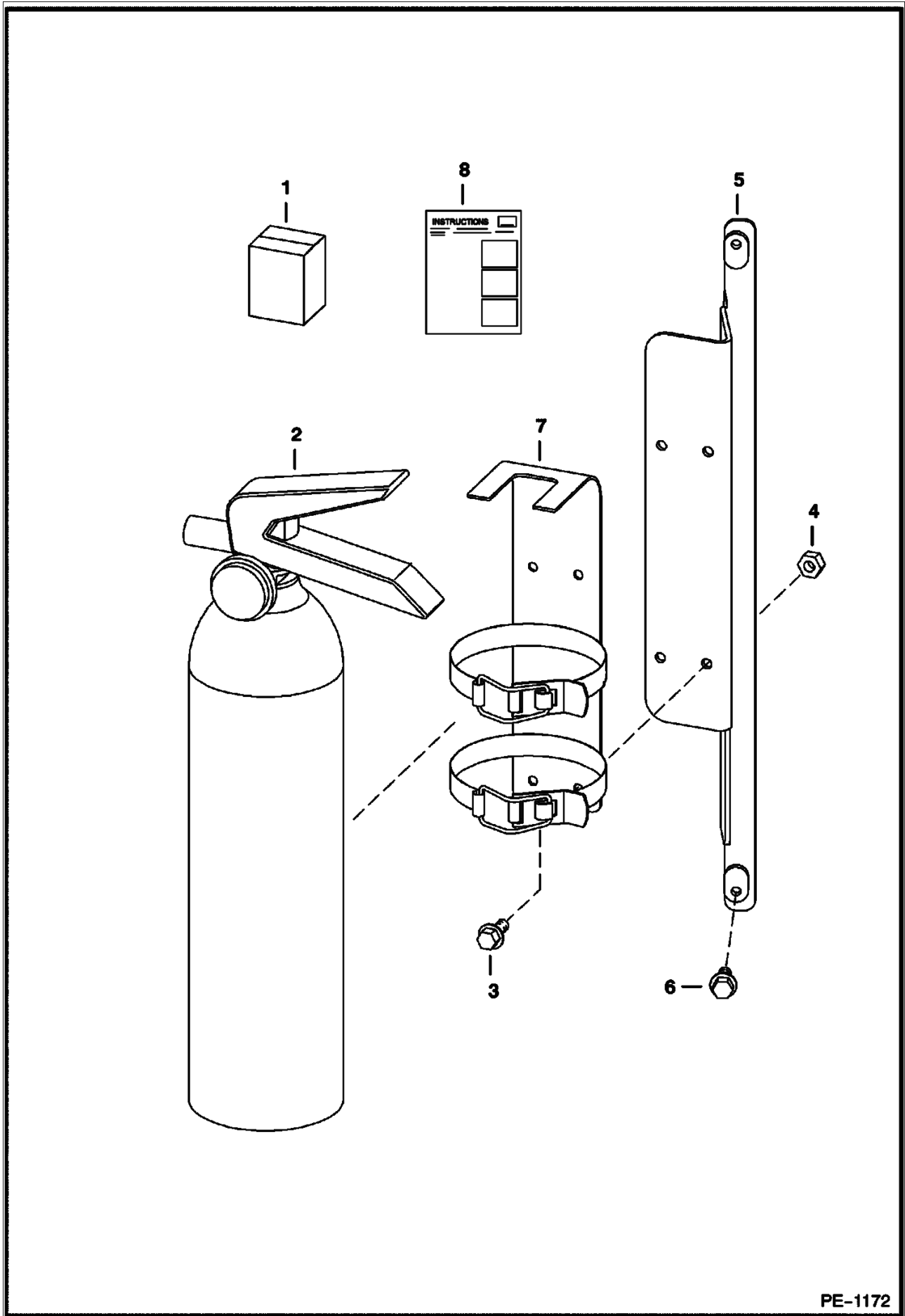


B-17105

**EUROPEAN ACCESSORIES (Cont'd)
(Sound Option)**

| Ref No | Part Number | Description | Remarks | Serial Number | Qty |
|--------|-------------|-------------------------|--|---------------|-----|
| 1 | 6712970 | PULLEY | fan drive - 4.75" (120,65 mm) O.D. | | 1 |
| 1 | 6712971 | PULLEY | fan drive - 5.00" (127 mm) O.D. | | 1 |
| 1 | 6703483 | PULLEY, FAN DRIVE IDLER | 5.25" (133,4 mm) OD - trubo eng | | 1 |
| 2 | 6719327 | INSULATION | fender - L.H. | | 1 |
| 3 | 6719328 | INSULATION | fender - R.H. | | 1 |
| 4 | 84G3112 | BOLT 5 | | | 1 |
| 5 | 84G3716 | SCREW 5 | | | 2 |
| 6 | 6562619 | BUSHING | | | 4 |
| 7 | 42H44 | HOSECLAM5 | | | 2 |
| 8 | 6579385 | DECAL | sound level warning - 85 decibel | | 1 |
| 9 | 6579404 | DECAL | sound level warning-104 decibel | | 1 |
| 10 | 6719332 | INSULATION | blower housing | | 1 |
| 11 | 6704769 | INSULATION | blower housing | | 1 |
| 12 | 6719333 | INSULATION | blower housing | | 1 |
| 13 | 6719334 | INSULATION | blower housing | | 1 |
| 14 | 6715428 | DECAL | dynamic level | | 1 |
| 15 | 6715106 | INSULATION | cab seal | | 1 |
| 16 | 6703331 | INSULATION | air inlet | | 1 |
| 17 | | HOSE | NAP - intake - Order Ref. 27 - Was 6719886 [A] | | 1 |
| 18 | 6719372 | INSULATION | steering panel | | 1 |
| 19 | 6719331 | INSULATION | transmission top | | 2 |
| 20 | 6719330 | INSULATION | pedal | | 1 |
| 21 | 6703968 | INSULATION | transmission side - Was 6719329 [A] | | 1 |
| 22 | | MUFFLER | NAP - intake - Order Ref. 27 - Was 6719649 [A] | | 1 |
| 23 | | HOSE | NAP - air cleaner - Was 6728476 [A] | | 1 |
| 24 | 6725361 | INSULATION | crossmember | | 1 |
| 25 | 6732724 | INSULATION | crossmember - Was 6719409 [A] | | 1 |
| 26 | 6731994 | DECAL | noise level - 104 decibel | | 1 |
| 27 | 6735285 | AIR CLEANER | | | 1 |

FIRE EXTINGUISHER

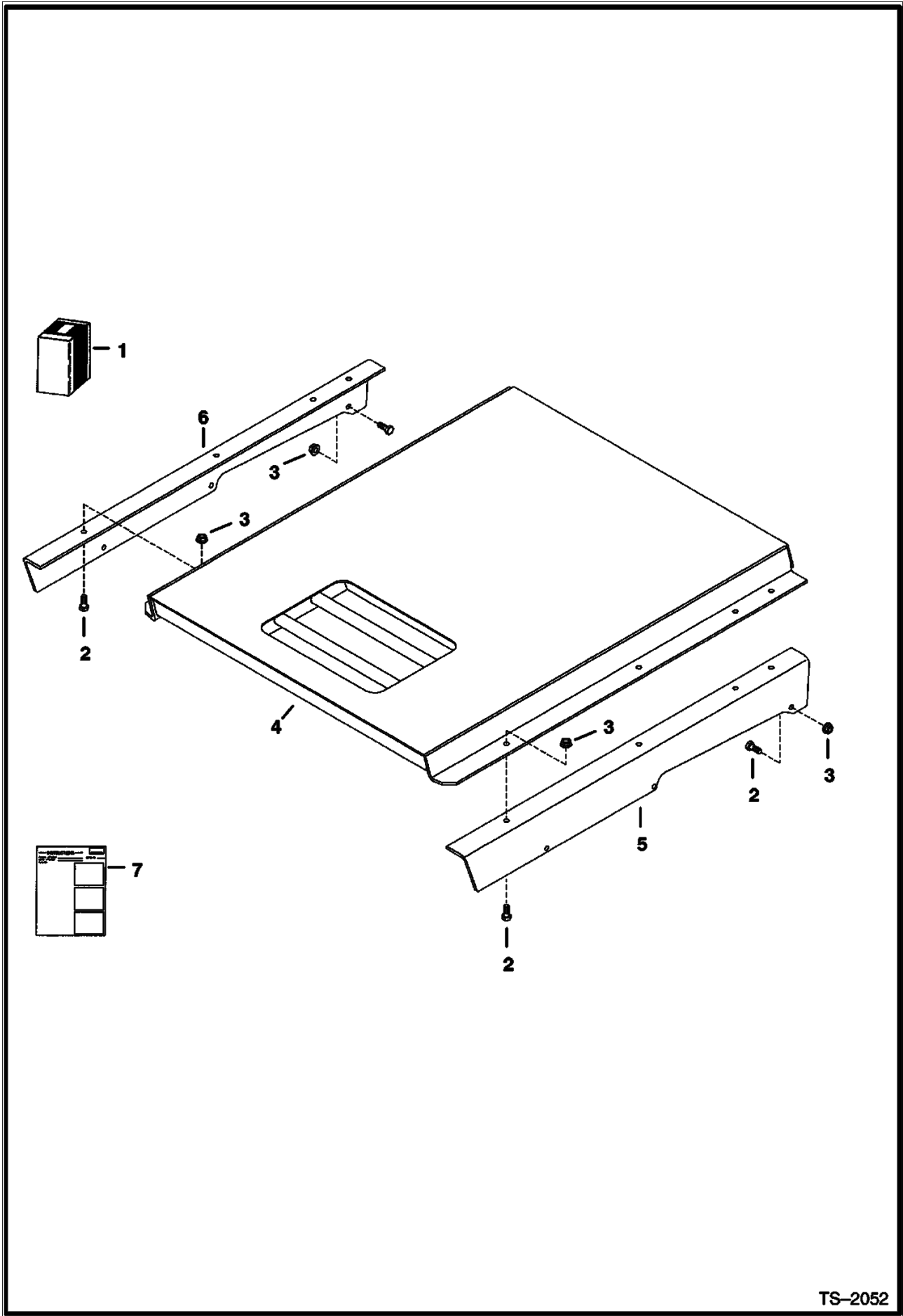


PE-1172

FIRE EXTINGUISHER (Cont'd)

| Ref No | Part Number | Description | Remarks | Serial Number | Qty |
|--------|-------------|--------------------|------------------------------|---------------|-----|
| 1 | 6725898 | KIT | fire extinguisher - Ref. 2-8 | | 1 |
| 2 | 7168164 | EXTINGUISHER, FIRE | Was 6675581 [A] | | 1 |
| 3 | 45G1006 | BOLT | | | 4 |
| 4 | 12D10 | NUT | | | 4 |
| 5 | 6725906 | BRACKET | | | 1 |
| 6 | 31C410 | BOLT | | | 2 |
| 7 | 6691173 | BRACKET | | | 1 |
| 8 | 6901025 | INSTRUCTIONS | | | 1 |

F.O.P.S. KIT

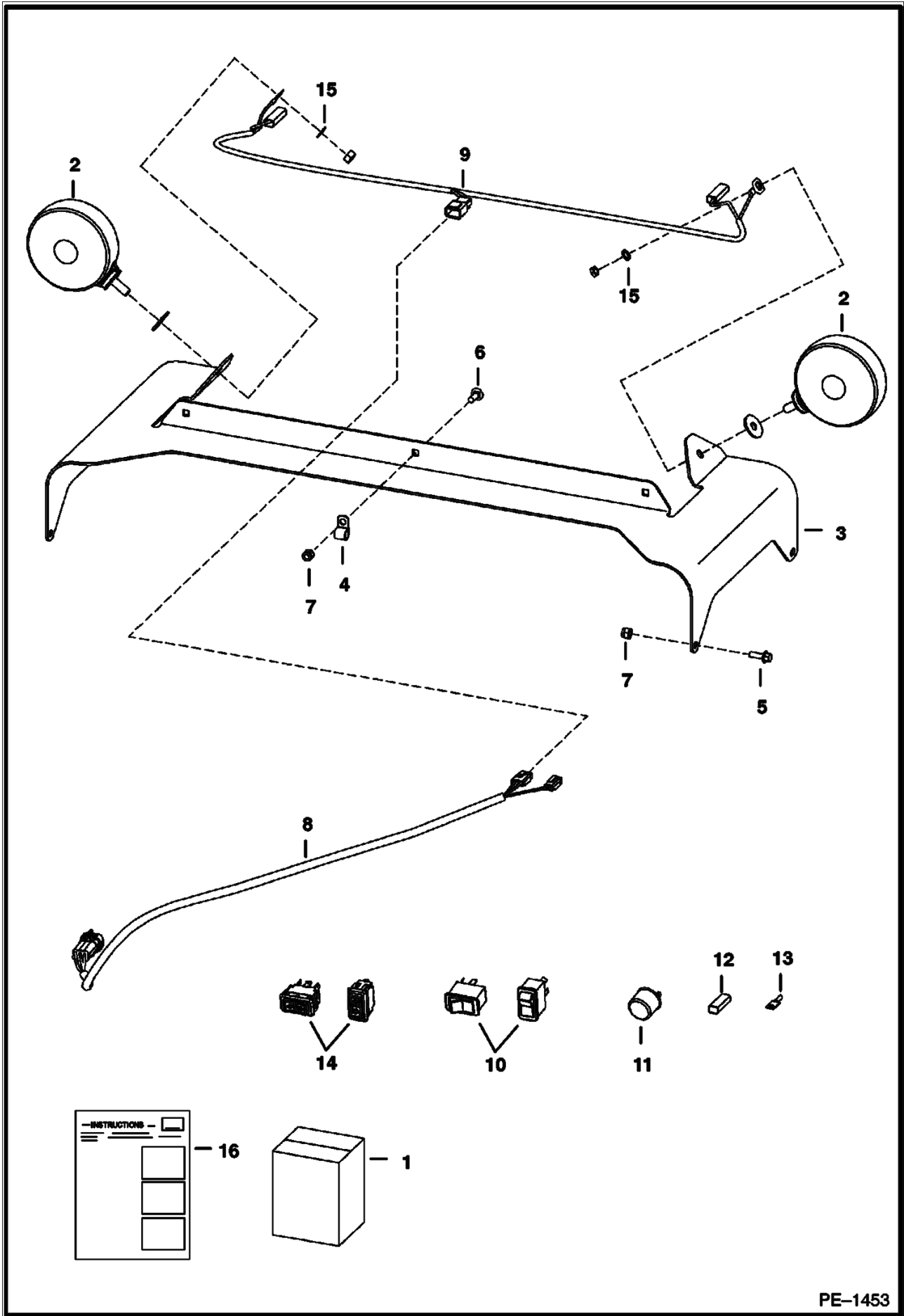


TS-2052

F.O.P.S. KIT (Cont'd)

| Ref No | Part Number | Description | Remarks | Serial Number | Qty |
|--------|-------------|--------------|--------------------|---------------|-----|
| 1 | 6718924 | KIT | Ref. 2-7 | | 1 |
| 2 | 17C616 | BOLT 5 | Was 17C000612B [B] | | 14 |
| 3 | 83D6 | NUT 5 | | | 14 |
| 4 | 6702402 | SHIELD | | | 1 |
| 5 | 6718833 | BRACKET | LH | | 1 |
| 6 | 6718834 | BRACKET | RH | | 1 |
| 7 | 6720592 | INSTRUCTIONS | | | 1 |

FLASHER LIGHTS (4-Way) (Turn Indicators)

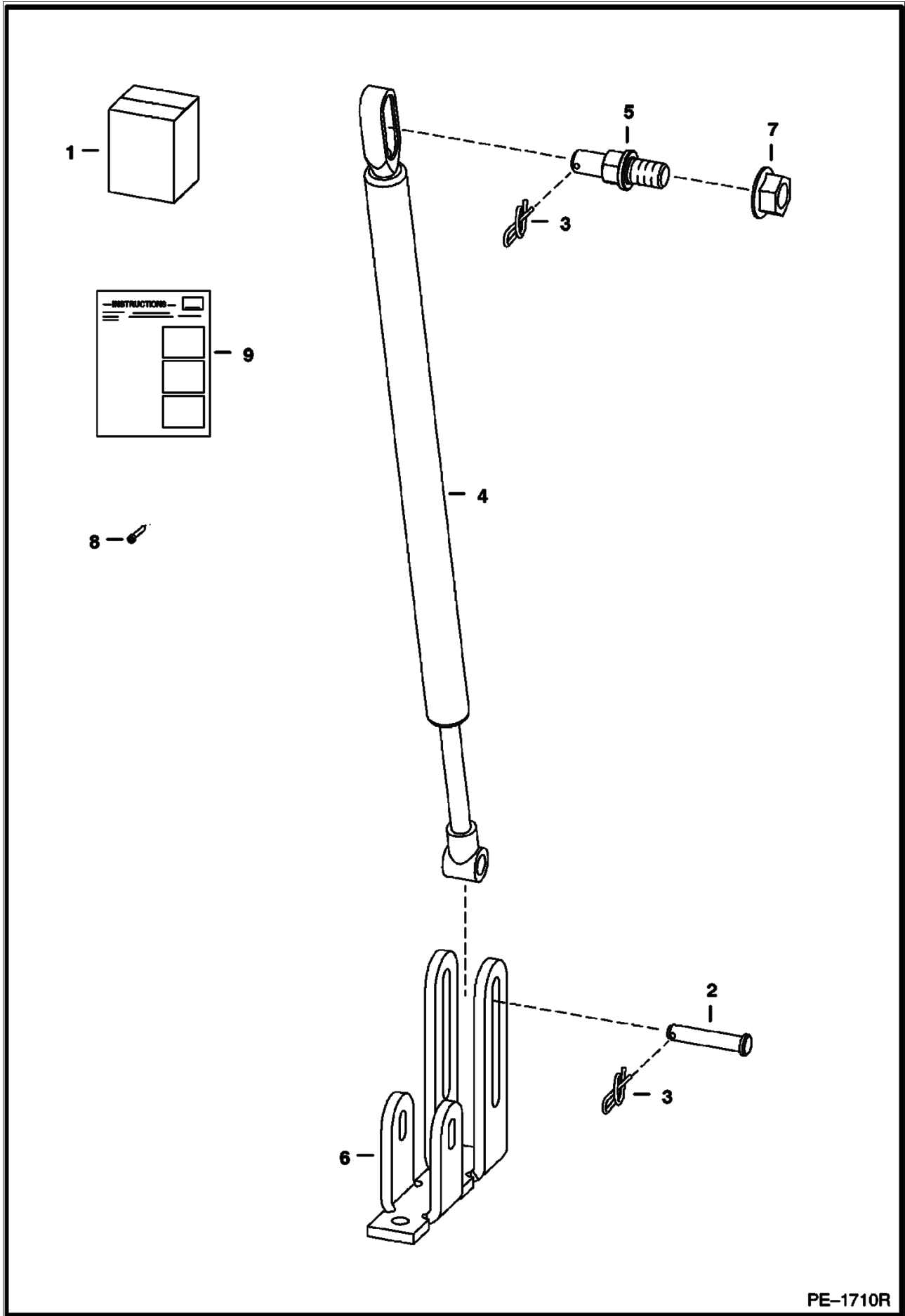


PE-1453

**FLASHER LIGHTS (Cont'd)
(4-Way) (Turn Indicators)**

| Ref No | Part Number | Description | Remarks | Serial Number | Qty |
|--------|-------------|--------------|---|---------------|-----|
| 1 | 6718411 | KIT | See Illustration ACCESSORIES HARNESS/ PE1557 Ref. 2-16 - if loader is not equipped W/deluxe cab option Also Order 6727468 harness | | 1 |
| 2 | 6517516 | LIGHT | | | 2 |
| 3 | 6718326 | MOUNT | | | 1 |
| 4 | 30H21 | CLAMP 10 | | | 3 |
| 5 | 35C412 | BOLT | | | 4 |
| 6 | 37C412 | BOLT | | | 3 |
| 7 | 59D4 | NUT 5 | | | 7 |
| 8 | 6718872 | HARNESS | cab exterior | | 1 |
| 9 | 6718873 | HARNESS | 4-way flasher | | 1 |
| 10 | 6665316 | SWITCH | horizontal | | 1 |
| 10 | 6668815 | SWITCH | vertical | | 1 |
| 11 | 6557904 | FLASHER | | | 1 |
| 12 | 614142 | SLEEVE 10 | | | 2 |
| 13 | 6515131 | TERMINAL | | | 2 |
| 14 | 6675835 | TURN SIGNAL | horizontal | | 1 |
| 14 | 6676872 | TURN SIGNAL | vertical | | 1 |
| 15 | 6E5 | WASHER | lock | | 2 |
| 16 | 6900848 | INSTRUCTIONS | | | 1 |

GAS SPRING KIT

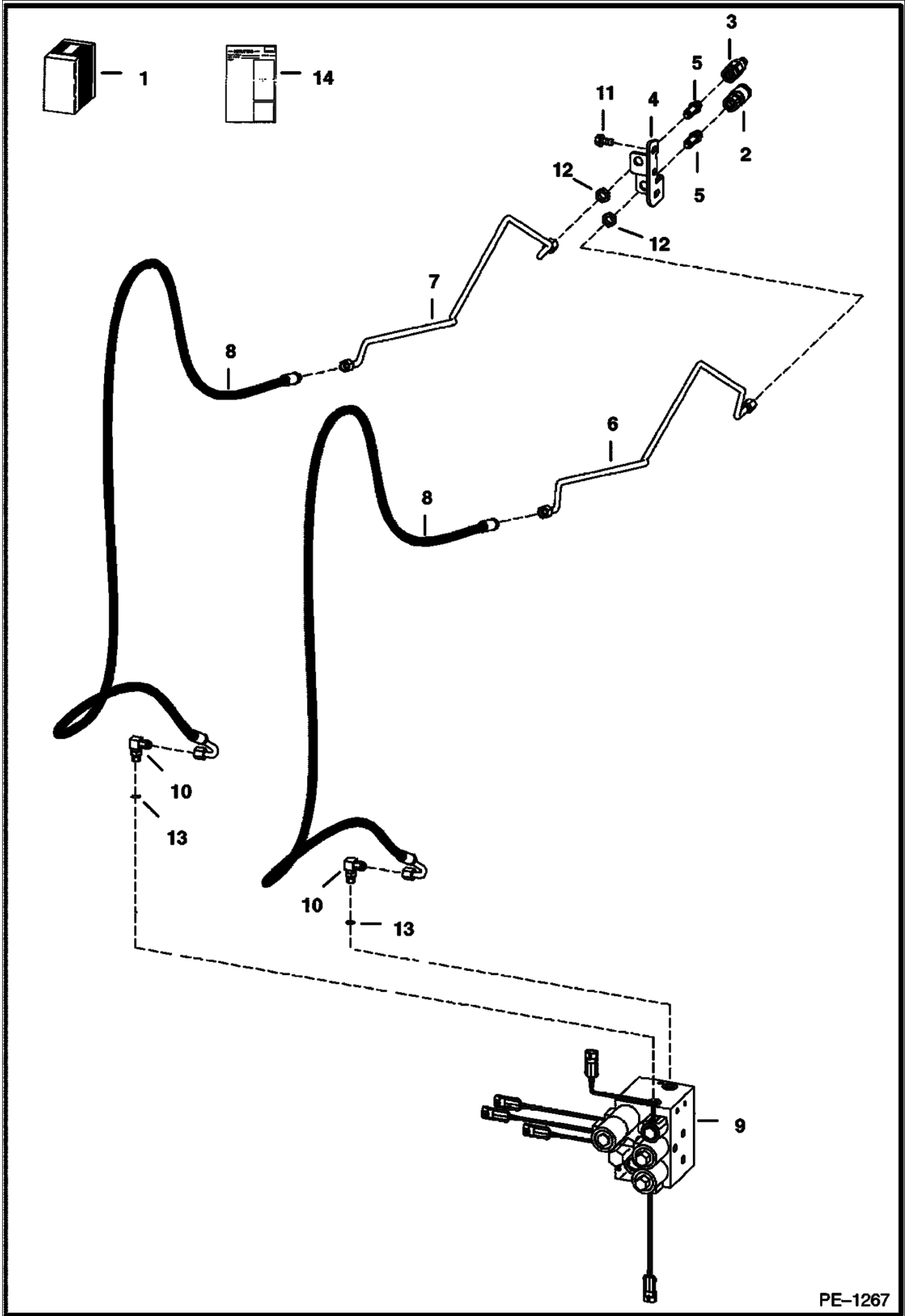


PE-1710R

GAS SPRING KIT (Cont'd)

| Ref No | Part Number | Description | Remarks | Serial Number | Qty |
|--------|-------------|--------------|-----------------|---------------|-----|
| 1 | 6732928 | KIT | | | 1 |
| 2 | 6567743 | PIN | | | 1 |
| 3 | 6631418 | PIN | | | 2 |
| 4 | 7157890 | GAS SPRING | Was 6678292 [A] | | 1 |
| 5 | 6719064 | MOUNT | | | 1 |
| 6 | 6729141 | MOUNT | | | 1 |
| 7 | 97D8 | NUT | | | 1 |
| 8 | 21G804 | BOLT | | | 1 |
| 9 | 6901816 | INSTRUCTIONS | | | 1 |

FRONT AUXILIARY
 (R.H. Kit) (S/N 517620248 & Above,
 518112286 & Above. 519021333 & Above. 519212390 & Above. 500K12194 & Above)



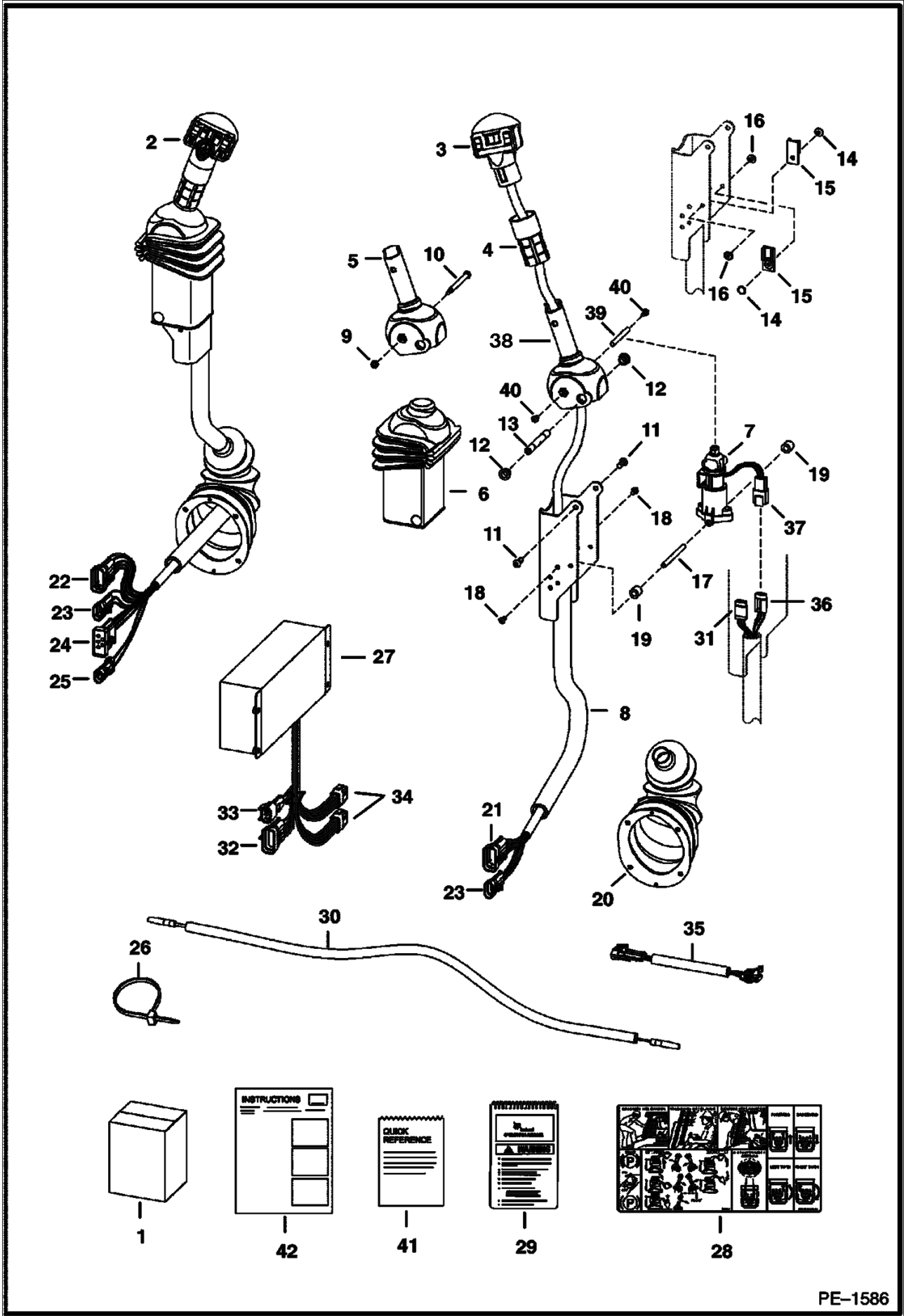
PE-1267

FRONT AUXILIARY (Cont'd)
(R.H. Kit) (S/N 517620248 & Above,

518112286 & Above. 519021333 & Above. 519212390 & Above. 500K12194 & Above)

| Ref No | Part Number | Description | Remarks | Serial Number | Qty |
|--------|-------------|--------------|--|---------------|-----|
| 1 | 6731524 | KIT | | | 1 |
| 2 | 6667803 | COUPLER | female | | 1 |
| 3 | 6667804 | COUPLER | male | | 1 |
| 3 | 6669657 | SEAL KIT | | | 1 |
| 4 | 6711674 | MOUNT | | | 1 |
| 5 | 6716089 | CONNECTOR | W/ O-rings | | 2 |
| 6 | 6718244 | TUBE | | | 1 |
| 7 | 6718245 | TUBE | | | 1 |
| 8 | 6718454 | HOSE | | | 2 |
| 9 | | VALVE | See Illustration REAR AUXILIARY VALVE/ TS1362 select - Not in Kit - Was 6669203 [D] | | 1 |
| 10 | 17KB606 | ELBOW | W/Ref. 13 - check boss face to determine correct replacement o-ring - Was 17KV00005B [B] | | 2 |
| 10 | 21KB606 | TEE | W/Ref. 13 - flat boss face | | 2 |
| 10 | 97K6 | O'RING | flared end | | 2 |
| 11 | 84G3712 | BOLT | | | 2 |
| 12 | 86F5 | NUT | | | 3 |
| 13 | 99K6 | O'RING | tapered boss face - Was 99K000006B [B] | | x |
| 13 | 79K6 | O RING 10 | flat boss face | | x |
| 14 | 6901515 | INSTRUCTIONS | | | 1 |

HAND CONTROL KIT (W/Push Button Float)

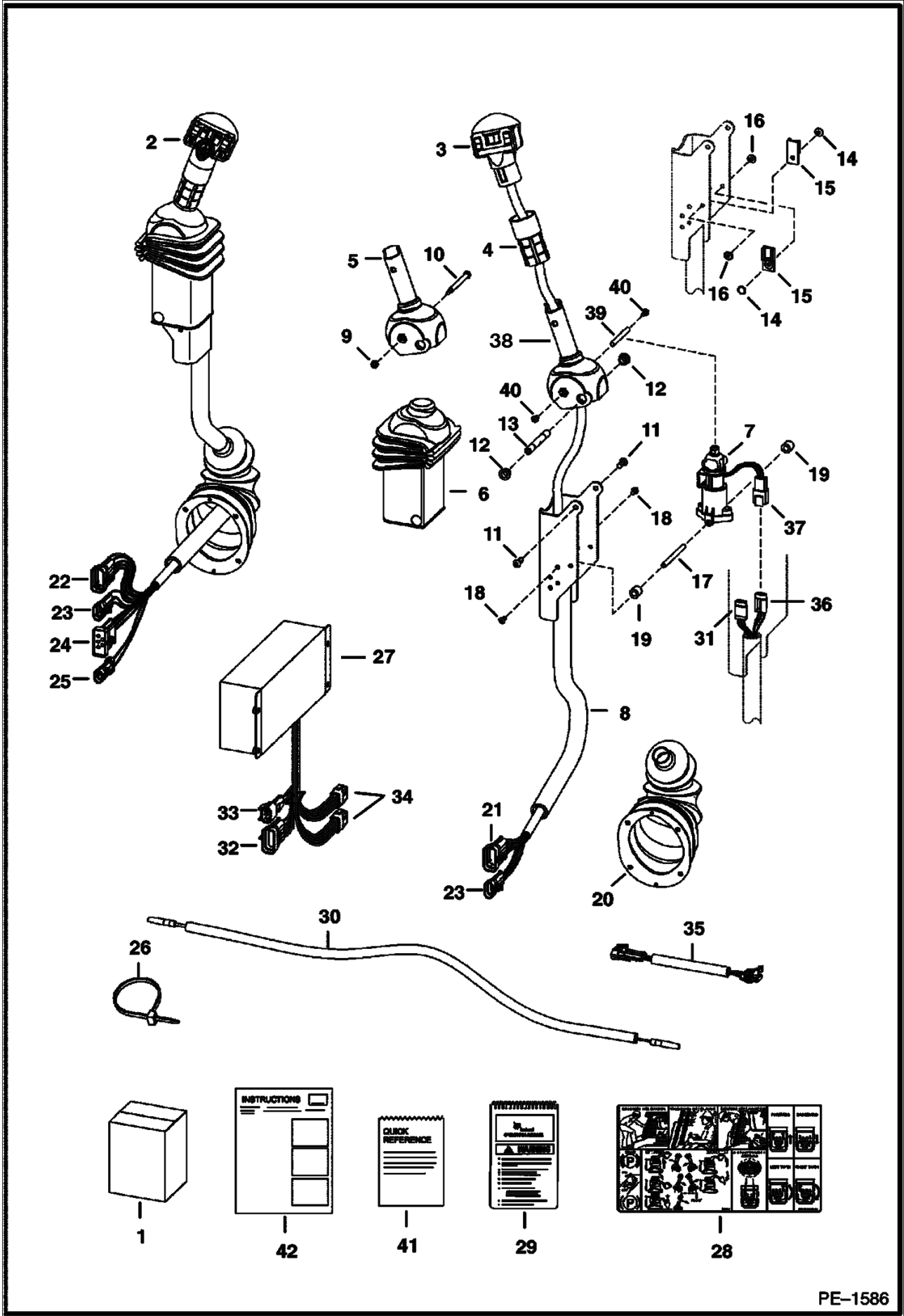


PE-1586

HAND CONTROL KIT (Cont'd) (W/Push Button Float)

| Ref No | Part Number | Description | Remarks | Serial Number | Qty |
|--------|-------------|------------------|---|---------------|-----|
| 1 | 6727298 | KIT | SEE NOTE | | 1 |
| 2 | 6684913 | LEVER | tilt - RH - Was 6675742 [A] | | 1 |
| 2 | 6684914 | LEVER | lift - LH - Was 6675750 [A] | | 1 |
| 3 | | HANDLE | See BT1335 NAP - tilt - R.H. - Was 6675469 [A] | | 1 |
| 3 | 6680417 | HANDLE | lift - LH - Was 6675749 [A] | | 1 |
| 4 | | GRIP | NAP - Order 6702621 grip & cut to 2.8" long - Was 6713349 [A] | | 2 |
| 5 | | HANDLE | NAP - R.H. - Order Ref. 39, 40 & (2) of Ref. 41 - Was 6597774 [A] | | 1 |
| 5 | | HANDLE | NAP - L.H. - Order Ref. 39, 40 & (2) of Ref. 41 - Was 6717163 [A] | | 1 |
| 6 | 6680471 | COVER | Was 6713898 [A] | | 2 |
| 7 | 6684910 | SENSOR, ELEC AHC | Was 6675741 [A] | | 2 |
| 7 | 6670706 | CONNECTOR | 3-pin | | 1 |
| 7 | 6670714 | PIN | | | 3 |
| 7 | 6670710 | LOCK | | | 1 |
| 8 | 6680481 | CHANNEL | RH - Was 6719712 [A] | | 1 |
| 8 | 6680480 | CHANNEL | LH - Was 6719711 [A] | | 1 |
| 9 | 12D10 | NUT | | | 2 |
| 10 | 6716826 | BOLT | | | 2 |
| 11 | 25GT410 | SCREW | | | 8 |
| 12 | 6702990 | BUSHING | | | 4 |
| 13 | 6713043 | SPACER | | | 4 |
| 14 | 6665321 | RIVET | male | | 2 |
| 15 | 6665000 | CLIP | | | 2 |
| 16 | 6665322 | RIVET | female | | 2 |
| 17 | 6719834 | SPACER | threaded | | 2 |
| 18 | 6727065 | BOLT | | | 4 |
| 19 | 6719835 | SLEEVE | | | 4 |
| 20 | 6532127 | BOOT | | | 2 |
| 21 | 6640692 | CONNECTOR | 10-pin | | 1 |
| 21 | 6640690 | PIN | | | 8 |
| 21 | 6640694 | LOCK | Use W/ 10-pin connector | | 1 |
| 21 | 6641176 | SEAL | | | 8 |
| 21 | 6646582 | PLUG | cavity | | 2 |
| 22 | 6640692 | CONNECTOR | 10-pin | | 1 |
| 22 | 6640690 | PIN | | | 6 |
| 22 | 6640694 | LOCK | Use W/ 10-pin connector | | 1 |
| 22 | 6641176 | SEAL | | | 6 |
| 22 | 6646582 | PLUG | cavity | | 4 |
| 23 | 6640699 | CONNECTOR | 3-pin | | 2 |
| 23 | 6640690 | PIN | | | 3 |
| 23 | 6641176 | SEAL | | | 3 |
| 23 | 6640700 | LOCK | | | 3 |
| 24 | 6667144 | CONNECTOR | 5-pin | | 1 |
| 24 | 6640690 | PIN | | | 3 |
| 24 | 6641176 | SEAL | | | 3 |
| 24 | 6646582 | PLUG | cavity | | 1 |
| 24 | 6667145 | LOCK | Use W/ 5-pin connector | | 1 |
| 25 | 6641179 | CONNECTOR | 2-pin | | 1 |
| 25 | 6640690 | PIN | | | 2 |
| 25 | 6641176 | SEAL | | | 2 |
| 25 | 6641180 | LOCK | Use W/ 2-pin connector | | 1 |
| 26 | 6610510 | TIE | | | 11 |
| 27 | 6676153 | CONTROLLER | | | 1 |
| 28 | 6727155 | DECAL | | | 1 |

HAND CONTROL KIT (Cont'd) (W/Push Button Float)

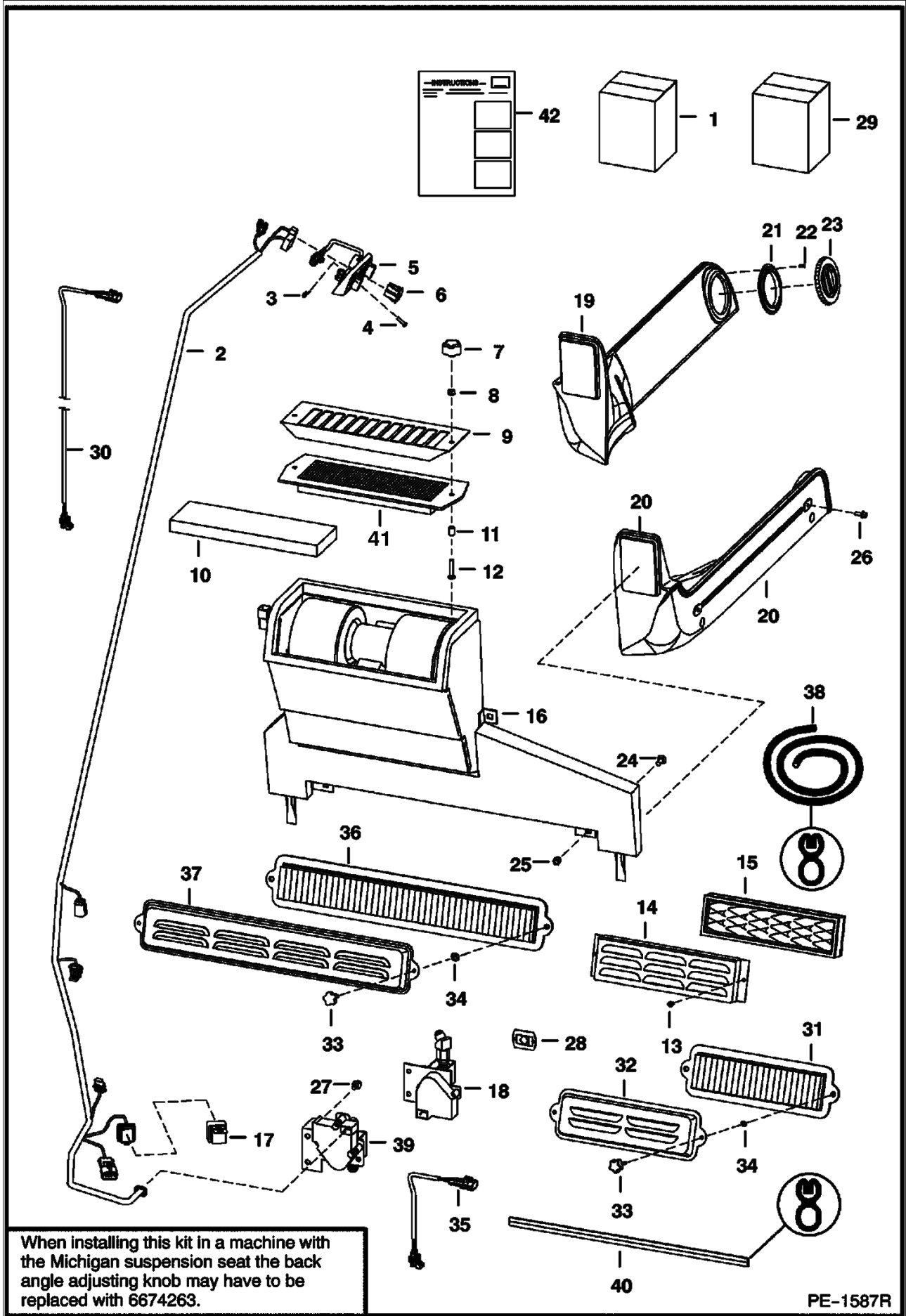


PE-1586

**HAND CONTROL KIT (Cont'd)
(W/Push Button Float)**

| Ref No | Part Number | Description | Remarks | Serial Number | Qty |
|--------|-------------|-------------------------|---------------------------------|---------------|-----|
| 29 | 6718719 | HANDBOOK, OPERATOR'S | W/wire rope [A] | | 1 |
| 30 | 6727328 | HARNESS | | | 1 |
| 31 | 6670707 | CONNECTOR | 3-pin | | 1 |
| 31 | 6670715 | PIN | | | 3 |
| 31 | 6670711 | LOCK | | | 1 |
| 32 | 6640692 | CONNECTOR | 10-pin | | 1 |
| 32 | 6640690 | PIN | | | 9 |
| 32 | 6640694 | LOCK | Use W/ 10-pin connector | | 1 |
| 32 | 6641176 | SEAL | | | 9 |
| 32 | 6646582 | PLUG | cavity | | 1 |
| 33 | 6648307 | CONNECTOR | 2-pin | | 1 |
| 34 | 6670709 | CONNECTOR | 8-pin | | 2 |
| 35 | 6728742 | HARNESS | W/capacitor | | 1 |
| 36 | 6677364 | CONNECTOR | 3-pin | | 1 |
| 36 | 6676640 | SEAL | | | 3 |
| 37 | 6676870 | CONNECTOR | 3-pin | | 1 |
| 37 | 6676640 | SEAL | | | 3 |
| 37 | 6670715 | PIN | | | 1 |
| 37 | 6670711 | LOCK | | | 1 |
| 38 | 6729594 | HANDLE | RH | | 1 |
| 38 | 6729595 | HANDLE | LH | | 1 |
| 39 | 6680469 | SPACER | Was 6729600 [A] | | 1 |
| 40 | 6727065 | BOLT | | | 2 |
| 41 | 6718719 | HANDBOOK, OPERATOR'S | W/wire rope - Was 6902600 [B,D] | | 1 |
| 42 | 6901100 | INSTRUCTIONS | | | 1 |

HEATER & A/C (Heater Kit) (For Threaded Heater Valve)



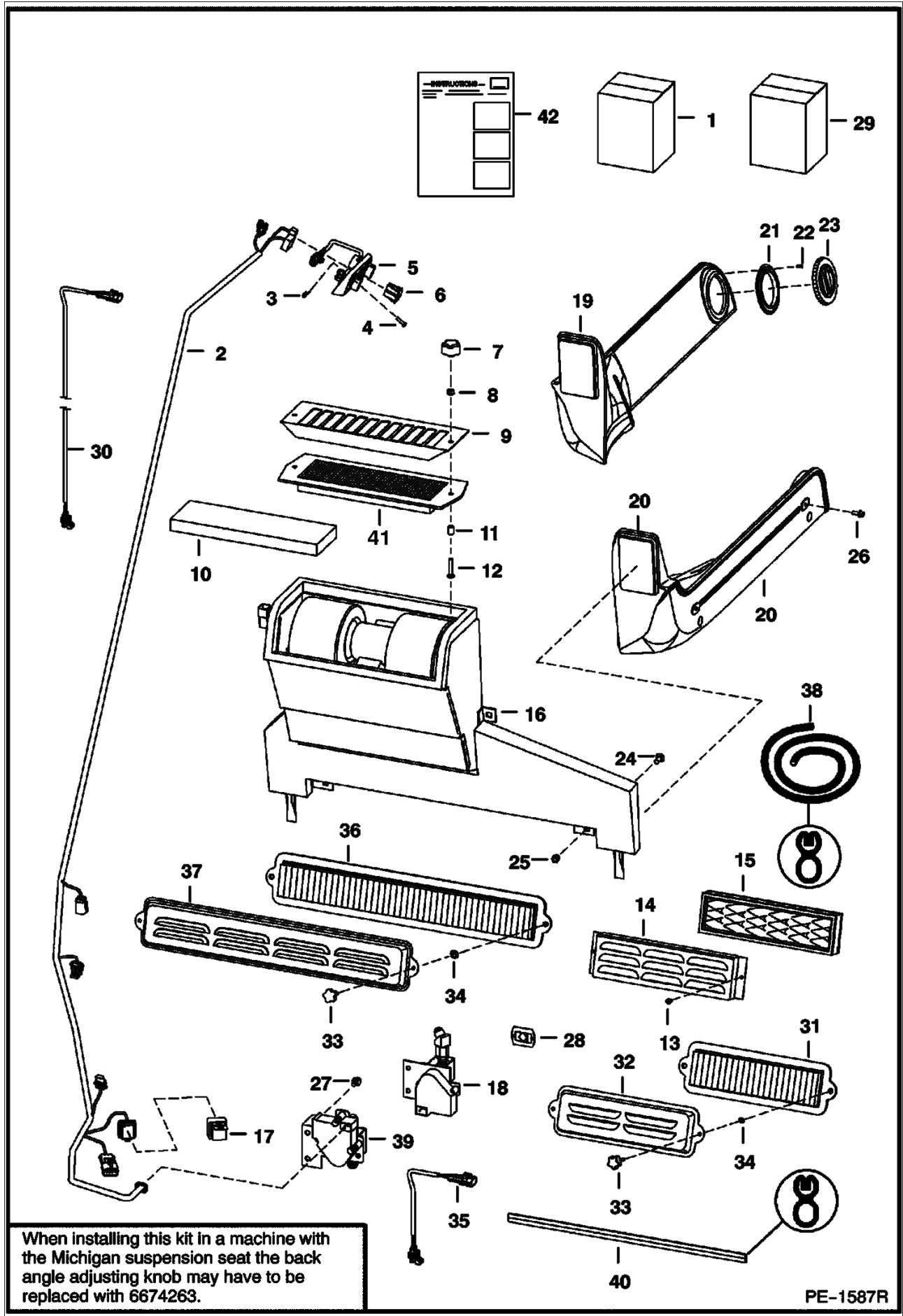
When installing this kit in a machine with the Michigan suspension seat the back angle adjusting knob may have to be replaced with 6674263.

PE-1587R

**HEATER & A/C (Cont'd)
(Heater Kit) (For Threaded Heater Valve)**

| Ref No | Part Number | Description | Remarks | Serial Number | Qty |
|--------|-------------|------------------------|--|---------------|-----|
| 1 | | HEATER KIT | See Illustration OPERATOR CAB/ PE1050 See Illustration HEATER & A/C/ PE2465 See Illustration DELUXE CAB/ PE1323 NAP - Ref. 2-9, 11-13, 16, 17, 19-30, 33, 34, 36-39, 41 & 42 - Order 7108167 kit - if loader is not equipped W/deluxe cab headliner Also Order 6718804 or 6729233 deluxe cab kit - on earlier designer cabs it may be necessary to Also Order 6675033 insert - Was 6718803 [A] | | 1 |
| 2 | | HARNESS | NAP - hvac - Order 6725933 Harness - Was 6725275 [A] | | 1 |
| 2 | 6725933 | HARNESS | hvac- W/Ref. 17 - Was 6717877 [A] | | 1 |
| 2 | 6725273 | HARNESS | AHC - not in kit | | 1 |
| 3 | 6669091 | CLIP | retainer | | 3 |
| 4 | 6669224 | BOLT | | | 3 |
| 5 | 6674228 | PANEL | control | | 1 |
| 5 | 6640699 | CONNECTOR | | | 1 |
| 5 | 6718579 | DECAL | | | 1 |
| 5 | 6718887 | PANEL | A/C | | 1 |
| 5 | 6675176 | SWITCH | blower | | 1 |
| 5 | 6675177 | KNOB | | | 2 |
| 5 | 6675846 | POTENTIOMETE R | Was 6675178 [A] | | 1 |
| 6 | 6675181 | PLUG | switch hole | | 1 |
| 7 | 6681614 | KNOB | 11/16 in. deep threads | | 2 |
| 8 | 83D4 | NUT 10 | | | 2 |
| 9 | 6718175 | SCREEN | filter | | 1 |
| 10 | | FILTER | NAP - foam - Order Ref. 41 - Was 6674229 [A] | | 1 |
| 11 | 6718837 | SPACER | | | 2 |
| 12 | 37C424 | BOLT | | | 2 |
| 13 | 87G1008 | SCREW | | | 2 |
| 14 | | COVER | NAP - filter - order Ref. 31, 32 and (2) ea of Ref.33 and 34 - Was 6674236 [A] | | 1 |
| 15 | | FILTER | NAP - order Ref. 31, 32 and (2) of ea of Ref.33 and 34 - Was 6674230 [A] | | 1 |
| 16 | | HEATER | See Illustration HEATER & A/C/ B17203 | | 1 |
| 17 | 6670312 | RELAY | relay | | 1 |
| 18 | | VALVE | NAP - order Ref. 39 - Was 6675684 [A] | | 1 |
| 18 | 6640699 | CONNECTOR | | | 1 |
| 18 | | DECAL KIT | NAP - Was 6675175 [A] | | 1 |
| 18 | 6675172 | BRACKET | | | 1 |
| 18 | 6675173 | ACTUATOR | pigtail | | 1 |
| 18 | 6680054 | ACTUATOR | square plug | | 1 |
| 18 | 6675174 | BODY | | | 1 |
| 18 | 6677628 | SHAFT ADAPTER | | | 1 |
| 19 | 6735246 | DUCT | LH - W/Ref. 21-23 - Was 6717644 [A] | | 1 |
| 20 | 6735245 | DUCT | RH - W/Ref. 21-23 - Was 6717643 [A] | | 1 |
| 21 | 6675179 | FLANGE | | | 4 |
| 22 | 57G608 | SCREW | | | 16 |
| 23 | 6674231 | VENT, HEATER CAB ROUND | round | | 1 |
| 24 | 37C512 | BOLT | | | 4 |
| 25 | 59D5 | NUT 5 | | | 4 |
| 26 | 35C410 | BOLT 5 | | | 4 |
| 27 | 84G3110 | SCREW | | | 2 |
| 28 | 774220 | NUT | spring | | 2 |
| 29 | 7121572 | DECAL PACKAGE | decal - Was 6725513 [A] | | 1 |

HEATER & A/C (Cont'd) (Heater Kit) (For Threaded Heater Valve)



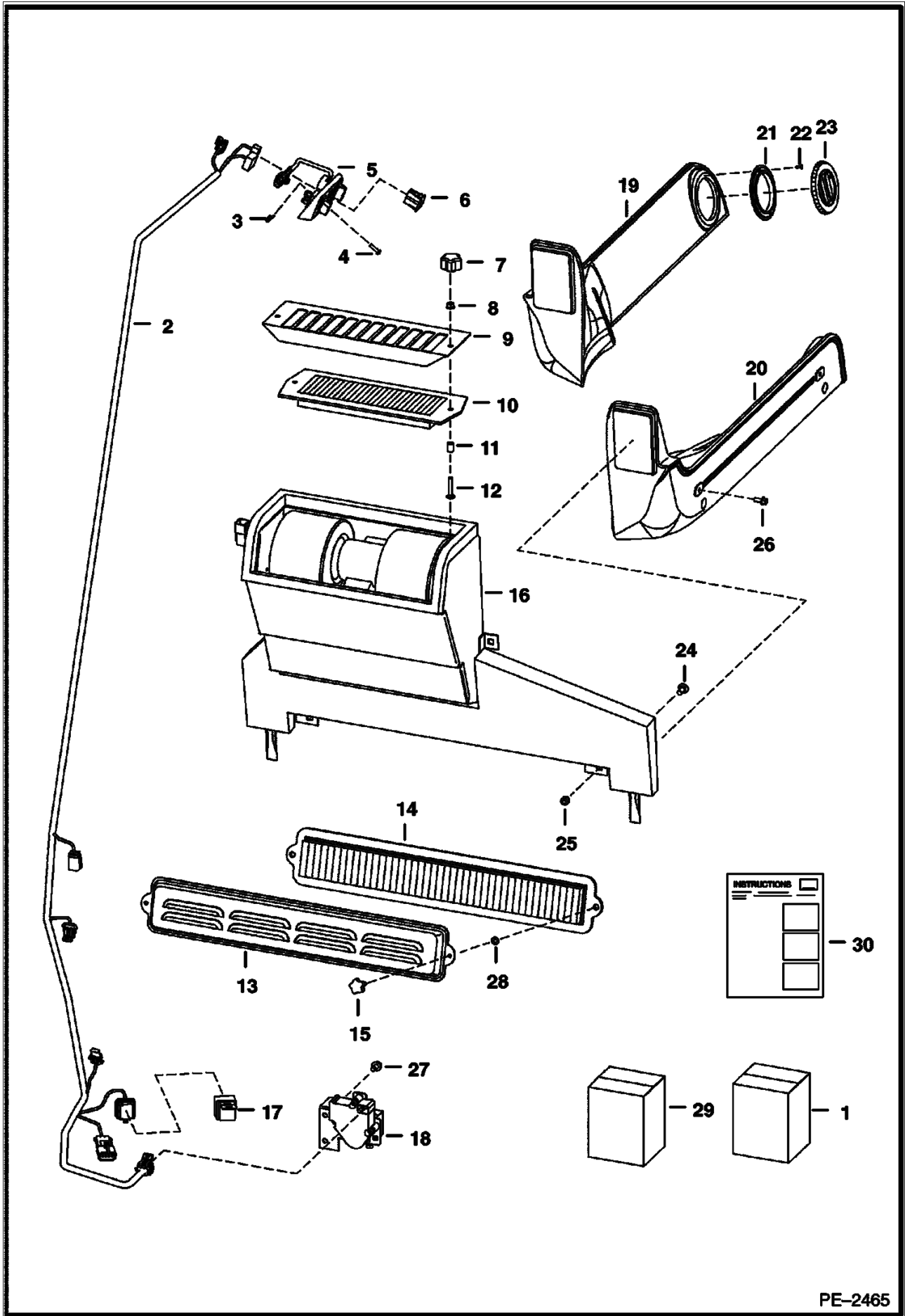
When installing this kit in a machine with the Michigan suspension seat the back angle adjusting knob may have to be replaced with 6674263.

PE-1587R

**HEATER & A/C (Cont'd)
(Heater Kit) (For Threaded Heater Valve)**

| Ref No | Part Number | Description | Remarks | Serial Number | Qty |
|--------|-------------|------------------------|---|---------------|-----|
| 30 | 6725390 | HARNESS | jumper - 72 in. (1828,8 mm) long - HVAC to accessory harness | | 1 |
| 31 | 6727140 | FILTER, AIR HEATER CAB | | | 1 |
| 32 | 6726608 | COVER | | | 1 |
| 33 | 6726386 | KNOB | | | 2 |
| 34 | 6676516 | NUT | push | | 2 |
| 35 | 6725934 | HARNESS | jumper - 4 in. (101,6 mm) long - connects (6725933 Harness) to Ref. 39 | | 1 |
| 35 | 6725936 | HARNESS | jumper - 8 in. (203,2 mm) long - connects (NAP/6725275 Harness or NAP/6717877 Harness) to Ref. 39 | | 1 |
| 36 | 6677983 | FILTER, AIR HEATER CAB | | | 1 |
| 37 | 6727847 | COVER | | | 1 |
| 38 | 6513152 | SEAL | bulk - sold per foot | | x |
| 39 | 7100019 | VALVE | threaded hose connectors | | 1 |
| 40 | | SEAL | NAP - 16.25 in. (412,8mm) long - order Ref. 38 [A] | | 1 |
| 41 | 6678207 | FILTER | recirulation | | 1 |
| 42 | 6900850 | INSTRUCTIONS | | | 1 |
| 42 | 6902356 | INSTRUCTIONS | 800 series W/ kabota engine | | 1 |

HEATER & A/C (Heater Kit) (Barbed Heater Valve)

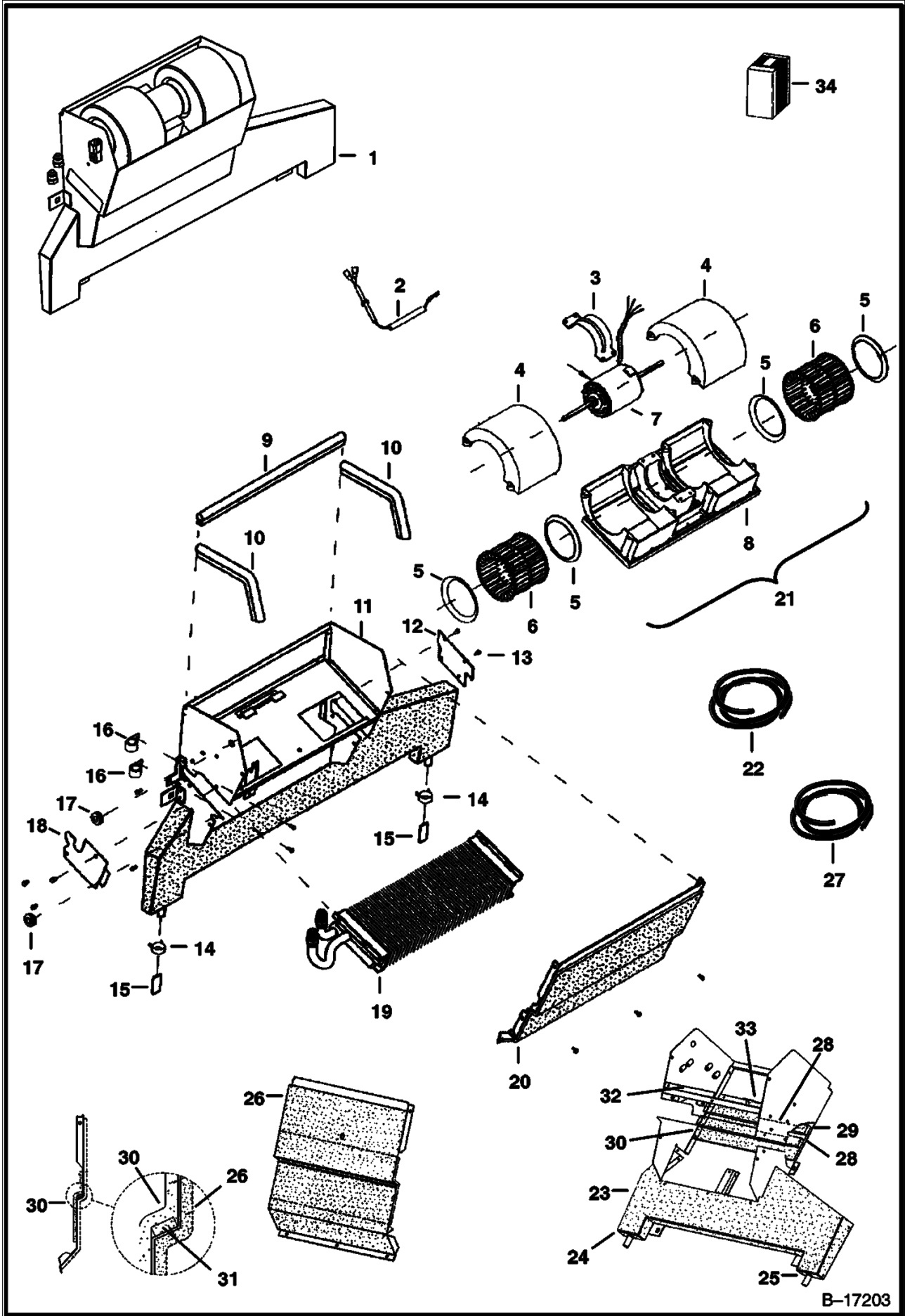


PE-2465

**HEATER & A/C (Cont'd)
(Heater Kit) (Barbed Heater Valve)**

| Ref No | Part Number | Description | Remarks | Serial Number | Qty |
|--------|-------------|---------------------------|---|---------------|-----|
| 1 | 7108167 | HEATER KIT | | | 1 |
| 2 | 6725933 | HARNESS | hvac-W/Ref. 17 | | 1 |
| 2 | 6725273 | HARNESS | AHC | | 1 |
| 3 | 6669091 | CLIP | retainer | | 3 |
| 4 | 6669224 | BOLT | | | 3 |
| 5 | 6674228 | PANEL | control | | 1 |
| 5 | 6640699 | CONNECTOR | | | 1 |
| 5 | 6718579 | DECAL | | | 1 |
| 5 | 6718887 | PANEL | A/C | | 1 |
| 5 | 6675176 | SWITCH | blower | | 1 |
| 5 | 6675177 | KNOB | | | 2 |
| 5 | 6675846 | POTENTIOMETE R | | | 1 |
| 6 | 6675181 | PLUG | switch hole | | 1 |
| 7 | 6681614 | KNOB | | | 2 |
| 8 | 83D4 | NUT 10 | | | 2 |
| 9 | 6718175 | SCREEN | filter | | 1 |
| 10 | 6678207 | FILTER | recirculation | | 1 |
| 11 | 6718837 | SPACER | | | 2 |
| 12 | 37C424 | BOLT | | | 2 |
| 13 | 6727847 | COVER | | | 1 |
| 14 | 6677983 | FILTER, AIR HEATER CAB | | | 1 |
| 15 | 6726386 | KNOB | | | 2 |
| 16 | | HEATER | See Illustration HEATER & A/C/ PE1143 | | 1 |
| 17 | 6670312 | RELAY | relay | | 1 |
| 18 | 7101928 | VALVE, HEATER CAB | barbed hose connectors | | 1 |
| 18 | 6640699 | CONNECTOR | | | 1 |
| 18 | | BRACKET | NAP - Was 6675175 NAP - Was 6675175 [A] | | 1 |
| 18 | 6675172 | BRACKET | | | 1 |
| 18 | 6675173 | ACTUATOR | pig tail | | 1 |
| 18 | 6680054 | ACTUATOR | square plug | | 1 |
| 18 | 6675174 | BODY | | | 1 |
| 19 | 6735246 | DUCT | LH | | 1 |
| 20 | 6735245 | DUCT | RH | | 1 |
| 21 | 6675179 | FLANGE | | | 4 |
| 22 | 57G608 | SCREW | | | 16 |
| 23 | 6674231 | VENT, HEATER CAB ROUND | round | | 4 |
| 24 | 37C512 | BOLT | | | 4 |
| 25 | 59D5 | NUT 5 | | | 4 |
| 26 | 35C410 | BOLT 5 | | | 4 |
| 27 | 84G3110 | SCREW | | | 2 |
| 28 | 6676516 | NUT | push | | 2 |
| 29 | 7121572 | DECAL PACKAGE | decal - Was 6725513 [A] | | 1 |
| 30 | 6903305 | INSTRUCTIONS | | | 1 |

HEATER & A/C
 (Heater) (S/N 517616547 & Below, 518011614 & Below,
 519015163 & Below, 519211131 & Below)

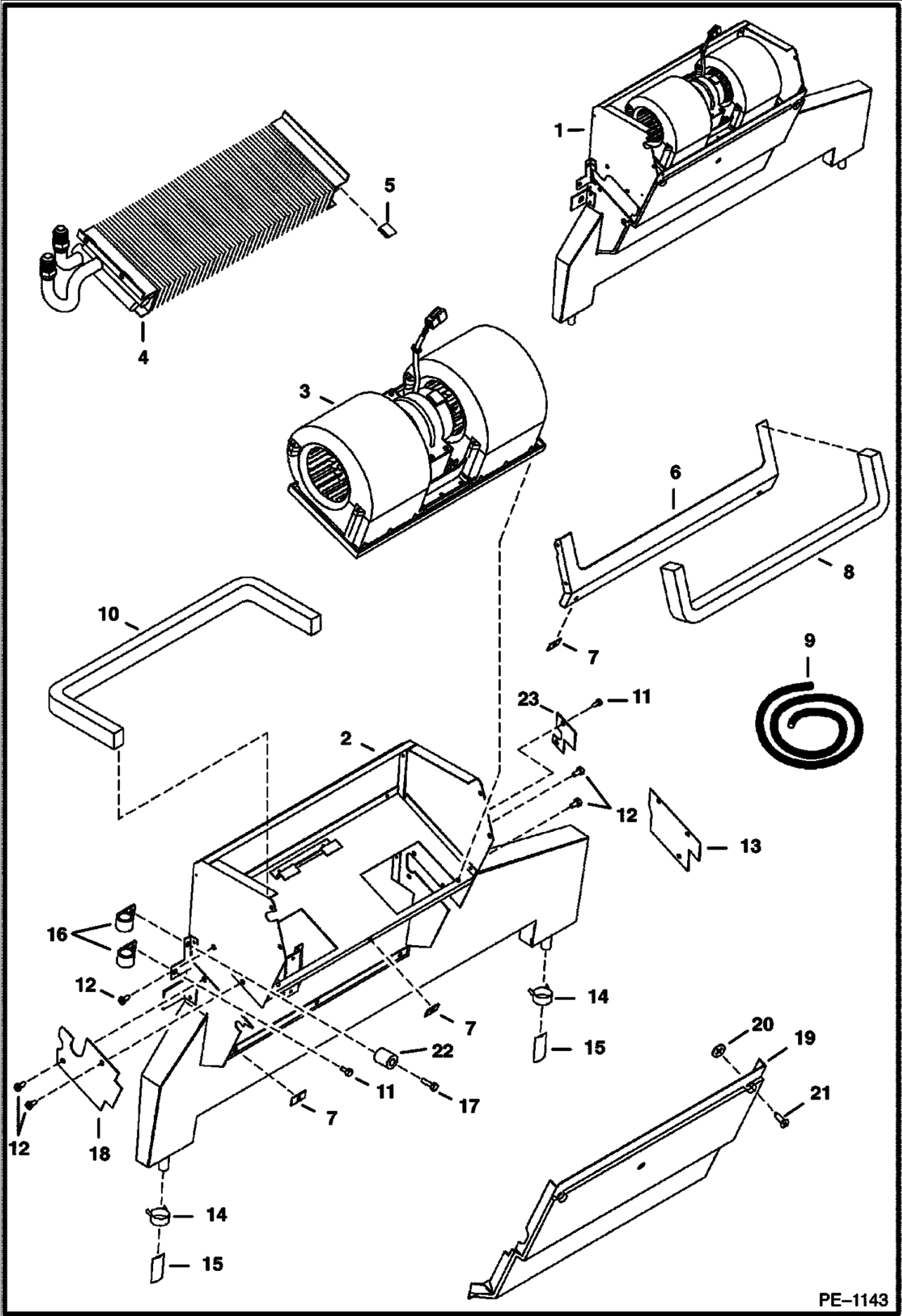


B-17203

HEATER & A/C (Cont'd)
(Heater) (S/N 517616547 & Below, 518011614 & Below,
519015163 & Below. 519211131 & Below)

| Ref No | Part Number | Description | Remarks | Serial Number | Qty |
|--------|-------------|------------------------|---|---------------|-----|
| 1 | | HEATER | NAP - Ref. 2-22 - Order 6676562 Heater - Was 6674933 [A] | | 1 |
| 1 | 6676562 | HEATER | | | 1 |
| 2 | 6675508 | HARNESS | | | 1 |
| 3 | 6675506 | MOUNT | | | 1 |
| 4 | 6675507 | COVER | | | 2 |
| 5 | 6675504 | RING | | | 4 |
| 6 | 6675505 | BLOWER WHEEL | | | 2 |
| 6 | 6676618 | CLIP | | | 2 |
| 7 | 6675509 | MOTOR, HEATER CAB | | | 1 |
| 8 | 6675503 | HOUSING | | | 1 |
| 9 | | SEAL | NAP - 14.75"(375 mm) long - Order Ref. 22 | | 1 |
| 10 | | SEAL | NAP - 8.5"(215 mm) long - Order Ref. 22 | | 2 |
| 11 | 6675499 | HOUSING | W/Ref. 23 - 25 & 28 - 30 | | 1 |
| 12 | 6675502 | PLATE | cover | | 1 |
| 13 | | BOLT | | | x |
| 14 | 6675510 | CLAMP | | | 2 |
| 15 | 6675511 | DRAIN VALVE | | | 2 |
| 16 | 6675512 | CLAMP | | | 2 |
| 17 | 6675513 | GROMMET | | | 2 |
| 18 | 6675501 | PLATE | cover | | 1 |
| 19 | | COIL | See Illustration HEATER & A/C/ PE1143 NAP - Was 6675498 [A] | | 1 |
| 20 | 6675500 | COVER | W/Ref. 26, 27, & 30 | | 1 |
| 21 | 6675497 | BLOWER, HEATER AND A/C | Ref. 2 - 8 | | 1 |
| 22 | 6675514 | SEAL - PER FOOT | bulk - Sold Per Foot | | x |
| 23 | 6688401 | INSULATION | Was 6675607 [A] | | 1 |
| 24 | 6675608 | INSULATION | | | 1 |
| 25 | 6675609 | INSULATION | | | 1 |
| 26 | 6688400 | INSULATION | Was 6675610 [A] | | 1 |
| 27 | 6675611 | SEAL | bulk - Sold Per Foot | | x |
| 28 | 6675612 | INSULATION | | | 2 |
| 29 | 6675613 | INSULATION | | | 1 |
| 30 | 6675614 | INSULATION | | | 2 |
| 31 | 6728567 | KIT | See Illustration HEATER & A/C/ PE1151 blower seal | | 1 |
| 32 | | SEAL | NAP - 15"(38,1 mm) long - Order Ref. 27 | | 1 |
| 33 | | SEAL | NAP - 5.5"(140 mm) long - Order Ref. 27 | | 1 |
| 34 | | SEAL | NAP - 4"(101,6 mm) long - Order Ref. 27 | | 1 |

HEATER & A/C
 (HVAC Assembly) (S/N 517616548 & Above., 500K11001 & Above,
 518011615 & Above. 519015164 & Above. 519111001 & Above. 519211132 & Above)

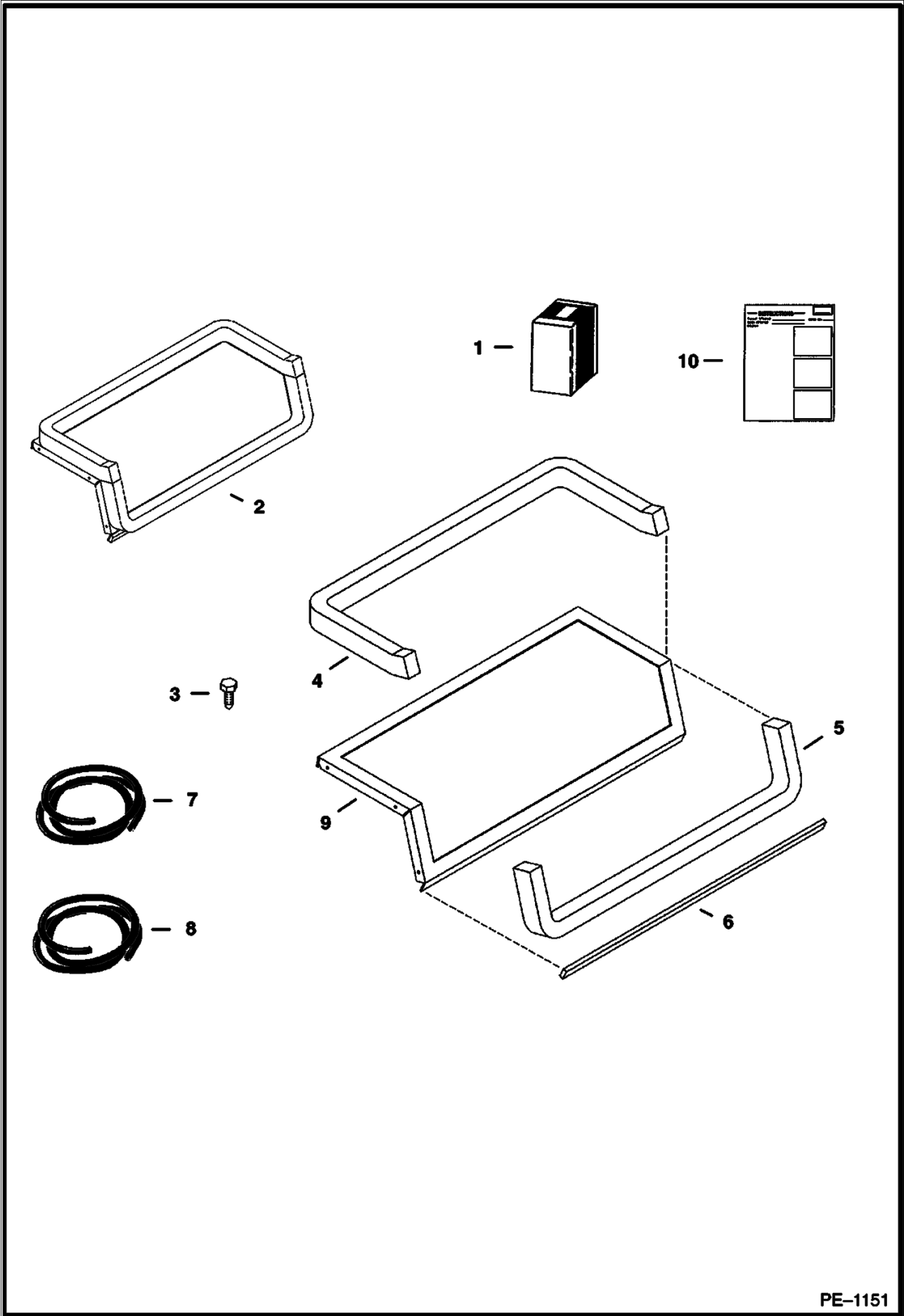


PE-1143

HEATER & A/C (Cont'd)
(HVAC Assembly) (S/N 517616548 & Above., 500K11001 & Above,
518011615 & Above. 519015164 & Above. 519111001 & Above. 519211132 & Above)

| Ref No | Part Number | Description | Remarks | Serial Number | Qty |
|--------|-------------|------------------------|---|---------------|-----|
| 1 | 6676562 | HEATER | Ref. 2-23 - W/threaded hose connectors | | 1 |
| 1 | 6688371 | HEATER | Ref. 2-23 - W/barbed hose connectors - Was 7101926 [A] | | 1 |
| 2 | 6677108 | HOUSING | | | 1 |
| 3 | 6675497 | BLOWER, HEATER AND A/C | See Illustration HEATER & A/C/ B17203 ASSY | | 1 |
| 4 | | COIL | See Illustration HEATER & A/C/ PE1228 NAP - heater - W/threaded hose connectors | | 1 |
| 4 | | COIL | See Illustration HEATER & A/C/ PE1228 NAP - heater - W/barbed hose connectors | | 1 |
| 5 | 6676539 | CLIP | | | 3 |
| 6 | | NAP | Order Ref. 19 (6678151 Cover) & 6678152 Seal - Was 6677114 [A] | | 1 |
| 6 | 6678152 | SEAL FLANGE | | | 1 |
| 7 | 6677115 | RECEPTACLE | | | 6 |
| 8 | | SEAL | NAP - 22.6" (575 mm) long - Order Ref. 9 | | 1 |
| 9 | 6677111 | SEAL | bulk - sold per foot | | x |
| 10 | | SEAL | NAP - 25" (635 mm) long - Order Ref. 9 | | 1 |
| 11 | 6677118 | SCREW | W/washer | | 3 |
| 12 | 6677119 | SCREW | sheetmetal | | 7 |
| 13 | 6677120 | COVER | | | 1 |
| 14 | 6675510 | CLAMP | drain hose | | 2 |
| 15 | 6675511 | DRAIN VALVE | | | 2 |
| 16 | 6675512 | CLAMP | hose | | 2 |
| 17 | 6676653 | SCREW | | | 1 |
| 18 | 6677504 | COVER | Was 6676604 [A] | | 1 |
| 19 | | NAP | Order Ref. 6 (6678152 Seal) & 6678151 Cover - Was 6677109 [A] | | 1 |
| 19 | 6678151 | COVER | | | 1 |
| 20 | 6677116 | RETAINER | | | 6 |
| 21 | 6677117 | SCREW | captive | | 6 |
| 22 | 6676606 | SPACER | | | 1 |
| 23 | 6677105 | COVER | | & Above | 1 |

HEATER & A/C (Blower Seal Kit)

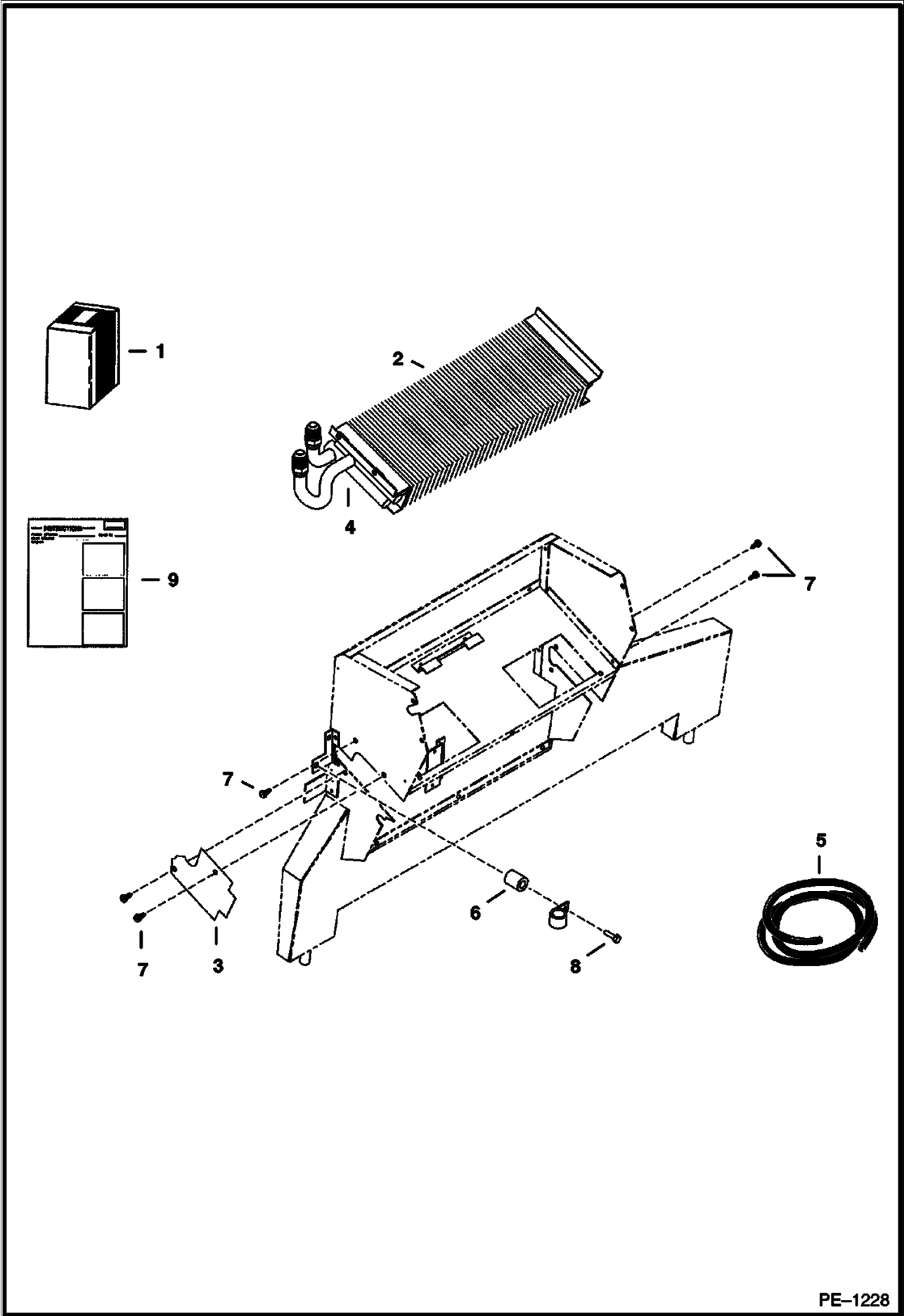


PE-1151

HEATER & A/C (Cont'd) (Blower Seal Kit)

| Ref No | Part Number | Description | Remarks | Serial Number | Qty |
|--------|-------------|--------------|--|---------------|-----|
| 1 | 6728567 | KIT | blower seal - W/Ref. 2, 3 & 10 | | 1 |
| 2 | | FLANGE SEAL | NSS - assy - Ref. 4, 5, 6 & 9 - Order Ref. 1 | | 1 |
| 3 | 6726621 | SCREW | | | 7 |
| 4 | | SEAL | NAP - 27" (686mm) long - Order Ref. 8 | | 1 |
| 5 | | SEAL | NAP - 21" (534mm) long - Order Ref. 8 | | 1 |
| 6 | | SEAL | NAP - 15" (384mm) long - Order Ref. 8 | | 1 |
| 7 | 6675611 | SEAL | bulk - Sold Per Foot | | x |
| 8 | 6677111 | SEAL | bulk - sold per foot | | x |
| 9 | | FLANGE | NSS - Order Ref. 1 | | 1 |
| 10 | 6901213 | INSTRUCTIONS | | | 1 |

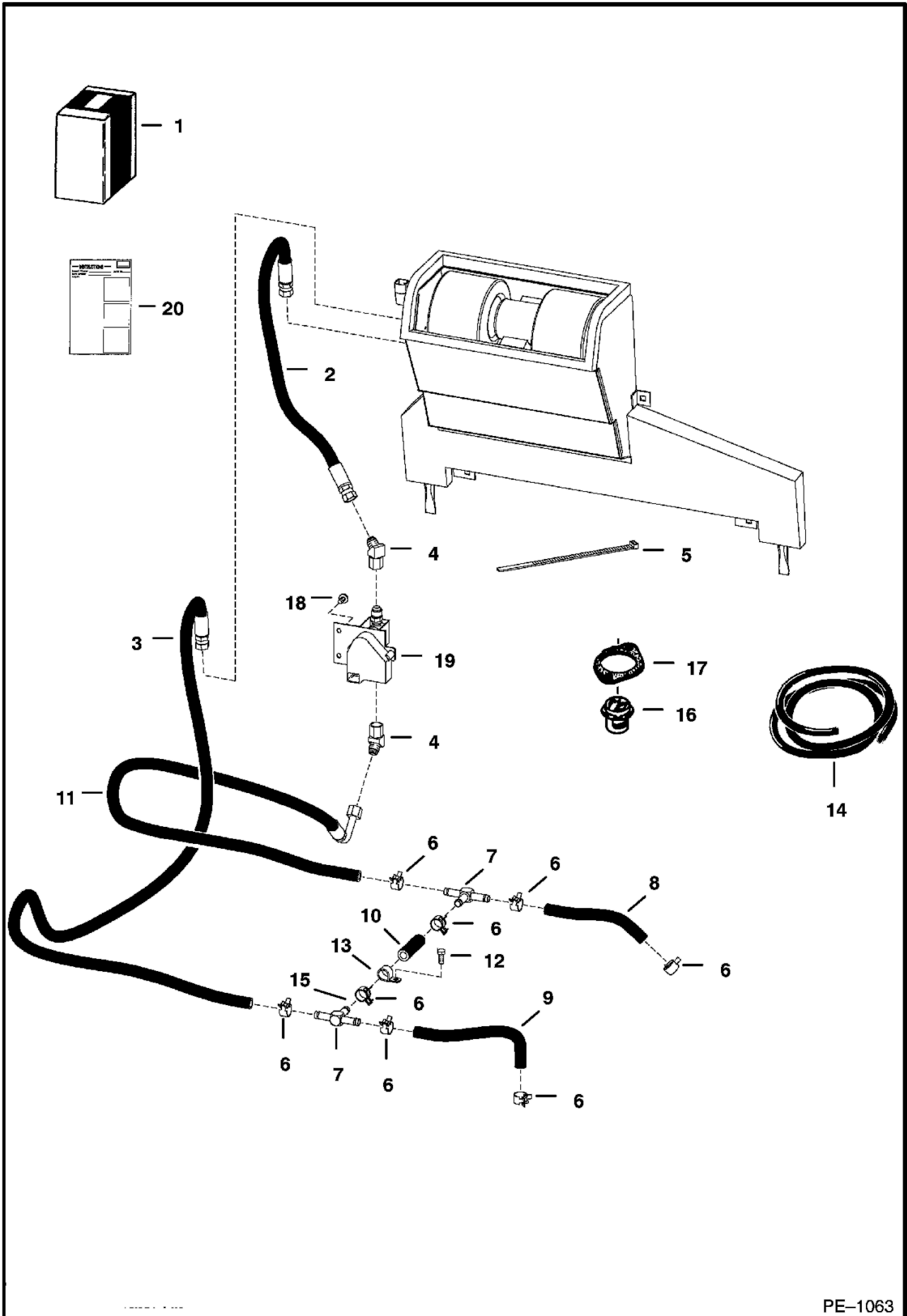
HEATER & A/C (Heater Coil Kit)



HEATER & A/C (Cont'd) (Heater Coil Kit)

| Ref No | Part Number | Description | Remarks | Serial Number | Qty |
|--------|-------------|-----------------|--|---------------|-----|
| 1 | 6727786 | KIT | heater coil - threaded hose connectors - Ref. 2-9 - Was 6728990 [A] | | 1 |
| 1 | 7132549 | HEATER COIL KIT | heater coil - barbed hose connectors - Ref. 2, 4 & 9 - Was 6691065 [A] | | 1 |
| 2 | | HEATER COIL | NSS - threaded hose connectors - Order Ref. 1 (6727786 Kit) | | 1 |
| 2 | | HEATER COIL | NSS - barbed hose connectors - Order Ref. 1 (7132549 kit) | | 1 |
| 3 | 6677504 | COVER | .279" (7,1 mm) thick | | 1 |
| 4 | | INSULATION | NAP - 6"(152.4mm) long - Order Ref. 5 | | 1 |
| 5 | 6676538 | INSULATION | bulk - sold per foot | | x |
| 6 | 6676606 | SPACER | | | 1 |
| 7 | 6726621 | SCREW | | | 2 |
| 8 | 6676653 | SCREW | | | 1 |
| 9 | 6901120 | INSTRUCTIONS | | | 1 |

HEATER & A/C
 (Heater Plumbing Kit) (S/N 500K12372 & Below, 517620466 & Below,
 518012481 & Below. 518112360 & Below. 519021914 & Below. 519212417 & Below)

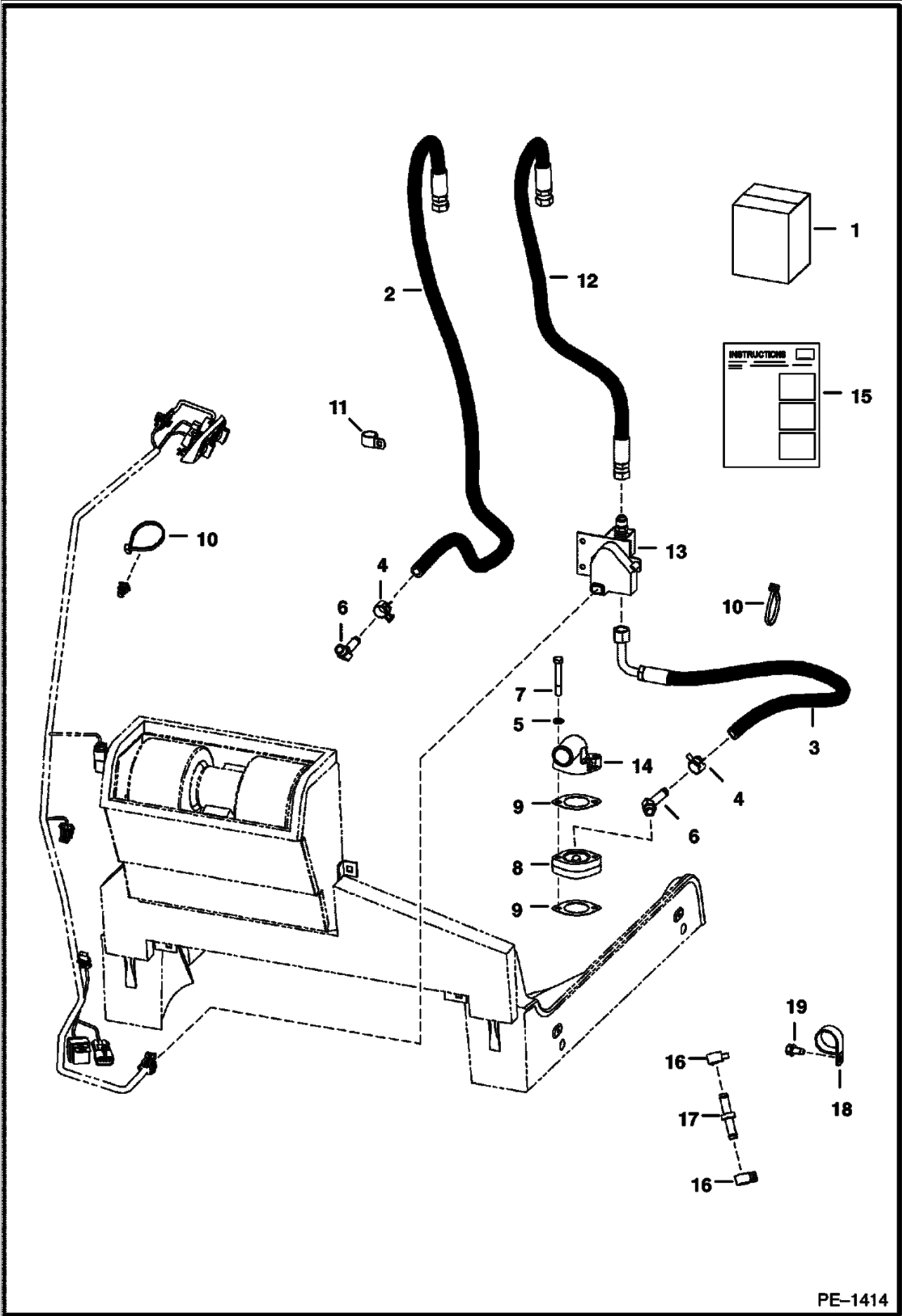


PE-1063

HEATER & A/C (Cont'd)
(Heater Plumbing Kit) (S/N 500K12372 & Below, 517620466 & Below,
518012481 & Below. 518112360 & Below. 519021914 & Below. 519212417 & Below)

| Ref No | Part Number | Description | Remarks | Serial Number | Qty |
|--------|-------------|--------------|--|---------------|-----|
| 1 | | KIT | See Illustration HEATER & A/C/ PE1414 See Illustration ENGINE & ATTACHING PARTS/ PE1059R See Illustration ENGINE & ATTACHING PARTS/ PE1058 NAP - REF. 2 - 17 - ORDER COMPONENTS & 6730999 TUBE - Was 6718809 [A] | | 1 |
| 2 | | HOSE | NAP - 40"(1016 mm) long - Order 6719144 Hose & relocate Ref. 19 - Was 6717986 [A] | | 1 |
| 2 | 6719144 | HOSE | 34"(863,6 mm) long - W/spring guard | | 1 |
| 3 | 6719080 | HOSE | W/spring guard - Was 6717876 [A] | | 1 |
| 4 | 12K6 | UNION | Was 12KN00006B [A] | | 2 |
| 5 | 6624289 | STRAP 10 | | | 4 |
| 6 | 5HM20 | CLAMP | hose | | 8 |
| 7 | 6718578 | TEE | | | 2 |
| 8 | | HOSE | NAP - 8.3"(210,8 mm) long - Order Ref. 14 | | x |
| 9 | | HOSE | NAP - 10.5"(266,7 mm) long - Order Ref. 14 | | 1 |
| 10 | | HOSE | NAP - 3"(76,2 mm) long - Order Ref. 14 | | 1 |
| 11 | 6717987 | HOSE | | | 1 |
| 12 | 1CM820 | BOLT | | | 1 |
| 13 | 30H64 | CLAMP | insulated | | 1 |
| 14 | 6674905 | HOSE | bulk - Sold Per Foot | | x |
| 15 | 6592852 | ORIFICE | | | 1 |
| 16 | 6630184 | THERMOSTAT | | | 1 |
| 17 | 6732199 | GASKET | thermostat - Was 6666790 [A] | | 1 |
| 18 | 17C512 | BOLT 5 | Not in Kit | | 2 |
| 18 | 95D5 | NUT | Not in Kit | | 2 |
| 19 | | VALVE | See Illustration HEATER & A/C/ PE1587R NOT IN KIT | | 1 |
| 20 | 6900850 | INSTRUCTIONS | See Illustration HEATER & A/C/ PE1587R INSTRUCTIONS NOT IN KIT | | 1 |

HEATER & A/C
(Heater Plumbing Kit) (S/N 500K12373 & Above, 517620467 & Above,
518012482 & Above. 518112361 & Above. 519021915 & Above. 519212418 & Above)

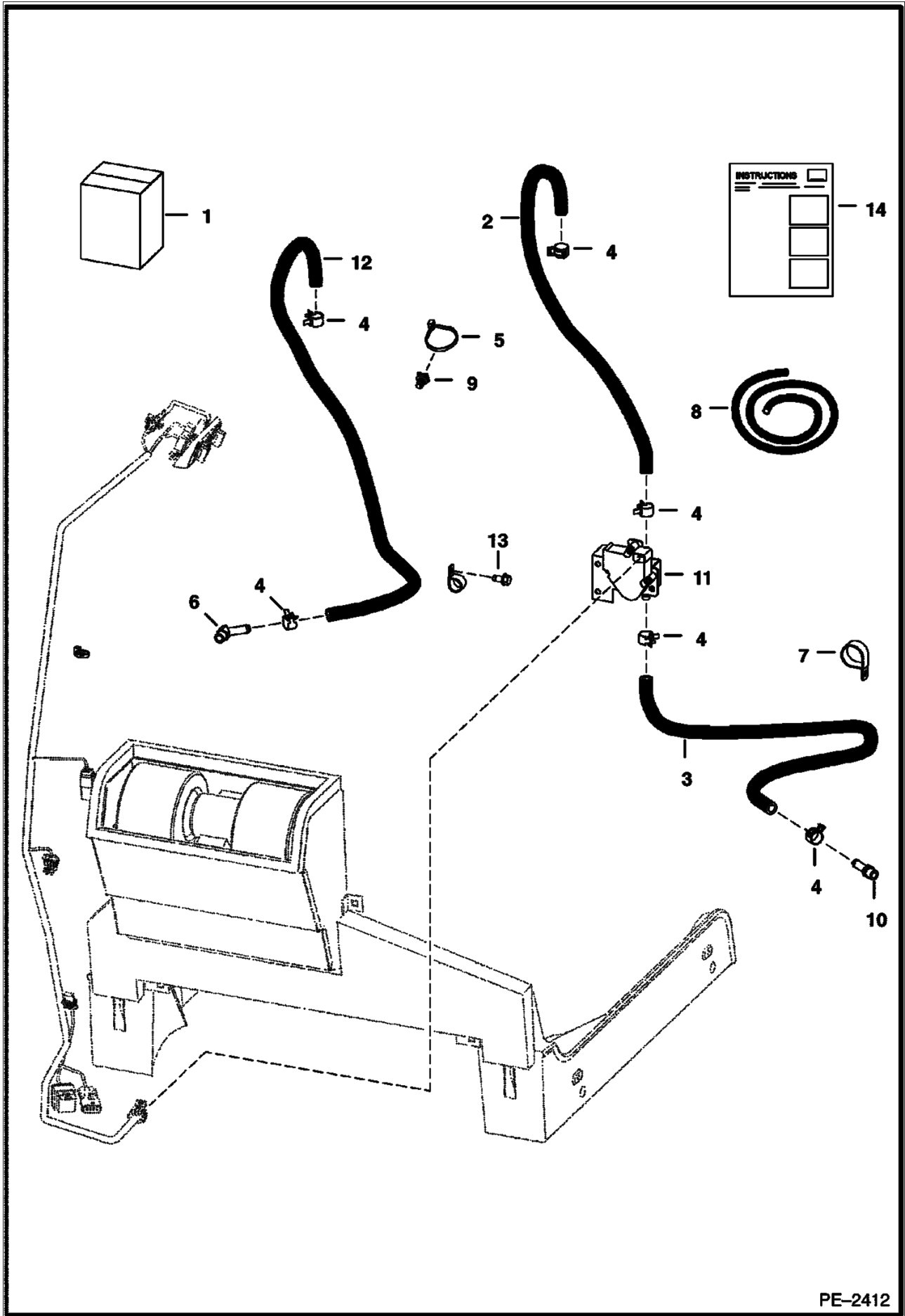


PE-1414

HEATER & A/C (Cont'd)
(Heater Plumbing Kit) (S/N 500K12373 & Above, 517620467 & Above,
518012482 & Above, 518112361 & Above, 519021915 & Above, 519212418 & Above)

| Ref No | Part Number | Description | Remarks | Serial Number | Qty |
|--------|-------------|----------------|---|---------------|-----|
| 1 | | KIT | See Illustration HEATER & A/C/ PE1587R NAP - REF. 2 - 12 - FOR HEATER KIT w/ threaded hose connectors - Order 7108169 kit - Was 6731158 [A] | | 1 |
| 2 | 6730996 | HOSE | W/10" spring guard | | 1 |
| 3 | 6730998 | HOSE | | | 1 |
| 4 | 5HM20 | CLAMP | hose | | 2 |
| 5 | 6EM80 | WASHER, SPRING | | | 2 |
| 6 | 6731085 | ELBOW | | | 2 |
| 7 | 1CM860 | BOLT | Was 1CM00870B [B] | | 2 |
| 8 | 6731049 | ADAPTER | | | 1 |
| 9 | 6732199 | GASKET | thermostat - Was 6666790 [A] | | 2 |
| 10 | 6624289 | STRAP 10 | | | 3 |
| 11 | 30H45 | CLIP | insulated | | 1 |
| 12 | 6719144 | HOSE | 34"(863,6 mm) long - W/spring guard | | 1 |
| 13 | | VALVE | See Illustration HEATER & A/C/ PE1587R NOT IN KIT | | 1 |
| 14 | | HOUSING | See Illustration WATER FLANGE & THERMOSTAT/ B16454 THERMOSTAT - NOT IN KIT | | 1 |
| 15 | 6900850 | INSTRUCTIONS | INSTRUCTIONS Not in Kit | | 1 |
| 16 | 30H60 | CLIP | insolated - not in kit - SEE NOTE | | 1 |
| 17 | 6732023 | CONNECTOR | Not in Kit - Used in factory option only | | 1 |
| 18 | 5HM20 | CLAMP | Not in Kit - Used in factory option only | | 2 |
| 19 | 84G3712 | BOLT | not in kit - Used in factory option only | | 1 |

HEATER (Heater Plumbing Kit)

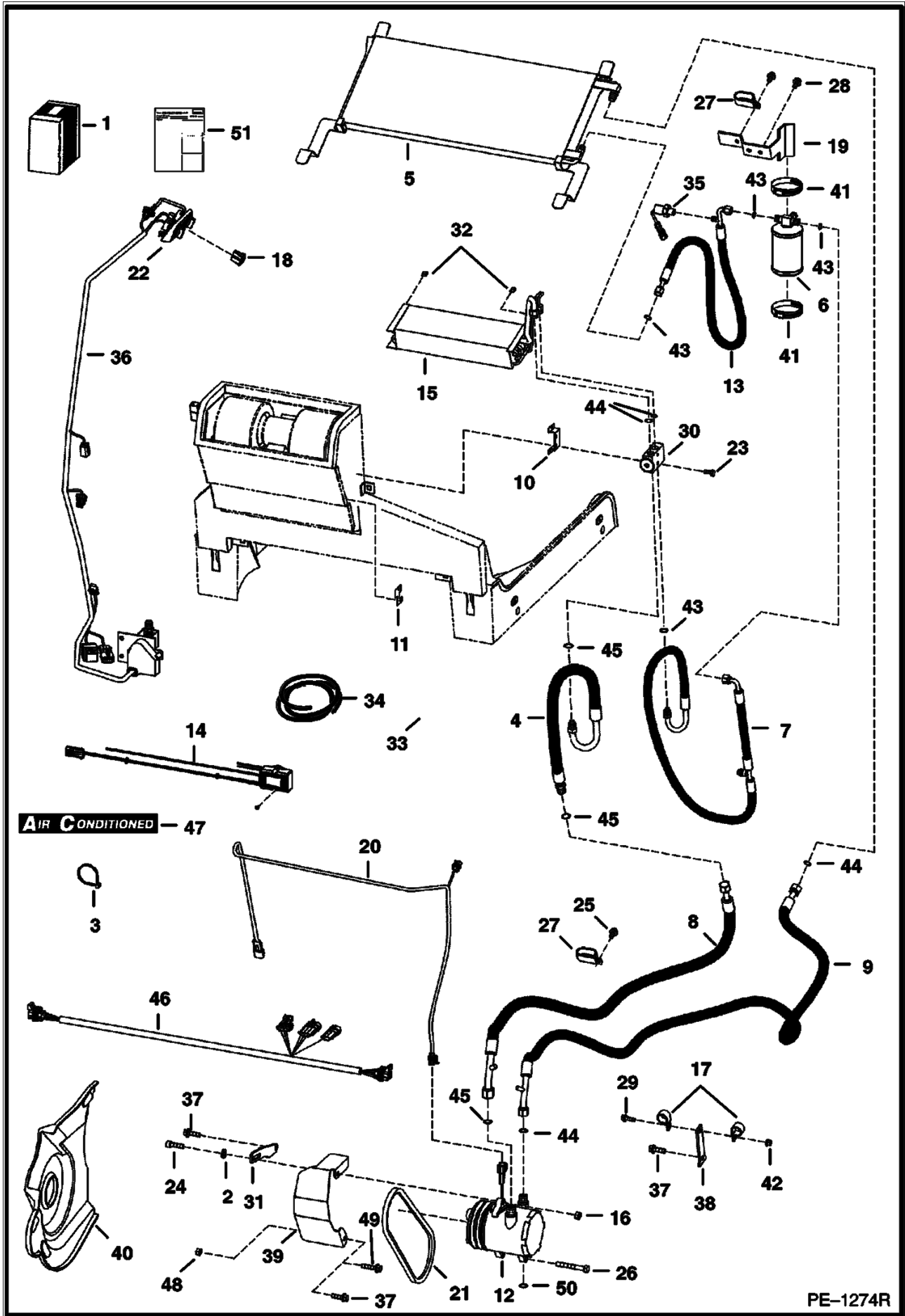


PE-2412

HEATER (Cont'd) (Heater Plumbing Kit)

| Ref No | Part Number | Description | Remarks | Serial Number | Qty |
|--------|-------------|------------------|---|---------------|-----|
| 1 | 7108169 | KIT,HTR PLUMBING | See Illustration HEATER & A/C/ PE2465 REF. 2 - 10 - for heater kit W/barbed hose connectors | | 1 |
| 2 | | HOSE | NAP - 32 in (812,8 mm) long - order Ref. 8 | | 1 |
| 3 | | HOSE | NAP - 47 in (1193,8 mm) long - order Ref. 8 | | 1 |
| 4 | 5HM20 | CLAMP | hose | | 6 |
| 5 | 6624289 | STRAP 10 | | | 3 |
| 6 | 6731085 | ELBOW | | | 2 |
| 7 | 30H60 | CLIP | insulated | | 1 |
| 8 | 6565977 | HOSE | bulk - sold per foot | | x |
| 9 | 6678666 | TREE MOUNT | push in - Use W/tie strap | | 2 |
| 10 | 6731084 | ADAPTER | | | 1 |
| 11 | | VALVE | See Illustration HEATER & A/C/ PE2465 NOT IN KIT | | 1 |
| 12 | | | NAP - 37 in. (939,8 mm) long - Order Ref. 8 | | 1 |
| 13 | 84G3712 | BOLT | | | 1 |
| 14 | 6903305 | INSTRUCTIONS | Not in Kit - part of heater kit - Was 6900850 [B] | | 1 |

HEATER & A/C
(A/C Kit) (S/N 519015064 & Above)

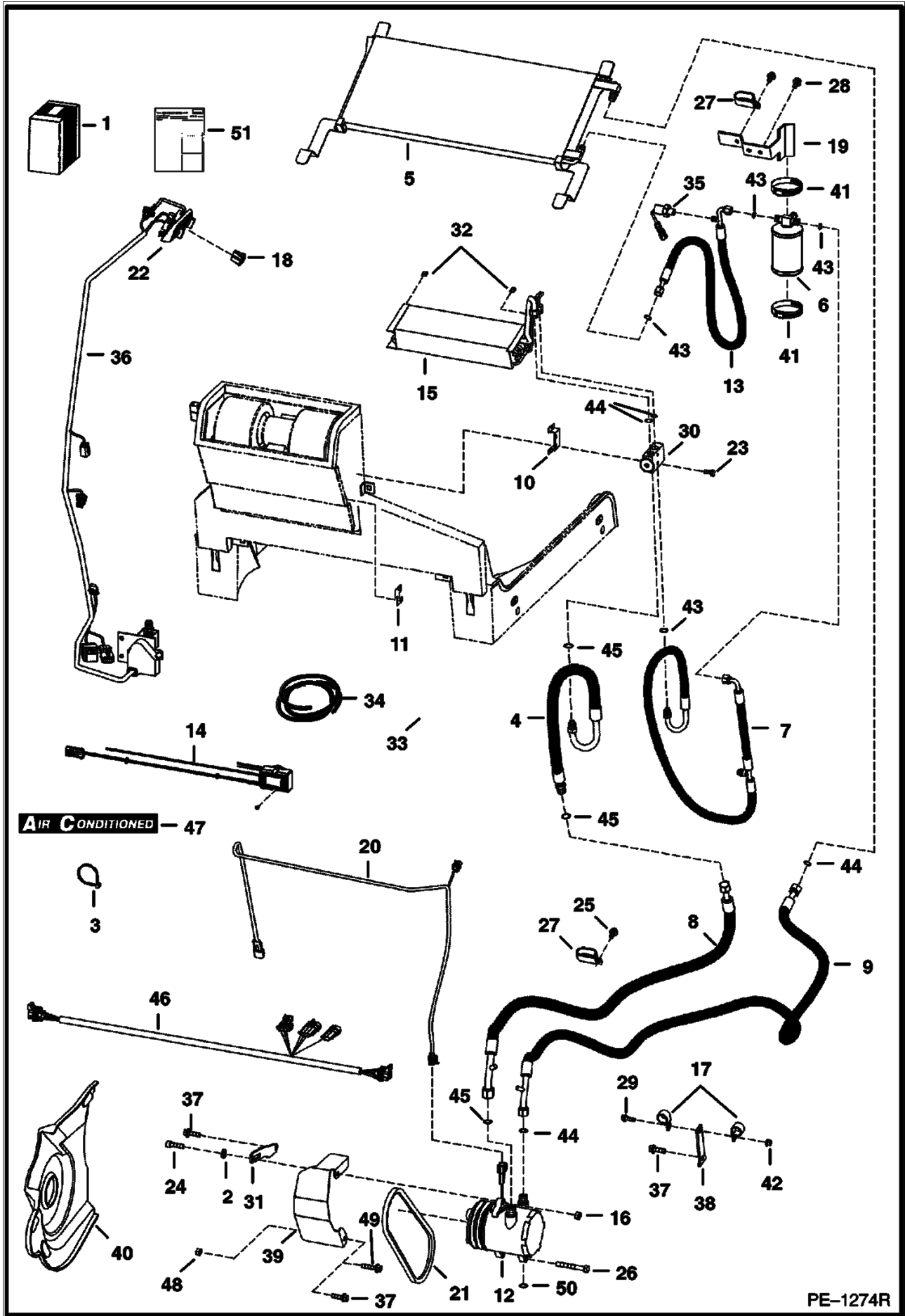


PE-1274R

**HEATER & A/C (Cont'd)
(A/C Kit) (S/N 519015064 & Above)**

| Ref No | Part Number | Description | Remarks | Serial Number | Qty |
|--------|-------------|---------------------|--|---------------|-----|
| 1 | 6729004 | KIT | If loader is equipped with Heater and utilizes HVAC Harness 6717877 or 6725275 , Also Order Ref. 46. | | 1 |
| 2 | 6557831 | WASHER | | | 1 |
| 3 | 6624289 | STRAP 10 | | | 5 |
| 4 | 6726623 | HOSE | | | 1 |
| 5 | 6732486 | CONDENSER | A/C - Was 6726983 [A] | | 1 |
| 6 | 6674235 | RECEIVER DRIER | | | 1 |
| 6 | 6676062 | VALVE | relief | | 1 |
| 7 | 6698442 | HOSE | Was 6675075 [A] | | 1 |
| 7 | 6677122 | CAP | | | 1 |
| 8 | 6726656 | HOSE | | | 1 |
| 8 | 6685199 | CAP | | | 1 |
| 9 | 6726661 | HOSE, A/C ASSY | | | 1 |
| 9 | | CAP | NAP - Was 6685198 [A] | | 1 |
| 10 | 6676984 | MOUNT | valve | | 1 |
| 11 | 6677105 | COVER | plate | | 1 |
| 12 | | COMPRESSOR | NAP - Order 6733655 compressor - Was 6675667 [A] | | 1 |
| 12 | 6733655 | COMPRESSOR | W/Ref. 50 | | 1 |
| 12 | 6679145 | CLUTCH | Was 6675828 [D] | | 1 |
| 12 | 6648307 | CONNECTOR | 2-pin | | 1 |
| 12 | 6648308 | CONNECTOR | | | 1 |
| 13 | 6727414 | HOSE | | | 1 |
| 14 | 6683004 | THERMOSTAT | Was 6675790 [A] | | 1 |
| 15 | 6683003 | COIL | evaporator - Was 6675533 [A] | | 1 |
| 16 | 53DM10 | NUT | Was 2DM00010B [B] | | 1 |
| 17 | 30H50 | CLIP | | | 3 |
| 18 | 6719176 | SWITCH ROCKER | | | 1 |
| 19 | 6726620 | BRACKET | receiver drier | | 1 |
| 20 | 6726888 | HARNESS | | | 1 |
| 21 | 6726988 | BELT | compressor | | 1 |
| 22 | 6726621 | SCREW | | | 2 |
| 23 | 1CM635 | BOLT | | | 2 |
| 24 | 2GM1035 | BOLT | | | 1 |
| 25 | 84G3716 | SCREW 5 | | | 1 |
| 26 | 5CM1080 | SCREW | | | 1 |
| 27 | 31H46 | CLAMP | | | 2 |
| 28 | 84G3710 | SCREW | | | 3 |
| 29 | 35C516 | BOLT 10 | | | 2 |
| 30 | 6675534 | BLOCK, A/C VALVE | expansion valve | | 1 |
| 31 | 6726648 | BRACKET | swing | | 1 |
| 32 | 6676539 | CLIP | | | 2 |
| 33 | | INSULATION | NAP - tape - 6"(152,4 mm) long - Order Ref. 34 | | 1 |
| 34 | 6676538 | INSULATION | bulk - sold per foot | | x |
| 35 | 6675779 | SWITCH, PRESS | pressure | | 1 |
| 36 | 6725933 | HARNESS | Not in Kit | | 1 |
| 37 | 35C620 | BOLT 5 | Used W/Ref. 39 (6731495 shield) | | 3 |
| 38 | 6728011 | BRACKET | | | 1 |
| 39 | | SHIELD | NAP - belt - Order 6731495 Shield & Ref. 48 & 49 - Was 6727581 [A] | | 1 |
| 39 | 6731495 | SHIELD | belt | | 1 |
| 40 | 7109712 | SHIELD | Was 6726937 [A] | | 1 |
| 41 | 44H48 | CLAMP | | | 2 |
| 42 | 83D5 | NUT 5 | | | 2 |
| 43 | 6675824 | O-RING | #6 | | x |

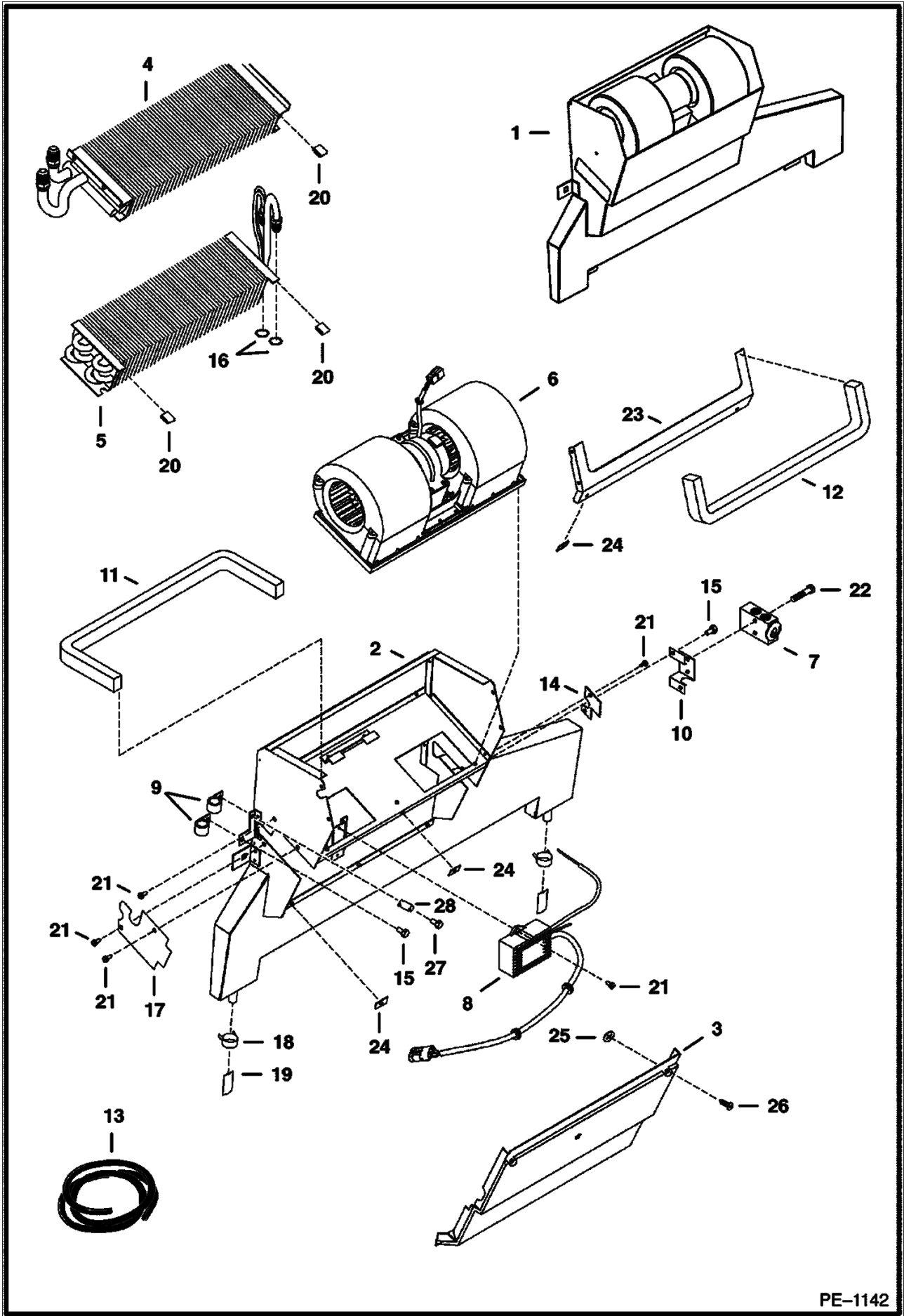
HEATER & A/C (Cont'd)
 (A/C Kit) (S/N 519015064 & Above)



HEATER & A/C (Cont'd)
(A/C Kit) (S/N 519015064 & Above)

| Ref No | Part Number | Description | Remarks | Serial Number | Qty |
|--------|-------------|--------------|---------------------------|---------------|-----|
| 44 | 6675538 | O-RING | #8 | | x |
| 45 | 6675825 | O-RING | #10 | | x |
| 46 | 6726357 | HARNESS | jumper - not in kit | | 1 |
| 47 | 6729077 | DECAL | air conditioned | | 2 |
| 48 | 97D6 | NUT 10 | flanged locknut - grade 5 | | 1 |
| 49 | 35C624 | BOLT | 3/8 x 1.5" - grade 5 | | 1 |
| 50 | 6732732 | BUSHING | | | 1 |
| 51 | 6901224 | INSTRUCTIONS | | | 1 |

HEATER & A/C (HVAC Assembly)

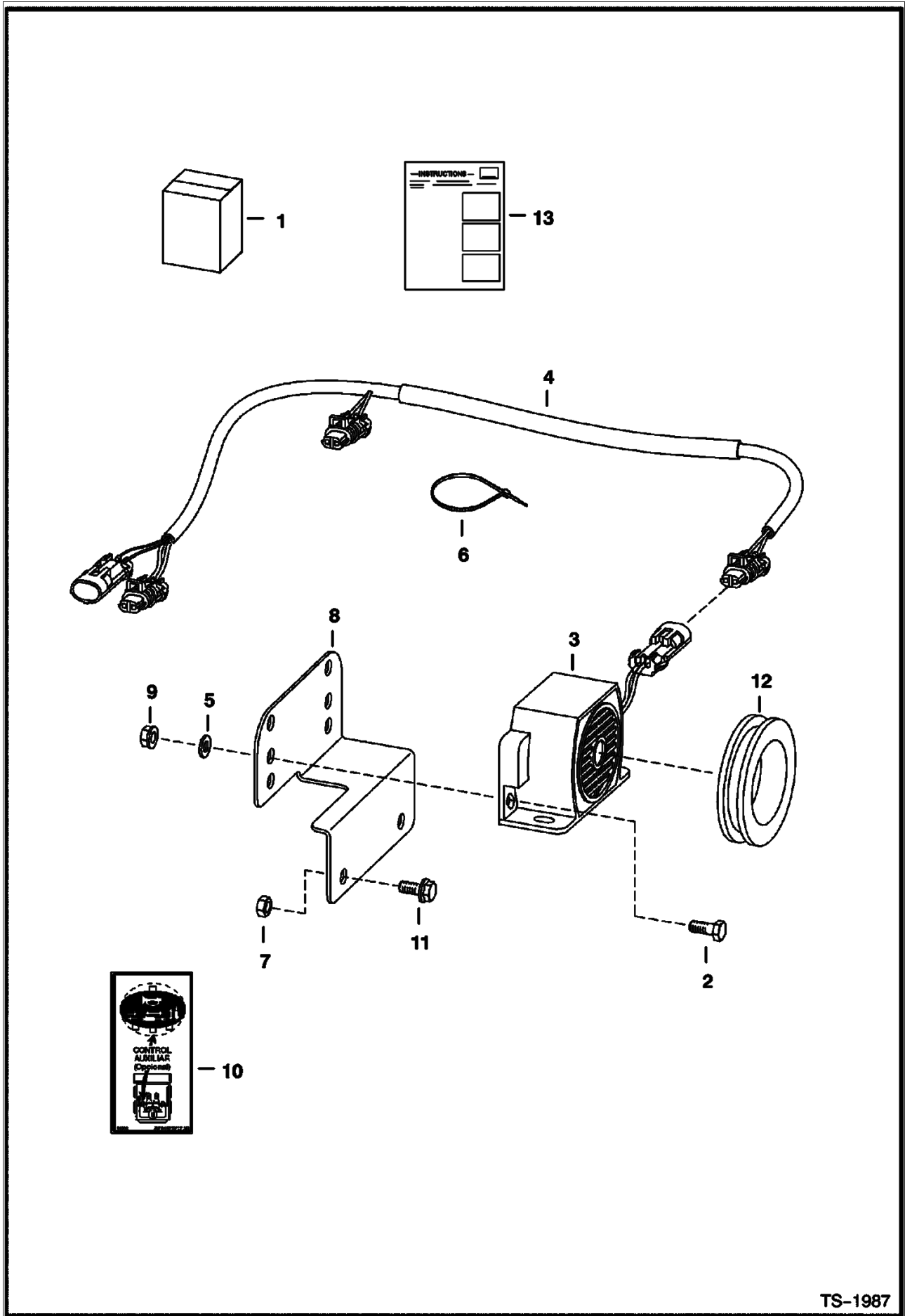


PE-1142

HEATER & A/C (Cont'd) (HVAC Assembly)

| Ref No | Part Number | Description | Remarks | Serial Number | Qty |
|--------|-------------|------------------------|--|---------------|-----|
| 1 | 6683001 | HVAC | Ref. 2-28 - Was 6676561 [A] | | 1 |
| 2 | 6677108 | HOUSING | | | 1 |
| 3 | | COVER | NAP - Order 6678151 Cover & Ref. 23 (6678152 Seal) -Was 6677109 [A] | | 1 |
| 3 | 6678151 | COVER | | | 1 |
| 4 | | COIL | See Illustration HEATER & A/C/ PE1228 NSS - HEATER - ORDER 6727786 HEATER COIL KIT - Was 6676603 [A] | | 1 |
| 5 | 6683003 | COIL | evaporator - Was 6675533 [A] | | 1 |
| 6 | 6675497 | BLOWER, HEATER AND A/C | See Illustration HEATER & A/C/ B17203 ASSY | | 1 |
| 7 | 6675534 | BLOCK, A/C VALVE | | | 1 |
| 8 | 6683004 | THERMOSTAT | Was 6675790 [A] | | 1 |
| 9 | 6675512 | CLAMP | hose | | 2 |
| 10 | 6676984 | MOUNT | valve | | 1 |
| 11 | | SEAL | NAP - 25"(635mm) long - Order Ref. 13 | | 1 |
| 12 | | SEAL | NAP - 22.6"(575mm) long - Order Ref. 13 | | 1 |
| 13 | 6677111 | SEAL | bulk - sold per foot | | x |
| 14 | 6677105 | COVER | | | 1 |
| 15 | 6677118 | SCREW | W/washer | | 3 |
| 16 | 6675538 | O-RING | | | 2 |
| 17 | 6677504 | COVER | Was 6676604 [A] | | 1 |
| 18 | 6675510 | CLAMP | drain hose | | 2 |
| 19 | 6675511 | DRAIN VALVE | | | 2 |
| 20 | 6676539 | CLIP | | | 2 |
| 21 | 6677119 | SCREW | sheetmetal | | 7 |
| 22 | 1CM635 | BOLT | | | 2 |
| 23 | | SEAL | NAP - Order 6678152 Seal & Ref. 3 (6678151 Cover) - Was 6677114 [A] | | 1 |
| 23 | 6678152 | SEAL FLANGE | | | 1 |
| 24 | 6677115 | RECEPTACLE | | | 6 |
| 25 | 6677116 | RETAINER | | | 6 |
| 26 | 6677117 | SCREW | captive | | 6 |
| 27 | 6676653 | SCREW | | | 1 |
| 28 | 6676606 | SPACER | | | 1 |

HORN KIT

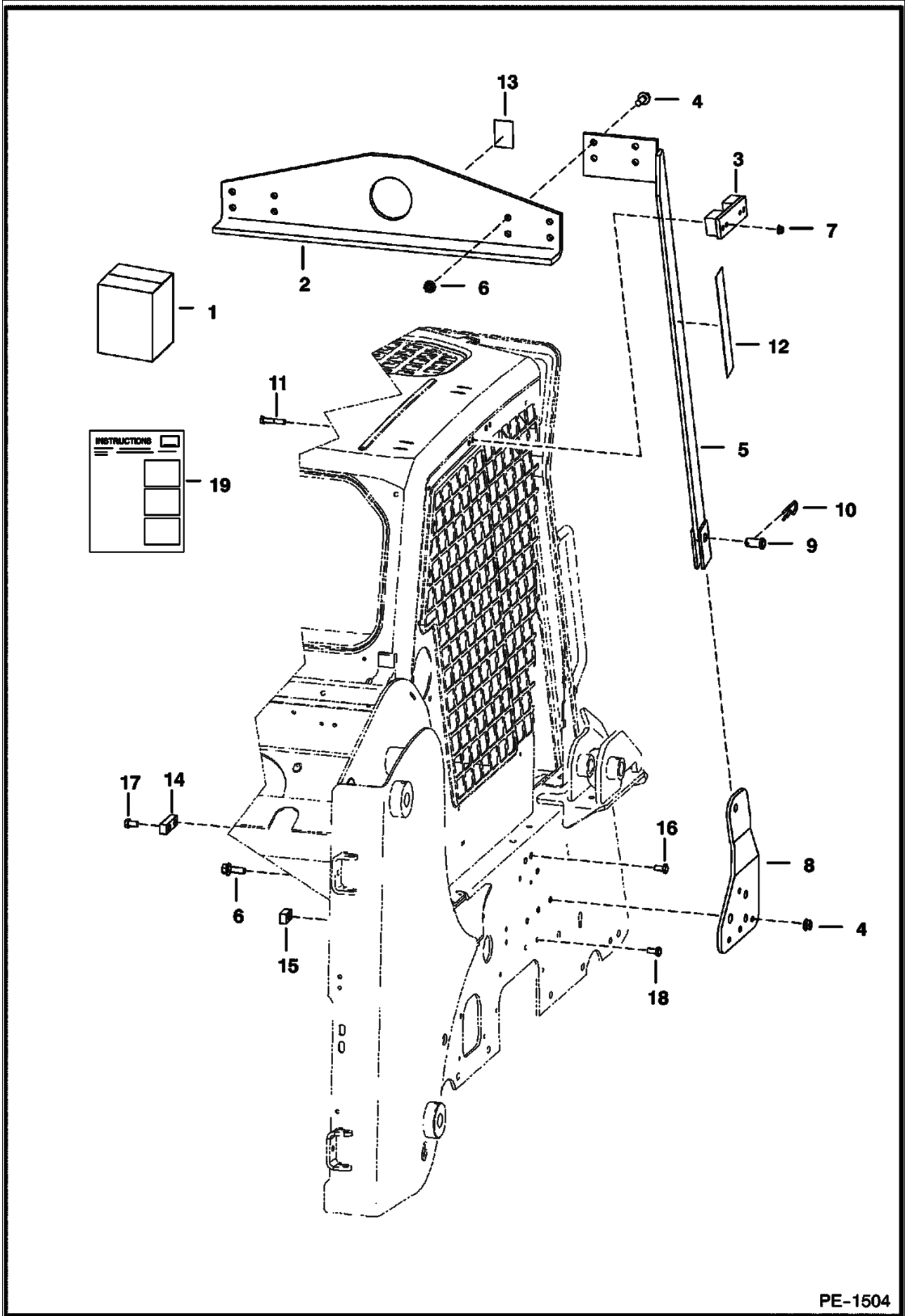


TS-1987

HORN KIT (Cont'd)

| Ref No | Part Number | Description | Remarks | Serial Number | Qty |
|--------|-------------|--------------|---|---------------|-----|
| 1 | 6727995 | KIT, HORN | Ref. 2-12 & 16 - Requires multi-switch handle - Was 6719043 [B] | | 1 |
| 2 | 17C410 | BOLT 10 | | | 2 |
| 3 | 7001044 | HORN, ALARM | Was 6675099 [A] | | 1 |
| 4 | 6727498 | HARNESS | 56.5"(1435 mm) long - Was 6719151 [A] | | 1 |
| 5 | 25E13 | WASHER 5 | | | 1 |
| 6 | 6610510 | TIE | Was 30H23 [B] | | 1 |
| 7 | 83D5 | NUT 5 | Was 61D000005B [B] | | 2 |
| 8 | 6733970 | MOUNT | Was 6707726 [A] | | 1 |
| 9 | 83D4 | NUT 10 | | | 2 |
| 10 | 6703727 | DECAL | horn/aux | | 1 |
| 11 | 35C512 | BOLT | | | 2 |
| 12 | 6577545 | GROMMET | | | 1 |
| 13 | 6901146 | INSTRUCTIONS | INSTRUCTIONS Was 6900913 [B] | | 1 |

**LIFT KIT
(Single Point)
(For Use W/O Window Rib Kit)**

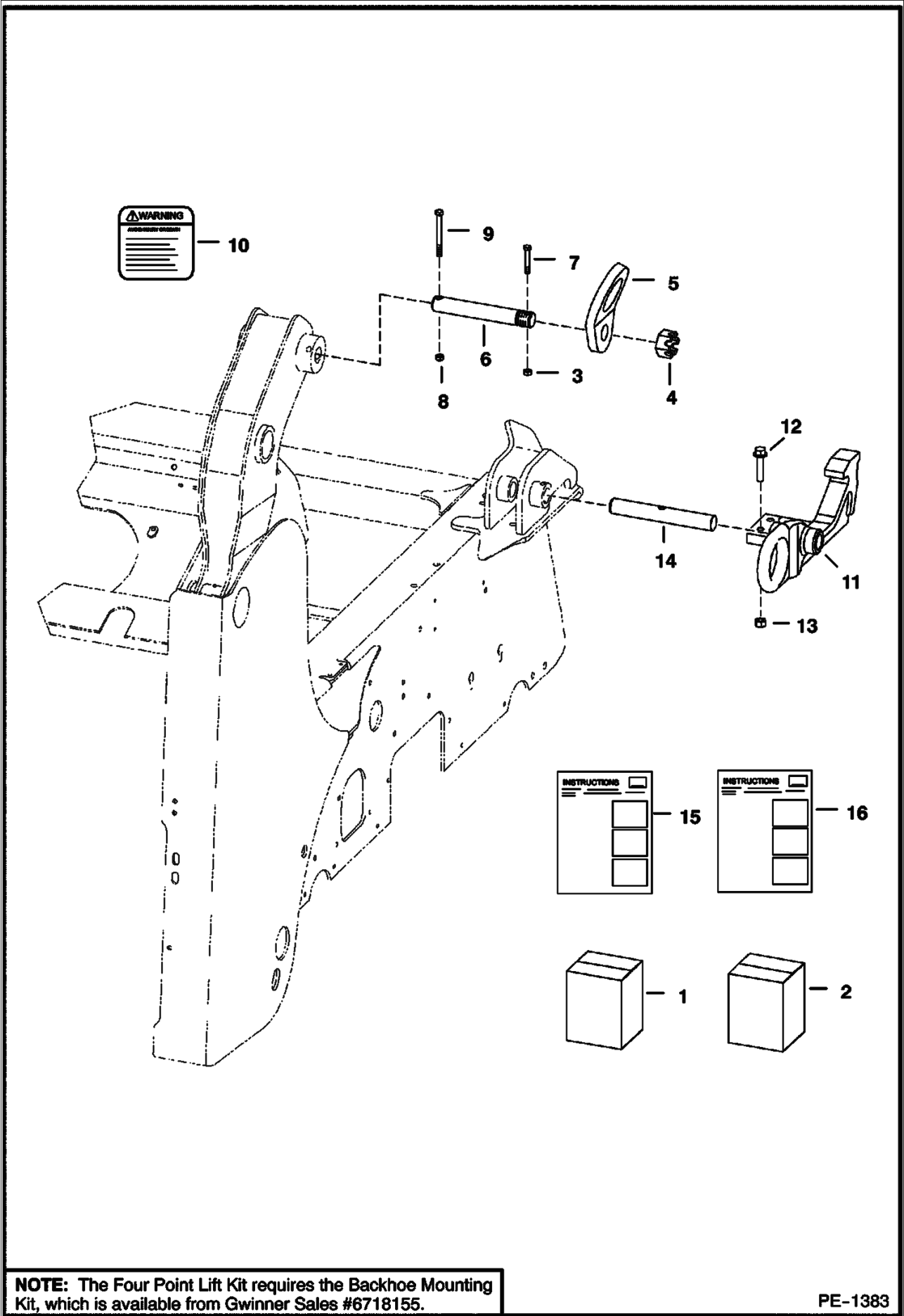


PE-1504

LIFT KIT (Cont'd)
(Single Point)
(For Use W/O Window Rib Kit)

| Ref No | Part Number | Description | Remarks | Serial Number | Qty |
|--------|-------------|--------------|--|---------------|-----|
| 1 | 6719264 | KIT | Ref. 2-19 - NOT compatable W/ 7122462 window rib kit | | 1 |
| 2 | 6567827 | ANGLE | | | 1 |
| 3 | 6719184 | MOUNT | LH | | 1 |
| 3 | 6719185 | MOUNT | RH | | 1 |
| 4 | 31C824 | BOLT 10 | | | 16 |
| 5 | 6704146 | BRACKET | RH | | 1 |
| 5 | 6704147 | BRACKET | LH - Was 6725300 [B,D] | | 1 |
| 6 | 57D8 | NUT 10 | | | 16 |
| 7 | 57D6 | NUT 5 | | | 8 |
| 8 | 6731658 | BRACKET | RH - Was 6725031 [A] | | 1 |
| 8 | 6731657 | BRACKET | LH - Was 6719843 [A] | | 1 |
| 9 | 6567838 | PIN | | | 2 |
| 10 | 1320075 | COTTER PIN | | | 2 |
| 11 | 17C632 | BOLT 5 | | | 8 |
| 12 | 6704786 | DECAL | warning | | 2 |
| 13 | 6533898 | DECAL | hook | | 1 |
| 14 | 7124571 | SPACER | | | 1 |
| 15 | 7124572 | SPACER | | | 1 |
| 16 | 17C512 | BOLT 5 | | | 1 |
| 17 | 17C612 | BOLT 5 | | | 1 |
| 18 | 17C628 | BOLT | | | 1 |
| 19 | 6900888 | INSTRUCTIONS | | | 1 |

LIFT KIT
(Four Point - .75" Thick Lift Eye)



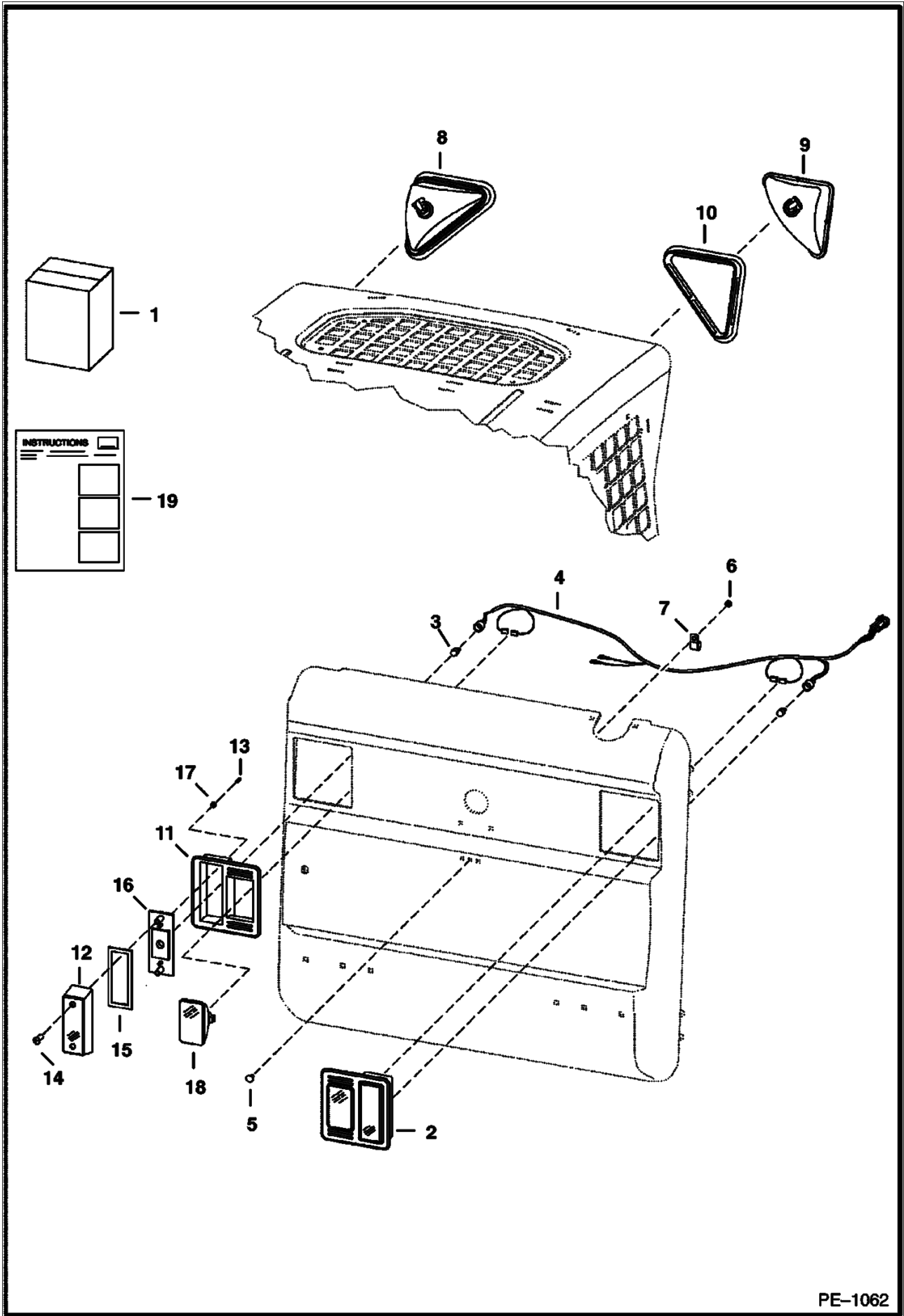
NOTE: The Four Point Lift Kit requires the Backhoe Mounting Kit, which is available from Gwinner Sales #6718155.

PE-1383

LIFT KIT (Cont'd)
(Four Point - .75" Thick Lift Eye)

| Ref No | Part Number | Description | Remarks | Serial Number | Qty |
|--------|-------------|--------------|--|---------------|-----|
| 1 | 6727993 | KIT | lift - Ref. 3-10 & 16 - SEE NOTE | | 1 |
| 2 | | KIT | SALES - backhoe mounting - Ref. 11-15 - SEE NOTE | | 1 |
| 3 | 87D5 | NUT | | | 2 |
| 4 | 4D20 | NUT | | | 2 |
| 5 | 6706825 | LIFT EYE | rear | | 2 |
| 6 | 6706807 | PIN | | | 2 |
| 7 | 17C540 | BOLT | | | 2 |
| 8 | 85D6 | LOCK NUT | not in kit | | 2 |
| 9 | 17C640 | BOLT 5 | not in kit | | 2 |
| 10 | 6726423 | DECAL | | | 2 |
| 11 | 6718122 | MOUNT | LH | | 1 |
| 11 | 6717293 | MOUNT | RH | | 1 |
| 12 | 31C836 | BOLT | | | 4 |
| 13 | 63D8 | NUT | | | 4 |
| 14 | 6717707 | PIN | | | 1 |
| 15 | 6900827 | INSTRUCTIONS | INSTRUCTIONS For Ref. 2 | | 1 |
| 16 | 6901203 | INSTRUCTIONS | INSTRUCTIONS For Ref. 1 | | 1 |

LIGHT KIT

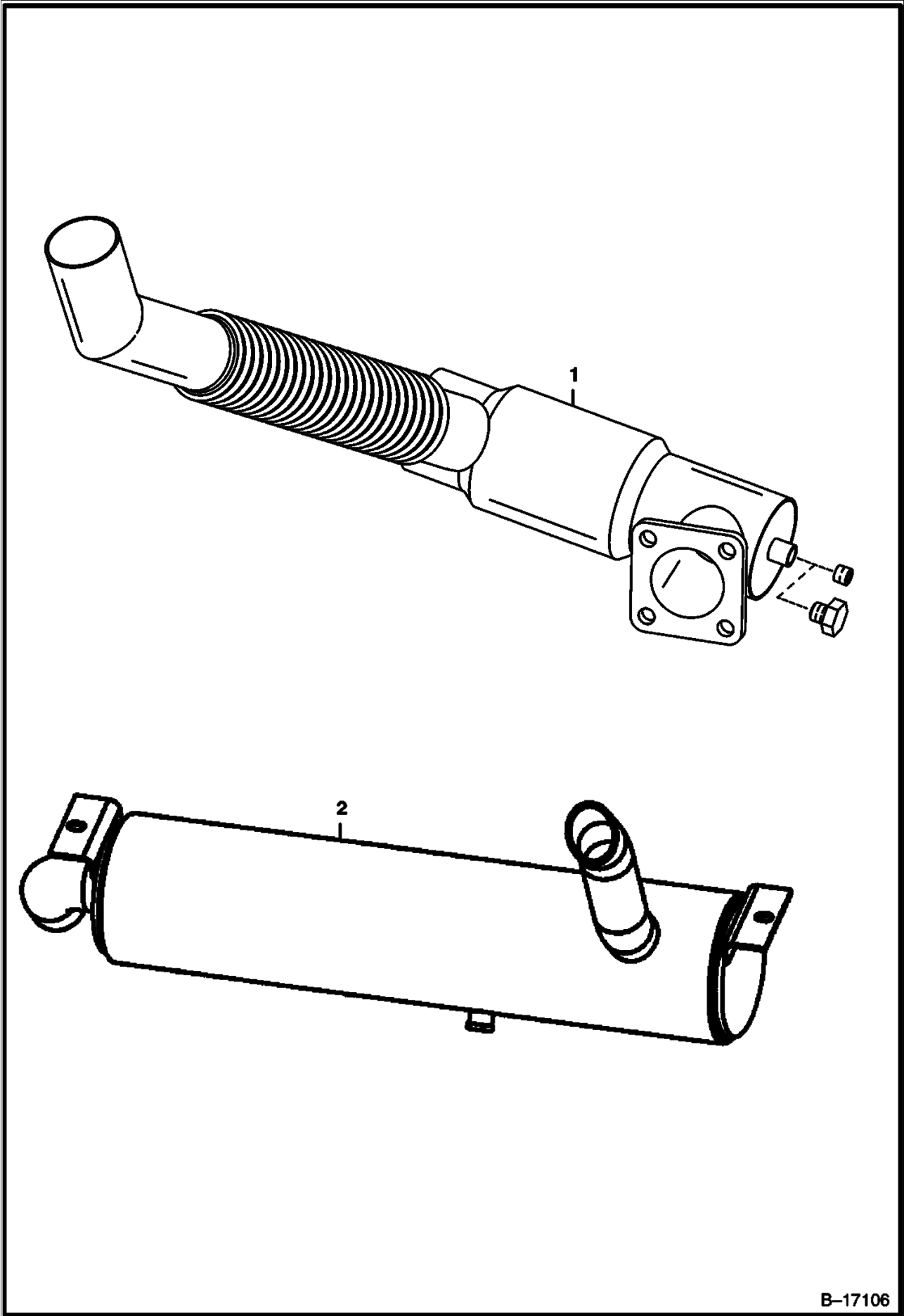


PE-1062

LIGHT KIT (Cont'd)

| Ref No | Part Number | Description | Remarks | Serial Number | Qty |
|--------|-------------|---------------------|--------------------------|---------------|-----|
| 1 | | KIT | NAP - Order components | | 1 |
| 2 | 6670284 | LIGHT ASSY | rear | | 2 |
| 3 | 6649481 | LIGHT, WEDGE BASE | | | 2 |
| 4 | 6716419 | HARNESS, DOOR REAR | | | 1 |
| 4 | 6701952 | SOCKET | | | x |
| 5 | 37C512 | BOLT | | | 1 |
| 6 | 85D5 | NUT 5 | | | 1 |
| 7 | 30H42 | CLAMP | | | 1 |
| 8 | | LIGHT ASSY | NAP - R.H. - Ref. 9 & 10 | | 1 |
| 8 | | LIGHT ASSY | NAP - L.H. - Ref. 9 & 10 | | 1 |
| 9 | 6674401 | HOUSING | RH | | 1 |
| 9 | 6675336 | BULB | 55 watt | | 1 |
| 9 | 6674400 | HOUSING | LH | | 1 |
| 9 | 6675336 | BULB | 55 watt | | 1 |
| 10 | 6674402 | MOUNT, LIGHT | | | 1 |
| 11 | 6672279 | MOUNT, LIGHT RUBBER | rubber | | 2 |
| 12 | 6672276 | LENS, LIGHT RED | red | | 2 |
| 13 | 6672274 | SCREW | | | 4 |
| 14 | 6672273 | SCREW | | | 2 |
| 15 | 6672275 | GASKET | | | 2 |
| 16 | 6672277 | BRACKET | | | 2 |
| 17 | 6672272 | WASHER | | | 4 |
| 18 | 6661353 | LIGHT ASSY | white work - W/bulb | | 2 |
| 18 | 898731 | 1156 BULB | | | 2 |
| 19 | | INSTRUCTIONS | NAP | | 1 |

MUFFLER/PURIFIER KIT

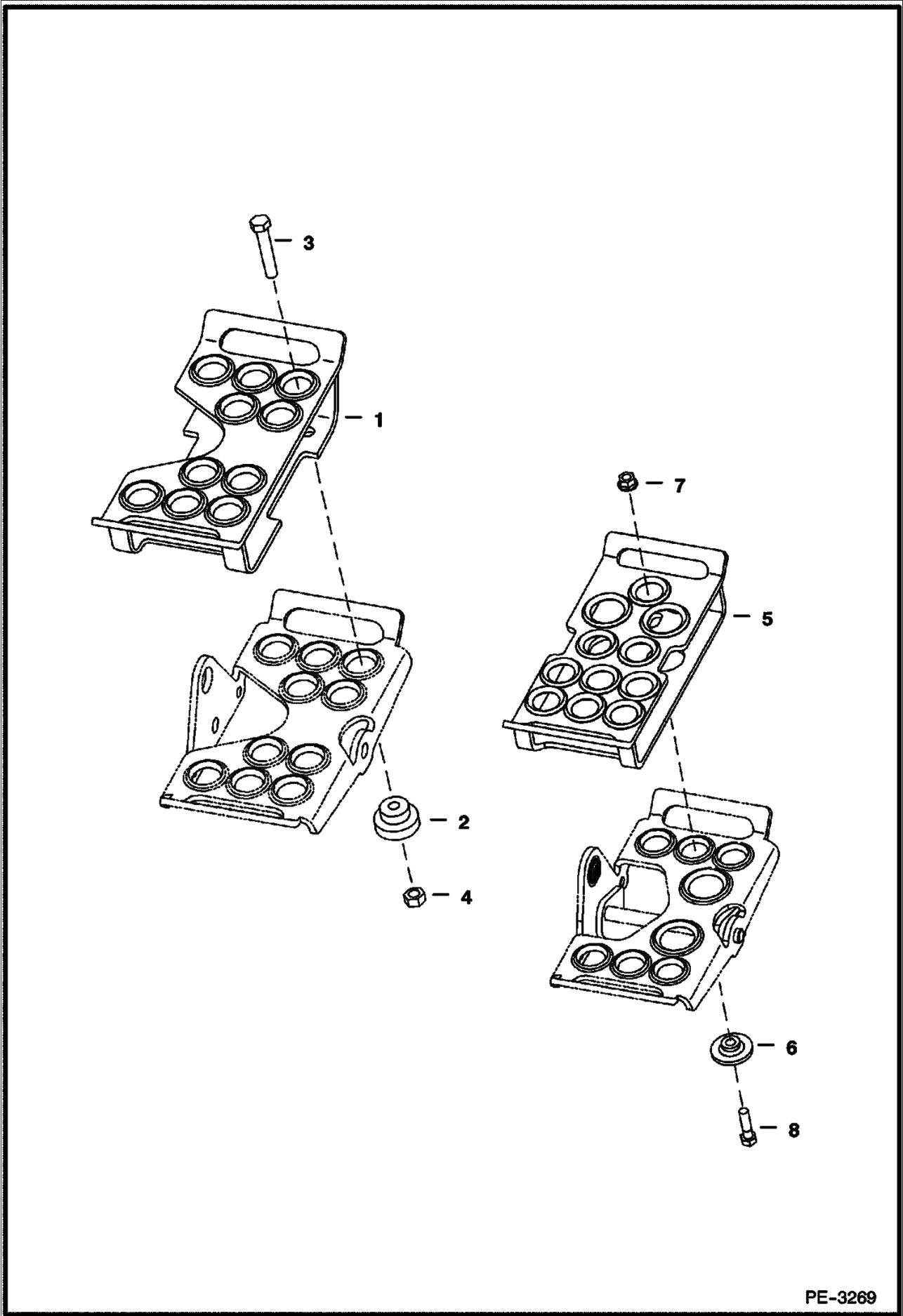


B-17106

MUFFLER/PURIFIER KIT (Cont'd)

| Ref No | Part Number | Description | Remarks | Serial Number | Qty |
|--------|-------------|-------------|---------|-------------------|-----|
| 1 | 6675707 | MUFFLER | | 517611001 & Above | 1 |
| 1 | 6675707 | MUFFLER | | 518011001 & Above | 1 |
| 2 | 6726531 | MUFFLER | | 518111004 & Above | 1 |
| 2 | 6726531 | MUFFLER | | 519211001 & Above | 1 |
| 2 | 6726531 | MUFFLER | | 500K11001 & Above | 1 |
| 2 | 6726531 | MUFFLER | | 519011001 & Above | 1 |

PEDAL EXTENDERS

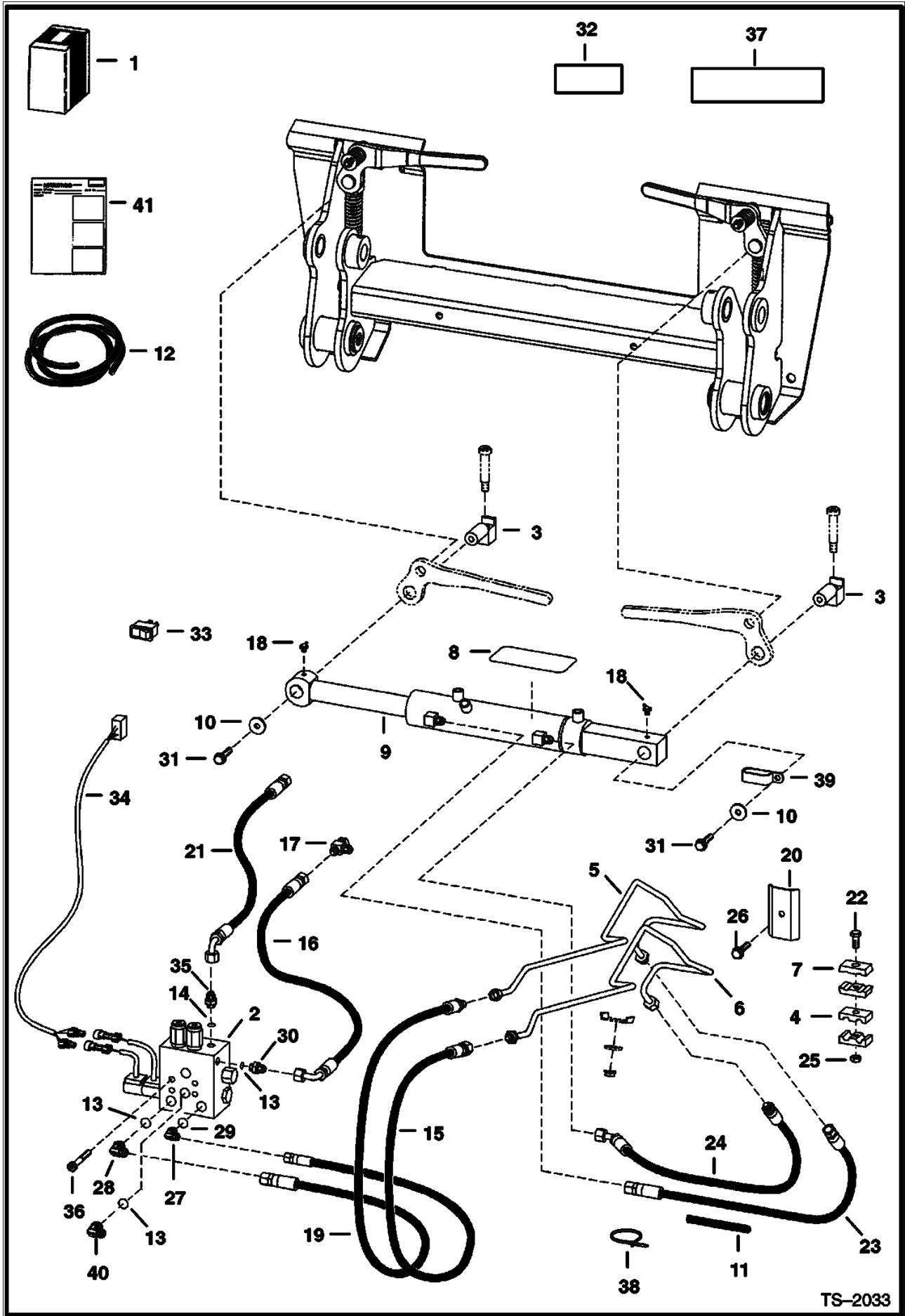


PE-3269

PEDAL EXTENDERS (Cont'd)

| Ref No | Part Number | Description | Remarks | Serial Number | Qty |
|--------|-------------|-------------|--|---------------|-----|
| 1 | | PEDAL | NAP - extender - Order Ref. 5 & (3) each of Ref. 6-8 - Was 6713115 [A] | | 2 |
| 2 | 6713116 | BUSHING | | | 8 |
| 3 | 17C516 | BOLT | | | 8 |
| 4 | 85D5 | NUT 5 | | | 8 |
| 5 | 7131233 | PEDAL | | | 2 |
| 6 | 7131236 | BUSHING | | | 6 |
| 7 | 89D5 | NUT | | | 6 |
| 8 | 17C520 | BOLT 5 | | | 6 |

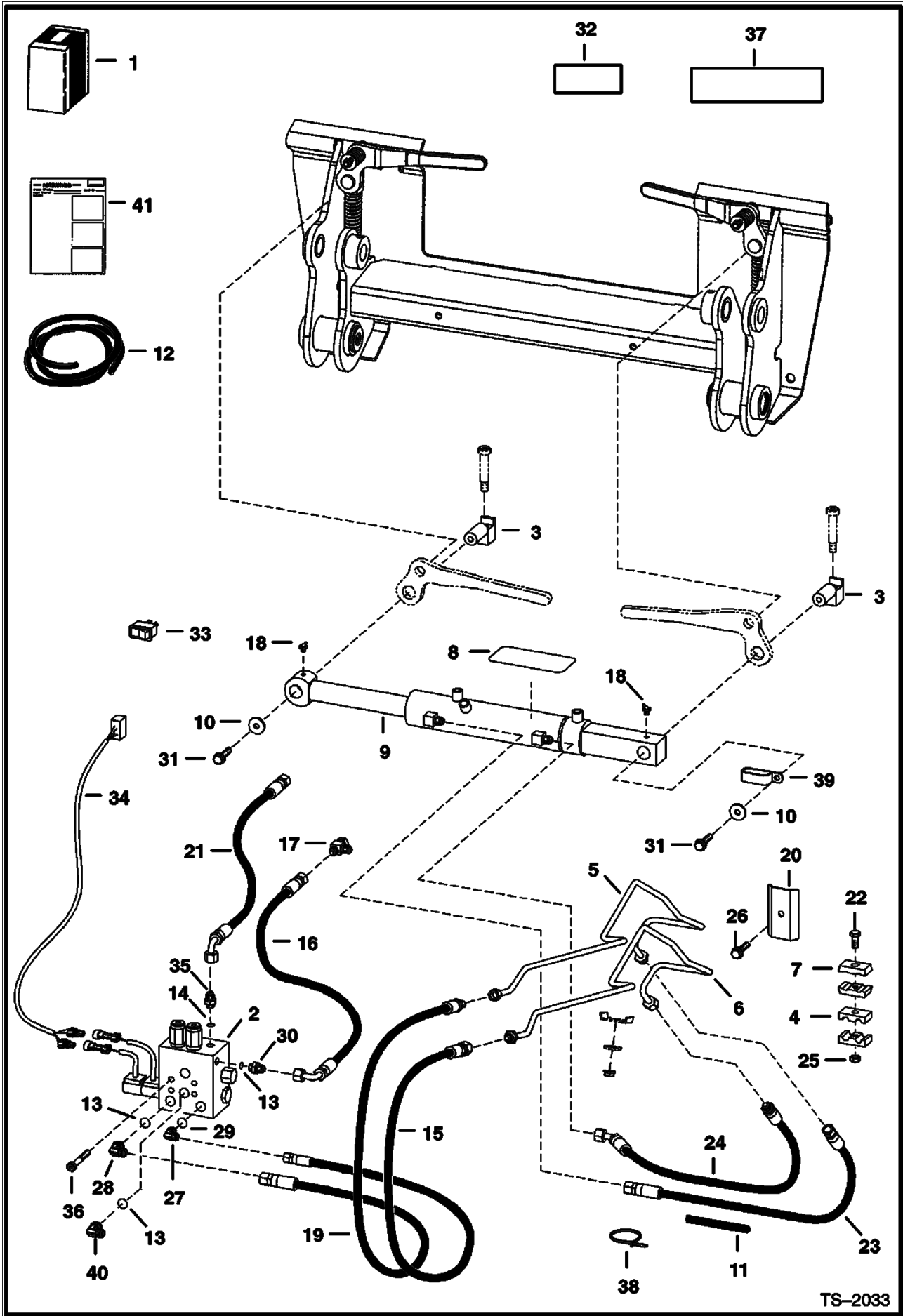
POWER BOB-TACH KIT
 (S/N 500K11563 & Bel, 517619833 & Below, 518012335 & Below,
 518112187 & Below. 519020246 & Below. 519212217 & Below)



POWER BOB-TACH KIT (Cont'd)
(S/N 500K11563 & Bel, 517619833 & Below, 518012335 & Below,
518112187 & Below. 519020246 & Below. 519212217 & Below)

| Ref No | Part Number | Description | Remarks | Serial Number | Qty |
|--------|-------------|----------------|--|---------------|-----|
| 1 | 6719840 | KIT | power Bob-Tach | | 1 |
| 2 | | VALVE | See Illustration POWER BOB-TACH/ TS2051 | | 1 |
| 3 | 6731119 | PIVOT, WEDGE | Not in kit - handle pivots - Was 6714576 [A] | | 2 |
| 4 | 6701892 | CLAMP | | | 2 |
| 5 | 6719883 | TUBE | Not in Kit | | 1 |
| 5 | 6725552 | TUBE | "L" shaped end - Was 6718246 [B,D] | | 1 |
| 6 | 6719882 | TUBE | Not in Kit | | 1 |
| 6 | 6725553 | TUBE | "L" shaped end - Was 6718247 [B,D] | | 1 |
| 7 | 6592506 | CLAMP | | | 2 |
| 8 | 6554100 | TREAD | 3" x 6" (76,2 mm x 152,4 mm) | | 1 |
| 9 | 6554100 | TREAD | See Illustration POWER BOB-TACH/ PE1064 3" x 6" (76,2 mm x 152,4 mm) | | 1 |
| 10 | 619021 | WASHER, 5 | | | 2 |
| 11 | | COVER | NAP - 32" (813 mm) long - Order Ref. 12 | | 1 |
| 12 | 6656155 | HOSE COVER | bulk - sold per foot - 1.25" (31,8mm) ID | | x |
| 13 | 99K6 | O'RING | tapered boss face | | x |
| 13 | 79K6 | O RING 10 | flat boss face | | x |
| 14 | 99K12 | O'RING | tapered boss face | | x |
| 14 | 79K12 | O RING 10 | flat boss face | | x |
| 15 | 6719451 | HOSE | Was 6718276 [A] | | 1 |
| 16 | 6729162 | HOSE | Was 6718847 [A] | | 1 |
| 17 | 13K5 | TEE | Was 13KN00005B [A] | | 1 |
| 17 | 97K6 | O'RING | flared end | | 3 |
| 18 | 11H15 | GREASE FITTING | 45 degree - Was 10H000035B [B] | | 2 |
| 18 | 10H35 | GREASE ZERK | straight | | 2 |
| 19 | 6718358 | HOSE | | | 1 |
| 20 | 6719884 | BRACKET | | | 1 |
| 21 | 6718848 | HOSE | | | 1 |
| 22 | 17C648 | BOLT 5 | | | 1 |
| 23 | 6729202 | HOSE | Was 6719603 [A] | | 1 |
| 24 | 6729203 | HOSE | Was 6719604 [A] | | 1 |
| 25 | 85D6 | LOCK NUT | | | 1 |
| 26 | 84G3716 | SCREW 5 | Was 84G003714B [A] | | 1 |
| 27 | 17KB404 | ELBOW | W/Ref. 29 - check boss face to determine correct replacement o-ring - Was 17KV00003B [A] | | 1 |
| 27 | 97K4 | O'RING | flared end | | 1 |
| 28 | 17KB606 | ELBOW | W/Ref. 13 - check boss face to determine correct replacement o-ring - Was 17KV00005B [A] | | 1 |
| 28 | 97K6 | O'RING | flared end | | 1 |
| 29 | 99K4 | O'RING | tapered boss face | | x |
| 29 | 79K4 | O RING 10 | flat boss face | | x |
| 30 | 15KB606 | ADAPTER | W/Ref. 13 - check boss face to determine correct replacement o-ring - Was 15KV00005B [A] | | 1 |
| 30 | 97K6 | O'RING | flared end | | 1 |
| 31 | 35C616 | BOLT 5 | | | 2 |
| 32 | 6725907 | DECAL | Was 6717842 [B] | | 1 |
| 33 | 6674585 | SWITCH | horizontal | | 1 |
| 33 | 6676732 | SWITCH | vertical | | 1 |
| 34 | 6718652 | HARNESS | | | 1 |
| 35 | 15KB1212 | ADAPTER | W/Ref. 14 - check boss face to determine correct replacement o-ring - Was 15KV00008B [A] | | 1 |
| 35 | 97K12 | O'RING | flared end | | 3 |
| 36 | 73G656 | SCREW | | | 4 |
| 37 | 6719888 | DECAL | | | 1 |
| 38 | 6624289 | STRAP 10 | | | 3 |
| 39 | 30H85 | CLAMP | Was 31H000042B [B] | | 1 |
| 40 | 17KB606 | ELBOW | W/Ref. 13 - check boss face to determine correct | | 2 |

POWER BOB-TACH KIT (Cont'd)
 (S/N 500K11563 & Bel, 517619833 & Below, 518012335 & Below,
 518112187 & Below. 519020246 & Below. 519212217 & Below)

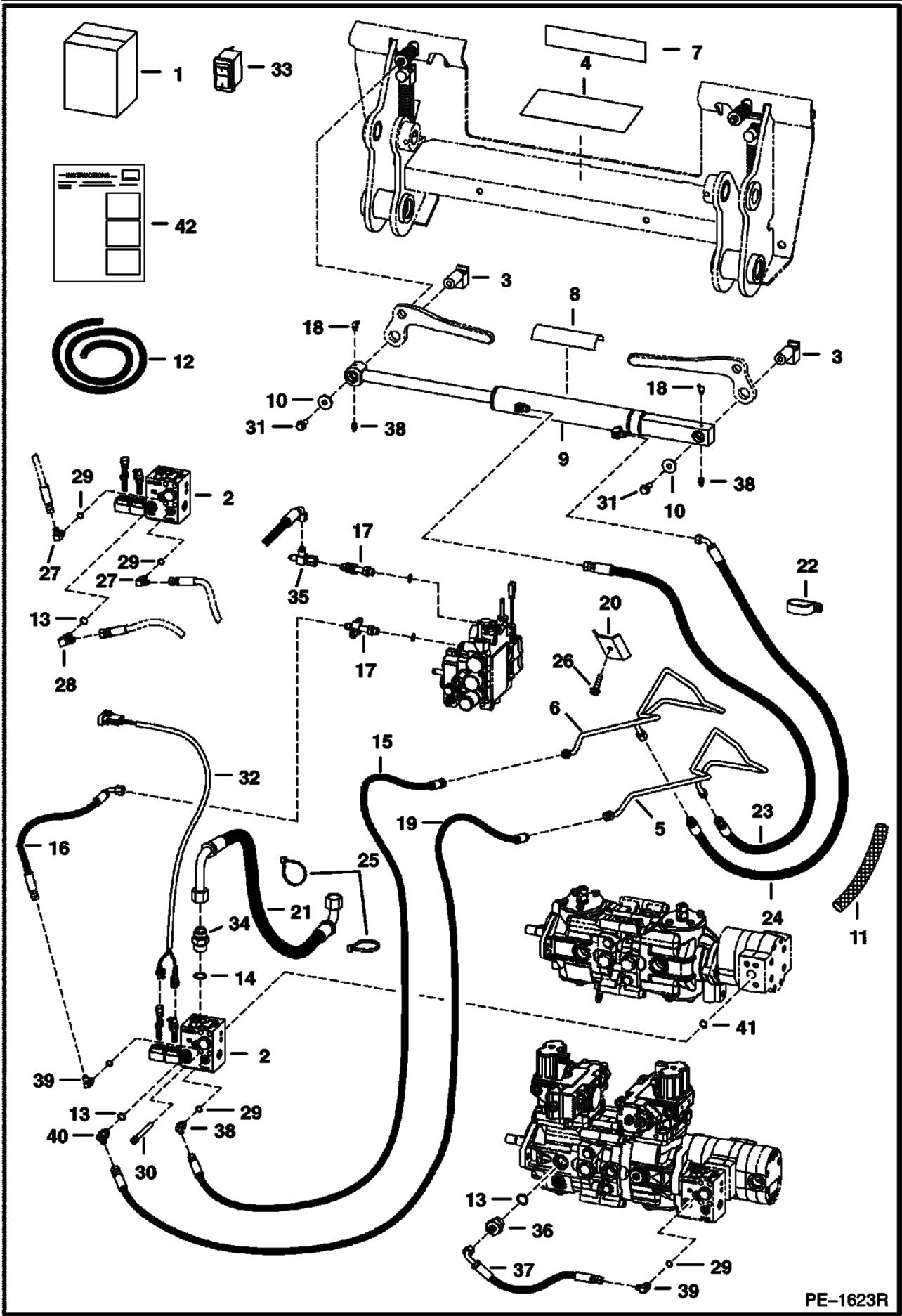


TS-2033

POWER BOB-TACH KIT (Cont'd)
(S/N 500K11563 & Bel, 517619833 & Below, 518012335 & Below,
518112187 & Below. 519020246 & Below. 519212217 & Below)

| Ref No | Part Number | Description | Remarks | Serial Number | Qty |
|--------|-------------|--------------|---|---------------|-----|
| | | | replacement o-ring - existing if loader is equipped W/rear aux. - Was 17KV00005B [A] | | |
| 40 | 97K6 | O'RING | flared end | | 1 |
| 41 | 6900950 | INSTRUCTIONS | | | 1 |

POWER BOB-TACH KIT
 (S/N 500K11564 & Above, 517619834 & Above, 518012336 & Above,
 518112188 & Above, 519020247 & Above, 519212218 & Above)

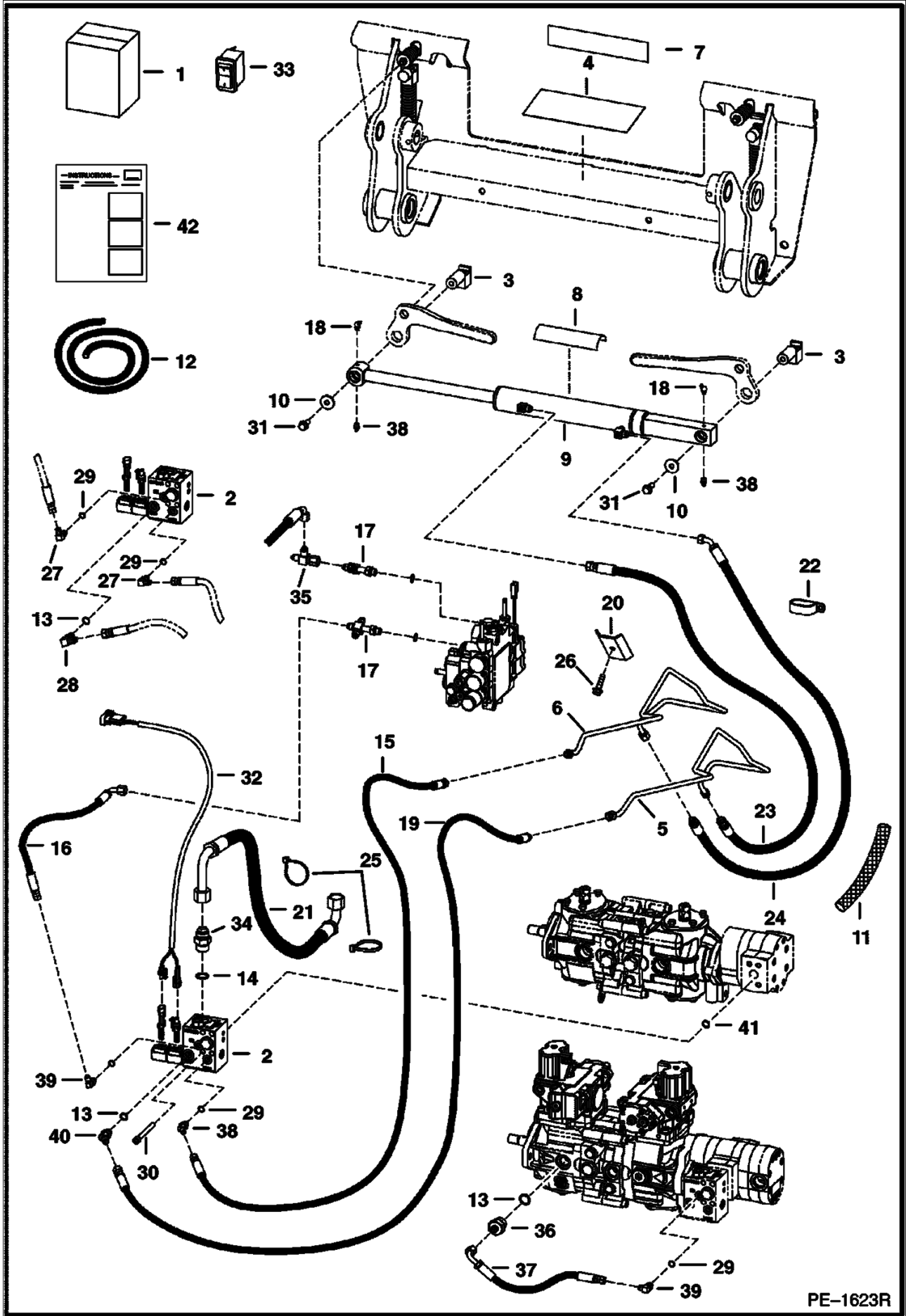


PE-1623R

POWER BOB-TACH KIT (Cont'd)
(S/N 500K11564 & Above, 517619834 & Above, 518012336 & Above,
518112188 & Above. 519020247 & Above. 519212218 & Above)

| Ref No | Part Number | Description | Remarks | Serial Number | Qty |
|--------|-------------|--------------|---|-------------------|-----|
| 1 | | KIT | NAP - power Bob-Tach - Order 6735465 kit - Was 6727654 [A] | | 1 |
| 1 | 6735465 | KIT | | | 1 |
| 2 | | VALVE | See Illustration POWER BOB-TACH/ MS1835 | | 1 |
| 3 | 6731119 | PIVOT, WEDGE | handle pivot - Not in kit - Was 6714576 [A] | | 2 |
| 4 | 6719888 | DECAL | | | 1 |
| 5 | 6725552 | TUBE | | | 1 |
| 6 | 6725553 | TUBE | | | 1 |
| 7 | 6725907 | DECAL | | | 1 |
| 8 | 6555341 | SAFETY TREAD | Was 6554100 [B] | | 1 |
| 9 | | CYLINDER | See Illustration POWER BOB-TACH/ PE1064 | | 1 |
| 10 | 619021 | WASHER, 5 | | | 2 |
| 11 | | COVER | NAP - 32"(813 mm) long - Order Ref. 12 | | 1 |
| 12 | 6656155 | HOSE COVER | bulk - sold per foot - 1.25" (31,8mm) ID | | x |
| 13 | 99K6 | O'RING | tapered boss face | | x |
| 13 | 79K6 | O RING 10 | flat | | x |
| 14 | 99K12 | O'RING | tapered boss face | | x |
| 14 | 79K12 | O RING 10 | flat | | x |
| 15 | 6719451 | HOSE | | | 1 |
| 16 | 6535882 | HOSE | | | 1 |
| 16 | 6731662 | HOSE | | | 1 |
| 17 | | CROSS | See Illustration HYDRAULIC CONTROL VALVE/ B17144 Not in Kit - See III B-17144 Ref. 54 | | 1 |
| 17 | 97K6 | O'RING | flared end | | 3 |
| 18 | 11H25 | FITTING10 | 45 degree | | 2 |
| 18 | 10H35 | GREASE ZERK | straight | | 2 |
| 19 | 6718358 | HOSE | | | 1 |
| 20 | 6719884 | BRACKET | | | 1 |
| 21 | 6737503 | HOSE | Was 6727656 [B] | | 1 |
| 22 | 30H85 | CLAMP | Was 31H000042B [B] | | 1 |
| 23 | 6729202 | HOSE | | | 1 |
| 24 | 6729203 | HOSE | | | 1 |
| 25 | 6624289 | STRAP 10 | | | 4 |
| 26 | 84G3716 | SCREW 5 | Was 84G003714B [A] | | 1 |
| 27 | | ELBOW | NAP - W/Ref. 29 - tapered boss face - Was 17KV00003B [A] | | 2 |
| 27 | 97K4 | O'RING | flared end | | 2 |
| 27 | 17KB404 | ELBOW | W/Ref. 29 - flat boss face | | 1 |
| 28 | | ELBOW | NAP - W/Ref. 13 - tapered boss face - Was 17KV00005B [A] | | 1 |
| 28 | 97K6 | O'RING | flared end | | 1 |
| 28 | 17KB606 | ELBOW | W/Ref. 13 - flat boss face | | 1 |
| 29 | 99K4 | O'RING | tapered | | x |
| 29 | 79K4 | O RING 10 | flat | | x |
| 30 | 73G656 | SCREW | | | 4 |
| 31 | 35C616 | BOLT 5 | | | 2 |
| 32 | 6718652 | HARNESS | two male connector | 500K 12071 & Bel | 1 |
| 32 | 6718652 | HARNESS | two male connector | 5192 12363 & Bel. | 1 |
| 32 | 6718652 | HARNESS | two male connector | 5176 20174 & Bel. | 1 |
| 32 | 6718652 | HARNESS | two male connector | 5180 12425 & Bel. | 1 |
| 32 | 6718652 | HARNESS | two male connector | 5190 21146 & Bel. | 1 |
| 32 | 6718652 | HARNESS | two male connector | 5181 12245 & Bel. | 1 |
| 32 | 6730770 | HARNESS | one male & one female connector | 5176 20175 & Abv. | 1 |
| 32 | 6730770 | HARNESS | one male & one female connector | 5192 12364 & Abv. | 1 |
| 32 | 6730770 | HARNESS | one male & one female connector | 5190 21147 & | 1 |

POWER BOB-TACH KIT (Cont'd)
 (S/N 500K11564 & Above, 517619834 & Above, 518012336 & Above,
 518112188 & Above, 519020247 & Above, 519212218 & Above)

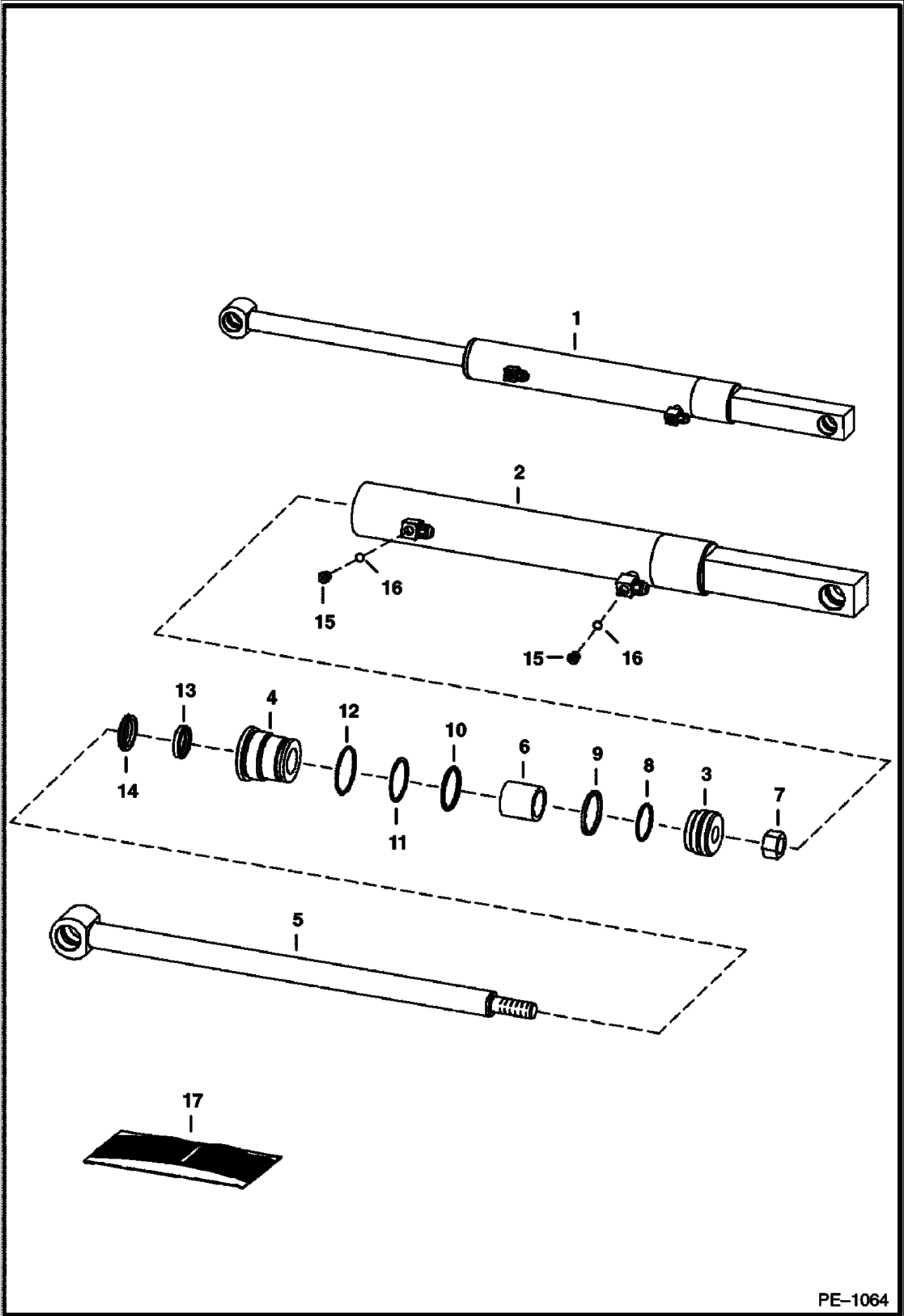


PE-1623R

POWER BOB-TACH KIT (Cont'd)
(S/N 500K11564 & Above, 517619834 & Above, 518012336 & Above,
518112188 & Above, 519020247 & Above, 519212218 & Above)

| Ref No | Part Number | Description | Remarks | Serial Number | Qty |
|--------|-------------|--------------|--|-------------------|-----|
| | | | | Abv. | |
| 32 | 6730770 | HARNESS | one male & one female connector | 5180 12426 & Abv. | 1 |
| 32 | 6730770 | HARNESS | one male & one female connector | 500K 12072 & Abv | 1 |
| 32 | 6730770 | HARNESS | one male & one female connector | 5181 12246 & Abv. | 1 |
| 33 | 6676732 | SWITCH | vertical | | 1 |
| 34 | | ADAPTER | NAP - W/Ref. 14 - tapered boss face - Was 15KV00008B [A] | | 1 |
| 34 | 97K12 | O'RING | flared end | | 1 |
| 34 | 15KB1212 | ADAPTER | W/Ref. 14 - flat boss face | | 1 |
| 35 | 13K5 | TEE | Used W/Rear Aux. Option - Was 13KN00005B [A] | | 1 |
| 36 | 15KB612 | ADAPTER | W/Ref. 13 - flat boss face | | 1 |
| 37 | 7100044 | HOSE | 17.75"(450,9mm) long - not in kit | | 1 |
| 37 | 6806403 | HOSE | 16" (406,4 mm) long - manual controls | | 1 |
| 37 | 7110367 | HOSE | 45" (1143 mm) long - selectable joystick controls | | 1 |
| 38 | | ELBOW | NAP - W/Ref. 29 - tapered boss face - Was 18KV-3 [A] | | 1 |
| 38 | 97K4 | O'RING | flared end | | 1 |
| 38 | 18KB404 | ELBOW | W/Ref. 29 - Was 7109882 | | 1 |
| 39 | | ELBOW | NAP - W/Ref. 29 - tapered boss face - Was 17KV00003B [A] | | 1 |
| 39 | 97K4 | O'RING | flared end | | 1 |
| 39 | 17KB404 | ELBOW | W/Ref. 29 - flat boss face | | 1 |
| 40 | | ELBOW | NAP - W/Ref. 13 - tapered boss face - Was 18KV00005B [A] | | 1 |
| 40 | 97K6 | O'RING | flared end | | 1 |
| 40 | 18KB606 | ELBOW | W/Ref. 13 - flat boss face - Was 7109881 | | 1 |
| 41 | 55K214 | O-RING | | | 1 |
| 42 | 6902421 | INSTRUCTIONS | Was 6901439 [B,D] | | 1 |

POWER BOB-TACH (Cylinder)

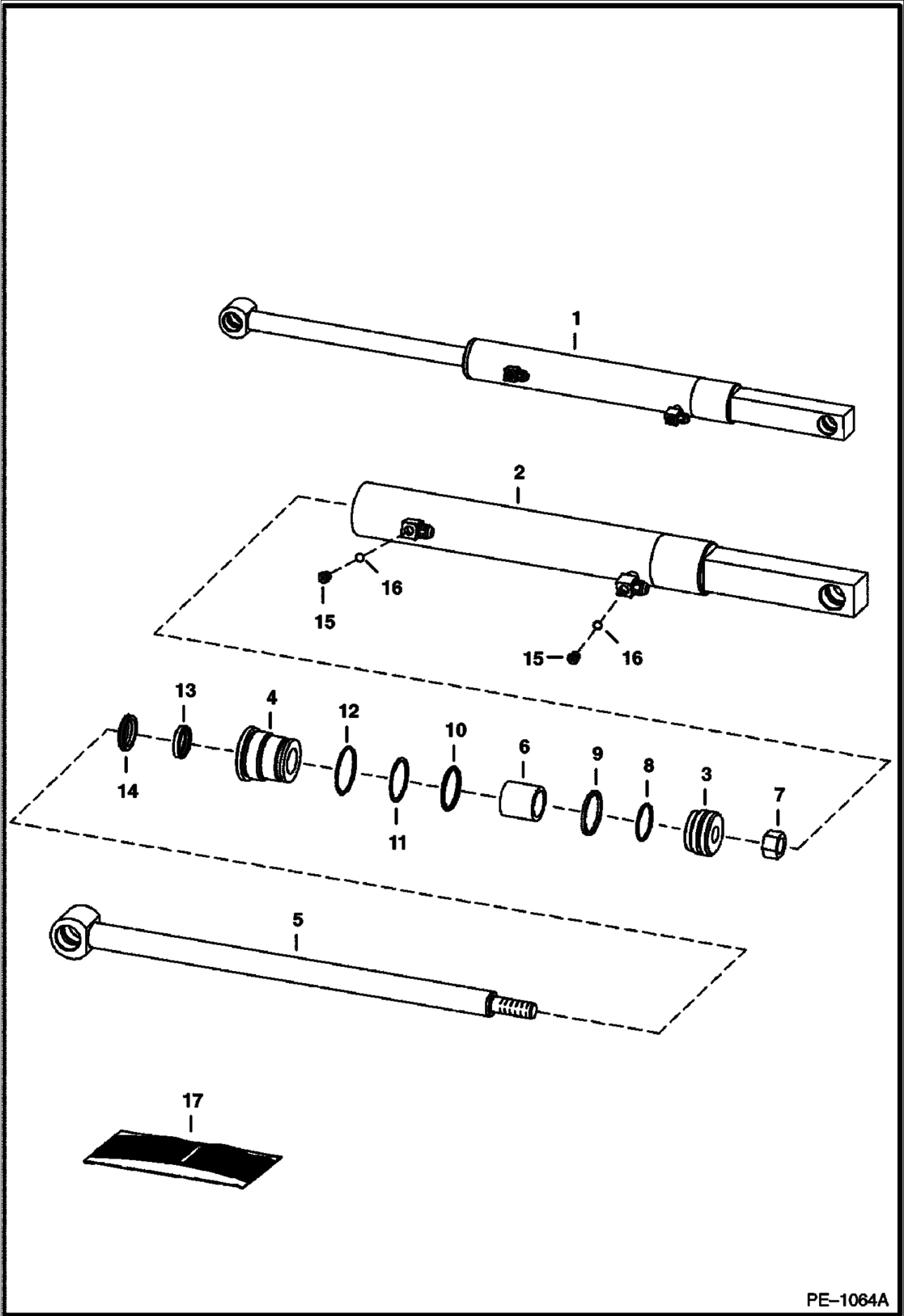


PE-1064

**POWER BOB-TACH (Cont'd)
(Cylinder)**

| Ref No | Part Number | Description | Remarks | Serial Number | Qty |
|--------|-------------|-------------|---|---------------|-----|
| 1 | | CYLINDER | See Illustration POWER BOB-TACH/ PE1064A NAP - REF. 2 - 16 - ORDER 6810611 CYL. & (2) 10H000035B GREASE ZERKS - WAS 6805158 [A] | | 1 |
| 1 | | CYLINDER | See Illustration POWER BOB-TACH/ PE1064A NAP - REF. 2 - 16 - ORDER 6810611 CYL. & (2) 10H000035B GREASE ZERKS - WAS 6810125 [A] | | 1 |
| 2 | 6805160 | CASE | 1.75"(45 mm) I.D. - Was 6803054 [A] | | 1 |
| 3 | 6586543 | PISTON | | | 1 |
| 4 | 6586542 | HEAD | | | 1 |
| 5 | 6810126 | ROD | 1"(25.4mm) O.D. - 19.7"(500,4 mm) long - Was 6807508 [A] | | 1 |
| 6 | 6807092 | SPACER | Was 6805578 [A] | | 1 |
| 7 | 92D10 | NUT | | | 1 |
| 8 | 25K30110 | O RING 10 | Was 54K30110 [B] | | 1 |
| 9 | 6532453 | RING | | | 1 |
| 10 | 54K40116 | O-RING | | | 1 |
| 11 | 73K222 | RING | back-up | | 1 |
| 12 | 58K132 | O'RING | | | 1 |
| 13 | 6667323 | SEAL | rod | | 1 |
| 14 | 6666542 | SEAL | wiper | | 1 |
| 15 | 90KV2 | PLUG | W/Ref. 16 - allen socket head tapered boss face | | 2 |
| 16 | 95K3 | O'RING | tapered boss face - Was 79K000003B [B] | | 2 |
| 17 | 7138014 | SEAL KIT | Ref. 7-14 - Was 6803473 [A] | | 1 |

POWER BOB-TACH (Cylinder)

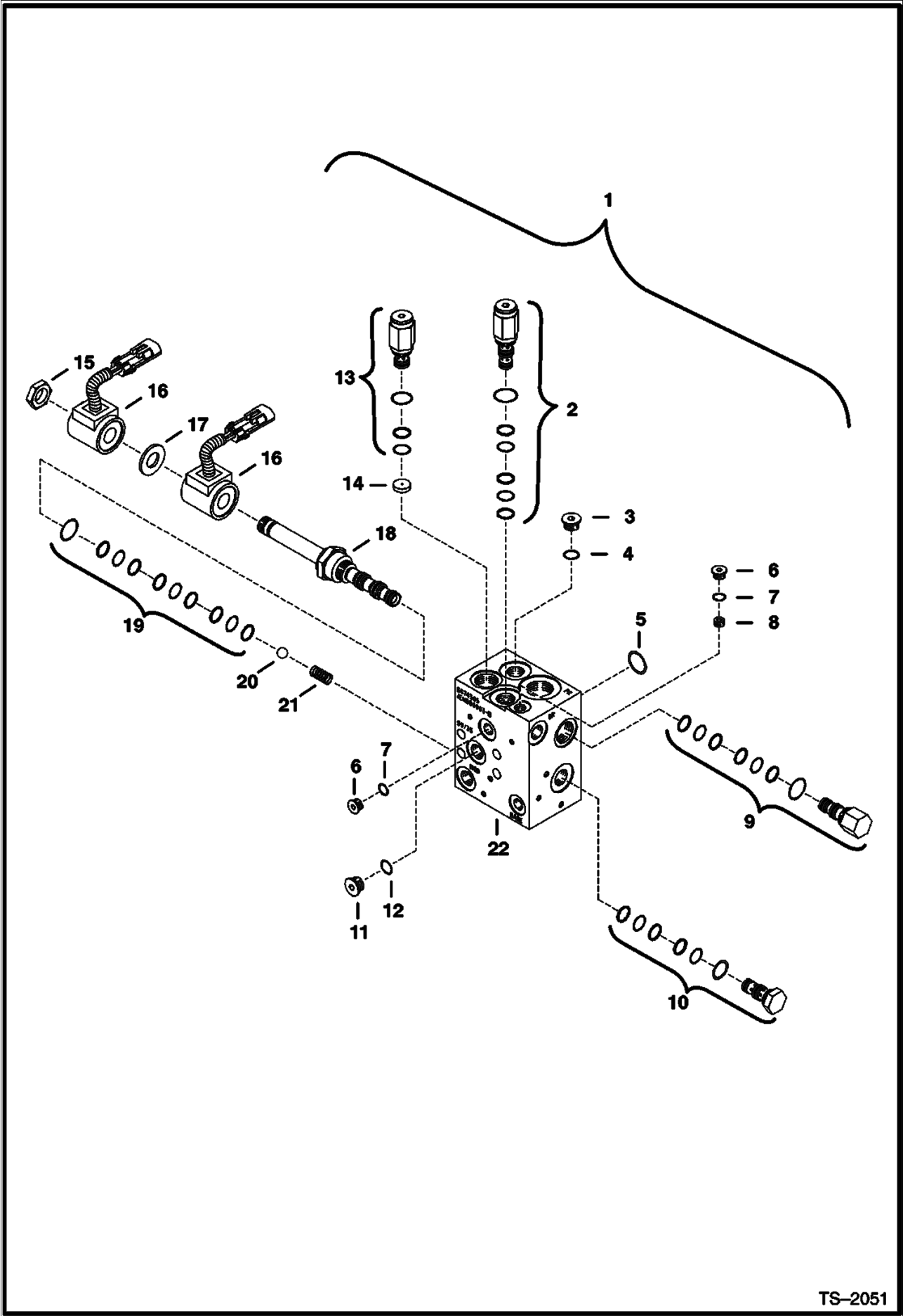


PE-1064A

**POWER BOB-TACH (Cont'd)
(Cylinder)**

| Ref No | Part Number | Description | Remarks | Serial Number | Qty |
|--------|-------------|----------------------------------|--|---------------|-----|
| 1 | | CYLINDER | NAP - Ref. 2 - 16 - Order 6810611 Cyl. & (2) 10H000035B Grease Zerks - Was 6810350 [A] | | 1 |
| 1 | 6810611 | CYLINDER, POWER BOB-TACH | Ref. 2 - 16 | | 1 |
| 2 | 6810349 | CASE | 1.75" (44,45 mm) ID | | 1 |
| 3 | 6586543 | PISTON | | | 1 |
| 4 | 6586542 | HEAD | | | 1 |
| 5 | | ROD | NAP - 1" (25.4mm) O.D. - 18.6"(422,4mm) long - Order 6810612 Rod & (2) 10H000035B Grease Zerks - Was 6810351 [A] | | 1 |
| 5 | 6810612 | SHAFT, ROD CYL POWER BOB-TACH | 1" (25,4 mm) OD - 18.6" (472,4 mm) long - W/.25" grease fitting hole | | 1 |
| 6 | 6810356 | SPACER | | | 1 |
| 7 | 92D10 | NUT | | | 1 |
| 8 | 25K30110 | O RING 10 | Was 54K30110 [B] | | 1 |
| 9 | 6532453 | RING | | | 1 |
| 10 | 54K40116 | O-RING | | | 1 |
| 11 | 73K222 | RING | back-up | | 1 |
| 12 | 58K132 | O'RING | | | 1 |
| 13 | 6667323 | SEAL | rod | | 1 |
| 14 | 6666542 | SEAL | wiper | | 1 |
| 15 | 90KV2 | PLUG | W/Ref. 16 (95K-3) - allen socket head tapered boss face | | 2 |
| 16 | 95K3 | O'RING | tapered boss face - Was 79K000003B [B] | | 2 |
| 16 | 75K3 | O-RING | flat boss face | | 2 |
| 17 | 7138014 | SEAL KIT | Ref. 7-14 - Was 6803473 [A] | | 1 |

POWER BOB-TACH (Valve Assembly)

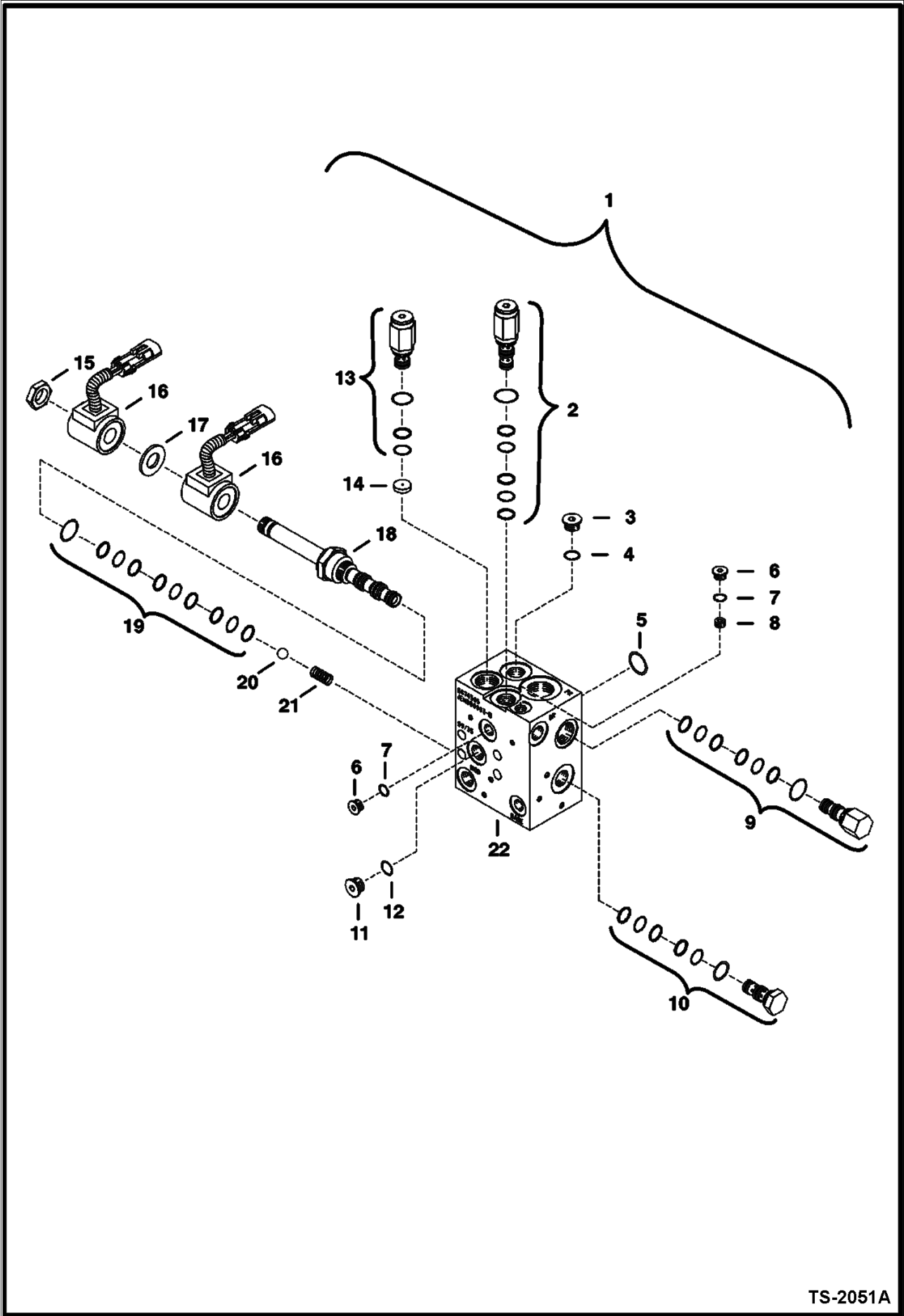


TS-2051

**POWER BOB-TACH (Cont'd)
(Valve Assembly)**

| Ref No | Part Number | Description | Remarks | Serial Number | Qty |
|--------|-------------|--------------|---|---------------|-----|
| 1 | | VALVE | See Illustration POWER BOB-TACH/ TS2051A NAP - REF. 2 - 21 - ORDER 6676547 VALVE -WAS 6674305 [A] | | 1 |
| 2 | 6676073 | RELIEF VALVE | | | 1 |
| 2 | 6676074 | SEAL KIT | | | 1 |
| 3 | 6674548 | PLUG | W/Ref. 4 | | 1 |
| 4 | 79K8 | O RING 10 | | | x |
| 5 | 6676071 | O-RING | | | 1 |
| 6 | 6665719 | PLUG | W/Ref. 7 | | 2 |
| 7 | 99K5 | O-RING | | | x |
| 8 | 6676347 | ORIFICE | screw in plug W/screen - Was 6669615 [A] | | 1 |
| 9 | 6676064 | VALVE | | | 1 |
| 9 | 6676065 | SEAL KIT | | | 1 |
| 10 | 6669616 | CHECK VALVE | | | 1 |
| 10 | 6669622 | SEAL KIT | | | 1 |
| 11 | 90KV5 | PLUG | W/Ref. 12 | | 1 |
| 12 | 95K6 | O'RING | | | x |
| 13 | 6676068 | VALVE | | | 1 |
| 13 | 6676069 | SEAL KIT | | | 1 |
| 14 | 6676070 | ORIFICE | | | 1 |
| 15 | 6671628 | NUT | Was 7D000008B [D] | | 1 |
| 16 | 6671025 | COIL | | | 2 |
| 17 | 6678711 | SPACER | Was 6674445 [A] | | 1 |
| 18 | 6677153 | SOLENOID | W/Ref. 19 - Was 6661443 [B,D] | | 1 |
| 19 | 6667180 | SEAL KIT | | | 1 |
| 20 | 6676066 | BALL | | | 1 |
| 21 | 6676067 | SPRING | | | 1 |
| 22 | | BLOCK | NSS - Order Ref. 1 | | 1 |

POWER BOB-TACH (Valve Assembly)

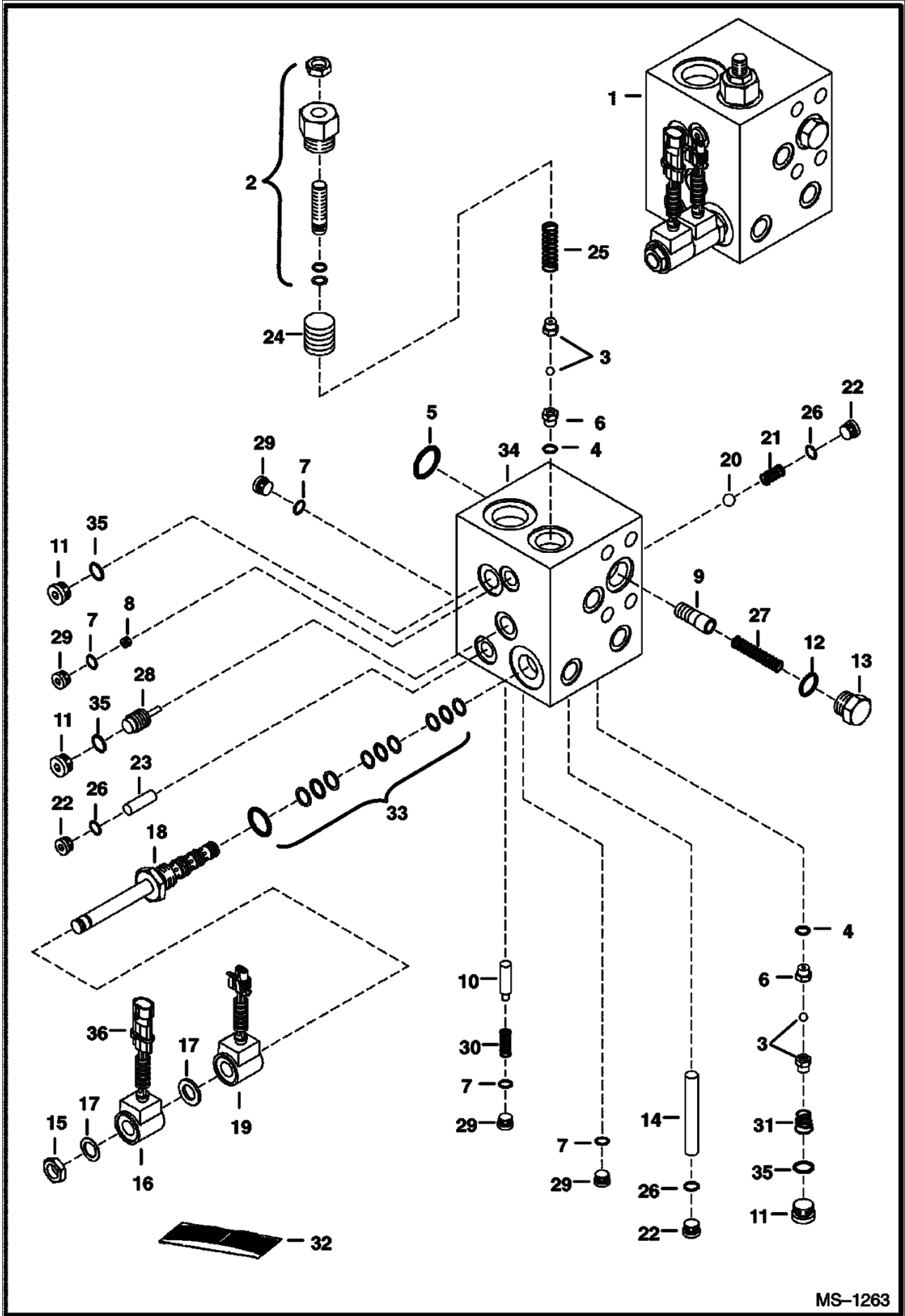


TS-2051A

**POWER BOB-TACH (Cont'd)
(Valve Assembly)**

| Ref No | Part Number | Description | Remarks | Serial Number | Qty |
|--------|-------------|--------------|------------------------|---------------|-----|
| 1 | 6676547 | VALVE | Ref. 2 - 21 | | 1 |
| 2 | 6677147 | RELIEF VALVE | | | 1 |
| 2 | 6677148 | SEAL KIT | | | 1 |
| 3 | 6677158 | PLUG | W/Ref. 4 | | 1 |
| 4 | 79K8 | O RING 10 | | | x |
| 5 | 6677157 | O-RING | | | 1 |
| 6 | 6677159 | PLUG | W/Ref. 7 | | 2 |
| 7 | 99K5 | O-RING | | | x |
| 8 | 6676347 | ORIFICE | screw in plug W/screen | | 1 |
| 9 | 6677155 | VALVE | | | 1 |
| 9 | 6677156 | SEAL KIT | | | 1 |
| 10 | 6677149 | CHECK VALVE | | | 1 |
| 10 | 6677150 | SEAL KIT | | | 1 |
| 11 | 90KV5 | PLUG | W/Ref. 12 | | 1 |
| 12 | 95K6 | O'RING | | | x |
| 13 | 6677151 | VALVE | | | 1 |
| 13 | 6677152 | SEAL KIT | | | 1 |
| 14 | 6676070 | ORIFICE | | | 1 |
| 15 | 6671628 | NUT | Was 7D000008B [D] | | 1 |
| 16 | 6671025 | COIL | | | 2 |
| 17 | 6678711 | SPACER | Was 6674445 [A] | | 1 |
| 18 | 6677153 | SOLENOID | W/Ref. 19 | | 1 |
| 19 | 6672756 | KIT, SEAL | | | 1 |
| 20 | 6676066 | BALL | | | 1 |
| 21 | 6676067 | SPRING | | | 1 |
| 22 | | BLOCK | NSS - Order Ref. 1 | | 1 |

POWER BOB-TACH (Valve Assembly)

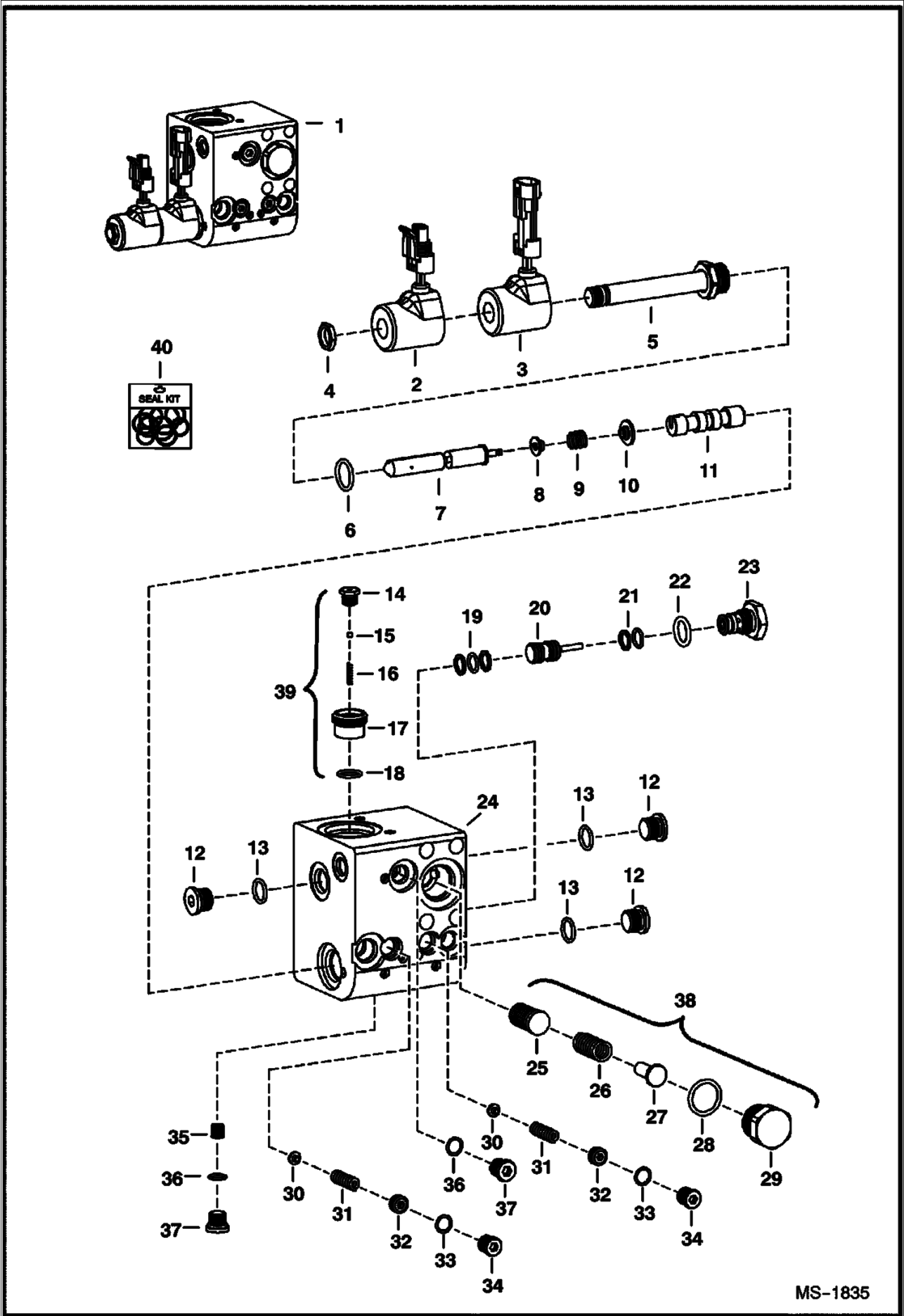


MS-1263

**POWER BOB-TACH (Cont'd)
(Valve Assembly)**

| Ref No | Part Number | Description | Remarks | Serial Number | Qty |
|--------|-------------|--------------|--|---------------|-----|
| 1 | | VALVE | NAP - Order 6678554 Valve & 6730770 Harness - Was 6677646 [A] | | 1 |
| 1 | | VALVE | NAP - Order 6678554 Valve & 6730770 Harness - Was 6678206 [A] | | 1 |
| 1 | | VALVE | NAP - Order 6686949- Was 6678554 [A] | | 1 |
| 2 | 6679245 | RELIEF VALVE | | | 1 |
| 3 | 6679244 | BALL ASSY | | | 2 |
| 4 | 6678709 | O-RING | | | x |
| 5 | 6678695 | O-RING | | | 1 |
| 6 | | SEAT | NSS | | 2 |
| 7 | 95K2 | O-RING | | | x |
| 8 | 6678701 | ORIFICE | | | 1 |
| 9 | 6678708 | COMPENSATOR | | | 1 |
| 10 | 6678694 | FLOW CONTROL | | | 1 |
| 11 | 6678698 | PLUG | W/Ref. 35 | | 3 |
| 12 | 95K8 | O-RING | | | x |
| 13 | 6678706 | PLUG | W/Ref. 12 | | 1 |
| 14 | 6678702 | ORIFICE | | | 1 |
| 15 | 6671628 | NUT | | | 1 |
| 16 | 6671025 | COIL | Was 6678696 [A] | | 1 |
| 17 | 6678711 | SPACER | | | 2 |
| 18 | 6678697 | STEM | | | 1 |
| 19 | | COIL | NSS - W/female connector & tie - Use W/Ref. 1 (NAP/6678206 Valve) - Order Ref. 16 & 36 | | 1 |
| 19 | 6678712 | COIL | W/Male connector - Use W/Ref. 1 (6678554 Valve) | | 1 |
| 20 | 6678705 | BALL | | | 1 |
| 21 | 6678704 | SPRING | | | 1 |
| 22 | 6677159 | PLUG | W/Ref. 26 | | 3 |
| 23 | 6678703 | SHUTTLE | | | 1 |
| 24 | 6678717 | PISTON | | | 1 |
| 25 | 6678718 | SPRING | | | 1 |
| 26 | 95K4 | O-RING | | | x |
| 27 | 6678707 | SPRING | | | 1 |
| 28 | 6678700 | PISTON | | | 1 |
| 29 | 6678699 | PLUG | W/Ref. 7 | | 4 |
| 30 | 6678692 | SPRING | | | 1 |
| 31 | 6678693 | SPRING | | | 1 |
| 32 | 6679246 | SEAL KIT | complete | | 1 |
| 33 | 6672756 | KIT, SEAL | | | 1 |
| 34 | | BLOCK | NSS | | 1 |
| 35 | 95K6 | O-RING | | | x |
| 36 | 6678710 | TIE | | | 1 |

POWER BOB-TACH (Valve)

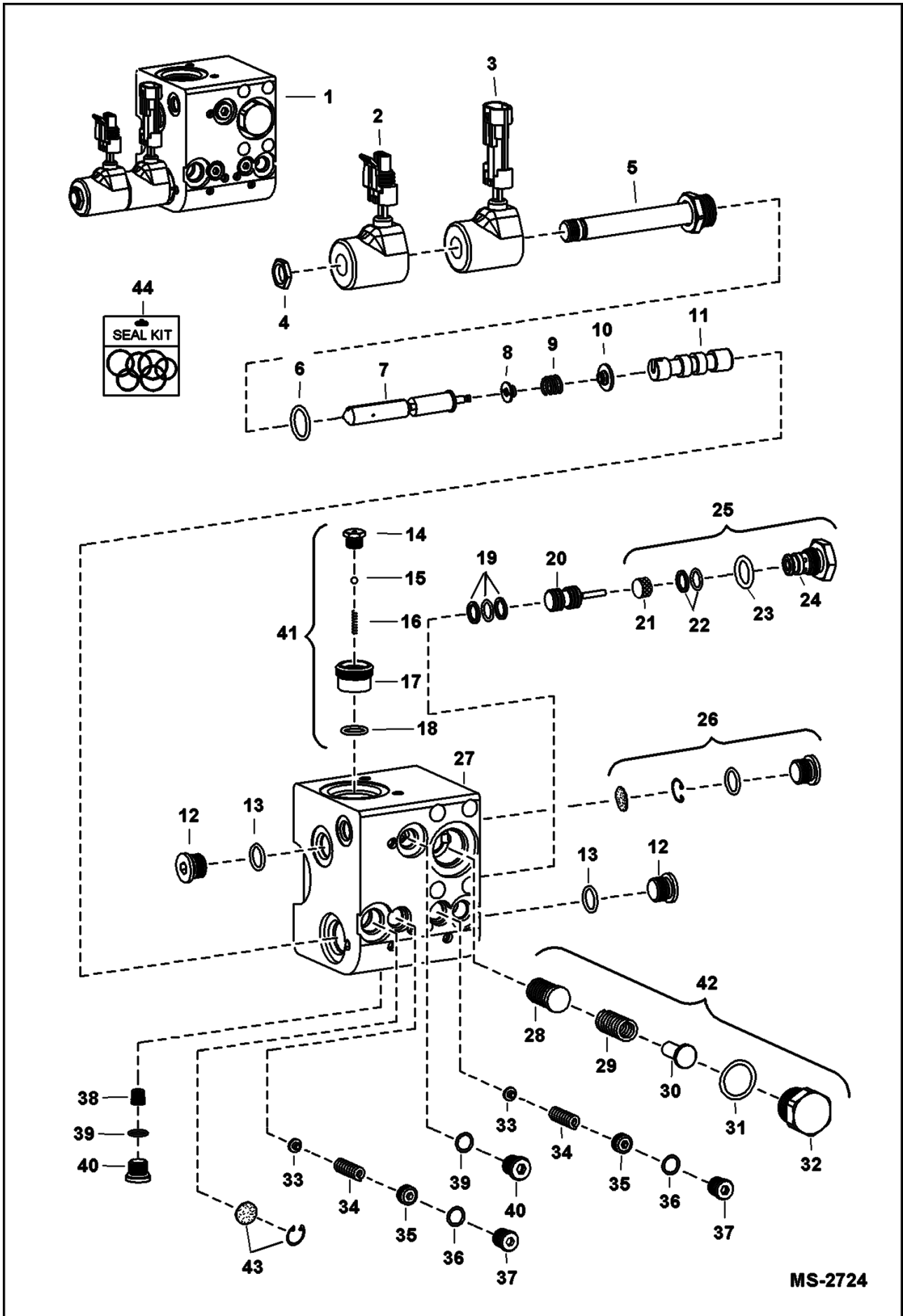


MS-1835

**POWER BOB-TACH (Cont'd)
(Valve)**

| Ref No | Part Number | Description | Remarks | Serial Number | Qty |
|--------|-------------|-----------------------|--|---------------|-----|
| 1 | | VALVE, POWER BOB-TACH | See Illustration POWER BOB-TACH/ MS2724 NAP - Order 7161786 valve - Valve has 2 drain ports marked DR. Can use either port that best fits plumbing application.- Was 6686949 [A] | | 1 |
| 2 | 6684743 | SOLENOID | W/male connector | | 1 |
| 3 | 6684744 | SOLENOID | W/female connector | | 1 |
| 4 | 6684742 | NUT | | | 1 |
| 5 | | STEM | NSS | | x |
| 6 | 79K8 | O RING 10 | | | x |
| 7 | | STEM | NSS | | x |
| 8 | | RETAINER | NSS | | x |
| 9 | | SPRING | NSS | | x |
| 10 | | WASHER | NSS | | x |
| 11 | | PISTON | NAP - Was 6685540 [A] | | x |
| 12 | 6685545 | PLUG | W/Ref. 13 | | x |
| 13 | | O-RING | NSS | | x |
| 14 | | PLUG | NSS | | x |
| 15 | | BALL | NSS | | x |
| 16 | | SPRING | NSS | | x |
| 17 | | VALVE | NSS | | x |
| 18 | 6685542 | O-RING | | | x |
| 19 | | RINGS | NSS | | x |
| 20 | 6684745 | PISTON | | | 1 |
| 21 | | RINGS | NSS | | x |
| 22 | 79K7 | O RING 10 | | | x |
| 23 | 6684746 | CHECK VALVE | W/Ref. 22 | | 1 |
| 24 | | BLOCK | NSS | | x |
| 25 | | STEM | NSS | | x |
| 26 | | SPRING | NSS | | x |
| 27 | | POPPET | NSS | | x |
| 28 | 79K10 | O RING 10 | | | x |
| 29 | | PLUG | NSS | | x |
| 30 | | POPPET | NSS | | x |
| 31 | | SPRING | NSS | | x |
| 32 | | PLUG | NSS | | x |
| 33 | 79K4 | O RING 10 | | | x |
| 34 | 24K3 | PLUG | W/Ref. 33 | | x |
| 35 | 6685541 | POPPET | | | x |
| 36 | | O-RING | NSS - Was 6685542 [B,D] | | x |
| 37 | 6685546 | PLUG | W/Ref. 36 | | x |
| 38 | 6685544 | COMPENSATOR | Ref. 25-29 | | 1 |
| 39 | 6685543 | CHECK VALVE | Ref. 14-18 | | 1 |
| 40 | 6684747 | SEAL KIT | Ref. 6, 21, 22, 28 & 36 | | 1 |

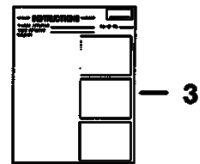
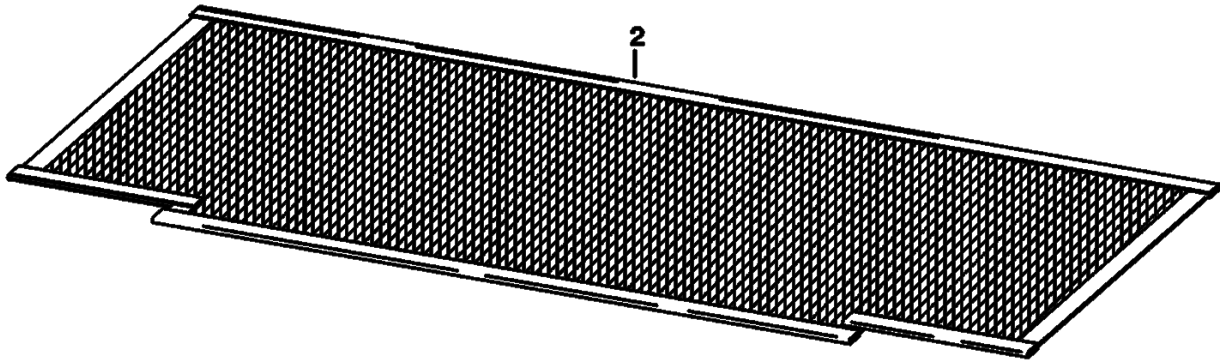
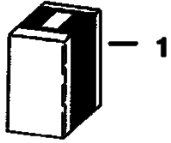
POWER BOB-TACH (Valve)



**POWER BOB-TACH (Cont'd)
(Valve)**

| Ref No | Part Number | Description | Remarks | Serial Number | Qty |
|--------|-------------|-----------------------|--|---------------|-----|
| 1 | 7161786 | VALVE, POWER BOB-TACH | valve has (2) drain ports marked DR - Use which ever port best fits plumbing application | | 1 |
| 2 | 6684743 | SOLENOID | W/male connector | | 1 |
| 3 | 6684744 | SOLENOID | W/female connector | | 1 |
| 4 | 6684742 | NUT | | | 1 |
| 5 | | STEM | NSS | | x |
| 6 | 79K8 | O RING 10 | | | x |
| 7 | | STEM | NSS | | x |
| 8 | | RETAINER | NSS | | x |
| 9 | | SPRING | NSS | | x |
| 10 | | WASHER | NSS | | x |
| 11 | | PISTON | NAP | | x |
| 12 | 6685545 | PLUG | W/Ref. 13 | | x |
| 13 | | ORING | NSS | | x |
| 14 | | PLUG | NSS | | x |
| 15 | | BALL | NSS | | x |
| 16 | | SPRING | NSS | | x |
| 17 | | VALVE | NSS | | x |
| 18 | 6685542 | O-RING | | | x |
| 19 | | RINGS | NSS | | x |
| 20 | 6684745 | PISTON | W/Ref. 19 | | 1 |
| 21 | | STEM | | | 1 |
| 22 | | RINGS | NSS | | x |
| 23 | 79K7 | O RING 10 | | | x |
| 24 | 6684746 | CHECK VALVE | W/Ref. 23 | | 1 |
| 25 | 7001678 | VALVE, CHECK | W/Ref. 21-24 | | 1 |
| 26 | 7001673 | KIT, SCREEN FILTER | | | 1 |
| 27 | | BLOCK | NSS | | x |
| 28 | | STEM | NSS | | x |
| 29 | | SPRING | NSS | | x |
| 30 | | POPPET | NSS | | x |
| 31 | 79K10 | O RING 10 | | | x |
| 32 | | PLUG | NSS | | 1 |
| 33 | | POPPET | NSS | | x |
| 34 | | SPRING | NSS | | x |
| 35 | | PLUG | NSS | | x |
| 36 | 79K4 | O RING 10 | | | x |
| 37 | 24K3 | PLUG | W/Ref. 34 | | x |
| 38 | 6685541 | POPPET | | | 1 |
| 39 | | O-RING | NSS - Was 6685542 [B,D] | | x |
| 40 | 6685546 | PLUG | W/Ref. 39 | | 2 |
| 41 | 6685543 | CHECK VALVE | W/Ref. 14-18 | | 1 |
| 42 | 6685544 | COMPENSATOR | W/Ref. 28-32 | | 1 |
| 43 | 6689983 | FILTER KIT | | | 1 |
| 44 | 6684747 | SEAL KIT | Ref. 6, 22, 23, 31 & 39 - consists of (5) O-rings & (1) back-up washer | | 1 |

RADIATOR SCREEN KIT

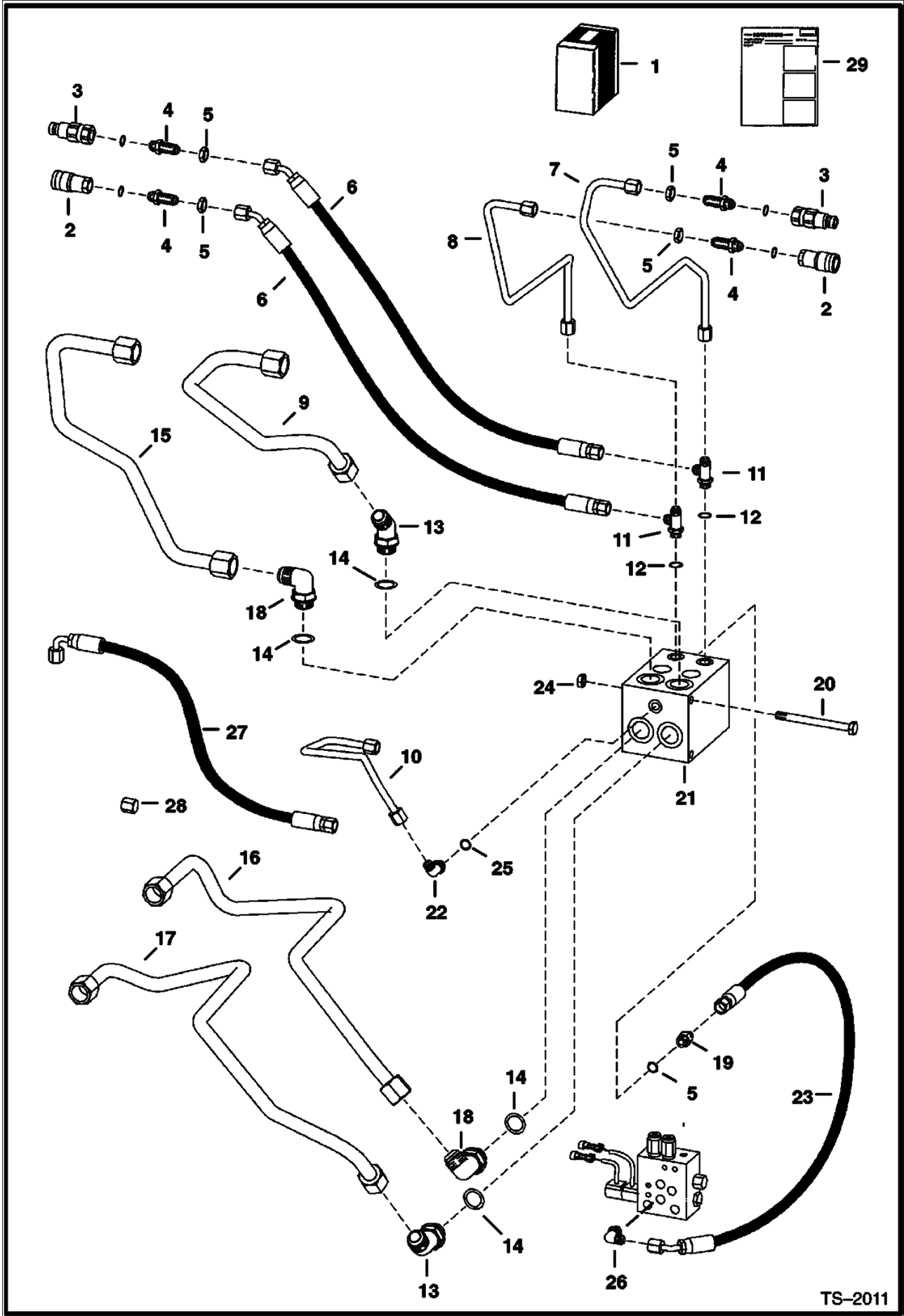


TS-1188

RADIATOR SCREEN KIT (Cont'd)

| Ref No | Part Number | Description | Remarks | Serial Number | Qty |
|--------|-------------|--------------|------------|---------------|-----|
| 1 | 6706939 | KIT | Ref. 2 & 3 | | 1 |
| 2 | 6706285 | SCREEN | | | 1 |
| 3 | 6722861 | INSTRUCTIONS | | | 1 |

REAR AUXILIARY
 (S/N 500K11038 & Below, 517619258 & Below, 518012218 & Below,
 518112089 & Below, 519018909 & Below, 519212154 & Below)



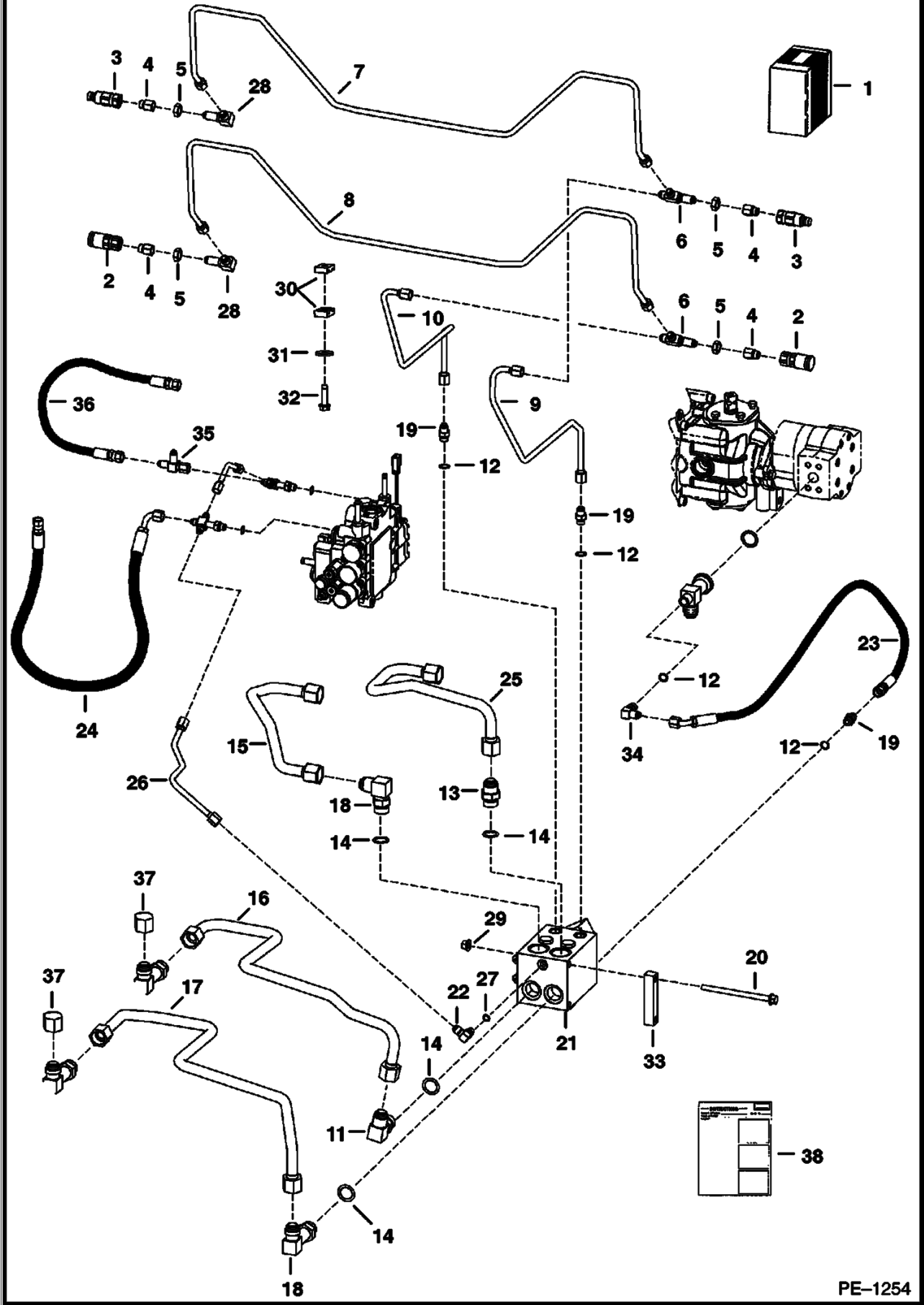
TS-2011

REAR AUXILIARY (Cont'd)
(S/N 500K11038 & Below, 517619258 & Below, 518012218 & Below,
518112089 & Below. 519018909 & Below. 519212154 & Below)

| Ref No | Part Number | Description | Remarks | Serial Number | Qty |
|--------|-------------|-----------------|---|---------------|-----|
| 1 | | KIT | NAP - Ref. 2 - 29 - Order components - Was 6718289 [D] | | 1 |
| 2 | 6667803 | COUPLER | female | | 2 |
| 3 | 6667804 | COUPLER | male | | 2 |
| 3 | 6669657 | SEAL KIT | | | x |
| 4 | 6716089 | CONNECTOR | | | 4 |
| 5 | 86F5 | NUT | | | 4 |
| 6 | 6718286 | HOSE | | | 2 |
| 7 | 6718204 | TUBE | | | 1 |
| 8 | 6718203 | TUBE | | | 1 |
| 9 | 6718190 | TUBE | | | 1 |
| 10 | 6718207 | TUBE | | | 1 |
| 11 | | TEE | NAP - W/Ref. 12 - tapered boss face - Was 21KV00005B [A] | | 1 |
| 11 | 97K6 | O'RING | flared end | | 1 |
| 11 | 21KB606 | TEE | flat boss face - W/Ref. 12 | | 1 |
| 12 | 99K6 | O'RING | tapered boss face | | x |
| 12 | 79K6 | O RING 10 | flat boss face | | x |
| 13 | | ELBOW | NAP - W/Ref. 14 - tapered boss face - Was 18KV00008B [A] | | 3 |
| 13 | 97K12 | O'RING | flared end | | 3 |
| 13 | 18KB1212 | ELBOW | W/Ref. 14 - flat boss face | | 3 |
| 14 | 99K12 | O'RING | tapered boss face | | x |
| 14 | 79K12 | O RING 10 | flat boss face | | x |
| 15 | 6718191 | TUBE | | | 1 |
| 16 | 6718192 | TUBE | | | 1 |
| 17 | 6718193 | TUBE | | | 1 |
| 18 | | ELBOW | NAP - W/Ref. 14 - tapered boss face - Was 17KV00008B [A] | | 2 |
| 18 | 97K12 | O'RING | flared end | | 1 |
| 18 | 17KB1212 | ELBOW | W/Ref. 14 - flat boss face | | 1 |
| 19 | | ADAPTER | NAP - W/Ref. 12 - tapered boss face - Was 15KV00005B [A] | | 1 |
| 19 | 97K6 | O'RING | flared end | | 1 |
| 19 | 15KB606 | ADAPTER | flat boss face | | 1 |
| 20 | 17C680 | BOLT | | | 2 |
| 21 | 6675073 | VALVE, AUX REAR | See Illustration REAR AUXILIARY VALVE/ TS1362 WAS 6665572 [A] | | 1 |
| 22 | | ELBOW | NAP - W/Ref. 25 - tapered boss face - Was 6718182 [A] | | 1 |
| 22 | 97K6 | O'RING | flared end | | 1 |
| 22 | 17KB604 | ELBOW | W/Ref. 25 - flat boss face | | 1 |
| 23 | 6718208 | HOSE | | | 1 |
| 24 | 83D6 | NUT 5 | | | 2 |
| 25 | 99K4 | O'RING | tapered boss face | | x |
| 25 | 79K4 | O RING 10 | flat boss face | | x |
| 26 | | ELBOW | NAP - W/Ref. 12 - tapered boss face - Was 17KV00005B [A] | | 1 |
| 26 | 97K6 | O'RING | flared end | | 1 |
| 26 | 17KB606 | ELBOW | W/ Ref. 12 - flat boss face | | 1 |
| 27 | 6714808 | HOSE | | | 1 |
| 28 | 36K5 | CAP | | | 1 |
| 29 | 6900837 | INSTRUCTIONS | INSTRUCTIONS Was 6900877 [B,D] | | 1 |

REAR AUXILIARY
 (S/N 500K11039 & Above, 517619259-21198, 518012219-12551,
 518112090-12468, 519018910-24161, 5192121551-12516)

NOTE: Order Rear Hydraulics Kit from Gwinner Sales # 6726260.



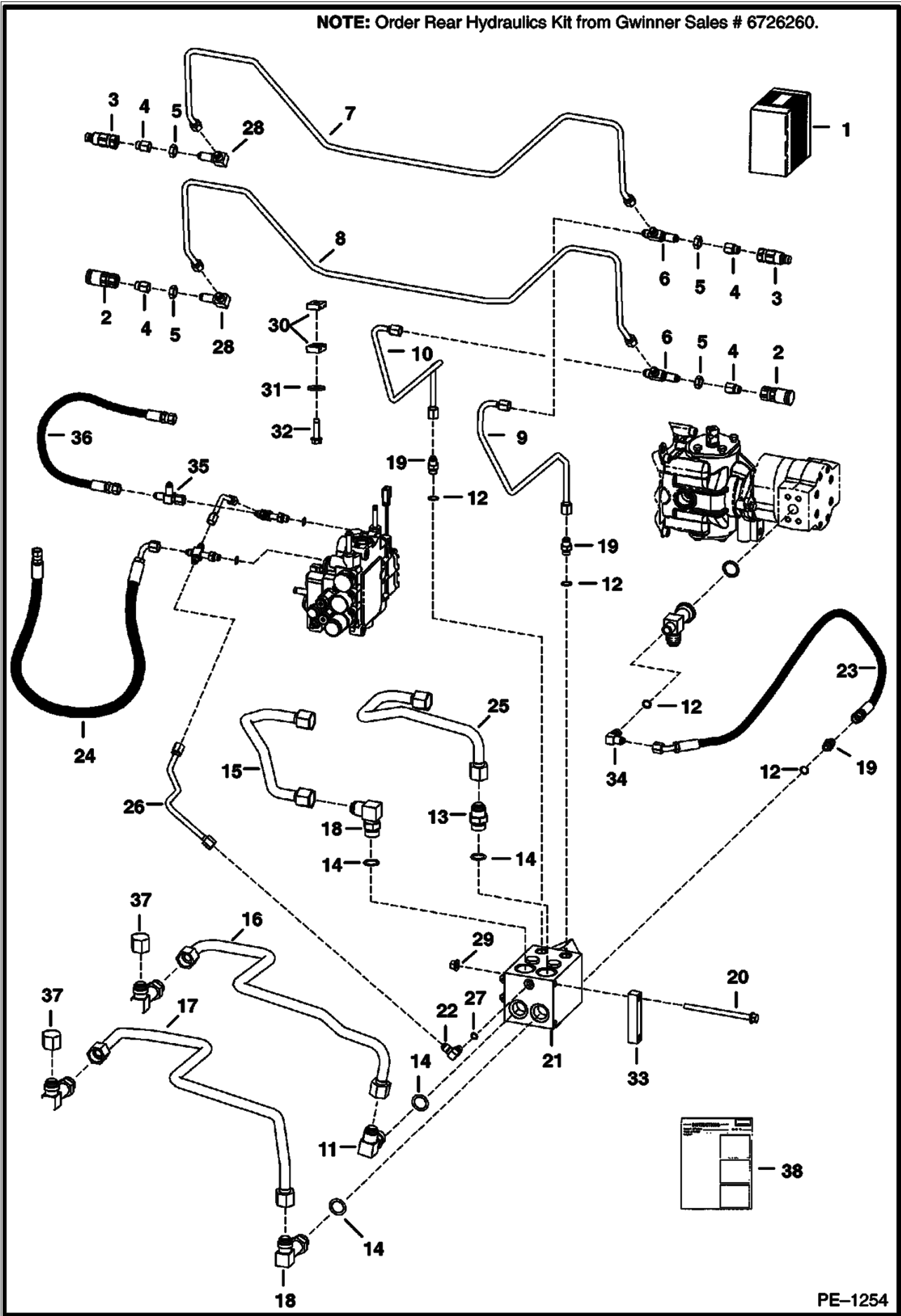
PE-1254

REAR AUXILIARY (Cont'd)
(S/N 500K11039 & Above, 517619259-21198, 518012219-12551,
518112090-12468, 519018910-24161, 5192121551-12516)

| Ref No | Part Number | Description | Remarks | Serial Number | Qty |
|--------|-------------|-----------------|--|---------------|-----|
| 1 | 6726260 | KIT | Ref. 2 - 34, 37 & 38 - If loader is equipped W/ Power Bob-Tach Option, also Order Ref. 35 & 36 - Was SALES [A] | | 1 |
| 2 | 6667803 | COUPLER | female | | 2 |
| 3 | 6667804 | COUPLER | male | | 2 |
| 3 | 6669657 | SEAL KIT | | | x |
| 4 | 6706633 | ADAPTER | | | 4 |
| 5 | 86F5 | NUT | | | 4 |
| 6 | | TEE | NAP - W/ flared end o-rings - Was 6719298 [A] | | 2 |
| 6 | 91K5 | TEE | W/O flared end | | 2 |
| 7 | 6726273 | TUBE | | | 1 |
| 8 | 6726272 | TUBE | | | 1 |
| 9 | 6726268 | TUBE | | | 1 |
| 10 | 6726267 | TUBE | | | 1 |
| 11 | 6716443 | ELBOW | W/Ref. 14 - check boss face to determine correct replacement o-ring | | 1 |
| 11 | 97K6 | O'RING | flared end | | 1 |
| 12 | 99K6 | O'RING | | | x |
| 13 | | ADAPTER | NAP - W/Ref. 14 - tapered boss face - Was 15KV00008B [A] | | 1 |
| 13 | 97K12 | O'RING | flared end | | 1 |
| 13 | 15KB1212 | ADAPTER | W/Ref. 14 - flat boss face | | 1 |
| 14 | 99K12 | O'RING | tapered boss face | | x |
| 14 | 79K12 | O RING 10 | flat boss face | | x |
| 15 | 6726264 | TUBE | | | 1 |
| 16 | 6726266 | TUBE | | | 1 |
| 17 | 6726265 | TUBE | | | 1 |
| 18 | | ELBOW | NAP - W/Ref. 14 - tapered boss face - Was 17KV00008B [A] | | 2 |
| 18 | 97K12 | O'RING | flared end | | 1 |
| 18 | 17KB1212 | ELBOW | flat boss face | | 2 |
| 19 | | ADAPTER | NAP - W/Ref. 12 - tapered boss face - Was 15KV00005B [A] | | 3 |
| 19 | 97K6 | O'RING | flared end | | 3 |
| 19 | 15KB606 | ADAPTER | W/Ref. 12 - flat boss face | | x |
| 20 | 35C688 | BOLT | | | 2 |
| 21 | 6675073 | VALVE, AUX REAR | See Illustration REAR AUXILIARY VALVE/ TS1362 | | 1 |
| 22 | | ELBOW | NAP - W/Ref. 27 - tapered boss face - Was 6718182 [A] | | 1 |
| 22 | 97K6 | O'RING | flared end | | 1 |
| 22 | 17KB604 | ELBOW | W/Ref. 27 - flat boss face | | 1 |
| 23 | 6718208 | HOSE | | | 1 |
| 24 | 6714808 | HOSE | | | 1 |
| 25 | 6726263 | TUBE | | | 1 |
| 26 | 6726269 | TUBE | | | 1 |
| 27 | 99K4 | O'RING | tapered boss face | | x |
| 27 | 79K4 | O RING 10 | flat boss face | | x |
| 28 | 88F5 | ELBOW | Was 88FN00005B [A] | | 2 |
| 29 | 83D6 | NUT 5 | | | 2 |
| 30 | 6578870 | CLAMP | Was 6726277 [A] | | 2 |
| 31 | 619021 | WASHER, 5 | | | 1 |
| 32 | 84G3724 | BOLT | | | 1 |
| 33 | 6726293 | SPACER BLOCK | | | 1 |
| 34 | | ELBOW | NAP - W/Ref. 12 - tapered boss face - Was 17KV00005B [A] | | 1 |
| 34 | 99K6 | O'RING | flared end | | x |

REAR AUXILIARY (Cont'd)
 (S/N 500K11039 & Above, 517619259-21198, 518012219-12551,
 518112090-12468, 519018910-24161, 5192121551-12516)

NOTE: Order Rear Hydraulics Kit from Gwinner Sales # 6726260.

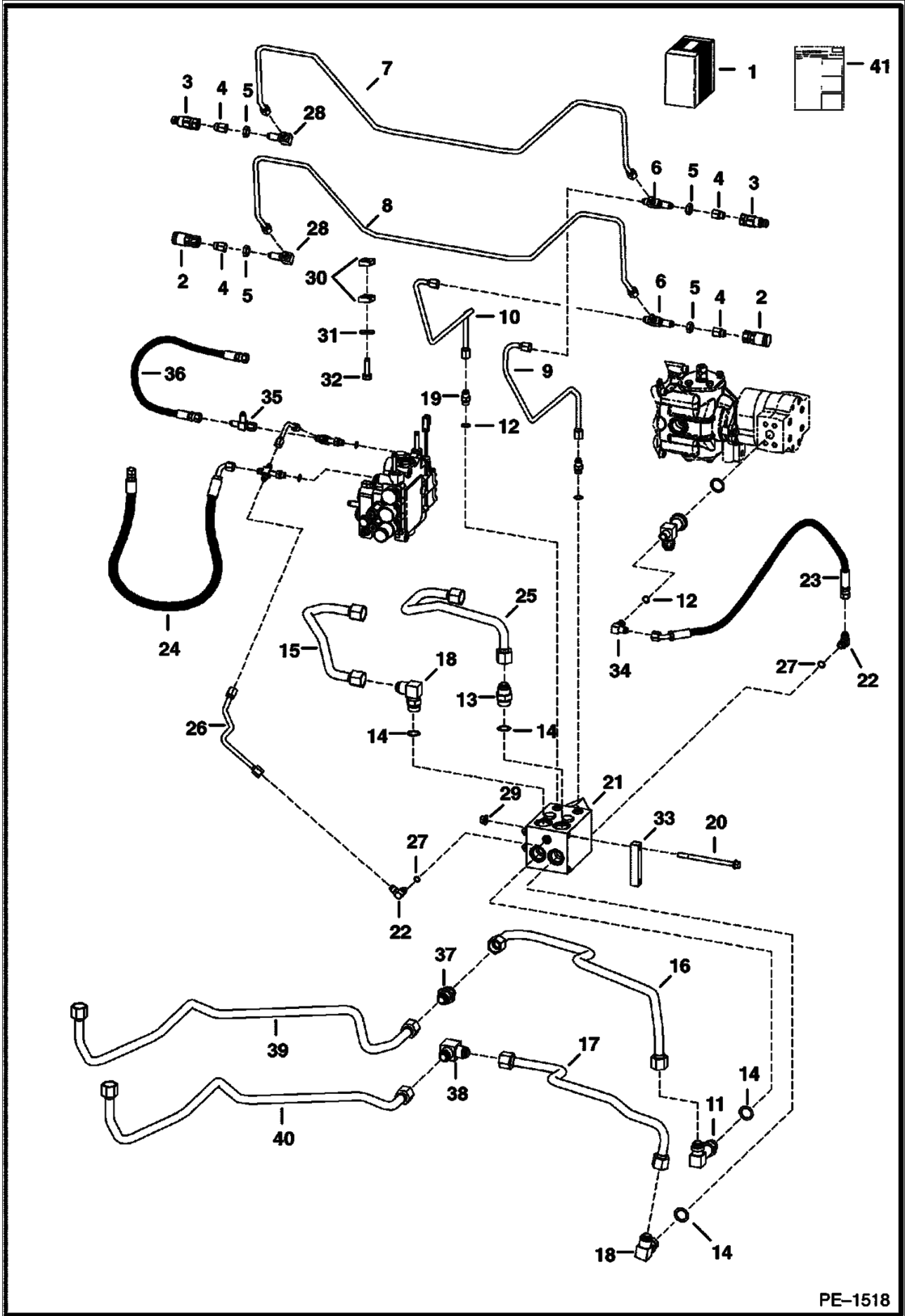


PE-1254

REAR AUXILIARY (Cont'd)
(S/N 500K11039 & Above, 517619259-21198, 518012219-12551,
518112090-12468, 519018910-24161, 5192121551-12516)

| Ref No | Part Number | Description | Remarks | Serial Number | Qty |
|---------------|--------------------|--------------------|--|----------------------|------------|
| 34 | 17KB606 | ELBOW | W/Ref. 12 - flat boss face | | x |
| 35 | 13K5 | TEE | Not in Kit - Used W/Power Bob-Tach Option - Was 13KN00005B [A] | | 1 |
| 36 | 6535451 | HOSE | Not in Kit - Used W/Power Bob-Tach Option | | 1 |
| 37 | 36K5 | CAP | | | 2 |
| 38 | 6901098 | INSTRUCTIONS | | | 1 |

REAR AUXILIARY
 (S/N 517621199 & Above, 518012552 & Above, 518112469 & Above,
 519024162 & Above, 519212517 & Above)

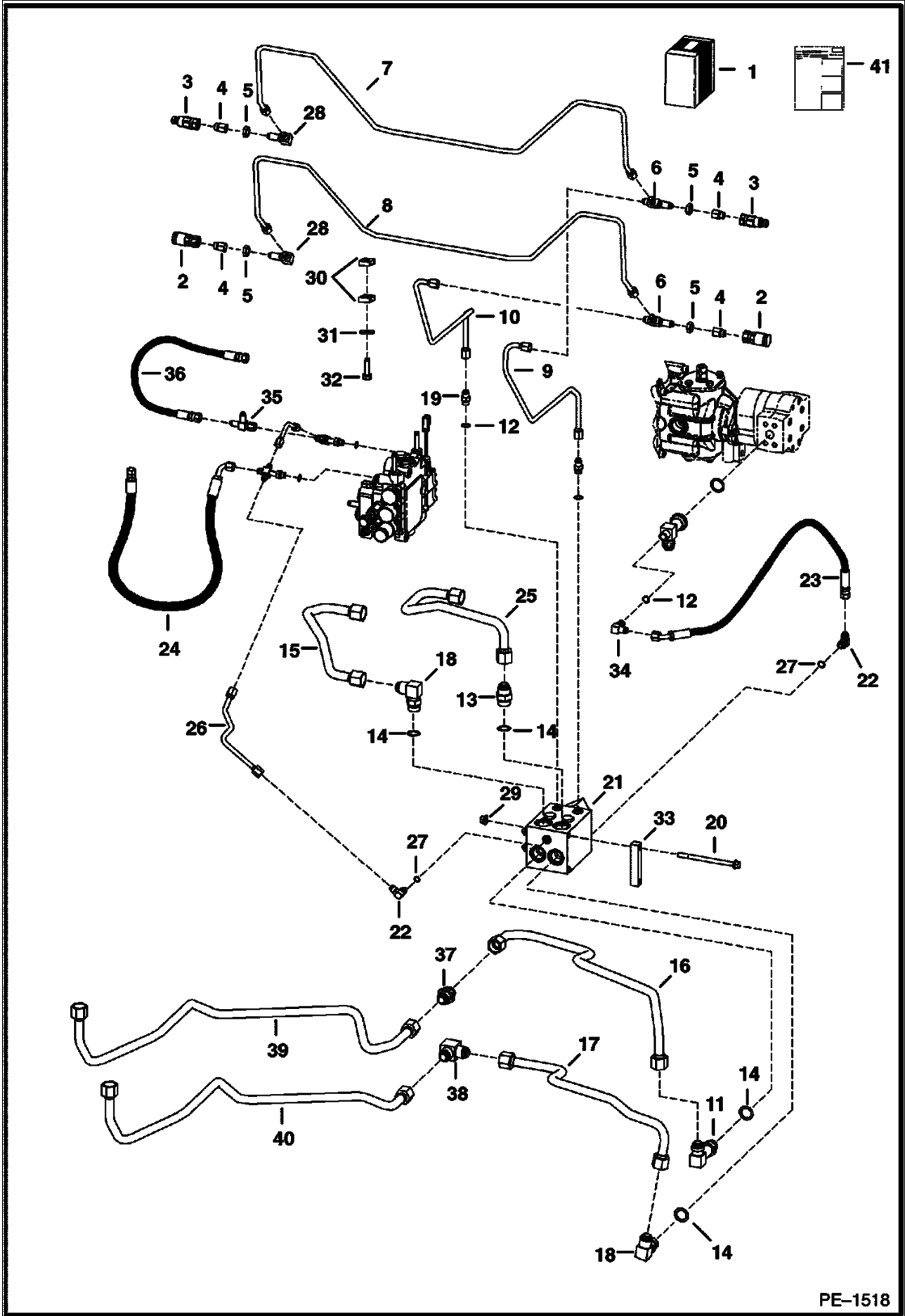


PE-1518

REAR AUXILIARY (Cont'd)
(S/N 517621199 & Above, 518012552 & Above, 518112469 & Above,
519024162 & Above. 519212517 & Above)

| Ref No | Part Number | Description | Remarks | Serial Number | Qty |
|--------|-------------|-----------------|---|---------------|-----|
| 1 | 6731235 | KIT | Ref. 2 - 23, 25 - 34 & 41- If loader is equipped W/Power Bob-Tach Option, also Order Ref. 35 & 36 - Was SALES [D] | | 1 |
| 2 | 6667803 | COUPLER | female | | 2 |
| 3 | 6667804 | COUPLER | male | | 2 |
| 3 | 6669657 | SEAL KIT | | | x |
| 4 | 6706633 | ADAPTER | | | 4 |
| 5 | 86F5 | NUT | | | 4 |
| 6 | 91K5 | TEE | Was 6719298 [A] | | 2 |
| 7 | 6726273 | TUBE | | | 1 |
| 8 | 6726272 | TUBE | | | 1 |
| 9 | 6726268 | TUBE | | | 1 |
| 10 | 6726267 | TUBE | | | 1 |
| 11 | 6716443 | ELBOW | W/Ref. 14 - check boss face to determine correct replacement O-ring | | 1 |
| 11 | 97K6 | O'RING | flared end | | 1 |
| 12 | 99K6 | O'RING | tapered boss face | | x |
| 12 | 79K6 | O RING 10 | flat boss face | | x |
| 13 | | ADAPTER | NAP - W/Ref. 14 - tapered boss face - Was 15KV00008B [A] | | 1 |
| 13 | 97K12 | O'RING | flared end | | 1 |
| 13 | 15KB1212 | ADAPTER | flat boss face | | 1 |
| 14 | 99K12 | O'RING | tapered boss face | | x |
| 14 | 79K12 | O RING 10 | flat boss face | | x |
| 15 | 6726264 | TUBE | | | 1 |
| 16 | 6731245 | TUBE | | | 1 |
| 17 | 6731246 | TUBE | | | 1 |
| 18 | | ELBOW | NAP - W/Ref. 14 - tapered boss face - Was 17KV00008B [A] | | 2 |
| 18 | 97K12 | O'RING | flared end | | 2 |
| 18 | 17KB1212 | ELBOW | W/Ref. 14 - flat boss face | | 2 |
| 19 | | ADAPTER | NAP - W/Ref. 12 - tapered boss face - Was 15KV00005B [A] | | 3 |
| 19 | 97K6 | O'RING | flared end | | 3 |
| 19 | 15KB606 | ADAPTER | flat boss face | | 3 |
| 20 | 35C688 | BOLT | | | 2 |
| 21 | | VALVE, AUX REAR | See Illustration REAR AUXILIARY VALVE/ TS1362 | | 1 |
| 22 | | ELBOW | NAP - W/Ref. 27 - tapered boss face - Was 6718182 [A] | | 2 |
| 22 | 97K6 | O'RING | flared end | | x |
| 22 | 17KB604 | ELBOW | flat boss face | | 2 |
| 23 | 6718208 | HOSE | | | 1 |
| 24 | 6714808 | HOSE | | | 1 |
| 25 | 6726263 | TUBE | | | 1 |
| 26 | 6726269 | TUBE | | | 1 |
| 27 | 99K4 | O'RING | tapered boss face | | x |
| 27 | 79K4 | O RING 10 | flat boss face | | x |
| 28 | 88F5 | ELBOW | | | 2 |
| 29 | 83D6 | NUT 5 | | | 2 |
| 30 | 6578870 | CLAMP | Was 6726277 [A] | | 2 |
| 31 | 619021 | WASHER, 5 | | | 1 |
| 32 | 84G3724 | BOLT | | | 1 |
| 33 | 6726293 | SPACER BLOCK | | | 1 |
| 34 | | ELBOW | NAP - W/Ref. 12 - tapered boss face - Was 17KV00005B [A] | | 1 |
| 35 | | TEE | NAP - W/ flared end O-rings - Not in Kit - Used | | 1 |

REAR AUXILIARY (Cont'd)
 (S/N 517621199 & Above, 518012552 & Above, 518112469 & Above,
 519024162 & Above, 519212517 & Above)

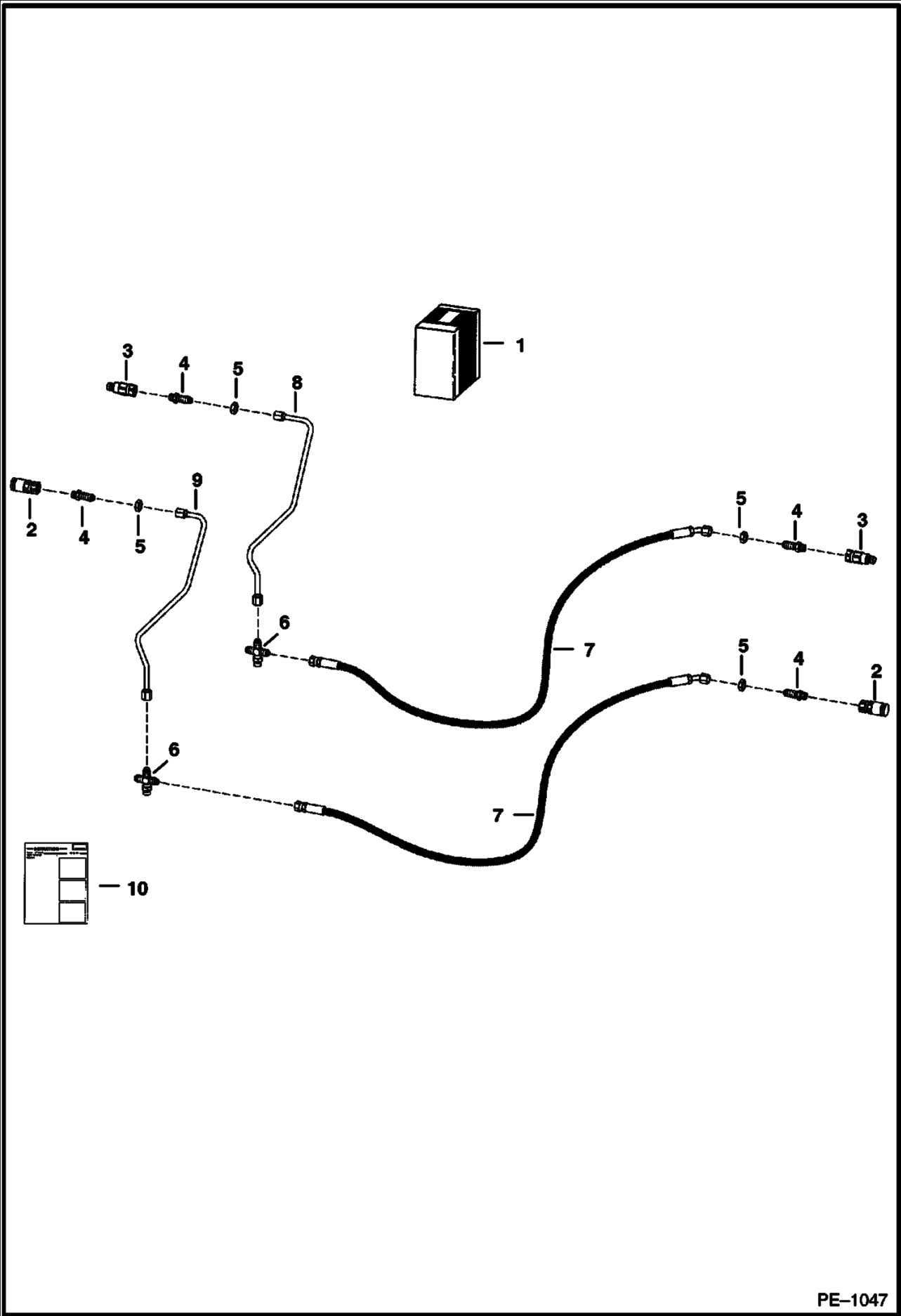


PE-1518

REAR AUXILIARY (Cont'd)
(S/N 517621199 & Above, 518012552 & Above, 518112469 & Above,
519024162 & Above. 519212517 & Above)

| Ref No | Part Number | Description | Remarks | Serial Number | Qty |
|--------|-------------|--------------|--|---------------|-----|
| | | | W/Power Bob-Tach Option - Was 13KN00005B [A] | | |
| 36 | 6535451 | HOSE | Not in Kit - Used W/Power Bob-Tach Option | | 1 |
| 37 | | ADAPTER | NAP - W/ flared end O-rings - Was 87FN00008B [A] | | 1 |
| 37 | 97K8 | O-RING | | | 1 |
| 38 | 77F8 | ELBOW | | | 1 |
| 38 | 97K12 | O'RING | flared end | | 1 |
| 39 | 6726185 | TUBE | | | 1 |
| 40 | 6726186 | TUBE | | | 1 |
| 41 | 6901514 | INSTRUCTIONS | INSTRUCTIONS Was 6901098 [D] | | 1 |

REAR AUXILIARY
 (High Flow Hyd.) (S/N 500K11038 & Belo, 517619258 & Below,
 518012218 & Below. 518112089 & Below. 519018909 & Below. 519212154 & Below)

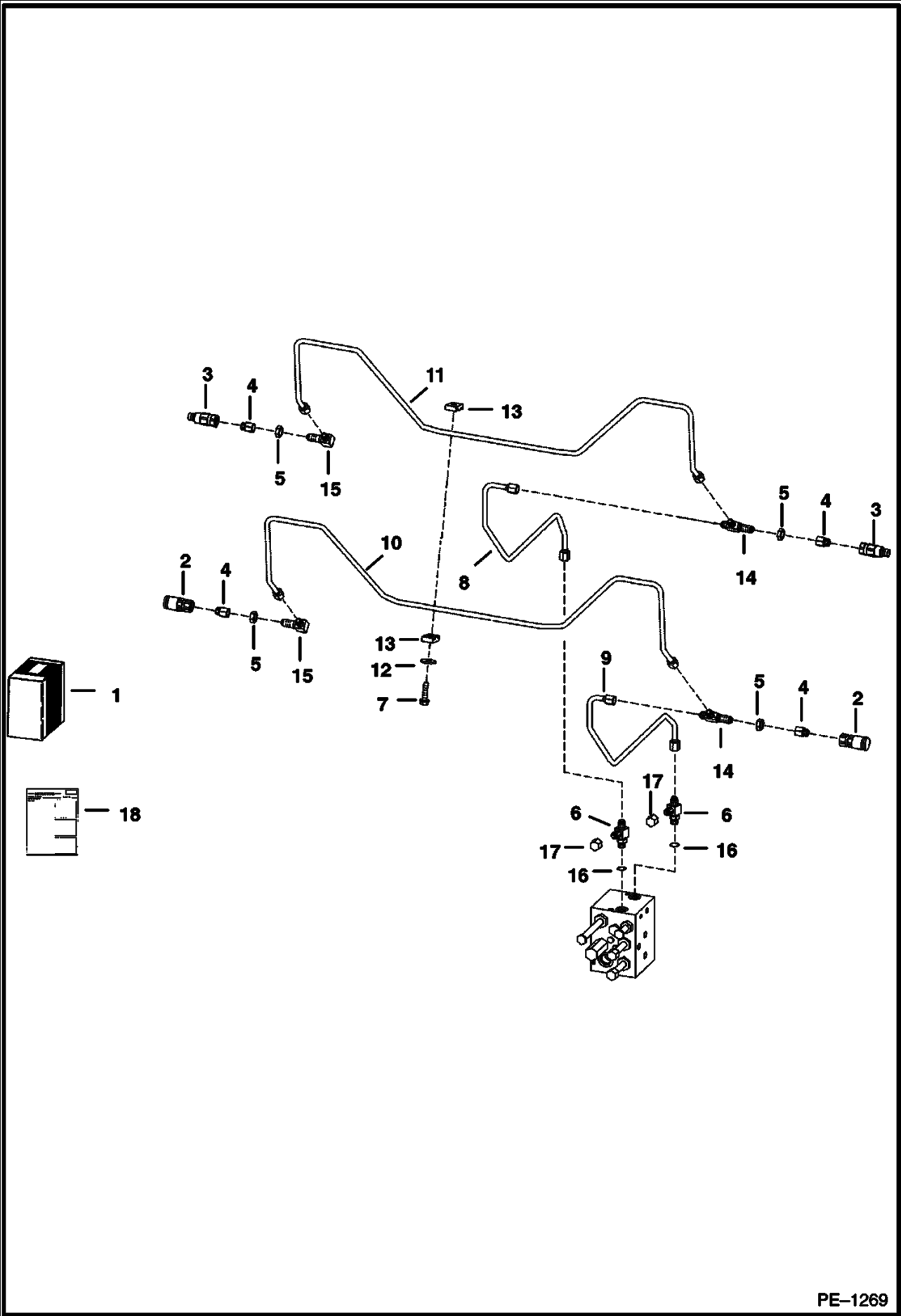


Page 638 - OSS# 2071349 - All rights reserved by Bobcat Company - 12/01/2009 - 20:50:59 - Produced by Ken Cook Co. with medialoff

REAR AUXILIARY (Cont'd)
(High Flow Hyd.) (S/N 500K11038 & Belo, 517619258 & Below,
518012218 & Below. 518112089 & Below. 519018909 & Below. 519212154 & Below)

| Ref No | Part Number | Description | Remarks | Serial Number | Qty |
|--------|-------------|--------------|---|---------------|-----|
| 1 | | KIT | NAP - Ref. 2 - 9 - Order Components - Was 6719131 [D] | | 1 |
| 2 | 6667803 | COUPLER | female | | 1 |
| 3 | 6667804 | COUPLER | male | | 1 |
| 3 | 6669657 | SEAL KIT | | | x |
| 4 | 6716089 | CONNECTOR | | | 4 |
| 5 | 86F5 | NUT | | | 4 |
| 6 | 6578209 | TEE | Was 6718250 [A] | | 2 |
| 7 | 6718286 | HOSE | | | 2 |
| 8 | 6718633 | TUBE | | | 1 |
| 9 | 6717844 | TUBE | | | 1 |
| 10 | 6900877 | INSTRUCTIONS | | | 1 |

REAR AUXILIARY
(High Flow Hyd) (S/N 500K11039 & Above, 517619259 & Above,
518012219 & Above. 518112090 & Above. 519018910 & Above. 519212155 & Above)

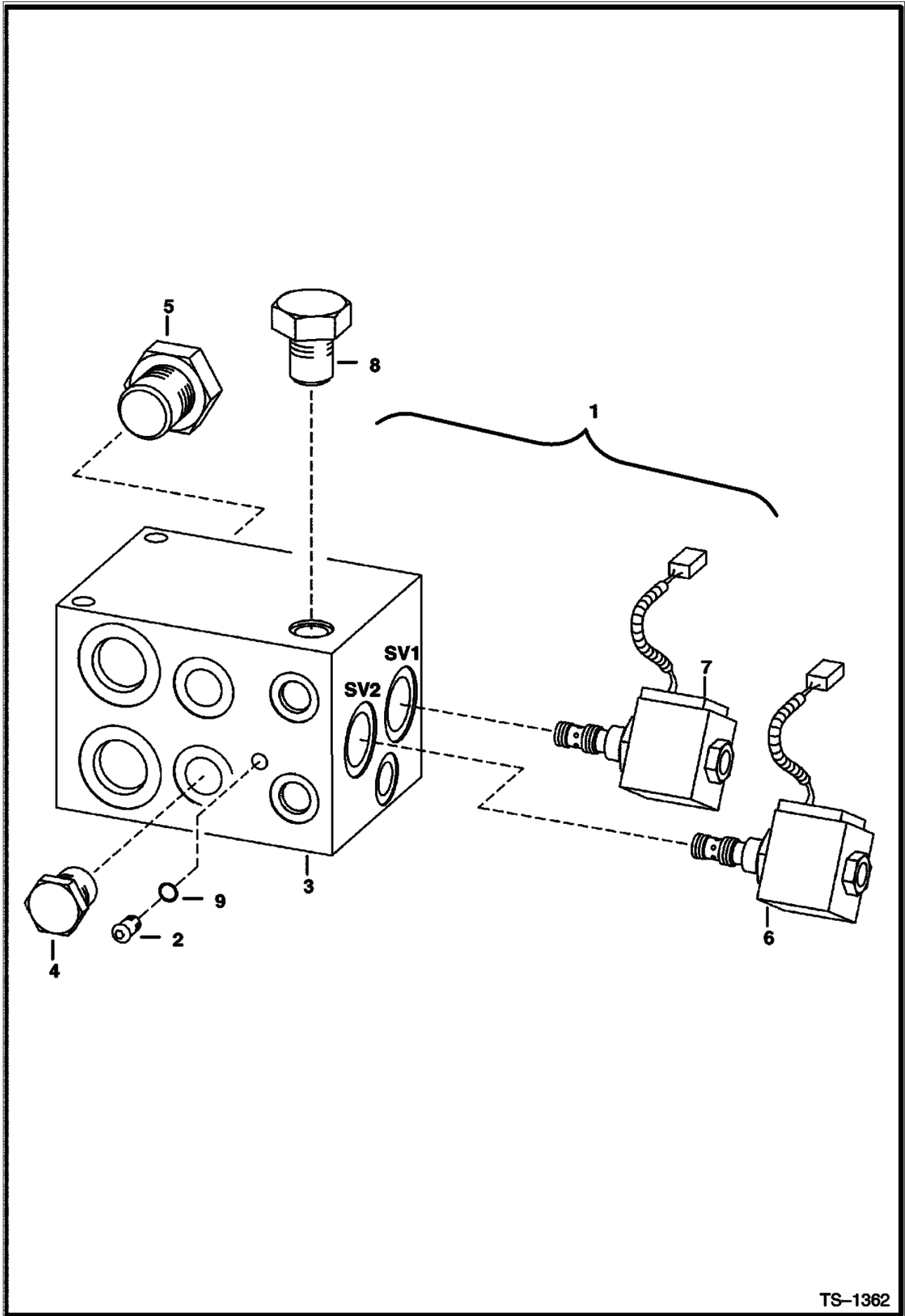


PE-1269

REAR AUXILIARY (Cont'd)
(High Flow Hyd) (S/N 500K11039 & Above, 517619259 & Above,
518012219 & Above, 518112090 & Above, 519018910 & Above, 519212155 & Above)

| Ref No | Part Number | Description | Remarks | Serial Number | Qty |
|--------|-------------|--------------|--|---------------------------|-----|
| 1 | 6726288 | KIT | Ref. 2 - 18 - Was SALES [A] | | 1 |
| 2 | 6667803 | COUPLER | female | | 1 |
| 3 | 6667804 | COUPLER | male | | 1 |
| 3 | 6669657 | SEAL KIT | | | x |
| 4 | 6706633 | ADAPTER | | | 4 |
| 5 | 86F5 | NUT | | | 4 |
| 6 | | TEE | NAP - tapered boss face - Was 21KV00005B [A] | | 2 |
| 6 | 97K6 | O'RING | flared end | | 1 |
| 6 | 21KB606 | TEE | W/Ref. 16 - flat boss face | | x |
| 7 | 84G3724 | BOLT | | | 1 |
| 8 | 6726275 | TUBE | | | 1 |
| 9 | 6726274 | TUBE | | | 1 |
| 10 | 6726273 | TUBE | | | 1 |
| 11 | 6726272 | TUBE | | | 1 |
| 12 | 619021 | WASHER, 5 | | | 1 |
| 13 | 6578870 | CLAMP | Was 6726277 [A] | | 2 |
| 14 | | TEE | NAP - W/Flared end o-ring - Was 6719298 [A] | | 2 |
| 14 | 91K5 | TEE | W/O flared end o-ring | | 2 |
| 15 | 88F5 | ELBOW | Was 88FN00005B [A] | | 2 |
| 16 | 99K10 | O'RING | | | x |
| 17 | 36K5 | CAP | CAP | Not used if loader is equ | 2 |
| 18 | 6901097 | INSTRUCTIONS | | | 1 |

REAR AUXILIARY VALVE

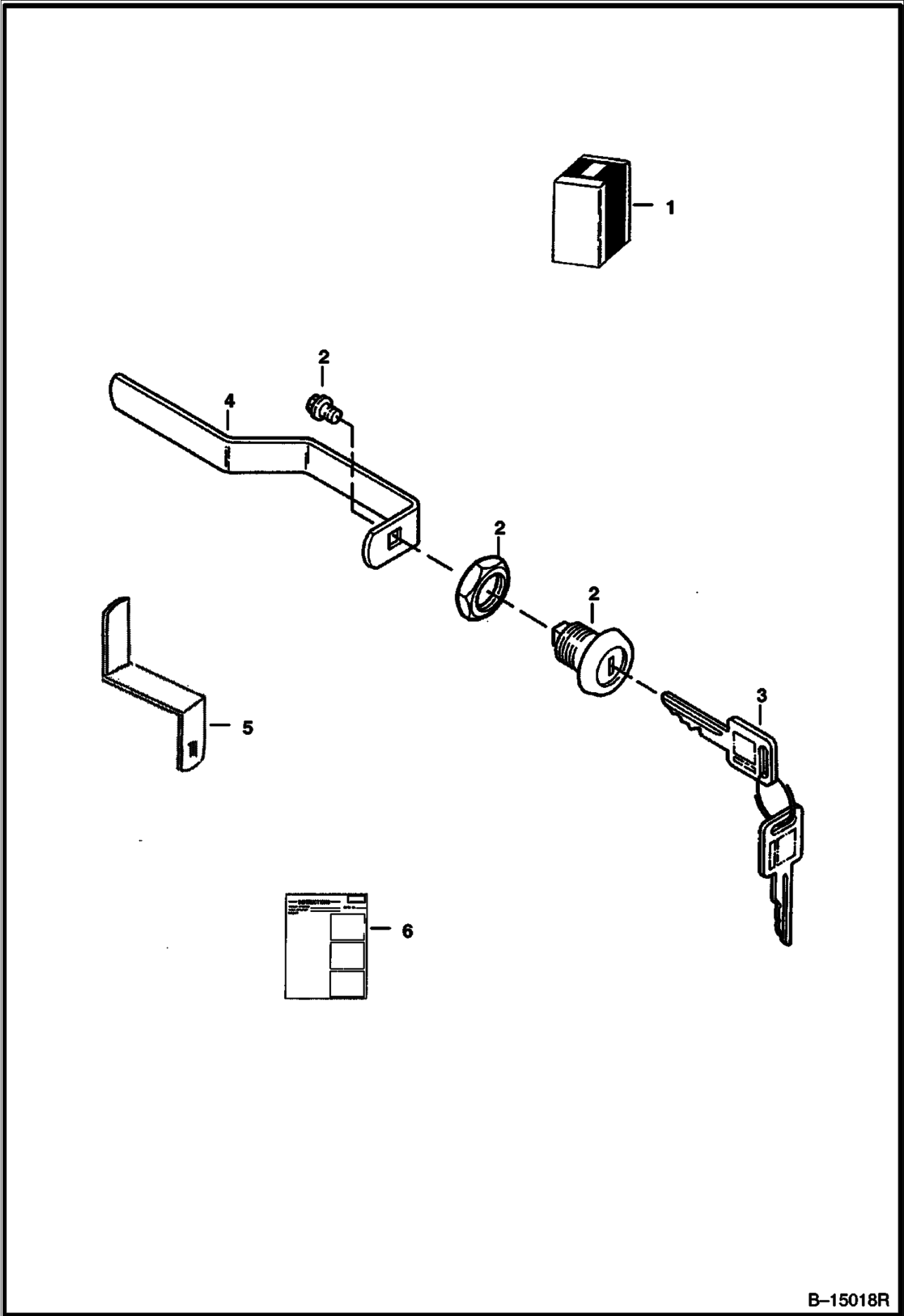


TS-1362

REAR AUXILIARY VALVE (Cont'd)

| Ref No | Part Number | Description | Remarks | Serial Number | Qty |
|--------|-------------|-----------------|---|---------------|-----|
| 1 | 6665572 | VALVE | diverter - silver - rear pressure release | | 1 |
| 1 | 6675073 | VALVE, AUX REAR | diverter - gold - rear & front pressure release | | 1 |
| 2 | 6653490 | PLUG | W/Ref. 9 - For Ref. 1 (NAP/6665572 Valve) | | 18 |
| 2 | 6676152 | PLUG | W/Ref. 9 - For Ref. 1 (6675073 Valve) | | 27 |
| 3 | | BODY | NSS | | 1 |
| 4 | 6664212 | CHECK VALVE | | | 2 |
| 4 | 6653487 | SEAL KIT | | | 2 |
| 5 | 6653484 | VALVE | | | 2 |
| 5 | 6653485 | SEAL KIT | | | 2 |
| 6 | 6669218 | VALVE | solenoid - W/Connector - SV2 Port | | 1 |
| 6 | 6669190 | COIL | For Ref. 1 (NAP/6665572 Valve) | | 1 |
| 6 | 6676151 | STEM | For Ref. 1 (6675073 Valve) | | 1 |
| 6 | 6669188 | STEM | | | 1 |
| 6 | 6669217 | SEAL KIT | | | 1 |
| 7 | 6669219 | VALVE | solenoid - W/Connector - SV1 Port | | 1 |
| 7 | 6669190 | COIL | | | 1 |
| 7 | 6669189 | STEM | | | 1 |
| 7 | 6669216 | SEAL KIT | | | 1 |
| 8 | 6669187 | VALVE | | | 1 |
| 8 | 6653487 | SEAL KIT | | | 1 |
| 9 | 79K2 | O RING 10 | | | x |

REAR DOOR LOCK

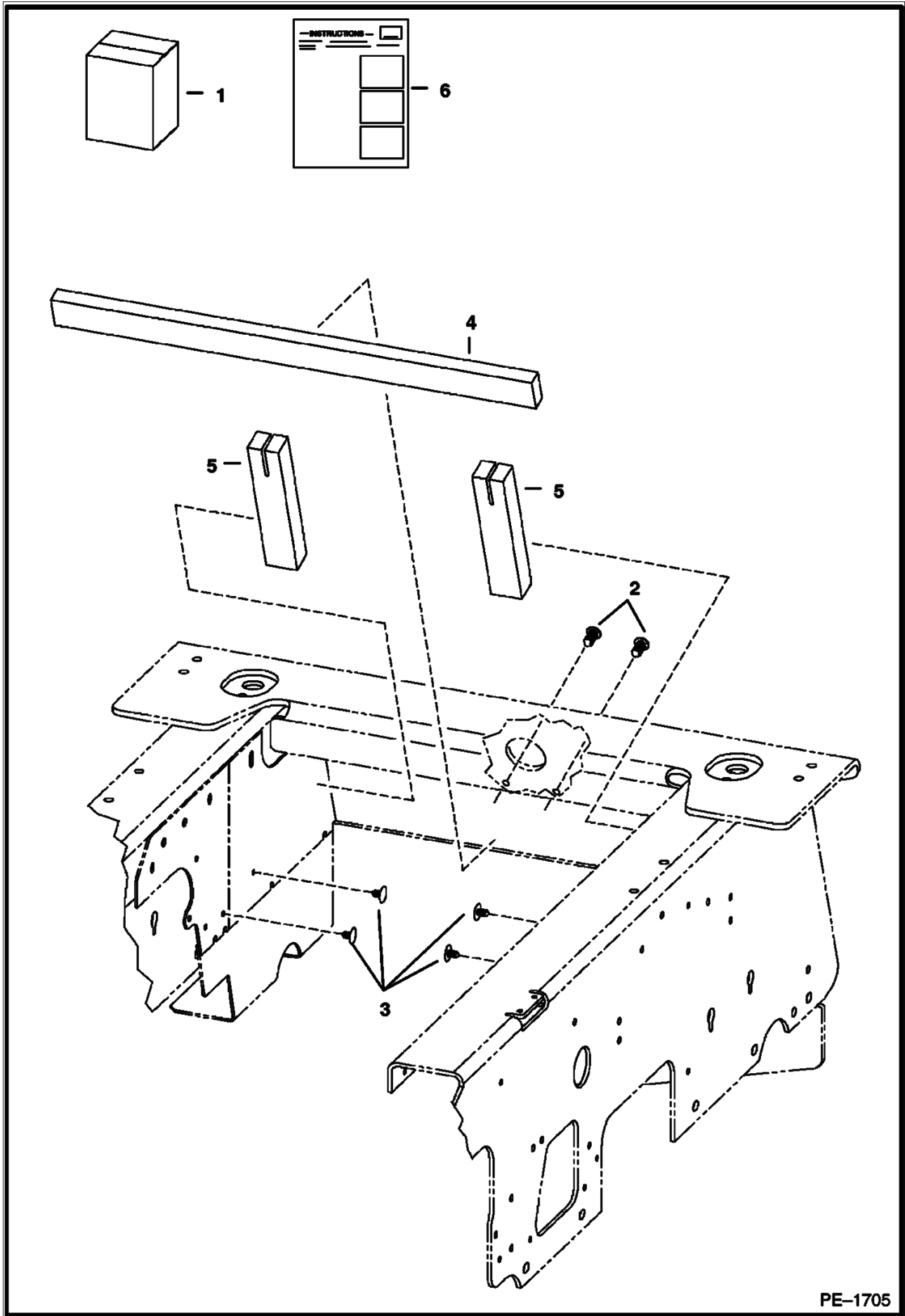


B-15018R

REAR DOOR LOCK (Cont'd)

| Ref No | Part Number | Description | Remarks | Serial Number | Qty |
|--------|-------------|-------------------|--|---------------|-----|
| 1 | 6732001 | KIT | lock - Ref. 2-6 - Was 6714973 [A] | | 1 |
| 2 | 6670726 | CYLINDER. LOCK | | | 1 |
| 3 | | KEY | NAP - ignition & rear door - includes two keys W/ring - Order 6693241 - Was 6709527 [A] | | 1 |
| 3 | 6693241 | KEY 10 | single key W/O ring | | x |
| 4 | 6714037 | LATCH | Use W/ 6711524 rear door | | 1 |
| 5 | 6729688 | LATCH | Use W/ 6729991 rear door | | 1 |
| 6 | 6901656 | INSTRUCTIONS | INSTRUCTIONS Was 6570762 [B] | | 1 |

SEAL ENCLOSURE KIT

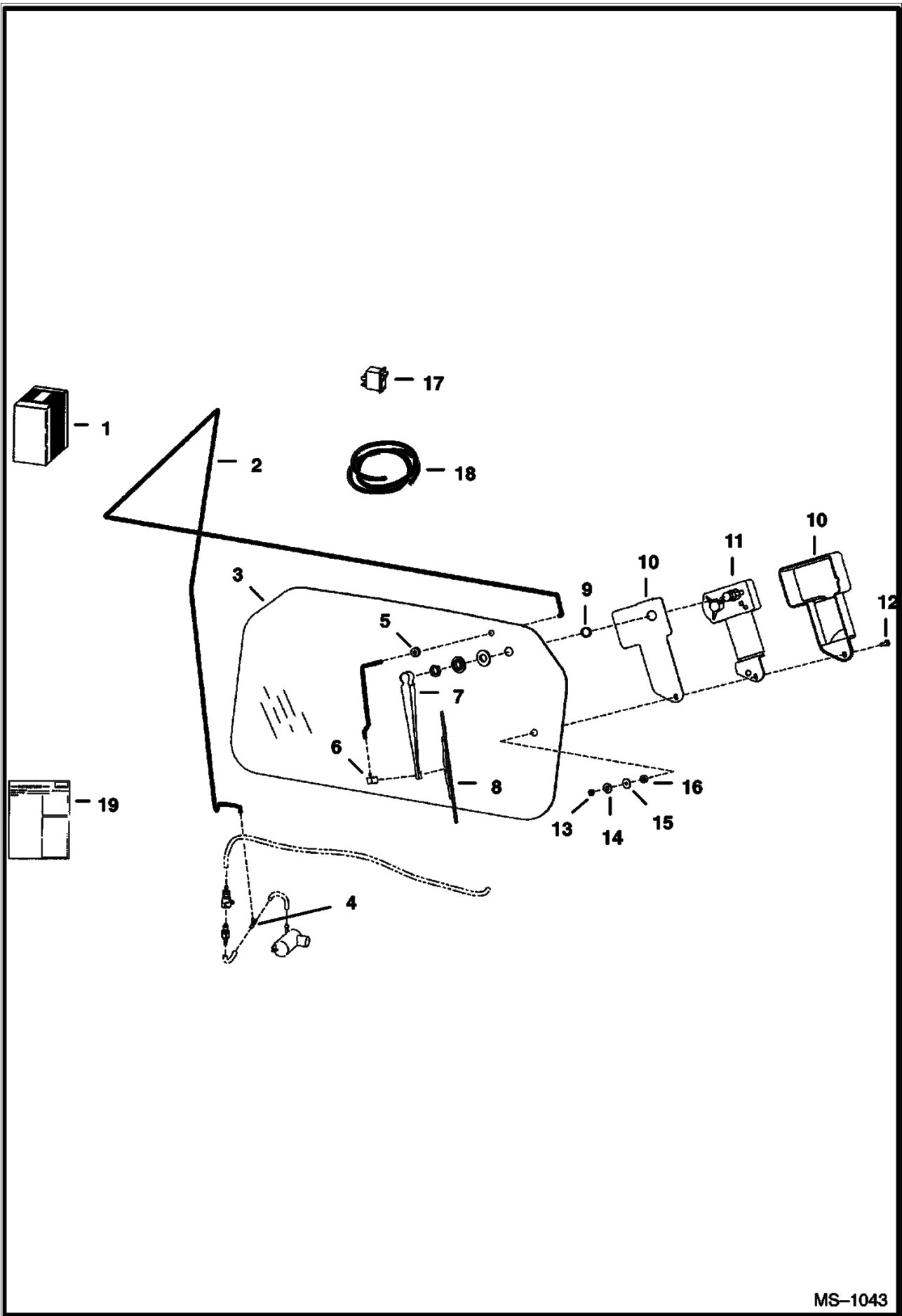


PE-1705

SEAL ENCLOSURE KIT (Cont'd)

| Ref No | Part Number | Description | Remarks | Serial Number | Qty |
|--------|-------------|--------------|-----------|---------------|-----|
| 1 | 6732718 | KIT | enclosure | | 1 |
| 2 | 6669308 | RETAINER | | | 2 |
| 3 | 6674895 | RETAINER | | | 4 |
| 4 | 6731108 | SEAL | retainer | | 1 |
| 5 | 6732619 | SEAL | panel | | 2 |
| 6 | 6901774 | INSTRUCTIONS | | | 1 |

REAR WIPER

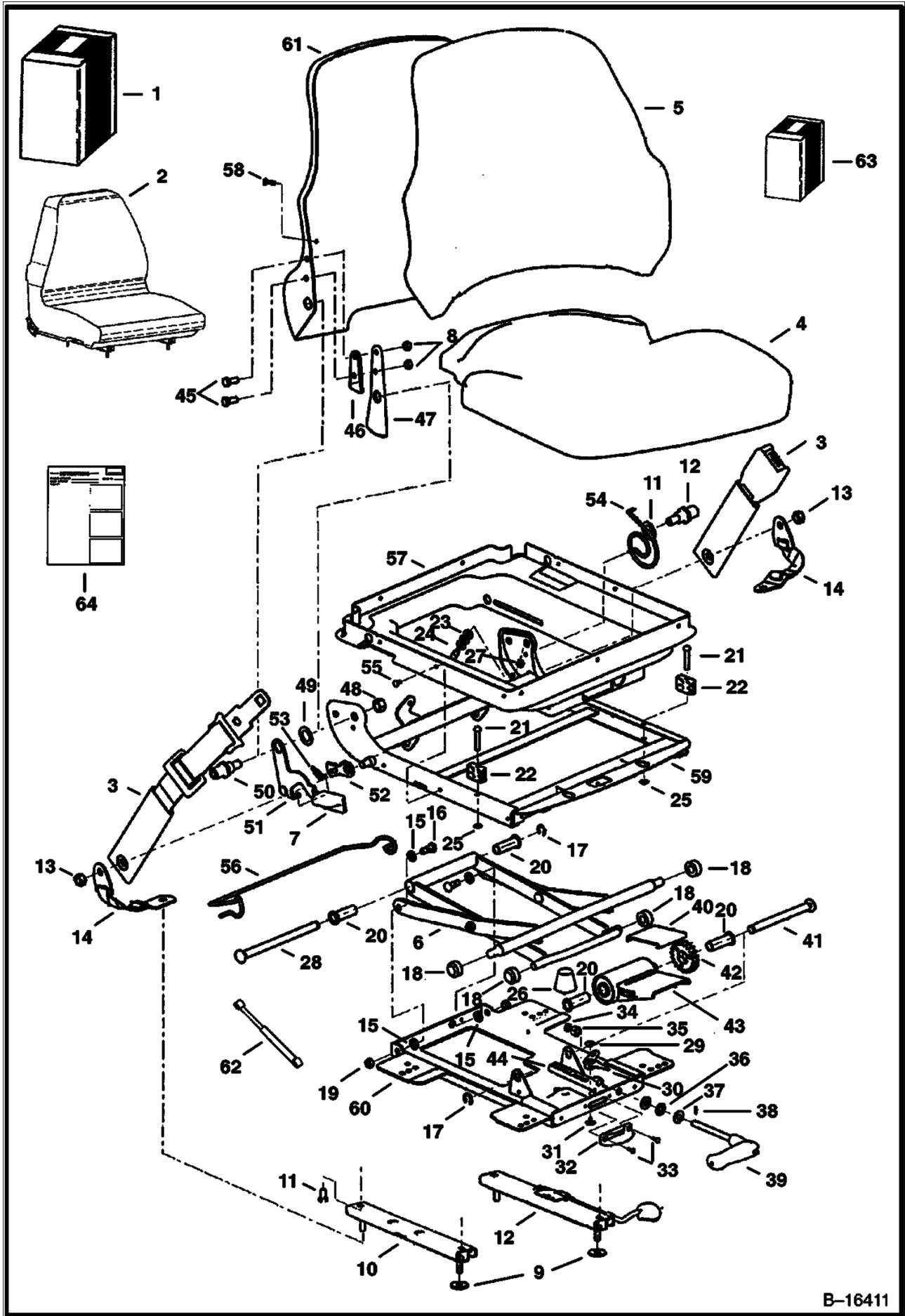


MS-1043

REAR WIPER (Cont'd)

| Ref No | Part Number | Description | Remarks | Serial Number | Qty |
|--------|-------------|--------------|---|---------------|-----|
| 1 | 6726655 | KIT | rear wiper | | 1 |
| 2 | | HOSE | NAP - 96" (2438,4 mm) long - Order Ref. 18 | | 1 |
| 3 | 6719317 | WINDOW | | | 1 |
| 4 | 6676000 | TEE | | | 1 |
| 5 | 6557493 | GROMMET | | | 1 |
| 6 | 6676028 | NOZZLE | | | 1 |
| 7 | 6676001 | ARM | | | 1 |
| 8 | 6676002 | BLADE | | | 1 |
| 9 | 6667201 | SPACER | nylon | | 1 |
| 10 | 6664097 | COVER | wiper | | 1 |
| 11 | 6665602 | MOTOR | | | 1 |
| 12 | 6664566 | BOLT | | | 1 |
| 13 | 6664103 | NUT | | | 1 |
| 14 | 6664065 | WASHER | nylon | | 1 |
| 15 | 6801059 | WASHER | neoprene | | 1 |
| 16 | 6664085 | BUSHING | nylon | | 1 |
| 17 | 6675999 | SWITCH | | | 1 |
| 18 | 6676003 | HOSE | black - .109" (2,77 mm) ID - bulk - sold per foot | | x |
| 19 | 6901061 | INSTRUCTIONS | | | 1 |

SEAT (Suspension - Sears)

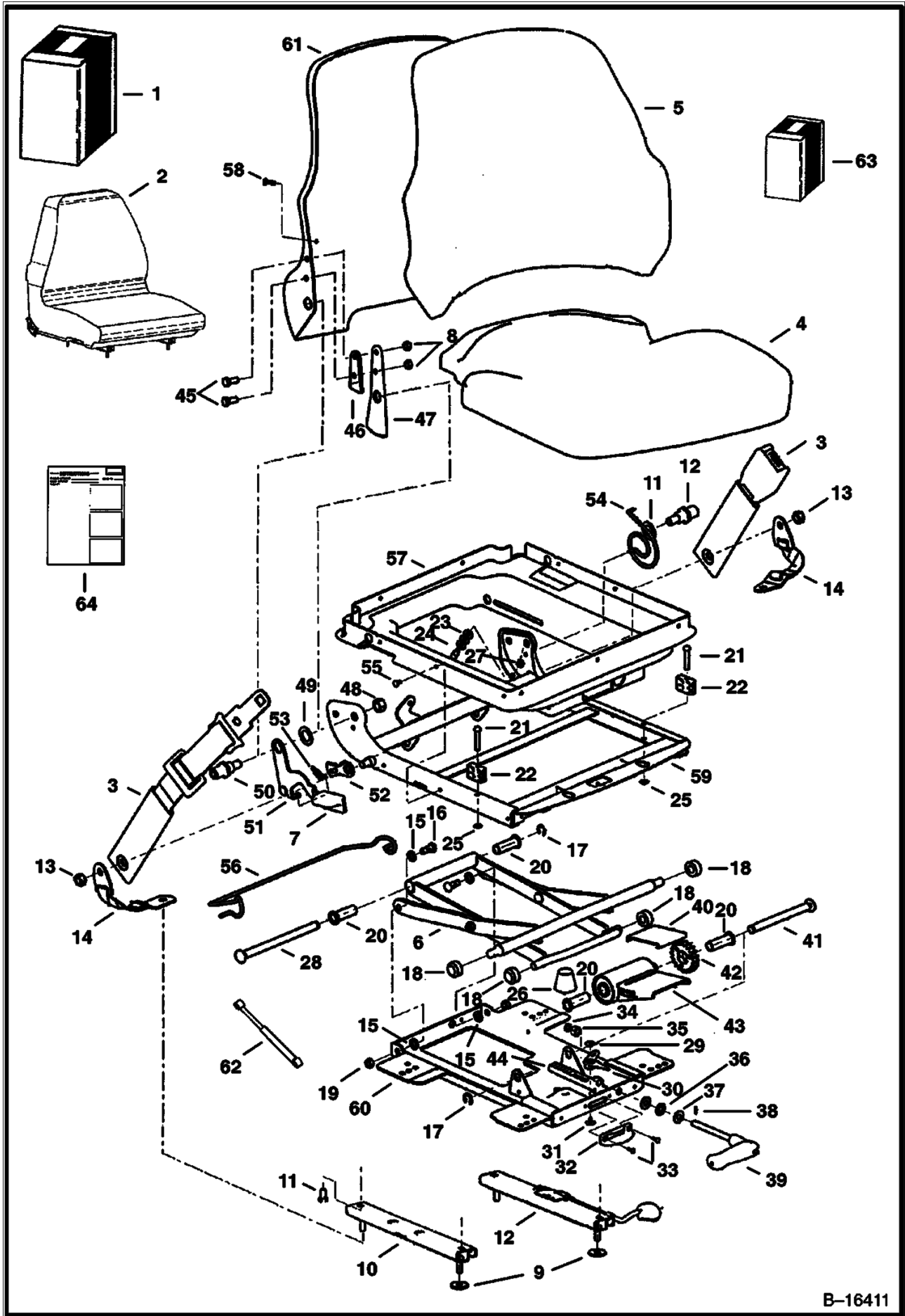


B-16411

SEAT (Cont'd)
(Suspension - Sears)

| Ref No | Part Number | Description | Remarks | Serial Number | Qty |
|--------|-------------|-------------|--|---------------|-----|
| 1 | | KIT | NAP - vinyl seat - Order Ref. 2, 3 & 64 - Was 6718868 [A] | | 1 |
| 1 | | KIT | NAP - fabric seat - Order Ref. 2, 3 & 64 - Was 6718869 [A] | | 1 |
| 2 | | SEAT | NAP - vinyl - Ref. 4-61 - W/R.H. recliner lever - Order 6675595 Seat - Was 6674896 [A] | | 1 |
| 2 | 6675595 | SEAT | vinyl - LH recliner lever | | 1 |
| 2 | | SEAT | NAP - fabric - W/R.H. recliner lever - Order 6675596 Seat - Was 6674404 [A] | | 1 |
| 2 | 6675596 | SEAT | fabric - LH recliner lever | | 1 |
| 3 | 6675170 | SEAT BELT | lap | | 1 |
| 4 | 6675320 | SEAT | | | 1 |
| 4 | 6675322 | SEAT | | | 1 |
| 5 | 6675319 | SEAT | backrest - fabric - W/Ref. 58 | | 1 |
| 5 | 6675321 | SEAT | backrest - vinyl - W/Ref. 58 | | 1 |
| 6 | 6675317 | SCISSORS | | | 1 |
| 7 | 6675323 | KNOB | recliner | | 1 |
| 8 | | NUT | NSS | | 6 |
| 9 | 619021 | WASHER, 5 | | | 4 |
| 10 | | SLIDE | NSS - slave | | 1 |
| 11 | | BOLT | NSS | | 4 |
| 12 | | SLIDE | NSS - locking | | 1 |
| 13 | | NUT | NSS | | 2 |
| 14 | | BELT | NSS - tether | | 2 |
| 15 | | WASHER | NSS - cross pivot | | 4 |
| 16 | | BOLT | NSS - pivot | | 2 |
| 17 | | RING | NSS - retaining | | 2 |
| 18 | | ROLLER | NSS | | 4 |
| 19 | | NUT | NSS | | 2 |
| 20 | | BUSHING | NSS - wt adjustment | | 4 |
| 21 | | RIVET | NSS | | 2 |
| 22 | | BLOCK | NSS - up stop | | 2 |
| 23 | | WASHER | NSS | | 3 |
| 24 | | STOP | NSS - armrest | | 1 |
| 25 | | PUSHNUT | NSS | | 2 |
| 26 | | BUMPER | NSS | | 1 |
| 27 | | NUT | NSS | | 1 |
| 28 | | SHAFT | NSS - bearing | | 1 |
| 29 | | RIVET | NSS - female snap | | 1 |
| 30 | | INDICATOR | NSS - weight | | 1 |
| 31 | | RIVET | NSS - male snap | | 1 |
| 32 | | DIAL | NSS - weight indicator | | 1 |
| 33 | | POP RIVET | NSS | | 2 |
| 34 | | SPACER | NSS | | 1 |
| 35 | | NUT | NSS | | 1 |
| 36 | | BEARING | NSS - thrust | | 1 |
| 37 | | RACE | NSS - thrust | | 2 |
| 38 | | SHEAR PIN | NSS | | 1 |
| 39 | | HANDLE | NSS - weight adjustment | | 1 |
| 40 | | PLATE | NSS - wear | | 1 |
| 41 | | SHAFT | NSS - torsion | | 1 |
| 42 | | DRIVE GEAR | NSS | | 1 |
| 43 | | BUSHING | NSS - torsion | | 1 |
| 44 | | RACK | NSS - wt adjustment | | 1 |
| 45 | | BOLT | NSS | | 2 |
| 46 | | SPACER | NSS - recliner | | 1 |
| 47 | | BRACKET | NSS - back tilt | | 1 |

SEAT (Cont'd) (Suspension - Sears)

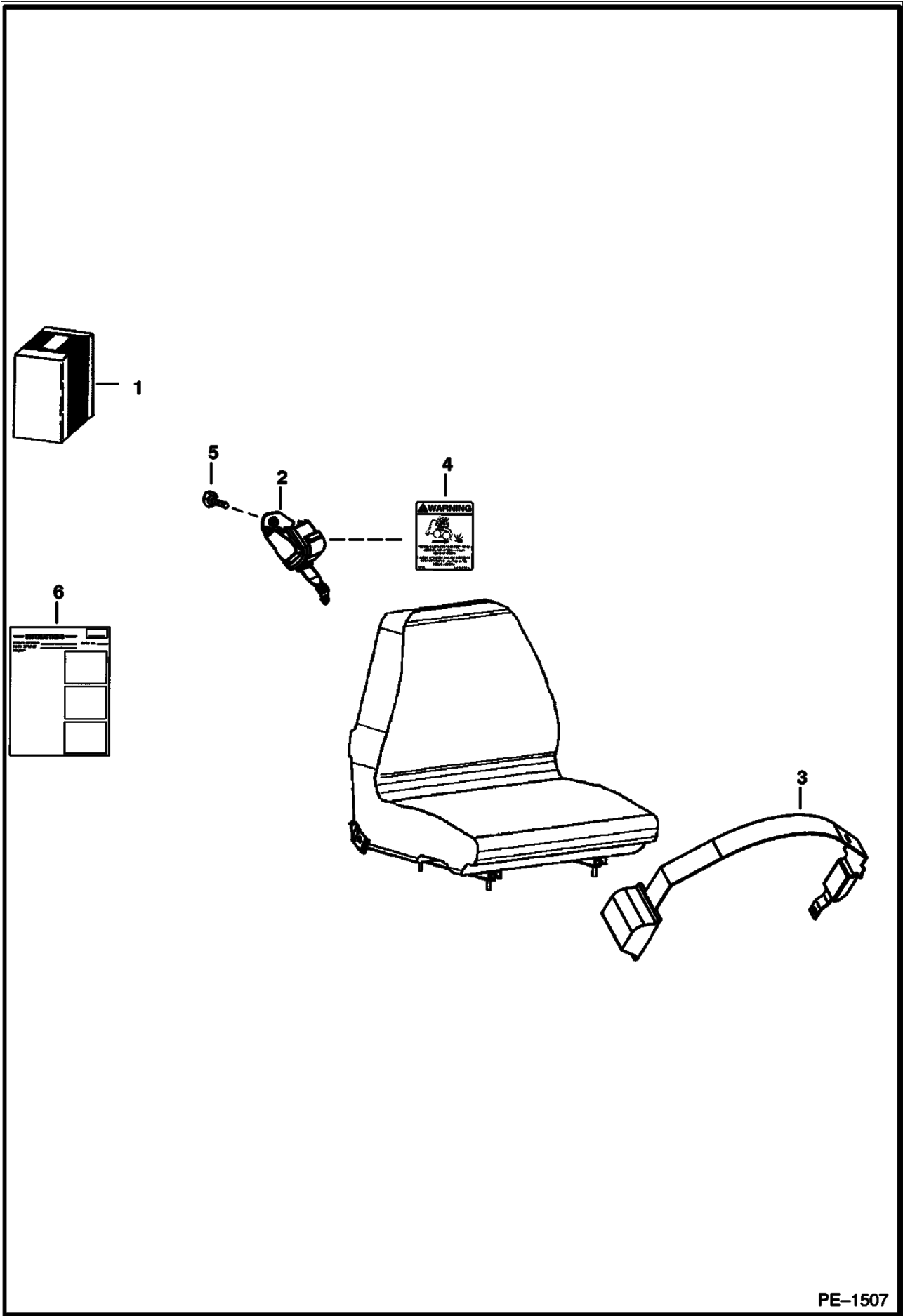


B-16411

**SEAT (Cont'd)
(Suspension - Sears)**

| Ref No | Part Number | Description | Remarks | Serial Number | Qty |
|--------|-------------|--------------|---|---------------|-----|
| 48 | | NUT | NSS | | 2 |
| 49 | | WASHER | NSS - plastic | | 2 |
| 50 | | BOSS | NSS - back pan pivot | | 2 |
| 51 | | HANDLE | NSS - recliner (RH) | | 1 |
| 52 | | LATCH | NSS - recliner | | 1 |
| 53 | | SPRING | NSS - extension | | 1 |
| 54 | | SPRING | NSS - tilt latch | | 1 |
| 55 | | CLIP | NSS | | 6 |
| 56 | | WIRE | NSS - boot support | | 1 |
| 57 | | SUSPENSION | NSS - boot | | 1 |
| 58 | | SCREW | NSS | | 2 |
| 59 | | HOUSING | NSS - upper | | 1 |
| 60 | | HOUSING | NSS - lower | | 1 |
| 61 | | BACK PAN | NSS | | 1 |
| 62 | 6676338 | GAS SPRING | | | 1 |
| 63 | 6675309 | KIT | slides - Ref. 8-12 | | 1 |
| 63 | 6675310 | KIT | tether belt - Ref. 9, 13 & 14 | | 1 |
| 63 | 6675311 | KIT | suspension rollers & bearing - Ref. 15-20 | | 1 |
| 63 | 6675312 | KIT | suspension bumpers & stops - Ref. 21-27 | | 1 |
| 63 | 6675313 | KIT | rear tube - Ref. 17, 20 & 28 | | 1 |
| 63 | 6675314 | KIT | weight adjustment indicator - Ref. 29-33 | | 1 |
| 63 | 6675315 | KIT | weight adjustment handle - Ref. 34-39 | | 1 |
| 63 | 6675316 | KIT | weight adjustment - Ref. 17, 20 & 40-44 | | 1 |
| 63 | 6675318 | KIT | RH recliner - Ref. 7, 8 & 45-54 | | 1 |
| 63 | 6676034 | KIT | LH recliner - Ref. 7, 8 & 45-54 | | 1 |
| 63 | 6675308 | KIT | suspension boot - Ref. 55-57 | | 1 |
| 64 | 6900861 | INSTRUCTIONS | | | 1 |

SEAT BELT (Three Point Retractable)

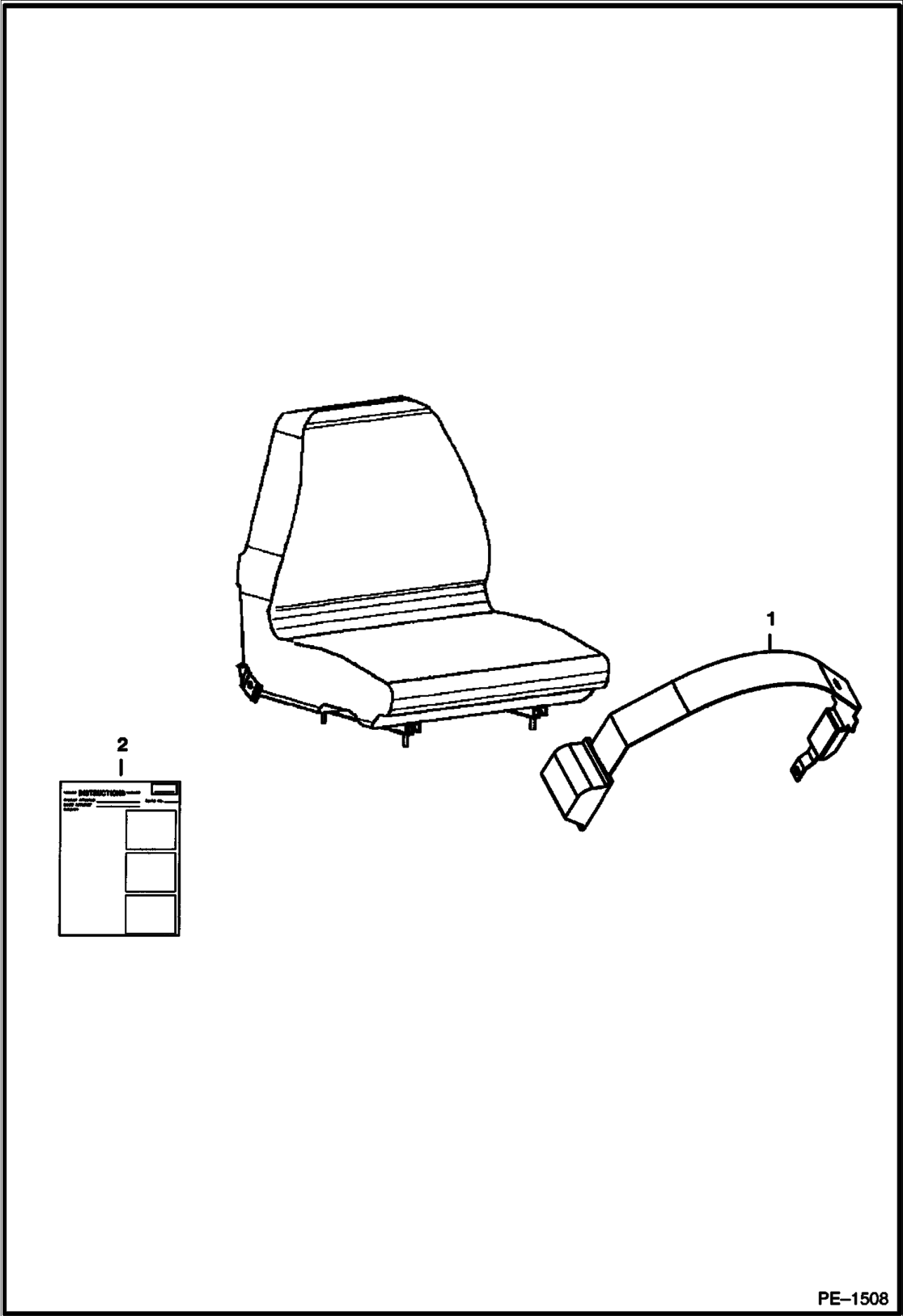


PE-1507

**SEAT BELT (Cont'd)
(Three Point Retractable)**

| Ref No | Part Number | Description | Remarks | Serial Number | Qty |
|--------|-------------|---------------|--|---------------|-----|
| 1 | 6732219 | KIT | three point retractable seat belt - Use W/Sears brand suspension seats W/LH recliner lever - Was 6725168 [A] | | 1 |
| 2 | 6674407 | SHOULDER BELT | | | 1 |
| 3 | 6679308 | SEAT BELT | Was 6674408 [A] | | 1 |
| 4 | 6725370 | DECAL | | | 1 |
| 5 | 53C612 | BOLT | Was 35C612 | | 1 |
| 6 | 6901010 | INSTRUCTIONS | | | 1 |

SEAT BELT (3" Wide Retractable)



PE-1508

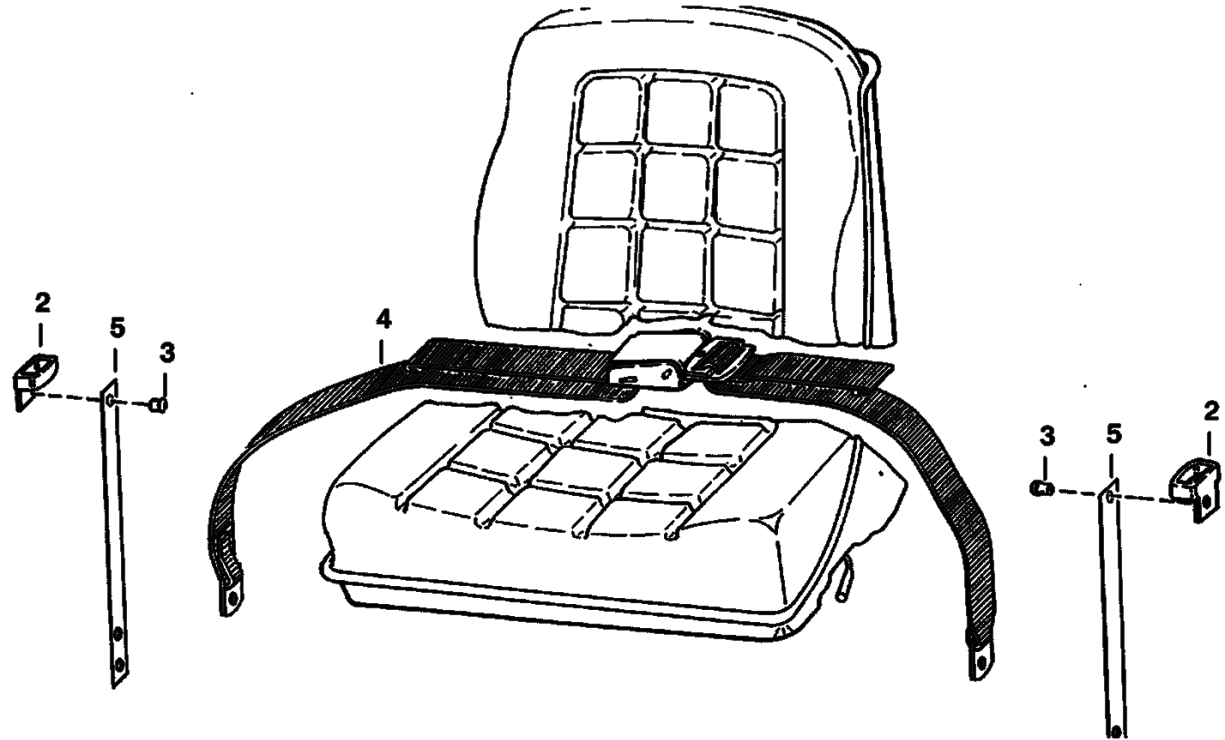
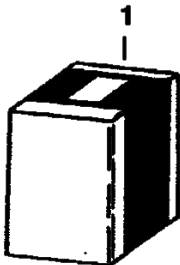
**SEAT BELT (Cont'd)
(3" Wide Retractable)**

| Ref No | Part Number | Description | Remarks | Serial Number | Qty |
|---------------|--------------------|--------------------|--|----------------------|------------|
| 1 | 6675562 | SEAT BELT | 3" wide retractable - Use W/Sears brand suspension seats W/LH recliner lever | | 1 |
| 2 | 6901011 | INSTRUCTIONS | | | 1 |

SEAT BELT (3" Wide)

6

NOTICE TO READERS
 The author hereby disclaims any and all liability for any and all damages, including reasonable attorneys' fees, arising out of the use of the information contained herein, whether or not such damages are foreseeable, and whether or not such damages are caused in whole or in part by the negligence of the author. The author shall not be held liable for any and all damages, including reasonable attorneys' fees, arising out of the use of the information contained herein, whether or not such damages are foreseeable, and whether or not such damages are caused in whole or in part by the negligence of the author.



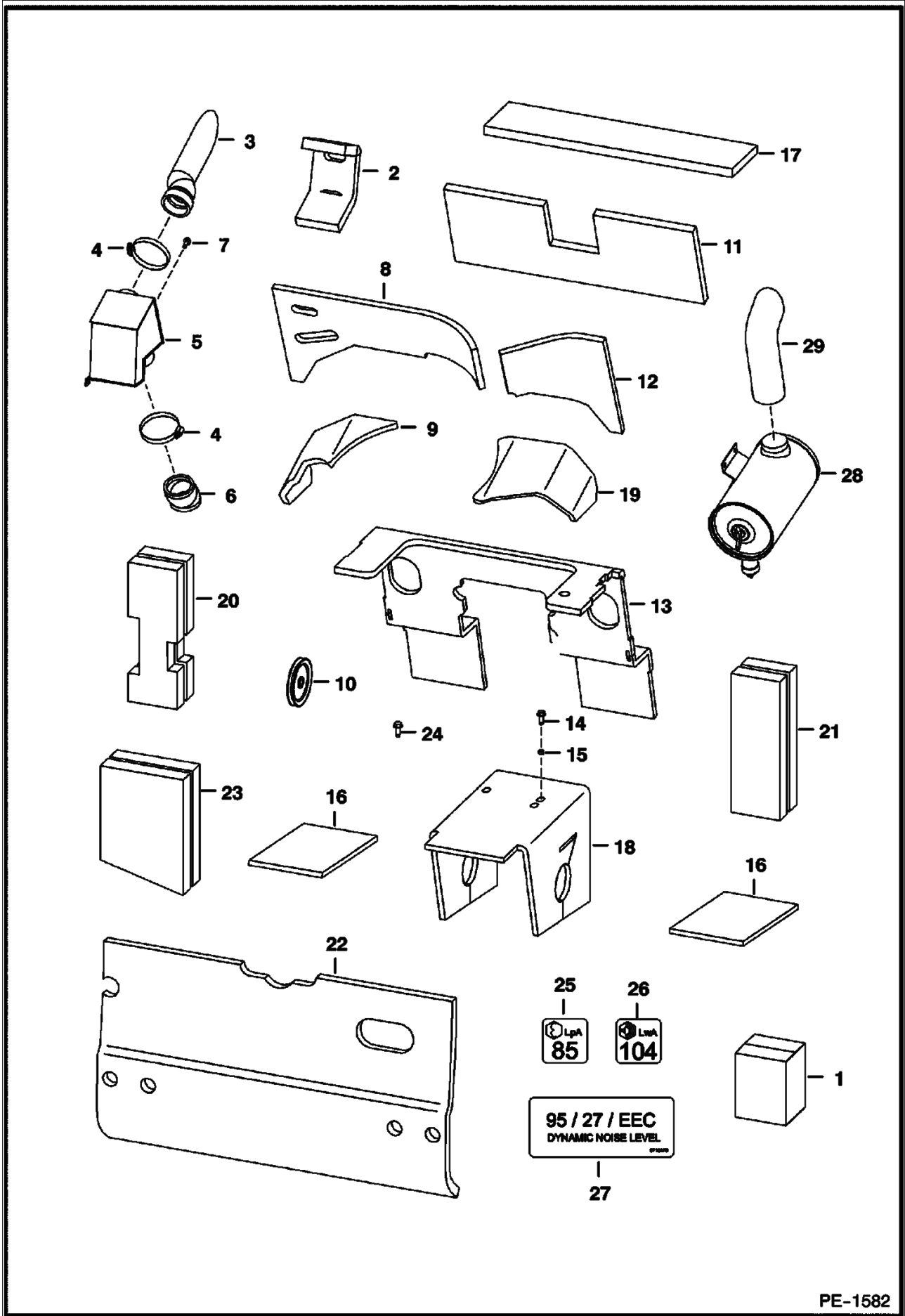
NOTE: Complies with British Columbia Industrial Health & Safety Regulations 26.16 (7) (a).

B-13601

SEAT BELT (Cont'd)
(3" Wide)

| Ref No | Part Number | Description | Remarks | Serial Number | Qty |
|---------------|--------------------|--------------------|-----------------|----------------------|------------|
| 1 | 6703640 | KIT | W/Ref. 2-6 | | 1 |
| 2 | 6703703 | GUIDE | | | 2 |
| 3 | 6630207 | RIVET | Was 6512797 [A] | | 4 |
| 4 | 6659999 | BELT, SEAT | | | 1 |
| 5 | 6711908 | SPRING PLATE | | | 2 |
| 6 | 6703641 | DECAL | | | 1 |

SOUND KIT

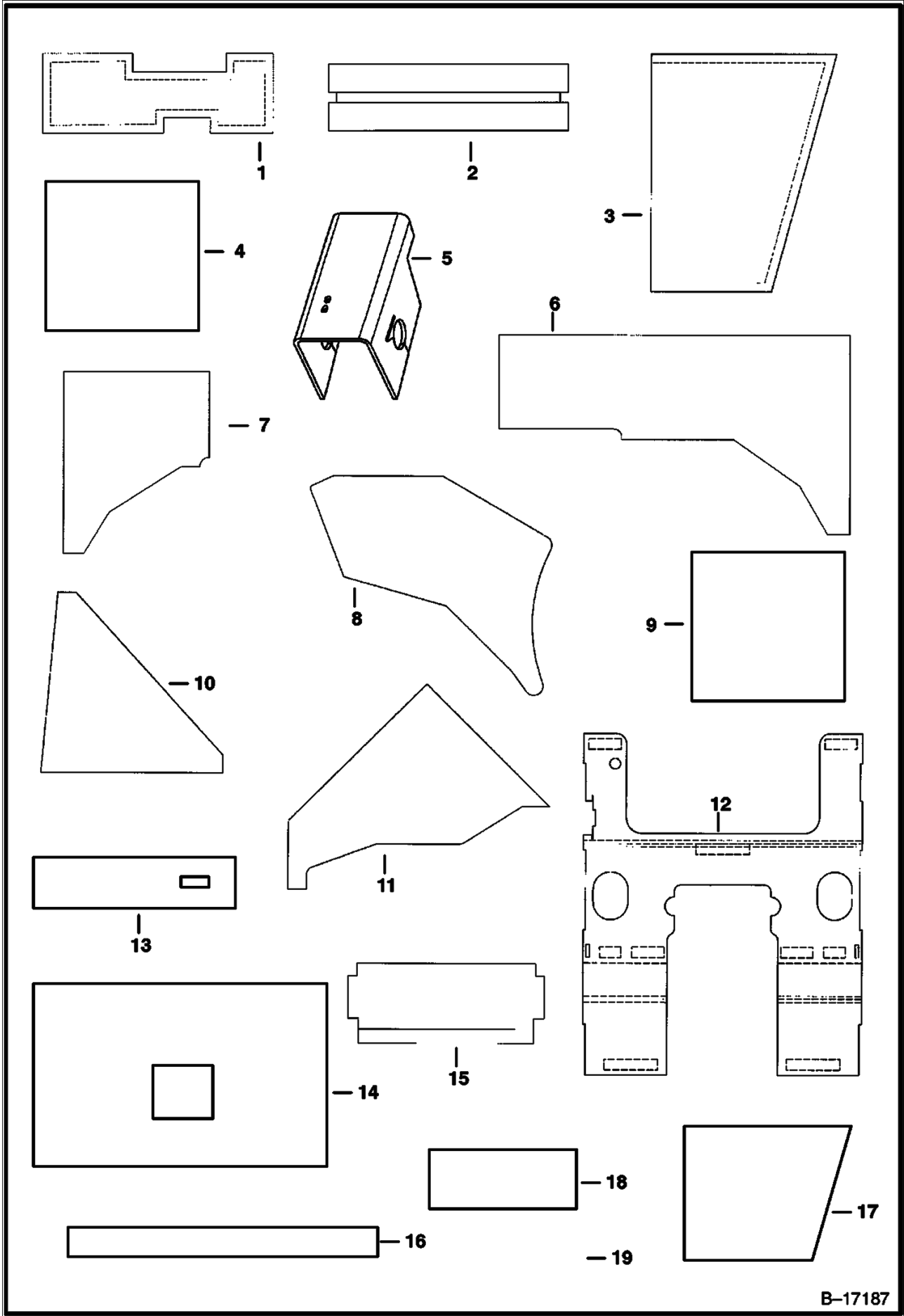


PE-1582

SOUND KIT (Cont'd)

| Ref No | Part Number | Description | Remarks | Serial Number | Qty |
|--------|-------------|-------------------------|--|---------------|-----|
| 1 | 6725419 | KIT | | | 1 |
| 2 | 6703331 | INSULATION | air inlet | | 1 |
| 3 | | HOSE | NAP - intake - Order Ref. 28 & 29 - Was 6719886 [A] | | 1 |
| 4 | 42H44 | HOSECLAM5 | | | 2 |
| 5 | | MUFFLER | NAP - intake - Order 28 & 29 - Was 6719649 [A] | | 1 |
| 6 | | HOSE | NAP - air cleaner - Order Ref. 28 & 29 - Was 6728476 [A] | | 1 |
| 7 | 84G3112 | BOLT 5 | | | 1 |
| 8 | 6719332 | INSULATION | blower housing | | 1 |
| 9 | 6704769 | INSULATION | blower housing | | 1 |
| 10 | 6712970 | PULLEY | 4.75" (120,7mm) O.D. | | 1 |
| 10 | 6712971 | PULLEY | 5.00" (127mm) O.D. | | 1 |
| 10 | 6703483 | PULLEY, FAN DRIVE IDLER | 5.25" (133,4 mm) OD - turbo eng | | 1 |
| 11 | 6732724 | INSULATION | cross member - Was 6719409 [A] | | 1 |
| 12 | 6719333 | INSULATION | blower housing | | 1 |
| 13 | 6719372 | INSULATION | steering panel | | 1 |
| 14 | 84G3716 | SCREW 5 | | | 2 |
| 15 | 6562619 | BUSHING | | | 2 |
| 16 | 6719330 | INSULATION | pedal | | 2 |
| 17 | 6725361 | INSULATION | cross member | | 1 |
| 18 | 6719331 | INSULATION | transmission top | | 1 |
| 19 | 6719334 | INSULATION | blower housing | | 1 |
| 20 | 6719327 | INSULATION | fender - L.H. | | 1 |
| 21 | 6719328 | INSULATION | fender - R.H. | | 1 |
| 22 | 6715106 | INSULATION | rear door | | 1 |
| 23 | 6703968 | INSULATION | transmission - Was 6719329 [A] | | 1 |
| 24 | 84G3712 | BOLT | | | 1 |
| 25 | 6579385 | DECAL | noise level | | 1 |
| 26 | 6579404 | DECAL | noise level | | 1 |
| 27 | 6715428 | DECAL | dynamic level | | 1 |
| 28 | 6735285 | AIR CLEANER | | | 1 |
| 29 | 6735349 | HOSE | | | 1 |

SOUND OPTION

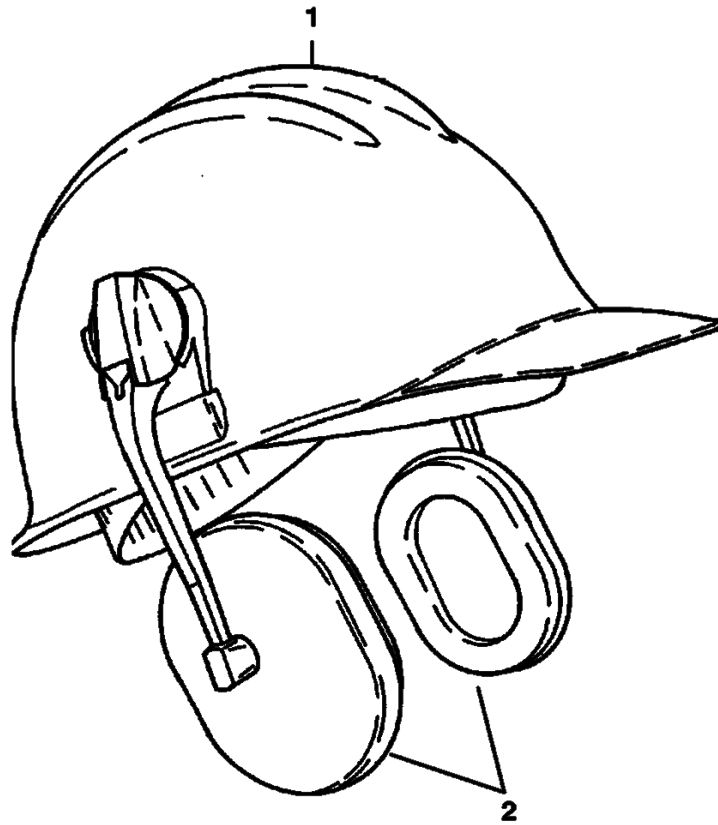


B-17187

SOUND OPTION (Cont'd)

| Ref No | Part Number | Description | Remarks | Serial Number | Qty |
|--------|-------------|-------------|--|---------------|-----|
| 1 | 6719327 | INSULATION | left fender | | 1 |
| 2 | 6719328 | INSULATION | right fender | | 1 |
| 3 | 6703968 | INSULATION | side transmission - Was 6719329 [A] | | 1 |
| 4 | 6719330 | INSULATION | pedal | | 1 |
| 5 | 6719331 | INSULATION | side transmission | | 1 |
| 6 | 6719332 | INSULATION | blower housing | | 1 |
| 7 | 6719333 | INSULATION | blower housing | | 1 |
| 8 | 6719334 | INSULATION | blower housing | | 1 |
| 9 | | INSULATION | NAP - bottom right upright - Was 6719335 [A] | | 1 |
| 10 | | INSULATION | NAP - bottom left upright - Was 6719336 [A] | | 1 |
| 11 | | INSULATION | NAP - left rear tank - Was 6719337 [A] | | 1 |
| 12 | 6719372 | INSULATION | steering panel | | 1 |
| 13 | 6719389 | INSULATION | cab exchanger | | 1 |
| 14 | | INSULATION | NAP - crossmember - Order Ref. 18 & 19 - Was 6719409 [A] | | 1 |
| 15 | 6727299 | INSULATION | cab back - Was 6719425 [A] | | 1 |
| 16 | | INSULATION | NAP - cab seal - Was 6719426 [A] | | 1 |
| 17 | | INSULATION | NAP - cab back right- Was 6719427 [A] | | 1 |
| 18 | 6725361 | INSULATION | crossmember | | 1 |
| 19 | 6732724 | INSULATION | crossmember - Was 6719409 [A] | | 1 |

SOUND REDUCTION HARDHAT

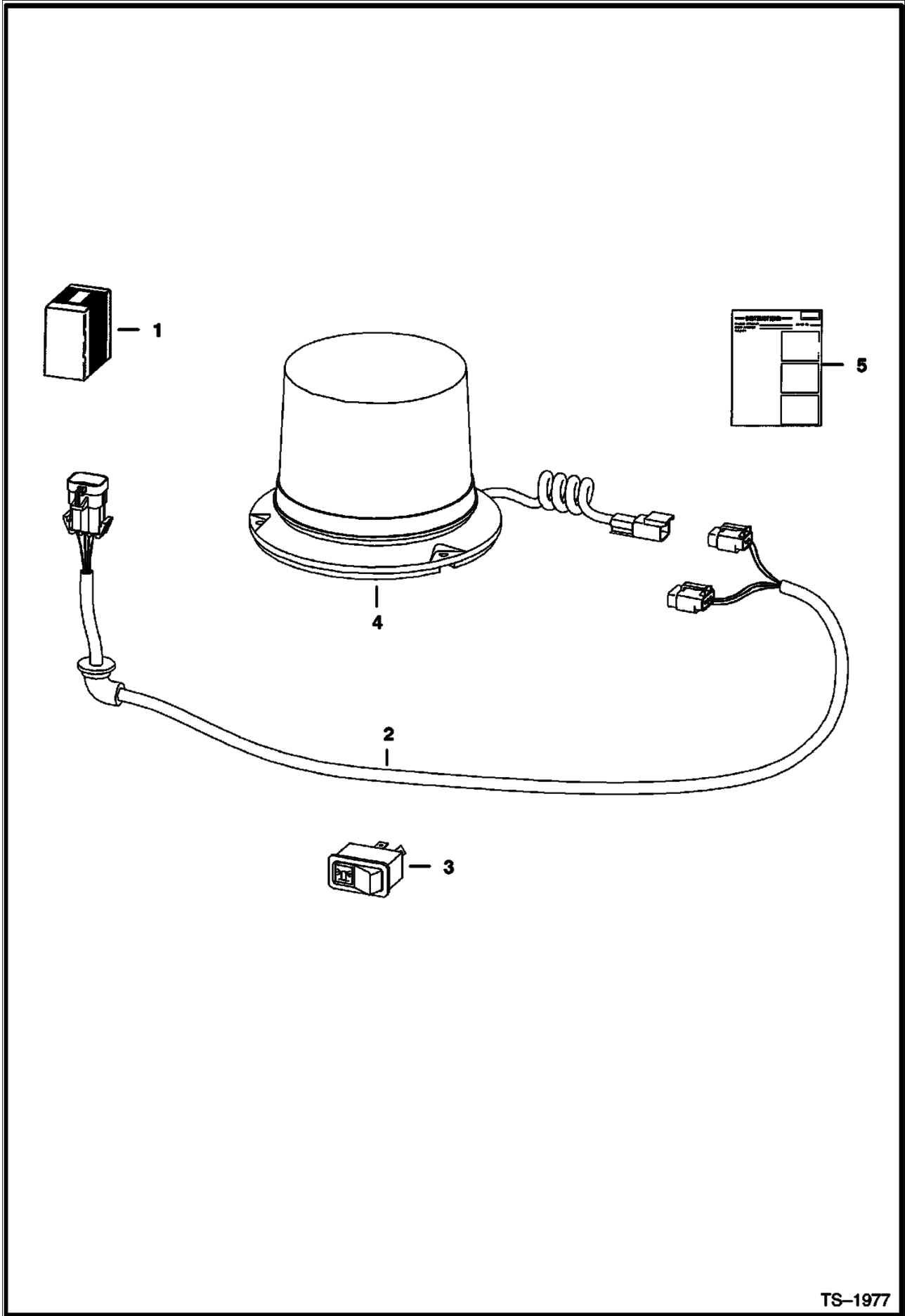


B-3111

SOUND REDUCTION HARDHAT (Cont'd)

| Ref No | Part Number | Description | Remarks | Serial Number | Qty |
|--------|-------------|-------------------|-----------------|---------------|-----|
| 1 | 6902390 | HARD HAT WHITE | Was 6559552 [A] | | 1 |
| 2 | 6559775 | EARMUFFS | | | 1 |

STROBE LIGHT

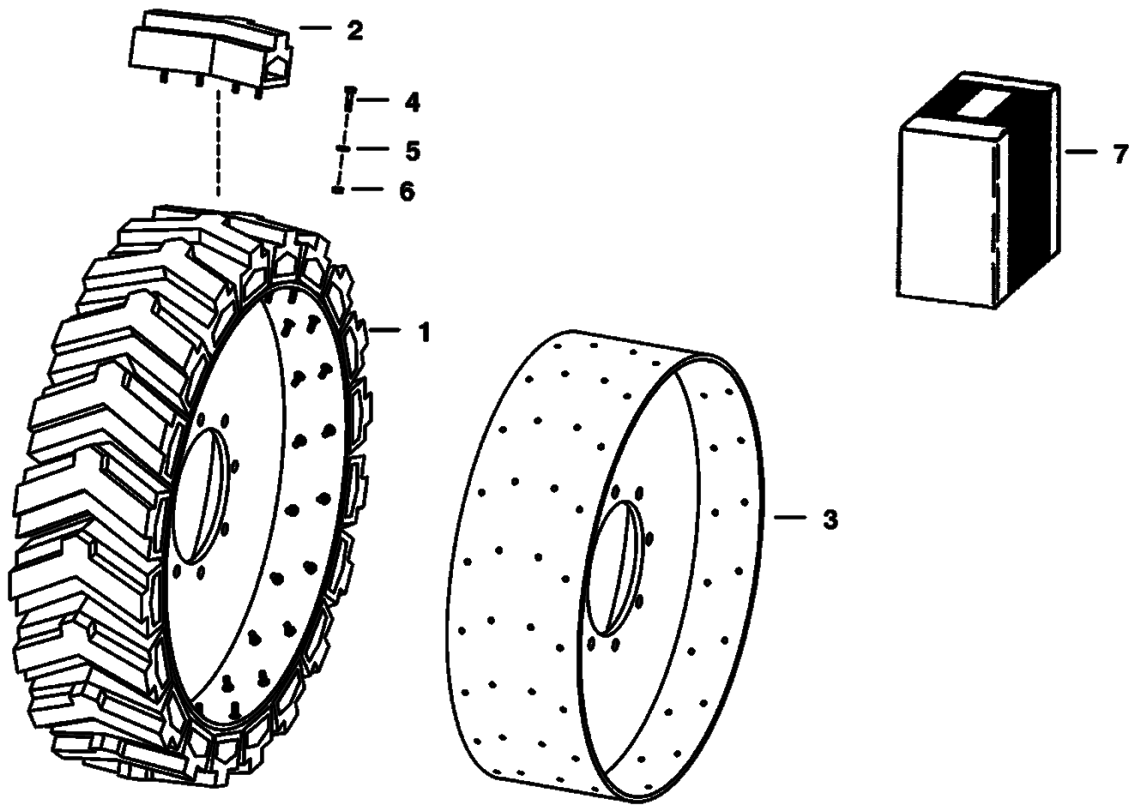


TS-1977

STROBE LIGHT (Cont'd)

| Ref No | Part Number | Description | Remarks | Serial Number | Qty |
|--------|-------------|--------------|--|---------------|-----|
| 1 | 6719857 | KIT | See Illustration ACCESSORIES HARNESS/ PE1557 - strobe light - if loader is not equipped W/deluxe cab option Also Order 6727468 harness | | 1 |
| 2 | 6718872 | HARNESS | | | 1 |
| 3 | 6665317 | SWITCH | horizontal - not in kit | | 1 |
| 3 | 6668816 | SWITCH | vertical | | 1 |
| 4 | 6675522 | STROBE | 4200 series light - Was 6697800 [A] | | 1 |
| 4 | 6675858 | FLASH TUBES | round base bulb | | 1 |
| 4 | 6697796 | FLASHTUBE | 3 pin rectangular base bulb | | 1 |
| 4 | 6697797 | AMBER LENS | Was 6665021 [A] | | 1 |
| 5 | 6900992 | INSTRUCTIONS | | | 1 |

TIRES & RIMS (Solid Tire)

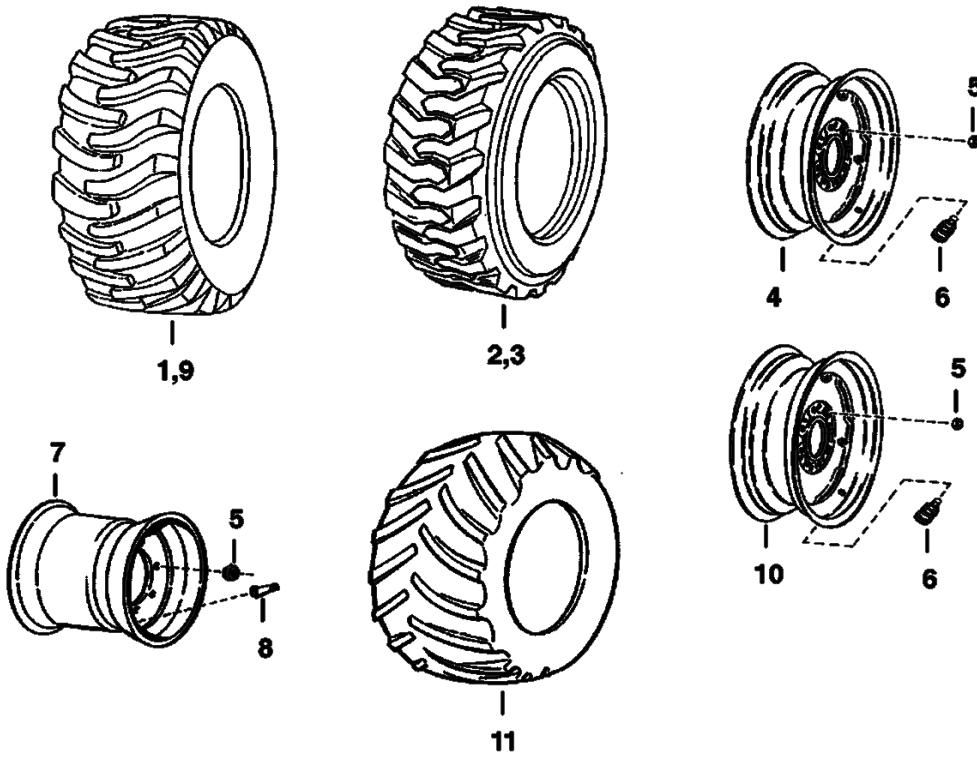


TS-1082

TIRES & RIMS (Cont'd) (Solid Tire)

| Ref No | Part Number | Description | Remarks | Serial Number | Qty |
|--------|-------------|-------------|--|---------------|-----|
| 1 | | TIRE & RIM | NAP - Assy. - R.H. - 7.5 x 15 - Was 6664993 [A] | | 2 |
| 1 | | TIRE & RIM | NAP - Assy. - L.H. - 7.5 x 15 - Was 6664994 [A] | | 2 |
| 1 | 6674003 | TIRE & RIM | Assy. - R.H. - 10 x 16.5 | | 2 |
| 1 | 6674004 | TIRE & RIM | Assy. - L.H. - 10 x 16.5 | | 2 |
| 2 | | KIT | NAP - Box of (9) segments - 7.5 x 15 W/Ref. 4 - 6 (18) segments/tire - Was 6664995 [A] | | x |
| 2 | 6674007 | KIT | Box of (10) segments - 10 x 16.5 W/Ref. 4 - 6 (20) segments/tire | | x |
| 3 | | RIM | NAP - R.H. - 7.5 x 15 - Order Ref. 1 | | 2 |
| 3 | | RIM | NAP - L.H. - 7.5 x 15 - Order Ref. 1 | | 2 |
| 3 | | RIM | NAP - R.H. - 10 x 16.5 - Order Ref. 1 | | 2 |
| 3 | | RIM | NAP - L.H. - 10 x 16.5 - Order Ref. 1 | | 2 |
| 4 | 1CM830 | BOLT | | | x |
| 5 | 25E15 | WASHER | | | x |
| 6 | 40DM8 | NUT | | | x |
| 7 | | KIT | NAP - wheel - Set of (4) 7.5 x 15 Tire & Rim Assys. - Ref. 1 - (2) R.H. & (2) L.H. - Was 6707172 [A] | | 1 |
| 7 | 6718298 | KIT | wheel - Set of (4) 10 x 16.5 Tire & Rim Assys. - Ref. 1 - (2) R.H. & (2) L.H. | | 1 |

TIRES & RIMS

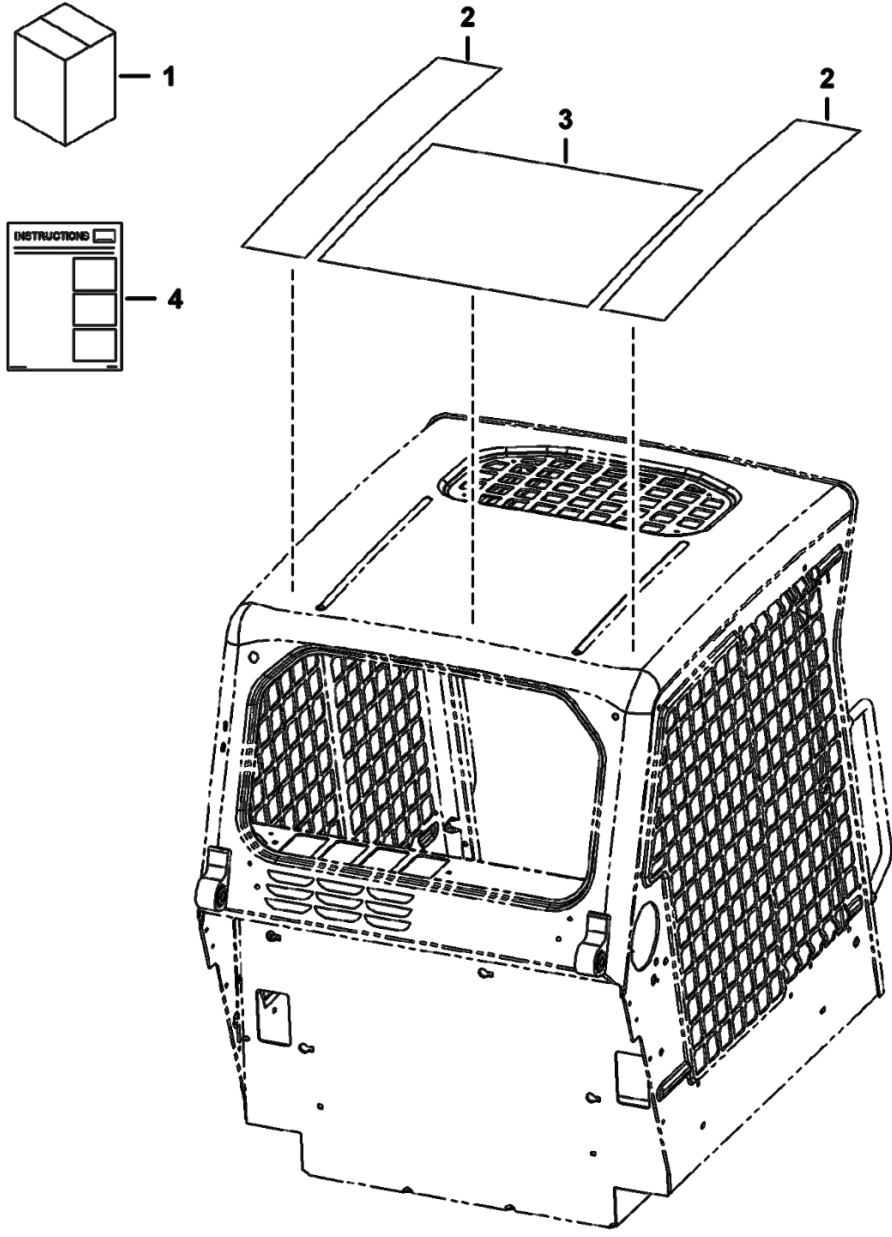


B-16463

TIRES & RIMS (Cont'd)

| Ref No | Part Number | Description | Remarks | Serial Number | Qty |
|--------|-------------|--|--|------------------|-----|
| 1 | 6550826 | TIRE | 10.00-16.5, 6 Ply Rating - General | | 4 |
| 1 | | TIRE | NAP - 10.00-16.5, 6 Ply Rating -Firestone - Order 6729896 - Was 6646601 [A] | | 4 |
| 1 | | TIRE | NAP - 10.00-16.5, 8 ply Rating - Dico Heavy Duty - Order 6667889 | | 4 |
| 2 | | TIRE | NAP - 10.00 - 16.5 Galaxy - Order 6730106 Tire - Was 6677902 [A] | 500K 11001 & Abv | 4 |
| 2 | 6730106 | TIRE | 10.00 - 16.5 - 10 ply - Bobcat - severe duty | | 4 |
| 3 | | TIRE | NAP - Bobcat Brand - Was 6661287 [A] | | 4 |
| 3 | 7101734 | TIRE, STANDARD DUTY - 10X16.5 - 8 PLY | Bobcat brand - Was 6729896 [A] | | 4 |
| 3 | 6729900 | TIRE | Bobcat 10 x 16.5, 10 ply rating - heavy duty | | 4 |
| 3 | 7101735 | TIRE, HEAVY DUTY - 10.00X16.5 - 10 PLY | Bobcat brand | | 4 |
| 4 | 6730771 | RIM | See BTI197ldr Used W/Ref. 1, 3 & 12 - Was 6565239 [A] | | 4 |
| 4 | 6730772 | RIM | See BTI197ldr Use W/Ref. 11 - Was 6565240 [A] | | 4 |
| 5 | 6564669 | NUT | wheel | | 32 |
| 6 | 1614765 | STEM | tubeless tire | | 4 |
| 7 | 6561095 | RIM | See BTI197ldr Use W/Ref. 12 - Was 6658846 [A] | | 4 |
| 8 | 6591447 | STEM | valve - Use W/Ref. 7 | | 4 |
| 9 | | TIRE | NAP - 10 x 16.5 Bar Lug Flotation (Dico) | | 4 |
| 10 | 6730775 | RIM | inverted - For 60" width - Use W/Ref. 3 - Was 6705109 [A] | | 4 |
| 11 | | TIRE | NAP - 31.5 -13 x 16.5 -10 ply - Galaxy - Order 6730107 Tire - Was 6729035 [A] | 500K 11001 & Abv | 4 |
| 11 | | TIRE | NAP - 31.5 - 13 - 16.5 - 10 ply - Bobcat brand - super float - Order 7105756 - 31.5 - 12 x 16.5 -10 ply - Bobcat brand - super float - Was 6730107 [A] | | 4 |
| 11 | | TIRE | NAP - 31-15, 8 Ply Rating - Terra Grip- Goodyear - Was 6513971 [A] | | 4 |
| 11 | | TIRE | NAP - 31-15.5, 8 Ply Rating - Ultra Tread Grip - Goodyear Brand - Was 6666668 [A] | | 4 |

WHITE DECAL KIT

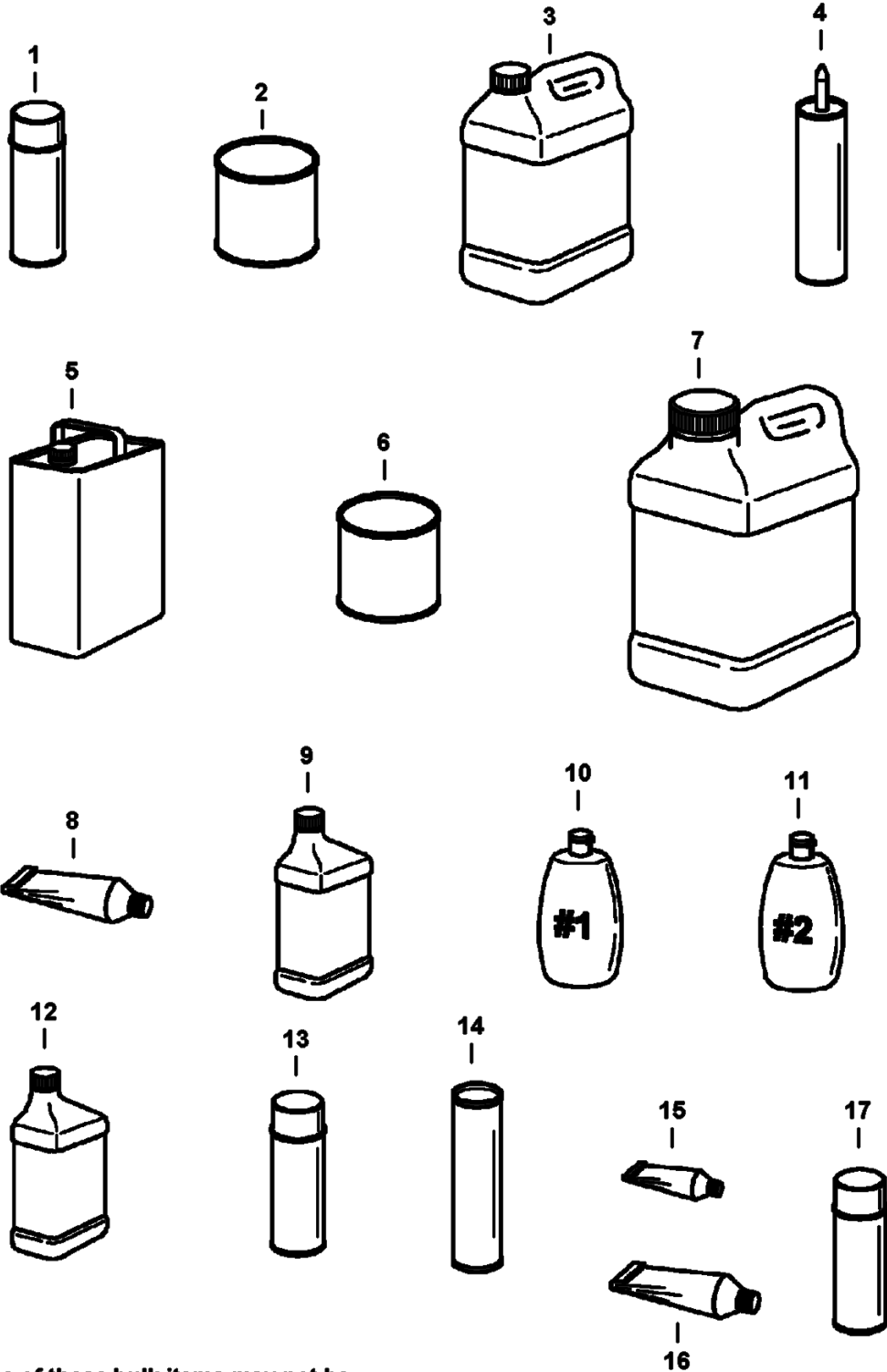


PE-3373

WHITE DECAL KIT (Cont'd)

| Ref No | Part Number | Description | Remarks | Serial Number | Qty |
|--------|-------------|--------------|------------------------|---------------|-----|
| 1 | 7140768 | KIT | white decal - Ref. 2-4 | | 1 |
| 2 | 7136678 | DECAL | top side | | 2 |
| 3 | 7136679 | DECAL | middle top | | 1 |
| 4 | 6986573 | INSTRUCTIONS | | | 1 |

**BULK ITEMS
(SEE NOTE)**



NOTE: Some of these bulk items may not be used on this particular model Bobcat.

NOTE: See Merchandising catalog for more products & information.

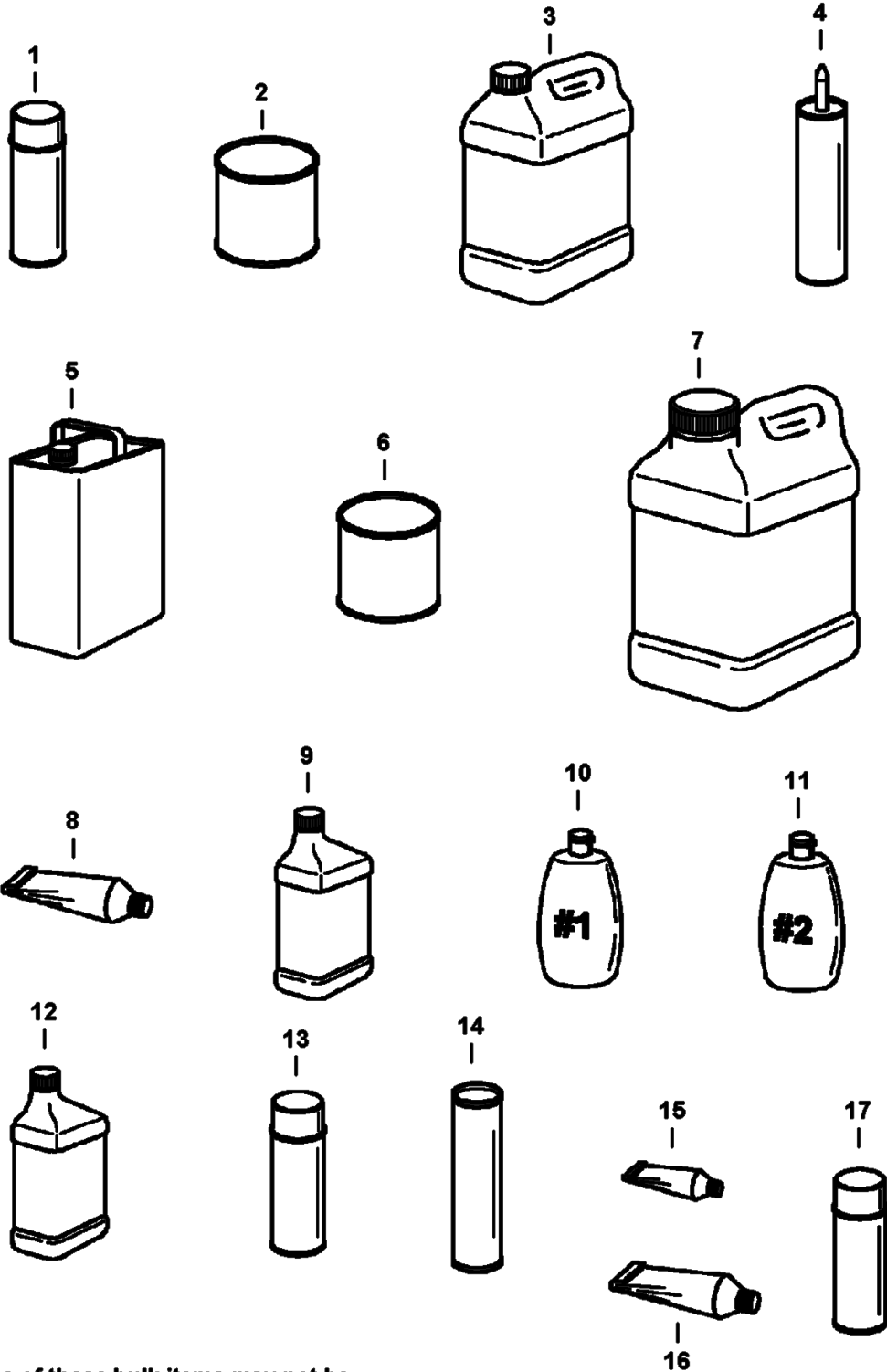
NOTE: Paint spray cans are packaged 6 per box.
 Motor oil quarts are packaged 12 per box.
 Motor oil 1 gal. jugs are packaged 6 per box.
 Motor oil 2.5 gal. jugs are packaged 2 per box.

B-16415

**BULK ITEMS (Cont'd)
(SEE NOTE)**

| Ref No | Part Number | Description | Remarks | Serial Number | Qty |
|--------|-------------|-----------------------------------|--|---------------|-----|
| 1 | 6902228 | PAINT, ORANGE SPRAY CAN 6 | Was 6722783 [A] | | x |
| 1 | 6902229 | PAINT, CHARCOAL SPRAY CAN 6 | Was 6722786 [A] | | x |
| 1 | 6902230 | PAINT, WHITE SPRAY CAN 6 | Was 6722789 [A] | | x |
| 2 | | PAINT | NAP - orange - Gal. - Also order Ref. 5 - Was 6722781 [A] | | x |
| 2 | 6902233 | PAINT, ORANGE QT 6 | Was 6722782 [A] | | x |
| 2 | | PAINT | NAP - charcoal - Gal. - Also order Ref. 5 - Was 6722784 [A] | | x |
| 2 | 6902234 | PAINT, CHARCOAL QT 6 | Was 6722785 [A] | | x |
| 2 | | PAINT | NAP - white - Gal. - Also order Ref. 5 - Was 6722787 [A] | | x |
| 2 | 6902235 | PAINT, WHITE QT 6 | Was 6722788 [A] | | x |
| 3 | 6983128 | ANTI-FREEZE PG 53/47 PREMIX GAL 6 | Was 6724094 [A] | | x |
| 3 | 6983129 | ANTI-FREEZE PG CONCENTRATE 6 | Was 6724354 [A] | | x |
| 4 | 6633583 | SEALANT | chaincase covers | | x |
| 5 | | REDUCER | NAP - Gal. - Was 6653517 [A] | | x |
| 6 | | PRIMER | NAP - Gal. - Was 6653518 [A] | | x |
| 6 | 6902232 | PRIMER | spray can - 16 oz - Was 6657743 [A] | | x |
| 7 | 6903117 | FLUID, OIL HYD 2.5 GAL 2 | Was 6563328 [A] | | x |
| 7 | 6903118 | FLUID, OIL HYD 5 GAL | Was 6722344 [A] | | x |
| 7 | 6903119 | FLUID, OIL HYD 55 GAL | Was 6563330 [A] | | x |
| 8 | 6599360 | SEALANT | electrical - tube - 3 oz | | x |
| 9 | 6903121 | LUBE, GEAR 12 | Was 6634393 [A] | | x |
| 10 | 6630188 | POLISH | window - #1 - 8 oz | | x |
| 10 | | POLISH | NAP - window-1 (64 oz.) -Order 6630188 Polish - Was 6630190 [A] | | x |
| 11 | 6630189 | POLISH | window - scratch remover - #2 - 8 oz | | x |
| 11 | | POLISH | NAP - window-2 (64 oz.) - scratch remover - Order 6630189 Polish - Was 6630191 [A] | | x |
| 12 | 6903109 | OIL 30W QT. 12 | Was 6657303 [A] | | x |
| 12 | 6903110 | OIL, 30W GAL. 6 | Was 6724559 [A] | | x |
| 12 | 6903111 | OIL 30W 2.5 GAL 2 | Was 6674206 [A] | | x |
| 12 | 6903107 | OIL, 10W30 QT. 12 | Was 6657301 [A] | | x |
| 12 | 6903108 | OIL, 10W30 GAL. 6 | Was 6724557 [A] | | x |
| 12 | 6903112 | OIL, 10W30 2.5 GAL 2 | Was 6674205 [A] | | x |
| 12 | 6903105 | OIL, 15W40 QT. 12 | Was 6657299 [A] | | x |
| 12 | 6903106 | OIL, 15W40 GAL. 6 | Was 6724558 [A] | | x |

BULK ITEMS (Cont'd)
(SEE NOTE)



NOTE: Some of these bulk items may not be used on this particular model Bobcat.

NOTE: See Merchandising catalog for more products & information.

NOTE: Paint spray cans are packaged 6 per box.
 Motor oil quarts are packaged 12 per box.
 Motor oil 1 gal. jugs are packaged 6 per box.
 Motor oil 2.5 gal. jugs are packaged 2 per box.

B-16415

**BULK ITEMS (Cont'd)
(SEE NOTE)**

| Ref No | Part Number | Description | Remarks | Serial Number | Qty |
|--------|-------------|-------------------------------|--|---------------|-----|
| 12 | 6903113 | OIL, 15W40 2.5 GAL. 2 | Was 6674204 [A] | | x |
| 13 | 6652818 | ADHESIVE | insulation - spray can | | x |
| 14 | 6903122 | GREASE, MULTI PURPOSE #2 - 10 | Was 6658266 [A] | | x |
| 14 | | GREASE | NAP - 14.5 oz. cartridge - For fan idler bearing & spring loaded drive idler - Was 6599719 [A] | | x |
| 15 | 6650407 | ADHESIVE | tube - 1 oz | | x |
| 16 | 6650388 | SEALANT | flange | | x |
| 17 | 6736644 | PAINT | orange - spray can - .5 oz | | x |
| 17 | 6736641 | PAINT | charcoal - spray can - .5 oz | | x |
| 17 | 6736642 | PAINT | white - spray can - .5 oz | | x |
| 17 | 6736645 | PAINT | red - spray can - .5 oz | | x |

NUMERICAL INDEX

| Part No. | Description | Was | Code | Page |
|----------|-------------------|------------|------|--|
| 10C410 | BOLT | | | 496 |
| 10C416 | BOLT | | | 496 |
| 10C512 | BOLT | 37C000512B | B | 456 |
| 10C616 | BOLT 10 | | | 12 |
| 10H25 | FITTING, GREASE 5 | | | 24, 28 |
| 10H35 | GREASE ZERK | | | 28, 180, 594, 598 |
| 10J13 | BALL | | | 280, 322, 372, 408 |
| 10J5 | BALL | | | 294, 340, 386, 424 |
| 10K7 | TEE | 10KN00007B | A | 62, 466 |
| 10K8 | TEE | | | 156 |
| 11H15 | GREASE FITTING | | | 24, 90, 92, 594 |
| 11H15 | GREASE FITTING | 10H000035B | B | 24, 90, 92, 594 |
| 11H25 | FITTING10 | | | 598 |
| 12D10 | NUT | | | 222, 226, 542, 552 |
| 12D8 | NUT | | | 40 |
| 12H15 | GREASE ZERK | | | 26 |
| 12K6 | UNION | 12KN00006B | A | 570 |
| 1306637 | CLIP | | | 94 |
| 1310706 | FITTING HOSE | | | 164 |
| 1313995 | STUD | | | 24 |
| 1316263 | ADAPTER | | | 150, 154, 156 |
| 1318565 | COTTER PIN | | | 532 |
| 1320075 | COTTER PIN | | | 584 |
| 13K5 | TEE | 13KN00005B | A | 594, 600, 622 |
| 14J5032 | PIN, STRAIGHT | | | 28 |
| 1522534 | SEAL | | | 88, 90, 92 |
| 15EM180 | WASHER | | | 280 |
| 15JM48 | KEY | | | 308, 358, 400, 442 |
| 15KB1010 | FITTING | 15KV00007B | A | 46, 50, 58, 62, 150, 151, 152, 156 |
| 15KB1212 | ADAPTER | | | 52, 56, 64, 68, 72, 76, 80, 170, 171, 172, 176, 594, 600, 620, 624 |
| 15KB1212 | ADAPTER | 6812646 | A | 52, 56, 64, 68, 72, 76, 80, 170, 171, 172, 176, 594, 600, 620, 624 |
| 15KB1212 | ADAPTER | 15KV00008B | A | 52, 56, 64, 68, 72, 76, 80, 170, 171, 172, 176, 594, 600, 620, 624 |
| 15KB1212 | ADAPTER | 15KV00008B | | 52, 56, 64, 68, 72, 76, 80, 170, 171, 172, 176, 594, 600, 620, 624 |
| 15KB604 | CONNECTOR | | | 74, 78 |
| 15KB606 | ADAPTER | | | 70, 74, 78, 80, 166, 170, 594, 618, 620, 624 |
| 15KB606 | ADAPTER | 15KV00005B | A | 70, 74, 78, 80, 166, 170, 594, 618, 620, 624 |
| 15KB612 | ADAPTER | | | 600 |
| 15KB808 | CONNECTOR | 15KN00006B | A | 266 |
| 1612281 | SPRINGNUT | | | 506 |
| 1614765 | STEM | | | 660 |
| 16F2 | PLUG | | | 282, 328, 376, 412 |
| 16F8 | PLUG | | | 272 |
| 16KB1010 | CONNECTOR | 16KN00007B | A | 150, 154 |
| 17C1016 | SCREW | | | 24 |
| 17C1056 | BOLT | | | 8 |
| 17C1080 | SCREW | | | 24 |
| 17C1272 | BOLT | | | 24 |
| 17C410 | BOLT 10 | | | 214, 218, 456, 582 |
| 17C412 | BOLT 5 | | | 39, 40, 41, 42, 43, 44, 218, 222, 228, 456 |
| 17C420 | CAPSCREW | | | 474, 482, 516, 518 |
| 17C428 | BOLT | | | 46, 58, 70 |

Code for disposition of old part number

A -- Use up

B -- Use on other application (See PNI)

C -- File PDR Report with Bobcat Parts Sales

D -- Part Number Error

NUMERICAL INDEX (Cont'd)

| Part No. | Description | Was | Code | Page |
|----------|-------------|------------|------|---|
| 17C512 | BOLT 5 | | | 30, 214, 218, 474, 480, 508, 570, 584 |
| 17C514 | BOLT | | | 234 |
| 17C516 | BOLT | | | 30, 516, 518, 592 |
| 17C520 | BOLT 5 | | | 516, 518, 592 |
| 17C532 | BOLT 5 | | | 532 |
| 17C540 | BOLT | 6716744 | A | 50, 54, 62, 66, 214, 218, 586 |
| 17C540 | BOLT | | | 50, 54, 62, 66, 214, 218, 586 |
| 17C556 | BOLT | | | 266 |
| 17C608 | BOLT | | | 234, 254, 256, 452 |
| 17C610 | BOLT | 17C000612B | B | 30, 40, 176 |
| 17C610 | BOLT | | | 30, 40, 176 |
| 17C6116 | BOLT | | | 254 |
| 17C612 | BOLT 5 | | | 10, 46, 70, 94, 180, 228, 256, 258, 476, 480, 532, 584 |
| 17C616 | BOLT 5 | | | 46, 58, 148, 164, 170, 180, 234, 254, 544 |
| 17C616 | BOLT 5 | 17C000612B | B | 46, 58, 148, 164, 170, 180, 234, 254, 544 |
| 17C616 | BOLT 5 | 8C616 | B,D | 46, 58, 148, 164, 170, 180, 234, 254, 544 |
| 17C620 | BOLT | | | 40, 50, 54, 58, 62, 66, 94, 166, 172, 182, 260, 272 |
| 17C620 | BOLT | 17C000612B | B | 40, 50, 54, 58, 62, 66, 94, 166, 172, 182, 260, 272 |
| 17C624 | BOLT 5 | | | 70, 94, 480 |
| 17C626 | BOLT | | | 180, 270 |
| 17C628 | BOLT | | | 46, 50, 54, 58, 62, 66, 480, 584 |
| 17C632 | BOLT 5 | | | 584 |
| 17C636 | BOLT | | | 72, 76 |
| 17C640 | BOLT 5 | | | 12, 24, 25, 26, 504, 506, 586 |
| 17C648 | BOLT 5 | | | 24, 266, 594 |
| 17C656 | BOLT | | | 26 |
| 17C660 | BOLT | | | 24, 28 |
| 17C680 | BOLT | | | 180, 618 |
| 17C716 | BOLT | | | 10 |
| 17C816 | BOLT | | | 24 |
| 17C820 | BOLT | | | 18, 20, 40, 42 |
| 17C828 | BOLT | | | 260, 266 |
| 17C830 | BOLT | | | 266 |
| 17C832 | BOLT | | | 72 |
| 17KB1010 | ELBOW | | | 60, 64, 68, 148, 150, 154, 156, 158, 464, 466, 468 |
| 17KB1010 | ELBOW | 17KV00007B | | 60, 64, 68, 148, 150, 154, 156, 158, 464, 466, 468 |
| 17KB1010 | ELBOW | 17KV00007B | A | 60, 64, 68, 148, 150, 154, 156, 158, 464, 466, 468 |
| 17KB1010 | ELBOW | 17KV-7 | A | 60, 64, 68, 148, 150, 154, 156, 158, 464, 466, 468 |
| 17KB1210 | ELBOW | 6714901 | A | 176 |
| 17KB1212 | ELBOW | 17KV00008B | A | 166, 172, 174, 618, 620, 624 |
| 17KB1212 | ELBOW | | | 166, 172, 174, 618, 620, 624 |
| 17KB1212 | ELBOW | 17KV00008B | | 166, 172, 174, 618, 620, 624 |
| 17KB404 | ELBOW | | | 594, 598, 600 |
| 17KB404 | ELBOW | 17KV00003B | A | 594, 598, 600 |
| 17KB604 | ELBOW | | | 74, 78, 618, 620, 624 |
| 17KB606 | ELBOW | | | 70, 74, 78, 148, 150, 154, 166, 170, 172, 550, 594, 595, 596, 598, 618, 620, 621, 622 |

Code for disposition of old part number

A -- Use up

B -- Use on other application (See PNI)

C -- File PDR Report with Bobcat Parts Sales

D -- Part Number Error

NUMERICAL INDEX (Cont'd)

| Part No. | Description | Was | Code | Page |
|----------|-------------|------------|------|---|
| 17KB606 | ELBOW | 17KV00005B | B | 70, 74, 78, 148, 150, 154, 166, 170, 172, 550, 594, 595, 596, 598, 618, 620, 621, 622 |
| 17KB606 | ELBOW | 17KV00005B | | 70, 74, 78, 148, 150, 154, 166, 170, 172, 550, 594, 595, 596, 598, 618, 620, 621, 622 |
| 17KB606 | ELBOW | 17KV00005B | A | 70, 74, 78, 148, 150, 154, 166, 170, 172, 550, 594, 595, 596, 598, 618, 620, 621, 622 |
| 17KB810 | ELBOW | | | 46, 52, 56, 60, 64, 68, 464, 466, 468 |
| 18C1224 | BOLT | | | 35, 36 |
| 18C1636 | BOLT | | | 36 |
| 18EM1224 | WASHER | | | 476, 482, 490 |
| 18KB1212 | ELBOW | | | 618 |
| 18KB404 | ELBOW | 7109882 | | 600 |
| 18KB606 | ELBOW | 7109881 | | 600 |
| 19J12 | CLAMP | | | 166, 172 |
| 19KB604 | TEE | | | 74, 76 |
| 19KB606 | TEE | | | 74, 76 |
| 19KB610 | TEE | 19KB00610B | A | 48, 60 |
| 19KB610 | TEE | | | 48, 60 |
| 1CM620 | BOLT | | | 474, 482 |
| 1CM630 | BOLT | | | 474, 482 |
| 1CM635 | BOLT | | | 482, 576, 580 |
| 1CM640 | SCREW | | | 474, 476, 482 |
| 1CM8100 | SCREW | | | 268 |
| 1CM818 | BOLT | 4CM818 | A | 296, 342, 388, 426 |
| 1CM818 | BOLT | | | 296, 342, 388, 426 |
| 1CM820 | BOLT | | | 180, 570 |
| 1CM830 | BOLT | | | 658 |
| 1CM835 | BOLT | | | 300, 346, 392, 430 |
| 1CM860 | BOLT | 1CM00870B | B | 572 |
| 1CM865 | SCREW | | | 300, 346, 392, 430 |
| 1CM870 | BOLT | | | 266, 280, 322, 372, 408 |
| 1CM880 | BOLT | | | 280, 322, 372, 408 |
| 1CM890 | BOLT | | | 266 |
| 1CM895 | BOLT | | | 280, 322, 372, 408 |
| 1DM6 | NUT | | | 280, 308, 322, 358, 372, 400, 408, 442, 474, 482 |
| 1DM6 | NUT | 4DM6 | A | 280, 308, 322, 358, 372, 400, 408, 442, 474, 482 |
| 1DM8 | NUT | | | 308, 358, 400, 442 |
| 1EM60 | WASHER | | | 306, 356 |
| 1EM80 | WASHER | | | 308, 358 |
| 1K127 | O-RING 10 | 93K127 | A | 98, 102, 108, 114, 118, 124, 130, 134, 138, 236 |
| 21G804 | BOLT | | | 548 |
| 21KB1010 | TEE | 21KN00007B | A | 46, 50, 54, 58, 66 |
| 21KB606 | TEE | 21KV00005B | A | 148, 150, 154, 166, 172, 550, 618, 630 |
| 21KB606 | TEE | | | 148, 150, 154, 166, 172, 550, 618, 630 |
| 21KB610 | FITTING | | | 58, 64, 68, 464, 466, 468 |
| 225855 | SEAL, OIL | | | 48, 52, 56, 60, 64, 68, 82, 84, 86 |
| 23G812 | SCREW | | | 40 |
| 24K3 | PLUG | | | 612, 614 |
| 25E10 | WASHER | | | 210 |
| 25E11 | WASHER | 27E000008B | B,D | 532 |
| 25E13 | WASHER 5 | | | 40, 42, 44, 130, 238, 242, 452, 456, 582 |
| 25E14 | WSHR | | | 496 |

Code for disposition of old part number

A -- Use up

B -- Use on other application (See PNI)

C -- File PDR Report with Bobcat Parts Sales

D -- Part Number Error

NUMERICAL INDEX (Cont'd)

| Part No. | Description | Was | Code | Page |
|----------|---------------|------------|------|---|
| 25E15 | WASHER | | | 212, 218, 516, 518, 658 |
| 25E16 | WSHR | | | 474, 480, 516, 518 |
| 25E17 | WASHER 5 | | | 182, 224, 228, 234, 532 |
| 25E18 | WASHER | | | 270 |
| 25E21 | WASHER 5 | | | 266 |
| 25E25 | WASHER 10 | | | 532 |
| 25E8 | WSHR | | | 40 |
| 25G512 | SCREW | 25G000510B | B | 8, 14 |
| 25G512 | SCREW | | | 8, 14 |
| 25G520 | SCREW | | | 14 |
| 25G612 | SCREW | | | 526, 528 |
| 25GM8010 | SCREW | | | 286, 332 |
| 25GT410 | SCREW | | | 222, 226, 238, 552 |
| 25K20012 | O RING 10 | | | 120, 136 |
| 25K20016 | O RING 10 | | | 98, 102, 106, 114, 118, 122, 128, 134, 138 |
| 25K30110 | O RING 10 | 54K30110 | B | 602, 604 |
| 25K30112 | O-RING | | | 28 |
| 25K30118 | O RING 10 | | | 164, 170 |
| 25K30202 | O RING 10 | | | 88, 90, 92 |
| 25K30210 | O-RING | 54K30210 | B | 82, 84, 86 |
| 25K30508 | O-RING, 10 | | | 34 |
| 25K40108 | O RING 10 | | | 28 |
| 25K40208 | O RING 10 | 54K40208 | B | 88, 90, 92 |
| 25K40224 | O RING 10 | 54K40224 | B | 82, 84, 86 |
| 25K60212 | O RING 10 | 54K60212 | B | 82, 84, 86 |
| 27E10 | WASHER | | | 22 |
| 27E6 | WASHER 5 | | | 46, 50, 54, 58, 62, 66 |
| 29CM612 | BOLT | | | 390, 428, 432 |
| 29CM820 | SCREW | | | 218, 266 |
| 29G412 | BOLT | | | 124, 128, 134, 138 |
| 29G416 | BOLT | | | 98, 102, 106, 112, 118, 122, 126, 127, 128, 134, 138 |
| 29G444 | BOLT | | | 98, 102, 106, 112, 118 |
| 2DM8 | NUT | 6680874 | A | 286, 304, 332, 354, 380, 416 |
| 2DM8 | NUT | | | 286, 304, 332, 354, 380, 416 |
| 2EM8 | WASHER, PLAIN | | | 280, 286, 288, 306, 322, 332, 334, 356, 372, 382, 408, 416, 418 |
| 2GM1035 | BOLT | | | 576 |
| 30G416 | BOLT | | | 98, 102, 108, 114, 124, 138 |
| 30H19 | CLIP | 30H000019B | B | 456 |
| 30H21 | CLAMP 10 | | | 546 |
| 30H22 | CLIP | | | 30 |
| 30H23 | CLAMP | | | 40 |
| 30H27 | CLAMP | | | 522 |
| 30H35 | CLAMP 10 | | | 522 |
| 30H42 | CLAMP | | | 588 |
| 30H44 | CLAMP | | | 178 |
| 30H45 | CLIP | | | 56, 572 |
| 30H50 | CLIP | | | 576 |
| 30H60 | CLIP | | | 572, 574 |
| 30H62 | CLIP | | | 234, 452 |
| 30H64 | CLAMP | | | 570 |
| 30H85 | CLAMP | 31H000042B | B | 594, 598 |
| 31C410 | BOLT | | | 542 |
| 31C420 | BOLT 5 | | | 18 |

Code for disposition of old part number

A -- Use up

B -- Use on other application (See PNI)

C -- File PDR Report with Bobcat Parts Sales

D -- Part Number Error

NUMERICAL INDEX (Cont'd)

| Part No. | Description | Was | Code | Page |
|----------|-------------|---------|------|--|
| 31C820 | BOLT | | | 6 |
| 31C824 | BOLT 10 | | | 532, 584 |
| 31C836 | BOLT | | | 586 |
| 31H27 | CLIP | | | 32 |
| 31H38 | CLAMP | | | 270 |
| 31H46 | CLAMP | | | 576 |
| 35C1032 | BOLT | | | 34 |
| 35C408 | BOLT | | | 474 |
| 35C410 | BOLT 5 | | | 456, 556, 560 |
| 35C412 | BOLT | | | 12, 546 |
| 35C508 | BOLT | | | 254 |
| 35C512 | BOLT | | | 528, 582 |
| 35C514 | BOLT | 17C514 | B | 452 |
| 35C516 | BOLT 10 | | | 266, 496, 576 |
| 35C536 | BOLT | | | 60, 62, 66, 464, 466, 468 |
| 35C540 | BOLT | | | 72 |
| 35C612 | BOLT | | | 94, 180, 256, 258 |
| 35C616 | BOLT 5 | | | 50, 54, 62, 66, 150, 154, 156, 214, 218, 594, 598 |
| 35C620 | BOLT 5 | | | 212, 218, 262, 266, 576 |
| 35C624 | BOLT | | | 182, 578 |
| 35C688 | BOLT | | | 620, 624 |
| 36K5 | CAP | | | 50, 54, 62, 66, 166, 170, 178, 618, 622, 630 |
| 36K6 | CAP | | | 266 |
| 36K7 | FITTING | | | 46, 50, 54, 58 |
| 36K8 | CAP | | | 50, 54, 62, 66, 72 |
| 37C412 | BOLT | | | 546 |
| 37C424 | BOLT | | | 556, 560 |
| 37C512 | BOLT | | | 538, 556, 560, 588 |
| 37C612 | BOLT | | | 18 |
| 37C620 | BOLT | | | 94, 452 |
| 37C632 | BOLT | | | 506 |
| 37C644 | BOLT | | | 18 |
| 37C820 | BOLT | | | 18 |
| 37C888 | BOLT | | | 6 |
| 38C610 | BOLT | | | 269, 270 |
| 38C820 | SCREW | | | 260 |
| 38C824 | SCREW | | | 20 |
| 38C840 | BOLT | | | 19, 20 |
| 3966512 | O RING | | | 278, 308, 320, 358, 370, 400, 442 |
| 3966512 | O RING | 6686986 | A | 278, 308, 320, 358, 370, 400, 442 |
| 3966515 | O RING | | | 278, 280, 320, 322 |
| 3966516 | O RING | | | 276, 290, 320, 336 |
| 3966530 | O RING | | | 278, 280, 320, 322 |
| 3966602 | O RING | | | 284, 330 |
| 3974037 | PIN | | | 282, 328, 376, 412 |
| 3974038 | O RING | | | 276, 282, 318, 328, 370, 376, 381, 382, 412 |
| 3974095 | MET-GASK | | | 276, 282, 284, 304, 318, 328, 330, 352, 354, 370, 376, 396, 412, 414, 436, 438 |
| 3974192 | BOLT | | | 306, 356, 398, 440 |
| 3974260 | SCREW | | | 314, 364, 404, 446 |
| 3974267 | STUD | 6653946 | A | 298, 344, 390, 428 |
| 3974267 | STUD | | | 298, 344, 390, 428 |
| 3974366 | BOLT | | | 312, 362 |
| 3974368 | GASKET | | | 312, 362 |

Code for disposition of old part number

A -- Use up

B -- Use on other application (See PNI)

C -- File PDR Report with Bobcat Parts Sales

D -- Part Number Error

NUMERICAL INDEX (Cont'd)

| Part No. | Description | Was | Code | Page |
|----------|----------------|---------|------|--|
| 3974381 | SEAT | | | 312, 362 |
| 3974382 | SPRING | | | 312, 362 |
| 3974383 | SEAT | | | 312, 362 |
| 3974384 | SHIM | | | 312, 362 |
| 3974385 | TAPPETASY | | | 312, 362 |
| 3974389 | CAP, SEALING | | | 282, 328, 376, 412 |
| 3974390 | PLUG | 6680639 | A | 282, 328, 376, 412 |
| 3974390 | PLUG | | | 282, 328, 376, 412 |
| 3974393 | PIN | | | 282, 328, 376, 412 |
| 3974394 | PIN | | | 282, 328, 376, 412 |
| 3974395 | PIN | | | 280, 282, 322, 328, 372, 376, 408, 412 |
| 3974402 | PLUG | | | 290, 336 |
| 3974425 | NUT | | | 396, 438 |
| 3974432 | PLUG | 6680665 | A | 288, 334, 382, 418 |
| 3974432 | PLUG | | | 288, 334, 382, 418 |
| 3974433 | PLUG | | | 288, 334 |
| 3974502 | GASKET | | | 276, 310, 320, 360 |
| 3974514 | SPRING 5 | | | 286, 332, 380, 416 |
| 3974515 | RETAINER | | | 286, 332, 380, 416 |
| 3974518 | CAP | | | 286, 332, 380, 416 |
| 3974521 | MOUNT | | | 286, 332, 380, 416 |
| 3974524 | WASHER | | | 286, 332, 380, 416 |
| 3974546 | KEY | | | 292, 296, 338, 342, 384, 388, 422, 426 |
| 3974547 | STOPPER | | | 296, 342, 388, 426 |
| 3974547 | STOPPER | 6653843 | A | 296, 342, 388, 426 |
| 3974577 | O RING | | | 276, 292, 318, 338, 370, 384, 422 |
| 3974618 | CIR-CLIP | | | 294, 340, 386, 424 |
| 3974620 | CIR-CLIP | | | 294, 340, 386, 424 |
| 3974624 | STOPPER | | | 294, 340, 386, 424 |
| 3974626 | SHIM | 6682514 | A | 310, 360, 402, 444 |
| 3974626 | SHIM | | | 310, 360, 402, 444 |
| 3974627 | STUD | | | 300, 346 |
| 3974644 | COLLAR | | | 308, 358, 400, 442 |
| 3974658 | SHAFT | | | 306, 356 |
| 3974659 | BOLT | | | 306, 356 |
| 3974671 | NUT | | | 292, 338, 384, 422 |
| 3974677 | PIPE | 3974871 | B,D | 328 |
| 3974679 | BAND | | | 300, 324, 346, 378, 392, 430 |
| 3974787 | RACK | | | 312, 362 |
| 3974868 | PIN | | | 282, 328, 376, 412 |
| 3974871 | CONNECTOR | | | 282, 376 |
| 3974882 | HOOK | | | 288, 334, 382, 418 |
| 3974888 | BOLT | | | 280, 322, 372, 408 |
| 3974893 | SEAT | | | 280, 322, 372, 408 |
| 3974894 | FLANGE | | | 280, 322, 372, 408 |
| 3974920 | SCREW | | | 286, 332, 380, 416 |
| 3974923 | NUT | | | 284, 330, 414 |
| 3974924 | PLATE | | | 283, 284, 329, 330, 413, 414 |
| 3974925 | PLATE | | | 284, 330, 414 |
| 3974926 | BREATHER | | | 284, 330, 414 |
| 3974927 | SHIELD | | | 284, 330, 414 |
| 3974930 | PIPE | | | 284, 330 |
| 3974931 | CLAMP | | | 284, 330, 414 |
| 3974945 | WASHER, THRUST | | | 292, 338 |

Code for disposition of old part number

A -- Use up

B -- Use on other application (See PNI)

C -- File PDR Report with Bobcat Parts Sales

D -- Part Number Error

NUMERICAL INDEX (Cont'd)

| Part No. | Description | Was | Code | Page |
|----------|----------------|------------|------|---|
| 3974970 | BOLT | | | 307, 308, 357, 358 |
| 3974971 | NUT | | | 308, 358, 400, 442 |
| 3974972 | GASKET | | | 308, 358, 400, 432, 442 |
| 3974975 | IDLER | | | 303, 304, 353, 354, 395, 396, 437, 438 |
| 3974978 | NUT | | | 304, 354, 396, 438 |
| 3974979 | CAP | | | 304, 354, 396, 438 |
| 3974988 | PIPE | | | 300, 346 |
| 3974991 | BEARING | | | 298, 344, 428 |
| 3974992 | FLANGE | | | 298, 344 |
| 3974996 | COVER | | | 294, 340 |
| 3975021 | WASHER | | | 292, 338 |
| 3975022 | WASHER, THRUST | | | 292, 338 |
| 3975337 | COLLAR | | | 292, 338, 384, 422 |
| 3975428 | SCREW | | | 312, 362, 402, 444 |
| 3975436 | SCREW | | | 284, 330, 378 |
| 3975436 | SCREW | 3974928B | A | 284, 330, 378 |
| 3975441 | GEAR | | | 282, 328, 376, 412 |
| 3DM12 | NUT | | | 282, 328 |
| 40DM8 | NUT | | | 658 |
| 40K2 | PLUG | | | 300, 346, 430 |
| 40K6 | PLUG | | | 256, 258 |
| 42H10 | HOSECLAM5 | | | 30 |
| 42H32 | HS CLAMP5 | | | 30, 258 |
| 42H44 | HOSECLAM5 | | | 540, 650 |
| 42H52 | CLAMP | | | 256, 258 |
| 42HL300 | CLAMP | 6598799 | | 256, 258 |
| 42HL300 | CLAMP | 6598799 | A | 256, 258 |
| 42HL325 | CLAMP | 42H000032B | B | 256 |
| 42HS4 | CLAMP | 6515575 | B | 30, 252 |
| 43C408 | BOLT | | | 236, 242 |
| 43C524 | BOLT | | | 142 |
| 43C532 | BOLT | | | 70, 142 |
| 43C610 | BOLT | 17C610 | B | 260 |
| 43C616 | BOLT | 35C000616B | B | 212, 216 |
| 43C616 | BOLT | | | 212, 216 |
| 43C852 | BOLT | 43C000848B | B | 266, 530 |
| 43C852 | BOLT | | | 266, 530 |
| 43DM8 | NUT | | | 216 |
| 44H48 | CLAMP | | | 576 |
| 45C620 | BOLT | | | 180 |
| 45G1006 | BOLT | | | 542 |
| 45K3 | FITTING | 45KV00003B | B | 532 |
| 46D5 | NUT | | | 474, 480 |
| 47C1080 | BOLT | | | 26 |
| 47C1088 | BOLT | | | 26 |
| 47C820 | BOLT | | | 40, 42, 44 |
| 47C832 | BOLT | | | 266 |
| 47K10 | PLUG | | | 164, 170 |
| 47K8 | PLUG | | | 190, 196 |
| 4CM614 | BOLT | | | 436 |
| 4CM615 | BOLT | | | 402, 444 |
| 4CM616 | BOLT | | | 310, 360 |
| 4CM620 | BOLT | | | 280, 308, 322, 352, 358, 372, 400, 408, 442 |
| 4CM628 | BOLT | | | 306, 356 |

Code for disposition of old part number

A -- Use up

B -- Use on other application (See PNI)

C -- File PDR Report with Bobcat Parts Sales

D -- Part Number Error

NUMERICAL INDEX (Cont'd)

| Part No. | Description | Was | Code | Page |
|----------|-------------|------------|------|--|
| 4CM635 | BOLT | 1CM00635B | A | 474 |
| 4CM814 | BOLT | | | 294, 340 |
| 4CM816 | BOLT | | | 288, 290, 296, 334, 336, 342 |
| 4CM822 | BOLT | | | 300, 302, 310, 346, 348, 360, 392, 394, 402, 430, 432, 444 |
| 4CM825 | BOLT | | | 292, 338, 384, 422 |
| 4CM828 | BOLT | | | 292, 298, 338, 344, 384, 390, 422, 428 |
| 4D20 | NUT | | | 586 |
| 4DM10 | NUT | | | 212, 216 |
| 4DM5 | NUT | | | 212, 538 |
| 4DM8 | NUT | | | 250 |
| 4F6106 | PIN | | | 12 |
| 4FM18 | PLUG | | | 282, 328 |
| 4FM45 | PLUG | | | 282, 328 |
| 51DM12 | NUT | | | 476, 482, 490 |
| 5289686 | PLUG | | | 514 |
| 53C612 | BOLT | 35C612 | | 644 |
| 53D10 | NUT | | | 8 |
| 53D6 | NUT | | | 8, 12 |
| 53DM10 | NUT | 2DM00010B | B | 576 |
| 53DM8 | NUT | | | 268 |
| 54K20002 | O'RING 10 | | | 100, 104, 108, 114, 120, 122, 128, 134, 138 |
| 54K20028 | O RING 10 | | | 142 |
| 54K40116 | O-RING | | | 602, 604 |
| 55D6 | NUT | | | 18, 72, 76, 480 |
| 55K204 | O RING 10 | | | 100, 104, 108, 114, 118, 124, 130, 134, 138, 142 |
| 55K212 | O RING 10 | | | 100, 104, 108, 114, 120, 124, 130, 134, 138, 142 |
| 55K214 | O-RING | | | 600 |
| 57D5 | NUT | 61D000005B | B | 60, 62, 66, 266, 456, 464, 466, 468 |
| 57D5 | NUT | | | 60, 62, 66, 266, 456, 464, 466, 468 |
| 57D6 | NUT 5 | 59D000006B | B | 94, 214, 506, 584 |
| 57D6 | NUT 5 | | | 94, 214, 506, 584 |
| 57D8 | NUT 10 | | | 18, 584 |
| 57G608 | SCREW | | | 556, 560 |
| 58K120 | O-RING | | | 224, 230, 234 |
| 58K124 | O RING 10 | | | 98, 102, 108, 114, 118, 124, 130, 136, 140 |
| 58K132 | O'RING | | | 602, 604 |
| 58K14 | O RING 10 | | | 98, 102, 106, 112, 118, 124, 128, 134, 138 |
| 58K17 | O RING 10 | | | 98, 102, 106, 114, 118, 122, 128, 134, 138 |
| 58K214 | O RING 10 | | | 166, 170 |
| 59D4 | NUT 5 | 85D000004B | B | 270, 496, 546 |
| 59D4 | NUT 5 | | | 270, 496, 546 |
| 59D5 | NUT 5 | | | 8, 50, 54, 62, 66, 212, 218, 476, 480, 516, 518, 556, 560 |
| 59D6 | NUT | | | 18, 20, 46, 50, 54, 58, 62, 66 |
| 59D8 | NUT 5 | | | 8, 46, 50, 54, 58, 62, 66, 72, 76, 80 |
| 59G616 | SCREW 10 | | | 456 |
| 5CM1080 | SCREW | | | 576 |
| 5CM812 | BOLT | | | 286, 332, 380, 416 |
| 5HM13 | CLAMP | | | 32 |
| 5HM14 | CLAMP | | | 32 |
| 5HM15 | CLAMP | | | 324 |
| 5HM20 | CLAMP | | | 164, 570, 572, 574 |

Code for disposition of old part number

A -- Use up

B -- Use on other application (See PNI)

C -- File PDR Report with Bobcat Parts Sales

D -- Part Number Error

NUMERICAL INDEX (Cont'd)

| Part No. | Description | Was | Code | Page |
|----------|--------------|-----------|------|--|
| 5HM24 | CLAMP | | | 30, 170 |
| 5HM29 | HOSECLAMP | 5HM00027B | A | 148, 150, 154, 156 |
| 5HM42 | HOSECLAMP | | | 164, 170, 256, 258 |
| 5HM58 | CLAMP | | | 30 |
| 5JM14 | SNAP RING | | | 286, 332 |
| 5JM24 | CIRCLIP | | | 294, 340, 386, 424 |
| 614142 | SLEEVE 10 | | | 546 |
| 616783 | WASHER | | | 218 |
| 619021 | WASHER, 5 | | | 8, 28, 50, 54, 62, 66, 94, 180, 594, 598, 620, 624, 630, 640 |
| 61D4 | NUT 5 | | | 212, 216, 224, 456, 474, 480, 481, 482, 516, 518 |
| 61D5 | NUT | | | 18, 20, 252, 256, 474, 482, 508 |
| 61D6 | NUT 5 | | | 6, 18, 164, 170, 228, 254, 256, 258, 260, 452, 474, 504, 506 |
| 61D6 | NUT 5 | 57D6 | B | 6, 18, 164, 170, 228, 254, 256, 258, 260, 452, 474, 504, 506 |
| 61D8 | NUT 5 | | | 72 |
| 62D4 | NUT | | | 212, 216, 270 |
| 62D6 | NUT 5 | | | 182, 532 |
| 63D8 | NUT | | | 586 |
| 6510171 | LINK | | | 34 |
| 6510470 | RING GEAR | | | 262 |
| 6511855 | SEAL | | | 254, 256 |
| 6512026 | BUSHING | | | 94 |
| 6513152 | SEAL | | | 472, 480, 558 |
| 6513495 | COTTER PIN | | | 94 |
| 6513532 | POPPET | | | 184, 186 |
| 6513533 | SPRING | | | 184, 186 |
| 6515131 | TERMINAL | | | 546 |
| 6515817 | WASHER | | | 8, 24 |
| 6516229 | PISTON SEAL | | | 82, 84, 86 |
| 6517516 | LIGHT | | | 546 |
| 6518200 | GREASE ZERK | | | 180 |
| 6519178 | BUMPER | | | 12 |
| 6531270 | SLEEVE | | | 98, 102, 108, 114, 118 |
| 6532127 | BOOT | | | 16, 224, 226, 238, 552 |
| 6532347 | SPACER | 6718816 | A | 22 |
| 6532453 | RING | | | 602, 604 |
| 6533898 | DECAL | | | 584 |
| 6534630 | RESTRICTOR | | | 134, 138 |
| 6535451 | HOSE | | | 70, 622, 626 |
| 6535882 | HOSE | | | 598 |
| 6536968 | HEAD | 6806332 | A | 82, 84, 86 |
| 6539645 | SPACER | | | 88 |
| 6542731 | SAFETY TREAD | | | 474, 480 |
| 654299 | BEARING | | | 190, 196 |
| 6544654 | BUSHING | | | 40, 42, 94 |
| 6550826 | TIRE | | | 659, 660 |
| 6552871 | WASHER | | | 36 |
| 6553411 | BUSHING | | | 30, 34, 40, 42, 44, 252 |
| 6553709 | WASHER | | | 8, 46, 50, 54, 58, 62, 66, 72, 76, 80 |
| 6554100 | TREAD | | | 508, 594 |
| 6554149 | CORD | | | 474, 496, 514 |
| 6554858 | BALL JOINT | | | 270 |

Code for disposition of old part number

A -- Use up

B -- Use on other application (See PNI)

C -- File PDR Report with Bobcat Parts Sales

D -- Part Number Error

NUMERICAL INDEX (Cont'd)

| Part No. | Description | Was | Code | Page |
|----------|--------------|---------|------|--------------------|
| 6555331 | WIRE ROPE | | | 496 |
| 6555341 | SAFETY TREAD | 6554100 | B | 598 |
| 6555351 | SEAL | | | 496 |
| 6557224 | DECAL | | | 510 |
| 6557291 | BALL JOINT | | | 270 |
| 6557493 | GROMMET | | | 638 |
| 6557831 | WASHER | | | 94, 180, 576 |
| 6557904 | FLASHER | | | 546 |
| 6558309 | WIRE ROPE | | | 508 |
| 6558310 | SLEEVE | | | 508 |
| 6559479 | NUT | | | 40 |
| 6559502 | STUD | | | 36 |
| 6559775 | EARMUFFS | | | 654 |
| 6560172 | COVER | | | 212, 216 |
| 6560573 | DECAL | | | 510 |
| 6560633 | DAMPENER | | | 8 |
| 6561095 | RIM | 6658846 | A | 660 |
| 6561218 | SHUTTLE | | | 184 |
| 6561383 | DECAL | | | 508 |
| 6562257 | MOUNT | | | 266 |
| 6562266 | CLAMP | | | 82 |
| 6562602 | BUSHING | | | 8 |
| 6562619 | BUSHING | | | 448, 540, 650 |
| 6563606 | WASHER | | | 36 |
| 6563914 | WASHER | | | 94, 180 |
| 6564343 | SPACER | | | 270 |
| 6564452 | GRIP | | | 20, 270 |
| 6564657 | PIN | | | 93, 94, 452 |
| 6564669 | NUT | | | 36, 660 |
| 6565170 | CABLE | | | 214, 216 |
| 6565170 | CABLE | 6713821 | B,D | 214, 216 |
| 6565200 | DECAL | 6709781 | A | 510 |
| 6565977 | HOSE | | | 574 |
| 6565990 | DECAL | | | 510 |
| 6567743 | PIN | | | 8, 254, 256, 548 |
| 6567827 | ANGLE | | | 584 |
| 6567838 | PIN | | | 584 |
| 6567962 | WASHER | | | 270 |
| 6568877 | WASHER | | | 266 |
| 6569203 | CLAMP | | | 212, 218, 516, 518 |
| 6569219 | SCREEN | | | 30 |
| 6570931 | INSTRUCTIONS | | | 448 |
| 6571536 | PULLEY | | | 244 |
| 6571851 | SNAP RING | | | 38 |
| 6571852 | SNAP RING | | | 38 |
| 6576028 | HOSE | | | 256, 258 |
| 6576033 | WASHER | | | 22, 260 |
| 6576195 | LINK | | | 180 |
| 6576196 | MOUNT | | | 180, 196 |
| 6576252 | ROD | | | 270 |
| 6576261 | COVER | 6734520 | A | 270 |
| 6576262 | MOUNT | | | 270 |
| 6576280 | BOLT | | | 212, 218, 516, 518 |
| 6576302 | BAR | | | 94 |

Code for disposition of old part number

A -- Use up

B -- Use on other application (See PNI)

C -- File PDR Report with Bobcat Parts Sales

D -- Part Number Error

NUMERICAL INDEX (Cont'd)

| Part No. | Description | Was | Code | Page |
|----------|------------------------|---------|------|--|
| 6577058 | PIN | | | 180 |
| 6577230 | BRACKET | | | 180 |
| 6577382 | SPACER | | | 254 |
| 6577456 | KIT | | | 244 |
| 6577545 | GROMMET | | | 456, 582 |
| 6577690 | TUBE | | | 100, 108, 114, 124, 130, 166, 167, 168, 170 |
| 6577754 | DECAL | | | 510 |
| 6577821 | HOSE | | | 32 |
| 6577822 | HOSE | | | 32, 254 |
| 6577880 | KIT | | | 447, 448 |
| 6577954 | PIN | | | 22 |
| 6577961 | GROMMET | | | 16, 94 |
| 6578139 | LEVER | | | 461, 462 |
| 6578140 | LEVER | | | 462 |
| 6578169 | HOSE | | | 32 |
| 6578172 | HOSE | | | 30, 170 |
| 6578209 | TEE | 6718250 | A | 166, 628 |
| 6578253 | SPRING, COMPRESSION | 6562018 | A | 28 |
| 6578268 | BELLCRANK | | | 270 |
| 6578278 | PAD | | | 30 |
| 6578284 | SHIM | | | 272 |
| 6578363 | ROD END | | | 212, 216 |
| 6578366 | BALL JOINT | | | 212, 216 |
| 6578368 | DECAL | | | 510 |
| 6578505 | COVER | | | 40 |
| 6578689 | HUB | | | 36 |
| 6578870 | CLAMP | 6726277 | A | 46, 58, 620, 624, 630 |
| 6578870 | CLAMP | | | 46, 58, 620, 624, 630 |
| 6579326 | MOUNT | | | 254, 256 |
| 6579385 | DECAL | | | 540, 650 |
| 6579404 | DECAL | | | 540, 650 |
| 6579509 | DECAL | | | 508 |
| 6579511 | DECAL | | | 510 |
| 6579528 | DECAL | | | 508 |
| 6579613 | STOP | | | 8 |
| 6579639 | DECAL | | | 508 |
| 6579641 | HOUSING | | | 272 |
| 658128 | RING, SNAP | | | 188, 189, 190, 196 |
| 6584978 | CONDUIT | | | 40, 42 |
| 6585860 | SPRING | | | 40 |
| 6586459 | SEAL KIT | | | 100, 108, 124, 130 |
| 6586542 | HEAD | | | 602, 604 |
| 6586543 | PISTON | | | 602, 604 |
| 6586918 | SCREW | | | 98, 102, 108, 114, 118 |
| 6587458 | KEY | | | 30 |
| 6587523 | WASHER | | | 98, 102, 108, 114, 118, 124, 134, 138 |
| 6587575 | ADAPTER | | | 98, 102, 108, 114, 118 |
| 6587580 | SPRING | | | 98, 102, 108, 114, 118, 124, 134, 138 |
| 6587763 | BOOT | | | 98, 102, 106, 112, 118, 122, 128, 134, 138, 242 |
| 6588074 | SPOOL | | | 98, 102, 106, 112, 118, 122, 128, 134, 138 |
| 6588781 | END CAP | | | 98, 102, 108, 114, 118, 124, 130, 136, 140 |
| 6589045 | SPRING | | | 138 |
| 6589226 | BONNET | | | 98, 102, 108, 114, 118 |

Code for disposition of old part number

A -- Use up

B -- Use on other application (See PNI)

C -- File PDR Report with Bobcat Parts Sales

D -- Part Number Error

NUMERICAL INDEX (Cont'd)

| Part No. | Description | Was | Code | Page |
|----------|---------------------|----------|------|---|
| 6589564 | RETAINER | | | 98, 102, 106, 112, 118, 122, 128, 134, 138 |
| 6589565 | BUSHING | | | 122, 128, 134, 138 |
| 6591447 | STEM | | | 660 |
| 6592098 | WASHER | | | 98, 102, 108, 114, 118 |
| 6592100 | COLLAR | | | 98, 102, 108, 114, 118, 124, 134, 138 |
| 6592105 | BALL | | | 98, 102, 108, 114, 118 |
| 6592107 | SPRING | | | 98, 102, 108, 114, 118 |
| 6592109 | ADAPTER | | | 98, 102, 108, 114, 118, 124, 134, 138 |
| 6592115 | SEAT | | | 98, 102, 106, 112, 118, 122, 128, 134, 138 |
| 6592116 | NUT | | | 98, 102, 106, 112, 118, 122, 128, 134, 138 |
| 6592117 | SPRING | | | 98, 102, 106, 112, 118, 122, 128, 134, 138 |
| 6592506 | CLAMP | | | 72, 76, 80, 594 |
| 6592720 | PLUG | | | 98, 102, 108, 114, 118, 124, 130, 136, 140 |
| 6592852 | ORIFICE | | | 570 |
| 6595663 | BUSHING | | | 98, 102, 108, 114, 118, 124, 130, 136, 140 |
| 6596332 | SPRING | | | 100, 104, 108, 114, 118, 124, 130, 134, 135, 136, 140 |
| 6596569 | SEAT | | | 100, 102, 108, 116, 124, 130, 138 |
| 6596807 | PLUG | | | 98, 102, 108, 114, 118 |
| 6597775 | LEVER | | | 222 |
| 6597776 | LEVER | | | 222 |
| 6598098 | PIN | | | 304, 354, 396, 438 |
| 6598099 | KEY | | | 294, 340, 386, 424 |
| 6598101 | BALL BEARING | | | 294, 340 |
| 6598102 | VALVE | | | 310, 360, 402, 444 |
| 6598116 | PLUG | 6652797 | A | 288, 334, 382, 418 |
| 6598116 | PLUG | | | 288, 334, 382, 418 |
| 6598136 | GASKET, COVER VALVE | | | 276, 284, 318, 330, 406, 414 |
| 6598142 | GEAR | | | 292, 338, 384, 422 |
| 6598146 | PIPE | | | 314, 364 |
| 6598155 | PULLEY | | | 298, 344 |
| 6598158 | CIRCLIP | 3975432B | A | 294, 340, 386, 424 |
| 6598158 | CIRCLIP | | | 294, 340, 386, 424 |
| 6598174 | LEVER | | | 305, 306, 355, 356, 397, 398, 439, 440 |
| 6598176 | LEVER | | | 308, 358, 400, 442 |
| 6598179 | COLLAR | | | 294, 340, 386, 424 |
| 6598179 | COLLAR | 6655523 | A | 294, 340, 386, 424 |
| 6598187 | PLUG | | | 282, 328, 376, 412 |
| 6598275 | BOLT | 6652487 | A | 262 |
| 6598355 | BOLT | | | 306, 356 |
| 6598362 | ELEMENT | | | 2, 368 |
| 6598492 | ELEMENT | | | 2, 368 |
| 6598908 | ELBOW | 6681462 | A | 30 |
| 6599040 | BAND, PIPE | | | 324 |
| 6599360 | SEALANT | | | 664 |
| 6599365 | KIT | | | 206 |
| 6599645 | PLUG, STEEL | | | 34 |
| 6599741 | WASHER | | | 180 |
| 6599744 | BALL JOINT | | | 180, 532 |
| 6599931 | ALARM | | | 456 |
| 6610510 | TIE | | | 166, 170, 212, 213, 214, 218, 254, 476, 514, 552, 582 |
| 6610510 | TIE | 30H23 | B | 166, 170, 212, 213, 214, 218, 254, 476, 514, 552, 582 |

Code for disposition of old part number

A -- Use up

B -- Use on other application (See PNI)

C -- File PDR Report with Bobcat Parts Sales

D -- Part Number Error

NUMERICAL INDEX (Cont'd)

| Part No. | Description | Was | Code | Page |
|----------|----------------------|---------|------|---|
| 6624289 | STRAP 10 | | | 46, 50, 54, 58, 62, 66, 72, 76, 80, 218, 452, 476, 482, 522, 526, 528, 570, 572, 574, 576, 594, 598 |
| 6624289 | STRAP 10 | 6610510 | B | 46, 50, 54, 58, 62, 66, 72, 76, 80, 218, 452, 476, 482, 522, 526, 528, 570, 572, 574, 576, 594, 598 |
| 6626631 | CLAMP | | | 254 |
| 6628571 | VALVE ASSY | | | 70, 141, 142 |
| 6630184 | THERMOSTAT | | | 300, 346, 570 |
| 6630188 | POLISH | | | 664 |
| 6630189 | POLISH | | | 664 |
| 6630207 | RIVET | | | 10, 16, 648 |
| 6630207 | RIVET | 6512797 | A | 10, 16, 648 |
| 6630945 | WASHER | | | 270 |
| 6631067 | SEAL, OIL | | | 28 |
| 6631418 | PIN | | | 8, 12, 254, 256, 548 |
| 6631664 | SEAL | | | 292, 338, 384, 406, 422 |
| 6631928 | SHAFT | | | 478 |
| 6632218 | CONE, BEARING | | | 38 |
| 6632279 | KIT, SEAL | | | 100, 104, 108, 116, 120, 124, 130, 136, 140 |
| 6632323 | WASHER | | | 244 |
| 6632417 | BEARING | | | 248 |
| 6632418 | BEARING | | | 248 |
| 6632419 | HOUSING ASSY. | | | 248 |
| 6632420 | BRUSH HOLDER | | | 248 |
| 6632421 | SPRING | | | 248 |
| 6632428 | PINION | | | 248 |
| 6632429 | RETAINER | | | 248 |
| 6632430 | ROLLER | | | 248 |
| 6632432 | PLUNGER | | | 248 |
| 6632433 | GASKET | | | 248 |
| 6632434 | COVER | | | 248 |
| 6632436 | SPRING | | | 248 |
| 6632441 | SPRING | | | 248 |
| 6632541 | RACE | | | 38 |
| 6633583 | SEALANT | | | 264, 664 |
| 6640690 | PIN | | | 220, 222, 226, 228, 238, 552, 554 |
| 6640692 | CONNECTOR | | | 220, 224, 226, 228, 238, 552, 554 |
| 6640694 | LOCK | | | 220, 224, 226, 228, 238, 552, 554 |
| 6640699 | CONNECTOR | | | 224, 226, 238, 478, 552, 556, 560 |
| 6640700 | LOCK | | | 224, 226, 238, 552 |
| 6640728 | BOLT | | | 350 |
| 6641176 | SEAL | | | 220, 222, 226, 228, 238, 552, 554 |
| 6641179 | CONNECTOR | | | 220, 224, 226, 238, 470, 552 |
| 6641180 | LOCK | | | 220, 224, 226, 238, 470, 552 |
| 6641231 | PLATE, CONTROL SPEED | | | 308, 358, 400, 442 |
| 6645080 | O-RING | | | 196 |
| 6645081 | O-RING | | | 190 |
| 6645086 | PLUG | | | 190, 196 |
| 6646383 | CONNECTOR | | | 214, 218 |
| 6646582 | PLUG | | | 226, 228, 238, 552, 554 |
| 6646627 | BEARING | | | 272 |
| 6646678 | CAP | | | 252 |
| 6646705 | SEAL | | | 254, 256 |

Code for disposition of old part number

A -- Use up

B -- Use on other application (See PNI)

C -- File PDR Report with Bobcat Parts Sales

D -- Part Number Error

NUMERICAL INDEX (Cont'd)

| Part No. | Description | Was | Code | Page |
|----------|------------------------|---------|------|---|
| 6646781 | SWITCH | | | 456 |
| 6647777 | PIN | | | 470 |
| 6647778 | CAP | | | 470 |
| 6647783 | LOAD CHECK | | | 470 |
| 6647784 | PLUG | | | 470 |
| 6647785 | SPRING | | | 470 |
| 6647786 | SEAL KIT | | | 470 |
| 6648293 | SCREW | | | 470 |
| 6648294 | SPRING | | | 470 |
| 6648307 | CONNECTOR | | | 228, 554, 576 |
| 6648308 | CONNECTOR | | | 576 |
| 6648330 | TERMINAL | 6632946 | A | 214, 218 |
| 6648348 | PLUG | | | 16 |
| 6649244 | STUD | | | 254, 256, 474, 480 |
| 6649245 | RETAINER | | | 474, 480 |
| 6649300 | SEAL | | | 292, 338 |
| 6649481 | LIGHT, WEDGE BASE | | | 588 |
| 6649483 | STRIKER BOLT | 6654170 | | 482 |
| 6649536 | PLUG | | | 300, 346, 392, 430 |
| 6649551 | SHOCK | | | 182 |
| 6649949 | PLUG | | | 514 |
| 6650239 | SCREEN, FUEL PICKUP | | | 30 |
| 6650388 | SEALANT | | | 666 |
| 6650407 | ADHESIVE | | | 254, 666 |
| 6650627 | PLATE | | | 190, 196 |
| 6650629 | PIN | | | 190, 196 |
| 6650630 | RETAINER | | | 190, 196 |
| 6650634 | GASKET | | | 190, 196 |
| 6650635 | BEARING | | | 190, 196, 197, 198 |
| 6650636 | PIN | | | 190, 196 |
| 6650637 | BOLT | | | 190, 196 |
| 6650646 | O-RING | | | 190 |
| 6650647 | O-RING | | | 190 |
| 6650648 | PLUG | | | 190 |
| 6650652 | POPPET | | | 190 |
| 6650668 | BOLT | | | 190, 196 |
| 6650675 | COUPLER | | | 190 |
| 6651482 | MANIFOLD, EXHAUST | | | 301, 302 |
| 6651489 | COVER | | | 300, 346, 392, 430 |
| 6651542 | BALL | | | 184, 186 |
| 6651709 | SEAL | | | 26, 28 |
| 6651934 | BOLT | | | 294, 340, 386, 424 |
| 6652018 | BOLT | | | 196 |
| 6652574 | PLUG | | | 282, 328, 376, 412 |
| 6652575 | PLUG | | | 282, 328, 376, 412 |
| 6652580 | BOLT | | | 298, 304, 344, 352, 354, 390, 396, 428, 436, 438 |
| 6652592 | PIN | 6680774 | D | 280, 322, 372, 408 |
| 6652592 | PIN | | | 280, 322, 372, 408 |
| 6652624 | JOINT | | | 284, 330, 414 |
| 6652633 | BALL | | | 292, 338, 384, 388, 422, 426 |
| 6652652 | SPRING | | | 280, 322, 372, 408 |

Code for disposition of old part number

A -- Use up

B -- Use on other application (See PNI)

C -- File PDR Report with Bobcat Parts Sales

D -- Part Number Error

NUMERICAL INDEX (Cont'd)

| Part No. | Description | Was | Code | Page |
|----------|------------------|----------|------|---|
| 6652653 | PLUG | | | 284, 330, 378, 414 |
| 6652670 | STUD | | | 288, 302, 310, 334, 348, 360, 382, 392, 394, 402, 418, 430, 432, 444 |
| 6652688 | CLAMP | | | 314, 364, 404, 446 |
| 6652689 | CLAMP | | | 314, 364 |
| 6652762 | BOLT | | | 298, 344 |
| 6652764 | STUD | | | 280, 308, 322, 358, 372, 400, 408, 442 |
| 6652792 | NUT | | | 286, 288, 298, 300, 302, 310, 332, 334, 344, 346, 348, 350, 360, 382, 390, 392, 402, 416, 418, 428, 430, 434, 444 |
| 6652818 | ADHESIVE | | | 666 |
| 6652918 | NUT | | | 266, 530 |
| 6653484 | VALVE | | | 632 |
| 6653485 | SEAL KIT | | | 632 |
| 6653487 | SEAL KIT | | | 632 |
| 6653490 | PLUG | | | 632 |
| 6653562 | GASKET | | | 300, 346, 392, 430 |
| 6653702 | SEAL, OIL | | | 272 |
| 6653757 | SNAP RING | | | 272 |
| 6653758 | SNAP RING | | | 272 |
| 6653798 | BOLT | | | 290, 336 |
| 6653807 | BOLT | | | 280, 322, 372, 408 |
| 6653808 | BOLT | | | 280, 322, 372, 408 |
| 6653809 | CONNECTOR | | | 280, 372 |
| 6653821 | BOLT | | | 292, 338, 384, 422 |
| 6653830 | SEAL, STEM VALVE | | | 276, 286, 318, 332, 370, 380, 416 |
| 6653832 | STUD | | | 286, 332, 416 |
| 6653833 | SPRING | | | 286, 332, 380, 416 |
| 6653839 | SCREW | | | 296, 342 |
| 6653840 | GEAR | | | 388, 426 |
| 6653859 | SLEEVE | 6684807 | A | 292, 338, 384, 422 |
| 6653859 | SLEEVE | | | 292, 338, 384, 422 |
| 6653861 | SLINGER, OIL | | | 292, 338, 384, 422 |
| 6653865 | WASHER, THRUST | | | 292, 338 |
| 6653888 | NUT | | | 376, 412 |
| 6653894 | SLEEVE | | | 312, 362 |
| 6653905 | CAP | | | 308, 358, 400, 442 |
| 6653906 | BOLT ASSY. | | | 304, 354, 396, 438 |
| 6653916 | HOLDER | 3974661B | A | 306, 356, 398, 440 |
| 6653916 | HOLDER | 6684834 | A | 306, 356, 398, 440 |
| 6653944 | IMPELLER | | | 298, 344 |
| 6653945 | SET SEAL | | | 298, 344 |
| 6653948 | THERMOSTAT | | | 300, 346 |
| 6654002 | WASHER, THRUST | | | 292, 338 |
| 6654003 | WASHER, THRUST | | | 292, 338 |
| 6654057 | HOSE | | | 164 |
| 6654117 | SEAL, OIL | | | 48, 52, 56, 60, 64, 68, 82, 84, 86 |
| 6654139 | MOULDING | | | 222, 226, 234, 266 |
| 6654374 | KEY | | | 30 |
| 6654718 | CLAMP | 6680795 | A | 314, 364, 404, 446 |
| 6654718 | CLAMP | | | 314, 364, 404, 446 |
| 6654806 | FUSE, 15A | | | 214, 218 |
| 6655151 | PAN, OIL | | | 289, 290, 335, 336, 373, 374, 419, 420 |
| 6655152 | HOOK | | | 287, 288, 333, 334 |
| 6655153 | HEAD | | | 288 |

Code for disposition of old part number

A -- Use up

B -- Use on other application (See PNI)

C -- File PDR Report with Bobcat Parts Sales

D -- Part Number Error

NUMERICAL INDEX (Cont'd)

| Part No. | Description | Was | Code | Page |
|----------|-----------------|---------|------|--|
| 6655154 | GUIDE | | | 288, 334, 382, 418 |
| 6655155 | SEAT | | | 380, 416, 417, 418 |
| 6655156 | SEAT | | | 380, 416, 418 |
| 6655158 | BOLT | | | 288, 334, 382, 418 |
| 6655159 | GASKET | | | 276, 288, 370, 382 |
| 6655160 | PLUG | | | 288, 334, 382, 418 |
| 6655161 | WASHER | | | 288, 334, 382, 418 |
| 6655162 | O-RING | | | 278, 280, 320, 322 |
| 6655163 | CASE | | | 292 |
| 6655164 | BOLT | | | 292, 338 |
| 6655166 | COVER | 6685515 | A | 292, 338, 384, 422 |
| 6655166 | COVER | | | 292, 338, 384, 422 |
| 6655168 | CASE | | | 292 |
| 6655169 | CASE | | | 292 |
| 6655170 | CASE | | | 292 |
| 6655171 | MANIFOLD | | | 302 |
| 6655173 | VALVE | | | 285, 286, 331, 332, 379, 380, 415, 416 |
| 6655174 | VALVE | | | 286, 380, 416 |
| 6655175 | COVER | | | 284, 330, 414 |
| 6655176 | PUSHROD | | | 296, 342, 388, 426 |
| 6655179 | PIN, PISTON ENG | | | 292, 338, 384, 422 |
| 6655180 | CIR-CLIP | 6684805 | A | 292, 338, 422 |
| 6655180 | CIR-CLIP | | | 292, 338, 422 |
| 6655181 | ROD, CONNECTING | | | 292, 338, 384, 422 |
| 6655183 | BEARING | | | 292, 338, 384, 422 |
| 6655184 | CRANKSHAFT | | | 292, 338 |
| 6655185 | BEARING | | | 292, 338 |
| 6655186 | BEARING | | | 292, 338 |
| 6655190 | COLLAR | | | 296, 342 |
| 6655191 | COLLAR | | | 296, 342 |
| 6655192 | CIR-CLIP | | | 296, 342 |
| 6655193 | SHAFT | | | 296, 342 |
| 6655194 | SCREEN, OIL | 6653568 | A | 290, 336, 374, 420 |
| 6655194 | SCREEN, OIL | | | 290, 336, 374, 420 |
| 6655195 | BOLT | | | 282, 328, 376, 412 |
| 6655198 | PIPE | | | 314, 364 |
| 6655201 | ELEMENT | | | 312, 362 |
| 6655202 | VALVE | | | 312, 362 |
| 6655203 | SPRING | | | 312, 362 |
| 6655204 | HOLDER | | | 312, 362 |
| 6655205 | PLATE ASSY. | | | 312, 362 |
| 6655206 | BOLT | | | 312, 362 |
| 6655207 | PLATE | | | 312, 362 |
| 6655209 | PLATE | | | 312, 362 |
| 6655210 | SHIM | | | 310, 360, 402, 444 |
| 6655211 | CAMSHAFT | | | 293, 294, 339, 340, 385, 386, 423, 424 |
| 6655212 | GEAR | | | 294, 340, 386, 424 |
| 6655213 | SLEEVE | | | 294, 340, 386, 424 |
| 6655214 | CASE | | | 294, 340, 386, 424 |
| 6655215 | BALL | | | 294, 340, 386, 424 |
| 6655216 | FUEL PUMP | | | 30, 310, 360, 402, 444 |
| 6655218 | GASKET | | | 276, 314, 316, 318, 364, 366, 370, 404, 406, 446 |
| 6655219 | PIPE | | | 314, 404 |
| 6655220 | PIPE | | | 314, 404 |

Code for disposition of old part number

A -- Use up

B -- Use on other application (See PNI)

C -- File PDR Report with Bobcat Parts Sales

D -- Part Number Error

NUMERICAL INDEX (Cont'd)

| Part No. | Description | Was | Code | Page |
|----------|---------------------|---------|------|---|
| 6655221 | PIPE | | | 314, 404 |
| 6655222 | PIPE | | | 314, 404 |
| 6655223 | NUT | | | 308, 358, 400, 442 |
| 6655224 | LEVER | | | 398 |
| 6655225 | SPRING | | | 306, 356, 398, 440 |
| 6655227 | SPRING | | | 306, 356, 398, 440 |
| 6655228 | STOPPER | | | 308, 358, 400, 442 |
| 6655230 | COVER | | | 304, 354 |
| 6655231 | SHAFT | | | 304, 354, 396, 438 |
| 6655232 | LEVER | | | 304, 354, 396, 438 |
| 6655233 | GLOW PLUG | | | 314, 364, 404, 446 |
| 6655234 | CORD | 6686987 | A | 314, 364, 404, 446 |
| 6655235 | PULLEY | | | 292, 338, 384, 422 |
| 6655236 | BEARING | | | 292, 338, 384, 422 |
| 6655237 | BEARING | | | 292, 338, 384, 422 |
| 6655238 | BEARING | | | 292, 338 |
| 6655239 | BEARING | | | 292, 338 |
| 6655240 | BEARING | | | 292, 338 |
| 6655241 | BEARING | | | 292, 338 |
| 6655242 | BUSHING | | | 296, 342, 388, 426 |
| 6655243 | BUSHING | | | 292, 338, 384, 422 |
| 6655399 | BUMPER | 6714454 | B,D | 18, 20 |
| 6655399 | BUMPER | | | 18, 20 |
| 6655427 | CAMSHAFT | | | 296, 388 |
| 6655498 | BOLT | | | 292, 338, 384, 422 |
| 6655515 | JOINT | | | 310, 360, 402, 444 |
| 6655518 | O-RING | | | 312, 362 |
| 6655540 | COVER | | | 396, 438 |
| 6655781 | BEARING | | | 260 |
| 6655869 | PLUG | | | 282, 328, 376, 412 |
| 6655870 | ROCKER ARM | | | 286, 332, 380, 416 |
| 6655872 | HEAT SEAL | | | 276, 314, 316, 318, 364, 366, 370, 404, 446 |
| 6655873 | NOZZLE | | | 316, 366 |
| 6655875 | CAMSHAFT | | | 294, 340, 386, 424 |
| 6655876 | LEVER | | | 306 |
| 6655877 | LEVER | | | 306, 356, 398, 440 |
| 6655878 | SPRING | | | 306, 398 |
| 6655880 | PIPE | | | 299, 300, 345, 346, 378, 391, 392, 429, 430 |
| 6655884 | PLUG | | | 282, 328 |
| 6655938 | VALVE, EVACUATOR | | | 368 |
| 6655966 | FLANGE | | | 300, 346 |
| 6656126 | WASHER | | | 316, 366 |
| 6656127 | WASHER | | | 316, 366 |
| 6656128 | WASHER | | | 316, 366 |
| 6656129 | WASHER | | | 316, 366 |
| 6656130 | WASHER | | | 316, 366 |
| 6656131 | WASHER | | | 316, 366 |
| 6656132 | WASHER | | | 316, 366 |
| 6656155 | HOSE COVER | | | 594, 598 |
| 6657028 | O-RING | | | 190, 198 |
| 6657067 | COVER | 6675338 | A | 190, 196 |
| 6657068 | COVER | | | 190, 196 |
| 6657376 | ELBOW | | | 254 |
| 6657401 | GASKET KIT | | | 276 |

Code for disposition of old part number

A -- Use up

B -- Use on other application (See PNI)

C -- File PDR Report with Bobcat Parts Sales

D -- Part Number Error

NUMERICAL INDEX (Cont'd)

| Part No. | Description | Was | Code | Page |
|----------|----------------------|-----|------|------------------------|
| 6657409 | SEAL KIT | | | 146 |
| 6657416 | BOLT | | | 350, 434 |
| 6657460 | NUT | | | 316, 366 |
| 6657463 | WASHER | | | 316, 366 |
| 6657663 | PLUG | | | 376, 412 |
| 6657696 | RINGS | | | 292, 384 |
| 6657719 | PLUG | | | 16, 496, 514 |
| 6657734 | PUMP | | | 30 |
| 6657742 | KIT | | | 316, 366 |
| 6658180 | PLUG, BLEED | | | 32 |
| 6658228 | SEAL, OIL | | | 36, 454 |
| 6658301 | SPRING | | | 190 |
| 6658536 | RING | | | 262 |
| 6658672 | SNAP RING | | | 40, 42, 44 |
| 6658847 | RING | | | 262 |
| 6659371 | NUT | | | 244 |
| 6659372 | WASHER | | | 244 |
| 6659374 | SPACER | | | 244 |
| 6659375 | FAN | | | 244 |
| 6659376 | BRACKET | | | 244 |
| 6659378 | BOLT | | | 244 |
| 6659379 | BEARING | | | 244 |
| 6659380 | ROTOR | | | 244 |
| 6659381 | STATOR | | | 244 |
| 6659382 | BRACKET | | | 244 |
| 6659384 | RECTIFIER | | | 244 |
| 6659385 | SCREW | | | 244 |
| 6659386 | HOLDER | | | 244 |
| 6659387 | NUT | | | 244 |
| 6659388 | CONDENSER | | | 244 |
| 6659390 | HOLDER | | | 244 |
| 6659391 | NUT | | | 244 |
| 6659392 | BOLT | | | 244 |
| 6659393 | REGULATOR | | | 244 |
| 6659394 | BRUSH | | | 244 |
| 6659395 | SPRING | | | 244 |
| 6659396 | SCREW | | | 244 |
| 6659397 | TERMINAL | | | 244 |
| 6659398 | COVER | | | 244 |
| 6659399 | SCREW | | | 244 |
| 6659400 | CONNECTOR | | | 244 |
| 6659459 | CHECK VALVE | | | 148 |
| 6659999 | BELT, SEAT | | | 648 |
| 6660260 | SWITCH | | | 206, 214, 218 |
| 6660339 | GASKET | | | 160, 196 |
| 6660644 | CAP | | | 98, 102, 108, 114, 118 |
| 6660814 | O-RING | | | 190, 196 |
| 6660995 | GREASE RING | | | 260 |
| 6661022 | FILTER | | | 166, 170, 203, 204 |
| 6661062 | PLUG | | | 256, 258 |
| 6661114 | CAP | | | 30 |
| 6661117 | TANK | | | 532 |
| 6661213 | RING, COMPRESSION | | | 30 |
| 6661242 | COVER | | | 368 |

Code for disposition of old part number

A -- Use up

B -- Use on other application (See PNI)

C -- File PDR Report with Bobcat Parts Sales

D -- Part Number Error

NUMERICAL INDEX (Cont'd)

| Part No. | Description | Was | Code | Page |
|------------|----------------------------|---------|------|---|
| 6661243 | WING NUT | | | 368 |
| 6661244 | WASHER | | | 368 |
| 6661247 | FILTER | | | 205, 206 |
| 6661248 | FILTER, OIL HYD 12 | | | 2, 174, 176, 206 |
| 6661353 | LIGHT ASSY | | | 588 |
| 6661405 | OIL | | | 262 |
| 6661448 | SEAL KIT | | | 158 |
| 6661481 | O-RING | | | 192 |
| 6661608 | SEAL KIT | | | 536 |
| 6661611 | ALTERNATOR | | | 243, 244 |
| 6661611REM | ALTERNATOR, 55 AMP | | | 244 |
| 6661696 | CAP | | | 30 |
| 6661785 | MOUNT, ENG | | | 266 |
| 6661787 | WASHER | | | 266, 530 |
| 6661807 | FILTER, OIL HYD | | | 2, 204 |
| 6661808 | KIT | | | 204 |
| 6662306 | RING | | | 36, 454 |
| 6662437 | WASHER | | | 248 |
| 6662848 | CAP | | | 100, 104, 108, 114, 120, 124, 136, 138 |
| 6662997 | PULLEY, FAN DRIVE IDLER | | | 260 |
| 6664004 | CLAMP | | | 256 |
| 6664024 | STEM | | | 158 |
| 6664025 | STEM | | | 158 |
| 6664032 | SEAL KIT | | | 158 |
| 6664032 | SEAL KIT | 6669737 | A | 158 |
| 6664035 | CAP | | | 526, 528 |
| 6664036 | NUT | | | 526, 528 |
| 6664037 | WASHER | | | 526, 528 |
| 6664040 | PIN | | | 526, 528 |
| 6664065 | WASHER | | | 638 |
| 6664085 | BUSHING | | | 478, 496, 512, 638 |
| 6664095 | ARM, WIPER | | | 478 |
| 6664096 | BLADE, WIPER WINDOW | | | 478 |
| 6664097 | COVER | | | 478, 638 |
| 6664103 | NUT | | | 478, 638 |
| 6664178 | GASKET | | | 478 |
| 6664209 | SEAL | | | 262 |
| 6664212 | CHECK VALVE | | | 632 |
| 6664221 | RETAINER | | | 514 |
| 6664223 | OUTLET | | | 514 |
| 6664224 | CAP | | | 514 |
| 6664286 | BOOT | | | 214, 218 |
| 6664554 | PUMP, WIPER WASHER | | | 474 |
| 6664555 | NOZZLE | | | 474 |
| 6664566 | BOLT | | | 478, 638 |
| 6664584 | CONNECTOR | | | 212 |
| 6664815 | SEAL, OIL | | | 34, 184, 186 |
| 6664971 | WASHER | | | 214 |
| 6664972 | NUT | | | 214 |
| 6665000 | CLIP | | | 222, 223, 224, 226, 238, 476, 482, 490, 552 |
| 6665084 | SOLENOID | 6653395 | D | 100, 108, 124, 130 |

Code for disposition of old part number

A -- Use up

B -- Use on other application (See PNI)

C -- File PDR Report with Bobcat Parts Sales

D -- Part Number Error

NUMERICAL INDEX (Cont'd)

| Part No. | Description | Was | Code | Page |
|----------|--------------------|----------|------|--|
| 6665084 | SOLENOID | | | 100, 108, 124, 130 |
| 6665314 | PLUG | 6719038 | A | 208, 210, 514 |
| 6665316 | SWITCH | | | 546 |
| 6665317 | SWITCH | | | 458, 656 |
| 6665321 | RIVET | | | 224, 226, 238, 476, 482, 490, 552 |
| 6665322 | RIVET | | | 224, 226, 238, 476, 482, 490, 552 |
| 6665367 | BULB | | | 514 |
| 6665371 | SWITCH | | | 368 |
| 6665568 | EXTRUSION | | | 472 |
| 6665569 | WASHER | | | 98, 102, 106, 114, 118, 122, 128, 134, 138 |
| 6665570 | RING | | | 98, 102, 106, 107, 108, 114, 118, 122, 128, 134, 138 |
| 6665572 | VALVE | | | 631, 632 |
| 6665602 | MOTOR | | | 638 |
| 6665701 | BUSHING, PRESS FIT | | | 94, 180 |
| 6665702 | STEM | | | 158 |
| 6665707 | SWITCH | | | 472 |
| 6665719 | PLUG | | | 158, 606 |
| 6665839 | BOLT | | | 94 |
| 6665915 | GAUGE | | | 164, 170 |
| 6666338 | WASHER | | | 190, 196 |
| 6666339 | BOLT | | | 196 |
| 6666542 | SEAL | | | 602, 604 |
| 6666543 | SEAL | | | 82, 84, 86 |
| 6666568 | BULB | | | 538 |
| 6666571 | BULB | | | 458 |
| 6666616 | STEM | | | 100, 108, 122, 128 |
| 6666621 | ARMATURE | | | 248 |
| 6666622 | DRIVE | | | 248 |
| 6666628 | NUT | | | 248 |
| 6666629 | WASHER | | | 248 |
| 6666630 | WASHER | | | 248 |
| 6666631 | WASHER | | | 248 |
| 6666632 | O-RING | | | 248 |
| 6666633 | BOLT | | | 248 |
| 6666634 | BOLT | | | 248 |
| 6666635 | BOLT | | | 248 |
| 6666636 | BOLT | | | 248 |
| 6666637 | NUT | | | 248 |
| 6666766 | GROMMET | | | 474 |
| 6666781 | GASKET | 6685878 | B,D | 276, 302, 318, 348, 370, 394, 406, 432 |
| 6666781 | GASKET | | | 276, 302, 318, 348, 370, 394, 406, 432 |
| 6666782 | GASKET | 3974456B | A | 276, 282, 318, 328, 370, 376, 406, 412 |
| 6666782 | GASKET | 6684786 | A | 276, 282, 318, 328, 370, 376, 406, 412 |
| 6666783 | GASKET | 3974601B | A | 278, 304, 320, 354, 370, 396, 406, 438 |
| 6666783 | GASKET | | | 278, 304, 320, 354, 370, 396, 406, 438 |
| 6666785 | GASKET | 6714543 | B,D | 320, 322 |
| 6666791 | GASKET | 6684782 | B,D | 278, 302, 320, 348, 370, 394, 406, 432 |
| 6666791 | GASKET | | | 278, 302, 320, 348, 370, 394, 406, 432 |
| 6666791 | GASKET | 6684879 | A | 278, 302, 320, 348, 370, 394, 406, 432 |
| 6666792 | GASKET | | | 278, 308, 320, 358, 370, 400, 442 |
| 6666792 | GASKET | 6635392 | A | 278, 308, 320, 358, 370, 400, 442 |
| 6666800 | GASKET | 6653806 | A | 276, 277, 278, 280, 320, 322, 370, 372, 406, 408 |

Code for disposition of old part number

A -- Use up

B -- Use on other application (See PNI)

C -- File PDR Report with Bobcat Parts Sales

D -- Part Number Error

NUMERICAL INDEX (Cont'd)

| Part No. | Description | Was | Code | Page |
|----------|--------------------------------|----------|------|---|
| 6666800 | GASKET | | | 276, 277, 278, 280, 320, 322, 370, 372, 406, 408 |
| 6666802 | GASKET | | | 276, 300, 318, 346, 370, 392, 406, 430 |
| 6666802 | GASKET | 6684860 | A | 276, 300, 318, 346, 370, 392, 406, 430 |
| 6666803 | GASKET | 3974895B | A | 278, 280, 320, 322, 370, 372, 408 |
| 6666803 | GASKET | 6684774 | A | 278, 280, 320, 322, 370, 372, 408 |
| 6666804 | GASKET | 3974995B | A | 276, 298, 320, 344, 370, 386, 390, 406, 424, 428 |
| 6666804 | GASKET | | | 276, 298, 320, 344, 370, 386, 390, 406, 424, 428 |
| 6666811 | GASKET | 6686991 | A | 276, 302, 318, 348, 406, 432 |
| 6666811 | GASKET | | | 276, 302, 318, 348, 406, 432 |
| 6666814 | GASKET | | | 276, 292, 318, 319, 320, 338, 370, 384, 422 |
| 6666814 | GASKET | 6655167 | A | 276, 292, 318, 319, 320, 338, 370, 384, 422 |
| 6666817 | GASKET | 6684753 | | 276, 290, 320, 336, 370, 374, 406, 420 |
| 6666817 | GASKET | 3975449B | A | 276, 290, 320, 336, 370, 374, 406, 420 |
| 6666827 | GASKET | 3974630B | A | 278, 294, 320, 340 |
| 6666932 | BRAKE | | | 532, 533, 534 |
| 6666933 | CYLINDER | | | 532, 535, 536 |
| 6667139 | CAP | | | 532 |
| 6667144 | CONNECTOR | | | 220, 224, 226, 238, 552 |
| 6667145 | LOCK | | | 220, 224, 226, 552 |
| 6667176 | PLUG | | | 470 |
| 6667180 | SEAL KIT | | | 606 |
| 6667189 | HOSE | | | 254 |
| 6667201 | SPACER | | | 478, 638 |
| 6667323 | SEAL | | | 602, 604 |
| 6667325 | SEAL | | | 82, 84, 86 |
| 6667326 | SEAL | | | 88, 90, 92 |
| 6667352 | FILTER, FUEL W/SEPERATOR 12 | | | 2, 30 |
| 6667353 | FILTER ASSY | | | 30 |
| 6667418 | PLUG | | | 376, 412 |
| 6667419 | WASHER | | | 376, 398, 400, 412, 440, 442 |
| 6667420 | BOLT | | | 386, 424 |
| 6667421 | BOLT | | | 374, 382, 418, 420 |
| 6667422 | WASHER | | | 286, 332, 372, 380, 382, 390, 392, 402, 408, 416, 418, 428, 430, 434, 444 |
| 6667425 | PLUG | | | 280, 322, 372, 408 |
| 6667426 | SCREW | | | 414 |
| 6667428 | TAPPET | | | 295, 296, 341, 342, 387, 388, 425, 426 |
| 6667428 | TAPPET | 6680707 | A | 295, 296, 341, 342, 387, 388, 425, 426 |
| 6667433 | CIRCLIP | | | 296, 342, 388, 426 |
| 6667451 | WASHER | | | 286, 332, 380, 400, 416, 442 |
| 6667457 | CLAMP | | | 446 |
| 6667460 | IMPELLER | 6684867 | A | 298, 344, 390, 428 |
| 6667460 | IMPELLER | | | 298, 344, 390, 428 |
| 6667461 | PIN | | | 286, 332, 380, 416 |
| 6667465 | SEAL | | | 298, 344 |
| 6667480 | CHAMBER | | | 288, 334 |
| 6667533 | COVER | | | 214 |
| 6667549 | VALVE | 6675230 | A | 98, 106, 112, 122, 128 |
| 6667549 | VALVE | 6675230 | B | 98, 106, 112, 122, 128 |
| 6667549 | VALVE | | | 98, 106, 112, 122, 128 |

Code for disposition of old part number

A -- Use up

B -- Use on other application (See PNI)

C -- File PDR Report with Bobcat Parts Sales

D -- Part Number Error

NUMERICAL INDEX (Cont'd)

| Part No. | Description | Was | Code | Page |
|------------|--------------------------|---------|------|--|
| 6667569 | CONNECTOR, RECEPTICAL | | | 526, 528 |
| 6667587REM | STARTER | | | 248 |
| 6667676 | COVER | | | 470 |
| 6667677 | O-RING | | | 470 |
| 6667680 | SNAP RING | | | 470 |
| 6667687 | STEM | 6665004 | A | 142 |
| 6667803 | COUPLER | | | 148, 150, 550, 618, 620, 624, 628, 630 |
| 6667804 | COUPLER | | | 148, 150, 550, 618, 620, 624, 628, 630 |
| 6667806 | COUPLER | | | 147, 148, 149, 150, 153, 154 |
| 6667844 | VALVE, LIFT MANUAL | | | 70, 143, 144 |
| 6667887 | BULB | | | 538 |
| 6668007 | SCREW | | | 538 |
| 6668010 | LENS | | | 538 |
| 6668079 | PLUG | | | 184, 186 |
| 6668080 | SHIM | | | 184, 186 |
| 6668082 | POPPET | 6685064 | A | 184, 186 |
| 6668082 | POPPET | | | 184, 186 |
| 6668088 | PISTON | | | 184, 186 |
| 6668088 | PISTON | 6685066 | A | 184, 186 |
| 6668089 | PLUG | | | 184, 186 |
| 6668097 | SCREW | | | 536 |
| 6668104 | MOUNT, ENG | | | 530 |
| 6668114 | BEARING | | | 262 |
| 6668137 | WIPER MOTOR | NAP | D | 478 |
| 6668742 | SWITCH | | | 514 |
| 6668791 | ORIFICE | | | 70, 102, 114, 115, 116, 118, 142 |
| 6668815 | SWITCH | | | 546 |
| 6668816 | SWITCH | | | 458, 656 |
| 6668820 | NUT | | | 142 |
| 6668879 | DECAL | | | 456 |
| 6668881 | CORD | | | 460 |
| 6668953 | BRACKET | | | 14 |
| 6669057 | CHECK VALVE | | | 142 |
| 6669087 | SEAL KIT | | | 144 |
| 6669089 | TRACK | | | 14 |
| 6669091 | CLIP | | | 514, 556, 560 |
| 6669135 | SEAT | | | 10, 11, 12, 13, 14 |
| 6669154 | BOLT | | | 534 |
| 6669155 | PLATE | | | 534 |
| 6669156 | SPACER | | | 534 |
| 6669159 | PISTON | | | 534 |
| 6669162 | NUT | | | 534 |
| 6669163 | PLUG | | | 534 |
| 6669164 | ADAPTER | | | 534 |
| 6669165 | SCREW | | | 534 |
| 6669184 | STATOR ASSY. | | | 534 |
| 6669185 | SEAL KIT | | | 534 |
| 6669187 | VALVE | | | 632 |
| 6669188 | STEM | | | 632 |
| 6669189 | STEM | | | 632 |
| 6669190 | COIL | | | 632 |
| 6669203 | VALVE | | | 148, 150, 154, 156, 157, 158 |
| 6669216 | SEAL KIT | | | 632 |

Code for disposition of old part number

A -- Use up

B -- Use on other application (See PNI)

C -- File PDR Report with Bobcat Parts Sales

D -- Part Number Error

NUMERICAL INDEX (Cont'd)

| Part No. | Description | Was | Code | Page |
|----------|-------------------------|-----|------|--|
| 6669217 | SEAL KIT | | | 632 |
| 6669218 | VALVE | | | 632 |
| 6669219 | VALVE | | | 632 |
| 6669224 | BOLT | | | 224, 514, 556, 560 |
| 6669308 | RETAINER | | | 636 |
| 6669354 | SHAFT | | | 248 |
| 6669359 | TERMINAL | | | 248 |
| 6669360 | BUSHING | | | 248 |
| 6669365 | BOOT | | | 248 |
| 6669372 | COVER | | | 248 |
| 6669384 | SPEEDI SLEEVE | | | 272 |
| 6669402 | HOUSING | | | 192 |
| 6669403 | HOUSING | | | 196 |
| 6669405 | END CAP | | | 196 |
| 6669406 | END PLATE | | | 190 |
| 6669407 | SHAFT | | | 196 |
| 6669409 | WASHER | | | 190 |
| 6669410 | KIT, SHIM | | | 190 |
| 6669411 | BEARING | | | 190, 196 |
| 6669442 | HOUSING | | | 184 |
| 6669444 | SPRING | | | 184 |
| 6669446 | O-RING | | | 184 |
| 6669447 | PLATE | | | 184 |
| 6669448 | PLATE | | | 184 |
| 6669449 | O-RING | | | 184 |
| 6669450 | RING | | | 184 |
| 6669451 | FLANGE | | | 184 |
| 6669452 | O-RING | | | 184, 186 |
| 6669453 | SEAL | | | 184 |
| 6669454 | RING | | | 184 |
| 6669455 | KIT, SEAL | | | 184 |
| 6669469 | SHAFT | | | 184 |
| 6669470 | BOLT | | | 184 |
| 6669549 | SOCKET | | | 520, 522, 524, 526, 528 |
| 6669615 | ORIFICE | | | 158 |
| 6669616 | CHECK VALVE | | | 606 |
| 6669622 | SEAL KIT | | | 606 |
| 6669657 | SEAL KIT | | | 148, 150, 550, 618, 620, 624, 628, 630 |
| 6669659 | O-RING | | | 148, 150, 154 |
| 6669728 | CHECK VALVE | | | 158 |
| 6669729 | SHUTTLE VALVE | | | 158 |
| 6669732 | KIT, SEAL | | | 142 |
| 6669733 | SEAL KIT | | | 142 |
| 6669734 | KIT, SEAL | | | 142 |
| 6669736 | SEAL KIT | | | 158 |
| 6670160 | CUSHION | | | 14 |
| 6670164 | LINK | | | 478 |
| 6670251 | BATTERY, DRY 530 AMP | | | 516, 518 |
| 6670284 | LIGHT ASSY | | | 588 |
| 6670287 | COVER | | | 17, 18, 20 |
| 6670288 | END | | | 478 |
| 6670312 | RELAY | | | 556, 560 |
| 6670472 | NUT | | | 404, 446 |
| 6670473 | WASHER | | | 404 |

Code for disposition of old part number

A -- Use up

B -- Use on other application (See PNI)

C -- File PDR Report with Bobcat Parts Sales

D -- Part Number Error

NUMERICAL INDEX (Cont'd)

| Part No. | Description | Was | Code | Page |
|----------|------------------------|-----------|------|-------------------------|
| 6670634 | SEAL KIT | | | 470 |
| 6670682 | BEARING | | | 260 |
| 6670684 | CHECK VALVE | | | 191, 192, 198 |
| 6670706 | CONNECTOR | | | 226, 238, 552 |
| 6670707 | CONNECTOR | | | 222, 224, 230, 238, 554 |
| 6670709 | CONNECTOR | | | 228, 554 |
| 6670710 | LOCK | | | 222, 226, 238, 552 |
| 6670711 | LOCK | | | 224, 230, 238, 554 |
| 6670714 | PIN | | | 552 |
| 6670715 | PIN | | | 222, 226, 230, 238, 554 |
| 6670726 | CYLINDER. LOCK | | | 634 |
| 6670759 | SEAL | | | 482 |
| 6670785 | PIPE | | | 428 |
| 6670831 | ELBOW | | | 174 |
| 6670867 | LATCH, REAR DOOR | | | 18 |
| 6671025 | COIL | | | 142, 158, 606, 608, 610 |
| 6671025 | COIL | 6678696 | A | 142, 158, 606, 608, 610 |
| 6671026 | COIL | | | 158 |
| 6671027 | LIGHT | | | 538 |
| 6671116 | TERMINALS | | | 248 |
| 6671117 | TERMINALS | | | 248 |
| 6671118 | PINION | | | 248 |
| 6671119 | CLUTCH ASSY. | | | 248 |
| 6671120 | TERMINAL | | | 248 |
| 6671121 | COVER | | | 248 |
| 6671122 | BALL | | | 248 |
| 6671123 | HOUSING | | | 248 |
| 6671124 | HOUSING | | | 248 |
| 6671125 | WASHER | | | 248 |
| 6671126 | SCREW | | | 248 |
| 6671127 | BEARING | | | 248 |
| 6671128 | BEARING | | | 248 |
| 6671129 | BEARING | | | 248 |
| 6671509 | COUPLER | | | 196 |
| 6671510 | RELIEF VALVE | | | 192, 198 |
| 6671512 | GROUP, ROTARY | 6675341 | B,D | 190, 196 |
| 6671516 | KIT, SEAL | | | 192, 198 |
| 6671518 | BOLT | | | 190 |
| 6671527 | NUT | | | 470 |
| 6671628 | NUT | 7D000008B | D | 158, 606, 608, 610 |
| 6671628 | NUT | | | 158, 606, 608, 610 |
| 6671629 | NUT | | | 158 |
| 6672021 | BELT, DRIVE | | | 260, 261, 262 |
| 6672190 | DRAINCOCK | 6630177 | A | 282, 328, 376, 412 |
| 6672190 | DRAINCOCK | | | 282, 328, 376, 412 |
| 6672272 | WASHER | | | 588 |
| 6672273 | SCREW | | | 588 |
| 6672274 | SCREW | | | 588 |
| 6672275 | GASKET | | | 588 |
| 6672276 | LENS, LIGHT RED | | | 588 |
| 6672277 | BRACKET | | | 588 |
| 6672279 | MOUNT, LIGHT RUBBER | | | 588 |
| 6672281 | CLAMP | | | 166 |

Code for disposition of old part number

A -- Use up

B -- Use on other application (See PNI)

C -- File PDR Report with Bobcat Parts Sales

D -- Part Number Error

NUMERICAL INDEX (Cont'd)

| Part No. | Description | Was | Code | Page |
|----------|---------------------------|---------|------|------------------------------|
| 6672448 | VALVE ASSY. | | | 158 |
| 6672449 | VALVE ASSY. | | | 158 |
| 6672450 | VALVE ASSY. | | | 158 |
| 6672471 | VALVE | 6675559 | B | 142 |
| 6672486 | SEALANT | | | 272 |
| 6672491 | CAP | | | 252, 258 |
| 6672491 | CAP | 6646678 | B,D | 252, 258 |
| 6672492 | RETAINER | | | 456 |
| 6672515 | KIT, SEAL | 6664033 | A | 158 |
| 6672515 | KIT, SEAL | 6670635 | A | 158 |
| 6672715 | SPACER | 7000010 | A | 14 |
| 6672750 | CONNECTOR | | | 212 |
| 6672756 | KIT, SEAL | | | 608, 610 |
| 6672863 | VALVE, SOLENOID | | | 470 |
| 6672962 | COIL | | | 146 |
| 6673200 | FUSE BLOCK | | | 214, 218 |
| 6673710 | BEARING, NEEDLE | | | 180, 222, 226, 227, 228, 234 |
| 6673789 | BEARING | | | 182, 224, 228, 234 |
| 6673828 | HOSE, HYD ASSY | | | 174 |
| 6673959 | VALVE, BPV | | | 470 |
| 6673990 | PISTON | 6664028 | A | 158 |
| 6674000 | CLAMP | | | 220 |
| 6674003 | TIRE & RIM | | | 658 |
| 6674004 | TIRE & RIM | | | 658 |
| 6674007 | KIT | | | 658 |
| 6674013 | TRACK | | | 14 |
| 6674167 | FLANGE | | | 392, 430 |
| 6674169 | PULLEY | | | 390, 428 |
| 6674172 | THERMOSTAT | | | 392, 430 |
| 6674202 | NUT | | | 208, 210 |
| 6674228 | PANEL | | | 556, 560 |
| 6674231 | VENT, HEATER CAB ROUND | | | 556, 560 |
| 6674235 | RECEIVER DRIER | | | 576 |
| 6674285 | GAS SPRING | | | 254, 256 |
| 6674297 | SPOOL | 6674805 | B,D | 122 |
| 6674298 | SPOOL | 6674806 | B,D | 122 |
| 6674299 | SPOOL | 6674807 | B,D | 122 |
| 6674300 | SPOOL | 6674811 | B,D | 122 |
| 6674301 | SPOOL | 6674812 | B,D | 122 |
| 6674302 | SPOOL | 6674813 | B,D | 122 |
| 6674315 | SENSOR | | | 212, 216 |
| 6674316 | SWITCH, PRESS OIL HYD | | | 212, 216 |
| 6674371 | SEAL KIT | | | 200 |
| 6674378 | PUMP, HYD TANDEM | | | 187, 188, 193, 194 |
| 6674379 | PUMP | | | 188, 194 |
| 6674400 | HOUSING | | | 588 |
| 6674401 | HOUSING | | | 588 |
| 6674402 | MOUNT, LIGHT | | | 588 |
| 6674403 | COVER | | | 10, 208, 210 |
| 6674407 | SHOULDER BELT | | | 644 |
| 6674548 | PLUG | | | 606 |
| 6674585 | SWITCH | | | 594 |

Code for disposition of old part number

A -- Use up

B -- Use on other application (See PNI)

C -- File PDR Report with Bobcat Parts Sales

D -- Part Number Error

NUMERICAL INDEX (Cont'd)

| Part No. | Description | Was | Code | Page |
|----------|-----------------------|---------|------|------------------------------|
| 6674673 | CLAMP | | | 214 |
| 6674676 | PUMP | | | 309, 310, 311, 312, 401, 402 |
| 6674687 | BATTERY, DRY 600 AMP | | | 2, 212, 218 |
| 6674798 | REPAIR KIT | | | 174 |
| 6674799 | ADAPTER | | | 522, 524 |
| 6674802 | CONNECTOR | | | 520, 522, 524, 526, 528 |
| 6674804 | CONTROLLER, AHC METAL | | | 221, 222 |
| 6674894 | NUT | | | 12, 254 |
| 6674895 | RETAINER | | | 512, 513, 514, 636 |
| 6674905 | HOSE | | | 570 |
| 6674993 | CAP | | | 474 |
| 6675026 | CAP | | | 520, 522, 524, 526, 528 |
| 6675033 | INSERT | | | 8, 10, 208, 210 |
| 6675073 | VALVE, AUX REAR | | | 618, 620, 632 |
| 6675073 | VALVE, AUX REAR | 6665572 | A | 618, 620, 632 |
| 6675074 | SEAT BELT | | | 10 |
| 6675134 | GAS SPRING | | | 8 |
| 6675135 | GAS SPRING | | | 8 |
| 6675136 | GAS SPRING | | | 8 |
| 6675140 | SNAP RING | | | 8 |
| 6675144 | HOSE, HYD ASSY | | | 166, 172 |
| 6675154 | HOLDER | | | 212, 218 |
| 6675155 | FUSE | | | 212, 218 |
| 6675170 | SEAT BELT | | | 640 |
| 6675171 | CLAMP | | | 208, 210, 212, 218 |
| 6675172 | BRACKET | | | 556, 560 |
| 6675173 | ACTUATOR | | | 556, 560 |
| 6675174 | BODY | | | 556, 560 |
| 6675176 | SWITCH | | | 556, 560 |
| 6675177 | KNOB | | | 556, 560 |
| 6675179 | FLANGE | | | 556, 560 |
| 6675181 | PLUG | | | 556, 560 |
| 6675212 | RETAINER | | | 496 |
| 6675221 | BOLT | | | 266 |
| 6675257 | CLEVIS | | | 8 |
| 6675266 | RADIATOR | | | 251, 252 |
| 6675273 | WASHER | | | 18, 20 |
| 6675273 | WASHER | 6675263 | B,D | 18, 20 |
| 6675278 | FILTER | | | 212 |
| 6675281 | MOUNT | | | 522, 526, 528 |
| 6675284 | SHUTTLE VALVE | | | 146 |
| 6675285 | STEM | | | 146 |
| 6675298 | COUPLER, BODY | | | 476 |
| 6675299 | COUPLER | | | 474, 475, 476 |
| 6675308 | KIT | | | 642 |
| 6675309 | KIT | | | 642 |
| 6675310 | KIT | | | 642 |
| 6675311 | KIT | | | 642 |
| 6675312 | KIT | | | 642 |
| 6675313 | KIT | | | 642 |
| 6675314 | KIT | | | 642 |
| 6675315 | KIT | | | 642 |
| 6675316 | KIT | | | 642 |

Code for disposition of old part number

A -- Use up

B -- Use on other application (See PNI)

C -- File PDR Report with Bobcat Parts Sales

D -- Part Number Error

NUMERICAL INDEX (Cont'd)

| Part No. | Description | Was | Code | Page |
|----------|---------------------------|----------|------|--------------------------|
| 6675317 | SCISSORS | | | 640 |
| 6675318 | KIT | | | 642 |
| 6675319 | SEAT | | | 640 |
| 6675320 | SEAT | | | 640 |
| 6675321 | SEAT | | | 640 |
| 6675322 | SEAT | | | 640 |
| 6675323 | KNOB | | | 640 |
| 6675332 | LINK | | | 34 |
| 6675336 | BULB | | | 588 |
| 6675342 | PIN | | | 190, 196 |
| 6675343 | PUMP | | | 199, 200 |
| 6675344 | PUMP | | | 159, 160 |
| 6675378 | CLIP | | | 476, 482, 483, 484, 490 |
| 6675387 | EXTRUSION | 6674524 | A | 496, 514 |
| 6675389 | SWITCH | | | 526 |
| 6675405 | OIL COOLER | 6675130 | A | 173, 174 |
| 6675405 | OIL COOLER | | | 173, 174 |
| 6675497 | BLOWER, HEATER AND A/C | | | 562, 564, 580 |
| 6675499 | HOUSING | | | 562 |
| 6675500 | COVER | | | 562 |
| 6675501 | PLATE | | | 562 |
| 6675502 | PLATE | | | 562 |
| 6675503 | HOUSING | | | 562 |
| 6675504 | RING | | | 562 |
| 6675505 | BLOWER WHEEL | | | 562 |
| 6675506 | MOUNT | | | 562 |
| 6675507 | COVER | | | 562 |
| 6675508 | HARNESS | | | 562 |
| 6675509 | MOTOR, HEATER CAB | | | 562 |
| 6675510 | CLAMP | | | 562, 564, 580 |
| 6675511 | DRAIN VALVE | | | 562, 564, 580 |
| 6675512 | CLAMP | | | 562, 564, 580 |
| 6675513 | GROMMET | | | 562 |
| 6675514 | SEAL - PER FOOT | | | 562 |
| 6675517 | FILTER, OIL ENG | 3974896B | A | 1, 2, 280, 322, 372, 408 |
| 6675517 | FILTER, OIL ENG | | | 1, 2, 280, 322, 372, 408 |
| 6675522 | STROBE | 6697800 | A | 656 |
| 6675523 | BEACON | | | 458 |
| 6675524 | CLIP | | | 10 |
| 6675534 | BLOCK, A/C VALVE | | | 576, 580 |
| 6675538 | O-RING | | | 576, 577, 578, 580 |
| 6675544 | CANVAS CAB | 6660340 | B,D | 491, 492 |
| 6675545 | GROMMET | | | 496, 512 |
| 6675551 | CAP | | | 254 |
| 6675562 | SEAT BELT | | | 645, 646 |
| 6675590 | DOOR | 6599721 | B,D | 492 |
| 6675591 | HINGE KIT | 6662839 | B,D | 492 |
| 6675595 | SEAT | | | 640 |
| 6675596 | SEAT | | | 640 |
| 6675608 | INSULATION | | | 562 |
| 6675609 | INSULATION | | | 562 |
| 6675611 | SEAL | | | 562, 566 |
| 6675612 | INSULATION | | | 562 |

Code for disposition of old part number

A -- Use up

B -- Use on other application (See PNI)

C -- File PDR Report with Bobcat Parts Sales

D -- Part Number Error

NUMERICAL INDEX (Cont'd)

| Part No. | Description | Was | Code | Page |
|----------|-----------------|------------|------|-------------------------|
| 6675613 | INSULATION | | | 562 |
| 6675614 | INSULATION | | | 562 |
| 6675617 | STUD | | | 350 |
| 6675618 | CLAMP | | | 352, 436 |
| 6675624 | CLAMP | | | 350, 434 |
| 6675625 | BOLT, EYE JOINT | | | 352, 436 |
| 6675625 | BOLT, EYE JOINT | 6680566 | A | 352, 436 |
| 6675627 | CASE | | | 338 |
| 6675628 | CASE | | | 338 |
| 6675629 | VALVE, EXHAUST | | | 332 |
| 6675630 | PIPE ASSY, OIL | | | 352 |
| 6675634 | CASE | | | 338 |
| 6675635 | BAND | | | 350, 434 |
| 6675636 | GASKET | 6575580 | B,D | 318, 350, 406, 434 |
| 6675636 | GASKET | | | 318, 350, 406, 434 |
| 6675637 | GASKET | | | 320, 350, 434 |
| 6675639 | CASE | | | 338 |
| 6675640 | SPRING | | | 356, 440 |
| 6675641 | PLUG | | | 336 |
| 6675642 | HEAD | | | 334, 418 |
| 6675643 | GASKET | | | 318, 334, 406, 418 |
| 6675644 | MANIFOLD, INLET | | | 348 |
| 6675645 | CAMSHAFT | | | 342, 426 |
| 6675646 | CAMSHAFT | | | 342, 426 |
| 6675647 | PIPE | | | 364, 446 |
| 6675648 | PIPE | | | 364, 446 |
| 6675649 | PIPE | | | 364 |
| 6675650 | PIPE | | | 364, 446 |
| 6675651 | PIPE, WATER | | | 324, 326 |
| 6675653 | PIPE, OIL COVER | | | 324, 326 |
| 6675654 | CRANKCASE | | | 327, 328 |
| 6675655 | RING, PISTON | | | 338, 422 |
| 6675656 | PUMP | | | 361, 362, 443, 444 |
| 6675670 | HOSE | | | 324 |
| 6675671 | COLLAR | 15EM00180B | B,D | 322, 408 |
| 6675671 | COLLAR | | | 322, 408 |
| 6675672 | LEVER | | | 356, 440 |
| 6675672 | LEVER | 6675657 | A | 356, 440 |
| 6675673 | HOSE | | | 350, 434 |
| 6675674 | MANIFOLD | 6651482 | B,D | 347, 348 |
| 6675675 | FLANGE | | | 350, 434 |
| 6675676 | TURBO | | | 349, 350, 352, 433, 434 |
| 6675677 | PIPE | | | 351, 352, 435, 436 |
| 6675678 | PIPE | | | 352, 436 |
| 6675679 | PIPE | | | 352, 436 |
| 6675681 | ADAPTER | 6653809 | B,D | 322, 408 |
| 6675681 | ADAPTER | | | 322, 408 |
| 6675682 | TUBE | | | 324, 326 |
| 6675683 | PIN, BAND | | | 352 |
| 6675707 | MUFFLER | | | 589, 590 |
| 6675779 | SWITCH, PRESS | | | 576 |
| 6675780 | CARTRIDGE | 6676545 | A | 470 |
| 6675781 | COIL | 6674331 | A | 470 |
| 6675824 | O-RING | | | 576 |

Code for disposition of old part number

A -- Use up

B -- Use on other application (See PNI)

C -- File PDR Report with Bobcat Parts Sales

D -- Part Number Error

NUMERICAL INDEX (Cont'd)

| Part No. | Description | Was | Code | Page |
|----------|---------------|---------|------|---|
| 6675825 | O-RING | | | 578 |
| 6675833 | SEAL | | | 496 |
| 6675835 | TURN SIGNAL | | | 546 |
| 6675837 | BELT | | | 266 |
| 6675838 | BUSHING | | | 268 |
| 6675846 | POTENTIOMETER | | | 556, 560 |
| 6675846 | POTENTIOMETER | 6675178 | A | 556, 560 |
| 6675858 | FLASH TUBES | | | 656 |
| 6675982 | PLUG | | | 208, 210 |
| 6675999 | SWITCH | | | 638 |
| 6676000 | TEE | | | 638 |
| 6676001 | ARM | | | 638 |
| 6676002 | BLADE | | | 638 |
| 6676003 | HOSE | | | 474, 478, 638 |
| 6676003 | HOSE | 6708310 | B | 474, 478, 638 |
| 6676028 | NOZZLE | | | 638 |
| 6676029 | SOLENOID | 6677383 | A | 100, 104, 108, 114, 120, 234, 238, 242, 452 |
| 6676029 | SOLENOID | | | 100, 104, 108, 114, 120, 234, 238, 242, 452 |
| 6676034 | KIT | | | 642 |
| 6676058 | RINGS | | | 338, 422 |
| 6676059 | GASKET KIT | | | 318 |
| 6676060 | LEVER ASSY. | 6655879 | A | 304, 354, 396, 438 |
| 6676060 | LEVER ASSY. | 6655879 | | 304, 354, 396, 438 |
| 6676060 | LEVER ASSY. | | | 304, 354, 396, 438 |
| 6676062 | VALVE | | | 576 |
| 6676064 | VALVE | | | 606 |
| 6676065 | SEAL KIT | | | 606 |
| 6676066 | BALL | | | 606, 608 |
| 6676067 | SPRING | | | 606, 608 |
| 6676068 | VALVE | | | 606 |
| 6676069 | SEAL KIT | | | 606 |
| 6676070 | ORIFICE | | | 606, 608 |
| 6676071 | O-RING | | | 606 |
| 6676073 | RELIEF VALVE | | | 606 |
| 6676074 | SEAL KIT | | | 606 |
| 6676151 | STEM | | | 632 |
| 6676152 | PLUG | | | 632 |
| 6676153 | CONTROLLER | | | 228, 552 |
| 6676155 | RELIEF VALVE | | | 158 |
| 6676338 | GAS SPRING | | | 642 |
| 6676347 | ORIFICE | | | 606, 608 |
| 6676347 | ORIFICE | 6669615 | A | 606, 608 |
| 6676400 | CONNECTOR | | | 218 |
| 6676445 | COUPLER | | | 72, 76 |
| 6676447 | COUPLER | | | 72, 76 |
| 6676496 | BONNET | | | 128 |
| 6676498 | NOZZLE | | | 478 |
| 6676499 | GROMMET | | | 474 |
| 6676500 | ELBOW | | | 474 |
| 6676501 | CLIP | | | 478 |
| 6676514 | CONTROLLER | 6674943 | A | 526 |
| 6676516 | NUT | | | 558, 560 |
| 6676536 | SWITCH | | | 210 |
| 6676537 | SWITCH | | | 230, 234, 452 |

Code for disposition of old part number

A -- Use up

B -- Use on other application (See PNI)

C -- File PDR Report with Bobcat Parts Sales

D -- Part Number Error

NUMERICAL INDEX (Cont'd)

| Part No. | Description | Was | Code | Page |
|----------|---------------------|---------|------|-------------------------|
| 6676538 | INSULATION | | | 568, 576 |
| 6676539 | CLIP | | | 564, 576, 580 |
| 6676543 | PLUG | 6647780 | A | 470 |
| 6676547 | VALVE | | | 607, 608 |
| 6676562 | HEATER | | | 562, 563, 564 |
| 6676564 | SEAL KIT | | | 146 |
| 6676566 | NUT | | | 100, 108, 124, 130, 146 |
| 6676606 | SPACER | | | 564, 568, 580 |
| 6676618 | CLIP | | | 562 |
| 6676640 | SEAL | | | 230, 239, 240, 554 |
| 6676653 | SCREW | | | 564, 568, 580 |
| 6676728 | MUFFLER, EXHAUST | 6718564 | A | 258 |
| 6676732 | SWITCH | | | 594, 600 |
| 6676870 | CONNECTOR | | | 230, 238, 554 |
| 6676872 | TURN SIGNAL | | | 546 |
| 6676917 | ELBOW | | | 474 |
| 6676918 | HOSE | | | 478 |
| 6676927 | FELT STRIP | | | 496 |
| 6676944 | VALVE | | | 150, 154, 156 |
| 6676969 | FILTER | | | 206 |
| 6676984 | MOUNT | | | 576, 580 |
| 6677105 | COVER | | | 564, 576, 580 |
| 6677106 | O-RING | | | 134, 138 |
| 6677108 | HOUSING | | | 564, 580 |
| 6677111 | SEAL | | | 564, 566, 580 |
| 6677115 | RECEPTACLE | | | 564, 580 |
| 6677116 | RETAINER | | | 564, 580 |
| 6677117 | SCREW | | | 564, 580 |
| 6677118 | SCREW | | | 564, 580 |
| 6677119 | SCREW | | | 564, 580 |
| 6677120 | COVER | | | 564 |
| 6677122 | CAP | | | 576 |
| 6677123 | CAP | 6725443 | A | 324 |
| 6677136 | SOCKET | | | 520, 522, 524, 526, 528 |
| 6677147 | RELIEF VALVE | | | 608 |
| 6677148 | SEAL KIT | | | 608 |
| 6677149 | CHECK VALVE | | | 608 |
| 6677150 | SEAL KIT | | | 608 |
| 6677151 | VALVE | | | 608 |
| 6677152 | SEAL KIT | | | 608 |
| 6677153 | SOLENOID | | | 606, 608 |
| 6677153 | SOLENOID | 6661443 | B,D | 606, 608 |
| 6677155 | VALVE | | | 608 |
| 6677156 | SEAL KIT | | | 608 |
| 6677157 | O-RING | | | 608 |
| 6677158 | PLUG | | | 608 |
| 6677159 | PLUG | | | 608, 610 |
| 6677192 | MAGNET | | | 476, 482, 490 |
| 6677193 | RIVET | | | 476, 482, 490 |
| 6677198 | TAB | | | 496 |
| 6677202 | DIPSTICK, OIL ENG | 6684784 | A | 290, 336, 374, 420 |
| 6677202 | DIPSTICK, OIL ENG | | | 290, 336, 374, 420 |
| 6677203 | GUIDE | | | 290, 336, 374, 420 |
| 6677216 | CONNECTOR | | | 218 |

Code for disposition of old part number

A -- Use up

B -- Use on other application (See PNI)

C -- File PDR Report with Bobcat Parts Sales

D -- Part Number Error

NUMERICAL INDEX (Cont'd)

| Part No. | Description | Was | Code | Page |
|----------|------------------------|---------|------|---------------|
| 6677363 | CLAMP, FULL CIRCLE | 657904B | B | 256, 258 |
| 6677364 | CONNECTOR | | | 230, 554 |
| 6677371 | PIPE, TUBE EXHAUST | 6719566 | A | 258 |
| 6677485 | SPACER | | | 246 |
| 6677486 | NUT | | | 246 |
| 6677487 | COVER | | | 246 |
| 6677488 | RECTIFIER | | | 246 |
| 6677489 | REGULATOR ASSY | | | 246 |
| 6677490 | BRACKET | | | 246 |
| 6677491 | BRACKET | | | 246 |
| 6677492 | ROTOR | | | 246 |
| 6677493 | STATOR | | | 246 |
| 6677494 | BOLT | | | 246 |
| 6677495 | SPACER | | | 246 |
| 6677496 | PULLEY | | | 246 |
| 6677497 | NUT | | | 246 |
| 6677504 | COVER | | | 564, 568, 580 |
| 6677504 | COVER | 6676604 | A | 564, 568, 580 |
| 6677628 | SHAFT ADAPTER | | | 556 |
| 6677817 | BOLT | | | 246 |
| 6677818 | BEARING | | | 246 |
| 6677819 | RETAINER | | | 246 |
| 6677820 | BEARING | | | 246 |
| 6677833 | ARM ASSY | | | 477, 478 |
| 6677834 | BLADE | | | 478 |
| 6677836 | COVER | | | 478 |
| 6677837 | BOLT | | | 478 |
| 6677839 | GASKET | | | 478 |
| 6677840 | SWIVEL, PLATE ASSY | | | 478 |
| 6677841 | WASHER | | | 478 |
| 6677842 | NUT | | | 478 |
| 6677843 | NUT | | | 478 |
| 6677844 | NUT | | | 478 |
| 6677845 | ADAPTER | | | 478 |
| 6677847 | GROMMET | | | 478 |
| 6677848 | SLEEVE | | | 478 |
| 6677973 | PLUG | | | 496 |
| 6677983 | FILTER, AIR HEATER CAB | | | 558, 560 |
| 6678000 | SEAL | | | 186 |
| 6678004 | PLATE | | | 186 |
| 6678006 | BACK-UP RING | | | 186 |
| 6678075 | RINGS | | | 292, 384 |
| 6678075 | RINGS | 6655178 | A | 292, 384 |
| 6678076 | BLOCK | | | 79, 80 |
| 6678150 | VALVE | | | 72, 76, 146 |
| 6678151 | COVER | | | 564, 580 |
| 6678152 | SEAL FLANGE | | | 564, 580 |
| 6678198 | BOLT | | | 478 |
| 6678205 | ALTERNATOR, 90 AMP | 6675292 | A | 245, 246 |

Code for disposition of old part number

A -- Use up

B -- Use on other application (See PNI)

C -- File PDR Report with Bobcat Parts Sales

D -- Part Number Error

NUMERICAL INDEX (Cont'd)

| Part No. | Description | Was | Code | Page |
|------------|---------------------|---------|------|----------------------------------|
| 6678205REM | ALTERNATOR, 90 AMP | | | 246 |
| 6678207 | FILTER | | | 558, 560 |
| 6678226 | SEAL, OIL | 6673881 | A | 190, 198 |
| 6678283 | HANDLE | | | 496 |
| 6678548 | SOCKET | | | 474, 480 |
| 6678552 | VALVE | 6671632 | A | 100, 108, 114, 124, 130 |
| 6678574 | RELIEF VALVE | 6673184 | A | 98, 106, 112, 113, 114, 122, 128 |
| 6678666 | TREE MOUNT | | | 218, 574 |
| 6678667 | MOUNT | | | 218 |
| 6678668 | STRAP, DUAL TIE | | | 218 |
| 6678669 | STRAP | | | 218, 516, 518 |
| 6678675 | CONTROLLER, ACD DLX | 6676514 | A | 528 |
| 6678692 | SPRING | | | 610 |
| 6678693 | SPRING | | | 610 |
| 6678694 | FLOW CONTROL | | | 610 |
| 6678695 | O-RING | | | 610 |
| 6678697 | STEM | | | 610 |
| 6678698 | PLUG | | | 610 |
| 6678699 | PLUG | | | 610 |
| 6678700 | PISTON | | | 610 |
| 6678701 | ORIFICE | | | 610 |
| 6678702 | ORIFICE | | | 610 |
| 6678703 | SHUTTLE | | | 610 |
| 6678704 | SPRING | | | 610 |
| 6678705 | BALL | | | 610 |
| 6678706 | PLUG | | | 610 |
| 6678707 | SPRING | | | 610 |
| 6678708 | COMPENSATOR | | | 610 |
| 6678709 | O-RING | | | 610 |
| 6678710 | TIE | | | 610 |
| 6678711 | SPACER | 6674445 | A | 606, 608, 610 |
| 6678711 | SPACER | | | 606, 608, 610 |
| 6678712 | COIL | | | 610 |
| 6678717 | PISTON | | | 610 |
| 6678718 | SPRING | | | 610 |
| 6678732 | SEAL KIT | 6678550 | A | 202 |
| 6678739 | WASHER | | | 478 |
| 6678818 | MOUNT | | | 218 |
| 6678853 | SEAL KIT | 6674370 | A | 160 |
| 6678891 | COIL | | | 114, 130 |
| 6678920 | NOZZLE | | | 478 |
| 6678921 | GUIDE | | | 478 |
| 6678931 | PISTON | | | 88, 90, 92 |
| 6678931 | PISTON | 6677197 | A | 88, 90, 92 |
| 6678943 | VALVE | | | 326 |
| 6678945 | HOSE | | | 326, 410 |
| 6678946 | ADAPTER | | | 326, 328, 412 |
| 6678974 | MOUNT | | | 516, 518 |
| 6679034 | MOUNT | | | 218 |
| 6679068 | SPACER | | | 158 |
| 6679145 | CLUTCH | 6675828 | D | 576 |
| 6679244 | BALL ASSY | | | 610 |
| 6679245 | RELIEF VALVE | | | 610 |

Code for disposition of old part number

A -- Use up

B -- Use on other application (See PNI)

C -- File PDR Report with Bobcat Parts Sales

D -- Part Number Error

NUMERICAL INDEX (Cont'd)

| Part No. | Description | Was | Code | Page |
|----------|--------------|---------|------|----------|
| 6679246 | SEAL KIT | | | 610 |
| 6679247 | BOLT | | | 36 |
| 6679308 | SEAT BELT | 6674408 | A | 644 |
| 6679476 | MOTOR | 6677835 | A | 478 |
| 6679820 | RELAY | 6674376 | A | 214, 218 |
| 6679836 | ADAPTER | | | 80 |
| 6679837 | COUPLER | | | 80 |
| 6679838 | COUPLER | | | 80 |
| 6679840 | SEAL | | | 80 |
| 6679841 | SEAL | 6672026 | A | 74, 80 |
| 6679841 | SEAL | | | 74, 80 |
| 6679845 | CROSSMEMBER | 6676723 | A | 210 |
| 6679855 | BULB | 6675337 | A | 208 |
| 6679856 | ALARM | 6675390 | A | 208, 210 |
| 6679990 | CLIP | | | 8 |
| 6679991 | SEAL | | | 254 |
| 6679994 | SEAL | | | 8 |
| 6680018 | COUPLER, KIT | | | 80 |
| 6680020 | SEAL KIT | | | 80 |
| 6680054 | ACTUATOR | | | 556, 560 |
| 6680326 | LIGHT | 6664368 | A | 514 |
| 6680355 | BOOT | | | 250 |
| 6680356 | BOLT | | | 250 |
| 6680357 | HOLDER | | | 250 |
| 6680358 | RING | | | 250 |
| 6680359 | STOP RING | | | 250 |
| 6680360 | STOP | | | 250 |
| 6680361 | SPRING | | | 250 |
| 6680362 | BALL | | | 250 |
| 6680363 | WASHER | | | 250 |
| 6680364 | LEVER | | | 250 |
| 6680365 | SHAFT | | | 250 |
| 6680366 | GEAR | | | 250 |
| 6680367 | GEAR | | | 250 |
| 6680368 | STOP RING | | | 250 |
| 6680369 | SEAL | | | 250 |
| 6680370 | PLATE | | | 250 |
| 6680371 | LEVER | | | 250 |
| 6680372 | BRACKET | | | 250 |
| 6680373 | YOKE | | | 250 |
| 6680374 | ARMATURE | | | 250 |
| 6680375 | SHAFT | | | 250 |
| 6680376 | SWITCH | | | 250 |
| 6680377 | HOLDER | | | 250 |
| 6680378 | WASHER | | | 250 |
| 6680379 | SEAL | | | 250 |
| 6680380 | SEAL | | | 250 |
| 6680381 | SPRING | | | 250 |
| 6680382 | SPRING | | | 250 |
| 6680383 | BOLT | | | 250 |
| 6680384 | BOLT | | | 250 |
| 6680385 | BRACKET | | | 250 |
| 6680389 | BRACKET | | | 250 |
| 6680390 | GEAR | | | 250 |

Code for disposition of old part number

A -- Use up

B -- Use on other application (See PNI)

C -- File PDR Report with Bobcat Parts Sales

D -- Part Number Error

NUMERICAL INDEX (Cont'd)

| Part No. | Description | Was | Code | Page |
|----------|---------------------------|---------|------|--|
| 6680410 | CONTROLLER | 6676337 | A | 228, 233, 234 |
| 6680415 | HANDLE | 6705920 | A | 220 |
| 6680417 | HANDLE | 6675749 | A | 226, 238, 552 |
| 6680418 | HANDLE ASSY. | 6675468 | A | 219, 220 |
| 6680419 | HANDLE ASSY. | 6674450 | A | 220 |
| 6680429 | SENSOR, SEAT BAR POSITION | 6674406 | A | 12 |
| 6680436 | SENSOR | 7000004 | A | 32, 212, 218 |
| 6680441 | BUSHING | 6664882 | A | 12 |
| 6680443 | BUSHING, MAGNET | 6674405 | A | 12 |
| 6680447 | DECAL | 6677370 | A | 220, 222 |
| 6680455 | HANDLE ASSY | 6675250 | A | 222 |
| 6680462 | HANDLE, ACS RH | 6677536 | A | 238 |
| 6680468 | MOUNT | 6719716 | A | 238, 452 |
| 6680469 | SPACER | 6729600 | A | 224, 238, 452, 554 |
| 6680470 | SPRING | 6675745 | A | 238, 452 |
| 6680471 | COVER | 6713898 | A | 222, 226, 238, 552 |
| 6680477 | STRAP | 6719715 | A | 238, 452 |
| 6680478 | SHIELD | 6727231 | A | 234, 235, 236, 242 |
| 6680479 | SHIELD | 6727284 | A | 242 |
| 6680480 | CHANNEL | 6719711 | A | 226, 238, 552 |
| 6680481 | CHANNEL | 6719712 | A | 226, 238, 552 |
| 6680484 | GASKET | 3974403 | B | 276, 290, 320, 336, 370, 374, 406, 420 |
| 6680484 | GASKET | | | 276, 290, 320, 336, 370, 374, 406, 420 |
| 6680555 | CLAMP | | | 434 |
| 6680564 | STUD | | | 434 |
| 6680570 | GASKET | 6685964 | A | 352, 436 |
| 6680570 | GASKET | 6675626 | A | 352, 436 |
| 6680576 | PIN | | | 436 |
| 6680580 | CLAMP | 6652748 | A | 324, 326, 410 |
| 6680580 | CLAMP | | | 324, 326, 410 |
| 6680666 | PLUG | | | 382, 418 |
| 6680685 | BOLT | | | 380 |
| 6680686 | BOLT | | | 372, 408 |
| 6680706 | BOLT | | | 398, 440 |
| 6680786 | CLAMP | | | 404, 446 |
| 6680791 | BOLT | 6675622 | A | 352, 436 |
| 6680791 | BOLT | | | 352, 436 |
| 6680830 | BOLT | | | 398, 440 |
| 6680970 | BREATHER | | | 40, 42, 44, 254 |
| 6680970 | BREATHER | 6670627 | A | 40, 42, 44, 254 |
| 6680991 | HOSE | | | 350, 434 |
| 6681469 | PLUG | 6665697 | A | 16 |
| 6681512 | SOLENOID | | | 40, 42, 44 |
| 6681512 | SOLENOID | 6667992 | A | 40, 42, 44 |
| 6681513 | SOLENOID | 6658260 | A | 212, 216 |
| 6681513 | SOLENOID | 6667993 | A | 212, 216 |
| 6681614 | KNOB | | | 496, 512, 556, 560 |
| 6681879 | WATER PUMP | | | 427, 428 |
| 6682034 | MOTOR | | | 185, 186 |
| 6682260 | SHAFT | | | 188 |
| 6682261 | KEY | | | 188, 260 |
| 6682421 | CONTROLLER, BOBCAT | | | 212, 216 |
| 6682442 | SLEEVE | 6704393 | A | 262 |

Code for disposition of old part number

A -- Use up

B -- Use on other application (See PNI)

C -- File PDR Report with Bobcat Parts Sales

D -- Part Number Error

NUMERICAL INDEX (Cont'd)

| Part No. | Description | Was | Code | Page |
|----------|------------------|----------|------|--|
| 6682515 | SHIM | | | 402, 444 |
| 6682521 | PIPE | | | 403, 404, 445, 446 |
| 6682522 | HOLDER KIT | | | 446 |
| 6682523 | PIPE | | | 446 |
| 6682532 | NUT | | | 394, 432 |
| 6682660 | SPACER | | | 230 |
| 6682860 | O-RING | | | 186 |
| 6682862 | SHAFT, DRIVE | | | 186 |
| 6682863 | BOLT | | | 186 |
| 6682897 | SEAL | | | 186 |
| 6683001 | HVAC | 6676561 | A | 579, 580 |
| 6683003 | COIL | 6675533 | A | 576, 580 |
| 6683004 | THERMOSTAT | 6675790 | A | 576, 580 |
| 6683104 | PLUG | | | 376, 412 |
| 6683171 | CONTROLLER | | | 210 |
| 6683173 | PIPE | 6686082 | A | 410 |
| 6683174 | ROLL PIN | | | 298, 344, 390, 428 |
| 6683274 | SEAL, SPOOL | | | 98, 102, 108, 114, 118, 124, 130, 134, 138 |
| 6683274 | SEAL, SPOOL | 6665846 | A | 98, 102, 108, 114, 118, 124, 130, 134, 138 |
| 6684037 | SENSOR | 6658260 | B | 212, 216 |
| 6684125 | COUPLER | | | 178 |
| 6684126 | COVER | | | 218 |
| 6684225 | WATER PUMP | 6653941 | A | 297, 298 |
| 6684415 | BUSS BAR | | | 218 |
| 6684474 | INSERT FAN INLET | | | 254 |
| 6684479 | CLAMP | | | 410 |
| 6684742 | NUT | | | 612, 614 |
| 6684743 | SOLENOID | | | 612, 614 |
| 6684744 | SOLENOID | | | 612, 614 |
| 6684745 | PISTON | | | 612, 614 |
| 6684746 | CHECK VALVE | | | 612, 614 |
| 6684747 | SEAL KIT | | | 612, 614 |
| 6684754 | O-RING | | | 370, 374, 420 |
| 6684780 | GASKET | | | 370, 378 |
| 6684781 | BOLT | | | 378 |
| 6684782 | O-RING | 3966602 | A | 276, 318, 378, 414 |
| 6684782 | O-RING | | | 276, 318, 378, 414 |
| 6684788 | GASKET | | | 276, 292, 318, 338, 370, 384, 422 |
| 6684788 | GASKET | 6655165 | A | 276, 292, 318, 338, 370, 384, 422 |
| 6684789 | SEAL | | | 384, 422 |
| 6684793 | GEAR | | | 296, 342, 388, 426 |
| 6684794 | BUSHING | | | 296, 342 |
| 6684795 | COLLAR | | | 296, 342, 388, 426 |
| 6684796 | SHAFT | | | 296, 342, 388, 426 |
| 6684812 | BALL BEARING | | | 386, 424 |
| 6684833 | SHAFT | | | 398, 440 |
| 6684836 | BOLT, ADJUSTING | | | 399, 400 |
| 6684863 | GASKET | 6732199 | B | 318, 370, 392, 406, 430 |
| 6684863 | GASKET | | | 318, 370, 392, 406, 430 |
| 6684868 | SEAL | | | 390, 428 |
| 6684869 | FLANGE | | | 390, 428 |
| 6684874 | COLLAR | 3974516B | A | 286, 332, 380, 416 |
| 6684874 | COLLAR | | | 286, 332, 380, 416 |
| 6684875 | SHAFT | | | 286, 332, 380, 416 |

Code for disposition of old part number

A -- Use up

B -- Use on other application (See PNI)

C -- File PDR Report with Bobcat Parts Sales

D -- Part Number Error

NUMERICAL INDEX (Cont'd)

| Part No. | Description | Was | Code | Page |
|------------|---------------------------|---------|------|--------------------|
| 6684877 | GASKET | 6685876 | B,D | 370, 394 |
| 6684884 | PIPE | | | 352, 436 |
| 6684910 | SENSOR, ELEC AHC | 6675741 | A | 226, 238, 552 |
| 6684911 | SENSOR, FOOT LH | 6680421 | A | 234, 242, 452 |
| 6684911 | SENSOR, FOOT LH | 6676492 | A | 234, 242, 452 |
| 6684912 | SENSOR, FOOT RH | 6680420 | A | 234, 241, 242, 452 |
| 6684912 | SENSOR, FOOT RH | 6676493 | A | 234, 241, 242, 452 |
| 6684913 | LEVER | 6675742 | A | 226, 552 |
| 6684914 | LEVER | 6675750 | A | 226, 552 |
| 6684915 | LEVER, ACS RH | 6680424 | A | 234, 237, 238 |
| 6684915 | LEVER, ACS RH | 6676333 | A | 234, 237, 238 |
| 6684916 | LEVER, ACS LH | 6676497 | A | 234, 238 |
| 6684916 | LEVER, ACS LH | 6680423 | A | 234, 238 |
| 6684923 | BREATHER | 6648944 | A | 164, 170 |
| 6684932 | KNOB | 6675358 | A | 26 |
| 6685060 | BUSHING, TORSION | 6678067 | A | 94, 180 |
| 6685065 | SHUTTLE | | | 186 |
| 6685068 | FLANGE | | | 186 |
| 6685069 | RING, BACK-UP | | | 186 |
| 6685070 | KIT, SEAL COMPLETE | | | 186 |
| 6685085 | COVER | | | 378 |
| 6685087 | VALVE | | | 378 |
| 6685190 | STARTER | 6676958 | A | 249, 250, 516 |
| 6685190 | STARTER | 6676957 | A | 249, 250, 516 |
| 6685190REM | STARTER | | | 250 |
| 6685199 | CAP | | | 576 |
| 6685344 | SWASHPLATE | 6671513 | A | 190, 196 |
| 6685372 | SEALANT, GASKET LIQUID | | | 44 |
| 6685464 | BOLT | | | 398, 440 |
| 6685466 | O-RING | | | 370, 372, 408 |
| 6685468 | O-RING | | | 370, 372, 406, 408 |
| 6685474 | BEARING | | | 390 |
| 6685475 | MANIFOLD | | | 393, 394 |
| 6685476 | SEAL | | | 304, 354, 396, 438 |
| 6685476 | SEAL | 6598703 | B | 304, 354, 396, 438 |
| 6685477 | PLUG | | | 376, 412 |
| 6685482 | BOLT | | | 384, 422 |
| 6685483 | CASE, MAIN BRG. | | | 384 |
| 6685484 | CASE, MAIN BRG. | | | 384, 422 |
| 6685485 | CASE | | | 384, 422 |
| 6685486 | BEARING | | | 384, 422 |
| 6685487 | BEARING | | | 384, 422 |
| 6685488 | WASHER | | | 384, 422 |
| 6685489 | WASHER | | | 384, 422 |
| 6685490 | BEARING | | | 384, 422 |
| 6685491 | BEARING | | | 384, 422 |
| 6685492 | BEARING | | | 384, 422 |
| 6685493 | BEARING | | | 384, 422 |
| 6685494 | WASHER | | | 384, 422 |
| 6685495 | WASHER | | | 384, 422 |
| 6685496 | WASHER | | | 384, 422 |
| 6685497 | WASHER | | | 384, 422 |
| 6685501 | WASHER | | | 280, 372 |

Code for disposition of old part number

A -- Use up

B -- Use on other application (See PNI)

C -- File PDR Report with Bobcat Parts Sales

D -- Part Number Error

NUMERICAL INDEX (Cont'd)

| Part No. | Description | Was | Code | Page |
|------------|-------------------------------------|---------|------|--|
| 6685524 | PIPE | | | 378 |
| 6685541 | POPPET | | | 612, 614 |
| 6685542 | O-RING | | | 612, 614 |
| 6685543 | CHECK VALVE | | | 612, 614 |
| 6685544 | COMPENSATOR | | | 612, 614 |
| 6685545 | PLUG | | | 612, 614 |
| 6685546 | PLUG | | | 612, 614 |
| 6685601 | CLAMP | 6675621 | A | 352, 436 |
| 6685601 | CLAMP | | | 352, 436 |
| 6685602 | CAP | | | 178 |
| 6685603 | SEAL KIT | | | 114 |
| 6685733 | EXCHANGER, WATER RADIATOR | 6718648 | A | 252, 257, 258 |
| 6685735 | SEAL | 6661112 | A | 262 |
| 6685962 | GASKET | 6675623 | A | 352, 406, 436 |
| 6685962 | GASKET | | | 352, 406, 436 |
| 6685981 | ENGINE, V2203-E2B- BOBCAT-3 | | | 369, 370 |
| 6685981REM | ENGINE, KUBOTA V2203 TIER 2 | | | 370 |
| 6685982 | ENGINE, V2003-T- E2B-BOBCAT-1 | | | 405, 406 |
| 6685982REM | ENGINE, KUBOTA V2003T E2B TIER 2 | | | 406 |
| 6686037 | GASKET | | | 370, 402, 444 |
| 6686043 | BOLT | | | 434 |
| 6686220 | O-RING | | | 224, 234 |
| 6686360 | VALVE | 6685017 | A | 98, 102, 106, 114, 118, 122, 128, 134, 138 |
| 6686360 | VALVE | | | 98, 102, 106, 114, 118, 122, 128, 134, 138 |
| 6686702 | PUMP, HYD TANDEM | | | 188, 194 |
| 6686703 | PUMP, GEAR | | | 202 |
| 6686704 | PUMP | | | 188, 194, 195, 196 |
| 6686705 | PUMP, GEAR | | | 162 |
| 6686979 | PLUG | | | 374, 420 |
| 6686981 | O-RING | | | 370, 372, 408 |
| 6686985 | BOLT, ADJUSTING | | | 441, 442 |
| 6686988 | PIPE | | | 392, 430 |
| 6686989 | WATER PUMP | | | 389, 390 |
| 6686990 | MANIFOLD | | | 394 |
| 6686993 | CRANKCASE | | | 411, 412 |
| 6686994 | PIPE | | | 414 |
| 6686995 | MANIFOLD | | | 432 |
| 6686996 | HEAD | | | 382 |
| 6686996REM | HEAD, KUBOTA V2203 | | | 382 |
| 6686997 | CIR-CLIP | | | 384 |
| 6687093 | MANIFOLD | | | 431, 432 |
| 6687191 | SEAL, OIL | 6645090 | A | 190 |
| 6687773 | PLATE, PUMP HYD | | | 196 |
| 6687774 | PLATE, PUMP HYD | | | 190 |
| 6688325 | KIT, SEAL | 6681581 | A | 202 |
| 6688326 | SEAL KIT | 6678733 | A | 162 |
| 6688338 | NUT | | | 520, 522, 524 |
| 6688371 | HEATER | 7101926 | A | 564 |

Code for disposition of old part number

A -- Use up

B -- Use on other application (See PNI)

C -- File PDR Report with Bobcat Parts Sales

D -- Part Number Error

NUMERICAL INDEX (Cont'd)

| Part No. | Description | Was | Code | Page |
|----------|------------------------|------------|------|-------------------------|
| 6688400 | INSULATION | 6675610 | A | 562 |
| 6688401 | INSULATION | 6675607 | A | 562 |
| 6688403 | PANEL | 6686510 | A | 208, 210, 514 |
| 6688404 | PANEL, KEY STANDARD | 6678681 | A | 208, 210 |
| 6688521 | SPRING | | | 186 |
| 6688640 | GEAR HOUSING | | | 280, 322, 372, 408 |
| 6688743 | STEM, VALVE CONTROL | 6678892 | | 114, 128 |
| 6689441 | PUMP, OIL ENG | 3975426 | A | 282, 328, 376 |
| 6689503 | CASE MAIN BRG | 6685480 | A | 384, 422 |
| 6689638 | CUP, BEARING | 6634609 | A | 36 |
| 6689651 | CHAIN, DRIVE | | | 34 |
| 6689652 | CHAIN, DRIVE | | | 34 |
| 6689697 | HOUSING | 6685063 | B,D | 186 |
| 6689698 | PLATE | 6678001 | B,D | 186 |
| 6689700 | PLATE | 6678003 | B,D | 186 |
| 6689739 | VALVE | 6668765 | A | 142 |
| 6689754 | PANEL INSTRUMENT LH | | | 208, 210 |
| 6689775 | BEARING, AXLE | 6519925 | A | 36 |
| 6689983 | FILTER KIT | | | 614 |
| 6690707 | SEAL | 6665086 | A | 88, 90, 92 |
| 6690709 | LINK | | | 34 |
| 6690949 | O-RING | | | 174 |
| 6691001 | WINDOW | 6674520 | A | 496 |
| 6691003 | WINDOW | 6674522 | A | 496 |
| 6691022 | NUT | 6690705 | A | 114, 130 |
| 6691173 | BRACKET | | | 542 |
| 6691343 | GEROLER | 6685067 | B,D | 186 |
| 6691495 | CRANKSHAFT | 6667437 | B,D | 384, 422 |
| 6692357 | SPEEDI SLEEVE | | | 272, 274 |
| 6692375 | BOLT | | | 372, 408 |
| 6692377 | BOLT | | | 372, 408 |
| 6692380 | OIL PUMP | 6682498 | D | 412 |
| 6692386 | GASKET | 6684813 | A | 370, 386, 424 |
| 6692387 | GEAR | 6653840 | A | 296, 342 |
| 6693241 | KEY 10 | | | 208, 210, 474, 480, 634 |
| 6693245 | SWITCH, IGN | | | 208, 210 |
| 6697796 | FLASHTUBE | | | 656 |
| 6697797 | AMBER LENS | 6665021 | A | 656 |
| 6697965 | HARNESS | | | 208, 210 |
| 6698120 | GASKET | 3975389 | A | 312, 362, 402, 444 |
| 6698244 | ORING | 6657422 | B,D | 324, 326, 408, 410 |
| 6698442 | HOSE | 6675075 | A | 576 |
| 669863 | RING, SNAP | | | 190, 196 |
| 6698634 | VALVE, INLET | | | 380 |
| 6698635 | VALVE, EXHAUST | | | 380 |
| 66D4 | NUT | | | 216, 270 |
| 66D4 | NUT | 86D000004B | B | 216, 270 |
| 6700115 | SPRING, TORSION | | | 260 |
| 6700170 | WASHER | | | 40, 270 |
| 6700182 | COVER, DRAIN | | | 34 |
| 6700330 | COVER | | | 40, 42 |
| 6700535 | SPACER | | | 266 |

Code for disposition of old part number

A -- Use up

B -- Use on other application (See PNI)

C -- File PDR Report with Bobcat Parts Sales

D -- Part Number Error

NUMERICAL INDEX (Cont'd)

| Part No. | Description | Was | Code | Page |
|----------|-------------------------|---------|------|------------------------|
| 6700599 | ELBOW | | | 176 |
| 6700711 | AIR CLEANER | 6661400 | A | 367, 368 |
| 6700782 | CAP | | | 272 |
| 6701097 | WASHER | | | 252 |
| 6701123 | SCREW | | | 256, 258 |
| 6701151 | PIPE | | | 256 |
| 6701159 | SHIM | | | 272 |
| 6701174 | WASHER | | | 8, 46, 58 |
| 6701449 | FILLER TUBE | | | 30 |
| 6701535 | SPRING | | | 12, 180 |
| 6701892 | CLAMP | | | 594 |
| 6701893 | CLAMP | | | 46, 50, 54, 58, 62, 66 |
| 6701952 | SOCKET | | | 588 |
| 6702102 | GEAR | | | 272 |
| 6702103 | GEAR, PINION | | | 272 |
| 6702135 | SHAFT | | | 272 |
| 6702137 | SHAFT | | | 272 |
| 6702144 | SHIM | | | 272 |
| 6702165 | SHIM | | | 272 |
| 6702166 | SHIM | | | 272 |
| 6702402 | SHIELD | | | 544 |
| 6702444 | FUSE 25A 5 | | | 214, 218 |
| 6702474 | RETAINER | | | 260 |
| 6702543 | LEVER, STEERING | | | 179, 180 |
| 6702593 | SPACER | | | 456 |
| 6702621 | GRIP | | | 220 |
| 6702669 | HOSE | | | 76 |
| 6702716 | BLOCK | | | 180 |
| 6702903 | LEVER | | | 28 |
| 6702904 | LEVER | | | 28 |
| 6702958 | BUSHING, WELD-ON | | | 28 |
| 6702971 | BOLT | | | 8 |
| 6702990 | BUSHING | | | 222, 226, 238, 552 |
| 6703022 | CLIP | | | 260 |
| 6703097 | GASKET, TRANS COVER | | | 40, 42 |
| 6703140 | WASHER | | | 266 |
| 6703168 | BEARING | | | 262 |
| 6703331 | INSULATION | | | 540, 650 |
| 6703471 | BRACKET | | | 252, 256 |
| 6703471 | BRACKET | 6708981 | A | 252, 256 |
| 6703483 | PULLEY, FAN DRIVE IDLER | | | 254, 540, 650 |
| 6703640 | KIT | | | 647, 648 |
| 6703641 | DECAL | | | 648 |
| 6703703 | GUIDE | | | 648 |
| 6703727 | DECAL | | | 582 |
| 6703736 | CAP | | | 280, 322, 372, 408 |
| 6703879 | BUSHING, PLASTIC | | | 180 |
| 6703968 | INSULATION | 6719329 | A | 540, 650, 652 |
| 6703981 | MOUNT | | | 266 |
| 6704012 | HOSE | | | 266 |
| 6704146 | BRACKET | | | 584 |
| 6704147 | BRACKET | 6725300 | B,D | 584 |
| 6704248 | PIVOT | | | 28 |

Code for disposition of old part number

A -- Use up

B -- Use on other application (See PNI)

C -- File PDR Report with Bobcat Parts Sales

D -- Part Number Error

NUMERICAL INDEX (Cont'd)

| Part No. | Description | Was | Code | Page |
|------------|-------------------------|------------|------|---------------|
| 6704284 | KIT, COUNTERWEIGHT | | | 503, 504 |
| 6704322 | MOUNT | | | 266 |
| 6704391 | PULLEY | | | 262 |
| 6704424 | PULLEY, PUMP HYD | | | 260 |
| 6704441REM | ENGINE, KUBOTA V2203 | | | 276 |
| 6704443 | BUSHING | | | 260 |
| 6704444 | WASHER | | | 260 |
| 6704450 | SHIELD | | | 260 |
| 6704484 | WASHER | | | 260 |
| 6704492 | HOUSING | | | 38 |
| 6704631 | HOSE | | | 166, 170 |
| 6704720 | BELT, ALT | | | 266 |
| 6704769 | INSULATION | | | 540, 650 |
| 6704786 | DECAL | | | 584 |
| 6704820 | O-RING | | | 260 |
| 6704878 | GASKET | | | 34 |
| 6704892 | RIVET | 84G001908B | B | 526, 528 |
| 6704892 | RIVET | | | 526, 528 |
| 6705070 | TEE | | | 60, 464 |
| 6705088 | DECAL | | | 508 |
| 6705106 | WASHER | | | 266, 530 |
| 6705231 | WASHER | | | 260 |
| 6705232 | WASHER | | | 260 |
| 6705452 | LEVER | | | 270 |
| 6705471 | MOUNT | | | 148 |
| 6705491 | SPRING | | | 262 |
| 6705497 | HOSE | | | 150, 156 |
| 6705711 | BRACKET | | | 266 |
| 6705847 | SEAL, OIL | | | 38 |
| 6706042 | COVER | | | 40, 42 |
| 6706043 | SPACER | | | 266 |
| 6706095 | MOUNT | | | 180 |
| 6706096 | MOUNT | | | 182, 190 |
| 6706098 | GUIDE | | | 180 |
| 6706104 | RETAINING NUT | | | 94 |
| 6706105 | YOKE | | | 94 |
| 6706106 | MOUNT | | | 180 |
| 6706285 | SCREEN | | | 616 |
| 6706349 | MOUNT | | | 8 |
| 6706393 | SHIELD | | | 256 |
| 6706394 | SHIELD | | | 256 |
| 6706427 | AXLE | | | 36 |
| 6706485 | HOOK | | | 34 |
| 6706517 | SCREW | | | 30, 252 |
| 6706572 | SET SCREW | | | 270 |
| 6706633 | ADAPTER | | | 620, 624, 630 |
| 6706718 | MOUNT | | | 40, 42, 44 |
| 6706737 | GASKET | | | 40, 42, 44 |
| 6706807 | PIN | | | 586 |
| 6706808 | COVER | | | 6 |
| 6706825 | LIFT EYE | | | 586 |
| 6706939 | KIT | | | 615, 616 |
| 6706968 | GASKET | | | 40, 42 |

Code for disposition of old part number

A -- Use up

B -- Use on other application (See PNI)

C -- File PDR Report with Bobcat Parts Sales

D -- Part Number Error

NUMERICAL INDEX (Cont'd)

| Part No. | Description | Was | Code | Page |
|----------|--------------------------|---------|------|--------------------|
| 6707040 | ELBOW | | | 212, 216 |
| 6707101 | SEAL | | | 70, 144 |
| 6707313 | PEDAL MOUNT | | | 40 |
| 6707314 | PEDAL | | | 40 |
| 6707315 | ANGLE | | | 40 |
| 6707337 | SWITCH, LOCK TRACTION | | | 40 |
| 6707647 | BRACE | | | 34 |
| 6707789 | LIGHT | | | 537, 538 |
| 6707852 | DECAL | | | 472 |
| 6708009 | LINK | | | 94 |
| 6708016 | GASKET | | | 40, 42, 44 |
| 6708018 | SPRING | | | 40, 42, 44 |
| 6708043 | BUSHING | | | 94 |
| 6708189 | TUBE | | | 8 |
| 6708267 | BOLT | | | 40, 42, 44 |
| 6708310 | HOSE | | | 472 |
| 6708770 | CAP | | | 260 |
| 6708929 | DECAL | | | 510 |
| 6708987 | HINGE, WELD-ON | | | 6 |
| 6709030 | DECAL | | | 260, 510 |
| 6709229 | BOLT | | | 532 |
| 6709234 | DISC | | | 532 |
| 6709236 | MOUNT | | | 532 |
| 6709237 | CLAMP | | | 532 |
| 6709239 | PEDAL ASSY. | | | 532 |
| 6709400 | TUBE | | | 532 |
| 6709547 | HOSE | 6709545 | B | 532 |
| 6710358 | DECAL | | | 508 |
| 6710573 | TUBE | | | 48, 60 |
| 6710585 | WASHER | | | 260 |
| 6710659 | BUSHING | | | 12 |
| 6710746 | SAFETY TREAD | | | 508 |
| 6711166 | HOSE | | | 74 |
| 6711524 | REAR DOOR | | | 4 |
| 6711527 | LATCH PLATE | | | 18 |
| 6711632 | MOUNTING KIT | | | 529, 530 |
| 6711643 | CAM | | | 180 |
| 6711664 | GUIDE, LATCH | | | 18 |
| 6711674 | MOUNT | | | 148, 150, 550 |
| 6711699 | HUB ASSY. | | | 262 |
| 6711840 | DECAL | | | 508 |
| 6711908 | SPRING PLATE | | | 10, 648 |
| 6711913 | BRACKET | | | 148, 150, 154 |
| 6712365 | STEP | | | 222, 228 |
| 6712402 | MOUNT ASSY. | | | 34 |
| 6712970 | PULLEY | | | 539, 540, 650 |
| 6712971 | PULLEY | | | 540, 650 |
| 6713040 | SPRING | | | 28 |
| 6713043 | SPACER | | | 222, 226, 238, 552 |
| 6713116 | BUSHING | | | 592 |
| 6713349 | GRIP | | | 222 |
| 6713370 | PIN | | | 260 |
| 6713456 | SHAFT, TRANS | | | 38, 40, 42 |
| 6713507 | DECAL | | | 508 |

Code for disposition of old part number

A -- Use up

B -- Use on other application (See PNI)

C -- File PDR Report with Bobcat Parts Sales

D -- Part Number Error

NUMERICAL INDEX (Cont'd)

| Part No. | Description | Was | Code | Page |
|----------|-----------------------|---------|------|-------------------------|
| 6713589 | CLEVIS | | | 12 |
| 6713793 | BRACKET | | | 456 |
| 6713887 | BOLT | | | 12 |
| 6714037 | LATCH | | | 634 |
| 6714126 | DOOR STOP | | | 18, 20 |
| 6714210 | SPRING | | | 18 |
| 6714212 | PULLEY ASSY. | | | 262 |
| 6714242 | DECAL | | | 510 |
| 6714278 | GUIDE | | | 40, 42, 44 |
| 6714361 | WEIGHT | | | 504, 506 |
| 6714535 | DECAL | | | 508, 510 |
| 6714543 | GASKET | | | 276, 280, 370, 372, 408 |
| 6714665 | MOUNT | | | 71, 72, 75, 76 |
| 6714726 | GROMMET | | | 222, 228, 234 |
| 6714808 | HOSE | | | 166, 618, 620, 624 |
| 6714808 | HOSE | 6711166 | B | 166, 618, 620, 624 |
| 6714904 | TEE | | | 148, 150, 154, 156 |
| 6714932 | KIT, COUNTERWEIGHT | | | 505, 506 |
| 6714979 | BRACKET | | | 212, 216 |
| 6715106 | INSULATION | | | 540, 650 |
| 6715131 | BRACKET | 6727508 | A | 214, 216, 516, 518 |
| 6715132 | RETAINER | | | 212, 218 |
| 6715142 | FAN | | | 254 |
| 6715143 | SET SCREW | | | 254 |
| 6715163 | BUSHING, PRESS FIT | | | 180 |
| 6715164 | SLEEVE, SPRING | | | 182 |
| 6715165 | FLYWHEEL | | | 262 |
| 6715183 | ELBOW | | | 30 |
| 6715184 | ADAPTER | | | 48, 60 |
| 6715190 | ELBOW | | | 164, 165, 166, 170 |
| 6715191 | ELBOW | | | 166, 170 |
| 6715197 | CLAMP | | | 214, 216 |
| 6715318 | TOOL HOLDER | | | 18 |
| 6715365 | HARNESS | | | 450, 512 |
| 6715428 | DECAL | | | 540, 650 |
| 6715653 | TEE | | | 176 |
| 6715659 | HARNESS | | | 456 |
| 6715860 | SEAT BAR | | | 12 |
| 6715863 | BRACKET | | | 12 |
| 6715864 | BUSHING | | | 12 |
| 6715865 | BUSHING | | | 12 |
| 6715866 | BUSHING | | | 12 |
| 6715912 | DECAL | | | 508 |
| 6715924 | PULLEY | | | 254 |
| 6715957 | COVER | | | 222 |
| 6715975 | HARNESS | | | 212 |
| 6716061 | TEE | | | 46, 50, 54, 58, 62, 66 |
| 6716089 | CONNECTOR | | | 148, 150, 550, 618, 628 |
| 6716391 | HOSE | | | 166 |
| 6716408 | SPACER | | | 266 |
| 6716419 | HARNESS, DOOR REAR | | | 588 |
| 6716443 | ELBOW | | | 620, 624 |

Code for disposition of old part number

A -- Use up

B -- Use on other application (See PNI)

C -- File PDR Report with Bobcat Parts Sales

D -- Part Number Error

NUMERICAL INDEX (Cont'd)

| Part No. | Description | Was | Code | Page |
|----------|-----------------------|-----|------|--------------------|
| 6716449 | PAD | | | 164 |
| 6716545 | ROD | | | 180 |
| 6716571 | LOUVER, PLASTIC LH | | | 252 |
| 6716573 | LOUVER, PLASTIC RH | | | 252 |
| 6716621 | COVER | | | 16 |
| 6716826 | BOLT | | | 222, 226, 552 |
| 6716843 | WASHER | | | 36 |
| 6716916 | WASHER | | | 222, 228, 234 |
| 6716977 | BELLCRANK | | | 180, 222, 226, 234 |
| 6717015 | ROD LINK | | | 22 |
| 6717021 | BUSHING | | | 24 |
| 6717025 | BUSHING | | | 24 |
| 6717026 | BUSHING | | | 24 |
| 6717037 | BUSHING | | | 24 |
| 6717039 | BUSHING | | | 22 |
| 6717041 | BUSHING | | | 24 |
| 6717052 | MAIN FRAME | | | 3, 4 |
| 6717142 | BRACKET | | | 60, 464 |
| 6717143 | MOUNT | | | 46, 58 |
| 6717144 | HOSE | | | 166, 172 |
| 6717145 | BRACKET | | | 164 |
| 6717151 | MOUNT | | | 70 |
| 6717207 | PANEL | | | 16 |
| 6717239 | LINK | | | 180 |
| 6717246 | BUSHING | | | 22, 23, 24 |
| 6717259 | BUSHING | | | 28 |
| 6717260 | BUSHING | | | 28 |
| 6717277 | BUSHING | | | 4 |
| 6717278 | BUSHING | | | 4 |
| 6717293 | MOUNT | | | 586 |
| 6717313 | PANEL | | | 16 |
| 6717343 | DECAL | | | 508 |
| 6717356 | BUSHING | | | 4 |
| 6717357 | BUSHING | | | 4 |
| 6717358 | BUSHING | | | 6 |
| 6717359 | BUSHING | | | 4, 5, 6 |
| 6717369 | BRACKET | | | 474, 482 |
| 6717382 | TUBE | | | 46 |
| 6717384 | BRACKET | | | 72, 76 |
| 6717385 | HOSE | | | 74, 76, 166 |
| 6717386 | HOSE | | | 70 |
| 6717387 | HOSE | | | 74, 78 |
| 6717389 | ADAPTER | | | 164 |
| 6717393 | LEVER | | | 222, 225, 226, 234 |
| 6717401 | PLUG | | | 32 |
| 6717402 | BUSHING | | | 32 |
| 6717434 | TUBE | | | 60, 64, 464, 466 |
| 6717435 | TUBE | | | 60, 464 |
| 6717436 | TUBE | | | 58, 464 |
| 6717437 | TUBE | | | 46, 58 |
| 6717439 | TUBE | | | 72 |
| 6717440 | TUBE | | | 72 |
| 6717441 | TUBE | | | 46, 58 |

Code for disposition of old part number

A -- Use up

B -- Use on other application (See PNI)

C -- File PDR Report with Bobcat Parts Sales

D -- Part Number Error

NUMERICAL INDEX (Cont'd)

| Part No. | Description | Was | Code | Page |
|----------|---------------|---------|------|------------------------|
| 6717442 | TUBE | | | 46, 58 |
| 6717443 | TUBE | | | 46, 58 |
| 6717444 | TUBE | | | 46, 58 |
| 6717445 | TUBE | | | 46, 58 |
| 6717486 | PIN | | | 22 |
| 6717502 | BOOM STEP | | | 46, 50, 54, 58, 62, 66 |
| 6717504 | BRACKET | | | 32 |
| 6717517 | INSULATION | | | 514 |
| 6717518 | INSULATION | | | 514 |
| 6717536 | PIN | | | 22 |
| 6717560 | PIN | | | 21, 22 |
| 6717562 | BUSHING | | | 24 |
| 6717566 | ROD | | | 270 |
| 6717579 | GASKET | | | 32, 212, 218 |
| 6717591 | HOSE | | | 256, 258 |
| 6717592 | HOSE | | | 256, 258 |
| 6717593 | HINGE | | | 476, 480 |
| 6717637 | TANK | | | 254 |
| 6717639 | DECAL | | | 508 |
| 6717650 | MOUNT | | | 254 |
| 6717674 | HOSE | | | 256, 258 |
| 6717704 | HOSE | | | 30 |
| 6717706 | COIL, 10 VOLT | 6666547 | A | 100, 108, 124, 130 |
| 6717706 | COIL, 10 VOLT | 6665759 | D | 100, 108, 124, 130 |
| 6717706 | COIL, 10 VOLT | | | 100, 108, 124, 130 |
| 6717707 | PIN | | | 586 |
| 6717815 | ADAPTER | | | 168 |
| 6717820 | BAR | | | 94 |
| 6717827 | CAP | | | 163, 164, 169, 170 |
| 6717830 | TUBE | | | 164, 170 |
| 6717844 | TUBE | | | 628 |
| 6717859 | GASKET | | | 32 |
| 6717866 | TUBE | | | 72 |
| 6717867 | TUBE | | | 72 |
| 6717870 | FRAME | | | 496 |
| 6717871 | FRAME | | | 496 |
| 6717872 | FRAME | | | 496 |
| 6717873 | FRAME | | | 496 |
| 6717874 | WINDOW | | | 496, 514 |
| 6717885 | ELBOW | | | 148 |
| 6717886 | HOSE | | | 148 |
| 6717890 | COVER | | | 16 |
| 6717905 | HOSE | | | 166, 170 |
| 6717907 | DECAL | | | 510 |
| 6717908 | HOSE | | | 166, 170 |
| 6717909 | TUBE | | | 166 |
| 6717923 | TEE | | | 72, 76 |
| 6717933 | CLAMP | | | 46, 50, 54, 58, 62, 66 |
| 6717945 | LEVER | | | 94 |
| 6717951 | CLAMP | | | 72, 76, 80 |
| 6717961 | GUSSET | | | 26 |
| 6717987 | HOSE | | | 570 |
| 6718020 | HOSE | | | 164, 170 |
| 6718027 | TUBE | | | 72 |

Code for disposition of old part number

A -- Use up

B -- Use on other application (See PNI)

C -- File PDR Report with Bobcat Parts Sales

D -- Part Number Error

NUMERICAL INDEX (Cont'd)

| Part No. | Description | Was | Code | Page |
|------------|------------------------------------|---------|------|------------------------|
| 6718028 | TUBE | | | 72 |
| 6718030 | TUBE | | | 46, 50, 54, 58, 62, 66 |
| 6718034 | FUSE, 30A | | | 214, 218 |
| 6718066 | HOSE | | | 46, 50, 54, 58, 62, 66 |
| 6718080 | ELBOW | | | 148 |
| 6718098 | CONNECTOR | | | 148, 150, 154 |
| 6718101 | COVER | | | 10 |
| 6718122 | MOUNT | | | 586 |
| 6718136 | TUBE | | | 148, 150, 154 |
| 6718142 | KIT | | | 463, 464 |
| 6718175 | SCREEN | | | 556, 560 |
| 6718190 | TUBE | | | 618 |
| 6718191 | TUBE | | | 618 |
| 6718192 | TUBE | | | 618 |
| 6718193 | TUBE | | | 618 |
| 6718198 | HARNESS | | | 538 |
| 6718203 | TUBE | | | 618 |
| 6718204 | TUBE | | | 618 |
| 6718205 | TUBE | 6709409 | B,D | 532 |
| 6718206 | TUBE | 6709410 | B,D | 532 |
| 6718207 | TUBE | | | 618 |
| 6718208 | HOSE | | | 618, 620, 624 |
| 6718238 | BRACKET | | | 46, 50, 54, 58, 62, 66 |
| 6718244 | TUBE | | | 148, 150, 550 |
| 6718245 | TUBE | | | 148, 150, 550 |
| 6718260 | BATTERY PAN | | | 212, 218 |
| 6718271 | DECAL | | | 508 |
| 6718272 | DECAL | | | 510 |
| 6718275 | DECAL | | | 508 |
| 6718286 | HOSE | | | 618, 628 |
| 6718291 | GRILL | 6705131 | A | 254, 255, 256 |
| 6718291 | GRILL | | | 254, 255, 256 |
| 6718295 | HARNESS | | | 476 |
| 6718298 | KIT | | | 658 |
| 6718311 | HOSE | | | 80 |
| 6718312 | STOP | | | 26 |
| 6718326 | MOUNT | | | 546 |
| 6718358 | HOSE | | | 594, 598 |
| 6718376 | HINGE | | | 476, 480 |
| 6718411 | KIT | | | 545, 546 |
| 6718415 | SWITCH | | | 212, 216 |
| 6718417 | SENDER | 6727869 | D | 212 |
| 6718426 | HARNESS, BOOM | | | 522, 524 |
| 6718454 | HOSE | | | 148, 150, 550 |
| 6718498 | BRACKET | | | 164 |
| 6718520 | COVER | | | 474, 480 |
| 6718578 | TEE | | | 570 |
| 6718579 | DECAL | | | 556, 560 |
| 6718580 | PANEL | | | 514 |
| 6718628REM | ENGINE, KUBOTA V2003T-EB TIER 1 | | | 318 |
| 6718633 | TUBE | | | 628 |
| 6718652 | HARNESS | | | 594, 598 |
| 6718657 | CLAMP | | | 72 |
| 6718659 | HOUSING | | | 212, 216 |

Code for disposition of old part number

A -- Use up

B -- Use on other application (See PNI)

C -- File PDR Report with Bobcat Parts Sales

D -- Part Number Error

NUMERICAL INDEX (Cont'd)

| Part No. | Description | Was | Code | Page |
|----------|-------------------------|---------|------|-------------------------|
| 6718661 | ELBOW | | | 176 |
| 6718672 | BRACKET | | | 252 |
| 6718702 | DECAL | | | 222 |
| 6718704 | DECAL | | | 222, 230 |
| 6718706 | DECAL | | | 222, 230, 234 |
| 6718719 | HANDBOOK, OPERATOR'S | | A | 2, 508, 552, 553, 554 |
| 6718719 | HANDBOOK, OPERATOR'S | 6737783 | A | 2, 508, 552, 553, 554 |
| 6718719 | HANDBOOK, OPERATOR'S | 6902600 | B,D | 2, 508, 552, 553, 554 |
| 6718723 | WASHER | | | 22 |
| 6718728 | MOUNT ASSY. | 6710469 | B,D | 532 |
| 6718730 | BELT, FAN | | | 254 |
| 6718750 | MOUNT | | | 522, 524 |
| 6718772 | GASKET | | | 164, 170 |
| 6718774 | DECAL | | | 16, 214, 218, 508 |
| 6718784 | COVER | | | 8 |
| 6718789 | PIN | | | 22 |
| 6718791 | COVER | | | 4 |
| 6718796 | PLUG | 6660646 | A | 6, 18, 20 |
| 6718796 | PLUG | | | 6, 18, 20 |
| 6718804 | KIT | | | 511, 512 |
| 6718805 | KIT | SALES | A | 495, 496 |
| 6718807 | KIT | | | 471, 472 |
| 6718820 | HARNESS | | | 456 |
| 6718822 | KIT | | | 455, 456 |
| 6718833 | BRACKET | | | 544 |
| 6718834 | BRACKET | | | 544 |
| 6718837 | SPACER | | | 556, 560 |
| 6718848 | HOSE | | | 594 |
| 6718870 | HARNESS | | | 207, 208 |
| 6718871 | HARNESS | | | 212 |
| 6718872 | HARNESS | | | 458, 546, 656 |
| 6718873 | HARNESS | | | 546 |
| 6718880 | GUSSET | | | 26 |
| 6718887 | PANEL | | | 556, 560 |
| 6718912 | HARNESS | | | 211, 212 |
| 6718913 | HARNESS | | | 212, 224 |
| 6718924 | KIT | | | 543, 544 |
| 6718942 | NUT | | | 24 |
| 6718948 | SNUBBER | | | 212 |
| 6718962 | HOSE | | | 74 |
| 6718994 | MOUNT | | | 6 |
| 6719018 | DECAL | | | 510 |
| 6719037 | STRIKER | | | 496 |
| 6719048 | MOUNT | | | 270, 280, 322, 372, 408 |
| 6719056 | BLOCK | | | 40, 42, 44 |
| 6719057 | BLOCK | | | 40, 42, 44 |
| 6719059 | CABLE | | | 212 |
| 6719060 | CABLE | | | 212 |
| 6719063 | STOP | | | 496 |
| 6719064 | MOUNT | | | 8, 548 |
| 6719064 | MOUNT | 6719005 | A | 8, 548 |
| 6719065 | COVER TAB | | | 496 |

Code for disposition of old part number

A -- Use up

B -- Use on other application (See PNI)

C -- File PDR Report with Bobcat Parts Sales

D -- Part Number Error

NUMERICAL INDEX (Cont'd)

| Part No. | Description | Was | Code | Page |
|-----------|---------------------------|-----------|------|------------------------|
| 6719080 | HOSE | 6717876 | A | 570 |
| 6719144 | HOSE | | | 570, 572 |
| 6719150 | KIT | | | 531, 532 |
| 6719176 | SWITCH ROCKER | | | 576 |
| 6719184 | MOUNT | | | 584 |
| 6719185 | MOUNT | | | 584 |
| 6719201 | COVER | | | 6 |
| 6719230 | BRACKET | | | 214 |
| 6719264 | KIT | | | 583, 584 |
| 6719317 | WINDOW | | | 638 |
| 6719327 | INSULATION | | | 540, 650, 651, 652 |
| 6719328 | INSULATION | | | 540, 650, 652 |
| 6719330 | INSULATION | | | 540, 650, 652 |
| 6719331 | INSULATION | | | 540, 650, 652 |
| 6719332 | INSULATION | | | 540, 650, 652 |
| 6719333 | INSULATION | | | 540, 650, 652 |
| 6719334 | INSULATION | | | 540, 650, 652 |
| 6719372 | INSULATION | | | 540, 650, 652 |
| 6719389 | INSULATION | | | 652 |
| 6719413 | WINDOW | | | 496 |
| 6719424 | TEE | | | 46, 50, 54 |
| 6719434 | HARNESS | | | 526 |
| 6719439 | HOSE | | | 46, 50, 54, 58, 62, 66 |
| 6719441 | DECAL | | | 526 |
| 6719442 | MOUNT | | | 526 |
| 6719448 | MAGNET, CONTROL ATTACH | | | 526, 528 |
| 6719451 | HOSE | | | 594, 598 |
| 6719451 | HOSE | 6718276 | A | 594, 598 |
| 6719504 | INSULATION | | | 10 |
| 6719510 | PLUG | | | 28 |
| 6719524 | STRIKER | | | 18 |
| 6719525 | BAR | | | 18, 20 |
| 6719550 | TUBE | | | 18 |
| 6719565 | HOSE | | | 258 |
| 6719574 | DECAL | | | 510 |
| 6719605 | HOSE | | | 172 |
| 6719766 | STOP | | | 18, 20 |
| 6719795AR | KIT | | | 508, 510 |
| 6719795BR | KIT | | | 508, 510 |
| 6719796AR | KIT | | | 508, 510 |
| 6719796BR | KIT | | | 508, 510 |
| 6719796JP | KIT | | | 508, 510 |
| 6719825 | BOLT | 5CM01025B | B | 262 |
| 6719826 | BOLT | 5CM01035B | B | 266 |
| 6719827 | BOLT | 6CM01225B | B | 266 |
| 6719828 | BOLT | 6CM01230B | B | 260, 266 |
| 6719829 | BOLT | 6CM01235B | B | 266 |
| 6719834 | SPACER | | | 226, 238, 452, 552 |
| 6719835 | SLEEVE | | | 226, 238, 552 |
| 6719840 | KIT | | | 593, 594 |
| 6719854 | KIT | | | 457, 458 |
| 6719857 | KIT | | | 655, 656 |
| 6719882 | TUBE | | | 594 |
| 6719883 | TUBE | | | 594 |

Code for disposition of old part number

A -- Use up

B -- Use on other application (See PNI)

C -- File PDR Report with Bobcat Parts Sales

D -- Part Number Error

NUMERICAL INDEX (Cont'd)

| Part No. | Description | Was | Code | Page |
|------------|-----------------------------------|------------|------|-------------------------|
| 6719884 | BRACKET | | | 594, 598 |
| 6719888 | DECAL | | | 594, 598 |
| 6719992 | TUBE | 6717417 | A | 176 |
| 6720038 | INSTRUCTIONS | | | 460 |
| 6720592 | INSTRUCTIONS | | | 544 |
| 6720736 | PLUG | | | 459, 460 |
| 6722147 | HOLDER KIT | | | 315, 316, 365, 366, 404 |
| 6722147REM | NOZZLE, FUEL INJ. KUBOTA V2203 | | | 316, 366, 404 |
| 6722597 | VELCRO | | | 492 |
| 6722861 | INSTRUCTIONS | | | 616 |
| 6722907 | KIT | | | 36, 453, 454 |
| 6722908 | INSTRUCTIONS | | | 454 |
| 6724482 | INSTRUCTIONS | | | 530 |
| 6725092 | DECAL | | | 506, 508 |
| 6725092 | DECAL | 6561376 | A | 506, 508 |
| 6725128 | ADAPTER | 6718801 | A | 222, 230, 234 |
| 6725128 | ADAPTER | | | 222, 230, 234 |
| 6725165 | MOUNT | | | 228 |
| 6725171 | SHIELD | | | 472, 482 |
| 6725182 | TEE | | | 70, 172 |
| 6725212 | ARM | 6703507 | A | 260 |
| 6725256 | COUNTERWEIGHT | 6714053 | A | 506 |
| 6725273 | HARNESS | | | 512, 556, 560 |
| 6725291 | BUSHING | | | 26 |
| 6725293 | PLUG | | | 28 |
| 6725295 | BUSHING | | | 28 |
| 6725301 | OP MANUAL COVER | | | 10 |
| 6725302 | GASKET | | | 15, 16, 214 |
| 6725303 | OP MANUAL PAN | | | 10 |
| 6725318 | KIT | | | 28 |
| 6725337 | TUBE | | | 46, 50, 54, 58, 62, 66 |
| 6725361 | INSULATION | | | 540, 650, 652 |
| 6725370 | DECAL | | | 644 |
| 6725373 | SPRING PLATE | | | 10 |
| 6725374 | DECAL | | | 508, 510 |
| 6725374 | DECAL | 6719017 | B | 508, 510 |
| 6725390 | HARNESS | | | 556, 557, 558 |
| 6725419 | KIT | | | 649, 650 |
| 6725421 | HANDLE | | | 502 |
| 6725427 | BRACKET | | | 268 |
| 6725502 | ELBOW | 23F000001B | A | 368 |
| 6725552 | TUBE | 6718246 | B,D | 594, 598 |
| 6725552 | TUBE | | | 594, 598 |
| 6725553 | TUBE | 6718247 | B,D | 594, 598 |
| 6725553 | TUBE | | | 594, 598 |
| 6725592 | GUARD | | | 48, 60 |
| 6725898 | KIT | | | 541, 542 |
| 6725906 | BRACKET | | | 542 |
| 6725907 | DECAL | | | 594, 598 |
| 6725907 | DECAL | 6717842 | B | 594, 598 |
| 6725933 | HARNESS | | | 556, 560, 576 |
| 6725933 | HARNESS | 6717877 | A | 556, 560, 576 |
| 6725934 | HARNESS | | | 558 |
| 6725936 | HARNESS | | | 558 |

Code for disposition of old part number

A -- Use up

B -- Use on other application (See PNI)

C -- File PDR Report with Bobcat Parts Sales

D -- Part Number Error

NUMERICAL INDEX (Cont'd)

| Part No. | Description | Was | Code | Page |
|----------|--------------|---------|------|--------------------|
| 6725937 | CLAMP | | | 480 |
| 6725938 | CLAMP | | | 480 |
| 6725946 | KIT | | | 501, 502 |
| 6725969 | SPACER | | | 48, 60 |
| 6726062 | SHIELD | | | 6 |
| 6726162 | BRACKET | | | 170 |
| 6726166 | TUBE | | | 50, 54 |
| 6726167 | TUBE | | | 52, 56, 64, 68 |
| 6726168 | TUBE | | | 50, 54, 62, 66 |
| 6726169 | TUBE | | | 50 |
| 6726171 | TUBE | | | 50, 62 |
| 6726172 | TUBE | | | 50, 62 |
| 6726178 | KIT | | | 465, 466 |
| 6726180 | TUBE | | | 64, 68, 466, 468 |
| 6726182 | TUBE | | | 64, 466 |
| 6726185 | TUBE | | | 76, 626 |
| 6726186 | TUBE | | | 76, 156, 626 |
| 6726187 | TUBE | | | 76 |
| 6726188 | TUBE | | | 76, 156 |
| 6726192 | TUBE | | | 150, 154, 155, 156 |
| 6726196 | HOSE | | | 150, 154, 156 |
| 6726251 | HOSE | | | 170 |
| 6726253 | MOUNT | | | 50, 54, 62, 66 |
| 6726254 | BRACKET | | | 170 |
| 6726255 | PAD | | | 170 |
| 6726258 | SCREEN | | | 164 |
| 6726260 | KIT | SALES | A | 619, 620 |
| 6726263 | TUBE | | | 620, 624 |
| 6726264 | TUBE | | | 620, 624 |
| 6726265 | TUBE | | | 620 |
| 6726266 | TUBE | | | 620 |
| 6726267 | TUBE | | | 620, 624 |
| 6726268 | TUBE | | | 620, 624 |
| 6726269 | TUBE | | | 620, 624 |
| 6726270 | HOSE | | | 76 |
| 6726272 | TUBE | | | 620, 624, 630 |
| 6726273 | TUBE | | | 620, 624, 630 |
| 6726274 | TUBE | | | 630 |
| 6726275 | TUBE | | | 630 |
| 6726277 | CLAMP | | | 56, 66 |
| 6726288 | KIT | SALES | A | 629, 630 |
| 6726293 | SPACER BLOCK | | | 620, 624 |
| 6726303 | DECAL | | | 502 |
| 6726357 | HARNESS | | | 578 |
| 6726386 | KNOB | | | 558, 560 |
| 6726420 | KIT | | | 479, 480 |
| 6726423 | DECAL | | | 586 |
| 6726433 | SPACER | | | 256, 258 |
| 6726479 | ADAPTER | 6711628 | A | 148, 150, 154 |
| 6726503 | BRACKET | 6718970 | A | 214 |
| 6726531 | MUFFLER | | | 590 |
| 6726539 | PULLEY | | | 260 |
| 6726601 | HARNESS | | | 216 |
| 6726608 | COVER | | | 558 |

Code for disposition of old part number

A -- Use up

B -- Use on other application (See PNI)

C -- File PDR Report with Bobcat Parts Sales

D -- Part Number Error

NUMERICAL INDEX (Cont'd)

| Part No. | Description | Was | Code | Page |
|----------|---------------------------|---------|------|-----------------------------------|
| 6726620 | BRACKET | | | 576 |
| 6726621 | SCREW | | | 566, 568, 576 |
| 6726623 | HOSE | | | 576 |
| 6726648 | BRACKET | | | 576 |
| 6726649 | TUBE | | | 174 |
| 6726655 | KIT | | | 637, 638 |
| 6726656 | HOSE | | | 576 |
| 6726661 | HOSE, A/C ASSY | | | 576 |
| 6726679 | MOUNT | | | 94 |
| 6726681 | LINK | | | 234, 452 |
| 6726888 | HARNESS | | | 576 |
| 6726897 | BUSHING | | | 26 |
| 6726898 | BELT | | | 262 |
| 6726933 | FLYWHEEL ASSY | | | 262 |
| 6726938 | SHIELD | | | 262 |
| 6726945 | MOUNT | | | 528 |
| 6726988 | BELT | | | 576 |
| 6727065 | BOLT | | | 224, 226, 230, 238, 452, 552, 554 |
| 6727084 | BRACKET | | | 266 |
| 6727130 | HARNESS | | | 230, 231, 232 |
| 6727140 | FILTER, AIR HEATER CAB | | | 558 |
| 6727155 | DECAL | | | 230, 552 |
| 6727176 | KIT | | | 519, 520 |
| 6727178 | HARNESS | | | 209, 210 |
| 6727190 | HARNESS | | | 512 |
| 6727298 | KIT | | | 224, 551, 552 |
| 6727299 | INSULATION | 6719425 | A | 514, 652 |
| 6727299 | INSULATION | | | 514, 652 |
| 6727310 | DECAL | 6711329 | A | 508 |
| 6727311 | DECAL | 6714139 | A | 510 |
| 6727328 | HARNESS | | | 554 |
| 6727414 | HOSE | | | 576 |
| 6727468 | HARN.STD ACCESS | | | 449, 450 |
| 6727496 | PIN | | | 234, 452 |
| 6727498 | HARNESS | 6719151 | A | 582 |
| 6727527 | CABLE | | | 212 |
| 6727528 | CABLE | | | 212, 216 |
| 6727595 | DECAL | 6595014 | A | 508, 510 |
| 6727595 | DECAL | 6595014 | B | 508, 510 |
| 6727637 | ELBOW | | | 170 |
| 6727638 | TEE | | | 52, 56, 64, 68 |
| 6727640 | TUBE | | | 52, 56, 174 |
| 6727640 | TUBE | 6725369 | A | 52, 56, 174 |
| 6727644 | TUBE | | | 50, 62 |
| 6727645 | TUBE | | | 170 |
| 6727646 | BRACKET | | | 64, 68, 466, 468 |
| 6727647 | TUBE | | | 178 |
| 6727649 | TUBE | | | 76 |
| 6727657 | HOSE | | | 76, 80 |
| 6727658 | TUBE | | | 76 |
| 6727702 | TUBE | | | 50, 54, 62, 66, 70 |
| 6727703 | HOSE | | | 52, 64 |
| 6727705 | HOSE | | | 52, 56, 64, 68 |
| 6727707 | CLAMP | | | 52, 56, 64, 68 |

Code for disposition of old part number

A -- Use up

B -- Use on other application (See PNI)

C -- File PDR Report with Bobcat Parts Sales

D -- Part Number Error

NUMERICAL INDEX (Cont'd)

| Part No. | Description | Was | Code | Page |
|----------|-----------------------|------------|------|-------------------------|
| 6727708 | CLAMP | | | 52, 56, 64, 68 |
| 6727739 | KIT | | | 527, 528 |
| 6727752 | GASKET | 6575580 | B | 256, 276, 302, 370 |
| 6727752 | GASKET | 6666791 | B,D | 256, 276, 302, 370 |
| 6727753 | GASKET | 6666816 | A | 258, 320, 350 |
| 6727786 | KIT | 6728990 | A | 567, 568 |
| 6727847 | COVER | | | 558, 560 |
| 6727863 | ROD LINK | | | 22 |
| 6727869 | SENDER,HYD TEMP | | | 216 |
| 6727912 | DECAL | 6714526 | A | 510 |
| 6727913 | DECAL | 6714534 | A | 508, 510 |
| 6727926 | DECAL | | | 234, 452, 508 |
| 6727926 | DECAL | 6718703 | A | 234, 452, 508 |
| 6727926 | DECAL | 6727941 | A | 234, 452, 508 |
| 6727993 | KIT | | | 585, 586 |
| 6727995 | KIT, HORN | 6719043 | B | 581, 582 |
| 6728011 | BRACKET | | | 576 |
| 6728045 | DECAL | | | 452 |
| 6728062 | MOUNT | | | 262 |
| 6728079 | HOSE | | | 166, 170 |
| 6728079 | HOSE | 6717332 | A | 166, 170 |
| 6728157 | EXCHANGER, OIL COOLER | | | 174 |
| 6728327 | DECAL | 6718701 | A | 508 |
| 6728328 | DECAL | | | 230 |
| 6728337 | SPACER | | | 266 |
| 6728459 | DOOR SENSOR | | | 476, 482 |
| 6728473 | BOLT | 38C001036B | A | 28 |
| 6728539 | DECAL | 6718698 | A | 222, 230, 234, 452, 508 |
| 6728539 | DECAL | 6718699 | A | 222, 230, 234, 452, 508 |
| 6728539 | DECAL | | | 222, 230, 234, 452, 508 |
| 6728540 | DECAL | | | 452 |
| 6728567 | KIT | | | 562, 565, 566 |
| 6728613 | HOSE | 6718074 | A | 148 |
| 6728626 | HARNESS | | | 218 |
| 6728673 | TANK | | | 170 |
| 6728742 | HARNESS | | | 224, 230, 554 |
| 6729004 | KIT | | | 575, 576 |
| 6729008 | CABLE | | | 218 |
| 6729009 | SEAL | | | 496 |
| 6729010 | SEAL | | | 496 |
| 6729011 | SEAL | | | 496 |
| 6729012 | INSULATION | | | 8 |
| 6729013 | INSULATION | | | 8 |
| 6729054 | HARNESS | | | 232 |
| 6729056 | HARNESS, MFR | | | 215, 216 |
| 6729077 | DECAL | | | 578 |
| 6729082 | MOUNT | | | 176, 177, 178 |
| 6729083 | MOUNT | 6728140 | A | 176 |
| 6729094 | HOSE | | | 150, 154 |
| 6729141 | MOUNT | | | 548 |
| 6729146 | HOSE | 6712856 | A | 148 |
| 6729161 | HOSE | 6718069 | A | 72 |
| 6729162 | HOSE | 6718847 | A | 594 |
| 6729173 | COVER | | | 42 |

Code for disposition of old part number

A -- Use up

B -- Use on other application (See PNI)

C -- File PDR Report with Bobcat Parts Sales

D -- Part Number Error

NUMERICAL INDEX (Cont'd)

| Part No. | Description | Was | Code | Page |
|----------|-----------------------------------|---------|------|--------------------|
| 6729202 | HOSE | | | 594, 598 |
| 6729202 | HOSE | 6719603 | A | 594, 598 |
| 6729203 | HOSE | 6719604 | A | 594, 598 |
| 6729203 | HOSE | | | 594, 598 |
| 6729233 | KIT | | | 512 |
| 6729380 | HARNESS, CONTROL ATTACH DLX | | | 528 |
| 6729467 | SPACER | | | 234, 452 |
| 6729594 | HANDLE | | | 224, 230, 238, 554 |
| 6729595 | HANDLE | | | 224, 230, 238, 554 |
| 6729646 | DECAL | | | 508, 510 |
| 6729647 | DECAL | | | 508 |
| 6729688 | LATCH | | | 634 |
| 6729776 | WINDOW, DOOR CURVED CAB | | | 478 |
| 6729819 | BUSHING | | | 24 |
| 6729853 | HOSE | | | 30 |
| 6729854 | TUBE | | | 32 |
| 6729900 | TIRE | | | 660 |
| 6729909 | TUBE | | | 56, 70 |
| 6729939 | LATCH PLATE | | | 20 |
| 6729956 | LEVER, PINTLE | | | 180 |
| 6729974 | HARNESS | | | 216 |
| 6729991 | REAR DOOR | | | 20 |
| 6730078 | COVER | | | 34 |
| 6730106 | TIRE | | | 660 |
| 6730123 | HARNESS | | | 478 |
| 6730142 | TEE | | | 54, 66 |
| 6730201 | TUBE | | | 54, 62, 66 |
| 6730201 | TUBE | 6726169 | C | 54, 62, 66 |
| 6730202 | TUBE | | | 54, 66 |
| 6730203 | TUBE | | | 54, 66 |
| 6730209 | TUBE | | | 68, 468 |
| 6730290 | BOLT | | | 26 |
| 6730291 | BRACKET | | | 528 |
| 6730770 | HARNESS | | | 598, 599, 600 |
| 6730771 | RIM | 6565239 | A | 660 |
| 6730772 | RIM | 6565240 | A | 660 |
| 6730775 | RIM | 6705109 | A | 660 |
| 6730816 | SHIELD | | | 472, 482 |
| 6730822 | KIT | | | 472 |
| 6730823 | KIT | | | 480 |
| 6730886 | KIT | | | 467, 468 |
| 6730909 | DECAL | 6727755 | A | 510 |
| 6730910 | DECAL | | | 510 |
| 6730996 | HOSE | | | 572 |
| 6730997 | BUSHING | 711273B | A | 28 |
| 6730998 | HOSE | | | 572 |
| 6730999 | TUBE ASSY | 6576029 | A | 256, 258 |
| 6731049 | ADAPTER | | | 572 |
| 6731059 | INLET | 6717705 | A | 32 |
| 6731060 | SHIELD | 6717812 | A | 267, 268 |
| 6731084 | ADAPTER | | | 574 |
| 6731085 | ELBOW | | | 572, 574 |

Code for disposition of old part number

A -- Use up

B -- Use on other application (See PNI)

C -- File PDR Report with Bobcat Parts Sales

D -- Part Number Error

NUMERICAL INDEX (Cont'd)

| Part No. | Description | Was | Code | Page |
|----------|--------------|------------|------|-------------------------|
| 6731108 | SEAL | | | 636 |
| 6731119 | PIVOT, WEDGE | 6714576 | A | 28, 594, 598 |
| 6731119 | PIVOT, WEDGE | 6704240 | B,D | 28, 594, 598 |
| 6731121 | PLUG | 11F000012B | A | 34 |
| 6731151 | KIT | | | 451, 452 |
| 6731160 | WASHER | | | 24 |
| 6731212 | SENSOR | | | 474, 482, 490 |
| 6731228 | TUBE | | | 80 |
| 6731229 | TUBE | | | 80 |
| 6731230 | TUBE | | | 80 |
| 6731231 | TUBE | | | 80 |
| 6731235 | KIT | SALES | D | 623, 624 |
| 6731245 | TUBE | | | 624 |
| 6731246 | TUBE | | | 624 |
| 6731256 | CABLE | | | 216, 217, 218 |
| 6731275 | INSULATION | | | 16 |
| 6731478 | EXIT TAG | 6559515 | A | 496, 512 |
| 6731495 | SHIELD | | | 576 |
| 6731507 | DECAL | | | 510 |
| 6731508 | DECAL | | | 510 |
| 6731509 | DECAL | | | 510 |
| 6731524 | KIT | | | 549, 550 |
| 6731578 | BUSHING | | | 4, 6 |
| 6731617 | PAN | | | 516, 518 |
| 6731657 | BRACKET | 6719843 | A | 584 |
| 6731658 | BRACKET | 6725031 | A | 584 |
| 6731662 | HOSE | | | 598 |
| 6731665 | CABLE | | | 516, 518 |
| 6731666 | CABLE | | | 516, 518 |
| 6731694 | KIT | | | 517, 518 |
| 6731695 | KIT | | | 515, 516 |
| 6731746 | BRACKET | | | 516, 518 |
| 6731757 | DECAL | | | 80, 508 |
| 6731956 | KIT | | | 326 |
| 6731979 | BUSHING | | | 28 |
| 6731994 | DECAL | | | 540 |
| 6732001 | KIT | 6714973 | A | 633, 634 |
| 6732023 | CONNECTOR | | | 572 |
| 6732199 | GASKET | 6666790 | A | 276, 300, 346, 570, 572 |
| 6732219 | KIT | 6725168 | A | 643, 644 |
| 6732225 | SPACER | | | 6 |
| 6732264 | FRAME LINK | | | 26 |
| 6732265 | BUSHING | | | 26 |
| 6732280 | SHIM | | | 26 |
| 6732318 | SPACER | | | 254 |
| 6732351 | WINDOW | | | 480 |
| 6732416 | BELT | | | 254 |
| 6732423 | DECAL | | | 510 |
| 6732443 | CUP | | | 24, 28 |
| 6732451 | KIT | | | 489, 490 |
| 6732457 | WASHER | | | 254 |
| 6732486 | CONDENSER | 6726983 | A | 576 |
| 6732532 | DECAL | | | 508 |
| 6732533 | DECAL | | | 508 |

Code for disposition of old part number

A -- Use up

B -- Use on other application (See PNI)

C -- File PDR Report with Bobcat Parts Sales

D -- Part Number Error

NUMERICAL INDEX (Cont'd)

| Part No. | Description | Was | Code | Page |
|----------|--------------------|---------|------|------------------------|
| 6732619 | SEAL | | | 636 |
| 6732621 | PANEL | | | 16 |
| 6732715 | LATCH | 6729685 | A | 20 |
| 6732718 | KIT | | | 635, 636 |
| 6732724 | INSULATION | 6719409 | A | 540, 650, 652 |
| 6732732 | BUSHING | | | 578 |
| 6732928 | KIT | | | 547, 548 |
| 6732997 | U-BOLT | 6700768 | A | 180 |
| 6733002 | MAIN FRAME | | | 4 |
| 6733107 | PLUG ASSY | | | 8 |
| 6733142 | KIT | | | 521, 522 |
| 6733292 | HARNESS, ACS | 6726925 | B | 232, 234 |
| 6733292 | HARNESS, ACS | 6729023 | A | 232, 234 |
| 6733529 | SEAL | | | 16 |
| 6733575 | HINGE, REAR DOOR | 6711526 | A | 18, 20 |
| 6733616 | BUMPER | | | 20 |
| 6733655 | COMPRESSOR | | | 576 |
| 6733667 | LATCH, REAR DOOR | 6811910 | A | 20 |
| 6733683 | TUBE | | | 80 |
| 6733684 | TUBE | 6730285 | A | 68, 468 |
| 6733970 | MOUNT | 6707726 | A | 456, 582 |
| 6734104 | HOUSING ASSY. | | | 254, 273, 274 |
| 6734104 | HOUSING ASSY. | 6702138 | A | 254, 273, 274 |
| 6734416 | LEVER | | | 270 |
| 6734432 | SPACER | | | 266 |
| 6734534 | DECAL | 6718398 | A | 510 |
| 6734561 | WASHER | | | 164, 170 |
| 6734563 | WASHER KIT | | | 164, 170 |
| 6734660 | BUSHING | | | 24 |
| 6734662 | PIN, PIVOT TAPERED | | | 22 |
| 6735140 | DECAL | 6557565 | A | 508 |
| 6735245 | DUCT | 6717643 | A | 556, 560 |
| 6735245 | DUCT | | | 556, 560 |
| 6735246 | DUCT | 6717644 | A | 556, 560 |
| 6735246 | DUCT | | | 556, 560 |
| 6735285 | AIR CLEANER | | | 368, 540, 650 |
| 6735316 | COVER | | | 44 |
| 6735349 | HOSE | | | 650 |
| 6735465 | KIT | | | 598 |
| 6735505 | SPACER | | | 34 |
| 6735669 | BOOM STEP | | | 46, 50, 54, 58, 62, 66 |
| 6735864 | DECAL | | | 510 |
| 6735883 | BRACKET | 6708767 | A | 262 |
| 6735884 | IDLER ASSY. | 6711698 | A | 262 |
| 6735901 | DECAL, BOBCAT | | | 510 |
| 6736071 | KIT | | | 16 |
| 6736200 | HOSE | 6675143 | A | 166, 172 |
| 6736213 | HOSE | | | 70 |
| 6736641 | PAINT | | | 666 |
| 6736642 | PAINT | | | 666 |
| 6736644 | PAINT | | | 666 |
| 6736645 | PAINT | | | 666 |

Code for disposition of old part number

A -- Use up

B -- Use on other application (See PNI)

C -- File PDR Report with Bobcat Parts Sales

D -- Part Number Error

NUMERICAL INDEX (Cont'd)

| Part No. | Description | Was | Code | Page |
|----------|-------------------------------|------------|------|---|
| 6737088 | COVER, FRONT ACCESS | | | 448 |
| 6737189 | DECAL | | | 456 |
| 6737191 | WEDGE | 6704242 | A | 28 |
| 6737368 | BRACKET | | | 32 |
| 6737388 | WASHER | | | 94 |
| 6737453 | ELBOW | 6718181 | A | 166, 172 |
| 6737503 | HOSE | 6727656 | B | 598 |
| 6737524 | KNOB | 6668913 | A | 70, 144 |
| 6737648 | HOSE | 6725436 | A | 52, 56, 64, 68 |
| 6800124 | ORIFICE | | | 124, 130 |
| 6801059 | WASHER | | | 478, 638 |
| 6801167 | PLUG | | | 124, 130, 136, 138, 139, 140 |
| 6803092 | BONNET | | | 124, 136, 138 |
| 6805102 | BUSHING | | | 98, 99, 100, 102, 103, 104, 108, 114, 118, 119, 120 |
| 6805160 | CASE | 6803054 | A | 602 |
| 6805453 | BUSHING | | | 82, 84, 86 |
| 6806007 | SPRING | | | 98, 102, 108, 114, 120, 124, 130, 136 |
| 6806124 | HEAD | | | 88, 90, 92 |
| 6806315 | PISTON | | | 82, 84, 86 |
| 6806330 | KIT, SEAL | | | 82, 84, 86 |
| 6806403 | HOSE | | | 600 |
| 6806561 | PLUG | | | 120, 134 |
| 6807092 | SPACER | 6805578 | A | 602 |
| 6809425 | SEAL KIT | | | 100, 104, 108, 116, 120, 124, 130, 131, 132, 136, 140 |
| 6809425 | SEAL KIT | 6586461 | A | 100, 104, 108, 116, 120, 124, 130, 131, 132, 136, 140 |
| 6809511 | DECAL | | | 52, 56, 64, 68 |
| 6809593 | SPACER | | | 90, 92 |
| 6809726 | ROLLER | | | 20 |
| 6809727 | CHANNEL | | | 20 |
| 6809734 | BUSHING | | | 20 |
| 6809845 | BOLT | 38C000856B | B | 18, 20 |
| 6809903 | SHAFT, ROD CYL TILT | 6806336 | A | 82, 84, 86 |
| 6809903 | SHAFT, ROD CYL TILT | | | 82, 84, 86 |
| 6810026 | VALVE, CONTROL SERVICE | | | 137, 138 |
| 6810126 | ROD | 6807508 | A | 602 |
| 6810132 | SPRING | | | 20 |
| 6810141 | SPRING | | | 20 |
| 6810349 | CASE | | | 604 |
| 6810356 | SPACER | | | 604 |
| 6810430 | ROD | 6805086 | A | 88 |
| 6810539 | NUT | | | 88, 90, 92 |
| 6810539 | NUT | 6804592 | A | 88, 90, 92 |
| 6810611 | CYLINDER, POWER BOB-TACH | | | 604 |
| 6810612 | SHAFT, ROD CYL POWER BOB-TACH | | | 604 |
| 6812031 | BLOCK | | | 98, 102, 106, 112, 118 |
| 6812031 | BLOCK | 6674808 | A | 98, 102, 106, 112, 118 |

Code for disposition of old part number

A -- Use up

B -- Use on other application (See PNI)

C -- File PDR Report with Bobcat Parts Sales

D -- Part Number Error

NUMERICAL INDEX (Cont'd)

| Part No. | Description | Was | Code | Page |
|------------|----------------------------------|---------|------|---|
| 6812031 | BLOCK | 6805657 | A | 98, 102, 106, 112, 118 |
| 6812170 | PLUG | | | 86, 88, 90, 92 |
| 6812823 | ADAPTER | | | 72 |
| 6812927 | VALVE, CONTROL SERVICE | | | 101, 102 |
| 6814511 | SPOOL | 6674808 | A | 98, 102, 112, 118 |
| 6814511 | SPOOL | | | 98, 102, 112, 118 |
| 6814531 | ELBOW | | | 50, 51, 52, 56, 62, 66 |
| 6815152 | SPOOL | 6674814 | A | 98, 102, 106, 112, 118 |
| 6815152 | SPOOL | 6814512 | A | 98, 102, 106, 112, 118 |
| 6815480 | VALVE, CONTROL SERVICE | | | 117, 118 |
| 6816250 | KIT, SEAL | 6803605 | A | 124, 130, 136, 140 |
| 6816252 | SEAL KIT | | | 100, 104, 108, 116, 120 |
| 6816252 | SEAL KIT | 6806941 | A | 100, 104, 108, 116, 120 |
| 6816253 | KIT, SEAL | 6809448 | A | 100, 104, 108, 109, 110, 116, 120, 124, 132, 136, 140 |
| 6816253 | KIT, SEAL | | | 100, 104, 108, 109, 110, 116, 120, 124, 132, 136, 140 |
| 6817553 | CROSS | 6817553 | A | 100, 108, 114, 124, 130, 164, 170 |
| 6817553 | CROSS | 6805241 | A | 100, 108, 114, 124, 130, 164, 170 |
| 6900366 | INSTRUCTIONS | | | 504 |
| 6900410 | INSTRUCTIONS | | | 506 |
| 6900827 | INSTRUCTIONS | | | 586 |
| 6900834 | MANUAL SERVICE 773 LOADER | | | 2 |
| 6900837 | INSTRUCTIONS | 6900877 | B,D | 618 |
| 6900838 | INSTRUCTIONS | | | 464, 466, 468 |
| 6900842 | MANUAL OPERATION 773/773H LOADER | | | 2 |
| 6900848 | INSTRUCTIONS | | | 546 |
| 6900850 | INSTRUCTIONS | | | 558, 570, 572 |
| 6900851 | INSTRUCTIONS | | | 514 |
| 6900852 | INSTRUCTIONS | | | 496, 497, 498 |
| 6900853 | INSTRUCTIONS | | | 498 |
| 6900854 | INSTRUCTIONS | 6901013 | B,D | 476 |
| 6900857 | INSTRUCTIONS | | | 456 |
| 6900861 | INSTRUCTIONS | | | 642 |
| 6900877 | INSTRUCTIONS | | | 628 |
| 6900888 | INSTRUCTIONS | | | 584 |
| 6900921 | INSTRUCTIONS | | | 526 |
| 6900934 | INSTRUCTIONS | 6724380 | B | 532 |
| 6900939 | MANUAL PARTS 773 LOADER | | | 2 |
| 6900939-CD | MANUAL PARTS 773 LOADER CD | | | 2 |
| 6900950 | INSTRUCTIONS | | | 596 |
| 6900991 | INSTRUCTIONS | | | 458 |
| 6900992 | INSTRUCTIONS | | | 656 |
| 6900999 | INSTRUCTIONS | | | 28 |
| 6901010 | INSTRUCTIONS | | | 644 |
| 6901011 | INSTRUCTIONS | | | 646 |
| 6901013 | INSTRUCTIONS | | | 484 |
| 6901025 | INSTRUCTIONS | | | 542 |

Code for disposition of old part number

A -- Use up

B -- Use on other application (See PNI)

C -- File PDR Report with Bobcat Parts Sales

D -- Part Number Error

NUMERICAL INDEX (Cont'd)

| Part No. | Description | Was | Code | Page |
|----------|--------------------------------|---------|------|--------------------|
| 6901029 | INSTRUCTIONS | | | 502 |
| 6901061 | INSTRUCTIONS | | | 638 |
| 6901068 | KIT | 6719796 | D | 507, 508, 509, 510 |
| 6901076 | INSTRUCTIONS | | | 520 |
| 6901097 | INSTRUCTIONS | | | 630 |
| 6901098 | INSTRUCTIONS | | | 622 |
| 6901100 | INSTRUCTIONS | | | 554 |
| 6901116 | INSTRUCTIONS | | | 528 |
| 6901120 | INSTRUCTIONS | | | 568 |
| 6901146 | INSTRUCTIONS | 6900913 | B | 582 |
| 6901203 | INSTRUCTIONS | | | 586 |
| 6901213 | INSTRUCTIONS | | | 566 |
| 6901224 | INSTRUCTIONS | | | 578 |
| 6901492 | INSTRUCTIONS | 6901493 | B | 452 |
| 6901514 | INSTRUCTIONS | 6901098 | D | 626 |
| 6901515 | INSTRUCTIONS | | | 550 |
| 6901602 | INSTRUCTIONS | | | 518 |
| 6901603 | INSTRUCTIONS | | | 516 |
| 6901656 | INSTRUCTIONS | 6570762 | B | 634 |
| 6901701 | INSTRUCTIONS | | | 326 |
| 6901734 | INSTRUCTION | | | 490 |
| 6901774 | INSTRUCTIONS | | | 636 |
| 6901816 | INSTRUCTIONS | | | 548 |
| 6901871 | INSTRUCTIONS | | | 522 |
| 6902228 | PAINT, ORANGE SPRAY CAN 6 | 6722783 | A | 663, 664 |
| 6902229 | PAINT, CHARCOAL SPRAY CAN 6 | 6722786 | A | 664 |
| 6902230 | PAINT, WHITE SPRAY CAN 6 | 6722789 | A | 664 |
| 6902232 | PRIMER | 6657743 | A | 664 |
| 6902233 | PAINT, ORANGE QT 6 | 6722782 | A | 664 |
| 6902234 | PAINT, CHARCOAL QT 6 | 6722785 | A | 664 |
| 6902235 | PAINT, WHITE QT 6 | 6722788 | A | 664 |
| 6902356 | INSTRUCTIONS | | | 558 |
| 6902390 | HARD HAT WHITE | 6559552 | A | 653, 654 |
| 6902421 | INSTRUCTIONS | 6901439 | B,D | 600 |
| 6903105 | OIL, 15W40 QT. 12 | 6657299 | A | 2, 664 |
| 6903106 | OIL, 15W40 GAL. 6 | 6724558 | A | 2, 664 |
| 6903107 | OIL, 10W30 QT. 12 | 6657301 | A | 2, 664 |
| 6903108 | OIL, 10W30 GAL. 6 | 6724557 | A | 2, 664 |
| 6903109 | OIL 30W QT. 12 | 6657303 | A | 2, 664 |
| 6903110 | OIL, 30W GAL. 6 | 6724559 | A | 2, 664 |
| 6903111 | OIL 30W 2.5 GAL 2 | 6674206 | A | 2, 664 |
| 6903112 | OIL, 10W30 2.5 GAL 2 | 6674205 | A | 2, 664 |
| 6903113 | OIL, 15W40 2.5 GAL. 2 | 6674204 | A | 2, 664, 665, 666 |
| 6903117 | FLUID, OIL HYD 2.5 GAL 2 | 6563328 | A | 2, 664 |
| 6903118 | FLUID, OIL HYD 5 GAL | 6722344 | A | 2, 664 |

Code for disposition of old part number

A -- Use up

B -- Use on other application (See PNI)

C -- File PDR Report with Bobcat Parts Sales

D -- Part Number Error

NUMERICAL INDEX (Cont'd)

| Part No. | Description | Was | Code | Page |
|----------|--|------------|------|---|
| 6903119 | FLUID, OIL HYD 55 GAL | 6563330 | A | 2, 664 |
| 6903121 | LUBE, GEAR 12 | 6634393 | A | 272, 664 |
| 6903122 | GREASE, MULTI PURPOSE #2 - 10 | 6658266 | A | 260, 666 |
| 6903122 | GREASE, MULTI PURPOSE #2 - 10 | 6599719 | A | 260, 666 |
| 6903305 | INSTRUCTIONS | 6900850 | B | 560, 574 |
| 6903305 | INSTRUCTIONS | | | 560, 574 |
| 6904744 | INSTRUCTIONS | | | 500 |
| 6969803 | COVER, BREATHER | 6685086 | A | 378 |
| 6969804 | PLUG,OIL GAUGE | 6684785 | A | 374, 420 |
| 6969805 | KEY,FEATHER | 15JM00410B | A | 282, 328, 376, 412 |
| 6969990 | GUIDE | 6653803 | A | 288, 334, 382, 418 |
| 6974656 | TUBE ASSY, OVERFLOW | 6681931 | A | 404, 446 |
| 6983128 | ANTI-FREEZE PG 53/47 PREMIX GAL 6 | 6724094 | A | 664 |
| 6983129 | ANTI-FREEZE PG CONCENTRATE 6 | 6724354 | A | 664 |
| 6986573 | INSTRUCTIONS | | | 662 |
| 6987915 | THREADLOCKER 271 - HEAVY DUTY RED - 0.5ML AMPULE 1 | 6598485 | A | 454 |
| 69G436 | BOLT | | | 224, 228, 234 |
| 6E4 | WASHER 10 | | | 456 |
| 6E5 | WASHER | | | 208, 210, 216, 268, 546 |
| 6E6 | WASHER | | | 26, 212, 218 |
| 6EM60 | WASHER, SPRING | | | 280, 282, 306, 308, 322, 328, 356, 358, 372, 408, 474, 482 |
| 6EM80 | WASHER, SPRING | | | 250, 280, 286, 288, 298, 300, 302, 310, 322, 332, 334, 344, 346, 348, 350, 360, 572 |
| 6J1664 | KEY | | | 36 |
| 6J807 | KEY, WOODRUFF | | | 188, 260 |
| 7000329 | ADAPTER, SWITCH IGN | | | 208, 210 |
| 7000460 | TOOL, DISCONNECT TERMINAL | | | 520 |
| 7000461 | TOOL, DISCONNECT TERMINAL | | | 520 |
| 7001044 | HORN, ALARM | 6675099 | A | 582 |
| 7001673 | KIT, SCREEN FILTER | | | 614 |
| 7001678 | VALVE, CHECK | | | 614 |
| 7001903 | BOLT | | | 372, 408 |
| 7001904 | BOLT | | | 372, 408 |
| 7001905 | BOLT | | | 372, 408 |
| 7001922 | BOLT | 6653798 | B,D | 374, 420 |
| 7001922 | BOLT | 6698100 | A | 374, 420 |
| 7003006 | GASKET | 6657402 | A | 276, 282, 318 |
| 7003481 | WINDOW, LEFT ASSY | 6691000 | A | 496 |
| 7003482 | WINDOW, RIGHT ASSY | 6691002 | A | 496 |

Code for disposition of old part number

A -- Use up

B -- Use on other application (See PNI)

C -- File PDR Report with Bobcat Parts Sales

D -- Part Number Error

NUMERICAL INDEX (Cont'd)

| Part No. | Description | Was | Code | Page |
|----------|---|------------|------|---|
| 7009081 | NUT | | | 208, 210 |
| 7010622 | PIPE, OIL | | | 436 |
| 7010623 | CRANKSHAFT, ENG | | | 384, 422 |
| 7011039 | SEAL, BULK/FT 34 | 6675558 | A | 472, 473, 474, 480 |
| 7100019 | VALVE | | | 558 |
| 7100044 | HOSE | | | 600 |
| 7100153 | MOUNT | 6713792 | A | 456 |
| 7100573 | HOSE | | | 256 |
| 7100840 | MUFFLER, EXHAUST | 6671667 | A | 256 |
| 7101078 | PIN, PIVOT TAPERED | | | 22 |
| 7101291 | ELBOW | | | 30 |
| 7101311 | HARNESS | 6729973 | A | 216 |
| 7101345 | BONNET, DETENT HYD VALVE | 6587633 | A | 98, 102, 108, 114, 118, 124, 128, 129, 130, 134, 138 |
| 7101672 | ACTUATOR | | | 228, 229, 230, 234 |
| 7101705 | ADAPTER, ACTUATOR | | | 222, 230, 234 |
| 7101734 | TIRE, STANDARD DUTY - 10X16.5 - 8 PLY | 6729896 | A | 660 |
| 7101735 | TIRE, HEAVY DUTY - 10.00X16.5 - 10 PLY | | | 660 |
| 7101928 | VALVE, HEATER CAB | | | 560 |
| 7102200 | SHIELD | 6719851 | A | 254 |
| 7102652 | SCREW | 30G000416B | B | 118, 134 |
| 7103075 | SEAL | | | 496 |
| 7103953 | TEE | 6717662 | A | 166, 172 |
| 7104465 | DOOR SWITCH HARNESS | | | 476, 482, 490 |
| 7104568 | MOUNT | 6712161 | A | 266 |
| 7104842 | ACTUATOR | | | 224, 228 |
| 7105034 | WINDOW TOP | 7105035 | A | 496, 512 |
| 7105034 | WINDOW TOP | | | 496, 512 |
| 7105983 | BOLT | 6719084 | A | 208, 210 |
| 7106212 | HOSE | 6537040 | A | 172 |
| 7106277 | WIPER HARNESS | | | 476, 482, 490 |
| 7106764 | SPACER | | | 218 |
| 7107175 | INLET | 6717478 | A | 252, 253, 254 |
| 7107782 | HOSE | | | 178 |
| 7107896 | ROD | | | 90, 92 |
| 7108167 | HEATER KIT | | | 559, 560 |
| 7108169 | KIT,HTR PLUMBING | | | 573, 574 |
| 7108222 | SAFETY TREAD | | | 508 |
| 7108236 | PIN | 6718506 | A | 224, 230, 234 |
| 7108242 | TILT SPOOL | | | 128, 134 |
| 7108251 | SPOOL | 7101151 | A | 128, 134, 138 |
| 7108408 | LEVER | 6733940 | A | 94 |
| 7108780 | SLEEVE | 6595951 | A | 98, 102, 108, 114, 118, 124, 130, 136, 140 |
| 7109661 | LATCH, DOOR W/SENSOR | | | 476, 482 |
| 7109662 | HANDLE, LATCH DOOR | | | 476, 482 |

Code for disposition of old part number

A -- Use up

B -- Use on other application (See PNI)

C -- File PDR Report with Bobcat Parts Sales

D -- Part Number Error

NUMERICAL INDEX (Cont'd)

| Part No. | Description | Was | Code | Page |
|----------|------------------------|---------|------|----------------------------|
| 7109663 | SPACER | | | 476, 482 |
| 7109664 | BOLT | | | 476, 482, 490 |
| 7109664 | BOLT | 6677194 | A | 476, 482, 490 |
| 7109665 | FRAME, DOOR CAB | | | 472 |
| 7109712 | SHIELD | 6726937 | A | 262, 263, 264, 576 |
| 7110276 | SPACER, TAPERED | 6715287 | A | 530 |
| 7110316 | DECAL | 6732975 | A | 476, 482, 490 |
| 7110367 | HOSE | | | 600 |
| 7110430 | SPECIAL APPS DOOR | | | 480 |
| 7110571 | BELLCRANK, STEERING | | | 180 |
| 7114121 | HOSE | 6734664 | A | 148, 150, 154 |
| 7114236 | HOSE | | | 48, 52, 56, 60, 64, 68 |
| 7114257 | LIFT ARM | | | 24 |
| 7115219 | PEDAL | | | 94, 452 |
| 7115219 | PEDAL | 6726680 | A | 94, 452 |
| 7115220 | MOUNT | | | 94, 452 |
| 7115220 | MOUNT | | B | 94, 452 |
| 7116564 | HOSE | 7104132 | A | 46, 50, 54, 56, 58, 62, 66 |
| 7116565 | HOSE | 7104133 | A | 52, 64, 68 |
| 7117174 | CYLINDER, TILT | | | 86 |
| 7117175 | TUBE, CASE CYL TILT | | | 86 |
| 7117232 | PANEL | 6732620 | A | 16 |
| 7117667 | CYLINDER, LIFT | | | 91, 92 |
| 7117668 | TUBE, CASE CYL LIFT | | | 92 |
| 7120111 | BRAKE, DISC | 6716228 | A | 40, 42, 44 |
| 7120498 | BUSHING | | | 24 |
| 7121572 | DECAL PACKAGE | 6725513 | A | 556, 560 |
| 7121779 | PAD | | | 182 |
| 7122462 | KIT, RIB WINDOW | | | 499, 500 |
| 7122487 | 2 SEAL, WIPER | | | 500 |
| 7122488 | SEAL, BULB | | | 500 |
| 7124571 | SPACER | | | 584 |
| 7124572 | SPACER | | | 584 |
| 7126672 | ELBOW | 6666302 | A | 252 |
| 7126869 | BRACKET | 6726573 | A | 234, 452 |
| 7128600 | BRACKET | | | 182 |
| 7128601 | BRACKET | | | 182 |
| 7129987 | COVER | 6733956 | A | 44 |
| 7131233 | PEDAL | | | 592 |
| 7131236 | BUSHING | | | 592 |
| 7132549 | HEATER COIL KIT | 6691065 | A | 568 |
| 7133211 | TANK, WASHER | 6736875 | A | 474 |
| 7134137 | SPROCKET | 6577204 | A | 33, 34, 36 |
| 7135559 | SEAL KIT | 6816537 | A | 88, 90, 92 |
| 7136678 | DECAL | | | 662 |
| 7136679 | DECAL | | | 662 |
| 7136696 | COVER | 6726069 | A | 4 |
| 7138014 | SEAL KIT | 6803473 | A | 602, 604 |
| 7138347 | HANDLE | 6718521 | B | 476, 480 |
| 7139183 | SHIELD | | | 16 |
| 7139184 | INSULATION | 6718489 | A | 10 |

Code for disposition of old part number

A -- Use up

B -- Use on other application (See PNI)

C -- File PDR Report with Bobcat Parts Sales

D -- Part Number Error

NUMERICAL INDEX (Cont'd)

| Part No. | Description | Was | Code | Page |
|----------|-----------------------|------------|------|---|
| 7140768 | KIT | | | 661, 662 |
| 7142024 | SCREW | 25GT412 | B | 500 |
| 7143508 | BOB-TACH | 6732537 | A | 28 |
| 7147359 | BLADE, WIPER WINDOW | | | 478 |
| 7148195 | INSULATION HEADLINER | | | 514 |
| 7148197 | INSULATION | | | 514 |
| 7148198 | INSULATION | | | 514 |
| 7148199 | INSULATION | 6717519 | A | 514 |
| 7148200 | INSULATION | 6717520 | A | 514 |
| 7153099 | BRACE, CAB | 7121556 | A | 500 |
| 7153544 | HOUSING, FAN | 7104117 | A | 252 |
| 7156265 | COVER | | | 44 |
| 7157890 | GAS SPRING | 6678292 | A | 548 |
| 7157893 | GAS SPRING | | | 474, 482 |
| 7157893 | GAS SPRING | 6682586 | A | 474, 482 |
| 7160425 | BUSHING, TAPERED | | | 24 |
| 7161187 | SHAFT, TRANS | 6733621 | A | 44 |
| 7161786 | VALVE, POWER BOB-TACH | | | 613, 614 |
| 7165265 | SEAL, WINDOW | | | 496, 512 |
| 7168164 | EXTINGUISHER, FIR E | 6675581 | A | 542 |
| 7169850 | HOSE | | | 178 |
| 72F1 | FITTING | | | 30 |
| 73G656 | SCREW | | | 259, 260, 594, 598 |
| 73G828 | BOLT | | | 182 |
| 73K222 | RING | | | 602, 604 |
| 73K228 | BACK-UP RING | | | 88, 90, 92 |
| 742640 | WASHER | | | 266 |
| 743332 | GREASE ZERK 5 | | | 28 |
| 75K3 | O-RING | | | 86, 88, 90, 92, 604 |
| 774220 | NUT | | | 456, 556 |
| 77F7 | ELBOW | | | 48, 52, 60, 64 |
| 77F7 | ELBOW | 77FN00007B | A | 48, 52, 60, 64 |
| 77F8 | ELBOW | | | 626 |
| 799119 | RING | | | 98, 102, 108, 114, 118 |
| 79K10 | O RING 10 | 79K8 | B,D | 46, 50, 54, 58, 62, 66, 98, 102, 106, 112, 118, 122, 128, 134, 138, 148, 150, 154, 156, 158, 176, 190, 464, 466, 468, 470, 612, 614 |
| 79K10 | O RING 10 | | | 46, 50, 54, 58, 62, 66, 98, 102, 106, 112, 118, 122, 128, 134, 138, 148, 150, 154, 156, 158, 176, 190, 464, 466, 468, 470, 612, 614 |
| 79K12 | O RING 10 | | | 52, 56, 68, 72, 76, 80, 148, 152, 154, 156, 164, 166, 170, 172, 174, 190, 198, 594, 598, 618, 620, 624 |
| 79K12 | O RING 10 | 58K000018B | B,D | 52, 56, 68, 72, 76, 80, 148, 152, 154, 156, 164, 166, 170, 172, 174, 190, 198, 594, 598, 618, 620, 624 |
| 79K12 | O RING 10 | 58K000018B | B | 52, 56, 68, 72, 76, 80, 148, 152, 154, 156, 164, 166, 170, 172, 174, 190, 198, 594, 598, 618, 620, 624 |
| 79K14 | O RING 10 | | | 32 |
| 79K16 | O RING 10 | | | 148, 150, 154, 156, 164, 170 |

Code for disposition of old part number

A -- Use up

B -- Use on other application (See PNI)

C -- File PDR Report with Bobcat Parts Sales

D -- Part Number Error

NUMERICAL INDEX (Cont'd)

| Part No. | Description | Was | Code | Page |
|----------|----------------|------------|------|--|
| 79K2 | O RING 10 | | | 632 |
| 79K4 | O RING 10 | | | 72, 76, 594, 598, 612, 614, 618, 620, 624 |
| 79K5 | O RING 10 | | | 184, 186 |
| 79K6 | O RING 10 | | | 70, 74, 76, 80, 100, 108, 114, 124, 130, 148, 152, 154, 156, 166, 170, 184, 186, 470, 550, 594, 598, 618, 624 |
| 79K6 | O RING 10 | 6634874 | B,D | 70, 74, 76, 80, 100, 108, 114, 124, 130, 148, 152, 154, 156, 166, 170, 184, 186, 470, 550, 594, 598, 618, 624 |
| 79K7 | O RING 10 | | | 100, 108, 114, 134, 612, 614 |
| 79K7 | O RING 10 | 79K7 | B,D | 100, 108, 114, 134, 612, 614 |
| 79K7 | O RING 10 | 75K-12 | D | 100, 108, 114, 134, 612, 614 |
| 79K8 | O RING 10 | | | 30, 52, 56, 64, 68, 98, 102, 106, 112, 118, 122, 128, 134, 138, 148, 150, 154, 158, 190, 196, 606, 608, 612, 614 |
| 7D4 | NUT | | | 70, 144 |
| 7D6 | NUT | | | 252 |
| 7J2010 | KEY | | | 272 |
| 7J2108 | KEY | | | 254 |
| 7JM38 | SNAP RING | 7JM00038B | A | 28 |
| 7JM40 | SNAP RING | | | 28 |
| 80K14 | BACK-UP WASHER | 73K000014B | | 98, 102, 106, 112, 118, 122, 123, 124, 128, 134, 138 |
| 80K332 | WASHER | | | 82, 84, 86 |
| 82K230 | SEAL | | | 88, 90, 92 |
| 82K230 | SEAL | 58K000230B | A | 88, 90, 92 |
| 83D4 | NUT 10 | | | 12, 46, 58, 70, 218, 456, 556, 560, 582 |
| 83D5 | NUT 5 | 61D000005B | B | 496, 576, 582 |
| 83D5 | NUT 5 | | | 496, 576, 582 |
| 83D6 | NUT 5 | | | 46, 50, 54, 58, 62, 66, 70, 94, 180, 526, 528, 544, 618, 620, 624 |
| 83D8 | NUT 5 | | | 4, 266 |
| 83F3 | ELBOW 5 | | | 532 |
| 84G3110 | SCREW | | | 556, 560 |
| 84G3112 | BOLT 5 | | | 8, 16, 30, 254, 256, 456, 508, 522, 524, 526, 528, 540, 650 |
| 84G3116 | SCREW | | | 32 |
| 84G3708 | SCREW | | | 178, 256, 258 |
| 84G3710 | SCREW | | | 164, 170, 234, 254, 452, 576 |
| 84G3712 | BOLT | | | 4, 16, 32, 34, 40, 42, 46, 50, 54, 58, 62, 66, 72, 76, 148, 150, 174, 175, 176, 208, 210, 212, 216, 252, 256, 258, 266, 270, 464, 466, 468, 550, 572, 574, 650 |
| 84G3716 | SCREW 5 | | | 32, 40, 42, 44, 46, 58, 72, 76, 164, 170, 212, 218, 266, 270, 540, 576, 594, 598, 650 |
| 84G3716 | SCREW 5 | 84G003714B | A | 32, 40, 42, 44, 46, 58, 72, 76, 164, 170, 212, 218, 266, 270, 540, 576, 594, 598, 650 |
| 84G3720 | BOLT | | | 40, 42, 44, 54, 62, 66, 448 |
| 84G3724 | BOLT | | | 50, 54, 62, 66, 620, 624, 630 |
| 84G3728 | BOLT | | | 52, 56, 64, 68 |
| 84G3732 | BOLT | | | 46, 58 |
| 84G3736 | BOLT | | | 76, 80 |
| 84G3740 | BOLT | | | 80 |
| 851242 | BEARING | | | 294, 340, 386, 424 |
| 85D5 | NUT 5 | | | 30, 74, 218, 270, 588, 592 |

Code for disposition of old part number

A -- Use up

B -- Use on other application (See PNI)

C -- File PDR Report with Bobcat Parts Sales

D -- Part Number Error

NUMERICAL INDEX (Cont'd)

| Part No. | Description | Was | Code | Page |
|----------|-------------|------------|------|--|
| 85D6 | LOCK NUT | | | 10, 20, 24, 28, 82, 266, 586, 594 |
| 85D7 | NUT | | | 10 |
| 85D8 | NUT, 5 | | | 8, 260, 265, 266 |
| 866028 | CLAMP | | | 368 |
| 86F3 | LOCKNUT | | | 532 |
| 86F5 | NUT | | | 148, 150, 154, 550, 618, 620, 624, 628, 630 |
| 86F8 | NUT 5 | | | 72, 76, 174 |
| 872229 | WASHER | | | 46, 50, 54, 58, 62, 66, 76, 80 |
| 87D5 | NUT | | | 586 |
| 87G1008 | SCREW | | | 556 |
| 88F10 | FITTING | | | 174 |
| 88F5 | ELBOW | 88FN00005B | A | 620, 624, 630 |
| 88F5 | ELBOW | | | 620, 624, 630 |
| 898731 | 1156 BULB | | | 588 |
| 89D5 | NUT | | | 592 |
| 8D4 | NUT | 6631561 | A | 470 |
| 8D6 | NUT 5 | | | 180, 181, 182, 532 |
| 90K5 | PLUG | 90KV00008B | D | 156, 176 |
| 90K5 | PLUG | | | 156, 176 |
| 90K8 | PLUG | | | 100, 104, 108, 114, 124, 130, 138 |
| 90K8 | PLUG | 90KV00008B | A | 100, 104, 108, 114, 124, 130, 138 |
| 90KV2 | PLUG | 90KV00005B | A | 82, 84, 86, 88, 602, 604 |
| 90KV2 | PLUG | | | 82, 84, 86, 88, 602, 604 |
| 90KV5 | PLUG | | | 166, 172, 606, 608 |
| 91D5 | NUT 5 | | | 212, 532 |
| 91D7 | NUT | | | 474, 482, 490 |
| 91G416 | SCREW | 88G1216 | B | 496, 512 |
| 91G416 | SCREW | | | 496, 512 |
| 91G420 | SCREW | | | 496, 512 |
| 91K5 | TEE | | | 620, 624, 630 |
| 91K5 | TEE | 6719298 | A | 620, 624, 630 |
| 92D10 | NUT | | | 602, 604 |
| 92D12 | NUT | | | 260 |
| 92D16 | NUT | | | 82, 84, 86 |
| 93G824 | BOLT | 73G824 | A | 34, 182 |
| 95D5 | NUT | | | 8, 218, 234, 452, 570 |
| 95D6 | NUT | | | 40, 94, 180, 214, 218, 234, 270, 272, 480, 532 |
| 95D6 | NUT | 91D000006B | A | 40, 94, 180, 214, 218, 234, 270, 272, 480, 532 |
| 95D6 | NUT | 91D6 | A | 40, 94, 180, 214, 218, 234, 270, 272, 480, 532 |
| 95D8 | NUT | 83D000008B | B | 8 |
| 95K12 | O-RING | 99K000012B | B,D | 100, 104, 108, 114, 120, 124, 130, 138 |
| 95K12 | O-RING | | | 100, 104, 108, 114, 120, 124, 130, 138 |
| 95K12 | O-RING | 99K000012B | B | 100, 104, 108, 114, 120, 124, 130, 138 |
| 95K2 | O-RING | | | 610 |
| 95K3 | O-RING | 79K000003B | B | 82, 84, 86, 88, 602, 604 |
| 95K3 | O-RING | | | 82, 84, 86, 88, 602, 604 |
| 95K4 | O-RING | | | 158, 610 |
| 95K4 | O-RING | 79K5 | D | 158, 610 |
| 95K6 | O-RING | | | 168, 170, 606, 608, 610 |
| 95K8 | O-RING | | | 610 |
| 961528 | PK PARTS | | | 478 |
| 96D8 | NUT | | | 252 |
| 97D4 | NUT | | | 456 |
| 97D5 | NUT | | | 516, 518 |

Code for disposition of old part number

A -- Use up

B -- Use on other application (See PNI)

C -- File PDR Report with Bobcat Parts Sales

D -- Part Number Error

NUMERICAL INDEX (Cont'd)

| Part No. | Description | Was | Code | Page |
|----------|-------------|------------|------|--|
| 97D6 | NUT 10 | | | 578 |
| 97D8 | NUT | | | 548 |
| 97K10 | O-RING 10 | | | 46, 50, 54, 58, 60, 62, 64, 68, 148, 150, 154, 156, 158, 464, 466, 468 |
| 97K12 | O'RING | | | 52, 56, 64, 68, 72, 76, 166, 172, 174, 176, 594, 600, 618, 620, 624, 626 |
| 97K4 | O'RING | | | 532, 594, 598, 600 |
| 97K6 | O'RING | | | 48, 50, 52, 54, 56, 58, 62, 64, 66, 68, 70, 74, 76, 78, 100, 108, 114, 124, 130, 148, 150, 154, 164, 166, 170, 172, 464, 466, 468, 550, 594, 596, 598, 600, 618, 620, 624, 630 |
| 97K8 | O-RING | | | 46, 50, 52, 54, 56, 60, 62, 64, 68, 266, 464, 466, 468, 626 |
| 98D6 | NUT | | | 182, 224, 228, 234 |
| 98G412 | BOLT | | | 242 |
| 99K10 | O'RING | | | 46, 50, 54, 58, 62, 66, 148, 150, 154, 156, 158, 464, 466, 468, 630 |
| 99K12 | O'RING | | | 52, 56, 64, 72, 76, 148, 152, 154, 156, 164, 166, 170, 172, 174, 594, 598, 618, 620, 624 |
| 99K16 | O-RING | | | 148, 164, 170 |
| 99K4 | O'RING | | | 76, 594, 598, 618, 620, 624 |
| 99K5 | O-RING | | | 30, 606, 608 |
| 99K6 | O'RING | 79K6 | A | 70, 72, 73, 74, 76, 77, 78, 100, 108, 114, 124, 148, 152, 154, 166, 170, 550, 594, 598, 618, 620, 624 |
| 99K6 | O'RING | | | 70, 72, 73, 74, 76, 77, 78, 100, 108, 114, 124, 148, 152, 154, 166, 170, 550, 594, 598, 618, 620, 624 |
| 99K6 | O'RING | 99K000006B | B | 70, 72, 73, 74, 76, 77, 78, 100, 108, 114, 124, 148, 152, 154, 166, 170, 550, 594, 598, 618, 620, 624 |
| 99K6 | O'RING | | B | 70, 72, 73, 74, 76, 77, 78, 100, 108, 114, 124, 148, 152, 154, 166, 170, 550, 594, 598, 618, 620, 624 |
| 99K8 | O-RING | | | 148, 150, 154, 266 |
| 9G512 | SCREW | | | 272 |

Code for disposition of old part number

A -- Use up

B -- Use on other application (See PNI)

C -- File PDR Report with Bobcat Parts Sales

D -- Part Number Error