

SERVICE MANUAL

SERVICE MANUAL SECTION

**Electrical Circuit Diagrams – ProStar® Models Built June 14, 2010 and
After**

**Model: ProStar®
Start Date: 06/14/2010**

S08344-2

2012

Table of Contents

1.	TABLE OF CONTENTS (CHAPTER 1).....	1
2.	INSTRUCTIONS AND CHARTS (CHAPTER 2).....	1
2.1.	ABBREVIATIONS, P. 1.....	1
2.2.	ACRONYMS, P. 2.....	2
2.3.	CIRCUIT DIAGRAM INSTRUCTIONS, P. 3.....	3
2.4.	CIRCUIT NUMBER IDENTIFICATION AND COLOR, P. 4.....	4
2.5.	CIRCUIT NUMBER IDENTIFICATION AND COLOR (CONT.), P. 5.....	5
2.6.	CIRCUIT NUMBER IDENTIFICATION AND COLOR (CONT.), P. 6.....	6
2.7.	LAMP BULB CHART, P. 7.....	7
2.8.	RELAY FUNCTION AND WIRING GUIDE, P. 8.....	8
2.9.	SCHEMATIC SYMBOL CHART, P. 9.....	9
2.10.	SCHEMATIC SYMBOL CHART (CONT.), P. 10.....	10
2.11.	SCHEMATIC SYMBOL CHART (CONT.), P. 11.....	11
2.12.	SCHEMATIC SYMBOL CHART (CONT.), P. 12.....	12
3.	12 VOLT POWER DISTRIBUTION CIRCUIT DIAGRAMS (CHAPTER 3).....	13
3.1.	BATTERY FEED, P. 1.....	13
3.2.	BATTERY FEED (CONT.), P. 2.....	14
3.3.	BATTERY FEED (CONT.), P. 3.....	15
3.4.	BATTERY FEED (CONT.), P. 4.....	16
3.5.	IGNITION FEED – STANDARD AND REMOTE START/STOP, P. 5.....	17
3.6.	IGNITION FEED - STANDARD, P. 6.....	18
3.7.	IGNITION FEED – STANDARD (CONT.), P. 7.....	19
3.8.	IGNITION FEED – STANDARD (CONT.), P. 8.....	20
3.9.	ACCESSORY FEED, P. 9.....	21
3.10.	CAB J1939 – COMPASS AND ABS EFFECTS, P. 10.....	22
3.11.	CAB J1939 WITH ALL OPTIONS, P. 11.....	23
3.12.	CAB J1939 WITH ALL OPTIONS (CONT.), P. 12.....	24
3.13.	CAB J1939 WITH ALL OPTIONS (CONT.), P. 13.....	25
3.14.	CAB J1939 WITH ALL OPTIONS (CONT.), P. 13A.....	26
3.15.	CAB J1939 ENGINE, P. 14.....	27
3.16.	J1939 CHASSIS, P. 15.....	28
3.17.	J1939 CHASSIS (CONT.), P. 15A.....	29
3.18.	J1939 CHASSIS (CONT.), P. 15B.....	30
3.19.	J1939 WITH SLEEPER, P. 16.....	31
3.20.	J1939 WITH SLEEPER (CONT.), P. 16A.....	32
3.21.	J1708 PRIVATE, P. 17.....	33
3.22.	J1708 PUBLIC, P. 18.....	34
3.23.	J1708 PUBLIC (CONT.), P. 19.....	35
3.24.	J1708 PUBLIC (CONT.), P. 20.....	36
3.25.	GROUND – CAB, P. 21.....	37
3.26.	GROUND – CAB (CONT.), P. 22.....	38
3.27.	GROUND – CAB (CONT.), P. 23.....	39
3.28.	GROUND – CAB (CONT.), P. 24.....	40
3.29.	GROUND – CAB (CONT.), P. 25.....	41
3.30.	GROUND – CAB (CONT.), P. 26.....	42

3.31. GROUND – CHASSIS, P. 27.....	43
3.32. GROUND – SLEEPER, P. 28.....	44
3.33. GROUND – SLEEPER (CONT.), P. 29.....	45
3.34. GROUND – SLEEPER (CONT.), P. 30.....	46
3.35. ENGINE GROUND – IBB ENGINE, P. 31.....	47
3.36. GROUND ADAPTER – IBB ENGINE, P. 32.....	48
3.37. GROUND ADAPTER, P. 33.....	49
3.38. BATTERY FEED, SINGLE, P. 34.....	50
3.39. BATTERY FEED, SINGLE (CONT.), P. 35.....	51
4. CAB ACCESSORIES (CHAPTER 4).....	52
4.1. CB POWER RADIO, P. 1.....	52
4.2. CIGAR LIGHTER, TEMPERATURE DISPLAY, AND AUX POWER, P. 2.....	53
4.3. ELECTRIC WINDOWS AND DOOR LOCKS, P. 3.....	54
4.4. ELECTRIC HORN, P. 4.....	55
4.5. MIRRORS HEATED AND LIGHTED, P. 5.....	56
4.6. MIRRORS HEATED AND LIGHTED (CONT.), P. 6.....	57
4.7. TELEMATICS, P. 7.....	58
4.8. SATELLITE COMMUNICATION SYSTEM – QUALCOMM TMCT DAYCAB, P. 8.....	59
4.9. SATELLITE COMMUNICATION SYSTEM – QUALCOMM TMCT DAYCAB (CONT.), P. 9.....	60
4.10. SATELLITE COMMUNICATION SYSTEM – QUALCOMM TMCT SLEEPER, P. 10.....	61
4.11. SATELLITE COMMUNICATION SYSTEM – QUALCOMM TMCT SLEEPER (CONT.), P. 11.....	62
4.12. SATELLITE COMMUNICATION SYSTEM – QUALCOMM IMCT, P. 12.....	63
4.13. SATELLITE COMMUNICATION SYSTEM – QUALCOMM IMCT (CONT.), P. 13.....	64
4.14. QUALCOMM IMCT – SLEEPER, P. 14.....	65
4.15. PANIC BUTTON, P. 15.....	66
4.16. SATELLITE COMMUNICATION SYSTEM – XATA WITH DAYCAB, P. 16.....	67
4.17. SATELLITE COMMUNICATION SYSTEM – XATA WITH SLEEPER, P. 17.....	68
4.18. RADIO ENTERTAINMENT, SPEAKERS, P. 18.....	69
4.19. RADIO ENTERTAINMENT, SPEAKERS (CONT.), P. 19.....	70
4.20. SWITCH PACK, P. 20.....	71
4.21. WINDSHIELD WIPER MOTOR, P. 21.....	72
4.22. WINDSHIELD WASHER PUMP, P. 22.....	73
4.23. DRIVER DISPLAY – VEHICLE INFORMATION, P. 23.....	74
4.24. BEACON LIGHT SWITCH – FOR DUAL CUSTOMER ACCESSORY, P. 24.....	75
4.25. DOOR SWITCHES – DOME LAMP, P. 25.....	76
4.26. SPARE SWITCH – FOR SINGLE CUSTOMER ACCESSORY, P. 26.....	77
4.27. SPARE SWITCH – FOR DUAL CUSTOMER ACCESSORY, P. 27.....	78
4.28. EATON VORAD VS-400, P. 28.....	79
4.29. QUALCOMM OMNIVISION, P. 29.....	80
4.30. QUALCOMM OMNIVISION (CONT.), P. 30.....	81
4.31. MOTIENT MOBILE MAX, P. 31.....	82
4.32. REMOTE RADIO, P. 32.....	83
4.33. REMOTE RADIO (CONT.), P. 33.....	84
4.34. SART CLOCK MODULE, P. 34.....	85
4.35. LANE DEPARTURE SYSTEM – TAKATA, P. 35.....	86
5. CHARGING AND CRANKING SYSTEM (CHAPTER 5).....	87
5.1. CHARGING AND CRANKING – MANUAL TRANSMISSION, P. 1.....	87
5.2. CHARGING AND CRANKING – AUTOMATIC TRANSMISSION, P. 2.....	88
6. FAN WIRING (CHAPTER 6).....	89
6.1. FAN WIRING – IBB ENGINE, P. 1.....	89

6.2. STARTING AID – COLD START ASSIST (IBB ENGINE), P. 2.....	90
7. ENGINES (CHAPTER 7).....	91
7.1. ELECTRONIC ENGINE CONTROLS (2010 IBB ENGINE), P. 1.....	91
7.2. ELECTRONIC ENGINE CONTROLS (2010 IBB ENGINE) (CONT.), P. 2.....	92
7.3. ELECTRONIC ENGINE CONTROLS (2010 IBB ENGINE) (CONT.), P. 3.....	93
7.4. ELECTRONIC ENGINE CONTROLS (2010 IBB ENGINE) (CONT.), P. 4.....	94
7.5. ELECTRONIC ENGINE CONTROLS (2010 IBB ENGINE) (CONT.), P. 5.....	95
7.6. ELECTRONIC ENGINE CONTROLS (2010 IBB ENGINE) (CONT.), P. 6.....	96
7.7. REMOTE START / STOP, P. 7.....	97
7.8. REMOTE START / STOP (CONT.), P. 8.....	98
7.9. NO IDLE HEAT, P. 9.....	99
7.10. TRI – PAC NO IDLE, P. 10.....	100
7.11. IDLE CONTROL TEMP SENSOR, P. 11.....	101
7.12. AUTO START / STOP, P. 12.....	102
7.13. AUTO START / STOP (CONT.), P. 13.....	103
7.14. AUTO START / STOP (CONT.), P. 14.....	104
7.15. AUTO START / STOP (CONT.), P. 15.....	105
8. GAUGES AND WARNING LIGHTS (CHAPTER 8).....	106
8.1. AIR PRESSURE INPUT CIRCUIT AND AIR RESTRICTION GAUGE, P. 1.....	106
8.2. AXLE TEMPERATURE GAUGES, P. 2.....	107
8.3. ENGINE OIL PRESSURE AND TEMP., SPEEDOMETER, TACHOMETER, VOLTMETER AND WATER TEMP. GAUGES, P. 3.....	108
8.4. ENGINE OIL AND TRANSMISSION OIL TEMPERATURE GAUGE, P. 4.....	109
8.5. FUEL HEATER, P. 5.....	110
8.6. DIFFERENTIAL LOCK AND OPTIONAL INDICATOR, P. 6.....	111
8.7. DIFFERENTIAL LOCK AND OPTIONAL INDICATOR (CONT.), P. 7.....	112
8.8. DIFFERENTIAL LOCK AND OPTIONAL INDICATOR (CONT.), P. 8.....	113
8.9. IP / GAUGES, P. 9.....	114
8.10. IP / GAUGES AND WARNING LIGHTS – GAUGE CLUSTER, P. 10.....	115
8.11. SECONDARY INSTRUMENT CLUSTER, P. 11.....	116
8.12. PARKING WARNING LIGHT, P. 12.....	117
8.13. WARNING LIGHTS, P. 13.....	118
8.14. IP TEXT MESSAGES AND WARNING LIGHTS – CONTROLLED BY ENGINE, TRANSMISSION AND ABS CONTROLLER, P. 14.....	119
9. LIGHTING SYSTEM (CHAPTER 9).....	120
9.1. LIGHTS – STOP, TAIL, TURN AND BACK-UP N/ FREEDOMLINE, P. 1.....	120
9.2. LIGHTS – STOP, TAIL, TURN AND BACK-UP W/ FREEDOMLINE, P. 2.....	121
9.3. DOME / MAP AND COURTESY LIGHTS – DAY CAB, P. 3.....	122
9.4. DOME / MAP AND COURTESY LIGHTS – SLEEPER, P. 4.....	123
9.5. FOG LIGHTS AND SPOT LIGHT, P. 5.....	124
9.6. HEAD LIGHTS, P. 6.....	125
9.7. TRIPMASTER, P. 7.....	126
9.8. TURN AND STOP SWITCH, P. 8.....	127
9.9. LIGHT SYSTEM – PARK, MARKER, CLEARANCE, ID, TURN, STOP, TAIL, P. 9.....	128
9.10. LIGHT SYSTEM – PARK, MARKER, FRONT – TURN AND MODESTY PANEL LIGHT, P. 10.....	129
9.11. LIGHT SYSTEM – CLEARANCE, ID, P. 11.....	130
9.12. LIGHT SYSTEM – SKIRT LIGHT, P. 12.....	131
9.13. TRAILER LIGHT SYSTEM – MARKER, STOP, TAIL, TURN, P. 13.....	132
9.14. TRAILER SOCKET – BOC, P. 14.....	133

9.15. TRAILER SOCKET – BOC AND EOF, P. 15.....	134
9.16. TRAILER SOCKET – AUXILIARY, P. 16.....	135
9.17. FLOOR LIGHT, P. 17.....	136
9.18. DOME AND ACCENT LIGHT – SLEEPER, P. 18.....	137
9.19. DOME AND ACCENT LIGHT – SLEEPER (CONT.), P. 19.....	138
9.20. LIGHTED AIR SHIELD, P. 20.....	139
9.21. PANEL LIGHTS, P. 21.....	140
9.22. WORK LIGHTS – DAY CAB, P. 22.....	141
9.23. WORK LIGHTS – SLEEPER CAB, P. 23.....	142
9.24. DOME AND ACCENT LIGHT – SLEEPER, P. 24.....	143
10. CHASSIS ACCESSORIES (CHAPTER 10).....	144
10.1. TIRE PRESSURE MONITOR, P. 1.....	144
10.2. AIR DRYER, P. 2.....	145
10.3. AIR SOLENOID PACK – 4 WAY, P. 3.....	146
10.4. AIR SOLENOID PACK – 4 WAY (CONT.), P. 4.....	147
10.5. AIR SUSPENSION WITH LOAD INDICATOR, P. 5.....	148
10.6. BATTERY FEED – TRAILER AUXILIARY, P. 6.....	149
10.7. ANTILOCK BRAKE SYSTEM WITH BENDIX, P. 7.....	150
10.8. ANTILOCK BRAKE SYSTEM WITH BENDIX (CONT.), P. 8.....	151
10.9. ANTILOCK BRAKE SYSTEM WITH BENDIX (CONT.), P. 9.....	152
10.10. ANTILOCK BRAKE SYSTEM WITH BENDIX (CONT.), P. 10.....	153
10.11. ANTILOCK BRAKE SYSTEM WITH BENDIX (CONT.), P. 11.....	154
10.12. ANTILOCK BRAKE SYSTEM WITH BENDIX (CONT.), P. 12.....	155
10.13. ANTILOCK BRAKE SYSTEM WITH WABCO, P. 13.....	156
10.14. ANTILOCK BRAKE SYSTEM WITH WABCO (CONT.), P. 14.....	157
10.15. ANTILOCK BRAKE SYSTEM WITH WABCO (CONT.), P. 15.....	158
10.16. ANTILOCK BRAKE SYSTEM WITH WABCO (CONT.), P. 16.....	159
10.17. POWER TAKE OFF, P. 17.....	160
10.18. VEHICLE SENSOR MODULE, P. 18.....	161
10.19. VEHICLE SENSOR MODULE (CONT.), P. 19.....	162
10.20. BRAKE SENSOR – WEAR / STROKE, P. 20.....	163
10.21. BRAKE SENSOR – WEAR / STROKE (CONT.), P. 21.....	164
10.22. BODY BUILDER, P. 22.....	165
10.23. LIFT GATE POWER FEED, P. 22A.....	166
10.24. CUMMINS ICON, P. 23.....	167
10.25. PTO CONNECTION, P. 24.....	168
10.26. CUSTOMER SUPPLIED LIGHTS, P. 25.....	169
10.27. SMARTIRE TPMS RECEIVER, P. 26.....	170
11. TRANSMISSION CONTROL MODULE (CHAPTER 11).....	171
11.1. EATON AUTOSHIFT AND ULTRASHIFT TRANSMISSION, P. 1.....	171
11.2. EATON AUTOSHIFT AND ULTRASHIFT TRANSMISSION (CONT.), P. 2.....	172
11.3. COLUMN SHIFTER, P. 3.....	173
12. HVAC (CHAPTER 12).....	174
12.1. AIR CONDITIONING, P. 1.....	174
12.2. HVAC SYSTEM – CAB, P. 2.....	175
12.3. HVAC SYSTEM – CAB (CONT.), P. 3.....	176
12.4. HVAC SYSTEM – SLEEPER, P. 4.....	177
12.5. HVAC SYSTEM – SLEEPER (CONT.), P. 5.....	178
12.6. NO IDLE HEAT AND HVAC – SWITCHES, P. 6.....	179
12.7. NO IDLE HEAT AND HVAC – APU, P. 7.....	180

12.8. NO IDLE HEAT AND HVAC – SENSORS AND HVAC CONTROL, P. 8.....	181
12.9. NO IDLE HEAT AND HVAC – POWER SUPPLY, P. 9.....	182
12.10. NO IDLE HEAT AND HVAC – HEAT VALVE, LPM AND BLEND MOTOR, P. 10.....	183
12.11. NO IDLE HEAT AND HVAC – FUEL FIRED HEATER AND A/C COMPRESSOR, P. 11.....	184
12.12. NO IDLE HEATER, ESPAR IN CAB FUEL FIRED HEATER, P. 12.....	185
12.13. NO IDLE HEATER, WEBASTO IN CAB FUEL FIRED HEATER N/ LVD, P. 13.....	186
12.14. NO IDLE HEATER, WEBASTO IN CAB FUEL FIRED HEATER W/ LVD, P. 14.....	187
12.15. HVAC SYSTEM – SLEEPER W/ BERGSTROM NO IDLE W/ PROSTAR, P. 15.....	188
12.16. HVAC SYSTEM – SLEEPER W/ BERGSTROM NO IDLE, P. 15A.....	189
12.17. HVAC SYSTEM – SLEEPER W/ BERGSTROM NO IDLE SWITCHES – LOCATED IN SLEEPER CONTROL PANEL, P. 16.....	190
12.18. HVAC SYSTEM – SLEEPER W/ BERGSTROM NO IDLE SWITCHES – LOCATED IN SLEEPER CONTROL PANEL, P. 17.....	191
12.19. HVAC SYSTEM – SLEEPER W/ BERGSTROM NO IDLE POWER SUPPLY 12V, P. 18.....	192
12.20. HVAC SYSTEM – SLEEPER W/ BERGSTROM NO IDLE POWER SUPPLY 12V (CONT.), P. 18A.....	193
12.21. HVAC SYSTEM, SLEEPER W/ BERGSTROM NO IDLE FUEL FIRED HEATER, P. 19.....	194
13. BUNK LIGHTS AND ACCESSORIES (CHAPTER 13).....	195
13.1. READING AND WARDROBE LIGHTS – BUNK, P. 1.....	195
13.2. LUGGAGE COMPARTMENT LIGHTS – BUNK, P. 2.....	196
13.3. POWER SOURCE – BUNK, P. 3.....	197
13.4. TELEVISION / REFRIGERATOR WIRING, P. 4.....	198
13.5. SPEAKER – BUNK, P. 5.....	199
13.6. FAN – BUNK, P. 6.....	200
13.7. SKY RISE LIGHT, P. 7.....	201
13.8. FLAT PANEL TV / DVD PLAYER – BUNK, P. 8.....	202
14. CONNECTOR COMPOSITES (CHAPTER 14).....	203
14.1. CONNECTOR BODY COMPOSITE (7A), (8A), (9A), (10A), P. 1.....	203
14.2. CONNECTOR BODY COMPOSITE (10F), (11A), (12A), (13A), (14A), P. 2.....	204
14.3. CONNECTOR BODY COMPOSITE (344), (345), (512), (520), (521), (522), P. 3.....	205
14.4. CONNECTOR BODY COMPOSITE (523), (524), (1002), (1003), P. 4.....	206
14.5. CONNECTOR BODY COMPOSITE (1006), (1007), (1010), (1011), (1012), (1013),(1014), (1015),(1016), (1017), (1018), (1019), (1020), P. 5.....	207
14.6. CONNECTOR BODY COMPOSITE (1010), P. 6.....	208
14.7. CONNECTOR BODY COMPOSITE (1011), P. 7.....	209
14.8. CONNECTOR BODY COMPOSITE (1012), P. 8.....	210
14.9. CONNECTOR BODY COMPOSITE (1013), P. 9.....	211
14.10. CONNECTOR BODY COMPOSITE (1014), P. 10.....	212
14.11. CONNECTOR BODY COMPOSITE (1015), P. 11.....	213
14.12. CONNECTOR BODY COMPOSITE (1016), P. 12.....	214
14.13. CONNECTOR BODY COMPOSITE (1017), P. 13.....	215
14.14. CONNECTOR BODY COMPOSITE (1018), P. 14.....	216
14.15. CONNECTOR BODY COMPOSITE (1019), P. 15.....	217
14.16. CONNECTOR BODY COMPOSITE (1020), P. 16.....	218
14.17. CONNECTOR BODY COMPOSITE (1023), (1024), (1025), P. 17.....	219
14.18. CONNECTOR BODY COMPOSITE (1026), (1100M), (1101M), (1110M), P. 18.....	220
14.19. CONNECTOR BODY COMPOSITE (1111M), (1112M), (1113M), P. 19.....	221
14.20. CONNECTOR BODY COMPOSITE (1114M), (1115M), (1116M), (1117M), P. 20.....	222
14.21. CONNECTOR BODY COMPOSITE (1200), (1210), (1215), (1220), P. 21.....	223
14.22. CONNECTOR BODY COMPOSITE (1300), (1301), (1305), P. 22.....	224
14.23. CONNECTOR BODY COMPOSITE (1400), (1401), (1402), P. 23.....	225

14.24. CONNECTOR BODY COMPOSITE (1403), (1410), (1420), P. 24.....	226
14.25. CONNECTOR BODY COMPOSITE (1421), (1422), (1500), (1501), P. 25.....	227
14.26. CONNECTOR BODY COMPOSITE (1502), (1510), P. 26.....	228
14.27. CONNECTOR BODY COMPOSITE (1511), (1550), P. 27.....	229
14.28. CONNECTOR BODY COMPOSITE (1600), P. 28.....	230
14.29. CONNECTOR BODY COMPOSITE (1601), P. 29.....	231
14.30. CONNECTOR BODY COMPOSITE (1602), P. 30.....	232
14.31. CONNECTOR BODY COMPOSITE (1603), (1604), P. 31.....	233
14.32. CONNECTOR BODY COMPOSITE (1620), (1650), (1657M), P. 32.....	234
14.33. CONNECTOR BODY COMPOSITE (1660), (1661), P. 33.....	235
14.34. CONNECTOR BODY COMPOSITE (1700), P. 34.....	236
14.35. CONNECTOR BODY COMPOSITE (1700F), P. 35.....	237
14.36. CONNECTOR BODY COMPOSITE (1701), P. 36.....	238
14.37. CONNECTOR BODY COMPOSITE (1701F), P. 37.....	239
14.38. CONNECTOR BODY COMPOSITE (1702), P. 38.....	240
14.39. CONNECTOR BODY COMPOSITE (1702), P. 39.....	241
14.40. CONNECTOR BODY COMPOSITE (1800), P. 40.....	242
14.41. CONNECTOR BODY COMPOSITE (1800F), P. 41.....	243
14.42. CONNECTOR BODY COMPOSITE (1801), (1802), P. 42.....	244
14.43. CONNECTOR BODY COMPOSITE (1803), (1804), P. 43.....	245
14.44. CONNECTOR BODY COMPOSITE (1805), (1806), P. 44.....	246
14.45. CONNECTOR BODY COMPOSITE (1808), (1809), (1810), P. 45.....	247
14.46. CONNECTOR BODY COMPOSITE (1811), (1812), (1820F / 1820M), P. 46.....	248
14.47. CONNECTOR BODY COMPOSITE (1821), (1822), (1823), (1860), (1861), P. 47.....	249
14.48. CONNECTOR BODY COMPOSITE (1873), (1874), (1874B), (1901), (1903), P. 48.....	250
14.49. CONNECTOR BODY COMPOSITE (1906), (1907), (1909M), (1910), (1912), (1916), P. 49.....	251
14.50. CONNECTOR BODY COMPOSITE (1917), (1918 / 1918A), (#1919 / *1919), (1920), (1922), (1922M), P. 50.....	252
14.51. CONNECTOR BODY COMPOSITE (1923), P. 51.....	253
14.52. CONNECTOR BODY COMPOSITE (1932), (1933), (1942F), P. 52.....	254
14.53. CONNECTOR BODY COMPOSITE (1943M), (1953), (1960), P. 53.....	255
14.54. CONNECTOR BODY COMPOSITE (1962), P. 54.....	256
14.55. CONNECTOR BODY COMPOSITE (1963), (1964), P. 55.....	257
14.56. CONNECTOR BODY COMPOSITE (1970), P. 56.....	258
14.57. CONNECTOR BODY COMPOSITE (2000), P. 57.....	259
14.58. CONNECTOR BODY COMPOSITE (2002M), (2003M), (2004M), (2005M), (2006M), (2007F), P. 58.....	260
14.59. CONNECTOR BODY COMPOSITE (2100), (2101), P. 59.....	261
14.60. CONNECTOR BODY COMPOSITE (2200), (2201), (2300), P. 60.....	262
14.61. CONNECTOR BODY COMPOSITE (2302), (2303F / 2303M), (2304), (2312), P. 61.....	263
14.62. CONNECTOR BODY COMPOSITE (2313), (2500), P. 62.....	264
14.63. CONNECTOR BODY COMPOSITE (3000), (3003M), (3100 / 3100M), P. 63.....	265
14.64. CONNECTOR BODY COMPOSITE (3200 / 3200F), (3201M), (3202M), (3203), P. 64.....	266
14.65. CONNECTOR BODY COMPOSITE (3204 / 3204M), (3205M / 3205F), (3206M), (3300), (3400), (3410), P. 65.....	267
14.66. CONNECTOR BODY COMPOSITE (4101), (4111), P. 66.....	268
14.67. CONNECTOR BODY COMPOSITE (4113), (4114), (4115), P. 66A.....	269
14.68. CONNECTOR BODY COMPOSITE (4204), P. 66B.....	270
14.69. CONNECTOR BODY COMPOSITE (4328), (4500), (4705), (4706), P. 67.....	271
14.70. CONNECTOR BODY COMPOSITE (5000 / 5000A), P. 68.....	272
14.71. CONNECTOR BODY COMPOSITE (5000), P. 69.....	273
14.72. CONNECTOR BODY COMPOSITE (5001), P. 70.....	274

14.73. CONNECTOR BODY COMPOSITE (5001), P. 71.....	275
14.74. CONNECTOR BODY COMPOSITE (5003), (5005), (5006), (5007), P. 72.....	276
14.75. CONNECTOR BODY COMPOSITE (5009), (5010), (5011M / 5011F), P. 73.....	277
14.76. CONNECTOR BODY COMPOSITE (5012), (5013), (5031), (5034), (5035 / 5035A), P. 74..	278
14.77. CONNECTOR BODY COMPOSITE (5100), (5101), (5102), (5103), P. 75.....	279
14.78. CONNECTOR BODY COMPOSITE (5103), (5104), (5105), (5106), (5107), (5109), (5110), (5111), P. 76.....	280
14.79. CONNECTOR BODY COMPOSITE (5117), (5118), (5119), P. 77.....	281
14.80. CONNECTOR BODY COMPOSITE (5123), (5124), (5125), P. 78.....	282
14.81. CONNECTOR BODY COMPOSITE (5126), (5128), (5129), (5130), P. 79.....	283
14.82. CONNECTOR BODY COMPOSITE (5130), (5131), (5134), P. 79A.....	284
14.83. CONNECTOR BODY COMPOSITE (5134), P. 80.....	285
14.84. CONNECTOR BODY COMPOSITE (5200), (5201), (5202), (5205), P. 81.....	286
14.85. CONNECTOR BODY COMPOSITE (5210), (5212), (5213), P. 81A.....	287
14.86. CONNECTOR BODY COMPOSITE (5214), (5215), (5216), (5217), (5218), (5219), P. 82..	288
14.87. CONNECTOR BODY COMPOSITE (5220), (5222), (5230), P. 83.....	289
14.88. CONNECTOR BODY COMPOSITE (5232), (5233), (5234), P. 84.....	290
14.89. CONNECTOR BODY COMPOSITE (5235), (5236), (5237), (5238), P. 84A.....	291
14.90. CONNECTOR BODY COMPOSITE (5300), (5303), (5312), (5313), P. 85.....	292
14.91. CONNECTOR BODY COMPOSITE (5314), (5500), (5600), (5601M), (5602F), (5603M), (5700), P. 86.....	293
14.92. CONNECTOR BODY COMPOSITE (5701), (5702), (5754), P. 87.....	294
14.93. CONNECTOR BODY COMPOSITE (5757), (5758), (5900), (5902), (5903), P. 88.....	295
14.94. CONNECTOR BODY COMPOSITE (5904 / 5904M), (5905 / 5905F), P. 89.....	296
14.95. CONNECTOR BODY COMPOSITE (5906), (5907), P. 90.....	297
14.96. CONNECTOR BODY COMPOSITE (5909), (5925 / 5926), (5927), (5930M), (5940), P. 91..	298
14.97. CONNECTOR BODY COMPOSITE (6018), P. 92.....	299
14.98. CONNECTOR BODY COMPOSITE (6019), P. 93.....	300
14.99. CONNECTOR BODY COMPOSITE (6033), P. 94.....	301
14.100. CONNECTOR BODY COMPOSITE (6260VH), (6260VL), (6260VM), (6260VN), (6400), (6401 / 6407), (6420), P. 95.....	302
14.101. CONNECTOR BODY COMPOSITE (6702), (6703), (6703A), (6704A), (6706), (6707), P. 96.....	303
14.102. CONNECTOR BODY COMPOSITE (6712), (6720), (6730), (7104F), P. 97.....	304
14.103. CONNECTOR BODY COMPOSITE (7105), (7110), (7500W), (7600), P. 98.....	305
14.104. CONNECTOR BODY COMPOSITE (7700K), (7802), (7905), P. 99.....	306
14.105. CONNECTOR BODY COMPOSITE (8000), (8001), P. 100.....	307
14.106. CONNECTOR BODY COMPOSITE (8006T), (8006R), (8050), (8051), P. 101.....	308
14.107. CONNECTOR BODY COMPOSITE (8052), (8053), (8100), (8100A), (8100B), P. 102.....	309
14.108. CONNECTOR BODY COMPOSITE (8101), (8101A), (8101B), (8102), (8103), P. 103.....	310
14.109. CONNECTOR BODY COMPOSITE (8165), (8166), (8166T), (8200), (8201), P. 104.....	311
14.110. CONNECTOR BODY COMPOSITE (8303), (8350), (8351), (8410), (8450), P. 105.....	312
14.111. CONNECTOR BODY COMPOSITE (8450A), (8450B), (8451), P. 106.....	313
14.112. CONNECTOR BODY COMPOSITE (8453), (8454), (8455), (8456), (8500), P. 107.....	314
14.113. CONNECTOR BODY COMPOSITE (8501), (8502), (8503), (8504), P. 108.....	315
14.114. CONNECTOR BODY COMPOSITE (8505), (8506), (8507), (8550), P. 109.....	316
14.115. CONNECTOR BODY COMPOSITE (8601), (8750), (8800), (8802), P. 110.....	317
14.116. CONNECTOR BODY COMPOSITE (8803), (8804), (8805), (8806), P. 111.....	318
14.117. CONNECTOR BODY COMPOSITE (8900), (8901), (8950), (8951), P. 112.....	319
14.118. CONNECTOR BODY COMPOSITE (8952), (8953 / 8953M), P. 113.....	320
14.119. CONNECTOR BODY COMPOSITE (8954), (8954M), (8960), (8961), (8962), P. 114.....	321
14.120. CONNECTOR BODY COMPOSITE (8963), (8964), (8965), (8966), (8967), P. 115.....	322
14.121. CONNECTOR BODY COMPOSITE (8970), (8971), (8972), (8973), P. 116.....	323

14.122. CONNECTOR BODY COMPOSITE (8974), (8975), (8976), (8977), P. 117.....	324
14.123. CONNECTOR BODY COMPOSITE (8980), (8981), (8982), (8983), (8984), P. 118.....	325
14.124. CONNECTOR BODY COMPOSITE (8990), (9100 / 9100A / 9100B / 9100C), (9102 / 9102A), P. 119.....	326
14.125. CONNECTOR BODY COMPOSITE (9103), (9303), (9303A), (9304A), P. 120.....	327
14.126. CONNECTOR BODY COMPOSITE (9501), (9501D), (9502 / 9502A), (9502B), (9503 / 9503D), (9504 / 9504A / 9504B), P. 121.....	328
14.127. CONNECTOR BODY COMPOSITE (9505 / 9505A), (9506 / 9506D / 9506E), (9507 / 9507A / 9507B), (9508 / 9508D / 9508E), (9509 / 9509A / 9509B), P. 122.....	329
14.128. CONNECTOR BODY COMPOSITE (9510 / 9510A), (9510M), (9511 / 9511A), (9511), (9512), P. 123.....	330
14.129. CONNECTOR BODY COMPOSITE (9512), (9513), (9514), (9515 / 9515A / 9515B), P. 124.....	331
14.130. CONNECTOR BODY COMPOSITE (9516M), (9635), (9715F / 9715M), P. 125.....	332
14.131. CONNECTOR BODY COMPOSITE (9716M / 9716F), (9718), (9736), (9737 / 9737A), P. 126.....	333
14.132. CONNECTOR BODY COMPOSITE (9768), (9769), P. 127.....	334
14.133. CONNECTOR BODY COMPOSITE (9770M / 9770F), (9779F), (9779F1), (9780 / 9780M), (9780M1), P. 128.....	335
14.134. CONNECTOR BODY COMPOSITE (9781F), (9782M), (9783M), (9783F), (9784M), P. 129.....	336
14.135. CONNECTOR BODY COMPOSITE (*9789F / @9789FA), (*9790M / @9790FA), P. 130...	337
14.136. CONNECTOR BODY COMPOSITE (9800F / 9800M), P. 131.....	338
14.137. CONNECTOR BODY COMPOSITE (9801F / 9801M), P. 132.....	339
14.138. CONNECTOR BODY COMPOSITE (9811), (9812), (9813), P. 133.....	340
14.139. CONNECTOR BODY COMPOSITE (9814), (9815), (9816), P. 134.....	341
14.140. CONNECTOR BODY COMPOSITE (9830 / 9832), (9865F / 9865M), P. 135.....	342
14.141. CONNECTOR BODY COMPOSITE (9900), (9901), (9902), P. 136.....	343

1. TABLE OF CONTENTS (CHAPTER 1)

2. INSTRUCTIONS AND CHARTS (CHAPTER 2)

2.1. ABBREVIATIONS, P. 1

INTERNATIONAL TRUCK AND ENGINE CORPORATION				ELECTRICAL CIRCUIT DIAGRAM		CHAPTER 2																																																																																																																																																																																																																																																																																																																																																																																																																									
THIS PRINT IS PROVIDED ON A RESTRICTED BASIS AND IS NOT TO BE USED IN ANY WAY DETRIMENTAL TO THE INTEREST OF INTERNATIONAL TRUCK AND ENGINE CORPORATION.				ABBREVIATIONS																																																																																																																																																																																																																																																																																																																																																																																																																											
<table border="1" style="width:100%; border-collapse: collapse; font-size: x-small;"> <thead> <tr> <th>ABBREVIATION</th> <th>DESCRIPTION</th> <th>ABBREVIATION</th> <th>DESCRIPTION</th> <th>ABBREVIATION</th> <th>DESCRIPTION</th> <th>ABBREVIATION</th> <th>DESCRIPTION</th> </tr> </thead> <tbody> <tr><td>ACCESS</td><td>ACCESSORY</td><td>CUR</td><td>CURRENT</td><td>PRESS</td><td>PRESSURE</td><td></td><td></td></tr> <tr><td>AC</td><td>AIR CONDITIONING</td><td>DPNL</td><td>DASHBOARD</td><td>RAD</td><td>RADIO</td><td></td><td></td></tr> <tr><td>AIR CLNR</td><td>AIR CLEANER</td><td>DFTR</td><td>DEFLECTOR</td><td>RR</td><td>REAR</td><td></td><td></td></tr> <tr><td>ALT</td><td>ALTERNATOR</td><td>DFR</td><td>DEFROSTER</td><td>RLY</td><td>RELAY</td><td></td><td></td></tr> <tr><td>AC</td><td>ALTERNATING CURRENT</td><td>DEG</td><td>DEGREE</td><td>RES</td><td>RESISTOR</td><td></td><td></td></tr> <tr><td>AFTR</td><td>AFTERTREATMENT</td><td>DIAG</td><td>DIAGRAM</td><td>R</td><td>RIGHT</td><td></td><td></td></tr> <tr><td>AMM</td><td>AMMETER</td><td>DSL</td><td>DIESEL</td><td>RTR</td><td>ROTOR</td><td></td><td></td></tr> <tr><td>AMP</td><td>AMPERE</td><td>DIFF</td><td>DIFFERENTIAL</td><td>SNSR</td><td>SENSOR</td><td></td><td></td></tr> <tr><td>AMP HR</td><td>AMPERE HOUR</td><td>DIMR</td><td>DIMMER</td><td>SHLD</td><td>SHIELD</td><td></td><td></td></tr> <tr><td>AMPL</td><td>AMPLIFIER</td><td>ELEC</td><td>ELECTRICAL</td><td>SHFT</td><td>SHIFTER</td><td></td><td></td></tr> <tr><td>ARM</td><td>ARMATURE</td><td>ELEX</td><td>ELECTRONICS</td><td>SLPR</td><td>SLEEPER</td><td></td><td></td></tr> <tr><td>ARSR</td><td>ARRESTER</td><td>ENG</td><td>ENGINE</td><td>SLV</td><td>SLEEVE</td><td></td><td></td></tr> <tr><td>ASSY</td><td>ASSEMBLY</td><td>EXH</td><td>EXHAUST</td><td>SPKR</td><td>SPEAKER</td><td></td><td></td></tr> <tr><td>AUX</td><td>AUXILIARY</td><td>FL</td><td>FLUID</td><td>SPR</td><td>SPRING</td><td></td><td></td></tr> <tr><td>B/U</td><td>BACK-UP</td><td>FWD</td><td>FORWARD</td><td>STD</td><td>STANDARD</td><td></td><td></td></tr> <tr><td>BTRY</td><td>BATTERY</td><td>FR</td><td>FRONT</td><td>STRG</td><td>STEERING</td><td></td><td></td></tr> <tr><td>BM</td><td>BENCHMARKING</td><td>FREQ</td><td>FREQUENCY</td><td>STLITE</td><td>SATELLITE</td><td></td><td></td></tr> <tr><td>BLK</td><td>BLOCK</td><td>GA</td><td>GAUGE</td><td>SUNSH</td><td>SUNSHADE</td><td></td><td></td></tr> <tr><td>BOOS</td><td>BOOSTER</td><td>GEN</td><td>GENERATOR</td><td>SW</td><td>SWITCH</td><td></td><td></td></tr> <tr><td>BOT</td><td>BOTTOM</td><td>GND</td><td>GROUND</td><td>SYS</td><td>SYSTEM</td><td></td><td></td></tr> <tr><td>BK</td><td>BRAKE</td><td>HARN</td><td>HARNESS</td><td>TACH</td><td>TACHOMETER</td><td></td><td></td></tr> <tr><td>BRKR</td><td>BREAKER</td><td>HDLP</td><td>HEADLAMP</td><td>TEMP</td><td>TEMPERATURE</td><td></td><td></td></tr> <tr><td>BRTHR</td><td>BREATHER</td><td>HTD</td><td>HEATED</td><td>TERM</td><td>TERMINAL</td><td></td><td></td></tr> <tr><td>BRI</td><td>BRIGHT</td><td>HT TR</td><td>HEAT TREAT</td><td>THROT</td><td>THROTTLE</td><td></td><td></td></tr> <tr><td>BUZ</td><td>BUZZER</td><td>HTR</td><td>HEATER</td><td>THRU</td><td>THROUGH</td><td></td><td></td></tr> <tr><td>CA</td><td>CABLE</td><td>HP</td><td>HORSEPOWER</td><td>TRLR</td><td>TRAILER</td><td></td><td></td></tr> <tr><td>CD</td><td>CANDELA</td><td>HYD</td><td>HYDRAULIC</td><td>XDCR</td><td>TRANSDUCER</td><td></td><td></td></tr> <tr><td>CP</td><td>CANDLEPOWER</td><td>ID</td><td>IDENTIFICATION</td><td>XFER</td><td>TRANSFER</td><td></td><td></td></tr> <tr><td>CAP</td><td>CAPACITOR</td><td>IGN</td><td>IGNITION</td><td>XFMR</td><td>TRANSFORMER</td><td></td><td></td></tr> <tr><td>CAT</td><td>CATERPILLAR</td><td>ILLUM</td><td>ILLUMINATION</td><td>XSTR</td><td>TRANSISTOR</td><td></td><td></td></tr> <tr><td>CHAS</td><td>CHASSIS</td><td>IND</td><td>INDICATOR</td><td>XMSN</td><td>TRANSMISSION</td><td></td><td></td></tr> <tr><td>CH</td><td>CHOKE</td><td>INST</td><td>INSTRUMENT</td><td>XMTR</td><td>TRANSMITTER</td><td></td><td></td></tr> <tr><td>CIRC</td><td>CIRCUIT</td><td>INT</td><td>INTERMITTENT</td><td>TRK</td><td>TRUCK</td><td></td><td></td></tr> <tr><td>CLK</td><td>CLOCK</td><td>L</td><td>LEFT</td><td>UPR</td><td>UPPER</td><td></td><td></td></tr> <tr><td>CW</td><td>CLOCKWISE</td><td>LT</td><td>LIGHT</td><td>VLV</td><td>VALVE</td><td></td><td></td></tr> <tr><td>CLSTR</td><td>CLUSTER</td><td>LTR</td><td>LIGHTER</td><td>VERT</td><td>VERTICAL</td><td></td><td></td></tr> <tr><td>CL</td><td>CLUTCH</td><td>LWR</td><td>LOWER</td><td>VM</td><td>VOLTMETER</td><td></td><td></td></tr> <tr><td>COL</td><td>COLUMN</td><td>MAG</td><td>MAGNET</td><td>VOL</td><td>VOLUME</td><td></td><td></td></tr> <tr><td>COMM</td><td>COMMUTATOR</td><td>MOD</td><td>MODULATOR</td><td>WSHR</td><td>WASHER</td><td></td><td></td></tr> <tr><td>CMPNT</td><td>COMPONENT</td><td>MDL</td><td>MODULE</td><td>WHL</td><td>WHEEL</td><td></td><td></td></tr> <tr><td>CPRSR</td><td>COMPRESSOR</td><td>MOT</td><td>MOTOR</td><td>WDO</td><td>WINDOW</td><td></td><td></td></tr> <tr><td>CONN</td><td>CONNECT</td><td>MTD</td><td>MOUNTED</td><td>WSHLD</td><td>WINDSHIELD</td><td></td><td></td></tr> <tr><td>CONT</td><td>CONTINUED</td><td>NEG</td><td>NEGATIVE</td><td>WPR</td><td>WIPER</td><td></td><td></td></tr> <tr><td>CSL</td><td>CONSOLE</td><td>N/</td><td>NOT WITH</td><td>W/</td><td>WITH</td><td></td><td></td></tr> <tr><td>CONT</td><td>CONTACT</td><td>NO.</td><td>NUMBER</td><td>W/O</td><td>WITHOUT</td><td></td><td></td></tr> <tr><td>CNT</td><td>CONTROL</td><td>PASS</td><td>PASSENGER</td><td></td><td></td><td></td><td></td></tr> <tr><td>CONV</td><td>CONVERTER</td><td>POSN</td><td>POSITION</td><td></td><td></td><td></td><td></td></tr> <tr><td>CLR</td><td>COOLER</td><td>POS</td><td>POSITIVE</td><td></td><td></td><td></td><td></td></tr> <tr><td>CTSY</td><td>COURTESY</td><td>POT</td><td>POTENTIOMETER</td><td></td><td></td><td></td><td></td></tr> <tr><td>CRUS</td><td>CRUISE</td><td>PWR</td><td>POWER</td><td></td><td></td><td></td><td></td></tr> </tbody> </table>								ABBREVIATION	DESCRIPTION	ABBREVIATION	DESCRIPTION	ABBREVIATION	DESCRIPTION	ABBREVIATION	DESCRIPTION	ACCESS	ACCESSORY	CUR	CURRENT	PRESS	PRESSURE			AC	AIR CONDITIONING	DPNL	DASHBOARD	RAD	RADIO			AIR CLNR	AIR CLEANER	DFTR	DEFLECTOR	RR	REAR			ALT	ALTERNATOR	DFR	DEFROSTER	RLY	RELAY			AC	ALTERNATING CURRENT	DEG	DEGREE	RES	RESISTOR			AFTR	AFTERTREATMENT	DIAG	DIAGRAM	R	RIGHT			AMM	AMMETER	DSL	DIESEL	RTR	ROTOR			AMP	AMPERE	DIFF	DIFFERENTIAL	SNSR	SENSOR			AMP HR	AMPERE HOUR	DIMR	DIMMER	SHLD	SHIELD			AMPL	AMPLIFIER	ELEC	ELECTRICAL	SHFT	SHIFTER			ARM	ARMATURE	ELEX	ELECTRONICS	SLPR	SLEEPER			ARSR	ARRESTER	ENG	ENGINE	SLV	SLEEVE			ASSY	ASSEMBLY	EXH	EXHAUST	SPKR	SPEAKER			AUX	AUXILIARY	FL	FLUID	SPR	SPRING			B/U	BACK-UP	FWD	FORWARD	STD	STANDARD			BTRY	BATTERY	FR	FRONT	STRG	STEERING			BM	BENCHMARKING	FREQ	FREQUENCY	STLITE	SATELLITE			BLK	BLOCK	GA	GAUGE	SUNSH	SUNSHADE			BOOS	BOOSTER	GEN	GENERATOR	SW	SWITCH			BOT	BOTTOM	GND	GROUND	SYS	SYSTEM			BK	BRAKE	HARN	HARNESS	TACH	TACHOMETER			BRKR	BREAKER	HDLP	HEADLAMP	TEMP	TEMPERATURE			BRTHR	BREATHER	HTD	HEATED	TERM	TERMINAL			BRI	BRIGHT	HT TR	HEAT TREAT	THROT	THROTTLE			BUZ	BUZZER	HTR	HEATER	THRU	THROUGH			CA	CABLE	HP	HORSEPOWER	TRLR	TRAILER			CD	CANDELA	HYD	HYDRAULIC	XDCR	TRANSDUCER			CP	CANDLEPOWER	ID	IDENTIFICATION	XFER	TRANSFER			CAP	CAPACITOR	IGN	IGNITION	XFMR	TRANSFORMER			CAT	CATERPILLAR	ILLUM	ILLUMINATION	XSTR	TRANSISTOR			CHAS	CHASSIS	IND	INDICATOR	XMSN	TRANSMISSION			CH	CHOKE	INST	INSTRUMENT	XMTR	TRANSMITTER			CIRC	CIRCUIT	INT	INTERMITTENT	TRK	TRUCK			CLK	CLOCK	L	LEFT	UPR	UPPER			CW	CLOCKWISE	LT	LIGHT	VLV	VALVE			CLSTR	CLUSTER	LTR	LIGHTER	VERT	VERTICAL			CL	CLUTCH	LWR	LOWER	VM	VOLTMETER			COL	COLUMN	MAG	MAGNET	VOL	VOLUME			COMM	COMMUTATOR	MOD	MODULATOR	WSHR	WASHER			CMPNT	COMPONENT	MDL	MODULE	WHL	WHEEL			CPRSR	COMPRESSOR	MOT	MOTOR	WDO	WINDOW			CONN	CONNECT	MTD	MOUNTED	WSHLD	WINDSHIELD			CONT	CONTINUED	NEG	NEGATIVE	WPR	WIPER			CSL	CONSOLE	N/	NOT WITH	W/	WITH			CONT	CONTACT	NO.	NUMBER	W/O	WITHOUT			CNT	CONTROL	PASS	PASSENGER					CONV	CONVERTER	POSN	POSITION					CLR	COOLER	POS	POSITIVE					CTSY	COURTESY	POT	POTENTIOMETER					CRUS	CRUISE	PWR	POWER				
ABBREVIATION	DESCRIPTION	ABBREVIATION	DESCRIPTION	ABBREVIATION	DESCRIPTION	ABBREVIATION	DESCRIPTION																																																																																																																																																																																																																																																																																																																																																																																																																								
ACCESS	ACCESSORY	CUR	CURRENT	PRESS	PRESSURE																																																																																																																																																																																																																																																																																																																																																																																																																										
AC	AIR CONDITIONING	DPNL	DASHBOARD	RAD	RADIO																																																																																																																																																																																																																																																																																																																																																																																																																										
AIR CLNR	AIR CLEANER	DFTR	DEFLECTOR	RR	REAR																																																																																																																																																																																																																																																																																																																																																																																																																										
ALT	ALTERNATOR	DFR	DEFROSTER	RLY	RELAY																																																																																																																																																																																																																																																																																																																																																																																																																										
AC	ALTERNATING CURRENT	DEG	DEGREE	RES	RESISTOR																																																																																																																																																																																																																																																																																																																																																																																																																										
AFTR	AFTERTREATMENT	DIAG	DIAGRAM	R	RIGHT																																																																																																																																																																																																																																																																																																																																																																																																																										
AMM	AMMETER	DSL	DIESEL	RTR	ROTOR																																																																																																																																																																																																																																																																																																																																																																																																																										
AMP	AMPERE	DIFF	DIFFERENTIAL	SNSR	SENSOR																																																																																																																																																																																																																																																																																																																																																																																																																										
AMP HR	AMPERE HOUR	DIMR	DIMMER	SHLD	SHIELD																																																																																																																																																																																																																																																																																																																																																																																																																										
AMPL	AMPLIFIER	ELEC	ELECTRICAL	SHFT	SHIFTER																																																																																																																																																																																																																																																																																																																																																																																																																										
ARM	ARMATURE	ELEX	ELECTRONICS	SLPR	SLEEPER																																																																																																																																																																																																																																																																																																																																																																																																																										
ARSR	ARRESTER	ENG	ENGINE	SLV	SLEEVE																																																																																																																																																																																																																																																																																																																																																																																																																										
ASSY	ASSEMBLY	EXH	EXHAUST	SPKR	SPEAKER																																																																																																																																																																																																																																																																																																																																																																																																																										
AUX	AUXILIARY	FL	FLUID	SPR	SPRING																																																																																																																																																																																																																																																																																																																																																																																																																										
B/U	BACK-UP	FWD	FORWARD	STD	STANDARD																																																																																																																																																																																																																																																																																																																																																																																																																										
BTRY	BATTERY	FR	FRONT	STRG	STEERING																																																																																																																																																																																																																																																																																																																																																																																																																										
BM	BENCHMARKING	FREQ	FREQUENCY	STLITE	SATELLITE																																																																																																																																																																																																																																																																																																																																																																																																																										
BLK	BLOCK	GA	GAUGE	SUNSH	SUNSHADE																																																																																																																																																																																																																																																																																																																																																																																																																										
BOOS	BOOSTER	GEN	GENERATOR	SW	SWITCH																																																																																																																																																																																																																																																																																																																																																																																																																										
BOT	BOTTOM	GND	GROUND	SYS	SYSTEM																																																																																																																																																																																																																																																																																																																																																																																																																										
BK	BRAKE	HARN	HARNESS	TACH	TACHOMETER																																																																																																																																																																																																																																																																																																																																																																																																																										
BRKR	BREAKER	HDLP	HEADLAMP	TEMP	TEMPERATURE																																																																																																																																																																																																																																																																																																																																																																																																																										
BRTHR	BREATHER	HTD	HEATED	TERM	TERMINAL																																																																																																																																																																																																																																																																																																																																																																																																																										
BRI	BRIGHT	HT TR	HEAT TREAT	THROT	THROTTLE																																																																																																																																																																																																																																																																																																																																																																																																																										
BUZ	BUZZER	HTR	HEATER	THRU	THROUGH																																																																																																																																																																																																																																																																																																																																																																																																																										
CA	CABLE	HP	HORSEPOWER	TRLR	TRAILER																																																																																																																																																																																																																																																																																																																																																																																																																										
CD	CANDELA	HYD	HYDRAULIC	XDCR	TRANSDUCER																																																																																																																																																																																																																																																																																																																																																																																																																										
CP	CANDLEPOWER	ID	IDENTIFICATION	XFER	TRANSFER																																																																																																																																																																																																																																																																																																																																																																																																																										
CAP	CAPACITOR	IGN	IGNITION	XFMR	TRANSFORMER																																																																																																																																																																																																																																																																																																																																																																																																																										
CAT	CATERPILLAR	ILLUM	ILLUMINATION	XSTR	TRANSISTOR																																																																																																																																																																																																																																																																																																																																																																																																																										
CHAS	CHASSIS	IND	INDICATOR	XMSN	TRANSMISSION																																																																																																																																																																																																																																																																																																																																																																																																																										
CH	CHOKE	INST	INSTRUMENT	XMTR	TRANSMITTER																																																																																																																																																																																																																																																																																																																																																																																																																										
CIRC	CIRCUIT	INT	INTERMITTENT	TRK	TRUCK																																																																																																																																																																																																																																																																																																																																																																																																																										
CLK	CLOCK	L	LEFT	UPR	UPPER																																																																																																																																																																																																																																																																																																																																																																																																																										
CW	CLOCKWISE	LT	LIGHT	VLV	VALVE																																																																																																																																																																																																																																																																																																																																																																																																																										
CLSTR	CLUSTER	LTR	LIGHTER	VERT	VERTICAL																																																																																																																																																																																																																																																																																																																																																																																																																										
CL	CLUTCH	LWR	LOWER	VM	VOLTMETER																																																																																																																																																																																																																																																																																																																																																																																																																										
COL	COLUMN	MAG	MAGNET	VOL	VOLUME																																																																																																																																																																																																																																																																																																																																																																																																																										
COMM	COMMUTATOR	MOD	MODULATOR	WSHR	WASHER																																																																																																																																																																																																																																																																																																																																																																																																																										
CMPNT	COMPONENT	MDL	MODULE	WHL	WHEEL																																																																																																																																																																																																																																																																																																																																																																																																																										
CPRSR	COMPRESSOR	MOT	MOTOR	WDO	WINDOW																																																																																																																																																																																																																																																																																																																																																																																																																										
CONN	CONNECT	MTD	MOUNTED	WSHLD	WINDSHIELD																																																																																																																																																																																																																																																																																																																																																																																																																										
CONT	CONTINUED	NEG	NEGATIVE	WPR	WIPER																																																																																																																																																																																																																																																																																																																																																																																																																										
CSL	CONSOLE	N/	NOT WITH	W/	WITH																																																																																																																																																																																																																																																																																																																																																																																																																										
CONT	CONTACT	NO.	NUMBER	W/O	WITHOUT																																																																																																																																																																																																																																																																																																																																																																																																																										
CNT	CONTROL	PASS	PASSENGER																																																																																																																																																																																																																																																																																																																																																																																																																												
CONV	CONVERTER	POSN	POSITION																																																																																																																																																																																																																																																																																																																																																																																																																												
CLR	COOLER	POS	POSITIVE																																																																																																																																																																																																																																																																																																																																																																																																																												
CTSY	COURTESY	POT	POTENTIOMETER																																																																																																																																																																																																																																																																																																																																																																																																																												
CRUS	CRUISE	PWR	POWER																																																																																																																																																																																																																																																																																																																																																																																																																												
CHK	DATE	CHANGE	REV	REFERENCE	DRAWN	NAME																																																																																																																																																																																																																																																																																																																																																																																																																									
CNA1	28OCT09	INITIAL RELEASE.	A	61802Y	300422	CIRCUIT DIAGRAM, PROSTAR																																																																																																																																																																																																																																																																																																																																																																																																																									
					RELEASE NO.	DATE	PART NO.																																																																																																																																																																																																																																																																																																																																																																																																																								
					61802Y	09MAR09	AE08058095																																																																																																																																																																																																																																																																																																																																																																																																																								
							SHEET 001																																																																																																																																																																																																																																																																																																																																																																																																																								

Figure 1 Abbreviations

2.2. ACRONYMS, P. 2

INTERNATIONAL TRUCK AND ENGINE CORPORATION				ELECTRICAL CIRCUIT DIAGRAM CHAPTER 2			
THIS PRINT IS PROVIDED ON A RESTRICTED BASIS AND IS NOT TO BE USED IN ANY WAY DETRIMENTAL TO THE INTEREST OF INTERNATIONAL TRUCK AND ENGINE CORPORATION.				ACRONYMS			
DESCRIPTION		ACRONYM		DESCRIPTION		ACRONYM	
ANTILOCK BRAKING SYSTEM		ABS		INJECTOR DRIVE MODULE		IDM	
ANTENNA COMMUNICATION UNIT		ACU		INPUT/OUTPUT		I/O	
ALTERNATING CURRENT		AC		INTEGRATED MOBILE COMMUNICATIONS TERMINAL		IMCT	
AXLE TO BACK OF CAB		AC		INSTRUMENT PANEL		I/P	
AXLE TO FRAME		AF		INDEPENDENT POWER TAKE-OFF		IPTO	
ACCELERATOR PEDAL MODULE		APM		LIGHT COMMERCIAL TRANSMISSION		LCT	
ACCELERATOR POSITION SENSOR		APS		MEDIUM DUTY		MD	
AUXILIARY POWER UNIT		APU		MALFUNCTION INDICATION LAMP		MIL	
AUTOMATIC TRACTION CONTROL		ATC		MULTIPLEX SWITCH MODULE		MSM	
AUDIO VIDEO INTERFACE		AVI		PYROMETER AMMETER MODULE		PAM	
BRAKE HORSEPOWER		BHP		PROGRAMMABLE LOGIC CONTROLLER		PLC	
BACK OF CAB		BOC		POWER TAKE-OFF		PTO	
CITIZEN BAND		CB		PULSE WIDTH MODULATION		PWM	
COLD CRANKING AMPERES		CCA		REAR AXLE		RA	
CLEAN POWER ELECTRICAL CONNECTOR		CEC		RADIO FREQUENCY		RF	
CAB OVER ENGINE		COE		ROLL STABILITY PROGRAMM		RSP	
DIRECT CURRENT		DC		SEVERE SERVICE		SS	
DRIVER CONTROL MODULE		DCM		TRANSMISSION CONTROL MODULE		TCM	
DIGITAL DATA LINK		DDL		TERRESTRIAL COMMUNICATION UNIT		TCU	
DIESEL OXIDATION CATALYST INLET TEMPERATURE		DOCT		TERRESTRIAL MOBILE COMMUNICATIONS TERMINAL		TMCT	
DIESEL PARTICULATE FILTER		DPF		THERMAL OVERCRANK PROTECTION		TOCP	
DIESEL TURBOCHARGED		DT		THROTTLE POSITION SENSOR		TPS	
DAY TIME RUNNING LIGHTS		DTRL		ZERO VOLT REFERENCE		ZVR	
ELECTRONIC CONTROL MODULE		ECM					
ELECTRONIC CONTROL UNIT		ECU					
EXHAUST GAS RECIRCULATION		EGR					
EXHAUST GAS TEMPERATURE		EGT					
ELECTRO MAGNETIC INTERFACE		EMI					
END OF FRAME		EOF					
ELECTRIC TRAILER BRAKE		ETB					
FRONT AXLE		FA					
FRONT END		FE					
FRONT OF DASH		FOD					
FULL POWER BRAKE		FPB					
GLOBAL POSITIONING SYSTEM		GPS					
HYDRAULIC CONTROL UNIT		HCU					
HEAVY DUTY		HD					
HEAVY DUTY DIESEL		HDD					
HIGH PERFORMANCE TRUCK		HPT					
HEATING, VENTILATION, AND AIR CONDITIONING		HVAC					

CHK	DATE	CHANGE	REV	REFERENCE	DRAWN	NAME
CNA1	28OCT09	INITIAL RELEASE.	A	61802Y	300422	CIRCUIT DIAGRAM, PROSTAR
					RELEASE NO.	DATE
					61802Y	09MAR09
						PART NO.
						AE08058095
						SHEET
						002

Figure 2 Acronyms

2.3. CIRCUIT DIAGRAM INSTRUCTIONS, P. 3

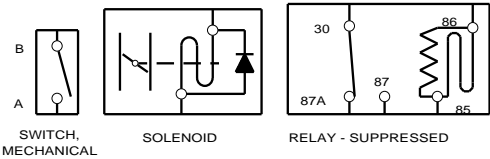
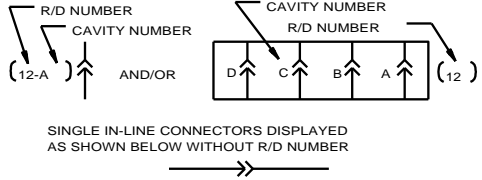
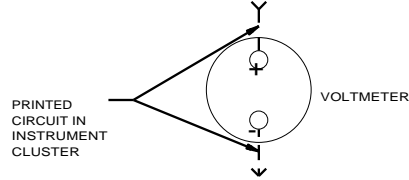
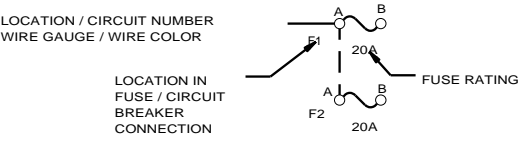
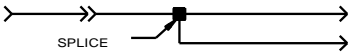
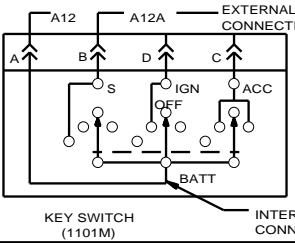
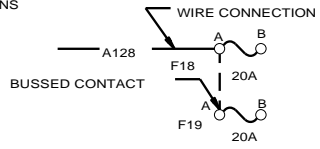
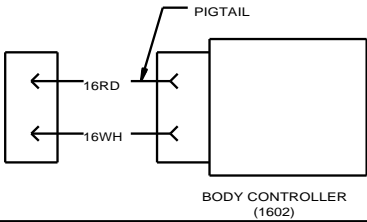
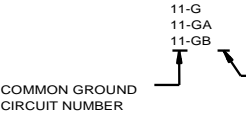
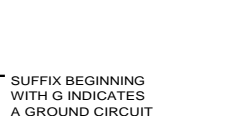
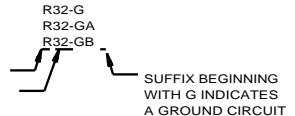
INTERNATIONAL TRUCK AND ENGINE CORPORATION		ELECTRICAL CIRCUIT DIAGRAM		CHAPTER 2		
THIS PRINT IS PROVIDED ON A RESTRICTED BASIS AND IS NOT TO BE USED IN ANY WAY DETRIMENTAL TO THE INTEREST OF INTERNATIONAL TRUCK AND ENGINE CORPORATION.		CIRCUIT DIAGRAM INSTRUCTIONS				
<p>A - SWITCH AND RELAY POSITIONS AS SHOWN ON CIRCUIT DIAGRAMS INDICATE NORMAL POSITION WITH IGNITION OFF UNLESS OTHERWISE NOTED.</p>		<p>B - MULTIPLE CONNECTIONS ARE DISPLAYED ON SCHEMATIC AS SHOWN WITH R/D NUMBER & CAVITY NUMBER. REFER TO CONNECTOR COMPOSITE FOR MORE INFORMATION</p>				
 <p>SWITCH, MECHANICAL SOLENOID RELAY - SUPPRESSED</p>		 <p>R/D NUMBER CAVITY NUMBER AND/OR CAVITY NUMBER R/D NUMBER</p> <p>SINGLE IN-LINE CONNECTORS DISPLAYED AS SHOWN BELOW WITHOUT R/D NUMBER</p>				
<p>C - PHANTOM LINES INDICATE PRINTED CIRCUITS OR BUSSED CIRCUITS. THESE CIRCUITS EXIST IN THE INSTRUMENT CLUSTER AND FUSE / CIRCUIT BREAKER CONNECTORS.</p>						
 <p>PRINTED CIRCUIT IN INSTRUMENT CLUSTER VOLTMETER</p>		 <p>LOCATION / CIRCUIT NUMBER WIRE GAUGE / WIRE COLOR</p> <p>LOCATION IN FUSE / CIRCUIT BREAKER CONNECTION</p> <p>FUSE RATING</p>				
<p>D - MULTIPLE CIRCUIT NUMBERS ON A LINE INDICATE ONE CIRCUIT DISTRIBUTING CURRENT TO TWO CIRCUITS.</p>						
 <p>SPLICE</p>						
<p>E - SWITCHES, RELAYS AND COMPONENTS INDICATE EXTERNAL WIRE CONNECTIONS AND / OR INTERNAL CONNECTIONS OR CONTACTS.</p>						
 <p>EXTERNAL WIRE CONNECTIONS</p> <p>KEY SWITCH (1101M) INTERNAL CONNECTION</p>		 <p>WIRE CONNECTION</p> <p>BUSSED CONTACT</p>		 <p>PIGTAIL</p> <p>BODY CONTROLLER (1602)</p>		
<p>F - CIRCUIT "11" DENOTES ANY COMMON GROUND (MORE THAN ONE CIRCUIT). ANY INDIVIDUAL GROUND CIRCUIT IS IDENTIFIED WITH THAT PARTICULAR CIRCUIT NUMBER. (E.G. CIRCUIT 32 CRUISE CONTROL IS IDENTIFIED AS PER EXAMPLE)</p>						
 <p>COMMON GROUND CIRCUIT NUMBER</p>		 <p>SUFFIX BEGINNING WITH G INDICATES A GROUND CIRCUIT</p> <p>INDIVIDUAL GROUND CIRCUIT NUMBER</p>		 <p>LOCATION</p> <p>SUFFIX BEGINNING WITH G INDICATES A GROUND CIRCUIT</p>		
<p>NOTE: FOR CIRCUIT DESCRIPTION OTHER THAN GROUNDS NEITHER THE LETTER "G" NOR THE COLOR WHITE SHALL BE USED</p>						
CHK	DATE	CHANGE	REV	REFERENCE	DRAWN	NAME
CNA1	28OCT09	INITIAL RELEASE.	A	61802Y	300422	CIRCUIT DIAGRAM, PROSTAR
					RELEASE NO.	DATE
					61802Y	09MAR09
					PART NO.	SHEET
					AE08058095	003

Figure 3 Circuit Diagram Instructions

2.4. CIRCUIT NUMBER IDENTIFICATION AND COLOR, P. 4

INTERNATIONAL TRUCK AND ENGINE CORPORATION		ELECTRICAL CIRCUIT DIAGRAM	CHAPTER 2
THIS PRINT IS PROVIDED ON A RESTRICTED BASIS AND IS NOT TO BE USED IN ANY WAY DETRIMENTAL TO THE INTEREST OF INTERNATIONAL TRUCK AND ENGINE CORPORATION.		CIRCUIT NUMBER IDENTIFICATION AND COLOR	

CIRCUIT NUMBER	COLOR	DESCRIPTION
1	LTBL	ALTERNATOR - FIELD
2	RD	ALTERNATOR - CHARGE
3	DKBL	SERIAL / DATA COMMUNICATION J1587 / J1708 (+)
	GY	SERIAL / DATA COMMUNICATION J1587 / J1708 (-)
4	DKBL	SERIAL / DATA COMMUNICATION J1922 (+)
	GY	SERIAL / DATA COMMUNICATION J1922 (-)
5	YL	SERIAL / DATA COMMUNICATION J1939/11 / J1939/15 (+)
	GN	SERIAL / DATA COMMUNICATION J1939/11 / J1939/15 (-)
6	GY	LOW VOLTAGE ELECTRONIC FEED (LESS THAN 9 VOLTS)
7	RD	ALTERNATOR - RESISTANCE
8		
9	GY	LOW VOLTAGE ELECTRONIC GROUND
10	WH	CHASSIS / ENGINE GROUND
11	WH	CAB / SLEEPER GROUND
12	LTBL	ACCESSORY FEED
13	PK	IGNITION FEED
	BK	IGNITION FEED (BODY BUILDER CONNECTOR)
14	RD	BATTERY FEED
15	RD	KEY SWITCH FEED
16		
17	PK	STARTER CONTROL
18	PK	GLOW PLUG / PREHEATER
19	GY	ENGINE SHUTDOWN
20	LTGN	REMOTE POWER MODULE
21	TN	COLD START CONTROLS (ETHER)
22	TN	TIRE PRESSURE MONITORING / CONTROL
23	TN	ENGINE FAN / SHUTTERS
24	GY	ENGINE EXHAUST BRAKE
25	TN	PYROMETER
26	TN	AMMETER
27	TN	VOLTMETER
28	TN	INSTRUMENTS AND GAUGES
29	TN	ENGINE WATER TEMPERATURE
30	TN	ENGINE OIL TEMPERATURE
31	TN	TRANSMISSION OIL TEMPERATURE
32	TN	AXLE OIL TEMPERATURE
33	TN	ENGINE OIL LEVEL
34	TN	COOLANT LEVEL
35	TN	ENGINE OIL PRESSURE
36	TN	FUEL LEVEL
37	TN	FUEL PUMP
38	GY	LIFT AXLE
39	GY	AIR DRYER HEATER
40	GY	LOW AIR PRESSURE WARNING

CHK	DATE	CHANGE	REV	REFERENCE	DRAWN	NAME
CNA1	28OCT09	INITIAL RELEASE.	A	61802Y	300422	CIRCUIT DIAGRAM, PROSTAR
					RELEASE NO.	DATE
					61802Y	09MAR09
						PART NO.
						AE08058095
						SHEET
						004

Figure 4 Circuit Number Identification and Color

2.5. CIRCUIT NUMBER IDENTIFICATION AND COLOR (CONT.), P. 5

INTERNATIONAL TRUCK AND ENGINE CORPORATION		ELECTRICAL CIRCUIT DIAGRAM CHAPTER 2
THIS PRINT IS PROVIDED ON A RESTRICTED BASIS AND IS NOT TO BE USED IN ANY WAY DETRIMENTAL TO THE INTEREST OF INTERNATIONAL TRUCK AND ENGINE CORPORATION.		CIRCUIT NUMBER IDENTIFICATION AND COLOR (CONT)
CIRCUIT NUMBER	COLOR	DESCRIPTION
41	TN	AIR TEMPERATURE
42	GY	FRONT AXLE ENGAGED
43	GY	POWER DIVIDER LOCK (PDL) WARNING
44	GY	PARK BRAKE WARNING
45	LTGN	ANTITHEFT WARNING
46	GY	POWER TAKEOFF WARNING
47	GY	SPEEDOMETER
48	GY	TACHOMETER
49	GY	DIFFERENTIAL LOCK WARNING
50	YL	LIGHT SWITCH FEED
51	YL	DIMMER SWITCH FEED
52	YL	HEADLIGHT HI - BEAM
53	YL	HEADLIGHT LO - BEAM
54	BN	PARKING / MARKER LIGHTS
55	OR	TURN SIGNAL - FEED
56	OR	TURN SIGNAL LIGHTS - LEFT
	YL	TURN SIGNAL LIGHTS - LEFT (BODY BUILDER CONNECTION)
57	OR	TURN SIGNAL LIGHTS - RIGHT
	LTGN	TURN SIGNAL LIGHTS - RIGHT (BODY BUILDER CONNECTION)
58	BN	CLEARANCE / IDENTIFICATION LIGHTS
59	GY	SOLENOID
60	OR	HAZARD LIGHTS
61	GY	AIR SUSPENSION
62	DKBL	PANEL LIGHTS
63	DKBL	COURTESY / DOME LIGHTS
64	YL	FOG / DRIVING LIGHTS
65	OR	CAB REAR FLOOD LIGHTS
66	YL	DAYTIME RUNNING LIGHT
67	GY	OBSTACLE AVOIDANCE / REMOTE SENSOR
68	BN	TAIL LIGHTS
69	BN	LICENSE PLATE LIGHT
70	OR	STOP LIGHTS
	RD	STOP LIGHTS (BODY BUILDER CONNECTION)
71	OR	BACKUP - LIGHTS
	LTBL	BACKUP - LIGHTS (BODY BUILDER CONNECTION)
72	OR	TRAILER AUXILIARY FEED - BATTERY
73	LTGN	PWM
74	LTGN	HEATER RECIRC MOTOR
75	LTGN	HEATER BLOWER MOTOR
76	LTGN	AUXILIARY FAN
77	LTGN	AIR CONDITIONER
78	LTGN	MIRRORS - HEATED, MOTORIZED
79	GY	SEAT BELTS
80	BK	SLEEPER BOX RELAY - FEED

CHK	DATE	CHANGE	REV	REFERENCE	DRAWN	NAME
CNA1	28OCT09	INITIAL RELEASE.	A	61802Y	300422	CIRCUIT DIAGRAM, PROSTAR
					RELEASE NO.	DATE
					61802Y	09MAR09
						PART NO.
						AE08058095
						SHEET
						005

Figure 5 Circuit Number Identification and Color (Cont.)

2.6. CIRCUIT NUMBER IDENTIFICATION AND COLOR (CONT.), P. 6

INTERNATIONAL TRUCK AND ENGINE CORPORATION		ELECTRICAL CIRCUIT DIAGRAM	CHAPTER 2
THIS PRINT IS PROVIDED ON A RESTRICTED BASIS AND IS NOT TO BE USED IN ANY WAY DETRIMENTAL TO THE INTEREST OF INTERNATIONAL TRUCK AND ENGINE CORPORATION.		CIRCUIT NUMBER IDENTIFICATION AND COLOR (CONT)	

CIRCUIT NUMBER	COLOR	DESCRIPTION
81	LTGN	POWER DOOR LOCKS
82	GY	WINDSHIELD WIPER
83	LTGN	POWER WINDOWS
84	LTGN	CIGAR LIGHTER
85	GY	HORN
86	LTGN	RADIO - ENTERTAINMENT / CLOCK
87	GY	WINDSHIELD WASHER
88	LTGN	CLOCK / HOURMETER
89	VT	AIR BAG
90	GY	HYDRAULIC BRAKE PUMP
91	VT	INTERCOMMUNICATION
92	TN	TRANSMISSION CONTROLS - ELECTRONICS
93	TN	AXLE SHIFT CONTROL
94	GY	ANTILOCK BRAKE SYSTEM
95	TN	EXHAUST EMISSION
96	YL	SNOW PLOW LIGHTS / CRUISE CONTROLS
97	VT	ENGINE CONTROLS - ELECTRONIC
98	BK	DATALINK AND DIAGNOSTICS
99	VT	ACCELERATOR POSITION SENSOR (APS)
100	GY	AIR HORN (ELECTRIC SOLENOID ACTUATED)
101	TN	BRAKE APPLICATION AIR
102	YL	FLASH TO PASS
103	LTGN	BODY BUILDER AUXILIARY FEED
104	DKBL	REMOTE START / STOP
105	LTGN	HEATED SEATS
106	OR	HIGH VOLTAGE ALTERNATOR AC CHARGE
107	GY	INSTRUMENT CLUSTER ELECTRONIC FEED (5V)
108	GY	BRAKE PAD WEAR SENSOR
109	GY	BRAKE STROKE / SLACK ADJUSTER
110	GY	INSTRUMENT CLUSTER ELECTRONIC GROUND
111	TN	FUEL FILTER RESTRICTION TRANSDUCER
112	GY	LIFT GATE

PREFIX	LOCATION
A	CAB - INSTRUMENT PANEL MODULE
B	CAB - DRIVER CONTROL MODULE
C	CAB - HEADER / CLEARANCE LIGHTS
D	CAB - ROOF / REAR PANEL
E	CAB - LEFT DOOR / DOORS
F	CAB - RIGHT DOOR / DOORS
H	CAB - SLEEPER
J	CAB - DASH (OUTSIDE)
K	ENGINE / RADIATOR
L	TRANSMISSION
M	CHASSIS / FRONT END (CAB DASH PANEL FORWARD)
N	CHASSIS / CENTER SECTION (CAB DASH PANEL TO CAB REAR XMBR)
P	CHASSIS / WHEEL BASE SECTION
R	CHASSIS / SUSPENSION / REAR AXLE / AXLES
S	CHASSIS / AF SECTION / STOP / TAIL / TURN LIGHTS
T	TRAVEL DOORS
U	HOOD MTD HEADLIGHTS / MARKER LIGHTS
V	SLEEPER ROOF / BACK PANEL WIRING
W	WARDROBE CABINET WIRING

CHK	DATE	CHANGE	REV	REFERENCE	DRAWN	NAME
CNA1	28OCT09	INITIAL RELEASE.	A	61802Y	300422	CIRCUIT DIAGRAM, PROSTAR
					RELEASE NO.	DATE
					61802Y	09MAR09
						PART NO.
						AE08058095
						SHEET
						006

Figure 6 Circuit Number Identification and Color (Cont.)

2.7. LAMP BULB CHART, P. 7

INTERNATIONAL TRUCK AND ENGINE CORPORATION				ELECTRICAL CIRCUIT DIAGRAM		CHAPTER 2																																																																			
THIS PRINT IS PROVIDED ON A RESTRICTED BASIS AND IS NOT TO BE USED IN ANY WAY DETRIMENTAL TO THE INTEREST OF INTERNATIONAL TRUCK AND ENGINE CORPORATION.				LAMP BULB CHART																																																																					
<table border="1" style="width: 100%; border-collapse: collapse;"> <thead> <tr> <th style="width: 50%;">BULB APPLICATION</th> <th style="width: 25%;">CANDLE POWER OR WATT</th> <th style="width: 25%;">BULB TRADE NUMBER</th> </tr> </thead> <tbody> <tr><td>BACK-UP LIGHT (SUPER 40)</td><td>32 CP</td><td>TL40204</td></tr> <tr><td>CLEARANCE & IDENTIFICATION</td><td>3 CP</td><td>N/A</td></tr> <tr><td>COURTESY LIGHT</td><td>2 CP</td><td>193</td></tr> <tr><td>CAB DOME LIGHT</td><td>12 WATT</td><td>211-2</td></tr> <tr><td>SLEEPER DOME LIGHT (FLUORESCENT)</td><td>15 WATT</td><td>F15T8CW</td></tr> <tr><td>FOG LIGHT</td><td>100 WATT</td><td>4921-1</td></tr> <tr><td>MAP LIGHT</td><td>3 CP</td><td>211-2</td></tr> <tr><td>SIDE MARKER / TURN LIGHT</td><td>27 WATT</td><td>3156</td></tr> <tr><td>STOP, TURN AND TAIL LIGHT (SUPER 40)</td><td>32/2 CP</td><td>TL40248R</td></tr> <tr><td>HEADLIGHTS, HIGH BEAM</td><td>65 WATT</td><td>9005</td></tr> <tr><td>HEADLIGHTS, LOW BEAM</td><td>55 WATT</td><td>9006</td></tr> <tr><td>FRONT MARKER / TURN LIGHT</td><td>27 / 8 WATT</td><td>3357AK</td></tr> <tr><td>SIDE MARKER (FRONT)</td><td>4 WATT</td><td>194</td></tr> <tr><td>LICENSE PLATE LIGHT (SUPER 40)</td><td>2 CP</td><td>TL1508</td></tr> <tr><td>BOC WORK LIGHT (DAY CAB)</td><td>35 WATT</td><td>4411</td></tr> <tr><td>WORK LIGHTS (IN SLEEPER BACK PANEL)</td><td>15 CP</td><td>1003</td></tr> <tr><td>LUGGAGE COMPARTMENT LIGHT</td><td>12 WATT</td><td>211-2</td></tr> <tr><td>READING LIGHT</td><td>15 CP</td><td>912</td></tr> <tr><td>ACCENT LIGHT</td><td>12 WATT</td><td>211-2</td></tr> <tr><td>SLEEPER FLOOR LIGHT</td><td>2 CP</td><td>193</td></tr> <tr><td>CABINET / WARDROBE LIGHT</td><td>5 WATT</td><td>7575</td></tr> </tbody> </table>								BULB APPLICATION	CANDLE POWER OR WATT	BULB TRADE NUMBER	BACK-UP LIGHT (SUPER 40)	32 CP	TL40204	CLEARANCE & IDENTIFICATION	3 CP	N/A	COURTESY LIGHT	2 CP	193	CAB DOME LIGHT	12 WATT	211-2	SLEEPER DOME LIGHT (FLUORESCENT)	15 WATT	F15T8CW	FOG LIGHT	100 WATT	4921-1	MAP LIGHT	3 CP	211-2	SIDE MARKER / TURN LIGHT	27 WATT	3156	STOP, TURN AND TAIL LIGHT (SUPER 40)	32/2 CP	TL40248R	HEADLIGHTS, HIGH BEAM	65 WATT	9005	HEADLIGHTS, LOW BEAM	55 WATT	9006	FRONT MARKER / TURN LIGHT	27 / 8 WATT	3357AK	SIDE MARKER (FRONT)	4 WATT	194	LICENSE PLATE LIGHT (SUPER 40)	2 CP	TL1508	BOC WORK LIGHT (DAY CAB)	35 WATT	4411	WORK LIGHTS (IN SLEEPER BACK PANEL)	15 CP	1003	LUGGAGE COMPARTMENT LIGHT	12 WATT	211-2	READING LIGHT	15 CP	912	ACCENT LIGHT	12 WATT	211-2	SLEEPER FLOOR LIGHT	2 CP	193	CABINET / WARDROBE LIGHT	5 WATT	7575
BULB APPLICATION	CANDLE POWER OR WATT	BULB TRADE NUMBER																																																																							
BACK-UP LIGHT (SUPER 40)	32 CP	TL40204																																																																							
CLEARANCE & IDENTIFICATION	3 CP	N/A																																																																							
COURTESY LIGHT	2 CP	193																																																																							
CAB DOME LIGHT	12 WATT	211-2																																																																							
SLEEPER DOME LIGHT (FLUORESCENT)	15 WATT	F15T8CW																																																																							
FOG LIGHT	100 WATT	4921-1																																																																							
MAP LIGHT	3 CP	211-2																																																																							
SIDE MARKER / TURN LIGHT	27 WATT	3156																																																																							
STOP, TURN AND TAIL LIGHT (SUPER 40)	32/2 CP	TL40248R																																																																							
HEADLIGHTS, HIGH BEAM	65 WATT	9005																																																																							
HEADLIGHTS, LOW BEAM	55 WATT	9006																																																																							
FRONT MARKER / TURN LIGHT	27 / 8 WATT	3357AK																																																																							
SIDE MARKER (FRONT)	4 WATT	194																																																																							
LICENSE PLATE LIGHT (SUPER 40)	2 CP	TL1508																																																																							
BOC WORK LIGHT (DAY CAB)	35 WATT	4411																																																																							
WORK LIGHTS (IN SLEEPER BACK PANEL)	15 CP	1003																																																																							
LUGGAGE COMPARTMENT LIGHT	12 WATT	211-2																																																																							
READING LIGHT	15 CP	912																																																																							
ACCENT LIGHT	12 WATT	211-2																																																																							
SLEEPER FLOOR LIGHT	2 CP	193																																																																							
CABINET / WARDROBE LIGHT	5 WATT	7575																																																																							
CHK	DATE	CHANGE	REV	REFERENCE	DRAWN	NAME																																																																			
CNA1	28OCT09	INITIAL RELEASE.	A	61802Y	300422	CIRCUIT DIAGRAM, PROSTAR																																																																			
					RELEASE NO.	DATE	PART NO.																																																																		
					61802Y	09MAR09	AE08058095																																																																		
							SHEET 007																																																																		

Figure 7 Lamp Bulb Chart

2.8. RELAY FUNCTION AND WIRING GUIDE, P. 8

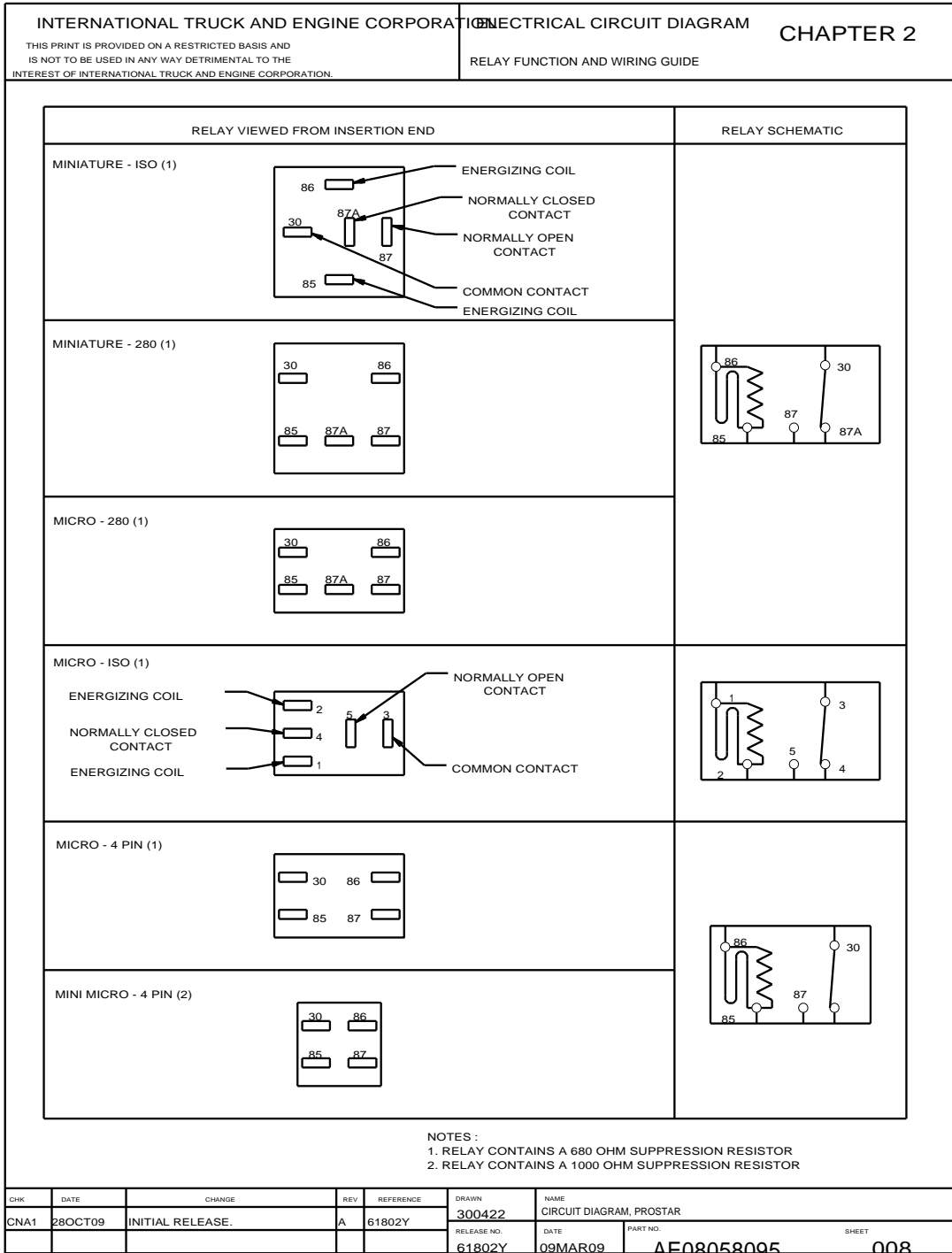


Figure 8 Relay Function and Wiring Guide

2.9. SCHEMATIC SYMBOL CHART, P. 9

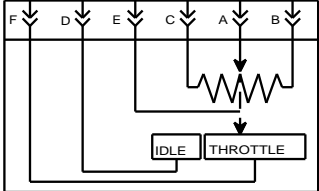
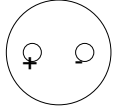
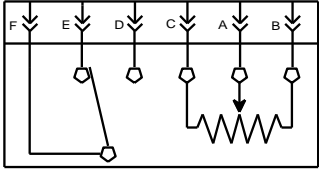
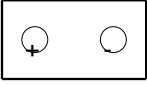
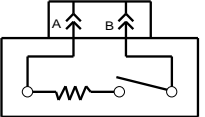
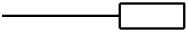
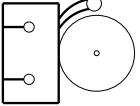
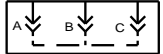
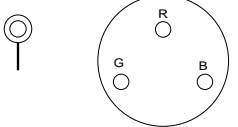
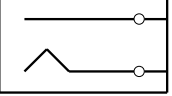
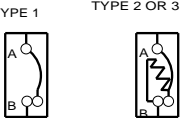


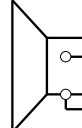
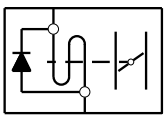
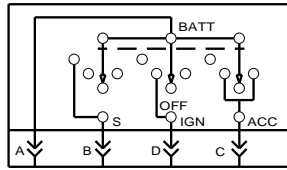

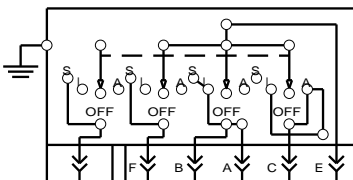

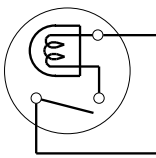

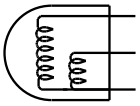
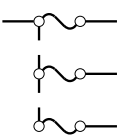
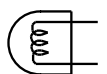
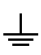
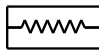
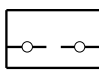
INTERNATIONAL TRUCK AND ENGINE CORPORATION				ELECTRICAL CIRCUIT DIAGRAM CHAPTER 2			
THIS PRINT IS PROVIDED ON A RESTRICTED BASIS AND IS NOT TO BE USED IN ANY WAY DETRIMENTAL TO THE INTEREST OF INTERNATIONAL TRUCK AND ENGINE CORPORATION.				SCHEMATIC SYMBOL CHART			
SYMBOL		DESCRIPTION		SYMBOL		DESCRIPTION	
		ACCEL PEDAL POSN SENSOR				AMMETER	
		ACCEL PEDAL POSN SENSOR				BATTERY	
		AIR DRYER				BLUNT CUT CIRCUIT	
		ALARM				BUSBAR	
		ALTERNATOR				CIGAR LIGHTER	
		CIRCUIT BREAKER				DIODE	
CHK	DATE	CHANGE	REV	REFERENCE	DRAWN	NAME	
CNA1	28OCT09	INITIAL RELEASE.	A	61802Y	300422	CIRCUIT DIAGRAM, PROSTAR	
					RELEASE NO.	DATE	PART NO.
					61802Y	19AUG09	AE08058095
							SHEET 009

Figure 9 Schematic Symbol Chart

2.10. SCHEMATIC SYMBOL CHART (CONT.), P. 10

INTERNATIONAL TRUCK AND ENGINE CORPORATION					ELECTRICAL CIRCUIT DIAGRAM CHAPTER 2				
THIS PRINT IS PROVIDED ON A RESTRICTED BASIS AND IS NOT TO BE USED IN ANY WAY DETRIMENTAL TO THE INTEREST OF INTERNATIONAL TRUCK AND ENGINE CORPORATION.					SCHEMATIC SYMBOL CHART (CONT)				
	DIODE, LIGHT EMITTING		HORN						
	FAN SOLENOID		KEY SWITCH						
	FEMALE TERMINAL		KEY SWITCH, COMPLEX						
	FUSE		LIGHT W/ SWITCH						
	FUSIBLE LINK		LIGHT, DOUBLE FILAMENT						
	FUSES W/ BUSBAR		LIGHT, SINGLE FILAMENT						
	GROUND N/ STUD								
	HEATER								
	HOLDER, FUSE W/ BUSBAR								

CHK	DATE	CHANGE	REV	REFERENCE	DRAWN	NAME
CNA1	28OCT09	INITIAL RELEASE.	A	61802Y	300422	CIRCUIT DIAGRAM, PROSTAR
					RELEASE NO.	DATE
					61802Y	19AUG09
						PART NO.
						AE08058095
						SHEET
						010

Figure 10 Schematic Symbol Chart (Cont.)

2.11. SCHEMATIC SYMBOL CHART (CONT.), P. 11

INTERNATIONAL TRUCK AND ENGINE CORPORATION				ELECTRICAL CIRCUIT DIAGRAM CHAPTER 2			
THIS PRINT IS PROVIDED ON A RESTRICTED BASIS AND IS NOT TO BE USED IN ANY WAY DETRIMENTAL TO THE INTEREST OF INTERNATIONAL TRUCK AND ENGINE CORPORATION.				SCHEMATIC SYMBOL CHART (CONT.)			
SYMBOL	DESCRIPTION			SYMBOL	DESCRIPTION		
	MALE TERMINAL				RESISTOR		
	MOTOR				SENDER - FUEL, OIL, TEMP, WATER		
	PASS THRU CONNECTION				SENSOR, PRESSURE. ABS 6		
	PRESSURE SWITCH				SENSOR, MAGNETIC		
	RELAY, FIVE TERMINAL				SENSOR, YAW		
	RELAY, FOUR TERMINAL				SOLENOID		
	RELAY, LATCHING				SOLENOID W/ DIODE		

CHK	DATE	CHANGE	REV	REFERENCE	DRAWN	NAME
CNA1	28OCT09	INITIAL RELEASE.	A	61802Y	300422	CIRCUIT DIAGRAM, PROSTAR
					RELEASE NO.	DATE
					61802Y	09MAR09
						PART NO.
						AE08058095
						SHEET
						011

Figure 11 Schematic Symbol Chart (Cont.)

2.12. SCHEMATIC SYMBOL CHART (CONT.), P. 12

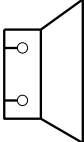
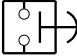

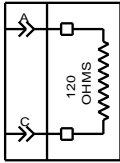

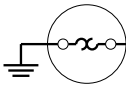
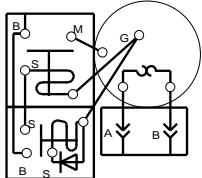
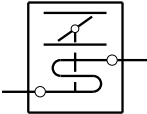
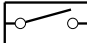
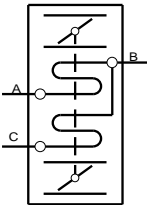
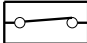

INTERNATIONAL TRUCK AND ENGINE CORPORATION				ELECTRICAL CIRCUIT DIAGRAM			
THIS PRINT IS PROVIDED ON A RESTRICTED BASIS AND IS NOT TO BE USED IN ANY WAY DETRIMENTAL TO THE INTEREST OF INTERNATIONAL TRUCK AND ENGINE CORPORATION.				CHAPTER 2			
				SCHEMATIC SYMBOL CHART (CONT)			
SYMBOL		DESCRIPTION		SYMBOL		DESCRIPTION	
		SPEAKER				SWITCH, PUSH BUTTON	
		SPLICE				TERMINATING RESISTOR	
		STUD				THERMOSTAT	
		START MOTOR W/ TOCP				VALVE, ETHER BOTTLE	
		SWITCH, MECHANICAL (NORMALLY OPEN)				VALVE, MODULATOR	
		SWITCH, MECHANICAL (NORMALLY CLOSED)				THERMISTOR	
CHK	DATE	CHANGE	REV	REFERENCE	DRAWN	NAME	
CNA1	28OCT09	INITIAL RELEASE.	A	61802Y	300422	CIRCUIT DIAGRAM, PROSTAR	
					RELEASE NO.	DATE	PART NO.
					61802Y	09MAR09	AE08058095
							SHEET 012

Figure 12 Schematic Symbol Chart (Cont.)

3. 12 VOLT POWER DISTRIBUTION CIRCUIT DIAGRAMS (CHAPTER 3)

3.1. BATTERY FEED, P. 1

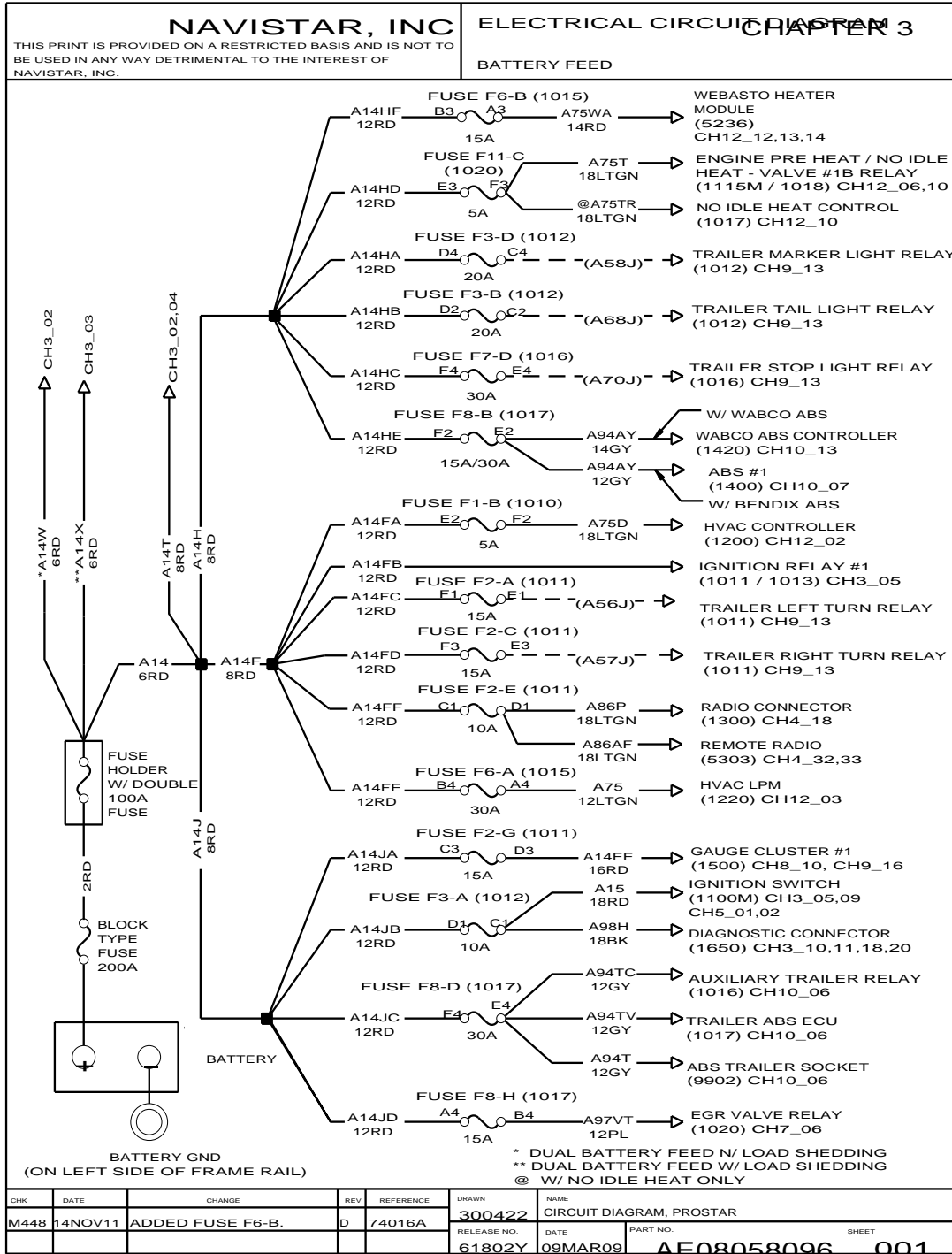


Figure 13 Battery Feed

3.2. BATTERY FEED (CONT.), P. 2

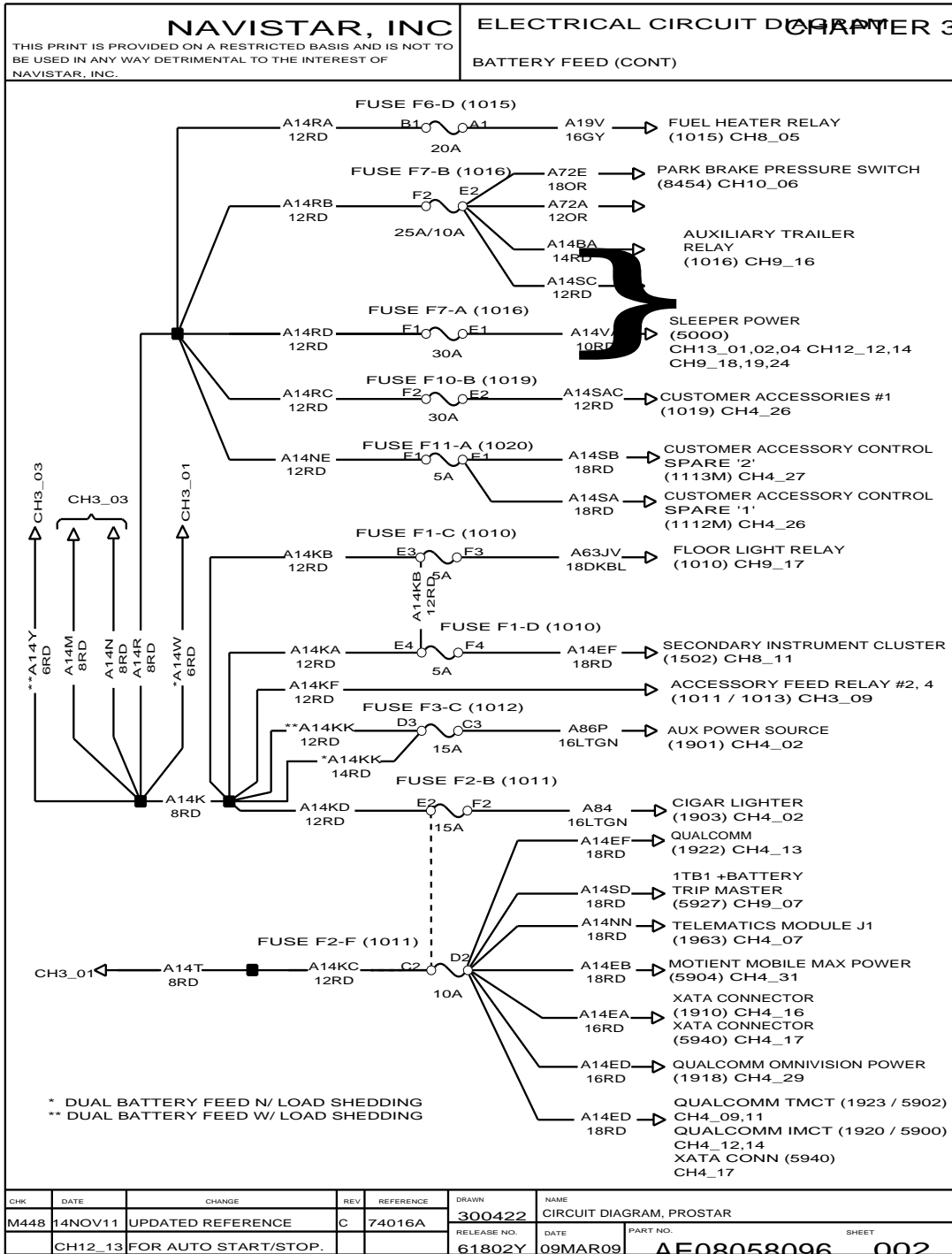


Figure 14 Battery Feed (Cont.)

3.3. BATTERY FEED (CONT.), P. 3

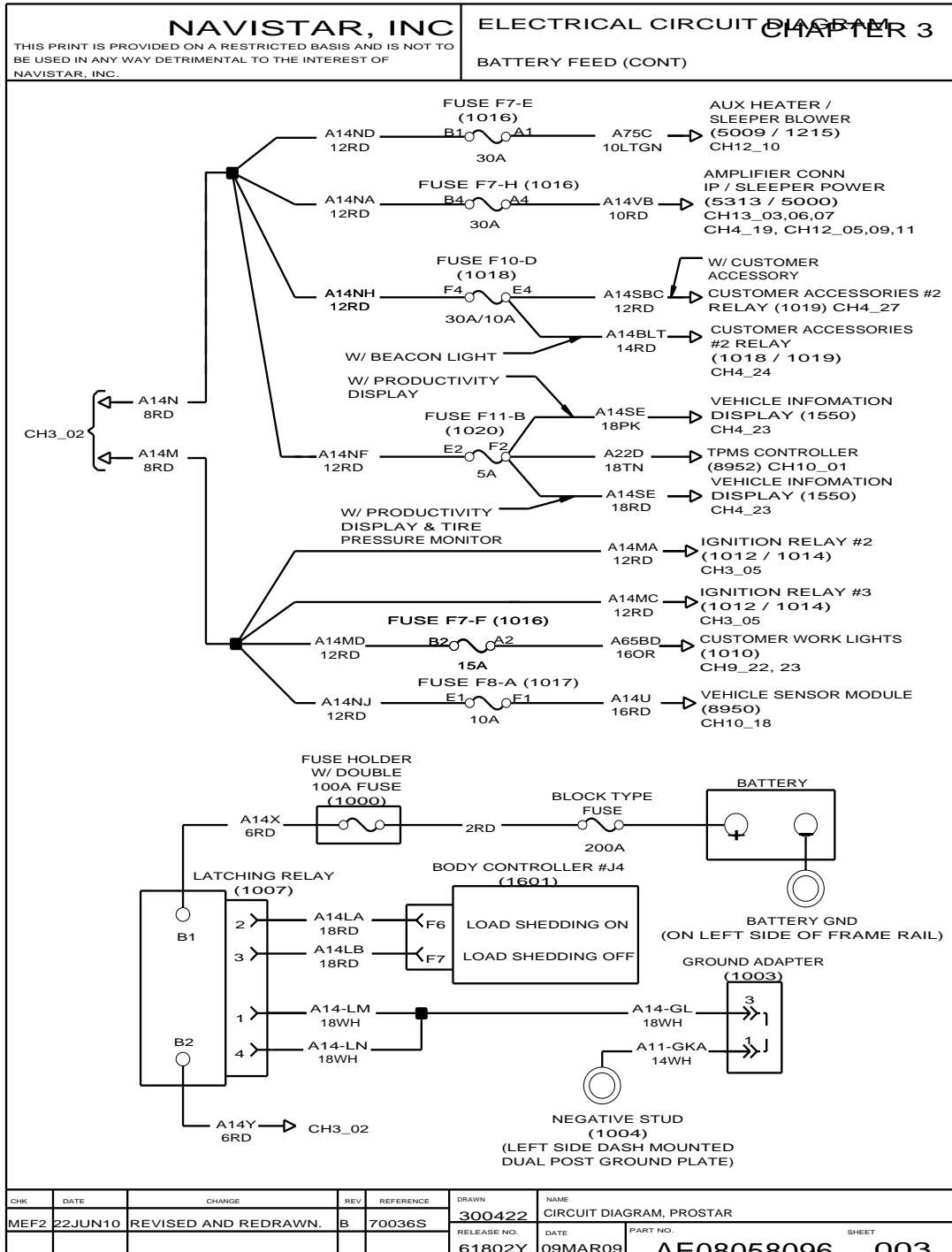


Figure 15 Battery Feed (Cont.)

3.4. BATTERY FEED (CONT.), P. 4

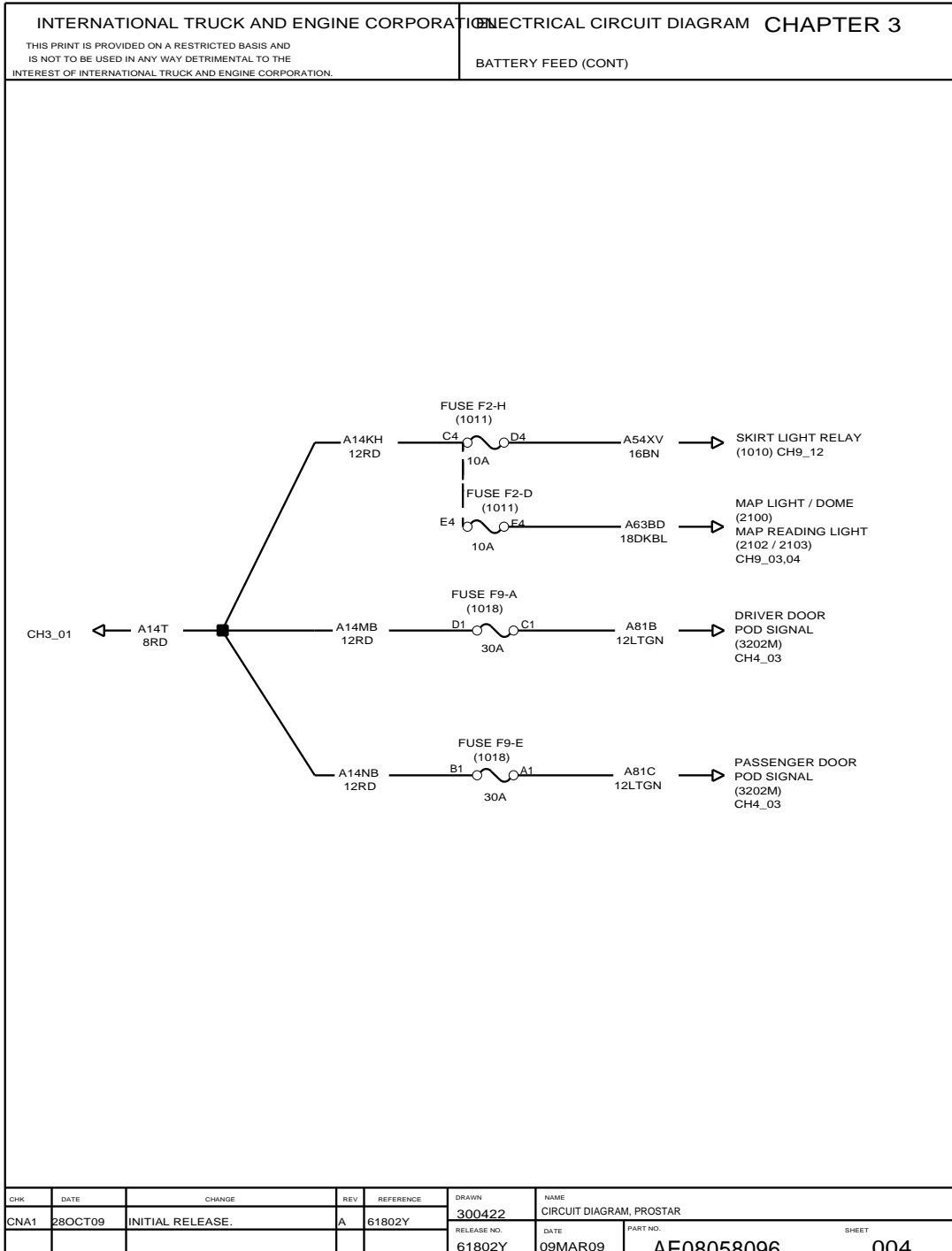


Figure 16 Battery Feed (Cont.)

3.5. IGNITION FEED – STANDARD AND REMOTE START/STOP, P. 5

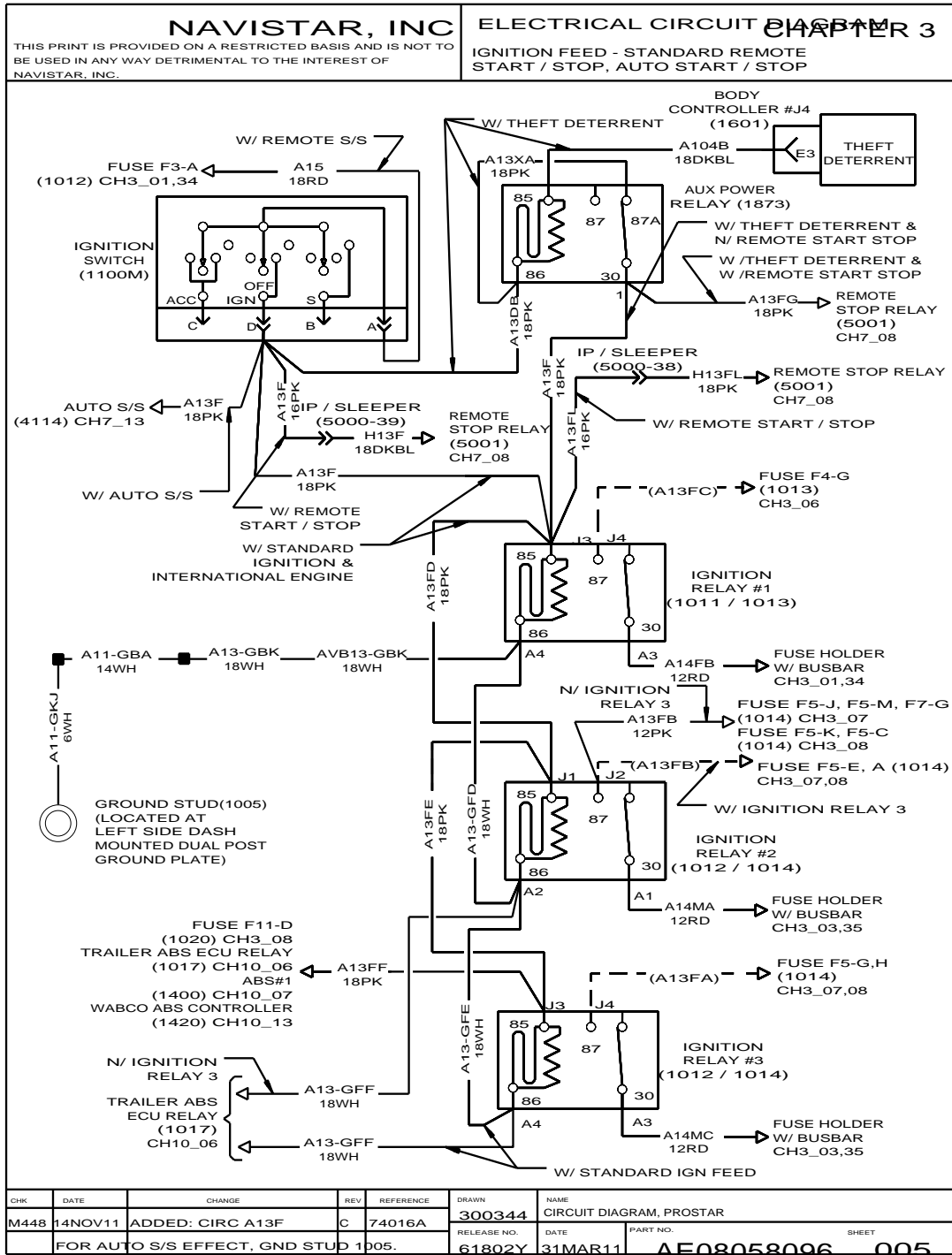


Figure 17 Ignition Feed – Standard and Remote Start/Stop

3.6. IGNITION FEED - STANDARD, P. 6

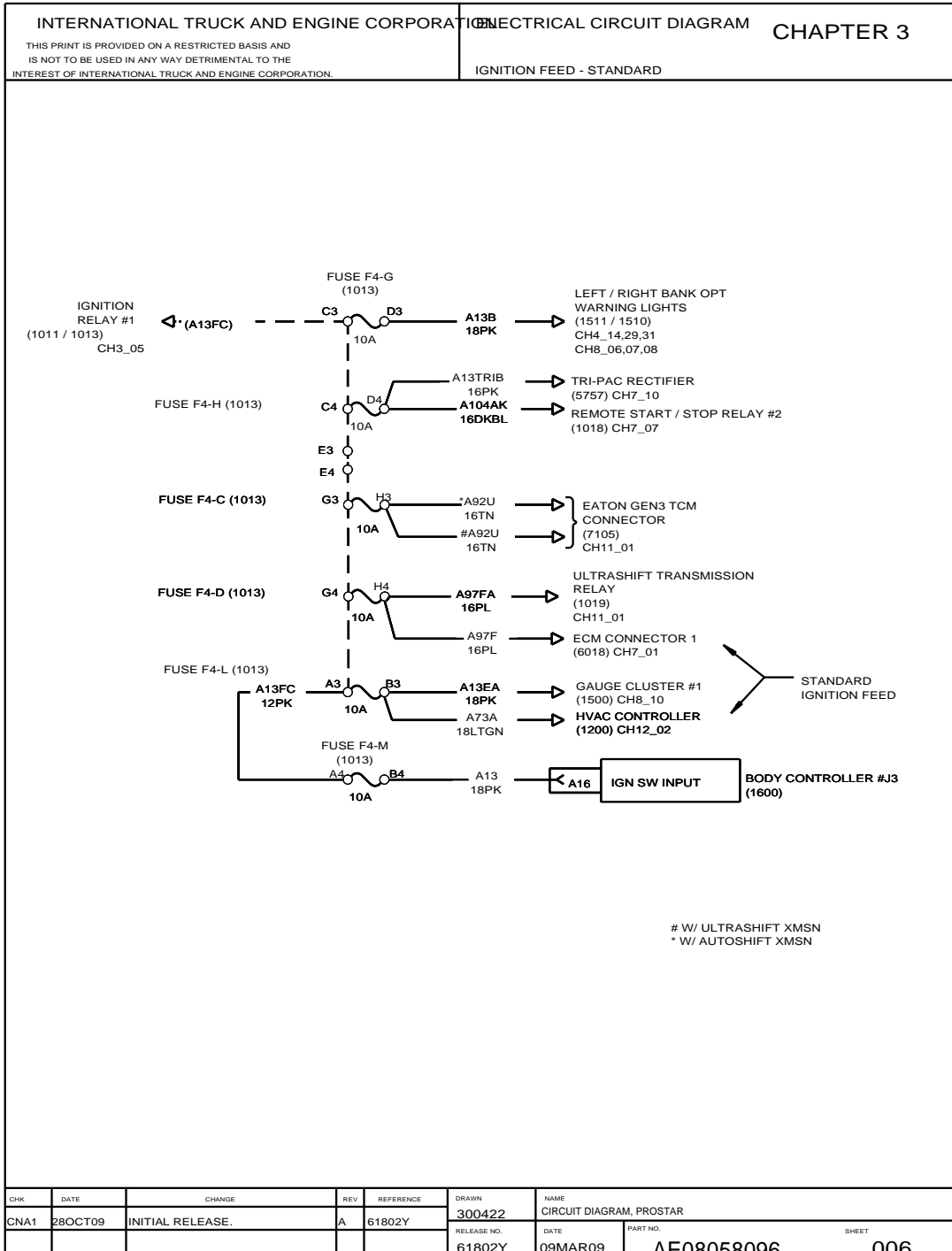


Figure 18 Ignition Feed - Standard

3.7. IGNITION FEED – STANDARD (CONT.), P. 7

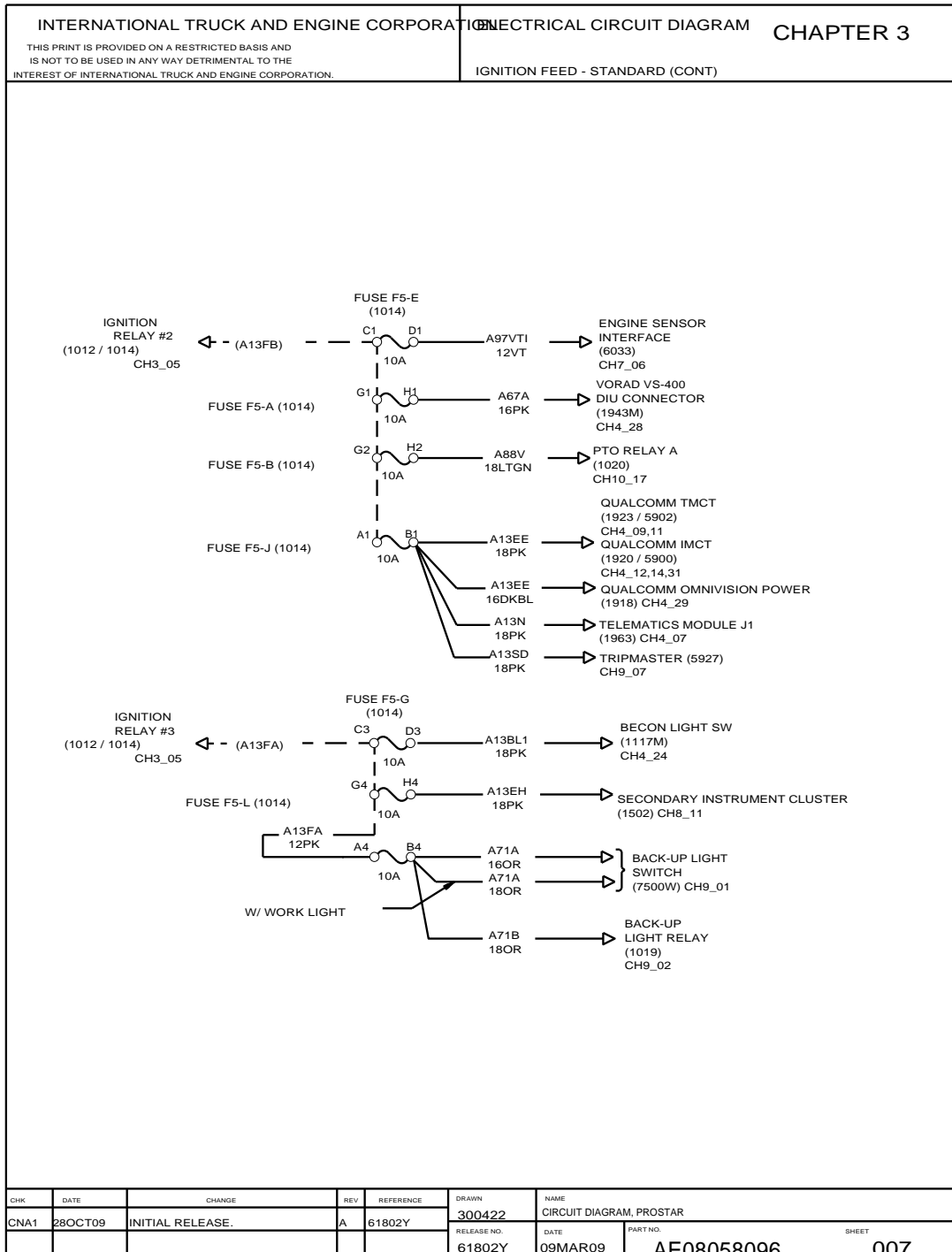


Figure 19 Ignition Feed – Standard (Cont.)

3.8. IGNITION FEED – STANDARD (CONT.), P. 8

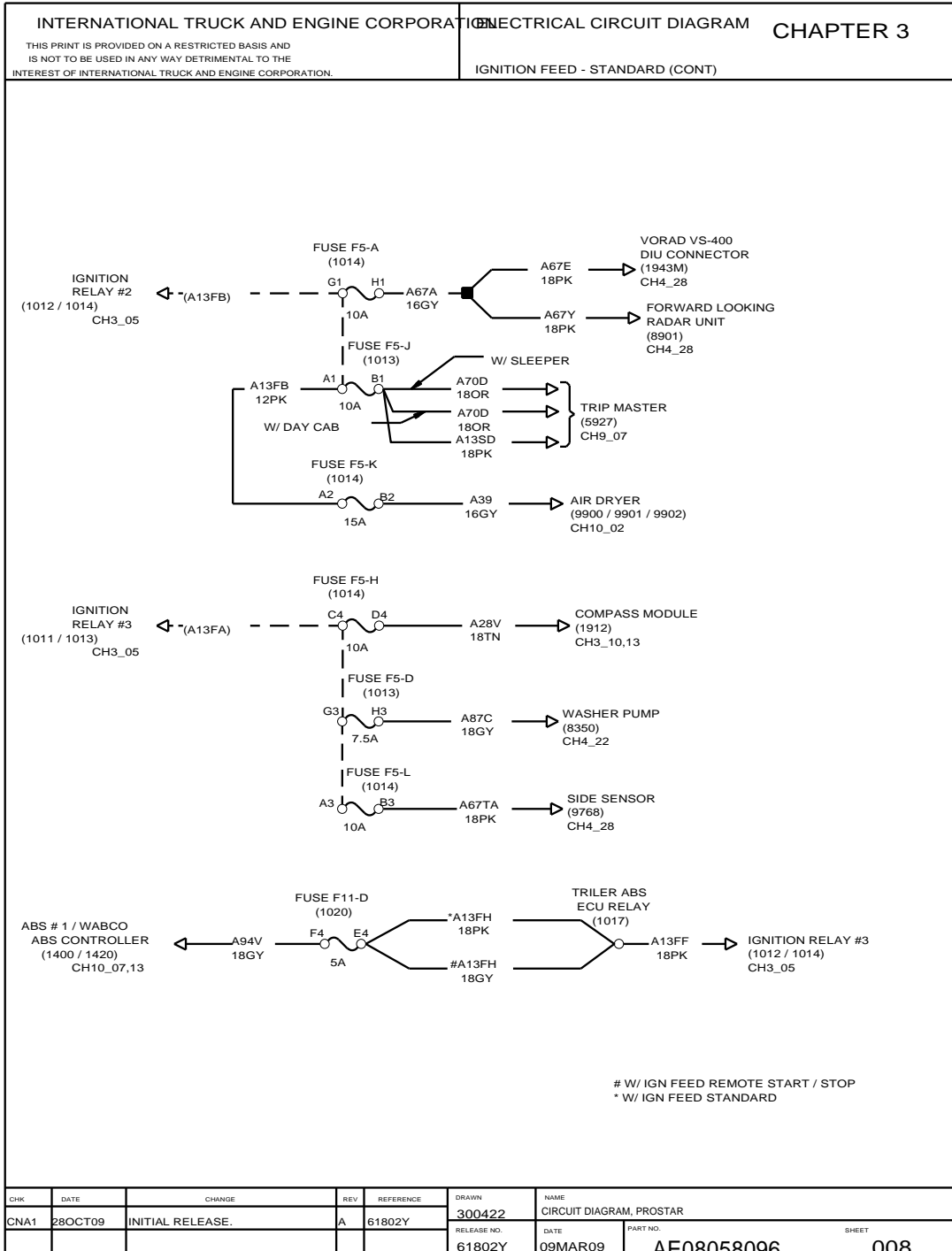


Figure 20 Ignition Feed – Standard (Cont.)

3.9. ACCESSORY FEED, P. 9

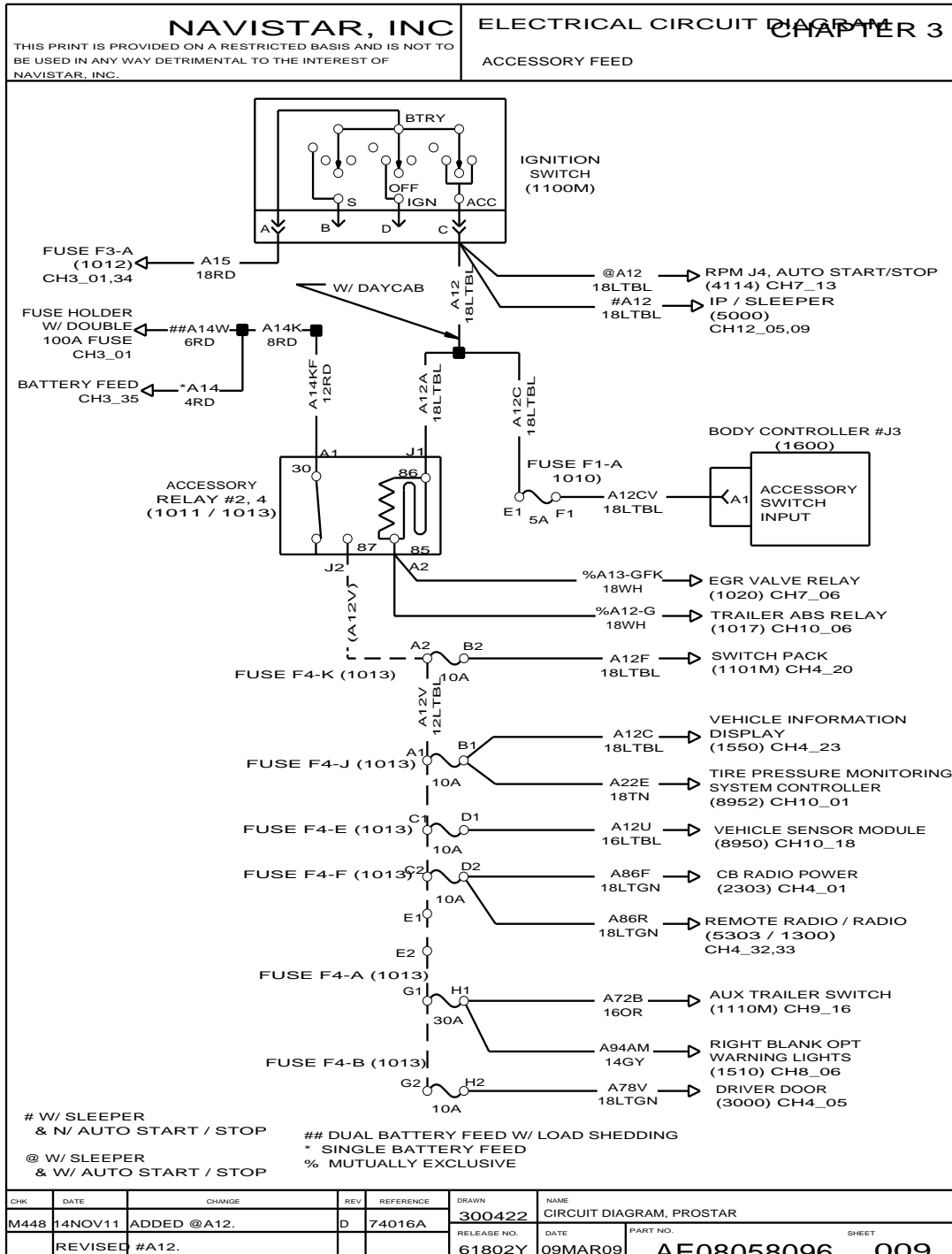


Figure 21 Accessory Feed

3.10. CAB J1939 – COMPASS AND ABS EFFECTS, P. 10

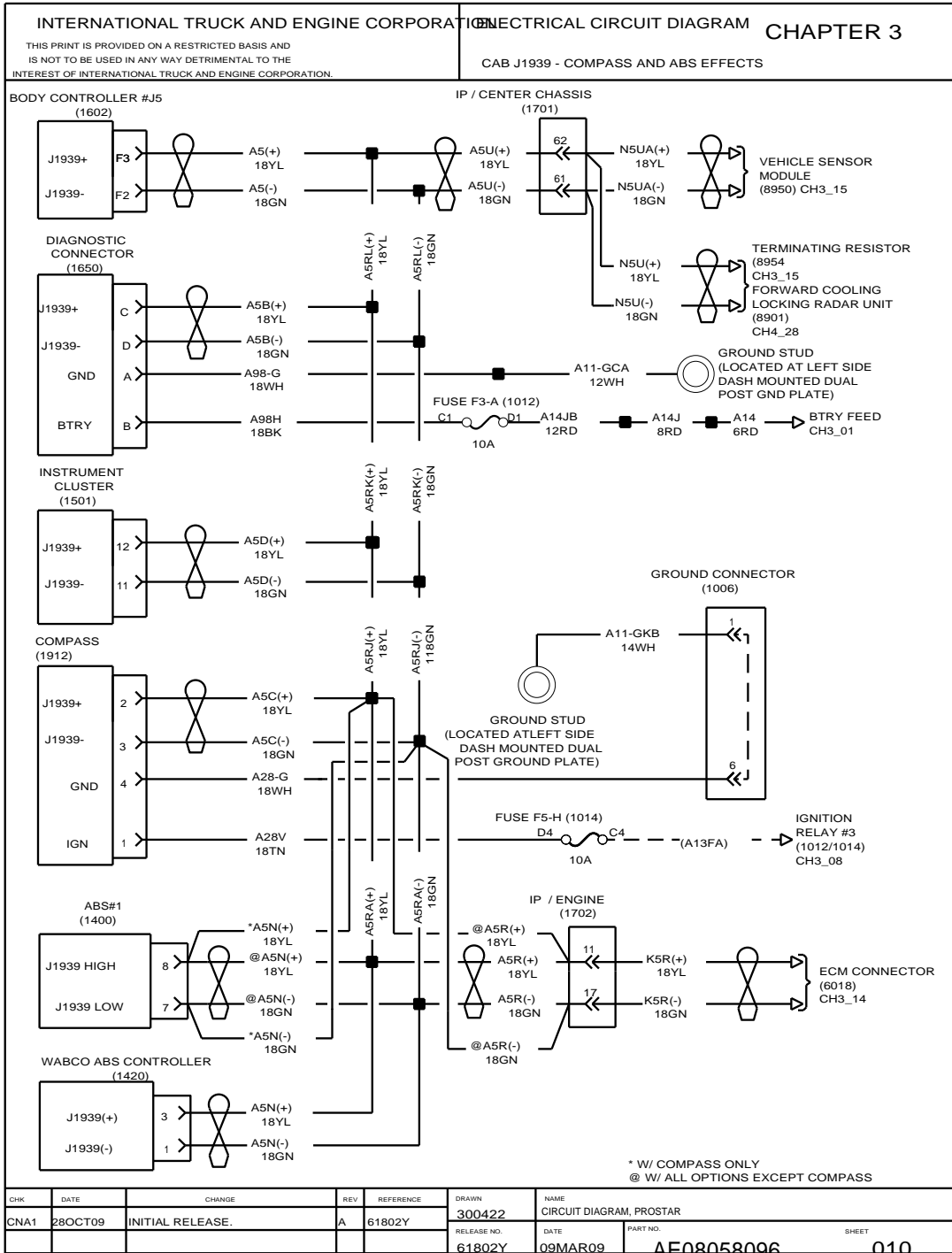


Figure 22 Cab J1939 – Compass and ABS Effects

3.11. CAB J1939 WITH ALL OPTIONS, P. 11

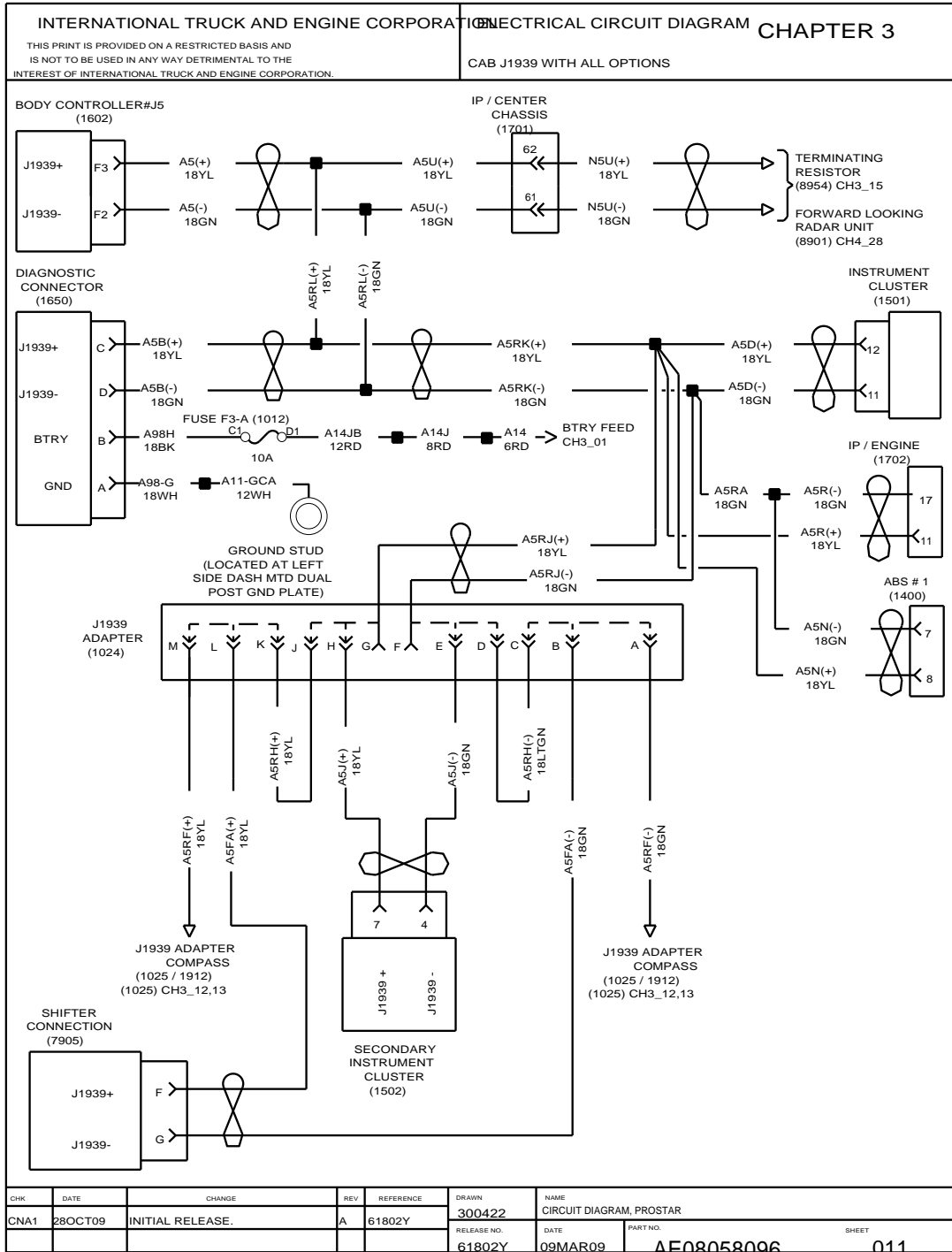


Figure 23 Cab J1939 with All Options

3.12. CAB J1939 WITH ALL OPTIONS (CONT.), P. 12

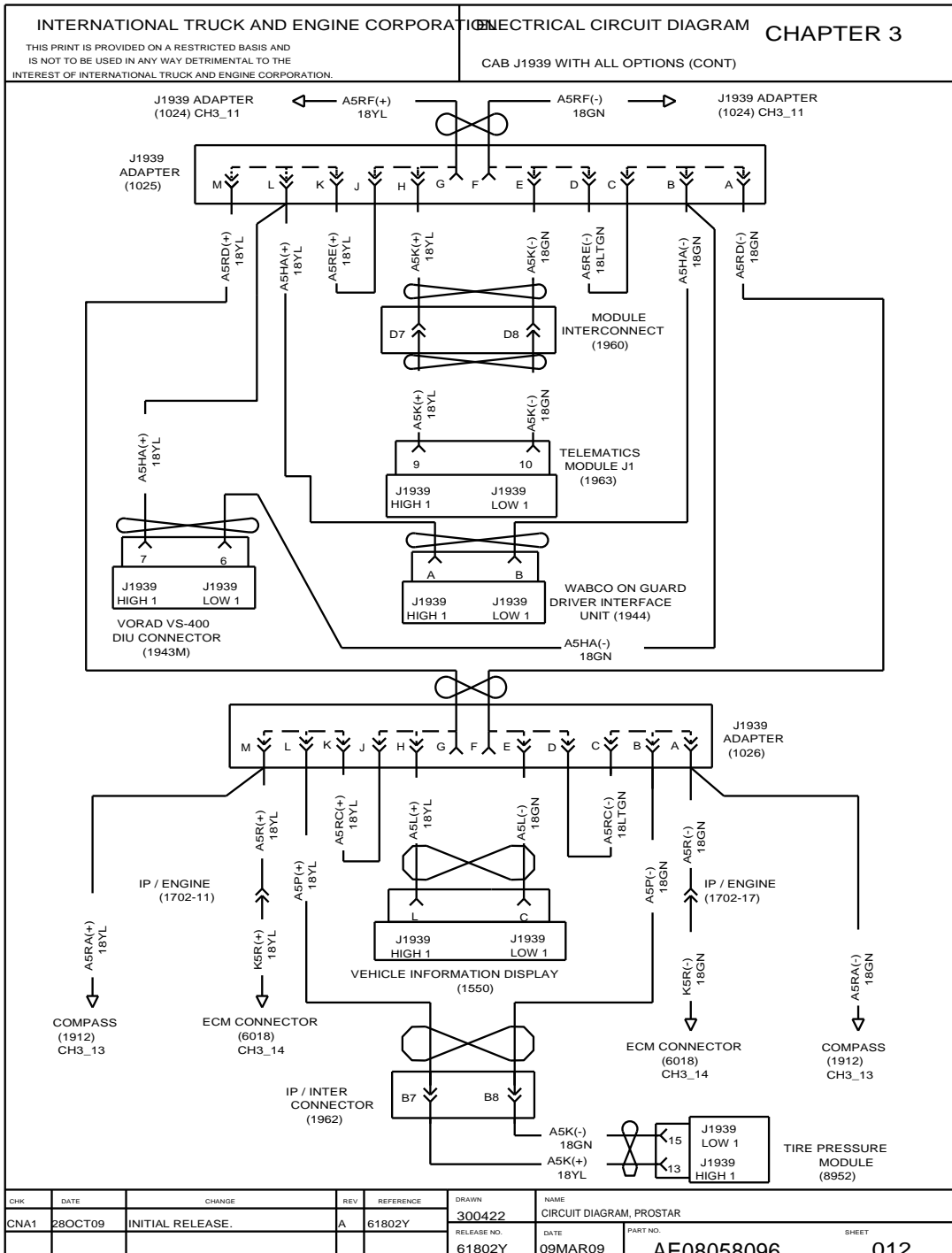


Figure 24 Cab J1939 with All Options (Cont.)

3.13. CAB J1939 WITH ALL OPTIONS (CONT.), P. 13

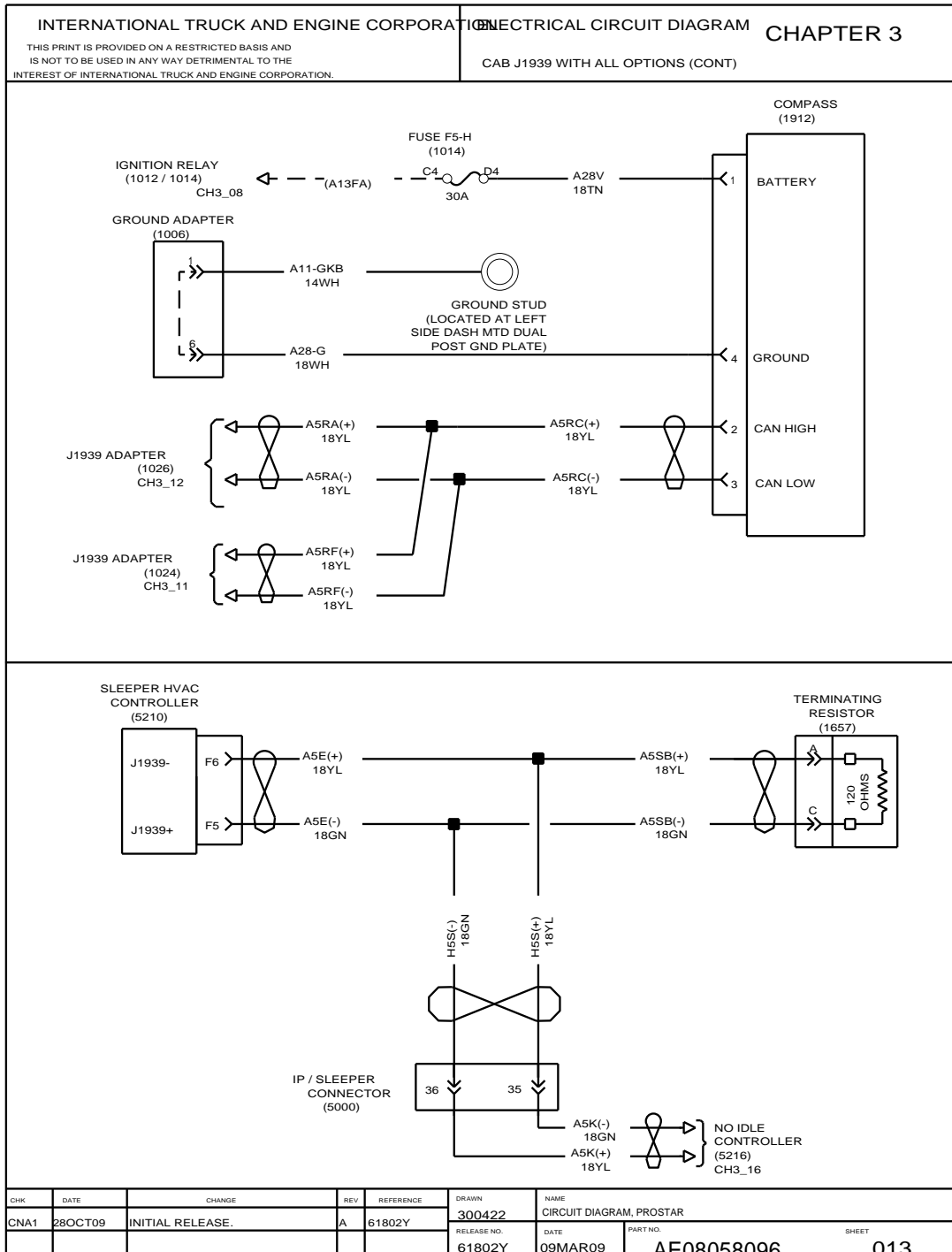


Figure 25 Cab J1939 with All Options (Cont.)

3.14. CAB J1939 WITH ALL OPTIONS (CONT.), P. 13A

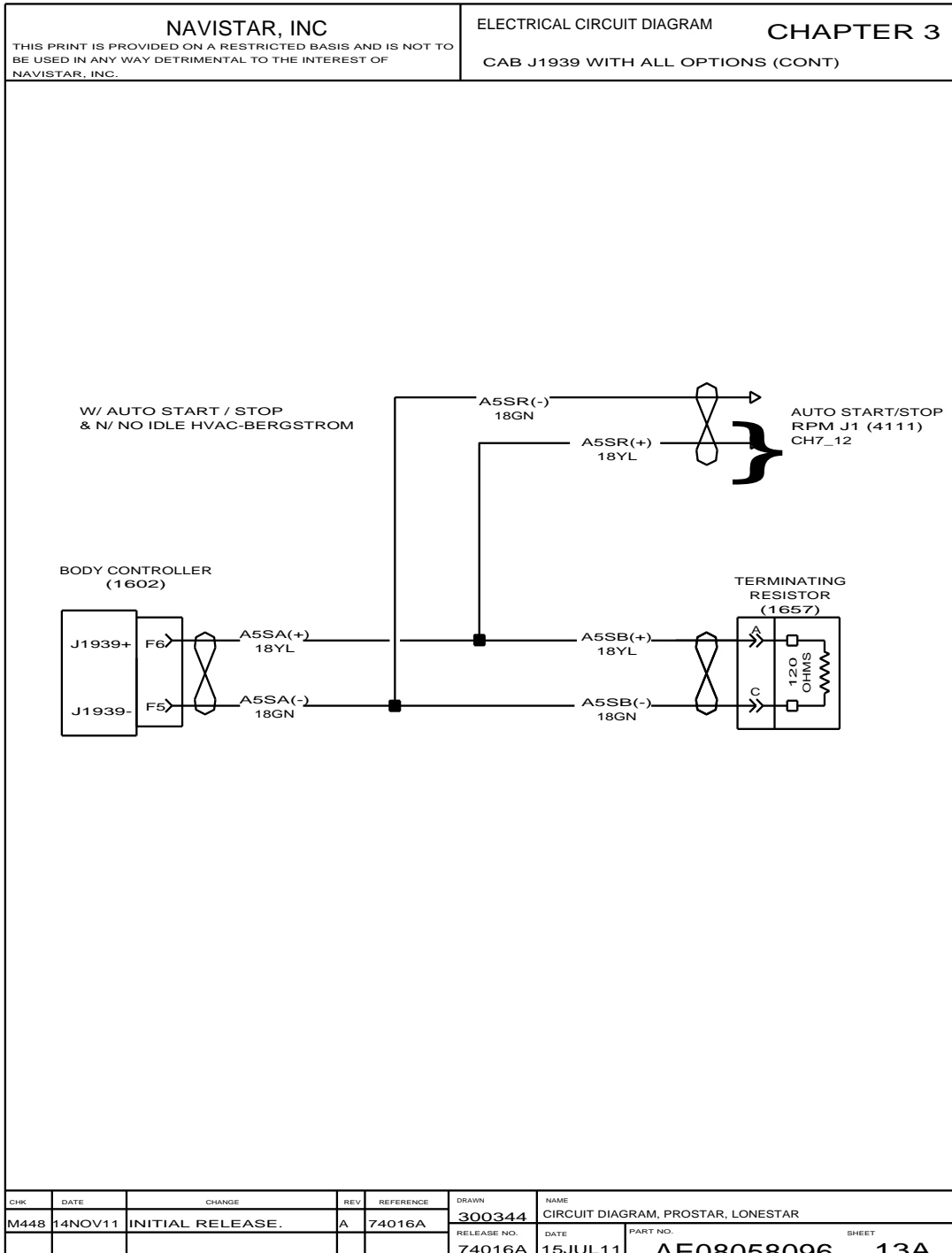


Figure 26 Cab J1939 with All Options (Cont.)

3.15. CAB J1939 ENGINE, P. 14

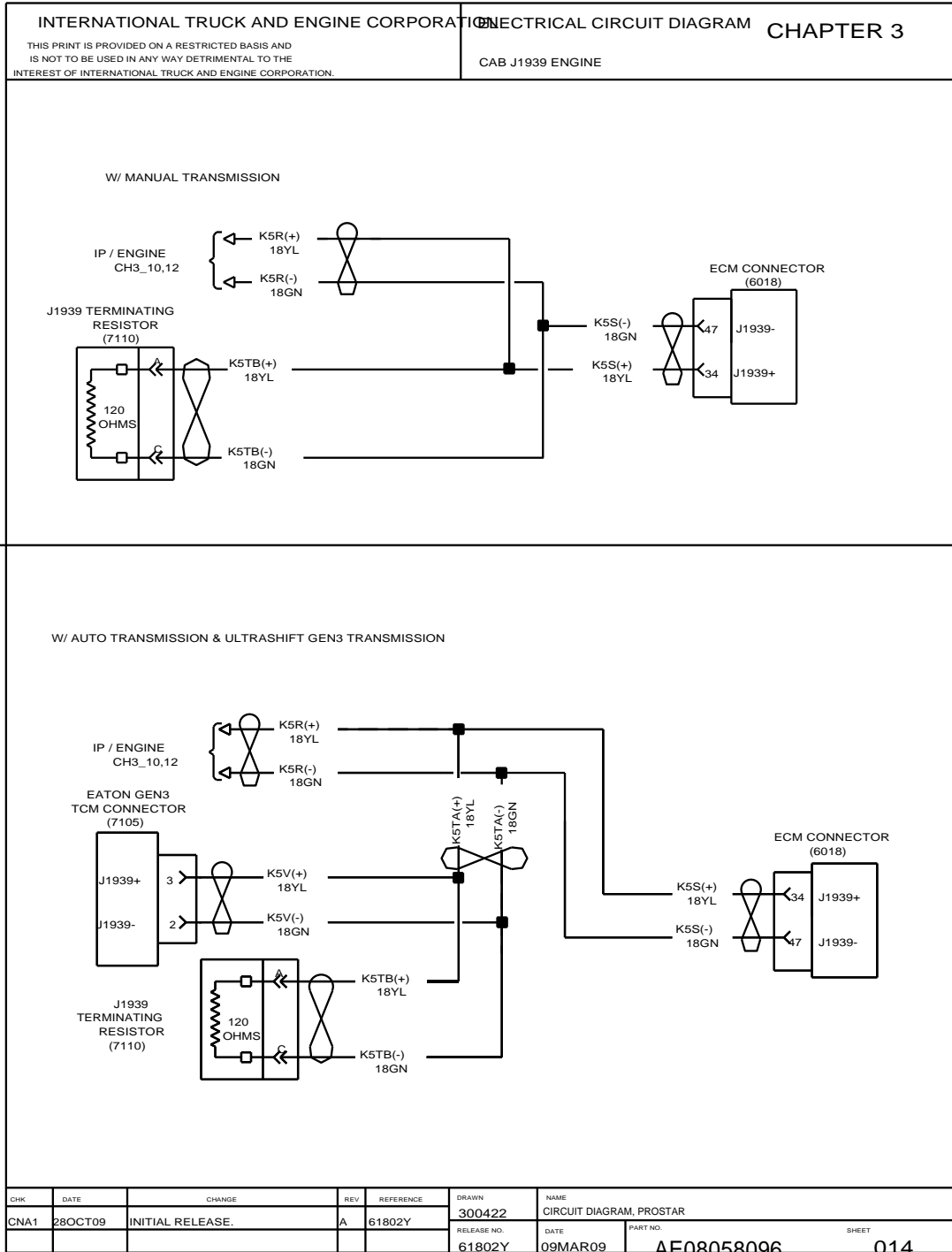


Figure 27 Cab J1939 Engine

3.16. J1939 CHASSIS, P. 15

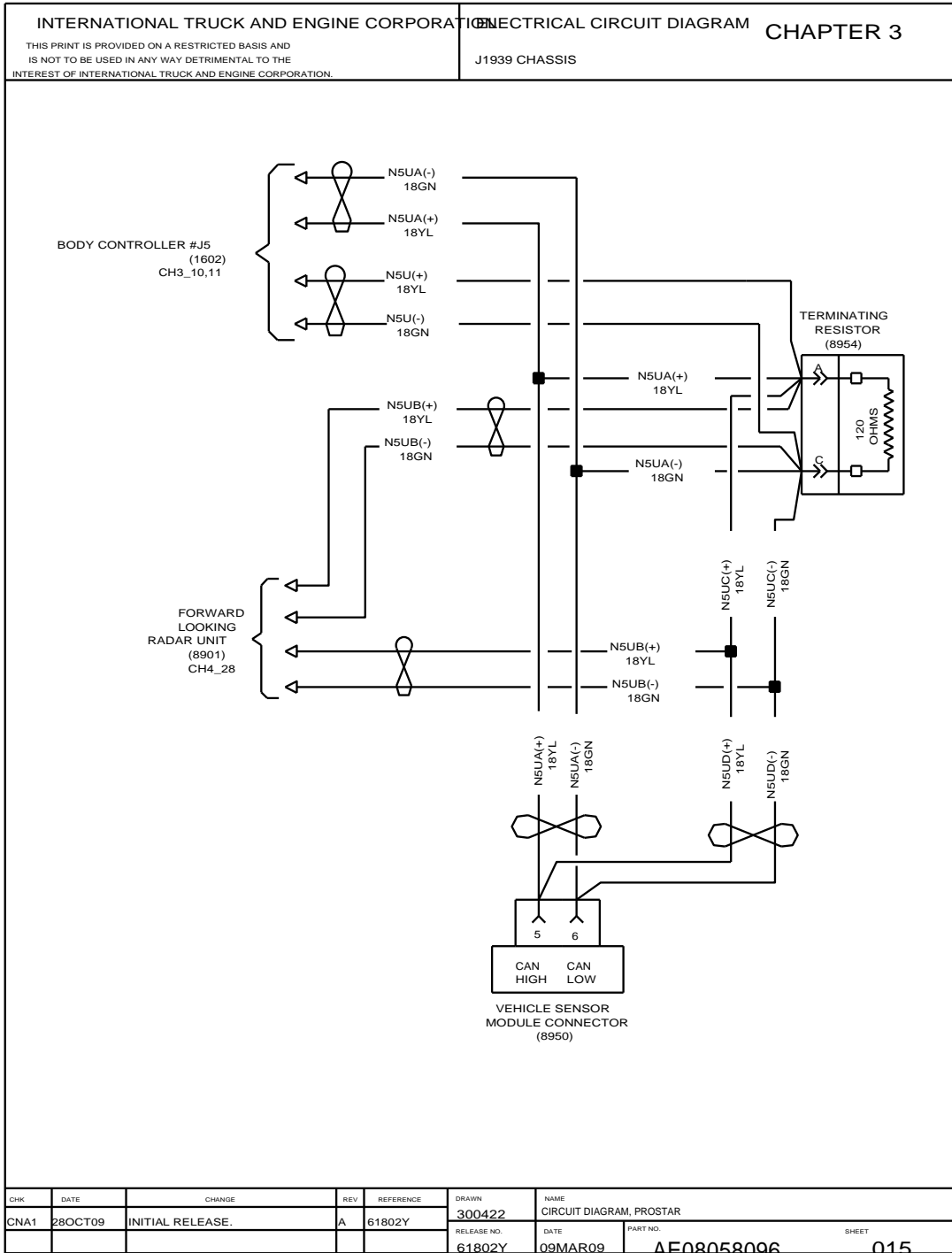


Figure 28 J1939 Chassis

3.17. J1939 CHASSIS (CONT.), P. 15A

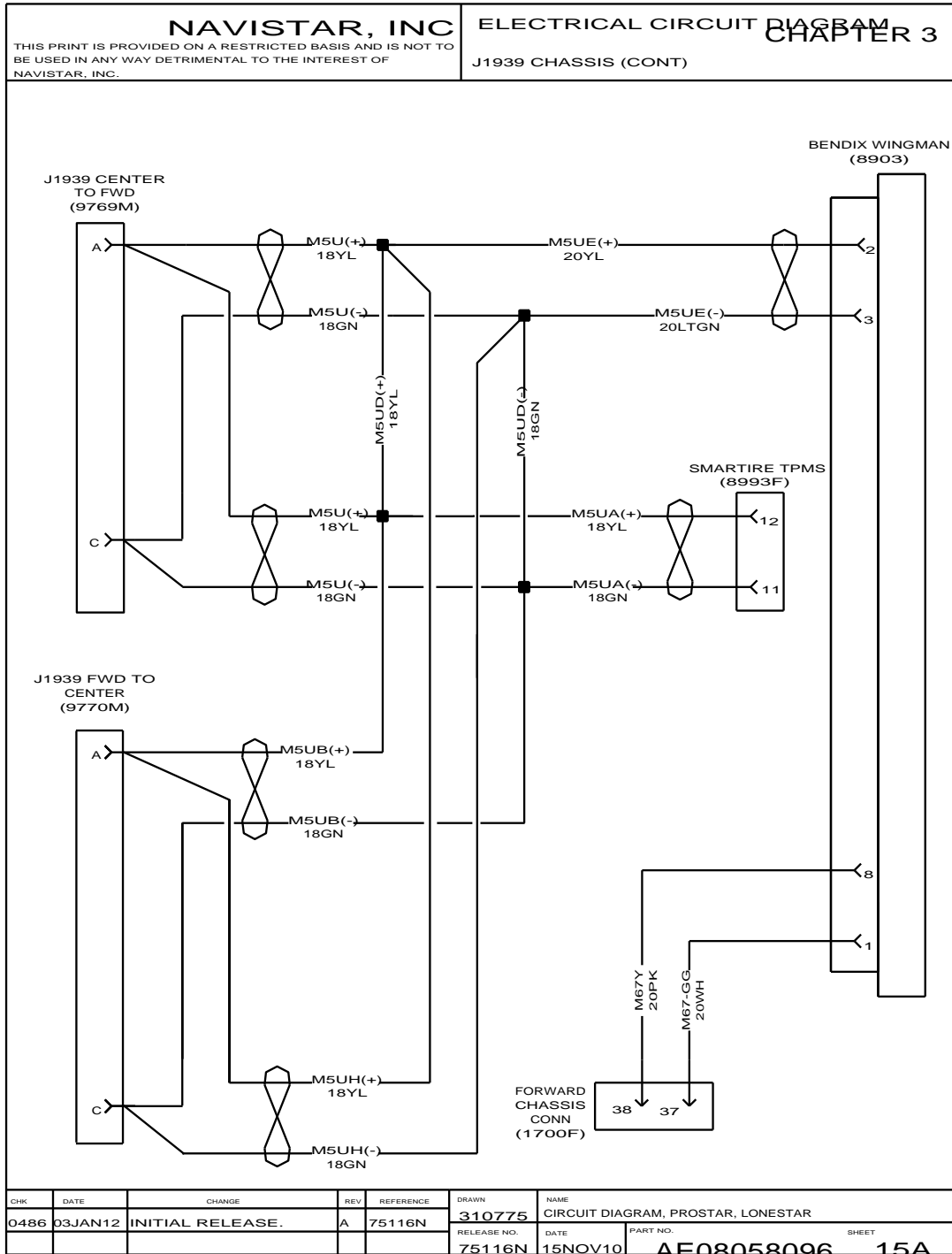


Figure 29 J1939 Chassis (Cont.)

3.18. J1939 CHASSIS (CONT.), P. 15B

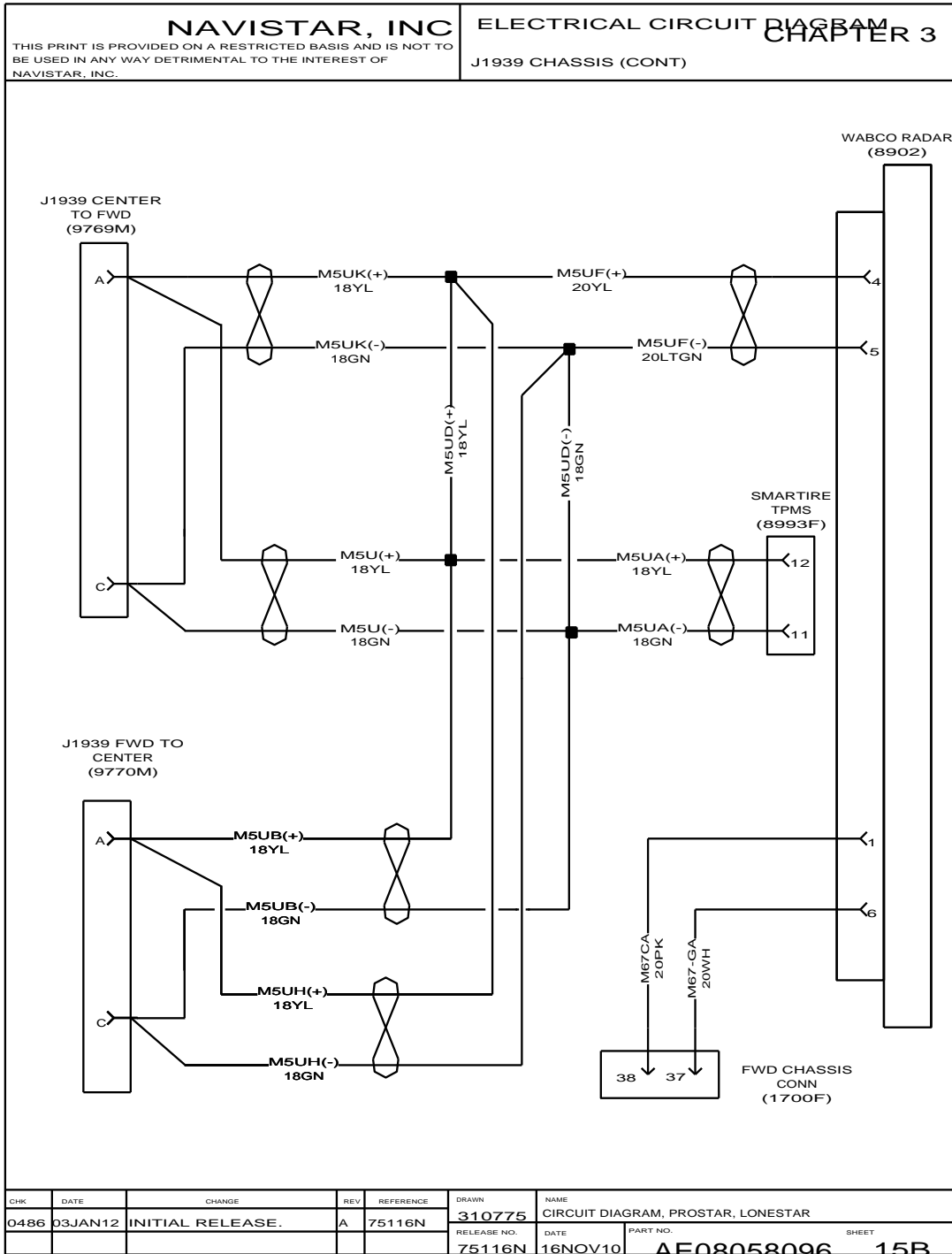


Figure 30 J1939 Chassis (Cont.)

3.19. J1939 WITH SLEEPER, P. 16

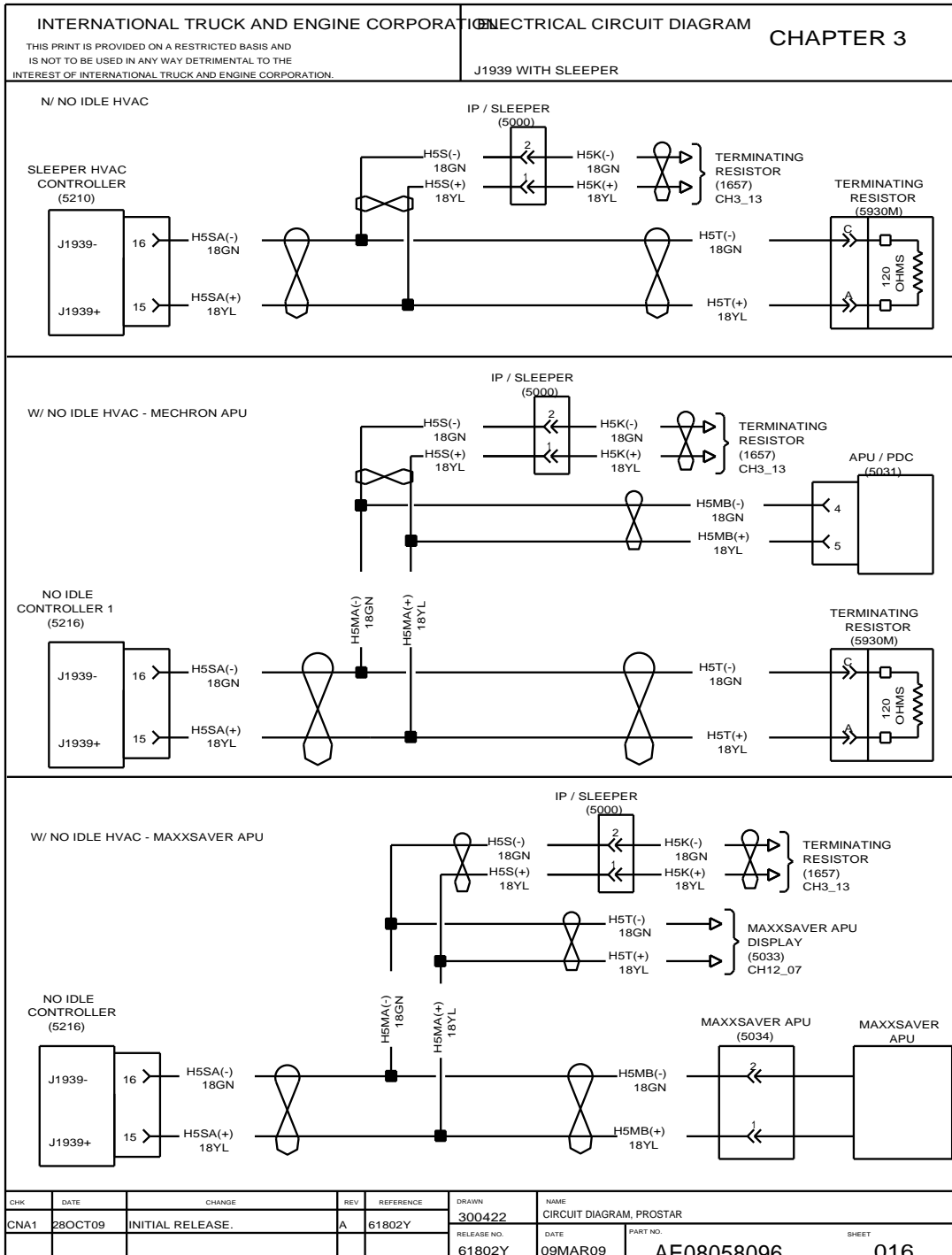
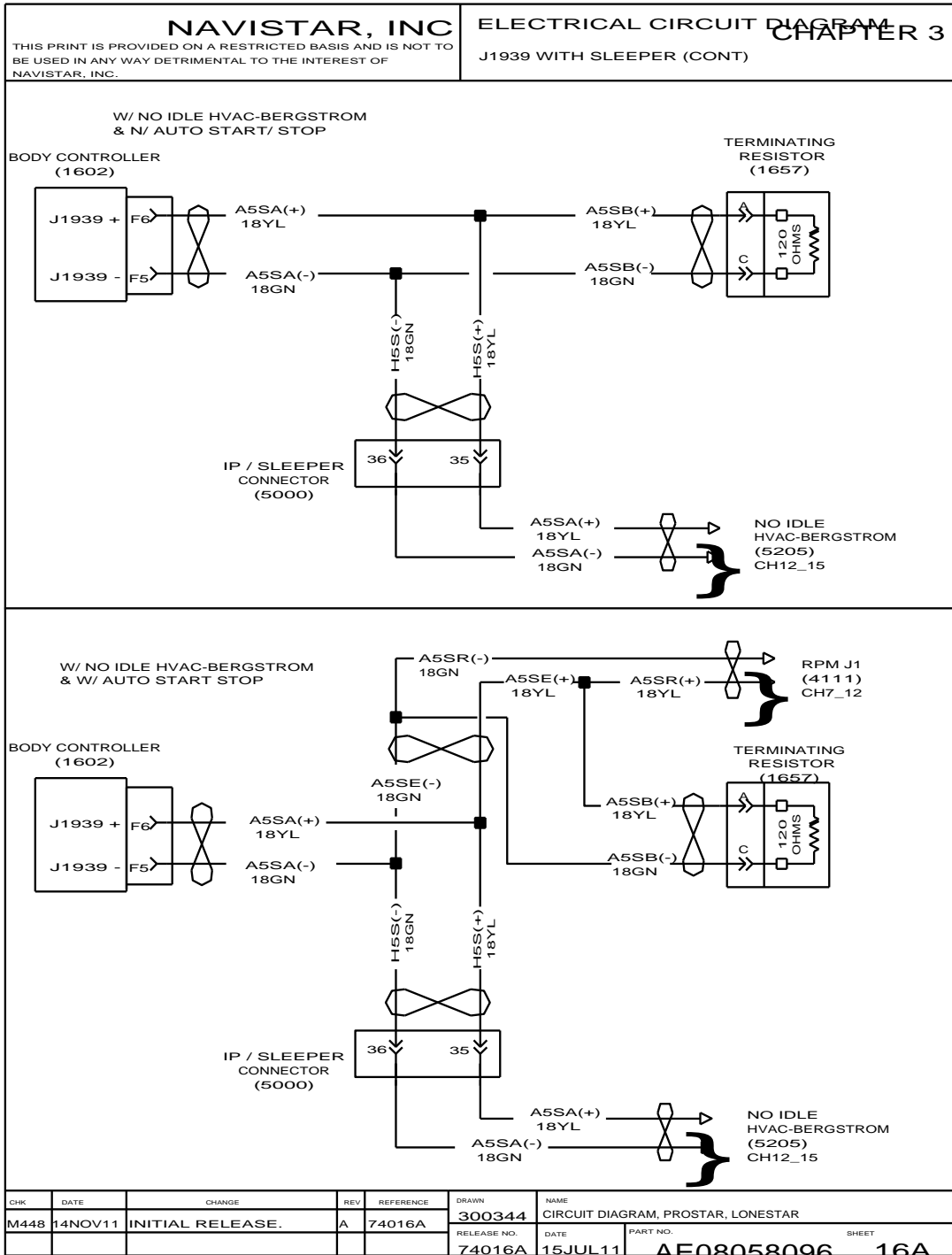


Figure 31 J1939 with Sleeper

3.20. J1939 WITH SLEEPER (CONT.), P. 16A



3.21. J1708 PRIVATE, P. 17

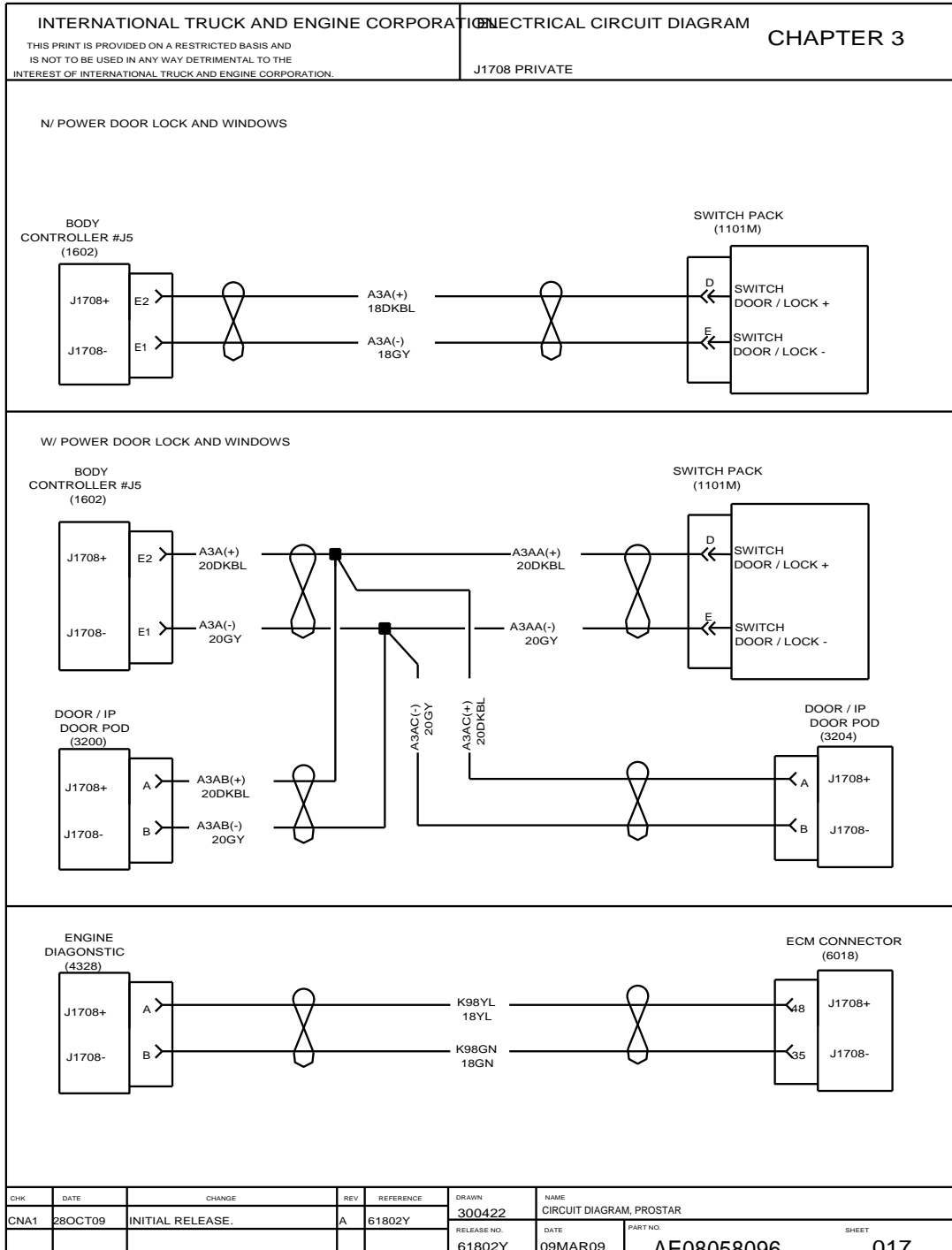


Figure 33 J1708 Private

3.22. J1708 PUBLIC, P. 18

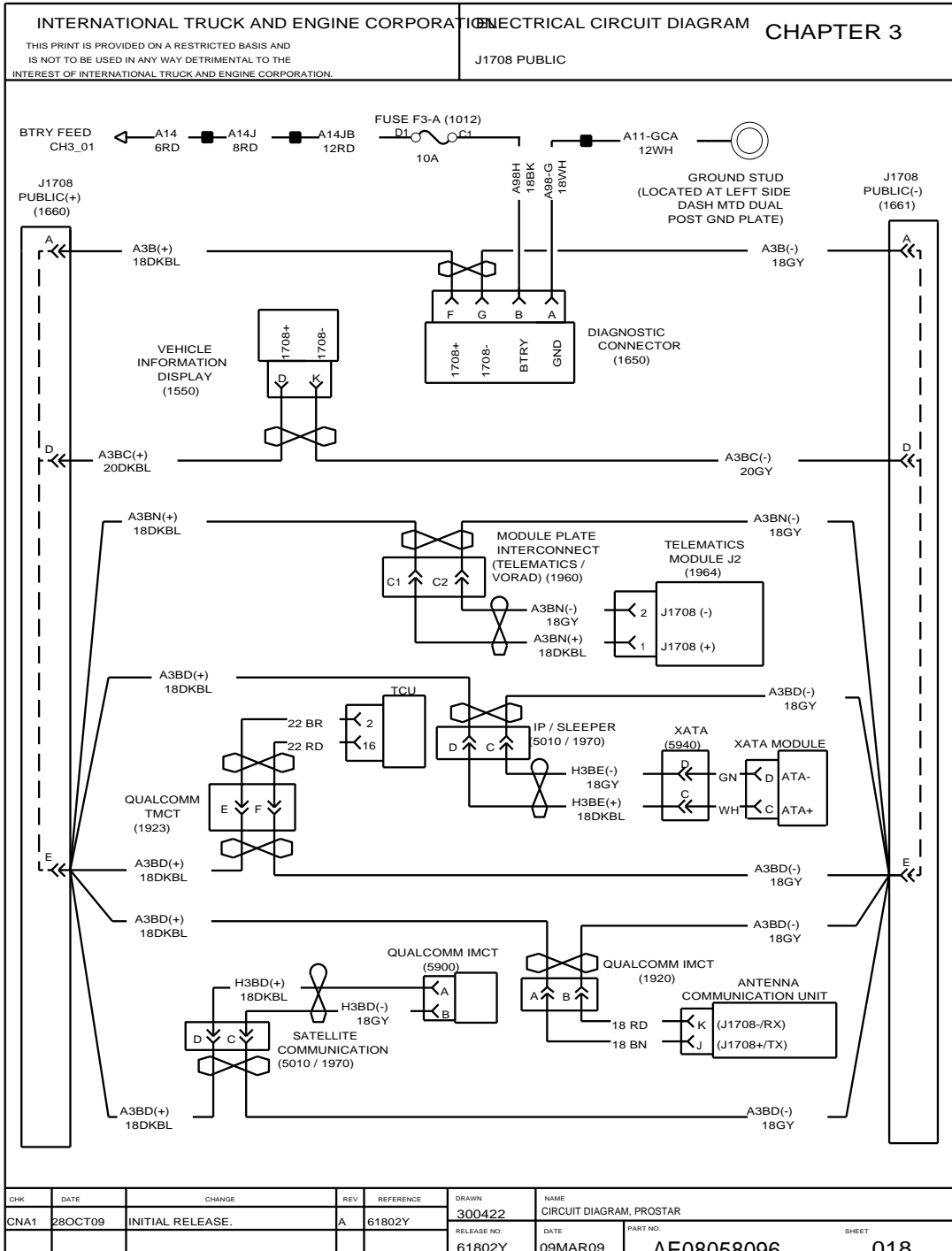


Figure 34 J1708 Public

3.23. J1708 PUBLIC (CONT.), P. 19

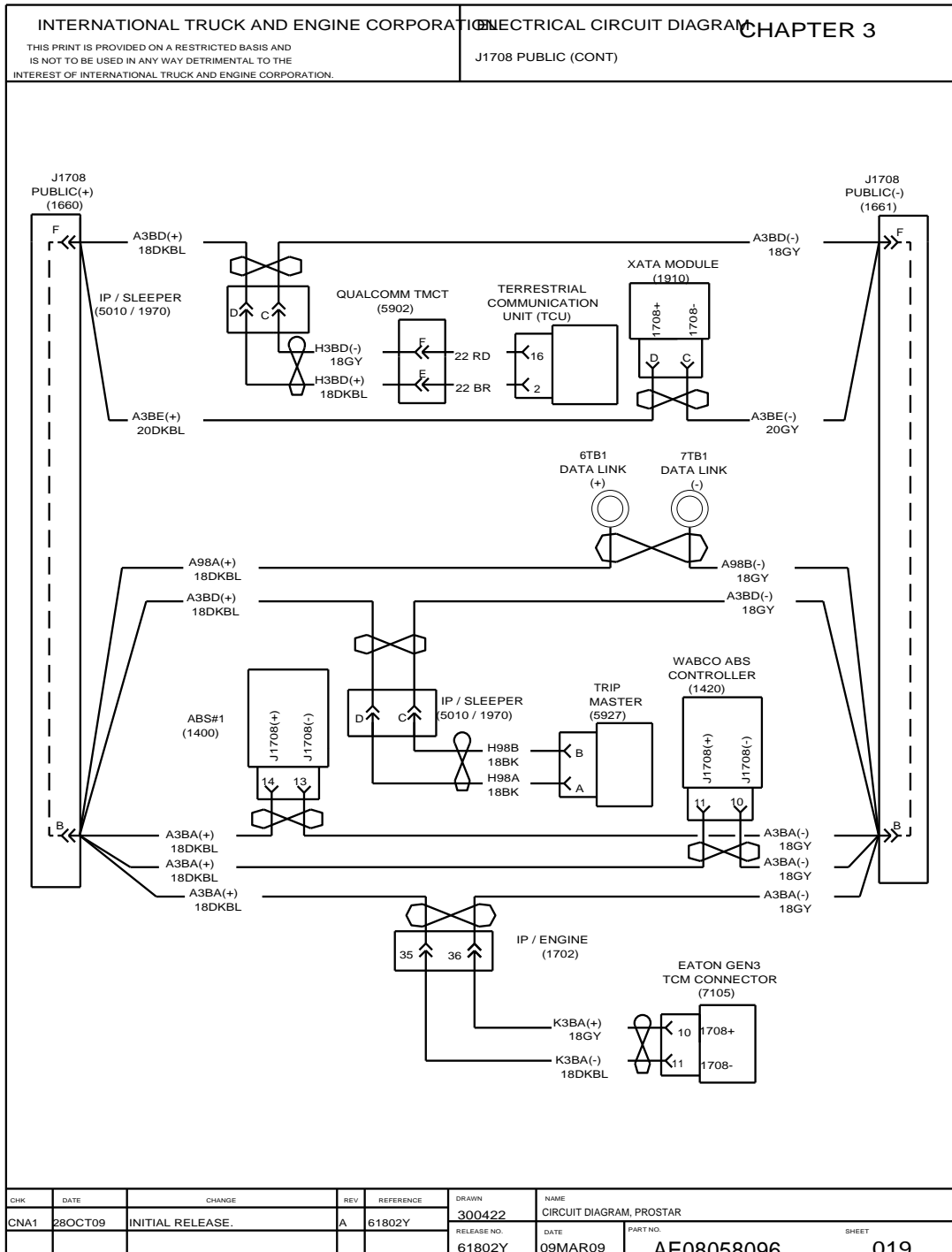


Figure 35 J1708 Public (Cont.)

3.24. J1708 PUBLIC (CONT.), P. 20

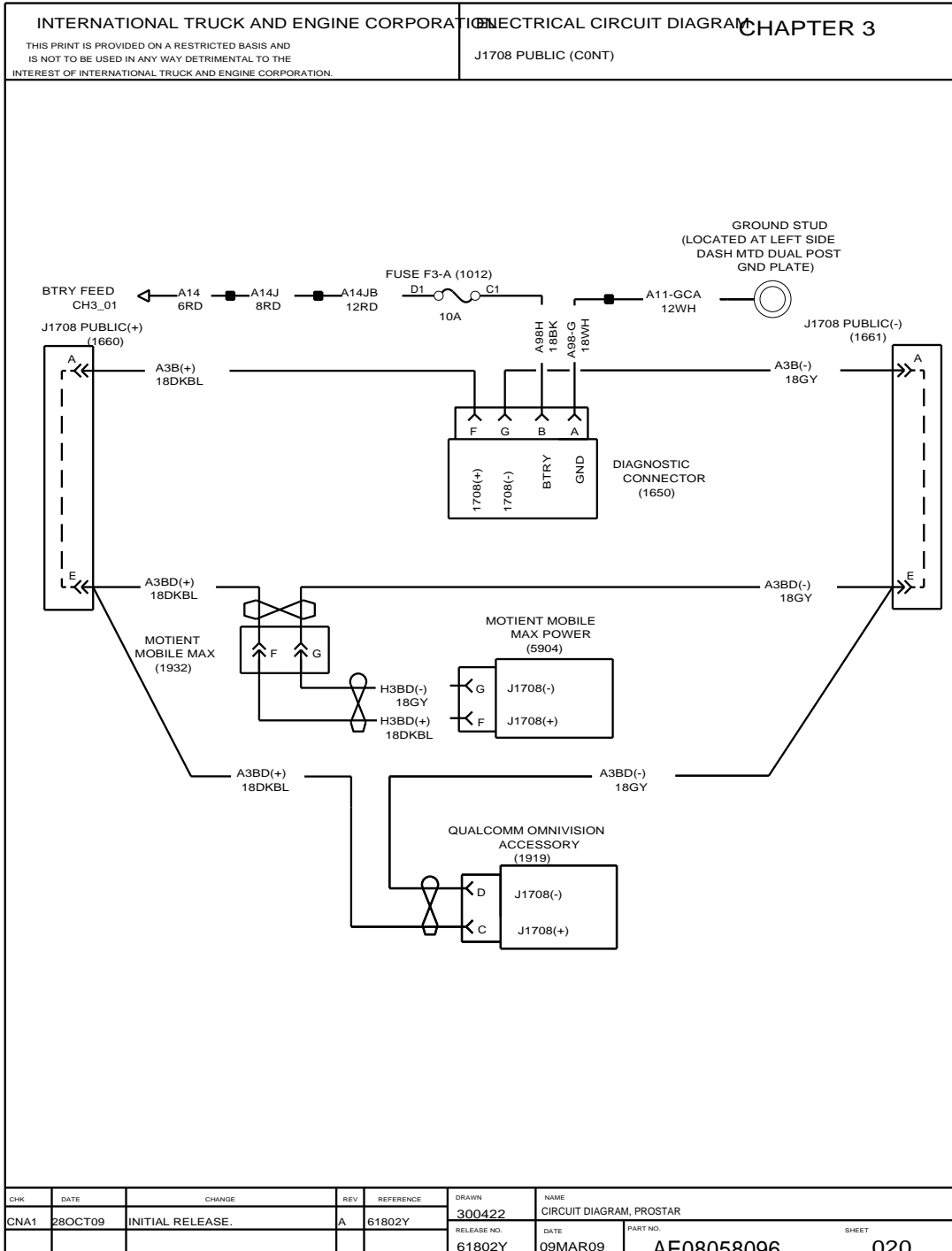


Figure 36 J1708 Public (Cont.)

3.25. GROUND – CAB, P. 21

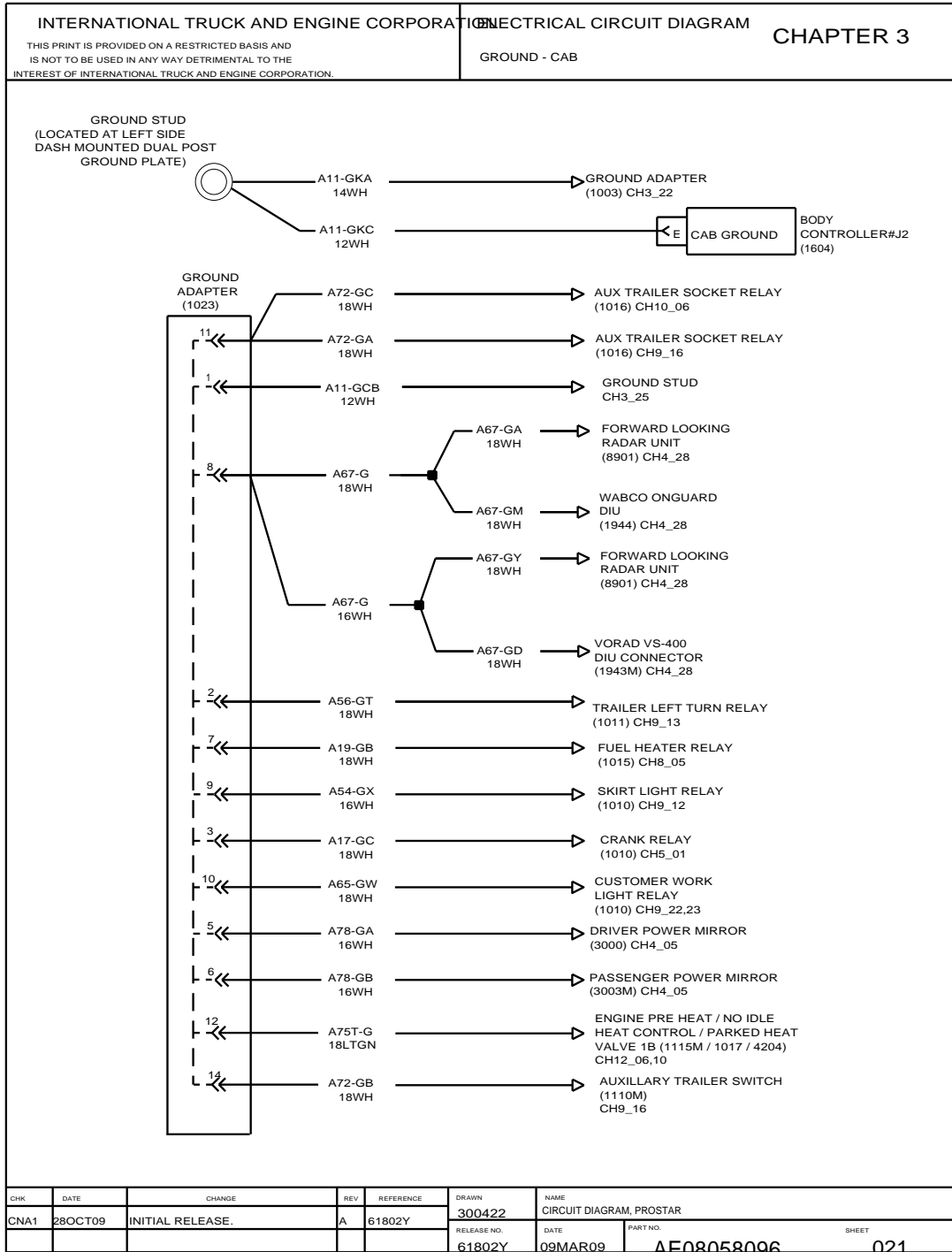


Figure 37 Ground – Cab

3.26. GROUND – CAB (CONT.), P. 22

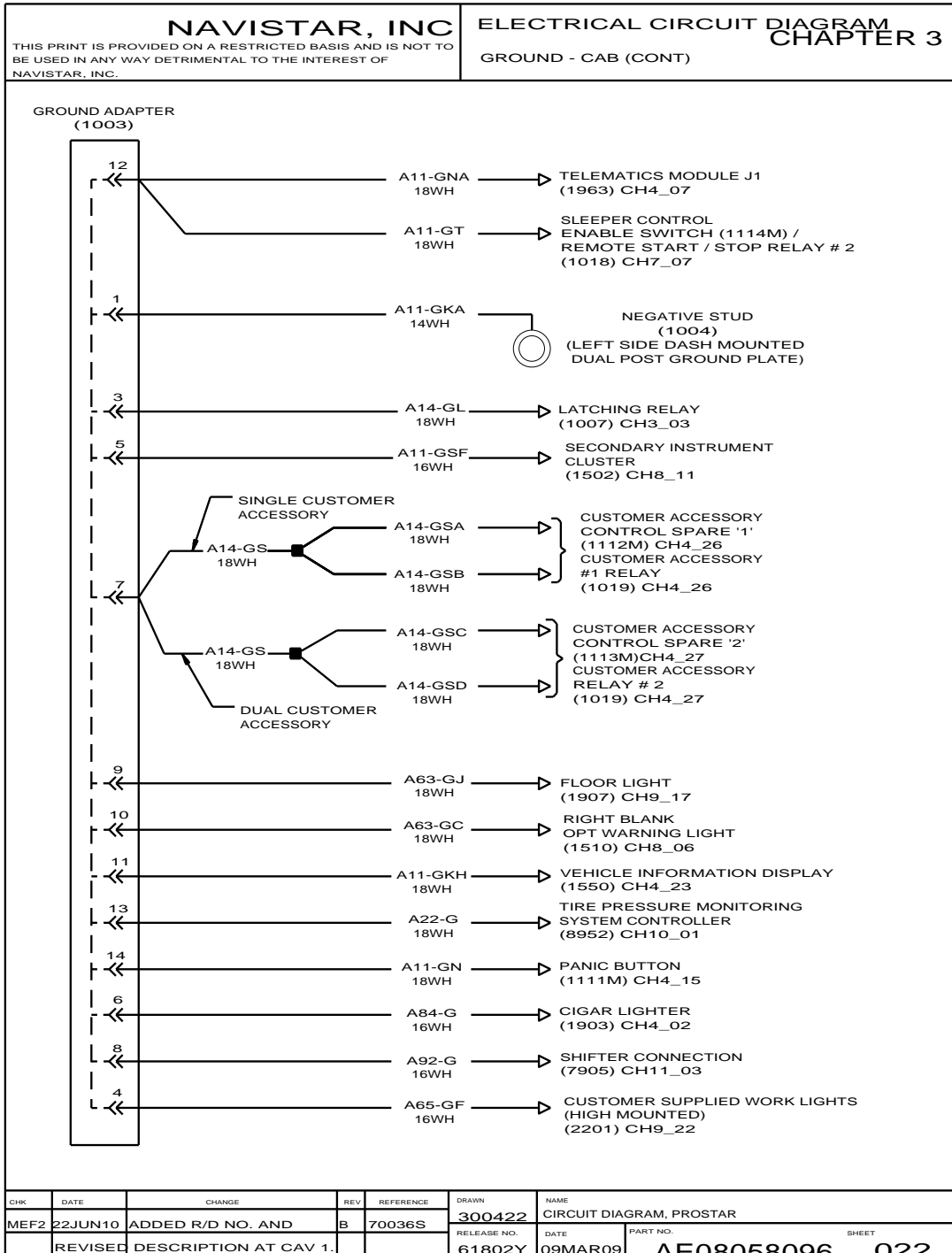
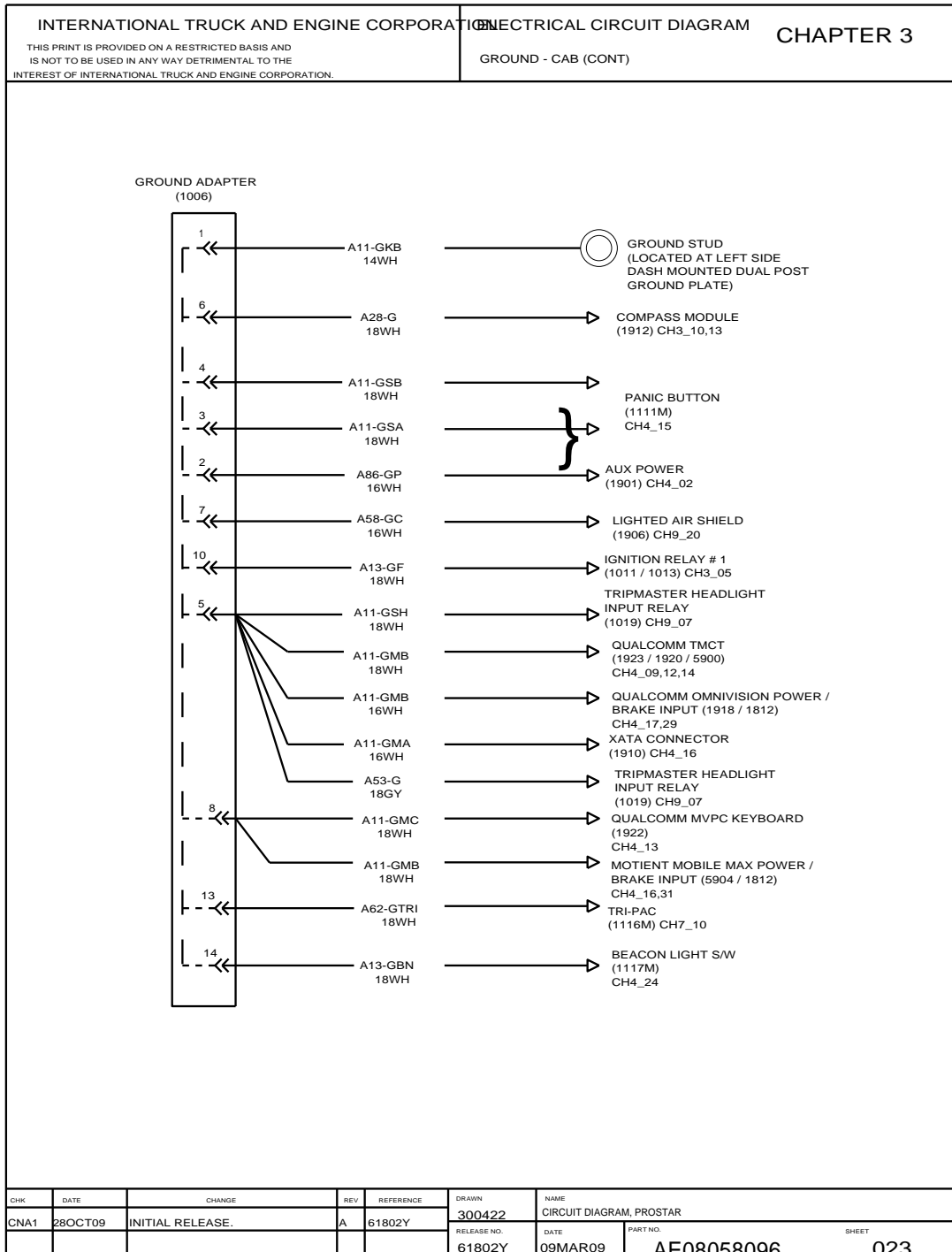


Figure 38 Ground – Cab (Cont.)

3.27. GROUND – CAB (CONT.), P. 23



CHK	DATE	CHANGE	REV	REFERENCE	DRAWN	NAME
CNA1	28OCT09	INITIAL RELEASE.	A	61802Y	300422	CIRCUIT DIAGRAM, PROSTAR
					RELEASE NO.	DATE
					61802Y	09MAR09
						PART NO.
						AE08058096
						SHEET
						023

Figure 39 Ground – Cab (Cont.)

3.28. GROUND – CAB (CONT.), P. 24

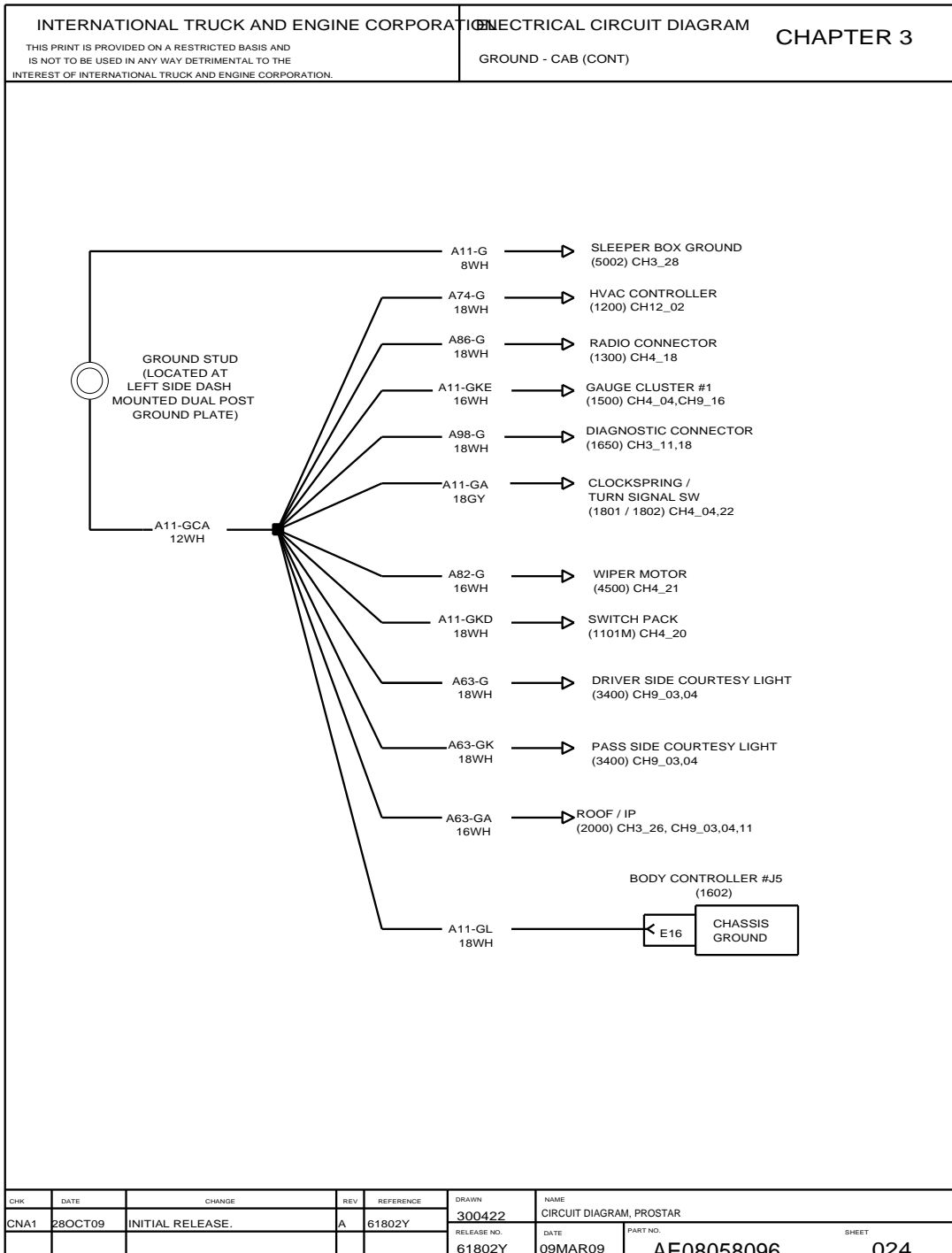


Figure 40 Ground – Cab (Cont.)

3.29. GROUND – CAB (CONT.), P. 25

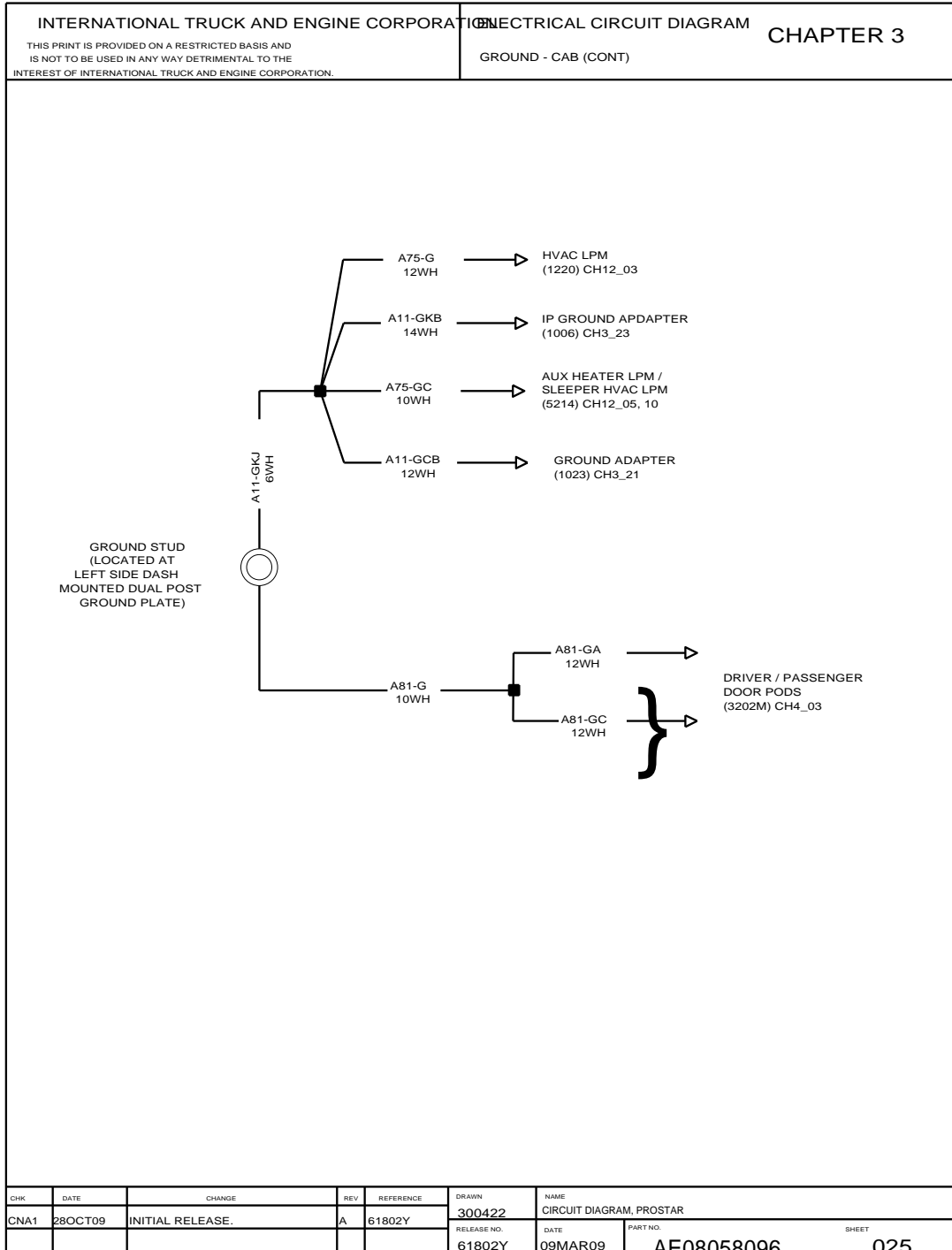


Figure 41 Ground – Cab (Cont.)

3.30. GROUND – CAB (CONT.), P. 26

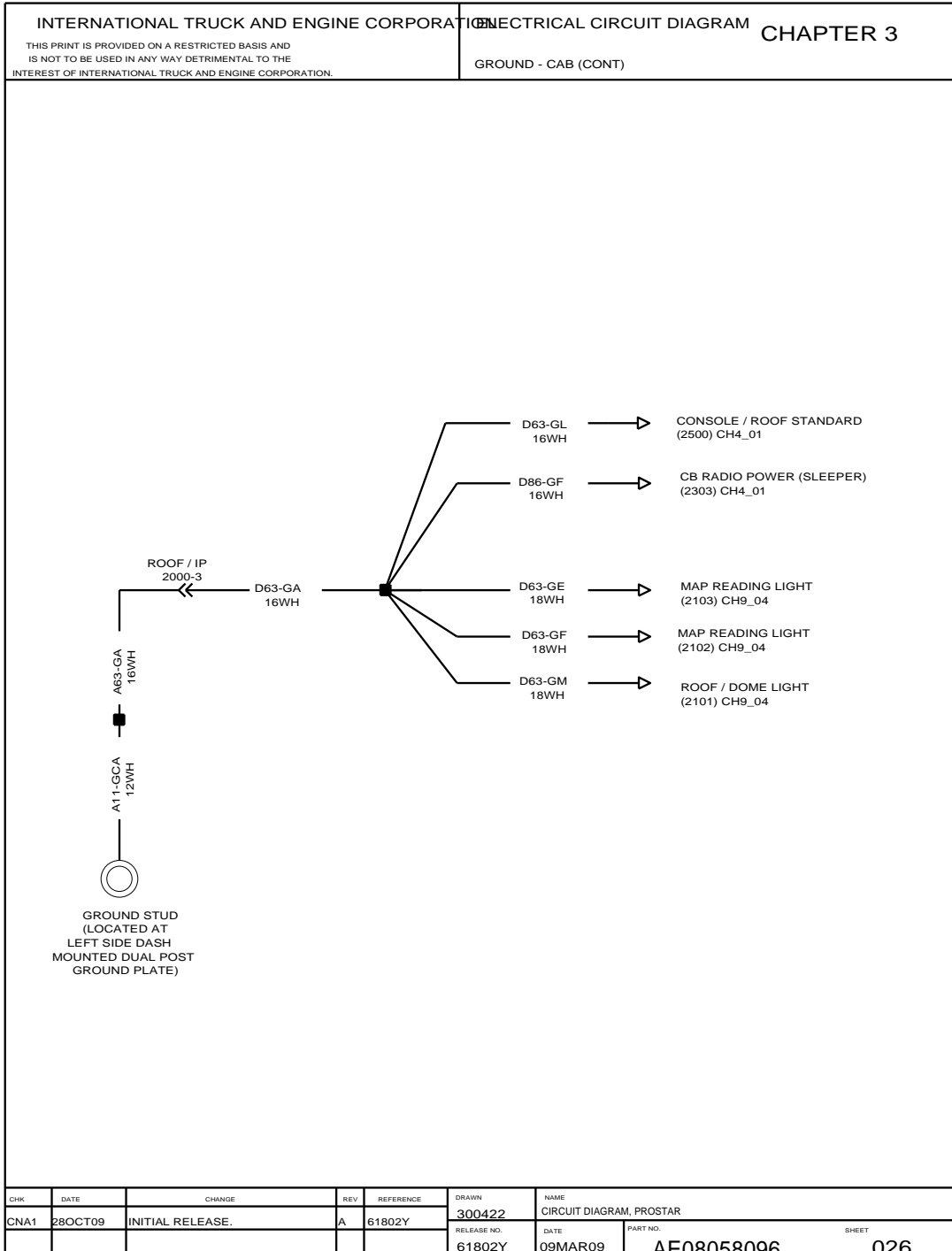


Figure 42 Ground – Cab (Cont.)

3.31. GROUND – CHASSIS, P. 27

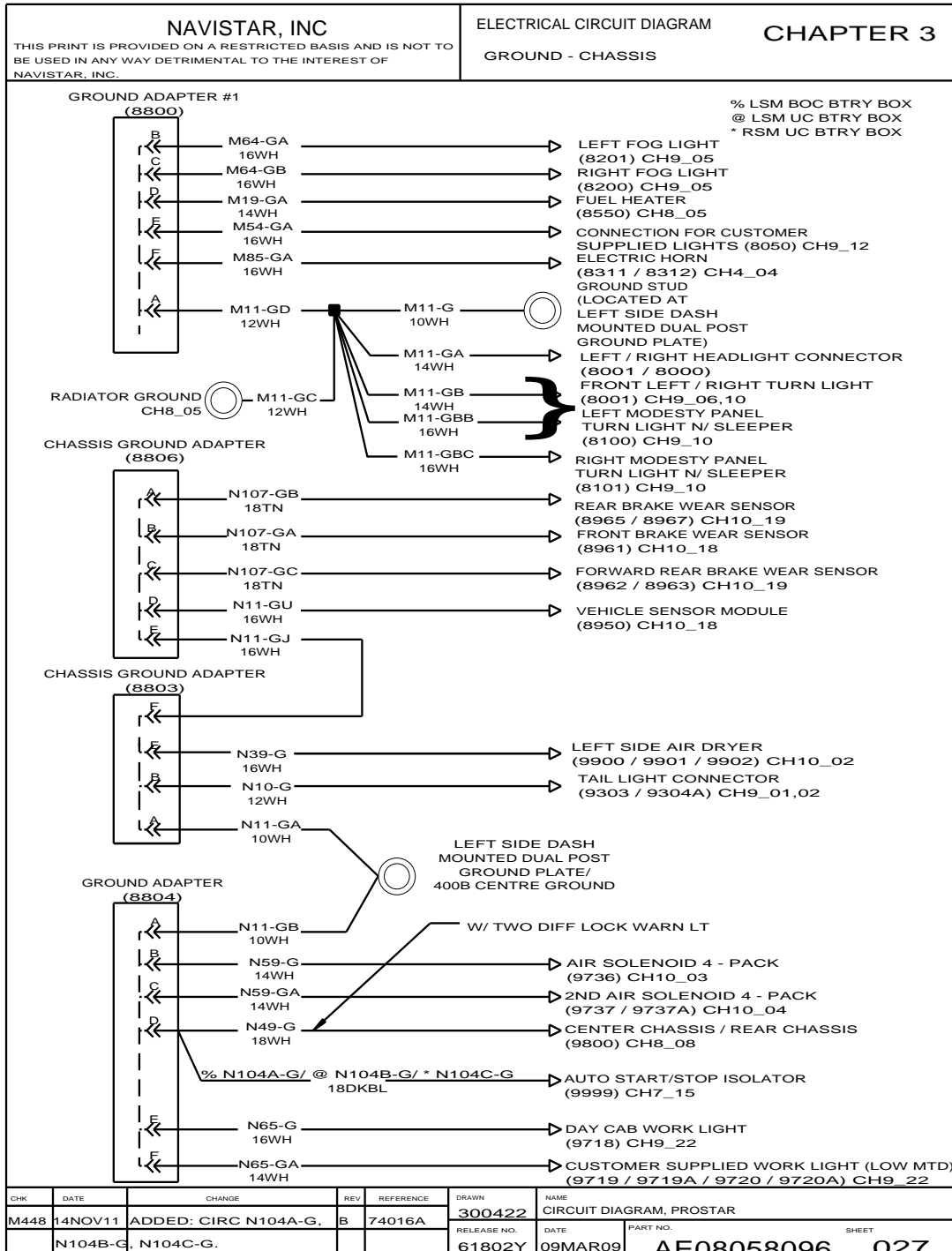


Figure 43 Ground – Chassis

3.32. GROUND – SLEEPER, P. 28

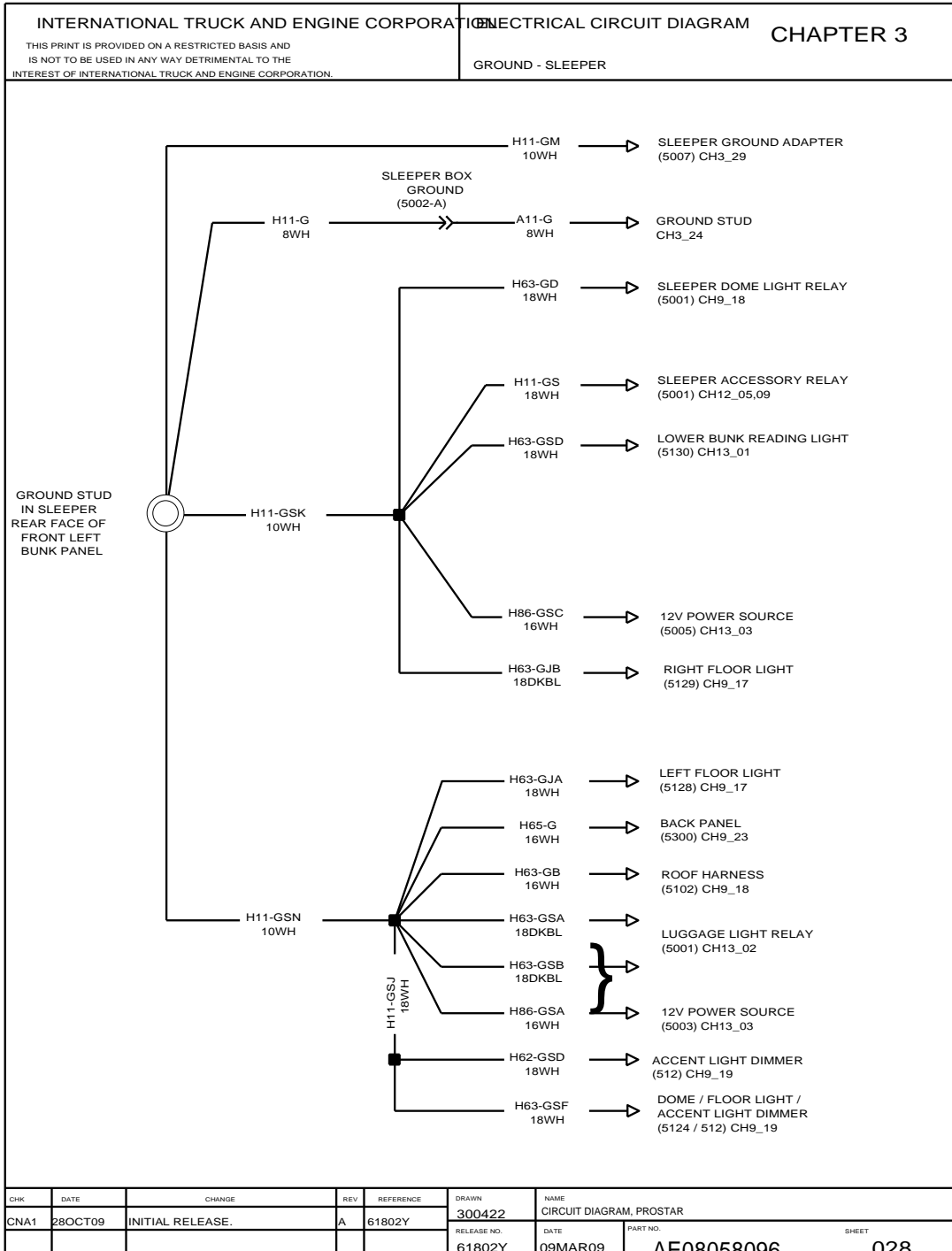


Figure 44 Ground – Sleeper

3.33. GROUND – SLEEPER (CONT.), P. 29

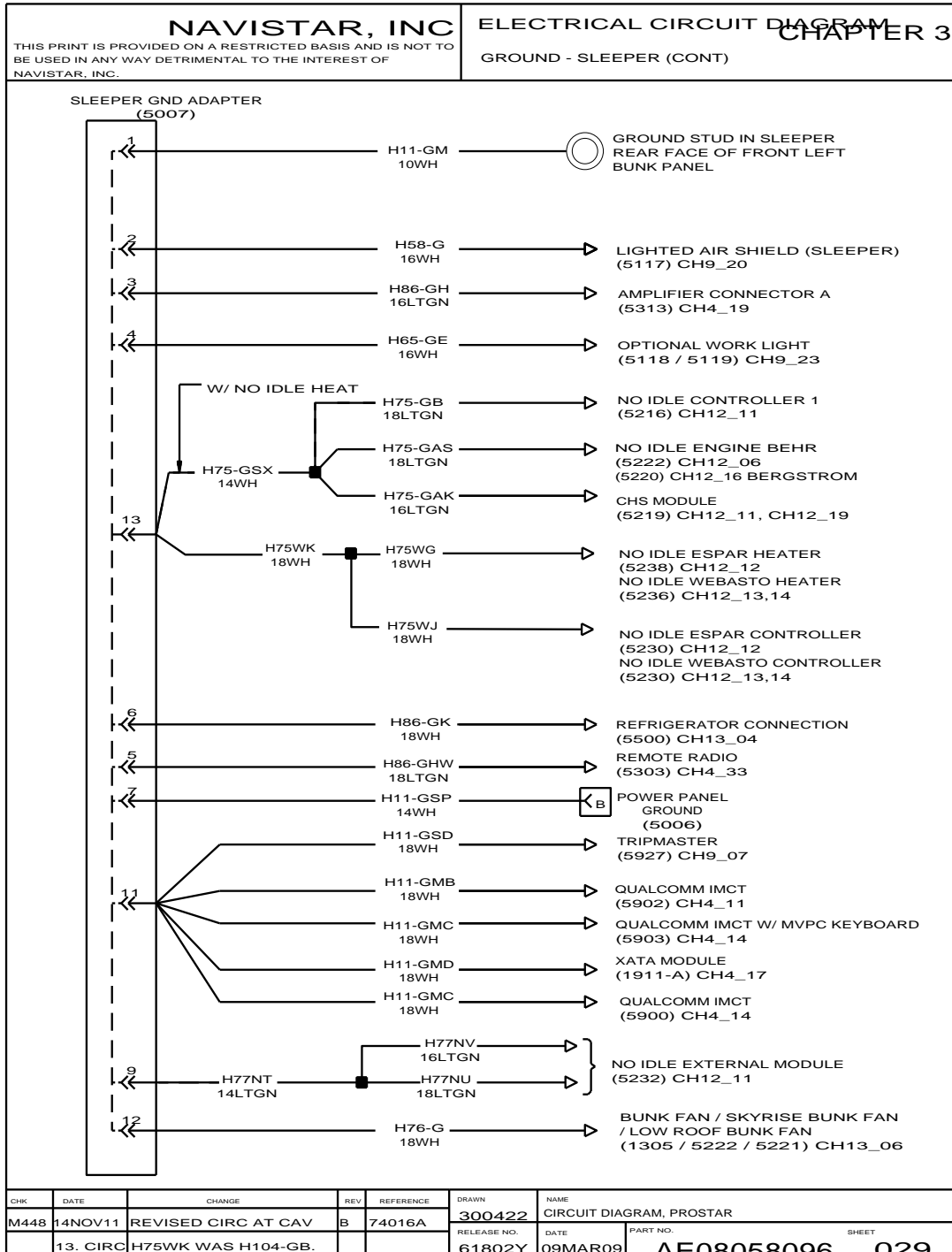


Figure 45 Ground – Sleeper (Cont.)

3.34. GROUND – SLEEPER (CONT.), P. 30

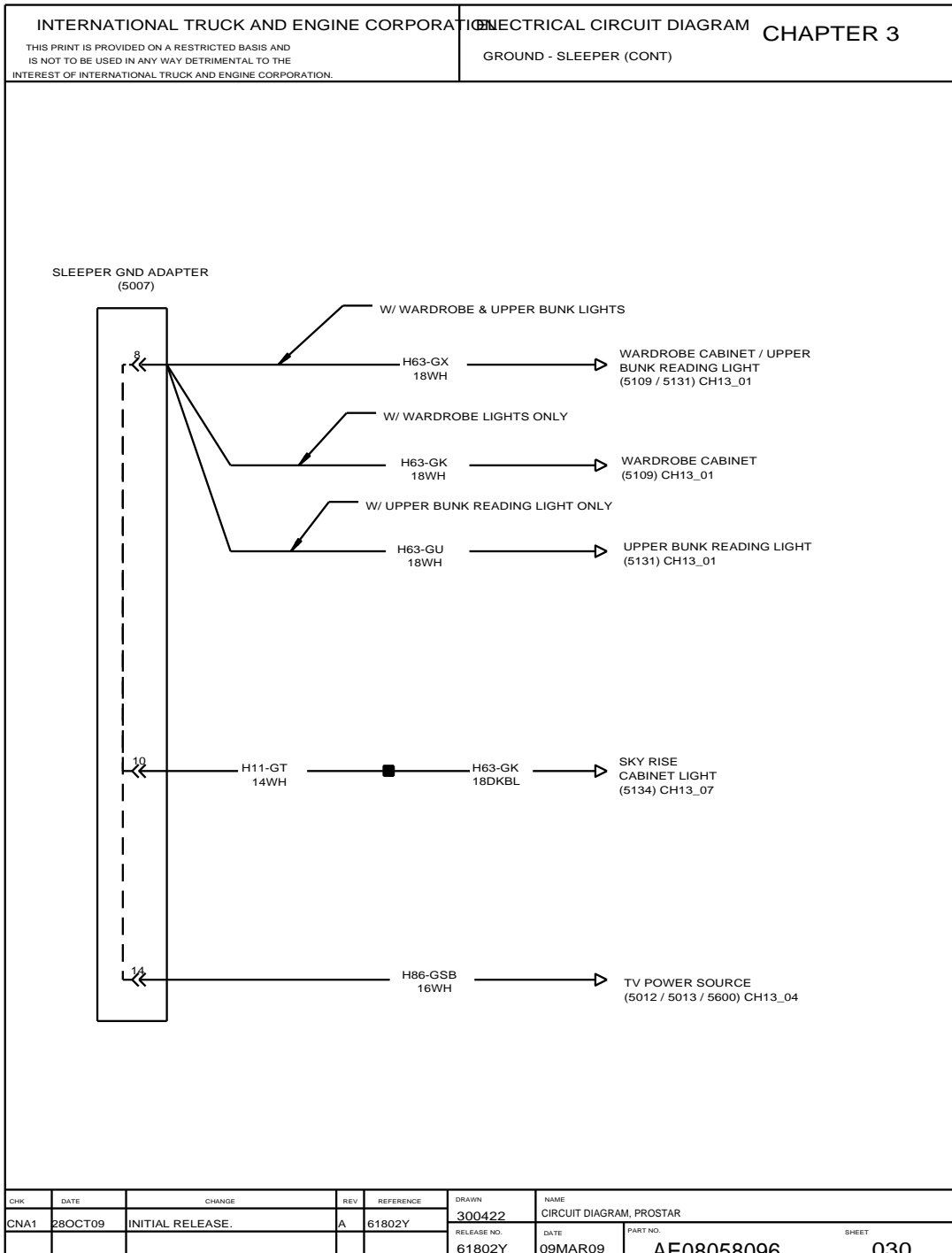


Figure 46 Ground – Sleeper (Cont.)

3.35. ENGINE GROUND – IBB ENGINE, P. 31

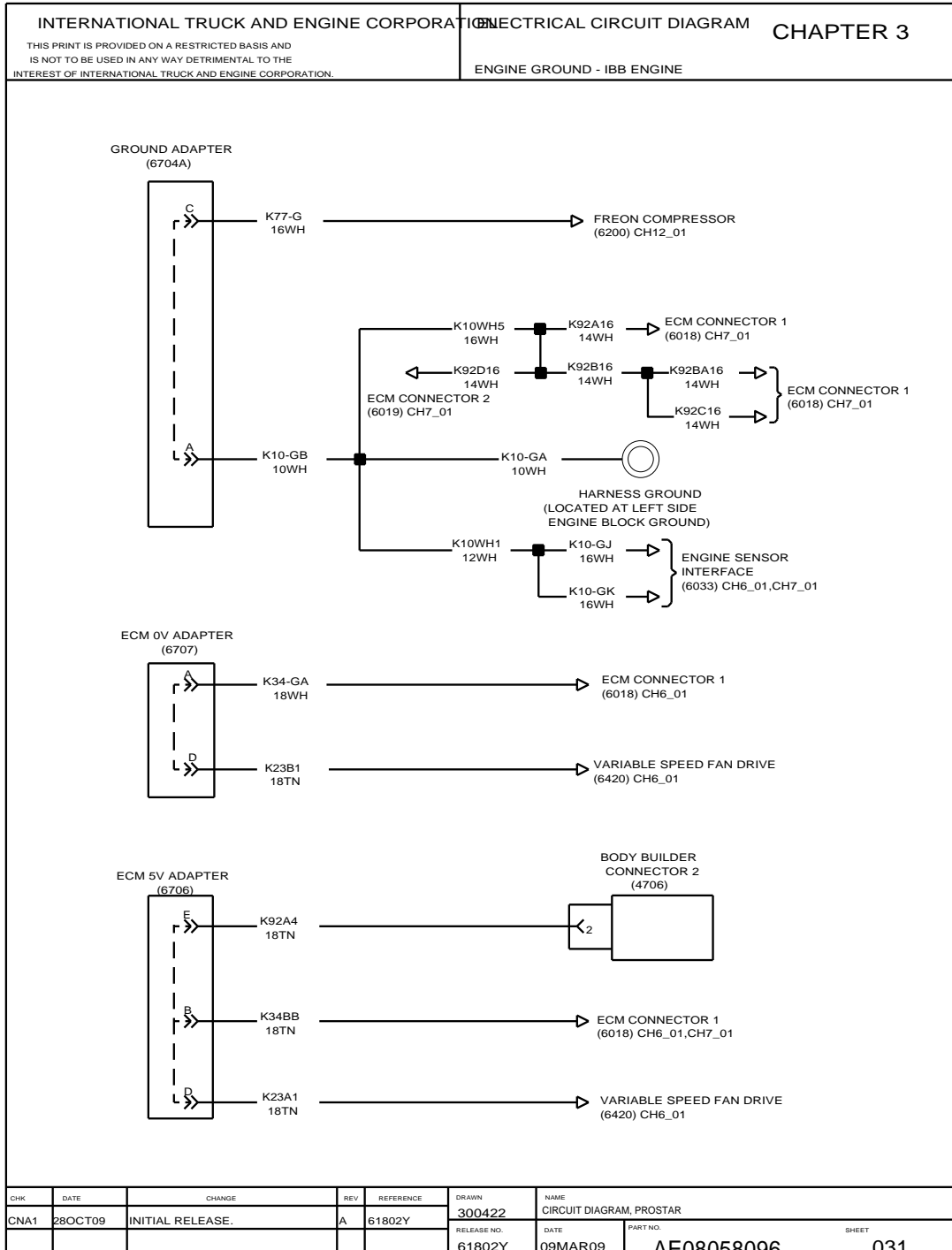


Figure 47 Engine Ground – IBB Engine

3.36. GROUND ADAPTER – IBB ENGINE, P. 32

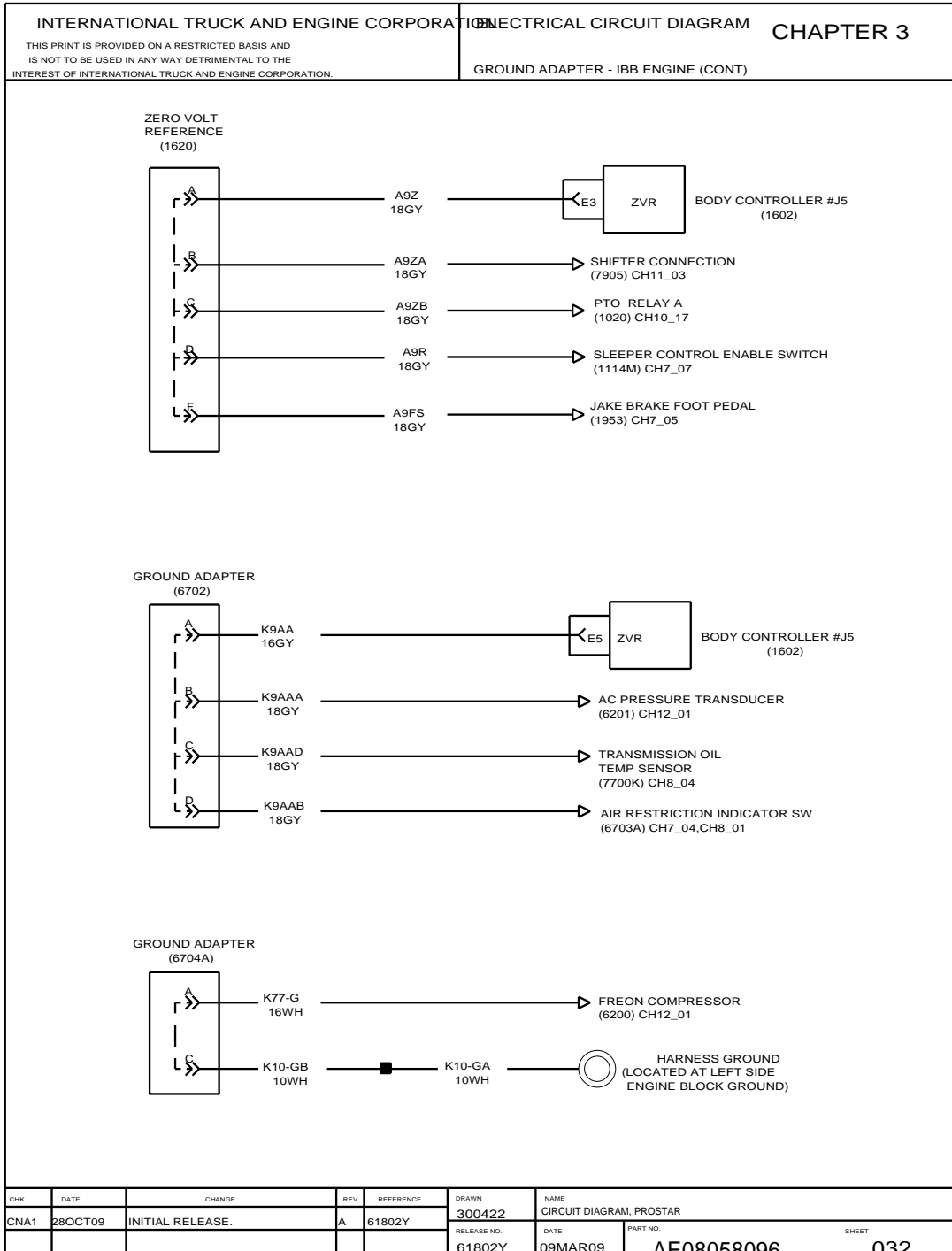


Figure 48 Ground Adapter – IBB Engine

3.37. GROUND ADAPTER, P. 33

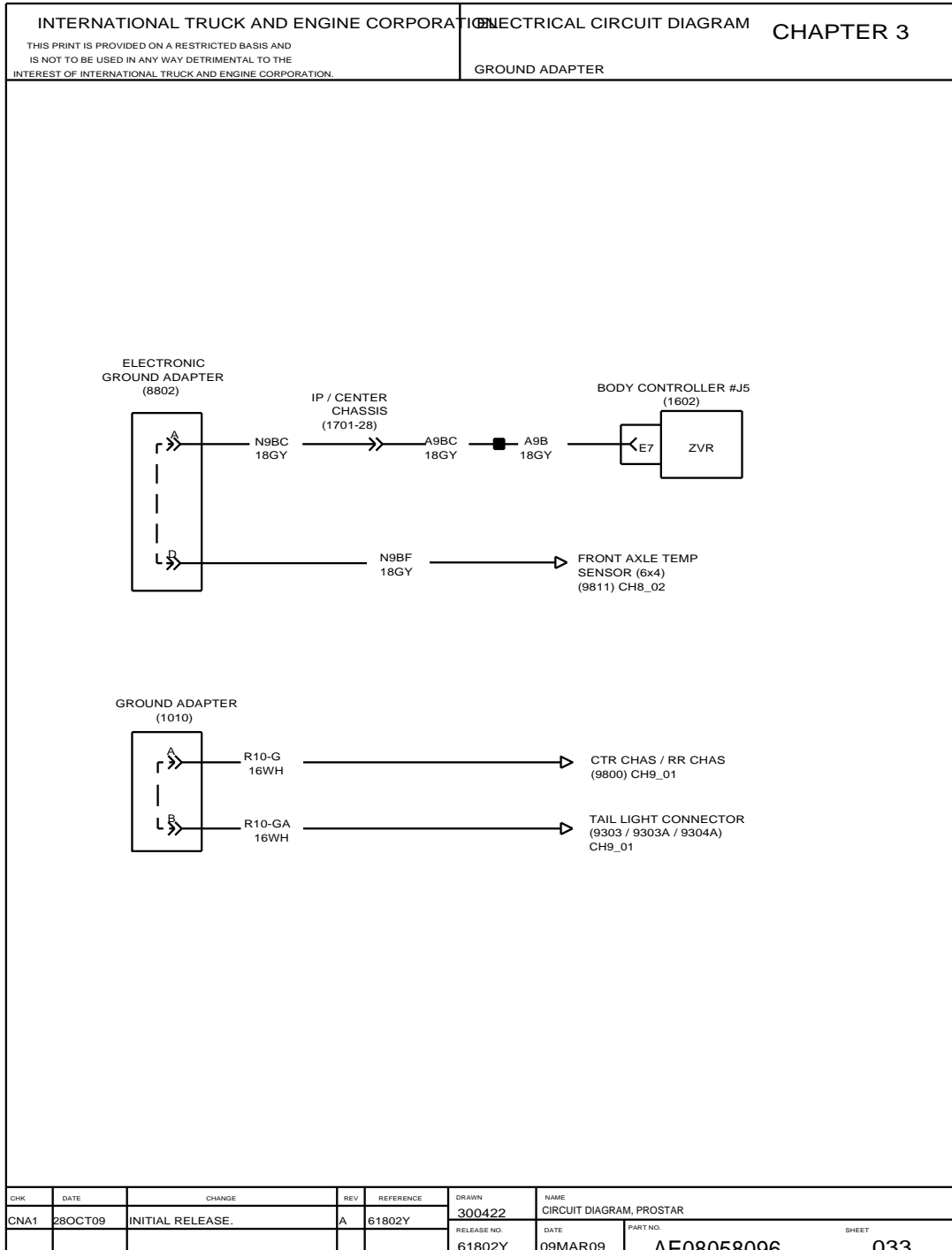


Figure 49 Ground Adapter

3.38. BATTERY FEED, SINGLE, P. 34

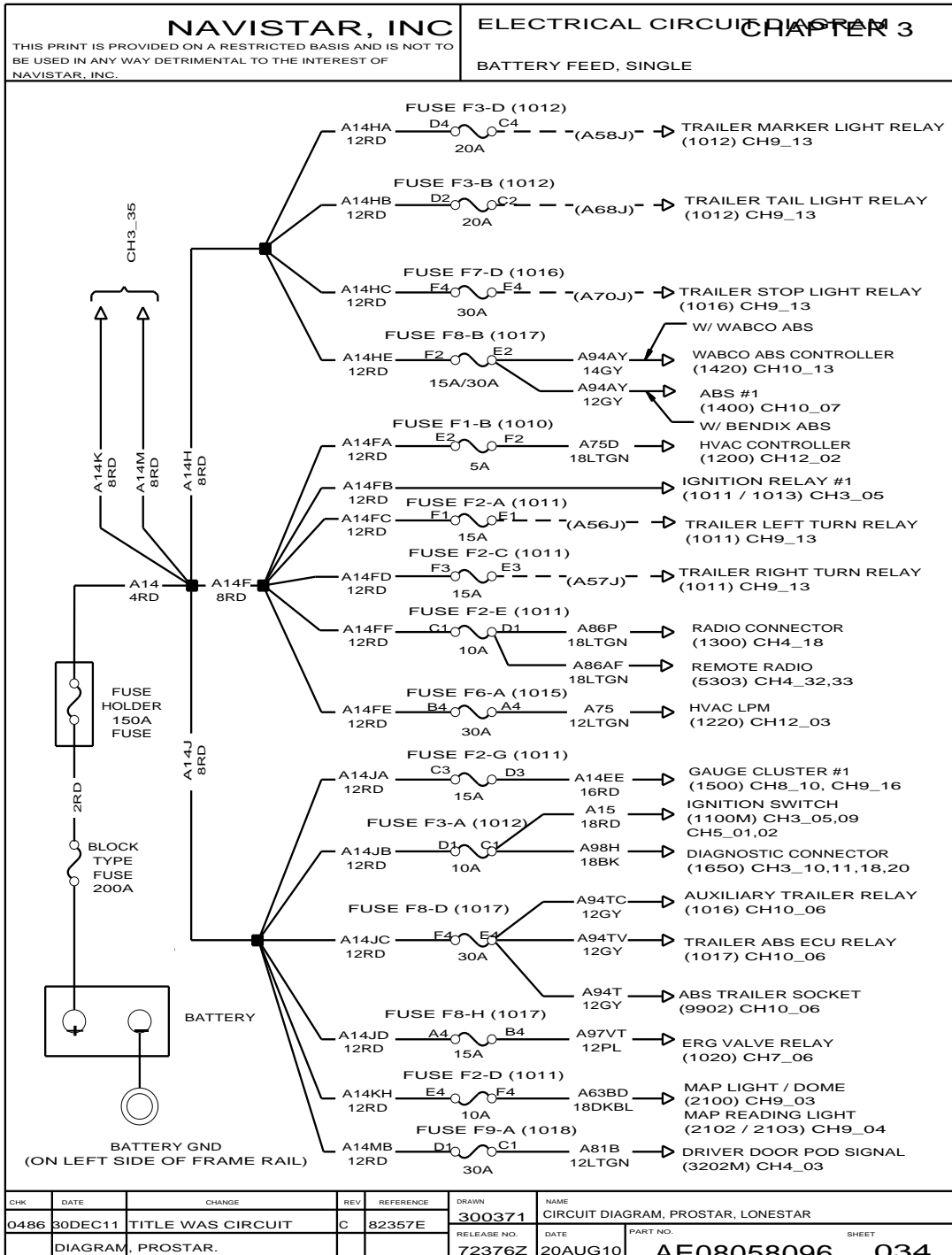


Figure 50 Battery Feed, Single

3.39. BATTERY FEED, SINGLE (CONT.), P. 35

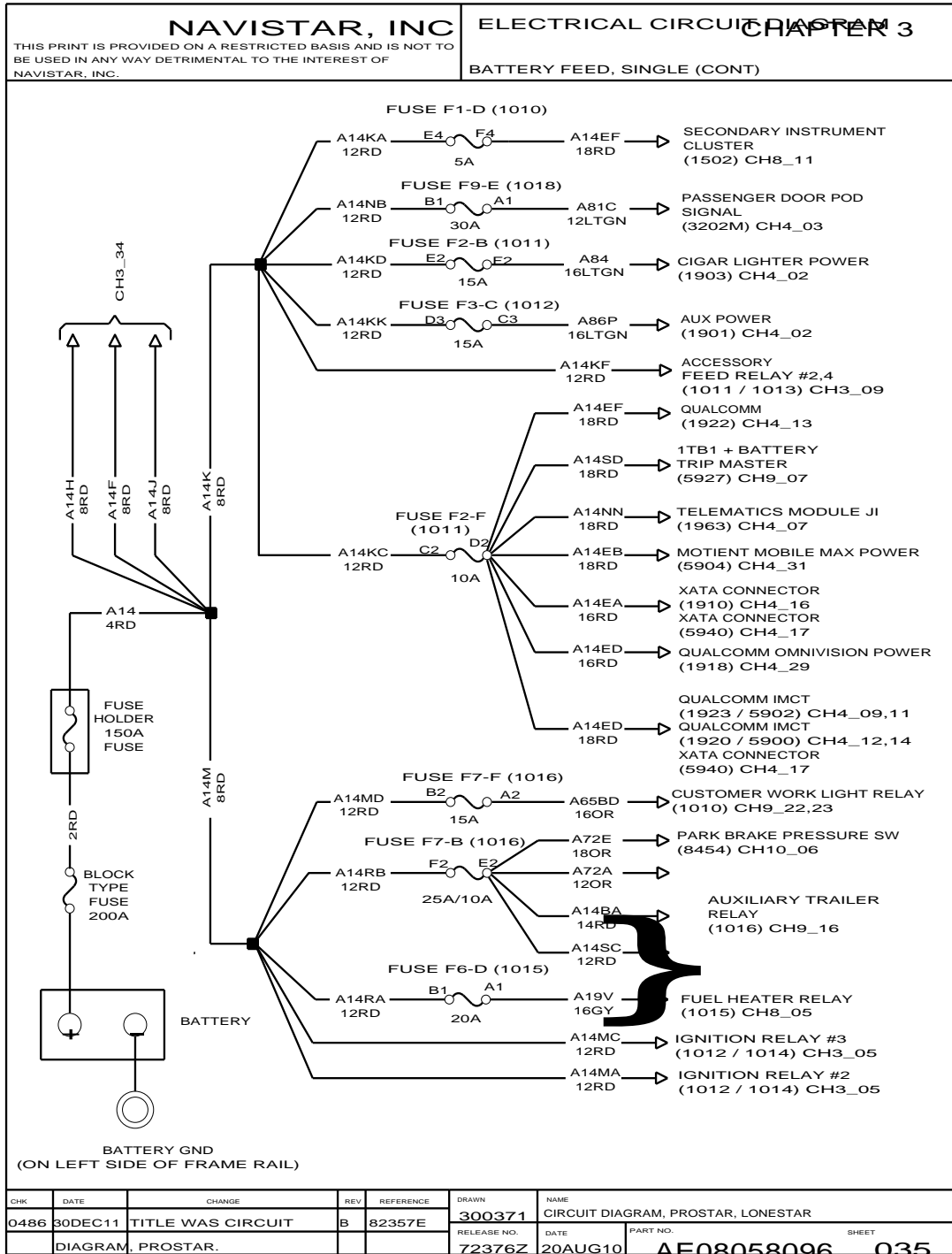


Figure 51 Battery Feed, Single (Cont.)

4. CAB ACCESSORIES (CHAPTER 4)

4.1. CB POWER RADIO, P. 1

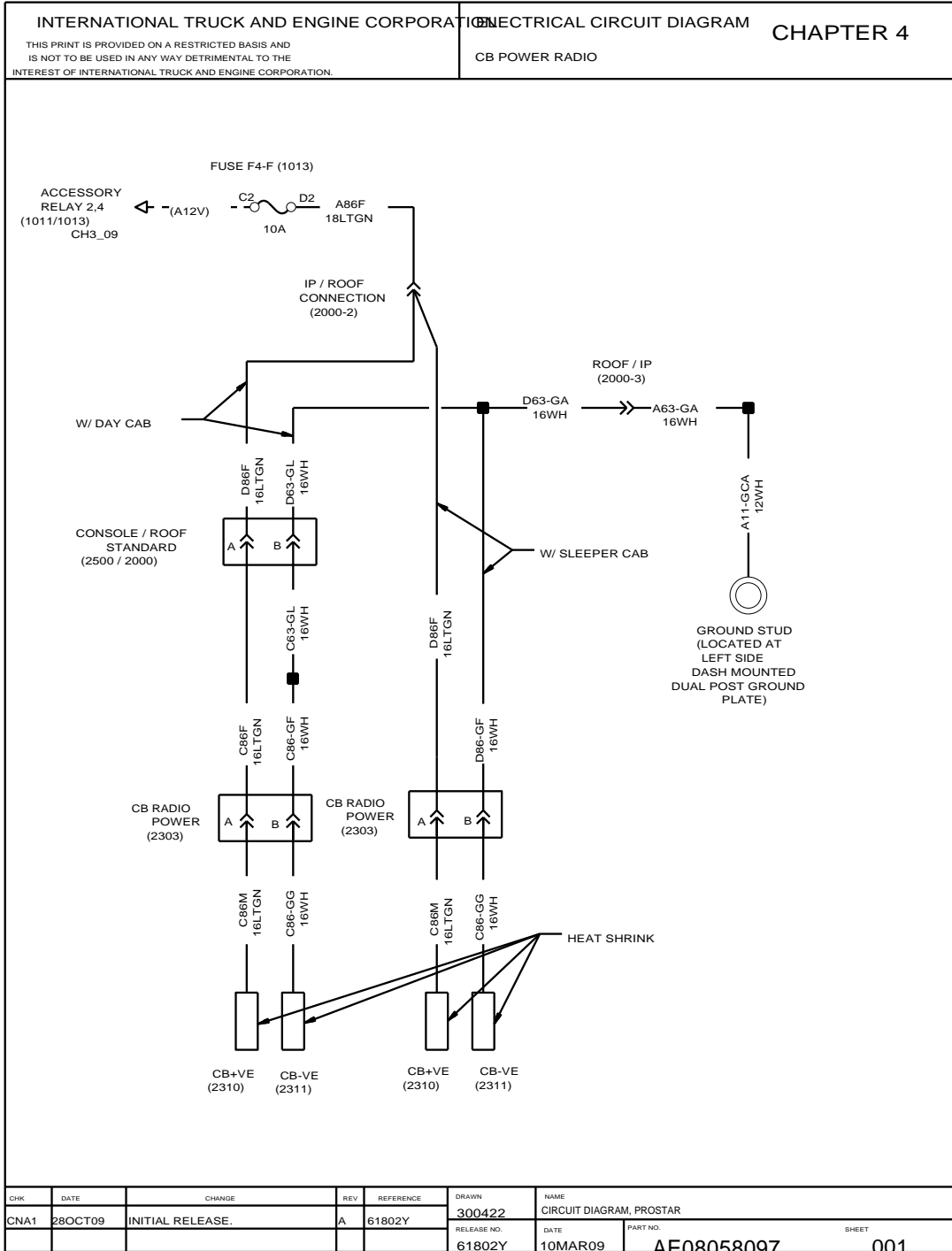


Figure 52 CB Power Radio

4.2. CIGAR LIGHTER, TEMPERATURE DISPLAY, AND AUX POWER, P. 2

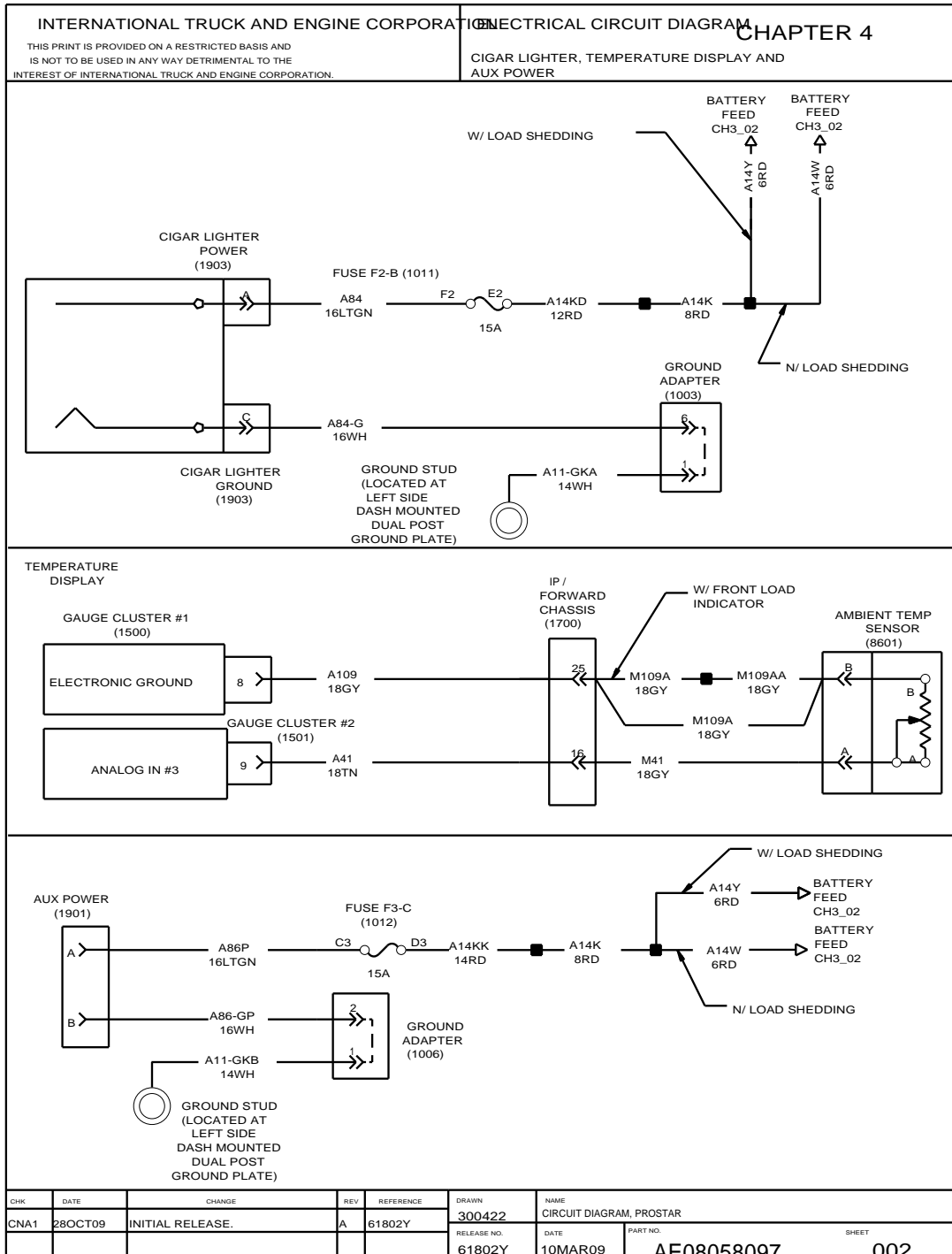


Figure 53 Cigar Lighter, Temperature Display, and Aux Power

4.3. ELECTRIC WINDOWS AND DOOR LOCKS, P. 3

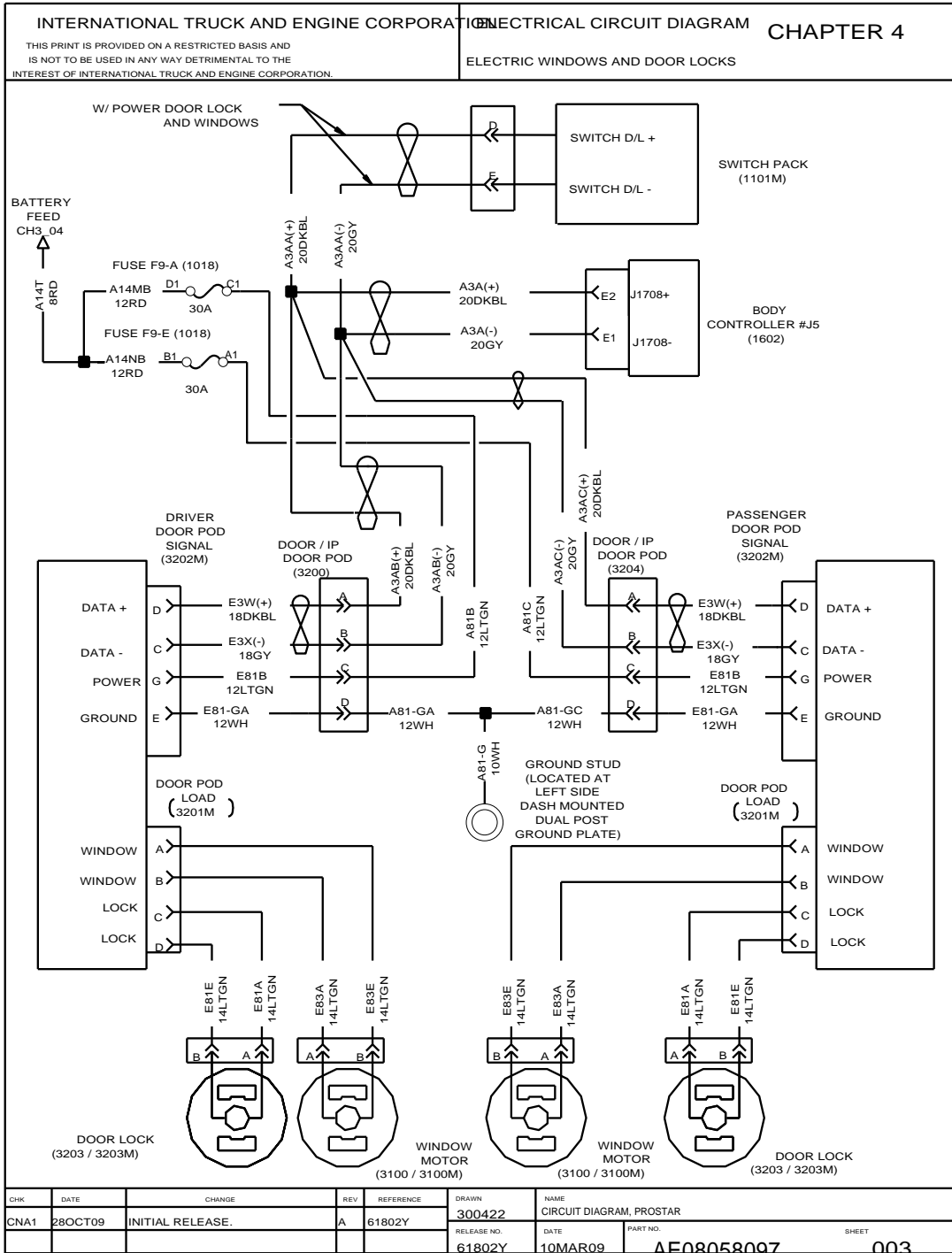


Figure 54 Electric Windows and Door Locks

4.4. ELECTRIC HORN, P. 4

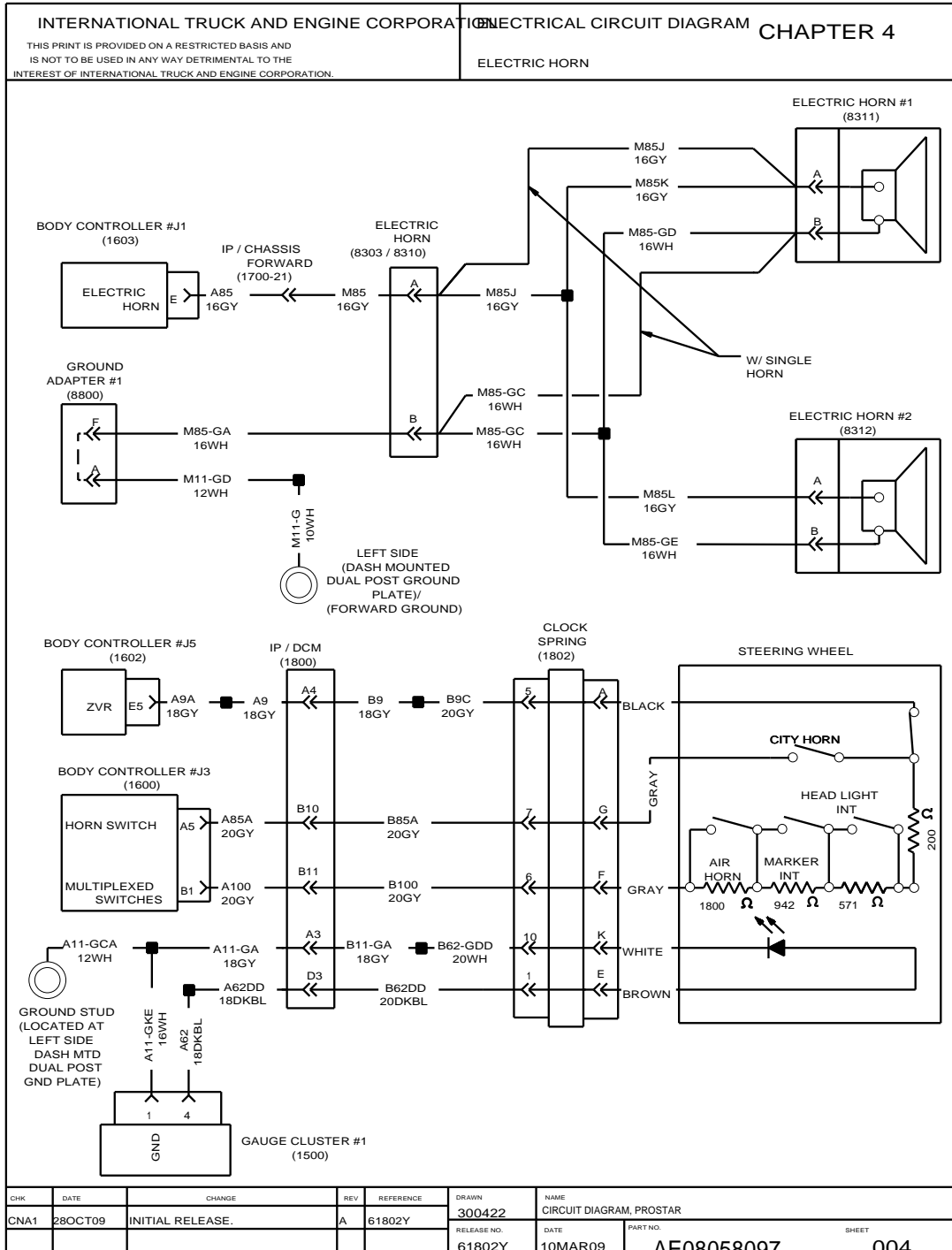


Figure 55 Electric Horn

4.5. MIRRORS HEATED AND LIGHTED, P. 5

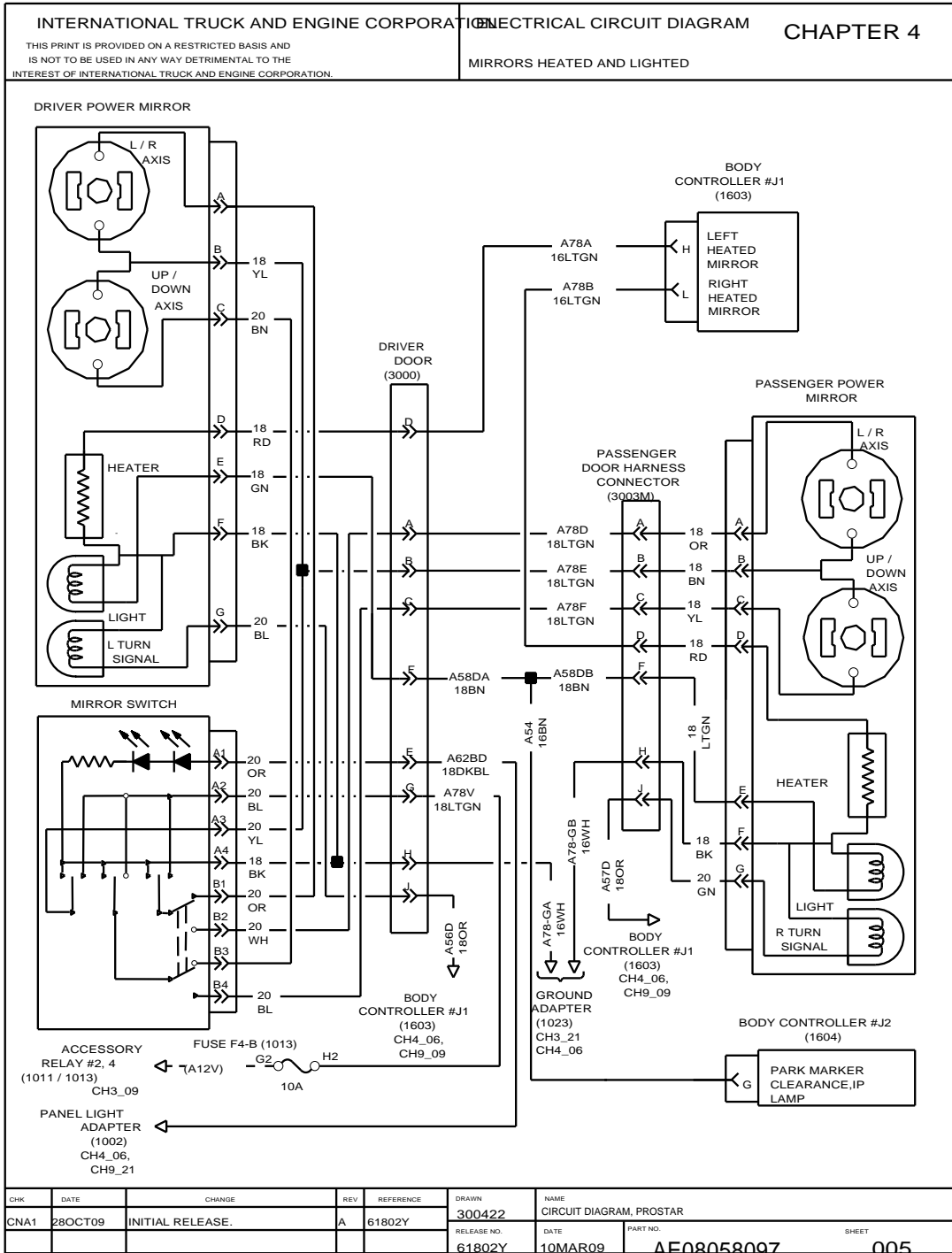


Figure 56 Mirrors Heated and Lighted

4.6. MIRRORS HEATED AND LIGHTED (CONT.), P. 6

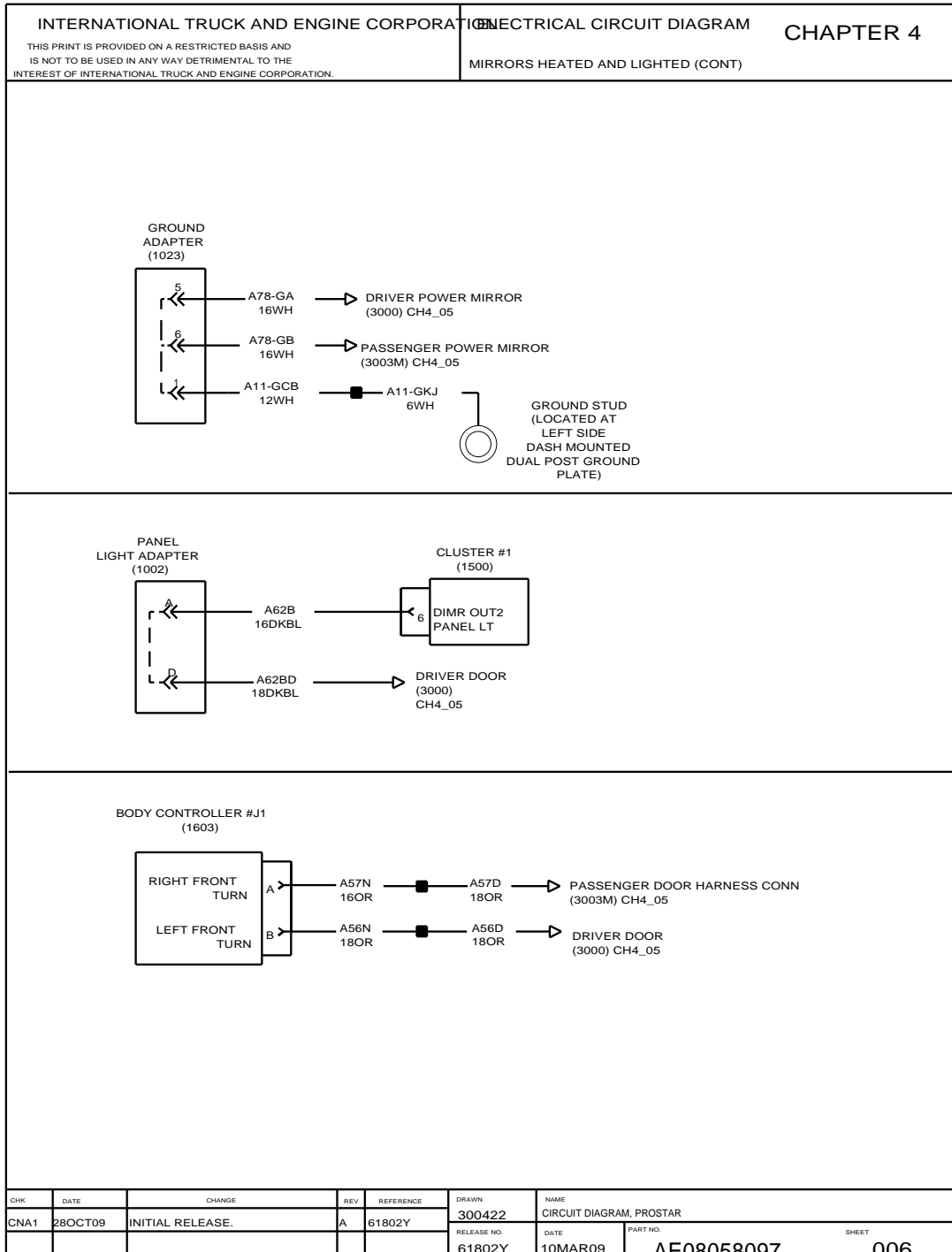


Figure 57 Mirrors Heated and Lighted (Cont.)

4.7. TELEMATICS, P. 7

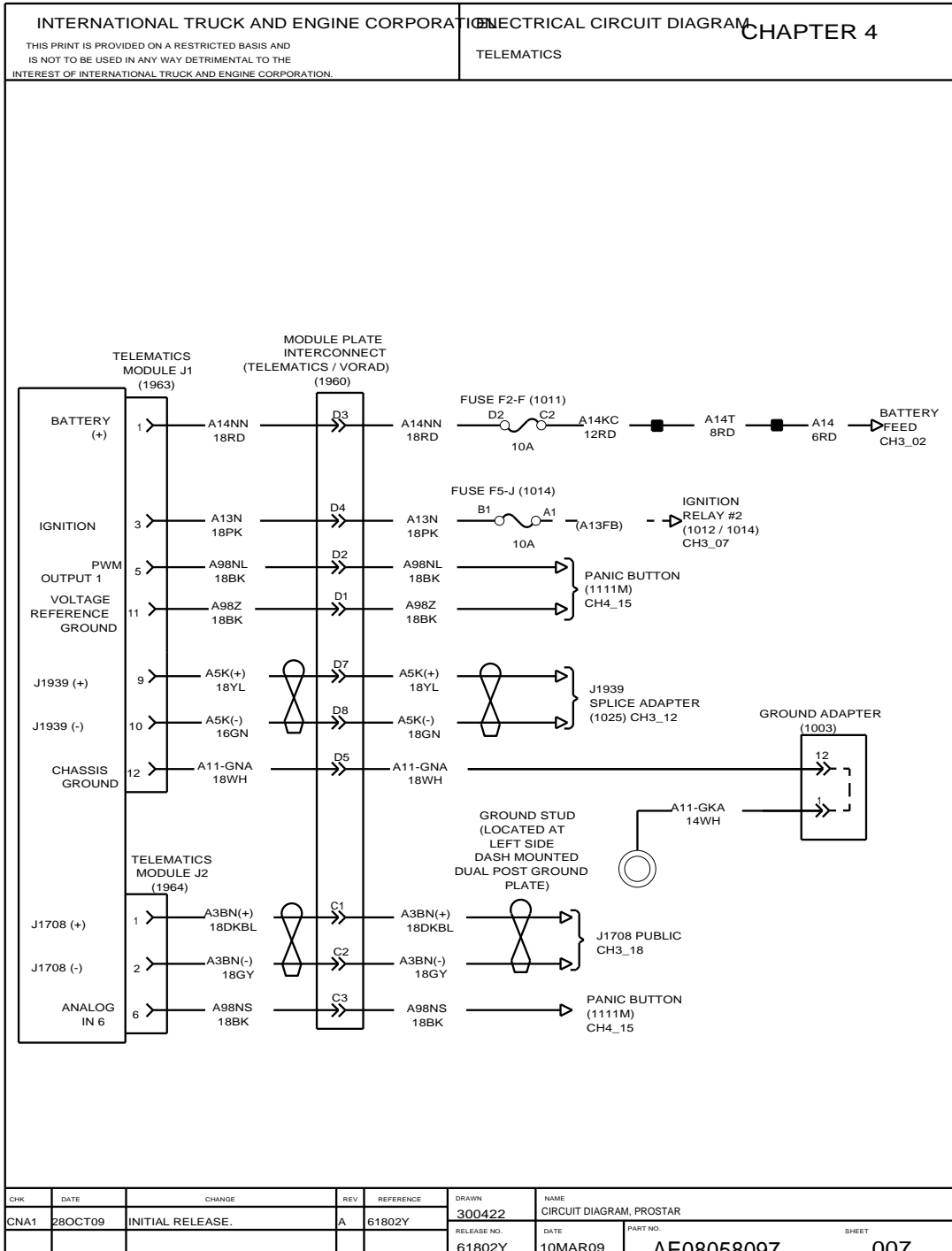


Figure 58 Telematics

4.8. SATELLITE COMMUNICATION SYSTEM – QUALCOMM TMCT DAYCAB, P. 8

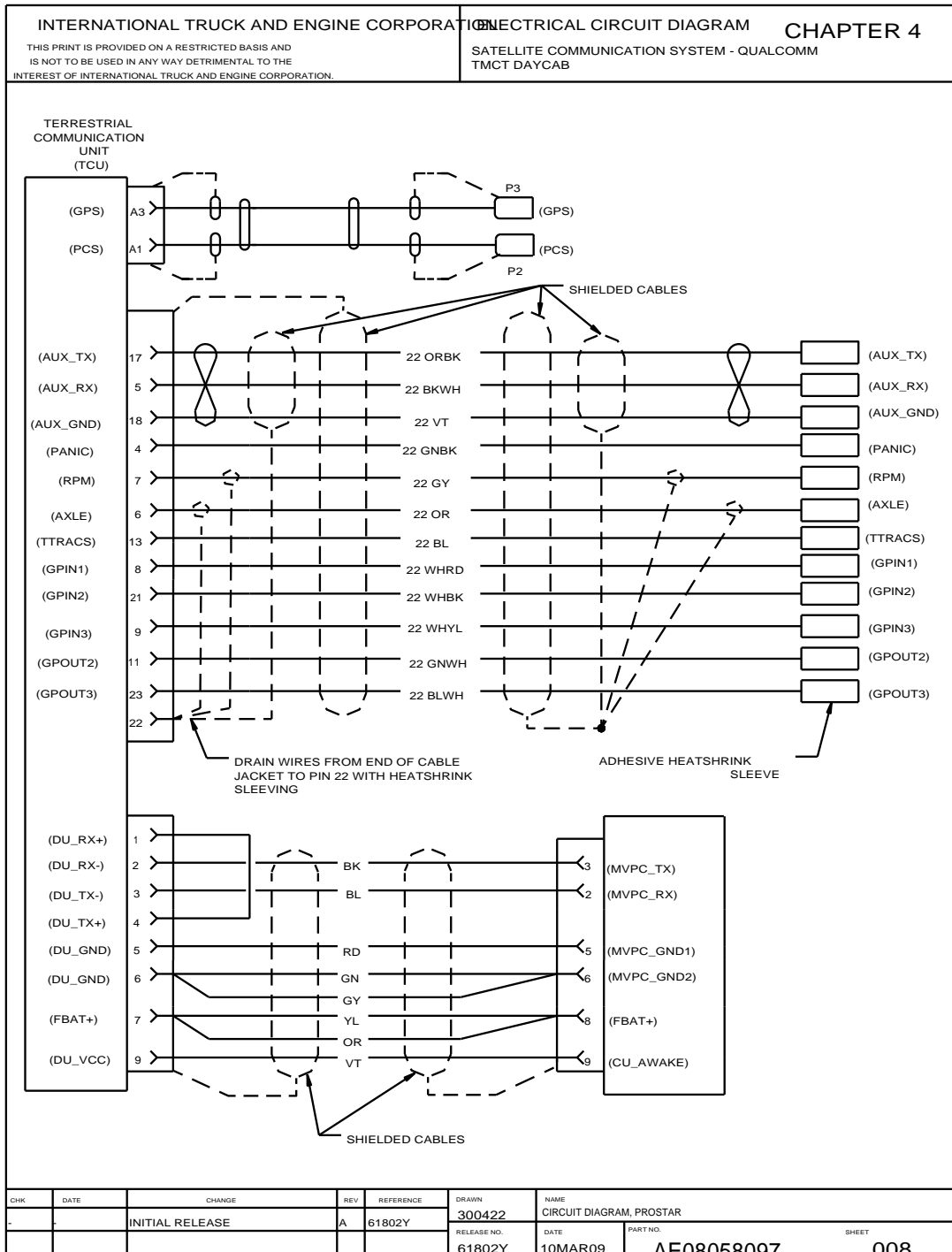


Figure 59 Satellite Communication System – Qualcomm TMCT Daycab

4.9. SATELLITE COMMUNICATION SYSTEM – QUALCOMM TMCT DAYCAB (CONT.), P. 9

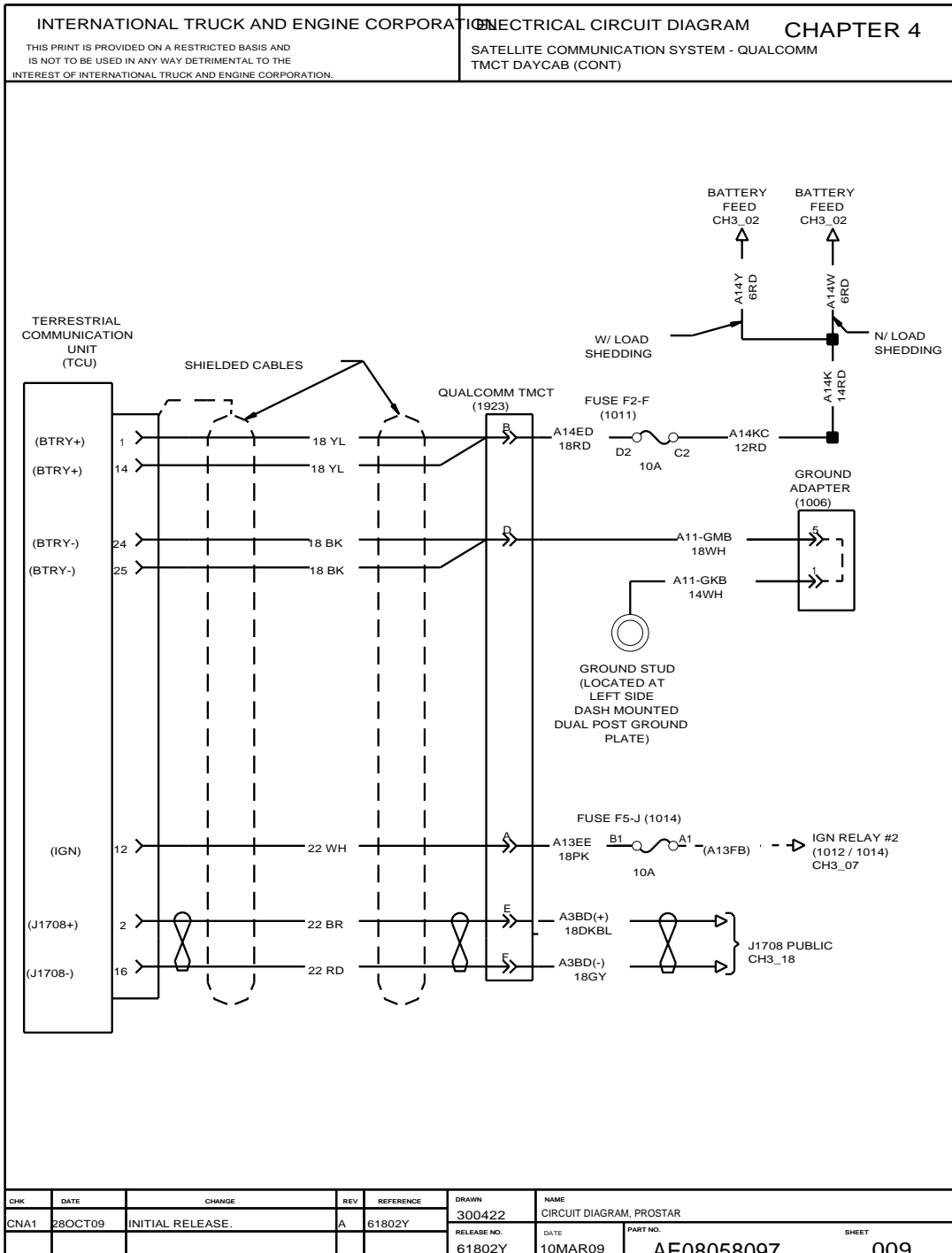


Figure 60 Satellite Communication System – Qualcomm TMCT Daycab (Cont.)

4.10. SATELLITE COMMUNICATION SYSTEM – QUALCOMM TMCT SLEEPER, P. 10

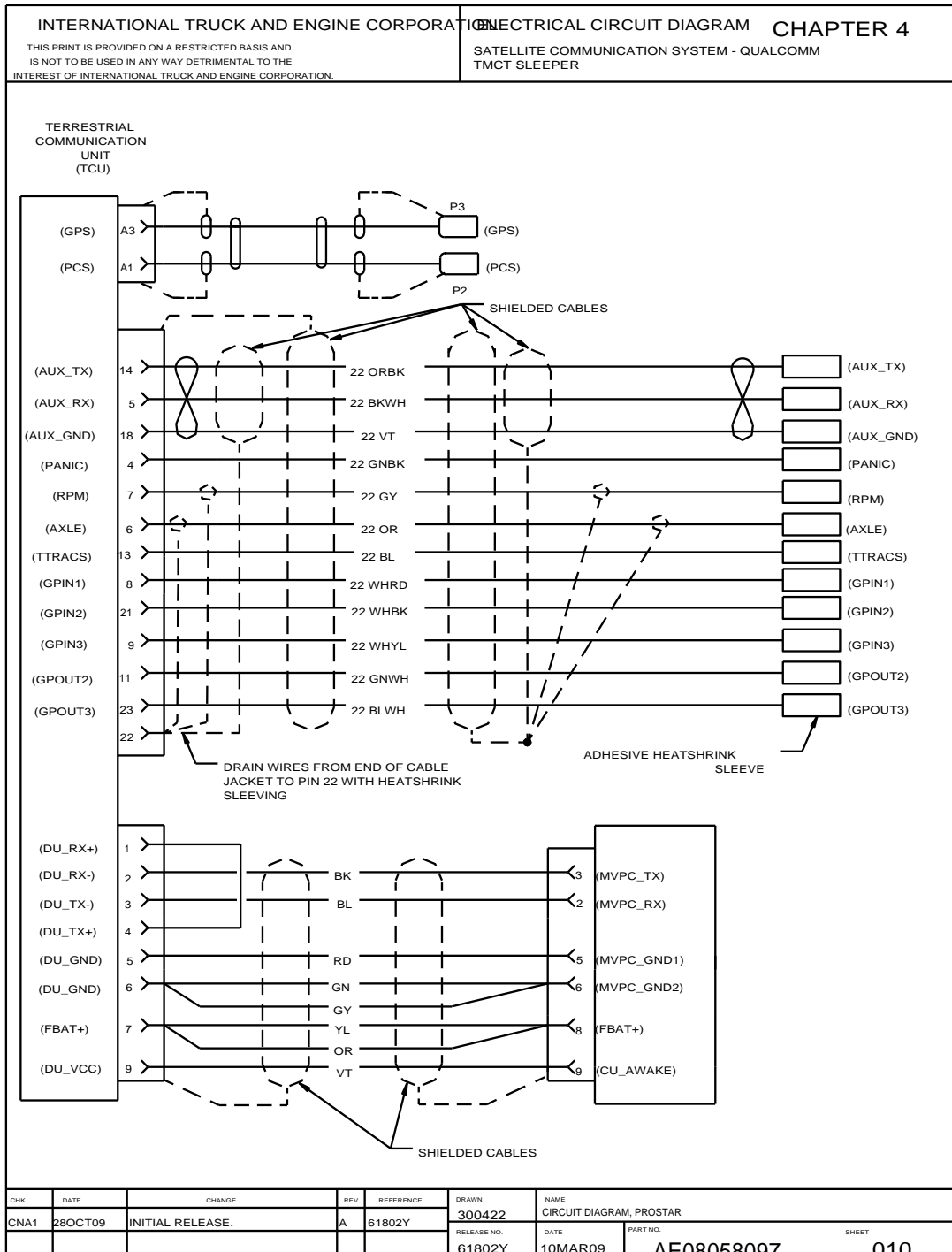


Figure 61 Satellite Communication System – Qualcomm TMCT Sleeper

4.11. SATELLITE COMMUNICATION SYSTEM – QUALCOMM TMCT SLEEPER (CONT.), P. 11

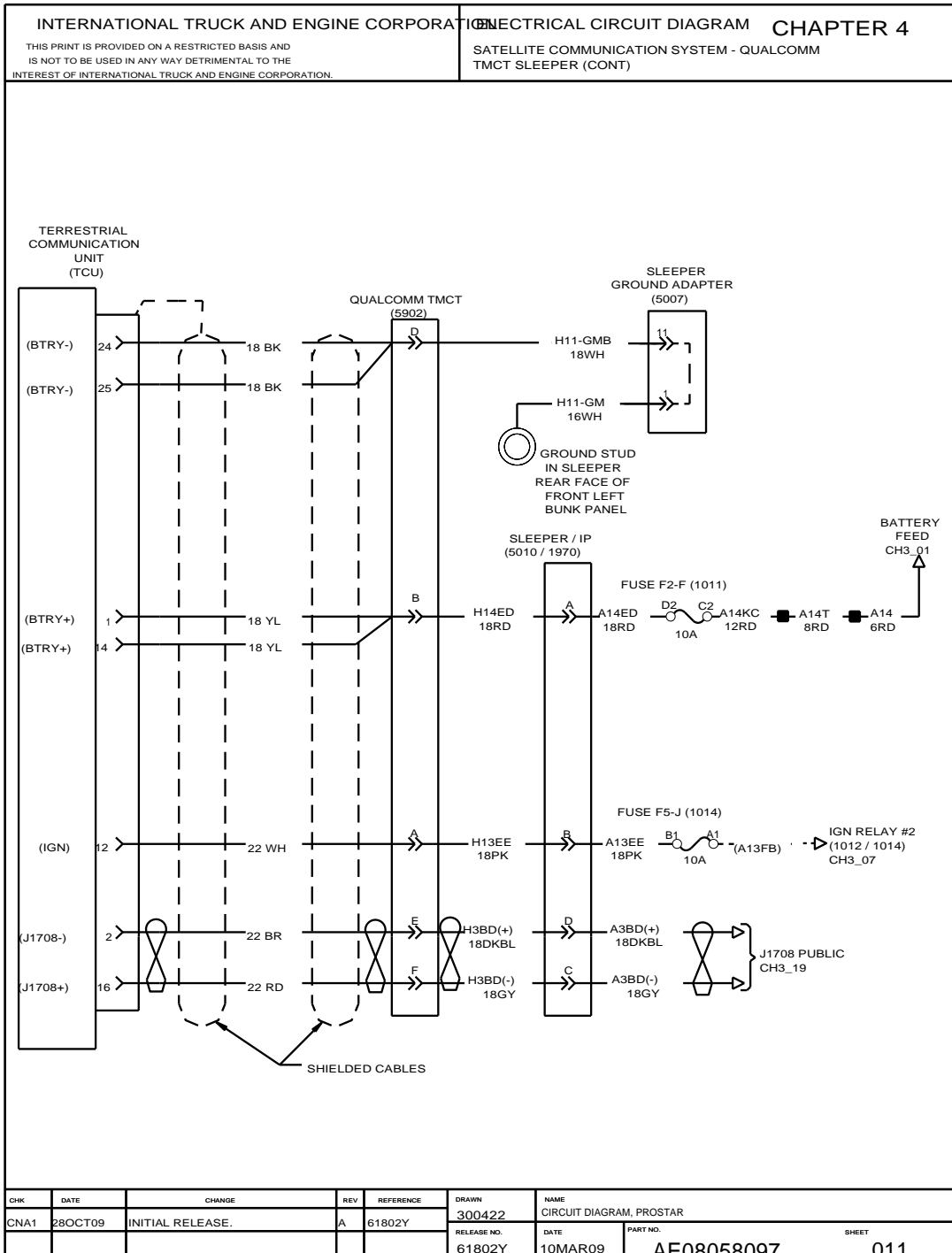


Figure 62 Satellite Communication System – Qualcomm TMCT Sleeper (Cont.)

4.12. SATELLITE COMMUNICATION SYSTEM – QUALCOMM IMCT, P. 12

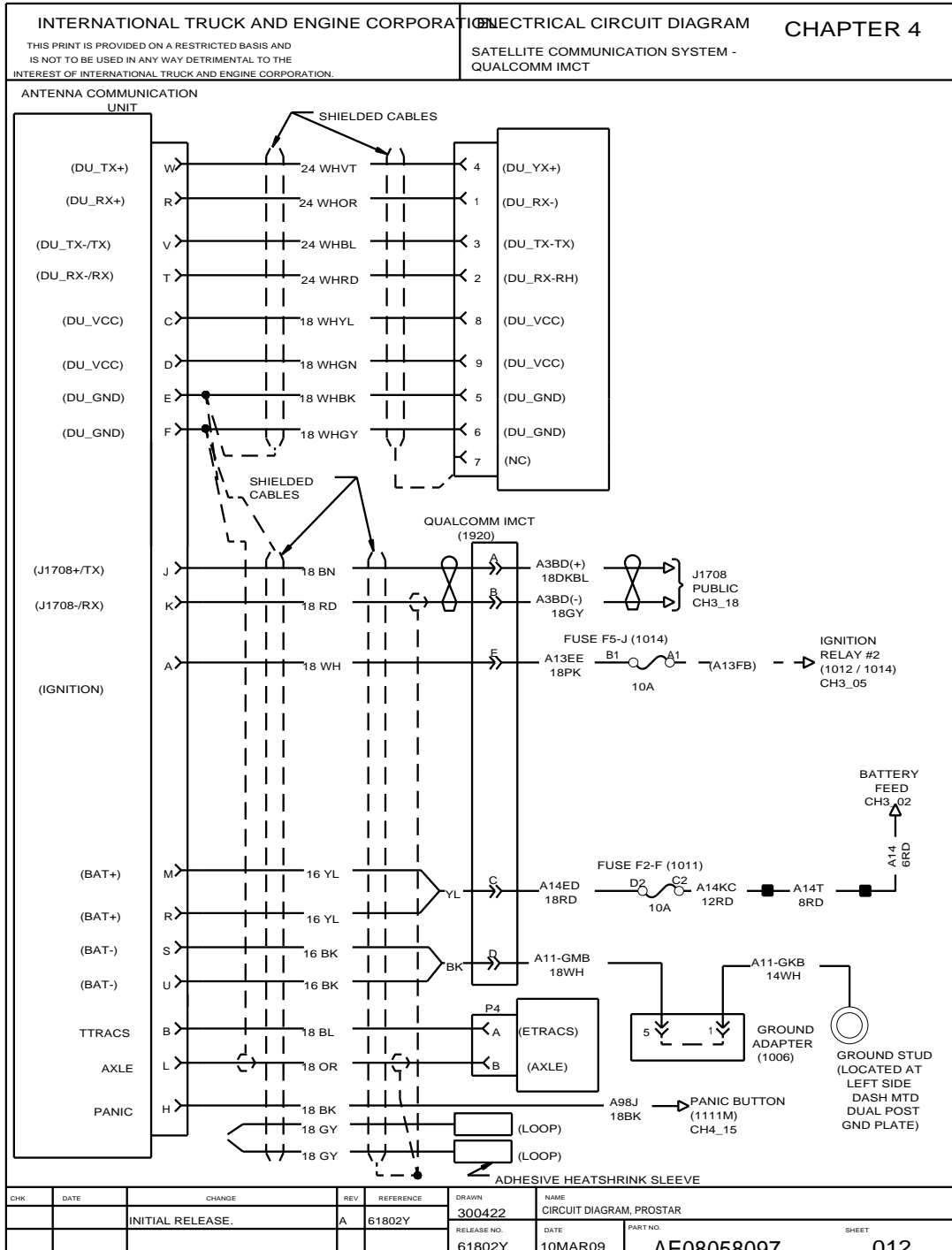


Figure 63 Satellite Communication System – Qualcomm IMCT

4.13. SATELLITE COMMUNICATION SYSTEM – QUALCOMM IMCT (CONT.), P. 13

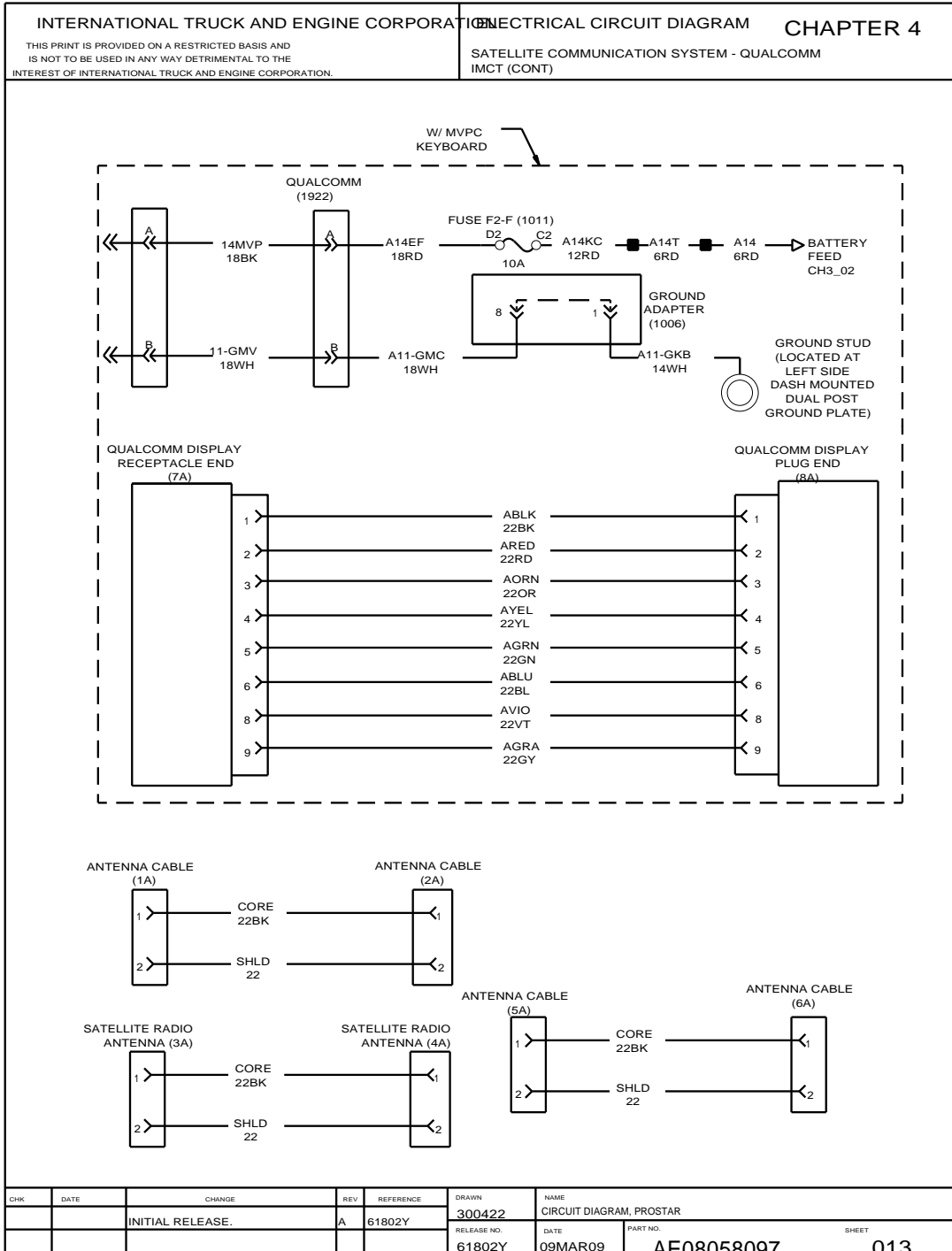


Figure 64 Satellite Communication System – Qualcomm IMCT (Cont.)

4.14. QUALCOMM IMCT – SLEEPER, P. 14

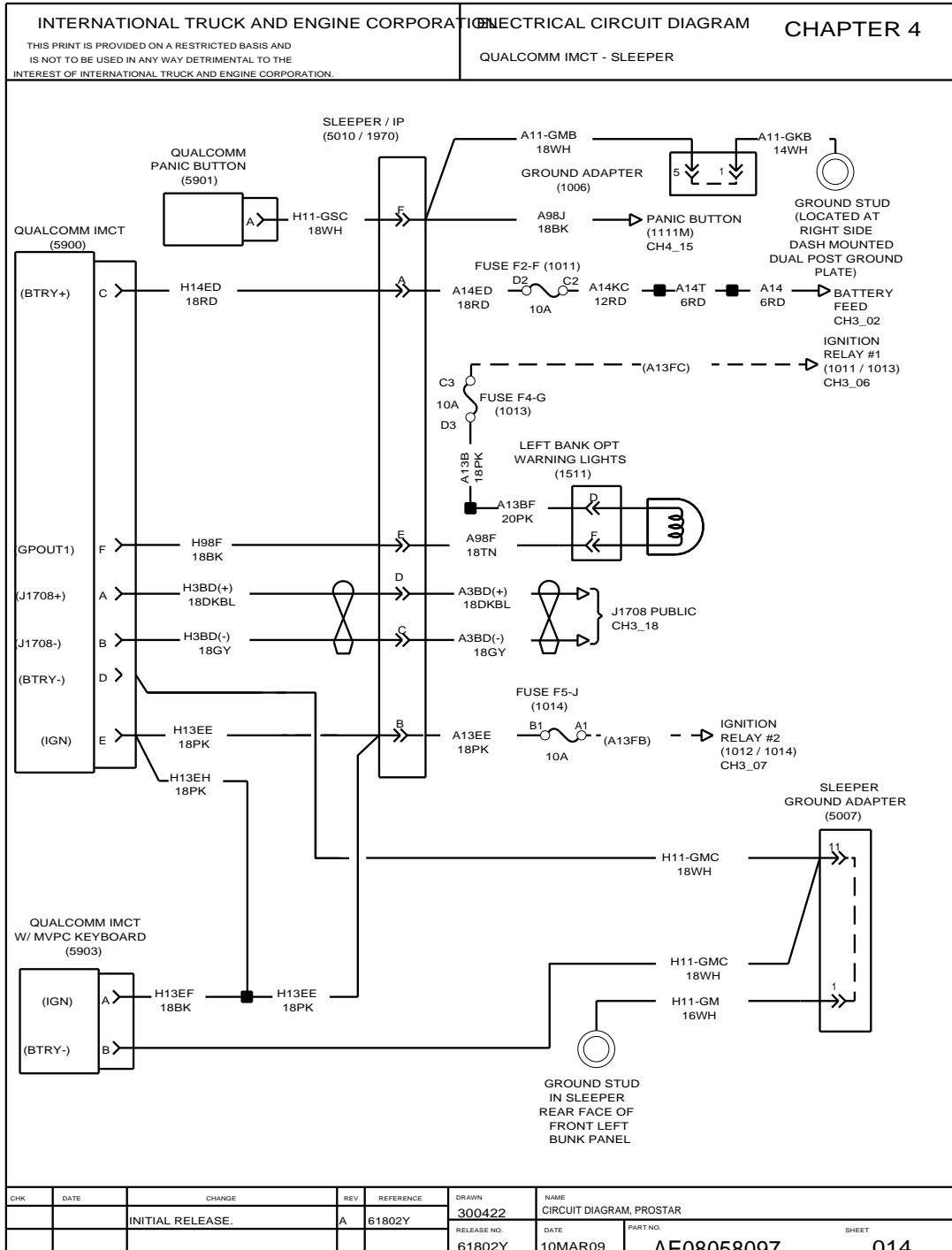


Figure 65 Qualcomm IMCT – Sleeper

4.15. PANIC BUTTON, P. 15

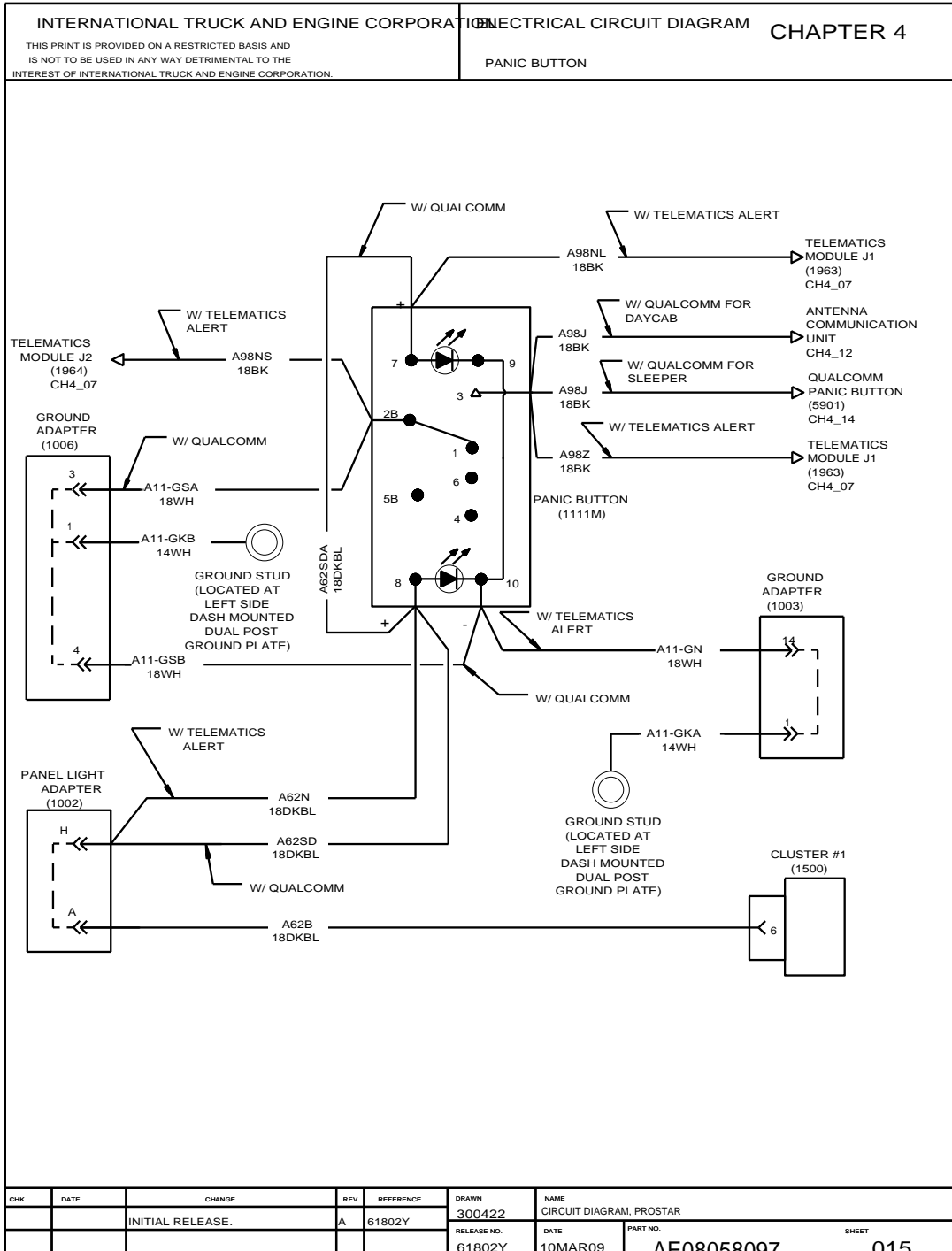


Figure 66 Panic Button

4.16. SATELLITE COMMUNICATION SYSTEM – XATA WITH DAYCAB, P. 16

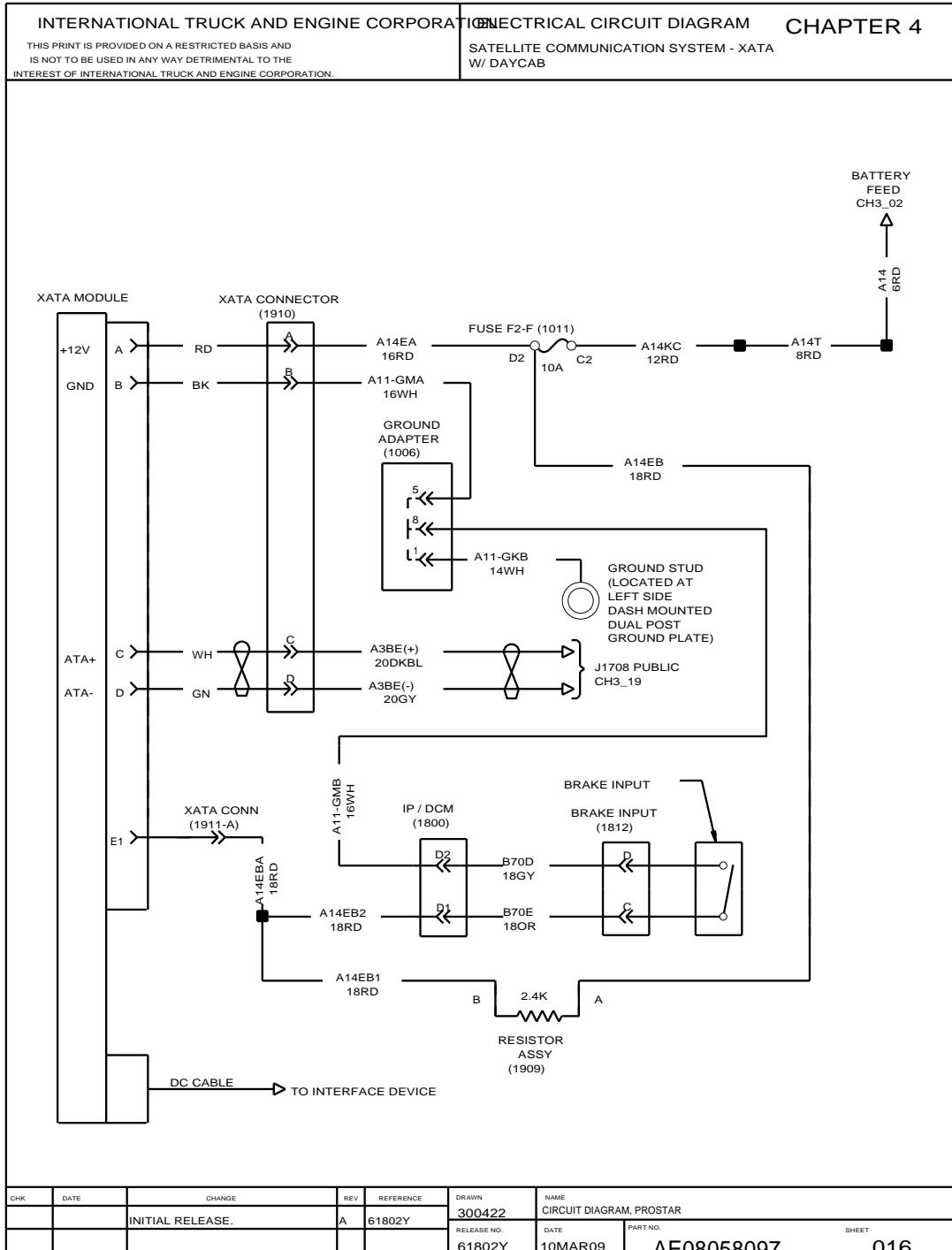


Figure 67 Satellite Communication System – XATA with Daycab

4.17. SATELLITE COMMUNICATION SYSTEM – XATA WITH SLEEPER, P. 17

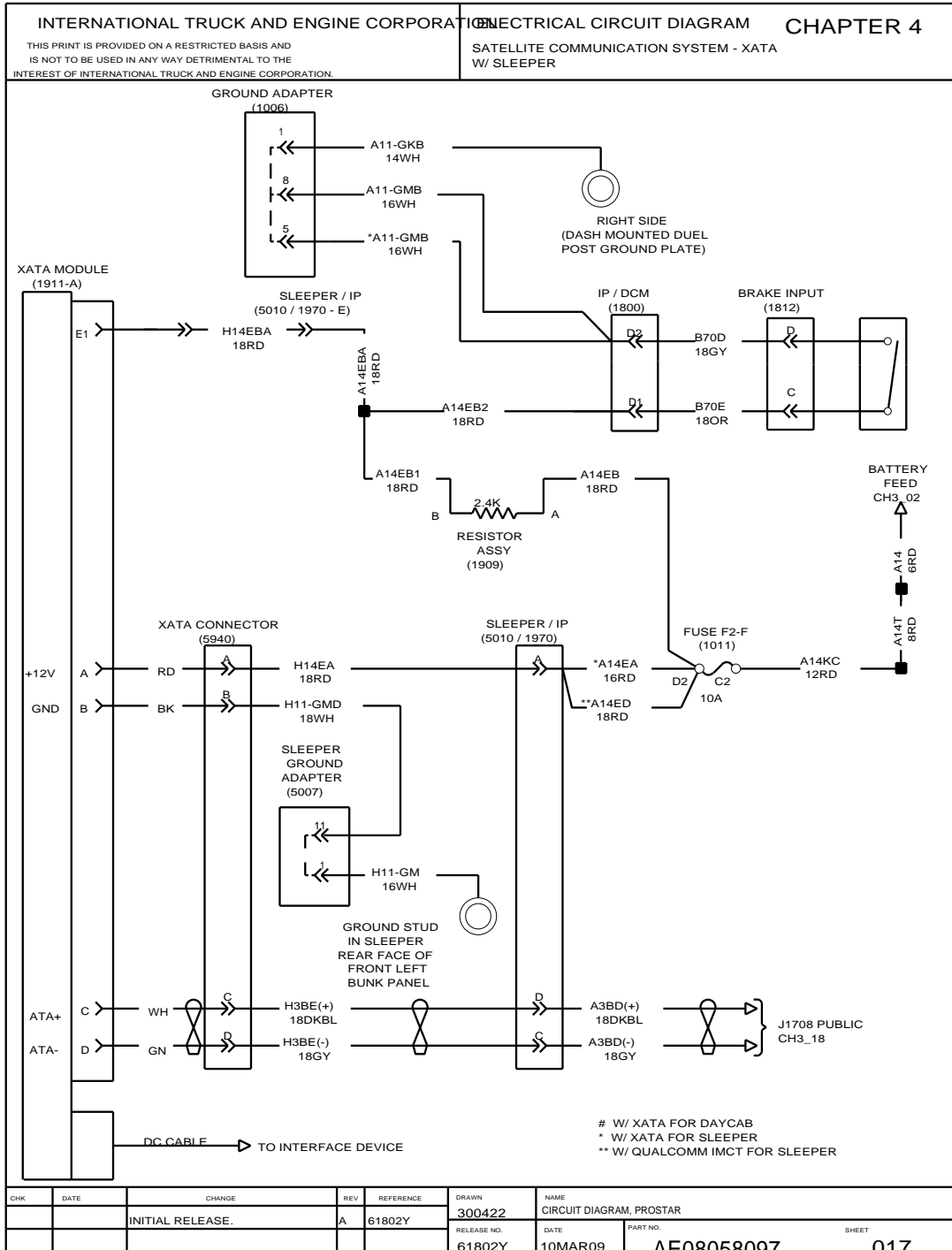


Figure 68 Satellite Communication System – XATA with Sleeper

4.18. RADIO ENTERTAINMENT, SPEAKERS, P. 18

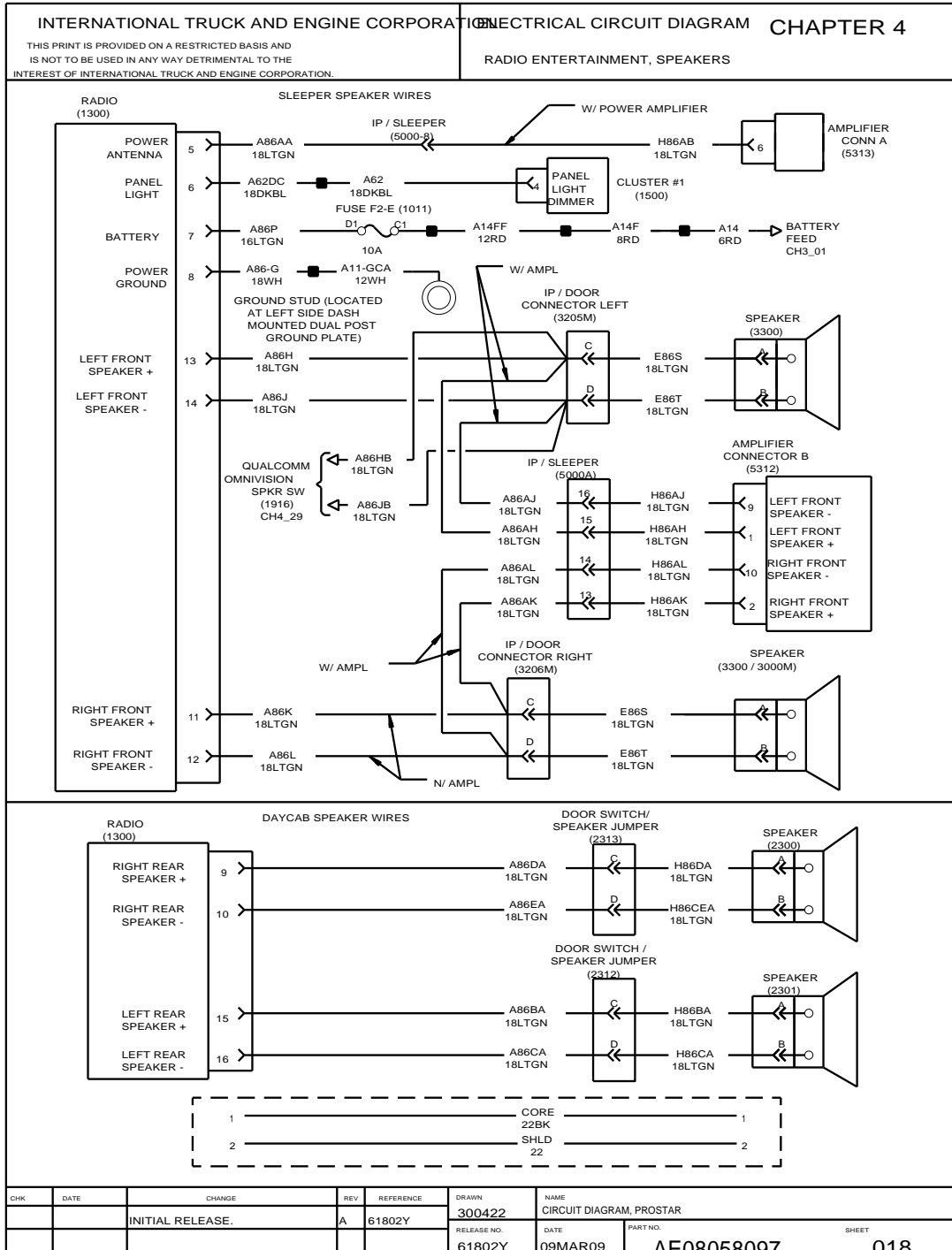


Figure 69 Radio Entertainment, Speakers

4.19. RADIO ENTERTAINMENT, SPEAKERS (CONT.), P. 19

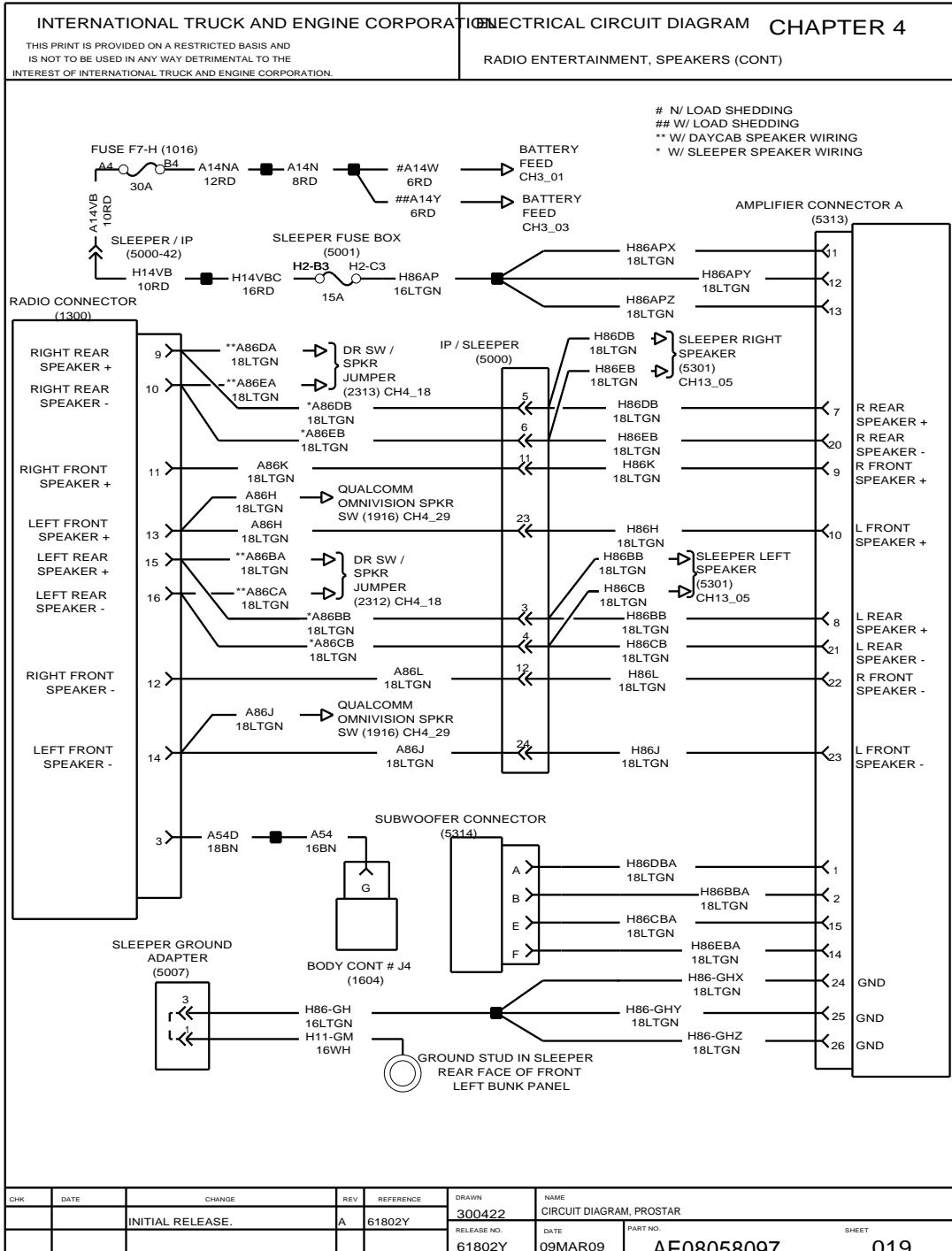


Figure 70 Radio Entertainment, Speakers (Cont.)

4.20. SWITCH PACK, P. 20

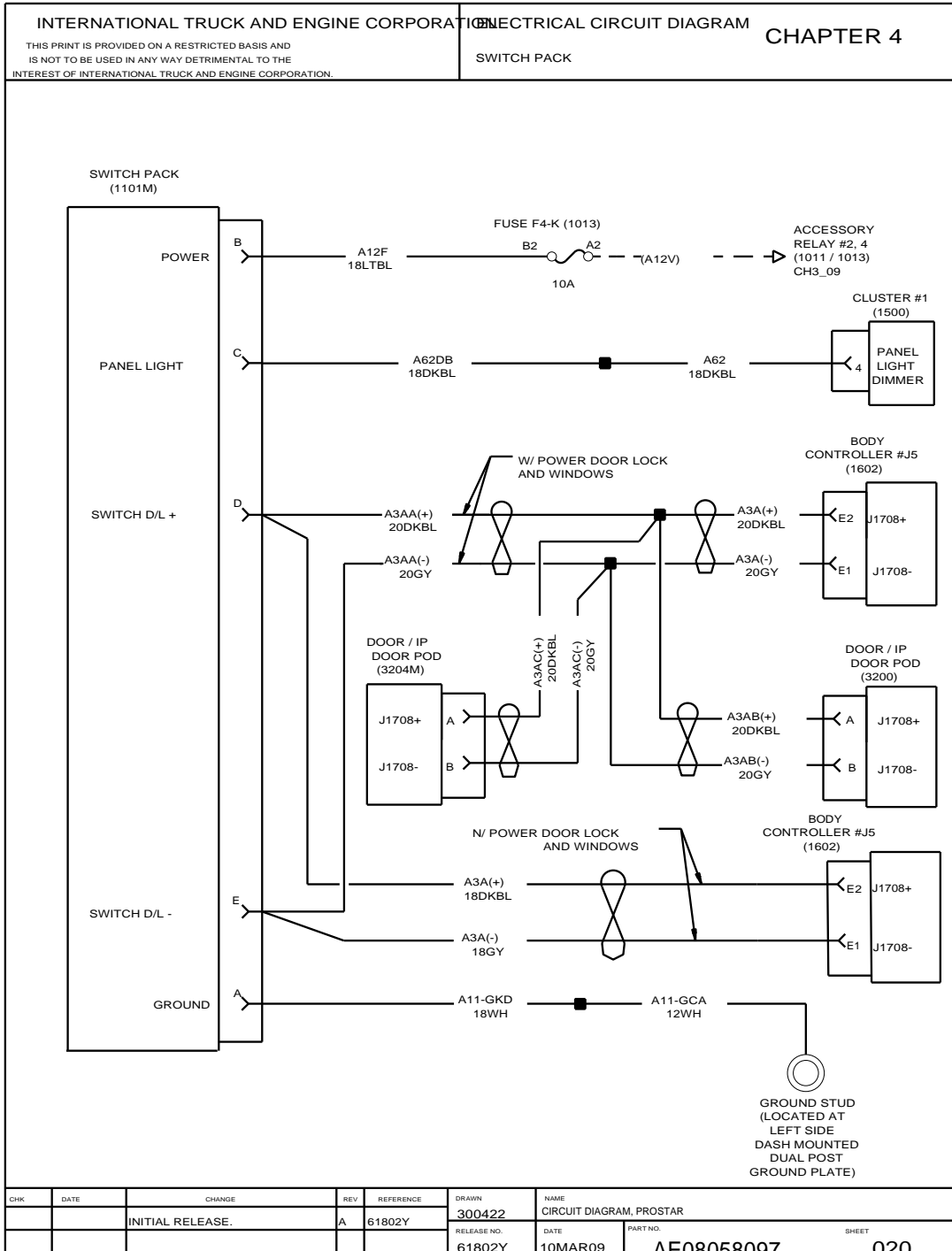


Figure 71 Switch Pack

4.21. WINDSHIELD WIPER MOTOR, P. 21

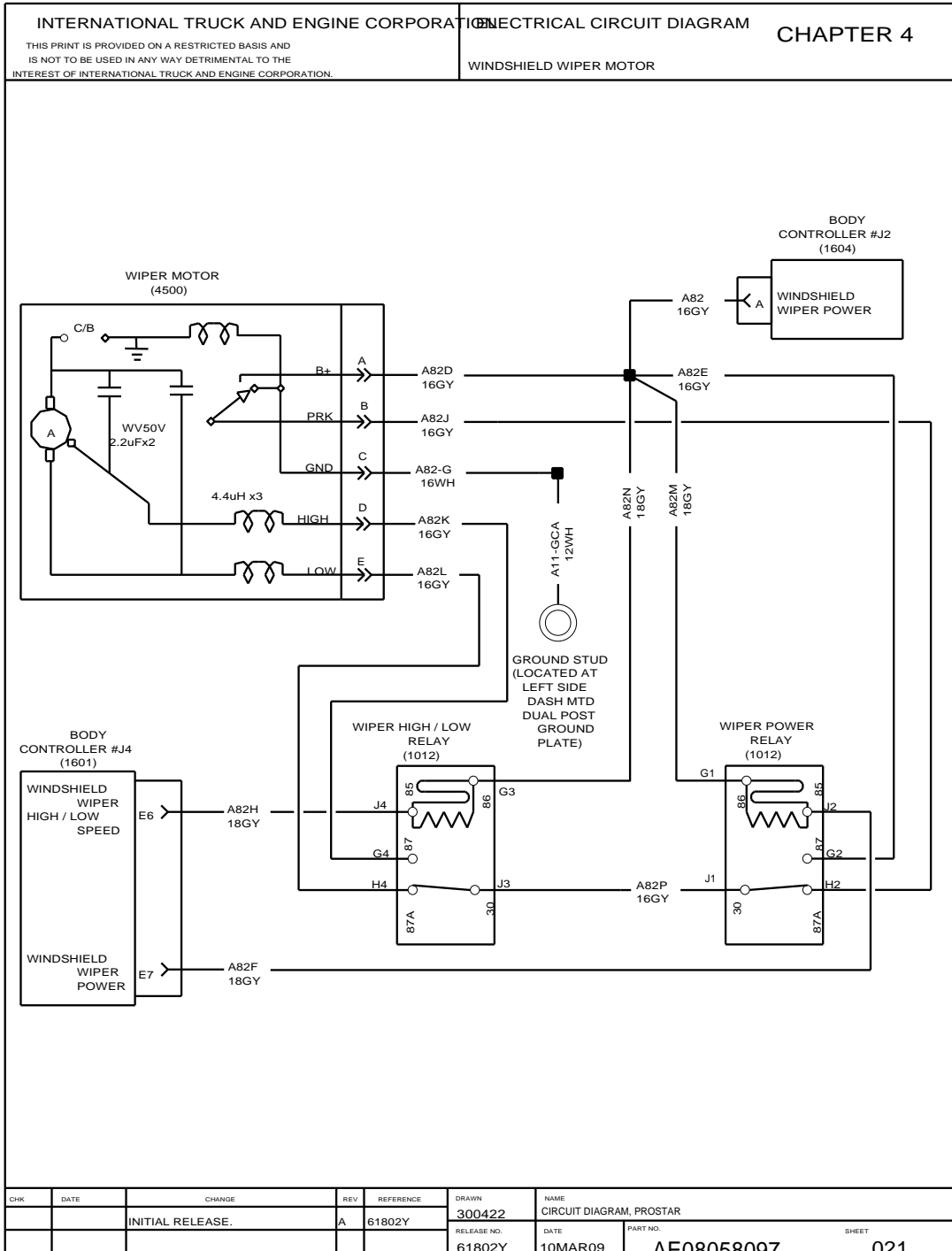


Figure 72 Windshield Wiper Motor

4.22. WINDSHIELD WASHER PUMP, P. 22

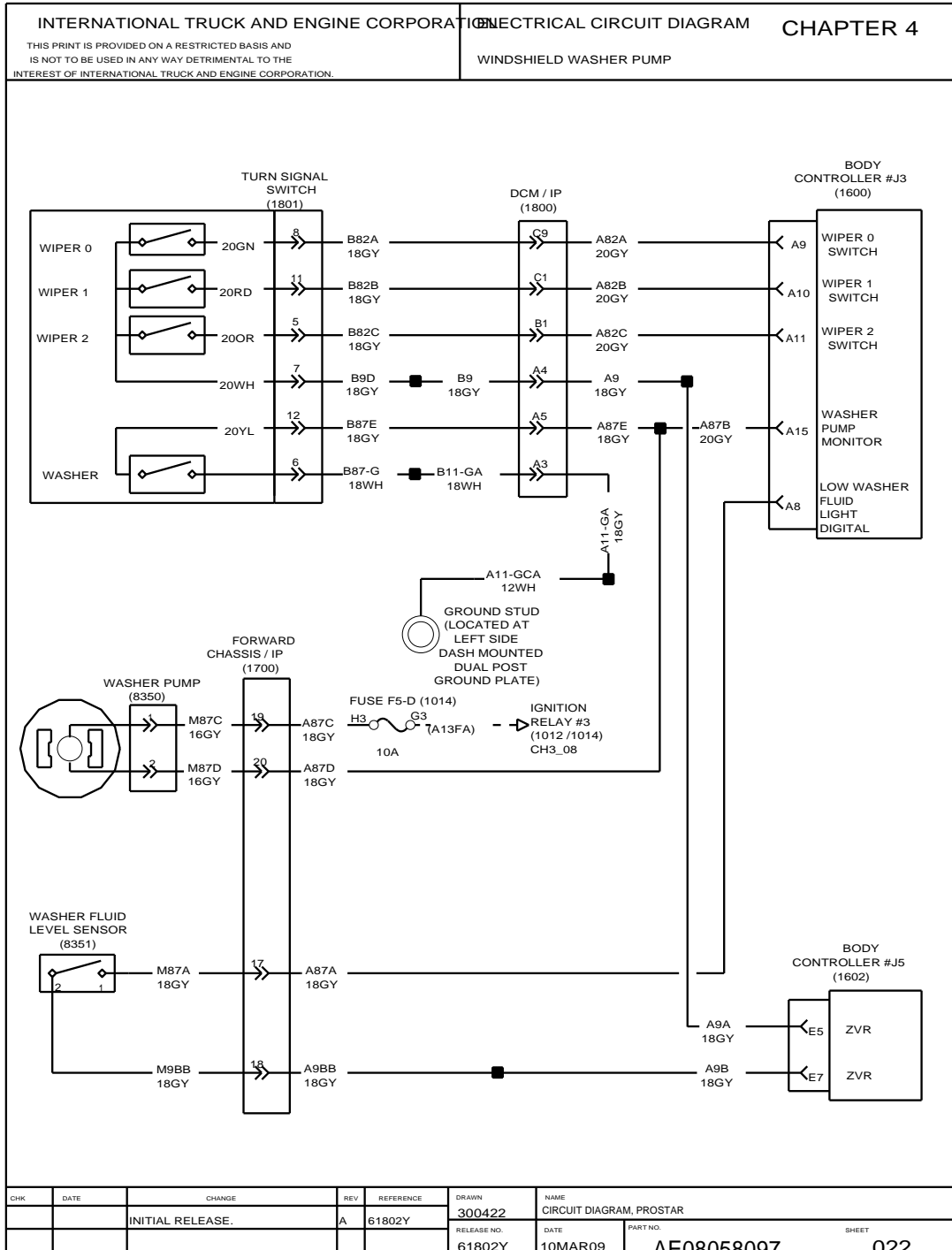


Figure 73 Windshield Washer Pump

4.23. DRIVER DISPLAY – VEHICLE INFORMATION, P. 23

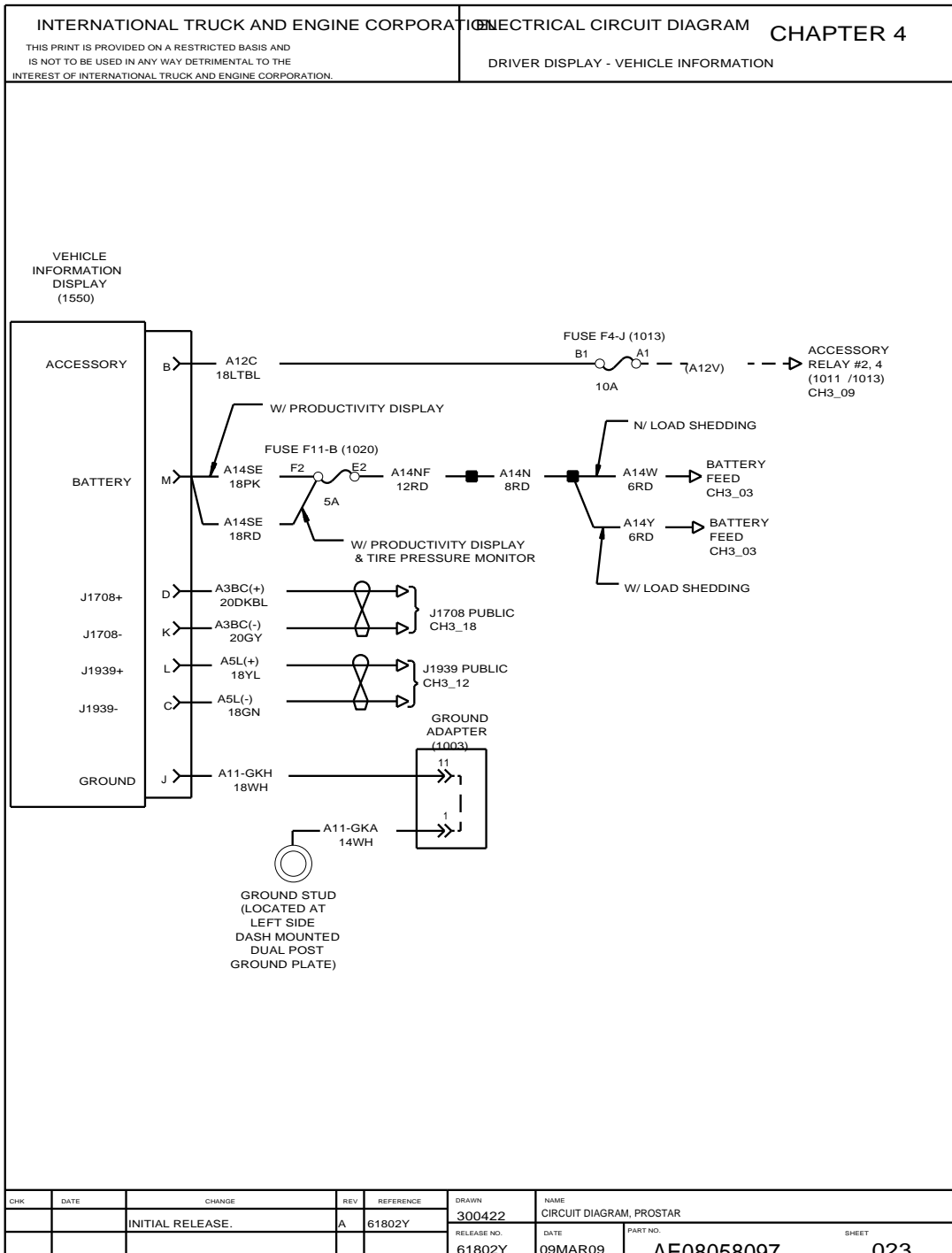


Figure 74 Driver Display – Vehicle Information

4.24. BEACON LIGHT SWITCH – FOR DUAL CUSTOMER ACCESSORY, P. 24

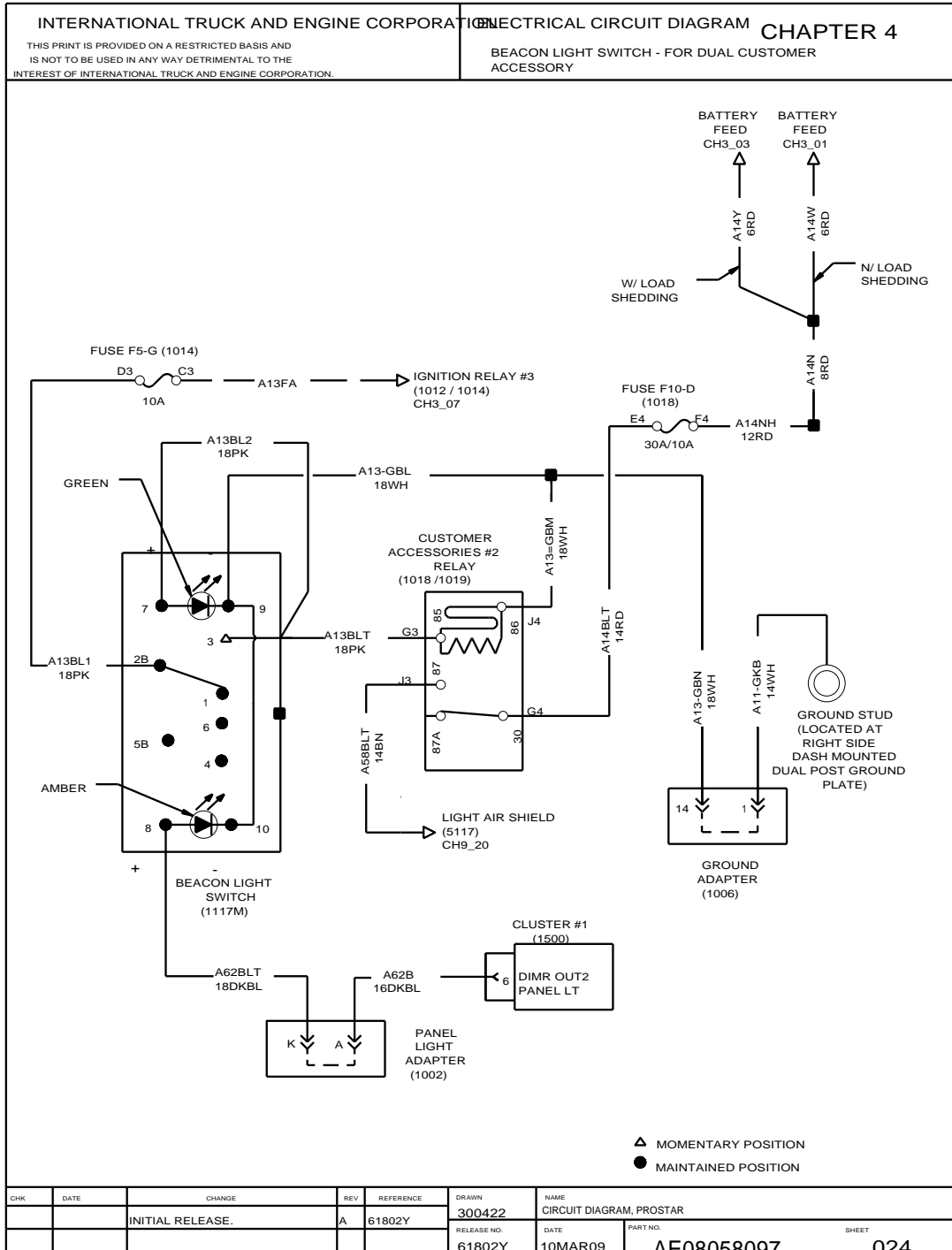


Figure 75 Beacon Light Switch – For Dual Customer Accessory

4.25. DOOR SWITCHES – DOME LAMP, P. 25

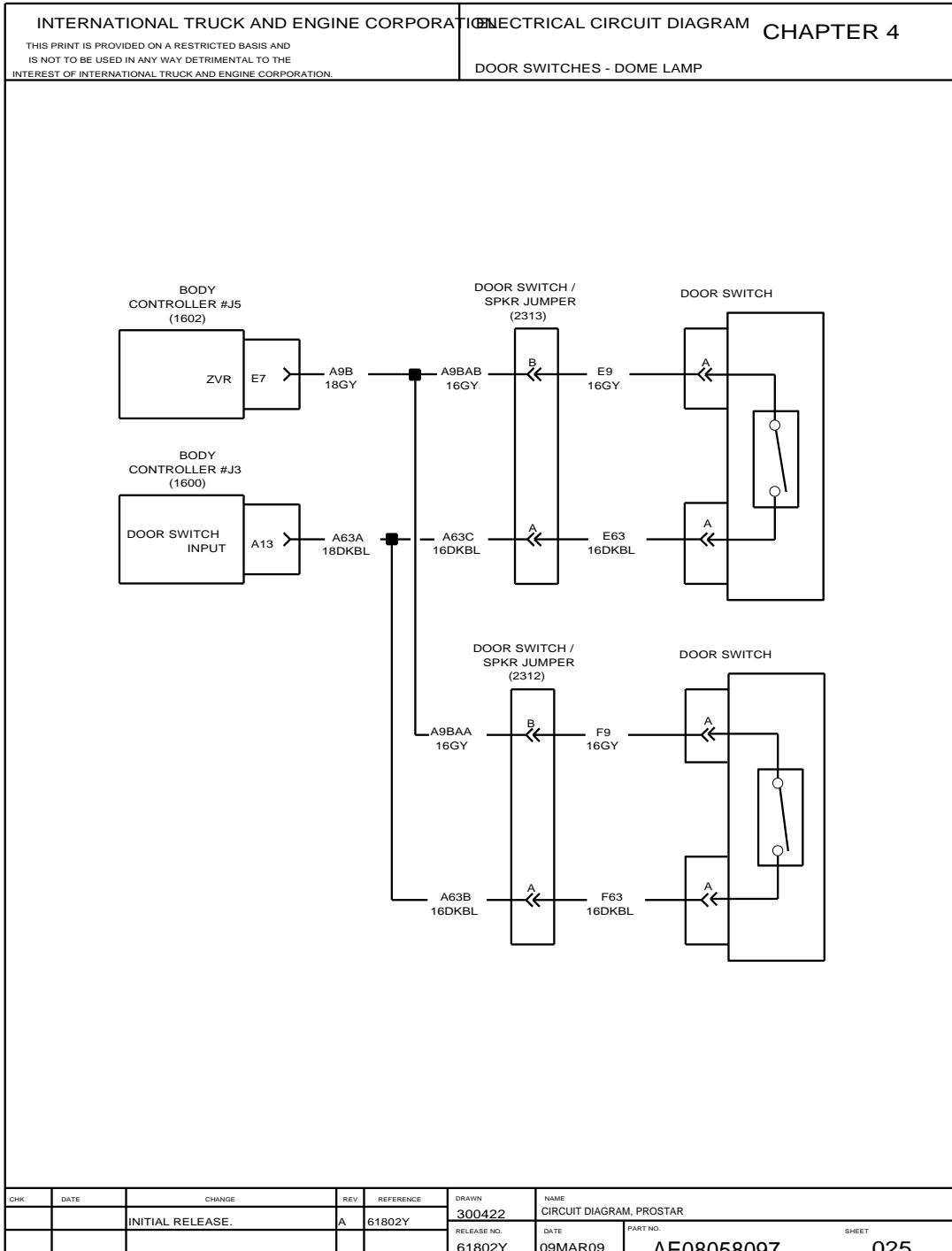


Figure 76 Door Switches – Dome Lamp

4.26. SPARE SWITCH – FOR SINGLE CUSTOMER ACCESSORY, P. 26

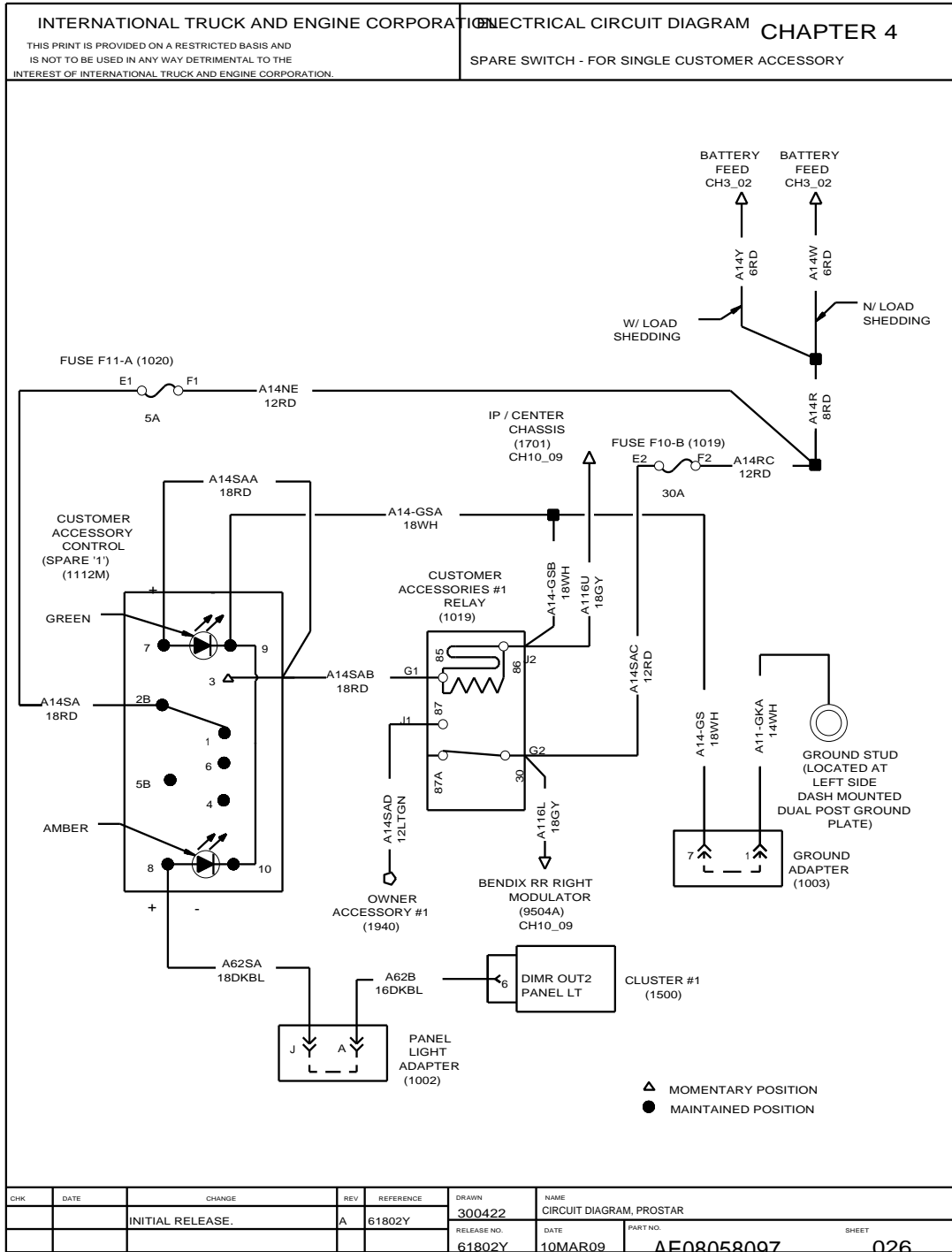


Figure 77 Spare Switch – For Single Customer Accessory

4.27. SPARE SWITCH – FOR DUAL CUSTOMER ACCESSORY, P. 27

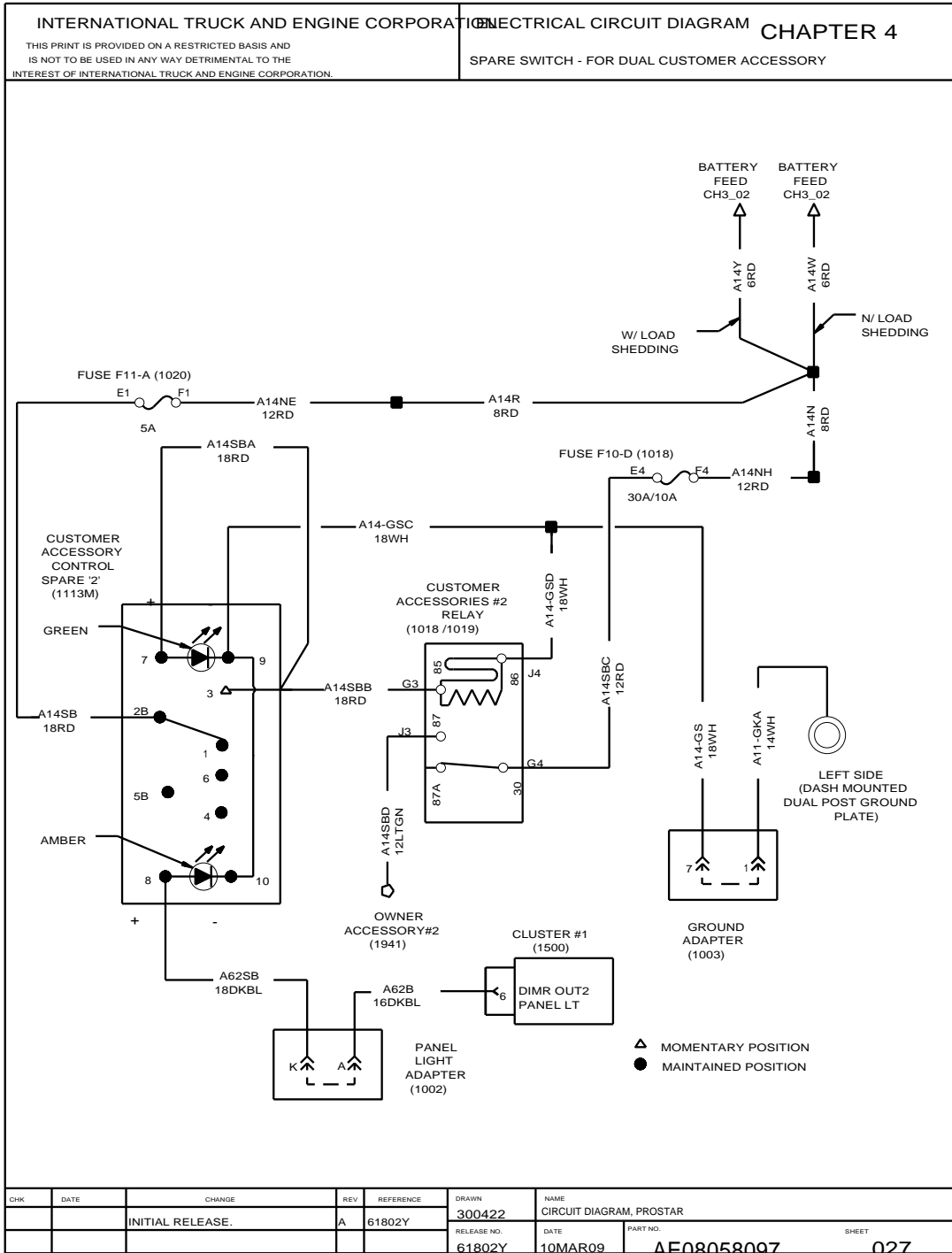


Figure 78 Spare Switch – For Dual Customer Accessory

4.28. EATON VORAD VS-400, P. 28

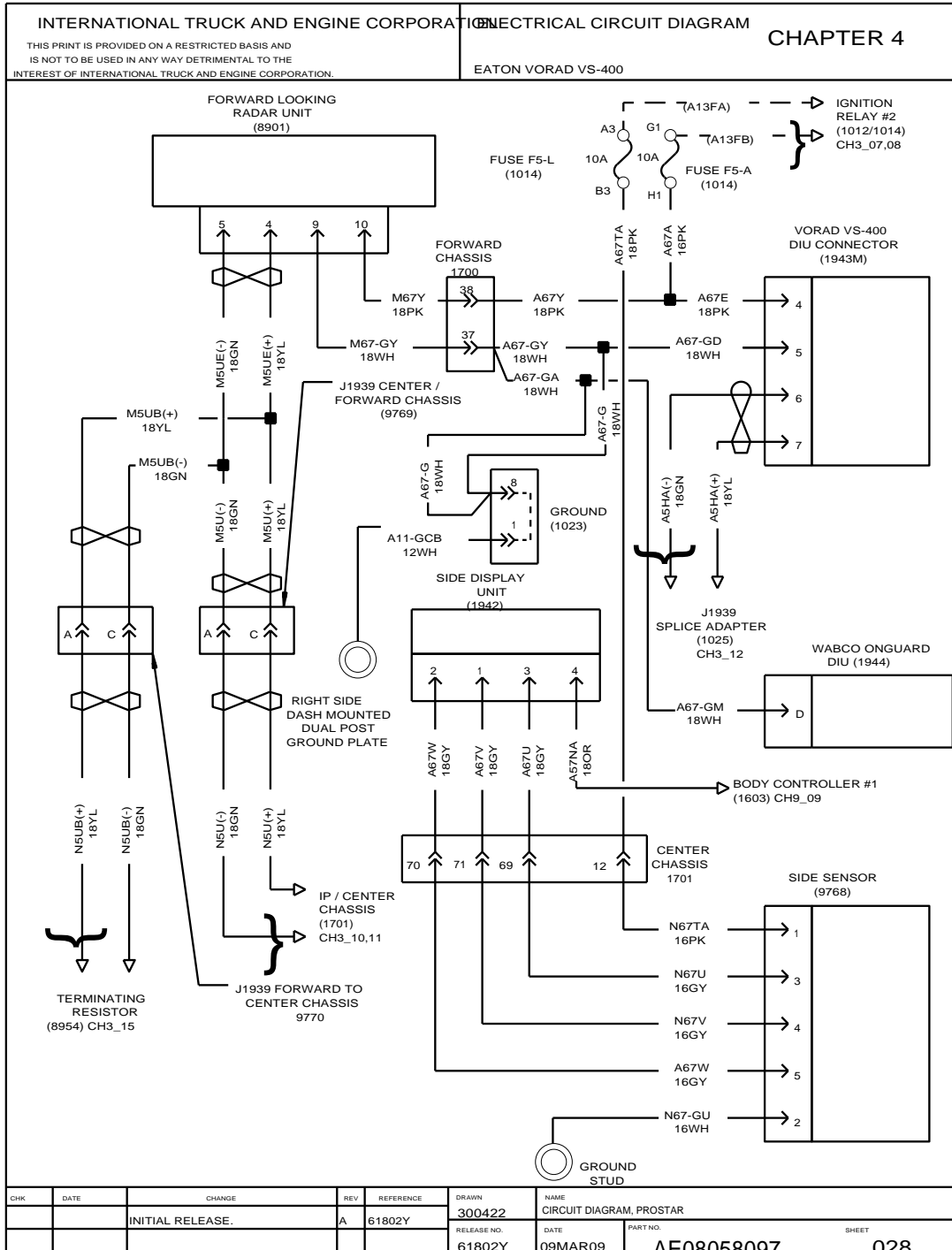


Figure 79 Eaton Vorad VS-400

4.29. QUALCOMM OMNIVISION, P. 29

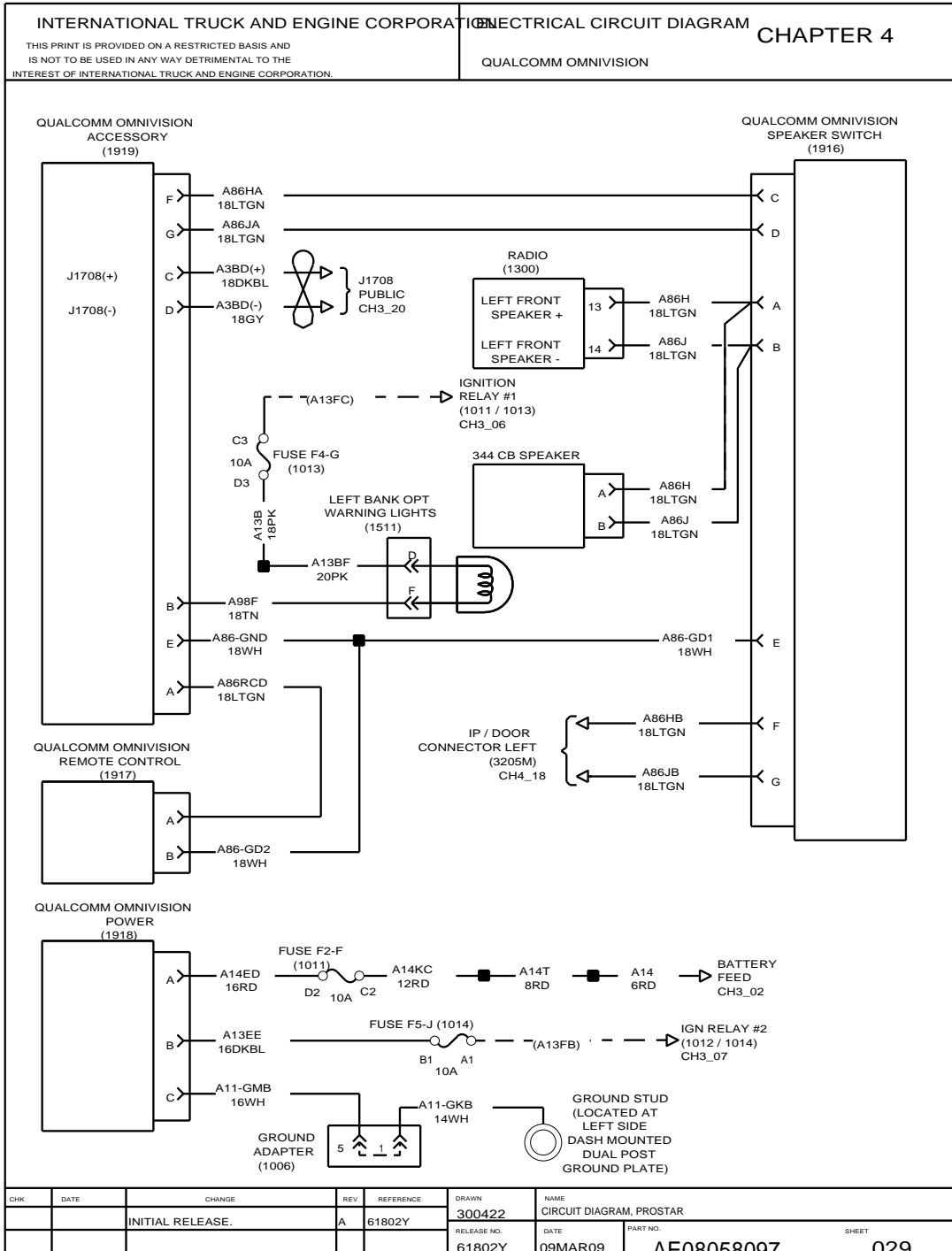


Figure 80 Qualcomm Omnivision

4.30. QUALCOMM OMNIVISION (CONT.), P. 30

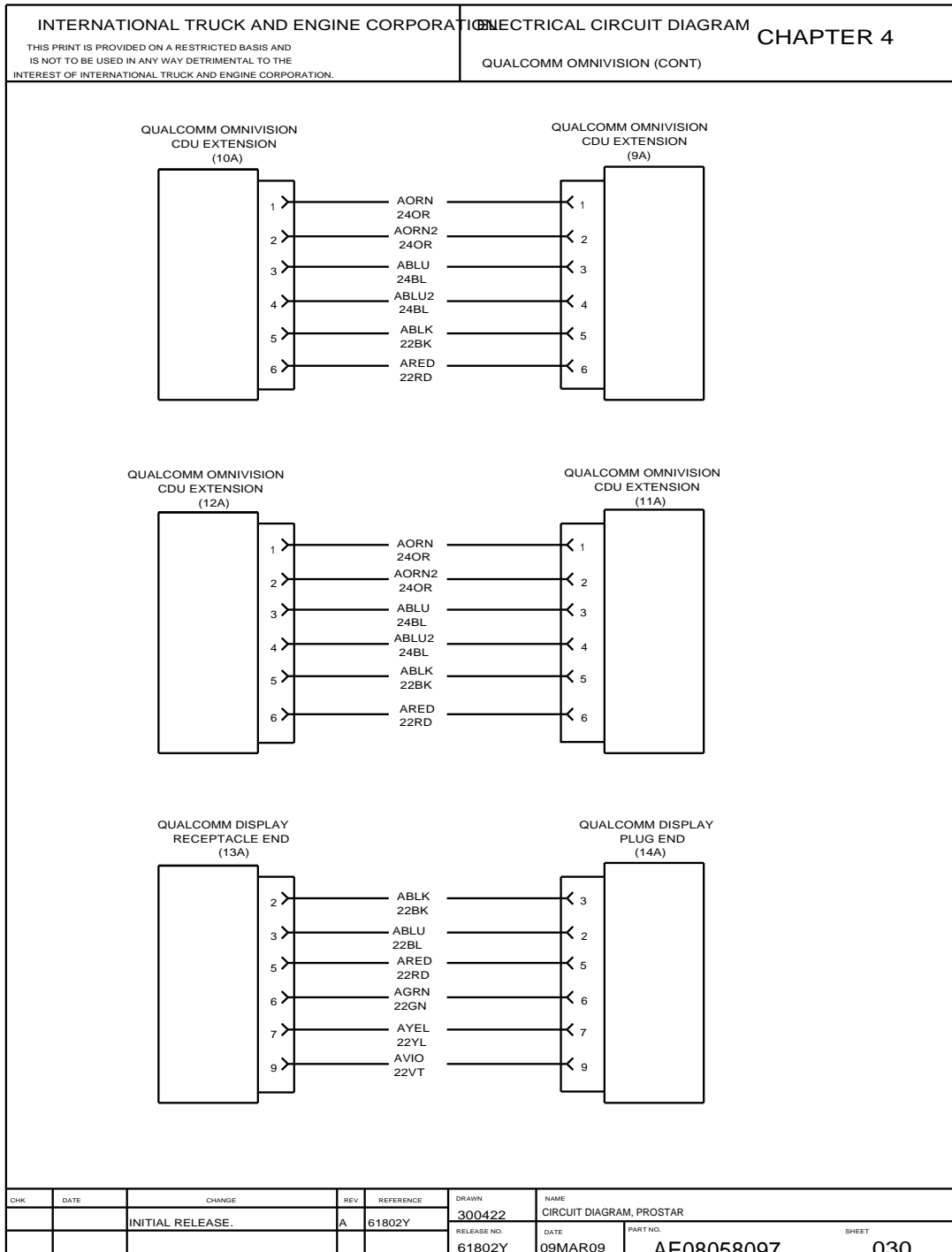


Figure 81 Qualcomm Omnivision (Cont.)

4.31. MOTIENT MOBILE MAX, P. 31

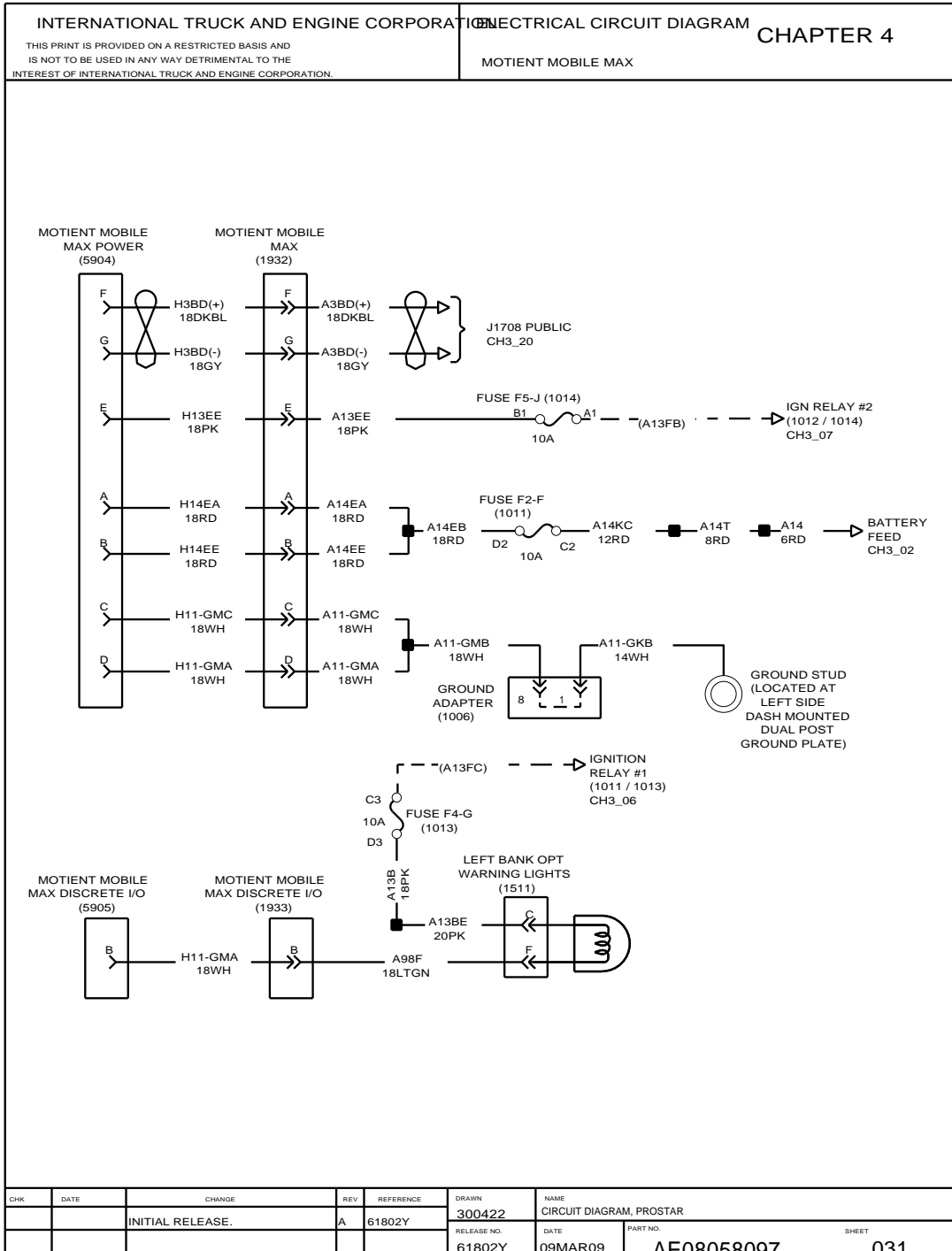


Figure 82 Motient Mobile Max

4.32. REMOTE RADIO, P. 32

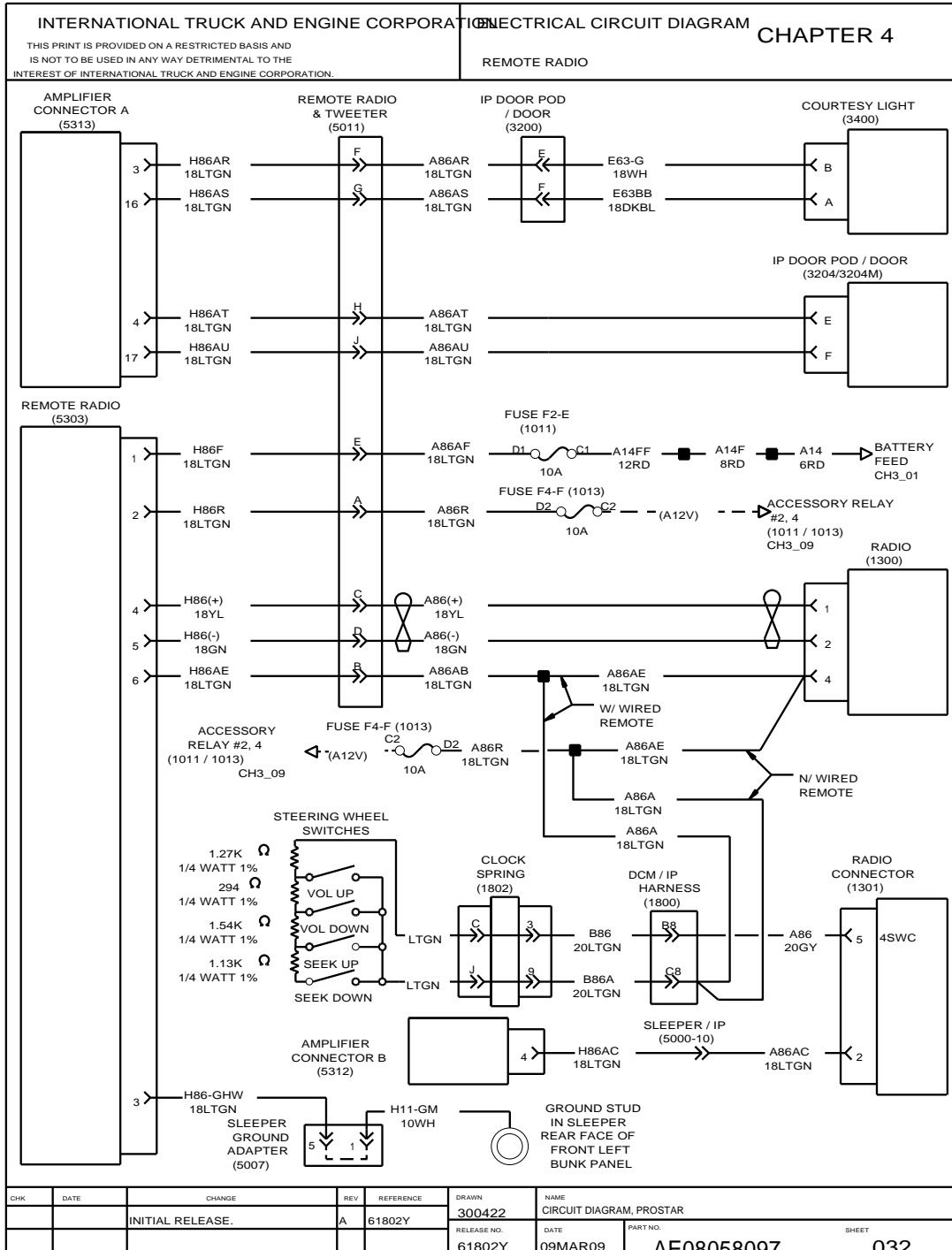


Figure 83 Remote Radio

4.33. REMOTE RADIO (CONT.), P. 33

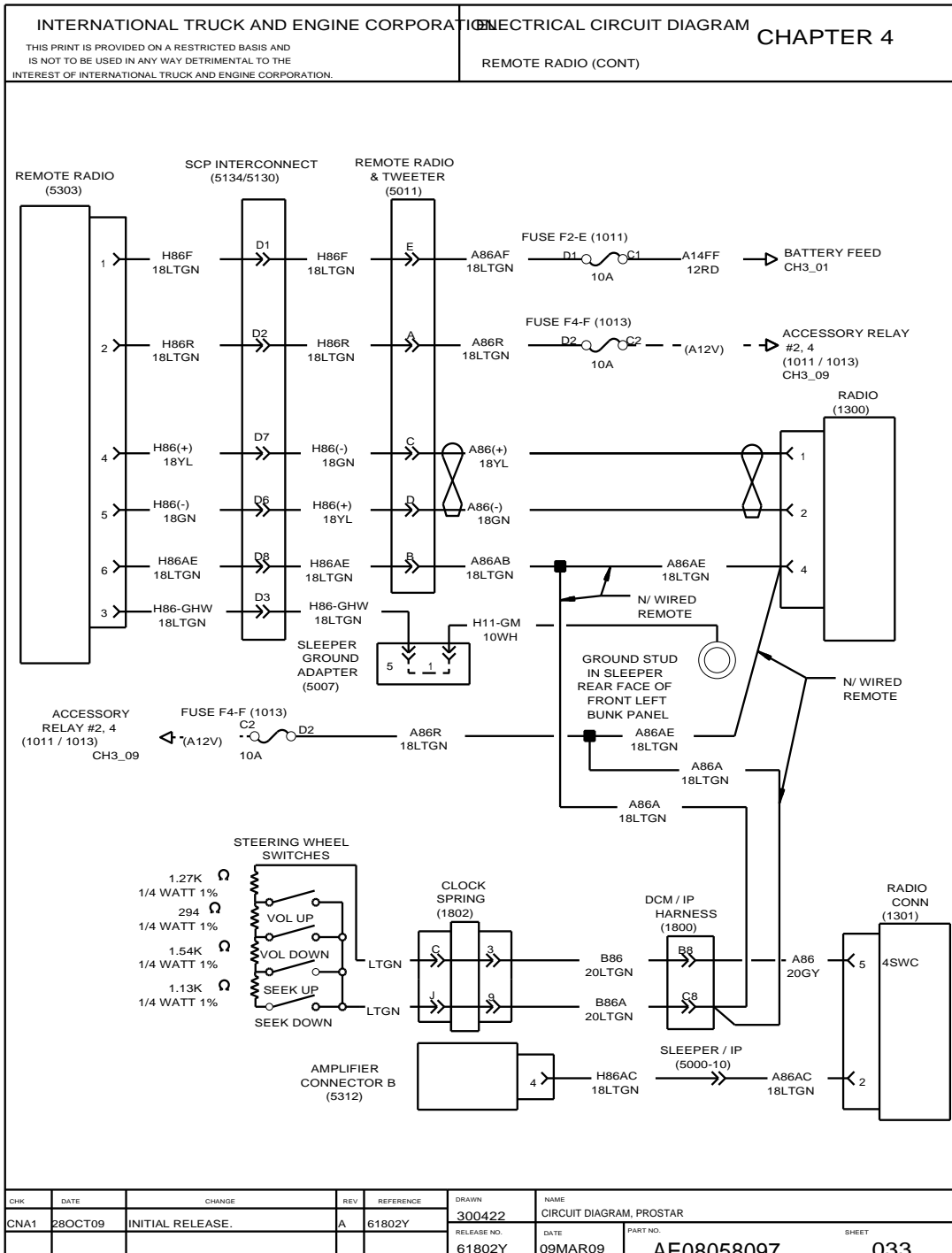


Figure 84 Remote Radio (Cont.)

4.34. SART CLOCK MODULE, P. 34

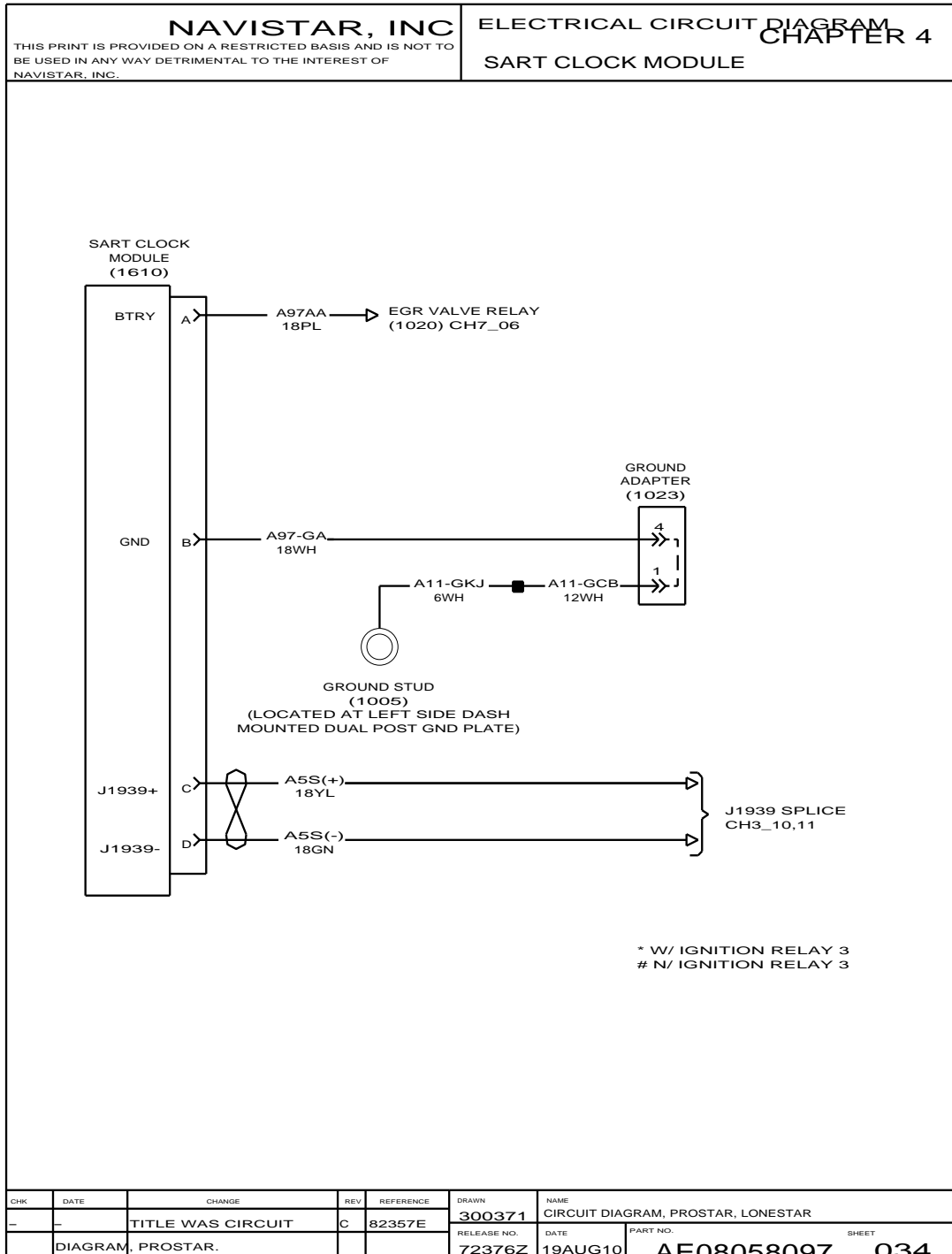


Figure 85 SART Clock Module

4.35. LANE DEPARTURE SYSTEM – TAKATA, P. 35

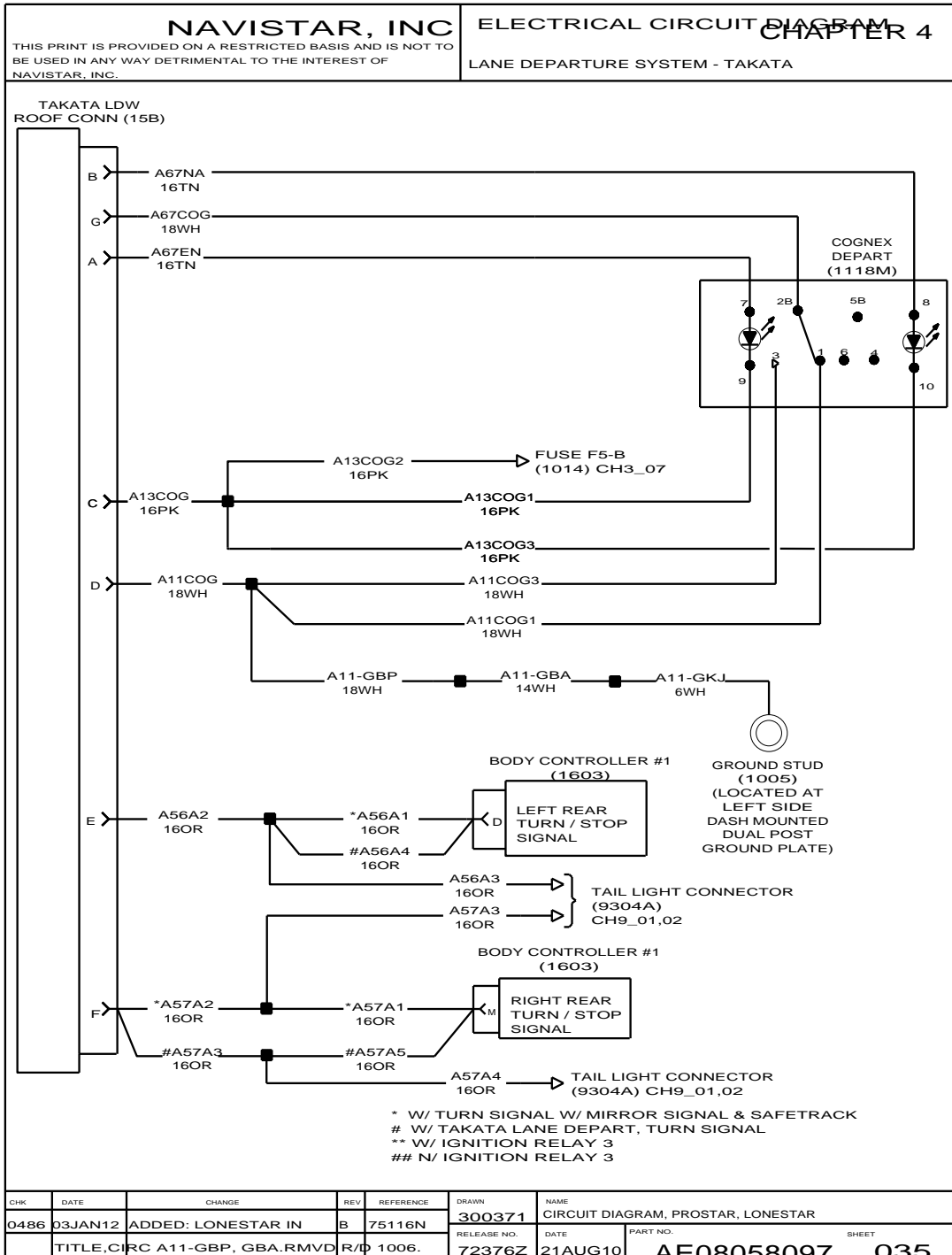


Figure 86 Lane Departure System – Takata

5. CHARGING AND CRANKING SYSTEM (CHAPTER 5)

5.1. CHARGING AND CRANKING – MANUAL TRANSMISSION, P. 1

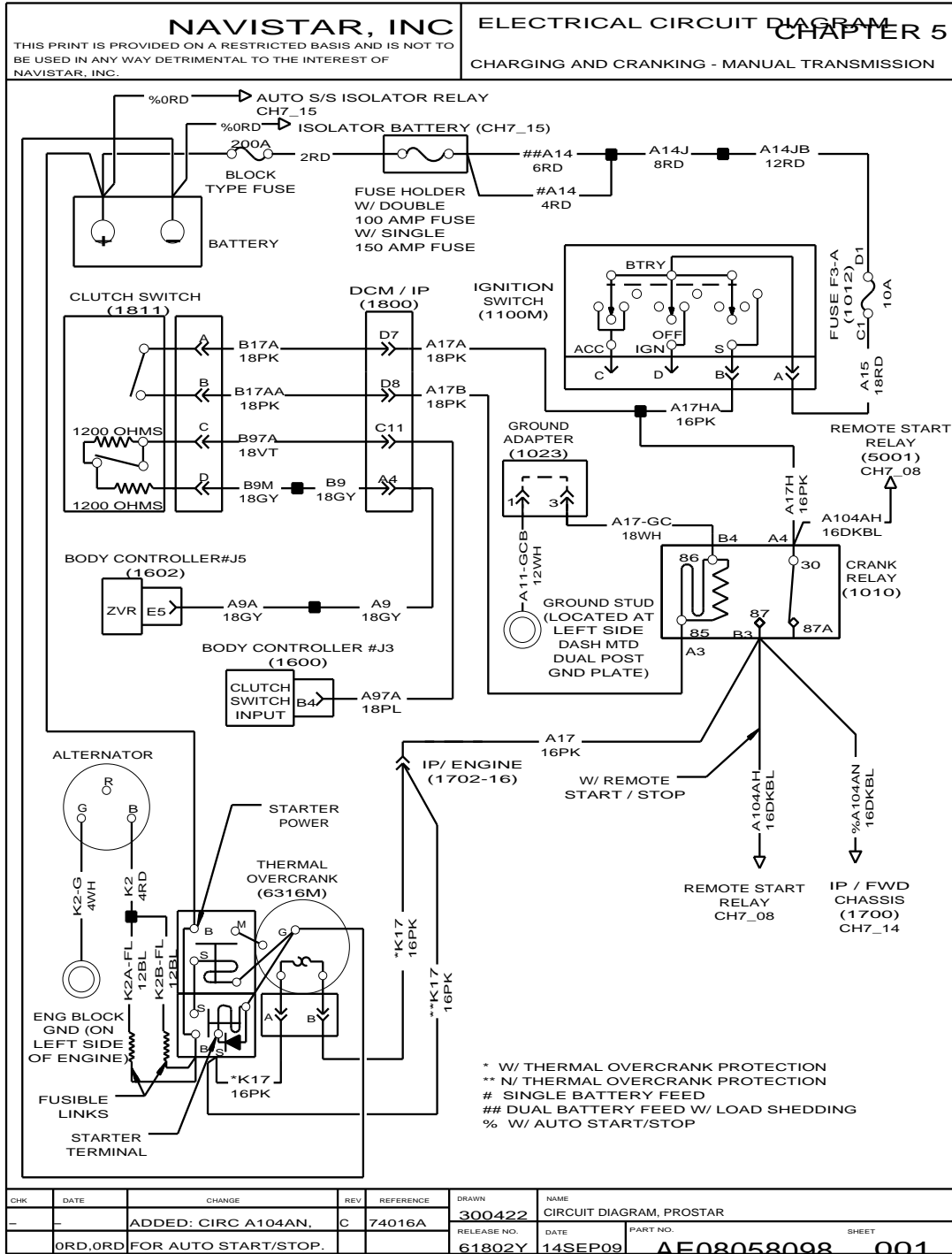


Figure 87 Charging and Cranking – Manual Transmission

5.2. CHARGING AND CRANKING – AUTOMATIC TRANSMISSION, P. 2

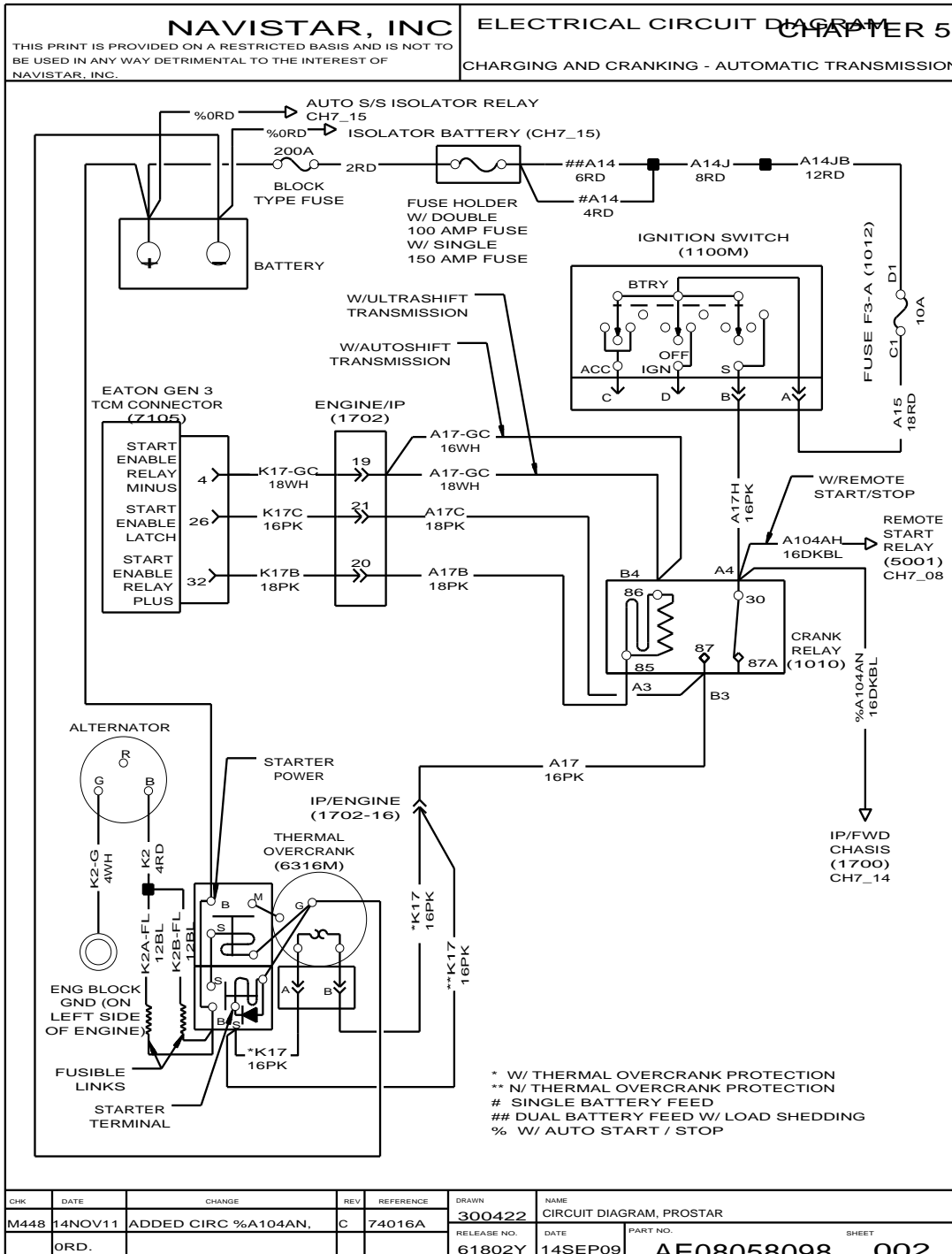


Figure 88 Charging and Cranking – Automatic Transmission

6. FAN WIRING (CHAPTER 6)

6.1. FAN WIRING – IBB ENGINE, P. 1

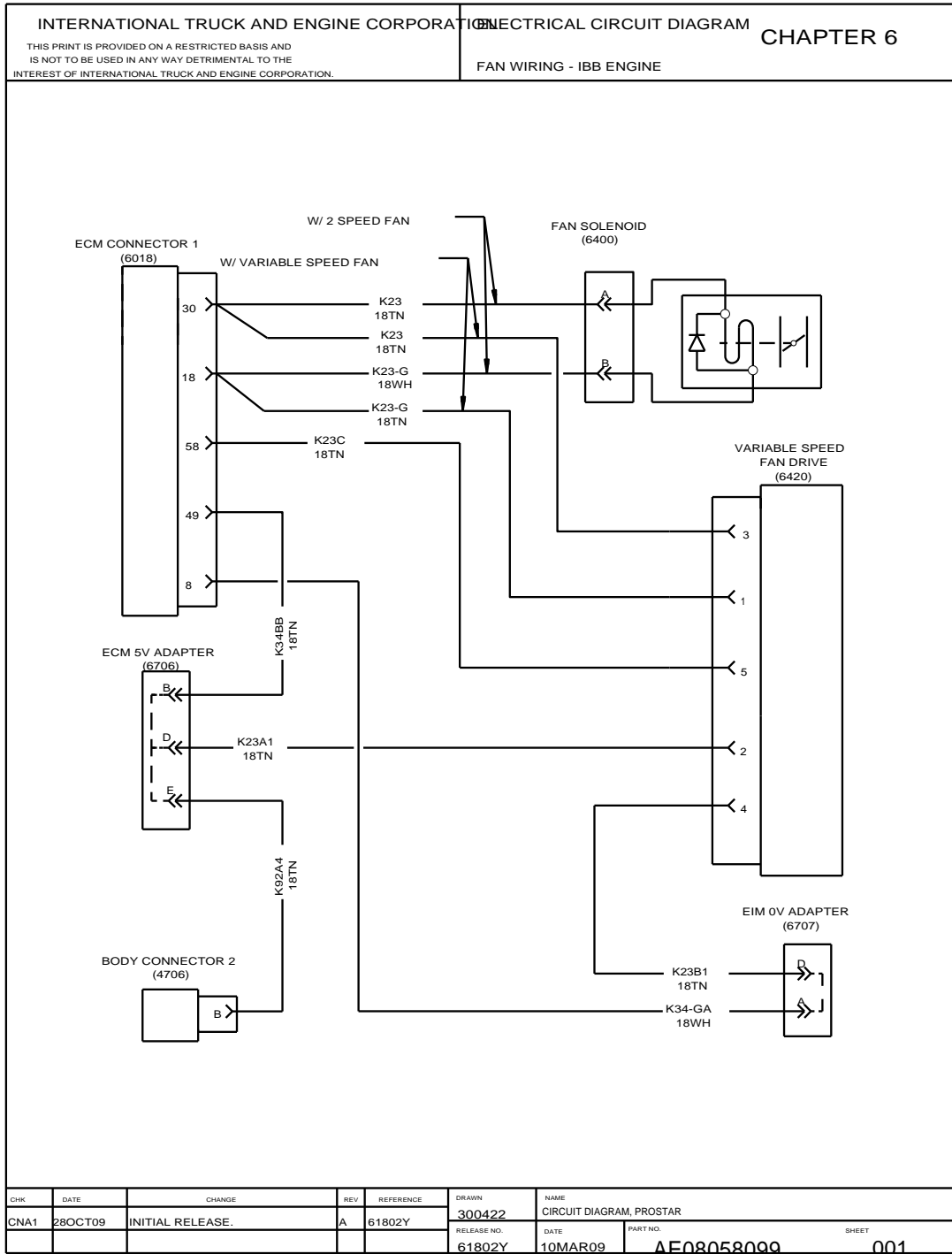


Figure 89 Fan Wiring – IBB Engine

6.2. STARTING AID – COLD START ASSIST (IBB ENGINE), P. 2

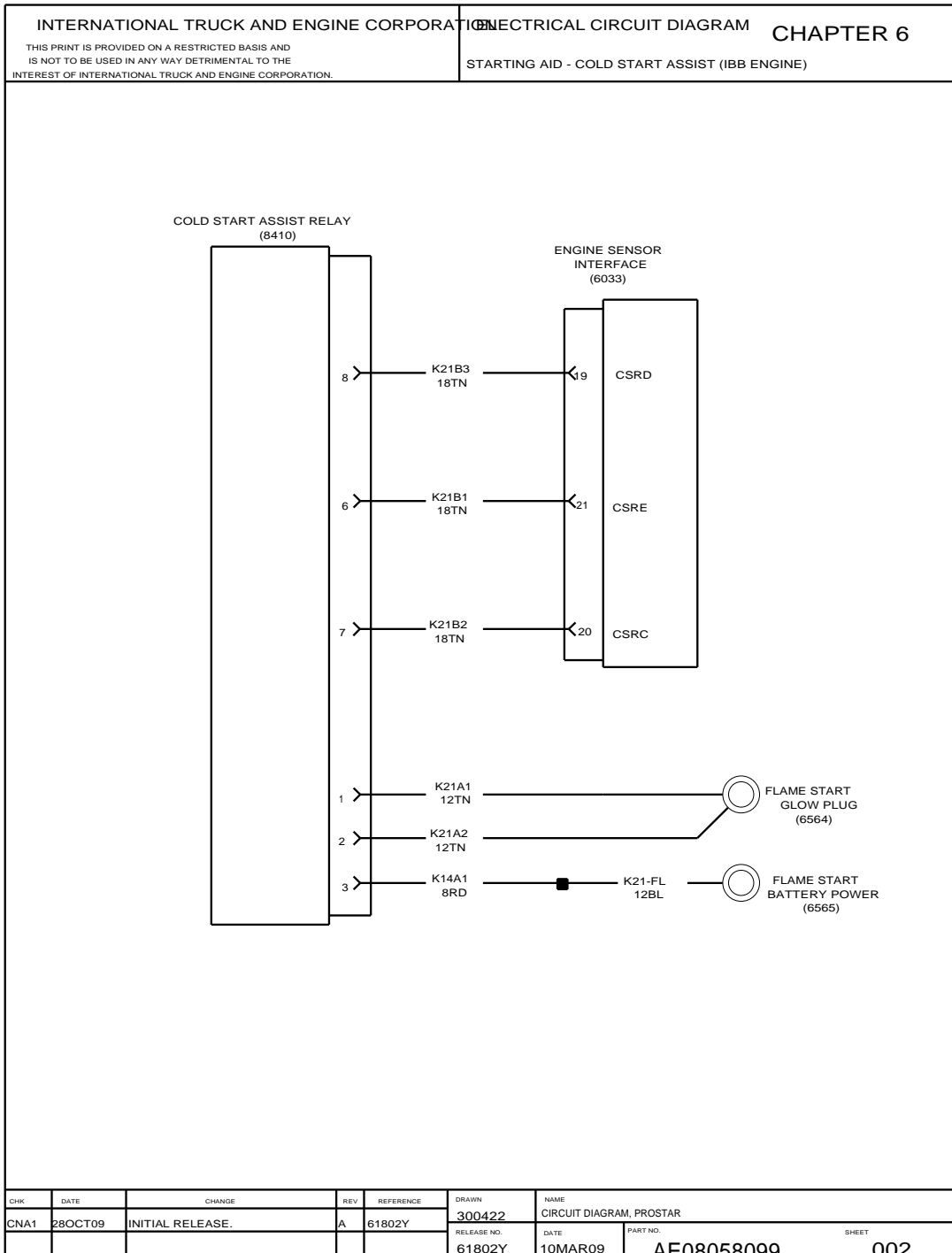


Figure 90 Starting Aid – Cold Start Assist (IBB Engine)

7. ENGINES (CHAPTER 7)

7.1. ELECTRONIC ENGINE CONTROLS (2010 IBB ENGINE), P. 1

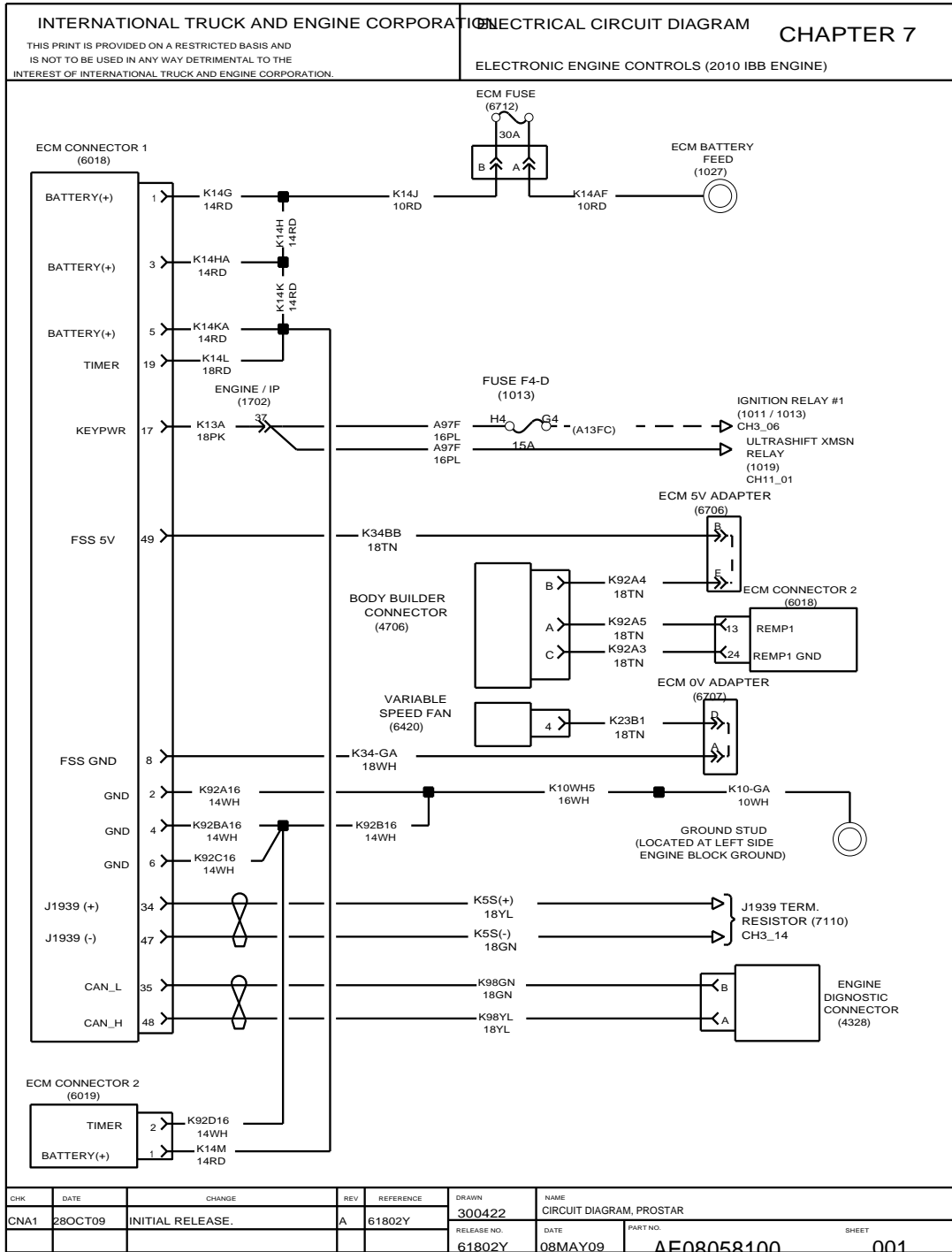


Figure 91 Electronic Engine Controls (2010 IBB Engine)

7.2. ELECTRONIC ENGINE CONTROLS (2010 IBB ENGINE) (CONT.), P. 2

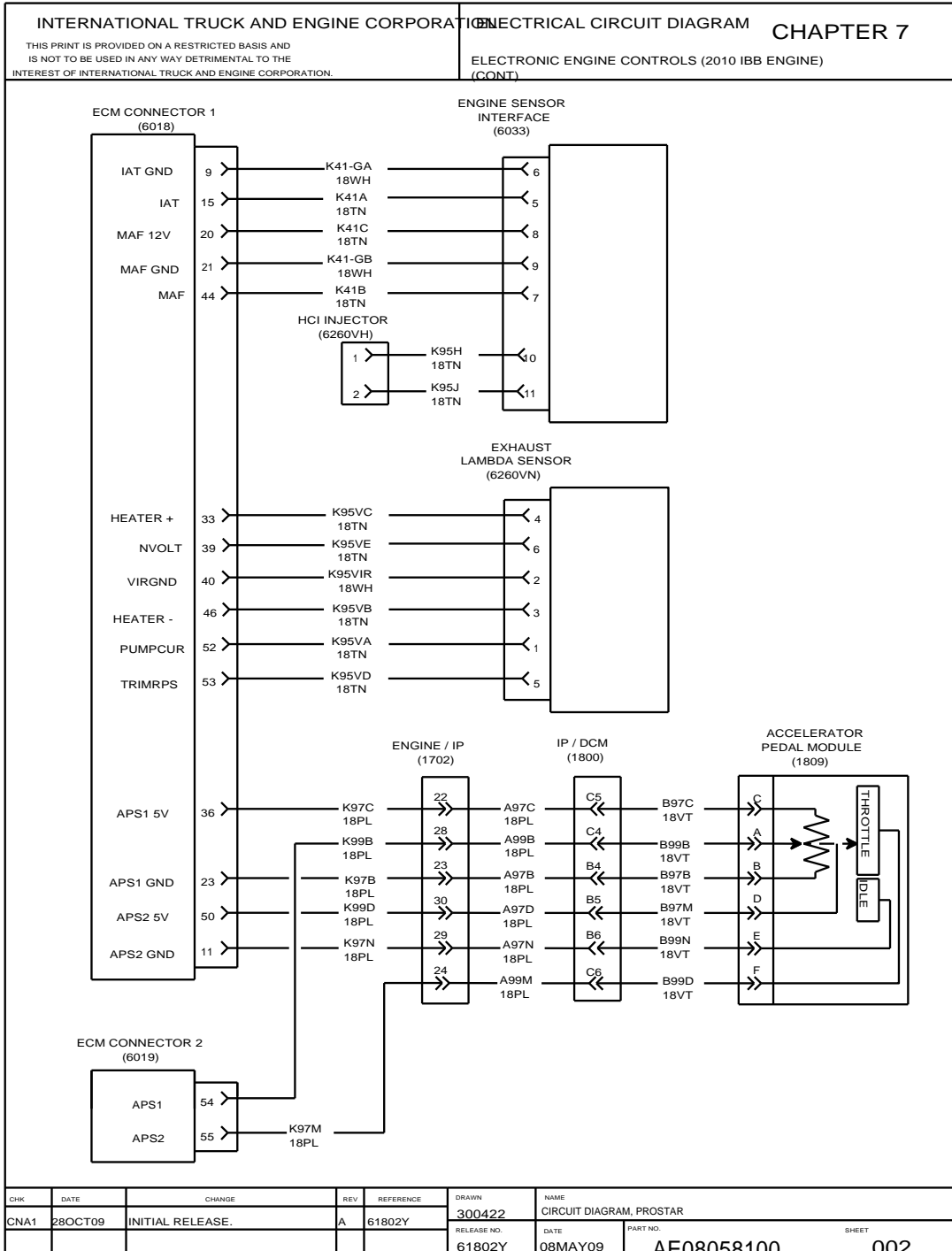


Figure 92 Electronic Engine Controls (2010 IBB Engine) (Cont.)

7.3. ELECTRONIC ENGINE CONTROLS (2010 IBB ENGINE) (CONT.), P. 3

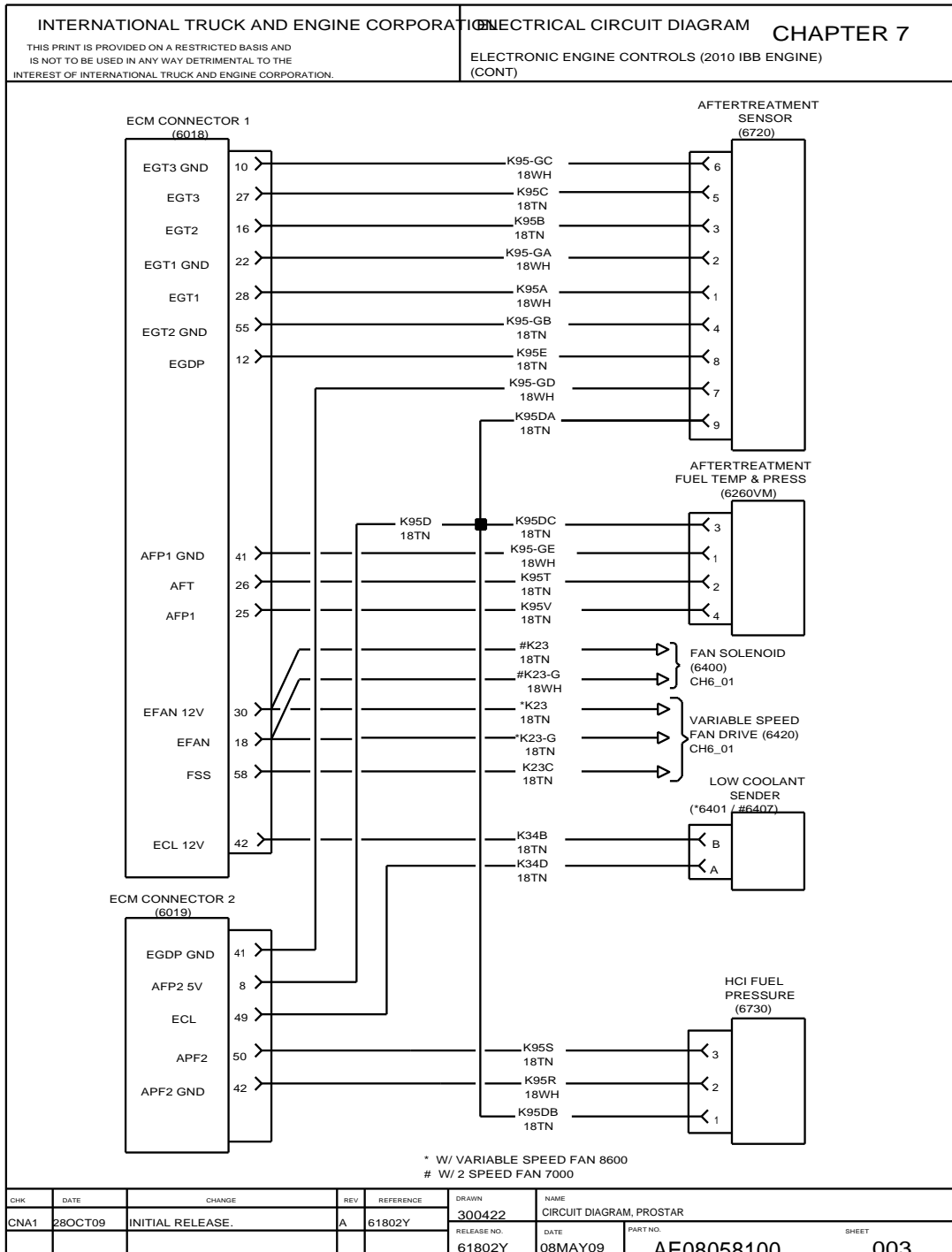


Figure 93 Electronic Engine Controls (2010 IBB Engine) (Cont.)

7.4. ELECTRONIC ENGINE CONTROLS (2010 IBB ENGINE) (CONT.), P. 4

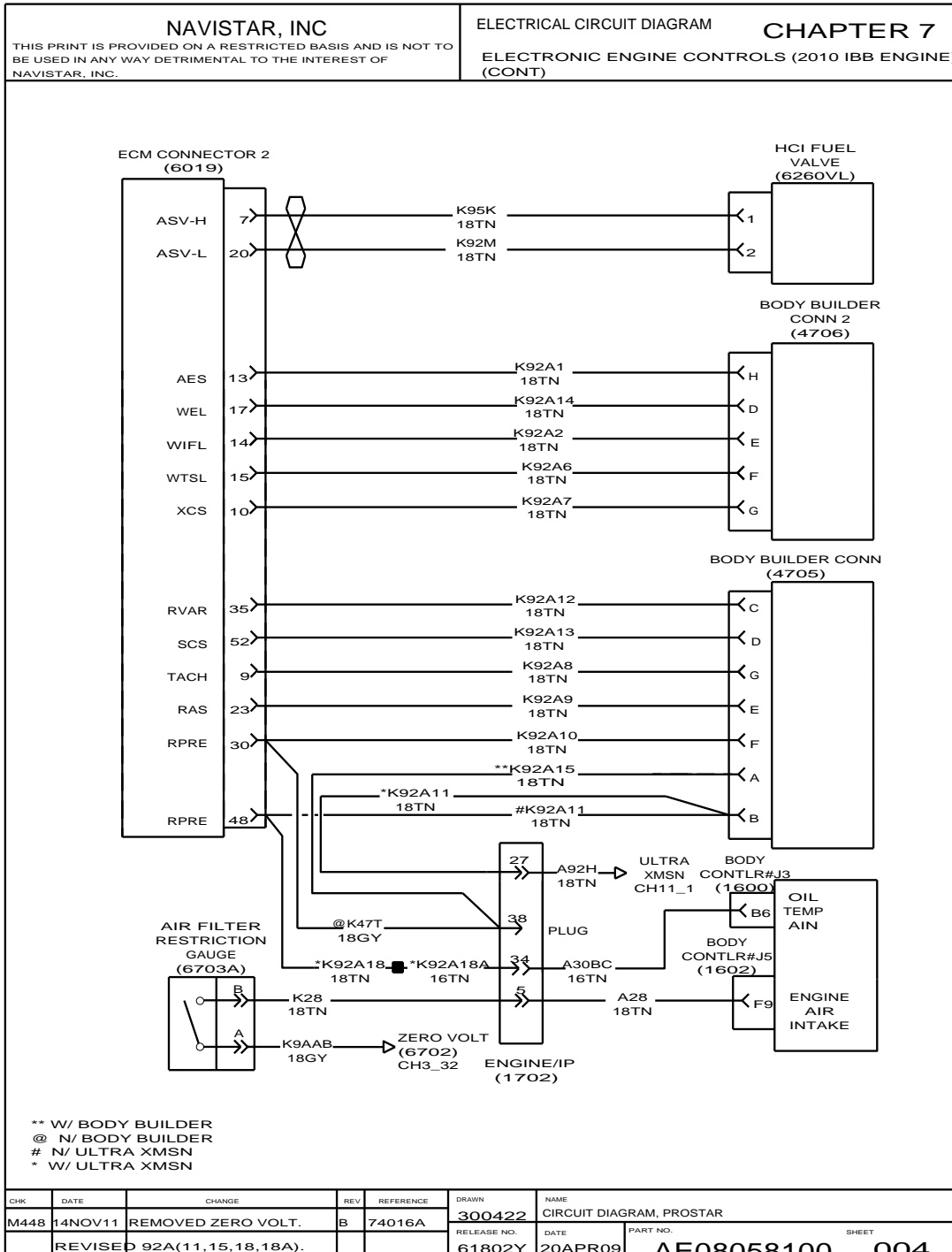


Figure 94 Electronic Engine Controls (2010 IBB Engine) (Cont.)

7.5. ELECTRONIC ENGINE CONTROLS (2010 IBB ENGINE) (CONT.), P. 5

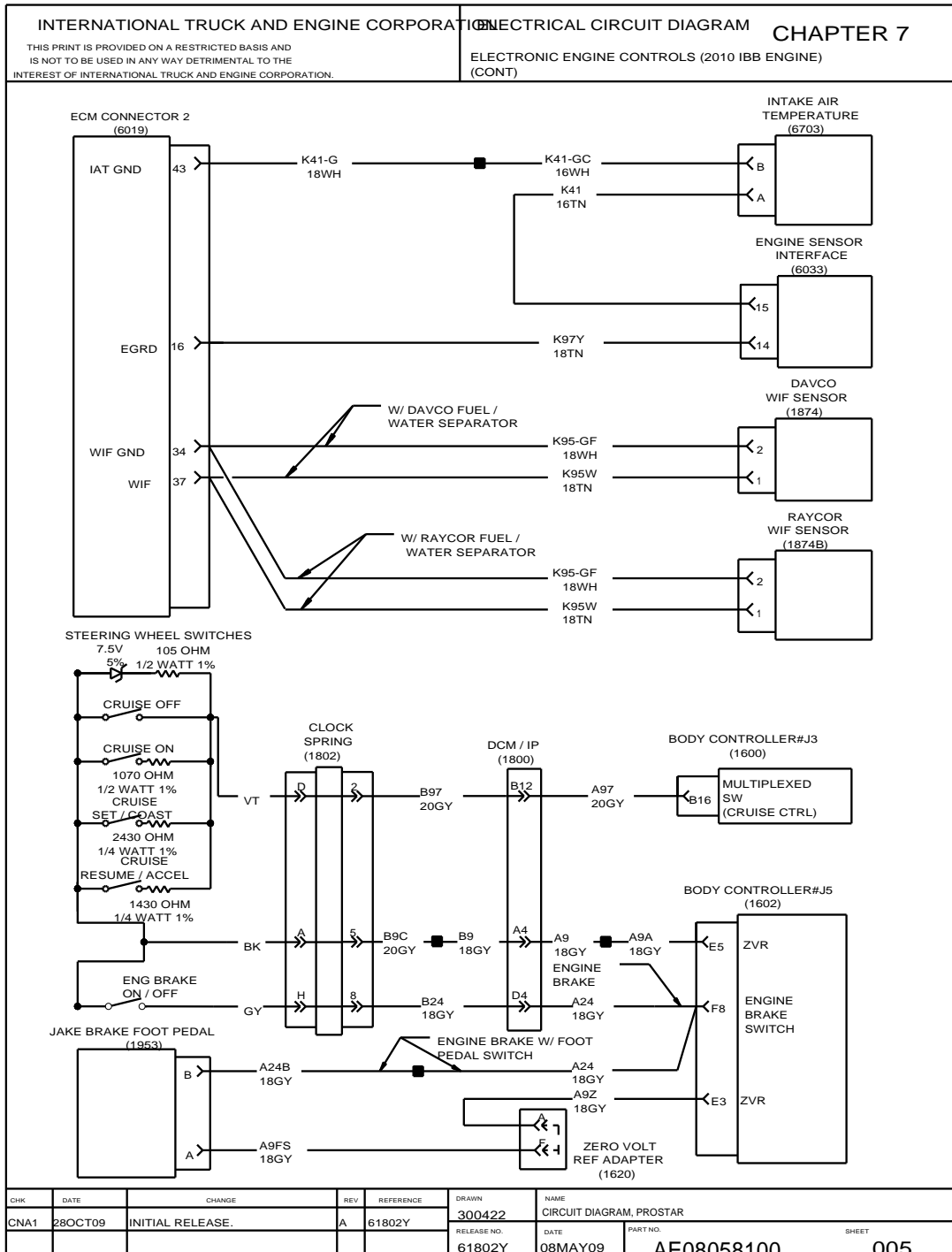


Figure 95 Electronic Engine Controls (2010 IBB Engine) (Cont.)

7.6. ELECTRONIC ENGINE CONTROLS (2010 IBB ENGINE) (CONT.), P. 6

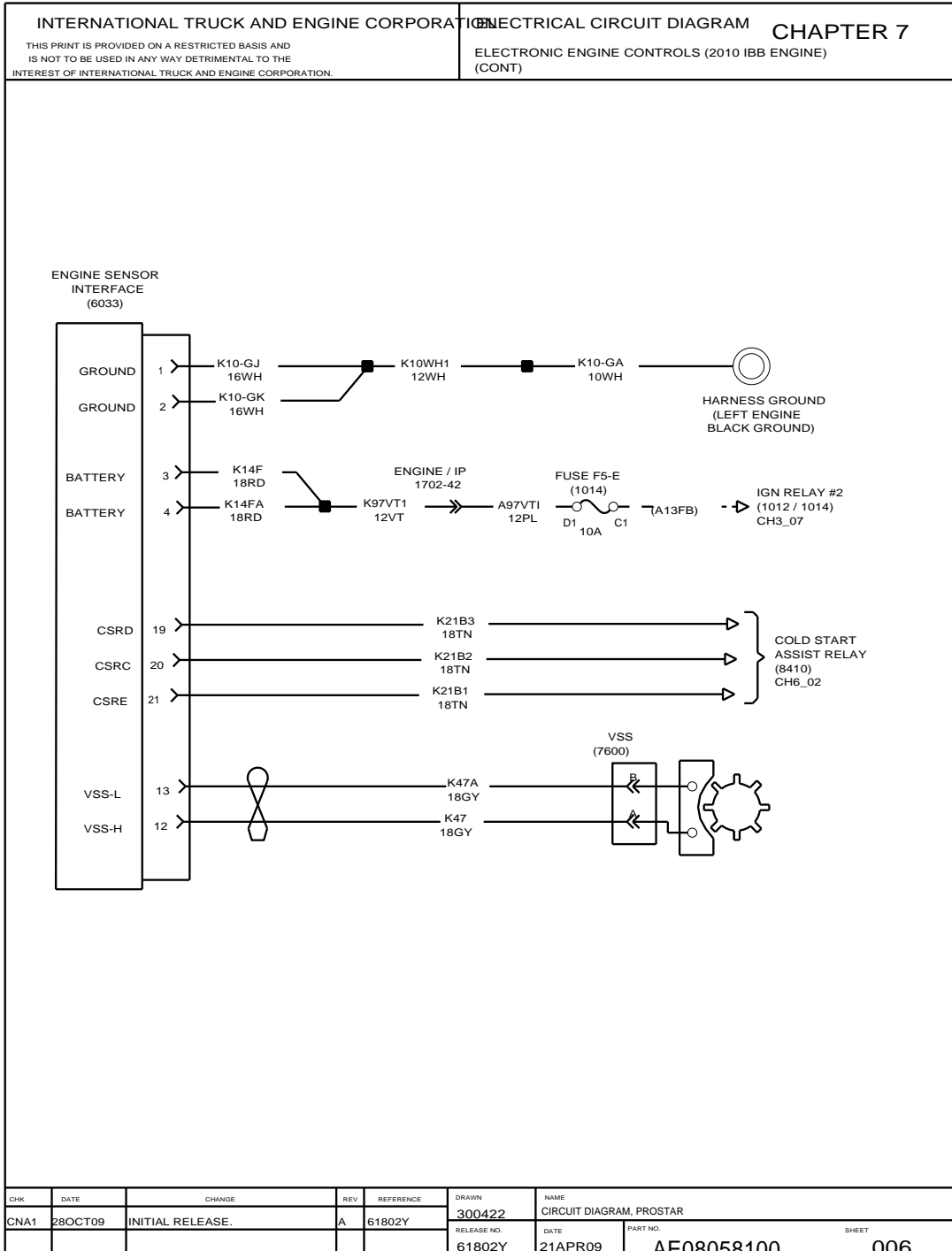


Figure 96 Electronic Engine Controls (2010 IBB Engine) (Cont.)

7.7. REMOTE START / STOP, P. 7

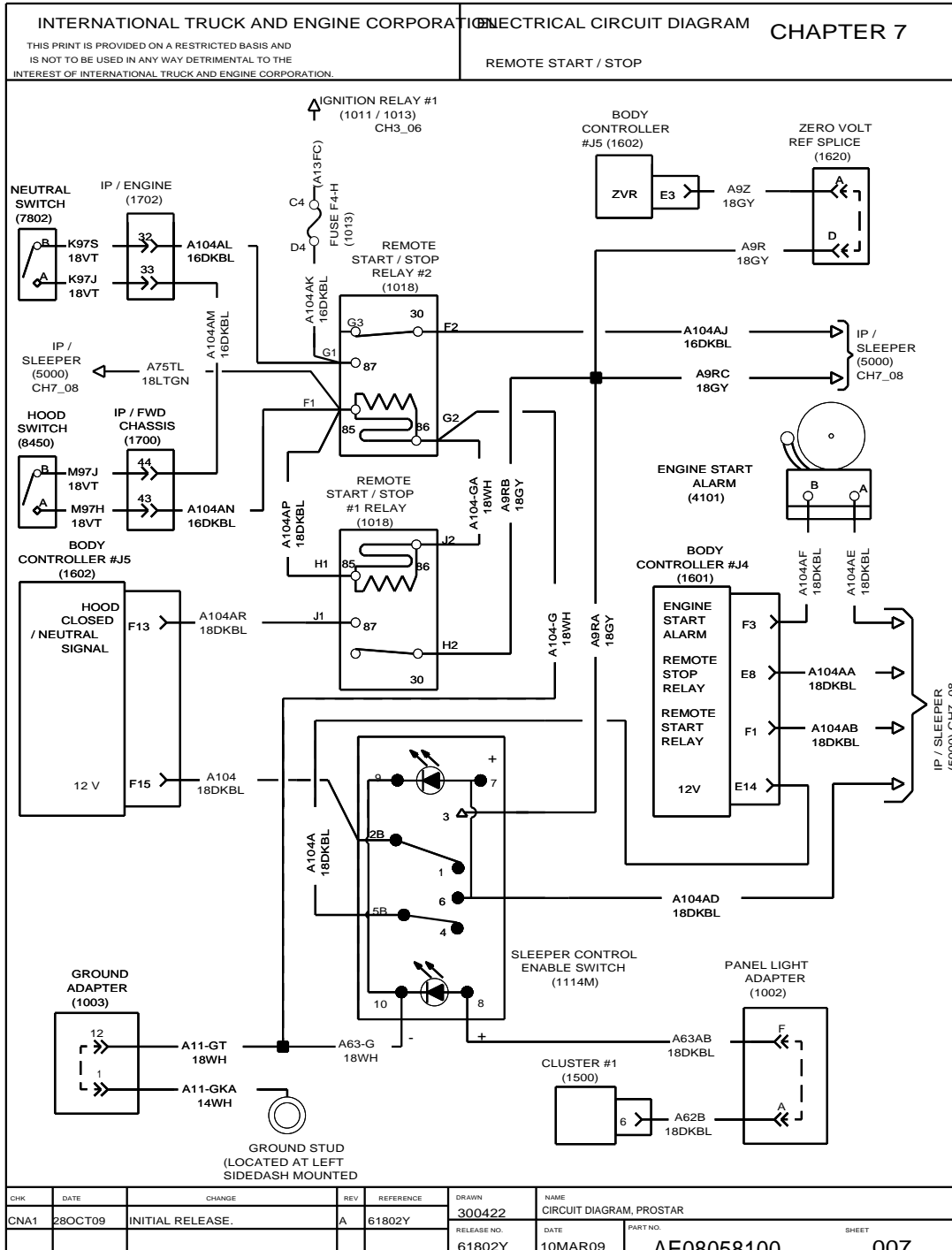


Figure 97 Remote Start / Stop

7.8. REMOTE START / STOP (CONT.), P. 8

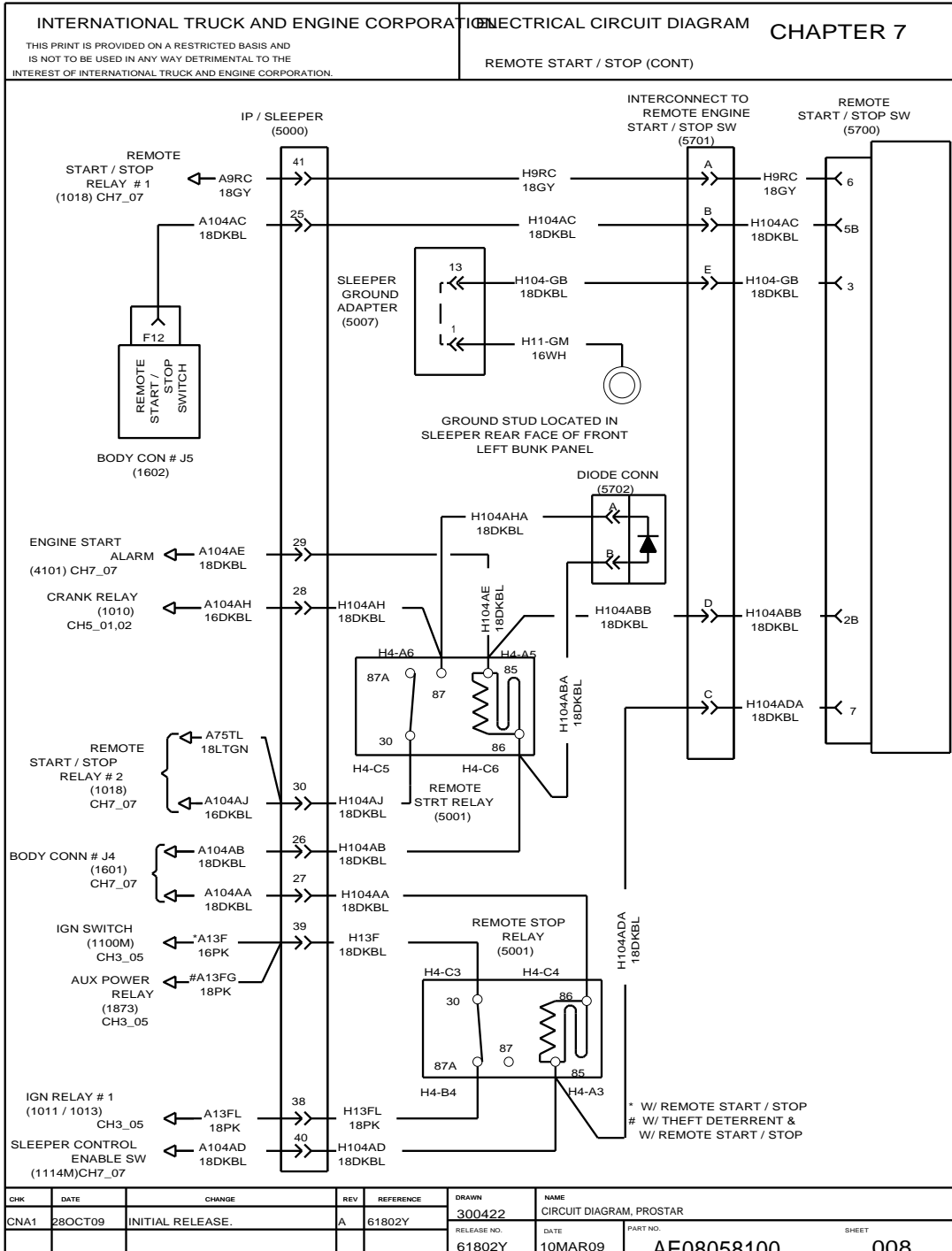


Figure 98 Remote Start / Stop (Cont.)

7.9. NO IDLE HEAT, P. 9

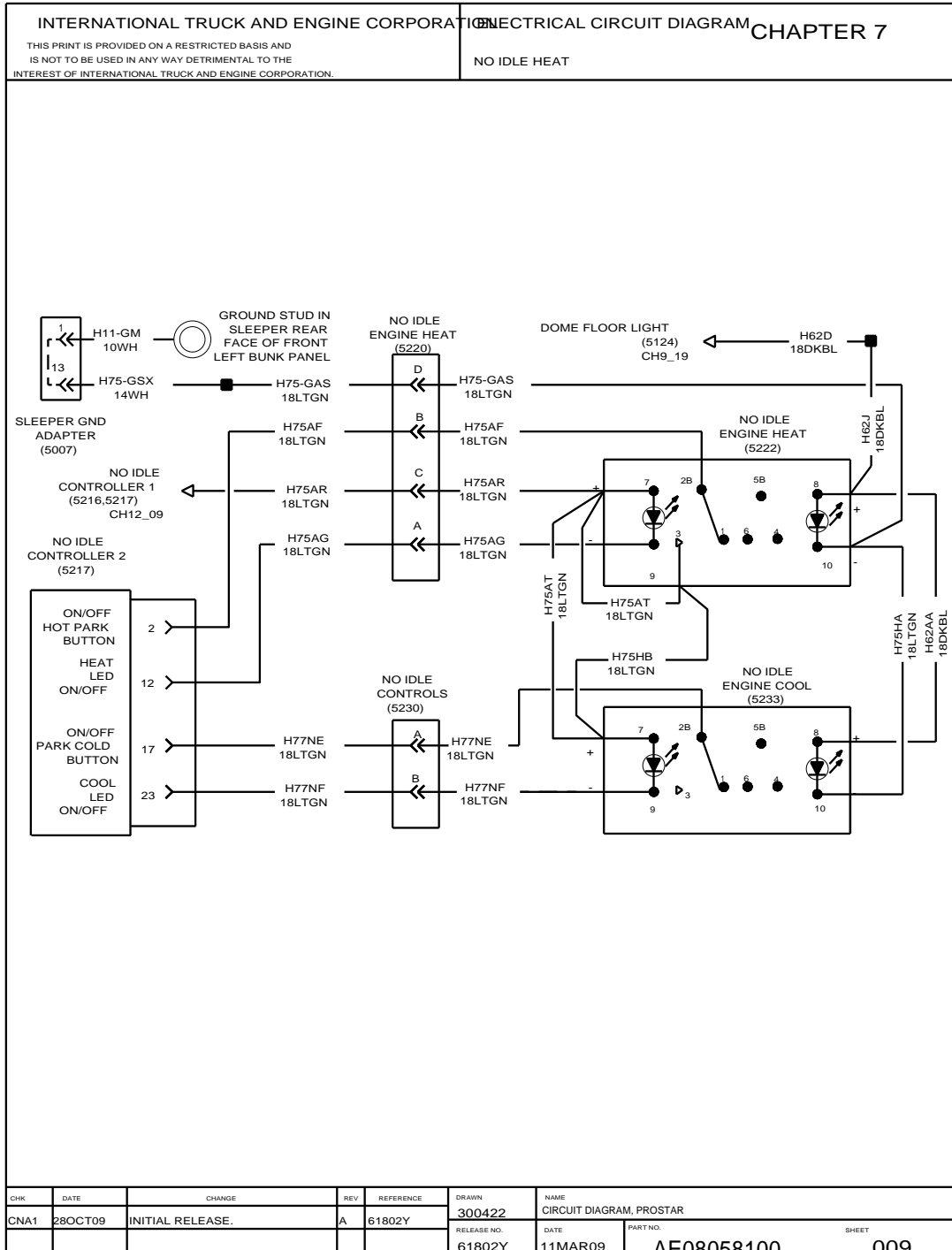


Figure 99 No Idle Heat

7.10. TRI – PAC NO IDLE, P. 10

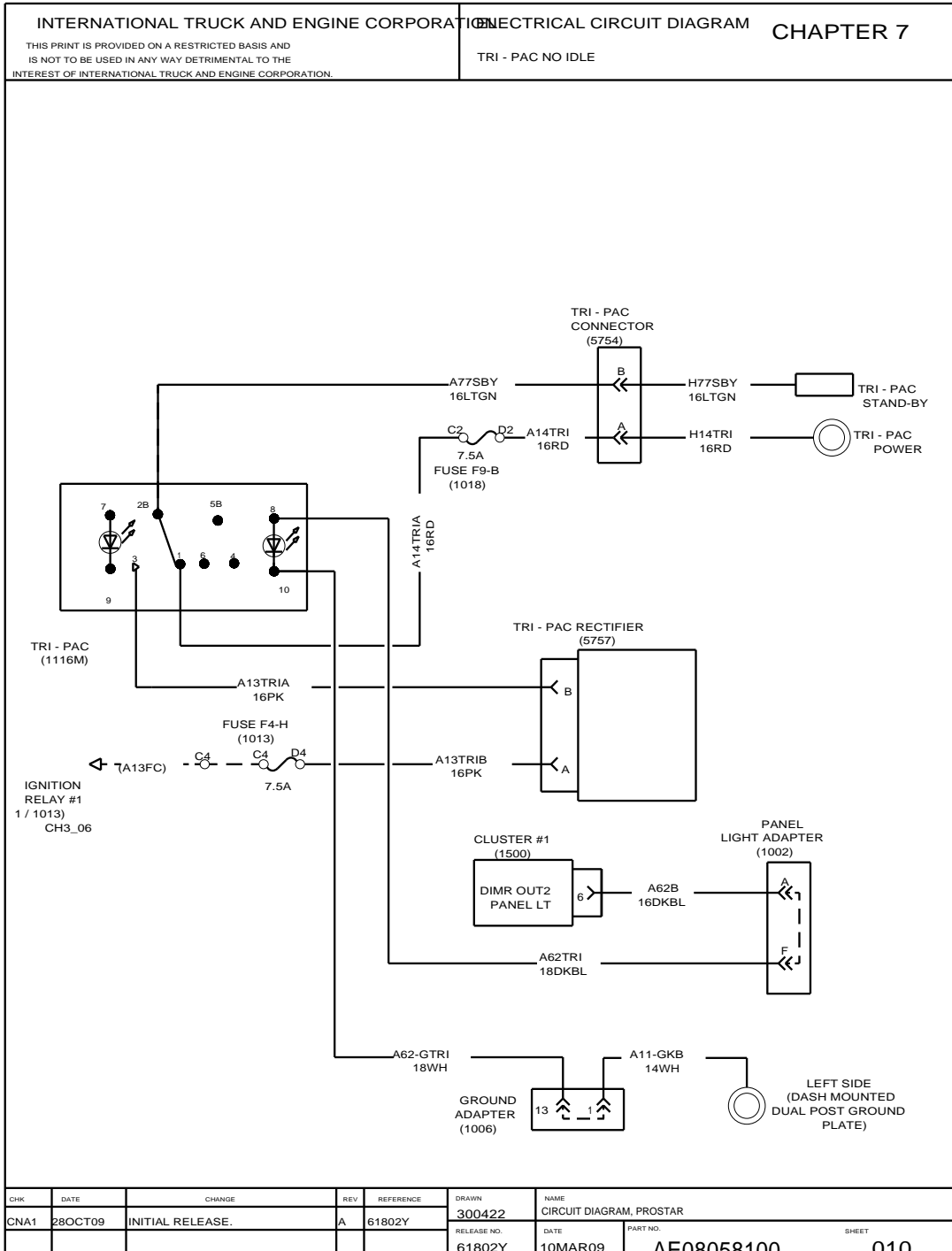


Figure 100 Tri – Pac No Idle

7.11. IDLE CONTROL TEMP SENSOR, P. 11

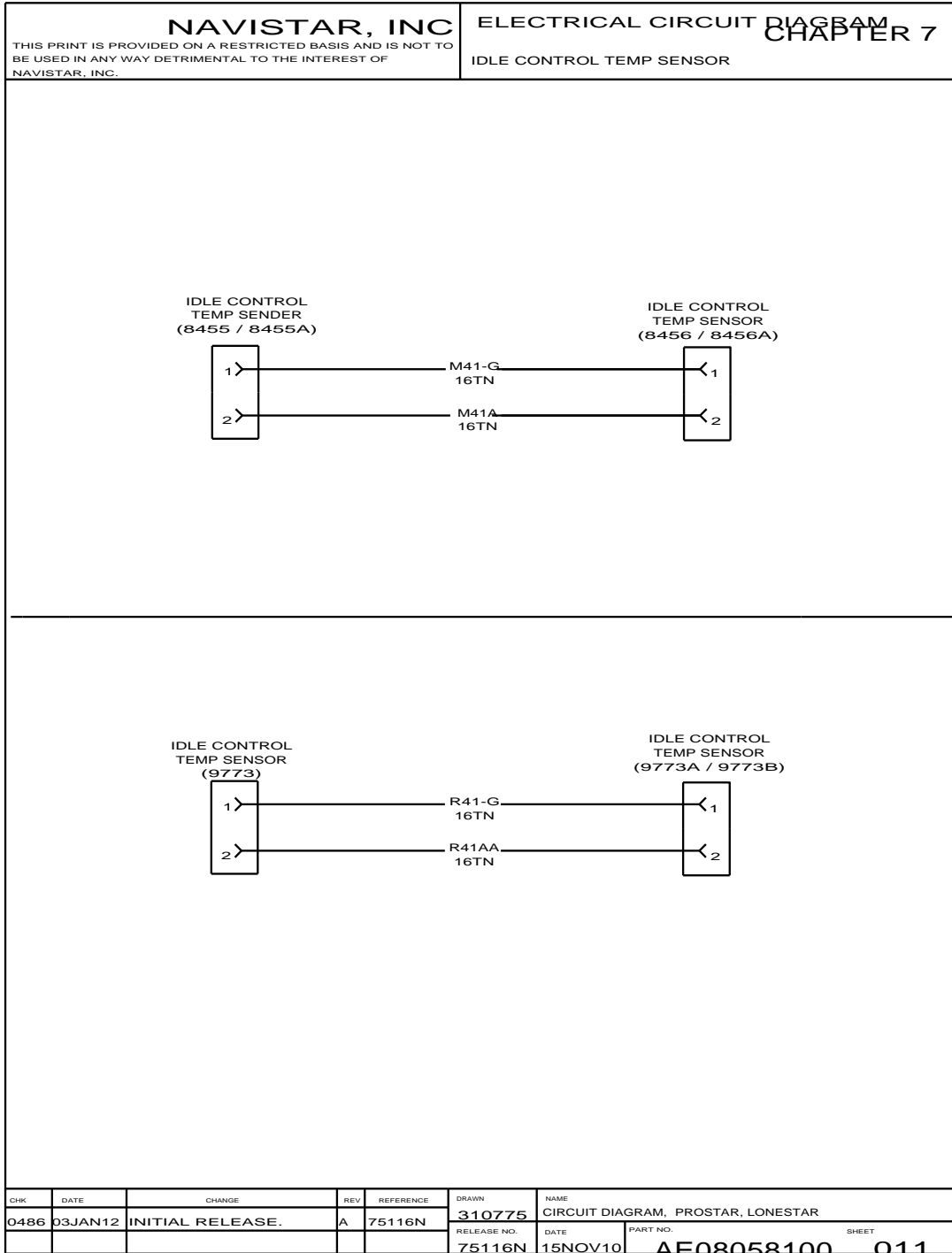


Figure 101 Idle Control Temp Sensor

7.12. AUTO START / STOP, P. 12

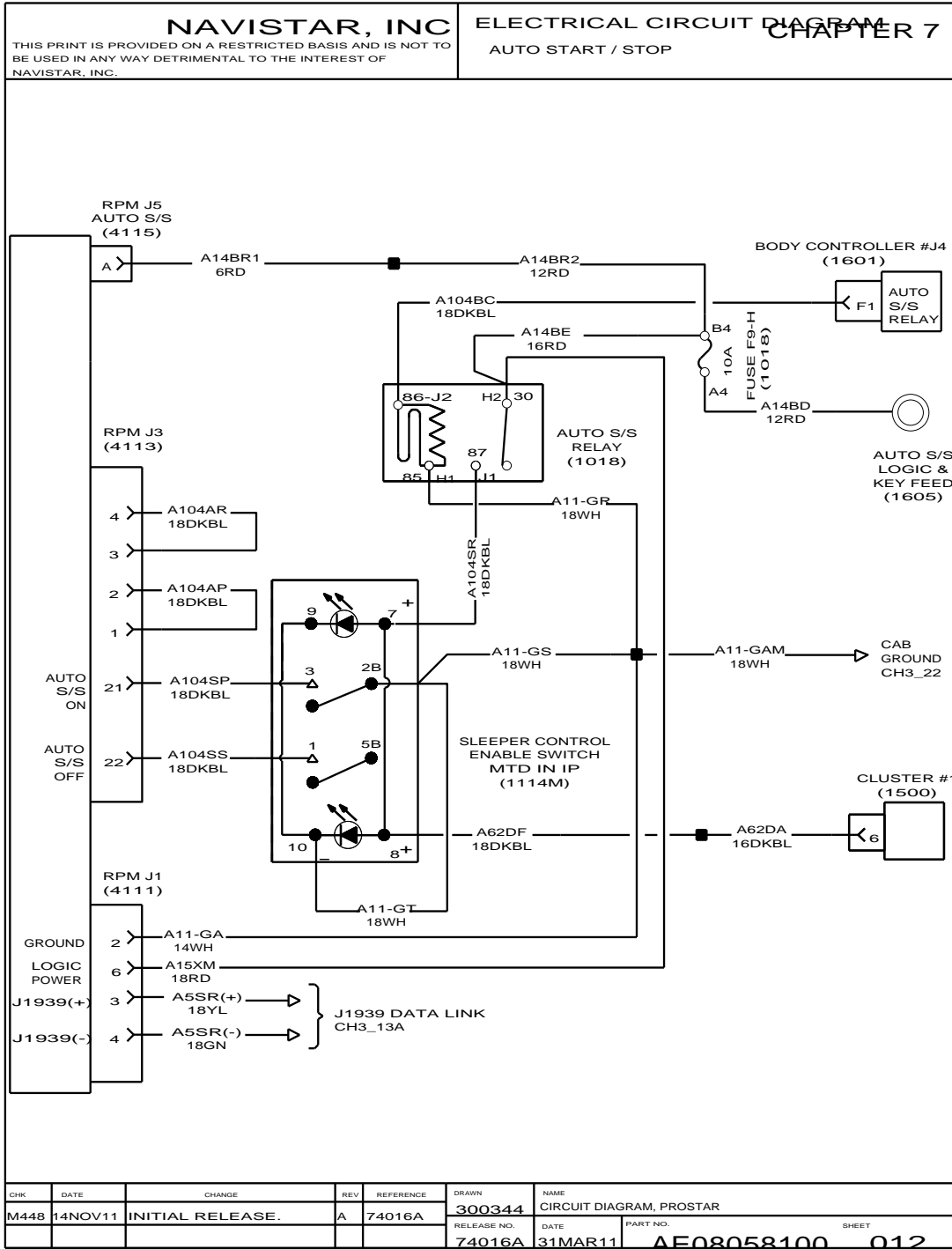


Figure 102 Auto Start / Stop

7.13. AUTO START / STOP (CONT.), P. 13

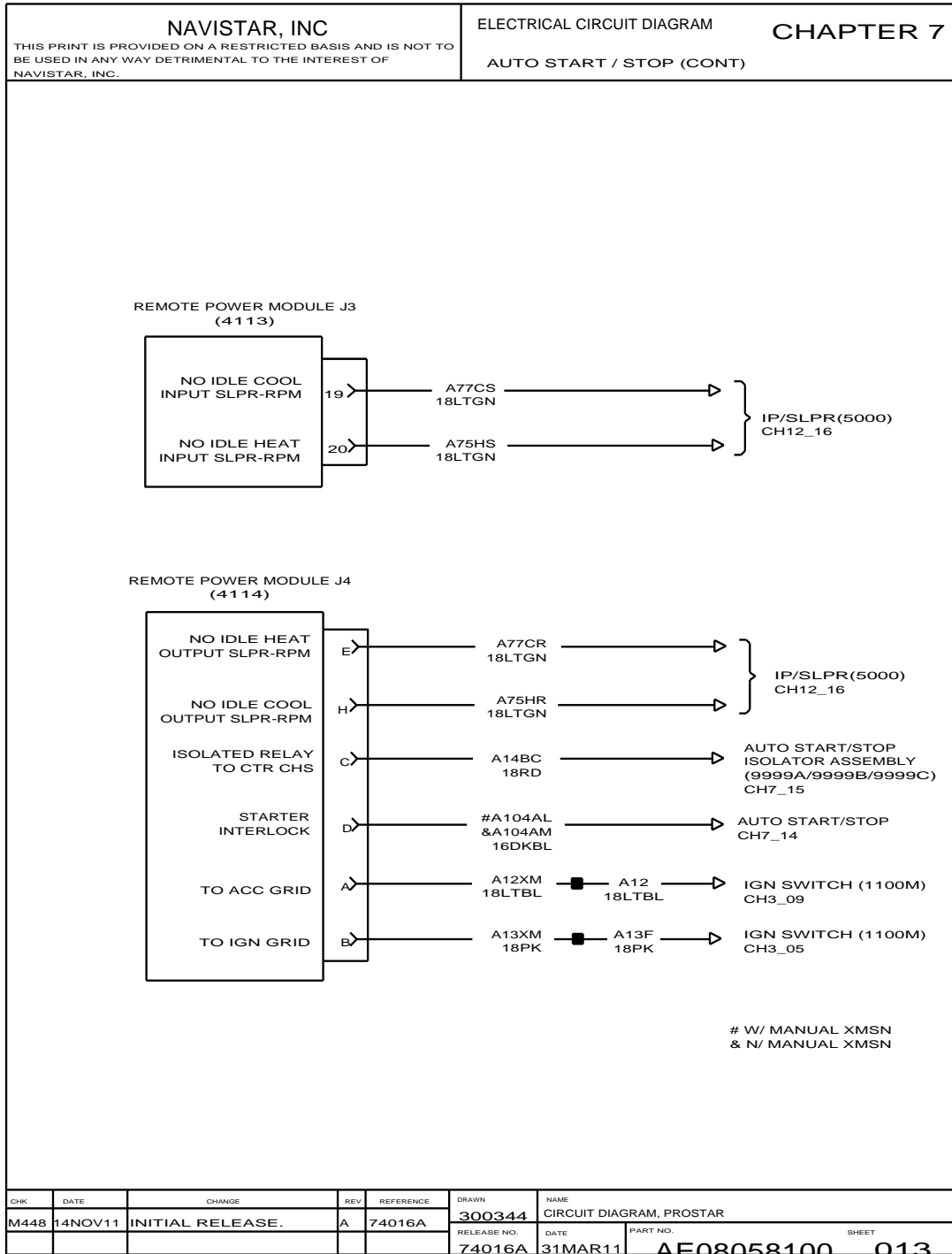


Figure 103 Auto Start / Stop (Cont.)

7.14. AUTO START / STOP (CONT.), P. 14

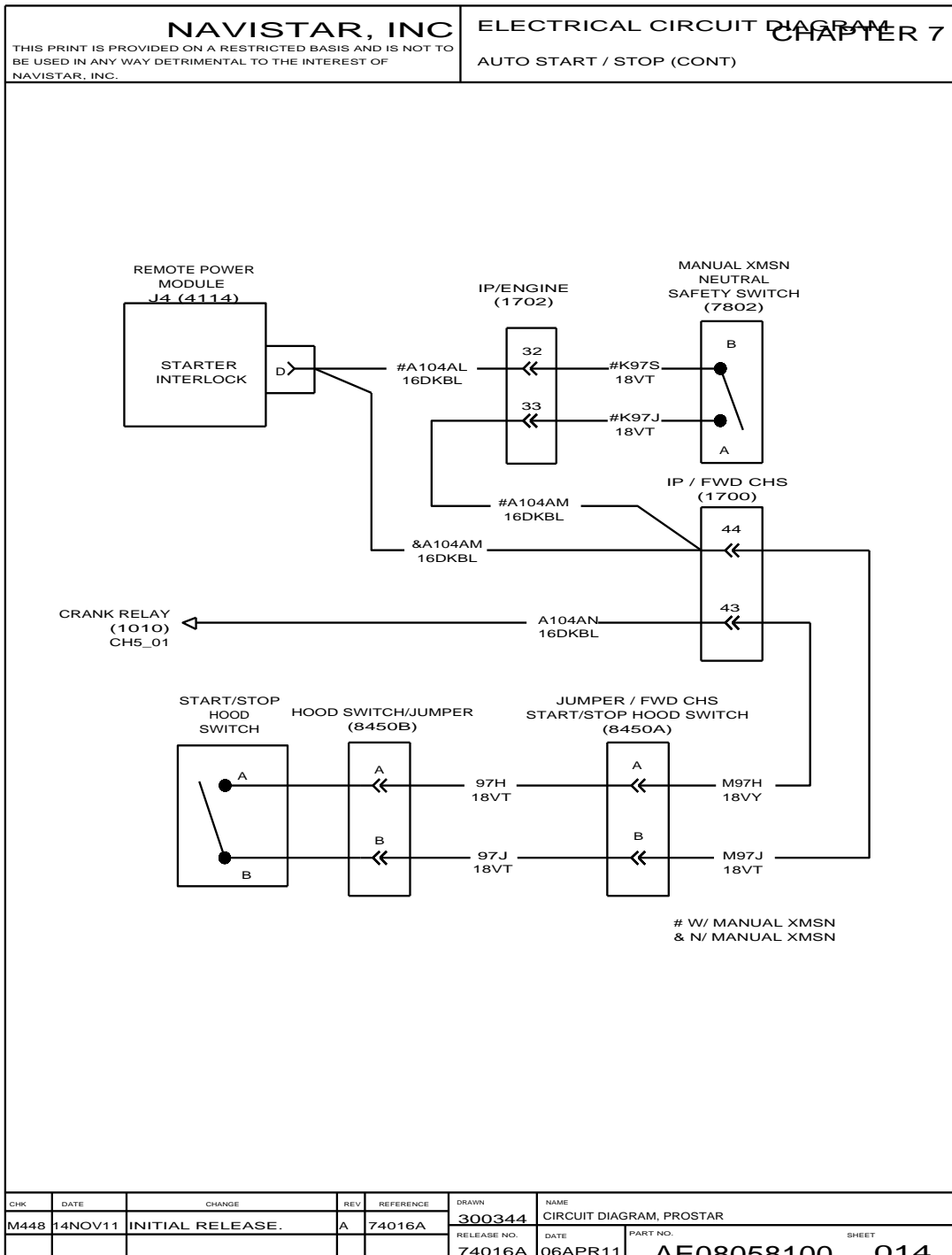


Figure 104 Auto Start / Stop (Cont.)

7.15. AUTO START / STOP (CONT.), P. 15

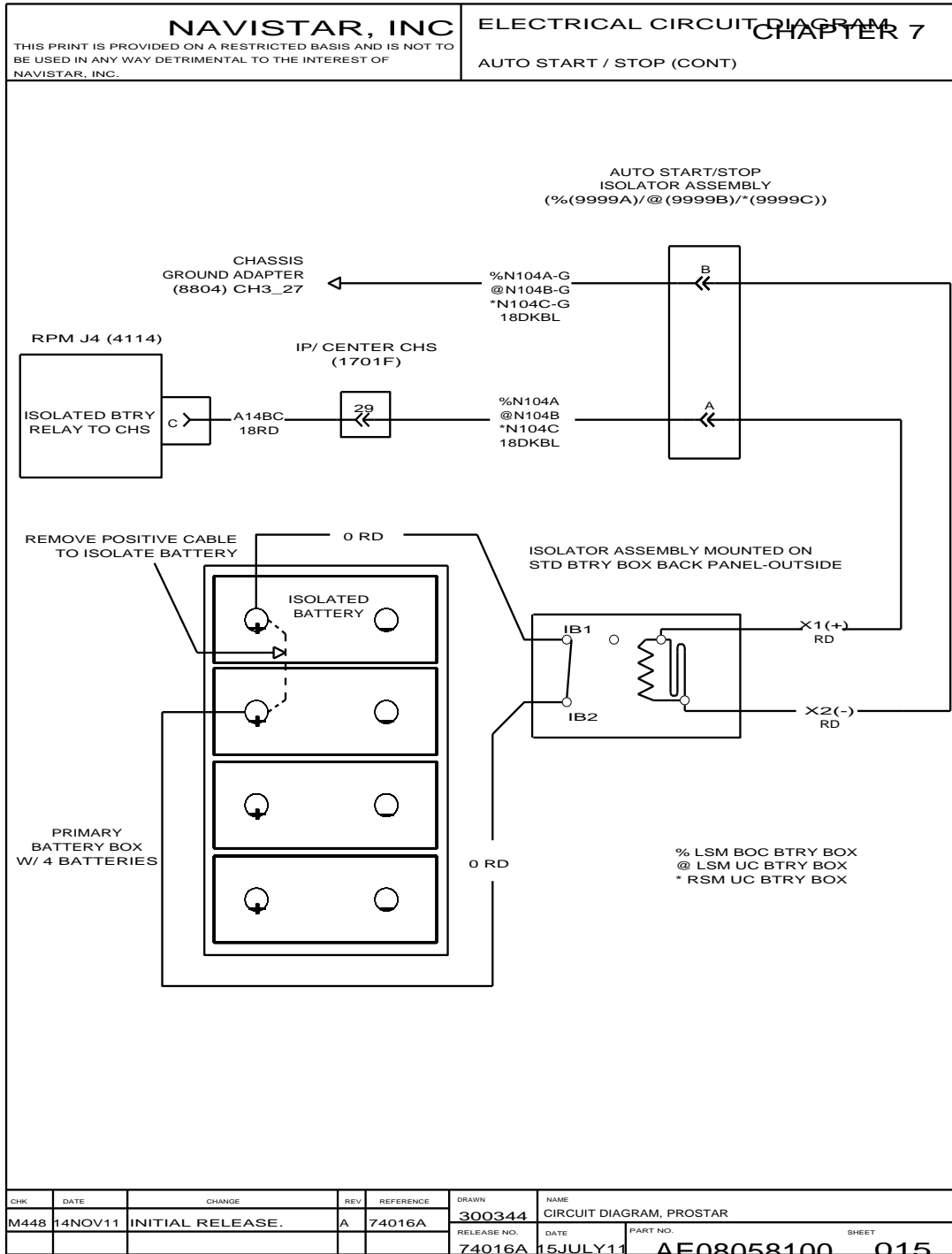


Figure 105 Auto Start / Stop (Cont.)

8. GAUGES AND WARNING LIGHTS (CHAPTER 8)

8.1. AIR PRESSURE INPUT CIRCUIT AND AIR RESTRICTION GAUGE, P. 1

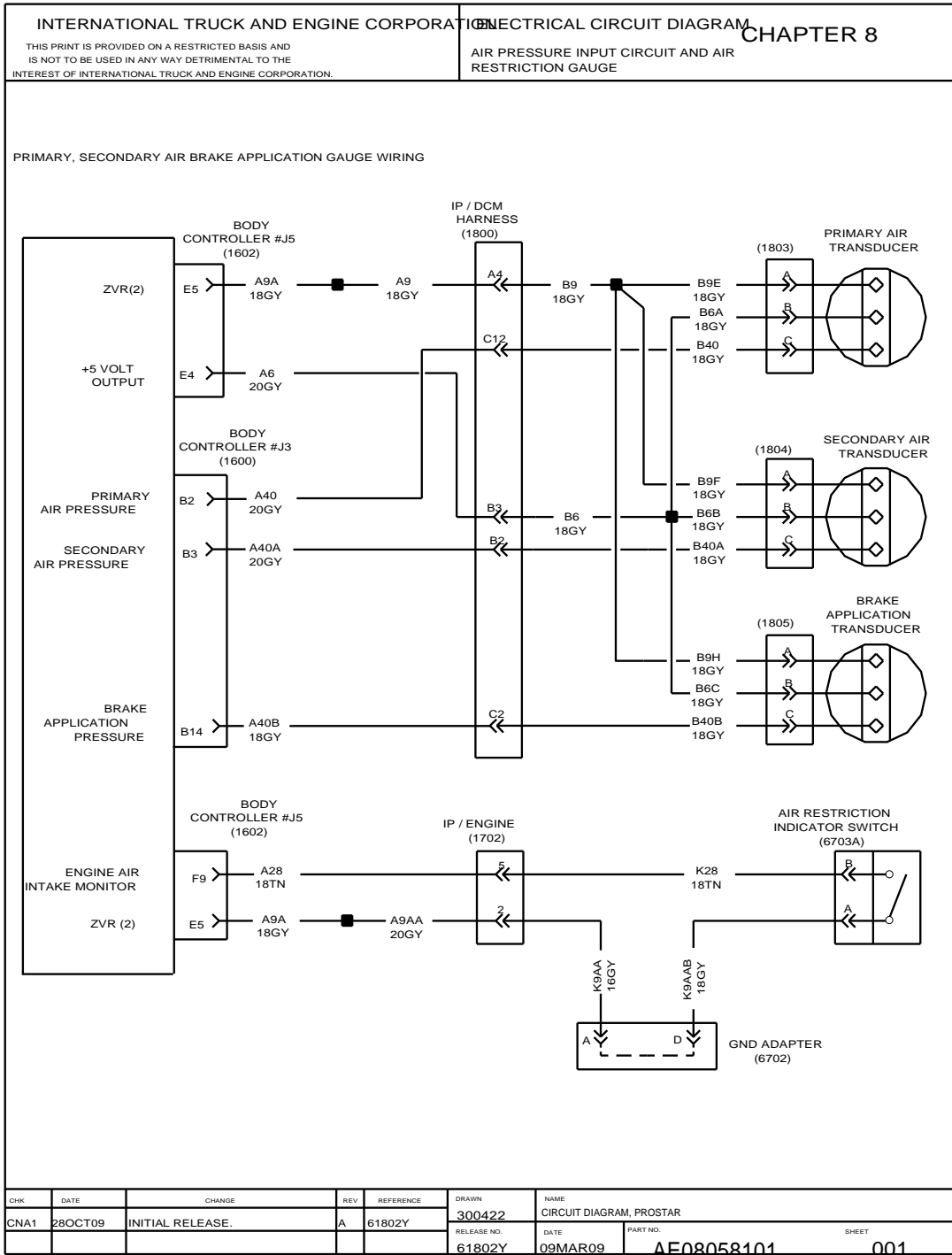


Figure 106 Air Pressure Input Circuit and Air Restriction Gauge

8.2. AXLE TEMPERATURE GAUGES, P. 2

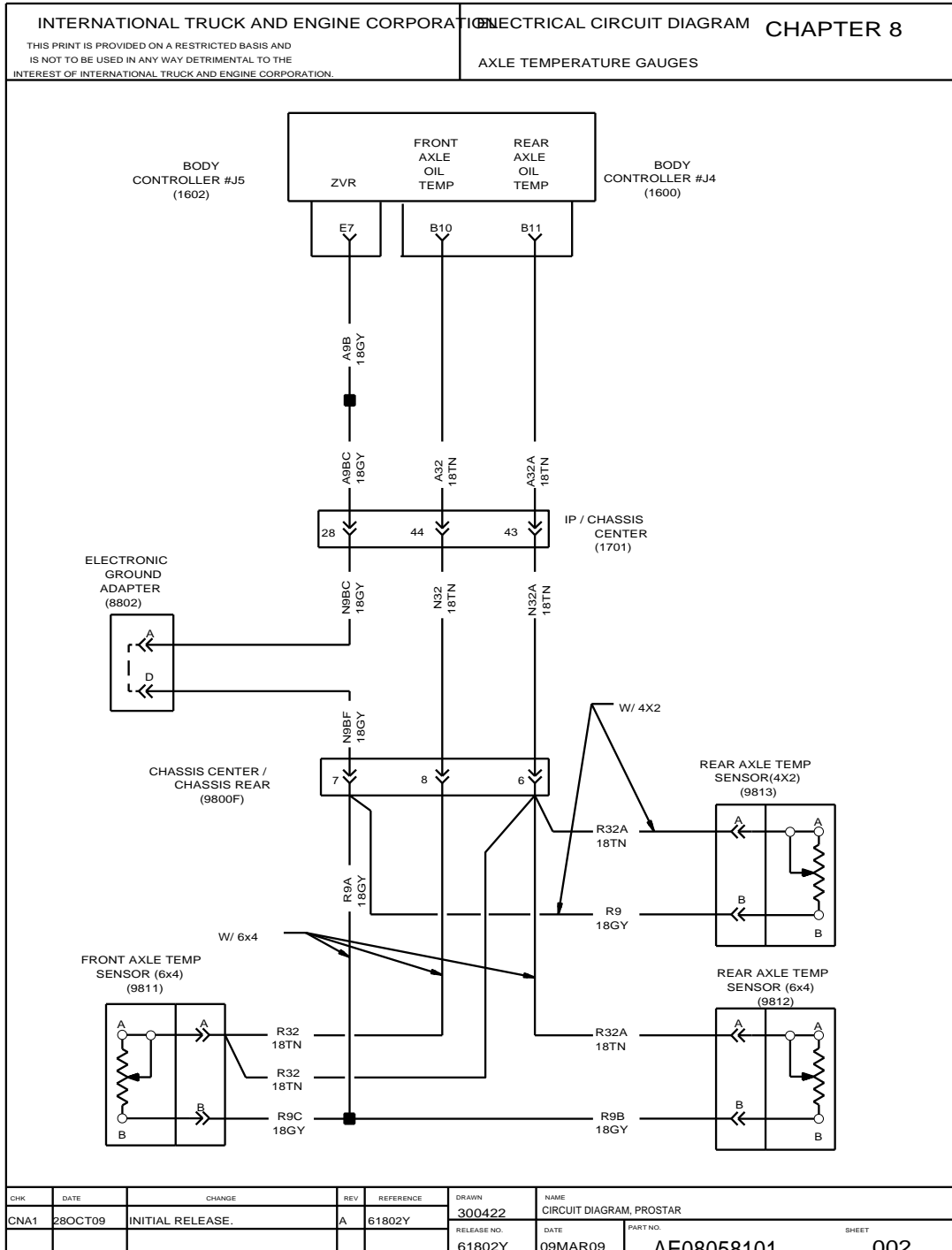


Figure 107 Axle Temperature Gauges

8.3. ENGINE OIL PRESSURE AND TEMP., SPEEDOMETER, TACHOMETER, VOLTMETER AND WATER TEMP. GAUGES, P. 3

INTERNATIONAL TRUCK AND ENGINE CORPORATION <small>THIS PRINT IS PROVIDED ON A RESTRICTED BASIS AND IS NOT TO BE USED IN ANY WAY DETRIMENTAL TO THE INTEREST OF INTERNATIONAL TRUCK AND ENGINE CORPORATION.</small>	ELECTRICAL CIRCUIT DIAGRAM CHAPTER 8 ENGINE OIL PRESSURE AND TEMP, SPEEDO, TACH, VOLTMETER AND WATER TEMP GAUGE					
REFER TO CONSOLIDATED ENGINE / VEHICLE CONTROLLER DIAGNOSTICS MANUAL FOR CIRCUIT DIAGRAMS SHOWING INPUT CIRCUITRY FOR THE FOLLOWING DATALINK DRIVEN SYSTEM: ENGINE OIL PRESSURE GAUGE ENGINE OIL TEMPERATURE GAUGE SPEEDOMETER GAUGE TACHOMETER GAUGE WATER TEMPERATURE GAUGE						
CHK	DATE	CHANGE	REV	REFERENCE	DRAWN	NAME
CNA1	28OCT09	INITIAL RELEASE.	A	61802Y	300422	CIRCUIT DIAGRAM, PROSTAR
					RELEASE NO. 61802Y	DATE 09MAR09
						PART NO. AE08058101
						SHEET 003

Figure 108 Engine Oil Pressure and Temp., Speedometer, Tachometer, Voltmeter and Water Temp. Gauges

8.4. ENGINE OIL AND TRANSMISSION OIL TEMPERATURE GAUGE, P. 4

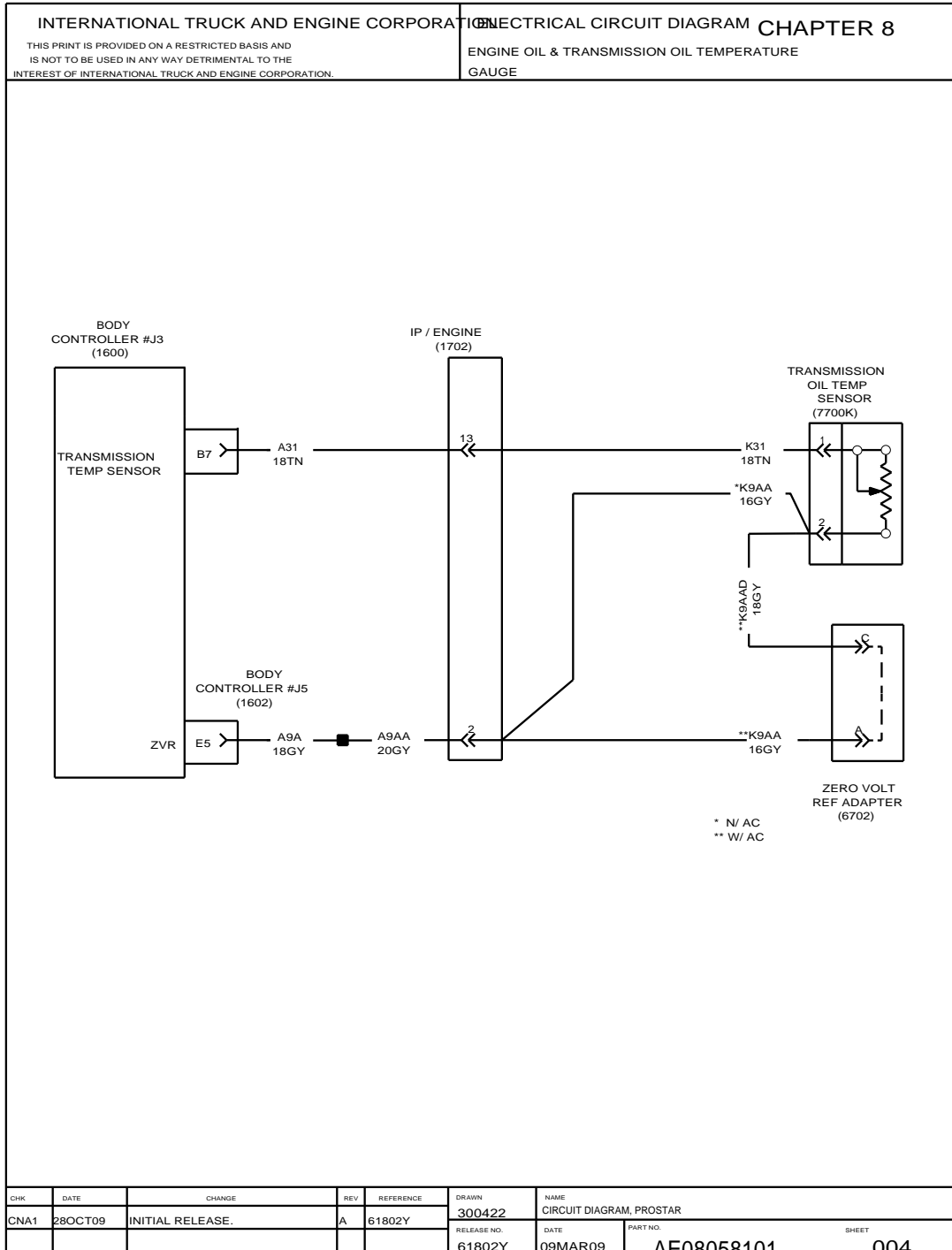


Figure 109 Engine Oil and Transmission Oil Temperature Gauge

8.5. FUEL HEATER, P. 5

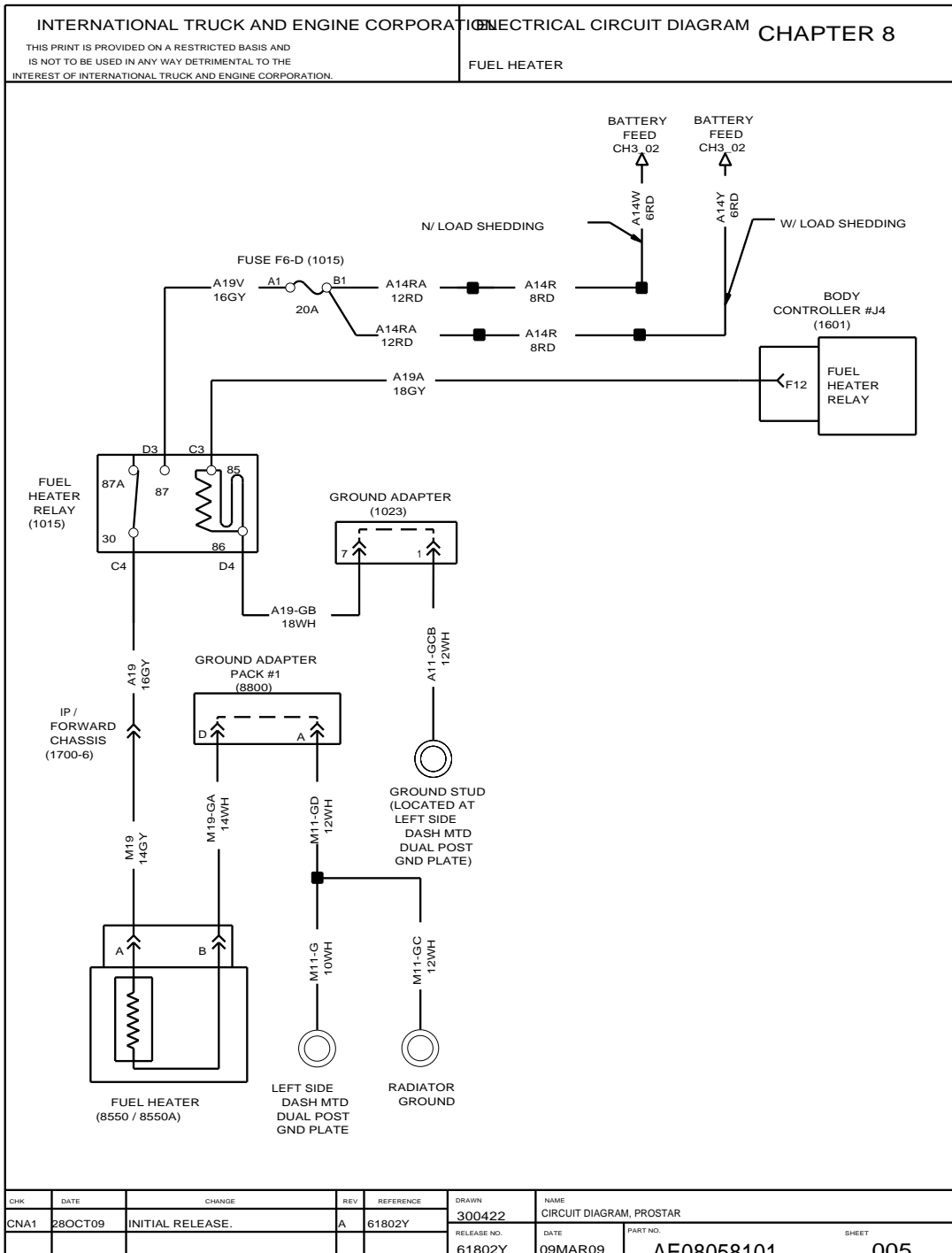


Figure 110 Fuel Heater

8.6. DIFFERENTIAL LOCK AND OPTIONAL INDICATOR, P. 6

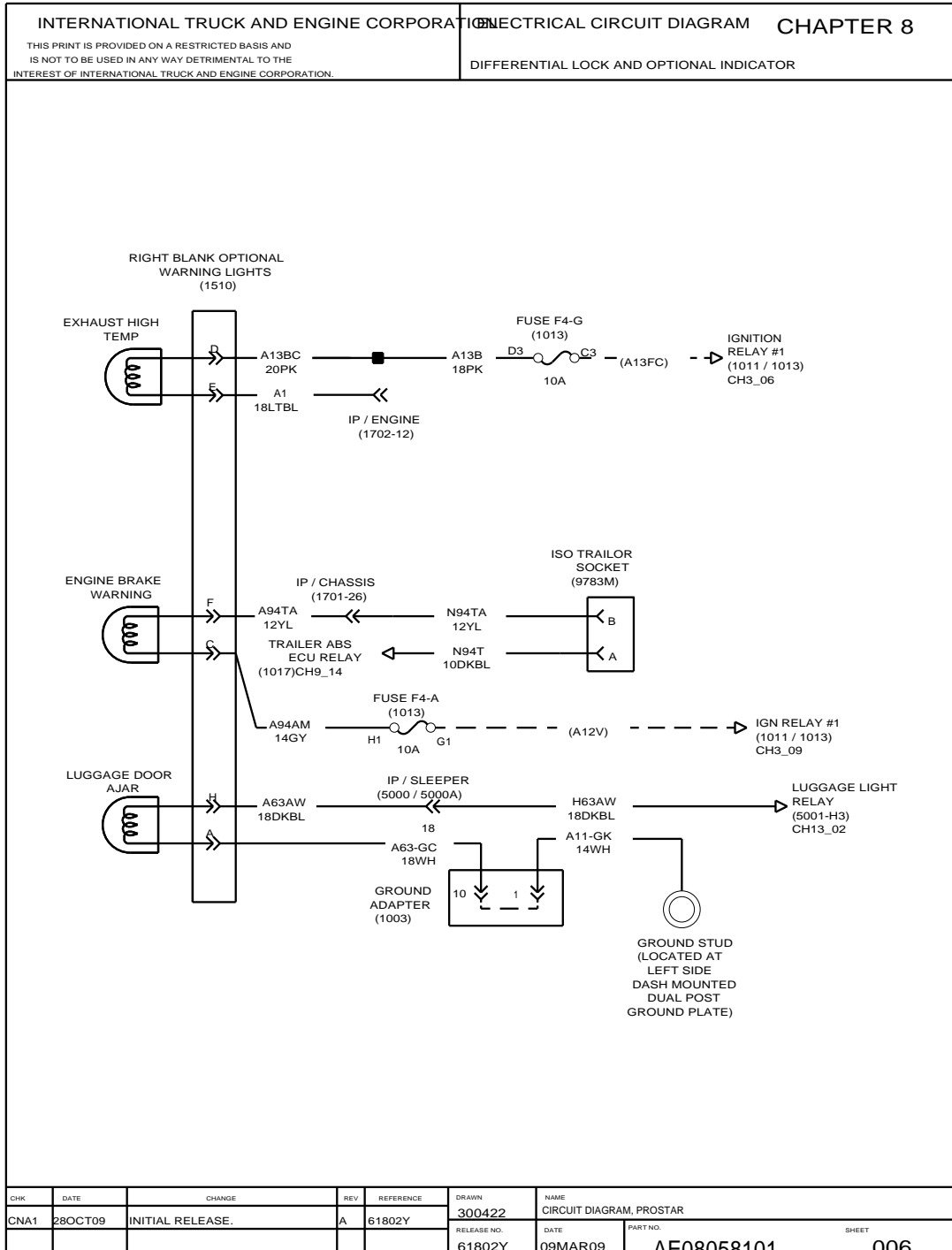


Figure 111 Differential Lock and Optional Indicator

8.7. DIFFERENTIAL LOCK AND OPTIONAL INDICATOR (CONT.), P. 7

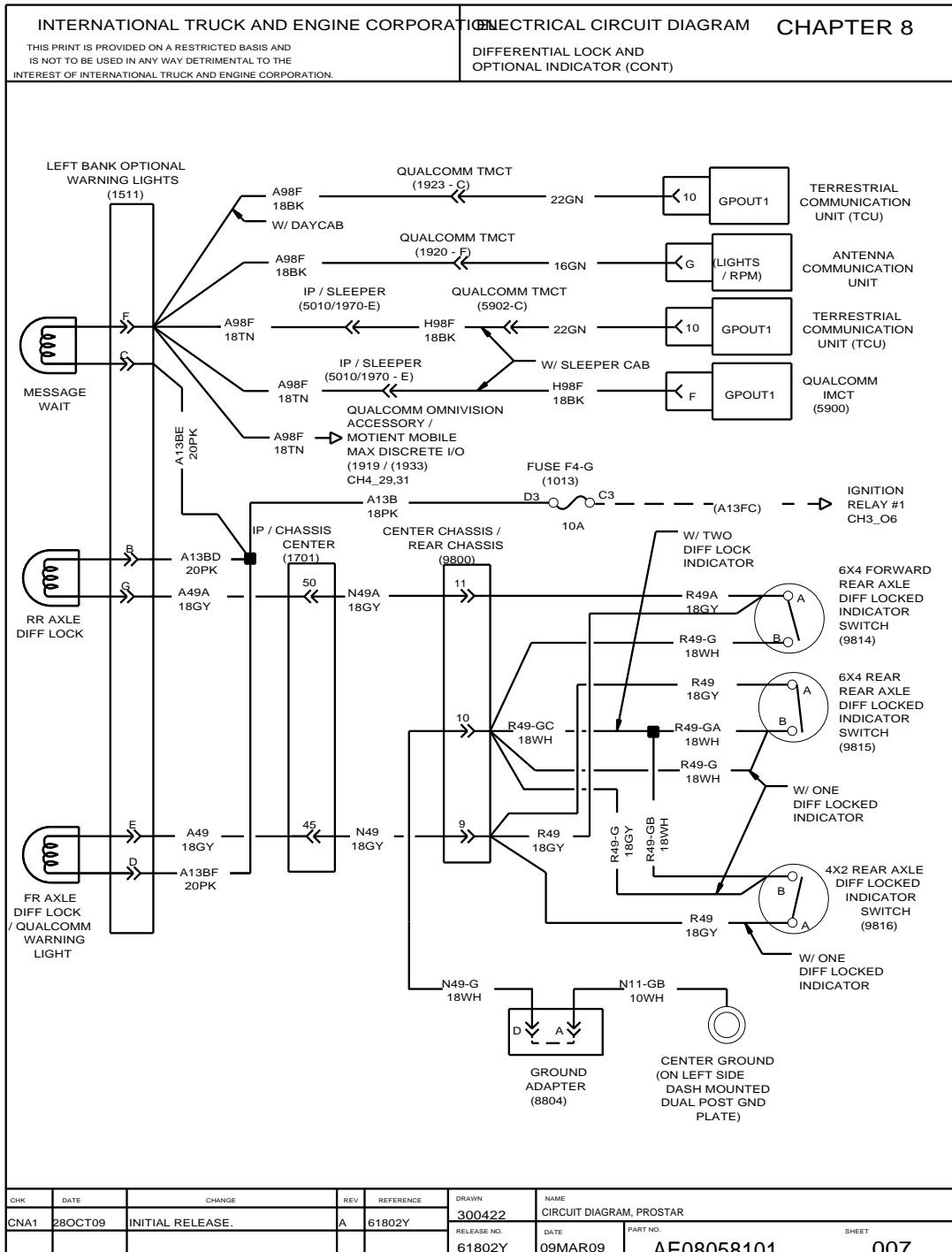


Figure 112 Differential Lock and Optional Indicator (Cont.)

8.8. DIFFERENTIAL LOCK AND OPTIONAL INDICATOR (CONT.), P. 8

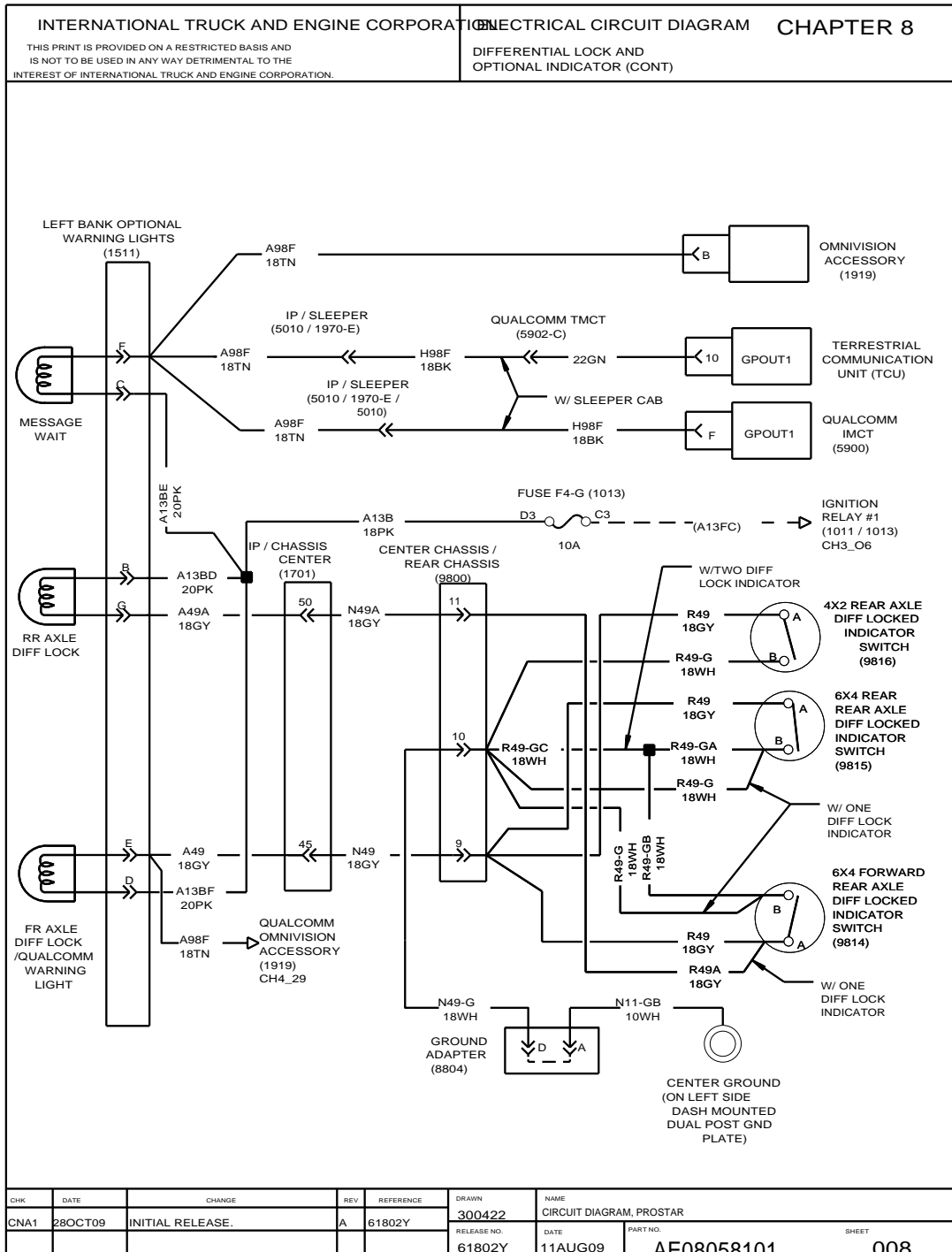


Figure 113 Differential Lock and Optional Indicator (Cont.)

8.9. IP / GAUGES, P. 9

INTERNATIONAL TRUCK AND ENGINE CORPORATION <small>THIS PRINT IS PROVIDED ON A RESTRICTED BASIS AND IS NOT TO BE USED IN ANY WAY DETRIMENTAL TO THE INTEREST OF INTERNATIONAL TRUCK AND ENGINE CORPORATION.</small>		ELECTRICAL CIRCUIT DIAGRAM CHAPTER 8 IP / GAUGES																																																																									
<table border="1" style="width: 100%; border-collapse: collapse;"> <thead> <tr> <th colspan="4">INSTRUMENT PANEL GAUGE CLUSTER</th> </tr> <tr> <th style="width: 20%;">GAUGE</th> <th style="width: 10%;">WARN LIGHT</th> <th style="width: 50%;">SIGNAL PATH</th> <th style="width: 20%;">SENSOR LOCATION</th> </tr> </thead> <tbody> <tr> <td>RPM (TACH)</td> <td>NO</td> <td>ENGINE CONT / DRIVE TRAIN J1939 / CLUSTER</td> <td>ENGINE</td> </tr> <tr> <td>MPH/KPH (SPD)</td> <td>NO</td> <td>ENGINE CONT / DRIVE TRAIN J1939 / CLUSTER</td> <td>TRANSMISSION</td> </tr> <tr> <td>FUEL</td> <td>YES</td> <td>BODY CONT / DRIVE TRAIN J1939 / CLUSTER</td> <td>FUEL TANK</td> </tr> <tr> <td>VOLT</td> <td>YES</td> <td>BODY CONT / DRIVE TRAIN J1939 / CLUSTER</td> <td>-</td> </tr> <tr> <td>AIR 1 (PRES)</td> <td>YES</td> <td>BODY CONT / DRIVE TRAIN J1939 / CLUSTER</td> <td>DRIVER CONTROL MODULE</td> </tr> <tr> <td>AIR 2 (PRES)</td> <td>YES</td> <td>BODY CONT / DRIVE TRAIN J1939 / CLUSTER</td> <td>DRIVER CONTROL MODULE</td> </tr> <tr> <td>WATER (TEMP)</td> <td>YES</td> <td>ENGINE CONT / DRIVE TRAIN J1939 / CLUSTER</td> <td>ENGINE</td> </tr> <tr> <td>ENG OIL (TEMP)</td> <td>YES</td> <td>ENGINE CONT / DRIVE TRAIN J1939 / CLUSTER</td> <td>ENGINE</td> </tr> <tr> <td>OIL (PRES)</td> <td>YES</td> <td>ENGINE CONT / DRIVE TRAIN J1939 / CLUSTER</td> <td>ENGINE</td> </tr> <tr> <td>TRANS (TEMP)</td> <td>YES</td> <td>BODY CONT / DRIVE TRAIN J1939 / CLUSTER</td> <td>TRANSMISSION</td> </tr> </tbody> </table> <table border="1" style="width: 100%; border-collapse: collapse;"> <thead> <tr> <th colspan="4">SECONDARY GAUGE CLUSTER</th> </tr> <tr> <th style="width: 20%;">GAUGE</th> <th style="width: 10%;">WARN LIGHT</th> <th style="width: 50%;">SIGNAL PATH</th> <th style="width: 20%;">SENSOR LOCATION</th> </tr> </thead> <tbody> <tr> <td>REAR RR AXLE OIL TEMP</td> <td>YES</td> <td>BODY CONT / DRIVE TRAIN J1939 / CLUSTER</td> <td>REAR RR AXLE</td> </tr> <tr> <td>FORWARD RR AXLE OIL TEMP</td> <td>YES</td> <td>BODY CONT / DRIVE TRAIN J1939 / CLUSTER</td> <td>FORWARD RR AXLE</td> </tr> <tr> <td>BOOST PRESSURE</td> <td>NO</td> <td>ENGINE CONT / DRIVE TRAIN J1939 / CLUSTER</td> <td>ENGINE</td> </tr> <tr> <td>AIR APPLICATION</td> <td>NO</td> <td>BODY CONT / DRIVE TRAIN J1939 / CLUSTER</td> <td>DRIVER CONTROL MODULE</td> </tr> </tbody> </table> <p>NOTES: 1. WARNING LIGHTS ARE PART OF THE GAUGES AND LOCATED IN THE GAUGE CLUSTER</p>				INSTRUMENT PANEL GAUGE CLUSTER				GAUGE	WARN LIGHT	SIGNAL PATH	SENSOR LOCATION	RPM (TACH)	NO	ENGINE CONT / DRIVE TRAIN J1939 / CLUSTER	ENGINE	MPH/KPH (SPD)	NO	ENGINE CONT / DRIVE TRAIN J1939 / CLUSTER	TRANSMISSION	FUEL	YES	BODY CONT / DRIVE TRAIN J1939 / CLUSTER	FUEL TANK	VOLT	YES	BODY CONT / DRIVE TRAIN J1939 / CLUSTER	-	AIR 1 (PRES)	YES	BODY CONT / DRIVE TRAIN J1939 / CLUSTER	DRIVER CONTROL MODULE	AIR 2 (PRES)	YES	BODY CONT / DRIVE TRAIN J1939 / CLUSTER	DRIVER CONTROL MODULE	WATER (TEMP)	YES	ENGINE CONT / DRIVE TRAIN J1939 / CLUSTER	ENGINE	ENG OIL (TEMP)	YES	ENGINE CONT / DRIVE TRAIN J1939 / CLUSTER	ENGINE	OIL (PRES)	YES	ENGINE CONT / DRIVE TRAIN J1939 / CLUSTER	ENGINE	TRANS (TEMP)	YES	BODY CONT / DRIVE TRAIN J1939 / CLUSTER	TRANSMISSION	SECONDARY GAUGE CLUSTER				GAUGE	WARN LIGHT	SIGNAL PATH	SENSOR LOCATION	REAR RR AXLE OIL TEMP	YES	BODY CONT / DRIVE TRAIN J1939 / CLUSTER	REAR RR AXLE	FORWARD RR AXLE OIL TEMP	YES	BODY CONT / DRIVE TRAIN J1939 / CLUSTER	FORWARD RR AXLE	BOOST PRESSURE	NO	ENGINE CONT / DRIVE TRAIN J1939 / CLUSTER	ENGINE	AIR APPLICATION	NO	BODY CONT / DRIVE TRAIN J1939 / CLUSTER	DRIVER CONTROL MODULE
INSTRUMENT PANEL GAUGE CLUSTER																																																																											
GAUGE	WARN LIGHT	SIGNAL PATH	SENSOR LOCATION																																																																								
RPM (TACH)	NO	ENGINE CONT / DRIVE TRAIN J1939 / CLUSTER	ENGINE																																																																								
MPH/KPH (SPD)	NO	ENGINE CONT / DRIVE TRAIN J1939 / CLUSTER	TRANSMISSION																																																																								
FUEL	YES	BODY CONT / DRIVE TRAIN J1939 / CLUSTER	FUEL TANK																																																																								
VOLT	YES	BODY CONT / DRIVE TRAIN J1939 / CLUSTER	-																																																																								
AIR 1 (PRES)	YES	BODY CONT / DRIVE TRAIN J1939 / CLUSTER	DRIVER CONTROL MODULE																																																																								
AIR 2 (PRES)	YES	BODY CONT / DRIVE TRAIN J1939 / CLUSTER	DRIVER CONTROL MODULE																																																																								
WATER (TEMP)	YES	ENGINE CONT / DRIVE TRAIN J1939 / CLUSTER	ENGINE																																																																								
ENG OIL (TEMP)	YES	ENGINE CONT / DRIVE TRAIN J1939 / CLUSTER	ENGINE																																																																								
OIL (PRES)	YES	ENGINE CONT / DRIVE TRAIN J1939 / CLUSTER	ENGINE																																																																								
TRANS (TEMP)	YES	BODY CONT / DRIVE TRAIN J1939 / CLUSTER	TRANSMISSION																																																																								
SECONDARY GAUGE CLUSTER																																																																											
GAUGE	WARN LIGHT	SIGNAL PATH	SENSOR LOCATION																																																																								
REAR RR AXLE OIL TEMP	YES	BODY CONT / DRIVE TRAIN J1939 / CLUSTER	REAR RR AXLE																																																																								
FORWARD RR AXLE OIL TEMP	YES	BODY CONT / DRIVE TRAIN J1939 / CLUSTER	FORWARD RR AXLE																																																																								
BOOST PRESSURE	NO	ENGINE CONT / DRIVE TRAIN J1939 / CLUSTER	ENGINE																																																																								
AIR APPLICATION	NO	BODY CONT / DRIVE TRAIN J1939 / CLUSTER	DRIVER CONTROL MODULE																																																																								
<small>CHK</small>	<small>DATE</small>	<small>CHANGE</small>	<small>REV</small>	<small>REFERENCE</small>	<small>DRAWN</small>	<small>NAME</small>																																																																					
CNA1	28OCT09	INITIAL RELEASE.	A	61802Y	300422	CIRCUIT DIAGRAM, PROSTAR																																																																					
					<small>RELEASE NO.</small>	<small>DATE</small>	<small>PART NO.</small>																																																																				
					61802Y	09MAR09	AE08058101																																																																				
							<small>SHEET</small> 009																																																																				

Figure 114 IP / Gauges

8.10. IP / GAUGES AND WARNING LIGHTS – GAUGE CLUSTER, P. 10

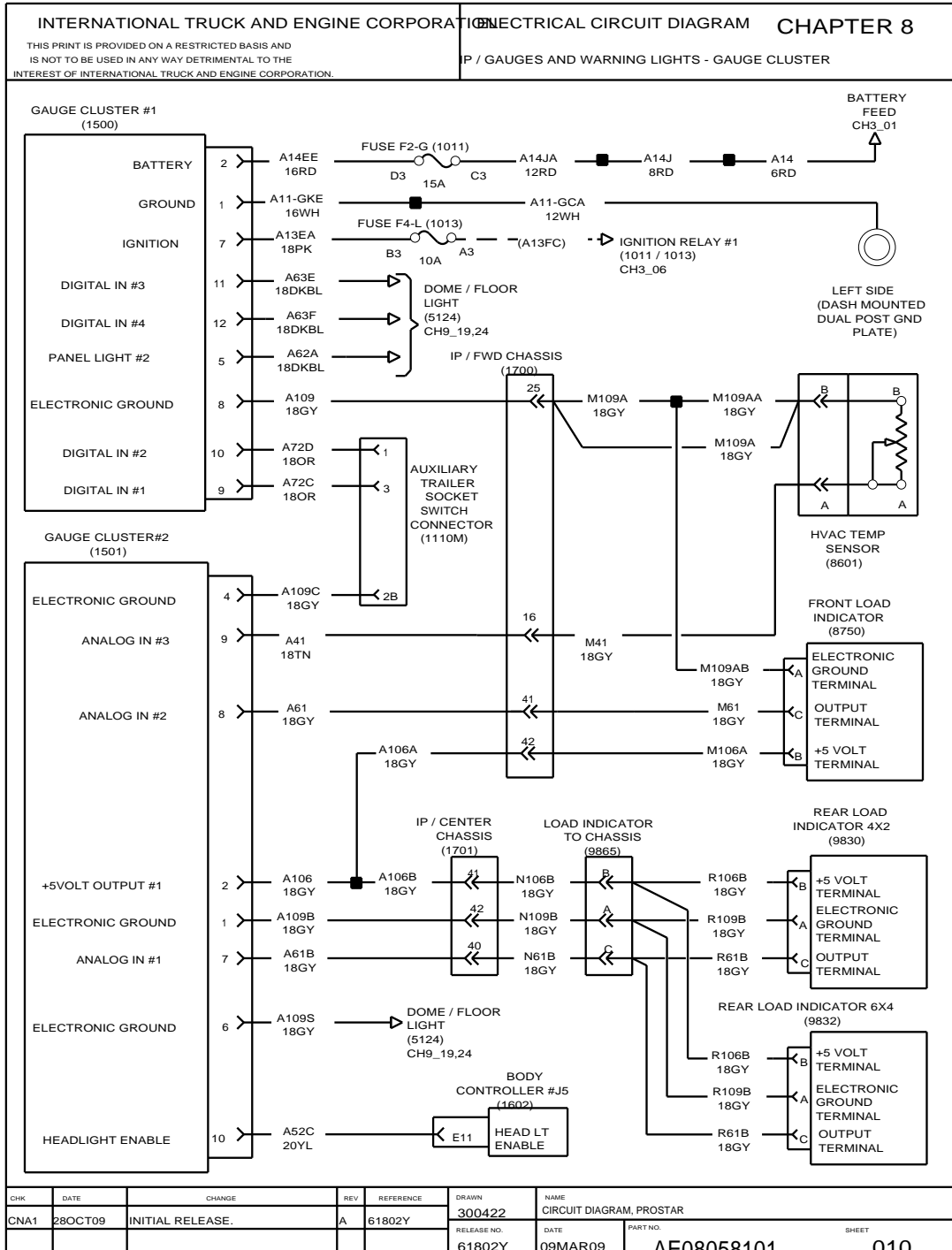


Figure 115 IP / Gauges and Warning Lights – Gauge Cluster

8.11. SECONDARY INSTRUMENT CLUSTER, P. 11

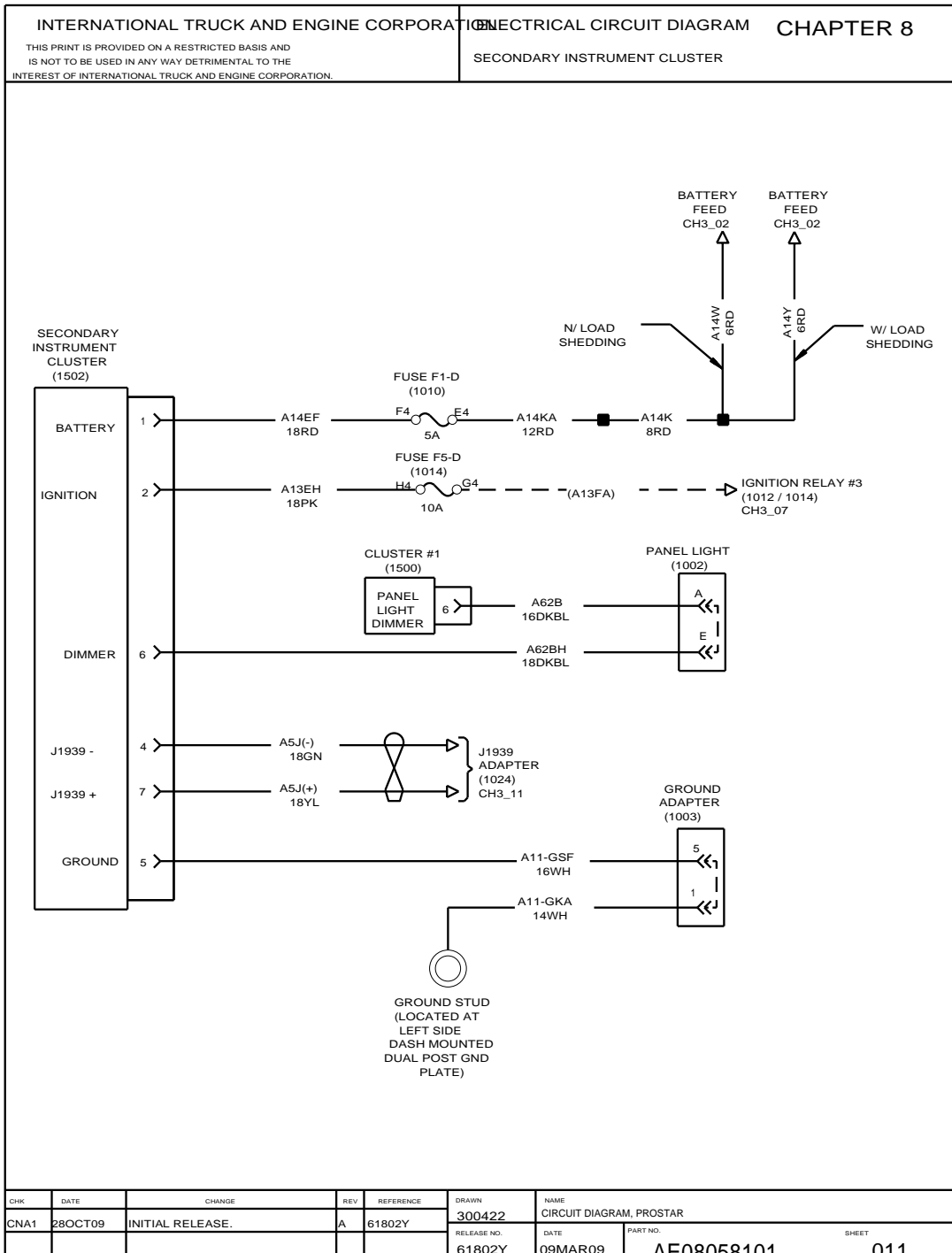


Figure 116 Secondary Instrument Cluster

8.12. PARKING WARNING LIGHT, P. 12

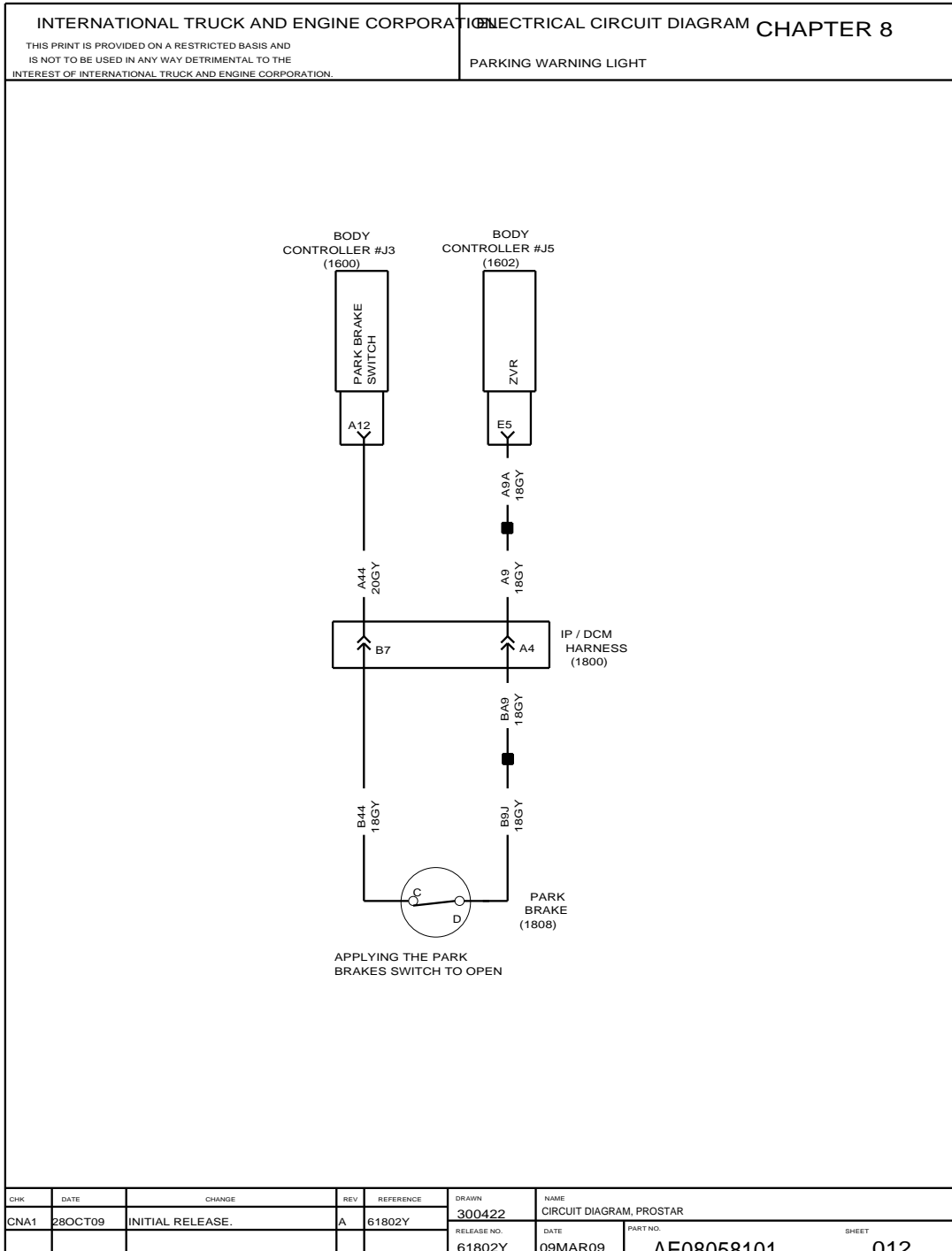


Figure 117 Parking Warning Light

8.13. WARNING LIGHTS, P. 13

INTERNATIONAL TRUCK AND ENGINE CORPORATION		ELECTRICAL CIRCUIT DIAGRAM		CHAPTER 8																																																																																																													
THIS PRINT IS PROVIDED ON A RESTRICTED BASIS AND IS NOT TO BE USED IN ANY WAY DETRIMENTAL TO THE INTEREST OF INTERNATIONAL TRUCK AND ENGINE CORPORATION.		WARNING LIGHTS																																																																																																															
<table border="1" style="width:100%; border-collapse: collapse;"> <thead> <tr> <th colspan="4" style="text-align: center;">IP WARNING LIGHTS</th> </tr> <tr> <th style="width: 25%;">WARNING LIGHT</th> <th style="width: 25%;">REPRESENTATION</th> <th style="width: 10%;">COLOR</th> <th style="width: 40%;">SIGNAL PATH</th> </tr> </thead> <tbody> <tr> <td>RANGE INHIBITED</td> <td>RANGE INHIBITED</td> <td>YELLOW</td> <td>TCM / J1939 / CLUSTER</td> </tr> <tr> <td>PROTECT</td> <td>[ICON]</td> <td>YELLOW</td> <td>SAE DIAGNOSTIC LAMP</td> </tr> <tr> <td>RETARD OVER HEAT</td> <td>RETARD OVERHEAT</td> <td>YELLOW</td> <td>STATUS TRANSMITTED IN J1939 PROPRIETARY MESSAGE FROM BODY CONTROLLER</td> </tr> <tr> <td>AMBER WARN (AWL)</td> <td>[YIELD ICON]</td> <td>YELLOW</td> <td>STATUS TRANSMITTED IN J1939 MESSAGE FROM ANY MODULE SAE DIAGNOSTIC LAMP</td> </tr> <tr> <td>RED STOP (RSL)</td> <td>[STOP ICON]</td> <td>RED</td> <td>STATUS TRANSMITTED IN J1939 MESSAGE FROM ANY MODULE SAE DIAGNOSTIC LAMP</td> </tr> <tr> <td>BRAKE PRESSURE</td> <td>BRAKE PRESSURE [BRAKE ICON]</td> <td>RED</td> <td>STATUS TRANSMITTED IN J1939 PROPRIETARY MESSAGE FROM BODY CONTROLLER</td> </tr> <tr> <td>PARK BRAKE</td> <td>PARK [ICON]</td> <td>RED</td> <td>STATUS TRANSMITTED IN J1939 PROPRIETARY MESSAGE FROM BODY CONTROLLER</td> </tr> <tr> <td>EMERGENCY EXIT</td> <td>EMERG EXIT</td> <td>RED</td> <td>STATUS TRANSMITTED IN J1939 PROPRIETARY MESSAGE FROM BODY CONTROLLER</td> </tr> <tr> <td>LIFT DOOR</td> <td>LIFT DOOR</td> <td>YELLOW</td> <td>STATUS TRANSMITTED IN J1939 PROPRIETARY MESSAGE FROM BODY CONTROLLER</td> </tr> <tr> <td>TRAILER ABS</td> <td>ABS [TRAILER ICON]</td> <td>YELLOW</td> <td>STATUS TRANSMITTED IN J1939 MESSAGE FROM ABS</td> </tr> <tr> <td>WAIT TO START</td> <td>WAIT TO START</td> <td>YELLOW</td> <td>STATUS TRANSMITTED IN J1939 PROPRIETARY MESSAGE FROM BODY CONTROLLER</td> </tr> <tr> <td>TRACTION CONTROL</td> <td>TRAC CTRL</td> <td>YELLOW</td> <td>STATUS TRANSMITTED IN J1939 MESSAGE FROM ABS</td> </tr> <tr> <td>IDLE SHUTDOWN</td> <td>IDLE SHUTDOWN</td> <td>YELLOW</td> <td>STATUS TRANSMITTED IN J1939 MESSAGE FROM ECM</td> </tr> <tr> <td>MALFUNCTION (MIL)</td> <td>[ICON]</td> <td>YELLOW</td> <td>SAE DIAGNOSTIC LAMP</td> </tr> <tr> <td>PTO ENGAGED INDICATOR</td> <td>PTO</td> <td>YELLOW</td> <td>STATUS TRANSMITTED IN J1939 PROPRIETARY MESSAGE FROM BODY CONTROLLER</td> </tr> <tr> <td>SERVICE PARK</td> <td>SERVICE [ICON]</td> <td>RED</td> <td>STATUS TRANSMITTED IN J1939 PROPRIETARY MESSAGE FROM BODY CONTROLLER</td> </tr> <tr> <td>SEAT BELT</td> <td>FASTEN BELTS</td> <td>RED</td> <td>STATUS TRANSMITTED IN J1939 PROPRIETARY MESSAGE FROM BODY CONTROLLER</td> </tr> <tr> <td>BRAKE FLUID</td> <td>BRAKE FLUID [ICON]</td> <td>RED</td> <td>BODY CONT / J1939 / CLUSTER</td> </tr> <tr> <td>RED FLASHER</td> <td>RED FLASHER</td> <td>RED</td> <td>STATUS TRANSMITTED IN J1939 PROPRIETARY MESSAGE FROM BODY CONTROLLER</td> </tr> <tr> <td>AMBER FLASHER</td> <td>AMBER FLASHER</td> <td>YELLOW</td> <td>STATUS TRANSMITTED IN J1939 PROPRIETARY MESSAGE FROM BODY CONTROLLER</td> </tr> <tr> <td>ANTILOCK BRAKING SYSTEM</td> <td>[ABS ICON]</td> <td>YELLOW</td> <td>STATUS TRANSMITTED IN J1939 MESSAGE FROM ABS</td> </tr> <tr> <td>ECONOMY MODE</td> <td>ECON</td> <td>YELLOW</td> <td>STATUS TRANSMITTED IN J1939 MESSAGE FROM TCM</td> </tr> <tr> <td>LEFT TURN</td> <td>[ARROW ICON]</td> <td>GREEN</td> <td>STATUS TRANSMITTED IN J1939 PROPRIETARY MESSAGE FROM BODY CONTROLLER</td> </tr> <tr> <td>HIGH BEAM</td> <td>[ICON]</td> <td>BLUE</td> <td>STATUS TRANSMITTED IN J1939 PROPRIETARY MESSAGE FROM BODY CONTROLLER</td> </tr> <tr> <td>RIGHT TURN</td> <td>[ARROW ICON]</td> <td>GREEN</td> <td>STATUS TRANSMITTED IN J1939 PROPRIETARY MESSAGE FROM BODY CONTROLLER</td> </tr> </tbody> </table>						IP WARNING LIGHTS				WARNING LIGHT	REPRESENTATION	COLOR	SIGNAL PATH	RANGE INHIBITED	RANGE INHIBITED	YELLOW	TCM / J1939 / CLUSTER	PROTECT	[ICON]	YELLOW	SAE DIAGNOSTIC LAMP	RETARD OVER HEAT	RETARD OVERHEAT	YELLOW	STATUS TRANSMITTED IN J1939 PROPRIETARY MESSAGE FROM BODY CONTROLLER	AMBER WARN (AWL)	[YIELD ICON]	YELLOW	STATUS TRANSMITTED IN J1939 MESSAGE FROM ANY MODULE SAE DIAGNOSTIC LAMP	RED STOP (RSL)	[STOP ICON]	RED	STATUS TRANSMITTED IN J1939 MESSAGE FROM ANY MODULE SAE DIAGNOSTIC LAMP	BRAKE PRESSURE	BRAKE PRESSURE [BRAKE ICON]	RED	STATUS TRANSMITTED IN J1939 PROPRIETARY MESSAGE FROM BODY CONTROLLER	PARK BRAKE	PARK [ICON]	RED	STATUS TRANSMITTED IN J1939 PROPRIETARY MESSAGE FROM BODY CONTROLLER	EMERGENCY EXIT	EMERG EXIT	RED	STATUS TRANSMITTED IN J1939 PROPRIETARY MESSAGE FROM BODY CONTROLLER	LIFT DOOR	LIFT DOOR	YELLOW	STATUS TRANSMITTED IN J1939 PROPRIETARY MESSAGE FROM BODY CONTROLLER	TRAILER ABS	ABS [TRAILER ICON]	YELLOW	STATUS TRANSMITTED IN J1939 MESSAGE FROM ABS	WAIT TO START	WAIT TO START	YELLOW	STATUS TRANSMITTED IN J1939 PROPRIETARY MESSAGE FROM BODY CONTROLLER	TRACTION CONTROL	TRAC CTRL	YELLOW	STATUS TRANSMITTED IN J1939 MESSAGE FROM ABS	IDLE SHUTDOWN	IDLE SHUTDOWN	YELLOW	STATUS TRANSMITTED IN J1939 MESSAGE FROM ECM	MALFUNCTION (MIL)	[ICON]	YELLOW	SAE DIAGNOSTIC LAMP	PTO ENGAGED INDICATOR	PTO	YELLOW	STATUS TRANSMITTED IN J1939 PROPRIETARY MESSAGE FROM BODY CONTROLLER	SERVICE PARK	SERVICE [ICON]	RED	STATUS TRANSMITTED IN J1939 PROPRIETARY MESSAGE FROM BODY CONTROLLER	SEAT BELT	FASTEN BELTS	RED	STATUS TRANSMITTED IN J1939 PROPRIETARY MESSAGE FROM BODY CONTROLLER	BRAKE FLUID	BRAKE FLUID [ICON]	RED	BODY CONT / J1939 / CLUSTER	RED FLASHER	RED FLASHER	RED	STATUS TRANSMITTED IN J1939 PROPRIETARY MESSAGE FROM BODY CONTROLLER	AMBER FLASHER	AMBER FLASHER	YELLOW	STATUS TRANSMITTED IN J1939 PROPRIETARY MESSAGE FROM BODY CONTROLLER	ANTILOCK BRAKING SYSTEM	[ABS ICON]	YELLOW	STATUS TRANSMITTED IN J1939 MESSAGE FROM ABS	ECONOMY MODE	ECON	YELLOW	STATUS TRANSMITTED IN J1939 MESSAGE FROM TCM	LEFT TURN	[ARROW ICON]	GREEN	STATUS TRANSMITTED IN J1939 PROPRIETARY MESSAGE FROM BODY CONTROLLER	HIGH BEAM	[ICON]	BLUE	STATUS TRANSMITTED IN J1939 PROPRIETARY MESSAGE FROM BODY CONTROLLER	RIGHT TURN	[ARROW ICON]	GREEN	STATUS TRANSMITTED IN J1939 PROPRIETARY MESSAGE FROM BODY CONTROLLER
IP WARNING LIGHTS																																																																																																																	
WARNING LIGHT	REPRESENTATION	COLOR	SIGNAL PATH																																																																																																														
RANGE INHIBITED	RANGE INHIBITED	YELLOW	TCM / J1939 / CLUSTER																																																																																																														
PROTECT	[ICON]	YELLOW	SAE DIAGNOSTIC LAMP																																																																																																														
RETARD OVER HEAT	RETARD OVERHEAT	YELLOW	STATUS TRANSMITTED IN J1939 PROPRIETARY MESSAGE FROM BODY CONTROLLER																																																																																																														
AMBER WARN (AWL)	[YIELD ICON]	YELLOW	STATUS TRANSMITTED IN J1939 MESSAGE FROM ANY MODULE SAE DIAGNOSTIC LAMP																																																																																																														
RED STOP (RSL)	[STOP ICON]	RED	STATUS TRANSMITTED IN J1939 MESSAGE FROM ANY MODULE SAE DIAGNOSTIC LAMP																																																																																																														
BRAKE PRESSURE	BRAKE PRESSURE [BRAKE ICON]	RED	STATUS TRANSMITTED IN J1939 PROPRIETARY MESSAGE FROM BODY CONTROLLER																																																																																																														
PARK BRAKE	PARK [ICON]	RED	STATUS TRANSMITTED IN J1939 PROPRIETARY MESSAGE FROM BODY CONTROLLER																																																																																																														
EMERGENCY EXIT	EMERG EXIT	RED	STATUS TRANSMITTED IN J1939 PROPRIETARY MESSAGE FROM BODY CONTROLLER																																																																																																														
LIFT DOOR	LIFT DOOR	YELLOW	STATUS TRANSMITTED IN J1939 PROPRIETARY MESSAGE FROM BODY CONTROLLER																																																																																																														
TRAILER ABS	ABS [TRAILER ICON]	YELLOW	STATUS TRANSMITTED IN J1939 MESSAGE FROM ABS																																																																																																														
WAIT TO START	WAIT TO START	YELLOW	STATUS TRANSMITTED IN J1939 PROPRIETARY MESSAGE FROM BODY CONTROLLER																																																																																																														
TRACTION CONTROL	TRAC CTRL	YELLOW	STATUS TRANSMITTED IN J1939 MESSAGE FROM ABS																																																																																																														
IDLE SHUTDOWN	IDLE SHUTDOWN	YELLOW	STATUS TRANSMITTED IN J1939 MESSAGE FROM ECM																																																																																																														
MALFUNCTION (MIL)	[ICON]	YELLOW	SAE DIAGNOSTIC LAMP																																																																																																														
PTO ENGAGED INDICATOR	PTO	YELLOW	STATUS TRANSMITTED IN J1939 PROPRIETARY MESSAGE FROM BODY CONTROLLER																																																																																																														
SERVICE PARK	SERVICE [ICON]	RED	STATUS TRANSMITTED IN J1939 PROPRIETARY MESSAGE FROM BODY CONTROLLER																																																																																																														
SEAT BELT	FASTEN BELTS	RED	STATUS TRANSMITTED IN J1939 PROPRIETARY MESSAGE FROM BODY CONTROLLER																																																																																																														
BRAKE FLUID	BRAKE FLUID [ICON]	RED	BODY CONT / J1939 / CLUSTER																																																																																																														
RED FLASHER	RED FLASHER	RED	STATUS TRANSMITTED IN J1939 PROPRIETARY MESSAGE FROM BODY CONTROLLER																																																																																																														
AMBER FLASHER	AMBER FLASHER	YELLOW	STATUS TRANSMITTED IN J1939 PROPRIETARY MESSAGE FROM BODY CONTROLLER																																																																																																														
ANTILOCK BRAKING SYSTEM	[ABS ICON]	YELLOW	STATUS TRANSMITTED IN J1939 MESSAGE FROM ABS																																																																																																														
ECONOMY MODE	ECON	YELLOW	STATUS TRANSMITTED IN J1939 MESSAGE FROM TCM																																																																																																														
LEFT TURN	[ARROW ICON]	GREEN	STATUS TRANSMITTED IN J1939 PROPRIETARY MESSAGE FROM BODY CONTROLLER																																																																																																														
HIGH BEAM	[ICON]	BLUE	STATUS TRANSMITTED IN J1939 PROPRIETARY MESSAGE FROM BODY CONTROLLER																																																																																																														
RIGHT TURN	[ARROW ICON]	GREEN	STATUS TRANSMITTED IN J1939 PROPRIETARY MESSAGE FROM BODY CONTROLLER																																																																																																														
CHK	DATE	CHANGE	REV	REFERENCE	DRAWN	NAME																																																																																																											
CNA1	28OCT09	INITIAL RELEASE.	A	61802Y	300422	CIRCUIT DIAGRAM, PROSTAR																																																																																																											
					RELEASE NO.	DATE																																																																																																											
					61802Y	09MAR09																																																																																																											
					PART NO.	SHEET																																																																																																											
					AE08058101	013																																																																																																											

Figure 118 Warning Lights

8.14. IP TEXT MESSAGES AND WARNING LIGHTS – CONTROLLED BY ENGINE, TRANSMISSION AND ABS CONTROLLER, P. 14

<p>INTERNATIONAL TRUCK AND ENGINE CORPORATION <small>THIS PRINT IS PROVIDED ON A RESTRICTED BASIS AND IS NOT TO BE USED IN ANY WAY DETRIMENTAL TO THE INTEREST OF INTERNATIONAL TRUCK AND ENGINE CORPORATION.</small></p>	<p style="text-align: right;">ELECTRICAL CIRCUIT DIAGRAM CHAPTER 8</p> <p>IP TEXT MESSAGES & WARNING LIGHTS - CONTROLLED BY ENGINE, XMSN AND ABS CONTROLLER</p>																					
<p>IP TEXT MESSAGES :</p> <ul style="list-style-type: none"> LOAD SHEDDING WASHER FLUID LOW ELECTRICAL FAULT CHECK A / C AIR FILTER RESTRICTION EXTERIOR LAMP CHECK ACTIVE HVAC TEMP SETTING ACTIVATE HVAC FRONT BLOWER HVAC SLEEPER BLOWER SPEED AIR PRESSURE DIAGNOSTIC CRUISE FUEL FILTER <p style="margin-top: 20px;">THE FOLLOWING WARNING LIGHTS ARE CONTROLLED BY THE ENGINE, TRANSMISSION, OR ABS CONTROLLER OVER THE DATA BUS AND DO NOT HAVE INDEPENDENT CIRCUITRY THAT CAN BE OR NEEDS TO BE SHOWN:</p> <ul style="list-style-type: none"> RANGE INHIBITED ECONOMY MODE TRAC CTRL TRAILER ABS ABS 																						
<table border="1" style="width: 100%; border-collapse: collapse;"> <thead> <tr> <th style="width: 5%;">CHK</th> <th style="width: 10%;">DATE</th> <th style="width: 25%;">CHANGE</th> <th style="width: 5%;">REV</th> <th style="width: 10%;">REFERENCE</th> <th style="width: 10%;">DRAWN</th> <th style="width: 35%;">NAME</th> </tr> </thead> <tbody> <tr> <td>CNA1</td> <td>28OCT09</td> <td>INITIAL RELEASE.</td> <td>A</td> <td>61802Y</td> <td>300422</td> <td>CIRCUIT DIAGRAM, PROSTAR</td> </tr> <tr> <td></td> <td></td> <td></td> <td></td> <td></td> <td>RELEASE NO. 61802Y</td> <td>DATE 09MAR09 PART NO. AE08058101 SHEET 014</td> </tr> </tbody> </table>		CHK	DATE	CHANGE	REV	REFERENCE	DRAWN	NAME	CNA1	28OCT09	INITIAL RELEASE.	A	61802Y	300422	CIRCUIT DIAGRAM, PROSTAR						RELEASE NO. 61802Y	DATE 09MAR09 PART NO. AE08058101 SHEET 014
CHK	DATE	CHANGE	REV	REFERENCE	DRAWN	NAME																
CNA1	28OCT09	INITIAL RELEASE.	A	61802Y	300422	CIRCUIT DIAGRAM, PROSTAR																
					RELEASE NO. 61802Y	DATE 09MAR09 PART NO. AE08058101 SHEET 014																

Figure 119 IP Text Messages and Warning Lights – Controlled by Engine, Transmission and ABS Controller

9. LIGHTING SYSTEM (CHAPTER 9)

9.1. LIGHTS – STOP, TAIL, TURN AND BACK-UP N/ FREEDOMLINE, P. 1

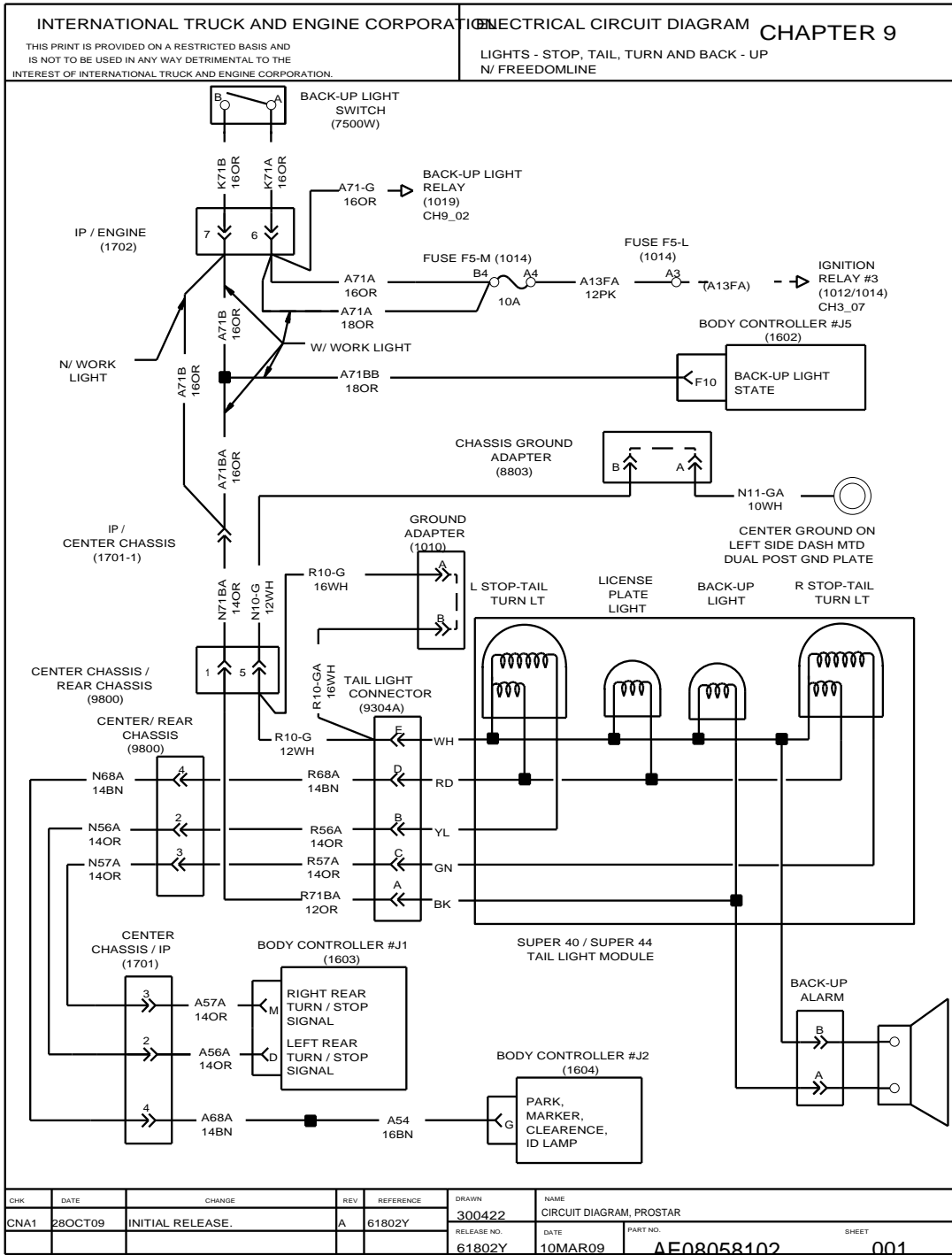


Figure 120 Lights – Stop, Tail, Turn and Back-Up N/ Freedomline

9.2. LIGHTS – STOP, TAIL, TURN AND BACK-UP W/ FREEDOMLINE, P. 2

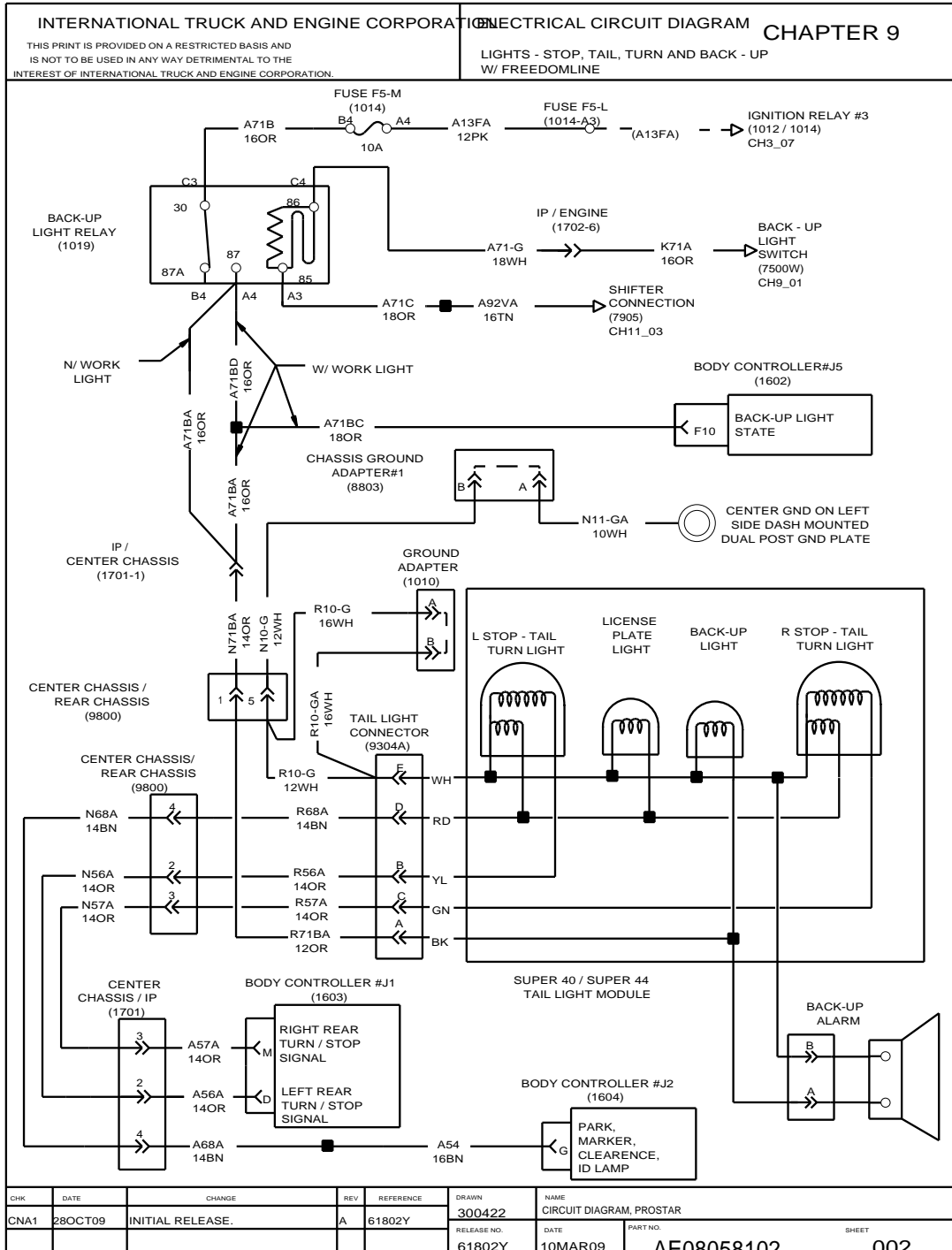


Figure 121 Lights – Stop, Tail, Turn and Back-Up W/ Freedomline

9.3. DOME / MAP AND COURTESY LIGHTS – DAY CAB, P. 3

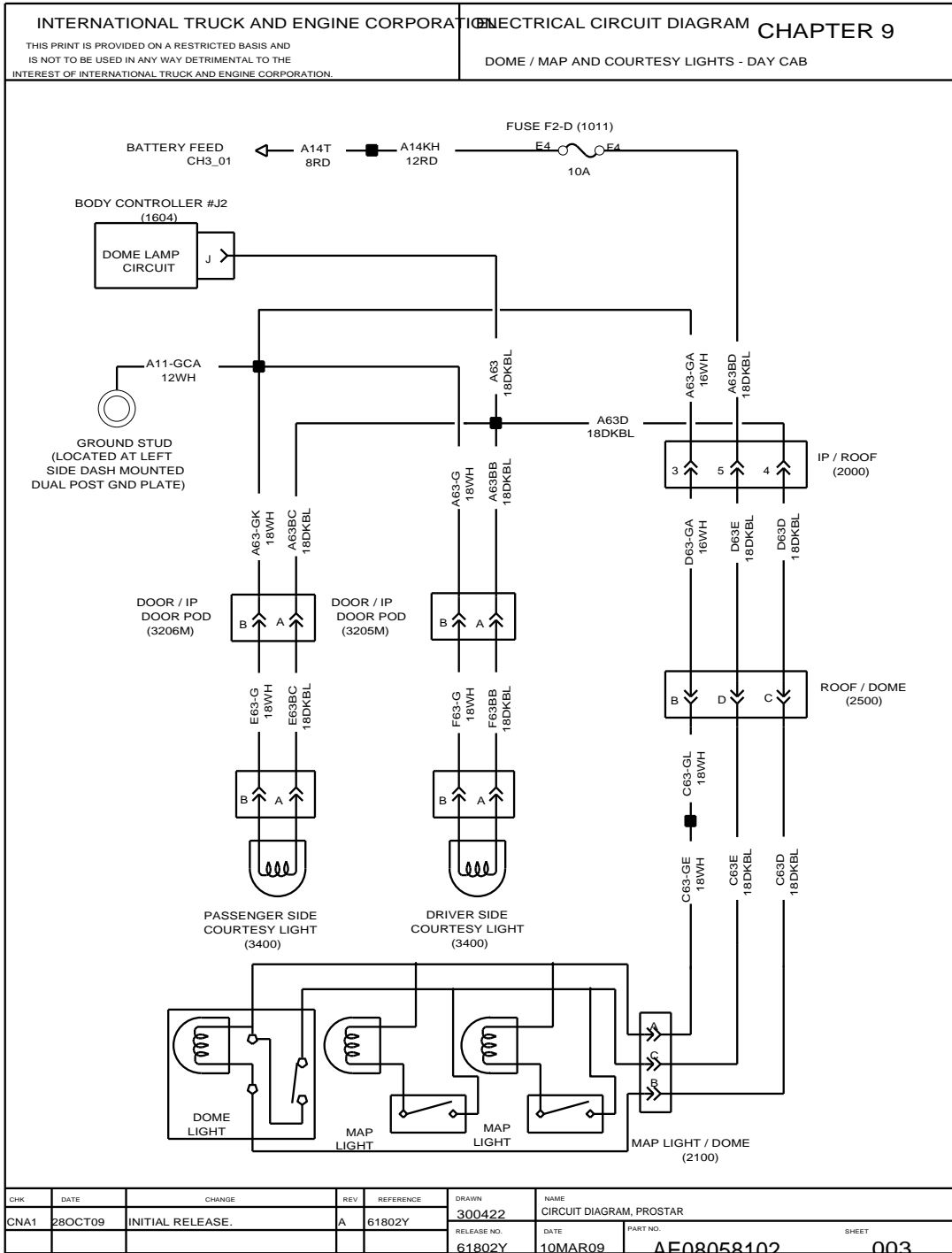


Figure 122 Dome / Map and Courtesy Lights – Day Cab

9.4. DOME / MAP AND COURTESY LIGHTS – SLEEPER, P. 4

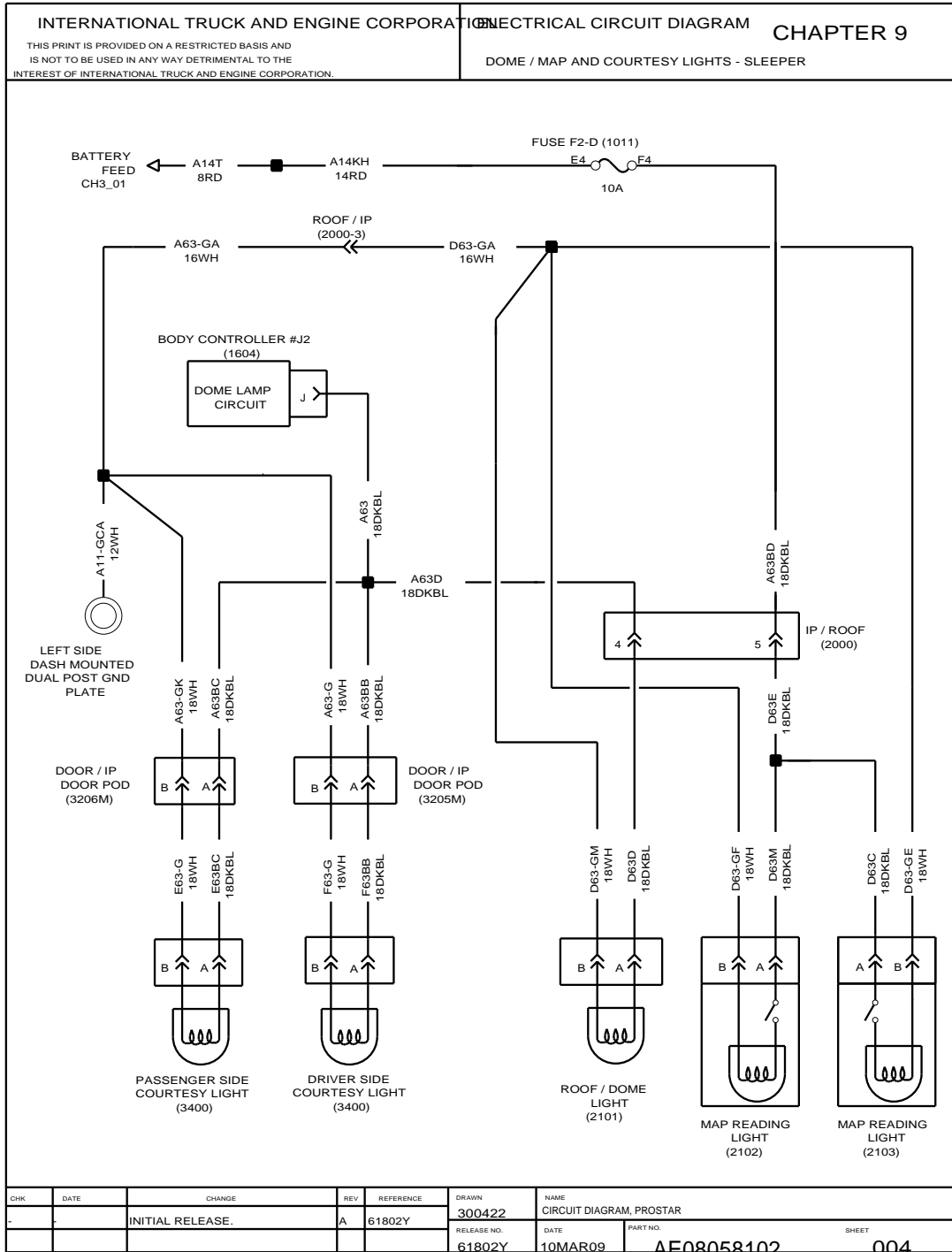


Figure 123 Dome / Map and Courtesy Lights – Sleeper

9.5. FOG LIGHTS AND SPOT LIGHT, P. 5

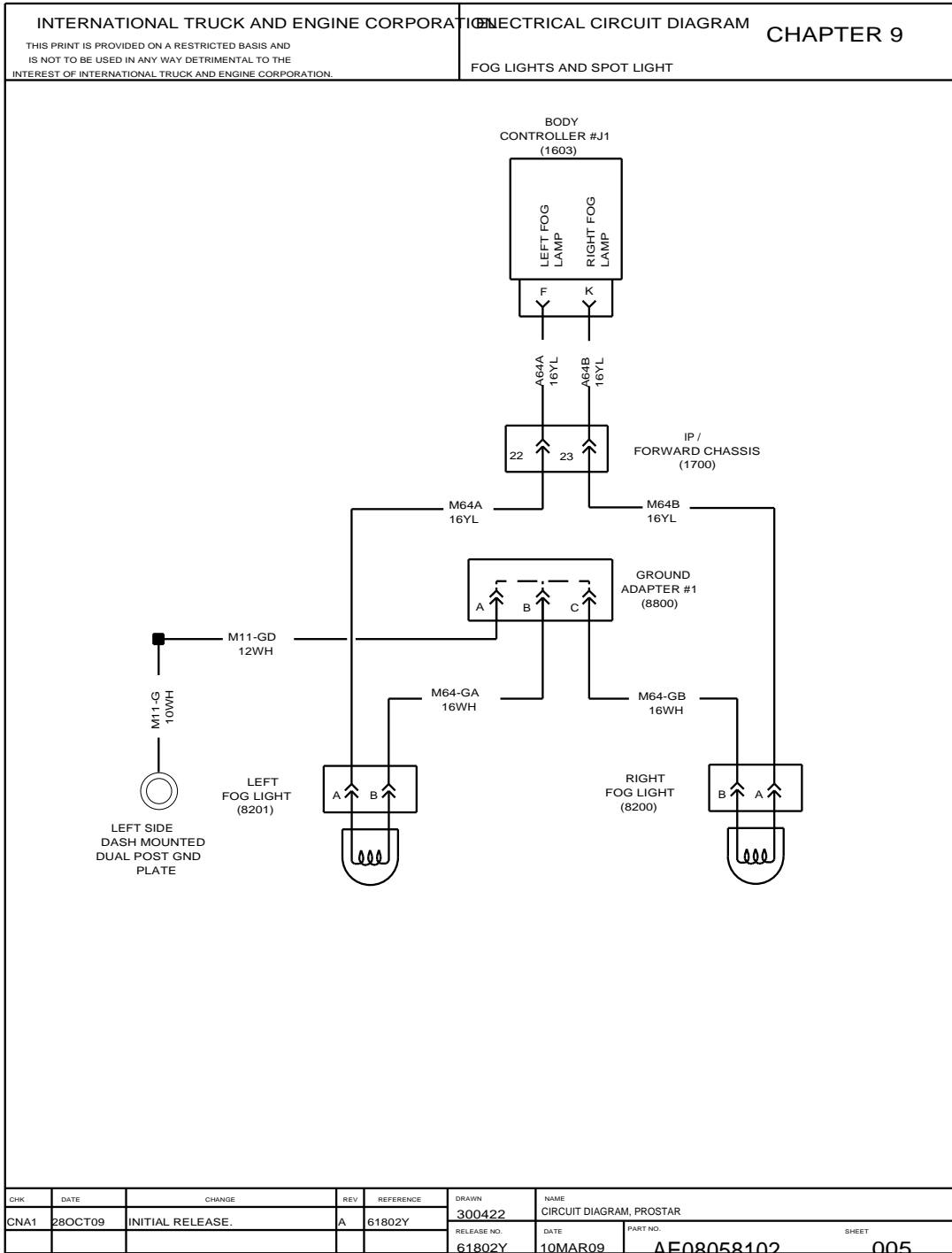


Figure 124 Fog Lights and Spot Light

9.6. HEAD LIGHTS, P. 6

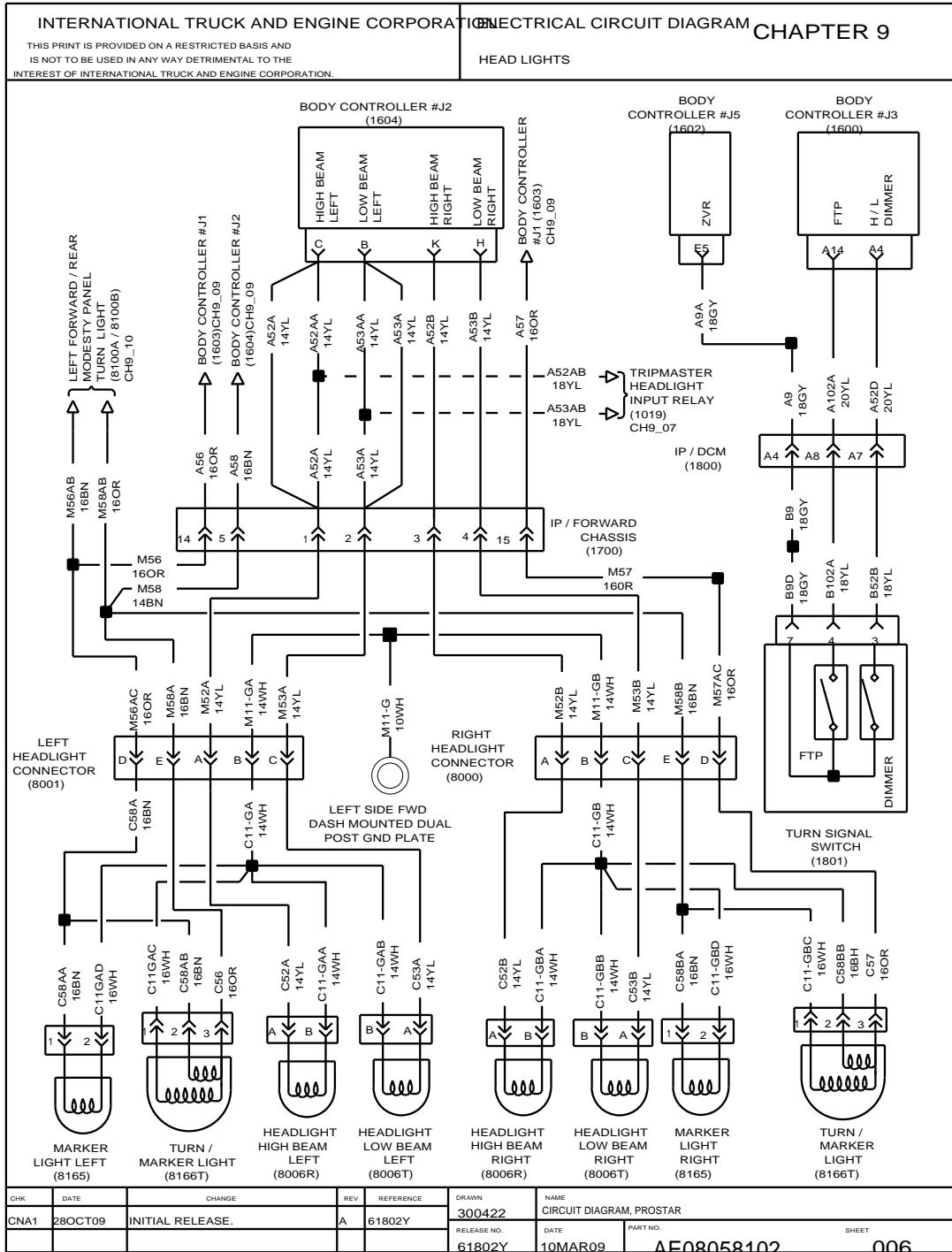


Figure 125 Head Lights

9.7. TRIPMASTER, P. 7

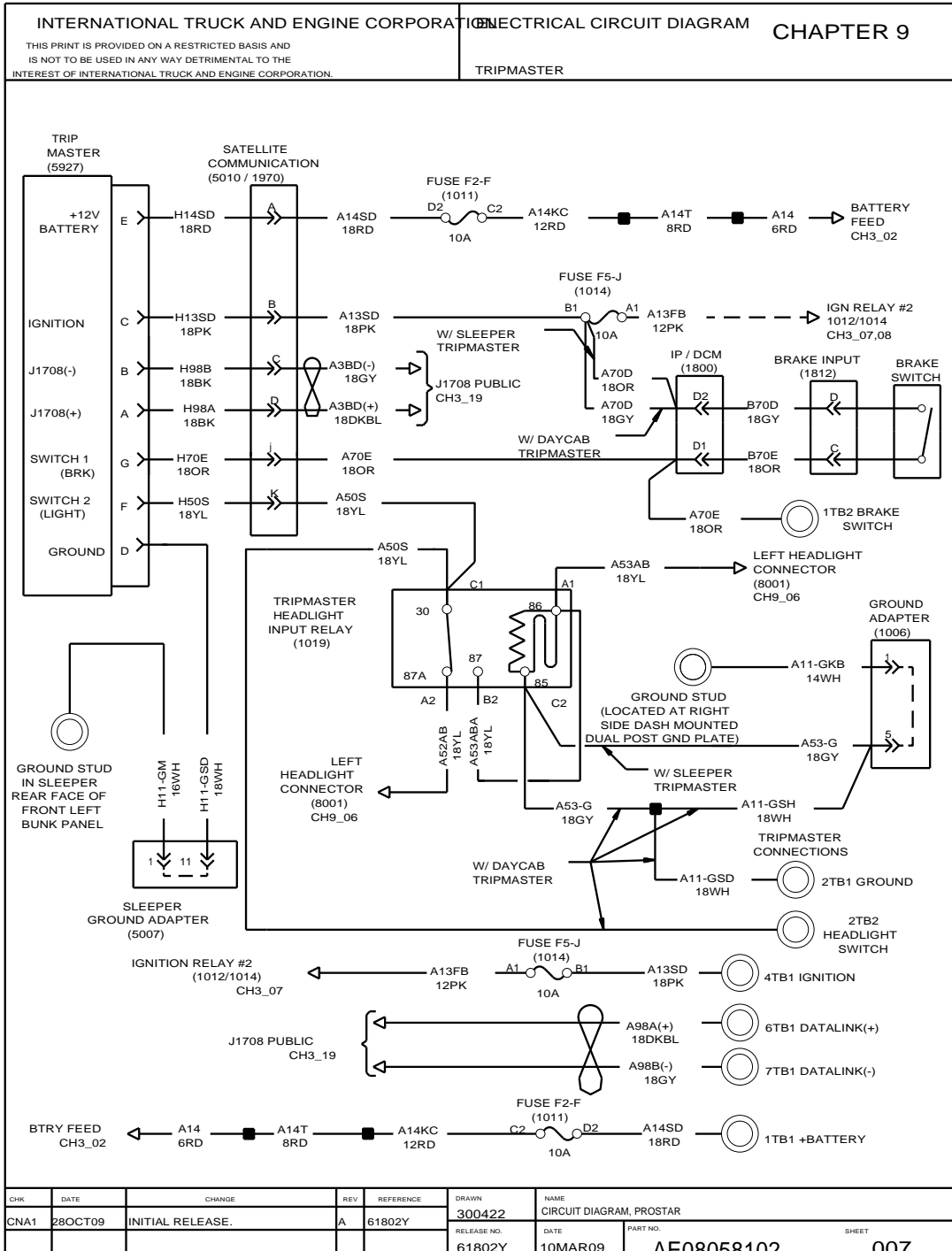


Figure 126 Tripmaster

9.8. TURN AND STOP SWITCH, P. 8

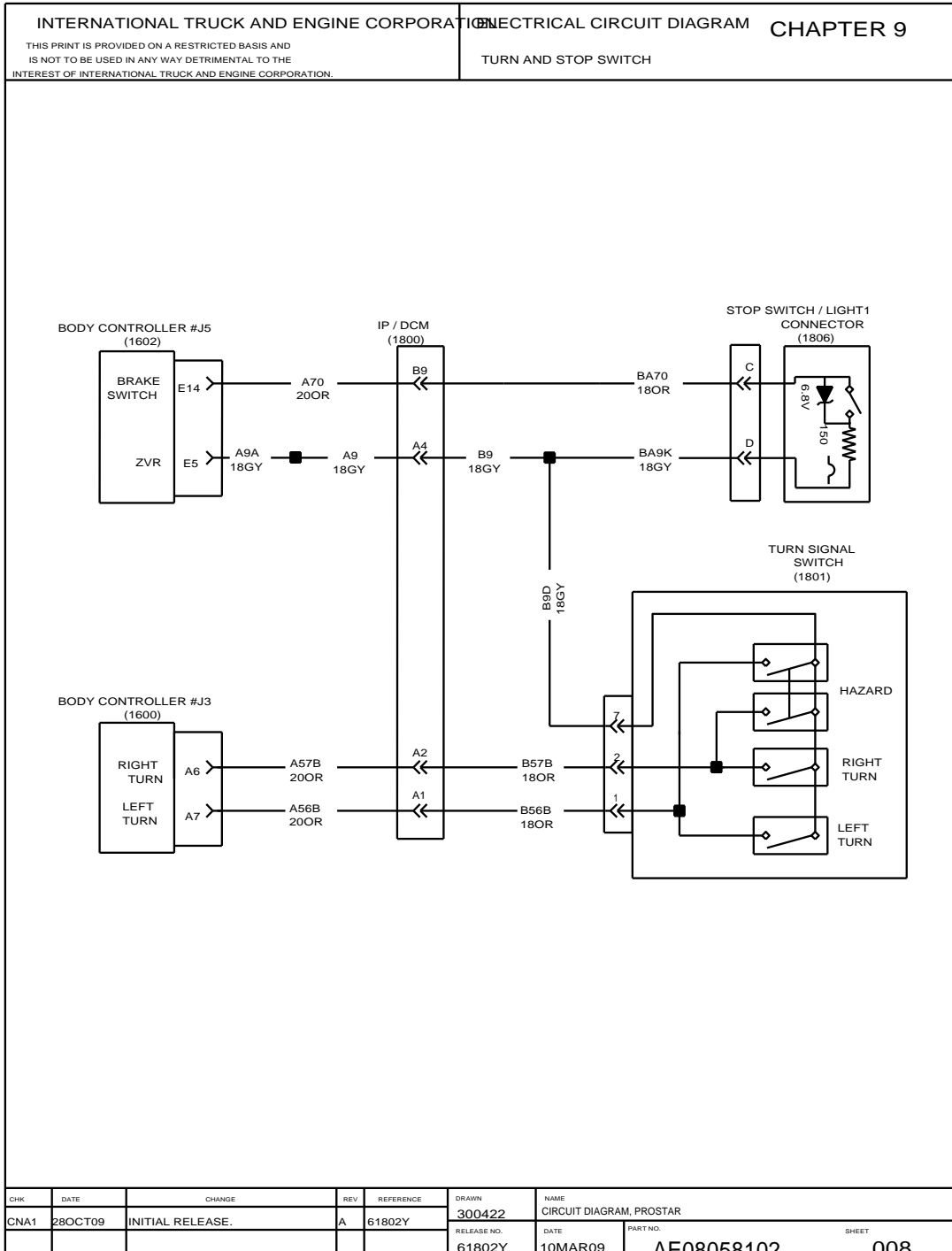


Figure 127 Turn and Stop Switch

9.9. LIGHT SYSTEM – PARK, MARKER, CLEARANCE, ID, TURN, STOP, TAIL, P. 9

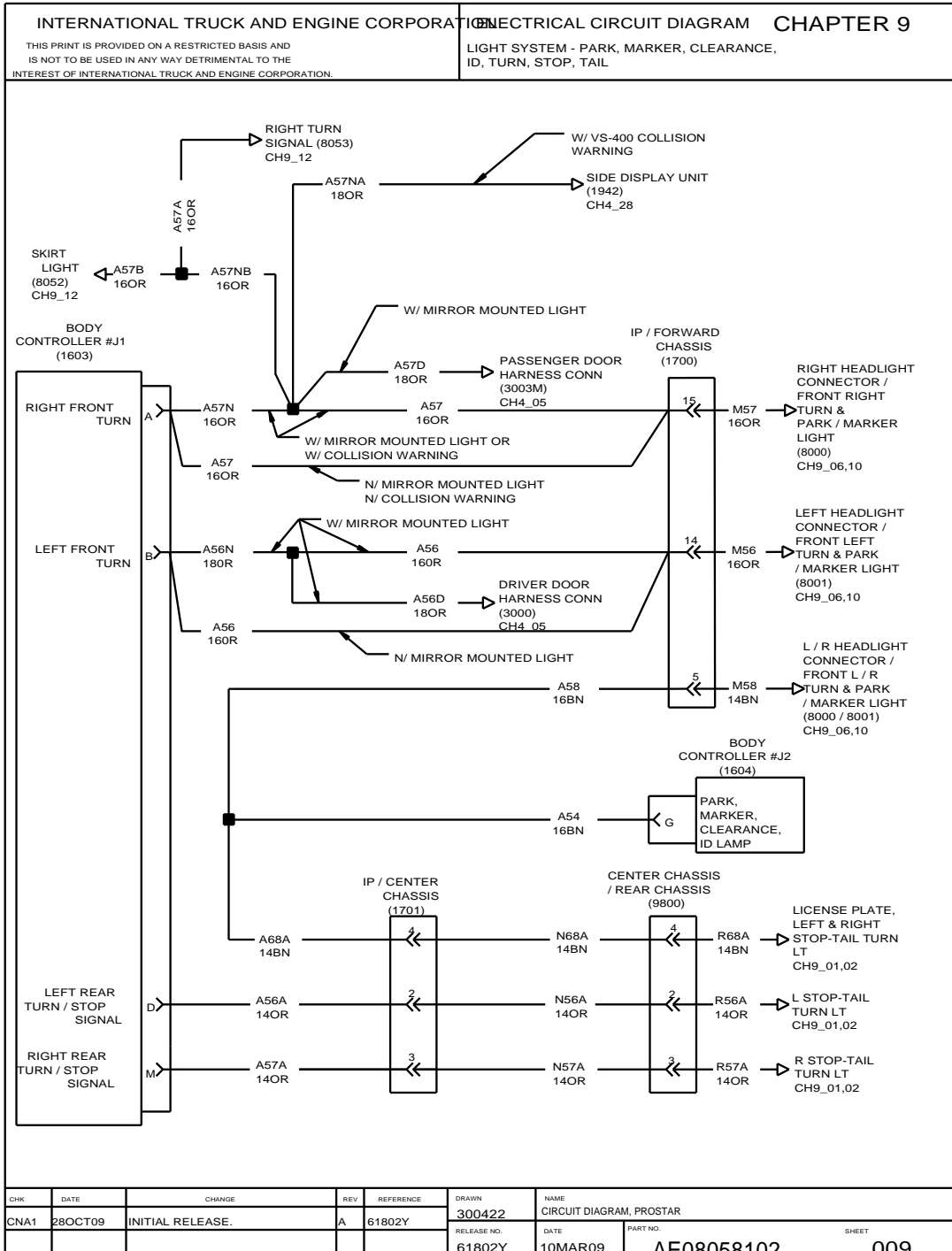


Figure 128 Light System – Park, Marker, Clearance, ID, Turn, Stop, Tail

9.10. LIGHT SYSTEM – PARK, MARKER, FRONT – TURN AND MODESTY PANEL LIGHT, P. 10

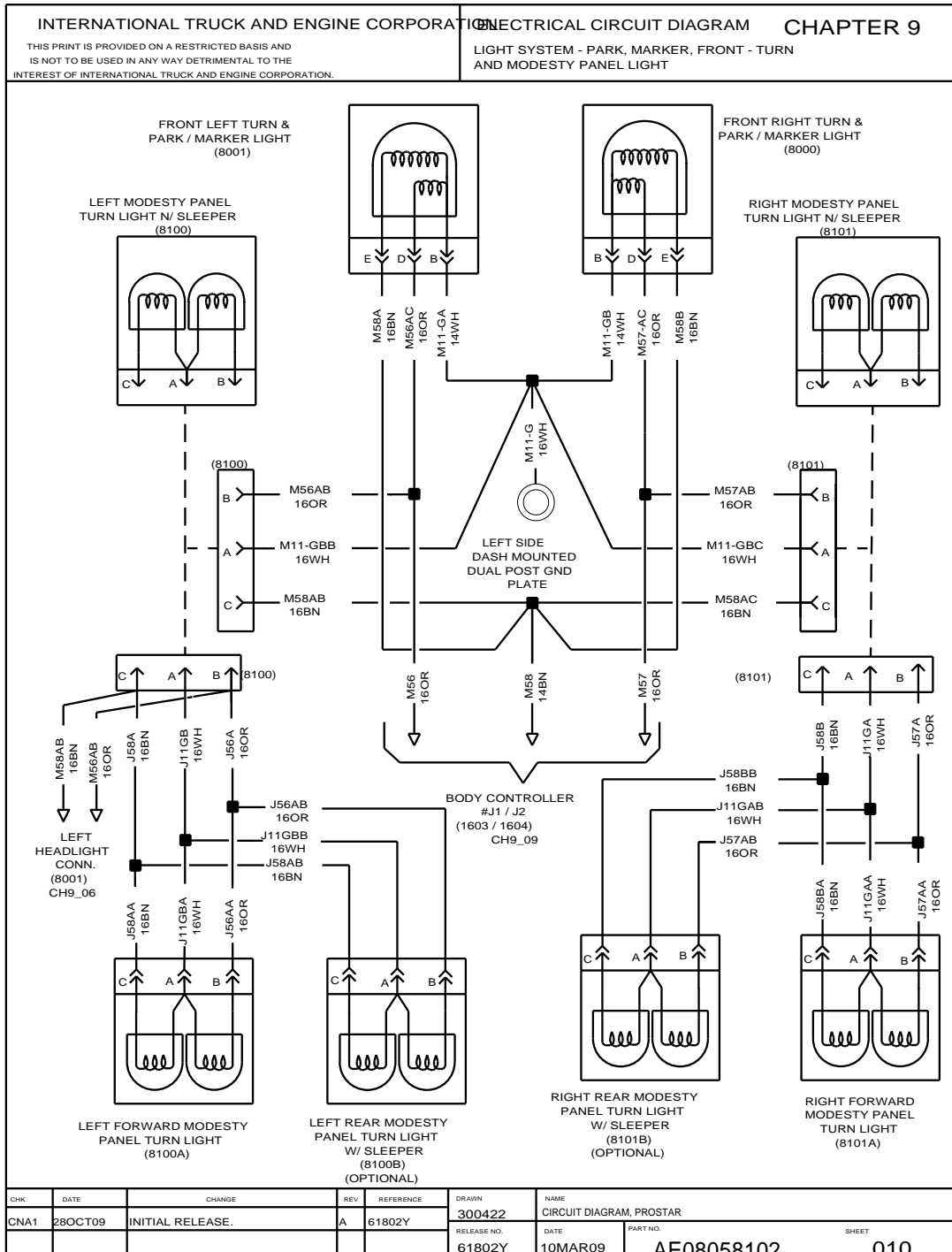


Figure 129 Light System – Park, Marker, Front – Turn and Modesty Panel Light

9.11. LIGHT SYSTEM – CLEARANCE, ID, P. 11

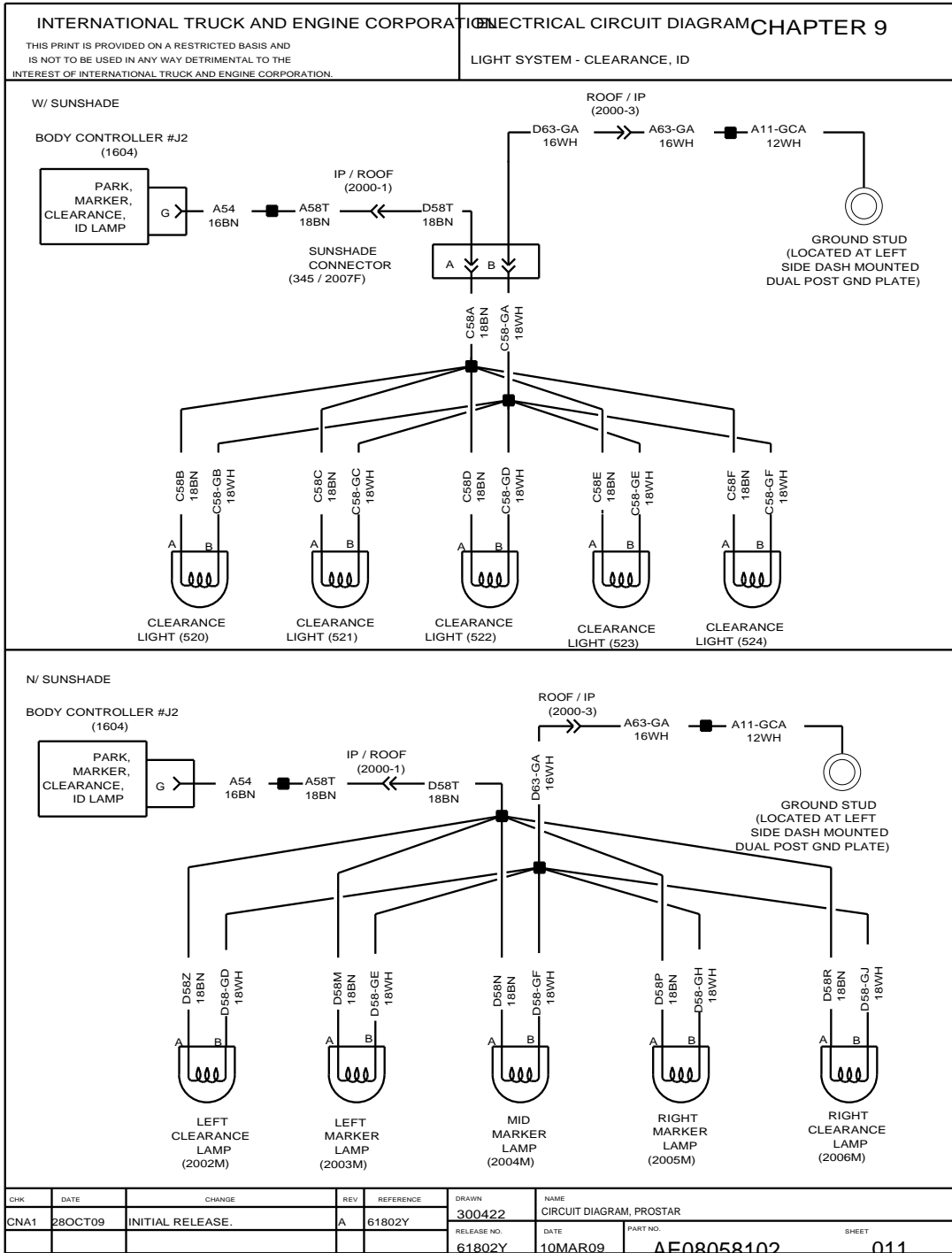


Figure 130 Light System – Clearance, ID

9.12. LIGHT SYSTEM – SKIRT LIGHT, P. 12

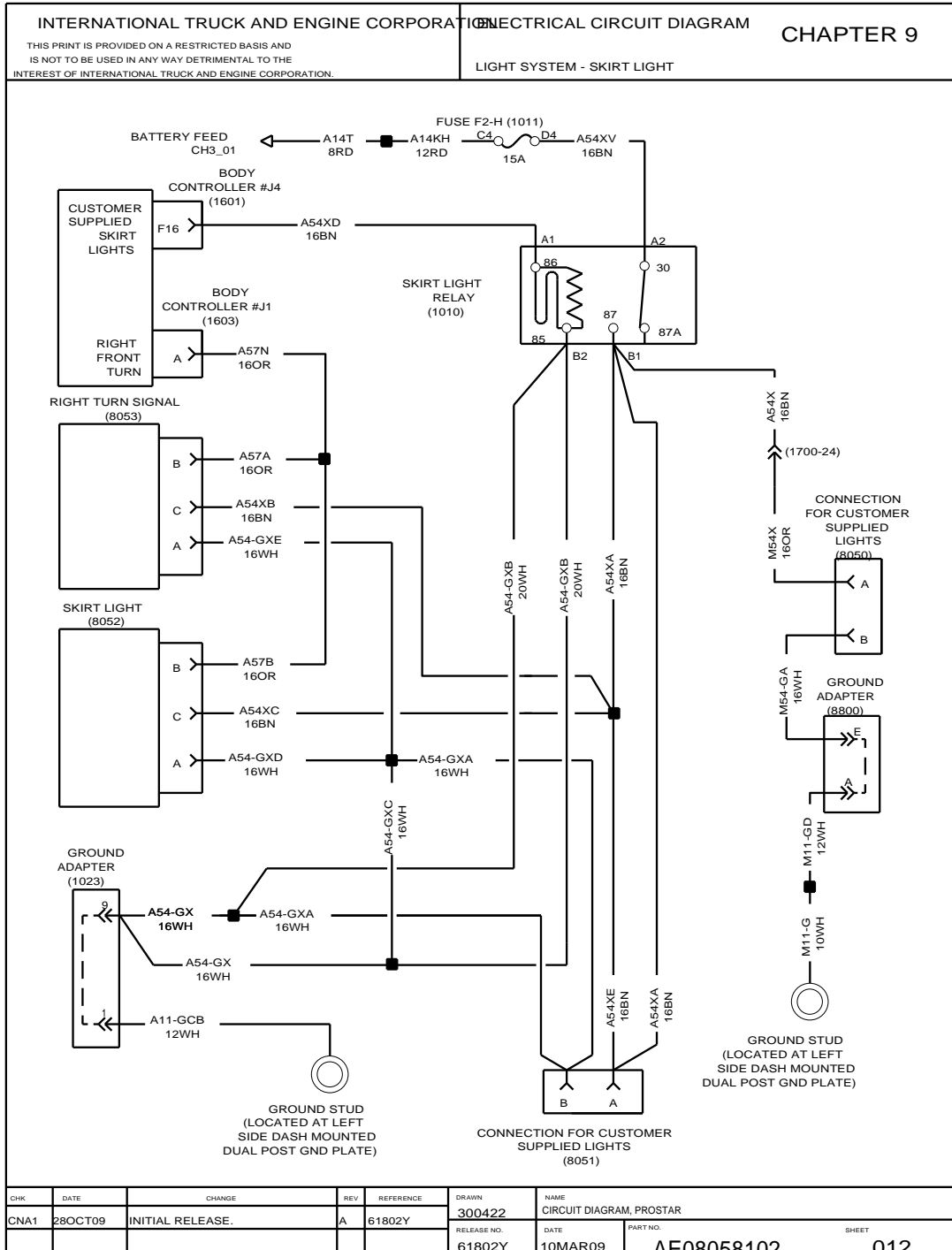


Figure 131 Light System – Skirt Light

9.13. TRAILER LIGHT SYSTEM – MARKER, STOP, TAIL, TURN, P. 13

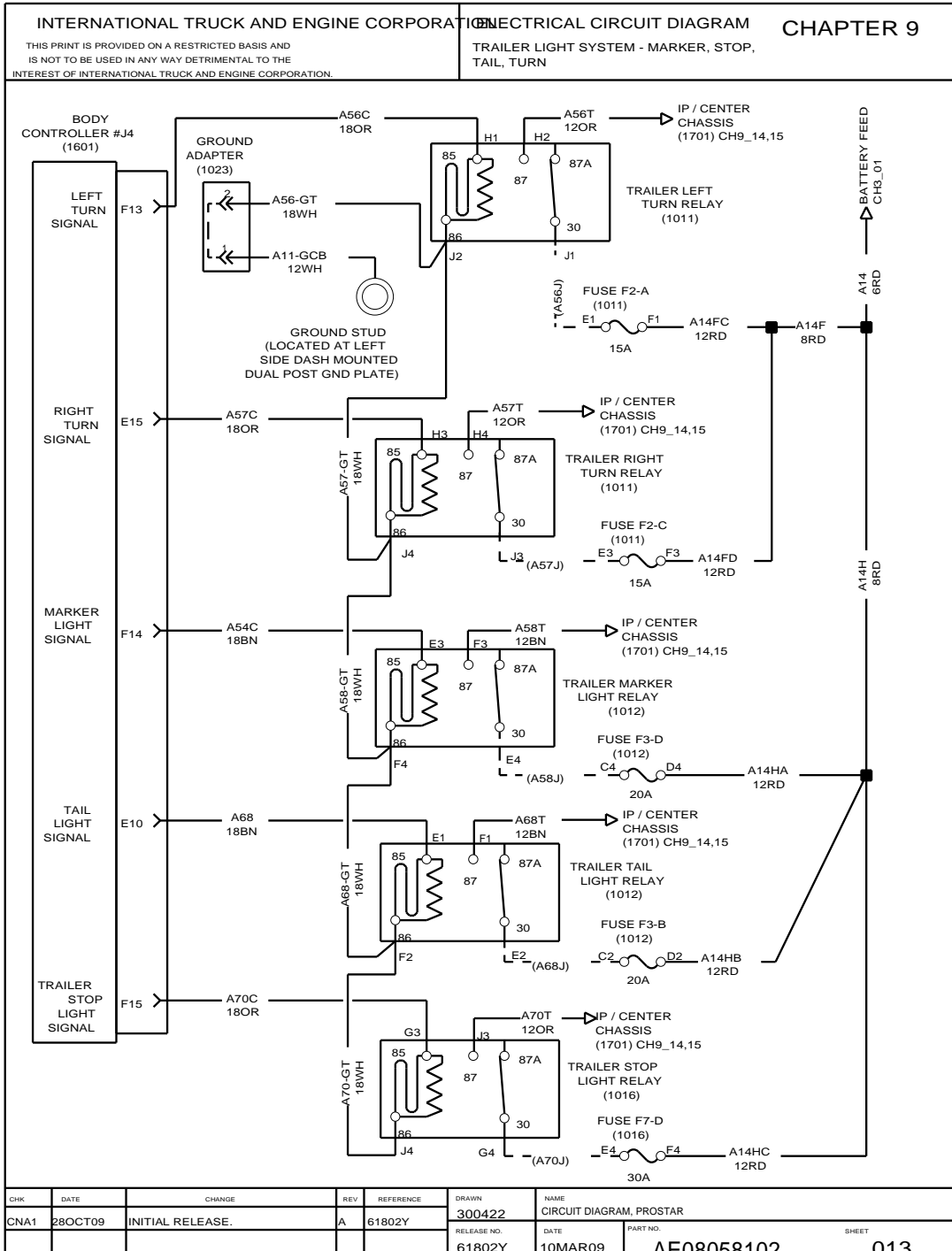


Figure 132 Trailer Light System – Marker, Stop, Tail, Turn

9.14. TRAILER SOCKET – BOC, P. 14

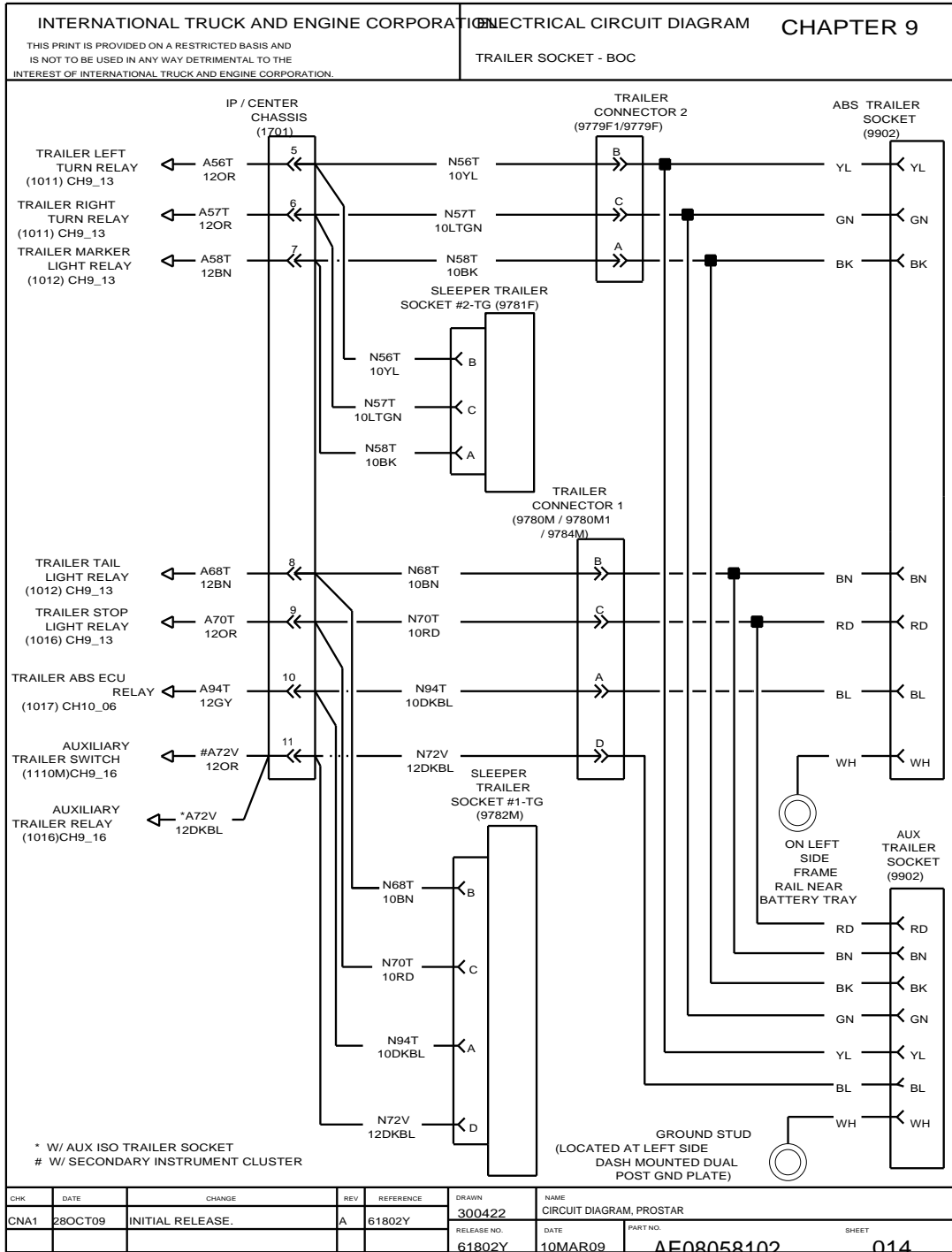


Figure 133 Trailer Socket – BOC

9.15. TRAILER SOCKET – BOC AND EOF, P. 15

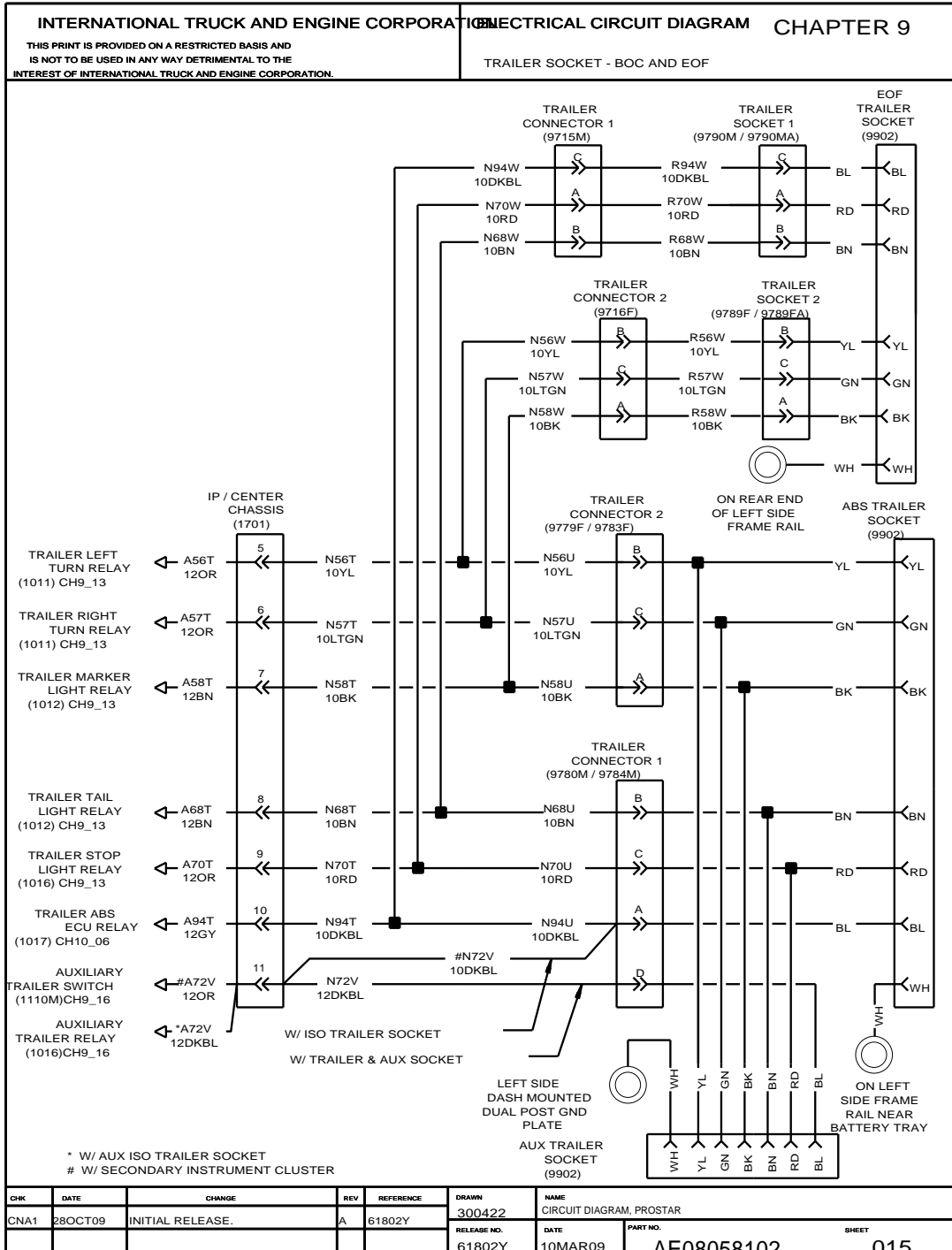


Figure 134 Trailer Socket – BOC and EOF

9.16. TRAILER SOCKET – AUXILIARY, P. 16

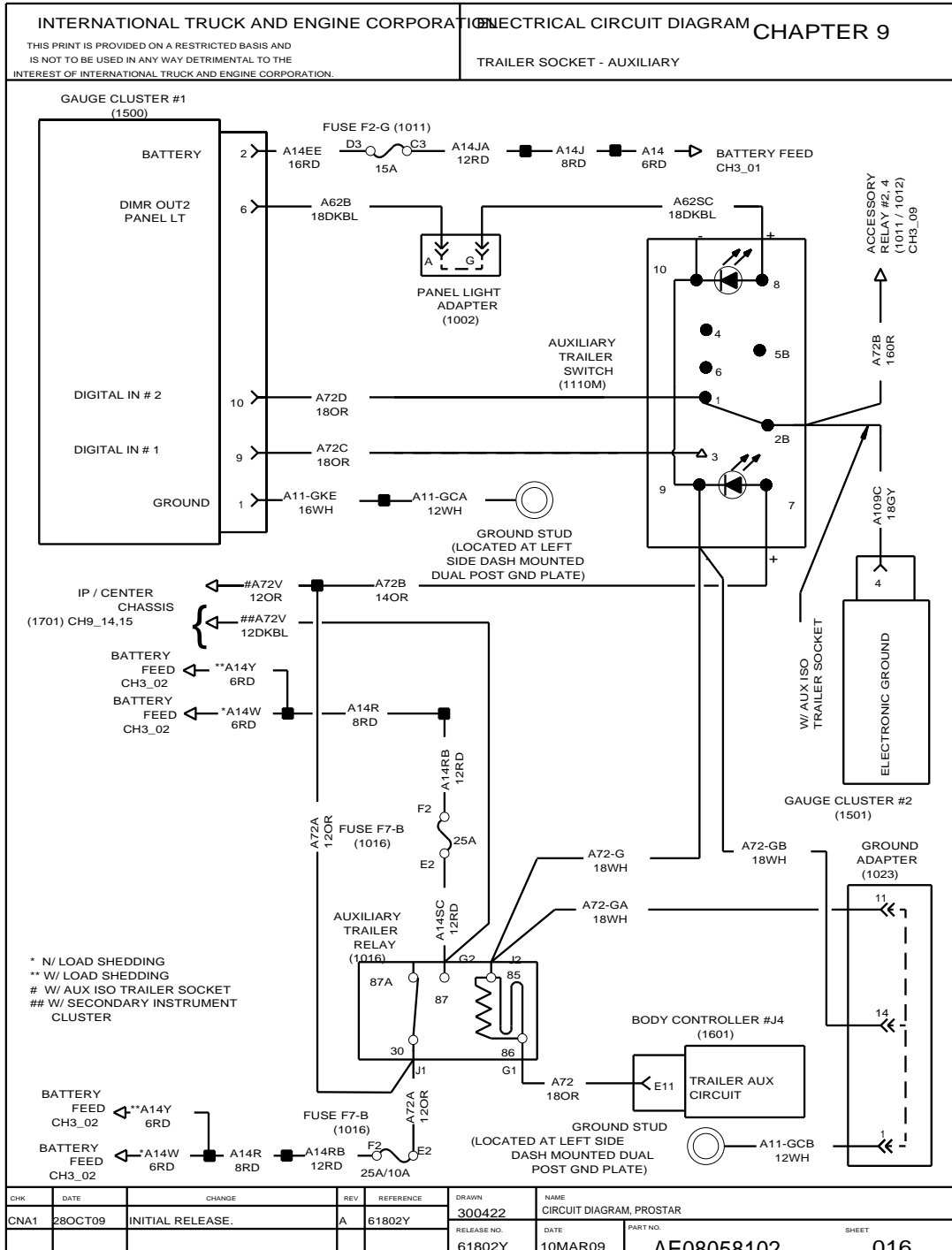


Figure 135 Trailer Socket – Auxiliary

9.17. FLOOR LIGHT, P. 17

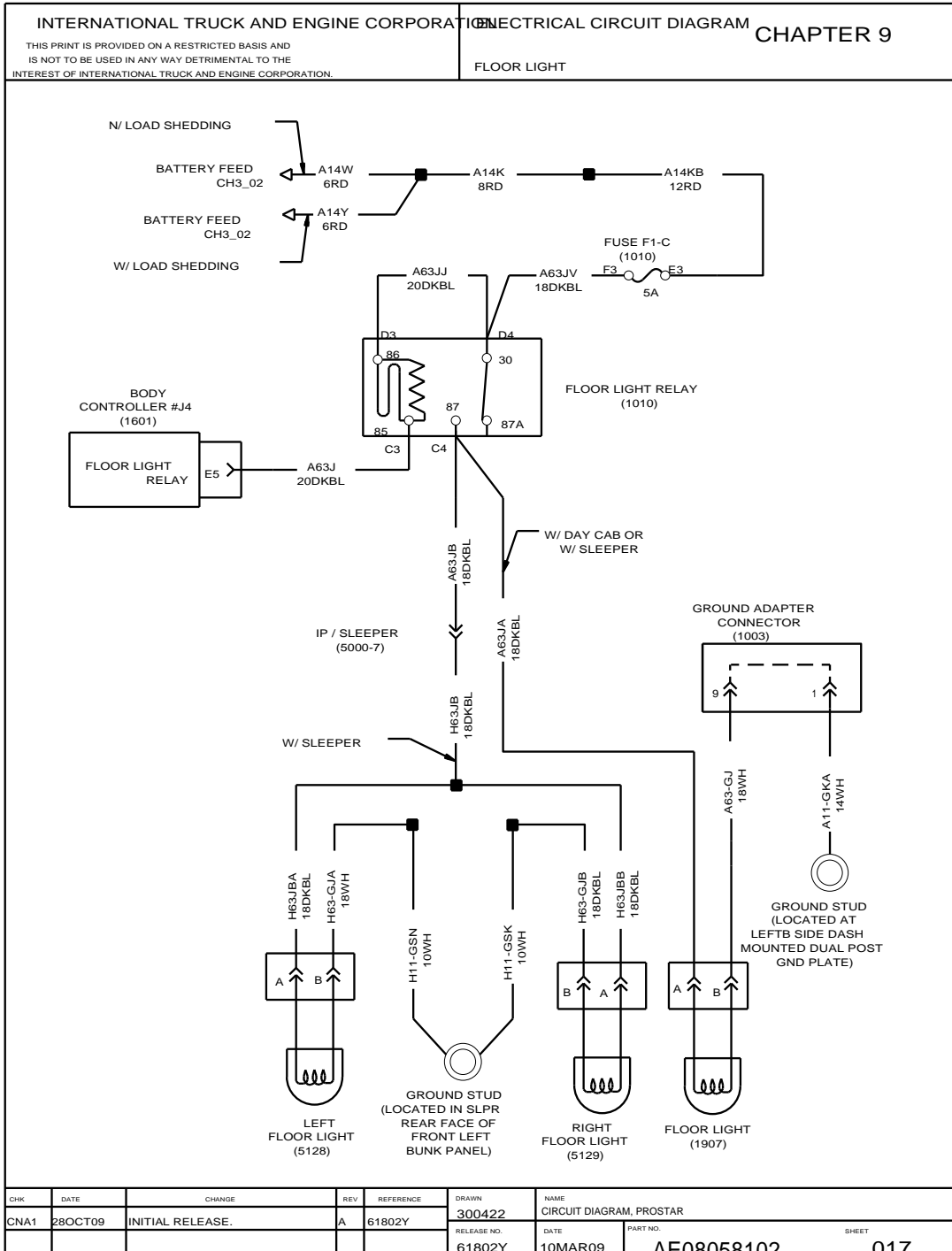


Figure 136 Floor Light

9.18. DOME AND ACCENT LIGHT – SLEEPER, P. 18

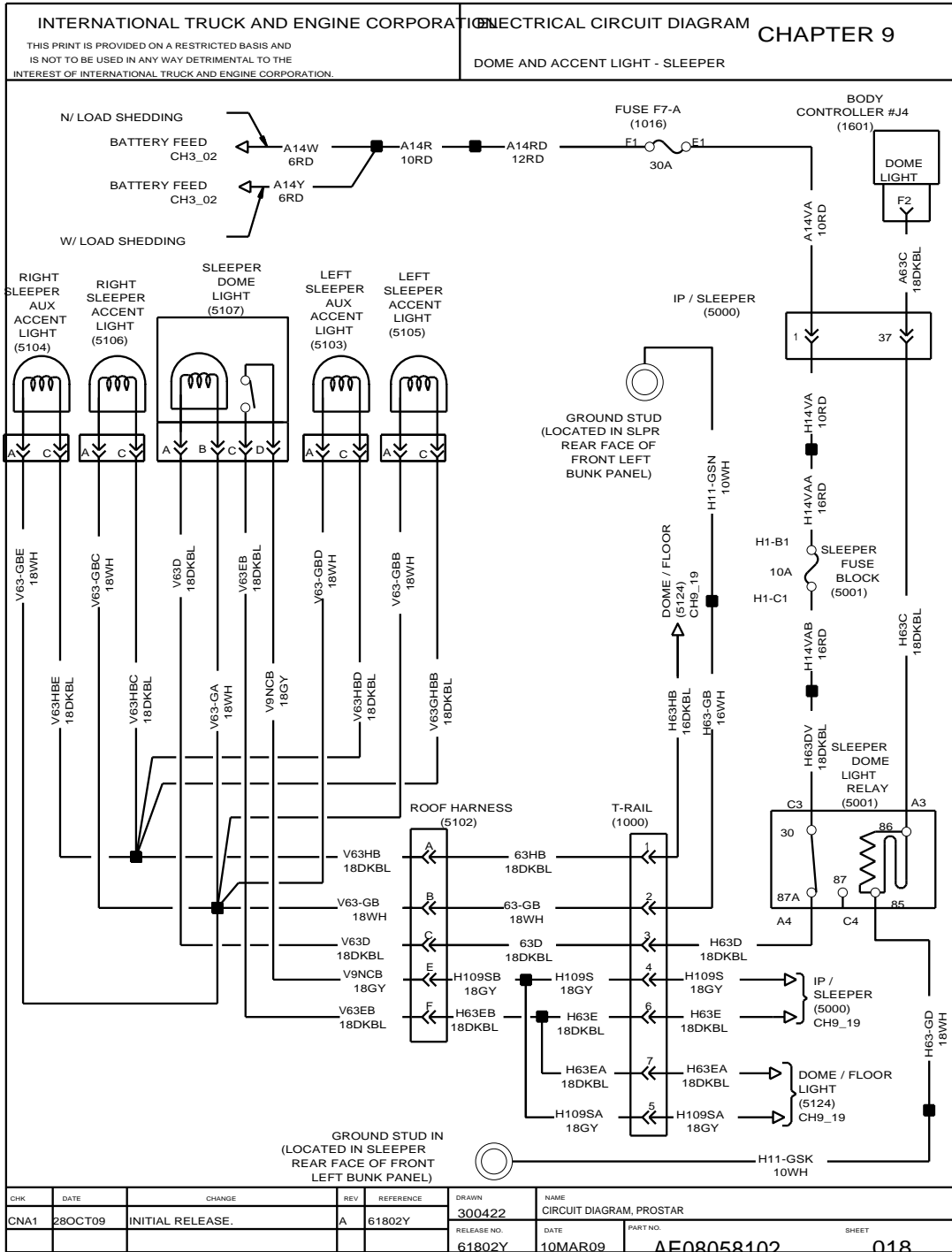


Figure 137 Dome and Accent Light – Sleeper

9.19. DOME AND ACCENT LIGHT – SLEEPER (CONT.), P. 19

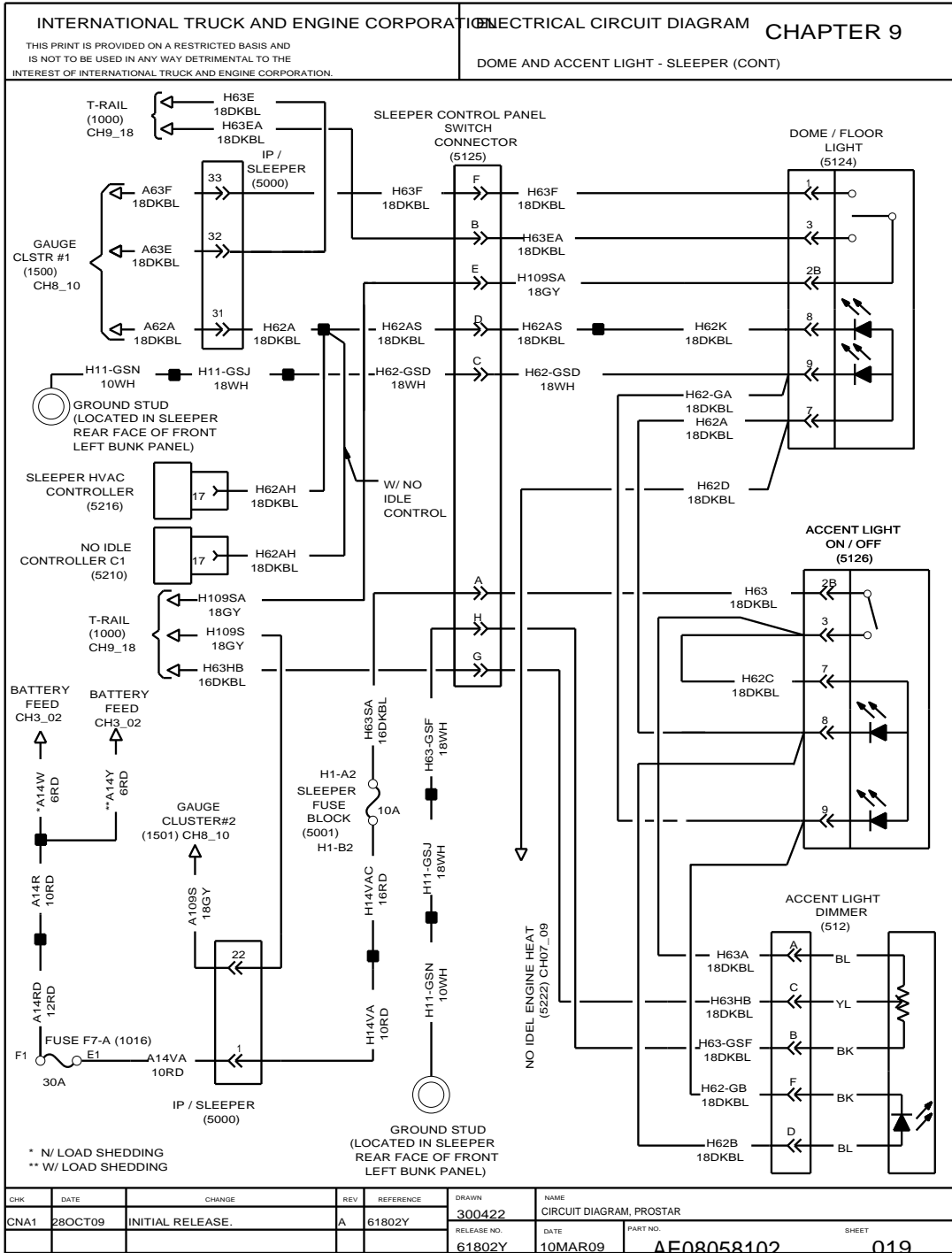


Figure 138 Dome and Accent Light – Sleeper (Cont.)

9.20. LIGHTED AIR SHIELD, P. 20

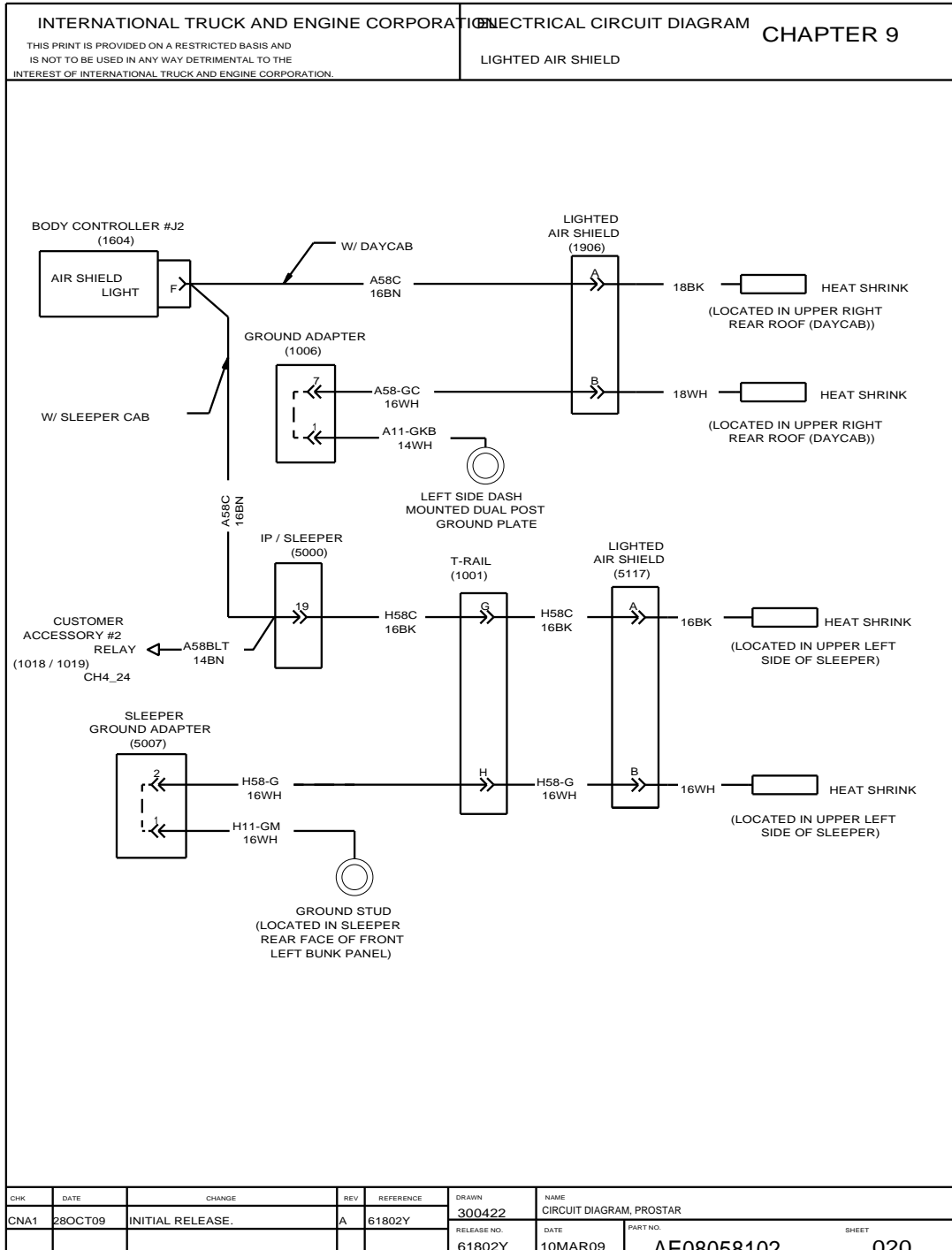


Figure 139 Lighted Air Shield

9.21. PANEL LIGHTS, P. 21

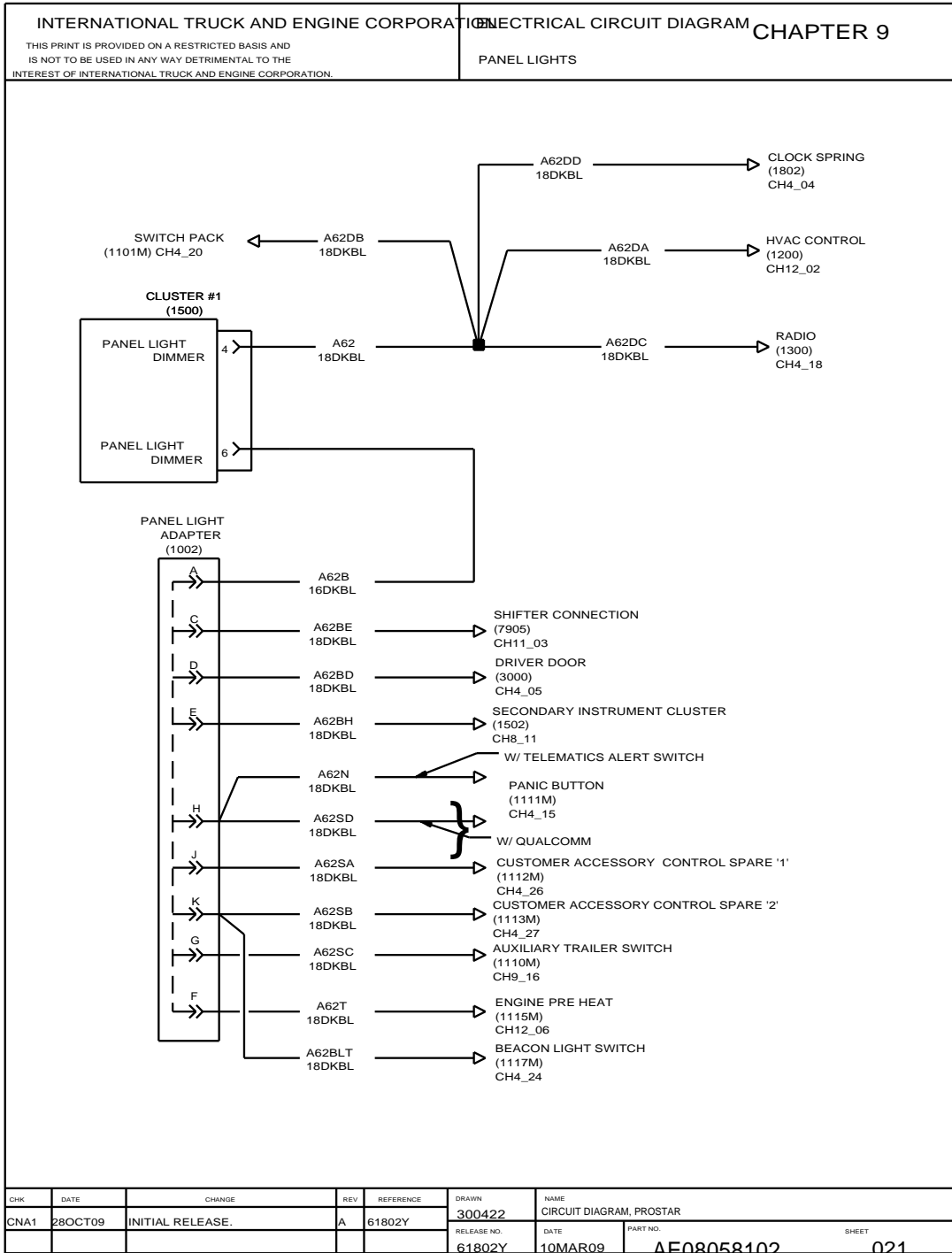


Figure 140 Panel Lights

9.22. WORK LIGHTS – DAY CAB, P. 22

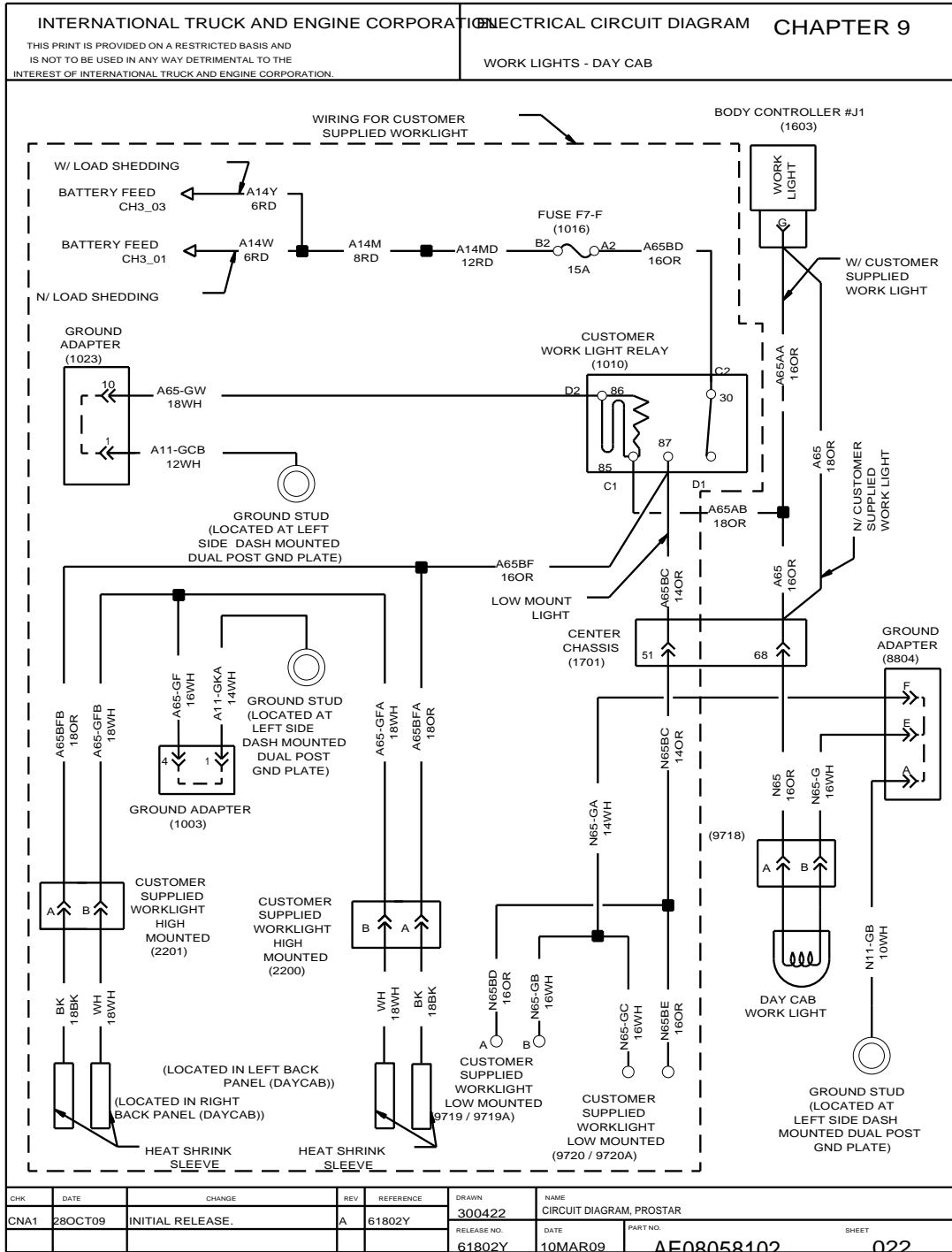


Figure 141 Work Lights – Day Cab

9.23. WORK LIGHTS – SLEEPER CAB, P. 23

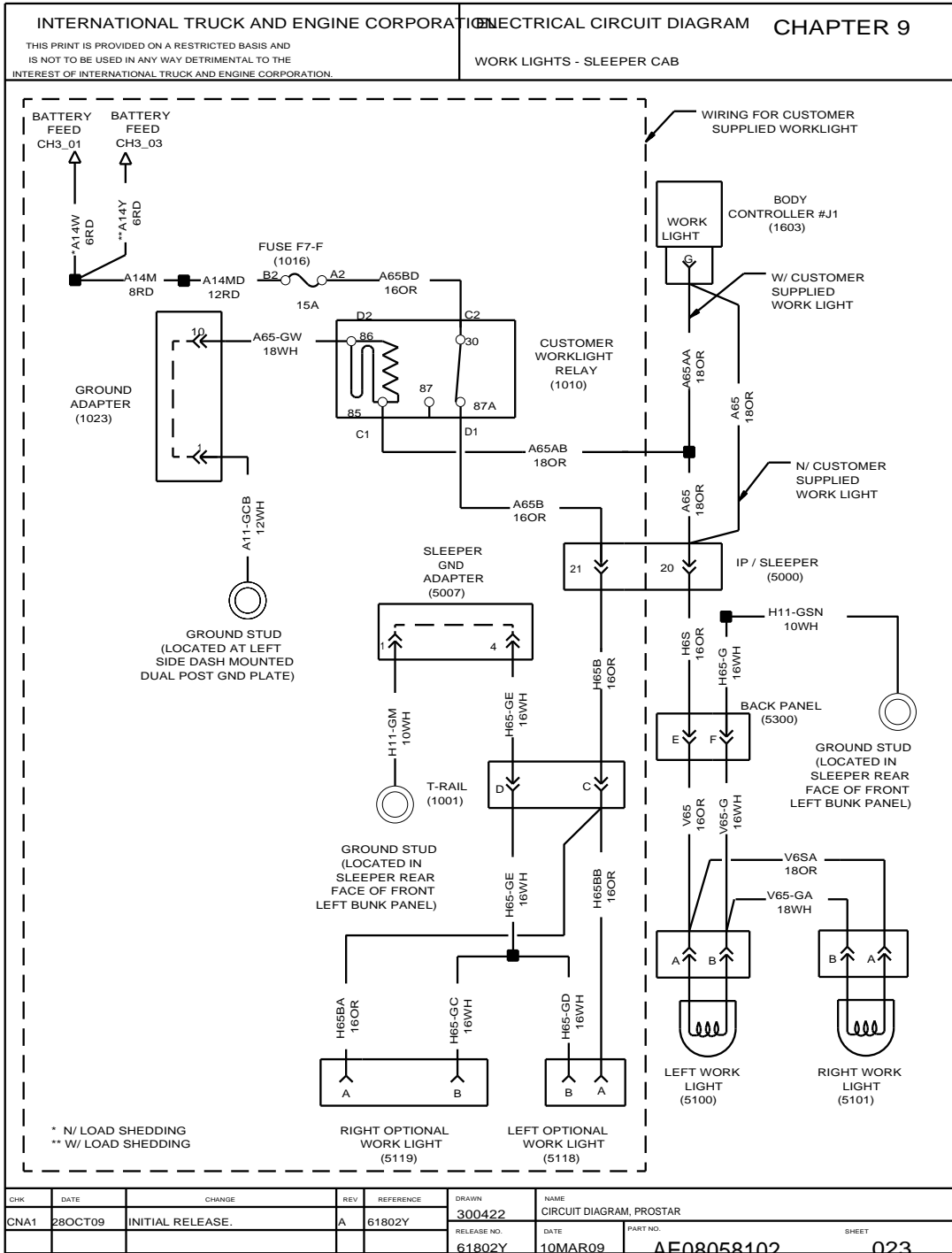


Figure 142 Work Lights – Sleeper Cab

9.24. DOME AND ACCENT LIGHT – SLEEPER, P. 24

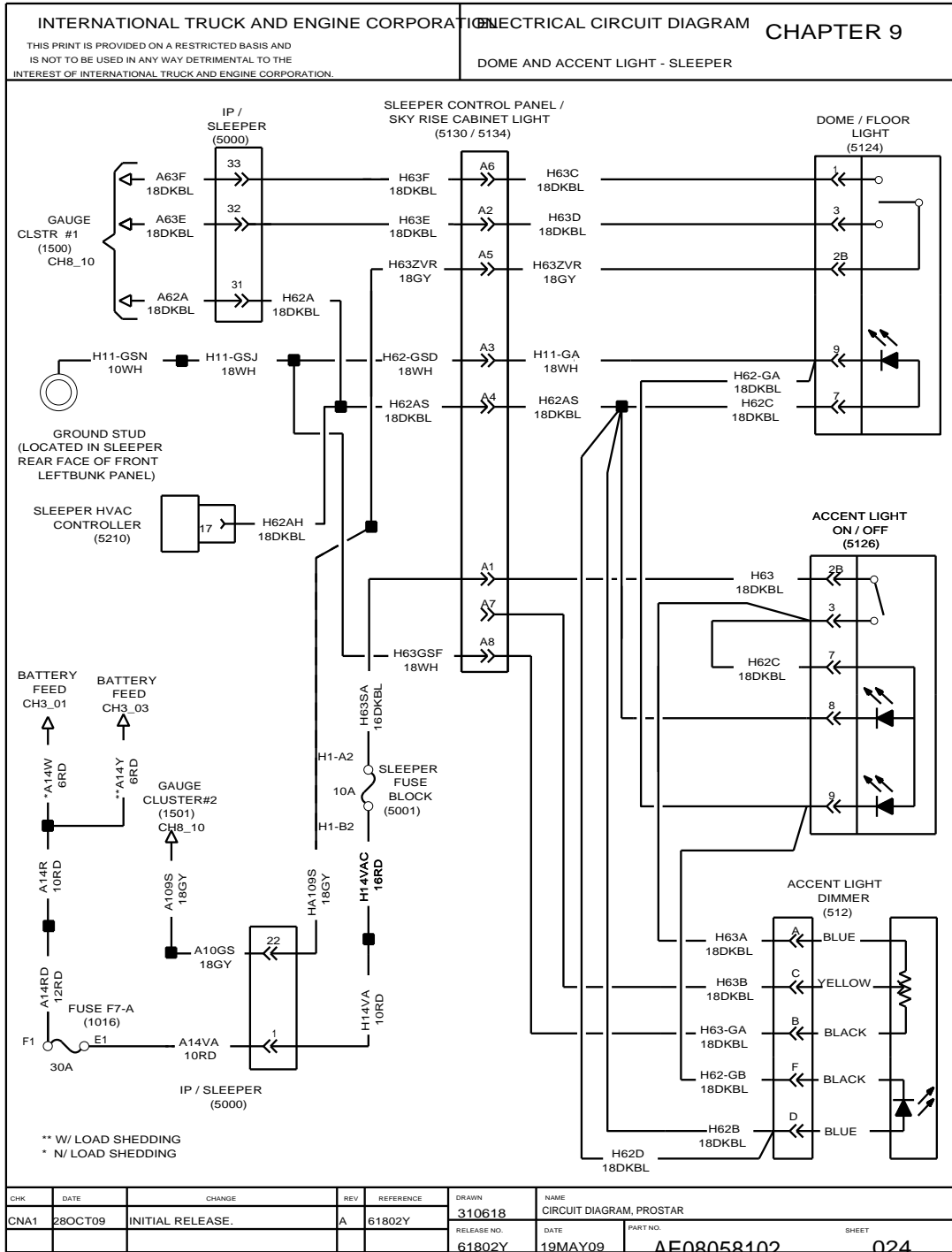


Figure 143 Dome and Accent Light – Sleeper

10. CHASSIS ACCESSORIES (CHAPTER 10)

10.1. TIRE PRESSURE MONITOR, P. 1

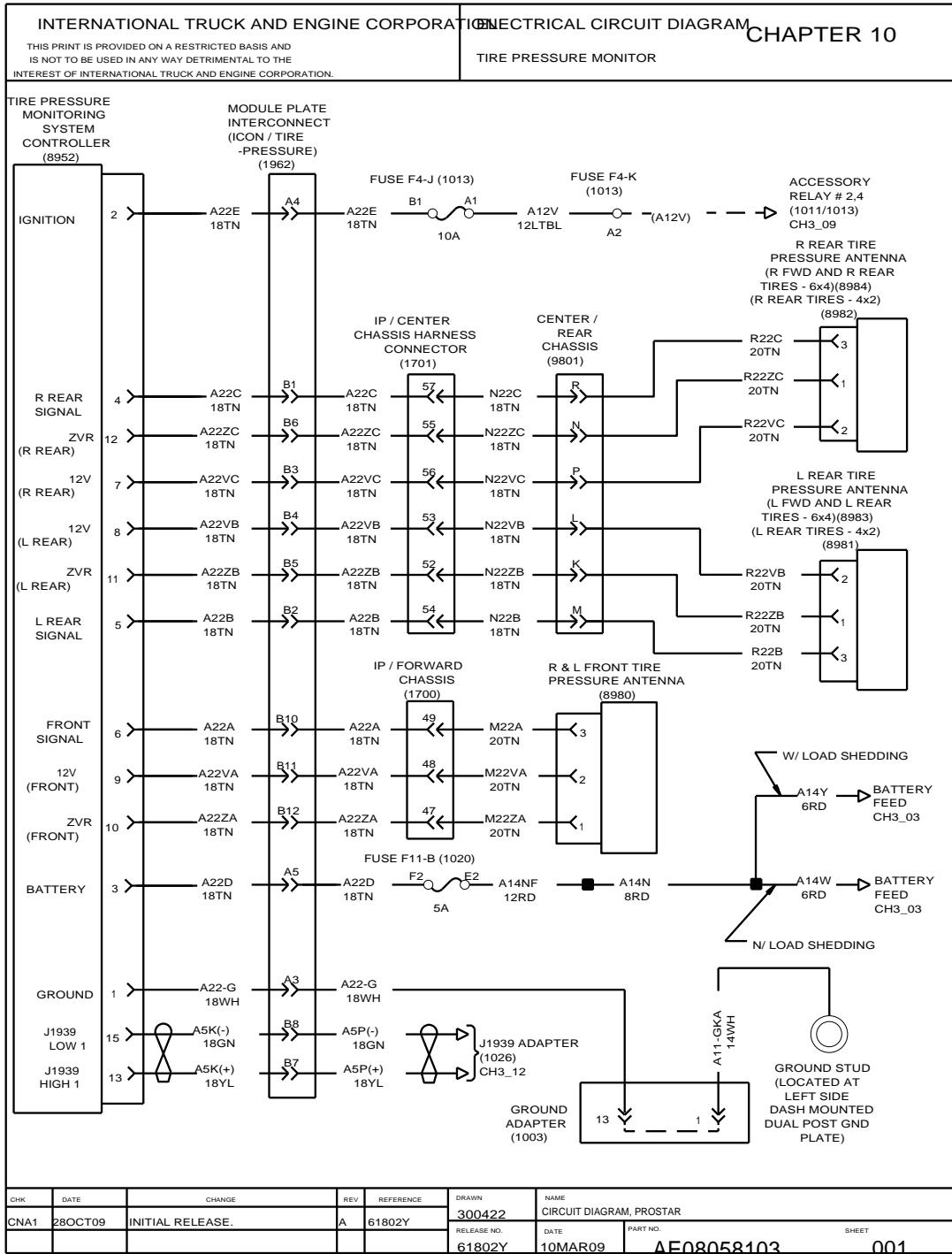


Figure 144 Tire Pressure Monitor

10.2. AIR DRYER, P. 2

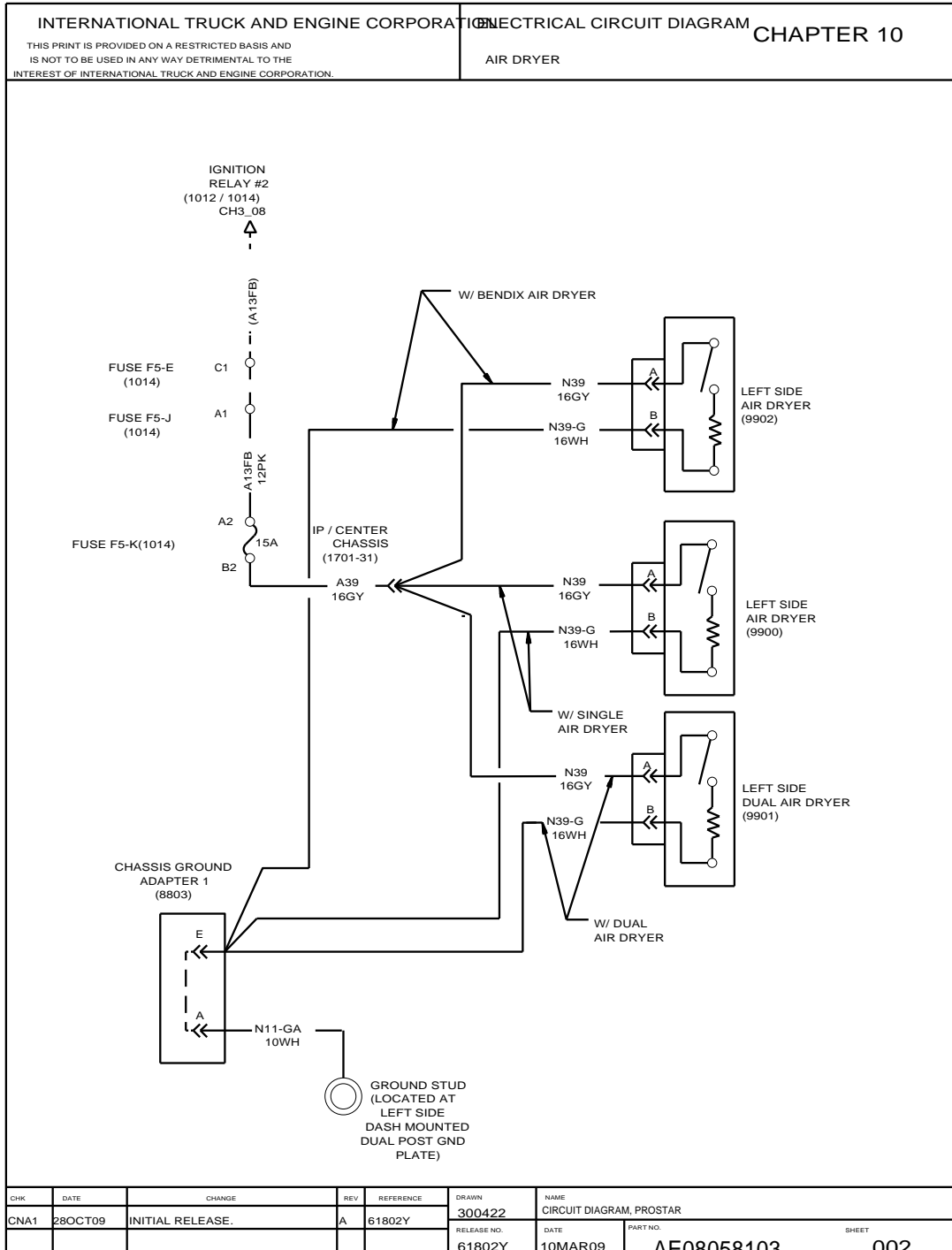


Figure 145 Air Dryer

10.3. AIR SOLENOID PACK – 4 WAY, P. 3

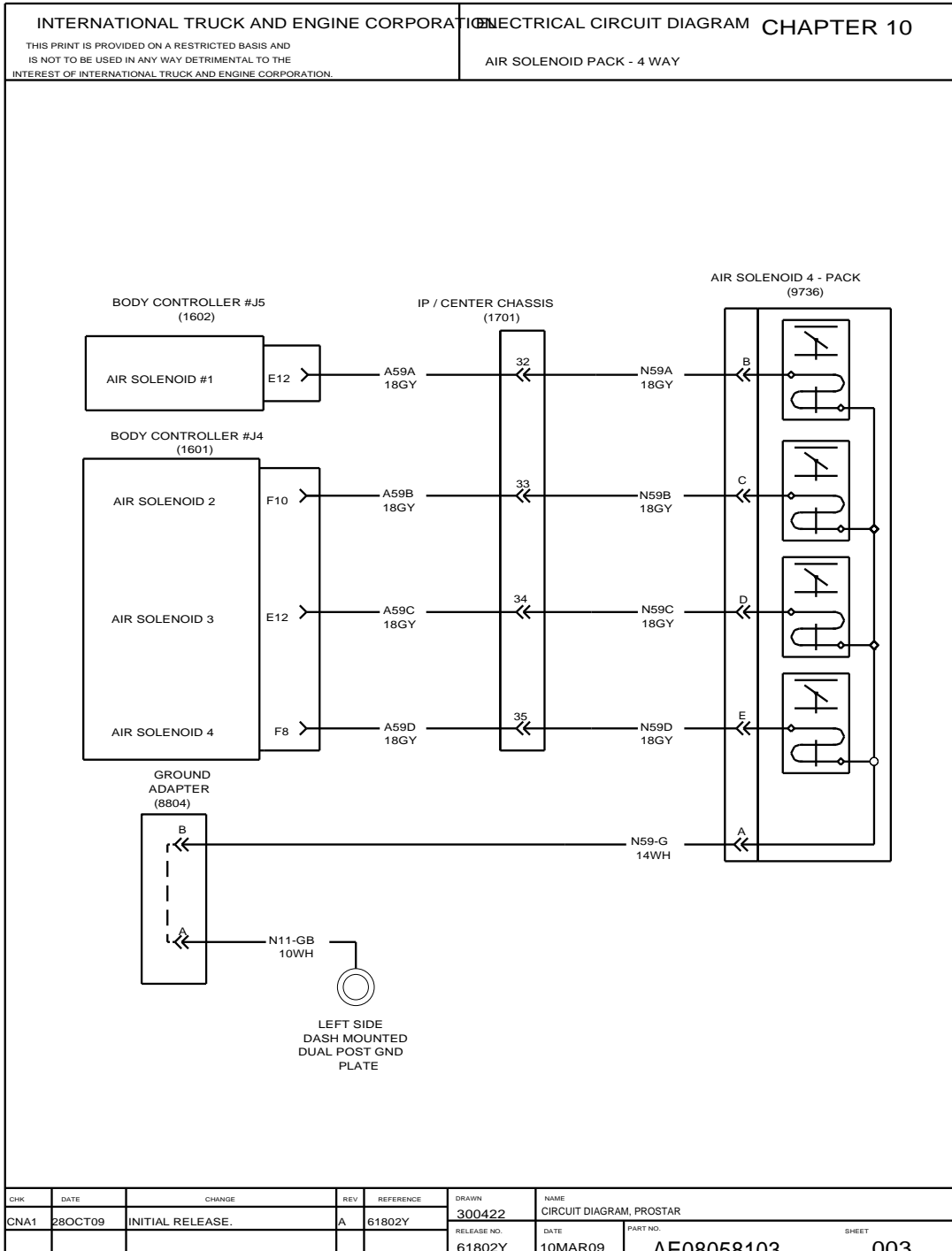


Figure 146 Air Solenoid Pack – 4 Way

10.4. AIR SOLENOID PACK – 4 WAY (CONT.), P. 4

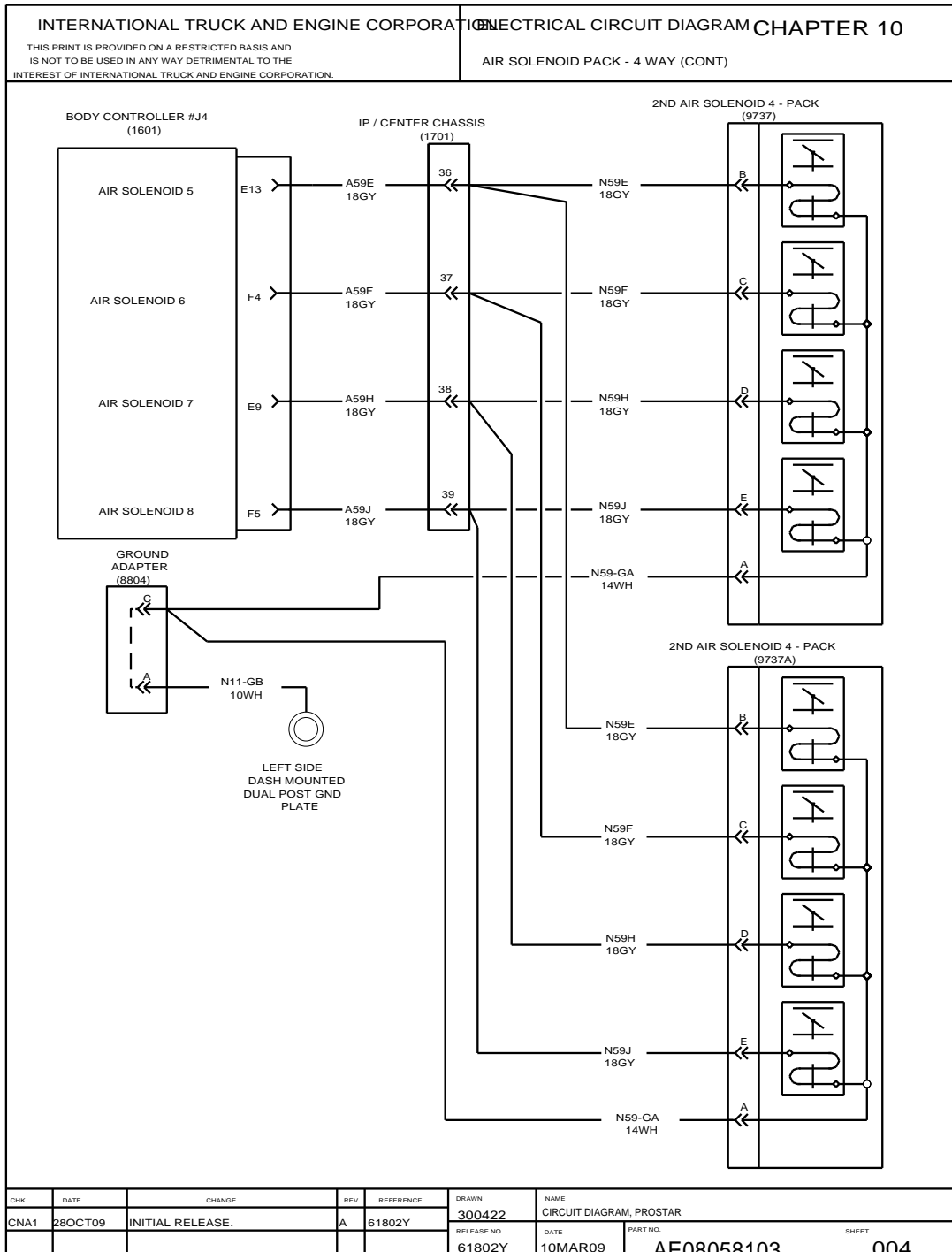


Figure 147 Air Solenoid Pack – 4 Way (Cont.)

10.5. AIR SUSPENSION WITH LOAD INDICATOR, P. 5

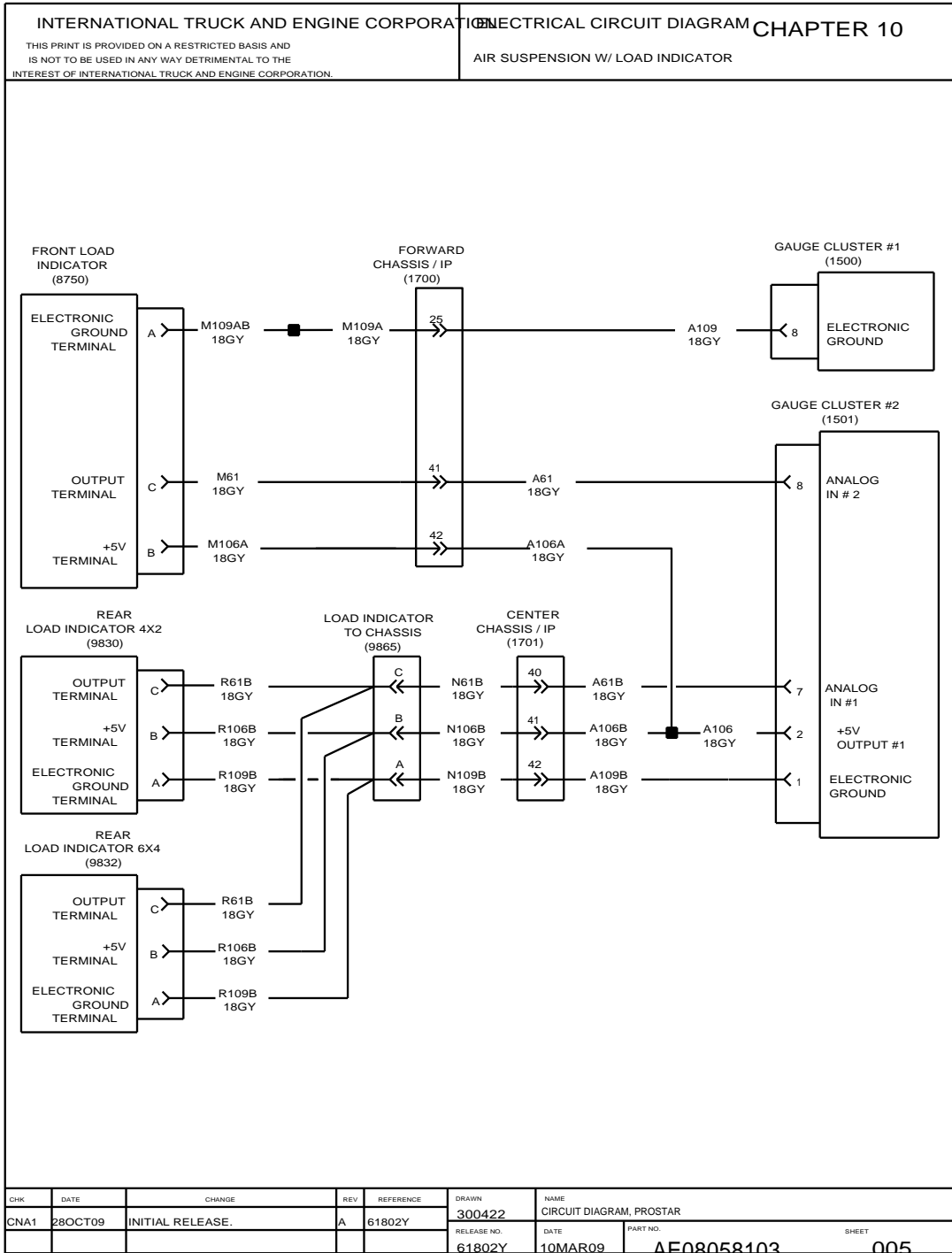


Figure 148 Air Suspension With Load Indicator

10.6. BATTERY FEED – TRAILER AUXILIARY, P. 6

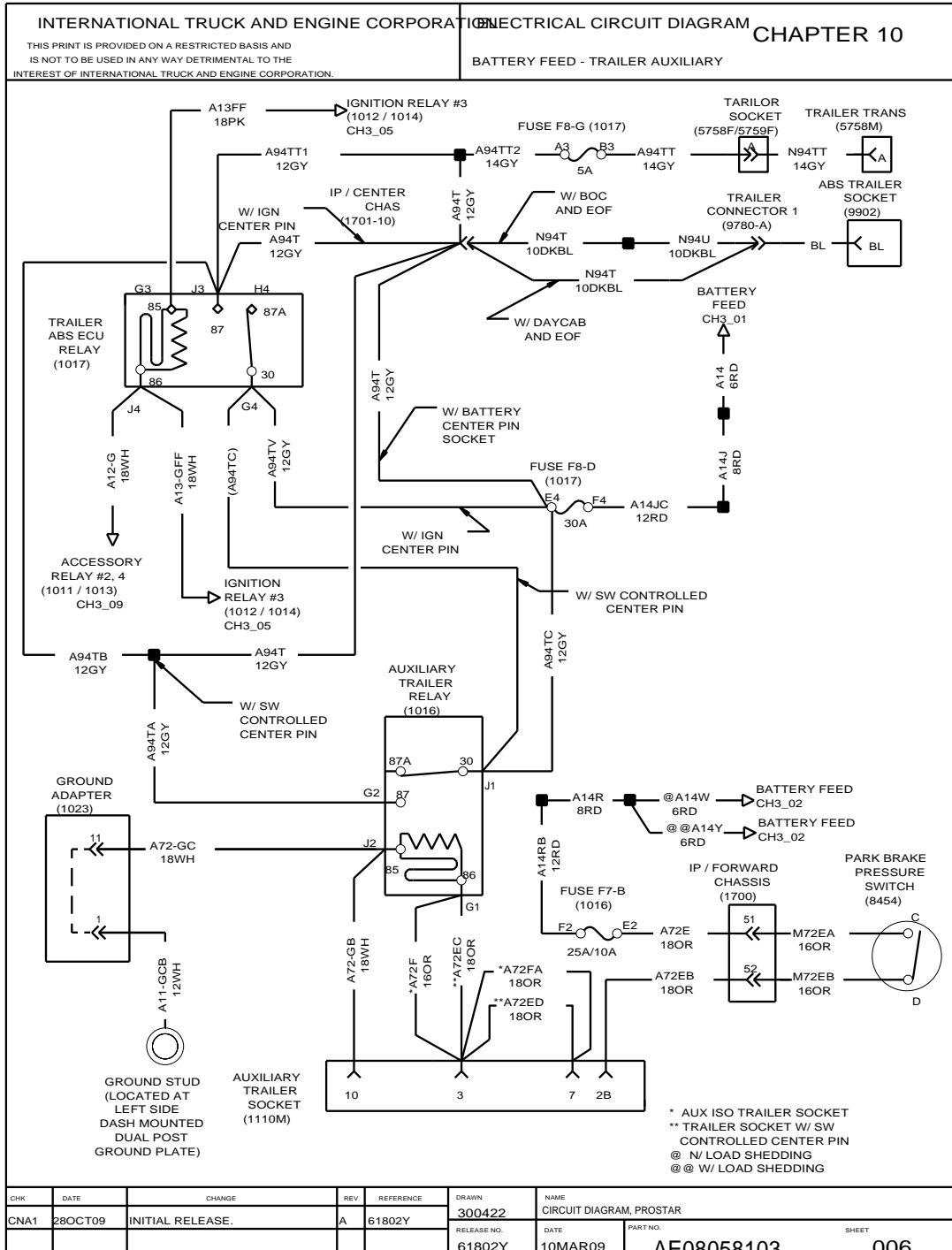


Figure 149 Battery Feed – Trailer Auxiliary

10.7. ANTILOCK BRAKE SYSTEM WITH BENDIX, P. 7

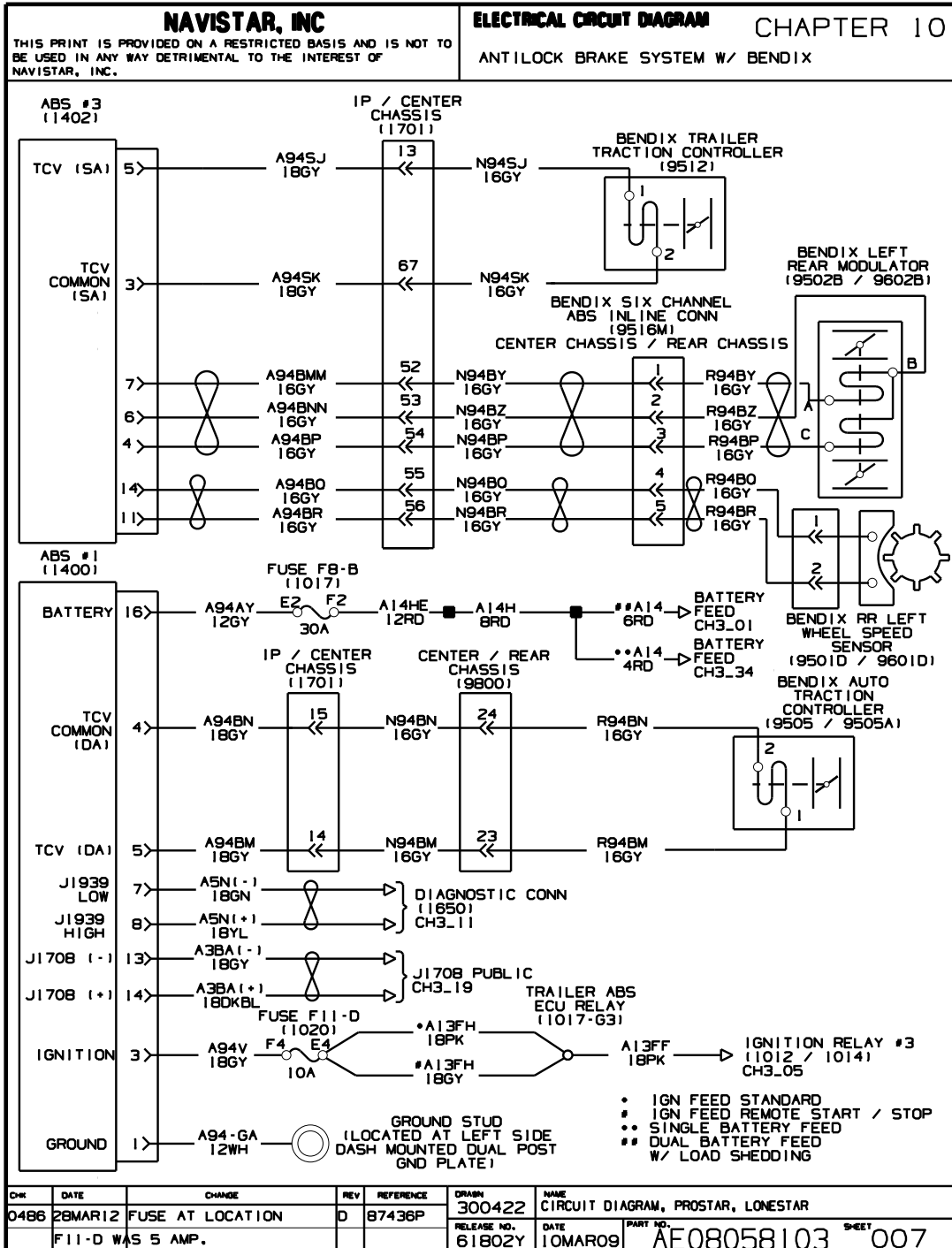


Figure 150 Antilock Brake System with Bendix

10.8. ANTILOCK BRAKE SYSTEM WITH BENDIX (CONT.), P. 8

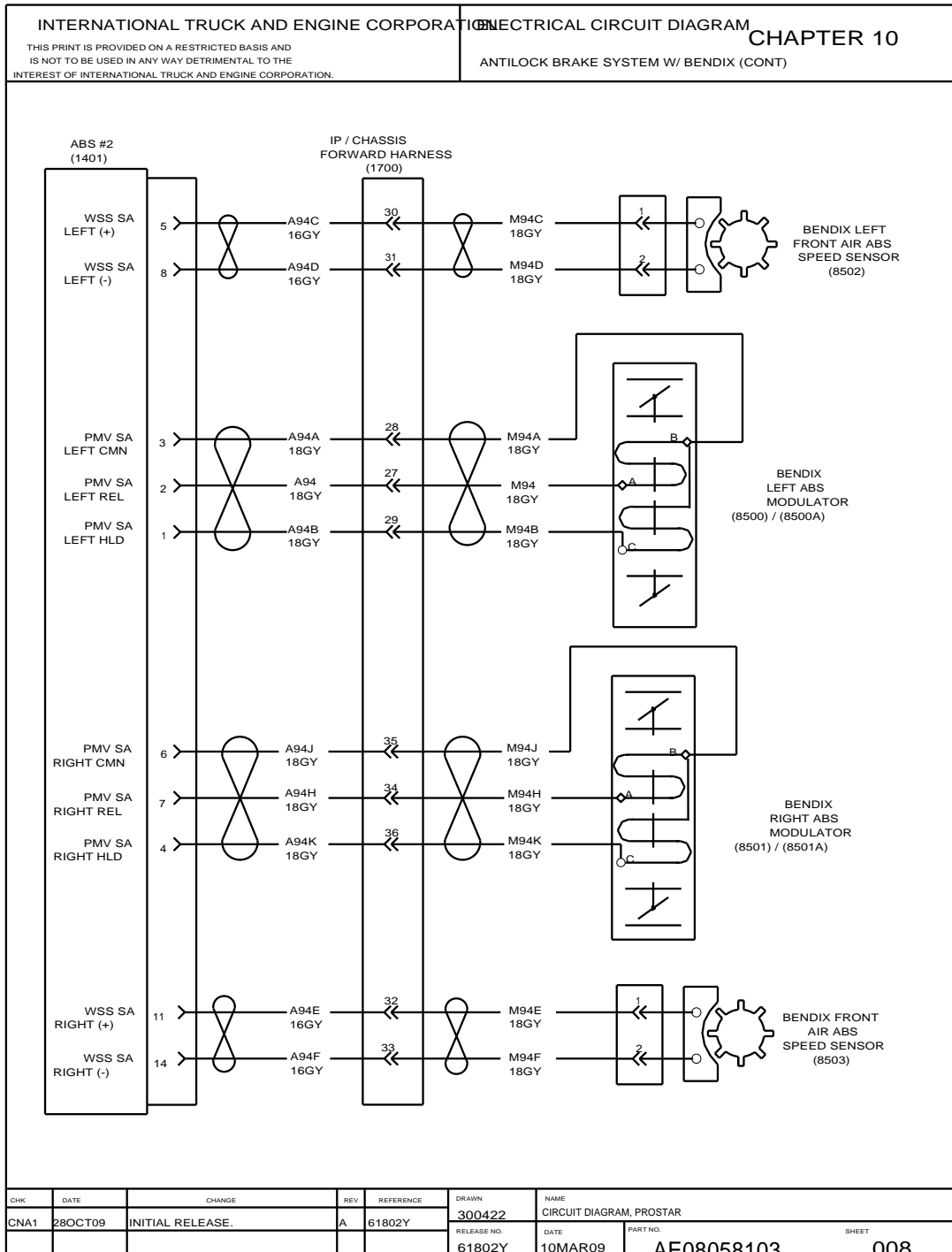


Figure 151 Antilock Brake System with Bendix (Cont.)

10.9. ANTILOCK BRAKE SYSTEM WITH BENDIX (CONT.), P. 9

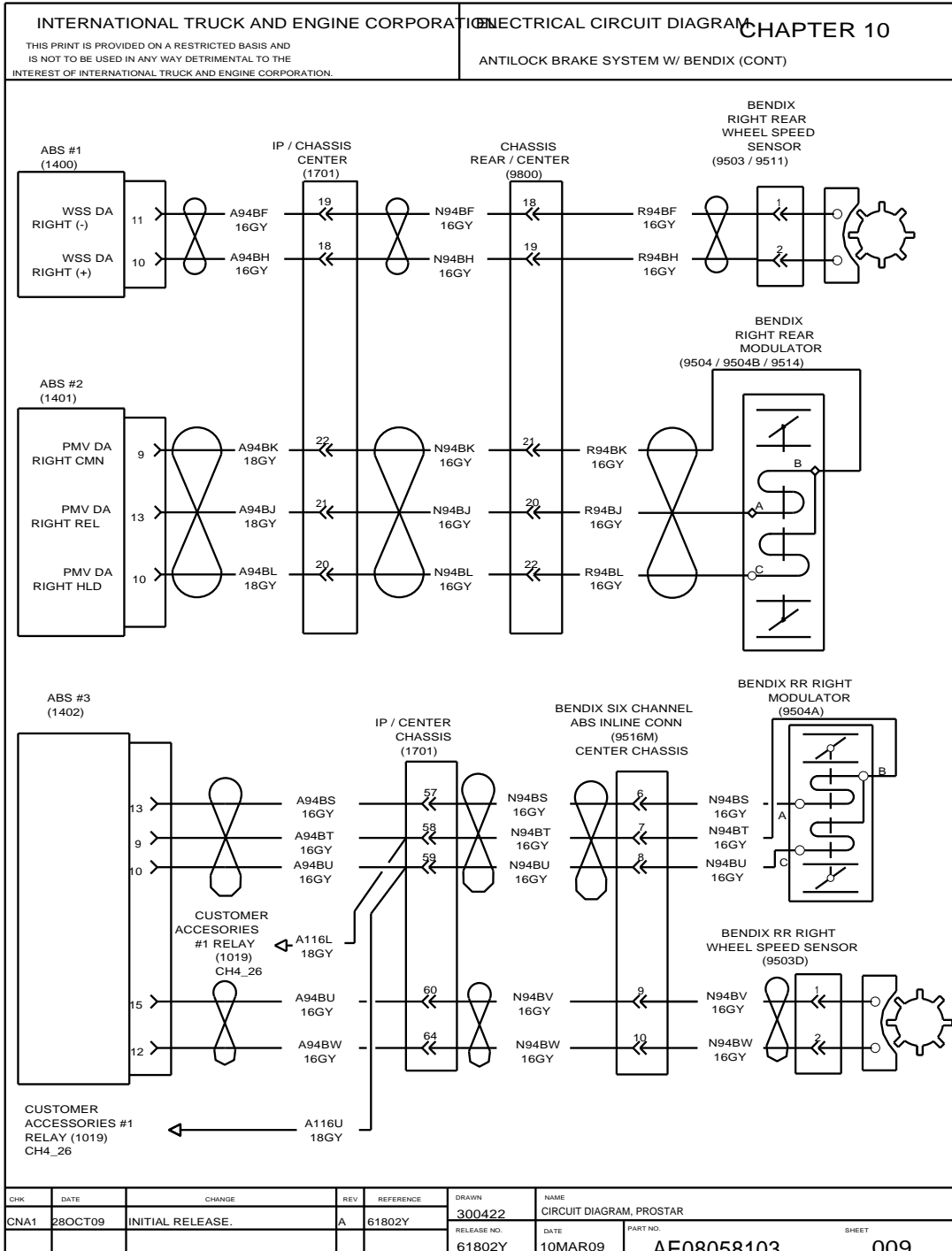


Figure 152 Antilock Brake System with Bendix (Cont.)

10.10. ANTILOCK BRAKE SYSTEM WITH BENDIX (CONT.), P. 10

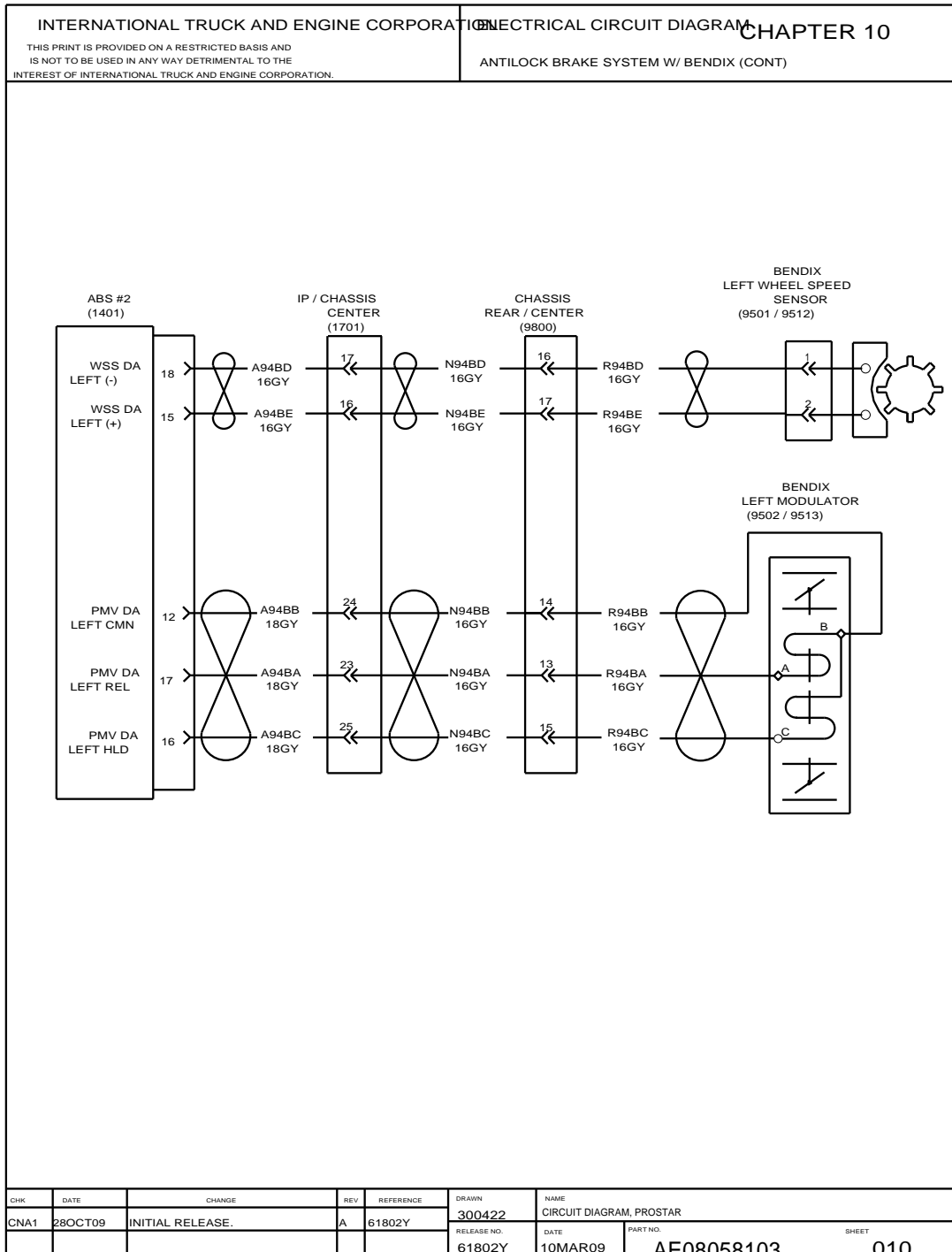


Figure 153 Antilock Brake System with Bendix (Cont.)

10.11. ANTILOCK BRAKE SYSTEM WITH BENDIX (CONT.), P. 11

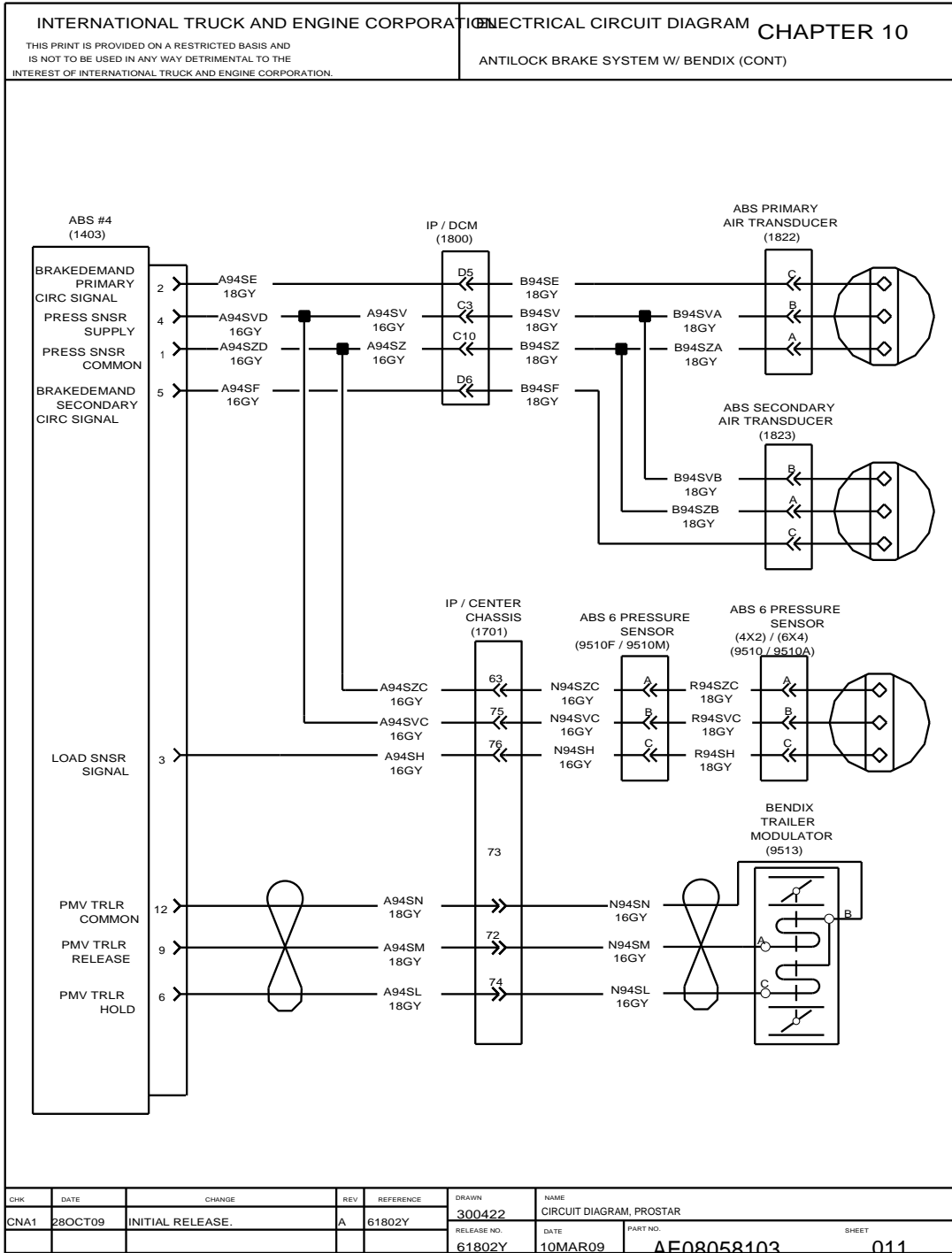


Figure 154 Antilock Brake System with Bendix (Cont.)

10.12. ANTILOCK BRAKE SYSTEM WITH BENDIX (CONT.), P. 12

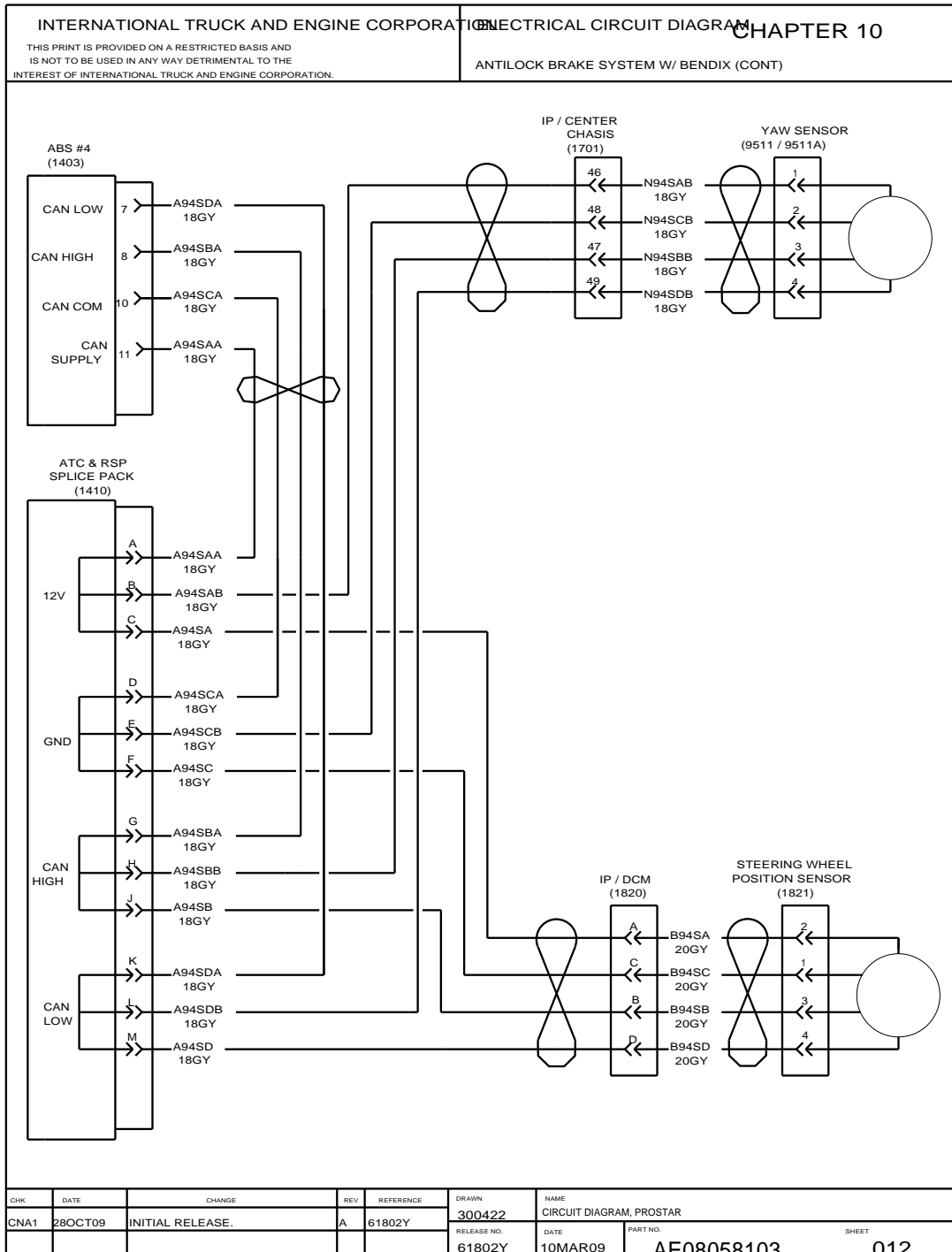


Figure 155 Antilock Brake System with Bendix (Cont.)

10.13. ANTILOCK BRAKE SYSTEM WITH WABCO, P. 13

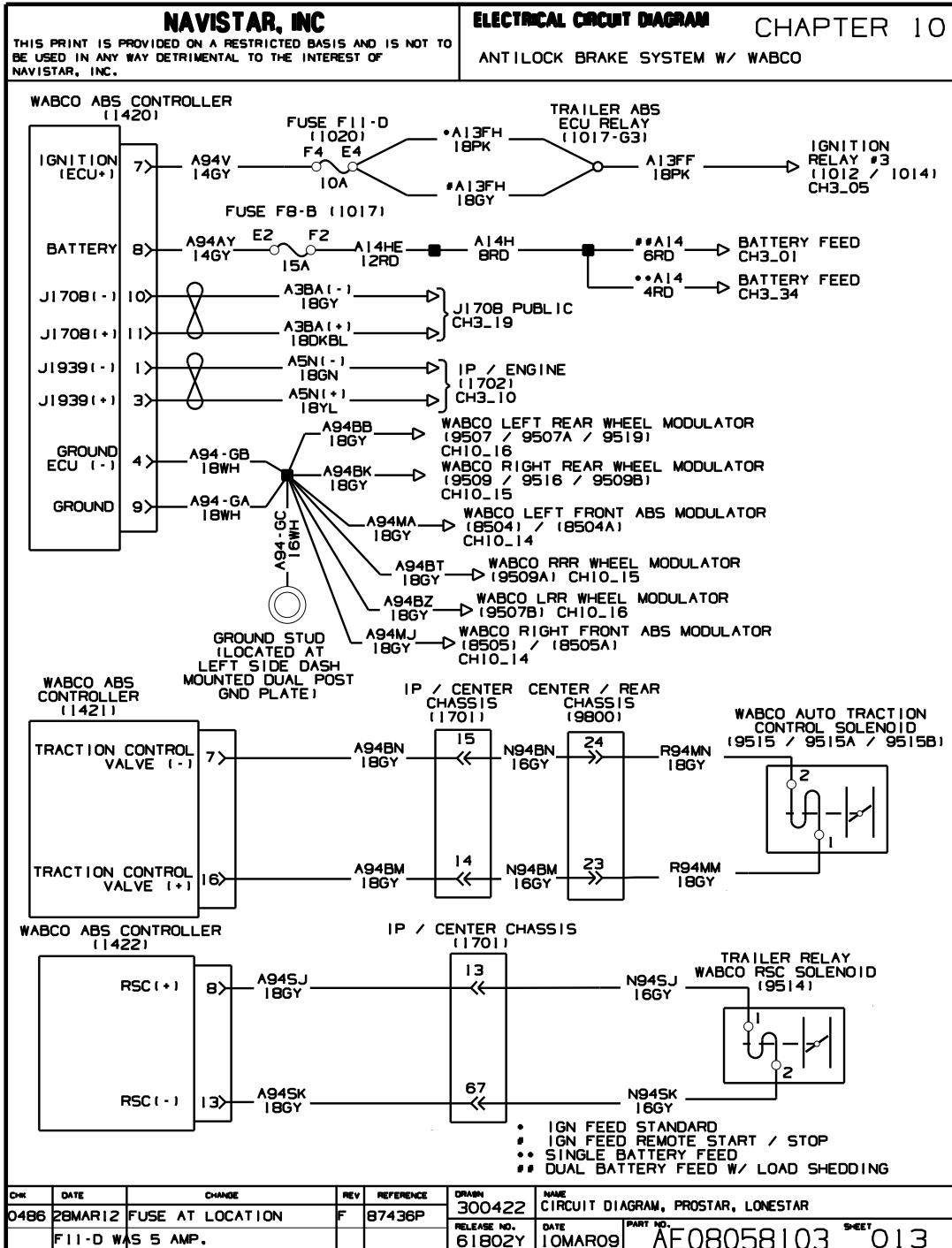


Figure 156 Antilock Brake System with Wabco

10.14. ANTILOCK BRAKE SYSTEM WITH WABCO (CONT.), P. 14

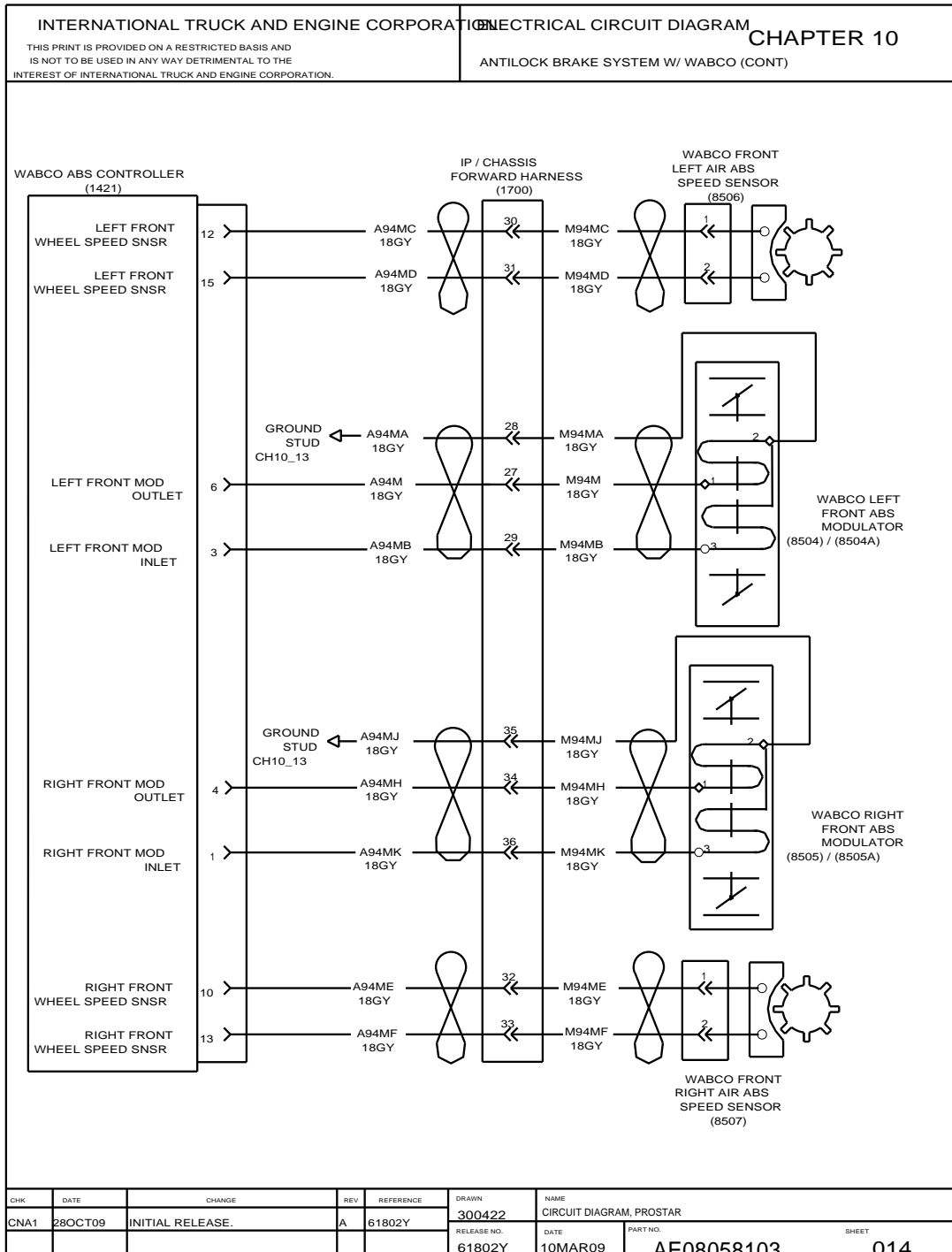


Figure 157 Antilock Brake System with Wabco (Cont.)

10.15. ANTILOCK BRAKE SYSTEM WITH WABCO (CONT.), P. 15

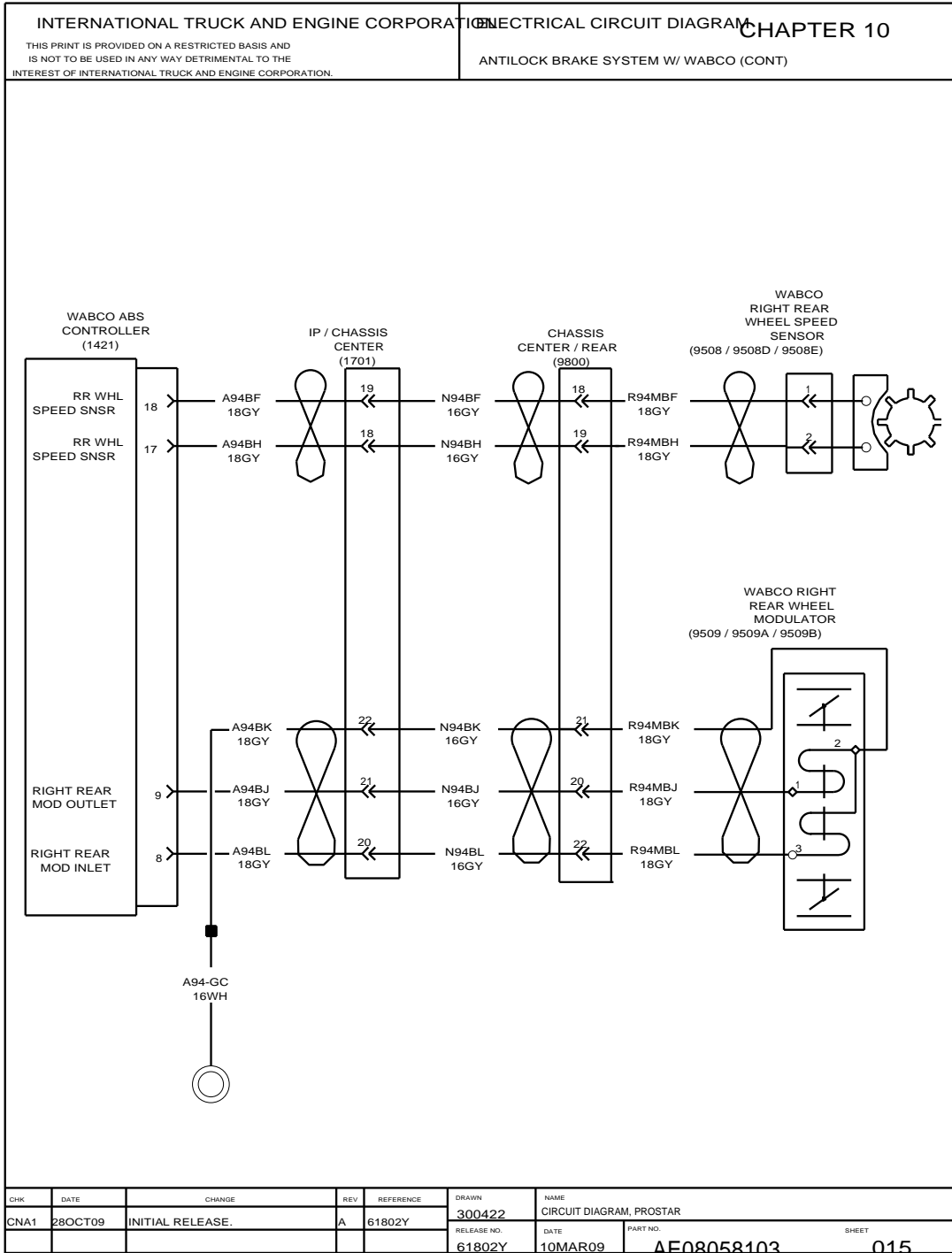


Figure 158 Antilock Brake System with Wabco (Cont.)

10.16. ANTILOCK BRAKE SYSTEM WITH WABCO (CONT.), P. 16

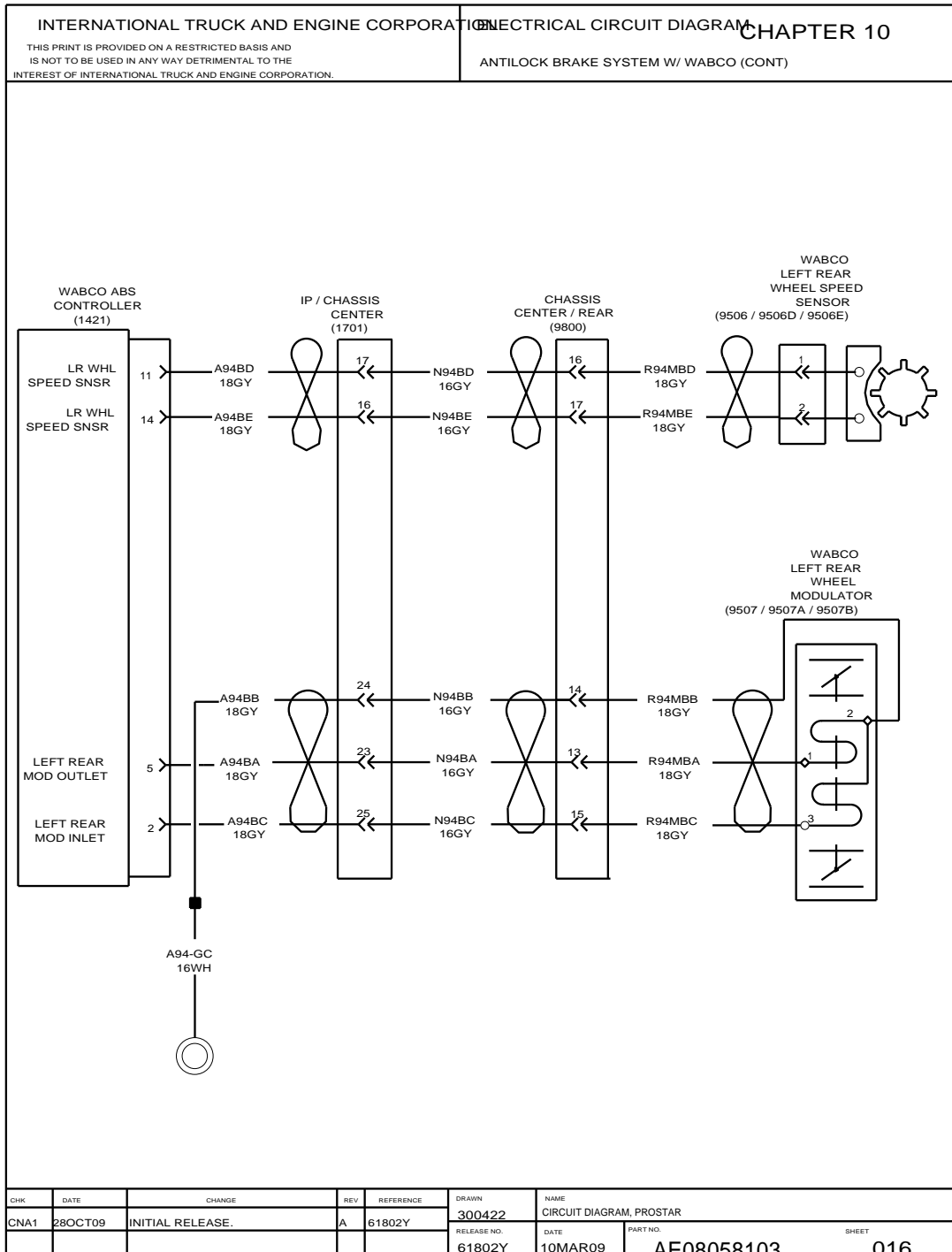


Figure 159 Antilock Brake System with Wabco (Cont.)

10.17. POWER TAKE OFF, P. 17

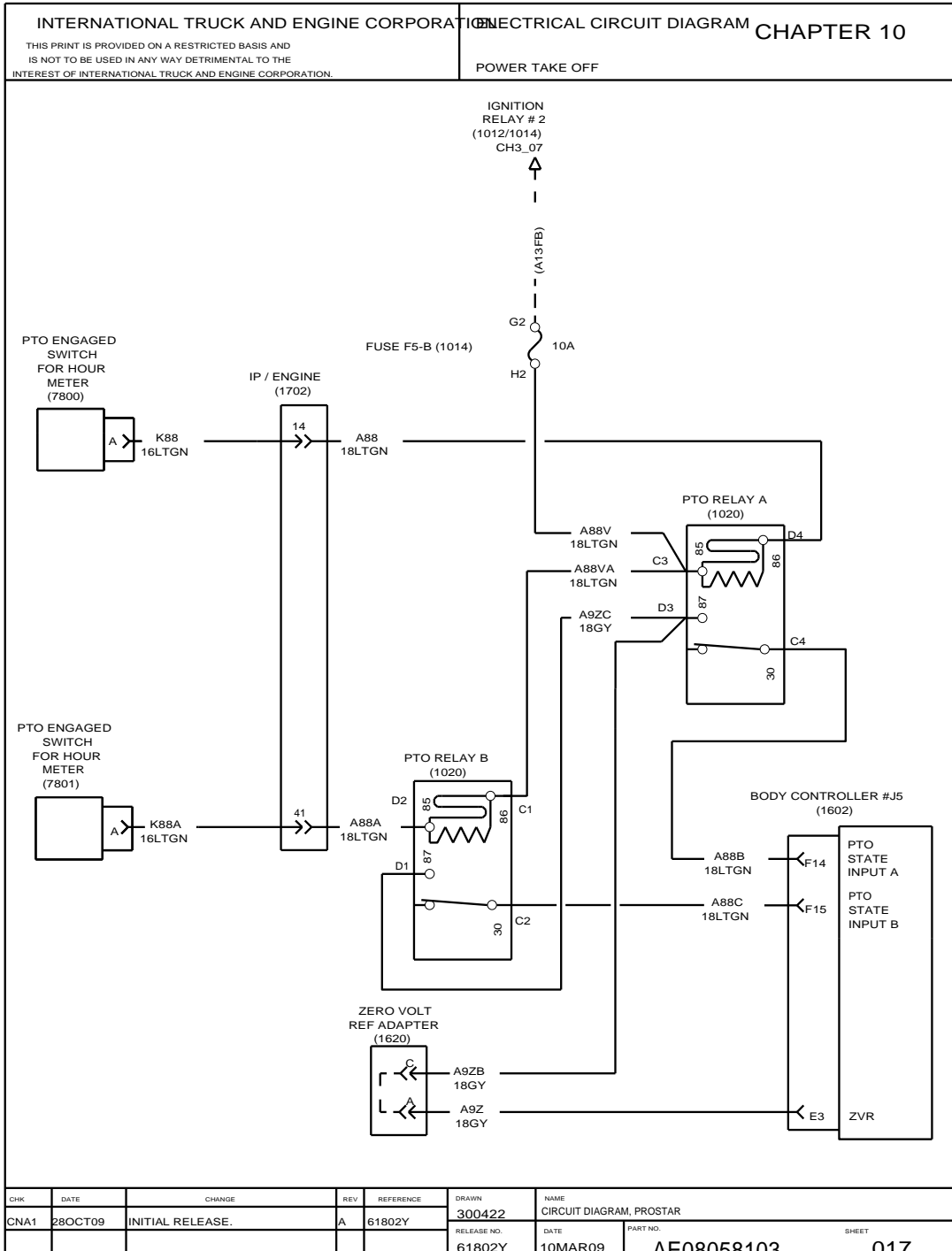


Figure 160 Power Take Off

10.18. VEHICLE SENSOR MODULE, P. 18

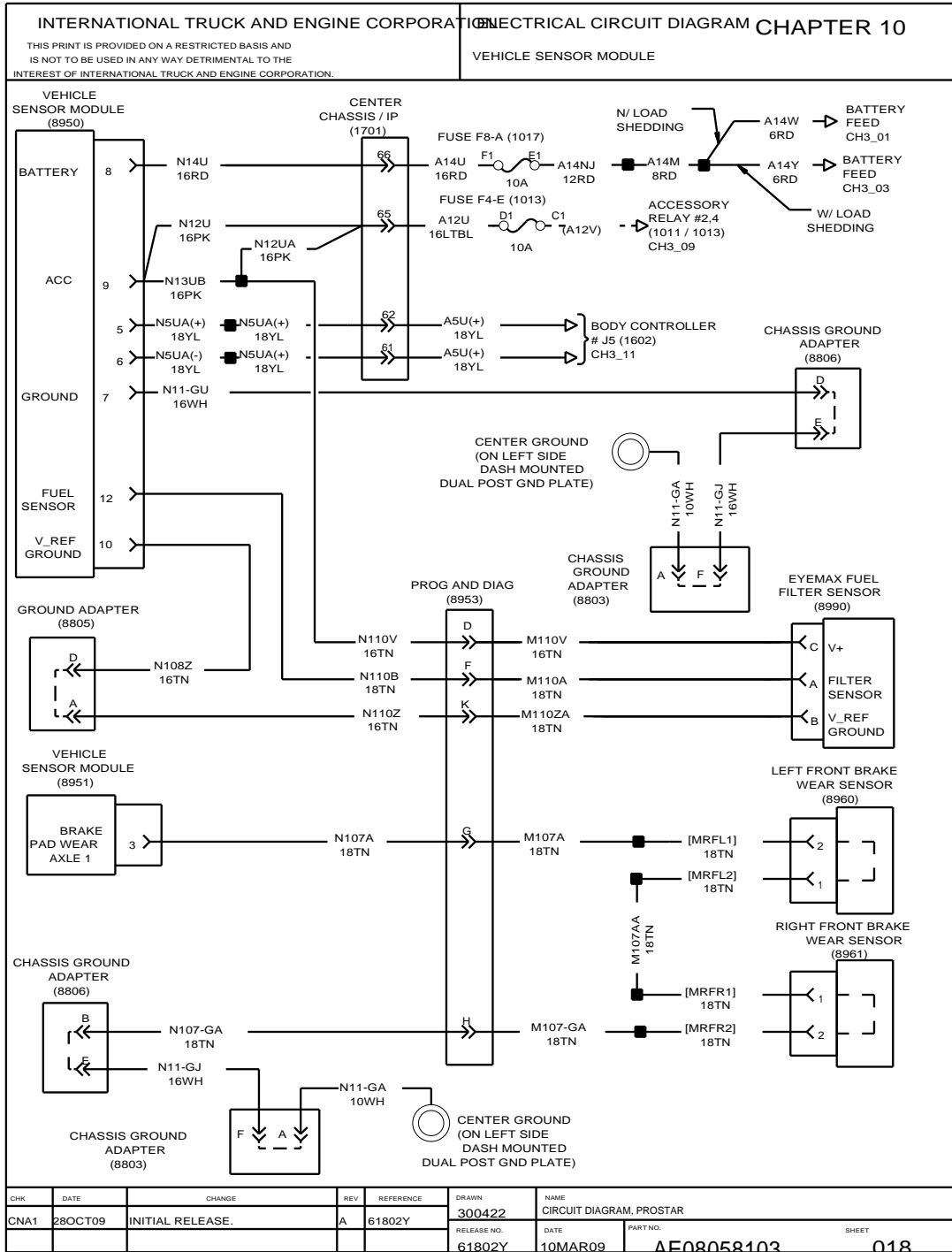


Figure 161 Vehicle Sensor Module

10.19. VEHICLE SENSOR MODULE (CONT.), P. 19

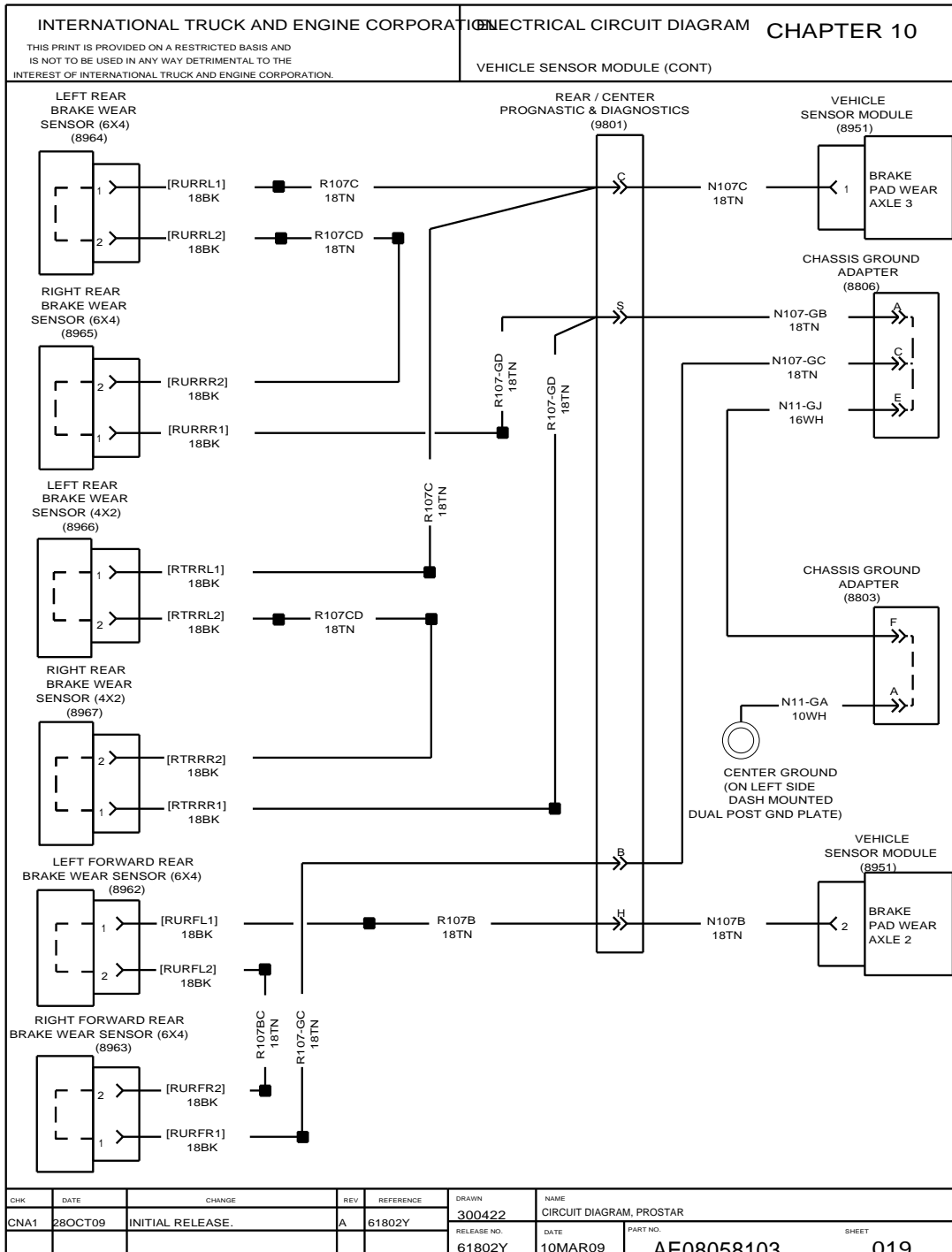


Figure 162 Vehicle Sensor Module (Cont.)

10.20. BRAKE SENSOR – WEAR / STROKE, P. 20

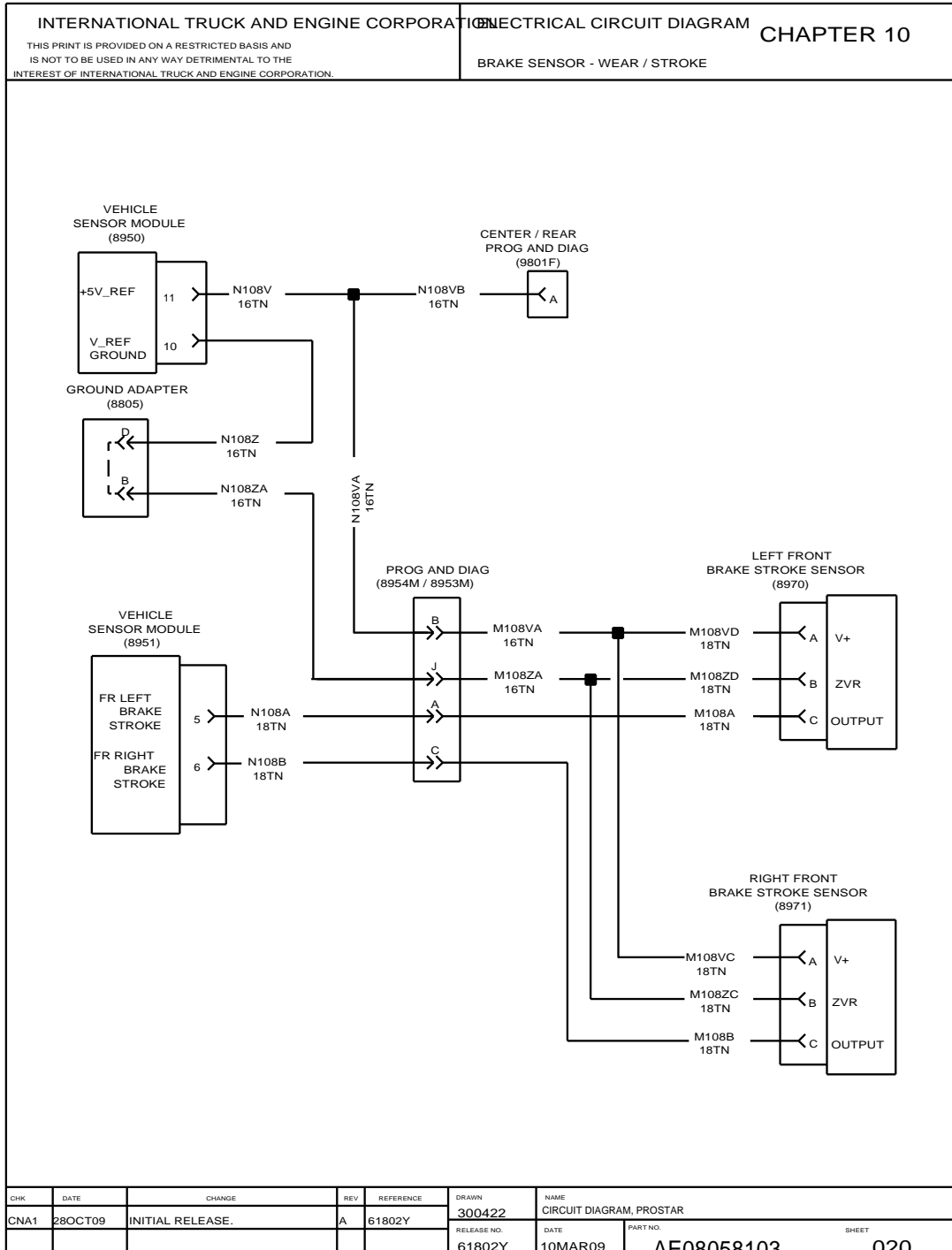


Figure 163 Brake Sensor – Wear / Stroke

10.21. BRAKE SENSOR – WEAR / STROKE (CONT.), P. 21

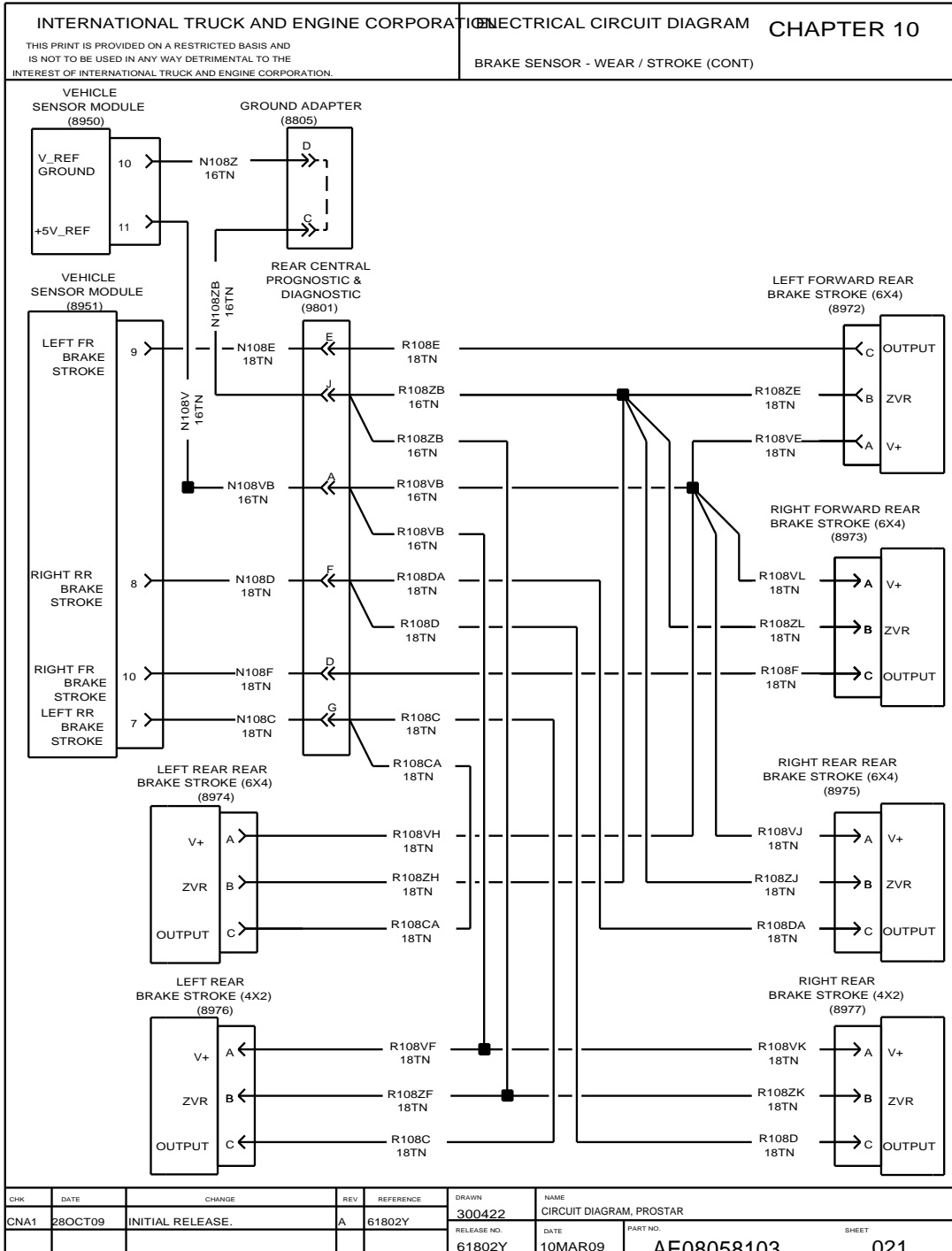


Figure 164 Brake Sensor – Wear / Stroke (Cont.)

10.22. BODY BUILDER, P. 22

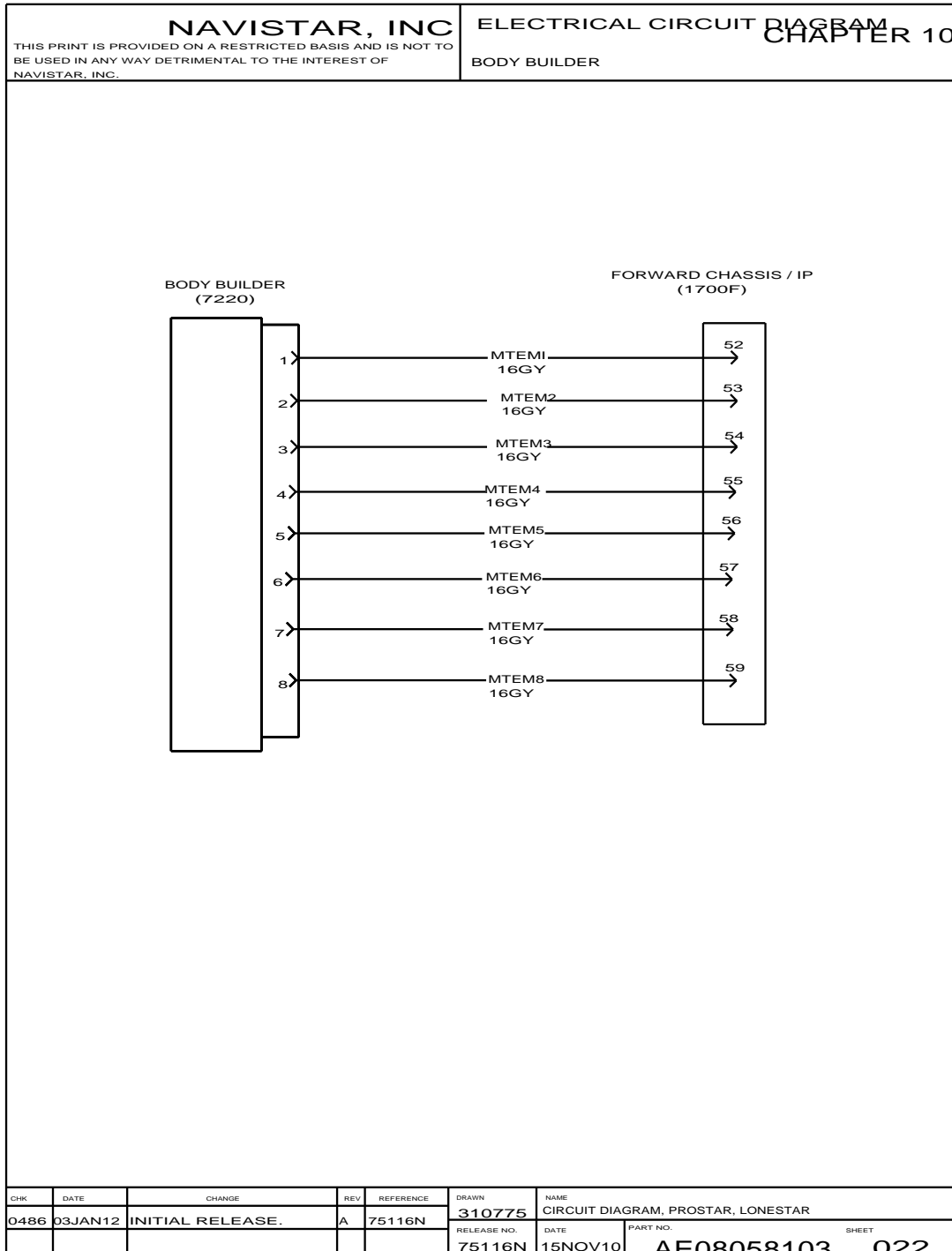


Figure 165 Body Builder

10.23. LIFT GATE POWER FEED, P. 22A

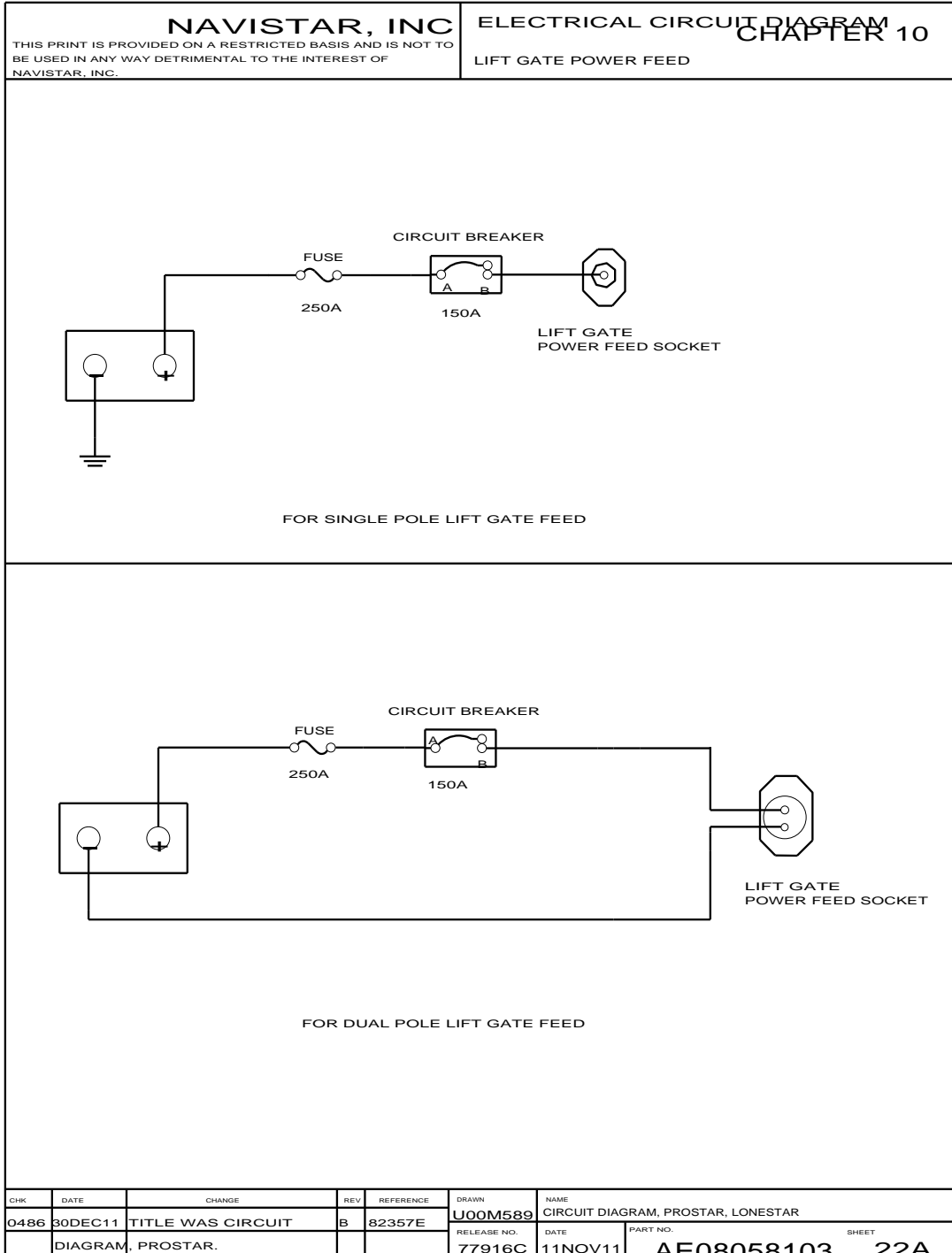


Figure 166 Lift Gate Power Feed

10.24. CUMMINS ICON, P. 23

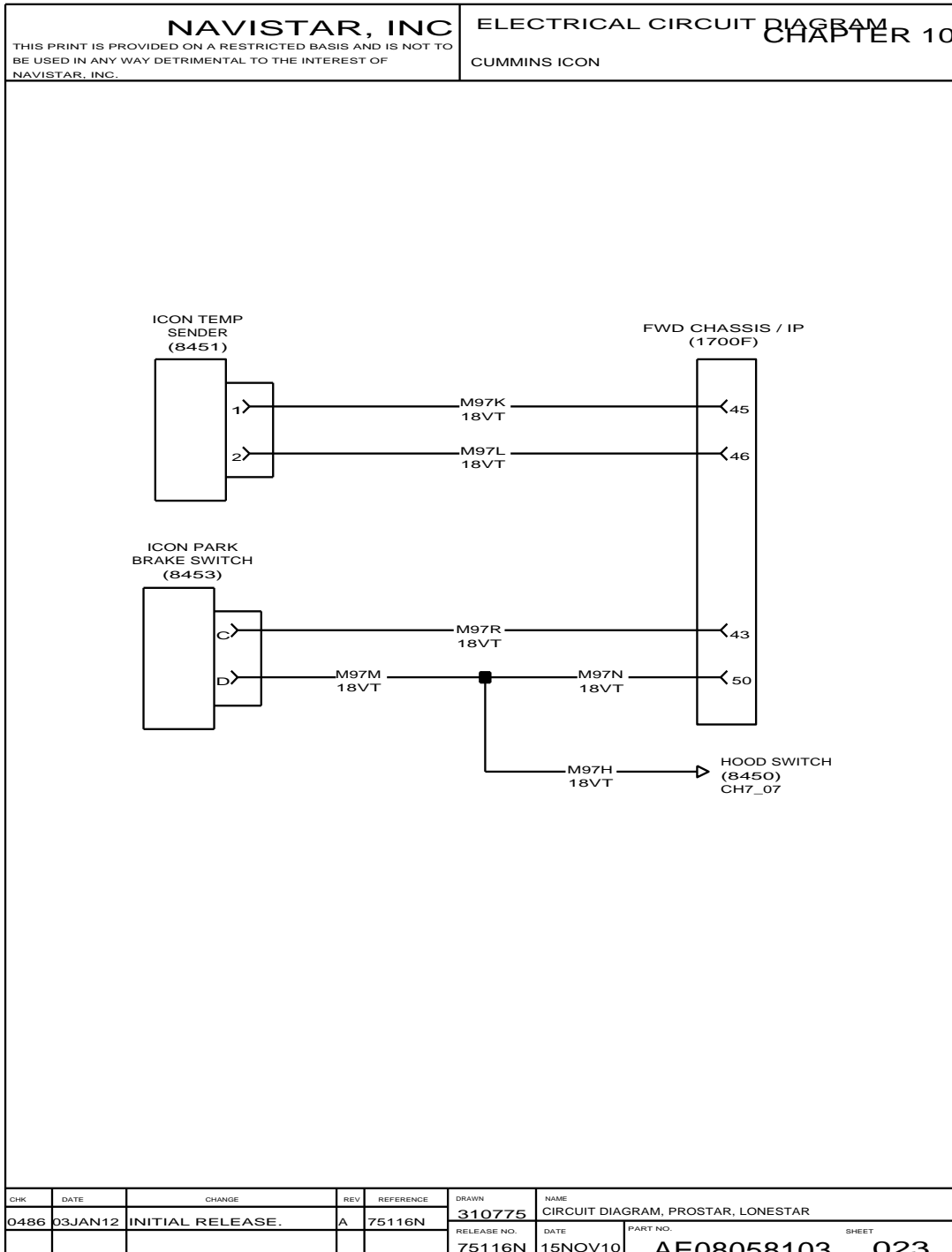


Figure 167 Cummins Icon

10.25. PTO CONNECTION, P. 24

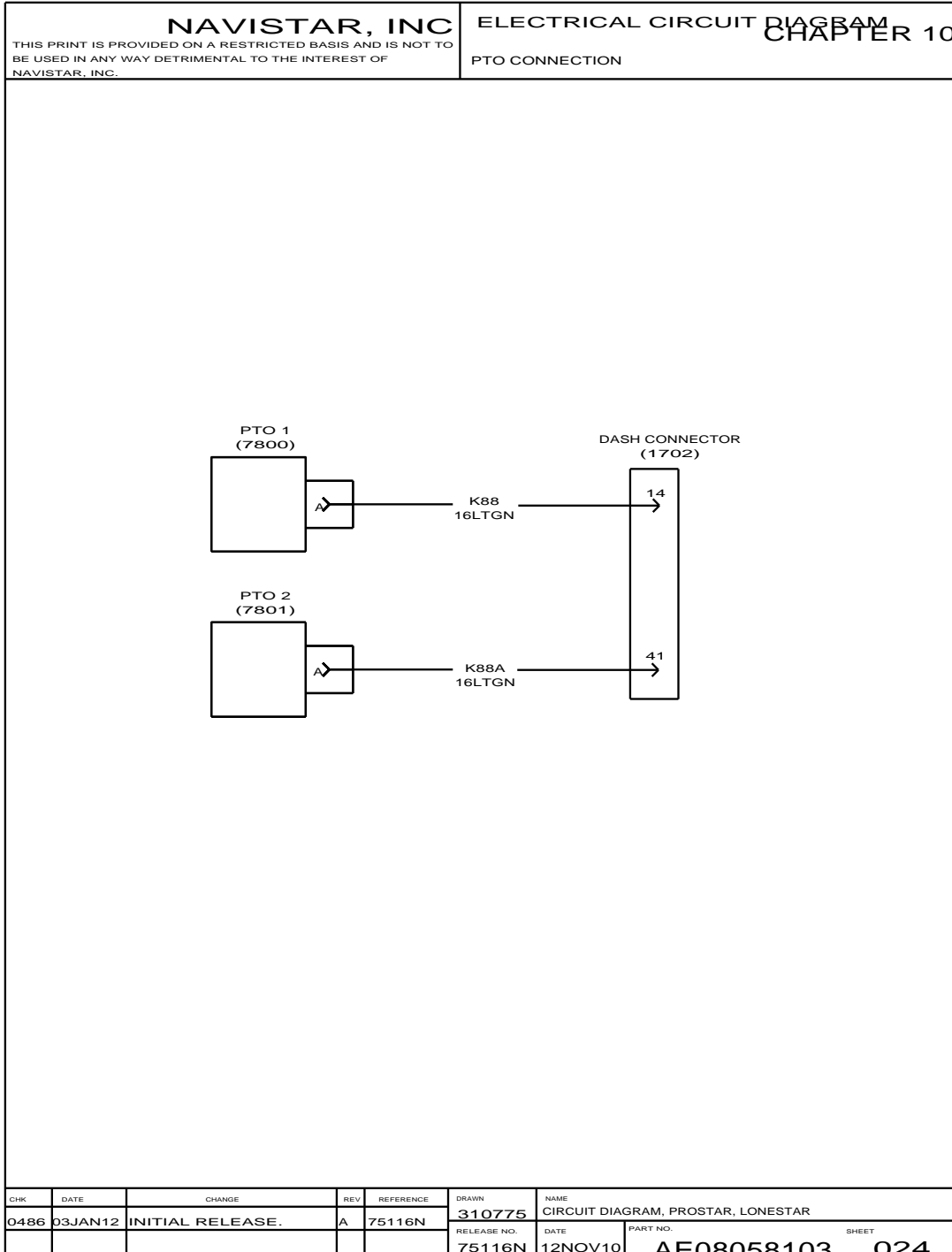


Figure 168 PTO Connection

10.26. CUSTOMER SUPPLIED LIGHTS, P. 25

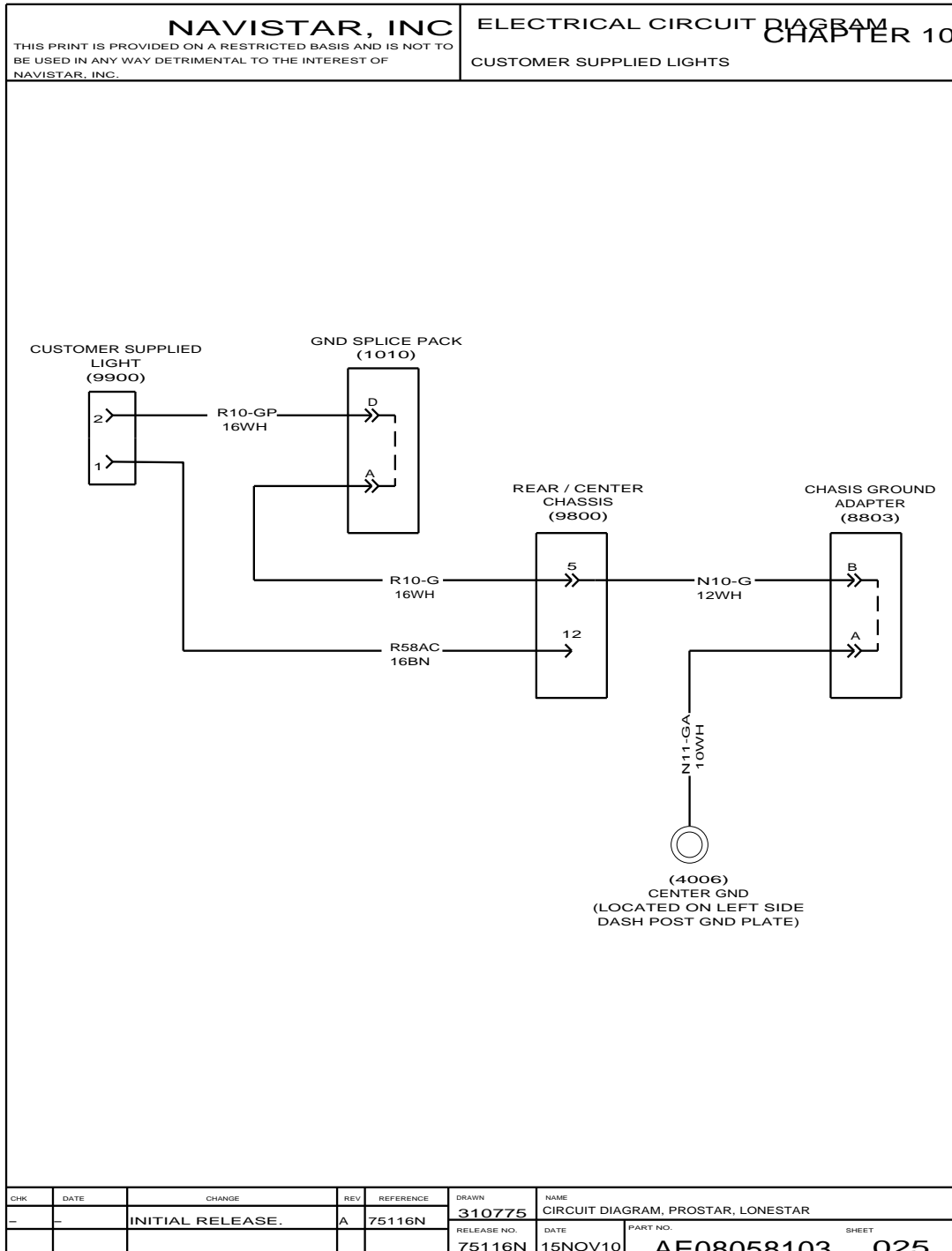


Figure 169 Customer Supplied Lights

10.27. SMARTIRE TPMS RECEIVER, P. 26

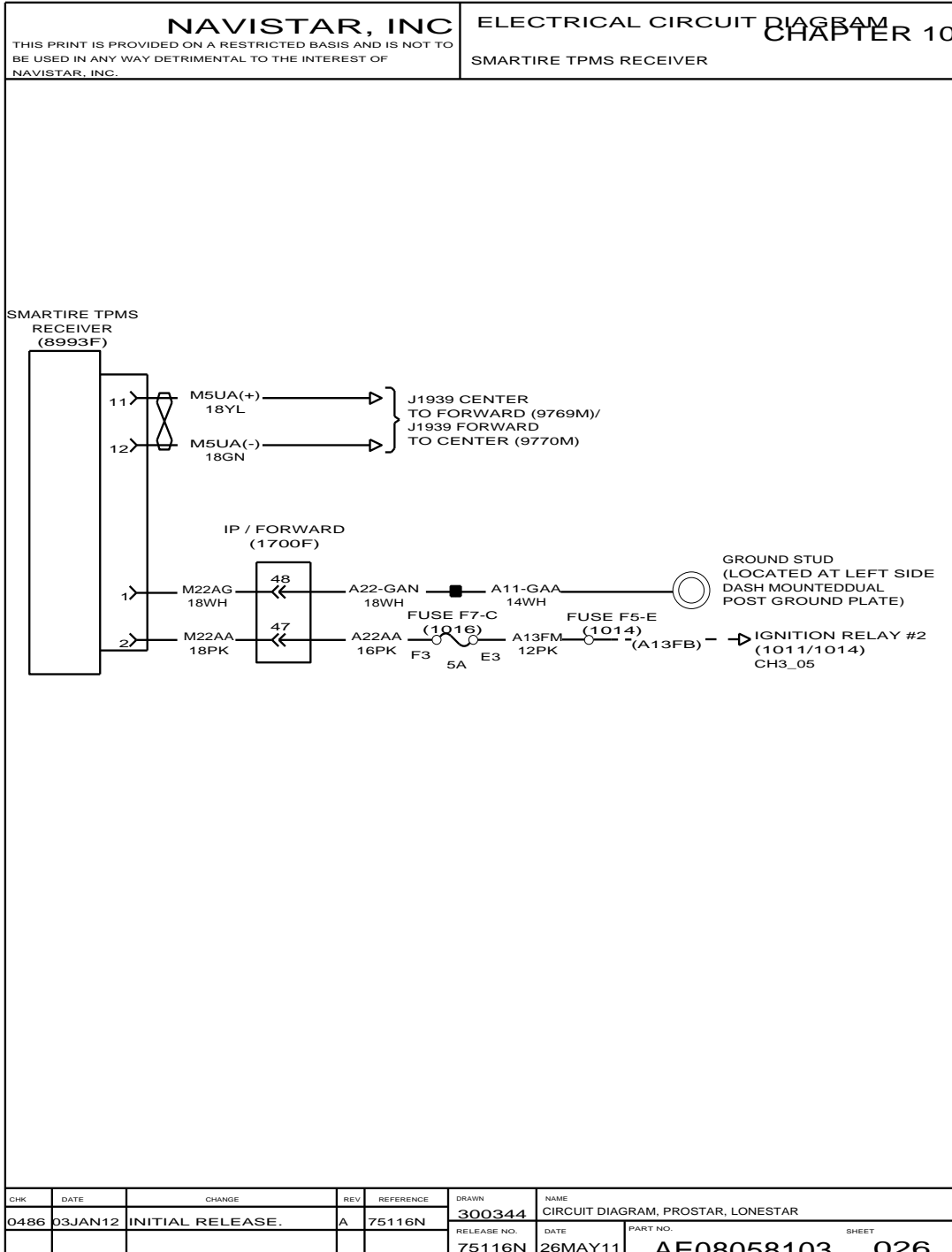


Figure 170 Smartire TPMS Receiver

11. TRANSMISSION CONTROL MODULE (CHAPTER 11)

11.1. EATON AUTOSHIFT AND ULTRASHIFT TRANSMISSION, P. 1

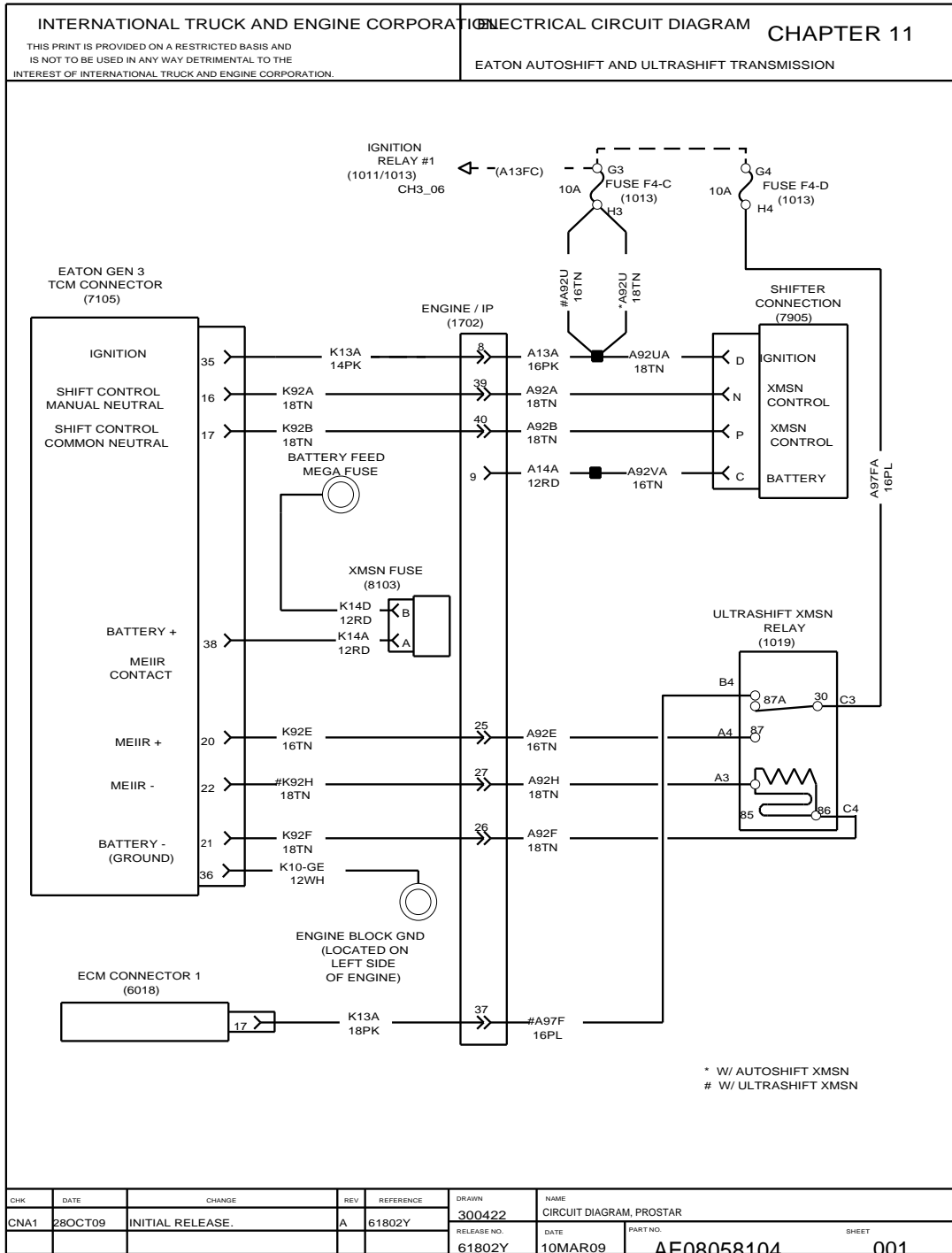


Figure 171 Eaton Autoshift and Ultrashift Transmission

11.2. EATON AUTOSHIFT AND ULTRASHIFT TRANSMISSION (CONT.), P. 2

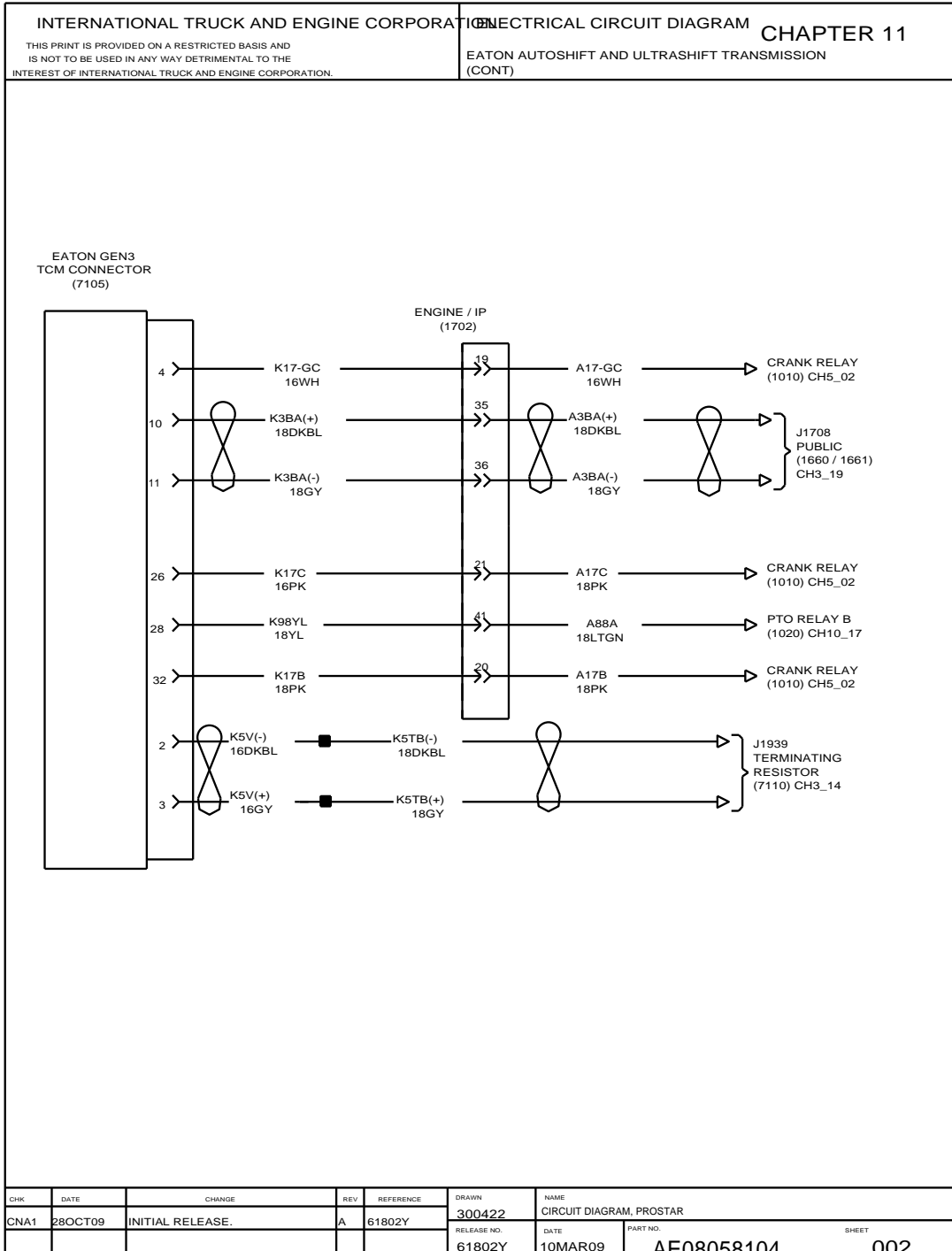


Figure 172 Eaton Autoshift and Ultrashift Transmission (Cont.)

11.3. COLUMN SHIFTER, P. 3

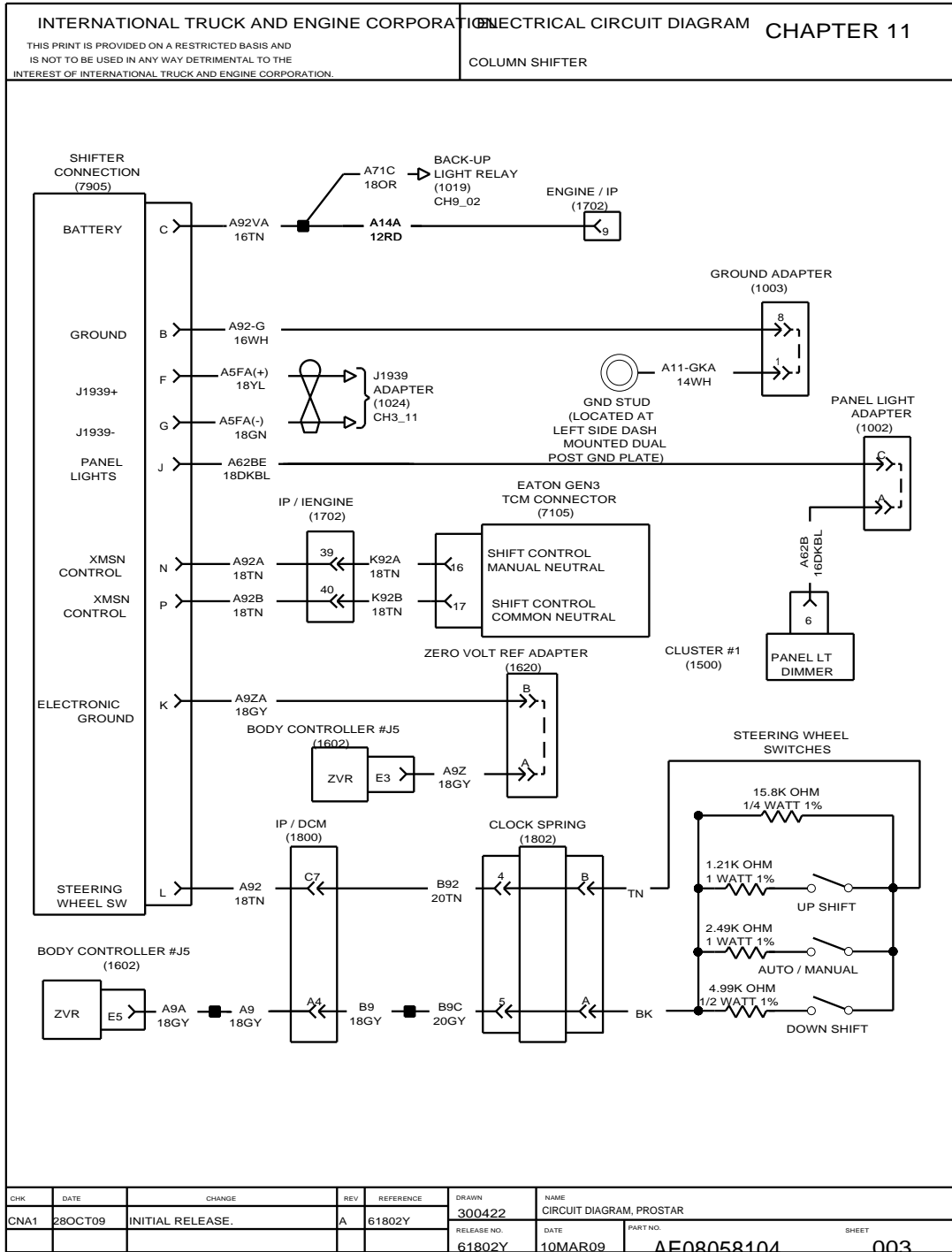


Figure 173 Column Shifter

12. HVAC (CHAPTER 12)

12.1. AIR CONDITIONING, P. 1

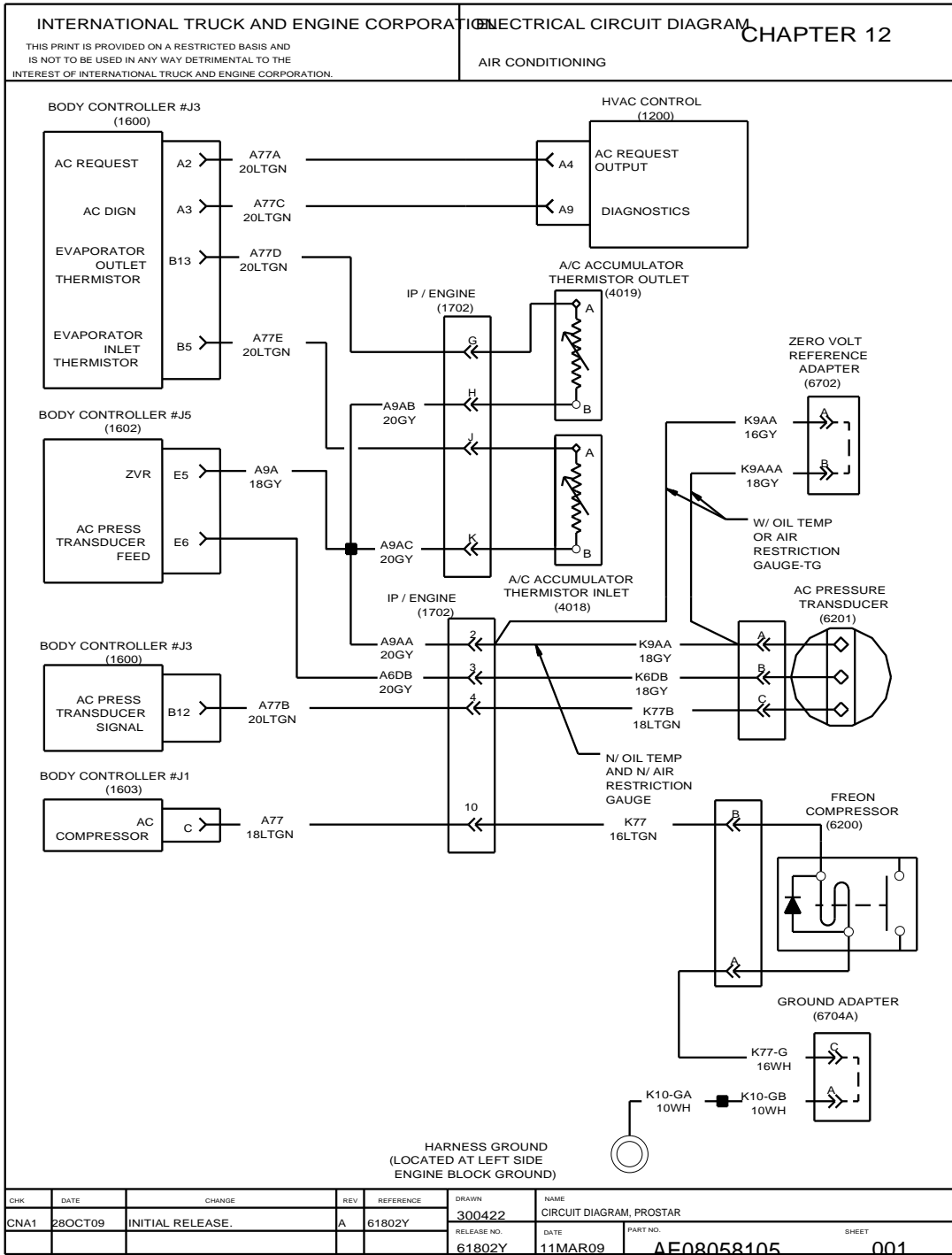


Figure 174 Air Conditioning

12.2. HVAC SYSTEM – CAB, P. 2

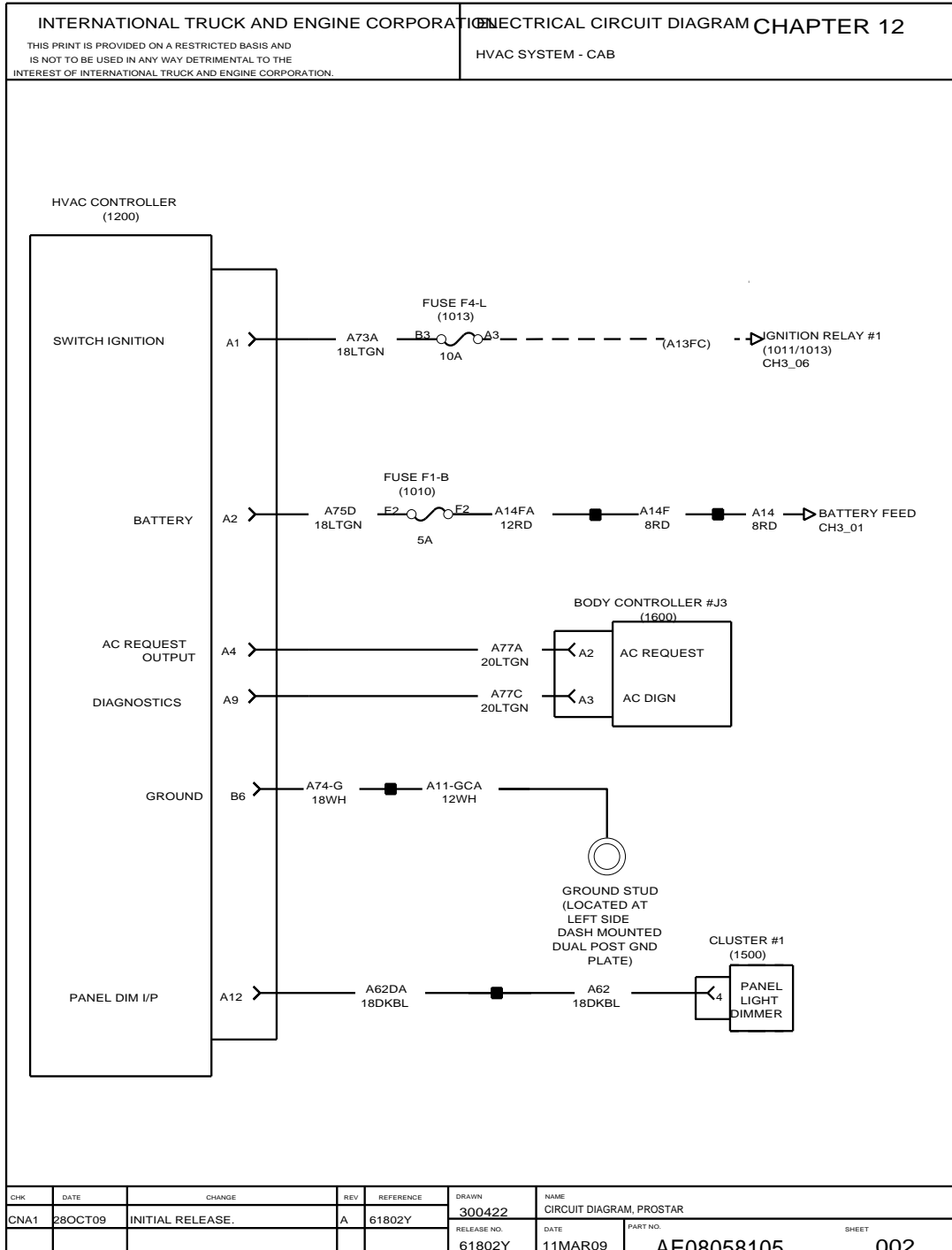


Figure 175 HVAC System – Cab

12.3. HVAC SYSTEM – CAB (CONT.), P. 3

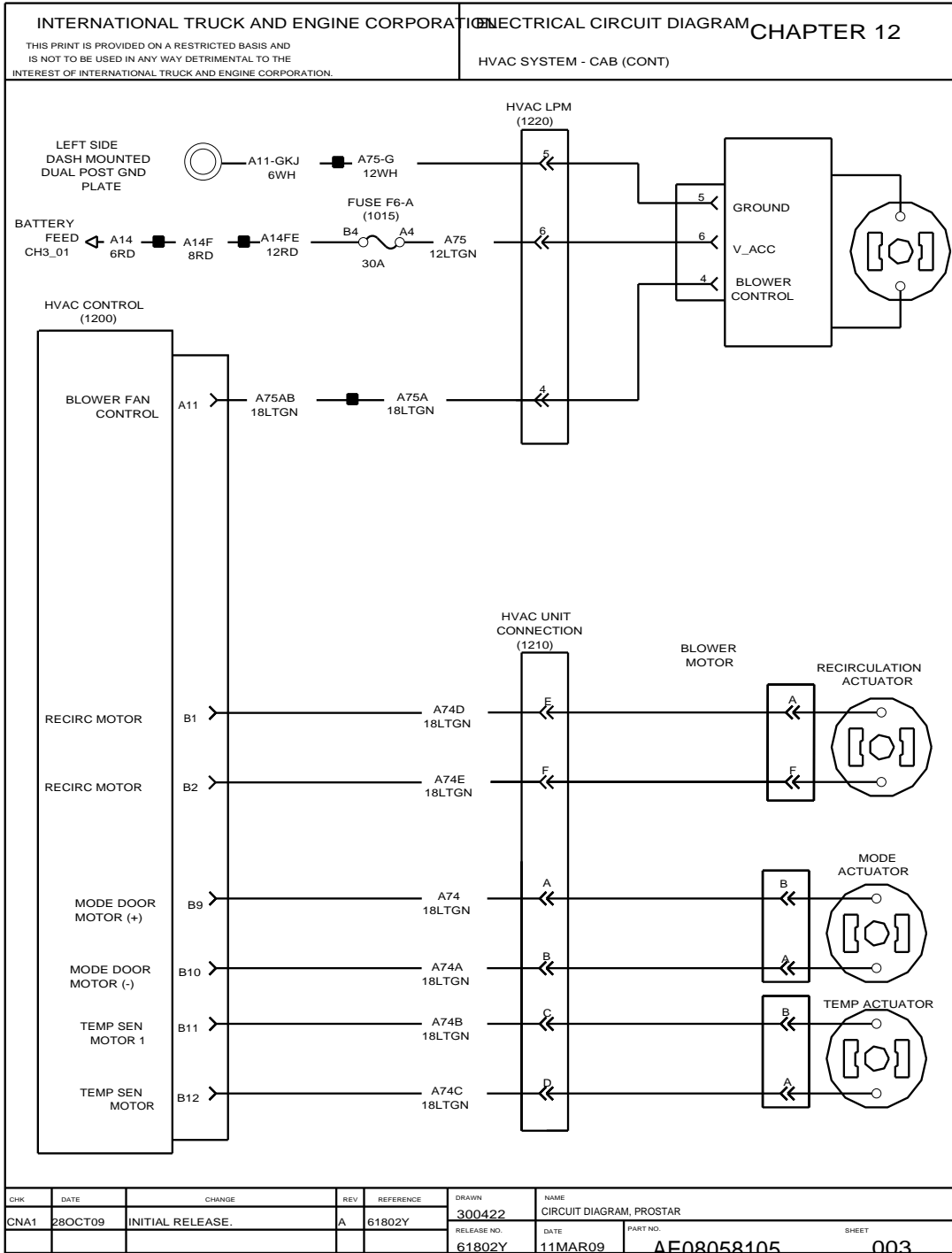


Figure 176 HVAC System – Cab (Cont.)

12.4. HVAC SYSTEM – SLEEPER, P. 4

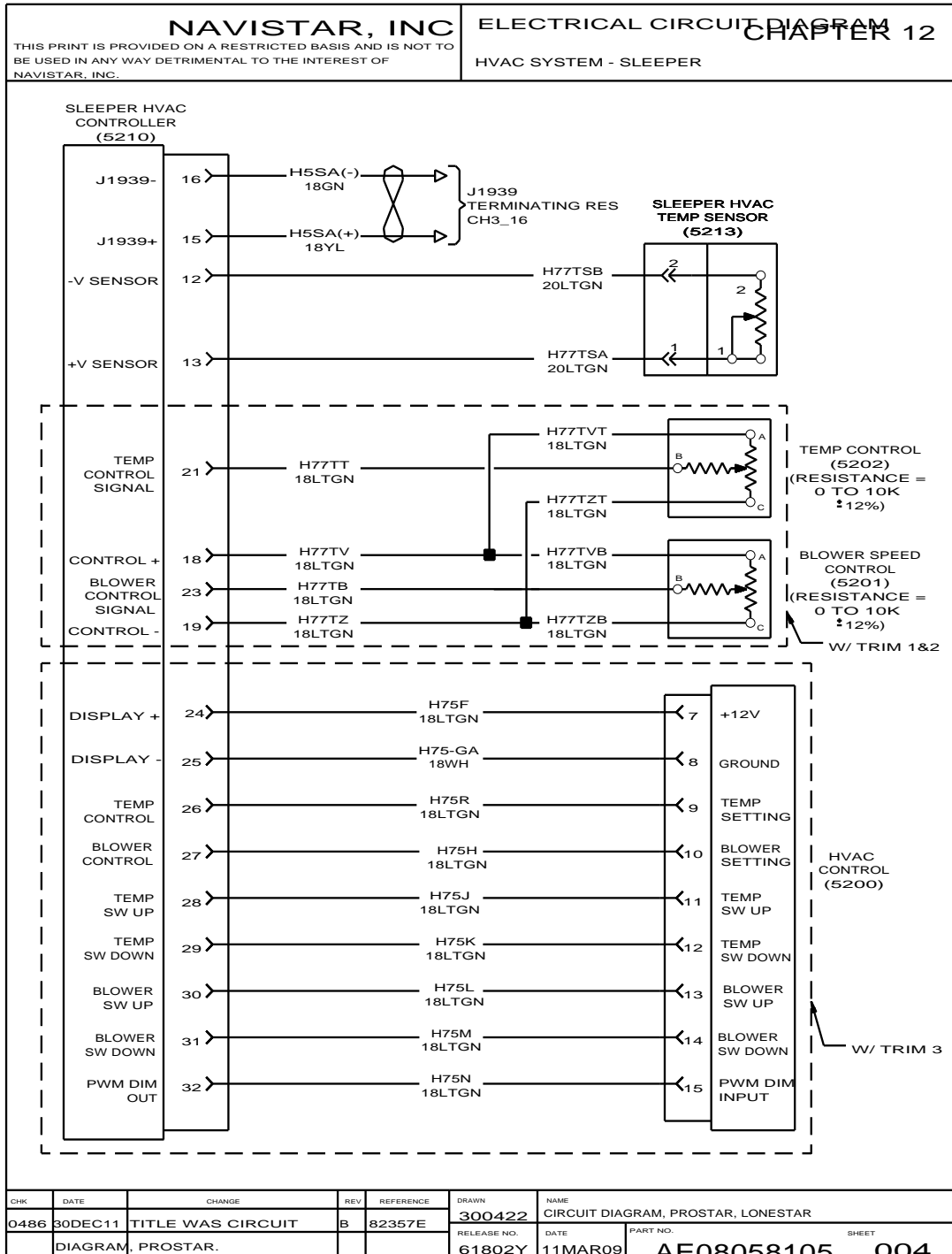


Figure 177 HVAC System – Sleeper

12.5. HVAC SYSTEM – SLEEPER (CONT.), P. 5

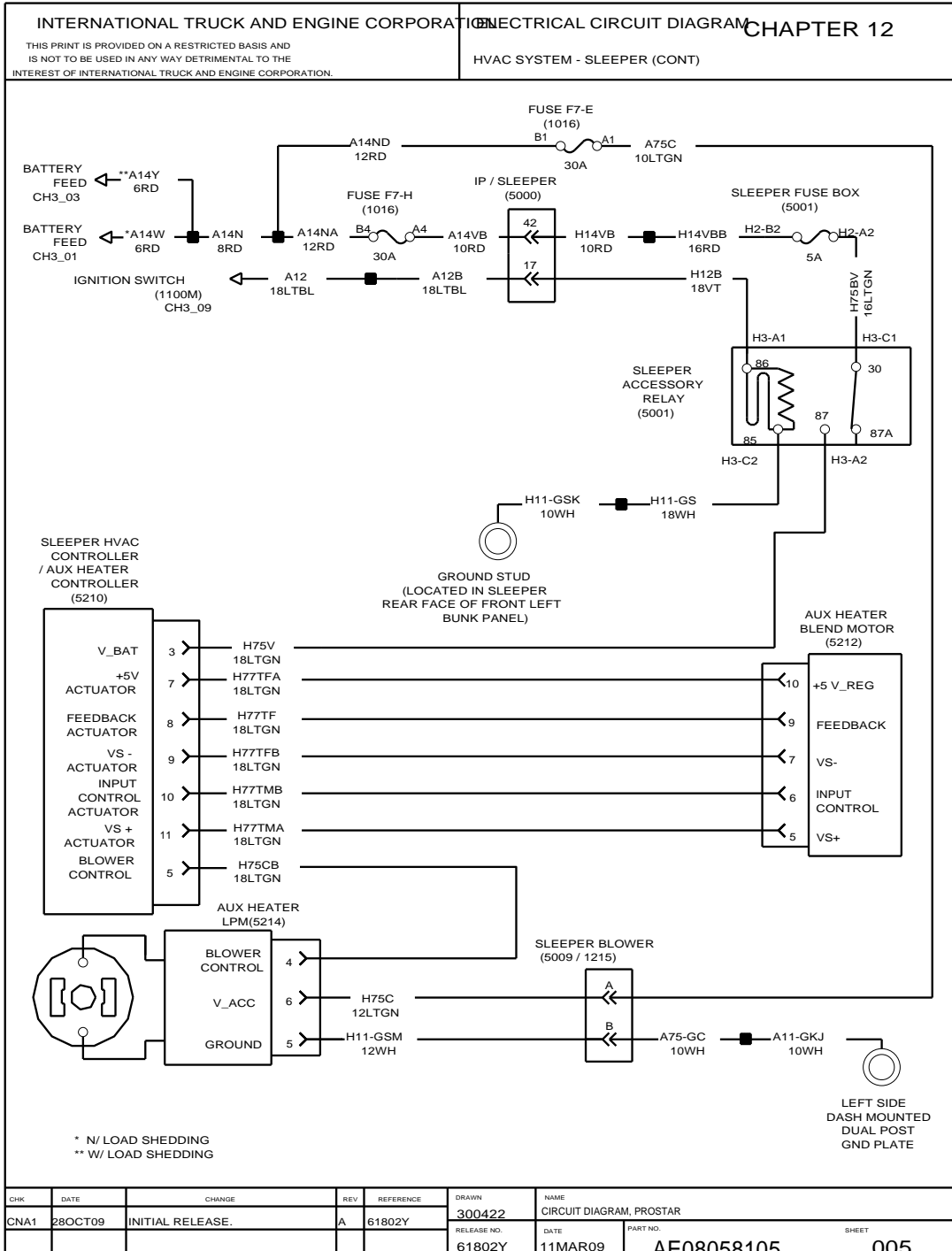


Figure 178 HVAC System – Sleeper (Cont.)

12.6. NO IDLE HEAT AND HVAC – SWITCHES, P. 6

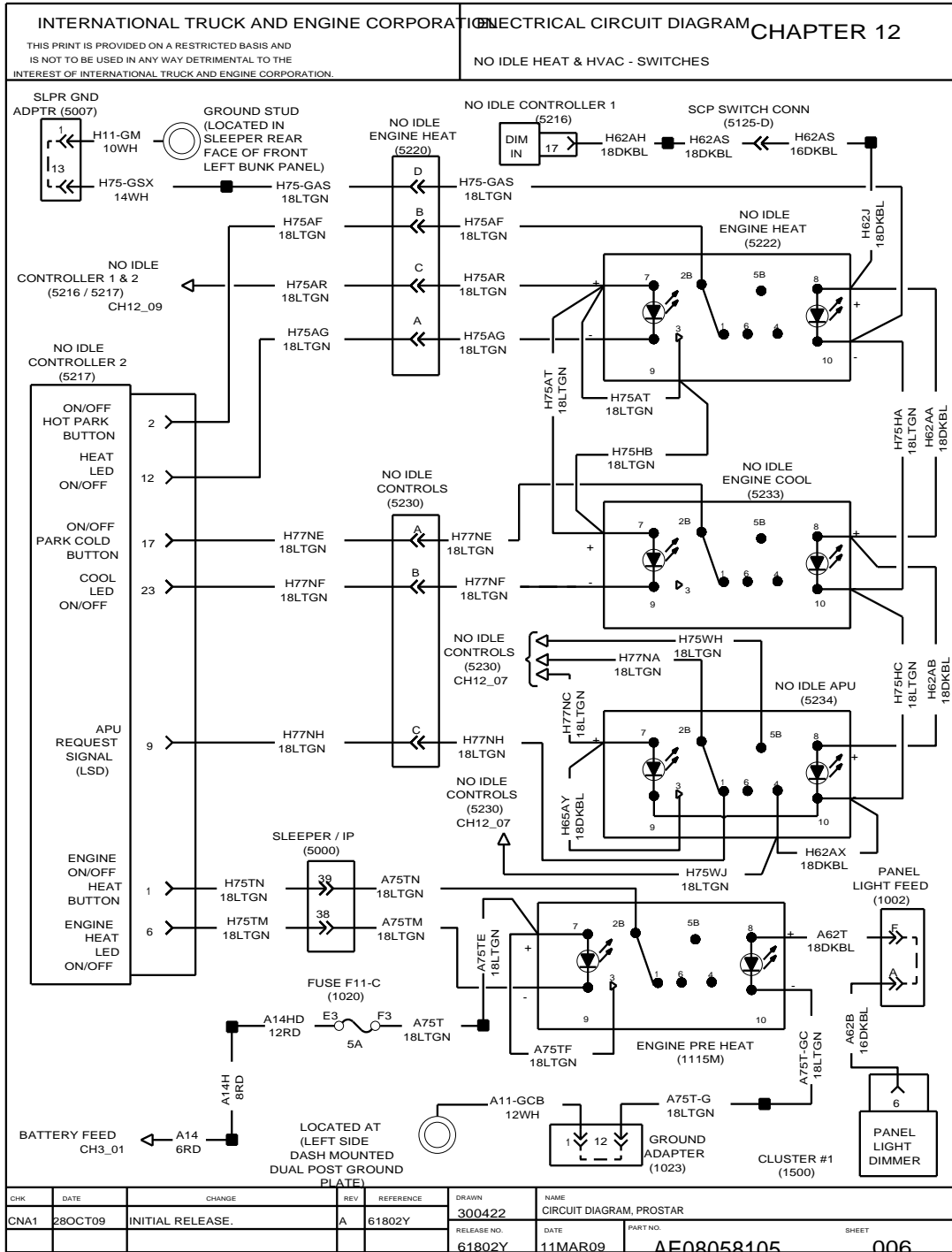


Figure 179 No Idle Heat and HVAC – Switches

12.7. NO IDLE HEAT AND HVAC – APU, P. 7

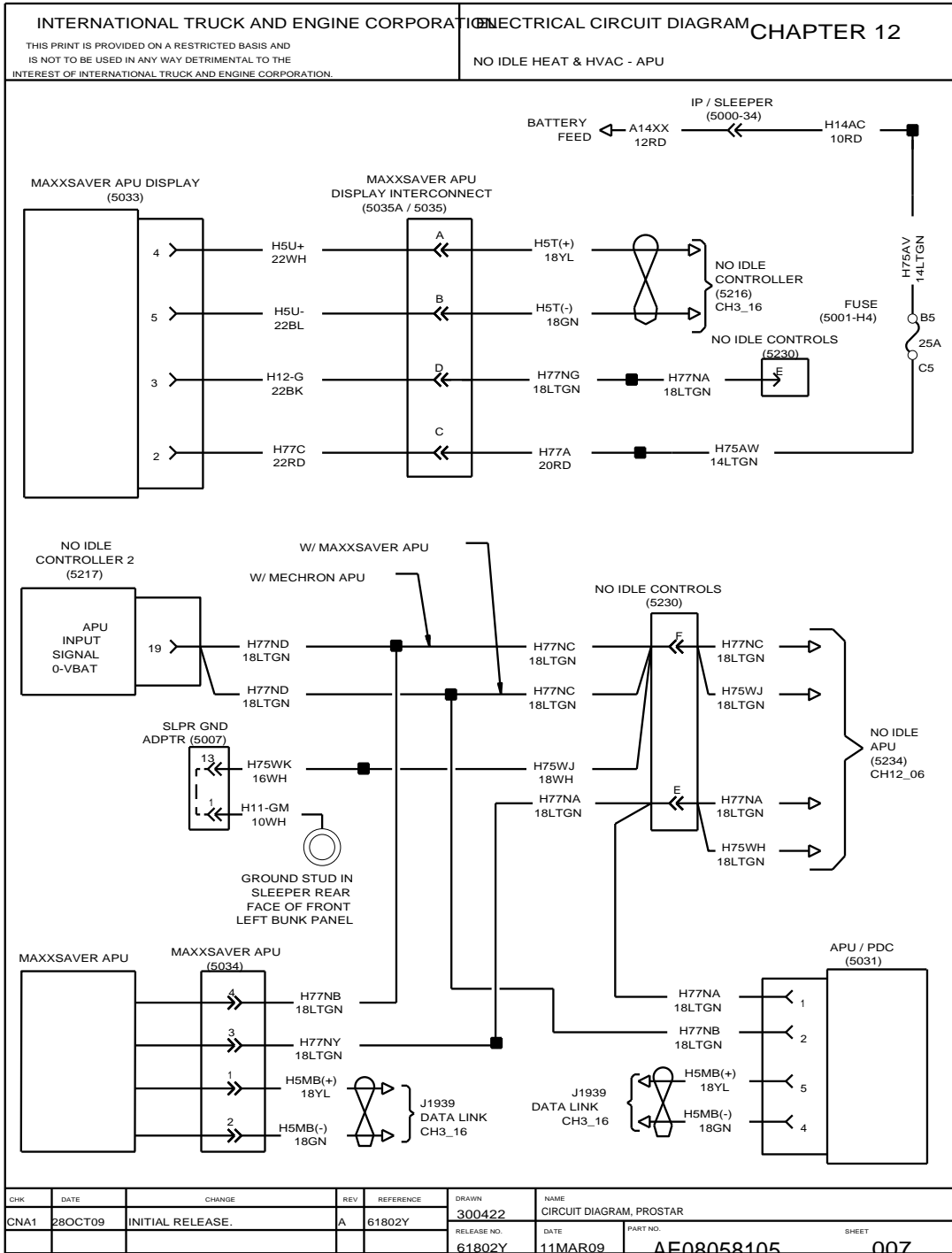


Figure 180 No Idle Heat and HVAC – APU

12.8. NO IDLE HEAT AND HVAC – SENSORS AND HVAC CONTROL, P. 8

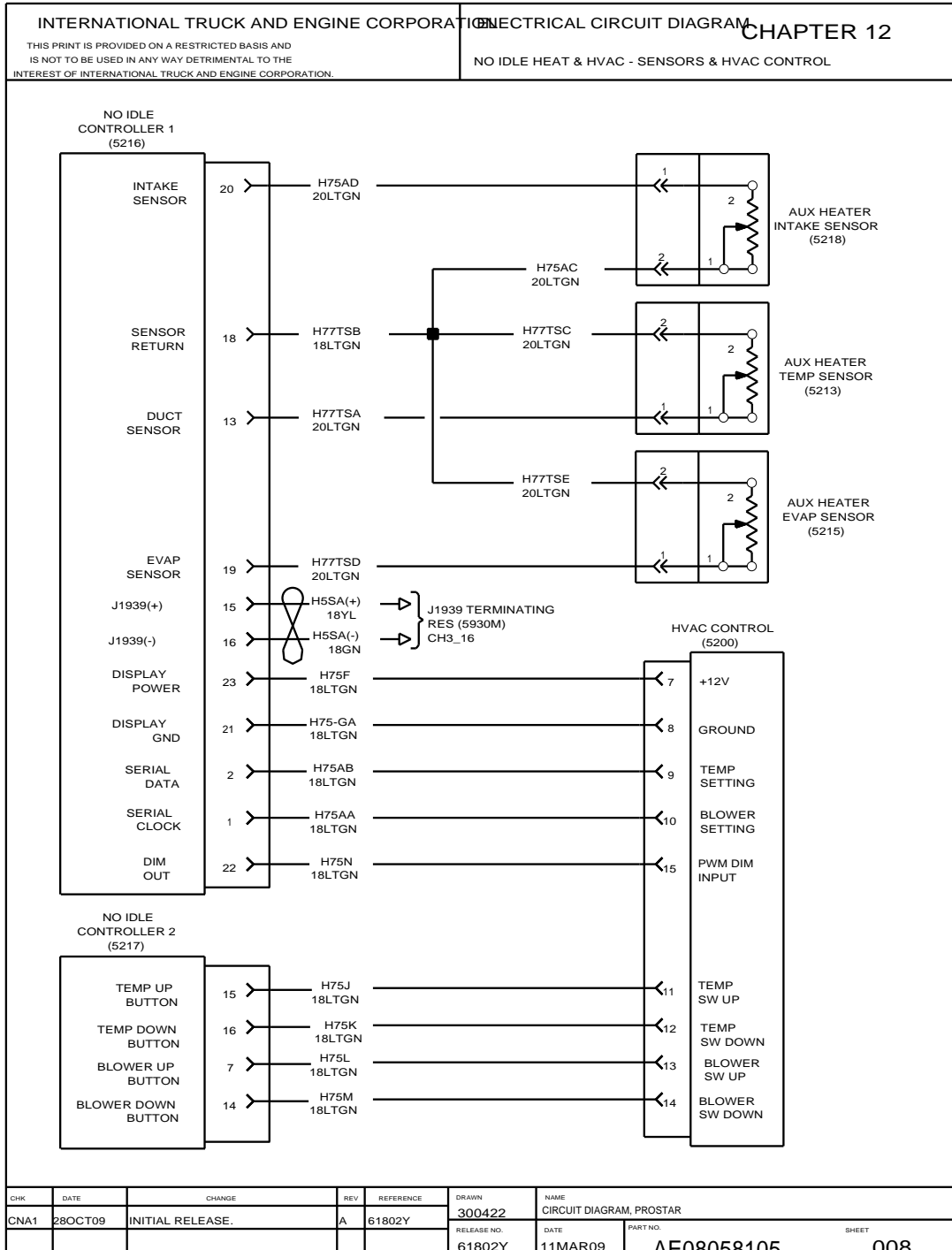


Figure 181 No Idle Heat and HVAC – Sensors and HVAC Control

12.9. NO IDLE HEAT AND HVAC – POWER SUPPLY, P. 9

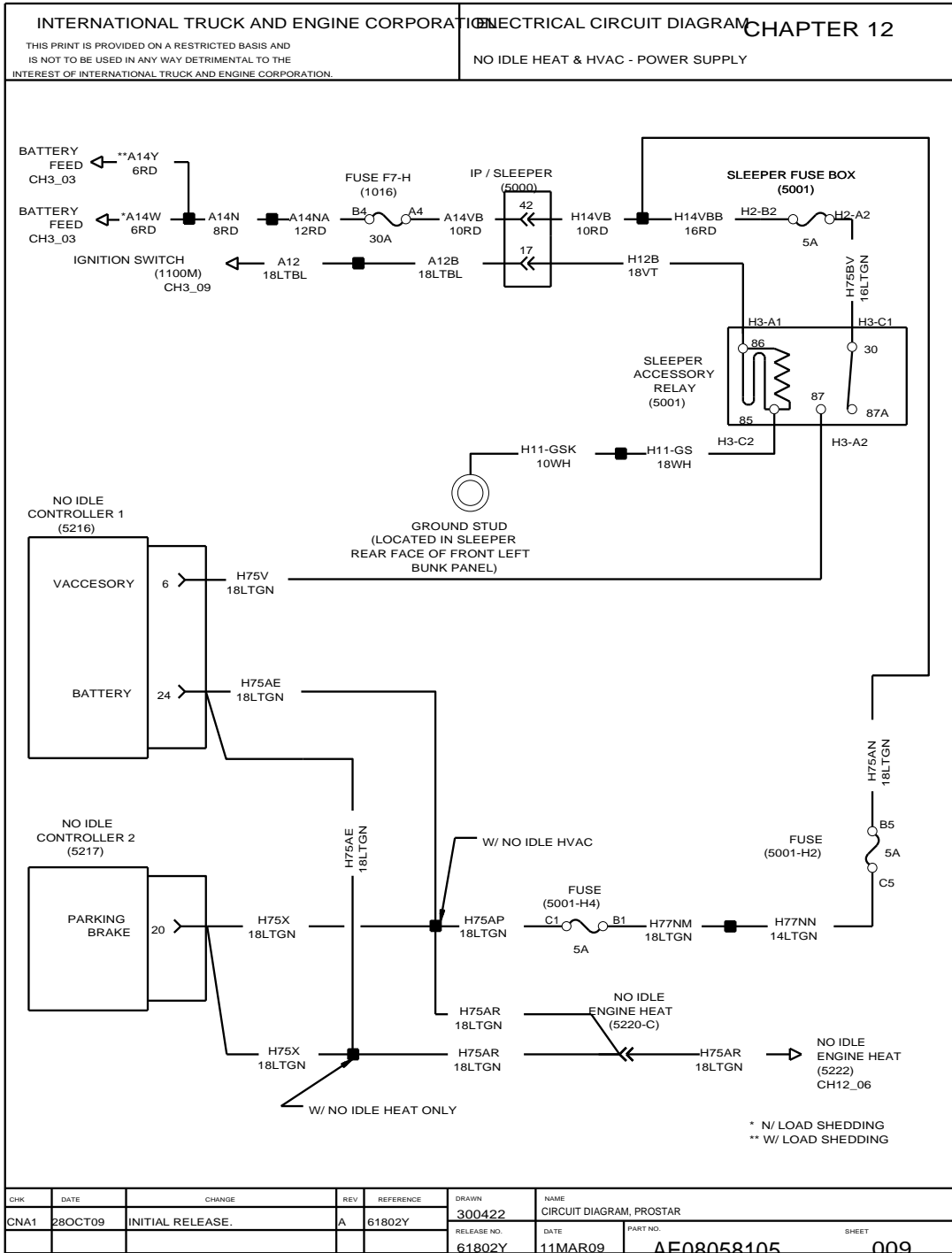


Figure 182 No Idle Heat and HVAC – Power Supply

12.10. NO IDLE HEAT AND HVAC – HEAT VALVE, LPM AND BLEND MOTOR, P. 10

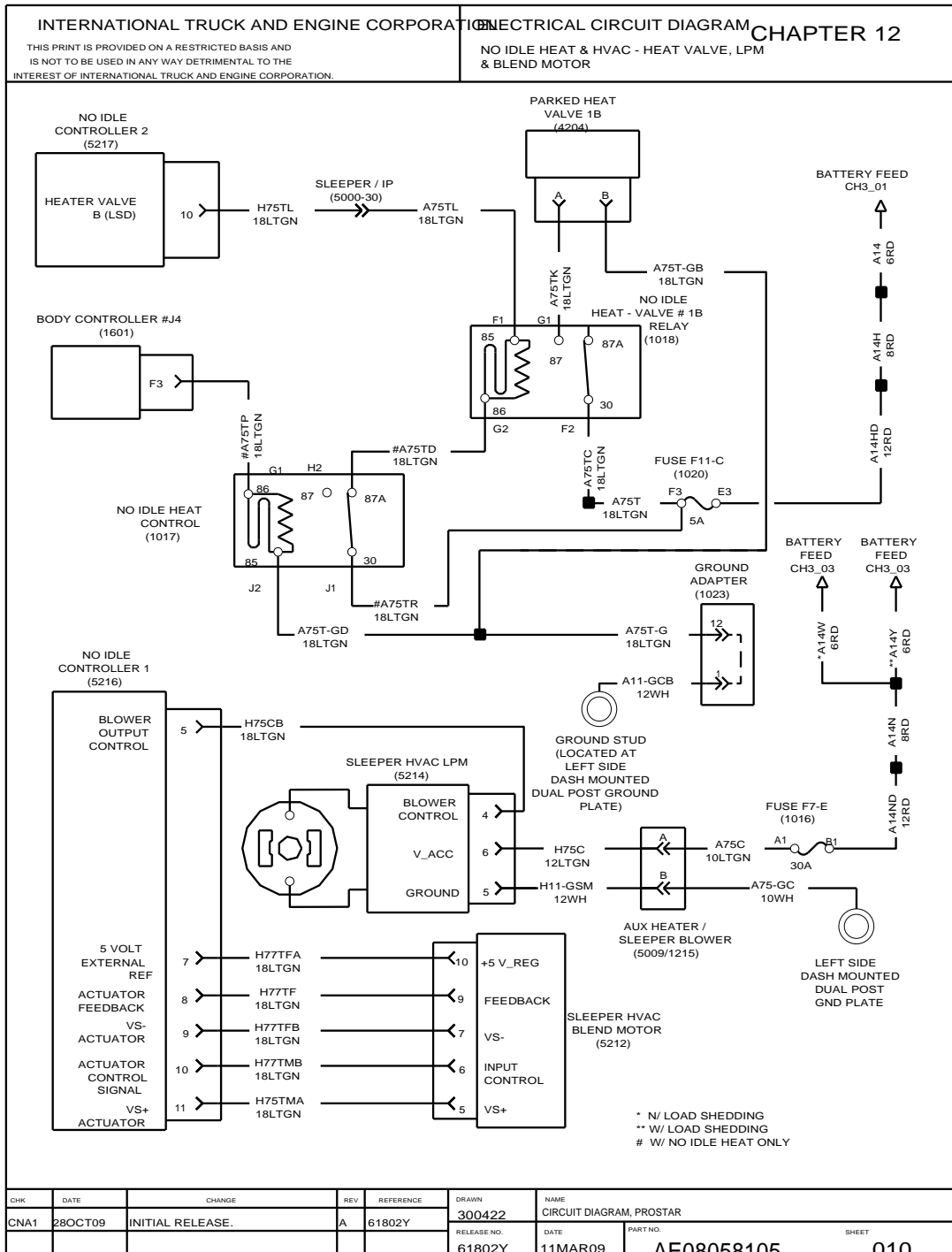


Figure 183 No Idle Heat and HVAC – Heat Valve, LPM and Blend Motor

12.11. NO IDLE HEAT AND HVAC – FUEL FIRED HEATER AND A/C COMPRESSOR, P. 11

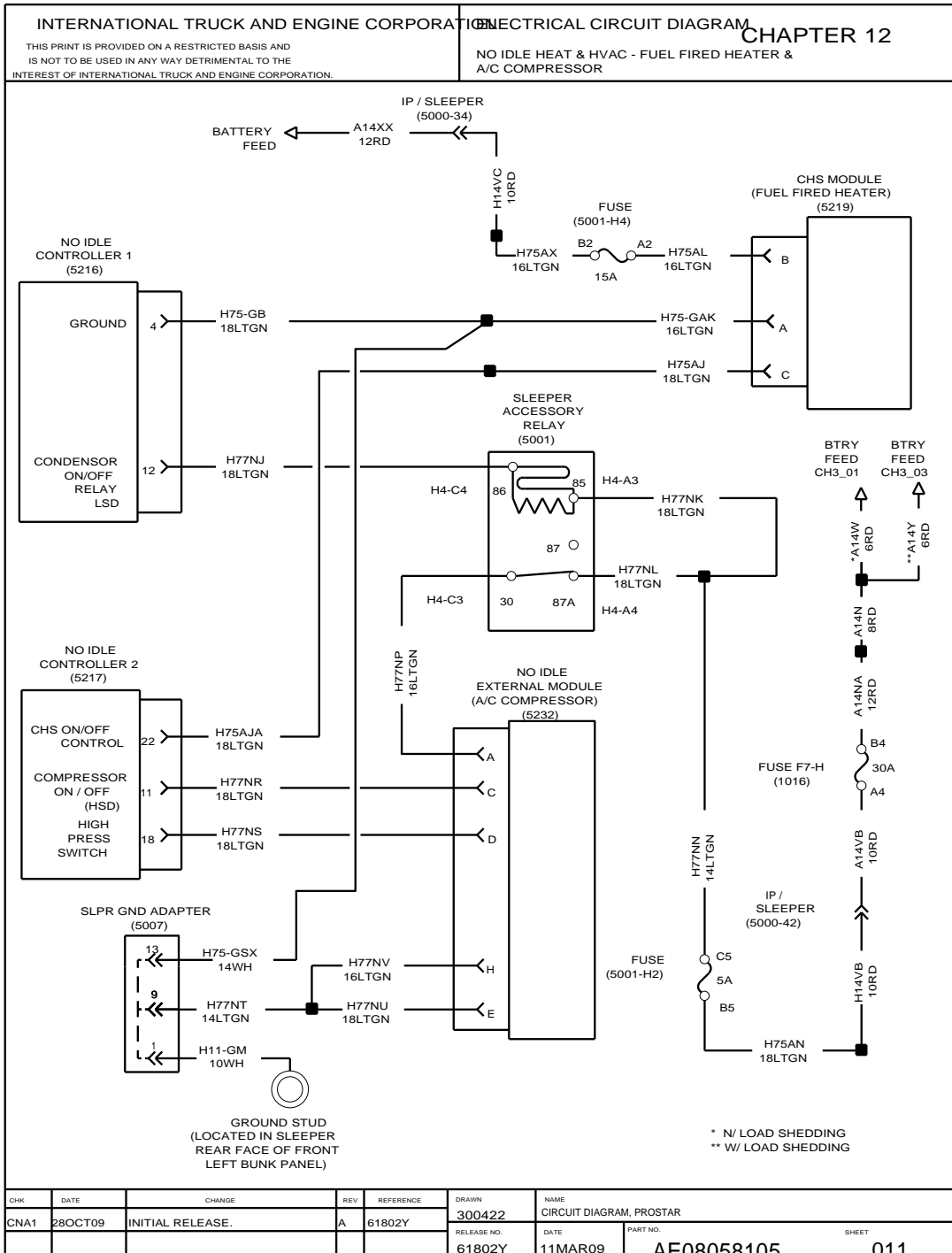


Figure 184 No Idle Heat and HVAC – Fuel Fired Heater and A/C Compressor

12.12. NO IDLE HEATER, ESPAR IN CAB FUEL FIRED HEATER, P. 12

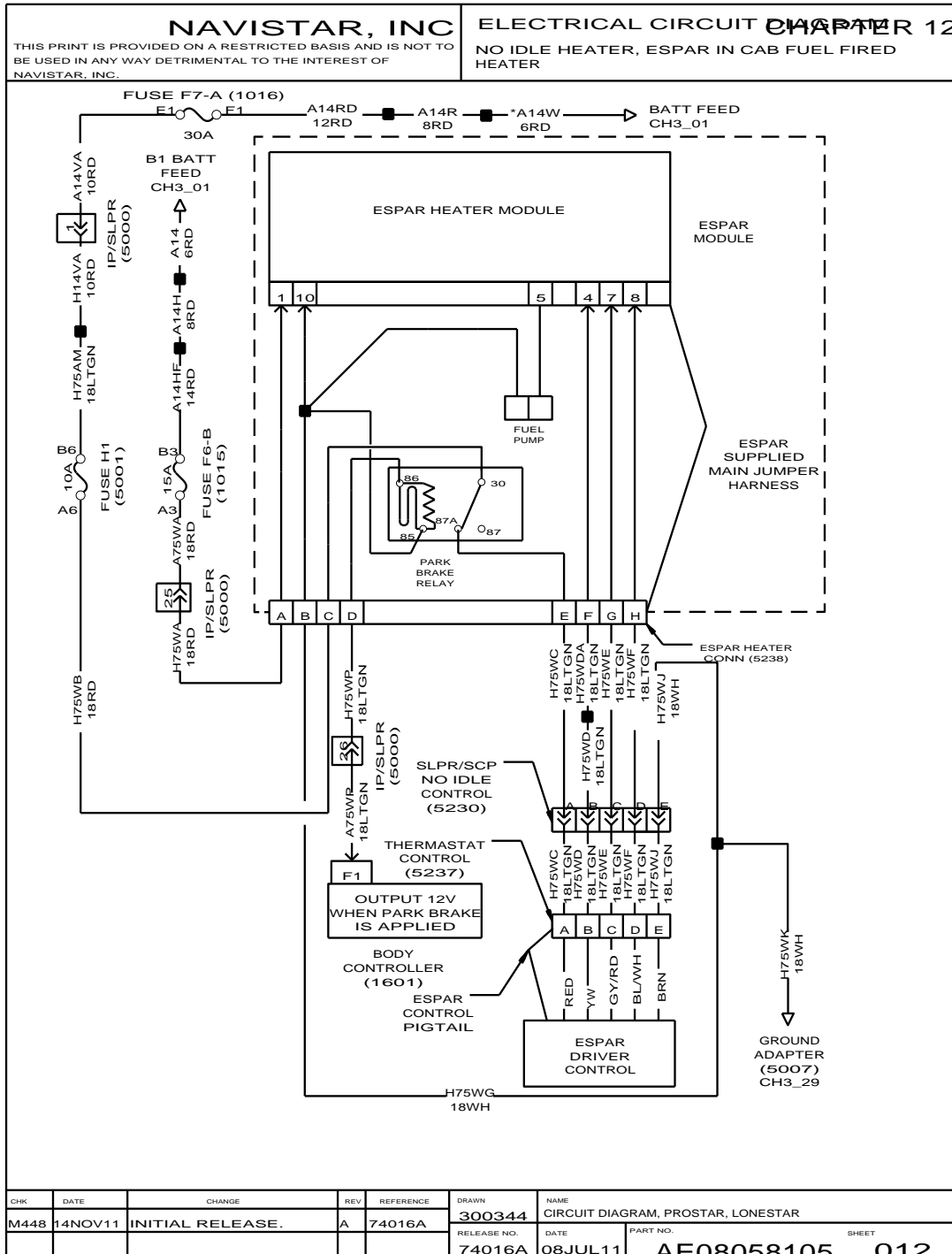


Figure 185 No Idle Heater, Espar In Cab Fuel Fired Heater

12.13. NO IDLE HEATER, WEBASTO IN CAB FUEL FIRED HEATER N/ LVD, P. 13

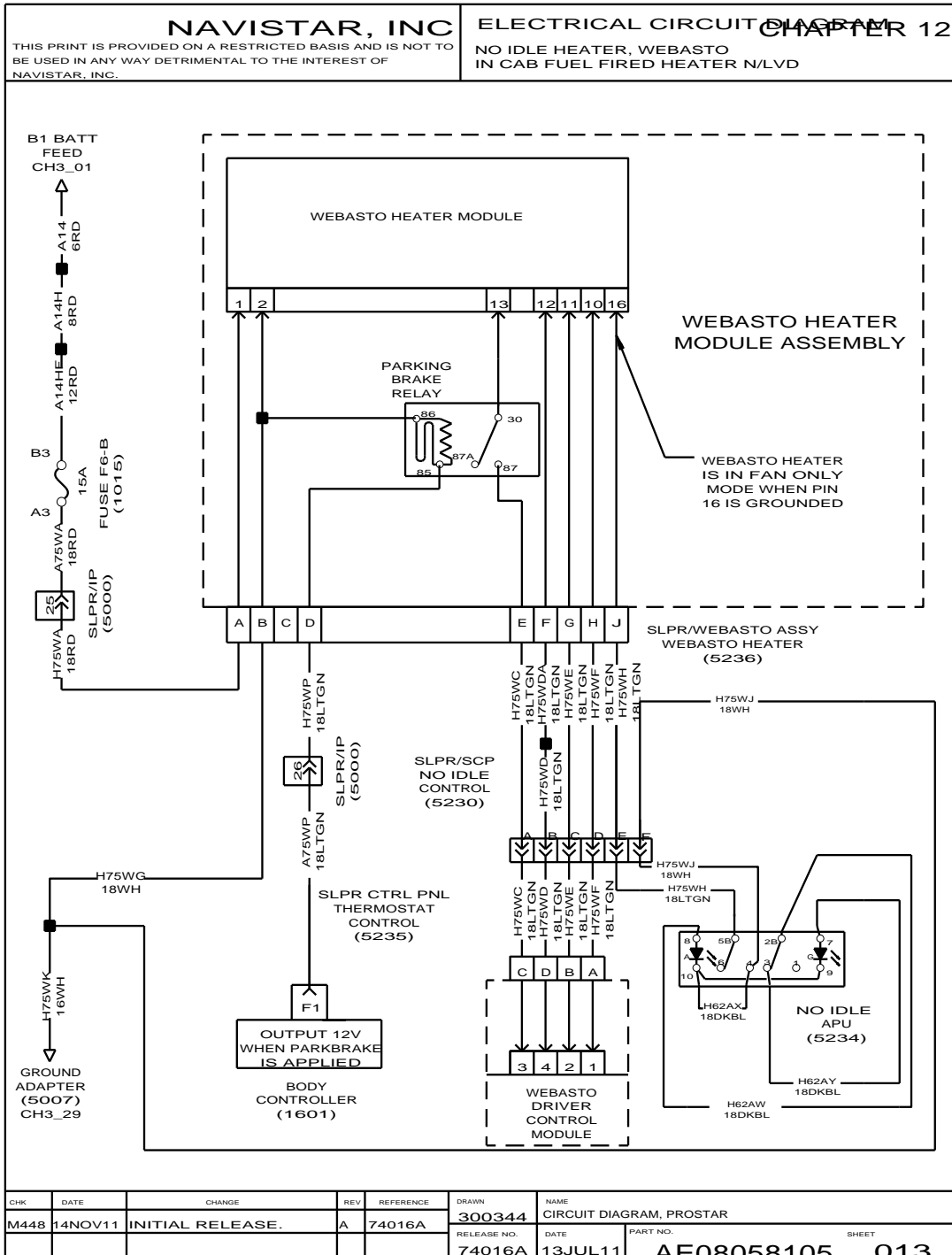


Figure 186 No Idle Heater, Webasto In Cab Fuel Fired Heater N /LVD

12.14. NO IDLE HEATER, WEBASTO IN CAB FUEL FIRED HEATER W/ LVD, P. 14

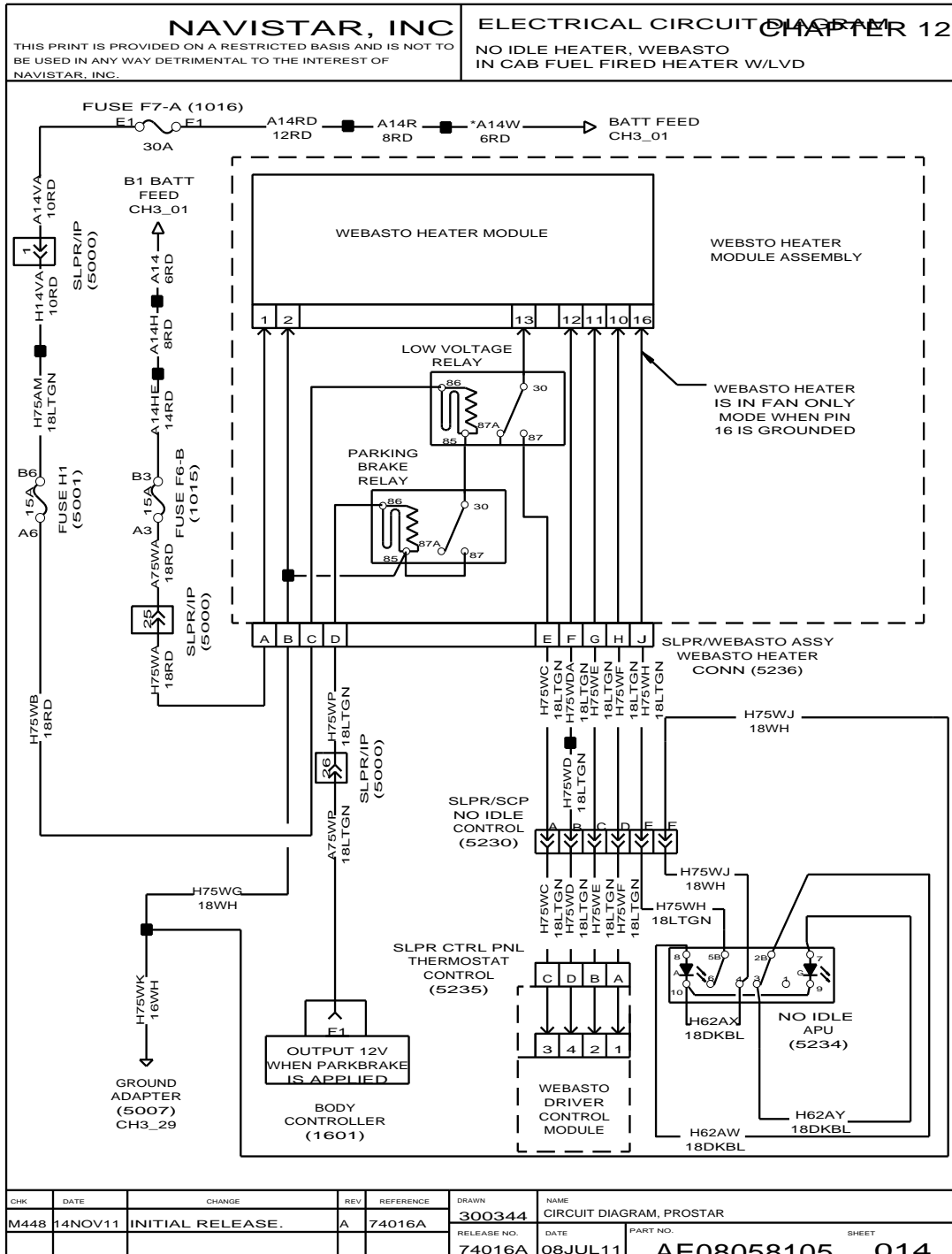


Figure 187 No Idle Heater, Webasto In Cab Fuel Fired Heater W/ LVD

12.15. HVAC SYSTEM – SLEEPER W/ BERGSTROM NO IDLE W/ PROSTAR, P. 15

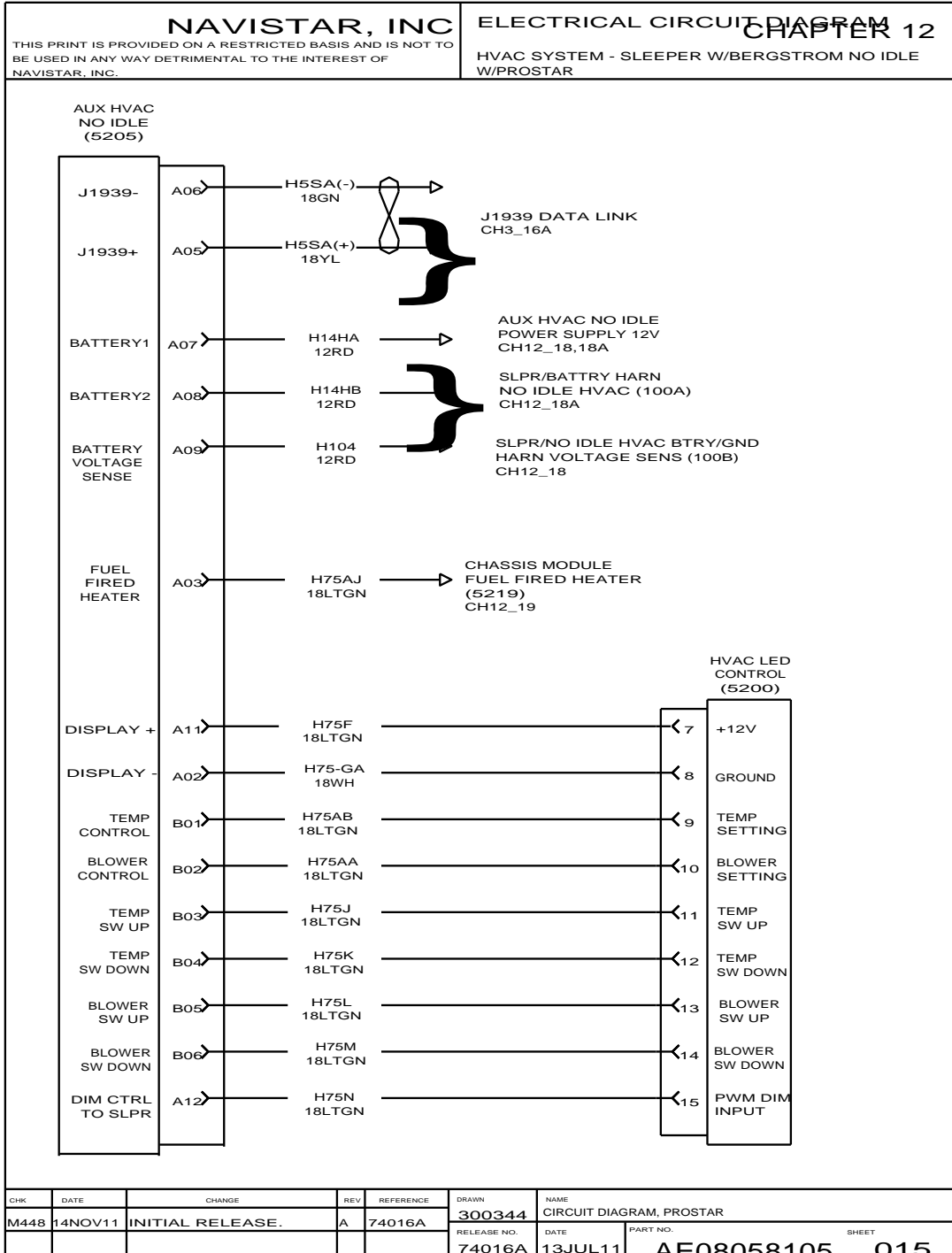


Figure 188 HVAC System – Sleeper W/ Bergstrom No Idle W/ ProStar

12.16. HVAC SYSTEM – SLEEPER W/ BERGSTROM NO IDLE, P. 15A

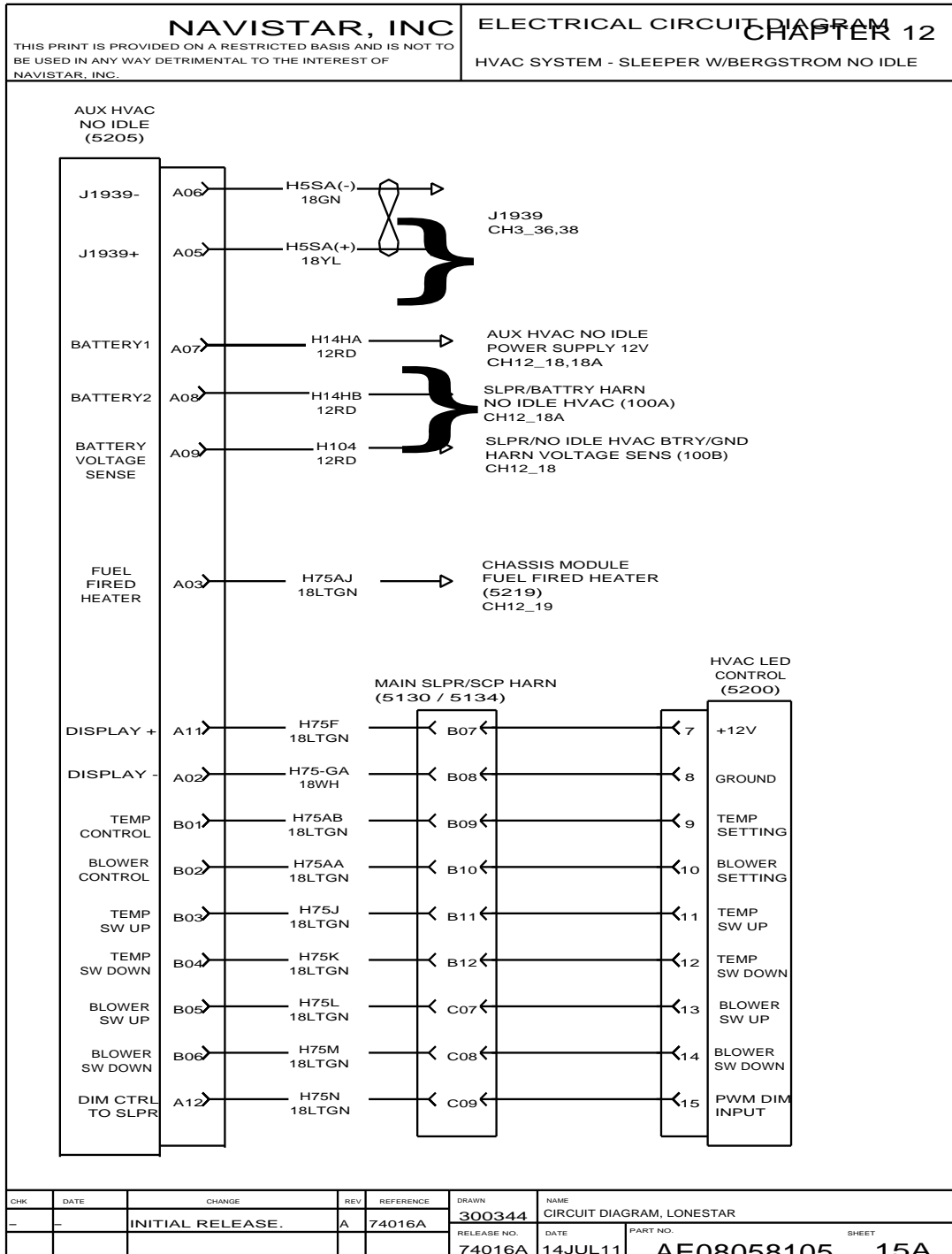


Figure 189 HVAC System – Sleeper W/ Bergstrom No Idle

12.17. HVAC SYSTEM – SLEEPER W/ BERGSTROM NO IDLE SWITCHES – LOCATED IN SLEEPER CONTROL PANEL, P. 16

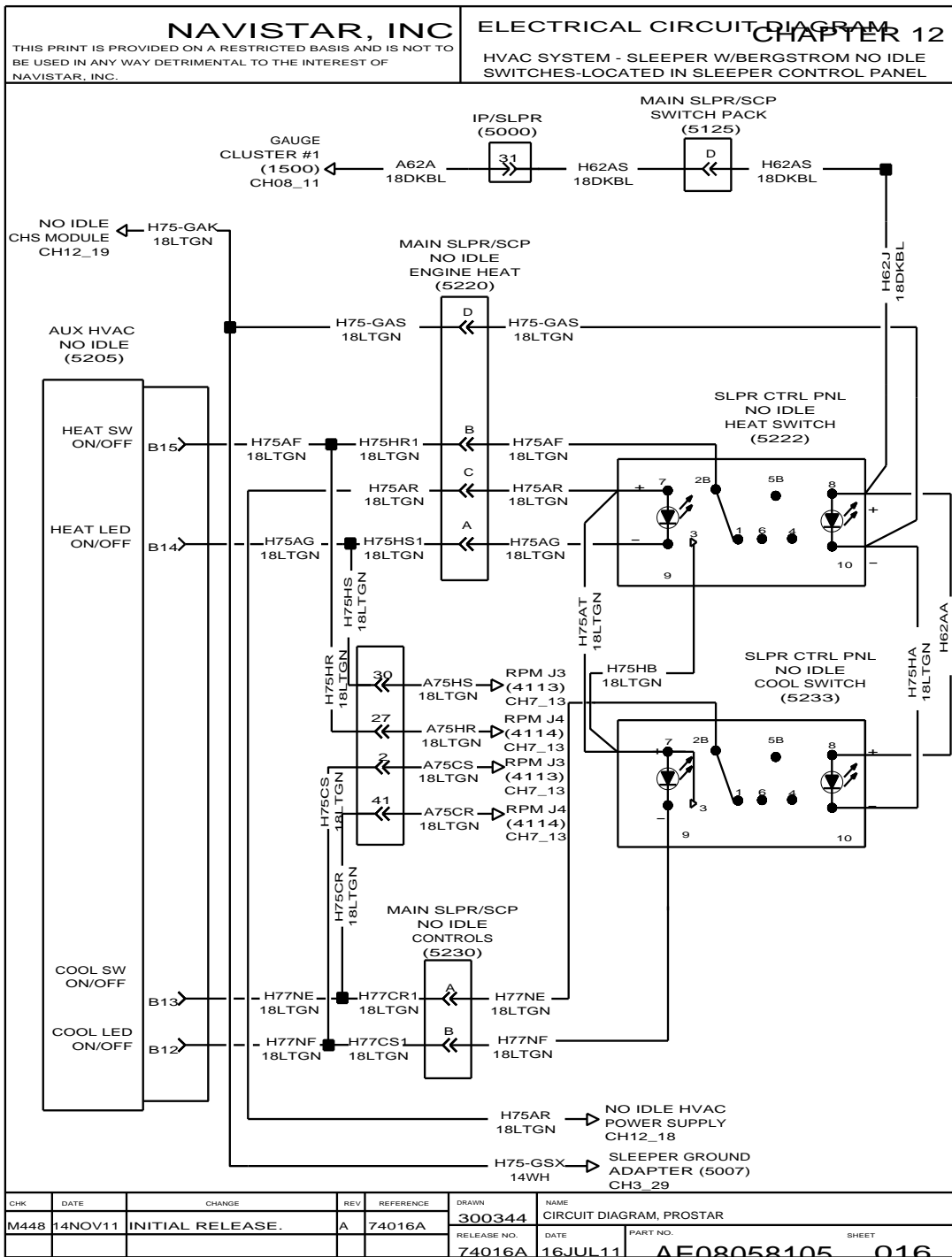


Figure 190 HVAC System – Sleeper W/ Bergstrom No Idle Switches – Located In Sleeper Control Panel

12.18. HVAC SYSTEM – SLEEPER W/ BERGSTROM NO IDLE SWITCHES – LOCATED IN SLEEPER CONTROL PANEL, P. 17

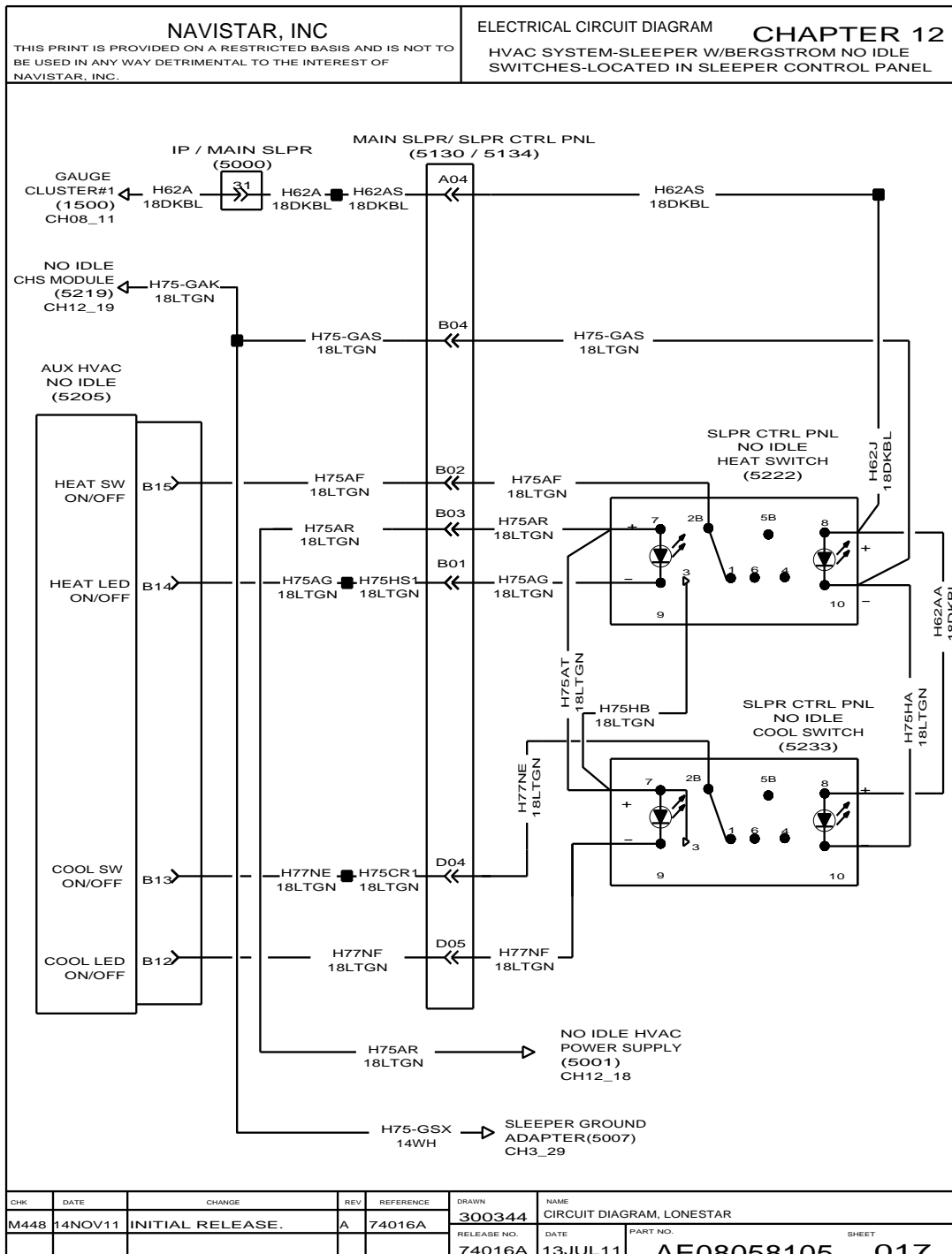


Figure 191 HVAC System – Sleeper W/ Bergstrom No Idle Switches – Located In Sleeper Control Panel

12.19. HVAC SYSTEM – SLEEPER W/ BERGSTROM NO IDLE POWER SUPPLY 12V, P. 18

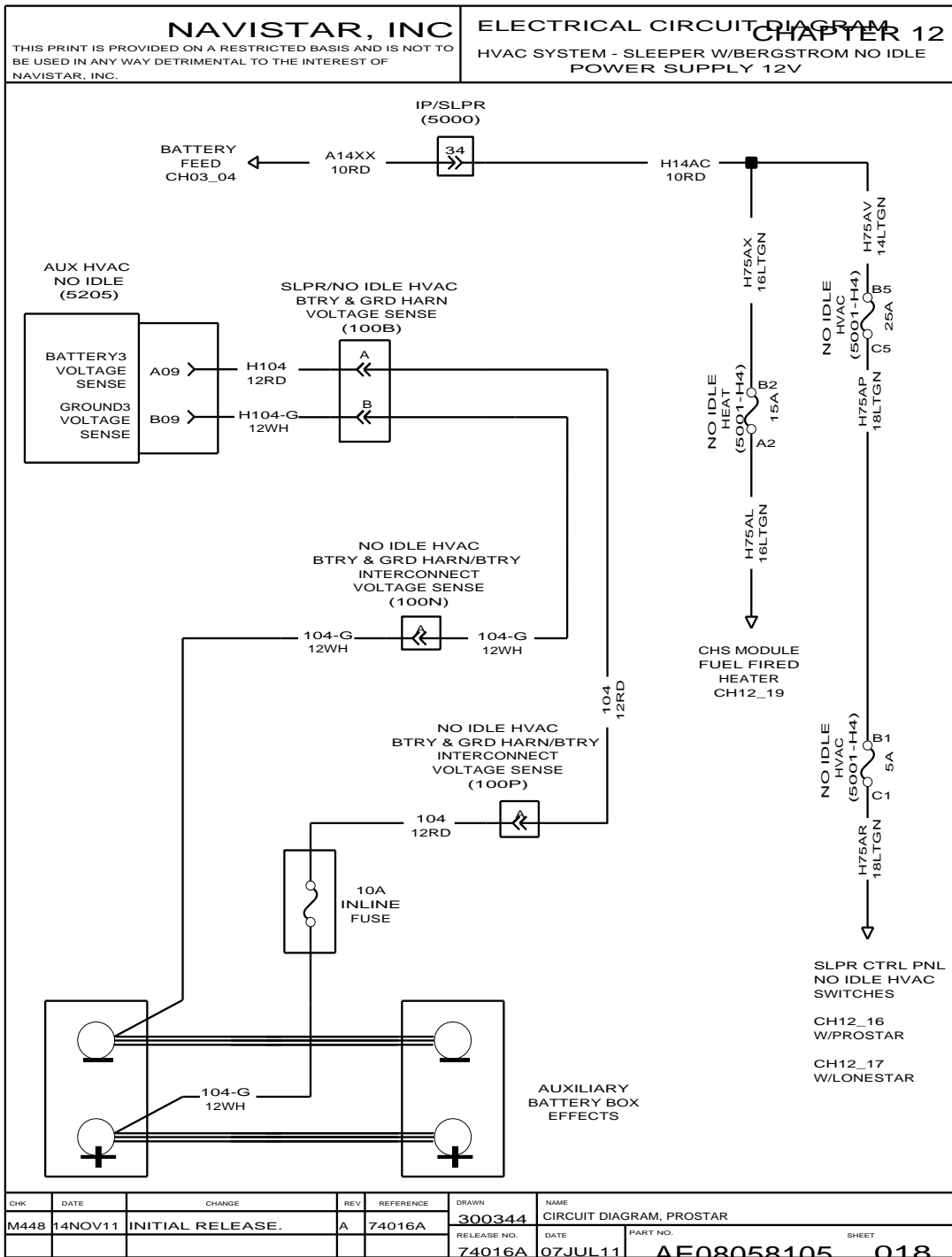


Figure 192 HVAC System – Sleeper W/ Bergstrom No Idle Power Supply 12V

12.20. HVAC SYSTEM – SLEEPER W/ BERGSTROM NO IDLE POWER SUPPLY 12V (CONT.), P. 18A

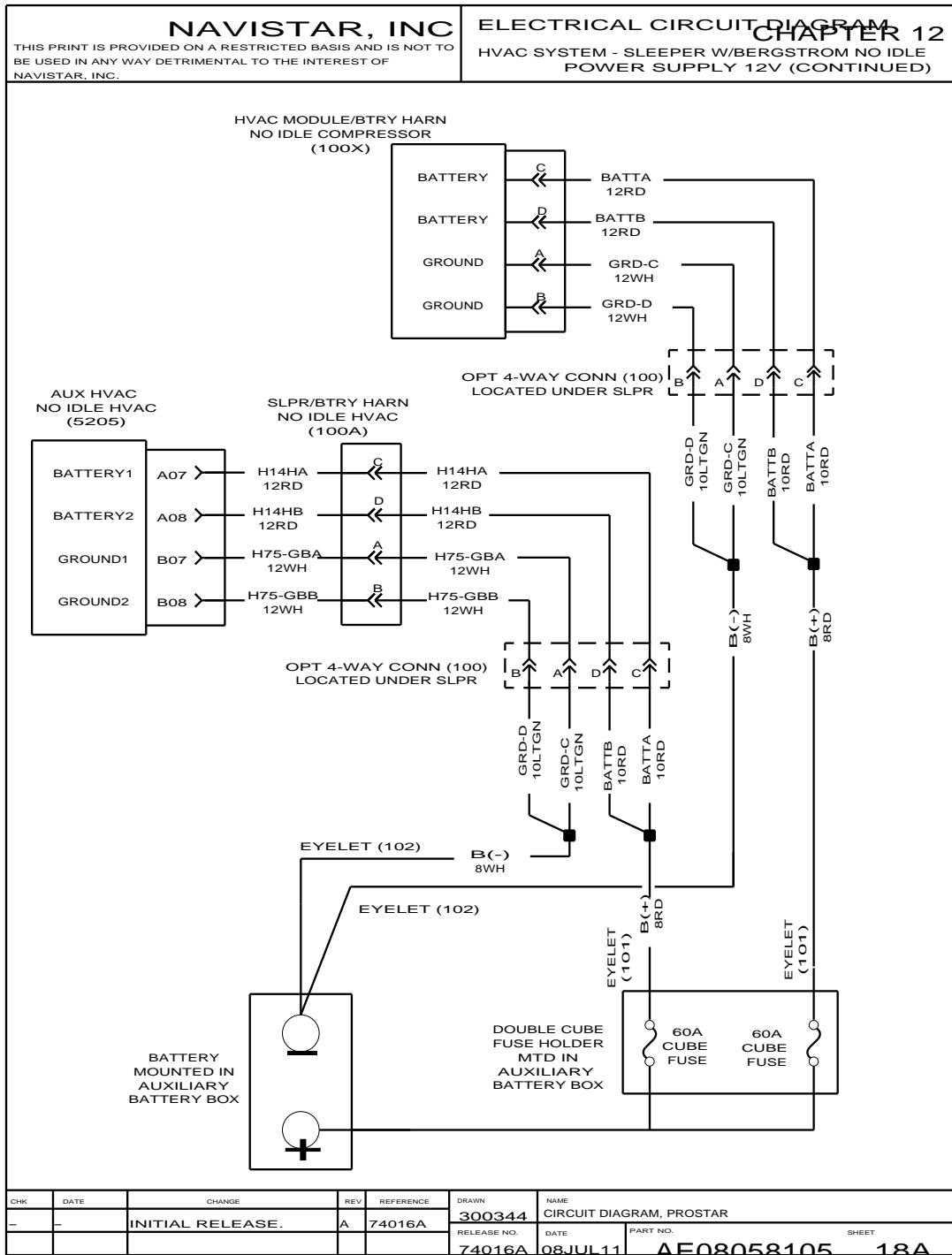


Figure 193 HVAC System – Sleeper W/ Bergstrom No Idle Power Supply 12V (Cont.)

12.21. HVAC SYSTEM, SLEEPER W/ BERGSTROM NO IDLE FUEL FIRED HEATER, P. 19

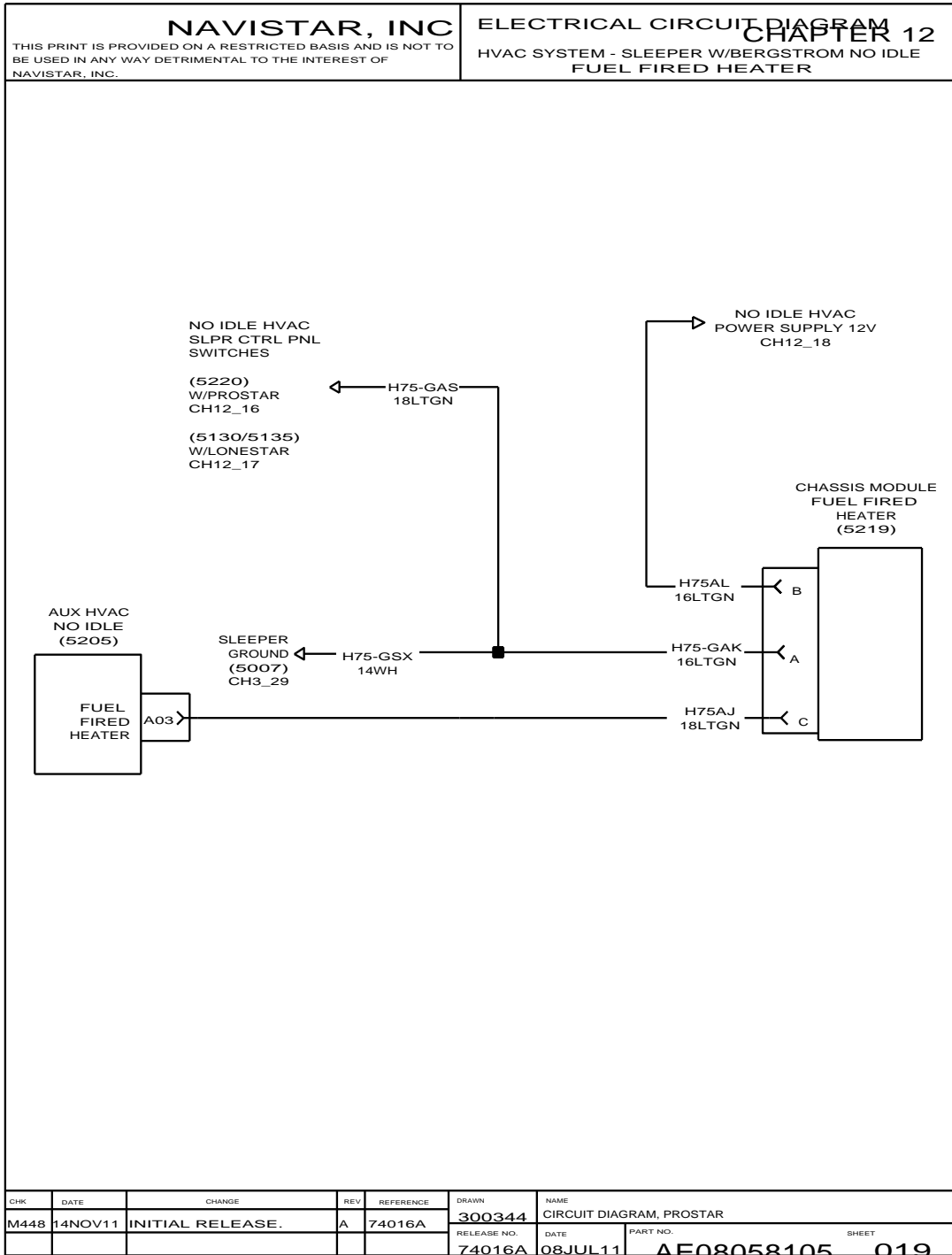


Figure 194 HVAC System – Sleeper W/ Bergstrom No Idle Fuel Fired Heater

13. BUNK LIGHTS AND ACCESSORIES (CHAPTER 13)

13.1. READING AND WARDROBE LIGHTS – BUNK, P. 1

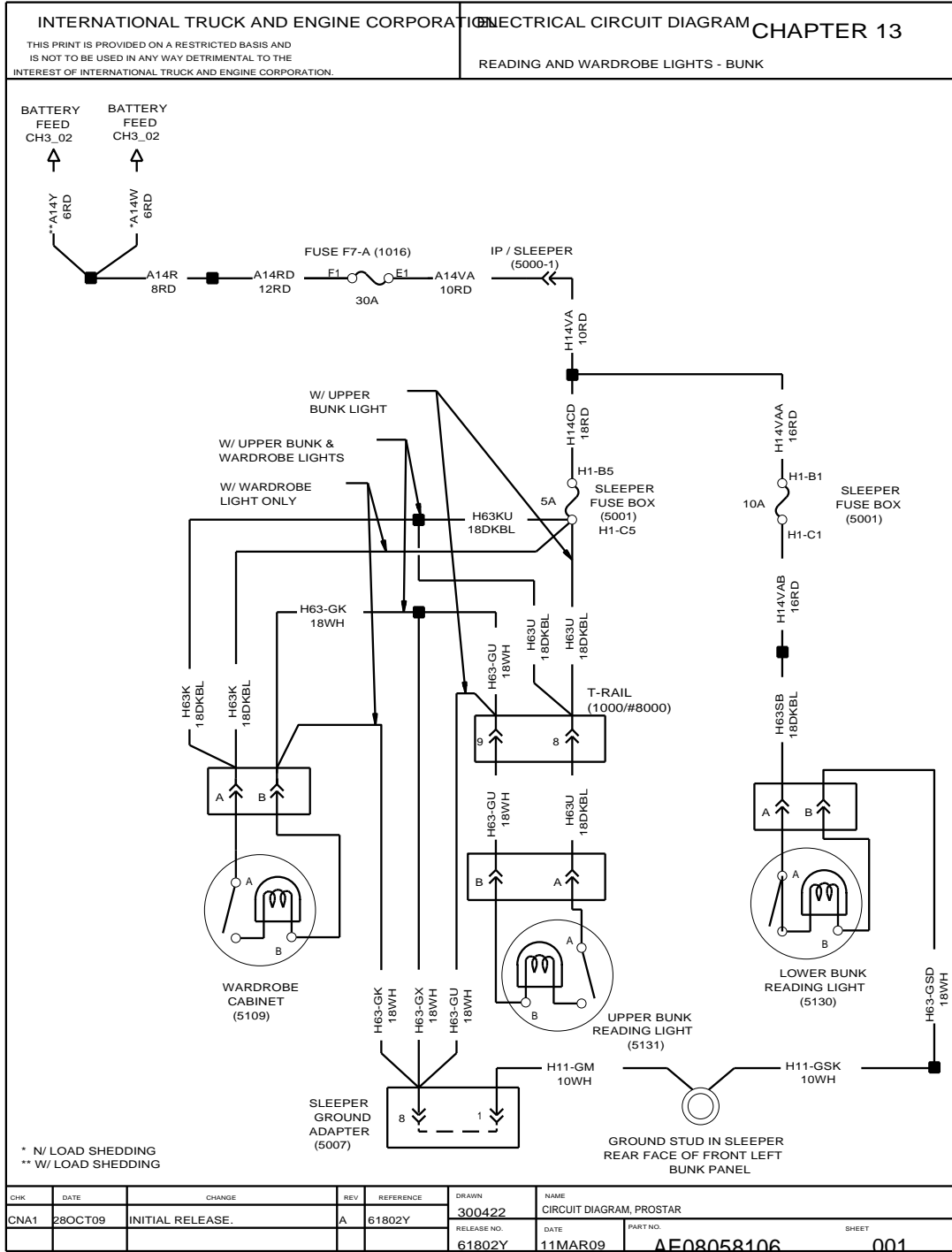


Figure 195 Reading and Wardrobe Lights – Bunk

13.2. LUGGAGE COMPARTMENT LIGHTS – BUNK, P. 2

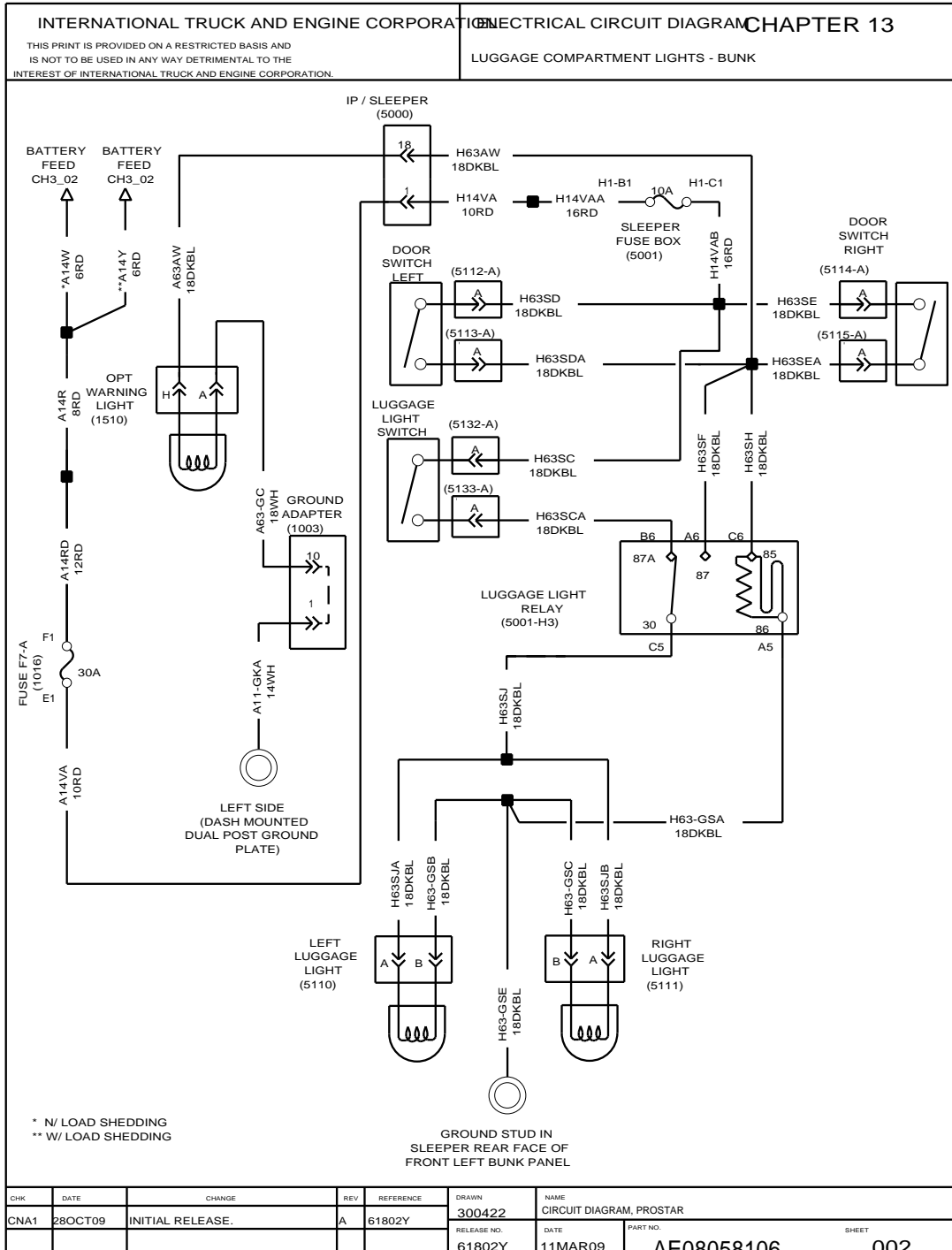


Figure 196 Luggage Compartment Lights – Bunk

13.3. POWER SOURCE – BUNK, P. 3

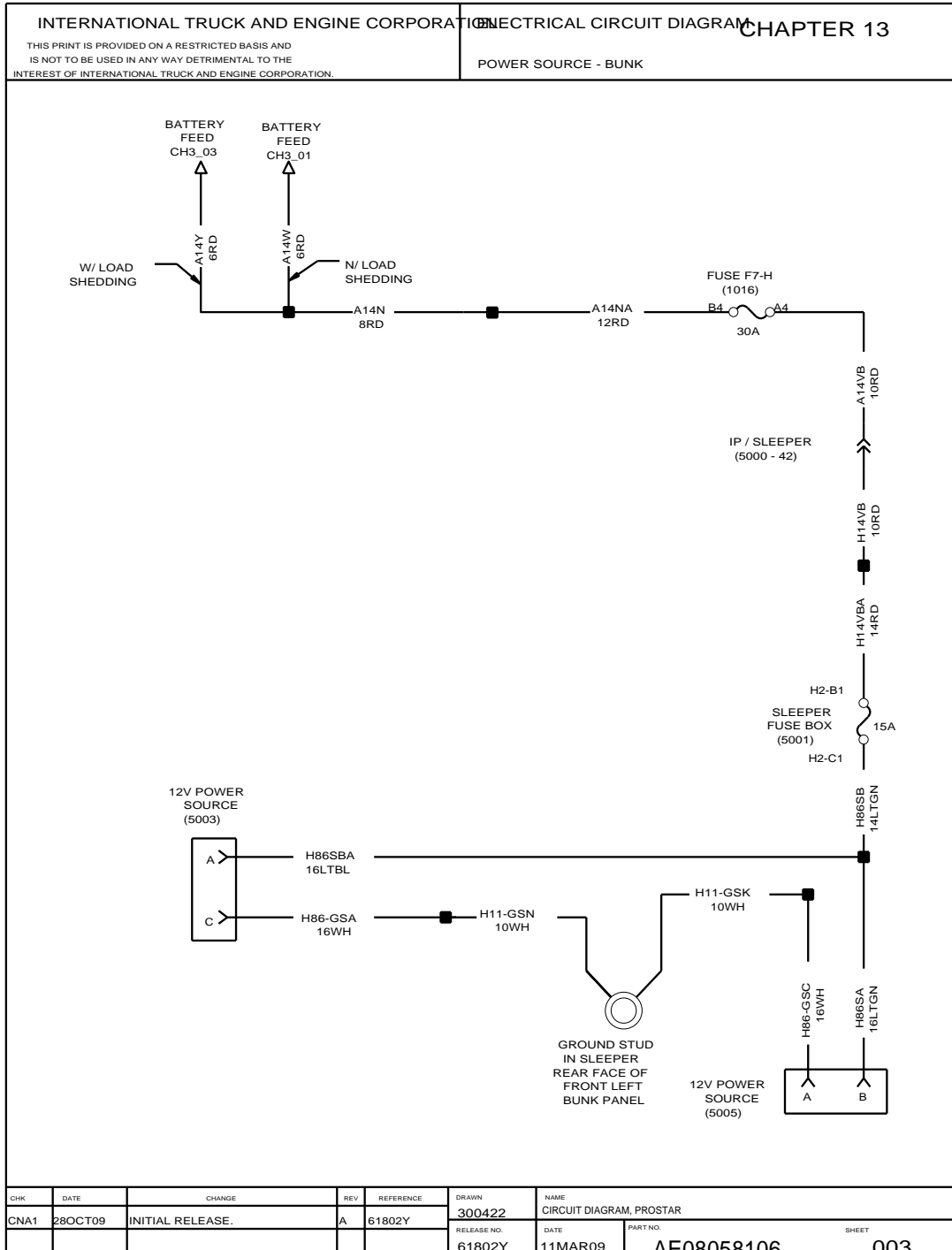


Figure 197 Power Source – Bunk

13.4. TELEVISION / REFRIGERATOR WIRING, P. 4

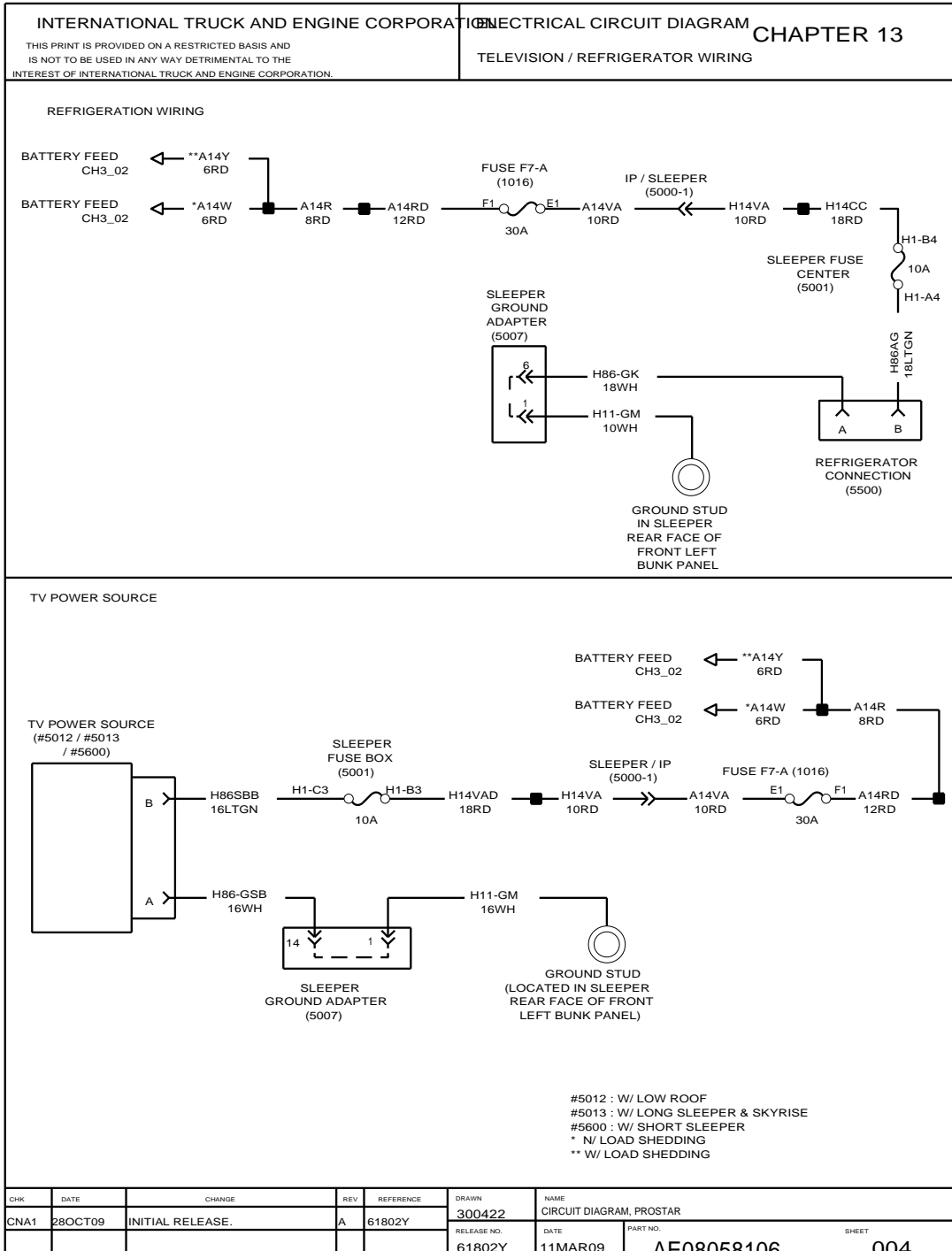


Figure 198 Television / Refrigerator Wiring

13.5. SPEAKER – BUNK, P. 5

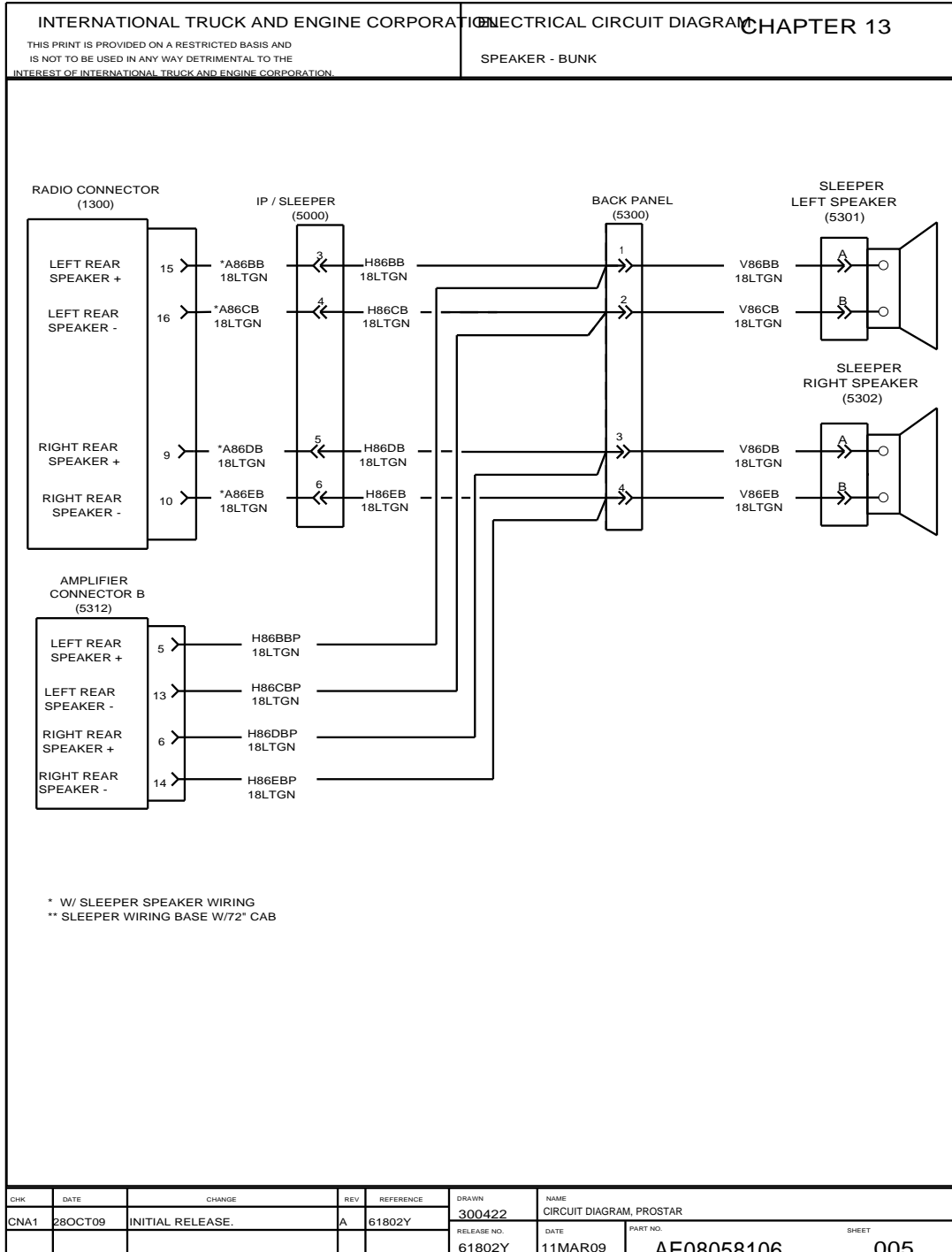


Figure 199 Speaker – Bunk

13.6. FAN – BUNK, P. 6

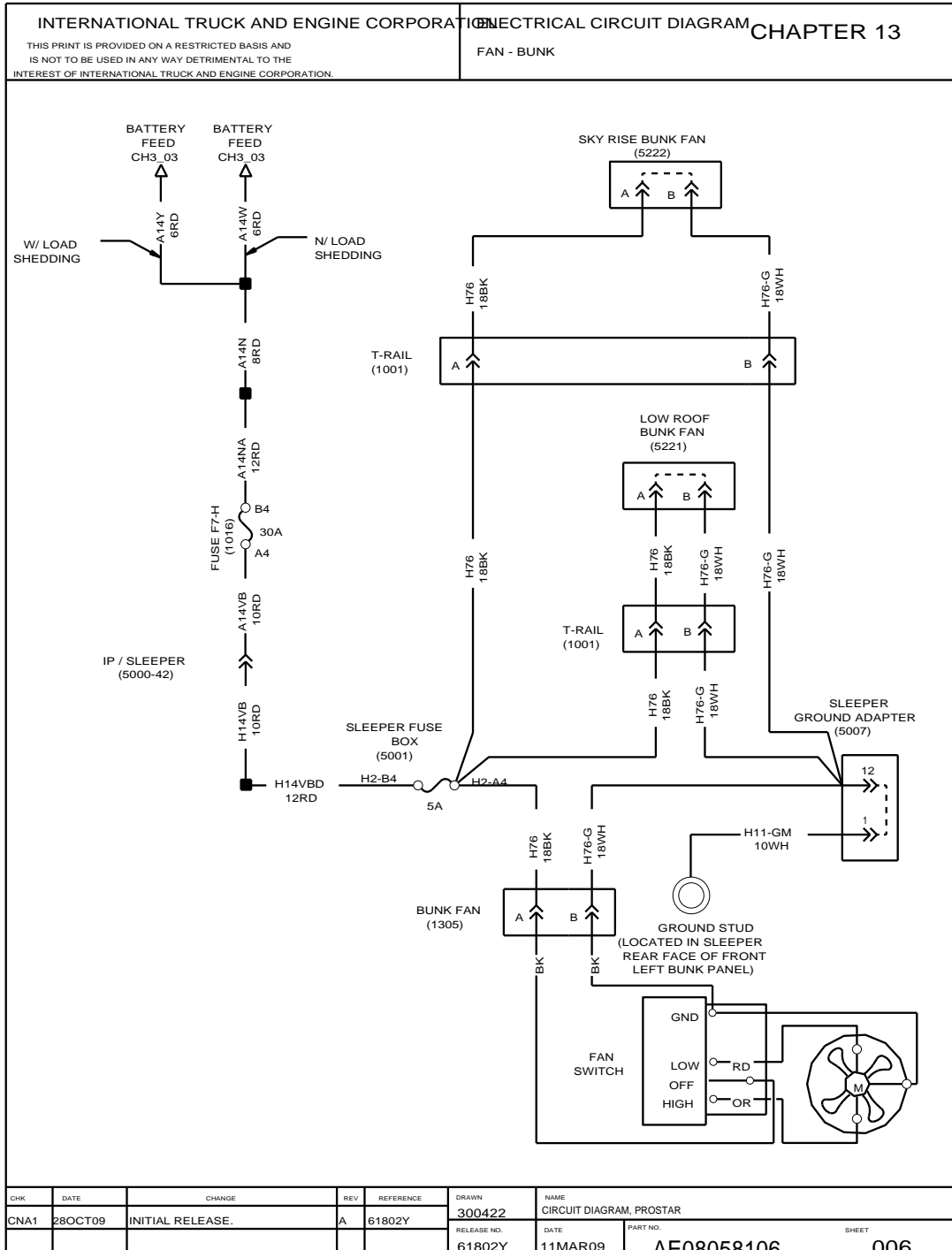


Figure 200 Fan – Bunk

13.7. SKY RISE LIGHT, P. 7

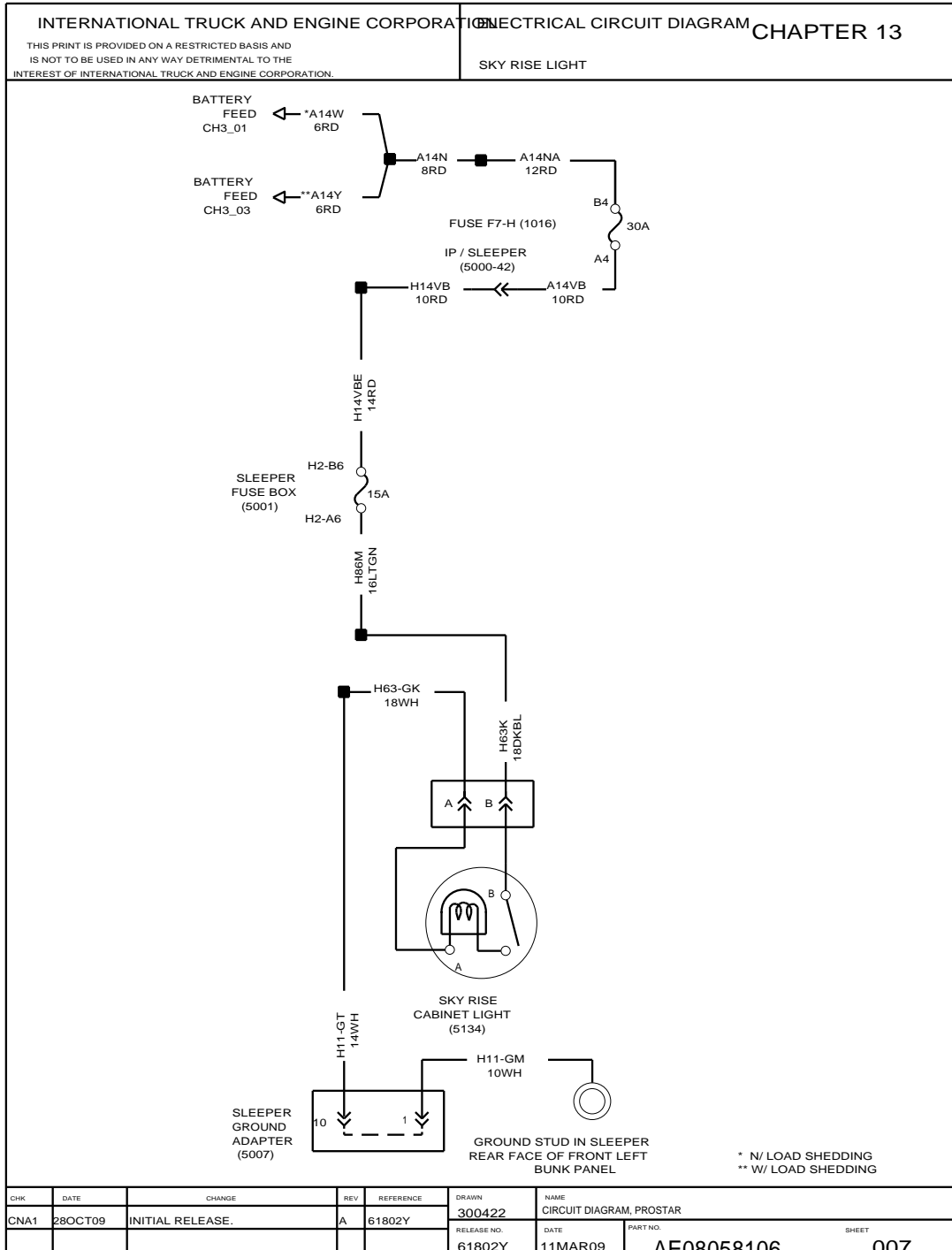


Figure 201 Sky Rise Light

13.8. FLAT PANEL TV / DVD PLAYER – BUNK, P. 8

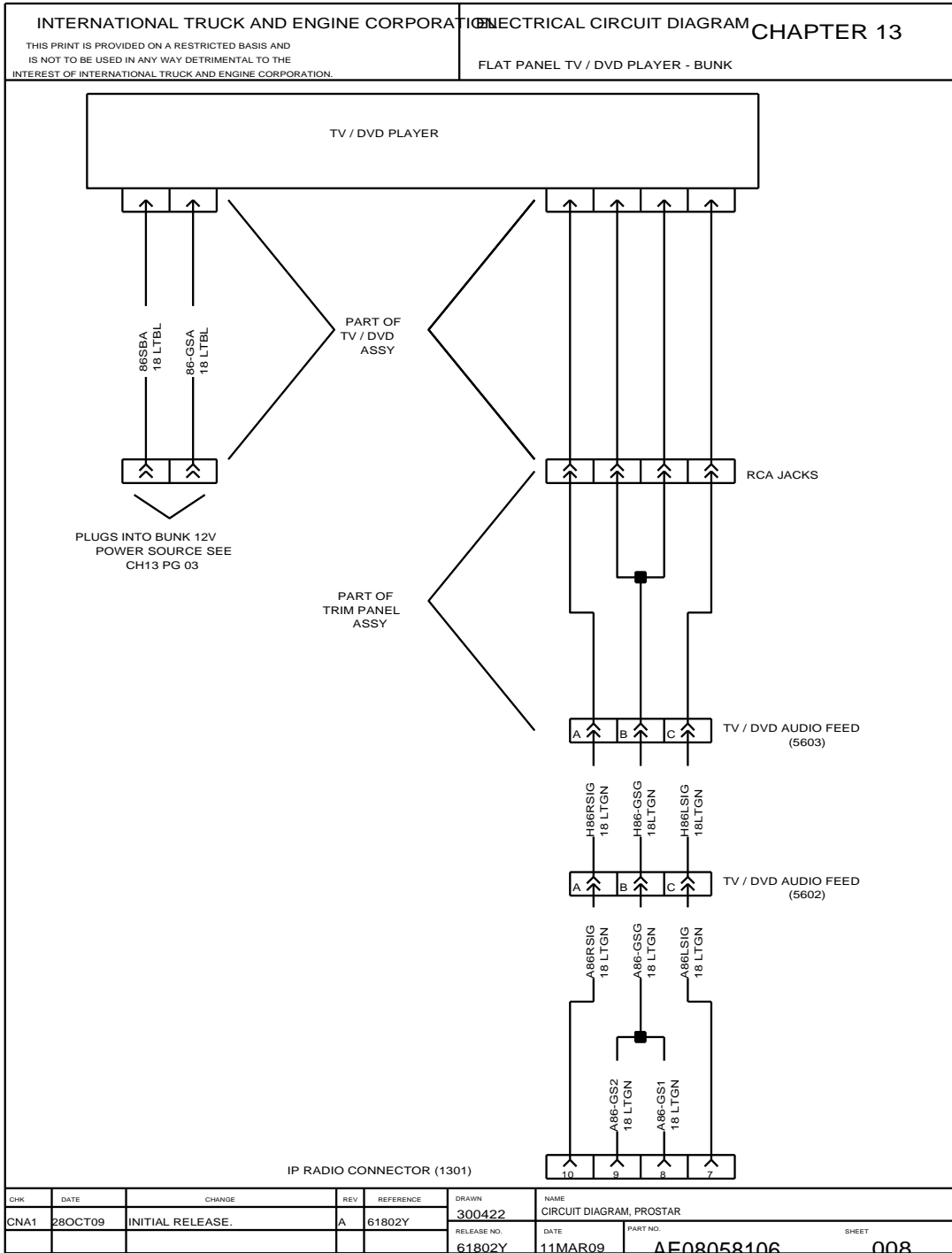


Figure 202 Flat Panel TV / DVD Player – Bunk

14. CONNECTOR COMPOSITES (CHAPTER 14)

14.1. CONNECTOR BODY COMPOSITE (7A), (8A), (9A), (10A), P. 1

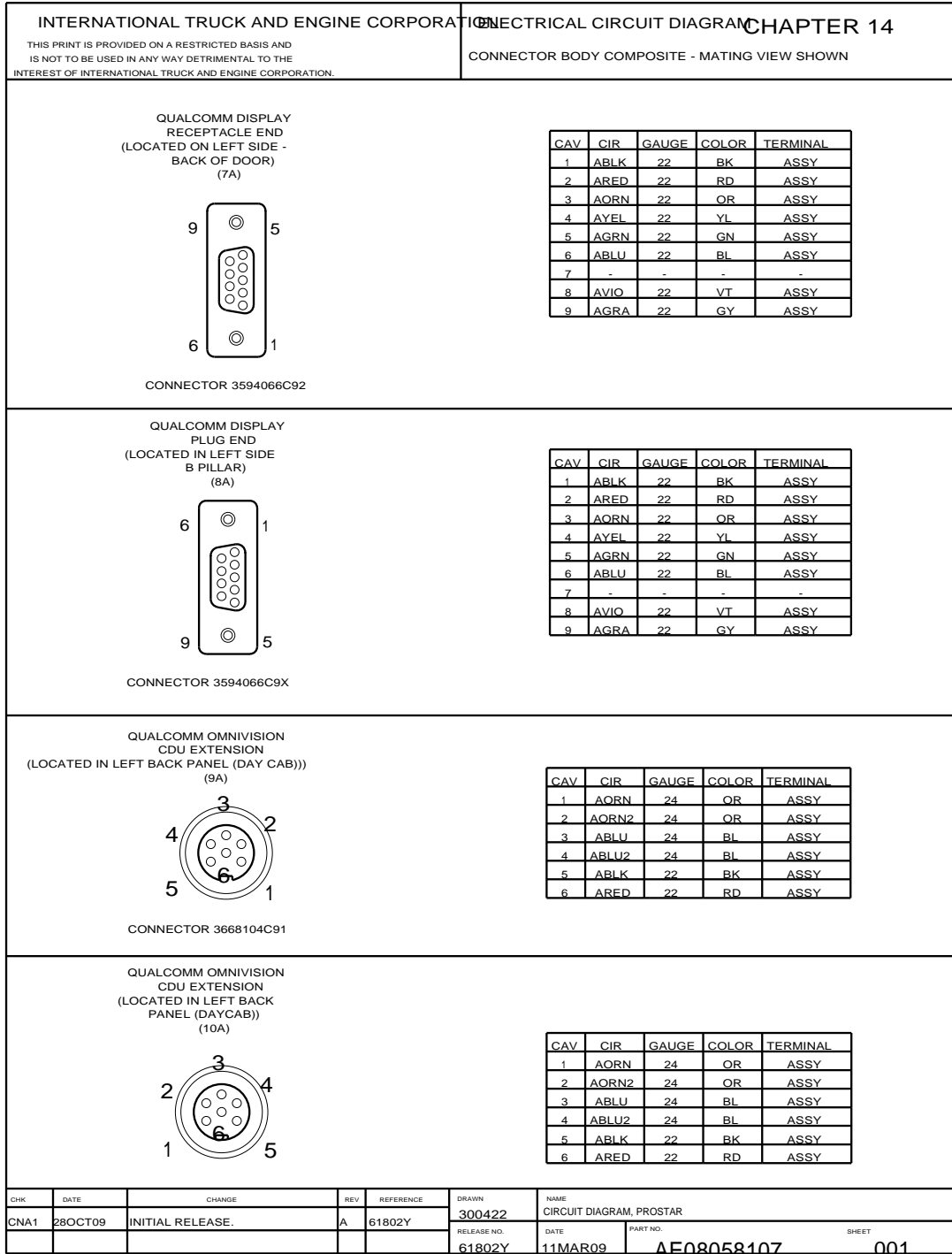


Figure 203 Connector Body Composite (7A), (8A), (9A), (10A)

14.2. CONNECTOR BODY COMPOSITE (10F), (11A), (12A), (13A), (14A), P. 2

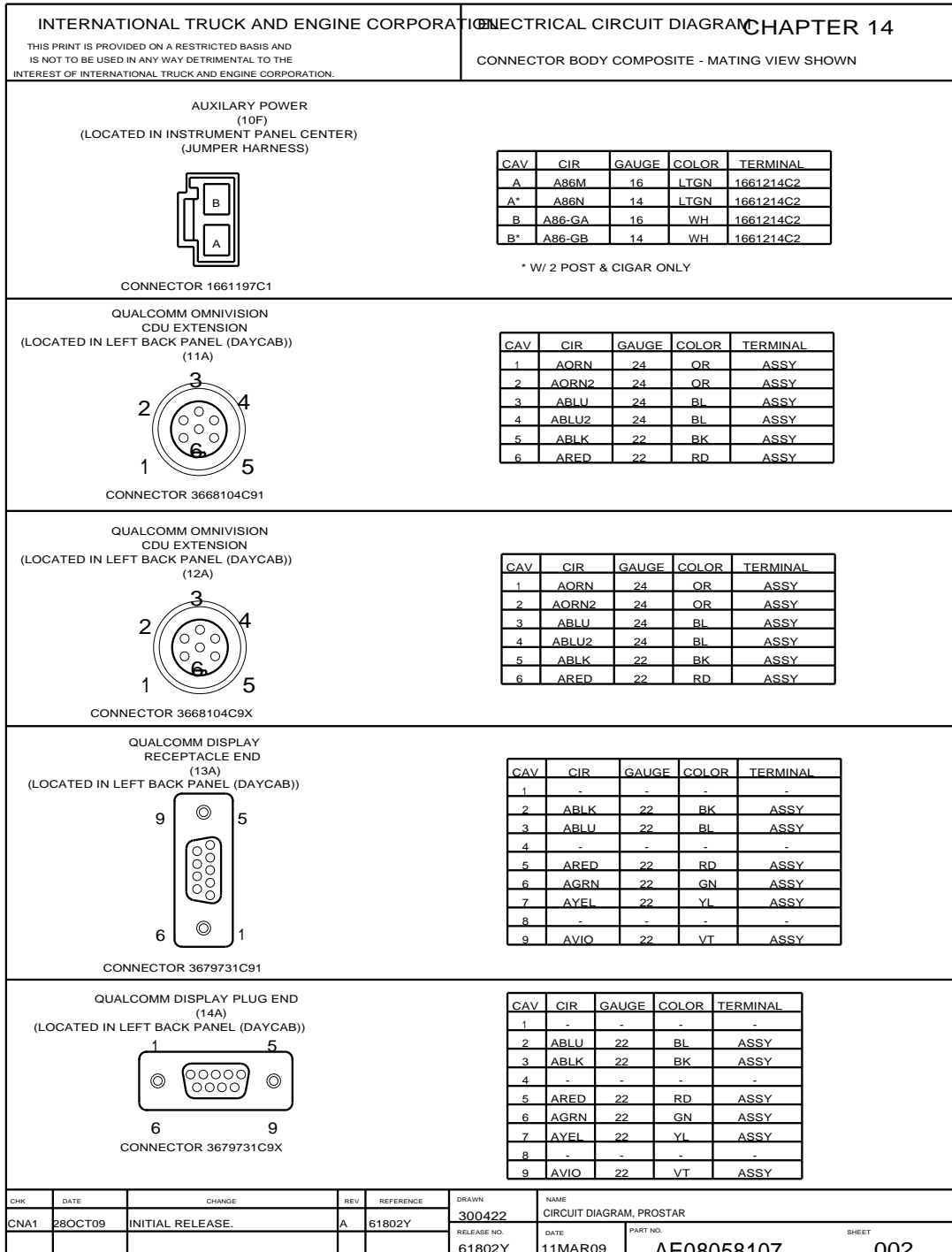


Figure 204 Connector Body Composite (10F), (11A), (12A), (13A), (14A)

14.3. CONNECTOR BODY COMPOSITE (344), (345), (512), (520), (521), (522), P. 3

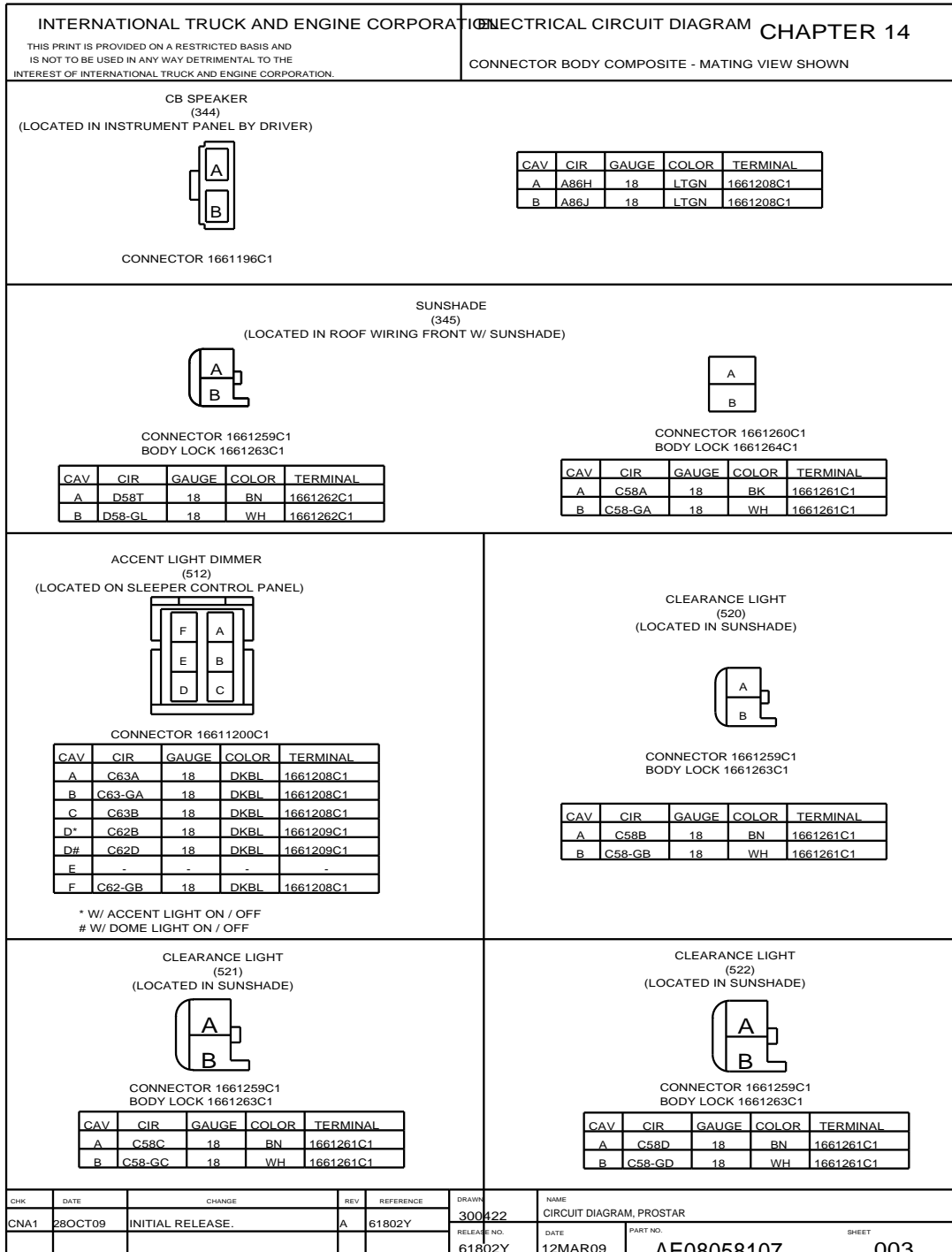


Figure 205 Connector Body Composite (344), (345), (512), (520), (521), (522)

14.4. CONNECTOR BODY COMPOSITE (523), (524), (1002), (1003), P. 4

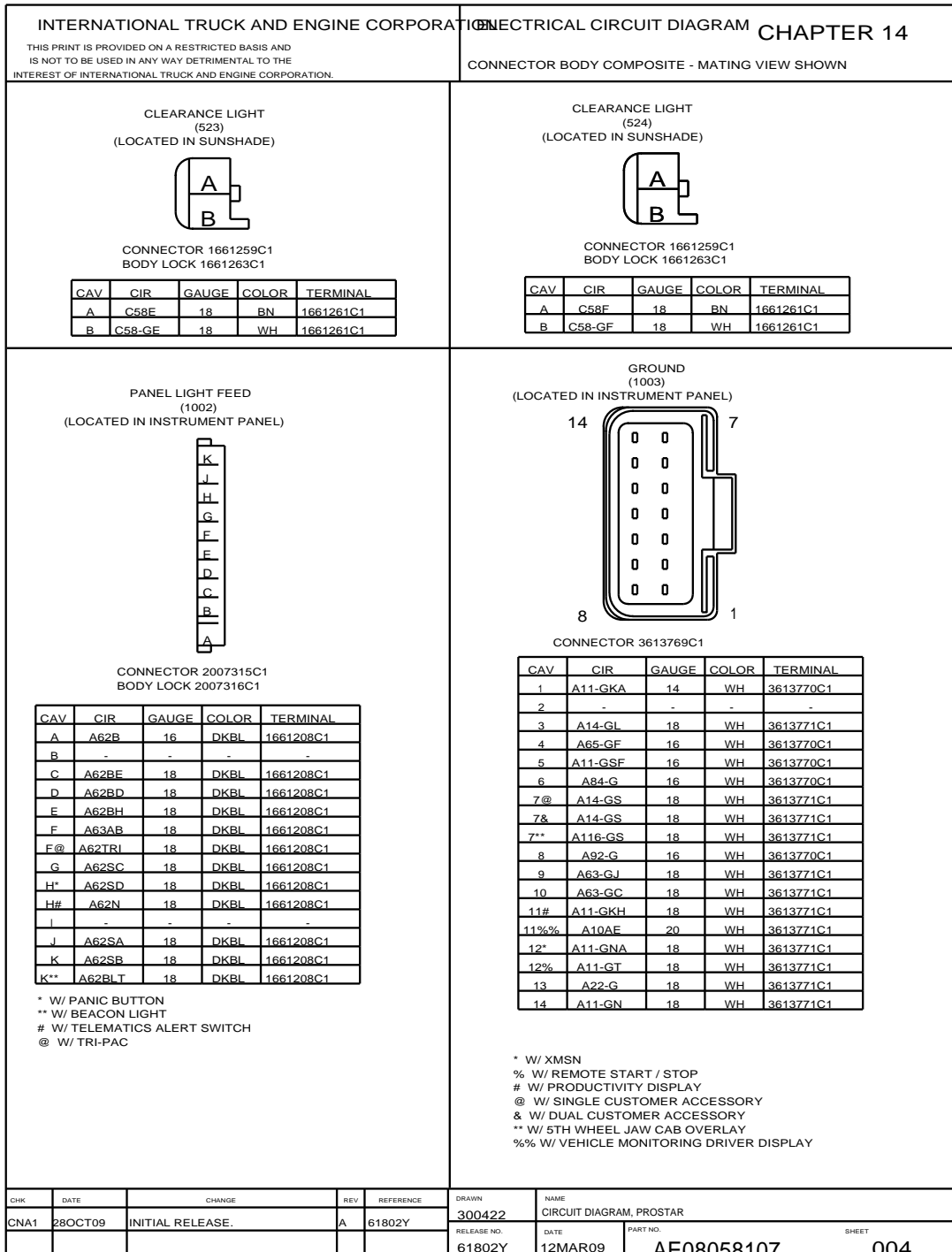


Figure 206 Connector Body Composite (523), (524), (1002), (1003)

14.5. CONNECTOR BODY COMPOSITE (1006), (1007), (1010), (1011), (1012), (1013),(1014), (1015),(1016), (1017), (1018), (1019), (1020), P. 5

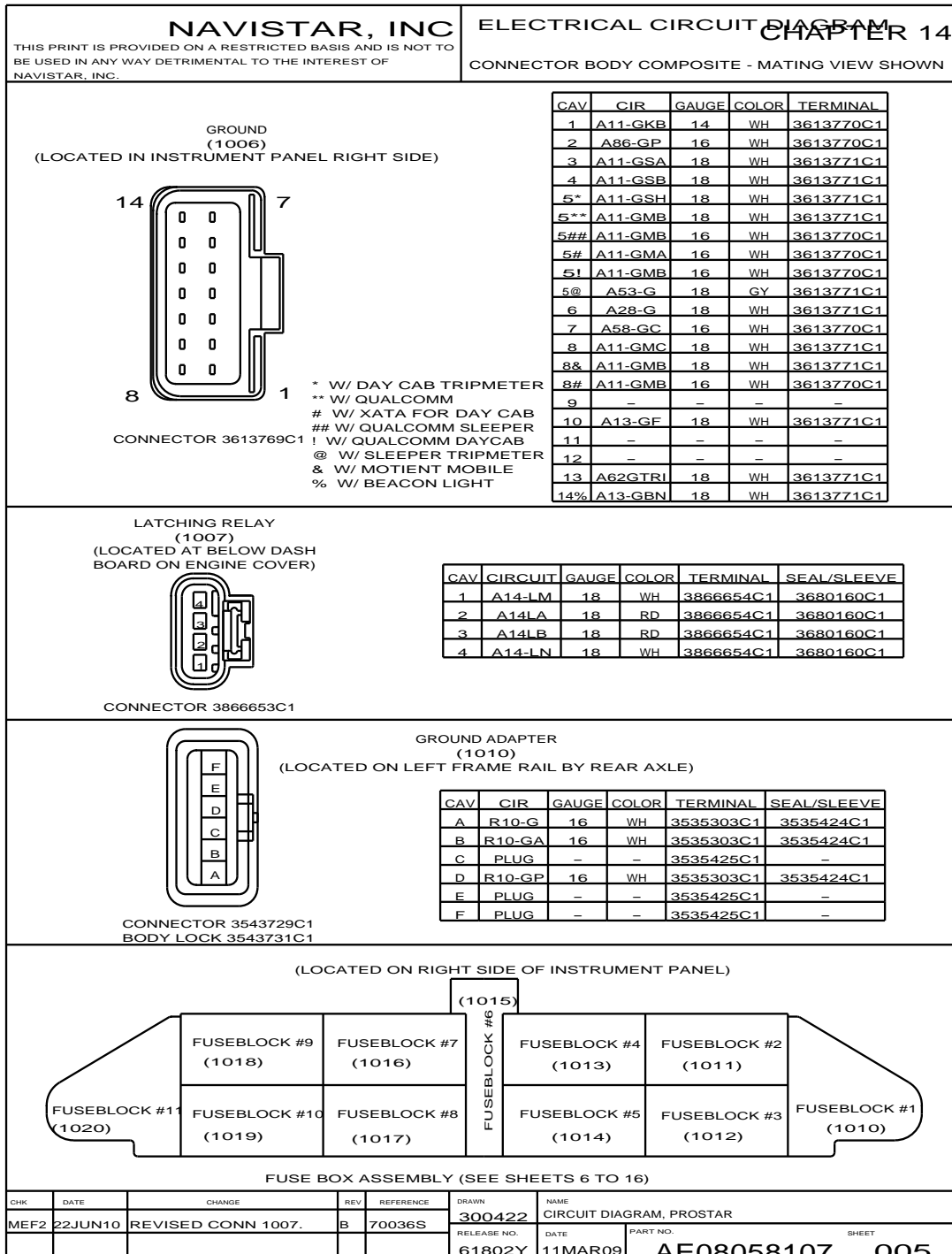


Figure 207 Connector Body Composite (1006), (1007), (1010), (1011), (1012), (1013),(1014), (1015),(1016), (1017), (1018), (1019), (1020)

14.6. CONNECTOR BODY COMPOSITE (1010), P. 6

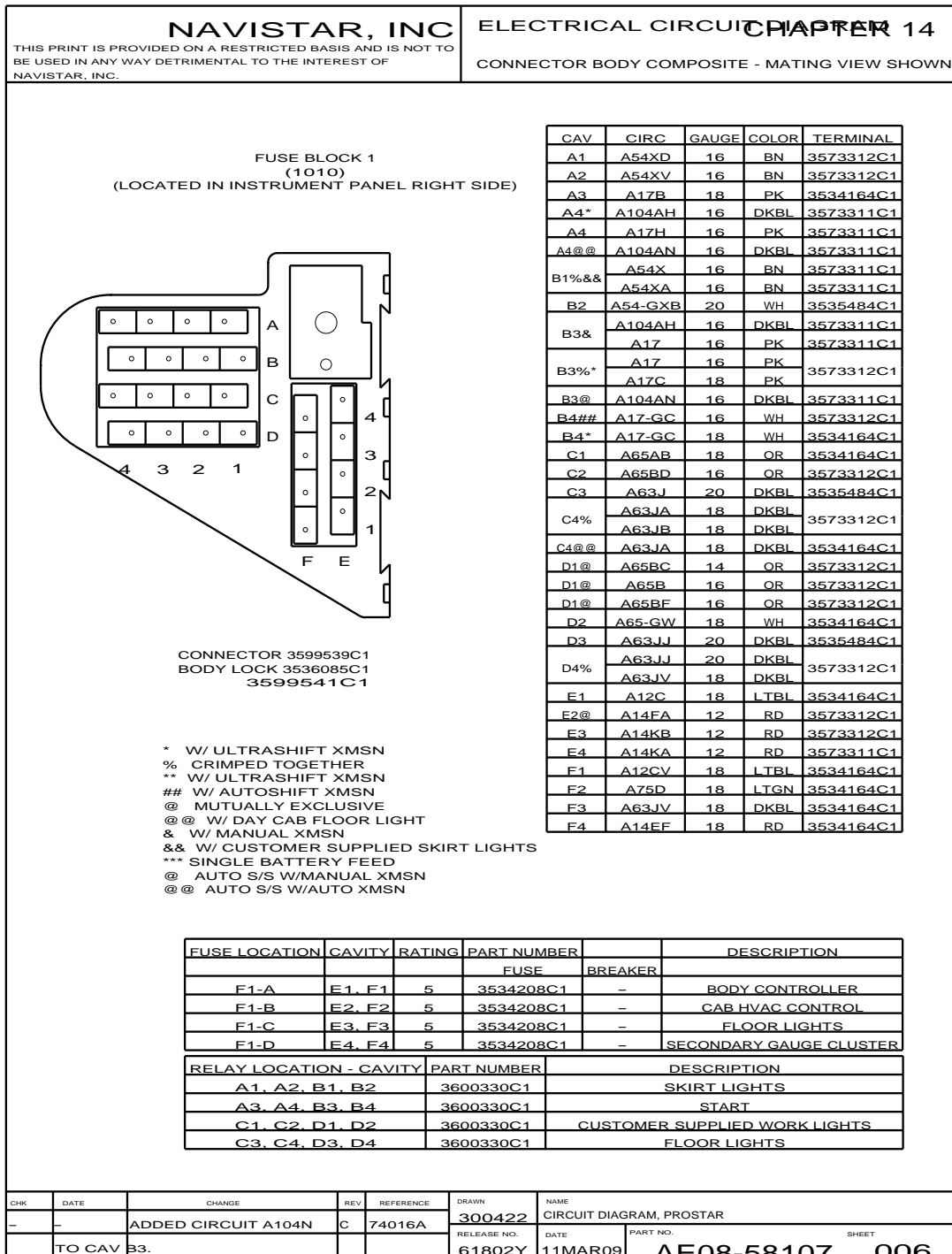


Figure 208 Connector Body Composite (1010)

14.7. CONNECTOR BODY COMPOSITE (1011), P. 7

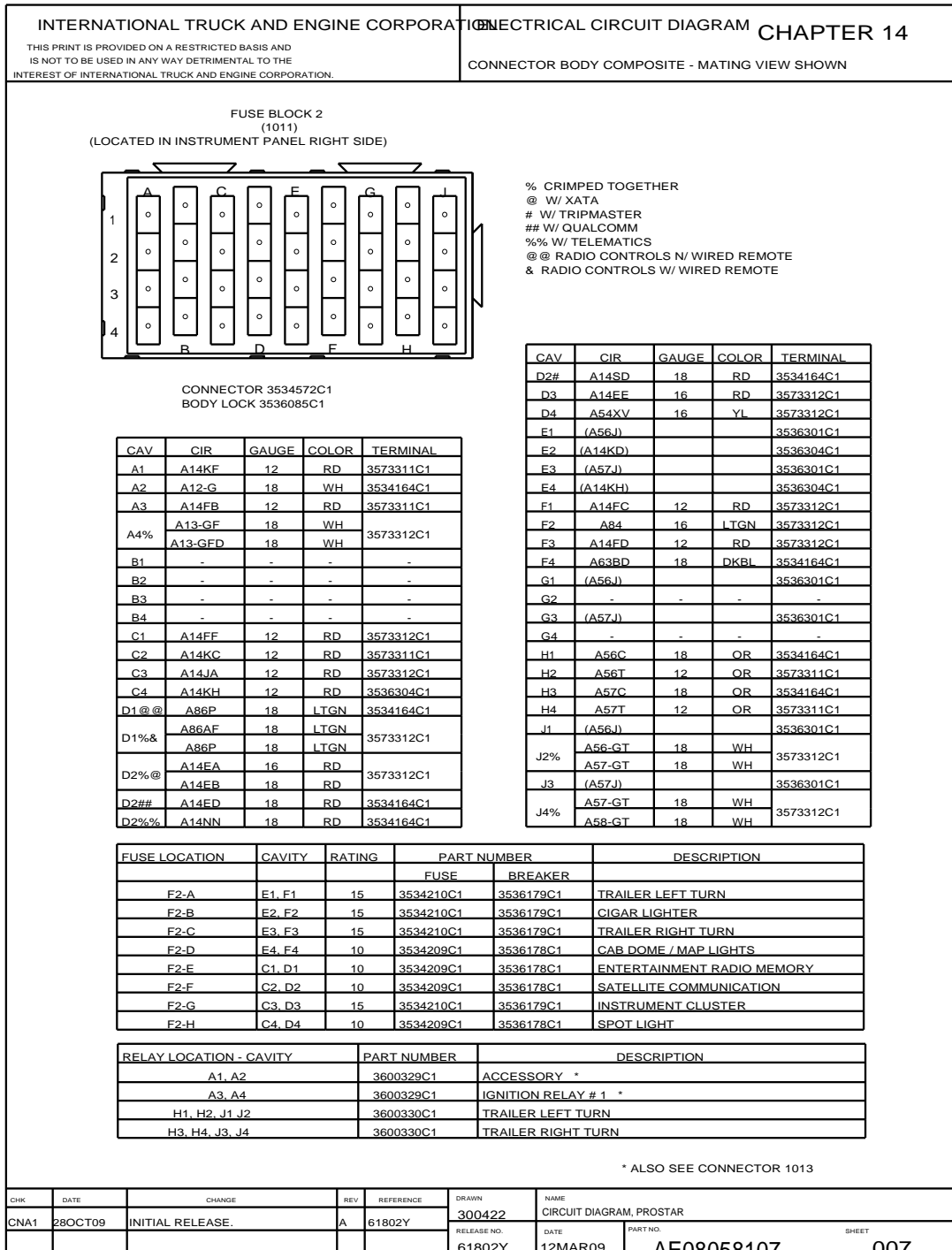


Figure 209 Connector Body Composite (1011)

14.8. CONNECTOR BODY COMPOSITE (1012), P. 8

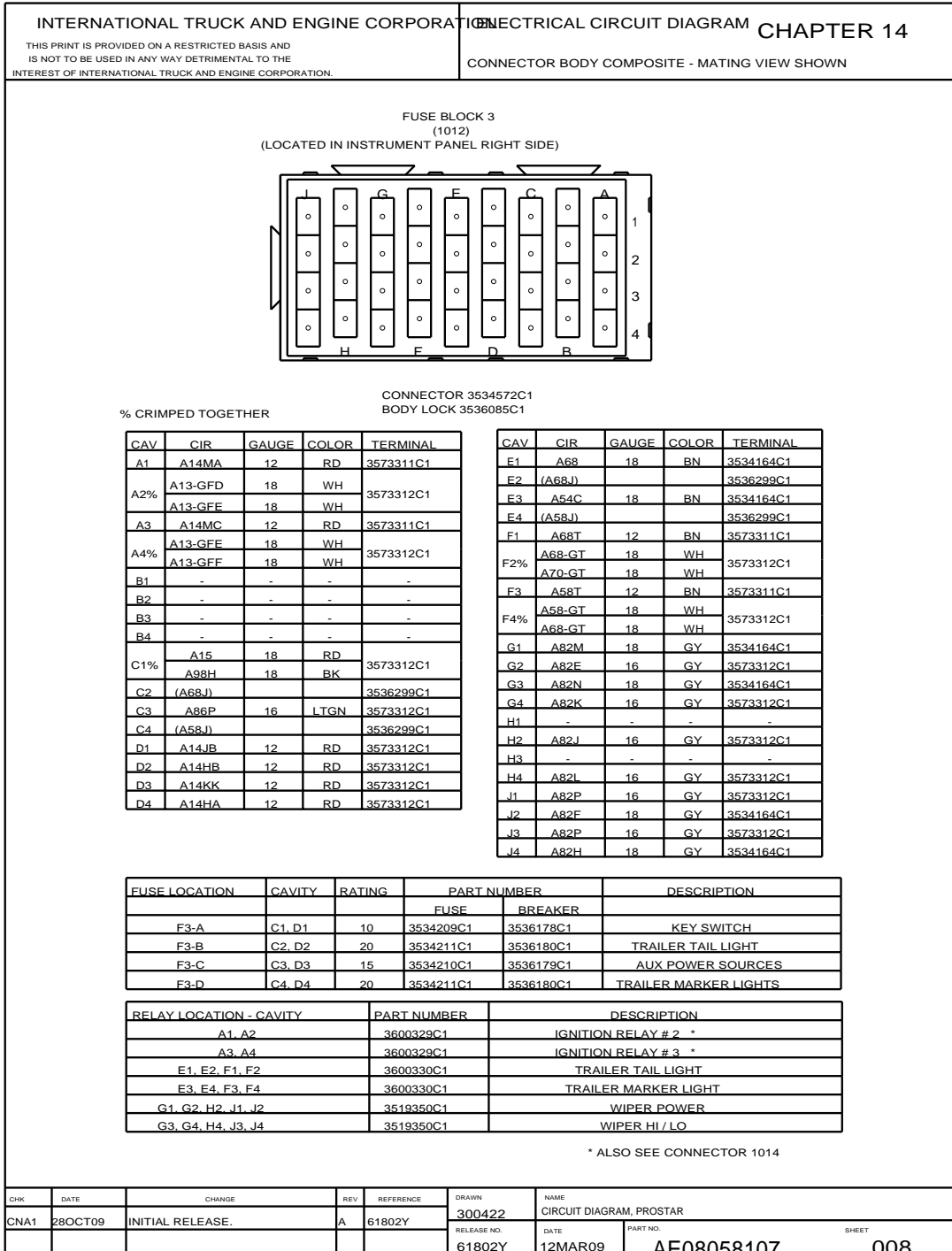


Figure 210 Connector Body Composite (1012)

14.9. CONNECTOR BODY COMPOSITE (1013), P. 9

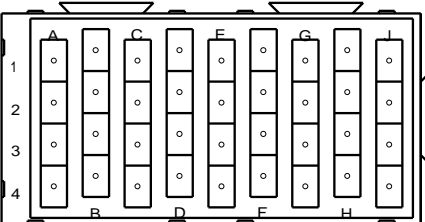
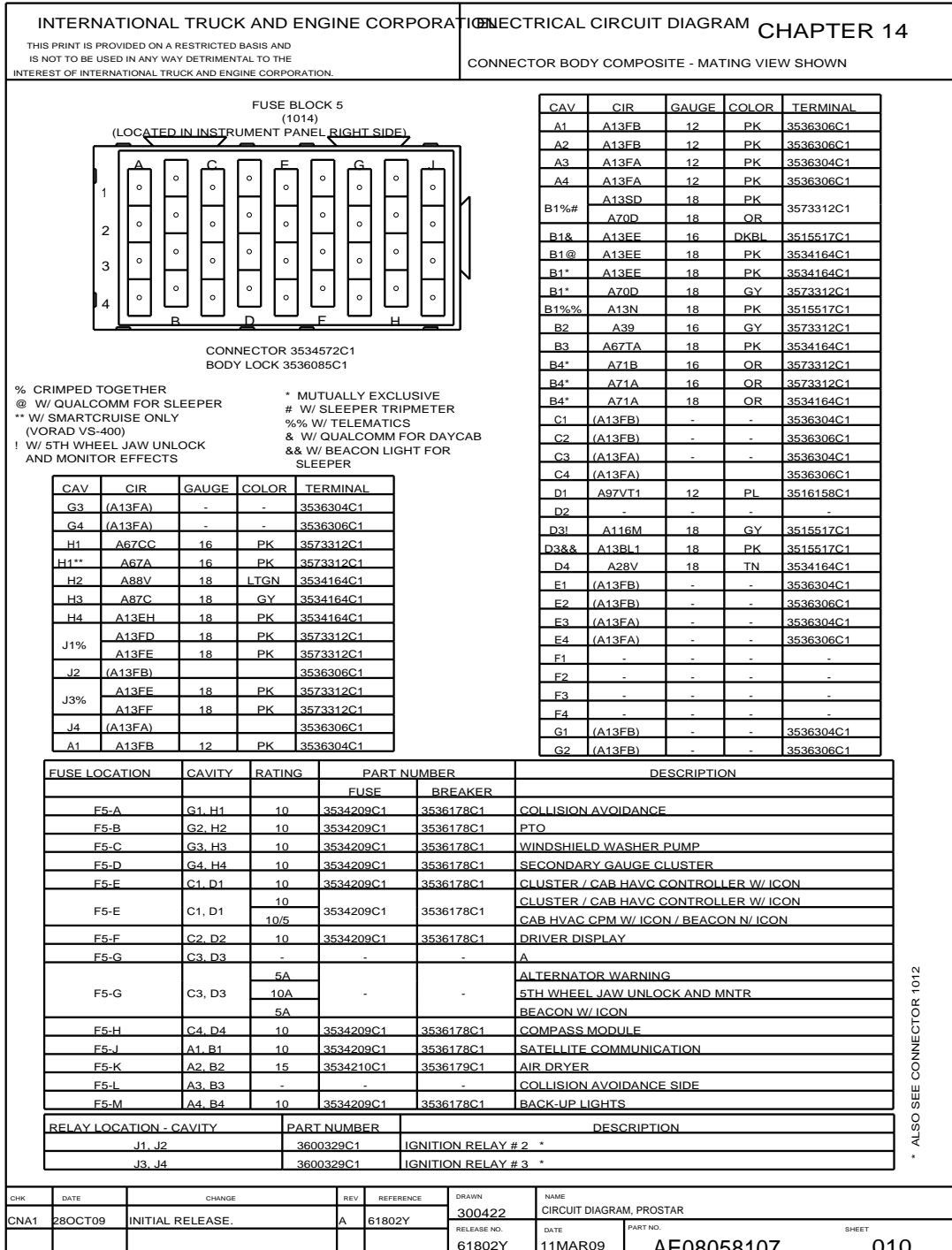
<p style="text-align: center;">INTERNATIONAL TRUCK AND ENGINE CORPORATION</p> <p style="font-size: small;">THIS PRINT IS PROVIDED ON A RESTRICTED BASIS AND IS NOT TO BE USED IN ANY WAY DETRIMENTAL TO THE INTEREST OF INTERNATIONAL TRUCK AND ENGINE CORPORATION.</p> <p style="text-align: center;">FUSE BLOCK 4 (1013) (LOCATED IN INSTRUMENT PANEL RIGHT SIDE)</p>  <p style="text-align: center;">CONNECTOR 3534572C1 BODY LOCK 3536085C1</p> <table border="1" style="width:100%; border-collapse: collapse; font-size: x-small;"> <thead> <tr> <th>CAV</th><th>CIR</th><th>GAUGE</th><th>COLOR</th><th>TERMINAL</th></tr> </thead> <tbody> <tr><td>A1</td><td>A12V</td><td>12</td><td>LTBL</td><td>3573311C1</td></tr> <tr><td>A2</td><td>A12V</td><td>12</td><td>LTBL</td><td>3536306C1</td></tr> <tr><td>A3</td><td>A13FC</td><td>12</td><td>PK</td><td>3536304C1</td></tr> <tr><td>A4</td><td>A13FC</td><td>12</td><td>PK</td><td>3536304C1</td></tr> <tr><td>B1%*</td><td>A22E</td><td>18</td><td>TN</td><td>3573312C1</td></tr> <tr><td></td><td>A12C</td><td>18</td><td>LTBL</td><td>3573312C1</td></tr> <tr><td>B1%#</td><td>A12C</td><td>18</td><td>LTBL</td><td>3534164C1</td></tr> <tr><td>B1%#</td><td>A12B</td><td>20</td><td>LTBL</td><td>3535484C1</td></tr> <tr><td>B2</td><td>A12F</td><td>18</td><td>LTBL</td><td>3534164C1</td></tr> <tr><td>B3%</td><td>A73A</td><td>18</td><td>LTGN</td><td>3573312C1</td></tr> <tr><td></td><td>A13EA</td><td>18</td><td>PK</td><td>3573312C1</td></tr> <tr><td>B4</td><td>A13</td><td>18</td><td>PK</td><td>3515517C1</td></tr> <tr><td>C1</td><td>(A12V)</td><td>-</td><td>-</td><td>3536301C1</td></tr> <tr><td>C2</td><td>(A12V)</td><td>-</td><td>-</td><td>3536306C1</td></tr> <tr><td>C3</td><td>(A13FC)</td><td>-</td><td>-</td><td>3536304C1</td></tr> <tr><td>C4</td><td>(A13FC)</td><td>-</td><td>-</td><td>3536306C1</td></tr> <tr><td>D1</td><td>A12U</td><td>16</td><td>LTBL</td><td>3573312C1</td></tr> <tr><td>D2%</td><td>A86F</td><td>18</td><td>LTGN</td><td>3573312C1</td></tr> <tr><td></td><td>A86R</td><td>18</td><td>LTGN</td><td>3573312C1</td></tr> <tr><td>D3</td><td>A13B</td><td>18</td><td>PK</td><td>3534164C1</td></tr> <tr><td>D4#</td><td>A104AK</td><td>16</td><td>DKBL</td><td>3573312C1</td></tr> <tr><td>D4&&</td><td>A13TRIB</td><td>16</td><td>PK</td><td>3573312C1</td></tr> </tbody> </table>	CAV	CIR	GAUGE	COLOR	TERMINAL	A1	A12V	12	LTBL	3573311C1	A2	A12V	12	LTBL	3536306C1	A3	A13FC	12	PK	3536304C1	A4	A13FC	12	PK	3536304C1	B1%*	A22E	18	TN	3573312C1		A12C	18	LTBL	3573312C1	B1%#	A12C	18	LTBL	3534164C1	B1%#	A12B	20	LTBL	3535484C1	B2	A12F	18	LTBL	3534164C1	B3%	A73A	18	LTGN	3573312C1		A13EA	18	PK	3573312C1	B4	A13	18	PK	3515517C1	C1	(A12V)	-	-	3536301C1	C2	(A12V)	-	-	3536306C1	C3	(A13FC)	-	-	3536304C1	C4	(A13FC)	-	-	3536306C1	D1	A12U	16	LTBL	3573312C1	D2%	A86F	18	LTGN	3573312C1		A86R	18	LTGN	3573312C1	D3	A13B	18	PK	3534164C1	D4#	A104AK	16	DKBL	3573312C1	D4&&	A13TRIB	16	PK	3573312C1	<p style="text-align: center;">ELECTRICAL CIRCUIT DIAGRAM CHAPTER 14</p> <p style="text-align: center;">CONNECTOR BODY COMPOSITE - MATING VIEW SHOWN</p> <p style="font-size: x-small;">* W/ TIRE PRESSURE DISPLAY ** W/ AUTOSHIFT XMSN @ W/ ULTRA SHIFT XMSN # W/ REMOTE START / STOP & W/ INTERNATIONAL ENGINE ECM && W/ NO IDLE PACKAGE-TRI PAC % CRIMPED TOGETHER %% MUTUALLY EXCLUSIVE</p> <table border="1" style="width:100%; border-collapse: collapse; font-size: x-small;"> <thead> <tr> <th>CAV</th><th>CIR</th><th>GAUGE</th><th>COLOR</th><th>TERMINAL</th></tr> </thead> <tbody> <tr><td>E1</td><td>(A12V)</td><td>-</td><td>-</td><td>3536301C1</td></tr> <tr><td>E2</td><td>(A12V)</td><td>-</td><td>-</td><td>3536306C1</td></tr> <tr><td>E3</td><td>(A13FC)</td><td>-</td><td>-</td><td>3536304C1</td></tr> <tr><td>E4</td><td>(A13FC)</td><td>-</td><td>-</td><td>3536306C1</td></tr> <tr><td>F1</td><td>-</td><td>-</td><td>-</td><td>-</td></tr> <tr><td>F2</td><td>-</td><td>-</td><td>-</td><td>-</td></tr> <tr><td>F3</td><td>-</td><td>-</td><td>-</td><td>-</td></tr> <tr><td>F4</td><td>-</td><td>-</td><td>-</td><td>-</td></tr> <tr><td>G1</td><td>(A12V)</td><td>-</td><td>-</td><td>3536301C1</td></tr> <tr><td>G2</td><td>(A12V)</td><td>-</td><td>-</td><td>3536306C1</td></tr> <tr><td>G3</td><td>(A13FC)</td><td>-</td><td>-</td><td>3536304C1</td></tr> <tr><td>G4</td><td>(A13FC)</td><td>-</td><td>-</td><td>3536306C1</td></tr> <tr><td>H1%</td><td>A72B</td><td>16</td><td>OR</td><td>3573311C1</td></tr> <tr><td></td><td>A94AM</td><td>14</td><td>GY</td><td>3573311C1</td></tr> <tr><td>H2</td><td>A78V</td><td>18</td><td>LTGN</td><td>3534164C1</td></tr> <tr><td>H3%</td><td>A13A</td><td>16</td><td>PK</td><td>3573312C1</td></tr> <tr><td></td><td>A92UA</td><td>18</td><td>TN</td><td>3573312C1</td></tr> <tr><td>H3**</td><td>A92U</td><td>16</td><td>TN</td><td>3534164C1</td></tr> <tr><td>H3@</td><td>A92U</td><td>16</td><td>TN</td><td>3573312C1</td></tr> <tr><td>H4%&</td><td>A97F</td><td>16</td><td>PL</td><td>3573312C1</td></tr> <tr><td></td><td>A97FA</td><td>16</td><td>PL</td><td>3573312C1</td></tr> <tr><td>J1</td><td>A12A</td><td>18</td><td>LTBL</td><td>3534164C1</td></tr> <tr><td>J2</td><td>(A12V)</td><td>-</td><td>-</td><td>3536306C1</td></tr> <tr><td>J3%#</td><td>A13FD</td><td>18</td><td>PK</td><td>3573312C1</td></tr> <tr><td></td><td>A13FL</td><td>16</td><td>PK</td><td>3573312C1</td></tr> <tr><td></td><td>A13F</td><td>18</td><td>PK</td><td>3573312C1</td></tr> <tr><td>J4</td><td>(A13FC)</td><td>-</td><td>-</td><td>3536306C1</td></tr> </tbody> </table> <table border="1" style="width:100%; border-collapse: collapse; font-size: x-small;"> <thead> <tr> <th>FUSE LOCATION</th><th>CAVITY</th><th>RATING</th><th colspan="2">PART NUMBER</th><th>DESCRIPTION</th></tr> <tr> <th></th><th></th><th></th><th>FUSE</th><th>BREAKER</th><th></th></tr> </thead> <tbody> <tr><td>F4-A</td><td>G1, H1</td><td>-</td><td>-</td><td>-</td><td>OPEN / ISO TRAILER SOCKET</td></tr> <tr><td>F4-B</td><td>G2, H2</td><td>10</td><td>3534209C1</td><td>3536178C1</td><td>POWER MIRROR</td></tr> <tr><td>F4-C</td><td>G3, H3</td><td>10</td><td>3534209C1</td><td>3536178C1</td><td>TRANSMISSION - SEE NOTE 1</td></tr> <tr><td>F4-D</td><td>G4, H4</td><td>10</td><td>3534209C1</td><td>3536178C1</td><td>ENGINE ECU - N/ ICON</td></tr> <tr><td>F4-E</td><td>C1, D1</td><td>10</td><td>3534209C1</td><td>3536178C1</td><td>VEHICLE SENSOR MODULE</td></tr> <tr><td>F4-F</td><td>C2, D2</td><td>10</td><td>3534209C1</td><td>3536178C1</td><td>CB RADIO / ENTERTAINMENT RADIO</td></tr> <tr><td>F4-G</td><td>C3, D3</td><td>10</td><td>3534209C1</td><td>3536178C1</td><td>OPTIONAL WARNING LIGHTS</td></tr> <tr><td>F4-H</td><td>C4, D4</td><td>10</td><td>3534209C1</td><td>3536178C1</td><td>REMOTE START / STOP / TRI-PAC</td></tr> <tr><td>F4-J</td><td>A1, B1</td><td>10</td><td>3534209C1</td><td>3536178C1</td><td>SECONDARY DISPLAY / TIRE PRESSURE</td></tr> <tr><td>F4-K</td><td>A2, B2</td><td>10</td><td>3534209C1</td><td>3536178C1</td><td>SWITCH PACK</td></tr> <tr><td>F4-L</td><td>A3, B3</td><td>10</td><td>3534209C1</td><td>3536178C1</td><td>CLUSTER / CAB HVAC CONTROLLER N/ ICON</td></tr> <tr><td>F4-M</td><td>A4, B4</td><td>10</td><td>3534209C1</td><td>3536178C1</td><td>BODY CONTROLLER / CAB HVAC / LPM / N/ ICON</td></tr> </tbody> </table> <table border="1" style="width:100%; border-collapse: collapse; font-size: x-small;"> <thead> <tr> <th>RELAY LOCATION - CAVITY</th><th>PART NUMBER</th><th>DESCRIPTION</th></tr> </thead> <tbody> <tr><td>J1, J2</td><td>3600329C1</td><td>* ACCESSORY RELAY</td></tr> <tr><td>J3, J4</td><td>3600329C1</td><td>* IGNITION RELAY # 1</td></tr> </tbody> </table> <p style="font-size: x-small; text-align: center;">NOTE 1: W/ EATON AUTOSHIFT, ULTRASHIFT, XMSN & MERITOR FREEDOMLINE XMSN * ALSO SEE CONNECTOR 1011</p> <table border="1" style="width:100%; border-collapse: collapse; font-size: x-small;"> <thead> <tr> <th>CHK</th><th>DATE</th><th>CHANGE</th><th>REV</th><th>REFERENCE</th><th>DRAWN</th><th>NAME</th></tr> </thead> <tbody> <tr> <td>CNA1</td><td>28OCT09</td><td>INITIAL RELEASE.</td><td>A</td><td>61802Y</td><td>300422</td><td>CIRCUIT DIAGRAM, PROSTAR</td></tr> <tr> <td></td><td></td><td></td><td></td><td></td><td>61802Y</td><td>11MAR09</td></tr> <tr> <td></td><td></td><td></td><td></td><td></td><td></td><td>AE08058107</td></tr> <tr> <td></td><td></td><td></td><td></td><td></td><td></td><td>009</td></tr> </tbody> </table>	CAV	CIR	GAUGE	COLOR	TERMINAL	E1	(A12V)	-	-	3536301C1	E2	(A12V)	-	-	3536306C1	E3	(A13FC)	-	-	3536304C1	E4	(A13FC)	-	-	3536306C1	F1	-	-	-	-	F2	-	-	-	-	F3	-	-	-	-	F4	-	-	-	-	G1	(A12V)	-	-	3536301C1	G2	(A12V)	-	-	3536306C1	G3	(A13FC)	-	-	3536304C1	G4	(A13FC)	-	-	3536306C1	H1%	A72B	16	OR	3573311C1		A94AM	14	GY	3573311C1	H2	A78V	18	LTGN	3534164C1	H3%	A13A	16	PK	3573312C1		A92UA	18	TN	3573312C1	H3**	A92U	16	TN	3534164C1	H3@	A92U	16	TN	3573312C1	H4%&	A97F	16	PL	3573312C1		A97FA	16	PL	3573312C1	J1	A12A	18	LTBL	3534164C1	J2	(A12V)	-	-	3536306C1	J3%#	A13FD	18	PK	3573312C1		A13FL	16	PK	3573312C1		A13F	18	PK	3573312C1	J4	(A13FC)	-	-	3536306C1	FUSE LOCATION	CAVITY	RATING	PART NUMBER		DESCRIPTION				FUSE	BREAKER		F4-A	G1, H1	-	-	-	OPEN / ISO TRAILER SOCKET	F4-B	G2, H2	10	3534209C1	3536178C1	POWER MIRROR	F4-C	G3, H3	10	3534209C1	3536178C1	TRANSMISSION - SEE NOTE 1	F4-D	G4, H4	10	3534209C1	3536178C1	ENGINE ECU - N/ ICON	F4-E	C1, D1	10	3534209C1	3536178C1	VEHICLE SENSOR MODULE	F4-F	C2, D2	10	3534209C1	3536178C1	CB RADIO / ENTERTAINMENT RADIO	F4-G	C3, D3	10	3534209C1	3536178C1	OPTIONAL WARNING LIGHTS	F4-H	C4, D4	10	3534209C1	3536178C1	REMOTE START / STOP / TRI-PAC	F4-J	A1, B1	10	3534209C1	3536178C1	SECONDARY DISPLAY / TIRE PRESSURE	F4-K	A2, B2	10	3534209C1	3536178C1	SWITCH PACK	F4-L	A3, B3	10	3534209C1	3536178C1	CLUSTER / CAB HVAC CONTROLLER N/ ICON	F4-M	A4, B4	10	3534209C1	3536178C1	BODY CONTROLLER / CAB HVAC / LPM / N/ ICON	RELAY LOCATION - CAVITY	PART NUMBER	DESCRIPTION	J1, J2	3600329C1	* ACCESSORY RELAY	J3, J4	3600329C1	* IGNITION RELAY # 1	CHK	DATE	CHANGE	REV	REFERENCE	DRAWN	NAME	CNA1	28OCT09	INITIAL RELEASE.	A	61802Y	300422	CIRCUIT DIAGRAM, PROSTAR						61802Y	11MAR09							AE08058107							009
CAV	CIR	GAUGE	COLOR	TERMINAL																																																																																																																																																																																																																																																																																																																																																																																												
A1	A12V	12	LTBL	3573311C1																																																																																																																																																																																																																																																																																																																																																																																												
A2	A12V	12	LTBL	3536306C1																																																																																																																																																																																																																																																																																																																																																																																												
A3	A13FC	12	PK	3536304C1																																																																																																																																																																																																																																																																																																																																																																																												
A4	A13FC	12	PK	3536304C1																																																																																																																																																																																																																																																																																																																																																																																												
B1%*	A22E	18	TN	3573312C1																																																																																																																																																																																																																																																																																																																																																																																												
	A12C	18	LTBL	3573312C1																																																																																																																																																																																																																																																																																																																																																																																												
B1%#	A12C	18	LTBL	3534164C1																																																																																																																																																																																																																																																																																																																																																																																												
B1%#	A12B	20	LTBL	3535484C1																																																																																																																																																																																																																																																																																																																																																																																												
B2	A12F	18	LTBL	3534164C1																																																																																																																																																																																																																																																																																																																																																																																												
B3%	A73A	18	LTGN	3573312C1																																																																																																																																																																																																																																																																																																																																																																																												
	A13EA	18	PK	3573312C1																																																																																																																																																																																																																																																																																																																																																																																												
B4	A13	18	PK	3515517C1																																																																																																																																																																																																																																																																																																																																																																																												
C1	(A12V)	-	-	3536301C1																																																																																																																																																																																																																																																																																																																																																																																												
C2	(A12V)	-	-	3536306C1																																																																																																																																																																																																																																																																																																																																																																																												
C3	(A13FC)	-	-	3536304C1																																																																																																																																																																																																																																																																																																																																																																																												
C4	(A13FC)	-	-	3536306C1																																																																																																																																																																																																																																																																																																																																																																																												
D1	A12U	16	LTBL	3573312C1																																																																																																																																																																																																																																																																																																																																																																																												
D2%	A86F	18	LTGN	3573312C1																																																																																																																																																																																																																																																																																																																																																																																												
	A86R	18	LTGN	3573312C1																																																																																																																																																																																																																																																																																																																																																																																												
D3	A13B	18	PK	3534164C1																																																																																																																																																																																																																																																																																																																																																																																												
D4#	A104AK	16	DKBL	3573312C1																																																																																																																																																																																																																																																																																																																																																																																												
D4&&	A13TRIB	16	PK	3573312C1																																																																																																																																																																																																																																																																																																																																																																																												
CAV	CIR	GAUGE	COLOR	TERMINAL																																																																																																																																																																																																																																																																																																																																																																																												
E1	(A12V)	-	-	3536301C1																																																																																																																																																																																																																																																																																																																																																																																												
E2	(A12V)	-	-	3536306C1																																																																																																																																																																																																																																																																																																																																																																																												
E3	(A13FC)	-	-	3536304C1																																																																																																																																																																																																																																																																																																																																																																																												
E4	(A13FC)	-	-	3536306C1																																																																																																																																																																																																																																																																																																																																																																																												
F1	-	-	-	-																																																																																																																																																																																																																																																																																																																																																																																												
F2	-	-	-	-																																																																																																																																																																																																																																																																																																																																																																																												
F3	-	-	-	-																																																																																																																																																																																																																																																																																																																																																																																												
F4	-	-	-	-																																																																																																																																																																																																																																																																																																																																																																																												
G1	(A12V)	-	-	3536301C1																																																																																																																																																																																																																																																																																																																																																																																												
G2	(A12V)	-	-	3536306C1																																																																																																																																																																																																																																																																																																																																																																																												
G3	(A13FC)	-	-	3536304C1																																																																																																																																																																																																																																																																																																																																																																																												
G4	(A13FC)	-	-	3536306C1																																																																																																																																																																																																																																																																																																																																																																																												
H1%	A72B	16	OR	3573311C1																																																																																																																																																																																																																																																																																																																																																																																												
	A94AM	14	GY	3573311C1																																																																																																																																																																																																																																																																																																																																																																																												
H2	A78V	18	LTGN	3534164C1																																																																																																																																																																																																																																																																																																																																																																																												
H3%	A13A	16	PK	3573312C1																																																																																																																																																																																																																																																																																																																																																																																												
	A92UA	18	TN	3573312C1																																																																																																																																																																																																																																																																																																																																																																																												
H3**	A92U	16	TN	3534164C1																																																																																																																																																																																																																																																																																																																																																																																												
H3@	A92U	16	TN	3573312C1																																																																																																																																																																																																																																																																																																																																																																																												
H4%&	A97F	16	PL	3573312C1																																																																																																																																																																																																																																																																																																																																																																																												
	A97FA	16	PL	3573312C1																																																																																																																																																																																																																																																																																																																																																																																												
J1	A12A	18	LTBL	3534164C1																																																																																																																																																																																																																																																																																																																																																																																												
J2	(A12V)	-	-	3536306C1																																																																																																																																																																																																																																																																																																																																																																																												
J3%#	A13FD	18	PK	3573312C1																																																																																																																																																																																																																																																																																																																																																																																												
	A13FL	16	PK	3573312C1																																																																																																																																																																																																																																																																																																																																																																																												
	A13F	18	PK	3573312C1																																																																																																																																																																																																																																																																																																																																																																																												
J4	(A13FC)	-	-	3536306C1																																																																																																																																																																																																																																																																																																																																																																																												
FUSE LOCATION	CAVITY	RATING	PART NUMBER		DESCRIPTION																																																																																																																																																																																																																																																																																																																																																																																											
			FUSE	BREAKER																																																																																																																																																																																																																																																																																																																																																																																												
F4-A	G1, H1	-	-	-	OPEN / ISO TRAILER SOCKET																																																																																																																																																																																																																																																																																																																																																																																											
F4-B	G2, H2	10	3534209C1	3536178C1	POWER MIRROR																																																																																																																																																																																																																																																																																																																																																																																											
F4-C	G3, H3	10	3534209C1	3536178C1	TRANSMISSION - SEE NOTE 1																																																																																																																																																																																																																																																																																																																																																																																											
F4-D	G4, H4	10	3534209C1	3536178C1	ENGINE ECU - N/ ICON																																																																																																																																																																																																																																																																																																																																																																																											
F4-E	C1, D1	10	3534209C1	3536178C1	VEHICLE SENSOR MODULE																																																																																																																																																																																																																																																																																																																																																																																											
F4-F	C2, D2	10	3534209C1	3536178C1	CB RADIO / ENTERTAINMENT RADIO																																																																																																																																																																																																																																																																																																																																																																																											
F4-G	C3, D3	10	3534209C1	3536178C1	OPTIONAL WARNING LIGHTS																																																																																																																																																																																																																																																																																																																																																																																											
F4-H	C4, D4	10	3534209C1	3536178C1	REMOTE START / STOP / TRI-PAC																																																																																																																																																																																																																																																																																																																																																																																											
F4-J	A1, B1	10	3534209C1	3536178C1	SECONDARY DISPLAY / TIRE PRESSURE																																																																																																																																																																																																																																																																																																																																																																																											
F4-K	A2, B2	10	3534209C1	3536178C1	SWITCH PACK																																																																																																																																																																																																																																																																																																																																																																																											
F4-L	A3, B3	10	3534209C1	3536178C1	CLUSTER / CAB HVAC CONTROLLER N/ ICON																																																																																																																																																																																																																																																																																																																																																																																											
F4-M	A4, B4	10	3534209C1	3536178C1	BODY CONTROLLER / CAB HVAC / LPM / N/ ICON																																																																																																																																																																																																																																																																																																																																																																																											
RELAY LOCATION - CAVITY	PART NUMBER	DESCRIPTION																																																																																																																																																																																																																																																																																																																																																																																														
J1, J2	3600329C1	* ACCESSORY RELAY																																																																																																																																																																																																																																																																																																																																																																																														
J3, J4	3600329C1	* IGNITION RELAY # 1																																																																																																																																																																																																																																																																																																																																																																																														
CHK	DATE	CHANGE	REV	REFERENCE	DRAWN	NAME																																																																																																																																																																																																																																																																																																																																																																																										
CNA1	28OCT09	INITIAL RELEASE.	A	61802Y	300422	CIRCUIT DIAGRAM, PROSTAR																																																																																																																																																																																																																																																																																																																																																																																										
					61802Y	11MAR09																																																																																																																																																																																																																																																																																																																																																																																										
						AE08058107																																																																																																																																																																																																																																																																																																																																																																																										
						009																																																																																																																																																																																																																																																																																																																																																																																										

Figure 211 Connector Body Composite (1013)

14.10. CONNECTOR BODY COMPOSITE (1014), P. 10



* ALSO SEE CONNECTOR *1012

Figure 212 Connector Body Composite (1014)

14.11. CONNECTOR BODY COMPOSITE (1015), P. 11

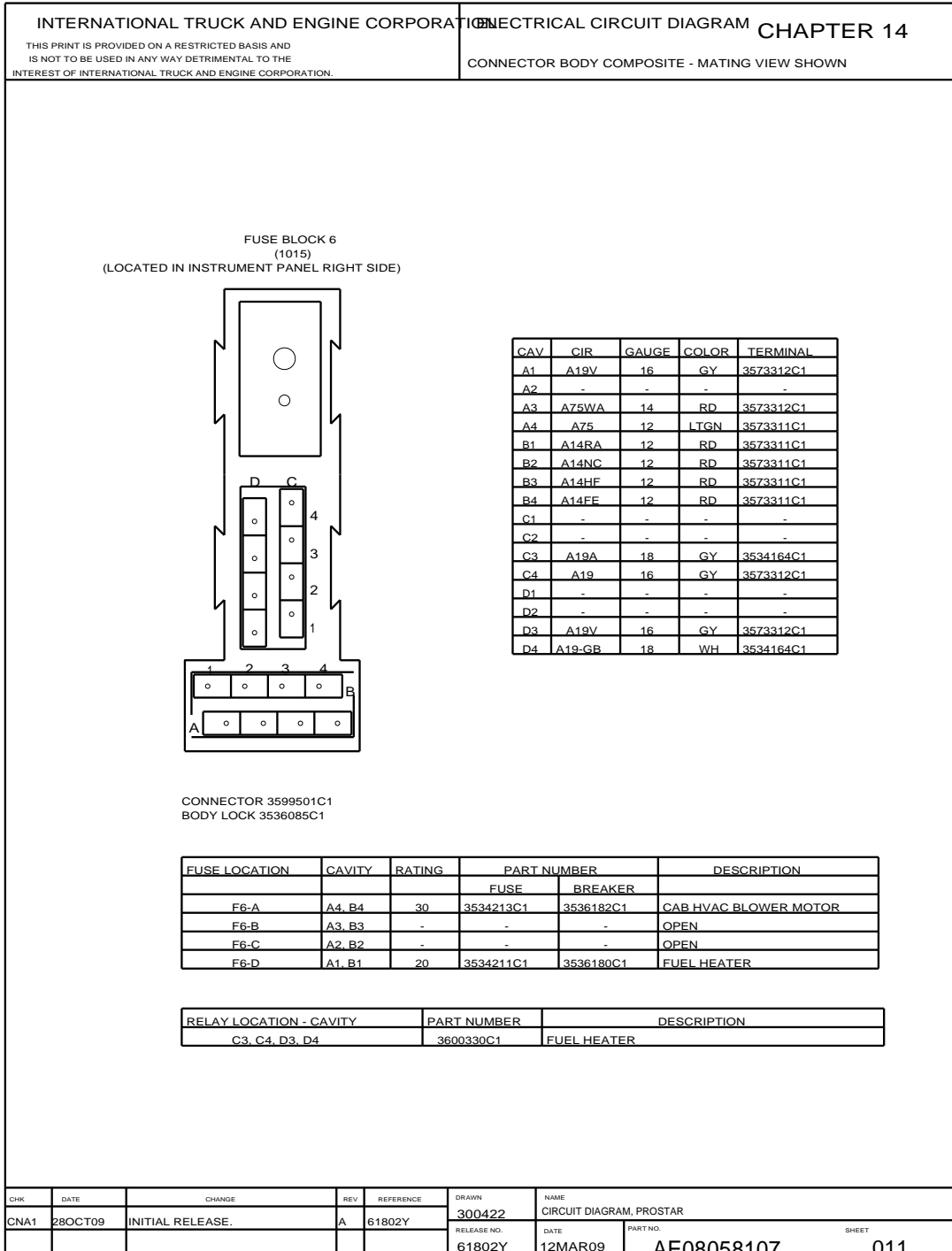


Figure 213 Connector Body Composite (1015)

14.12. CONNECTOR BODY COMPOSITE (1016), P. 12

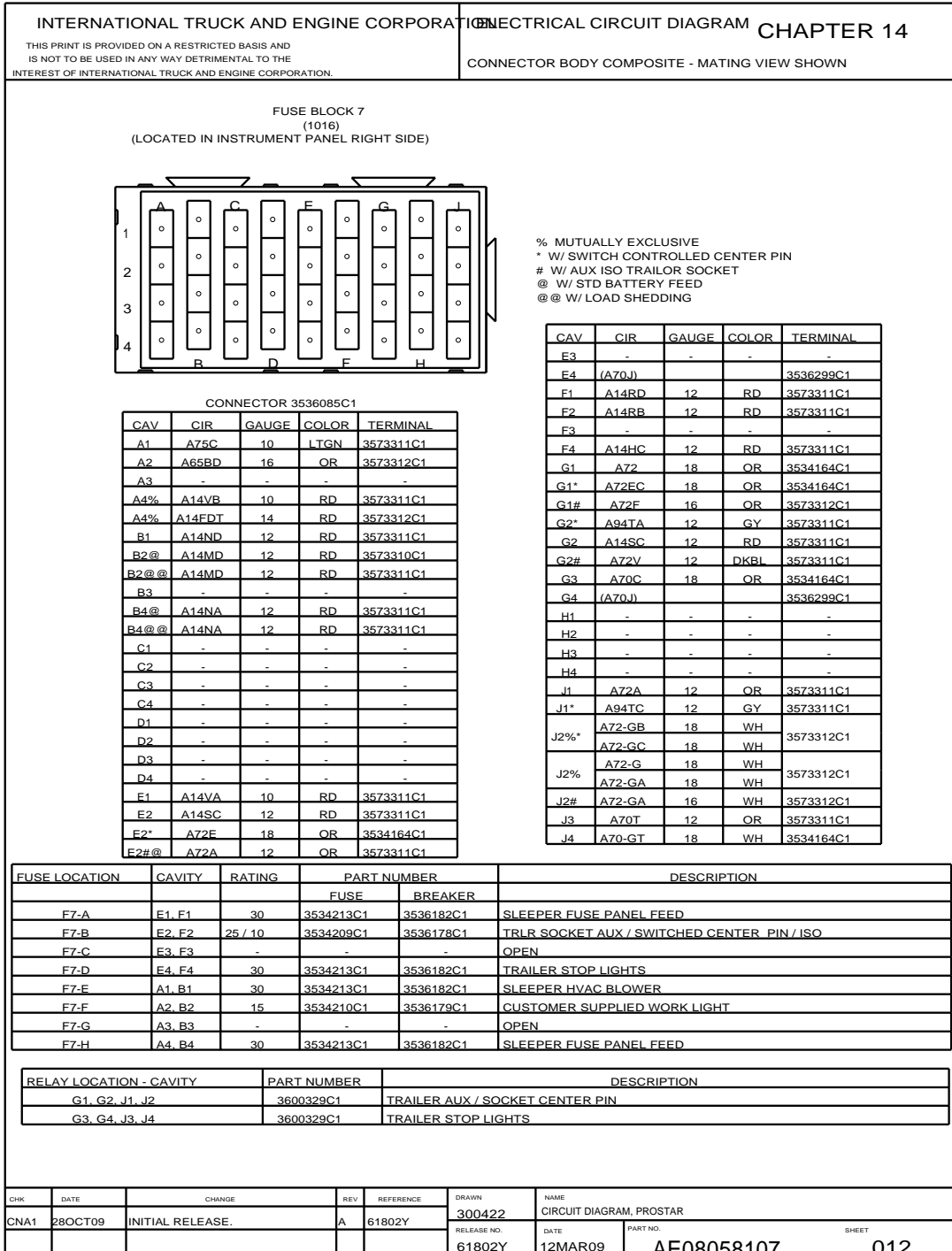


Figure 214 Connector Body Composite (1016)

14.13. CONNECTOR BODY COMPOSITE (1017), P. 13

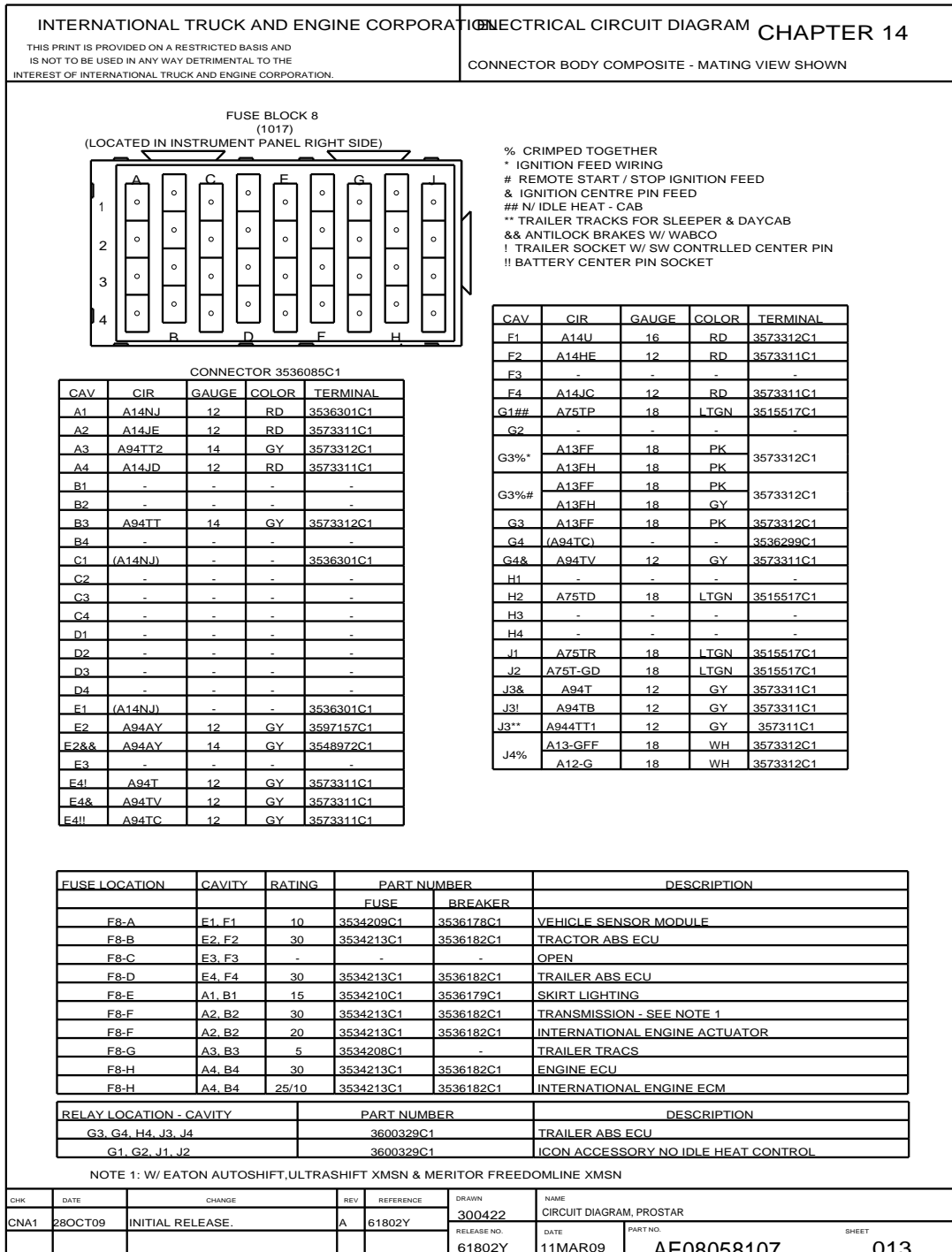


Figure 215 Connector Body Composite (1017)

14.14. CONNECTOR BODY COMPOSITE (1018), P. 14

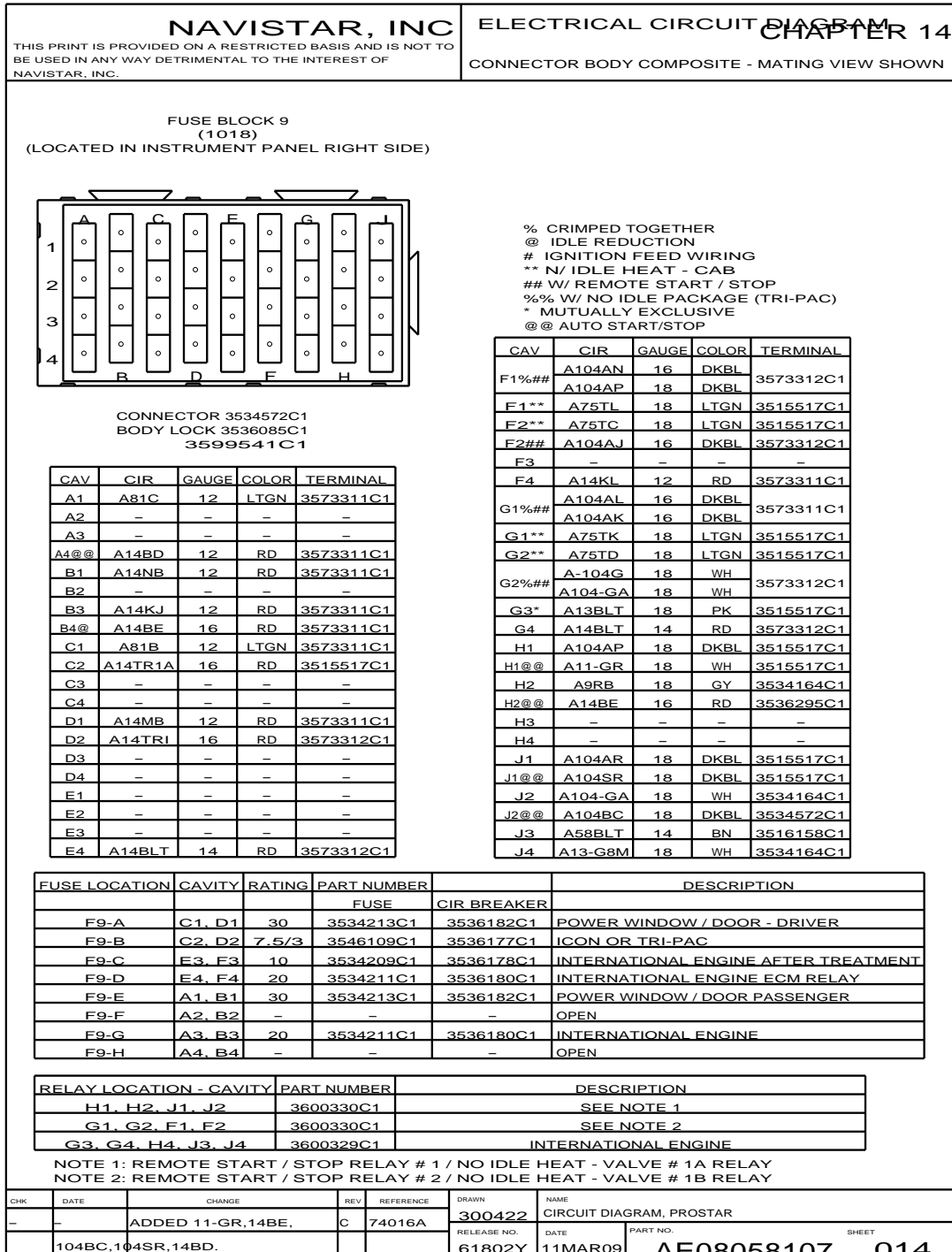


Figure 216 Connector Body Composite (1018)

14.15. CONNECTOR BODY COMPOSITE (1019), P. 15

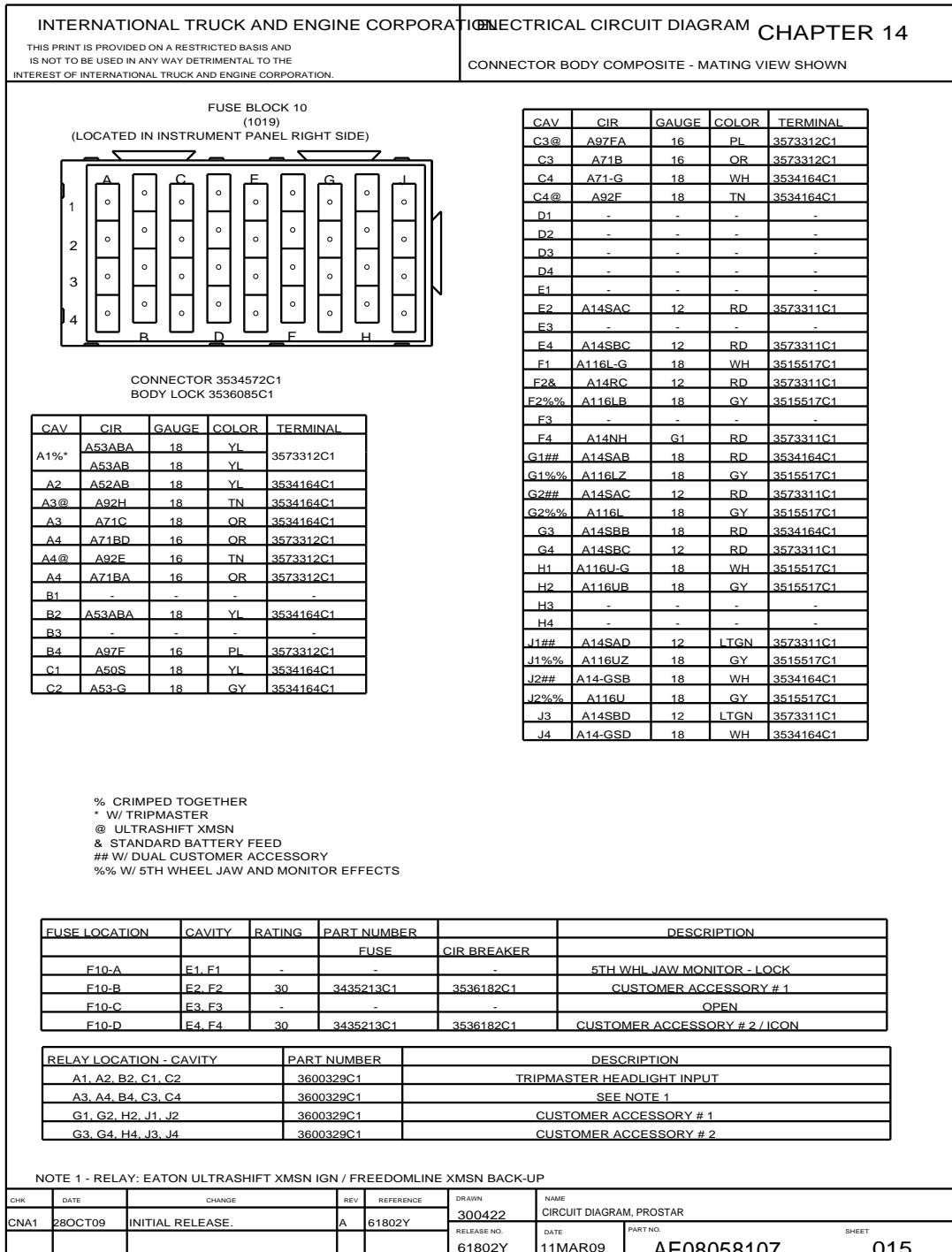


Figure 217 Connector Body Composite (1019)

14.16. CONNECTOR BODY COMPOSITE (1020), P. 16

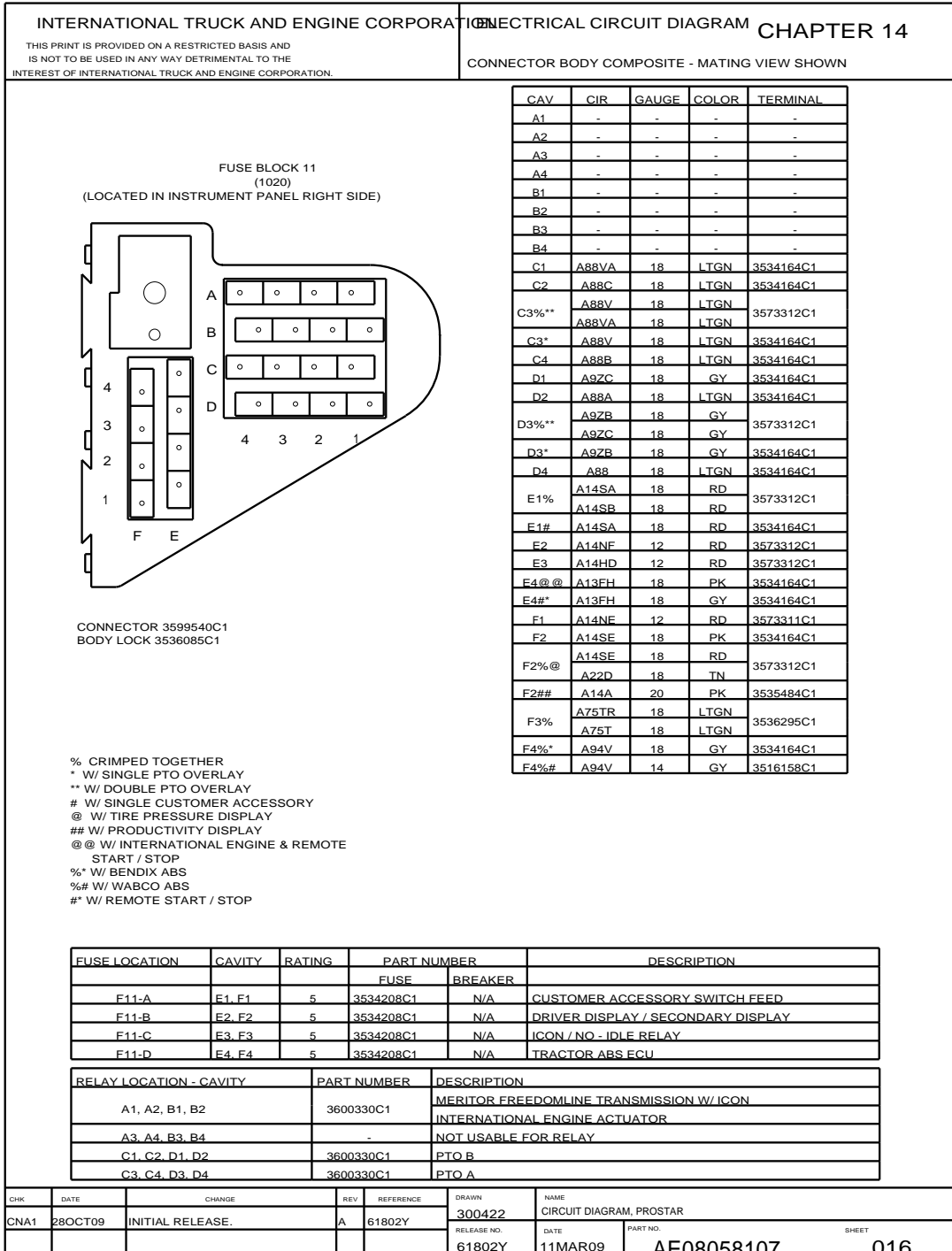


Figure 218 Connector Body Composite (1020)

14.17. CONNECTOR BODY COMPOSITE (1023), (1024), (1025), P. 17

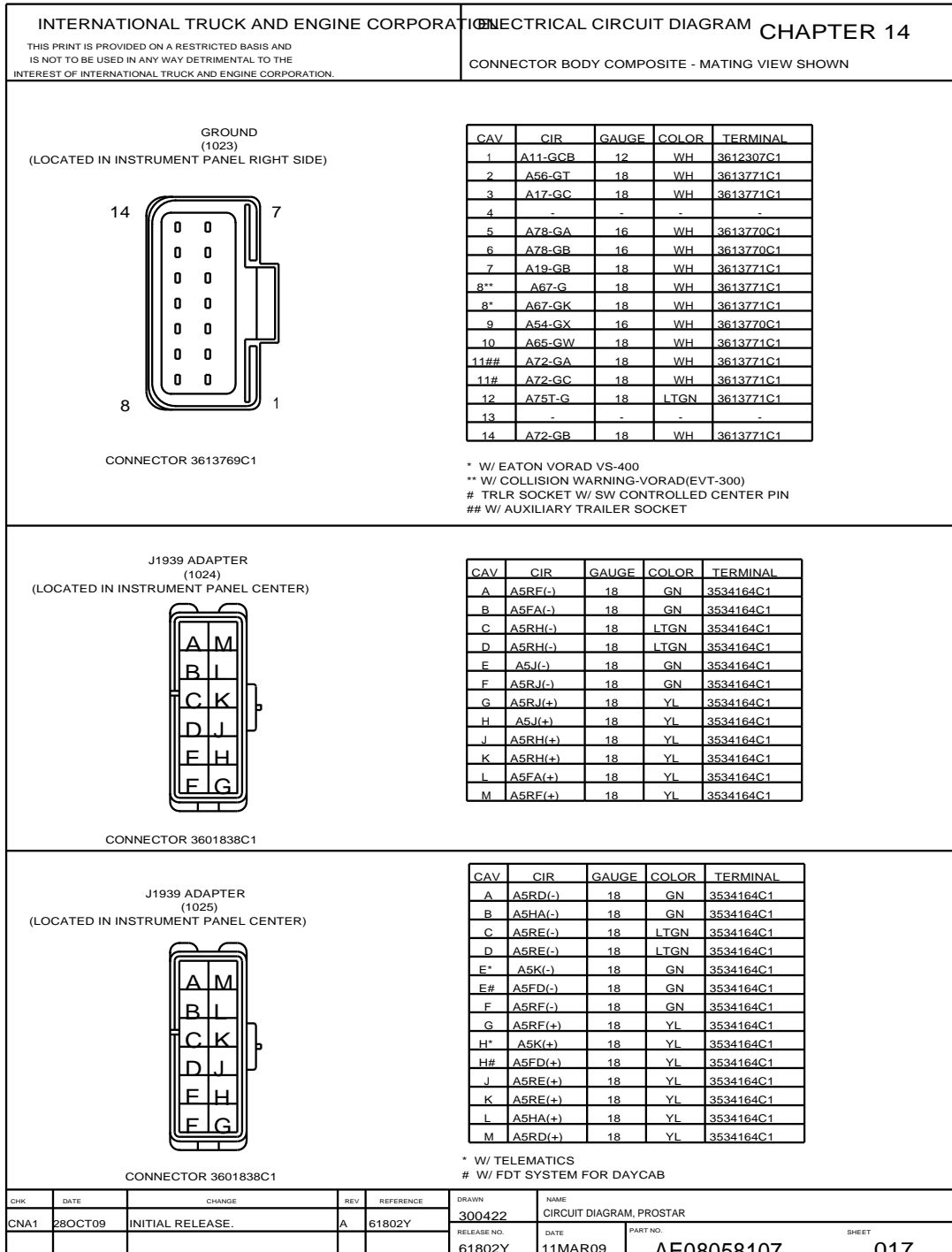


Figure 219 Connector Body Composite (1023), (1024), (1025)

14.18. CONNECTOR BODY COMPOSITE (1026), (1100M), (1101M), (1110M), P. 18

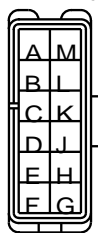

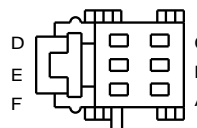
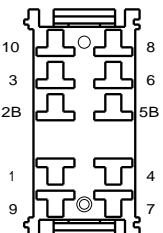
INTERNATIONAL TRUCK AND ENGINE CORPORATION <small>THIS PRINT IS PROVIDED ON A RESTRICTED BASIS AND IS NOT TO BE USED IN ANY WAY DETRIMENTAL TO THE INTEREST OF INTERNATIONAL TRUCK AND ENGINE CORPORATION.</small>		ELECTRICAL CIRCUIT DIAGRAM CHAPTER 14 CONNECTOR BODY COMPOSITE - MATING VIEW SHOWN																																																																																																																																																																											
<p style="text-align: center;">J1939 ADAPTER (1026) (LOCATED IN INSTRUMENT PANEL CENTER)</p>  <p style="text-align: center;">CONNECTOR 3601838C1 BODY LOCK 3601839C1</p>	<table border="1" style="width:100%; border-collapse: collapse;"> <thead> <tr> <th>CAV</th> <th>CIR</th> <th>GAUGE</th> <th>COLOR</th> <th>TERMINAL</th> </tr> </thead> <tbody> <tr><td>A</td><td>A5RB(-)</td><td>18</td><td>GN</td><td>3534164C1</td></tr> <tr><td>A*</td><td>A5R(-)</td><td>18</td><td>GN</td><td>3534164C1</td></tr> <tr><td>B</td><td>A5P(-)</td><td>18</td><td>GN</td><td>3534164C1</td></tr> <tr><td>C</td><td>A5RC(-)</td><td>18</td><td>LTGN</td><td>3534164C1</td></tr> <tr><td>D</td><td>A5RC(-)</td><td>18</td><td>LTGN</td><td>3534164C1</td></tr> <tr><td>E@</td><td>A5L(-)</td><td>18</td><td>GN</td><td>3534164C1</td></tr> <tr><td>E#</td><td>A5B(-)</td><td>18</td><td>GN</td><td>3534164C1</td></tr> <tr><td>F</td><td>A5RD(-)</td><td>18</td><td>GN</td><td>3534164C1</td></tr> <tr><td>G</td><td>A5RD(+)</td><td>18</td><td>YL</td><td>3534164C1</td></tr> <tr><td>H@</td><td>A5L(+)</td><td>18</td><td>YL</td><td>3534164C1</td></tr> <tr><td>H#</td><td>A5B(+)</td><td>18</td><td>YL</td><td>3534164C1</td></tr> <tr><td>J</td><td>A5RC(+)</td><td>18</td><td>YL</td><td>3534164C1</td></tr> <tr><td>K</td><td>A5RC(+)</td><td>18</td><td>YL</td><td>3534164C1</td></tr> <tr><td>L</td><td>A5P(+)</td><td>18</td><td>YL</td><td>3534164C1</td></tr> <tr><td>M</td><td>A5RB(+)</td><td>18</td><td>YL</td><td>3534164C1</td></tr> <tr><td>M*</td><td>A5R(+)</td><td>18</td><td>YL</td><td>3534164C1</td></tr> </tbody> </table> <p style="font-size: small;">* W/ ALL OPTIONS & N/ ABS OR COMPASS # W/ MONITORING DRIVER DISPLAY @ W/ SECONDARY DISPLAY & TIRE PRESSURE</p>	CAV	CIR	GAUGE	COLOR	TERMINAL	A	A5RB(-)	18	GN	3534164C1	A*	A5R(-)	18	GN	3534164C1	B	A5P(-)	18	GN	3534164C1	C	A5RC(-)	18	LTGN	3534164C1	D	A5RC(-)	18	LTGN	3534164C1	E@	A5L(-)	18	GN	3534164C1	E#	A5B(-)	18	GN	3534164C1	F	A5RD(-)	18	GN	3534164C1	G	A5RD(+)	18	YL	3534164C1	H@	A5L(+)	18	YL	3534164C1	H#	A5B(+)	18	YL	3534164C1	J	A5RC(+)	18	YL	3534164C1	K	A5RC(+)	18	YL	3534164C1	L	A5P(+)	18	YL	3534164C1	M	A5RB(+)	18	YL	3534164C1	M*	A5R(+)	18	YL	3534164C1	<p style="text-align: center;">KEY SWITCH CONNECTOR (1100M) (LOCATED IN INSTRUMENT PANEL)</p>  <p style="text-align: center;">CONNECTOR 3546518C1 BODY LOCK 3546519C1</p> <table border="1" style="width:100%; border-collapse: collapse;"> <thead> <tr> <th>CAV</th> <th>CIR</th> <th>GAUGE</th> <th>COLOR</th> <th>TERMINAL</th> </tr> </thead> <tbody> <tr><td>A</td><td>A15</td><td>18</td><td>RD</td><td>1661208C1</td></tr> <tr><td>B</td><td>A17H</td><td>16</td><td>PK</td><td>1661208C1</td></tr> <tr><td>B#</td><td>A17HA</td><td>16</td><td>PK</td><td>1661208C1</td></tr> <tr><td>C</td><td>A12</td><td>18</td><td>LTBL</td><td>1661208C1</td></tr> <tr><td>D</td><td>A13F</td><td>18</td><td>PK</td><td>1661208C1</td></tr> <tr><td>D&</td><td>A13F</td><td>16</td><td>PK</td><td>1661208C1</td></tr> <tr><td>D@</td><td>A13DB</td><td>18</td><td>PK</td><td>1661208C1</td></tr> </tbody> </table> <p style="font-size: small;"># W/ MANUAL XMSN & W/ REMOTE START-STOP @ W/ THEFT DETERENT</p>	CAV	CIR	GAUGE	COLOR	TERMINAL	A	A15	18	RD	1661208C1	B	A17H	16	PK	1661208C1	B#	A17HA	16	PK	1661208C1	C	A12	18	LTBL	1661208C1	D	A13F	18	PK	1661208C1	D&	A13F	16	PK	1661208C1	D@	A13DB	18	PK	1661208C1	<p style="text-align: center;">SWITCH PACK CONNECTOR (1101M) (LOCATED IN INSTRUMENT PANEL - CENTER)</p>  <p style="text-align: center;">CONNECTOR 2031871C1 BODY LOCK 2031873C1</p> <table border="1" style="width:100%; border-collapse: collapse;"> <thead> <tr> <th>CAV</th> <th>CIR</th> <th>GAUGE</th> <th>COLOR</th> <th>TERMINAL</th> </tr> </thead> <tbody> <tr><td>A</td><td>A11-GKD</td><td>18</td><td>WH</td><td>1661261C1</td></tr> <tr><td>B</td><td>A12F</td><td>18</td><td>LTBL</td><td>1661261C1</td></tr> <tr><td>C</td><td>A62DB</td><td>18</td><td>DKBL</td><td>1661261C1</td></tr> <tr><td>D*</td><td>A3AA(+)</td><td>20</td><td>DKBL</td><td>3544254C1</td></tr> <tr><td>D</td><td>A3A(+)</td><td>18</td><td>DKBL</td><td>1661261C1</td></tr> <tr><td>E*</td><td>A3AA(-)</td><td>20</td><td>GY</td><td>3544254C1</td></tr> <tr><td>E</td><td>A3A(-)</td><td>18</td><td>GY</td><td>1661261C1</td></tr> <tr><td>F</td><td>-</td><td>-</td><td>-</td><td>-</td></tr> </tbody> </table> <p style="font-size: small;">* W/ POWER DOOR LOCK & WINDOWS</p>	CAV	CIR	GAUGE	COLOR	TERMINAL	A	A11-GKD	18	WH	1661261C1	B	A12F	18	LTBL	1661261C1	C	A62DB	18	DKBL	1661261C1	D*	A3AA(+)	20	DKBL	3544254C1	D	A3A(+)	18	DKBL	1661261C1	E*	A3AA(-)	20	GY	3544254C1	E	A3A(-)	18	GY	1661261C1	F	-	-	-	-
CAV	CIR	GAUGE	COLOR	TERMINAL																																																																																																																																																																									
A	A5RB(-)	18	GN	3534164C1																																																																																																																																																																									
A*	A5R(-)	18	GN	3534164C1																																																																																																																																																																									
B	A5P(-)	18	GN	3534164C1																																																																																																																																																																									
C	A5RC(-)	18	LTGN	3534164C1																																																																																																																																																																									
D	A5RC(-)	18	LTGN	3534164C1																																																																																																																																																																									
E@	A5L(-)	18	GN	3534164C1																																																																																																																																																																									
E#	A5B(-)	18	GN	3534164C1																																																																																																																																																																									
F	A5RD(-)	18	GN	3534164C1																																																																																																																																																																									
G	A5RD(+)	18	YL	3534164C1																																																																																																																																																																									
H@	A5L(+)	18	YL	3534164C1																																																																																																																																																																									
H#	A5B(+)	18	YL	3534164C1																																																																																																																																																																									
J	A5RC(+)	18	YL	3534164C1																																																																																																																																																																									
K	A5RC(+)	18	YL	3534164C1																																																																																																																																																																									
L	A5P(+)	18	YL	3534164C1																																																																																																																																																																									
M	A5RB(+)	18	YL	3534164C1																																																																																																																																																																									
M*	A5R(+)	18	YL	3534164C1																																																																																																																																																																									
CAV	CIR	GAUGE	COLOR	TERMINAL																																																																																																																																																																									
A	A15	18	RD	1661208C1																																																																																																																																																																									
B	A17H	16	PK	1661208C1																																																																																																																																																																									
B#	A17HA	16	PK	1661208C1																																																																																																																																																																									
C	A12	18	LTBL	1661208C1																																																																																																																																																																									
D	A13F	18	PK	1661208C1																																																																																																																																																																									
D&	A13F	16	PK	1661208C1																																																																																																																																																																									
D@	A13DB	18	PK	1661208C1																																																																																																																																																																									
CAV	CIR	GAUGE	COLOR	TERMINAL																																																																																																																																																																									
A	A11-GKD	18	WH	1661261C1																																																																																																																																																																									
B	A12F	18	LTBL	1661261C1																																																																																																																																																																									
C	A62DB	18	DKBL	1661261C1																																																																																																																																																																									
D*	A3AA(+)	20	DKBL	3544254C1																																																																																																																																																																									
D	A3A(+)	18	DKBL	1661261C1																																																																																																																																																																									
E*	A3AA(-)	20	GY	3544254C1																																																																																																																																																																									
E	A3A(-)	18	GY	1661261C1																																																																																																																																																																									
F	-	-	-	-																																																																																																																																																																									
<p style="text-align: center;">AUX TRAILER SOCKET SWITCH CONNECTOR (1110M) (LOCATED IN INSTRUMENT PANEL CENTER)</p>  <p style="text-align: center;">CONNECTOR 3520850C1</p> <p style="font-size: small;">* TRAILER SOCKET W/ SWITCH CONTROLLED CENTER PIN % CRIMPED TOGETHER # W/ AUX ISO TRAILER SOCKET</p>	<table border="1" style="width:100%; border-collapse: collapse;"> <thead> <tr> <th>CAV</th> <th>CIR</th> <th>GAUGE</th> <th>COLOR</th> <th>TERMINAL</th> </tr> </thead> <tbody> <tr><td>1</td><td>A72D</td><td>18</td><td>OR</td><td>1661224C1</td></tr> <tr><td>2B</td><td>A109C</td><td>18</td><td>GY</td><td>1661224C1</td></tr> <tr><td>2B*</td><td>A72EB</td><td>18</td><td>OR</td><td>1661224C1</td></tr> <tr><td>2B#</td><td>A72B</td><td>16</td><td>OR</td><td>1661226C1</td></tr> <tr><td>3%#</td><td>A72F</td><td>16</td><td>OR</td><td>1661226C1</td></tr> <tr><td>3%#</td><td>A72FA</td><td>18</td><td>OR</td><td>1661226C1</td></tr> <tr><td>3%#</td><td>A72ED</td><td>18</td><td>OR</td><td>3541250C1</td></tr> <tr><td>3%#</td><td>A72EC</td><td>18</td><td>OR</td><td>3541250C1</td></tr> <tr><td>3</td><td>A72C</td><td>18</td><td>OR</td><td>1661224C1</td></tr> <tr><td>4</td><td>-</td><td>-</td><td>-</td><td>-</td></tr> <tr><td>5B</td><td>-</td><td>-</td><td>-</td><td>-</td></tr> <tr><td>6</td><td>-</td><td>-</td><td>-</td><td>-</td></tr> <tr><td>7</td><td>A72B</td><td>14</td><td>OR</td><td>1661226C1</td></tr> <tr><td>7*</td><td>A72ED</td><td>18</td><td>OR</td><td>1661224C1</td></tr> <tr><td>7#</td><td>A72FA</td><td>18</td><td>OR</td><td>1661224C1</td></tr> <tr><td>8</td><td>A62SC</td><td>18</td><td>DKBL</td><td>1661224C1</td></tr> <tr><td>9</td><td>A72-G</td><td>18</td><td>WH</td><td>1661224C1</td></tr> <tr><td>9#</td><td>A72GB</td><td>18</td><td>WH</td><td>1661224C1</td></tr> <tr><td>10</td><td>A72-GB</td><td>18</td><td>WH</td><td>1661224C1</td></tr> </tbody> </table>	CAV	CIR	GAUGE	COLOR	TERMINAL	1	A72D	18	OR	1661224C1	2B	A109C	18	GY	1661224C1	2B*	A72EB	18	OR	1661224C1	2B#	A72B	16	OR	1661226C1	3%#	A72F	16	OR	1661226C1	3%#	A72FA	18	OR	1661226C1	3%#	A72ED	18	OR	3541250C1	3%#	A72EC	18	OR	3541250C1	3	A72C	18	OR	1661224C1	4	-	-	-	-	5B	-	-	-	-	6	-	-	-	-	7	A72B	14	OR	1661226C1	7*	A72ED	18	OR	1661224C1	7#	A72FA	18	OR	1661224C1	8	A62SC	18	DKBL	1661224C1	9	A72-G	18	WH	1661224C1	9#	A72GB	18	WH	1661224C1	10	A72-GB	18	WH	1661224C1	<table border="1" style="width:100%; border-collapse: collapse;"> <thead> <tr> <th>CHK</th> <th>DATE</th> <th>CHANGE</th> <th>REV</th> <th>REFERENCE</th> <th>DRAWN</th> <th>NAME</th> </tr> </thead> <tbody> <tr> <td>CNA1</td> <td>28OCT09</td> <td>INITIAL RELEASE.</td> <td>A</td> <td>61802Y</td> <td>300422</td> <td>CIRCUIT DIAGRAM, PROSTAR</td> </tr> <tr> <td></td> <td></td> <td></td> <td></td> <td></td> <td>RELEASE NO. 61802Y</td> <td>DATE 12MAR09</td> </tr> <tr> <td></td> <td></td> <td></td> <td></td> <td></td> <td></td> <td>PART NO. AE08058107</td> </tr> <tr> <td></td> <td></td> <td></td> <td></td> <td></td> <td></td> <td>SHEET 018</td> </tr> </tbody> </table>	CHK	DATE	CHANGE	REV	REFERENCE	DRAWN	NAME	CNA1	28OCT09	INITIAL RELEASE.	A	61802Y	300422	CIRCUIT DIAGRAM, PROSTAR						RELEASE NO. 61802Y	DATE 12MAR09							PART NO. AE08058107							SHEET 018																																				
CAV	CIR	GAUGE	COLOR	TERMINAL																																																																																																																																																																									
1	A72D	18	OR	1661224C1																																																																																																																																																																									
2B	A109C	18	GY	1661224C1																																																																																																																																																																									
2B*	A72EB	18	OR	1661224C1																																																																																																																																																																									
2B#	A72B	16	OR	1661226C1																																																																																																																																																																									
3%#	A72F	16	OR	1661226C1																																																																																																																																																																									
3%#	A72FA	18	OR	1661226C1																																																																																																																																																																									
3%#	A72ED	18	OR	3541250C1																																																																																																																																																																									
3%#	A72EC	18	OR	3541250C1																																																																																																																																																																									
3	A72C	18	OR	1661224C1																																																																																																																																																																									
4	-	-	-	-																																																																																																																																																																									
5B	-	-	-	-																																																																																																																																																																									
6	-	-	-	-																																																																																																																																																																									
7	A72B	14	OR	1661226C1																																																																																																																																																																									
7*	A72ED	18	OR	1661224C1																																																																																																																																																																									
7#	A72FA	18	OR	1661224C1																																																																																																																																																																									
8	A62SC	18	DKBL	1661224C1																																																																																																																																																																									
9	A72-G	18	WH	1661224C1																																																																																																																																																																									
9#	A72GB	18	WH	1661224C1																																																																																																																																																																									
10	A72-GB	18	WH	1661224C1																																																																																																																																																																									
CHK	DATE	CHANGE	REV	REFERENCE	DRAWN	NAME																																																																																																																																																																							
CNA1	28OCT09	INITIAL RELEASE.	A	61802Y	300422	CIRCUIT DIAGRAM, PROSTAR																																																																																																																																																																							
					RELEASE NO. 61802Y	DATE 12MAR09																																																																																																																																																																							
						PART NO. AE08058107																																																																																																																																																																							
						SHEET 018																																																																																																																																																																							

Figure 220 Connector Body Composite (1026), (1100M), (1101M), (1110M)

14.19. CONNECTOR BODY COMPOSITE (1111M), (1112M), (1113M), P. 19

INTERNATIONAL TRUCK AND ENGINE CORPORATION		ELECTRICAL CIRCUIT DIAGRAM CHAPTER 14	
THIS PRINT IS PROVIDED ON A RESTRICTED BASIS AND IS NOT TO BE USED IN ANY WAY DETRIMENTAL TO THE INTEREST OF INTERNATIONAL TRUCK AND ENGINE CORPORATION.		CONNECTOR BODY COMPOSITE - MATING VIEW SHOWN	

PANIC BUTTON
(1111M)
(LOCATED IN INSTRUMENT PANEL CENTER)

CONNECTOR 3520850C1

CAV	CIR	GAUGE	COLOR	TERMINAL
1	-	-	-	-
2B*	A98NS	18	BK	1661224C1
2B#	A11-GSA	18	WH	1661224C1
3#	A98J	18	BK	1661224C1
3*	A98Z	18	BK	1661224C1
4	-	-	-	-
5B	-	-	-	-
6	-	-	-	-
7#	A62SDA	18	DKBL	1661224C1
7*	A98NL	18	BK	1661224C1
8#%	A62SDA	18	DKBL	3541250C1
	A62SD	18	DKBL	3541250C1
8*	A62N	18	DKBL	1661224C1
9	-	-	-	-
10#	A11-GSB	18	WH	1661224C1
10*	A11-GN	18	WH	1661224C1

* W/ TELEMATICS ALERT SWITCH
W/ QUALCOMM PANIC BUTTON
% CRIMPED TOGETHER

SPARE # 1
(1112M)
(LOCATED IN INSTRUMENT PANEL CENTER)

CONNECTOR 3520850C1

CAV	CIR	GAUGE	COLOR	TERMINAL
1	-	-	-	-
2B	A14SA	18	RD	1661224C1
3%	A14SAA	18	RD	3541250C1
	A14SAB	18	RD	3541250C1
4	-	-	-	-
5B	-	-	-	-
6	-	-	-	-
7	A14SAA	18	RD	1661224C1
8	A62SA	18	DKBL	1661224C1
9	A14-GSA	18	WH	1661224C1
10	-	-	-	-

% CRIMPED TOGETHER

SPARE # 2
(1113M)
(LOCATED IN INSTRUMENT PANEL CENTER)

CONNECTOR 3520850C1

CAV	CIR	GAUGE	COLOR	TERMINAL
1	-	-	-	-
2B	A14SB	18	RD	1661224C1
3%	A14SBB	18	RD	3541250C1
	A14SBA	18	RD	3541250C1
4	-	-	-	-
5B	-	-	-	-
6	-	-	-	-
7	A14SBA	18	RD	1661224C1
8	A62SB	18	DKBL	1661224C1
9	A14-GSC	18	WH	1661224C1
10	-	-	-	-

% CRIMPED TOGETHER

CHK	DATE	CHANGE	REV	REFERENCE	DRAWN	NAME
CNA1	28OCT09	INITIAL RELEASE.	A	61802Y	300422	CIRCUIT DIAGRAM, PROSTAR
					RELEASE NO.	DATE
					61802Y	12MAR09
						PART NO.
						AE08058107
						SHEET
						019

Figure 221 Connector Body Composite (1111M), (1112M), (1113M)

14.20. CONNECTOR BODY COMPOSITE (1114M), (1115M), (1116M), (1117M), P. 20

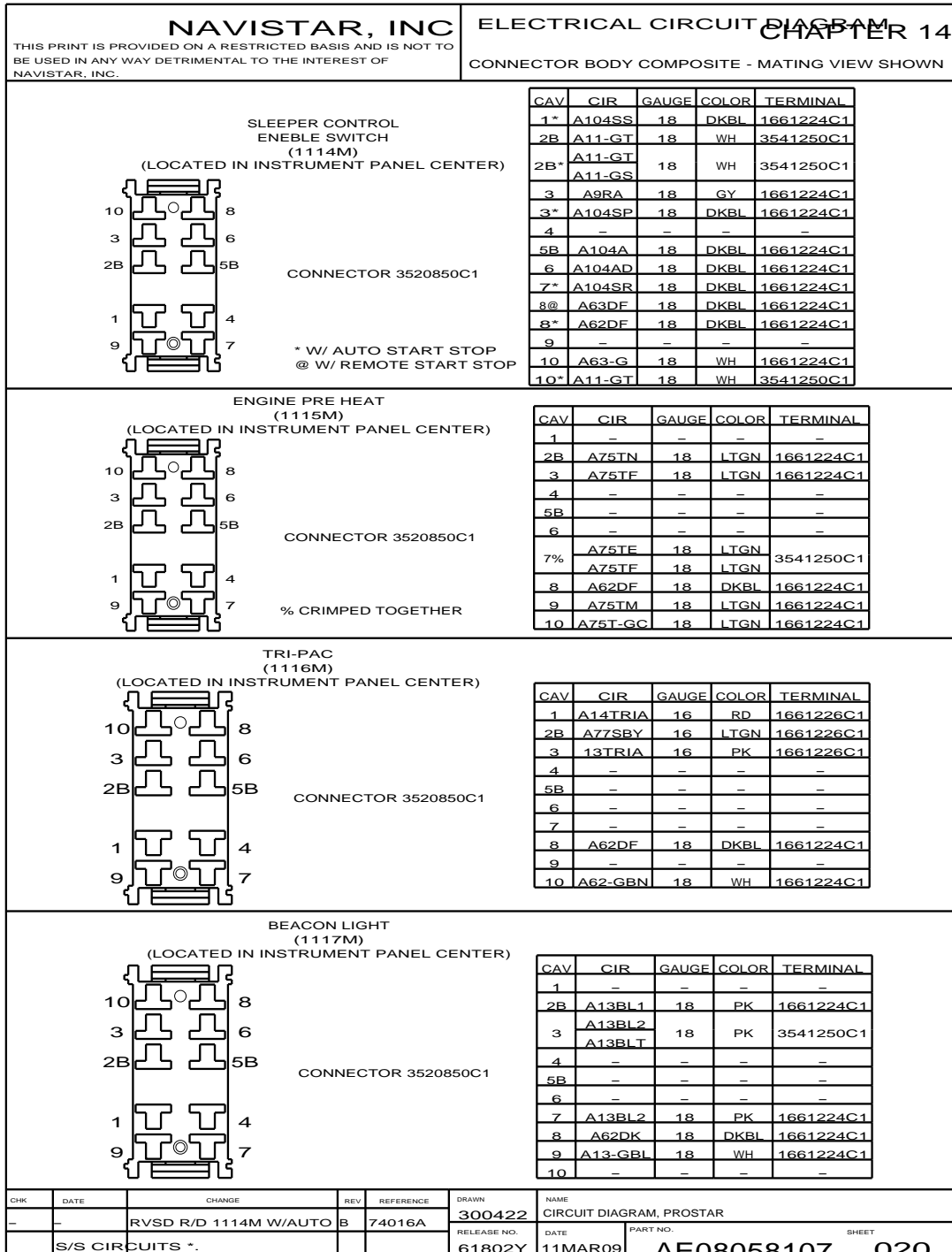


Figure 222 Connector Body Composite (1114M), (1115M), (1116M), (1117M)

14.21. CONNECTOR BODY COMPOSITE (1200), (1210), (1215), (1220), P. 21

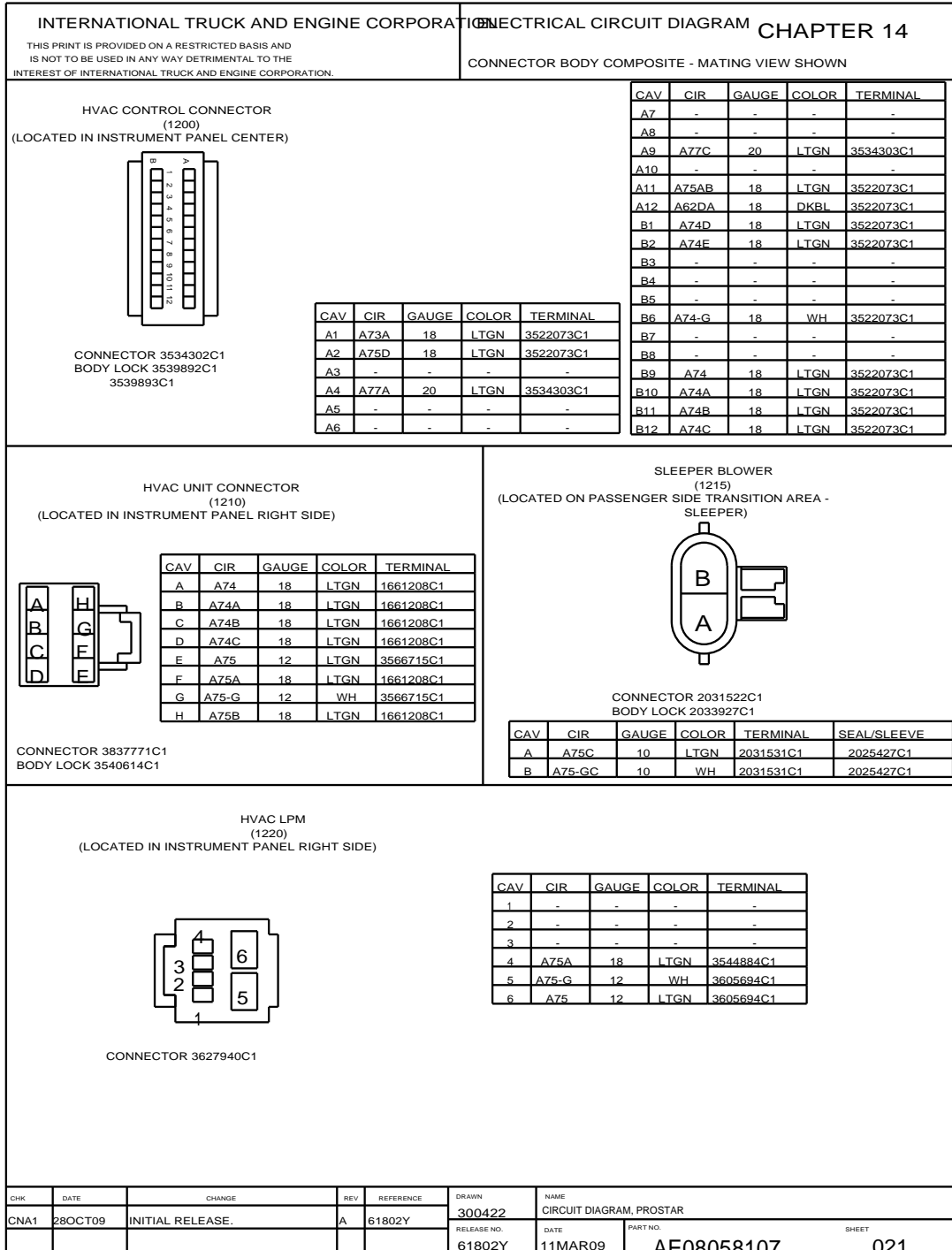


Figure 223 Connector Body Composite (1200), (1210), (1215), (1220)

14.22. CONNECTOR BODY COMPOSITE (1300), (1301), (1305), P. 22

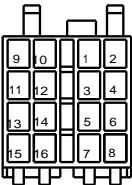

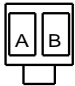
INTERNATIONAL TRUCK AND ENGINE CORPORATION <small>THIS PRINT IS PROVIDED ON A RESTRICTED BASIS AND IS NOT TO BE USED IN ANY WAY DETRIMENTAL TO THE INTEREST OF INTERNATIONAL TRUCK AND ENGINE CORPORATION.</small>		ELECTRICAL CIRCUIT DIAGRAM CHAPTER 14 CONNECTOR BODY COMPOSITE - MATING VIEW SHOWN																																																																																																																																													
<p style="text-align: center;">RADIO CONNECTION (1300) (LOCATED IN INSTRUMENT PANEL - RADIO)</p>  <p style="text-align: center;">CONNECTOR 3597143C1</p> <p># W/ SLEEPER SPEAKER * W/ DAYCAB SPEAKER</p>	<table border="1" style="width:100%; border-collapse: collapse;"> <thead> <tr> <th>CAV</th> <th>CIR</th> <th>GAUGE</th> <th>COLOR</th> <th>TERMINAL</th> </tr> </thead> <tbody> <tr><td>1</td><td>A86(+)</td><td>18</td><td>YL</td><td>3597102C1</td></tr> <tr><td>2</td><td>A86(-)</td><td>18</td><td>GN</td><td>3597102C1</td></tr> <tr><td>3</td><td>A54D</td><td>18</td><td>BN</td><td>3597102C1</td></tr> <tr><td>4</td><td>A86AE</td><td>18</td><td>LTGN</td><td>3597102C1</td></tr> <tr><td>5</td><td>A86AA</td><td>18</td><td>LTGN</td><td>3597102C1</td></tr> <tr><td>6</td><td>A62DC</td><td>18</td><td>DKBL</td><td>3597102C1</td></tr> <tr><td>7</td><td>A86P</td><td>18</td><td>LTGN</td><td>3597102C1</td></tr> <tr><td>8</td><td>A86-G</td><td>18</td><td>WH</td><td>3597102C1</td></tr> <tr><td>9#</td><td>A86DB</td><td>18</td><td>LTGN</td><td>3597102C1</td></tr> <tr><td>9*</td><td>A86DA</td><td>18</td><td>LTGN</td><td>3597102C1</td></tr> <tr><td>10#</td><td>A86EB</td><td>18</td><td>LTGN</td><td>3597102C1</td></tr> <tr><td>10*</td><td>A86EA</td><td>18</td><td>LTGN</td><td>3597102C1</td></tr> <tr><td>11</td><td>A86K</td><td>18</td><td>LTGN</td><td>3597102C1</td></tr> <tr><td>12</td><td>A86L</td><td>18</td><td>LTGN</td><td>3597102C1</td></tr> <tr><td>13</td><td>A86H</td><td>18</td><td>LTGN</td><td>3597102C1</td></tr> <tr><td>14</td><td>A86J</td><td>18</td><td>LTGN</td><td>3597102C1</td></tr> <tr><td>15*</td><td>A86BA</td><td>18</td><td>LTGN</td><td>3597102C1</td></tr> <tr><td>15#</td><td>A86BB</td><td>18</td><td>LTGN</td><td>3597102C1</td></tr> <tr><td>16*</td><td>A86CA</td><td>18</td><td>LTGN</td><td>3597102C1</td></tr> <tr><td>16#</td><td>A86CB</td><td>18</td><td>LTGN</td><td>3597102C1</td></tr> </tbody> </table>			CAV	CIR	GAUGE	COLOR	TERMINAL	1	A86(+)	18	YL	3597102C1	2	A86(-)	18	GN	3597102C1	3	A54D	18	BN	3597102C1	4	A86AE	18	LTGN	3597102C1	5	A86AA	18	LTGN	3597102C1	6	A62DC	18	DKBL	3597102C1	7	A86P	18	LTGN	3597102C1	8	A86-G	18	WH	3597102C1	9#	A86DB	18	LTGN	3597102C1	9*	A86DA	18	LTGN	3597102C1	10#	A86EB	18	LTGN	3597102C1	10*	A86EA	18	LTGN	3597102C1	11	A86K	18	LTGN	3597102C1	12	A86L	18	LTGN	3597102C1	13	A86H	18	LTGN	3597102C1	14	A86J	18	LTGN	3597102C1	15*	A86BA	18	LTGN	3597102C1	15#	A86BB	18	LTGN	3597102C1	16*	A86CA	18	LTGN	3597102C1	16#	A86CB	18	LTGN	3597102C1																																			
CAV	CIR	GAUGE	COLOR	TERMINAL																																																																																																																																											
1	A86(+)	18	YL	3597102C1																																																																																																																																											
2	A86(-)	18	GN	3597102C1																																																																																																																																											
3	A54D	18	BN	3597102C1																																																																																																																																											
4	A86AE	18	LTGN	3597102C1																																																																																																																																											
5	A86AA	18	LTGN	3597102C1																																																																																																																																											
6	A62DC	18	DKBL	3597102C1																																																																																																																																											
7	A86P	18	LTGN	3597102C1																																																																																																																																											
8	A86-G	18	WH	3597102C1																																																																																																																																											
9#	A86DB	18	LTGN	3597102C1																																																																																																																																											
9*	A86DA	18	LTGN	3597102C1																																																																																																																																											
10#	A86EB	18	LTGN	3597102C1																																																																																																																																											
10*	A86EA	18	LTGN	3597102C1																																																																																																																																											
11	A86K	18	LTGN	3597102C1																																																																																																																																											
12	A86L	18	LTGN	3597102C1																																																																																																																																											
13	A86H	18	LTGN	3597102C1																																																																																																																																											
14	A86J	18	LTGN	3597102C1																																																																																																																																											
15*	A86BA	18	LTGN	3597102C1																																																																																																																																											
15#	A86BB	18	LTGN	3597102C1																																																																																																																																											
16*	A86CA	18	LTGN	3597102C1																																																																																																																																											
16#	A86CB	18	LTGN	3597102C1																																																																																																																																											
<p style="text-align: center;">RADIO CONNECTION (1301) (LOCATED IN INSTRUMENT PANEL - RADIO)</p>  <p style="text-align: center;">CONNECTOR 3600061C1</p> <p>* W/ TV /DVD AUDIO FEED # W/ VEHICLE MONITORING DISPLAY @ W/ AUXILLARY AUDIO INPUT</p>	<table border="1" style="width:100%; border-collapse: collapse;"> <thead> <tr> <th>CAV</th> <th>CIR</th> <th>GAUGE</th> <th>COLOR</th> <th>TERMINAL</th> </tr> </thead> <tbody> <tr><td>1</td><td>-</td><td>-</td><td>-</td><td>-</td></tr> <tr><td>2</td><td>A86AC</td><td>18</td><td>LTGN</td><td>3600062C1</td></tr> <tr><td>3</td><td>-</td><td>-</td><td>-</td><td>-</td></tr> <tr><td>4</td><td>-</td><td>-</td><td>-</td><td>-</td></tr> <tr><td>5</td><td>A86</td><td>20</td><td>LTGN</td><td>3600062C1</td></tr> <tr><td>6</td><td>-</td><td>-</td><td>-</td><td>-</td></tr> <tr><td>7*</td><td>A86LSIG</td><td>18</td><td>LTGN</td><td>3600062C1</td></tr> <tr><td>7#</td><td>A86AA</td><td>20</td><td>LTGN</td><td>3600062C1</td></tr> <tr><td>7@</td><td>A86LAUD</td><td>18</td><td>LTGN</td><td>3600062C1</td></tr> <tr><td>8*</td><td>A86-GS1</td><td>18</td><td>LTGN</td><td>3600062C1</td></tr> <tr><td>8@</td><td>A86GND</td><td>18</td><td>LTGN</td><td>3600062C1</td></tr> <tr><td>9*</td><td>A86-GS2</td><td>18</td><td>LTGN</td><td>3600062C1</td></tr> <tr><td>9#</td><td>A86AC</td><td>20</td><td>LTGN</td><td>3600062C1</td></tr> <tr><td>9@</td><td>A86COM</td><td>18</td><td>LTGN</td><td>3600062C1</td></tr> <tr><td>10*</td><td>A86RSIG</td><td>18</td><td>LTGN</td><td>3600062C1</td></tr> <tr><td>10#</td><td>A86AB</td><td>20</td><td>LTGN</td><td>3600062C1</td></tr> <tr><td>10@</td><td>A86RAUD</td><td>18</td><td>LTGN</td><td>3600062C1</td></tr> <tr><td>11</td><td>A86AD</td><td>20</td><td>LTGN</td><td>3600062C1</td></tr> <tr><td>12</td><td>-</td><td>-</td><td>-</td><td>-</td></tr> <tr><td>13</td><td>-</td><td>-</td><td>-</td><td>-</td></tr> <tr><td>14</td><td>-</td><td>-</td><td>-</td><td>-</td></tr> <tr><td>15</td><td>-</td><td>-</td><td>-</td><td>-</td></tr> <tr><td>16</td><td>-</td><td>-</td><td>-</td><td>-</td></tr> <tr><td>17</td><td>-</td><td>-</td><td>-</td><td>-</td></tr> <tr><td>18</td><td>-</td><td>-</td><td>-</td><td>-</td></tr> <tr><td>19</td><td>-</td><td>-</td><td>-</td><td>-</td></tr> <tr><td>20</td><td>-</td><td>-</td><td>-</td><td>-</td></tr> </tbody> </table>			CAV	CIR	GAUGE	COLOR	TERMINAL	1	-	-	-	-	2	A86AC	18	LTGN	3600062C1	3	-	-	-	-	4	-	-	-	-	5	A86	20	LTGN	3600062C1	6	-	-	-	-	7*	A86LSIG	18	LTGN	3600062C1	7#	A86AA	20	LTGN	3600062C1	7@	A86LAUD	18	LTGN	3600062C1	8*	A86-GS1	18	LTGN	3600062C1	8@	A86GND	18	LTGN	3600062C1	9*	A86-GS2	18	LTGN	3600062C1	9#	A86AC	20	LTGN	3600062C1	9@	A86COM	18	LTGN	3600062C1	10*	A86RSIG	18	LTGN	3600062C1	10#	A86AB	20	LTGN	3600062C1	10@	A86RAUD	18	LTGN	3600062C1	11	A86AD	20	LTGN	3600062C1	12	-	-	-	-	13	-	-	-	-	14	-	-	-	-	15	-	-	-	-	16	-	-	-	-	17	-	-	-	-	18	-	-	-	-	19	-	-	-	-	20	-	-	-	-
CAV	CIR	GAUGE	COLOR	TERMINAL																																																																																																																																											
1	-	-	-	-																																																																																																																																											
2	A86AC	18	LTGN	3600062C1																																																																																																																																											
3	-	-	-	-																																																																																																																																											
4	-	-	-	-																																																																																																																																											
5	A86	20	LTGN	3600062C1																																																																																																																																											
6	-	-	-	-																																																																																																																																											
7*	A86LSIG	18	LTGN	3600062C1																																																																																																																																											
7#	A86AA	20	LTGN	3600062C1																																																																																																																																											
7@	A86LAUD	18	LTGN	3600062C1																																																																																																																																											
8*	A86-GS1	18	LTGN	3600062C1																																																																																																																																											
8@	A86GND	18	LTGN	3600062C1																																																																																																																																											
9*	A86-GS2	18	LTGN	3600062C1																																																																																																																																											
9#	A86AC	20	LTGN	3600062C1																																																																																																																																											
9@	A86COM	18	LTGN	3600062C1																																																																																																																																											
10*	A86RSIG	18	LTGN	3600062C1																																																																																																																																											
10#	A86AB	20	LTGN	3600062C1																																																																																																																																											
10@	A86RAUD	18	LTGN	3600062C1																																																																																																																																											
11	A86AD	20	LTGN	3600062C1																																																																																																																																											
12	-	-	-	-																																																																																																																																											
13	-	-	-	-																																																																																																																																											
14	-	-	-	-																																																																																																																																											
15	-	-	-	-																																																																																																																																											
16	-	-	-	-																																																																																																																																											
17	-	-	-	-																																																																																																																																											
18	-	-	-	-																																																																																																																																											
19	-	-	-	-																																																																																																																																											
20	-	-	-	-																																																																																																																																											
<p style="text-align: center;">BUNK FAN (1305) (LOCATED IN ROOF ON PASSENGER SIDE - SLEEPER)</p>  <p style="text-align: center;">CONNECTOR 0969541R1</p>	<table border="1" style="width:100%; border-collapse: collapse;"> <thead> <tr> <th>CAV</th> <th>CIR</th> <th>GAUGE</th> <th>COLOR</th> <th>TERMINAL</th> </tr> </thead> <tbody> <tr><td>A</td><td>H76</td><td>18</td><td>BK</td><td>0333732C1</td></tr> <tr><td>B</td><td>H76-G</td><td>18</td><td>WH</td><td>0333732C1</td></tr> </tbody> </table>			CAV	CIR	GAUGE	COLOR	TERMINAL	A	H76	18	BK	0333732C1	B	H76-G	18	WH	0333732C1																																																																																																																													
CAV	CIR	GAUGE	COLOR	TERMINAL																																																																																																																																											
A	H76	18	BK	0333732C1																																																																																																																																											
B	H76-G	18	WH	0333732C1																																																																																																																																											
<table border="1" style="width:100%; border-collapse: collapse;"> <tr> <th>CHK</th> <th>DATE</th> <th>CHANGE</th> <th>REV</th> <th>REFERENCE</th> <th>DRAWN</th> <th>NAME</th> </tr> <tr> <td>CNA1</td> <td>28OCT09</td> <td>INITIAL RELEASE.</td> <td>A</td> <td>61802Y</td> <td>300422</td> <td>CIRCUIT DIAGRAM, PROSTAR</td> </tr> <tr> <td></td> <td></td> <td></td> <td></td> <td></td> <td>61802Y</td> <td></td> </tr> </table>	CHK	DATE	CHANGE	REV	REFERENCE	DRAWN	NAME	CNA1	28OCT09	INITIAL RELEASE.	A	61802Y	300422	CIRCUIT DIAGRAM, PROSTAR						61802Y		<table border="1" style="width:100%; border-collapse: collapse;"> <tr> <th>DATE</th> <th>PART NO.</th> <th>SHEET</th> </tr> <tr> <td>11MAR09</td> <td>AE08058107</td> <td>022</td> </tr> </table>	DATE	PART NO.	SHEET	11MAR09	AE08058107	022																																																																																																																			
CHK	DATE	CHANGE	REV	REFERENCE	DRAWN	NAME																																																																																																																																									
CNA1	28OCT09	INITIAL RELEASE.	A	61802Y	300422	CIRCUIT DIAGRAM, PROSTAR																																																																																																																																									
					61802Y																																																																																																																																										
DATE	PART NO.	SHEET																																																																																																																																													
11MAR09	AE08058107	022																																																																																																																																													

Figure 224 Connector Body Composite (1300), (1301), (1305)

14.23. CONNECTOR BODY COMPOSITE (1400), (1401), (1402), P. 23

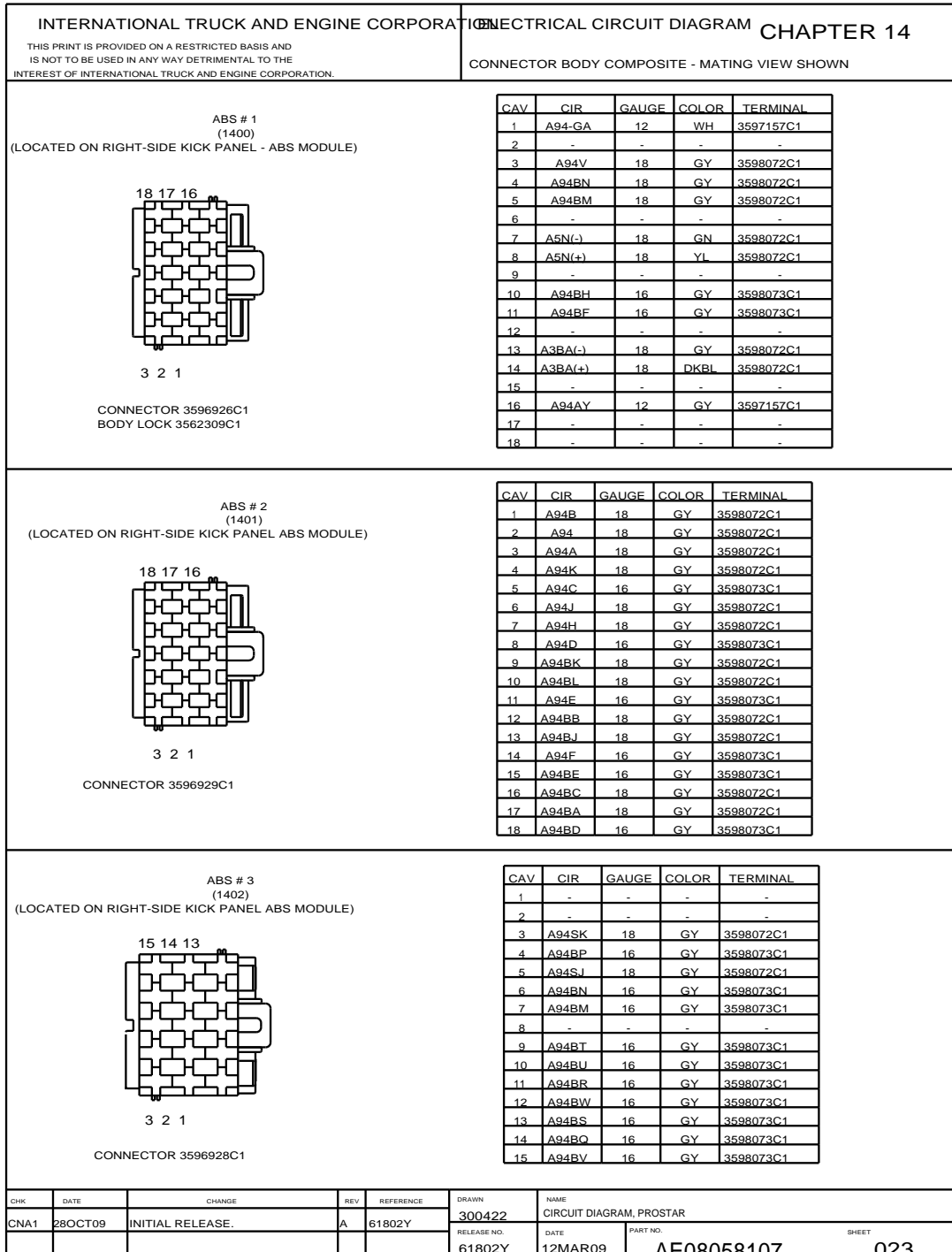
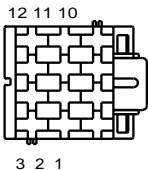


Figure 225 Connector Body Composite (1400), (1401), (1402)

14.24. CONNECTOR BODY COMPOSITE (1403), (1410), (1420), P. 24

INTERNATIONAL TRUCK AND ENGINE CORPORATION		ELECTRICAL CIRCUIT DIAGRAM		CHAPTER 14	
THIS PRINT IS PROVIDED ON A RESTRICTED BASIS AND IS NOT TO BE USED IN ANY WAY DETRIMENTAL TO THE INTEREST OF INTERNATIONAL TRUCK AND ENGINE CORPORATION.		CONNECTOR BODY COMPOSITE - MATING VIEW SHOWN			

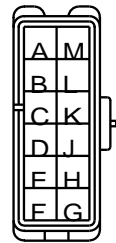
ABS #4
(1403)
(LOCATED ON RIGHT-SIDE KICK PANEL ABS MODULE)



CONNECTOR 3596927C1

CAV	CIR	GAUGE	COLOR	TERMINAL
1	A94SZD	16	GY	3598073C1
2	A94SE	18	GY	3598072C1
3	A94SH	16	GY	3598073C1
4	A94SVD	16	GY	3598073C1
5	A94SF	16	GY	3598073C1
6	A94SL	18	GY	3598072C1
7	A94SDA	18	GY	3598072C1
8	A94SBA	18	GY	3598072C1
9	A94SM	18	GY	3598072C1
10	A94SCA	18	GY	3598072C1
11	A94SAA	18	GY	3598072C1
12	A94SN	18	GY	3598072C1

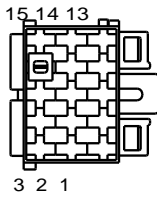
ABS ATC & RSP
SPLICE PACK
(1410)
(LOCATED IN INSTRUMENT PANEL - CENTER)



CONNECTOR 3601838C1
BODY LOCK 3601839C1

CAV	CIR	GAUGE	COLOR	TERMINAL
A	A94SAA	18	GY	3534164C1
B	A94SAB	18	GY	3534164C1
C	A94SA	18	GY	3534164C1
D	A94SCA	18	GY	3534164C1
E	A94SCB	18	GY	3534164C1
F	A94SC	18	GY	3534164C1
G	A94SBA	18	GY	3534164C1
H	A94SBB	18	GY	3534164C1
J	A94SB	18	GY	3534164C1
K	A94SDA	18	GY	3534164C1
L	A94SDB	18	GY	3534164C1
M	A94SD	18	GY	3534164C1

WABCO ABS CONN
(1420)
(LOCATED ON RIGHT-SIDE KICK PANEL - ABS MODULE)



CONNECTOR 3557922C1
BODY LOCK 3549120C1

CAV	CIRCUIT	GAUGE	COLOR	TERMINAL
1	A5N(-)	18	GN	3548971C1
2	-	-	-	-
3	A5N(+)	18	YL	3548971C1
4	A94-GB	18	WH	3548971C1
5	-	-	-	-
6	-	-	-	-
7	A94V	14	GY	3548972C1
8	A94AY	14	GY	3548972C1
9	A94-GA	18	WH	3548969C1
10	A3BA(-)	18	GY	3548971C1
11	A3BA(+)	18	DK BL	3548971C1
12	-	-	-	-
13	-	-	-	-
14	-	-	-	-
15	-	-	-	-

CHK	DATE	CHANGE	REV	REFERENCE	DRAWN	NAME	DATE	PART NO.	SHEET
CNA1	28OCT09	INITIAL RELEASE.	A	61802Y	300422	CIRCUIT DIAGRAM, PROSTAR	12MAR09	AE08058107	024
					61802Y				

Figure 226 Connector Body Composite (1403), (1410), (1420)

14.25. CONNECTOR BODY COMPOSITE (1421), (1422), (1500), (1501), P. 25

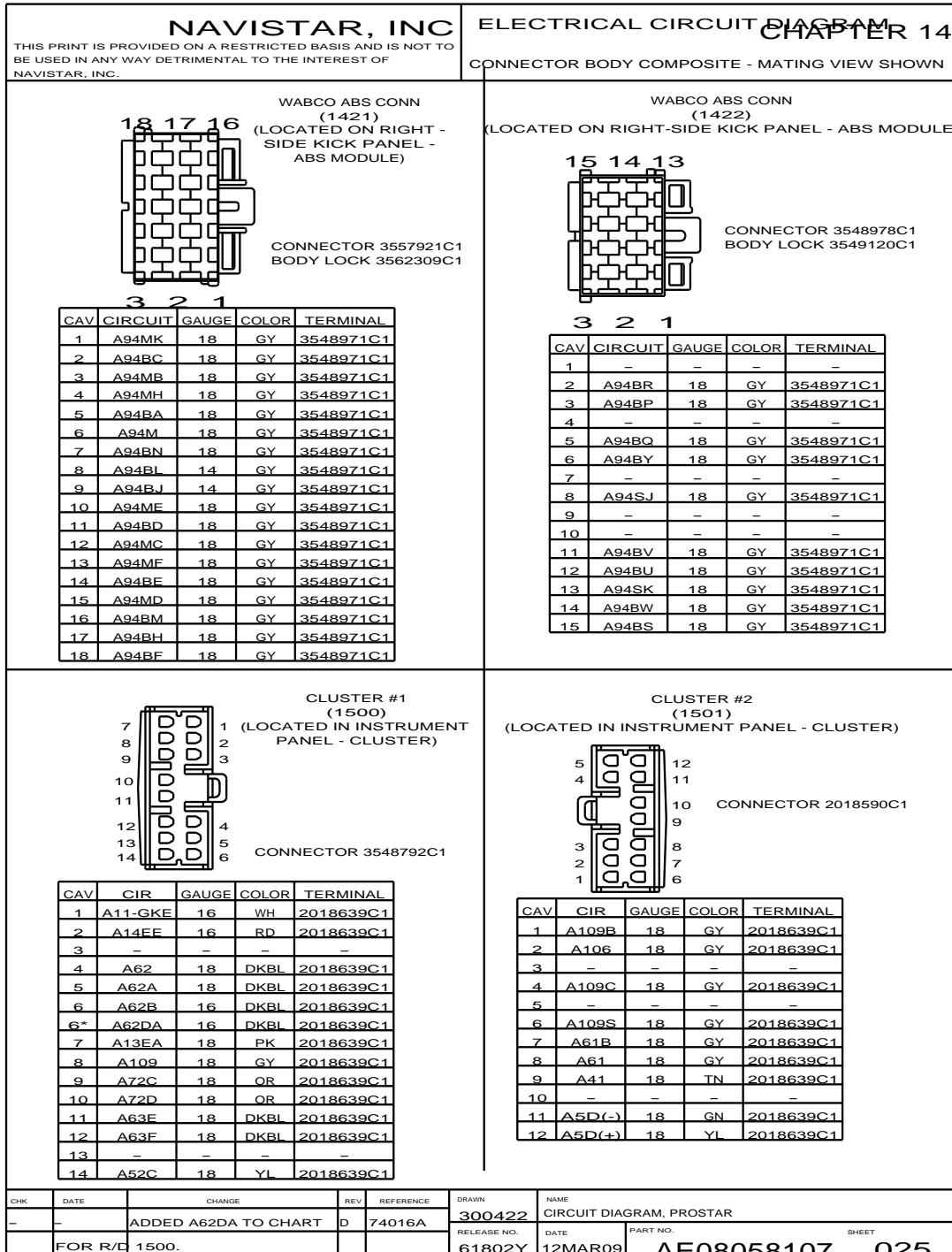


Figure 227 Connector Body Composite (1421), (1422), (1500), (1501)

14.26. CONNECTOR BODY COMPOSITE (1502), (1510), P. 26

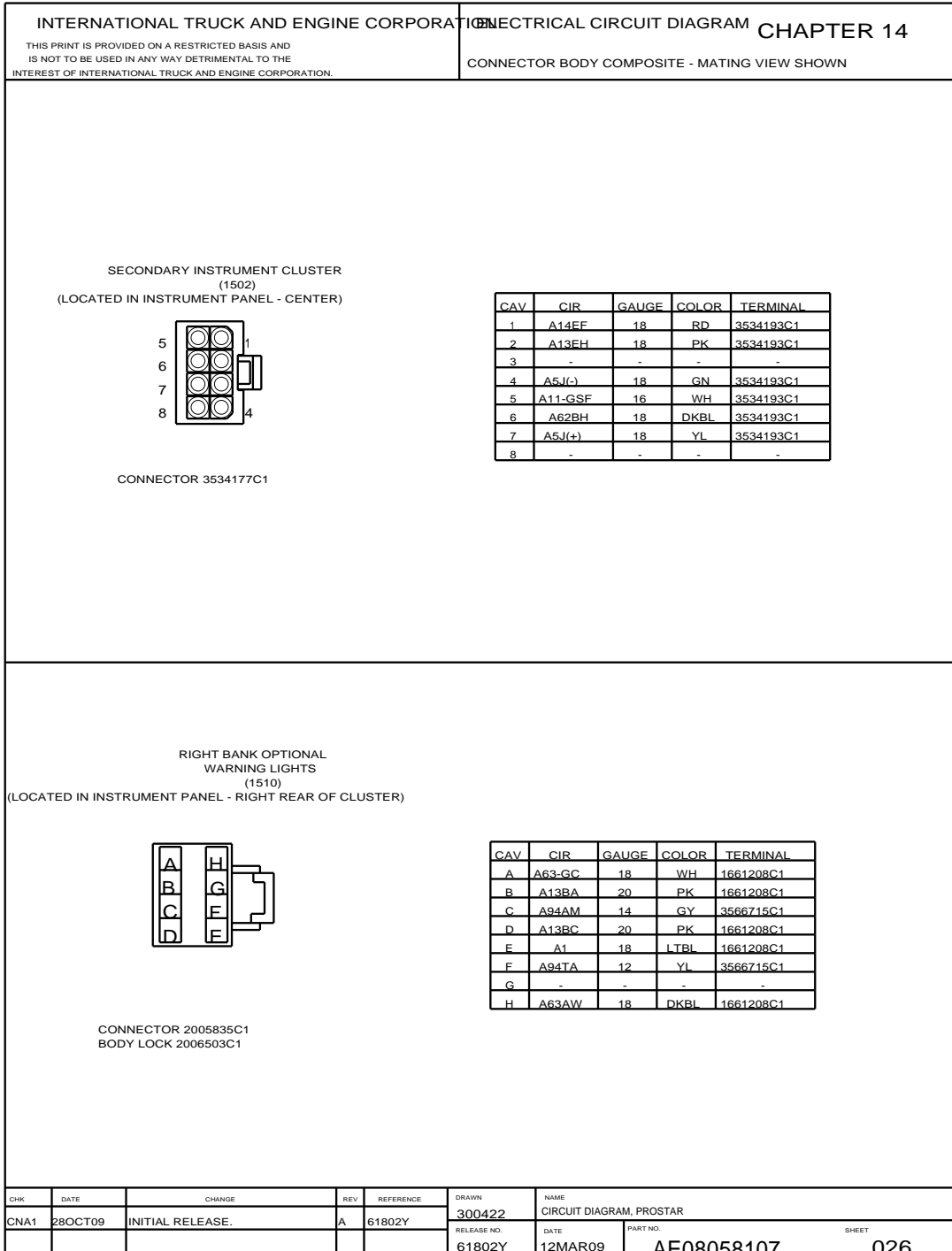


Figure 228 Connector Body Composite (1502), (1510)

14.27. CONNECTOR BODY COMPOSITE (1511), (1550), P. 27

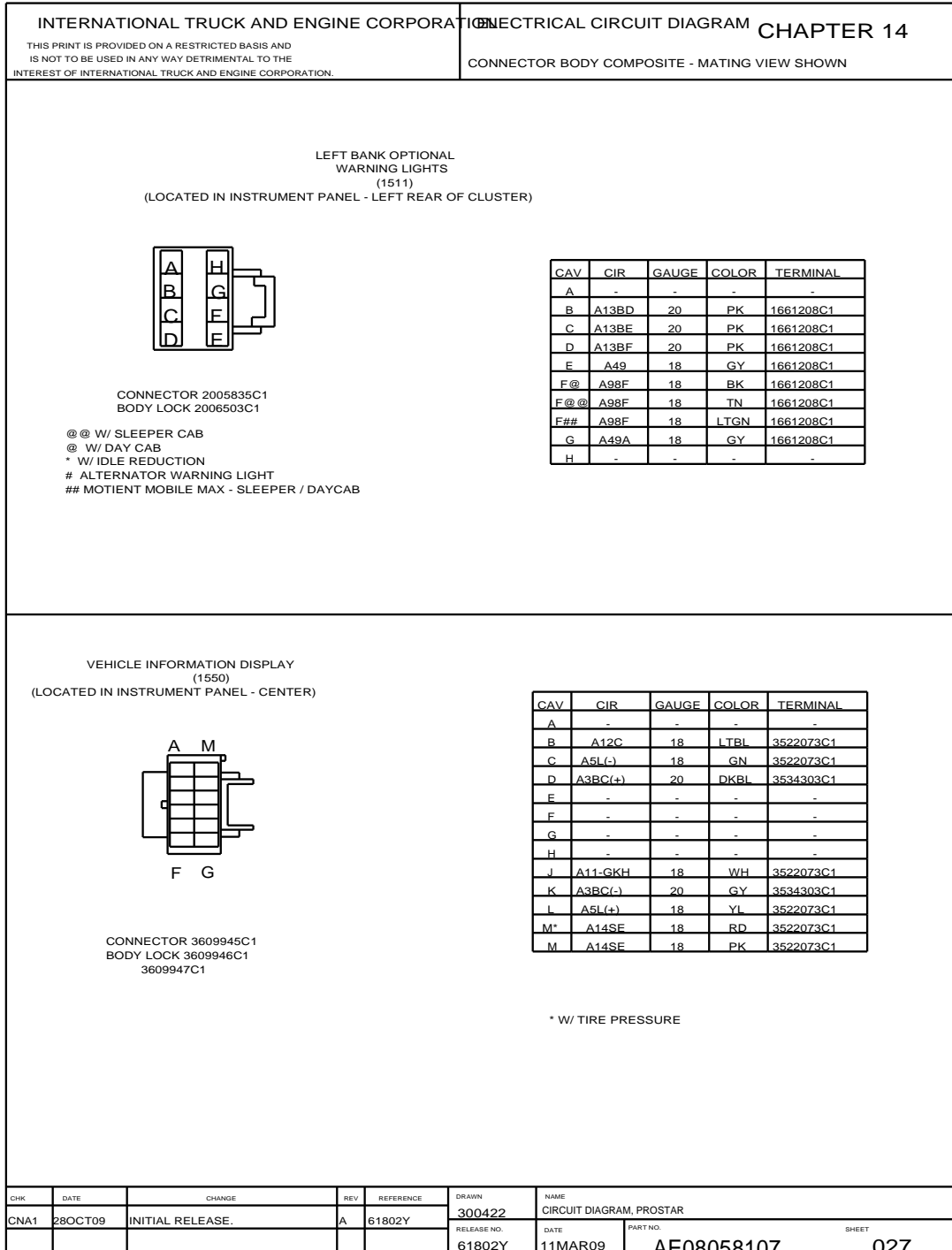


Figure 229 Connector Body Composite (1511), (1550)

14.28. CONNECTOR BODY COMPOSITE (1600), P. 28

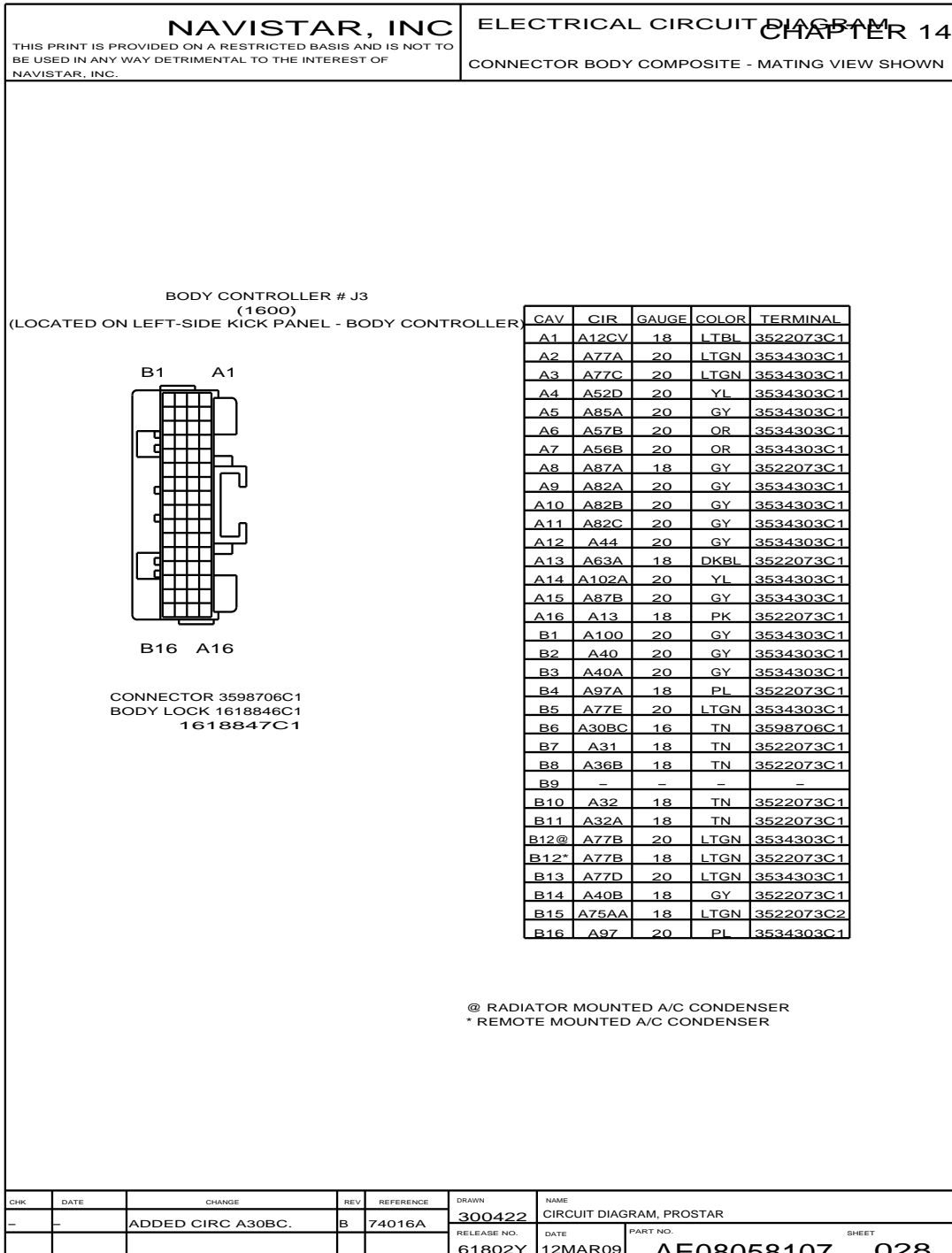


Figure 230 Connector Body Composite (1600)

14.29. CONNECTOR BODY COMPOSITE (1601), P. 29

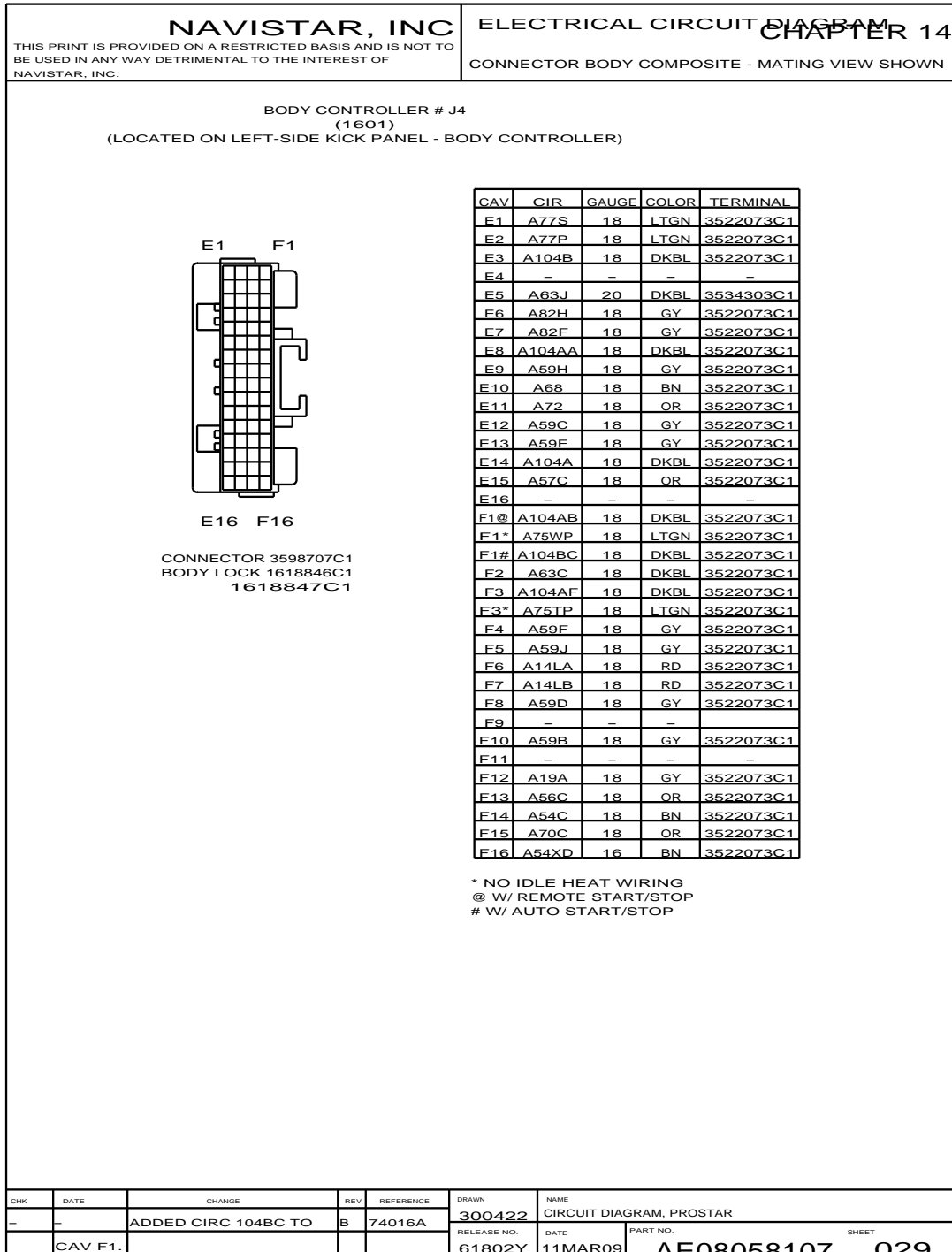


Figure 231 Connector Body Composite (1601)

14.30. CONNECTOR BODY COMPOSITE (1602), P. 30

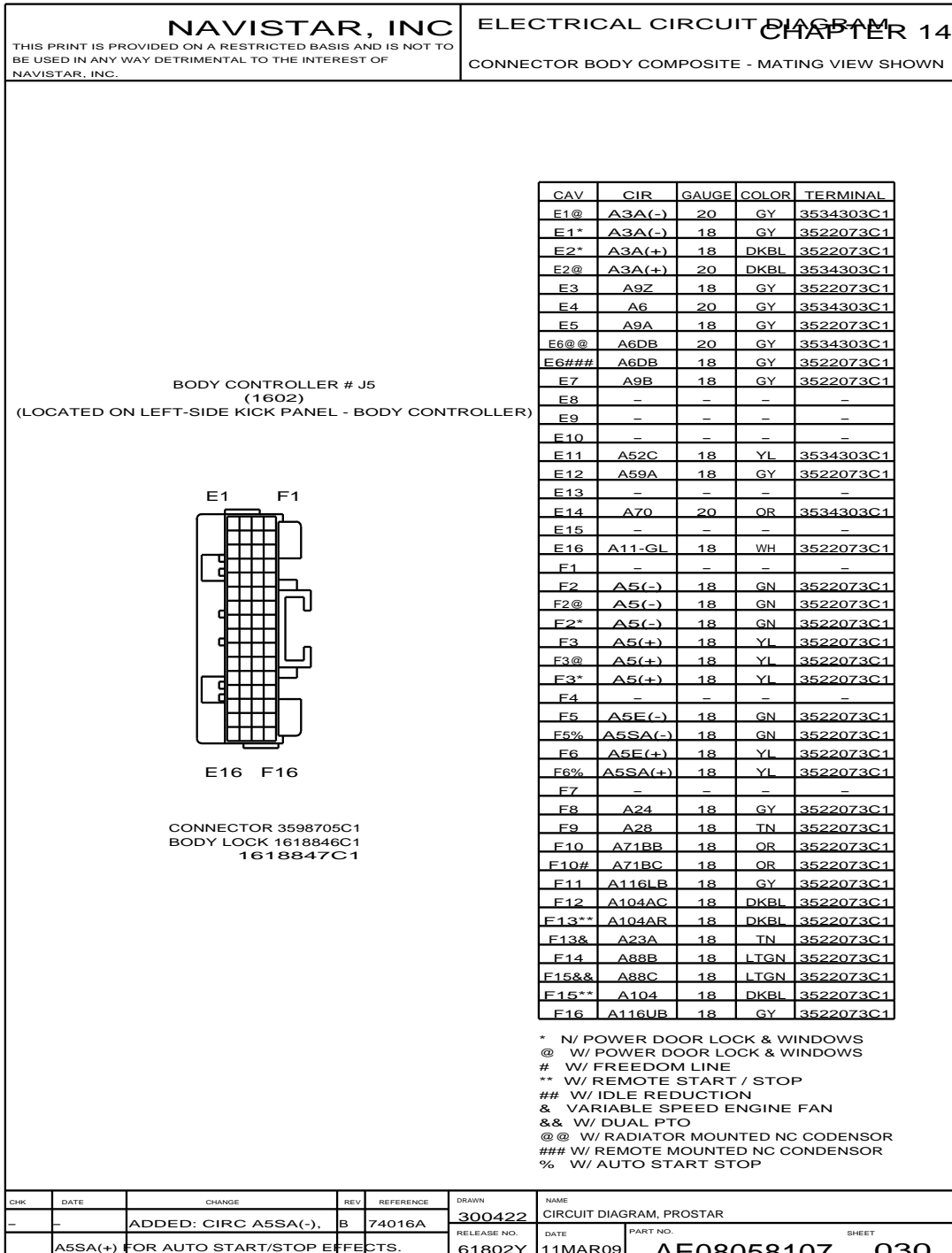
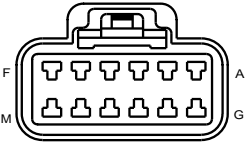


Figure 232 Connector Body Composite (1602)

14.31. CONNECTOR BODY COMPOSITE (1603), (1604), P. 31

<p>INTERNATIONAL TRUCK AND ENGINE CORPORATION</p> <p>THIS PRINT IS PROVIDED ON A RESTRICTED BASIS AND IS NOT TO BE USED IN ANY WAY DETRIMENTAL TO THE INTEREST OF INTERNATIONAL TRUCK AND ENGINE CORPORATION.</p>	<p>ELECTRICAL CIRCUIT DIAGRAM CHAPTER 14</p> <p>CONNECTOR BODY COMPOSITE - MATING VIEW SHOWN</p>
---	--

BODY CONTROLLER # J1
(1603)
(LOCATED ON LEFT - SIDE TRIM KICK PANEL - BODY CONTROLLER)




CONNECTOR 3598711C1

CAV	CIR	GAUGE	COLOR	TERMINAL
A@	A57	16	OR	3544876C1
A*	A57N	16	OR	3544876C1
B@	A56	16	OR	3544876C1
B*	A56N	16	OR	3544876C1
C	A77	18	LTGN	3544876C1
D@	A56A	14	OR	3544877C1
D&	A56A1	16	OR	3544876C1
E	A85	16	GY	3544876C1
F	A64A	16	YL	3544876C1
G	A65	18	OR	3544876C1
G#	A65AA	16	OR	3544876C1
H	A78A	16	LTGN	3544876C1
J	-	-	-	-
K	A64B	16	YL	3544876C1
L	A78B	16	LTGN	3544876C1
M@	A57A	14	OR	3544877C1
M&	A57A1	16	OR	3544876C1

@ N/ COLLISION WARNING
* W/ MIRROR MTD TURN
W/ CUSTOMER SUPPLIED LIGHT
& W/ COGVEX LANE

BODY CONTROLLER # J2
(1604)
(LOCATED ON LEFT-SIDE TRIM KICK PANEL - BODY CONTROLLER)



CONNECTOR 3598707C1
& 3598710C1

CAV	CIR	GAUGE	COLOR	TERMINAL
A	A82	16	GY	3544876C1
B@	A53AA	14	YL	3544877C1
B*	A53A	14	YL	3544877C1
C@	A52AA	14	YL	3544877C1
C*	A52A	14	YL	3544877C1
D	-	-	-	-
E	A11-GKC	12	WH	3544877C1
F	A58C	16	BN	3544876C1
G	A54	16	BN	3544876C1
H@	A53B	14	YL	3544877C1
H*	A53B	14	YL	3544877C1
J	A63	18	DKBL	3544876C1
K@	A52B	14	YL	3544877C1
K*	A52B	14	YL	3544877C1

@ W/ TRIP MASTER
* N/ TRIP MASTER
W/ DAY CAB AIR SHIELD

CHK	DATE	CHANGE	REV	REFERENCE	DRAWN	NAME
CNA1	28OCT09	INITIAL RELEASE.	A	61802Y	300422	CIRCUIT DIAGRAM, PROSTAR
					RELEASE NO.	DATE
					61802Y	12MAR09
					PART NO.	SHEET
					AE08058107	031

Figure 233 Connector Body Composite (1603), (1604)

14.32. CONNECTOR BODY COMPOSITE (1620), (1650), (1657M), P. 32

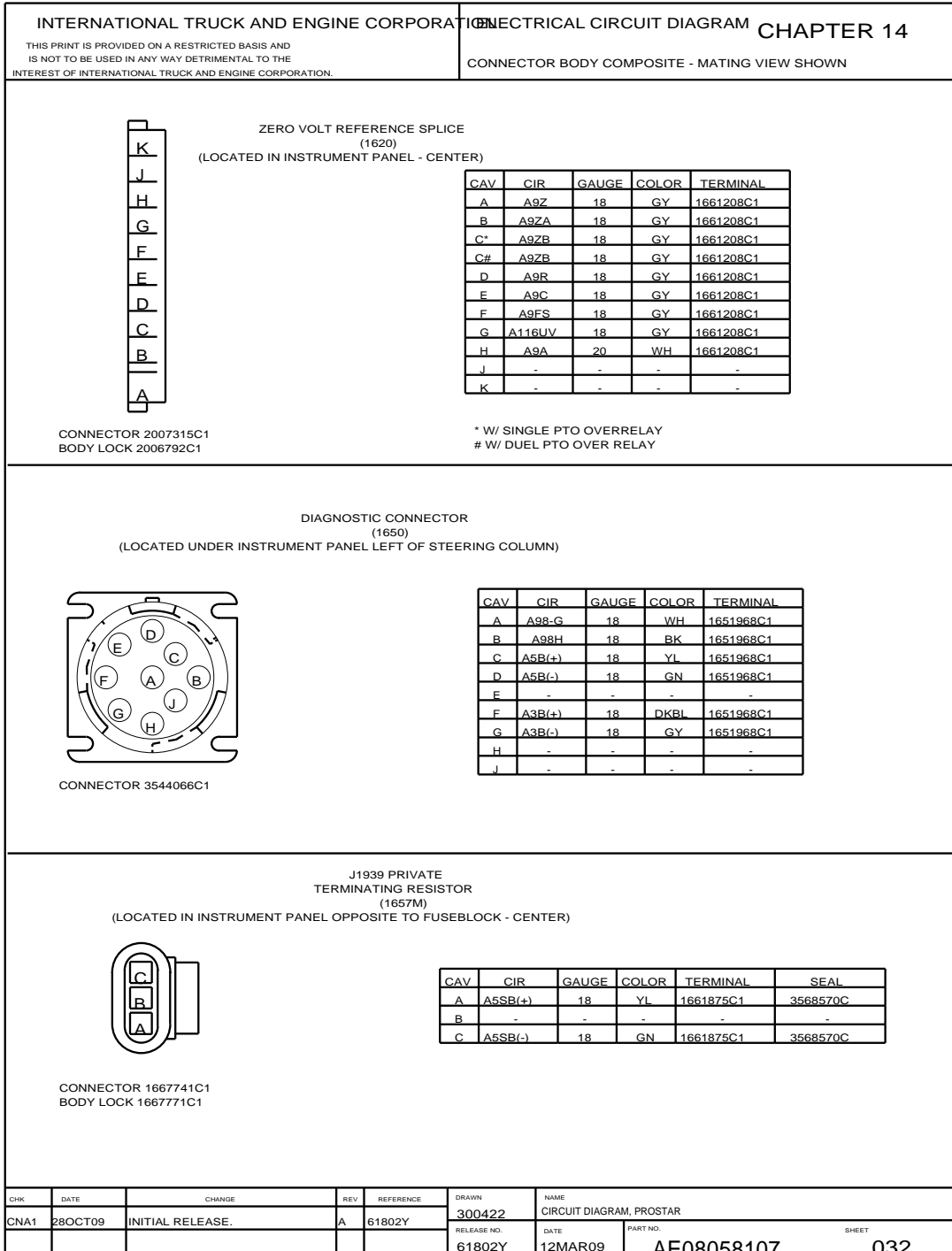


Figure 234 Connector Body Composite (1620), (1650), (1657M)

14.33. CONNECTOR BODY COMPOSITE (1660), (1661), P. 33

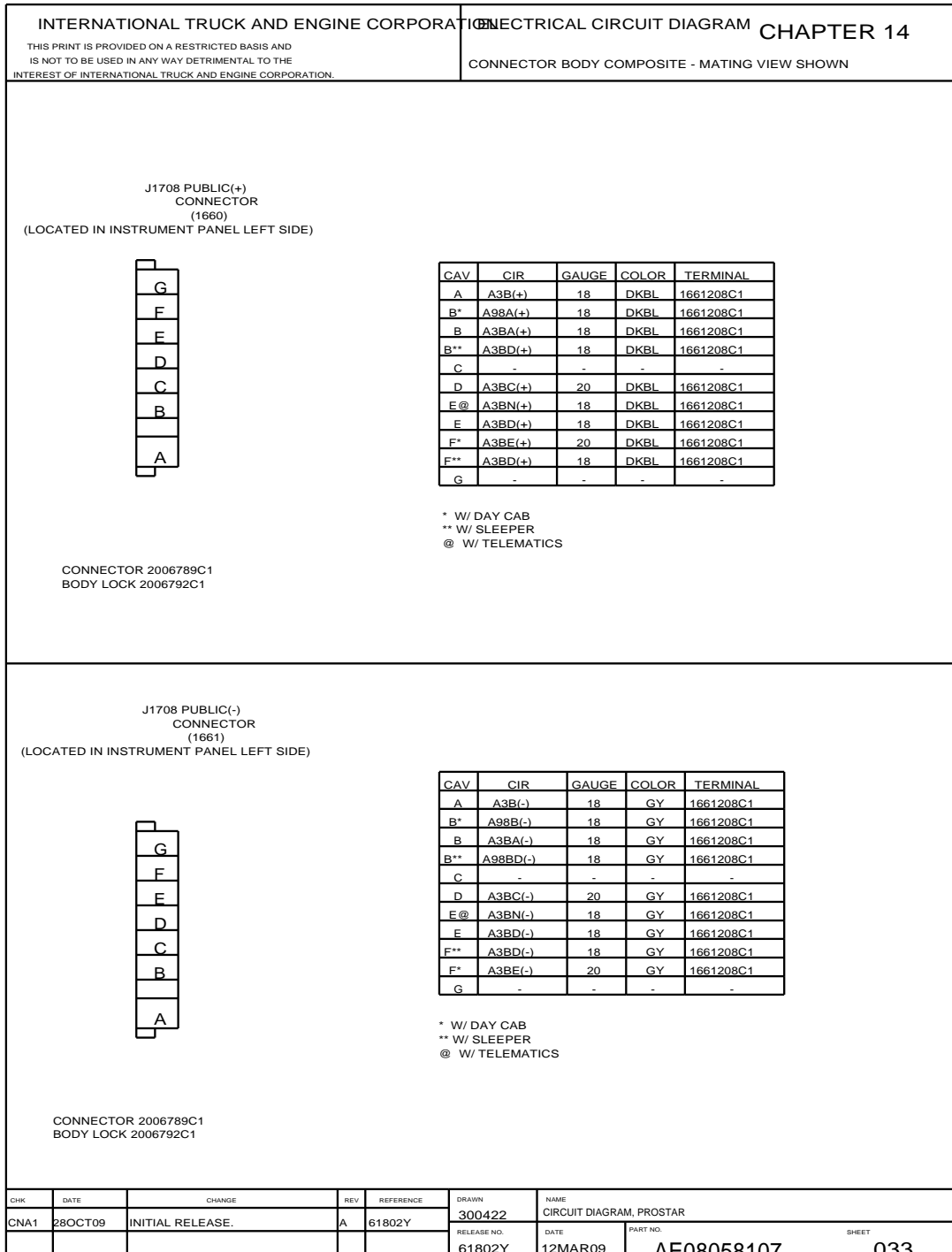


Figure 235 Connector Body Composite (1660), (1661)

14.34. CONNECTOR BODY COMPOSITE (1700), P. 34

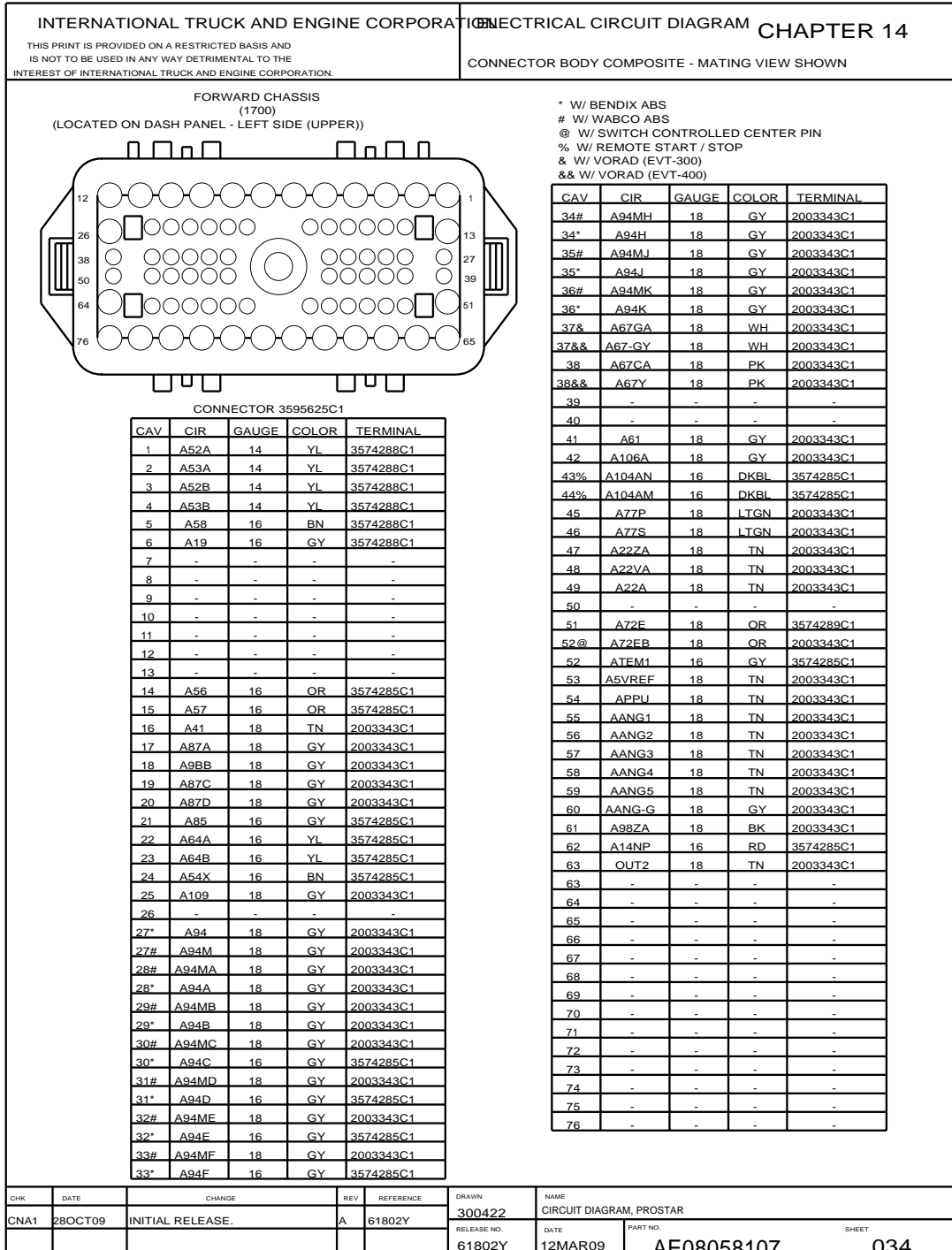


Figure 236 Connector Body Composite (1700)

14.35. CONNECTOR BODY COMPOSITE (1700F), P. 35

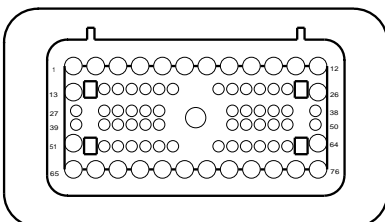
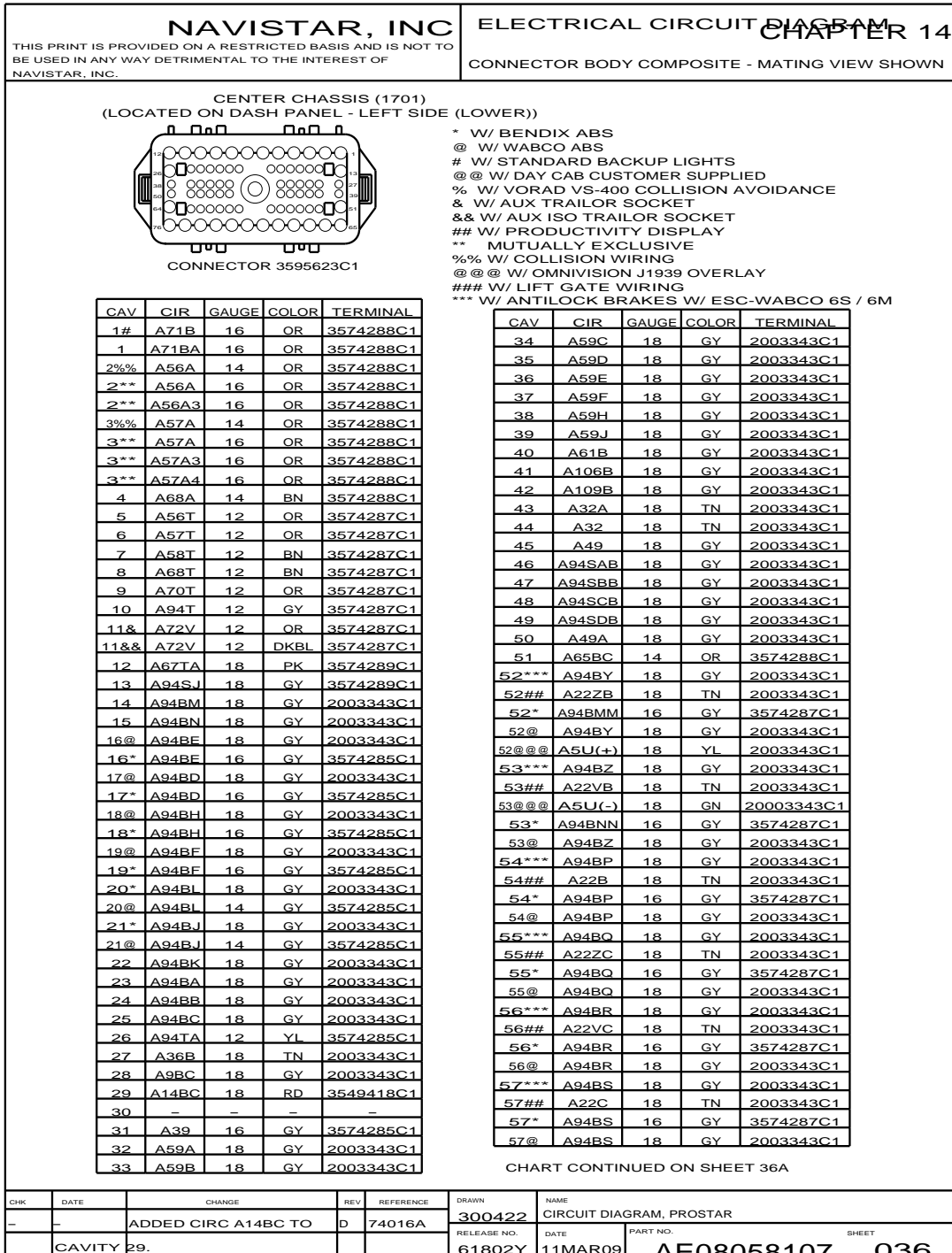
<p>INTERNATIONAL TRUCK AND ENGINE CORPORATION</p> <p>THIS PRINT IS PROVIDED ON A RESTRICTED BASIS AND IS NOT TO BE USED IN ANY WAY DETRIMENTAL TO THE INTEREST OF INTERNATIONAL TRUCK AND ENGINE CORPORATION.</p>	<p>ELECTRICAL CIRCUIT DIAGRAM CHAPTER 14</p> <p>CONNECTOR BODY COMPOSITE - MATING VIEW SHOWN</p>																																																																																																																																																																																																																																																																																																																																																																																																																																																																																						
<p>FORWARD CHASSIS CONNECTOR (1700F) (LOCATED ON FRONT LEFT DASH PANEL (UPPER))</p>  <p>CONNECTOR 3595624C1</p> <table border="1" style="width:100%; border-collapse: collapse;"> <thead> <tr> <th>CAV</th> <th>CIR</th> <th>GAUGE</th> <th>COLOR</th> <th>TERMINAL</th> </tr> </thead> <tbody> <tr><td>1</td><td>M52A</td><td>14</td><td>YL</td><td>3549416C1</td></tr> <tr><td>2</td><td>M53A</td><td>14</td><td>YL</td><td>3549416C1</td></tr> <tr><td>3</td><td>M52B</td><td>14</td><td>YL</td><td>3549416C1</td></tr> <tr><td>4</td><td>M53B</td><td>14</td><td>YL</td><td>3549416C1</td></tr> <tr><td>5</td><td>M58</td><td>14</td><td>BN</td><td>3549416C1</td></tr> <tr><td>6</td><td>M19</td><td>14</td><td>GY</td><td>3549416C1</td></tr> <tr><td>7</td><td>PLUG</td><td>-</td><td>-</td><td>3598921C1</td></tr> <tr><td>8</td><td>PLUG</td><td>-</td><td>-</td><td>3598921C1</td></tr> <tr><td>9</td><td>PLUG</td><td>-</td><td>-</td><td>3598921C1</td></tr> <tr><td>10</td><td>PLUG</td><td>-</td><td>-</td><td>3598921C1</td></tr> <tr><td>11</td><td>PLUG</td><td>-</td><td>-</td><td>3598921C1</td></tr> <tr><td>12</td><td>PLUG</td><td>-</td><td>-</td><td>3598921C1</td></tr> <tr><td>13</td><td>PLUG</td><td>-</td><td>-</td><td>3598921C1</td></tr> <tr><td>14</td><td>M56</td><td>16</td><td>OR</td><td>3549417C1</td></tr> <tr><td>15</td><td>M57</td><td>16</td><td>OR</td><td>3549417C1</td></tr> <tr><td>16</td><td>M41A</td><td>18</td><td>BK</td><td>3549418C1</td></tr> <tr><td>17</td><td>M87A</td><td>18</td><td>GY</td><td>3549418C1</td></tr> <tr><td>18</td><td>M9BB</td><td>18</td><td>GY</td><td>3549418C1</td></tr> <tr><td>19</td><td>M87C</td><td>16</td><td>GY</td><td>3549417C1</td></tr> <tr><td>20</td><td>M87D</td><td>16</td><td>GY</td><td>3549417C1</td></tr> <tr><td>21</td><td>M85</td><td>16</td><td>GY</td><td>3549417C1</td></tr> <tr><td>22</td><td>M64A</td><td>16</td><td>YL</td><td>3549417C1</td></tr> <tr><td>23</td><td>M64B</td><td>16</td><td>YL</td><td>3549417C1</td></tr> <tr><td>24</td><td>M54X</td><td>16</td><td>OR</td><td>3549417C1</td></tr> <tr><td>25</td><td>M109A</td><td>18</td><td>GY</td><td>3549418C1</td></tr> <tr><td>26</td><td>PLUG</td><td>-</td><td>-</td><td>3598921C1</td></tr> <tr><td>27*</td><td>M94</td><td>18</td><td>GY</td><td>3549418C1</td></tr> <tr><td>27#</td><td>M94M</td><td>18</td><td>GY</td><td>3549418C1</td></tr> <tr><td>28*</td><td>M94A</td><td>18</td><td>GY</td><td>3549418C1</td></tr> <tr><td>28#</td><td>M94MA</td><td>18</td><td>GY</td><td>3549418C1</td></tr> <tr><td>29*</td><td>M94B</td><td>18</td><td>GY</td><td>3549418C1</td></tr> <tr><td>29#</td><td>M94MB</td><td>18</td><td>GY</td><td>3549418C1</td></tr> <tr><td>30*</td><td>M94C</td><td>18</td><td>GY</td><td>3549418C1</td></tr> <tr><td>30#</td><td>M94MC</td><td>18</td><td>GY</td><td>3549418C1</td></tr> <tr><td>31*</td><td>M94D</td><td>18</td><td>GY</td><td>3549418C1</td></tr> <tr><td>31#</td><td>M94MD</td><td>18</td><td>GY</td><td>3549418C1</td></tr> </tbody> </table> <p>* W/ BENDIX ABS # W/ WABCO ABS @ W/ REMOTE START STOP % W/ VORAD VS-400 ** AC REMOTE CONDENSOR</p>	CAV	CIR	GAUGE	COLOR	TERMINAL	1	M52A	14	YL	3549416C1	2	M53A	14	YL	3549416C1	3	M52B	14	YL	3549416C1	4	M53B	14	YL	3549416C1	5	M58	14	BN	3549416C1	6	M19	14	GY	3549416C1	7	PLUG	-	-	3598921C1	8	PLUG	-	-	3598921C1	9	PLUG	-	-	3598921C1	10	PLUG	-	-	3598921C1	11	PLUG	-	-	3598921C1	12	PLUG	-	-	3598921C1	13	PLUG	-	-	3598921C1	14	M56	16	OR	3549417C1	15	M57	16	OR	3549417C1	16	M41A	18	BK	3549418C1	17	M87A	18	GY	3549418C1	18	M9BB	18	GY	3549418C1	19	M87C	16	GY	3549417C1	20	M87D	16	GY	3549417C1	21	M85	16	GY	3549417C1	22	M64A	16	YL	3549417C1	23	M64B	16	YL	3549417C1	24	M54X	16	OR	3549417C1	25	M109A	18	GY	3549418C1	26	PLUG	-	-	3598921C1	27*	M94	18	GY	3549418C1	27#	M94M	18	GY	3549418C1	28*	M94A	18	GY	3549418C1	28#	M94MA	18	GY	3549418C1	29*	M94B	18	GY	3549418C1	29#	M94MB	18	GY	3549418C1	30*	M94C	18	GY	3549418C1	30#	M94MC	18	GY	3549418C1	31*	M94D	18	GY	3549418C1	31#	M94MD	18	GY	3549418C1	<table border="1" style="width:100%; border-collapse: collapse;"> <thead> <tr> <th>CAV</th> <th>CIR</th> <th>GAUGE</th> <th>COLOR</th> <th>TERMINAL</th> </tr> </thead> <tbody> <tr><td>32*</td><td>M94E</td><td>18</td><td>GY</td><td>3549418C1</td></tr> <tr><td>32#</td><td>M94ME</td><td>18</td><td>GY</td><td>3549418C1</td></tr> <tr><td>33*</td><td>M94F</td><td>18</td><td>GY</td><td>3549418C1</td></tr> <tr><td>33#</td><td>M94MF</td><td>18</td><td>GY</td><td>3549418C1</td></tr> <tr><td>34*</td><td>M94H</td><td>18</td><td>GY</td><td>3549418C1</td></tr> <tr><td>34#</td><td>M94MH</td><td>18</td><td>GY</td><td>3549418C1</td></tr> <tr><td>35*</td><td>M94J</td><td>18</td><td>GY</td><td>3549418C1</td></tr> <tr><td>35#</td><td>M94MJ</td><td>18</td><td>GY</td><td>3549418C1</td></tr> <tr><td>36*</td><td>M94K</td><td>18</td><td>GY</td><td>3549418C1</td></tr> <tr><td>36#</td><td>M94MK</td><td>18</td><td>GY</td><td>3549418C1</td></tr> <tr><td>37</td><td>M67B</td><td>16</td><td>GY</td><td>3549417C1</td></tr> <tr><td>37#</td><td>M67-GA</td><td>20</td><td>WH</td><td>3549418C1</td></tr> <tr><td>37*</td><td>M67-GG</td><td>20</td><td>WH</td><td>3549418C1</td></tr> <tr><td>37%</td><td>M67-GY</td><td>18</td><td>WH</td><td>3549418C1</td></tr> <tr><td>38</td><td>M67C</td><td>16</td><td>GY</td><td>3549417C1</td></tr> <tr><td>38#</td><td>M67CA</td><td>20</td><td>PK</td><td>3549418C1</td></tr> <tr><td>38*</td><td>M67Y</td><td>20</td><td>PK</td><td>3549418C1</td></tr> <tr><td>38%</td><td>M67Y</td><td>18</td><td>PK</td><td>3549418C1</td></tr> <tr><td>39</td><td>M67D</td><td>16</td><td>GY</td><td>3549417C1</td></tr> <tr><td>40</td><td>M67E</td><td>16</td><td>GY</td><td>3549417C1</td></tr> <tr><td>41</td><td>M61</td><td>18</td><td>GY</td><td>3549418C1</td></tr> <tr><td>42</td><td>M106A</td><td>18</td><td>GY</td><td>3549418C1</td></tr> <tr><td>43</td><td>M97H</td><td>18</td><td>VT</td><td>3549418C1</td></tr> <tr><td>44</td><td>M97J</td><td>18</td><td>VT</td><td>3549418C1</td></tr> <tr><td>45</td><td>M77</td><td>18</td><td>BK</td><td>3549418C1</td></tr> <tr><td>46</td><td>M97L</td><td>18</td><td>VT</td><td>3549418C1</td></tr> <tr><td>46**</td><td>M77A</td><td>18</td><td>BK</td><td>3549418C1</td></tr> <tr><td>47</td><td>M22ZA</td><td>20</td><td>TN</td><td>3549418C1</td></tr> <tr><td>48</td><td>M22VA</td><td>20</td><td>TN</td><td>3549418C1</td></tr> <tr><td>49</td><td>M22A</td><td>20</td><td>TN</td><td>3549418C1</td></tr> <tr><td>50</td><td>M97N</td><td>18</td><td>VT</td><td>3549418C1</td></tr> <tr><td>51</td><td>M72EA</td><td>16</td><td>OR</td><td>3549416C1</td></tr> <tr><td>52</td><td>M72EB</td><td>16</td><td>OR</td><td>3549417C1</td></tr> <tr><td>53</td><td>PLUG</td><td>-</td><td>-</td><td>3598921C1</td></tr> <tr><td>54</td><td>PLUG</td><td>-</td><td>-</td><td>3598921C1</td></tr> <tr><td>55</td><td>PLUG</td><td>-</td><td>-</td><td>3598921C1</td></tr> <tr><td>56</td><td>PLUG</td><td>-</td><td>-</td><td>3598921C1</td></tr> <tr><td>57</td><td>PLUG</td><td>-</td><td>-</td><td>3598921C1</td></tr> <tr><td>58</td><td>PLUG</td><td>-</td><td>-</td><td>3598921C1</td></tr> <tr><td>59</td><td>PLUG</td><td>-</td><td>-</td><td>3598921C1</td></tr> <tr><td>60</td><td>PLUG</td><td>-</td><td>-</td><td>3598921C1</td></tr> <tr><td>61</td><td>PLUG</td><td>-</td><td>-</td><td>3598921C1</td></tr> <tr><td>62</td><td>PLUG</td><td>-</td><td>-</td><td>3598921C1</td></tr> <tr><td>63</td><td>PLUG</td><td>-</td><td>-</td><td>3598921C1</td></tr> <tr><td>64</td><td>PLUG</td><td>-</td><td>-</td><td>3598921C1</td></tr> <tr><td>65</td><td>PLUG</td><td>-</td><td>-</td><td>3598921C1</td></tr> <tr><td>66</td><td>PLUG</td><td>-</td><td>-</td><td>3598921C1</td></tr> <tr><td>67</td><td>PLUG</td><td>-</td><td>-</td><td>3598921C1</td></tr> <tr><td>68</td><td>PLUG</td><td>-</td><td>-</td><td>3598921C1</td></tr> <tr><td>69</td><td>PLUG</td><td>-</td><td>-</td><td>3598921C1</td></tr> <tr><td>70</td><td>PLUG</td><td>-</td><td>-</td><td>3598921C1</td></tr> <tr><td>71</td><td>PLUG</td><td>-</td><td>-</td><td>3598921C1</td></tr> <tr><td>72</td><td>PLUG</td><td>-</td><td>-</td><td>3598921C1</td></tr> <tr><td>73</td><td>PLUG</td><td>-</td><td>-</td><td>3598921C1</td></tr> <tr><td>74</td><td>PLUG</td><td>-</td><td>-</td><td>3598921C1</td></tr> <tr><td>75</td><td>PLUG</td><td>-</td><td>-</td><td>3598921C1</td></tr> </tbody> </table>	CAV	CIR	GAUGE	COLOR	TERMINAL	32*	M94E	18	GY	3549418C1	32#	M94ME	18	GY	3549418C1	33*	M94F	18	GY	3549418C1	33#	M94MF	18	GY	3549418C1	34*	M94H	18	GY	3549418C1	34#	M94MH	18	GY	3549418C1	35*	M94J	18	GY	3549418C1	35#	M94MJ	18	GY	3549418C1	36*	M94K	18	GY	3549418C1	36#	M94MK	18	GY	3549418C1	37	M67B	16	GY	3549417C1	37#	M67-GA	20	WH	3549418C1	37*	M67-GG	20	WH	3549418C1	37%	M67-GY	18	WH	3549418C1	38	M67C	16	GY	3549417C1	38#	M67CA	20	PK	3549418C1	38*	M67Y	20	PK	3549418C1	38%	M67Y	18	PK	3549418C1	39	M67D	16	GY	3549417C1	40	M67E	16	GY	3549417C1	41	M61	18	GY	3549418C1	42	M106A	18	GY	3549418C1	43	M97H	18	VT	3549418C1	44	M97J	18	VT	3549418C1	45	M77	18	BK	3549418C1	46	M97L	18	VT	3549418C1	46**	M77A	18	BK	3549418C1	47	M22ZA	20	TN	3549418C1	48	M22VA	20	TN	3549418C1	49	M22A	20	TN	3549418C1	50	M97N	18	VT	3549418C1	51	M72EA	16	OR	3549416C1	52	M72EB	16	OR	3549417C1	53	PLUG	-	-	3598921C1	54	PLUG	-	-	3598921C1	55	PLUG	-	-	3598921C1	56	PLUG	-	-	3598921C1	57	PLUG	-	-	3598921C1	58	PLUG	-	-	3598921C1	59	PLUG	-	-	3598921C1	60	PLUG	-	-	3598921C1	61	PLUG	-	-	3598921C1	62	PLUG	-	-	3598921C1	63	PLUG	-	-	3598921C1	64	PLUG	-	-	3598921C1	65	PLUG	-	-	3598921C1	66	PLUG	-	-	3598921C1	67	PLUG	-	-	3598921C1	68	PLUG	-	-	3598921C1	69	PLUG	-	-	3598921C1	70	PLUG	-	-	3598921C1	71	PLUG	-	-	3598921C1	72	PLUG	-	-	3598921C1	73	PLUG	-	-	3598921C1	74	PLUG	-	-	3598921C1	75	PLUG	-	-	3598921C1
CAV	CIR	GAUGE	COLOR	TERMINAL																																																																																																																																																																																																																																																																																																																																																																																																																																																																																			
1	M52A	14	YL	3549416C1																																																																																																																																																																																																																																																																																																																																																																																																																																																																																			
2	M53A	14	YL	3549416C1																																																																																																																																																																																																																																																																																																																																																																																																																																																																																			
3	M52B	14	YL	3549416C1																																																																																																																																																																																																																																																																																																																																																																																																																																																																																			
4	M53B	14	YL	3549416C1																																																																																																																																																																																																																																																																																																																																																																																																																																																																																			
5	M58	14	BN	3549416C1																																																																																																																																																																																																																																																																																																																																																																																																																																																																																			
6	M19	14	GY	3549416C1																																																																																																																																																																																																																																																																																																																																																																																																																																																																																			
7	PLUG	-	-	3598921C1																																																																																																																																																																																																																																																																																																																																																																																																																																																																																			
8	PLUG	-	-	3598921C1																																																																																																																																																																																																																																																																																																																																																																																																																																																																																			
9	PLUG	-	-	3598921C1																																																																																																																																																																																																																																																																																																																																																																																																																																																																																			
10	PLUG	-	-	3598921C1																																																																																																																																																																																																																																																																																																																																																																																																																																																																																			
11	PLUG	-	-	3598921C1																																																																																																																																																																																																																																																																																																																																																																																																																																																																																			
12	PLUG	-	-	3598921C1																																																																																																																																																																																																																																																																																																																																																																																																																																																																																			
13	PLUG	-	-	3598921C1																																																																																																																																																																																																																																																																																																																																																																																																																																																																																			
14	M56	16	OR	3549417C1																																																																																																																																																																																																																																																																																																																																																																																																																																																																																			
15	M57	16	OR	3549417C1																																																																																																																																																																																																																																																																																																																																																																																																																																																																																			
16	M41A	18	BK	3549418C1																																																																																																																																																																																																																																																																																																																																																																																																																																																																																			
17	M87A	18	GY	3549418C1																																																																																																																																																																																																																																																																																																																																																																																																																																																																																			
18	M9BB	18	GY	3549418C1																																																																																																																																																																																																																																																																																																																																																																																																																																																																																			
19	M87C	16	GY	3549417C1																																																																																																																																																																																																																																																																																																																																																																																																																																																																																			
20	M87D	16	GY	3549417C1																																																																																																																																																																																																																																																																																																																																																																																																																																																																																			
21	M85	16	GY	3549417C1																																																																																																																																																																																																																																																																																																																																																																																																																																																																																			
22	M64A	16	YL	3549417C1																																																																																																																																																																																																																																																																																																																																																																																																																																																																																			
23	M64B	16	YL	3549417C1																																																																																																																																																																																																																																																																																																																																																																																																																																																																																			
24	M54X	16	OR	3549417C1																																																																																																																																																																																																																																																																																																																																																																																																																																																																																			
25	M109A	18	GY	3549418C1																																																																																																																																																																																																																																																																																																																																																																																																																																																																																			
26	PLUG	-	-	3598921C1																																																																																																																																																																																																																																																																																																																																																																																																																																																																																			
27*	M94	18	GY	3549418C1																																																																																																																																																																																																																																																																																																																																																																																																																																																																																			
27#	M94M	18	GY	3549418C1																																																																																																																																																																																																																																																																																																																																																																																																																																																																																			
28*	M94A	18	GY	3549418C1																																																																																																																																																																																																																																																																																																																																																																																																																																																																																			
28#	M94MA	18	GY	3549418C1																																																																																																																																																																																																																																																																																																																																																																																																																																																																																			
29*	M94B	18	GY	3549418C1																																																																																																																																																																																																																																																																																																																																																																																																																																																																																			
29#	M94MB	18	GY	3549418C1																																																																																																																																																																																																																																																																																																																																																																																																																																																																																			
30*	M94C	18	GY	3549418C1																																																																																																																																																																																																																																																																																																																																																																																																																																																																																			
30#	M94MC	18	GY	3549418C1																																																																																																																																																																																																																																																																																																																																																																																																																																																																																			
31*	M94D	18	GY	3549418C1																																																																																																																																																																																																																																																																																																																																																																																																																																																																																			
31#	M94MD	18	GY	3549418C1																																																																																																																																																																																																																																																																																																																																																																																																																																																																																			
CAV	CIR	GAUGE	COLOR	TERMINAL																																																																																																																																																																																																																																																																																																																																																																																																																																																																																			
32*	M94E	18	GY	3549418C1																																																																																																																																																																																																																																																																																																																																																																																																																																																																																			
32#	M94ME	18	GY	3549418C1																																																																																																																																																																																																																																																																																																																																																																																																																																																																																			
33*	M94F	18	GY	3549418C1																																																																																																																																																																																																																																																																																																																																																																																																																																																																																			
33#	M94MF	18	GY	3549418C1																																																																																																																																																																																																																																																																																																																																																																																																																																																																																			
34*	M94H	18	GY	3549418C1																																																																																																																																																																																																																																																																																																																																																																																																																																																																																			
34#	M94MH	18	GY	3549418C1																																																																																																																																																																																																																																																																																																																																																																																																																																																																																			
35*	M94J	18	GY	3549418C1																																																																																																																																																																																																																																																																																																																																																																																																																																																																																			
35#	M94MJ	18	GY	3549418C1																																																																																																																																																																																																																																																																																																																																																																																																																																																																																			
36*	M94K	18	GY	3549418C1																																																																																																																																																																																																																																																																																																																																																																																																																																																																																			
36#	M94MK	18	GY	3549418C1																																																																																																																																																																																																																																																																																																																																																																																																																																																																																			
37	M67B	16	GY	3549417C1																																																																																																																																																																																																																																																																																																																																																																																																																																																																																			
37#	M67-GA	20	WH	3549418C1																																																																																																																																																																																																																																																																																																																																																																																																																																																																																			
37*	M67-GG	20	WH	3549418C1																																																																																																																																																																																																																																																																																																																																																																																																																																																																																			
37%	M67-GY	18	WH	3549418C1																																																																																																																																																																																																																																																																																																																																																																																																																																																																																			
38	M67C	16	GY	3549417C1																																																																																																																																																																																																																																																																																																																																																																																																																																																																																			
38#	M67CA	20	PK	3549418C1																																																																																																																																																																																																																																																																																																																																																																																																																																																																																			
38*	M67Y	20	PK	3549418C1																																																																																																																																																																																																																																																																																																																																																																																																																																																																																			
38%	M67Y	18	PK	3549418C1																																																																																																																																																																																																																																																																																																																																																																																																																																																																																			
39	M67D	16	GY	3549417C1																																																																																																																																																																																																																																																																																																																																																																																																																																																																																			
40	M67E	16	GY	3549417C1																																																																																																																																																																																																																																																																																																																																																																																																																																																																																			
41	M61	18	GY	3549418C1																																																																																																																																																																																																																																																																																																																																																																																																																																																																																			
42	M106A	18	GY	3549418C1																																																																																																																																																																																																																																																																																																																																																																																																																																																																																			
43	M97H	18	VT	3549418C1																																																																																																																																																																																																																																																																																																																																																																																																																																																																																			
44	M97J	18	VT	3549418C1																																																																																																																																																																																																																																																																																																																																																																																																																																																																																			
45	M77	18	BK	3549418C1																																																																																																																																																																																																																																																																																																																																																																																																																																																																																			
46	M97L	18	VT	3549418C1																																																																																																																																																																																																																																																																																																																																																																																																																																																																																			
46**	M77A	18	BK	3549418C1																																																																																																																																																																																																																																																																																																																																																																																																																																																																																			
47	M22ZA	20	TN	3549418C1																																																																																																																																																																																																																																																																																																																																																																																																																																																																																			
48	M22VA	20	TN	3549418C1																																																																																																																																																																																																																																																																																																																																																																																																																																																																																			
49	M22A	20	TN	3549418C1																																																																																																																																																																																																																																																																																																																																																																																																																																																																																			
50	M97N	18	VT	3549418C1																																																																																																																																																																																																																																																																																																																																																																																																																																																																																			
51	M72EA	16	OR	3549416C1																																																																																																																																																																																																																																																																																																																																																																																																																																																																																			
52	M72EB	16	OR	3549417C1																																																																																																																																																																																																																																																																																																																																																																																																																																																																																			
53	PLUG	-	-	3598921C1																																																																																																																																																																																																																																																																																																																																																																																																																																																																																			
54	PLUG	-	-	3598921C1																																																																																																																																																																																																																																																																																																																																																																																																																																																																																			
55	PLUG	-	-	3598921C1																																																																																																																																																																																																																																																																																																																																																																																																																																																																																			
56	PLUG	-	-	3598921C1																																																																																																																																																																																																																																																																																																																																																																																																																																																																																			
57	PLUG	-	-	3598921C1																																																																																																																																																																																																																																																																																																																																																																																																																																																																																			
58	PLUG	-	-	3598921C1																																																																																																																																																																																																																																																																																																																																																																																																																																																																																			
59	PLUG	-	-	3598921C1																																																																																																																																																																																																																																																																																																																																																																																																																																																																																			
60	PLUG	-	-	3598921C1																																																																																																																																																																																																																																																																																																																																																																																																																																																																																			
61	PLUG	-	-	3598921C1																																																																																																																																																																																																																																																																																																																																																																																																																																																																																			
62	PLUG	-	-	3598921C1																																																																																																																																																																																																																																																																																																																																																																																																																																																																																			
63	PLUG	-	-	3598921C1																																																																																																																																																																																																																																																																																																																																																																																																																																																																																			
64	PLUG	-	-	3598921C1																																																																																																																																																																																																																																																																																																																																																																																																																																																																																			
65	PLUG	-	-	3598921C1																																																																																																																																																																																																																																																																																																																																																																																																																																																																																			
66	PLUG	-	-	3598921C1																																																																																																																																																																																																																																																																																																																																																																																																																																																																																			
67	PLUG	-	-	3598921C1																																																																																																																																																																																																																																																																																																																																																																																																																																																																																			
68	PLUG	-	-	3598921C1																																																																																																																																																																																																																																																																																																																																																																																																																																																																																			
69	PLUG	-	-	3598921C1																																																																																																																																																																																																																																																																																																																																																																																																																																																																																			
70	PLUG	-	-	3598921C1																																																																																																																																																																																																																																																																																																																																																																																																																																																																																			
71	PLUG	-	-	3598921C1																																																																																																																																																																																																																																																																																																																																																																																																																																																																																			
72	PLUG	-	-	3598921C1																																																																																																																																																																																																																																																																																																																																																																																																																																																																																			
73	PLUG	-	-	3598921C1																																																																																																																																																																																																																																																																																																																																																																																																																																																																																			
74	PLUG	-	-	3598921C1																																																																																																																																																																																																																																																																																																																																																																																																																																																																																			
75	PLUG	-	-	3598921C1																																																																																																																																																																																																																																																																																																																																																																																																																																																																																			
<table border="1" style="width:100%; border-collapse: collapse;"> <thead> <tr> <th>CHK</th> <th>DATE</th> <th>CHANGE</th> <th>REV</th> <th>REFERENCE</th> <th>DRAWN</th> <th>NAME</th> </tr> </thead> <tbody> <tr> <td>CNA1</td> <td>28OCT09</td> <td>INITIAL RELEASE.</td> <td>A</td> <td>61802Y</td> <td>300422</td> <td>CIRCUIT DIAGRAM, PROSTAR</td> </tr> <tr> <td></td> <td></td> <td></td> <td></td> <td></td> <td>RELEASE NO.</td> <td>DATE</td> </tr> <tr> <td></td> <td></td> <td></td> <td></td> <td></td> <td>61802Y</td> <td>11MAR09</td> </tr> <tr> <td></td> <td></td> <td></td> <td></td> <td></td> <td></td> <td>PART NO.</td> </tr> <tr> <td></td> <td></td> <td></td> <td></td> <td></td> <td></td> <td>AE08058107</td> </tr> <tr> <td></td> <td></td> <td></td> <td></td> <td></td> <td></td> <td>SHEET</td> </tr> <tr> <td></td> <td></td> <td></td> <td></td> <td></td> <td></td> <td>035</td> </tr> </tbody> </table>	CHK	DATE	CHANGE	REV	REFERENCE	DRAWN	NAME	CNA1	28OCT09	INITIAL RELEASE.	A	61802Y	300422	CIRCUIT DIAGRAM, PROSTAR						RELEASE NO.	DATE						61802Y	11MAR09							PART NO.							AE08058107							SHEET							035																																																																																																																																																																																																																																																																																																																																																																																																																															
CHK	DATE	CHANGE	REV	REFERENCE	DRAWN	NAME																																																																																																																																																																																																																																																																																																																																																																																																																																																																																	
CNA1	28OCT09	INITIAL RELEASE.	A	61802Y	300422	CIRCUIT DIAGRAM, PROSTAR																																																																																																																																																																																																																																																																																																																																																																																																																																																																																	
					RELEASE NO.	DATE																																																																																																																																																																																																																																																																																																																																																																																																																																																																																	
					61802Y	11MAR09																																																																																																																																																																																																																																																																																																																																																																																																																																																																																	
						PART NO.																																																																																																																																																																																																																																																																																																																																																																																																																																																																																	
						AE08058107																																																																																																																																																																																																																																																																																																																																																																																																																																																																																	
						SHEET																																																																																																																																																																																																																																																																																																																																																																																																																																																																																	
						035																																																																																																																																																																																																																																																																																																																																																																																																																																																																																	

Figure 237 Connector Body Composite (1700F)

14.36. CONNECTOR BODY COMPOSITE (1701), P. 36



14.37. CONNECTOR BODY COMPOSITE (1701F), P. 37

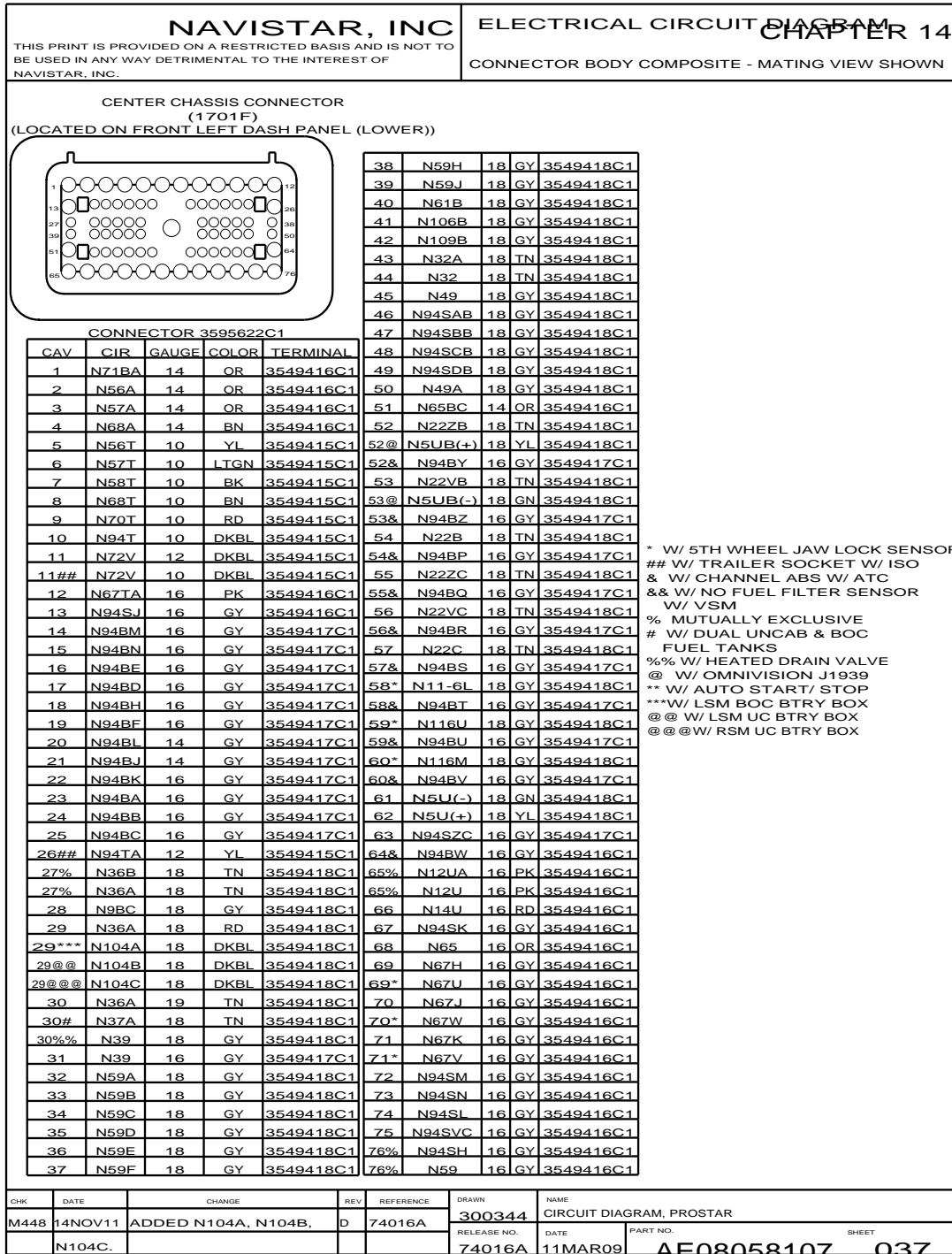


Figure 239 Connector Body Composite (1701F)

14.38. CONNECTOR BODY COMPOSITE (1702), P. 38

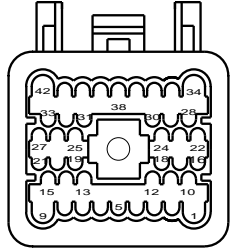
<p>NAVISTAR, INC</p> <p>THIS PRINT IS PROVIDED ON A RESTRICTED BASIS AND IS NOT TO BE USED IN ANY WAY DETRIMENTAL TO THE INTEREST OF NAVISTAR, INC.</p>	<p>ELECTRICAL CIRCUIT DIAGRAM</p> <p>CHAPTER 14</p> <p>CONNECTOR BODY COMPOSITE - MATING VIEW SHOWN</p>																																																																																																																																																																																																																																						
<p>IP CONNECTOR (1702) (LOCATED ON FRONT CENTER DASH PANEL)</p>  <p>CONNECTOR 3595621C1</p> <p>* MUTUALLY EXCLUSIVE # W/ STD BACKUP LIGHT ## W/ WORK LIGHT FEED</p>	<table border="1" style="width: 100%; border-collapse: collapse;"> <thead> <tr> <th>CAV</th> <th>CIR</th> <th>GAUGE</th> <th>COLOR</th> <th>TERMINAL</th> </tr> </thead> <tbody> <tr><td>1</td><td>-</td><td>-</td><td>-</td><td>-</td></tr> <tr><td>2</td><td>A9AA</td><td>20</td><td>GY</td><td>2003343C1</td></tr> <tr><td>3</td><td>A6DE</td><td>20</td><td>GY</td><td>2003343C1</td></tr> <tr><td>4</td><td>A77B</td><td>20</td><td>LTGN</td><td>2003343C1</td></tr> <tr><td>5</td><td>A28</td><td>18</td><td>TN</td><td>2003343C1</td></tr> <tr><td>6#</td><td>A71A</td><td>16</td><td>OR</td><td>3574285C1</td></tr> <tr><td>6</td><td>A71-G</td><td>18</td><td>WH</td><td>2003343C1</td></tr> <tr><td>6##</td><td>A71A</td><td>18</td><td>OR</td><td>2003343C1</td></tr> <tr><td>7</td><td>A71B</td><td>16</td><td>OR</td><td>3574285C1</td></tr> <tr><td>8</td><td>A13A</td><td>16</td><td>PK</td><td>3574285C1</td></tr> <tr><td>9</td><td>A14A</td><td>12</td><td>RD</td><td>3574287C1</td></tr> <tr><td>10</td><td>A77</td><td>18</td><td>LTGN</td><td>2003343C1</td></tr> <tr><td>11</td><td>A5R(+)</td><td>18</td><td>YL</td><td>2003343C1</td></tr> <tr><td>12</td><td>A1</td><td>18</td><td>LTBL</td><td>2003343C1</td></tr> <tr><td>13</td><td>A31</td><td>18</td><td>TN</td><td>2003343C1</td></tr> <tr><td>14</td><td>A88</td><td>18</td><td>LTGN</td><td>2003343C1</td></tr> <tr><td>15</td><td>-</td><td>-</td><td>-</td><td>-</td></tr> <tr><td>16</td><td>A17</td><td>16</td><td>PK</td><td>3574285C1</td></tr> <tr><td>17</td><td>A5R(-)</td><td>18</td><td>GN</td><td>2003343C1</td></tr> <tr><td>18</td><td>A23A</td><td>18</td><td>TN</td><td>3522073C1</td></tr> <tr><td>19*</td><td>A17-GC</td><td>16</td><td>WH</td><td>3574285C1</td></tr> <tr><td>19*</td><td>A17-GC</td><td>18</td><td>WH</td><td>2003343C1</td></tr> <tr><td>20</td><td>A17B</td><td>18</td><td>PK</td><td>2003343C1</td></tr> <tr><td>21</td><td>A17C</td><td>18</td><td>PK</td><td>2003343C1</td></tr> <tr><td>22</td><td>A97C</td><td>18</td><td>PL</td><td>2003343C1</td></tr> <tr><td>23</td><td>A97B</td><td>18</td><td>PL</td><td>2003343C1</td></tr> <tr><td>24</td><td>A97M</td><td>18</td><td>PL</td><td>2003343C1</td></tr> <tr><td>25</td><td>A92E</td><td>16</td><td>TN</td><td>3574285C1</td></tr> <tr><td>26</td><td>A92F</td><td>18</td><td>TN</td><td>2003343C1</td></tr> <tr><td>27</td><td>A92H</td><td>18</td><td>TN</td><td>2003343C1</td></tr> <tr><td>28</td><td>A99B</td><td>18</td><td>PL</td><td>2003343C1</td></tr> <tr><td>29</td><td>A97N</td><td>18</td><td>PL</td><td>2003343C1</td></tr> <tr><td>30</td><td>A99D</td><td>18</td><td>PL</td><td>2003343c1</td></tr> <tr><td>31</td><td>PLUG</td><td>-</td><td>-</td><td>3508928C1</td></tr> <tr><td>32</td><td>A104AL</td><td>16</td><td>DKBL</td><td>3574285C1</td></tr> <tr><td>33</td><td>A104AM</td><td>16</td><td>DKBL</td><td>3574285C1</td></tr> <tr><td>34</td><td>A30BC</td><td>16</td><td>TN</td><td>3574288C1</td></tr> <tr><td>35</td><td>A3BA(+)</td><td>18</td><td>DKBL</td><td>2003343C1</td></tr> <tr><td>36</td><td>A3BA(-)</td><td>18</td><td>GY</td><td>2003343C1</td></tr> <tr><td>37</td><td>A97F</td><td>16</td><td>PL</td><td>3574285C1</td></tr> <tr><td>38</td><td>PLUG</td><td>-</td><td>-</td><td>3508928C1</td></tr> <tr><td>39</td><td>A92A</td><td>18</td><td>TN</td><td>2003343C1</td></tr> <tr><td>40</td><td>A92B</td><td>18</td><td>TN</td><td>2003343C1</td></tr> <tr><td>41</td><td>A88A</td><td>18</td><td>LTGN</td><td>2003343C1</td></tr> <tr><td>42</td><td>A97VT1</td><td>12</td><td>PL</td><td>3574288C1</td></tr> </tbody> </table>	CAV	CIR	GAUGE	COLOR	TERMINAL	1	-	-	-	-	2	A9AA	20	GY	2003343C1	3	A6DE	20	GY	2003343C1	4	A77B	20	LTGN	2003343C1	5	A28	18	TN	2003343C1	6#	A71A	16	OR	3574285C1	6	A71-G	18	WH	2003343C1	6##	A71A	18	OR	2003343C1	7	A71B	16	OR	3574285C1	8	A13A	16	PK	3574285C1	9	A14A	12	RD	3574287C1	10	A77	18	LTGN	2003343C1	11	A5R(+)	18	YL	2003343C1	12	A1	18	LTBL	2003343C1	13	A31	18	TN	2003343C1	14	A88	18	LTGN	2003343C1	15	-	-	-	-	16	A17	16	PK	3574285C1	17	A5R(-)	18	GN	2003343C1	18	A23A	18	TN	3522073C1	19*	A17-GC	16	WH	3574285C1	19*	A17-GC	18	WH	2003343C1	20	A17B	18	PK	2003343C1	21	A17C	18	PK	2003343C1	22	A97C	18	PL	2003343C1	23	A97B	18	PL	2003343C1	24	A97M	18	PL	2003343C1	25	A92E	16	TN	3574285C1	26	A92F	18	TN	2003343C1	27	A92H	18	TN	2003343C1	28	A99B	18	PL	2003343C1	29	A97N	18	PL	2003343C1	30	A99D	18	PL	2003343c1	31	PLUG	-	-	3508928C1	32	A104AL	16	DKBL	3574285C1	33	A104AM	16	DKBL	3574285C1	34	A30BC	16	TN	3574288C1	35	A3BA(+)	18	DKBL	2003343C1	36	A3BA(-)	18	GY	2003343C1	37	A97F	16	PL	3574285C1	38	PLUG	-	-	3508928C1	39	A92A	18	TN	2003343C1	40	A92B	18	TN	2003343C1	41	A88A	18	LTGN	2003343C1	42	A97VT1	12	PL	3574288C1
CAV	CIR	GAUGE	COLOR	TERMINAL																																																																																																																																																																																																																																			
1	-	-	-	-																																																																																																																																																																																																																																			
2	A9AA	20	GY	2003343C1																																																																																																																																																																																																																																			
3	A6DE	20	GY	2003343C1																																																																																																																																																																																																																																			
4	A77B	20	LTGN	2003343C1																																																																																																																																																																																																																																			
5	A28	18	TN	2003343C1																																																																																																																																																																																																																																			
6#	A71A	16	OR	3574285C1																																																																																																																																																																																																																																			
6	A71-G	18	WH	2003343C1																																																																																																																																																																																																																																			
6##	A71A	18	OR	2003343C1																																																																																																																																																																																																																																			
7	A71B	16	OR	3574285C1																																																																																																																																																																																																																																			
8	A13A	16	PK	3574285C1																																																																																																																																																																																																																																			
9	A14A	12	RD	3574287C1																																																																																																																																																																																																																																			
10	A77	18	LTGN	2003343C1																																																																																																																																																																																																																																			
11	A5R(+)	18	YL	2003343C1																																																																																																																																																																																																																																			
12	A1	18	LTBL	2003343C1																																																																																																																																																																																																																																			
13	A31	18	TN	2003343C1																																																																																																																																																																																																																																			
14	A88	18	LTGN	2003343C1																																																																																																																																																																																																																																			
15	-	-	-	-																																																																																																																																																																																																																																			
16	A17	16	PK	3574285C1																																																																																																																																																																																																																																			
17	A5R(-)	18	GN	2003343C1																																																																																																																																																																																																																																			
18	A23A	18	TN	3522073C1																																																																																																																																																																																																																																			
19*	A17-GC	16	WH	3574285C1																																																																																																																																																																																																																																			
19*	A17-GC	18	WH	2003343C1																																																																																																																																																																																																																																			
20	A17B	18	PK	2003343C1																																																																																																																																																																																																																																			
21	A17C	18	PK	2003343C1																																																																																																																																																																																																																																			
22	A97C	18	PL	2003343C1																																																																																																																																																																																																																																			
23	A97B	18	PL	2003343C1																																																																																																																																																																																																																																			
24	A97M	18	PL	2003343C1																																																																																																																																																																																																																																			
25	A92E	16	TN	3574285C1																																																																																																																																																																																																																																			
26	A92F	18	TN	2003343C1																																																																																																																																																																																																																																			
27	A92H	18	TN	2003343C1																																																																																																																																																																																																																																			
28	A99B	18	PL	2003343C1																																																																																																																																																																																																																																			
29	A97N	18	PL	2003343C1																																																																																																																																																																																																																																			
30	A99D	18	PL	2003343c1																																																																																																																																																																																																																																			
31	PLUG	-	-	3508928C1																																																																																																																																																																																																																																			
32	A104AL	16	DKBL	3574285C1																																																																																																																																																																																																																																			
33	A104AM	16	DKBL	3574285C1																																																																																																																																																																																																																																			
34	A30BC	16	TN	3574288C1																																																																																																																																																																																																																																			
35	A3BA(+)	18	DKBL	2003343C1																																																																																																																																																																																																																																			
36	A3BA(-)	18	GY	2003343C1																																																																																																																																																																																																																																			
37	A97F	16	PL	3574285C1																																																																																																																																																																																																																																			
38	PLUG	-	-	3508928C1																																																																																																																																																																																																																																			
39	A92A	18	TN	2003343C1																																																																																																																																																																																																																																			
40	A92B	18	TN	2003343C1																																																																																																																																																																																																																																			
41	A88A	18	LTGN	2003343C1																																																																																																																																																																																																																																			
42	A97VT1	12	PL	3574288C1																																																																																																																																																																																																																																			
<table border="1" style="width: 100%; border-collapse: collapse;"> <thead> <tr> <th>CHK</th> <th>DATE</th> <th>CHANGE</th> <th>REV</th> <th>REFERENCE</th> <th>DRAWN</th> <th>NAME</th> </tr> </thead> <tbody> <tr> <td>-</td> <td>-</td> <td>ADDED: CIRC A30BC</td> <td>B</td> <td>74016A</td> <td>300422</td> <td>CIRCUIT DIAGRAM, PROSTAR</td> </tr> <tr> <td></td> <td></td> <td>FOR AUTO START/ STOP EFFECTS.</td> <td></td> <td></td> <td>61802Y</td> <td></td> </tr> </tbody> </table>	CHK	DATE	CHANGE	REV	REFERENCE	DRAWN	NAME	-	-	ADDED: CIRC A30BC	B	74016A	300422	CIRCUIT DIAGRAM, PROSTAR			FOR AUTO START/ STOP EFFECTS.			61802Y		<table border="1" style="width: 100%; border-collapse: collapse;"> <thead> <tr> <th>RELEASE NO.</th> <th>DATE</th> <th>PART NO.</th> <th>SHEET</th> </tr> </thead> <tbody> <tr> <td>61802Y</td> <td>11MAR09</td> <td>AE08058107</td> <td>038</td> </tr> </tbody> </table>	RELEASE NO.	DATE	PART NO.	SHEET	61802Y	11MAR09	AE08058107	038																																																																																																																																																																																																									
CHK	DATE	CHANGE	REV	REFERENCE	DRAWN	NAME																																																																																																																																																																																																																																	
-	-	ADDED: CIRC A30BC	B	74016A	300422	CIRCUIT DIAGRAM, PROSTAR																																																																																																																																																																																																																																	
		FOR AUTO START/ STOP EFFECTS.			61802Y																																																																																																																																																																																																																																		
RELEASE NO.	DATE	PART NO.	SHEET																																																																																																																																																																																																																																				
61802Y	11MAR09	AE08058107	038																																																																																																																																																																																																																																				

Figure 240 Connector Body Composite (1702)

14.39. CONNECTOR BODY COMPOSITE (1702), P. 39

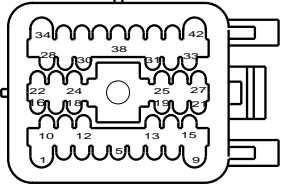
<p style="text-align: center;">NAVISTAR, INC</p> <p style="font-size: small;">THIS PRINT IS PROVIDED ON A RESTRICTED BASIS AND IS NOT TO BE USED IN ANY WAY DETRIMENTAL TO THE INTEREST OF NAVISTAR, INC.</p>	<p style="text-align: center;">ELECTRICAL CIRCUIT DIAGRAM</p> <p style="text-align: right;">CHAPTER 14</p> <p style="text-align: center;">CONNECTOR BODY COMPOSITE - MATING VIEW SHOWN</p>																																																																																																																																																																																																																																																										
<p style="text-align: center;">ENGINE CONNECTOR (1702) (LOCATED ON FRONT CENTER DASH PANEL)</p>  <p style="text-align: center;">CONNECTOR 3595620C1</p> <p style="font-size: x-small; margin-top: 20px;">* MUTUALLY EXCLUSIVE @ W/ ULTRASHIFT TRANSMISSION # W/ MANUAL TRANSMISSION % W/ AUTOSHIFT TRANSMISSION **W/ VARIABLE SPEED FAN ##W/ 2 SPEED FAN</p>	<table border="1" style="width: 100%; border-collapse: collapse; font-size: x-small;"> <thead> <tr> <th>CAV</th> <th>CIR</th> <th>GAUGE</th> <th>COLOR</th> <th>TERMINAL</th> </tr> </thead> <tbody> <tr><td>1**</td><td>K92A20</td><td>16</td><td>GY</td><td>3549416C1</td></tr> <tr><td>1#</td><td>K92A20</td><td>16</td><td>WH</td><td>3549416C1</td></tr> <tr><td>2*</td><td>K9AA</td><td>16</td><td>GY</td><td>3549417C1</td></tr> <tr><td>2*</td><td>K9AA</td><td>18</td><td>GY</td><td>3549418C1</td></tr> <tr><td>3</td><td>K6DB</td><td>18</td><td>GY</td><td>3549418C1</td></tr> <tr><td>4</td><td>K77B</td><td>18</td><td>LTGN</td><td>3549418C1</td></tr> <tr><td>5</td><td>K28</td><td>18</td><td>TN</td><td>3549418C1</td></tr> <tr><td>6#</td><td>K71A</td><td>16</td><td>OR</td><td>3549417C1</td></tr> <tr><td>7#</td><td>K71B</td><td>16</td><td>OR</td><td>3549417C1</td></tr> <tr><td>8#</td><td>K13A</td><td>14</td><td>PK</td><td>3549417C1</td></tr> <tr><td>9</td><td>PLUG</td><td>-</td><td>-</td><td>3508928C1</td></tr> <tr><td>10</td><td>K77</td><td>16</td><td>LTGN</td><td>3549417C1</td></tr> <tr><td>11@%</td><td>K5R(+)</td><td>18</td><td>YL</td><td>3549418C1</td></tr> <tr><td>12</td><td>PLUG</td><td>-</td><td>-</td><td>3508928C1</td></tr> <tr><td>13</td><td>K31</td><td>18</td><td>TN</td><td>3549418C1</td></tr> <tr><td>14</td><td>K88</td><td>16</td><td>LTGN</td><td>3549417C1</td></tr> <tr><td>15</td><td>PLUG</td><td>-</td><td>-</td><td>3508928C1</td></tr> <tr><td>16*</td><td>K17</td><td>16</td><td>PK</td><td>3549417C1</td></tr> <tr><td>16*</td><td>K17</td><td>18</td><td>PK</td><td>3549418C1</td></tr> <tr><td>17@%</td><td>K5R(-)</td><td>18</td><td>GN</td><td>3549418C1</td></tr> <tr><td>18</td><td>PLUG</td><td>-</td><td>-</td><td>3508928C1</td></tr> <tr><td>19@%</td><td>K17-GC</td><td>18</td><td>PK</td><td>3549418C1</td></tr> <tr><td>20@%</td><td>K17B</td><td>18</td><td>PK</td><td>3549418C1</td></tr> <tr><td>21</td><td>K17C</td><td>16</td><td>PK</td><td>3549417C1</td></tr> <tr><td>22</td><td>K97C</td><td>18</td><td>PL</td><td>3549418C1</td></tr> <tr><td>23</td><td>K97B</td><td>18</td><td>PL</td><td>3549418C1</td></tr> <tr><td>24</td><td>K97M</td><td>18</td><td>PL</td><td>3549418C1</td></tr> <tr><td>25@</td><td>K92E</td><td>16</td><td>TN</td><td>3549417C1</td></tr> <tr><td>26</td><td>K92F</td><td>18</td><td>TN</td><td>3549418C1</td></tr> <tr><td>27@</td><td>K92H</td><td>18</td><td>TN</td><td>3549418C1</td></tr> <tr><td>28</td><td>K99B</td><td>18</td><td>PL</td><td>3549418C1</td></tr> <tr><td>29</td><td>K97N</td><td>18</td><td>PL</td><td>3549418C1</td></tr> <tr><td>30</td><td>K97D</td><td>18</td><td>PL</td><td>3549418C1</td></tr> <tr><td>31@</td><td>K92ER</td><td>18</td><td>TN</td><td>3549418C1</td></tr> <tr><td>32</td><td>K97S</td><td>18</td><td>VT</td><td>3549418C1</td></tr> <tr><td>33</td><td>K97J</td><td>18</td><td>VT</td><td>3549418C1</td></tr> <tr><td>34</td><td>K30BC</td><td>16</td><td>TN</td><td>3549417C1</td></tr> <tr><td>35</td><td>K3BA(+)</td><td>18</td><td>DKBL</td><td>3549418C1</td></tr> <tr><td>36</td><td>K3BA(-)</td><td>18</td><td>GY</td><td>3549418C1</td></tr> <tr><td>37</td><td>K13A</td><td>18</td><td>PK</td><td>3549418C1</td></tr> <tr><td>38*</td><td>K92A15</td><td>18</td><td>TN</td><td>3549418C1</td></tr> <tr><td>38*</td><td>K47T</td><td>18</td><td>GY</td><td>3549418C1</td></tr> <tr><td>39*</td><td>K92A</td><td>18</td><td>TN</td><td>3549418C1</td></tr> <tr><td>39*</td><td>K92A</td><td>18</td><td>TN</td><td>3549418C1</td></tr> <tr><td>40*</td><td>K92B</td><td>18</td><td>TN</td><td>3549418C1</td></tr> <tr><td>40*</td><td>K92GN</td><td>18</td><td>GN</td><td>3549418C1</td></tr> <tr><td>41*</td><td>K88A</td><td>16</td><td>LTGN</td><td>3549417C1</td></tr> <tr><td>41*</td><td>K98YL</td><td>18</td><td>YL</td><td>3549418C1</td></tr> <tr><td>42</td><td>K97VT1</td><td>12</td><td>VT</td><td>3549416C1</td></tr> </tbody> </table>	CAV	CIR	GAUGE	COLOR	TERMINAL	1**	K92A20	16	GY	3549416C1	1#	K92A20	16	WH	3549416C1	2*	K9AA	16	GY	3549417C1	2*	K9AA	18	GY	3549418C1	3	K6DB	18	GY	3549418C1	4	K77B	18	LTGN	3549418C1	5	K28	18	TN	3549418C1	6#	K71A	16	OR	3549417C1	7#	K71B	16	OR	3549417C1	8#	K13A	14	PK	3549417C1	9	PLUG	-	-	3508928C1	10	K77	16	LTGN	3549417C1	11@%	K5R(+)	18	YL	3549418C1	12	PLUG	-	-	3508928C1	13	K31	18	TN	3549418C1	14	K88	16	LTGN	3549417C1	15	PLUG	-	-	3508928C1	16*	K17	16	PK	3549417C1	16*	K17	18	PK	3549418C1	17@%	K5R(-)	18	GN	3549418C1	18	PLUG	-	-	3508928C1	19@%	K17-GC	18	PK	3549418C1	20@%	K17B	18	PK	3549418C1	21	K17C	16	PK	3549417C1	22	K97C	18	PL	3549418C1	23	K97B	18	PL	3549418C1	24	K97M	18	PL	3549418C1	25@	K92E	16	TN	3549417C1	26	K92F	18	TN	3549418C1	27@	K92H	18	TN	3549418C1	28	K99B	18	PL	3549418C1	29	K97N	18	PL	3549418C1	30	K97D	18	PL	3549418C1	31@	K92ER	18	TN	3549418C1	32	K97S	18	VT	3549418C1	33	K97J	18	VT	3549418C1	34	K30BC	16	TN	3549417C1	35	K3BA(+)	18	DKBL	3549418C1	36	K3BA(-)	18	GY	3549418C1	37	K13A	18	PK	3549418C1	38*	K92A15	18	TN	3549418C1	38*	K47T	18	GY	3549418C1	39*	K92A	18	TN	3549418C1	39*	K92A	18	TN	3549418C1	40*	K92B	18	TN	3549418C1	40*	K92GN	18	GN	3549418C1	41*	K88A	16	LTGN	3549417C1	41*	K98YL	18	YL	3549418C1	42	K97VT1	12	VT	3549416C1
CAV	CIR	GAUGE	COLOR	TERMINAL																																																																																																																																																																																																																																																							
1**	K92A20	16	GY	3549416C1																																																																																																																																																																																																																																																							
1#	K92A20	16	WH	3549416C1																																																																																																																																																																																																																																																							
2*	K9AA	16	GY	3549417C1																																																																																																																																																																																																																																																							
2*	K9AA	18	GY	3549418C1																																																																																																																																																																																																																																																							
3	K6DB	18	GY	3549418C1																																																																																																																																																																																																																																																							
4	K77B	18	LTGN	3549418C1																																																																																																																																																																																																																																																							
5	K28	18	TN	3549418C1																																																																																																																																																																																																																																																							
6#	K71A	16	OR	3549417C1																																																																																																																																																																																																																																																							
7#	K71B	16	OR	3549417C1																																																																																																																																																																																																																																																							
8#	K13A	14	PK	3549417C1																																																																																																																																																																																																																																																							
9	PLUG	-	-	3508928C1																																																																																																																																																																																																																																																							
10	K77	16	LTGN	3549417C1																																																																																																																																																																																																																																																							
11@%	K5R(+)	18	YL	3549418C1																																																																																																																																																																																																																																																							
12	PLUG	-	-	3508928C1																																																																																																																																																																																																																																																							
13	K31	18	TN	3549418C1																																																																																																																																																																																																																																																							
14	K88	16	LTGN	3549417C1																																																																																																																																																																																																																																																							
15	PLUG	-	-	3508928C1																																																																																																																																																																																																																																																							
16*	K17	16	PK	3549417C1																																																																																																																																																																																																																																																							
16*	K17	18	PK	3549418C1																																																																																																																																																																																																																																																							
17@%	K5R(-)	18	GN	3549418C1																																																																																																																																																																																																																																																							
18	PLUG	-	-	3508928C1																																																																																																																																																																																																																																																							
19@%	K17-GC	18	PK	3549418C1																																																																																																																																																																																																																																																							
20@%	K17B	18	PK	3549418C1																																																																																																																																																																																																																																																							
21	K17C	16	PK	3549417C1																																																																																																																																																																																																																																																							
22	K97C	18	PL	3549418C1																																																																																																																																																																																																																																																							
23	K97B	18	PL	3549418C1																																																																																																																																																																																																																																																							
24	K97M	18	PL	3549418C1																																																																																																																																																																																																																																																							
25@	K92E	16	TN	3549417C1																																																																																																																																																																																																																																																							
26	K92F	18	TN	3549418C1																																																																																																																																																																																																																																																							
27@	K92H	18	TN	3549418C1																																																																																																																																																																																																																																																							
28	K99B	18	PL	3549418C1																																																																																																																																																																																																																																																							
29	K97N	18	PL	3549418C1																																																																																																																																																																																																																																																							
30	K97D	18	PL	3549418C1																																																																																																																																																																																																																																																							
31@	K92ER	18	TN	3549418C1																																																																																																																																																																																																																																																							
32	K97S	18	VT	3549418C1																																																																																																																																																																																																																																																							
33	K97J	18	VT	3549418C1																																																																																																																																																																																																																																																							
34	K30BC	16	TN	3549417C1																																																																																																																																																																																																																																																							
35	K3BA(+)	18	DKBL	3549418C1																																																																																																																																																																																																																																																							
36	K3BA(-)	18	GY	3549418C1																																																																																																																																																																																																																																																							
37	K13A	18	PK	3549418C1																																																																																																																																																																																																																																																							
38*	K92A15	18	TN	3549418C1																																																																																																																																																																																																																																																							
38*	K47T	18	GY	3549418C1																																																																																																																																																																																																																																																							
39*	K92A	18	TN	3549418C1																																																																																																																																																																																																																																																							
39*	K92A	18	TN	3549418C1																																																																																																																																																																																																																																																							
40*	K92B	18	TN	3549418C1																																																																																																																																																																																																																																																							
40*	K92GN	18	GN	3549418C1																																																																																																																																																																																																																																																							
41*	K88A	16	LTGN	3549417C1																																																																																																																																																																																																																																																							
41*	K98YL	18	YL	3549418C1																																																																																																																																																																																																																																																							
42	K97VT1	12	VT	3549416C1																																																																																																																																																																																																																																																							
<table border="1" style="width: 100%; border-collapse: collapse;"> <thead> <tr> <th>CHK</th> <th>DATE</th> <th>CHANGE</th> <th>REV</th> <th>REFERENCE</th> <th>DRAWN</th> <th>NAME</th> </tr> </thead> <tbody> <tr> <td>M448</td> <td>14NOV11</td> <td>ADDED: CIRC 30BC FOR</td> <td>B</td> <td>74016A</td> <td>300422</td> <td>CIRCUIT DIAGRAM, PROSTAR</td> </tr> <tr> <td></td> <td></td> <td>AUTO S/S & CIRC 92A20.</td> <td></td> <td></td> <td>RELEASE NO. 61802Y</td> <td>DATE 11MAR09</td> </tr> <tr> <td></td> <td></td> <td></td> <td></td> <td></td> <td></td> <td>PART NO. AE08058107</td> </tr> <tr> <td></td> <td></td> <td></td> <td></td> <td></td> <td></td> <td>SHEET 039</td> </tr> </tbody> </table>	CHK	DATE	CHANGE	REV	REFERENCE	DRAWN	NAME	M448	14NOV11	ADDED: CIRC 30BC FOR	B	74016A	300422	CIRCUIT DIAGRAM, PROSTAR			AUTO S/S & CIRC 92A20.			RELEASE NO. 61802Y	DATE 11MAR09							PART NO. AE08058107							SHEET 039																																																																																																																																																																																																																								
CHK	DATE	CHANGE	REV	REFERENCE	DRAWN	NAME																																																																																																																																																																																																																																																					
M448	14NOV11	ADDED: CIRC 30BC FOR	B	74016A	300422	CIRCUIT DIAGRAM, PROSTAR																																																																																																																																																																																																																																																					
		AUTO S/S & CIRC 92A20.			RELEASE NO. 61802Y	DATE 11MAR09																																																																																																																																																																																																																																																					
						PART NO. AE08058107																																																																																																																																																																																																																																																					
						SHEET 039																																																																																																																																																																																																																																																					

Figure 241 Connector Body Composite (1702)

14.40. CONNECTOR BODY COMPOSITE (1800), P. 40

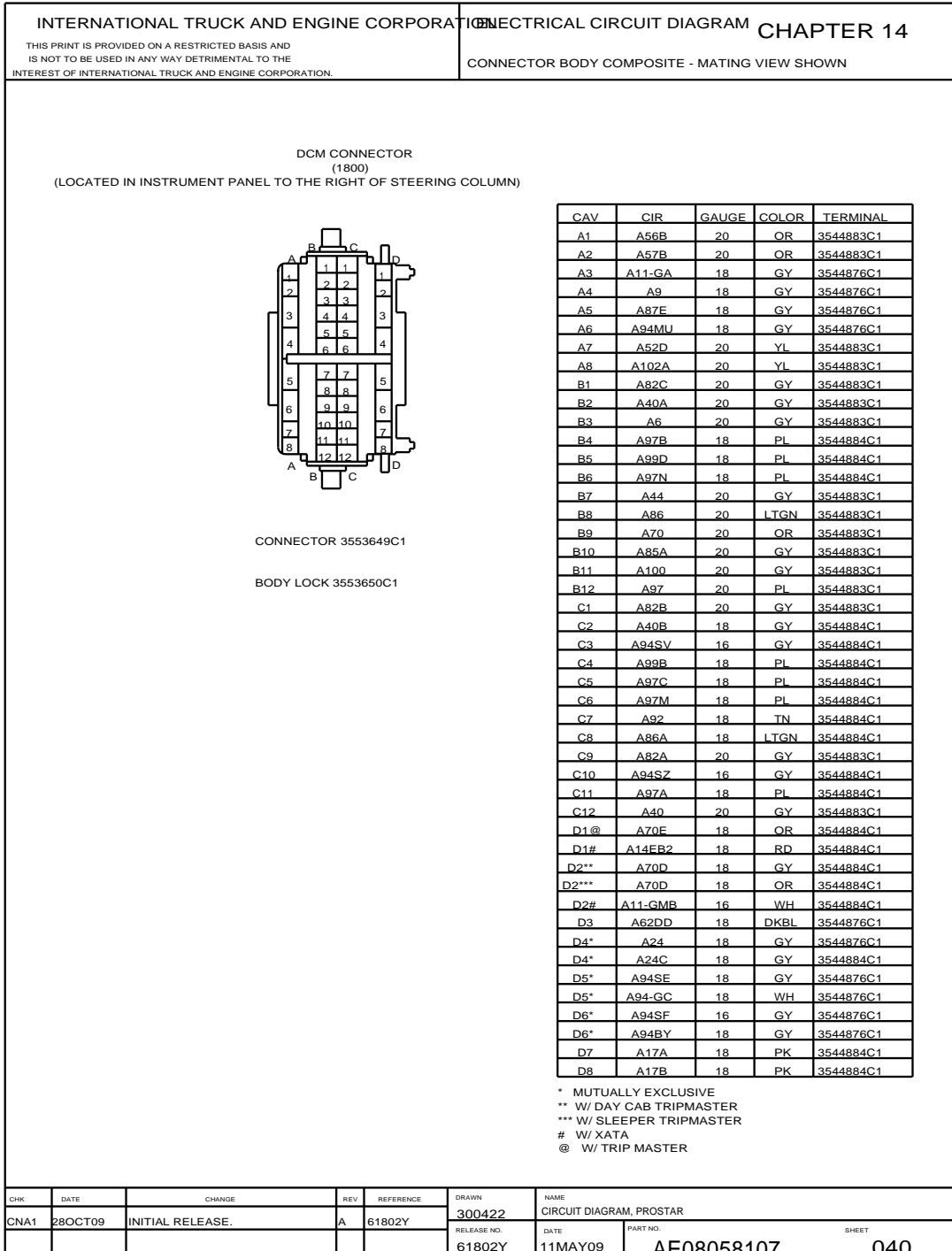


Figure 242 Connector Body Composite (1800)

14.41. CONNECTOR BODY COMPOSITE (1800F), P. 41

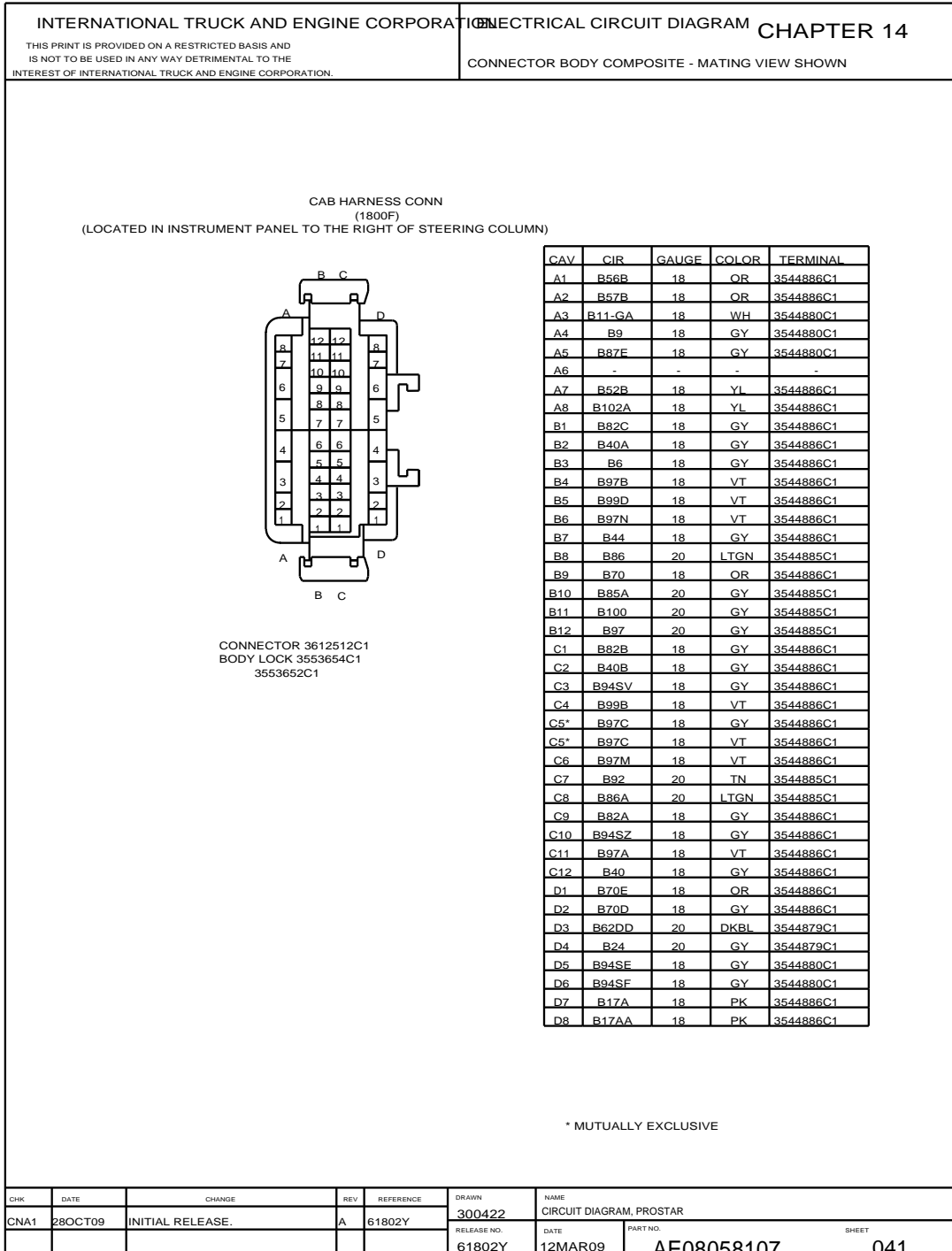


Figure 243 Connector Body Composite (1800F)

14.42. CONNECTOR BODY COMPOSITE (1801), (1802), P. 42

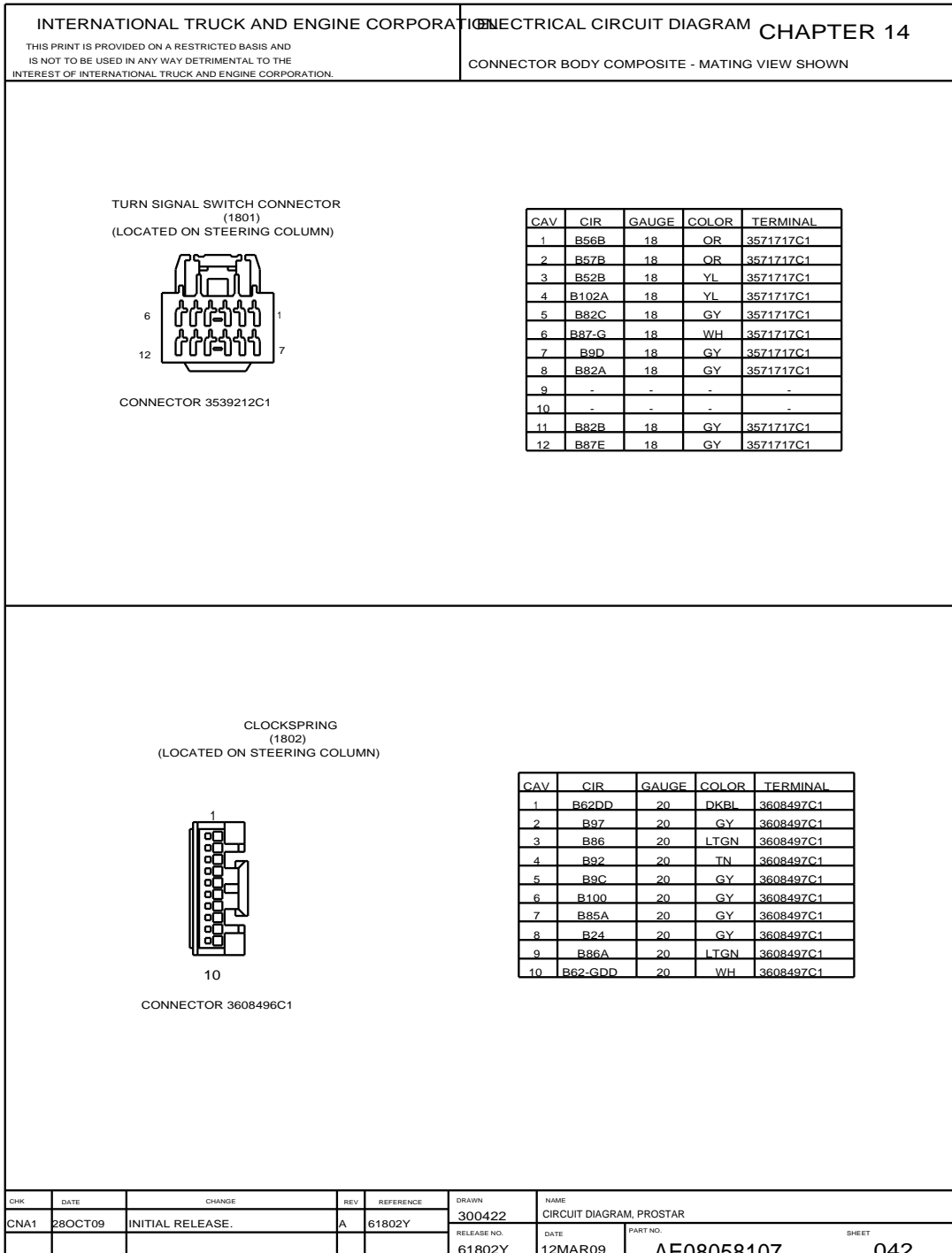


Figure 244 Connector Body Composite (1801), (1802)

14.43. CONNECTOR BODY COMPOSITE (1803), (1804), P. 43

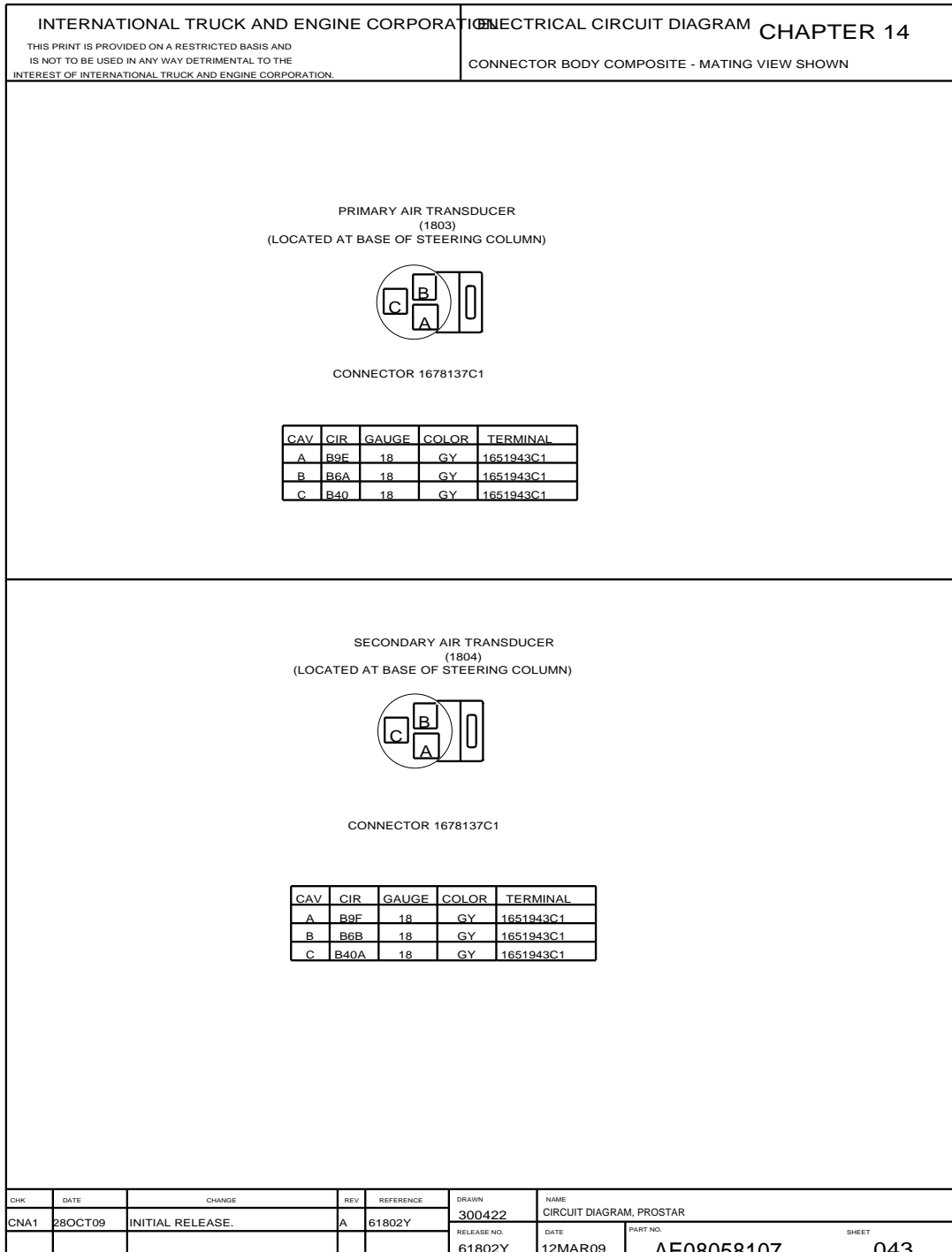


Figure 245 Connector Body Composite (1803), (1804)

14.44. CONNECTOR BODY COMPOSITE (1805), (1806), P. 44

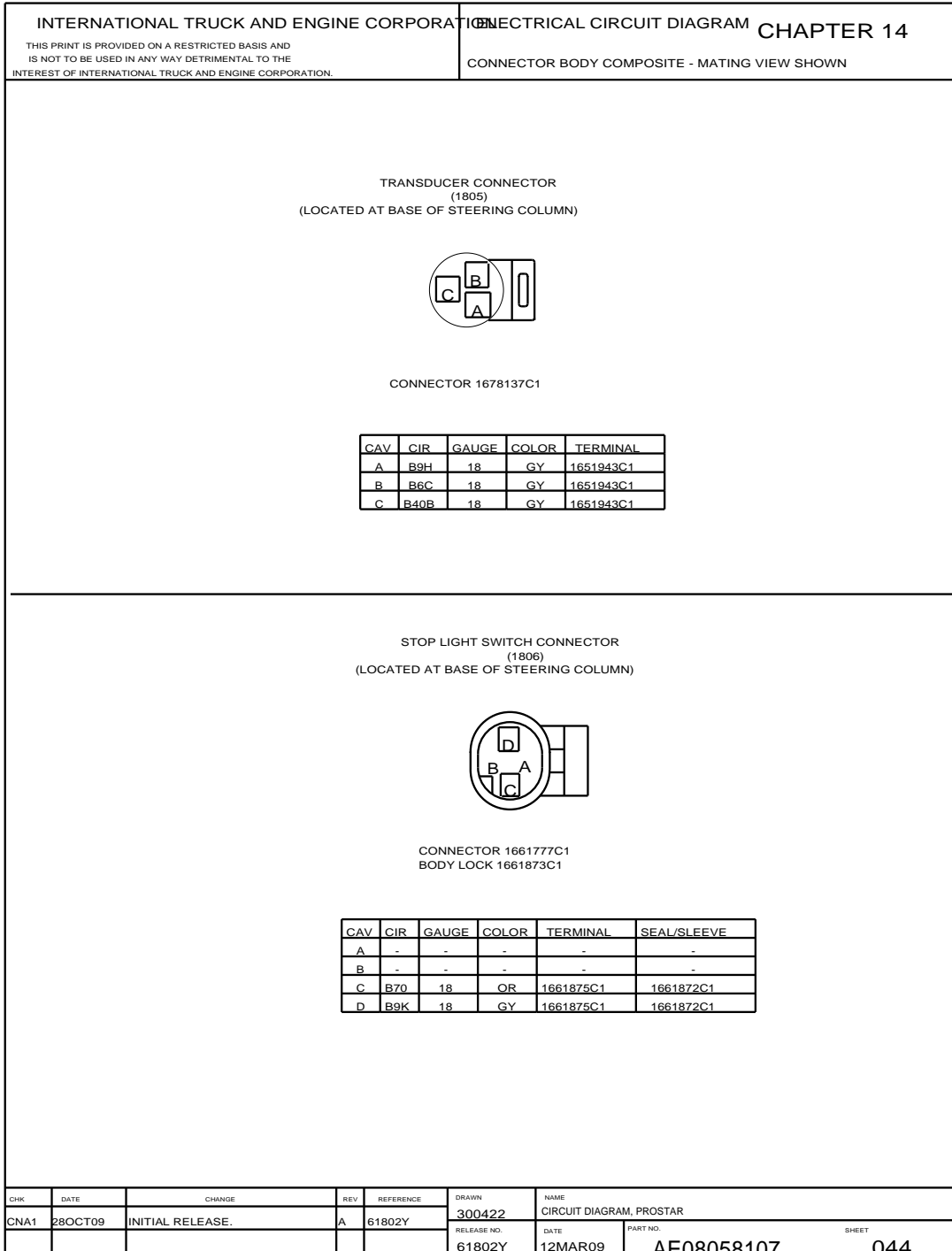


Figure 246 Connector Body Composite (1805), (1806)

14.45. CONNECTOR BODY COMPOSITE (1808), (1809), (1810), P. 45

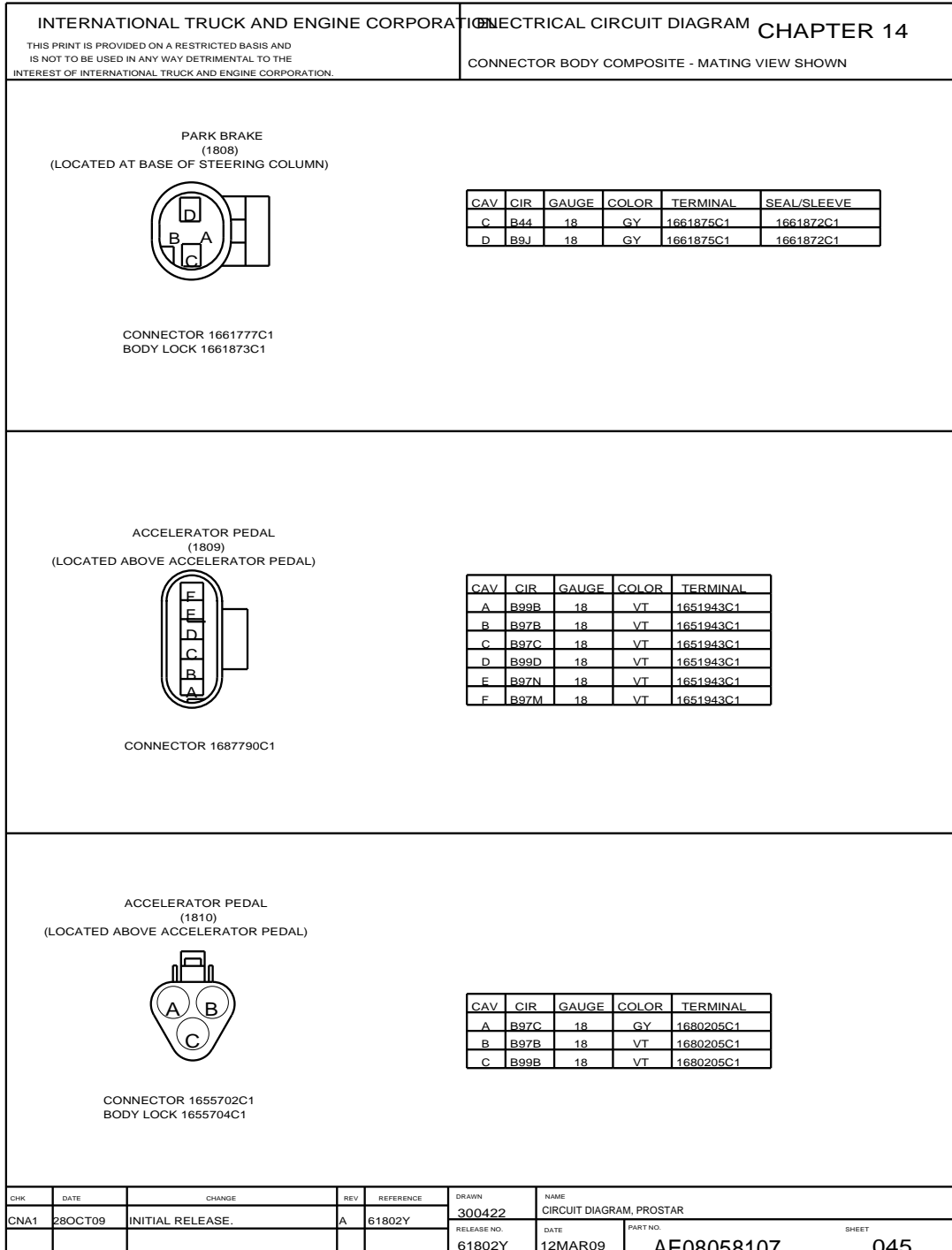


Figure 247 Connector Body Composite (1808), (1809), (1810)

14.46. CONNECTOR BODY COMPOSITE (1811), (1812), (1820F / 1820M), P. 46


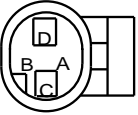
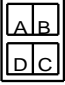

INTERNATIONAL TRUCK AND ENGINE CORPORATION <small>THIS PRINT IS PROVIDED ON A RESTRICTED BASIS AND IS NOT TO BE USED IN ANY WAY DETRIMENTAL TO THE INTEREST OF INTERNATIONAL TRUCK AND ENGINE CORPORATION.</small>	ELECTRICAL CIRCUIT DIAGRAM CHAPTER 14 CONNECTOR BODY COMPOSITE - MATING VIEW SHOWN																																																		
<p style="text-align: center;">CLUTCH SWITCH (1811) (LOCATED ON CLUTCH PEDAL)</p>  <p style="text-align: center;">CONNECTOR 3540757C1 BODY LOCK 3540758C1</p>	<table border="1" style="width:100%; border-collapse: collapse; text-align: center;"> <thead> <tr> <th>CAV</th> <th>CIR</th> <th>GAUGE</th> <th>COLOR</th> <th>TERMINAL</th> <th>SEAL/SLEEVE</th> </tr> </thead> <tbody> <tr> <td>A</td> <td>B17A</td> <td>18</td> <td>PK</td> <td>1667742C1</td> <td>1661872C1</td> </tr> <tr> <td>B</td> <td>B17AA</td> <td>18</td> <td>PK</td> <td>1667742C1</td> <td>1661872C1</td> </tr> <tr> <td>C</td> <td>B97A</td> <td>18</td> <td>VT</td> <td>1667742C1</td> <td>1661872C1</td> </tr> <tr> <td>D</td> <td>B9M</td> <td>18</td> <td>GY</td> <td>1667742C1</td> <td>1661872C1</td> </tr> </tbody> </table>	CAV	CIR	GAUGE	COLOR	TERMINAL	SEAL/SLEEVE	A	B17A	18	PK	1667742C1	1661872C1	B	B17AA	18	PK	1667742C1	1661872C1	C	B97A	18	VT	1667742C1	1661872C1	D	B9M	18	GY	1667742C1	1661872C1																				
CAV	CIR	GAUGE	COLOR	TERMINAL	SEAL/SLEEVE																																														
A	B17A	18	PK	1667742C1	1661872C1																																														
B	B17AA	18	PK	1667742C1	1661872C1																																														
C	B97A	18	VT	1667742C1	1661872C1																																														
D	B9M	18	GY	1667742C1	1661872C1																																														
<p style="text-align: center;">BRAKE INPUT (1812) (LOCATED AT BASE OF STEERING COLUMN)</p>  <p style="text-align: center;">CONNECTOR 1661777C1 BODY LOCK 1661873C1</p>	<table border="1" style="width:100%; border-collapse: collapse; text-align: center;"> <thead> <tr> <th>CAV</th> <th>CIR</th> <th>GAUGE</th> <th>COLOR</th> <th>TERMINAL</th> <th>SEAL/SLEEVE</th> </tr> </thead> <tbody> <tr> <td>C</td> <td>B70E</td> <td>18</td> <td>OR</td> <td>1661875C1</td> <td>1661872C1</td> </tr> <tr> <td>D</td> <td>B70D</td> <td>18</td> <td>GY</td> <td>1661875C1</td> <td>1661872C1</td> </tr> </tbody> </table>	CAV	CIR	GAUGE	COLOR	TERMINAL	SEAL/SLEEVE	C	B70E	18	OR	1661875C1	1661872C1	D	B70D	18	GY	1661875C1	1661872C1																																
CAV	CIR	GAUGE	COLOR	TERMINAL	SEAL/SLEEVE																																														
C	B70E	18	OR	1661875C1	1661872C1																																														
D	B70D	18	GY	1661875C1	1661872C1																																														
<p style="text-align: center;">CAB HARNESS STEERING WHEEL SENSOR (1820F / 1820M) (LOCATED IN INSTRUMENT PANEL TO RIGHT OF STEERING COLUMN)</p> <div style="display: flex; justify-content: space-around;">   </div> <div style="display: flex; justify-content: space-around; margin-top: 10px;"> <div style="text-align: center;"> <p>CONNECTOR 1667529C1 BODY LOCK 1667530C1</p> <table border="1" style="width:100%; border-collapse: collapse; text-align: center;"> <thead> <tr> <th>CAV</th> <th>CIR</th> <th>GAUGE</th> <th>COLOR</th> <th>TERMINAL</th> </tr> </thead> <tbody> <tr> <td>A</td> <td>B94SA</td> <td>20</td> <td>GY</td> <td>3534481C1</td> </tr> <tr> <td>B</td> <td>B94SB</td> <td>20</td> <td>GY</td> <td>3534481C1</td> </tr> <tr> <td>C</td> <td>B94SC</td> <td>20</td> <td>GY</td> <td>3534481C1</td> </tr> <tr> <td>D</td> <td>B94SD</td> <td>20</td> <td>GY</td> <td>3534481C1</td> </tr> </tbody> </table> </div> <div style="text-align: center;"> <p>CONNECTOR 1667305C1 BODY LOCK 1661263C1</p> <table border="1" style="width:100%; border-collapse: collapse; text-align: center;"> <thead> <tr> <th>CAV</th> <th>CIR</th> <th>GAUGE</th> <th>COLOR</th> <th>TERMINAL</th> </tr> </thead> <tbody> <tr> <td>A</td> <td>A94SA</td> <td>18</td> <td>GY</td> <td>1661261C1</td> </tr> <tr> <td>B</td> <td>A94SB</td> <td>18</td> <td>GY</td> <td>1661261C1</td> </tr> <tr> <td>C</td> <td>A94SC</td> <td>18</td> <td>GY</td> <td>1661261C1</td> </tr> <tr> <td>D</td> <td>A94SD</td> <td>18</td> <td>GY</td> <td>1661261C1</td> </tr> </tbody> </table> </div> </div>	CAV	CIR	GAUGE	COLOR	TERMINAL	A	B94SA	20	GY	3534481C1	B	B94SB	20	GY	3534481C1	C	B94SC	20	GY	3534481C1	D	B94SD	20	GY	3534481C1	CAV	CIR	GAUGE	COLOR	TERMINAL	A	A94SA	18	GY	1661261C1	B	A94SB	18	GY	1661261C1	C	A94SC	18	GY	1661261C1	D	A94SD	18	GY	1661261C1	
CAV	CIR	GAUGE	COLOR	TERMINAL																																															
A	B94SA	20	GY	3534481C1																																															
B	B94SB	20	GY	3534481C1																																															
C	B94SC	20	GY	3534481C1																																															
D	B94SD	20	GY	3534481C1																																															
CAV	CIR	GAUGE	COLOR	TERMINAL																																															
A	A94SA	18	GY	1661261C1																																															
B	A94SB	18	GY	1661261C1																																															
C	A94SC	18	GY	1661261C1																																															
D	A94SD	18	GY	1661261C1																																															
<table border="1" style="width:100%; border-collapse: collapse;"> <tr> <th>CHK</th> <th>DATE</th> <th>CHANGE</th> <th>REV</th> <th>REFERENCE</th> <th>DRAWN</th> <th>NAME</th> </tr> <tr> <td>CNA1</td> <td>28OCT09</td> <td>INITIAL RELEASE.</td> <td>A</td> <td>61802Y</td> <td>300422</td> <td>CIRCUIT DIAGRAM, PROSTAR</td> </tr> <tr> <td></td> <td></td> <td></td> <td></td> <td></td> <td>RELEASE NO. 61802Y</td> <td>DATE 12MAR09</td> </tr> </table>	CHK	DATE	CHANGE	REV	REFERENCE	DRAWN	NAME	CNA1	28OCT09	INITIAL RELEASE.	A	61802Y	300422	CIRCUIT DIAGRAM, PROSTAR						RELEASE NO. 61802Y	DATE 12MAR09	<table border="1" style="width:100%; border-collapse: collapse;"> <tr> <th>PART NO.</th> <th>SHEET</th> </tr> <tr> <td>AE08058107</td> <td>046</td> </tr> </table>	PART NO.	SHEET	AE08058107	046																									
CHK	DATE	CHANGE	REV	REFERENCE	DRAWN	NAME																																													
CNA1	28OCT09	INITIAL RELEASE.	A	61802Y	300422	CIRCUIT DIAGRAM, PROSTAR																																													
					RELEASE NO. 61802Y	DATE 12MAR09																																													
PART NO.	SHEET																																																		
AE08058107	046																																																		

Figure 248 Connector Body Composite (1811), (1812), (1820F / 1820M)

14.47. CONNECTOR BODY COMPOSITE (1821), (1822), (1823), (1860), (1861), P. 47

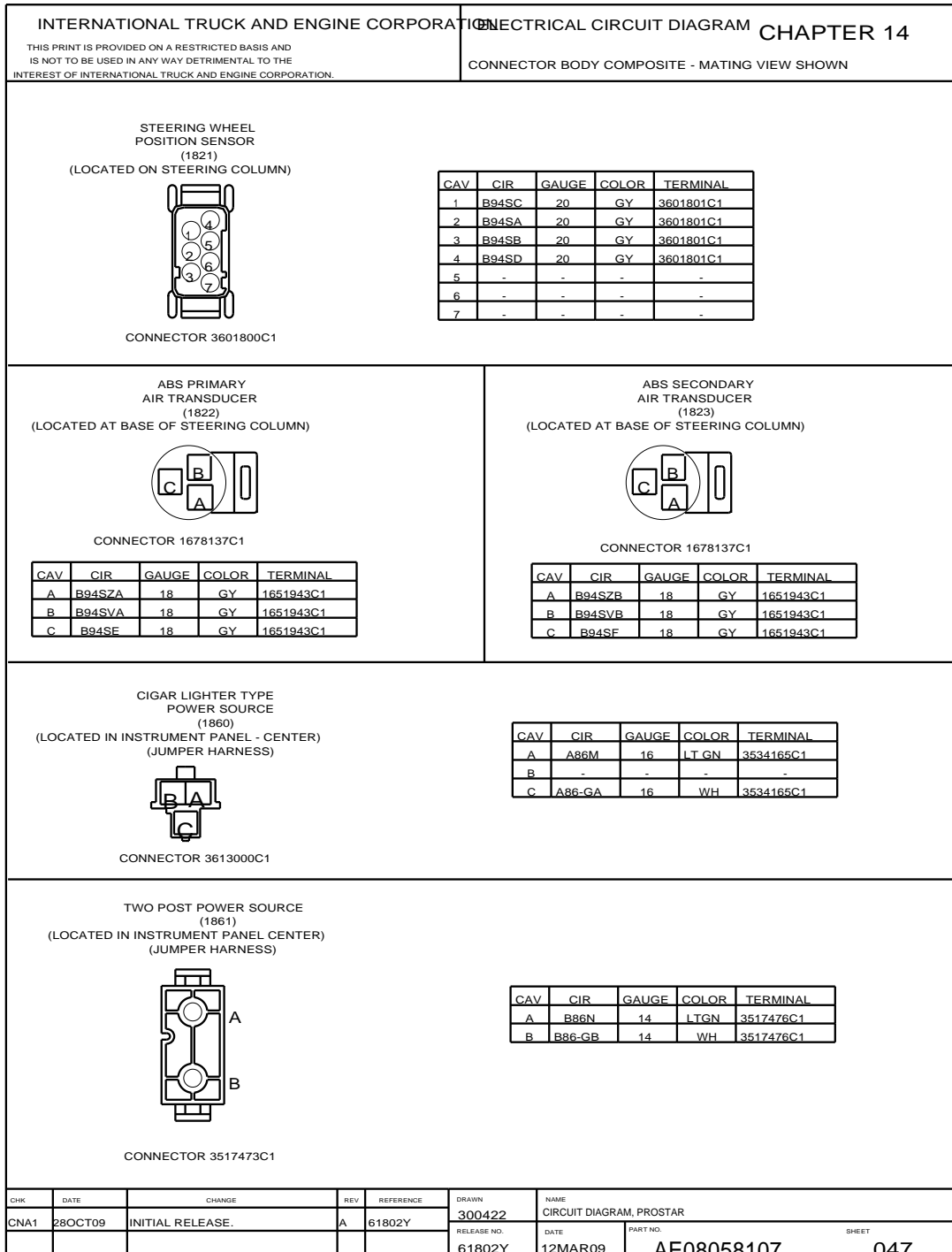


Figure 249 Connector Body Composite (1821), (1822), (1823), (1860), (1861)

14.48. CONNECTOR BODY COMPOSITE (1873), (1874), (1874B), (1901), (1903), P. 48

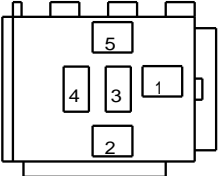




INTERNATIONAL TRUCK AND ENGINE CORPORATION <small>THIS PRINT IS PROVIDED ON A RESTRICTED BASIS AND IS NOT TO BE USED IN ANY WAY DETRIMENTAL TO THE INTEREST OF INTERNATIONAL TRUCK AND ENGINE CORPORATION.</small>		ELECTRICAL CIRCUIT DIAGRAM CHAPTER 14 CONNECTOR BODY COMPOSITE - MATING VIEW SHOWN																																									
AUX POWER RELAY (1873) (LOCATED IN INSTRUMENT PANEL TO THE RIGHT OF STEERING COLUMN)																																											
		<table border="1" style="width:100%; border-collapse: collapse;"> <thead> <tr> <th>CAV</th> <th>CIR</th> <th>GAUGE</th> <th>COLOR</th> <th>TERMINAL</th> </tr> </thead> <tbody> <tr> <td>1*</td> <td>A13FG</td> <td>18</td> <td>PK</td> <td>1659673C1</td> </tr> <tr> <td>1#</td> <td>A13F</td> <td>18</td> <td>PK</td> <td>1659673C1</td> </tr> <tr> <td>2</td> <td>A104B</td> <td>18</td> <td>DKBL</td> <td>1659673C1</td> </tr> <tr> <td>3@</td> <td>A13XA</td> <td>18</td> <td>PK</td> <td>1659673C1</td> </tr> <tr> <td>4</td> <td>-</td> <td>-</td> <td>-</td> <td>-</td> </tr> <tr> <td>5@</td> <td>A13XA</td> <td>18</td> <td>PK</td> <td>1659673C1</td> </tr> <tr> <td>5*#</td> <td>A13DB</td> <td>18</td> <td>PK</td> <td>1659673C1</td> </tr> </tbody> </table>		CAV	CIR	GAUGE	COLOR	TERMINAL	1*	A13FG	18	PK	1659673C1	1#	A13F	18	PK	1659673C1	2	A104B	18	DKBL	1659673C1	3@	A13XA	18	PK	1659673C1	4	-	-	-	-	5@	A13XA	18	PK	1659673C1	5*#	A13DB	18	PK	1659673C1
CAV	CIR	GAUGE	COLOR	TERMINAL																																							
1*	A13FG	18	PK	1659673C1																																							
1#	A13F	18	PK	1659673C1																																							
2	A104B	18	DKBL	1659673C1																																							
3@	A13XA	18	PK	1659673C1																																							
4	-	-	-	-																																							
5@	A13XA	18	PK	1659673C1																																							
5*#	A13DB	18	PK	1659673C1																																							
CONNECTOR 0593385C1 BODY LOCK 0593587C1		* W/ THEFT DETERRENT & INTERNATIONAL ENGINE # W/ THEFT DETERRENT REMOTE START & INTERNATIONAL ENGINE @ CRIMPED TOGETHER																																									
WIF SENSOR (1874) (LOCATED AT INSTRUMENT PANEL CENTER)		WIF SENSOR (1874B) (LOCATED AT INSTRUMENT PANEL CENTER)																																									
																																											
CONNECTOR 3590390C91		CONNECTOR 3602747C1																																									
<table border="1" style="width:100%; border-collapse: collapse;"> <thead> <tr> <th>CAV</th> <th>CIRCUIT</th> <th>GAUGE</th> <th>COLOR</th> <th>TERMINAL</th> <th>SEAL/SLEEVE</th> </tr> </thead> <tbody> <tr> <td>1</td> <td>K95W</td> <td>18</td> <td>TN</td> <td>3561584C1</td> <td>3536867C1</td> </tr> <tr> <td>2</td> <td>K95-GF</td> <td>18</td> <td>WH</td> <td>3561584C1</td> <td>3536867C1</td> </tr> </tbody> </table>		CAV	CIRCUIT	GAUGE	COLOR	TERMINAL	SEAL/SLEEVE	1	K95W	18	TN	3561584C1	3536867C1	2	K95-GF	18	WH	3561584C1	3536867C1	<table border="1" style="width:100%; border-collapse: collapse;"> <thead> <tr> <th>CAV</th> <th>CIRCUIT</th> <th>GAUGE</th> <th>COLOR</th> <th>TERMINAL</th> </tr> </thead> <tbody> <tr> <td>1</td> <td>K95W</td> <td>18</td> <td>TN</td> <td>1680205C1</td> </tr> <tr> <td>2</td> <td>K95-GF</td> <td>18</td> <td>WH</td> <td>1680205C1</td> </tr> </tbody> </table>		CAV	CIRCUIT	GAUGE	COLOR	TERMINAL	1	K95W	18	TN	1680205C1	2	K95-GF	18	WH	1680205C1							
CAV	CIRCUIT	GAUGE	COLOR	TERMINAL	SEAL/SLEEVE																																						
1	K95W	18	TN	3561584C1	3536867C1																																						
2	K95-GF	18	WH	3561584C1	3536867C1																																						
CAV	CIRCUIT	GAUGE	COLOR	TERMINAL																																							
1	K95W	18	TN	1680205C1																																							
2	K95-GF	18	WH	1680205C1																																							
AUX POWER (1901) (LOCATED IN INSTRUMENT PANEL - CENTER)		CIGAR LIGHTER (1903) (LOCATED IN INSTRUMENT PANEL)																																									
																																											
CONNECTOR 1661196C1		CONNECTOR 3590298C1 BODY LOCK 3557682C1																																									
<table border="1" style="width:100%; border-collapse: collapse;"> <thead> <tr> <th>CAV</th> <th>CIR</th> <th>GAUGE</th> <th>COLOR</th> <th>TERMINAL</th> </tr> </thead> <tbody> <tr> <td>A</td> <td>A86P</td> <td>16</td> <td>LTGN</td> <td>1661208C1</td> </tr> <tr> <td>B</td> <td>A86-GP</td> <td>16</td> <td>WH</td> <td>1661208C1</td> </tr> </tbody> </table>		CAV	CIR	GAUGE	COLOR	TERMINAL	A	A86P	16	LTGN	1661208C1	B	A86-GP	16	WH	1661208C1	<table border="1" style="width:100%; border-collapse: collapse;"> <thead> <tr> <th>CAV</th> <th>CIR</th> <th>GAUGE</th> <th>COLOR</th> <th>TERMINAL</th> </tr> </thead> <tbody> <tr> <td>A</td> <td>A84</td> <td>16</td> <td>LTGN</td> <td>3534165C1</td> </tr> <tr> <td>B</td> <td>-</td> <td>-</td> <td>-</td> <td>-</td> </tr> <tr> <td>C</td> <td>A84-G</td> <td>16</td> <td>WH</td> <td>3534165C1</td> </tr> </tbody> </table>		CAV	CIR	GAUGE	COLOR	TERMINAL	A	A84	16	LTGN	3534165C1	B	-	-	-	-	C	A84-G	16	WH	3534165C1					
CAV	CIR	GAUGE	COLOR	TERMINAL																																							
A	A86P	16	LTGN	1661208C1																																							
B	A86-GP	16	WH	1661208C1																																							
CAV	CIR	GAUGE	COLOR	TERMINAL																																							
A	A84	16	LTGN	3534165C1																																							
B	-	-	-	-																																							
C	A84-G	16	WH	3534165C1																																							
CHK	DATE	CHANGE	REV	REFERENCE	DRAWN	NAME	SHEET																																				
CNA1	28OCT09	INITIAL RELEASE.	A	61802Y	300422	CIRCUIT DIAGRAM, PROSTAR	DATE	PART NO.																																			
					61802Y	12MAR09	AE08058107	048																																			

Figure 250 Connector Body Composite (1873), (1874), (1874B), (1901), (1903)

14.49. CONNECTOR BODY COMPOSITE (1906), (1907), (1909M), (1910), (1912), (1916), P. 49

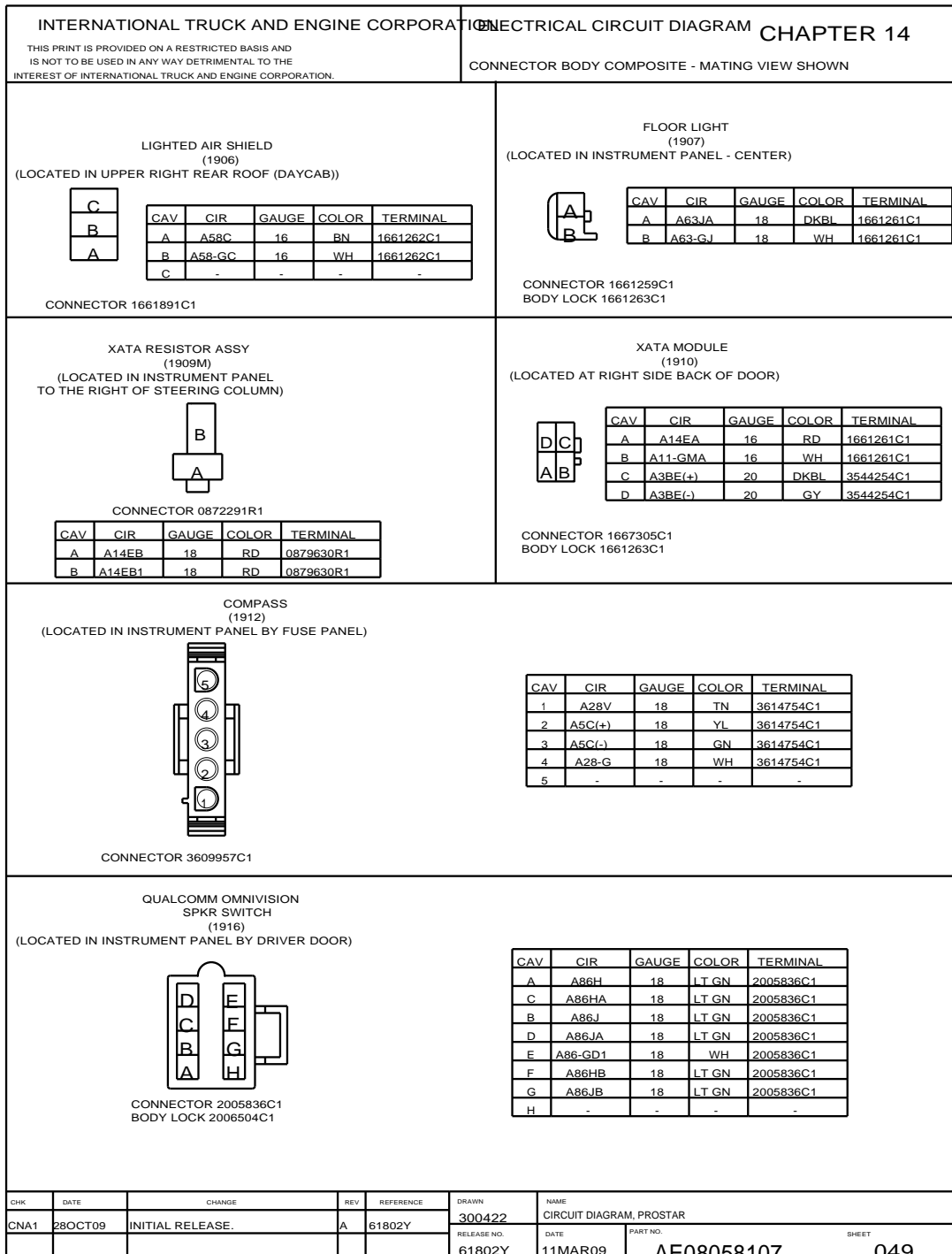


Figure 251 Connector Body Composite (1906), (1907), (1909M), (1910), (1912), (1916)

14.50. CONNECTOR BODY COMPOSITE (1917), (1918 / 1918A), (#1919 / *1919), (1920), (1922), (1922M), P. 50

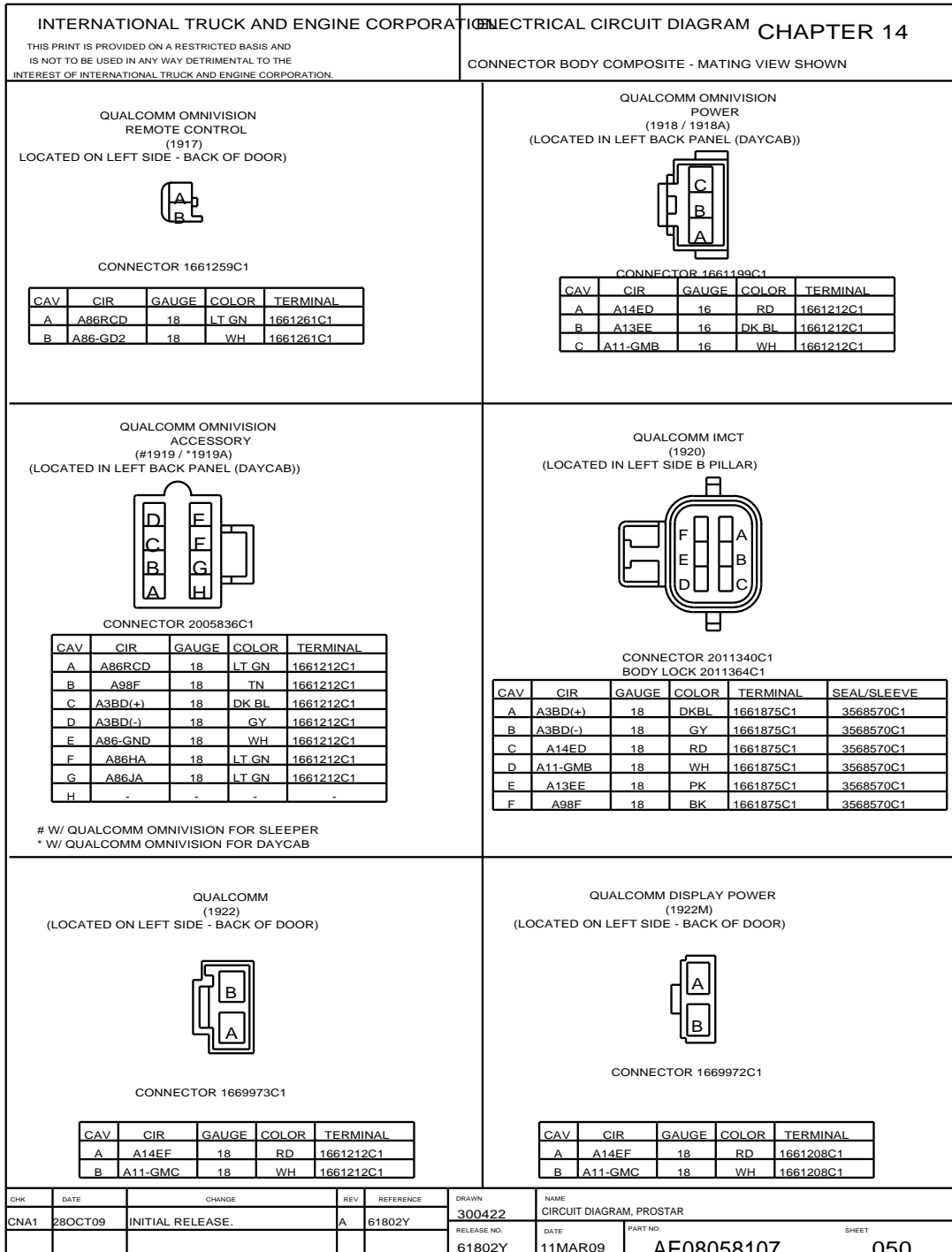


Figure 252 Connector Body Composite (1917), (1918 / 1918A), (#1919 / *1919), (1920), (1922), (1922M)

14.52. CONNECTOR BODY COMPOSITE (1932), (1933), (1942F), P. 52

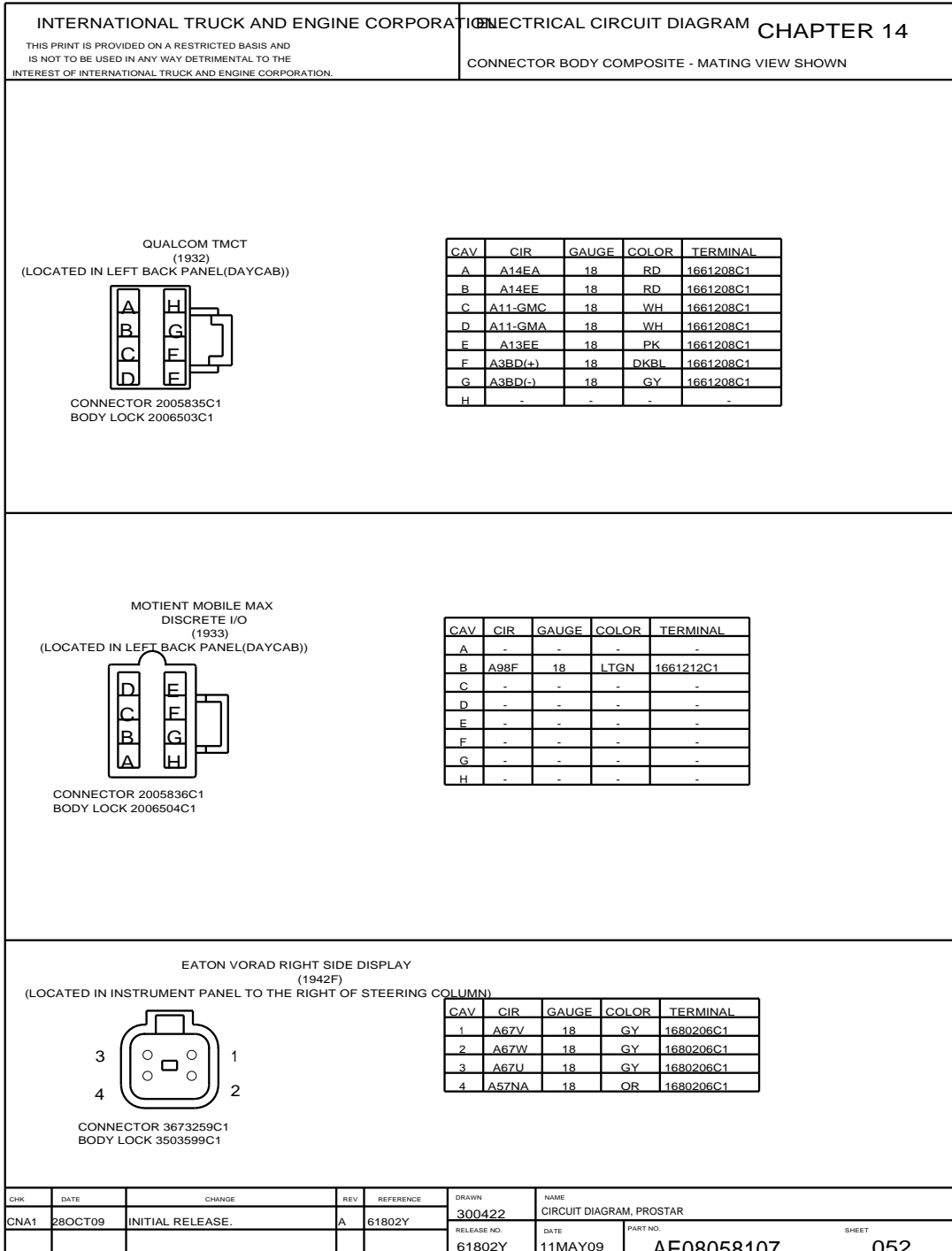


Figure 254 Connector Body Composite (1932), (1933), (1942F)

14.53. CONNECTOR BODY COMPOSITE (1943M), (1953), (1960), P. 53

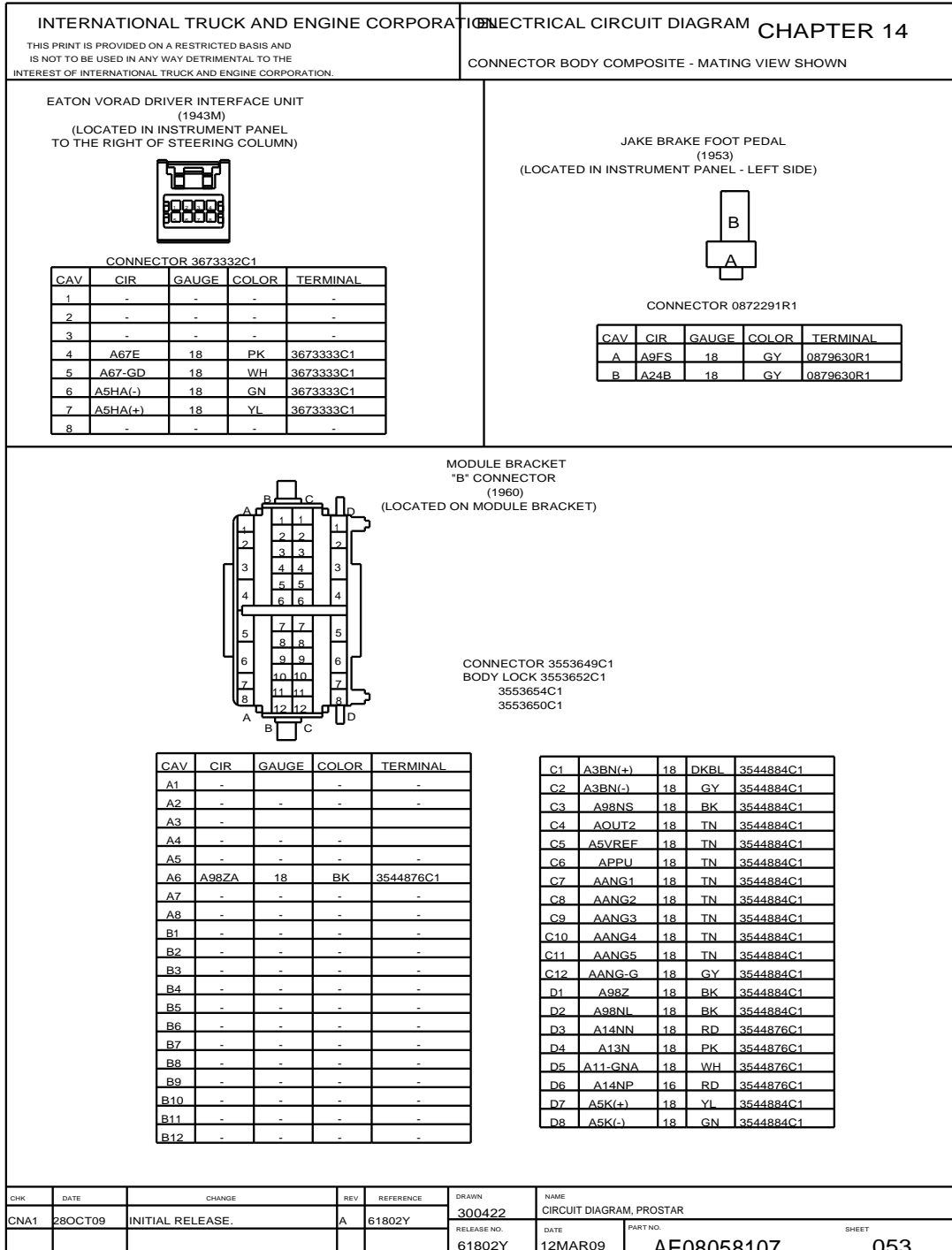


Figure 255 Connector Body Composite (1943M), (1953), (1960)

14.54. CONNECTOR BODY COMPOSITE (1962), P. 54

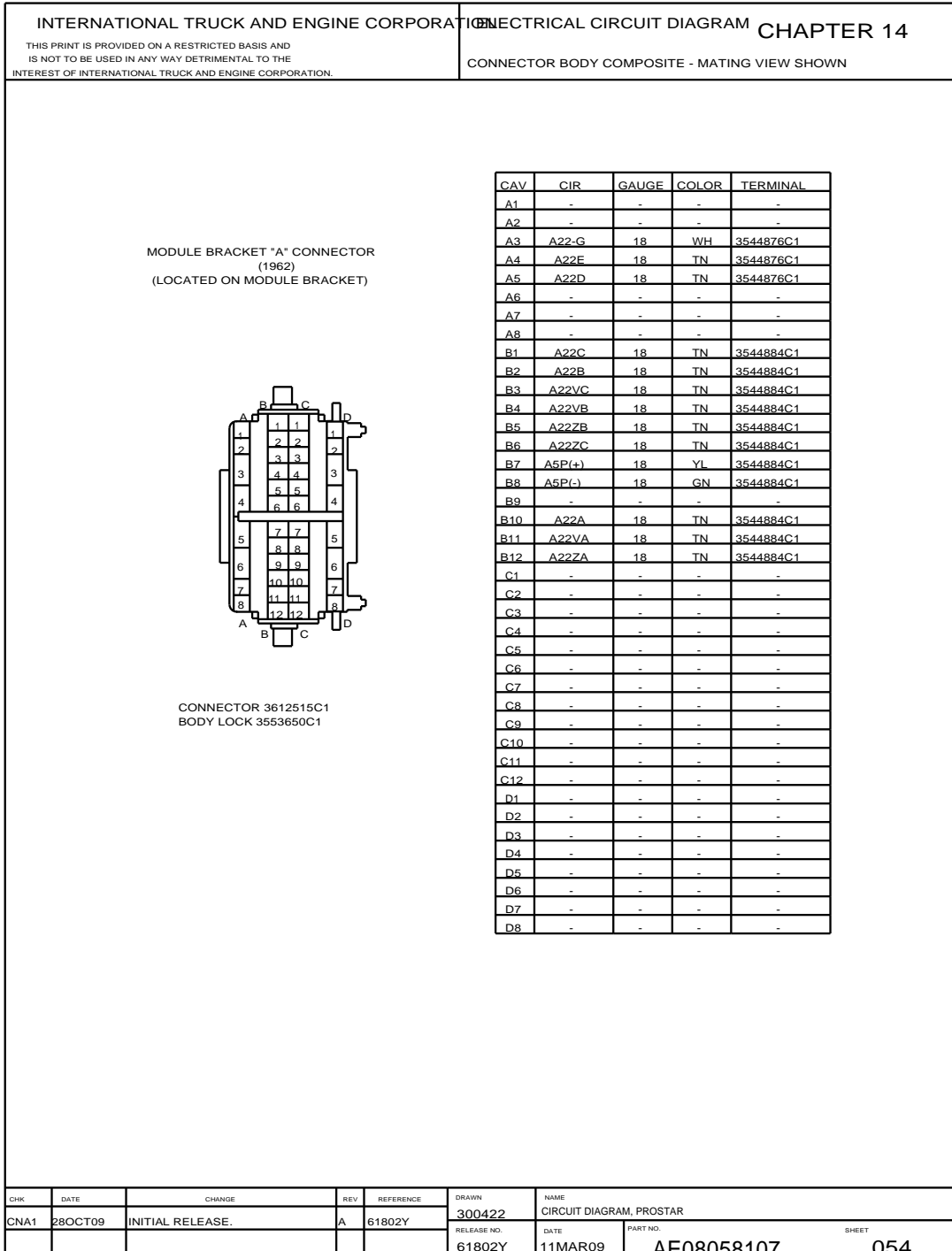


Figure 256 Connector Body Composite (1962)

14.55. CONNECTOR BODY COMPOSITE (1963), (1964), P. 55

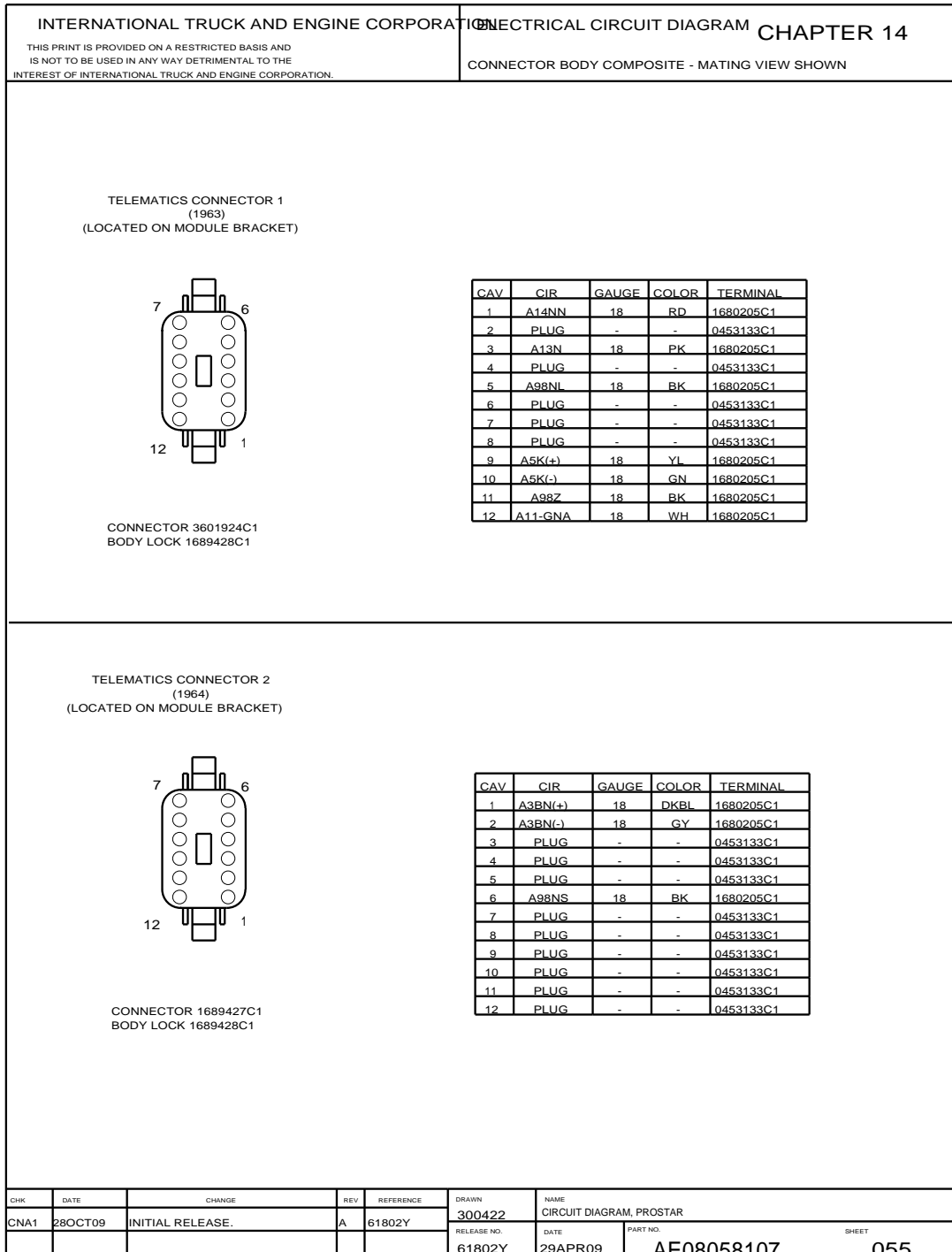


Figure 257 Connector Body Composite (1963), (1964)

14.56. CONNECTOR BODY COMPOSITE (1970), P. 56

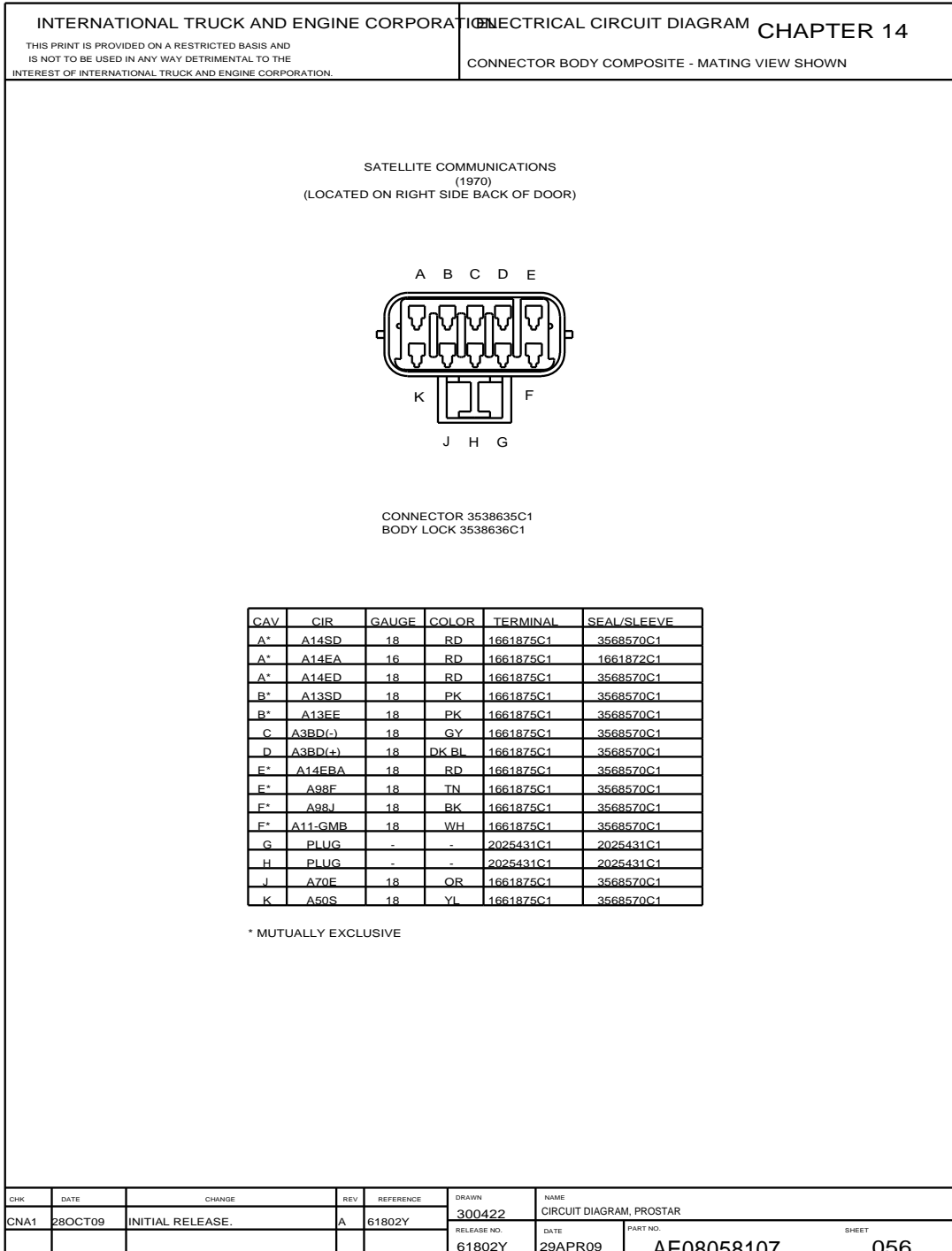


Figure 258 Connector Body Composite (1970)

14.57. CONNECTOR BODY COMPOSITE (2000), P. 57

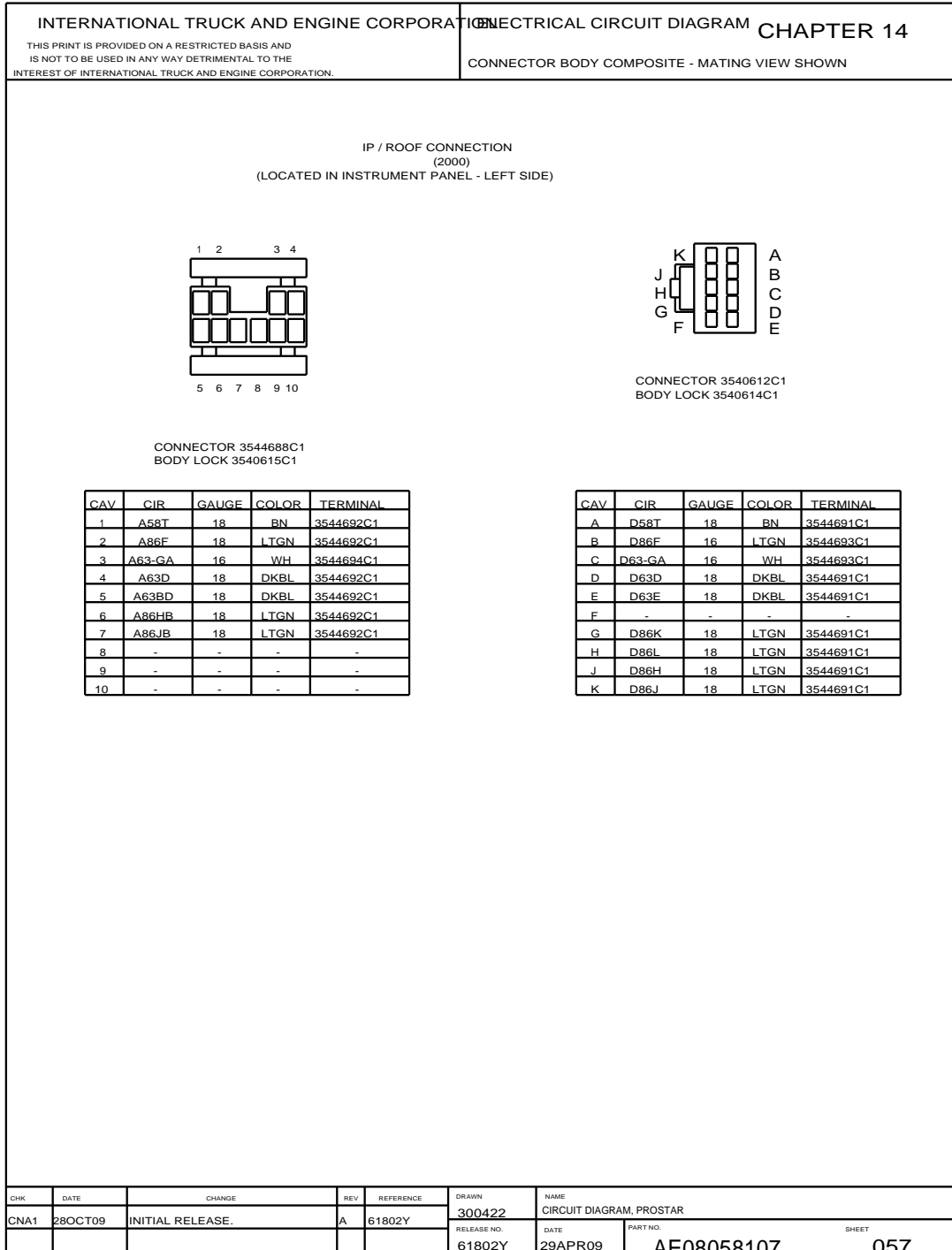


Figure 259 Connector Body Composite (2000)

14.58. CONNECTOR BODY COMPOSITE (2002M), (2003M), (2004M), (2005M), (2006M), (2007F), P. 58






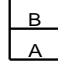
INTERNATIONAL TRUCK AND ENGINE CORPORATION		ELECTRICAL CIRCUIT DIAGRAM CHAPTER 14																	
THIS PRINT IS PROVIDED ON A RESTRICTED BASIS AND IS NOT TO BE USED IN ANY WAY DETRIMENTAL TO THE INTEREST OF INTERNATIONAL TRUCK AND ENGINE CORPORATION.		CONNECTOR BODY COMPOSITE - MATING VIEW SHOWN																	
<p>LEFT CLEARANCE (2002M) (LOCATED IN FRONT ROOF)</p>  <table border="1" style="margin-left: auto; margin-right: auto;"> <thead> <tr> <th>CAV</th> <th>CIR</th> <th>GAUGE</th> <th>COLOR</th> <th>TERMINAL</th> </tr> </thead> <tbody> <tr> <td>A</td> <td>D58Z</td> <td>18</td> <td>BN</td> <td>1661261C1</td> </tr> <tr> <td>B</td> <td>D58-GD</td> <td>18</td> <td>WH</td> <td>1661261C1</td> </tr> </tbody> </table> <p>CONNECTOR 1661259C1 BODY LOCK 1661263C1</p>					CAV	CIR	GAUGE	COLOR	TERMINAL	A	D58Z	18	BN	1661261C1	B	D58-GD	18	WH	1661261C1
CAV	CIR	GAUGE	COLOR	TERMINAL															
A	D58Z	18	BN	1661261C1															
B	D58-GD	18	WH	1661261C1															
<p>LEFT MARKER (2003M) (LOCATED IN FRONT ROOF)</p>  <table border="1" style="margin-left: auto; margin-right: auto;"> <thead> <tr> <th>CAV</th> <th>CIR</th> <th>GAUGE</th> <th>COLOR</th> <th>TERMINAL</th> </tr> </thead> <tbody> <tr> <td>A</td> <td>D58M</td> <td>18</td> <td>BN</td> <td>1661261C1</td> </tr> <tr> <td>B</td> <td>D58-GE</td> <td>18</td> <td>WH</td> <td>1661261C1</td> </tr> </tbody> </table> <p>CONNECTOR 1661259C1 BODY LOCK 1661263C1</p>					CAV	CIR	GAUGE	COLOR	TERMINAL	A	D58M	18	BN	1661261C1	B	D58-GE	18	WH	1661261C1
CAV	CIR	GAUGE	COLOR	TERMINAL															
A	D58M	18	BN	1661261C1															
B	D58-GE	18	WH	1661261C1															
<p>MID MARKER (2004M) (LOCATED IN FRONT ROOF)</p>  <table border="1" style="margin-left: auto; margin-right: auto;"> <thead> <tr> <th>CAV</th> <th>CIR</th> <th>GAUGE</th> <th>COLOR</th> <th>TERMINAL</th> </tr> </thead> <tbody> <tr> <td>A</td> <td>D58N</td> <td>18</td> <td>BN</td> <td>1661261C1</td> </tr> <tr> <td>B</td> <td>D58-GF</td> <td>18</td> <td>WH</td> <td>1661261C1</td> </tr> </tbody> </table> <p>CONNECTOR 1661259C1 BODY LOCK 1661263C1</p>					CAV	CIR	GAUGE	COLOR	TERMINAL	A	D58N	18	BN	1661261C1	B	D58-GF	18	WH	1661261C1
CAV	CIR	GAUGE	COLOR	TERMINAL															
A	D58N	18	BN	1661261C1															
B	D58-GF	18	WH	1661261C1															
<p>RIGHT MARKER (2005M) (LOCATED IN FRONT ROOF)</p>  <table border="1" style="margin-left: auto; margin-right: auto;"> <thead> <tr> <th>CAV</th> <th>CIR</th> <th>GAUGE</th> <th>COLOR</th> <th>TERMINAL</th> </tr> </thead> <tbody> <tr> <td>A</td> <td>D58P</td> <td>18</td> <td>BN</td> <td>1661261C1</td> </tr> <tr> <td>B</td> <td>D58-GH</td> <td>18</td> <td>WH</td> <td>1661261C1</td> </tr> </tbody> </table> <p>CONNECTOR 1661259C1 BODY LOCK 1661263C1</p>					CAV	CIR	GAUGE	COLOR	TERMINAL	A	D58P	18	BN	1661261C1	B	D58-GH	18	WH	1661261C1
CAV	CIR	GAUGE	COLOR	TERMINAL															
A	D58P	18	BN	1661261C1															
B	D58-GH	18	WH	1661261C1															
<p>RIGHT CLEARANCE (2006M) (LOCATED IN FRONT ROOF)</p>  <table border="1" style="margin-left: auto; margin-right: auto;"> <thead> <tr> <th>CAV</th> <th>CIR</th> <th>GAUGE</th> <th>COLOR</th> <th>TERMINAL</th> </tr> </thead> <tbody> <tr> <td>A</td> <td>D58R</td> <td>18</td> <td>BN</td> <td>1661261C1</td> </tr> <tr> <td>B</td> <td>D58-GJ</td> <td>18</td> <td>WH</td> <td>1661261C1</td> </tr> </tbody> </table> <p>CONNECTOR 1661259C1 BODY LOCK 1661263C1</p>					CAV	CIR	GAUGE	COLOR	TERMINAL	A	D58R	18	BN	1661261C1	B	D58-GJ	18	WH	1661261C1
CAV	CIR	GAUGE	COLOR	TERMINAL															
A	D58R	18	BN	1661261C1															
B	D58-GJ	18	WH	1661261C1															
<p>SUNSHADE (2007F) (LOCATED AT SUNSHADE)</p>  <table border="1" style="margin-left: auto; margin-right: auto;"> <thead> <tr> <th>CAV</th> <th>CIR</th> <th>GAUGE</th> <th>COLOR</th> <th>TERMINAL</th> </tr> </thead> <tbody> <tr> <td>A</td> <td>D58T</td> <td>18</td> <td>BN</td> <td>1661262C1</td> </tr> <tr> <td>B</td> <td>D58-GL</td> <td>18</td> <td>WH</td> <td>1661262C1</td> </tr> </tbody> </table> <p>CONNECTOR 1661260C1 BODY LOCK 1661264C1</p>					CAV	CIR	GAUGE	COLOR	TERMINAL	A	D58T	18	BN	1661262C1	B	D58-GL	18	WH	1661262C1
CAV	CIR	GAUGE	COLOR	TERMINAL															
A	D58T	18	BN	1661262C1															
B	D58-GL	18	WH	1661262C1															
CHK	DATE	CHANGE	REV	REFERENCE	DRAWN	NAME		PART NO.	SHEET										
CNA1	28OCT09	INITIAL RELEASE.	A	61802Y	300422	CIRCUIT DIAGRAM, PROSTAR													
					RELEASE NO.	DATE													
					61802Y	12MAR09	AE08058107		058										

Figure 260 Connector Body Composite (2002M), (2003M), (2004M), (2005M), (2006M), (2007F)

14.59. CONNECTOR BODY COMPOSITE (2100), (2101), P. 59

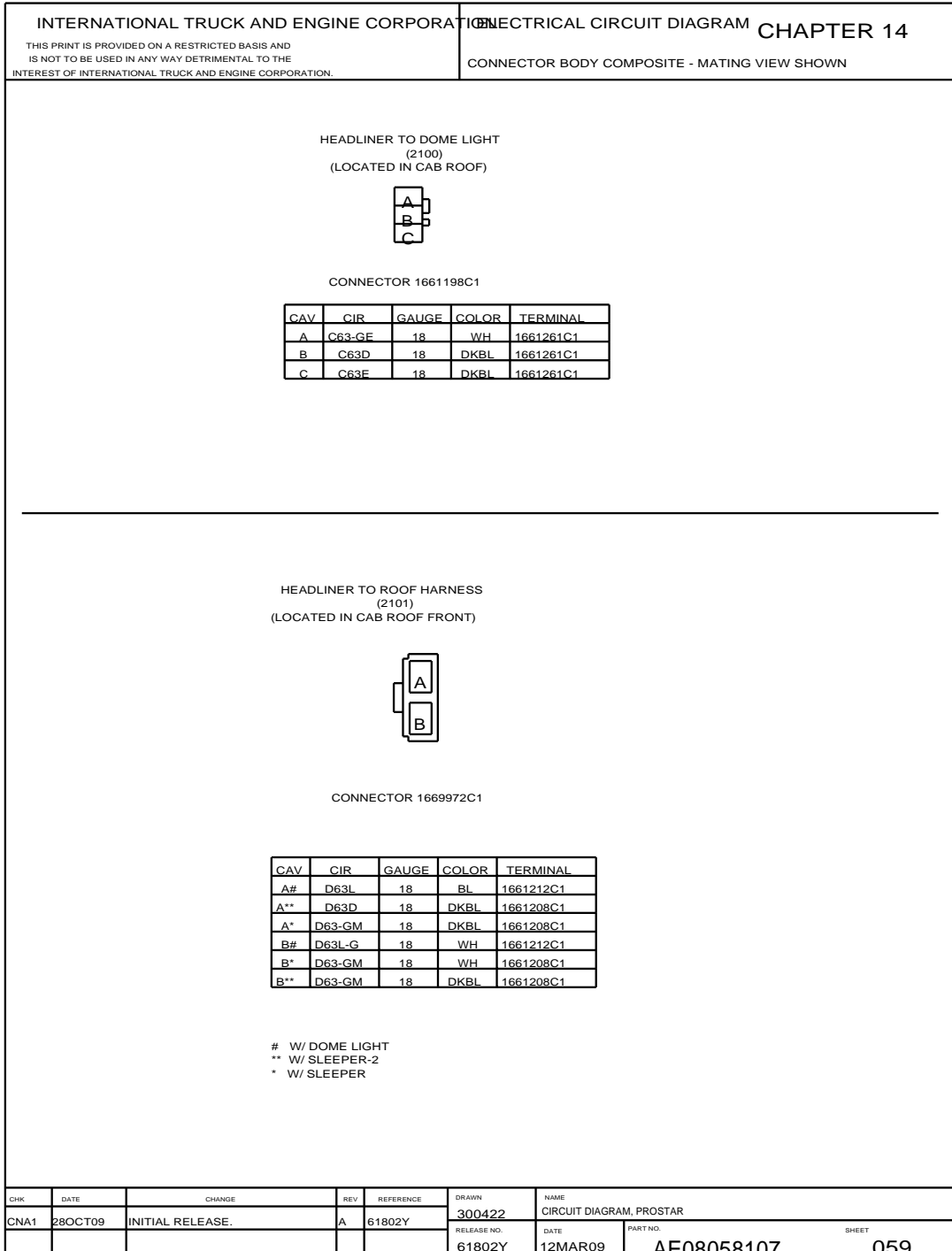


Figure 261 Connector Body Composite (2100), (2101)

14.60. CONNECTOR BODY COMPOSITE (2200), (2201), (2300), P. 60

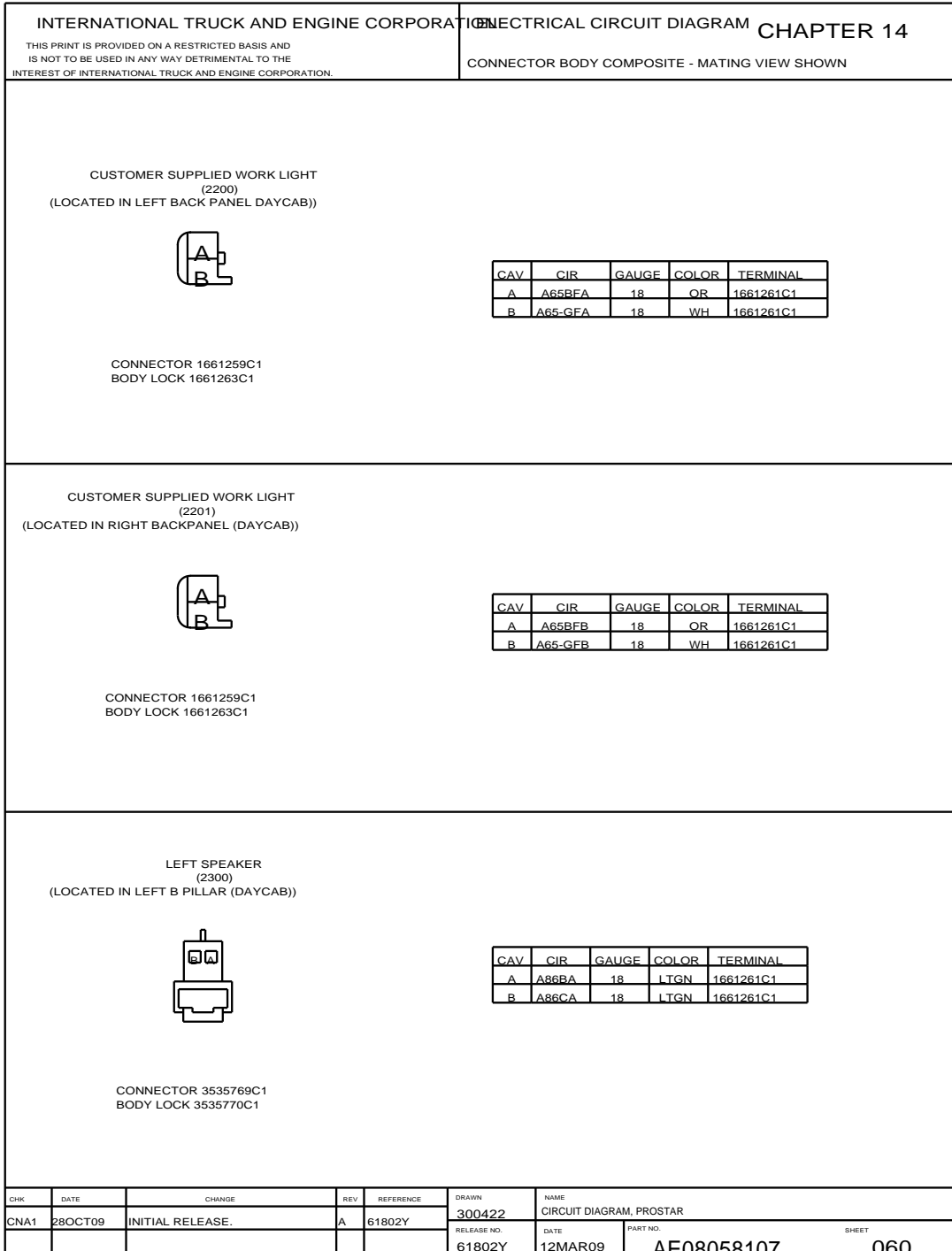


Figure 262 Connector Body Composite (2200), (2201), (2300)

14.61. CONNECTOR BODY COMPOSITE (2302), (2303F / 2303M), (2304), (2312), P. 61

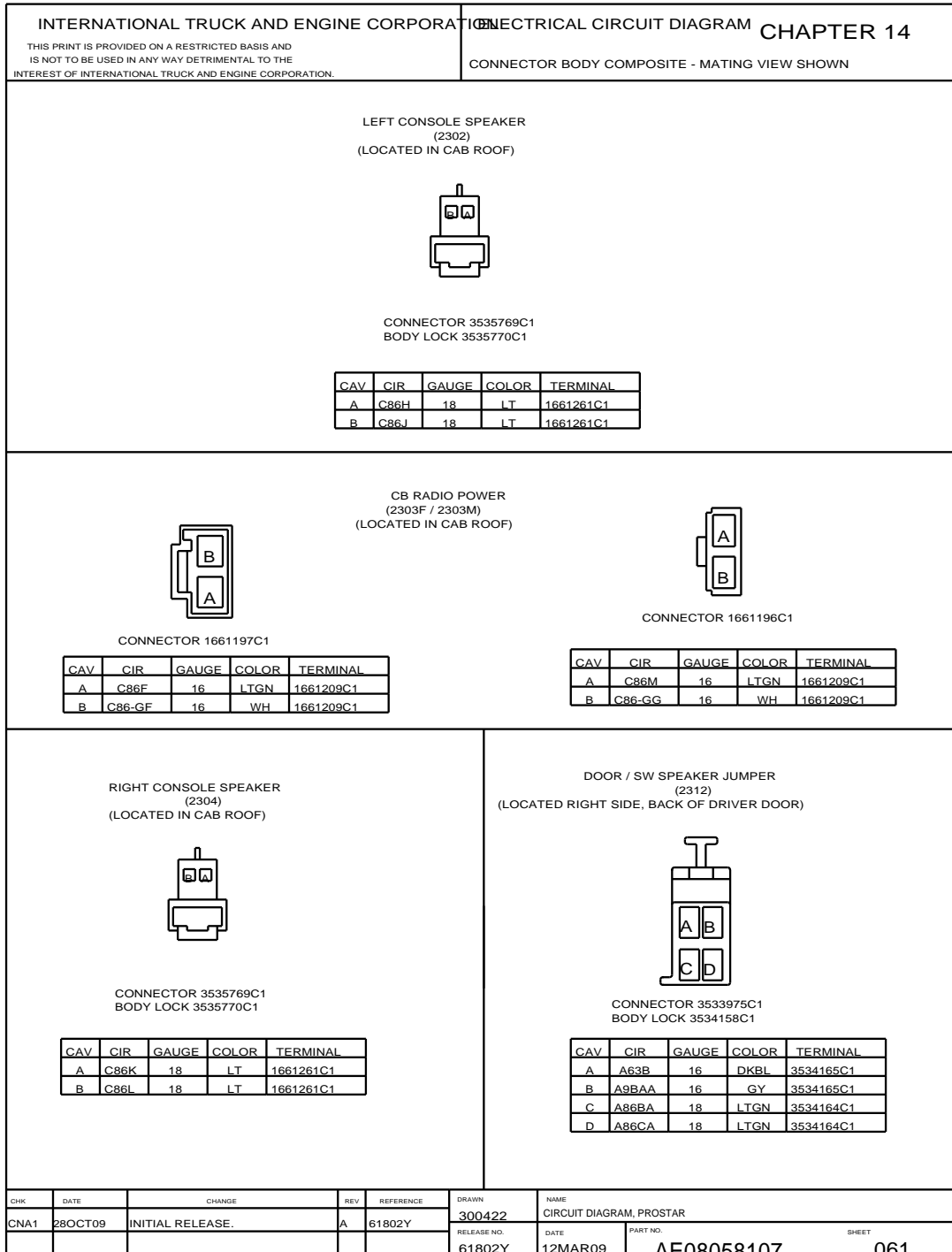


Figure 263 Connector Body Composite (2302), (2303F / 2303M), (2304), (2312)

14.62. CONNECTOR BODY COMPOSITE (2313), (2500), P. 62

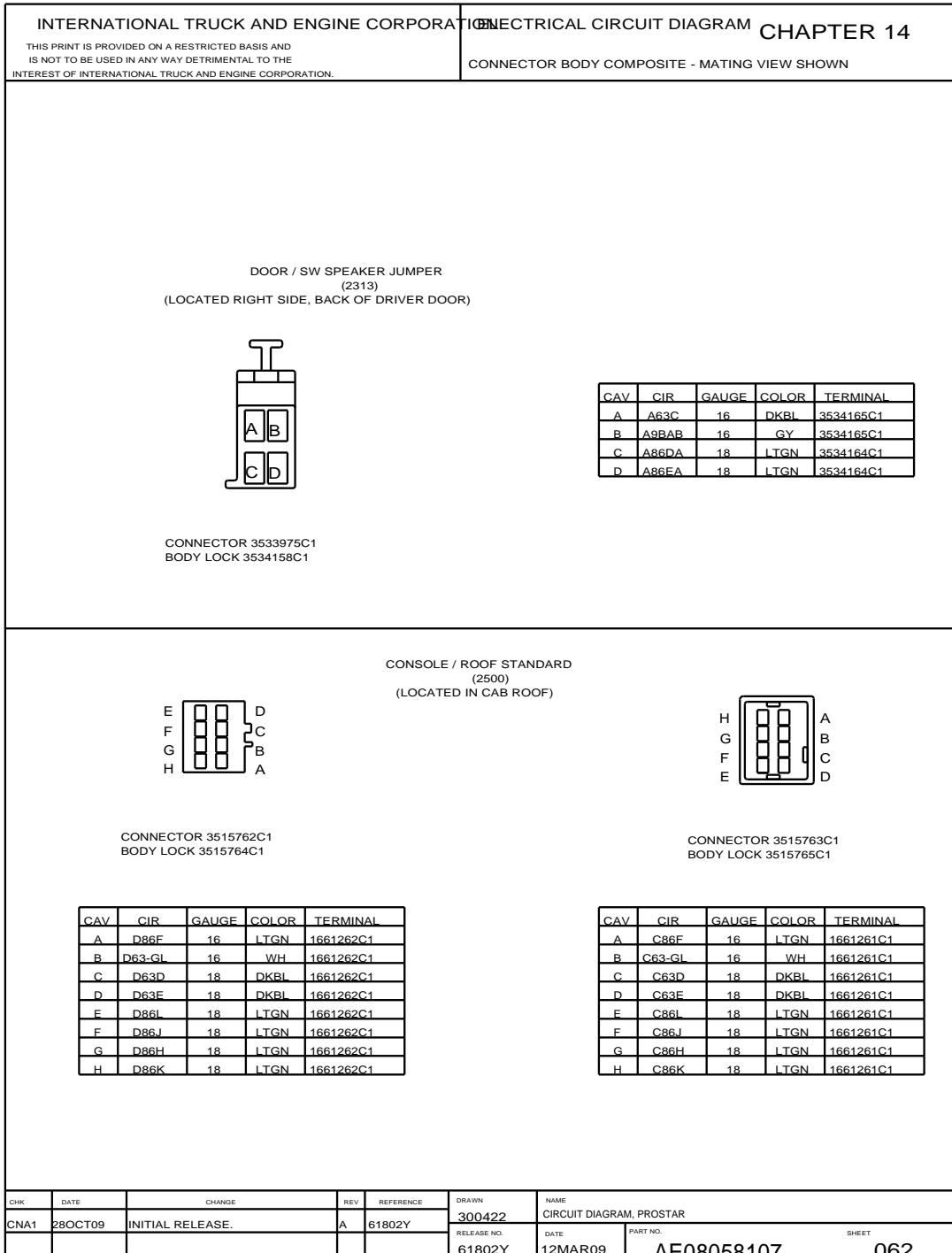


Figure 264 Connector Body Composite (2313), (2500)

14.63. CONNECTOR BODY COMPOSITE (3000), (3003M), (3100 / 3100M), P. 63

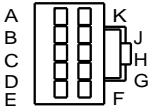
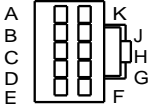

<p>INTERNATIONAL TRUCK AND ENGINE CORPORATION THIS PRINT IS PROVIDED ON A RESTRICTED BASIS AND IS NOT TO BE USED IN ANY WAY DETRIMENTAL TO THE INTEREST OF INTERNATIONAL TRUCK AND ENGINE CORPORATION.</p>	<p>ELECTRICAL CIRCUIT DIAGRAM CHAPTER 14 CONNECTOR BODY COMPOSITE - MATING VIEW SHOWN</p>																																																							
<p>DRIVER DOOR CONNECTOR (3000) (LOCATED IN INSTRUMENT PANEL BELOW FUSE PANEL COVER BY DRIVER DOOR)</p>																																																								
	<table border="1" style="width:100%; border-collapse: collapse;"> <thead> <tr> <th>CAV</th> <th>CIR</th> <th>GAUGE</th> <th>COLOR</th> <th>TERMINAL</th> </tr> </thead> <tbody> <tr><td>A</td><td>A78D</td><td>18</td><td>LTGN</td><td>1661261C1</td></tr> <tr><td>B</td><td>A78E</td><td>18</td><td>LTGN</td><td>1661261C1</td></tr> <tr><td>C</td><td>A78F</td><td>18</td><td>LTGN</td><td>1661261C1</td></tr> <tr><td>D</td><td>A78A</td><td>16</td><td>LTGN</td><td>1661261C1</td></tr> <tr><td>E</td><td>A62BD</td><td>18</td><td>DKBL</td><td>1661261C1</td></tr> <tr><td>F</td><td>A58DA</td><td>18</td><td>BN</td><td>1661261C1</td></tr> <tr><td>G</td><td>A78V</td><td>18</td><td>LTGN</td><td>1661261C1</td></tr> <tr><td>H</td><td>A78-GA</td><td>16</td><td>WH</td><td>1661261C1</td></tr> <tr><td>J</td><td>A56D</td><td>18</td><td>OR</td><td>1661261C1</td></tr> <tr><td>K</td><td>-</td><td>-</td><td>-</td><td>-</td></tr> </tbody> </table>	CAV	CIR	GAUGE	COLOR	TERMINAL	A	A78D	18	LTGN	1661261C1	B	A78E	18	LTGN	1661261C1	C	A78F	18	LTGN	1661261C1	D	A78A	16	LTGN	1661261C1	E	A62BD	18	DKBL	1661261C1	F	A58DA	18	BN	1661261C1	G	A78V	18	LTGN	1661261C1	H	A78-GA	16	WH	1661261C1	J	A56D	18	OR	1661261C1	K	-	-	-	-
CAV	CIR	GAUGE	COLOR	TERMINAL																																																				
A	A78D	18	LTGN	1661261C1																																																				
B	A78E	18	LTGN	1661261C1																																																				
C	A78F	18	LTGN	1661261C1																																																				
D	A78A	16	LTGN	1661261C1																																																				
E	A62BD	18	DKBL	1661261C1																																																				
F	A58DA	18	BN	1661261C1																																																				
G	A78V	18	LTGN	1661261C1																																																				
H	A78-GA	16	WH	1661261C1																																																				
J	A56D	18	OR	1661261C1																																																				
K	-	-	-	-																																																				
<p>CONNECTOR 3540612C1 BODY LOCK 3540614C1</p>																																																								
<p>PASSENGER DOOR CONNECTOR (3003M) (LOCATED IN INSTRUMENT PANEL BELOW FUSE PANEL COVER BY PASSENGER DOOR)</p>																																																								
	<table border="1" style="width:100%; border-collapse: collapse;"> <thead> <tr> <th>CAV</th> <th>CIR</th> <th>GAUGE</th> <th>COLOR</th> <th>TERMINAL</th> </tr> </thead> <tbody> <tr><td>A</td><td>A78D</td><td>18</td><td>LTGN</td><td>1661261C1</td></tr> <tr><td>B</td><td>A78E</td><td>18</td><td>LTGN</td><td>1661261C1</td></tr> <tr><td>C</td><td>A78F</td><td>18</td><td>LTGN</td><td>1661261C1</td></tr> <tr><td>D</td><td>A78B</td><td>16</td><td>LTGN</td><td>1661261C1</td></tr> <tr><td>E</td><td>-</td><td>-</td><td>-</td><td>-</td></tr> <tr><td>F</td><td>A58DB</td><td>18</td><td>BN</td><td>1661261C1</td></tr> <tr><td>G</td><td>-</td><td>-</td><td>-</td><td>-</td></tr> <tr><td>H</td><td>A78-GB</td><td>16</td><td>WH</td><td>1661261C1</td></tr> <tr><td>J</td><td>A57D</td><td>18</td><td>OR</td><td>1661261C1</td></tr> <tr><td>K</td><td>-</td><td>-</td><td>-</td><td>-</td></tr> </tbody> </table>	CAV	CIR	GAUGE	COLOR	TERMINAL	A	A78D	18	LTGN	1661261C1	B	A78E	18	LTGN	1661261C1	C	A78F	18	LTGN	1661261C1	D	A78B	16	LTGN	1661261C1	E	-	-	-	-	F	A58DB	18	BN	1661261C1	G	-	-	-	-	H	A78-GB	16	WH	1661261C1	J	A57D	18	OR	1661261C1	K	-	-	-	-
CAV	CIR	GAUGE	COLOR	TERMINAL																																																				
A	A78D	18	LTGN	1661261C1																																																				
B	A78E	18	LTGN	1661261C1																																																				
C	A78F	18	LTGN	1661261C1																																																				
D	A78B	16	LTGN	1661261C1																																																				
E	-	-	-	-																																																				
F	A58DB	18	BN	1661261C1																																																				
G	-	-	-	-																																																				
H	A78-GB	16	WH	1661261C1																																																				
J	A57D	18	OR	1661261C1																																																				
K	-	-	-	-																																																				
<p>CONNECTOR 3540612C1 BODY LOCK 3540614C1</p>																																																								
<p>WINDOW MOTOR (3100 / 3100M) (LOCATED IN DOOR (DRIVER AND PASSENGER))</p>																																																								
	<table border="1" style="width:100%; border-collapse: collapse;"> <thead> <tr> <th>CAV</th> <th>CIR</th> <th>GAUGE</th> <th>COLOR</th> <th>TERMINAL</th> <th>SEAL/SLEEVE</th> </tr> </thead> <tbody> <tr><td>A</td><td>E83A</td><td>14</td><td>LTGN</td><td>3535486C1</td><td>0589391C1</td></tr> <tr><td>B</td><td>E83E</td><td>14</td><td>LTGN</td><td>3535486C1</td><td>0589391C1</td></tr> </tbody> </table>	CAV	CIR	GAUGE	COLOR	TERMINAL	SEAL/SLEEVE	A	E83A	14	LTGN	3535486C1	0589391C1	B	E83E	14	LTGN	3535486C1	0589391C1																																					
CAV	CIR	GAUGE	COLOR	TERMINAL	SEAL/SLEEVE																																																			
A	E83A	14	LTGN	3535486C1	0589391C1																																																			
B	E83E	14	LTGN	3535486C1	0589391C1																																																			
<p>CONNECTOR 3534424C1 BODY LOCK 3534425C1</p>																																																								
<table border="1" style="width:100%; border-collapse: collapse;"> <tr> <th>CHK</th> <th>DATE</th> <th>CHANGE</th> <th>REV</th> <th>REFERENCE</th> <th>DRAWN</th> <th>NAME</th> </tr> <tr> <td>CNA1</td> <td>28OCT09</td> <td>INITIAL RELEASE.</td> <td>A</td> <td>61802Y</td> <td>300422</td> <td>CIRCUIT DIAGRAM, PROSTAR</td> </tr> <tr> <td></td> <td></td> <td></td> <td></td> <td></td> <td>RELEASE NO. 61802Y</td> <td>DATE 12MAR09</td> </tr> <tr> <td></td> <td></td> <td></td> <td></td> <td></td> <td></td> <td>PART NO. AE08058107</td> </tr> <tr> <td></td> <td></td> <td></td> <td></td> <td></td> <td></td> <td>SHEET 063</td> </tr> </table>		CHK	DATE	CHANGE	REV	REFERENCE	DRAWN	NAME	CNA1	28OCT09	INITIAL RELEASE.	A	61802Y	300422	CIRCUIT DIAGRAM, PROSTAR						RELEASE NO. 61802Y	DATE 12MAR09							PART NO. AE08058107							SHEET 063																				
CHK	DATE	CHANGE	REV	REFERENCE	DRAWN	NAME																																																		
CNA1	28OCT09	INITIAL RELEASE.	A	61802Y	300422	CIRCUIT DIAGRAM, PROSTAR																																																		
					RELEASE NO. 61802Y	DATE 12MAR09																																																		
						PART NO. AE08058107																																																		
						SHEET 063																																																		

Figure 265 Connector Body Composite (3000), (3003M), (3100 / 3100M)

14.64. CONNECTOR BODY COMPOSITE (3200 / 3200F), (3201M), (3202M), (3203), P. 64

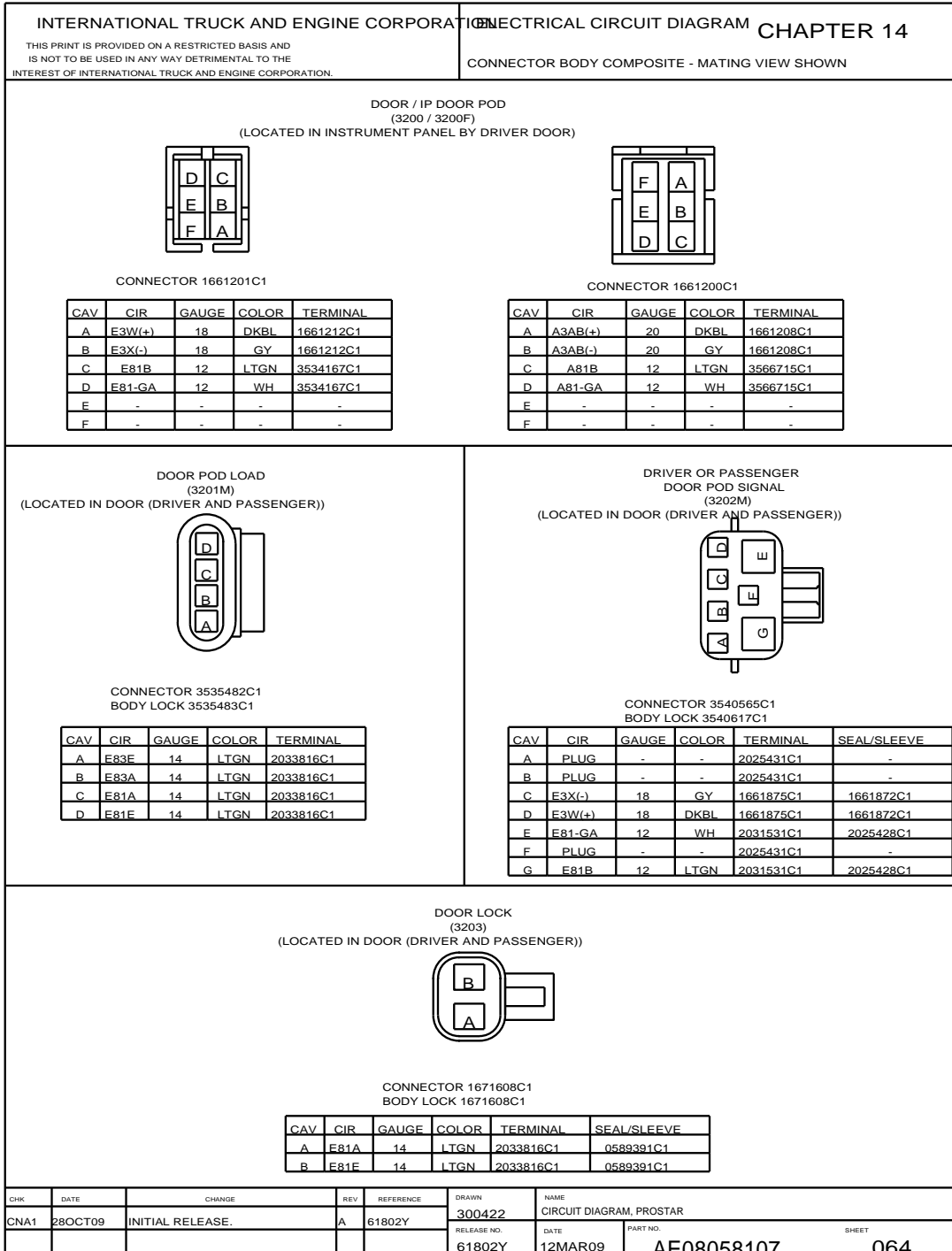


Figure 266 Connector Body Composite (3200 / 3200F), (3201M), (3202M), (3203)

14.65. CONNECTOR BODY COMPOSITE (3204 / 3204M), (3205M / 3205F), (3206M), (3300), (3400), (3410), P. 65

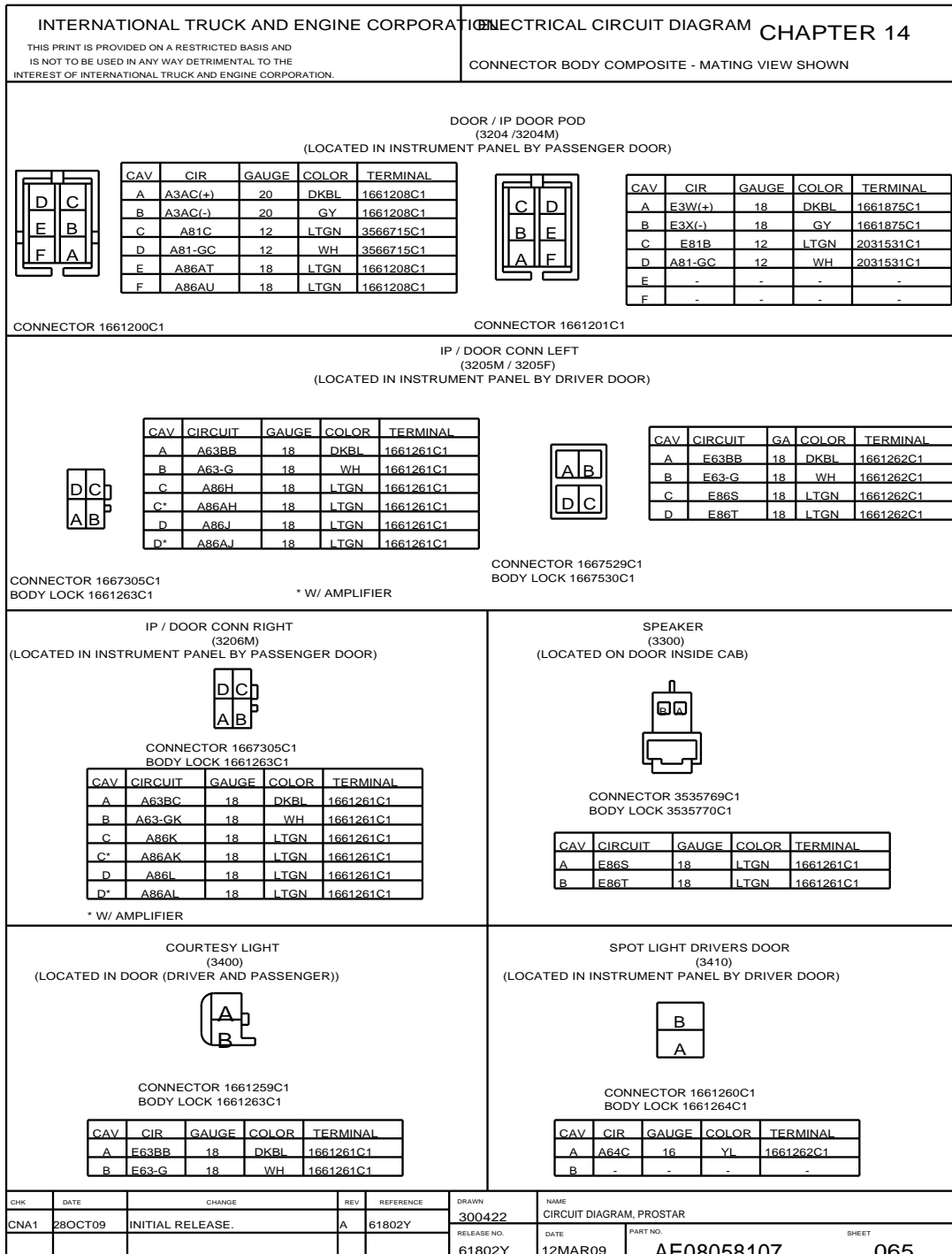


Figure 267 Connector Body Composite (3204 / 3204M), (3205M / 3205F), (3206M), (3300), (3400), (3410)

14.66. CONNECTOR BODY COMPOSITE (4101), (4111), P. 66

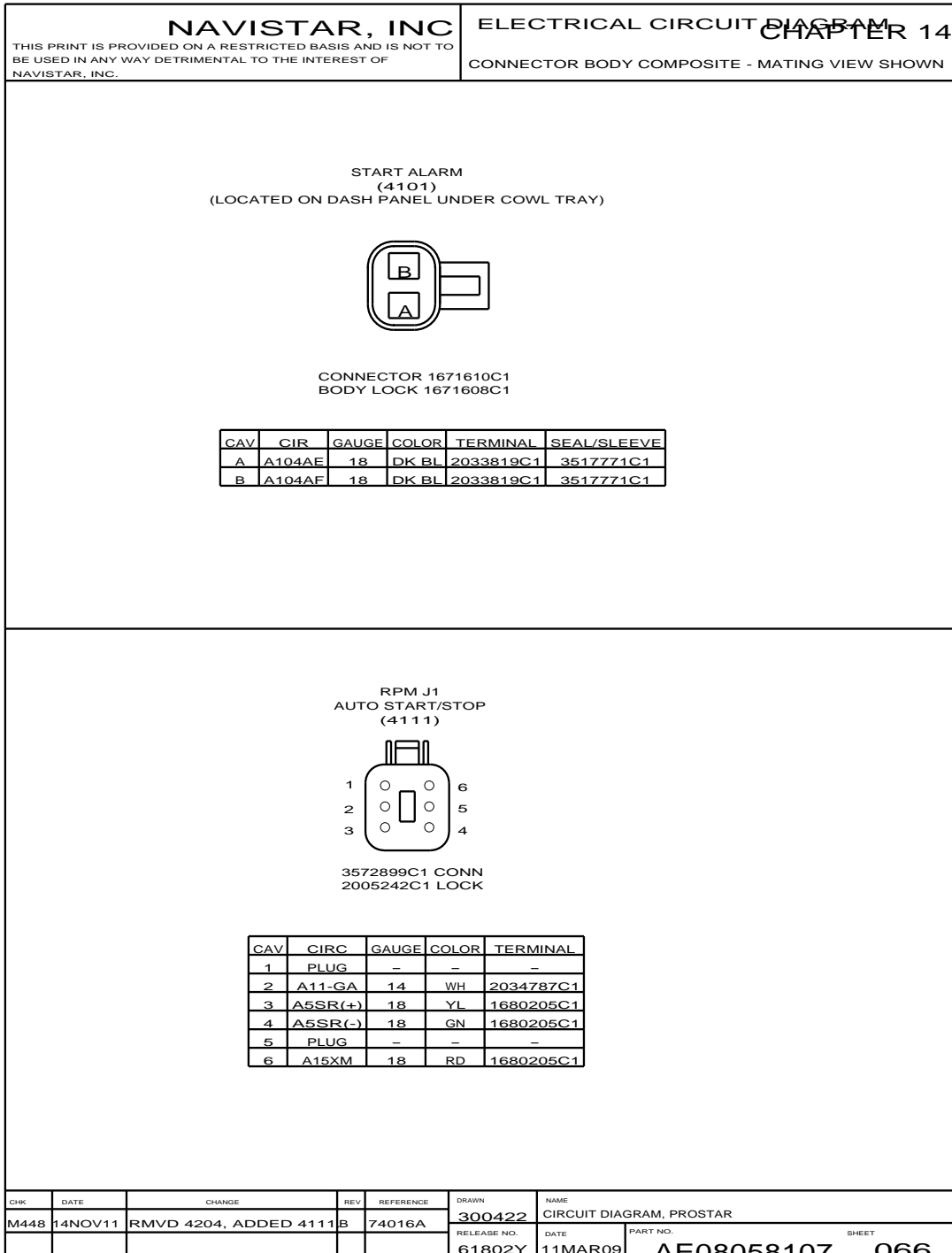


Figure 268 Connector Body Composite (4101), (4111)

14.67. CONNECTOR BODY COMPOSITE (4113), (4114), (4115), P. 66A

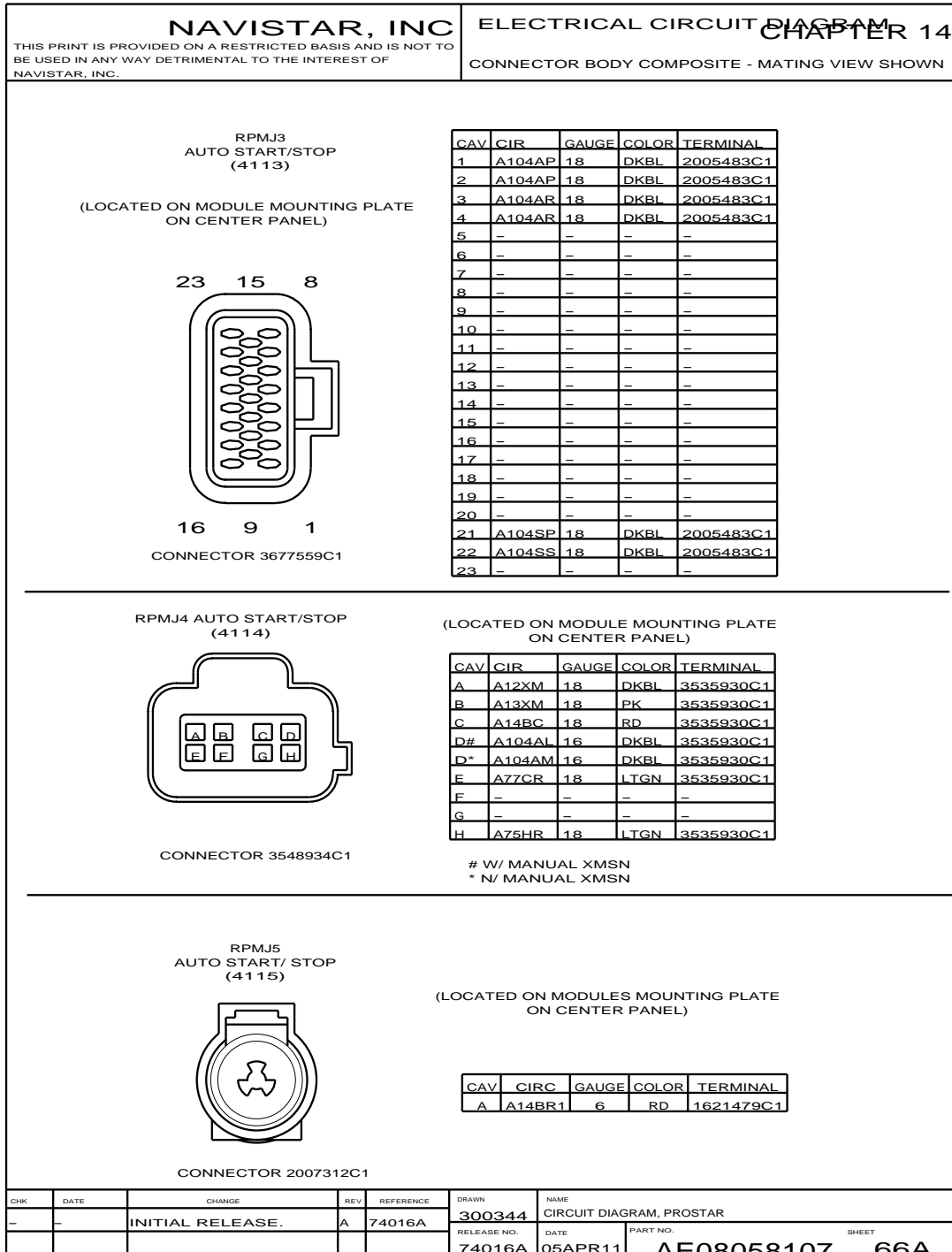


Figure 269 Connector Body Composite (4113), (4114), (4115)

14.68. CONNECTOR BODY COMPOSITE (4204), P. 66B

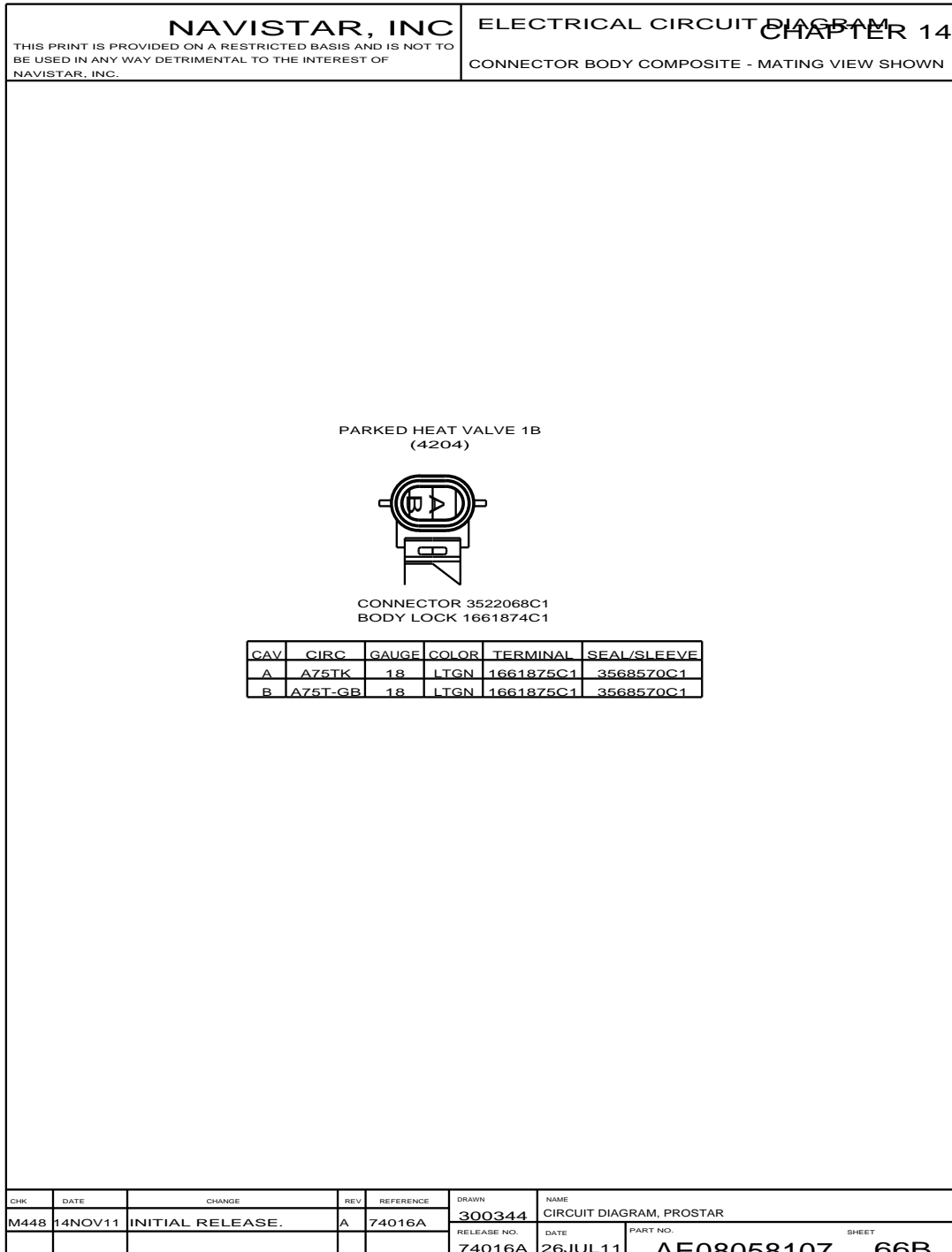


Figure 270 Connector Body Composite (4204)

14.69. CONNECTOR BODY COMPOSITE (4328), (4500), (4705), (4706), P. 67

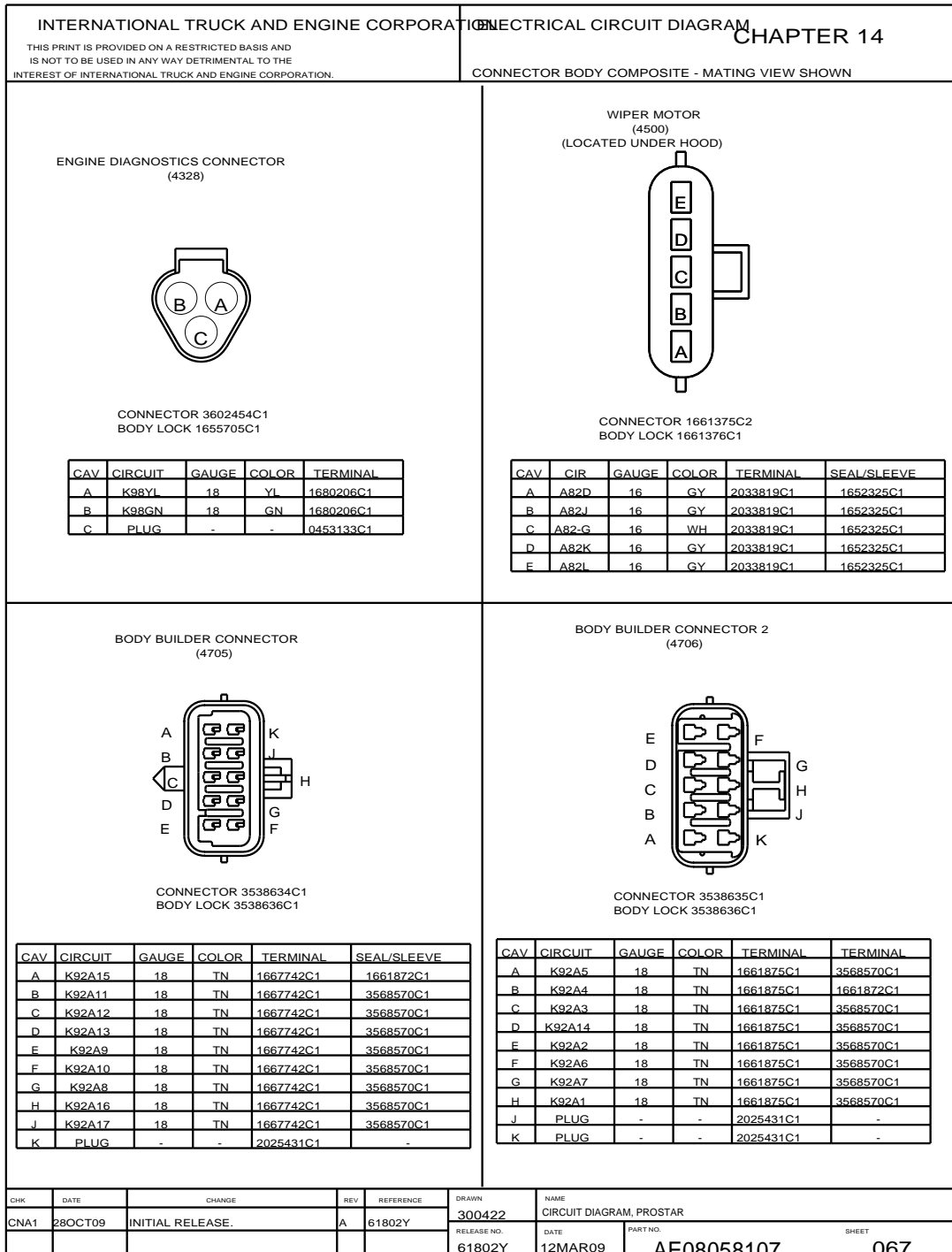


Figure 271 Connector Body Composite (4328), (4500), (4705), (4706)

14.70. CONNECTOR BODY COMPOSITE (5000 / 5000A), P. 68

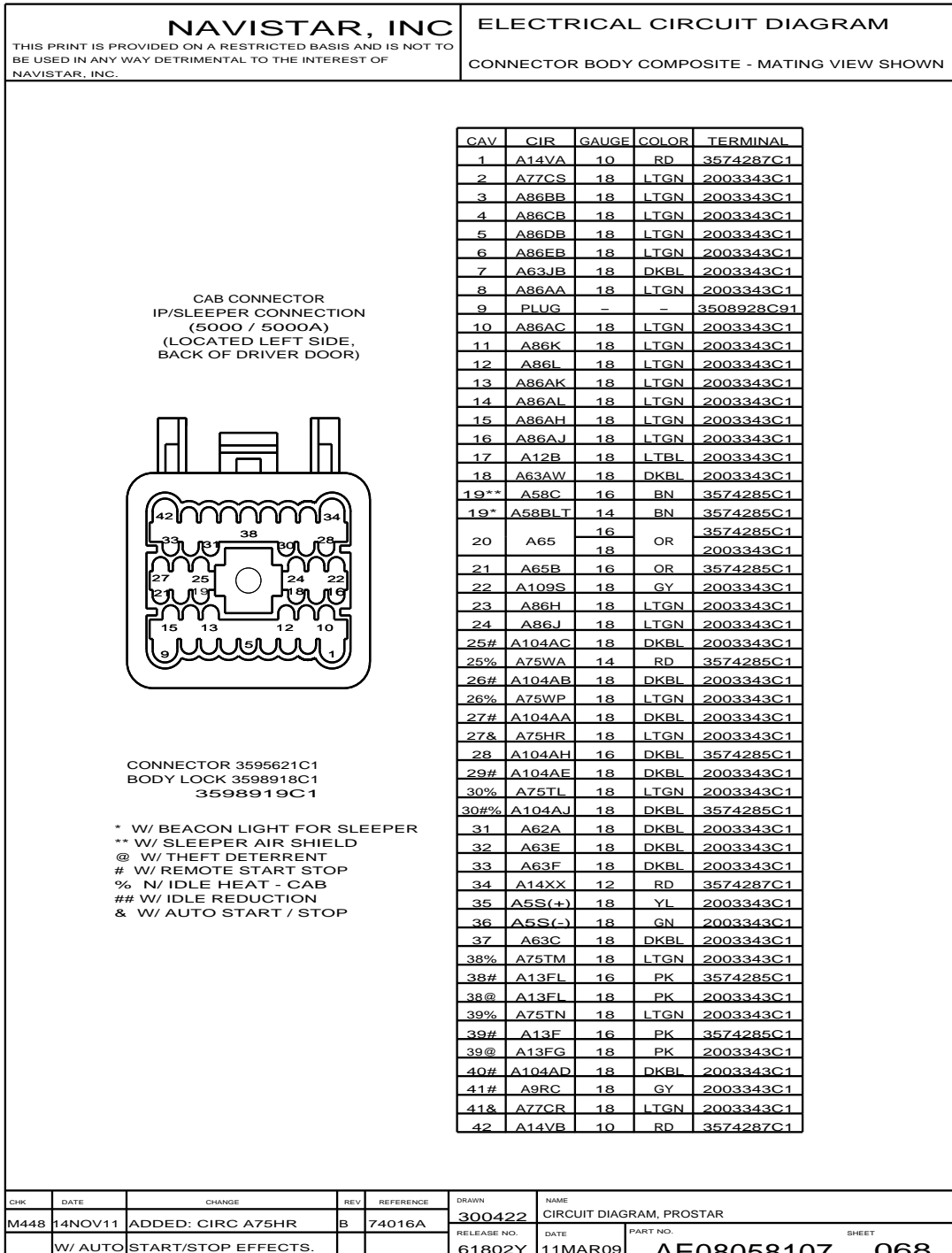


Figure 272 Connector Body Composite (5000 / 5000A)

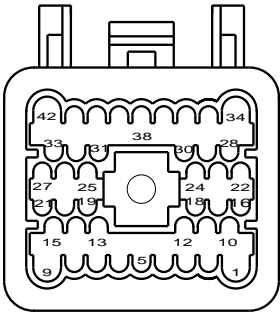
14.71. CONNECTOR BODY COMPOSITE (5000), P. 69

NAVISTAR, INC				ELECTRICAL CIRCUIT DIAGRAM	
THIS PRINT IS PROVIDED ON A RESTRICTED BASIS AND IS NOT TO BE USED IN ANY WAY DETRIMENTAL TO THE INTEREST OF NAVISTAR, INC.				CHAPTER 14	
CONNECTOR BODY COMPOSITE - MATING VIEW SHOWN					

CAV	CIR	GAUGE	COLOR	TERMINAL
1	H14VA	10	RD	3549415C1
2	H97Z	18	VT	3549418C1
2&	H77CS	18	LTGN	3549418C1
3	H86BB	18	LTGN	3549418C1
4	H86CB	18	LTGN	3549418C1
5	H86DB	18	LTGN	3549418C1
6	H86EB	18	LTGN	3549418C1
7	H63JB	18	DKBL	3549418C1
8	H86AB	18	LTGN	3549418C1
9@	H75AJB	16	LTGN	3549416C1
9@	H75WDB	16	LTGN	3549418C1
10	H86AC	18	LTGN	3549418C1
11	H86K	18	LTGN	3549418C1
12	H86L	18	LTGN	3549418C1
13	H86AK	18	LTGN	3549418C1
14	H86AL	18	LTGN	3549418C1
15	H86AH	18	LTGN	3549418C1
16	H86AJ	18	LTGN	3549418C1
17*	H12B	18	LTBL	3549418C1
17#	H12B	18	VT	3549418C1
18	H63AW	18	DKBL	3549418C1
19	H58C	16	BK	3549418C1
20	H65	16	OR	3549417C1
21	H65B	16	OR	3549418C1
22	H109S	18	GY	3549418C1
23	H86H	18	LTGN	3549418C1
24	H86J	18	LTGN	3549418C1
25**	H104AC	18	DKBL	3549418C1
%25	H75WA	18	RD	3549418C1
26**	H104AB	18	DKBL	3549418C1
26	H75WP	18	LTGN	3549418C1
27**	H104AA	18	DKBL	3549418C1
27&	H75HR	18	LTGN	2003343C1
28**	H104AH	18	DKBL	3549418C1
29	H97K	18	VT	3549418C1
29%	H75X	18	LTGN	3549418C1
29**	H104AE	18	DKBL	3549418C1
30	H97L	18	VT	3549418C1
30%	HH75TL	18	LTGN	3549418C1
30**	H104AJ	18	DKBL	3549418C1
30&	H75HS	18	LTGN	3549418C1
31	H62A	18	DKBL	3549418C1
32	H63E	18	DKBL	3549418C1
33	H63F	18	DKBL	3549418C1
34	H14AC	10	RD	3549415C1
%34	H75AV	16	LTGN	3549416C1
35	H5S(+)	18	YL	3549418C1
36	H5S(-)	18	GN	3549418C1
37	H63C	18	DKBL	3549418C1
38	H14HHB	18	RD	3549418C1
38%	H75TM	18	LTGN	3549418C1
38**	H13FL	16	PK	3549418C1
39	H97T	18	VT	3549418C1
39%	H75TN	18	LTGN	3549418C1
39**	H13F	18	DKBL	3549418C1
40	H13HB	18	PK	3549418C1

CAV	CIR	GAUGE	COLOR	TERMINAL
40**	H104AD	18	DKBL	3549418C1
41**	H9RC	18	GY	3549418C1
41&	H77CR	18	LTGN	2003343C1
42	H14VB	10	RD	3549415C1

CAB / SLEEPER
SLEEPER CONNECTOR
(5000)
(LOCATED LEFT SIDE, BACK OF DRIVER DOOR)



CONNECTOR 3595620C1
BODY LOCK 3598916C1
3598917C1

* W/ IDLE MANAGEMENT
N/ ICON
% N/ IDLE HEAT - CAB
** W/ REMOTE START / STOP
@ MUTUALLY EXCLUSIVE
& W/ AUTO START / STOP

CHK	DATE	CHANGE	REV	REFERENCE	DRAWN	NAME
M448	14NOV11	ADDED CIRC H75HR	B	74016A	300422	CIRCUIT DIAGRAM, PROSTAR
		FOR AUTO START/STOP EFFECTS.			RELEASE NO. 61802Y	DATE 11MAR09 PART NO. AE08058107 SHEET 069

Figure 273 Connector Body Composite (5000)

14.72. CONNECTOR BODY COMPOSITE (5001), P. 70

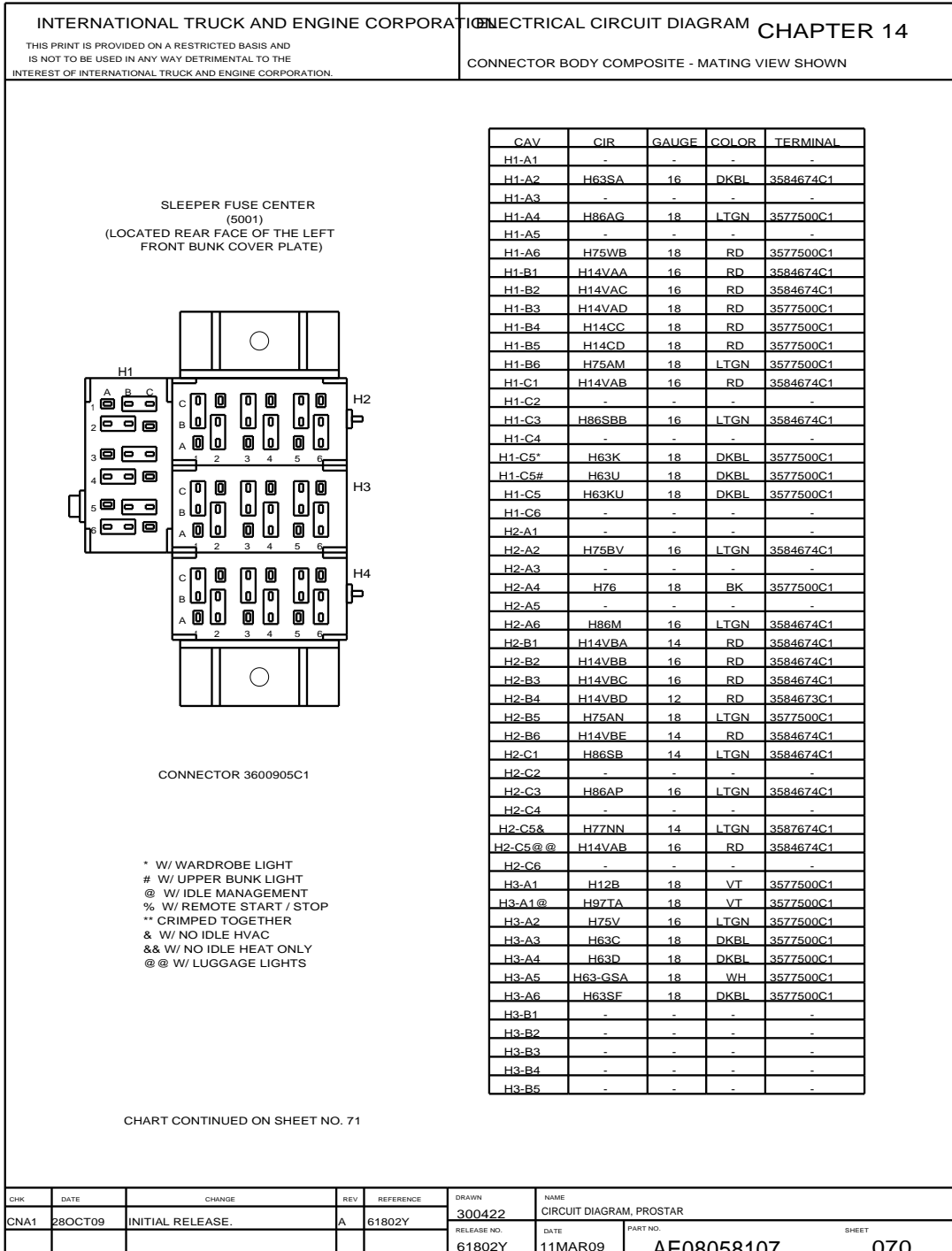


Figure 274 Connector Body Composite (5001)

14.73. CONNECTOR BODY COMPOSITE (5001), P. 71

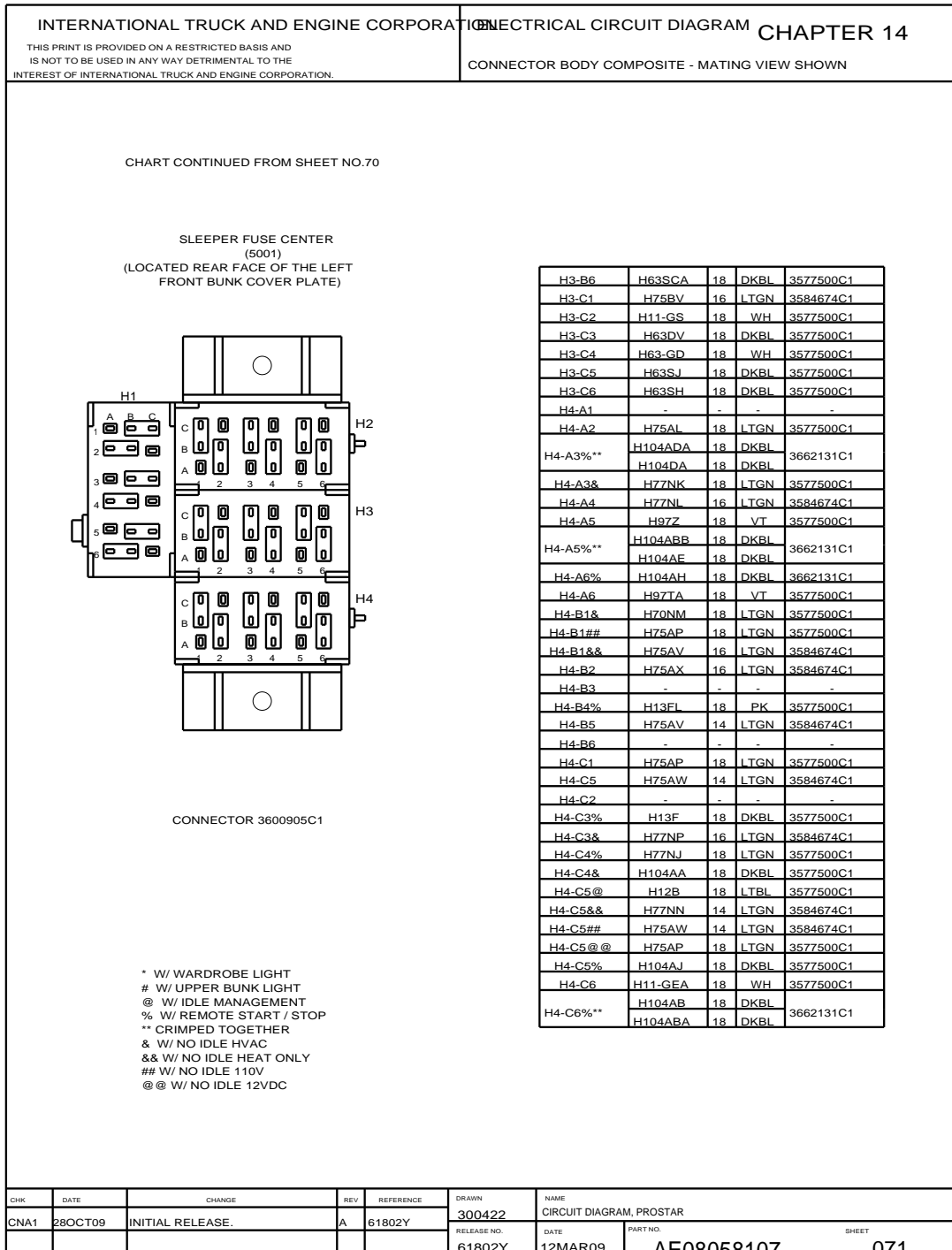


Figure 275 Connector Body Composite (5001)

14.74. CONNECTOR BODY COMPOSITE (5003), (5005), (5006), (5007), P. 72

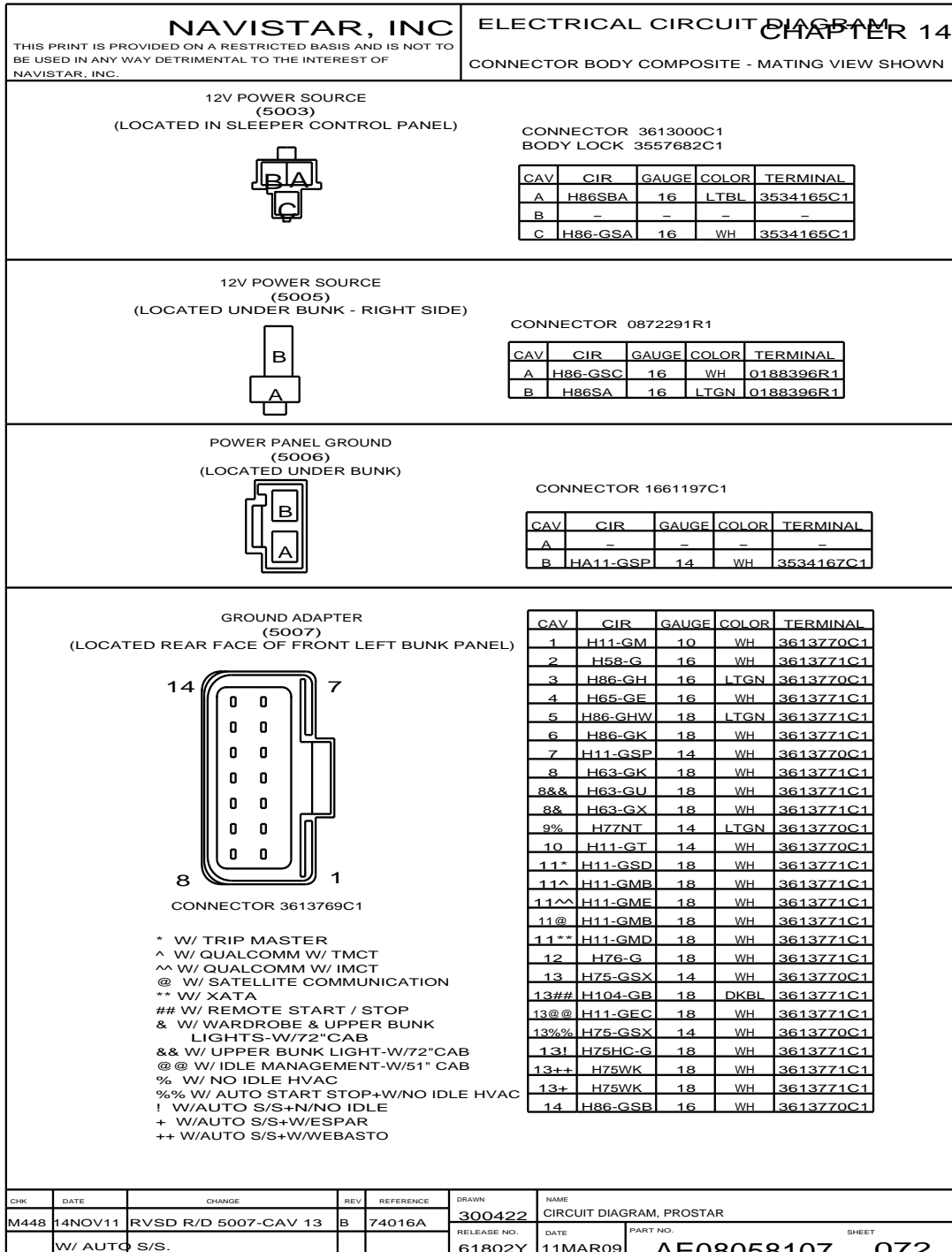


Figure 276 Connector Body Composite (5003), (5005), (5006), (5007)

14.75. CONNECTOR BODY COMPOSITE (5009), (5010), (5011M / 5011F), P. 73

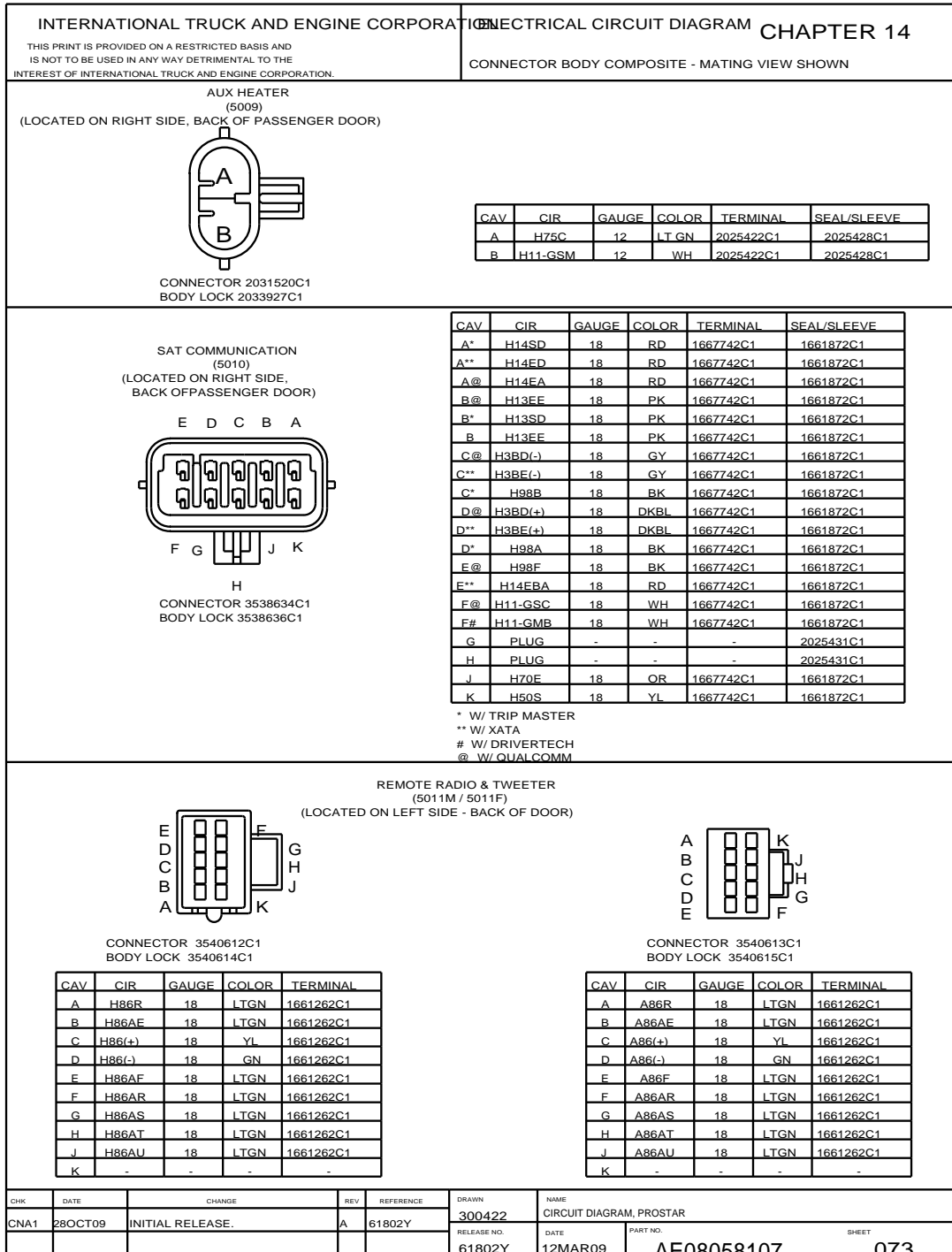


Figure 277 Connector Body Composite (5009), (5010), (5011M / 5011F)

14.76. CONNECTOR BODY COMPOSITE (5012), (5013), (5031), (5034), (5035 / 5035A), P. 74

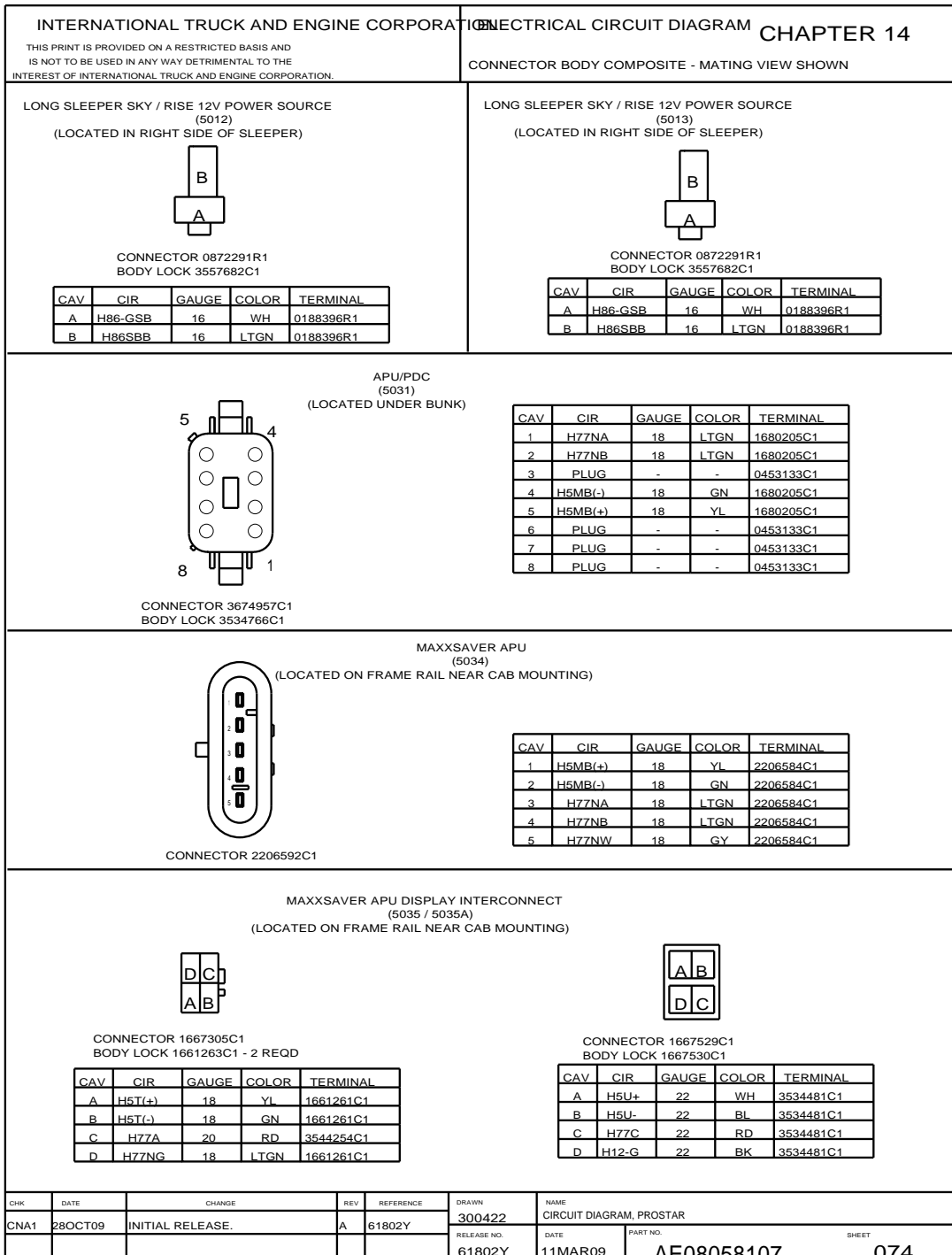


Figure 278 Connector Body Composite (5012), (5013), (5031), (5034), (5035 / 5035A)

14.77. CONNECTOR BODY COMPOSITE (5100), (5101), (5102), (5103), P. 75

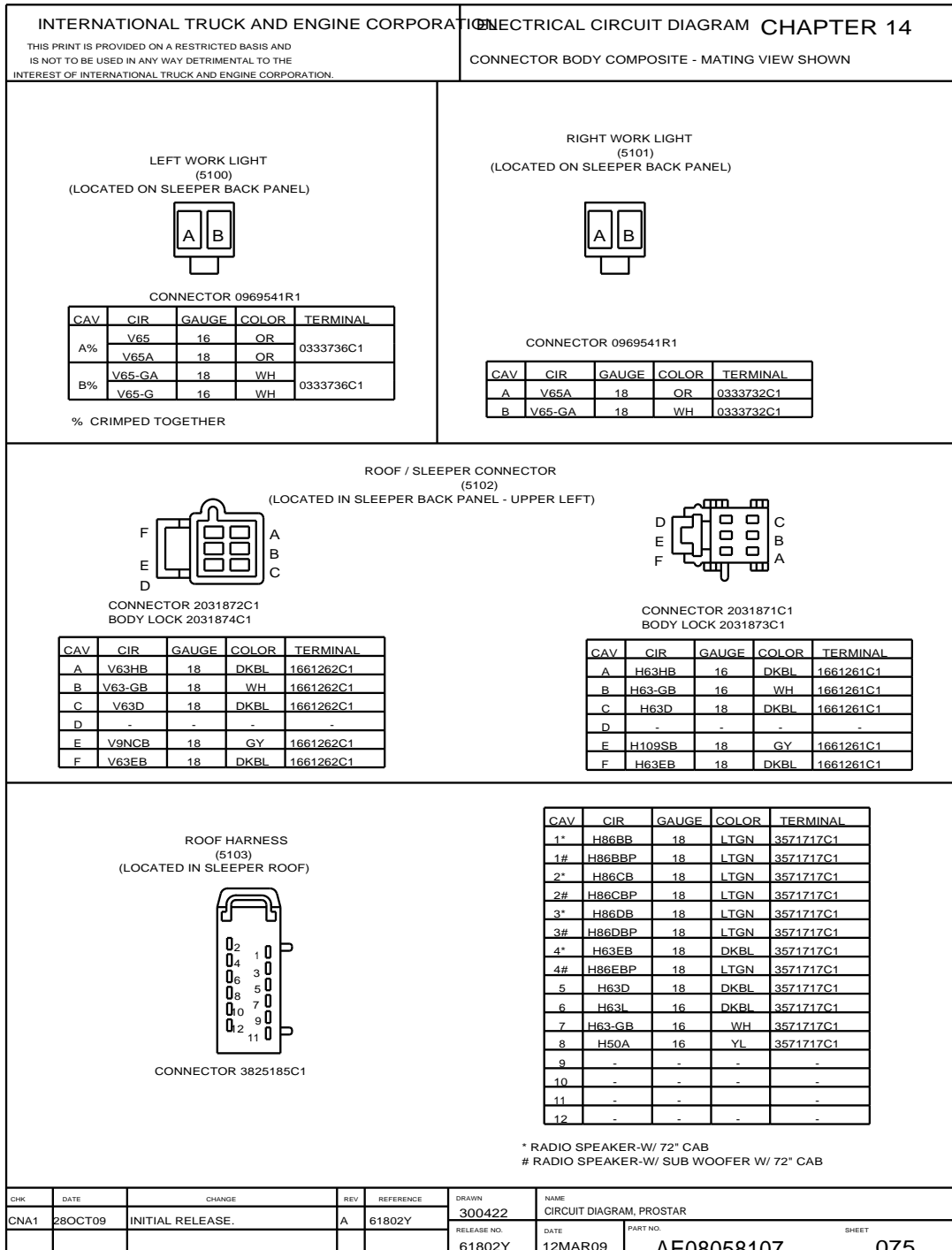


Figure 279 Connector Body Composite (5100), (5101), (5102), (5103)

14.78. CONNECTOR BODY COMPOSITE (5103), (5104), (5105), (5106), (5107), (5109), (5110), (5111), P. 76

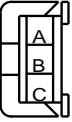
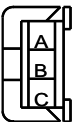






INTERNATIONAL TRUCK AND ENGINE CORPORATION <small>THIS PRINT IS PROVIDED ON A RESTRICTED BASIS AND IS NOT TO BE USED IN ANY WAY DETRIMENTAL TO THE INTEREST OF INTERNATIONAL TRUCK AND ENGINE CORPORATION.</small>		ELECTRICAL CIRCUIT DIAGRAM CHAPTER 14 CONNECTOR BODY COMPOSITE - MATING VIEW SHOWN																																							
<p style="text-align: center;">LEFT SLEEPER AUX ACCENT LIGHT (5103) (LOCATED IN SLEEPER ROOF)</p>  <p style="text-align: center;">CONNECTOR 1661198C1</p> <table border="1" style="width:100%; border-collapse: collapse; text-align: center;"> <thead> <tr> <th>CAV</th> <th>CIR</th> <th>GAUGE</th> <th>COLOR</th> <th>TERMINAL</th> </tr> </thead> <tbody> <tr> <td>A</td> <td>V63-GBD</td> <td>18</td> <td>WH</td> <td>1661208C1</td> </tr> <tr> <td>B</td> <td>-</td> <td>-</td> <td>-</td> <td>-</td> </tr> <tr> <td>C</td> <td>V63HBD</td> <td>18</td> <td>DKBL</td> <td>1661208C1</td> </tr> </tbody> </table>	CAV	CIR	GAUGE	COLOR	TERMINAL	A	V63-GBD	18	WH	1661208C1	B	-	-	-	-	C	V63HBD	18	DKBL	1661208C1	<p style="text-align: center;">RIGHT SLEEPER AUX ACCENT LIGHT (5104) (LOCATED IN SLEEPER ROOF)</p>  <p style="text-align: center;">CONNECTOR 1661198C1</p> <table border="1" style="width:100%; border-collapse: collapse; text-align: center;"> <thead> <tr> <th>CAV</th> <th>CIR</th> <th>GAUGE</th> <th>COLOR</th> <th>TERMINAL</th> </tr> </thead> <tbody> <tr> <td>A</td> <td>V63-GBE</td> <td>18</td> <td>WH</td> <td>1661208C1</td> </tr> <tr> <td>B</td> <td>-</td> <td>-</td> <td>-</td> <td>-</td> </tr> <tr> <td>C</td> <td>V63HBE</td> <td>18</td> <td>DKBL</td> <td>1661208C1</td> </tr> </tbody> </table>	CAV	CIR	GAUGE	COLOR	TERMINAL	A	V63-GBE	18	WH	1661208C1	B	-	-	-	-	C	V63HBE	18	DKBL	1661208C1
CAV	CIR	GAUGE	COLOR	TERMINAL																																					
A	V63-GBD	18	WH	1661208C1																																					
B	-	-	-	-																																					
C	V63HBD	18	DKBL	1661208C1																																					
CAV	CIR	GAUGE	COLOR	TERMINAL																																					
A	V63-GBE	18	WH	1661208C1																																					
B	-	-	-	-																																					
C	V63HBE	18	DKBL	1661208C1																																					
<p style="text-align: center;">LEFT SLEEPER ACCENT LIGHT (5105) (LOCATED IN SLEEPER ROOF)</p>  <p style="text-align: center;">CONNECTOR 1661198C1</p> <table border="1" style="width:100%; border-collapse: collapse; text-align: center;"> <thead> <tr> <th>CAV</th> <th>CIR</th> <th>GAUGE</th> <th>COLOR</th> <th>TERMINAL</th> </tr> </thead> <tbody> <tr> <td>A</td> <td>V63-GBB</td> <td>18</td> <td>WH</td> <td>1661208C1</td> </tr> <tr> <td>B</td> <td>-</td> <td>-</td> <td>-</td> <td>-</td> </tr> <tr> <td>C</td> <td>V63HBB</td> <td>18</td> <td>DKBL</td> <td>1661208C1</td> </tr> </tbody> </table>	CAV	CIR	GAUGE	COLOR	TERMINAL	A	V63-GBB	18	WH	1661208C1	B	-	-	-	-	C	V63HBB	18	DKBL	1661208C1	<p style="text-align: center;">RIGHT SLEEPER ACCENT LIGHT (5106) (LOCATED IN SLEEPER ROOF)</p>  <p style="text-align: center;">CONNECTOR 1661198C1</p> <table border="1" style="width:100%; border-collapse: collapse; text-align: center;"> <thead> <tr> <th>CAV</th> <th>CIR</th> <th>GAUGE</th> <th>COLOR</th> <th>TERMINAL</th> </tr> </thead> <tbody> <tr> <td>A</td> <td>V63-GBC</td> <td>18</td> <td>WH</td> <td>1661208C1</td> </tr> <tr> <td>B</td> <td>-</td> <td>-</td> <td>-</td> <td>-</td> </tr> <tr> <td>C</td> <td>V63HBC</td> <td>18</td> <td>DKBL</td> <td>1661208C1</td> </tr> </tbody> </table>	CAV	CIR	GAUGE	COLOR	TERMINAL	A	V63-GBC	18	WH	1661208C1	B	-	-	-	-	C	V63HBC	18	DKBL	1661208C1
CAV	CIR	GAUGE	COLOR	TERMINAL																																					
A	V63-GBB	18	WH	1661208C1																																					
B	-	-	-	-																																					
C	V63HBB	18	DKBL	1661208C1																																					
CAV	CIR	GAUGE	COLOR	TERMINAL																																					
A	V63-GBC	18	WH	1661208C1																																					
B	-	-	-	-																																					
C	V63HBC	18	DKBL	1661208C1																																					
<p style="text-align: center;">SLEEPER DOME LIGHT (5107) (LOCATED IN SLEEPER ROOF)</p>  <p style="text-align: center;">CONNECTOR 1667305C1 BODY LOCK 1661263C1</p> <table border="1" style="width:100%; border-collapse: collapse; text-align: center;"> <thead> <tr> <th>CAV</th> <th>CIR</th> <th>GAUGE</th> <th>COLOR</th> <th>TERMINAL</th> </tr> </thead> <tbody> <tr> <td>A</td> <td>V63D</td> <td>18</td> <td>DKBL</td> <td>1661261C1</td> </tr> <tr> <td>B</td> <td>V63-GA</td> <td>18</td> <td>WH</td> <td>1661261C1</td> </tr> <tr> <td>C</td> <td>V63EB</td> <td>18</td> <td>DKBL</td> <td>1661261C1</td> </tr> <tr> <td>D</td> <td>V9NCB</td> <td>18</td> <td>GY</td> <td>1661261C1</td> </tr> </tbody> </table>	CAV	CIR	GAUGE	COLOR	TERMINAL	A	V63D	18	DKBL	1661261C1	B	V63-GA	18	WH	1661261C1	C	V63EB	18	DKBL	1661261C1	D	V9NCB	18	GY	1661261C1	<p style="text-align: center;">WARDROBE CABINATE (5109) (LOCATED ON LEFT SIDE BY WARDROBE CABINET)</p>  <p style="text-align: center;">CONNECTOR 1661259C1 BODY LOCK 1661263C1</p> <table border="1" style="width:100%; border-collapse: collapse; text-align: center;"> <thead> <tr> <th>CAV</th> <th>CIR</th> <th>GAUGE</th> <th>COLOR</th> <th>TERMINAL</th> </tr> </thead> <tbody> <tr> <td>A</td> <td>H63K</td> <td>18</td> <td>DKBL</td> <td>1661261C1</td> </tr> <tr> <td>B</td> <td>H63-GK</td> <td>18</td> <td>WH</td> <td>1661261C1</td> </tr> </tbody> </table>	CAV	CIR	GAUGE	COLOR	TERMINAL	A	H63K	18	DKBL	1661261C1	B	H63-GK	18	WH	1661261C1
CAV	CIR	GAUGE	COLOR	TERMINAL																																					
A	V63D	18	DKBL	1661261C1																																					
B	V63-GA	18	WH	1661261C1																																					
C	V63EB	18	DKBL	1661261C1																																					
D	V9NCB	18	GY	1661261C1																																					
CAV	CIR	GAUGE	COLOR	TERMINAL																																					
A	H63K	18	DKBL	1661261C1																																					
B	H63-GK	18	WH	1661261C1																																					
<p style="text-align: center;">LEFT LUGGAGE LIGHT (5110) (LOCATED UNDER BUNK - LEFT SIDE)</p>  <p style="text-align: center;">CONNECTOR 1669973C1</p> <table border="1" style="width:100%; border-collapse: collapse; text-align: center;"> <thead> <tr> <th>CAV</th> <th>CIR</th> <th>GAUGE</th> <th>COLOR</th> <th>TERMINAL</th> </tr> </thead> <tbody> <tr> <td>A</td> <td>H63S-JA</td> <td>18</td> <td>DKBL</td> <td>1661212C1</td> </tr> <tr> <td>B</td> <td>H63-GSB</td> <td>18</td> <td>WH</td> <td>1661212C1</td> </tr> </tbody> </table>	CAV	CIR	GAUGE	COLOR	TERMINAL	A	H63S-JA	18	DKBL	1661212C1	B	H63-GSB	18	WH	1661212C1	<p style="text-align: center;">RIGHT LUGGAGE LIGHT (5111) (LOCATED UNDER BUNK - RIGHT SIDE)</p>  <p style="text-align: center;">CONNECTOR 1669973C1</p> <table border="1" style="width:100%; border-collapse: collapse; text-align: center;"> <thead> <tr> <th>CAV</th> <th>CIR</th> <th>GAUGE</th> <th>COLOR</th> <th>TERMINAL</th> </tr> </thead> <tbody> <tr> <td>A</td> <td>H63S-JB</td> <td>18</td> <td>DKBL</td> <td>1661212C1</td> </tr> <tr> <td>B</td> <td>H63-GSC</td> <td>18</td> <td>WH</td> <td>1661212C1</td> </tr> </tbody> </table>	CAV	CIR	GAUGE	COLOR	TERMINAL	A	H63S-JB	18	DKBL	1661212C1	B	H63-GSC	18	WH	1661212C1										
CAV	CIR	GAUGE	COLOR	TERMINAL																																					
A	H63S-JA	18	DKBL	1661212C1																																					
B	H63-GSB	18	WH	1661212C1																																					
CAV	CIR	GAUGE	COLOR	TERMINAL																																					
A	H63S-JB	18	DKBL	1661212C1																																					
B	H63-GSC	18	WH	1661212C1																																					
<table border="1" style="width:100%; border-collapse: collapse;"> <thead> <tr> <th>CHK</th> <th>DATE</th> <th>CHANGE</th> <th>REV</th> <th>REFERENCE</th> </tr> </thead> <tbody> <tr> <td>CNA1</td> <td>28OCT09</td> <td>INITIAL RELEASE.</td> <td>A</td> <td>61802Y</td> </tr> </tbody> </table>	CHK	DATE	CHANGE	REV	REFERENCE	CNA1	28OCT09	INITIAL RELEASE.	A	61802Y	<table border="1" style="width:100%; border-collapse: collapse;"> <thead> <tr> <th>DRAWN</th> <th>NAME</th> </tr> </thead> <tbody> <tr> <td>300422</td> <td>CIRCUIT DIAGRAM, PROSTAR</td> </tr> </tbody> </table>	DRAWN	NAME	300422	CIRCUIT DIAGRAM, PROSTAR	<table border="1" style="width:100%; border-collapse: collapse;"> <thead> <tr> <th>RELEASE NO.</th> <th>DATE</th> <th>PART NO.</th> <th>SHEET</th> </tr> </thead> <tbody> <tr> <td>61802Y</td> <td>12MAR09</td> <td>AE08058107</td> <td>076</td> </tr> </tbody> </table>	RELEASE NO.	DATE	PART NO.	SHEET	61802Y	12MAR09	AE08058107	076																	
CHK	DATE	CHANGE	REV	REFERENCE																																					
CNA1	28OCT09	INITIAL RELEASE.	A	61802Y																																					
DRAWN	NAME																																								
300422	CIRCUIT DIAGRAM, PROSTAR																																								
RELEASE NO.	DATE	PART NO.	SHEET																																						
61802Y	12MAR09	AE08058107	076																																						

Figure 280 Connector Body Composite (5103), (5104), (5105), (5106), (5107), (5109), (5110), (5111)

14.79. CONNECTOR BODY COMPOSITE (5117), (5118), (5119), P. 77

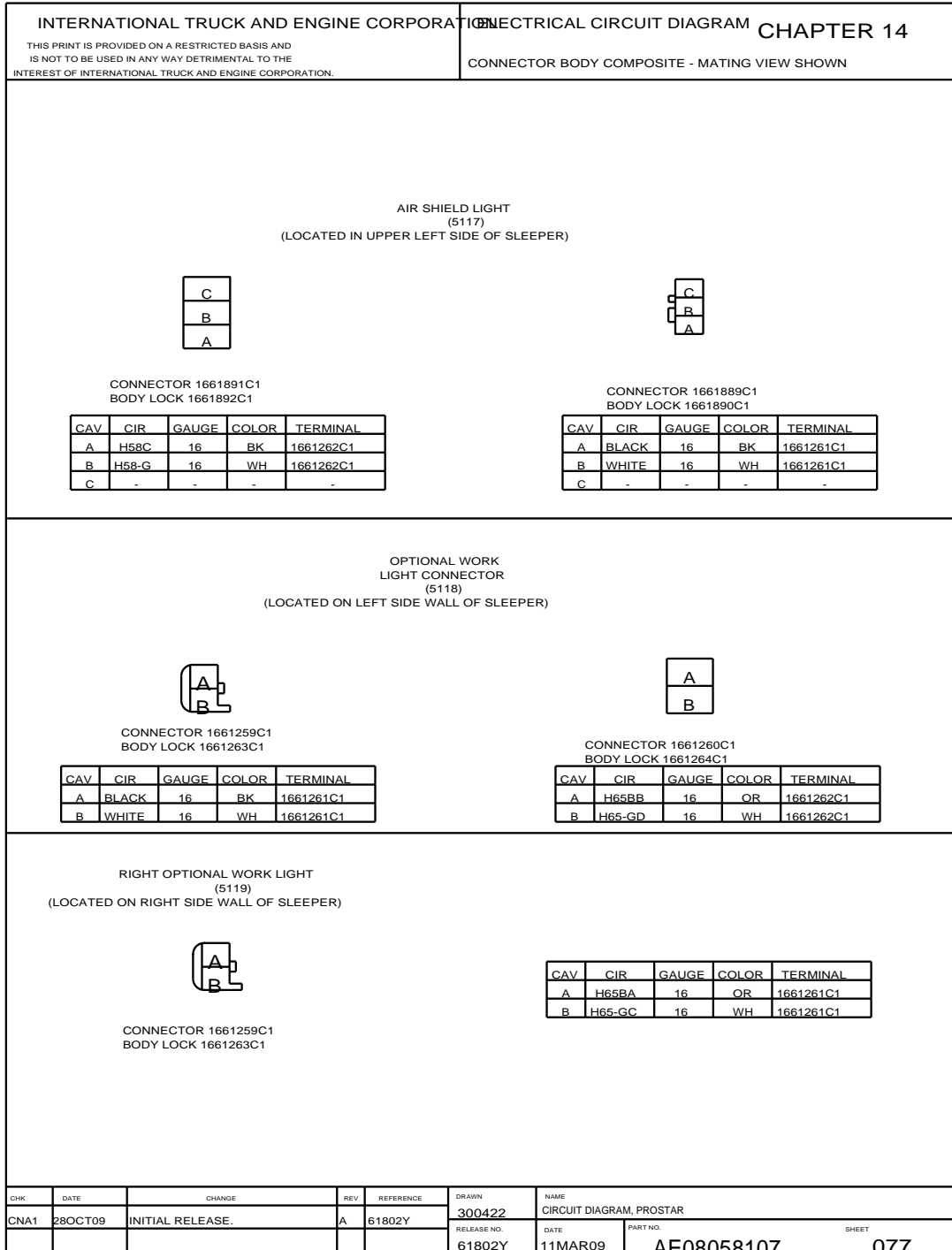


Figure 281 Connector Body Composite (5117), (5118), (5119)

14.80. CONNECTOR BODY COMPOSITE (5123), (5124), (5125), P. 78

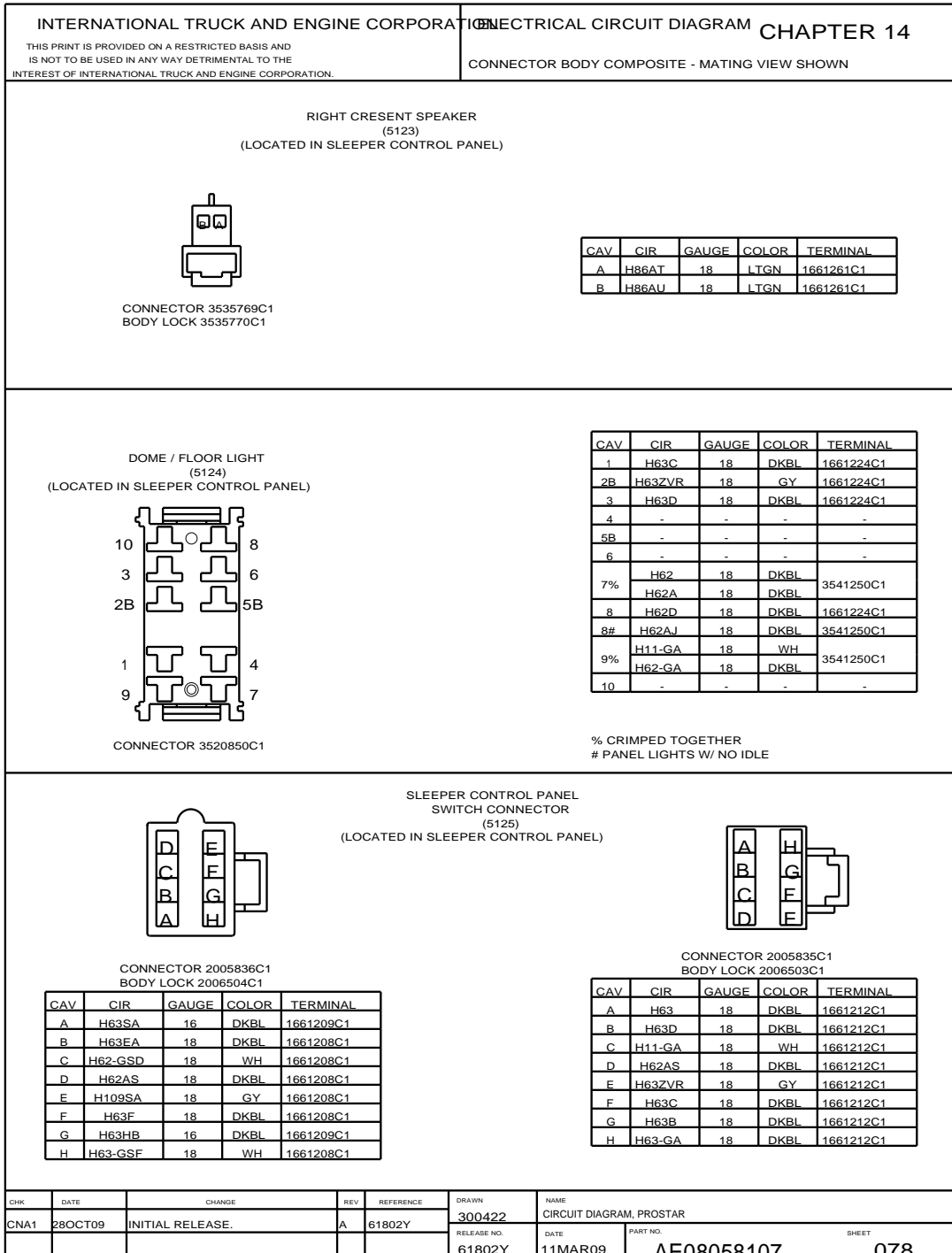


Figure 282 Connector Body Composite (5123), (5124), (5125)

14.81. CONNECTOR BODY COMPOSITE (5126), (5128), (5129), (5130), P. 79

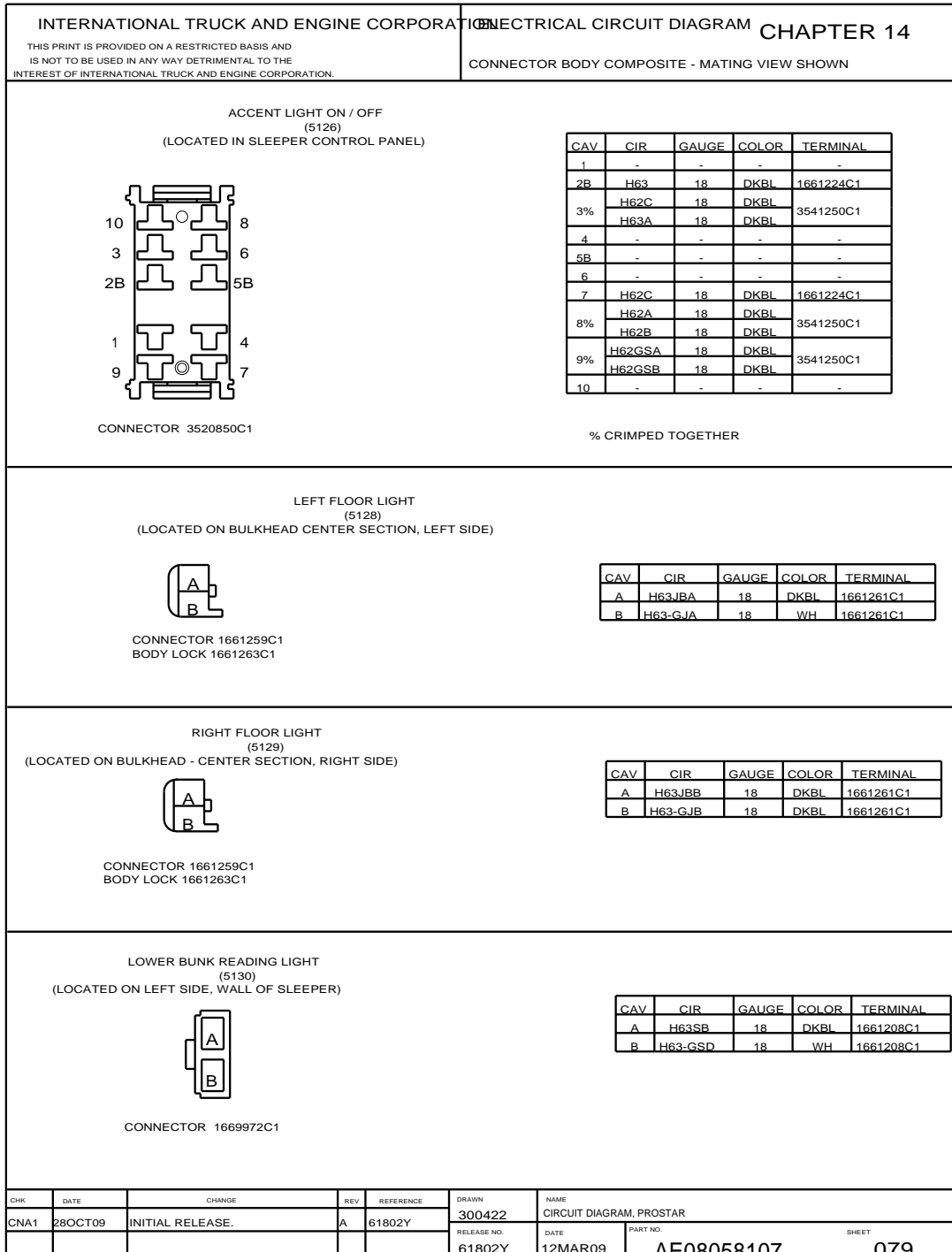


Figure 283 Connector Body Composite (5126), (5128), (5129), (5130)

14.82. CONNECTOR BODY COMPOSITE (5130), (5131), (5134), P. 79A

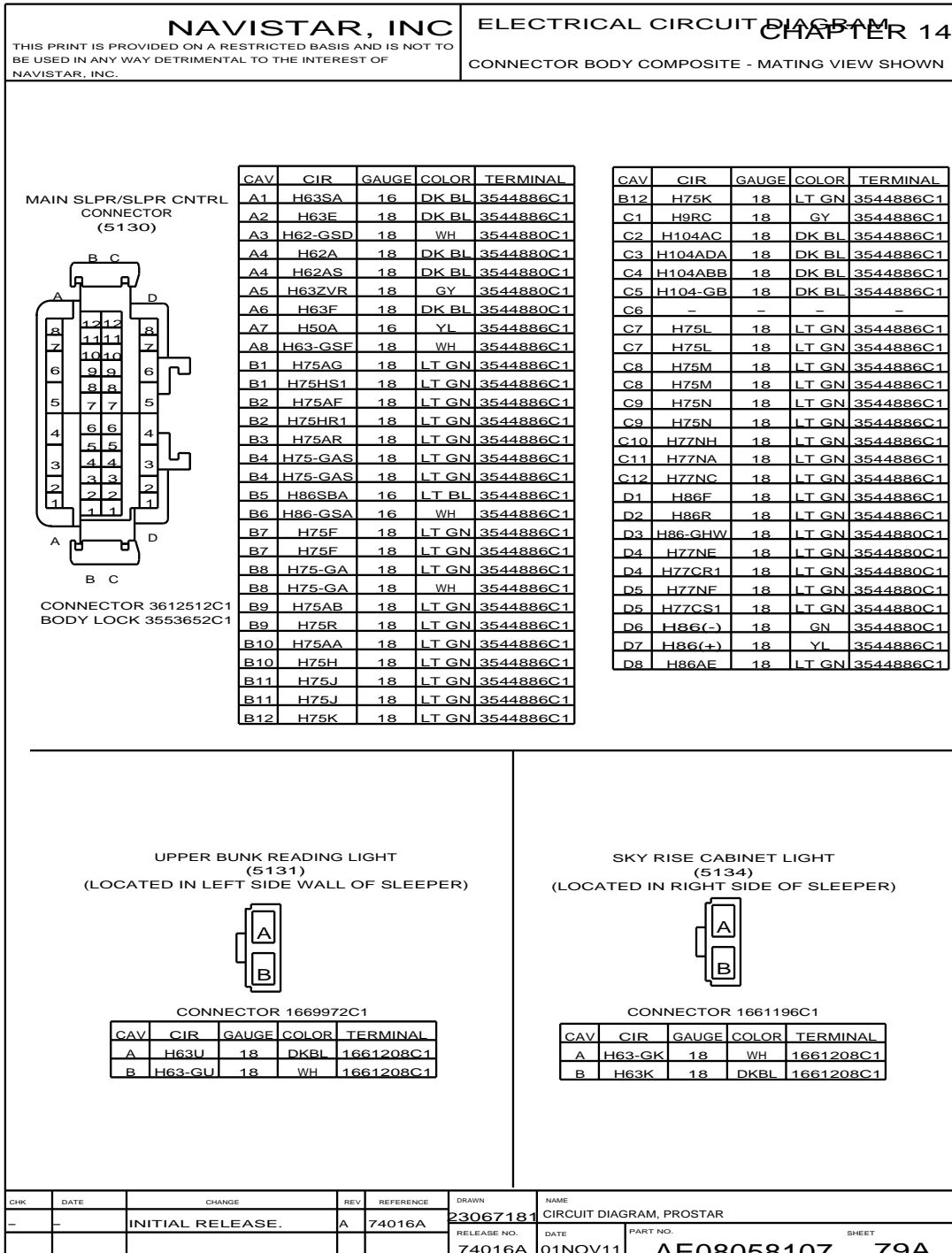


Figure 284 Connector Body Composite (5130), (5131), (5134)

14.83. CONNECTOR BODY COMPOSITE (5134), P. 80

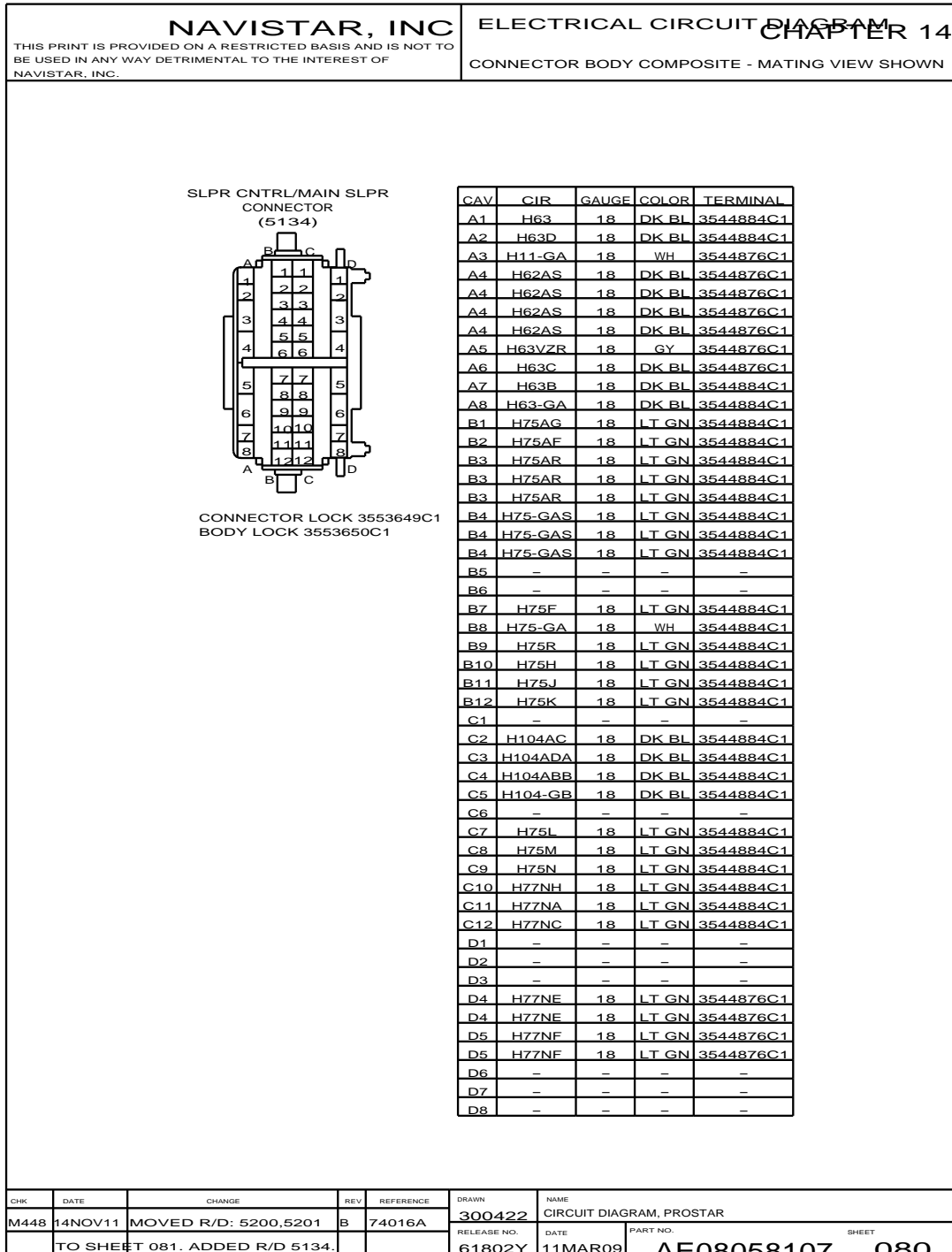


Figure 285 Connector Body Composite (5134)

14.84. CONNECTOR BODY COMPOSITE (5200), (5201), (5202), (5205), P. 81

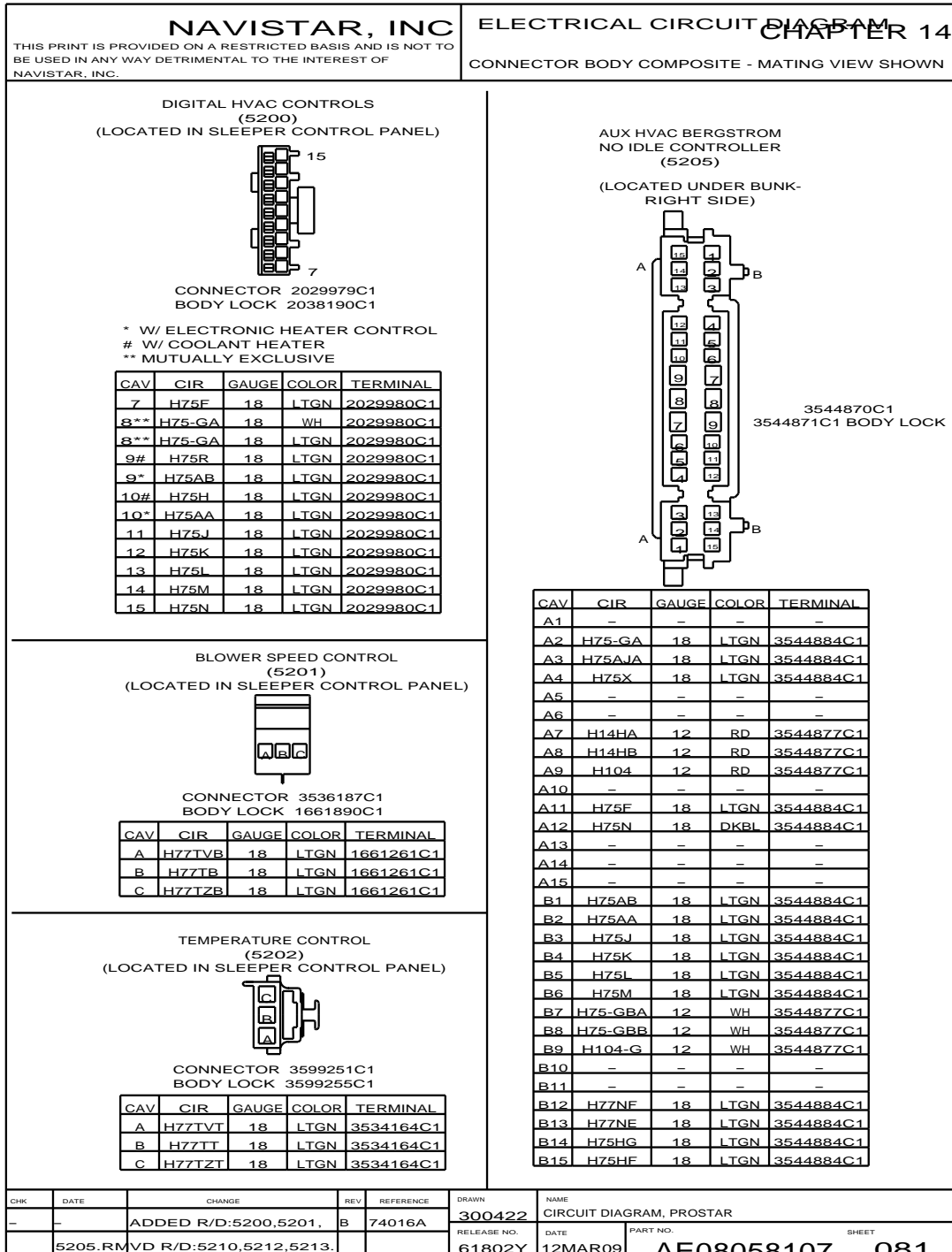


Figure 286 Connector Body Composite (5200), (5201), (5202), (5205)

14.85. CONNECTOR BODY COMPOSITE (5210), (5212), (5213), P. 81A

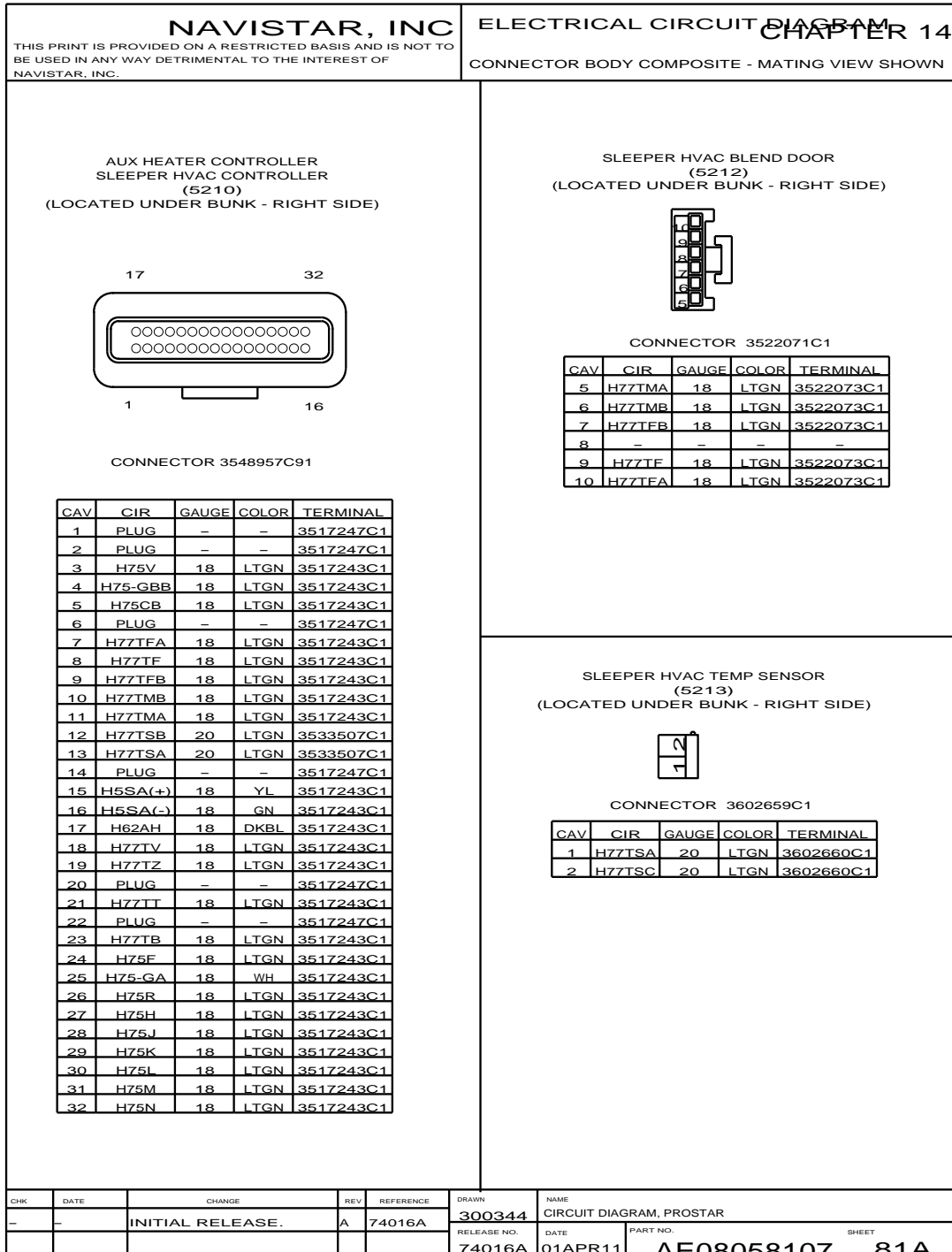


Figure 287 Connector Body Composite (5210), (5212), (5213)

14.86. CONNECTOR BODY COMPOSITE (5214), (5215), (5216), (5217), (5218), (5219), P. 82

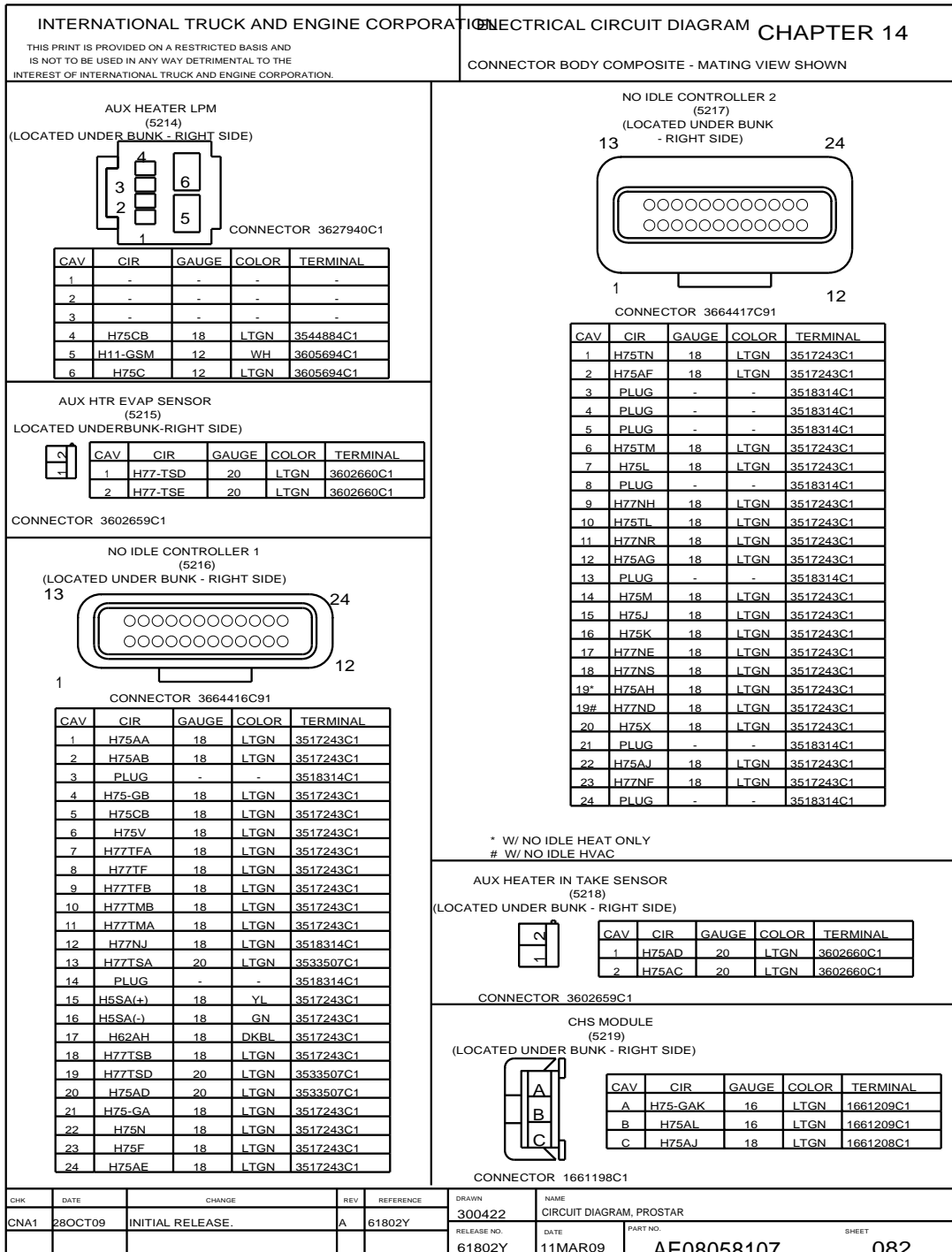


Figure 288 Connector Body Composite (5214), (5215), (5216), (5217), (5218), (5219)

14.87. CONNECTOR BODY COMPOSITE (5220), (5222), (5230), P. 83

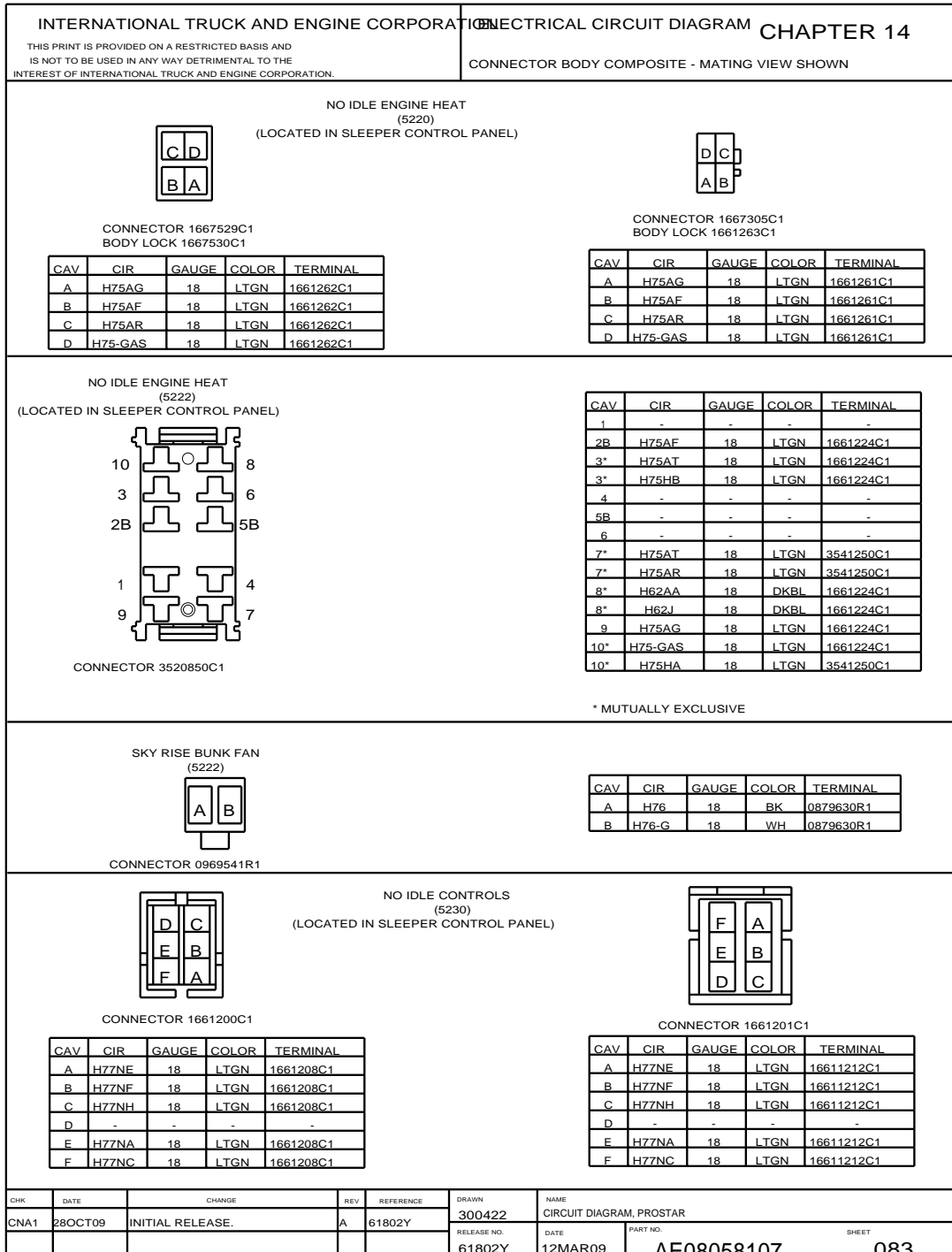


Figure 289 Connector Body Composite (5220), (5222), (5230)

14.88. CONNECTOR BODY COMPOSITE (5232), (5233), (5234), P. 84

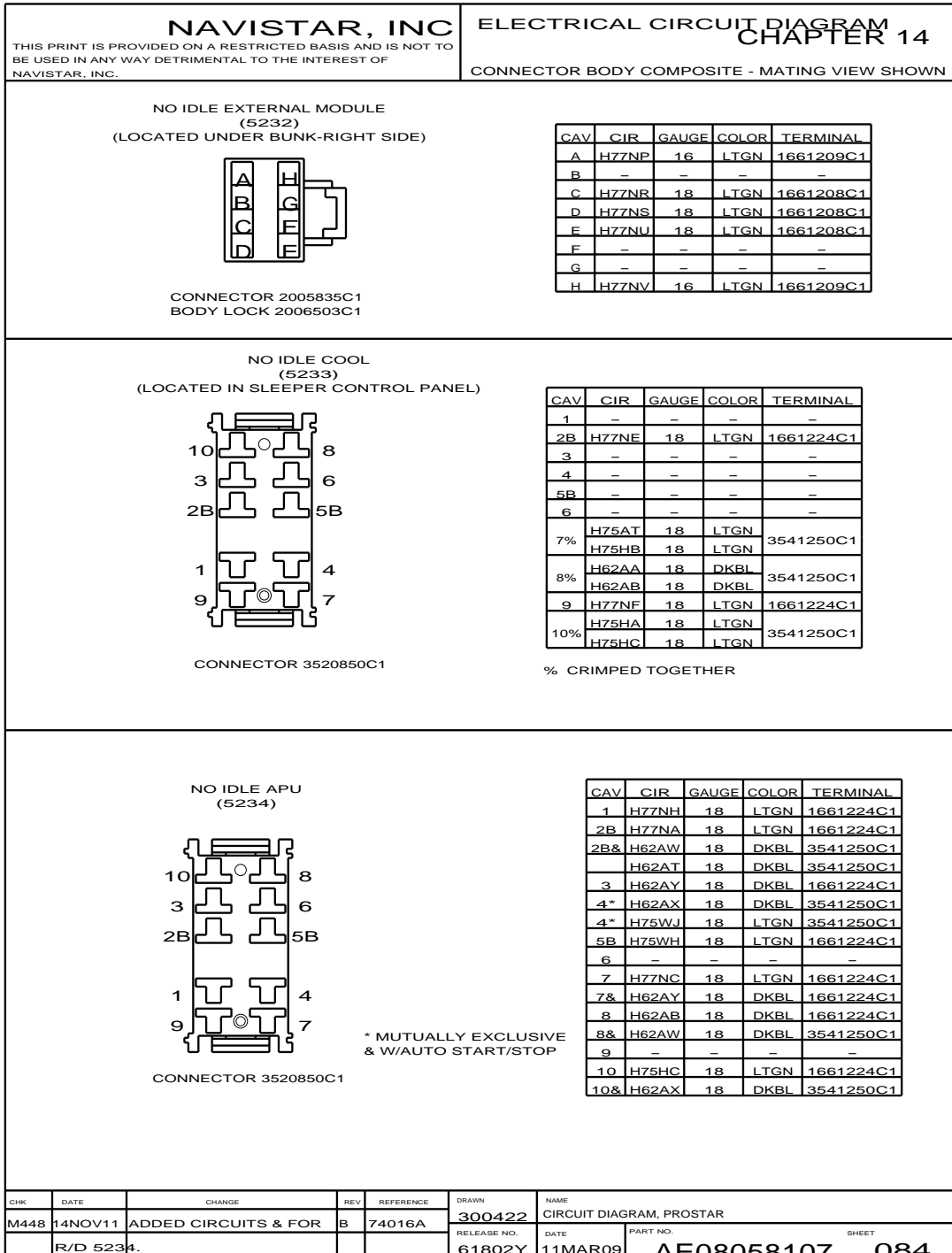


Figure 290 Connector Body Composite (5232), (5233), (5234)

14.89. CONNECTOR BODY COMPOSITE (5235), (5236), (5237), (5238), P. 84A

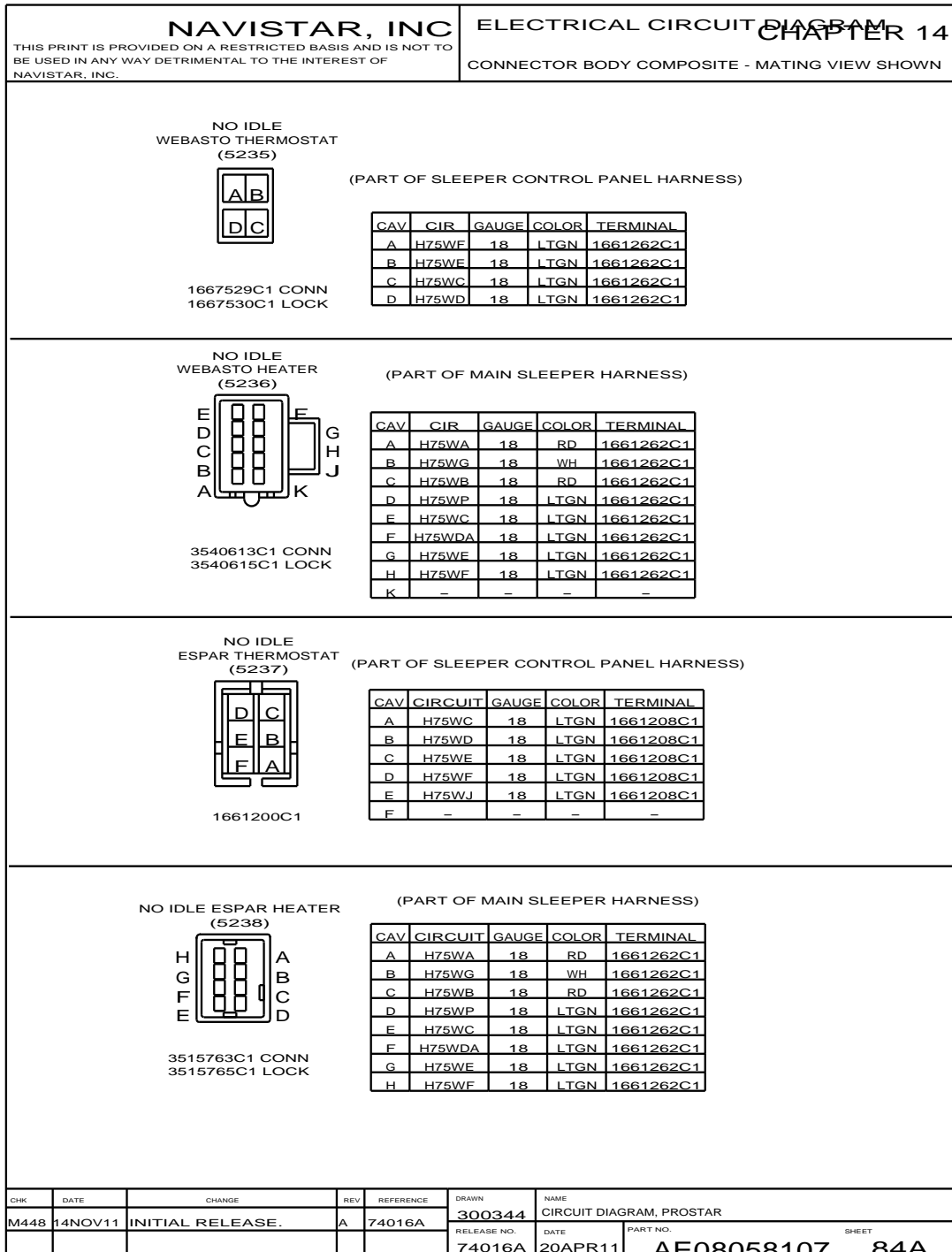


Figure 291 Connector Body Composite (5235), (5236), (5237), (5238)

14.90. CONNECTOR BODY COMPOSITE (5300), (5303), (5312), (5313), P. 85

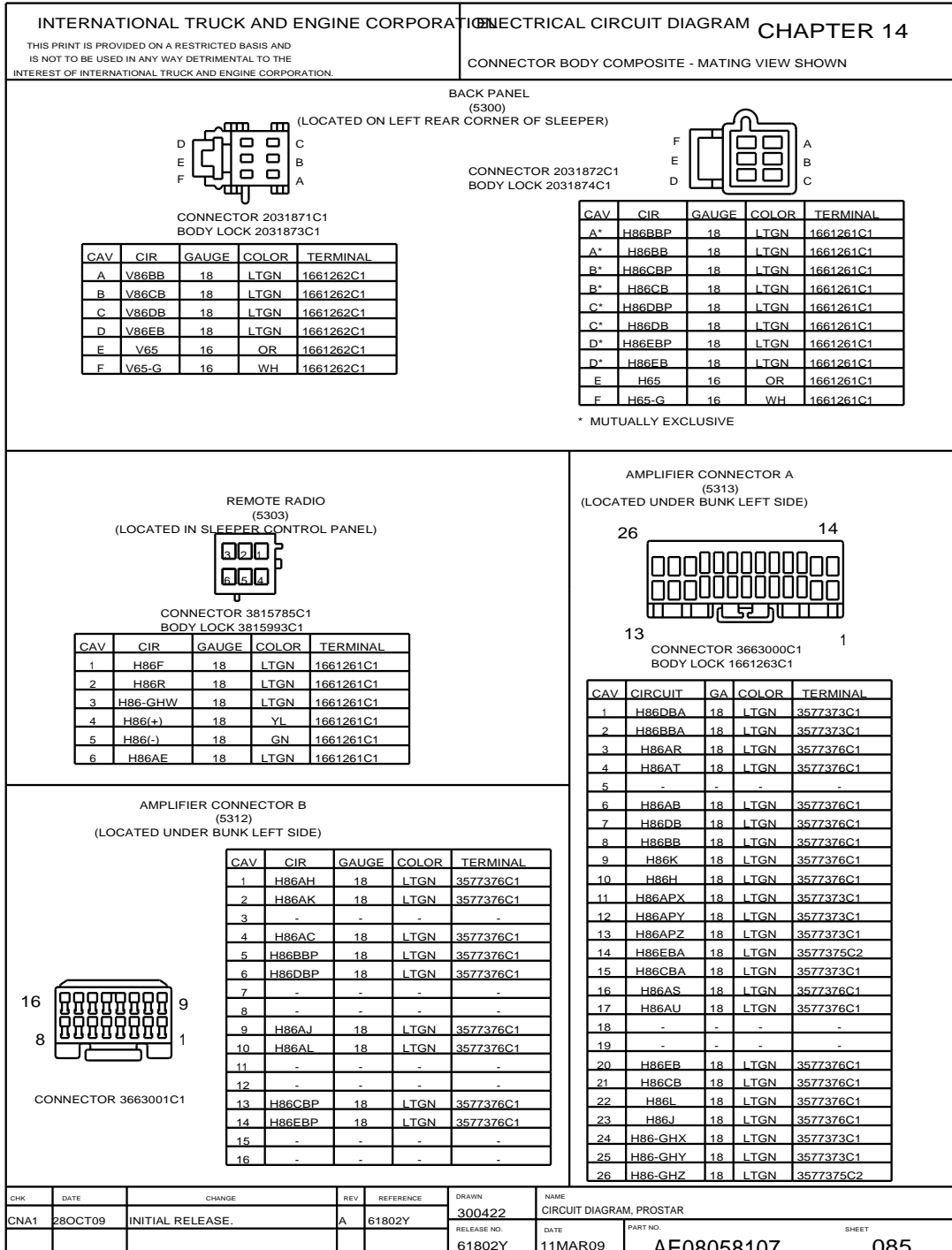


Figure 292 Connector Body Composite (5300), (5303), (5312), (5313)

14.91. CONNECTOR BODY COMPOSITE (5314), (5500), (5600), (5601M), (5602F), (5603M), (5700), P. 86

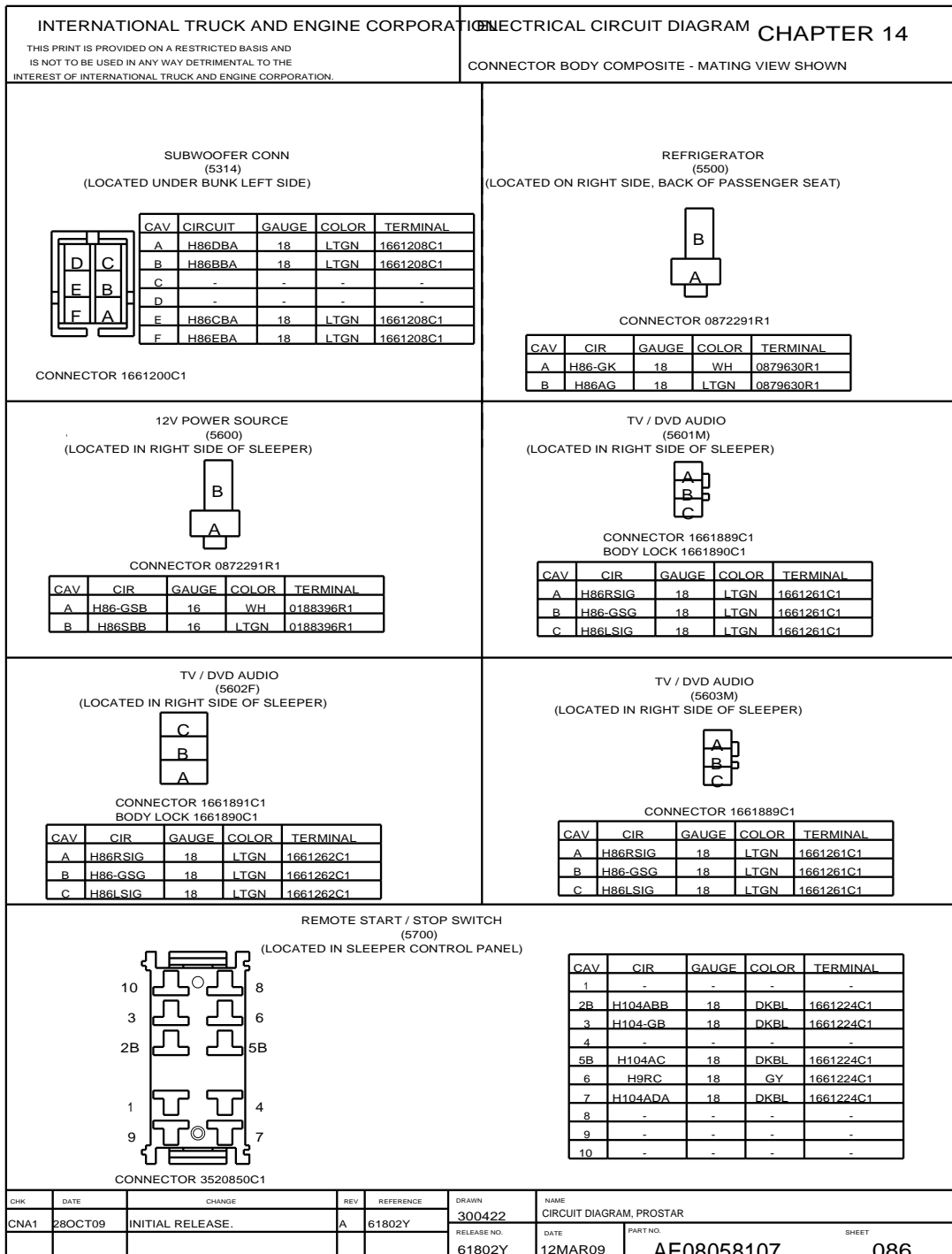


Figure 293 Connector Body Composite (5314), (5500), (5600), (5601M), (5602F), (5603M), (5700)

14.92. CONNECTOR BODY COMPOSITE (5701), (5702), (5754), P. 87

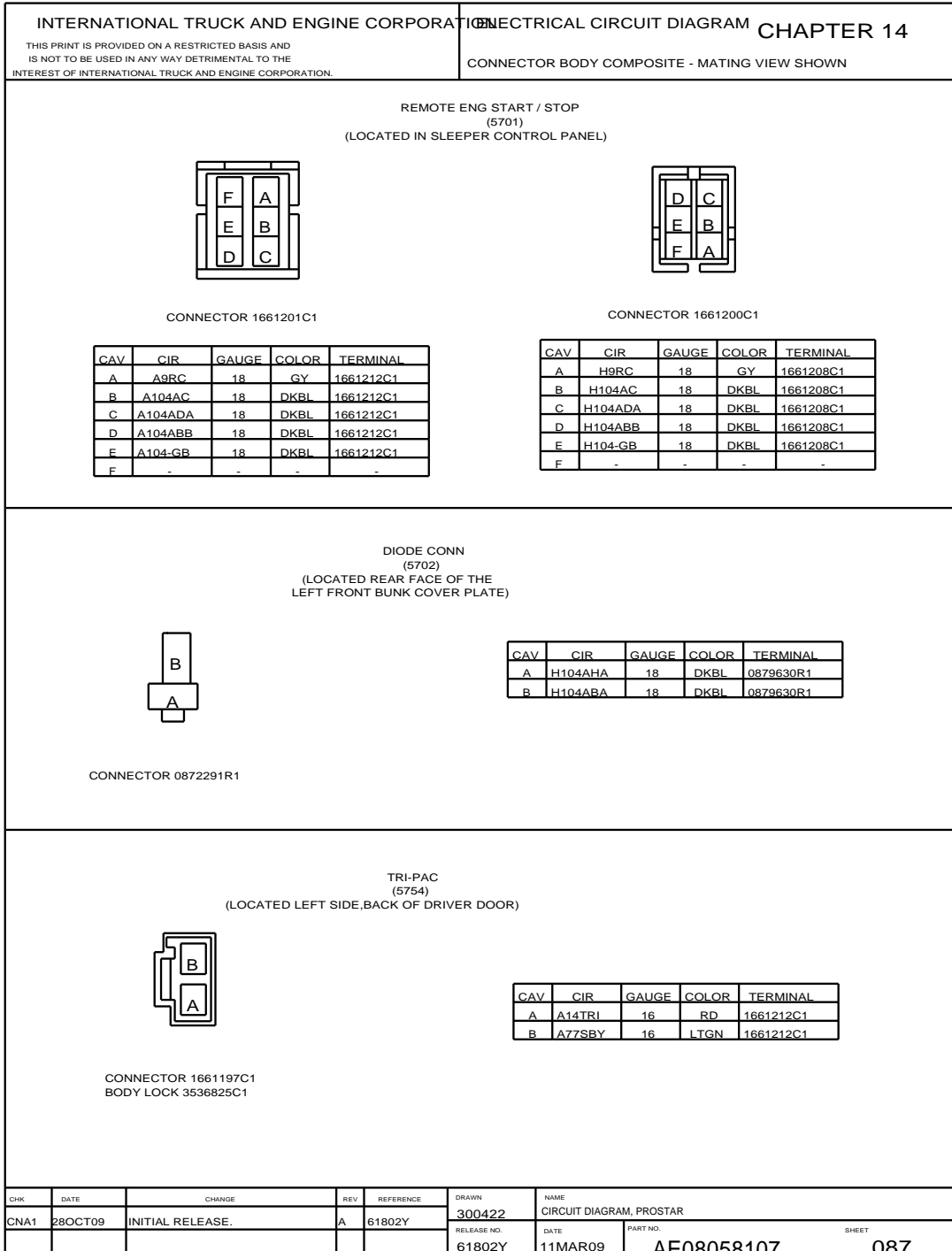


Figure 294 Connector Body Composite (5701), (5702), (5754)

14.93. CONNECTOR BODY COMPOSITE (5757), (5758), (5900), (5902), (5903), P. 88

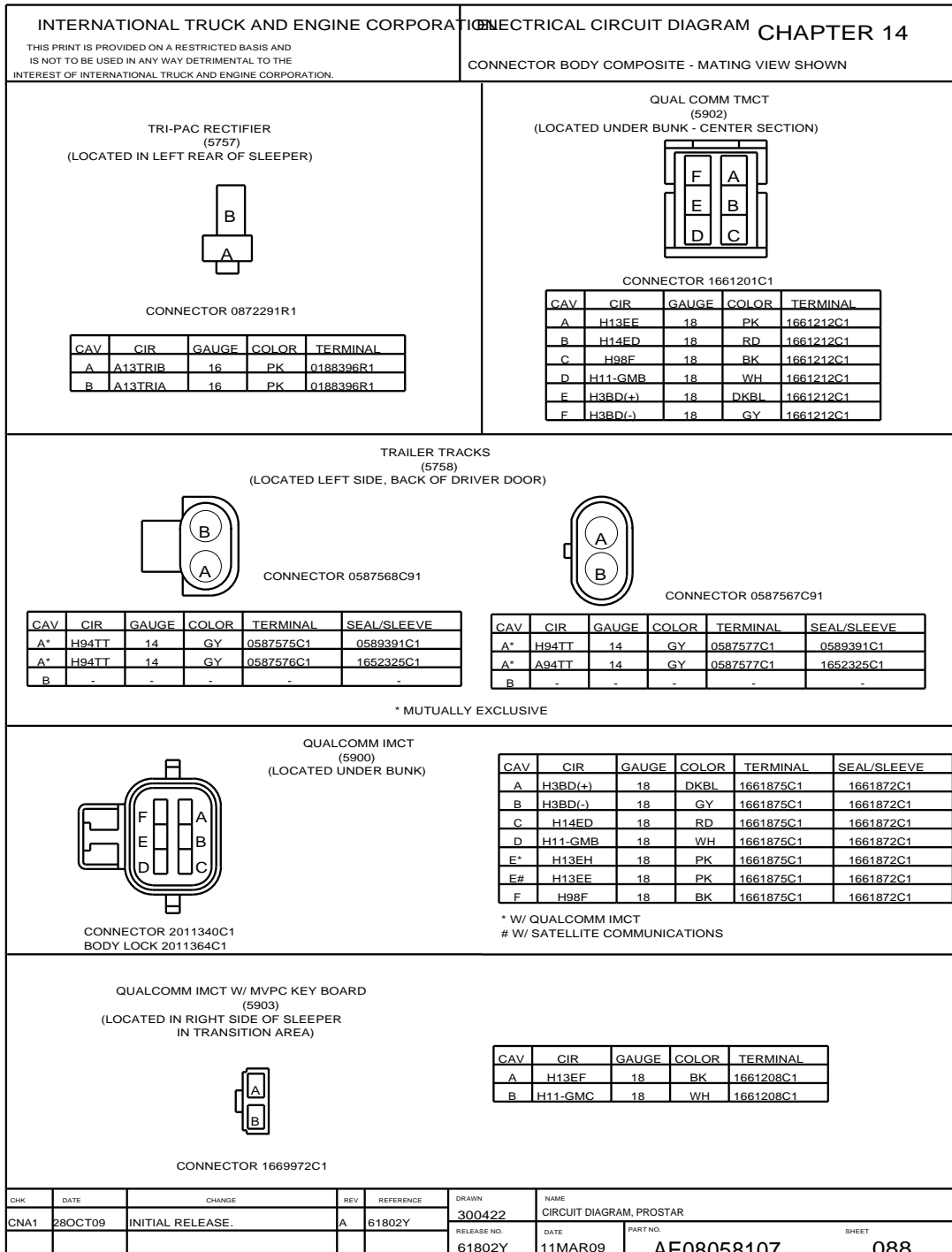


Figure 295 Connector Body Composite (5757), (5758), (5900), (5902), (5903)

14.94. CONNECTOR BODY COMPOSITE (5904 / 5904M), (5905 / 5905F), P. 89

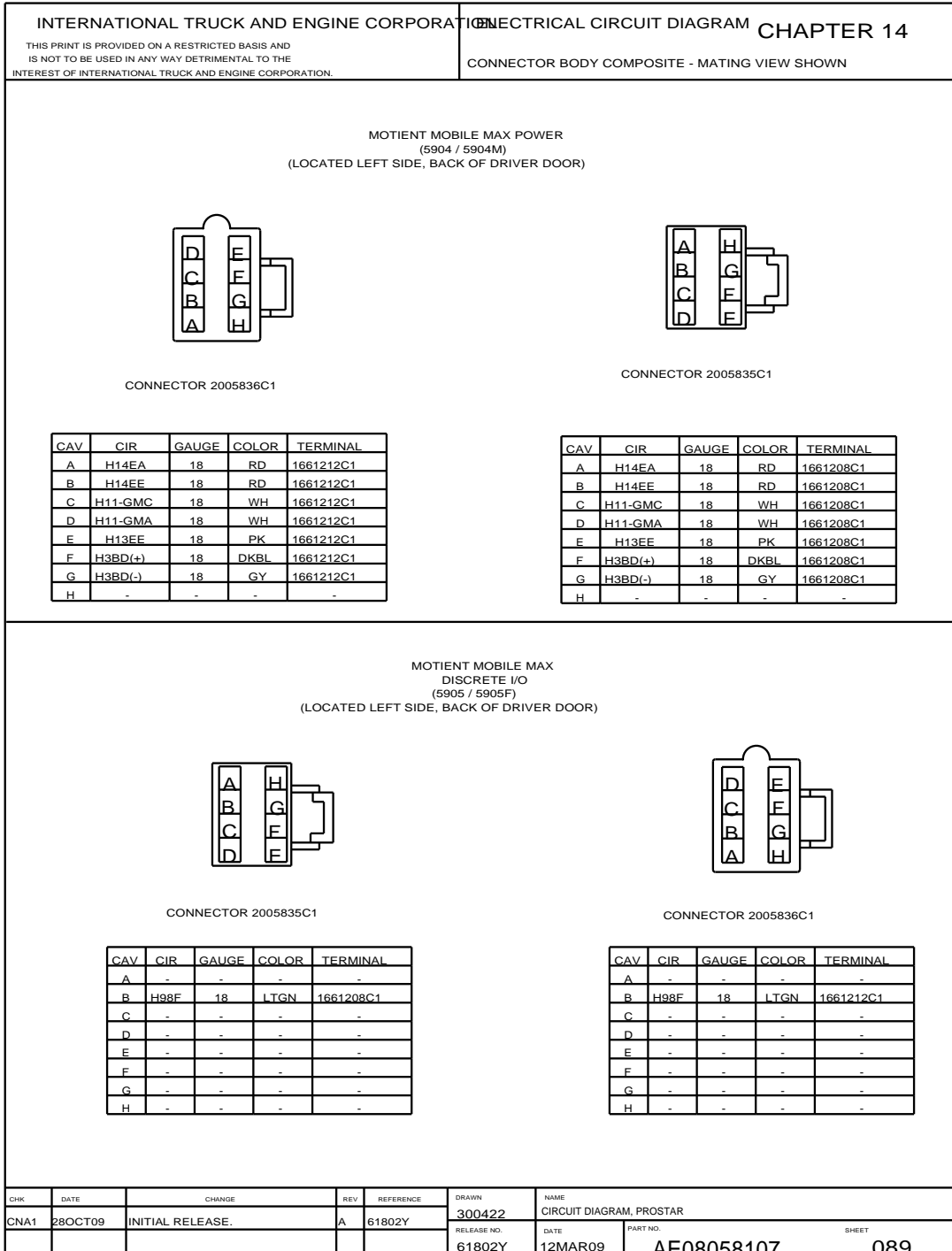


Figure 296 Connector Body Composite (5904 / 5904M), (5905 / 5905F)

14.95. CONNECTOR BODY COMPOSITE (5906), (5907), P. 90

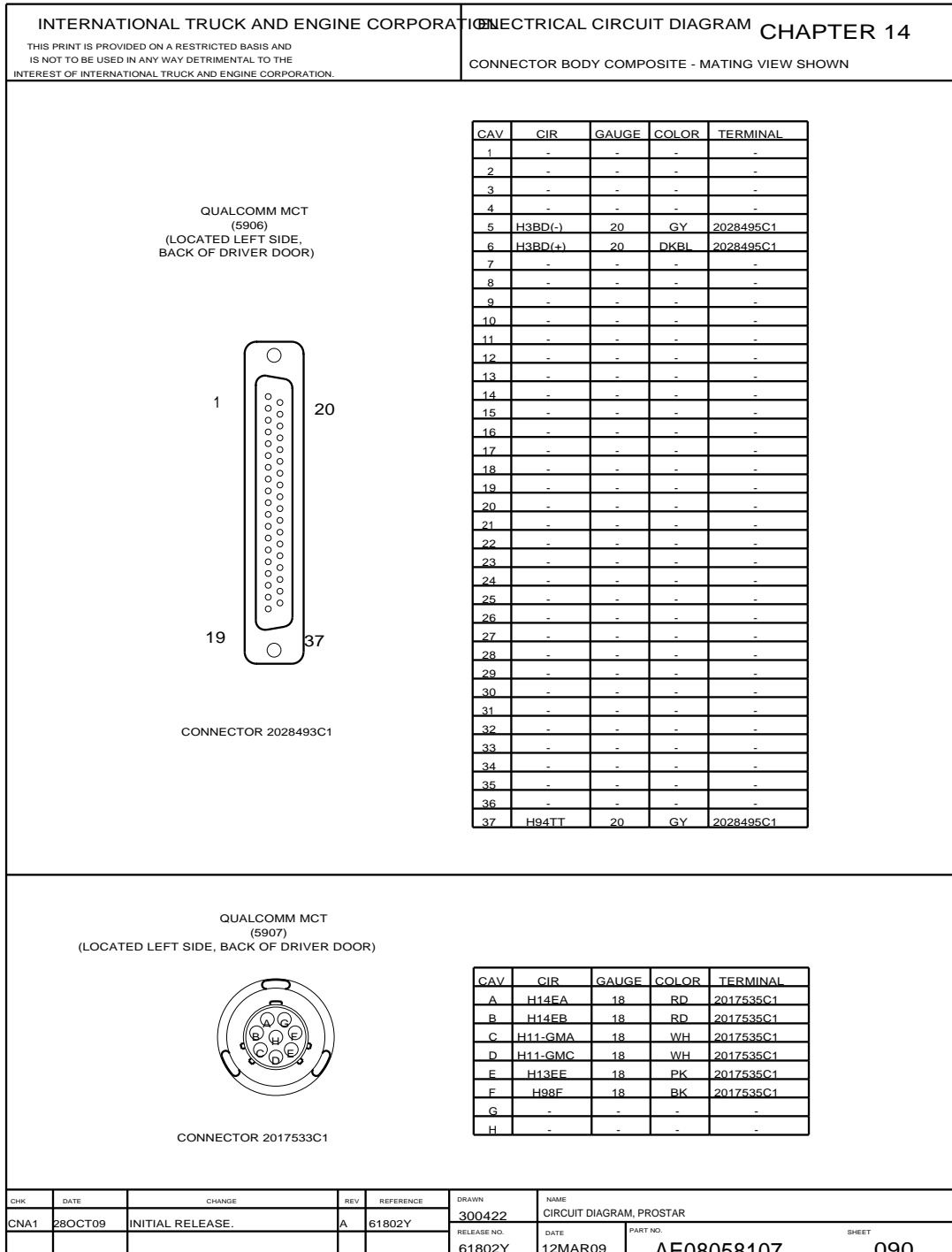


Figure 297 Connector Body Composite (5906), (5907)

14.96. CONNECTOR BODY COMPOSITE (5909), (5925 / 5926), (5927), (5930M), (5940), P. 91

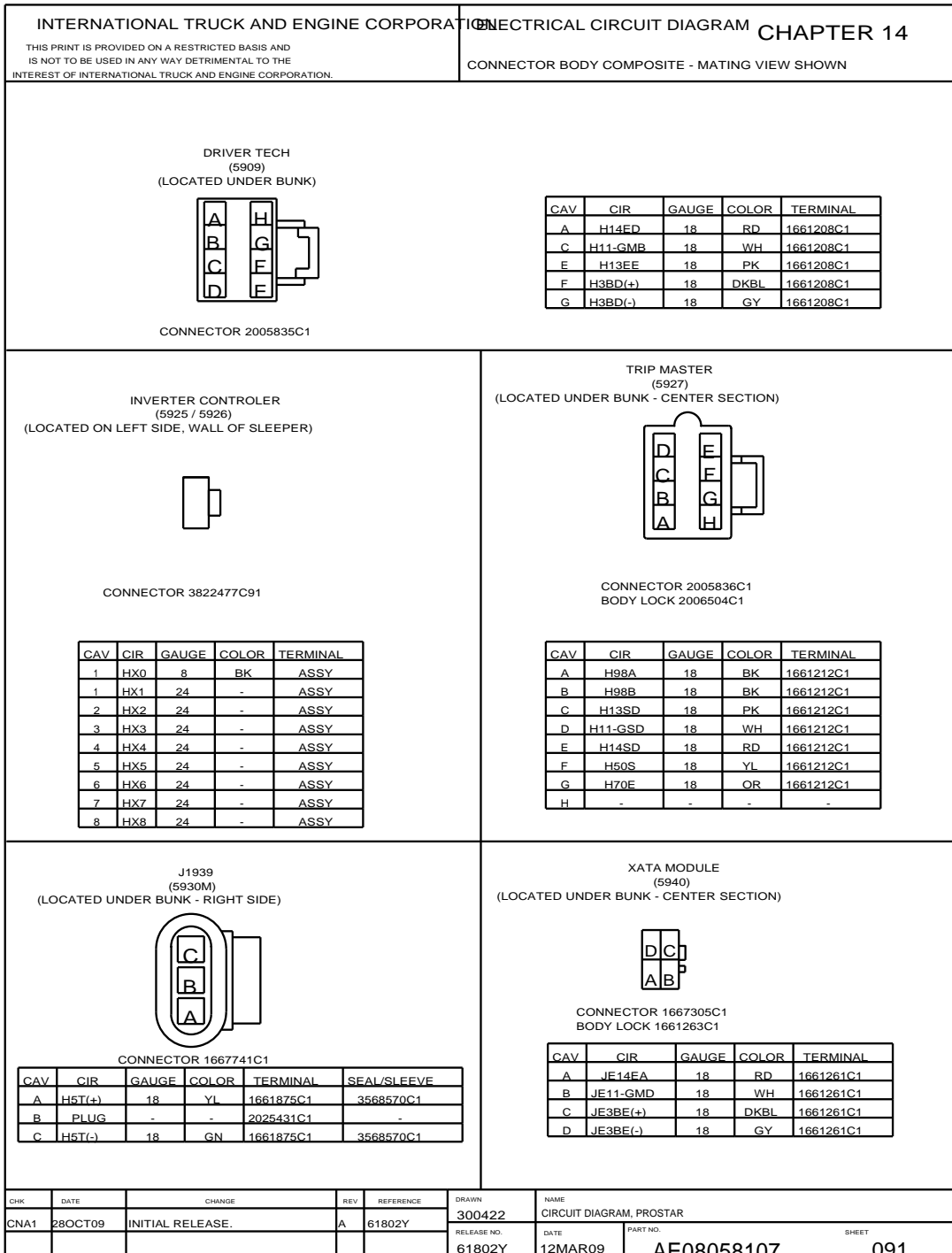


Figure 298 Connector Body Composite (5909), (5925 / 5926), (5927), (5930M), (5940)

14.97. CONNECTOR BODY COMPOSITE (6018), P. 92

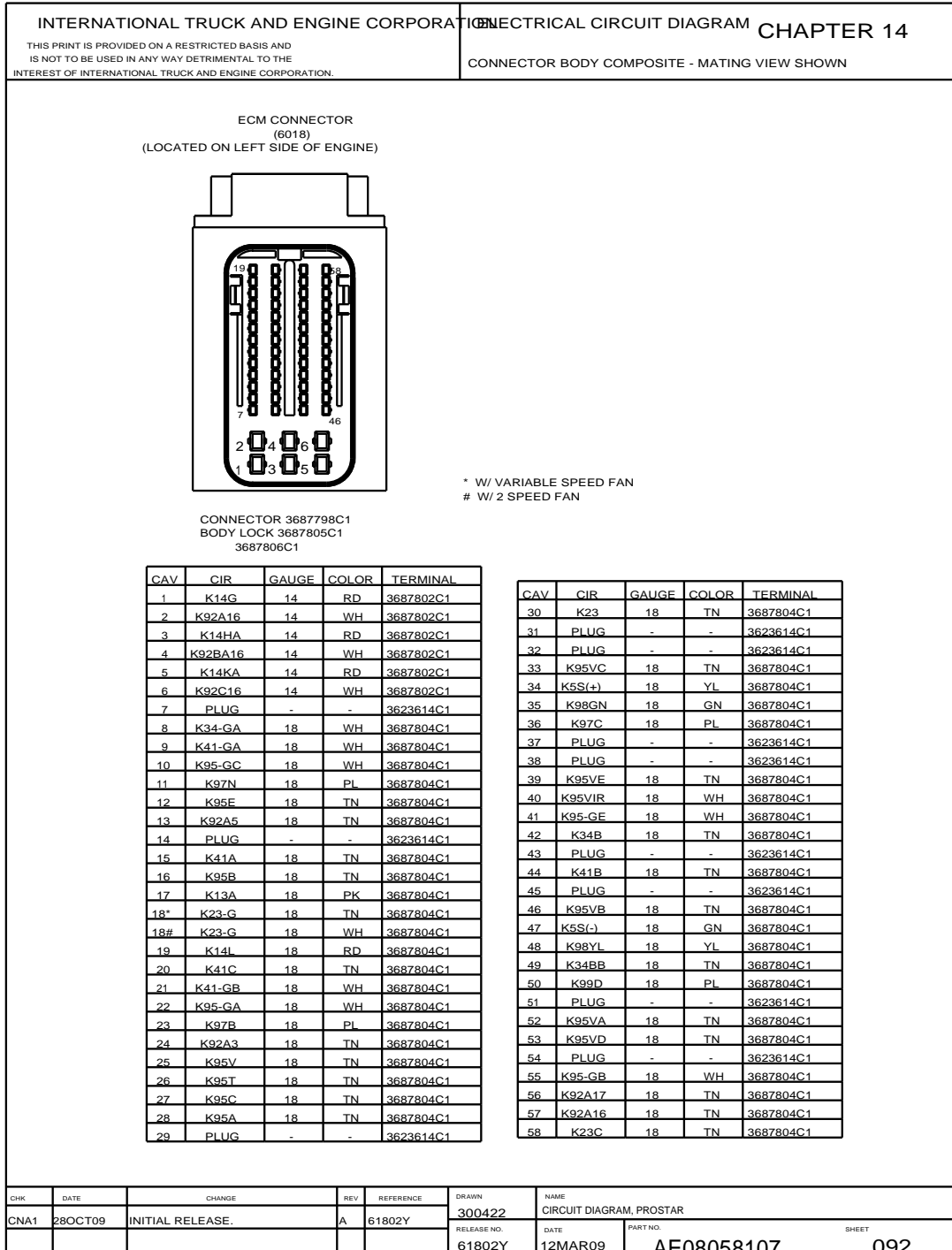


Figure 299 Connector Body Composite (6018)

14.98. CONNECTOR BODY COMPOSITE (6019), P. 93

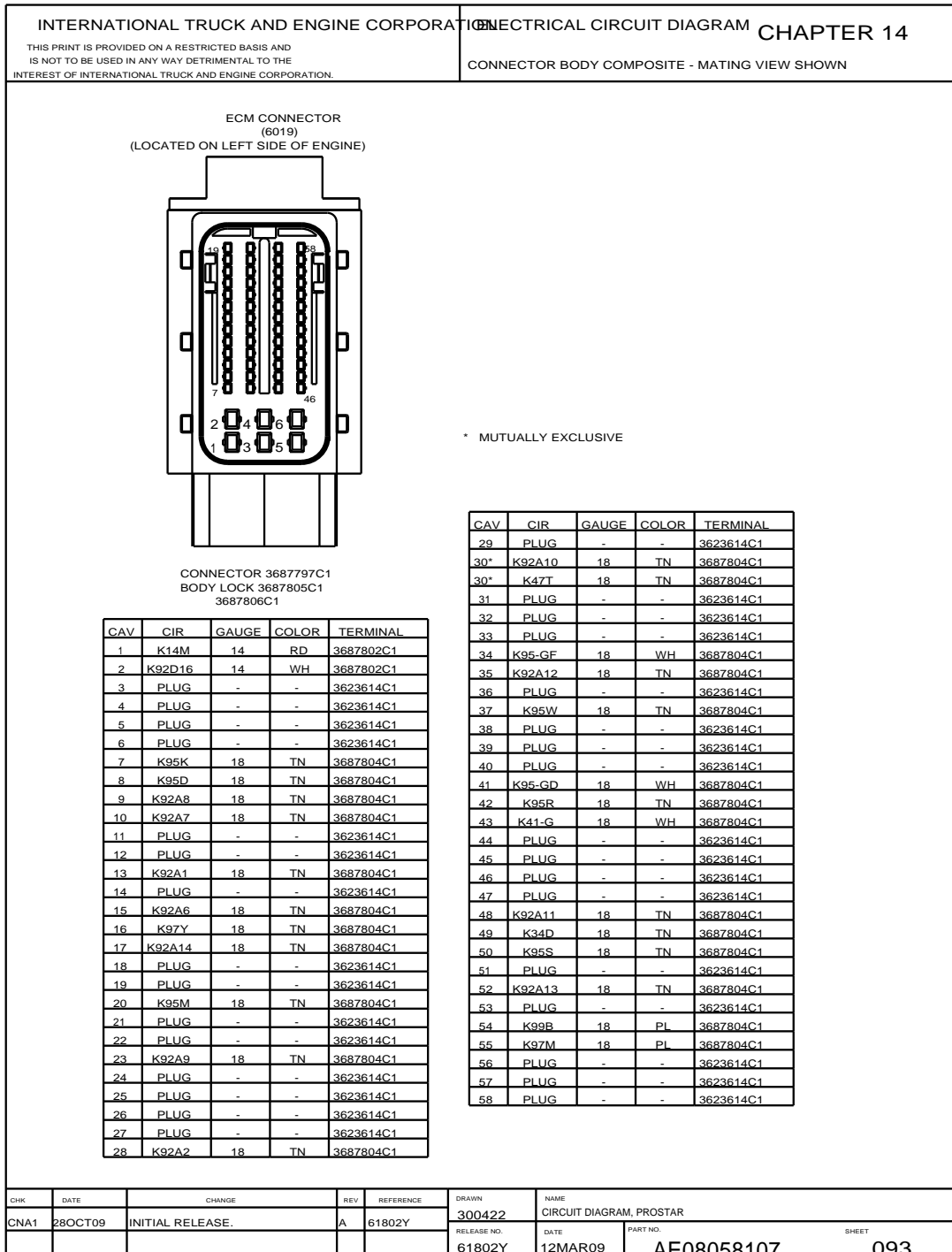


Figure 300 Connector Body Composite (6019)

14.99. CONNECTOR BODY COMPOSITE (6033), P. 94

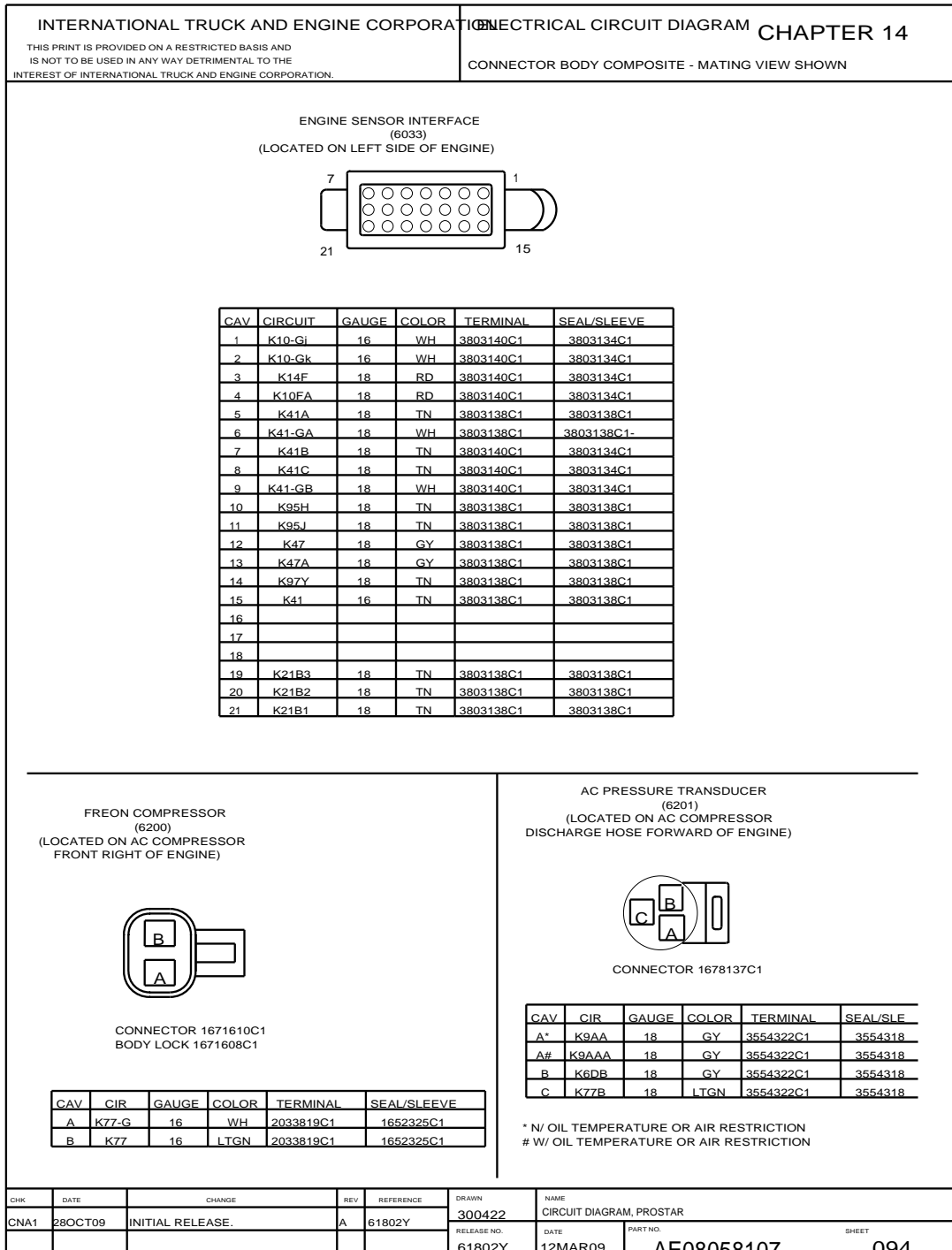


Figure 301 Connector Body Composite (6033)

14.100. CONNECTOR BODY COMPOSITE (6260VH), (6260VL), (6260VM), (6260VN), (6400), (6401 / 6407), (6420), P. 95




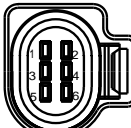
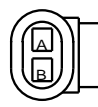
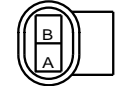
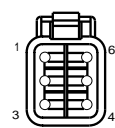
INTERNATIONAL TRUCK AND ENGINE CORPORATION				ELECTRICAL CIRCUIT DIAGRAM CHAPTER 14																																	
THIS PRINT IS PROVIDED ON A RESTRICTED BASIS AND IS NOT TO BE USED IN ANY WAY DETRIMENTAL TO THE INTEREST OF INTERNATIONAL TRUCK AND ENGINE CORPORATION.				CONNECTOR BODY COMPOSITE - MATING VIEW SHOWN																																	
HCI INJECTOR (6260VH)  CONNECTOR 3690364C1				HCI FUEL VALVE (6260VL)  CONNECTOR 3689957C1																																	
CAV	CIRCUIT	GAUGE	COLOR	TERMINAL	SEAL/SLEEVE	CAV	CIRCUIT	GAUGE	COLOR	TERMINAL	SEAL/SLEEVE																										
1	K95H	18	TN	3689960C1	3623615C1	1	K95K	18	TN	3689960C1	3623615C1																										
2	K95J	18	TN	3689960C1	3623615C1	2	K95M	18	TN	3689960C1	3623615C1																										
HCI DUMP VALVE (6260VM)  CONNECTOR 3689956C1				<table border="1" style="width:100%; border-collapse: collapse;"> <thead> <tr> <th>CAV</th><th>CIRCUIT</th><th>GAUGE</th><th>COLOR</th><th>TERMINAL</th><th>SEAL/SLEEVE</th></tr> </thead> <tbody> <tr> <td>1</td><td>K95-GF</td><td>18</td><td>WH</td><td>3689959C1</td><td>3623615C1</td></tr> <tr> <td>2</td><td>K95T</td><td>18</td><td>TN</td><td>3689959C1</td><td>3623615C1</td></tr> <tr> <td>3</td><td>K95DC</td><td>18</td><td>TN</td><td>3689959C1</td><td>3623615C1</td></tr> <tr> <td>4</td><td>K95V</td><td>18</td><td>TN</td><td>3689959C1</td><td>3623615C1</td></tr> </tbody> </table>				CAV	CIRCUIT	GAUGE	COLOR	TERMINAL	SEAL/SLEEVE	1	K95-GF	18	WH	3689959C1	3623615C1	2	K95T	18	TN	3689959C1	3623615C1	3	K95DC	18	TN	3689959C1	3623615C1	4	K95V	18	TN	3689959C1	3623615C1
CAV	CIRCUIT	GAUGE	COLOR	TERMINAL	SEAL/SLEEVE																																
1	K95-GF	18	WH	3689959C1	3623615C1																																
2	K95T	18	TN	3689959C1	3623615C1																																
3	K95DC	18	TN	3689959C1	3623615C1																																
4	K95V	18	TN	3689959C1	3623615C1																																
EXHAUST LAMBDA SENSOR (6260VN) (LOCATED ON LEFT SIDE OF ENGINE)  CONNECTOR 3691136C1				FAN SOLENOID (6400)  CONNECTOR 3522068C1 BODY LOCK 1661874C1																																	
CAV	CIRCUIT	GAUGE	COLOR	TERMINAL	SEAL/SLEEVE	CAV	CIRCUIT	GAUGE	COLOR	TERMINAL	SEAL/SLEEVE																										
1	K95VA	18	TN	3693147C1	3573653C1	A	K23	18	TN	1661875C1	1661872C1																										
2	K95VIR	18	WH	3693147C1	3573653C1	B	K23-G	18	WH	1661875C1	1661872C1																										
3	K95VB	18	TN	3693147C1	3573653C1																																
4	K95VC	18	TN	3693147C1	3573653C1																																
5	K95VD	18	TN	3693147C1	3573653C1																																
6	K95VE	18	TN	3693147C1	3573653C1																																
LOW COOLANT SENSOR 8600 / LOW COOLANT SENSOR 7000 (6401 / 6407)  CONNECTOR 2036583C1				VARIABLE SPEED FAN (6420)  CONNRCTOR 3579124C1 BODY LOCK 3579126C1																																	
CAV	CIRCUIT	GAUGE	COLOR	TERMINAL	SEAL/SLEEVE	CAV	CIRCUIT	GAUGE	COLOR	TERMINAL	SEAL/SLEEVE																										
A	K34D	18	TN	2036586C1		1	K23-G	18	TN	3518963C1																											
B	K34B	18	TN	2036586C1		2	K23A1	18	TN	3518963C1																											
						3	K23	18	TN	3518963C1																											
						4	K23B1	18	TN	3518963C1																											
						5	K23C	18	TN	3518963C1																											
						6	PLUG	-	-	3527276C1																											
CHK	DATE	CHANGE	REV	REFERENCE	DRAWN	NAME																															
CNA1	28OCT09	INITIAL RELEASE.	A	61802Y	300422	CIRCUIT DIAGRAM, PROSTAR																															
					RELEASE NO.	DATE	PART NO.			SHEET																											
					61802Y	11MAR09	AE08058107			095																											

Figure 302 Connector Body Composite (6260VH), (6260VL), (6260VM), (6260VN), (6400), (6401 / 6407), (6420)

14.101. CONNECTOR BODY COMPOSITE (6702), (6703), (6703A), (6704A), (6706), (6707), P. 96

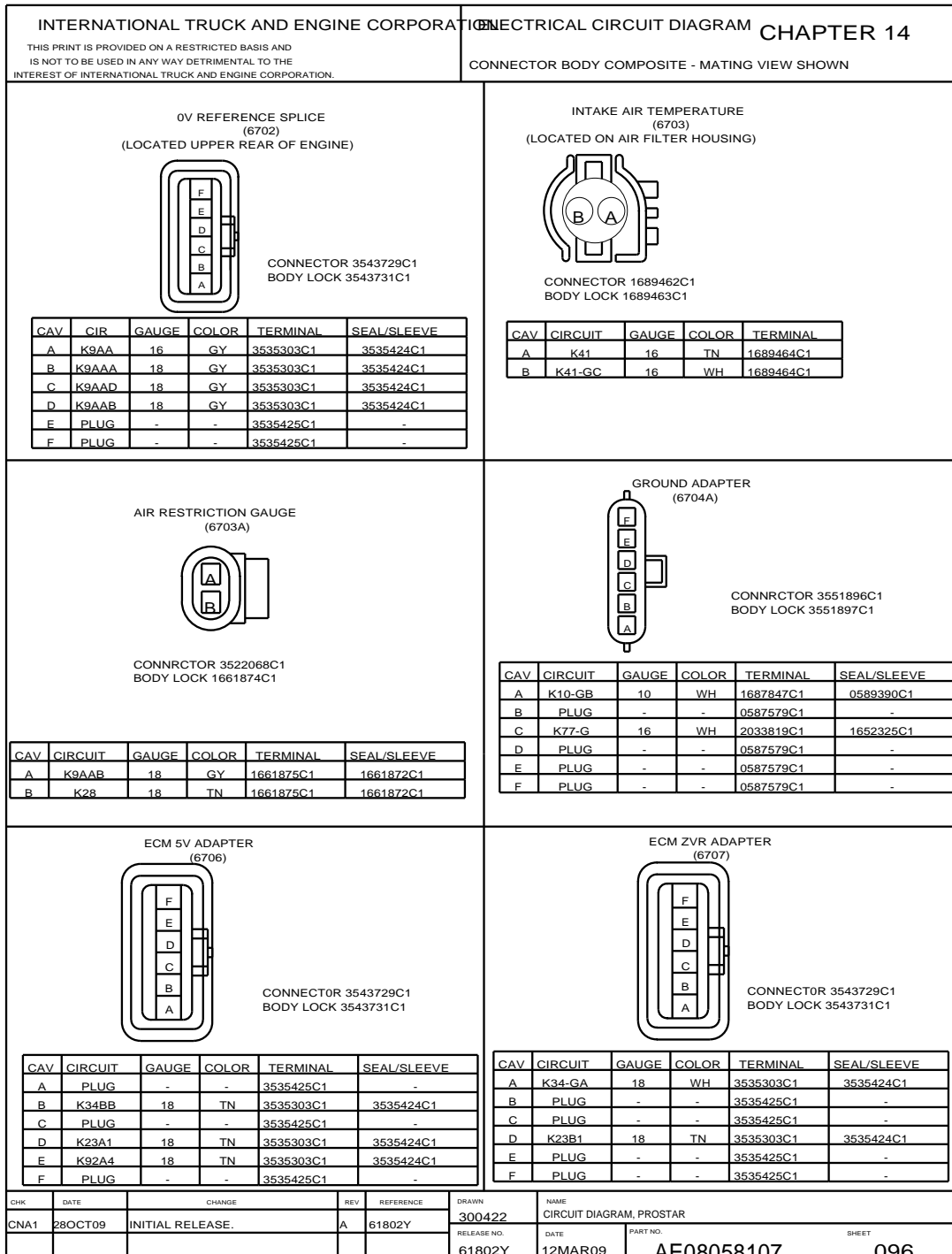


Figure 303 Connector Body Composite (6702), (6703), (6703A), (6704A), (6706), (6707)

14.102. CONNECTOR BODY COMPOSITE (6712), (6720), (6730), (7104F), P. 97

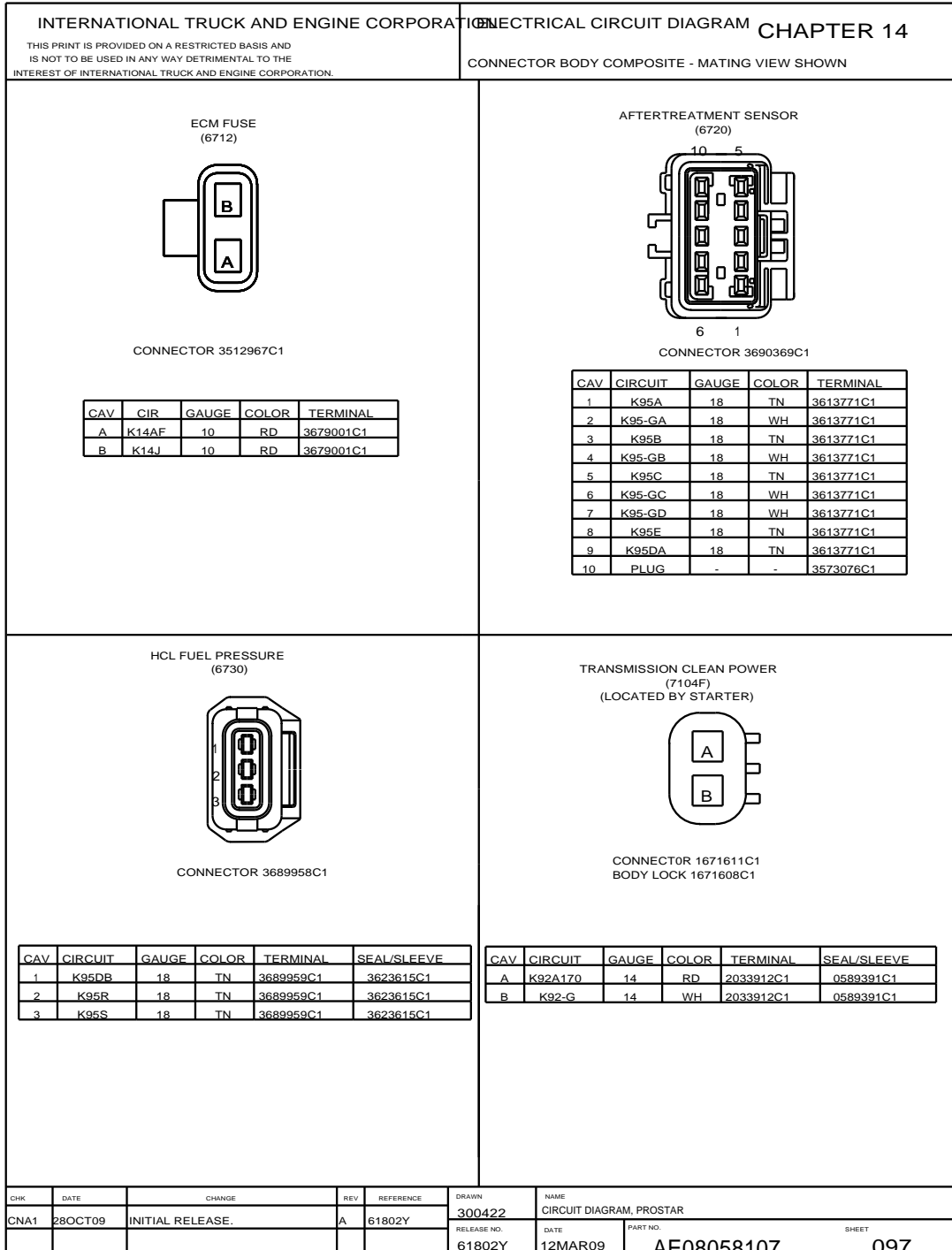


Figure 304 Connector Body Composite (6712), (6720), (6730), (7104F)

14.103. CONNECTOR BODY COMPOSITE (7105), (7110), (7500W), (7600), P. 98

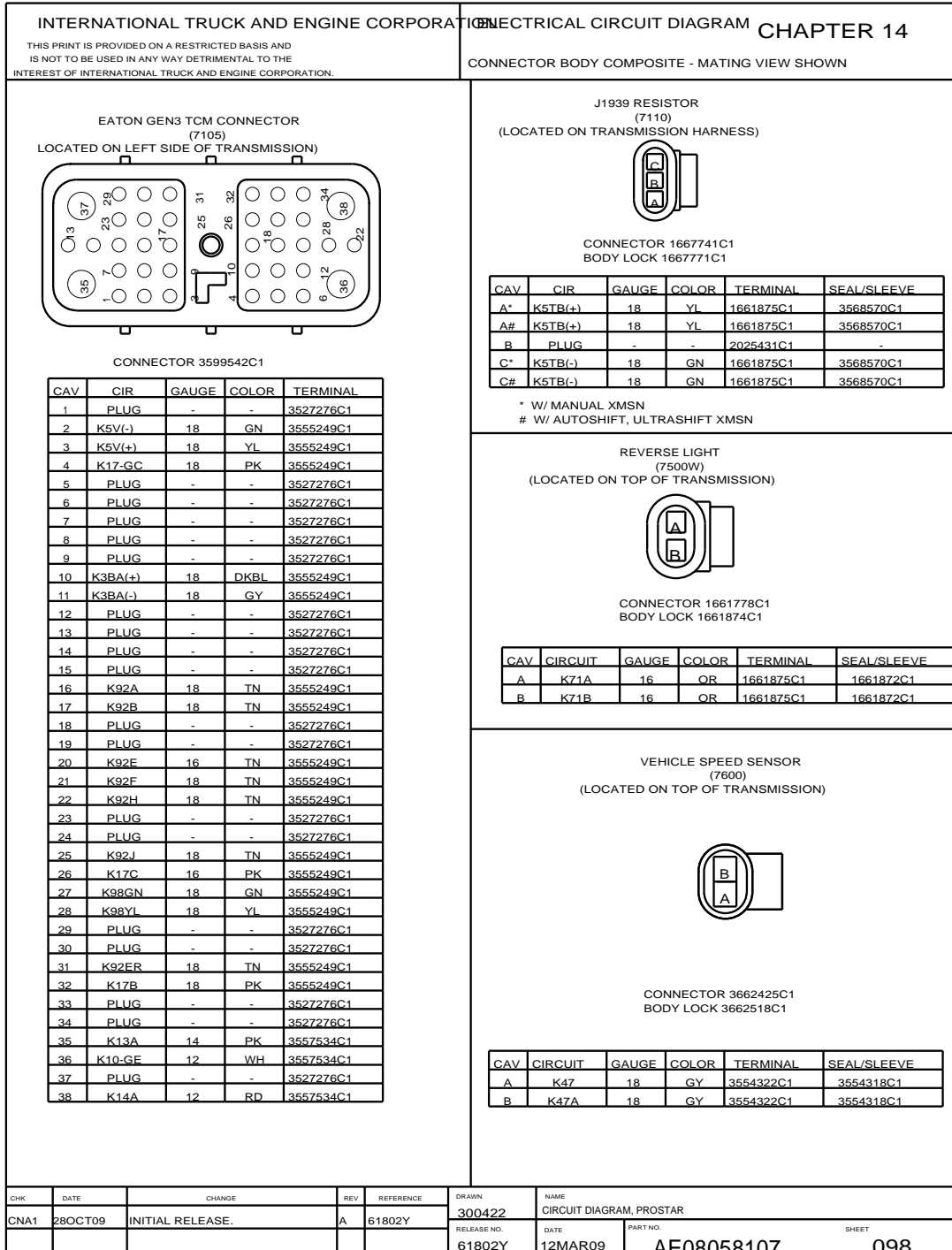


Figure 305 Connector Body Composite (7105), (7110), (7500W), (7600)

14.104. CONNECTOR BODY COMPOSITE (7700K), (7802), (7905), P. 99

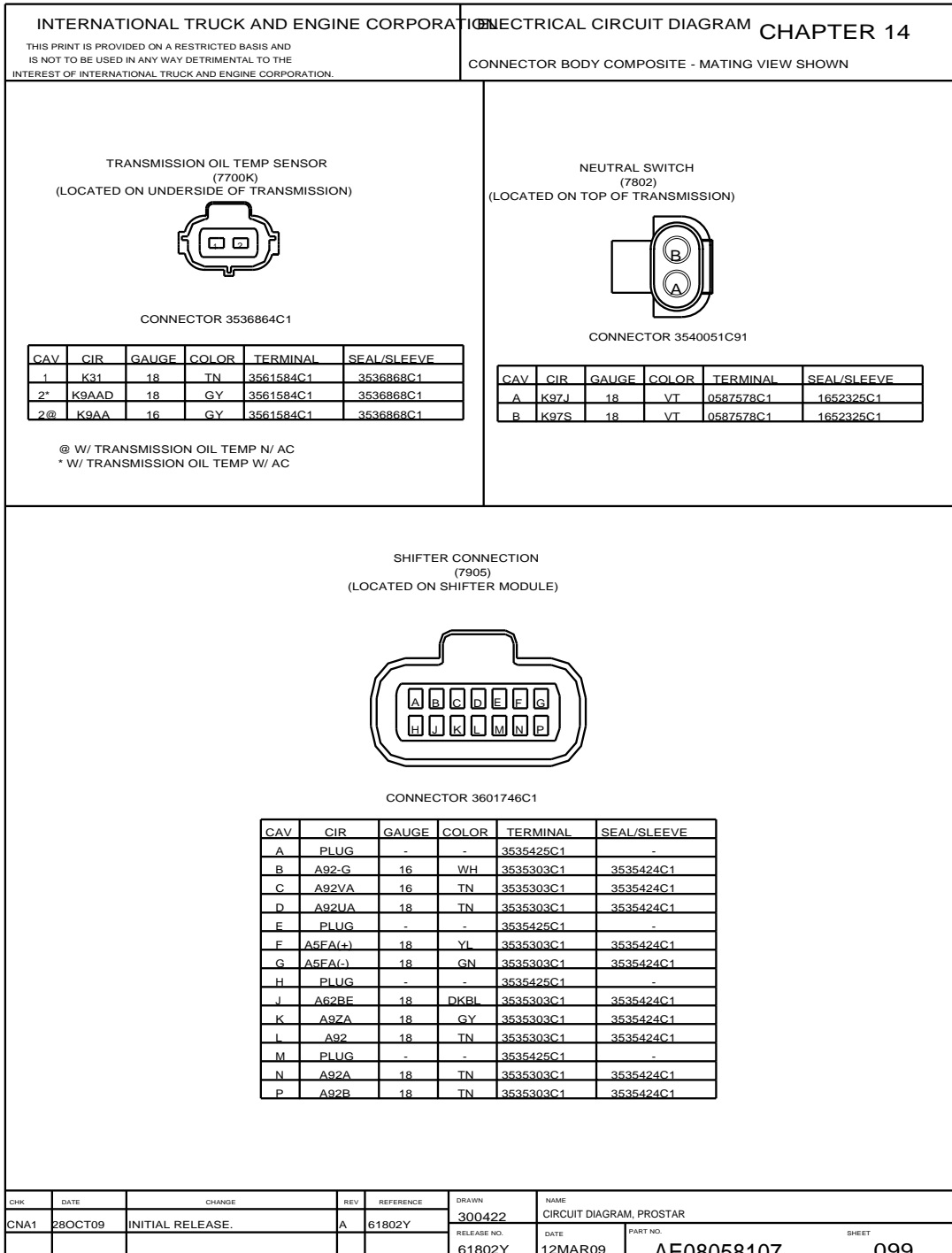


Figure 306 Connector Body Composite (7700K), (7802), (7905)

14.105. CONNECTOR BODY COMPOSITE (8000), (8001), P. 100

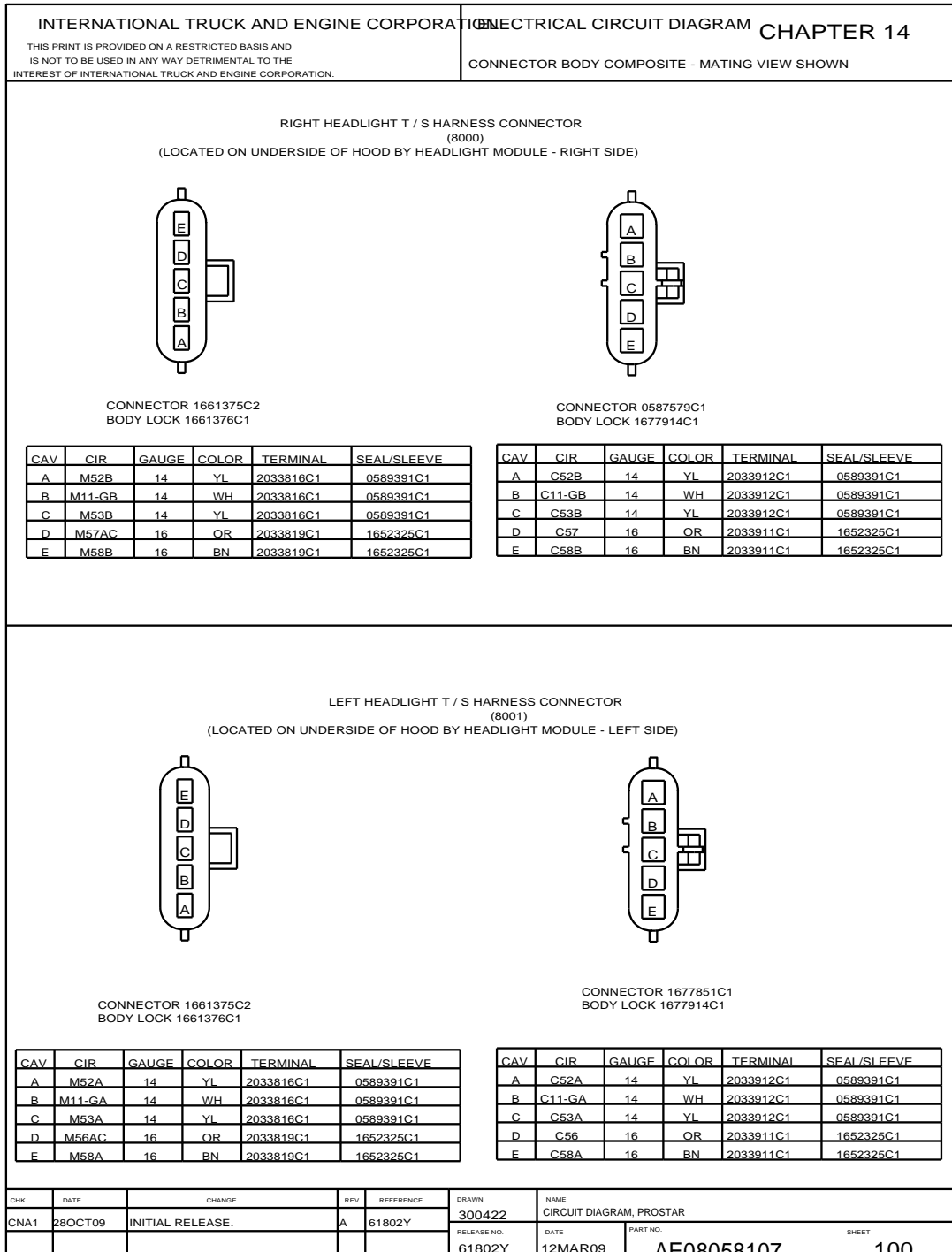


Figure 307 Connector Body Composite (8000), (8001)

14.106. CONNECTOR BODY COMPOSITE (8006T), (8006R), (8050), (8051), P. 101

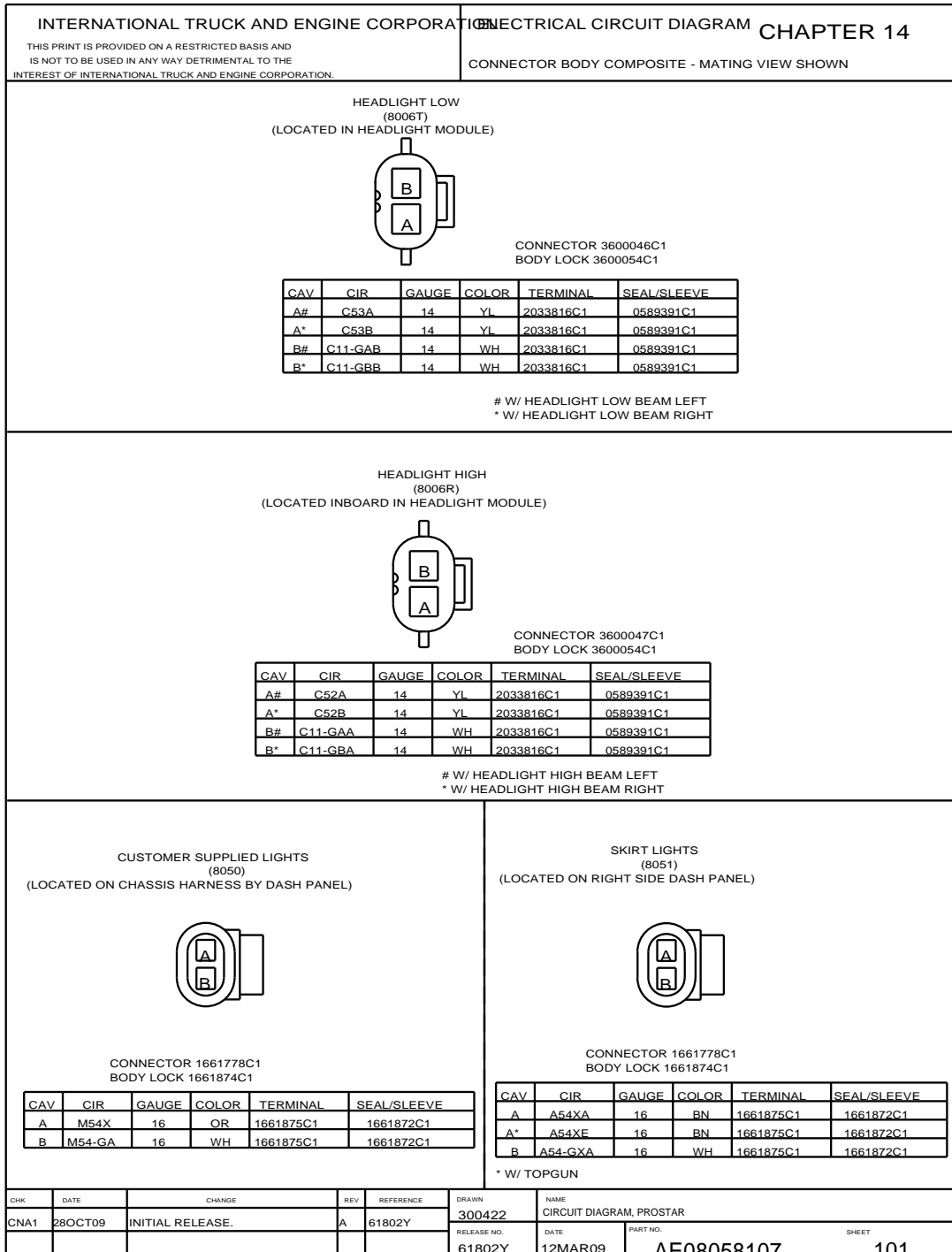


Figure 308 Connector Body Composite (8006T), (8006R), (8050), (8051)

14.107. CONNECTOR BODY COMPOSITE (8052), (8053), (8100), (8100A), (8100B), P. 102

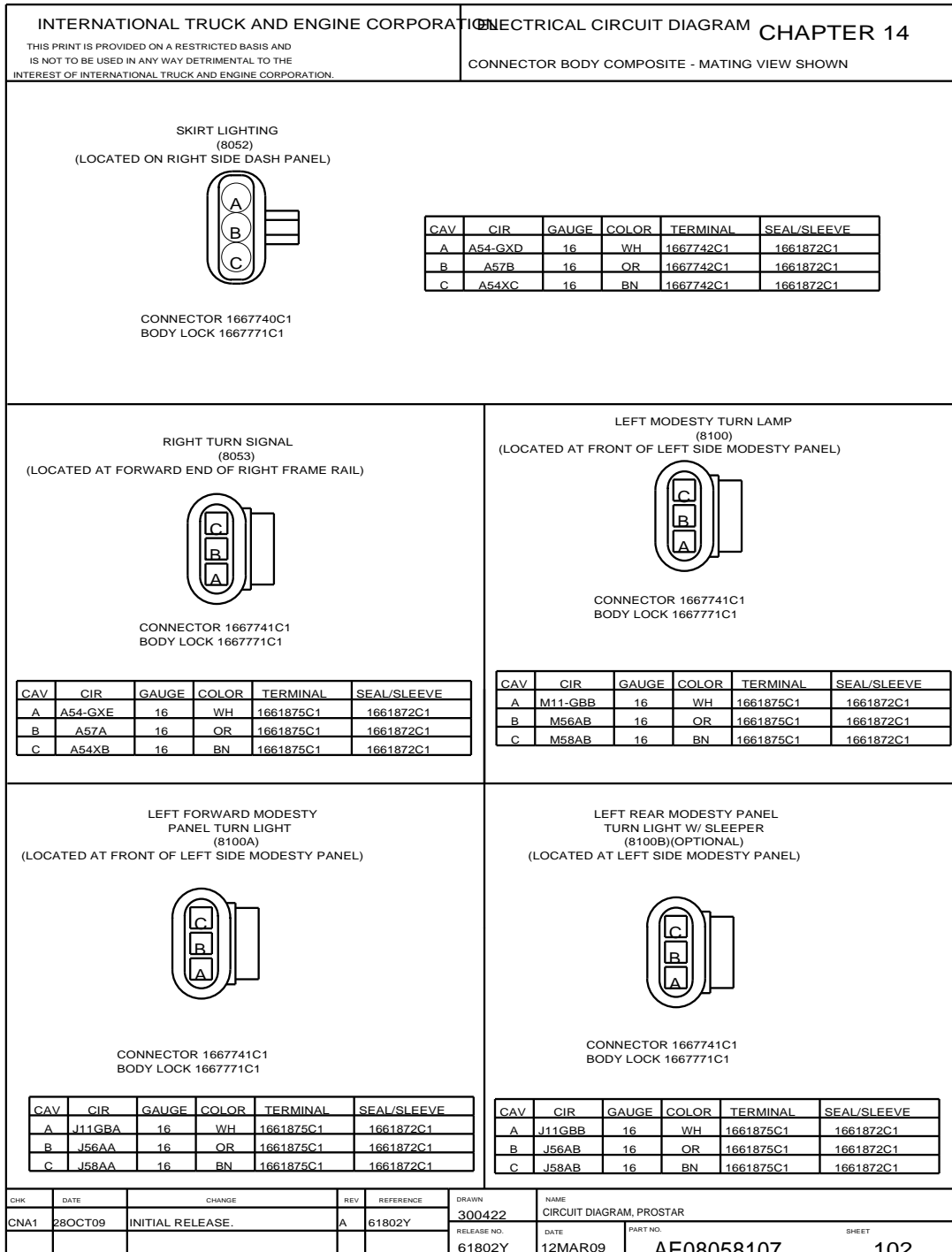


Figure 309 Connector Body Composite (8052), (8053), (8100), (8100A), (8100B)

14.108. CONNECTOR BODY COMPOSITE (8101), (8101A), (8101B), (8102), (8103), P. 103

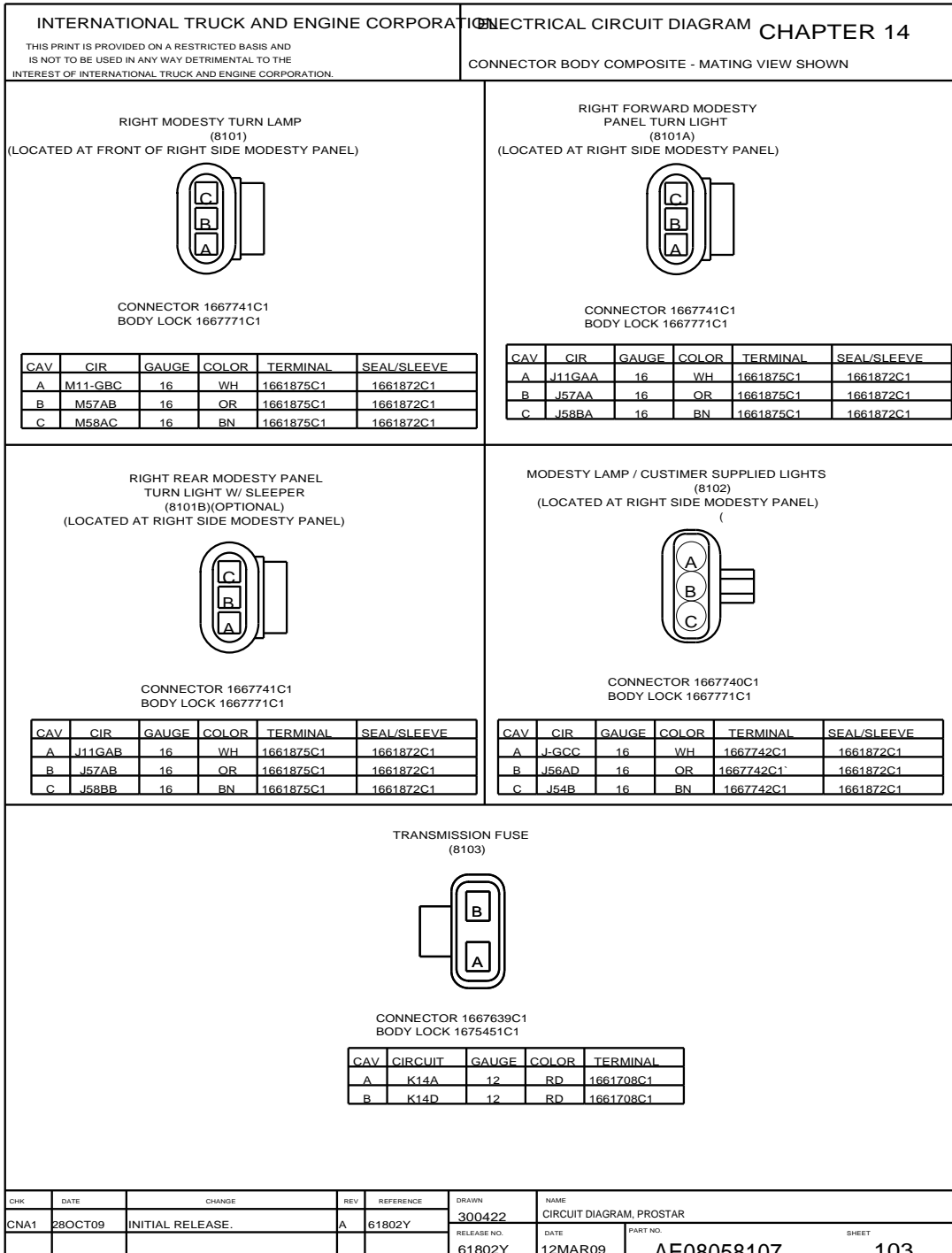


Figure 310 Connector Body Composite (8101), (8101A), (8101B), (8102), (8103)

14.109. CONNECTOR BODY COMPOSITE (8165), (8166), (8166T), (8200), (8201), P. 104

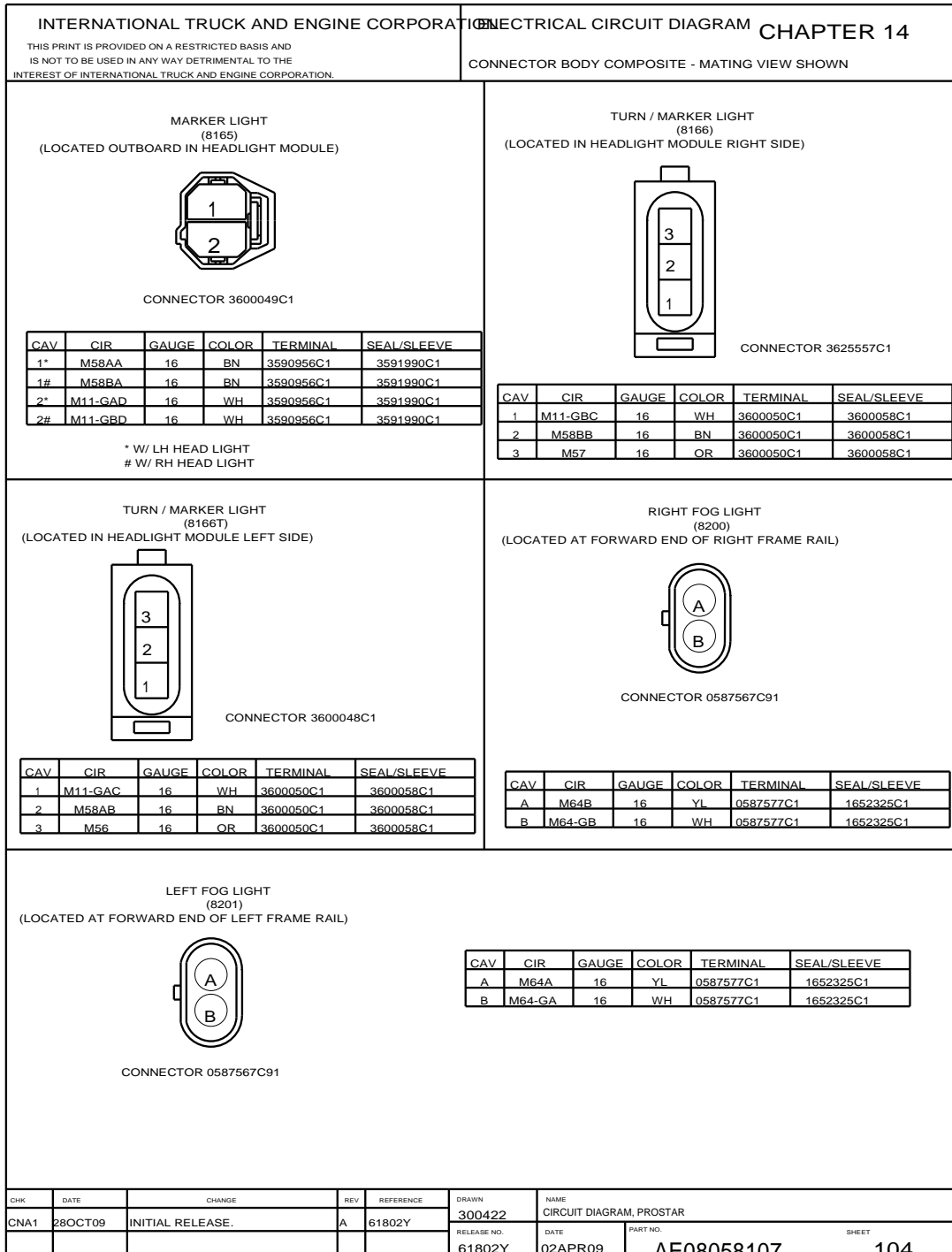


Figure 311 Connector Body Composite (8165), (8166), (8166T), (8200), (8201)

14.110. CONNECTOR BODY COMPOSITE (8303), (8350), (8351), (8410), (8450), P. 105

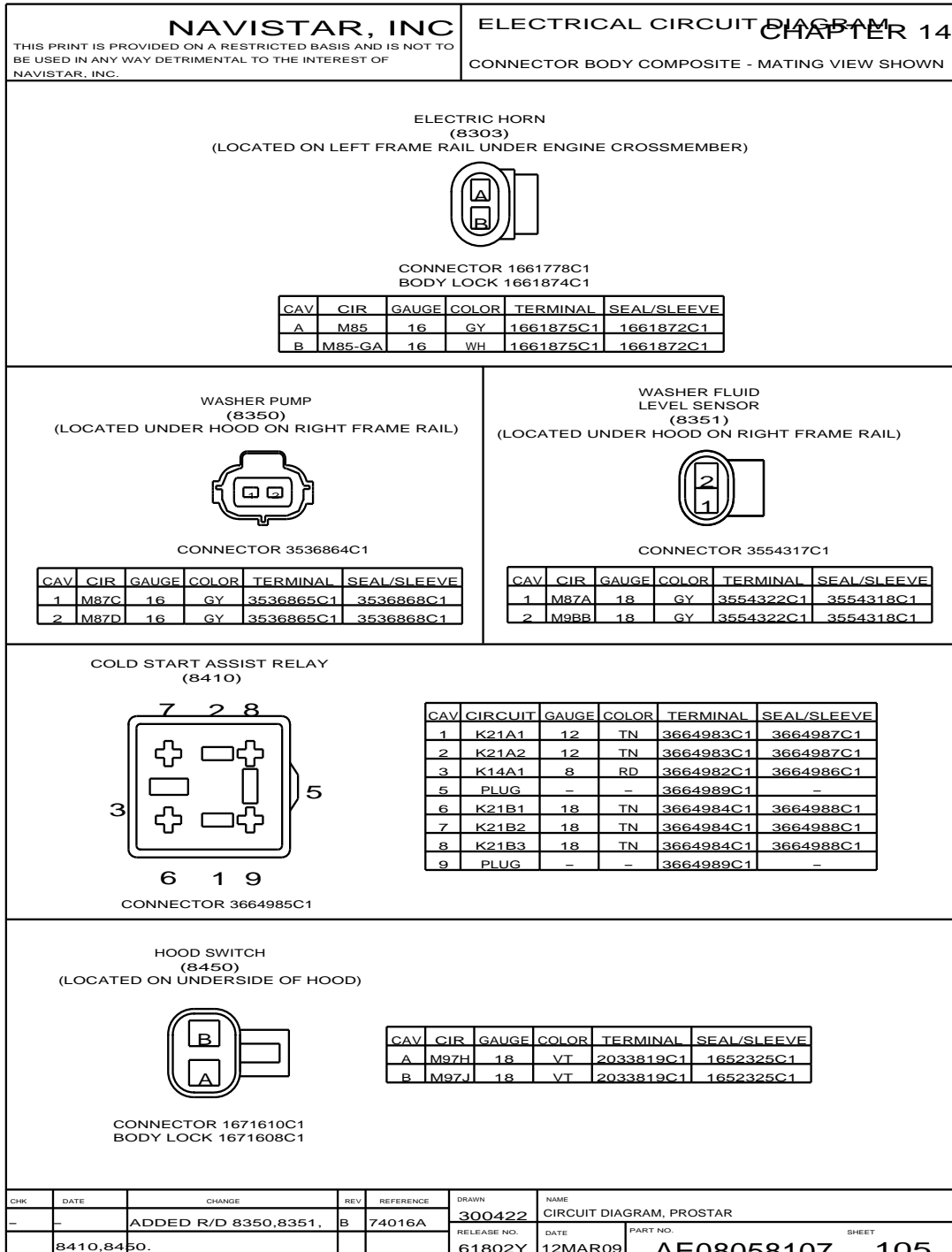


Figure 312 Connector Body Composite (8303), (8350), (8351), (8410), (8450)

14.111. CONNECTOR BODY COMPOSITE (8450A), (8450B), (8451), P. 106

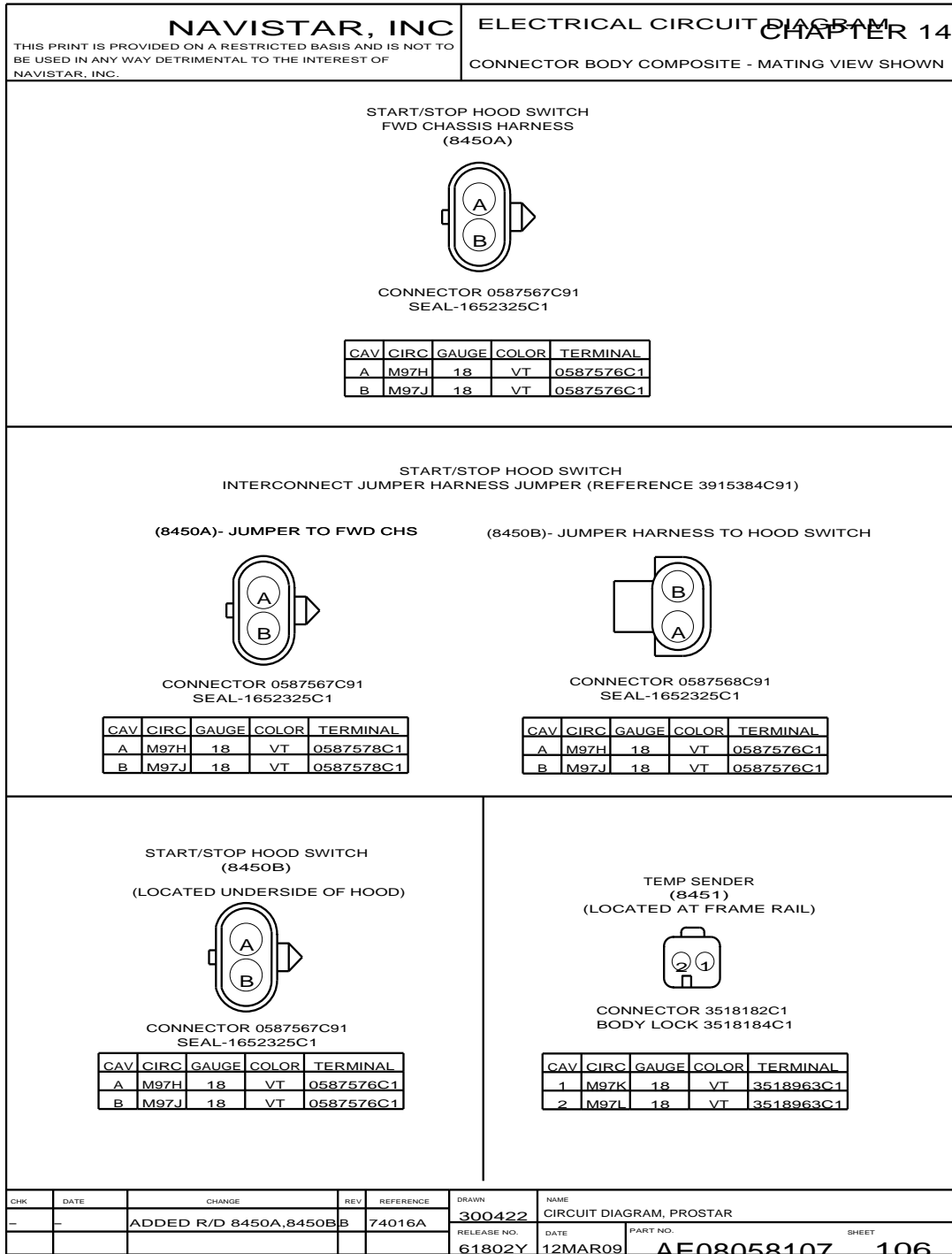


Figure 313 Connector Body Composite (8450A), (8450B), (8451)

14.112. CONNECTOR BODY COMPOSITE (8453), (8454), (8455), (8456), (8500), P. 107

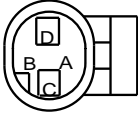
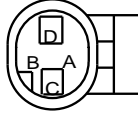


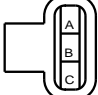
INTERNATIONAL TRUCK AND ENGINE CORPORATION		ELECTRICAL CIRCUIT DIAGRAM		CHAPTER 14	
THIS PRINT IS PROVIDED ON A RESTRICTED BASIS AND IS NOT TO BE USED IN ANY WAY DETRIMENTAL TO THE INTEREST OF INTERNATIONAL TRUCK AND ENGINE CORPORATION.		CONNECTOR BODY COMPOSITE - MATING VIEW SHOWN			
PARK BRAKE SWITCH (8453) (LOCATED UNDER HOOD - LEFT SIDE BY DASH PANEL)					
					
CONNECTOR 1661777C1 BODY LOCK 1661873C1					
CAV	CIR	GAUGE	COLOR	TERMINAL	SEAL/SLEEVE
A	-	-	-	-	-
B	-	-	-	-	-
C	M97R	18	VT	3594831C1	1661872C1
D	M97M	18	VT	3594831C1	1661872C1
PARK BRAKE PRESSURE SWITCH (8454) (LOCATED UNDER HOOD - LEFT SIDE BY DASH PANEL)					
					
CONNECTOR 1661777C1 BODY LOCK 1661873C1					
CAV	CIRCUIT	GAUGE	COLOR	TERMINAL	SEAL/SLEEVE
A	-	-	-	-	-
B	-	-	-	-	-
C	M72EA	16	OR	3594831C1	1661872C1
D	M72EB	16	OR	3594831C1	1661872C1
IDLE CONTROL TEMP SENDER (8455) (LOCATED AT FRONT OF LEFT FRAME RAIL)					
					
CONNECTOR 3518182C1 BODY LOCK 3518184C1					
CAV	CIR	GAUGE	COLOR	TERMINAL	
1	M41-G	16	TN	3518963C1	
2	M41A	16	TN	3518963C1	
IDLE CONTROL TEMP SENDER (8456)					
					
CONNECTOR 3518182C1 BODY LOCK 3518184C1					
CAV	CIR	GAUGE	COLOR	TERMINAL	
1	M41-G	16	TN	3518963C1	
2	M41A	16	TN	3518963C1	
BENDIX LEFT ABS MODULATOR (8500) (LOCATED ON LEFT FRAME RAIL BY FRONT AXLE)					
					
CONNECTOR 1686834C1 BODY LOCK 1664408C1					
CAV	CIR	GAUGE	COLOR	TERMINAL	SEAL/SLEEVE
A	M94	18	GY	2033819C1	1652325C1
B	M94A	18	GY	2033819C1	1652325C1
C	M94B	18	GY	2033819C1	1652325C1
CHK	DATE	CHANGE	REV	REFERENCE	DRAWN
CNA1	28OCT09	INITIAL RELEASE.	A	61802Y	300422
					NAME
					CIRCUIT DIAGRAM, PROSTAR
					RELEASE NO.
					61802Y
					DATE
					12MAR09
					PART NO.
					AE08058107
					SHEET
					107

Figure 314 Connector Body Composite (8453), (8454), (8455), (8456), (8500)

14.113. CONNECTOR BODY COMPOSITE (8501), (8502), (8503), (8504), P. 108

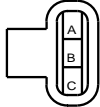
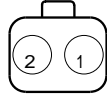
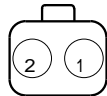
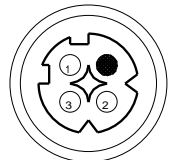
INTERNATIONAL TRUCK AND ENGINE CORPORATION <small>THIS PRINT IS PROVIDED ON A RESTRICTED BASIS AND IS NOT TO BE USED IN ANY WAY DETRIMENTAL TO THE INTEREST OF INTERNATIONAL TRUCK AND ENGINE CORPORATION.</small>	ELECTRICAL CIRCUIT DIAGRAM CHAPTER 14 CONNECTOR BODY COMPOSITE - MATING VIEW SHOWN																																
<p style="text-align: center;">BENDIX RIGHT ABS MODULATOR (8501) (LOCATED ON RIGHT FRAME RAIL BY FRONT AXLE)</p>  <p style="text-align: center;">CONNECTOR 1686834C1 BODY LOCK 1664408C1</p>	<table border="1" style="width: 100%; border-collapse: collapse; text-align: center;"> <thead> <tr> <th>CAV</th> <th>CIR</th> <th>GAUGE</th> <th>COLOR</th> <th>TERMINAL</th> <th>SEAL/SLEEVE</th> </tr> </thead> <tbody> <tr> <td>A</td> <td>M94H</td> <td>18</td> <td>GY</td> <td>2033819C1</td> <td>1652325C1</td> </tr> <tr> <td>B</td> <td>M94J</td> <td>18</td> <td>GY</td> <td>2033819C1</td> <td>1652325C1</td> </tr> <tr> <td>C</td> <td>M94K</td> <td>18</td> <td>GY</td> <td>2033819C1</td> <td>1652325C1</td> </tr> </tbody> </table>	CAV	CIR	GAUGE	COLOR	TERMINAL	SEAL/SLEEVE	A	M94H	18	GY	2033819C1	1652325C1	B	M94J	18	GY	2033819C1	1652325C1	C	M94K	18	GY	2033819C1	1652325C1								
CAV	CIR	GAUGE	COLOR	TERMINAL	SEAL/SLEEVE																												
A	M94H	18	GY	2033819C1	1652325C1																												
B	M94J	18	GY	2033819C1	1652325C1																												
C	M94K	18	GY	2033819C1	1652325C1																												
<p style="text-align: center;">BENDIX LEFT AIR ABS SPEED SENSOR (8502) (LOCATED ON LEFT FRAME RAIL BY FRONT AXLE)</p>  <p style="text-align: center;">CONNECTOR 1684261C1 BODY LOCK 1684263C1</p>	<table border="1" style="width: 100%; border-collapse: collapse; text-align: center;"> <thead> <tr> <th>CAV</th> <th>CIR</th> <th>GAUGE</th> <th>COLOR</th> <th>TERMINAL</th> </tr> </thead> <tbody> <tr> <td>1</td> <td>M94C</td> <td>18</td> <td>GY</td> <td>1680205C1</td> </tr> <tr> <td>2</td> <td>M94D</td> <td>18</td> <td>GY</td> <td>1680205C1</td> </tr> </tbody> </table>	CAV	CIR	GAUGE	COLOR	TERMINAL	1	M94C	18	GY	1680205C1	2	M94D	18	GY	1680205C1																	
CAV	CIR	GAUGE	COLOR	TERMINAL																													
1	M94C	18	GY	1680205C1																													
2	M94D	18	GY	1680205C1																													
<p style="text-align: center;">BENDIX RIGHT AIR ABS SPEED SENSOR (8503) (LOCATED ON RIGHT FRAME RAIL BY FRONT AXLE)</p>  <p style="text-align: center;">CONNECTOR 1684261C1 BODY LOCK 1684263C1</p>	<table border="1" style="width: 100%; border-collapse: collapse; text-align: center;"> <thead> <tr> <th>CAV</th> <th>CIR</th> <th>GAUGE</th> <th>COLOR</th> <th>TERMINAL</th> </tr> </thead> <tbody> <tr> <td>1</td> <td>M94E</td> <td>18</td> <td>GY</td> <td>1680205C1</td> </tr> <tr> <td>2</td> <td>M94F</td> <td>18</td> <td>GY</td> <td>1680205C1</td> </tr> </tbody> </table>	CAV	CIR	GAUGE	COLOR	TERMINAL	1	M94E	18	GY	1680205C1	2	M94F	18	GY	1680205C1																	
CAV	CIR	GAUGE	COLOR	TERMINAL																													
1	M94E	18	GY	1680205C1																													
2	M94F	18	GY	1680205C1																													
<p style="text-align: center;">WABCO LEFT ABS MODULATOR (8504) (LOCATED ON LEFT FRAME RAIL BY FRONT AXLE)</p>  <p style="text-align: center;">CONNECTOR 3667691C1</p>	<table border="1" style="width: 100%; border-collapse: collapse; text-align: center;"> <thead> <tr> <th>CAV</th> <th>CIR</th> <th>GAUGE</th> <th>COLOR</th> <th>TERMINAL</th> </tr> </thead> <tbody> <tr> <td>1</td> <td>M94M</td> <td>18</td> <td>GY</td> <td>ASSY</td> </tr> <tr> <td>2</td> <td>M94MA</td> <td>18</td> <td>GY</td> <td>ASSY</td> </tr> <tr> <td>3</td> <td>M94MB</td> <td>18</td> <td>GY</td> <td>ASSY</td> </tr> </tbody> </table>	CAV	CIR	GAUGE	COLOR	TERMINAL	1	M94M	18	GY	ASSY	2	M94MA	18	GY	ASSY	3	M94MB	18	GY	ASSY												
CAV	CIR	GAUGE	COLOR	TERMINAL																													
1	M94M	18	GY	ASSY																													
2	M94MA	18	GY	ASSY																													
3	M94MB	18	GY	ASSY																													
<table border="1" style="width: 100%; border-collapse: collapse; font-size: small;"> <thead> <tr> <th>CHK</th> <th>DATE</th> <th>CHANGE</th> <th>REV</th> <th>REFERENCE</th> <th>DRAWN</th> <th>NAME</th> </tr> </thead> <tbody> <tr> <td>CNA1</td> <td>28OCT09</td> <td>INITIAL RELEASE.</td> <td>A</td> <td>61802Y</td> <td>300422</td> <td>CIRCUIT DIAGRAM, PROSTAR</td> </tr> <tr> <td></td> <td></td> <td></td> <td></td> <td></td> <td>RELEASE NO.</td> <td>DATE</td> </tr> <tr> <td></td> <td></td> <td></td> <td></td> <td></td> <td>61802Y</td> <td>12MAR09</td> </tr> </tbody> </table>	CHK	DATE	CHANGE	REV	REFERENCE	DRAWN	NAME	CNA1	28OCT09	INITIAL RELEASE.	A	61802Y	300422	CIRCUIT DIAGRAM, PROSTAR						RELEASE NO.	DATE						61802Y	12MAR09	<table border="1" style="width: 100%; border-collapse: collapse; font-size: small;"> <thead> <tr> <th>PART NO.</th> <th>SHEET</th> </tr> </thead> <tbody> <tr> <td style="text-align: center;">AE08058107</td> <td style="text-align: center;">108</td> </tr> </tbody> </table>	PART NO.	SHEET	AE08058107	108
CHK	DATE	CHANGE	REV	REFERENCE	DRAWN	NAME																											
CNA1	28OCT09	INITIAL RELEASE.	A	61802Y	300422	CIRCUIT DIAGRAM, PROSTAR																											
					RELEASE NO.	DATE																											
					61802Y	12MAR09																											
PART NO.	SHEET																																
AE08058107	108																																

Figure 315 Connector Body Composite (8501), (8502), (8503), (8504)

14.114. CONNECTOR BODY COMPOSITE (8505), (8506), (8507), (8550), P. 109

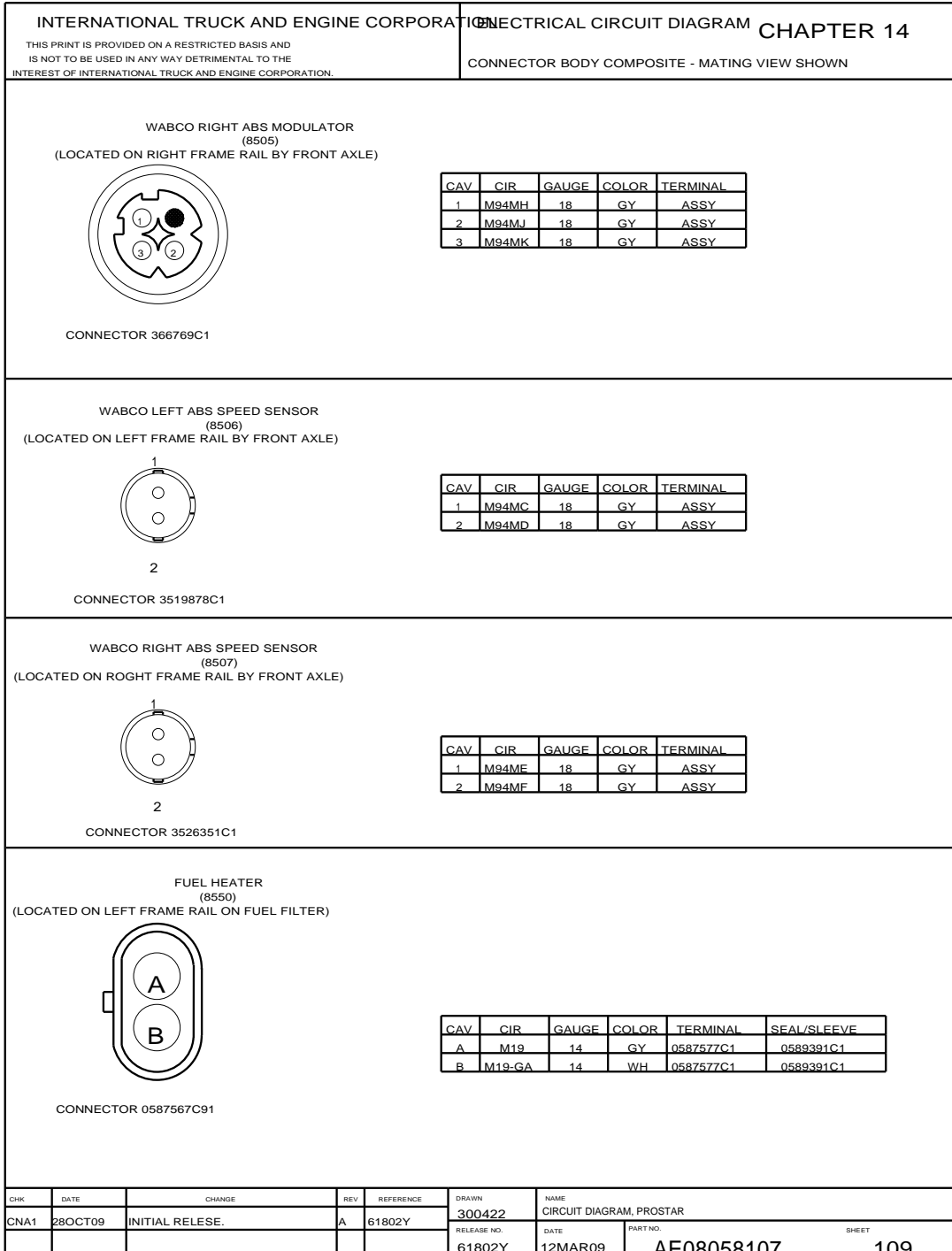
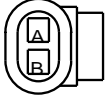


Figure 316 Connector Body Composite (8505), (8506), (8507), (8550)

14.115. CONNECTOR BODY COMPOSITE (8601), (8750), (8800), (8802), P. 110

INTERNATIONAL TRUCK AND ENGINE CORPORATION		ELECTRICAL CIRCUIT DIAGRAM		CHAPTER 14	
THIS PRINT IS PROVIDED ON A RESTRICTED BASIS AND IS NOT TO BE USED IN ANY WAY DETRIMENTAL TO THE INTEREST OF INTERNATIONAL TRUCK AND ENGINE CORPORATION.		CONNECTOR BODY COMPOSITE - MATING VIEW SHOWN			

HVAC TEMP SENDER
(8601)
(LOCATED AT FRONT OF LEFT FRAME RAIL)

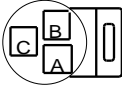


CAV	CIR	GAUGE	COLOR	TERMINAL	SEAL/SLEEVE
A	M41	18	GY	1661875C1	1661872C1
B	M109A	18	GY	1661875C1	1661872C1
B*	M109AA	18	GY	1661875C1	1661872C1

CONNECTOR 3522068C1
BODY LOCK 1661874C1

* W/ FRONT LOAD INDICATOR

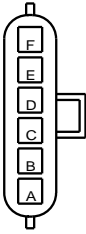
FRONT LOAD INDICATOR
(8750)
(LOCATED AT FRONT LEFT SUSPENSION AIR BAG)



CAV	CIR	GAUGE	COLOR	TERMINAL
A	M109AB	18	GY	1651943C1
B	M106A	18	GY	1651943C1
C	M61	18	GY	1651943C1

CONNECTOR 1678137C1

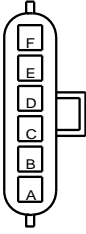
GROUND SPLICE PACK # 1
(8800)
(LOCATED ON LEFT FRAME RAIL BY ENGINE CROSSMEMBER)



CAV	CIR	GAUGE	COLOR	TERMINAL	SEAL/SLEEVE
A	M11-GD	12	WH	2033816C1	0589390C1
B	M64-GA	16	WH	2033819C1	1652325C1
C	M64-GB	16	WH	2033819C1	1652325C1
D	M19-GA	14	WH	2033816C1	0589391C1
E	M54-GA	16	WH	2033819C1	1652325C1
F	M85-GA	16	WH	2033819C1	1652325C1

CONNECTOR 3551896C1
BODY LOCK 3551897C1

ELECTRONIC GND SPLICE PACK
(8802)
(LOCATED ON LEFT FRAME RAIL UNDER CAB)



CAV	CIR	GAUGE	COLOR	TERMINAL	SEAL/SLEEVE
A	N9BC	18	GY	2033819C1	1652325C1
B	N9BD	18	GY	2033819C1	1652325C1
C	N9BE	18	GY	2033819C1	1652325C1
D	N9BF	18	GY	2033819C1	1652325C1
E	PLUG	-	-	0587579C1	-
F	PLUG	-	-	0587579C1	-

CONNECTOR 3551896C1
BODY LOCK 3551897C1

CHK	DATE	CHANGE	REV	REFERENCE	DRAWN	NAME
CNA1	28OCT09	INITIAL RELEASE.	A	61802Y	300422	CIRCUIT DIAGRAM, PROSTAR
					RELEASE NO.	DATE
					61802Y	12MAR09
						PART NO.
						AE08058107
						SHEET
						110

Figure 317 Connector Body Composite (8601), (8750), (8800), (8802)

14.116. CONNECTOR BODY COMPOSITE (8803), (8804), (8805), (8806), P. 111

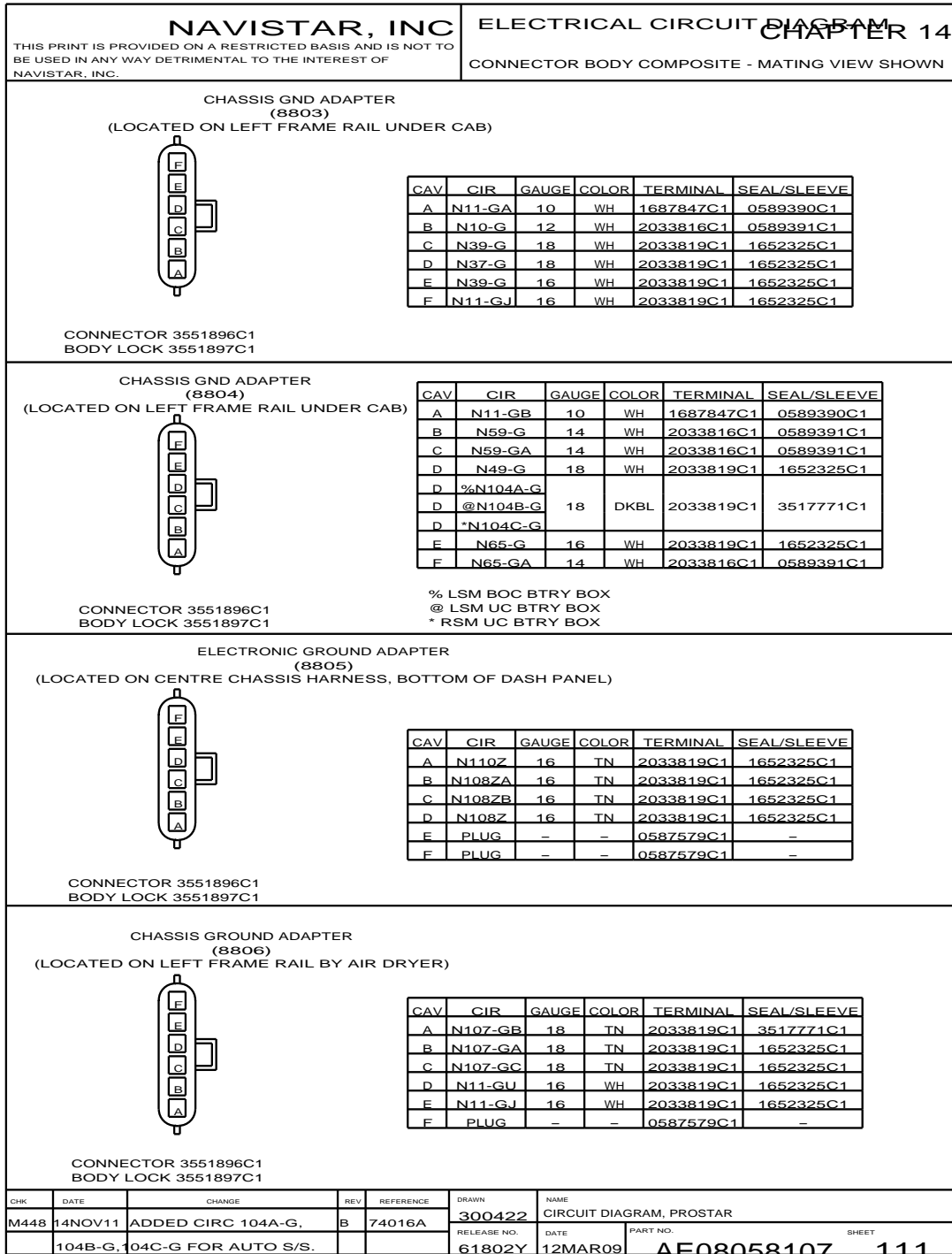


Figure 318 Connector Body Composite (8803), (8804), (8805), (8806)

14.117. CONNECTOR BODY COMPOSITE (8900), (8901), (8950), (8951), P. 112

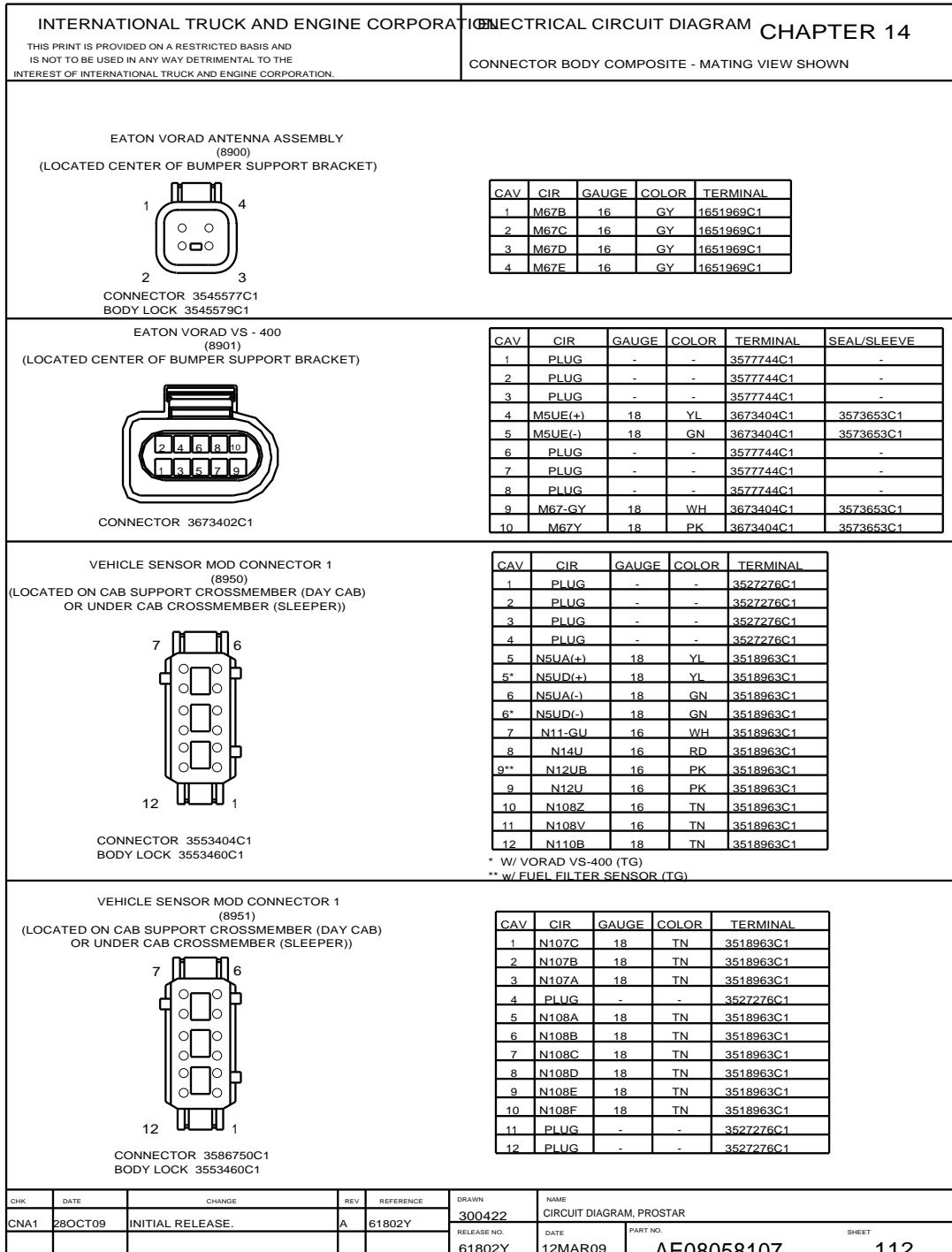


Figure 319 Connector Body Composite (8900), (8901), (8950), (8951)

14.118. CONNECTOR BODY COMPOSITE (8952), (8953 / 8953M), P. 113

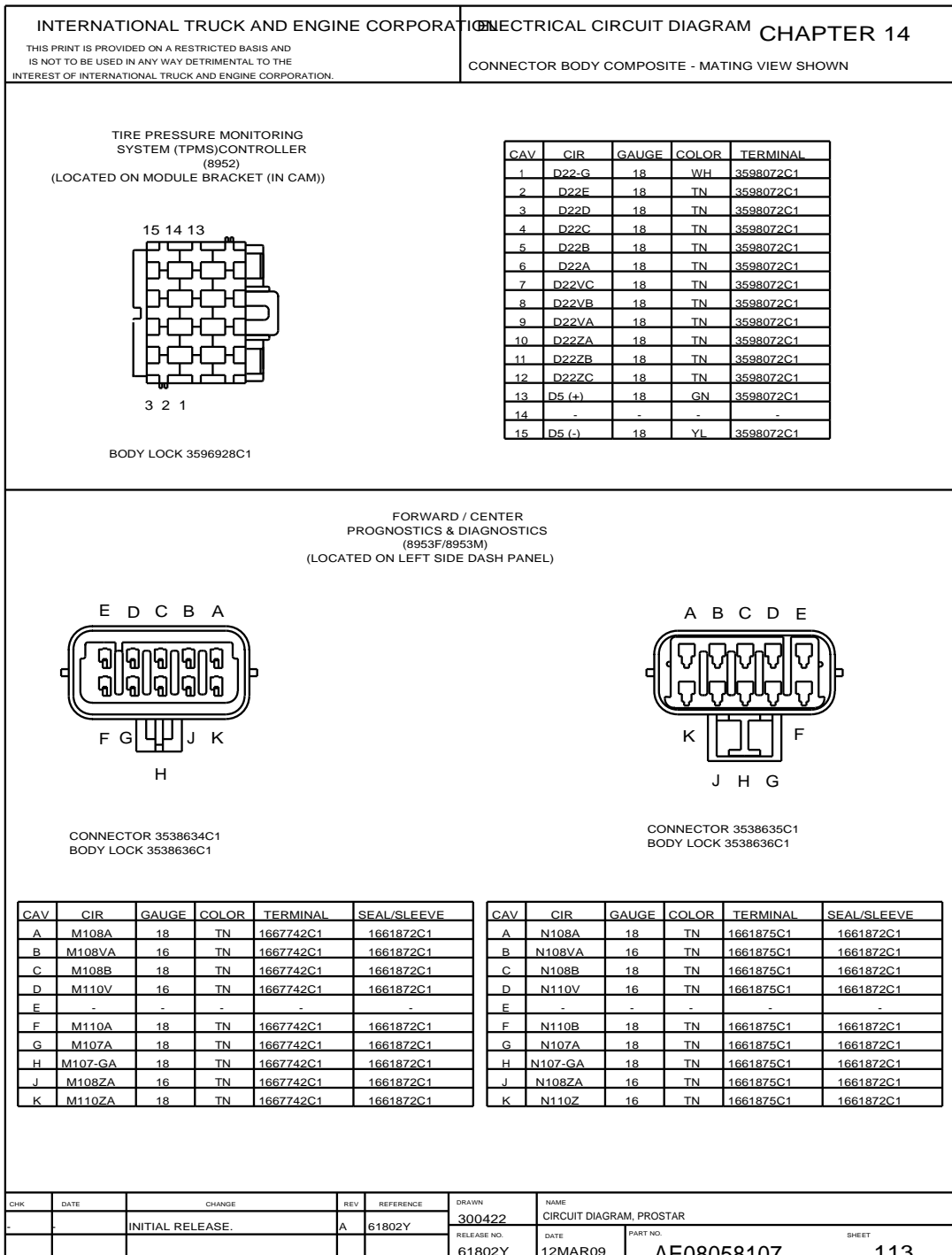


Figure 320 Connector Body Composite (8952), (8953 / 8953M)

14.119. CONNECTOR BODY COMPOSITE (8954), (8954M), (8960), (8961), (8962), P. 114

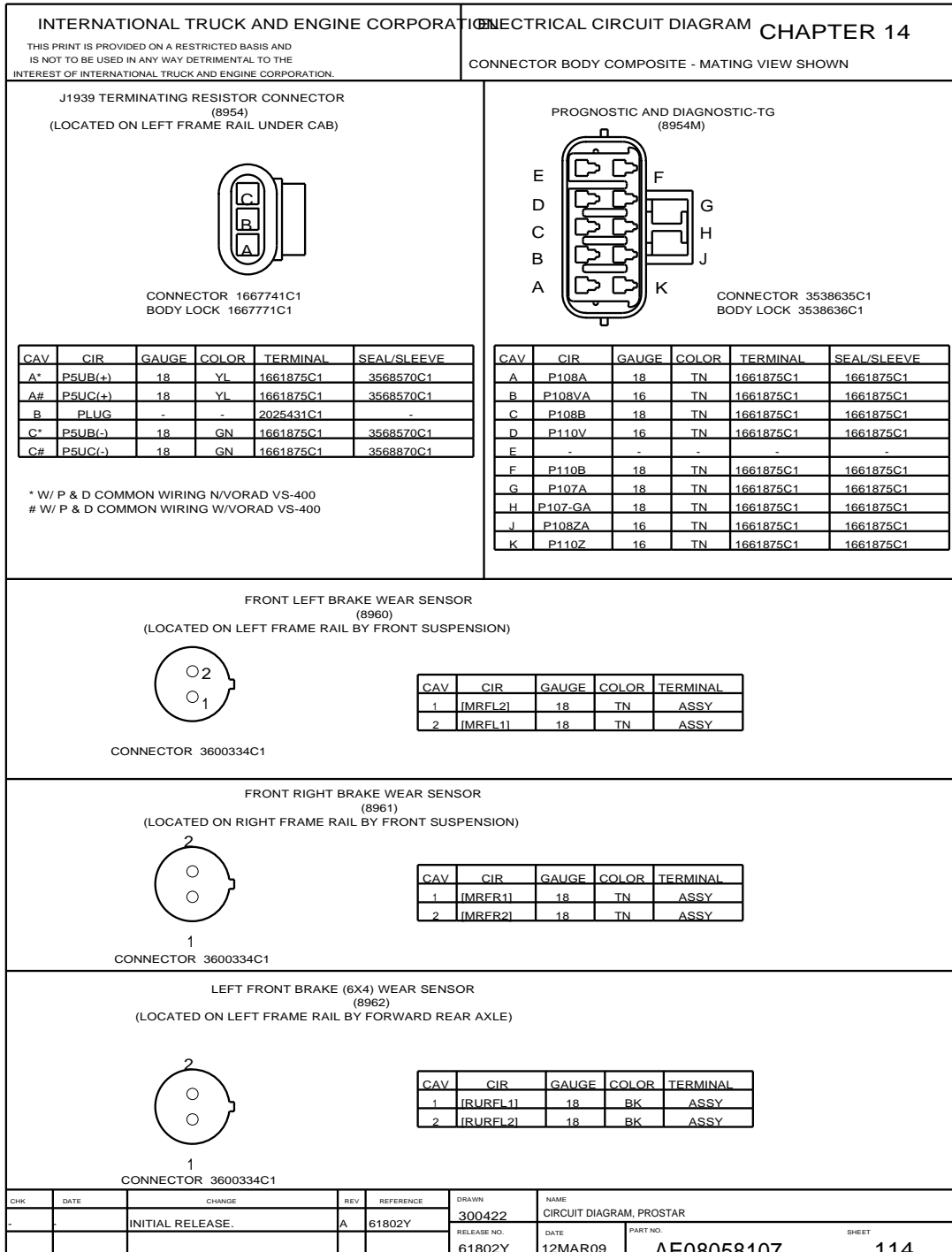


Figure 321 Connector Body Composite (8954), (8954M), (8960), (8961), (8962)

14.120. CONNECTOR BODY COMPOSITE (8963), (8964), (8965), (8966), (8967), P. 115

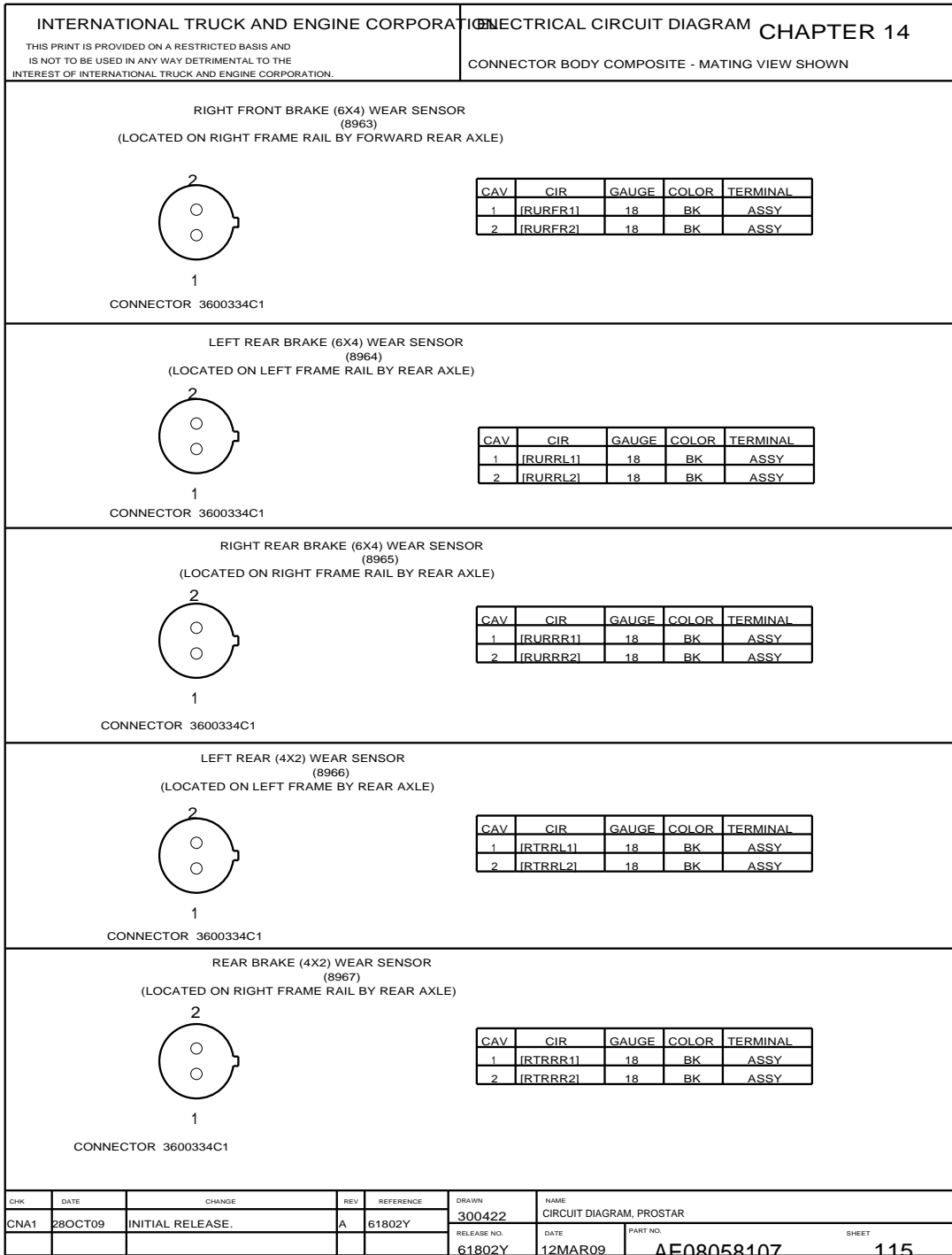


Figure 322 Connector Body Composite (8963), (8964), (8965), (8966), (8967)

14.121. CONNECTOR BODY COMPOSITE (8970), (8971), (8972), (8973), P. 116

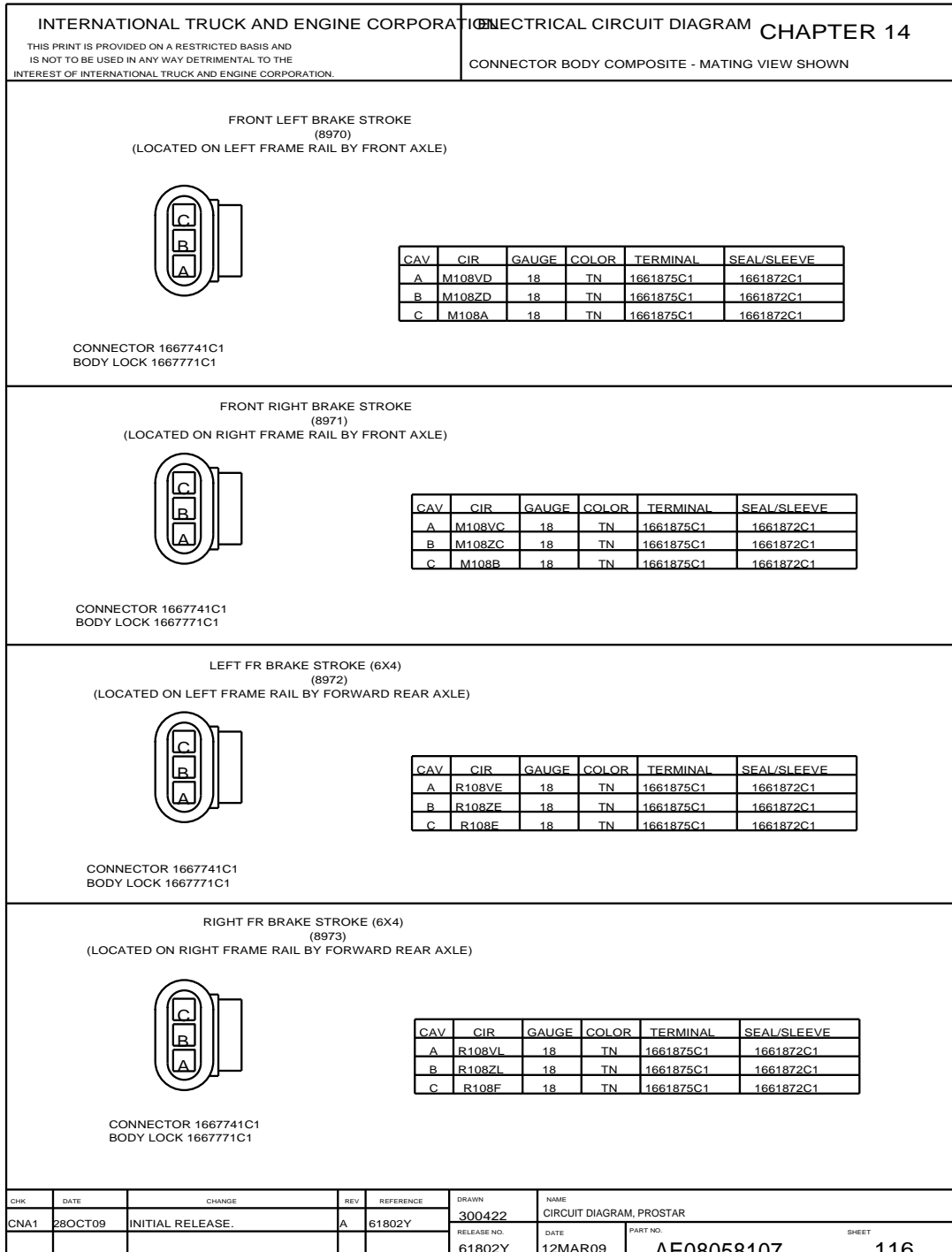


Figure 323 Connector Body Composite (8970), (8971), (8972), (8973)

14.122. CONNECTOR BODY COMPOSITE (8974), (8975), (8976), (8977), P. 117

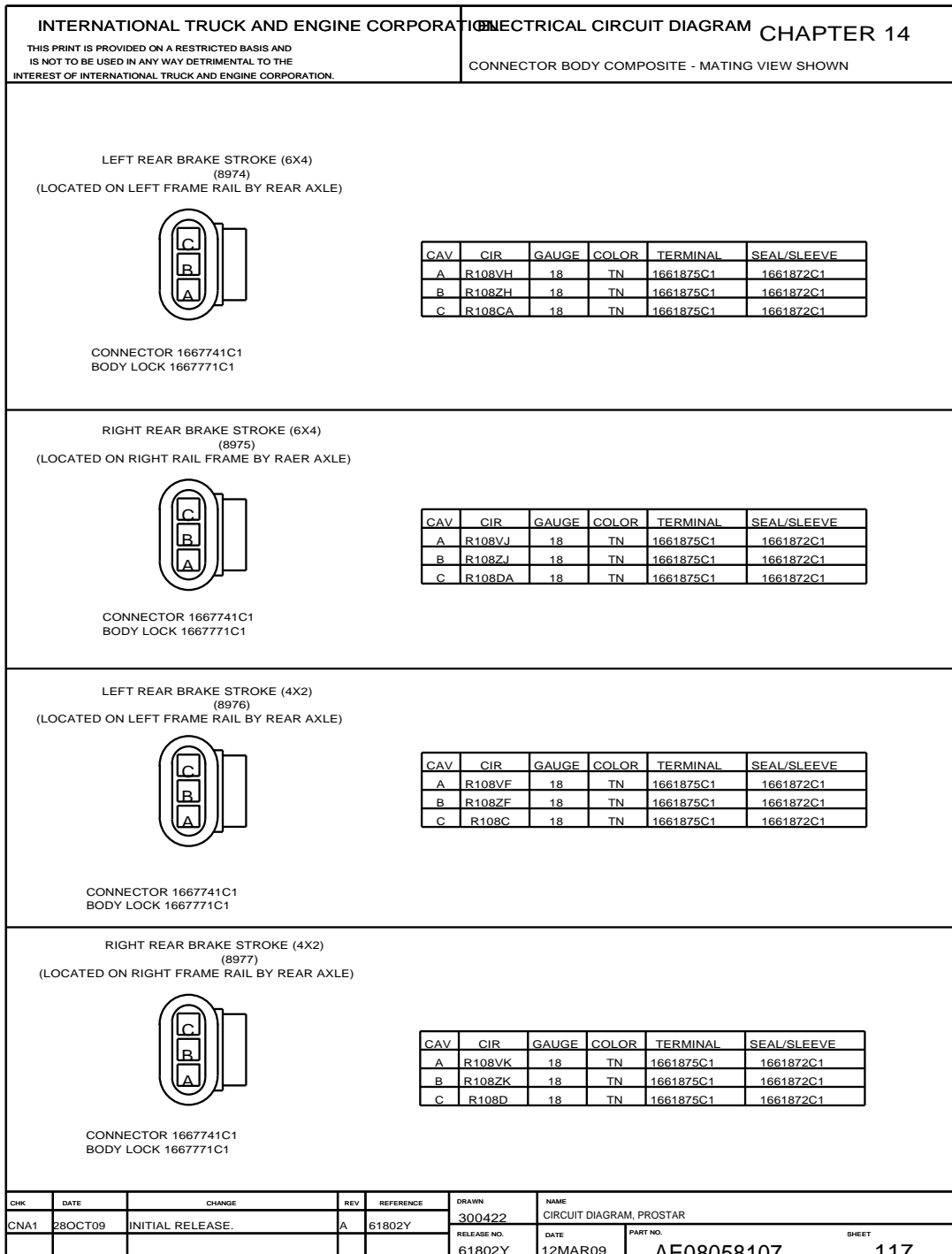


Figure 324 Connector Body Composite (8974), (8975), (8976), (8977)

14.123. CONNECTOR BODY COMPOSITE (8980), (8981), (8982), (8983), (8984), P. 118

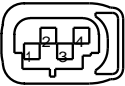
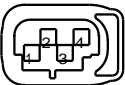
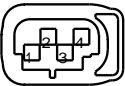
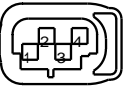
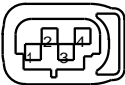
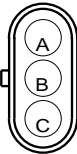
INTERNATIONAL TRUCK AND ENGINE CORPORATION		ELECTRICAL CIRCUIT DIAGRAM		CHAPTER 14																															
THIS PRINT IS PROVIDED ON A RESTRICTED BASIS AND IS NOT TO BE USED IN ANY WAY DETRIMENTAL TO THE INTEREST OF INTERNATIONAL TRUCK AND ENGINE CORPORATION.		CONNECTOR BODY COMPOSITE - MATING VIEW SHOWN																																	
<p style="text-align: center;">FRONT TIRE PRESSURE MONITOR (8980) (LOCATED ON ENGINE CROSS MEMBER)</p> <div style="display: flex; justify-content: space-around; align-items: center;">  <table border="1" style="font-size: x-small; border-collapse: collapse;"> <thead> <tr> <th>CAV</th> <th>CIR</th> <th>GAUGE</th> <th>COLOR</th> <th>TERMINAL</th> <th>SEAL/SLEEVE</th> </tr> </thead> <tbody> <tr> <td>1</td> <td>M22ZA</td> <td>20</td> <td>TN</td> <td>3600325C1</td> <td>3600327C1</td> </tr> <tr> <td>2</td> <td>M22VA</td> <td>20</td> <td>TN</td> <td>3600325C1</td> <td>3600327C1</td> </tr> <tr> <td>3</td> <td>M22A</td> <td>20</td> <td>TN</td> <td>3600325C1</td> <td>3600327C1</td> </tr> <tr> <td>4</td> <td>PLUG</td> <td>-</td> <td>-</td> <td>3600328C1</td> <td>-</td> </tr> </tbody> </table> </div> <p style="text-align: center;">CONNECTOR 3600324C1</p>						CAV	CIR	GAUGE	COLOR	TERMINAL	SEAL/SLEEVE	1	M22ZA	20	TN	3600325C1	3600327C1	2	M22VA	20	TN	3600325C1	3600327C1	3	M22A	20	TN	3600325C1	3600327C1	4	PLUG	-	-	3600328C1	-
CAV	CIR	GAUGE	COLOR	TERMINAL	SEAL/SLEEVE																														
1	M22ZA	20	TN	3600325C1	3600327C1																														
2	M22VA	20	TN	3600325C1	3600327C1																														
3	M22A	20	TN	3600325C1	3600327C1																														
4	PLUG	-	-	3600328C1	-																														
<p style="text-align: center;">LEFT REAR TIRE PRESSURE MONITOR (8981) (LOCATED ON LEFT FRAME RAIL BY REAR AXLE(S))</p> <div style="display: flex; justify-content: space-around; align-items: center;">  <table border="1" style="font-size: x-small; border-collapse: collapse;"> <thead> <tr> <th>CAV</th> <th>CIR</th> <th>GAUGE</th> <th>COLOR</th> <th>TERMINAL</th> <th>SEAL/SLEEVE</th> </tr> </thead> <tbody> <tr> <td>1</td> <td>R22ZB</td> <td>20</td> <td>TN</td> <td>3600325C1</td> <td>3600327C1</td> </tr> <tr> <td>2</td> <td>R22VB</td> <td>20</td> <td>TN</td> <td>3600325C1</td> <td>3600327C1</td> </tr> <tr> <td>3</td> <td>R22B</td> <td>20</td> <td>TN</td> <td>3600325C1</td> <td>3600327C1</td> </tr> <tr> <td>4</td> <td>PLUG</td> <td>-</td> <td>-</td> <td>3600328C1</td> <td>-</td> </tr> </tbody> </table> </div> <p style="text-align: center;">CONNECTOR 3600324C1</p>						CAV	CIR	GAUGE	COLOR	TERMINAL	SEAL/SLEEVE	1	R22ZB	20	TN	3600325C1	3600327C1	2	R22VB	20	TN	3600325C1	3600327C1	3	R22B	20	TN	3600325C1	3600327C1	4	PLUG	-	-	3600328C1	-
CAV	CIR	GAUGE	COLOR	TERMINAL	SEAL/SLEEVE																														
1	R22ZB	20	TN	3600325C1	3600327C1																														
2	R22VB	20	TN	3600325C1	3600327C1																														
3	R22B	20	TN	3600325C1	3600327C1																														
4	PLUG	-	-	3600328C1	-																														
<p style="text-align: center;">RIGHT REAR TIRE PRESSURE MONITOR (8982) (LOCATED ON RIGHT FRAME RAIL BY REAR AXLE(S))</p> <div style="display: flex; justify-content: space-around; align-items: center;">  <table border="1" style="font-size: x-small; border-collapse: collapse;"> <thead> <tr> <th>CAV</th> <th>CIR</th> <th>GAUGE</th> <th>COLOR</th> <th>TERMINAL</th> <th>SEAL/SLEEVE</th> </tr> </thead> <tbody> <tr> <td>1</td> <td>R22ZC</td> <td>20</td> <td>TN</td> <td>3600325C1</td> <td>3600327C1</td> </tr> <tr> <td>2</td> <td>R22VC</td> <td>20</td> <td>TN</td> <td>3600325C1</td> <td>3600327C1</td> </tr> <tr> <td>3</td> <td>R22C</td> <td>20</td> <td>TN</td> <td>3600325C1</td> <td>3600327C1</td> </tr> <tr> <td>4</td> <td>PLUG</td> <td>-</td> <td>-</td> <td>3600328C1</td> <td>-</td> </tr> </tbody> </table> </div> <p style="text-align: center;">CONNECTOR 3600324C1</p>						CAV	CIR	GAUGE	COLOR	TERMINAL	SEAL/SLEEVE	1	R22ZC	20	TN	3600325C1	3600327C1	2	R22VC	20	TN	3600325C1	3600327C1	3	R22C	20	TN	3600325C1	3600327C1	4	PLUG	-	-	3600328C1	-
CAV	CIR	GAUGE	COLOR	TERMINAL	SEAL/SLEEVE																														
1	R22ZC	20	TN	3600325C1	3600327C1																														
2	R22VC	20	TN	3600325C1	3600327C1																														
3	R22C	20	TN	3600325C1	3600327C1																														
4	PLUG	-	-	3600328C1	-																														
<p style="text-align: center;">LEFT REAR TIRE PRESSURE MONITOR(6X4) (8983) (LOCATED ON RIGHT FRAME RAIL BY REAR AXLE(S))</p> <div style="display: flex; justify-content: space-around; align-items: center;">  <table border="1" style="font-size: x-small; border-collapse: collapse;"> <thead> <tr> <th>CAV</th> <th>CIR</th> <th>GAUGE</th> <th>COLOR</th> <th>TERMINAL</th> <th>SEAL/SLEEVE</th> </tr> </thead> <tbody> <tr> <td>1</td> <td>R22ZB</td> <td>20</td> <td>TN</td> <td>3600325C1</td> <td>3600327C1</td> </tr> <tr> <td>2</td> <td>R22VB</td> <td>20</td> <td>TN</td> <td>3600325C1</td> <td>3600327C1</td> </tr> <tr> <td>3</td> <td>R22B</td> <td>20</td> <td>TN</td> <td>3600325C1</td> <td>3600327C1</td> </tr> <tr> <td>4</td> <td>PLUG</td> <td>-</td> <td>-</td> <td>3600328C1</td> <td>-</td> </tr> </tbody> </table> </div> <p style="text-align: center;">CONNECTOR 3600324C1</p>						CAV	CIR	GAUGE	COLOR	TERMINAL	SEAL/SLEEVE	1	R22ZB	20	TN	3600325C1	3600327C1	2	R22VB	20	TN	3600325C1	3600327C1	3	R22B	20	TN	3600325C1	3600327C1	4	PLUG	-	-	3600328C1	-
CAV	CIR	GAUGE	COLOR	TERMINAL	SEAL/SLEEVE																														
1	R22ZB	20	TN	3600325C1	3600327C1																														
2	R22VB	20	TN	3600325C1	3600327C1																														
3	R22B	20	TN	3600325C1	3600327C1																														
4	PLUG	-	-	3600328C1	-																														
<p style="text-align: center;">RIGHT REAR TIRE PRESSURE MONITOR(6X4) (8984) (LOCATED ON RIGHT FRAME RAIL BY REAR AXLE(S))</p> <div style="display: flex; justify-content: space-around; align-items: center;">  <table border="1" style="font-size: x-small; border-collapse: collapse;"> <thead> <tr> <th>CAV</th> <th>CIR</th> <th>GAUGE</th> <th>COLOR</th> <th>TERMINAL</th> <th>SEAL/SLEEVE</th> </tr> </thead> <tbody> <tr> <td>1</td> <td>R22ZB</td> <td>20</td> <td>TN</td> <td>3600325C1</td> <td>3600327C1</td> </tr> <tr> <td>2</td> <td>R22VC</td> <td>20</td> <td>TN</td> <td>3600325C1</td> <td>3600327C1</td> </tr> <tr> <td>3</td> <td>R22C</td> <td>20</td> <td>TN</td> <td>3600325C1</td> <td>3600327C1</td> </tr> <tr> <td>4</td> <td>PLUG</td> <td>-</td> <td>-</td> <td>3600328C1</td> <td>-</td> </tr> </tbody> </table> </div> <p style="text-align: center;">CONNECTOR 3600324C1</p>						CAV	CIR	GAUGE	COLOR	TERMINAL	SEAL/SLEEVE	1	R22ZB	20	TN	3600325C1	3600327C1	2	R22VC	20	TN	3600325C1	3600327C1	3	R22C	20	TN	3600325C1	3600327C1	4	PLUG	-	-	3600328C1	-
CAV	CIR	GAUGE	COLOR	TERMINAL	SEAL/SLEEVE																														
1	R22ZB	20	TN	3600325C1	3600327C1																														
2	R22VC	20	TN	3600325C1	3600327C1																														
3	R22C	20	TN	3600325C1	3600327C1																														
4	PLUG	-	-	3600328C1	-																														
CHK	DATE	CHANGE	REV	REFERENCE	DRAWN	NAME																													
CNA1	28OCT09	INITIAL RELEASE.	A	61802Y	300422	CIRCUIT DIAGRAM, PROSTAR																													
					RELEASE NO.	DATE																													
					61802Y	12MAR09																													
					PART NO.	SHEET																													
					AE08058107	118																													

Figure 325 Connector Body Composite (8980), (8981), (8982), (8983), (8984)

14.124. CONNECTOR BODY COMPOSITE (8990), (9100 / 9100A / 9100B / 9100C), (9102 / 9102A), P. 119

INTERNATIONAL TRUCK AND ENGINE CORPORATION		ELECTRICAL CIRCUIT DIAGRAM		CHAPTER 14	
THIS PRINT IS PROVIDED ON A RESTRICTED BASIS AND IS NOT TO BE USED IN ANY WAY DETRIMENTAL TO THE INTEREST OF INTERNATIONAL TRUCK AND ENGINE CORPORATION.		CONNECTOR BODY COMPOSITE - MATING VIEW SHOWN			

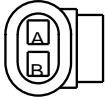
EYEMAX FUEL FILTER SENSOR
(8990)
(LOCATED ON FUEL FILTER - LEFT SIDE UNDER HOOD)



CAV	CIR	GAUGE	COLOR	TERMINAL	SEAL/SLEEVE
A	M110A	18	TN	0587578C1	1652325C1
B	M110ZA	18	TN	0587578C1	1652325C1
C	M110V	16	TN	0587577C1	1652325C1

CONNECTOR 0587569C91

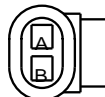
LEFT FUEL SENDER
(9100 / 9100A / 9100B / 9100C)
(LOCATED ON LEFT SIDE FUEL TANK)



CAV	CIR	GAUGE	COLOR	TERMINAL	SEAL/SLEEVE
A	N36A	18	TN	1661875C1	1661872C1
B	N9BE	18	GY	1661875C1	1661872C1

CONNECTOR 1661778C1
BODY LOCK 1661874C1

FUEL TRANSFER
(9102 / 9102A)
(LOCATED ON FUEL PUMP-TOP OF BELL HOUSING)



CAV	CIR	GAUGE	COLOR	TERMINAL	SEAL/SLEEVE
A	N37-G	18	WH	1661875C1	1661872C1
B	N37A	18	TN	1661875C1	1661872C1

CONNECTOR 3522068C1
BODY LOCK 1661874C1

CHK	DATE	CHANGE	REV	REFERENCE	DRAWN	NAME
CNA1	28OCT09	INITIAL RELEASE.	A	61802Y	300422	CIRCUIT DIAGRAM, PROSTAR
					RELEASE NO.	DATE
					61802Y	12MAR09
						PART NO.
						AE08058107
						SHEET
						119

Figure 326 Connector Body Composite (8990), (9100 / 9100A / 9100B / 9100C), (9102 / 9102A)

14.125. CONNECTOR BODY COMPOSITE (9103), (9303), (9303A), (9304A), P. 120

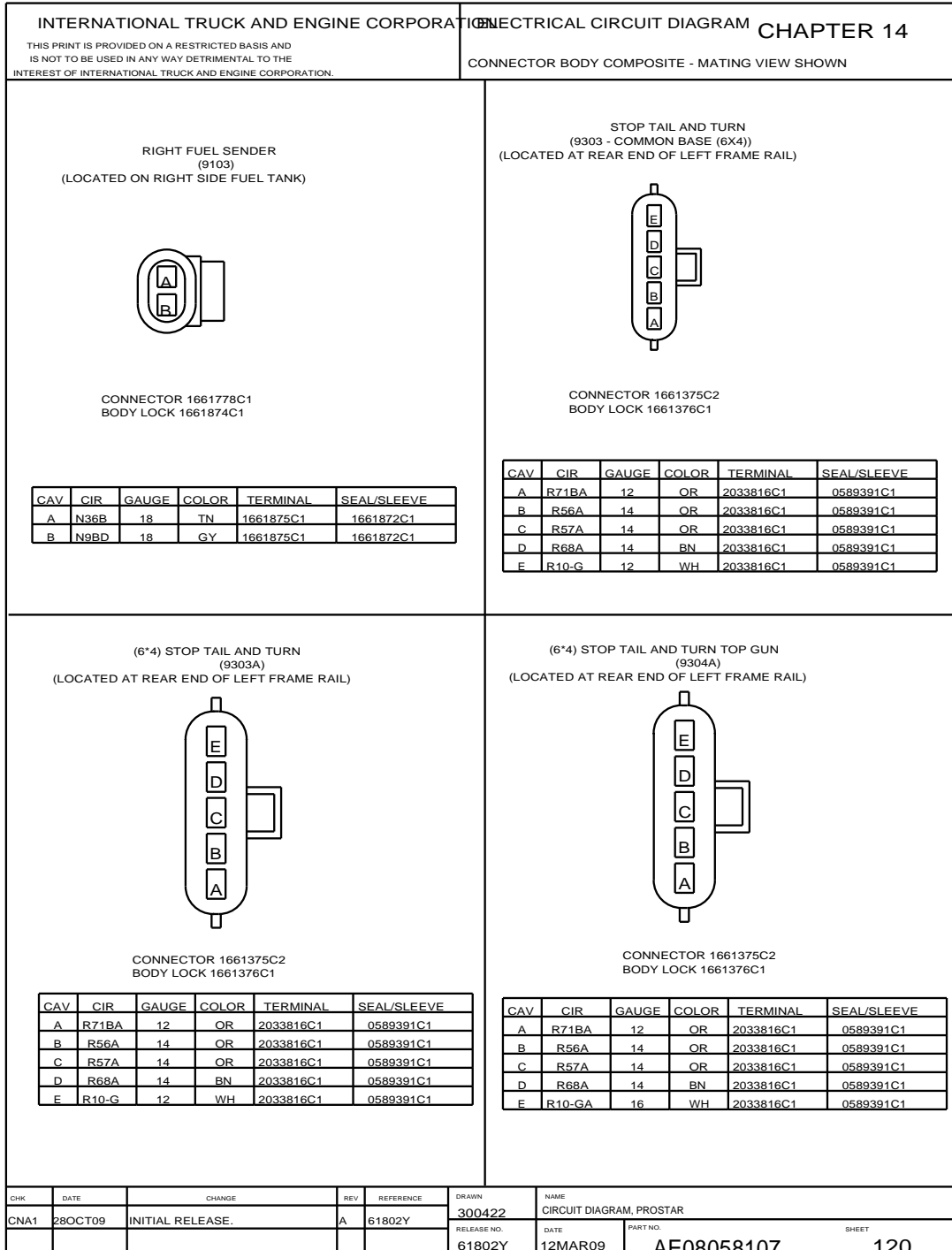


Figure 327 Connector Body Composite (9103), (9303), (9303A), (9304A)

14.126. CONNECTOR BODY COMPOSITE (9501), (9501D), (9502 / 9502A), (9502B), (9503 / 9503D), (9504 / 9504A / 9504B), P. 121

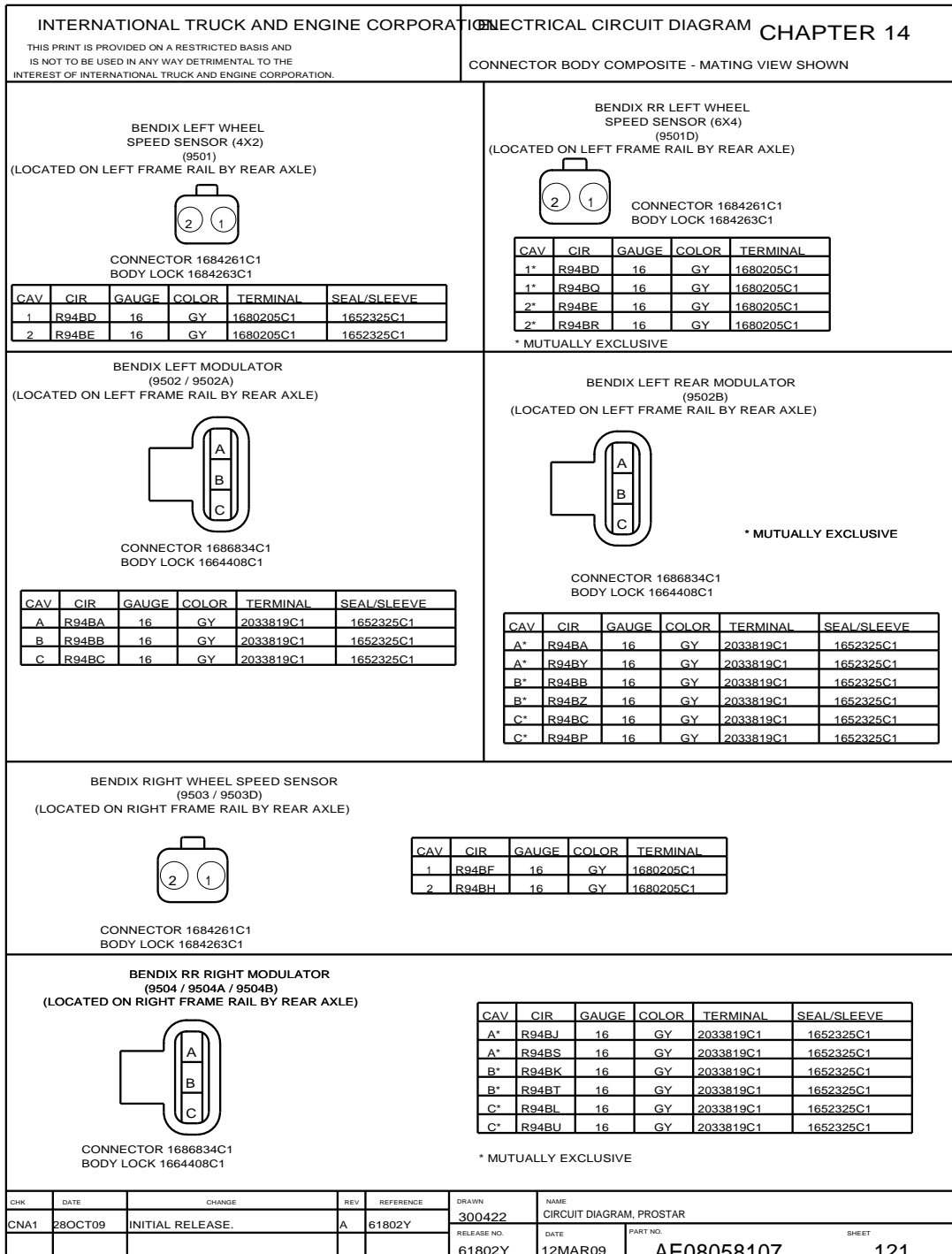


Figure 328 Connector Body Composite (9501), (9501D), (9502 / 9502A), (9502B), (9503 / 9503D), (9504 / 9504A / 9504B)

14.127. CONNECTOR BODY COMPOSITE (9505 / 9505A), (9506 / 9506D / 9506E), (9507 / 9507A / 9507B), (9508 / 9508D / 9508E), (9509 / 9509A / 9509B), P. 122

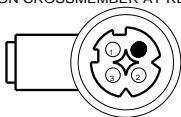
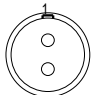

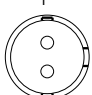

INTERNATIONAL TRUCK AND ENGINE CORPORATION		ELECTRICAL CIRCUIT DIAGRAM CHAPTER 14																					
THIS PRINT IS PROVIDED ON A RESTRICTED BASIS AND IS NOT TO BE USED IN ANY WAY DETRIMENTAL TO THE INTEREST OF INTERNATIONAL TRUCK AND ENGINE CORPORATION.		CONNECTOR BODY COMPOSITE - MATING VIEW SHOWN																					
<p style="text-align: center;">BENDIX AUTO TRACTION CONTROL (9505 / 9505A) (LOCATED ON CROSSMEMBER AT REAR AXLE(S))</p> <div style="display: flex; justify-content: space-around; align-items: center;">  <table border="1" style="font-size: x-small;"> <thead> <tr><th>CAV</th><th>CIR</th><th>GAUGE</th><th>COLOR</th><th>TERMINAL</th></tr> </thead> <tbody> <tr><td>1</td><td>R94BM</td><td>16</td><td>GY</td><td>3678796C1</td></tr> <tr><td>2</td><td>R94BN</td><td>16</td><td>GY</td><td>3678796C1</td></tr> <tr><td>3</td><td>-</td><td>-</td><td>-</td><td>-</td></tr> </tbody> </table> </div> <p style="text-align: center; font-size: x-small;">CONNECTOR 3679224C1 BODY LOCK 3518174C1</p>				CAV	CIR	GAUGE	COLOR	TERMINAL	1	R94BM	16	GY	3678796C1	2	R94BN	16	GY	3678796C1	3	-	-	-	-
CAV	CIR	GAUGE	COLOR	TERMINAL																			
1	R94BM	16	GY	3678796C1																			
2	R94BN	16	GY	3678796C1																			
3	-	-	-	-																			
<p style="text-align: center;">WABCO LEFT WHEEL SPEED SENSOR (9506 / 9506D / 9506E) (LOCATED ON LEFT FRAME RAIL BY REAR AXLE)</p> <div style="display: flex; justify-content: center; align-items: center;">  <table border="1" style="font-size: x-small;"> <thead> <tr><th>CAV</th><th>CIR</th><th>GAUGE</th><th>COLOR</th><th>TERMINAL</th></tr> </thead> <tbody> <tr><td>1</td><td>R94MBD</td><td>18</td><td>GY</td><td>ASSY</td></tr> <tr><td>2</td><td>R94MBE</td><td>18</td><td>GY</td><td>ASSY</td></tr> </tbody> </table> </div> <p style="text-align: center; font-size: x-small;">CONNECTOR 3519878C1</p>				CAV	CIR	GAUGE	COLOR	TERMINAL	1	R94MBD	18	GY	ASSY	2	R94MBE	18	GY	ASSY					
CAV	CIR	GAUGE	COLOR	TERMINAL																			
1	R94MBD	18	GY	ASSY																			
2	R94MBE	18	GY	ASSY																			
<p style="text-align: center;">WABCO LEFT MODULATOR (9507 / 9507A / 9507B) (LOCATED ON LEFT FRAME RAIL BY REAR AXLE)</p> <div style="display: flex; justify-content: space-around; align-items: center;">  <table border="1" style="font-size: x-small;"> <thead> <tr><th>CAV</th><th>CIR</th><th>GAUGE</th><th>COLOR</th><th>TERMINAL</th></tr> </thead> <tbody> <tr><td>1</td><td>R94MBA</td><td>18</td><td>GY</td><td>ASSY</td></tr> <tr><td>2</td><td>R94MBB</td><td>18</td><td>GY</td><td>ASSY</td></tr> <tr><td>3</td><td>R94MBC</td><td>18</td><td>GY</td><td>ASSY</td></tr> </tbody> </table> </div> <p style="text-align: center; font-size: x-small;">CONNECTOR 3667691C1</p>				CAV	CIR	GAUGE	COLOR	TERMINAL	1	R94MBA	18	GY	ASSY	2	R94MBB	18	GY	ASSY	3	R94MBC	18	GY	ASSY
CAV	CIR	GAUGE	COLOR	TERMINAL																			
1	R94MBA	18	GY	ASSY																			
2	R94MBB	18	GY	ASSY																			
3	R94MBC	18	GY	ASSY																			
<p style="text-align: center;">WABCO RIGHT WHEEL SPEED SENSOR (9508 / 9508D / 9508E) (LOCATED ON RIGHT FRAME RAIL BY REAR AXLE)</p> <div style="display: flex; justify-content: center; align-items: center;">  <table border="1" style="font-size: x-small;"> <thead> <tr><th>CAV</th><th>CIR</th><th>GAUGE</th><th>COLOR</th><th>TERMINAL</th></tr> </thead> <tbody> <tr><td>1</td><td>R94MBF</td><td>18</td><td>GY</td><td>ASSY</td></tr> <tr><td>2</td><td>R94MBH</td><td>18</td><td>GY</td><td>ASSY</td></tr> </tbody> </table> </div> <p style="text-align: center; font-size: x-small;">CONNECTOR 3519878C1</p>				CAV	CIR	GAUGE	COLOR	TERMINAL	1	R94MBF	18	GY	ASSY	2	R94MBH	18	GY	ASSY					
CAV	CIR	GAUGE	COLOR	TERMINAL																			
1	R94MBF	18	GY	ASSY																			
2	R94MBH	18	GY	ASSY																			
<p style="text-align: center;">WABCO RIGHT WHEEL MODULATOR (9509 / 9509A / 9509B) (LOCATED ON RIGHT FRAME RAIL BY REAR AXLE)</p> <div style="display: flex; justify-content: space-around; align-items: center;">  <table border="1" style="font-size: x-small;"> <thead> <tr><th>CAV</th><th>CIR</th><th>GAUGE</th><th>COLOR</th><th>TERMINAL</th></tr> </thead> <tbody> <tr><td>1</td><td>R94MBJ</td><td>18</td><td>GY</td><td>ASSY</td></tr> <tr><td>2</td><td>R94MBK</td><td>18</td><td>GY</td><td>ASSY</td></tr> <tr><td>3</td><td>R94MBL</td><td>18</td><td>GY</td><td>ASSY</td></tr> </tbody> </table> </div> <p style="text-align: center; font-size: x-small;">CONNECTOR 3667691C1</p>				CAV	CIR	GAUGE	COLOR	TERMINAL	1	R94MBJ	18	GY	ASSY	2	R94MBK	18	GY	ASSY	3	R94MBL	18	GY	ASSY
CAV	CIR	GAUGE	COLOR	TERMINAL																			
1	R94MBJ	18	GY	ASSY																			
2	R94MBK	18	GY	ASSY																			
3	R94MBL	18	GY	ASSY																			
CHK	DATE	CHANGE	REV	REFERENCE	DRAWN	NAME																	
CNA1	28OCT09	INITIAL RELEASE.	A	61802Y	300422	CIRCUIT DIAGRAM, PROSTAR																	
					RELEASE NO.	DATE	PART NO.	SHEET															
					61802Y	12MAR09	AE08058107	122															

Figure 329 Connector Body Composite (9505 / 9505A), (9506 / 9506D / 9506E), (9507 / 9507A / 9507B), (9508 / 9508D / 9508E), (9509 / 9509A / 9509B)

14.128. CONNECTOR BODY COMPOSITE (9510 / 9510A), (9510M), (9511 / 9511A), (9511), (9512), P. 123

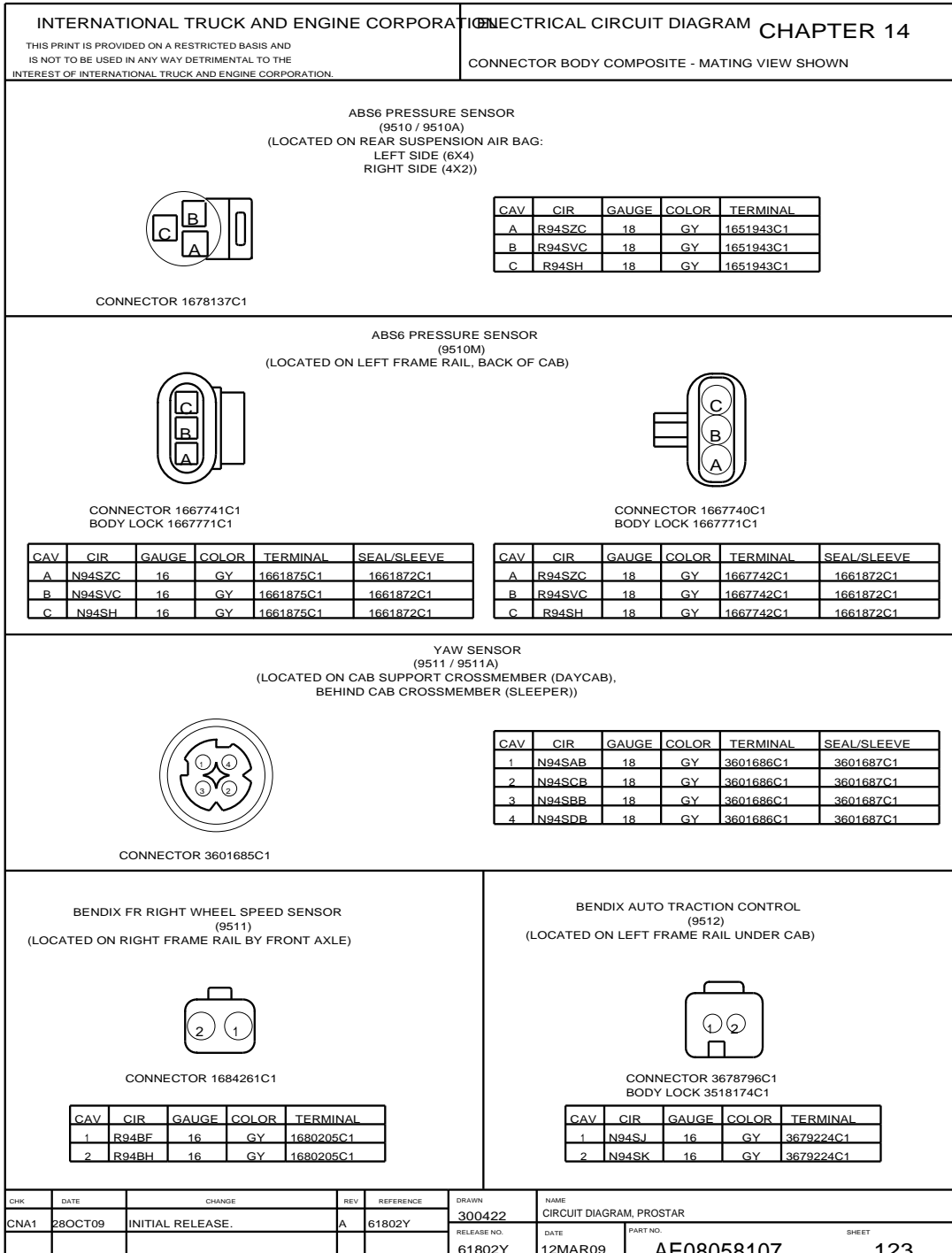


Figure 330 Connector Body Composite (9510 / 9510A), (9510M), (9511 / 9511A), (9511), (9512)

14.129. CONNECTOR BODY COMPOSITE (9512), (9513), (9514), (9515 / 9515A / 9515B), P. 124

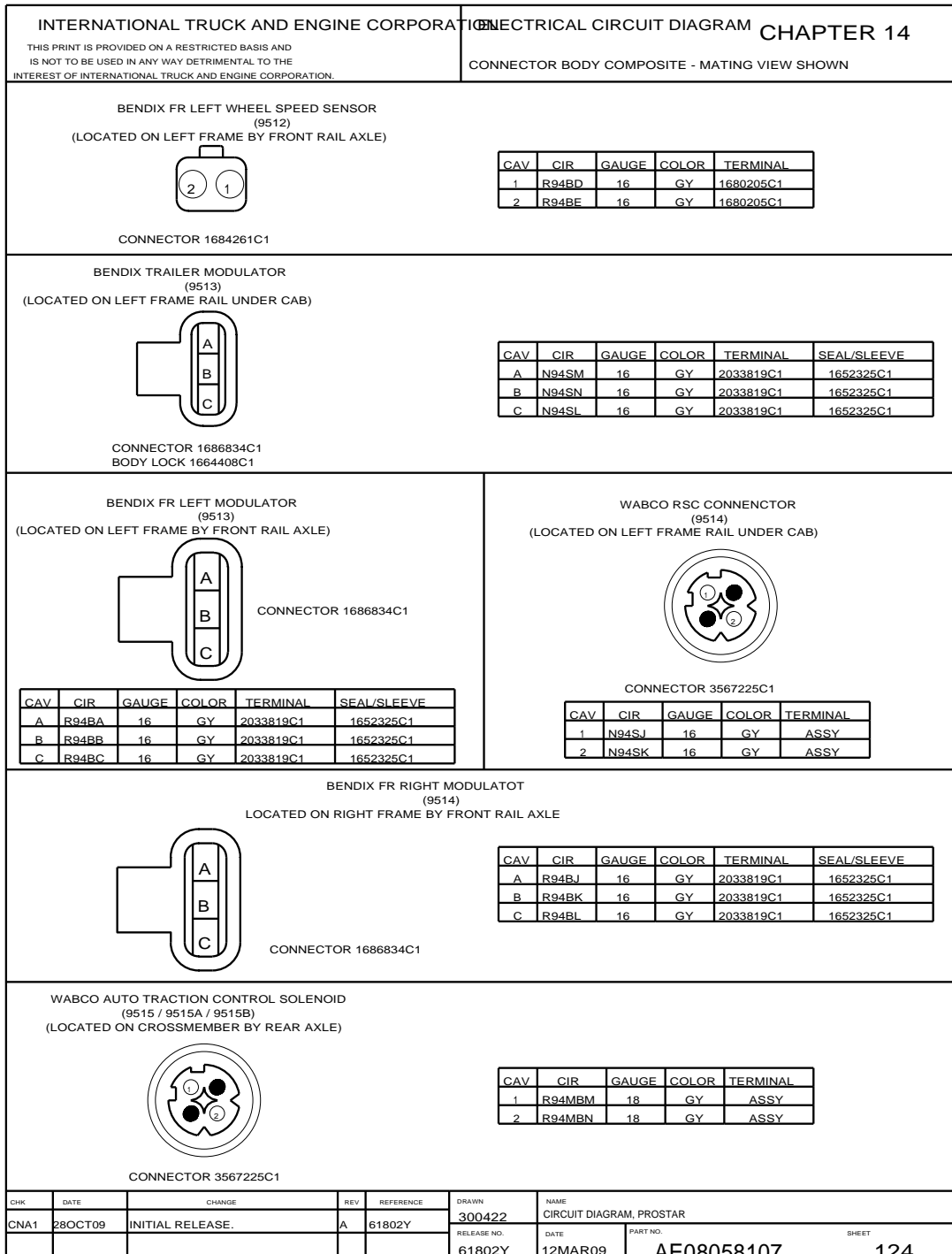


Figure 331 Connector Body Composite (9512), (9513), (9514), (9515 / 9515A / 9515B)

14.130. CONNECTOR BODY COMPOSITE (9516M), (9635), (9715F / 9715M), P. 125

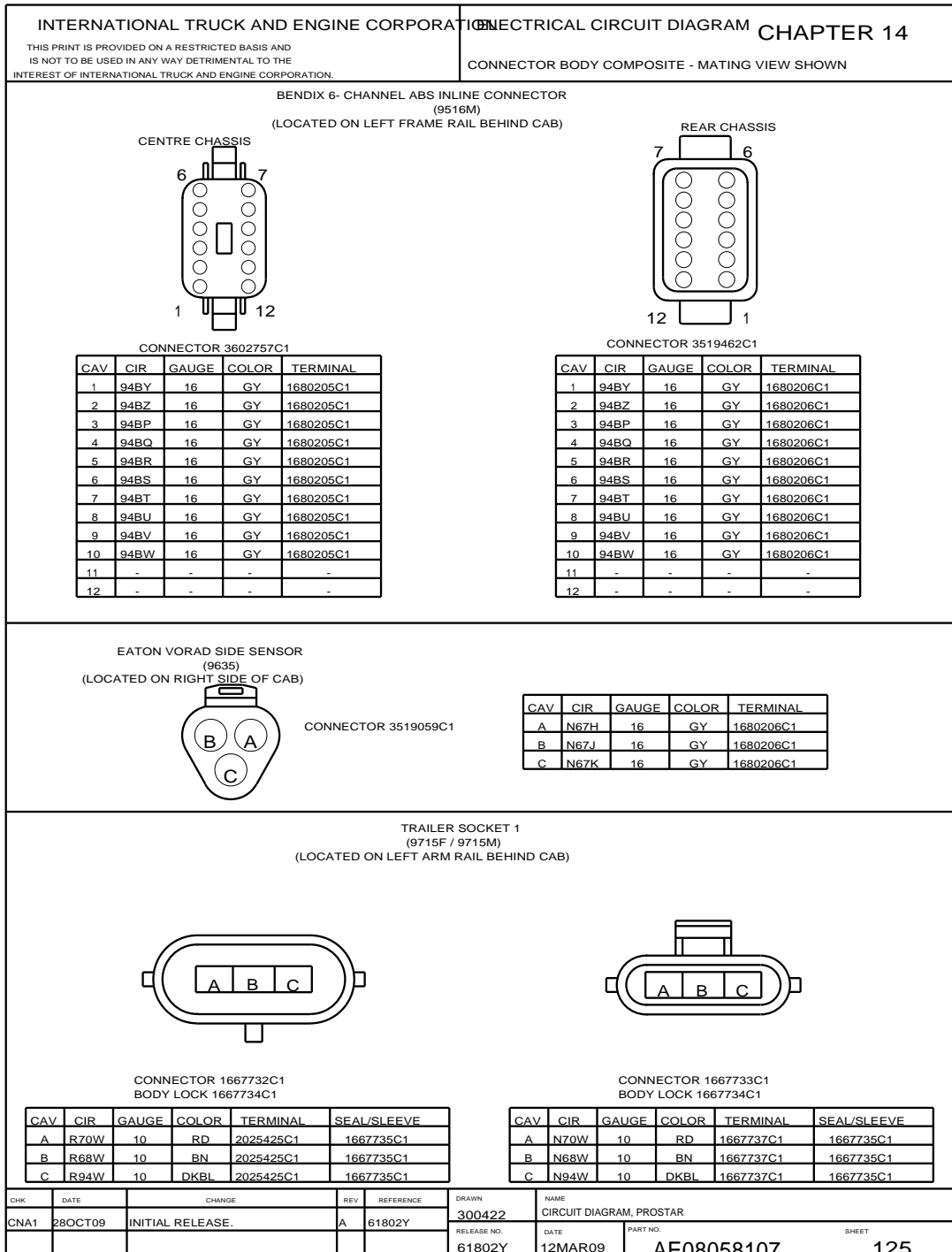


Figure 332 Connector Body Composite (9516M), (9635), (9715F / 9715M)

14.131. CONNECTOR BODY COMPOSITE (9716M / 9716F), (9718), (9736), (9737 / 9737A), P. 126

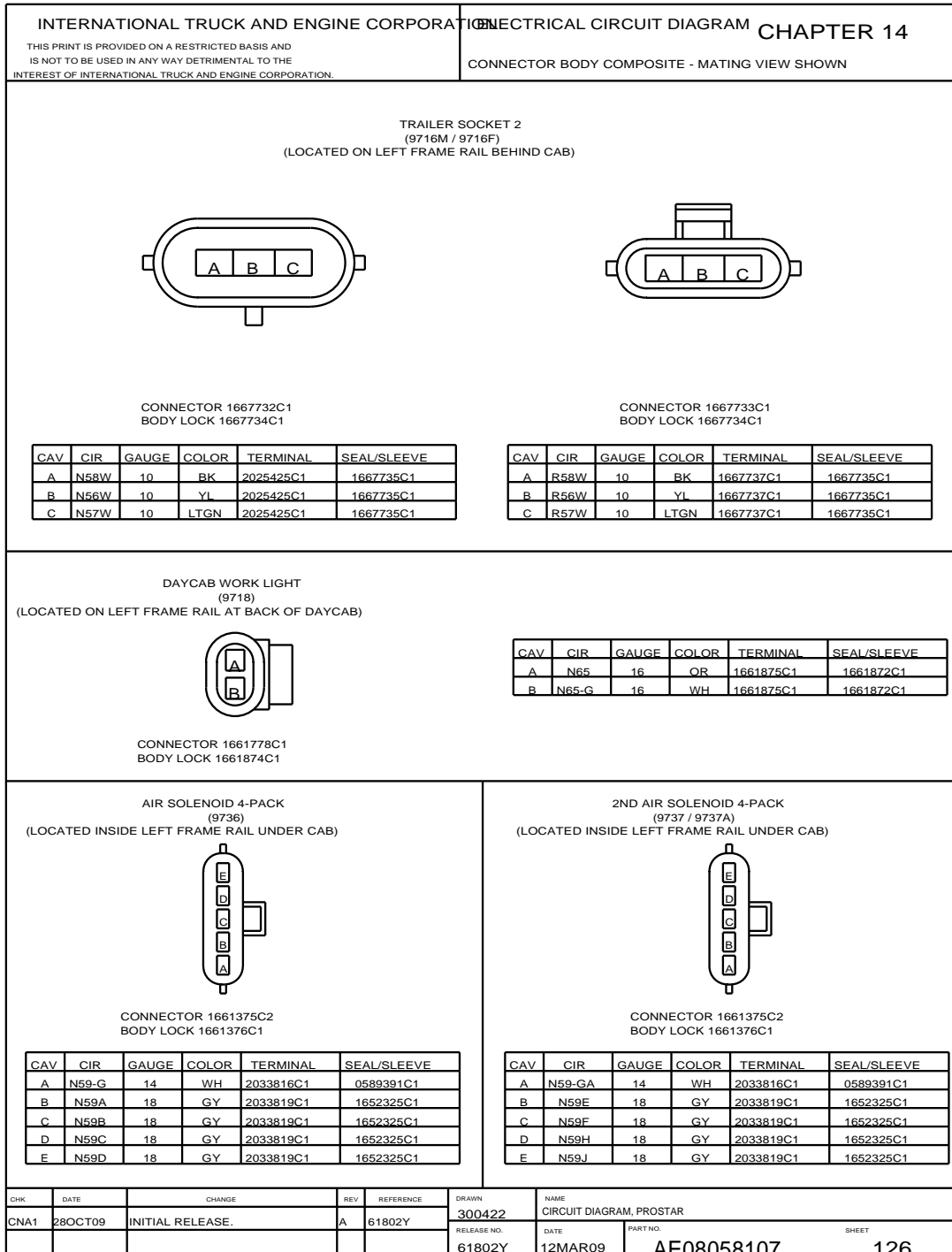


Figure 333 Connector Body Composite (9716M / 9716F), (9718), (9736), (9737 / 9737A)

14.132. CONNECTOR BODY COMPOSITE (9768), (9769), P. 127

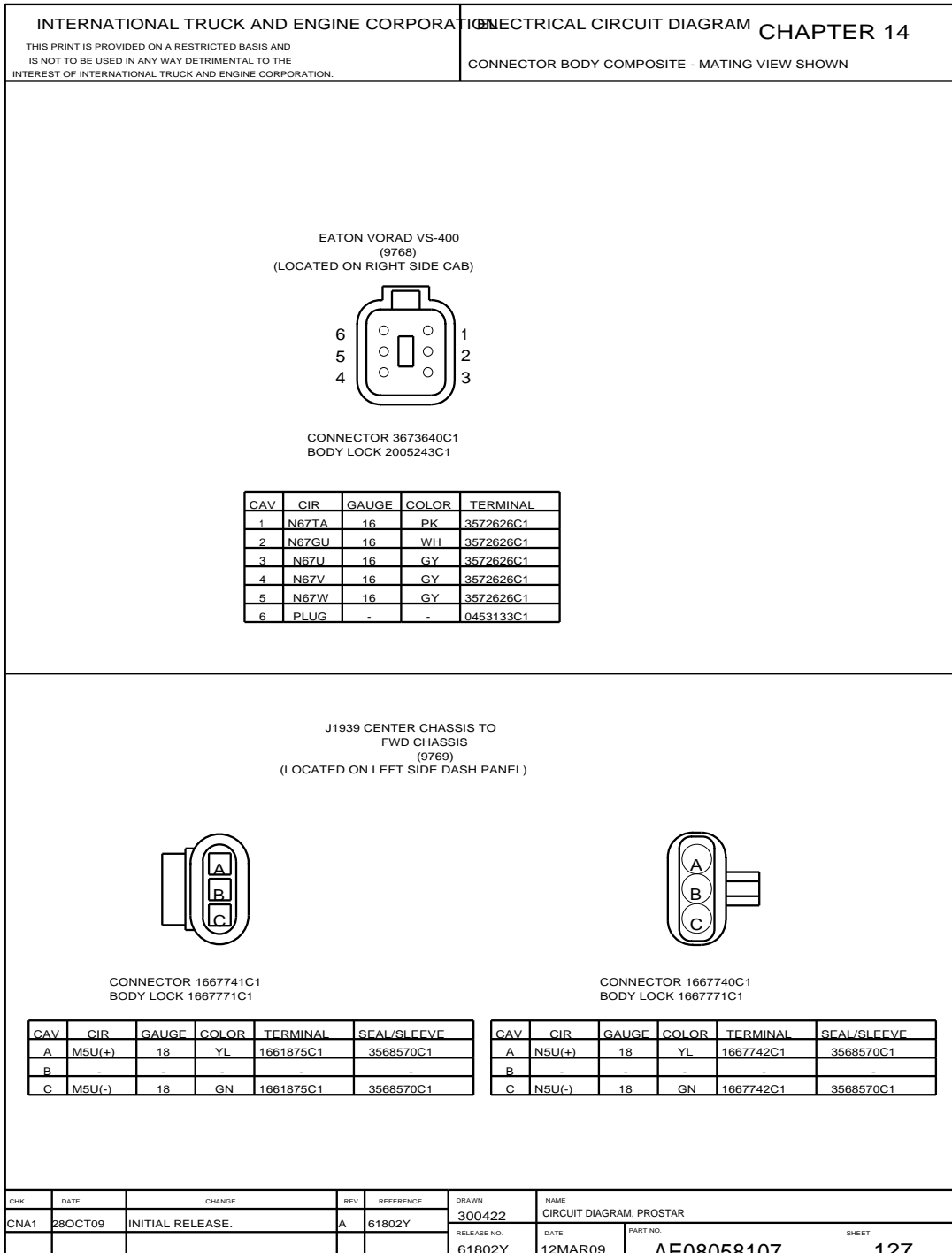


Figure 334 Connector Body Composite (9768), (9769)

14.133. CONNECTOR BODY COMPOSITE (9770M / 9770F), (9779F), (9779F1), (9780 / 9780M), (9780M1), P. 128

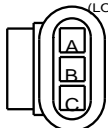
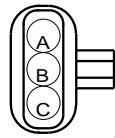
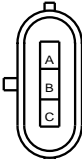
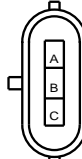
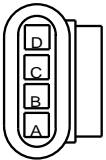
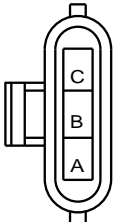
<p>INTERNATIONAL TRUCK AND ENGINE CORPORATION</p> <p>THIS PRINT IS PROVIDED ON A RESTRICTED BASIS AND IS NOT TO BE USED IN ANY WAY DETRIMENTAL TO THE INTEREST OF INTERNATIONAL TRUCK AND ENGINE CORPORATION.</p>	<p>ELECTRICAL CIRCUIT DIAGRAM CHAPTER 14</p> <p>CONNECTOR BODY COMPOSITE - MATING VIEW SHOWN</p>																																																																								
<p>J1939 CENTER CHASSIS TO FWD CHASSIS (9770M / 9770F) (LOCATED INSIDE LEFT FRAME RAIL UNDER CAB)</p>																																																																									
 <p>CONNECTOR 1667741C1 BODY LOCK 1667771C1</p>	 <p>CONNECTOR 1667740C1 BODY LOCK 1667771C1</p>																																																																								
<table border="1" style="width:100%; border-collapse: collapse;"> <thead> <tr> <th>CAV</th> <th>CIRC</th> <th>GA</th> <th>COLOR</th> <th>TERMINAL</th> <th>SEAL/SLEEVE</th> </tr> </thead> <tbody> <tr> <td>A</td> <td>M5UB(+)</td> <td>18</td> <td>YL</td> <td>1661875C1</td> <td>3568570C1</td> </tr> <tr> <td>B</td> <td>PLUG</td> <td>-</td> <td>-</td> <td>-</td> <td>2025431C1</td> </tr> <tr> <td>C</td> <td>M5UB(-)</td> <td>18</td> <td>GN</td> <td>1661875C1</td> <td>3568570C1</td> </tr> </tbody> </table>	CAV	CIRC	GA	COLOR	TERMINAL	SEAL/SLEEVE	A	M5UB(+)	18	YL	1661875C1	3568570C1	B	PLUG	-	-	-	2025431C1	C	M5UB(-)	18	GN	1661875C1	3568570C1	<table border="1" style="width:100%; border-collapse: collapse;"> <thead> <tr> <th>CAV</th> <th>CIRC</th> <th>GA</th> <th>COLOR</th> <th>TERMINAL</th> <th>SEAL/SLEEVE</th> </tr> </thead> <tbody> <tr> <td>A</td> <td>N5UB(+)</td> <td>18</td> <td>YL</td> <td>1667742C1</td> <td>3568570C1</td> </tr> <tr> <td>B</td> <td>PLUG</td> <td>-</td> <td>-</td> <td>-</td> <td>2025431C1</td> </tr> <tr> <td>C</td> <td>N5UB(-)</td> <td>18</td> <td>GN</td> <td>1667742C1</td> <td>3568570C1</td> </tr> </tbody> </table>	CAV	CIRC	GA	COLOR	TERMINAL	SEAL/SLEEVE	A	N5UB(+)	18	YL	1667742C1	3568570C1	B	PLUG	-	-	-	2025431C1	C	N5UB(-)	18	GN	1667742C1	3568570C1																								
CAV	CIRC	GA	COLOR	TERMINAL	SEAL/SLEEVE																																																																				
A	M5UB(+)	18	YL	1661875C1	3568570C1																																																																				
B	PLUG	-	-	-	2025431C1																																																																				
C	M5UB(-)	18	GN	1661875C1	3568570C1																																																																				
CAV	CIRC	GA	COLOR	TERMINAL	SEAL/SLEEVE																																																																				
A	N5UB(+)	18	YL	1667742C1	3568570C1																																																																				
B	PLUG	-	-	-	2025431C1																																																																				
C	N5UB(-)	18	GN	1667742C1	3568570C1																																																																				
<p>DAYCAB TRAILER SOCKET # 2 (9779F) (LOCATED AT BOTTOM OF DASH PANEL - LEFT SIDE)</p>																																																																									
 <p>CONNECTOR 1667732C1 BODY LOCK 1667734C1</p>	<p>TRAMEC TRAILER SOCKET #12 (9779F1) (LOCATED AT BOTTOM OF DASH PANEL - LEFT SIDE)</p>  <p>CONNECTOR 1667732C1 BODY LOCK 1667734C1</p>																																																																								
<table border="1" style="width:100%; border-collapse: collapse;"> <thead> <tr> <th>CAV</th> <th>CIR</th> <th>GAUGE</th> <th>COLOR</th> <th>TERMINAL</th> <th>SEAL/SLEEVE</th> </tr> </thead> <tbody> <tr> <td>A*</td> <td>N58U</td> <td>10</td> <td>BK</td> <td>2025425C1</td> <td>1667735C1</td> </tr> <tr> <td>A#</td> <td>N58T</td> <td>10</td> <td>BK</td> <td>2025425C1</td> <td>1667735C1</td> </tr> <tr> <td>B*</td> <td>N56U</td> <td>10</td> <td>YL</td> <td>2025425C1</td> <td>1667735C1</td> </tr> <tr> <td>B#</td> <td>N56T</td> <td>10</td> <td>YL</td> <td>2025425C1</td> <td>1667735C1</td> </tr> <tr> <td>C*</td> <td>N57U</td> <td>10</td> <td>LTGN</td> <td>2025425C1</td> <td>1667735C1</td> </tr> <tr> <td>C#</td> <td>N57T</td> <td>10</td> <td>LTGN</td> <td>2025425C1</td> <td>1667735C1</td> </tr> </tbody> </table> <p>* TRAILER SOCKET W/ BOC & EOF # TRAILER SOCKET W/ BOC</p>	CAV	CIR	GAUGE	COLOR	TERMINAL	SEAL/SLEEVE	A*	N58U	10	BK	2025425C1	1667735C1	A#	N58T	10	BK	2025425C1	1667735C1	B*	N56U	10	YL	2025425C1	1667735C1	B#	N56T	10	YL	2025425C1	1667735C1	C*	N57U	10	LTGN	2025425C1	1667735C1	C#	N57T	10	LTGN	2025425C1	1667735C1	<table border="1" style="width:100%; border-collapse: collapse;"> <thead> <tr> <th>CAV</th> <th>CIRC</th> <th>GA</th> <th>COLOR</th> <th>TERMINAL</th> <th>SEAL/SLEEVE</th> </tr> </thead> <tbody> <tr> <td>A</td> <td>N58T</td> <td>10</td> <td>BK</td> <td>2025425C1</td> <td>1667735C1</td> </tr> <tr> <td>B</td> <td>N56T</td> <td>10</td> <td>YL</td> <td>2025425C1</td> <td>1667735C1</td> </tr> <tr> <td>C</td> <td>N57T</td> <td>10</td> <td>LTGN</td> <td>2025425C1</td> <td>1667735C1</td> </tr> </tbody> </table>	CAV	CIRC	GA	COLOR	TERMINAL	SEAL/SLEEVE	A	N58T	10	BK	2025425C1	1667735C1	B	N56T	10	YL	2025425C1	1667735C1	C	N57T	10	LTGN	2025425C1	1667735C1						
CAV	CIR	GAUGE	COLOR	TERMINAL	SEAL/SLEEVE																																																																				
A*	N58U	10	BK	2025425C1	1667735C1																																																																				
A#	N58T	10	BK	2025425C1	1667735C1																																																																				
B*	N56U	10	YL	2025425C1	1667735C1																																																																				
B#	N56T	10	YL	2025425C1	1667735C1																																																																				
C*	N57U	10	LTGN	2025425C1	1667735C1																																																																				
C#	N57T	10	LTGN	2025425C1	1667735C1																																																																				
CAV	CIRC	GA	COLOR	TERMINAL	SEAL/SLEEVE																																																																				
A	N58T	10	BK	2025425C1	1667735C1																																																																				
B	N56T	10	YL	2025425C1	1667735C1																																																																				
C	N57T	10	LTGN	2025425C1	1667735C1																																																																				
<p>DAYCAB TRAILER SOCKET # 1 (9780 / 9780M) (LOCATED AT BOTTOM OF DASH PANEL - LEFT SIDE)</p>																																																																									
 <p>CONNECTOR 3535482C1 BODY LOCK 3535483C1</p>	<p>TRAMEC TRAILER SOCKET #1 (9780M1) (LOCATED AT BOTTOM OF DASH PANEL - LEFT SIDE)</p>  <p>CONNECTOR 1667733C1 BODY LOCK 1667734C1</p>																																																																								
<table border="1" style="width:100%; border-collapse: collapse;"> <thead> <tr> <th>CAV</th> <th>CIR</th> <th>GAUGE</th> <th>COLOR</th> <th>TERMINAL</th> <th>SEAL/SLEEVE</th> </tr> </thead> <tbody> <tr> <td>A#</td> <td>N94U</td> <td>10</td> <td>DKBL</td> <td>1687847C1</td> <td>0589390C1</td> </tr> <tr> <td>A*</td> <td>N94T</td> <td>10</td> <td>DKBL</td> <td>1687847C1</td> <td>0589390C1</td> </tr> <tr> <td>B#</td> <td>N68U</td> <td>10</td> <td>BN</td> <td>1687847C1</td> <td>0589390C1</td> </tr> <tr> <td>B*</td> <td>N68T</td> <td>10</td> <td>BN</td> <td>1687847C1</td> <td>0589390C1</td> </tr> <tr> <td>C#</td> <td>N70U</td> <td>10</td> <td>RD</td> <td>1687847C1</td> <td>0589390C1</td> </tr> <tr> <td>C*</td> <td>N70T</td> <td>10</td> <td>RD</td> <td>1687847C1</td> <td>0589390C1</td> </tr> <tr> <td>D</td> <td>N72V</td> <td>12</td> <td>DKBL</td> <td>2033816C1</td> <td>0589390C1</td> </tr> </tbody> </table> <p>* TRAILER SOCKET W/ BOC # TRAILER SOCKET W/ BOC & EOF</p>	CAV	CIR	GAUGE	COLOR	TERMINAL	SEAL/SLEEVE	A#	N94U	10	DKBL	1687847C1	0589390C1	A*	N94T	10	DKBL	1687847C1	0589390C1	B#	N68U	10	BN	1687847C1	0589390C1	B*	N68T	10	BN	1687847C1	0589390C1	C#	N70U	10	RD	1687847C1	0589390C1	C*	N70T	10	RD	1687847C1	0589390C1	D	N72V	12	DKBL	2033816C1	0589390C1	<table border="1" style="width:100%; border-collapse: collapse;"> <thead> <tr> <th>CAV</th> <th>CIR</th> <th>GAUGE</th> <th>COLOR</th> <th>TERMINAL</th> <th>SEAL/SLEEVE</th> </tr> </thead> <tbody> <tr> <td>A</td> <td>N94T</td> <td>10</td> <td>DKBL</td> <td>1667737C1</td> <td>1667735C1</td> </tr> <tr> <td>B</td> <td>N68T</td> <td>10</td> <td>BN</td> <td>1667737C1</td> <td>1667735C1</td> </tr> <tr> <td>C</td> <td>N70T</td> <td>10</td> <td>RD</td> <td>1667737C1</td> <td>1667735C1</td> </tr> </tbody> </table>	CAV	CIR	GAUGE	COLOR	TERMINAL	SEAL/SLEEVE	A	N94T	10	DKBL	1667737C1	1667735C1	B	N68T	10	BN	1667737C1	1667735C1	C	N70T	10	RD	1667737C1	1667735C1
CAV	CIR	GAUGE	COLOR	TERMINAL	SEAL/SLEEVE																																																																				
A#	N94U	10	DKBL	1687847C1	0589390C1																																																																				
A*	N94T	10	DKBL	1687847C1	0589390C1																																																																				
B#	N68U	10	BN	1687847C1	0589390C1																																																																				
B*	N68T	10	BN	1687847C1	0589390C1																																																																				
C#	N70U	10	RD	1687847C1	0589390C1																																																																				
C*	N70T	10	RD	1687847C1	0589390C1																																																																				
D	N72V	12	DKBL	2033816C1	0589390C1																																																																				
CAV	CIR	GAUGE	COLOR	TERMINAL	SEAL/SLEEVE																																																																				
A	N94T	10	DKBL	1667737C1	1667735C1																																																																				
B	N68T	10	BN	1667737C1	1667735C1																																																																				
C	N70T	10	RD	1667737C1	1667735C1																																																																				
<table border="1" style="width:100%; border-collapse: collapse;"> <thead> <tr> <th>CHK</th> <th>DATE</th> <th>CHANGE</th> <th>REV</th> <th>REFERENCE</th> <th>DRAWN</th> <th>NAME</th> </tr> </thead> <tbody> <tr> <td>CNA1</td> <td>28OCT09</td> <td>INITIAL RELEASE.</td> <td>A</td> <td>61802Y</td> <td>300422</td> <td>CIRCUIT DIAGRAM, PROSTAR</td> </tr> <tr> <td></td> <td></td> <td></td> <td></td> <td></td> <td>RELEASE NO.</td> <td>DATE</td> </tr> <tr> <td></td> <td></td> <td></td> <td></td> <td></td> <td>61802Y</td> <td>12MAR09</td> </tr> <tr> <td></td> <td></td> <td></td> <td></td> <td></td> <td></td> <td>PART NO.</td> </tr> <tr> <td></td> <td></td> <td></td> <td></td> <td></td> <td></td> <td>AE08058107</td> </tr> <tr> <td></td> <td></td> <td></td> <td></td> <td></td> <td></td> <td>SHEET</td> </tr> <tr> <td></td> <td></td> <td></td> <td></td> <td></td> <td></td> <td>128</td> </tr> </tbody> </table>		CHK	DATE	CHANGE	REV	REFERENCE	DRAWN	NAME	CNA1	28OCT09	INITIAL RELEASE.	A	61802Y	300422	CIRCUIT DIAGRAM, PROSTAR						RELEASE NO.	DATE						61802Y	12MAR09							PART NO.							AE08058107							SHEET							128																
CHK	DATE	CHANGE	REV	REFERENCE	DRAWN	NAME																																																																			
CNA1	28OCT09	INITIAL RELEASE.	A	61802Y	300422	CIRCUIT DIAGRAM, PROSTAR																																																																			
					RELEASE NO.	DATE																																																																			
					61802Y	12MAR09																																																																			
						PART NO.																																																																			
						AE08058107																																																																			
						SHEET																																																																			
						128																																																																			

Figure 335 Connector Body Composite (9770M / 9770F), (9779F), (9779F1), (9780 / 9780M), (9780M1)

14.134. CONNECTOR BODY COMPOSITE (9781F), (9782M), (9783M), (9783F), (9784M), P. 129

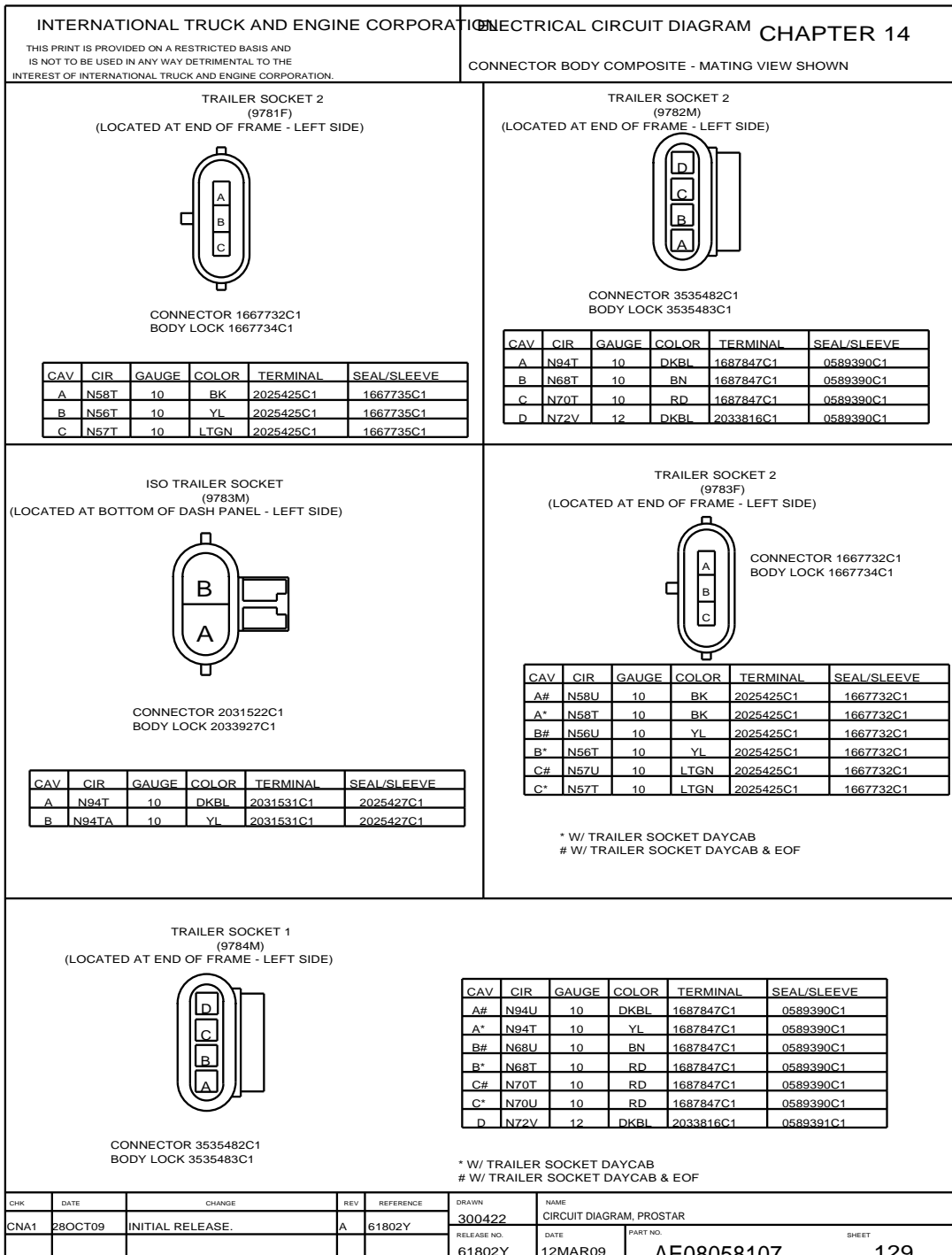


Figure 336 Connector Body Composite (9781F), (9782M), (9783M), (9783F), (9784M)

14.135. CONNECTOR BODY COMPOSITE (*9789F / @9789FA), (*9790M / @9790FA), P. 130

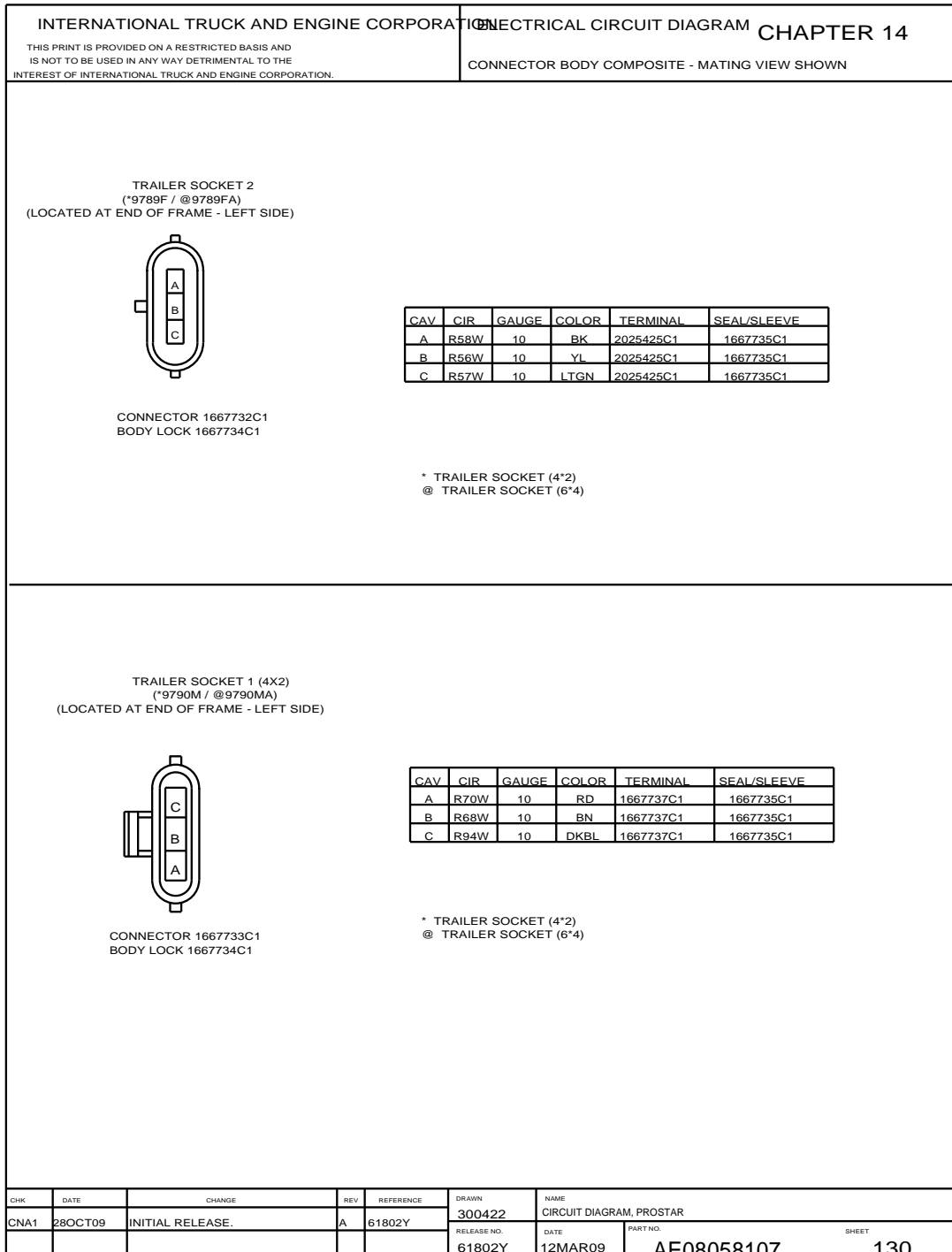


Figure 337 Connector Body Composite (*9789F / @9789FA), (*9790M / @9790FA)

14.136. CONNECTOR BODY COMPOSITE (9800F / 9800M), P. 131

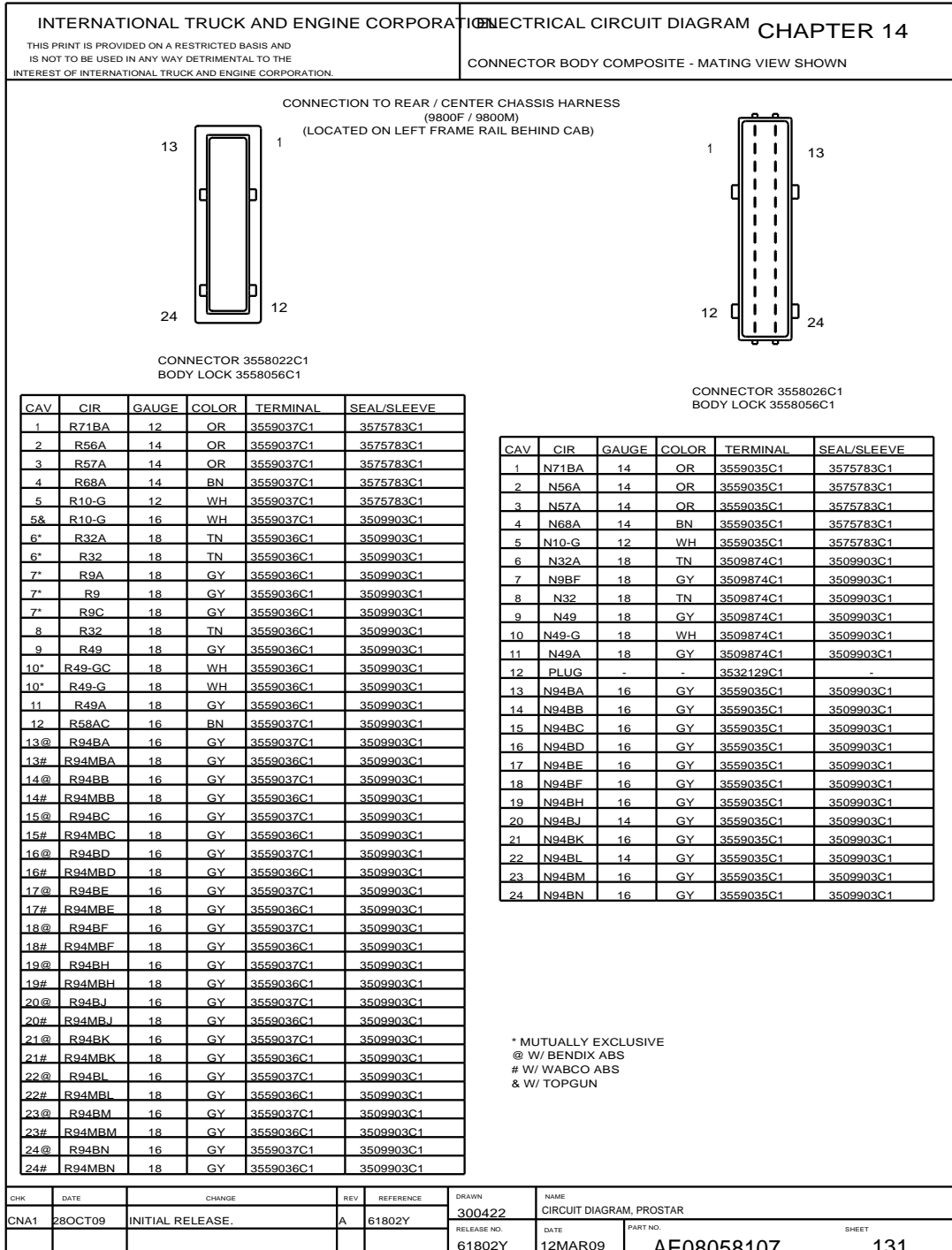


Figure 338 Connector Body Composite (9800F / 9800M)

14.137. CONNECTOR BODY COMPOSITE (9801F / 9801M), P. 132

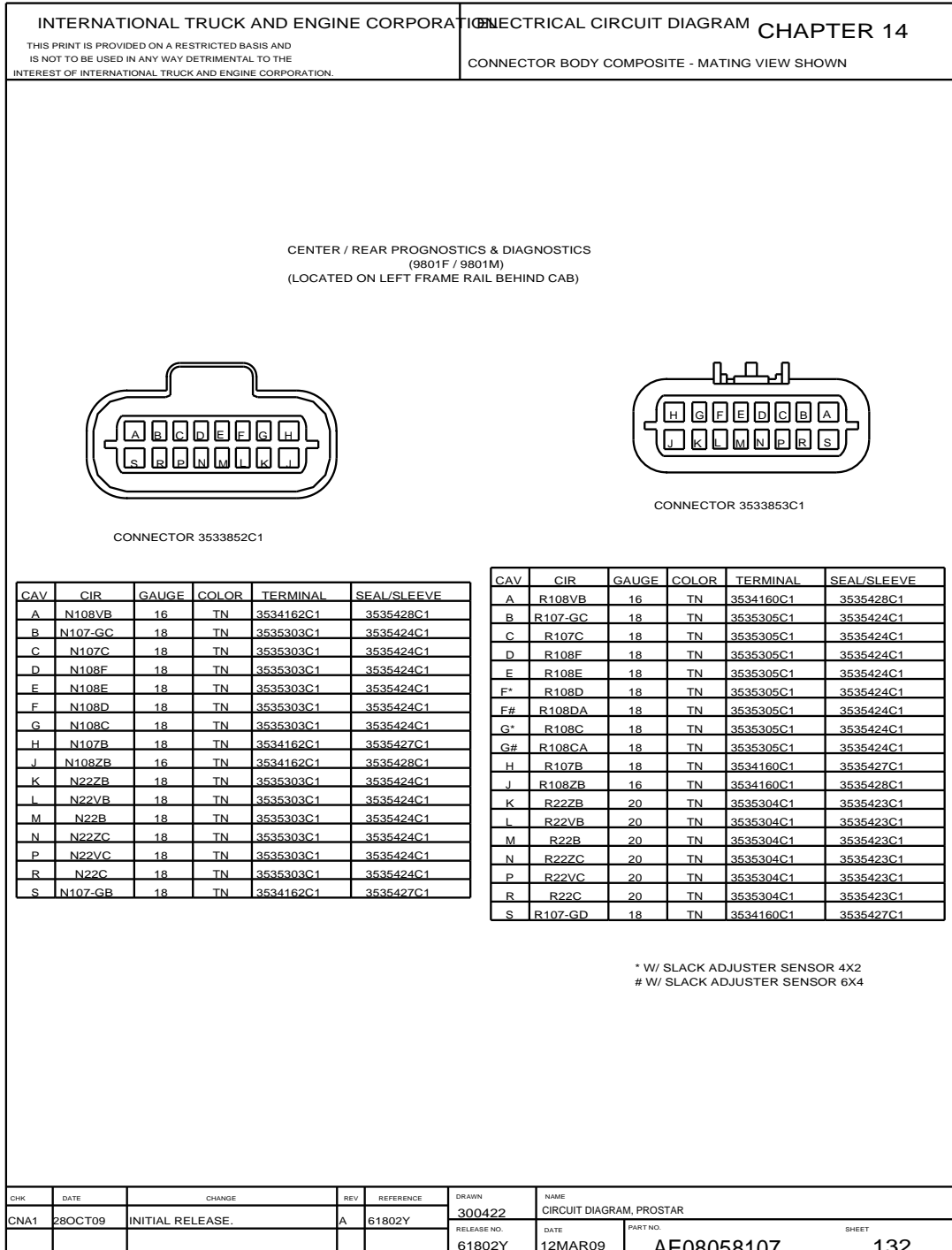


Figure 339 Connector Body Composite (9801F / 9801M)

14.138. CONNECTOR BODY COMPOSITE (9811), (9812), (9813), P. 133

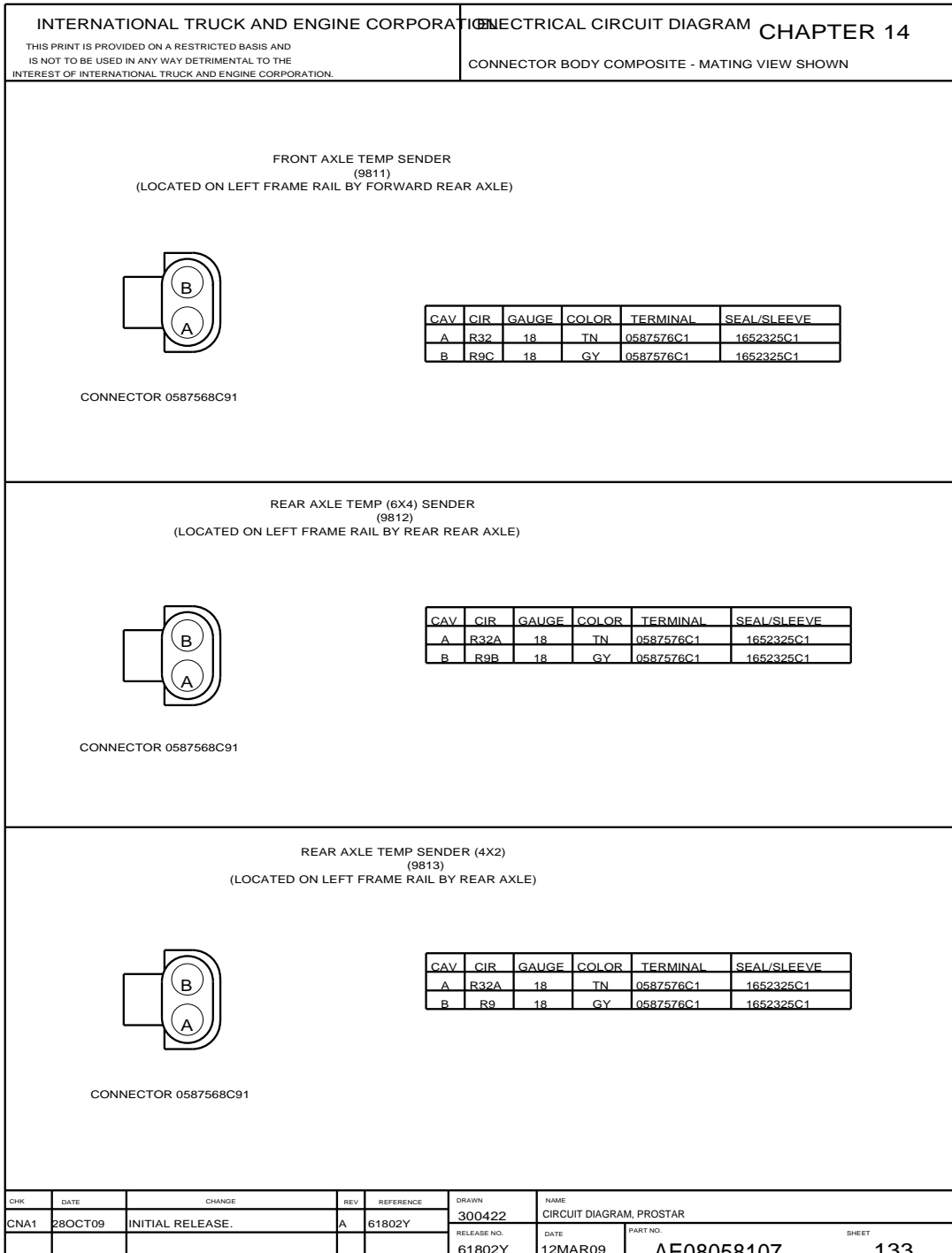


Figure 340 Connector Body Composite (9811), (9812), (9813)

14.139. CONNECTOR BODY COMPOSITE (9814), (9815), (9816), P. 134

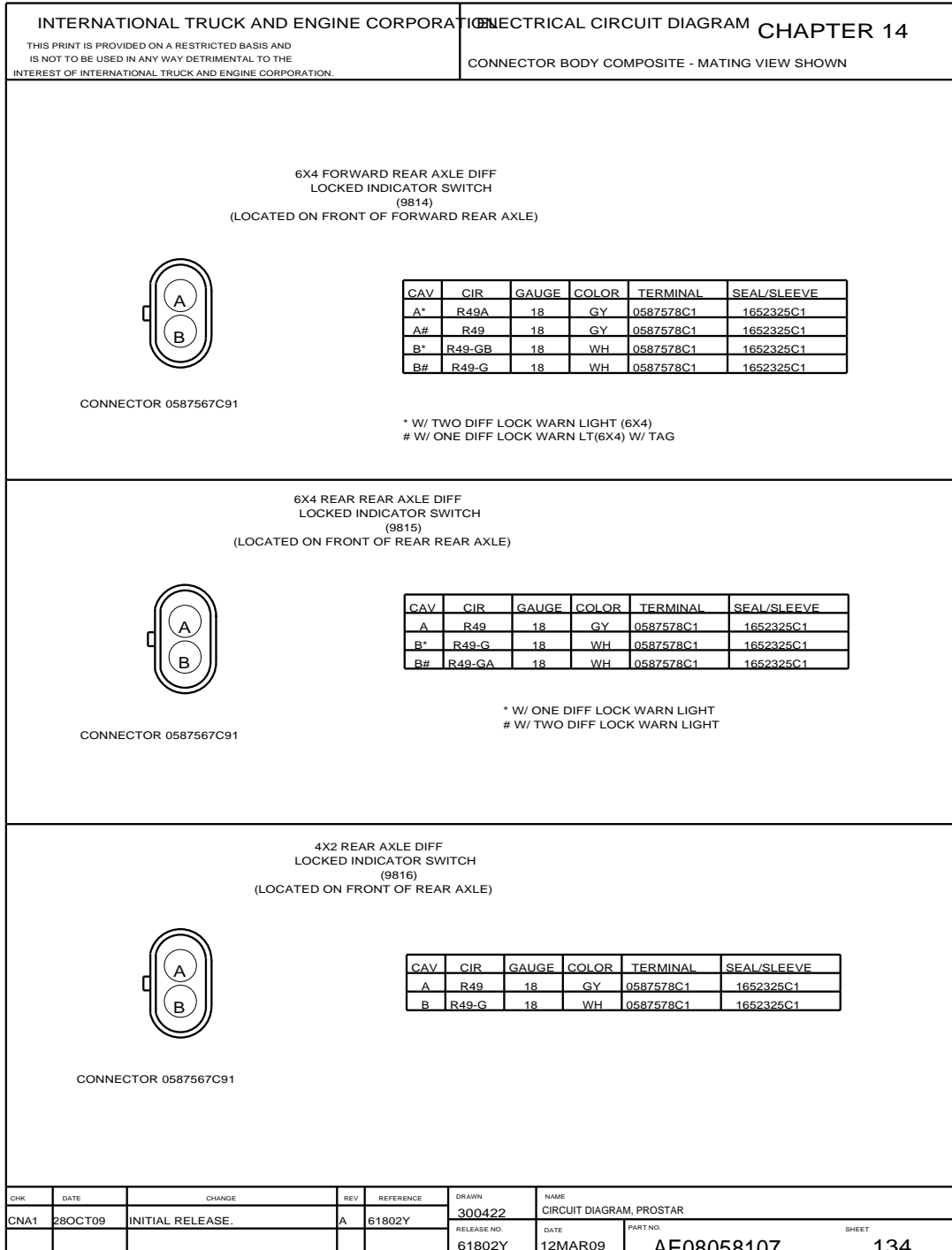


Figure 341 Connector Body Composite (9814), (9815), (9816)

14.140. CONNECTOR BODY COMPOSITE (9830 / 9832), (9865F / 9865M), P. 135

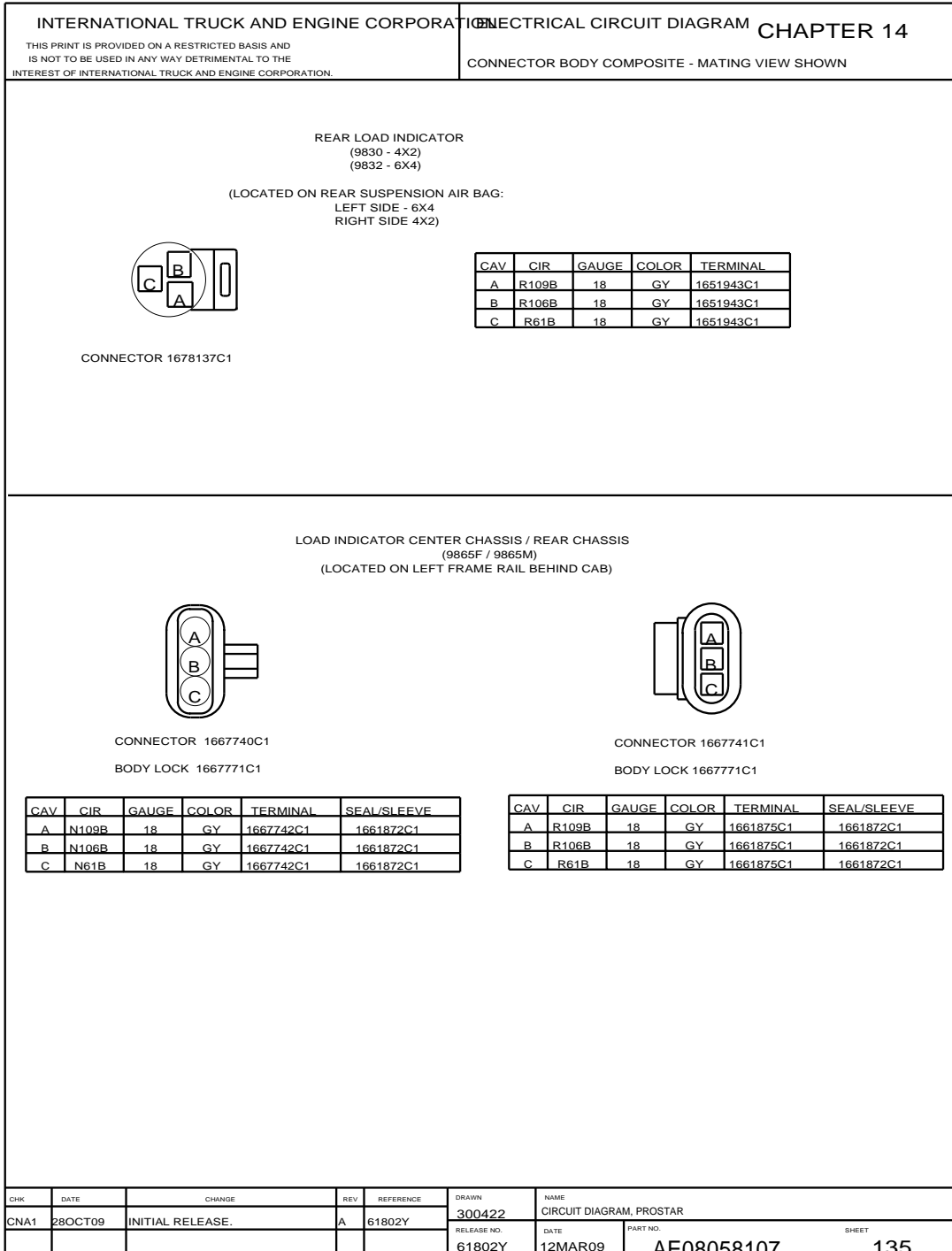


Figure 342 Connector Body Composite (9830 / 9832), (9865F / 9865M)

14.141. CONNECTOR BODY COMPOSITE (9900), (9901), (9902), P. 136

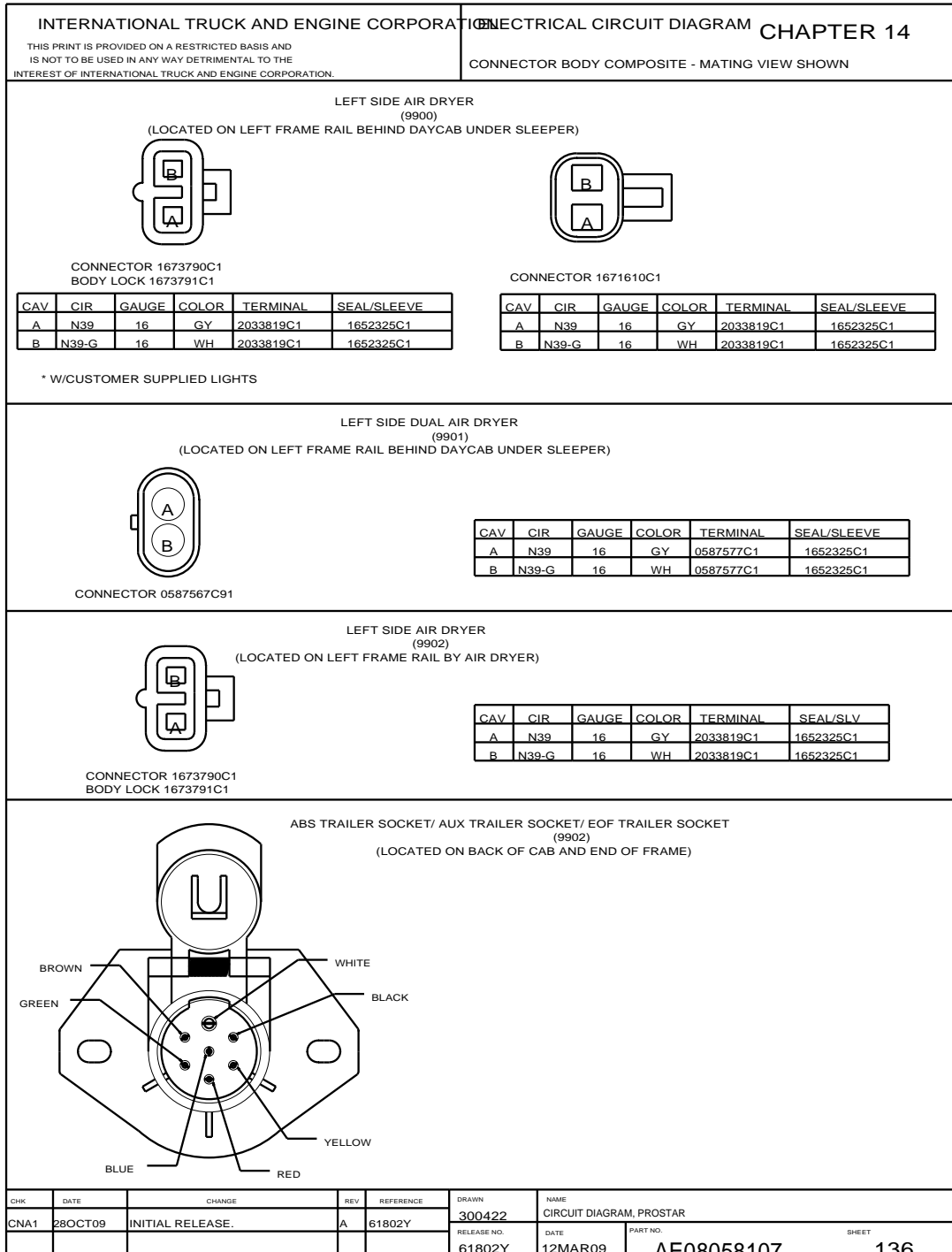


Figure 343 Connector Body Composite (9900), (9901), (9902)