



ATEMP - ANHAM



CHASSIS: 6J329434
MODEL NUMBER: 7400 SFA 6X6
BUILD DATE: 10/31/2005

**CUSTOM
PARTS
CATALOG**

Version 3.3.0

Copyright© 2011 by International Truck and Engine Corporation

International© Vehicles are custom built to meet the specific needs of individual customers. That's why there are so many customer options. To service a truck properly, you must have the parts that match its specifications.

Printed August 4, 2011

Custom Parts Catalog
Copyright© 2011 by International Truck and Engine Corporation

PARTS CATALOG CONTENTS

1. PARTS CATALOG GUIDE	23
2. LINE SET TICKET	35
3. ENGINE LINE SET TICKET	39
4. ENGINE PERFORMANCE/SPECIFICATIONS	
I-530 ENGINE	
Durability	41
Maintenance	43
Performance	45
Specifications	51
Standard Equipment	53
I-530 HIGH TORQUE ENGINE	
Durability	55
Maintenance	57
Performance	59
Specifications	63
Standard Equipment	65

5. FIGURE INDEX

Group 01 Frame**Figure**

BOLT-ON FRAME EXTENSION; W/XMBR	07VHX	68
FRAME RAIL SIDEMEMBER; 11.0 (7/16") THK, 120K	0FTQ0	70
FRT BUMPER INSTL; 20" BOLT-ON EXTD RAIL; W/FRAME E	0F9CX	71
FRT XMBR INSTL; RADIATOR	0M7YB	72
CROSSMEMBER,RAD SUPT*XMBR FOR	3567132C93	74
TOW HOOK & MTG; FRONT RECOVERY DEVICES	07VQC	76
CROSSMEMBER,*FRT TOW LOOP	3540856C4	78
CROSSMEMBER,TOWING EYE, ASSY	3616541C1	79
TOW HOOK & MTG; REAR; W/XMBR	07X7R	80
XMBR & MTG; INTMD, 4-PC	0BDC4	81
C MEMBER	1664559C92	82

Group 02 Front Axle**Figure**

AXLE HSG; FRT,DRV,W/BRK,HUB	0FWRZ	86
HOUSING,FRT L/DIFF 02ESA FC#1	3556927F91	87
AXLE SHAFT ASM; FRT DRV,W/DRIVE CAP & U-JOINT	0FWS6	89
SHAFT,AXLE W/FLG & JT ABR FC#8	3556980F91	90
DIFF & GEARING; FRT DRV AXLE MODULE	0FWS7	92
DIFFERENTIAL,FD 6.14 02ESA,B,C	2507920C91	94
DIFFERENTIAL,FD 6.14 FC#9	3556990F91	97
KIT DIFF BRG & SEAL	1676480C91	98
TIE ROD,ARMS & KNUCKLE; FRT,DRV AXLE MODULE	0FWS0	100
ARM,STRG TIE ROD, KNUCKLE, TIE	3599758F91	101
ROD ASSY,TIE W/ENDS	2601612C91	103
TIE ROD ASM	2599240C91	105
TURN ANGLE; FRT,DRV AXLE MODULE	0FWS2	107
STOP,WHL 42 DEG ABR FC#4	3556956F91	108
UPPER STRG ARM; FRT,DRV AXLE MODULE	0FWS1	109
ARM,STRG SGL LT 10-16K FC#3ABR	3577157F91	110

Group 03 Chassis Springs**Figure**

FRT SUSP INSTL; 10 - 16K, W/SHK ABSBR, FRT DRV AXL	07W2Z	114
BRACKET,FRT SPG RR W/BUSHING	3541836C91	117
BRACKET,FRT SPG RR W/BUSHING	3543964C91	118
SPRING,CHASSIS FRONT 16K TAPER	3540967C91	119

Group 04 Brakes**Figure**

PARTS CATALOG CONTENTS

Group 04 Brakes

Figure

4 WHL TRLR CONN INSTL; NGV/JVCC	0GBMF	122
ABS SPEED SENSOR INSTL; REAR, BENDIX, W/AIR BRAKES	0H9Q1	123
AIR BRK TUBING INSTL; CTR SECT,W/RSM TANK	0J0LQ	127
HARNESS,NYLON TUBE ASSY	3581370C92	132
AIR BRK TUBING INSTL; FRONT,QUICK RLSE, MODULATOR	0H75S	134
AIR BRK TUBING INSTL; REAR, 6X4 OR 6X6 W/ABS, HEND	0MT69	140
VALVE,BRK CONTROL SR-7 SPRING	3596757C91	147
AIR COMPSR & GOVERNOR INSTL	086M2	149
GOVERNOR,ASSY D-2	410986C92	151
AIR COMPSR TUBING INSTL; LT SIDE AIR TANK MTG	06SPT	153
TUBE,AIR*AIR CPRSR TO HOSE	3574631C1	157
AIR DRYER INSTL; BENDIX AD-9, MTD O/S LEFT RAIL, U	0MSR4	158
COOLER,AIR BRAKE OR DRYER	1621397C91	160
AIR DRYER TUBING INSTL; MTD O/S LT RAIL, UNDER EXT	0LNNN	162
HOSE, ASSEMBLY COMPONENTS	B000000000	164
AIR SOLENOID MNFLD MTG; W/4, 7, 14 MNFLD, W/CHECK	0HKJF	166
AIR TANK FITTINGS; PRIMARY TANK, 11" DIA.	0LHN1	168
BRAKE,PRIMARY AIR TANK FITTINGS	3571402F94	169
AIR TANK FITTINGS; SECONDARY TANK,11" DIA.	0LHMY	170
BRAKE,WET/2NDRY AIR TNK FTTNGS	3588790F92	171
AIR TANK TUBING INSTL	0GFP7	173
AIR TANK TUBING; PRIMARY TANK	0HWF8	178
BBAT,PRIMARY AIR TANK TUBING	3558645F93	179
AIR TANK TUBING; WET/SECONDARY TANK, 11", BBAT MO	0HWF7	180
BRAKE,WET/2NDRY AIR TNK TUBING	3604563F91	181
AIR TANKS; STEEL, W/BATTERY BOX MODULE	0LFZB	182
BBAT, AIR TANKS, 11" STEEL	3576188F92	183
TANK,AIR QUALITY CONNECT ASSY	3557766C93	185
TANK,AIR QUALITY CONNECT*	3557764C92	187
BOC HOSE ROUTING & CLIP INSTL; BRAKE	0G5H4	189
BRAKE ACCESSORIES MODULE	06PDX	191
KIT,STOP LIGHT SWITCH	2505670C91	192
SWITCH,STOP LIGHT AIR*	3548796F91	194
BRAKE VALVE INSTL; CONTROL/PARKING/HAND CONTROL, A	06LQJ	196
BRAKE,DCM*TRACTOR AIR VALVE	3540368F94	197
HARNESS,AIR TUBE*TRACTOR HAND	2506190C91	199
KIT,ABS BRACKET	2505660C91	201
KIT,REPAIR BRAKE VLV - MINOR	2505684C91	202
KIT,REPAIR BRK VALVE - MAJOR	2505683C91	204
PEDAL,BRAKE	2506176C91	206
VALVE,BRK W/MTG HRDW FOR TRCT	2506078C91	208
VALVE,HAND CONTROL*PARK MV-3	2506188C91	210
VALVE,HAND CONTROL*TC-7	2014415C91	212
VALVE,TRACTOR PROTECT*TP-5	2506192C91	214
BRAKE, FRONT; MERITOR 16.5 X 5 Q-PLUS, AXLE ASM MO	0FWS3	215
BRAKE,GROUP FRT DR AXLE 16.5X5	3556961F91	216
BRAKE,GROUP FRT LT 16.5X5 Q+	2507869C91	217
BRAKE,GROUP FRT RT 16.5X5 Q+	2507870C91	219
BRK CHAMBER INSTL; RR AXLE,MGM,30/30"	0F12N	221
CHAMBER,BRAKE*MGM TR3030LP3HD	3566654C91	223
BRK CHAMBER,SLACK ADJ & CLEVIS; FRT DRIVE AXLE	0FWS4	225
ADJUSTER,BRK SLACK 5.5" FC#6	3556963F91	226
BRK HOISING INSTL; HARDWARE, CAB, ROOF DEFLECTOR BR	0KTMV	228

PARTS CATALOG CONTENTS

Group 04 Brakes

DRAIN VALVE; AIR TANK
 BRAKE*DRAIN VALVES, BATTERY
 ELECTRONIC CONTROL UNIT INSTL
 FRT AXLE HOISING
 MANIFOLD, AIR; DCM
 KIT,AIR BRAKE MANIFOLD 4 PORT
 MANIFOLD,AIR*BLOCK, W/ 2 X 1/4
 RR AXLE HOISING INSTL
 RR BRAKE INSTL; MERITOR 16.5 X 7 Q+
 BRAKE,GROUP REAR LT*16.5 X 7.0
 BRAKE,GROUP REAR LT*16.5 X 7.0
 BRAKE,GROUP REAR RT*16.5 X 7.0
 BRAKE,GROUP REAR RT*16.5 X 7.0
 KIT,BRAKE SHOES W/ HARDWARE
 SEAL, SEAT BELT MTG

Figure

0FLMS 229
 3559112F91 230
 0J3JB 231
 0H75R 232
 06QBL 233
 2505674C91 234
 3550595F91 236
 0MT49 238
 0DR90 240
 3548002C91 244
 3548018C91 246
 3548003C91 248
 3548019C91 250
 KSR2124707Q 252
 0H34N 254

Group 05 Steering Gear

POWER STEERING RESERVOIR & MTG; W/1.5 QT
 BRACE,PWR STRG RESVR BRKT
 RESERVOIR,POWER STRG PUMP,1.5L
 POWER STEERING SHAFT INSTL; INTERMEDIATE
 SHAFT,STEERING
 PWR STRG GEAR INSTL; W/SHEPPARD M80, M100
 GEAR,ASM STEERING
 LINK,STEERING DRAG*16K FDA
 PWR STRG HOISING INSTL
 ELBOW,FLARED TUBE
 ELBOW,PIPE*45 DEG W/O-RING SEA
 ELBOW,PIPE*90DEG ELBOW, 3/4" H
 ELBOW,PIPE*ELBOW,90 DEG 3/4-16
 STEERING COLUMN; DCM, TILT/TELE, FIXED
 DRVR CONT TLT COLM W/TC-7
 KIT,HOUSING*TILT STRG COL
 KIT,STEERING*COL COVER TC7
 STEERING WHEEL & MTG; 18", W/HORN BUTTON, CRUISE C
 WHEEL,STEERING 18 IN*W/CRUISE/

Figure

0L4J0 256
 3558303C4 257
 3558153C93 258
 06SPX 259
 3549807C92 261
 0MFX6 263
 3602517C91 266
 3552002C91 268
 0FSWW 269
 3590829C91 271
 3590827C91 272
 3593050C91 273
 3590828C91 274
 06BMC 275
 3562717F92 276
 2505661C91 278
 2505690C91 280
 0GPCT 282
 3546229C91 283

Group 06 Propeller Shafts

INPUT YOKE; FRT DRV AXLE
 FLANGE,TRUN SPL140 ABR FC#10
 INPUT YOKE; FWD REAR AXLE
 RETAINER,TRUNNION BRG ROLLER**
 INPUT YOKE; SINGLE RR AUX/TANDEM RR AUX
 KIT,U-JT STRAP & BOLT SPL170
 OUTPUT YOKE; FWD REAR AXLE
 KIT,U-JT STRAP & BOLT SPL170
 PROP SHAFT ASM;
 SHAFT,ASSY PROP SPL140 METRIC
 PROP SHAFT ASM;
 SHAFT,ASSY PROP SPL140 METRIC
 PROP SHAFT ASM;
 SHAFT,ASSY PROP SPL170 METRIC
 PROP SHAFT ASM; 1710 SERIES
 PROP SHAFT
 PROPSHAFT,1710 SOLID

Figure

0FWS8 286
 3571921F91 287
 0L82T 289
 3524823C91 290
 045PC 291
 3513127C91 292
 0F9YZ 293
 3513127C91 292
 0FW9L 295
 414STHXXXX 296
 0FW9M 304
 414STHXXXX 296
 0KCGJ 313
 417LTPXXXX 314
 01XNV 322
 270DYA1128 323
 270DYA1XXX 330

PARTS CATALOG CONTENTS

Group 06 Propeller Shafts

XMSN OUTPUT YOKE
KIT, STRAP&BOLT 1710,1760,1810

Group 07 Exhaust

EXH BRK INSTL; PACBRAKE
MUFFLER INSTL; LT SIDE MTD EXHAUST
MUFFLER, ASM EXHAUST* MUFFLER A
MUFFLER, ASM EXHAUST*H-H UTILIT
SUPPORT, MUFFLER*HANGER ASSY
TURBO PIPE INSTL; W/I6 ENG, W/EXHAUST BRAKE

Group 08 Electrical

AIR SOLENOID INSTL; ACCESSORY CONTROLS
BRACKET, SOLENOID 7PK GOLD TRMN
KIT, AIR BRK*SOLENOID COVER PLT
AIR SOLENOID VALVE; DIFF LOCK, TRAC DIFF, 2-SPD AXLE
VALVE, SOLENOID*DCLD CONTROL
AIR SOLENOID VALVE; DRIVETRAIN CONTROLS
VALVE, SOLENOID*TRANSFER CASE
ALT PULLEY INSTL; W/BELT
ALTERNATOR ASM; 24V 200 AMP, NON-PAD MOUNT
GENERATOR, 28V, 200A, L-N, 4740
BACK-UP ALARM WIRING INSTL
BATT BOX COVER & HOLD DOWN; FOR 24,25,30,33,42" BO
BATT BOX SUPT INSTL; 24, 25, 30, 33 & 42" RSM LON
BATT CABLE INSTL; RIGHT SIDE UNDER CAB
CABLE, ASM*CLEAN PWR FEED, 2900
BATT CABLE INTERCONNECT INSTL; 4 BTRY SYS, 3/8 STU
BATTERIES
BATTERY BOX MODULE; JUMP START STUD & DISCONNECT S
ELEC*W/R TRUCK BOX (S
BATTERY BOX TRAY; MODULE
BBAT, 33" BTRY BOX ASSY
BRACKET, LEFT BATT BOX SUPPORT
BRACKET, RIGHT BATT BOS SUPPORT
FILLER, BATTERY BOX*
BATTERY CABLE SADDLE & PLUG; BATTERY BOX MODULE
BBAT, W/L TRUCK BOX, DUAL
BATTERY EQUALIZER MODULE; 12/24V
MODULE, 12/24V BATTERY EQUALI
BATTERY WIRING INSTL; DISCONNECT SWITCH
CENTER CHASSIS HARNESS ASM; COMMON BASE WIRING (AB
ELEC CTR CHAS, BASE +3000MM
CENTER CHASSIS HARNESS ASM; FUEL TANK WIRING (ABR
ELEC CTR CHAS, L FUEL
CENTER CHASSIS HARNESS ASM; WORK LIGHT WIRING (ABR
ELEC CTR CHAS, *WORK LIG
CENTER CHASSIS HARNESS; ABR#2, BRAKE SYSTEM WIRING
ELEC CTR CHAS, AIR ABS +3000M
CENTER IP, PATTERN CUTOUPS (ABR #70)
DASH HARNESS ASM
DASH HARNESS ASM; BODY BUILDER/TRAILER SOCKET WIR
HARN, DASH, TRLR SCKT, BDBL, W/ABS
HARNESS, DASH W/TRLR OR BB CONN
DASH HARNESS ASM; BRAKE SYSTEM WIRING

Figure

0JD6L 338
2035774C91 339

Figure

0HGRZ 342
07HVV 344
3579392C91 345
3579389C1 347
3579388C91 348
06X8D 350

Figure

0CBKD 352
3553323F94 353
2507597C91 355
0CBYL 356
3553344F91 357
0CBZ0 358
3545735F91 359
06PWH 360
0MQ7P 361
3610514C91 362
086VD 364
0HL8D 366
0HL8B 369
0GCJR 371
3547673C91 380
0MRFB 382
0MTSD 384
0LSFK 385
3559964F92 386
0HL44 387
3576152F93 388
3539597C7 390
3539598C7 392
3539604C2 394
0GCKG 395
3616579F91 396
0MSPY 397
3613280C92 398
0JGYR 400
0FCS0 402
3555956F92 403
0JF60 404
3553996F91 405
0FCS5 406
3553986F92 407
0FCS1 408
3555967F92 409
0FBCV 410
06VZJ 411
0MTVC 418
3610837F91 419
3581900C91 421
0CS7M 424

PARTS CATALOG CONTENTS

Group 08 Electrical

Figure

ELEC DASH,AIR ABS N/ATC	3581889F91	425
HARNESS,DASH WRG,AIR ABS N/ATC	3581887C91	426
DASH HARNESS ASM; ENGINE SYSTEM WIRING	0CS9S	430
HARNESS,DASH ELEC; CEC	3568454F91	431
HARNESS,ENGINE*CEC I6 ENGINE	3568513C91	433
DASH HARNESS ASM; FUSE BLOCK, COMMON BASE WIRING	0CS5P	437
HARNESS,BASE,DASH,W/FUSES	3610835F91	438
HOUSING,CONTROL*POWER DISTRIBU	3554606C91	441
DASH HARNESS ASM; HEAD-AUX-FOG LIGHT WIRING	0CSBZ	442
HARNESS,DASH ELEC; STD	3552509F92	443
HARNESS,HEAD LIGHT WIRING *HEA	3560280C91	444
DASH HARNESS ASM; HVAC SYSTEM WIRING	0CSB9	447
HARNESS,DASH ELEC; A/C	3568464F91	448
HARNESS,ELEC; CHAS WI	3560276C91	449
HARNESS,ELEC; HEATER RECIRC	3568498C91	453
DASH HARNESS ASM; PDC BATTERY GRID (ABR #38)	0FZBX	456
HARN,PDC BATTERY,W/24V MX FUSE	3610496F91	457
DASH HARNESS ASM; PYROMETER WIRING	0CSCL	458
ELEC DASH HARN,ABS DATALINK	3581915F91	459
HARN,DLINK,CAB,J1939 W/AIR ABS	3581917C91	460
DASH HARNESS ASM; REMOTE START/STOP (ABR #41)	0FZG3	463
ELEC DASH HARN NCRNK INHIB	3588570F91	464
HARNESS,ELEC; XMSN WIRIN	3568528C91	465
DASH HARNESS ASM; STARTER THERMAL OVERCRANK EFFECT	0FZBS	468
HARN,DASH,STRT EFF,W/INTL ENGN	3610840F91	469
HARNESS,DASH START W/ INTL ENG	3588674C91	471
DASH HARNESS ASM; TRANS SYSTEM WIRING	0CS9Y	474
ELECTRICAL DASH HARNESS*MAN	3561130F91	475
HARNESS,ELEC; XMSN WIRIN	3561092C91	476
DASH HARNESS ASM; TRANSFER CASE WARNING LIGHT (ABR	0FZG9	479
ELEC DASH HARN XFER CS WARN	3588130F91	480
DASH HARNESS ASM; WASHER PUMP/LEVEL SENSOR WIRING	0FDBH	481
HARNESS,CHASSIS WIRING*WASHER	3557990C91	482
HARNESS,CHASSIS WIRING*WASHER	3568510C91	485
HARNESS,DASH ELEC; WAS	3568484F92	488
DASH HARNESS ASM; WORK LIGHT WIRING	0CSBS	489
HARNESS,DASH ELEC; WOR	3544502F92	490
HARNESS,FLOOD LIGHT WIRING*WOR	3545544C92	491
DCM; CLOCK SPRING, ELECTRICAL	0DCJY	494
ELEC DCM*CLOCKSPRING	3545990F91	495
SPRING,CLOCK W/CANCEL CAM, KIT	2505657C91	497
ELECTRICAL SERVICE ASM; CENTER CHASSIS	0M51L	498
ELECTRICAL SERVICE ASM; DASH	0M514	499
ELECTRICAL SERVICE ASM; FORWARD CHASSIS	0M4ZH	500
FORWARD CHASSIS HARNESS ASM; AIR/HYD ABS BRAKES	0F650	501
ELEC FWD CHAS BNDX AIR ABS	3572240F91	502
FRONT END WIRING INSTL; FENDER MTD TURN SIGNALS	0DDS3	506
LIGHT,HEAD,LH,SEALED,PRIMED BZ	3610437C91	510
LIGHT,HEAD,LNG LIFE,PRIMED,LH	3610435C91	512
LIGHT,HEAD,LONG LIFE,PRIMED,RH	3610436C91	514
LIGHT,HEAD,RH,SEALED,PRIMED BZ	3610438C91	516
LIGHT,TURN SIGNAL*	3557672C92	518
FWD CHASSIS HARN ASM; AIR COMP (ABR #4)	0F655	520

PARTS CATALOG CONTENTS

Group 08 Electrical

Figure

MODULE,A/C PRESS TRANSDUCER	3572242F91	521
FWD CHASSIS HARN ASM; ETHER START (ABR #5)	0F659	524
FWD CHASSIS HARN ASM; FRAME MTD FUEL/WATER SEP (AB	0FVJ9	525
FWD CHASSIS HARN ASM; HORN (ABR #11)	0G1PT	526
FWD CHASSIS HARN ASM; SNOW PLOW/FOG LIGHTS (ABR #1	0F64M	527
ELEC FWD CHAS BASE	3572236F91	528
FWD CHASSIS HARNESS WIRING; TEMP SENSOR,HORN,FOG L	06S2V	532
HARNESS ASM, DASH; AIR DRYER WIRING	0CSC2	541
HARNESS,DASH ELEC; AIR	3544510F92	542
HARNESS,ELEC; AIR DRYER	3545551C92	543
HARNESS ASM, DASH; DIFF LOCK SENDER WIRING	0CSBR	546
HARNESS,DASH ELEC; DIF	3568466F91	547
HARNESS ASM, DASH; ENGINE FAN WIRING	0CSBJ	548
HARNESS,DASH ELEC; AIR	3544500F93	549
HARNESS,ENGINE FAN WIRING ENGI	3560277C91	550
HARNESS ASM, DASH; ETHER START SYSTEM WIRING	0CSCF	553
HARNESS,DASH ELEC; ETH	3568469F91	554
HARNESS ASM, DASH; EXHAUST BRAKE WIRING	0CSCJ	555
HARNESS,DASH ELEC; EXH	3544520F95	556
HARNESS ASM, DASH; FUEL HEATER SYSTEM WIRING	0CSCB	558
ELEC DASH,FUEL HTR/SEPARATR	3582042F91	559
HARNESS ASM, DASH; REMOTE POWER/SOLENOID WIRING	0CSB6	561
HARN,DASH WRG,BB DLINK,PWR&GND	3572525C91	562
HARNESS,DASH ELEC; RR MODULE	3572558F91	565
HARNESS ASM, DASH; SOLENOID 7 PACK WIRING	0CSBW	566
ELECT DASH HARN,AIR SOL 7PK	3572597F91	567
HARNESS, CENTER CHASSIS; AIR DRYER WIRING (ABR #9)	0FCS8	568
ELEC CTR CHAS, LEFT SD	3566360F91	569
HARNESS, CENTER CHASSIS; BODY BUILDER DATALINK WIR	0JF84	570
ELEC CTR CHAS, 7/14 PK DLNK	3554005F93	571
HARNESS, CENTER CHASSIS; BODY BUILDER EOF EFFECTS	0JFJC	572
HARNESS, CENTER CHASSIS; DIFF LOCK WARNING LIGHT W	0FCS6	573
ELEC CTR CHAS,*REAR & R	3556086F92	574
HARNESS, CENTER CHASSIS; TRAILER SOCKET, BODY BUIL	0G1R6	575
HARNESS, CENTER CHASSIS; TRANSFER CASE EFFECTS (AB	0JFFD	576
ELECT. CTR CHASSIS*TRANSFER	3561069F92	577
HARNESS, CENTER CHASSIS; WASHER BOTTLE WIRING SS/R	0JFCK	578
ELEC CTR CHAS,*SS/RH WA	3558533F91	579
HARNESS, DASH; 2-WAY RADIO EFFECTS	0FSY5	580
HARN,DASH,2-WAY RADIO,W/FUSE	3610838F91	581
HARNESS, REAR CHASSIS; BRAKE SYSTEM WIRING, ABR#2	0FBTY	583
HARNESS, REAR CHASSIS; COMMON BASE WIRING, ABR#1	0FBTX	584
HARNESS, REAR CHASSIS; DIFF LOCK WARNING LIGHT WIR	0FBV2	585
HARNESS, RR CHASSIS; TRAILER SOCKET/BODY BUILDER W	0FBTZ	586
HARNESS; DASH, AIR RESTRICTION GAUGE TUBING (ABR #	0DVN0	587
ELECT DASH HARNESS*HOSE FOR	3544531F92	588
IP MODULE EFFECTS; ABR#27, RADIO PANEL	06QK9	589
IP, PREMIUM CAB TRIM & COUR	3598054F91	590
IP MODULE EFFECTS; ABR#28, CENTER PANEL, POWER SOU	0DBN1	591
ELEC IP,W/CIG LTR & W/BRKR	3581553F91	592
IP MODULE EFFECTS; ABR#29, KEY SWITCH & LOCK SET	06SV1	594
ELCTRCAL IP KEY SW & LK SET	3552933F91	595
IP MODULE EFFECTS; ABR#31, PRODUCT GRAPHIC, FUSE P	06TDF	597

PARTS CATALOG CONTENTS

Group 08 Electrical

Figure

ELEC IP; FUSE PANEL PR	3550655F91	598
IP,FUSE PANEL GRAPHIC,ENGLISH	3588092F96	599
IP MODULE EFFECTS; ABR#32, RPO BASE WIRING HARNESS	0HQHZ	600
HARN,IP,F1-F4,W/BREAKERS - MRD	3588143F92	601
IP MODULE EFFECTS; ABR#35, FILTER MINDER	0DBN3	603
ELEC IP; PANEL, ELEC	3545804F92	604
IP MODULE EFFECTS; ABR#37, OPTIONAL FUSE BLOCK	0JKCD	605
ELEC IP,OPT FB 3&4 W/2-WY R	3581517F91	606
IP MODULE EFFECTS; ABR#47, MISCELLANEOUS WIRING	0JVT2	608
ELEC IP,MISC WRG-OPT PNL LT	3581429F91	609
IP MODULE EFFECTS; ABR#48, CRANK & POWERTRAIN WIRI	0MT13	611
ELEC IP,J1708/J1939 N/OPTNS	3582056F91	612
HARNESS,POWER TRAIN D-LINK WRG	3567203C91	614
IP MODULE EFFECTS; ABR#50, ELECTRONIC SYSTEM CONTR	06SHZ	617
CONTROL,ELECTRONIC*ESC2, W/BOO	3579251C3	618
ELECT IP*ESC2 ASM, W/BOOT L	3579360F93	619
IP MODULE, HOUSING ASM; SWITCH/GAUGE/ENG DISPLAY (0L4GS	620
HOUSING,SWITCH*6 PACK DIN MULT	3549776C4	621
IP-FULL SW PK W/CVR,POCKET	3594373F91	623
IP MODULE, MISC EFFECTS (ABR #95)	0G1KJ	624
ELEC IP,FTR CAT#95 MISC EFF	3578228F91	625
IP MODULE, SWITCH ASM; AIR HORN CNTRL (ABR #68)	0DCZL	626
ELEC IP; W/AIR HORN SWITCH	3554184F91	627
IP MODULE, SWITCH ASM; AXLE CNTRLS (ABR #62)	0DC3W	628
ELEC IP,DRVR CTRL LK DIF DB	3588124F91	629
IP MODULE, SWITCH ASM; DRIVETRAIN CNTRL (ABR #64)	0DC3Y	631
ELECTRICAL IP*TRANSFER CASE	3578719F92	632
SWITCH,ELECTRONIC FRONT AXLE	3563069C1	634
IP MODULE, SWITCH ASM; POWER DIVIDER LOCK CNTRL (A	0DC3X	636
ELEC IP,PDL IN/OUT SWITCH	3578747F91	637
IP MODULE, SWITCH HOUSING ASM; BLANKS (ABR #80)	0L5BD	639
IP-1 SWITCH BLANK PLUG	3595677F91	640
IP MODULE, SWITCH INSTL; EXH/COMP BRAKE (ABR #53)	0DC6X	641
ELEC IP,EXH BRAKE ON/OFF SW	3578728F91	642
RADIO ANTENNA INSTL;	0G219	644
REAR CHASSIS HARNESS ASM; W/TURN SIGNAL LIGHT	0HQHQ	645
RR LIGHT INSTL; STD TAIL LIGHTS	0HDDK	655
LIGHT,ASSY STOP TAIL WITH LICE	1661281C91	663
LIGHT,RIGHT STT FOR BKUP ALARM	3582407C91	665
STOP,TAIL & TURN WIRING INSTL; W/HEND OR CHLMR SUS	0HDJP	666
TURN SIGNAL SWITCH & DCM HARNESS	06QS5	669
ELECTRICAL DCM*W/AIR BRAKES	3554195F93	670
TRANSDUCER,AIR,KIT	2505669C91	672
VALVE, AIR SOLENOID; AIR HORN	0CBZX	673
VALVE,AIR CNTRL AIR HORN SLND	3553365F93	674
VALVE, AIR SOLENOID; POWER DIVIDER LOCK	0CBYW	675
VALVE,SOLENOID*NC PDL CONTROL	3553350F91	676
WORK LIGHT INSTL; CUSTOMER FURNISHED	0GVJ5	677

Group 09 Front Sheet Metal

Figure

FENDER EXTENSIONS; FRONT END	0JCH6	680
FRONT END ASM; HOOD	0FSZ5	682
HINGE,ASSY HOOD SUPPORT	3593649C1	683
HOOD,ASSY SFA W/O ACCESS HATCH	3612369C91	684

PARTS CATALOG CONTENTS

Group 09 Front Sheet Metal

REINFORCEMENT, ASSY HOOD LH RR
 REINFORCEMENT, HOOD ASSY LH
 REINFORCEMENT, HOOD ASSY RH
 REINFORCEMENT, HOOD RH FRONT AS
 FRT GRILLE INSTL; W/BUG SCREEN
 GRILLE, ASSY PRIMED FXD W/SCRN
 GRILLE, SURROUND ASSY, PRIMED,
 GRILLE INSTL, AIR INTAKE
 HOOD ASSIST INSTL
 CABLE, HOOD SAFETY ASSY LH
 CABLE, HOOD SAFETY ASSY RH
 HOOD LATCH INSTL
 HOOD SUPPORT INSTL
 MUD GUARD INSTL; NO FBC VEHICLES
 SPLASH PANEL INSTL; (FRONT END)

Figure

3556250C3 687
 3556252C3 689
 3556251C2 691
 3556253C2 693
 0FVDZ 695
 3610431C91 701
 3610433C91 703
 0L4SH 704
 0F4H6 705
 3568420C92 707
 3568421C92 709
 0DS0S 711
 0DS0W 714
 0F448 715
 0DDTF 716

Group 10 Miscellaneous

LUG WRENCH & HANDLE
 MUD FLAP GUARDS; FOR BATTERY BOXES
 BBAT MUD FLAP GUARD
 OWNER/OPERATOR MANUAL; NGV 7000 SERIES
 PRODUCT GRAPHIC; FRAME DRILLING & WELDING

Figure

0G1P6 720
 0LQ83 721
 3601764F91 722
 0GYJ2 723
 0KD5K 724

Group 11 Clutch

CLUTCH CONTROLS MTG; HORIZONTAL LINK
 ROD, CLUTCH CONTROL*LOWER ROD A
 CLUTCH INSTL; DANA
 CLUTCH PEDAL & SHAFT INSTL; W/ OR W/O PEDAL
 KIT, CLUTCH PEDAL
 PEDAL, CLUTCH*W/LHD
 INTMD CLUTCH CONTROLS; (LHD)
 LEVER, BELLCRANK CLUTCH CONT*CL
 ROD, CLUTCH CONTROL*VERT ROD AS
 LOWER CLUTCH CONTROL INSTL

Figure

06VKP 726
 3544412C91 728
 06MG9 730
 06LQ5 732
 2506172C92 733
 3546983F91 735
 06VKH 737
 3532907C91 739
 3544408C91 741
 06VL5 743

Group 12 Engines

ACCEL PEDAL ASM
 ENG, ACCESS*ACCEL PEDAL N/C
 KIT, ACCEL PEDAL ASSY
 AIR CLEANER INSTL
 CLEANER, ASSY AIR DRY TYPE 13"
 AIR CLEANER PIPING INSTL; CLEAN AIR DUCT
 HOSE, AIR CLEANER FOR SS107MB/F
 AIR COMPRESSOR EFFECTS; (ABR#4), INTL DT-466, I-53
 AIR COMPRESSOR UNIT U
 COMPRESSOR, ASM AIR BW TF550
 AIR RECIRCULATION SEALS; RADIATOR, (ABR#6)
 KIT, RECIRC HARDWARE
 SEAL, COOLING RECIRC ASSY
 SEAL, COOLING SYSTEM*RECIRC PAN
 AIR RESTRICTION GAUGE INSTL
 ARM, ROCKER
 ARM ASSY, ROCKER (RATIO 1:66)
 ARM, VALVE ROCKER ASSY
 SHAFT ASSY, ROCKER ARM
 SHAFT ASSY, BRACKET&ROCKER ARM

Figure

06LPB 746
 3592631F91 747
 2586242C91 748
 07TXX 749
 3562349C91 750
 07V12 752
 3560955C91 753
 0FB8Z 754
 641016L002 755
 2008344F91 757
 07RSN 758
 2507476C91 759
 2507472C92 760
 3551080F94 762
 07V15 763
 641008C003 764
 1827195C95 766
 1872755C91 768
 1830592C91 770
 1830593C94 771

PARTS CATALOG CONTENTS

Group 12 Engines

Figure

SHAFT, ASSY, BRACKET&ROCKER ARM		1872757C91	773
BASE ENGINE WIRING; (ABR#1)		0F105	775
HARN, BASE, INTL I6, 24V STARTER		3612457F91	776
BRACKET, ALTERNATOR LEECE-NEVILLE		641009L011	777
BRACKET, REAR MOUNT		641010N007	779
CAC PIPING INSTL		07PJX	780
PIPE, AIR COLD SIDE		3563258C91	782
PIPE, AIR*PIPE, AIR CAC INLET A		3543959C94	784
CAMSHAFT		641003A004	786
CAMSHAFT, ASSEMBLY		1830613C91	788
CEC EFFECTS; ABR#14, SENSORS, WIRING, INTL DT-466		0FBJH	790
BRACKET ASSY., CEC REAR MOUNT		1829953C92	791
CONTROL, ELECTRONIC CEC HARDWAR		3534677F91	793
ELECTRIC, WIRING REAR CEC	U	641009A008	795
ELECTRONIC SENSORS-NGV	U	641009B005	798
GROMMET ASSY, WASHER & GROMMET		1830110C1	801
HARNESS ASSY, INJECTOR		1889905C91	802
HARNESS ASSY, ENGINE I6 HEUI		1833443C95	804
HARNESS, INTERNAL WIRING		1807455C92	806
KNOB, ASSY, CEC HARNESS(95)		1831415C92	808
REAR MTG CEC-NGV	U	641009C014	809
SENSOR, INJ CONT PRES (ICP)		1830669C91	811
CEC, REAR MOUNTING		641009C014	809
BRACKET ASSY., CEC REAR MOUNT		1829953C92	791
GROMMET ASSY, WASHER & GROMMET		1830110C1	801
COMPRESSOR, AIR		641016L002	755
COOLER, OIL		641013C002	819
COOLER, ASM OIL		1830622C92	821
COOLER, ASM OIL		1841739C91	823
KIT, OIL COOLER I-308		1833359C94	825
COOLING PACKAGE; A/C CONDENSER, (ABR#5)		07RRZ	827
CONDENSER, AIR COND PF CONDENSO		3551081F92	828
KIT, RECIRC HARDWARE		2507476C91	759
COOLING PKG MTG; RADIATOR		07RTJ	830
COVER, COOLANT FILTER		641005M005	831
COVER, FRONT (I-308)		641006B009	832
COVER ASSY., FRONT (REAR HALF)		1826335C91	834
KIT, FRONT COVER GASKET		1824984C95	835
VALVE ASSY., OIL RELIEF		1833386C1	837
COVER, VALVE		641008D013	839
COVER ASSEMBLY, VALVE		1828262C92	841
CRANKCASE		641006A005	842
CRANKCASE ASSEMBLY		1830617C92	844
CRANKSHAFT		641007A004	846
CRANKSHAFT ASSEMBLY		1830596C91	848
DAMPER, VIBRATION		641007B006	850
DAMPER ASSEMBLY		1830736C91	852
SLEEVE, ASSY POSE		1827176C91	853
DEARTN HOISING INSTL		07PJY	854
DEARTN/SURGE TANK DECAL INSTL		08XXF	857
ELBOW, WATER INLET		641005P005	858
ENG MTG INSTL; FRONT & REAR		07NDS	859
CROSSMEMBER, ENGINE MTG REMOVEA		3538857C93	861

PARTS CATALOG CONTENTS

Group 12 Engines

Figure

ENGINE CHARGING CIRCUIT WIRING; (ABR#2),FOR NGV EN	0F107	863
ELECT INTL I6 ENG 2 GA CHG	3550545F93	864
ENGINE COMPRESSION BRAKE EFFECTS; (ABR#5), INTL	0FB92	865
ARM ASSY,ROCKER (RATIO 1:66)	1827195C95	766
ARM,VALVE ROCKER ASSY	1872755C91	768
BRAKE,COMPRESSION*FBO ENG FEAT	3553584F91	870
COVER ASSEMBLY, VALVE	1828262C92	841
CYLINDER HEAD UNIT (I-308/530)	641008A009	875
HEAD ASSY,CYLINDER,W/VALVES	1830346C95	877
HEAD ASSY.,CYLINDER	1830345C93	879
KIT,BREATHER TUBE	1830188C91	881
LIFTING EYE UNIT	641008F002	882
MANIFOLD ASSY., OIL & FUEL	1829825C92	884
ROCKER ARM UNIT(I-308)	641008C003	764
SHAFT ASSY, ROCKER ARM	1830592C91	770
SHAFT ASSY,BRACKET&ROCKER ARM	1830593C94	771
SHAFT,ASSY,BRACKET&ROCKER ARM	1872757C91	773
SIDE VENTING BREATHER - HEUI	641017L003	893
TUBE ASSEMBLY,BREATHER	1827224C1	895
VALVE COVER, SIDE INLET W/O ENG.BRK	641008D013	839
ENGINE CORE & PERFORMANCE PARTS; (ABR#10), F/W SEP	0FBX3	898
FUEL FILTER	641011L019	899
HEADER ASSY,FUEL FILTER	1836287C91	901
OIL LEVEL GAUGE, NGV, RACOR UNIT	641006M011	903
PACKAGE,ATTRIBUTE*N/BLOCK HTR	3540904F91	905
TUBE ASSY.,FINAL FILTER OUTLET	1829801C91	907
TUBE ASSY.,TRANSFER PUMP IN	1825520C91	908
TUBE ASSY.,TRNSFR PUMP OUTLET	1825521C93	909
VALVE ASSY, CHECK	1822530C92	910
ENGINE CORE & PERFORMANCE; ABR#01, INTL I-530 ST/H	0FB85	911
CAMSHAFT,ASSEMBLY	1830613C91	788
CAMSHAFT-(I-308) UNIT	641003A004	786
CONNECTING ROD(I-308) UNIT	641004A002	917
COOLER,ASM OIL	1830622C92	821
COOLER,ASM OIL	1841739C91	823
COVER ASSY.,FRONT (REAR HALF)	1826335C91	834
CRANKCASE (I-308) UNIT	641006A005	842
CRANKCASE ASSEMBLY	1830617C92	844
CRANKSHAFT ASSEMBLY	1830596C91	848
CRANKSHAFT UNIT (I-308)	641007A004	846
DAMPER ASSEMBLY	1830736C91	852
ELBOW ASSY.,37-DEG O-RING BOSS	1825563C91	933
ENGINE,*PERF RAT,12NMX,DT530E,	3540803F92	934
EXHAUST MANIFOLD UNIT	641014B001	936
FITTING,37 DEG FLARED HP HOSE	1842004C91	938
FRONT COVER (I308) UNIT	641006B009	832
FUEL INJECTOR UNIT (I-308,530)	641011C054	941
GEAR ASSY,LOWER	1822101C95	943
GEAR ASSY.,UPPER	1822102C95	945
HOUSING,OIL PUMP	1827395C92	947
HYDRAULIC FUEL SYSTEM UNIT	641011E002	948
IDLER GEAR UNIT	641003D002	950
INJECTOR ASSY,W/SEALS	1830692C92	952

PARTS CATALOG CONTENTS

Group 12 Engines

Figure

KIT,FRONT COVER GASKET	1824984C95	835
KIT,INJECTOR SEALS	1830742C92	956
KIT,OIL COOLER I-308	1833359C94	825
KIT,PISTON RING,466,230-270BHP	1830723C92	960
OIL COOLER UNIT (I-308)	641013C002	819
OIL FILTER	641013B003	963
OIL FILTER UNIT	641013B002	964
PACKAGE FRONT OIL SEAL 530/570	1833096C92	965
PACKAGE,CYL SLEEVE RING	1822322C92	967
PACKAGE,OIL PUMP	1833357C92	968
PACKAGE,PISTON & SLEEVE	1830709C92	970
PACKAGE-INJ PRESSURE REGULATOR	1841217C91	972
PISTON UNIT (I-308,530MRD)	641004B021	973
PLUG ASSY,CONSTRUCTION	1842002C91	975
PLUG ASSY,OIL FERRY	1842003C91	976
PUMP ASSEMBLY,WATER	1830606C95	977
PUMP, OIL UNIT I308 530	641013A003	978
PUMP,HIGH PRESSURE OIL	1830177C92	980
PUMP,HIGH PRESSURE OIL	1830192C2	982
PUMP,LOW PRESSURE FUEL SUPPLY	1821232C92	984
PUMP,SUB-ASSEMBLY,WATER	1830607C5	986
ROD ASSEMBLY,CONNECTING	1841615C91	988
ROD ASSY, CONNECTING	1841634C91	989
ROD,ASM CONNECTING	1830153C91	990
ROD,ASM CONNECTING	1873875C95	991
SLEEVE,ASSY POSE	1827176C91	853
TAPPET UNIT	641003C002	993
TAPPET ASSY,ROLLER	1850160C2	995
VALVE ASSY,IPR	1825249C91	996
VALVE ASSY., OIL RELIEF	1833386C1	837
VIBRATION DAMPER UNIT	641007B006	850
WATER PUMP	641005A004	1002
ENGINE EXHAUST BRAKE WIRING; (ABR#6)	0F10D	1004
ELECT INTL I6 ENG EXH BRAKE	3576010F92	1005
ENGINE FAN CIRCUIT WIRING; ABR#4	0F10B	1006
ELECT INTL I6 ENG*HORTON FA	3550550F93	1007
ENGINE FILTER EFFECTS; (ABR#7), COOLANT, INTL DT46	0FB9F	1008
FILTER,WATER*W/CAP AND LESS CO	3554348F91	1009
SUB-SECT, COOLANT CONDITIONER UNIT U	641005M005	831
ENGINE MOUNT, FRONT	641010M001	1011
ENGINE WIRING INSTL	06MYC	1012
HARNESS,ELEC; ENG BLOCK GRD	3565992C91	1014
ENGINE WIRING; ABR#13,J1939 DATA-LINK,I6	0HQCG	1016
ELEC INTL I6,J1939 W/MANUAL	3577524F91	1017
HARN,ELEC,J1939 O/L W/ALLSN&I6	3577574C91	1018
ENGINE WIRING; FREON CPRSR,ABR#5	0F10C	1021
ELEC INTL I6 ENG*FREQ	3550553F93	1022
HARNESS,ELEC A/C COMPR	3560343C91	1023
ETHER START INSTL	06VS3	1026
ELBOW	299466C11	1030
ETHER START OVERLAY WIRING; (ABR#7),FOR NGV I6 ENG	0F10F	1032
ELEC INTL I6 ENG*ETHE	3550557F92	1033
ETHER START WIRING INSTL; W/NGV INTL I6 ENGINE	0BHYT	1034

PARTS CATALOG CONTENTS

Group 12 Engines

Figure

EYE, LIFTING	641008F002	882
FAN DRIVE & MTG; (ABR#11),INTL DT466, 18.3" HT	0FBD0	1037
AUTO TENSIONER UNIT	641020B002	1038
TENSIONER, FAN L/ DRIVE	3516414F91	1039
FAN DRIVE HOSEING INSTL; W/HORTON 12THL	07SL0	1040
FAN DRIVE INSTL; HORTON	07SHT	1041
FAN SHROUD INSTL; COOLING PKG, 30" (I-6 ENGINE)	07RKC	1043
FILTER, FUEL	641011L019	899
HEADER ASSY,FUEL FILTER	1836287C91	901
TUBE ASSY.,FINAL FILTER OUTLET	1829801C91	907
TUBE ASSY.,TRANSFER PUMP IN	1825520C91	908
TUBE ASSY.,TRNSFR PUMP OUTLET	1825521C93	909
VALVE ASSY, CHECK	1822530C92	910
FILTER, OIL	641013B002	964
FLYWHEEL HOUSING UNIT	641010L001	1053
FLYWHEEL, MANUAL TRANSMISSION FLAT 14" CLUTCH	641007L001	1055
FLYWHEEL,MAN	1821915C91	1056
FLYWHEEL/HOUSING EFFECTS; ABR#03, INTL I-530	0FB8Y	1057
FLYWHEEL HOUSING UNIT	641010L001	1053
FLYWHEEL UNIT	641007L001	1055
FLYWHEEL,MAN	1821915C91	1056
HOUSING,FLYWHEEL	2008329F91	1062
REAR OIL SEALS UNIT	641007C001	1064
FUEL SYSTEM, HYDRAULIC	641011E002	948
ELBOW ASSY.,37-DEG O-RING BOSS	1825563C91	933
FITTING,37 DEG FLARED HP HOSE	1842004C91	938
PACKAGE-INJ PRESSURE REGULATOR	1841217C91	972
PLUG ASSY,CONSTRUCTION	1842002C91	975
PLUG ASSY,OIL FERRY	1842003C91	976
PUMP,HIGH PRESSURE OIL	1830177C92	980
PUMP,HIGH PRESSURE OIL	1830192C2	982
PUMP,LOW PRESSURE FUEL SUPPLY	1821232C92	984
VALVE ASSY,IPR	1825249C91	996
GAUGE, OIL LEVEL NGV RACOR	641006M011	903
GEAR, IDLER	641003D002	950
GEAR ASSY,LOWER	1822101C95	943
GEAR ASSY.,UPPER	1822102C95	945
HEAD, CYLINDER	641008A009	875
HEAD ASSY,CYLINDER,W/VALVES	1830346C95	877
HEAD ASSY.,CYLINDER	1830345C93	879
MANIFOLD ASSY., OIL & FUEL	1829825C92	884
INJECTOR, FUEL	641011C054	941
INJECTOR ASSY,W/SEALS	1830692C92	952
KIT,INJECTOR SEALS	1830742C92	956
MAJOR COMPONENT LUBRICATION; OIL FOR REAR AXLES	06WYK	1103
MAJOR COMPONENT LUBRICATION; SYNTHETIC OIL FOR TRA	086CG	1104
MAJOR COMPONENT LUBRICATION; SYNTHETIC OIL FOR TRA	0FL0N	1105
MANIFOLD, EXHAUST	641014B003	1106
MISC ENGINE EFFECTS; ALTERNATOR BRKT	0FBCEJ	1108
ALT. BRACKET LEESE-NEVILLE	641009L011	777
MODEL/CHASSIS EFFECTS; (ABR#2),	0FB8T	1112
BRACKET, ENG. MT.REAR W/XMSN	641010N007	779
FRONT ENGINE MOUNTS UNIT	641010M001	1011

PARTS CATALOG CONTENTS

Group 12 Engines

Figure

PACKAGE,ATTRIBUTE*MDL EFF-SS W	3554346F911116
THERMOSTAT ASSEMBLY	1830256C931118
THERMOSTAT UNIT	641005B0011119
WATER INLET ELBOW UNIT	641005P005 858
OIL PAN & PUMP EFFECTS; (ABR#8), INTL DT466	0FBQB1121
OIL PAN UNIT U25	641006L0011122
PAN ASSEMBLY,OIL	1823278C921124
PAN,OIL*SS SF ALLWHLDRV W/SHAL	3554354F911126
OPERATION/MAINTENANCE MANUAL; INTL ENG	0JGVB1127
PAN, OIL	641006L0011122
PAN ASSEMBLY,OIL	1823278C921124
PIPING, TURBO	641015D0011132
FITTING TURBO OIL	1845826C921134
PISTONS (I-308, 530)	641004B021 973
KIT,PISTON RING,466,230-270BHP	1830723C92 960
PACKAGE,CYL SLEEVE RING	1822322C92 967
PACKAGE,PISTON & SLEEVE	1830709C92 970
POWER STEERING PUMP; ABR#12, INTL DT-466, HYD EFFE	0FBJ91141
POWER STEERING PUMP COLLECTOR U	641016M0141142
PUMP,POWER STRG	3542059C911143
PUMP,POWER STRG*LUK LF73C	3556348F911144
PRODUCT GRAPHIC; ENGINE OIL	08XWZ1145
PRODUCT GRAPHIC; FAN DRIVE	07S0Z1146
PUMP, OIL	641013A003 978
HOUSING,OIL PUMP	1827395C92 947
PACKAGE FRONT OIL SEAL 530/570	1833096C92 965
PACKAGE,OIL PUMP	1833357C92 968
SLEEVE,ASSY POSE	1827176C91 853
PUMP, POWER STEERING	641016M0141142
PUMP,POWER STRG	3542059C911143
PUMP, WATER	641005A0041002
PUMP ASSEMBLY,WATER	1830606C95 977
PUMP,SUB-ASSEMBLY,WATER	1830607C5 986
RAD HOSING INSTL	07PJQ1162
RAD STAY ROD INSTL; LOWER	07RYM1166
BRACE,PWR STRG RESVR BRKT	3558303C4 257
RADIATOR ASM; CAC	07RF11169
KIT,RECIRC HARDWARE	2507476C91 759
RADIATOR,ALUM W/CAC,FRAME	2586041C911171
RADIATOR,ASM*AL 2 ROW RAD/CAC	3588619F921173
SEAL,COOLING RECIRC ASSY	2507472C92 760
ROD, CONNECTING	641004A002 917
ROD ASSEMBLY,CONNECTING	1841615C91 988
ROD ASSY, CONNECTING	1841634C91 989
ROD,ASM CONNECTING	1830153C91 990
ROD,ASM CONNECTING	1873875C95 991
SEAL, OIL REAR	641007C0011064
SENSORS, ELECTRONIC NGV	641009B005 798
SENSOR,INJ CONT PRES (ICP)	1830669C91 811
SERVICE ENGINE ELECTRICAL; ELECTRICAL	0M4ZM1188
SPECIFICATION, PAINT	641002C0011189
SPEEDOMETER WIRING; (ABR#14),MANUAL XMSN, FOR I6 E	0J18X1190
ELEC INTL I6,W/AUX XMSN EFF	3579832F911191

PARTS CATALOG CONTENTS

Group 12 Engines

STARTING MOTOR INSTL; W/WIRING, W/INTL I-6 ENG	06S2T	1192
MOTOR, START 24V, L/N N/MAG SW	3610516C91	1193
SURGE TANK & MTG; DEAERATION	07RR2	1195
TANK, RAD SURGE OR COOLANT*	3551079F94	1196
TAPPETS, VALVE	641003C002	993
TAPPET ASSY, ROLLER	1850160C2	995
TENSIONER, AUTO	641020B002	1038
THERMAL OVERCRANK PROTECTION WIRING; (ABR#8), FOR N	0F10G	1202
ELEC INTL I6 ENG*N/	3550558F93	1203
HARNESS, ELEC; ENGINE	3560346C92	1204
THERMOSTAT ASM, WATER OUTLET	641005B001	1119
THERMOSTAT ASSEMBLY	1830256C93	1118
TUBE, VENT	641017L003	893
KIT, BREATHER TUBE	1830188C91	881
TUBE ASSEMBLY, BREATHER	1827224C1	895
TURBOCHARGER	641015A067	1213
WIRING, ELECTRONIC REAR CEC	641009A008	795
HARNESS ASSY, INJECTOR	1889905C91	802
HARNESS ASSY, ENGINE I6 HEUI	1833443C95	804
HARNESS, INTERNAL WIRING	1807455C92	806
KNOB, ASSY, CEC HARNESS(95)	1831415C92	808
XMSN WIRING; MANUAL FOR I6 ENGINE	0HQ6Z	1225
ELEC INTL I6, MANL XMSN, STD	3579827F91	1226
HARNESS, MANUAL XMSN, STANDARD	3579843C91	1227

Figure

Group 13 Transmission

CLUTCH HSG INSTL; W/FULLER, SPICER & MERITOR TRANS	0FK2V	1232
CLUTCH HSG; FULLER FS(O)-54/6406N, 6305A/D, 8406A	0FKP3	1233
HOUSING, XMSH BELL ALSO FOR CLU	3549043F91	1234
PRODUCT GRAPHIC, XMSN LABEL; SHIFT	06WTQ	1236
PRODUCT GRAPHIC; LUBE INSTRUCTIONS	0GXWZ	1237
RR BEARING RETAINER; FULLER FS(O)-54/6406N, 6305A/	0FKNR	1238
RETAINER, MASHFT REAR BRG*	3549040F91	1239
SHIFT BAR HSG ASM; FULLER FS(O)-54/6406N, 6305A/D,	0FKN4	1241
HOUSING, SHIFT BAR*STD SHIFT CN	3568552F91	1242
TRANS SHIFT LEVER KNOB BEZEL INSTL; SHIFT PATTERN	0GHWX	1244
TRANSFER CASE ASM & INSTL; T-4210 & T-4213 FOR NG	07VS1	1245
BRACKET, SPT OR MTG T-CASE*FRAM	3545097C5	1248
CASE, TRANSFER CPT W/GEARS, MER	3600089C92	1249
TRANSFER CASE CONTROL INSTL	07VRS	1254
TRANSFER CASE OIL COOLER HOUSING INSTL	0M6Q2	1255
HOSE, TRANSFER CASE AIR TO OI	3605404C91	1257
TRANSFER CASE OIL COOLER INSTL	0M5GN	1258
XMSN BASE ASM; FULLER FS(O)-54/6406N, 6305A/D, 840	0FKM2	1260
SHAFT, TRANS MAIN	2507860C91	1261
TRANSMISSION, L/HSG*BASE XMSN A	3568551F91	1263
XMSN CONTROLS; HOUSING ASM, FULLER XMSN W/MID CAB	0G4JT	1266
HOUSING, CONTROL W/LEVER*CONTRO	3576514C91	1268
LEVER, XMSN*SHIFTER LEVER ASSY	3576511C92	1270
XMSN INPUT SHAFT; FULLER FS(O)-54/6406N, 6305A/D,	0FKP5	1272
SHAFT, CLUTCH INPUT*1.75" PULL	3568555F91	1273
XMSN OPERATORS MANUAL; FULLER, ENGLISH	0JG9D	1275
XMSN PTO; FULLER FS(O)-54/6406N, 6305A/D, 8406A	0FKP1	1276
POWER TAKE OFF, ASM*THRU-SHAFT	3569708F91	1277

Figure

PARTS CATALOG CONTENTS

Group 13 Transmission

XMSN WIRING INSTL; W/BACK-UP SW,SPEEDO SENSOR

Group 14 Rear Axle

AIR BRK TUBING INSTL; PDL CONTROL, W/DANA OR MERIT

AXLE ASM,FWD RR; 14HRT; W/HEND SUSP, 17" HI TTRB,

AXLE,ASM F/R 14HRT 6.14 TTRB

AXLE,FWD REAR,14HRT,TTRB, 6.14

DIFFERENTIAL,F/R 6.14 814GTJ

GEAR SET,I.A.D.SIDE&PIN 14GRB

KIT,HELICAL GEAR RT34/40145

AXLE ASM,RR/RR; 14GUR,14HRT,W/HEND,NEWAY SUSP, 17"

AXLE,ASSY R/R 6.14 14GUR TTRB

AXLE,RR RR,14GUR/HRT,TTRB,6.14

DIFFERENTIAL,R/R 6.14 14GRN

AXLE CONTROLS INSTL; HEND WALKING BEAM, N/IND CNTR

AXLE STOP & MTG; REAR, W/HEND HN SUSP

AXLE STUD INSTL; RR

BREATHER COVER INSTL; REAR AXLE, DIRONA, ROCKWELL,

FITTING, ELBOW; PDL CONTROL

LIFT AXLE CONTROLS; GROMMET, CAB FLOOR

REAR AXLE INFO KIT; 14GRB/C/N,14GSB/G/X,14GTJ/K,14

RR AXLE PLUG CHART

RR AXLE SHAFT MTG HDWE

RR SPRING SUSP INSTL; HN SERIES

SADDLE,REAR SPRING & EQUAL BEA

RR SUSP PARTS; TORQUE ROD ASM, FWD/RR; 23 1/2"

RR SUSP PARTS; TORQUE ROD ASM, RR/RR; 29"

SHOCK ABSORBER & MTG

SUSPENSION BEAM INSTL; REAR, HN SERIES

BEAM,ASSY EQ W/BUSH 54 HN-402

TORQUE ROD INSTL; LONGITUDINAL, W/HEND HN SUSP

TRANSVERSE TORQUE ROD INSTL; W/HEND HN SUSP

XMBR SUSP BRKT; FRAME EFFECTS

C MEMBER

C MEMBER

SUPPORT,, ASSY, TORQUE ROD

Group 15 Fuel Tanks

FUEL HOISING INSTL

FITTING,FUEL OUTLET*90 DEG VOS

FITTING,FUEL OUTLET*STRAIGHT V

TUBE,FUEL LINE (PLASTIC OR NYL

TUBE,FUEL LINE (PLASTIC OR NYL

TUBE,FUEL LINE (PLASTIC OR NYL

TUBE,FUEL LINE (PLASTIC OR NYL

FUEL TANK MODULE; LT SIDE CAP,(ABR#10)

CAP,FUEL TANK FILLER NON LOCKI

FUEL TANK MODULE; LT SIDE DRAW TUBES,(ABR#14)

TUBE,FUEL TANK INLET OR OUTLET

FUEL TANK MODULE; LT SIDE MTD TANK,(ABR #2)

FUEL TANK, 70 GAL D-STYLE,

FUEL TANK MODULE; LT SIDE SENDER,(ABR#12)

FUEL TANK*LSM 19" DEEP TANK

FUEL TANK MODULE; LT SIDE STEPS,(ABR#8)

STEP,FUEL TANK*70 GAL D, LH

Figure

06RJY1278

Figure

0GRRS1282

0MKZ31287

3609621C911288

3609633C911290

2503395C911292

2502023C911296

1694543C911298

0MKYC1299

3602600C911300

3609644C911302

1696762C911304

0GNXX1307

07RTP1311

0FTBS1312

06XKL1313

0GRRV1314

0GGDZ1315

0H71N1316

06WX81317

0DMPJ1318

07QT91319

3563253C921320

0HJS01323

0FVR51324

07R2S1325

07R211326

3516037C921328

07RTF1330

07RTC1331

07Q7J1333

1664557C921336

1664559C92 82

3595144C21340

Figure

0H3G31342

3533425C31351

3533426C31352

3563483C921353

3572003C921354

3577848C911356

3577849C911357

0FTK41359

3548102F911360

0FTQK1362

3548119F921363

0FTGW1365

3546877F931366

0FTPV1367

3548110F951368

0GLNF1369

3570012F911371

PARTS CATALOG CONTENTS

Group 15 Fuel Tanks

FUEL TANK MODULE; LT SIDE STRAPS, (ABR#6)
 FUEL TK*70 GAL D-STYLE, N/S
 FUEL TANK MODULE; LT SIDE SUPPORTS, (ABR#4)
 FUEL TK*70 GAL "D" STYLE, L
 FUEL/WATER SEPARATOR INSTL
 FILTER, FUEL
 LT SIDE FUEL TANK MTG

Figure

0FTH51373
 3586670F921374
 0FTH31376
 3573570F921377
 0FTZD1379
 1618386C931380
 0FV9D1382

Group 16 Cab

A/C COMPSR INSTL; EATON
 COMPRESSOR, AIR COND
 AIR HORN INSTL; MTD RIGHT FRAME RAIL
 CAB ASM; NGV
 CAB, REGULAR COMPLETE (CE5)
 DOOR, CAB LT ASSY WELDED
 DOOR, CAB LT INNER ASSY
 DOOR, CAB RT ASSY WELDED
 DOOR, CAB RT INNER ASSY
 FRAME, DR ASSY FRT LH T/C & EXT
 FRAME, DR ASSY FRT RH T/C & EXT
 FRAME, DR OPNG FRT LH T/C & EXT
 FRAME, DR OPNG FRT RH T/C & EXT
 PANEL, ASM ROOF WLDD EXT D AERO
 PANEL, ASSY BCK OTR WLDD TRCTR
 PANEL, ASSY DASH LHD CONV V8-I6
 PANEL, ASSY ROOF WLDD EXT CV/LF
 PANEL, SIDE BODY SUB ASSY LH
 PANEL, SIDE BODY SUB ASSY RH
 PANEL, SIDE BODY*ASSY WELDED, N
 PANEL, SIDE BODY*ASSY WELDED, N
 PLATE, SEAT BELT ANCHOR LH
 PLATE, SEAT BELT ANCHOR RH
 REINFORCEMENT, DASH PANEL ASSY
 REINFORCEMENT, FLR PNL SIDE
 SILL, ASSY SLED RUNNER ASSY EX
 SILL, ASSY SLED RUNNER EXT-CAB
 UNDERBODY, ASSY EXTND I6/V8
 CAB DASH INTERIOR TRIM INSTL; INSULATOR
 CAB DOOR PANEL INSTL; INTERIOR FRONT LEFT
 PANEL, DOOR TRM LH FRT STD MAN
 CAB MTG; FRAME EFFECTS, FRT & REAR, W/AIR SUSP
 BRACKET, CAB FRT LH CS/CE CAB
 BRACKET, CAB FRT MTG RH
 BRACKET, CAB MTG XMBR ASSY
 CROSSMEMBER, CAB REAR SUPT
 CROSSMEMBER, CAB REAR SUPT*ASSY
 CAB MTG; FRONT
 BRACKET ASM, CAB FRONT MTG
 CAB MTG; REAR
 CAB AIR SUSP SS MID HIGH
 CAB SEALING INSTL
 CENTER IP, GAUGE INSTL; SPEEDO & TACH (ABR #76)
 IP, CNTR MOD-METRC, GUAGES-ENGLS
 SPDOMTR, & TACH HD ASM, METRC/MET

Figure

06PSZ1386
 3547916C11387
 0G9F81388
 0H9RV1390
 3579484C931392
 3560064C941394
 3560062C941395
 3560065C941397
 3560063C941398
 3535208C31400
 3535209C31401
 3532658C31402
 3532659C31404
 3572685C911406
 3540844C951407
 3572158C921409
 3511402C921411
 3548076C31413
 3548077C31415
 3579435C911417
 3579436C911418
 3533672C11419
 3533673C11420
 3550779C21421
 3531028C11423
 3509593C11424
 3509593C21426
 3543973C951427
 06SV41430
 0JC0G1431
 3533752C941432
 0GB2V1433
 3589599C911436
 3574671C911438
 3554851C31440
 3566415C931441
 3558573C61443
 0LLJR1444
 3596415C911448
 06QSL1449
 3540379C961451
 0F26J1453
 0HT251460
 3604608F911461
 3604600C911462

PARTS CATALOG CONTENTS

Group 16 Cab

Figure

CLEARANCE/MARKER LT WIRING INSTL	06V2B1464
LIGHT,*INCANDESCENT AMBER	3524553C941465
DCM BASE PLATE ASM	06LWF1466
BRAKE, DCM MTG BASE PLATE	3544868F931467
PLATE,DCM BASE ASSEMBLY	2505776C911468
DCM MOUNTING HARDWARE	06QS31469
DOOR COMPONENT INSTL; CAB, W/VENT WINDOW	06MT81471
DOOR ASSY HDWE MANUAL LH	3556202C941478
DOOR ASSY HDWE MANUAL RH	3556203C941481
HANDLE,WINDOW REGULATOR MANUAL	3508990C41484
HINGE,WING WINDOW VENT, RH ASM	3546657C41486
WINDOW,VENT LH	3567240C921487
WINDOW,VENT RH	3567241C921489
DRIVERS SEAT INSTL; W/BELT, NATIONAL	0FVYN1491
KIT, SEAT SHAFT ASSY W/BUSH	1660393C911495
KIT,FRT SEAT CUSH ADJ REPAIR	2595024C911497
KIT,SEAT BCK FRM TO LWR FRM	2505361C911499
KIT,SEAT CHUGGER	1698197C911501
KIT,SEAT CHUGGER LOCKOUT	2505379C911503
KIT,TRACK SEAT ADJ	2505886C911505
SEAT,DRS HI VN AIR LMBR W/AR	3558491C921507
SHIELD,SUSP SEAT	3562449C921511
ENGINE COVER INSTL	0JT531512
COVER,ASSY ENG I6	3508281C931513
FLOOR MAT INSTL	0G7XT1515
GRAB HANDLE & MTG; CAB, INTERIOR, A & B-PILLAR	06STC1517
HEADER PANEL INSTL; FRONT	0D9271518
LIGHT,DOME DRAWBRIDGE GRAY	3609781C11520
PANEL,OVHRD CNSL STD	3546500C951521
HTR & A/C HOSE ROUTING	07TDL1523
HOSE, AC ASSY COMP TO COND	3557558C911526
HOSE,A/C ASSY COND TO EVAP	3557557C941528
HTR & A/C UNIT INSTL; W/DUCT	0LV7L1530
AIR CONDITIONER,ASSY LHD CONV	3602447C911534
HARNES,CAB/PLATFORM WIRING BA	3545211C931536
HEATER,ASSY FRESH AIR LHD CONV	3530971C961539
TUBE,A/C EVAP TO ACCM W/O VLV	3548042C11541
INSTR PANEL MTG & WIRING INSTL; CONTROL MODULE	06TRV1543
INSTRUMENT PANEL INSTL; MTG HDWE FOR CUPHOLDER	06RNB1544
COVER,INSTRUMENT PANEL CTR	3544344C21545
HOLDER,CUP 2-CUP W/ ASHTRAY	3553479C21546
INTERIOR TRIM INSTL; A-PILLAR	0D92B1547
INTERIOR TRIM INSTL; BACK & SIDE,B-PILLAR COVERS	06SH91548
INTERIOR TRIM INSTL; CAB DOOR PANEL,FRONT,RIGHT	06QG01552
PANEL,DOOR TRIM RH CONV FRONT	3558221C921553
INTERIOR TRIM; HEADLINER	06SH81554
INTERIOR TRIM; KICK PANEL INSTL	06NKM1557
IP MODULE EFFECTS; ABR#1, MAIN CARRIER ASM	06JTX1559
INST PANEL MAIN CARRIER LHD	3511018F931560
IP MODULE EFFECTS; ABR#2, LEFT CLOSEOUT PANEL	06JV11562
INST PNL CLSTR CLSOUT LHD	3511042F931563
IP MODULE EFFECTS; ABR#21, GAUGE BLANKS	0DBVZ1564
GAUGE,ELTRNC*BLANK - COVER QTY	3536055F911565

PARTS CATALOG CONTENTS

Group 16 Cab

Figure

IP MODULE EFFECTS; ABR#22, RIGHT SIDE WARNING LIGH ELEC IP,OPT WARN W/XFER CAS	06P5C1566 3588131F911567
IP MODULE EFFECTS; ABR#23, LEFT HAND SWITCH HOUSIN ELEC IP,3 SW HDLGT MOD-2LYR	0J7JK1569 3581699F911570
IP MODULE EFFECTS; ABR#3, RIGHT CLOSEOUT PANEL INST PNL PASS CLSOUT LHD	06JV51572 3511056F931573
IP MODULE EFFECTS; ABR#30, COURTESY & DOME LIGHT W ELEC IP; DOME & COURTESY LIGHT	0DC0X1575 3549471F921576
IP MODULE EFFECTS; ABR#36, DOOR WIRIING ELEC IP,MRKR LTS,FUSED,N/PW HARNESS,POWER TRAIN D-LINK WRG	0LFV41577 3581426F911578 3549338C921579
IP MODULE EFFECTS; ABR#38, STARTER SWITCH ELEC IP,ETHR STRT WRG&W/BRK	0DBW01581 3581516F911582
IP MODULE EFFECTS; ABR#39, #1 AND #2 AIR GAUGES ELEC IP; GAUGES, CLUST GAUGE,ELTRNC*AIR 1 (METRIC) GAUGE,ELTRNC*AIR 2 (METRIC)	0DBW11583 3547873F911584 3533892C11585 3533893C11587
IP MODULE EFFECTS; ABR#4, CENTER COVER ASM INST PNL FLT CTR ASSY LHD PANEL,INSTR CNTR FLAT COVR LHD	06JV91589 3511044F931590 3547254C11592
IP MODULE EFFECTS; ABR#46, GAUGE PRIORITY	0DBW81594
IP MODULE EFFECTS; ABR#7, HVAC CONTROL CONTROL,HEATER AND AC INST PANEL HTR-A/C CONT	06M0N1596 3545543C31597 3545546F931598
IP MODULE, HOUSING INSTL (ABR #20) ELEC IP; CLUSTER HOUSI	0LK4R1599 3554390F911600
IP MODULE, LCD DISPLAY; ODOMETER (ABR #74) ELEC IP; LCD N/EATON A	0FFCK1601 3554423F911602
IP MODULE, WARNING LIGHTS; LT (ABR #75) IP,CLUSTER,LEFT WARNING LIGHTS	0FFCL1603 3604603F911604
IP MODULE, WIRING INSTL; WARNING LIGHT (ABR #77) ELEC IP,WARN LIGHT IGN ADAP	0FG0C1605 3588120F911606
MIRROR ASM & MTG; REAR VIEW KIT,FLIP-OUT ARM LH KIT,FLIP-OUT ARM RH MIRROR,RR VW LH FLT & CNVX BLK MIRROR,RR VW RH FLT & CNVX BLK	0M72R1607 2507655C911608 2507656C911610 3561587C941612 3561588C941614
PASS SEAT INSTL; W/ BELT SEAT,DRS 1/3 HI BCK VINYL	0GWJ71616 3575748C931618
PRODUCT GRAPHIC; CAB, PRODUCT ID	0LV421620
PRODUCT GRAPHIC; LEGISLATIVE PRODUCT GRAPHICS,NOISE EMISSIO	07M4J1621 3593358C21624
PRODUCT GRAPHIC; NON-LEGISLATIVE PRODUCT GRAPHICS,VEHICLE ID NO	0FDGN1625 3591764C11631
REAR WINDOW INSTL	06MXP1632
SCUFF PLATE INSTL; LT/RT	06NKY1633
SERVICE CAB ASM	0M56Q1634
SERVICE CAB ASM; DRIVER CONTROL MODULE	0M3VN1635
SERVICE CAB ASM; INSTRUMENT PANEL	0M3VZ1636
SERVICE CAB ASM; MATRIX	0M58J1637
STEPS; BATTERY BOX MODULE ELEC,BATT BOX STEPS-832MM	0J2LZ1638 3576163F921639
SWITCH INSTL, DOOR; DOME LGHT, MAGNETIC, STD/EXTD/	0J4WM1641

PARTS CATALOG CONTENTS

Group 16 Cab

SWITCH,DOR CNTRL DOME/CRTSY LT
 TRANSMISSION COVER INSTL
 WINDSHIELD INSTL; W/REAR SIDE QTR WINDOW
 WINDOW,ASSY VENT DARK TINT
 WINDSHIELD WASHER INSTL
 WASHER,WINDSHIELD BOTTLE 700
 WINDSHIELD WIPER INSTL; W/BAFFLE ASM
 ARM,W/S WIPER LHD DRVR SIDE
 ARM,W/S WIPER PASS, LH DRIVE
 BAFFLE,ASM MOTOR COVER COWL
 BLADE,W/S WIPER 22" LHD
 WIPER,W/S ELECT, LH DRIVE
 WIRING INSTL; CAB, STD, EXTD, CREW CABS

Figure

3579984C11642
 0G4M91643
 06MXR1644
 3562174C941646
 06TJY1648
 3561152C941665
 06SLV1667
 3535049C21673
 3535050C31674
 3550838C951675
 3535051C11677
 3554255C931679
 0JDY41680

I
n
f
o

Group 17 Wheels

FLUID; RR AXLE,F-200,WHEEL END,BOG
 HDWE, RR AXLE RIM MTG; M22X1.5 NUT, W/10-STUD HUB
 HDWE; FRT AXLE RIM MTG,M22 - 1.5 MM NUT
 HUBS & DRUMS; FRT DRV AXLE ASM MODULE
 HUB,ASSY BRK 16.5 X 6
 HUB,FRT WHL W/DRUM 16.5X FC#7
 RIM, FRT AXLE; DISC WHEEL 1-PC
 RIM; RR AXLE, DISC WHEEL, 1-PC
 RR WHEEL HUB ASM; DISC
 HUB,REAR WHEEL W/DRUM*CAST
 HUB,REAR WHEEL W/DRUM*CAST
 SEAL & BRGS; WHEELS,RR AXLE
 SPARE WHEEL ASM; DISC, 22.5 X 8.25DC STEEL, BLACK
 VALVE,TUBELESS TIRE W/CAP 3.75
 TIRE VALVE & CAP; FRONT WHEEL
 VALVE,TUBELESS TIRE W/CAP 3.75
 TIRE VALVE & CAP; REAR WHEEL
 VALVE,TUBELESS TIRE W/CAP 3.75
 TIRE; GOODYEAR 12R22.5 UNISTEEL G

Figure

0KTH81682
 0MVFK1683
 0MTH41684
 0FWS51685
 1699658C911686
 3556968F911687
 07SXT1689
 06M111690
 06LVQ1691
 2003838C941692
 2014885C931694
 06M1J1696
 0LFW11697
 158120R931698
 081GV1699
 158120R931698
 06M1R1701
 158120R931698
 0HYWQ1703

4. APPENDIX

ABBREVIATIONS1707
 PART DESCRIPTION INDEX1711
 PART NUMBER INDEX1799

A BRIEF GUIDE TO USING THIS PARTS CATALOG

I. THE VEHICLE AND ITS SPECIFICATIONS	24
A. Automated Line Set Ticket (ALST)	24
B. Understanding the Automated Lines Set Ticket (ALST)	24
•Chassis Build Date	24
•Vehicle Identification Number (VIN)	24
II. CATALOG SECTIONS	25
A. Front Page	25
B. Parts Catalog Contents	25
C. Parts Catalog Guide	25
D. Line Set Ticket	25
E. Component Groups 01 through 17	25
•Figures	25
•Reference Figures	26
•Non-Illustrated Reference Figures	26
•Kit Reference	26
F. Appendix	27
•List of Abbreviations	27
•Part Description Index	27
•Part Number Index	27
III. NAVIGATING THROUGH THE CATALOG	27
•The Bookmarks Window	27
•The Navigation Bar	28
•Paging Through the Catalog	28
•Paging Through a Catalog Section	29
•How to Display a Figure or Reference Figure	29
IV. SEARCHING FOR CATALOG ITEMS	29
•How to Search a Figure or Reference Figure	29
•How to Search the Part Description Index	30
•How to Search the Part Number Index	30
•Global Search	31
V. HOW TO PRINT A CATALOG	32
VI. COPYING CATALOG DATA TO THE CLIPBOARD	33
•Selecting Data to Copy	33
•Copying Data to the Clipboard	33
•Appending Data to the Clipboard	33
VII. ZOOMING THE CATALOG IMAGE	33
VIII. THE POP-UP MENU	33
IX. ELECTRONIC PARTS CATALOG INFORMATION	34

PARTS CATALOG GUIDE

I. THE VEHICLE AND ITS SPECIFICATIONS

A. Automated Line Set Ticket (ALST)

The LST is the vehicle build record. Each Unit Code represents a group of components or instructions used to manufacture the vehicle. The LST for the truck can be found in the Line Set Ticket Section of this Catalog

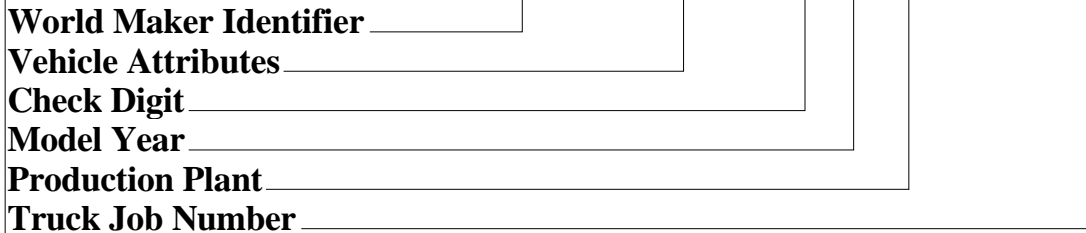
B. Understanding the Automated Line Set Ticket (ALST)

Since 1974 the Chassis Build Date has been stamped on the capacity plate of the truck, in the section called Date Mfg. This information has been used since 1974 in the Master Parts Catalog to identify parts differences due to design change. This is necessary since trucks are not always built in Chassis Number sequence. The Chassis Build Date is also stamped on all LST copies, except for the reduced size.

The number as stamped on the capacity plate is structured as follows:

9 - 8 - 75 - 1
 MONTH DAY YEAR SHIFT

character position 1 2 3 4 5 6 7 8 9 10 11 12 13 14 15 16 17



POSITIONS 1-3 WMI

- 1HT = U.S. PRODUCED TRUCK
- 1HV = U.S. PRODUCED BUS
- 1HS = U.S. PRODUCED TRACTOR
- 2HT = CANADA PRODUCED TRUCK
- 2HV = CANADA PRODUCED BUS
- 2HS = CANADA PRODUCED TRACTOR

POSITIONS 4-5 ATTRIBUTES

MODEL IDENTIFICATION

POSITIONS 6-7 ATTRIBUTES

ENGINE IDENTIFICATION

POSITION 8 ATTRIBUTES

GVW RANGE & BRAKE SYSTEM		BRAKE SYSTEM	
GVW RANGE		AIR	HYD
0	TO 6000	A	B
6001	TO 10000	C	D
10001	TO 14000	E	F
14001	TO 16000	G	H
16001	TO 19500	J	K
19501	TO 26000	L	M
26001	TO 33000	N	P
33001	TO 55000	R	S
55001	TO 110000	T	U

POSITION 9 CHECK DIGIT

CALCULATED FROM OTHER 16 POSITIONS

PARTS CATALOG GUIDE

POSITION 10	MODEL YEAR
L = 1990	V = 1997
J = 1988	W = 1998
K = 1989	X = 1999
L = 1990	Y = 2000
M = 1991	1 = 2001
N = 1992	2 = 2002
P = 1993	3 = 2003
R = 1994	4 = 2004
S = 1995	5 = 2005
T = 1996	6 = 2006

POSITION 11 PRODUCTION PLANT

A = CONWAY, ARKANSAS
B = TULSA, OKLAHOMA
C = CHATHAM, ONTARIO, CANADA
G = TRAILERS DE MONTEREY
H = SPRINGFIELD, OHIO
J = GARLAND, TEXAS
L or N = ESCOBEDO, MEXICO
R = AGRALE, BRAZIL

POSITION 12-17 JOB NUMBER

6 DIGIT TRUCK JOB NUMBER

II. CATALOG SECTIONS

A. Front Page

Page 1 of the catalog contains some general information about the current chassis, including the identity of the original Purchasor, the Chassis Model and the Date the chassis was manufactured. It also contains CopyRight information for the catalog.

B. Parts Catalog Contents

The Parts Catalog Contents Section contains a listing of the Figures contained in the Catalog and their associated page numbers in the Catalog. This can be used, with a printed catalog, to locate a specific Figure. You may mouse double-click on an individual Figure to go directly to that Figure in the Catalog, when using the Electronic Catalog.

C. Parts Catalog Guide

The Parts Catalog Guide Section (the section you are now reading), contains information and instructions on how to easily use the Catalog, whether you are using it on-line or using a printed Catalog. Complete instructions for Navigating through the catalog using the Navigation Bar, finding parts by Part Number or Description and how to print a Catalog are covered in this Section

D. Line Set Ticket

This Section contains the information contained in the Chassis Line Set Ticket. The first section gives the features of the Chassis, including Model, Dimensions, Build Data and other information of importance.

After the initial features are listed, the Line Set Ticket lists each of the Component Group Indexes, followed by each Unit Code contained within the Component Group. Some of the Unit Codes will be followed by **(Cost Code)**.

This indicates the Unit Code is a Cost Code, and will have no Figures, Reference Figures or Data Information associated with it.

E. Component Groups 01 through 17

There are 17 Component Group Folders show in the Bookmarks Window. By clicking the mouse on the Box [+] to the left of each Component Group Folder, you may open the Folder and display the Figures and Reference Figures contained in the Component Group. There are two types of figures shown, that can be distinguished by their different Icons. The first type of figure is a Figure, that has the following Icon associated with it:

You can open the Parts Detail associated with the Figure by double-clicking the mouse on the Figure Icon. This will cause the parts detail of the Figure and a Parts Illustration (if not a Non-Illustrated Figure) to be displayed on the screen.

Figure Icon

You can open the Parts Detail associated with the Figure by double-clicking the mouse on the Figure Icon. This will cause the parts detail of the Figure and Parts Illustration (if not a Non-Illustrated Figure) to be displayed on the screen.

PARTS CATALOG GUIDE

Each page of the Figure Parts Detail will contain one or more rows of information, contained in the columns shown below:

Item	Part#	Qty	Description	Kit	Var	Fig
005	1664568C95	1	CROSSMEMBER, CAB OR BODY MTG			1664568C95
	1664568C95	1	FOR PARTS LIST SEE 1664568C95			1664568C95
025	1664608C3	1	CROSSMEMBER		03ZN2	1664608C3
	1660004C2	1	CROSSMEMBER, REAR		03ZN2	1660004C2
	1660004C2	1	SEE NOTE 2		03ZN2	1660004C2
030	414053C1	6	BOLT, HEX-HD 1/2-20UNF X 1-3/4 IN.		03ZN2	

The first column is a reference number used to find the part on the Illustration (if not a Non-Illustrated Figure), the second column is the Part Number, the third column contains the number of the items used, the next column contains the Part Description, the fifth column contains any Kit References, the sixth column contains the Variation Number and the last column contains references to either Illustrated or Non-Illustrated Figures, that provide more detail by exploding the part.

The third line refers to a Reference Figure. Reference Figures are designated by being colored green in the Figure Parts Detail Lines. Examples are lines 3, 4 and 5 in the Parts Figure Detail shown above. Reference Figures have their own Parts Illustration and detail. All Reference Figures associated with a Figure are shown immediately below their parent Figure in the Bookmarks Window. They have the following Icon associated with them;



Reference Figure Icon

Notice that line 1 and 2 of the Parts Figure Detail shown above are colored red. This indicates they are Non-Illustrated Reference Figures. These may be present in either Figures or Reference Figures. Although these items do not have an illustration, they do contain additional detail about the part. These items are expanded below all other parts in either a Figure or Reference Figure Parts Detail listing at the end of the listing, as shown below:

NON-ILLUSTRATED REFERENCE FIGURE 1664568C95						
001	473323C4	1	CROSSMEMBER, CAB RR			473323C4
002	468836C4	2	BRACKET, CAB MTG XMBR LT			
003	468837C5	2	BRACKET, CAB MTG XMBR RT			
004	414052C1	12	BOLT, HEX-HD 1/2-20UNF X 1-1/2 IN.			
005	414087C1	12	WASHER, HEX-LK			

Notice that the Reference Figure 479929C4 shown in the above Non-Illustrated Reference Figure. This is the green line. This Reference Figure will be listed in the Bookmarks Window, immediately after the Figure. Non-Illustrated Reference Figures may also contain references to additional Non-Illustrated Reference Figures. In this case the lines will be red. These Non-Illustrated Reference Figures will be expanded at bottom of the Figure

Some Figures and Reference Figures will make reference to kits. The kit reference will be shown in the Qty column as "KT". This will be followed by (CONSISTS OF PARTS DENOTED BY KA) where KA is the kit identifier. There may be several kits in a figure detail, each denoted by a different kit identifier, ie: KA, KB, KC, etc. This can be seen on the next diagram.



Alias Figure Icon

An Alias Icon represents a Figure that is in another section of the catalog. Clicking on the Alias Figure will take you to that section. For example: You may be looking for vehicle brakes. On a front wheel driving axle, the brakes may be in Section 02 - Front Axles. This lets you find the brakes in Section 04 - Brakes, where you may expect them to be.

PARTS CATALOG GUIDE

Item	Part#	Qty	Description	Kit	Var	Fig
004	56121R3	2	SEAL, BRAKE CAMSHAFT			
005	1693181C1	1	RING, O BRAKE SPIDER			
006	983622R1	2	PIN,BRK SHOE ANCHOR			
007	262365C1	A	RIVET,BK SHOE LINING	KA		
008	577652C1	2	RETAINER, BRK ROLLER			
009	126404R1	2	ROLLER, BK SHOE			
010	577653C1	2	PIN,BRK SHOE ANCHOR			
011	577654C1	1	WASHER,FLAT SPECIAL			
012	1693182C1	1	SPRING,BRK SHOE RETURN			
013	1685491C1	2	SPRING,BRK SHOE RETAINER			
014	24861R1	4	BOLT, 1/2 X 1-1/4 PHC TYPE 8			
015		2	SHOE, BRK W/LINING 162	KB		
016		2	LINING, BRAKE SHOE	KA		
870	1693188C91	KT	SET, LINING ABB931-162			
	1693188C91	KT	(CONSIST OF PARTS DENOTED BY KA)			
871	KSR3014707	KT	KIT, BRK SHOE W/LINING			
	KSR3014707	KT	(CONSIST OF PARTS DENOTED BY KB)			

Notice the kit identifiers KA and KB in the Kit column of the Figure Parts Detail. This indicates that the part containing the kit identifier in the Kit column is contained in the indicated kit. In this case 2 "LINING, BRAKE SHOE" and a "RIVET,BK SHOE LINING" are contained in the kit with kit identifier KA.

The Appendix Section of the catalog contains three sections. The first section is the List of Abbreviations. This section contains, listed in alphabetic order, abbreviations that are used in the catalog. This provides a quick lookup for users who may encounter an abbreviation that they do not understand.

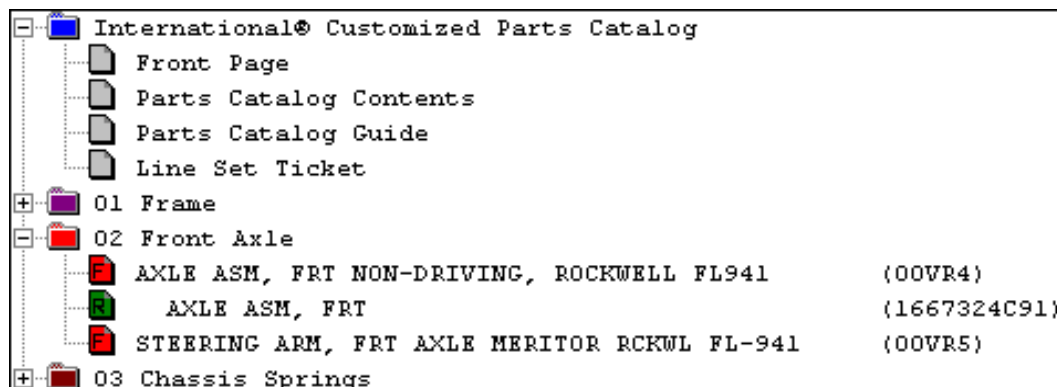
The second section contains, listed in alphabetic order by Part Description, a complete listing of all parts referred to in any section of the catalog. This is titled Part Description Index.

The final section contains, listed in ascending part number order, a complete listing of all parts that are referred to in any section of the catalog. This is titled Part Number Index.

When using either the Part Description Index or the Part Number Index, you may go directly to the Figure or Reference Figure containing the part, by double-clicking the mouse on the line containing the part.

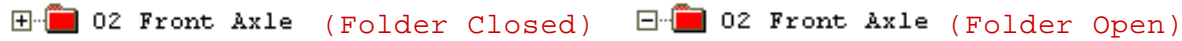
III. NAVIGATING THROUGH THE CATALOG

The two primary methods of navigating through the catalog are the Bookmarks Window and the Navigation Bar. A portion of the Bookmarks Window is shown in the next diagram.



PARTS CATALOG GUIDE

The Bookmarks Window contains a folder for each Catalog Section. Typical folder Icons are shown below. The Icon on the left is in the closed position, this is indicated by the small plus sign inside the box. The Icon on the right is in the open position, this is indicated by the small minus sign inside the box. To open or close a folder, simply click the mouse with the cursor positioned over the small box containing the plus and minus signs.



Each folder will normally contain one or more page Icons. In some cases a Group folder may be empty. This will occur when no items in the Group are installed on the Chassis. There are three types of page Icons. They represent individual pages in the catalog. To display the page represented by a page Icon, position the cursor over the page Icon of interest and double-click the mouse button. The three types of page Icons are shown below:



The Information Icon represents all pages except for the Figure, Reference Figure and Alias pages. For example, the Catalog Index, Part Description Index and Part Number Index are represented by Information Icons.

The second method of navigating through the catalog is by using the Navigation Bars. These are dockable bars located at the top and right of the Custom Parts Catalog Window. The Navigation Bars are shown below:



The Navigation Bars can be divided into six functional sections: Printing and Opening Files, Catalog Browsing, Catalog Searches, Section Browsing, History, Copy/Append and Zoom:



Open File and Print Catalog Buttons

The Printing Function is used to print a copy of the catalog. It's use is covered later in this section of the catalog. The File Button is used to open a new Chassis File.



Copy and Append Buttons



Zoom-In and Zoom-Out Buttons

The Clipboard Copy and Append Buttons are used to copy and append data to the System Clipboard. The Zoom-In and Zoom-Out Buttons are used to select a normal or full screen view of a Catalog Page. The use of these four buttons is explained later in this catalog section.



Catalog Browsing Arrows

The Catalog Browsing Arrows are used to browse through the catalog one page at a time. The Previous Page Arrow (on the top) is used to move one page back and the Next Page Arrow is used to move one page forward in the catalog. If you are at the first page of the catalog, the Previous Page Arrow will be disabled. If you are at the last page of the catalog, the Next Page Arrow will be disabled. The Browse Arrows are located below the right scroll bar, in the bottom right corner of the screen.



Catalog Search Buttons

The Catalog Search Buttons are used to do searches for specific part numbers or descriptions when a Figure, Reference Figure, Part Description Index page or Part Number Index page is being viewed. Their use will be explained later in this section.

PARTS CATALOG GUIDE

A section is a group of pages associated with one of the major catalog sections. For example all of the pages contained in the Line Set Ticket Group are contained in the Line Set Ticket Section, all of the pages associated with a Figure or Reference Figure are contained in the the section for that particular Figure or Reference Figure.

The Section Page Browse Buttons are used to browse through the pages of a section. When you are displaying the first page of a section, the Section Previous Page Button (button on the left below) will be disabled. When you are displaying the last page of a section, the Section Next Page Button (button on the right below) will be disabled. These two buttons are used in all sections:



Section Page Browse Buttons

The Figure or Reference Figure First Page button (button on the left above) is only used when Figures or Reference Figures are being displayed. When displaying other sections, this button will be disabled. This button is used to return to the first page of a Figure or Reference Figure Section. This allows you to quickly go to the first illustration for a parts illustration reference. Some Figures and Reference Figures have more than one illustration associated with them. This button will return you to the first illustration in the section

The Section Browse Buttons will be disabled if a Figure or True Figure section is being displayed and the figure information is contained in only one page.

The History Browse Buttons (shown below) are used to navigate to screens previously visited. Items selected by clicking on an item in the Bookmark Window, the Parts Contents Section, the Part Description Index or the Part Number Index are added to the history record.



History Browse Buttons

The History Browse Buttons can be very useful when switching from either the Part Description Index, Part Number Index or Contents Section to Figures and then back to the preceding section

The methods that can be used to display a Figure or Reference Figure are:

- Double-click with the mouse positioned on the appropriate icon in the Bookmarks Window
- Browse through the catalog using the Catalog Browse Arrows
- Double-click on a line in the Part Description Index
- Double-click on a line in the Part Number Index
- Double-click on a Figure line in the Parts Catalog Contents Section

IV. SEARCHING FOR CATALOG ITEMS

You may search three sections of the catalog for part number, descriptions or any character string. The three sections that can be searched are Figure or Reference Figures, the Part Description Index or the Part Number Index. The Search buttons will be disabled when any other section of the catalog is being displayed. Searches are done using the three buttons shown below. They are located on the Navigation Bar:



Search Buttons

To start a search click on the Search Button (button in the middle above). This will bring up the Enter Search String dialog, that is shown below. Enter the string you wish to find, and press Find on the dialog. If the string is not found in the section, a second dialog will be displayed advising you that the string you entered was not found. The search string is not case sensitive. You may enter gasket or Gasket, and all occurrences of gasket will be found.

PARTS CATALOG GUIDE

Three search options are available:

All Matches:

All occurrences of the search string, including those embedded in words, will be found.

Whole Words:

Multiple words can be entered, in any order, and the search will find lines containing those whole word combinations. For example ("nut size hex" will find the line containing "nut, hex Give Size")

Exact Match:

Only exact word matches, of the entered string, will be found.

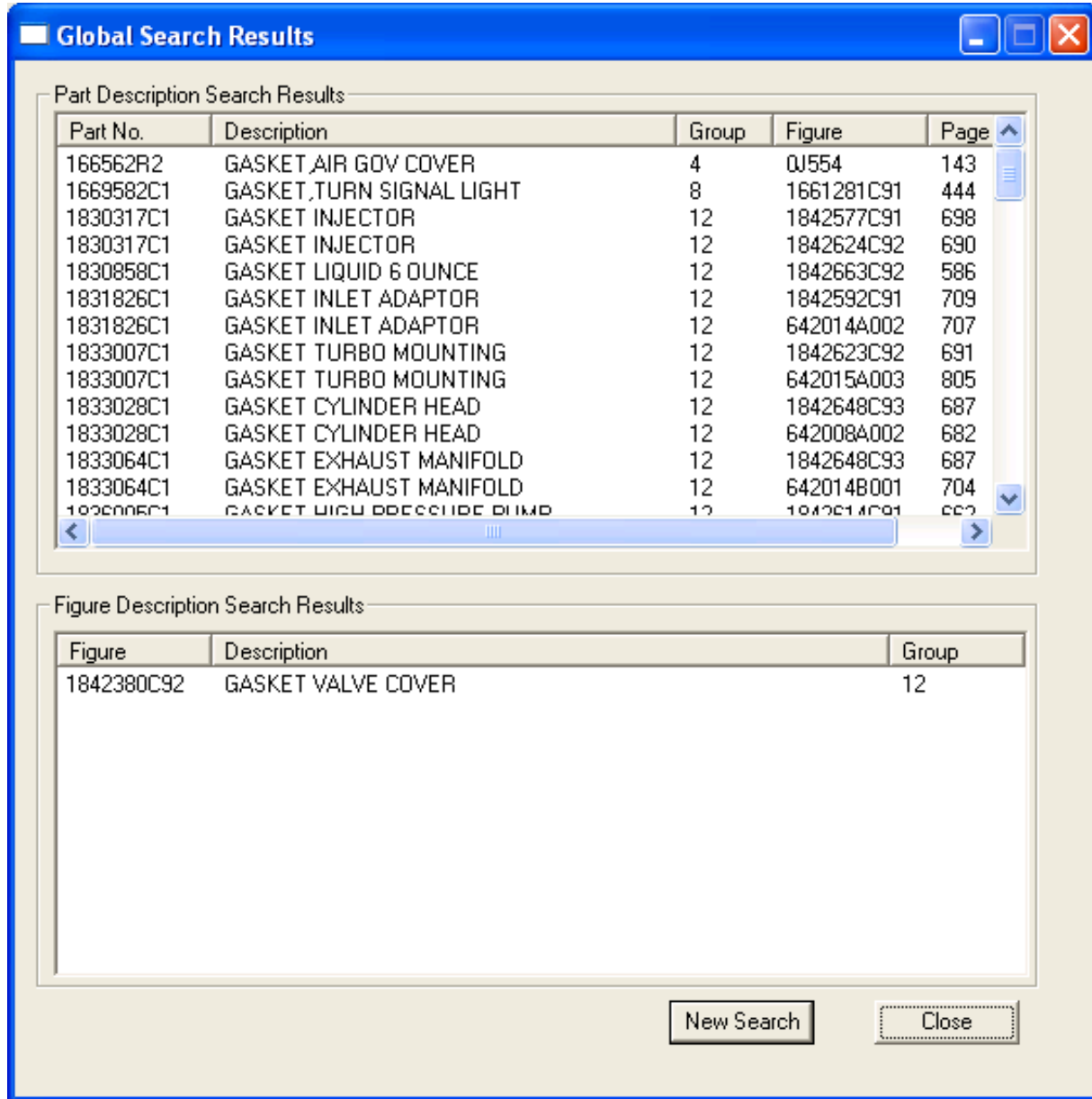
If the search string was found in the section being searched, all occurrences of the search string will be highlighted on the first page that the search string was found. The first search item found will be highlighted in blue and other finds will be highlighted in yellow. If there is more than one item found, the Search Forward button (button on the right above) will be highlighted. If you click on the Search Forward Button the selection will move to the next location of the string in the section. At this point, the Search Back Button (button on the left above) will be enabled, allowing you to move back to the previous position. If you are at the first position of the search string in the section the Search Back Button will be disabled. If you are at the last location of the search string in the section, the Search Forward Button will be disabled. If there is only one occurrence of the string in the section both the Search Back and Search Forward Buttons will be disabled. A typical search result, for the search string "filter" is shown below:

Part No.	Description	Group	Figure	Page
1618318C91	GENERATOR, 12V 160 AMP	8	00198	159
1618386C91	FILTER, FUEL & WATER SEPARATOR	15	03SL0	394
1618386C92	FILTER, FUEL	15	03SL0	394
1618585C1	BRACKET, REAR MIRROR MTG	16	02P67	506
1618678C91	LIGHT ASSY TURN SIGNAL LH AMBE	8	02J82	132
1618679C91	LIGHT ASSY TURN SIGNAL RH AMBE	8	02J82	132

If you place the mouse on the selected (blue) search line and double-click the mouse button, the Figure 03SL0 will be displayed on the screen. This feature is only available when doing a search in the Part Description Index or the Part Number Index section, and is not available when you are doing a search in a Figure or Reference Figure section.

PARTS CATALOG GUIDE

You can search for words globally across the catalog. You can find a popup menu item 'Global Search' when you right click on any page. This will bring up the Enter Search String dialog, that is shown below. Enter the string you wish to find, and press Find on the dialog. If the string is not found in the section, a second dialog will be displayed advising you that the string you entered was not found. The search string is not case sensitive. You may enter gasket or Gasket, and all occurrences of gasket will be displayed in a dialog box as shown below.



The result dialog has two parts that display the search results found. The first part displays the string match found in the catalog pages and the second part display the string match found in the navigation pane. Both parts can be sorted ascending or descending by clicking on the column header. Doubleclick on the resultant rows to take you to the corresponding info on the catalog page. However your result dialog will remain on the foreground. You can minimize the window dialog box to have a full view of the catalog pages

Click on the 'Close' button to close the result dialog. Click on 'New Search' to search for a new string. The results of a new page will be opened in a new dialog box which will be tiled to the previous search dialog box

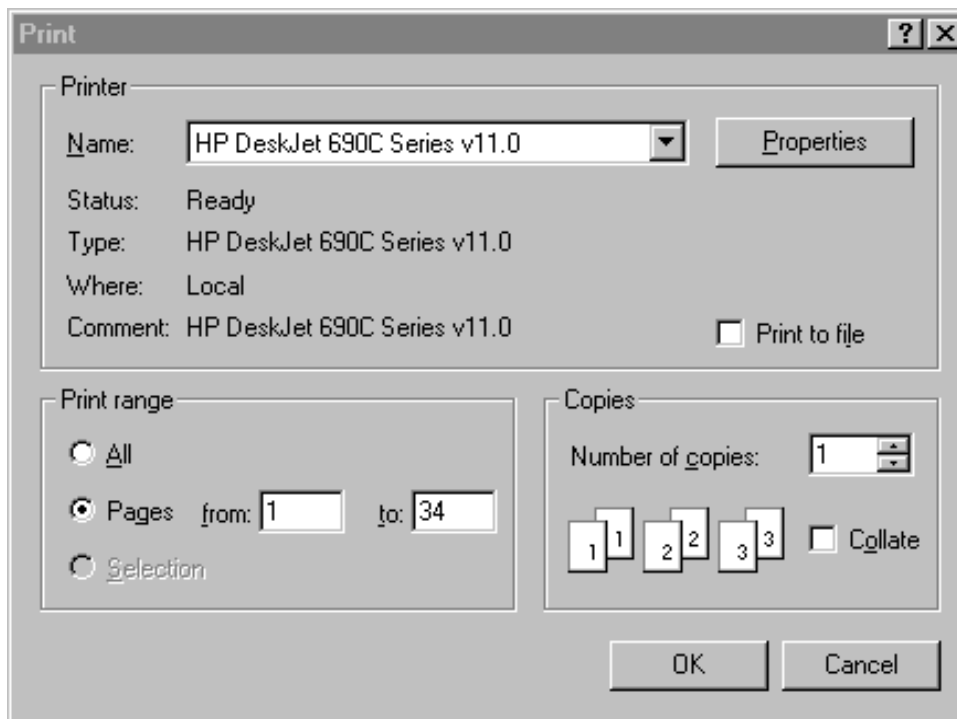
V. HOW TO PRINT A CATALOG

Your Custom Parts Catalog can be printed on any Windows compatible printer, capable of printing color or grey scale. It is recommended that you print the catalog in color so as to not lose Reference Figure and Non-Illustrated Reference Figure color indicators. To print your catalog, simply click on the Print button on the Navigation bar:



Print Button

After clicking on the Print button a Print Dialog will be displayed on the screen. The actual dialog look will vary, depending on which printer you are using. A typical print dialog is shown below:



At this point you either click the All button to print the entire catalog or enter the specific pages you wish to print in the From and To edit lines. In the example shown, the user has elected to print pages 1 to 34. After selecting the pages to print, press the Print button

If you have access to a color or grey scale printer with duplex capability, you can print your catalog two sides to a page. This makes a great catalog, and reduces the number of catalog pages by one-half. When printing on a duplex (two sides to a page) printer, be sure that the printer automatically inserts gutters for left and right pages, or can be set to provide page gutters. Even page numbers are left side pages and odd page numbers are right side pages.

When printing a catalog it is easier if you print on paper that is prepunched for the type of binder the manual will be placed into. Prepunched paper is available through your local paper supplier.

VI. COPYING CATALOG DATA TO THE CLIPBOARD



Copy and Append Buttons

You may copy data from three sections of the catalog to the System Clipboard. Data can be copied from the Figure or Reference Figures, the Part Description Index or the Part Number Index. The copied items can then be pasted into a word processor or spreadsheet program. This feature can be useful for preparing parts lists for repair estimates or part orders.

These buttons will be disabled until you select an item or multiple items using standard Windows text selection methods (i.e. click click and extend with the Shift Key and click and add or delete with the Ctrl Key). The Copy button replaces the current clipboard contents with the selection and the Append Button will add the selection to the end of the clipboard.

You can use the Select All (Ctrl-A) to select an entire page of a section. To select the entire section, use Select All for the first page, then go to the last page of the section, hold down the Shift Key and single click on the last line of data.

VII. ZOOMING THE CATALOG IMAGE



Zoom-In and Zoom-Out Buttons

You may use the Zoom-In and Zoom-Out buttons to zoom in and out on the catalog pages. This allows you to see the entire page, when you have selected the zoom out button. To return to the normal view, simply click on the Zoom-In button. Selections and Search details will not be visible when you have selected the Zoom-Out option, but will return when you select the normal view by clicking the Zoom-In button.

VIII. THE POP-UP MENU

Click the right mouse button in the main screen to view the Pop-Up menu shown below:

Undo	Ctrl+Z
Cut	Ctrl+X
Copy	Ctrl+C
Append	
Paste	Ctrl+V
Select All	Ctrl+A
Full Page View	
Normal View	

The Pop-Up menu provides you with a quick and handy method to perform the following tasks:

Copy, Append and Select All

These options, explained earlier in this section, are only available when you have a Figure Reference Figure, Description Index or Part Number Index view selected.

Full Page View and Normal View

These options allow you to quickly toggle the view between Full Page and Normal.

IX. ELECTRONIC PARTS CATALOG INFORMATION

This catalog is available in electronic form delivered on CD-ROM format. It is available in the of the following format:

Microsoft Windows**Minimum System Requirements for Microsoft Windows**

Windows 98, Windows 2000 or Windows XP
1029 X 768 Pixel Monitor
16 bit Color
CD-ROM Drive

To order an electronic form of the catalog, contact your International© Dealer, who will provide you with complete ordering information

LINE SET TICKET

Chassis: 6J329434

ORDER NO..... 221835
 TRUCK MODEL..... 7400 SFA 6X6
 TRUCK SALES REGION.... 831
 SOLD TO..... ATEMP - ANHAM
 DEALER..... 962399

PROP SHAFT LOCATIONS

1 0270DYA1128
 3 0414STH1600
 4 0417LTP0590
 5 0414STH1615

I
n
f
o

AF DIMENSION..... 0220.0 GEAR RATIO..... 06.14
 GVWR..... 54000 IGNITION KEY..... Z001
 BUILD DATE..... 10/31/2005 ORDER QUANTITY.. 81
 VIN..... 1HTWJADR56J329434 ENGINE NUMBER.... 2U1484811
 WHEEL BASE..... 0545.0

Group 01 Frame

0001572 TWO REAR TOW HOOKS
 0001CAJ FRAME RAIL 120,000 PSI YIELD 456.0" OAL
 0001LLA FRT BUMPER-SWEPT BACK (STEEL)
 0001UAU FRONT TOW LOOP 4 LIFTING EYES
 0001WDS 20" INTEGRAL FRONT FRAME EXT
 0001WGK WHEEL BASE RANGE 195" TO 217" (Cost Code)

Group 02 Front Axle

0002ESA MERITOR MX-14-120 14K FRT DRVG AXLE

Group 03 Chassis Springs

0003ADD 14,000-LB FRT PARABOLIC TAPER LEAF SUS

Group 04 Brakes

0004091 TRUCK DUAL AIR BRK SYSTEM
 0004619 TRAILER CONNECTIONS 4-WHEEL
 0004732 BERG DRAIN VALVE W/PULL CHAIN (Cost Code)
 0004AZA BENDIX AIR BRAKE ABS
 0004EBS AIR DRYER BENDIX (AD-9)
 0004JBL 16.5X5 FRT S-CAM W/20" LONG STROKE CHMBR (Cost Code)
 0004NCE 16.5X7 RR W/TR3030 HEAVY DUTY MGM CHMBRS
 0004SBC BENDIX TU-FLO 550 AIR COMPRESSOR
 0004VEM MOUNT OUTSIDE LEFT RAIL UN EXTENDED CAB (Cost Code)
 0504058 AIR TANK VOLUME ID NOMINAL 6054 (Cost Code)
 0504061 SPRING BRAKE VALVE RELAY (Cost Code)
 0504201 STANDARD AIR TANK DRAIN VALVES (Cost Code)
 0504300 STEEL AIR TANK W/QUALITY CONNECT PORTS (Cost Code)
 0504306 R/S AUTO-SLACK ADJSTRS-FRONT (Cost Code)
 0504355 R/S AUTO-SLACK ADJSTRS-REAR (Cost Code)
 0504437 MERITOR MA210 FRONT BRAKE LININGS (Cost Code)
 0504439 MERITOR MA212 REAR BRAKE LININGS (Cost Code)
 0504441 MERITOR Q-PLUS FRONT BRAKE (Cost Code)
 0504442 MERITOR Q-PLUS REAR BRAKE (Cost Code)
 0504465 INVERTED 30" BRK CHMBRS (Cost Code)
 0504470 FRONT DUST SHIELDS FOR AIR BRAKES (Cost Code)
 0504471 REAR DUST SHIELDS FOR AIR BRAKES (Cost Code)
 0504603 MOUNT 2 AIR TANKS O/S RT UNDER CAB

Group 05 Steering Gear

0005708 TILTING STEERING COLUMN (Cost Code)
 0005CAL 18" DIAMETER STEERING WHEEL
 0005PSL SHEPPARD M-110 POWER STEERING

Group 06 Propeller Shafts

0506001 TRANSMISSION OUTPUT YOKE
 0506004 TRANSFER CASE INPUT YOKE
 0506005 TRANSFER CASE OUTPUT YOKE TO FRT AXLE

LINE SET TICKET

0506006 TRANSFER CASE OUTPUT YOKE TO REAR AXLE
 0506007 FORWARD REAR AXLE INPUT YOKE
 0506008 FORWARD REAR AXLE REAR OUTPUT YOKE
 0506010 REAR REAR AXLE INPUT YOKE
 0506011 FRONT AXLE INPUT YOKE
 0506100 DRIVELINE LABOR

Group 07 Exhaust

0007ABT EXH SGL HORZ/HORZ SHORT TP LSM
 0007SBN ENG EXHAUST BRAKE(PACBRAKE)

Group 08 Electrical

0008000 ELEC SYS (12 VOLT)
 0008518 CIGAR LIGHTER (Cost Code)
 0008540 DUAL ELECTRIC HORNS (Cost Code)
 0008630 KEYLESS IGNITION SWITCH (Cost Code)
 0008GGD 200 AMP 24V ALT LN 4740JB
 0008HAP TRAILER CONNECTION SOCKET COMBINED (Cost Code)
 0008MMB BATTERY SYS 4-24V 1300 CCA EXIDE
 0008RHL 2-WAY RADIO WIRING EFFECTS 24 VOLT (Cost Code)
 0008THB BACK UP ALARM 102 DBA ELECTRIC
 0008WAD BATTERY DISCONNECT SWITCH
 0008WCL 1 AIR HORN BLACK
 0008WHZ FUSE PANEL MAXI FUSE PACKARD MP800 (Cost Code)
 0008WLK T/S-FENDER MTD AMBER/AMBER (Cost Code)
 0008WMA SPECIAL WIRING F/CUST FURN LITE
 0008WML HEADLIGHTS (2) LONG LIFE HALOGEN (Cost Code)
 0008WNR OMIT DAYTIME RUNNING LIGHTS (Cost Code)
 0008WXJ START MOTOR 24V (LN M0017072ME) (Cost Code)
 0008XAH MANUAL-RESET CIRC BREAKERS (MAIN PANEL) (Cost Code)
 0508006 BATT BOX 2/3/4 RIGHT SIDE UD CAB
 0508011 AIR SOLENOID 7-PAK W/ECU AND J1939
 0508014 STOP TURN TAIL B/U INSIDE RAIL (Cost Code)

Group 09 Front Sheet Metal

0009593 FENDER EXT OMIT (Cost Code)
 0009HAU PRIMED FIXED GRILLE & HEADLIGHT BEZELS (Cost Code)
 0009WAC BUG SCREEN (Cost Code)
 0009WAY FIBERGLASS TILT FE 3 PIECE

Group 10 Miscellaneous

0010060 SINGLE COLOR 100 PT SCHEMATIC (Cost Code)
 0010210 EMISSION LABELS (FUEL ECONOMY/NOISE) (Cost Code)
 0010506 RIM WRENCH AND HANDLE
 0010764 PAINT TSA(ACRYLIC) 1-2 TONE (Cost Code)
 0010771 CUSTOM COLOR PAINT (Cost Code)
 0010WBE ALL KEYS ALIKE Z-001 (Cost Code)
 0010WYZ QUALIFICATION ID FOR NON DIAMOND SPEC (Cost Code)
 0510000 BULK MATERIAL
 0510002 SERVICE ASM; CAB, DCM, HARNESS, IP
 0510908 RED EXTENDED LIFE COOLANT EFFECTS (Cost Code)
 0510910 VEPS IDENTITY NGV REQUIRES FOR I6 ENGINE (Cost Code)
 0535004 PAINT COLOR GROUP NO. 04
 0535012 PAINT CHASSIS COLOR GROUP WATER/URETHANE
 0595008 ESC PROG AIR PRESSURE GAUGE/AIR BRAKE (Cost Code)
 0595009 ESC PROG ABS WARN LIGHT NOT TRAILER (Cost Code)
 0595012 ESC PROG TRAILER ABS W/LIGHT (Cost Code)
 0595014 ESC PROG PARK BRAKES W/IND LIGHT (Cost Code)
 0595015 ESC PROG BRAKES SWITCH (Cost Code)
 0595016 ESC PROG ENGINE EXHAUST BRAKE (Cost Code)
 0595018 ESC PROG HEADLIGHTS DAY/RUN (Cost Code)

LINE SET TICKET

0595021 ESC PROG TURN SIGNAL/BRAKE (Cost Code)
 0595022 ESC PROG AIR HORN W/ OR WITHOUT SWITCH (Cost Code)
 0595023 ESC PROG ELECTRIC HORN CITY KEYLESS ENTR (Cost Code)
 0595024 ESC PROG DOME LITE W/DIM & KEYLESS ENTRY (Cost Code)
 0595027 ESC PROG DIAGNOSTICS (Cost Code)
 0595030 ESC PROG TRAILER MARKER LIGHT (Cost Code)
 0595031 ESC PROG IGNITION KEY OR KEYLESS (Cost Code)
 0595037 ESC PROG CLUTCH SWITCH (Cost Code)
 0595040 ESC PROG DIFFERENTIAL LOCK (Cost Code)
 0595041 ESC PROG POWER DIVIDER LOCK (Cost Code)
 0595048 ESC PROG LO WASHER FLUID W/LIGHT (Cost Code)
 0595049 ESC PRG ELET PRAM DEFL SET W/ALL UNIT (Cost Code)
 0595052 ESC PROG SINGLE FUEL GA SENSOR (Cost Code)
 0595061 ESC PROG VOLTMETER (Cost Code)
 0595063 ESC PROG SEAT BELT IND LIGHT (Cost Code)
 0595066 T/R DATA ENGINE OIL PRESS GAUGE (Cost Code)
 0595067 T/R DATA ENGINE COOLANT TEMP GA (Cost Code)
 0595069 T/R DATA VEHICLE SPEED GAUGE (Cost Code)
 0595079 T/R DATA WARNING LIGHTS (Cost Code)
 0595080 ESC PROG AIR SOLENOID POWER (Cost Code)
 0595083 ESC PROG CRUISE CONTROL SWITCH STATE (Cost Code)
 0595084 ESC PROG ENGINE FAN REQUEST (Cost Code)
 0595085 ESC PROG GAUGE CLUSTER ALARM HANDLER (Cost Code)
 0595095 ESC PROG ENGINE STATE (Cost Code)
 0595102 ESC PROG CRUISE/RESCM OUTPUT HANDLER (Cost Code)
 0595103 ESC PROG HARDWIRE CONFIG DATA (Cost Code)
 0595104 ESC PROG NETWORK CONFIG DATA (Cost Code)
 0595105 ESC PROG IP CONFIG DATA (Cost Code)
 0595106 ESC PROG DAYTIME RUNNING LTG OMIT (Cost Code)
 0595112 T/R DATA NO PRNDL (Cost Code)
 0595130 T/R DATA, ENGINE TYPE INTERNATIONAL (Cost Code)
 0595143 T/R DATA, METRIC GAUGES (Cost Code)
 0595158 ESC PROG, XFER CASE FOR 4X4 OR 6X6 (Cost Code)
 0595162 ESC PROG OMIT STOP/TURN DIAGNOSTICS (Cost Code)
 0595168 ESC PROG WORK LITE DIAGNOSTICS OMIT (Cost Code)
 0595208 T/R DATA, ENGINE SPEED GAUGE (Cost Code)
 0595233 ESC PROG WATER IN FUEL WARNING LIGHT #2 (Cost Code)
 0595234 ESC PROG BATT FEED FUES DET #2 (Cost Code)
 0595250 ESC PROG WORK LITE W/TIMER/KEYLESS ENTRY (Cost Code)
 0595251 ESC PROG PARKING/MARKER W/15AMP FUSE (Cost Code)
 0595253 ESC PROG WINDSHIELD WIPER ESC2 (Cost Code)
 0595311 ELECT SYSTEM CONTROLLER ESC2 NVM (Cost Code)
 0595336 ESC PROG REFRIGERANT CONTROL HVAC W/LITE (Cost Code)

Group 11 Clutch

0011LEX CLUTCH 14" EATON SAS1402

Group 12 Engines

0012938 ETHER COLD START EQUIP W/ELECT CAB CTRL
 0012NMX DT530 ST 275HP/285HP PEAK 2200 GOV
 0012THL FAN DRIVE ON/OFF HORTON (DRIVEMASTER)
 0012UVV RAD 940" CAC 1025"
 0012UXC 2002 FED EMISSIONS INT'L ENGINES N/HT530 (Cost Code)
 0012VBG DUAL ELEMENT AIR CLNR W/PRE CLEANER
 0012VXT ENGINE SPEED CONTROL, STEER WHEEL MTD (Cost Code)

Group 13 Transmission

0013GMJ FULLER FSO-8406A SYNCR 6-SPD TRANS
 0013TKB MERITOR 2-SPD TRANS CASE T-4213 2
 0013WDB TRANSFER CASE LUBE-SAE 50W SYNTH (Cost Code)
 0013WDP OIL COOLER T-CASE MERITOR BOC

LINE SET TICKET

0013WLA TRANS OIL-SAE 50W SYNTHETIC

Group 14 Rear Axle

0014HRT MERITOR RT40 145 40K TAND DBL TRAC DIF
 0014ULK HEND HN402-54 SUSP 54" (WALKING BEAM) 40K
 0014WAL BAR PIN ATTACH/MERITOR RR AXLE IDENT (Cost Code)
 0514005 TORQUE ROD FWD REAR
 0514006 TORQUE ROD REAR REAR
 0514012 CONTROLS LIFT AXLE CAB EFFECTS

Group 15 Fuel Tanks

0015LBC FUEL/WATER SEPARATOR RACOR 21000
 0015SEM SGL 70G FU TK D-STYLE STEEL LEFT SIDE

Group 16 Cab

0016000 TRANS COVER, FLOOR MATS, SEALS
 0016615 OMIT REAR BENCH SEAT
 0016CAB CAB EXTENDED CONVENTIONAL
 0016HBC GAUGE CLUSTER METRIC/METRIC
 0016HHE FILTER MINDER DASH MTD BLACK BEZEL (Cost Code)
 0016JNT DRIVER SEAT NAT'L
 0016PJX PASSENGER SEAT GRA-MAG
 0016SDJ 2 -MIRRORS W/CONVEX BLACK HEADS
 0016VZS OMIT PARTS FOR TACOM (Cost Code)
 0016WBY RIGHT ARM REST, DRIVER SEAT (Cost Code)
 0016WJS INSTR PANEL CENTER SECTION FLAT (Cost Code)
 0016WKB HTR&A/C (INTERNATIONAL BLEND-AIR)
 0016WKY HVAC FRESH AIR FILTER (Cost Code)
 0016WLE STORAGE POCKET, PASS DOOR (Cost Code)
 0016WSK CAB REAR AIR SUSPENSION (Cost Code)
 0016WSX CAB INT TRIM DELUXE- EXTENDED CAB
 0016ZAZ CAB ACCESS COUNTRY REQUIREMENT 2.5 METER (Cost Code)
 0516003 CAB ACCESS 2 STEPS PER DOOR REG/EXT CAB
 0516100 MIRROR, CONVEX LEFT ONLY (Cost Code)
 0516104 MIRROR STYLE RECTANGULAR NON AERO (Cost Code)

Group 17 Wheels

0026DRA SPARE WHL(22.5"DISC 10STUD)8.25DC RIM
 0027DMA DISC FRT WHL(22.5"PT-STL 10S) 8.25DC RIM
 0028DMA DISC RR WHLS(22.5"PT-STL 10S)8.25DC RIM
 0029007 SPARE TIRE (Cost Code)
 0029PBA DO NOT PAINT/HAS BLACK POWDER COAT (Cost Code)
 0029PBB DO NOT PAINT/HAS BLACK POWDER COAT (Cost Code)
 0529001 LUBE FRT WHL BEARINGS (Cost Code)
 0529002 LUBE REAR WHL BEARINGS
 0530100 TIRES

ENGINE LINE SET TICKET

Engine Serial Number: 531HM2U 1484811	Model: DTA530
Build Date: 10/26/2005	Location: 083 MELROSE
Config. Number: GA34212	Description: SST TRUCK COMPANY
HP Amount: 275	RPM: 2000
Torque: 800	Customer Number: 0006200
Fuel Pump Part Number:	Turbo Part Number: 1836094C92

I
n
f
o

ER00	"NO BLOCK HEATER" FEATURE
QL11	AIR COMP TF550 W/PREM HOSE FEATURE
IL11	ALT. BRKT-LIESE-NEVILLE FEATURE
118748	CONNECTOR, I308 1/8X7/16 20 NPT
EM04	COOLANT CONDITIONER CVR PLT FEATURE
GP01072	DTA-530 275@2000 A M106 TRUCK
118753	ELBOW, I308 1/8X7/16 20 NPTX
EP05	ELBOW, WTR INLET-OEM FORWARD FEATURE
NO03	EX MAN-DOWN MT TURBO FRT INL FEATURE
NB01	EXH. MAN.-DOWN MT FRT INL FEATURE
BD00	FEATURE, PLATE NONE
JL01	FLYWHEEL HOUSING-SAE #2 FEATURE
GL01	FLYWHEEL, FLAT 14" CLUTCH FEATURE
FB09	FRONT COVER-SAE BFLG-CAC SPT FEATURE
JM01	FRONT ENGINE MOUNTS-2 POINT FEATURE
FM12	GAUGE, OIL LEVEL NGV RACOR
IC13	HARDWARE, ELECTRONIC REAR MOUNT 12V
QM14	HYDRAULIC.PUMP, LUK FL73C FEATURE
BE01	LABELS, ON-HWY DOMESTIC FEATURE
B1285	LBL,I308, DT530 ON/H M106 FEATURE
HF04	LIFTING EYE 530 NO BRAKE FEATURE
530V	NGV 530 CORE FEATURE
BC01	PAINT, NGD BLUE
FL01	PAN - FEATURE REAR SUMP OIL
KL19	RACOR FUEL FILTER FEATURE W/90 DEG.
JN06	REAR ENG MT"V" FEATURE WITHXMSN BRKT
RL02	SIDE VENTING BREATHER-HUEI FEATURE
HD13	VALVE CVR,SIDE INLTW/O ENGBRK FEATUR
GB04	VIBRATION DAMPER,530MRD I308 FEATURE
EL42	W/O FAN DR, W/AUTO TENSION FEATURE
EB01	WATER OUTLET, RIGHT SIDE FEATURE

I-530E Engine Durability

The 530E Redefines Mid-Range Durability Through Innovative Design

To redefine legendary standards of mid-range durability, we looked beyond expectations. Using the latest in 3-D computer modeling technology, our engineers simulated engine operating conditions.

Then we determined where and how strategic gains in material weight would provide the 530E the strength it needs to thrive in demanding applications.

The result? This engine's premium components are designed to work hard for you day after day, year after year. The International 530E adds miles to the life of your vehicle and profit to the bottom line of your business.



I
n
f
o

1. Ductile Iron Rocker Arms

Designed for matchless durability, increased diameter rocker shaft increases load-carrying capability.

2. Crankcase

Fully skirted, cast iron. Computer modeling was used to strategically strengthen and widen bulkheads and bearing caps, assuring even load distribution to extend life.

3. Crankshaft

Forged steel and induction-hardened journals and fillets, fully regrindable. Wider bearing surface areas distribute load efficiently, and new crankshaft seals with dust eliminators.

4. "TEE-PEE" Design Connecting Rod

"Big Bore" rod design incorporates angle split and wider bearings to reduce shock and stress for added life.

5. Piston Rings

Premium keystone style, plasma coated top ring provides superior sealing even in harsh work environments, extending the life of the power cylinder. Intermediate ring and oil ring provide lower oil consumption, helping to extended maintenance intervals.

6. Two-Piece Forged Steel Crown Piston

In 530E engines rated 300 hp and above, the center combustion bowl design and 8% longer steel piston pin distribute load and thermal stresses evenly for more efficient combustion, improved cold starting and longer life

7. Piston Cooling Jets

Lower piston and ring temperatures result in lower thermal stresses and longer life. Targeted oil distribution through high volume jets increases flow up to 43%.

I-530E Engine Durability

8. Stainless Steel Injector Sleeves

This robust system of injector protection is extended-life coolant compatible.

9. Optimized Cylinder Head Coolant Flow

Enhanced design of extended-life coolant-compatible cylinder head directs flow and maximizes cooling for long valve and power cylinder life.

10. Replaceable Valve Seat Inserts

Hardened inserts add durability and "second" engine life capability during rebuild.

I-530E Engine Maintenance

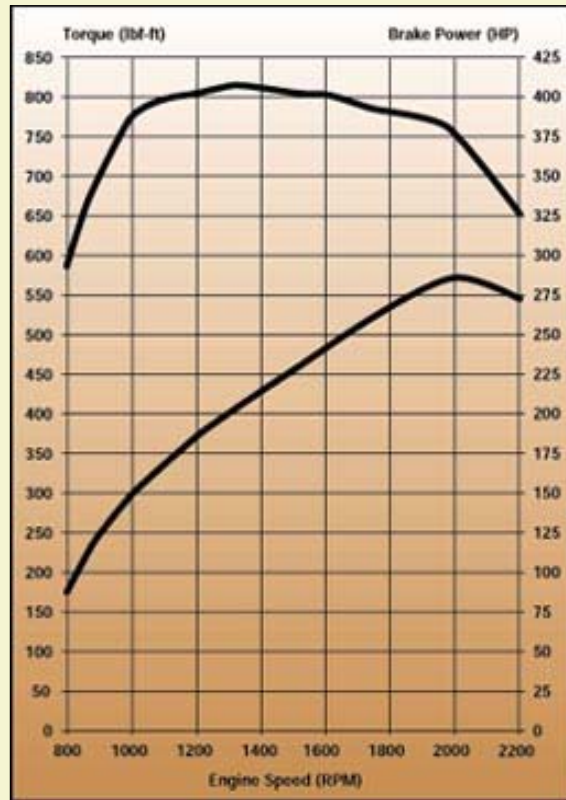
- **12,000 miles (450 hours) oil change interval**
- **24,000 miles (900 hours) fuel filter change interval**
- **120,000 mile (5,000) hours valve lash adjustment**
- **Single Poly-Vee Serpentine belt drive with automatic tensioner**
- **Molded rubber gaskets reduce service time (no gasket surface cleaning required)**
- **The INTERNATIONAL EZ-Tech™ service computer provides fast, accurate diagnostics for less down time**
- **No external turbocharger oil lines or high pressure fuel lines**
- **No catalytic converter to maintain**



I-530E Engine Performance

I
n
f
o

275 Rated Horsepower

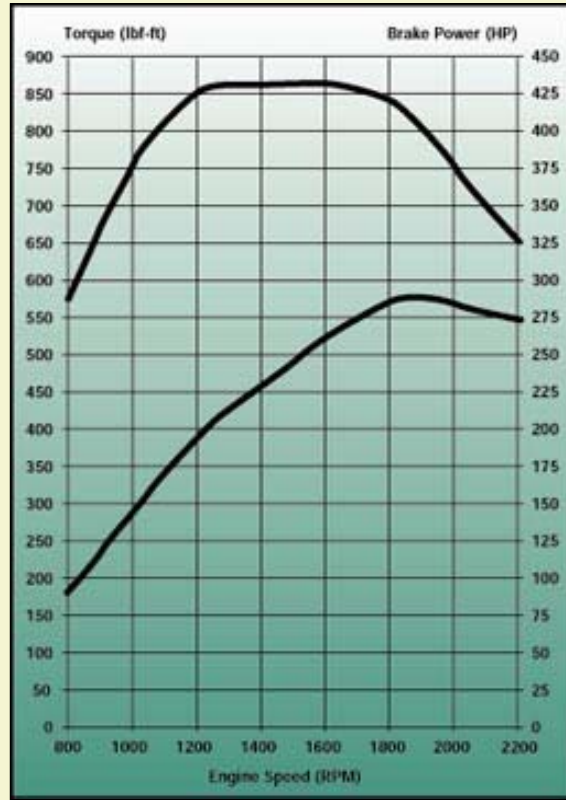


Rated RPM	2000
Gov. Speed RPM	2200
Peak Torque (lb-ft)	800
Peak Torque RPM	1200
Peak Horsepower	285
Peak Horsepower RPM	2000
Clutch Engagement Torque @ 800 RPM	575

Performance curve for engine with air cleaner, less fan, and alternator and air compressor not charging, rated at SAE J1995 test conditions at 29.61 in. Hg (100kPa) and 77 degrees F (25 degrees C) air temperature. No deration required up to 10,000 feet (3,048 meters) above sea level.

I-530E Engine Performance

275 Rated Horsepower



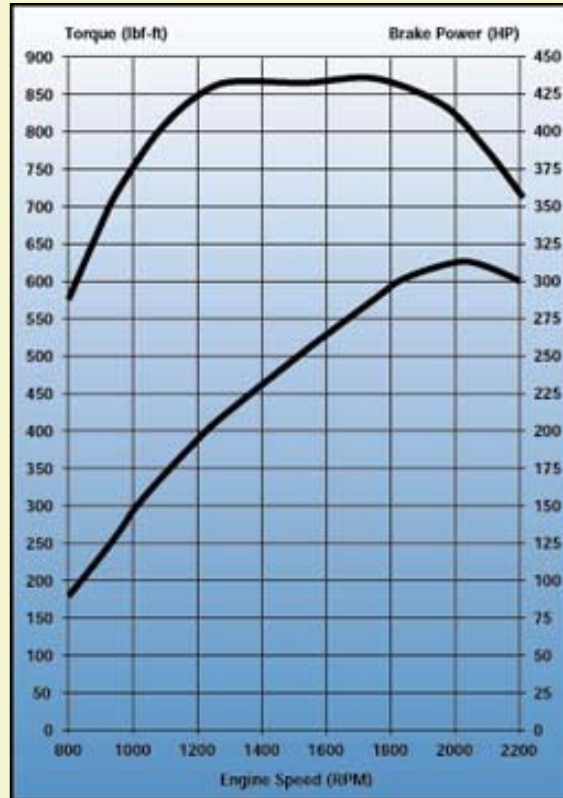
Rated RPM	2000
Gov. Speed RPM	2200
Peak Torque (lb-ft)	860
Peak Torque RPM	1200
Peak Horsepower	289
Peak Horsepower RPM	1900
Clutch Engagement Torque @ 800 RPM	575

Performance curve for engine with air cleaner, less fan, and alternator and air compressor not charging, rated at SAE J1995 test conditions at 29.61 in. Hg (100kPa) and 77 degrees F (25 degrees C) air temperature. No deration required up to 10,000 feet (3,048 meters) above sea level.

I-530E Engine Performance

Info

300 Rated Horsepower



Rated RPM	2000
Gov. Speed RPM	2200
Peak Torque (lb-ft)	860
Peak Torque RPM	1200
Peak Horsepower	310
Peak Horsepower RPM	2000
Clutch Engagement Torque @ 800 RPM	575

Performance curve for engine with air cleaner, less fan, and alternator and air compressor not charging, rated at SAE J1995 test conditions at 29.61 in. Hg (100kPa) and 77 degrees F (25 degrees C) air temperature. No deration required up to 10,000 feet (3,048 meters) above sea level.

I-530E Engine Performance

300 Rated Horsepower



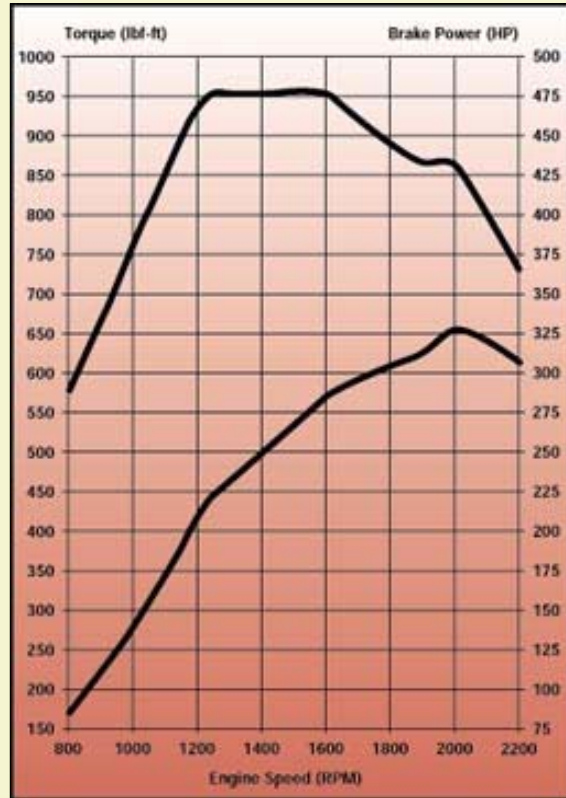
Rated RPM	2000
Gov. Speed RPM	2200
Peak Torque (lb-ft)	950
Peak Torque RPM	1200
Peak Horsepower	310
Peak Horsepower RPM	2000
Clutch Engagement Torque @ 800 RPM	575

Performance curve for engine with air cleaner, less fan, and alternator and air compressor not charging, rated at SAE J1995 test conditions at 29.61 in. Hg (100kPa) and 77 degrees F (25 degrees C) air temperature. No deration required up to 10,000 feet (3,048 meters) above sea level.

I-530E Engine Performance

Info

330 Rated Horsepower (Emergency Vehicle Ratings)



Rated RPM	2000
Gov. Speed RPM	2200
Peak Torque (lb-ft)	950
Peak Torque RPM	1200
Peak Horsepower	330
Peak Horsepower RPM	2000
Clutch Engagement Torque @ 800 RPM	575

Performance curve for engine with air cleaner, less fan, and alternator and air compressor not charging, rated at SAE J1995 test conditions at 29.61 in. Hg (100kPa) and 77 degrees F (25 degrees C) air temperature. No deration required up to 10,000 feet (3,048 meters) above sea level.

I-530E Engine Specifications

Engine TypeDiesel, 4 cycle

Configuration.....In-line six Cylinder

Displacement.....530 cu. in.
(8.7 liters)

Bore and Stroke4.59 x 5.35 in.
(116.5 x 135.9 mm)

Compression Ratio17.2 : 1

AspirationTurbocharged with Wastegate* and Air-to-Air
Intercooled (*WasteGate 215 HP and above)

Governed Speed2200 RPM

Combustion SystemDirect Injection

Cooling System Capacity (engine only)13.5 U.S. qts. (12.8 liters)

Lubricating - System Capacity28.0 U.S. qts. (26.5 liters)

Total Engine Weight (dry)1425 lbs. (647 kg)

DimensionsL = 45.1 in. x W = 29.3 in. x H = 40.8 in.
L = 1146 mm x L = 744 mm x L = 1036 mm



I-530E Engine Standard Equipment

- **Hydraulically actuated, Electronically controlled Unit Injectors (HEUI)**
- **Diamond Logic• Electronics**
- **Turbocharged with inlet and outlet connections**
- **Engine-mounted lube-oil cooler**
- **Centrifugal water pump with drive pulley**
- **Flywheel housing, SAE #2, with pad-type mount**
- **Spin-on, full flow lube oil filter and fuel filter**
- **Coolant filter/conditioner**
- **Oil fill and level gauge**
- **Engine lifting eyes**
- **Extended-life coolant compatible components. ****



** See your INTERNATIONAL dealer for complete details

I-530E High Torque Engine Durability

The 530E HT Redefines Mid-Range Durability Through Innovative Design

To achieve "big bore" levels of durability, the 530E HT engine's designers broke through the barriers and limitations of performance. Using the latest in 3-D computer modeling technology our engineers simulated heavy-duty engine operating conditions.

Then we determined where and how strategic gains in material weight would provide the 530E HT the strength it needs to thrive in a heavy-duty environment.

530E HT components are designed to maintain their weight advantage while working in harmony to create a maximum range of operating power.

The result? The International 530E HT adds miles and hours to the life of your vehicle and profit to the bottom line of your business.



1. Ductile Iron Rocker Arms

Designed for matchless durability, increased diameter rocker shaft increases load-carrying capability.

2. Crankcase

Fully skirted, cast iron. Computer modeling was used to strategically strengthen and widen bulkheads and bearing caps, assuring even load distribution to extend life.

3. Crankshaft

Forged steel and induction-hardened journals and fillets, fully re-grindable. Wider bearing surface areas distribute load efficiently and new crankshaft seals with dust eliminators

4. "TEE-PEE" Design Connecting Rod

"Big Bore" rod design incorporates angle split and wider bearings to reduce shock and stress for added life.

5. Piston Rings

Premium keystone style, plasma coated top ring provides superior sealing even in harsh work environments, extending the life of the power cylinder. Intermediate ring and oil ring provide lower oil consumption, helping to extended maintenance intervals.

I-530E High Torque Engine Durability

6. Two-Piece Forged Steel Crown Piston

In 530E engines rated 300 hp and above, the center combustion bowl design and 8% longer steel piston pin distribute load and thermal stresses evenly for more efficient combustion, improved cold starting and longer life

7. Piston Cooling Jets

Lower piston and ring temperatures result in lower thermal stresses and longer life. Targeted oil distribution through high volume jets increases flow up to 43%.

8. Viscous Vibration Damper

Heavy-duty damper efficiently controls torsional vibration and extends the life of the 530E HT. The result is smooth performance and driveability.

9. Stainless Steel Injector Sleeves

This robust system of injector protection is extended-life coolant compatible.

10. Optimized Cylinder Head Coolant Flow

Enhanced design of extended-life coolant-compatible cylinder head directs flow and maximizes cooling for long valve and power cylinder life.

10. Replaceable Valve Seat Inserts

Hardened inserts add durability and "second" engine life capability during rebuild.

I-530E High Torque Engine Maintenance

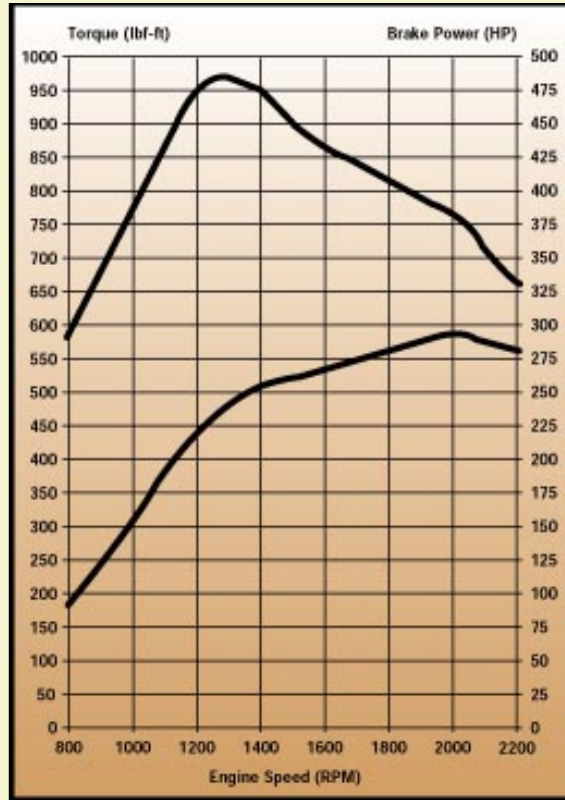
- **12,000 miles (450 hours) oil change interval**
- **24,000 miles (900 hours) fuel filter change interval**
- **120,000 mile (5,000) hours valve lash adjustment**
- **Single Poly-Vee Serpentine belt drive with automatic tensioner**
- **Molded rubber gaskets reduce service time (no gasket surface cleaning required)**
- **The INTERNATIONAL EZ-Tech™ service computer provides fast, accurate diagnostics for less down time**
- **No external high pressure fuel lines to maintain**
- **No catalytic converter to maintain**



I-530E High Torque Engine Performance

Info

280 Rated Horsepower

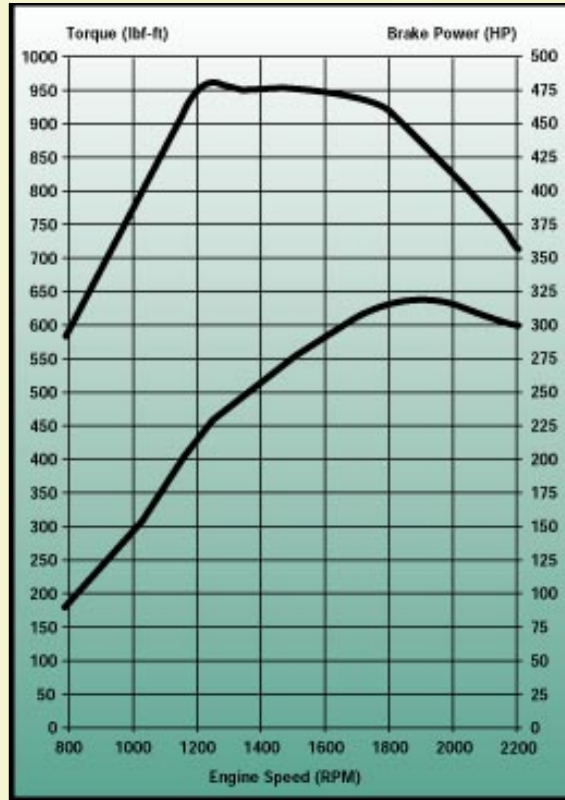


Rated RPM	2000
Gov. Speed RPM	2200
Peak Torque (lb-ft)	950
Peak Torque RPM	1200
Peak Horsepower	292
Peak Horsepower RPM	2000
Clutch Engagement Torque @ 800 RPM	575

Performance curve for engine with air cleaner, less fan, and alternator and air compressor not charging, rated at SAE J1995 test conditions at 29.61 in. Hg (100kPa) and 77 degrees F (25 degrees C) air temperature. No deration required up to 10,000 feet (3,048 meters) above sea level.

I-530E High Torque Engine Performance

300 Rated Horsepower



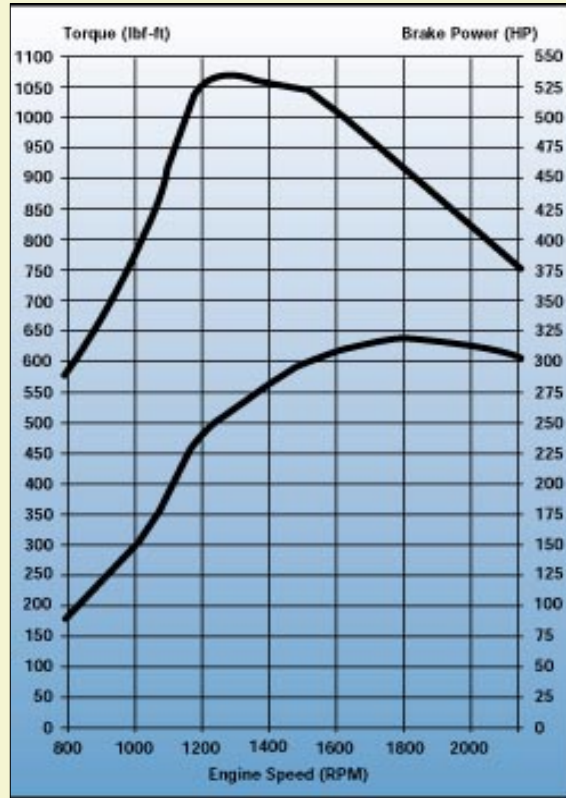
Rated RPM	2000
Gov. Speed RPM	2200
Peak Torque (lb-ft)	950
Peak Torque RPM	1200
Peak Horsepower	310
Peak Horsepower RPM	2000
Clutch Engagement Torque @ 800 RPM	575

Performance curve for engine with air cleaner, less fan, and alternator and air compressor not charging, rated at SAE J1995 test conditions at 29.61 in. Hg (100kPa) and 77 degrees F (25 degrees C) air temperature. No deration required up to 10,000 feet (3,048 meters) above sea level.

I-530E High Torque Engine Performance

Info

300 Rated Horsepower

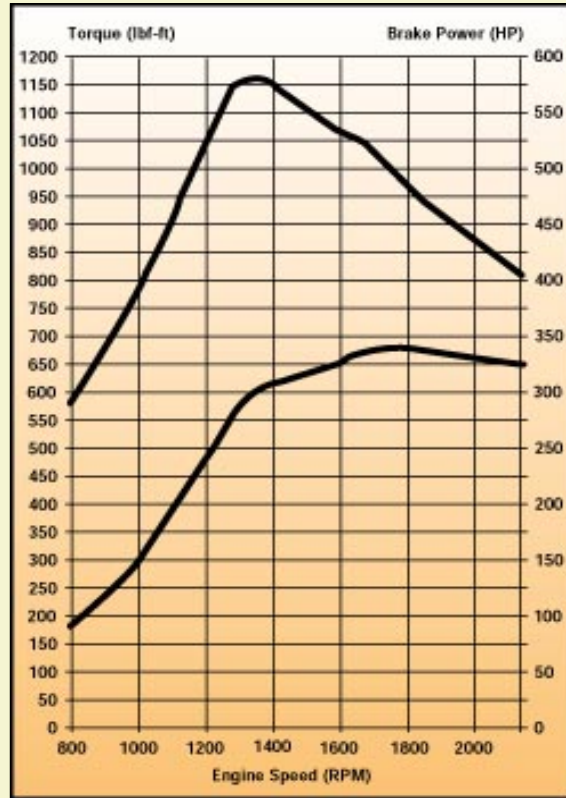


Rated RPM	2000
Gov. Speed RPM	2100
Peak Torque (lb-ft)	1050
Peak Torque RPM	1200
Peak Horsepower	315
Peak Horsepower RPM	1800
Clutch Engagement Torque @ 800 RPM	575

Performance curve for engine with air cleaner, less fan, and alternator and air compressor not charging, rated at SAE J1995 test conditions at 29.61 in. Hg (100kPa) and 77 degrees F (25 degrees C) air temperature. No deration required up to 10,000 feet (3,048 meters) above sea level.

I-530E High Torque Engine Performance

330 Rated Horsepower



Rated RPM	2000
Gov. Speed RPM	2100
Peak Torque (lb-ft)	1150
Peak Torque RPM	1300
Peak Horsepower	335
Peak Horsepower RPM	1700
Clutch Engagement Torque @ 800 RPM	575

Performance curve for engine with air cleaner, less fan, and alternator and air compressor not charging, rated at SAE J1995 test conditions at 29.61 in. Hg (100kPa) and 77 degrees F (25 degrees C) air temperature. No deration required up to 10,000 feet (3,048 meters) above sea level.

I-530E High Torque Engine Specifications

Engine TypeDiesel, 4 cycle

Configuration.....In-line six Cylinder

Displacement.....530 cu. in.
(8.7 liters)

Bore and Stroke4.59 x 5.35 in.
(116.5 x 135.9 mm)

Compression Ratio17.2 : 1

AspirationTurbocharged with Wastegate* and Air-to-Air
Intercooled (*WasteGate 215 HP and above)

Governed Speed2200 RMP / 2100 RPM

Combustion SystemDirect Injection

Cooling System Capacity (engine only)13.5 U.S. qts. (12.8 liters)

Lubricating - System Capacity28.0 U.S. qts. (26.5 liters)

Total Engine Weight (dry)1425 lbs. (647 kg)

DimensionsL = 45.1 in. x W = 29.3 in. x H = 40.8 in.
L = 1146 mm x L = 744 mm x L = 1036 mm



I-530E High Torque Engine Standard Equipment

- **Hydraulically actuated, Electronically controlled Unit Injectors (HEUI)**
- **Diamond Logic• Electronics**
- **Turbocharged with inlet and outlet connections**
- **Engine-mounted lube-oil cooler**
- **Centrifugal water pump with drive pulley**
- **Flywheel housing, SAE #2, with pad-type mount**
- **Spin-on, full flow lube oil filter and fuel filter**
- **Coolant filter/conditioner**
- **Oil fill and level gauge**
- **Engine lifting eyes**
- **Extended-life coolant compatible components. ****

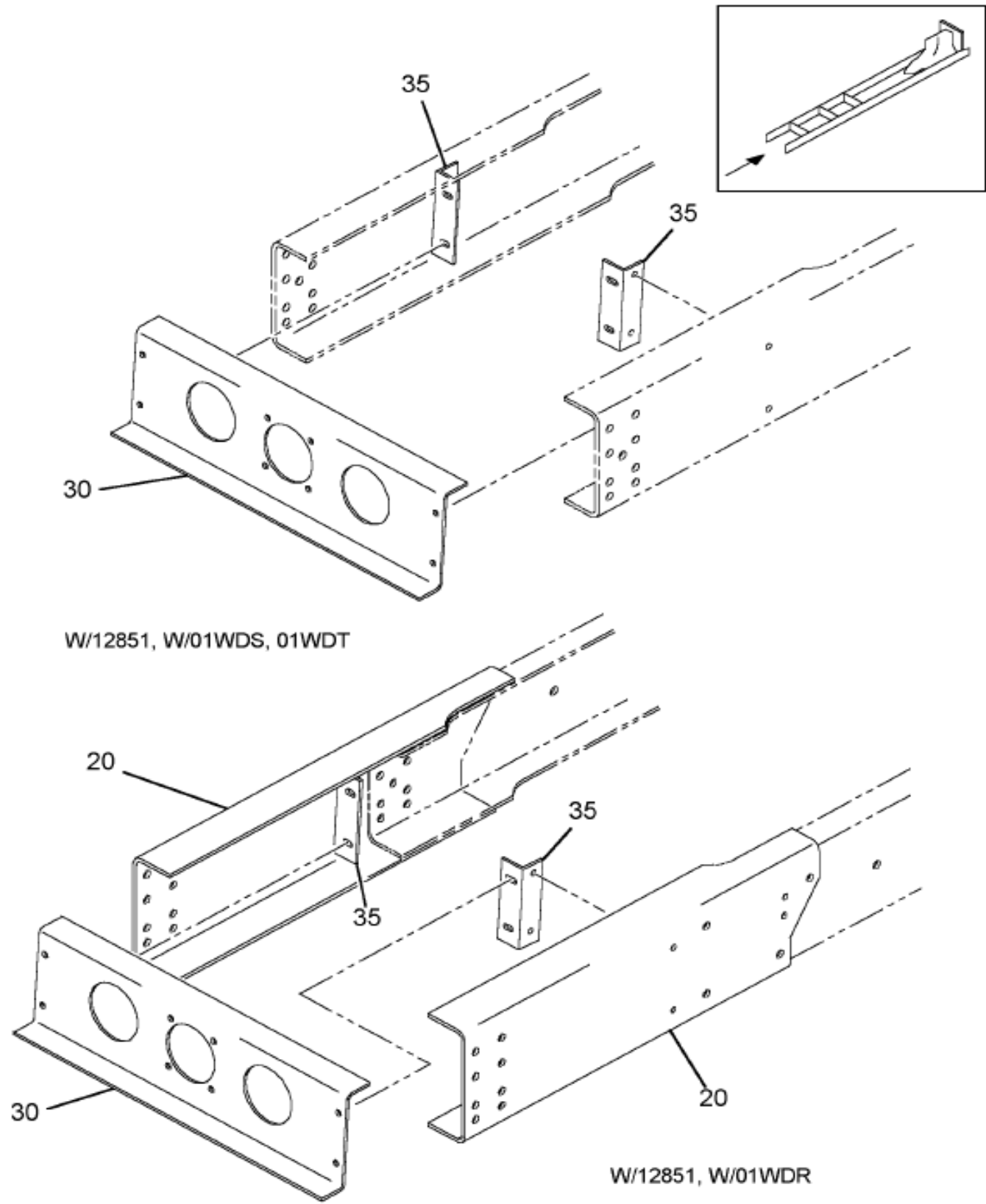


** See your INTERNATIONAL dealer for complete details

Group 01

Frame

Figure 07VHX
BOLT-ON FRAME EXTENSION; W/XMBR



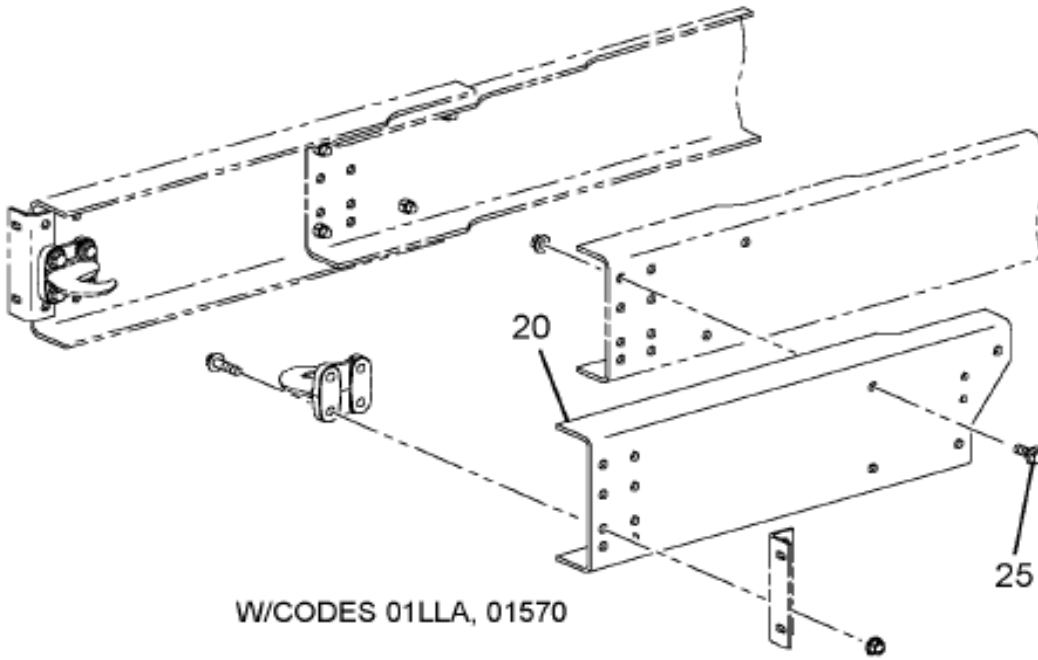
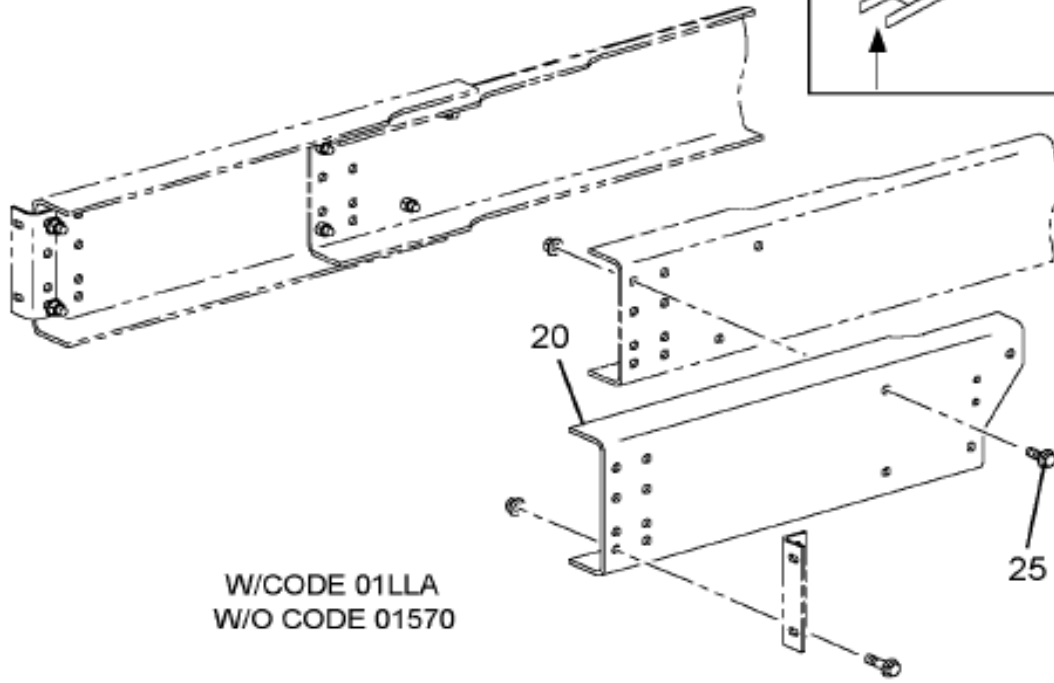
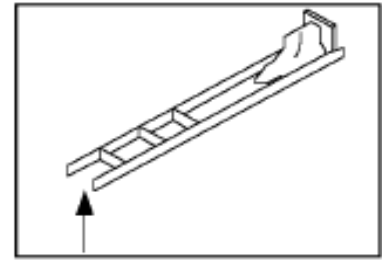
01-008-0009-BA

L02

Figure 1 of 2

Figure 07VHX
BOLT-ON FRAME EXTENSION; W/XMBR

GROUP 01



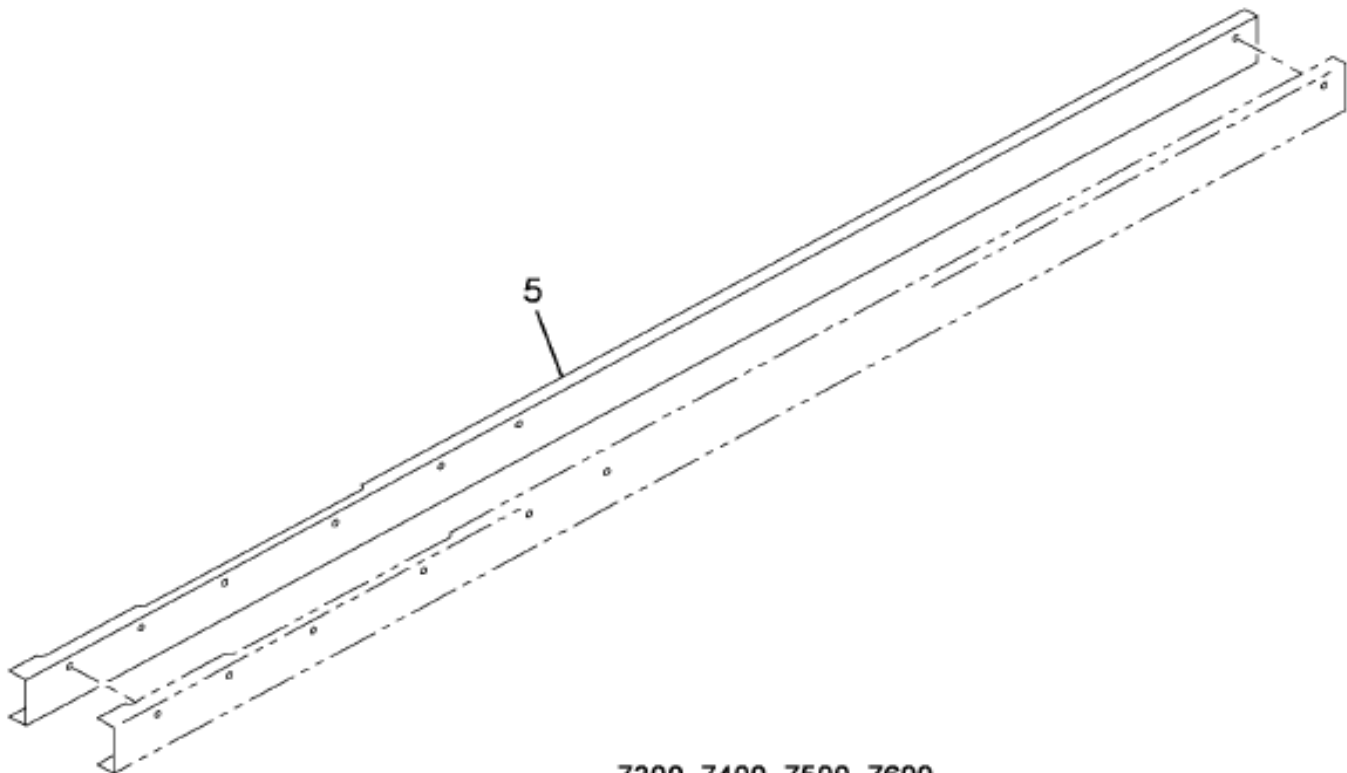
01-008-0010-BB

L02

Item	Part No.	Qty	Description	Kit	Var	Figure
25	30753R2	4	BOLT, M16 X 60MM PHC FLG CLASS		0J70N	
25	30756R1	4	NUT, HEX M16 PRVTRQ		0J70N	

Figure 0FTQ0

FRAME RAIL SIDEMEMBER; 11.0 (7/16") THK, 120K



7300, 7400, 7500, 7600
N/INTEGRAL FRONT
FRAME EXTENSION
(N/01 WDS, 01WDT)

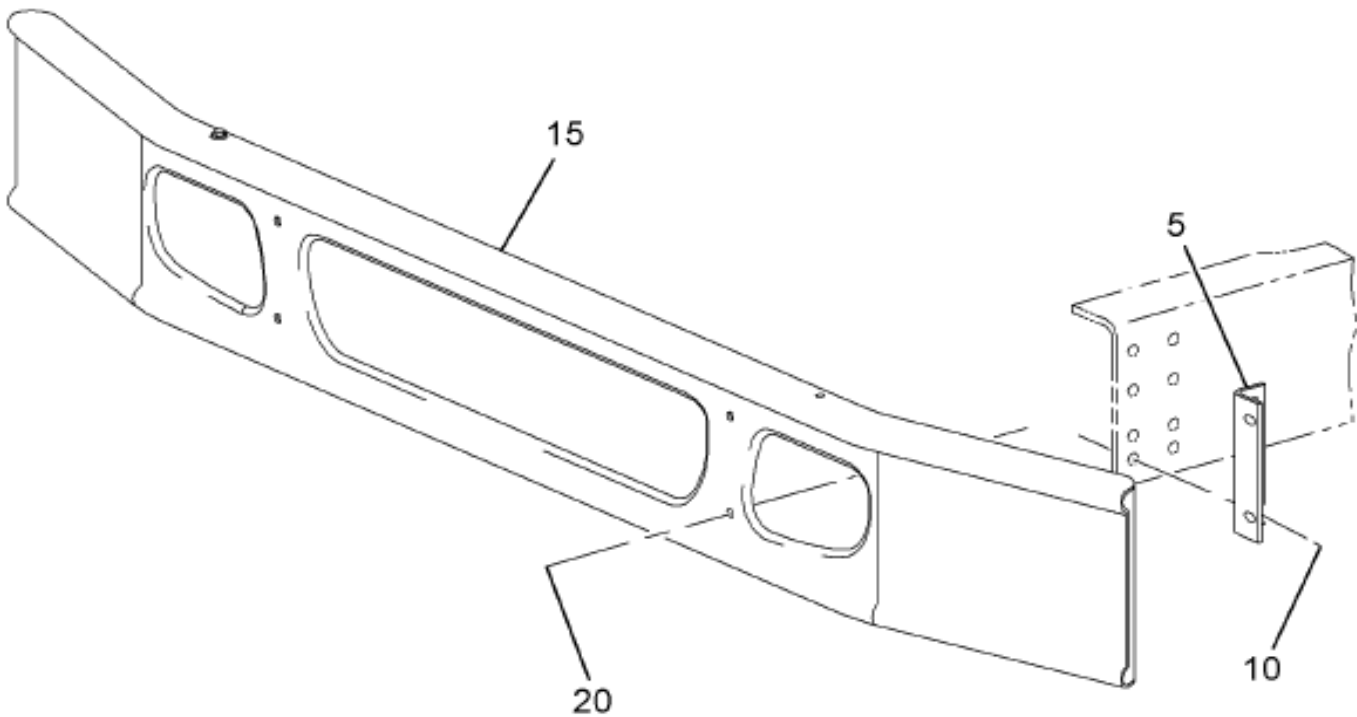
01-001-0182-BA

E09

Item	Part No.	Qty	Description	Kit	Var	Figure
5	3593439C1	1	MEMBER,FRAME SIDE LEFT 11.0 TH		0KXZ6	
5	3593440C1	1	MEMBER,FRAME SIDE RT 11.0 THK,		0KXZ6	

Figure 0F9CX

FRT BUMPER INSTL; 20" BOLT-ON EXTD RAIL; W/FRAME EXTENSION

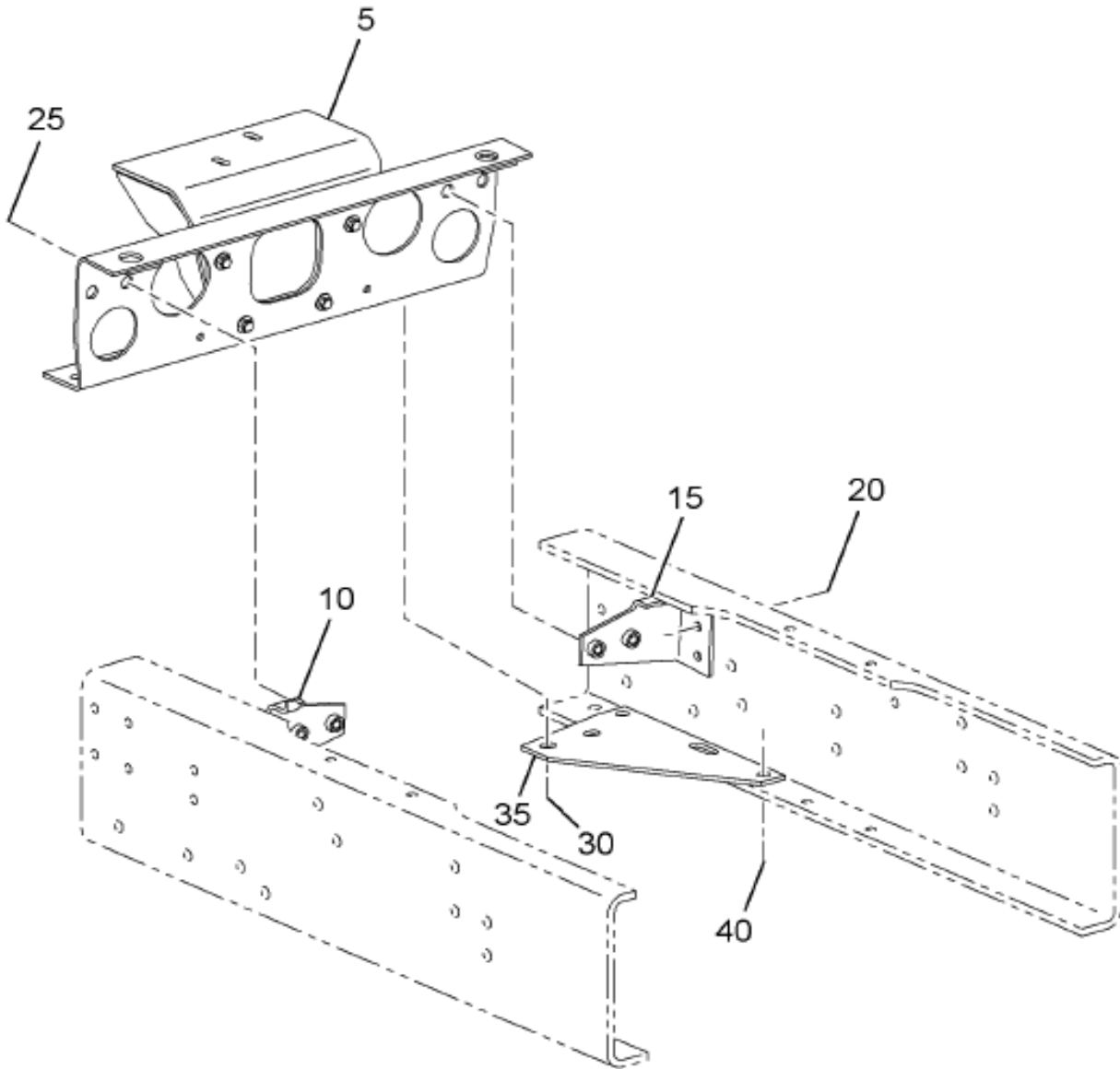
G
R
P
0
1

01-003-0063-CA

H04

Item	Part No.	Qty	Description	Kit	Var	Figure
5	3540724C2	2	BRACKET, FRONT BUMPER SUPT		0HYVM	
15	3542418C3	1	BUMPER, FRONT PAINTED SWEPT		0HXNR	
20	3535859C1	4	NUT, HEX METRIC PREV. TORQ*M12		0HYVM	
20	3579048C1	4	BOLT, BUMPER*6 LOBE M12 X 41 S		0HYVM	
20	3579049C1	4	WASHER, FLAT*M12, OD 27, SST		0HYVM	

Figure 0M7YB
FRT XMBR INSTL; RADIATOR

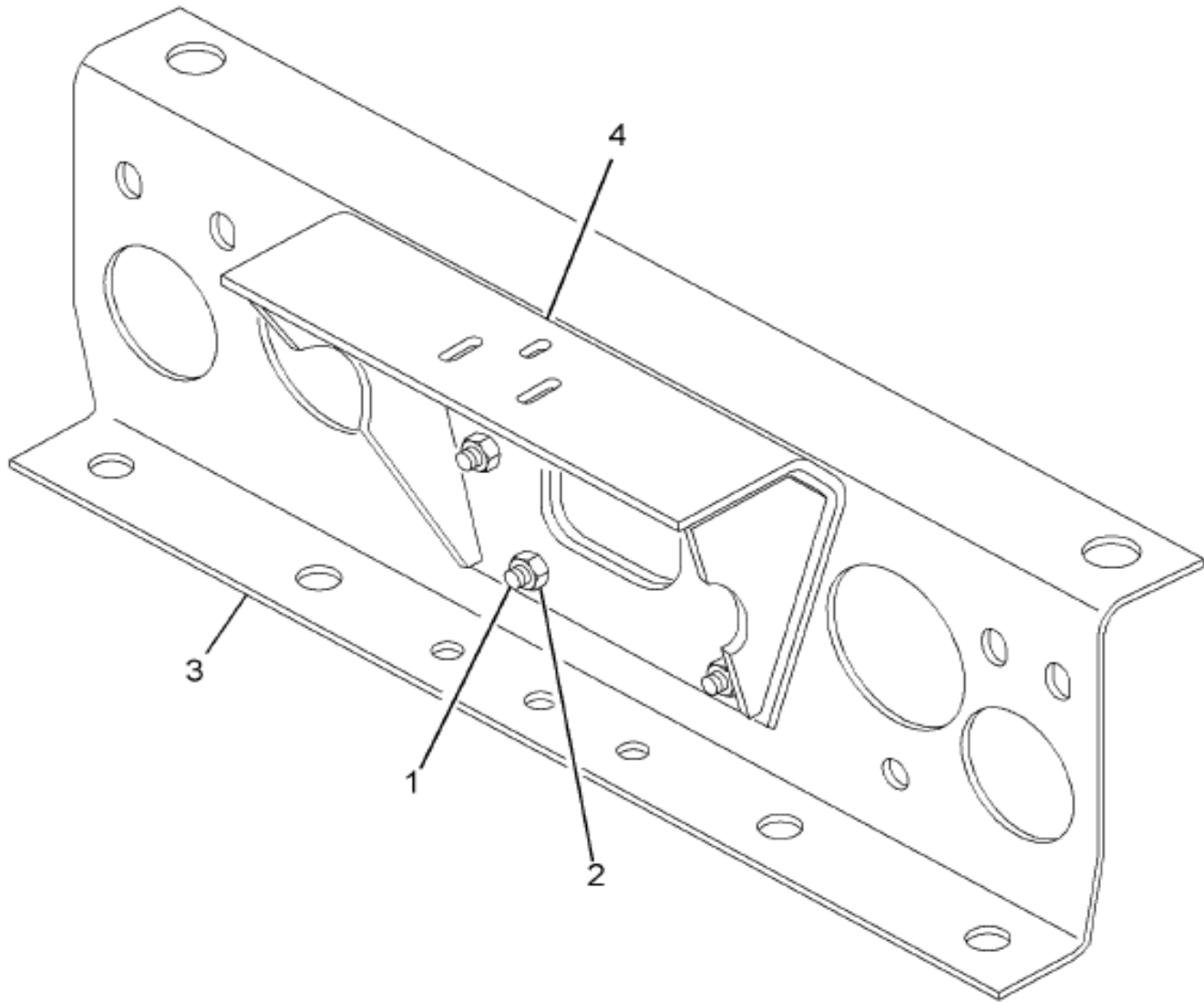


01-V11-0021-01

A05

Item	Part No.	Qty	Description	Kit	Var	Figure
5	3567132C93	1	CROSSMEMBER,RAD SUPT*XMBER FOR		0M7YD	3567132C93
10	3566352C2	1	BRACKET,RAD MTG*LEFT MTG		0M7YH	
15	3566353C2	1	BRACKET,RAD MTG*RIGHT MTG		0M7YH	
20	30748R2	4	BOLT, M12 X 50MM PHC FLG CLASS		0M7YH	
20	30755R1	4	NUT,HEX M12 FLANGED		0M7YH	
25	3554702C1	4	BOLT,HEX FLG HD METRIC*M12 X 3		0M7YB	

Figure 3567132C93
CROSSMEMBER,RAD SUPT*XMBER FOR

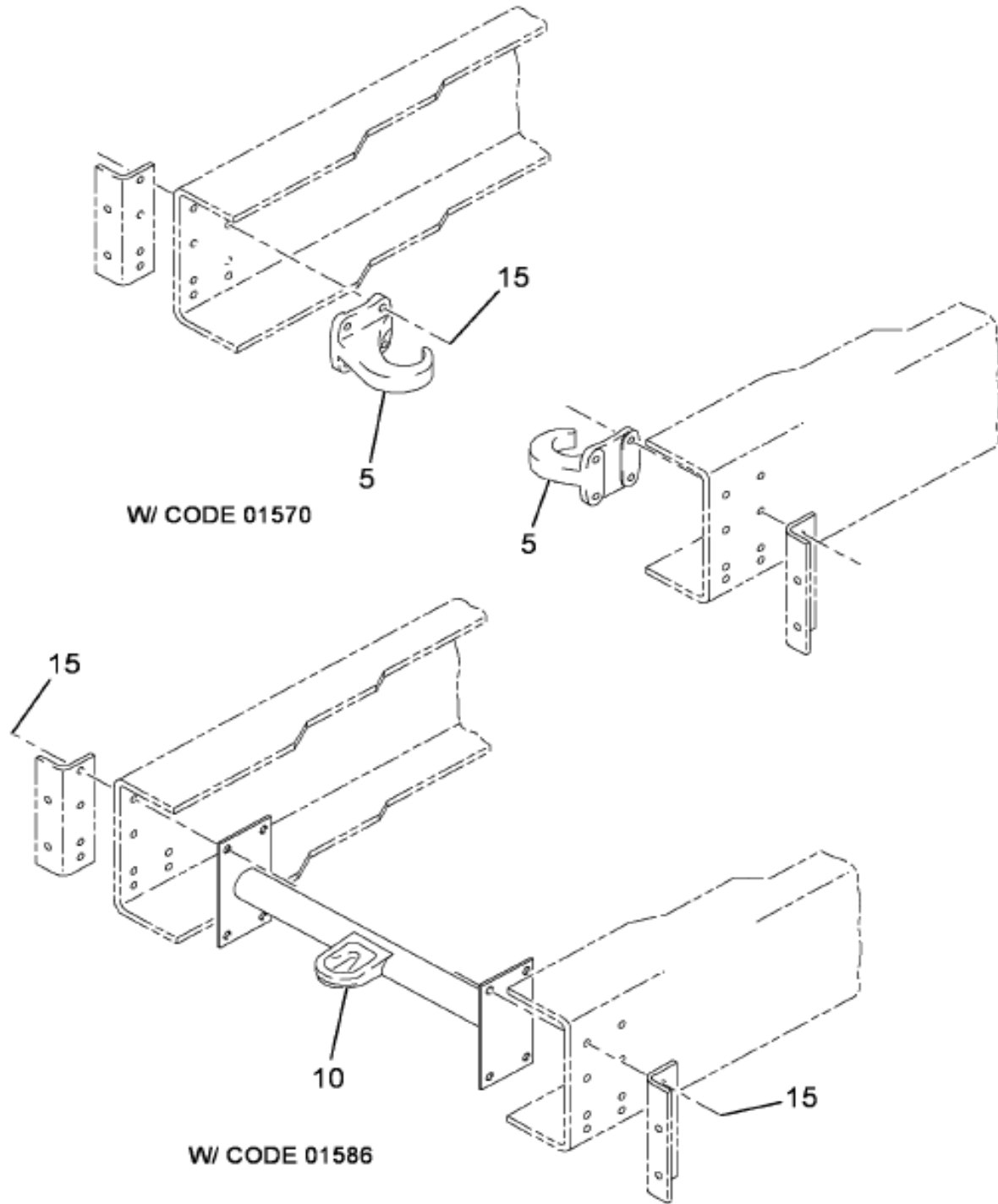


12-V01-0004-00

G04

Item	Part No.	Qty	Description	Kit	Var	Figure
1	3535858C1	4	BOLT,HEX FLG HD METRIC*M12-1.7			
2	3535859C1	4	NUT,HEX METRIC PREV. TORQ*M12			
3	3566349C2	1	CROSSMEMBER,RAD SUPT*XMBER FOR			
4	3567131C2	1	BRACKET,HOOD HINGE ASSY, CENTE			
880	RF		NOTE: ASM BELOW COMPRISED OF ABOVE COMPONENTS			

Figure 07VQC
TOW HOOK & MTG; FRONT RECOVERY DEVICES



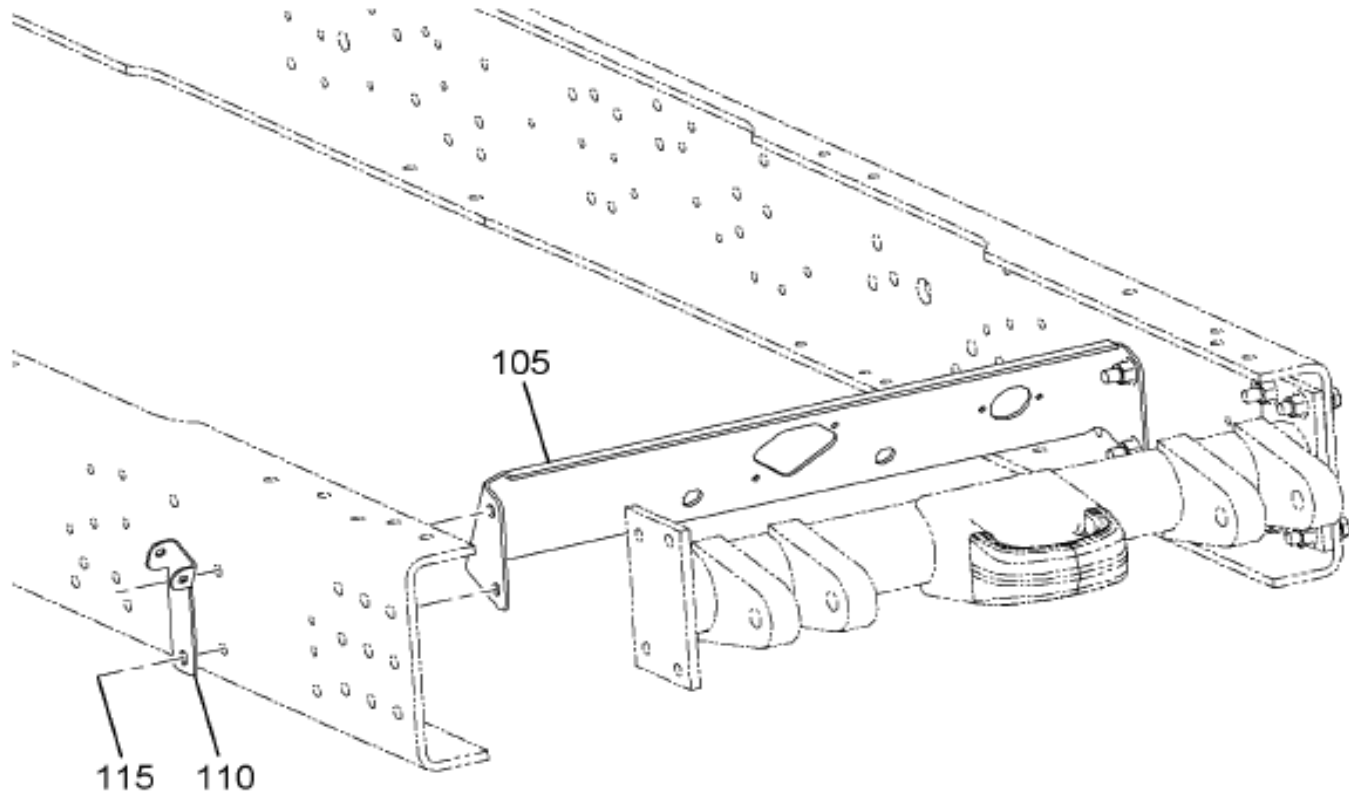
01-018-0027-AA

E09

Figure 1 of 2

Figure 07VQC
TOW HOOK & MTG; FRONT RECOVERY DEVICES

GROUP 01

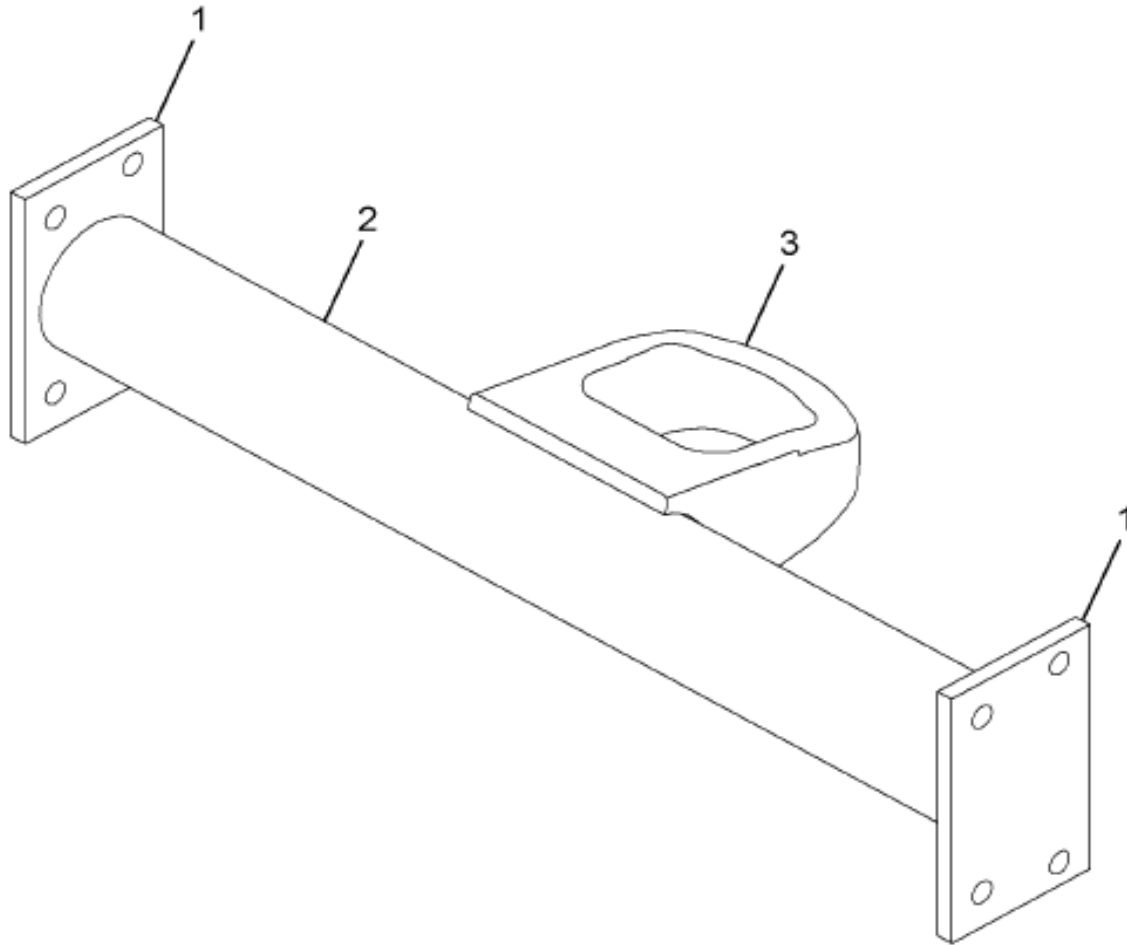


01-018-0038-01

H08

Item	Part No.	Qty	Description	Kit	Var	Figure
10	3616541C1	1	CROSSMEMBER, TOWING EYE, ASSY		0N5VR	3616541C1
15	30756R1	8	NUT, HEX M16 PRVTRQ		07VQC	
15	31075R1	8	BOLT, M16 X 70 PHC CL 10.9 FLG		07VQC	

Figure 3540856C4
CROSSMEMBER, *FRT TOW LOOP



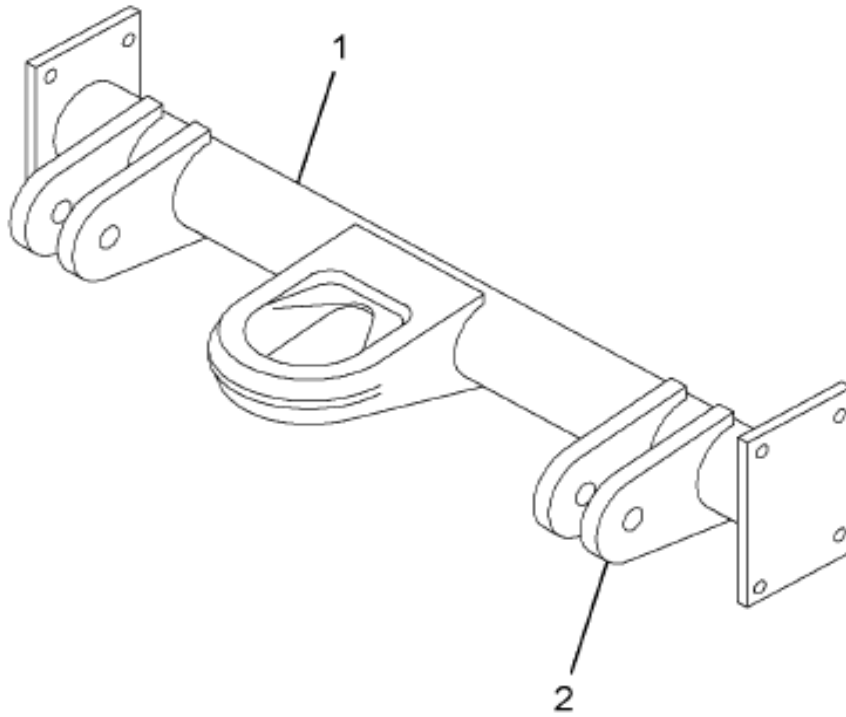
01-020-0018-01

F04

Item	Part No.	Qty	Description	Kit	Var	Figure
1	3540857C3	2	PLATE, XMBR FRT TOW LOOP			
2	3590924C1	1	CROSSMEMBER, *PIPE			
3	431630C1	1	EYE, TOWING			
880		RF	NOTE: ASM BELOW COMPRISED OF ABOVE COMPONENTS			
881	3540856C4	RF	CROSSMEMBER, *FRT TOW LOOP			

Figure 3616541C1
 CROSSMEMBER, TOWING EYE, ASSY

GROUP 01

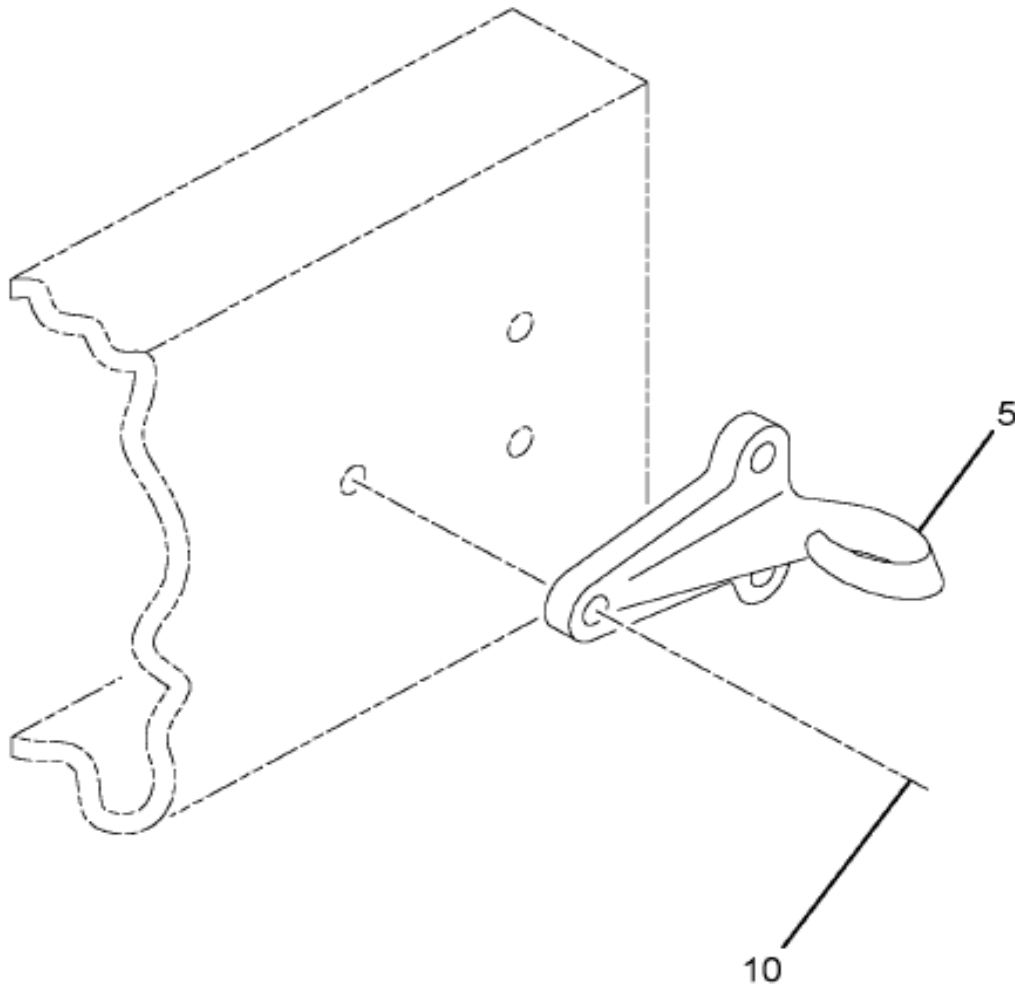
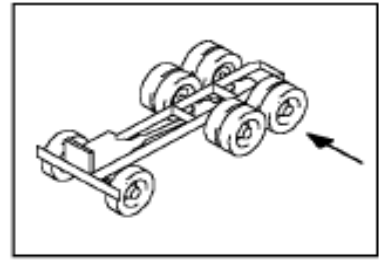


01-018-0047-01

L05

Item	Part No.	Qty	Description	Kit	Var	Figure
1	3540856C4	1	CROSSMEMBER, *FRT TOW LOOP			3540856C4
2	1612149C2	4	BAR,, LIFTING EYE			
880		RF	NOTE: ASM BELOW COMPRISED OF ABOVE COMPONENTS			
881	3616541C1	RF	CROSSMEMBER, TOWING EYE, ASSY			

Figure 07X7R
TOW HOOK & MTG; REAR; W/XMBR



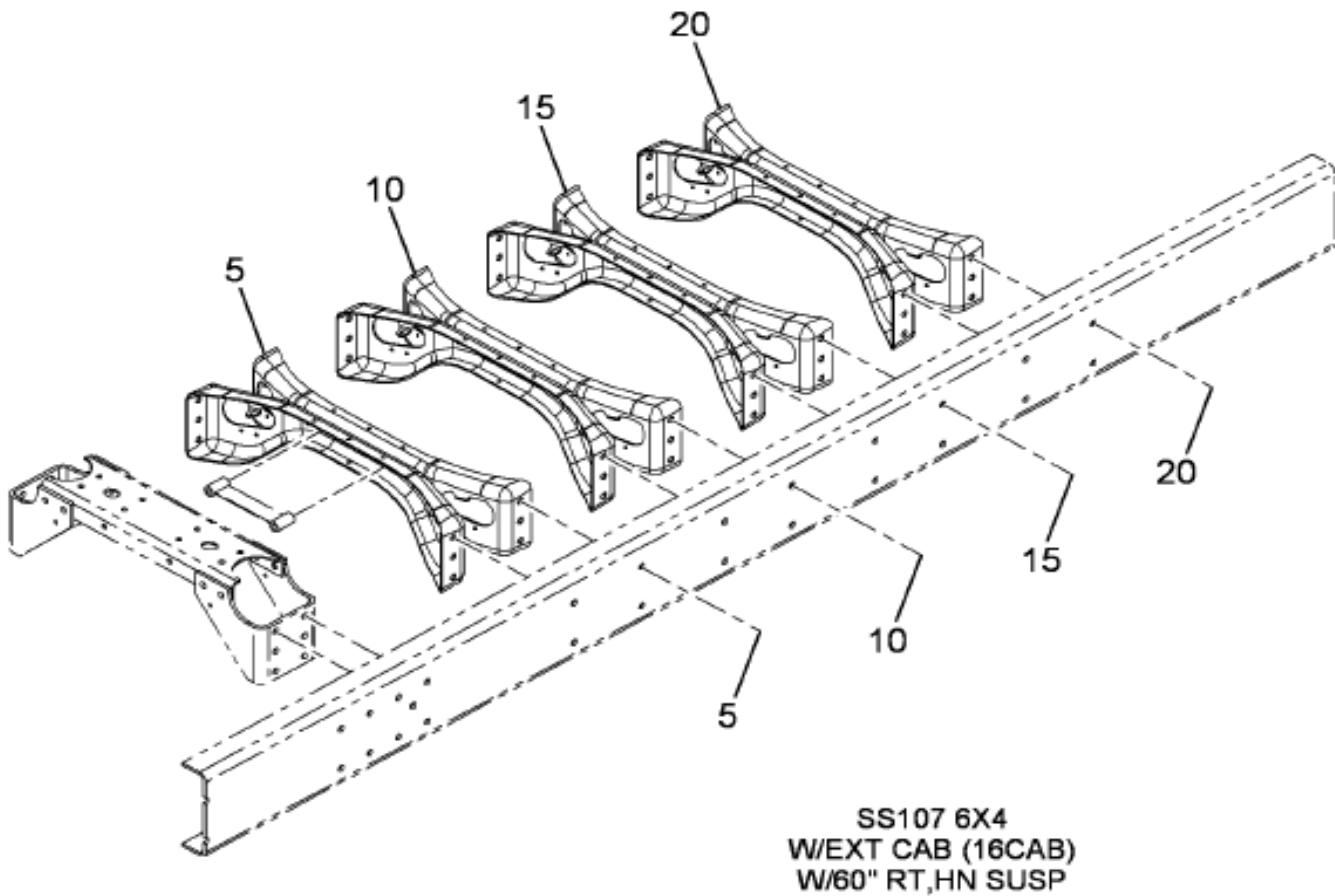
01-020-0001-00

M02

Item	Part No.	Qty	Description	Kit	Var	Figure
5	3540837C1	2	HOOK-TOW		07X7R	
5	30756R1	8	NUT, HEX M16 PRVTRQ		07X7R	
5	30753R2	8	BOLT, M16 X 60MM PHC FLG CLASS		07X7R	

Figure 0BDC4
XMBR & MTG; INTMD, 4-PC

GROUP 01

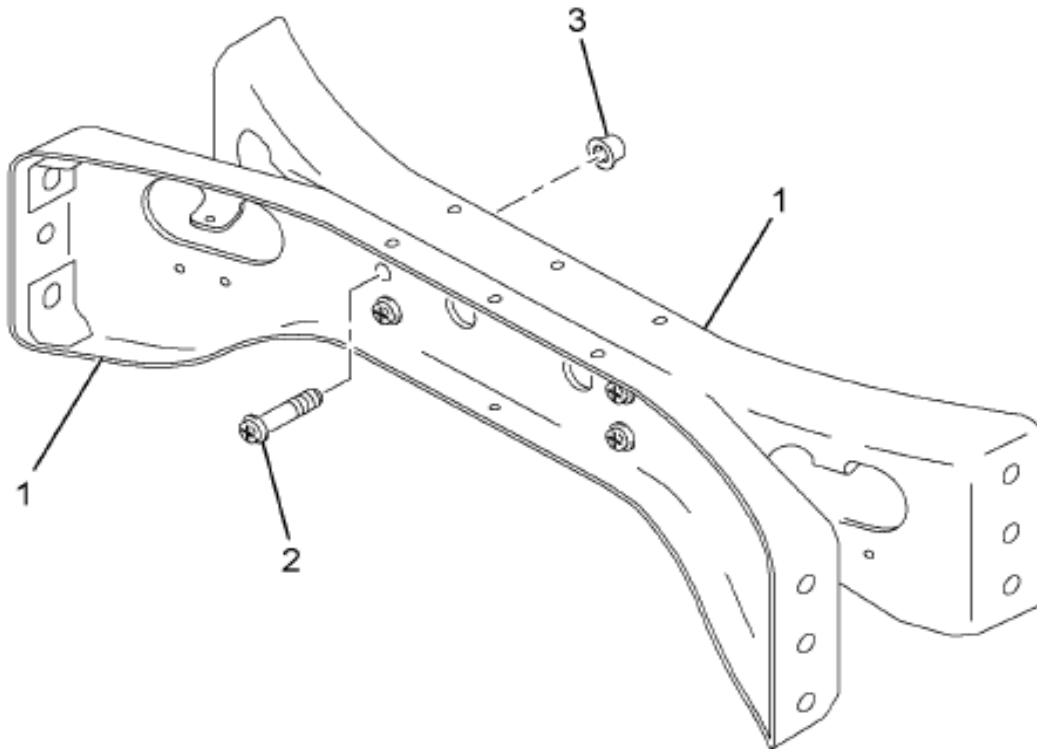


01-004-0162-A0

C09

Item	Part No.	Qty	Description	Kit	Var	Figure
5	1664559C92	1	C MEMBER		0BDD9	1664559C92
5	1518208C1	8	BOLT,HUCK 5/8 DIA		0BDD9	
5	1518213C1	8	COLLAR, HUCK 5/8 DIA.		0BDD9	
10	1664559C92	1	C MEMBER		0CW6Y	1664559C92
10	1518208C1	8	BOLT,HUCK 5/8 DIA		0CW6Y	
10	1518213C1	8	COLLAR, HUCK 5/8 DIA.		0CW6Y	

Figure 1664559C92
C MEMBER



01-004-0099-00

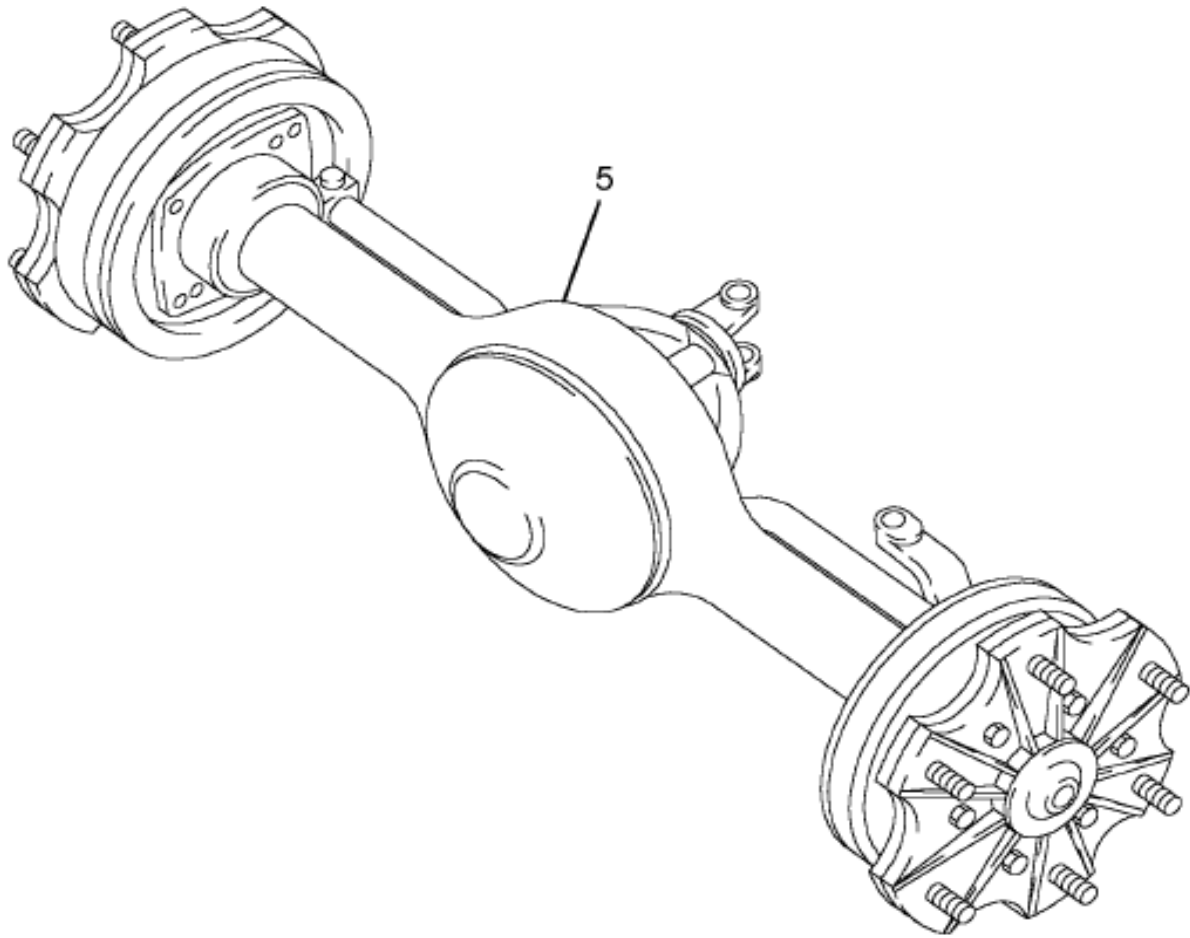
C05

Item	Part No.	Qty	Description	Kit	Var	Figure
1	1660091C2	2	C MEMBER			
2	3508419C1	4	BOLT,HUCK SPIN FASTENER 1/2"D			
2	414051C1	4	BOLT,HEX-HD 1/2-20 UNF X 1-1/4			
3	1518207C1	4	BOLT,HUCK			
3	414087C1	4	NUT, FLG HD LK 1/2-20			
800	RF		NOTE: THE FOLLOWING PARTS ARE			

Group 02

Front Axle

Figure 0FWRZ
 AXLE HSG; FRT,DRV,W/BRK,HUB



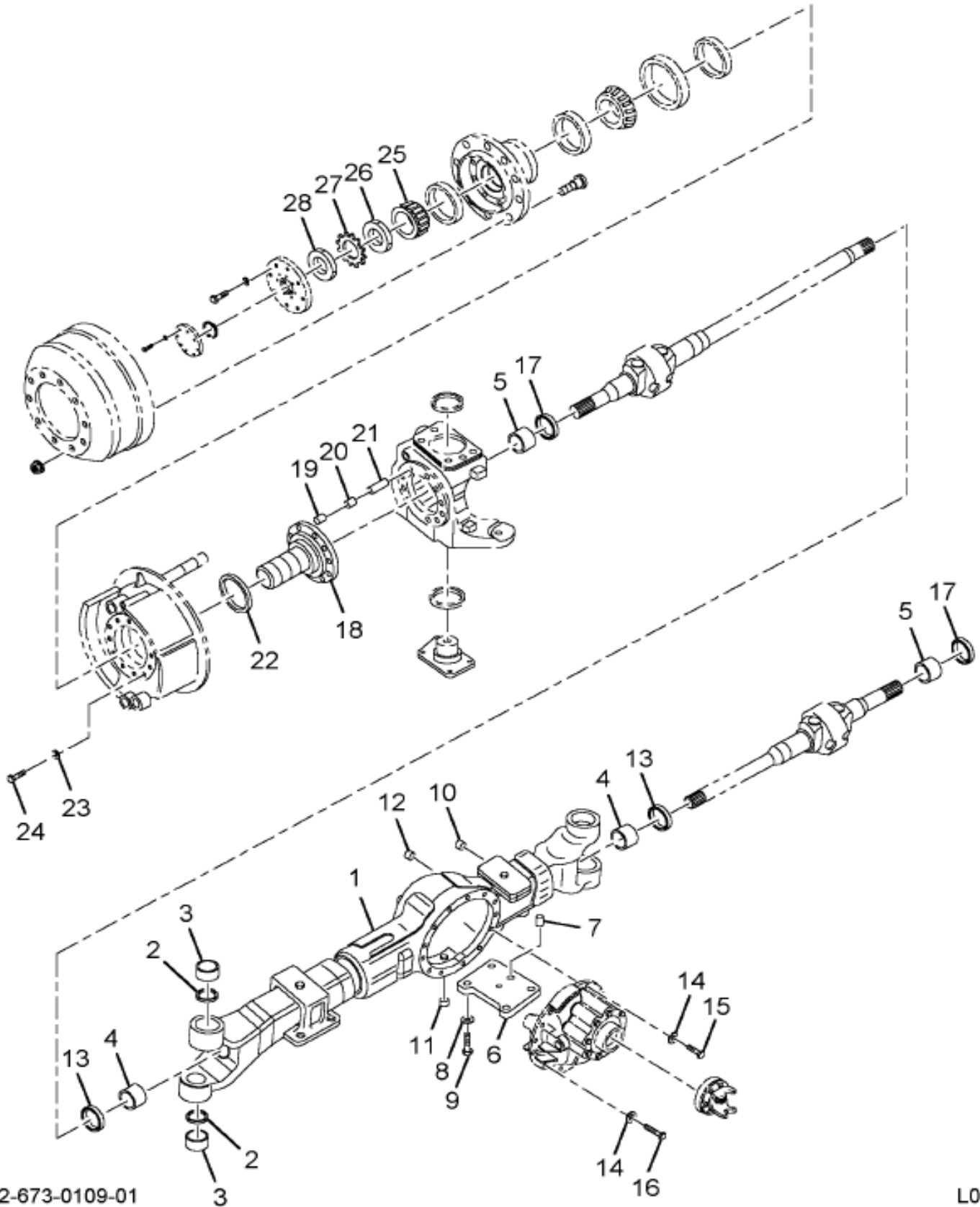
02-021-0090-00

E04

Item	Part No.	Qty	Description	Kit	Var	Figure
5	3556927F91	1	HOUSING,FRT L/DIFF 02ESA FC#1		0FWSS	3556927F91

Figure 3556927F91
HOUSING, FRT L/DIFF 02ESA FC#1

GROUP 02



02-673-0109-01

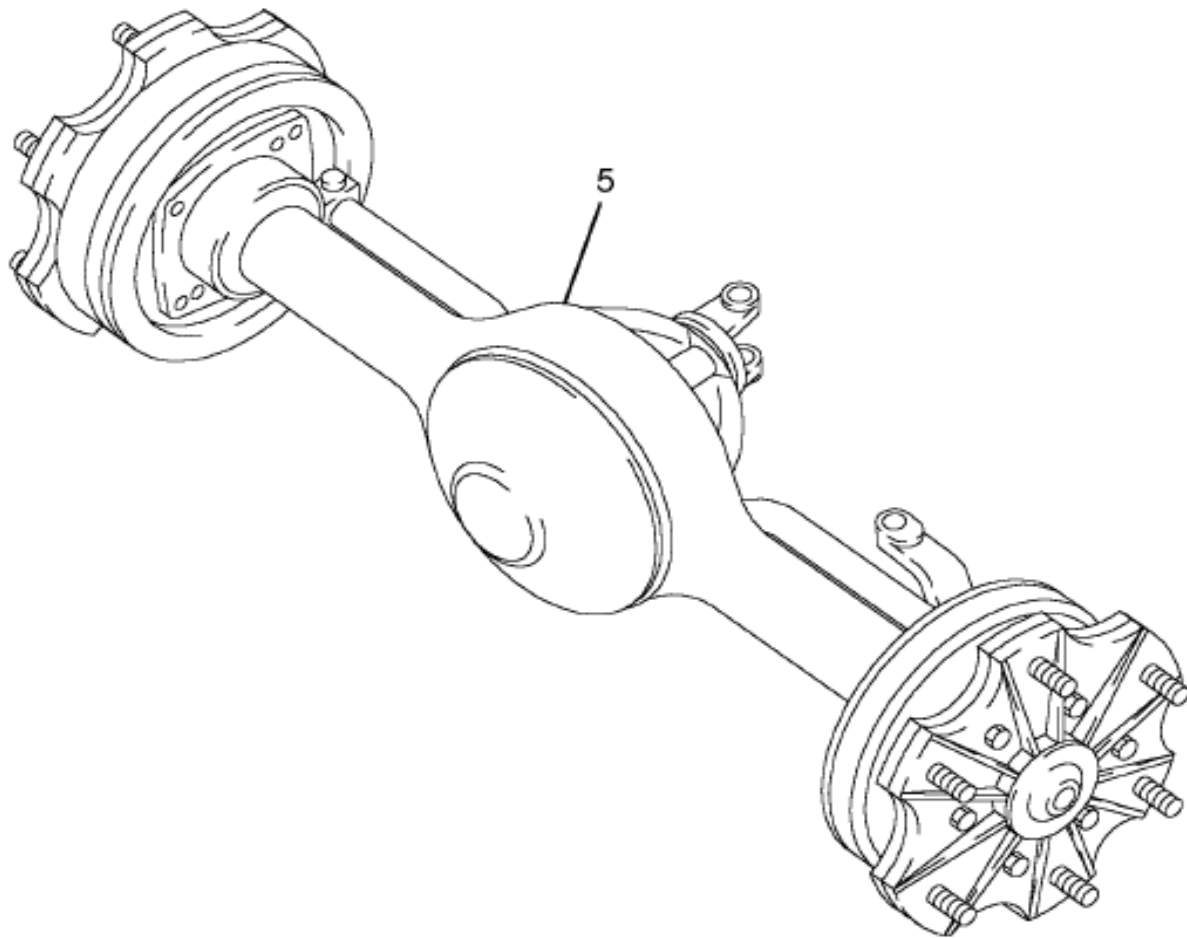
L03

Item	Part No.	Qty	Description	Kit	Var	Figure
1	2507877C91	1	HOUSING, FRT DR 02ESA, B, C, RX			
2	2507878C1	4	PLUG, EXP K/P			
3	1685074C1	4	BUSHING, K/P UPR & LWR 02ERD, E			
4	2507879C1	2	BUSHING, HSG AXLE SHAFT			
5	2507879C1	2	BUSHING, HSG AXLE SHAFT			
6	2507880C1	1	PLATE, HSG SPRING (WELDED PART)			

Figure 0FWS6

AXLE SHAFT ASM; FRT DRV,W/DRIVE CAP & U-JOINT

GROUP 02

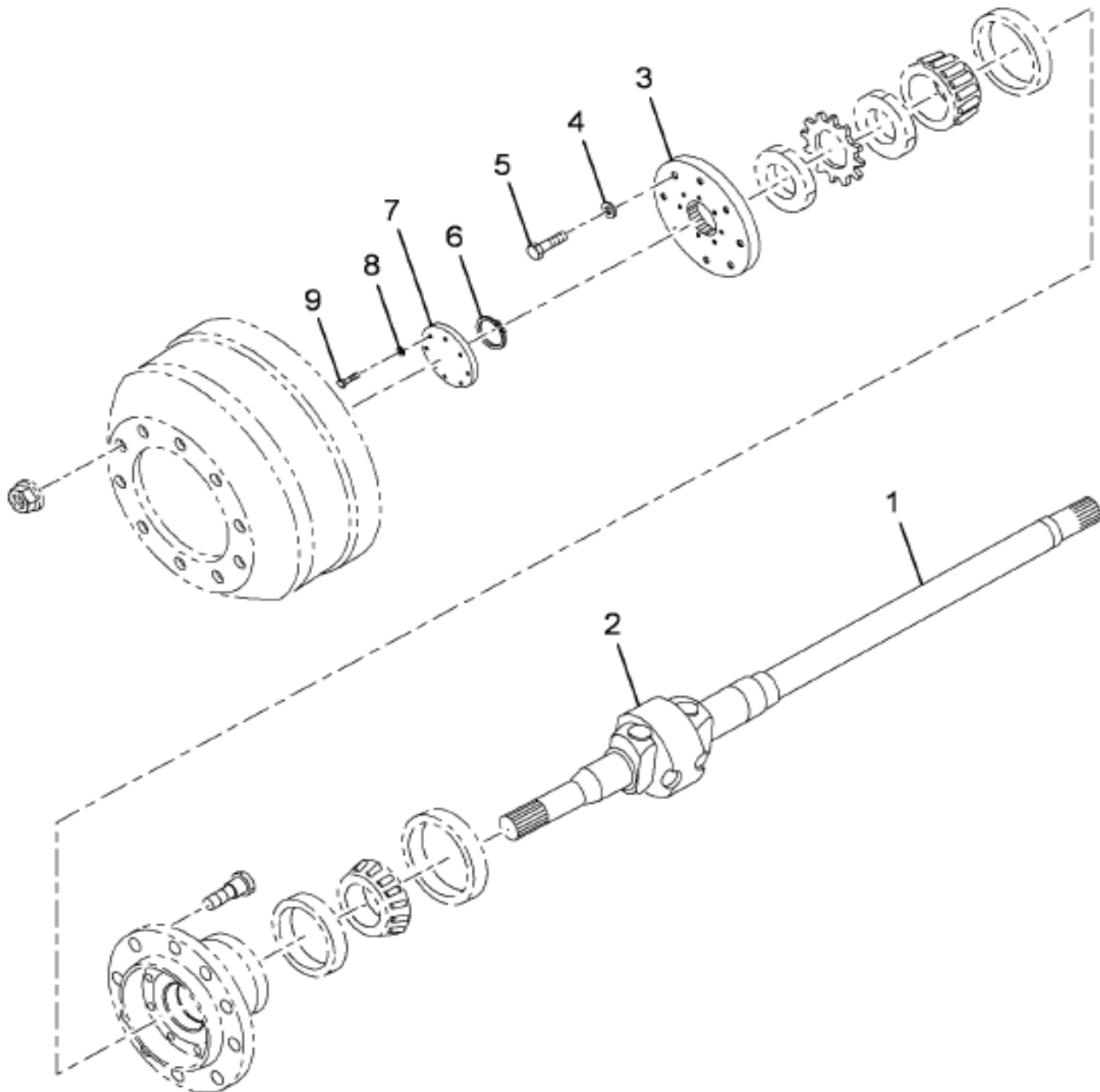


02-021-0090-00

E04

Item	Part No.	Qty	Description	Kit	Var	Figure
5	3556980F91	1	SHAFT,AXLE W/FLG & JT ABR FC#8		0FWWM	3556980F91

Figure 3556980F91
SHAFT, AXLE W/FLG & JT ABR FC#8



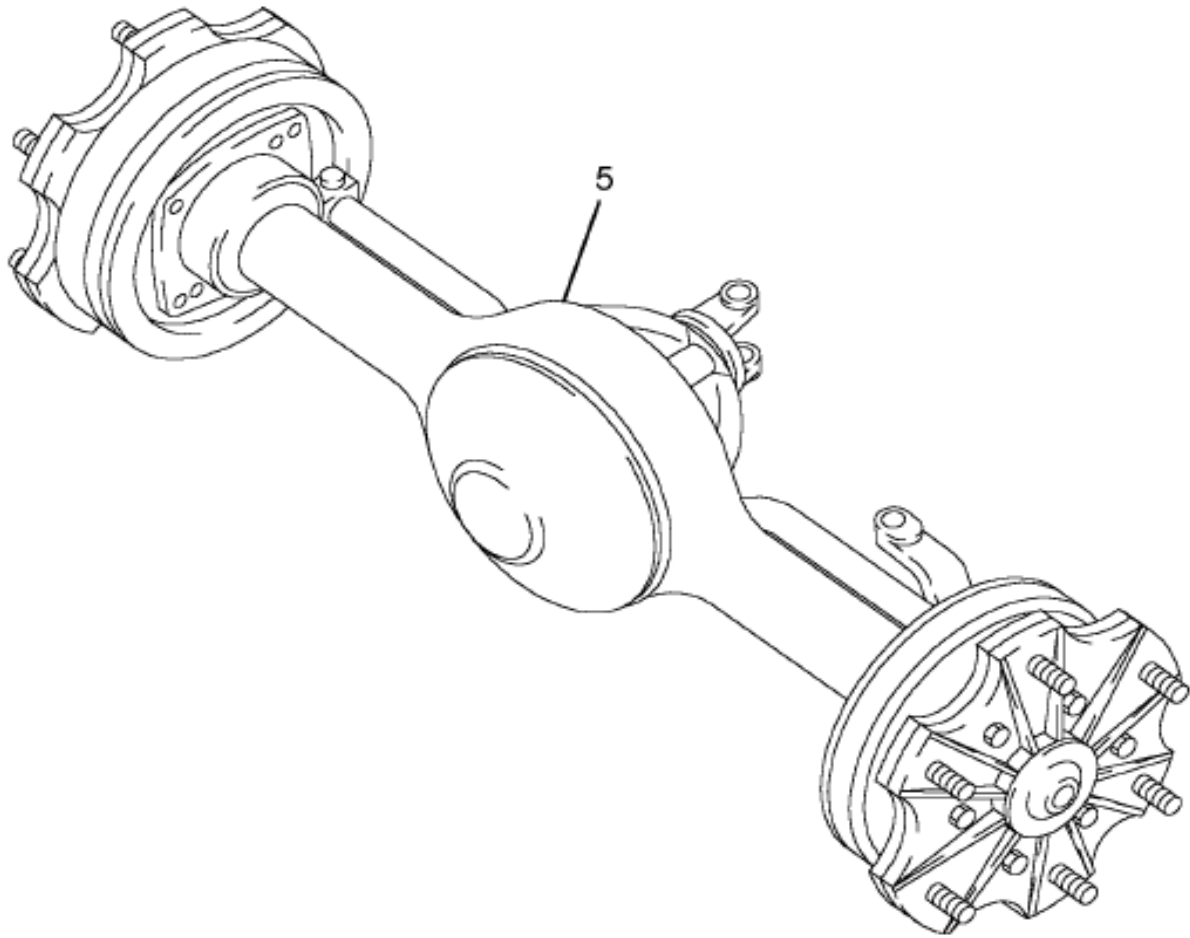
LEFT HAND SHOWN
RIGHT HAND OPPOSITE

02-A18-0005-01

A11

Item	Part No.	Qty	Description	Kit	Var	Figure
1	2507897C91	1	SHAFT, ASSY INR & OTR W/JT LT			
1		RF	LEFT			
1	2507898C91	1	SHAFT, ASSY INR & OTR W/JT RT			
1		RF	RIGHT			
2	A3202H9992	2	U-JOINT			
3	2507899C1	2	FLANGE, AXLE DR			

Figure 0FWS7
DIFF & GEARING; FRT DRV AXLE MODULE

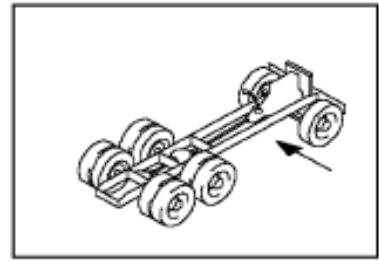


02-021-0090-00

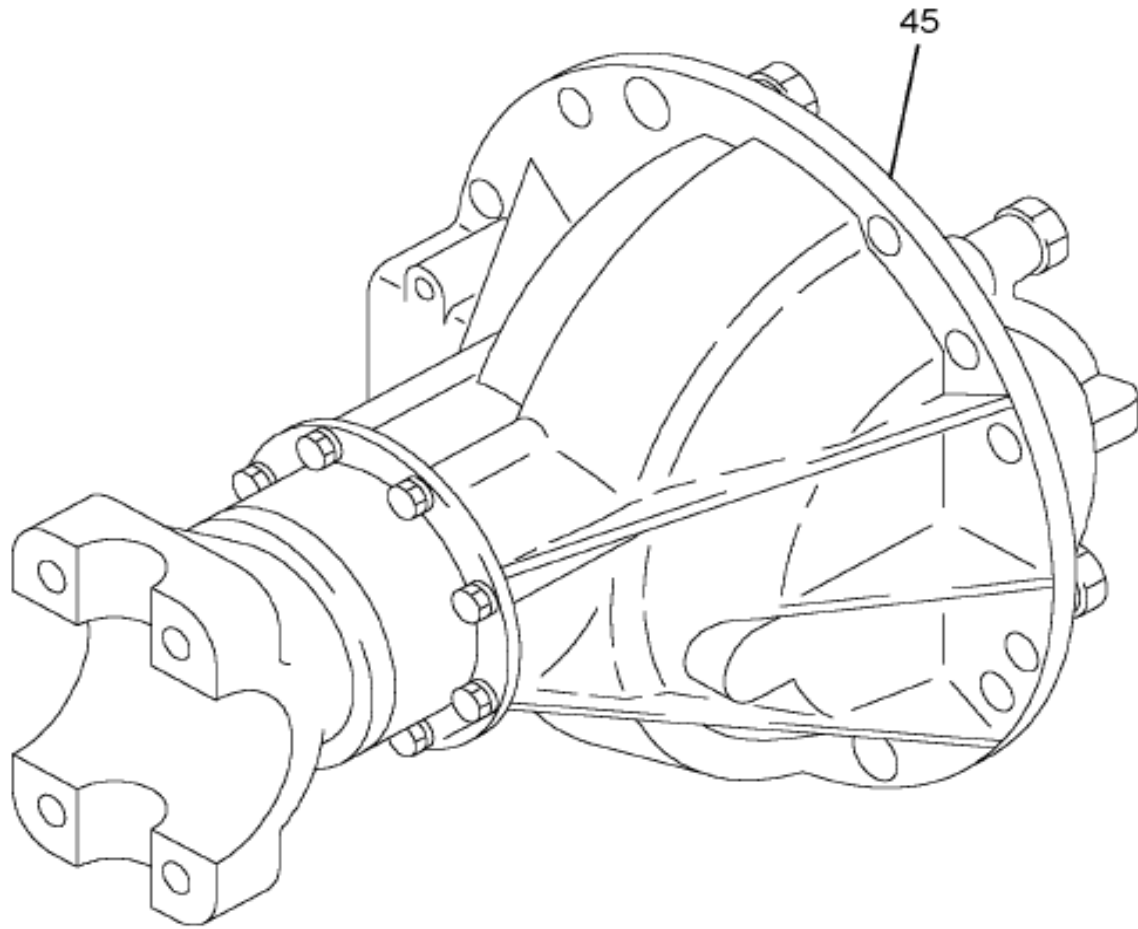
E04

Figure 1 of 2

Figure 0FWS7
DIFF & GEARING; FRT DRV AXLE MODULE



GROUP 02

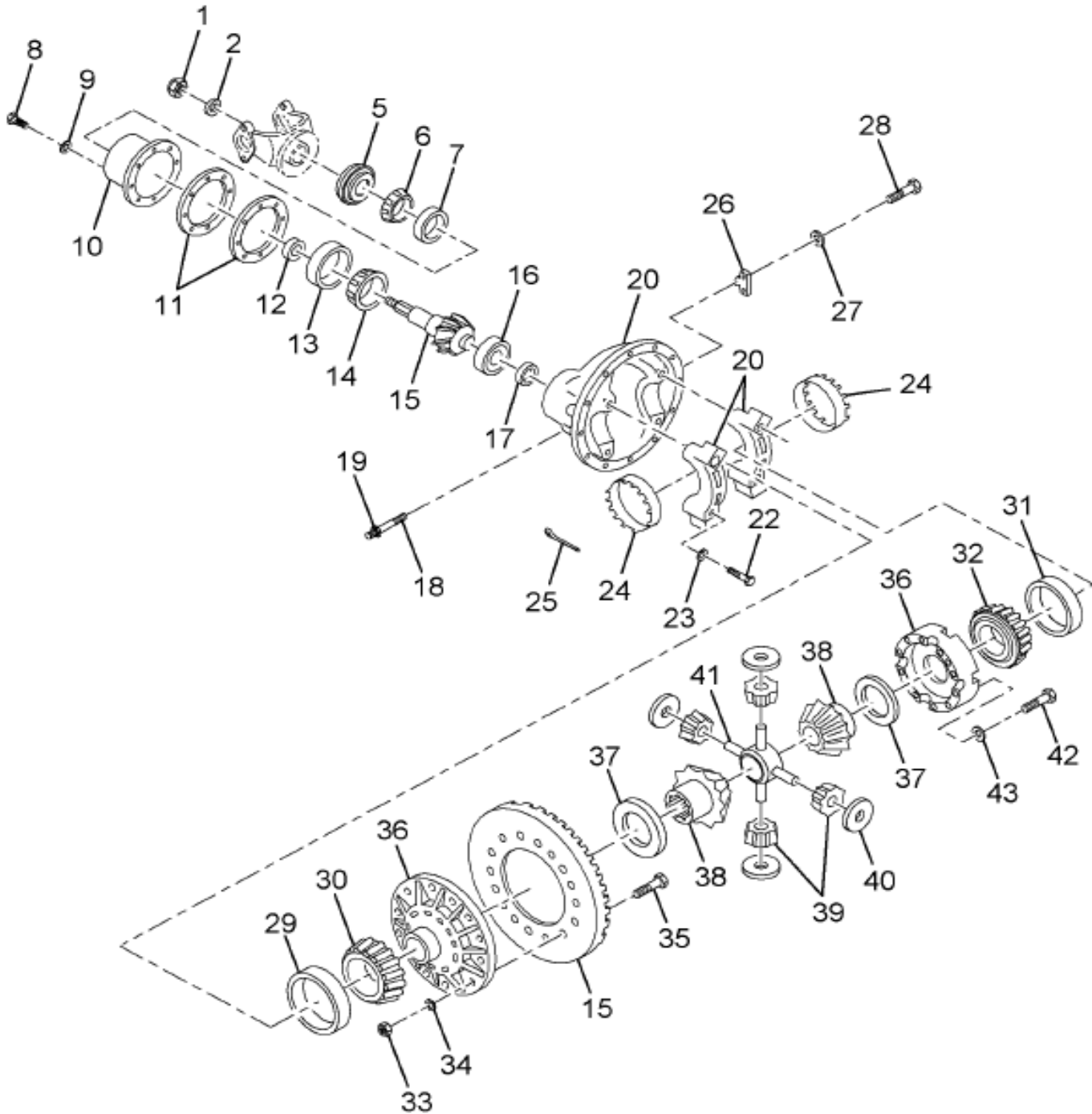


02-A19-0002-01

M02

Item	Part No.	Qty	Description	Kit	Var	Figure
45	3556990F91	1	DIFFERENTIAL,FD 6.14 FC#9		0FWXP	3556990F91

Figure 2507920C91
DIFFERENTIAL, FD 6.14 02ESA,B,C



02-A19-0003-01

B07

Item	Part No.	Qty	Description	Kit	Var	Figure
1	1689588C1	1	NUT, UNIV JOINT			
2	3239318R1	1	WASHER, SPECIAL			
5	573716C91	1	SEAL ASSY OIL	A		
6	TMHM804846	1	BEARING, CONE	A		
7	TMHM804810	1	BEARING, CUP	A		
8	2502739C1	8	BOLT, HH M12X1.75X40			

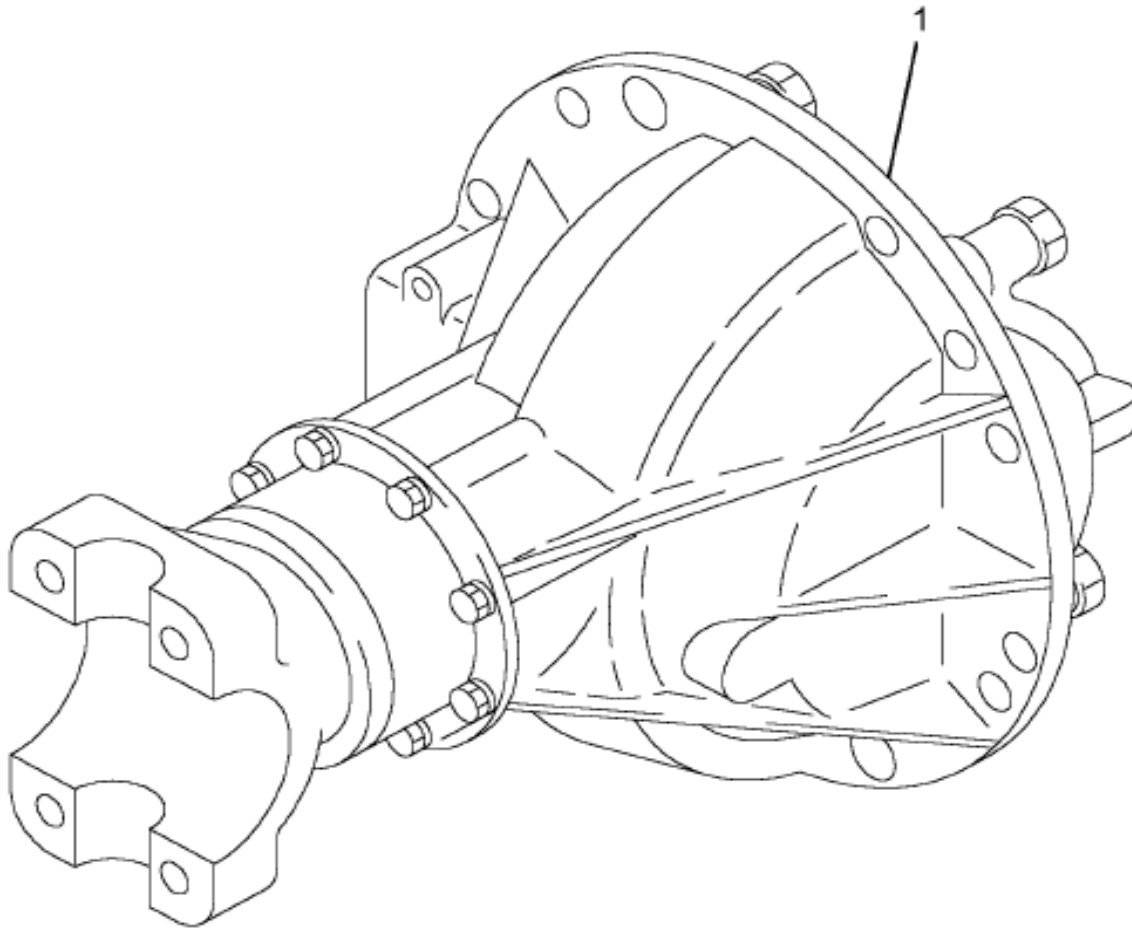
Figure 2507920C91
DIFFERENTIAL, FD 6.14 02ESA,B,C

Item	Part No.	Qty	Description	Kit	Var	Figure
9	1696019C1	8	WASHER, FLAT METRIC 12MM			
10	2508070C91	1	CAGE, DIFF PIN W/CUPS			
11	2508062C1	AR	SHIM, PINION BRG CAGE .001			
11	2508063C1	AR	SHIM, PINION BRG CAGE .005			
11	2508064C1	AR	SHIM, PINION BRG CAGE .006			
11	2508065C1	AR	SHIM, PINION BRG CAGE .020			
12	2508083C1	AR	SPACER, PIN GEAR BRG .242			
12	2508084C1	AR	SPACER, PIN GEAR BRG .244			
12	2508085C1	AR	SPACER, PIN GEAR BRG .246			
12	2508086C1	AR	SPACER, PIN GEAR BRG .296			
12	505147C1	AR	SPACER, PIN GEAR BRG .275			
12	505148C1	AR	SPACER, PIN GEAR BRG .282			
12	505149C1	AR	SPACER, PIN GEAR BRG .289			
12	564283C1	AR	SPACER, PIN GEAR BRG .234			
12	564284C1	AR	SPACER, PIN GEAR BRG .235			
12	564285C1	AR	SPACER, PIN GEAR BRG .236			
12	564286C1	AR	SPACER, PIN GEAR BRG .237			
12	564287C1	AR	SPACER, PIN GEAR BRG .238			
12	564288C1	AR	SPACER, PIN GEAR BRG .239			
12	564289C1	AR	SPACER, PIN GEAR BRG .240			
12	564290C1	AR	SPACER, PIN GEAR BRG .247			
12	564291C1	AR	SPACER, PIN GEAR BRG .254			
12	564292C1	AR	SPACER, PIN GEAR BRG .261			
12	564293C1	AR	SPACER, PIN GEAR BRG .268			
13	TM55437	1	BEARING, CUP	A		
14	TM55200C	1	BEARING, CONE	A		
15	1694449C91	1	GEAR SET, DIFF R&P 6.14 RS15120			
16	2508123C91	1	BEARING, ASSY RR PINION	A		
17	1662650C1	1	RING, SNAP			
18	2508068C1	1	SCREW, THRUST DIFF			
19	1696804C1	1	NUT, SPECIAL THRUST SCREW			
20	2508060C91	1	CARRIER, DIFF W/CAPS			
22	2508061C1	4	BOLT, HH M90X2X90			
23	449671R1	4	WASHER, CARRIER TO HSG BOLT			
24	2508066C1	1	ADJUSTER, DIFF BRG LT			
24		RF	LEFT			
24	2508067C1	1	ADJUSTER, DIFF BRG RT			
24		RF	RIGHT			
25	683774R1	1	PIN, COTTER DIFF BRG ADJ LK			
26	1653951C1	1	LOCK, DIFF BRG ADJUSTER			
27	1696020C1	2	WASHER, C SPECIAL FLAT REAR AXL			
28	2508069C1	2	BOLT, HH M8X1.25X20			
29	TMJM511910	1	BEARING, CUP	A		
30	TM3994	1	BEARING, CONE	A		
31	TM34478	1	BEARING, CUP	A		
32	TM34306	1	BEARING, CONE	A		
33	2508072C1	12	NUT, HEX LK DR GR BOLT			
34	213524R1	12	WASHER, FLAT DIFF TO HSG 1/2ID			
35	2508071C1	12	BOLT, HH DR GR TO CASE			
36	2508074C91	1	CASE, ASSY DIFF W/BOLTS 4.30 DN			
36	2508075C91	1	CASE, ASSY DIFF W/BOLTS 4.56 UP			
37	2508078C1	2	WASHER, THRUST SIDE GR			
38	2508079C1	2	GEAR, DIFF SIDE 1.95 X 38 SPL	B		
39	2508081C1	4	GEAR, DIFF PINION	B		
40	2508082C1	4	WASHER, THRUST PINION GR			
41	2508080C1	1	SPIDER, DIFF	B		
42	2508076C1	12	BOLT, HH DIFF CASE			
43	213524R1	12	WASHER, FLAT DIFF TO HSG 1/2ID			

**G
R
P
0
2**

Figure 3556990F91
DIFFERENTIAL,FD 6.14 FC#9

GROUP 2

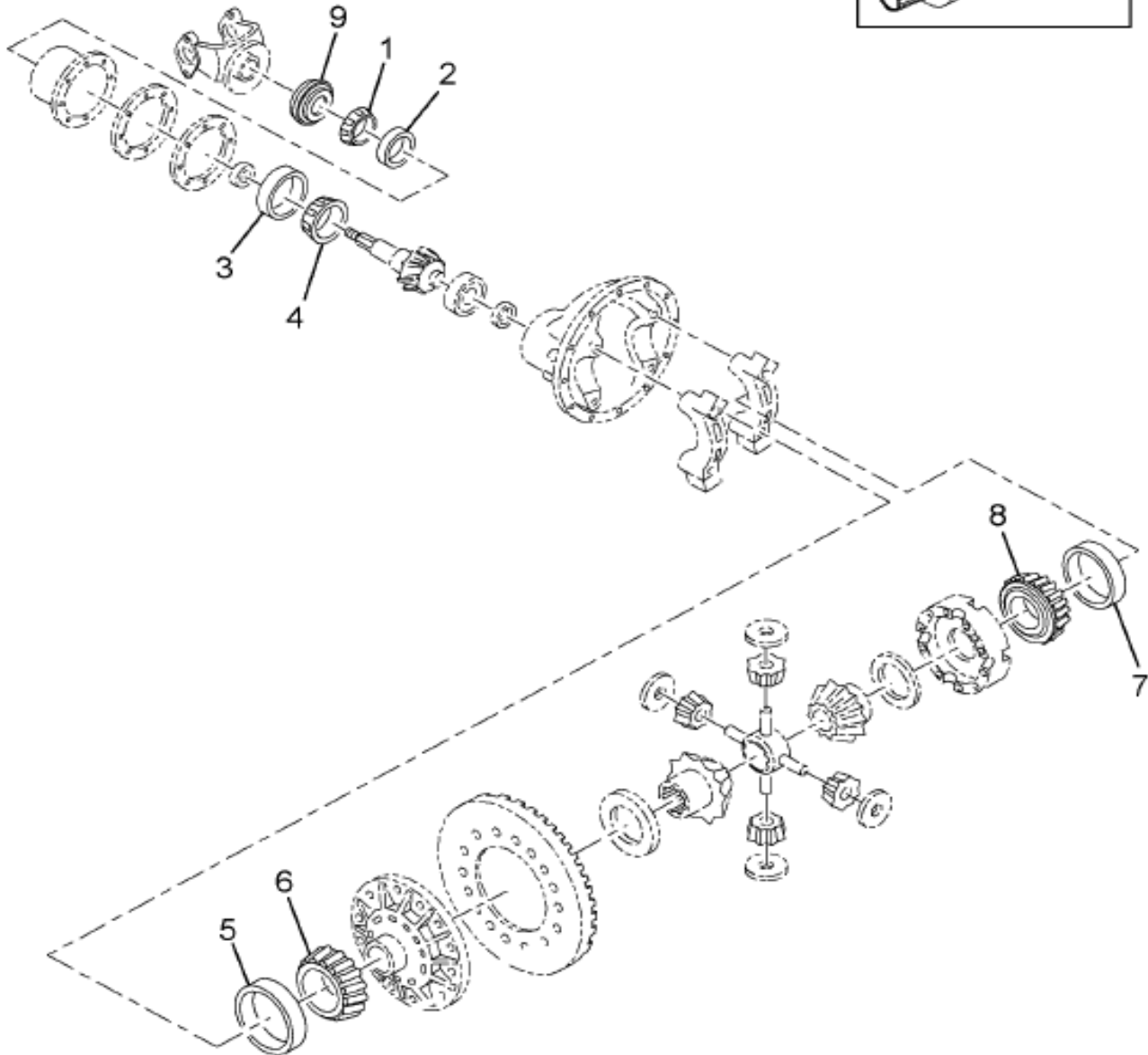


02-A19-0001-AL

C04

Item	Part No.	Qty	Description	Kit	Var	Figure
1	2507920C91	1	DIFFERENTIAL,FD 6.14 02ESA,B,C			2507920C91
880		RF	NOTE: ASM BELOW COMPRISED OF ABOVE COMPONENTS			
881	3556990F91	RF	DIFFERENTIAL,FD 6.14 FC#9			

Figure 1676480C91
KIT DIFF BRG & SEAL



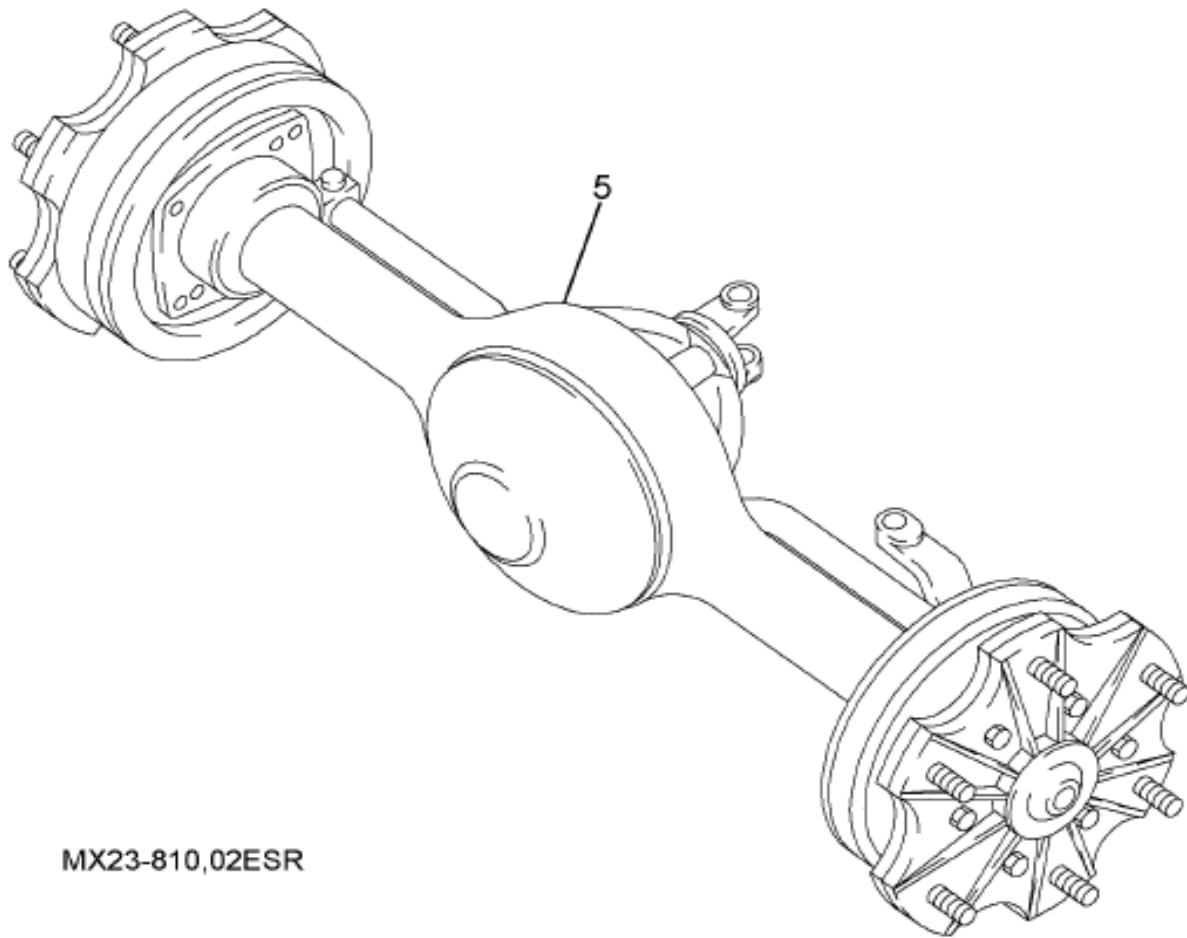
02-D60-M004-01

D09

Item	Part No.	Qty	Description	Kit	Var	Figure
1	TMHM804846	1	BEARING, CONE			
2	TMHM804810	1	BEARING, CUP			
3	TM55437	1	BEARING, CUP			
4	TM55200C	1	BEARING, CONE			
5	TMJM511910	1	BEARING, CUP			
6	TM3994	1	BEARING, CONE			

Figure 0FWS0

TIE ROD, ARMS & KNUCKLE; FRT, DRV AXLE MODULE



MX23-810,02ESR

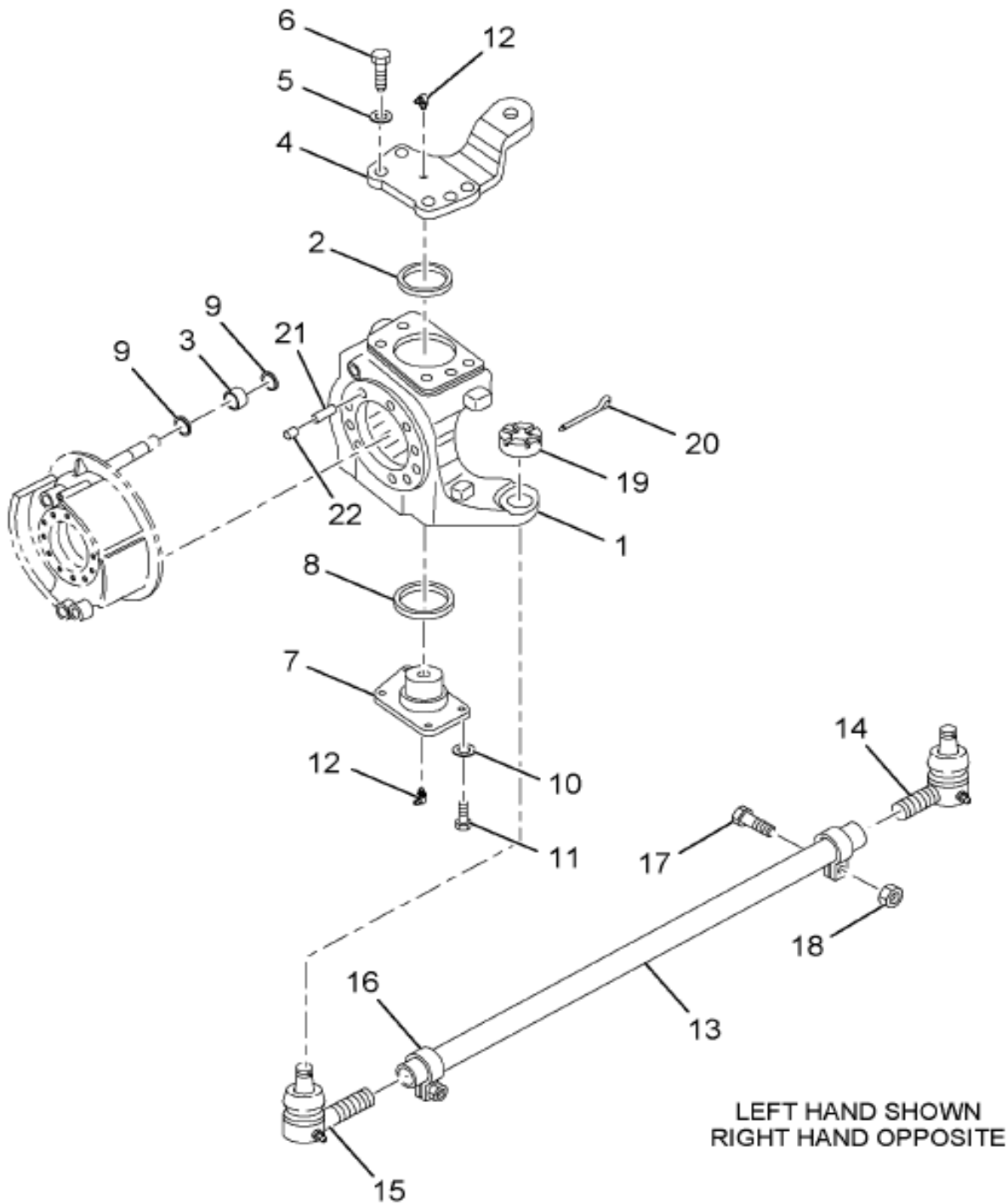
02-021-0090-01

A09

Item	Part No.	Qty	Description	Kit	Var	Figure
5	3599758F91	1	ARM,STRG TIE ROD, KNUCKLE, TIE		0L1H8	3599758F91

Figure 3599758F91
 ARM, STRG TIE ROD, KNUCKLE, TIE

GROUP 02



02-A12-0002-01

B05

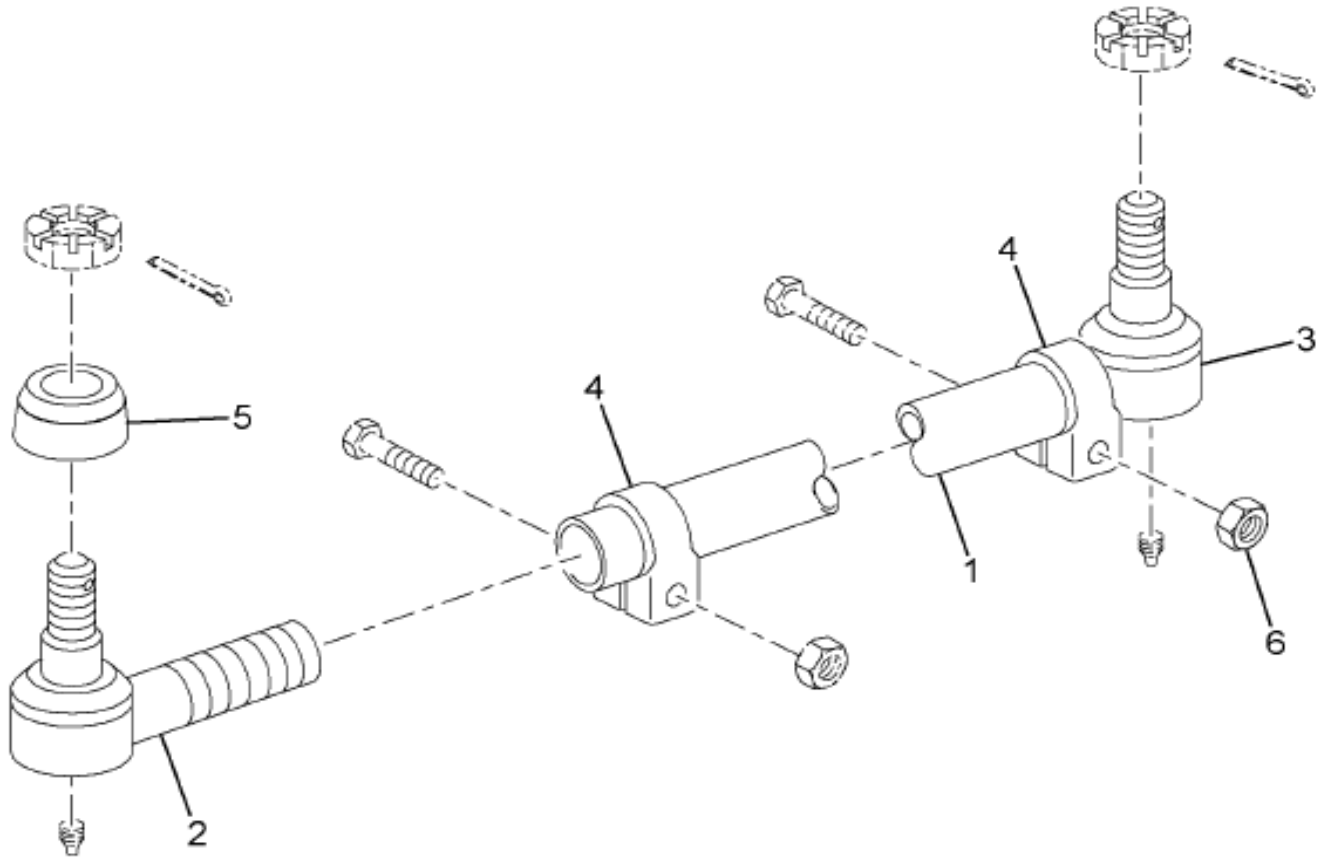
Item	Part No.	Qty	Description	Kit	Var	Figure
1	2586940C91	1	KNUCKLE, STRG W/BUSH LT			
1		RF	LEFT			
1	2586941C91	1	KNUCKLE, STRG W/BUSH RT			
1		RF	RIGHT			
2	592855C1	2	SEAL, OIL STRG KNUCKLE			
3	2507890C1	2	BUSHING, KNUCKLE			

Figure 3599758F91
ARM,STRG TIE ROD, KNUCKLE, TIE

Item	Part No.	Qty	Description	Kit	Var	Figure
4	2507891C1	1	CAP,UPR K/P			
5	680457R1	5	WASHER,CARR BRG CAP STUD			
6	2507892C1	5	BOLT,HH K/P CAP 7/8NCX3			
7	1699204C1	2	CAP,STRG KNUCKLE LWR			
8	1685073C91	2	BEARING,THRUST LWR K/P 02ERD,E			
9	56121R3	4	SEAL,BRAKE CAMSHAFT			
10	13611VA	8	WASHER,FLAT (DIFF)			
11	2507893C1	8	BOLT,HH K/P CAP 3/4NCX1-3/4			
12	127743	5	LUBRICATOR, 1/8 PTF SHORT 65D			
13	1660264C91	1	ROD, TIE W/CLAMPS	A, B		
14	1681457C91	1	END ASSY TIE ROD LH	B		
14		RF	LEFT			
15	1681456C91	1	END ASSY TIE ROD RT	B		
15		RF	RIGHT			
16	267147C91	2	CLAMP,ASSY TIE ROD 1-1/2 I.D.	A, B		
17	24879R1	2	BOLT,HH 5/8NC X 3 PHC GRADE 8	A, B		
18	9412231	2	NUT,HEX LOCK 5/8 NC	A, B		
19	26963R1	2	NUT,HEX SLOTTED 7/8 NF TYPE 8			
20	103389	2	PIN, 1/8 X 2 PLN COTTER			
21	2589461C1	1	TRANSMITTER,SPEED SENSOR			
22	2589457C1	1	CLIP.ABS SENSOR			
800		RF	NOTE: THE FOLLOWING PARTS ARE NON-ILLUSTRATED			
801	2599240C91	KT	TIE ROD ASM			2599240C91
801		RF	(CONSISTS OF PARTS DENOTED BY A)			
801		RF	BEFORE 08/2004			
801	2601612C91	1	ROD ASSY,TIE W/ENDS			2601612C91
801		RF	(CONSISTS OF PARTS DENOTED BY A)			
801		RF	08/2004 AND LATER			
802	1660264C91	1	ROD, TIE W/CLAMPS			
802		RF	(CONSISTS OF PARTS DENOTED BY B)			
802		RF	BEFORE 08/2004			
802	466214C91	1	ROD,TIE W/CLAMP 60.75"			
802		RF	(CONSISTS OF PARTS DENOTED BY B)			
802		RF	08/2004 AND LATER			
804	2603227C1	AR	SHIM,STRG KNCKL KING PIN .005			
805	2603226C1	AR	SHIM,STRG KNCKL KING PIN .015			
806	2603225C1	AR	SHIM,STRG KNCKL KING PIN .025			
880		RF	NOTE: ASM BELOW COMPRISED OF ABOVE COMPONENTS			
881	3599758F91	RF	ARM,STRG TIE ROD, KNUCKLE, TIE			

Figure 2601612C91
 ROD ASSY, TIE W/ ENDS

GROUP 2



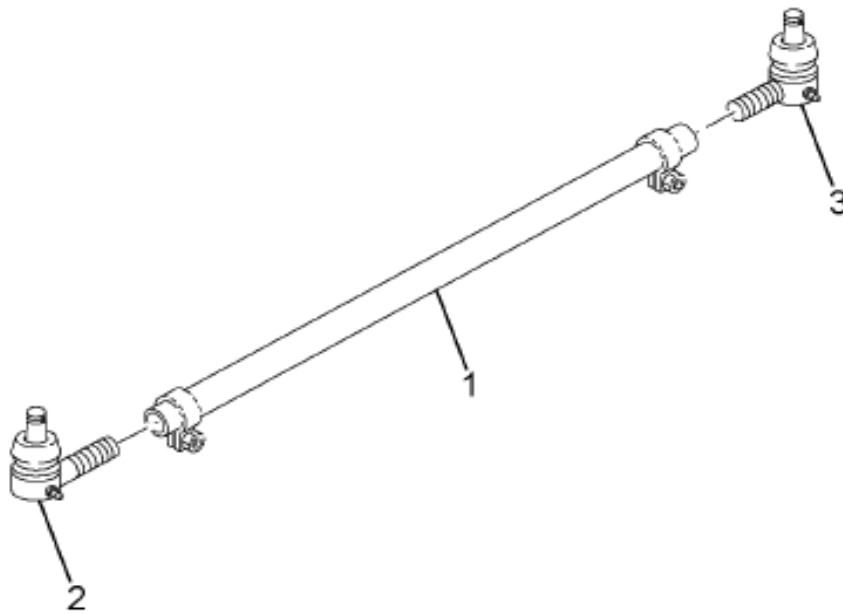
02-021-0379-01

F08

Item	Part No.	Qty	Description	Kit	Var	Figure
1	466214C91	1	ROD, TIE W/CLAMP 60.75"			
2	R230068	1	END, ASM TIE ROD LT			
2		RF	LEFT			
3	R230069	1	END, ASM TIE ROD RH			
3		RF	RIGHT			
4	2598782C91	1	CLAMP, TIE ROD END			

Figure 2599240C91
TIE ROD ASM

GROUP
02



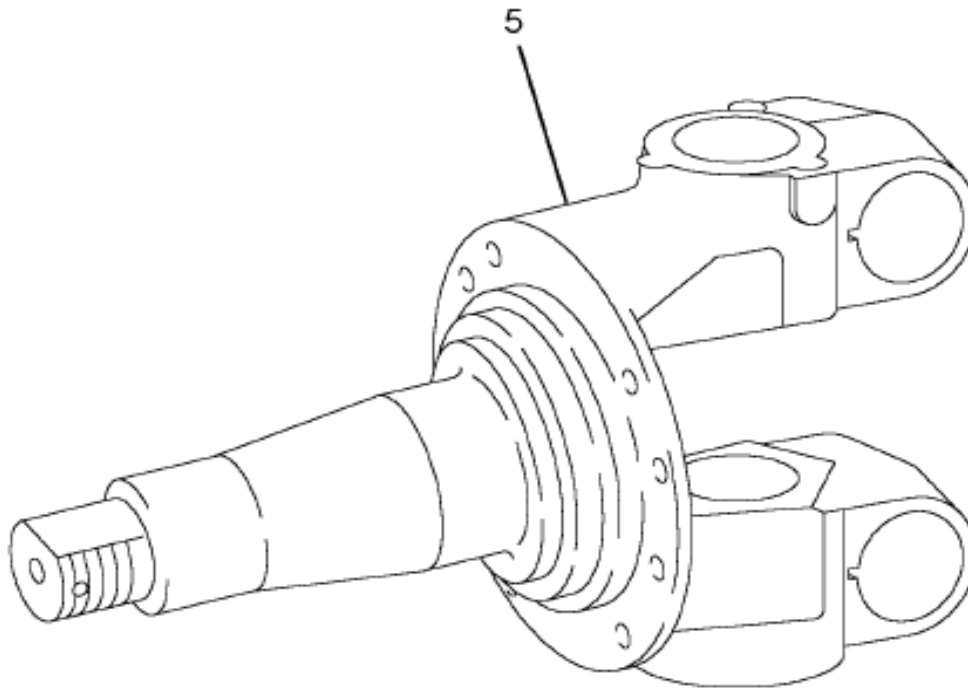
02-A12-0004-01

E08

Item	Part No.	Qty	Description	Kit	Var	Figure
1	1660264C91	1	ROD, TIE W/CLAMPS			
2	1681456C91	1	END ASSY TIE ROD RT			
2		RF	RIGHT			
3	1681457C91	1	END ASSY TIE ROD LH			
3		RF	LEFT			
880		RF	NOTE: ASM BELOW COMPRISED OF ABOVE			

Figure 0FWS2
TURN ANGLE; FRT,DRV AXLE MODULE

GROUP
02

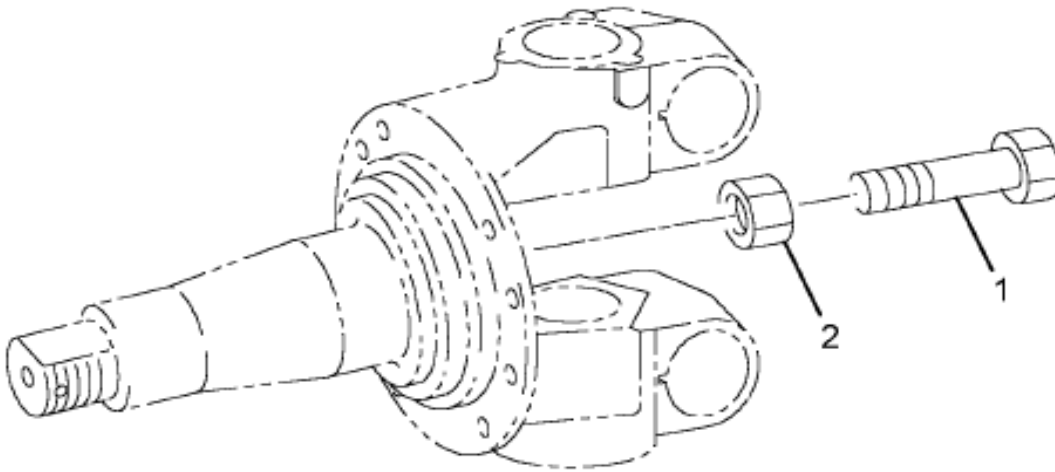


02-A14-0001-01

F04

Item	Part No.	Qty	Description	Kit	Var	Figure
5	3556956F91	1	STOP,WHL 42 DEG ABR FC#4		0G29M	3556956F91

Figure 3556956F91
STOP,WHL 42 DEG ABR FC#4

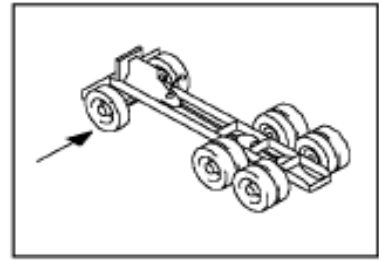


02-A03-0001-00

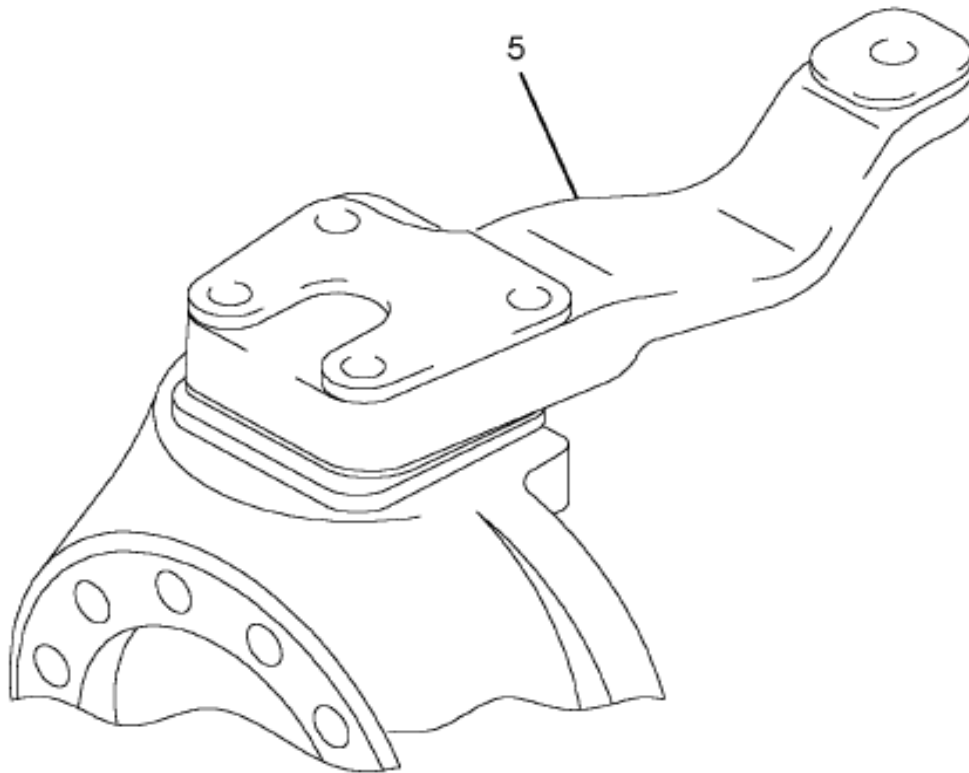
J03

Item	Part No.	Qty	Description	Kit	Var	Figure
1	491650C1	2	SCREW SET,STRG KNUCKLE STOP			
2	25758R1	2	NUT,HEX 9/16 NC TYPE 8			
880		RF	NOTE: ASM BELOW COMPRISED OF ABOVE COMPONENTS			
881	3556956F91	RF	STOP,WHL 42 DEG ABR FC#4			

Figure 0FWS1
UPPER STRG ARM; FRT, DRV AXLE MODULE



GROUP 02

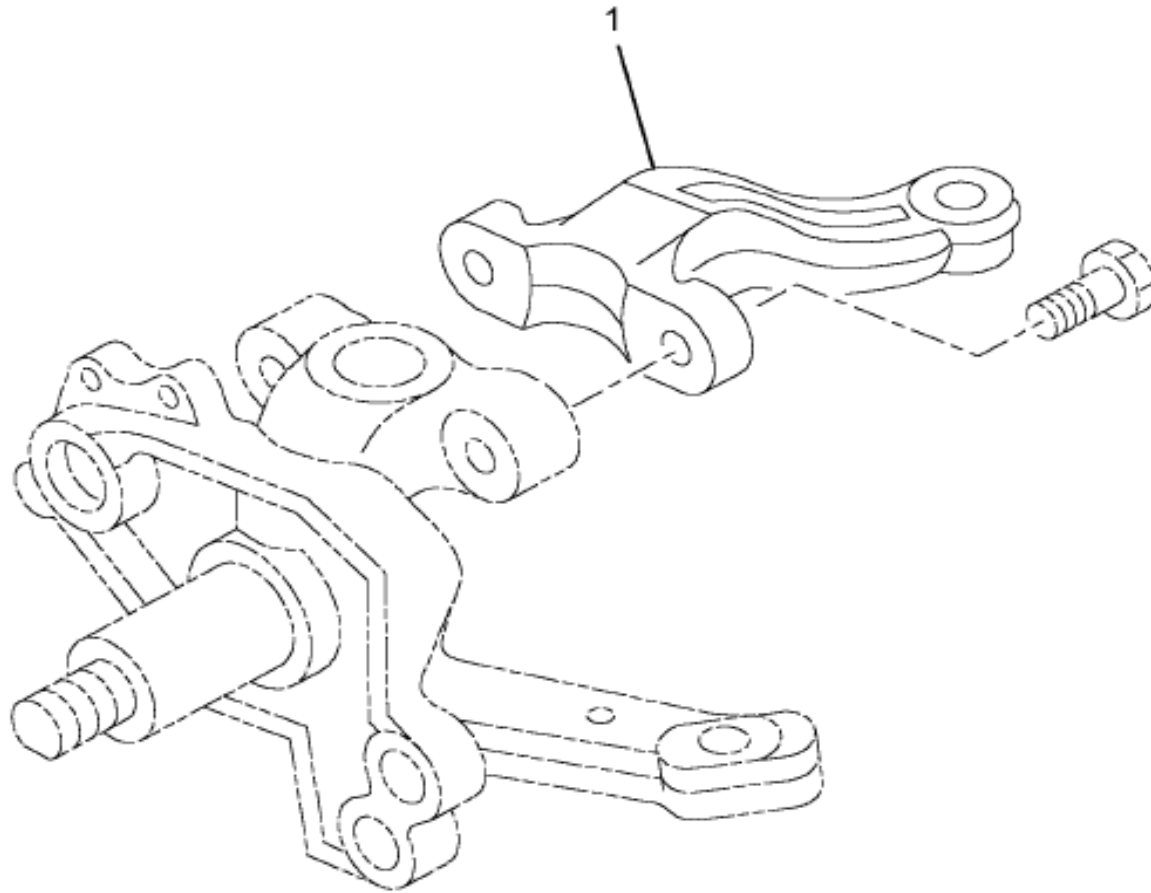


02-A13-0002-CA

C03

Item	Part No.	Qty	Description	Kit	Var	Figure
5	3577157F91	1	ARM,STRG SGL LT 10-16K FC#3ABR		0FWT2	3577157F91

Figure 3577157F91
 ARM,STRG SGL LT 10-16K FC#3ABR



02-A13-0001-01

C04

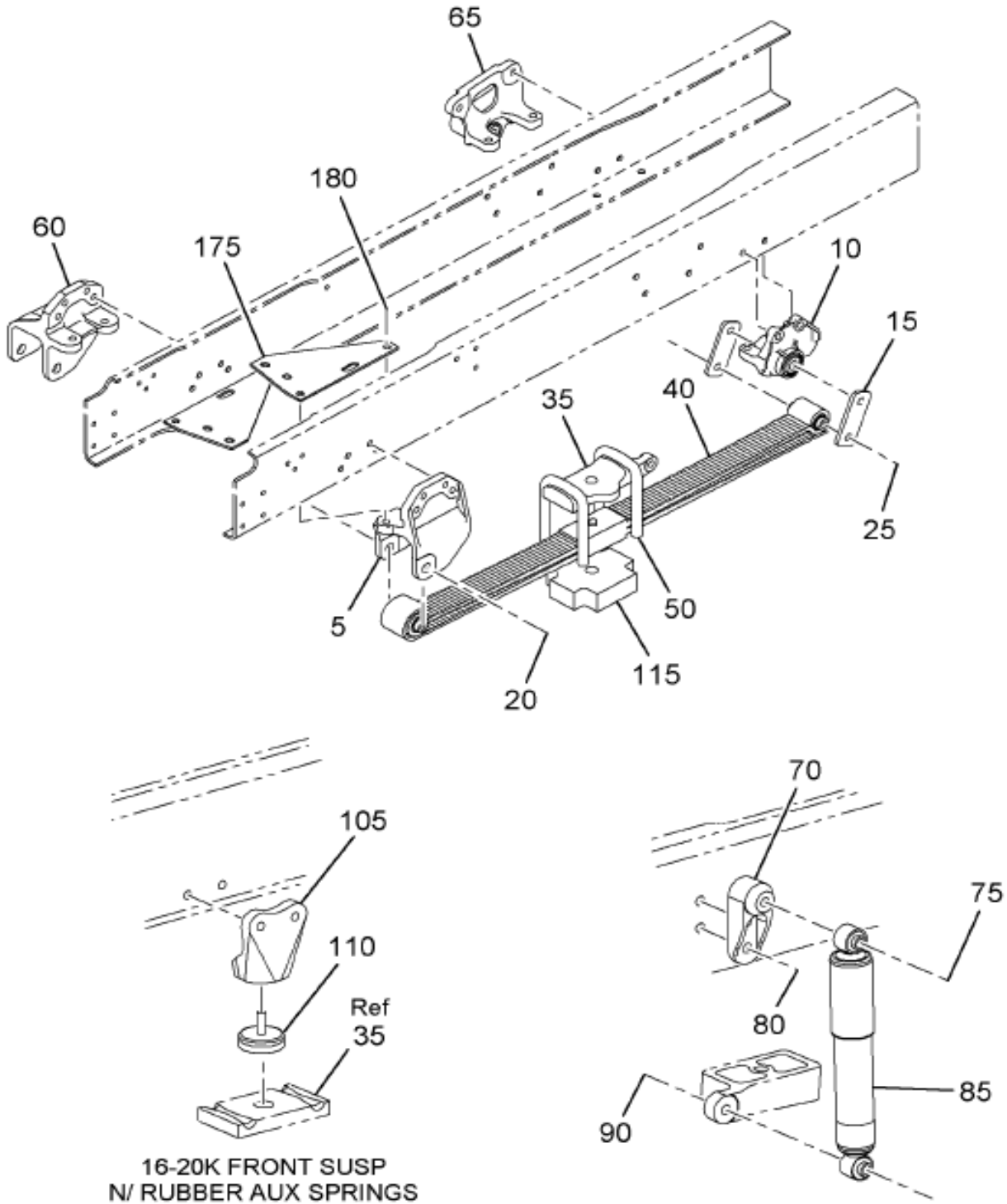
Item	Part No.	Qty	Description	Kit	Var	Figure
1	2508829C1	1	ARM,STRG SGL LT 10-16K			
1	592855C1	1	SEAL,OIL STRG KNUCKLE			
1	127743	1	LUBRICATOR, 1/8 PTF SHORT 65D			
1	2507892C1	5	BOLT,HH K/P CAP 7/8NCX3			
1	680457R1	5	WASHER,CARR BRG CAP STUD			
880	RF		NOTE: ASM BELOW COMPRISED OF ABOVE			

Group 03

Chassis Springs

Figure 07W2Z

FRT SUSP INSTL; 10 - 16K, W/SHK ABSBR, FRT DRV AXLE



03-022-0122-CA

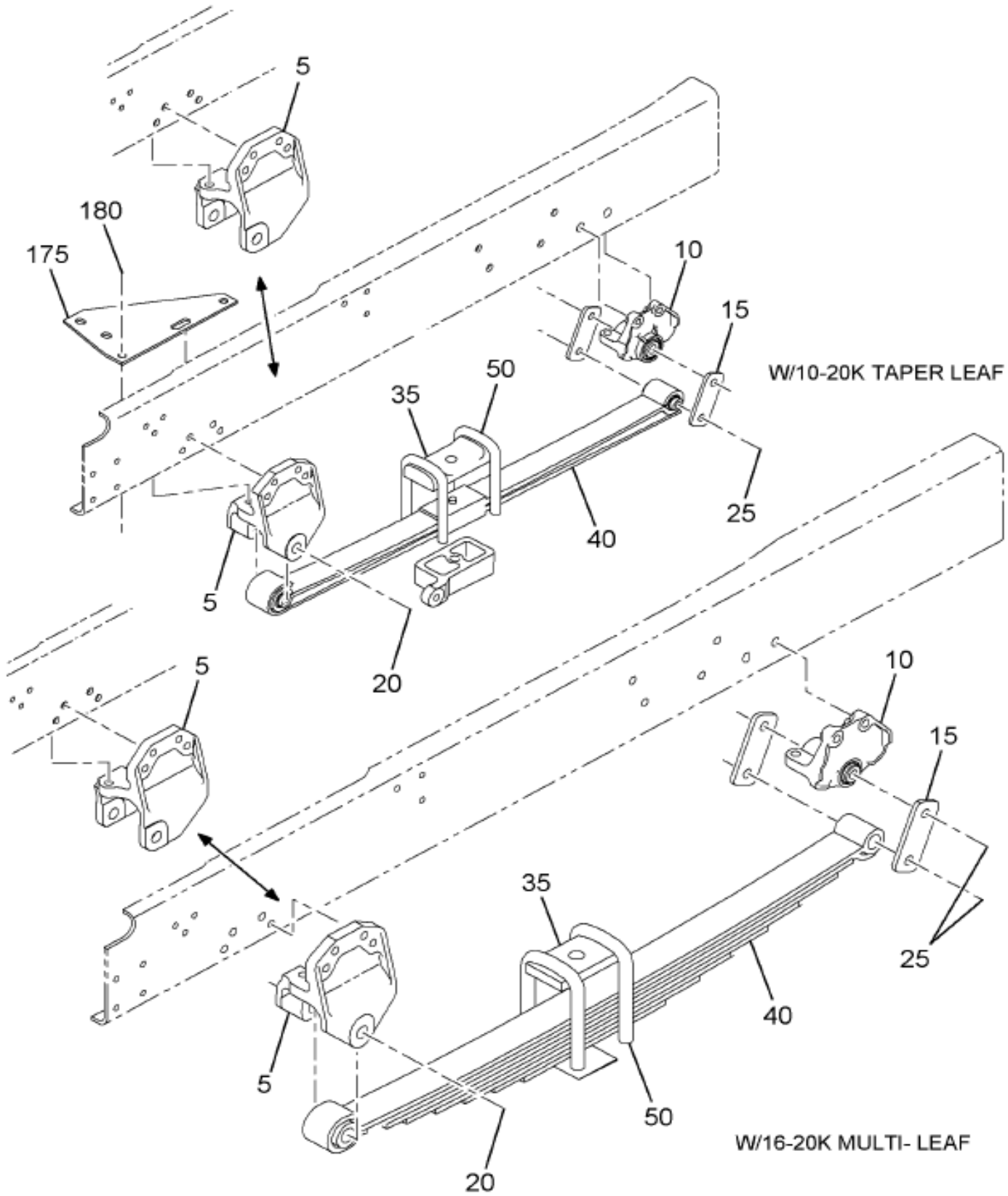
C10

Figure 1 of 2

Figure 07W2Z

FRT SUSP INSTL; 10 - 16K, W/SHK ABSBR, FRT DRV AXLE

GROUP 3



03-022-0145-01

C10

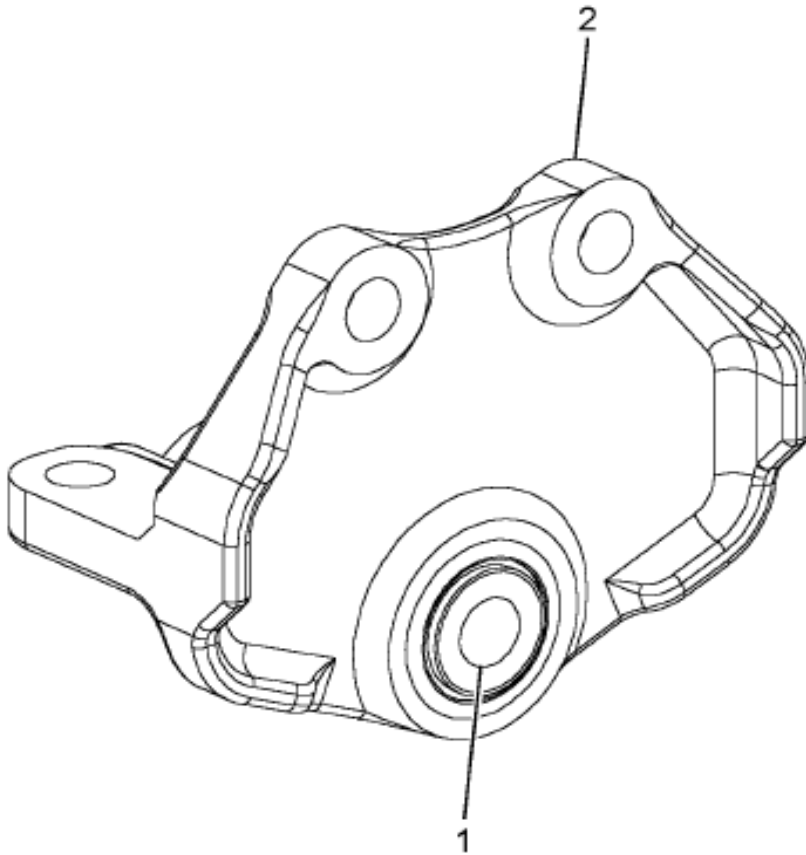
Item	Part No.	Qty	Description	Kit	Var	Figure
5	3541823C1	1	BRACKET,FRT SPG FRT LT		07W4N	
5	1518209C1	4	BOLT,HUCK 5/8 DIA		07W4N	
5	1518213C1	4	COLLAR, HUCK 5/8 DIA.		07W4N	
5	31075R1	2	BOLT, M16 X 70 PHC CL 10.9 FLG		07W4N	
5	30756R1	2	NUT,HEX M16 PRVTRQ		07W4N	
10	3541836C91	1	BRACKET,FRT SPG RR W/BUSHING		07W4N	3541836C91

Figure 07W2Z

FRT SUSP INSTL; 10 - 16K, W/SHK ABSBR, FRT DRV AXLE

Item	Part No.	Qty	Description	Kit	Var	Figure
10	3542178C1	4	BOLT,HUCK, 5/8 DIA		07W4N	
10	1518213C1	4	COLLAR, HUCK 5/8 DIA.		07W4N	
15	3533231C1	4	SHACKLE,FRT SPRING 14-20K		0FDS5	
20	25885R1	2	BOLT, 1 X 7 PHC TYPE 8		07W4N	
20	9413986	2	NUT,HEX LOCK 1"-8 NC		07W4N	
20	25540R1	2	WASHER,LOCK 1.062 X 2.0 X .134		07W4N	
25	26632R1	4	BOLT, 1 X 6-1/2 PHC TYPE 8		0FDS5	
25	9413986	4	NUT,HEX LOCK 1"-8 NC		0FDS5	
35	3553635C1	2	SEAT,U BOLT FRONT SPG FRT DRIV		0FDS5	
40	3540967C91	2	SPRING,CHASSIS FRONT 16K TAPER		0FDS5	3540967C91
50	527567C1	2	BOLT,SPECIAL*U 7/8-14 UNRF X 1		0FDS5	
50	3559757C1	2	BOLT,U SPL 7/8UN X 14 STYL 050		0FDS5	
50	144425H	8	NUT,7/8-NF CAD P/T LOCK TYPE		0FDS5	
50	25549R1	8	WASHER,LOCK .938 X1.75X .219 P		0FDS5	
60	3541829C1	1	BRACKET,FRT SPG FRT RT		07W4N	
60	1518209C1	4	BOLT,HUCK 5/8 DIA		07W4N	
60	1518213C1	4	COLLAR, HUCK 5/8 DIA.		07W4N	
60	31075R1	2	BOLT, M16 X 70 PHC CL 10.9 FLG		07W4N	
60	30756R1	2	NUT,HEX M16 PRVTRQ		07W4N	
65	3543964C91	1	BRACKET,FRT SPG RR W/BUSHING		07W4N	3543964C91
65	3542178C1	4	BOLT,HUCK, 5/8 DIA		07W4N	
65	1518213C1	4	COLLAR, HUCK 5/8 DIA.		07W4N	
70	3541648C2	2	BRACKET,FRONT ABS MTG SHOCK		07W4N	
75	30298R1	2	BOLT,HH M16X80 SHOCK MTG		07W4N	
75	578075C1	2	WASHER,FLAT OR SPECIAL		07W4N	
80	30753R2	4	BOLT, M16 X 60MM PHC FLG CLASS		07W4N	
80	30756R1	4	NUT,HEX M16 PRVTRQ		07W4N	
85	3576465C1	2	ABSORBER,SHOCK COMMON		0FDS5	
90	31078R1	2	BOLT, M16 X 120 PHC CL 10.9 FL		0FDS5	
90	578075C1	4	WASHER,FLAT OR SPECIAL		0FDS5	
90	30756R1	2	NUT,HEX M16 PRVTRQ		0FDS5	
105	3553638C1	2	STOP,FRONT AXLE 16-20K SUSP		07W4N	
105	30749R2	4	BOLT,HEX HD METRIC M12X60 PHC		07W4N	
105	30755R1	4	NUT,HEX M12 FLANGED		07W4N	
110	1656697C1	2	BUMPER,FRT SPG		07W4N	
110	9412230	2	NUT,HEX LOCK 1/2 NC		07W4N	

Figure 3541836C91
BRACKET, FRT SPG RR W/BUSHING



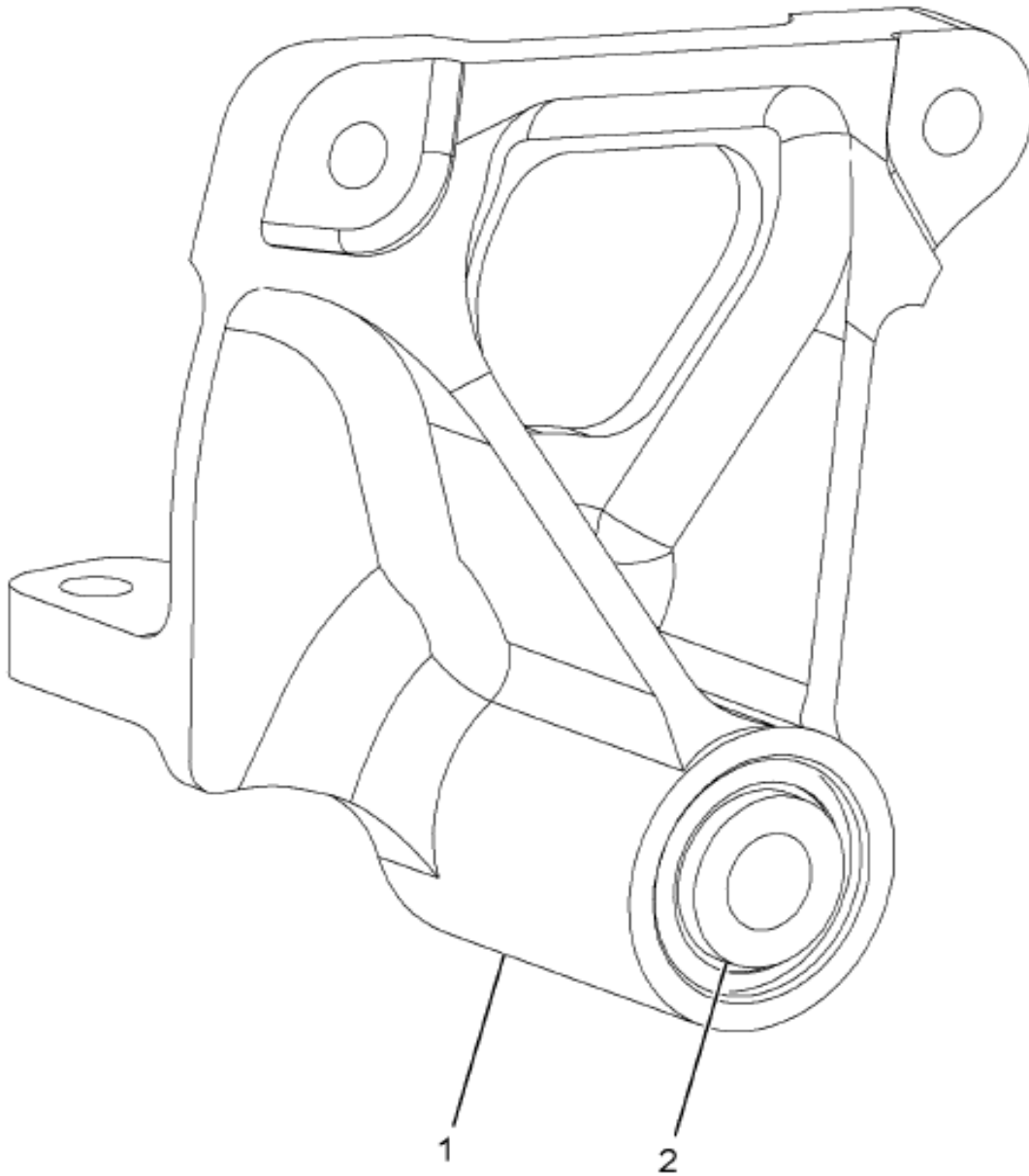
G
R
P
0
3

03-022-0150-01

A03

Item	Part No.	Qty	Description	Kit	Var	Figure
1	3533233C1	1	BUSHING,SPG PIN RUBBER 14-20K			
2	3541835C1	1	BRACKET,FRONT SPRING RR			
880		RF	NOTE: ASM BELOW COMPRISED OF ABOVE COMPONENTS			
881	3541836C91	RF	BRACKET,FRT SPG RR W/BUSHING			

Figure 3543964C91
BRACKET, FRT SPG RR W/BUSHING



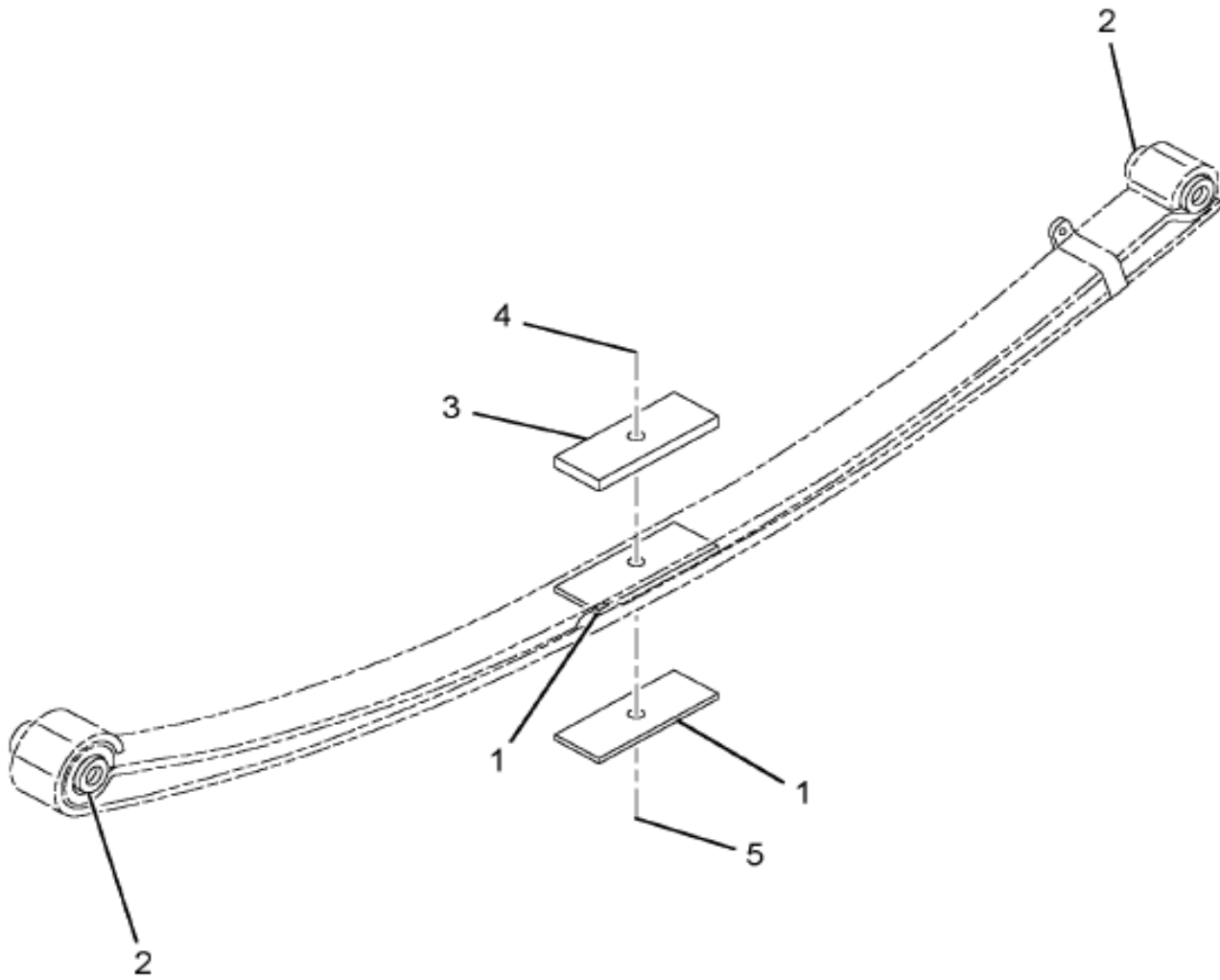
03-022-0189-01

B05

Item	Part No.	Qty	Description	Kit	Var	Figure
1	3543963C1	1	BRACKET, FRONT SPRING RR			
1		RF	RIGHT			
2	3533233C1	1	BUSHING, SPG PIN RUBBER 14-20K			
880		RF	NOTE: ASM BELOW COMPRISED OF ABOVE COMPONENTS			
881	3543964C91	RF	BRACKET, FRT SPG RR W/BUSHING			

Figure 3540967C91
 SPRING, CHASSIS FRONT 16K TAPER

G
R
P
0
3



03-022-0068-00

C04

Item	Part No.	Qty	Description	Kit	Var	Figure
1	2505376C1	2	STRIP, INTERLEAF LINER			
2	3533233C1	2	BUSHING, SPG PIN RUBBER 14-20K			
3	2505375C1	1	INSULATOR, SPG LNR .108X3.9X7.9			
4	3549211C1	1	NUT, HEX LK CTR BOLT 1/2NF			
5	111140R1	1	BOLT, SPG CTR 1/2NF X 4 1/2			
880	RF		NOTE: ASM BELOW COMPRISED OF ABOVE			

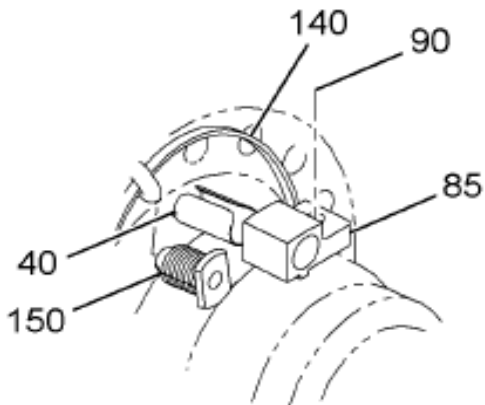
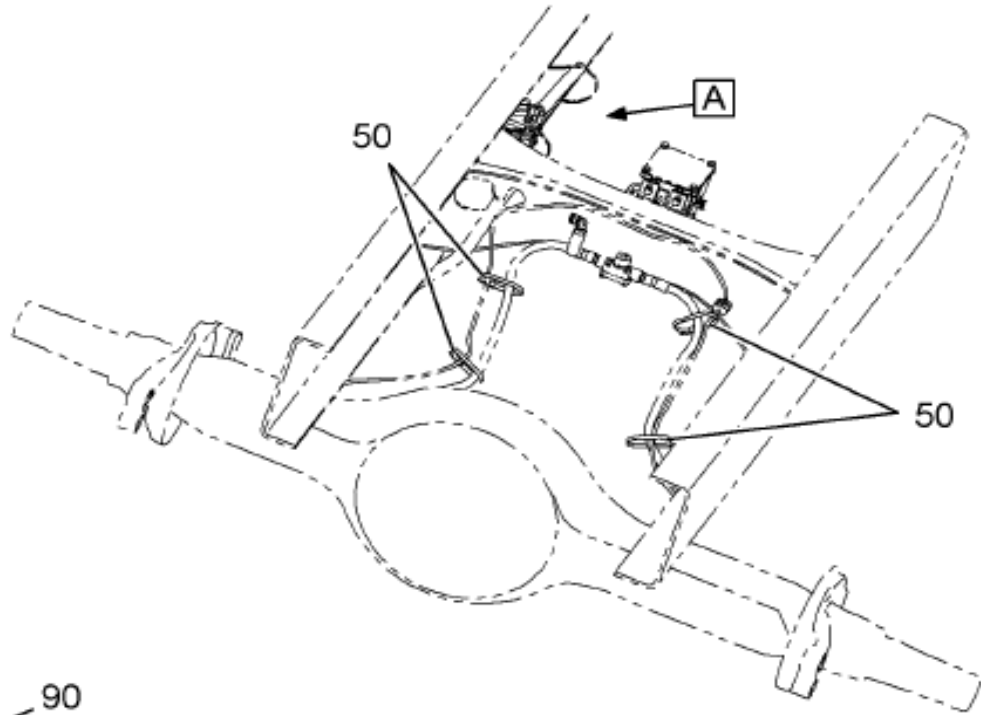
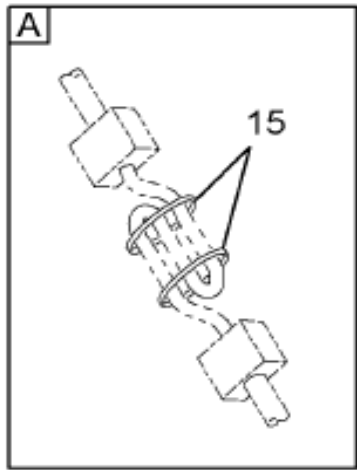
Group 04

Brakes

Figure 0H9Q1

ABS SPEED SENSOR INSTL; REAR, BENDIX, W/AIR BRAKES

GROUP 4



180-190 SERIES WHEEL ENDS ONLY

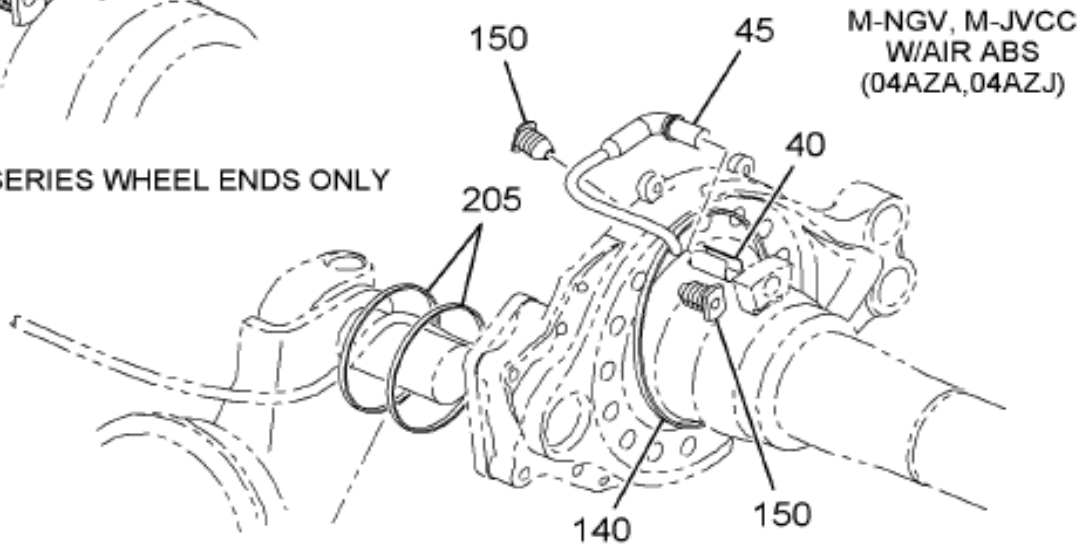
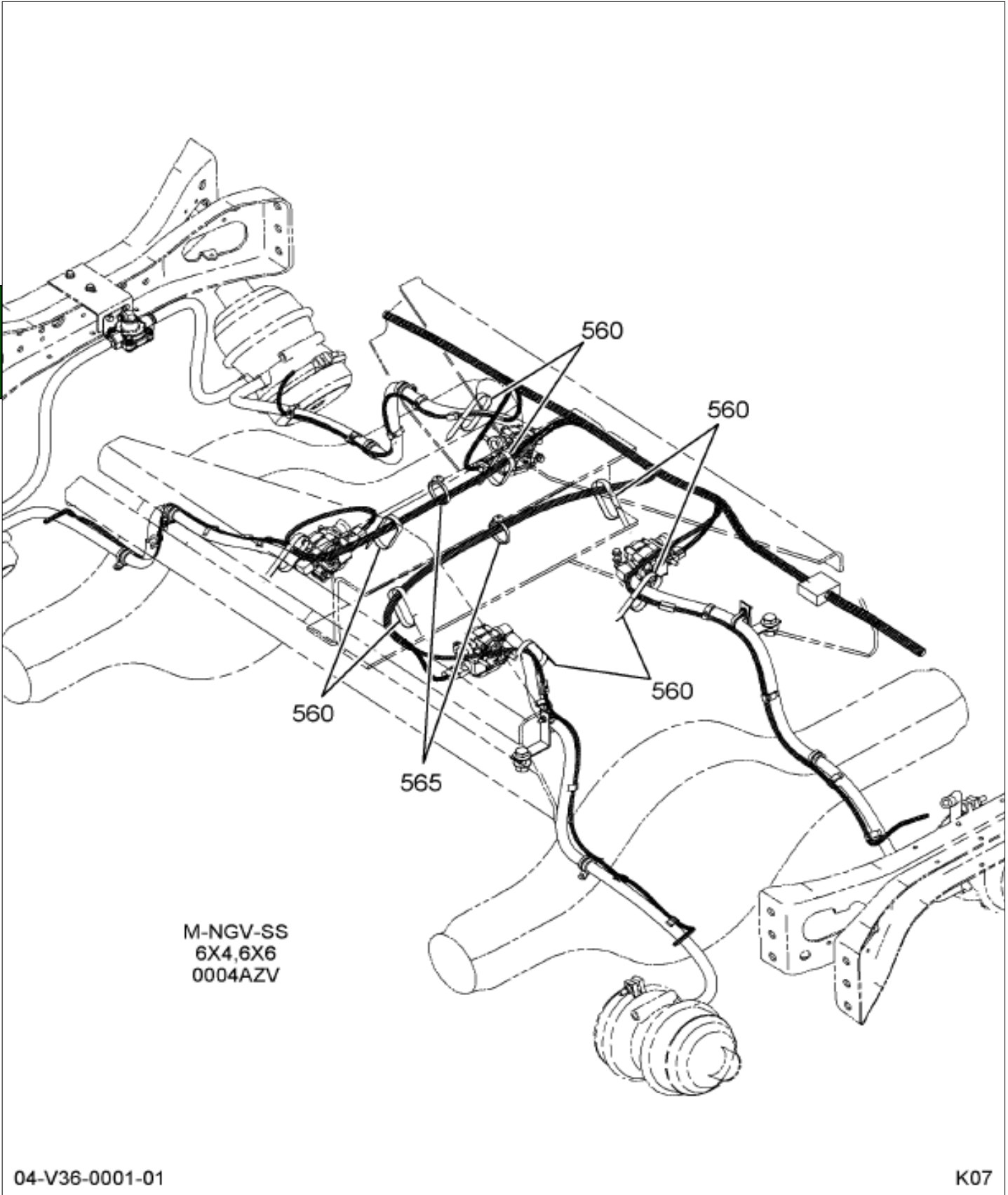


Figure 1 of 3

Figure 0H9Q1

ABS SPEED SENSOR INSTL; REAR, BENDIX, W/AIR BRAKES



04-V36-0001-01

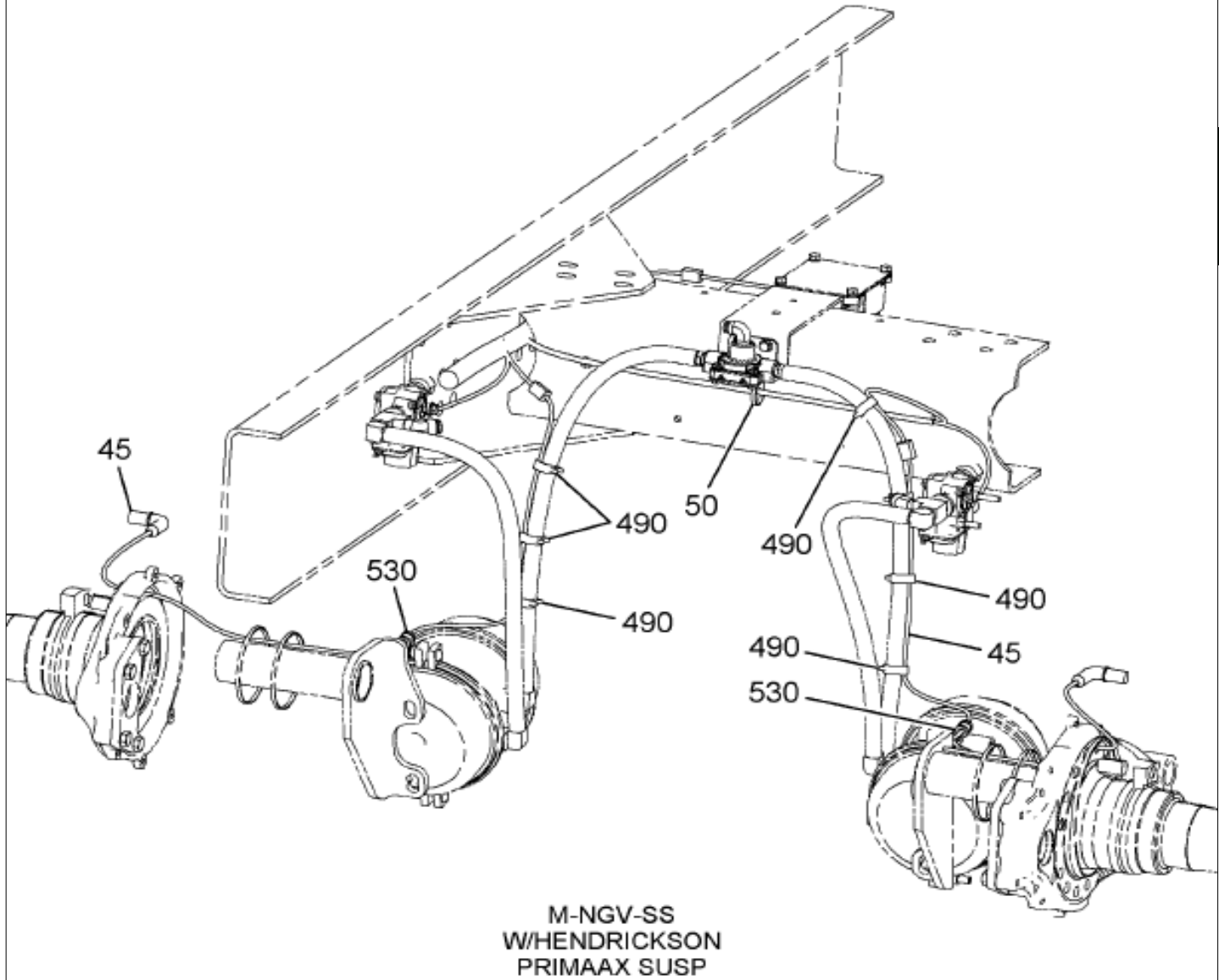
K07

Figure 2 of 3

Figure 0H9Q1

ABS SPEED SENSOR INSTL; REAR, BENDIX, W/AIR BRAKES

G
R
P
0
4

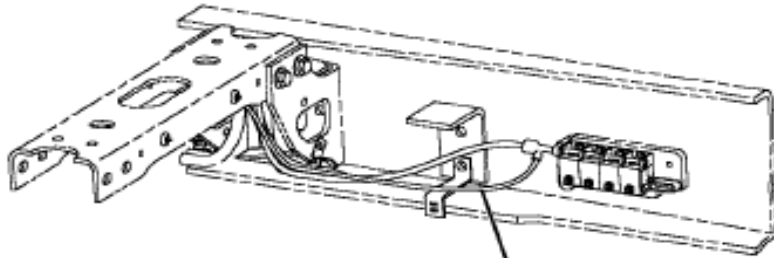
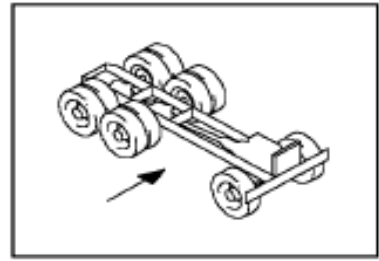


04-V36-0001-02

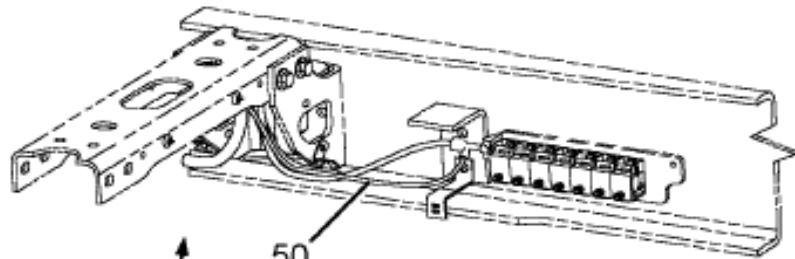
D09

Item	Part No.	Qty	Description	Kit	Var	Figure
15	306132C1	12	STRAP,CABLE LOCK		0H9Q1	
40	3591877C1	2	RETAINER,WHL SPEED SNSR WS-24		0H9S4	
45	3591874C91	2	TRANSMITTER,SPEED SENSOR WS-24		0H9S4	
50	289862C1	3	STRAP,CABLE LOCK		0H9S4	
140	386170C1	2	STRAP,CABLE LOCK		0H9S4	
150	3541353C1	2	GROMMET,SPECIAL AXL FLG SNSR		0H9S4	

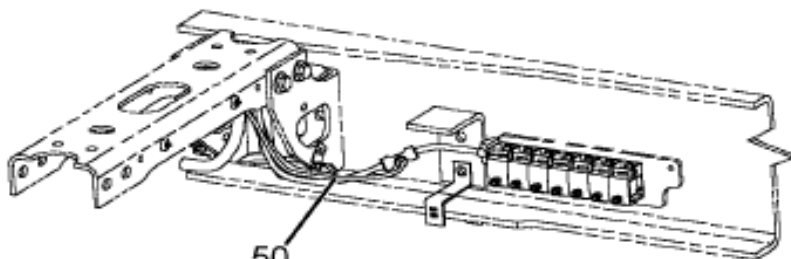
Figure 0J0LQ
AIR BRK TUBING INSTL; CTR SECT, W/RSM TANK



W/CODE 508010



W/CODES 508011, 508012
W/O CODE 15SHZ



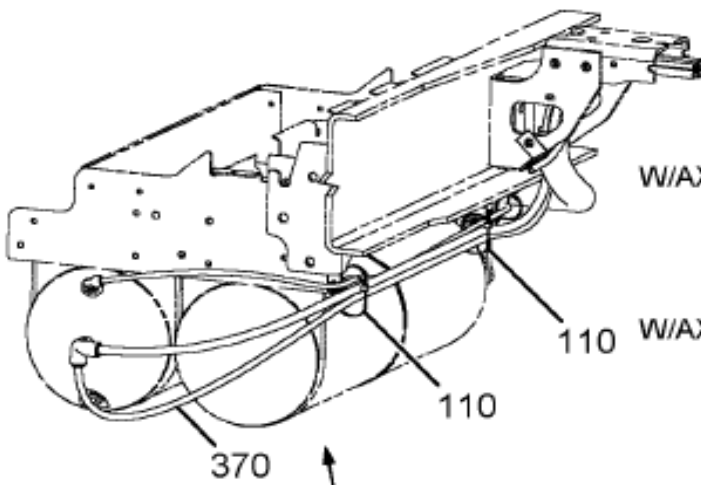
W/CODES 508011, 508012, 15SHZ

GROUP 4

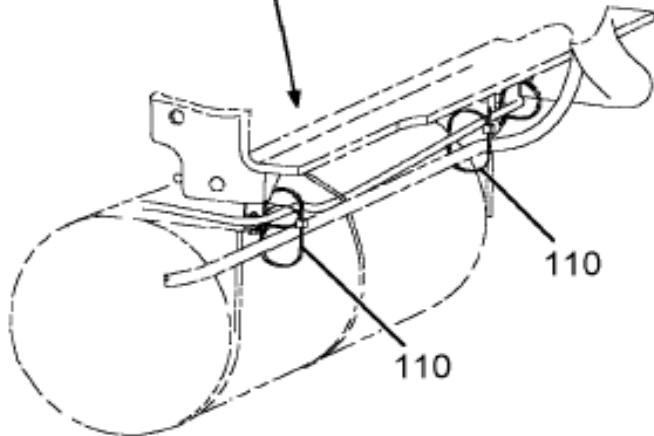
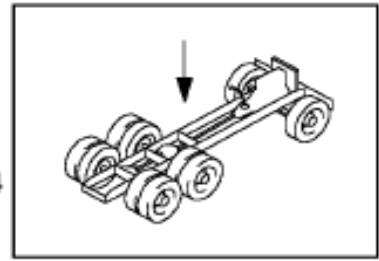
Figure 1 of 4

Figure 0J0LQ

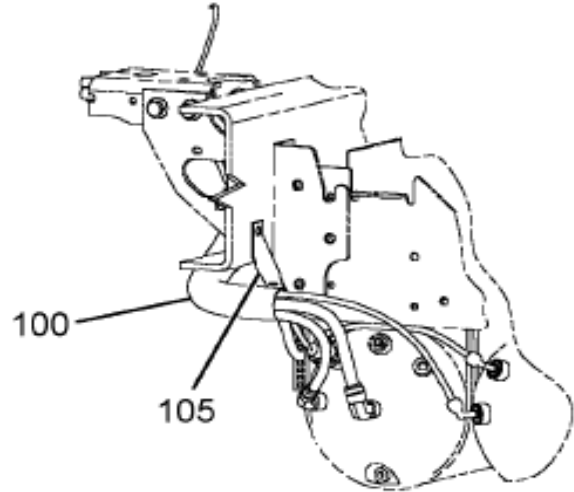
AIR BRK TUBING INSTL; CTR SECT, W/RSM TANK



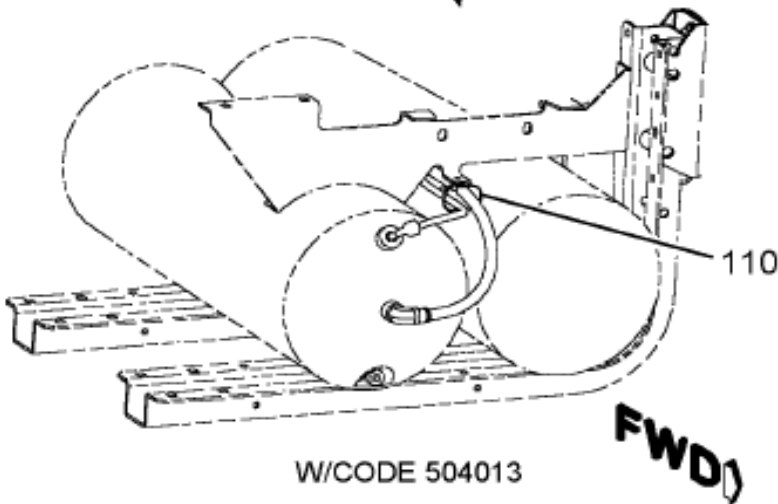
W/04092
 W/504061,04WDT
 OR
 W/504603
 W/04091
 W/AXLE-CONFIG = 4X2,4X4
 W/504061,04WDT
 OR
 W/504603
 W/04091
 W/AXLE-CONFIG = 6X4,6X6



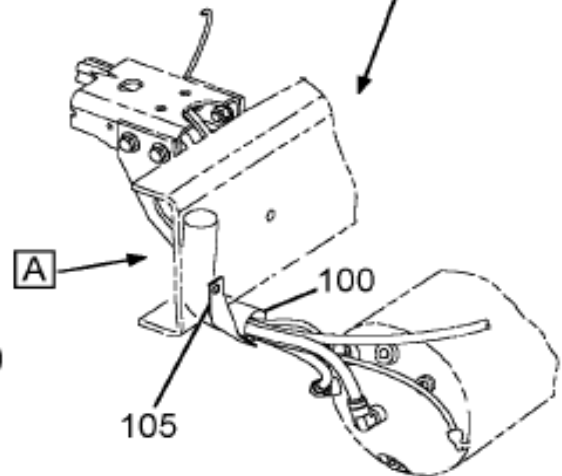
W/CODE 504603



W/CODE 504603



W/CODE 504013

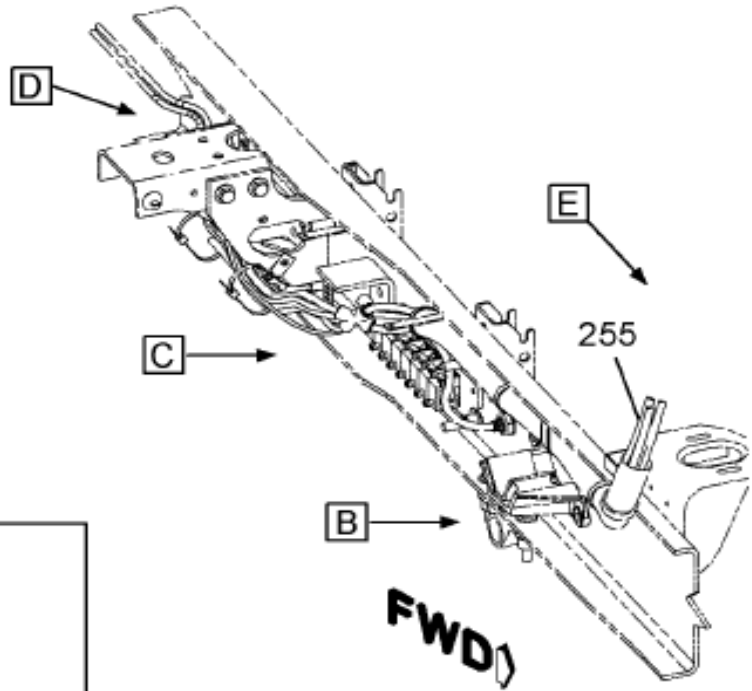
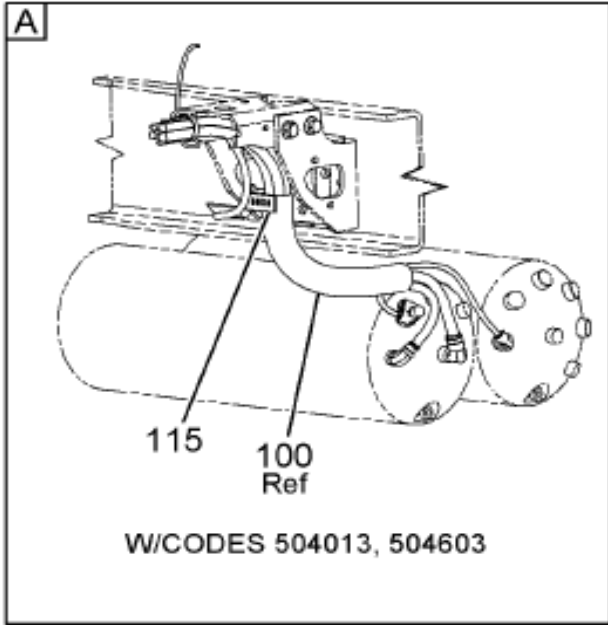


W/CODE 504013

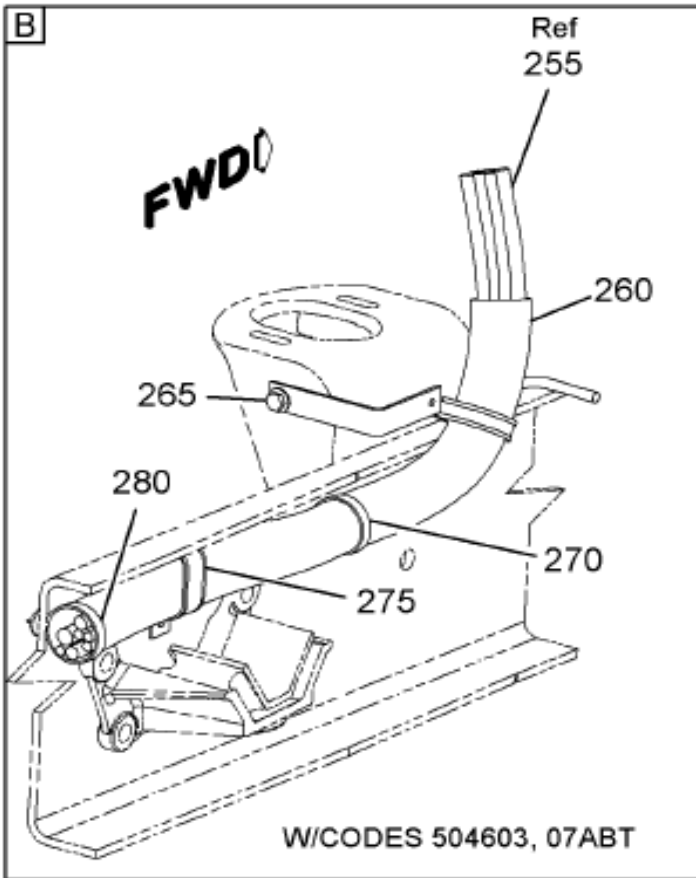
Figure 2 of 4

Figure 0J0LQ
AIR BRK TUBING INSTL; CTR SECT, W/RSM TANK

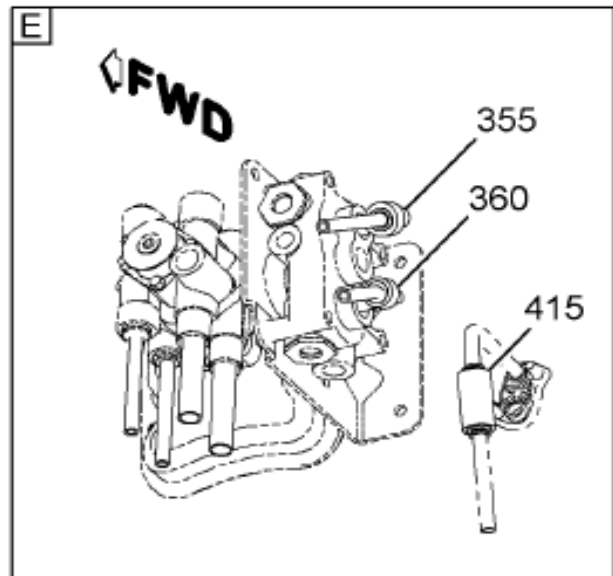
GROUP 4



W/CODES 504603, 07ABT



W/CODES 504603, 07ABT



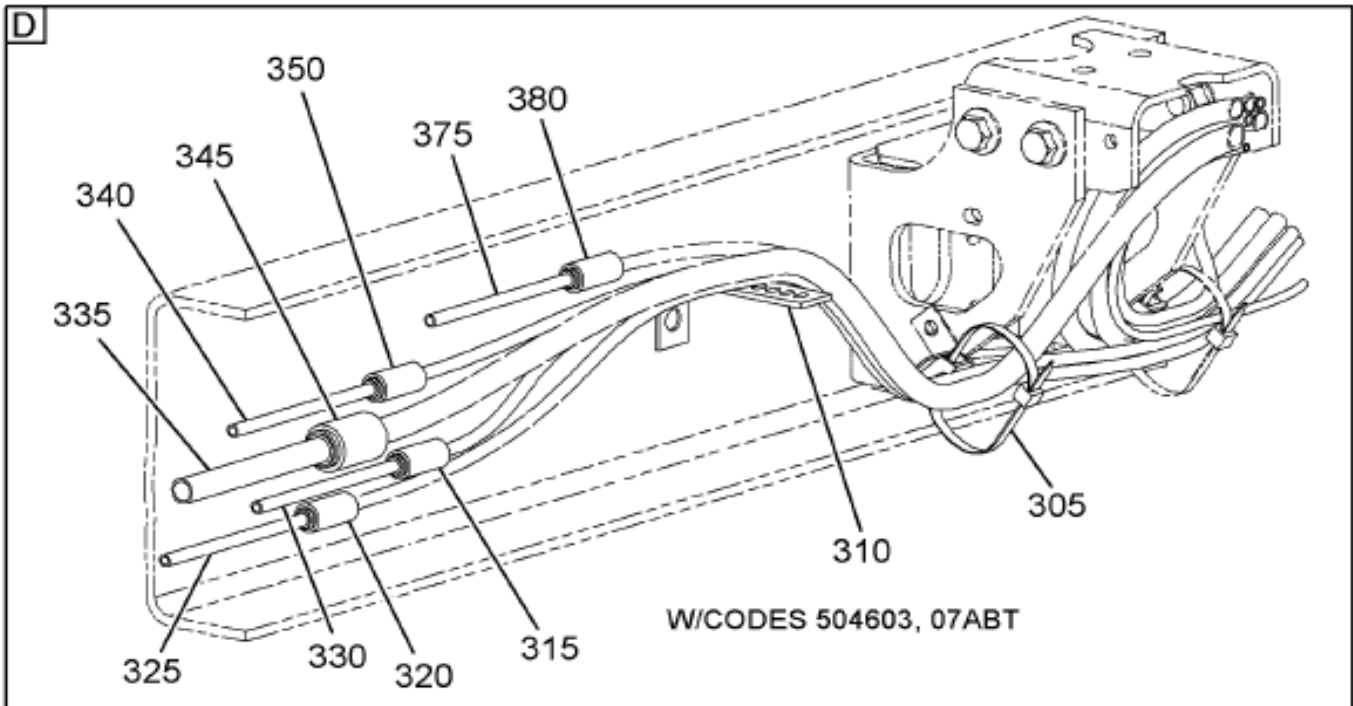
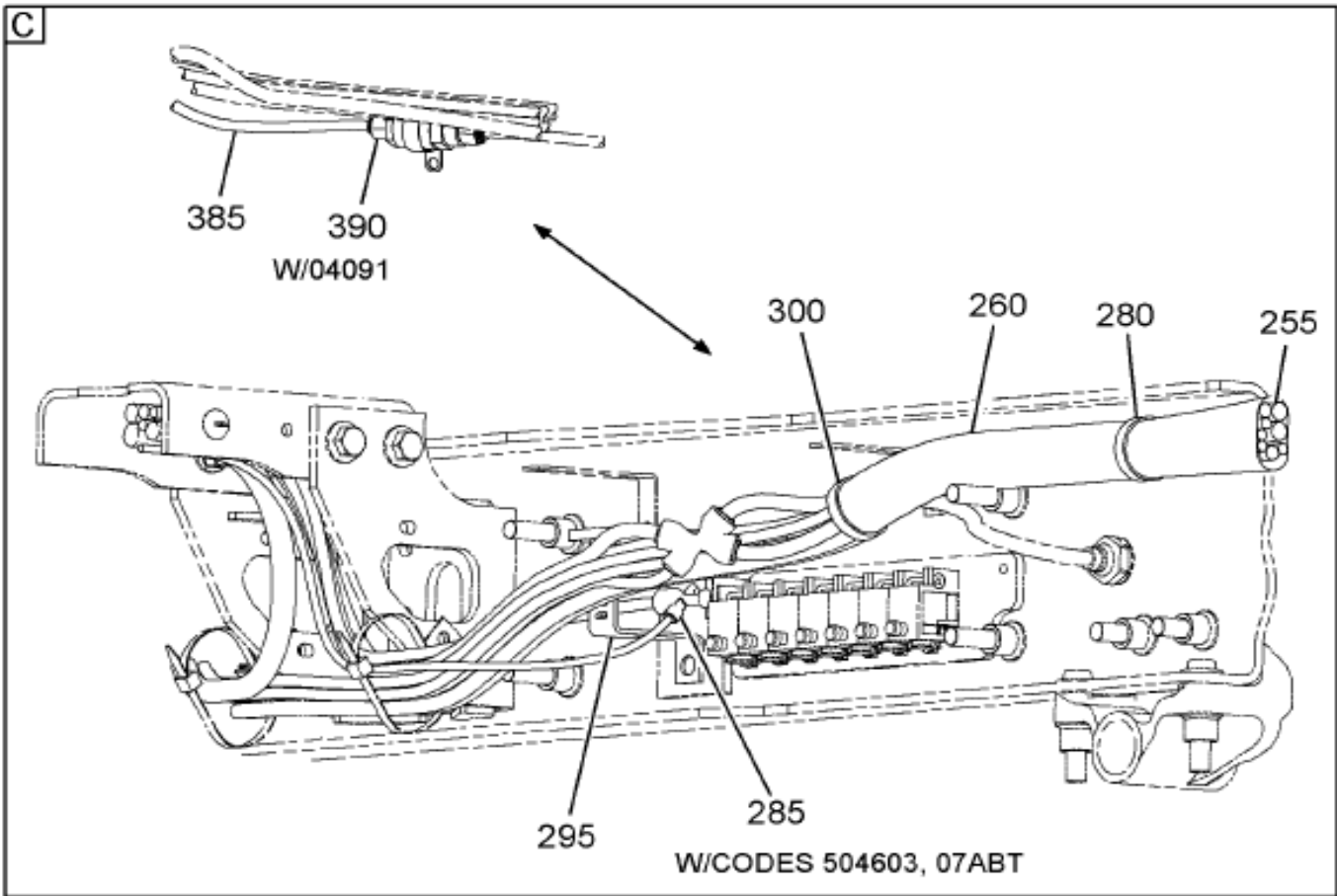
04-042-0284-BC

B03

Figure 3 of 4

Figure 0J0LQ

AIR BRK TUBING INSTL; CTR SECT,W/RSM TANK

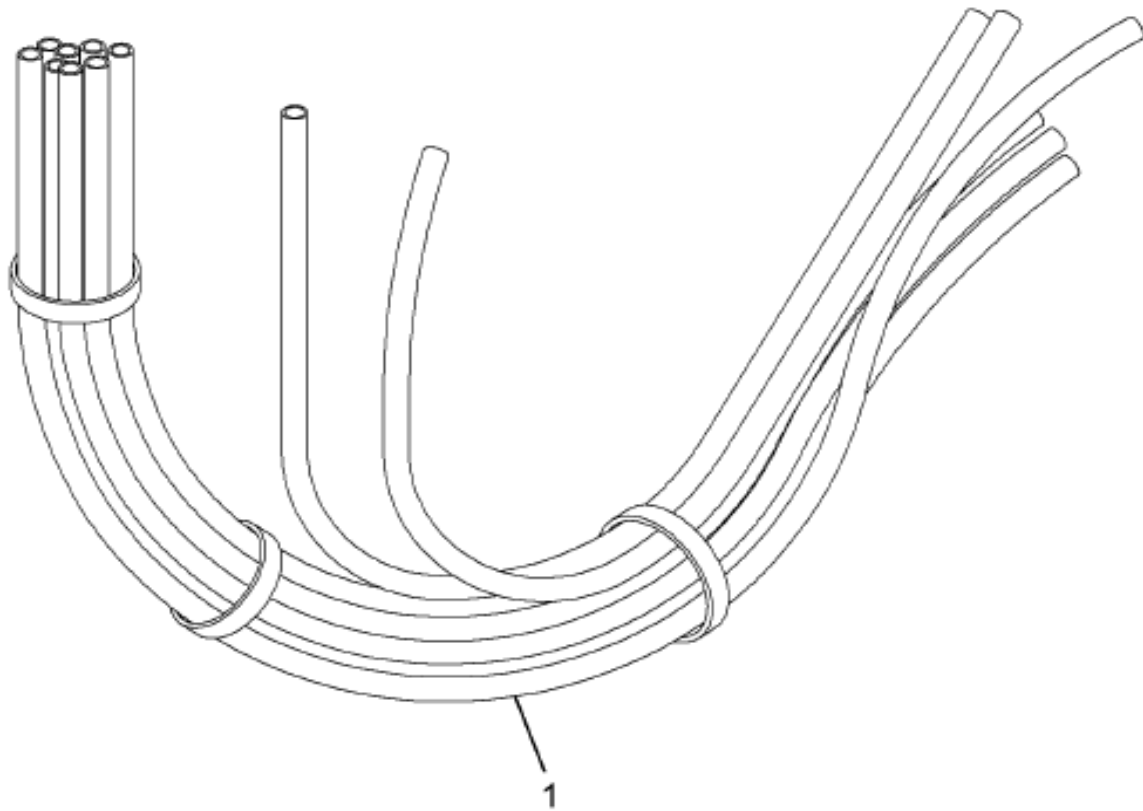


04-042-0285-BD

B03

Item	Part No.	Qty	Description	Kit	Var	Figure
50	3520527C2		TUBE,NYLON BULK 1/4 YELLOW		0KXG8	
100	2643669R1		LOOM,CABLE		0J0LQ	
105	3551192C1	1	EXTENSION,CLIP*		0J0LQ	
105	3535858C1	1	BOLT,HEX FLG HD METRIC*M12-1.7		0J0LQ	
105	3535859C1	1	NUT,HEX METRIC PREV. TORQ*M12		0J0LQ	
105	306132C1	1	STRAP,CABLE LOCK		0J0LQ	

Figure 3581370C92
 HARNESS, NYLON TUBE ASSY



04-042-0560-01

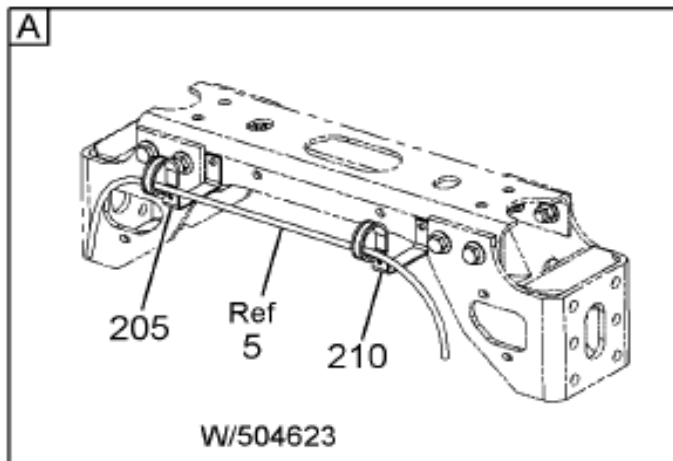
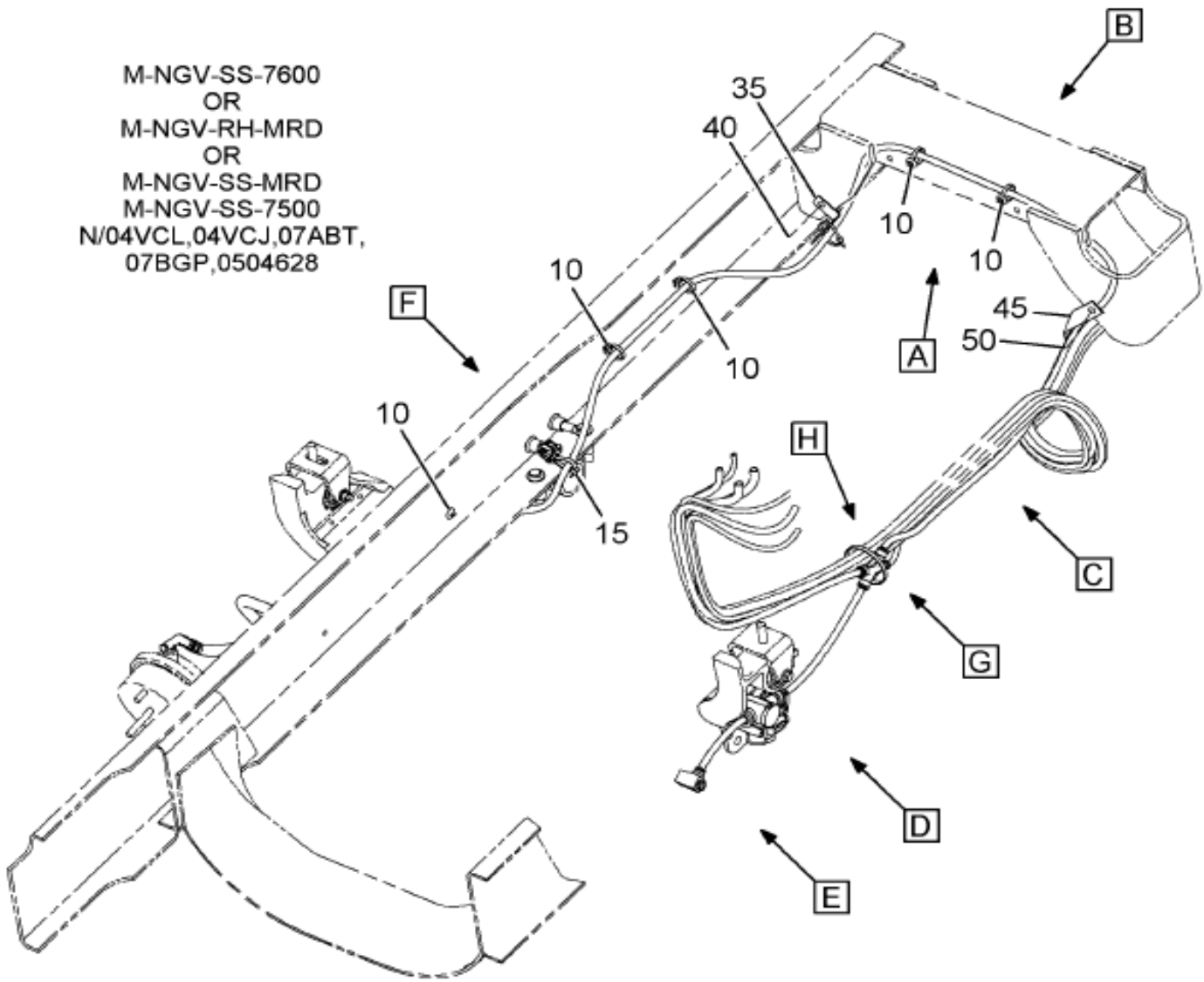
M04

Item	Part No.	Qty	Description	Kit	Var	Figure
1	996205R3	AR	TAPE, PLASTIC ELECTRICAL 3/4"			
1	417199C3	AR	TUBE, NYLON BULK 3/8 OD BLACK			
1	417200C3	AR	TUBE, NYLON BULK 1/2 OD BLACK			
1	417201C3	AR	TUBE, NYLON BULK 5/8 OD BLACK			
1	417202C3	AR	TUBE, NYLON BULK 3/4 OD BLACK			
880		RF	NOTE: ASM BELOW COMPRISED OF ABOVE			

Figure 0H75S

AIR BRK TUBING INSTL; FRONT, QUICK RLSE, MODULATOR

M-NGV-SS-7600
 OR
 M-NGV-RH-MRD
 OR
 M-NGV-SS-MRD
 M-NGV-SS-7500
 N/04VCL,04VCJ,07ABT,
 07BGP,0504628



04-046-0116-00

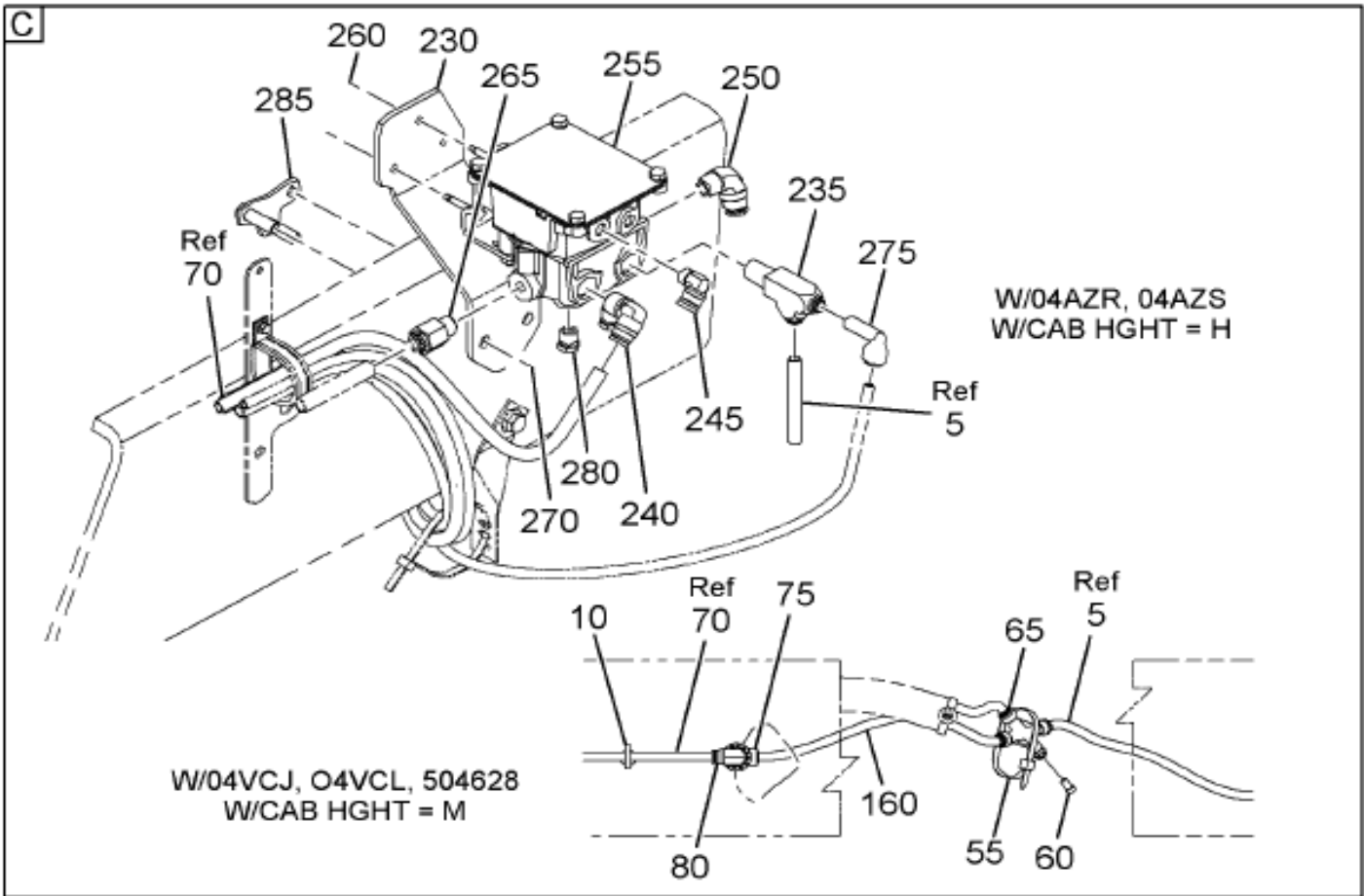
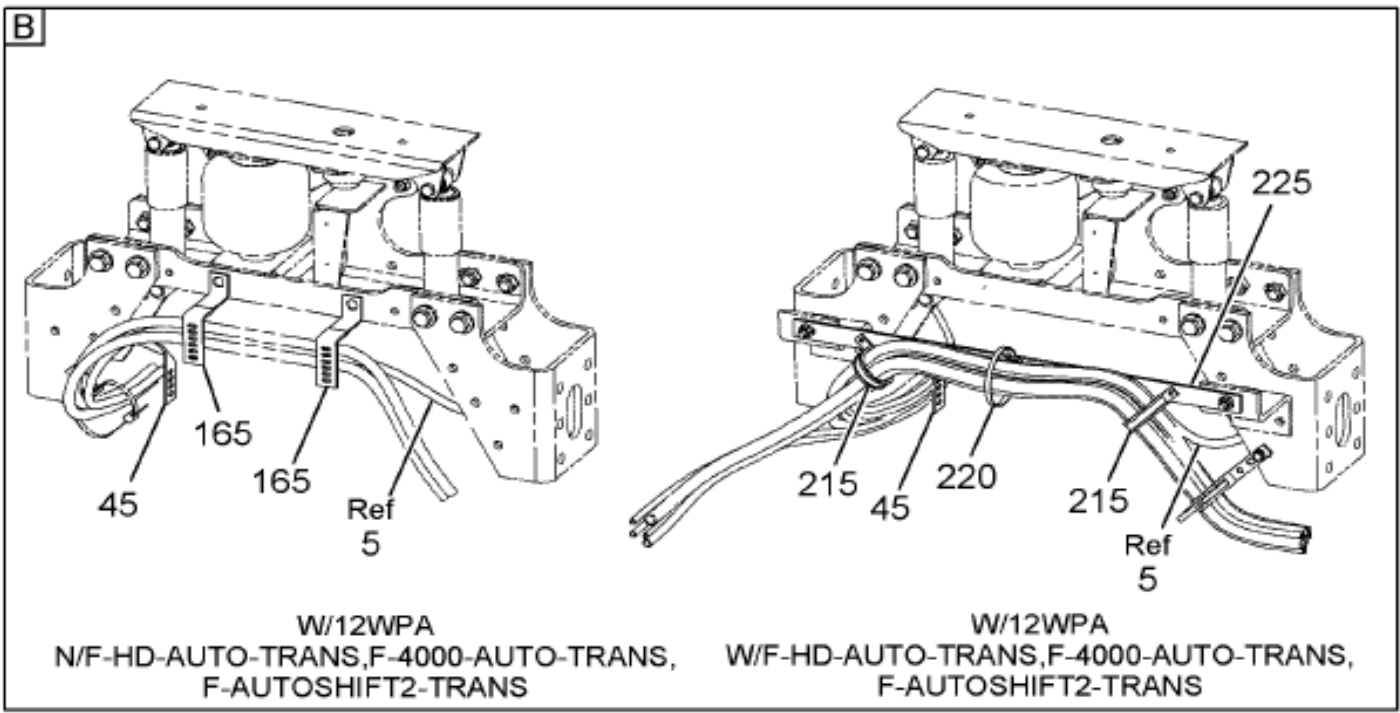
A11

Figure 1 of 5

Figure 0H75S

AIR BRK TUBING INSTL; FRONT, QUICK RLSE, MODULATOR

GROUP 4



04-046-0117-01

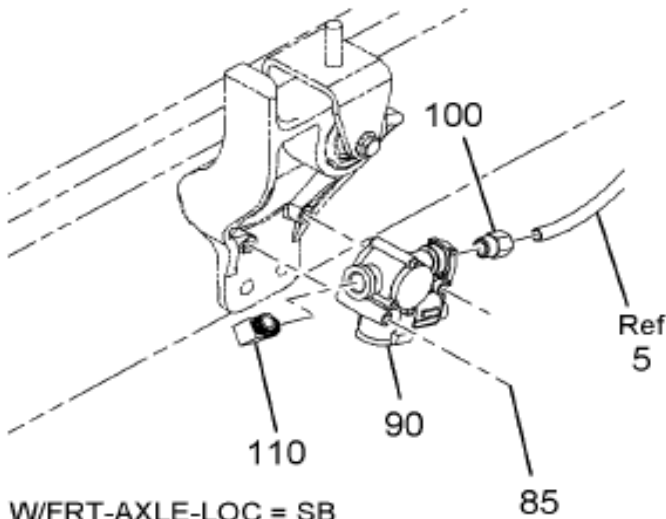
G09

Figure 2 of 5

Figure 0H75S

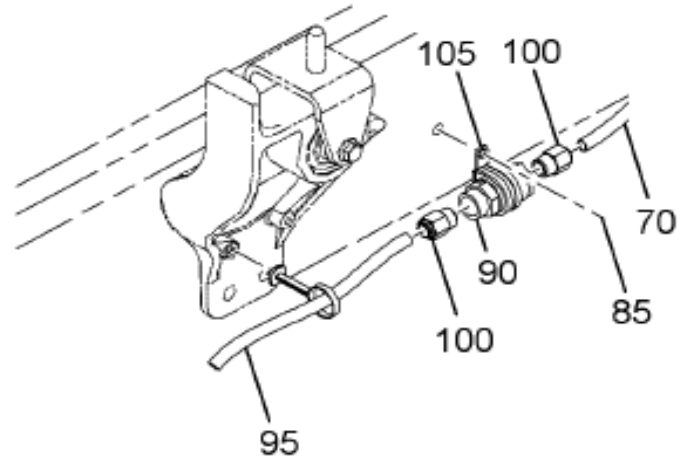
AIR BRK TUBING INSTL; FRONT, QUICK RLSE, MODULATOR

D



W/FRT-AXLE-LOC = SF
 W/F-NGV-FRT-DRV-AXLE
 W/04AZA, 04AZJ, 04AZR, 04AZS
 LEFT SIDE SHOWN
 RIGHT SIDE OPPOSITE

W/FRT-AXLE-LOC = SB
 W/04AZG, N/16196
 OR
 W/FRT-AXLE-LOC = SB
 W/04AZG, W/16196
 W/CAB-HGHT=M
 OR
 W/FRT-AXLE-LOC = SF
 W/04AZG
 W/M-NGV-SS-7600
 N/F-NGV-FRT-DRV-AXLE, 16196
 OR
 W/FRT-AXLE-LOC=SF
 W/04AZG
 W/M-NGV-SS-MRD, M-NGV-SS-7500
 W/CAB-HGHT=M
 N/F-NGV-FRT-DRV-AXLE, 510974



W/FRT-AXLE-LOC = SB
 W/04AZA, 04AZJ, 04AZR, 04AZS
 W/16196
 W/CAB-HGHT=H
 LEFT SIDE SHOWN
 RIGHT SIDE OPPOSITE

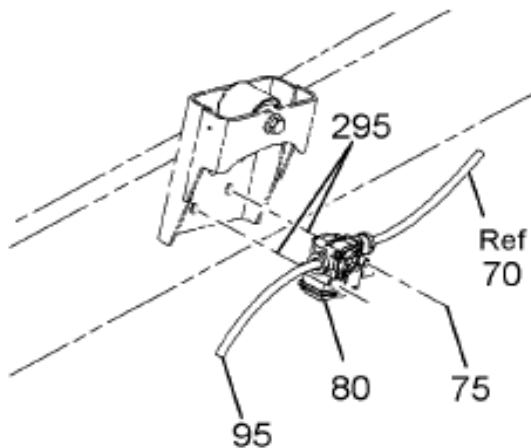
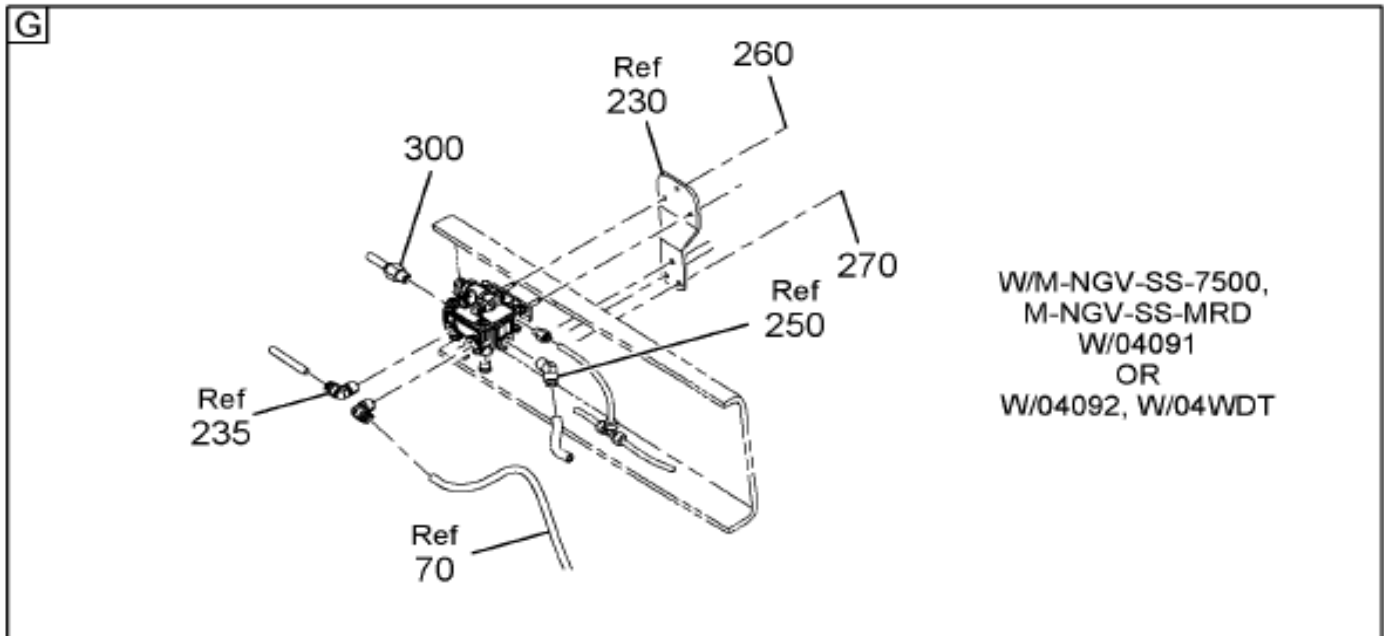
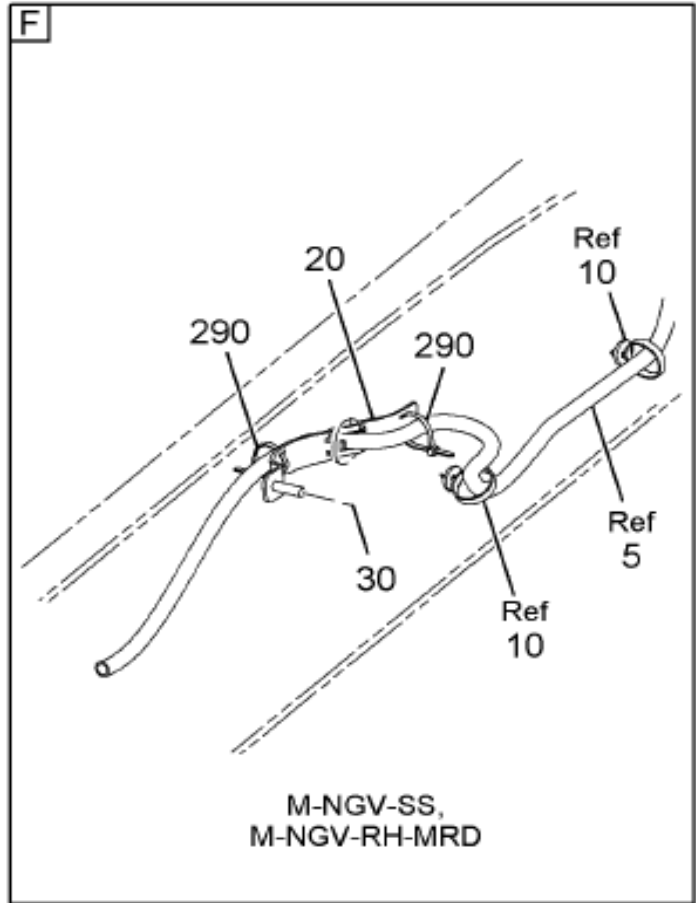
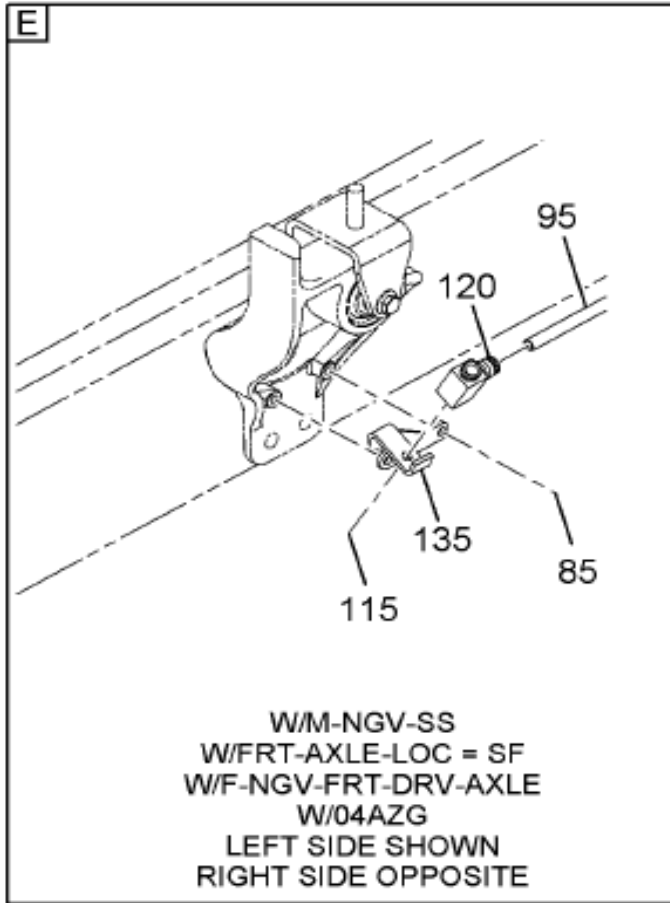


Figure 3 of 5

Figure 0H75S

AIR BRK TUBING INSTL; FRONT, QUICK RLSE, MODULATOR

G
R
P
0
4



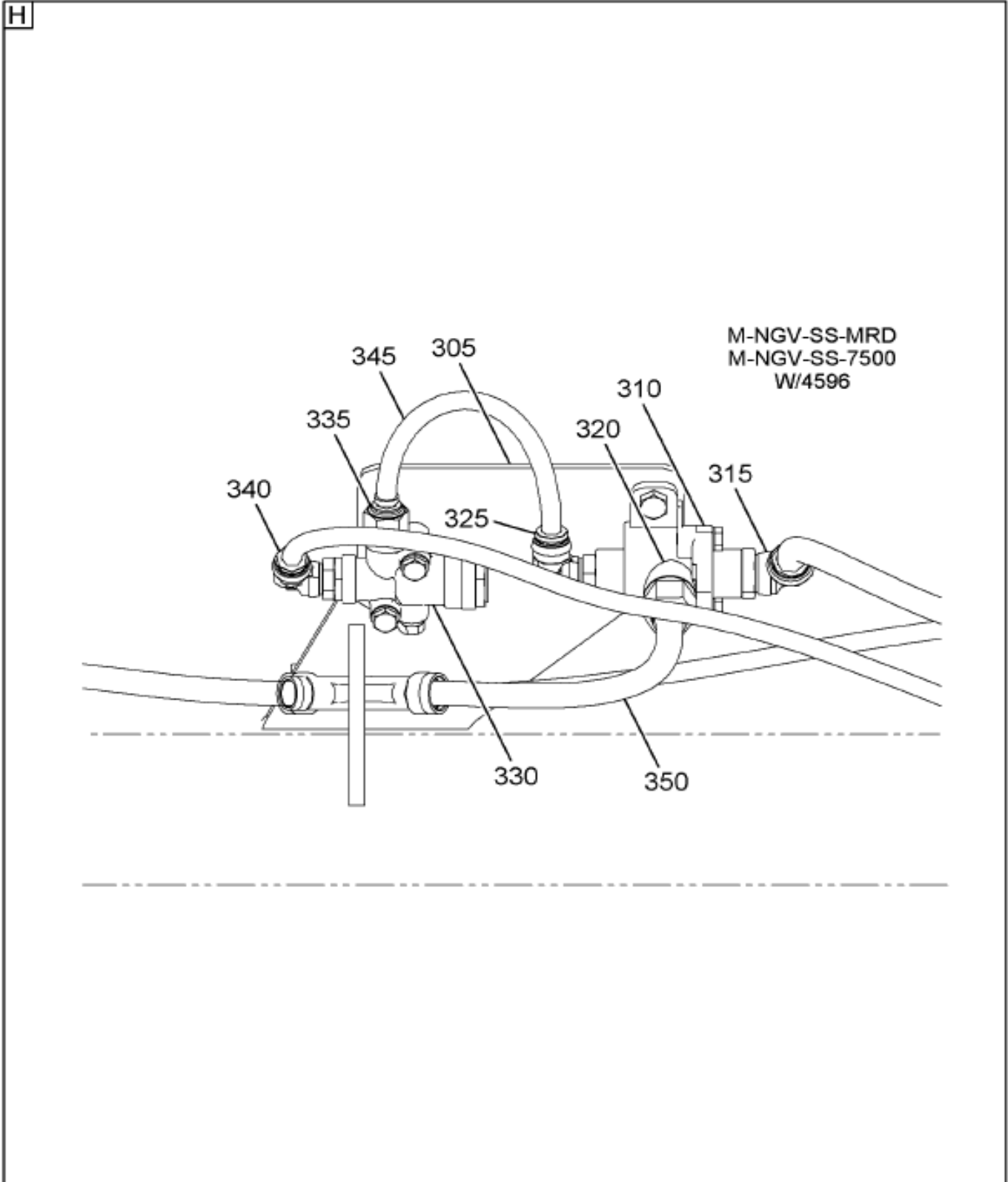
04-046-0287-02

G09

Figure 4 of 5

Figure 0H75S

AIR BRK TUBING INSTL; FRONT, QUICK RLSE, MODULATOR



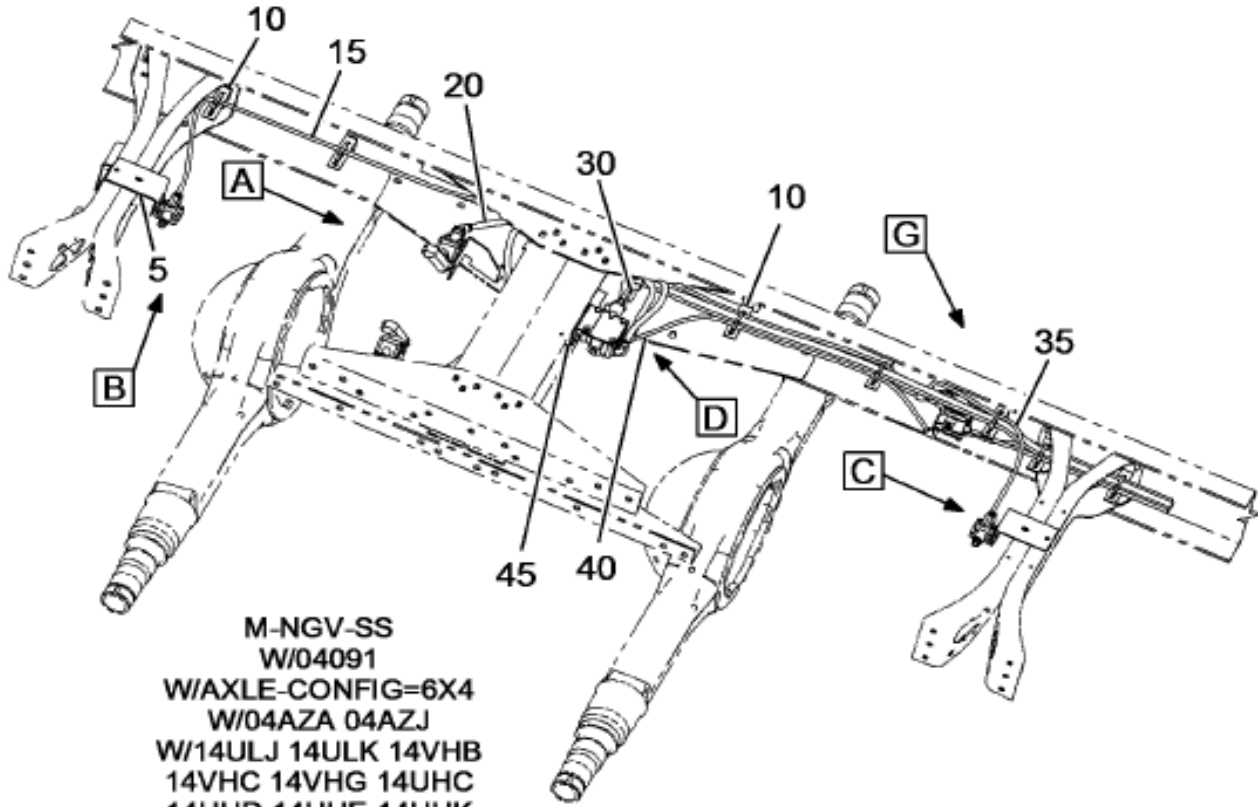
04-046-0358-01

A11

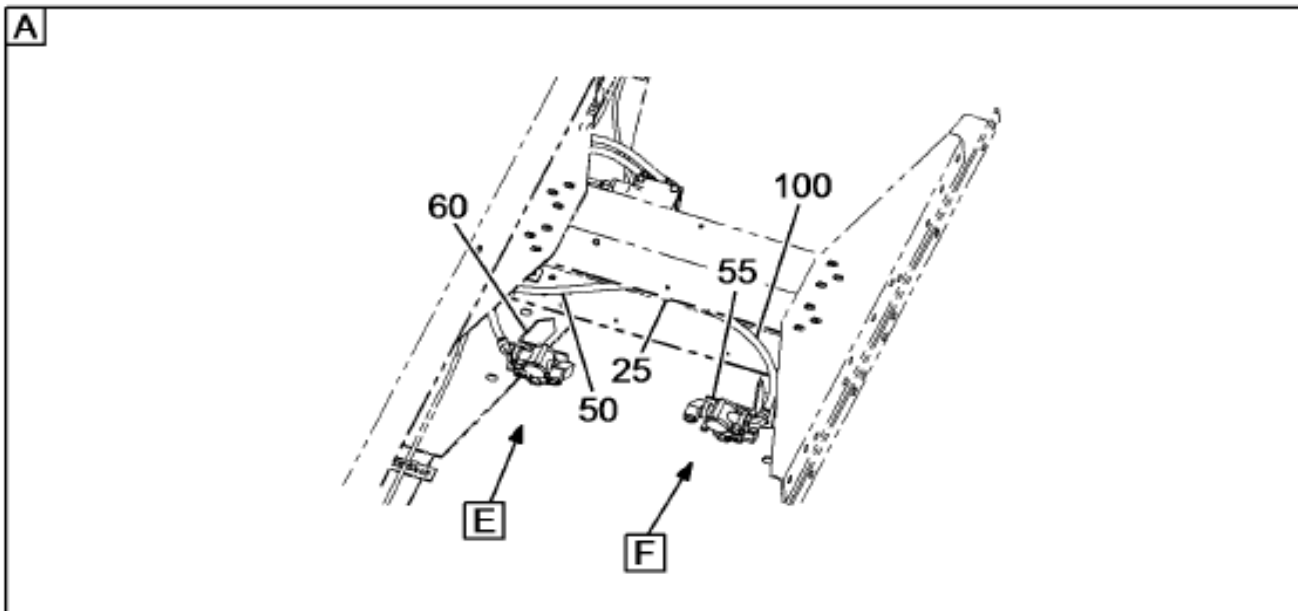
Item	Part No.	Qty	Description	Kit	Var	Figure
5	2643446R2	3300	TUBE, NYLON BULK 1/2 ORANGE		0J5BS	
10	3544557C1	2	STRAP, CABLE LOCK*382MM BUTTON		0JCZH	
10	3544557C1	3	STRAP, CABLE LOCK*382MM BUTTON		0H75S	
10	3544557C1	3	STRAP, CABLE LOCK*382MM BUTTON		0H75Z	
10	3544557C1	3	STRAP, CABLE LOCK*382MM BUTTON		0J5BS	
20	2034206C1	1	EXTENSION, CLIP		0H75Z	

Figure 0MT69

AIR BRK TUBING INSTL; REAR, 6X4 OR 6X6 W/ABS, HEND STL/RUB



M-NGV-SS
 W/04091
 W/AXLE-CONFIG=6X4
 W/04AZA 04AZJ
 W/14ULJ 14ULK 14VHB
 14VHC 14VHG 14UHC
 14UHD 14UHE 14UHK
 14UHL 14ULP 14698



04-056-0823-01

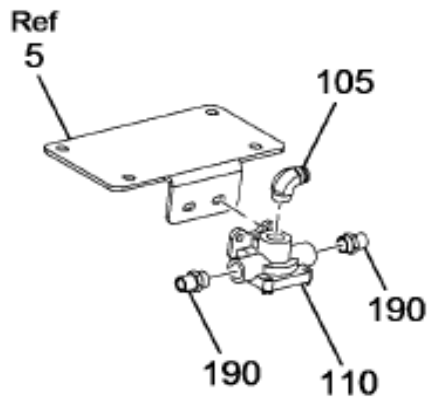
C11

Figure 1 of 6

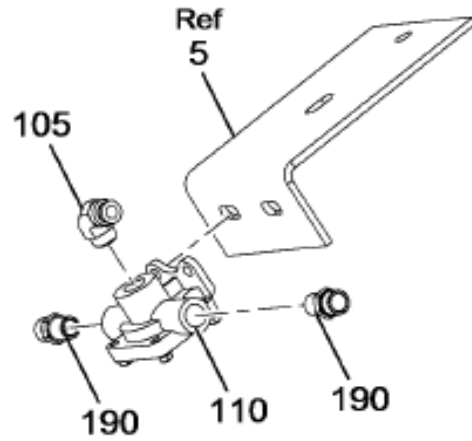
Figure 0MT69

AIR BRK TUBING INSTL; REAR, 6X4 OR 6X6 W/ABS, HEND STL/RUB

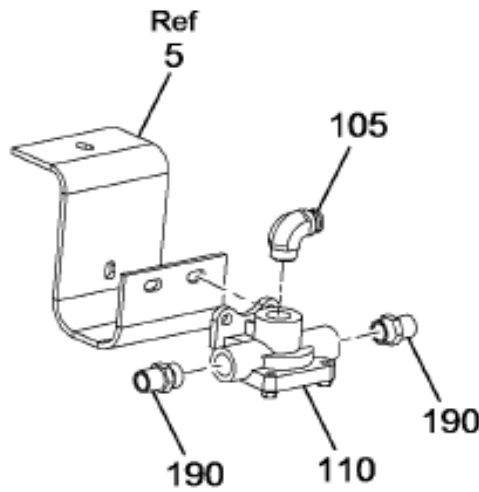
B



QUICK RELEASE VALVE MTG
W/04091
W/12" RAILS
N/01UAA



QUICK RELEASE VALVE MTG
W/04091
W/10" RAILS



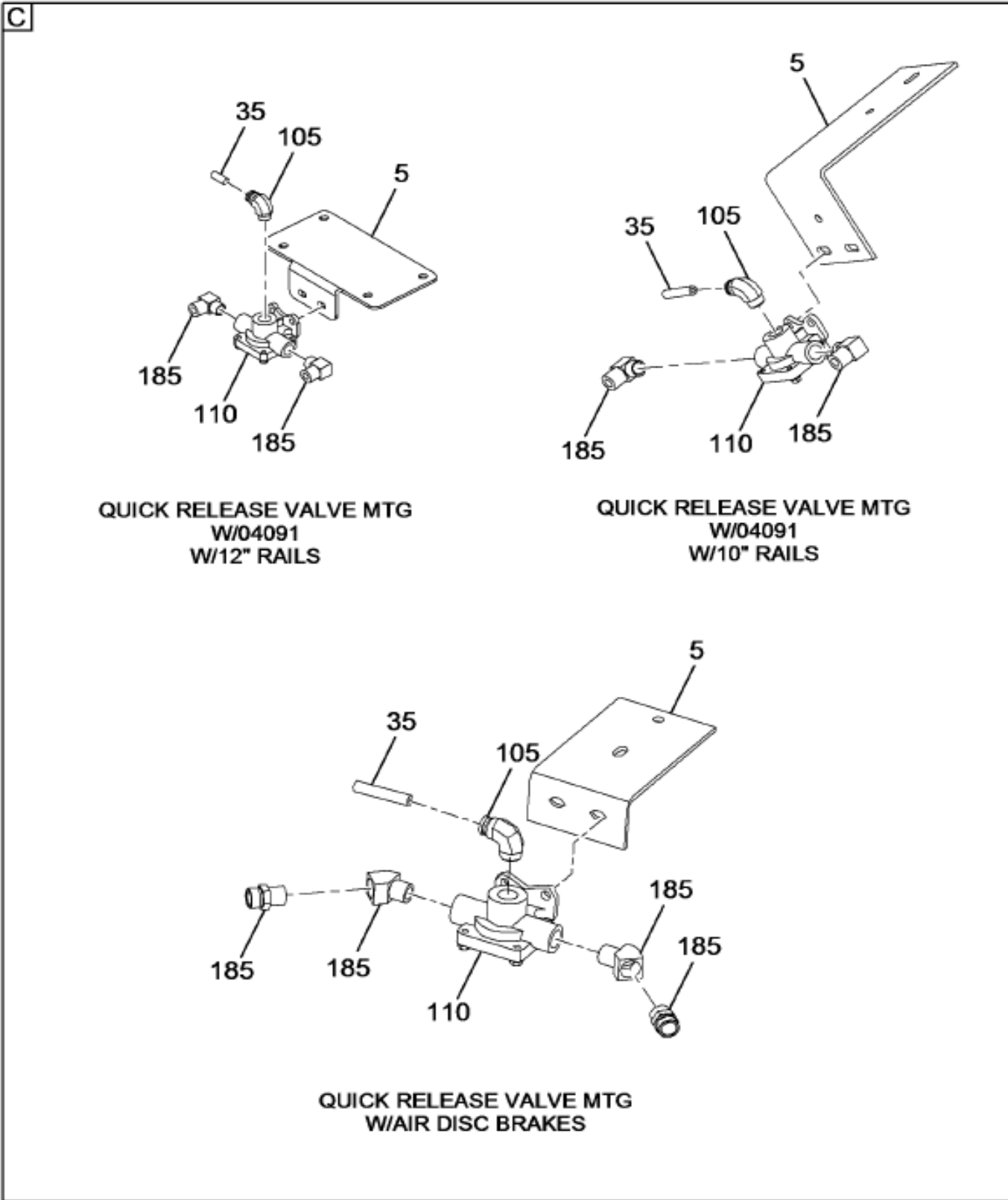
QUICK RELEASE VALVE MTG
W/04091
W/12" RAILS
W/01UAA

GROUP 4

Figure 2 of 6

Figure 0MT69

AIR BRK TUBING INSTL; REAR, 6X4 OR 6X6 W/ABS, HEND STL/RUB



04-056-0823-03

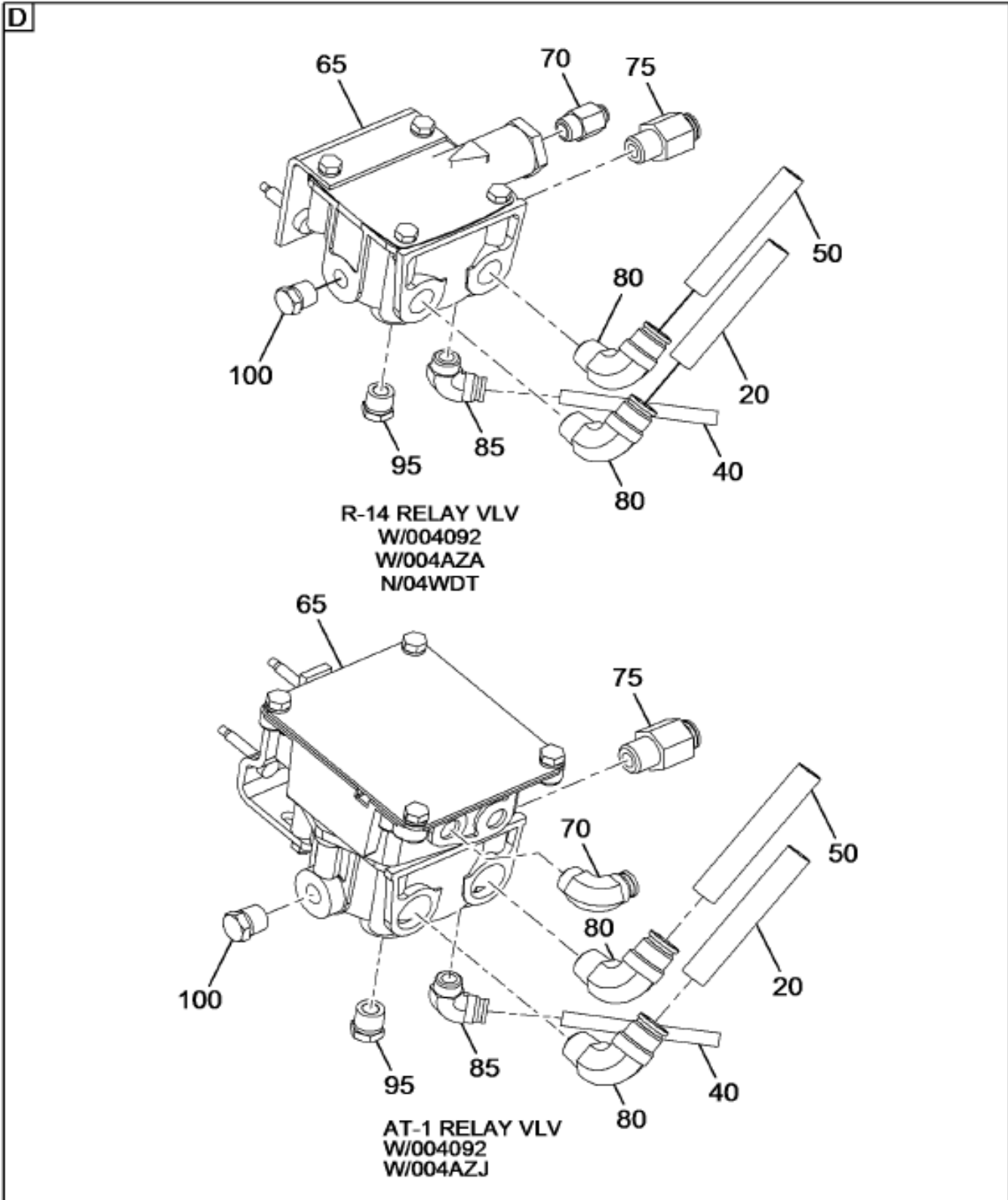
C11

Figure 3 of 6

Figure 0MT69

AIR BRK TUBING INSTL; REAR, 6X4 OR 6X6 W/ABS, HEND STL/RUB

GROUP 4



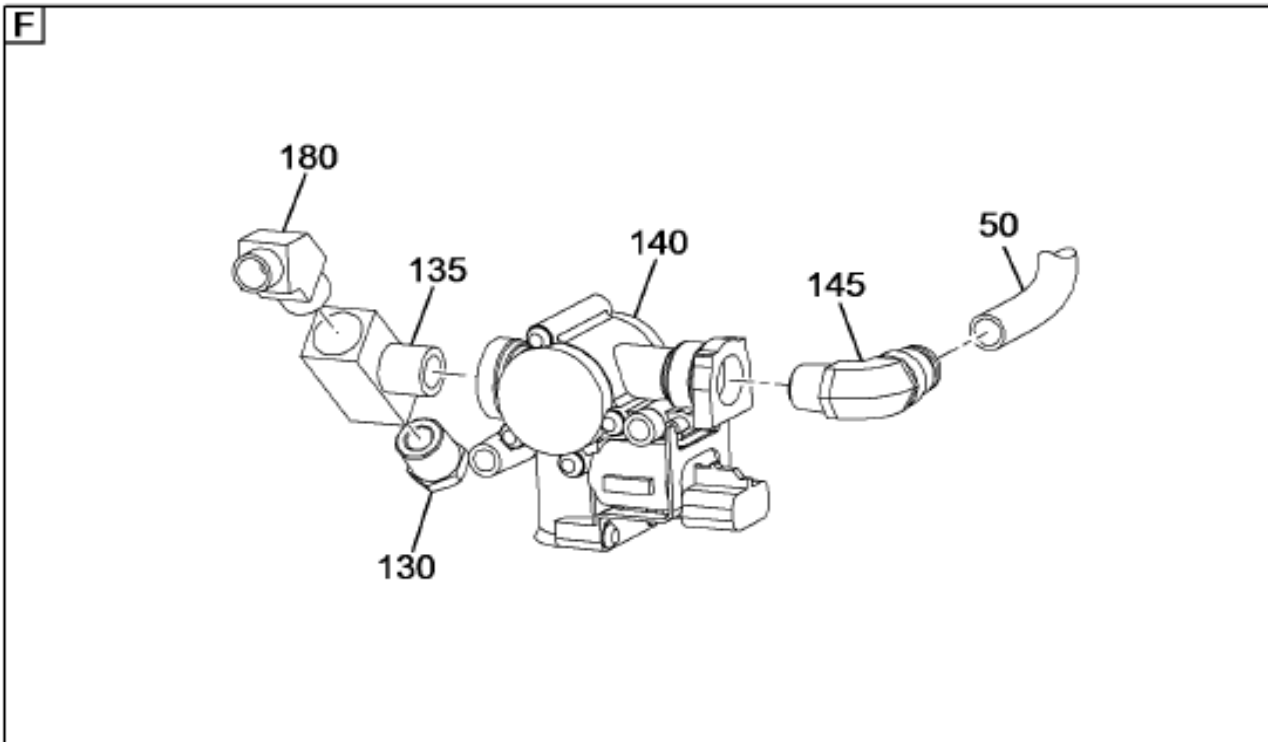
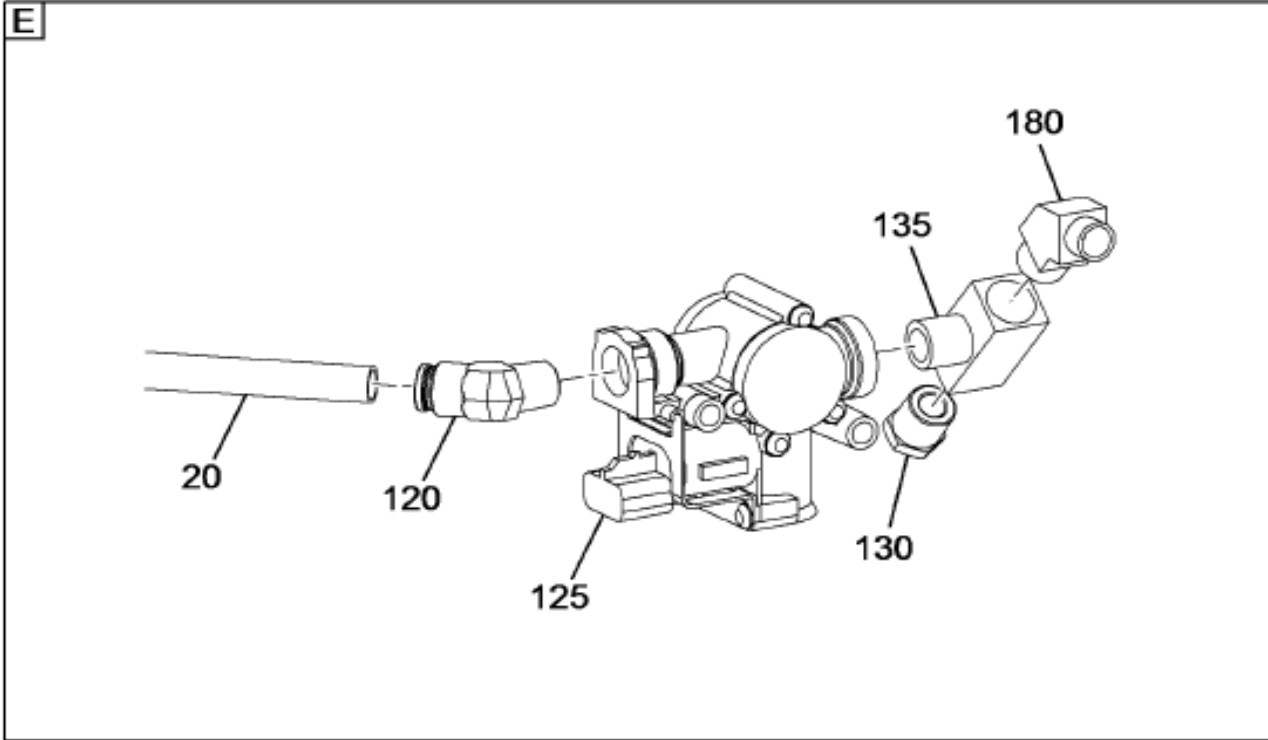
04-056-0823-04

C11

Figure 4 of 6

Figure 0MT69

AIR BRK TUBING INSTL; REAR, 6X4 OR 6X6 W/ABS, HEND STL/RUB



04-056-0823-05

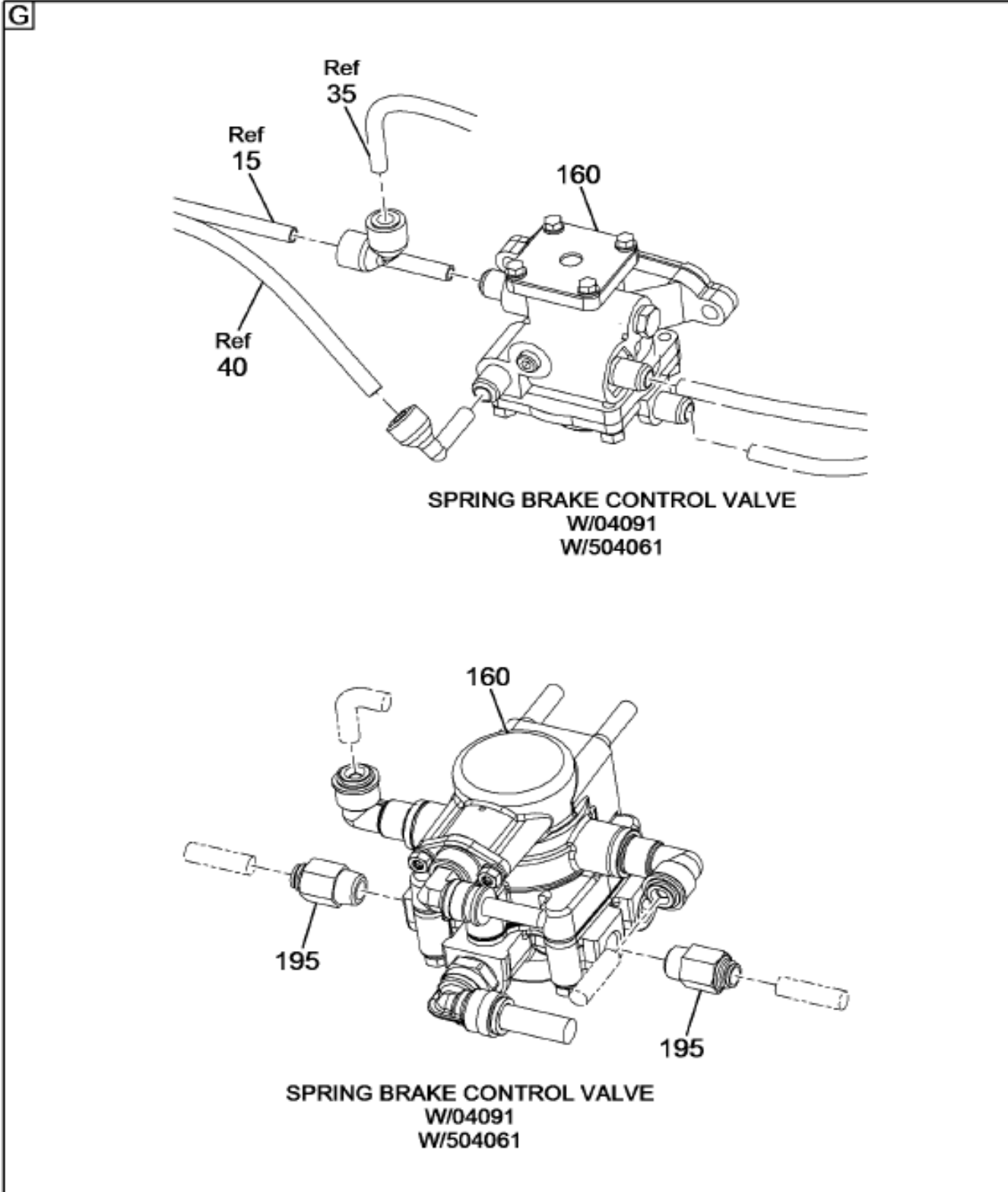
C11

Figure 5 of 6

Figure OMT69

AIR BRK TUBING INSTL; REAR, 6X4 OR 6X6 W/ABS, HEND STL/RUB

GROUP 04



04-056-0823-06

C11

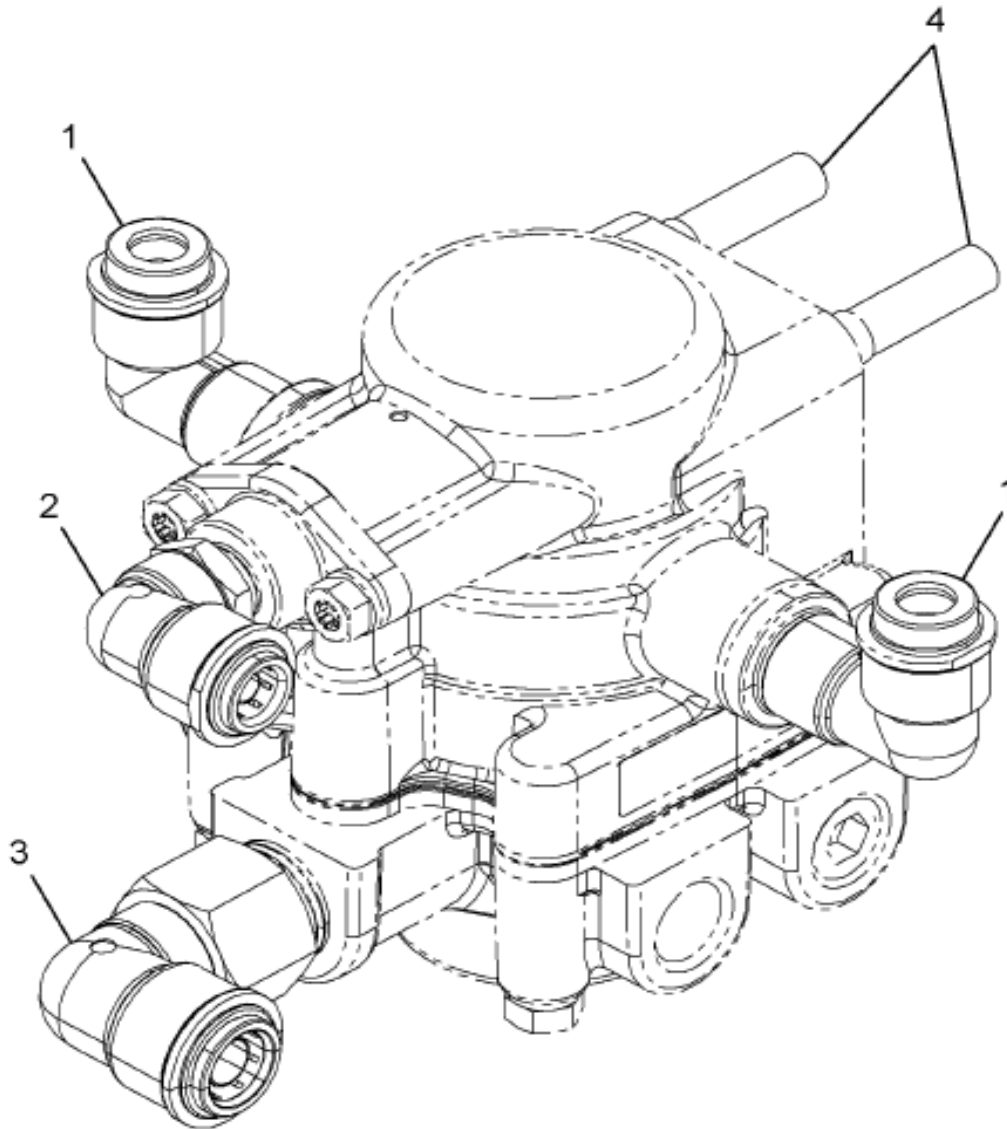
Item	Part No.	Qty	Description	Kit	Var	Figure
5	3604271C1	2	SUPPORT,, SPRING BRAKE QRV		OMT6D	
5	31055R1	4	BOLT, M8 X 25 PHC CL 8.8 FLG/H		OMT6D	
5	3544379C1	4	NUT,HEX FLG M8 METRIC		OMT6D	
10	306132C1	8	STRAP,CABLE LOCK		OMT6D	
10	2034206C1	8	EXTENSION,CLIP		OMT6D	
10	30850R2	2	BOLT,HEX FLG HD METRIC*M10 X 4		OMT6D	

Figure OMT69

AIR BRK TUBING INSTL; REAR, 6X4 OR 6X6 W/ABS, HEND STL/RUB

Item	Part No.	Qty	Description	Kit	Var	Figure
10	3535556C1	2	NUT,HEX METRIC PREV. TORQ*M10		OMT6D	
15	2643443R2	2275	TUBE,NYLON BULK 3/8 YELLOW		OMT6W	
20	2643448R2	1125	TUBE,NYLON BULK 5/8 GREEN		OMT6K	
30	306132C1	1	STRAP,CABLE LOCK		OMT69	
35	2643443R2		TUBE,NYLON BULK 3/8 YELLOW		OMT6W	
40	2643440R2	1150	TUBE,NYLON BULK 3/8 GREEN		OMT6W	
45	3548173C2	1	BRACKET,RELAY VALVE		OMT6K	
45	3544379C1	2	NUT,HEX FLG M8 METRIC		OMT6K	
45	31055R1	2	BOLT, M8 X 25 PHC CL 8.8 FLG/H		OMT6K	
50	2643448R2	1150	TUBE,NYLON BULK 5/8 GREEN		OMT6K	
55	3520898C1	1	BRACKET,AIR BRK VALVE MTG RT		OMT69	
55	31055R1	2	BOLT, M8 X 25 PHC CL 8.8 FLG/H		OMT69	
55	40066R1	2	NUT, M8 - HF LOCK		OMT69	
60	3520897C1	1	BRACKET,AIR BRK VALVE MTG LT		OMT69	
60	31055R1	2	BOLT, M8 X 25 PHC CL 8.8 FLG/H		OMT69	
60	40066R1	2	NUT, M8 - HF LOCK		OMT69	
65	3570617C91	1	VALVE,RELAY*R-14 W/4.0 PSI CR		OMT6H	
65	3544379C1	2	NUT,HEX FLG M8 METRIC		OMT6H	
70	2017484C1	1	CONNECTOR,1/4MPT X 3/8QC STRGT		OMT6H	
75	2017493C1	1	CONNECTOR,PTC 1/2MPT X 3/4QC		OMT6H	
80	2017519C1	2	ELBOW,QC*90D 1/2MPT X 5/8 TUBE		OMT6H	
85	3581727C1	1	ELBOW,3/8QC X 3/8-18NPTF 90DEG		OMT6H	
95	20990R1	1	PLUG, 3/8-18 PLN H/HD PIPE		OMT6H	
100	444632	1	PLUG, 1/2-14 PLN H/HD PIPE		OMT6H	
110	473794C91	1	VALVE,QUICK RELEASE		OMT69	
110	3557983C1	2	BOLT,HEX FLG HD METRIC M8 X 45		OMT69	
110	3544379C1	2	NUT,HEX FLG M8 METRIC		OMT69	
120	3507269C1	1	ELBOW,SNAP TO CONNECT 5/8X 1/2		OMT69	
125	3600213C1	1	VALVE,MODULATOR AIR M-32		OMT69	
125	3557701C1	2	BOLT,HEX FLG HD METRIC*M8 X 90		OMT69	
125	30175R1	2	WASHER, 8.8 X 17 X 2MM PHC		OMT69	
125	3544379C1	2	NUT,HEX FLG M8 METRIC		OMT69	
130	444034	2	ADAPTER,AUTO PIPE 1/2 TO 3/8 P		OMT69	
135	444138	2	TEE, 1/2-14 PLN INT/INT/EXT AU		OMT69	
140	3600213C1	1	VALVE,MODULATOR AIR M-32		OMT69	
140	3557701C1	2	BOLT,HEX FLG HD METRIC*M8 X 90		OMT69	
140	30175R1	2	WASHER, 8.8 X 17 X 2MM PHC		OMT69	
140	3544379C1	2	NUT,HEX FLG M8 METRIC		OMT69	
145	2017519C1	1	ELBOW,QC*90D 1/2MPT X 5/8 TUBE		OMT69	
160	3596757C91	1	VALVE,BRK CONTROL SR-7 SPRING		OMT7B	3596757C91
160	30754R1	2	NUT,LOCK OR HEX SPECIAL*PREVAI		OMT7B	
180	3576353C1	2	ELBOW,HOSE*45 DEG 3/4-20 X 1/2		OMT69	
185	3576352C1	2	ELBOW,HOSE*90 DEG 3/4-20 X 3/8		OMT69	
190	3572104C1	2	FITTING,SPECIAL*3/8PT X 3/4ST		OMT69	
195	2017487C1	2	CONNECTOR,3/8MPT X 3/8QC STRGT		OMT7B	

Figure 3596757C91
VALVE, BRK CONTROL SR-7 SPRING



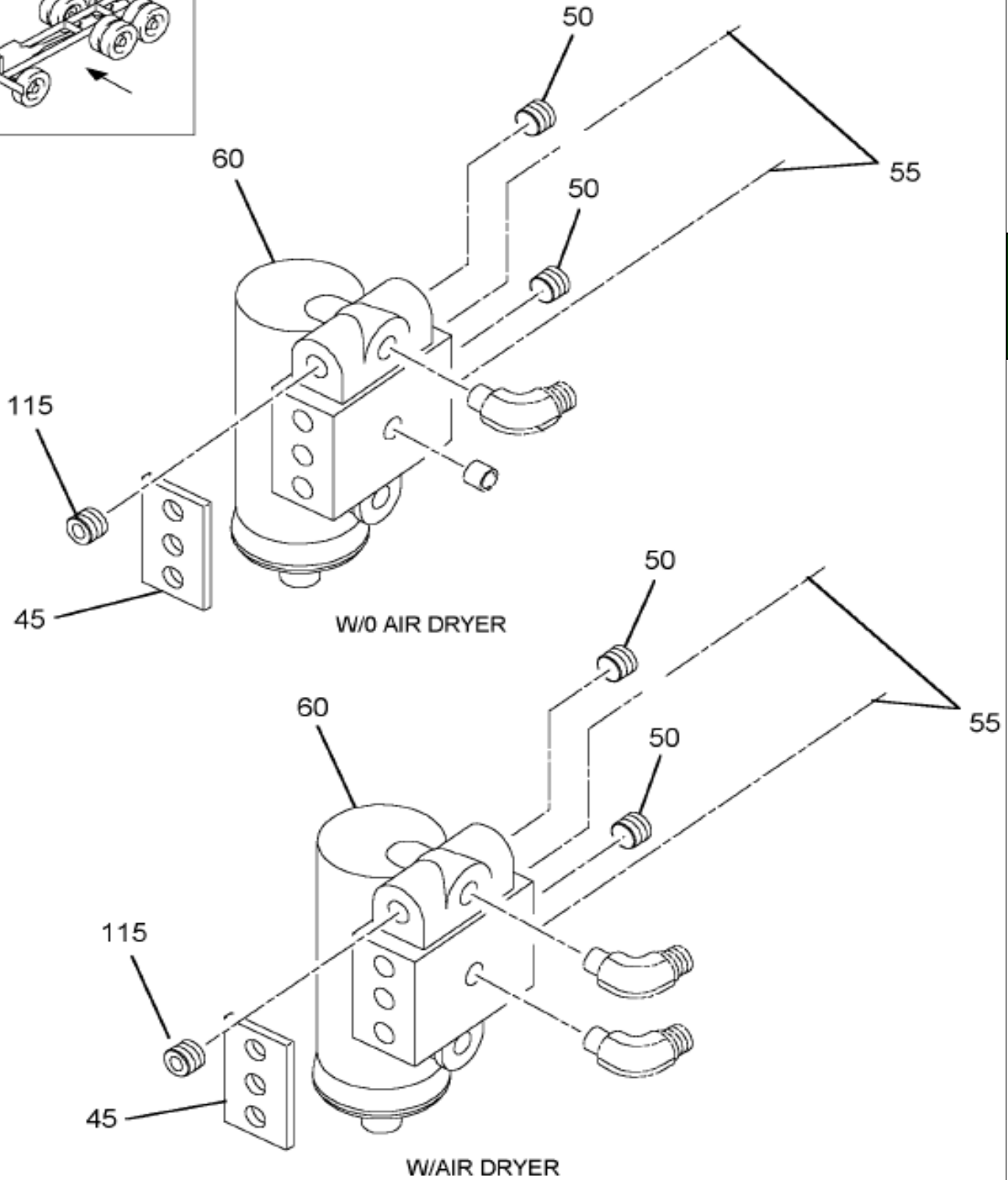
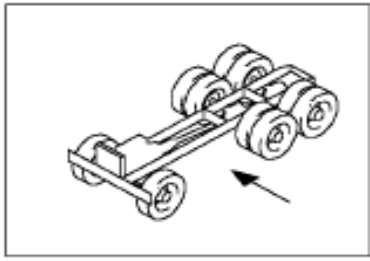
GROUP
04

04-056-0531-01

M04

Item	Part No.	Qty	Description	Kit	Var	Figure
1	BX5010948	2	ELBOW, PUSH/CON 3/8" 90D			
2	BX5013664	1	ELBOW, PUSH/CON 3/8 90D SWVL			
3	BX5013665	1	VALVE, CHECK 1/2" 90D			
4	BX5012610	2	STUD, VALVE MNTG M10 X 1.5			
880	RF		NOTE: ASM BELOW COMPRISED OF ABOVE COMPONENTS			

Figure 086M2
AIR COMP SR & GOVERNOR INSTL



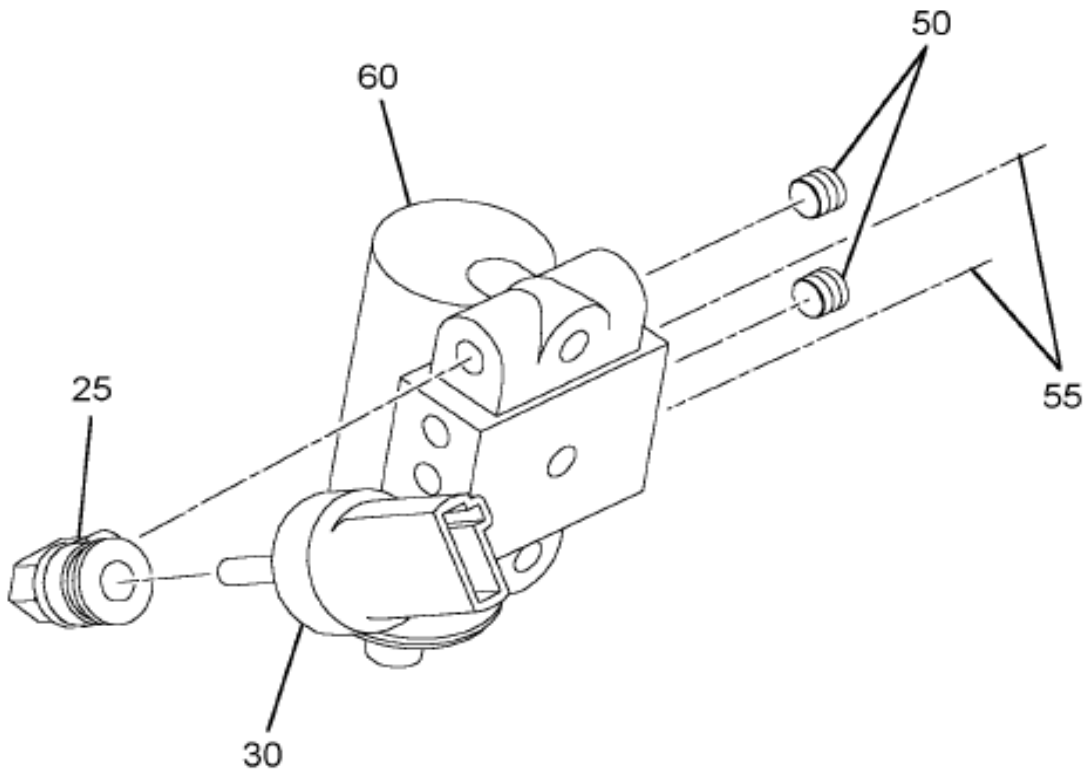
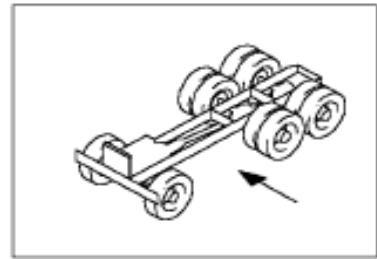
GROUP 4

04-026-0066-01

H02

Figure 1 of 2

Figure 086M2
AIR COMP SR & GOVERNOR INSTL



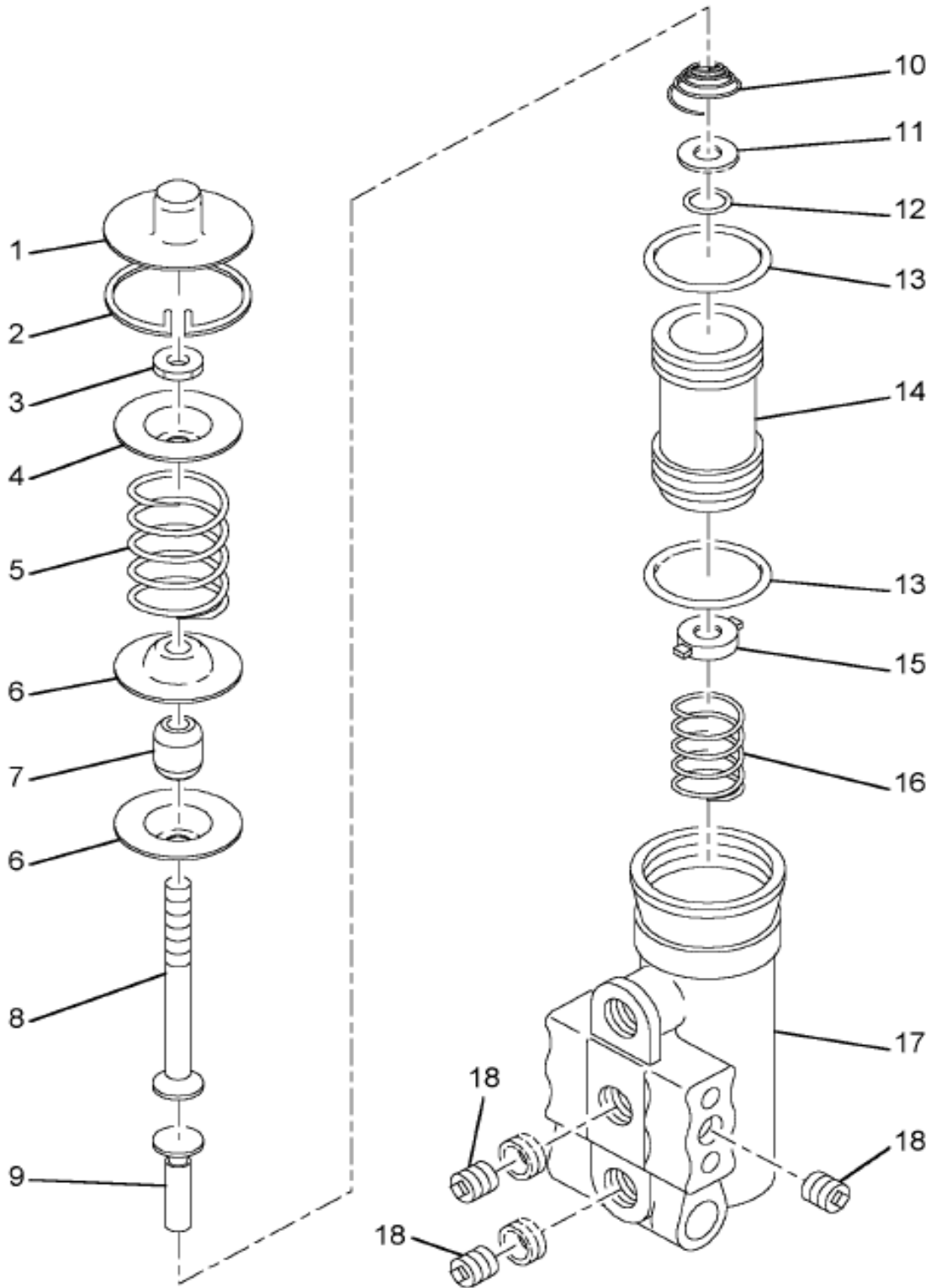
FOR CODE 04SBL

04-026-0053-KB

H02

Item	Part No.	Qty	Description	Kit	Var	Figure
45	166562R2	1	GASKET,AIR GOV COVER		086M2	
55	1516404C1	2	SCREW,MACH SPECIAL		086M2	
55	21739R1	2	WASHER,LOCK .344X.562X.054		086M2	
60	410986C92	1	GOVERNOR,ASSY D-2		086M2	410986C92

Figure 410986C92
GOVERNOR, ASSY D-2



G
R
P
0
4

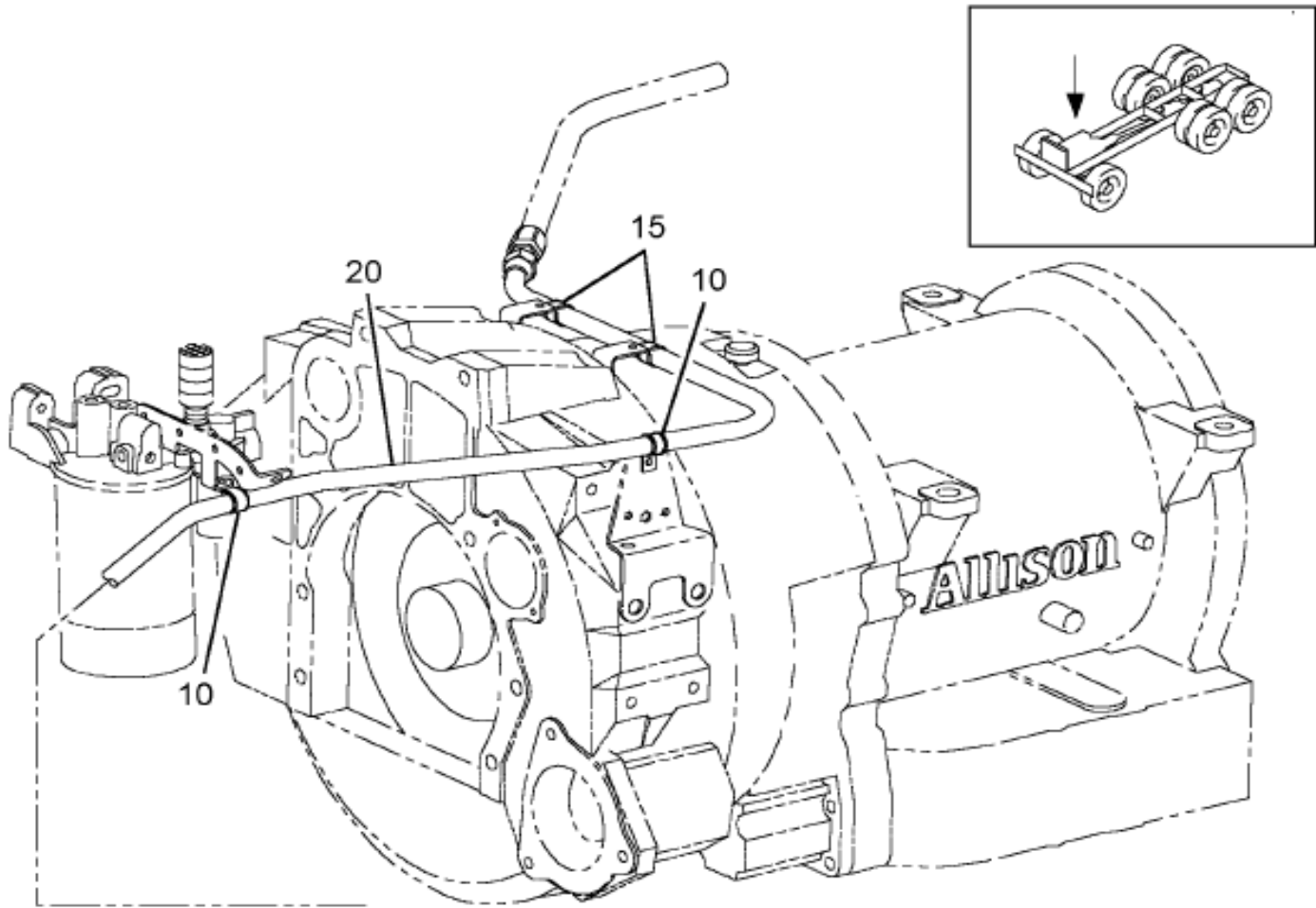
04-027-0001-00

C04

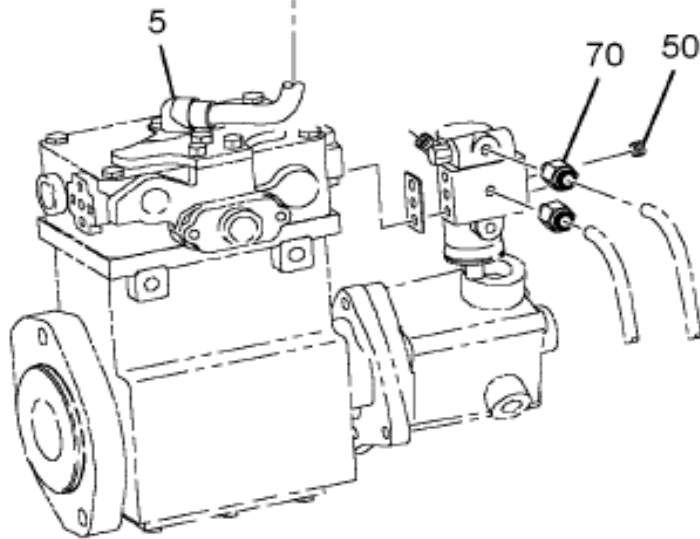
Item	Part No.	Qty	Description	Kit	Var	Figure
1	321739R1	1	COVER, AIR GOV			
2	160094R1	1	RING, 1.660 INT RET			
3	124818	1	NUT, 1/4 JAM TYPE 5			
4	177633H1	1	SEAT, AIR GOV SPRING UPPER			
5	321747R1	1	SPRING, AIR GOV VALVE			
6	321748R1	2	SEAT, AIR GOV SPG			

Figure 06SPT

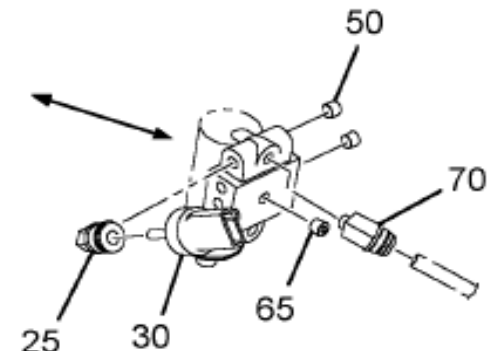
AIR COMP SR TUBING INSTL; LT SIDE AIR TANK MTG



GROUP 4



W/PRESSURE SWITCH
W/CODE 04SBL



W/PRESSURE TRANSMITTER
W/CODE 04SBL

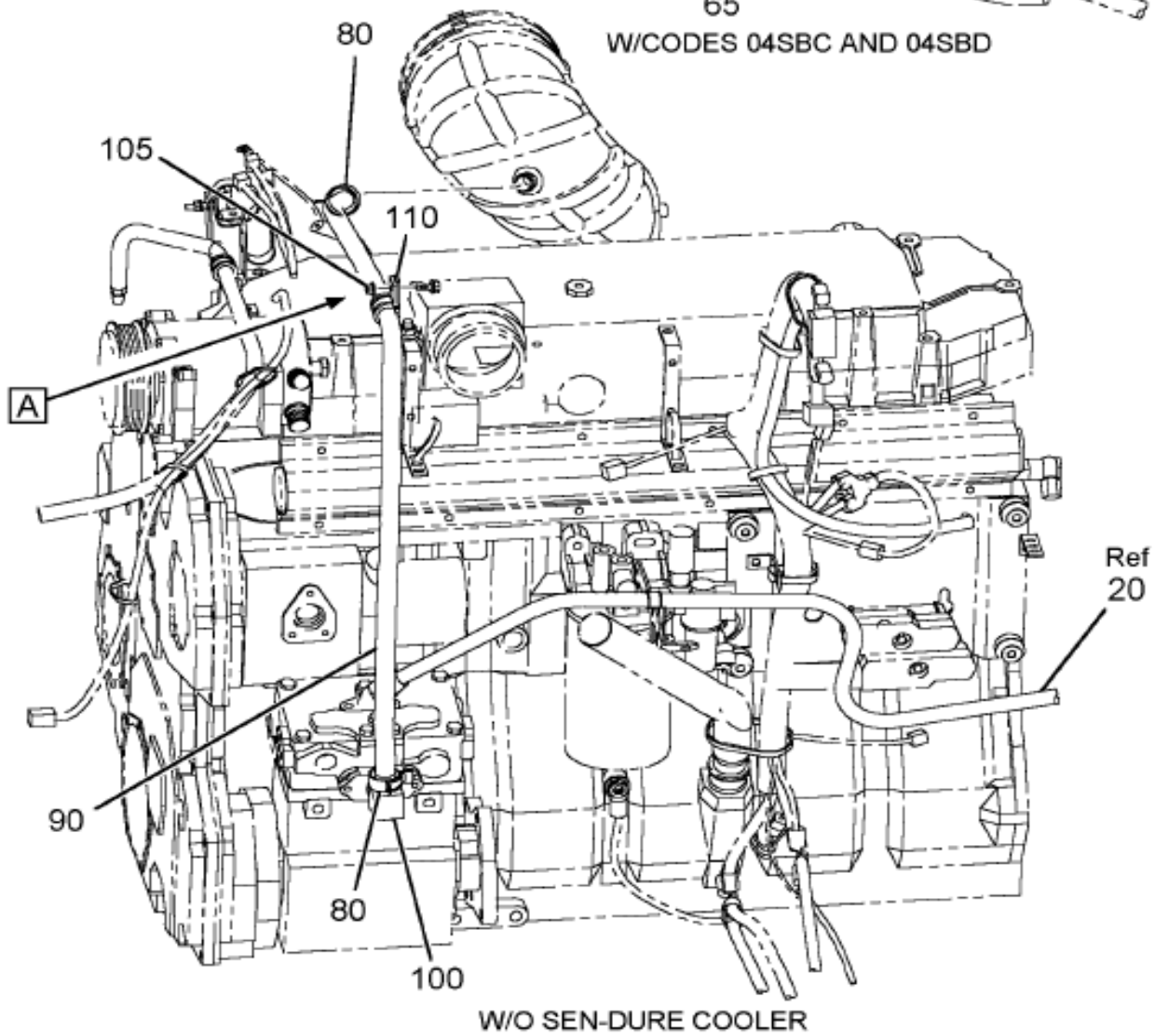
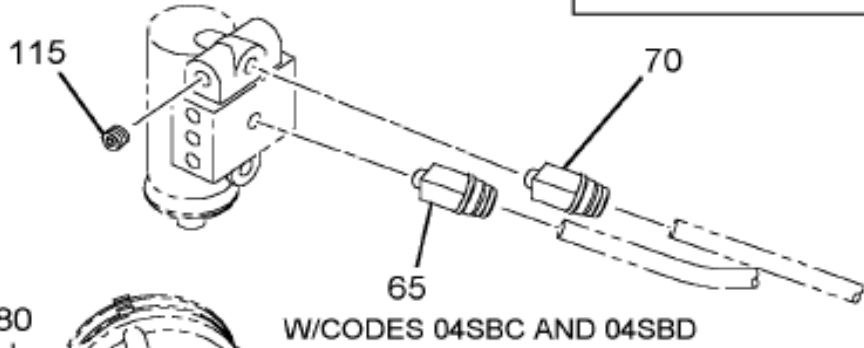
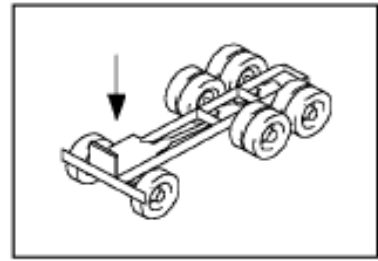
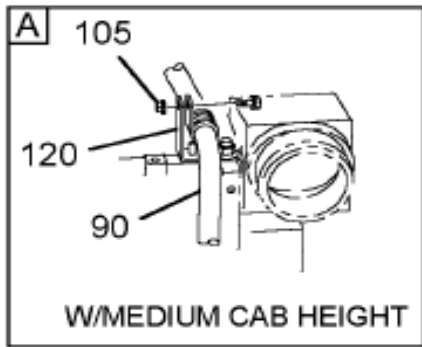
04-027-0284-A0

M03

Figure 1 of 3

Figure 06SPT

AIR COMPRESOR TUBING INSTL; LT SIDE AIR TANK MTG



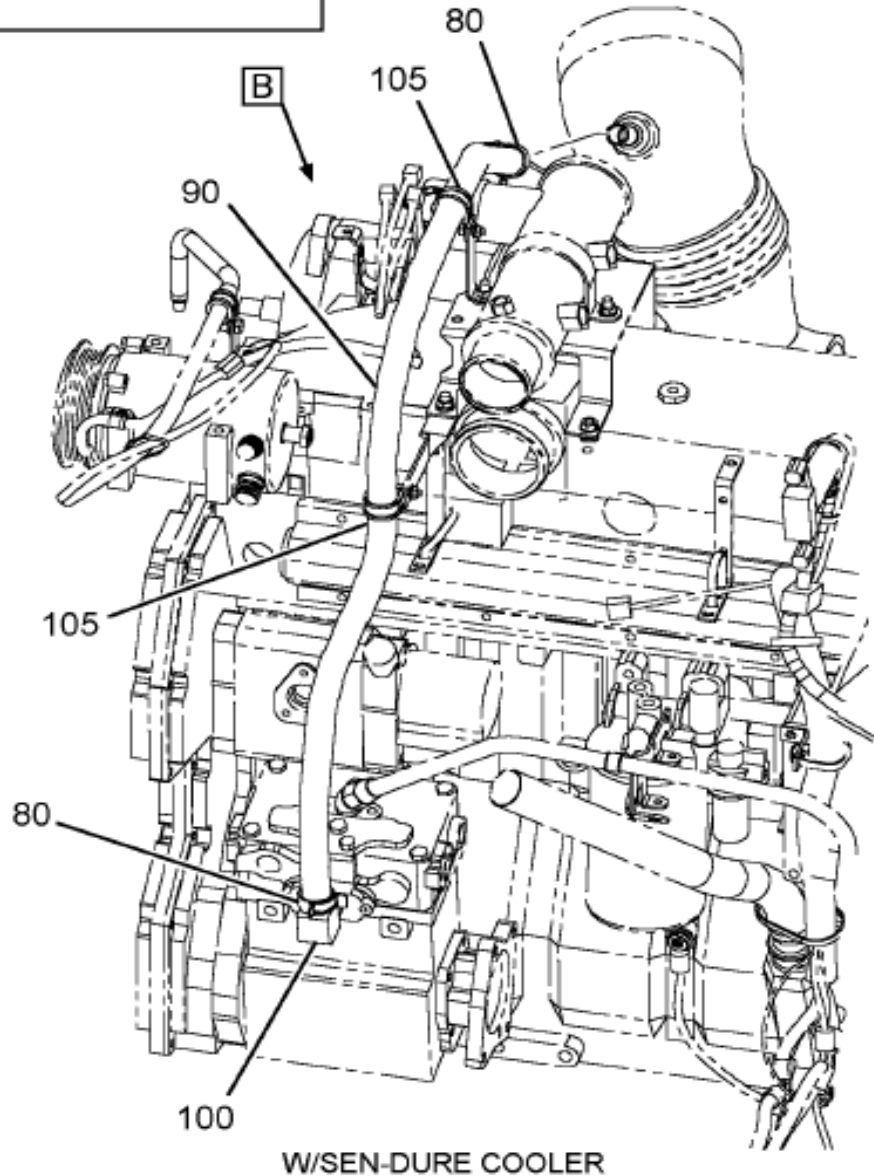
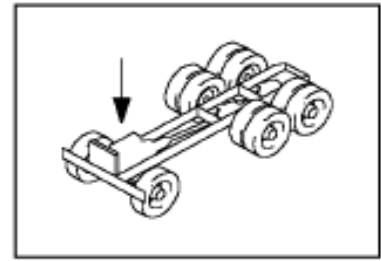
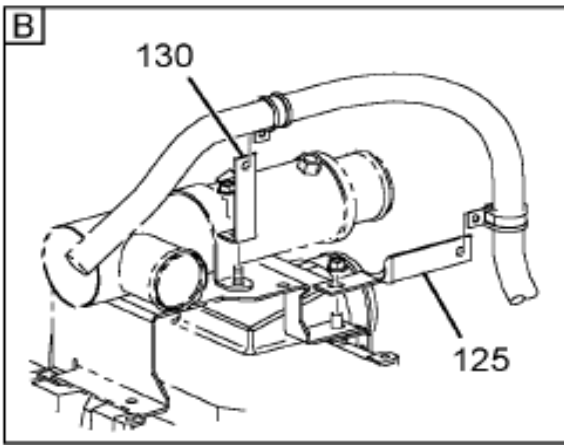
04-027-0285-A1

M03

Figure 2 of 3

Figure 06SPT

AIR COMP SR TUBING INSTL; LT SIDE AIR TANK MTG



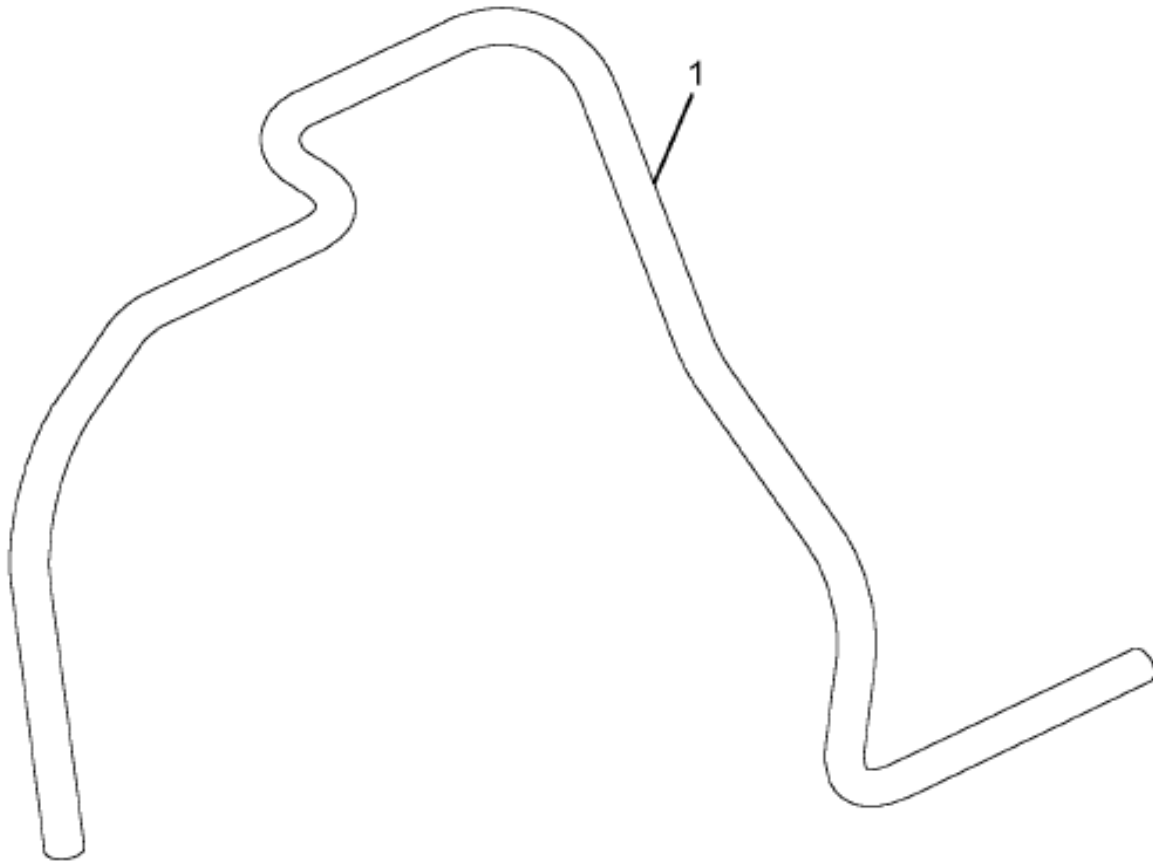
G
R
P
0
4

04-027-0286-A2

M03

Item	Part No.	Qty	Description	Kit	Var	Figure
5	59390R1	1	ELBOW, COMP TUBE 5/8X1/2P		0KY1H	
10	3552155C1	2	BOLT, HEX FLG HD METRIC*M6 X 20		06SPT	
10	3544378C1	2	NUT, HEX METRIC PREV. TORQ*M6 H		06SPT	
10	3564290C1	2	CLAMP, PIPE TEE ETC*SGL-CUSHION		06SPT	
15	300788C1	1	EXTENSION, CLIP		0FBHS	
15	3552155C1	1	BOLT, HEX FLG HD METRIC*M6 X 20		0FBHS	

Figure 3574631C1
TUBE,AIR*AIR CPRSR TO HOSE



GROUP 4

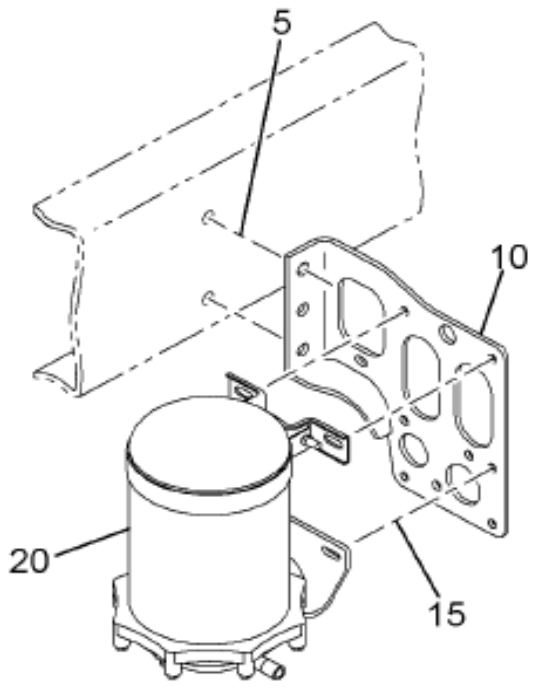
04-027-0020-00

J03

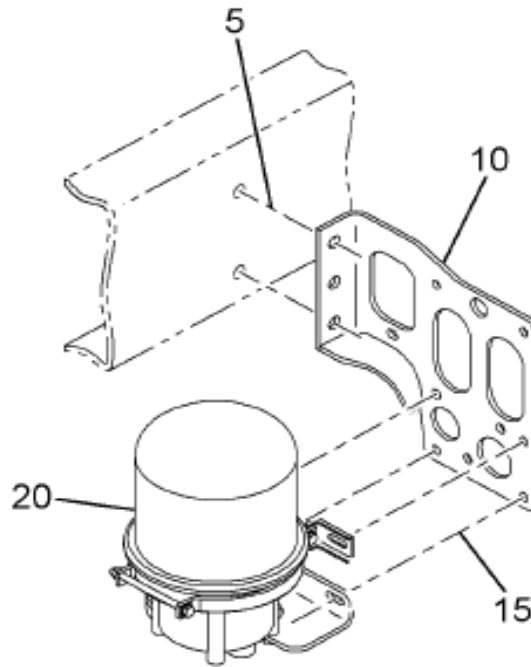
Item	Part No.	Qty	Description	Kit	Var	Figure
1	995509R1	AR	TUBING1F			
880		RF	NOTE: ASM BELOW COMPRISED OF ABOVE COMPONENTS			
881	3574631C1	RF	TUBE,AIR*AIR CPRSR TO HOSE			

Figure 0MSR4

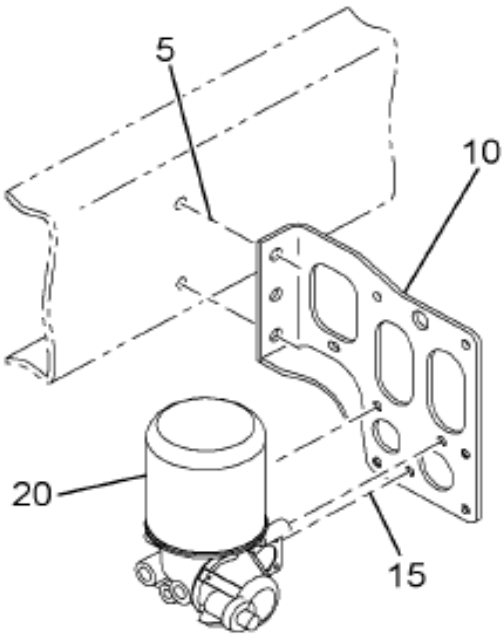
AIR DRYER INSTL; BENDIX AD-9, MTD O/S LEFT RAIL, UDR EXT CAB



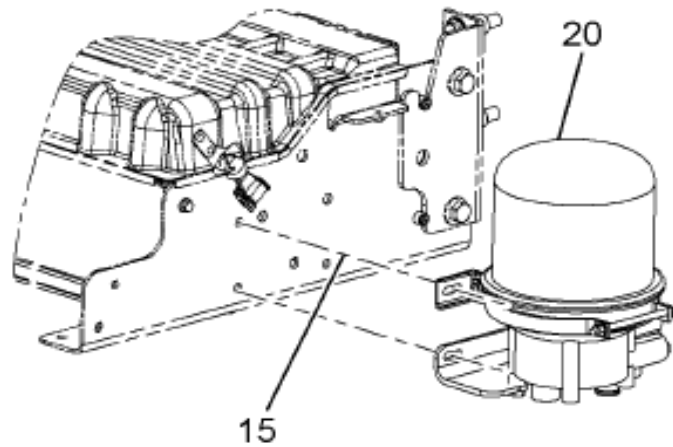
W/04EBS (AD-9)



W/04EBT (AD-IP)



W/04EBD (WABCO)

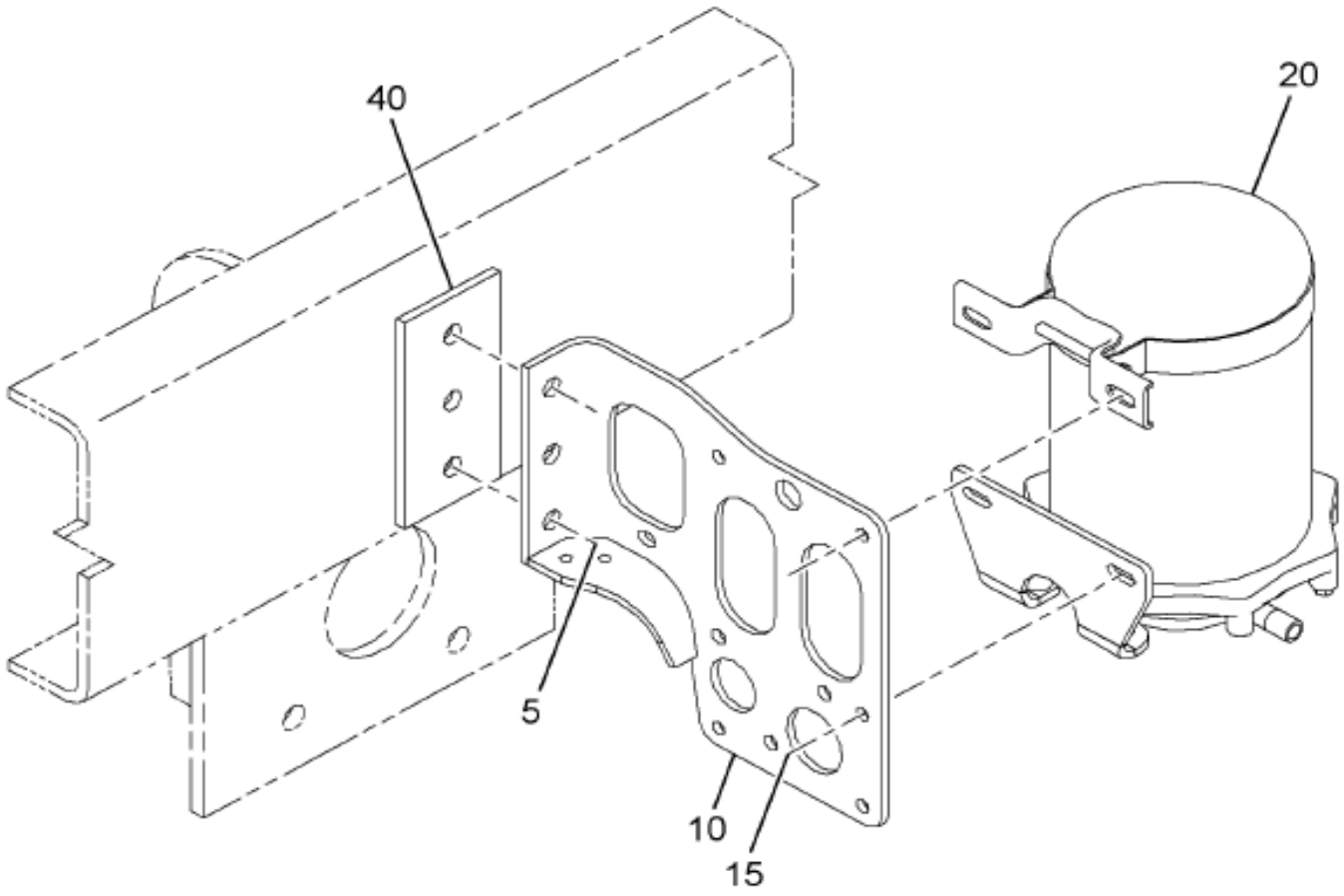


W/04EBT
W/504394

Figure 1 of 2

Figure 0MSR4

AIR DRYER INSTL; BENDIX AD-9, MTD O/S LEFT RAIL, UDR EXT CAB



G P 0 4

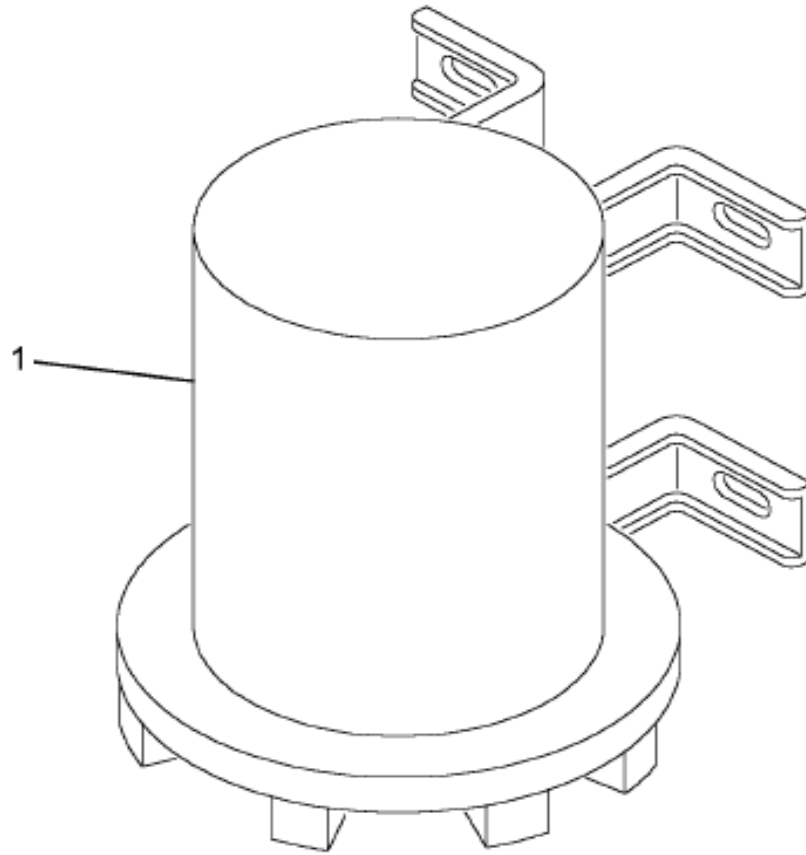
M-NGV-SS
& W/04EBS
& W/04VEM

04-028-0147-02

G09

Item	Part No.	Qty	Description	Kit	Var	Figure
5	30753R2	2	BOLT, M16 X 60MM PHC FLG CLASS		0MSR4	
5	3535554C1	2	NUT,HEX METRIC PREV. TORQ*M16		0MSR4	
10	3540418C2	1	BRACKET,AIR*AIR DRYER MOUNTING		0MSR4	
15	3551579C1	4	BOLT,HEX FLG HD METRIC*HVY, M1		0MSR4	
15	3535556C1	4	NUT,HEX METRIC PREV. TORQ*M10		0MSR4	
20	1621397C91	1	COOLER,AIR BRAKE OR DRYER		0MSR4	1621397C91

Figure 1621397C91
COOLER, AIR BRAKE OR DRYER



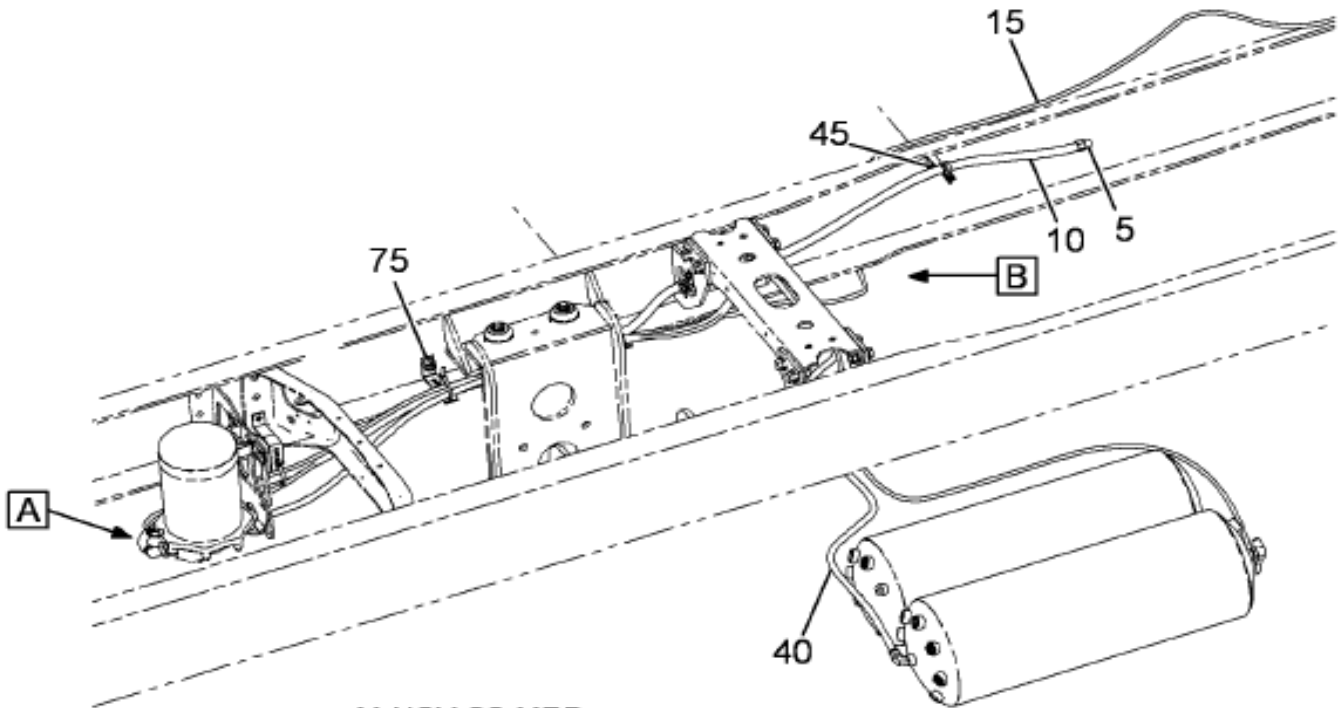
04-028-0066-01

M02

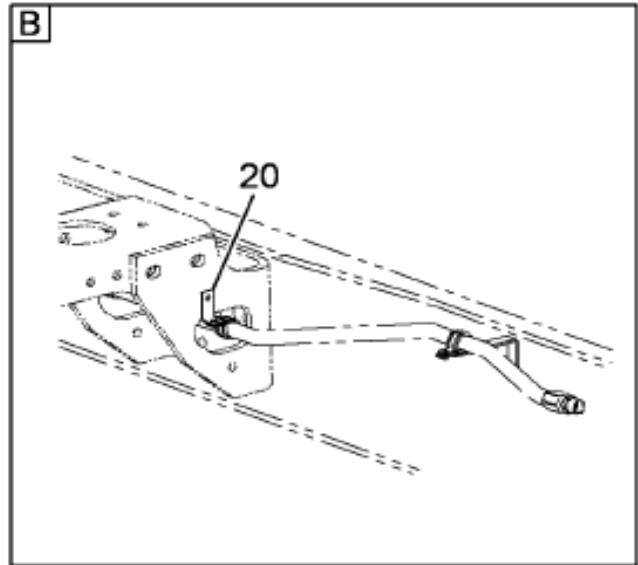
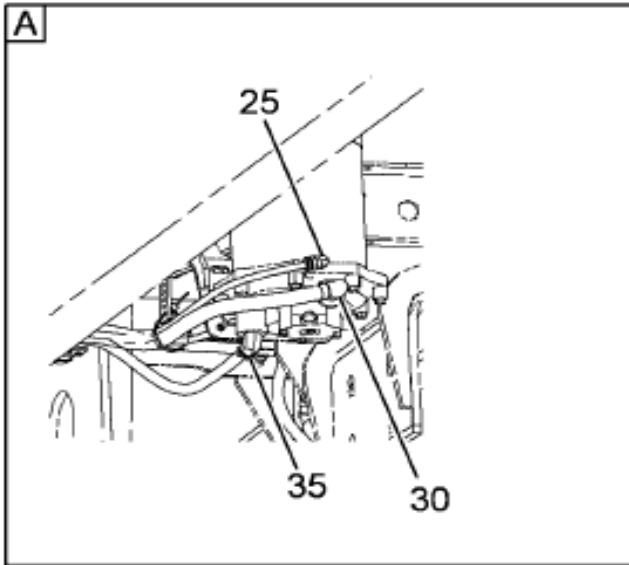
Item	Part No.	Qty	Description	Kit	Var	Figure
1		RF	COOLER, AIR			
1	1685512C91	1	VALVE, PURGE REPAIR			1685512C91
1		RF	ORDER BX107798			
1	1685516C1	1	VALVE, SAFETY AIR			1685516C1
801	1685514C91	KT	KIT, REPAIR CHECK VALVE SEALS			1685514C91
801		RF	ORDER BX107800			

Figure 0LNNN

AIR DRYER TUBING INSTL; MTD O/S LT RAIL, UNDER EXT CAB



M-NGV-SS-MRD,
M-NGV-SS-7500
W/13WDV
W/504013,504603
W/04VGG
W/16030



04-029-0733-01

E10

Item	Part No.	Qty	Description	Kit	Var	Figure
5	55896R1	1	SLEEVE, 5/8 SPHERICAL COMP TUB		0LNNN	
5	55897R1	1	NUT, 5/8 SPHERICAL SLEEVE		0LNNN	
10	B100640000	1	HOSE, ASSY REH		0LNNN	B100640000
15	3520436C2	2200	TUBE, NYLON BULK 3/8 SILVER		0LNNN	
20	530188C1	2	EXTENSION, CLIP		0LNNN	
20	505211C1	2	CLAMP, RUBBER		0LNNN	

Figure 0LNNN

AIR DRYER TUBING INSTL; MTD O/S LT RAIL, UNDER EXT CAB

Item	Part No.	Qty	Description	Kit	Var	Figure
20	3552155C1	2	BOLT,HEX FLG HD METRIC*M6 X 20		0LNNN	
20	3544378C1	2	NUT,HEX METRIC PREV. TORQ*M6 H		0LNNN	
20	40066R1	2	NUT, M8 - HF LOCK		0LNNN	
20	31056R1	2	BOLT,HEX FLG HD M8 X 30 10.9 P		0LNNN	
20	3542142C1	4	WASHER,GRAB HNDL MTG M8		0LNNN	
25	2017484C1	1	CONNECTOR,1/4MPT X 3/8QC STRGT		0LNNN	
30	116487	1	CONNECTOR,FLARED PIPE 5/8 45D		0LNNN	
35	2017519C1	1	ELBOW,QC*90D 1/2MPT X 5/8 TUBE		0LNNN	
40	417201C3	2200	TUBE,NYLON BULK 5/8 OD BLACK		0LNNN	
45	579891C1	1	EXTENSION,CLIP		0LNNN	
45	505211C1	1	CLAMP,RUBBER		0LNNN	
45	3551579C1	1	BOLT,HEX FLG HD METRIC*HVY, M1		0LNNN	
45	3552155C1	1	BOLT,HEX FLG HD METRIC*M6 X 20		0LNNN	
45	3535556C1	1	NUT,HEX METRIC PREV. TORQ*M10		0LNNN	
45	3544378C1	1	NUT,HEX METRIC PREV. TORQ*M6 H		0LNNN	
75	2034206C1	1	EXTENSION,CLIP		0LNNN	
75	40236R1	1	BOLT,HEX FLG HD METRIC*M16 X 4		0LNNN	
75	3535554C1	1	NUT,HEX METRIC PREV. TORQ*M16		0LNNN	
75	306132C1	2	STRAP,CABLE LOCK		0LNNN	

NON-ILLUSTRATED REFERENCE FIGURE B100640000

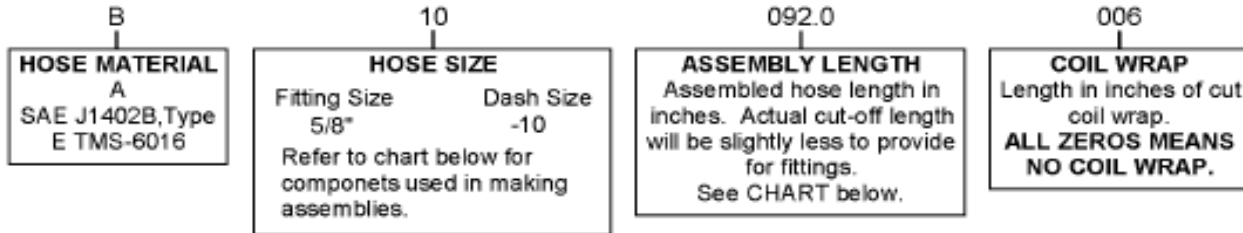
B000000000 1 HOSE, ASSEMBLY COMPONENTS B000000000

GROUP 04

Figure B00000000
HOSE, ASSEMBLY COMPONENTS

EXPLANATION OF 10-DIGIT CODE (Example: B100920006)

The following example explains the make-up of the 10-digit code. In this example, the hose material is per SAE J1402B, Type E, TMS-6016. The hose size is 5/8 inch. Assembly is 92 inches, including fittings (actual hose cut-off length is listed in the Conversion Lists and is 89.4 inches). The coil wrap length is 6 inches.



HOSE, ASSEMBLY COMPONENTS
(By Dash Size)

All of the components used to fabricate a complete assembly are listed by a dash number of reference in the chart below. Always use the part number listed in the Conversion Lists of fabricate assemblies.

Component	-10
Fitting (1) (1)	592 945 C91 200 580 5C1
Bulk Hose (1 ft.)	375 055 C2
Bulk Coil Wrap (1 ft.)	375 048 C1
*Sub Allow For Fittings.	2.6

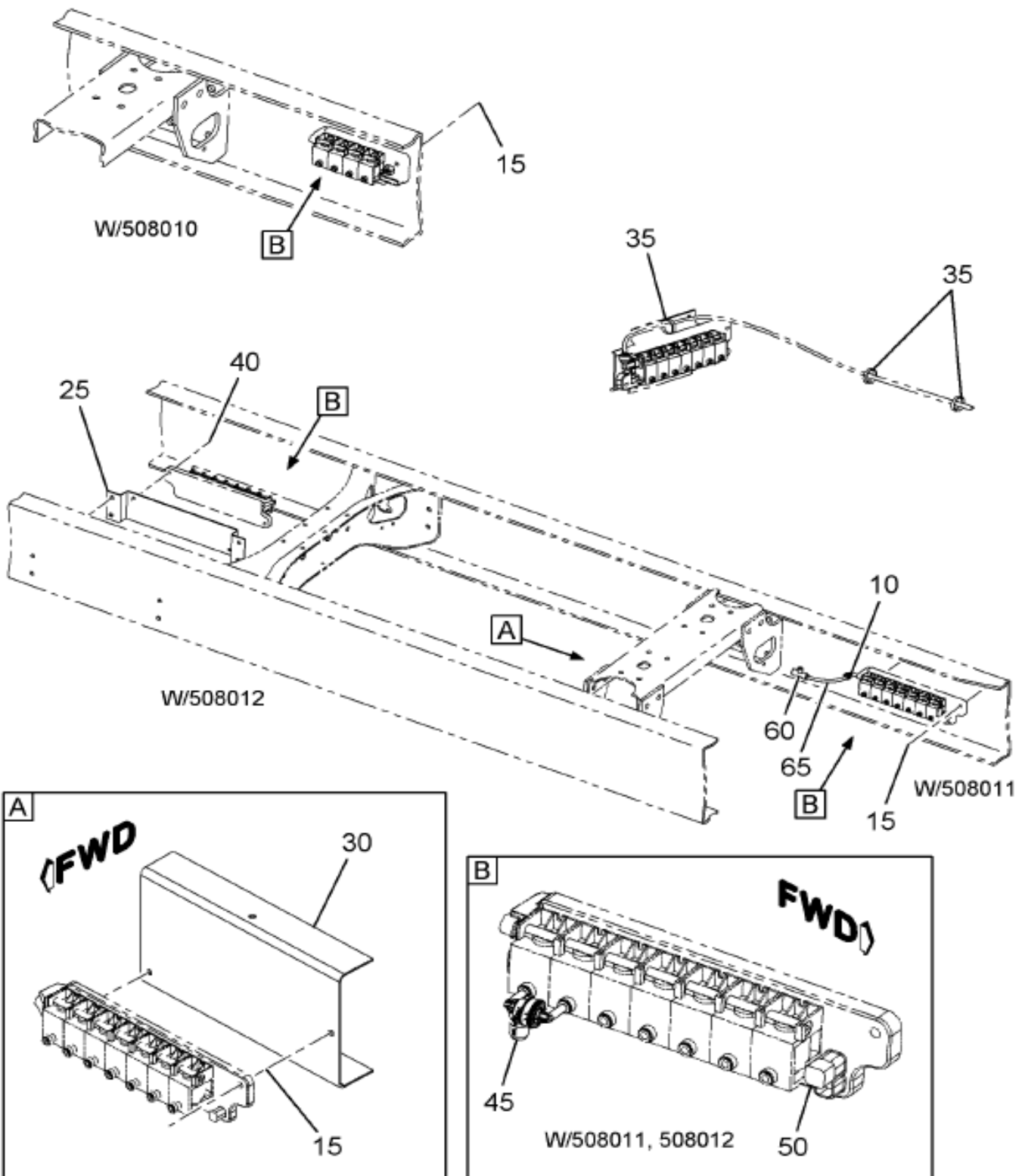
00-000-3667-01

A03

Item	Part No.	Qty	Description	Kit	Var	Figure
800		RF	NOTE: THE FOLLOWING PARTS ARE NON-ILLUSTRATED			
801	592945C91	1	FITTING, HOSE 5/8" AIR			
801	2005805C1	1	FITTING, HOSE			
801	375055C2	AR	HOSE, AIR (.500 ID) BLK 5/8" TUBE			
801	375048C1	AR	LOOM, CABLE 5/8"			

Figure 0HKJF

AIR SOLENOID MNFLD MTG; W/4, 7, 14 MNFLD, W/CHECK VALVE, AIR



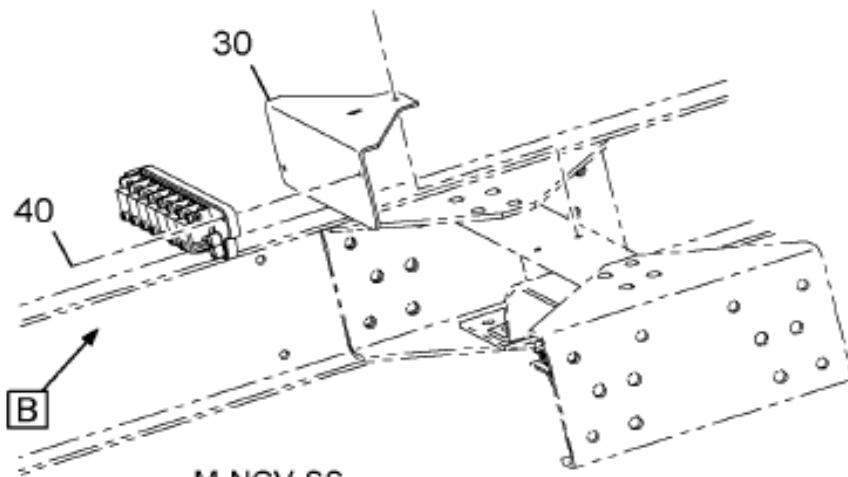
08-V84-0014-01

F04

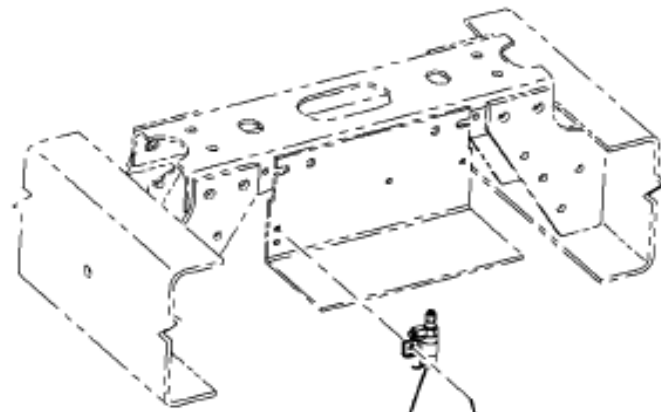
Figure 1 of 2

Figure 0HKJF

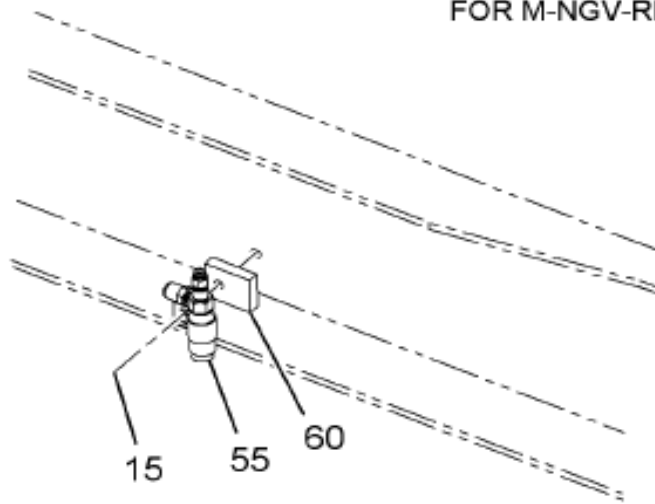
AIR SOLENOID MNFLD MTG; W/4, 7, 14 MNFLD, W/CHECK VALVE, AIR



M-NGV-SS
W/508012
W/6X4



FOR M-NGV-RH-HDD



W/REAR MOUNTED
TRANSMISSION

G
R
P
0
4

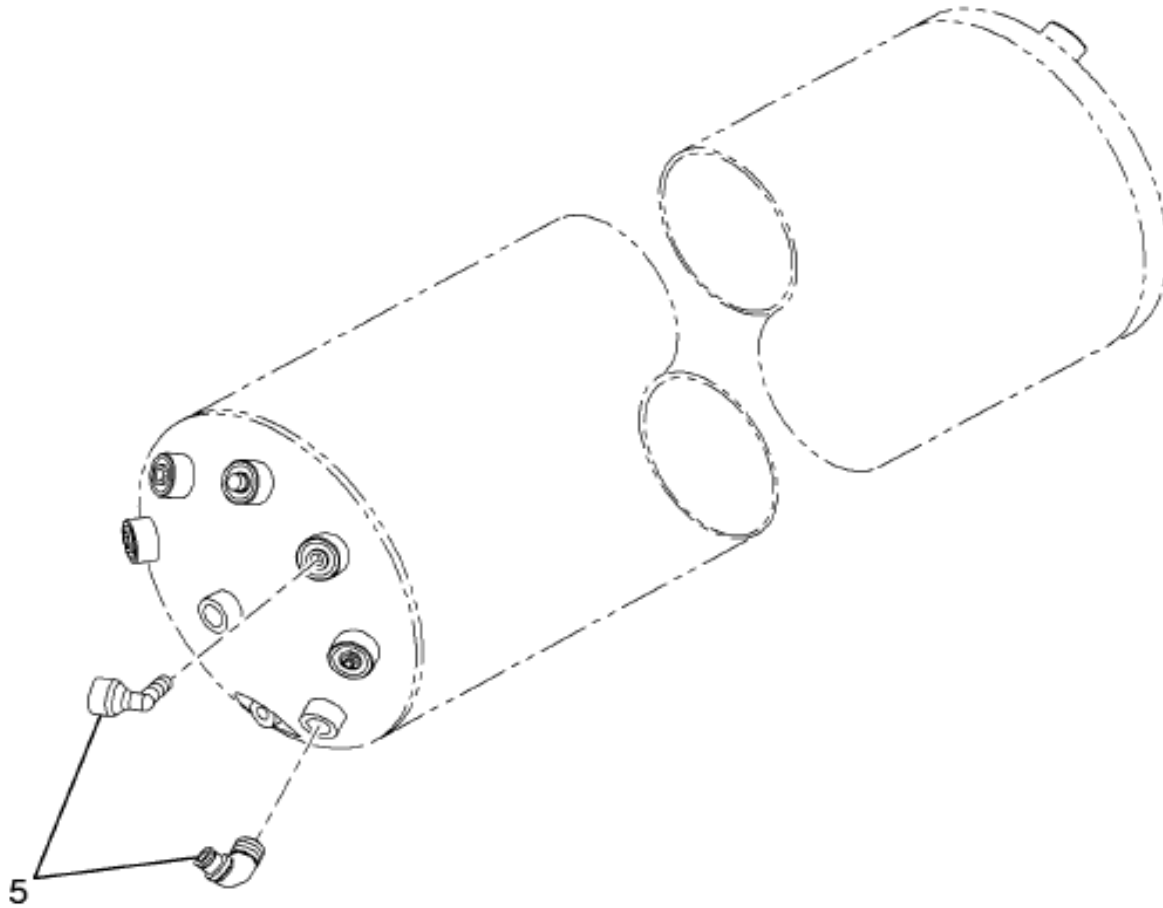
08-V84-0016-01

L04

Item	Part No.	Qty	Description	Kit	Var	Figure
15	31057R1	1	BOLT, M8 X 40 PHC CL 8.8 FLG/H		0HVZD	
15	40066R1	2	NUT, M8 - HF LOCK		0HVZD	
15	3542142C1	1	WASHER, GRAB HNDL MTG M8		0HVZD	
15	31058R1	1	BOLT, M8 X 50 PHC CL 8.8 FLG/H		0HVZD	
50	3559775C1	1	RESISTOR, ELECT*TERMINATING RES		0L7MB	

Figure 0LHN1

AIR TANK FITTINGS; PRIMARY TANK, 11" DIA.



TANK AND FITTINGS SHOWN
 FOR REFERENCE ONLY
 SEE FURTHER BREAKDOWN

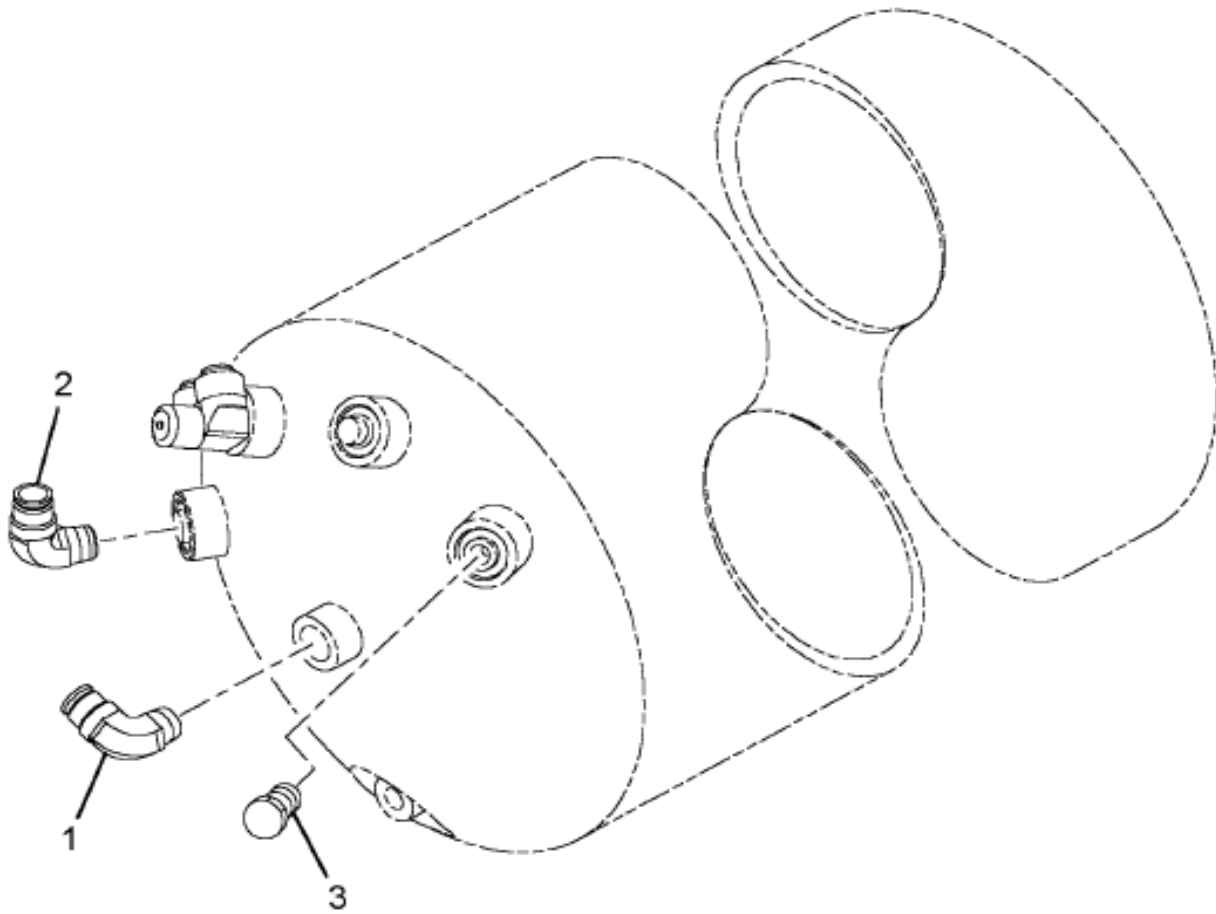
08-L41-0033-AA

E09

Item	Part No.	Qty	Description	Kit	Var	Figure
5	3571402F94	1	BRAKE,PRIMARY AIR TANK FITTNGS		0M79T	3571402F94

Figure 3571402F94
BRAKE, PRIMARY AIR TANK FITTINGS

G
R
P
0
4



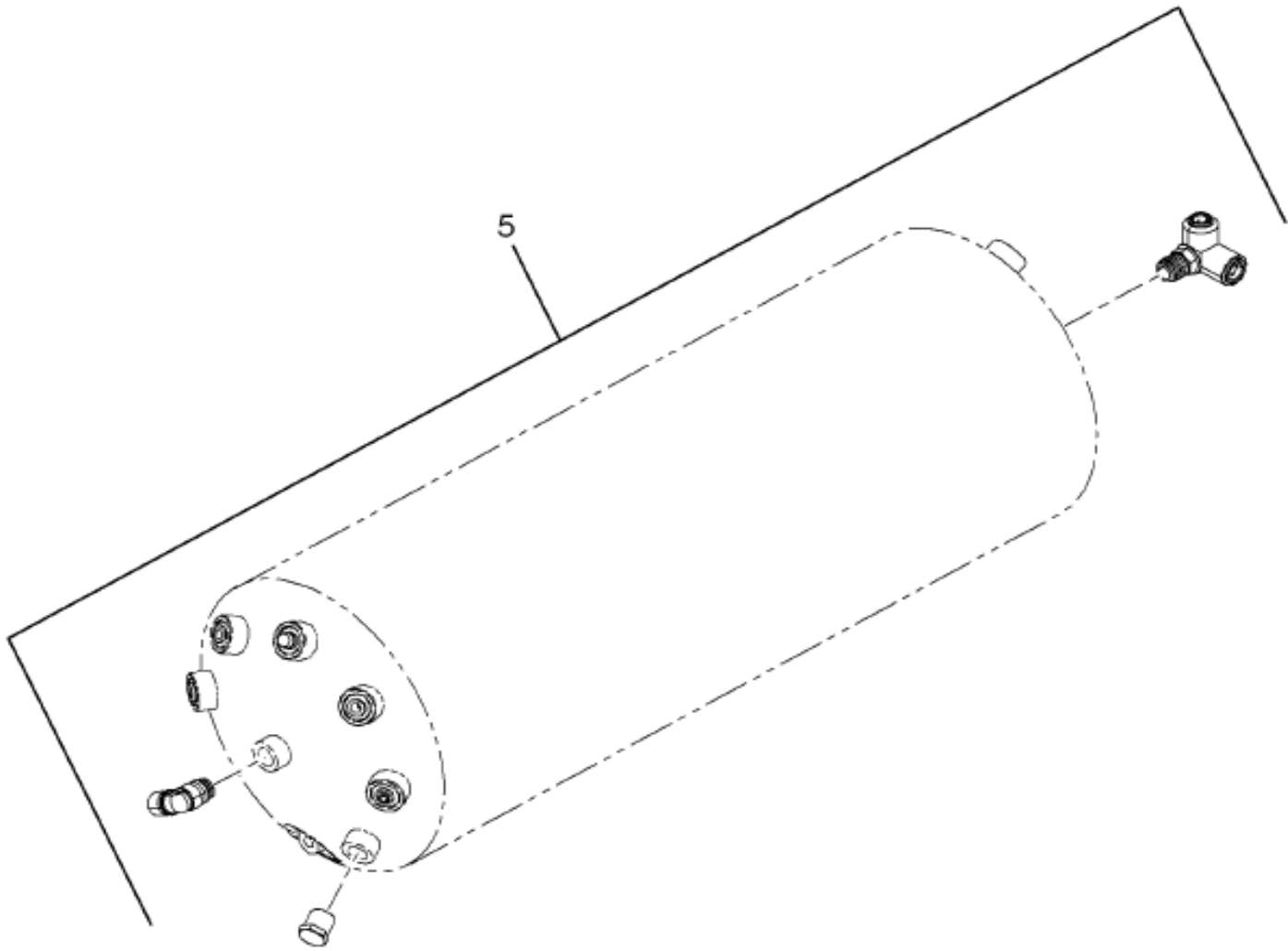
08-L42-0008-00

E04

Item	Part No.	Qty	Description	Kit	Var	Figure
1	2017520C1	1	ELBOW, QC*90D 1/2MPT X 3/4 TUBE			
2	2017519C1	1	ELBOW, QC*90D 1/2MPT X 5/8 TUBE			
3	444632	1	PLUG, 1/2-14 PLN H/HD PIPE			
880		RF	NOTE: ASM BELOW COMPRISED OF ABOVE COMPONENTS			
881	3571402F94	RF	BRAKE, PRIMARY AIR TANK FITTINGS			

Figure 0LHMY

AIR TANK FITTINGS; SECONDARY TANK, 11" DIA.

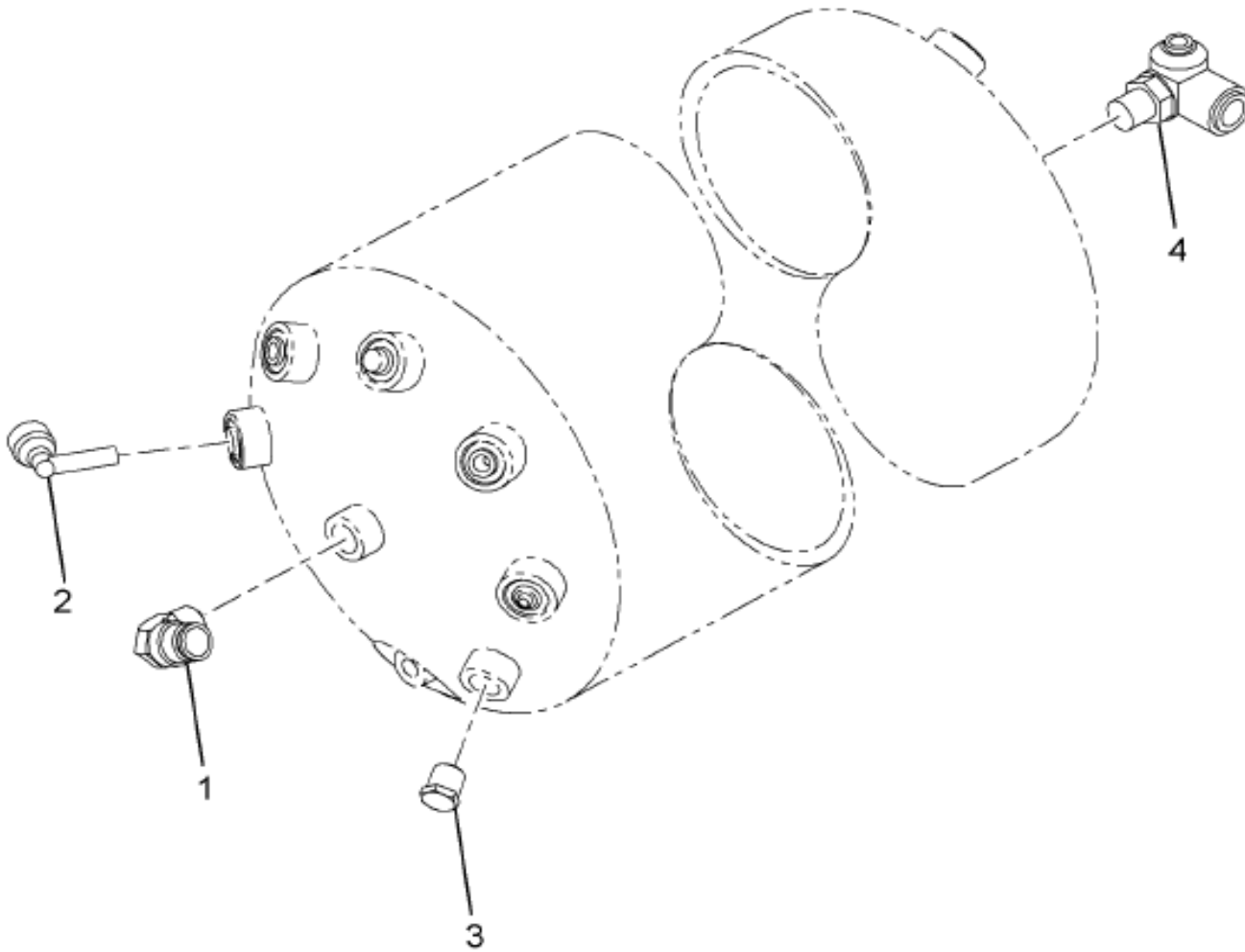


08-L41-0010-01

J08

Item	Part No.	Qty	Description	Kit	Var	Figure
5	3588790F92	1	BRAKE, WET/2NDRY AIR TNK FTNGS		0LHP4	3588790F92

Figure 3588790F92
BRAKE, WET/2NDRY AIR TNK FTTNGS



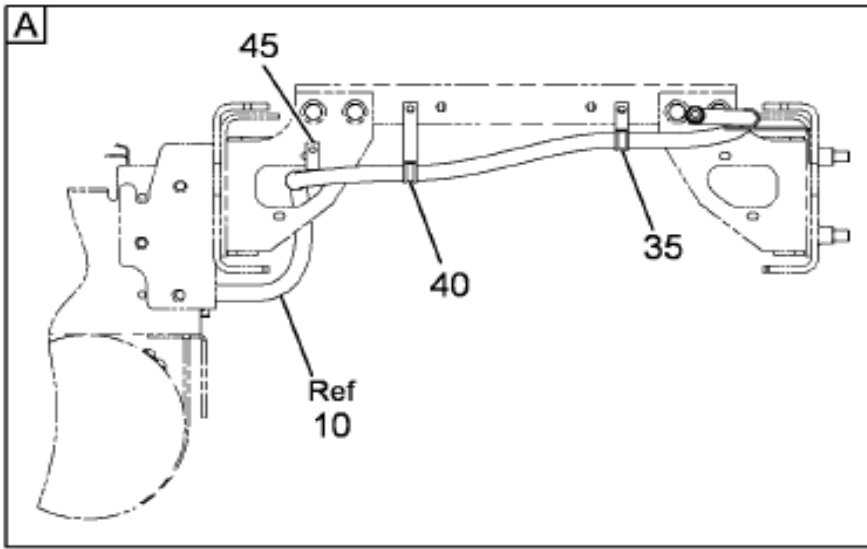
GROUP 4

08-L41-0064-01

C05

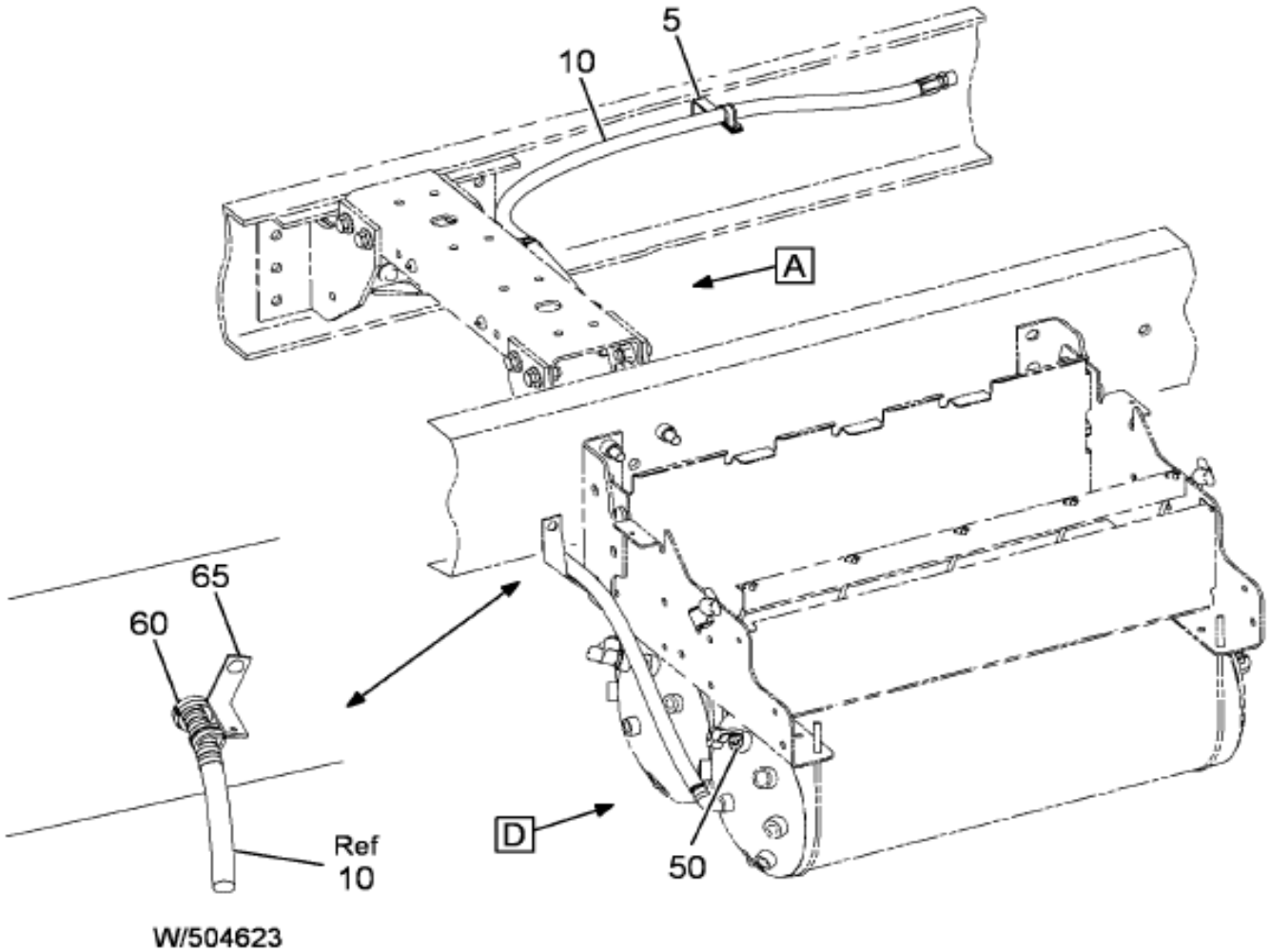
Item	Part No.	Qty	Description	Kit	Var	Figure
1	2017519C1	1	ELBOW, QC*90D 1/2MPT X 5/8 TUBE			
2	2024446C1	1	ELBOW, QC*90D 3/8TUBE X 3/8STEM			
3	444632	1	PLUG, 1/2-14 PLN H/HD PIPE			
4	3588341C1	1	MANIFOLD, AIR QUALITY CONNECT*Y			
880	RF		NOTE: ASM BELOW COMPRISED OF ABOVE COMPONENTS			

Figure 0GFP7
AIR TANK TUBING INSTL



FOR: M-NGV-SS
 W/ CAB-HGHT=M
 W/ 504013
 -OR-
 W/ 504603

G
r
o
u
p
0
4

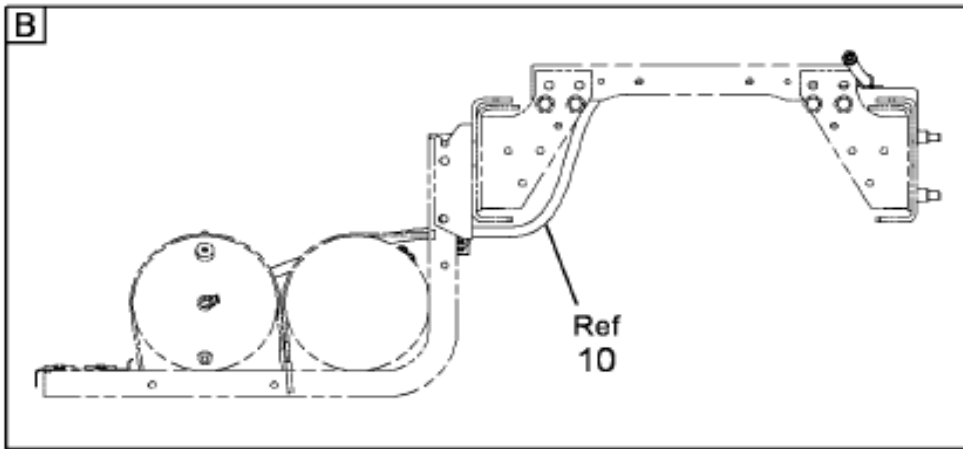


04-032-0222-01

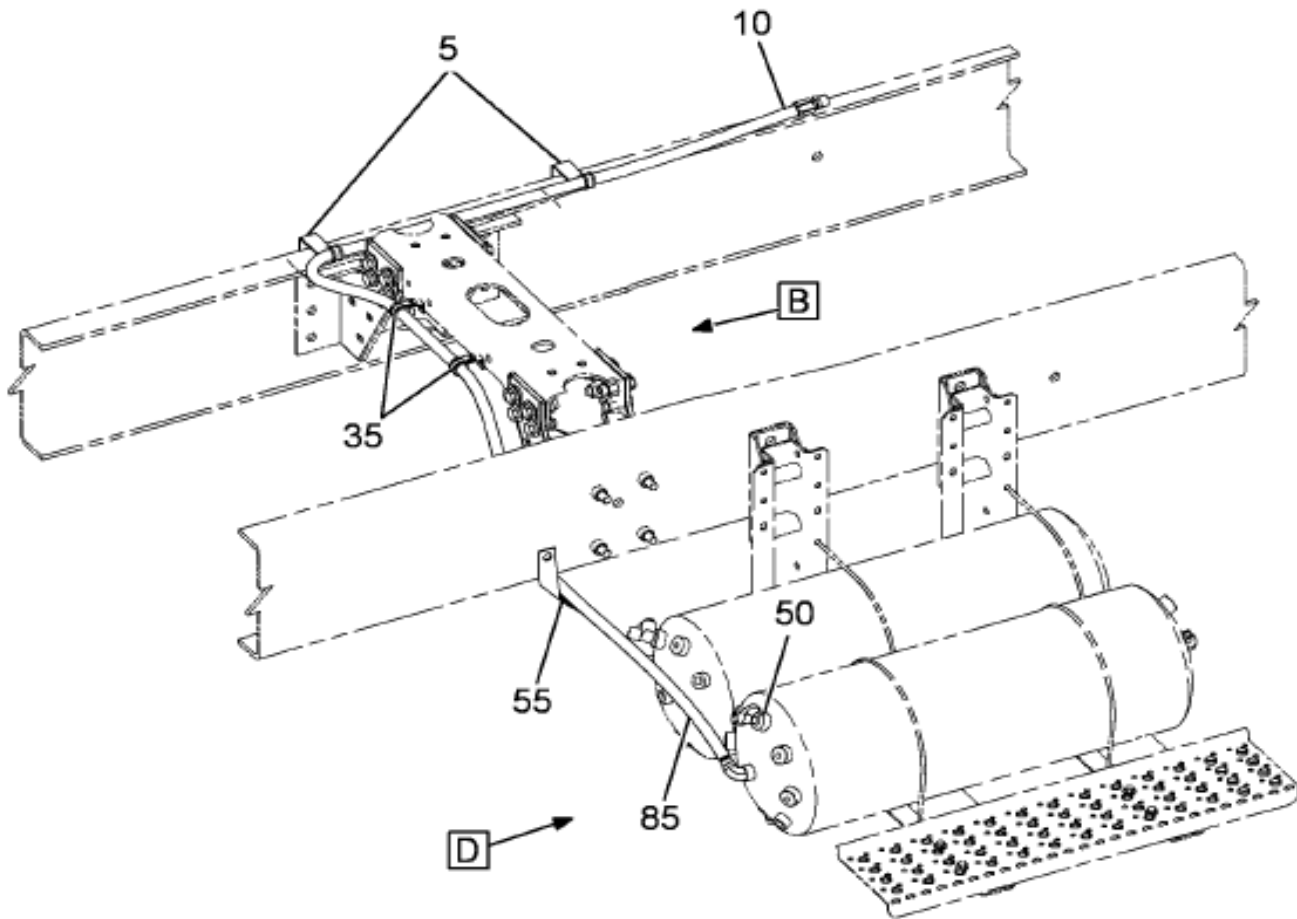
G09

Figure 1 of 5

Figure 0GFP7
AIR TANK TUBING INSTL



FOR: M-NGV-SS
W/ CAB-HGHT=H
W/ EATON XMSN
W/ 504013, 504603



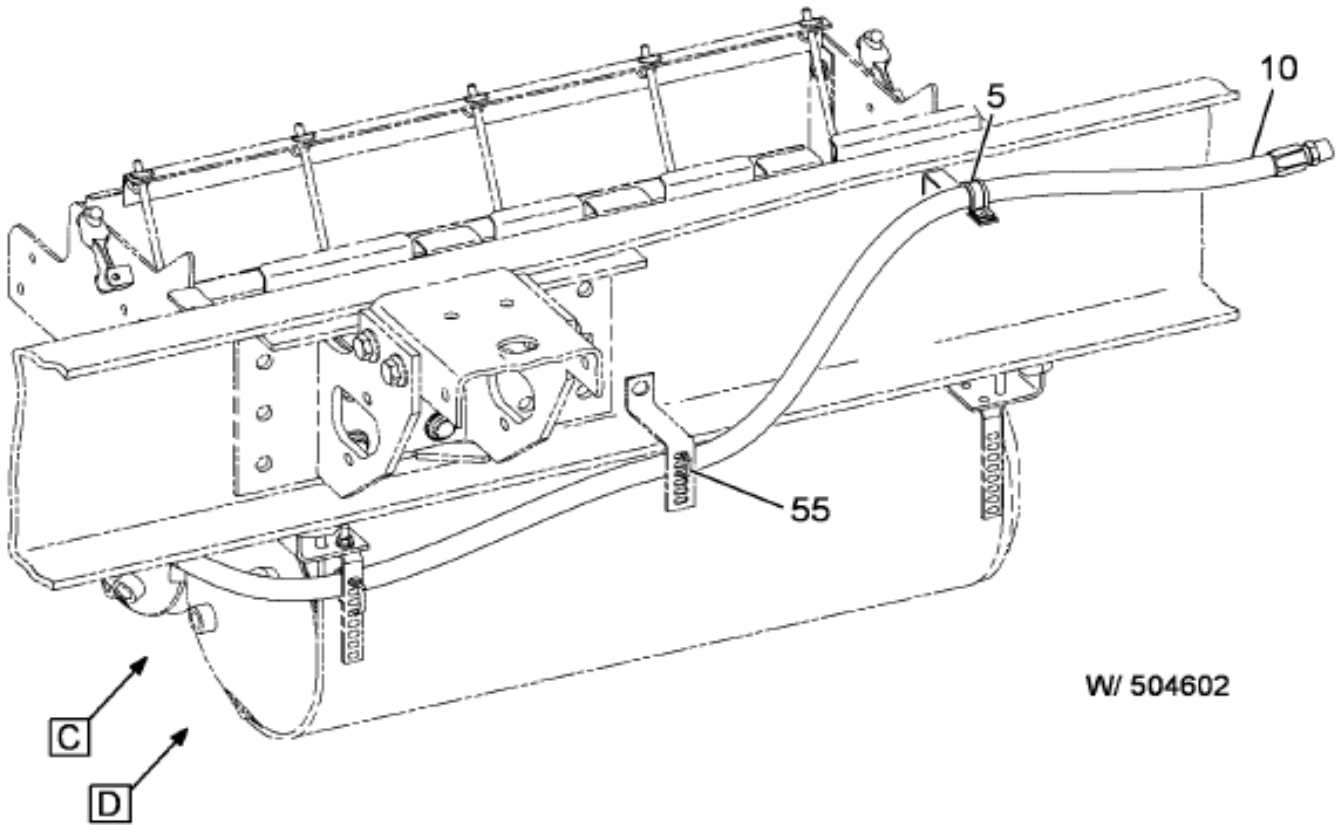
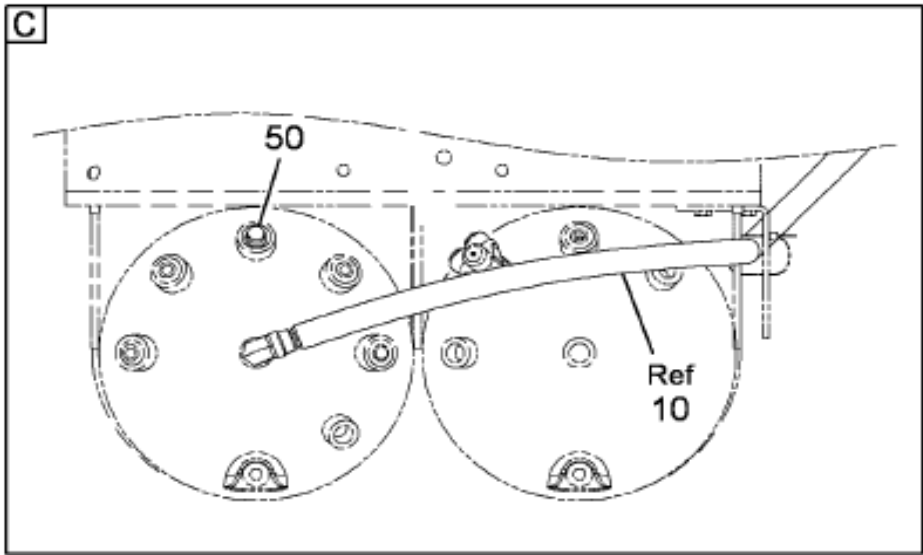
04-032-0223-01

G09

Figure 2 of 5

Figure 0GFP7
AIR TANK TUBING INSTL

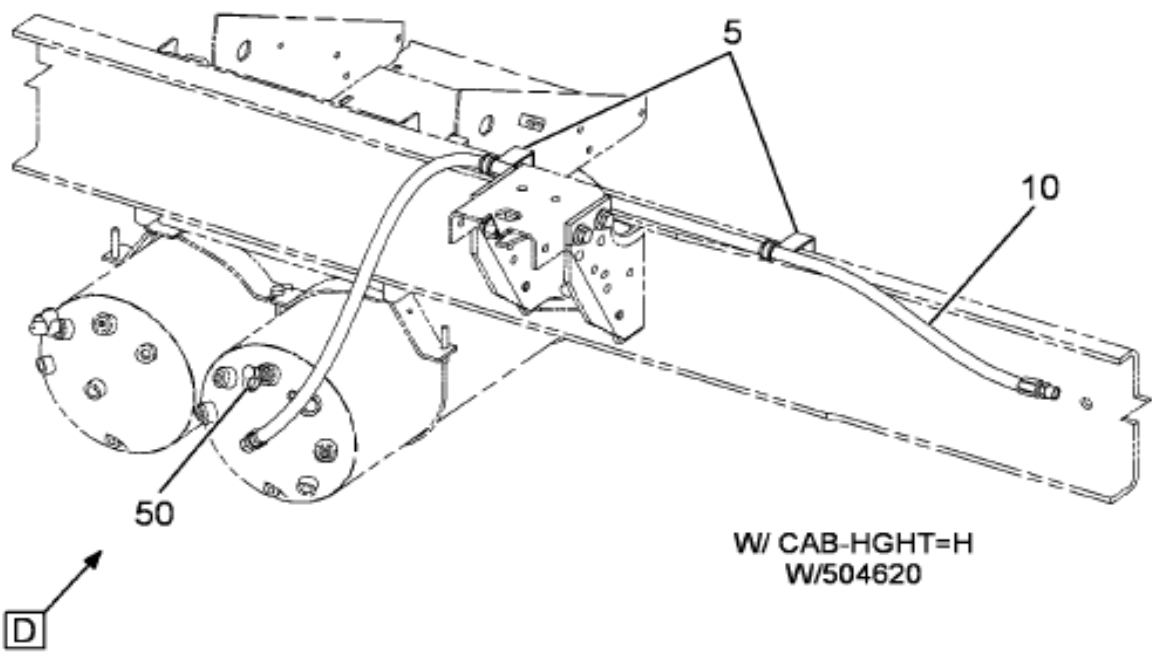
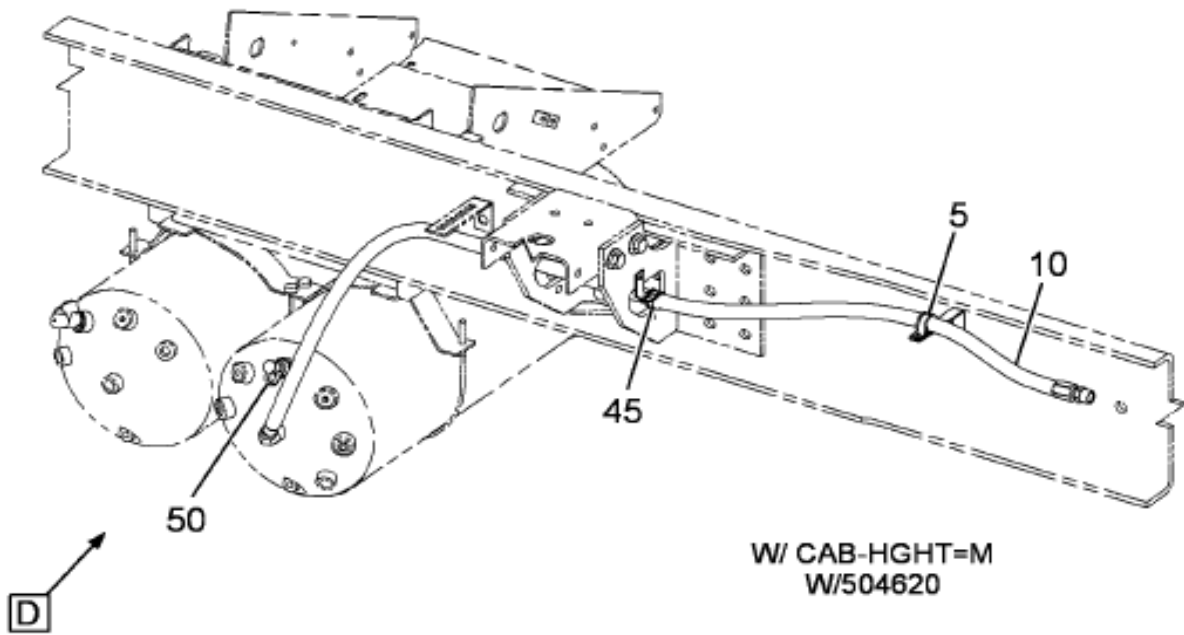
G
R
P
0
4



W/ 504602

Figure 3 of 5

Figure 0GFP7
AIR TANK TUBING INSTL



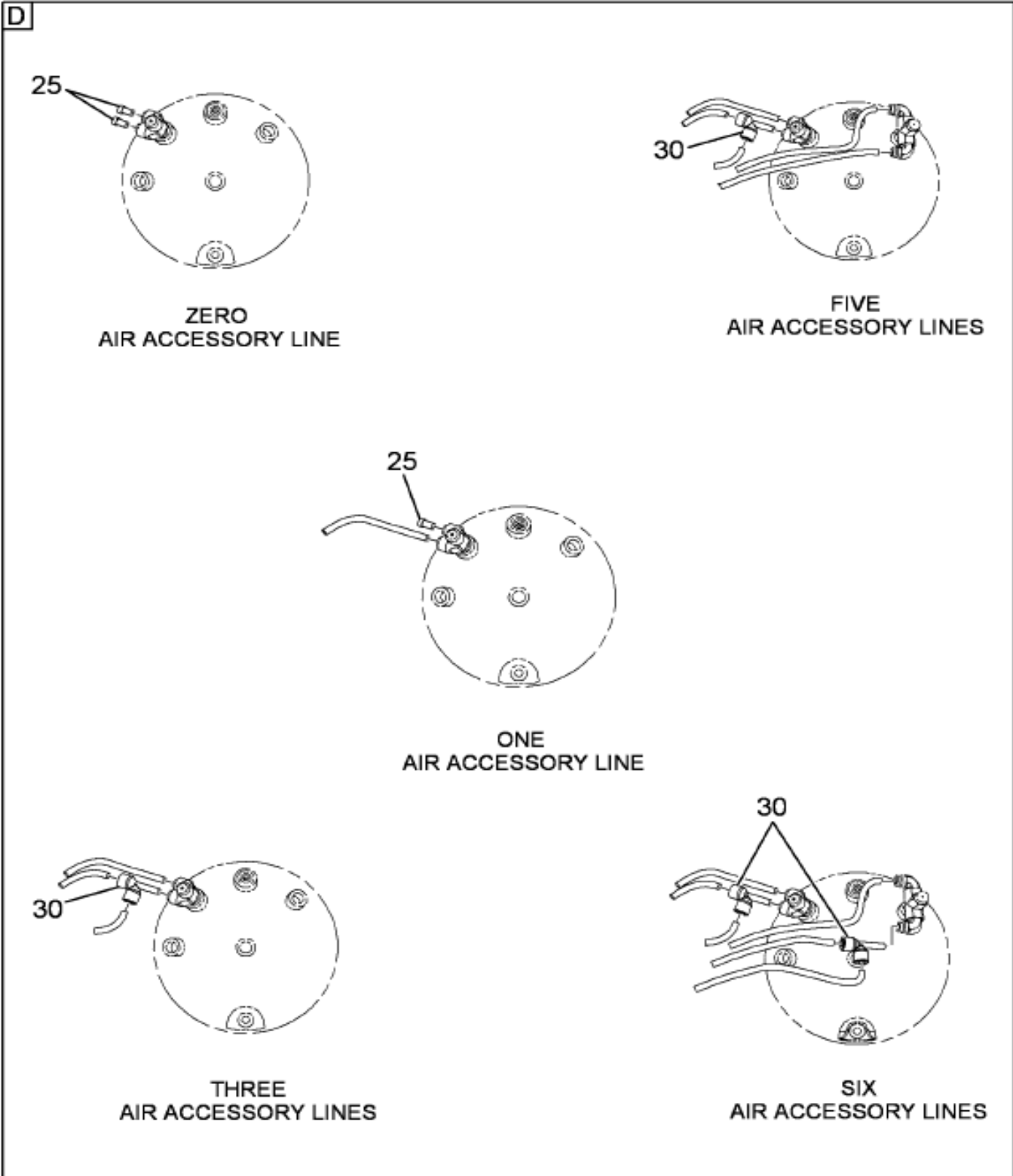
04-032-0225-01

G09

Figure 4 of 5

Figure 0GFP7
AIR TANK TUBING INSTL

G
R
P
0
4

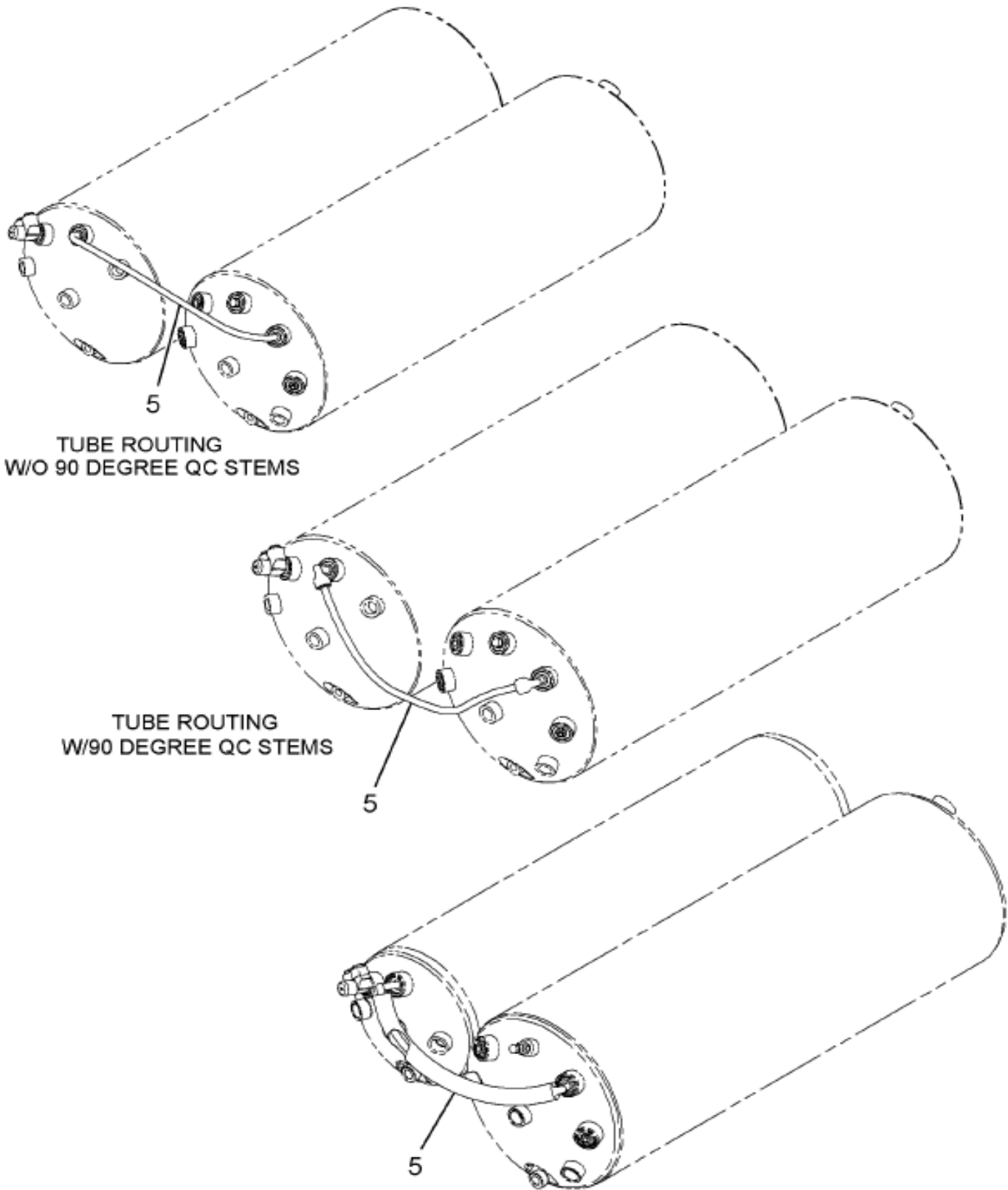


04-032-0226-01

L09

Item	Part No.	Qty	Description	Kit	Var	Figure
25	2020343C1	1	PLUG, PUSH TO CONNECT. 3/8		0GFPF	
50	1655349C1	1	CAP, BRK CHAMBER		0GFP7	

Figure 0HWF8
AIR TANK TUBING; PRIMARY TANK



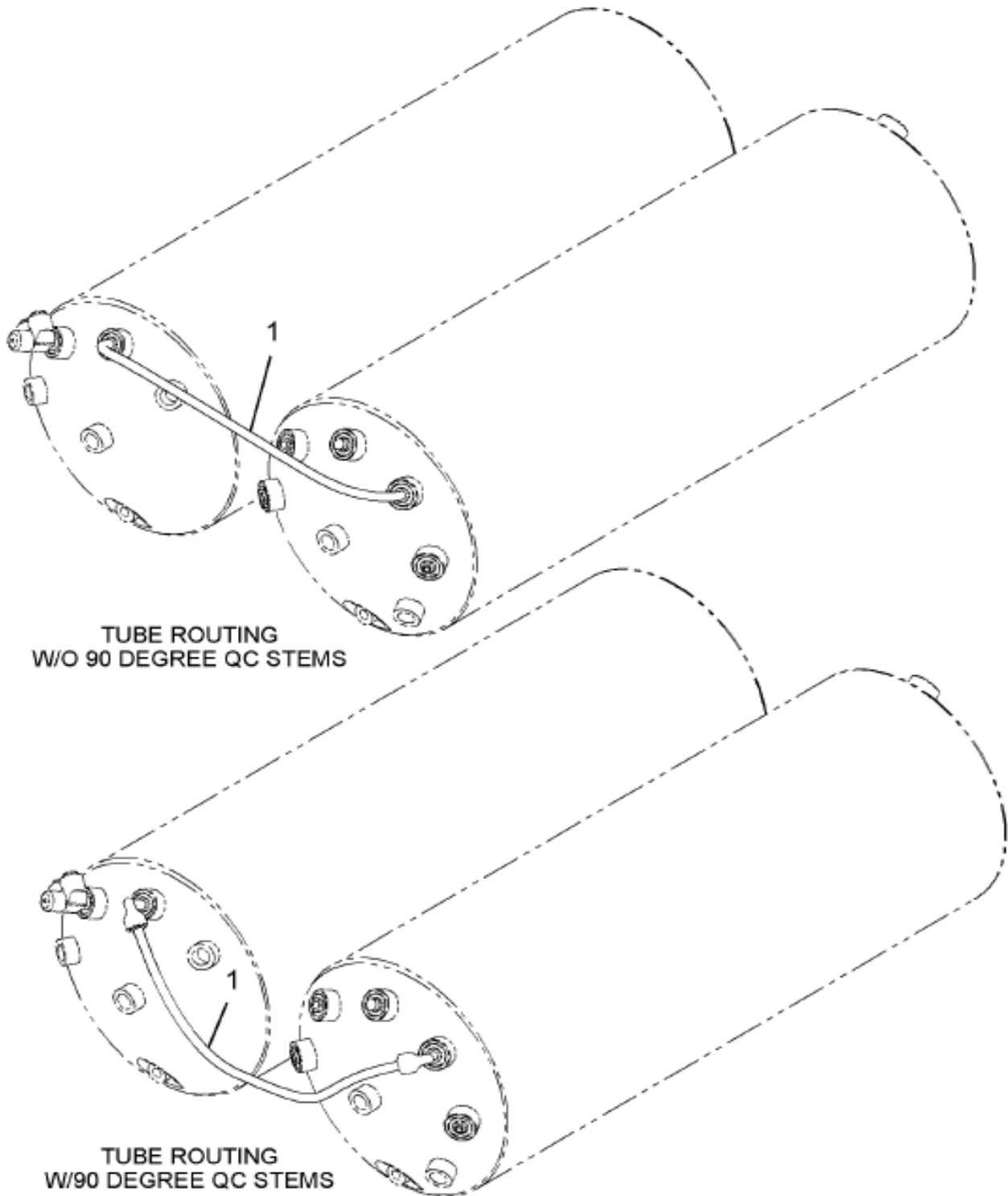
08-L38-0009-01

B05

Item	Part No.	Qty	Description	Kit	Var	Figure
5	3558645F93	1	BBAT, PRIMARY AIR TANK TUBING		0M41D	3558645F93

Figure 3558645F93
BBAT, PRIMARY AIR TANK TUBING

G
R
P
0
4



08-L38-0002-00

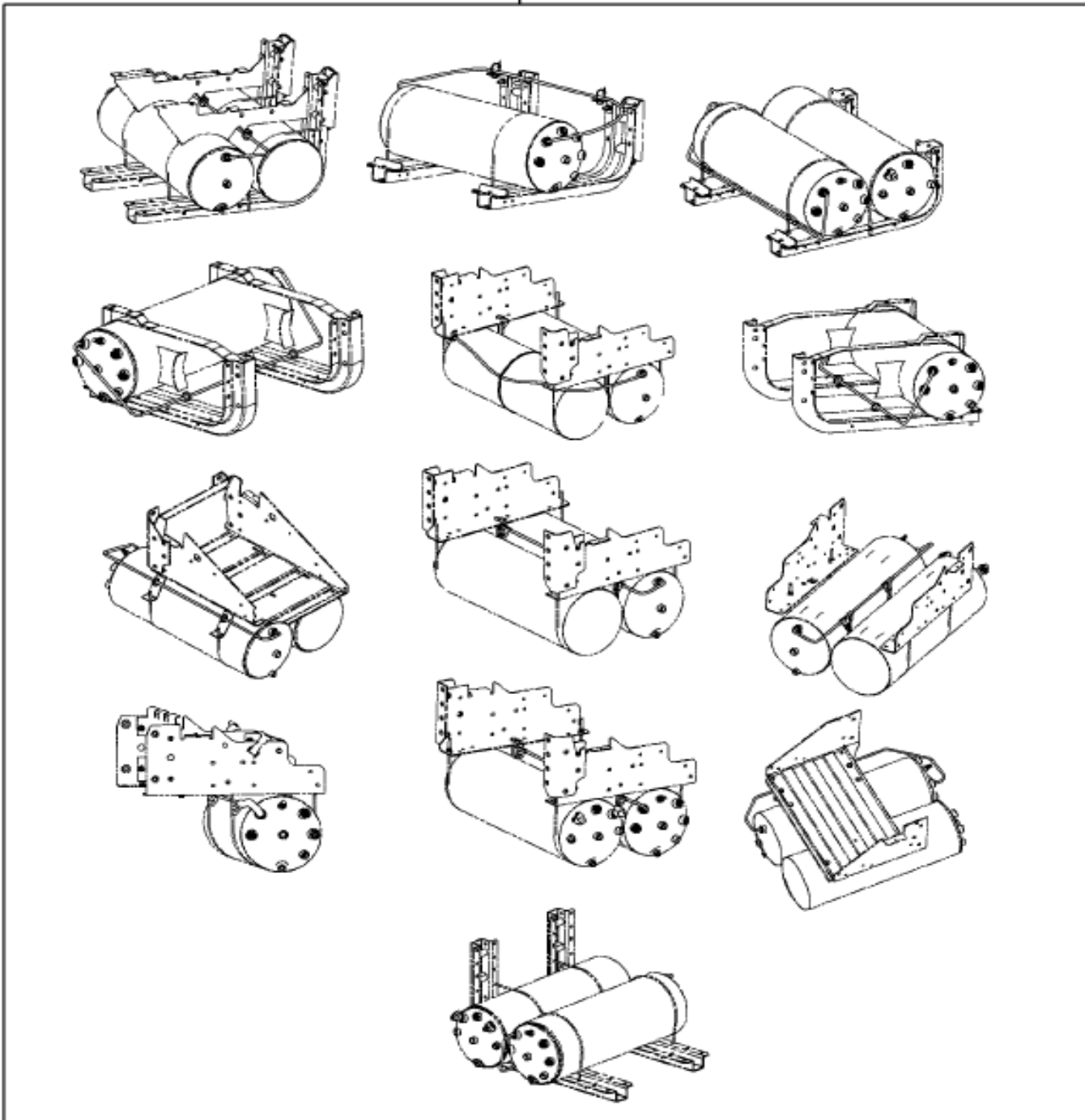
A04

Item	Part No.	Qty	Description	Kit	Var	Figure
1	3603591C1	1	TUBE, FORMED - 3/8 GREEN			
880		RF	NOTE: ASM BELOW COMPRISED OF ABOVE COMPONENTS			
881	3558645F93	RF	BBAT, PRIMARY AIR TANK TUBING			

Figure 0HWF7

AIR TANK TUBING; WET/SECONDARY TANK, 11", BBAT MOD (ABR #6)

5

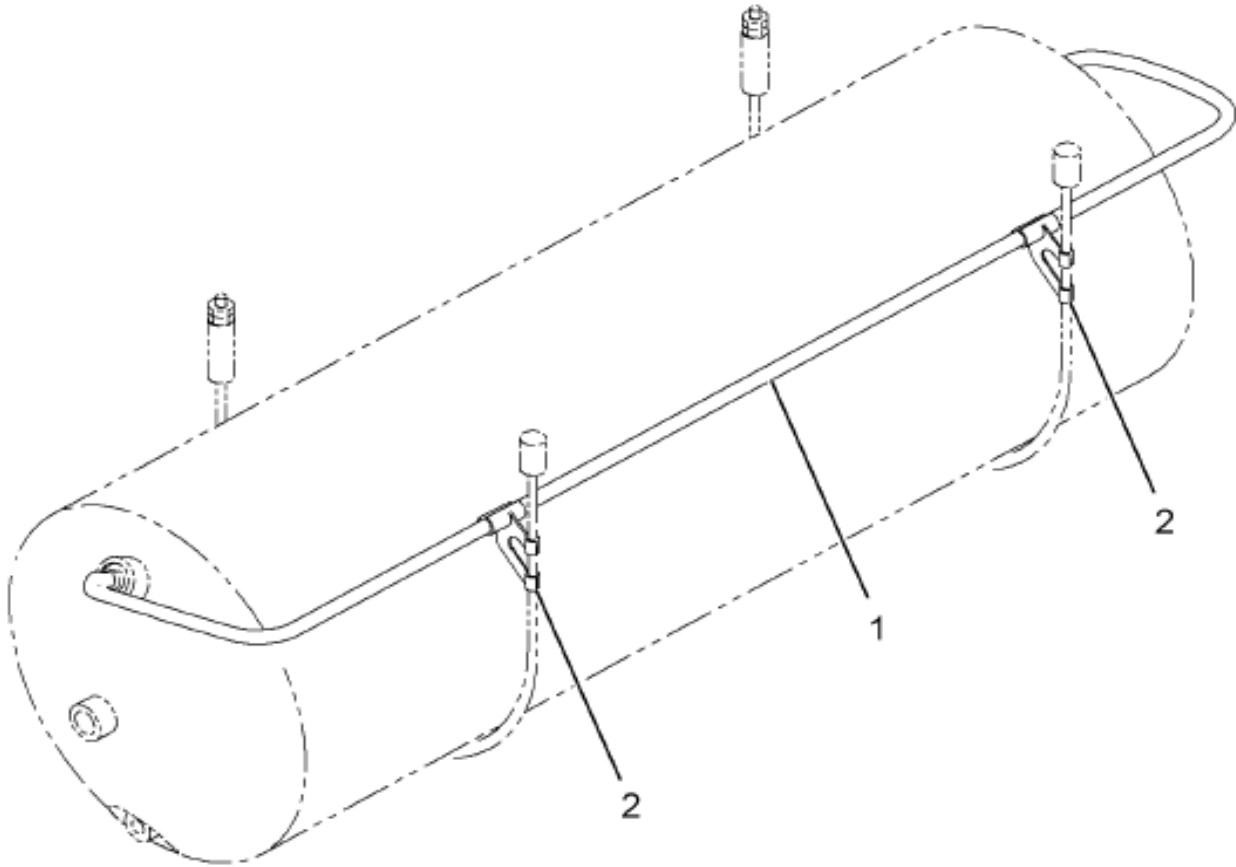


08-L37-0012-01

E10

Item	Part No.	Qty	Description	Kit	Var	Figure
5	3604563F91	1	BRAKE, WET/2NDRY AIR TNK TUBING		0M413	3604563F91

Figure 3604563F91
BRAKE, WET/2NDRY AIR TNK TUBING



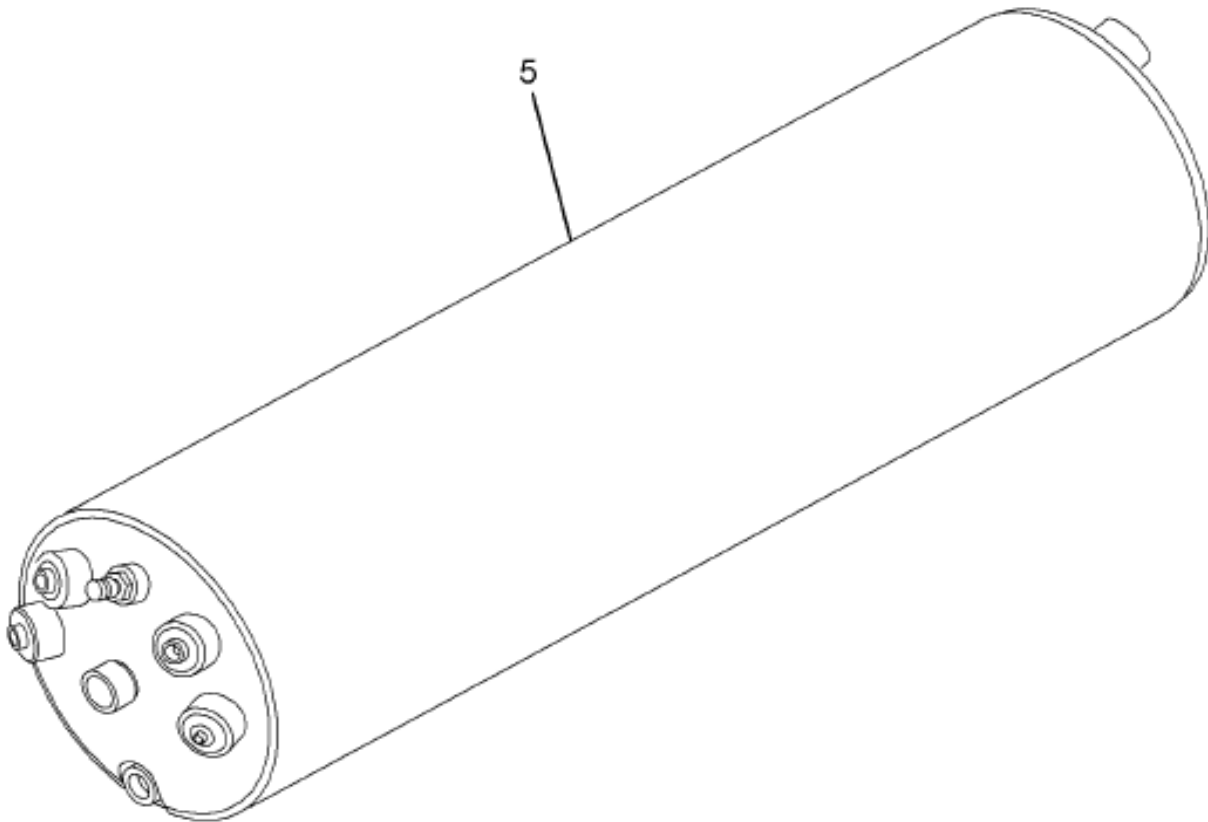
G
R
P
0
4

08-L37-0033-01

G05

Item	Part No.	Qty	Description	Kit	Var	Figure
1	3603575C1	1	TUBE, FORMED - 3/8 ORANGE			
2	3603891C1	2	SUPPORT, 3/8" TUBE			
880		RF	NOTE: ASM BELOW COMPRISED OF ABOVE COMPONENTS			
881	3604563F91	RF	BRAKE, WET/2NDRY AIR TNK TUBING			

Figure 0LFZB
AIR TANKS; STEEL, W/BATTERY BOX MODULE



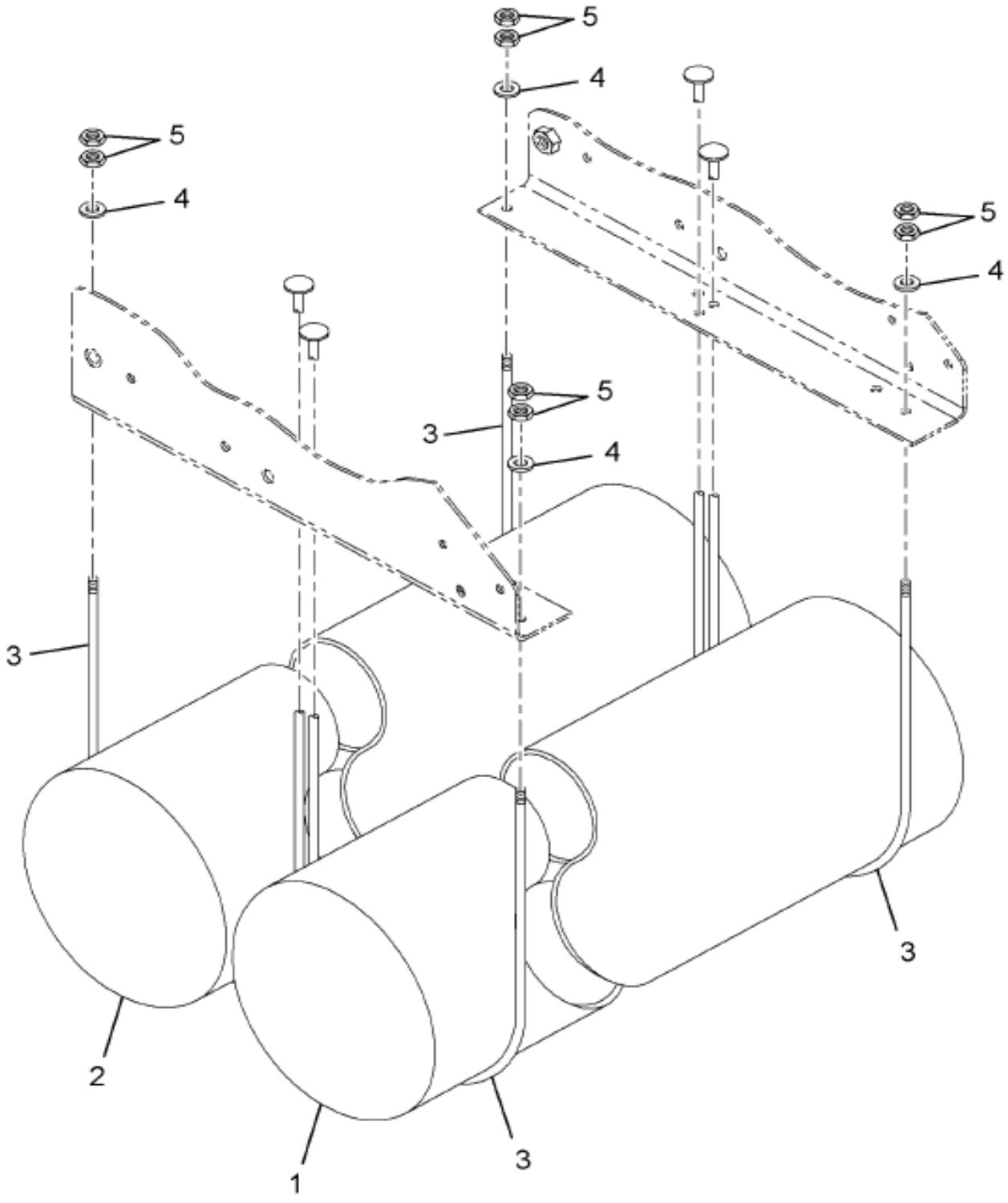
08-L35-0025-01

J04

Item	Part No.	Qty	Description	Kit	Var	Figure
5	3576188F92	1	BBAT, AIR TANKS, 11" STEEL		0LGP5	3576188F92

Figure 3576188F92
BBAT, AIR TANKS, 11" STEEL

GROUP 4

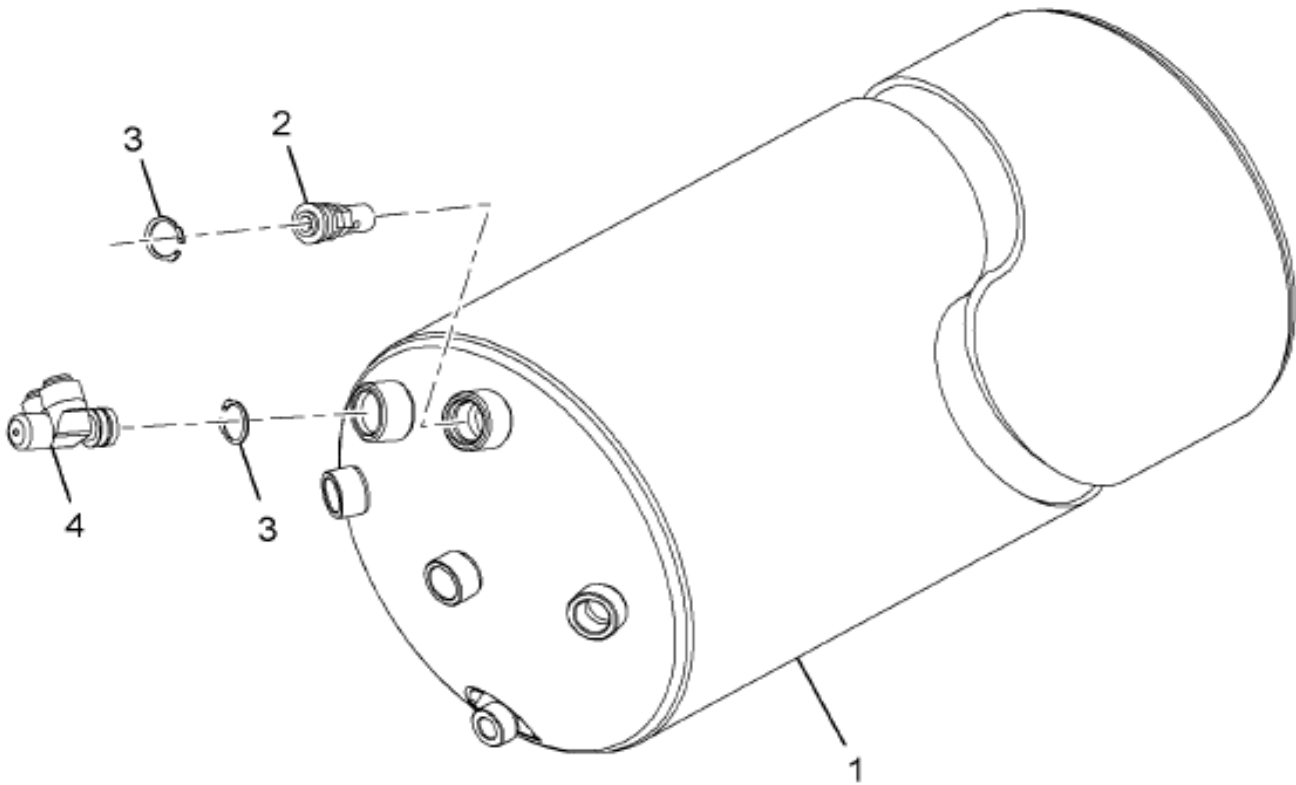


08-L35-0032-01

L04

Item	Part No.	Qty	Description	Kit	Var	Figure
1	3557764C92	1	TANK,AIR QUALITY CONNECT*			3557764C92
2	3557766C93	1	TANK,AIR QUALITY CONNECT ASSY			3557766C93
3	3557936C1	4	CABLE,TANK MTG*ASSY SURGE TANK			
4	25709R1	4	WASHER-.406X.812X.089HDN			
5	124925	8	NUT, 3/8-NF JAM TYPE 5			
880	RF		NOTE: ASM BELOW COMPRISED OF ABOVE			

Figure 3557766C93
TANK,AIR QUALITY CONNECT ASSY



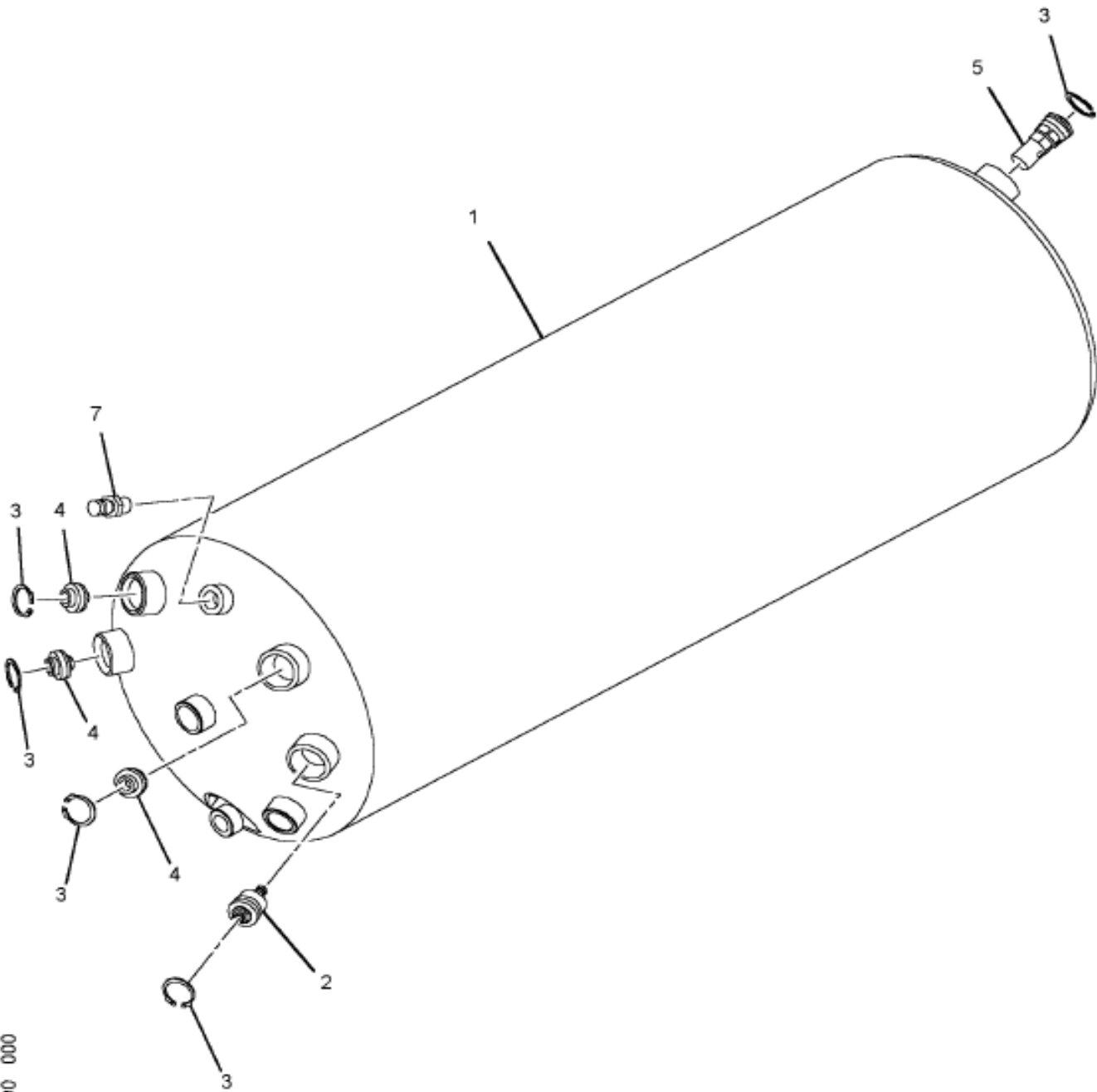
G
R
P
0
4

08-L41-0056-01

K04

Item	Part No.	Qty	Description	Kit	Var	Figure
1	3562118C2	1	TANK,AIR QUALITY CNCT PRIMARY			
2	3553320C1	1	VALVE,CHECK VAC OR AIR			
3	3562398C1	2	RING,SNAP*RETAINING			
4	3562424C1	1	VALVE,SHUT OFF*PRESSURE PROTEC			
880	RF		NOTE: ASM BELOW COMPRISED OF ABOVE COMPONENTS			

Figure 3557764C92
TANK, AIR QUALITY CONNECT*



GROUP 4

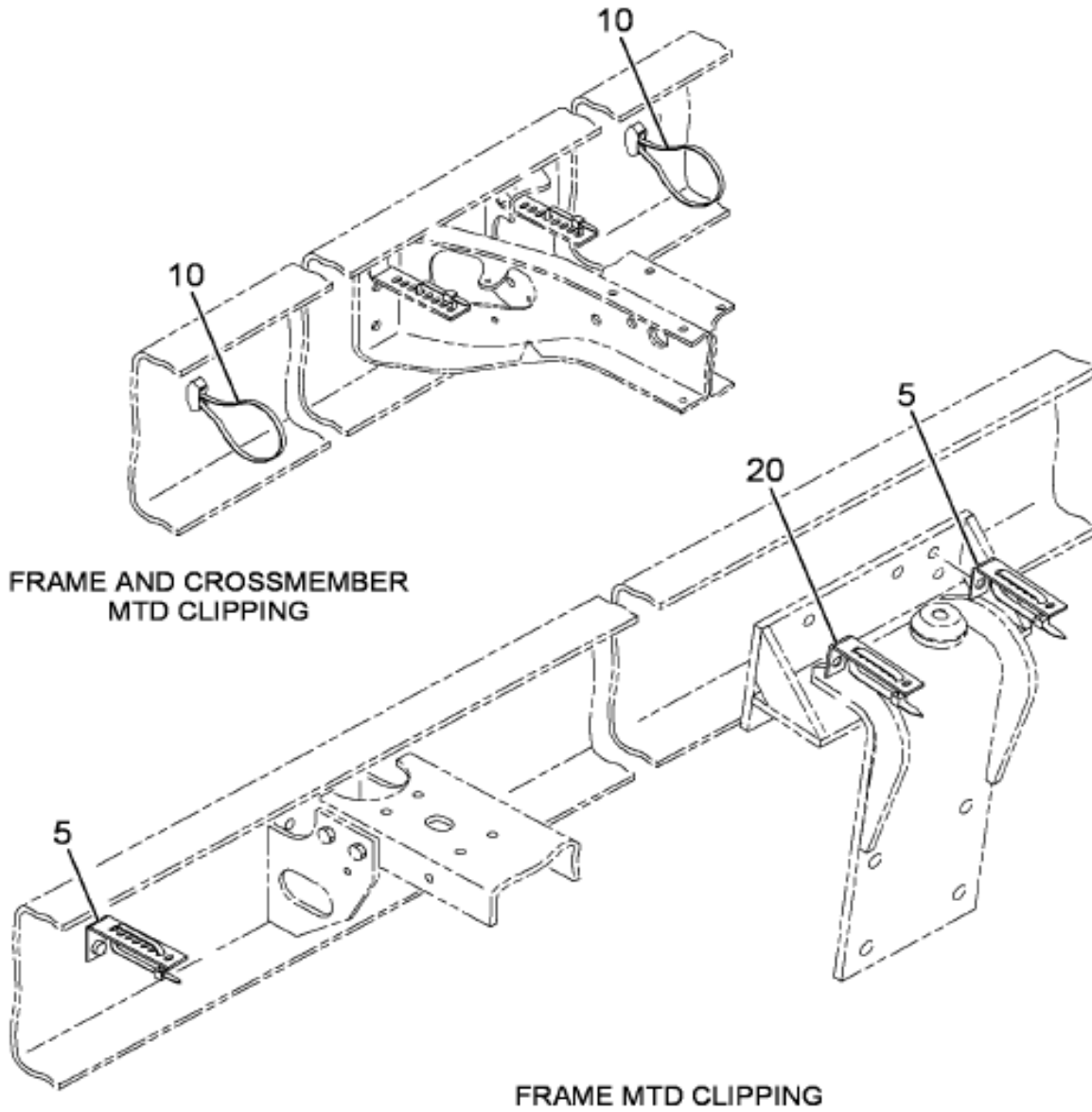
3557764C9200 000

Item	Part No.	Qty	Description	Kit	Var	Figure
1	3562117C1	1	TANK, AIR QUALITY CONNECT			
2	3553322C1	1	VALVE, SAFETY AIR			
3	3562398C1	5	RING, SNAP*RETAINING			
4	3562399C1	3	FITTING, QC CARTRIDGE*3/8"			
5	3553320C1	1	VALVE, CHECK VAC OR AIR			
7	1655350C1	1	NIPPLE, PIPE FITTING			

Figure 0G5H4

BOC HOSE ROUTING & CLIP INSTL; BRAKE

GROUP 04



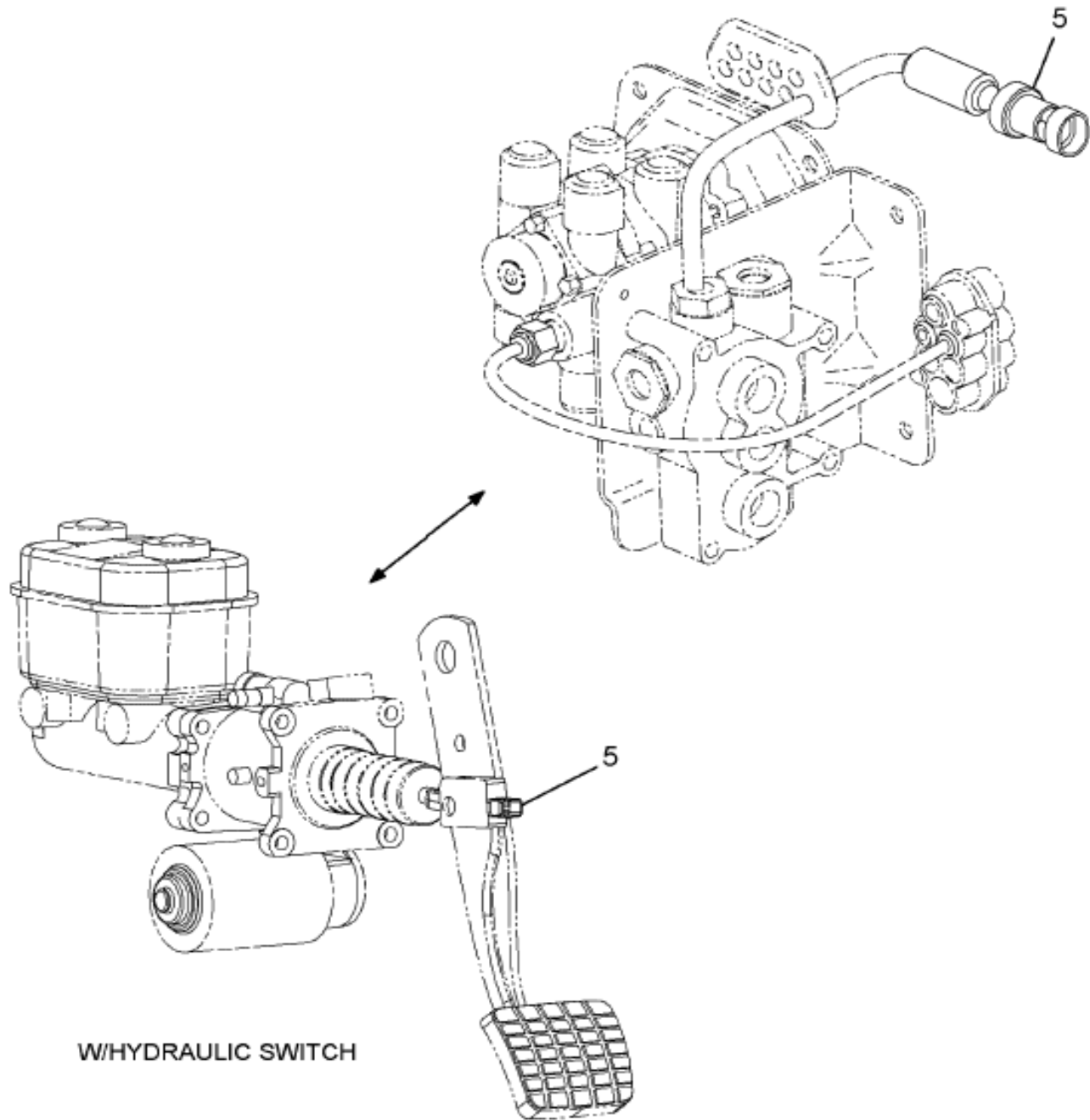
04-036-0166-01

M09

Item	Part No.	Qty	Description	Kit	Var	Figure
5	2034206C1	1	EXTENSION, CLIP		0G5H4	
5	30750R2	1	BOLT, M16 X 40MM PHC FLG CLASS		0G5H4	
5	30756R1	1	NUT, HEX M16 PRVTRQ		0G5H4	
5	306132C1	1	STRAP, CABLE LOCK		0G5H4	
10	3536111C1	2	GUIDE, BRK HOSE & CABLE*GUIDE S		0G5H4	
10	3544557C1	2	STRAP, CABLE LOCK*382MM BUTTON		0G5H4	

Figure 06PDX
BRAKE ACCESSORIES MODULE

GROUP 4



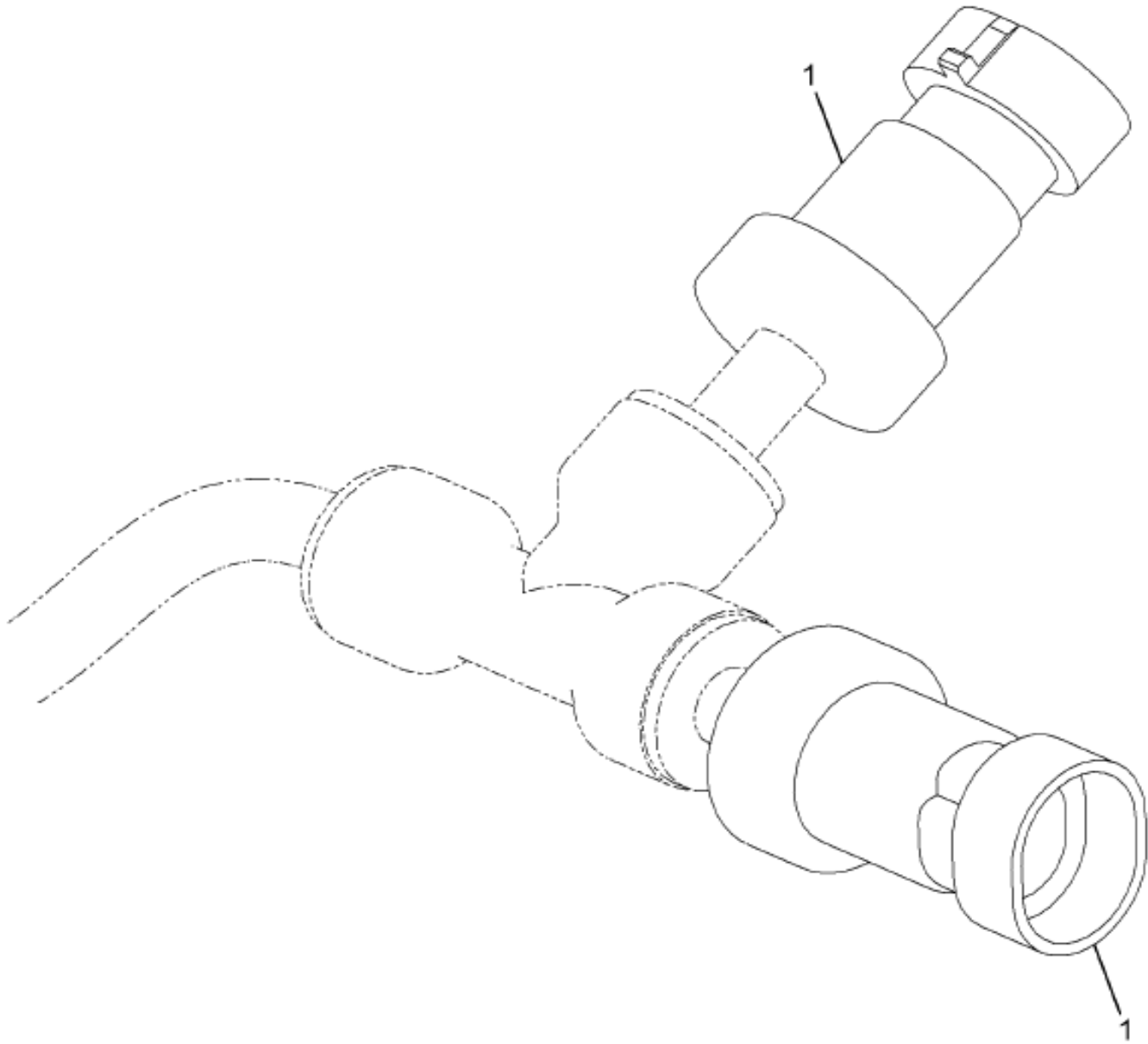
W/HYDRAULIC SWITCH

16-C15-0011-AA

K09

Item	Part No.	Qty	Description	Kit	Var	Figure
5	3548796F91	1	SWITCH, STOP LIGHT AIR*		0DT7P	3548796F91

Figure 2505670C91
KIT, STOP LIGHT SWITCH

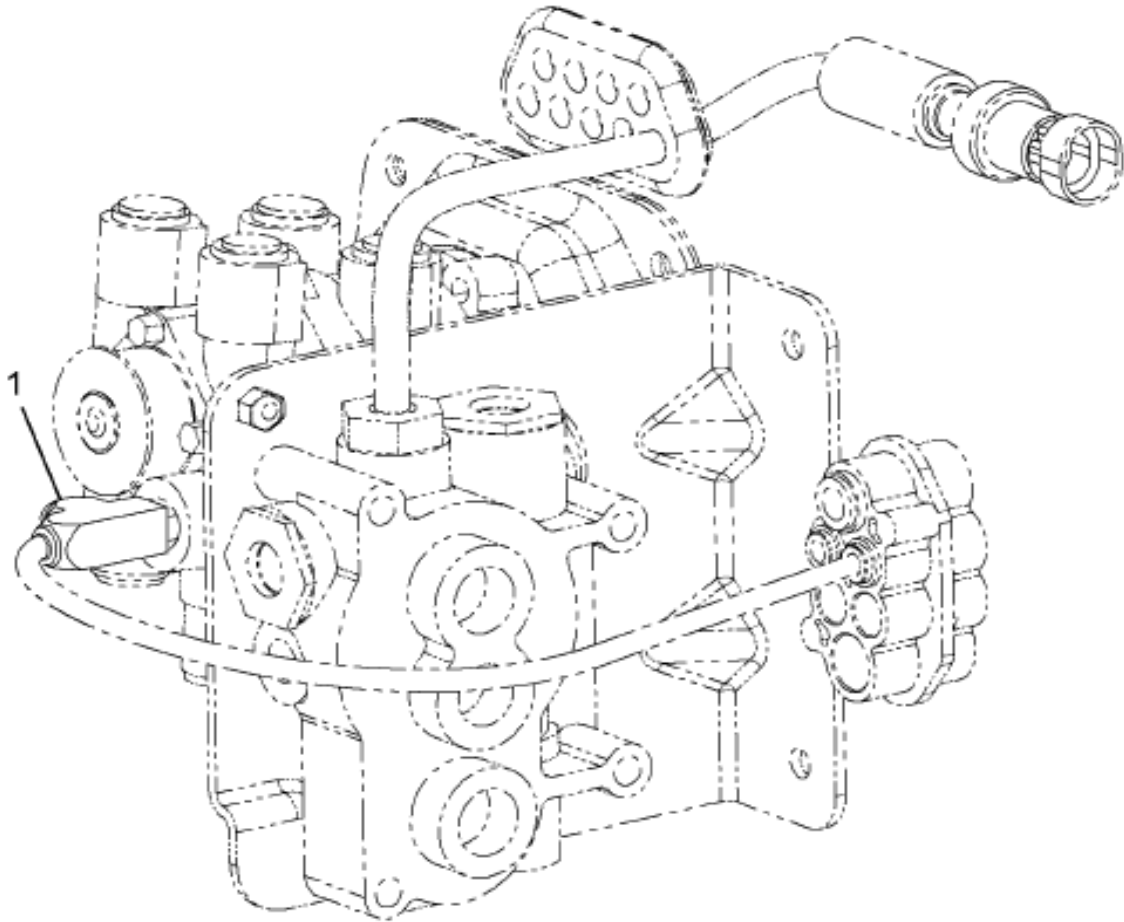


16-C15-0018-01

A08

Item	Part No.	Qty	Description	Kit	Var	Figure
1	2505850C1	2	SWITCH, PRESSURE - SLS			
800		RF	NOTE: THE FOLLOWING PARTS ARE NON-ILLUSTRATED			
801		RF	MANUAL, INSTRUCTION SHEET			
880		RF	NOTE: ASM BELOW COMPRISED OF ABOVE COMPONENTS			

Figure 3548796F91
SWITCH, STOP LIGHT AIR*



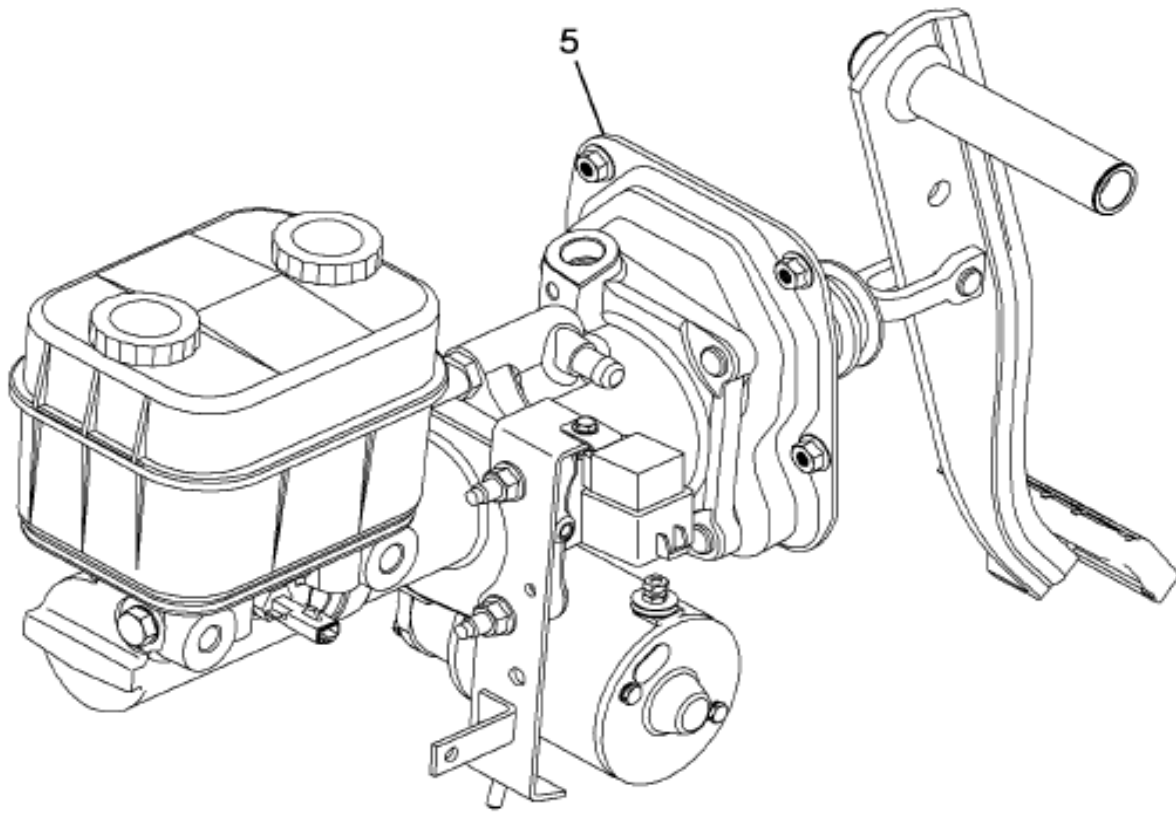
16-C15-0009-00

B05

Item	Part No.	Qty	Description	Kit	Var	Figure
1	2506206C1	1	TEE, 1/4NPT-1/4 QC MALE RUN			
1	ZAC212862	1	BUSHING, REDUCER*3/8 TO 1/4			
800		RF	NOTE: THE FOLLOWING PARTS ARE NON-ILLUSTRATED			
801	2506201C1	1	UNION, 3/8 QTC*AIR			
802	2505670C91	KT	KIT, STOP LIGHT SWITCH			2505670C91

Figure 06LQJ

BRAKE VALVE INSTL; CONTROL/PARKING/HAND CONTROL, AIR/HYD

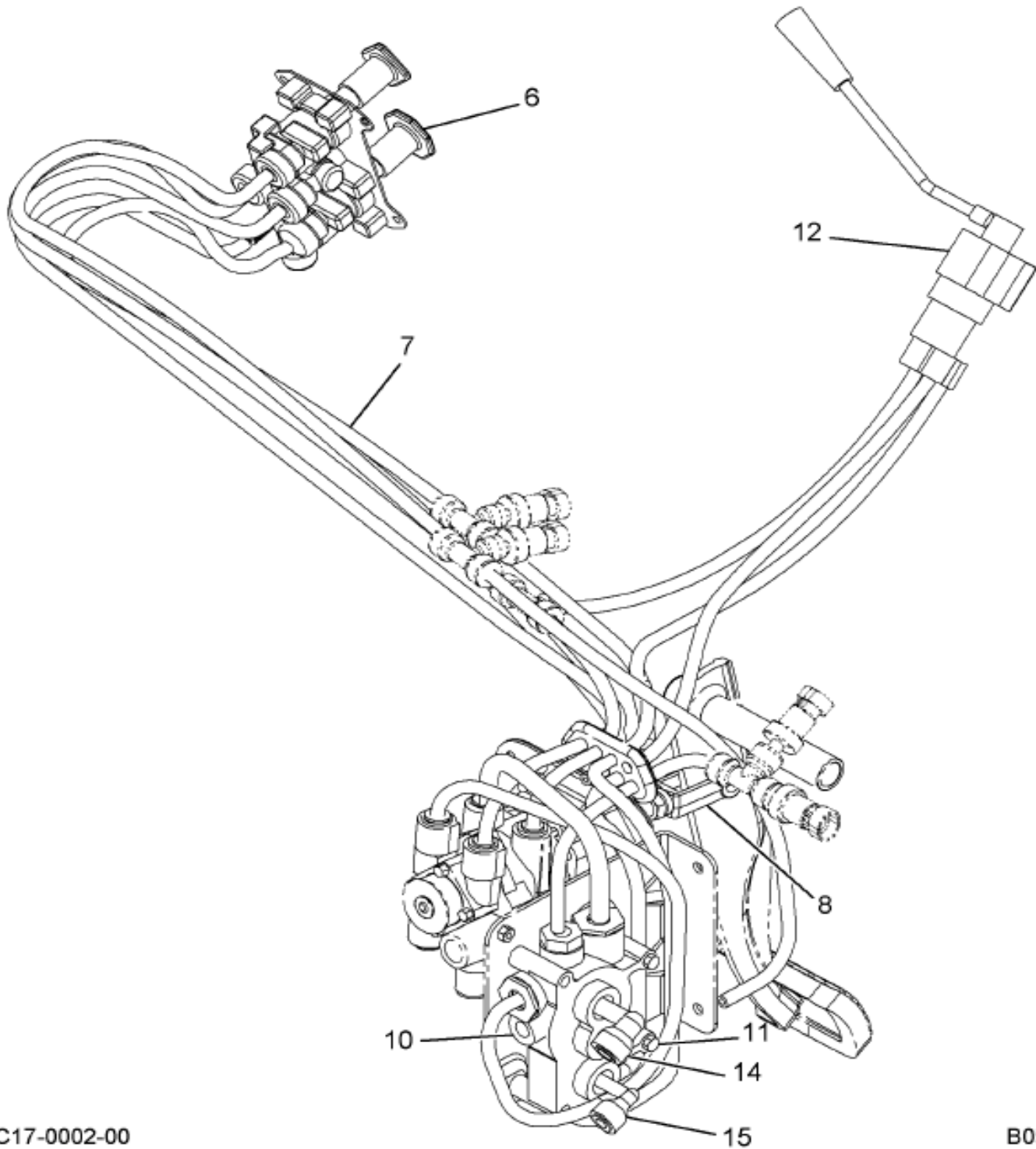


16-C17-0005-01

M09

Item	Part No.	Qty	Description	Kit	Var	Figure
5	3540368F94	1	BRAKE,DCM*TRACTOR AIR VALVE		0HL1S	3540368F94

Figure 3540368F94
BRAKE,DCM*TRACTOR AIR VALVE



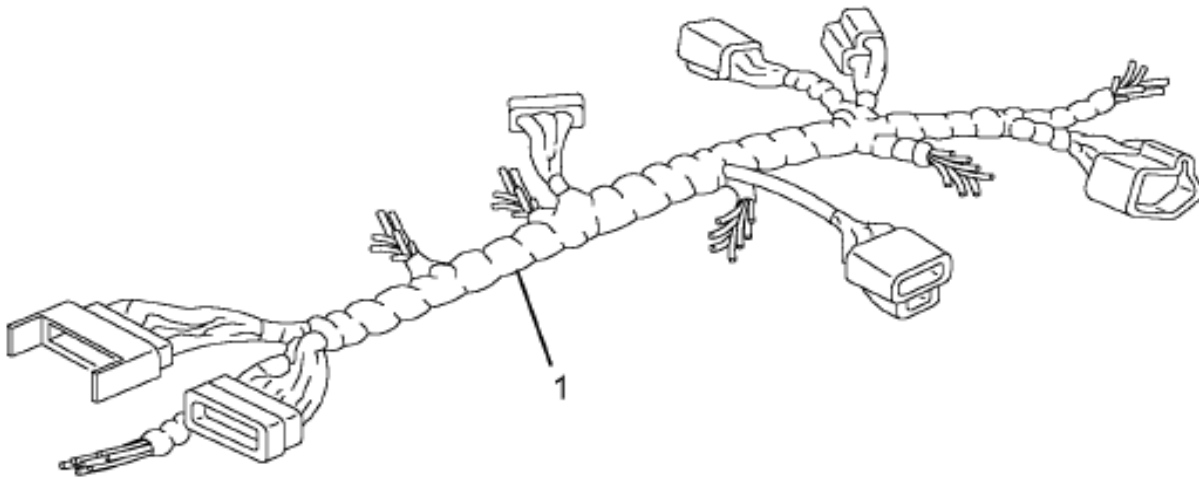
GROUP 4

16-C17-0002-00

B05

Item	Part No.	Qty	Description	Kit	Var	Figure
6	2506188C91	1	VALVE,HAND CONTROL*PARK MV-3			2506188C91
7	2506190C91	1	HARNESS,AIR TUBE*TRACTOR HAND			2506190C91
8	ZAC200982	1	PIN,CLEVIS*1/2" DIA.			
8	ZAC203019	1	PIN,HAIR COTTER*1/8" DIA.			
10	2506192C91	1	VALVE,TRACTOR PROTECT*TP-5			2506192C91
11	ZAC291935	2	SCREW,MACHINE*5/16-18X.75			

Figure 2506190C91
HARNESS, AIR TUBE*TRACTOR HAND



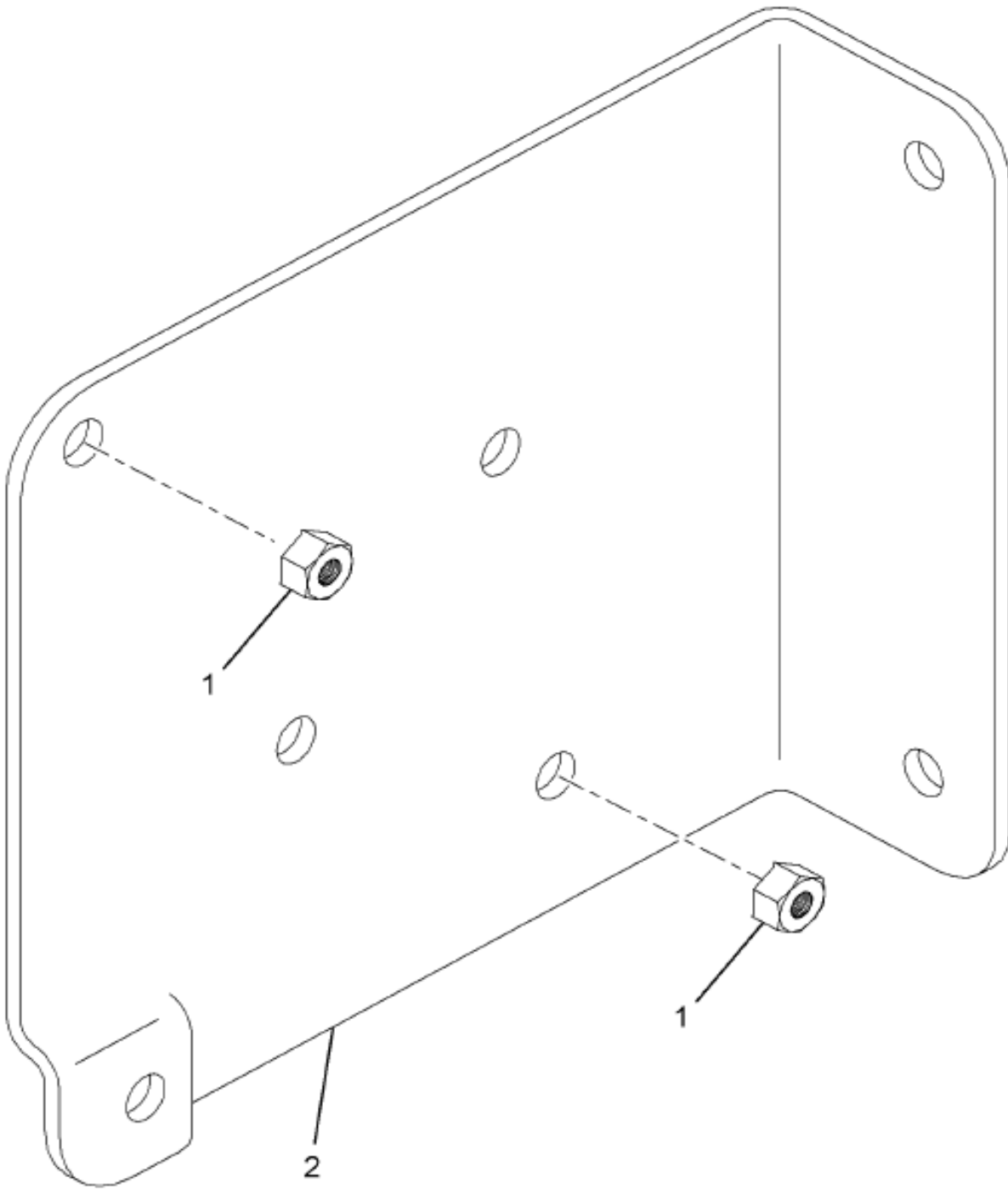
C
R
P
0
4

08-P58-0006-01

C03

Item	Part No.	Qty	Description	Kit	Var	Figure
1	417199C2	AR	TUBE, NYLON 3/8OD BLACK			
1	2015727C1	3	TEE, QC AIR TUBE 3/8FX3/8F/3/8F			
1	2024456C1	1	TEE, QC AIR TUBE 3/8MX3/8FX3/8F			
1	2505840C1	1	GUIDE, TUBE*PASSTHRU GLAND UP			
880		RF	NOTE: ASM BELOW COMPRISED OF ABOVE COMPONENTS			

Figure 2505660C91
KIT, ABS BRACKET



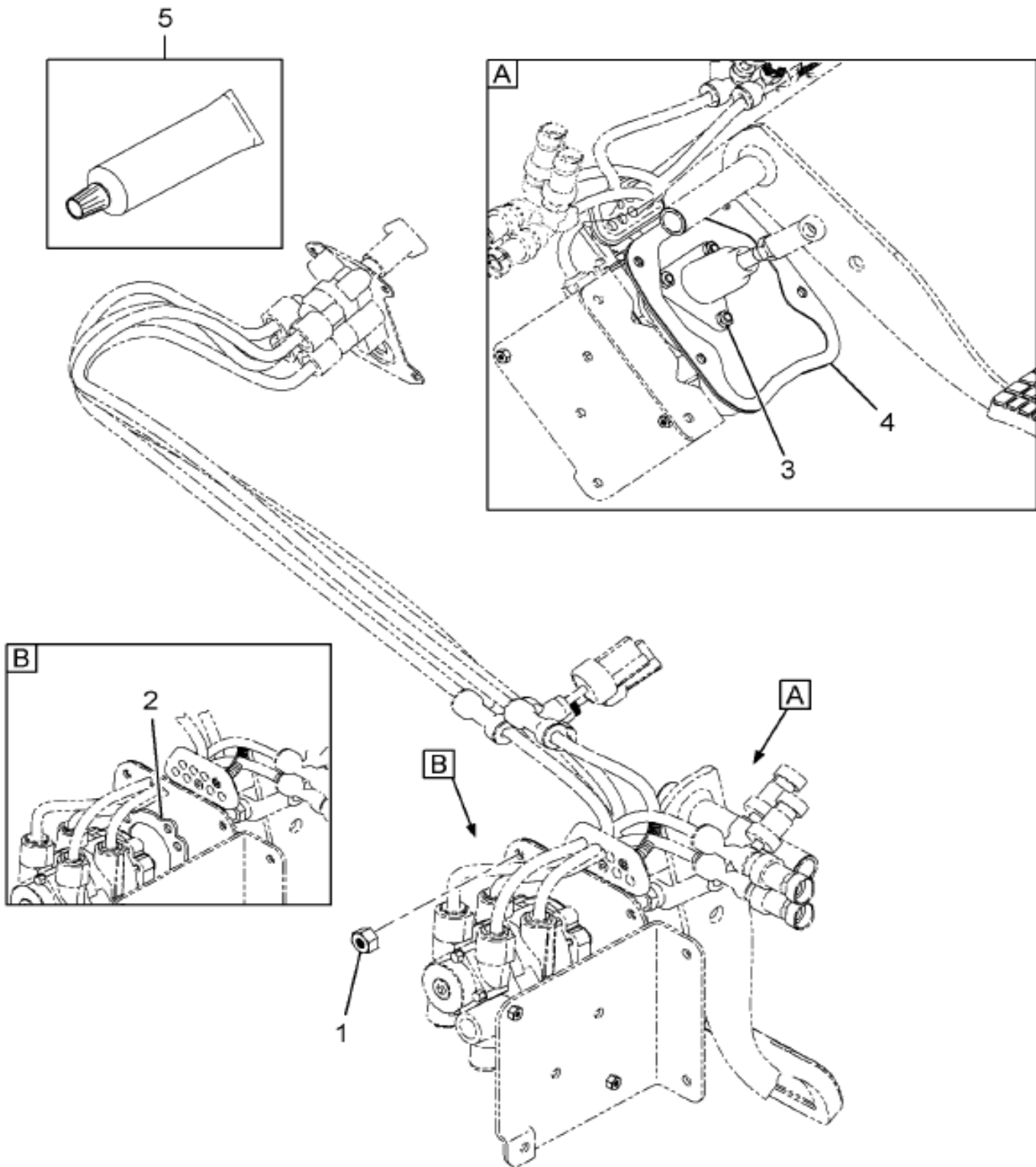
G
R
P
0
4

16-C17-0033-01

M09

Item	Part No.	Qty	Description	Kit	Var	Figure
1	2505842C1	2	NUT, 8MM FLANGE			
2	2505843C91	1	BRACKET, AIR BRK VALVE MTG			
880		RF	NOTE: ASM BELOW COMPRISED OF ABOVE COMPONENTS			
881	2505660C91	RF	KIT, ABS BRACKET			

Figure 2505684C91
KIT,REPAIR BRAKE VLV - MINOR

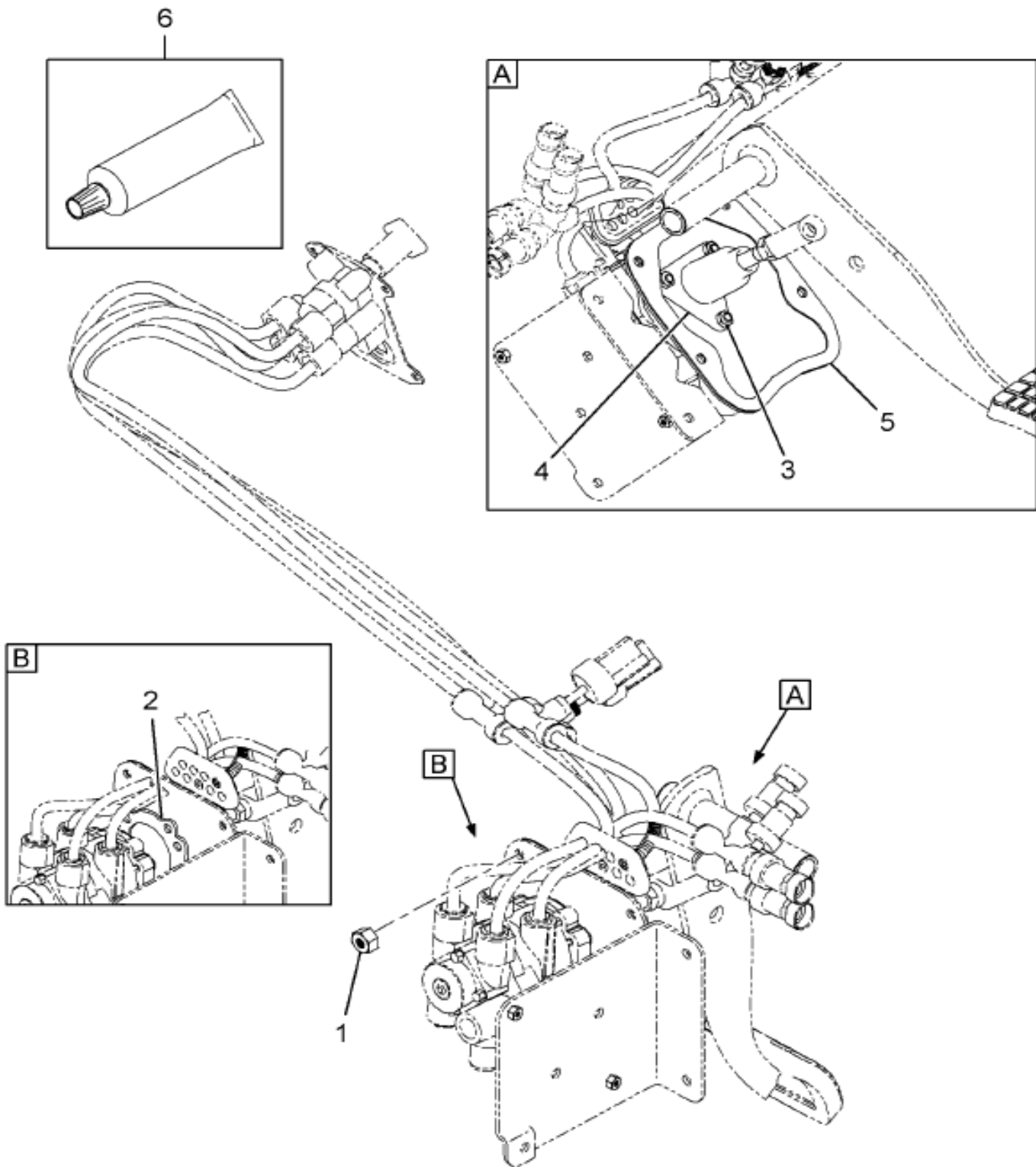


16-D75-M071-01

E09

Item	Part No.	Qty	Description	Kit	Var	Figure
1	2505842C1	4	NUT, 8MM FLANGE			
2	2505852C1	1	GASKET, BRK VALVE			
3	ZAC230402	3	5/16 LOCKNUT			
4	2505853C1	1	GASKET, AIR HOSE BRKT			
5	ZAC291126	1	LUBR			
800	RF		NOTE: THE FOLLOWING PARTS ARE			

Figure 2505683C91
KIT,REPAIR BRK VALVE - MAJOR

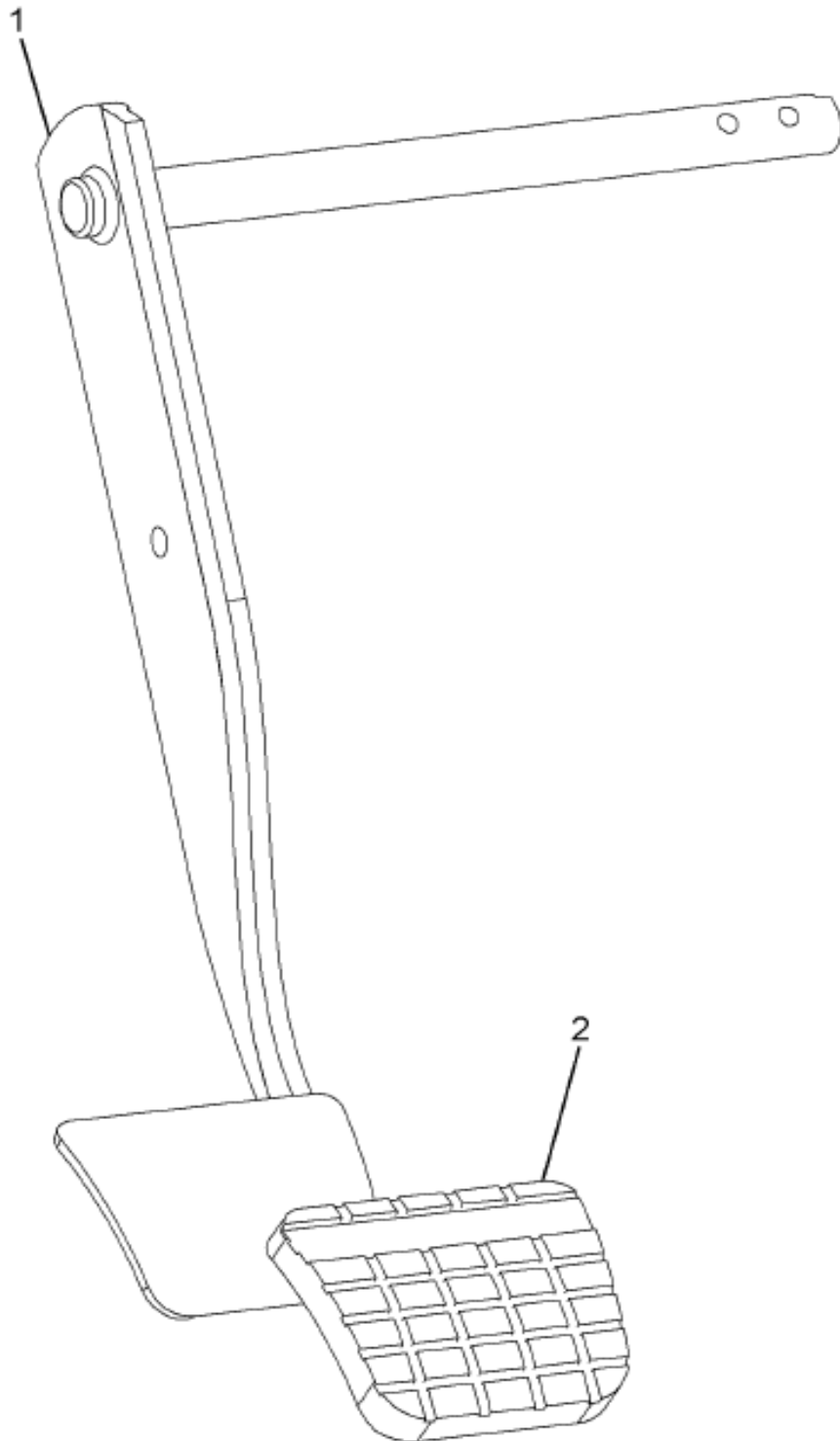


16-D75-M070-01

E09

Item	Part No.	Qty	Description	Kit	Var	Figure
1	2505842C1	4	NUT, 8MM FLANGE			
2	2505852C1	1	GASKET, BRK VALVE			
3	ZAC230402	3	5/16 LOCKNUT			
4	2505854C91	1	GUIDE, PISTON			
5	2505853C1	1	GASKET, AIR HOSE BRKT			
6	ZAC291126	1	LUBR			

Figure 2506176C91
PEDAL, BRAKE

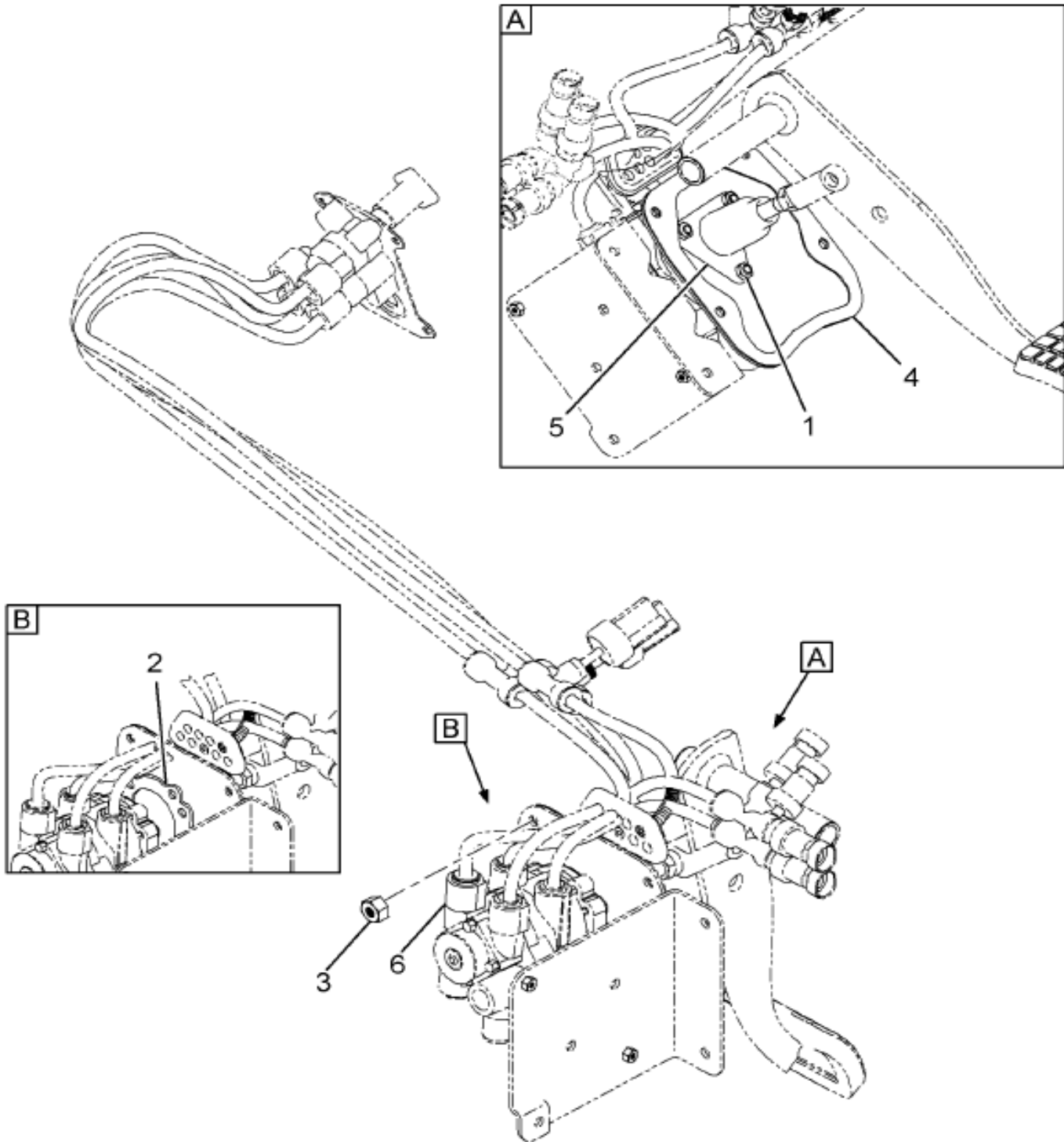


16-V94-0007-01

D09

Item	Part No.	Qty	Description	Kit	Var	Figure
1	2506175C1	1	ARM, BRAKE PEDAL WELDMENT			
2	2505695C1	1	PAD, PEDAL*COVER			
800		RF	NOTE: THE FOLLOWING PARTS ARE NON-ILLUSTRATED			
801		RF	BUSHING, BRAKE PEDAL			
880		RF	NOTE: ASM BELOW COMPRISED OF ABOVE			

Figure 2506078C91
VALVE, BRK W/MTG HRDW FOR TRCT

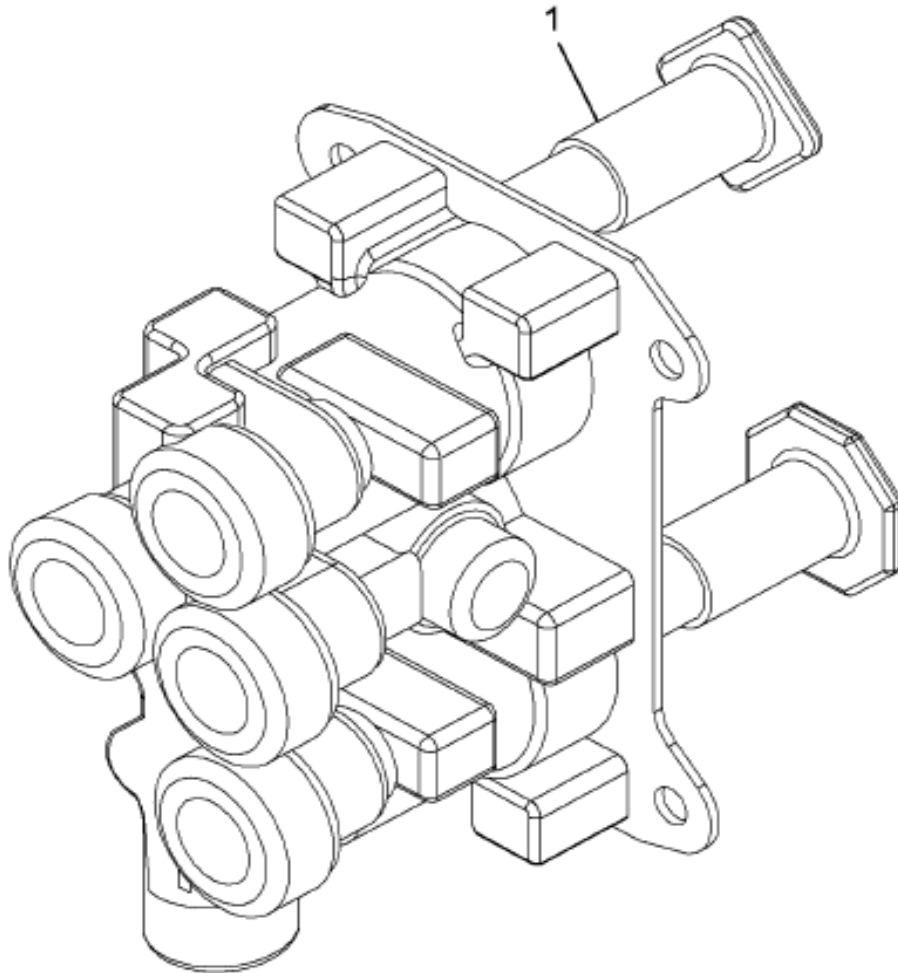


16-V94-0008-01

A08

Item	Part No.	Qty	Description	Kit	Var	Figure
1	ZAC230402	3	5/16 LOCKNUT			
2	2505852C1	1	GASKET, BRK VALVE			
3	2505842C1	4	NUT, 8MM FLANGE			
4	2505853C1	1	GASKET, AIR HOSE BRKT			
5	2505854C91	1	GUIDE, PISTON			
6	2506079C91	1	VALVE, BRAKE*E8P TRACTOR			

Figure 2506188C91
VALVE, HAND CONTROL *PARK MV-3

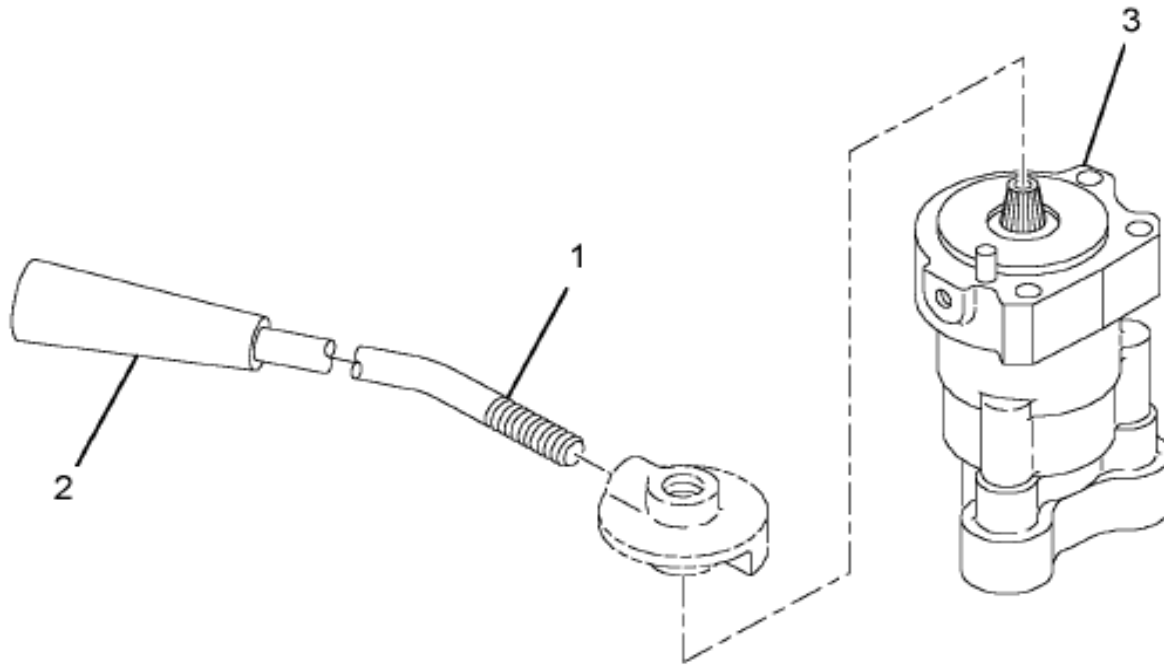


16-C17-0087-01

E11

Item	Part No.	Qty	Description	Kit	Var	Figure
1	BX298817N	1	KNOB, BRAKE VALVE *RED-OCTG TRLR			
1	BX298818N	1	KNOB, BRAKE VALVE *YLW-PRK BRAKE			
800		RF	NOTE: THE FOLLOWING PARTS ARE NON-ILLUSTRATED			
870	ZAC5002741	KT	KIT, REPAIR HND CNT VLV MV3			
870	ZAC5002742	KT	KIT, REPAIR HAND CONT-SHUTTLE			

Figure 2014415C91
VALVE, HAND CONTROL*TC-7

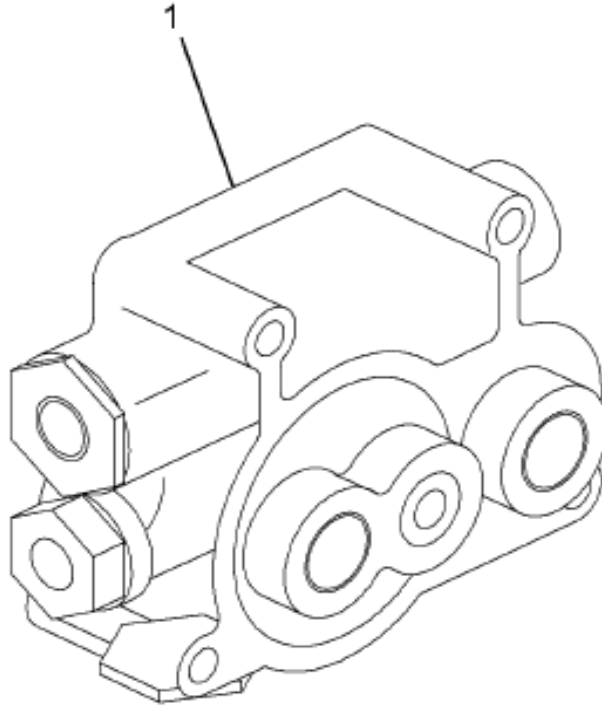


04-040-0014-00

D04

Item	Part No.	Qty	Description	Kit	Var	Figure
1	1698622C91	1	HANDLE, HAND CONTROL VALVE			
2	1663738C1	1	KNOB HAND BRK CONT HANDLE			
3	1698750C91	1	VALVE, BASIC			
800		RF	NOTE: THE FOLLOWING PARTS ARE NON-ILLUSTRATED			
801	573185C91	KT	KIT, REPAIR HAND CONT VALVE			

Figure 2506192C91
VALVE,TRACTOR PROTECT*TP-5



04-040-0164-01

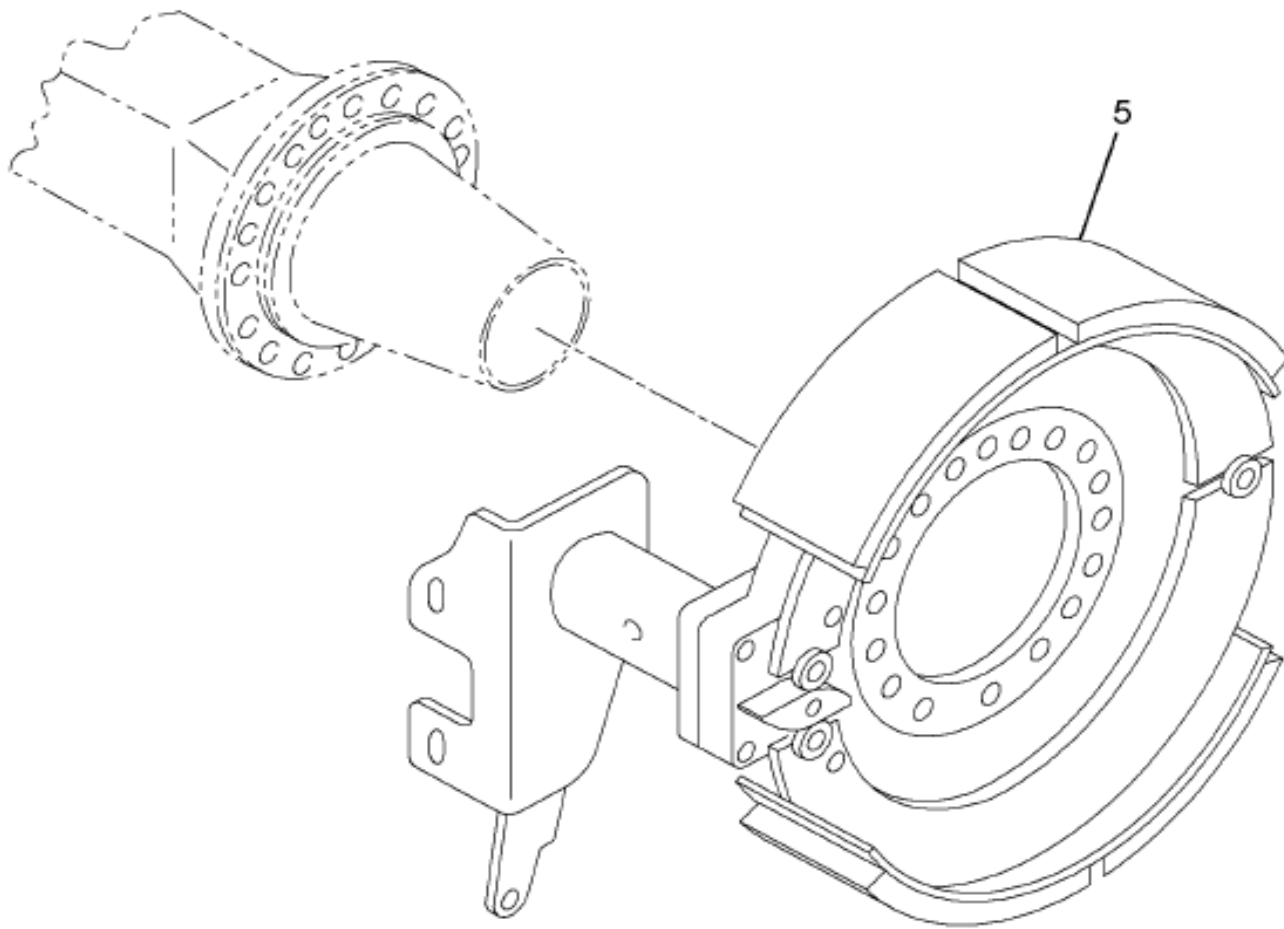
M04

Item	Part No.	Qty	Description	Kit	Var	Figure
1	ZAC289061	KT	KIT,REPAIR TRACTOR PROT VLV			
880		RF	NOTE: ASM BELOW COMPRISED OF ABOVE COMPONENTS			
881	2506192C91	RF	VALVE,TRACTOR PROTECT*TP-5			

Figure 0FWS3

BRAKE, FRONT; MERITOR 16.5 X 5 Q-PLUS, AXLE ASM MODULE

GROUP 4

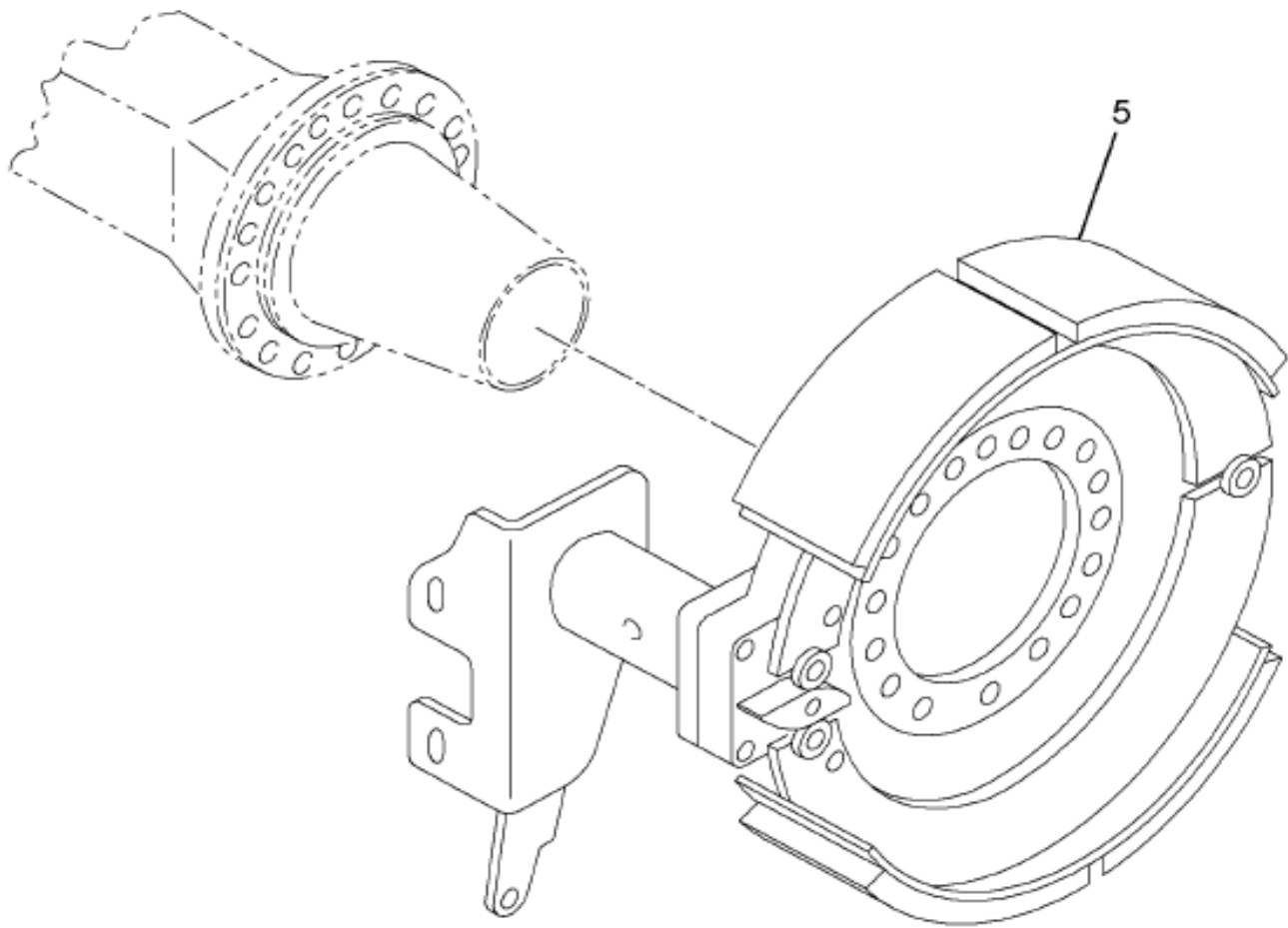


02-A04-0006-01

A09

Item	Part No.	Qty	Description	Kit	Var	Figure
5	3556961F91	1	BRAKE,GROUP FRT DR AXLE 16.5X5		0FWVV	3556961F91

Figure 3556961F91
BRAKE, GROUP FRT DR AXLE 16.5X5



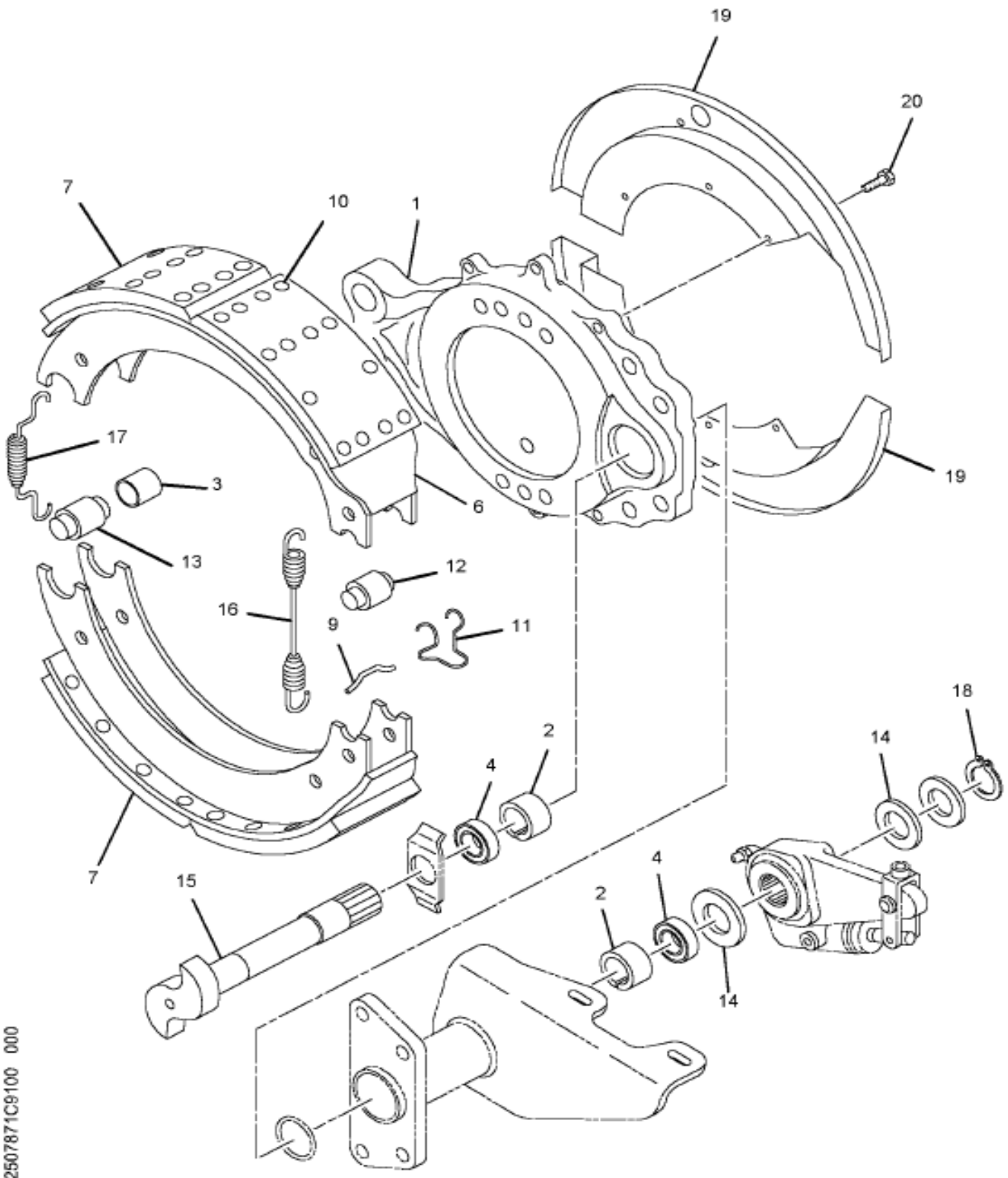
02-A04-0006-01

A09

Item	Part No.	Qty	Description	Kit	Var	Figure
5	2507869C91	1	BRAKE, GROUP FRT LT 16.5X5 Q+			2507869C91
5	2507870C91	1	BRAKE, GROUP FRT RT 16.5X5 Q+			2507870C91
880		RF	NOTE: ASM BELOW COMPRISED OF ABOVE COMPONENTS			
881	3556961F91	RF	BRAKE, GROUP FRT DR AXLE 16.5X5			

Figure 2507869C91
BRAKE, GROUP FRT LT 16.5X5 Q+

GROUP 4

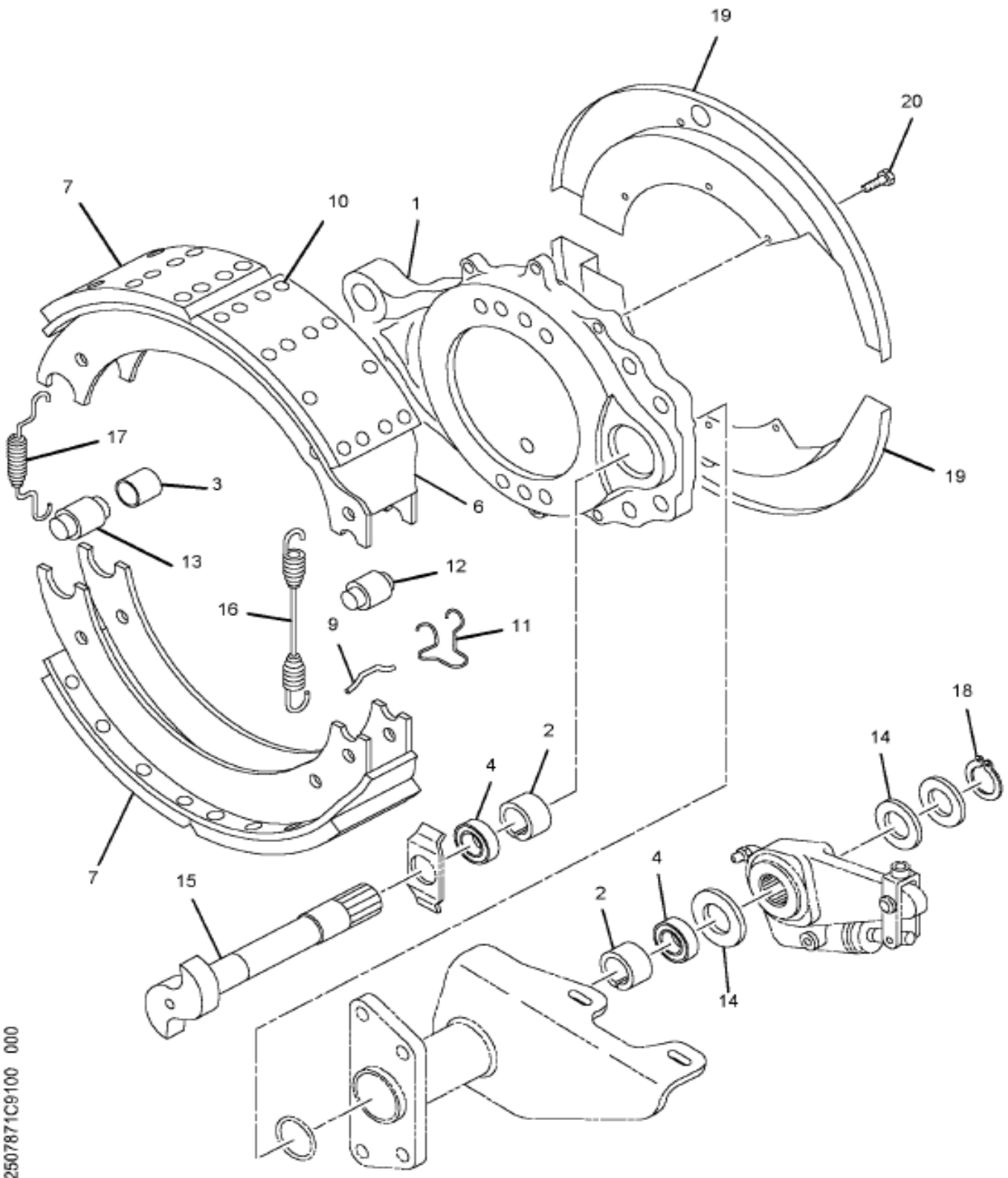


2507871C9100 000

Item	Part No.	Qty	Description	Kit	Var	Figure
1	2500417C91	1	SPIDER, BRAKE W/BUSH & SEAL			
2	1676226C1	1	BUSHING, STRG KNUCKLE			
3	577650C1	2	BUSHING, BRK SHOE ANCHOR PIN			
4	1695751C1	2	SEAL, OIL REAR WHEEL BRG INNER			
6	A43222Z2288	RF	SHOE, BRK W/LINING R301	A		
7		RF	LINING, BRK SHOE	B		

Figure 2507870C91
BRAKE, GROUP FRT RT 16.5X5 Q+

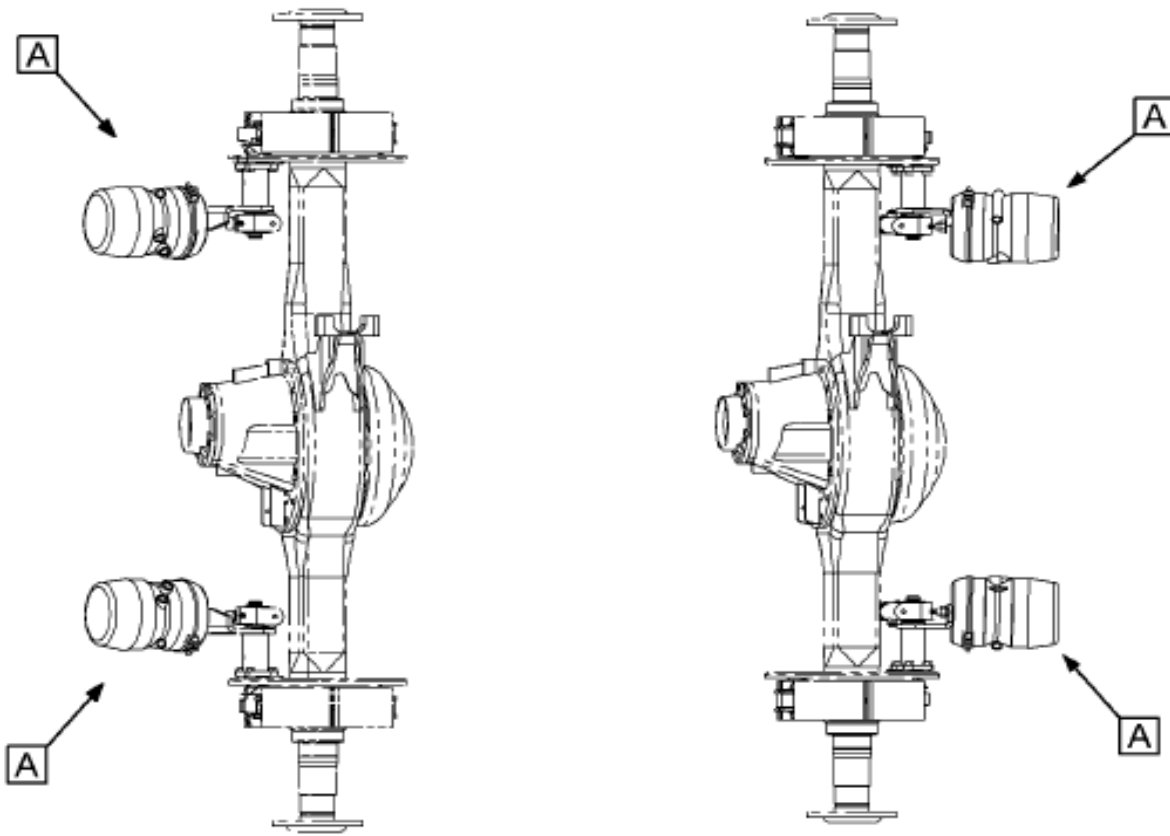
GROUP 4



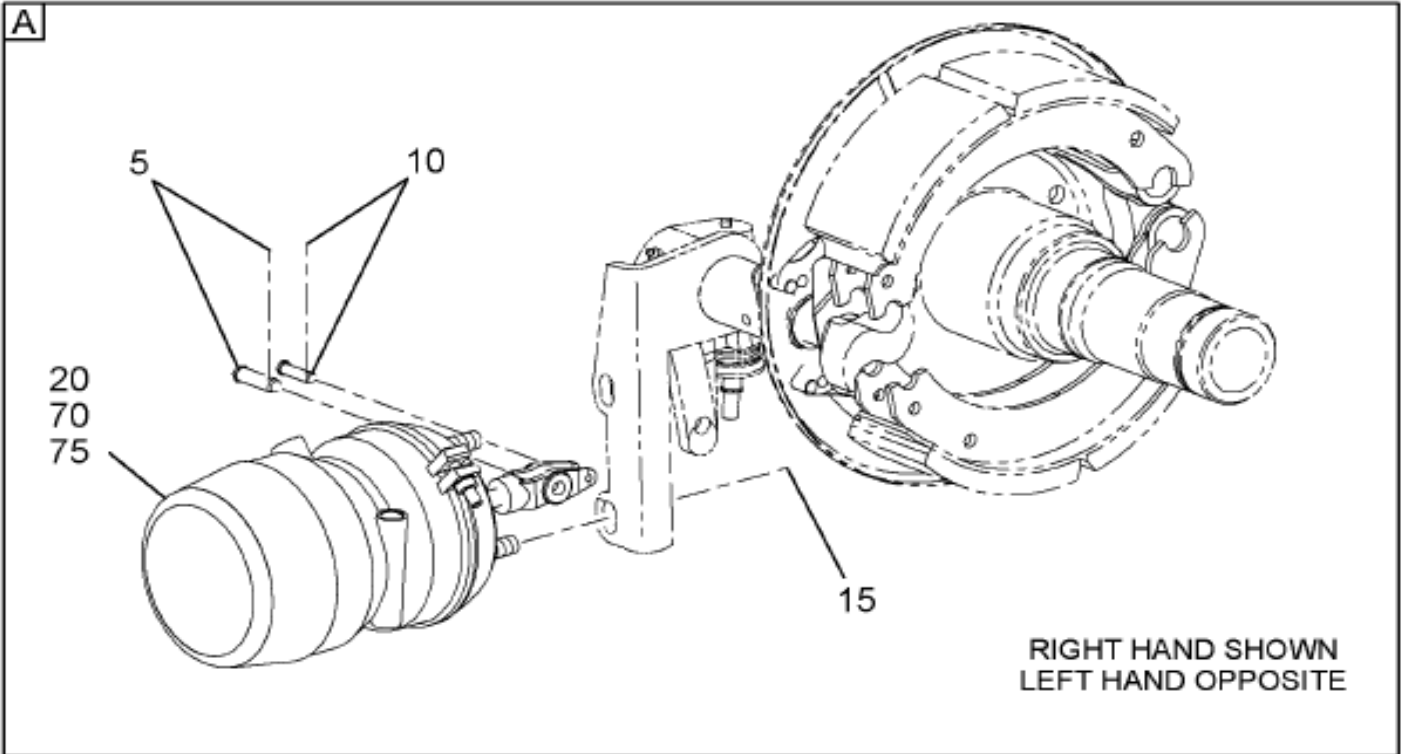
2507871C9100 000

Item	Part No.	Qty	Description	Kit	Var	Figure
1	2500417C91	1	SPIDER, BRAKE W/BUSH & SEAL			
2	1676226C1	1	BUSHING, STRG KNUCKLE			
3	577650C1	2	BUSHING, BRK SHOE ANCHOR PIN			
4	1695751C1	2	SEAL, OIL REAR WHEEL BRG INNER			
6	A43222Z2288	RF	SHOE, BRK W/LINING R301	A		
7		RF	LINING, BRK SHOE	B		

Figure 0F12N
BRK CHAMBER INSTL; RR AXLE, MGM, 30/30"



G
R
P
0
4

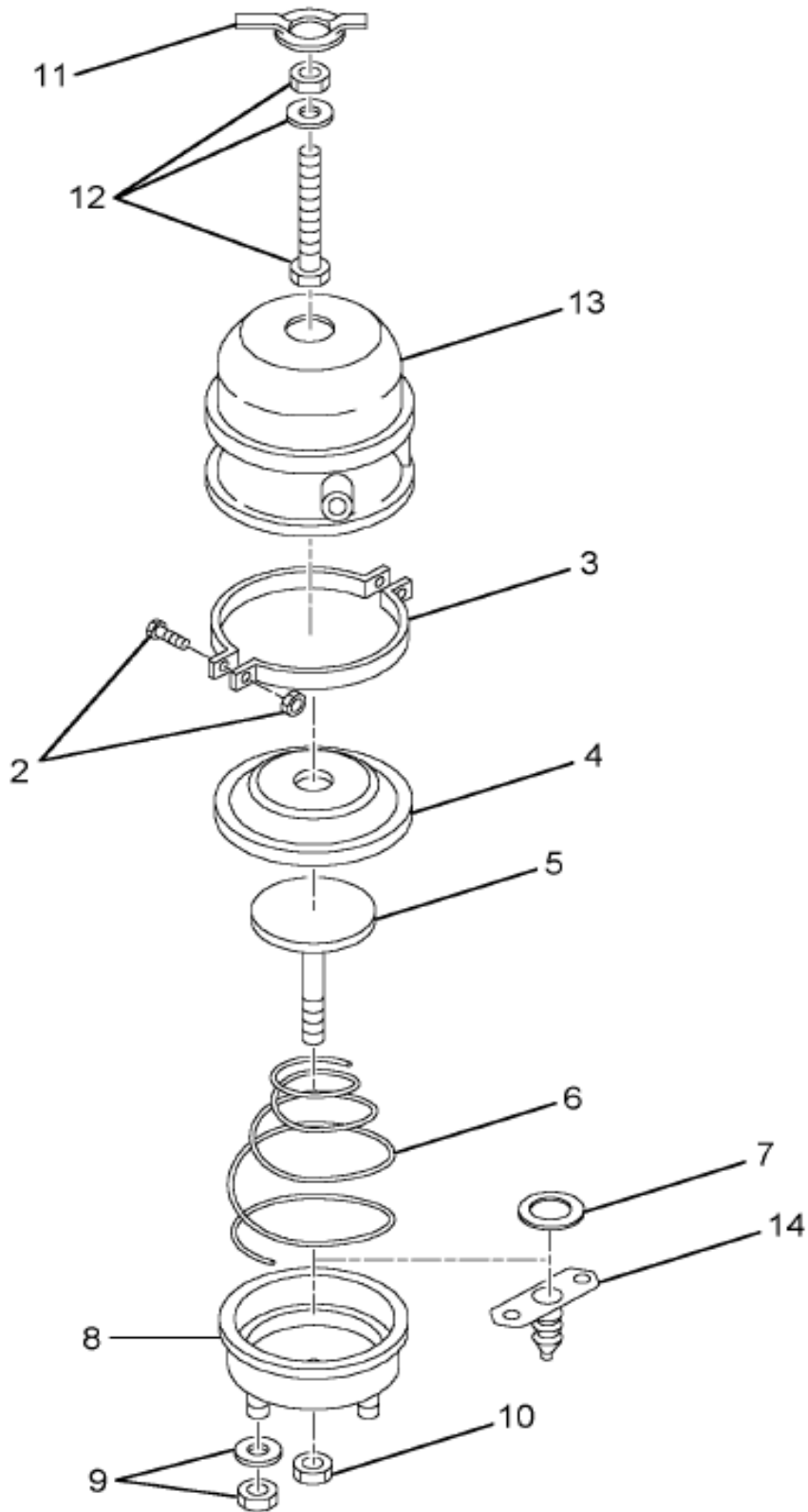


04-341-0019-01

E10

Item	Part No.	Qty	Description	Kit	Var	Figure
5	21853H	4	PIN, YOKE 1/2 X 1.500 PLN		0F12Q	
5	2024771C1	4	CLIP, SPRING TYPE		0F12Q	
10	1689440C1	4	PIN, SLACK ADJUSTER		0F12Q	
10	2024772C1	4	CLIP, SPRING TYPE		0F12Q	
15	9412231	8	NUT, HEX LOCK 5/8 NC		0F12N	
15	25711R1	8	WASHER, FLAT .656X1.312X.150 H		0F12N	

Figure 3566654C91
CHAMBER, BRAKE*MGM TR3030LP3HD



G
R
P
0
4

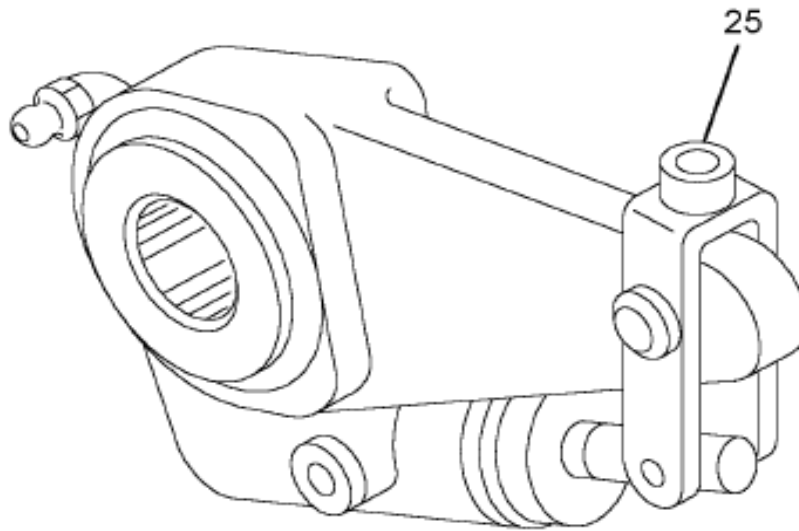
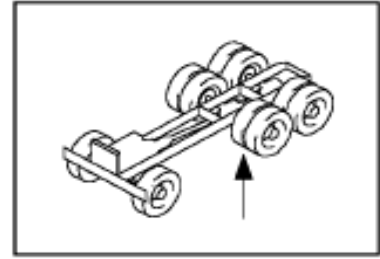
04-038-0063-01

M03

Item	Part No.	Qty	Description	Kit	Var	Figure
2		RF	NUT, HEX	B, E		
2		RF	BOLT, CLAMP	B, E		
3		1	CLAMP, BAND	E		
4		1	DIAPHRAGM	E		
5		1	ROD, PUSH	A		
5		1	SEAL, AIR CHAMBER PUSH ROD			

Figure 0FWS4

BRK CHAMBER, SLACK ADJ & CLEVIS; FRT DRIVE AXLE



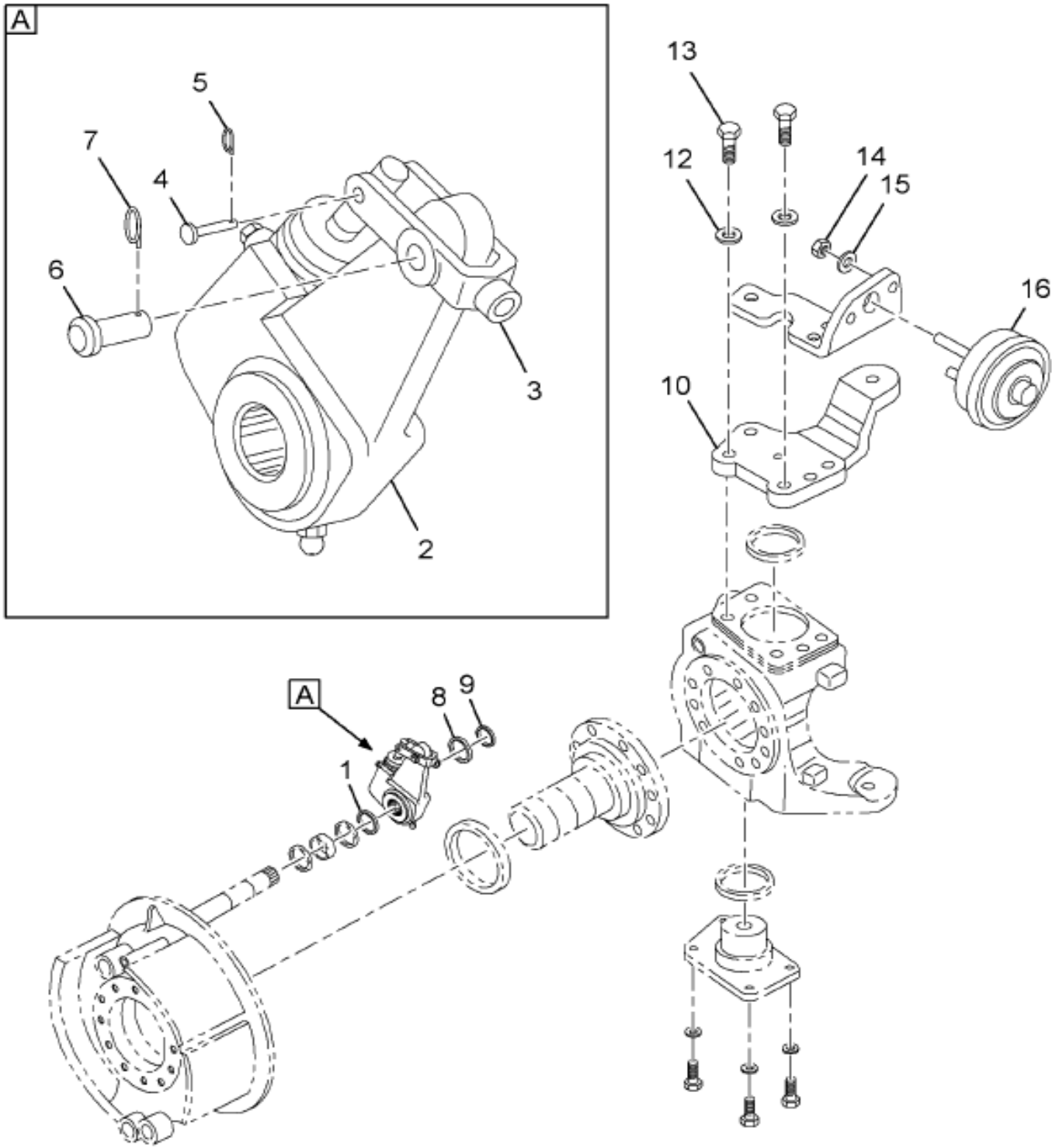
GROUP 4

02-A05-0002-E0

M02

Item	Part No.	Qty	Description	Kit	Var	Figure
25	3556963F91	1	ADJUSTER, BRK SLACK 5.5" FC#6		0FWW4	3556963F91

Figure 3556963F91
 ADJUSTER, BRK SLACK 5.5" FC#6



LH SHOWN
 RH OPPOSITE

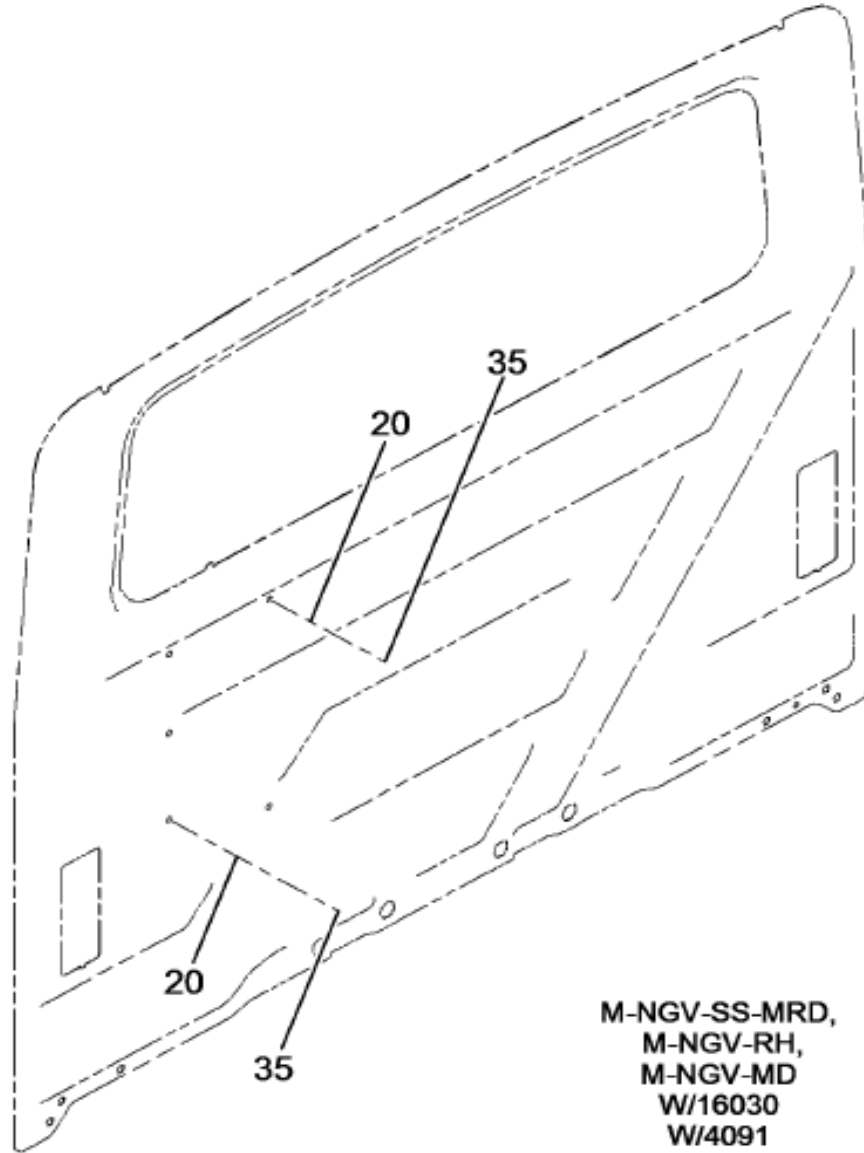
04-A16-0002-01

M03

Item	Part No.	Qty	Description	Kit	Var	Figure
1	1676229C1	6	WASHER, FLAT SPECIAL			
2	R801103	2	ADJUSTER, BRK SLACK 1.25-24			
3	R801713	2	CLEVIS, SLACK ADJ STRAIGHT 5/8			
4	1689440C1	2	PIN, SLACK ADJUSTER			
5	2024771C1	2	CLIP, SPRING TYPE			
6	1689441C1	2	PIN, SLACK ADJ 1/2" X 1.75"			

Figure 0KTMY

BRK HOSE INSTL; HARDWARE, CAB, ROOF DEFLECTOR BRACKETS



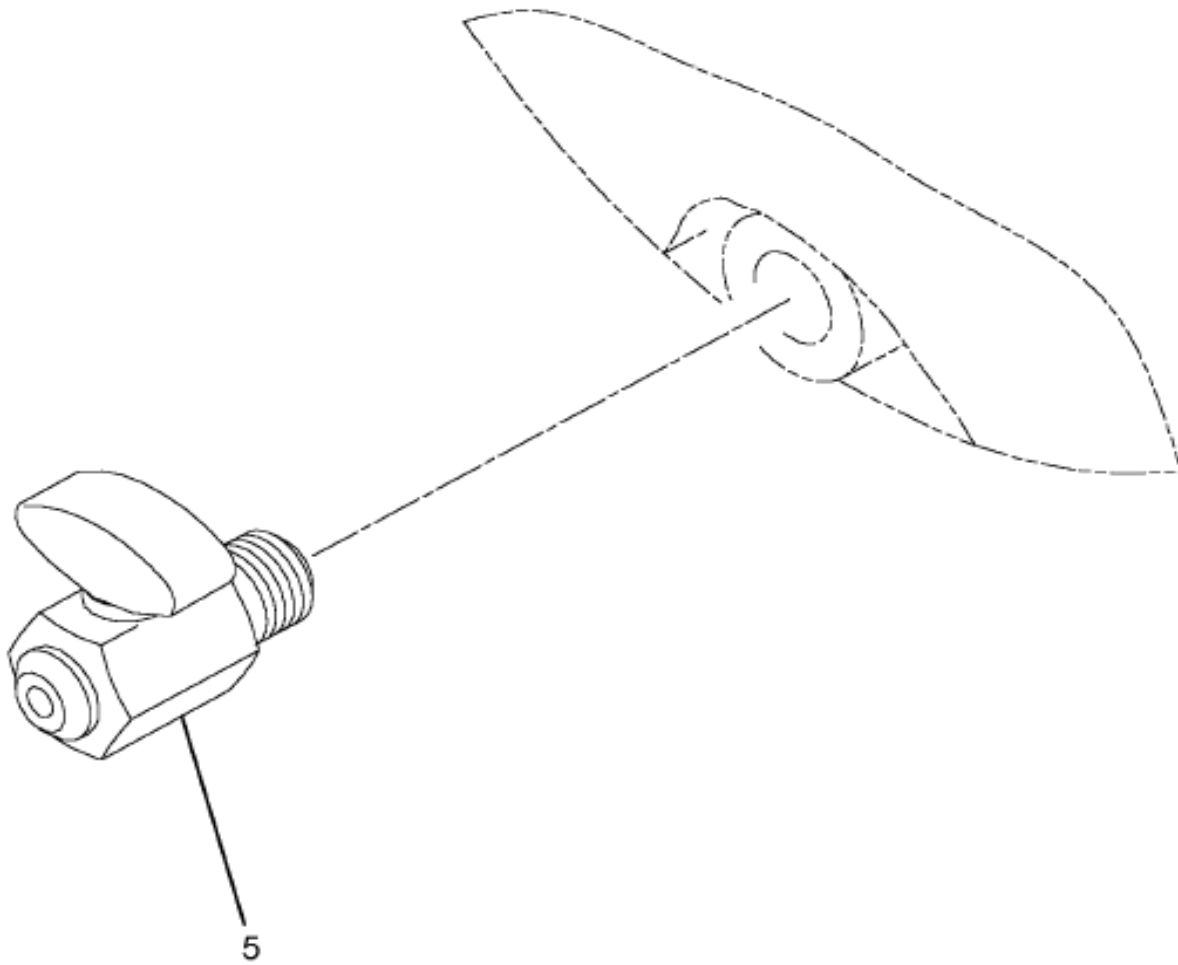
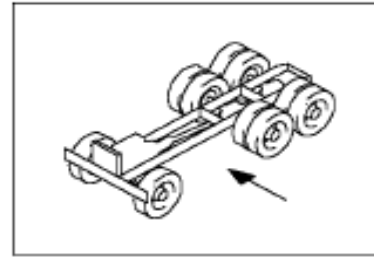
M-NGV-SS-MRD,
M-NGV-RH,
M-NGV-MD
W/16030
W/4091
W/16973, 16VBM, 16VBN,
16VDD

04-061-0054-01

F09

Item	Part No.	Qty	Description	Kit	Var	Figure
20	3552442C1	5	GASKET, ADAPTER PLATE FTG GRAB		0KTMY	
35	3553462C1	5	BOLT, LOCK M8 X 1,25 X 20 MM BO		0KTMY	
35	3542142C1	5	WASHER, GRAB HNDL MTG M8		0KTMY	

Figure 0FLMS
DRAIN VALVE; AIR TANK



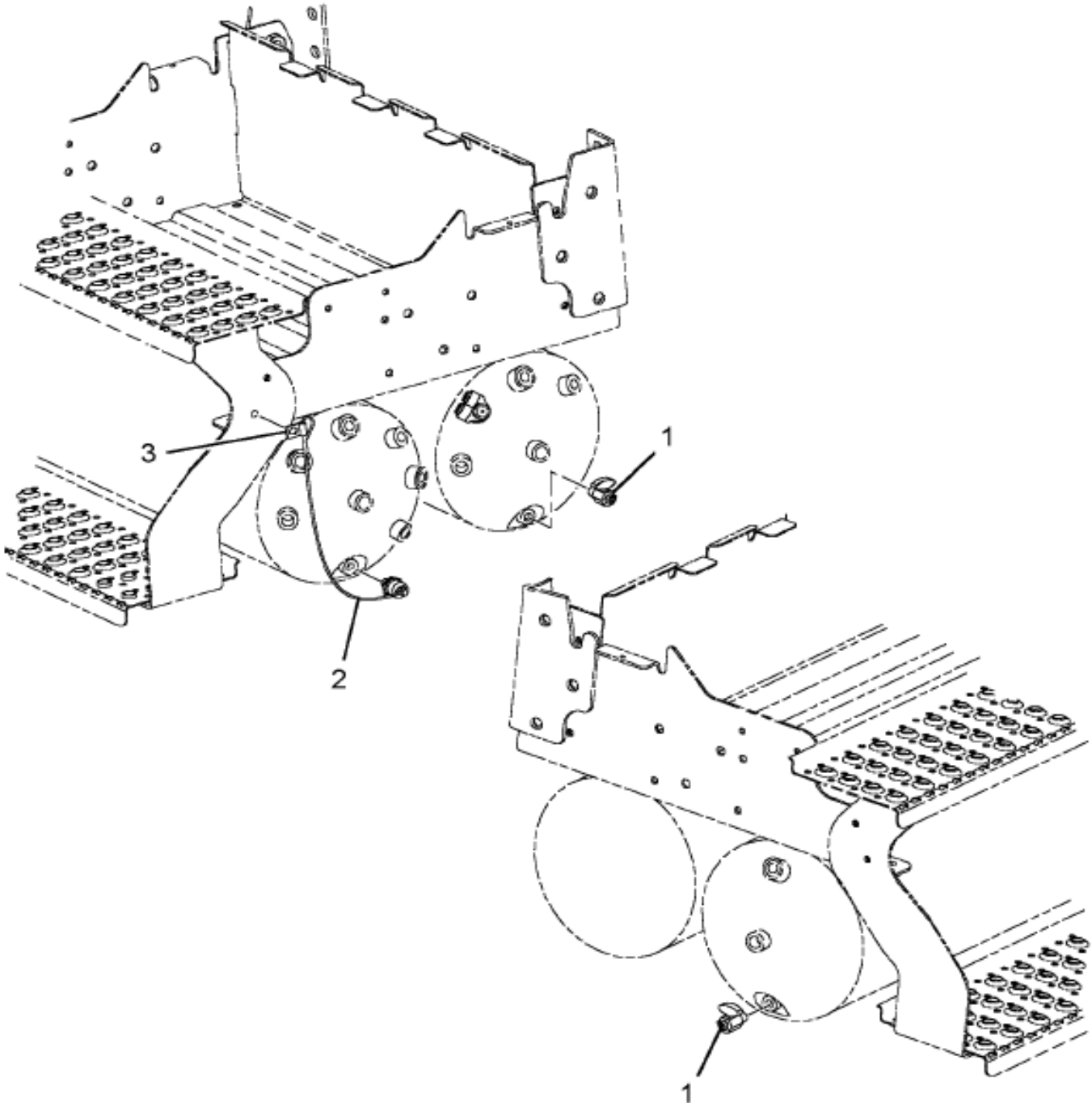
GRP
04

08-L40-0011-BA

K02

Item	Part No.	Qty	Description	Kit	Var	Figure
5	3559112F91	1	BRAKE*DRAIN VALVES, BATTERY		0FX2L	3559112F91

Figure 3559112F91
BRAKE*DRAIN VALVES, BATTERY

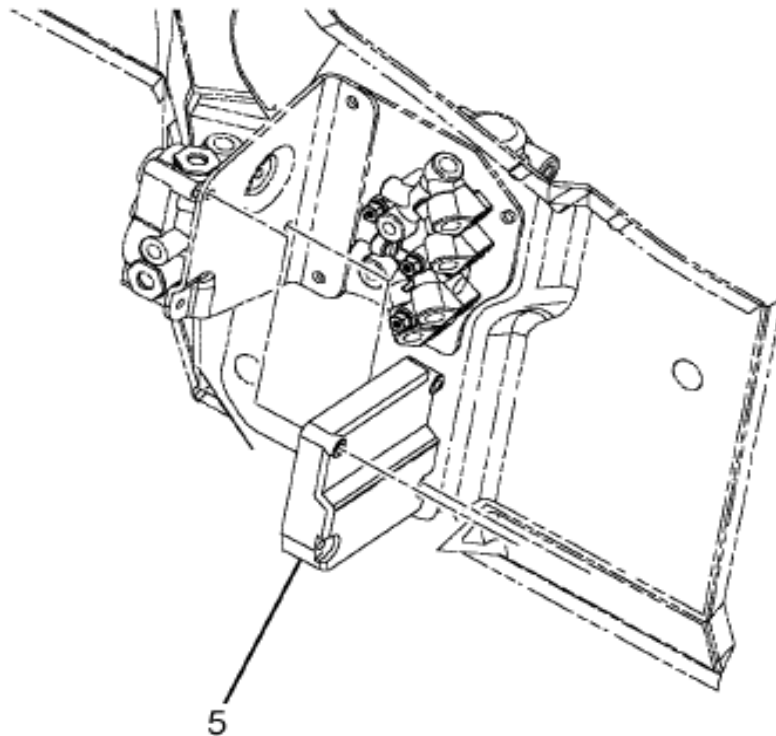
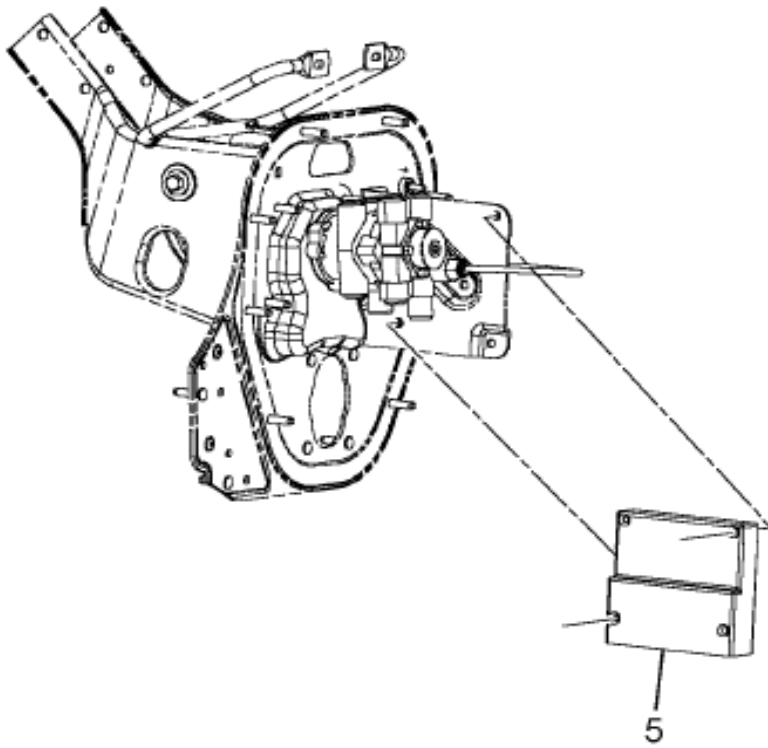


08-L40-0008-00

E04

Item	Part No.	Qty	Description	Kit	Var	Figure
1	25450H	2	VALVE,DRAIN 1/4" NPTF			
2	1671718C91	1	VALVE,DRAIN			
3	299400C1	1	CLAMP,.250 DIA ZNP COATED MED			
880		RF	NOTE: ASM BELOW COMPRISED OF ABOVE COMPONENTS			
881	3559112F91	RF	BRAKE*DRAIN VALVES, BATTERY			

Figure 0J3JB
ELECTRONIC CONTROL UNIT INSTL



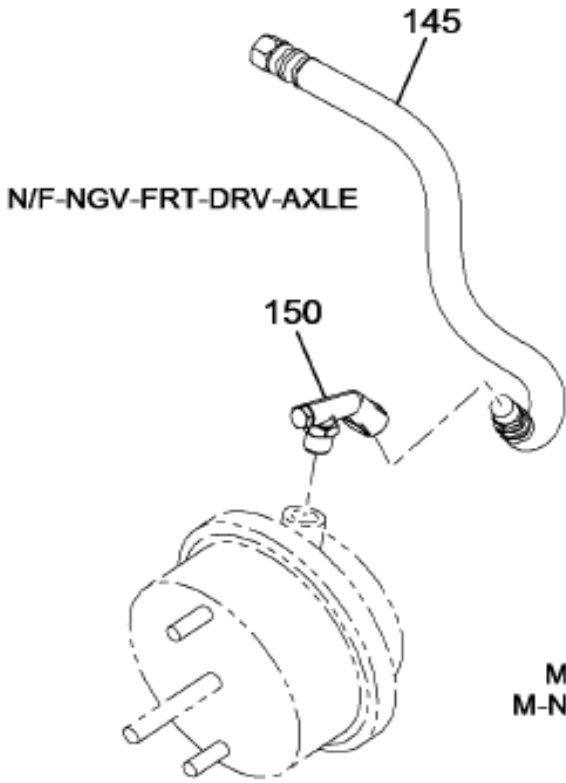
GROUP 04

04-672-0014-01

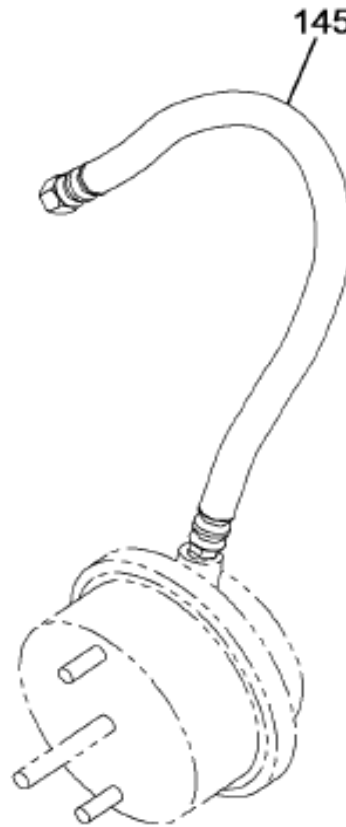
M02

Item	Part No.	Qty	Description	Kit	Var	Figure
5	3572462C1	1	CONTROL, COMPUTER ABS EC-30		0J3K6	
5	40220R1	2	BOLT, HEX FLG HD METRIC*M6 X 50		0J3JB	

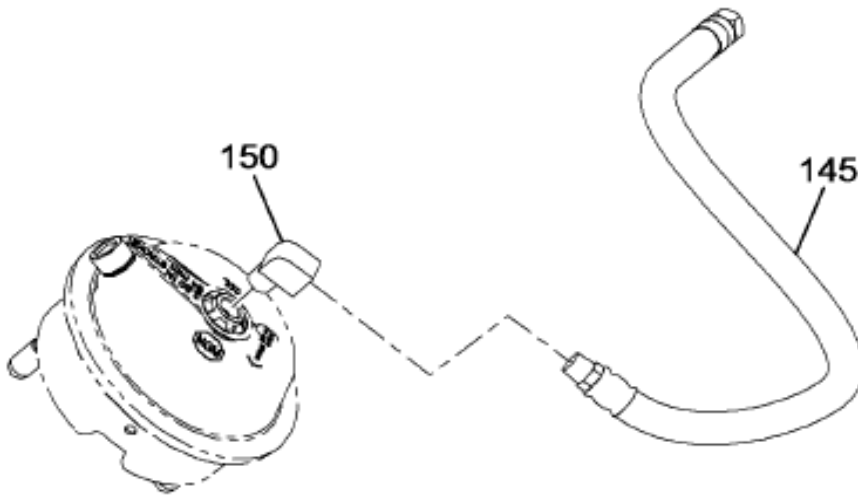
Figure 0H75R
FRT AXLE HOISING



LEFT HAND SHOWN
RIGHT HAND OPPOSITE



W/F-NGV-FRT-DRV-AXLE
N/02EZR,02EZR,02EZR,
02EZR,02EZR



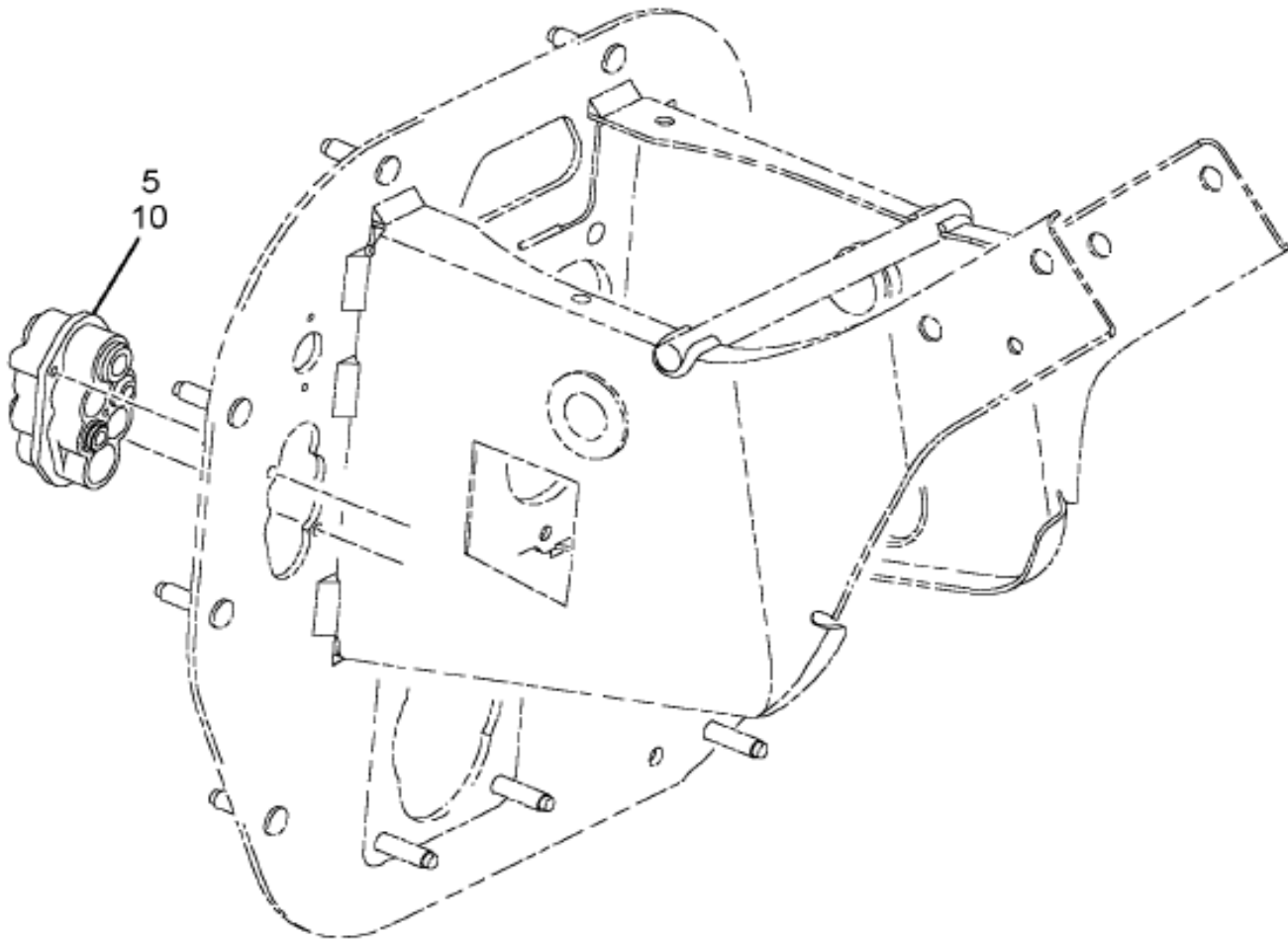
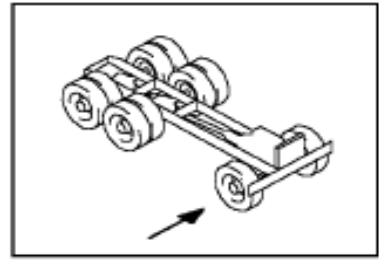
W/02EZR,02EZR,02EZR,
02EZR,02EZR

04-045-0077-01

C10

Item	Part No.	Qty	Description	Kit	Var	Figure
145	3571901C1	2	HOSE,FLEX AIR*AIR 1/2 ID X 7/8		0H76K	

Figure 06QBL
MANIFOLD, AIR; DCM



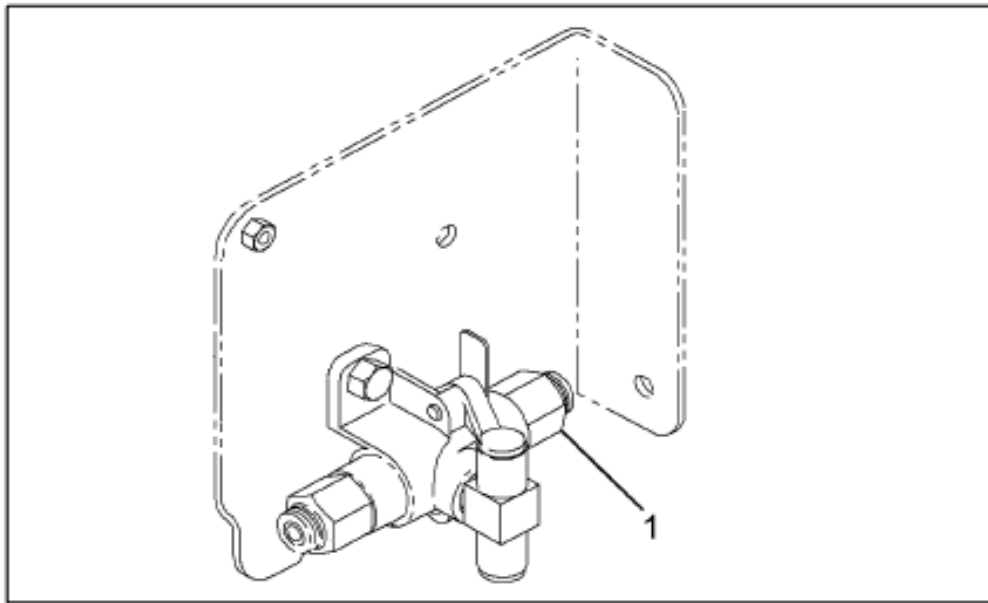
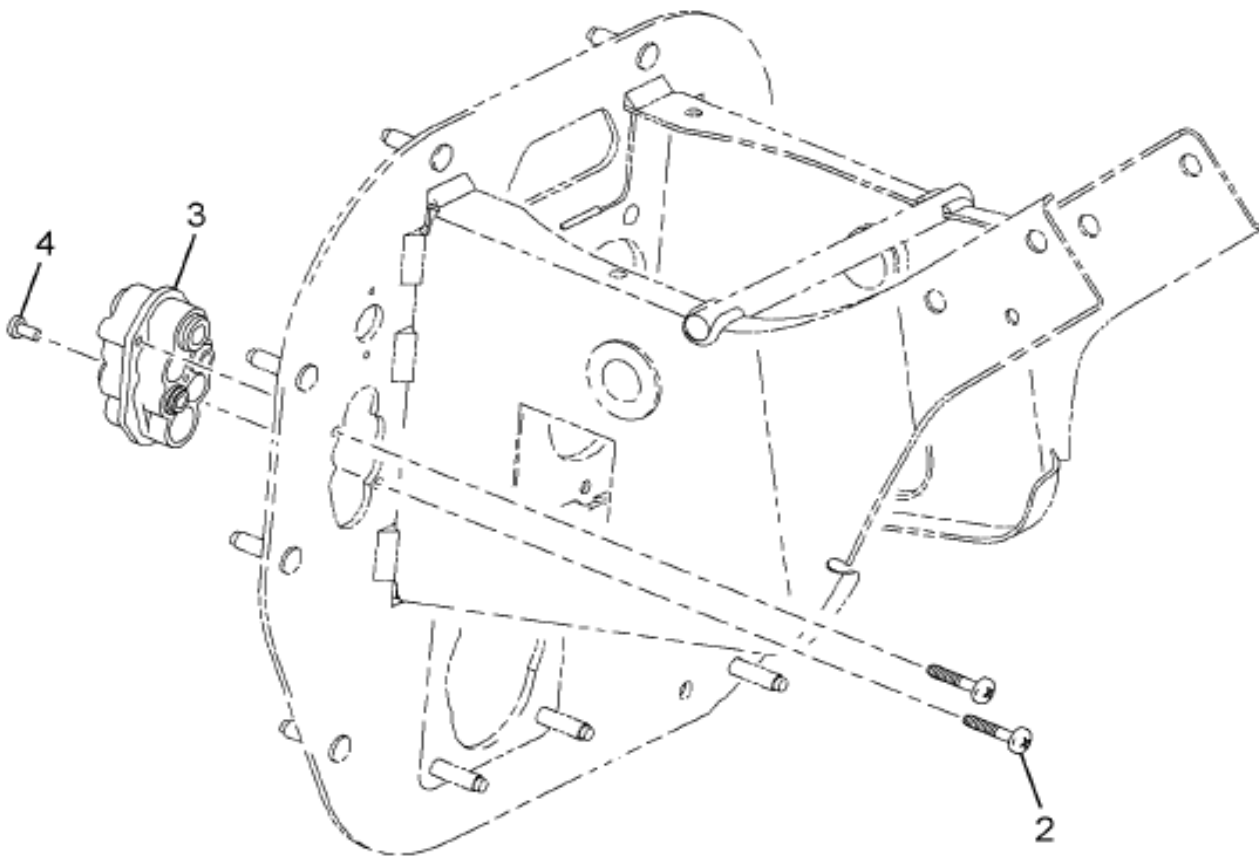
GROUP 4

16-C16-0002-01

M02

Item	Part No.	Qty	Description	Kit	Var	Figure
5	3550595F91	1	MANIFOLD,AIR*BLOCK, W/ 2 X 1/4		0HKFD	3550595F91

Figure 2505674C91
KIT, AIR BRAKE MANIFOLD 4 PORT

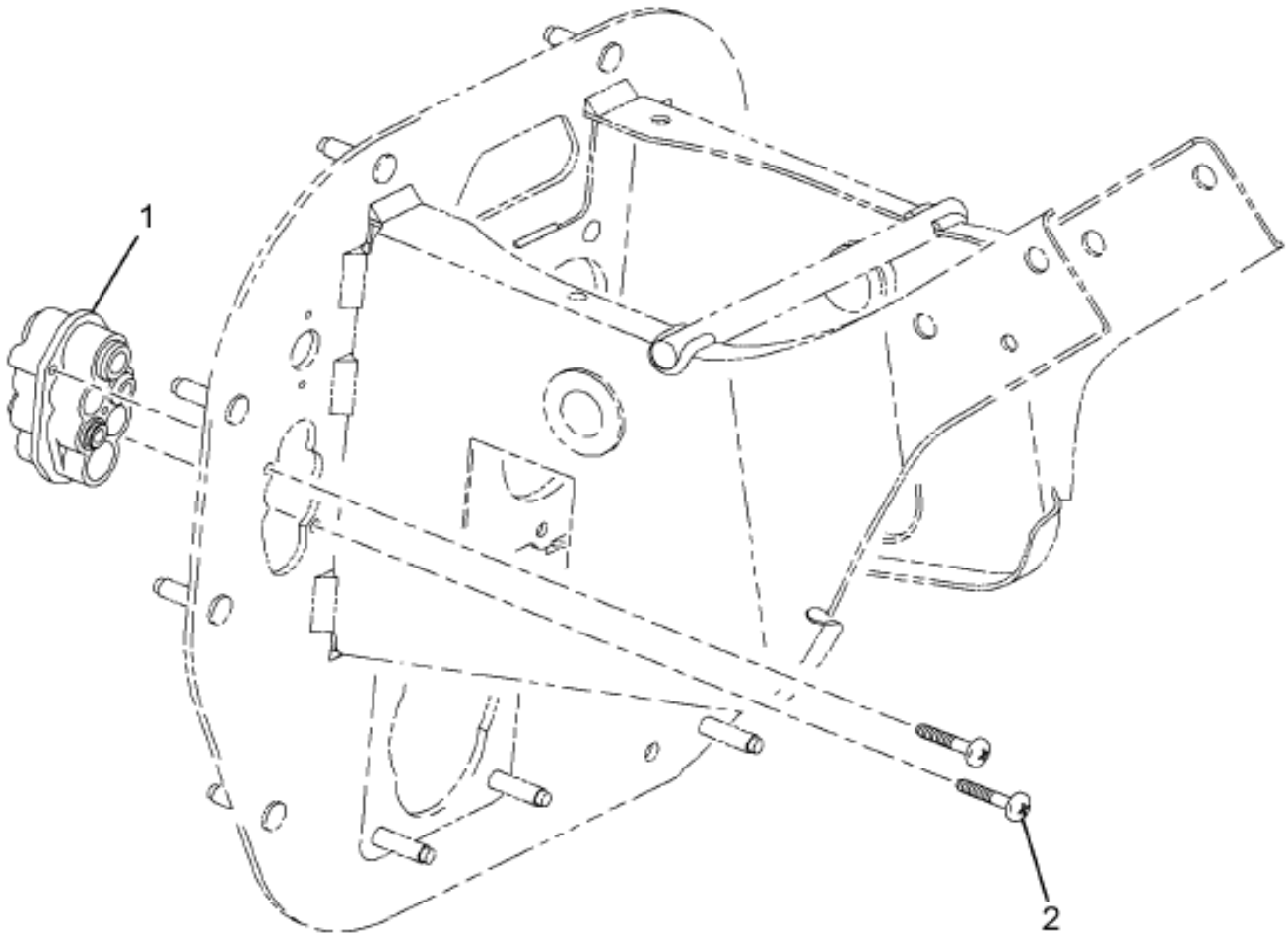


16-V94-0005-01

D09

Item	Part No.	Qty	Description	Kit	Var	Figure
1	2505846C1	4	FITTING, MANIFOLD*3/8 QCK CNCT			
2	2505847C1	2	SCREW, PLASTITE #8X1/2" P/HEAD			
3	2505848C91	1	MANIFOLD, AIR*2W 3/8 & 1/4			
4	2505849C1	2	FITTING, MANIFOLD*1/4 QCK CNCT			
800	RF		NOTE: THE FOLLOWING PARTS ARE NON-ILLUSTRATED			

Figure 3550595F91
MANIFOLD,AIR*BLOCK, W/ 2 X 1/4

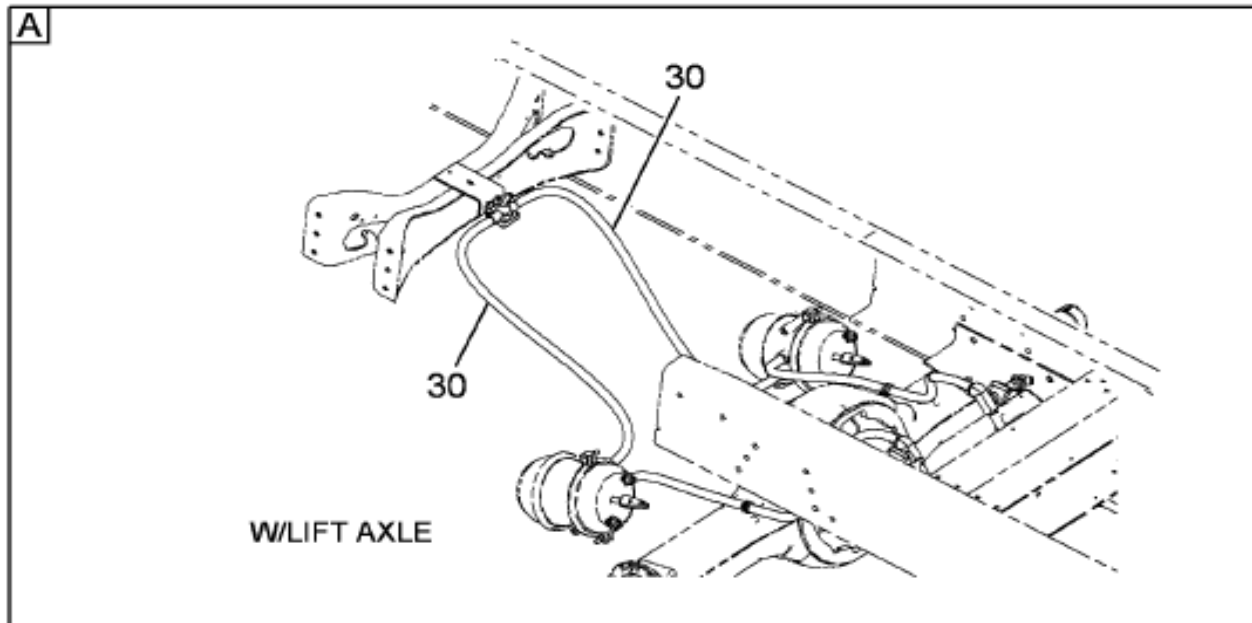
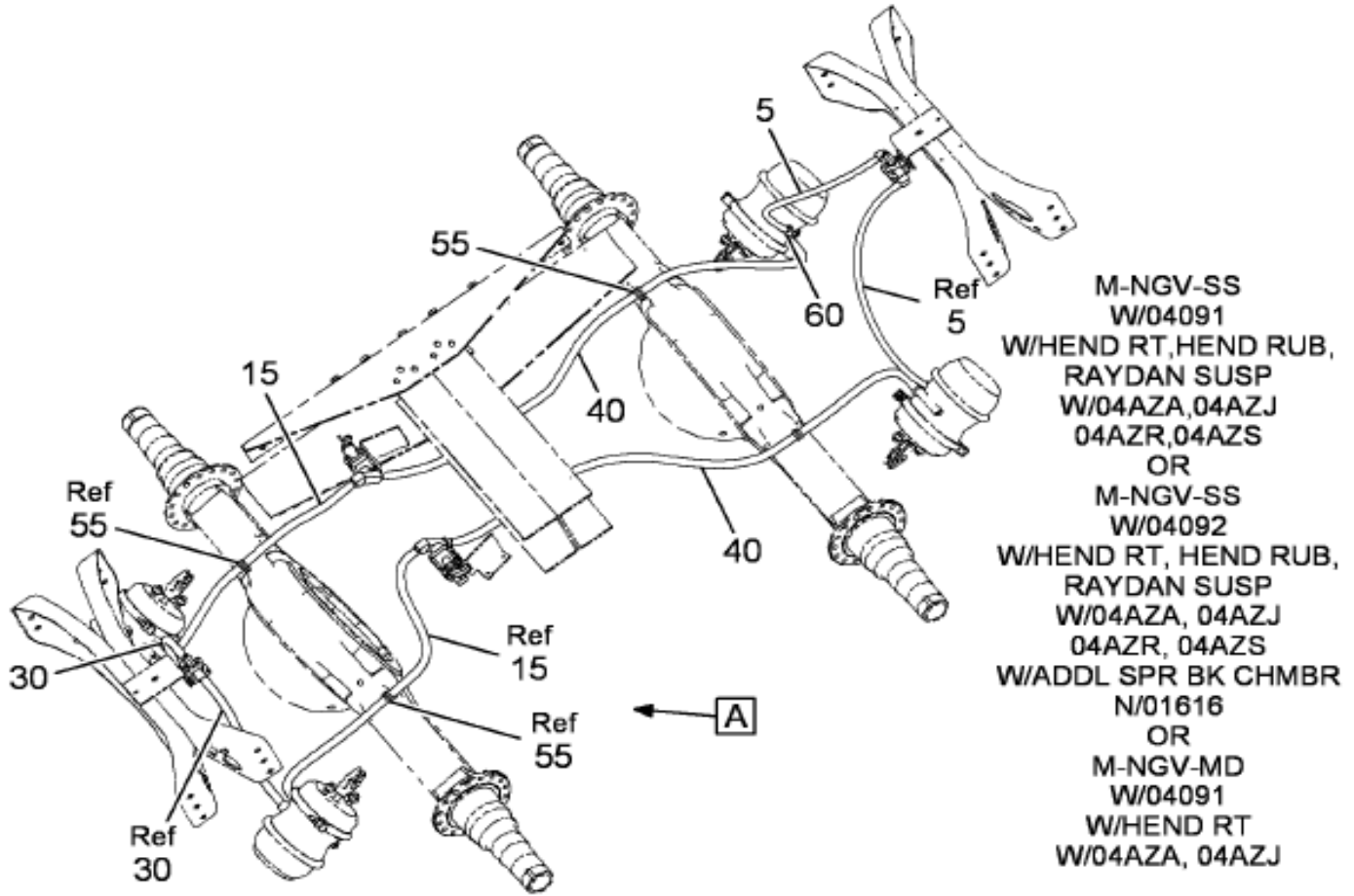


16-C16-0001-00

B05

Item	Part No.	Qty	Description	Kit	Var	Figure
1		1	MANIFOLD,AIR*3 PORTS FILLED			
2		2	SCREW,PLASTITE*#10-9X.75 45RND			
2		2	SCREW, PLASTITE #8X1/2" P/HEAD			
800		RF	NOTE: THE FOLLOWING PARTS ARE NON-ILLUSTRATED			
801	2505674C91	1	KIT,AIR BRAKE MANIFOLD 4 PORT			2505674C91

Figure 0MT49
RR AXLE HOISING INSTL

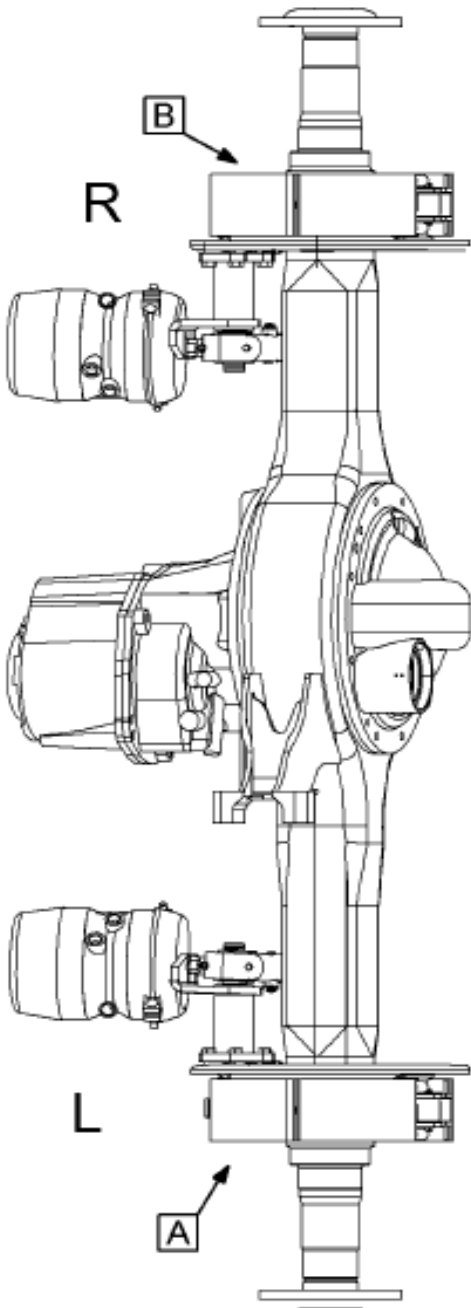


14-322-0224-01

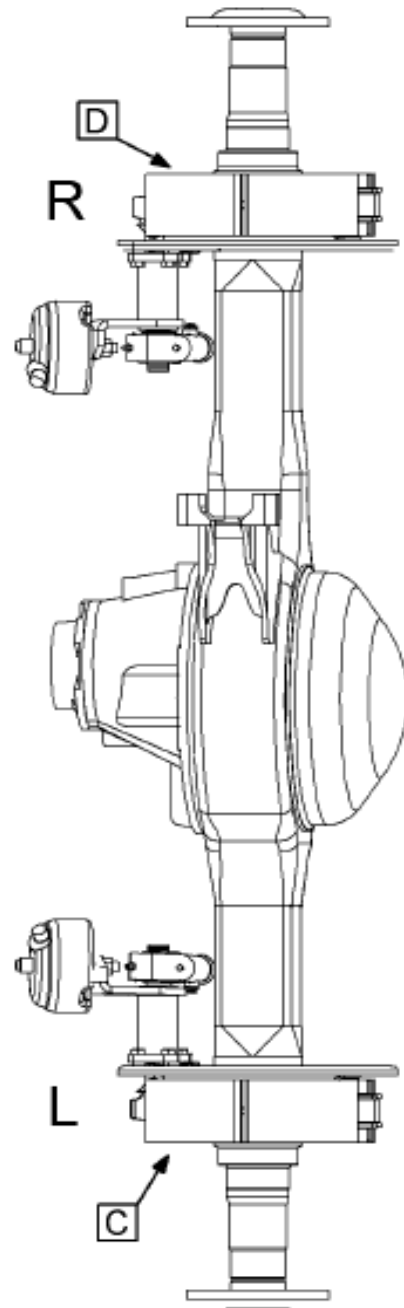
C11

Item	Part No.	Qty	Description	Kit	Var	Figure
5	3576385C1	2	HOSE, FLEX AIR*1/2ID X 7/8OD 43			0MT4S
15	3576391C1	2	HOSE, FLEX AIR*1/2ID X 7/8OD 54			0MT4T
30	3572295C1	2	HOSE, FLEX AIR*AIR 1/2 ID X 7/8			0MT4S
40	3576395C1	2	HOSE, FLEX AIR*1/2ID X 7/8OD 69			0MT4T
55	430277R91	4	CLAMP, CABLE			0MT4S
55	120380	4	WASHER LOCK 1/4", REG, STL/ZNC			0MT4S

Figure 0DR90
RR BRAKE INSTL; MERITOR 16.5 X 7 Q+



FWD REAR AXLE



RR REAR AXLE

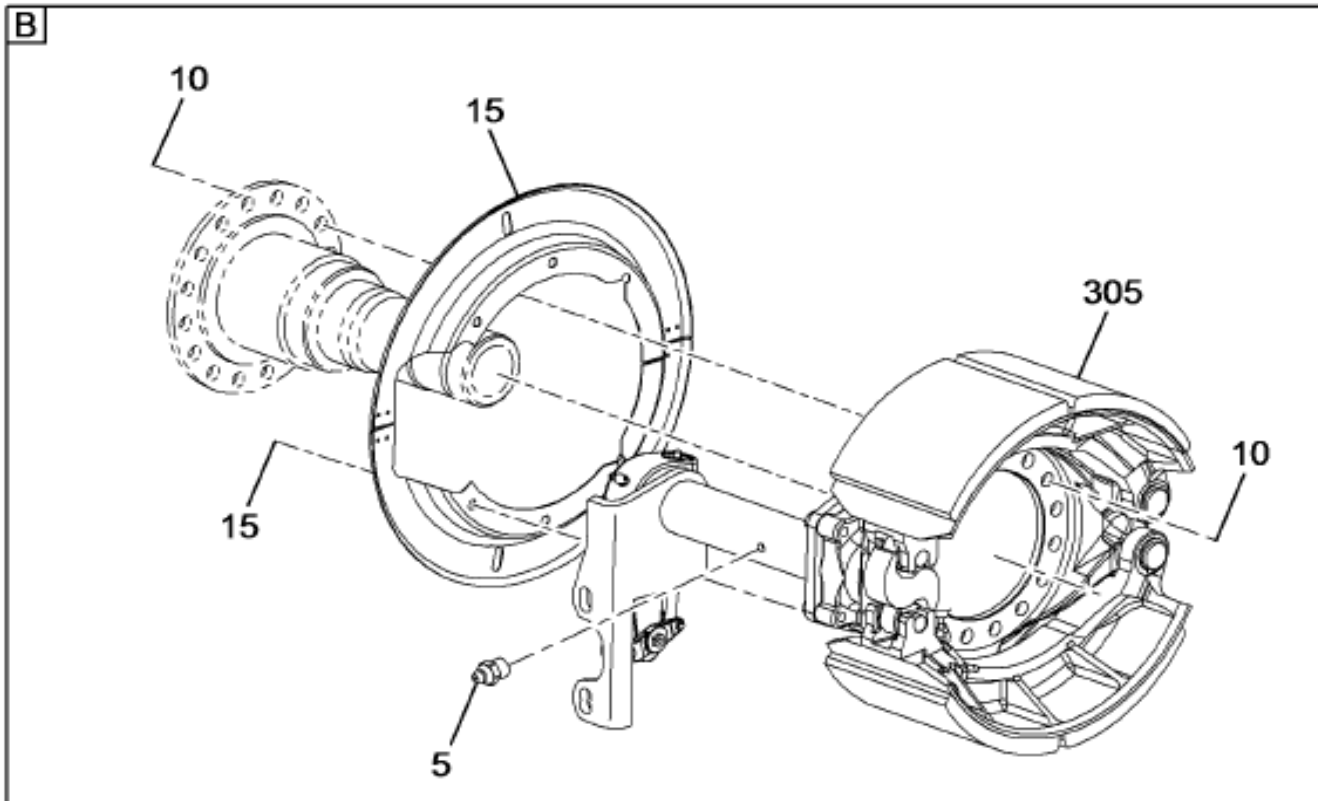
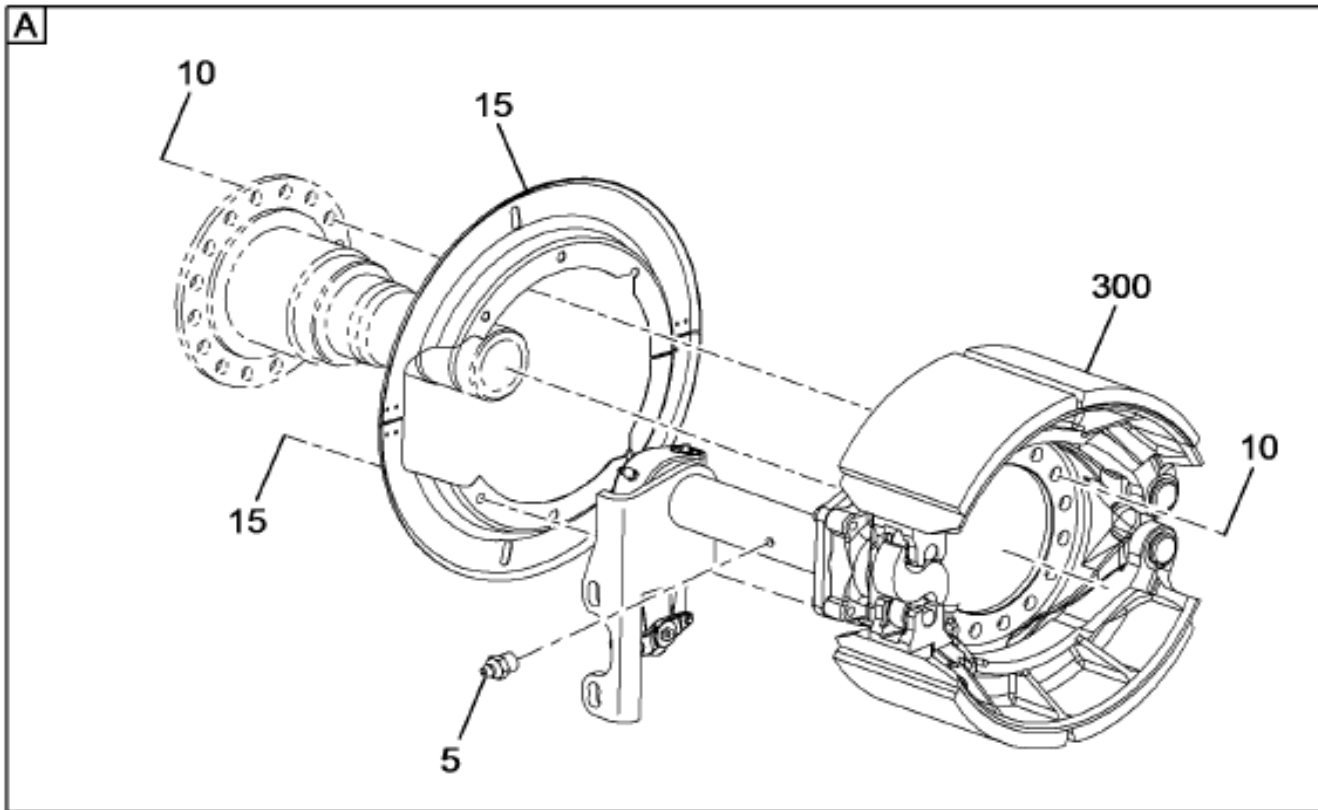
04-038-0452-01

D10

Figure 1 of 3

Figure 0DR90
RR BRAKE INSTL; MERITOR 16.5 X 7 Q+

GROUP
04

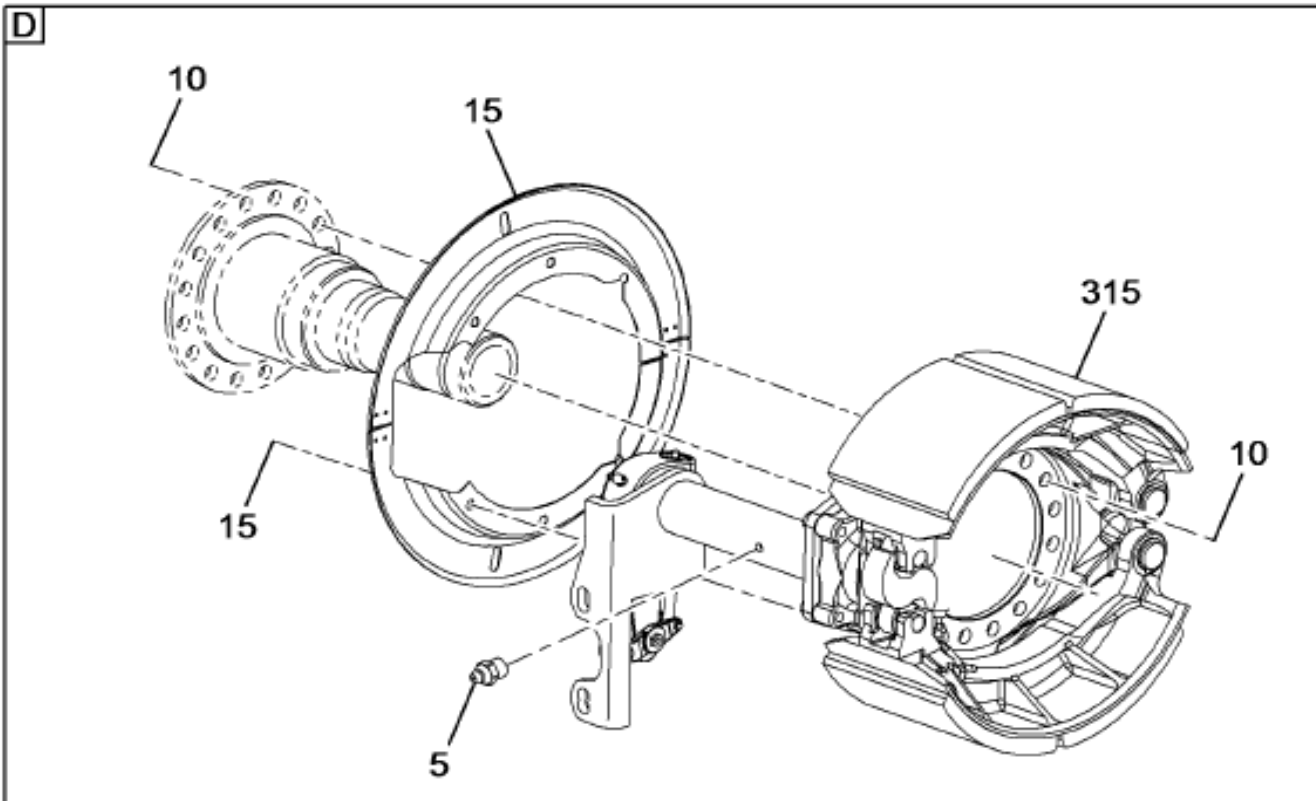
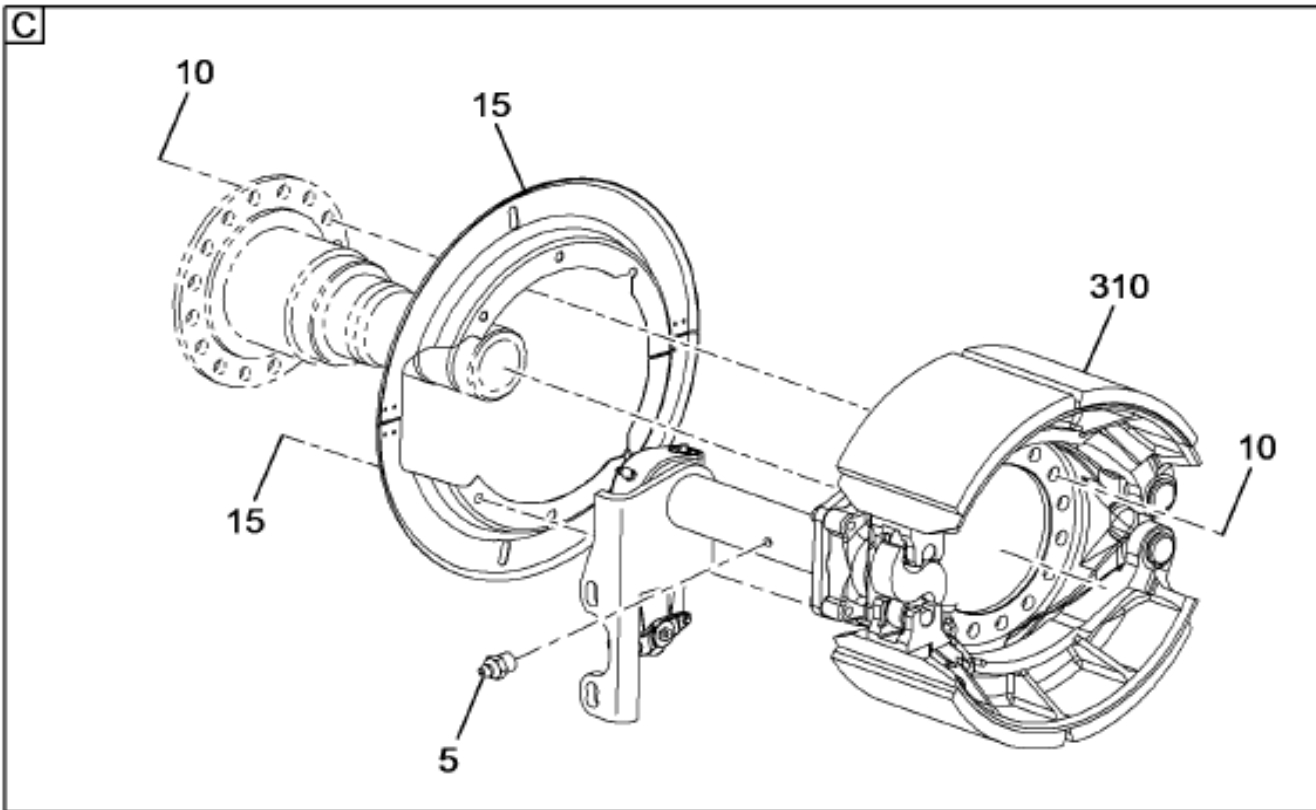


04-038-0471-01

B10

Figure 2 of 3

Figure 0DR90
RR BRAKE INSTL; MERITOR 16.5 X 7 Q+

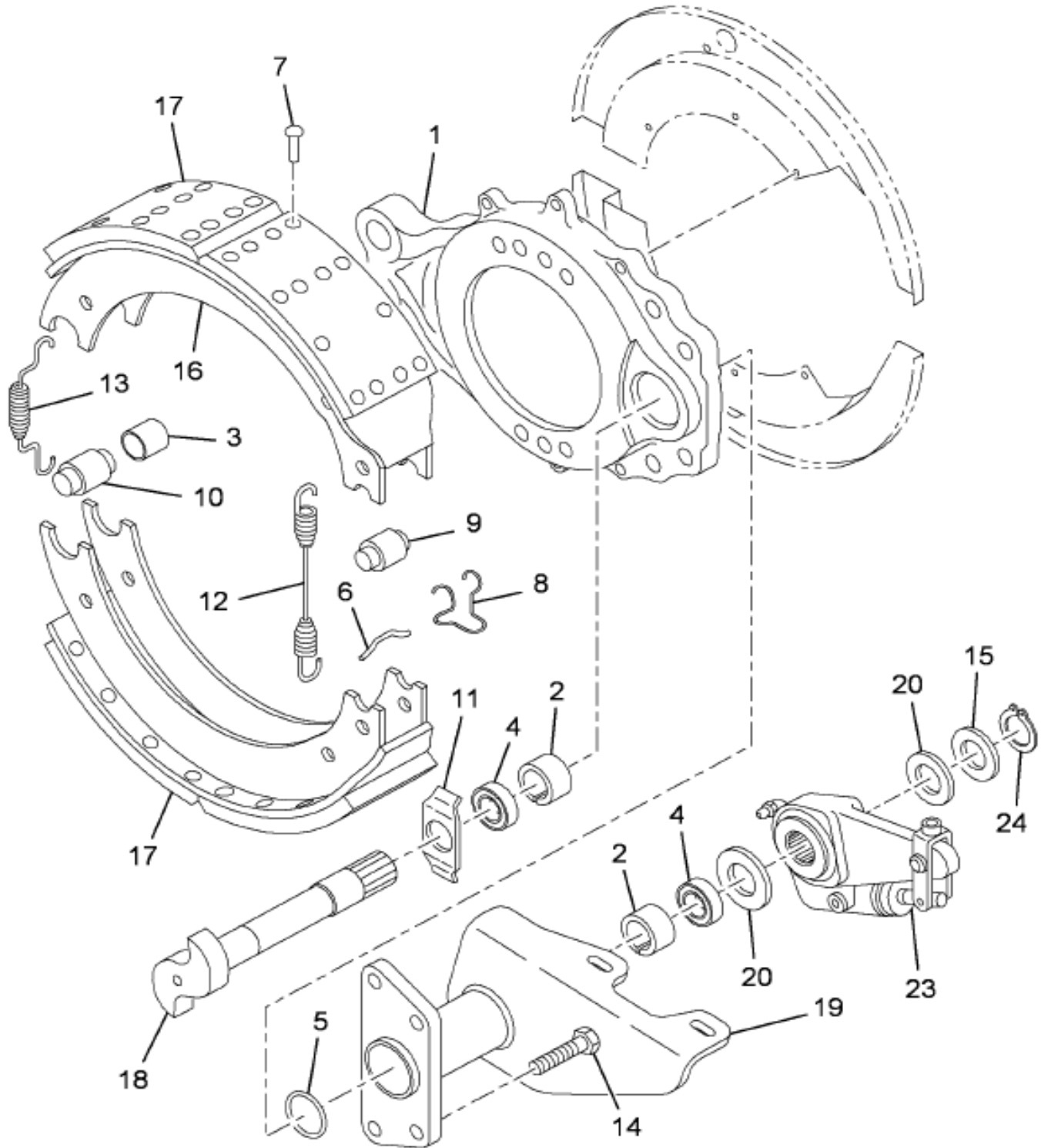


04-038-0471-02

B10

Item	Part No.	Qty	Description	Kit	Var	Figure
5	109461	4	FITTING, 1/8 PTF X/SHORT LUB		0DR90	
10	25051R1	40	BOLT, 5/8-NF X 2 PHC TYPE 8		0L8JG	
10	9411658	40	NUT, HEX LOCK 5/8 NF		0L8JG	
10	406267C1	40	WASHER, SPECIAL 5/8		0L8JG	
15	69480R91	24	BOLT, W/LOCK WASHER		0HYDY	
15	579098C1	4	SHIELD, DUST LT 16.5X7 FOR CAST		0HYDY	

Figure 3548002C91
BRAKE, GROUP REAR LT*16.5 X 7.0

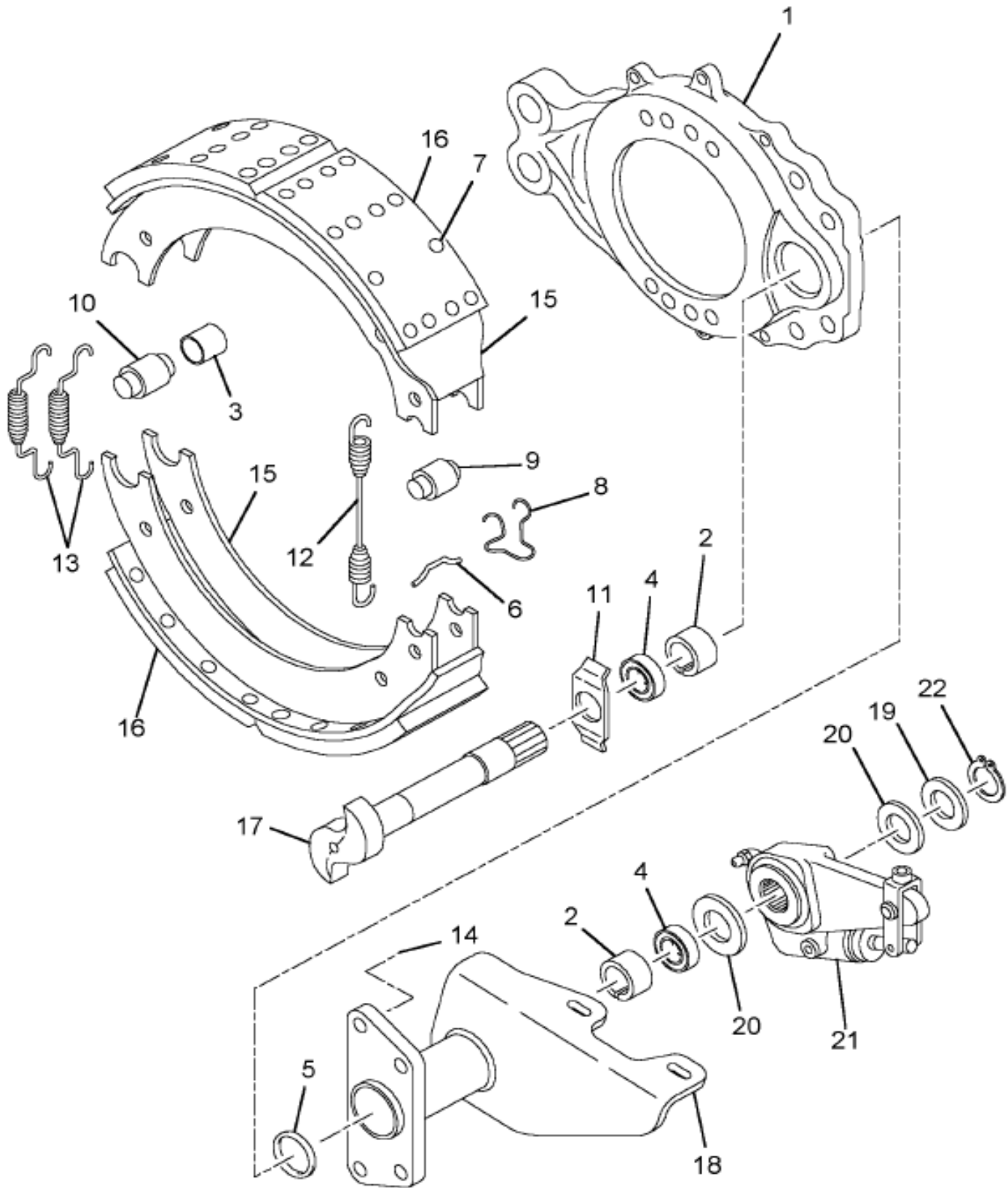


04-037-0017-00

H10

Item	Part No.	Qty	Description	Kit	Var	Figure
1	1691825C91	1	SPIDER, W/BUSH & SEAL			
2	1691529C1	2	BUSHING, CAMSHAFT BRKT	A		
3	577650C1	2	BUSHING, BRK SHOE ANCHOR PIN			
4	56121R3	2	SEAL, BRAKE CAMSHAFT			
5	1693181C1	1	RING, O BRAKE SPIDER			
6	983622R1	2	PIN, BRK SHOE ANCHOR	A		

Figure 3548018C91
BRAKE, GROUP REAR LT*16.5 X 7.0



04-038-0027-00

A04

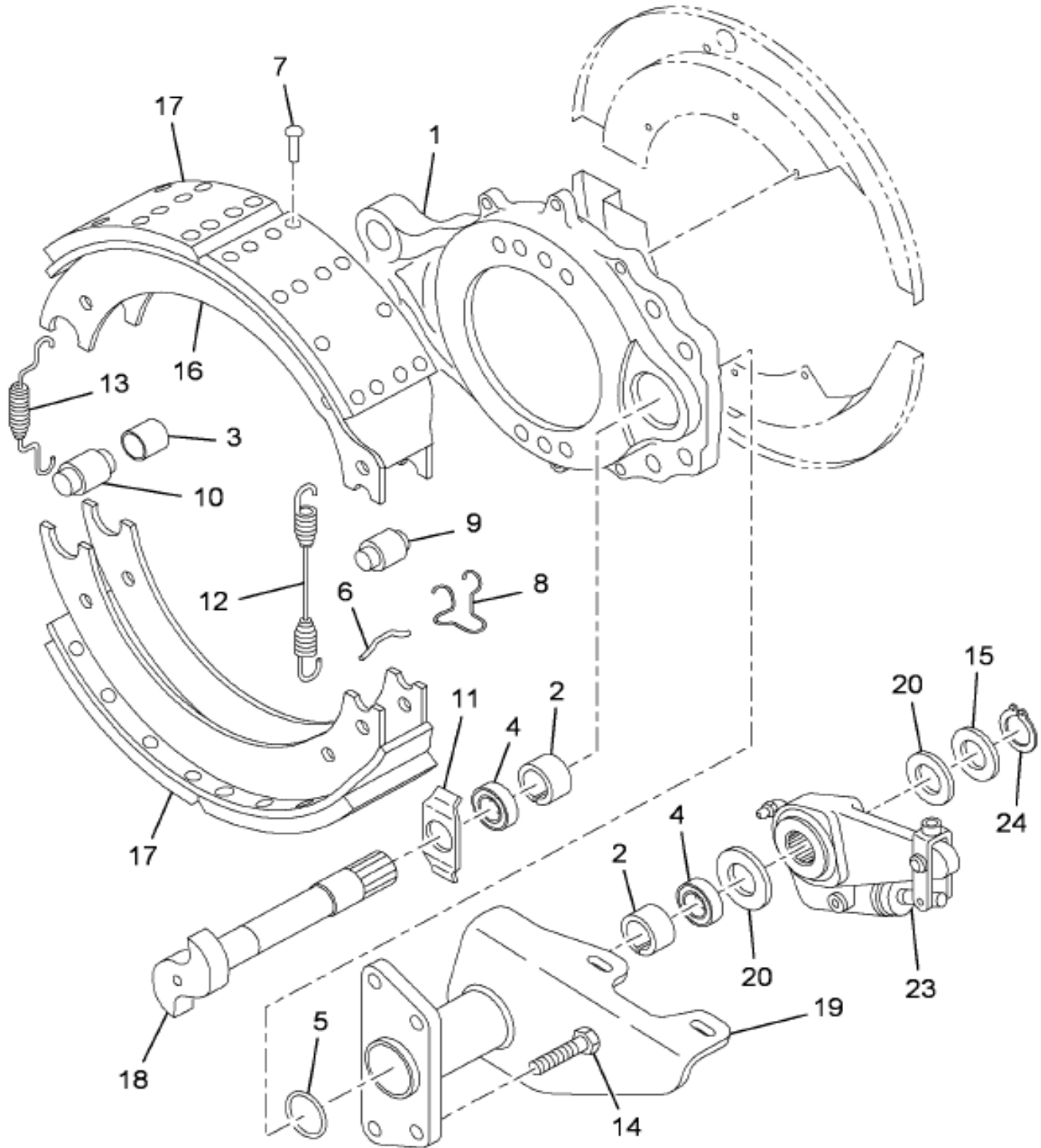
Item	Part No.	Qty	Description	Kit	Var	Figure
1	1699326C91	1	SPIDER, W/BUSH & SEAL			
1		RF	LEFT			
2	1691529C1	2	BUSHING, CAMSHAFT BRKT			
3	577650C1	2	BUSHING, BRK SHOE ANCHOR PIN			
4	56121R3	2	SEAL, BRAKE CAMSHAFT			
5	1693181C1	1	RING, O BRAKE SPIDER			

Figure 3548018C91
BRAKE, GROUP REAR LT*16.5 X 7.0

Item	Part No.	Qty	Description	Kit	Var	Figure
6	983622R1	2	PIN, BRK SHOE ANCHOR			
7	262365C1	56	RIVET, BK SHOE LINING	A		
8	577652C1	2	RETAINER, BRK ROLLER			
9	2502427C1	2	ROLLER, BRK SHOE			
10	577653C1	2	PIN, BRK SHOE ANCHOR			
11	2500101C1	1	WASHER, FLAT SPECIAL			
12	1693182C1	1	SPRING, BRK SHOE RETURN			
13	1685491C1	2	SPRING, BRK SHOE RETAIN			
14	24861R1	4	BOLT, 1/2 1-1/4 PHC TYPE 8			
15		RF	SHOE, BRK W/LINING MA212	B		
16		AR	LINING, BRK SHOE	A		
17	2210W7537	1	CAMSHAFT, BRAKE			
17		RF	LEFT			
18	1699327C91	1	BRACKET, BRK CAMSHAFT & CHAMBER			
18		RF	LEFT			
19	574062C1	1	WASHER, BRK CMSHFT SPACER			
20	2500915C1	AR	WASHER, FLAT .030 THICKNESS			
20	586796C1	AR	WASHER, FLAT .054 THICKNESS			
20	2503616C1	AR	WASHER, FLAT .110 THICKNESS			
21	R802446	1	ADJUSTER, BRAKE SLACK			
21		RF	LEFT			
22	586797C1	1	RING, SNAP			
800		RF	NOTE: THE FOLLOWING PARTS ARE NON-ILLUSTRATED			
801	2506365C91	KT	SET, LINING MA212*16.5 X 7.0			
801		RF	(CONSISTS OF PARTS DENOTED BY A)			
801		RF	(CONSISTS OF PARTS DENOTED BY B)			
802	KSR2124707Q	KT	KIT, BRAKE SHOES W/ HARDWARE			KSR2124707Q
880		RF	NOTE: ASM BELOW COMPRISED OF ABOVE COMPONENTS			
881	3548018C91	RF	BRAKE, GROUP REAR LT*16.5 X 7.0			

G
R
P
0
4

Figure 3548003C91
BRAKE, GROUP REAR RT*16.5 X 7.0

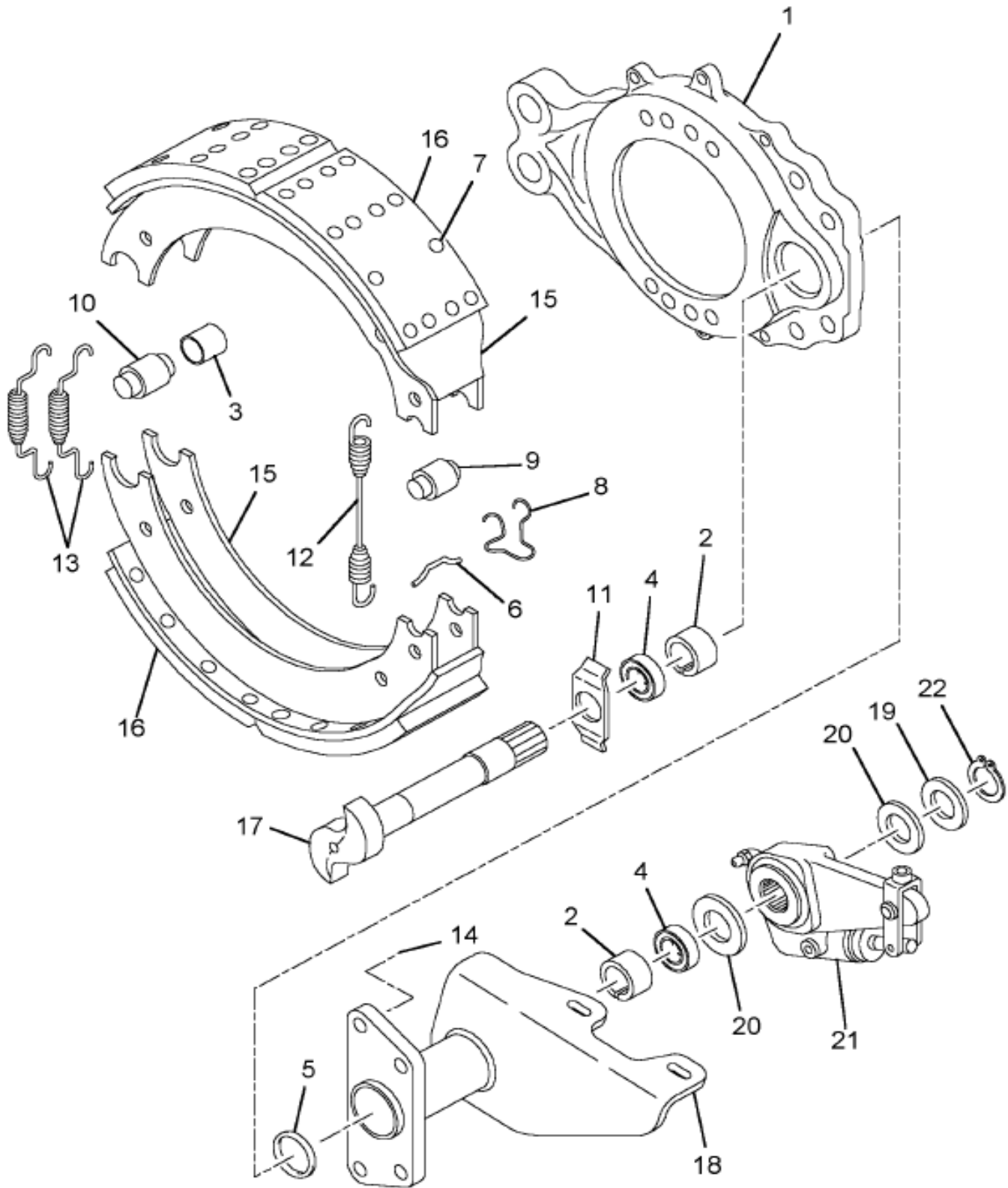


04-037-0017-00

H10

Item	Part No.	Qty	Description	Kit	Var	Figure
1	1691814C91	1	SPIDER, W/BUSH & SEAL			
2	1691529C1	2	BUSHING, CAMSHAFT BRKT			
3	577650C1	2	BUSHING, BRK SHOE ANCHOR PIN	A		
4	56121R3	2	SEAL, BRAKE CAMSHAFT			
5	1693181C1	1	RING, O BRAKE SPIDER			
6	983622R1	2	PIN, BRK SHOE ANCHOR	A		

Figure 3548019C91
BRAKE, GROUP REAR RT*16.5 X 7.0



04-038-0027-00

A04

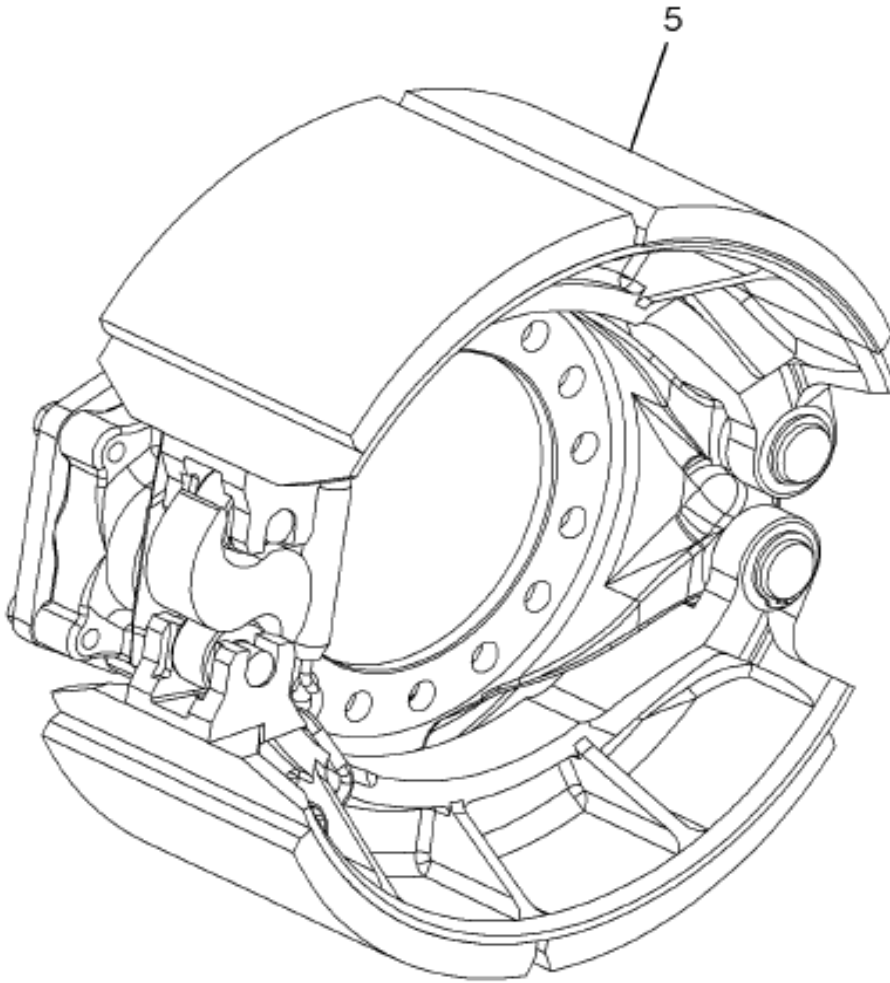
Item	Part No.	Qty	Description	Kit	Var	Figure
1	1699328C91	1	SPIDER, W/BUSH & SEAL			
1		RF	RIGHT			
2	1691529C1	2	BUSHING, CAMSHAFT BRKT			
3	577650C1	2	BUSHING, BRK SHOE ANCHOR PIN			
4	56121R3	2	SEAL, BRAKE CAMSHAFT			
5	1693181C1	1	RING, O BRAKE SPIDER			

Figure 3548019C91
BRAKE, GROUP REAR RT*16.5 X 7.0

Item	Part No.	Qty	Description	Kit	Var	Figure
6	983622R1	2	PIN, BRK SHOE ANCHOR			
7	262365C1	56	RIVET, BK SHOE LINING	A		
8	577652C1	2	RETAINER, BRK ROLLER			
9	2502427C1	2	ROLLER, BRK SHOE			
10	577653C1	2	PIN, BRK SHOE ANCHOR			
11	2500101C1	1	WASHER, FLAT SPECIAL			
12	1693182C1	1	SPRING, BRK SHOE RETURN			
13	1685491C1	2	SPRING, BRK SHOE RETAIN			
14	24861R1	4	BOLT, 1/2 1-1/4 PHC TYPE 8			
15		2	SHOE, BRK W/LINING MA212	B		
16		2	LINING, BRK SHOE	A		
17	2210V7536	1	CAMSHAFT, BRAKE			
17		RF	RIGHT			
18	1699329C91	1	BRACKET, BRK CAMSHAFT & CHAMBER			
18		RF	RIGHT			
19	574062C1	1	WASHER, BRK CMSHFT SPACER			
20	2500915C1	2	WASHER, FLAT .030 THICKNESS			
20	586796C1	AR	WASHER, FLAT .054 THICKNESS			
20	2503616C1	2	WASHER, FLAT .110 THICKNESS			
21	R802447	1	ADJUSTER, BRAKE SLACK			
21		RF	RIGHT			
22	586797C1	1	RING, SNAP			
800		RF	NOTE: THE FOLLOWING PARTS ARE NON-ILLUSTRATED			
801	2506365C91	KT	SET, LINING MA212*16.5 X 7.0			
801		RF	(CONSISTS OF PARTS DENOTED BY A)			
801		RF	(CONSISTS OF PARTS DENOTED BY B)			
802	KSR2124707Q	KT	KIT, BRAKE SHOES W/ HARDWARE			KSR2124707Q
880		RF	NOTE: ASM BELOW COMPRISED OF ABOVE COMPONENTS			
881	3548019C91	RF	BRAKE, GROUP REAR RT*16.5 X 7.0			

C
R
P
0
4

Figure KSR2124707Q
KIT, BRAKE SHOES W/ HARDWARE

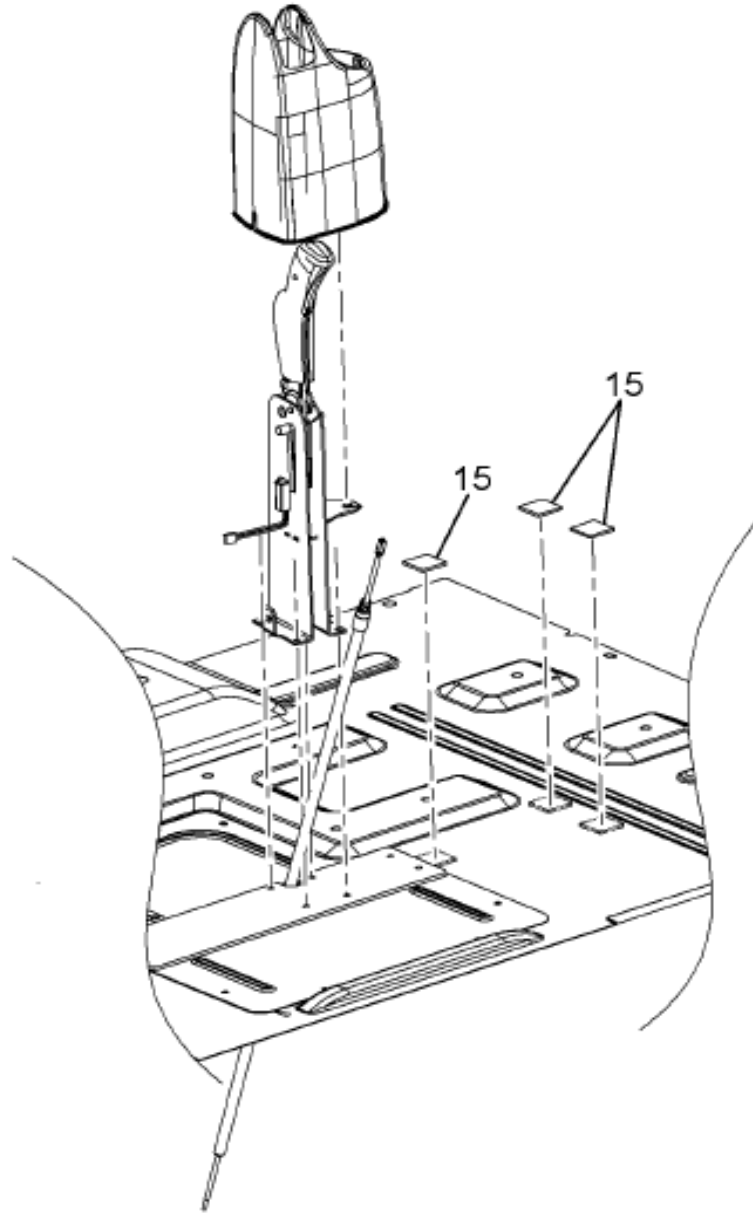


04-038-0381-01

G04

Item	Part No.	Qty	Description	Kit	Var	Figure
5		1	SHOE ASM, BRAKE			
5		1	LINING, BRAKE ANCHOR END			
5		1	LINING, BRAKE CAM END			
5		AR	RIVET			
880		RF	NOTE: ASM BELOW COMPRISED OF ABOVE COMPONENTS			

Figure 0H34N
SEAL, SEAT BELT MTG



04-051-0044-AA

F09

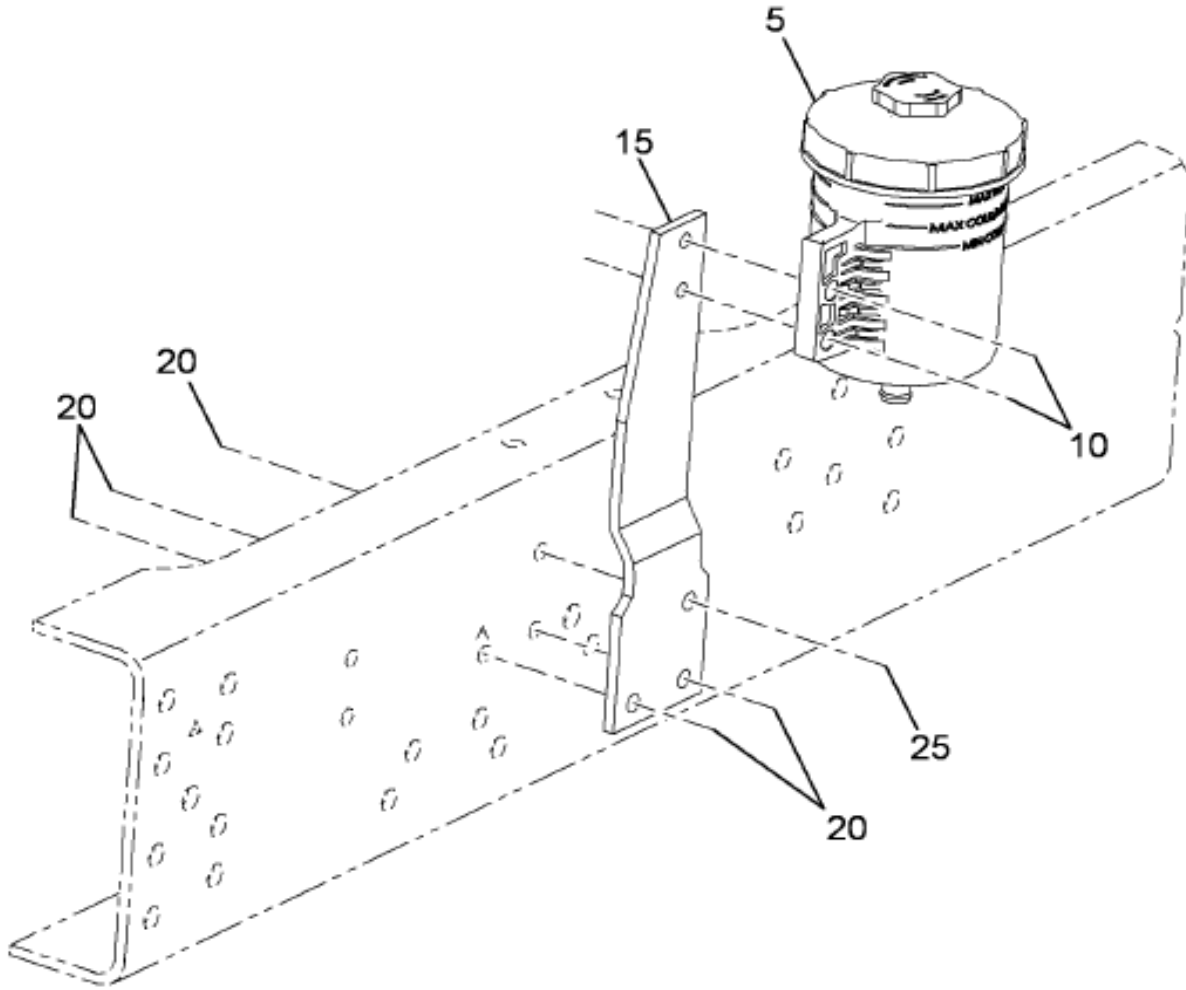
Item	Part No.	Qty	Description	Kit	Var	Figure
15	3540481C2	3	SEAL, CAB		0JZ6B	

Group 05

Steering Gear

Figure 0L4J0

POWER STEERING RESERVOIR & MTG; W/1.5 QT



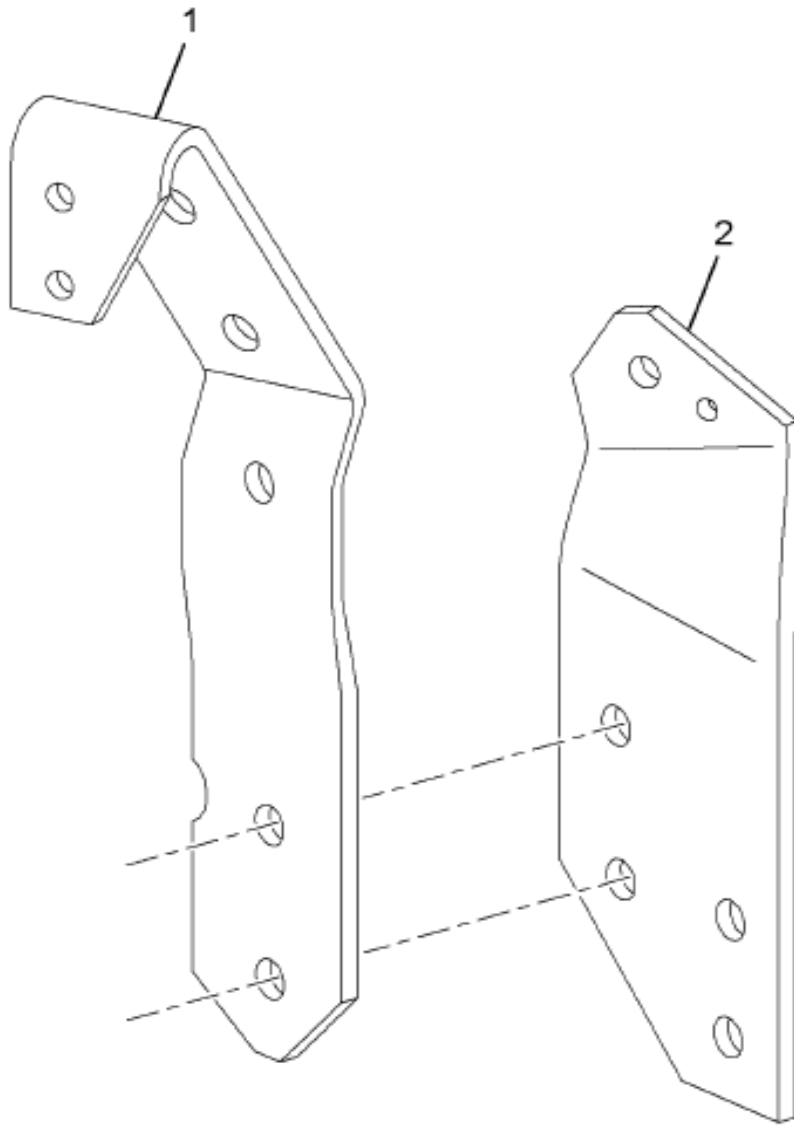
SA61500
W/0012NTP,0012NTR
1.5 QT CLEAR PLASTIC RESERVOIR

05-070-0033-01

E11

Item	Part No.	Qty	Description	Kit	Var	Figure
5	3558153C93	1	RESERVOIR, POWER STRG PUMP, 1.5L		0L4K6	3558153C93
10	30665R2	2	BOLT, M10 X 30MM PHC FLG CLASS		0L4K6	
15	3558303C4	1	BRACE, PWR STRG RESVR BRKT		0L4K6	3558303C4

Figure 3558303C4
BRACE, PWR STRG RESVR BRKT



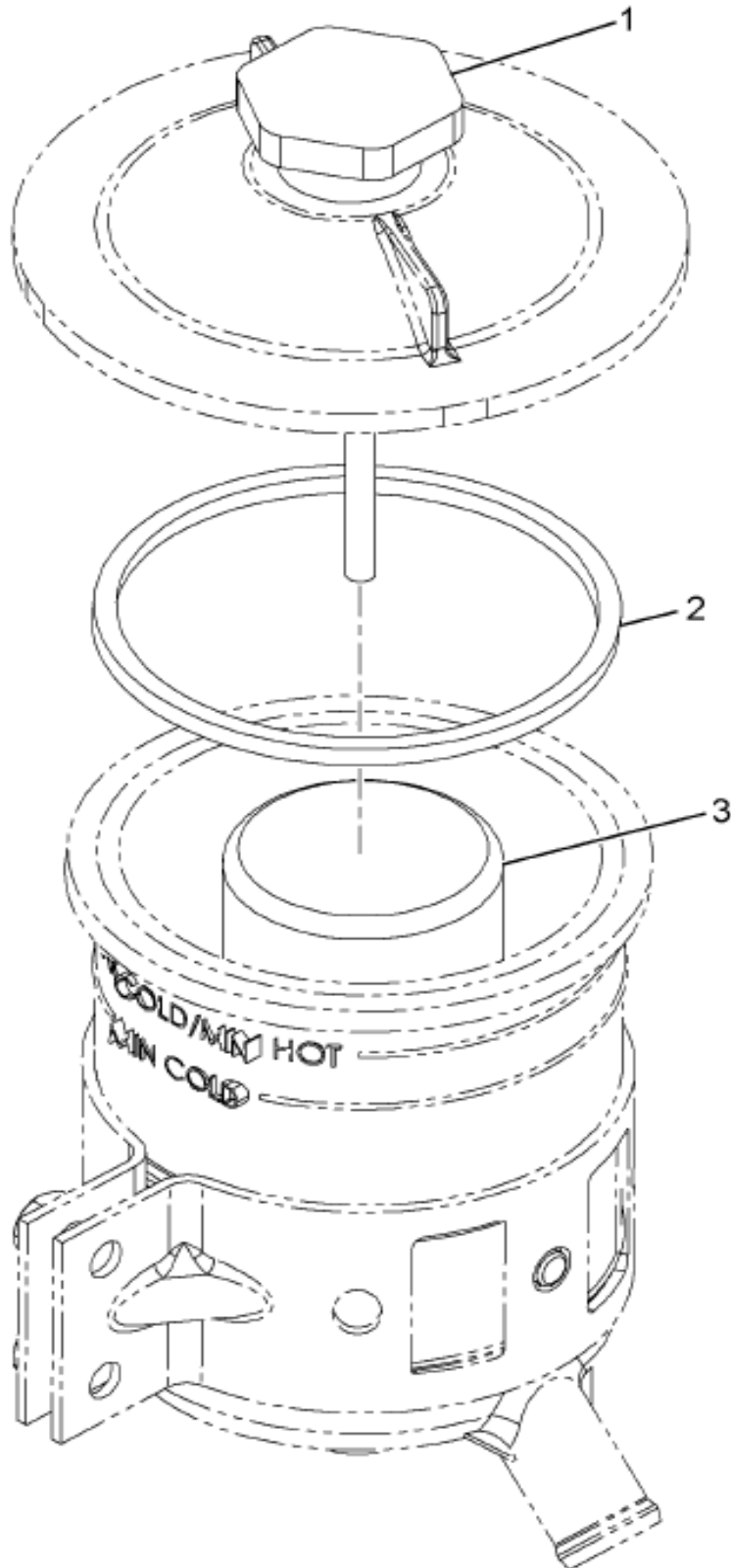
G R P 0 5

05-070-0051-01

F05

Item	Part No.	Qty	Description	Kit	Var	Figure
1	3553547C4	1	BRACE, PWR STRG RESVR BRKT			
2	3557821C2	1	SUPPORT, , FRAME MOUNTED ROD BR			
880		RF	NOTE: ASM BELOW COMPRISED OF ABOVE COMPONENTS			
881	3558303C4	RF	BRACE, PWR STRG RESVR BRKT			

Figure 3558153C93
RESERVOIR, POWER STRG PUMP, 1.5L



05-070-0050-01

H06

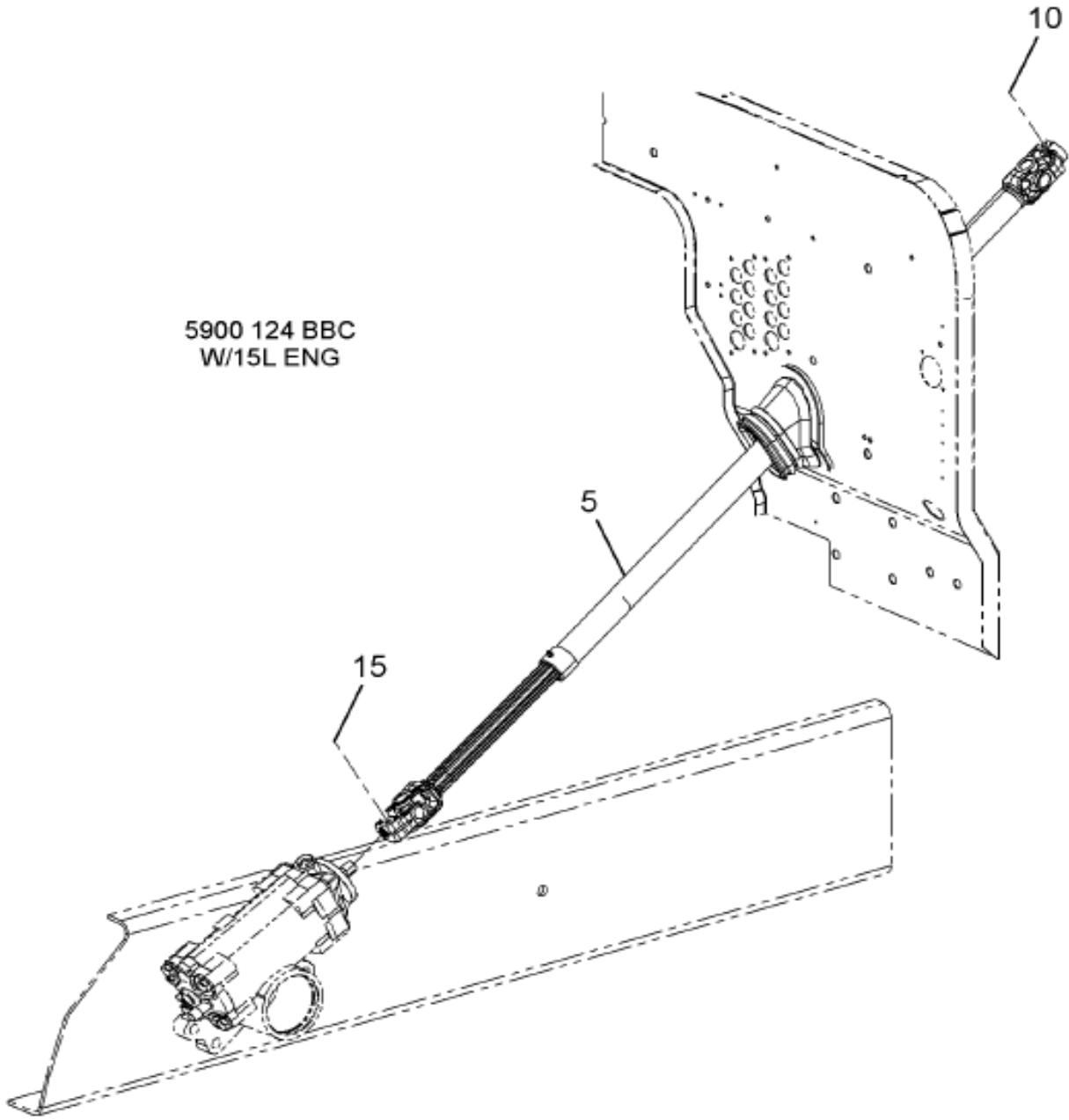
Item	Part No.	Qty	Description	Kit	Var	Figure
1	2507059C1	1	CAP, FILLER/DIPSTICK P/S RESV			
2	2507061C1	1	GASKET, RESERVOIR CAP/CANISTER			
3	2503221C1	1	FILTER, OIL P/S RESERVOIR			
880		RF	NOTE: ASM BELOW COMPRISED OF ABOVE COMPONENTS			
881	3558153C93	RF	RESERVOIR, POWER STRG PUMP, 1.5L			

Figure 06SPX

POWER STEERING SHAFT INSTL; INTERMEDIATE

GROUP 05

5900 124 BBC
W/15L ENG

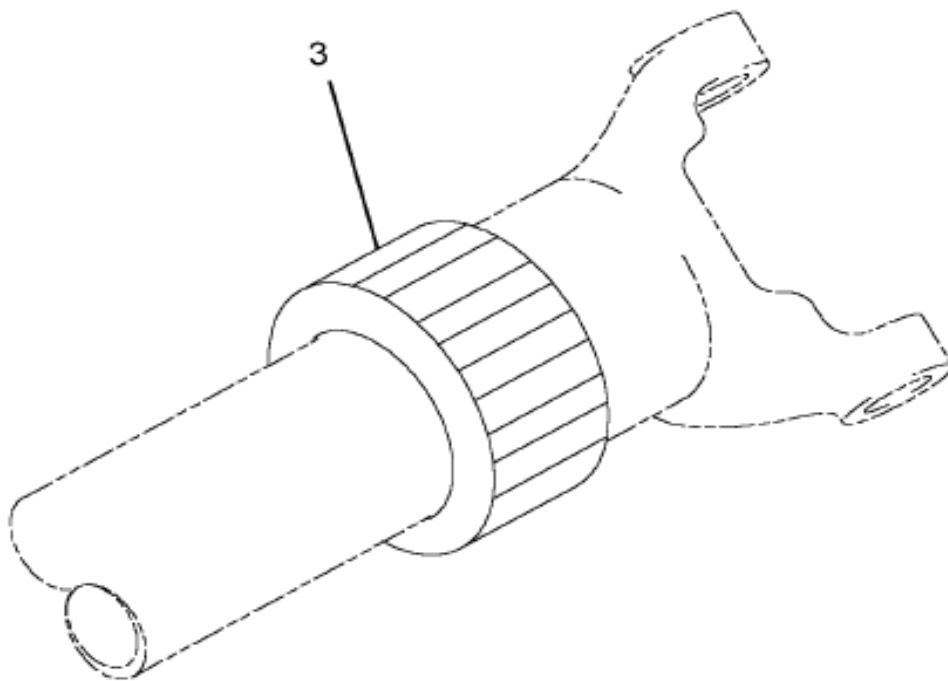


05-V90-0002-AA

H10

Item	Part No.	Qty	Description	Kit	Var	Figure
5	3549807C92	1	SHAFT, STEERING		07NTQ	3549807C92
10	3535854C1	1	BOLT, SPECIAL*7/16-20 12-PT TOR		07NTQ	
10	273896	1	NUT, 7/16-NF PHC P/T LOCK TYPE		07NTQ	
10	25545R1	1	WASHER, .469 X .922 X .134 PHC		07NTQ	
15	3535854C1	1	BOLT, SPECIAL*7/16-20 12-PT TOR		07NTQ	
15	273896	1	NUT, 7/16-NF PHC P/T LOCK TYPE		07NTQ	

Figure 3549807C92
SHAFT, STEERING



GROUP 05

05-V90-0001-00

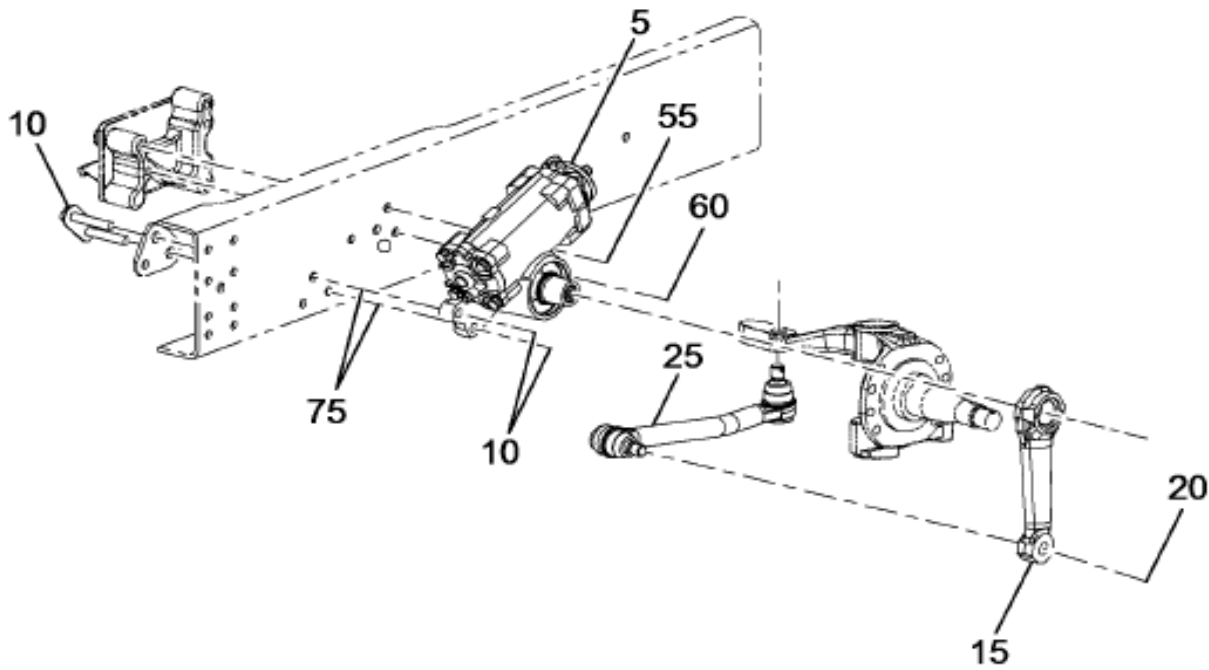
D04

Item	Part No.	Qty	Description	Kit	Var	Figure
3	2506823C91	1	SEAL,STEER SHAFT*DUST CAP ASSY			
801	2506821C91	KT	KIT,END YOKE TIGHT			
802	2506822C91	KT	KIT,END YOKE SLIP			
803	447797C91	KT	KIT,U JOINT STRG GEAR			
880		RF	NOTE: ASM BELOW COMPRISED OF ABOVE COMPONENTS			

Figure 0MFX6

PWR STRG GEAR INSTL; W/SHEPPARD M80, M100

GROUP 05



W/M-NGV-SS
W/M100
W/M100/M80
W/FRT AXLE LOC =SB
W/BB ENG

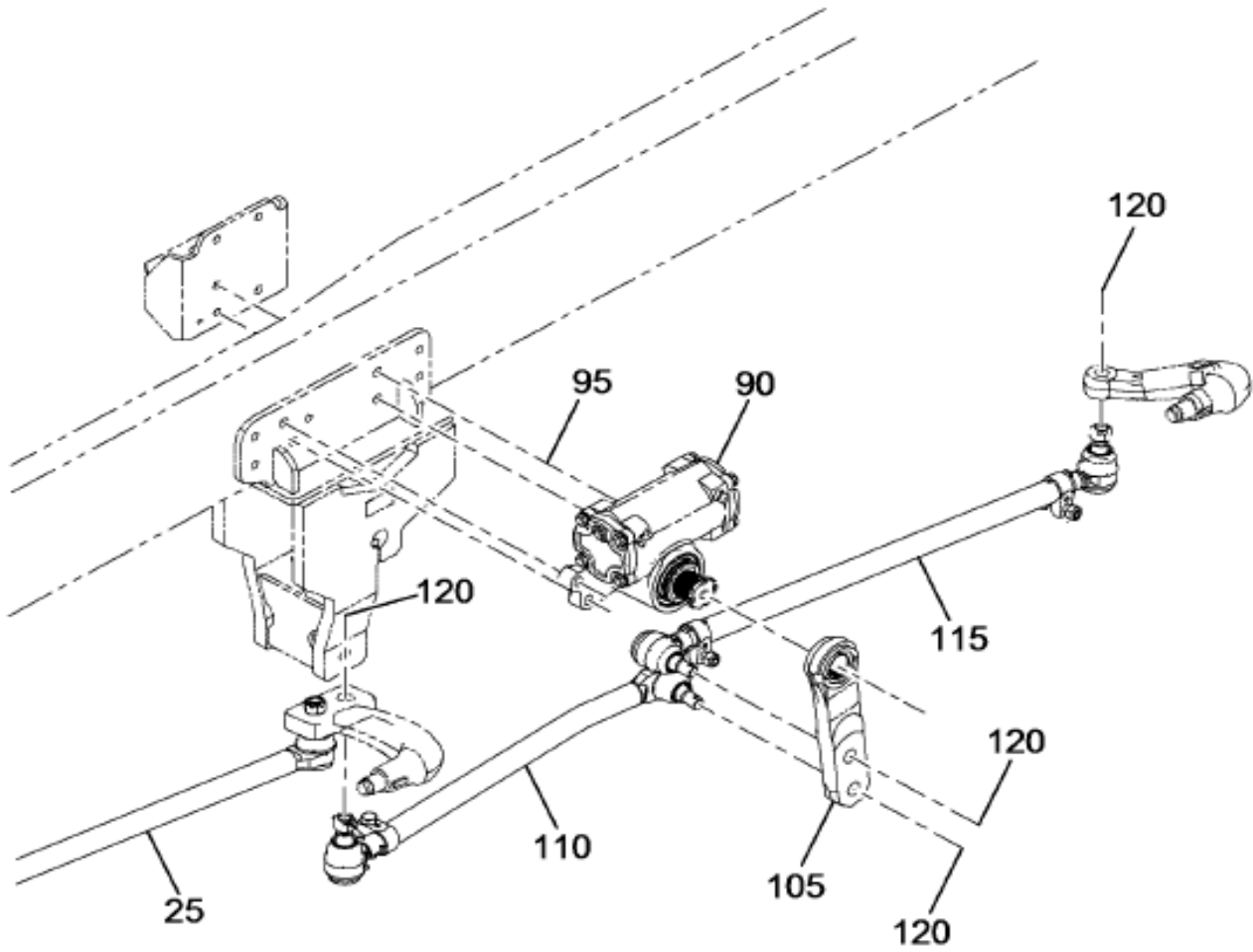
05-072-0215-01

C11

Figure 1 of 3

Figure 0MFX6

PWR STRG GEAR INSTL; W/SHEPPARD M80, M100



M-NGV-SS
W/M100/M80/M100
W/IBB ENG

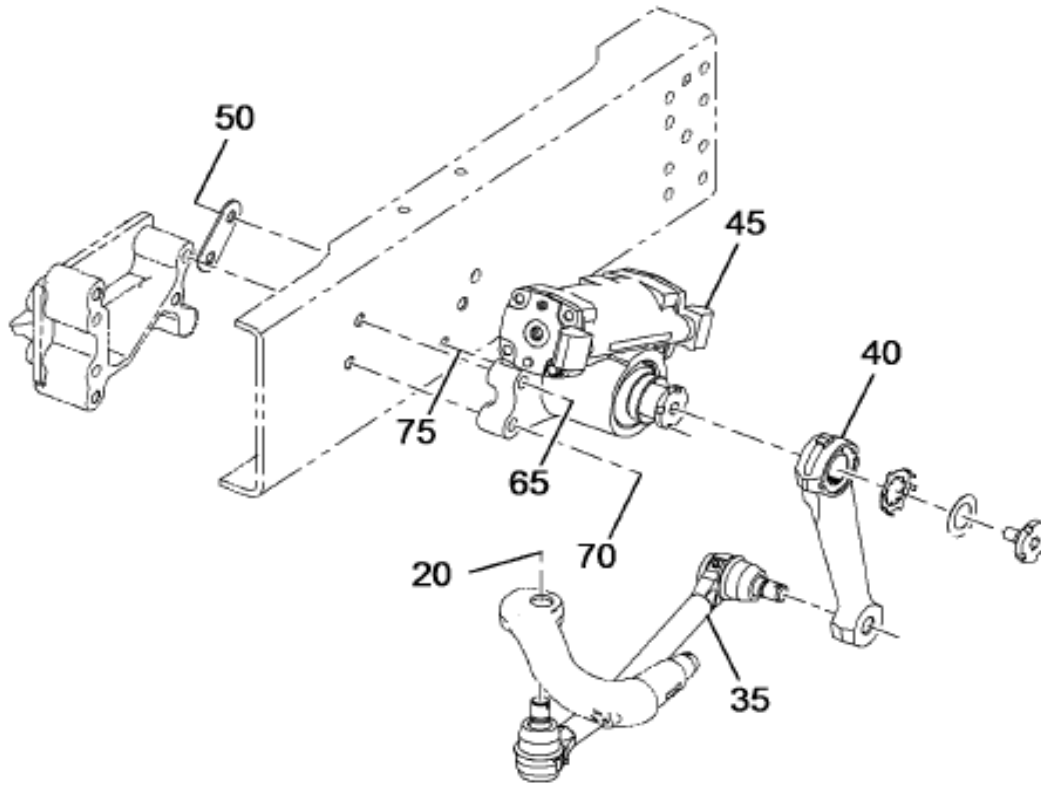
05-072-0215-02

C11

Figure 2 of 3

Figure 0MFX6

PWR STRG GEAR INSTL; W/SHEPPARD M80, M100



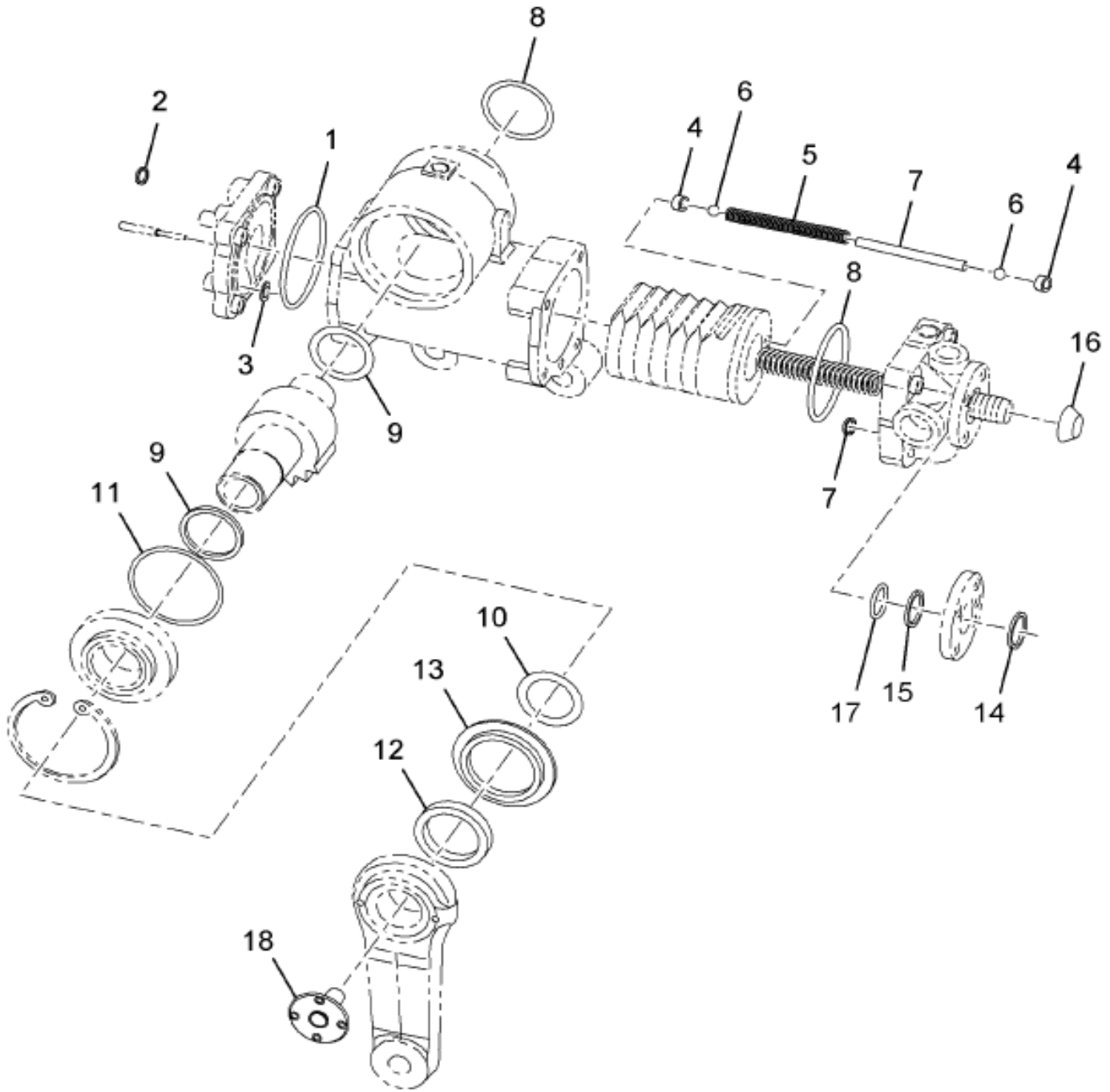
W/M-NGV-SS
 W/M100/M80
 W/FRT AXLE LOC=SB
 W/1BB ENG
 N/03WAM

05-072-0191-01

C11

Item	Part No.	Qty	Description	Kit	Var	Figure
5	3602517C91	1	GEAR,ASM STEERING		0MFXC	3602517C91
10	31089R1	4	BOLT, M20 X 80 PHC CL 10.9 FLG		0MFXC	
10	40204R1	4	NUT,HEX METRIC PREV. (SPR)		0MFXC	
15	3584070C1	1	ARM,STEERING GEAR		0MFXC	
20	137214	2	PIN, COTTER 1/8 X 1-3/4		0MFXC	
25	3552002C91	1	LINK,STEERING DRAG*16K FDA		0MFXC	3552002C91

Figure 3602517C91
GEAR, ASM STEERING

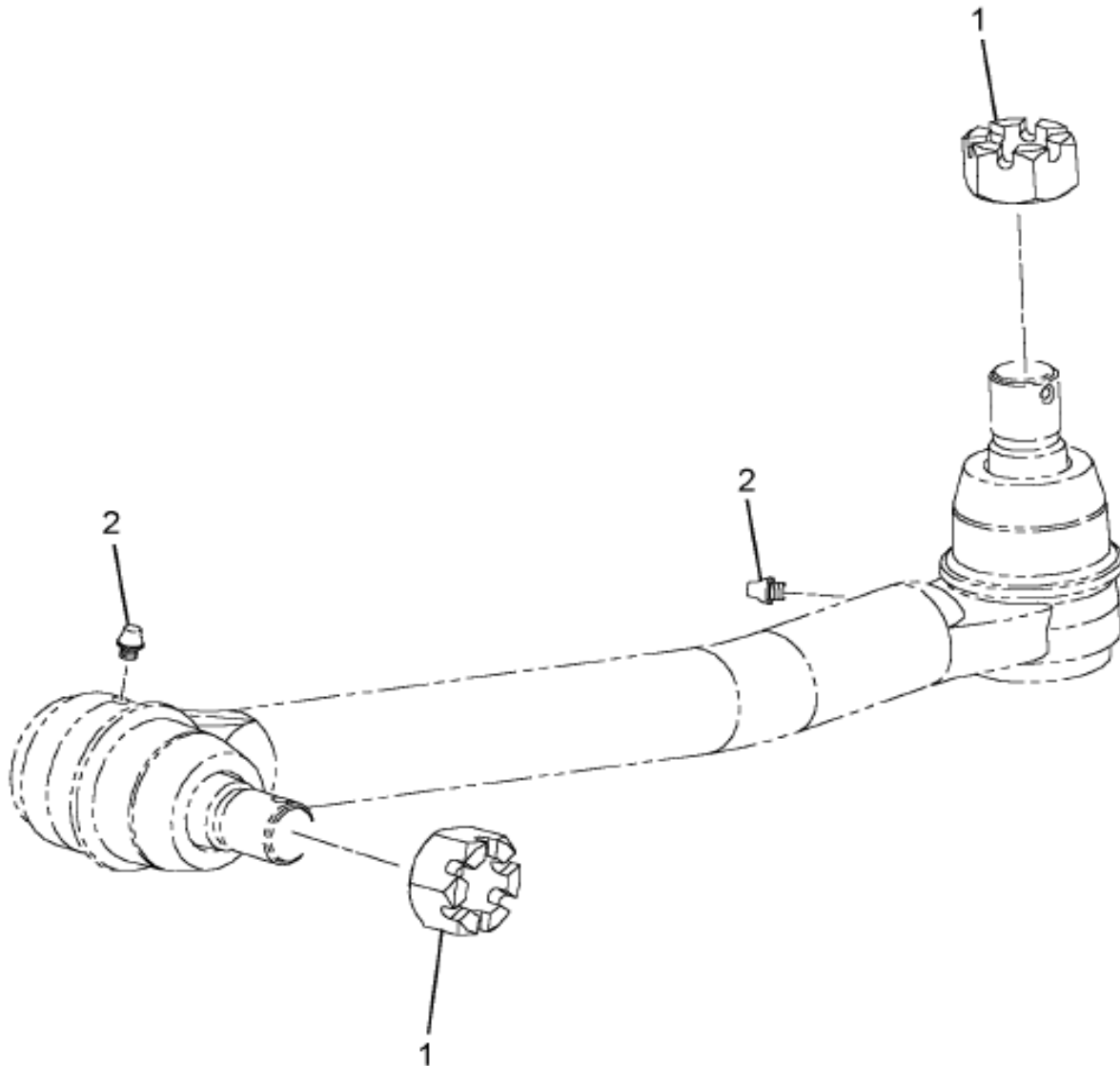


05-072-0139-01

D05

Item	Part No.	Qty	Description	Kit	Var	Figure
1		2	O-RING, BRG CAP & CYL H	A,G		
2		3	O-RING, RELIEF PLUNGER	A,C,G		
3		2	RING, SQUARE	A,G		
4		2	SEAT, VALVE	B		
5		1	SPRING, RELIEF VALVE	B		
6		2	BALL, RELIEF VALVE	B		

Figure 3552002C91
LINK, STEERING DRAG*16K FDA

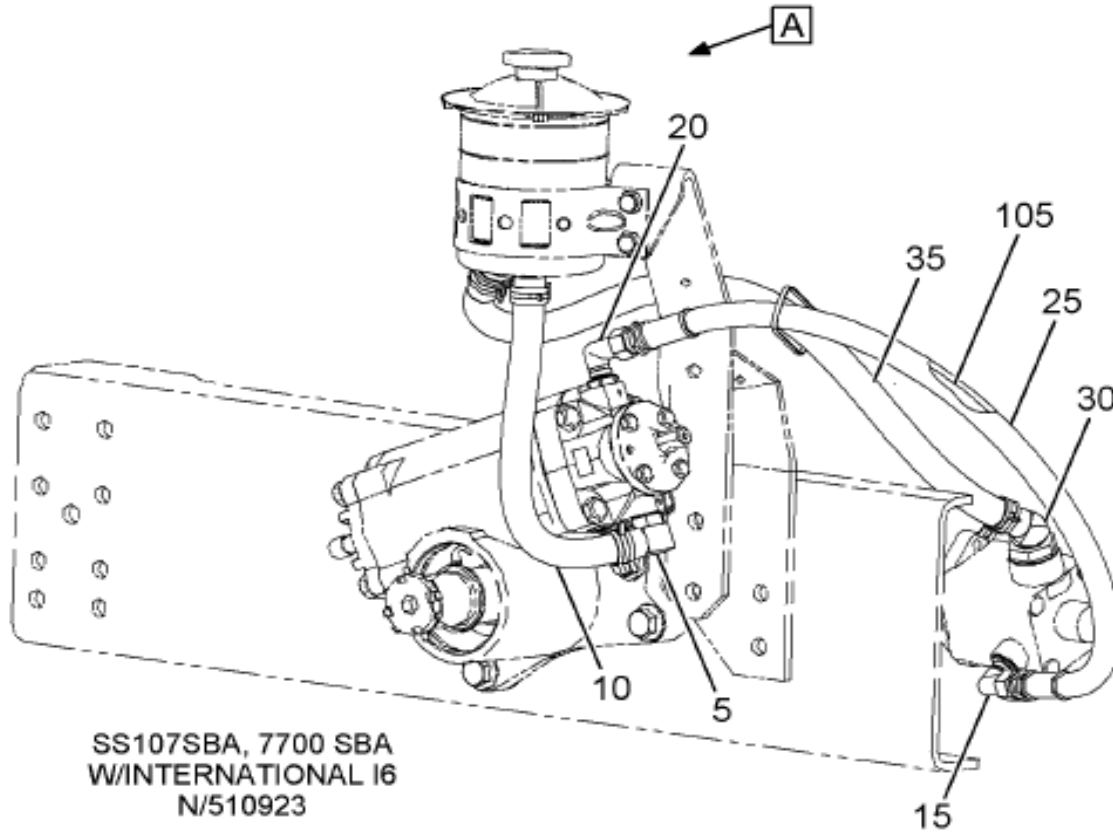


05-072-0060-00

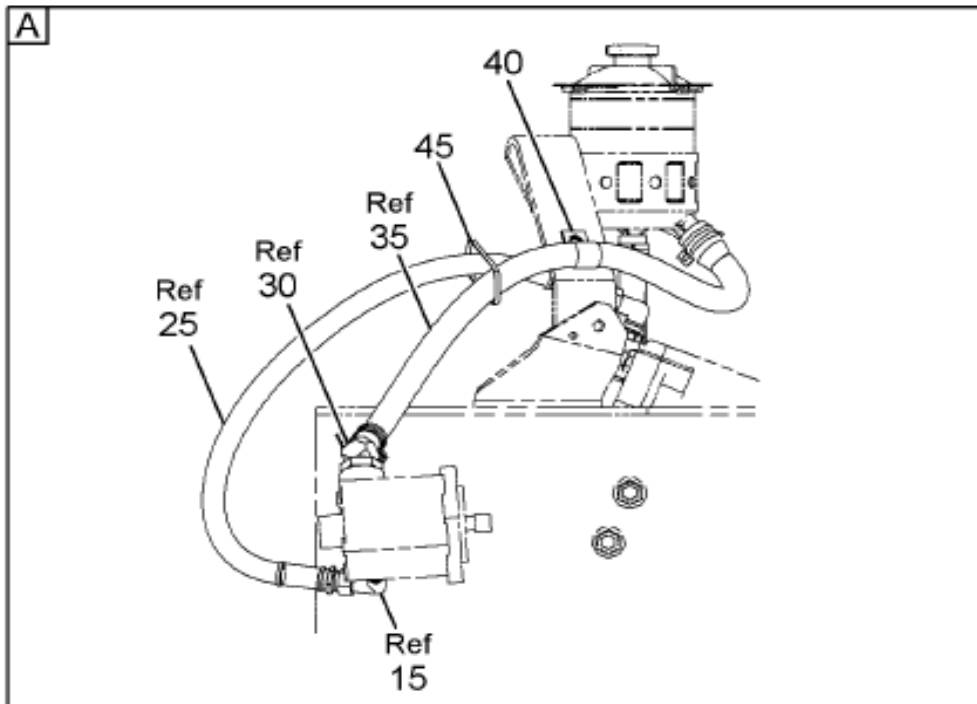
J03

Item	Part No.	Qty	Description	Kit	Var	Figure
1	26963R1	2	NUT, HEX SLOTTED 7/8 NF TYPE 8			
2	109454	2	FITTING, 1/4 LUB			
880		RF	NOTE: ASM BELOW COMPRISED OF ABOVE COMPONENTS			
881	3552002C91	RF	LINK, STEERING DRAG*16K FDA			

Figure 0FSWW
PWR STRG HOSE INSTL



GRP
05

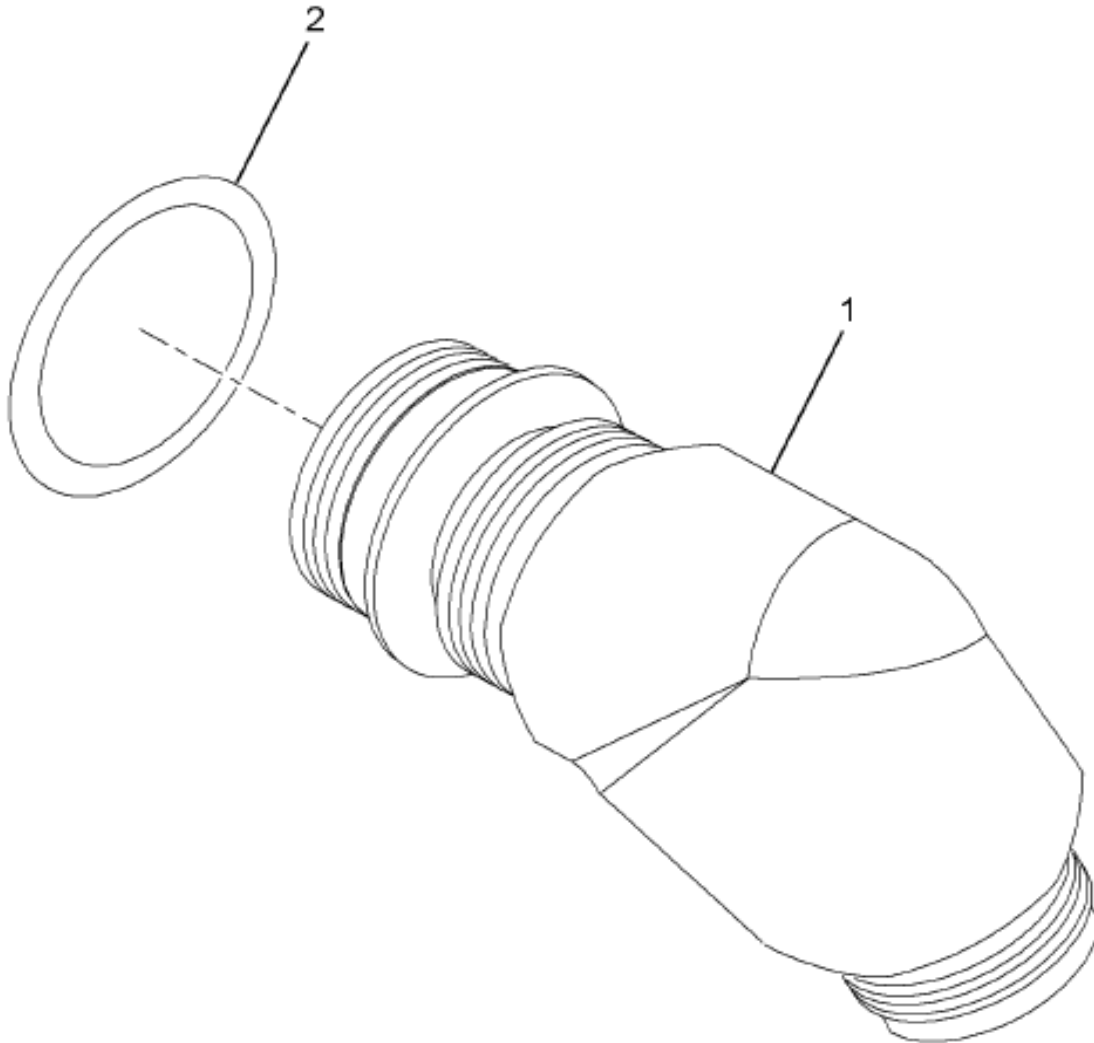


05-073-0053-AA

F10

Item	Part No.	Qty	Description	Kit	Var	Figure
5	3593050C91	1	ELBOW,PIPE*90DEG ELBOW, 3/4" H		0FSWZ	3593050C91
10	2643655R1	56	HOSE,STRG 3/4" ID X 1.06" OD		0FSWZ	
10	3576742C1	2	CLAMP,HEAT EXCHANGER*MUBEA 29		0FSWZ	
15	3590828C91	1	ELBOW,PIPE*ELBOW,90 DEG 3/4-16		0FSWZ	3590828C91
20	3590829C91	1	ELBOW,FLARED TUBE		0FSWZ	3590829C91
25	497367C2	1	HOSE,PWR STRG,1/2ID X 44",3/4-		0FSWZ	

Figure 3590829C91
ELBOW, FLARED TUBE



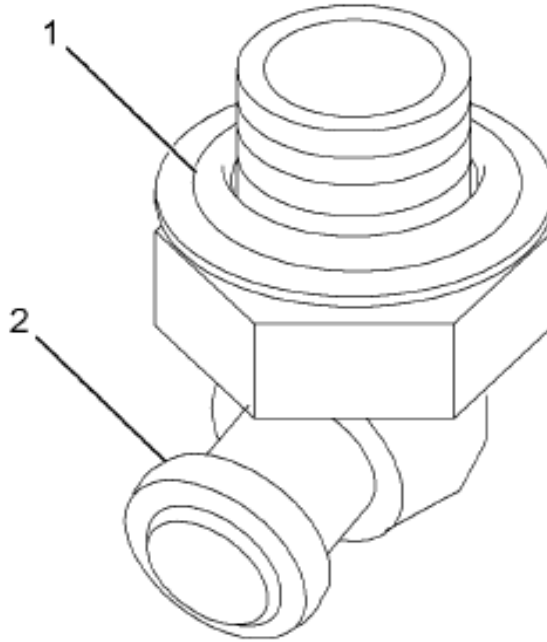
GROUP 05

10-001-0007-01

K04

Item	Part No.	Qty	Description	Kit	Var	Figure
1	9411105	1	ELBOW, 45 DEGREE			
2	876106C1	1	RING, O 1/2 OD TUBE CLASS 8			
880		RF	NOTE: ASM BELOW COMPRISED OF ABOVE COMPONENTS			
881	3590829C91	RF	ELBOW, FLARED TUBE			

Figure 3590827C91
ELBOW,PIPE*45 DEG W/O-RING SEA

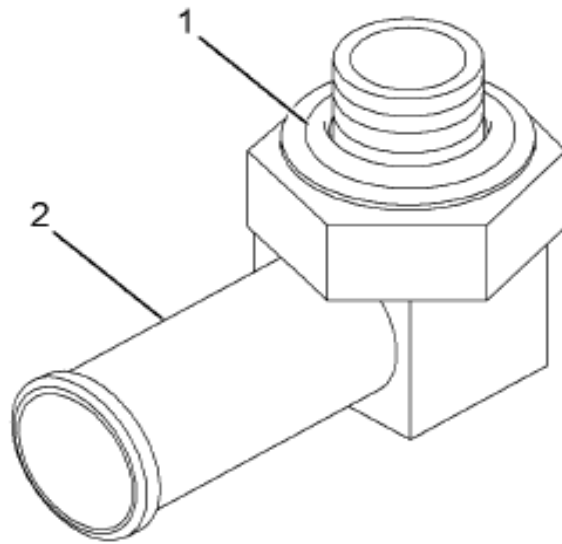


10-001-0011-01

K04

Item	Part No.	Qty	Description	Kit	Var	Figure
1	876108C1	1	RING,O 1-1/16-12 *STD			
2	2040534C2	1	ELBOW,PIPE 45 DEG			
880		RF	NOTE: ASM BELOW COMPRISED OF ABOVE COMPONENTS			
881	3590827C91	RF	ELBOW,PIPE*45 DEG W/O-RING SEA			

Figure 3593050C91
 ELBOW,PIPE*90DEG ELBOW, 3/4" H



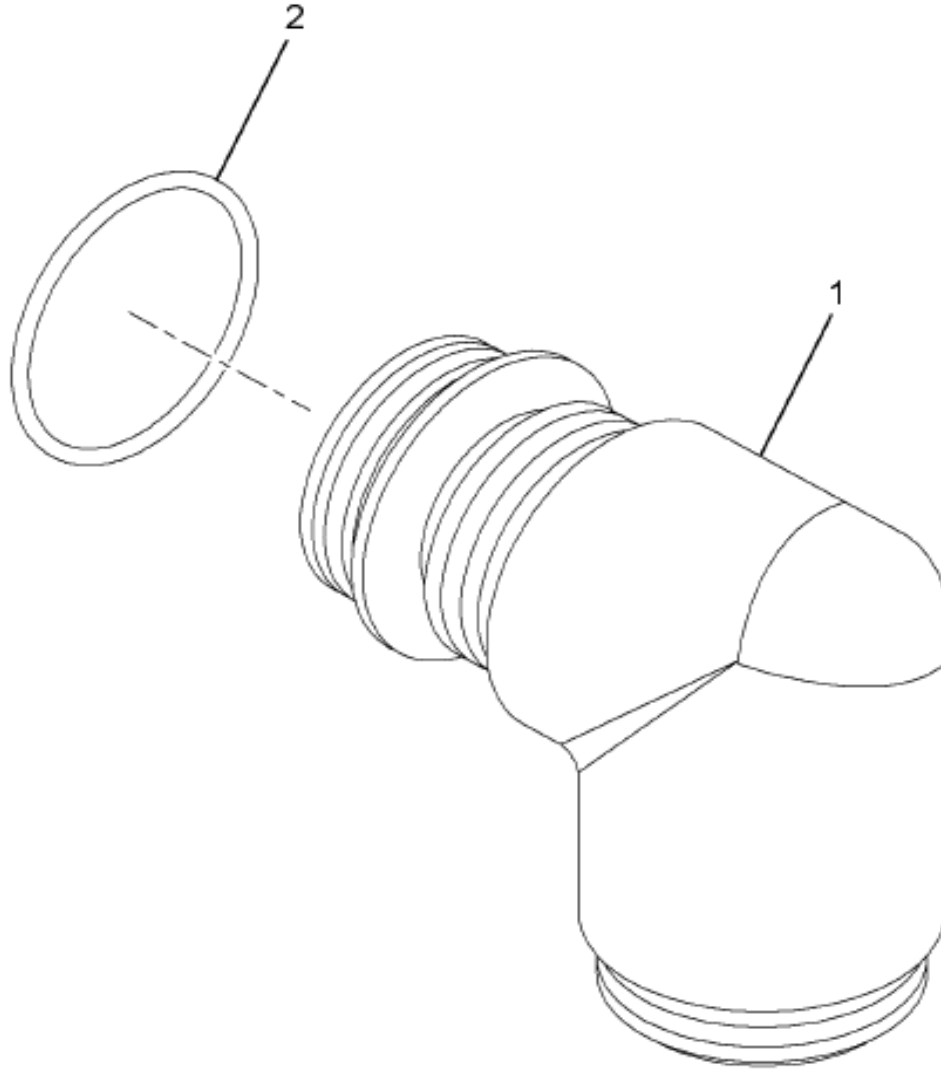
G
R
P
0
5

10-001-0008-01

K04

Item	Part No.	Qty	Description	Kit	Var	Figure
1	876106C1	1	RING,O 1/2 OD TUBE CLASS 8			
2	3535160C1	1	ELBOW,HOSE-PUSH-ON*90 DEGREE 3			
880		RF	NOTE: ASM BELOW COMPRISED OF ABOVE COMPONENTS			
881	3593050C91	RF	ELBOW,PIPE*90DEG ELBOW, 3/4" H			

Figure 3590828C91
 ELBOW, PIPE*ELBOW, 90 DEG 3/4-16

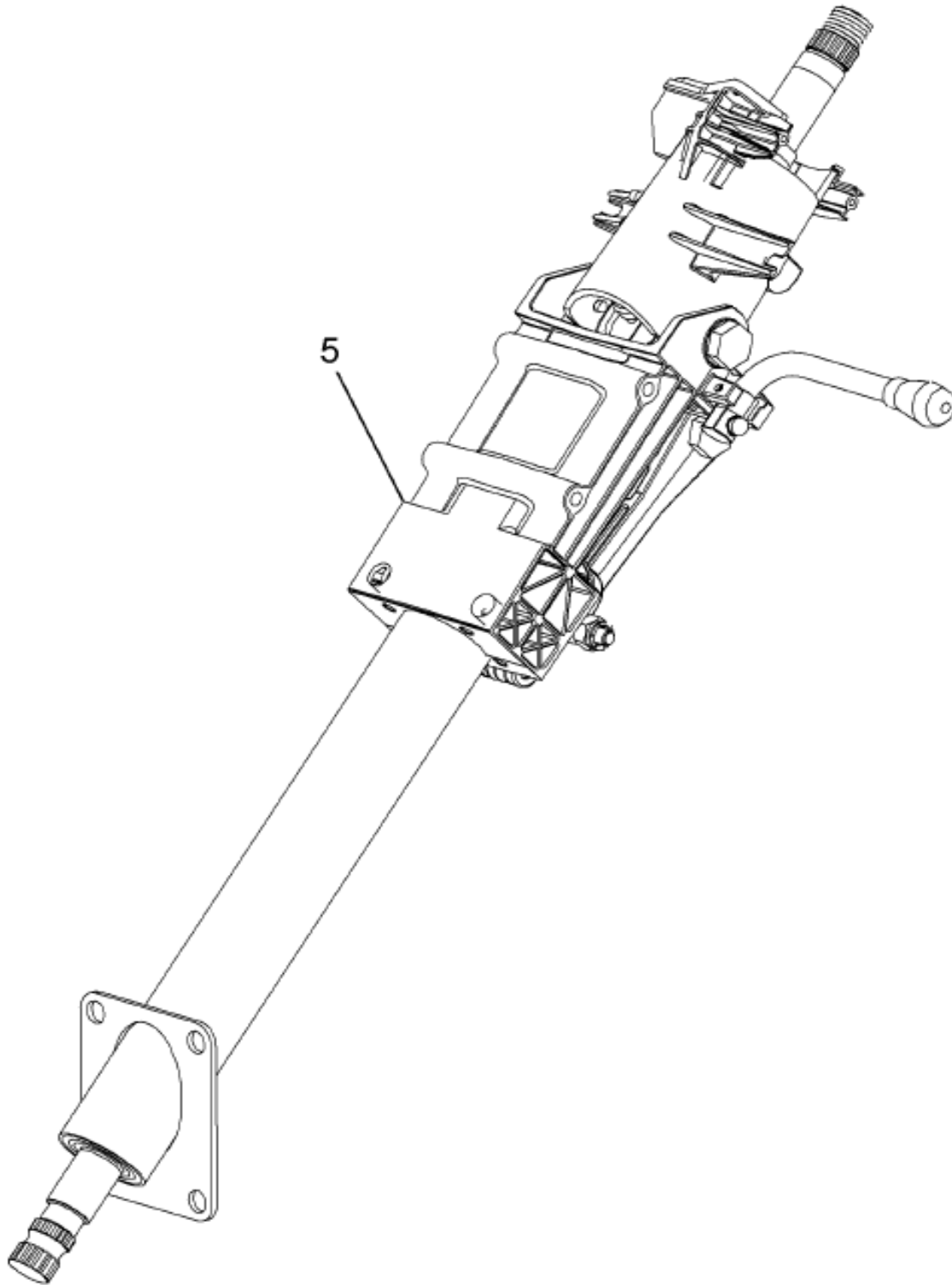


10-001-0005-01

K04

Item	Part No.	Qty	Description	Kit	Var	Figure
1	9410977	1	ELBOW, PIPE 1/2 TUBE 3/4-16			
2	876106C1	1	RING, O 1/2 OD TUBE CLASS 8			
880		RF	NOTE: ASM BELOW COMPRISED OF ABOVE COMPONENTS			
881	3590828C91	RF	ELBOW, PIPE*ELBOW, 90 DEG 3/4-16			

Figure 06BMC
STEERING COLUMN; DCM, TILT/TELE, FIXED



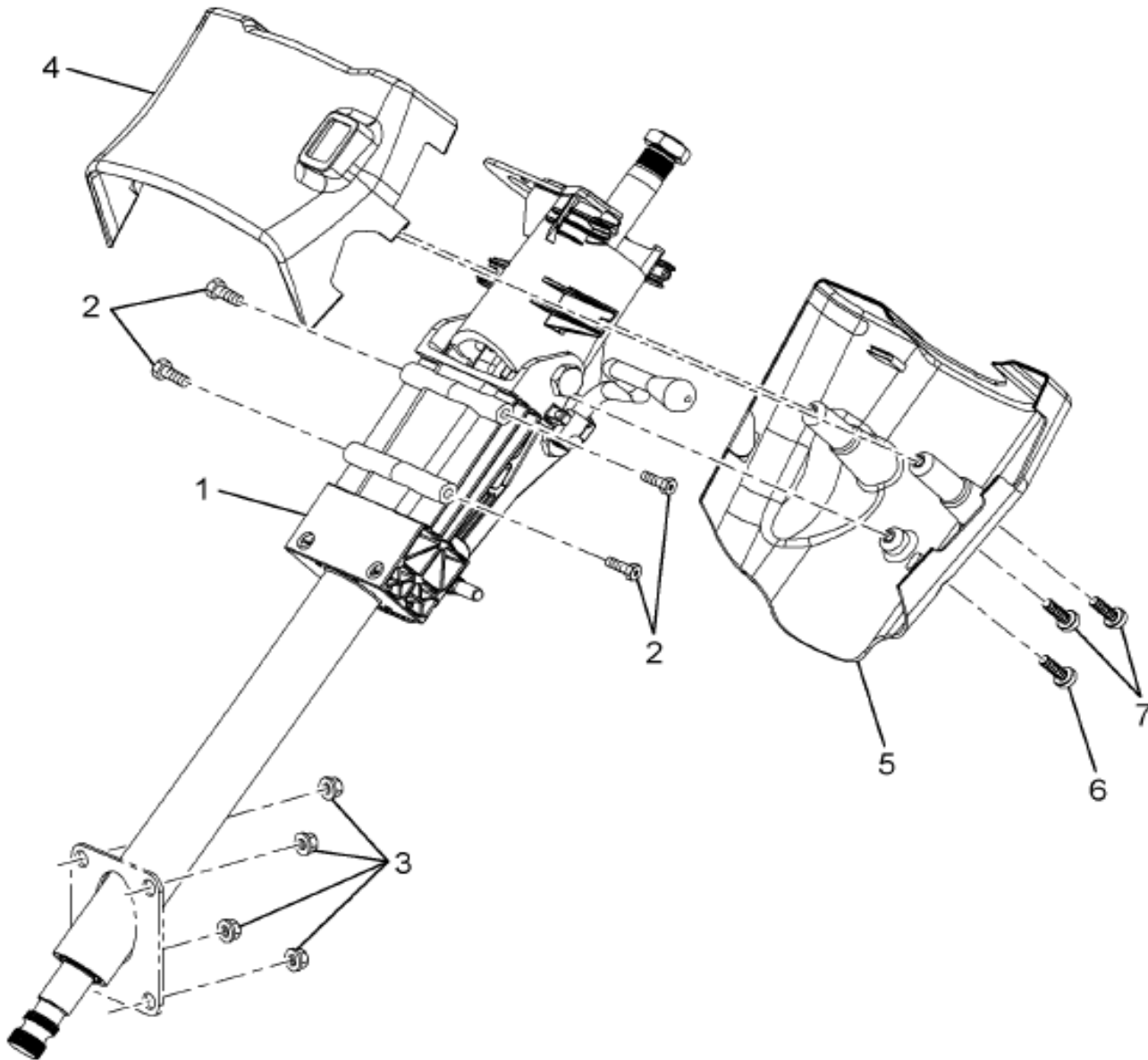
GROUP 05

05-C14-0001-01

L02

Item	Part No.	Qty	Description	Kit	Var	Figure
5	3562717F92	1	DRVR CONT TLT COLM W/TC-7		0KR02	3562717F92

Figure 3562717F92
DRVR CONT TLT COLM W/TC-7



16-C14-0007-01

K07

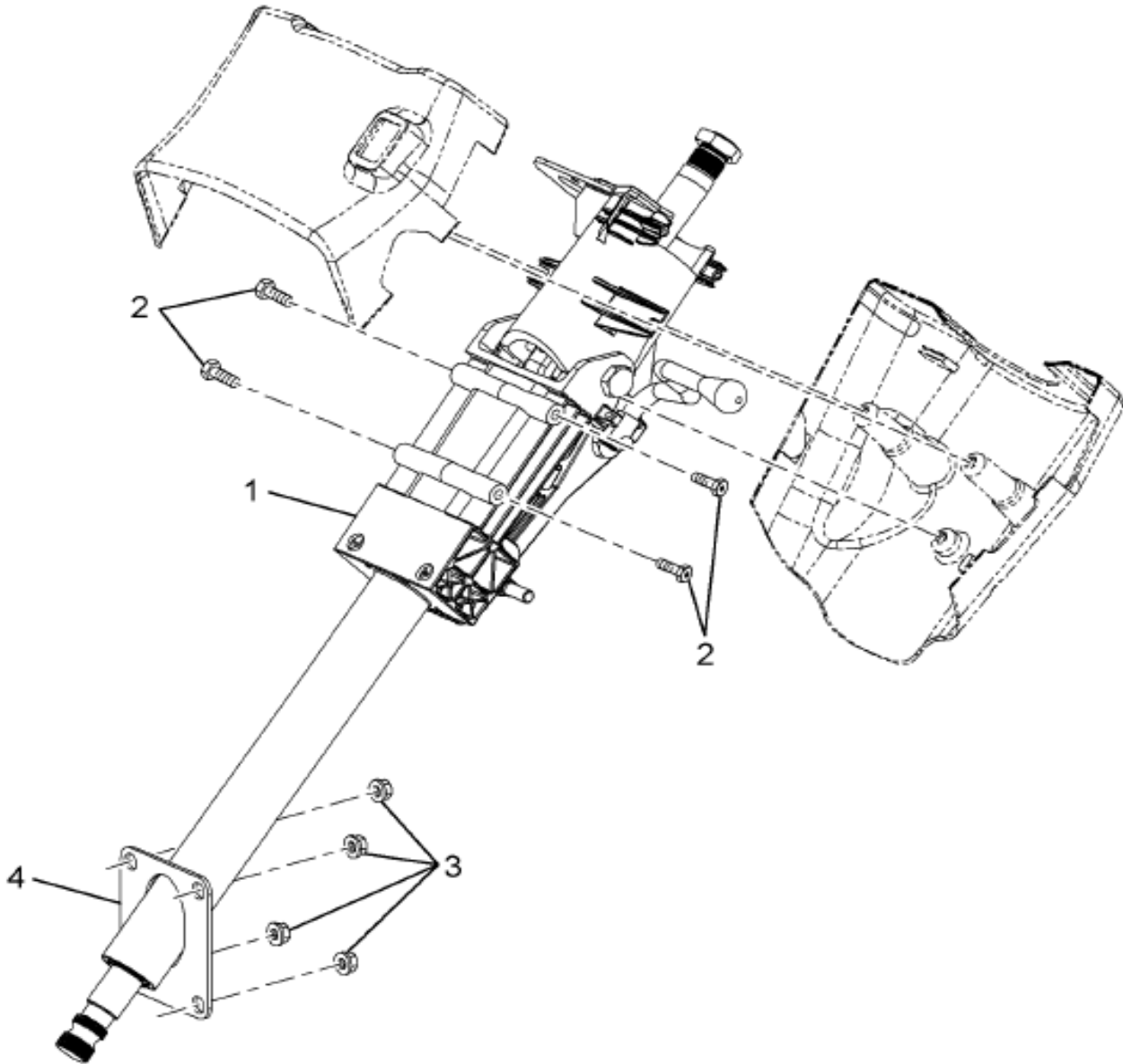
Item	Part No.	Qty	Description	Kit	Var	Figure
1		1	HOUSING, STEER COL*TILT	A		
2		4	SCREW, 5/16-18X1 HEX/TORX GR5	A		
3		4	NUT, 8MM FLANGE	A		
4		1	COVER, HOUSING STEERING COLUMN UPPER	B		
5		1	COVER, HOUSING STEERING COLUMN LOWER	B		
6		1	SCREW, 1/4-20 HEX TORX	B		

Figure 3562717F92
DRVR CONT TLT COLM W/TC-7

Item	Part No.	Qty	Description	Kit	Var	Figure
7		2	SCREW, 1/4" PLASTITE TORX HEAD	B		
800		RF	NOTE: THE FOLLOWING PARTS ARE NON-ILLUSTRATED			
801	2505661C91	1	KIT,HOUSING*TILT STRG COL			2505661C91
801		RF	(CONSISTS OF PARTS DENOTED BY A)			
802	2505690C91	KT	KIT,STEERING*COL COVER TC7			2505690C91
802		RF	(CONSISTS OF PARTS DENOTED BY B)			
803	2507661C91	KT	KIT,TILT LEVER ROD & LOCKNUT			
804	2586763C91	KT	KIT,BUSHING*TILT LEVER			
880		RF	NOTE: ASM BELOW COMPRISED OF ABOVE COMPONENTS			
881	3562717F92	RF	DRVR CONT TLT COLM W/TC-7			

GROUP 05

Figure 2505661C91
KIT, HOUSING*TILT STRG COL

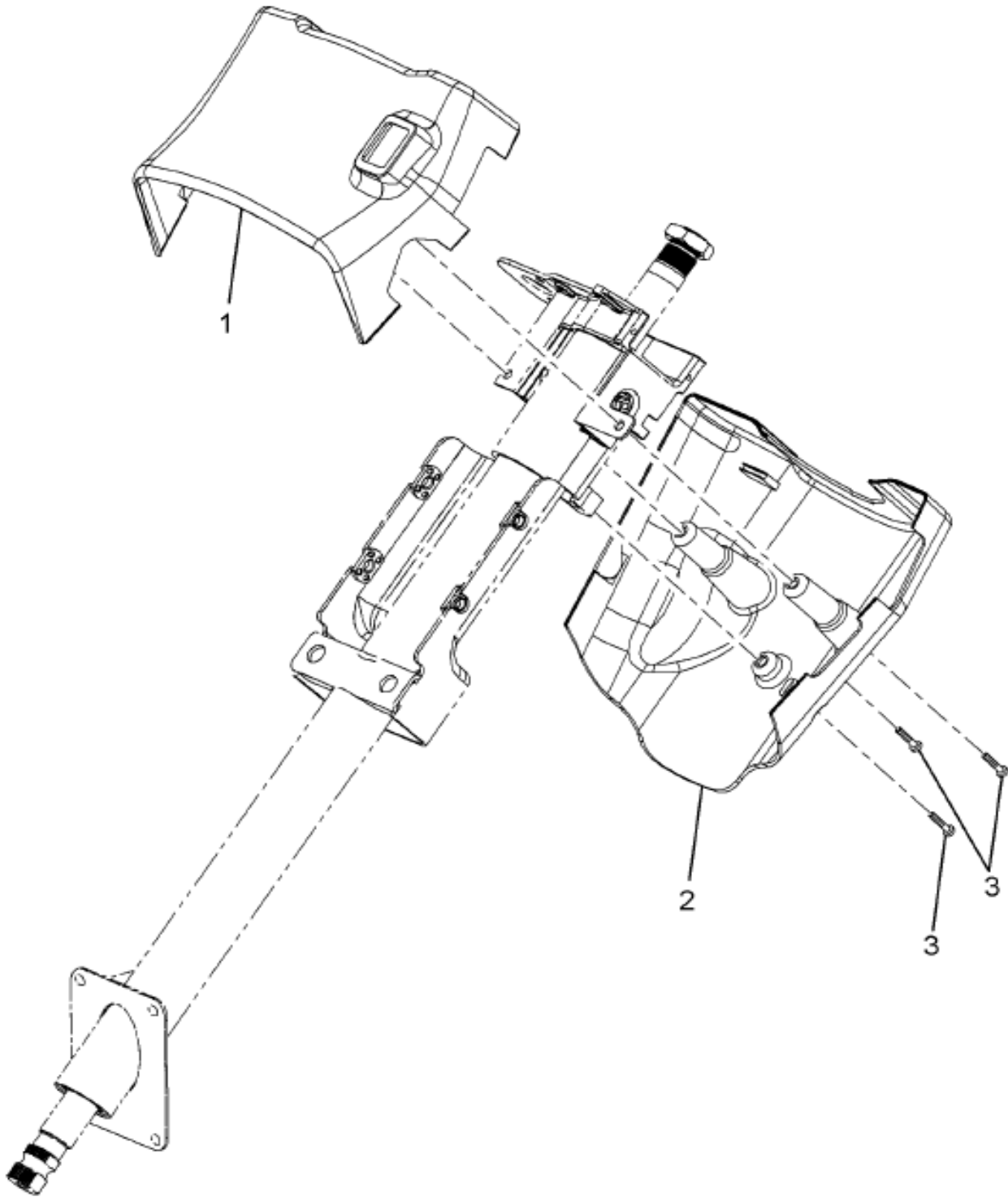


16-C14-0008-01

K07

Item	Part No.	Qty	Description	Kit	Var	Figure
1	2505845C91	1	HOUSING, STEER COL*TILT			
2	2505844C1	4	SCREW, 5/16-18X1 HEX/TORX GR5			
3	2505842C1	4	NUT, 8MM FLANGE			
4	2505773C1	1	GASKET, STEERING COLUMN			
800	RF		NOTE: THE FOLLOWING PARTS ARE NON-ILLUSTRATED			

Figure 2505690C91
KIT, STEERING*COL COVER TC7



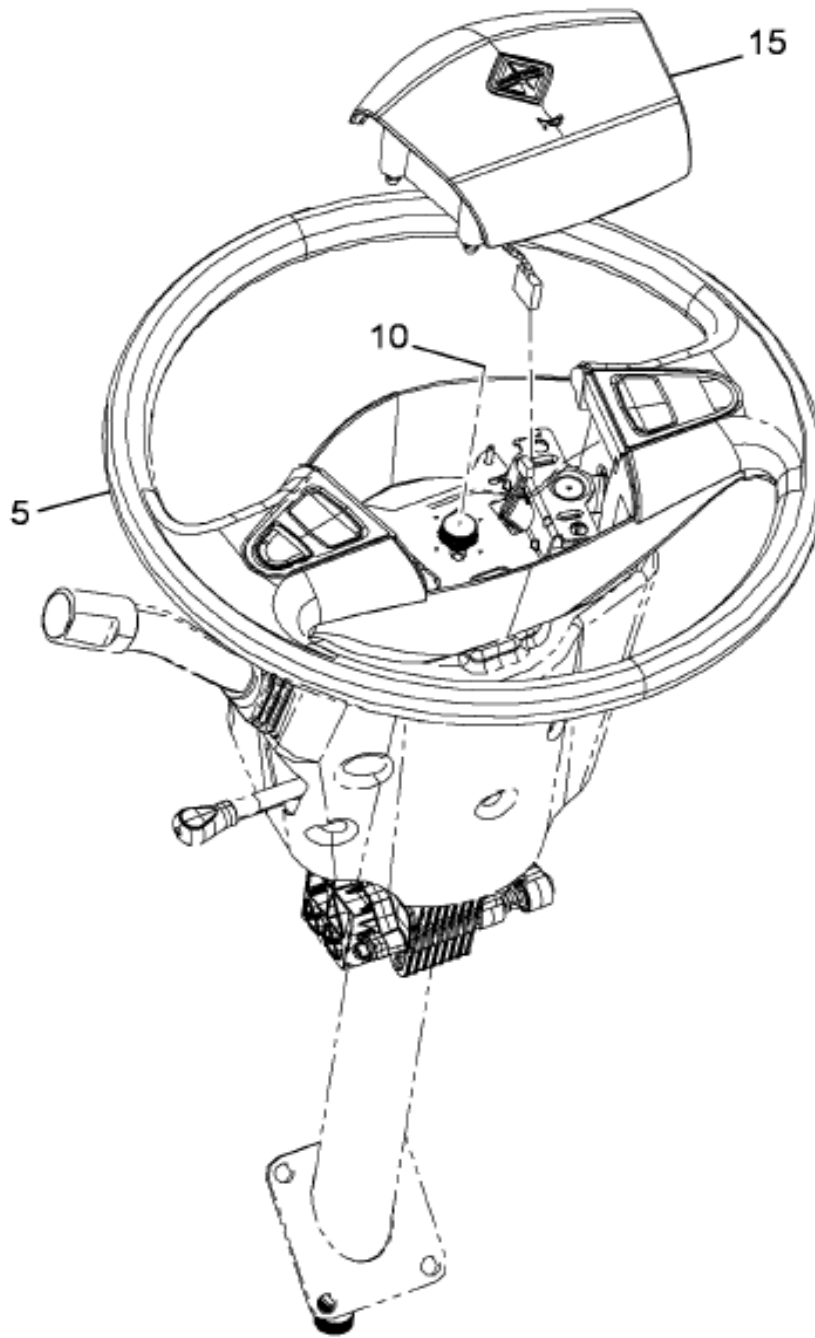
16-C14-0003-01

G05

Item	Part No.	Qty	Description	Kit	Var	Figure
1	2505867C1	1	COVER, STEER COL HSNG TOP-TC7			
2	2505868C1	1	COVER, STEER COL HSNG LWR-TC7			
3	ZAC292247	3	SCREW, 1/4-20 PAN HEAD			
800		RF	NOTE: THE FOLLOWING PARTS ARE NON-ILLUSTRATED			
801		1	MANUAL, INSTRUCTION SHEET			

Figure 0GPCT

STEERING WHEEL & MTG; 18", W/HORN BUTTON, CRUISE CONTROL



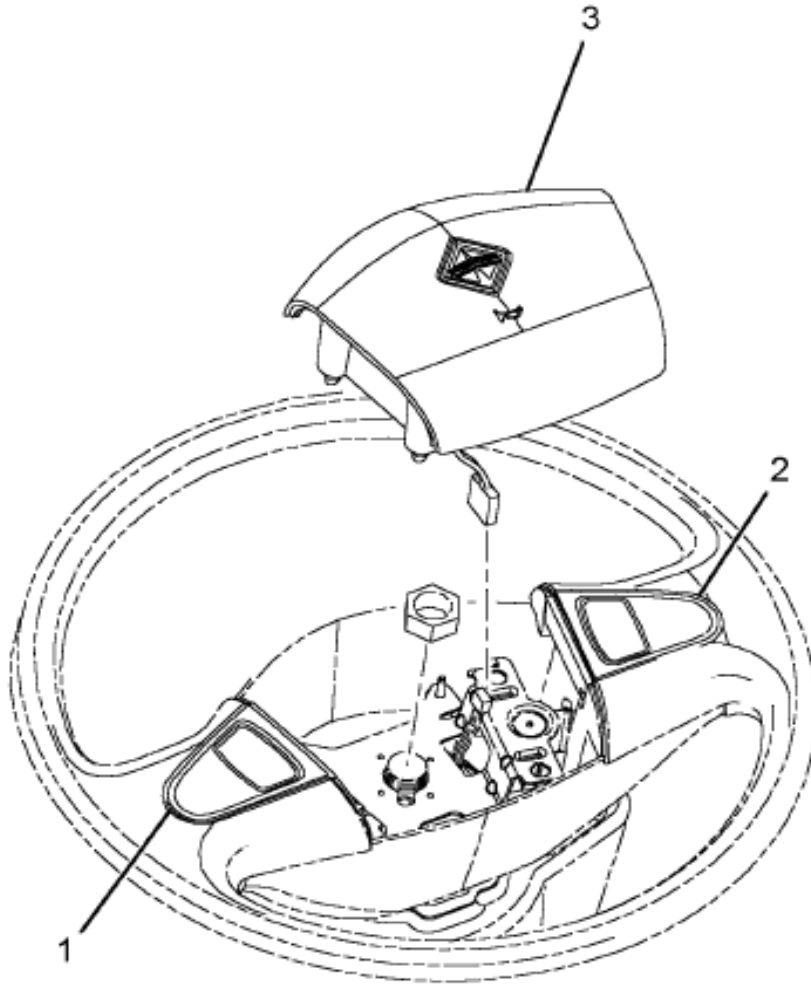
NGV

05-690-0017-CA

M10

Item	Part No.	Qty	Description	Kit	Var	Figure
5	3546229C91	1	WHEEL, STEERING 18 IN*W/CRUISE/		0GPGY	3546229C91
15	3541530C1	1	HORN, PAD STRG WHL W/DMND ROAD		0GPGY	

Figure 3546229C91
WHEEL, STEERING 18 IN*W/CRUISE/



GROUP 05

05-690-0012-00

D04

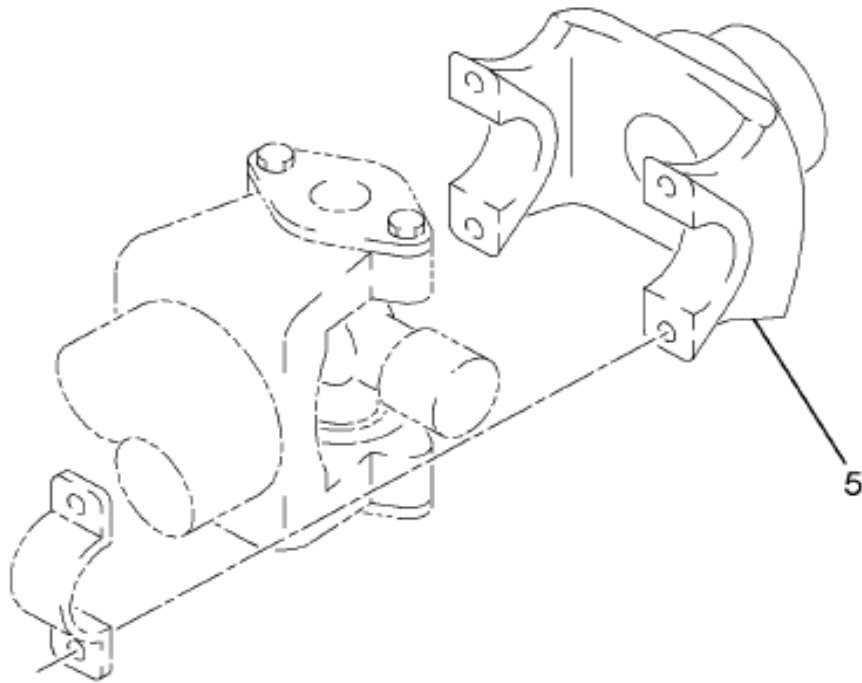
Item	Part No.	Qty	Description	Kit	Var	Figure
1	2506328C1	1	SWITCH, STR WHL*LH-CRS/THRTL/HR			
2	2506326C1	1	SWITCH, STR WHL*RH-SET/CST ACCL			
3	3541530C1	1	HORN, PAD STRG WHL W/DMND ROAD			
800		RF	NOTE: THE FOLLOWING PARTS ARE NON-ILLUSTRATED			
801	2506329C1	1	HARNESS, STEERING WHEEL*4 WIRE			

Group 06

Propeller Shafts

G
R
O
U
P
0
6

Figure 0FWS8
INPUT YOKE; FRT DRV AXLE

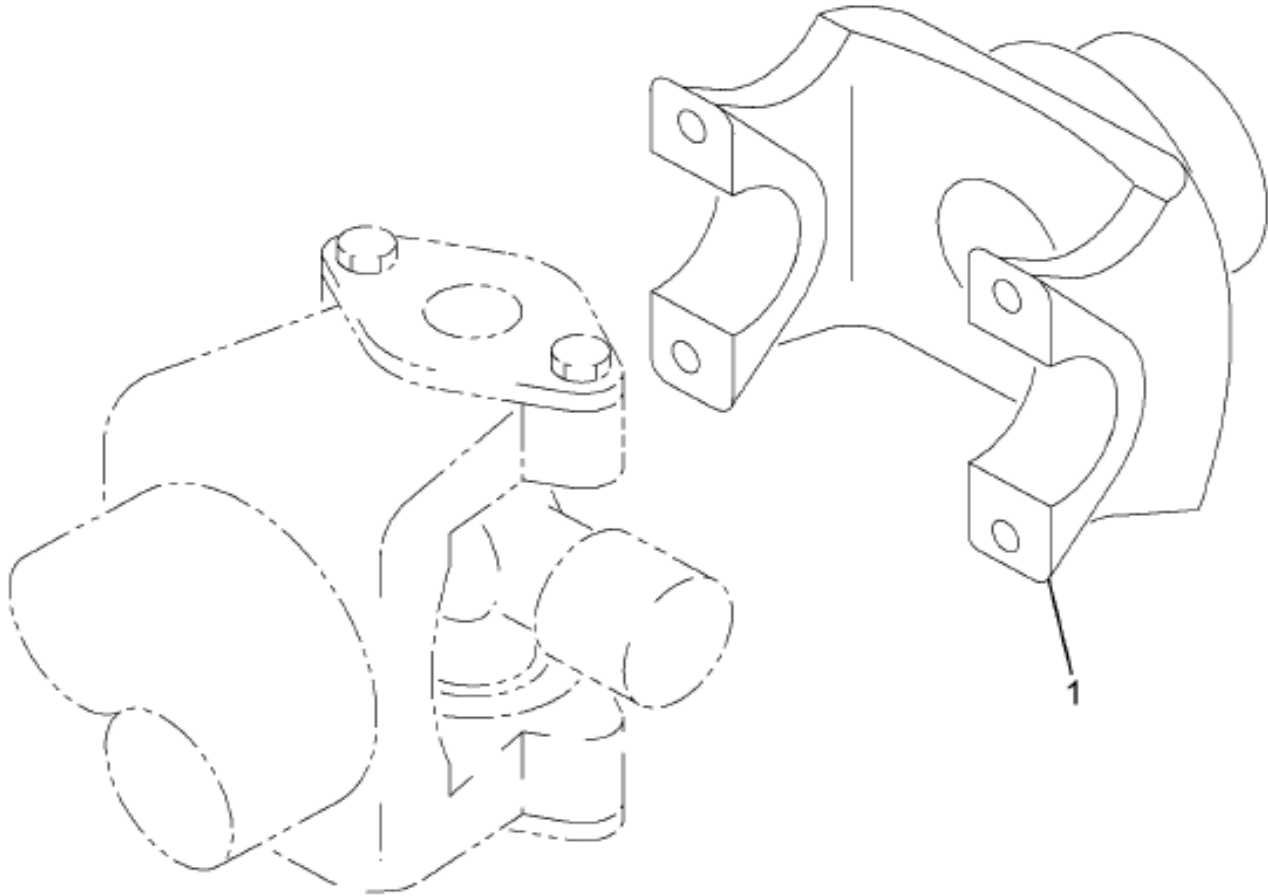


06-078-0001-AA

K02

Item	Part No.	Qty	Description	Kit	Var	Figure
5	3571921F91	1	FLANGE,TRUN SPL140 ABR FC#10		0FWY0	3571921F91

Figure 3571921F91
 FLANGE,TRUN SPL140 ABR FC#10



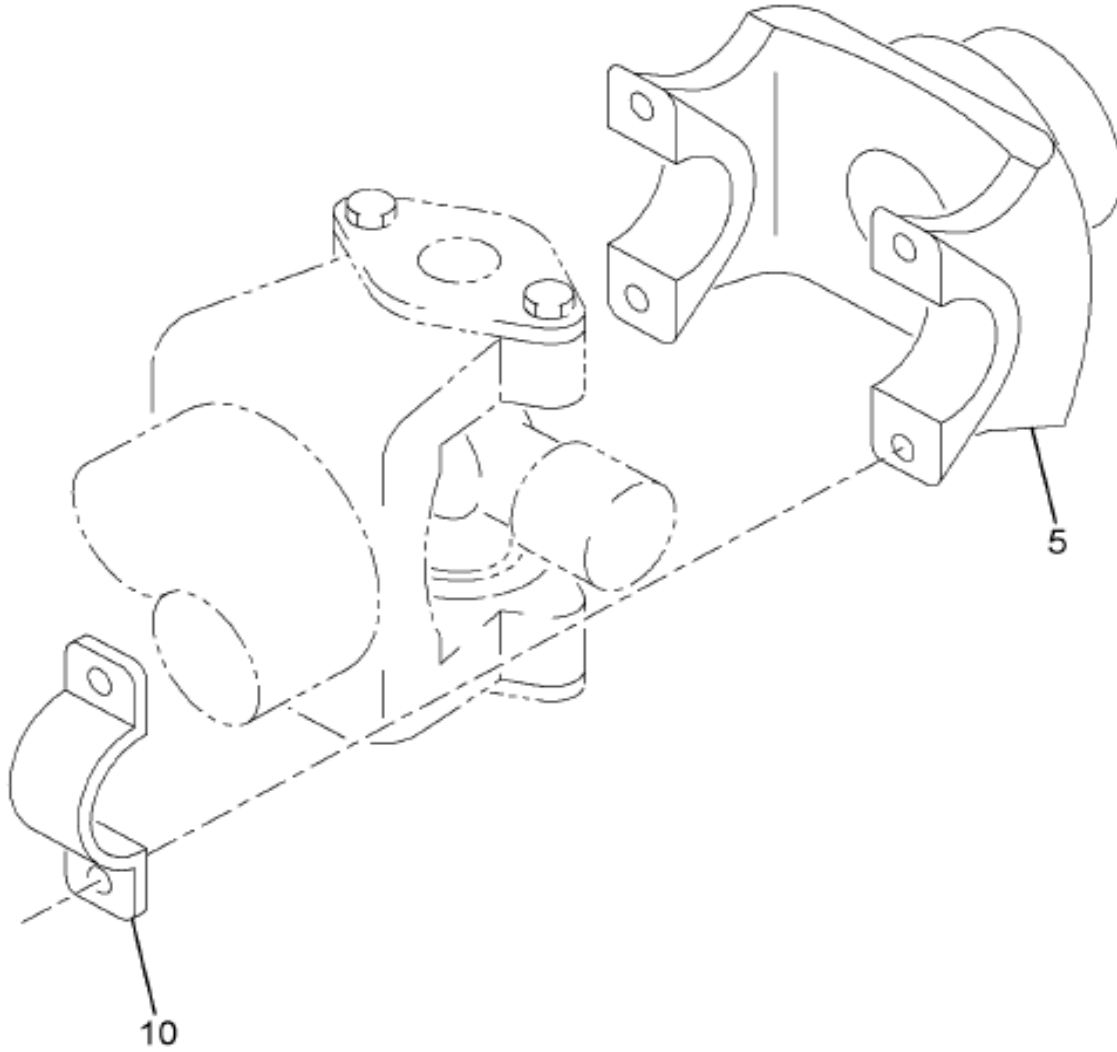
G R P 0 6

02-A20-0001-01

D09

Item	Part No.	Qty	Description	Kit	Var	Figure
1		RF	FLANGE,COMP SPL140 PROD			
1	3558402C91	1	FLANGE,TRUN BRG SPL140			
800		RF	NOTE: THE FOLLOWING PARTS ARE NON-ILLUSTRATED			
801	2586467C1	1	SLINGER,COMP FLG SPL140			
880		RF	NOTE: ASM BELOW COMPRISED OF ABOVE			

Figure 0L82T
INPUT YOKE; FWD REAR AXLE

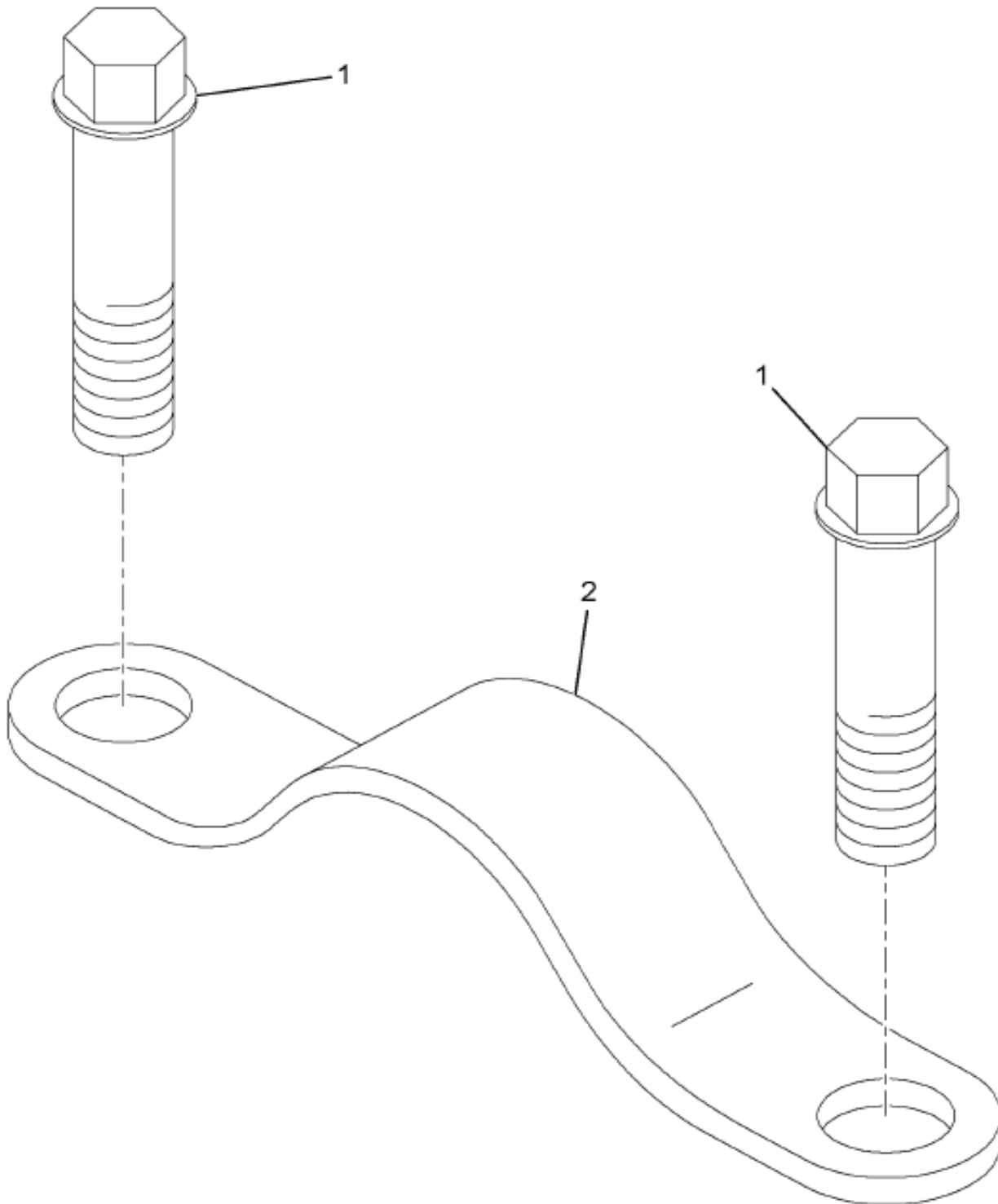


06-076-0001-00

C09

Item	Part No.	Qty	Description	Kit	Var	Figure
5	REF		FLANGE, TRUNNION BRG SPICER, EN		0L82T	
10	3524823C91	1	RETAINER, TRUNNION BRG ROLLER**		0L82T	3524823C91

Figure 3524823C91
 RETAINER, TRUNNION BRG ROLLER**



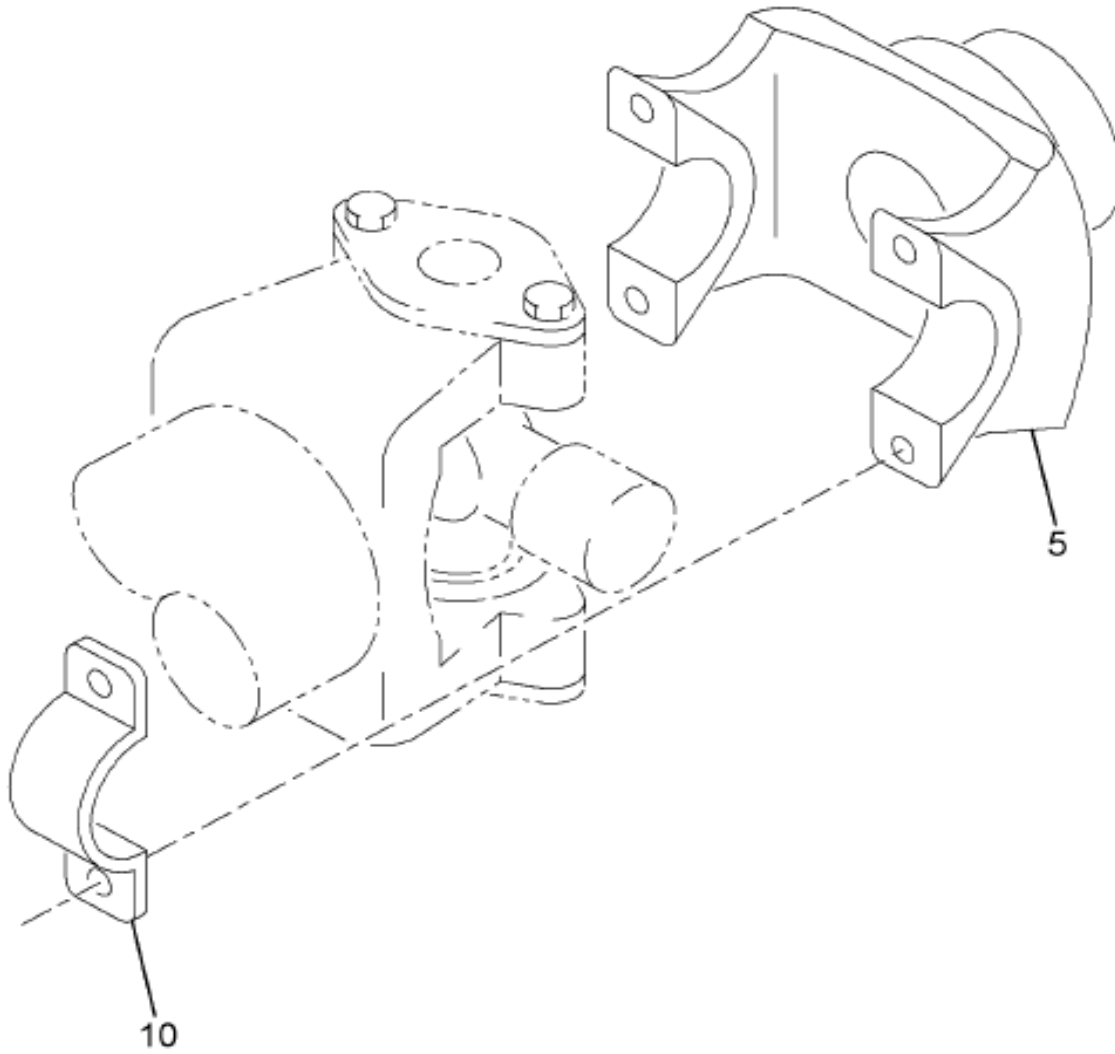
06-084-0002-00

H04

Item	Part No.	Qty	Description	Kit	Var	Figure
1	3513117C1	4	BOLT, SPL M12X25-10.9 BRG RET			
2	3524814C1	2	RETAINER, U-JT BEARING SPL140			
880		RF	NOTE: ASM BELOW COMPRISED OF ABOVE COMPONENTS			
881	3524823C91	RF	RETAINER, TRUNNION BRG ROLLER**			

Figure 045PC

INPUT YOKE; SINGLE RR AUX/TANDEM RR AUX



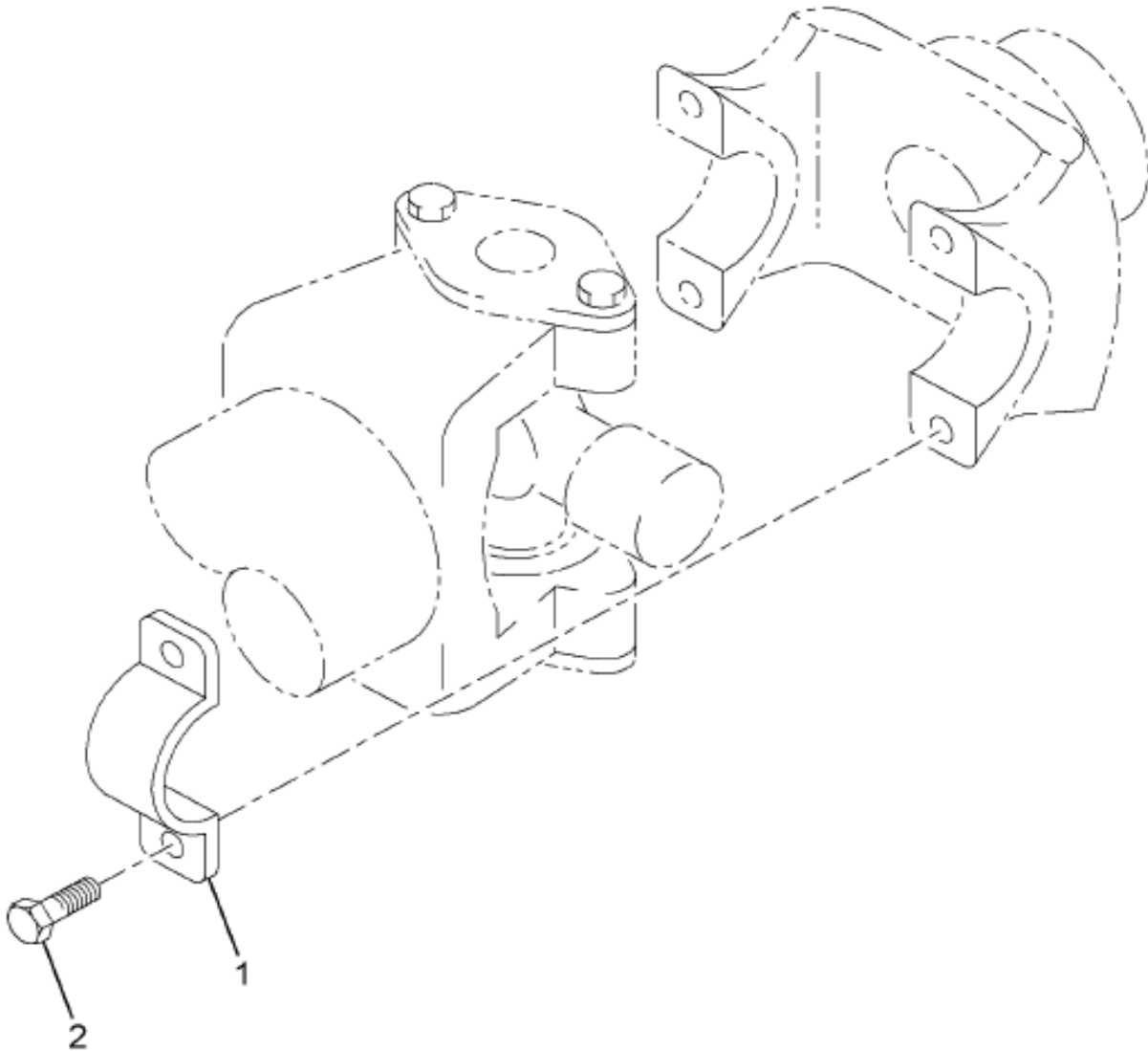
GROUP 06

06-076-0001-00

C09

Item	Part No.	Qty	Description	Kit	Var	Figure
5	REF		FLANGE, TRUN W/SLINGER SPL170		045PC	
10	3513127C91	1	KIT, U-JT STRAP & BOLT SPL170		045PC	3513127C91

Figure 3513127C91
KIT,U-JT STRAP & BOLT SPL170

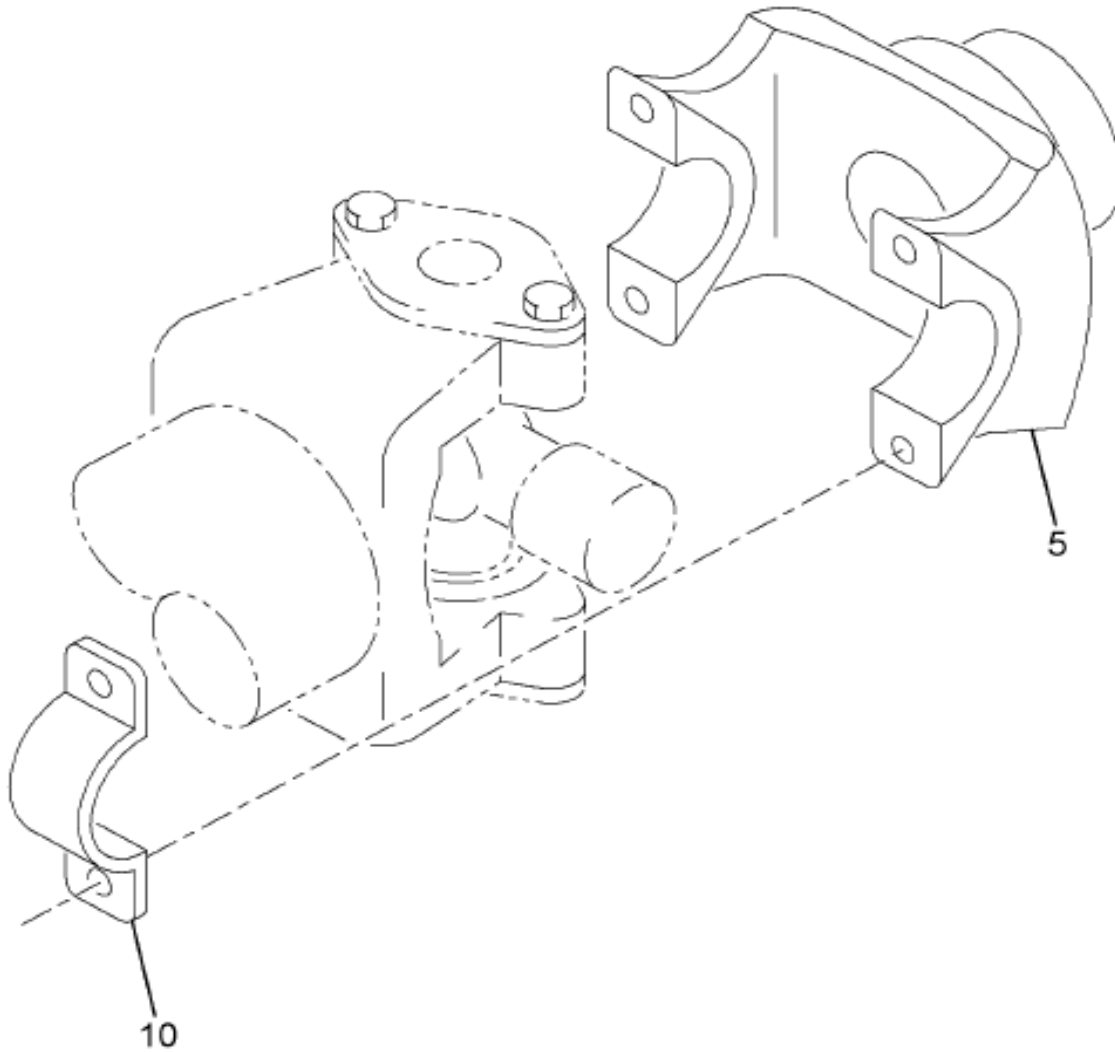


06-076-0020-01

H06

Item	Part No.	Qty	Description	Kit	Var	Figure
1	3513118C1	2	RETAINER,U-JT BEARING SPL-170			
2	3513117C1	4	BOLT,SPL M12X25-10.9 BRG RET			
880		RF	NOTE: ASM BELOW COMPRISED OF ABOVE COMPONENTS			
881	3513127C91	RF	KIT,U-JT STRAP & BOLT SPL170			

Figure 0F9YZ
OUTPUT YOKE; FWD REAR AXLE



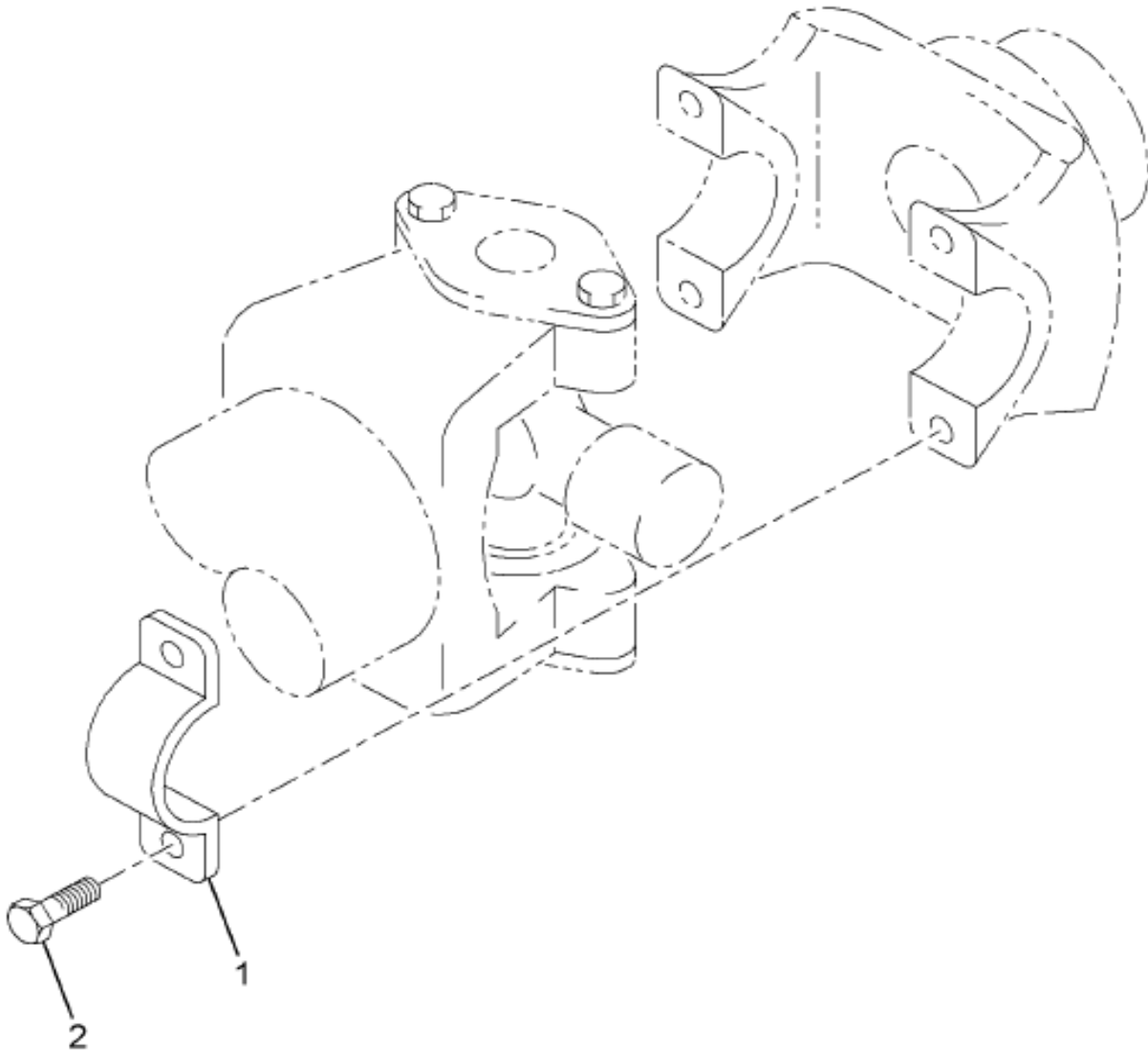
G R P 0 6

06-076-0001-00

C09

Item	Part No.	Qty	Description	Kit	Var	Figure
5	REF		FLANGE, TRUN BRG SPL170		0F9YZ	
10	3513127C91	1	KIT, U-JT STRAP & BOLT SPL170		0F9YZ	3513127C91

Figure 3513127C91
KIT,U-JT STRAP & BOLT SPL170

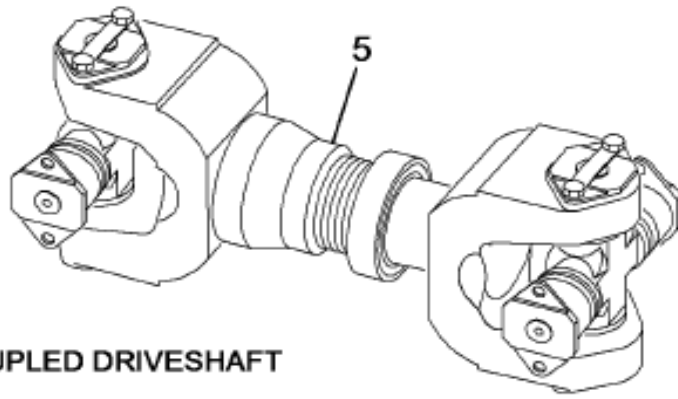


06-076-0020-01

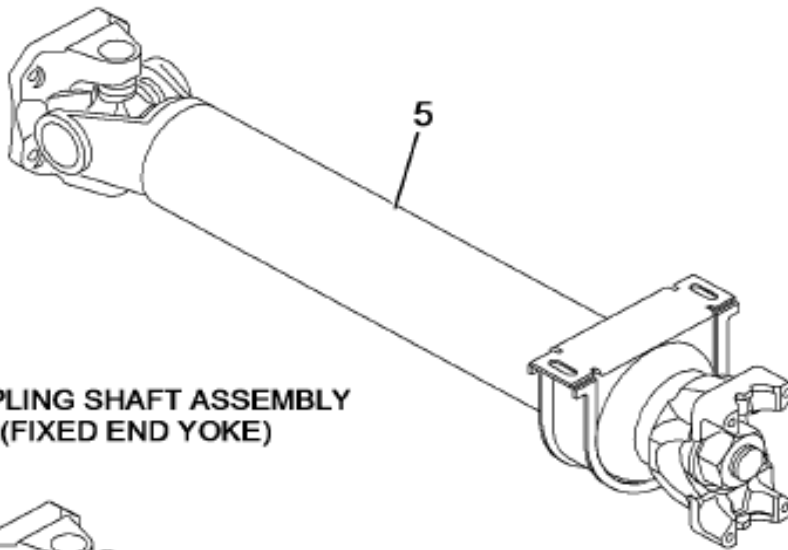
H06

Item	Part No.	Qty	Description	Kit	Var	Figure
1	3513118C1	2	RETAINER,U-JT BEARING SPL-170			
2	3513117C1	4	BOLT,SPL M12X25-10.9 BRG RET			
880		RF	NOTE: ASM BELOW COMPRISED OF ABOVE COMPONENTS			
881	3513127C91	RF	KIT,U-JT STRAP & BOLT SPL170			

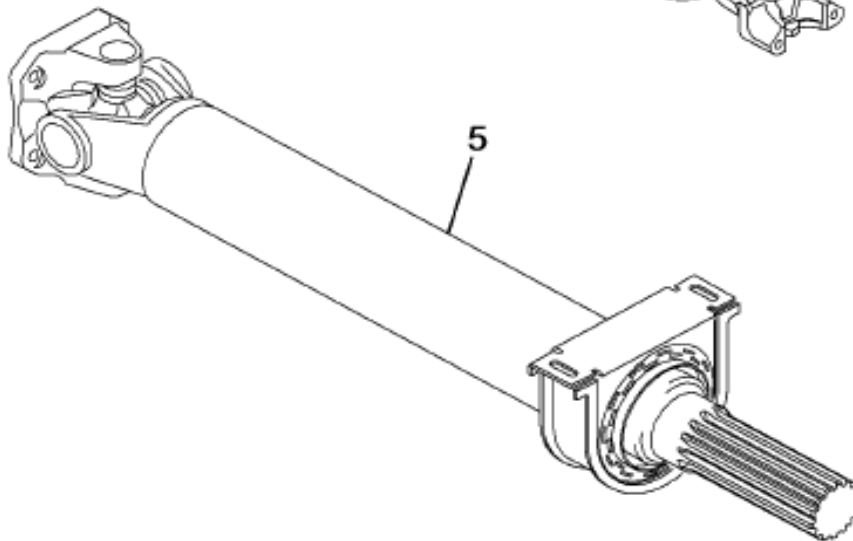
Figure 0FW9L
PROP SHAFT ASM;



SHORT COUPLED DRIVESHAFT



COUPLING SHAFT ASSEMBLY
(FIXED END YOKE)



COUPLING SHAFT ASSEMBLY
(REVERSE SLIP TYPE)

GR06

06-752-0001-AA

L09

Item	Part No.	Qty	Description	Kit	Var	Figure
5	414STH1600	1	PROP SHAFT		0FW9L	414STH1600
NON-ILLUSTRATED REFERENCE FIGURE 414STH1600						
	414STHXXXX	1	SHAFT,ASSY PROP SPL140 METRIC			414STHXXXX

Figure 414STHXXXX
SHAFT, ASSY PROP SPL140 METRIC

METRIC FABRICATION

PRODUCTION NUMBER FABRICATION ITEM	SUBTRACT FROM LAST 3 DIGITS SECTION 1A	SERVICE TUBE ASSEMBLY (METRIC) 1B	BULK TUBE NUMBER 1C	WELD COMPONENTS		
				YOKE OR STUB 1D	YOKE OR STUB 1E	SPECIAL NOTES

XxXX Reference on production number indicates AN UNKNOWN PRODUCTION LENGTH that is determined from your lineset ticket 10-digit code.

IMPORTANT: When the last 4 digits of your 10-digit production propeller shaft number are identified; subtract the value shown in the subtraction column from these four digits for the BULK TUBE CUT LENGTH in millimeters.

Figure 414STHXXXX
SHAFT, ASSY PROP SPL140 METRIC

METRIC COMPONENTS

PRODUCTION NUMBER ITEM	SLIP YOKE (2A)	U-JOINT KIT FRONT (2B)	U-JOINT KIT REAR (2C)	ADAPTER FRONT (2D)	ADAPTER REAR (2E)	NOTES
------------------------------	----------------------	------------------------------	-----------------------------	--------------------------	-------------------------	-------

GROUP 06

00-000-4826-01

K03

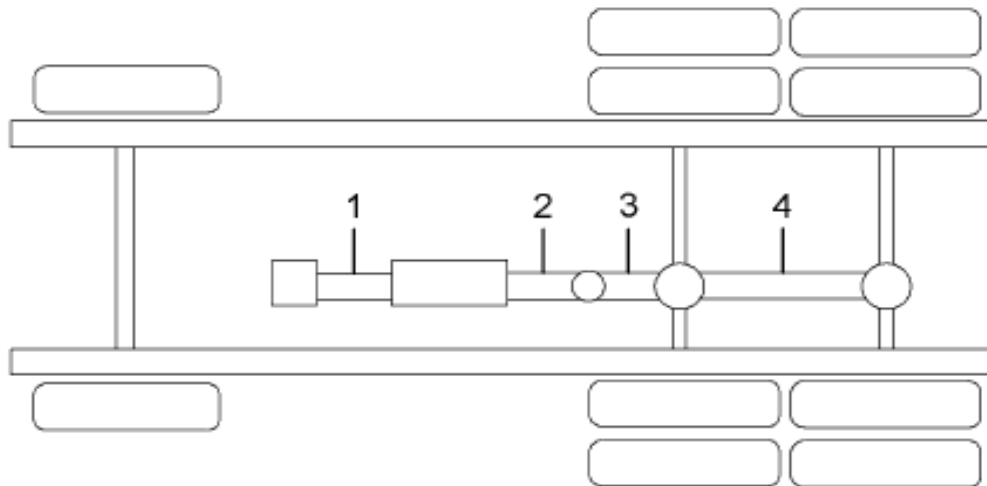
Figure 2 of 7

Figure 414STHXXXX
SHAFT, ASSY PROP SPL140 METRIC

EXPLANATION OF THE LOCATION OF PROPELLER SHAFTS AS SHOWN ON LINE SET TICKETS

The 10-digit code numbers are displayed on the Line Set Tickets which are attached to the sun visor and placed in the glove compartment of the truck, and are mailed to the selling dealer. When more than one propeller shaft is used on a truck, they are always listed in the same sequence on the Line Set Ticket as they are positioned on the truck (starting at the front and moving to the rear). Some Line Set Tickets show the position numbers of the propeller shafts.

For example, let's take a long wheelbase 9370 (6 x 4) with an auxiliary transmission. The shafts would be listed in this order: First the shaft from the main transmission to the auxiliary transmission; next, the shaft from the auxiliary transmission to the center bearing; then the shaft from the center bearing to the forward-rear axle; and last, the shaft from the forward-rear axle to the rear-rear axle.

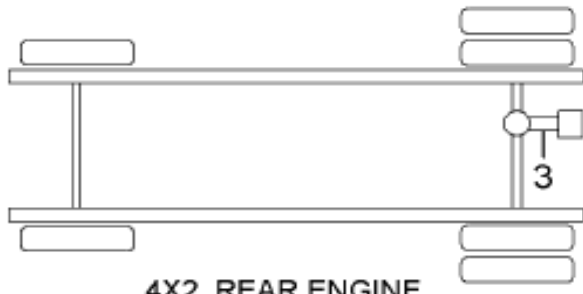


**6X4, W/AUXILIARY TRANSMISSION
 AND ONE CENTER BEARING**

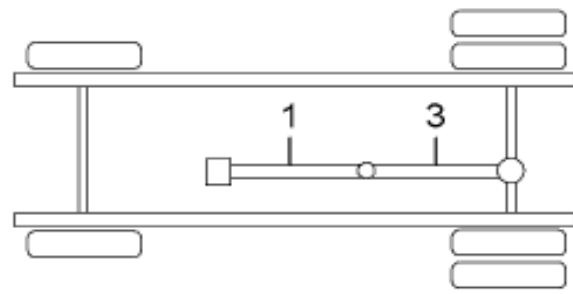
Exceptions to the procedure are: (1) Trucks with front driving axles (6 x 6 or 4 x 4). The shaft from the transfer case to the front axle is always listed last on Line Set Tickets for these trucks. (2) 1853FC and 3900FC models (forward-control school buses) with three center bearings list the third shaft last - the one between second and third center bearings - after the rear shaft.

This cross-reference can be used to determine the part numbers of the propeller tube assembly, slip yoke, and the U-joint kits without requiring any information other than the 10-digit code number of the production shafts as shown on the Line Set Ticket.

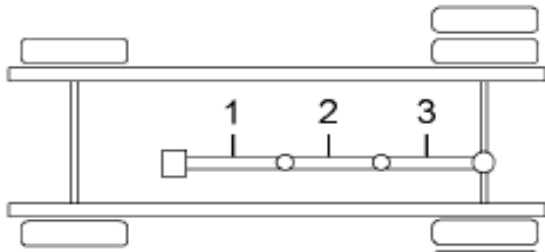
Figure 414STHXXX
SHAFT, ASSY PROP SPL140 METRIC



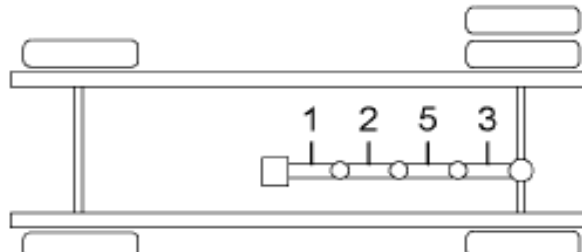
4X2, REAR ENGINE



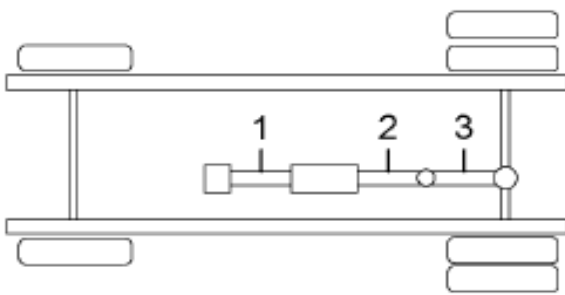
4X2, W/ ONE CENTER BEARING



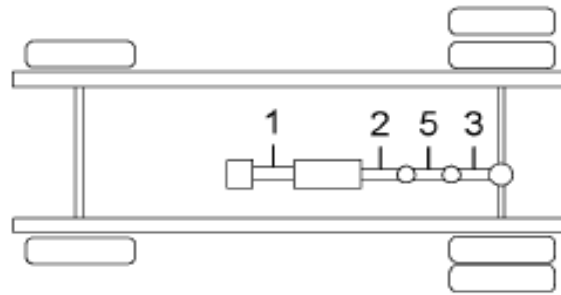
4X2, W/ TWO CENTER BEARINGS



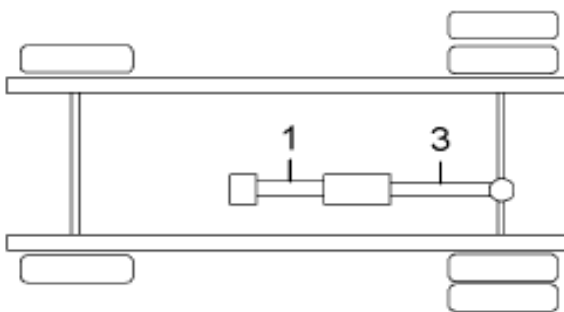
4X2, W/ THREE CENTER BEARINGS



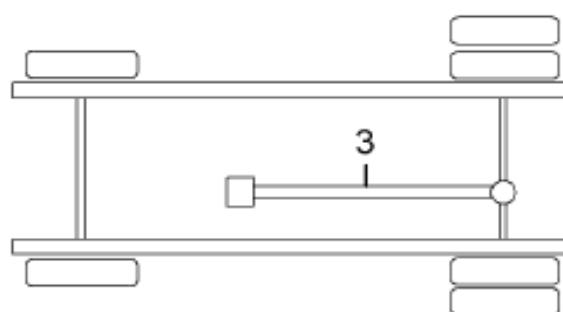
4X2, W/ AUXILIARY TRANSMISSION
AND ONE CENTER BEARING



4X2, W/ AUXILIARY TRANSMISSION
AND TWO CENTER BEARINGS



4X2, W/ AUXILIARY TRANSMISSION

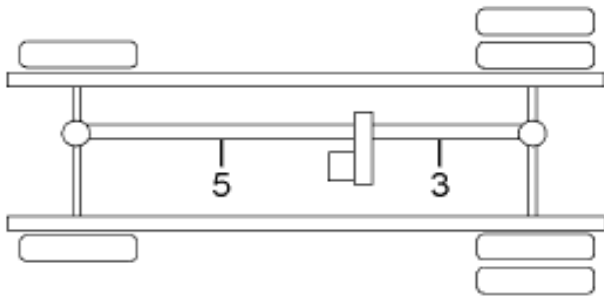


4X2, W/O CENTER BEARING

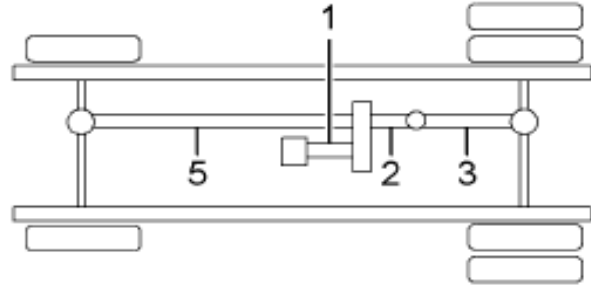
GROUP 6

Figure 4 of 7

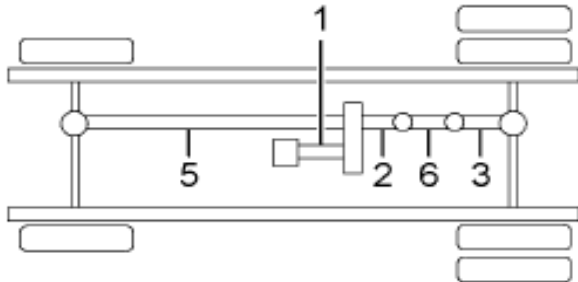
Figure 414STHXXXX
SHAFT, ASSY PROP SPL140 METRIC



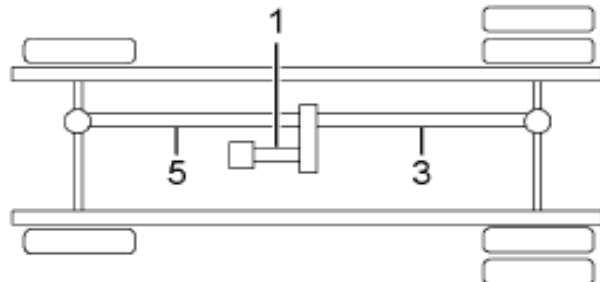
4X4, COMBINATION TRANSMISSION AND TRANSFER CASE



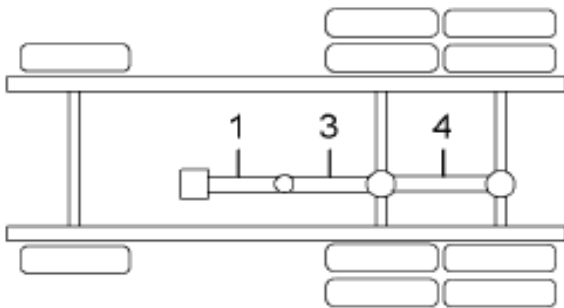
4X4, SEPERATE TRANSFER CASE AND ONE CENTER BEARING



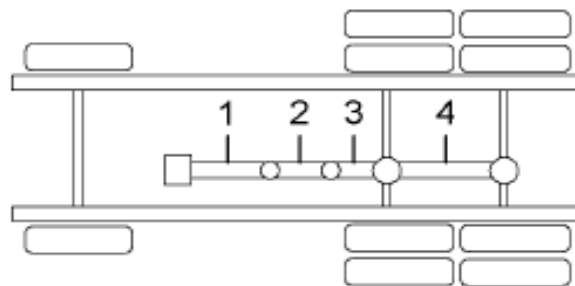
4X4, SEPERATE TRANSFER CASE AND TWO CENTER BEARINGS



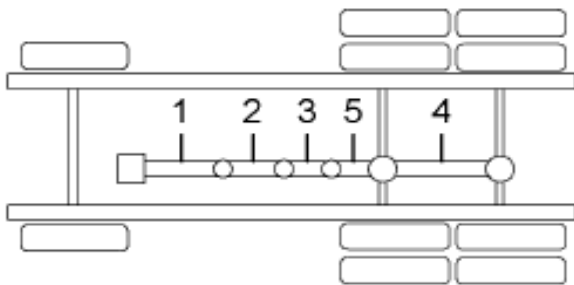
4X4, SEPERATE TRANSFER CASE W/O CENTER BEARING



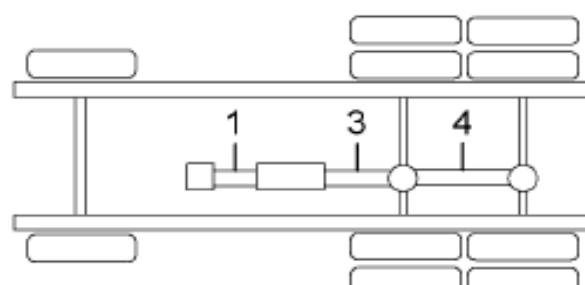
6X4, W/ONE CENTER BEARING



6X4, W/TWO CENTER BEARINGS

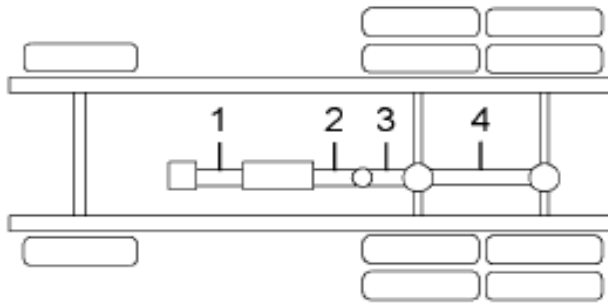


6X4, W/THREE CENTER BEARINGS

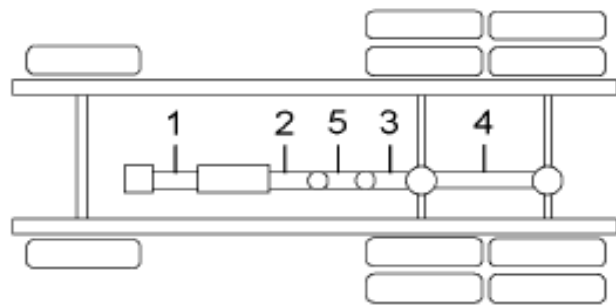


6X4, W/AUXILIARY TRANSMISSION

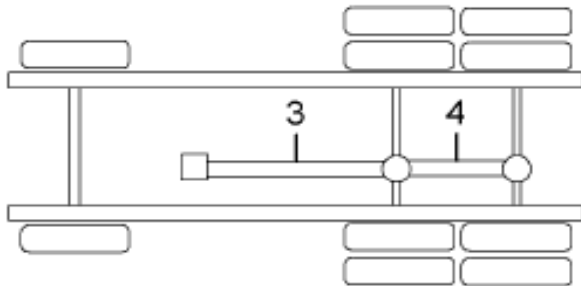
Figure 414STHXXX
SHAFT, ASSY PROP SPL140 METRIC



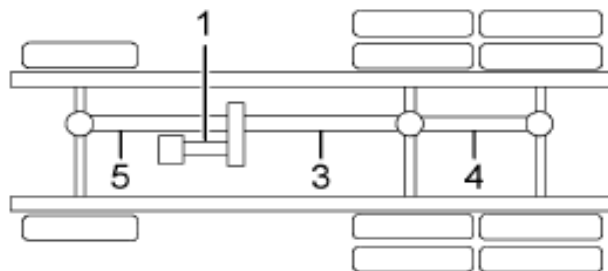
6X4, W/AUXILIARY TRANSMISSION
AND ONE CENTER BEARING



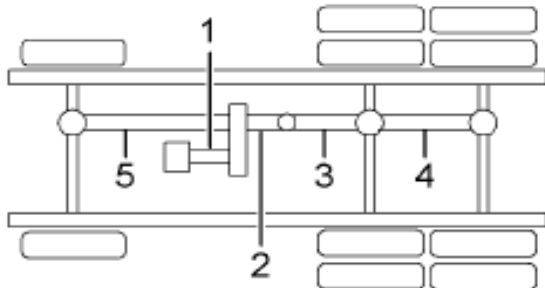
6X4, W/AUXILIARY TRANSMISSION
AND TWO CENTER BEARINGS



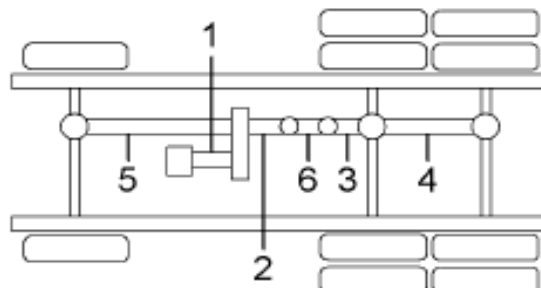
6X4, W/O CENTER BEARING



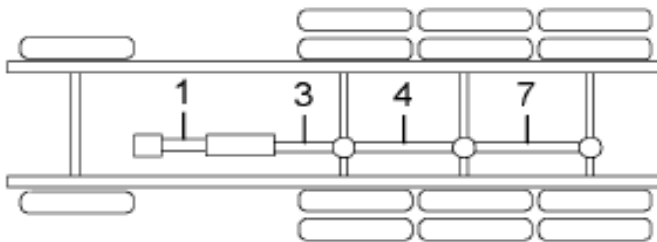
6X6, W/O CENTER BEARING



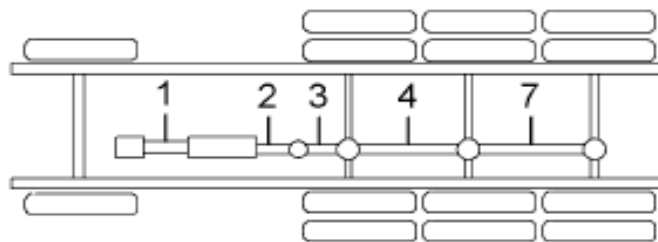
6X6, W/ONE CENTER BEARING



6X6, SEPARATE TRANSFER CASE
W/ TWO CENTER BEARINGS



8X6, W/ AUXILIARY TRANSMISSION

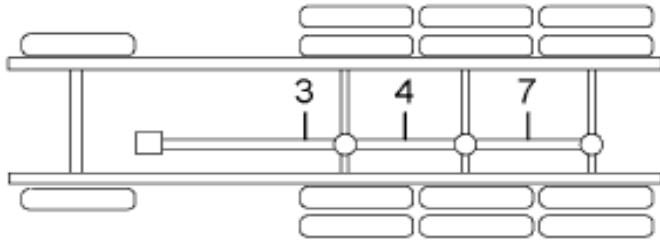


8X6, W/ AUXILIARY TRANSMISSION
AND ONE CENTER BEARING

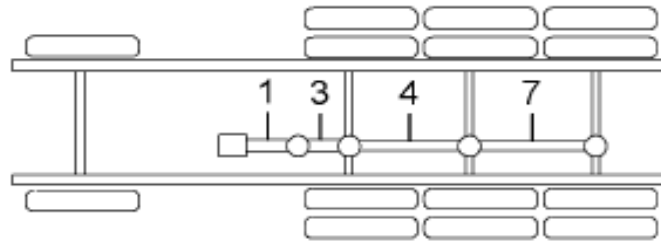
GROUP 6

Figure 6 of 7

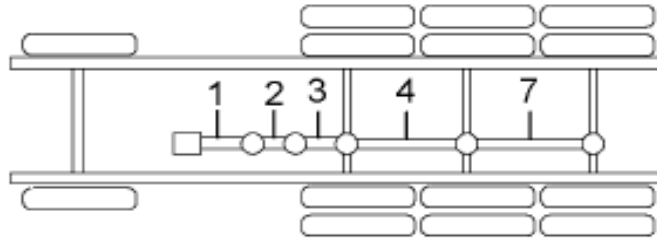
Figure 414STHXXX
SHAFT, ASSY PROP SPL140 METRIC



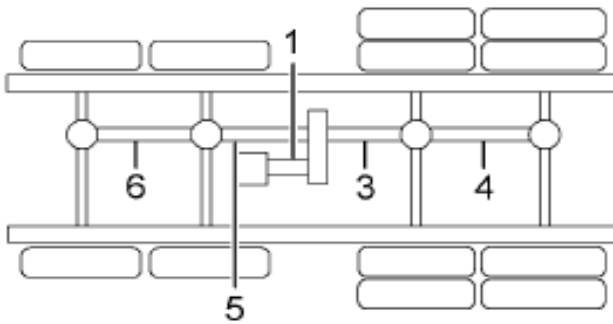
8X6, W/O CENTER BEARING



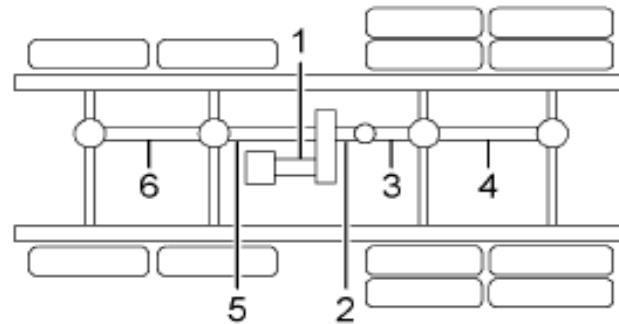
8X6, W/ ONE CENTER BEARING



8X6, W/ ONE CENTER BEARING



8X8, W/O CENTER BEARING



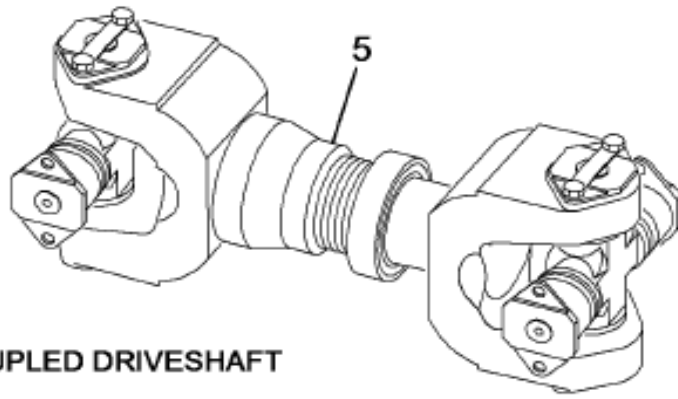
8X8, W/ONE CENTER BEARING

06-752-0002-05

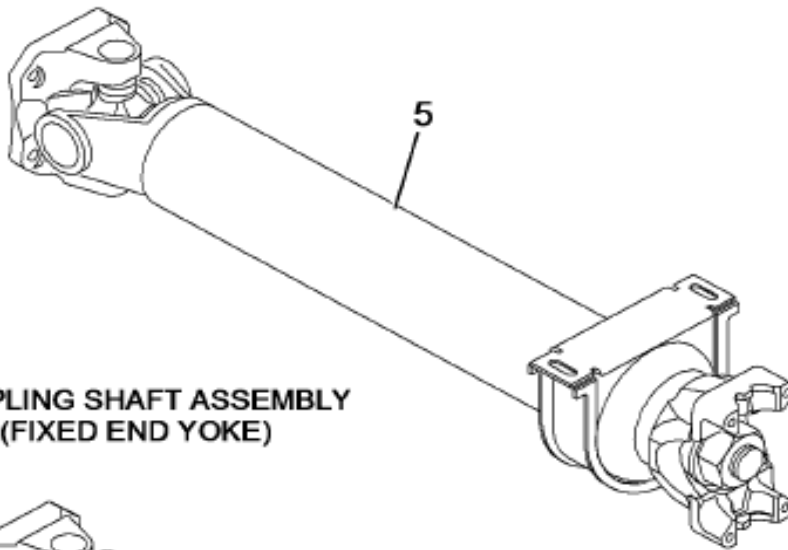
F06

Item	Part No.	Qty	Description	Kit	Var	Figure
1		RF	SEE SHEET 1 FOR FABRICATION			
1		RF	SEE SHEET 2 FOR COMPONENTS			
1		1	TUBE,ASM SVC WELDED SPL-140			
1	2500649C1	1	TUBE,WELDED BULK 4.2X.137X100			
1	2504885C1	1	YOKE,PROP TUBE WELD SPL-140			
1	2504888C1	1	END,SPLINED STUB SPL-140			

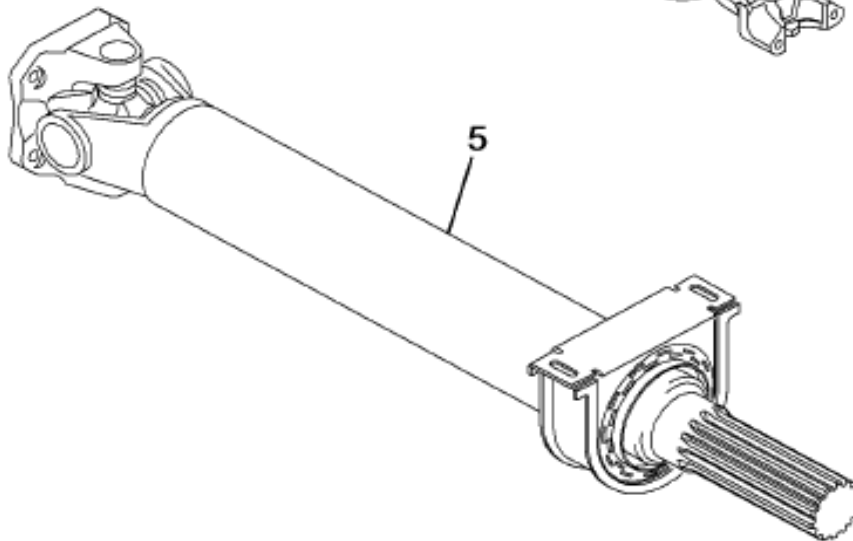
Figure 0FW9M
PROP SHAFT ASM;



SHORT COUPLED DRIVESHAFT



COUPLING SHAFT ASSEMBLY
(FIXED END YOKE)



COUPLING SHAFT ASSEMBLY
(REVERSE SLIP TYPE)

06-752-0001-AA

L09

Item	Part No.	Qty	Description	Kit	Var	Figure
5	414STH1615	1	PROP SHAFT		0FW9M	414STH1615
NON-ILLUSTRATED REFERENCE FIGURE 414STH1615						
	414STHXXXX	1	SHAFT,ASSY PROP SPL140 METRIC			414STHXXXX

Figure 414STHXXXX
SHAFT, ASSY PROP SPL140 METRIC

METRIC FABRICATION

PRODUCTION NUMBER FABRICATION ITEM	SUBTRACT FROM LAST 3 DIGITS SECTION (1A)	SERVICE TUBE ASSEMBLY (METRIC) (1B)	BULK TUBE NUMBER (1C)	WELD COMPONENTS		
				YOKE OR STUB (1D)	YOKE OR STUB (1E)	SPECIAL NOTES

XxXX Reference on production number indicates AN UNKNOWN PRODUCTION LENGTH that is determined from your lineset ticket 10-digit code.

IMPORTANT: When the last 4 digits of your 10-digit production propeller shaft number are identified; subtract the value shown in the subtraction column from these four digits for the BULK TUBE CUT LENGTH in millimeters.

Figure 414STHXXX
SHAFT, ASSY PROP SPL140 METRIC

METRIC COMPONENTS

PRODUCTION NUMBER ITEM	SLIP YOKE (2A)	U-JOINT KIT FRONT (2B)	U-JOINT KIT REAR (2C)	ADAPTER FRONT (2D)	ADAPTER REAR (2E)	NOTES
------------------------------	----------------------	------------------------------	-----------------------------	--------------------------	-------------------------	-------

00-000-4826-01

K03

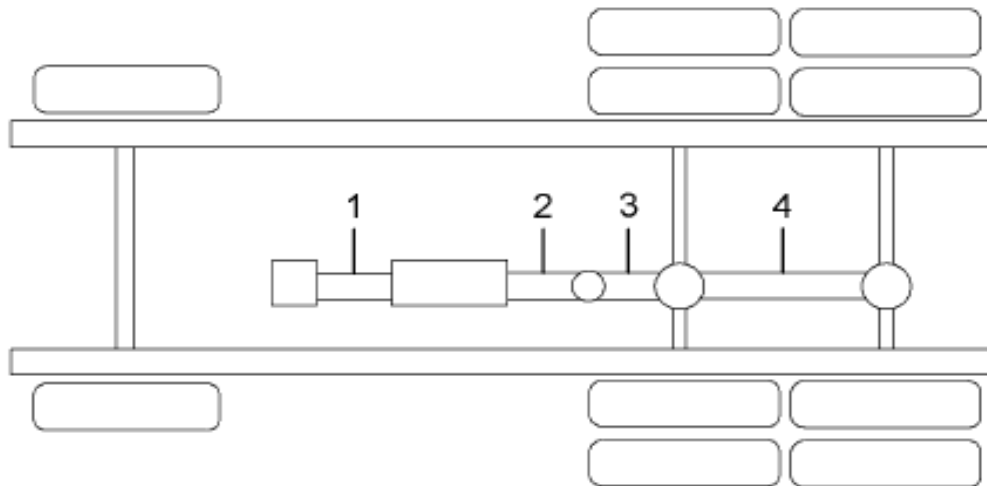
Figure 2 of 7

Figure 414STHXXXX
SHAFT, ASSY PROP SPL140 METRIC

EXPLANATION OF THE LOCATION OF PROPELLER SHAFTS AS SHOWN ON LINE SET TICKETS

The 10-digit code numbers are displayed on the Line Set Tickets which are attached to the sun visor and placed in the glove compartment of the truck, and are mailed to the selling dealer. When more than one propeller shaft is used on a truck, they are always listed in the same sequence on the Line Set Ticket as they are positioned on the truck (starting at the front and moving to the rear). Some Line Set Tickets show the position numbers of the propeller shafts.

For example, let's take a long wheelbase 9370 (6 x 4) with an auxiliary transmission. The shafts would be listed in this order: First the shaft from the main transmission to the auxiliary transmission; next, the shaft from the auxiliary transmission to the center bearing; then the shaft from the center bearing to the forward-rear axle; and last, the shaft from the forward-rear axle to the rear-rear axle.

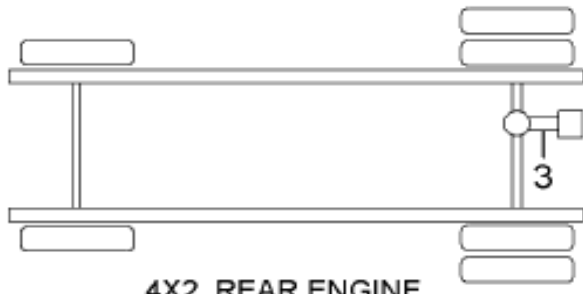


**6X4, W/AUXILIARY TRANSMISSION
 AND ONE CENTER BEARING**

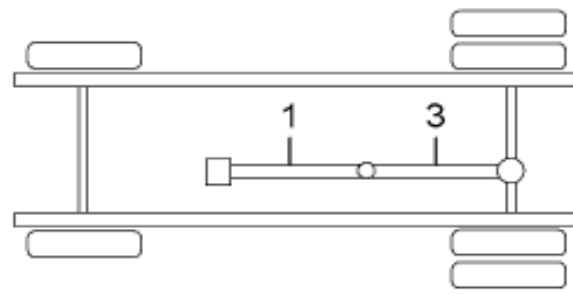
Exceptions to the procedure are: (1) Trucks with front driving axles (6 x 6 or 4 x 4). The shaft from the transfer case to the front axle is always listed last on Line Set Tickets for these trucks. (2) 1853FC and 3900FC models (forward-control school buses) with three center bearings list the third shaft last - the one between second and third center bearings - after the rear shaft.

This cross-reference can be used to determine the part numbers of the propeller tube assembly, slip yoke, and the U-joint kits without requiring any information other than the 10-digit code number of the production shafts as shown on the Line Set Ticket.

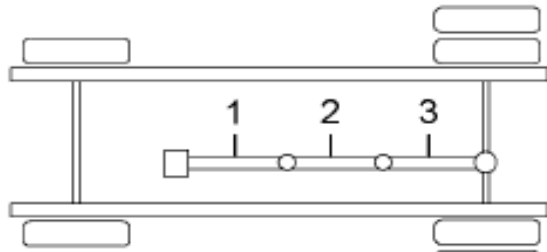
Figure 414STHXXX
SHAFT, ASSY PROP SPL140 METRIC



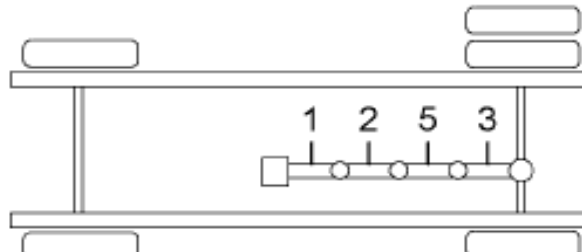
4X2, REAR ENGINE



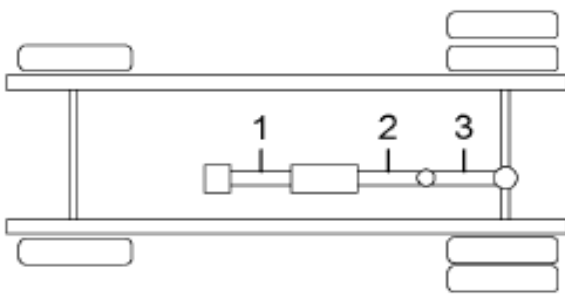
4X2, W/ ONE CENTER BEARING



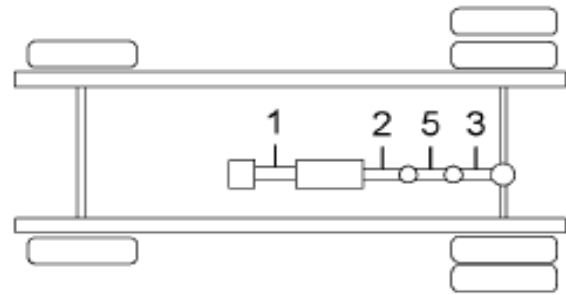
4X2, W/ TWO CENTER BEARINGS



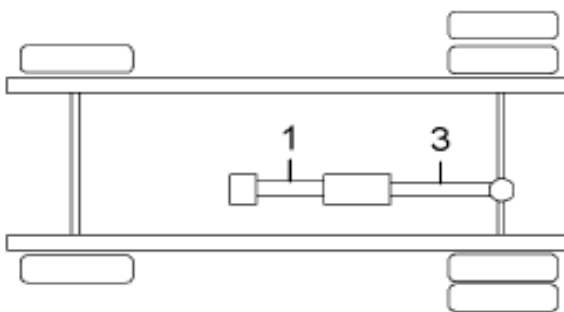
4X2, W/ THREE CENTER BEARINGS



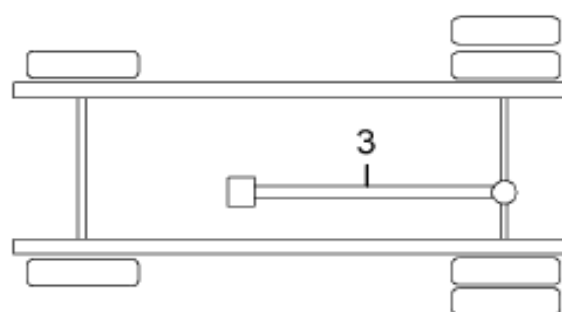
4X2, W/ AUXILIARY TRANSMISSION
AND ONE CENTER BEARING



4X2, W/ AUXILIARY TRANSMISSION
AND TWO CENTER BEARINGS



4X2, W/ AUXILIARY TRANSMISSION



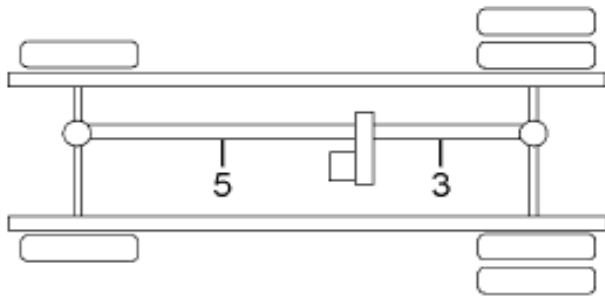
4X2, W/O CENTER BEARING

06-752-0002-02

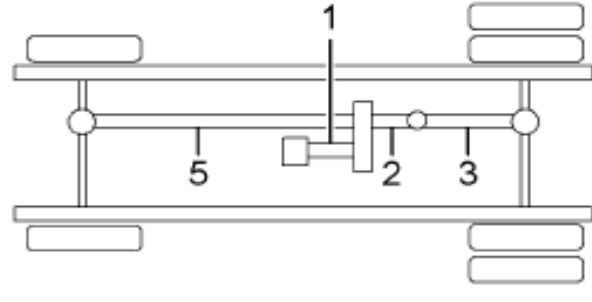
C05

Figure 4 of 7

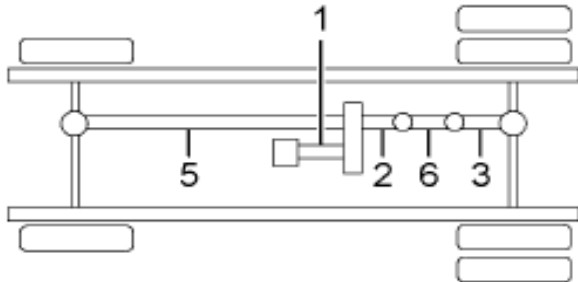
Figure 414STHXXXX
SHAFT, ASSY PROP SPL140 METRIC



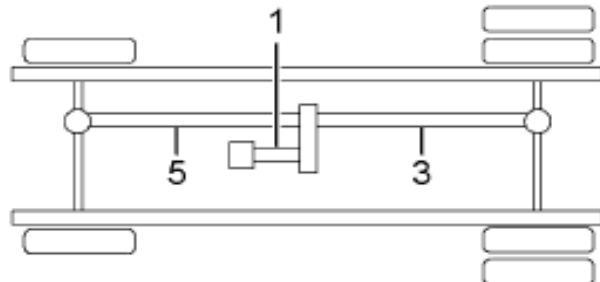
4X4, COMBINATION TRANSMISSION AND TRANSFER CASE



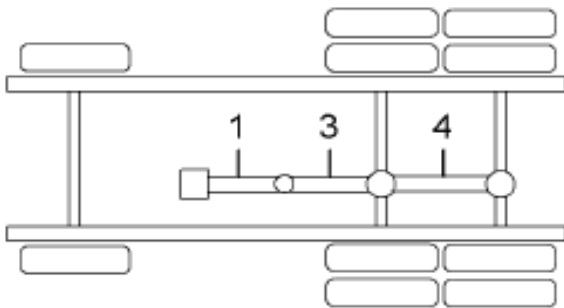
4X4, SEPERATE TRANSFER CASE AND ONE CENTER BEARING



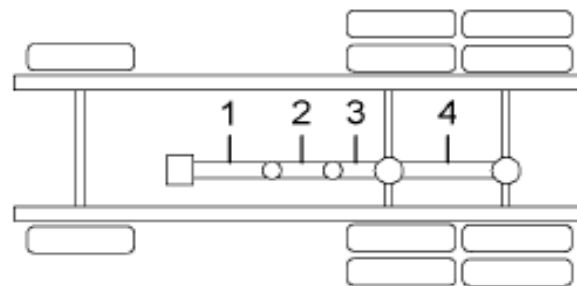
4X4, SEPERATE TRANSFER CASE AND TWO CENTER BEARINGS



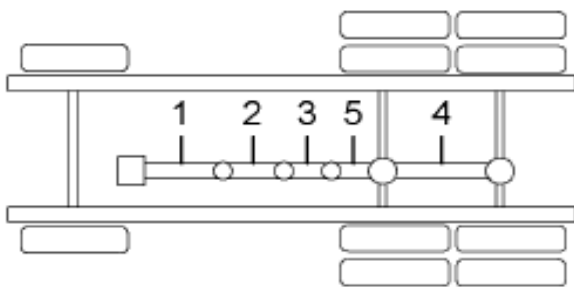
4X4, SEPERATE TRANSFER CASE W/O CENTER BEARING



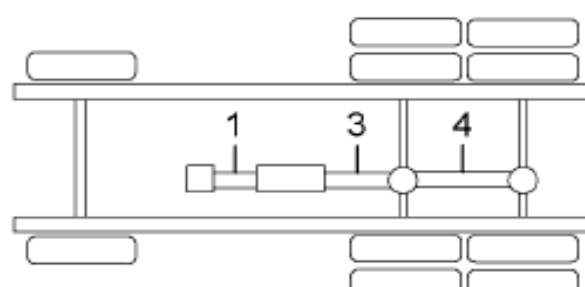
6X4, W/ONE CENTER BEARING



6X4, W/TWO CENTER BEARINGS



6X4, W/THREE CENTER BEARINGS

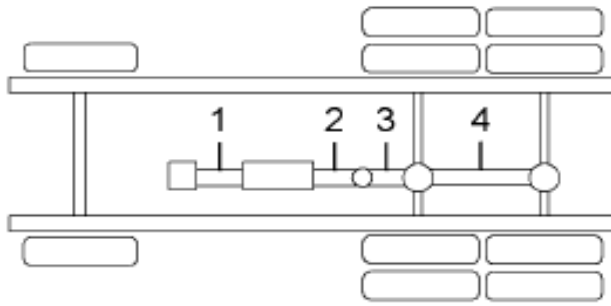


6X4, W/AUXILIARY TRANSMISSION

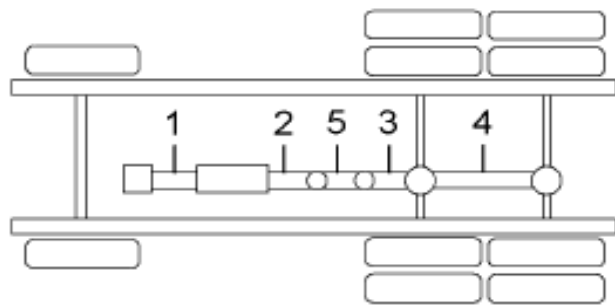
GROUP 6

Figure 5 of 7

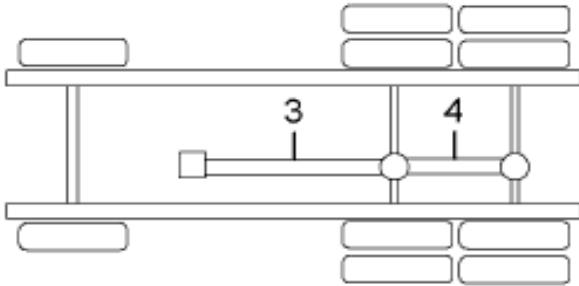
Figure 414STHXXX
SHAFT, ASSY PROP SPL140 METRIC



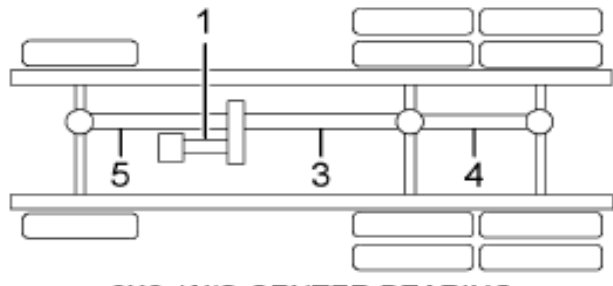
6X4, W/AUXILIARY TRANSMISSION
AND ONE CENTER BEARING



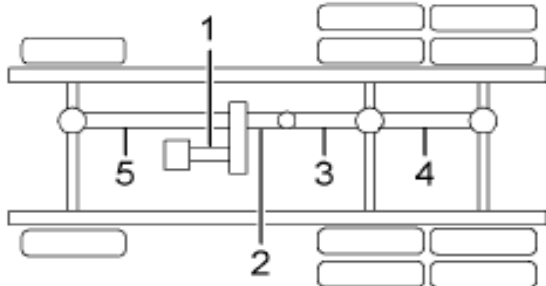
6X4, W/AUXILIARY TRANSMISSION
AND TWO CENTER BEARINGS



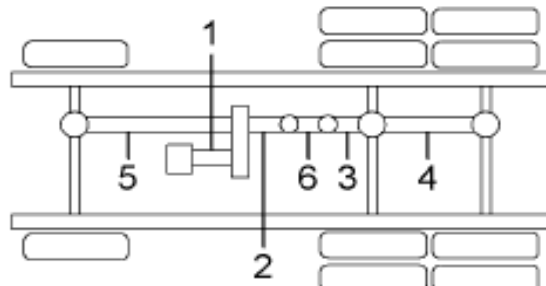
6X4, W/O CENTER BEARING



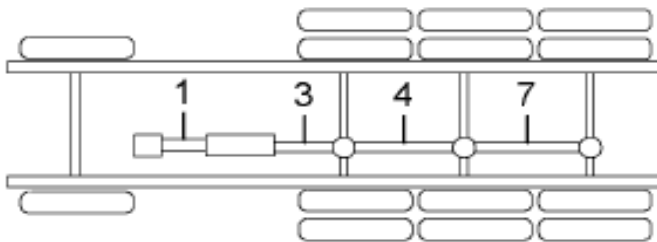
6X6, W/O CENTER BEARING



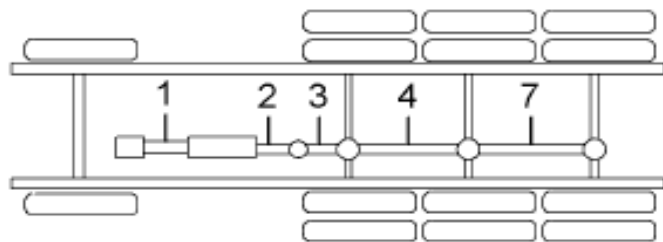
6X6, W/ONE CENTER BEARING



6X6, SEPARATE TRANSFER CASE
W/ TWO CENTER BEARINGS

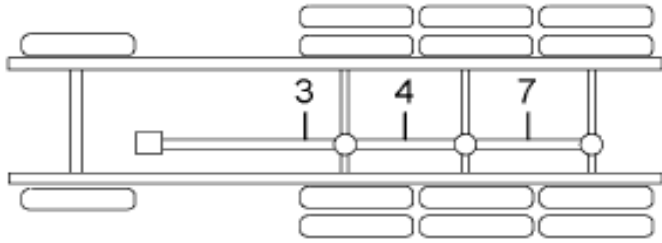


8X6, W/ AUXILIARY TRANSMISSION

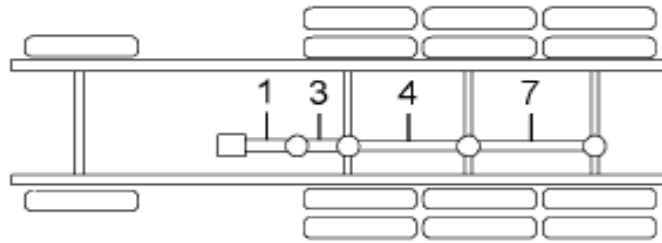


8X6, W/ AUXILIARY TRANSMISSION
AND ONE CENTER BEARING

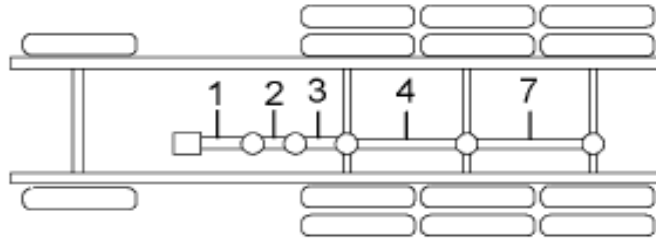
Figure 414STHXXX
SHAFT, ASSY PROP SPL140 METRIC



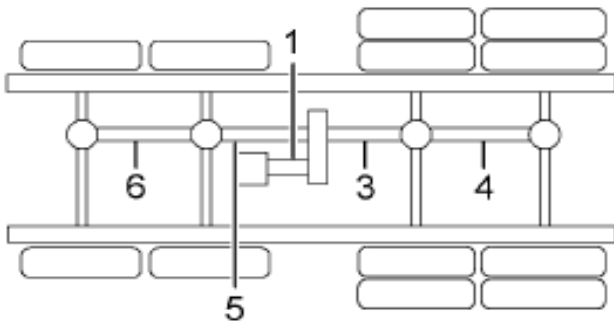
8X6, W/O CENTER BEARING



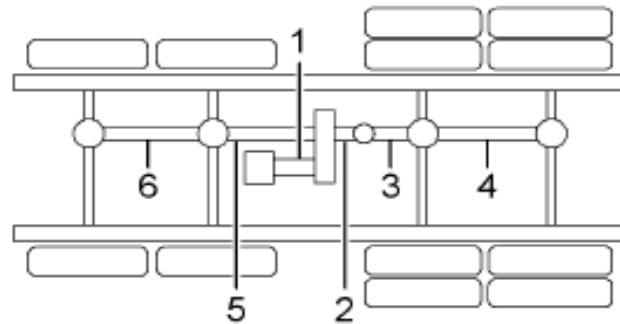
8X6, W/ ONE CENTER BEARING



8X6, W/ ONE CENTER BEARING



8X8, W/O CENTER BEARING



8X8, W/ONE CENTER BEARING

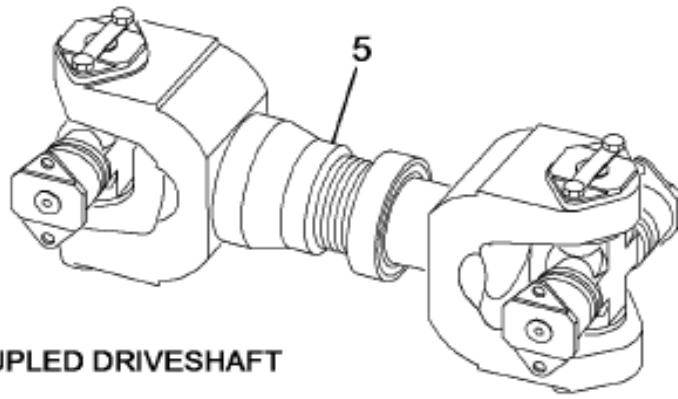
GRP
06

06-752-0002-05

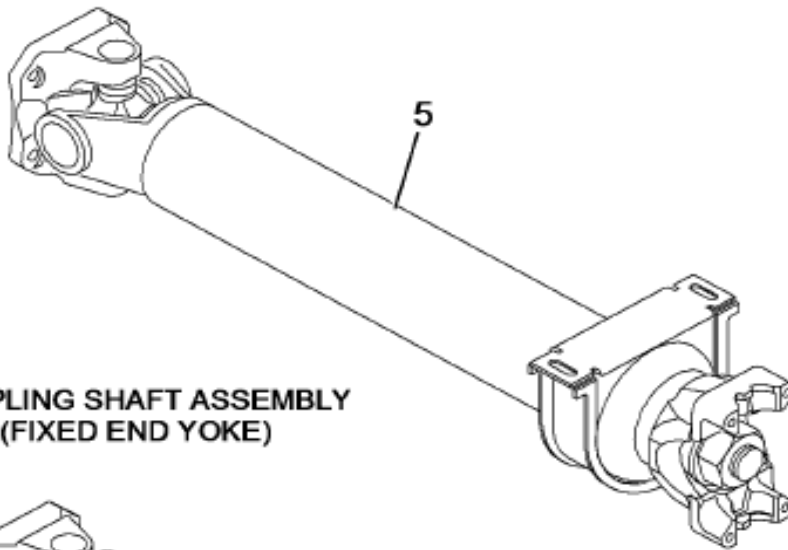
F06

Item	Part No.	Qty	Description	Kit	Var	Figure
1		RF	SEE SHEET 1 FOR FABRICATION			
1		RF	SEE SHEET 2 FOR COMPONENTS			
1		1	TUBE,ASM SVC WELDED SPL-140			
1	2500649C1	1	TUBE,WELDED BULK 4.2X.137X100			
1	2504885C1	1	YOKE,PROP TUBE WELD SPL-140			
1	2504888C1	1	END,SPLINED STUB SPL-140			

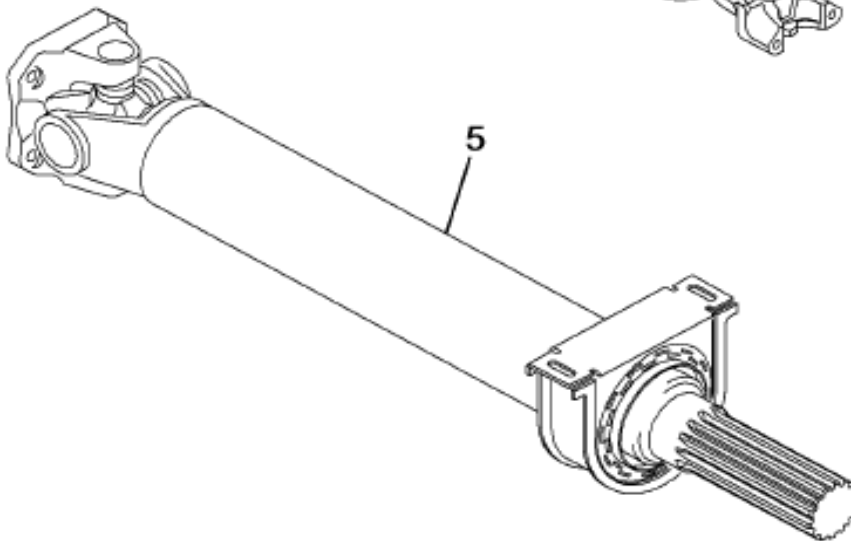
Figure 0KCGJ
PROP SHAFT ASM;



SHORT COUPLED DRIVESHAFT



COUPLING SHAFT ASSEMBLY
(FIXED END YOKE)



COUPLING SHAFT ASSEMBLY
(REVERSE SLIP TYPE)

GR
06

06-752-0001-AA

L09

Item	Part No.	Qty	Description	Kit	Var	Figure
5	417LTP0590	1	PROP SHAFT		0KCGJ	417LTP0590
NON-ILLUSTRATED REFERENCE FIGURE 417LTP0590						
	417LTPXXXX	1	SHAFT,ASSY PROP SPL170 METRIC			417LTPXXXX

Figure 417LTPXXXX
SHAFT, ASSY PROP SPL170 METRIC

METRIC FABRICATION

PRODUCTION NUMBER FABRICATION ITEM	SUBTRACT FROM LAST 3 DIGITS SECTION 1A	SERVICE TUBE ASSEMBLY (METRIC) 1B	BULK TUBE NUMBER 1C	WELD COMPONENTS		
				YOKE OR STUB 1D	YOKE OR STUB 1E	SPECIAL NOTES

XxXX Reference on production number indicates AN UNKNOWN PRODUCTION LENGTH that is determined from your lineset ticket 10-digit code.

IMPORTANT: When the last 4 digits of your 10-digit production propeller shaft number are identified; subtract the value shown in the subtraction column from these four digits for the BULK TUBE CUT LENGTH in millimeters.

Figure 417LTPXXXX
SHAFT, ASSY PROP SPL170 METRIC

METRIC COMPONENTS

PRODUCTION NUMBER ITEM	SLIP YOKE (2A)	U-JOINT KIT FRONT (2B)	U-JOINT KIT REAR (2C)	ADAPTER FRONT (2D)	ADAPTER REAR (2E)	NOTES
------------------------------	----------------------	------------------------------	-----------------------------	--------------------------	-------------------------	-------

GROUP 06

00-000-4826-01

K03

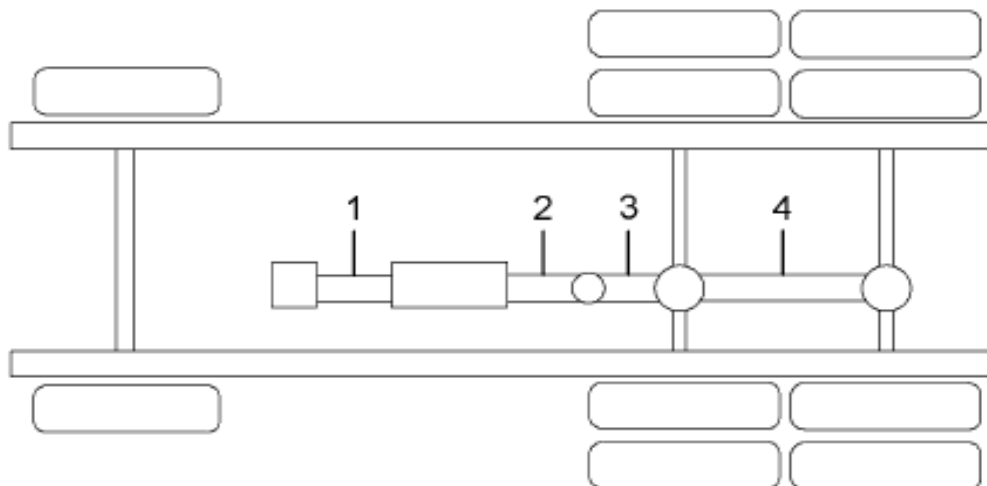
Figure 2 of 7

Figure 417LTPXXXX
SHAFT, ASSY PROP SPL170 METRIC

EXPLANATION OF THE LOCATION OF PROPELLER SHAFTS AS SHOWN ON LINE SET TICKETS

The 10-digit code numbers are displayed on the Line Set Tickets which are attached to the sun visor and placed in the glove compartment of the truck, and are mailed to the selling dealer. When more than one propeller shaft is used on a truck, they are always listed in the same sequence on the Line Set Ticket as they are positioned on the truck (starting at the front and moving to the rear). Some Line Set Tickets show the position numbers of the propeller shafts.

For example, let's take a long wheelbase 9370 (6 x 4) with an auxiliary transmission. The shafts would be listed in this order: First the shaft from the main transmission to the auxiliary transmission; next, the shaft from the auxiliary transmission to the center bearing; then the shaft from the center bearing to the forward-rear axle; and last, the shaft from the forward-rear axle to the rear-rear axle.

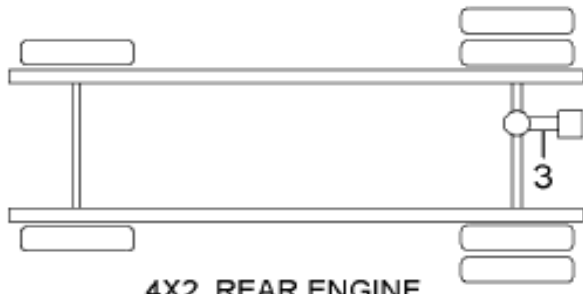


**6X4, W/AUXILIARY TRANSMISSION
 AND ONE CENTER BEARING**

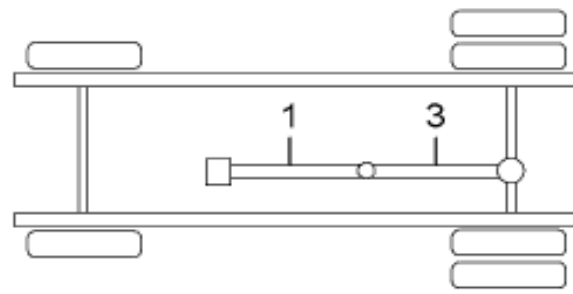
Exceptions to the procedure are: (1) Trucks with front driving axles (6 x 6 or 4 x 4). The shaft from the transfer case to the front axle is always listed last on Line Set Tickets for these trucks. (2) 1853FC and 3900FC models (forward-control school buses) with three center bearings list the third shaft last - the one between second and third center bearings - after the rear shaft.

This cross-reference can be used to determine the part numbers of the propeller tube assembly, slip yoke, and the U-joint kits without requiring any information other than the 10-digit code number of the production shafts as shown on the Line Set Ticket.

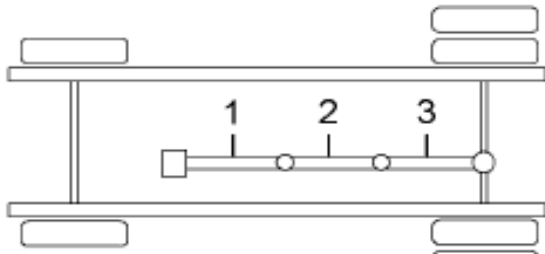
Figure 417LTPXXXX
SHAFT, ASSY PROP SPL170 METRIC



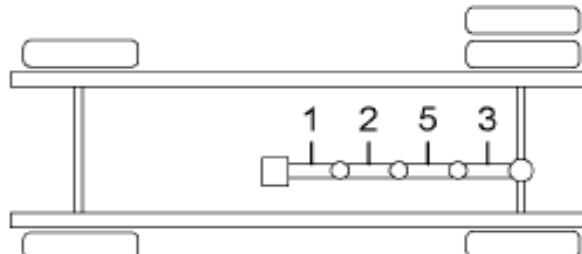
4X2, REAR ENGINE



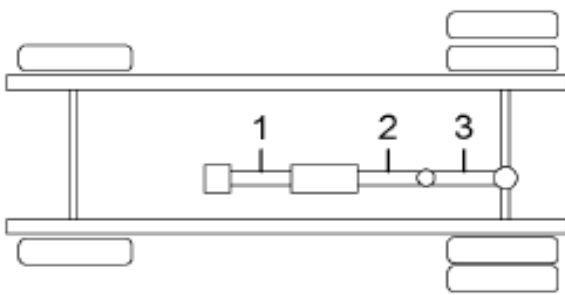
4X2, W/ ONE CENTER BEARING



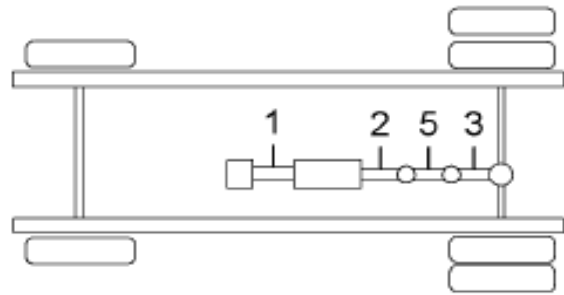
4X2, W/ TWO CENTER BEARINGS



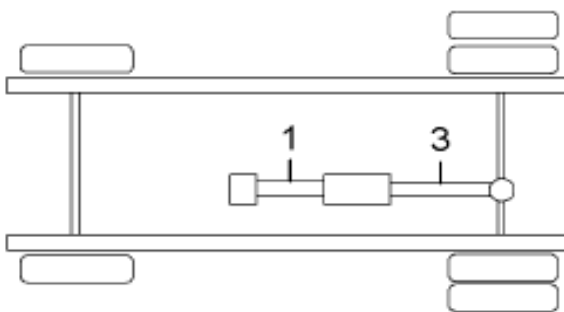
4X2, W/ THREE CENTER BEARINGS



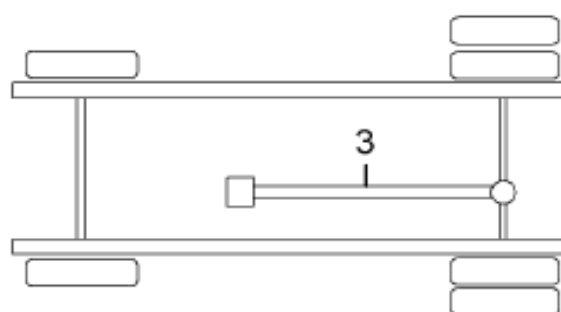
4X2, W/ AUXILIARY TRANSMISSION
AND ONE CENTER BEARING



4X2, W/ AUXILIARY TRANSMISSION
AND TWO CENTER BEARINGS



4X2, W/ AUXILIARY TRANSMISSION

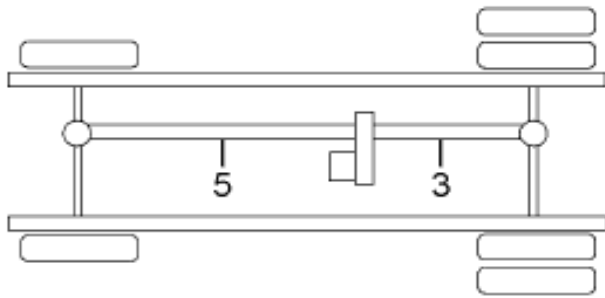


4X2, W/O CENTER BEARING

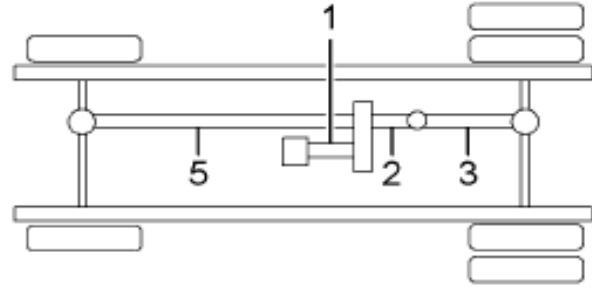
GROUP 6

Figure 4 of 7

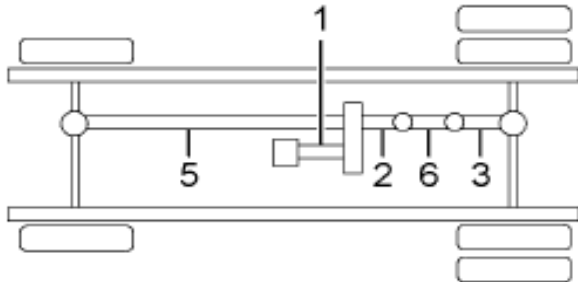
Figure 417LTPXXXX
SHAFT, ASSY PROP SPL170 METRIC



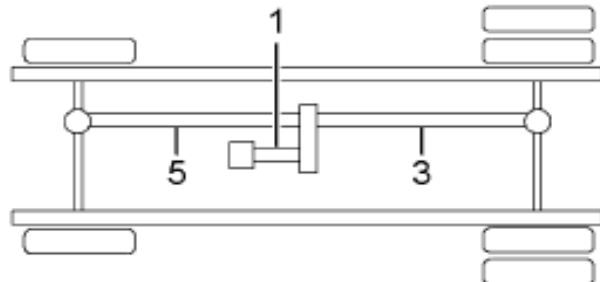
4X4, COMBINATION TRANSMISSION AND TRANSFER CASE



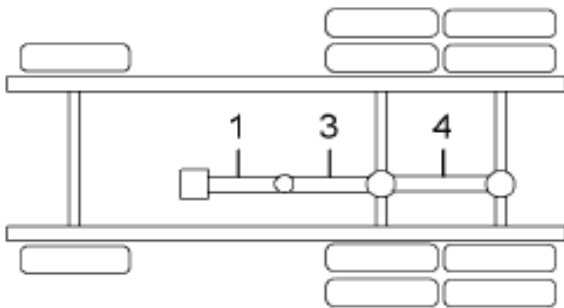
4X4, SEPERATE TRANSFER CASE AND ONE CENTER BEARING



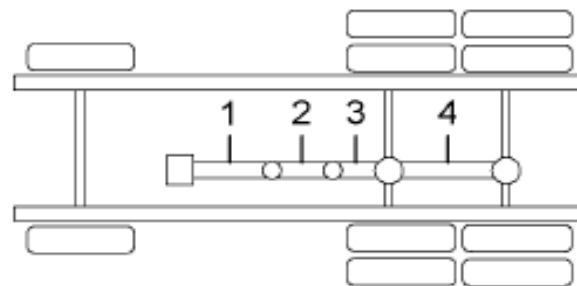
4X4, SEPERATE TRANSFER CASE AND TWO CENTER BEARINGS



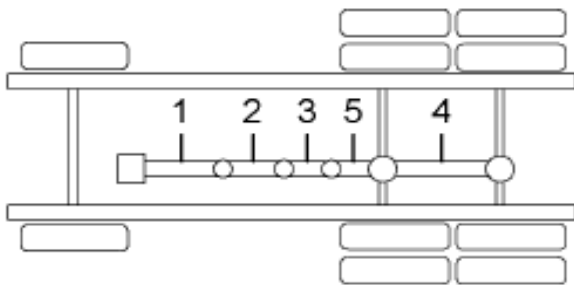
4X4, SEPERATE TRANSFER CASE W/O CENTER BEARING



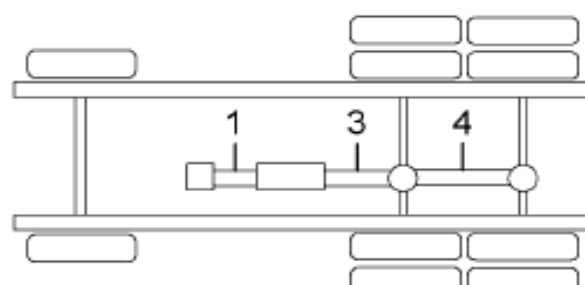
6X4, W/ONE CENTER BEARING



6X4, W/TWO CENTER BEARINGS

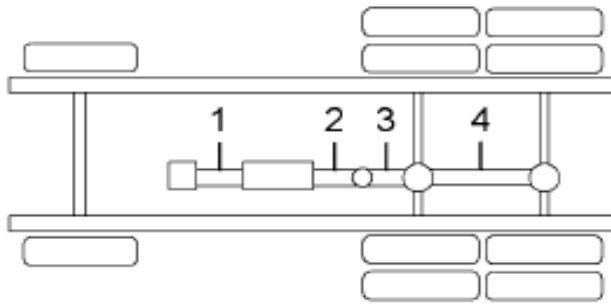


6X4, W/THREE CENTER BEARINGS

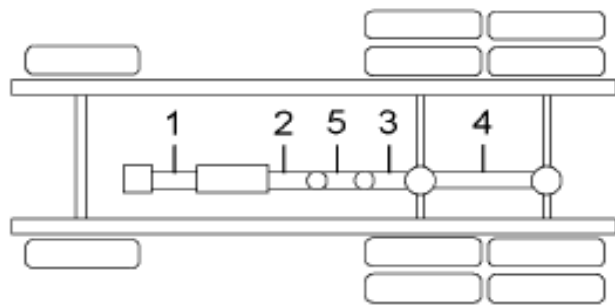


6X4, W/AUXILIARY TRANSMISSION

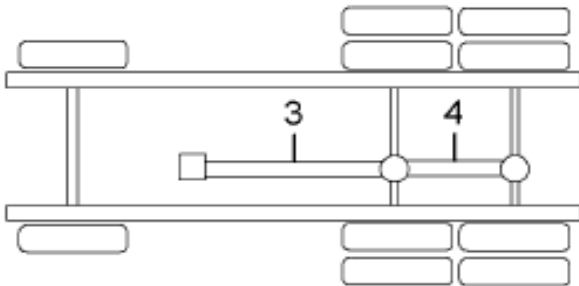
Figure 417LTPXXXX
SHAFT, ASSY PROP SPL170 METRIC



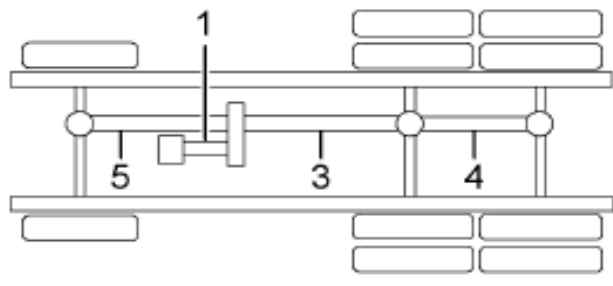
6X4, W/AUXILIARY TRANSMISSION
AND ONE CENTER BEARING



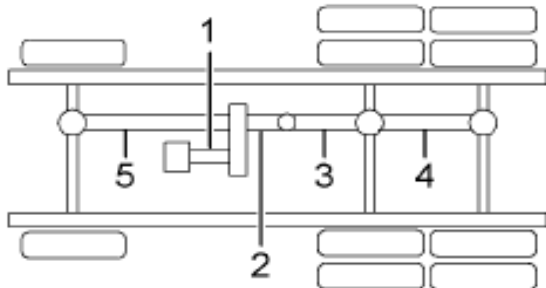
6X4, W/AUXILIARY TRANSMISSION
AND TWO CENTER BEARINGS



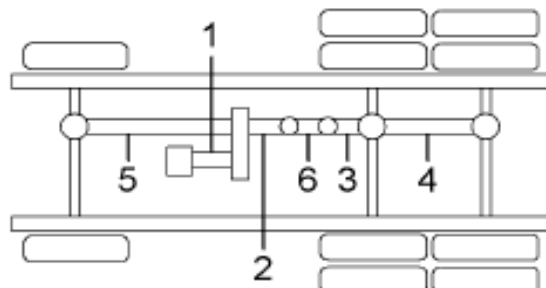
6X4, W/O CENTER BEARING



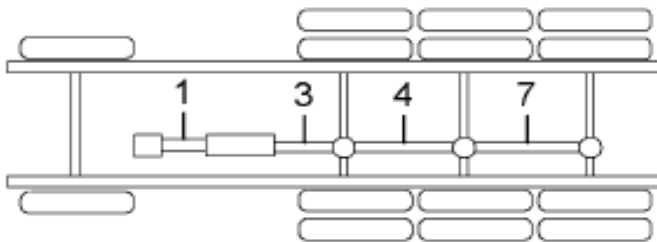
6X6, W/O CENTER BEARING



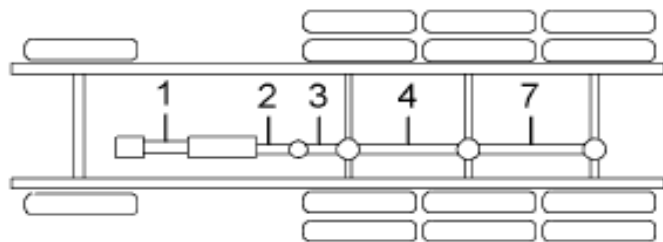
6X6, W/ONE CENTER BEARING



6X6, SEPARATE TRANSFER CASE
W/ TWO CENTER BEARINGS



8X6, W/ AUXILIARY TRANSMISSION

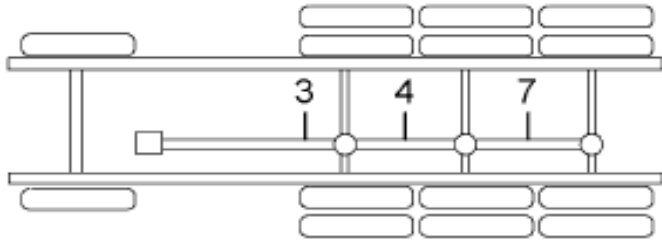


8X6, W/ AUXILIARY TRANSMISSION
AND ONE CENTER BEARING

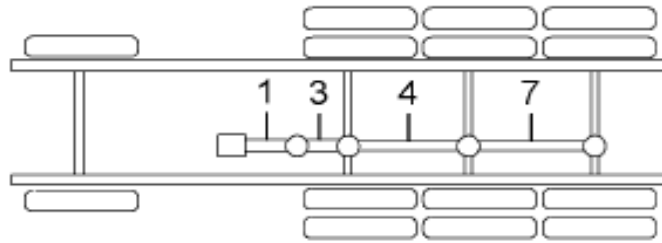
GROUP 6

Figure 6 of 7

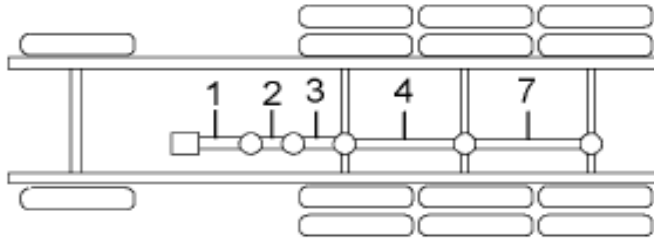
Figure 417LTPXXXX
SHAFT, ASSY PROP SPL170 METRIC



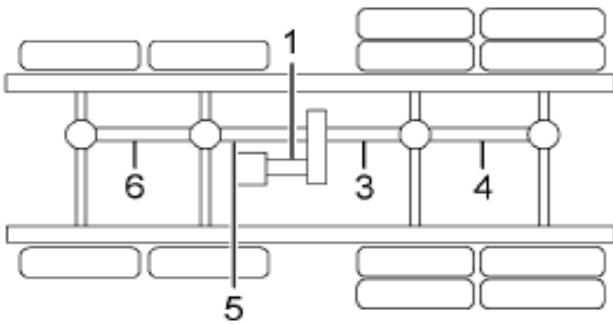
8X6, W/O CENTER BEARING



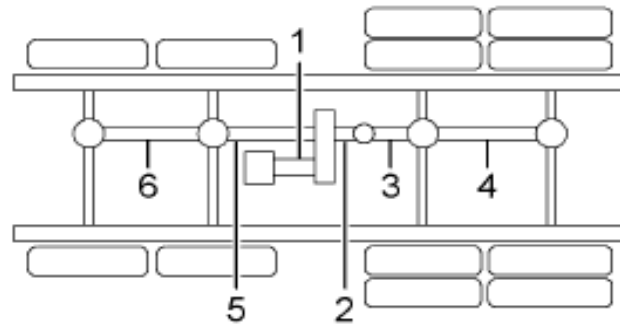
8X6, W/ ONE CENTER BEARING



8X6, W/ ONE CENTER BEARING



8X8, W/O CENTER BEARING



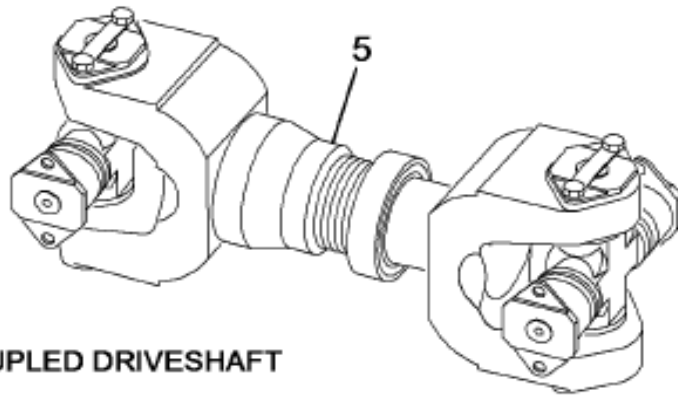
8X8, W/ONE CENTER BEARING

06-752-0002-05

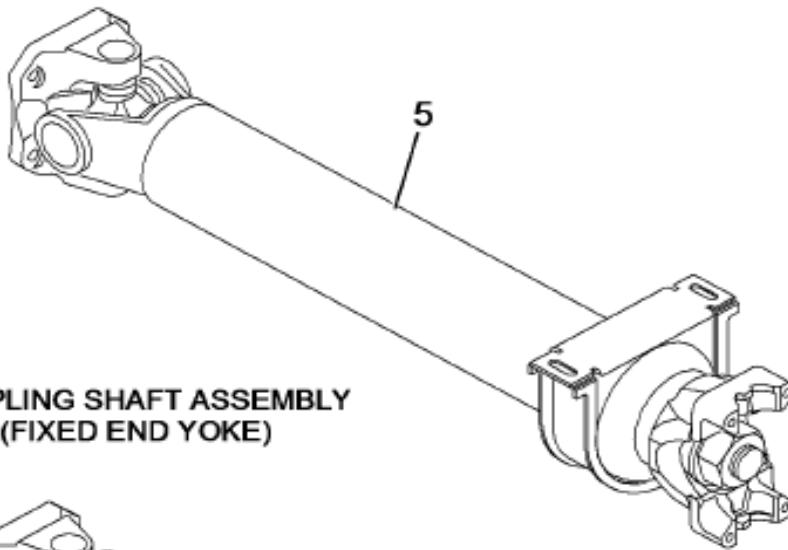
F06

Item	Part No.	Qty	Description	Kit	Var	Figure
1		RF	SEE SHEET 1 FOR FABRICATION			
1		RF	SEE SHEET 2 FOR COMPONENTS			
1	2500657C1	1	YOKE, PROP TUBE WELD SPL-170			
1	2500650C1	1	TUBE, WELDED BULK 4.72X.20X100			
1	2500660C1	1	END, SPLINED STUB SPL-170			
2	2500662C91	1	SHAFT, YOKE SPL-170			

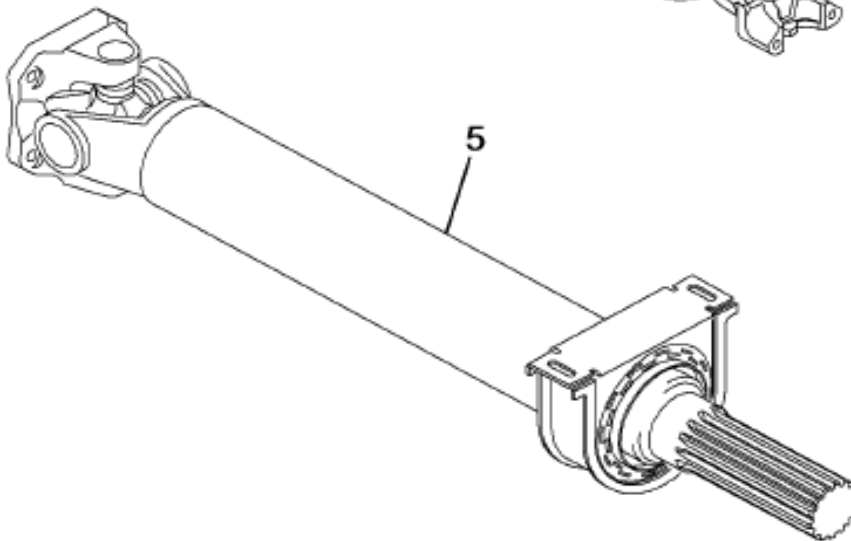
Figure 01XNV
PROP SHAFT ASM; 1710 SERIES



SHORT COUPLED DRIVESHAFT



COUPLING SHAFT ASSEMBLY
(FIXED END YOKE)



COUPLING SHAFT ASSEMBLY
(REVERSE SLIP TYPE)

06-752-0001-AA

L09

Item	Part No.	Qty	Description	Kit	Var	Figure
5	270DYA1128	1	PROP SHAFT		01XNV	270DYA1128

Figure 270DYA1128
PROP SHAFT

ENGLISH FABRICATION

PRODUCTION NUMBER FABRICATION ITEM	SUBTRACT FROM LAST 3 DIGITS SECTION 1A	SERVICE TUBE ASSEMBLY (ENGLISH) 1B	BULK TUBE NUMBER 1C	WELD COMPONENTS		SPECIAL NOTES
			YOKE OR STUB 1D	YOKE OR STUB 1E		

XXX Reference on production number indicates AN UNKNOWN PRODUCTION LENGTH that is determined from your lineset ticket 10-digit code.

IMPORTANT: When the last 3 digits of your 10-digit production propeller shaft number are identified; subtract the value shown in the subtraction column from these three digits for the BULK TUBE CUT LENGTH in inches and tenths of an inch.

Example: 11.6" (Eleven inches and six-tenths of an inch)

Figure 270DYA1128
PROP SHAFT

ENGLISH COMPONENTS

PRODUCTION NUMBER ITEM	SLIP YOKE 2A	U-JOINT KIT FRONT 2B	REAR 2C	ADAPTER FRONT 2D	ADAPTER REAR 2E	NOTES
------------------------------	--------------------	----------------------------	------------	------------------------	-----------------------	-------

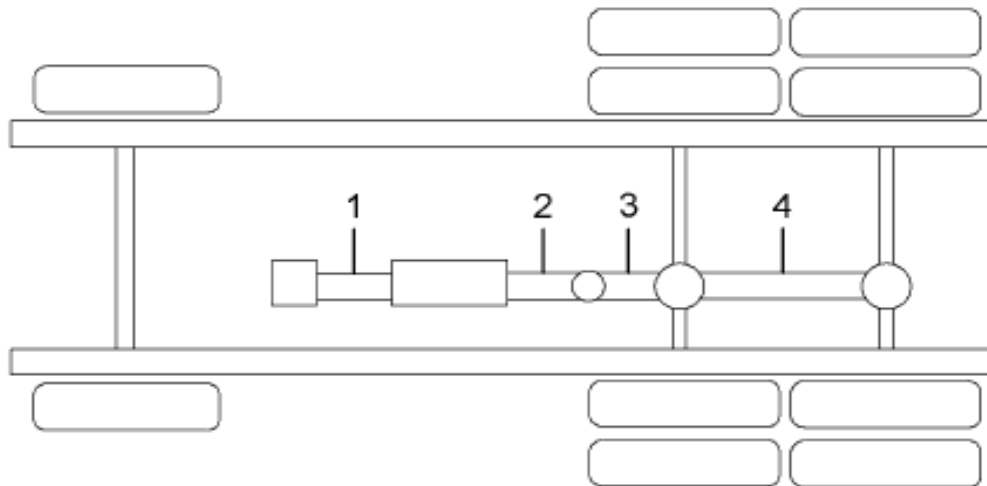
Figure 2 of 7

Figure 270DYA1128
PROP SHAFT

EXPLANATION OF THE LOCATION OF PROPELLER SHAFTS AS SHOWN ON LINE SET TICKETS

The 10-digit code numbers are displayed on the Line Set Tickets which are attached to the sun visor and placed in the glove compartment of the truck, and are mailed to the selling dealer. When more than one propeller shaft is used on a truck, they are always listed in the same sequence on the Line Set Ticket as they are positioned on the truck (starting at the front and moving to the rear). Some Line Set Tickets show the position numbers of the propeller shafts.

For example, let's take a long wheelbase 9370 (6 x 4) with an auxiliary transmission. The shafts would be listed in this order: First the shaft from the main transmission to the auxiliary transmission; next, the shaft from the auxiliary transmission to the center bearing; then the shaft from the center bearing to the forward-rear axle; and last, the shaft from the forward-rear axle to the rear-rear axle.

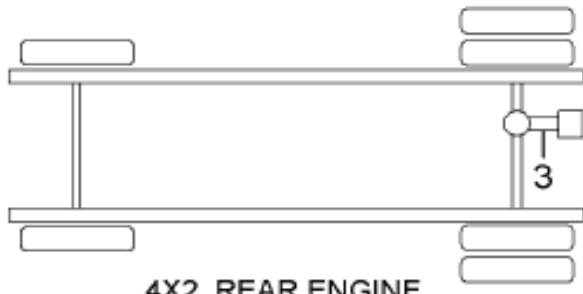


6X4, W/AUXILIARY TRANSMISSION
AND ONE CENTER BEARING

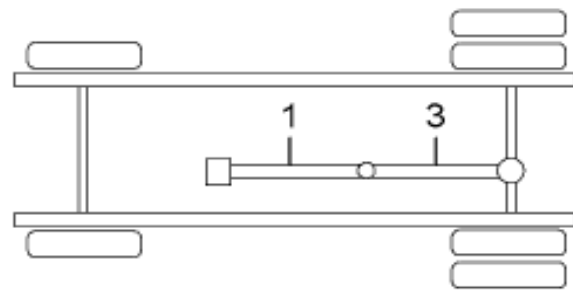
Exceptions to the procedure are: (1) Trucks with front driving axles (6 x 6 or 4 x 4). The shaft from the transfer case to the front axle is always listed last on Line Set Tickets for these trucks. (2) 1853FC and 3900FC models (forward-control school buses) with three center bearings list the third shaft last - the one between second and third center bearings - after the rear shaft.

This cross-reference can be used to determine the part numbers of the propeller tube assembly, slip yoke, and the U-joint kits without requiring any information other than the 10-digit code number of the production shafts as shown on the Line Set Ticket.

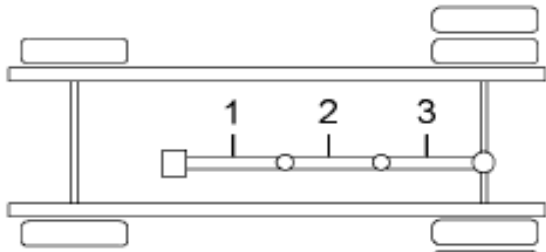
Figure 270DYA1128
PROP SHAFT



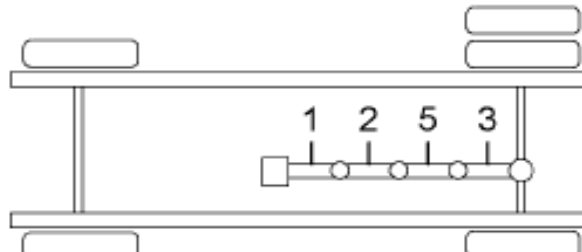
4X2, REAR ENGINE



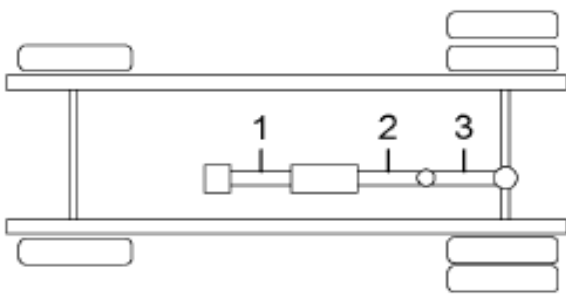
4X2, W/ ONE CENTER BEARING



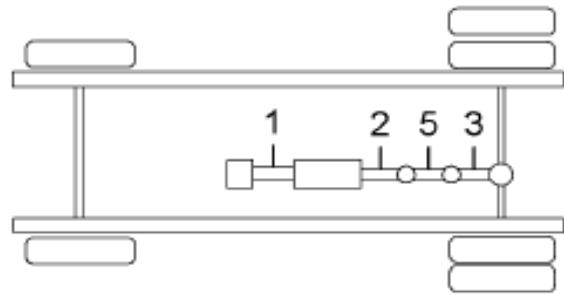
4X2, W/ TWO CENTER BEARINGS



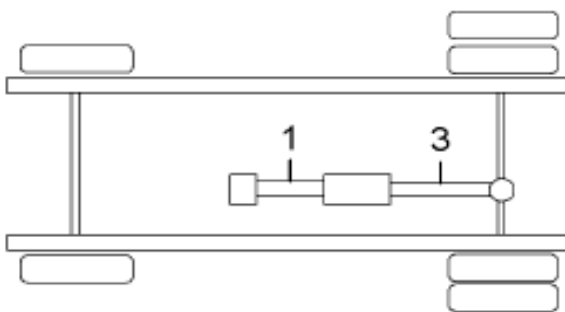
4X2, W/ THREE CENTER BEARINGS



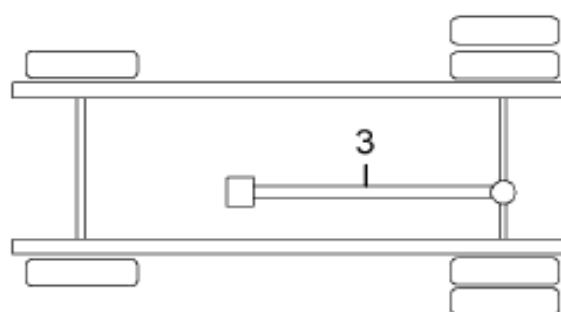
4X2, W/ AUXILIARY TRANSMISSION
AND ONE CENTER BEARING



4X2, W/ AUXILIARY TRANSMISSION
AND TWO CENTER BEARINGS



4X2, W/ AUXILIARY TRANSMISSION



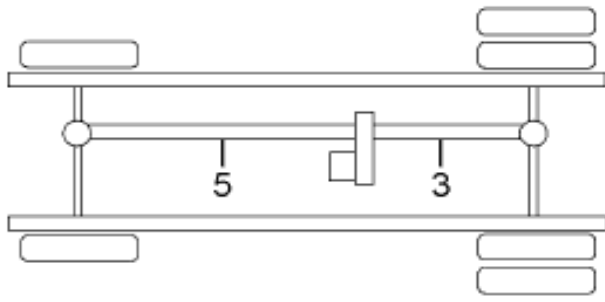
4X2, W/O CENTER BEARING

06-752-0002-02

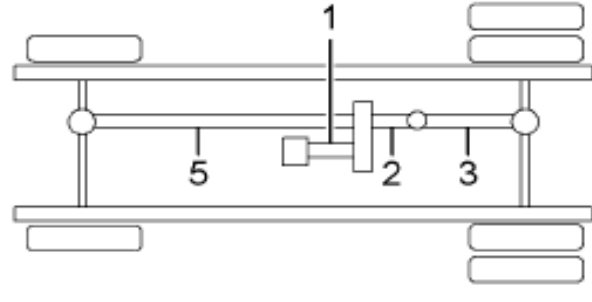
C05

Figure 4 of 7

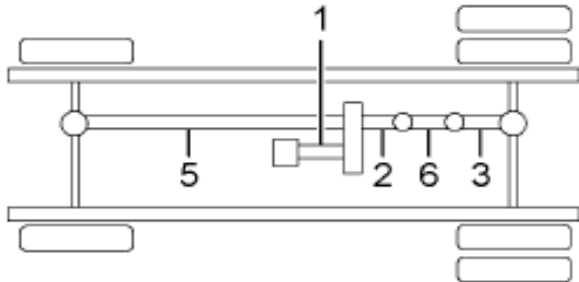
Figure 270DYA1128
PROP SHAFT



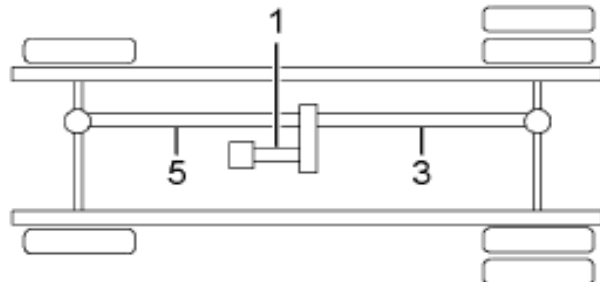
4X4, COMBINATION TRANSMISSION
AND TRANSFER CASE



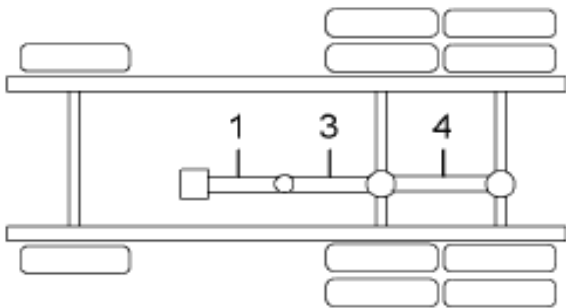
4X4, SEPERATE TRANSFER CASE
AND ONE CENTER BEARING



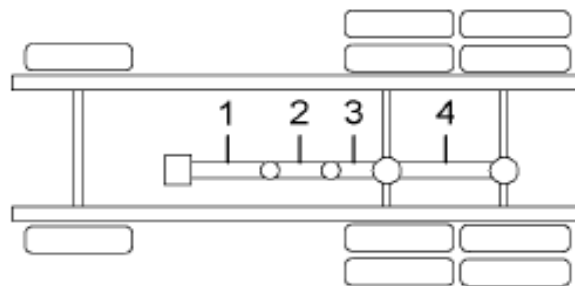
4X4, SEPERATE TRANSFER CASE
AND TWO CENTER BEARINGS



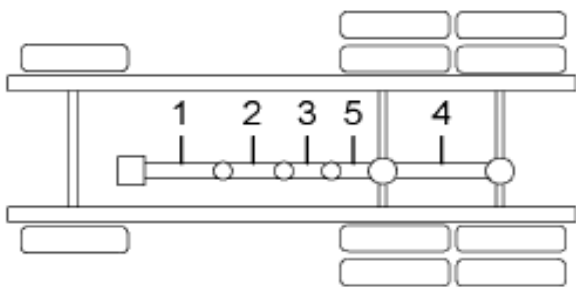
4X4, SEPERATE TRANSFER CASE
W/O CENTER BEARING



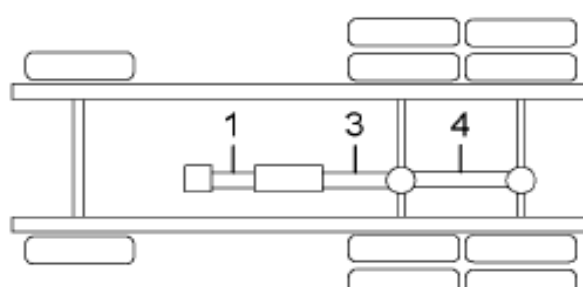
6X4, W/ONE CENTER BEARING



6X4, W/TWO CENTER BEARINGS



6X4, W/THREE CENTER BEARINGS

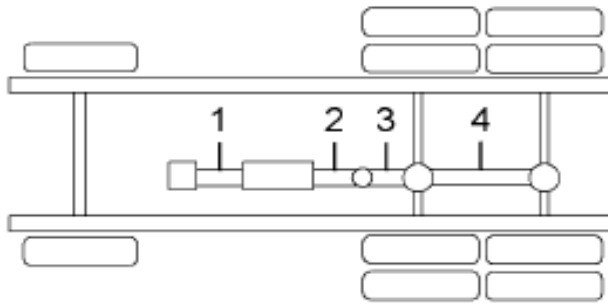


6X4, W/AUXILIARY TRANSMISSION

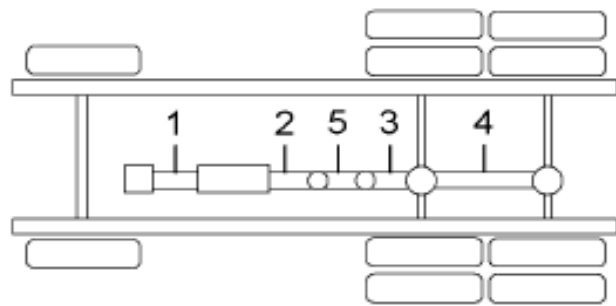
GROUP 6

Figure 5 of 7

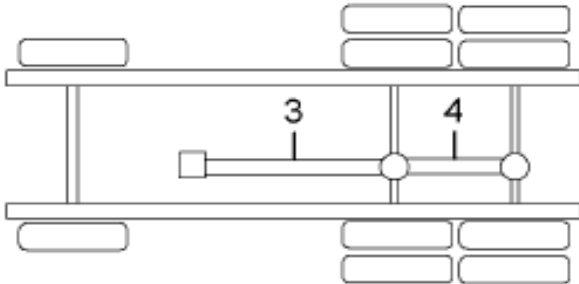
Figure 270DYA1128
PROP SHAFT



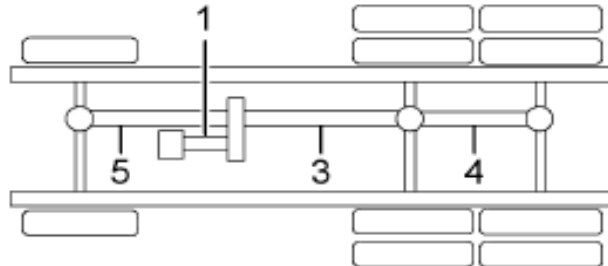
6X4, W/AUXILIARY TRANSMISSION
AND ONE CENTER BEARING



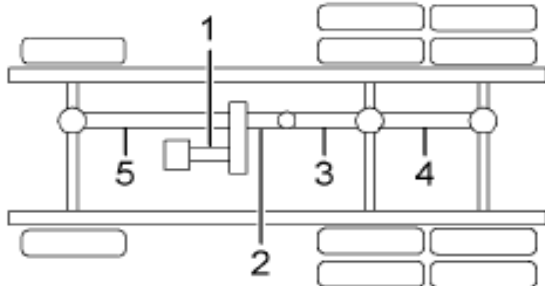
6X4, W/AUXILIARY TRANSMISSION
AND TWO CENTER BEARINGS



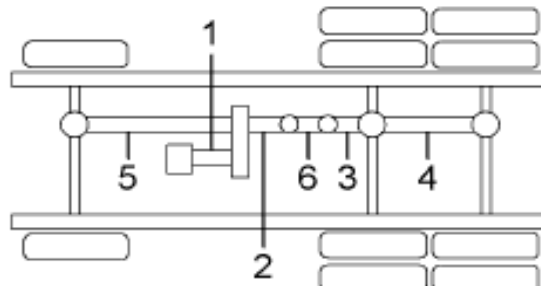
6X4, W/O CENTER BEARING



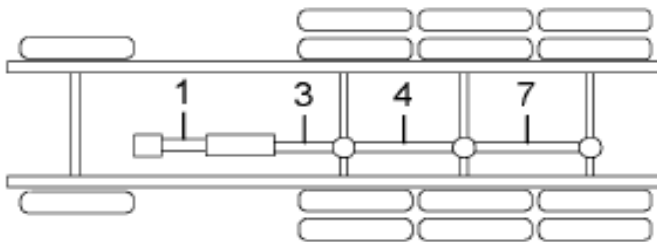
6X6, W/O CENTER BEARING



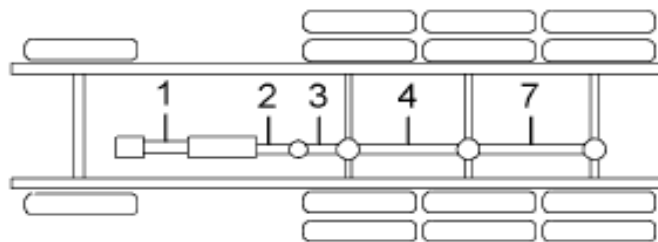
6X6, W/ONE CENTER BEARING



6X6, SEPARATE TRANSFER CASE
W/ TWO CENTER BEARINGS



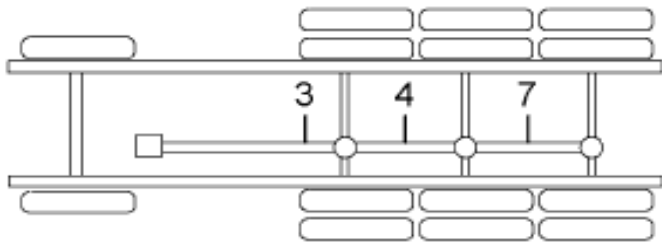
8X6, W/ AUXILIARY TRANSMISSION



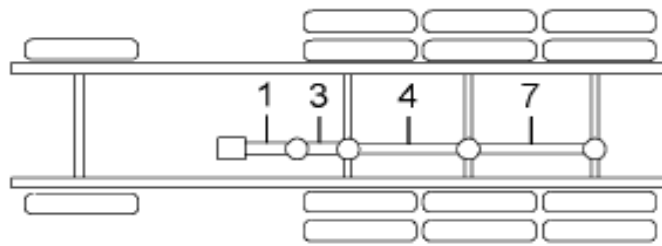
8X6, W/ AUXILIARY TRANSMISSION
AND ONE CENTER BEARING

Figure 6 of 7

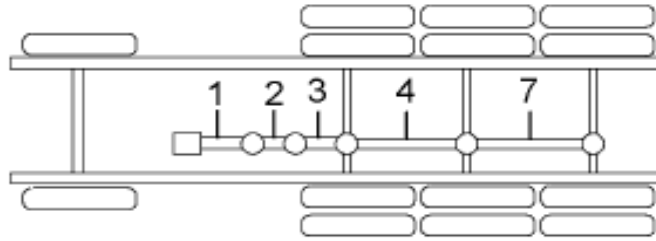
Figure 270DYA1128
PROP SHAFT



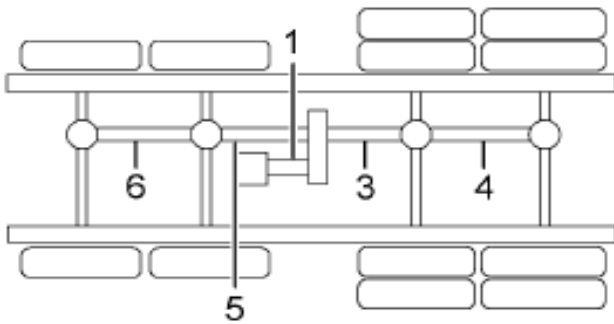
8X6, W/O CENTER BEARING



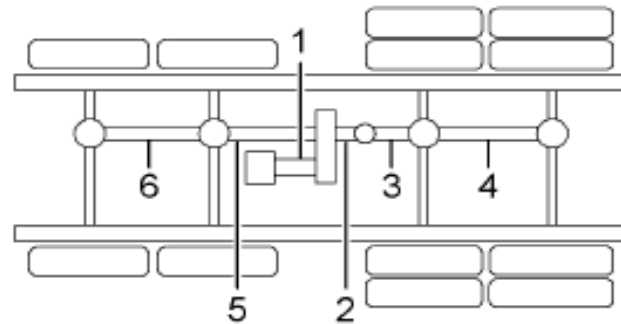
8X6, W/ ONE CENTER BEARING



8X6, W/ ONE CENTER BEARING



8X8, W/O CENTER BEARING



8X8, W/ONE CENTER BEARING

G R P 0 6

06-752-0002-05

F06

Item	Part No.	Qty	Description	Kit	Var	Figure
	270DYA1XXX	1	PROPSHAFT,1710 SOLID			270DYA1XXX

Figure 270DYA1XXX
PROPSHAFT, 1710 SOLID

ENGLISH FABRICATION

PRODUCTION NUMBER FABRICATION ITEM	SUBTRACT FROM LAST 3 DIGITS SECTION 1A	SERVICE TUBE ASSEMBLY (ENGLISH) 1B	BULK TUBE NUMBER 1C	WELD COMPONENTS		
				YOKE OR STUB 1D	YOKE OR STUB 1E	SPECIAL NOTES

XXX Reference on production number indicates AN UNKNOWN PRODUCTION LENGTH that is determined from your lineset ticket 10-digit code.

IMPORTANT: When the last 3 digits of your 10-digit production propeller shaft number are identified; subtract the value shown in the subtraction column from these three digits for the BULK TUBE CUT LENGTH in inches and tenths of an inch.

Example: 11.6" (Eleven inches and six-tenths of an inch)

Figure 270DYA1XXX
PROPSHAFT,1710 SOLID

ENGLISH COMPONENTS

PRODUCTION NUMBER ITEM	SLIP YOKE 2A	U-JOINT KIT FRONT 2B	REAR 2C	ADAPTER FRONT 2D	ADAPTER REAR 2E	NOTES
------------------------------	--------------------	----------------------------	------------	------------------------	-----------------------	-------

G
R
P
0
6

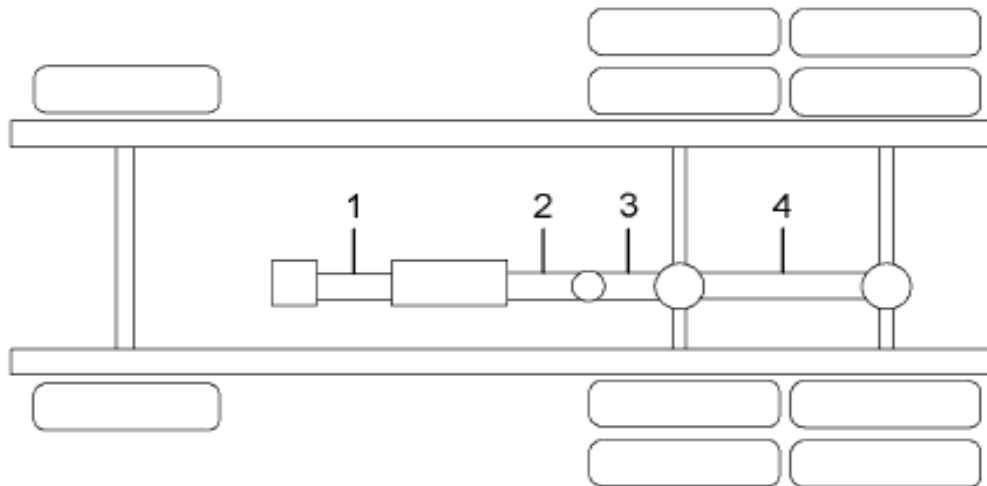
Figure 2 of 7

Figure 270DYA1XXX
PROPSHAFT, 1710 SOLID

EXPLANATION OF THE LOCATION OF PROPELLER SHAFTS AS SHOWN ON LINE SET TICKETS

The 10-digit code numbers are displayed on the Line Set Tickets which are attached to the sun visor and placed in the glove compartment of the truck, and are mailed to the selling dealer. When more than one propeller shaft is used on a truck, they are always listed in the same sequence on the Line Set Ticket as they are positioned on the truck (starting at the front and moving to the rear). Some Line Set Tickets show the position numbers of the propeller shafts.

For example, let's take a long wheelbase 9370 (6 x 4) with an auxiliary transmission. The shafts would be listed in this order: First the shaft from the main transmission to the auxiliary transmission; next, the shaft from the auxiliary transmission to the center bearing; then the shaft from the center bearing to the forward-rear axle; and last, the shaft from the forward-rear axle to the rear-rear axle.

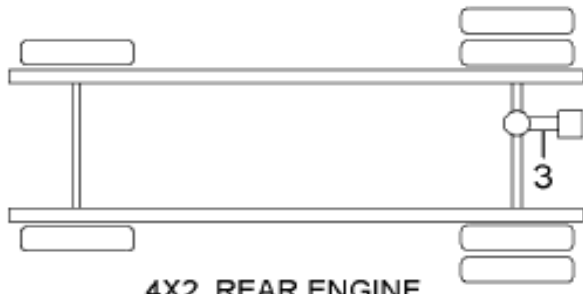


6X4, W/AUXILIARY TRANSMISSION
AND ONE CENTER BEARING

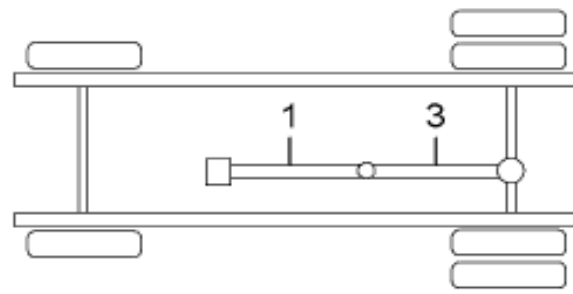
Exceptions to the procedure are: (1) Trucks with front driving axles (6 x 6 or 4 x 4). The shaft from the transfer case to the front axle is always listed last on Line Set Tickets for these trucks. (2) 1853FC and 3900FC models (forward-control school buses) with three center bearings list the third shaft last - the one between second and third center bearings - after the rear shaft.

This cross-reference can be used to determine the part numbers of the propeller tube assembly, slip yoke, and the U-joint kits without requiring any information other than the 10-digit code number of the production shafts as shown on the Line Set Ticket.

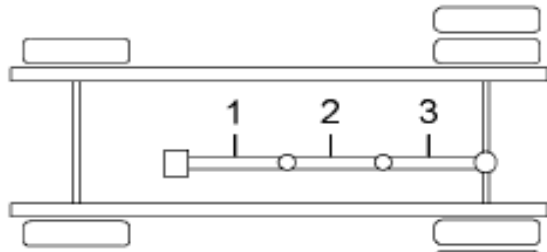
Figure 270DYA1XXX
PROPSHAFT, 1710 SOLID



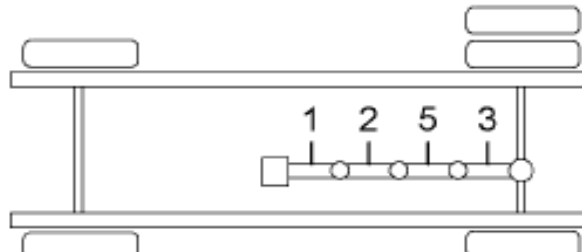
4X2, REAR ENGINE



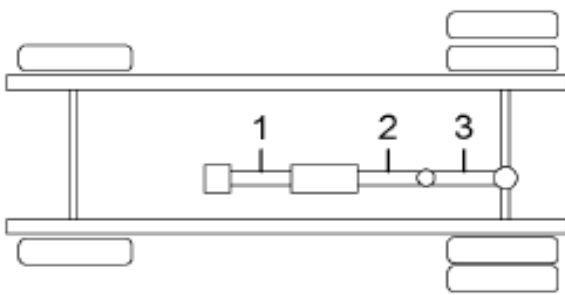
4X2, W/ ONE CENTER BEARING



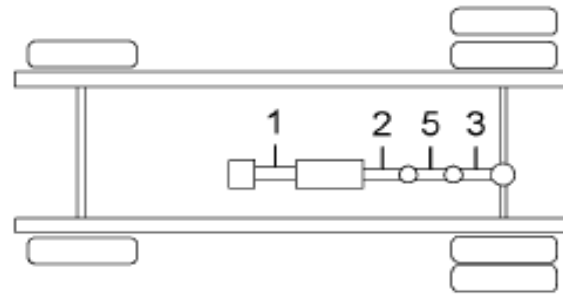
4X2, W/ TWO CENTER BEARINGS



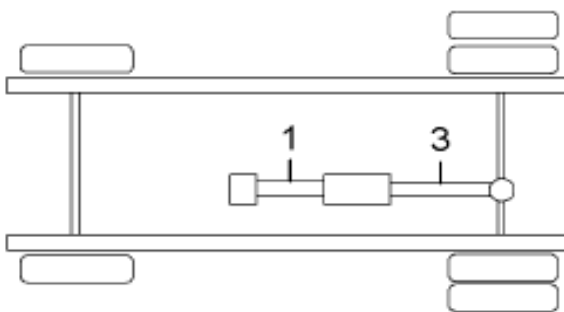
4X2, W/ THREE CENTER BEARINGS



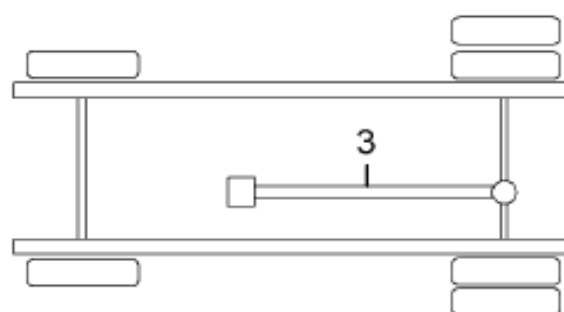
4X2, W/ AUXILIARY TRANSMISSION
AND ONE CENTER BEARING



4X2, W/ AUXILIARY TRANSMISSION
AND TWO CENTER BEARINGS



4X2, W/ AUXILIARY TRANSMISSION

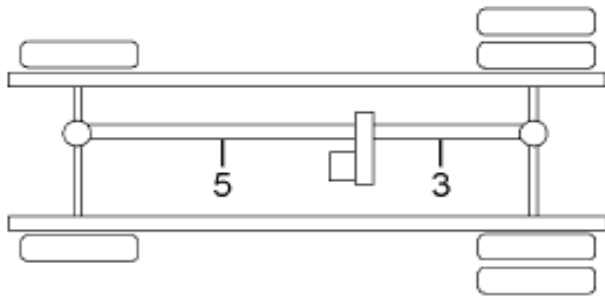


4X2, W/O CENTER BEARING

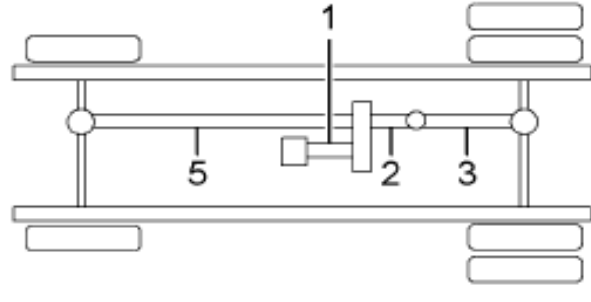
GROUP 6

Figure 4 of 7

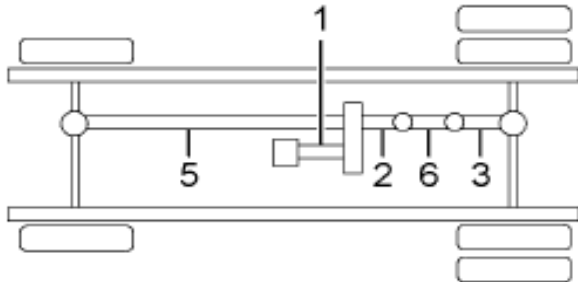
Figure 270DYA1XXX
PROPSHAFT, 1710 SOLID



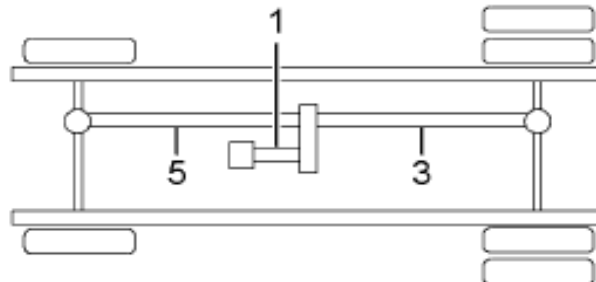
4X4, COMBINATION TRANSMISSION
AND TRANSFER CASE



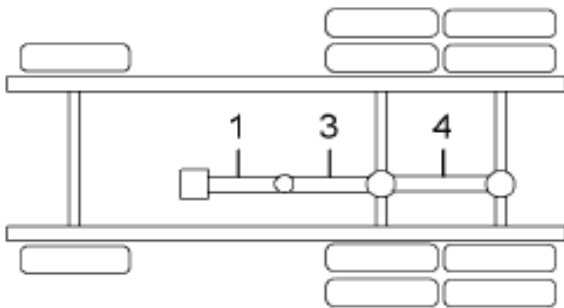
4X4, SEPERATE TRANSFER CASE
AND ONE CENTER BEARING



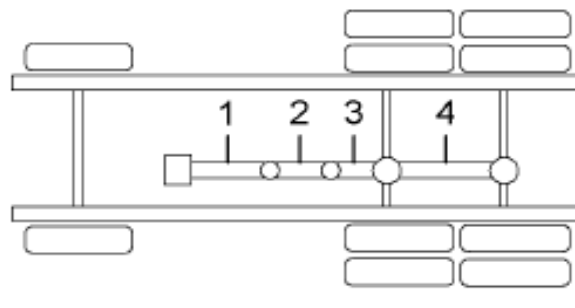
4X4, SEPERATE TRANSFER CASE
AND TWO CENTER BEARINGS



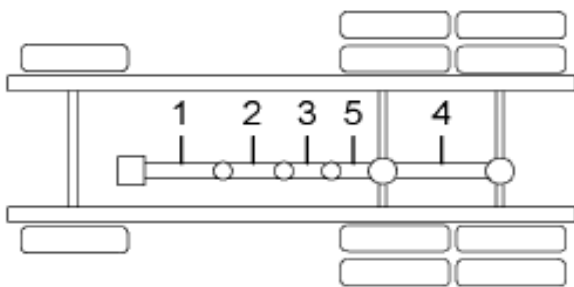
4X4, SEPERATE TRANSFER CASE
W/O CENTER BEARING



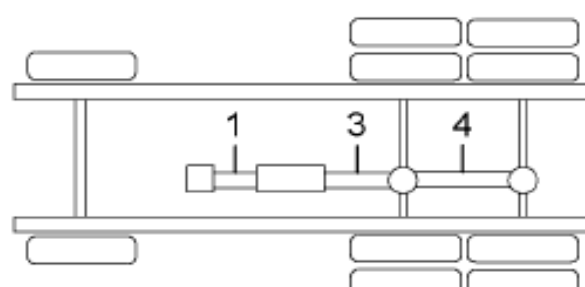
6X4, W/ONE CENTER BEARING



6X4, W/TWO CENTER BEARINGS

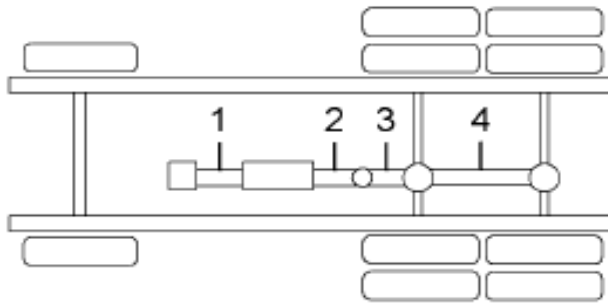


6X4, W/THREE CENTER BEARINGS

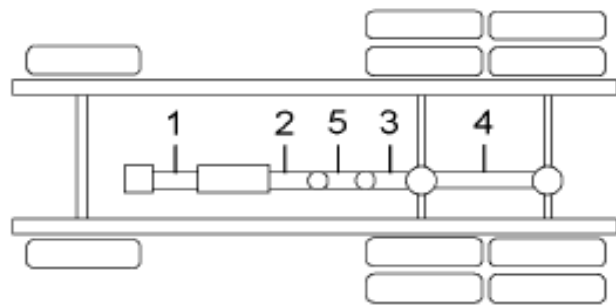


6X4, W/AUXILIARY TRANSMISSION

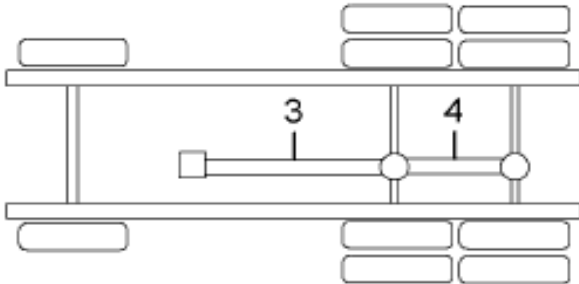
Figure 270DYA1XXX
PROPSHAFT, 1710 SOLID



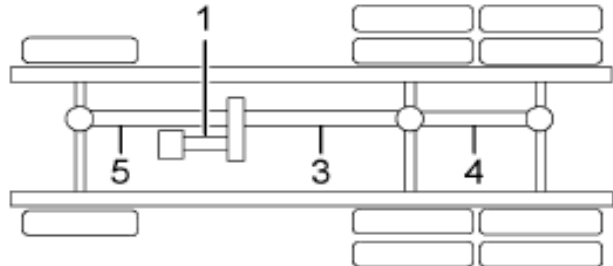
6X4, W/AUXILIARY TRANSMISSION
AND ONE CENTER BEARING



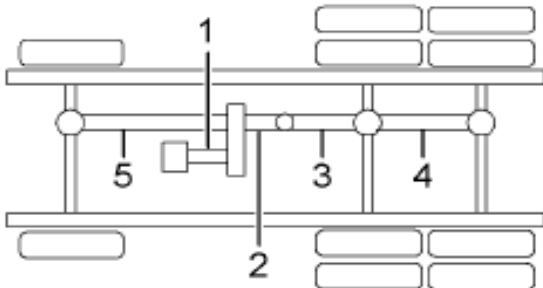
6X4, W/AUXILIARY TRANSMISSION
AND TWO CENTER BEARINGS



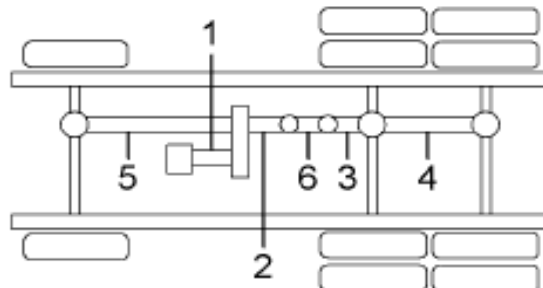
6X4, W/O CENTER BEARING



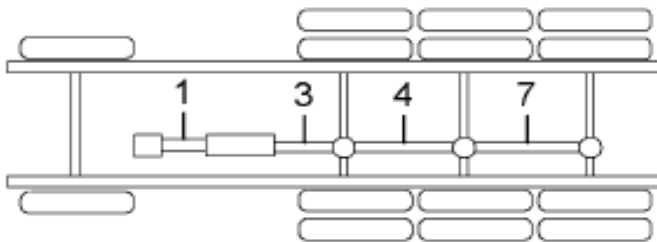
6X6, W/O CENTER BEARING



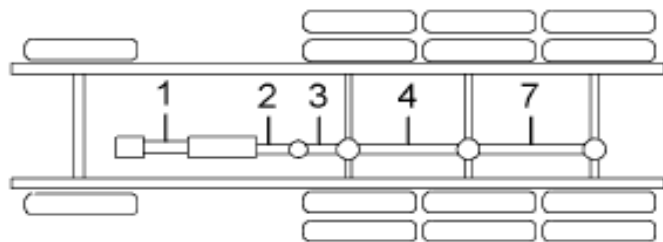
6X6, W/ONE CENTER BEARING



6X6, SEPARATE TRANSFER CASE
W/ TWO CENTER BEARINGS



8X6, W/ AUXILIARY TRANSMISSION

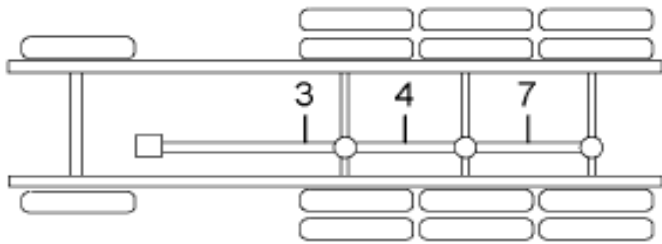


8X6, W/ AUXILIARY TRANSMISSION
AND ONE CENTER BEARING

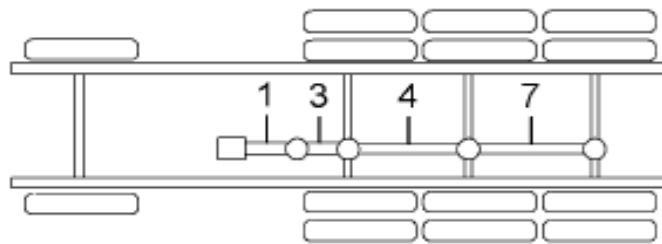
GROUP 6

Figure 6 of 7

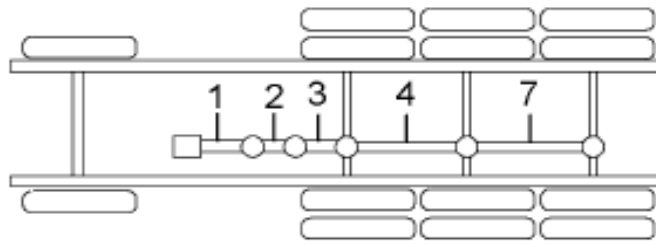
Figure 270DYA1XXX
PROPSHAFT,1710 SOLID



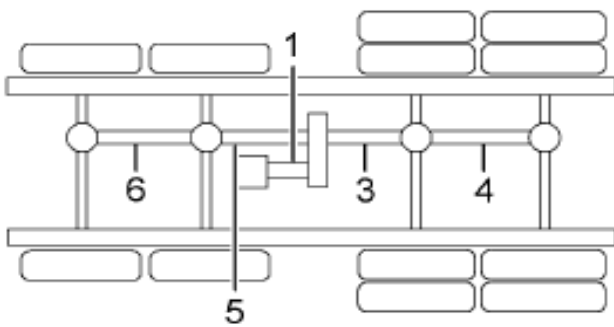
8X6, W/O CENTER BEARING



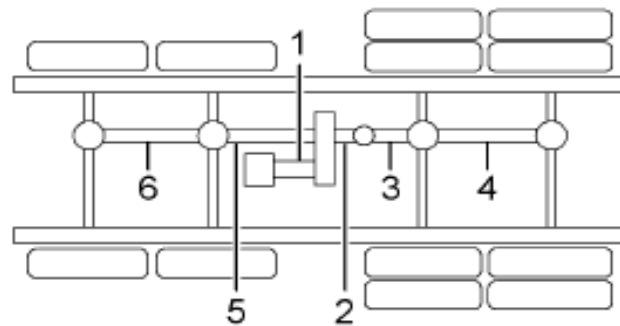
8X6, W/ ONE CENTER BEARING



8X6, W/ ONE CENTER BEARING



8X8, W/O CENTER BEARING



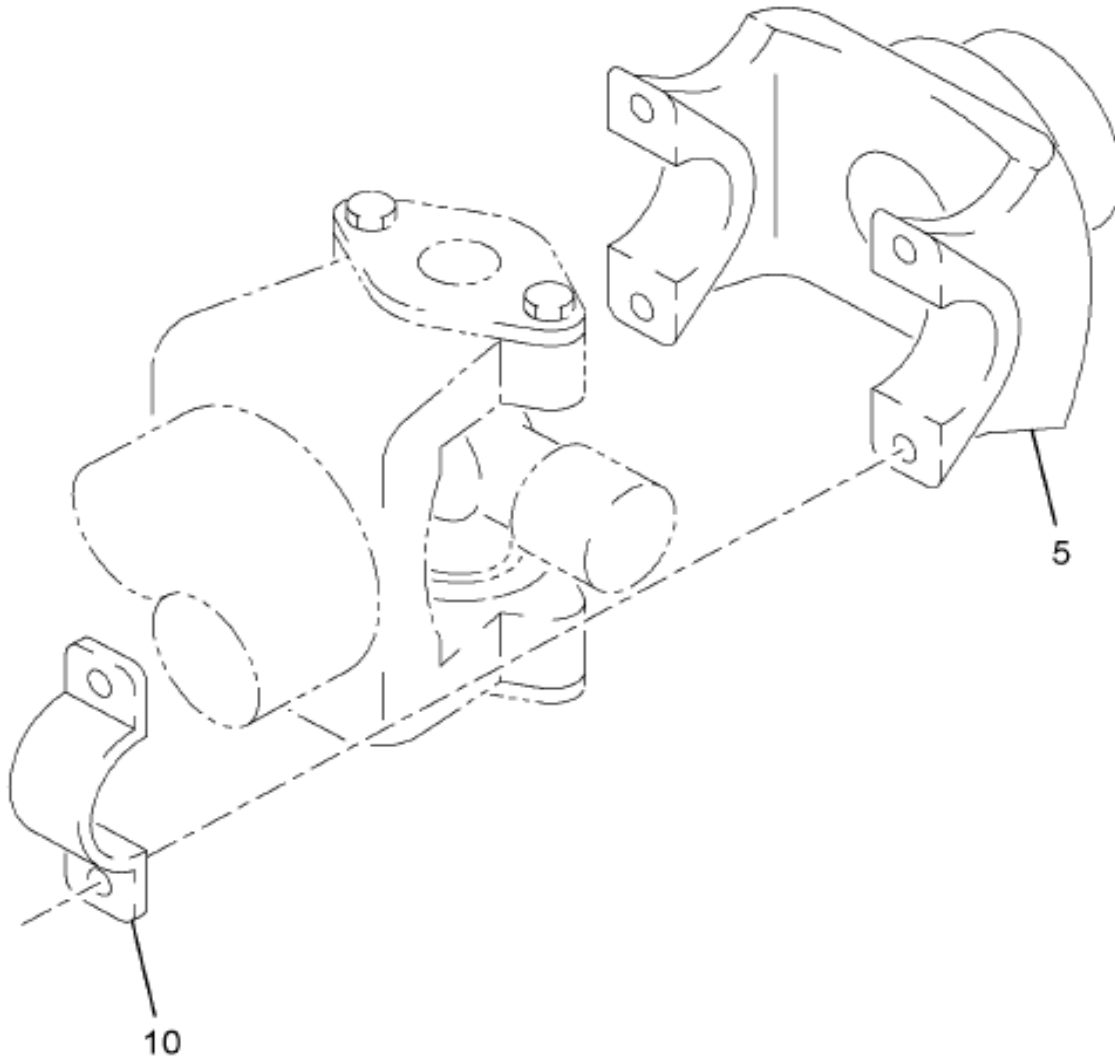
8X8, W/ONE CENTER BEARING

06-752-0002-05

F06

Item	Part No.	Qty	Description	Kit	Var	Figure
1		RF	SEE SHEET 1 FOR FABRICATION			
1		RF	SEE SHEET 2 FOR COMPONENTS			
1		AR	TUBE ASM, SERVICE			
2	1696915C91	KT	U-JOINT,W/STRAP & BOLTS,1710			
800		RF	NOTE: THE FOLLOWING PARTS ARE NON-ILLUSTRATED			

Figure 0JD6L
XMSN OUTPUT YOKE



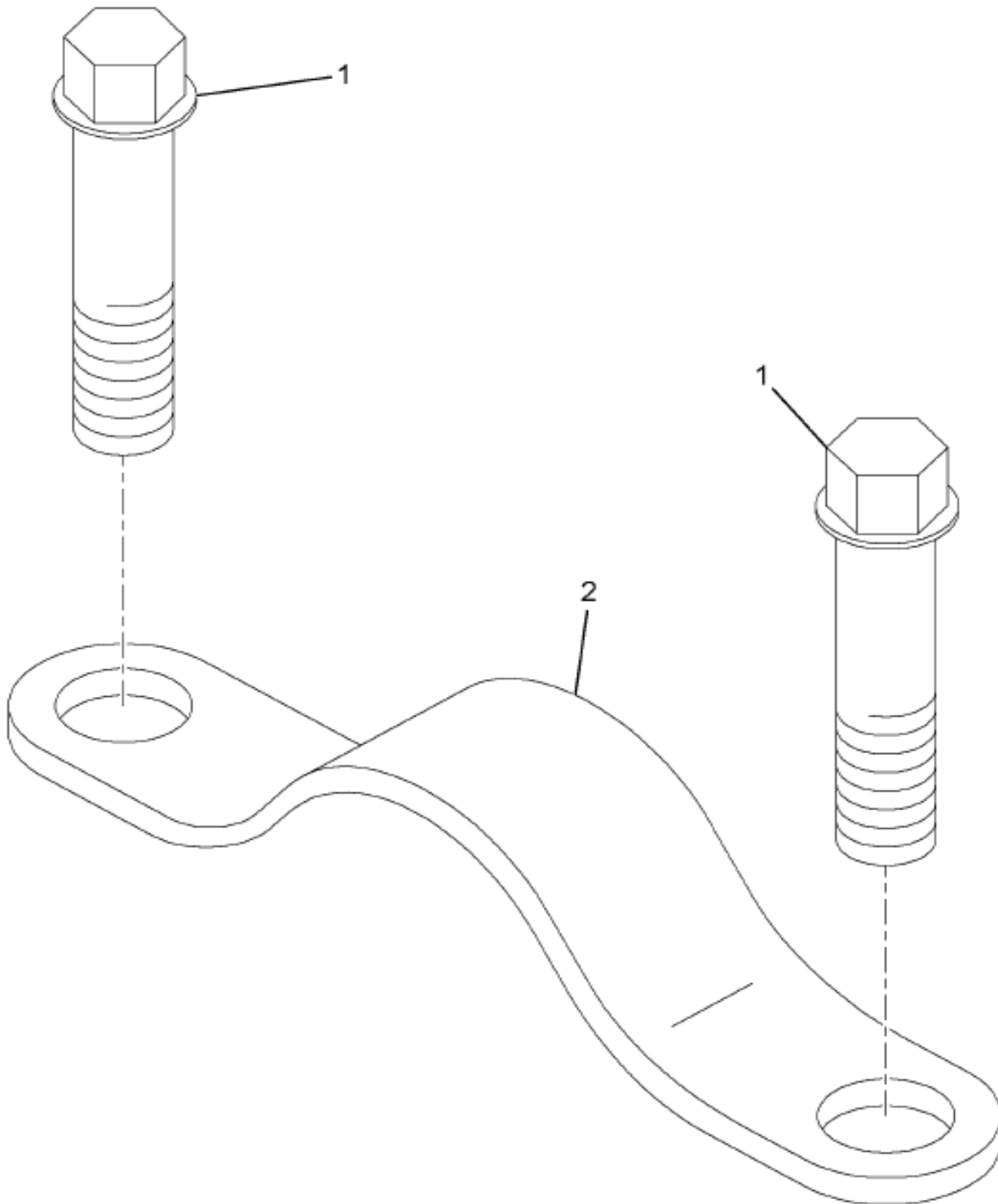
06-076-0006-00

H04

Item	Part No.	Qty	Description	Kit	Var	Figure
5	1657283C1	1	FLANGE TRUNNION 1710		0JD6L	
10	2035774C91	1	KIT, STRAP&BOLT 1710,1760,1810		0JD6L	2035774C91

Figure 2035774C91
KIT, STRAP&BOLT 1710,1760,1810

GROUP 6



06-084-0002-00

H04

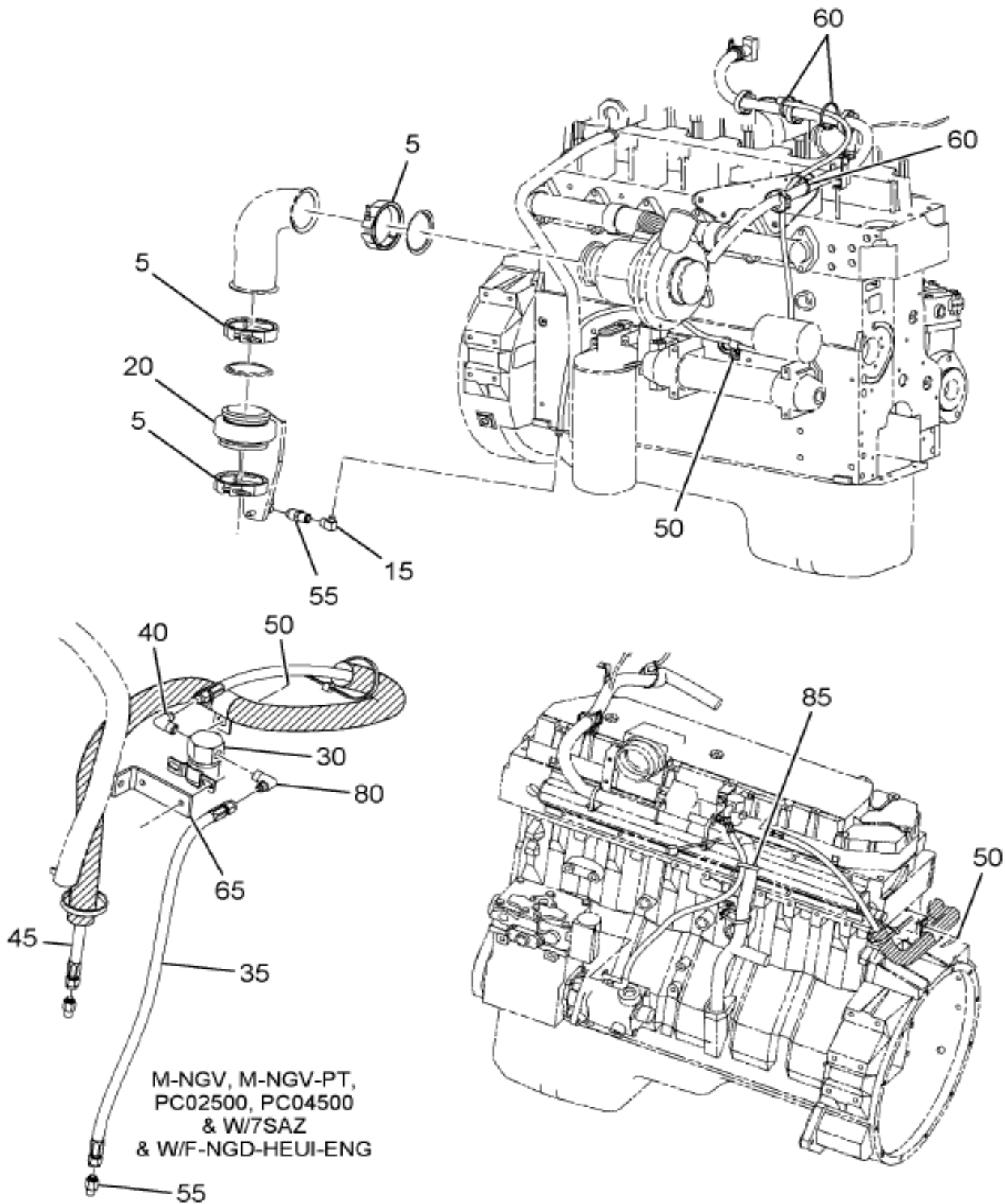
Item	Part No.	Qty	Description	Kit	Var	Figure
1	1657366C1	4	BOLT 12-POINT			
2	1657368C1	2	STRAP,TRUN BRG 1710,1760,1810			
800		RF	NOTE: THE FOLLOWING PARTS ARE NON-ILLUSTRATED			
801	1657366C1	4	BOLT 12-POINT			
802	1657368C1	2	STRAP,TRUN BRG 1710,1760,1810			

Group 07

Exhaust

G
R
O
U
P
0
7

Figure 0HGRZ
EXH BRK INSTL; PACBRAKE

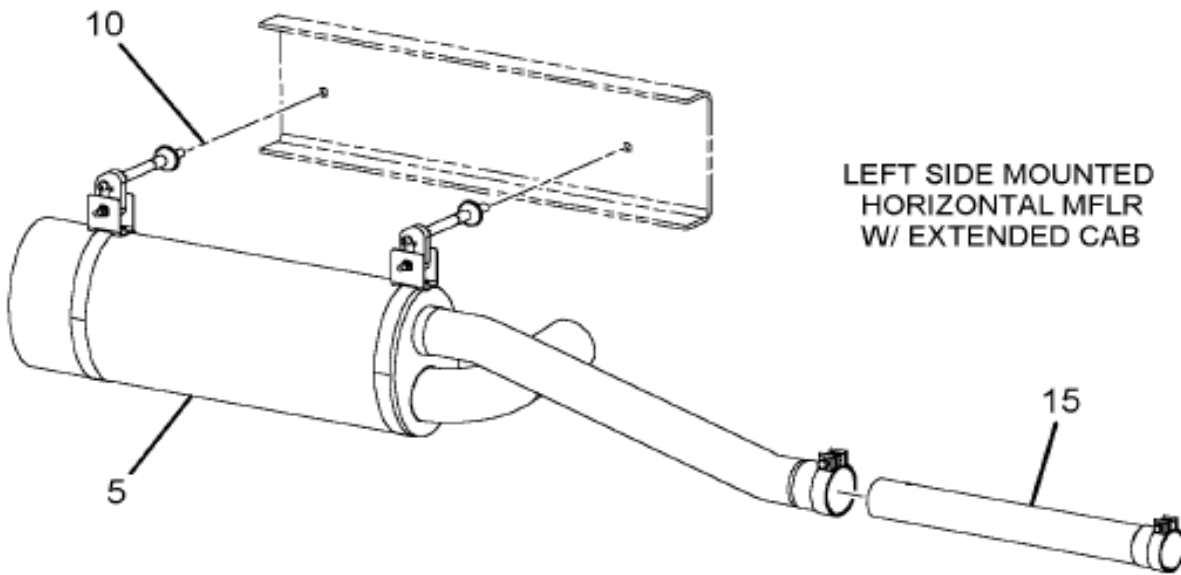
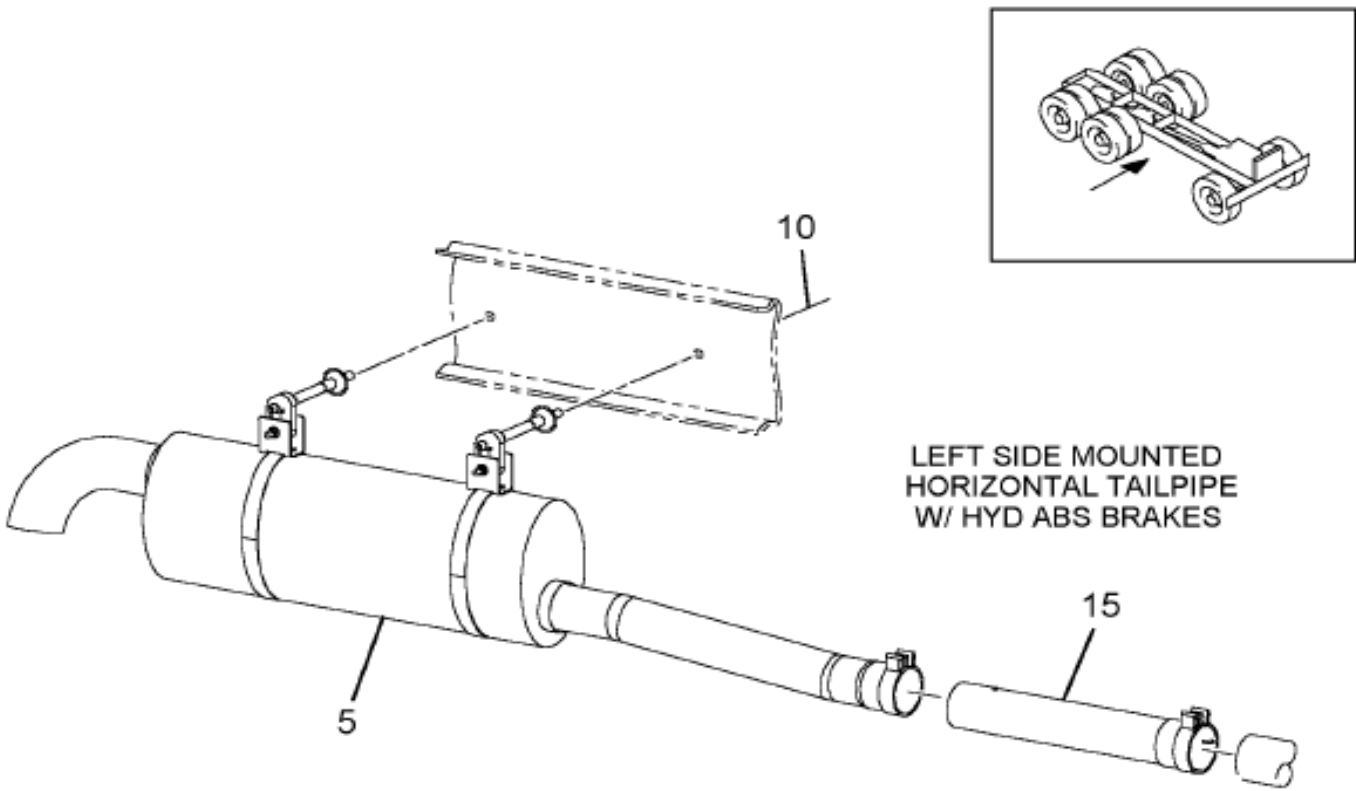


07-093-0022-01

E04

Item	Part No.	Qty	Description	Kit	Var	Figure
5	3575670C91	1	CLAMP, EXHAUST PIPE*EXH BRAKE T		0HGRZ	
15	118753	1	ELBOW, 1/4 PLN 45D FLARED TUBE		0HGRZ	
20	3575124C91	1	BRAKE, COMPRESSION*PACBRAKE EXH		0HGRZ	
30	288905C91	1	VALVE, ASSY SOLENOID OPER AIR		0HGRZ	
30	3552155C1	2	BOLT, HEX FLG HD METRIC*M6 X 20		0HGRZ	
30	3544378C1	2	NUT, HEX METRIC PREV. TORQ*M6 H		0HGRZ	

Figure 07HVV
MUFFLER INSTL; LT SIDE MTD EXHAUST

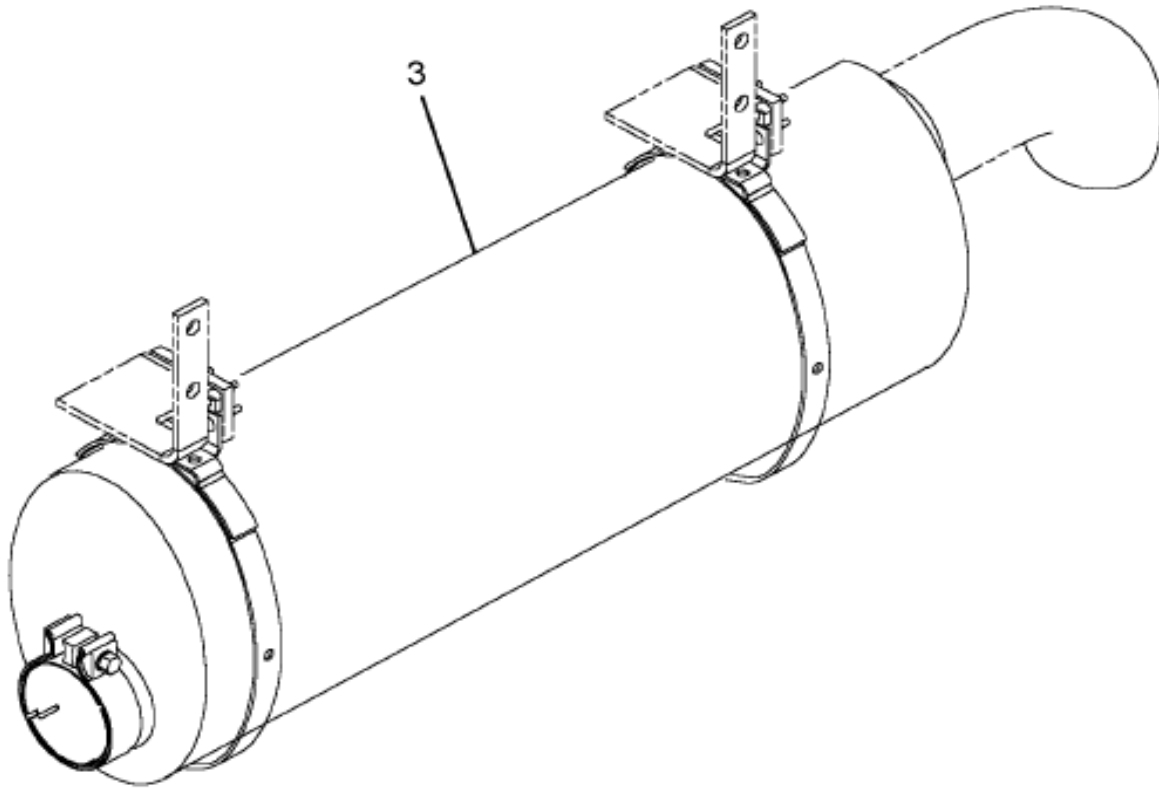


07-V31-0071-01

L02

Item	Part No.	Qty	Description	Kit	Var	Figure
5	3579392C91	1	MUFFLER,ASM EXHAUST* MUFFLER A		0HZJQ	3579392C91
10	3535859C1	4	NUT,HEX METRIC PREV. TORQ*M12		0HZJQ	
10	3535858C1	4	BOLT,HEX FLG HD METRIC*M12-1.7		0HZJQ	

Figure 3579392C91
 MUFFLER,ASM EXHAUST* MUFFLER A



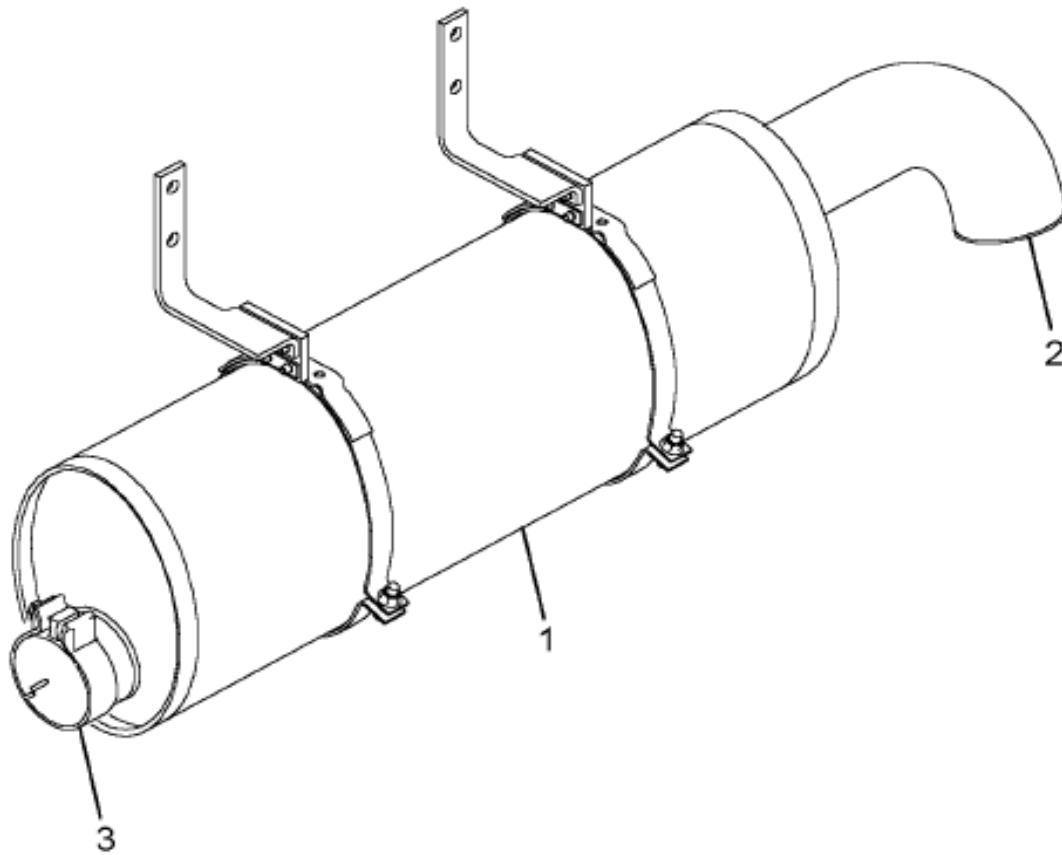
G R P 0 7

07-V31-0049-00

D04

Item	Part No.	Qty	Description	Kit	Var	Figure
3	3579389C1	1	MUFFLER,ASM EXHAUST*H-H UTILIT			3579389C1
3	3579388C91	2	SUPPORT,MUFFLER*HANGER ASSY			3579388C91
3	3551579C1	2	BOLT,HEX FLG HD METRIC*HVY, M1			
3	3535556C1	2	NUT,HEX METRIC PREV. TORQ*M10			
880	RF		NOTE: ASM BELOW COMPRISED OF ABOVE COMPONENTS			

Figure 3579389C1
 MUFFLER,ASM EXHAUST*H-H UTILIT



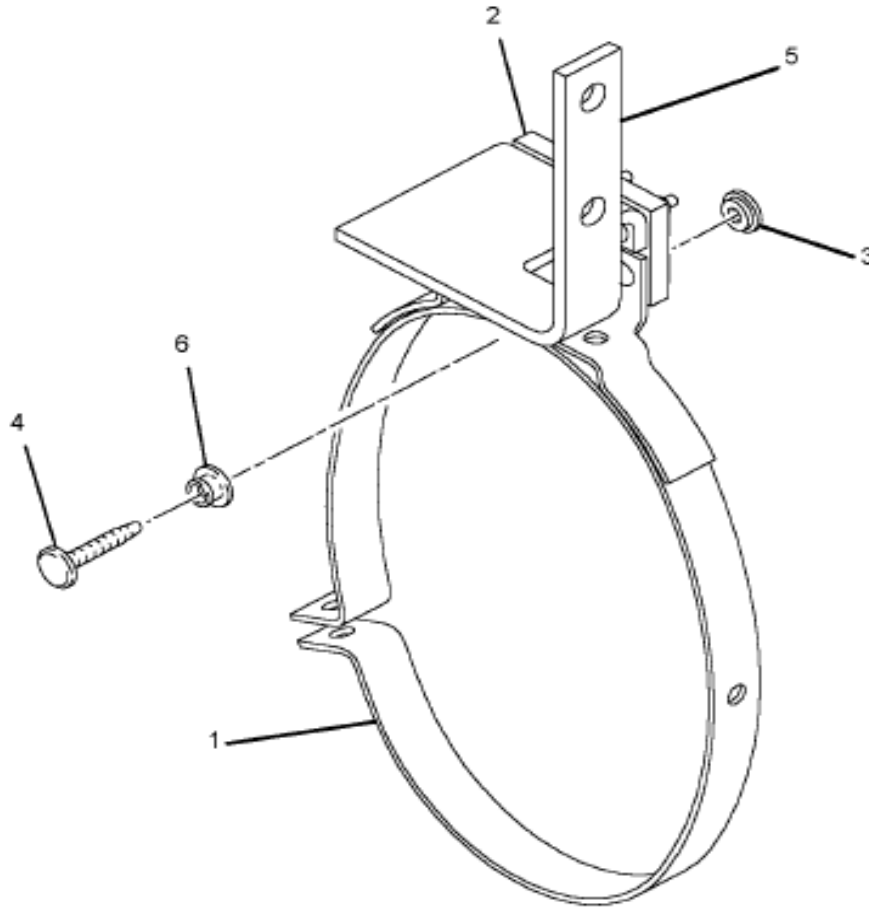
G03

07-V31-0107-01

G03

Item	Part No.	Qty	Description	Kit	Var	Figure
1	3539084C1	1	MUFFLER,W/T PIPE BEV BODY MTD			
2	3539083C1	1	PIPE,TAIL			
3	2015640C1	1	CLAMP,MUFFLER			
880		RF	NOTE: ASM BELOW COMPRISED OF ABOVE COMPONENTS			
881	3579389C1	RF	MUFFLER,ASM EXHAUST*H-H UTILIT			

Figure 3579388C91
SUPPORT, MUFFLER*HANGER ASSY

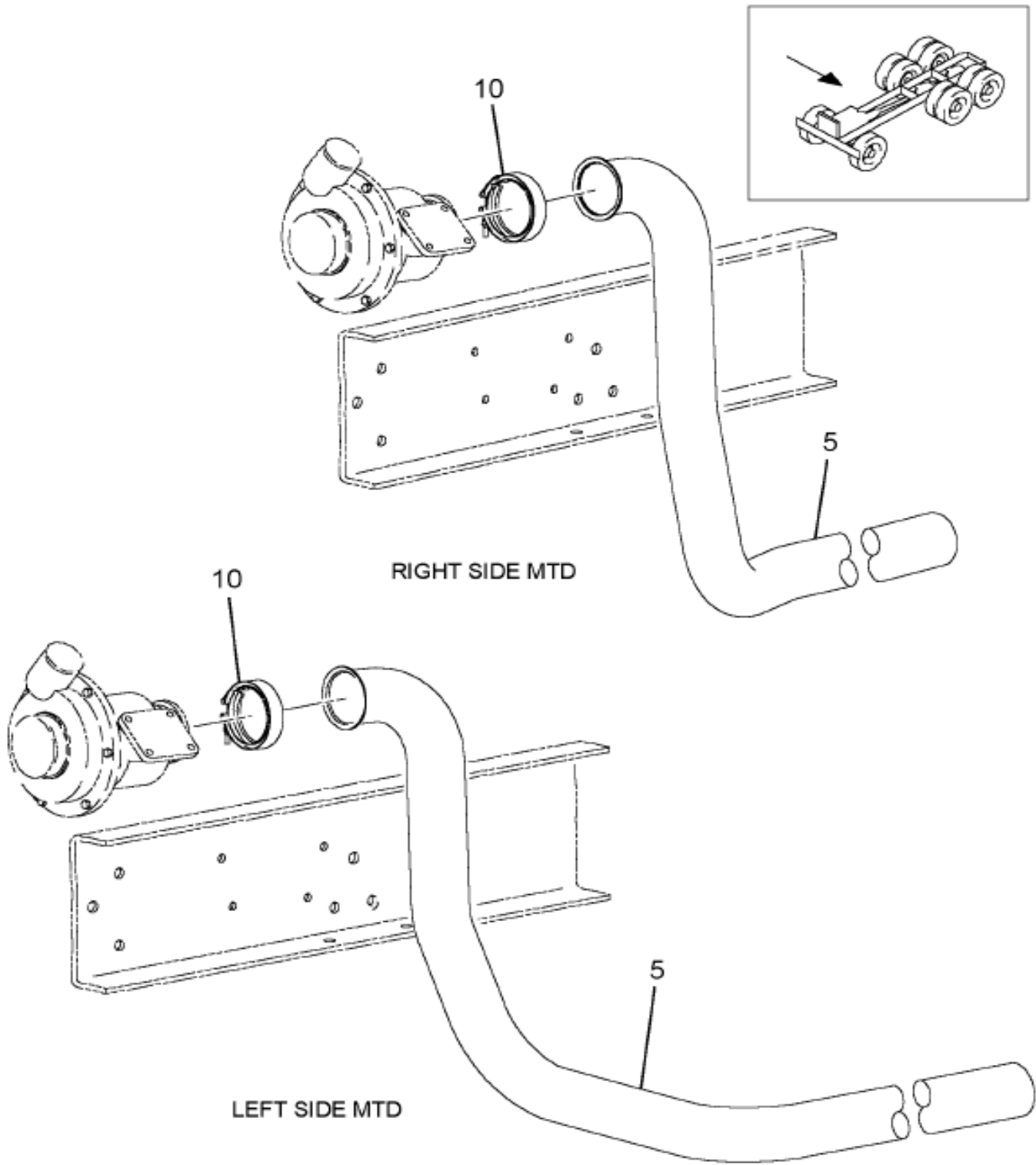


3579388C9100 000

Item	Part No.	Qty	Description	Kit	Var	Figure
1	1660534C1	1	SUPPORT, MUFFLER			
2	1661878C4	1	STRAP, FLEXIBLE			
3	1661880C1	2	RETAINER, PIPE BRKT			
4	1666978C1	6	PIN, HUCK BOLT MAGNA GRIP			
5	3579387C1	1	SUPPORT, MUFFLER*			
6	591545C1	6	COLLAR, HUCK BOLT			

Figure 06X8D

TURBO PIPE INSTL; W/I6 ENG, W/EXHAUST BRAKE



07-V30-0002-BA

H02

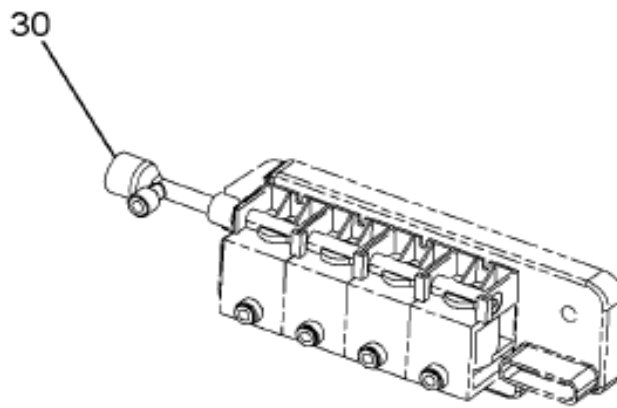
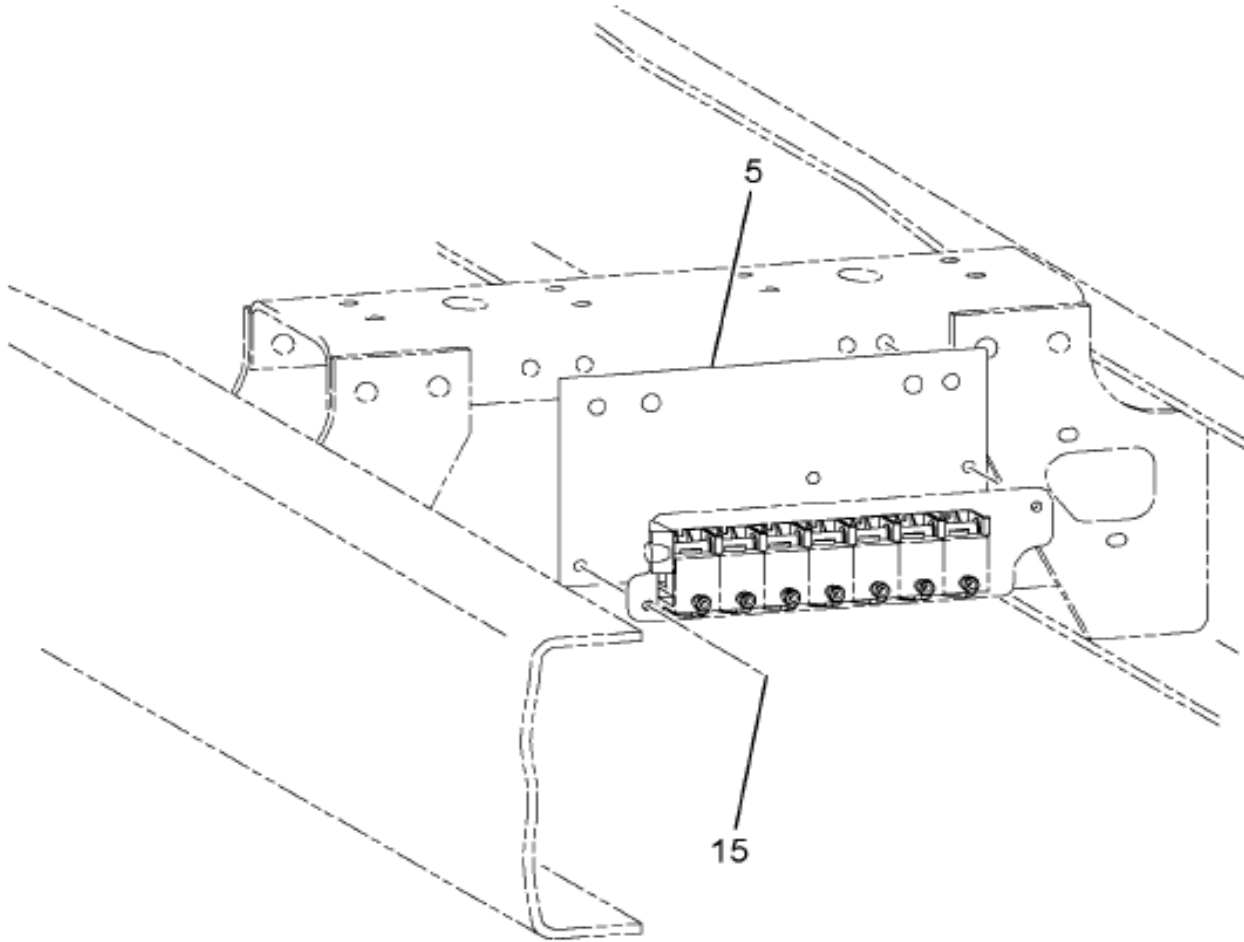
Item	Part No.	Qty	Description	Kit	Var	Figure
5	3583688C1	1	PIPE, TURBO*		0JFSZ	
10	3553803C2	1	CLAMP, EXHAUST PIPE*CLAMP, TURB		0JFSZ	

Group 08

Electrical

G
R
O
U
P
0
8

Figure 0CBKD
AIR SOLENOID INSTL; ACCESSORY CONTROLS



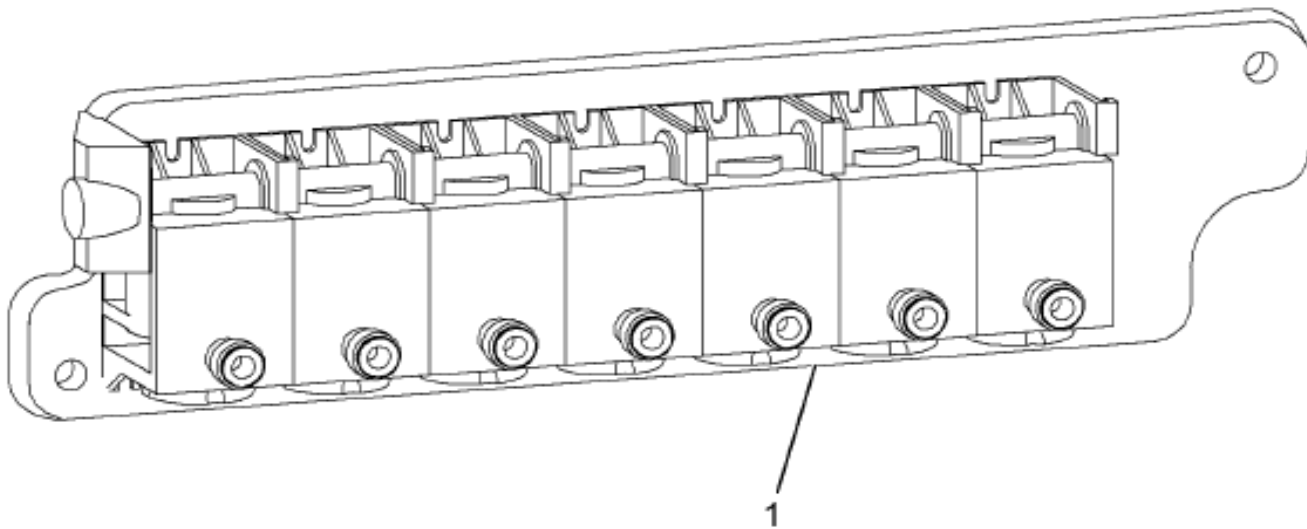
FOR M-NGV-SS W/ 13607

04-V80-0001-AA

B10

Item	Part No.	Qty	Description	Kit	Var	Figure
5	3553323F94	1	BRACKET, SOLENOID 7PK GOLD TRMN		0CBR4	3553323F94

Figure 3553323F94
BRACKET, SOLENOID 7PK GOLD TRMN



G
R
P
0
8

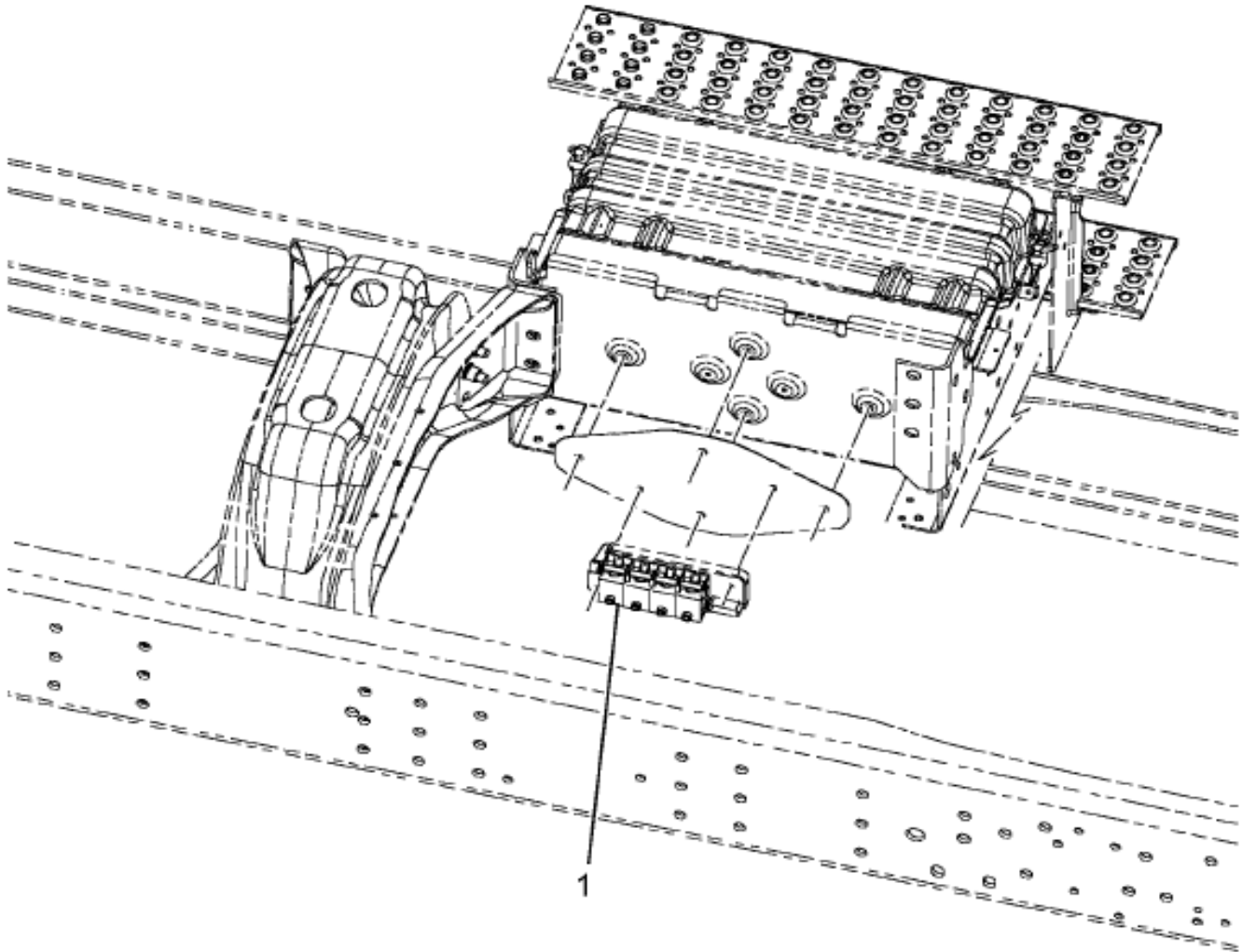
04-V80-0010-01

F05

Item	Part No.	Qty	Description	Kit	Var	Figure
1	2505595C3	1	MANIFOLD,AIR SOLENOID 7PK GOLD			2505595C3
880		RF	NOTE: ASM BELOW COMPRISED OF ABOVE COMPONENTS			
881	3553323F94	RF	BRACKET,SOLENOID 7PK GOLD TRMN			

NON-ILLUSTRATED REFERENCE FIGURE 2505595C3

Figure 2507597C91
KIT,AIR BRK*SOLENOID COVER PLT



G R P 0 8

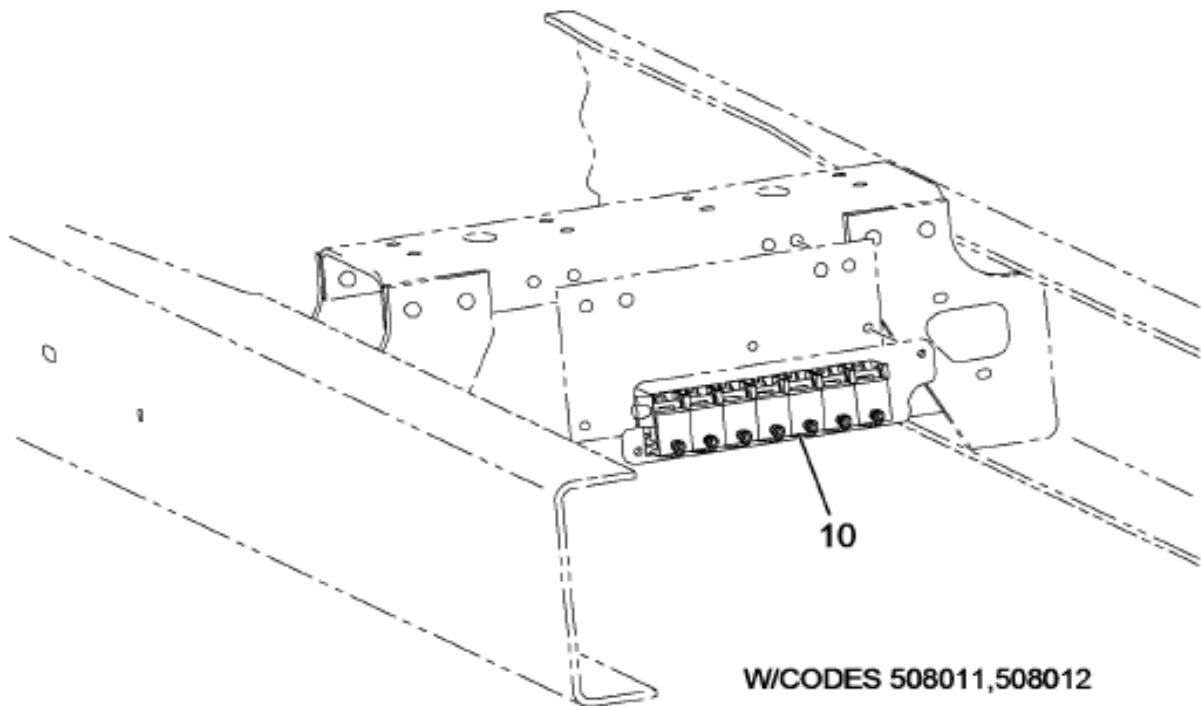
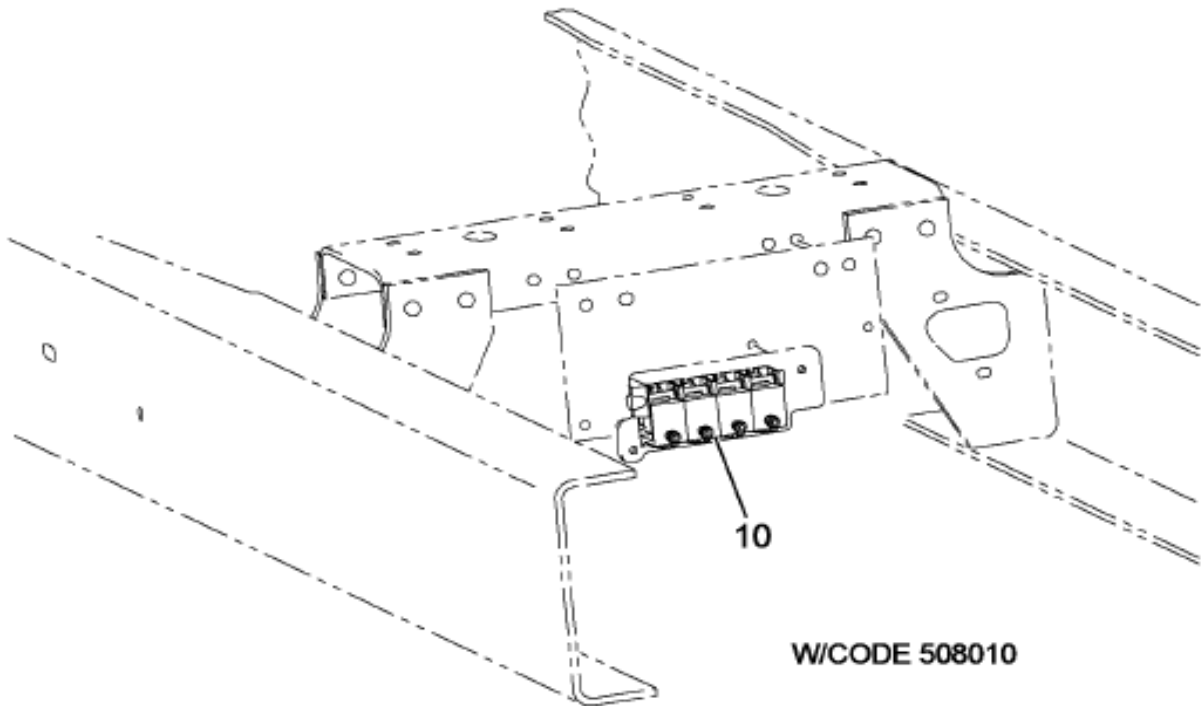
08-V84-0013-01

J03

Item	Part No.	Qty	Description	Kit	Var	Figure
1		1	COVER,AIR SOLENOID VALVE			
1		RF	SCREW,			
1		RF	RING,O			
880		RF	NOTE: ASM BELOW COMPRISED OF ABOVE COMPONENTS			
881	2507597C91	RF	KIT,AIR BRK*SOLENOID COVER PLT			

Figure 0CBYL

AIR SOLENOID VALVE; DIFF LOCK, TRAC DIFF, 2-SPD AXLE

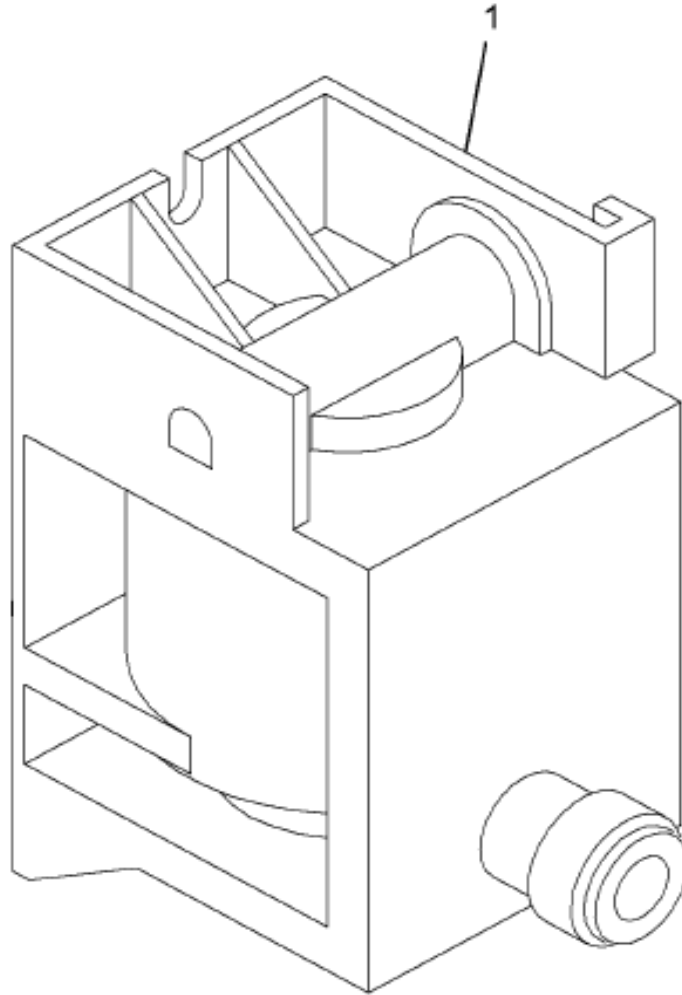


04-S02-0002-BA

L09

Item	Part No.	Qty	Description	Kit	Var	Figure
10	3553344F91	1	VALVE,SOLENOID*DCLD CONTROL		0CBYP	3553344F91

Figure 3553344F91
VALVE, SOLENOID*DCLD CONTROL



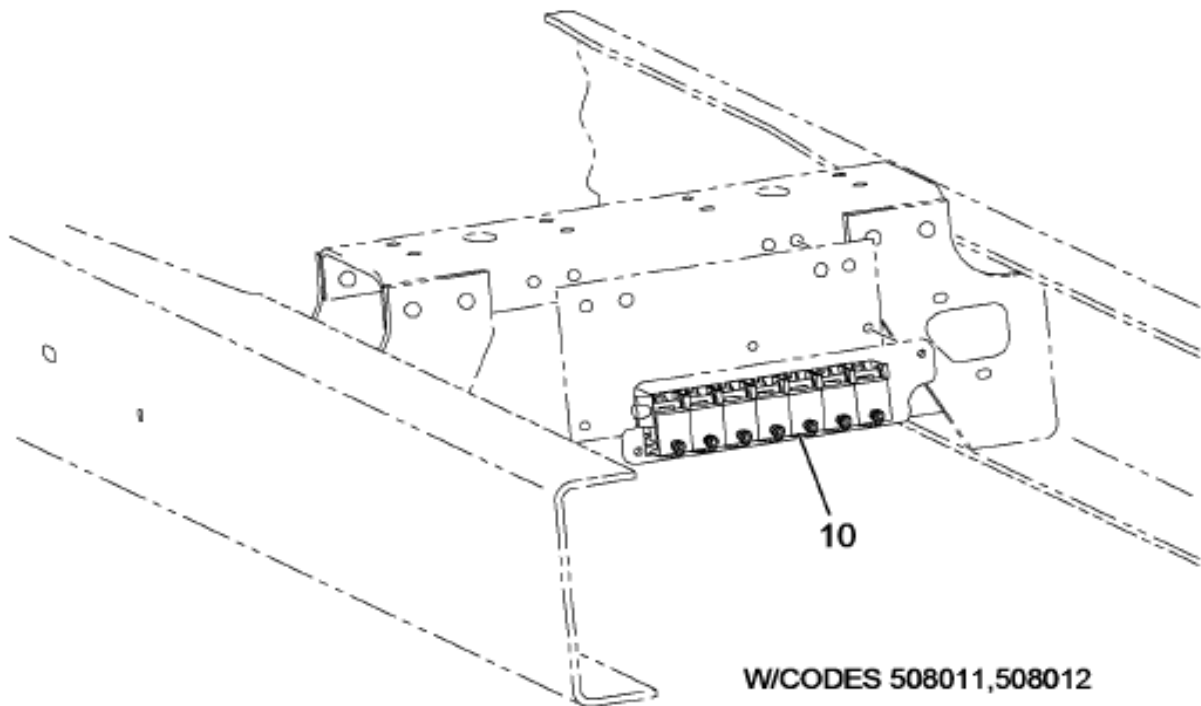
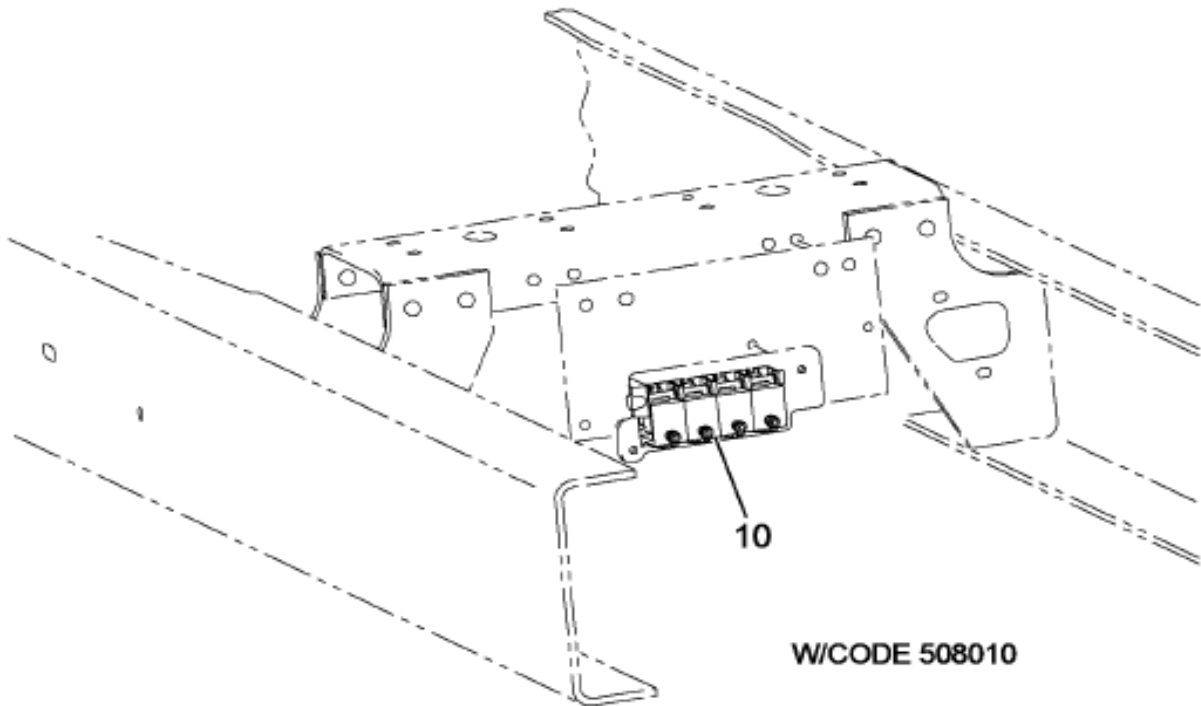
G
R
P
0
8

04-S02-0001-00

H05

Item	Part No.	Qty	Description	Kit	Var	Figure
1	2505591C1	1	VALVE, SOLENOID*N.C. AIR			
880		RF	NOTE: ASM BELOW COMPRISED OF ABOVE COMPONENTS			
881	3553344F91	RF	VALVE, SOLENOID*DCLD CONTROL			

Figure 0CBZ0
AIR SOLENOID VALVE; DRIVETRAIN CONTROLS

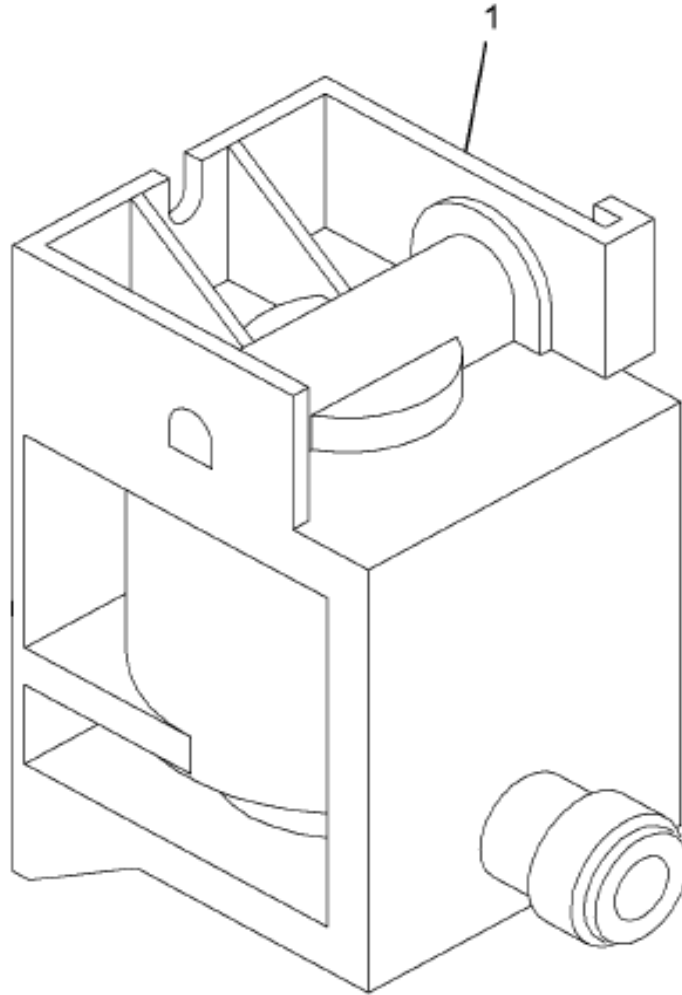


04-S02-0002-BA

L09

Item	Part No.	Qty	Description	Kit	Var	Figure
10	3545735F91	1	VALVE,SOLENOID*TRANSFER CASE		0JDCT	3545735F91

Figure 3545735F91
VALVE, SOLENOID*TRANSFER CASE



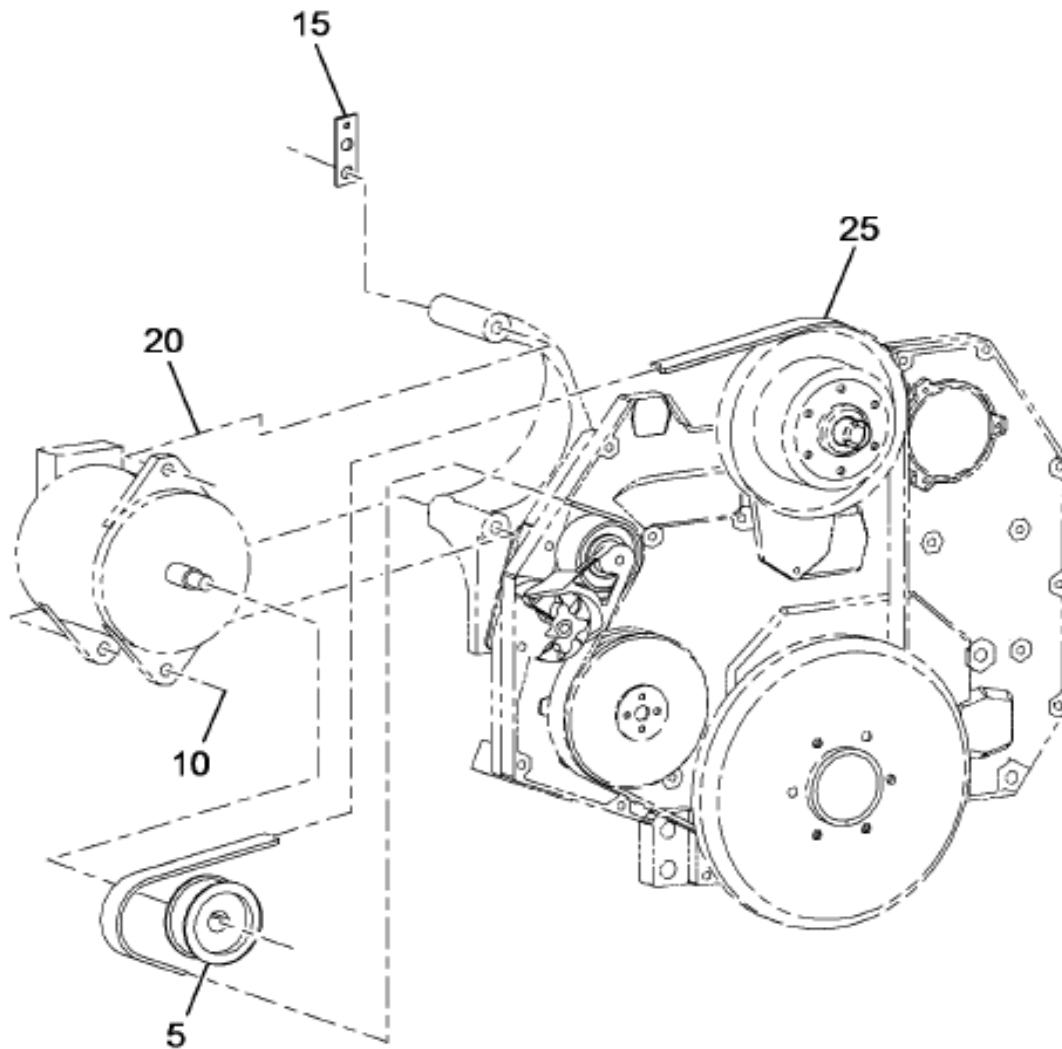
G
R
P
0
8

04-S02-0001-00

H05

Item	Part No.	Qty	Description	Kit	Var	Figure
1	2505591C1	3	VALVE, SOLENOID*N.C. AIR			
880		RF	NOTE: ASM BELOW COMPRISED OF ABOVE COMPONENTS			
881	3545735F91	RF	VALVE, SOLENOID*TRANSFER CASE			

Figure 06PWH
ALT PULLEY INSTL; W/BELT



**M-NGV-MD, M-NGV-RH,
M-NGV-SS**

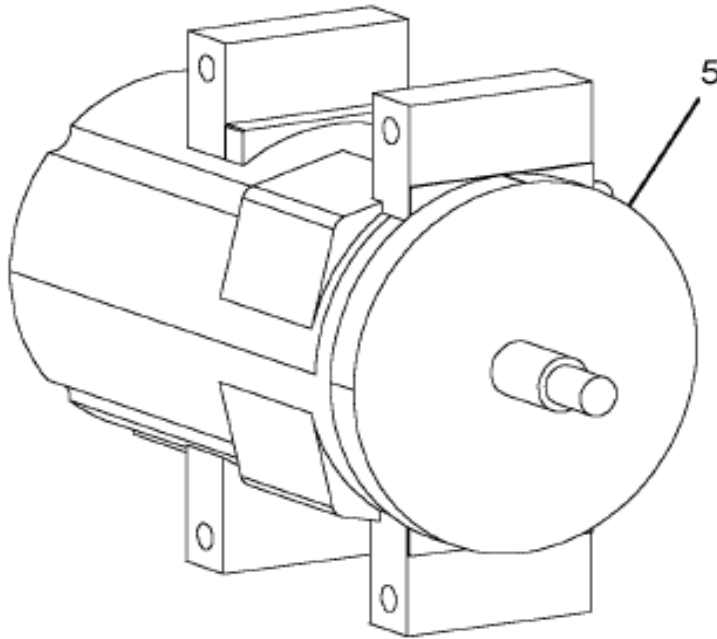
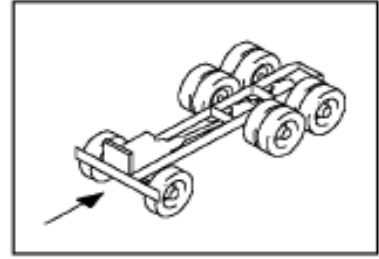
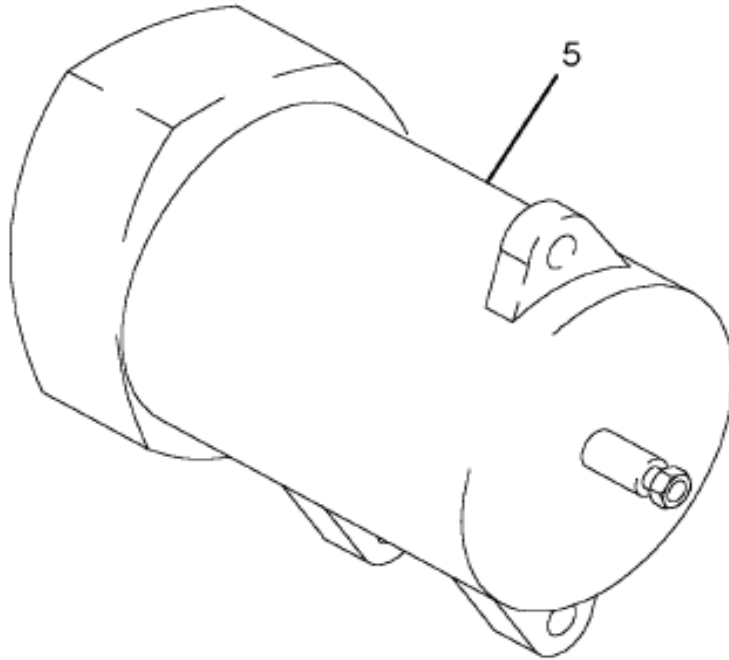
08-664-0030-A0

B10

Item	Part No.	Qty	Description	Kit	Var	Figure
5	3539916C1	1	PULLEY, *GENERATOR		06STM	
10	25687R1	1	BOLT, 1/2 X 6 PHC TYPE 8		086LD	
10	9412230	1	NUT, HEX LOCK 1/2 NC		086LD	
15	3553851C1	1	EXTENSION, CLIP FLAT		086LD	
20	24869R1	1	BOLT, HEX 1/2 X 4-1/2 PHC TYPE 8		086LD	
25	1841558C1	1	BELT, 8PK. 75.60		07SPR	

Figure 0MQ7P

ALTERNATOR ASM; 24V 200 AMP, NON-PAD MOUNT



PAD MOUNT

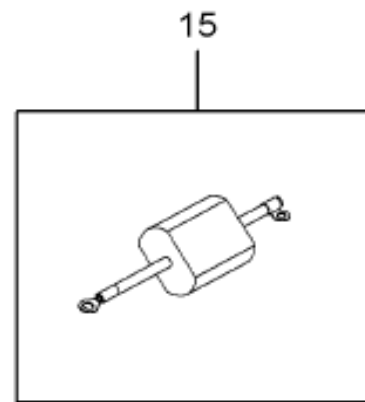
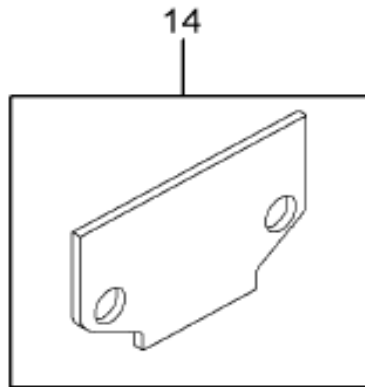
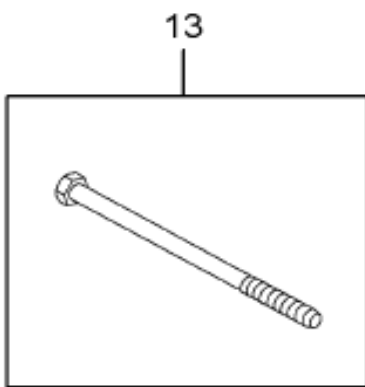
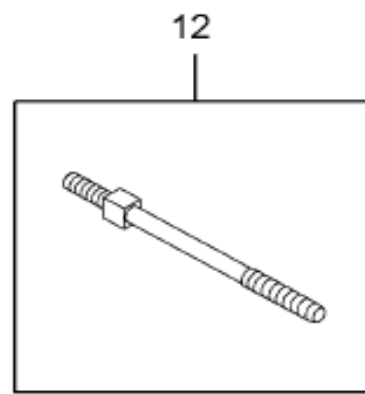
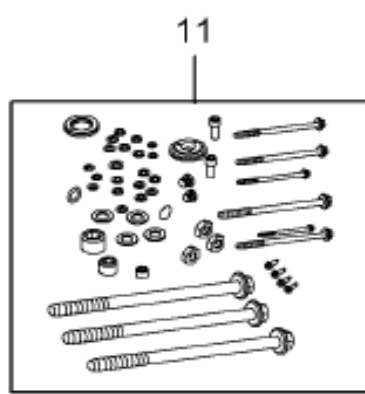
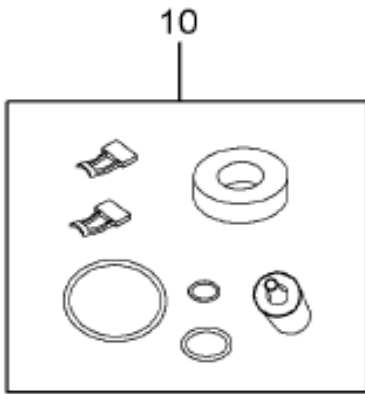
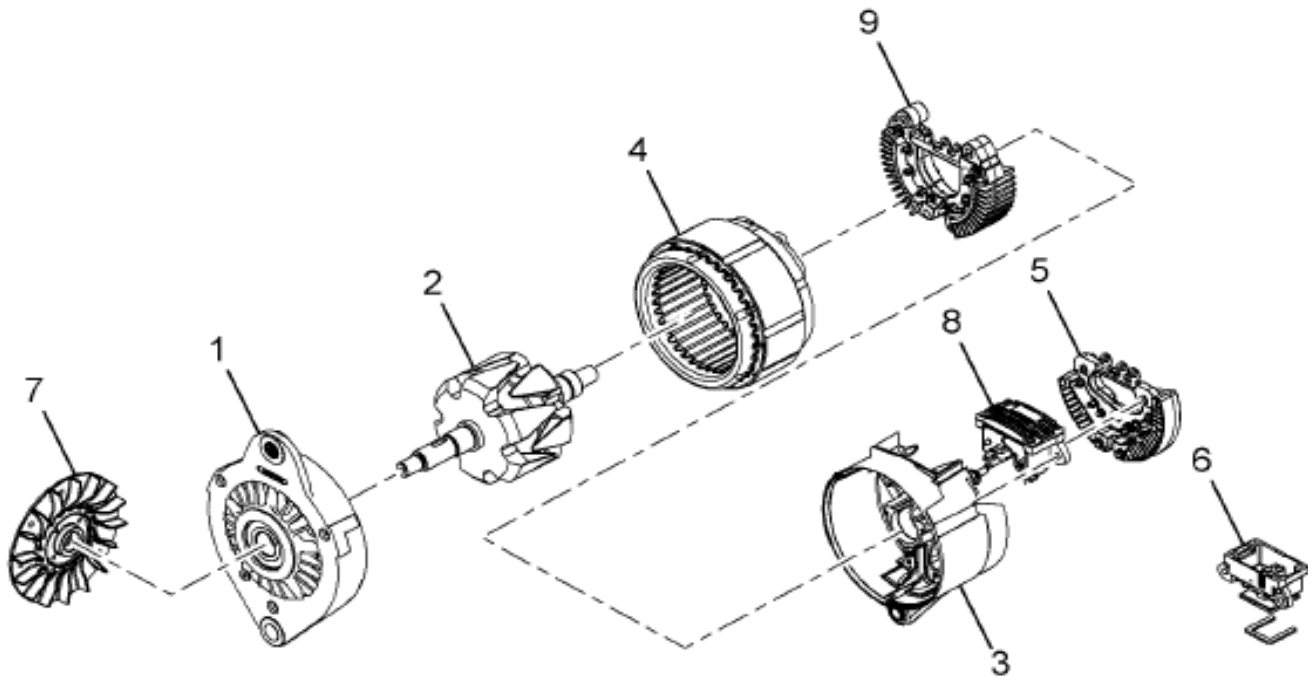
G
R
P
0
8

08-158-0018-01

E03

Item	Part No.	Qty	Description	Kit	Var	Figure
5	3610514C91	1	GENERATOR, 28V, 200A, L-N, 4740		0MQ7P	3610514C91

Figure 3610514C91
GENERATOR, 28V, 200A, L-N, 4740

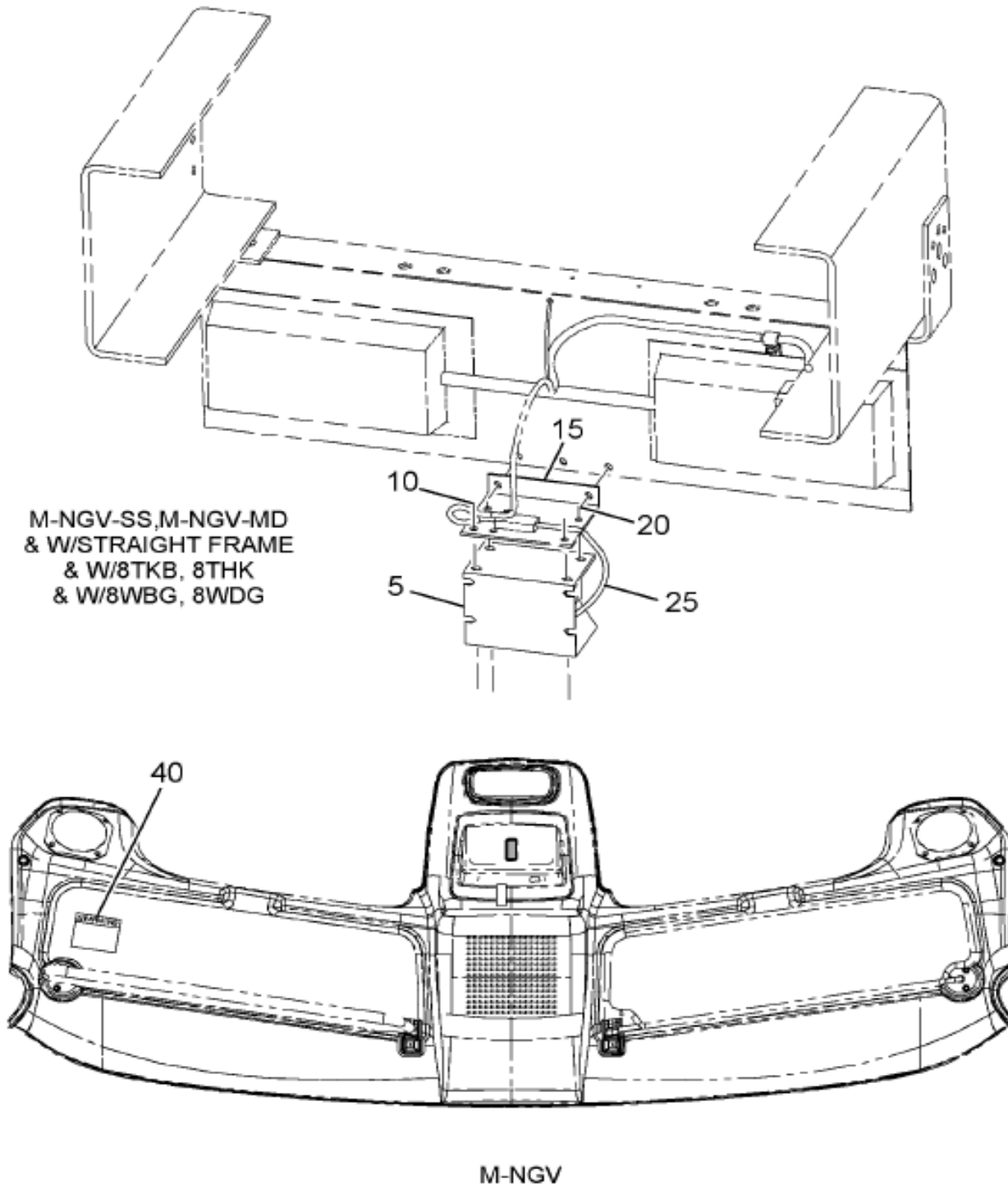


08-158-0035-01

C09

Item	Part No.	Qty	Description	Kit	Var	Figure
1	ZLNA1410346	1	FRT HOUSING SPACR, BEARING RET			
2	ZLNA0201034	1	ROTOR			
3	ZLNA0111050	1	REAR HSNG ASM			
4	ZLNA0221034	1	STATOR W TERM			
5	ZLNA0511047	KT	LEADFRAME-NEG KIT			
6	ZLNA0091028	1	BRUSH HOLDER			

Figure 086VD
BACK-UP ALARM WIRING INSTL

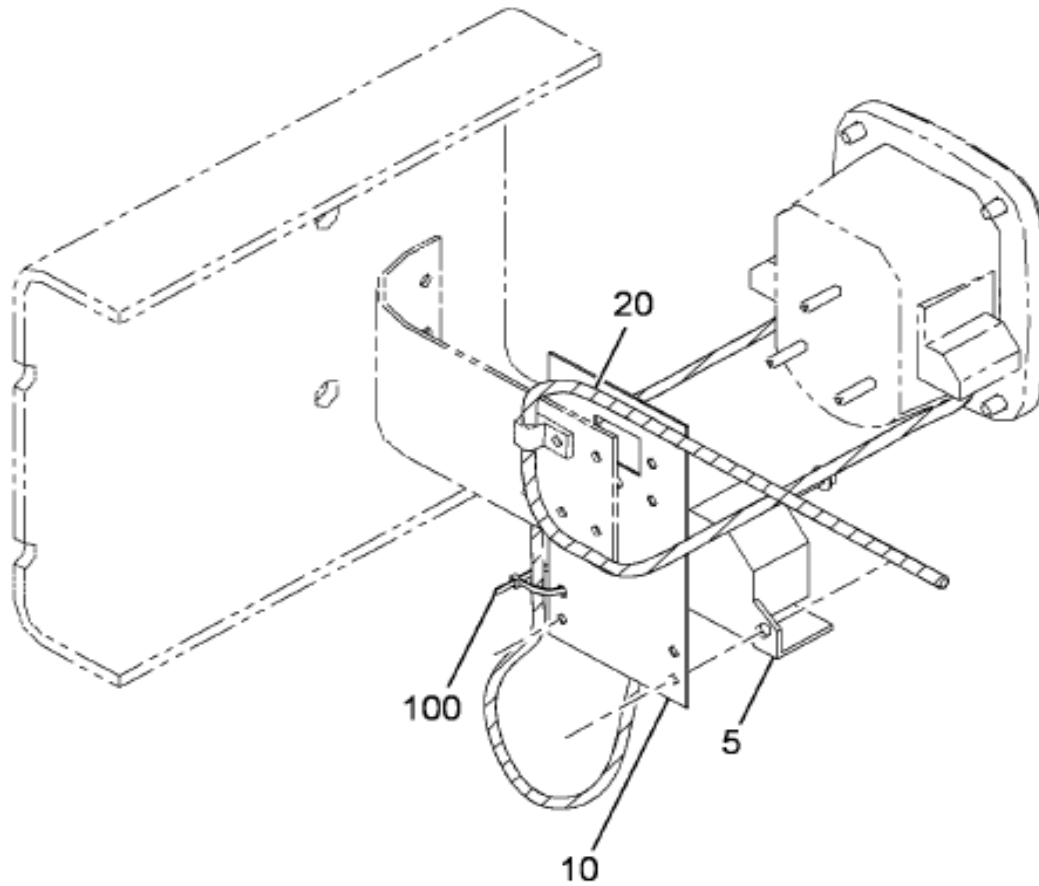


08-111-0038-01

J09

Figure 1 of 2

Figure 086VD
BACK-UP ALARM WIRING INSTL



W/0508014, 008TPD

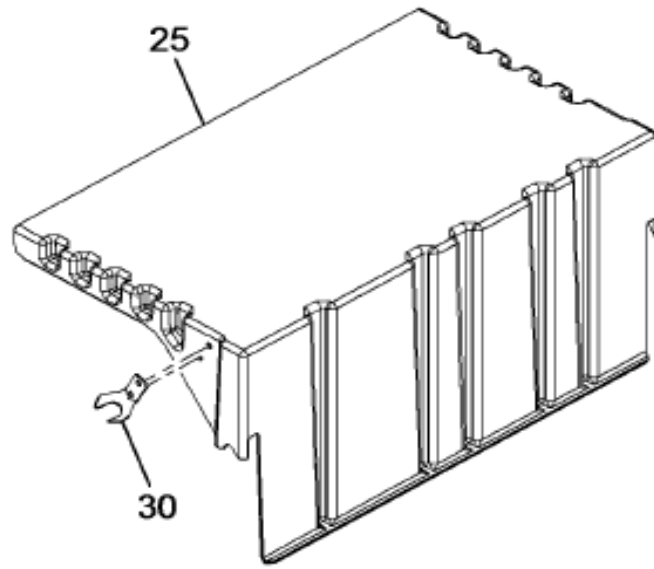
08-111-0041-01

K10

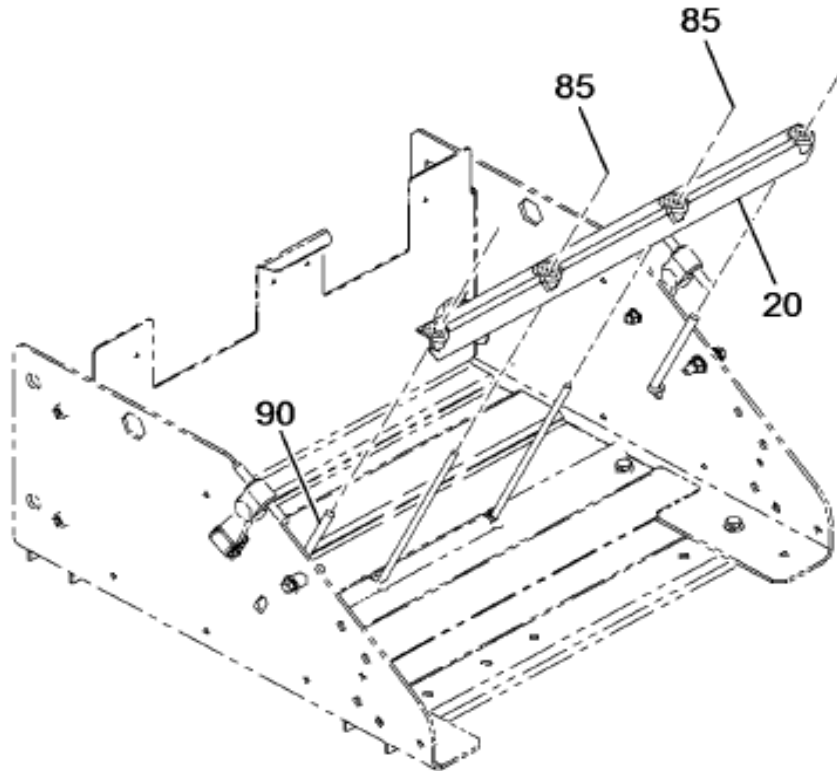
Item	Part No.	Qty	Description	Kit	Var	Figure
5	3582510C1	1	HORN, BACK UP ALARM*B/UP ALARM		086VD	
5	3552155C1	2	BOLT, HEX FLG HD METRIC*M6 X 20		086VD	
5	3544378C1	2	NUT, HEX METRIC PREV. TORQ*M6 H		086VD	
10	546561C2	1	BRACKET, BACK UP ALARM		086VD	
20	3601436C91	1	CABLE, ASM, LIGHT TO LIGHT 825M		086Y5	
40	3566693R1	1	PRODUCT GRAPHICS, SAFETY COMPLI		086VD	

Figure 0HL8D

BATT BOX COVER & HOLD DOWN; FOR 24,25,30,33,42" BOXES



W/M-NGV-MD
W/24" BATTERY BOX &
W/508067 &
W/013ZYW



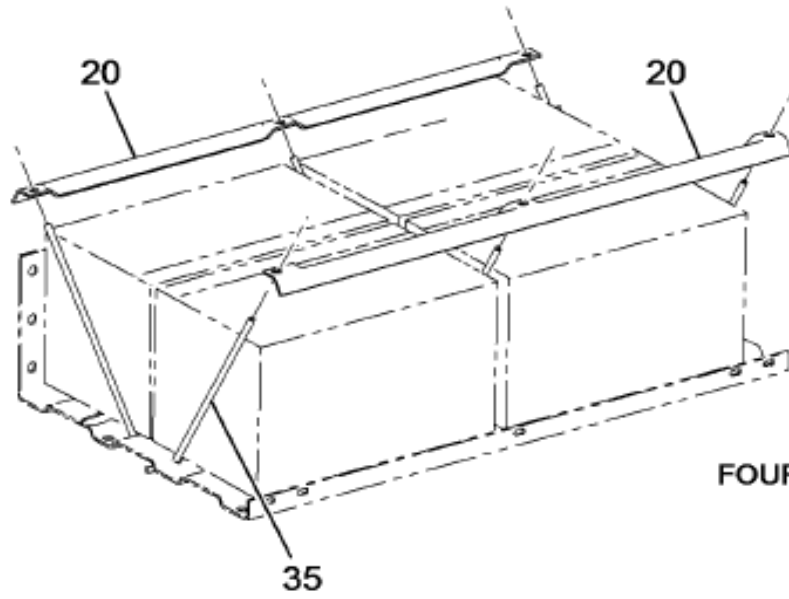
08-328-0052-01

C10

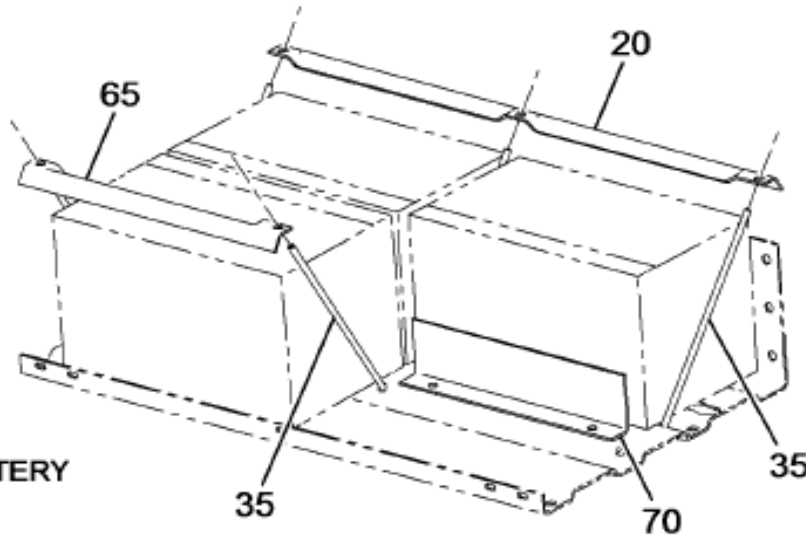
Figure 1 of 2

Figure 0HL8D

BATT BOX COVER & HOLD DOWN; FOR 24,25,30,33,42" BOXES



FOUR BATTERY



THREE BATTERY

LF51700
DAY CAB UNDER
CAB BATTERY BOX
W/TOOL BOX

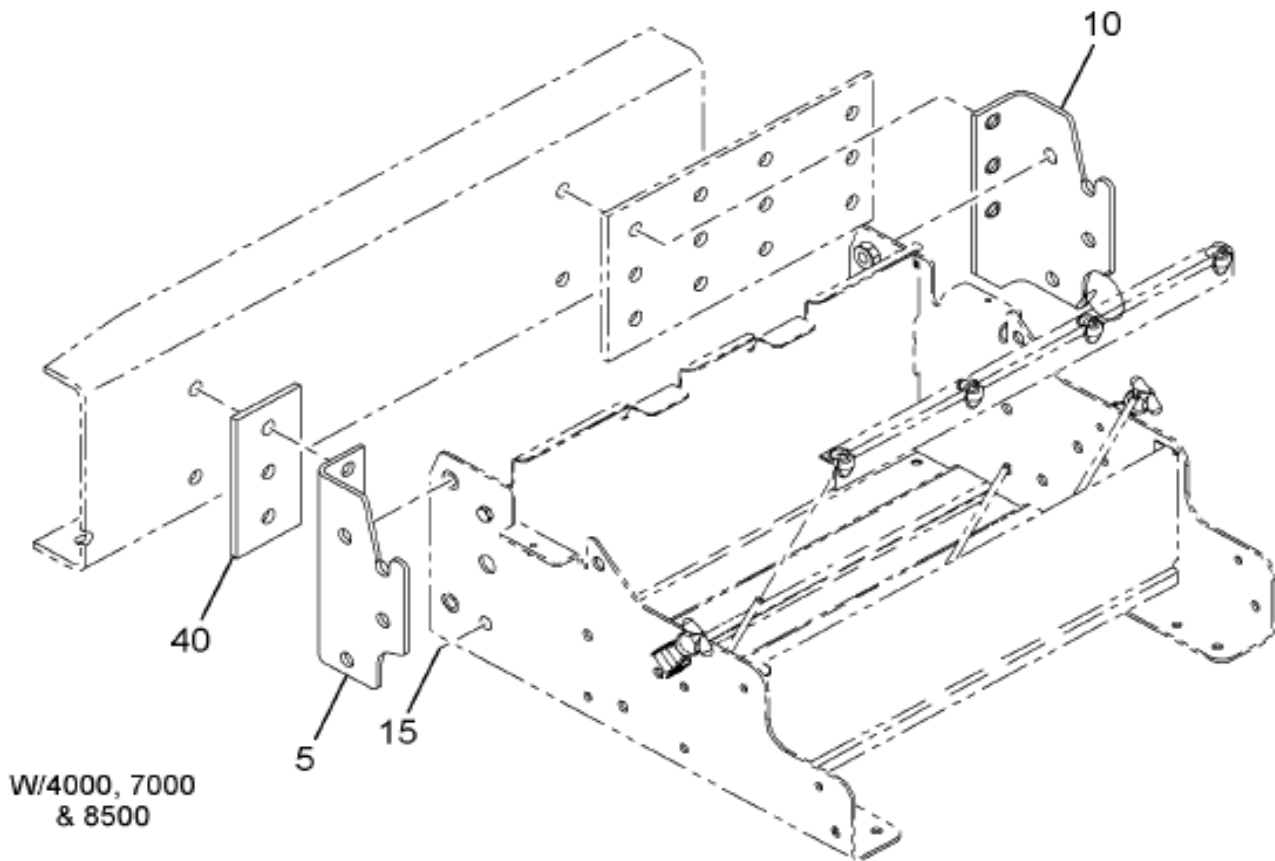
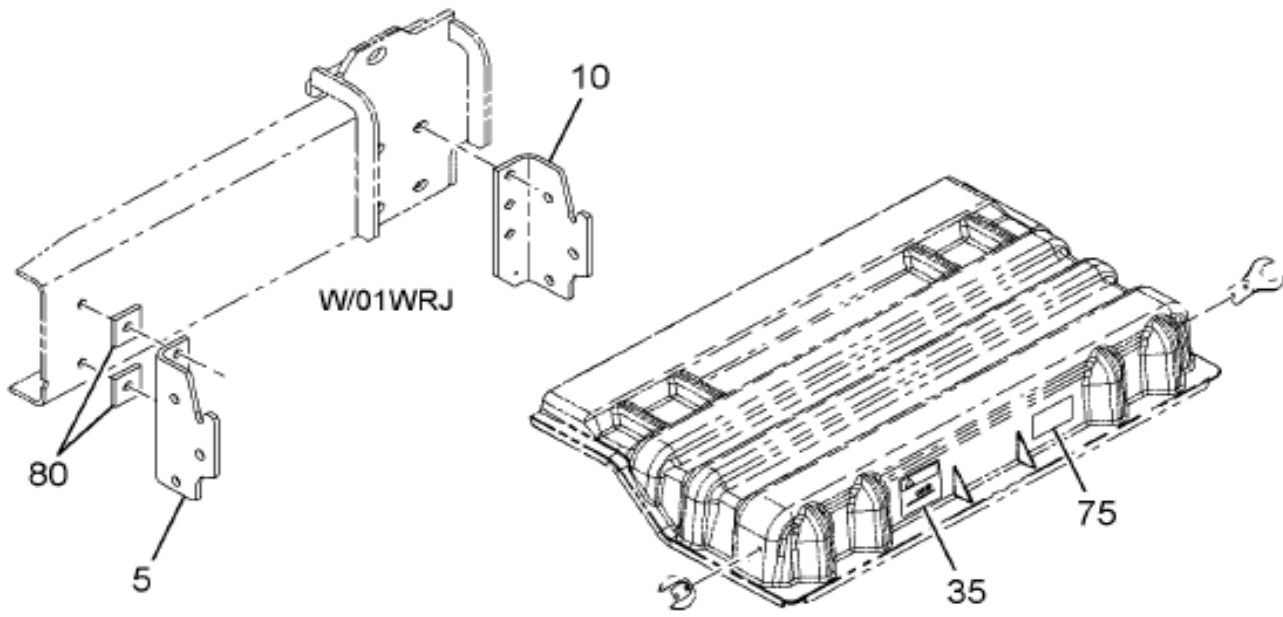
08-328-0062-01

C10

Item	Part No.	Qty	Description	Kit	Var	Figure
20	3553500C1	1	CLAMP,BATT HOLD DOWN ANGLE TYP		0HL8T	
20	3553501C3	3	BOLT,BOLT,J M8X266MM,CL.8.8,Z		0HL8T	
20	25708R1	3	WASHER,FLAT 5/16(.344X.688X.08		0HL8T	
20	3553592C1	3	NUT,HEX METRIC PREV. TORQ*M8		0HL8T	
25	3539681C2	1	COVER,*		0HL8T	
30	777937C1	2	RETAINER,RUBBER HOOK BTRY CVR		0HL8T	

Figure 0HL8B

BATT BOX SUPT INSTL; 24, 25, 30, 33 & 42" RSM LONG BOX



GROUP 08

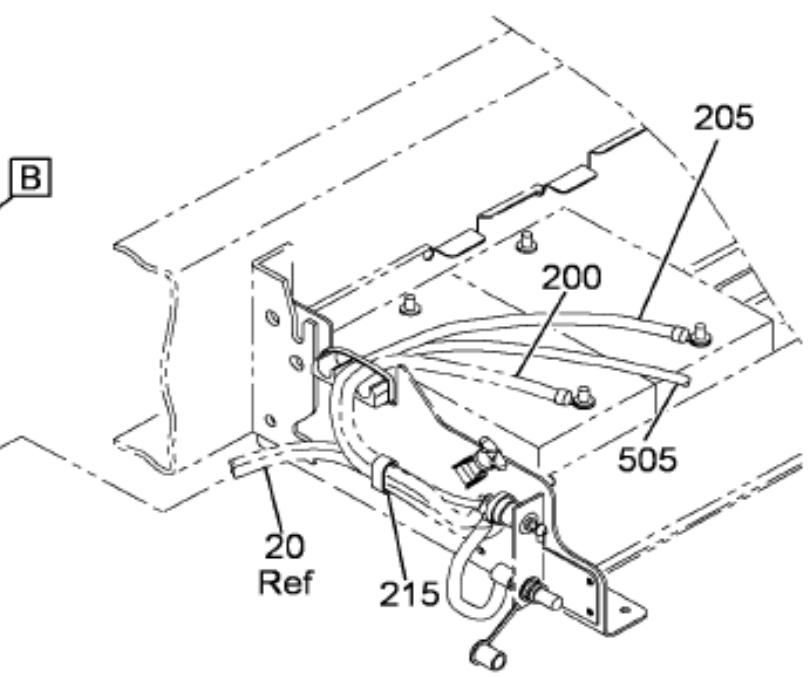
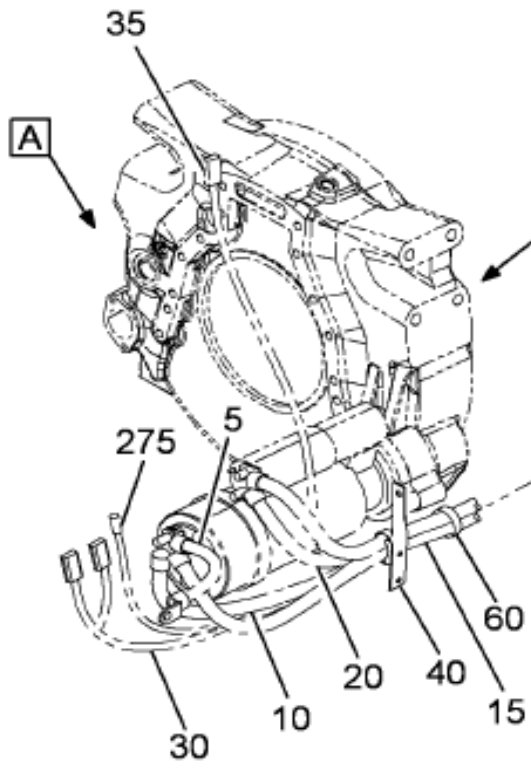
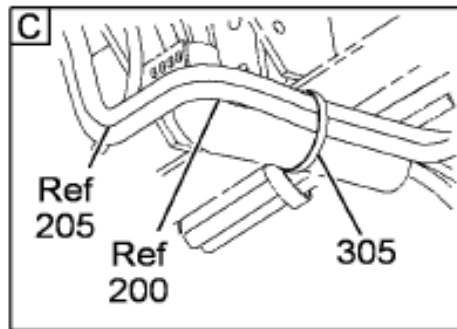
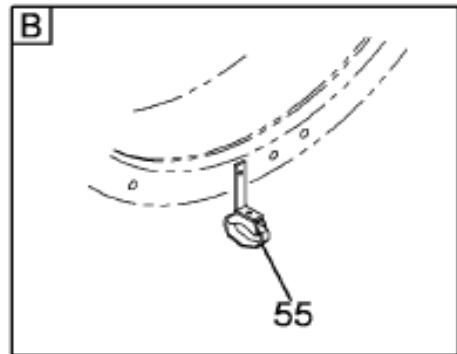
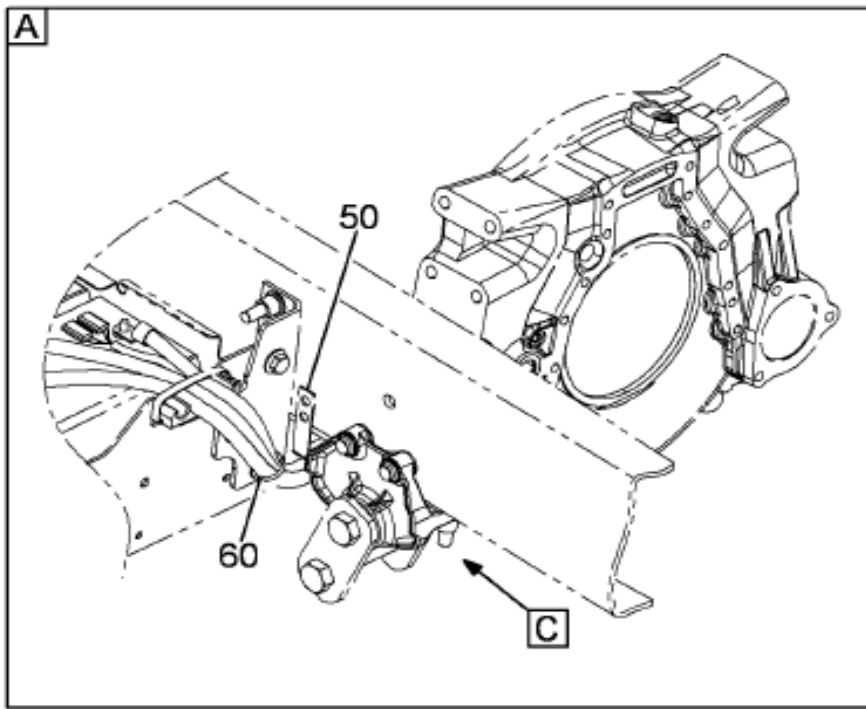
08-334-0016-01

F10

Item	Part No.	Qty	Description	Kit	Var	Figure
5	3548593C3	1	BRACKET, LEFT		0HL8H	
5	1518208C1	2	BOLT, HUCK 5/8 DIA		0HL8H	
5	1518213C1	2	COLLAR, HUCK 5/8 DIA.		0HL8H	
10	3548594C3	1	BRACKET, RIGHT		0HL8H	
10	1518208C1	2	BOLT, HUCK 5/8 DIA		0HL8H	
10	1518213C1	2	COLLAR, HUCK 5/8 DIA.		0HL8H	

Figure 0GCJR

BATT CABLE INSTL; RIGHT SIDE UNDER CAB



M-NGV-SS
W/INTERNATIONAL 16

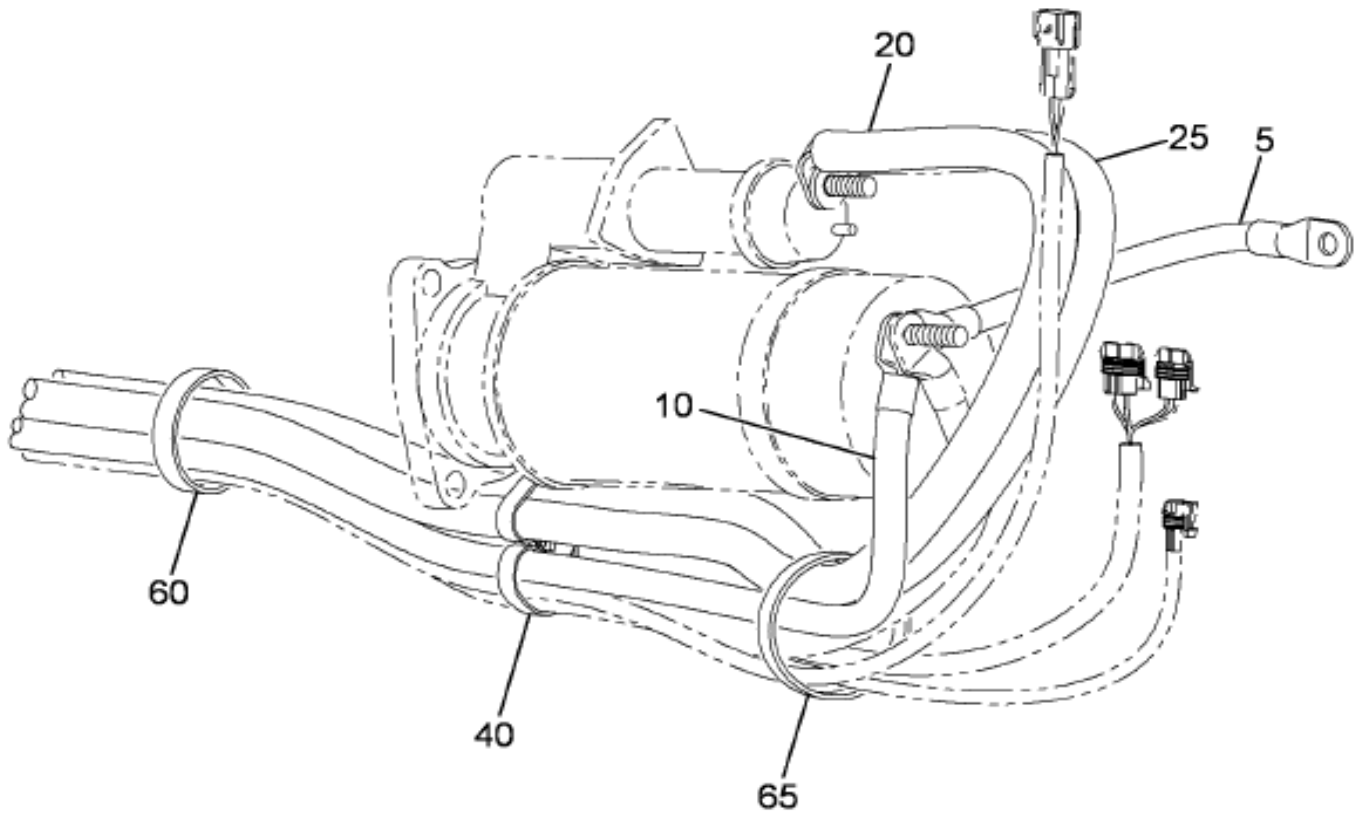
08-V13-0023-AA

F09

GROUP 8

Figure 1 of 8

Figure 0GCJR
BATT CABLE INSTL; RIGHT SIDE UNDER CAB

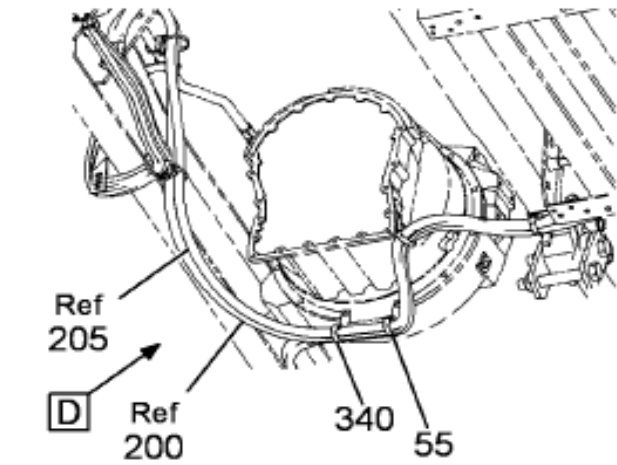


CAT C10,C12

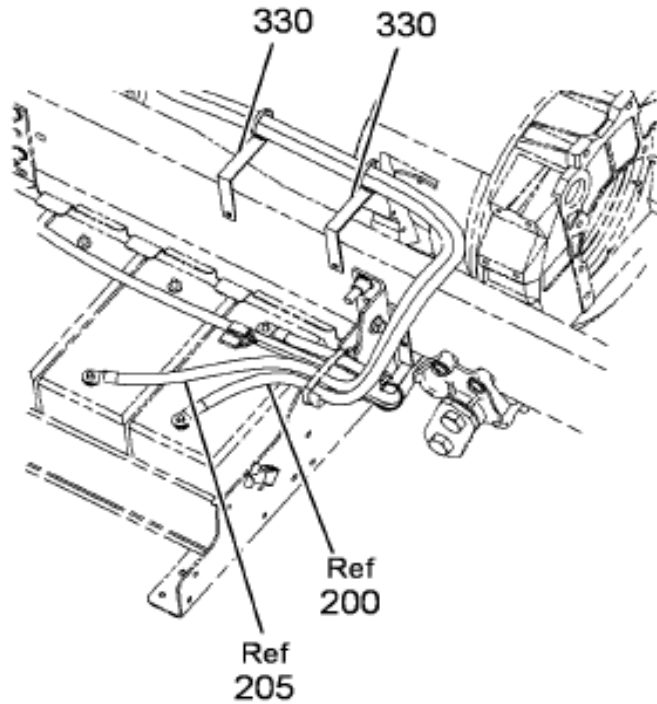
Figure 2 of 8

Figure 0GCJR

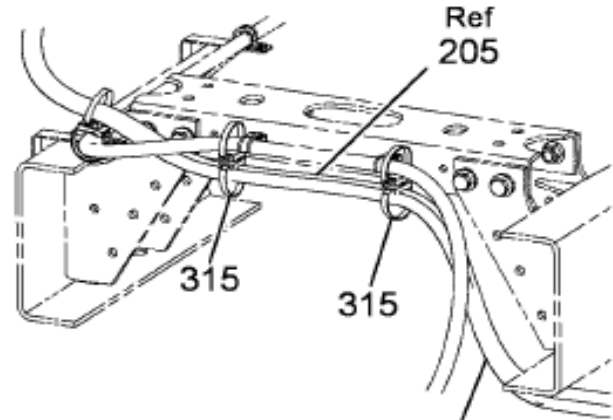
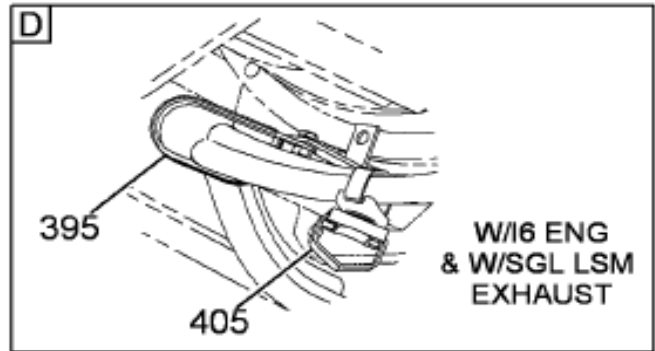
BATT CABLE INSTL; RIGHT SIDE UNDER CAB



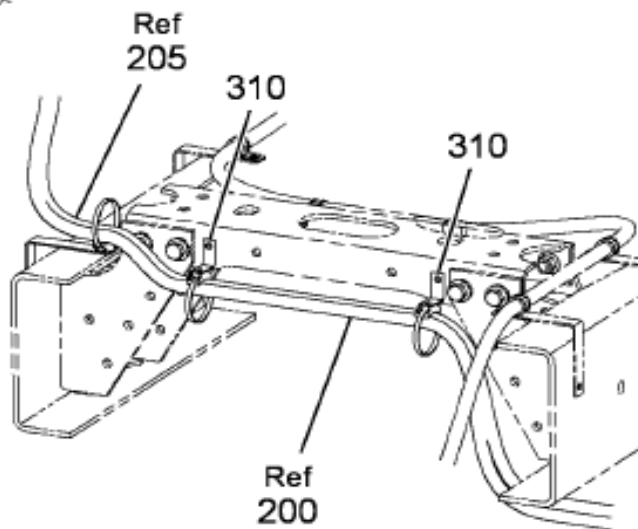
W/CAB-HGHT = M &
 W/0508006,0508001 &
 W/0008WCS,0008WHY



W/CAB-HGHT = M &
 W/0508006,0508001 &
 W/0008WCS,0008WHY



W/CAB HEIGHT = H
 W/F-FULLER-AIR-TRANS
 W/RSM AIR DRYER

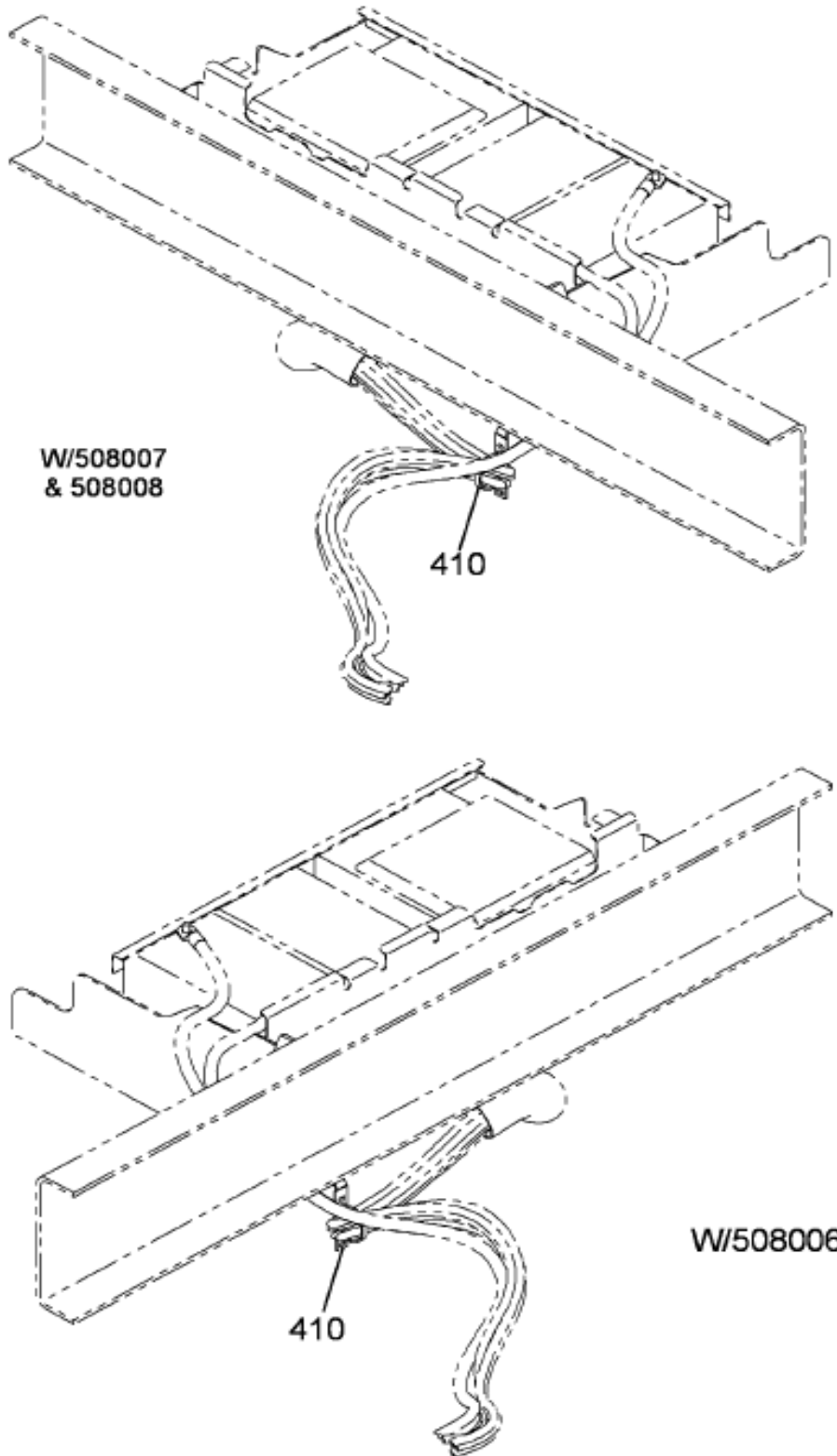


W/CAB HEIGHT = H
 W/F-HD-AUTO-TRANS
 W/RSM AIR DRYER
 OR
 N/AIR DRYER

G R P 0 8

Figure 3 of 8

Figure 0GCJR
BATT CABLE INSTL; RIGHT SIDE UNDER CAB

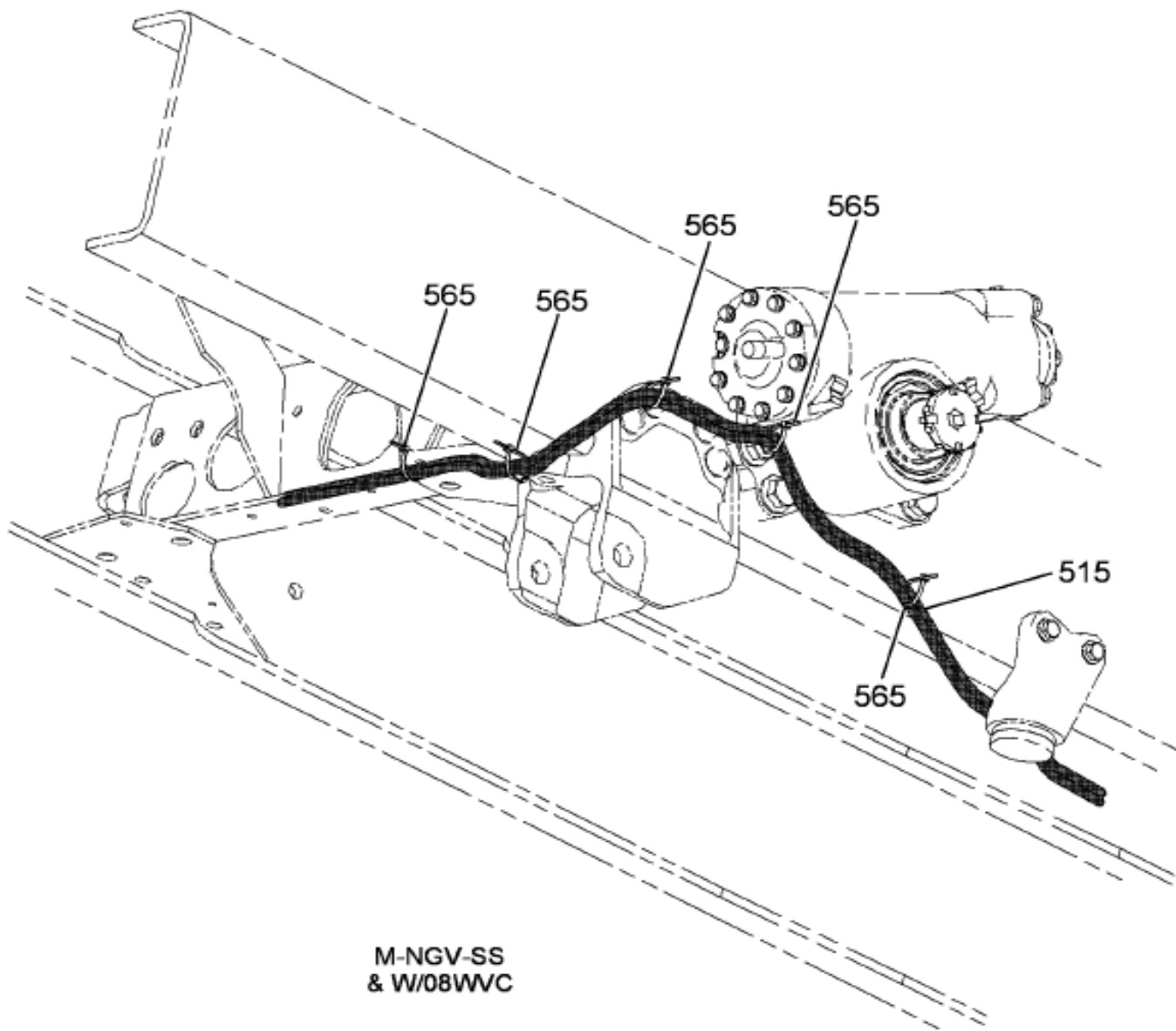


08-V13-0112-01

F09

Figure 4 of 8

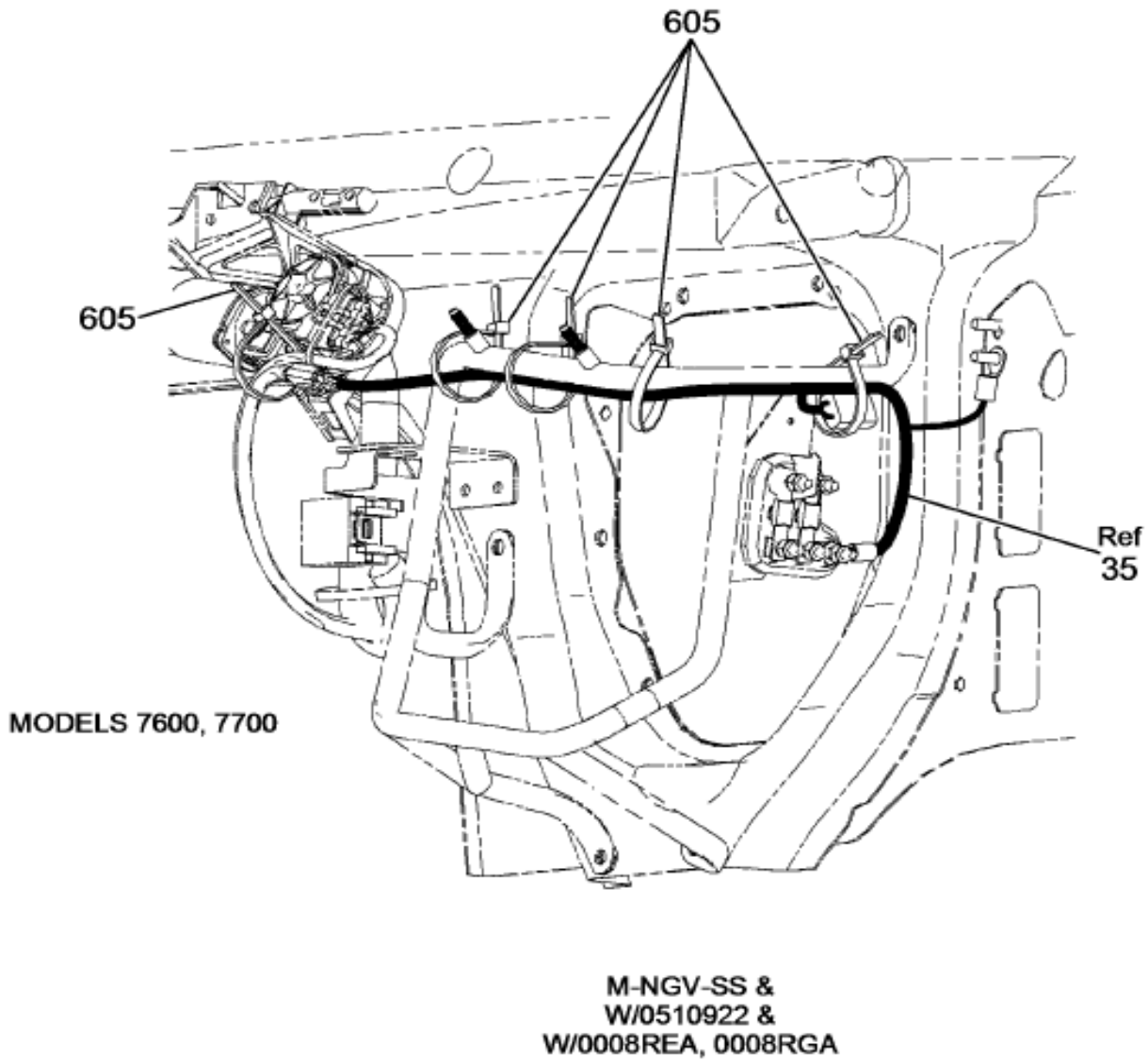
Figure 0GCJR
BATT CABLE INSTL; RIGHT SIDE UNDER CAB



GROUP 08

Figure 5 of 8

Figure 0GCJR
BATT CABLE INSTL; RIGHT SIDE UNDER CAB

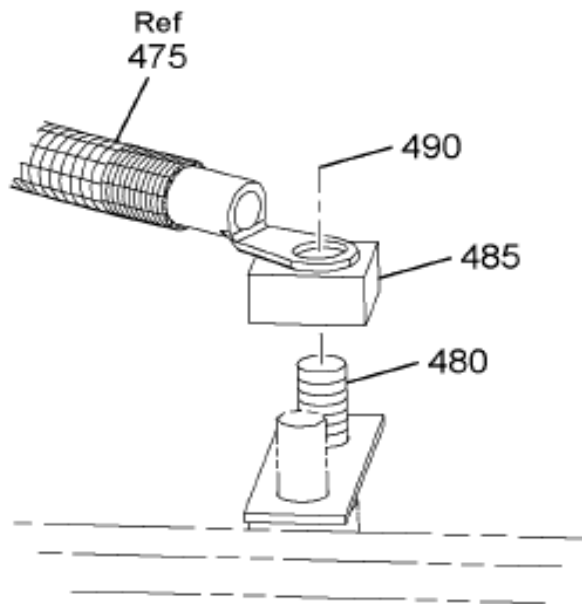
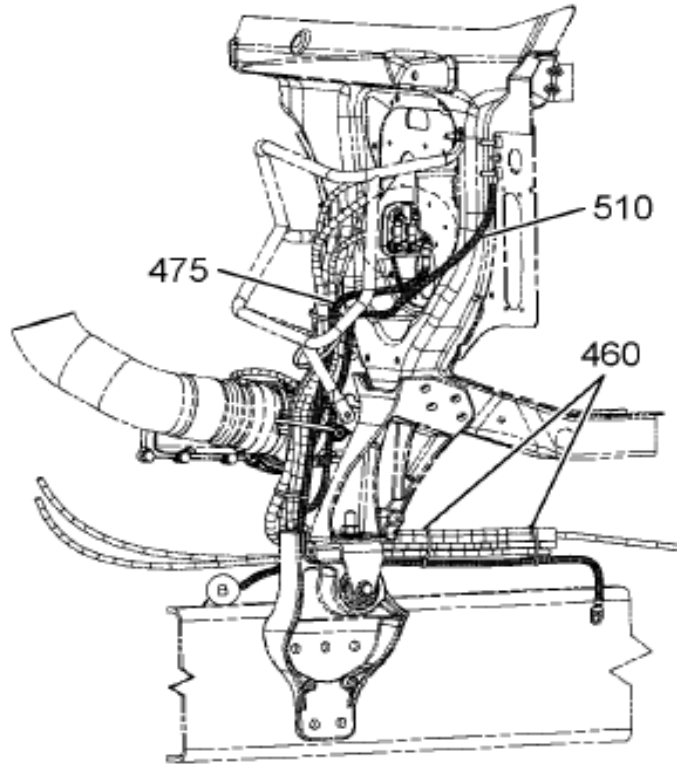


08-V13-0180-01

E09

Figure 6 of 8

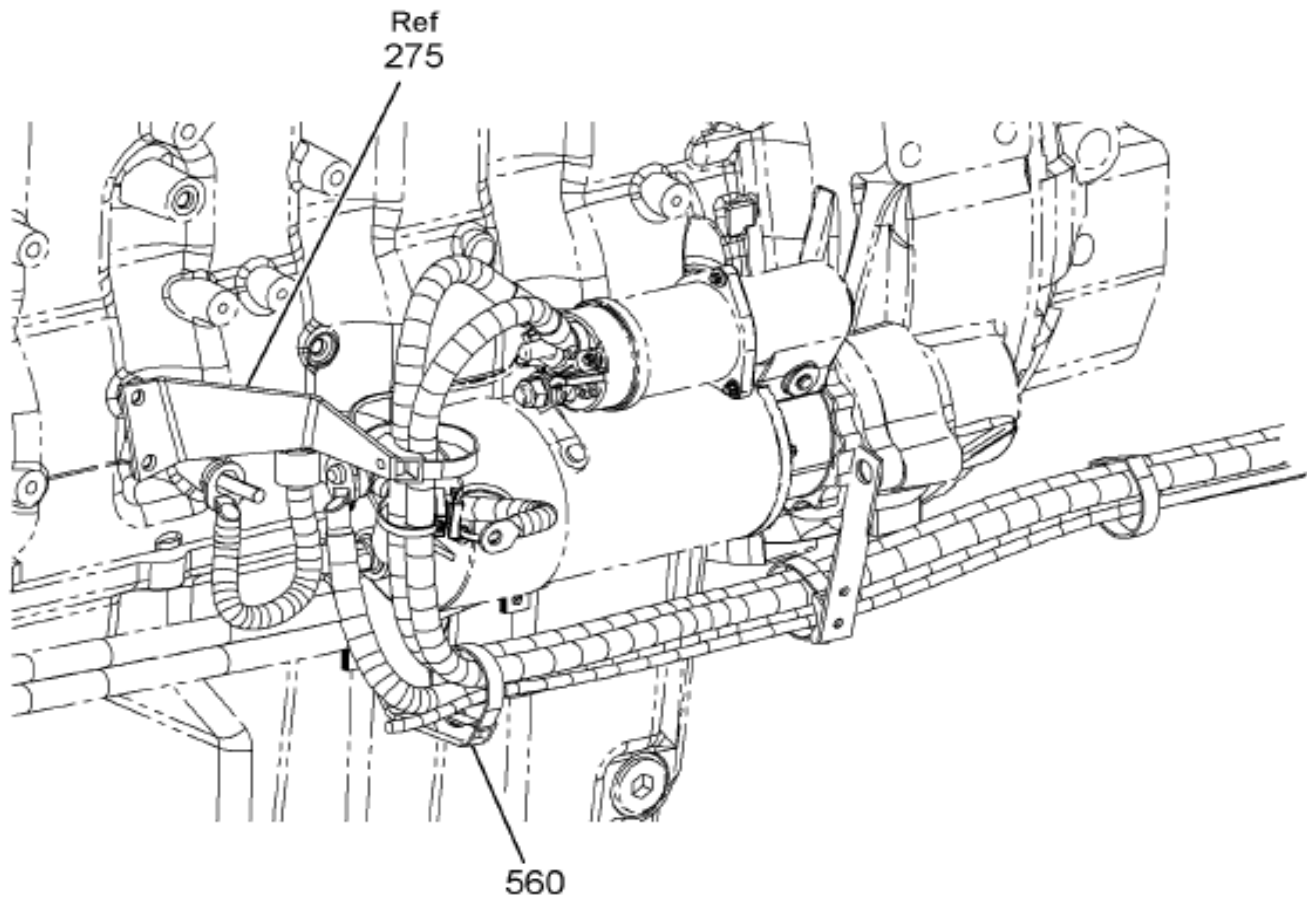
Figure 0GCJR
BATT CABLE INSTL; RIGHT SIDE UNDER CAB



G
R
P
0
8

Figure 7 of 8

Figure 0GCJR
BATT CABLE INSTL; RIGHT SIDE UNDER CAB



C13 ENGINE

08-V13-0200-02

B09

Item	Part No.	Qty	Description	Kit	Var	Figure
5	3528839C92	1	CABLE,BTRY 360MM,WELDING CABLE		0GCJR	
5	433971C1	1	BOLT,SPECIAL		0GCJR	
5	120382	1	WASHER,LOCK 3/8 ZINC PLATED		0GCJR	
5	25724R1	1	WASHER,FLAT 3/8 ID X 1.12		0GCJR	
5	433972C1	1	NUT,SPCL HX 3/8-16 ZINC PLTD		0GCJR	
10	K301403250	1	CABLE,BATTERY		0MSMC	

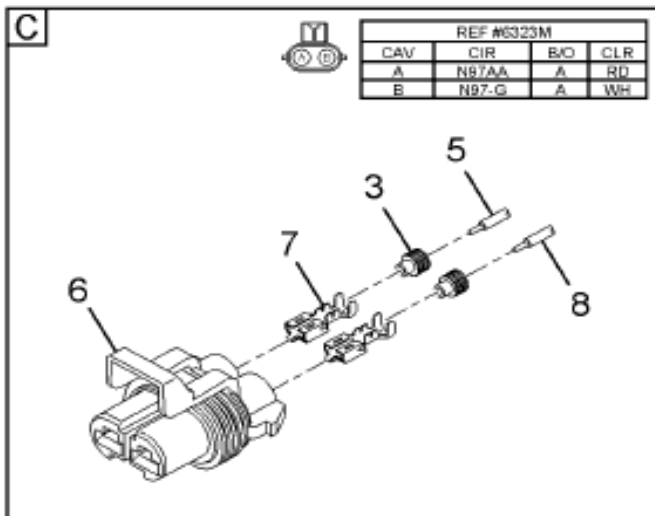
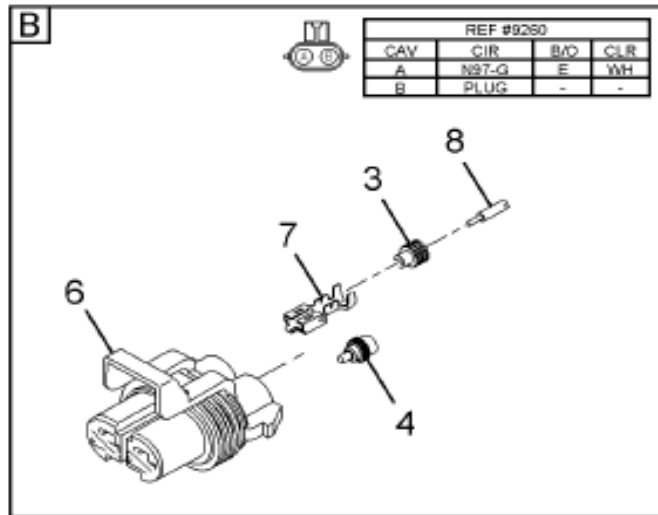
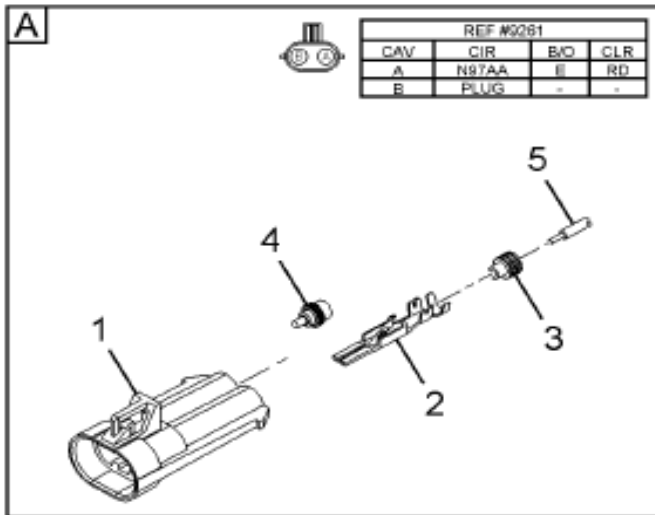
Figure 0GCJR

BATT CABLE INSTL; RIGHT SIDE UNDER CAB

Item	Part No.	Qty	Description	Kit	Var	Figure
15	K301201230	1	CABLE,BATTERY		0MSMC	
20	R306B11220	1	CABLE BATTERY AS FOUND IN CABLE		0MSMC	
25	R306B11230	1	CABLE,BATTERY		0MSMC	
30	3547673C91	1	CABLE,ASM*CLEAN PWR FEED, 2900		0L6ZZ	3547673C91
30	289862C1	1	STRAP,CABLE LOCK		0GCJR	
40	3535174C1	1	EXTENSION,CLIP*90 DEG TWIST		0GCKJ	
40	25483R1	1	BOLT, 1/4 X 1 PHC TYPE 8		0GCJR	
40	120380	1	WASHER LOCK 1/4",REG,STL/ZNC		0GCJR	
40	25519R1	1	NUT,1/4 NC TYPE 8		0GCJR	
40	3553742C1	1	GUIDE,BRK HOSE & CABLE*2-WAY		0GCJR	
40	3516934C1	1	STRAP,CABLE LOCK 1/2" X 20"		0GCJR	
50	318721C1	1	EXTENSION,CLIP		0GCJR	
50	30745R2	1	BOLT,M12 X 35 HEX FLG HD		0GCJR	
50	30755R1	1	NUT,HEX M12 FLANGED		0GCJR	
50	25483R1	1	BOLT, 1/4 X 1 PHC TYPE 8		0GCJR	
50	120380	1	WASHER LOCK 1/4",REG,STL/ZNC		0GCJR	
50	25519R1	1	NUT,1/4 NC TYPE 8		0GCJR	
50	2041341C1	1	SADDLE,CLAMP CABLE LOCK MT 1/4		0GCJR	
50	3516934C1	1	STRAP,CABLE LOCK 1/2" X 20"		0GCJR	
55	185816R1	1	EXTENSION, CLIP		0GCJR	
55	25222R1	1	BOLT,HH 1/4-20 X 3/4 PHC TYP 8		0GCJR	
55	3516934C1	1	STRAP,CABLE LOCK 1/2" X 20"		0GCJR	
60	3516934C1	4	STRAP,CABLE LOCK 1/2" X 20"		0GCJR	
200	R306611080	1	CABLE,BATTERY		0MSMC	
215	3516934C1	1	STRAP,CABLE LOCK 1/2" X 20"		0GCJR	
215	3554554C1	1	GUIDE,BRK HOSE & CABLE*SWIVEL		0GCJR	
215	864340R1	1	EXTENSION,CLIP L TYPE		0L66C	
215	25222R1	1	BOLT,HH 1/4-20 X 3/4 PHC TYP 8		0L66C	
215	3516934C1	2	STRAP,CABLE LOCK 1/2" X 20"		0GCJR	
215	25519R1	1	NUT,1/4 NC TYPE 8		0GCJR	
215	25519R1	1	NUT,1/4 NC TYPE 8		0L66C	
215	120380	2	WASHER LOCK 1/4",REG,STL/ZNC		0GCJR	
215	120380	2	WASHER LOCK 1/4",REG,STL/ZNC		0L66C	
215	2041341C1	1	SADDLE,CLAMP CABLE LOCK MT 1/4		0GCJR	
215	2041341C1	1	SADDLE,CLAMP CABLE LOCK MT 1/4		0L66C	
215	3516934C1	1	STRAP,CABLE LOCK 1/2" X 20"		0L66C	
395	185816R1	1	EXTENSION, CLIP		0M8BJ	
395	505202C1	1	CLAMP,MULTIPLE RUBBER CUSHION		0M8BJ	
395	25222R1	1	BOLT,HH 1/4-20 X 3/4 PHC TYP 8		0M8BJ	
395	25519R1	1	NUT,1/4 NC TYPE 8		0M8BJ	
395	120380	1	WASHER LOCK 1/4",REG,STL/ZNC		0M8BJ	
8005	3612510C91	1	HARN,JMPR,MEGAFUSE TO PWR STUD		0MSMC	

G
R
P
0
8

Figure 3547673C91
CABLE,ASM*CLEAN PWR FEED, 2900



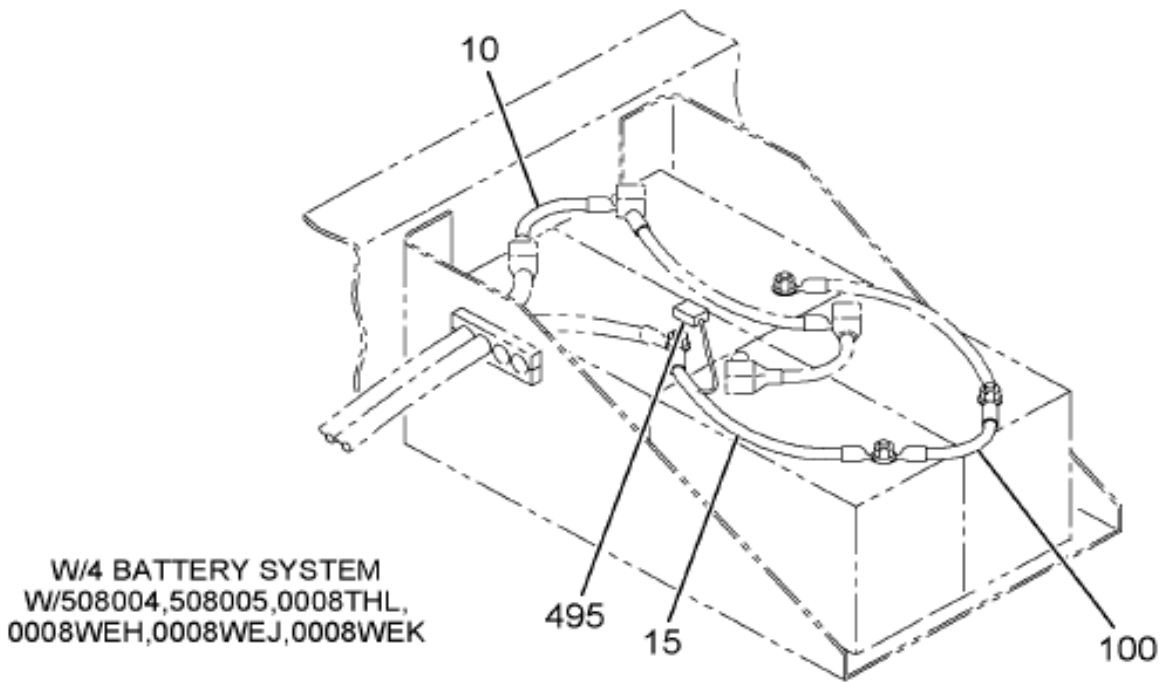
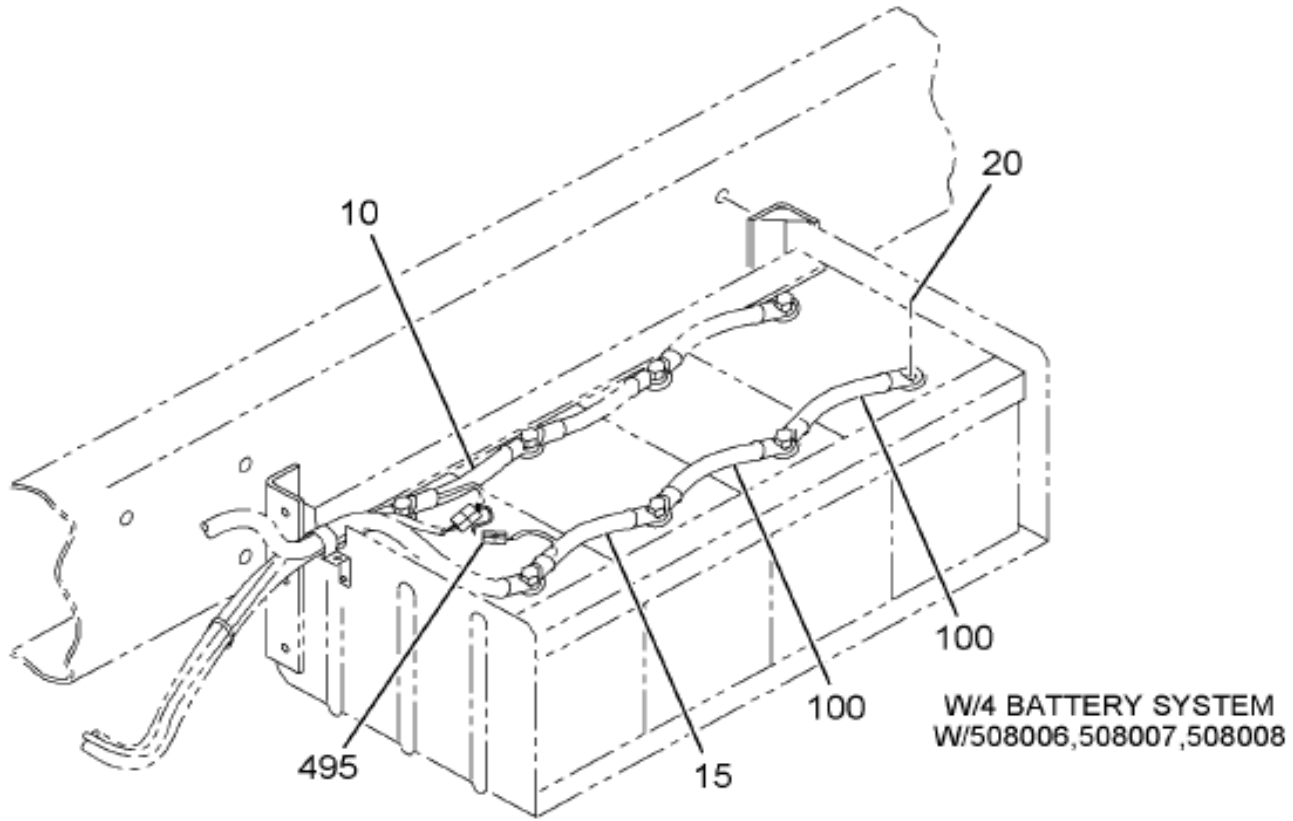
08-V13-0341-02

F11

Item	Part No.	Qty	Description	Kit	Var	Figure
1	2031520C1	1	CONNECTOR,BODY* 480 SEALED			
2	2025423C1	1	TERMINAL,CABLE 480SERIES MALE			
3	2025427C1	4	SEAL,CABLE TERMINAL 480 SERIES			
4	2025432C1	2	PLUG,SEALING 480 SERIES			
5	2643698R1	AR	CABLE LOW TENSION SINGLE COND			
6	2031522C1	2	CONNECTOR,RECTIFIER 480SEALED			

Figure 0MRFB

BATT CABLE INTERCONNECT INSTL; 4 BTRY SYS, 3/8 STUD



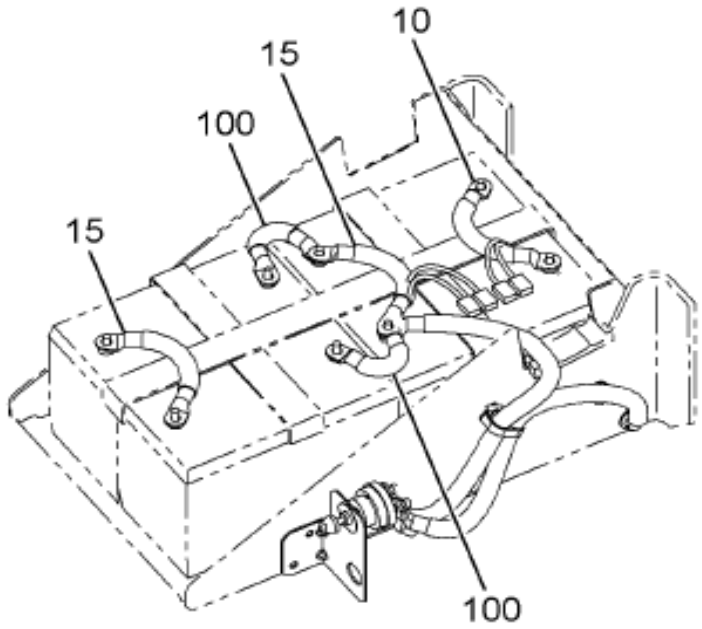
08-913-0049-01

F05

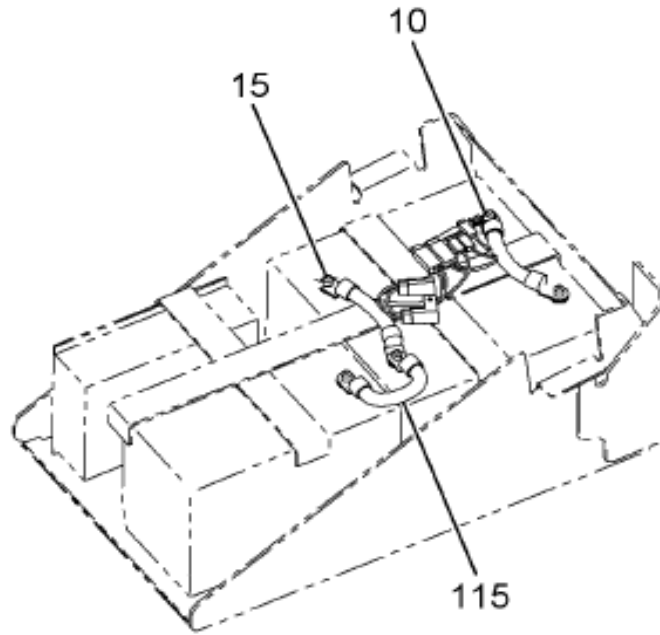
Figure 1 of 2

Figure 0MRFB

BATT CABLE INTERCONNECT INSTL; 4 BTRY SYS, 3/8 STUD



W/08MMB &
W/08WEK



W/08WJL &
W/08WEK

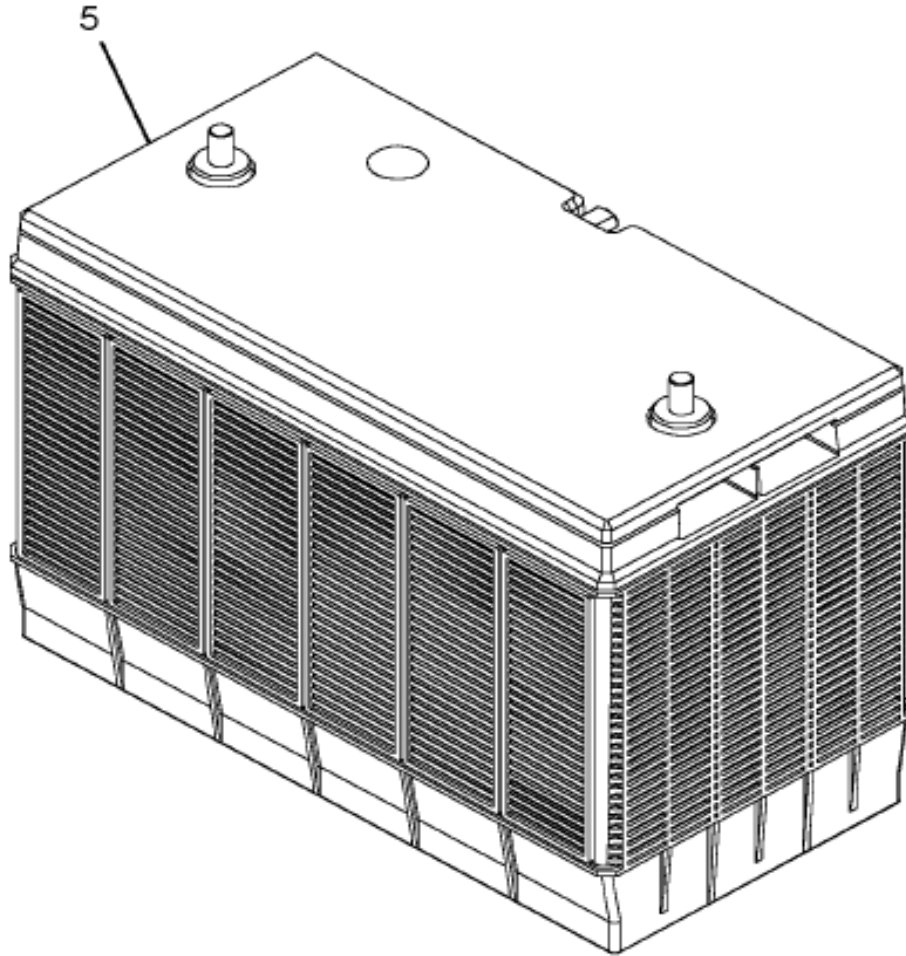
G
R
P
0
8

08-913-0051-01

G10

Item	Part No.	Qty	Description	Kit	Var	Figure
10	3545881C92	1	CABLE,BTRY INTERCONN N/SEALED		0MRFF	
15	3548966C91	1	CABLE,*"BATT INTERCONN N/SEALE		0MRFF	
20	476074C1	7	NUT,BATT TERMINAL		0MRFB	
20	522639C1	1	NUT,BATT TERMINAL BOLT		0MRFB	
100	R106601021	3	CABLE,BATTERY 0 GA		0MRFD	
495	3504540C1	1	FUSE,40 AMP AUTOFUSE BLADE TYP		0MRFB	

Figure 0MTSD
BATTERIES



08-692-0002-01

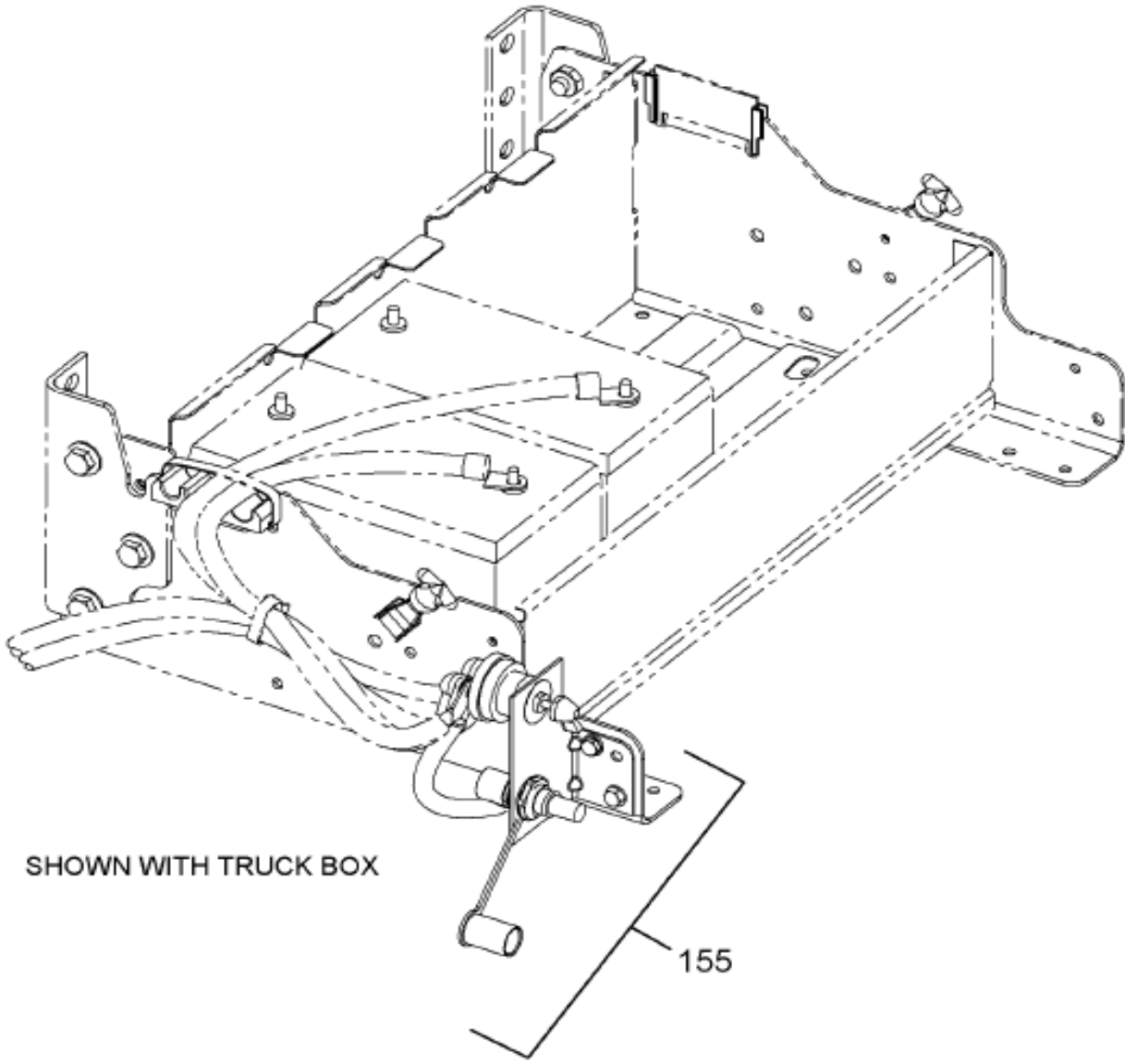
D04

Item	Part No.	Qty	Description	Kit	Var	Figure
5	3608478C1	4	BATTERY, 12V, 650 CCA, STUD, 55LB		0MTSG	

Figure 0LSFK

BATTERY BOX MODULE; JUMP START STUD & DISCONNECT SWITCH

GROUP 08



SHOWN WITH TRUCK BOX

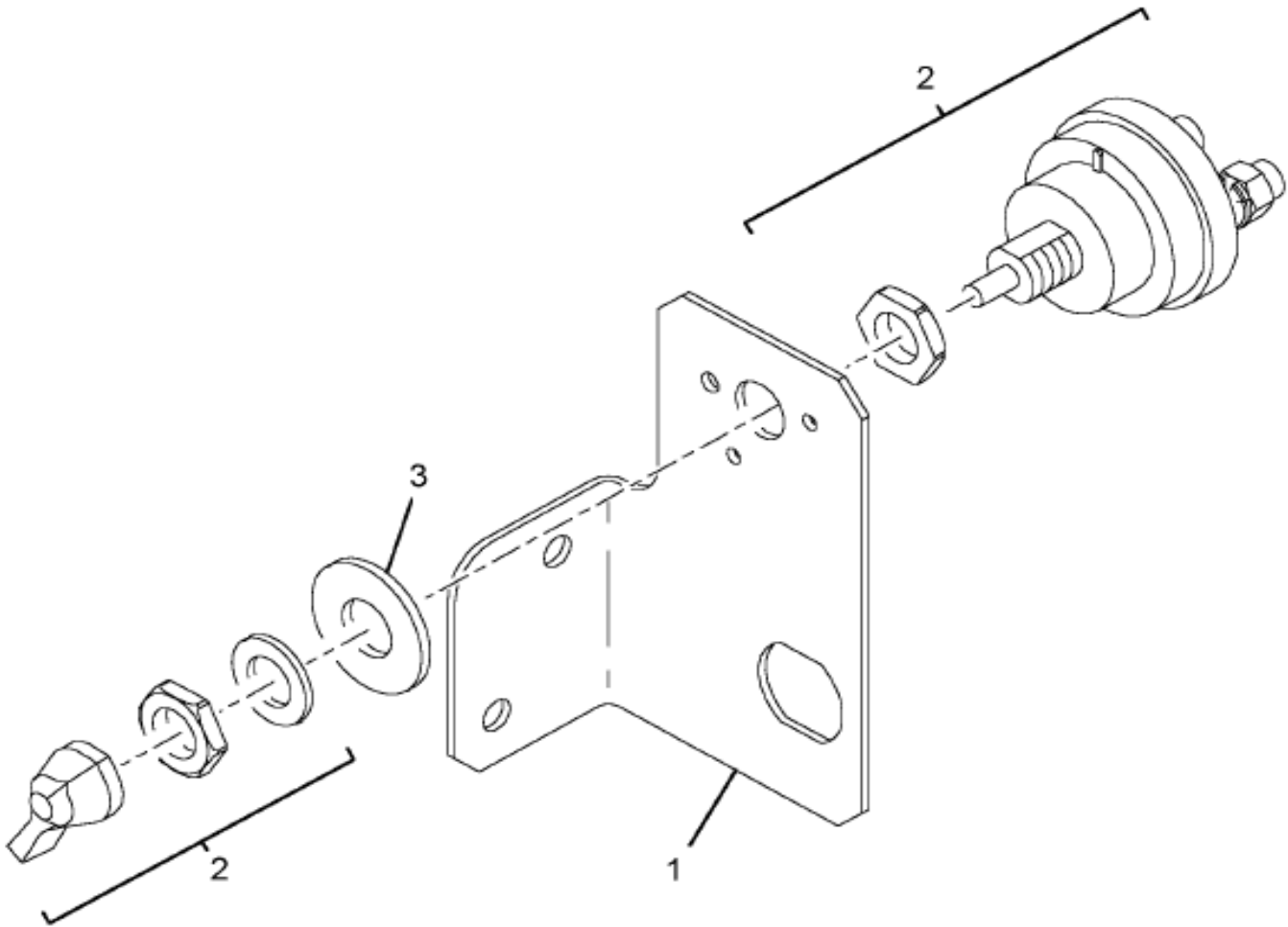
155

08-L52-0034-01

K04

Item	Part No.	Qty	Description	Kit	Var	Figure
155	3559964F92	1	ELEC*W/R TRUCK BOX (S		0LSGG	3559964F92
155	577313C1	2	INSULATOR, TERMINAL		0LSHV	

Figure 3559964F92
ELEC*W/R TRUCK BOX (S

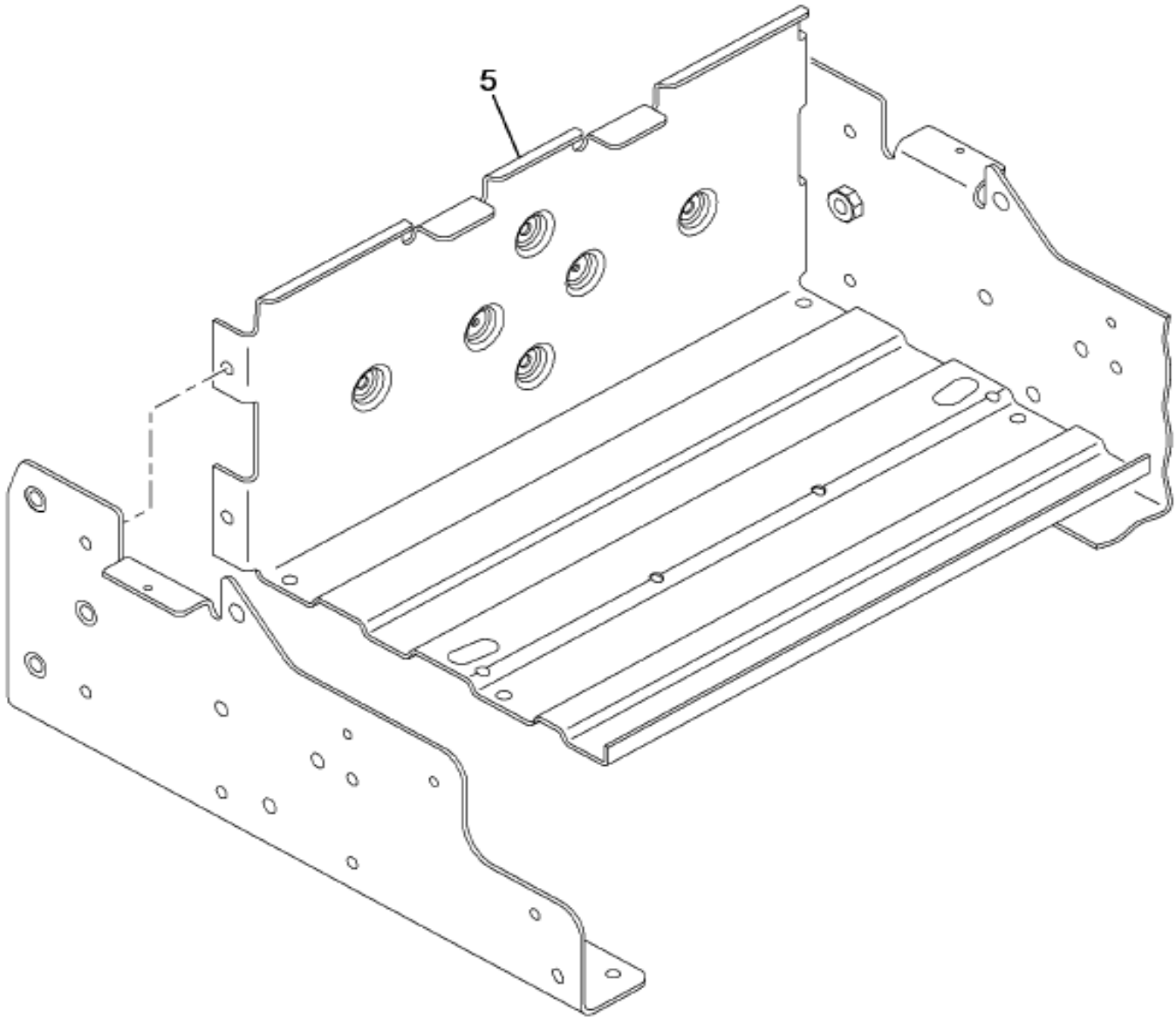


08-L52-0006-00

E04

Item	Part No.	Qty	Description	Kit	Var	Figure
1	3544573C2	1	BRACKET,TERMINAL *JUMP STUD AN			
2	3554630C91	1	SWITCH,BATTERY DISCONNECT*LEVE			
3	3554632C1	1	PRODUCT GRAPHICS,LABEL SW-ALL*			
880		RF	NOTE: ASM BELOW COMPRISED OF ABOVE COMPONENTS			
881	3559964F92	RF	ELEC*W/R TRUCK BOX (S			

Figure 0HL44
BATTERY BOX TRAY; MODULE



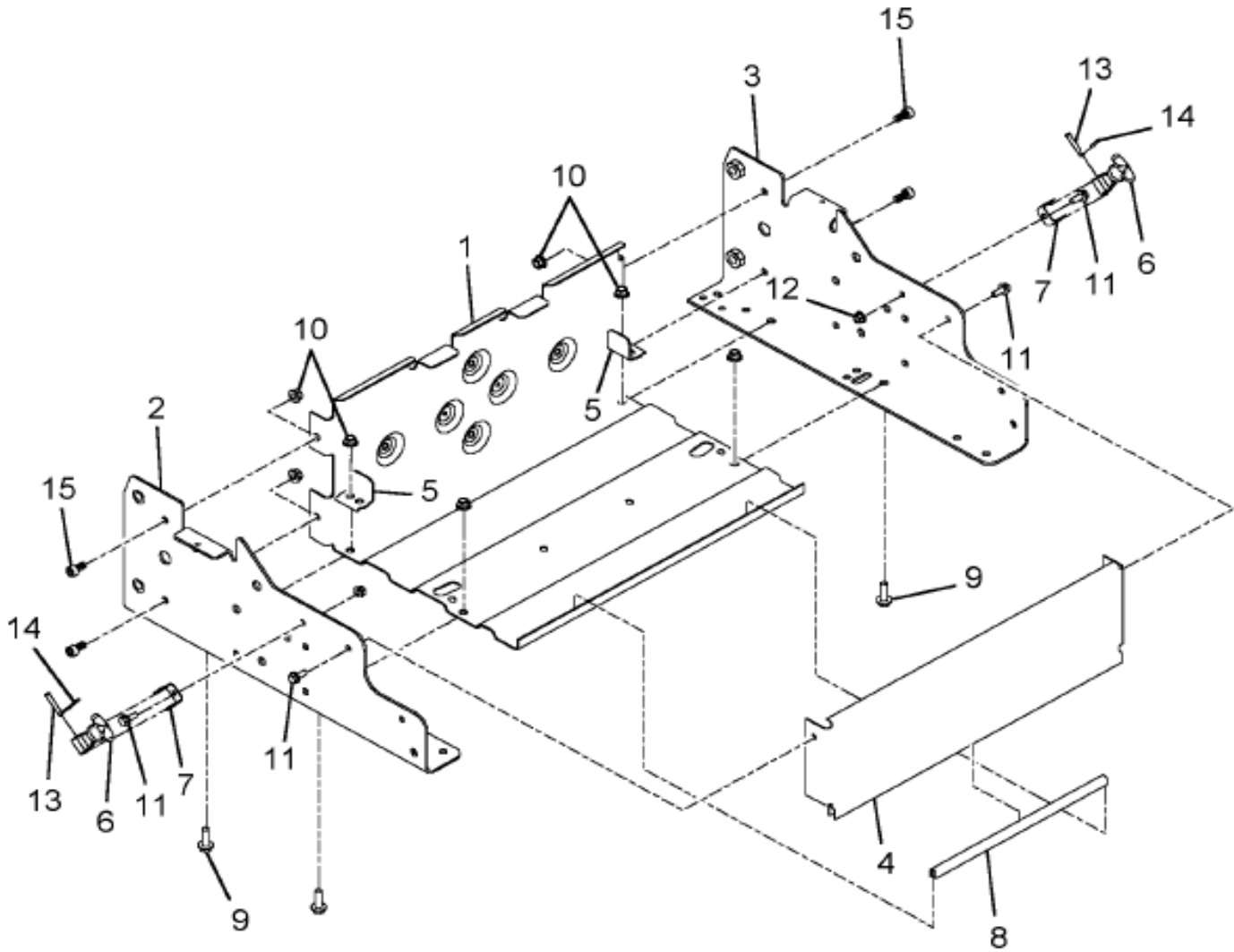
GROUP 8

08-L45-0011-A0

E09

Item	Part No.	Qty	Description	Kit	Var	Figure
5	3576152F93	1	BBAT, 33" BTRY BOX ASSY		0HL4G	3576152F93

Figure 3576152F93
BBAT, 33" BTRY BOX ASSY

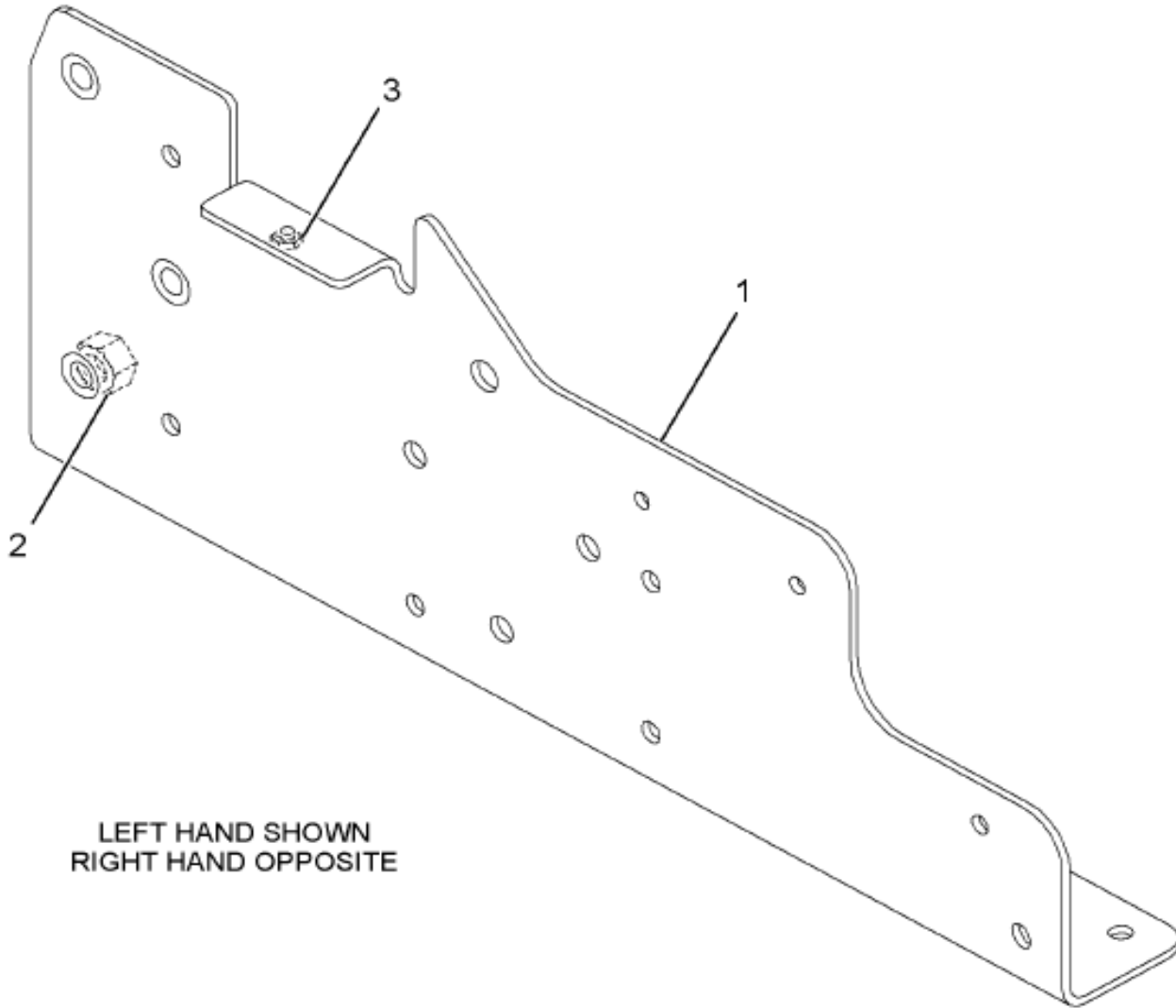


08-L45-0013-01

M02

Item	Part No.	Qty	Description	Kit	Var	Figure
1	3539599C2	1	TRAY, BATTERY*			
2	3539597C7	1	BRACKET, LEFT BATT BOX SUPPORT			3539597C7
3	3539598C7	1	BRACKET, RIGHT BATT BOS SUPPORT			3539598C7
4	3539604C2	1	FILLER, BATTERY BOX*			3539604C2
5	3558084C1	2	BRACKET, BATT BOX CLAMP*BRACKET			
6	494307C1	2	HOOK, HOOD			

Figure 3539597C7
BRACKET, LEFT BATT BOX SUPPORT



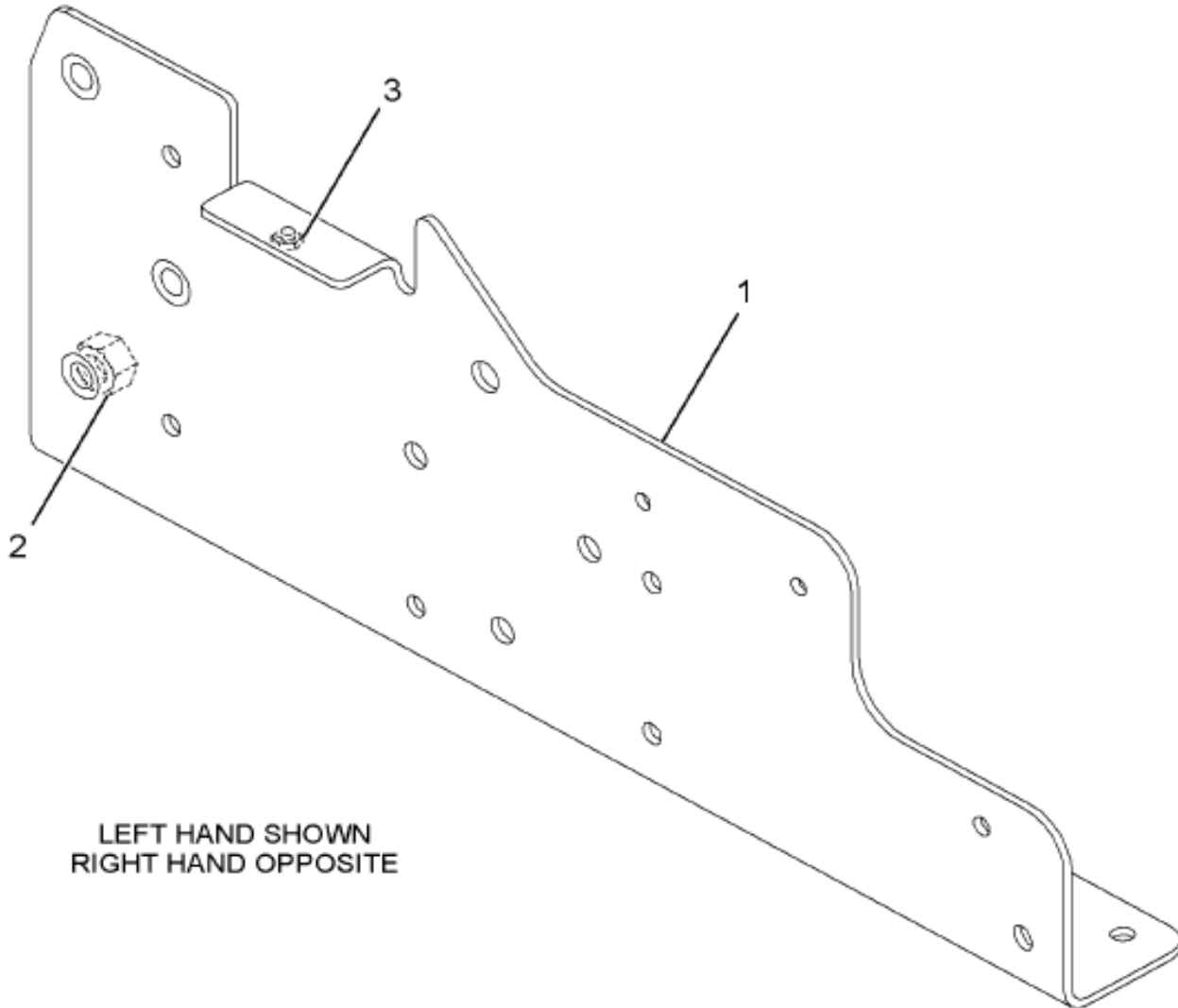
LEFT HAND SHOWN
RIGHT HAND OPPOSITE

08-L46-0008-BA

A05

Item	Part No.	Qty	Description	Kit	Var	Figure
1	3539595C6	1	SUPPORT, , LEFT			
1		RF	LEFT			
2	3535172C1	2	NUT,SPECIAL*16 MILLIMETER CLEN			
3	3534518C1	1	NUT,WELD FLNG M6 X 10 6G/6H			
880		RF	NOTE: ASM BELOW COMPRISED OF ABOVE COMPONENTS			

Figure 3539598C7
BRACKET, RIGHT BATT BOS SUPPORT

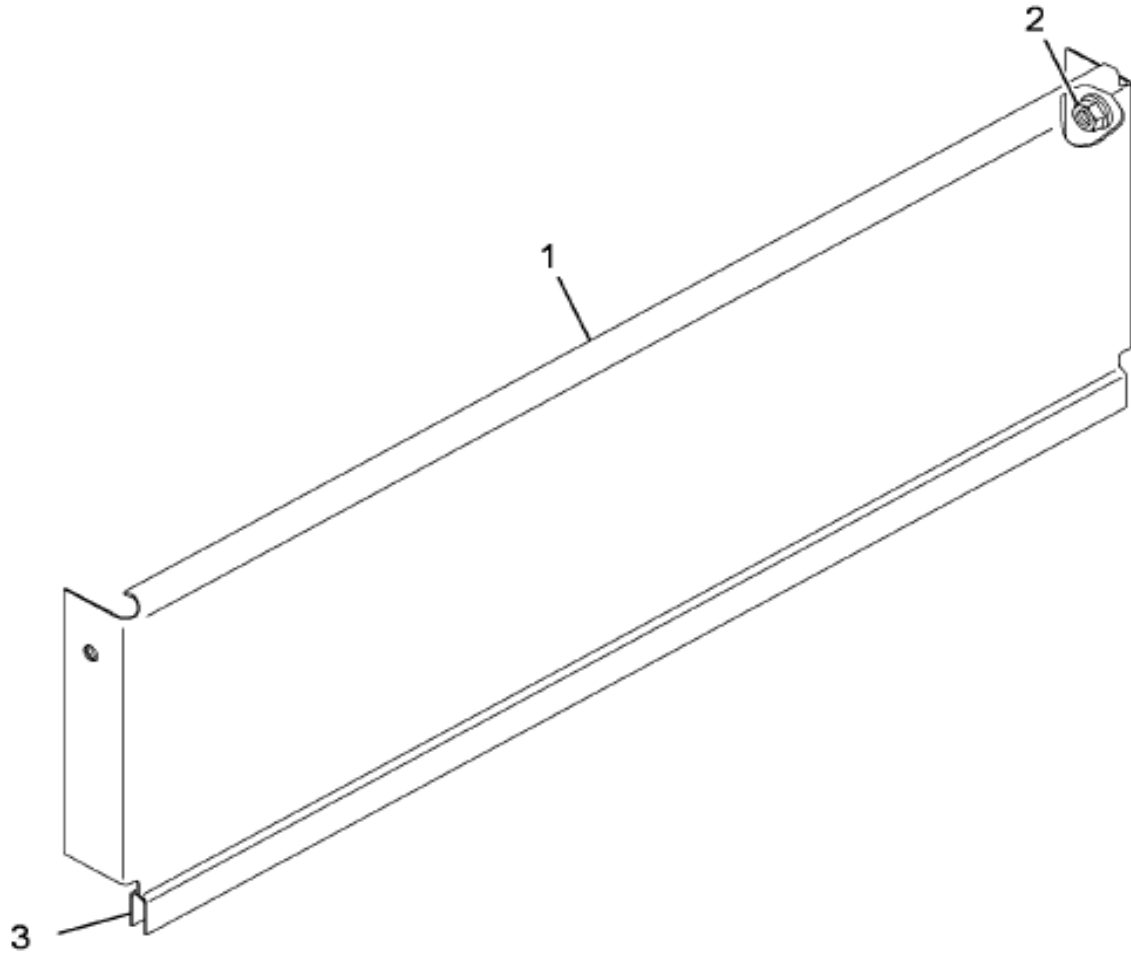


08-L46-0008-BA

A05

Item	Part No.	Qty	Description	Kit	Var	Figure
1	3539596C6	1	SUPPORT, RIGHT			
1		RF	RIGHT			
2	3535172C1	2	NUT, SPECIAL*16 MILLIMETER CLEN			
3	3534518C1	1	NUT, WELD FLNG M6 X 10 6G/6H			
880		RF	NOTE: ASM BELOW COMPRISED OF ABOVE COMPONENTS			

Figure 3539604C2
 FILLER, BATTERY BOX*



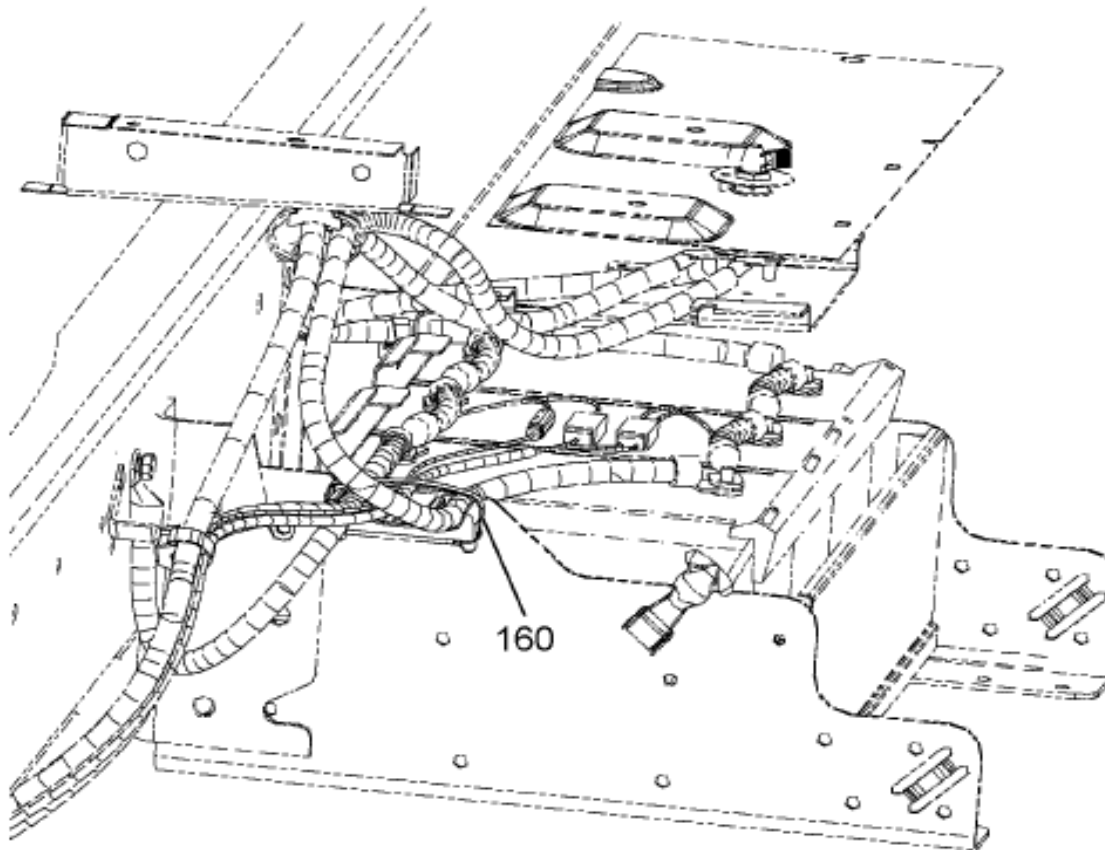
08-V84-0010-01

F11

Item	Part No.	Qty	Description	Kit	Var	Figure
1	3539765C2	1	FILLER, BATTERY BOX*			
2	3532732C1	2	NUT, WELD FLANGE M8 X 1.25			
3	3539603C1	1	FILLER, BATTERY BOX *			
880		RF	NOTE: ASM BELOW COMPRISED OF ABOVE COMPONENTS			
881	3539604C2	RF	FILLER, BATTERY BOX*			

Figure 0GCKG

BATTERY CABLE SADDLE & PLUG; BATTERY BOX MODULE



M-NGV-MD, MA05500
 M-NGV-RH-MRD
 W/08WCS, 08WHY
 W/508002, 508007,
 0008VTJ

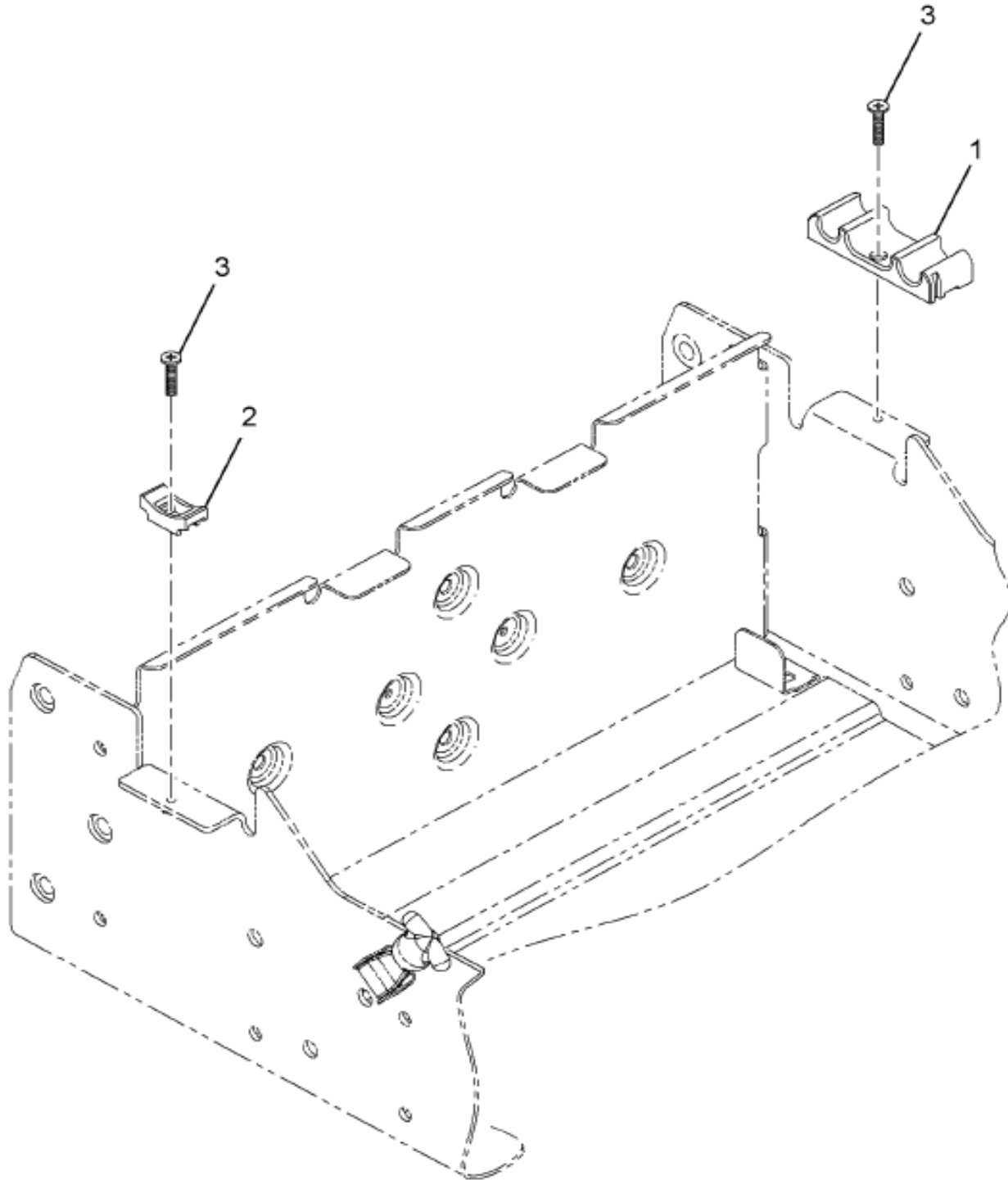
08-L53-0006-DA

M09

Item	Part No.	Qty	Description	Kit	Var	Figure
160	3616579F91	1	BBAT, W/L TRUCK BOX, DUAL		0MSMD	3616579F91

G R P 0 8

Figure 3616579F91
BBAT, W/L TRUCK BOX, DUAL

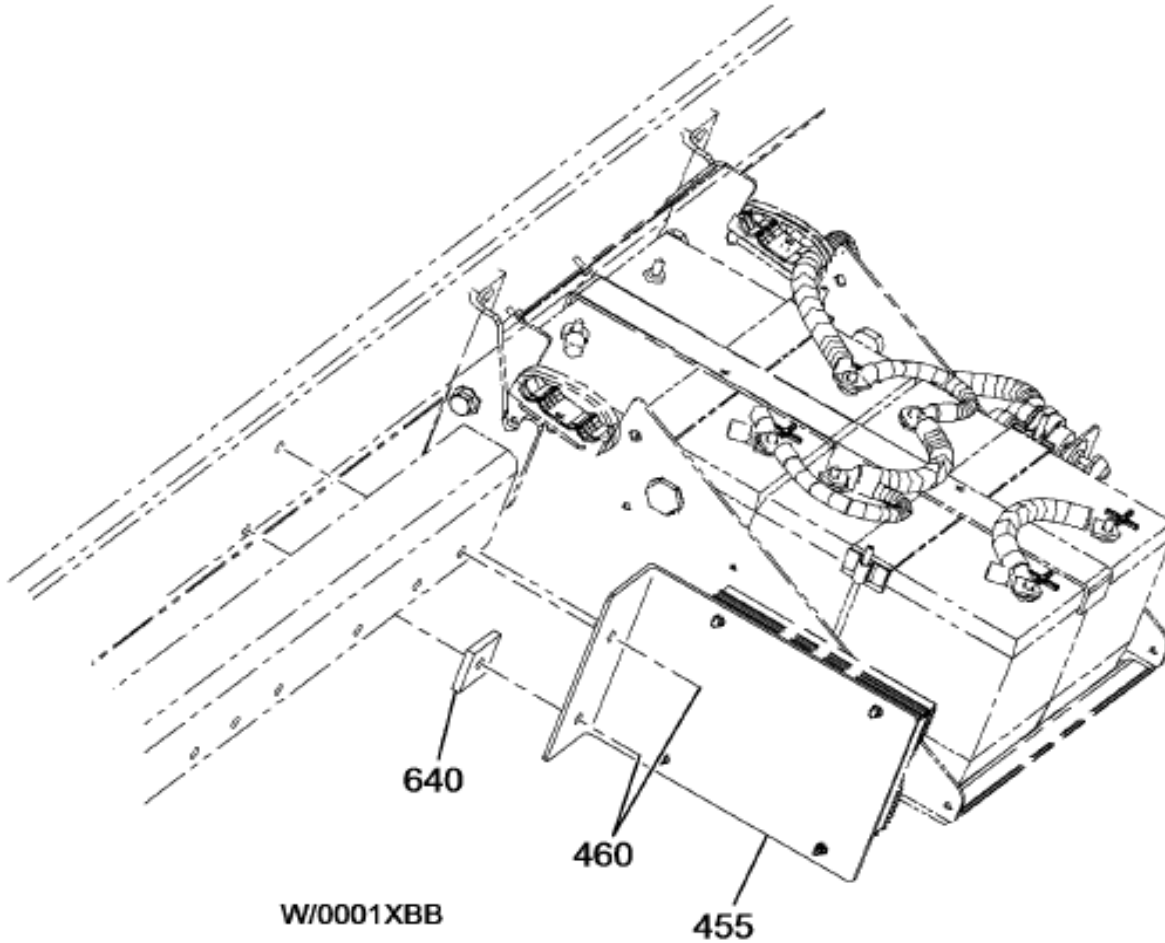
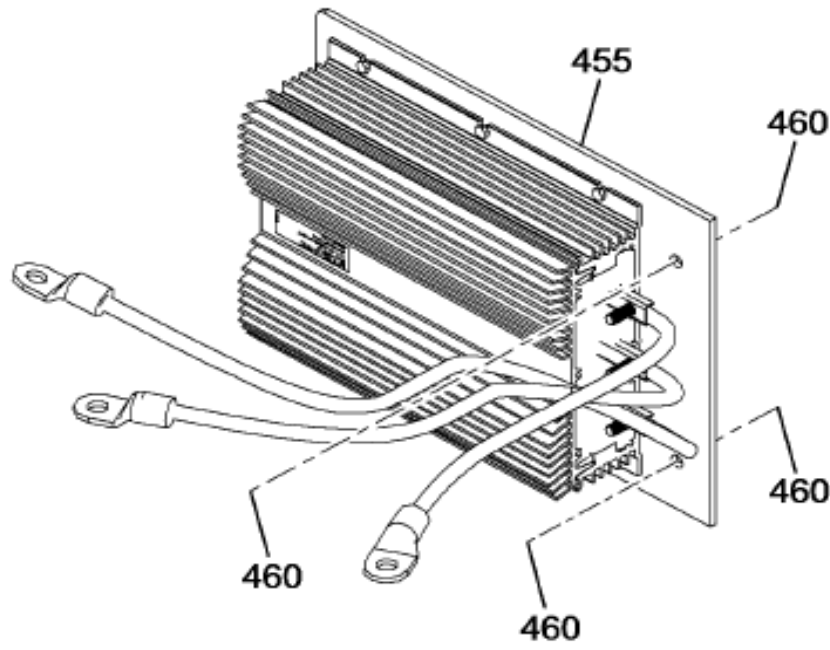


08-L53-0010-01

H05

Item	Part No.	Qty	Description	Kit	Var	Figure
1	3573047C1	1	CLIP, BATTERY CABLE SADDLE			
2	2041341C1	1	SADDLE, CLAMP CABLE LOCK MT 1/4			
3	31126R1	2	SCREW, MACH*SCREW M6 X 20MM PAN			
880		RF	NOTE: ASM BELOW COMPRISED OF ABOVE COMPONENTS			
881	3616579F91	RF	BBAT, W/L TRUCK BOX, DUAL			

Figure 0MSPY
BATTERY EQUALIZER MODULE; 12/24V



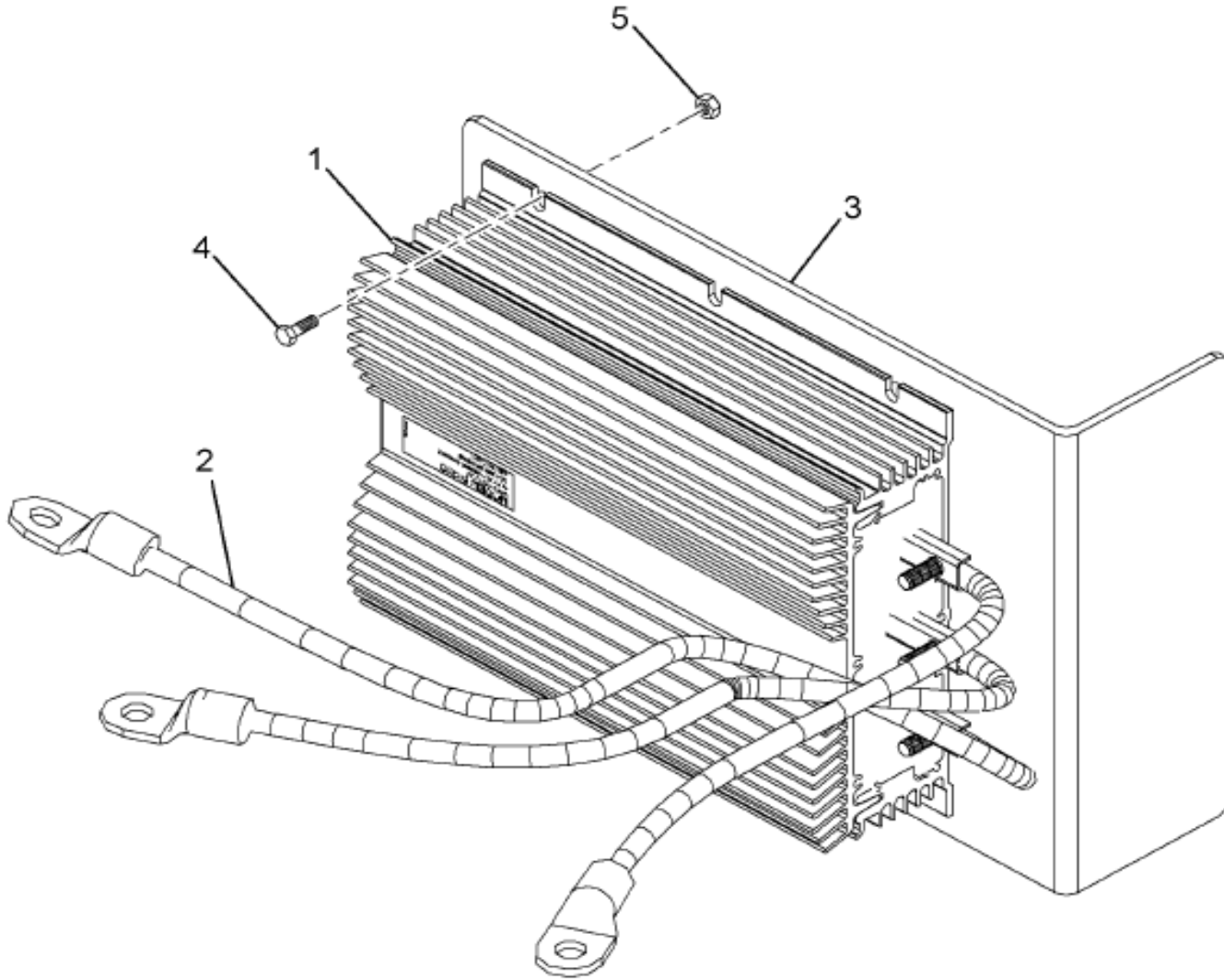
08-119-0003-01

K09

Item	Part No.	Qty	Description	Kit	Var	Figure
455	3613280C92	1	MODULE,12/24V BATTERY EQUALI		0MSPZ	3613280C92
460	3535859C1	2	NUT,HEX METRIC PREV. TORQ*M12		0MSPZ	
460	30748R2	2	BOLT, M12 X 50MM PHC FLG CLASS		0MSPZ	

G
R
O
U
P

Figure 3613280C92
MODULE, 12/24V BATTERY EQUALI

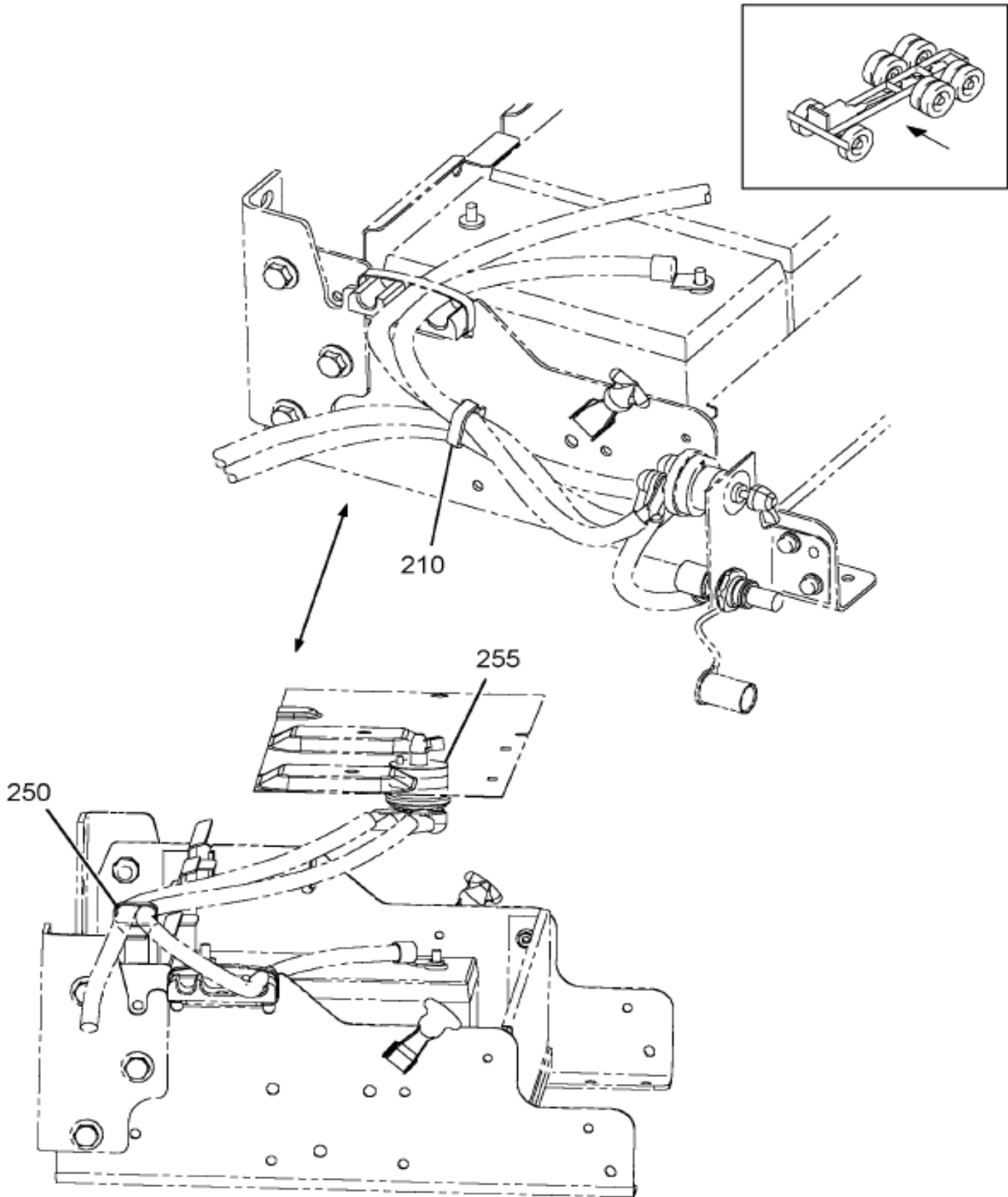


08-119-0002-01

H05

Item	Part No.	Qty	Description	Kit	Var	Figure
1	3616009C91	1	CONVERTER, POWER, 12/24V BATTER			
2	3612039C92	1	HARN, 12/24V EQUALIZER TO BATTR			
3	3611065C1	1	SUPPORT, , 12/24V EQUALIZER			
4	31049R1	4	BOLT, M6 X 40 PHC CL 8.8 FLG/H			
5	30197R1	4	BOLT, M6 X 40 PHC CLASS 10.9			
880		RF	NOTE: ASM BELOW COMPRISED OF ABOVE			

Figure 0JGYR
BATTERY WIRING INSTL; DISCONNECT SWITCH

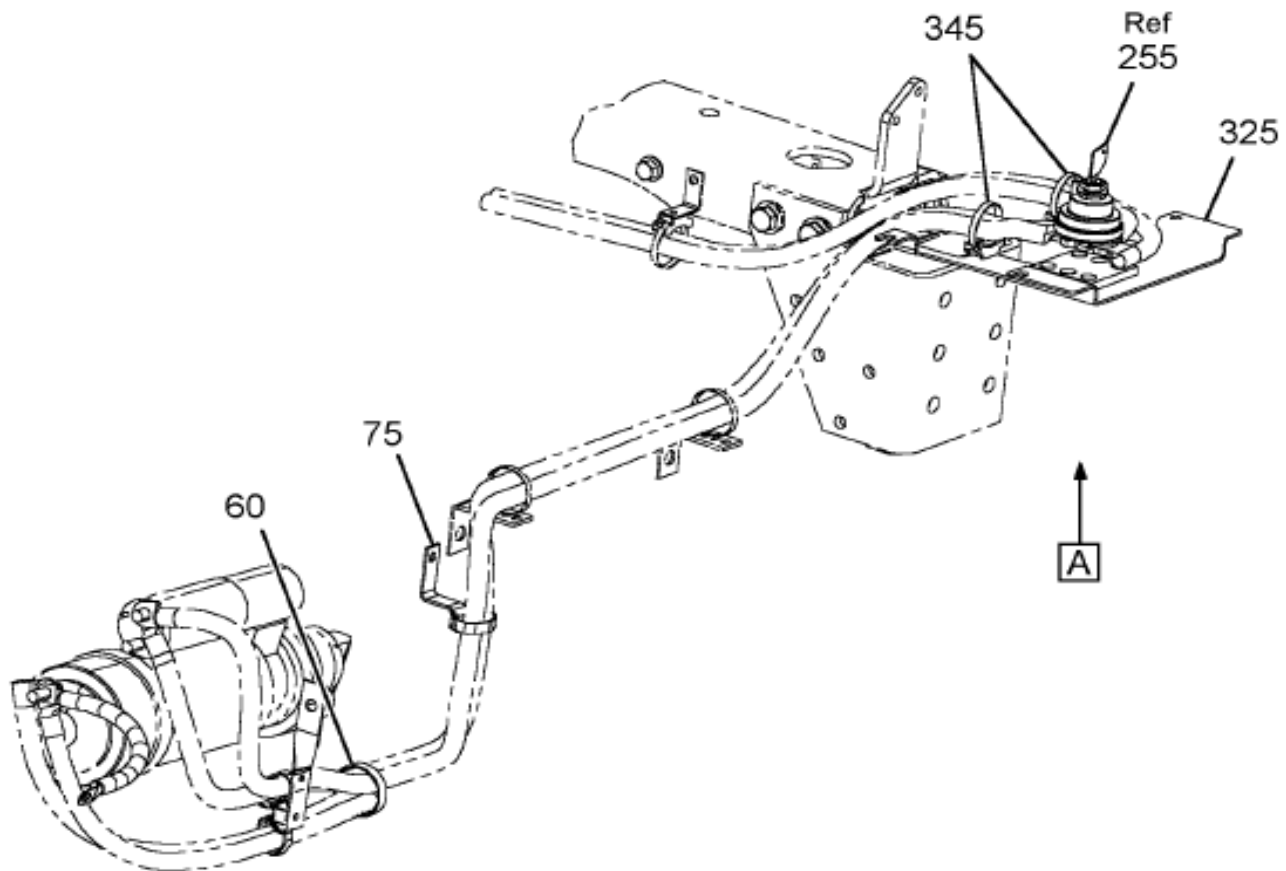
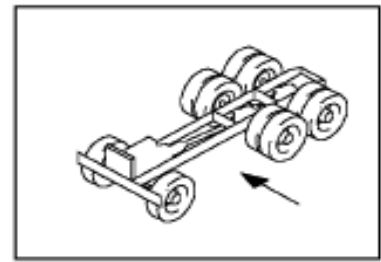
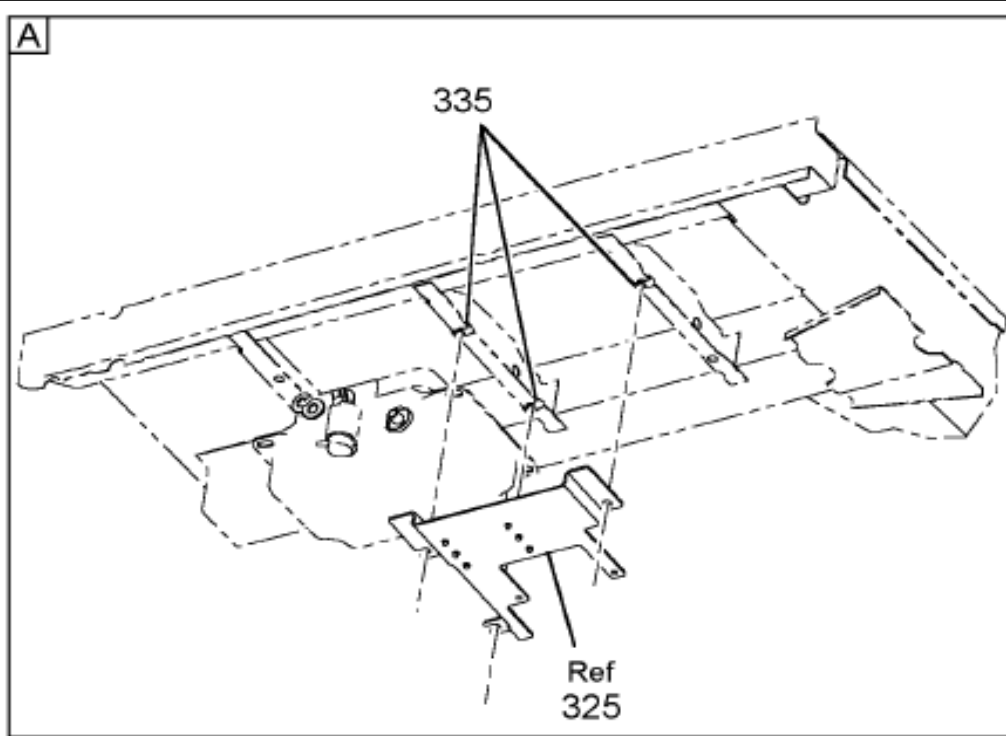


08-115-0095-01

A04

Figure 1 of 2

Figure 0JGYR
BATTERY WIRING INSTL; DISCONNECT SWITCH



GROUP 08

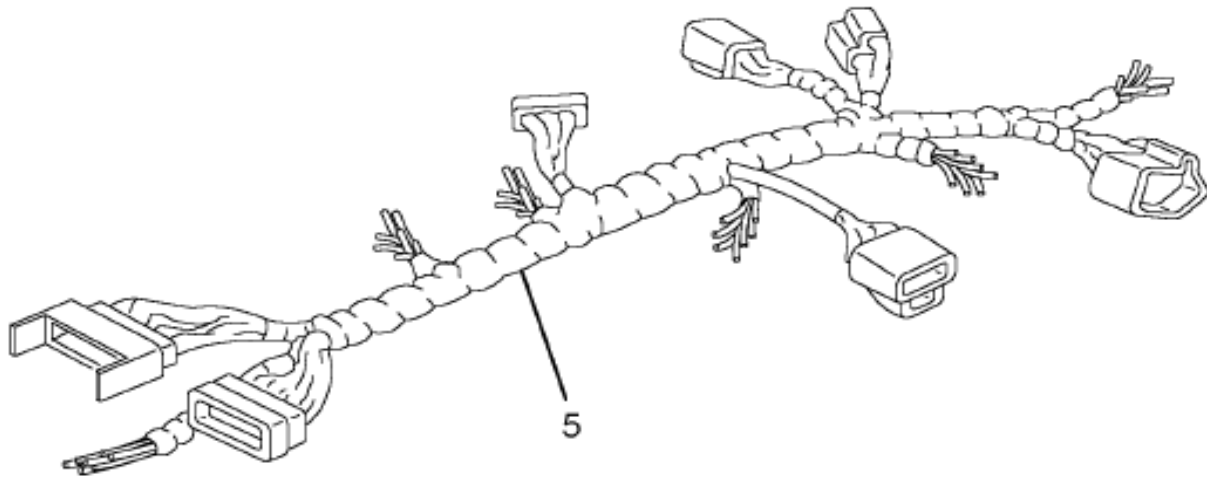
08-115-0095-02

A04

Item	Part No.	Qty	Description	Kit	Var	Figure
210	2041341C1	1	SADDLE, CLAMP CABLE LOCK MT 1/4		0JGYS	
210	25222R1	1	BOLT, HH 1/4-20 X 3/4 PHC TYP 8		0JGYS	
210	120380	1	WASHER LOCK 1/4", REG, STL/ZNC		0JGYS	
210	25519R1	1	NUT, 1/4 NC TYPE 8		0JGYS	
210	3516934C1	1	STRAP, CABLE LOCK 1/2" X 20"		0JGYS	
210	25708R1	1	WASHER, FLAT 5/16 (.344X.688X.08		0JGYS	

Figure 0FCS0

CENTER CHASSIS HARNESS ASM; COMMON BASE WIRING (ABR #1)

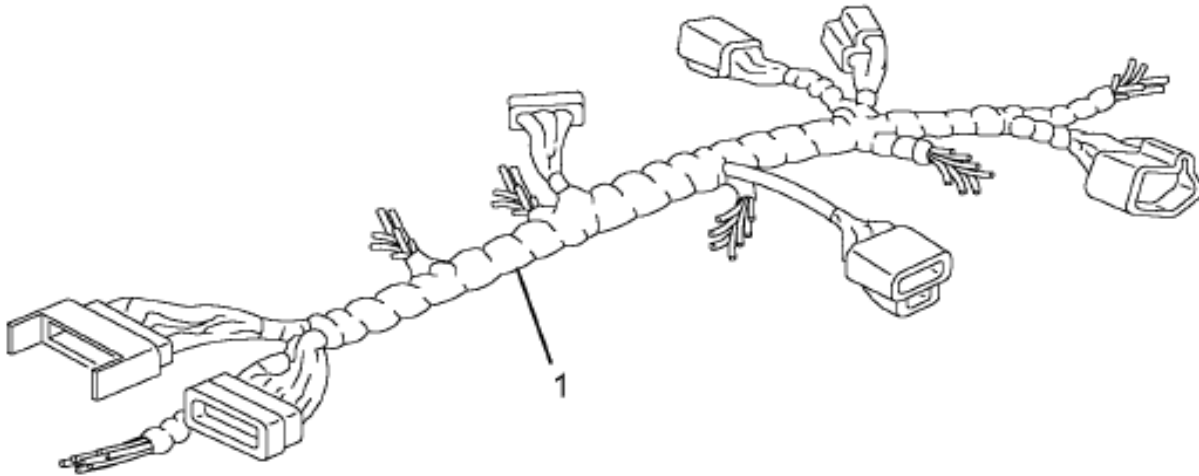


08-D01-0004-01

E04

Item	Part No.	Qty	Description	Kit	Var	Figure
5	3555956F92	1	ELEC CTR CHAS, BASE +3000MM		0FJYR	3555956F92

Figure 3555956F92
ELEC CTR CHAS, BASE +3000MM



08
P
58

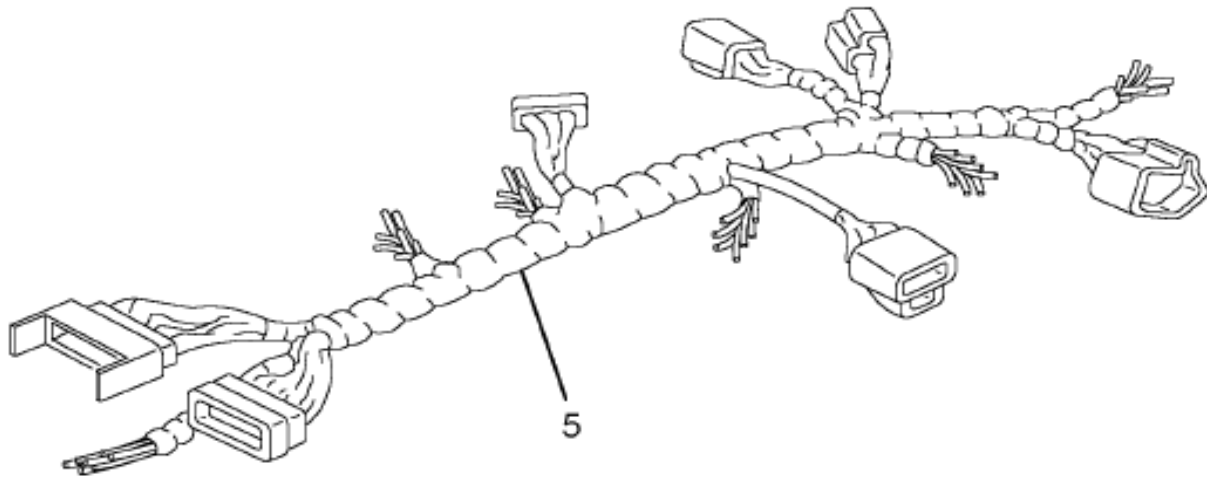
08-P58-0006-01

C03

Item	Part No.	Qty	Description	Kit	Var	Figure
1	3560433C91	1	HARNESS, LGT WRG, STOP, TAIL&TURN			
880		RF	NOTE: ASM BELOW COMPRISED OF ABOVE COMPONENTS			
881	3555956F92	RF	ELEC CTR CHAS, BASE +3000MM			

Figure 0JF60

CENTER CHASSIS HARNESS ASM; FUEL TANK WIRING (ABR #10)

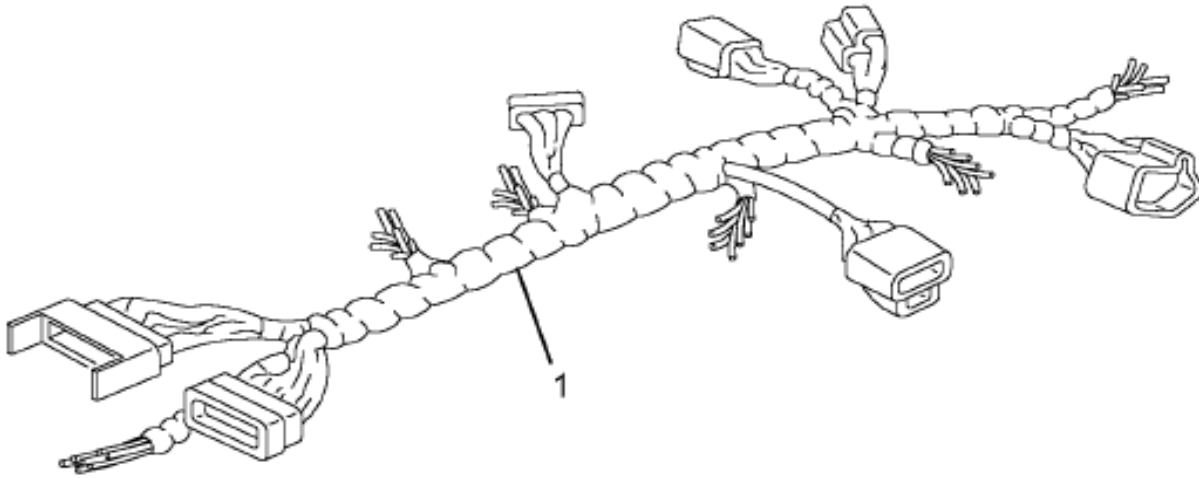


08-D01-0004-01

E04

Item	Part No.	Qty	Description	Kit	Var	Figure
5	3553996F91	1	ELEC CTR CHAS, L FUEL		0JF62	3553996F91

Figure 3553996F91
ELEC CTR CHAS, L FUEL



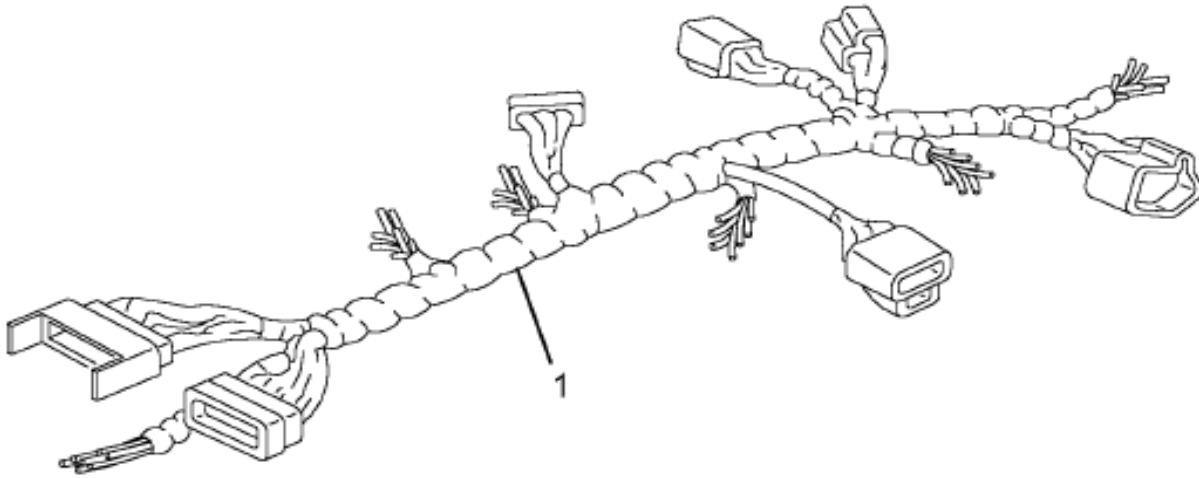
08
P
08

08-P58-0006-01

C03

Item	Part No.	Qty	Description	Kit	Var	Figure
1	3554063C91	1	HARNASS,ELEC; FUEL TANK			
880		RF	NOTE: ASM BELOW COMPRISED OF ABOVE COMPONENTS			
881	3553996F91	RF	ELEC CTR CHAS, L FUEL			

Figure 3553986F92
ELEC CTR CHAS, *WORK LIG



08

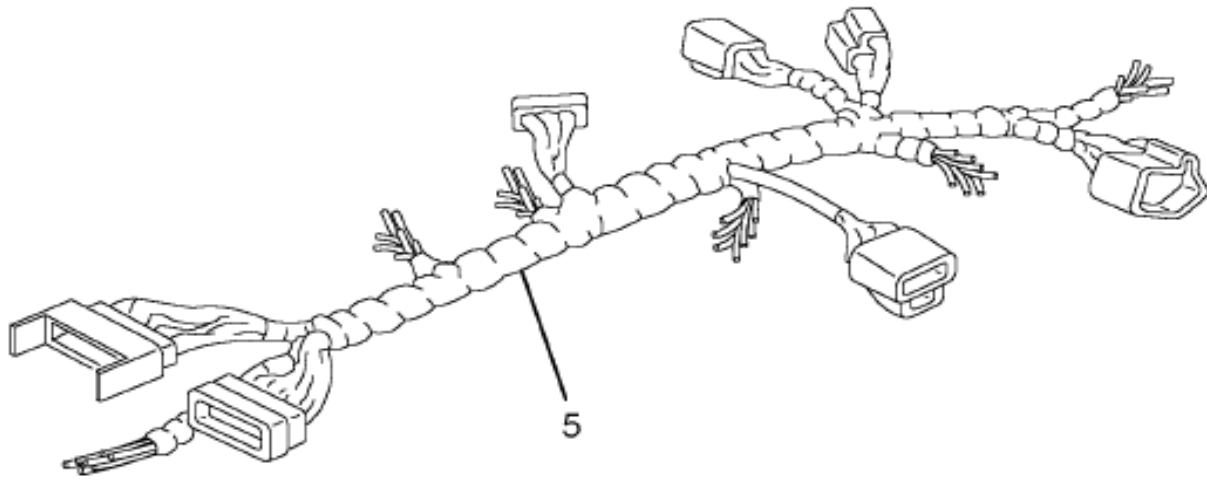
08-P58-0006-01

C03

Item	Part No.	Qty	Description	Kit	Var	Figure
1	3554056C92	1	HARNESS, CHASSIS*WORK LIGHT BOC			
880		RF	NOTE: ASM BELOW COMPRISED OF ABOVE COMPONENTS			
881	3553986F92	RF	ELEC CTR CHAS, *WORK LIG			

Figure 0FCS1

CENTER CHASSIS HARNESS; ABR#2, BRAKE SYSTEM WIRING

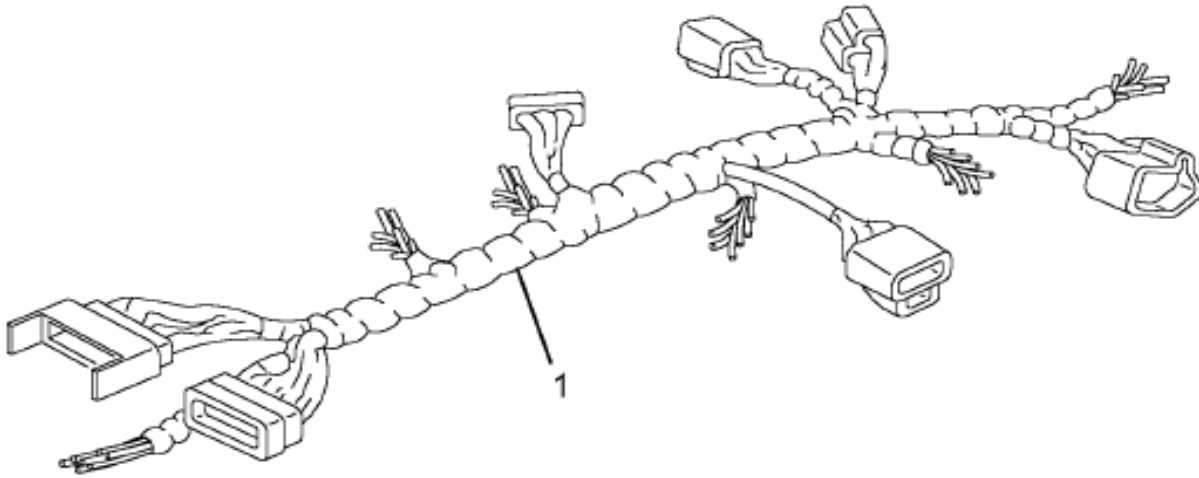


08-D01-0004-01

E04

Item	Part No.	Qty	Description	Kit	Var	Figure
5	3555967F92	1	ELEC CTR CHAS, AIR ABS +3000M		0FK22	3555967F92

Figure 3555967F92
 ELEC CTR CHAS, AIR ABS +3000M



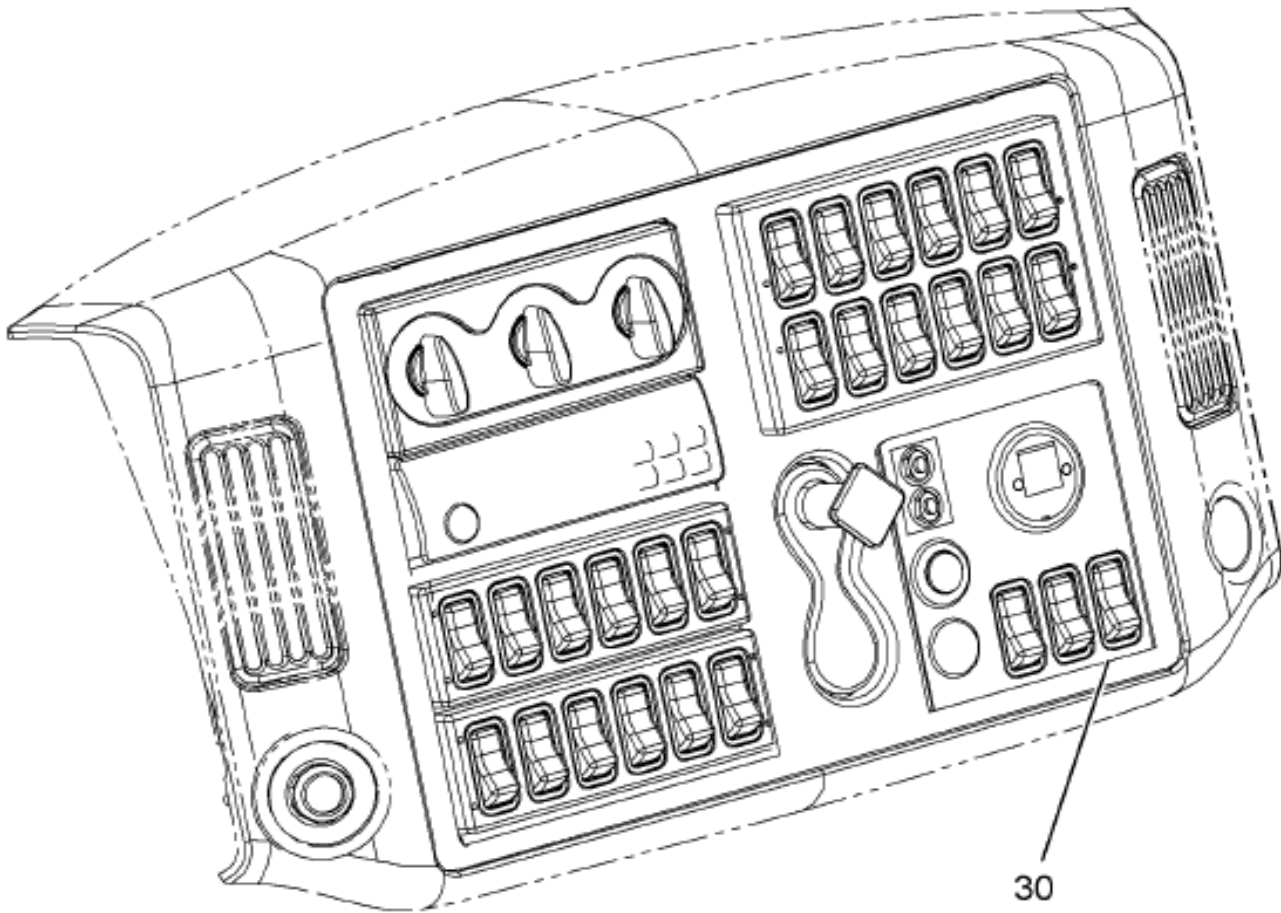
G
R
P
0
8

08-P58-0006-01

C03

Item	Part No.	Qty	Description	Kit	Var	Figure
1	3560434C91	1	HARNESS, CHASSIS BENDIX AIR ABS			
880		RF	NOTE: ASM BELOW COMPRISED OF ABOVE COMPONENTS			
881	3555967F92	RF	ELEC CTR CHAS, AIR ABS +3000M			

Figure 0FBCV
CENTER IP, PATTERN CUTOUTS (ABR #70)

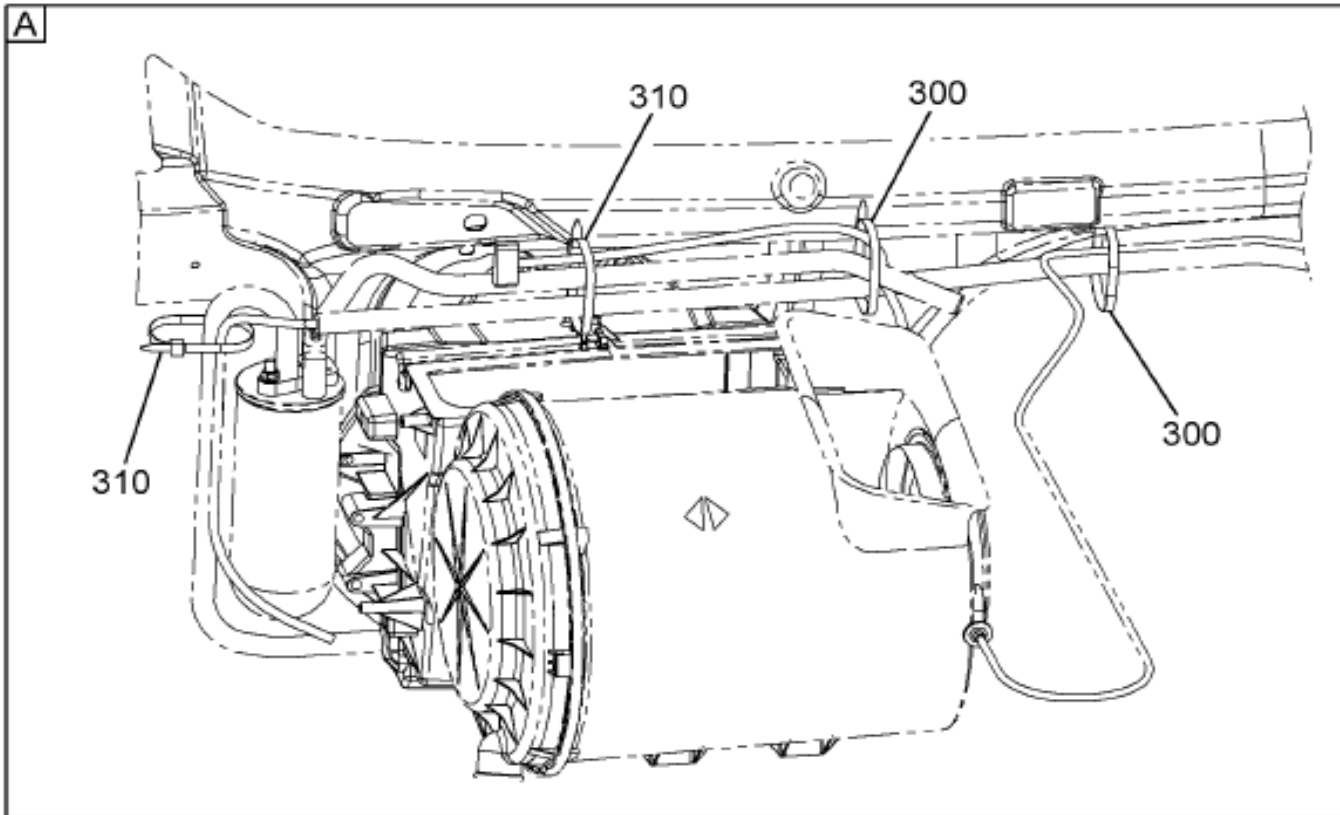
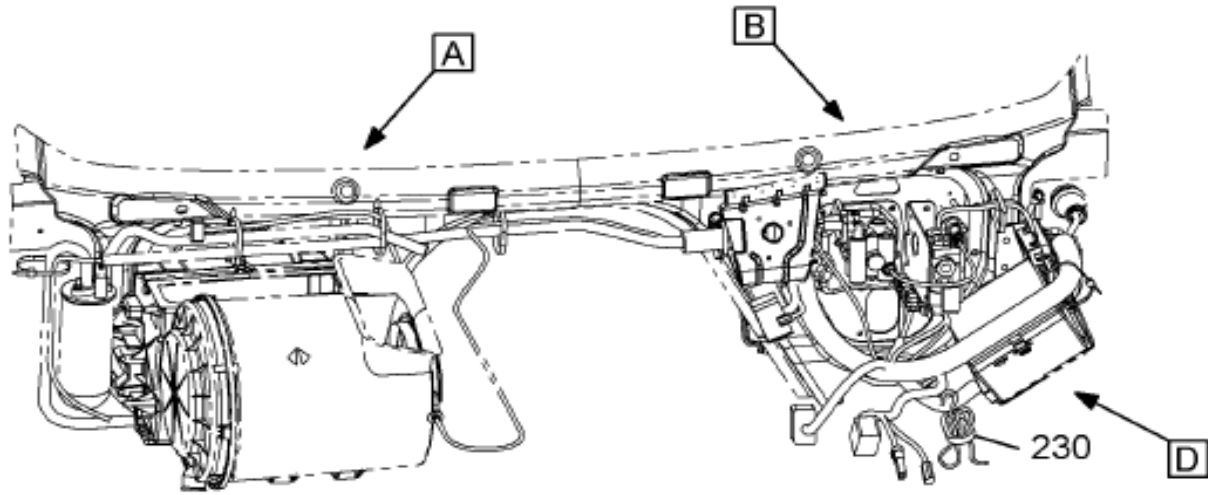


08-P70-0001-01

C07

Item	Part No.	Qty	Description	Kit	Var	Figure
30	3553759F91	1	ELEC IP; CENTER PANEL		0FBHY	

Figure 06VZJ
DASH HARNESS ASM



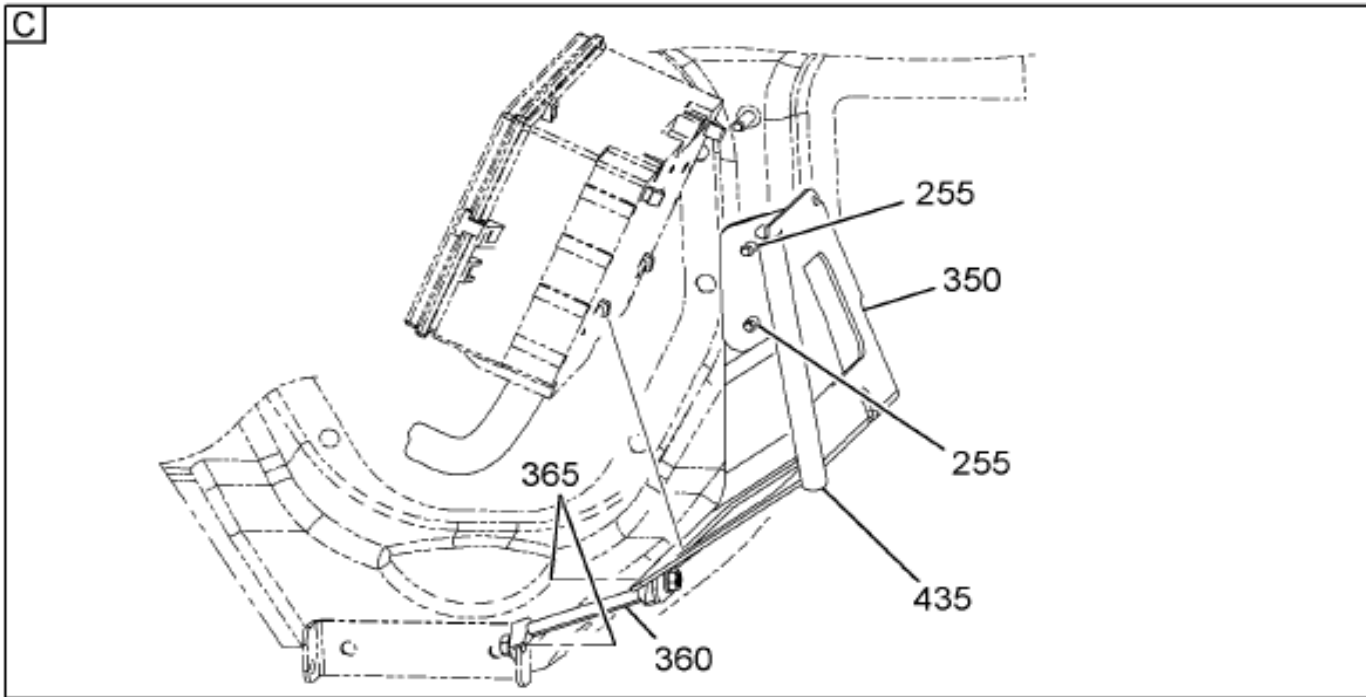
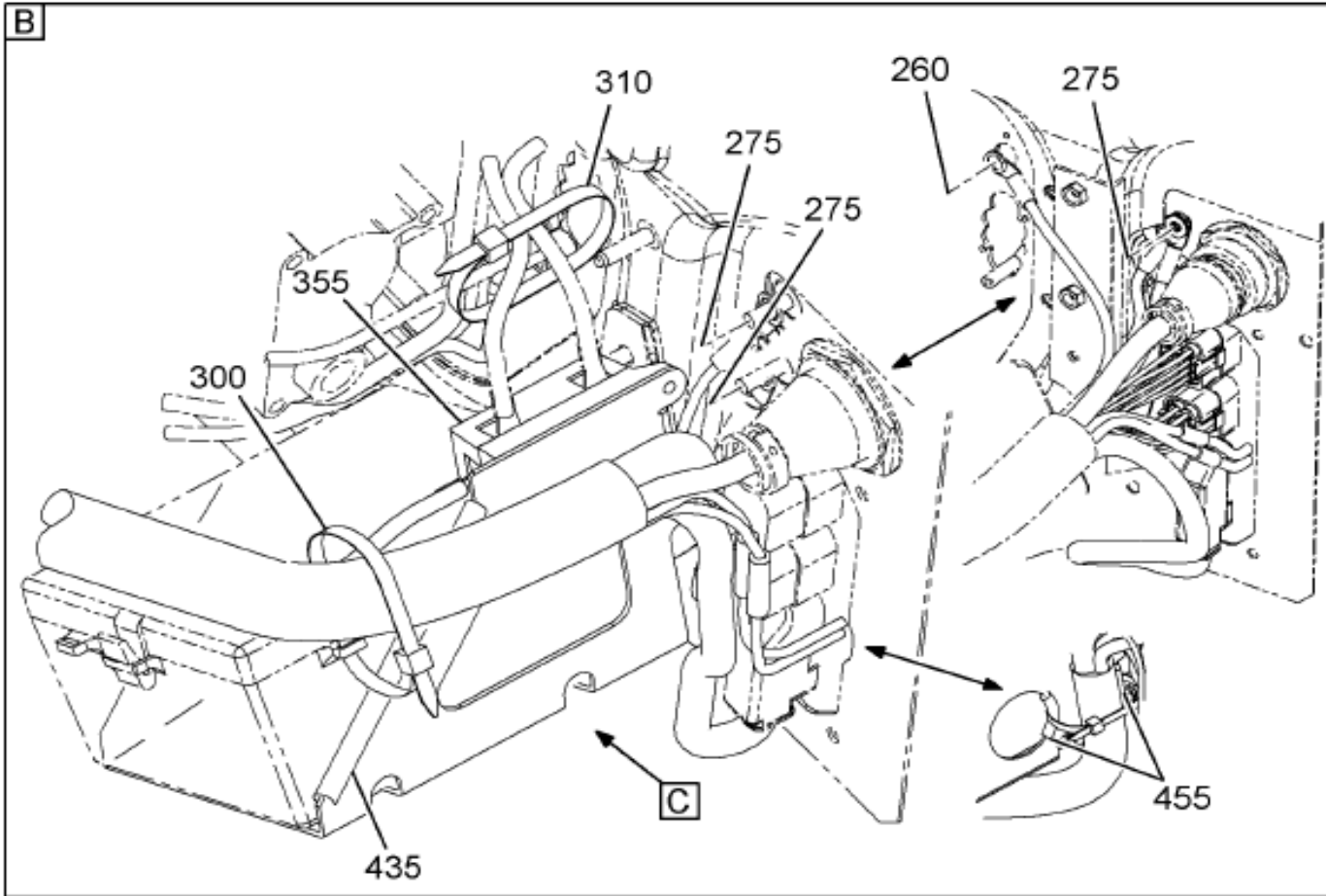
GROUP 8

08-V26-0004-AA

B10

Figure 1 of 6

Figure 06VZJ
DASH HARNESS ASM

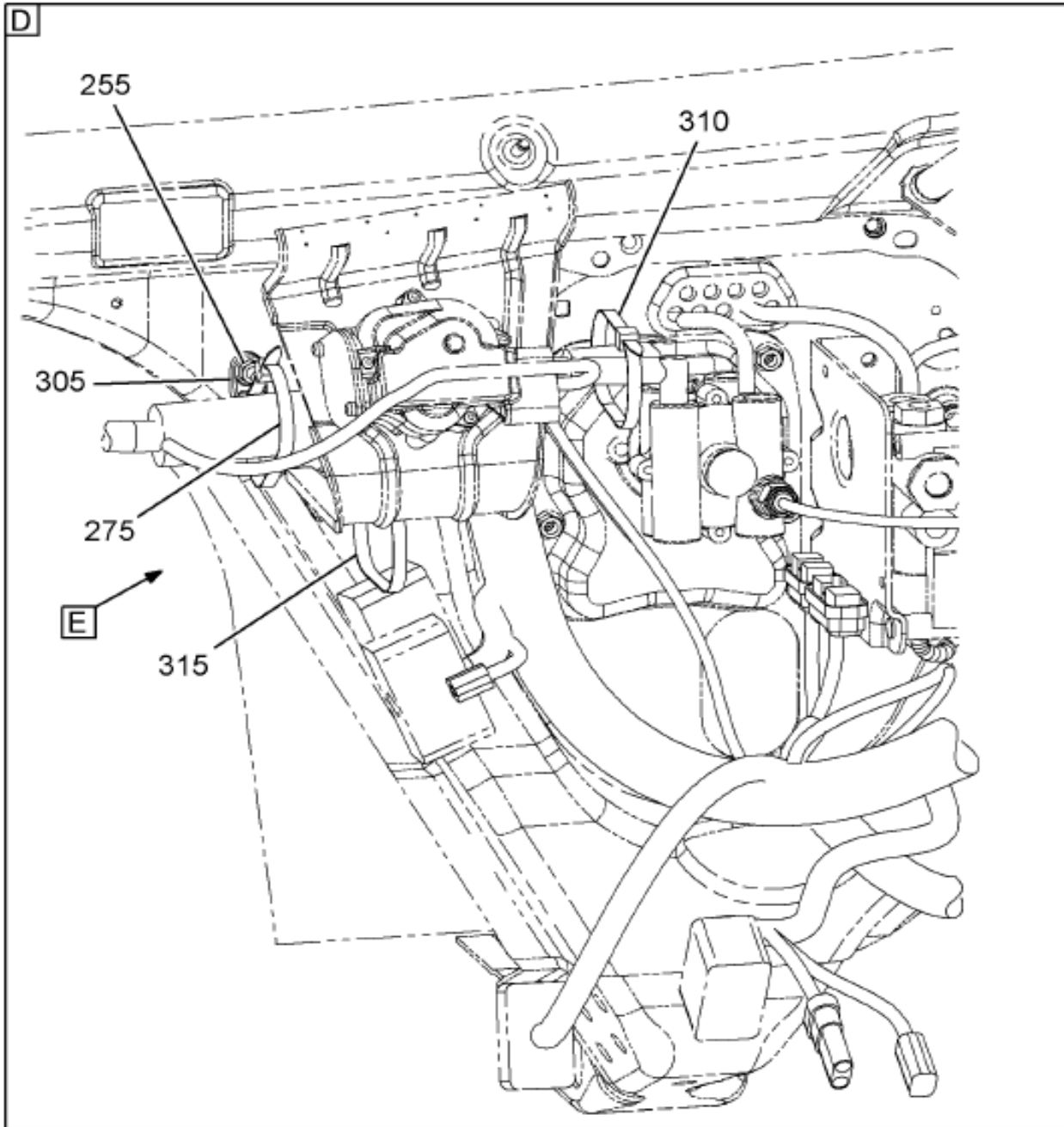


08-V26-0005-01

B10

Figure 2 of 6

Figure 06VZJ
DASH HARNESS ASM



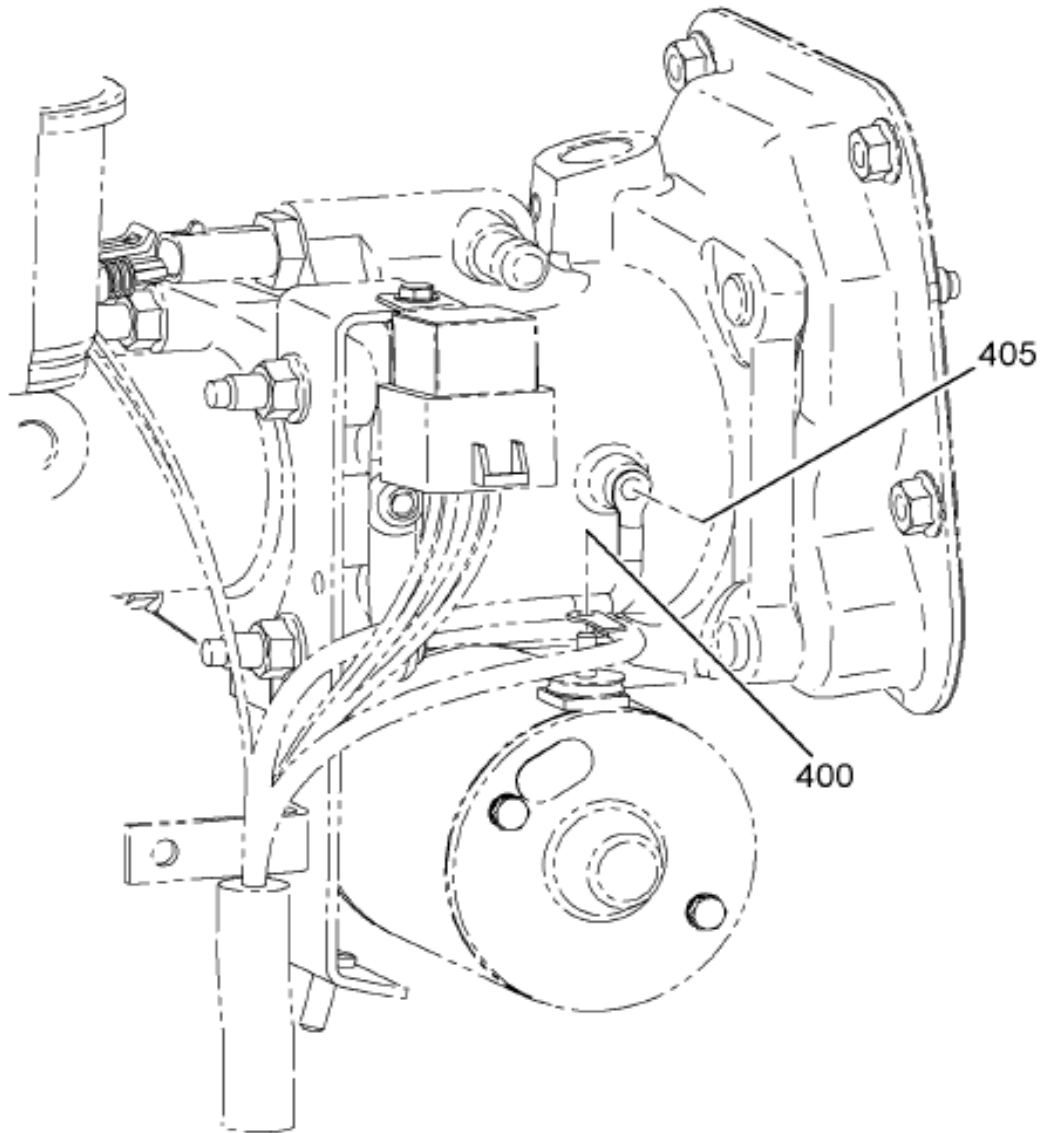
GROUP 8

08-V26-0006-AC

B10

Figure 3 of 6

Figure 06VZJ
DASH HARNESS ASM

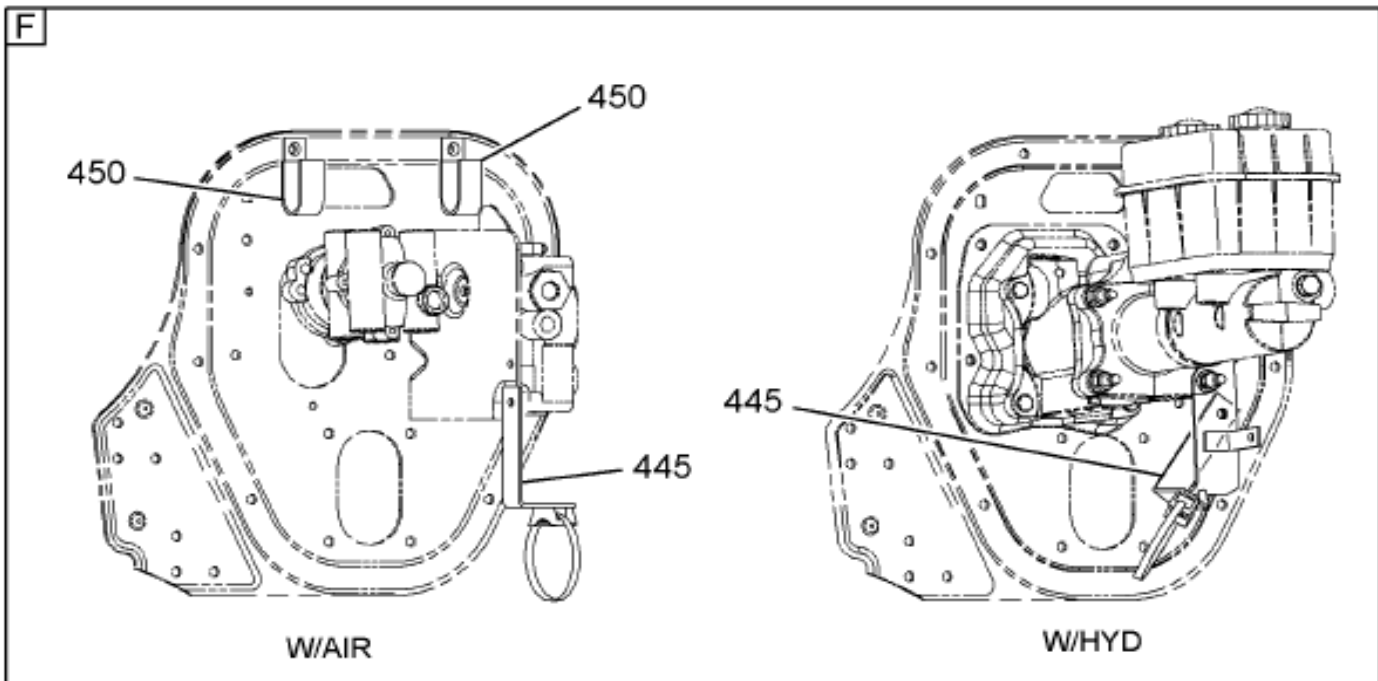
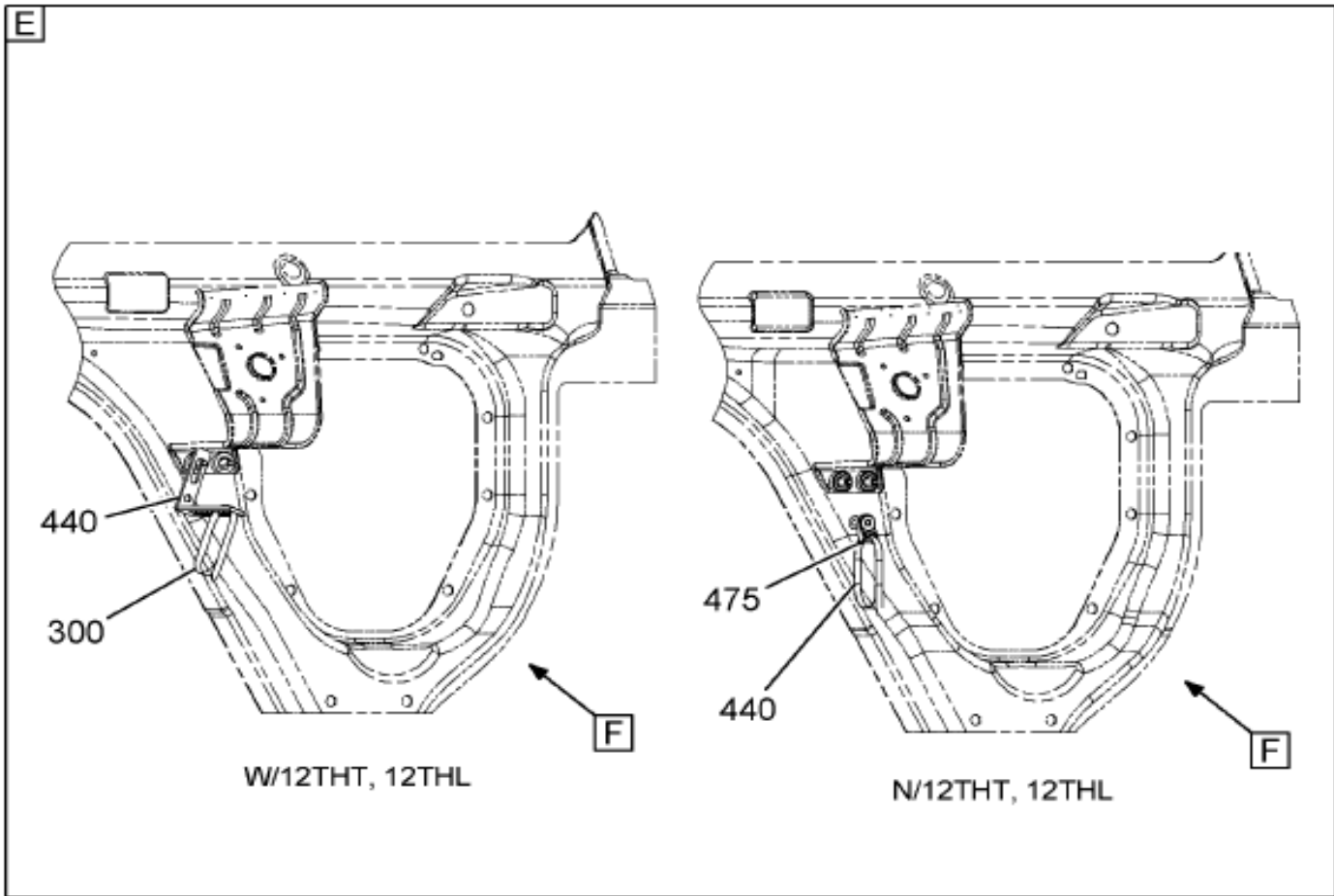


08-V26-0007-AD

B10

Figure 4 of 6

Figure 06VZJ
DASH HARNESS ASM



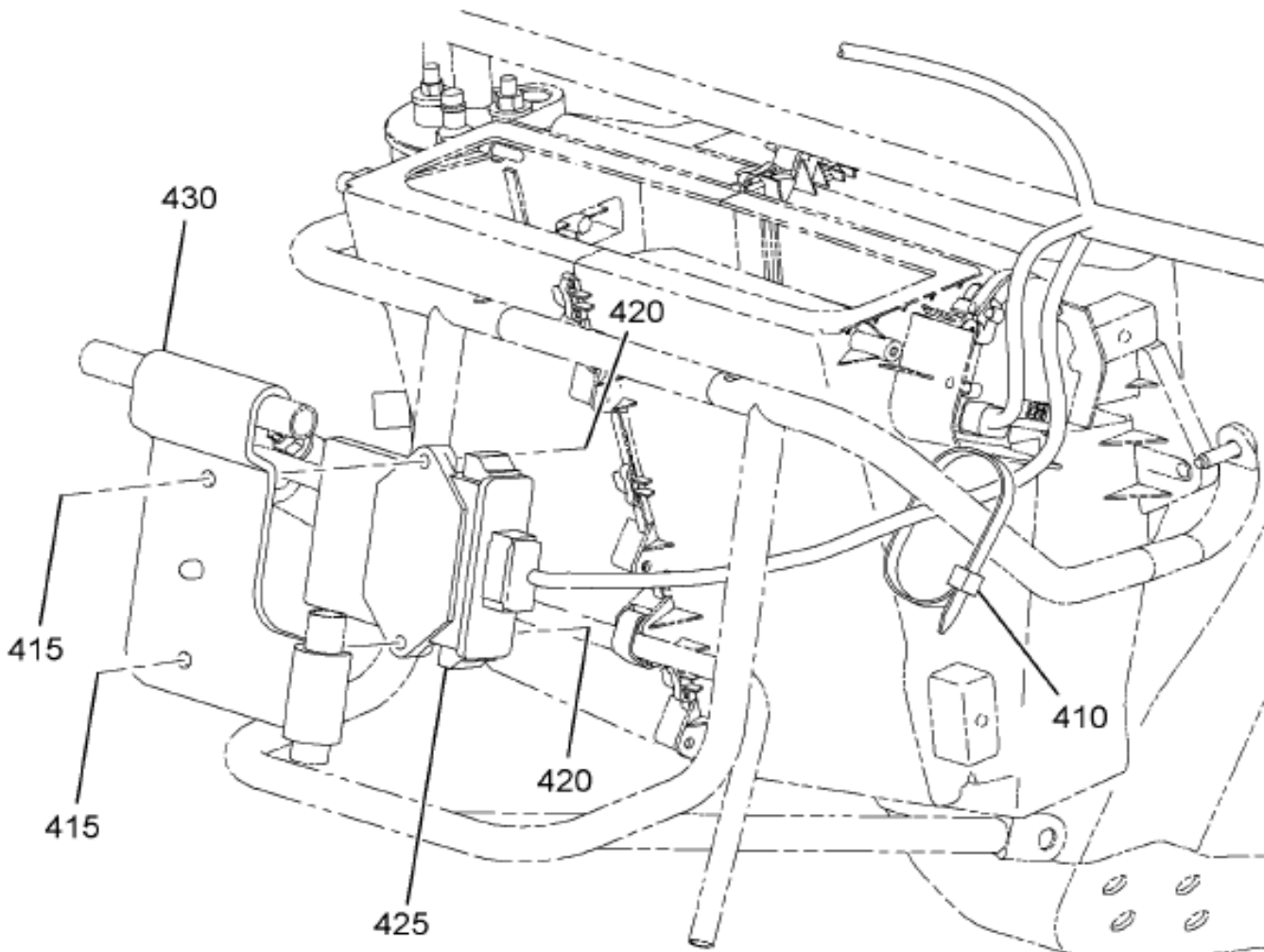
08-V26-0008-AE

B10

GROUP 8

Figure 5 of 6

Figure 06VZJ
DASH HARNESS ASM



08-V26-0009-AF

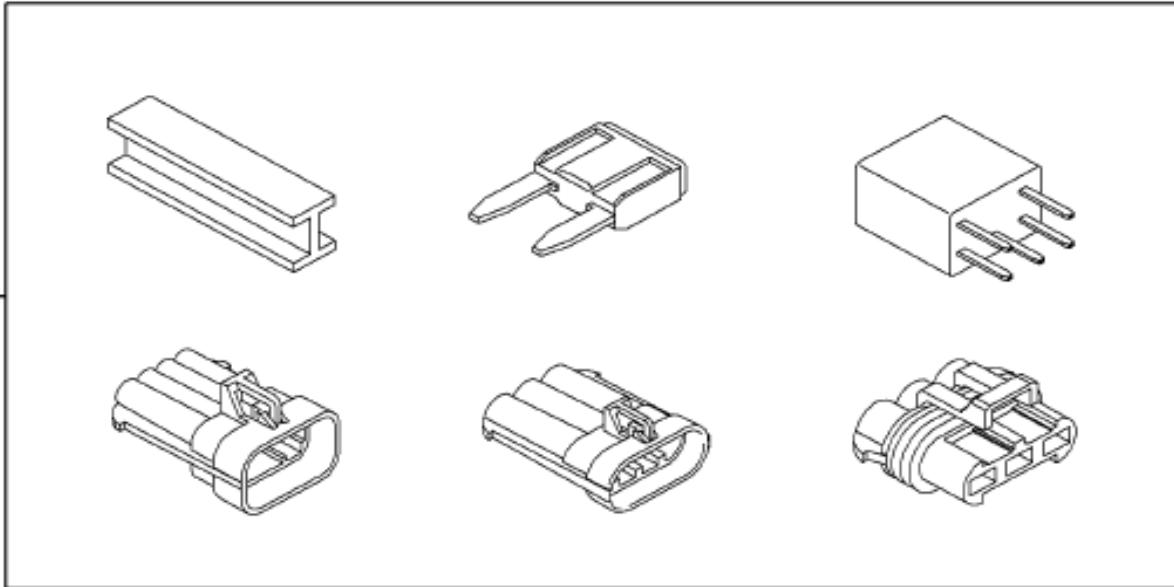
B10

Item	Part No.	Qty	Description	Kit	Var	Figure
255	40066R1	3	NUT, M8 - HF LOCK		06VZJ	
275	3535162C1	2	NUT, HEX METRIC PREV. TORQ*M8 X		06VZJ	
300	306132C1	1	STRAP, CABLE LOCK		0DZ4W	
300	306132C1	1	STRAP, CABLE LOCK		0FW3S	
300	306132C1	3	STRAP, CABLE LOCK		06VZJ	
305	3601280C1	1	GUIDE, BRK HOSE & CABLE		06VZJ	

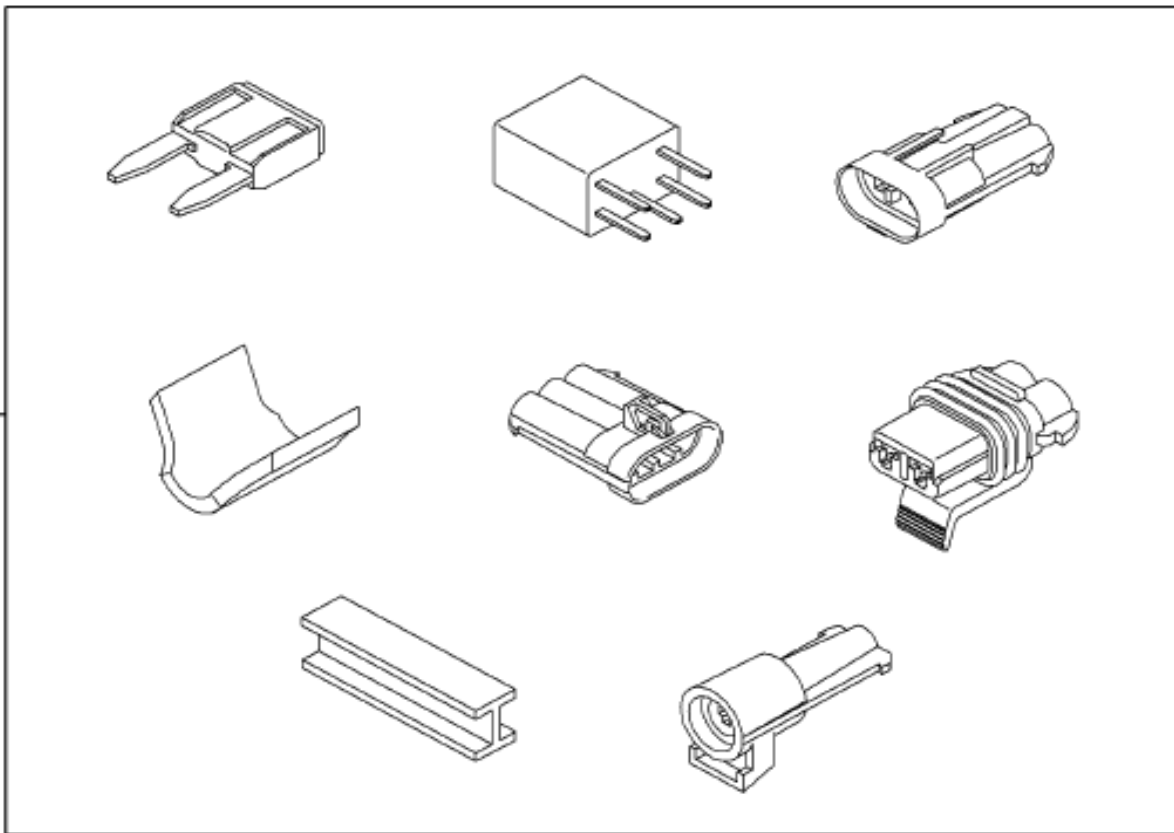
Figure 0MTVC

DASH HARNESS ASM; BODY BUILDER/TRAILER SOCKET WIR (ABR #4)

20



200

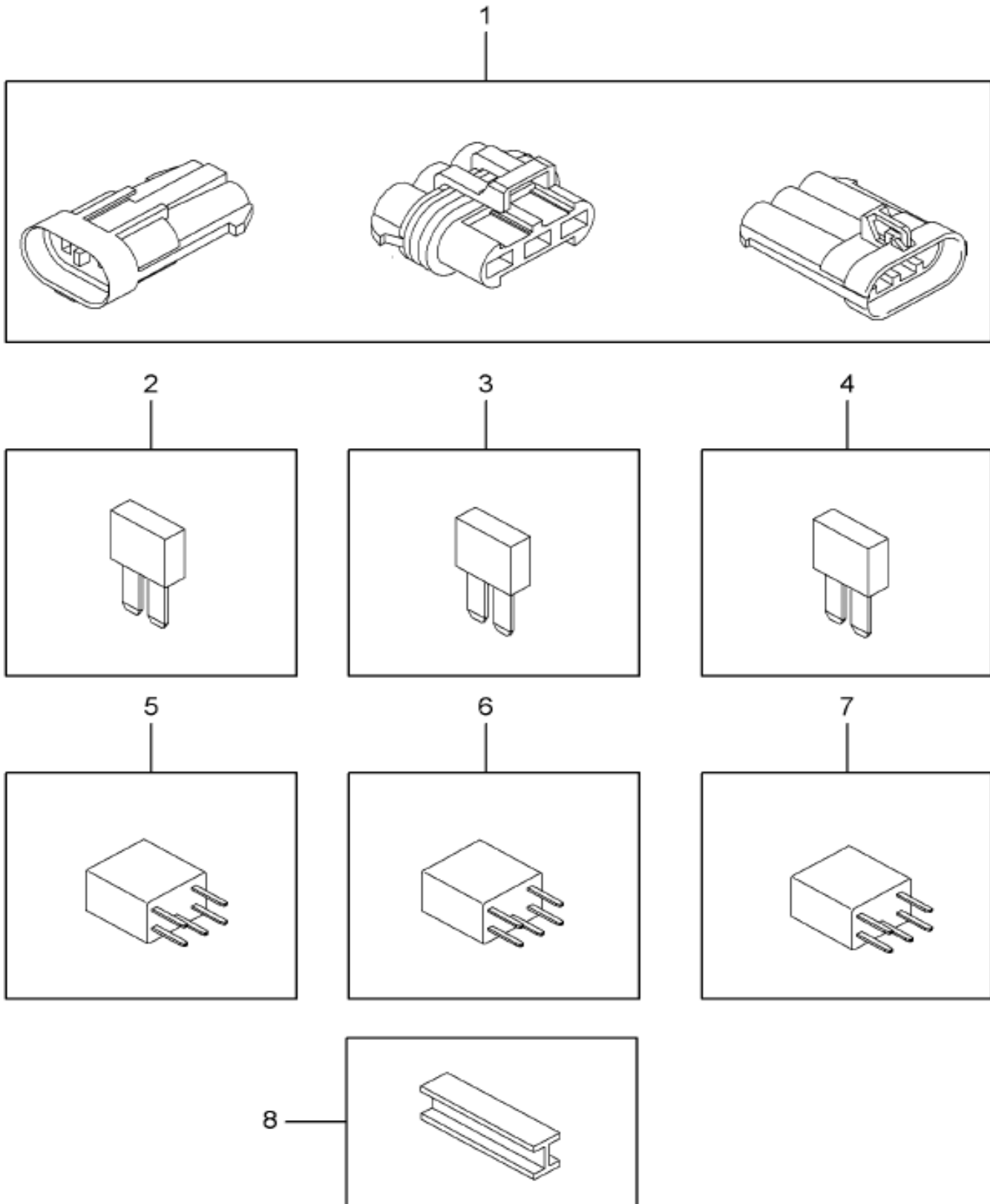


08-D04-0009-01

D09

Item	Part No.	Qty	Description	Kit	Var	Figure
20	3610837F91	1	HARN,DASH,TRLR SCKT,BDBL,W/ABS		0MTWD	3610837F91

Figure 3610837F91
HARN,DASH,TRLR SCKT,BDBL,W/ABS



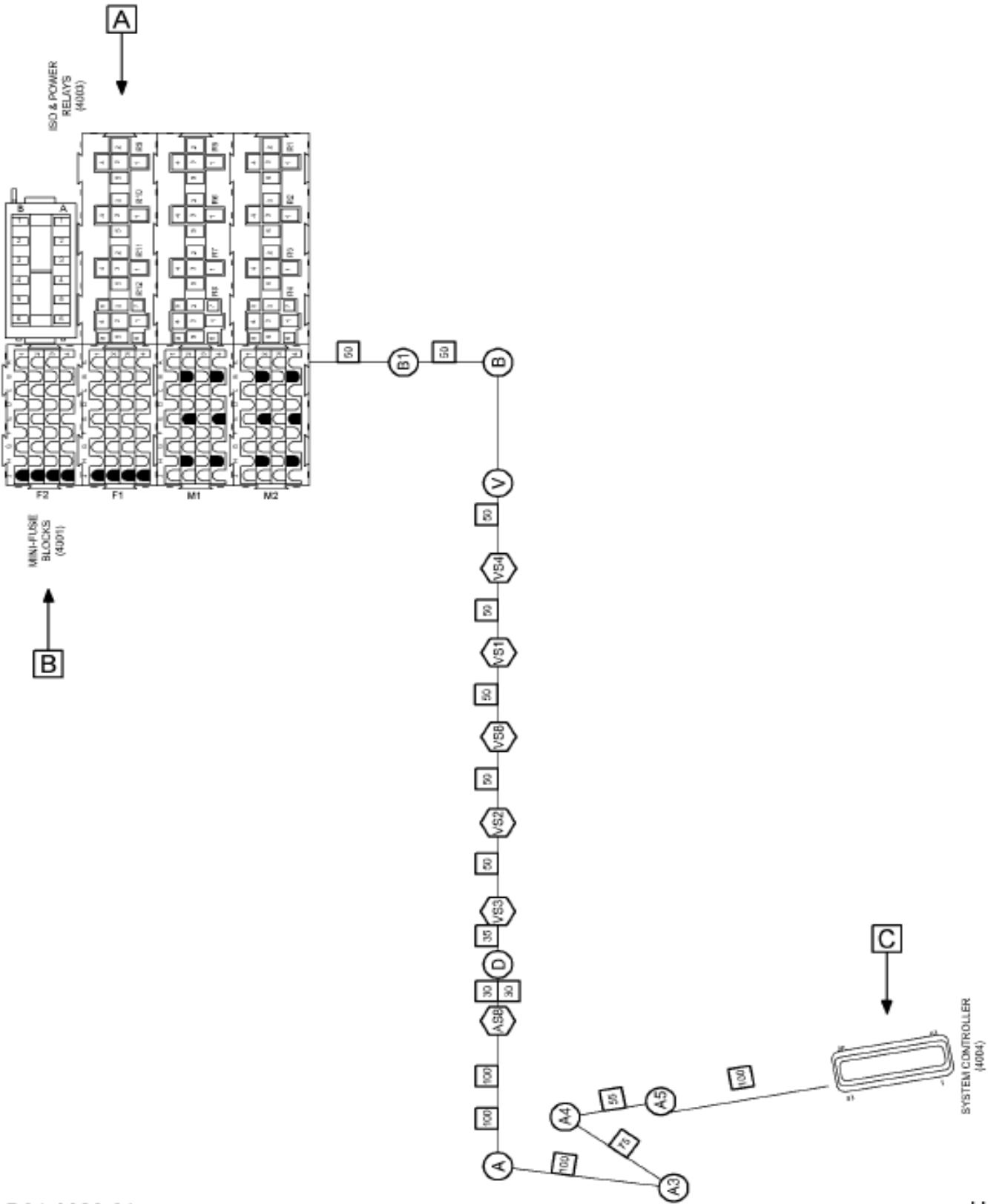
GROUP 08

08-P58-0029-01

H05

Item	Part No.	Qty	Description	Kit	Var	Figure
1	3592119C91	1	HARNESS,DASH-W/TRLR SOCKET			
2	3534210C1	2	FUSE,*FUSE, 15AMP MINI			
3	3534211C1	2	FUSE,*FUSE, 20AMP MINI			
4	3534213C1	1	FUSE,*FUSE, 30AMP MINI			
5	3610911C1	2	RELAY,ELECT-HORN ETC, 12V/24V			
6	3610910C1	1	RELAY,12V LONG LIFE,24V CONTCT			

Figure 3581900C91
HARNESS, DASH W/TRLR OR BB CONN



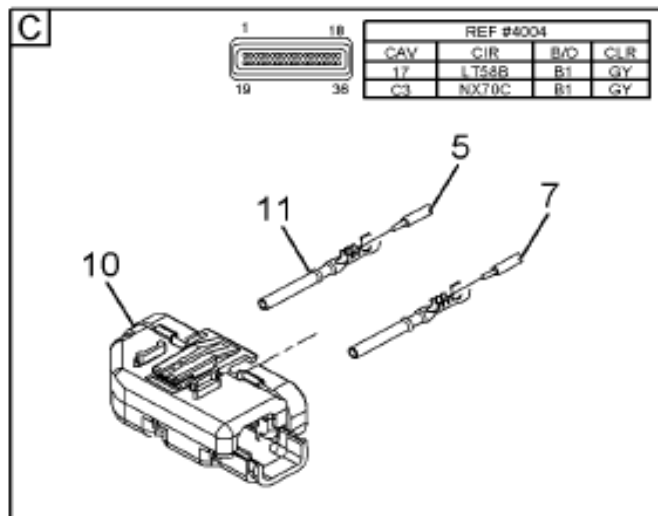
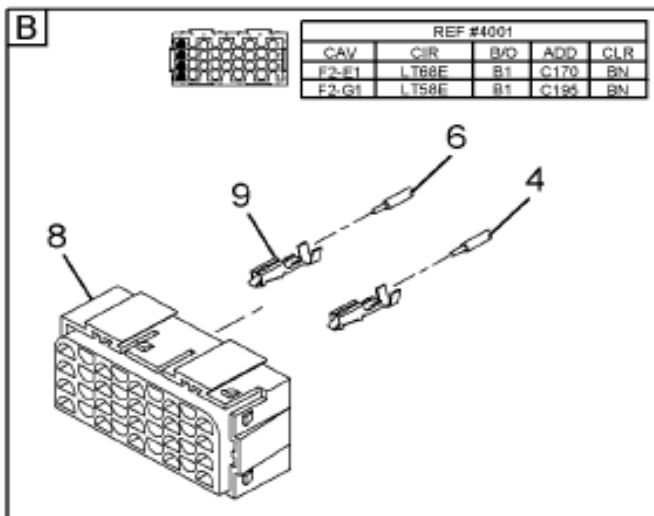
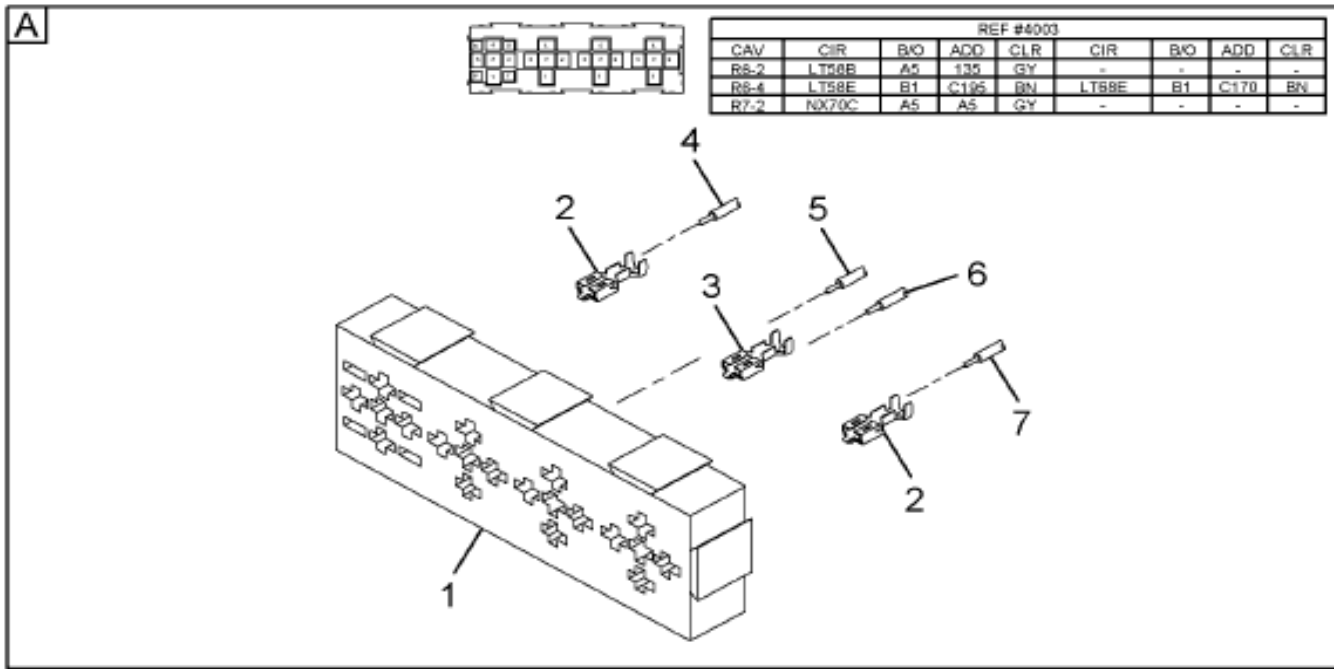
GROUP 08

08-D04-0028-01

H10

Figure 1 of 2

Figure 3581900C91
HARNESS, DASH W/TRLR OR BB CONN



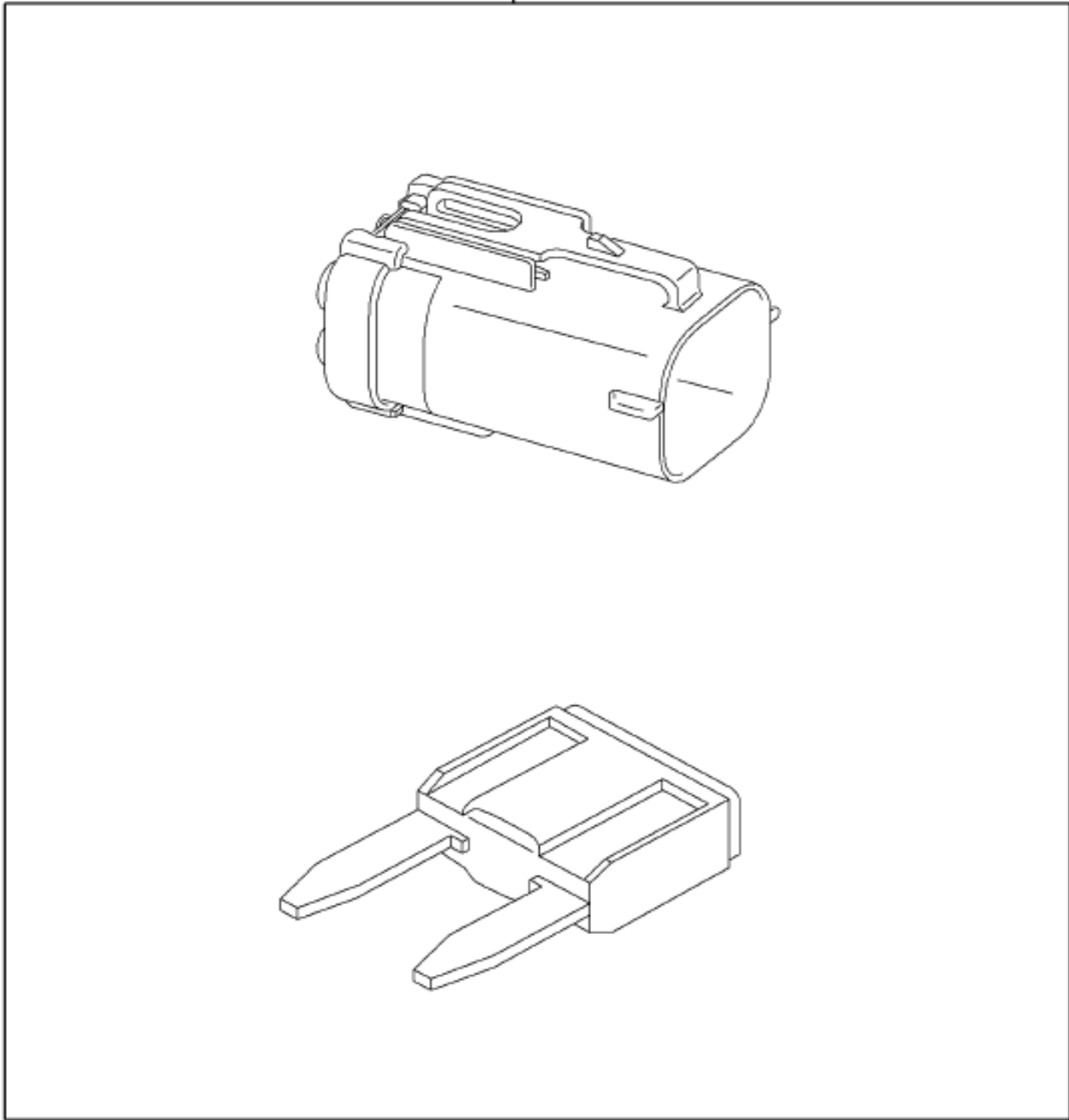
08-D04-0028-02

H10

Item	Part No.	Qty	Description	Kit	Var	Figure
1	3545600C91	1	CONNECTOR, BODY*RELAY BLOCKS FO			
2	1661224C1	2	TERMINAL, FEMALE 630 SERIES			
3	1661228C1	1	TERMINAL FEMALE 630 SERIES			
4	3510311R1	AR	CABLE, LOW TENSION TXL			
5	2643754R1	AR	CABLE LOW TENSION 12GA BROWN *			
6	2643754R1	AR	CABLE LOW TENSION 12GA BROWN *			

Figure 0CS7M
DASH HARNESS ASM; BRAKE SYSTEM WIRING

10

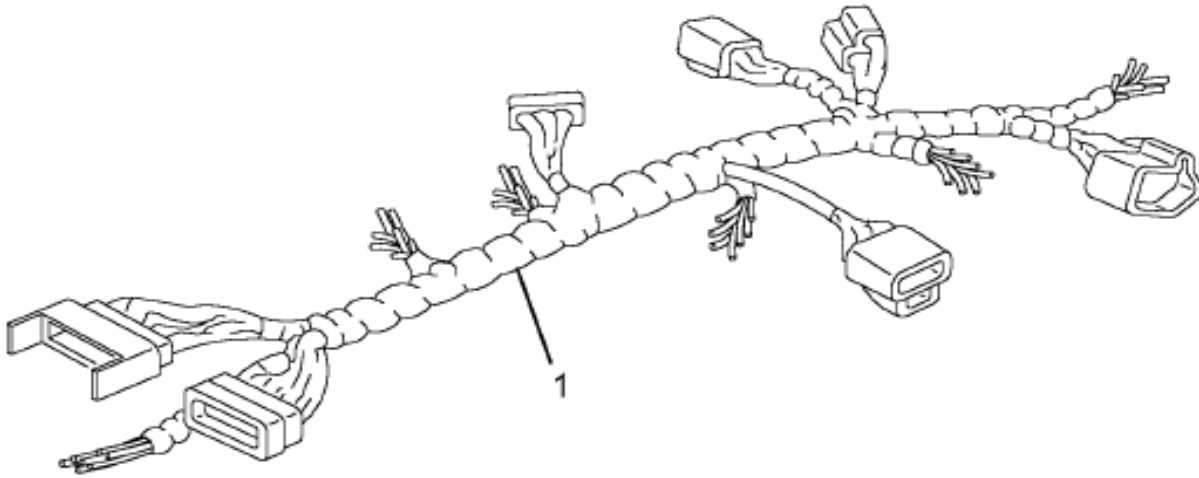


08-D02-0011-01

B09

Item	Part No.	Qty	Description	Kit	Var	Figure
10	3581889F91	1	ELEC DASH,AIR ABS N/ATC		0J5BV	3581889F91

Figure 3581889F91
ELEC DASH,AIR ABS N/ATC



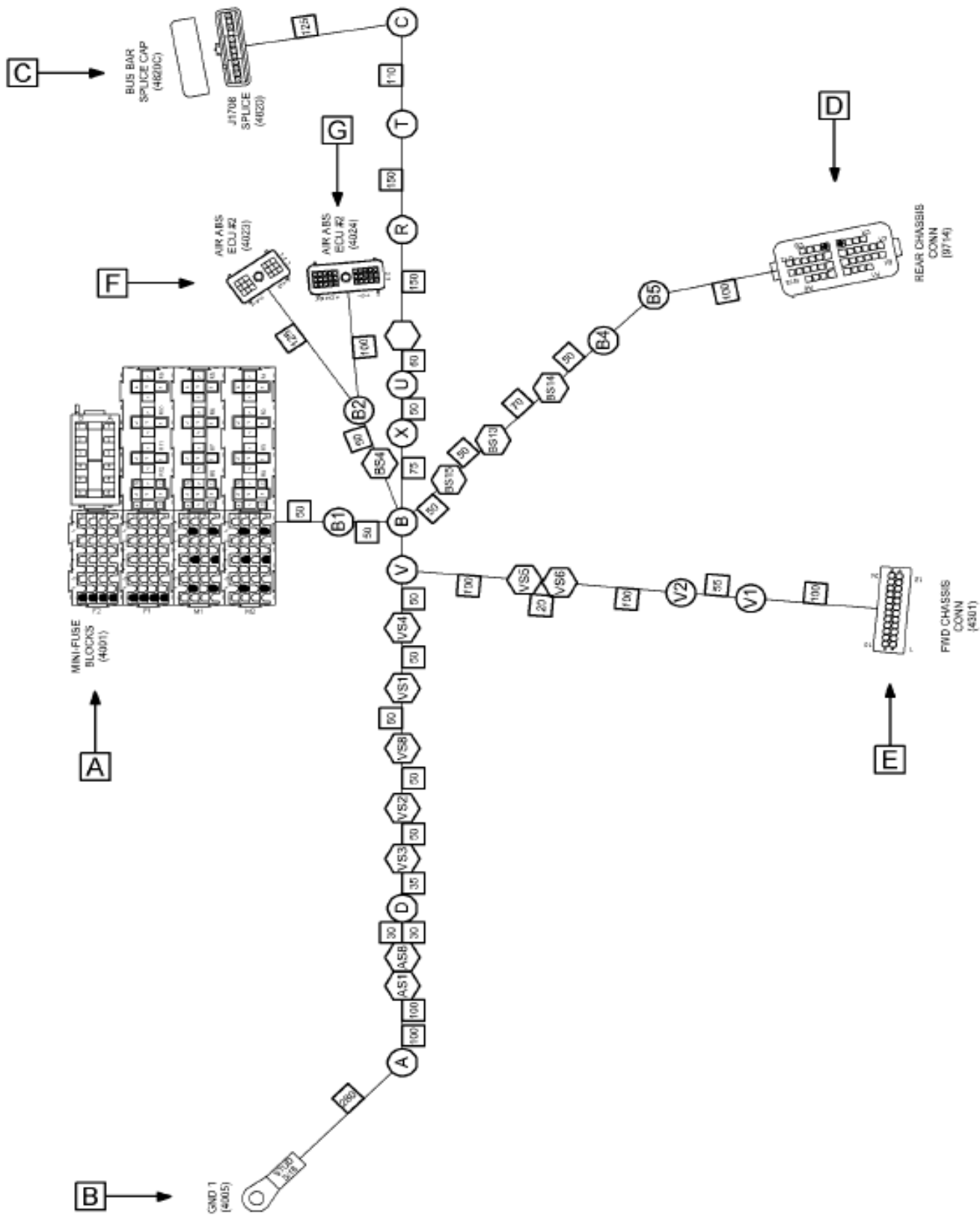
G
R
P
0
8

08-P58-0006-01

C03

Item	Part No.	Qty	Description	Kit	Var	Figure
1	3581887C91	1	HARNESS,DASH WRG,AIR ABS N/ATC			3581887C91
1	3534213C1	1	FUSE,*FUSE, 30AMP MINI			
880		RF	NOTE: ASM BELOW COMPRISED OF ABOVE COMPONENTS			
881	3581889F91	RF	ELEC DASH,AIR ABS N/ATC			

Figure 3581887C91
HARNES, DASH WRG, AIR ABS N/ATC

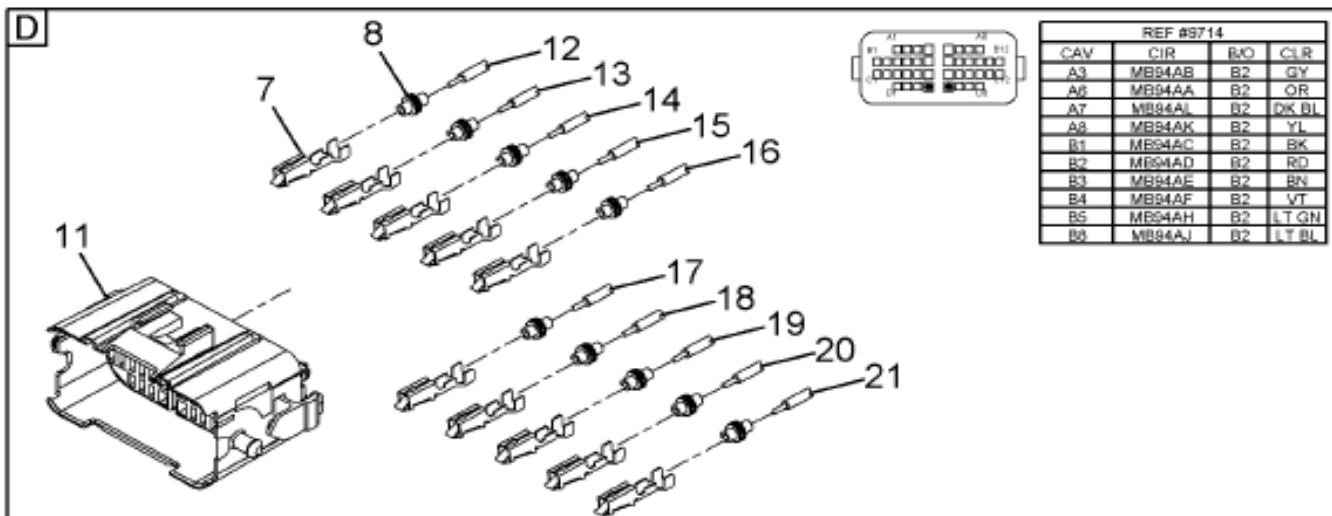
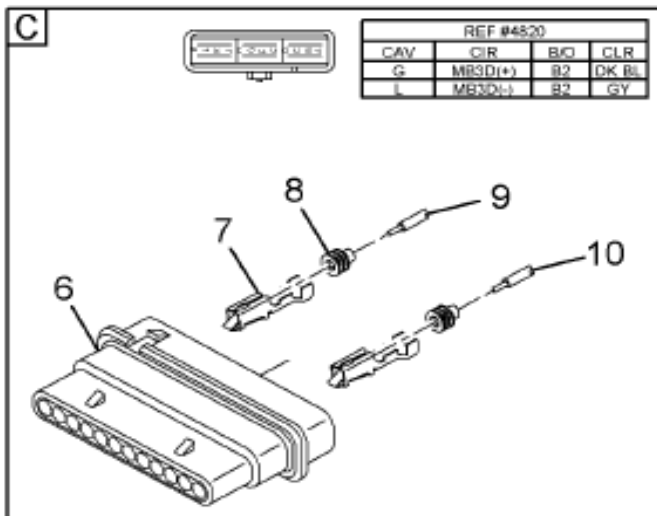
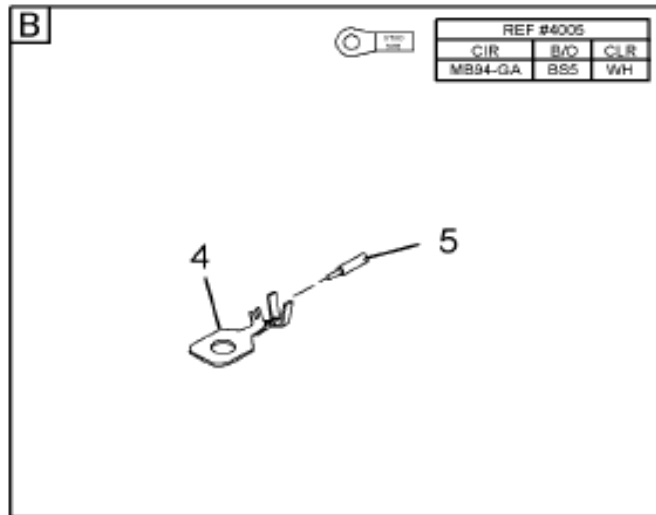
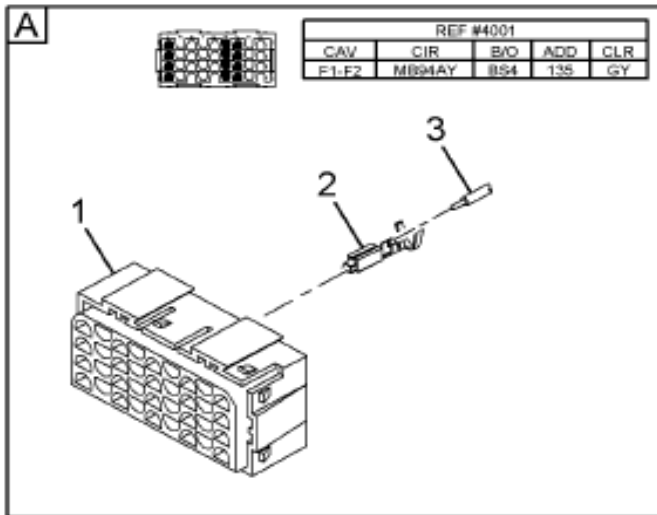


08-D02-0014-01

J10

Figure 1 of 3

Figure 3581887C91
HARNESS, DASH WRG, AIR ABS N/ATC



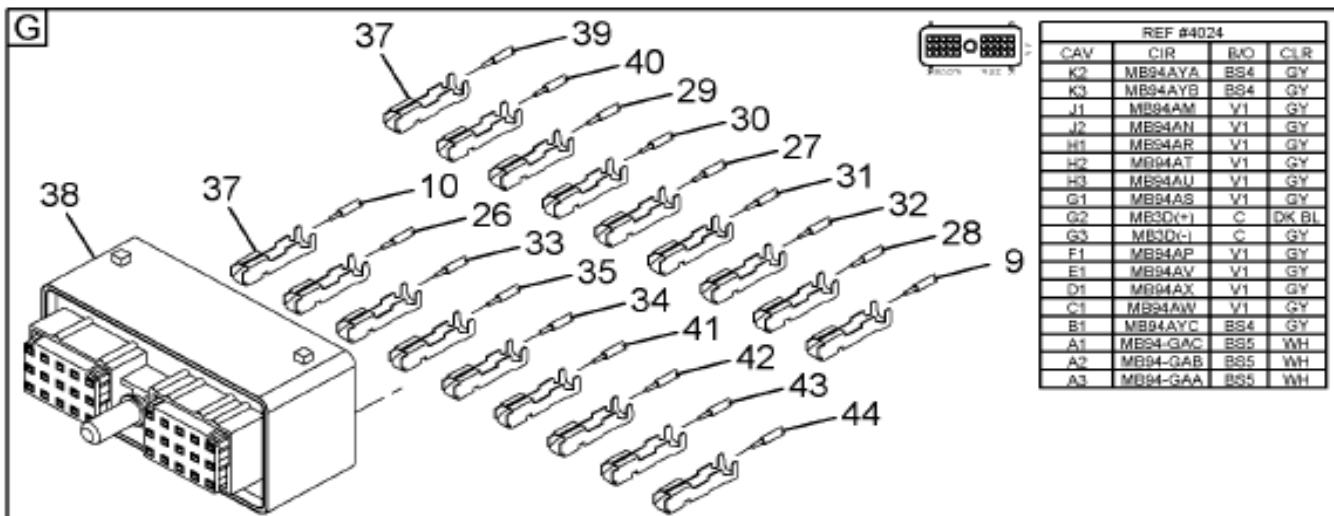
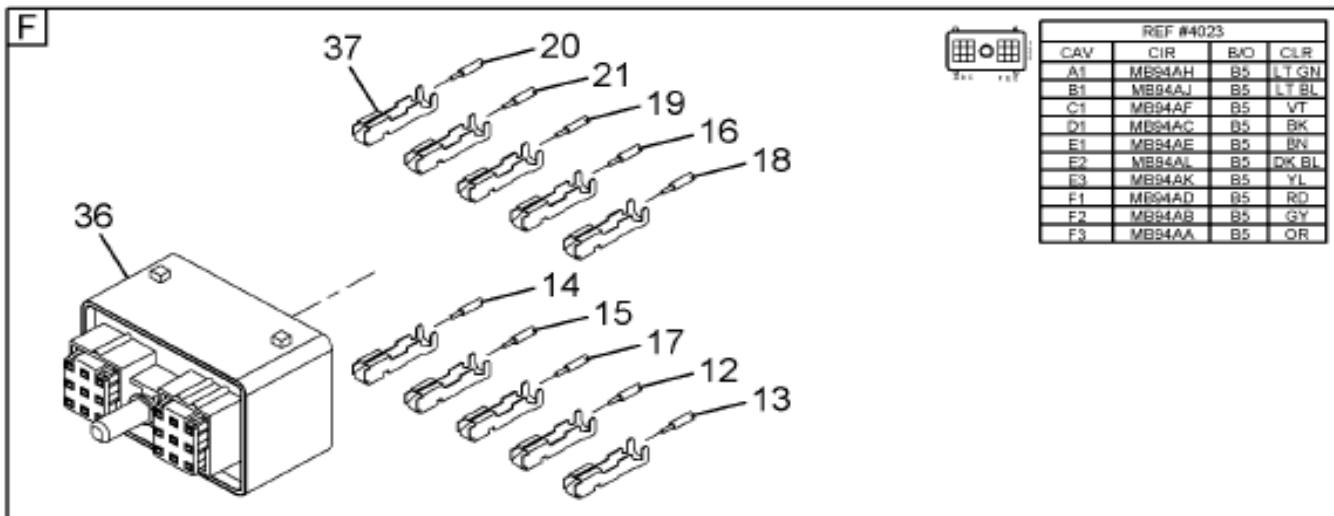
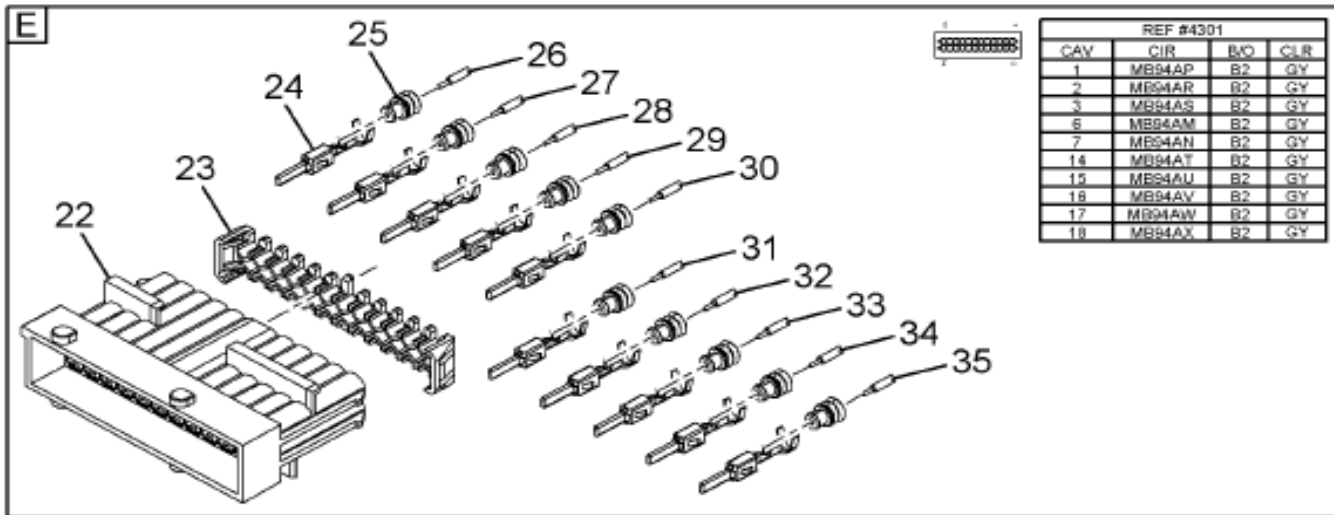
G
R
P
0
8

08-D02-0014-02

J10

Figure 2 of 3

Figure 3581887C91
HARNES, DASH WRG, AIR ABS N/ATC



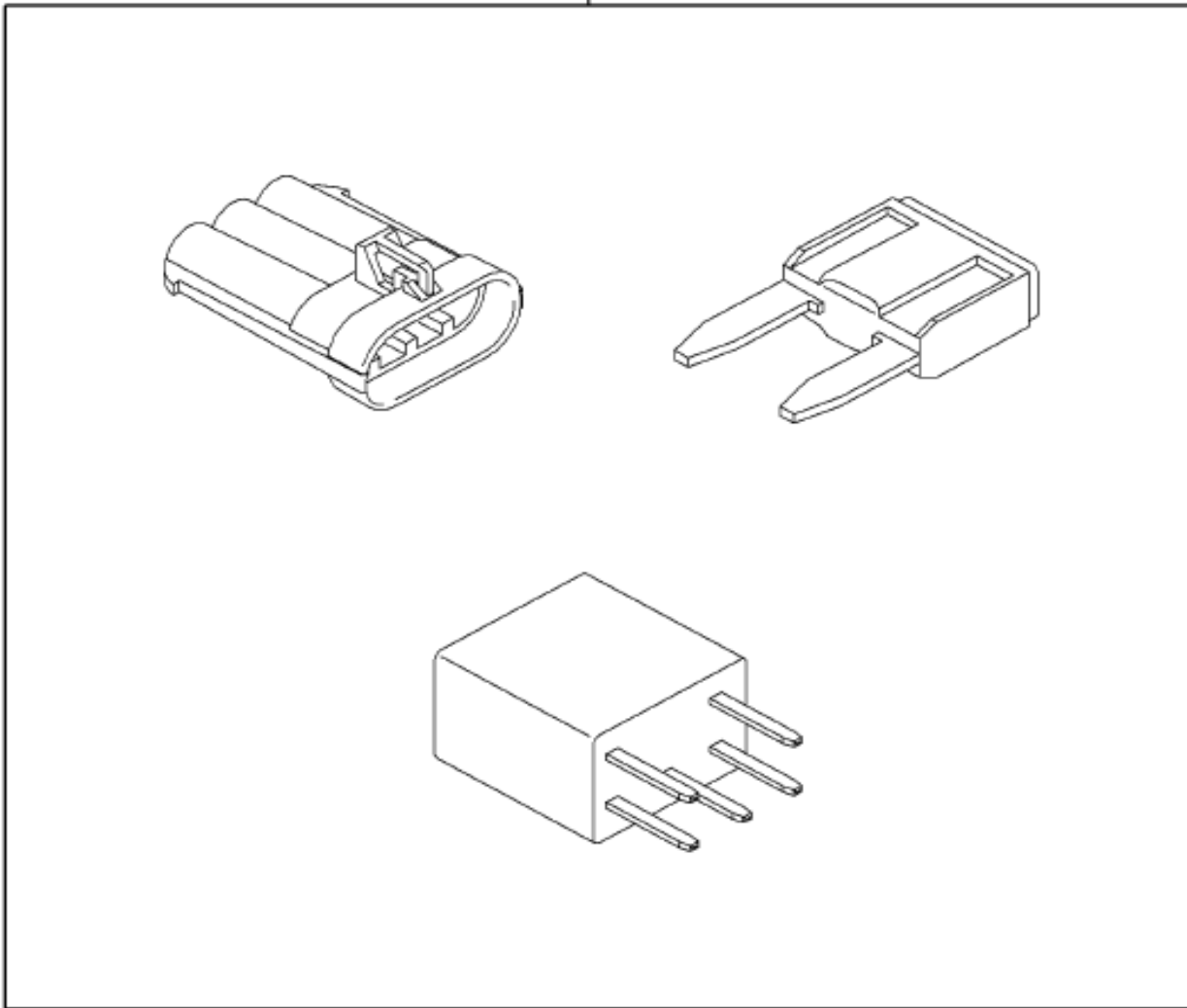
08-D02-0014-03

J10

Item	Part No.	Qty	Description	Kit	Var	Figure
1	3545599C91	1	CONNECTOR, BODY*FUSE/CIRCUIT BR			
2	3573311C1	1	TERMINAL, CABLE, 280SERIES FEMAL			
3	2643783R1	AR	CABLE LOW TENSION 12 GAUGE GRA			
4	2020632C1	1	TERMINAL, CABLE EYELET 5/16			
5	2643787R1	AR	CABLE LOW TENSION 12 GAUGE WHI			
6	3543733C1	1	CONNECTOR, BUS BAR*BUS BAR* 150			

Figure 0CS9S
DASH HARNESS ASM; ENGINE SYSTEM WIRING

15

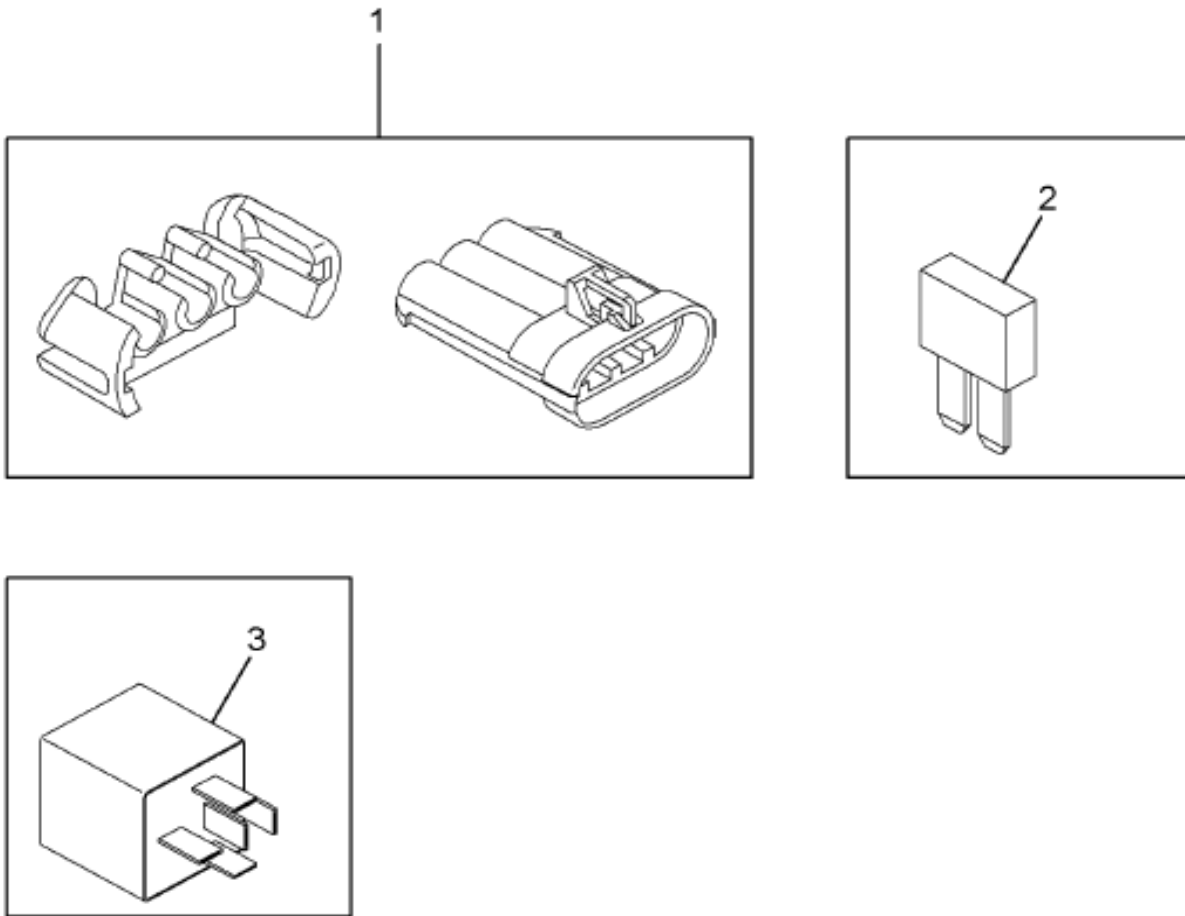


08-D03-0001-01

B09

Item	Part No.	Qty	Description	Kit	Var	Figure
15	3568454F91	1	HARNESS,DASH ELEC; CEC		0CSZD	3568454F91

Figure 3568454F91
HARNES, DASH ELEC; CEC



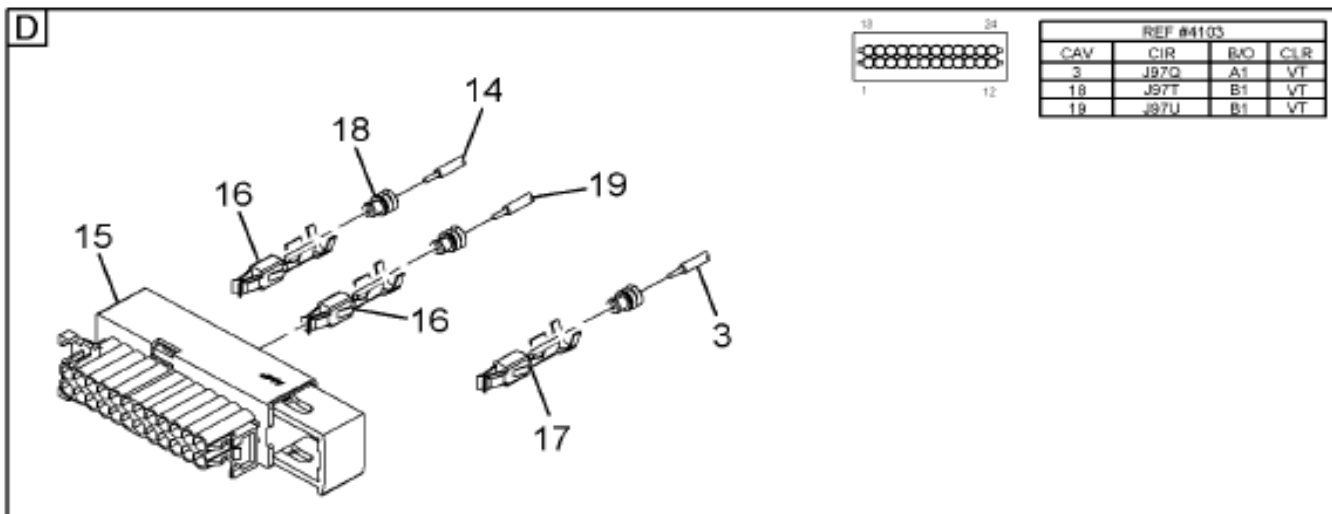
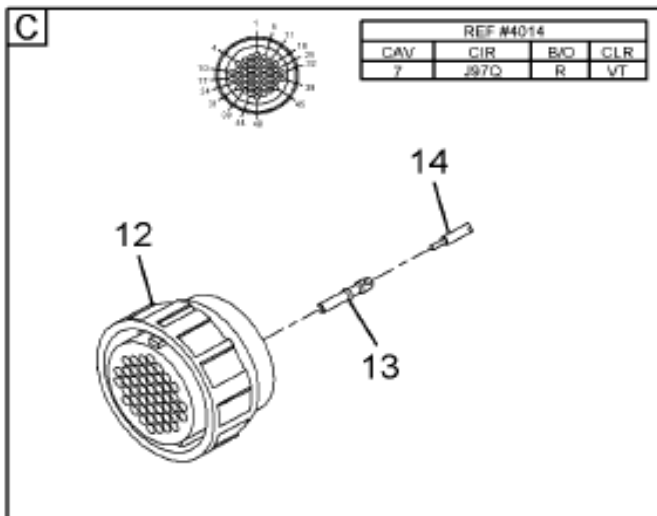
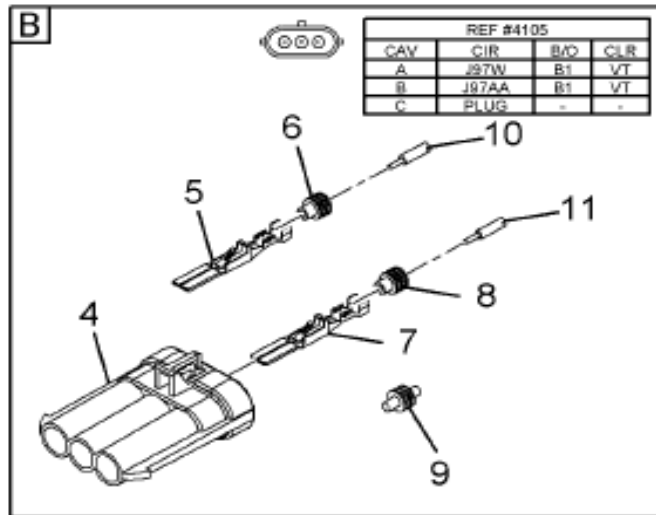
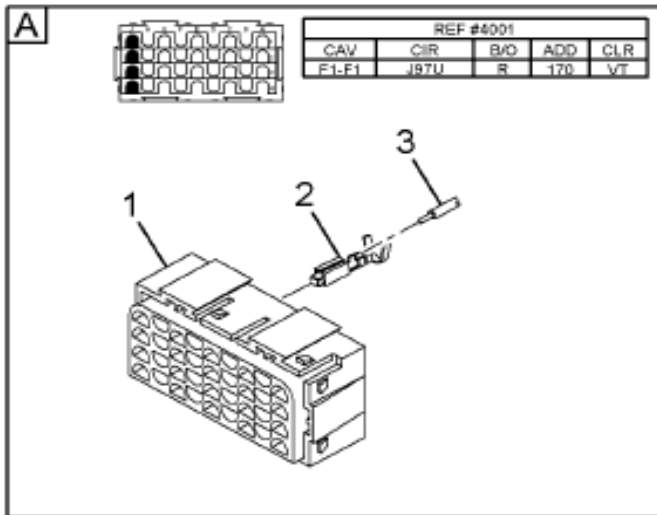
GROUP 08

08-D03-0003-01

C06

Item	Part No.	Qty	Description	Kit	Var	Figure
1	3568513C91	1	HARNES,ENGINE*CEC I6 ENGINE			3568513C91
2	3534208C1	1	FUSE,*FUSE, 5AMP MINI			
3	3607384C1	1	RELAY,GEN CONTROL, GEN CONTROL			
3	2012557C1	1	RELAY,GEN CONTROL			
800	RF		NOTE: THE FOLLOWING PARTS ARE NON-ILLUSTRATED			

Figure 3568513C91
 HARNESS,ENGINE*CEC I6 ENGINE

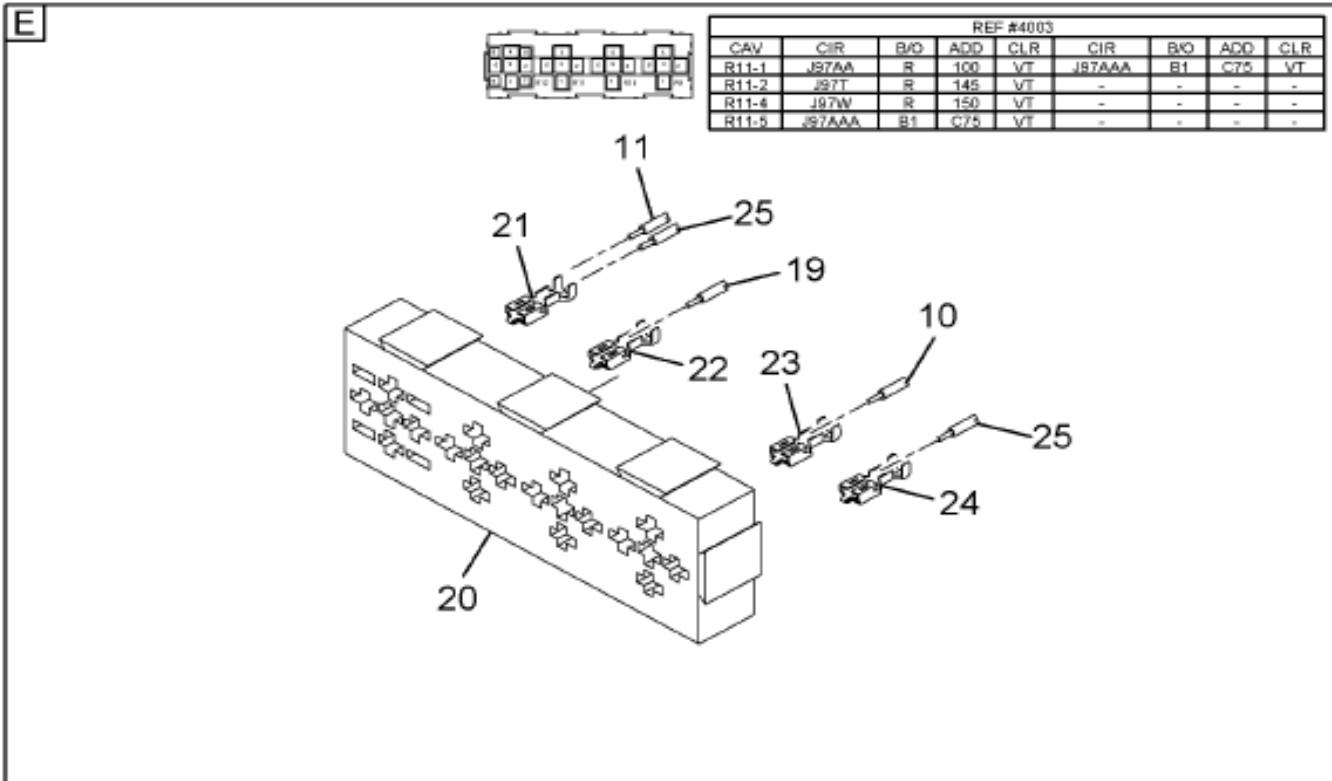


08-D03-0008-02

G10

Figure 2 of 3

Figure 3568513C91
HARNES,ENGINE*CEC I6 ENGINE



G P 0 8

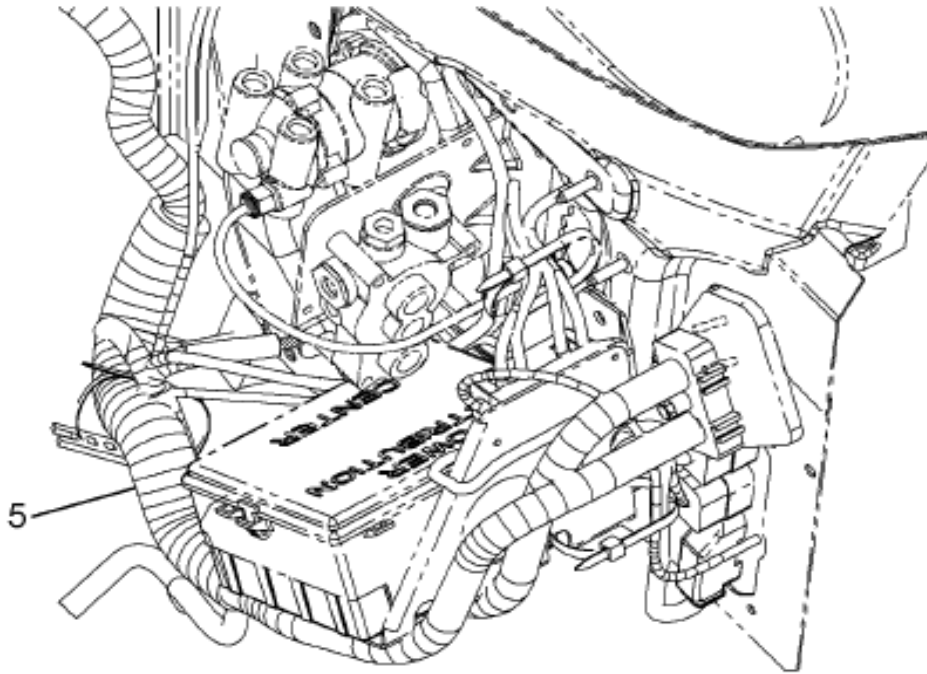
08-D03-0008-03

G10

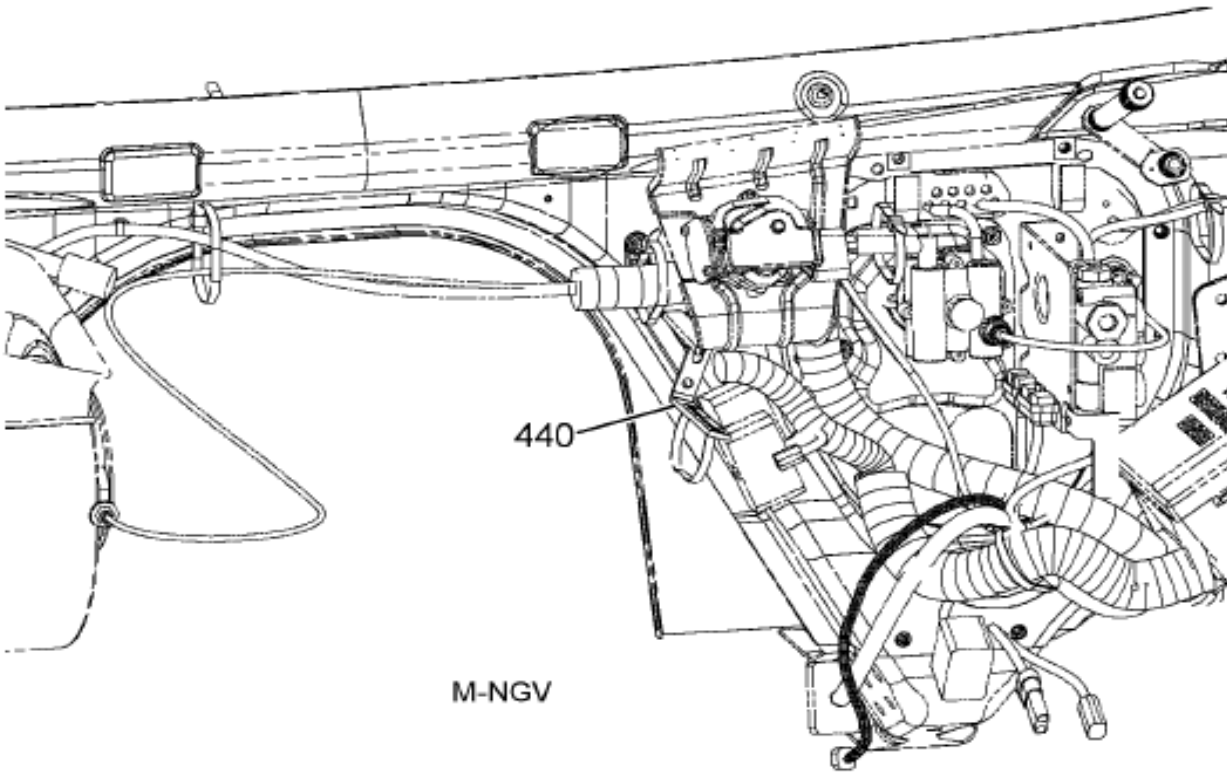
Item	Part No.	Qty	Description	Kit	Var	Figure
1	3545599C91	1	CONNECTOR,BODY*FUSE/CIRCUIT BR			
2	3573312C1	1	TERMINAL,CABLE,280SERIES FEMAL			
3	2643719R1	AR	CABLE LOW TENSION SINGLE COND			
4	1667732C1	1	CONNECTOR,CABLE FEMALE 630			
5	2025425C1	2	TERMINAL,CABLE 630 SERIES MALE			
6	1667735C1	2	SEAL,CABLE TERM 630 METRIC			

Figure 0CS5P

DASH HARNESS ASM; FUSE BLOCK, COMMON BASE WIRING



M-NGV-MD, M-NGV-SS
M-NGV-RH-MRD
N/510923



M-NGV

08-D01-0005-02

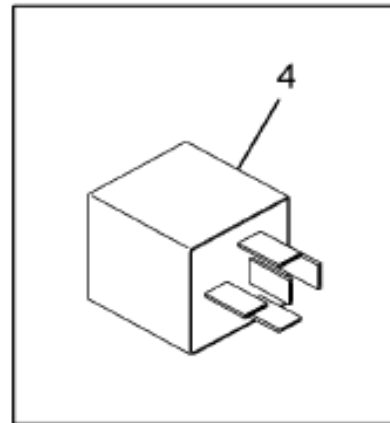
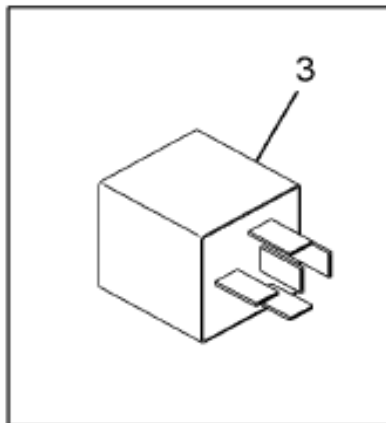
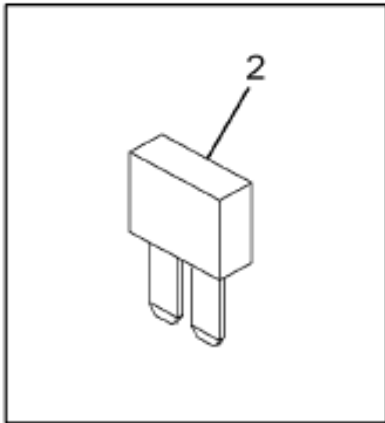
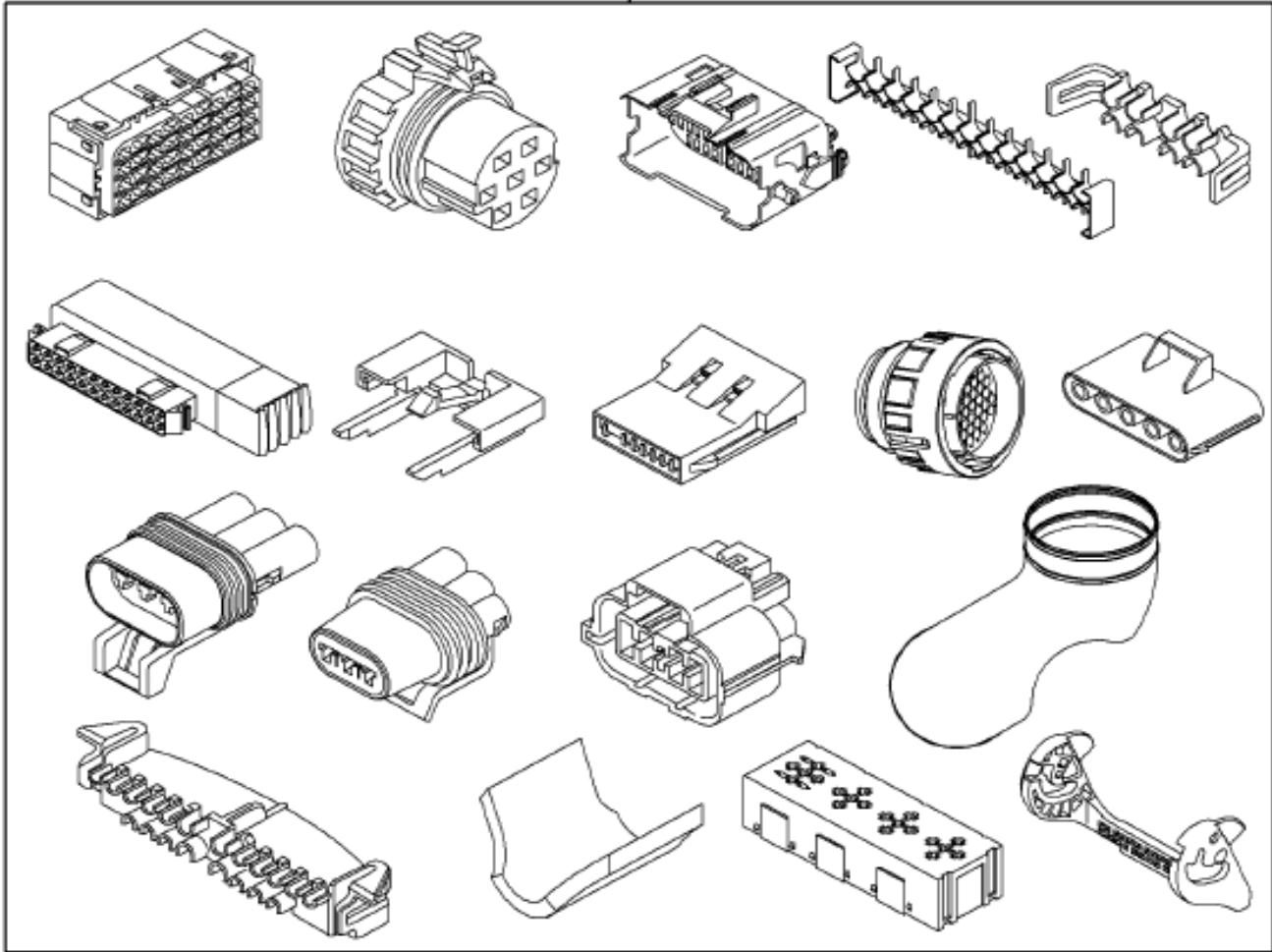
L10

Item	Part No.	Qty	Description	Kit	Var	Figure
5	3610835F91	1	HARNESS, BASE, DASH, W/FUSES		0MQBS	3610835F91
440	2034208C1	1	EXTENSION, CLIP		0MQBS	
440	3534873C2	1	NUT, HEX*M8 X 1.25 W/CAPTURE WA		0MQBS	

G R P 0 8

Figure 3610835F91
HARNES , BASE , DASH , W / FUSES

1

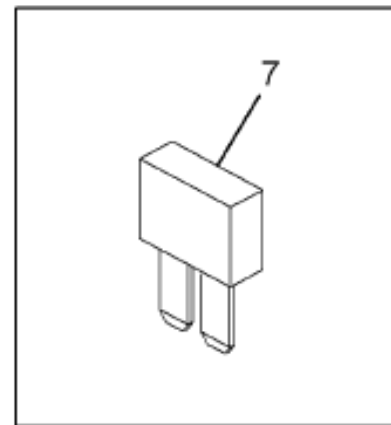
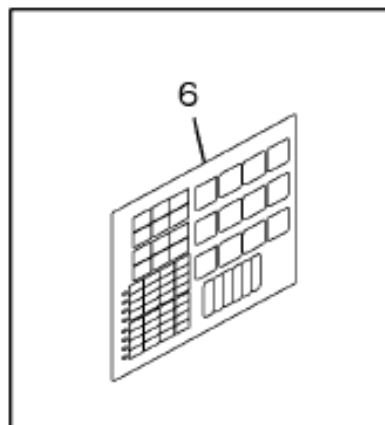
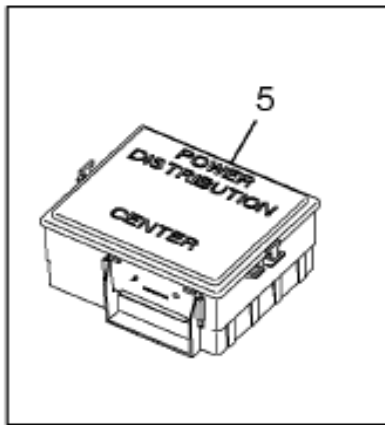


08-D01-0068-01

D06

Figure 1 of 2

Figure 3610835F91
HARNES, BASE, DASH, W/FUSES



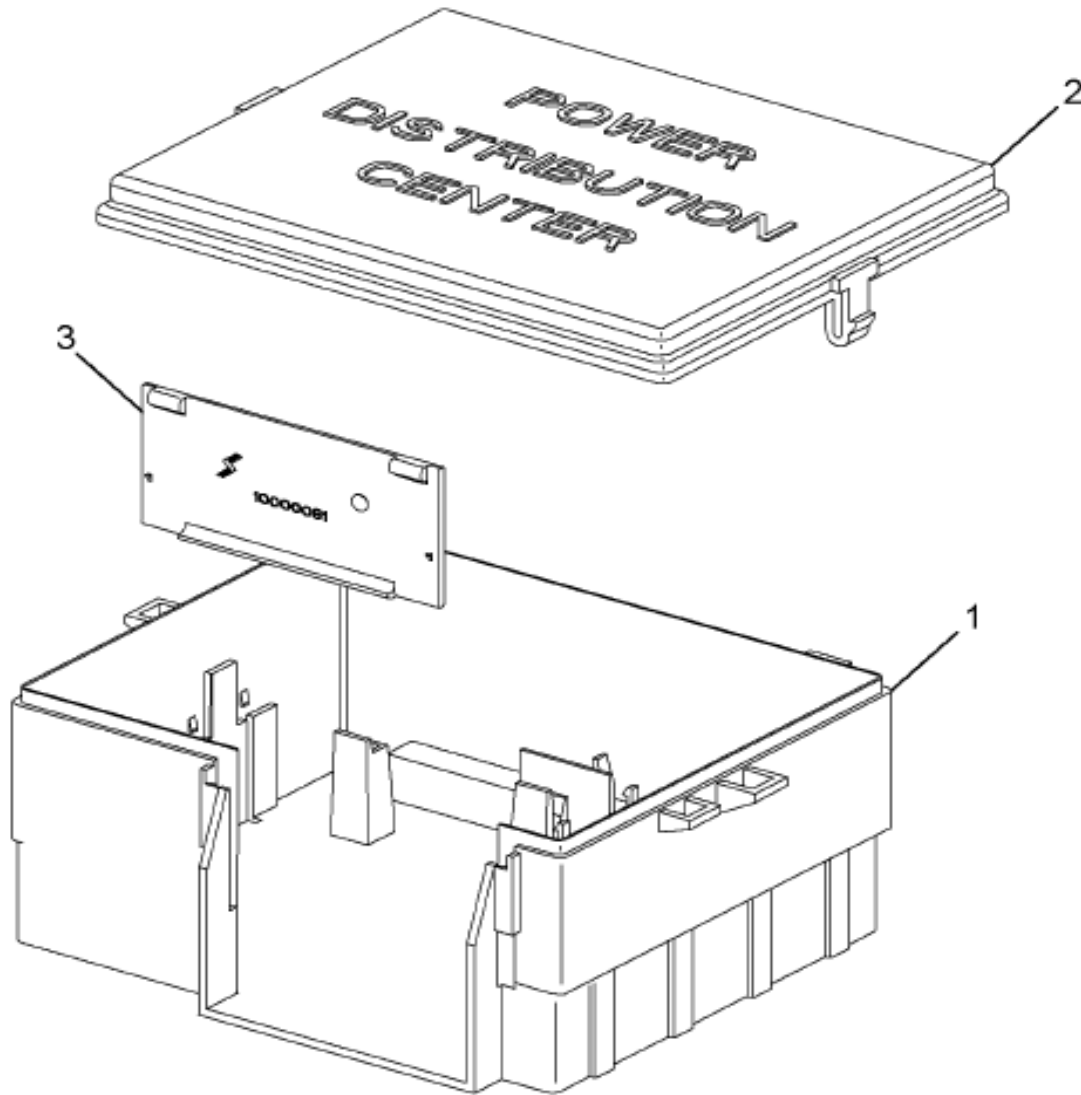
G
R
P
0
8

08-D01-0068-02

D06

Item	Part No.	Qty	Description	Kit	Var	Figure
1	3610836C91	1	HARN,DASH,BASE,W/O STRTR COIL			
2	3534209C1	1	FUSE,*FUSE, 10AMP MINI			
3	2012557C1	3	RELAY,GEN CONTROL			
4	3610910C1	3	RELAY,12V LONG LIFE,24V CONTCT			
5	3554606C91	1	HOUSING,CONTROL*POWER DISTRIBU			3554606C91
6	3548663C3	1	PROGRAPH,PROD PDC FUSE LABEL			

Figure 3554606C91
HOUSING, CONTROL*POWER DISTRIBUTU



GROUP 08

08-D01-0064-01

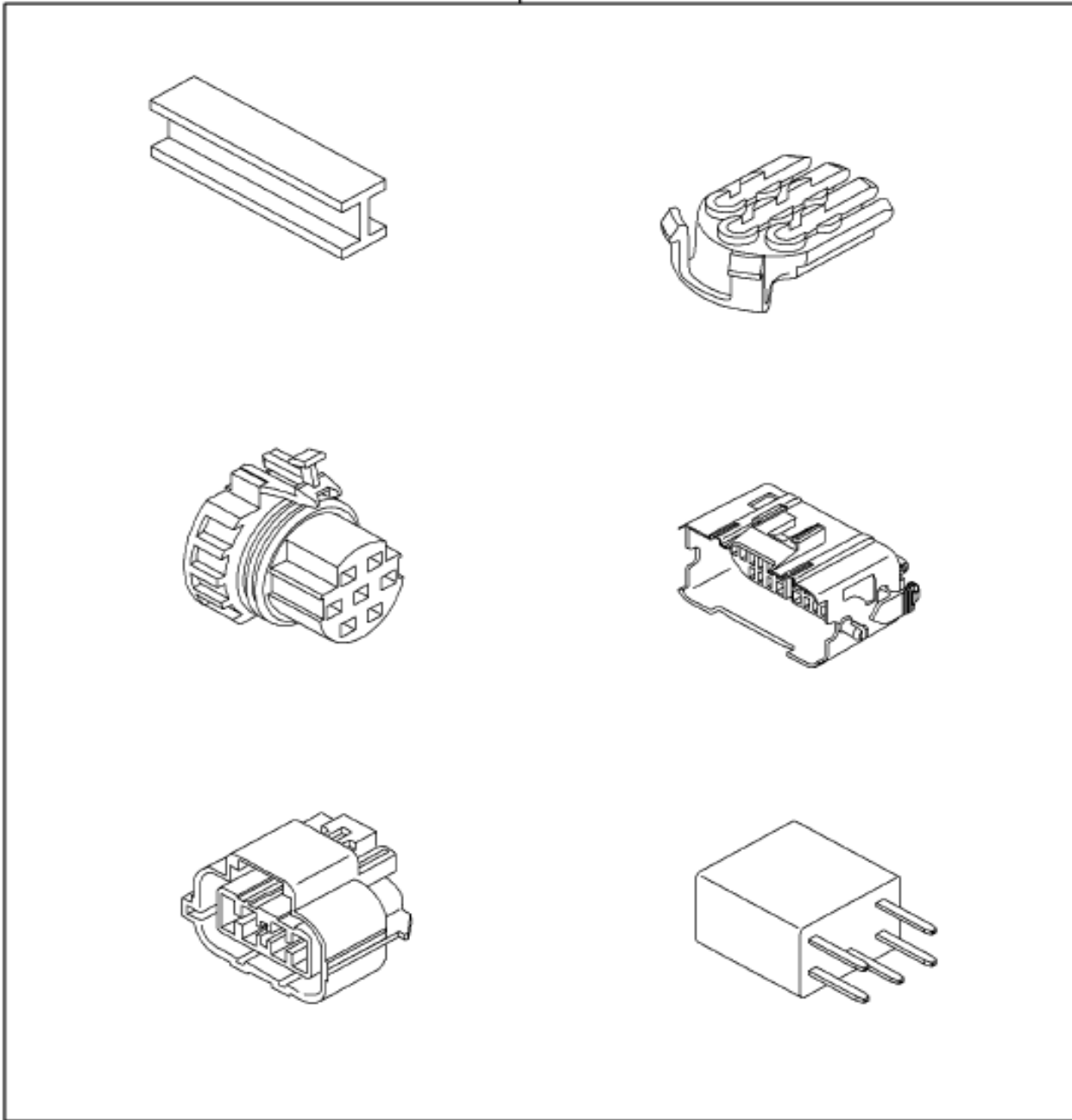
J05

Item	Part No.	Qty	Description	Kit	Var	Figure
1	3554607C1	1	BOX, JUNCTION*POWER DISTRIBUTIO			
2	3554608C1	1	COVER, ELEC CONT PANEL*POW			
3	3554609C1	1	DOOR, *POWER DISTRIBUTION CENTE			
880		RF	NOTE: ASM BELOW COMPRISED OF ABOVE COMPONENTS			
881	3554606C91	RF	HOUSING, CONTROL*POWER DISTRIBUTU			

Figure 0CSBZ

DASH HARNESS ASM; HEAD-AUX-FOG LIGHT WIRING

65

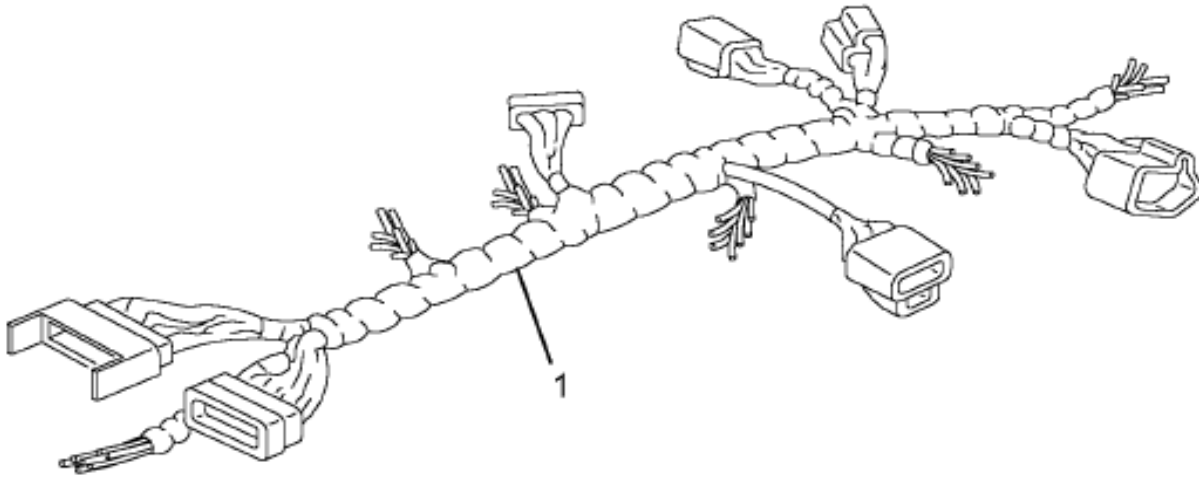


08-D13-0003-01

B09

Item	Part No.	Qty	Description	Kit	Var	Figure
65	3552509F92	1	HARNESS,DASH ELEC; STD		0CWG3	3552509F92

Figure 3552509F92
 HARNESS,DASH ELEC; STD



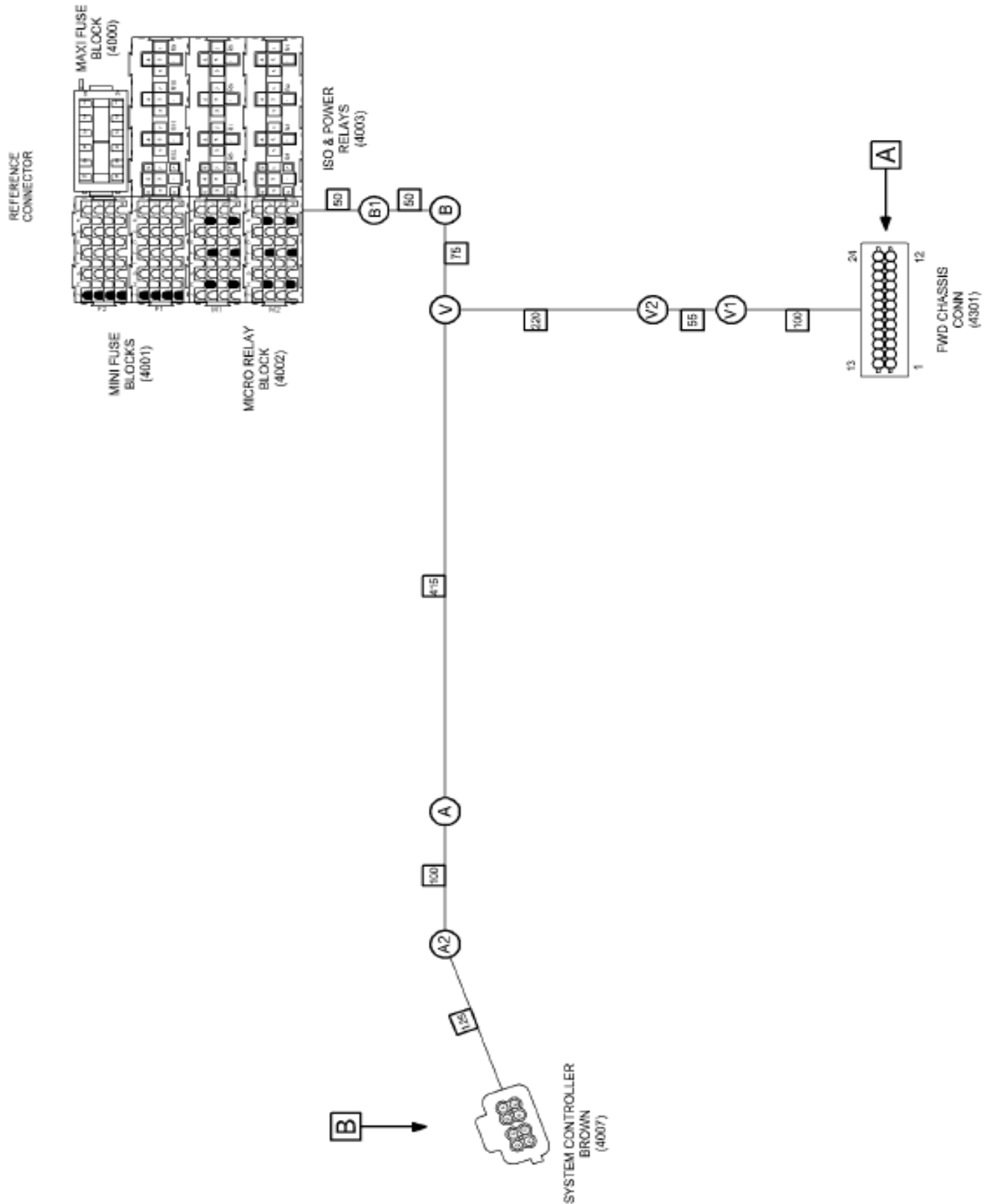
08
 P
 58

08-P58-0006-01

C03

Item	Part No.	Qty	Description	Kit	Var	Figure
1	3560280C91	1	HARNESS,HEAD LIGHT WIRING *HEA			3560280C91
880		RF	NOTE: ASM BELOW COMPRISED OF ABOVE COMPONENTS			
881	3552509F92	RF	HARNESS,DASH ELEC; STD			

Figure 3560280C91
HARNES, HEAD LIGHT WIRING *HEA

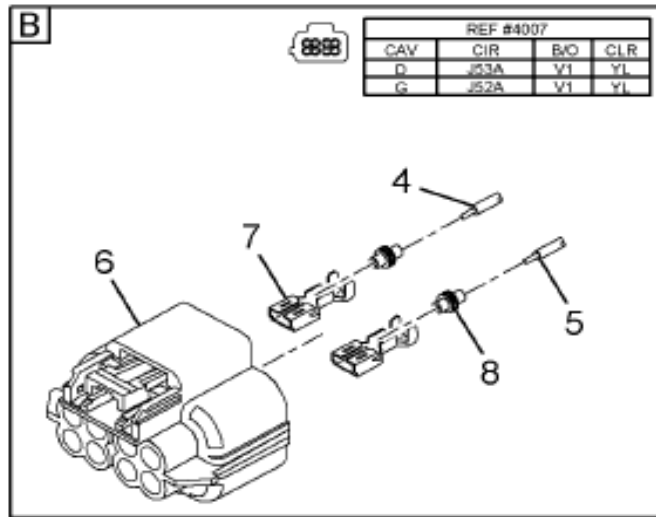
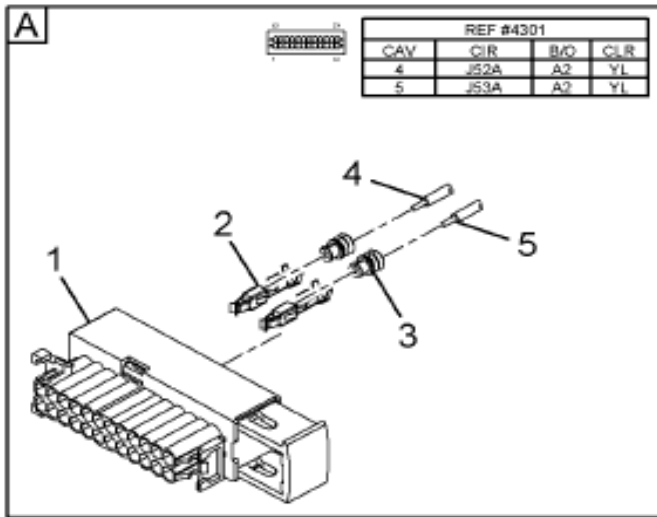


08-D13-0004-01

F10

Figure 1 of 2

Figure 3560280C91
HARNESS, HEAD LIGHT WIRING *HEA



G
R
P
0
8

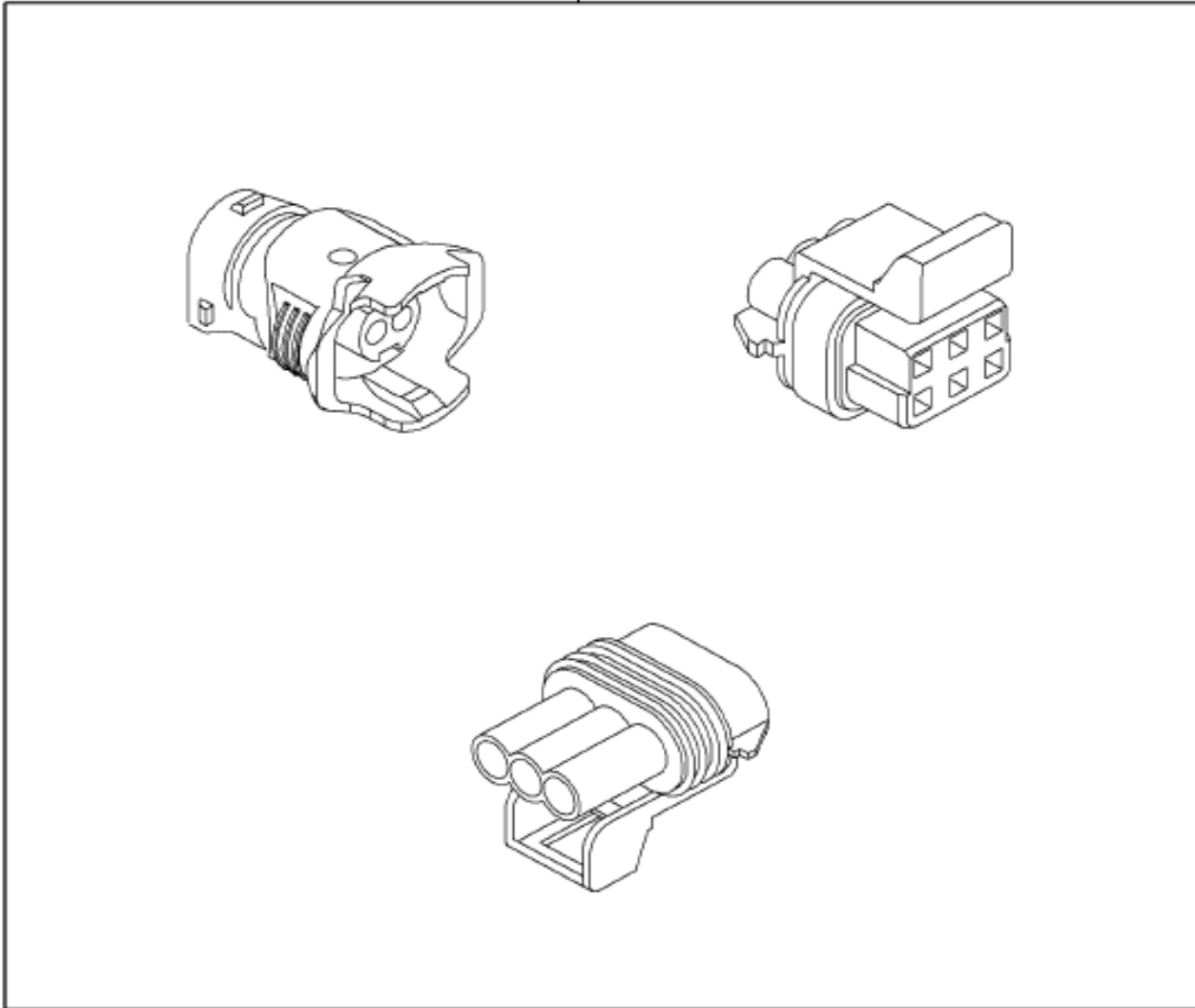
08-D13-0004-01

F10

Item	Part No.	Qty	Description	Kit	Var	Figure
1	3558026C1	1	CONNECTOR, BODY*AMP JR-PWR-TIME			
2	3559035C1	2	TERMINAL, CABLE*AMP JUNIOR-POWE			
3	3509903C1	2	SEAL, CABLE TERMINAL			
4	2643693R1	AR	CABLE LOW TENSION SINGLE COND			
5	2643693R1	AR	CABLE LOW TENSION SINGLE COND			
6	3548934C1	1	CONNECTOR, BODY*8 WAY BROWN PAC			

Figure 0CSB9
DASH HARNESS ASM; HVAC SYSTEM WIRING

35



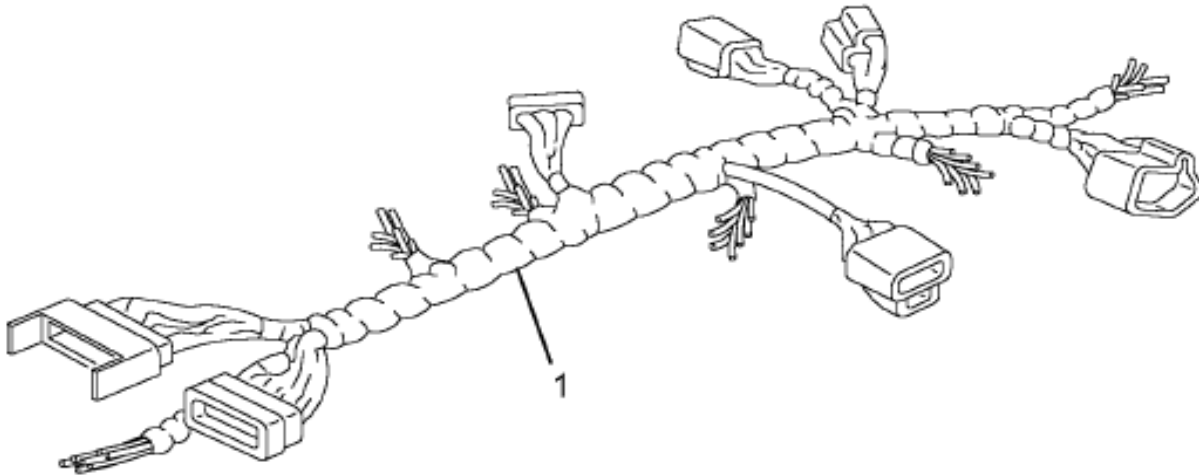
Grp 08

08-D07-0004-01

K08

Item	Part No.	Qty	Description	Kit	Var	Figure
35	3568464F91	1	HARNESS,DASH ELEC; A/C		0CT00	3568464F91

Figure 3568464F91
 HARNESS,DASH ELEC; A/C

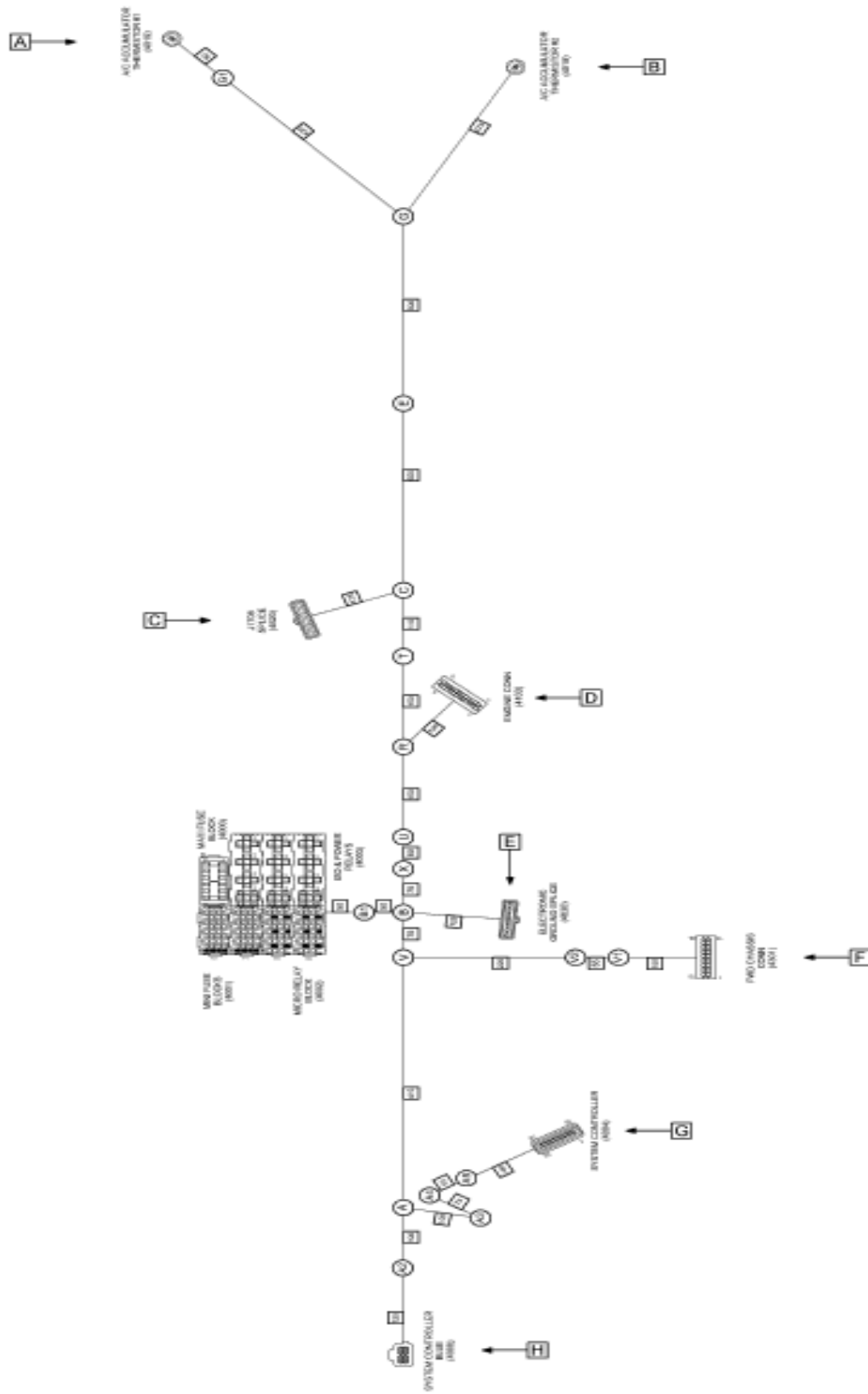


08-P58-0006-01

C03

Item	Part No.	Qty	Description	Kit	Var	Figure
1	3560276C91	1	HARNESS,ELEC; CHAS WI			3560276C91
1	3568498C91	1	HARNESS,ELEC; HEATER RECIRC			3568498C91
880		RF	NOTE: ASM BELOW COMPRISED OF ABOVE COMPONENTS			
881	3568464F91	RF	HARNESS,DASH ELEC; A/C			

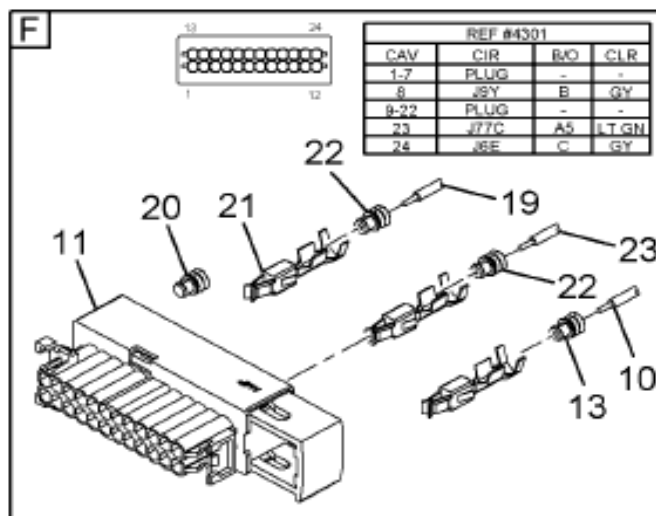
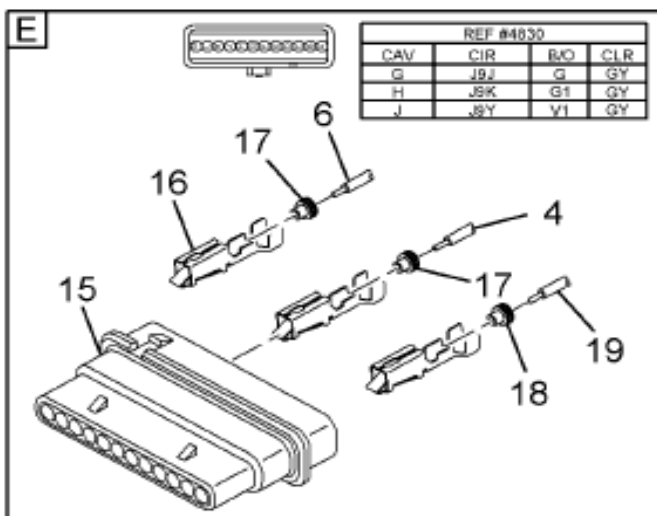
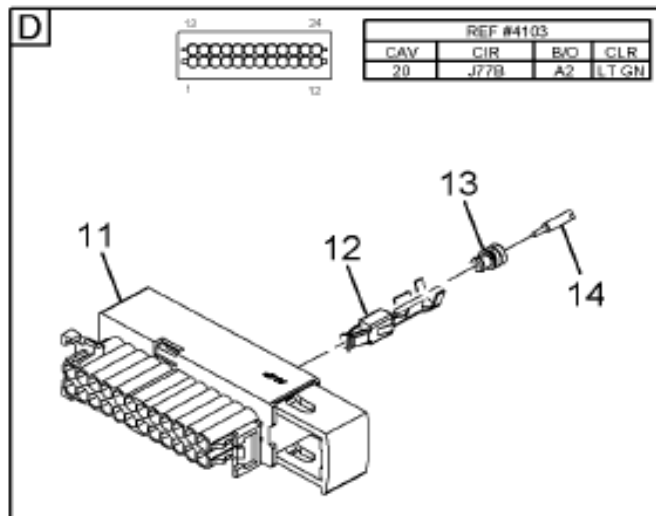
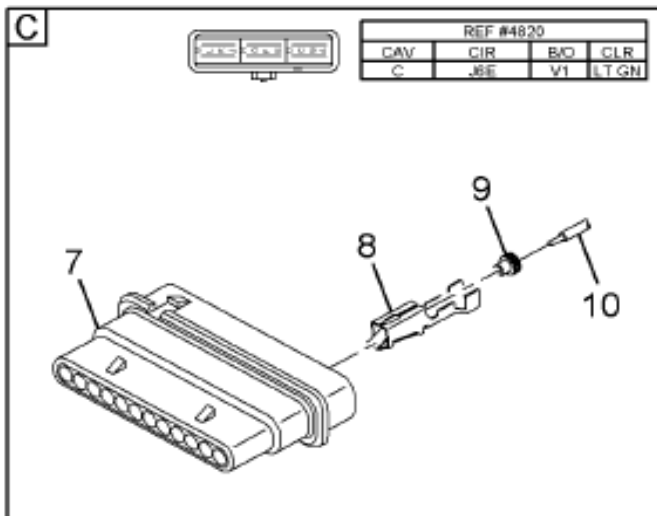
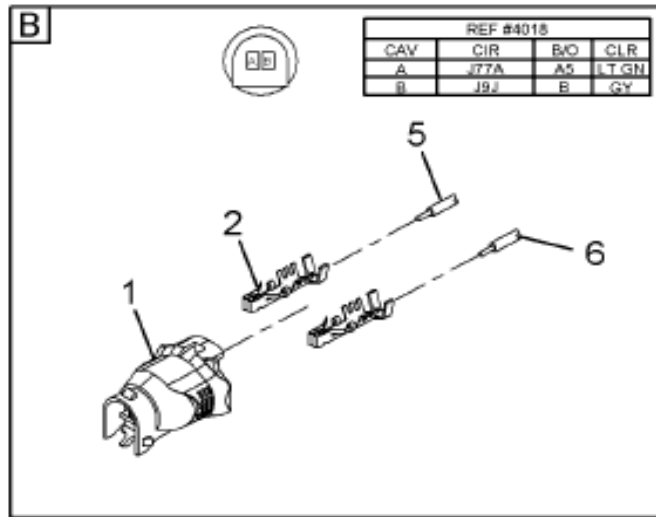
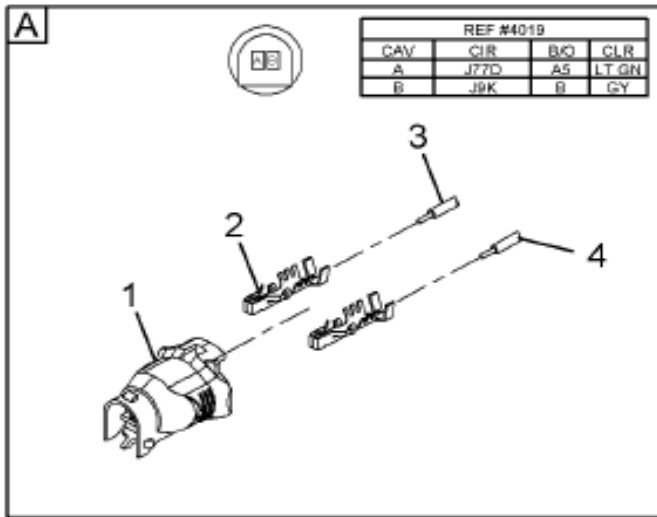
Figure 3560276C91
HARNES, ELEC; CHAS WI



Grp 08

Figure 1 of 3

Figure 3560276C91
HARNES, ELEC; CHAS WI

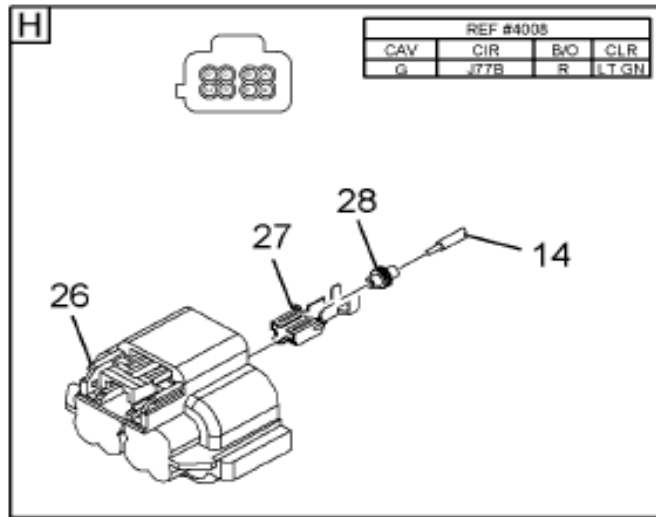
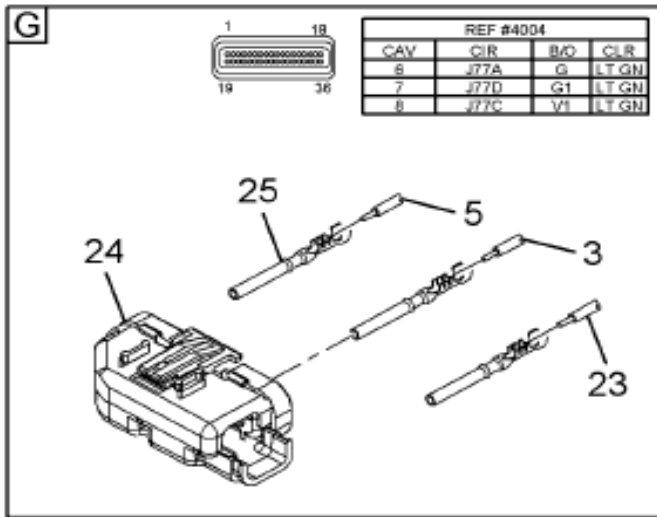


08-D07-0005-02

F10

Figure 2 of 3

Figure 3560276C91
HARNESS, ELEC; CHAS WI



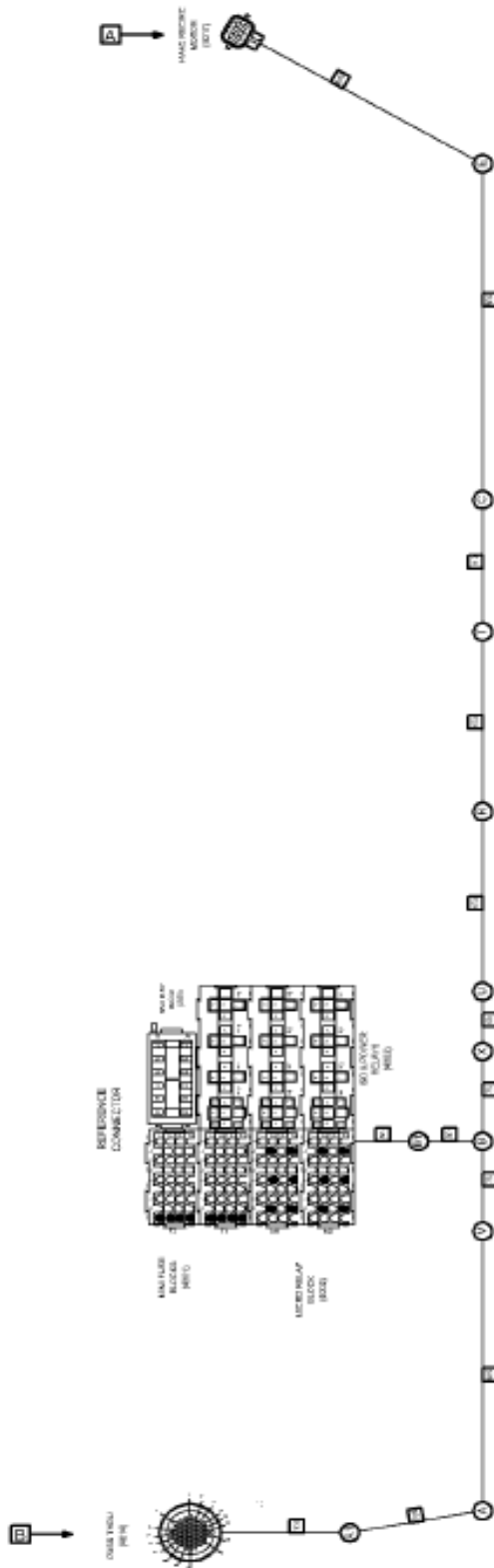
08-D07-0005-03

F10

Item	Part No.	Qty	Description	Kit	Var	Figure
1	3535379C1	2	CONNECTOR, BODY*2-WAY MICRO-PAK			
2	3536590C1	4	TERMINAL, CABLE*PACKARD 100 MIC			
3	3510298R1	AR	CABLE, LOW TENSION TXL			
4	3510310R1	AR	CABLE, LOW TENSION TXL			
5	3510298R1	AR	CABLE, LOW TENSION TXL			
6	3510310R1	AR	CABLE, LOW TENSION TXL			

G R P 0 8

Figure 3568498C91
HARNES, ELEC; HEATER RECIRC



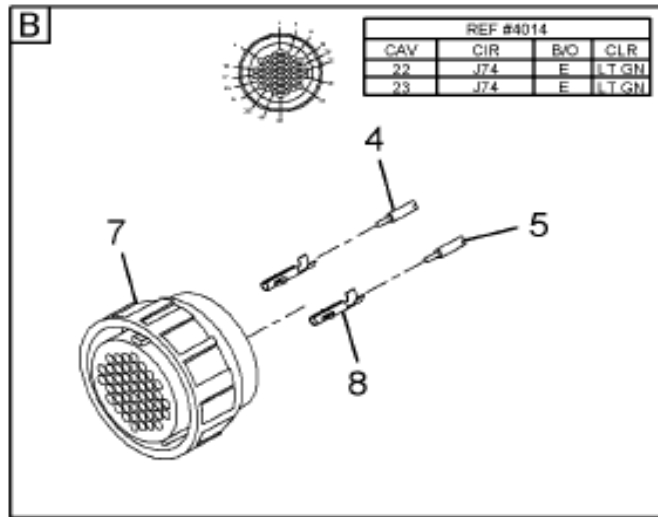
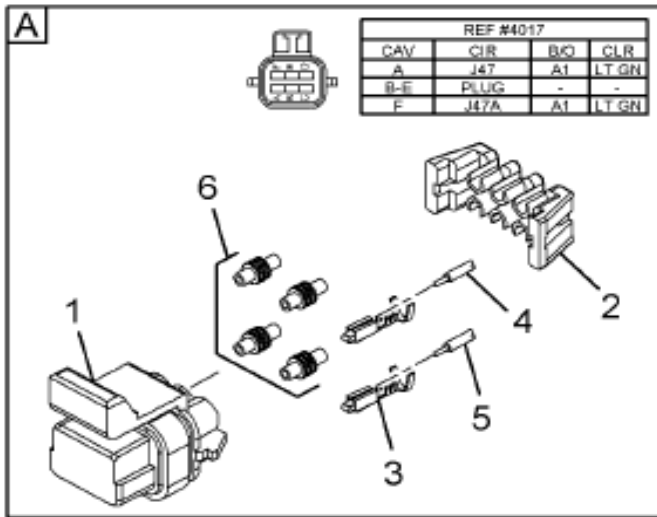
Grp 08

08-D07-0006-01

M10

Figure 1 of 2

Figure 3568498C91
HARNES, ELEC; HEATER RECIRC



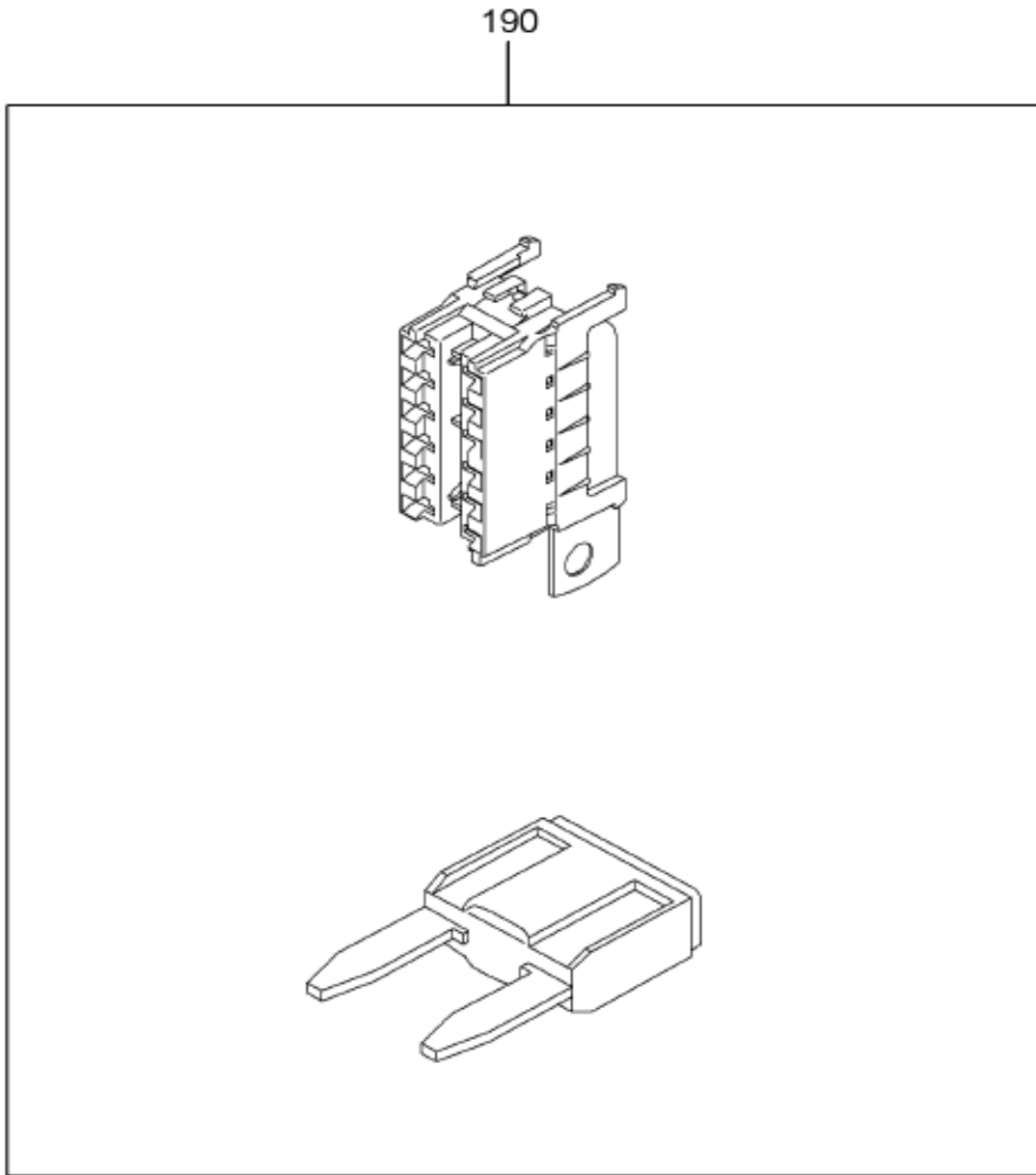
08-D07-0006-02

F10

Item	Part No.	Qty	Description	Kit	Var	Figure
1	2011340C1	1	CONNECTOR, BODY METRI-PACK 6-WY			
2	2011364C1	1	LOCK, CONNECTOR BODY SEC			
3	1661875C1	2	TERMINAL, FEMALE 150 SEALED			
4	2643671R1	AR	CABLE LOW TENSION SINGLE CONDU			
5	2643671R1	AR	CABLE LOW TENSION SINGLE CONDU			
6	1661872C1	2	SEAL, CABLE TERM 150 LOOSE			

Figure 0FZBX

DASH HARNESS ASM; PDC BATTERY GRID (ABR #38)

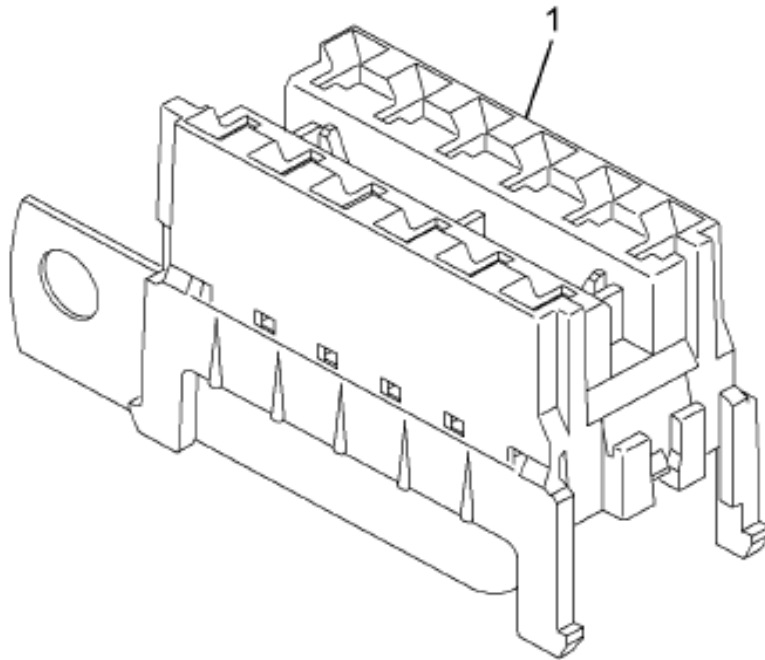


08-D38-0002-01

B09

Item	Part No.	Qty	Description	Kit	Var	Figure
190	3610496F91	1	HARN,PDC BATTERY,W/24V MX FUSE		0N48T	3610496F91

Figure 3610496F91
HARN,PDC BATTERY,W/24V MX FUSE



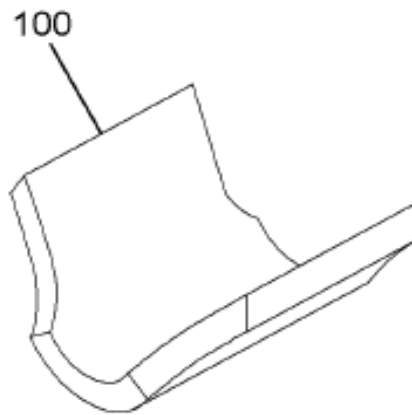
G
R
P
0
8

08-P58-0022-01

H05

Item	Part No.	Qty	Description	Kit	Var	Figure
1	3610495C91	1	HARN,DASH,PDC BATT,W/24V MFUSE			
880		RF	NOTE: ASM BELOW COMPRISED OF ABOVE COMPONENTS			
881	3610496F91	RF	HARN,PDC BATTERY,W/24V MX FUSE			

Figure 0CSCL
DASH HARNESS ASM; PYROMETER WIRING

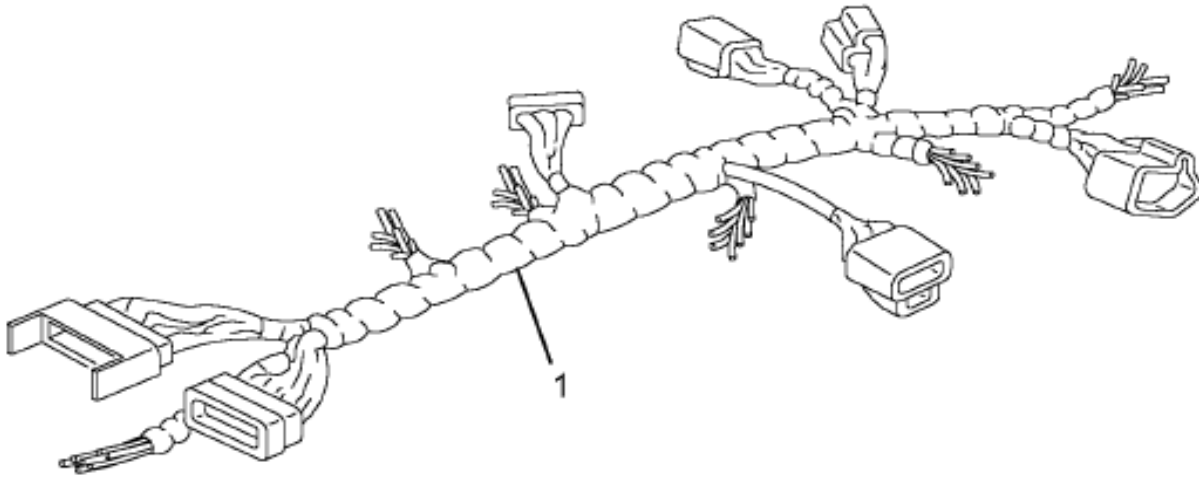


08-D20-0002-01

B09

Item	Part No.	Qty	Description	Kit	Var	Figure
100	3581915F91	1	ELEC DASH HARN,ABS DATALINK		0FRN1	3581915F91

Figure 3581915F91
ELEC DASH HARN,ABS DATALINK



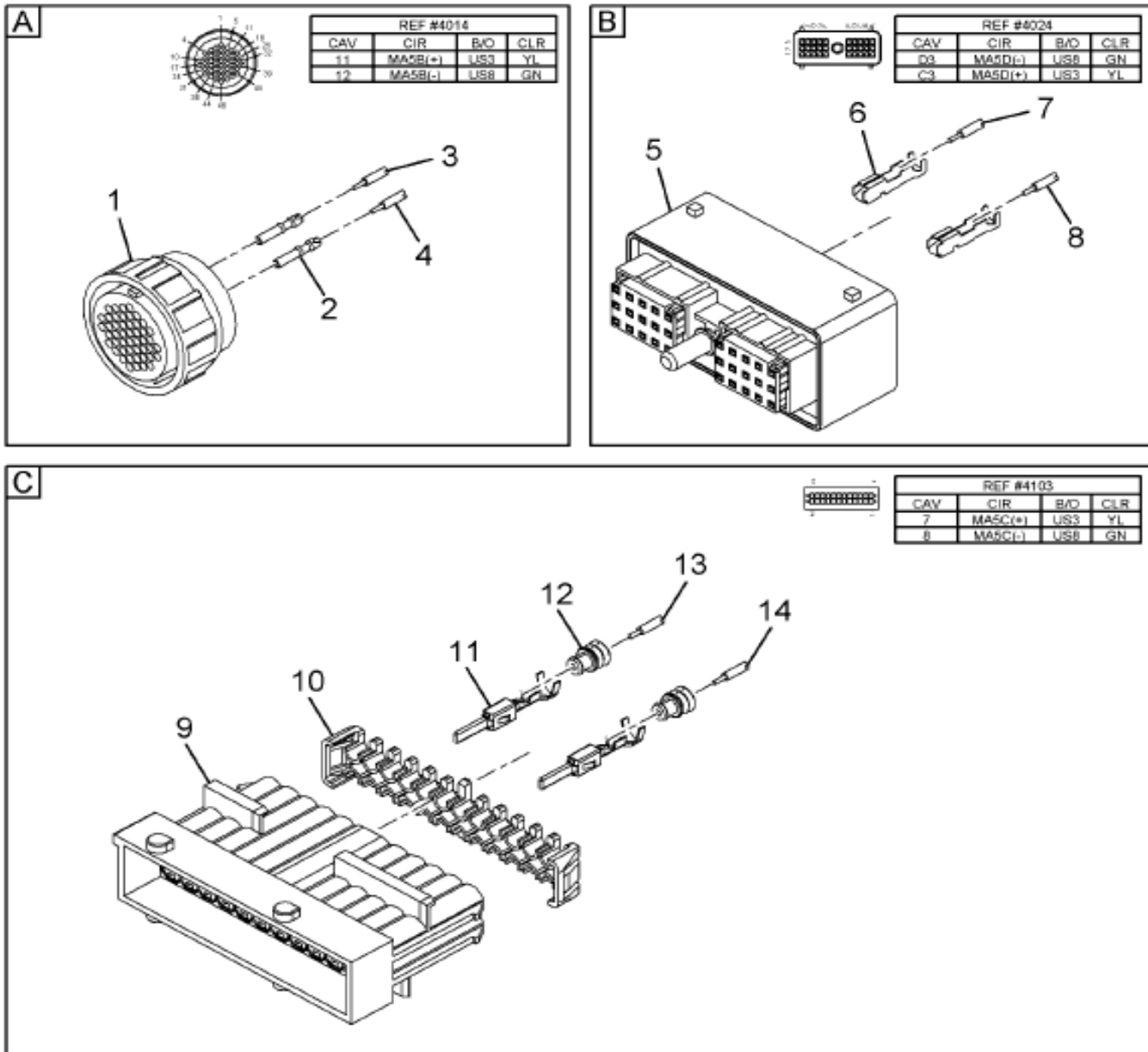
G
R
P
0
8

08-P58-0006-01

C03

Item	Part No.	Qty	Description	Kit	Var	Figure
1	3581917C91	1	HARN,DLINK,CAB,J1939 W/AIR ABS			3581917C91
880		RF	NOTE: ASM BELOW COMPRISED OF ABOVE COMPONENTS			
881	3581915F91	RF	ELEC DASH HARN,ABS DATALINK			

Figure 3581917C91
HARN,DLINK,CAB,J1939 W/AIR ABS



G r p 0 8

08-D20-0005-02

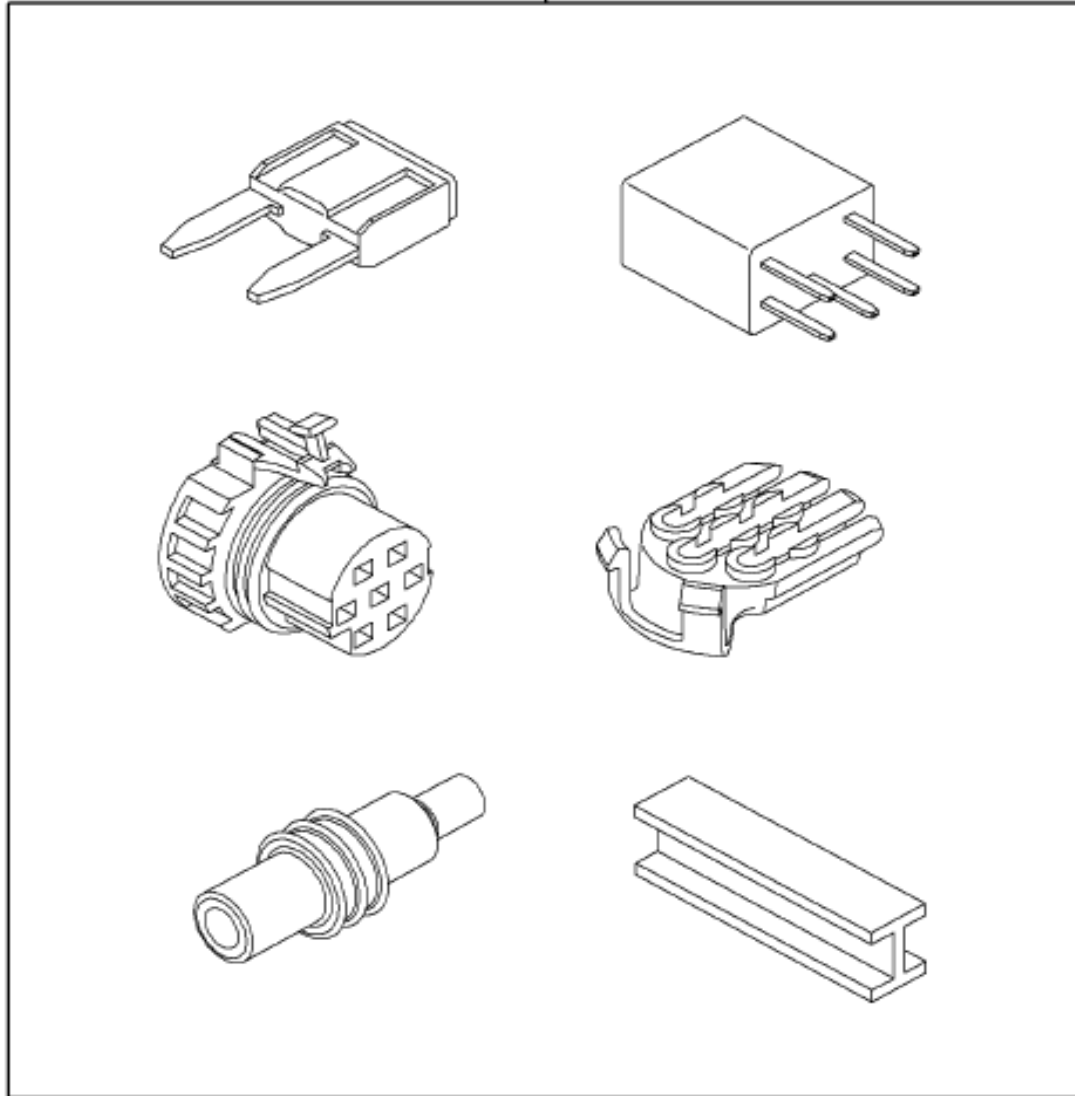
H10

Item	Part No.	Qty	Description	Kit	Var	Figure
1	3566554C91	1	CONNECTOR,BODY*CONNECTOR, PIN			
2	3566558C1	2	TERMINAL,CABLE*PIN 16-20 GA			
3	3572112R1	AR	CABLE,ASM J1939/15 19 STRD TWS			
4	3572112R1	AR	CABLE,ASM J1939/15 19 STRD TWS			
5	3554087C1	1	CONNECTOR,BODY*CABLE-30 WAY CI			
6	3565443C1	2	TERMINAL,CABLE*FEMALE TERMINAL			

Figure 0FZG3

DASH HARNESS ASM; REMOTE START/STOP (ABR #41)

205



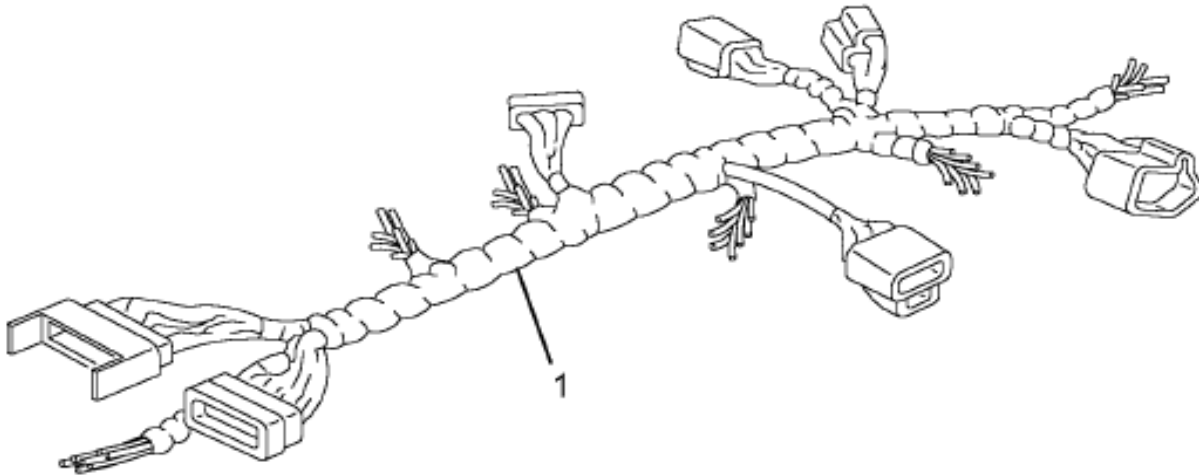
GROUP 08

08-D41-0007-01

B09

Item	Part No.	Qty	Description	Kit	Var	Figure
205	3588570F91	1	ELEC DASH HARN NCRNK INHIB		0K4K6	3588570F91

Figure 3588570F91
 ELEC DASH HARN NCRNK INHIB

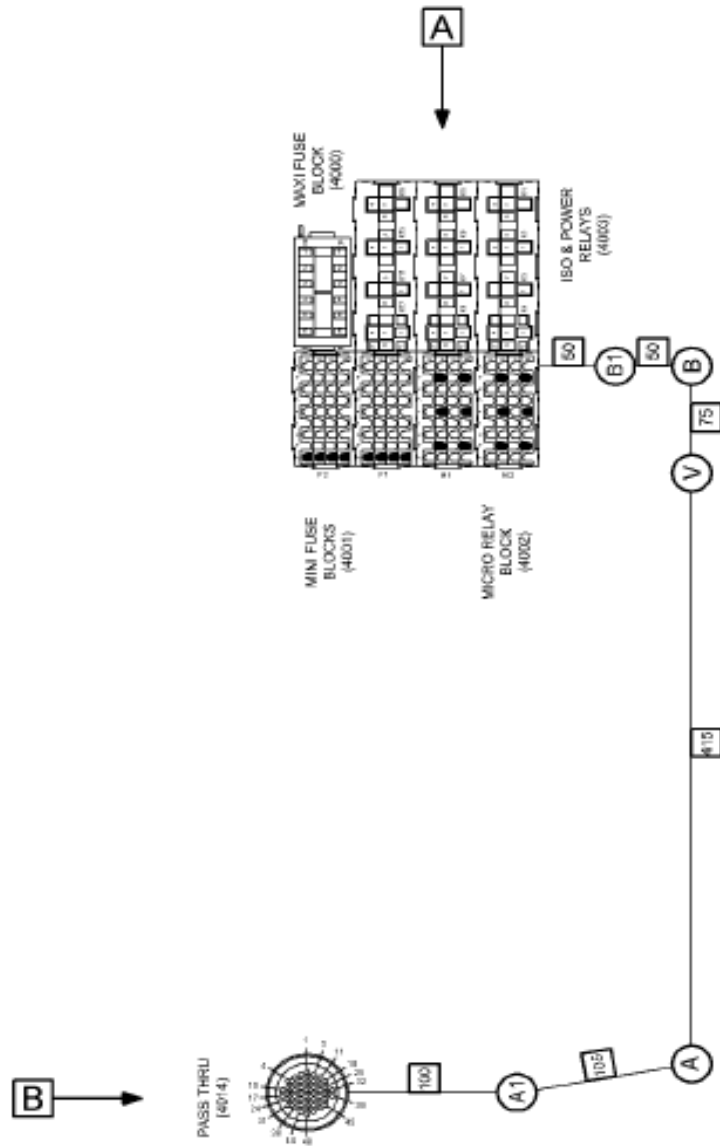


08-P58-0006-01

C03

Item	Part No.	Qty	Description	Kit	Var	Figure
1	3568528C91	1	HARNNESS,ELEC; XMSN WIRIN			3568528C91
880		RF	NOTE: ASM BELOW COMPRISED OF ABOVE COMPONENTS			
881	3588570F91	RF	ELEC DASH HARN NCRNK INHIB			

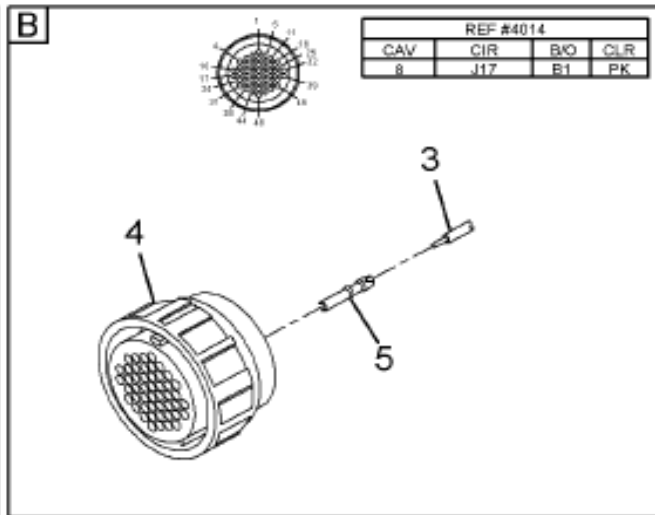
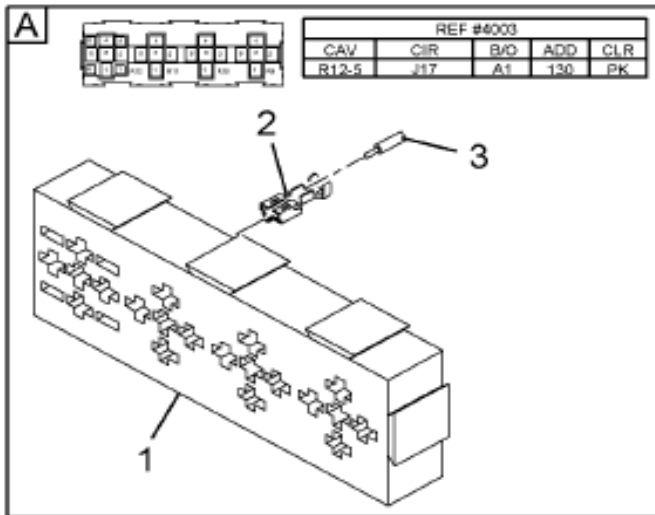
Figure 3568528C91
HARNES, ELEC; XMSN WIRIN



GROUP 8

Figure 1 of 2

Figure 3568528C91
HARNESS,ELEC; XMSN WIRIN



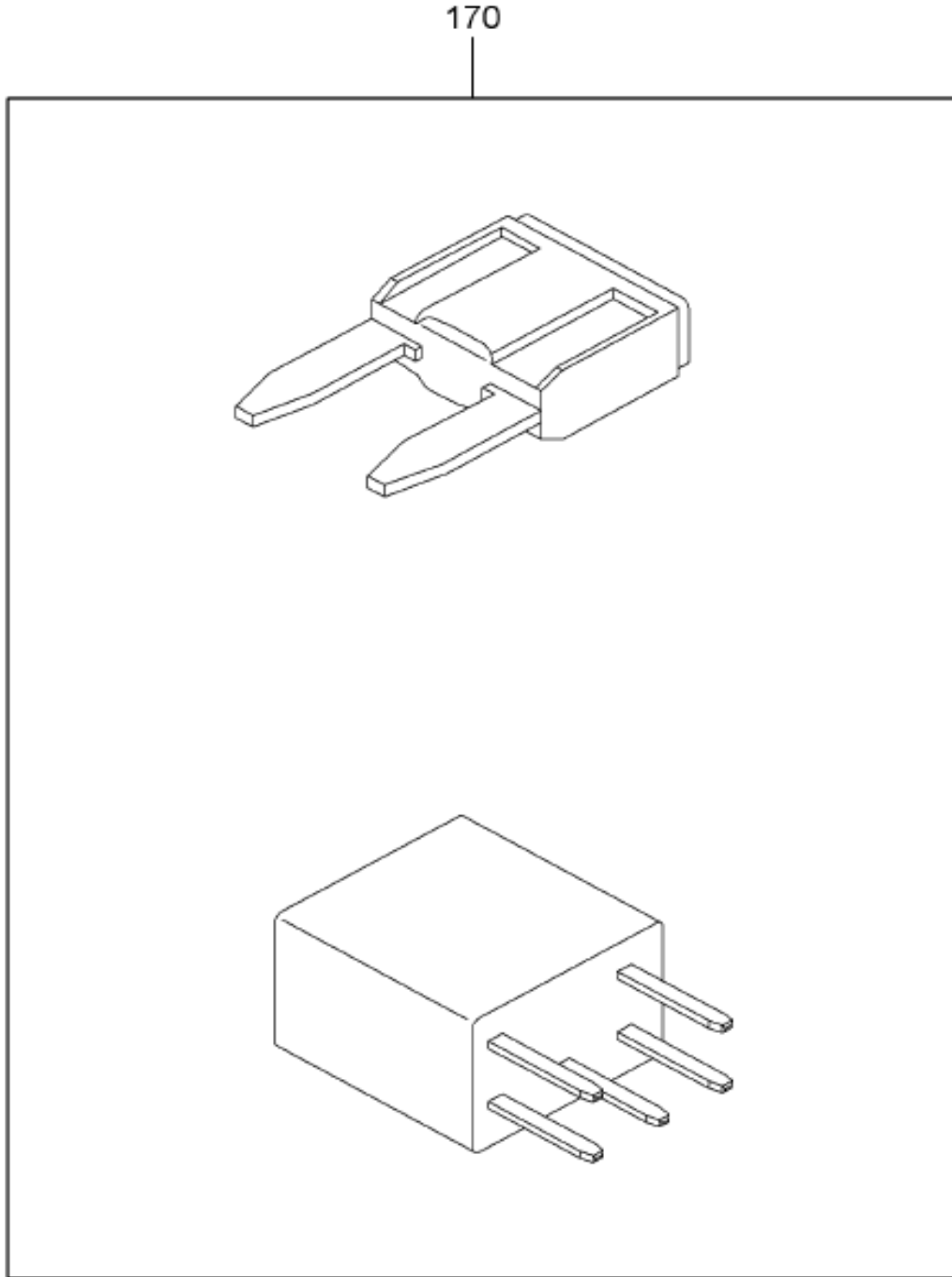
08-D05-0026-02

F10

Item	Part No.	Qty	Description	Kit	Var	Figure
1	3545600C91	1	CONNECTOR,BODY*RELAY BLOCKS FO			
2	1661224C1	1	TERMINAL,FEMALE 630 SERIES			
3	2643794R1	AR	CABLE LOW TENSION 18 GAUGE PIN			
4	3566554C91	1	CONNECTOR,BODY*CONNECTOR, PIN			
5	3566558C1	1	TERMINAL,CABLE*PIN 16-20 GA			
880	RF		NOTE: ASM BELOW COMPRISED OF ABOVE			

Figure 0FZBS

DASH HARNESS ASM; STARTER THERMAL OVERCRANK EFFECTS

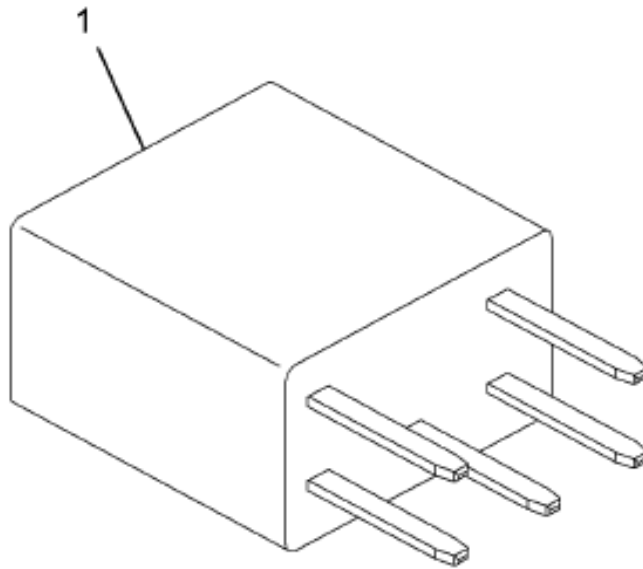


08-D34-0002-01

B09

Item	Part No.	Qty	Description	Kit	Var	Figure
170	3610840F91	1	HARN,DASH,STRT EFF,W/INTL ENGN		0MQZK	3610840F91

Figure 3610840F91
HARN,DASH,STRT EFF,W/INTL ENGN



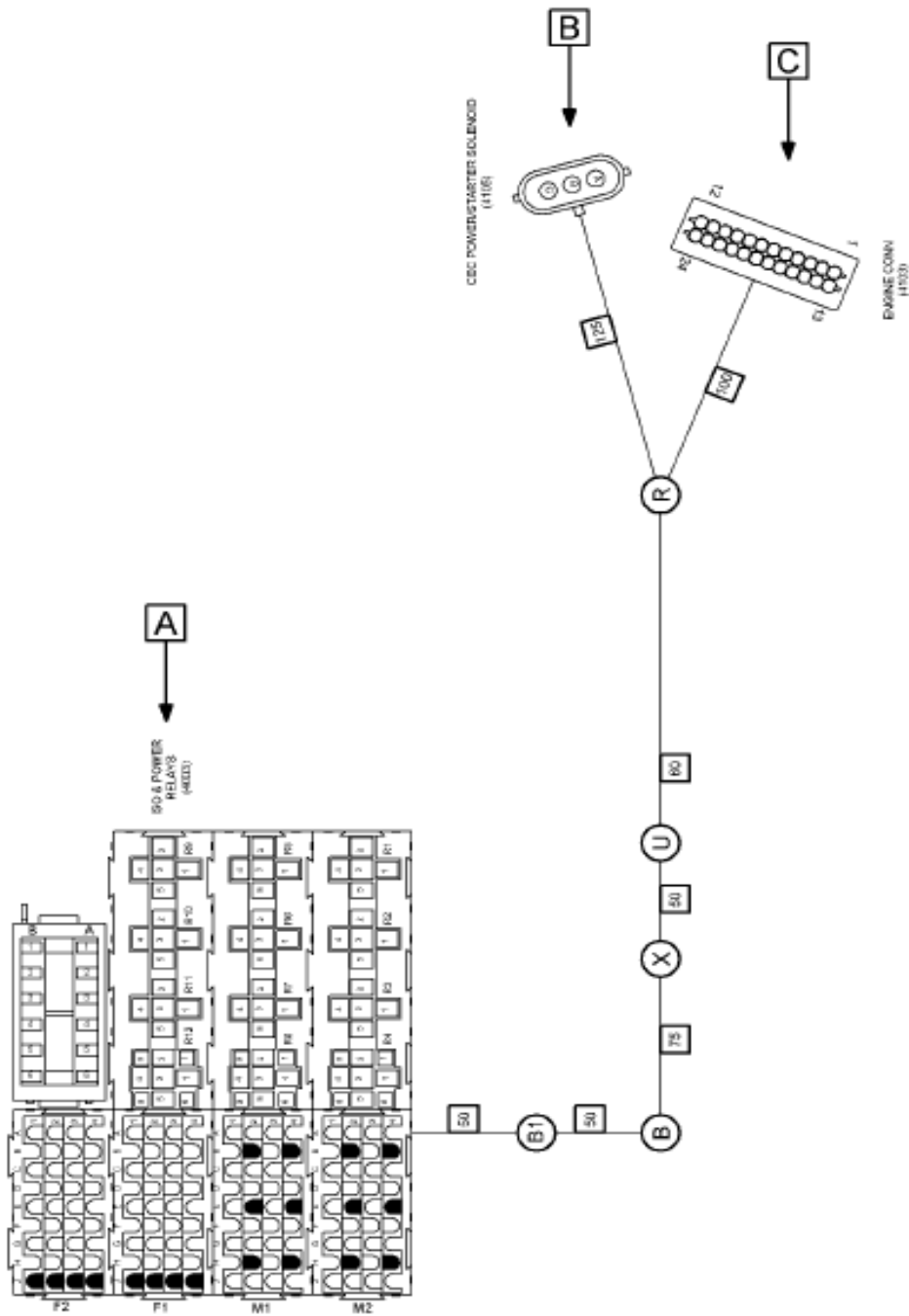
G
r
p
0
8

08-P58-0015-01

G05

Item	Part No.	Qty	Description	Kit	Var	Figure
1	3610910C1	1	RELAY,12V LONG LIFE,24V CONTCT			
800		RF	NOTE: THE FOLLOWING PARTS ARE NON-ILLUSTRATED			
801	3585236C91	1	HARNESS,ELECTRICAL, XMSN WIRIN			
802	3588674C91	1	HARNESS,DASH START W/ INTL ENG			3588674C91
880		RF	NOTE: ASM BELOW COMPRISED OF ABOVE			

Figure 3588674C91
HARNES ,DASH START W/ INTL ENG

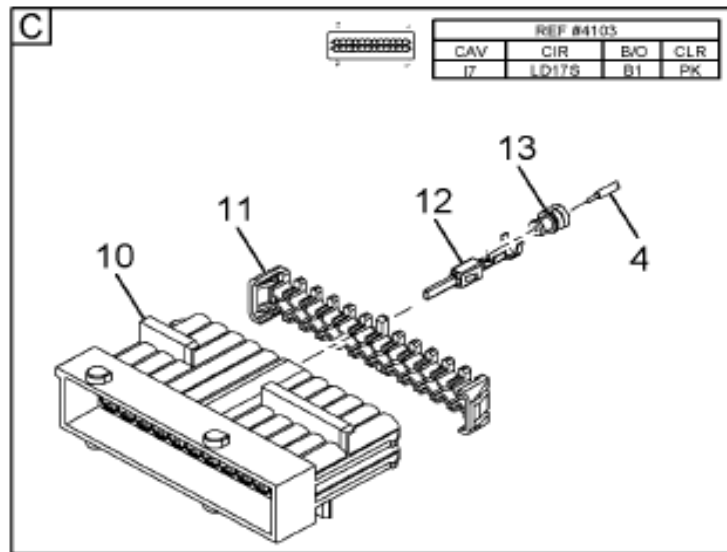
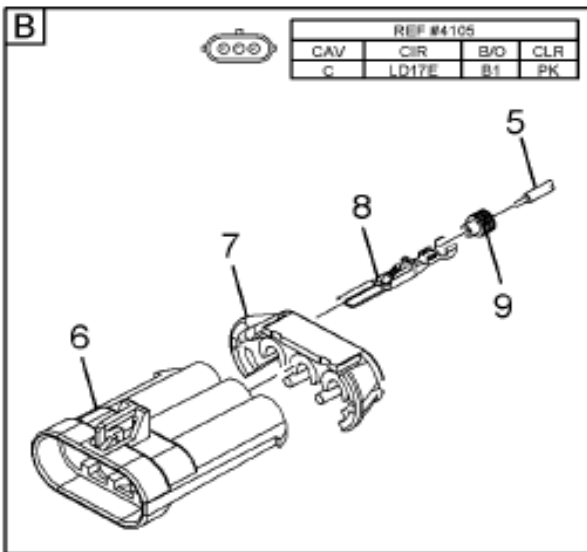
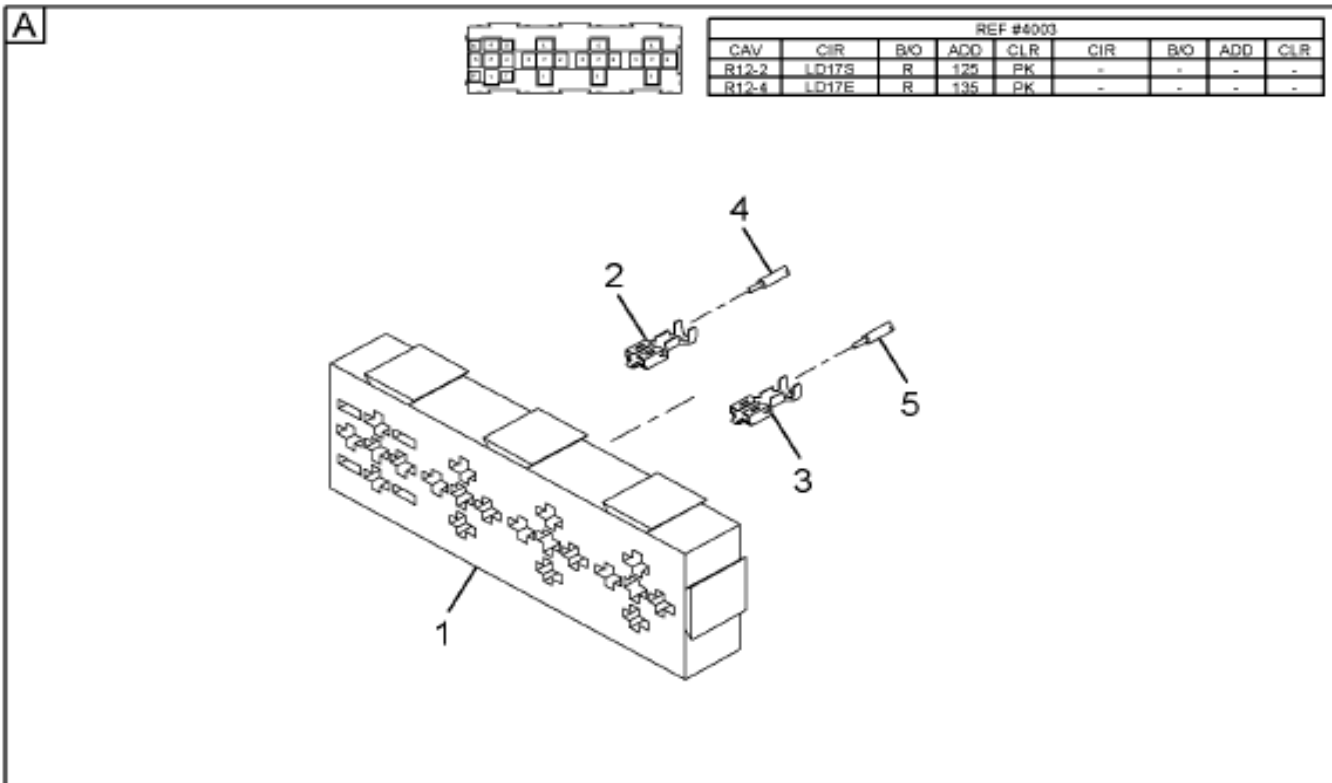


08-D34-0003-01

H10

Figure 1 of 2

Figure 3588674C91
HARNESS,DASH START W/ INTL ENG

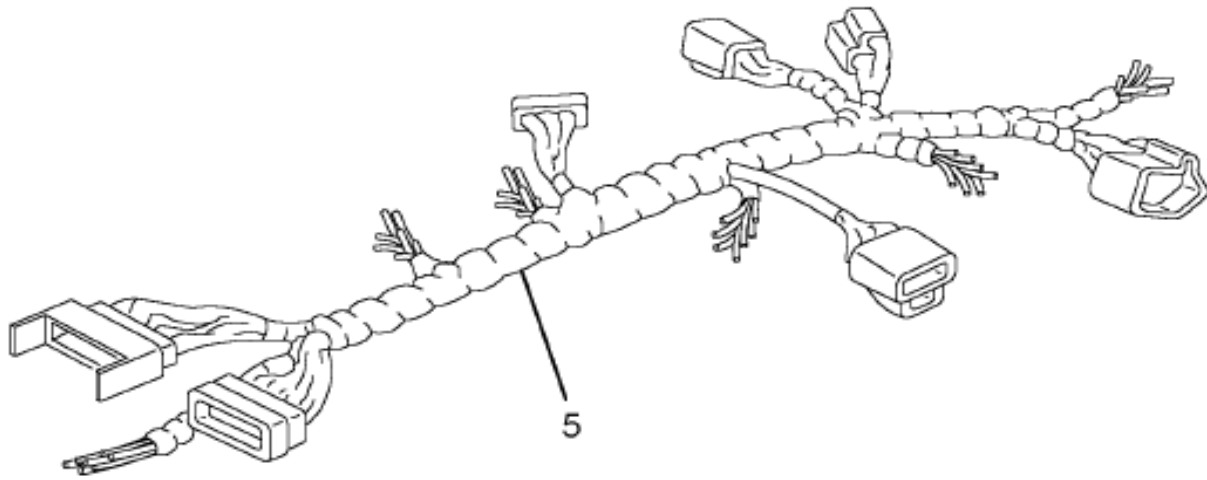


08-D34-0002-02

H10

Item	Part No.	Qty	Description	Kit	Var	Figure
1	3545600C91	1	CONNECTOR,BODY*RELAY BLOCKS FO			
2	1661224C1	1	TERMINAL,FEMALE 630 SERIES			
3	1661227C1	1	TERMINAL FEMALE 630 SERIES			
4	2643794R1	AR	CABLE LOW TENSION 18 GAUGE PIN			
5	2643699R1	AR	CABLE LOW TENSION SINGLE COND			
6	1667732C1	1	CONNECTOR,CABLE FEMALE 630			

Figure 0CS9Y
DASH HARNESS ASM; TRANS SYSTEM WIRING

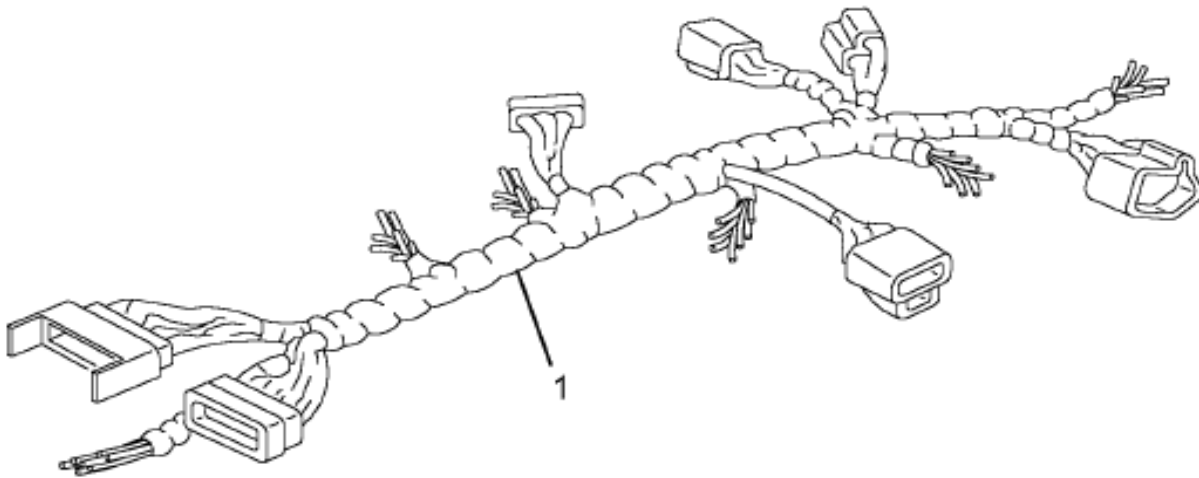


08-D01-0004-01

E04

Item	Part No.	Qty	Description	Kit	Var	Figure
5	3561130F91	1	ELECTRICAL DASH HARNESS*MAN		0JN4C	3561130F91

Figure 3561130F91
ELECTRICAL DASH HARNESS*MAN



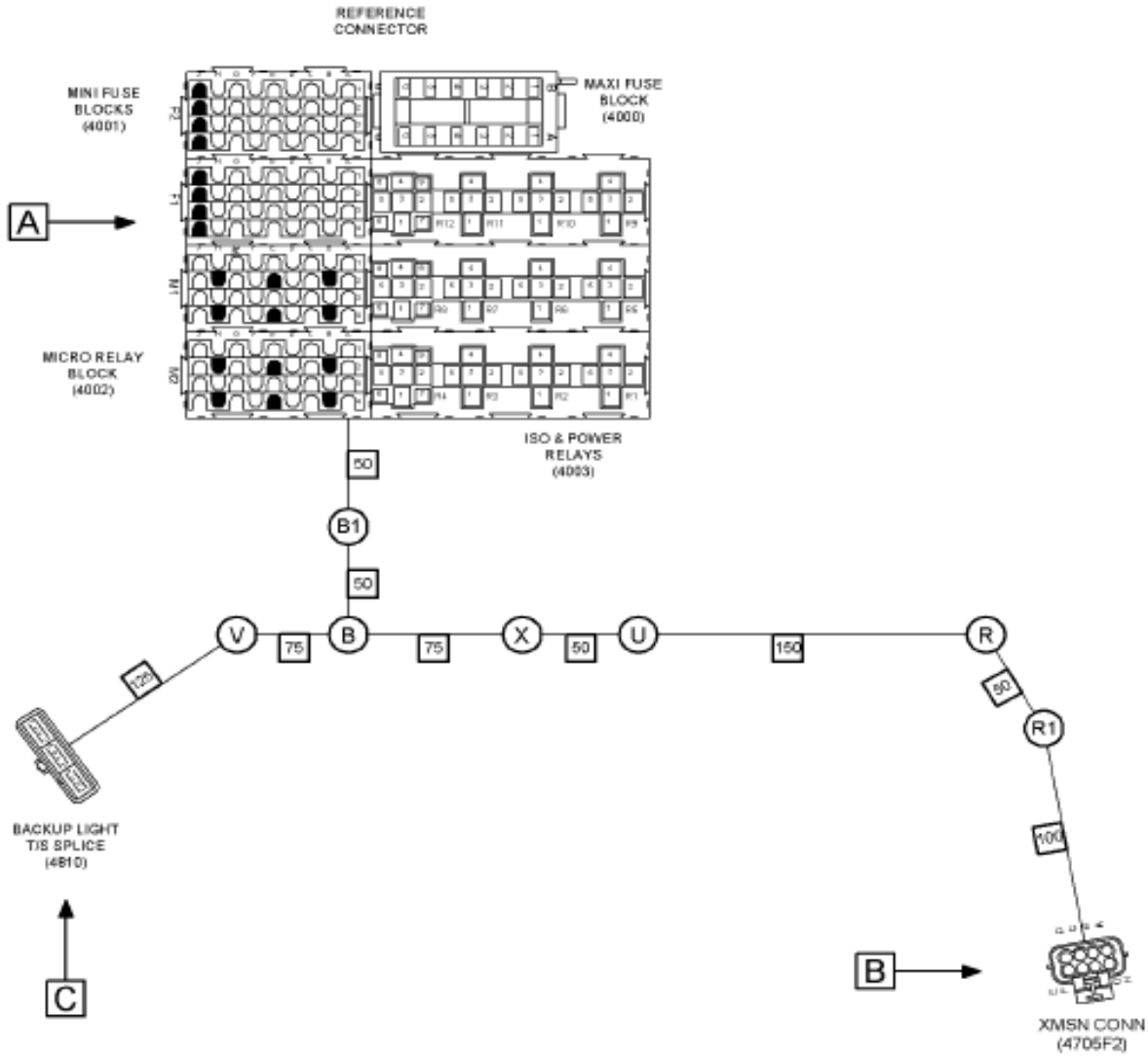
G
R
P
0
8

08-P58-0006-01

C03

Item	Part No.	Qty	Description	Kit	Var	Figure
1	3534209C1	1	FUSE,*FUSE, 10AMP MINI			
1	3561092C91	1	HARNESS,ELEC; XMSN WIRIN			3561092C91
880		RF	NOTE: ASM BELOW COMPRISED OF ABOVE COMPONENTS			
881	3561130F91	RF	ELECTRICAL DASH HARNESS*MAN			

Figure 3561092C91
HARNESS, ELEC; XMSN WIRIN

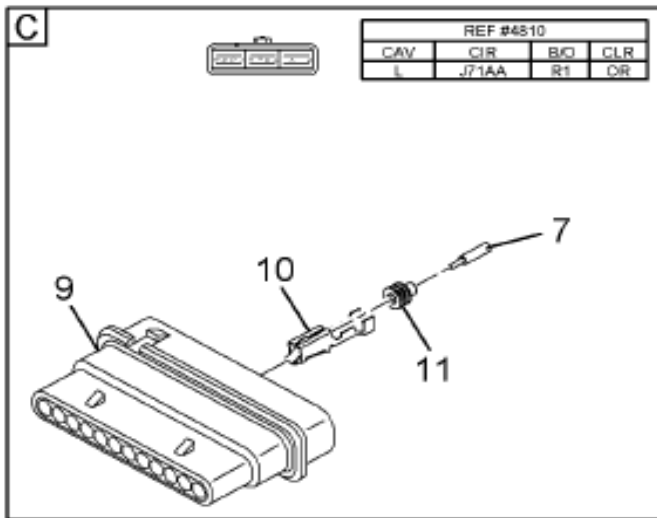
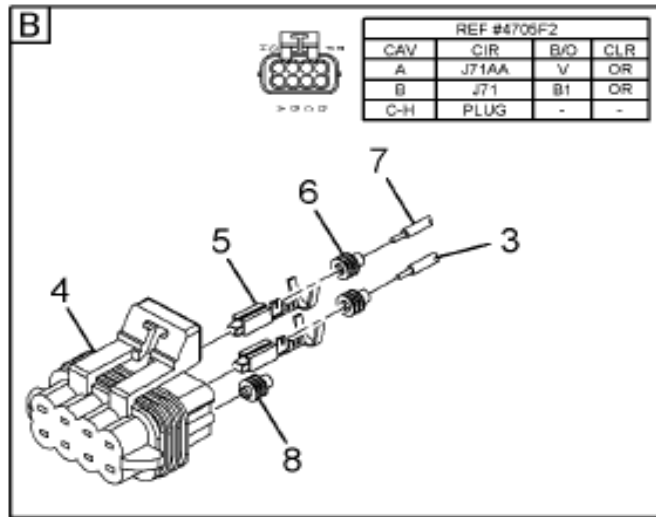
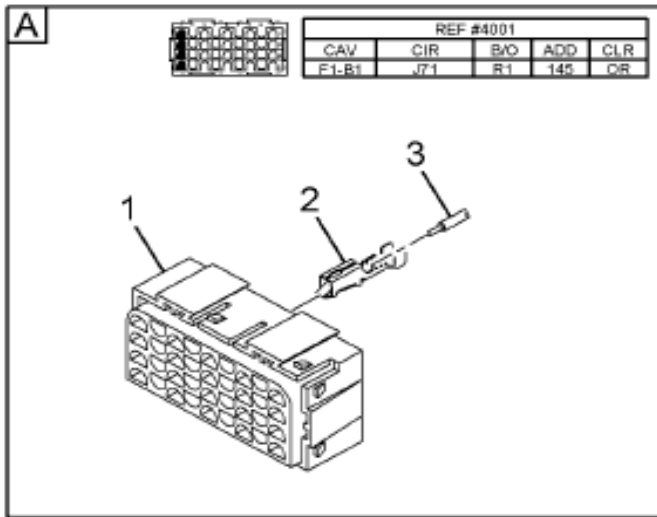


08-D05-0028-01

F10

Figure 1 of 2

Figure 3561092C91
HARNESS,ELEC; XMSN WIRIN



G r p 0 8

08-D05-0028-02

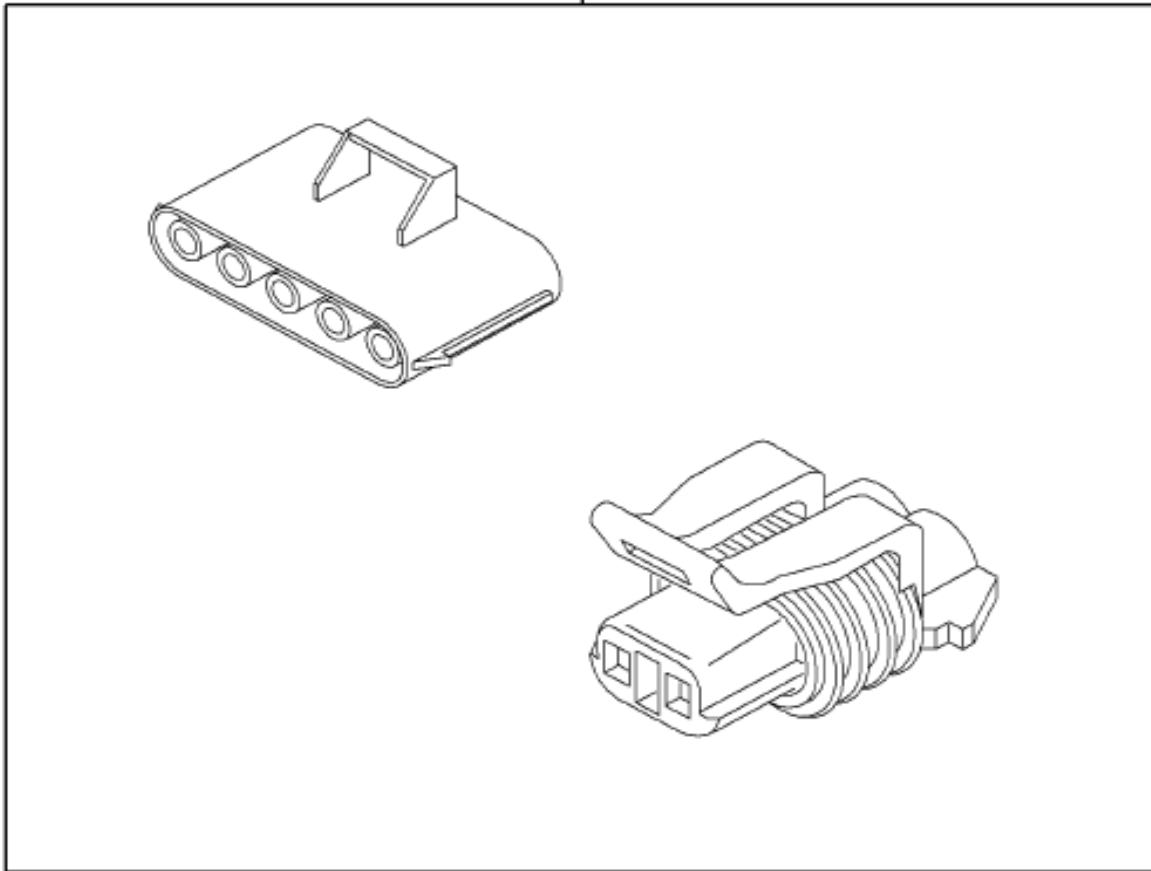
F10

Item	Part No.	Qty	Description	Kit	Var	Figure
1	3545599C91	1	CONNECTOR,BODY*FUSE/CIRCUIT BR			
2	3573312C1	1	TERMINAL,CABLE,280SERIES FEMAL			
3	2643682R1	AR	CABLE LOW TENSION SINGLE COND			
4	3525872C1	1	CONNECTOR,BODY** MALE 8-WAY(15			
5	1661875C1	2	TERMINAL,FEMALE 150 SEALED			
6	1661872C1	2	SEAL,CABLE TERM 150 LOOSE			

Figure 0FZG9

DASH HARNESS ASM; TRANSFER CASE WARNING LIGHT (ABR #42)

210



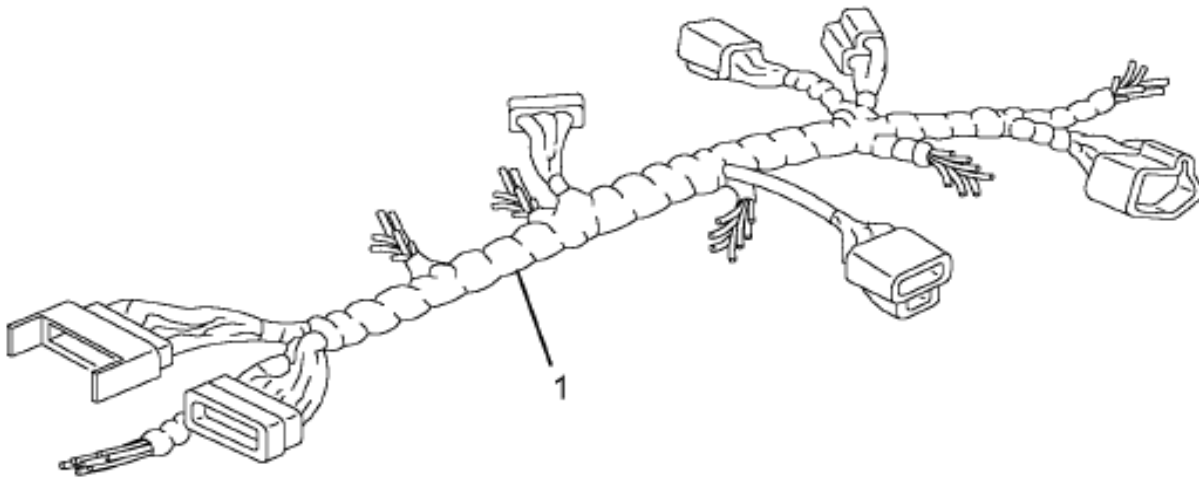
GROUP 8

08-D42-0002-01

B09

Item	Part No.	Qty	Description	Kit	Var	Figure
210	3588130F91	1	ELEC DASH HARN XFER CS WARN		0K4V4	3588130F91

Figure 3588130F91
 ELEC DASH HARN XFER CS WARN



08-P58-0006-01

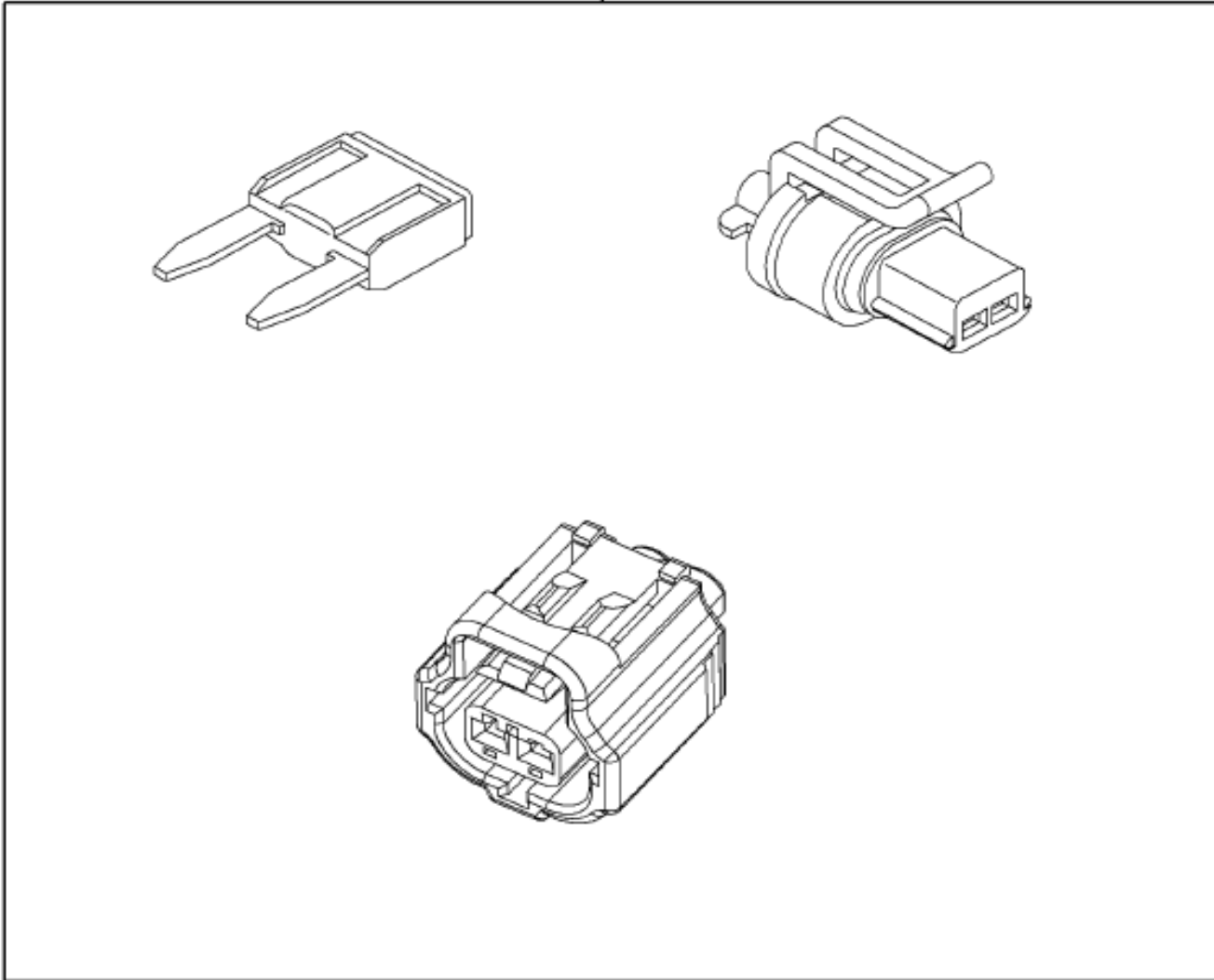
C03

Item	Part No.	Qty	Description	Kit	Var	Figure
1	3588128C91	1	HARN DASH XFER CASE WARN LIGHT			
880		RF	NOTE: ASM BELOW COMPRISED OF ABOVE COMPONENTS			
881	3588130F91	RF	ELEC DASH HARN XFER CS WARN			

Figure 0FDBH

DASH HARNESS ASM; WASHER PUMP/LEVEL SENSOR WIRING (ABR #30)

150



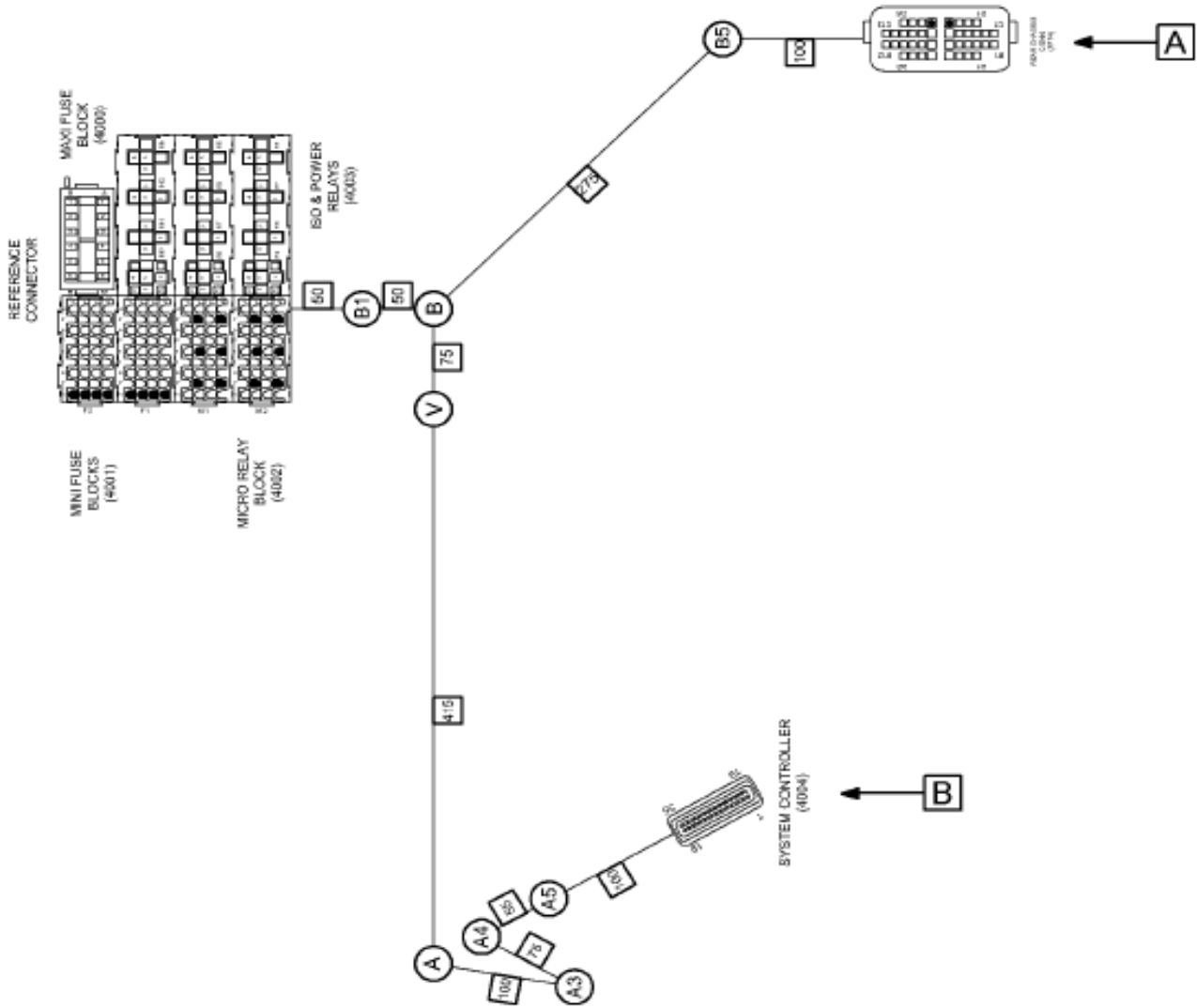
GROUP 08

08-D30-0005-01

B09

Item	Part No.	Qty	Description	Kit	Var	Figure
150	3568484F92	1	HARNESS,DASH ELEC; WAS		0GRRF	3568484F92

Figure 3557990C91
HARNES, CHASSIS WIRING*WASHER

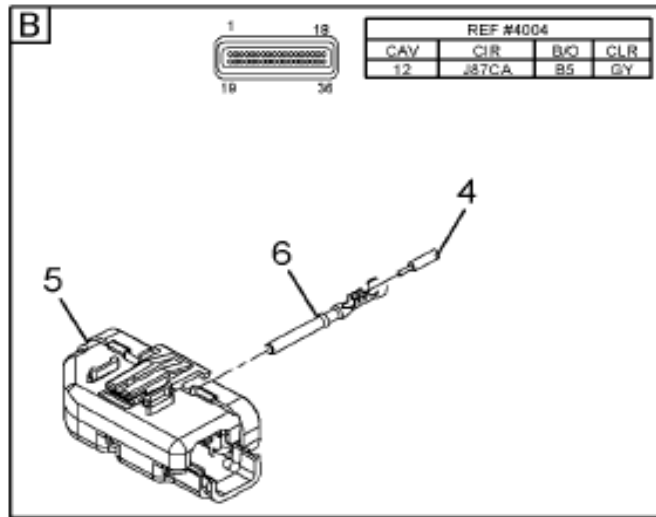
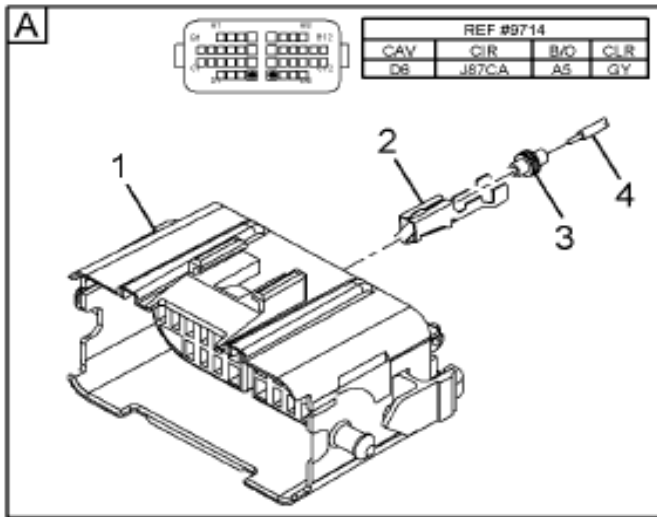


08-D30-0007-01

F10

Figure 1 of 2

Figure 3557990C91
HARNESS, CHASSIS WIRING*WASHER



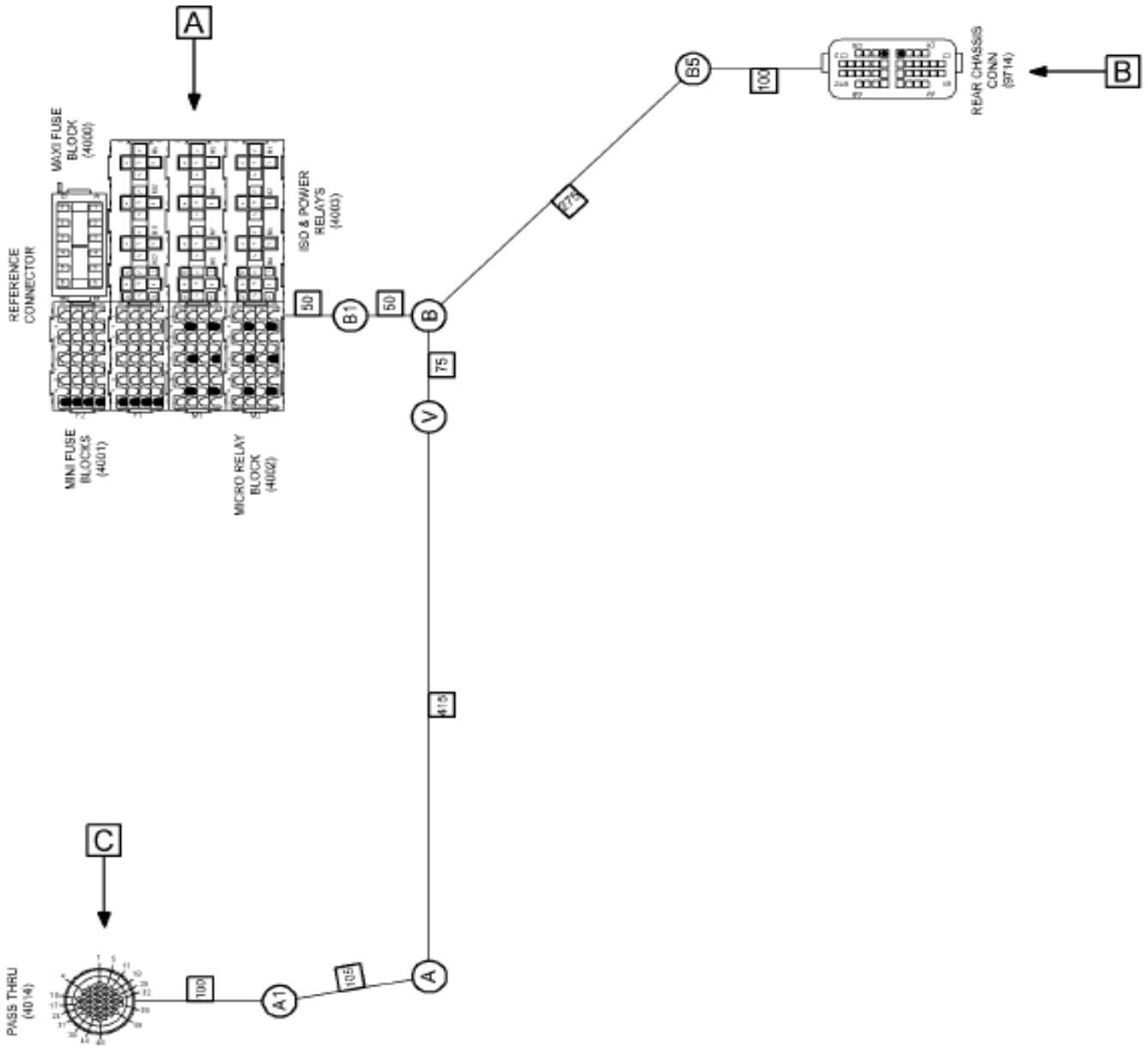
G
R
P
0
8

08-D30-0007-02

F10

Item	Part No.	Qty	Description	Kit	Var	Figure
1	3535306C1	1	CONNECTOR, BODY 38-WAY FEMALE G			
2	3535303C1	1	TERMINAL, CABLE*CONN TERMINAL			
3	3535424C1	1	PLUG, SEALING*CABLE TERMINAL SE			
4	3510311R1	AR	CABLE, LOW TENSION TXL			
5	3533832C1	1	CONNECTOR, BODY*CNTR STRAIN REL			
6	3517243C1	1	TERMINAL, CABLE			

Figure 3568510C91
HARNES, CHASSIS WIRING*WASHER



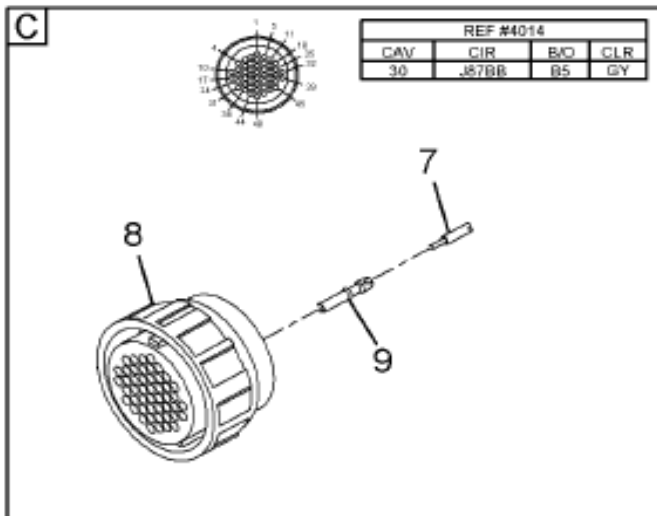
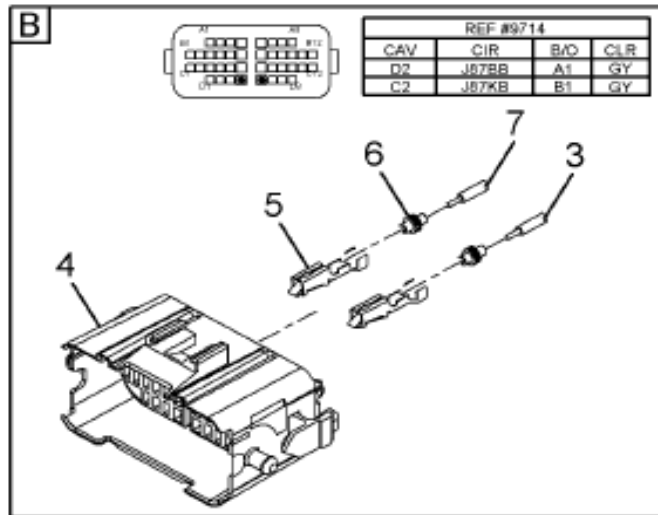
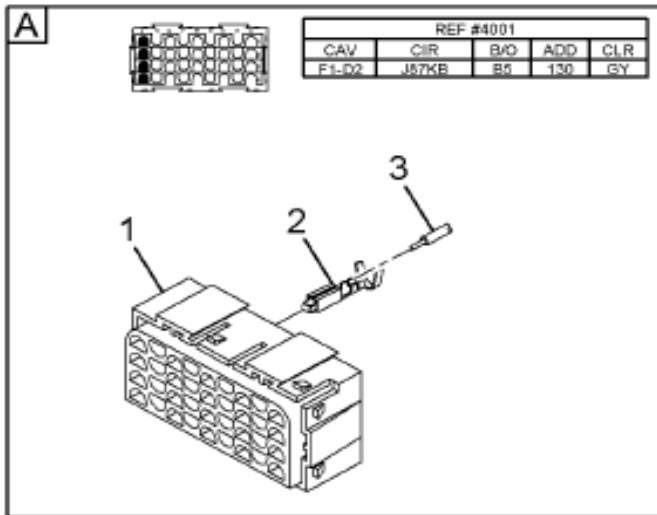
Group 8

08-D30-0008-01

F10

Figure 1 of 2

Figure 3568510C91
HARNESS, CHASSIS WIRING*WASHER

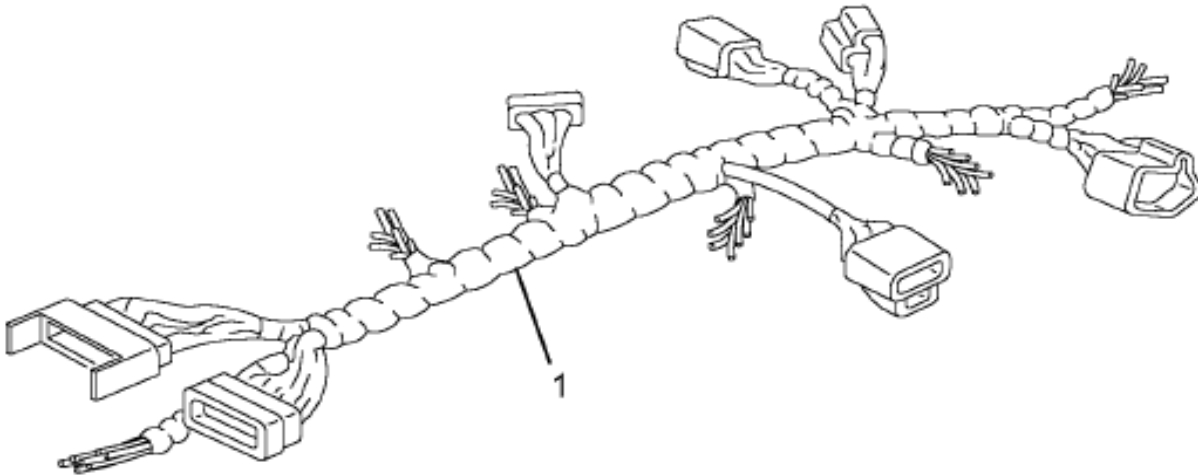


08-D30-0008-02

F10

Item	Part No.	Qty	Description	Kit	Var	Figure
1	3545599C91	1	CONNECTOR, BODY*FUSE/CIRCUIT BR			
2	3573312C1	1	TERMINAL, CABLE, 280SERIES FEMAL			
3	3510312R1	AR	CABLE, LOW TENSION TXL			
4	3535306C1	1	CONNECTOR, BODY 38-WAY FEMALE G			
5	3535303C1	2	TERMINAL, CABLE*CONN TERMINAL			
6	3535424C1	2	PLUG, SEALING*CABLE TERMINAL SE			

Figure 3568484F92
HARNESS,DASH ELEC; WAS



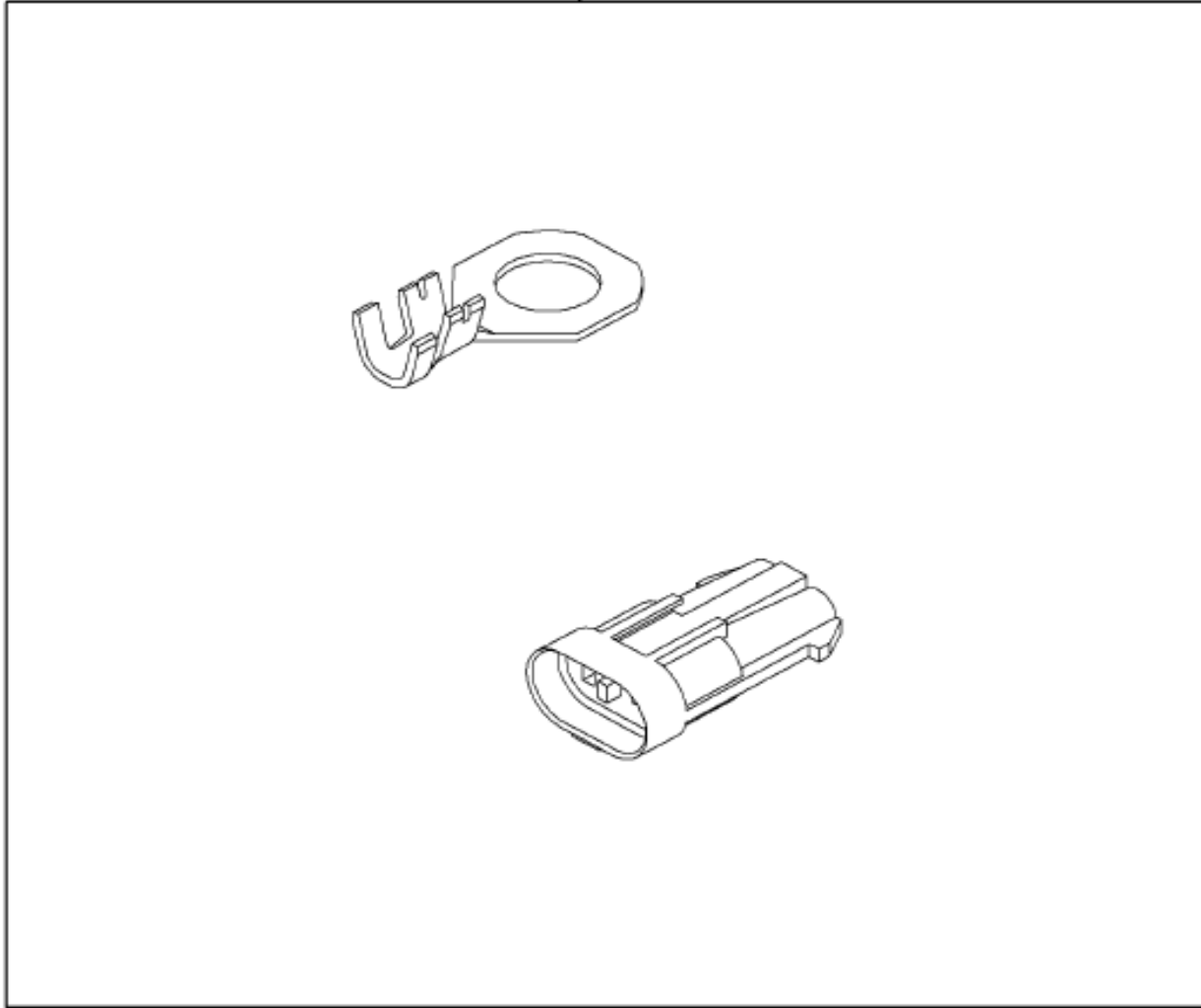
08-P58-0006-01

C03

Item	Part No.	Qty	Description	Kit	Var	Figure
1	3568510C91	1	HARNESS,CHASSIS WIRING*WASHER			3568510C91
1	3557990C91	1	HARNESS,CHASSIS WIRING*WASHER			3557990C91
1	3534209C1	1	FUSE,*FUSE, 10AMP MINI			
880		RF	NOTE: ASM BELOW COMPRISED OF ABOVE COMPONENTS			
881	3568484F92	RF	HARNESS,DASH ELEC; WAS			

Figure 0CSBS
DASH HARNESS ASM; WORK LIGHT WIRING

50



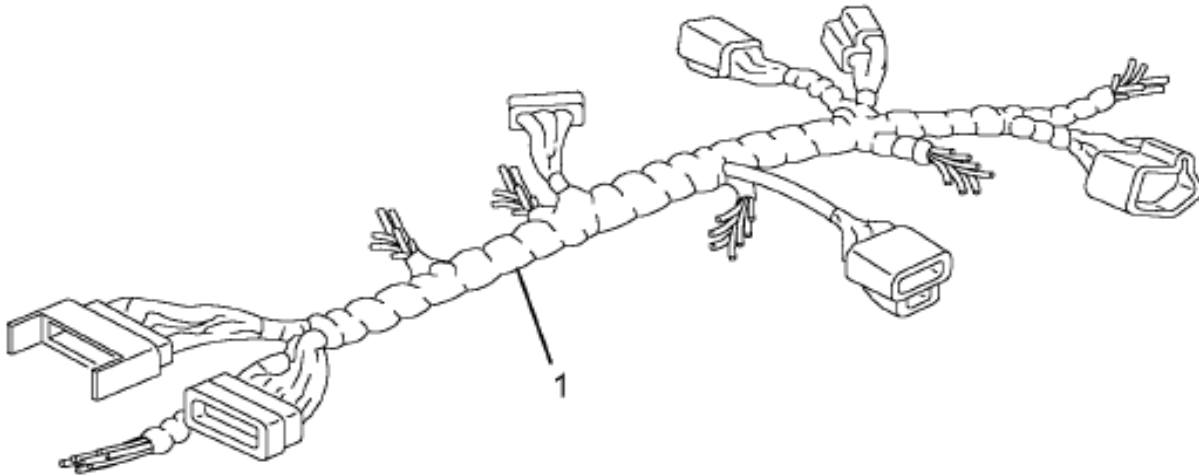
GROUP 08

08-D10-0002-01

B09

Item	Part No.	Qty	Description	Kit	Var	Figure
50	3544502F92	1	HARNESS,DASH ELEC; WOR		OCT08	3544502F92

Figure 3544502F92
 HARNESS,DASH ELEC; WOR

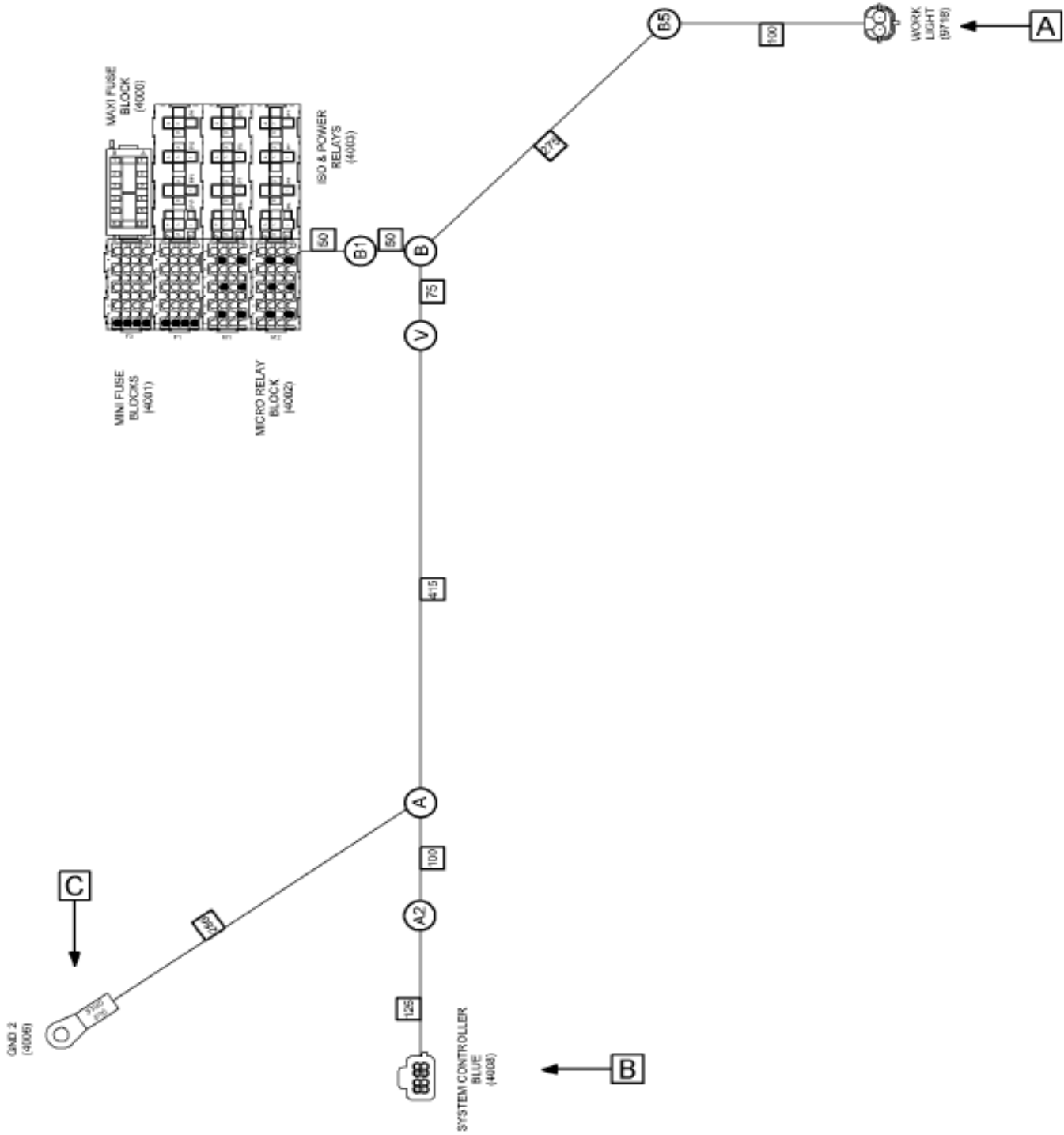


08-P58-0006-01

C03

Item	Part No.	Qty	Description	Kit	Var	Figure
1	3545544C92	1	HARNESS,FLOOD LIGHT WIRING*WOR			3545544C92
880		RF	NOTE: ASM BELOW COMPRISED OF ABOVE COMPONENTS			
881	3544502F92	RF	HARNESS,DASH ELEC; WOR			

Figure 3545544C92
HARNES, FLOOD LIGHT WIRING*WOR



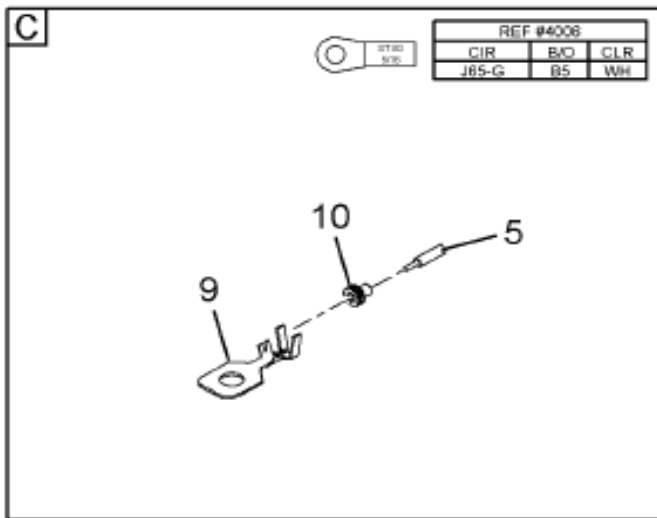
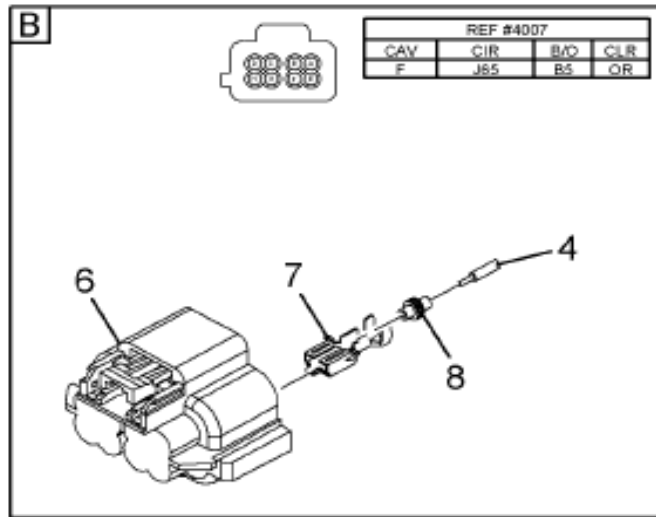
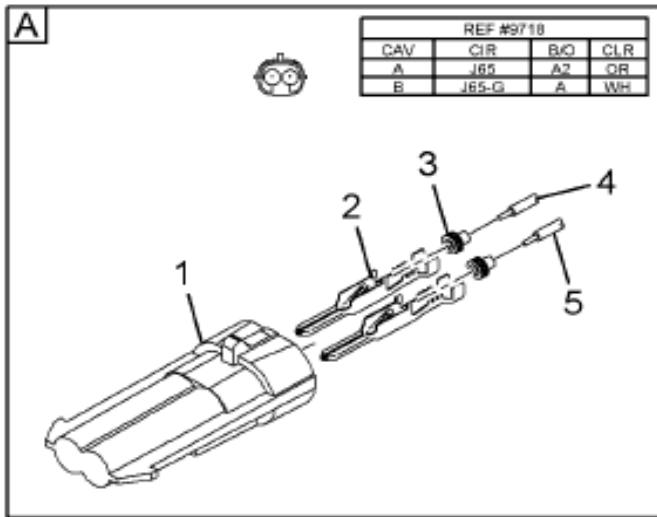
GROUP 08

08-D10-0003-01

F10

Figure 1 of 2

Figure 3545544C92
HARNES, FLOOD LIGHT WIRING*WOR

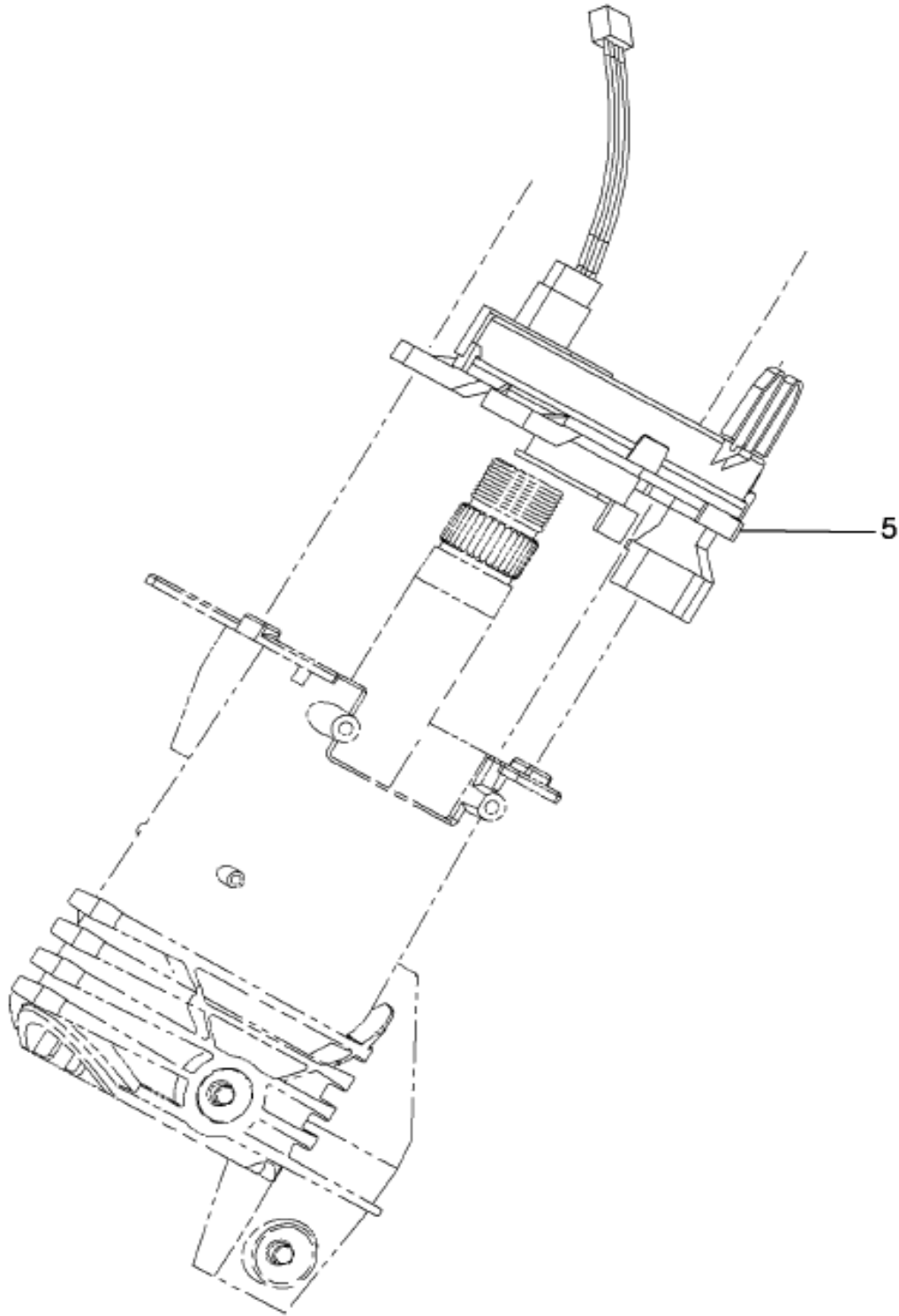


08-D10-0003-02

F10

Item	Part No.	Qty	Description	Kit	Var	Figure
1	3543888C1	1	BODY,CONNECTOR ELECT FEMALE			
2	1667742C1	2	TERMINAL,CABLE 150 SEALED MALE			
3	1661872C1	2	SEAL,CABLE TERM 150 LOOSE			
4	2643682R1	AR	CABLE LOW TENSION SINGLE COND			
5	2643681R1	AR	CABLE LOW TENSION SINGLE COND			
6	3543888C1	1	BODY,CONNECTOR ELECT FEMALE			

Figure 0DCJY
DCM; CLOCK SPRING, ELECTRICAL

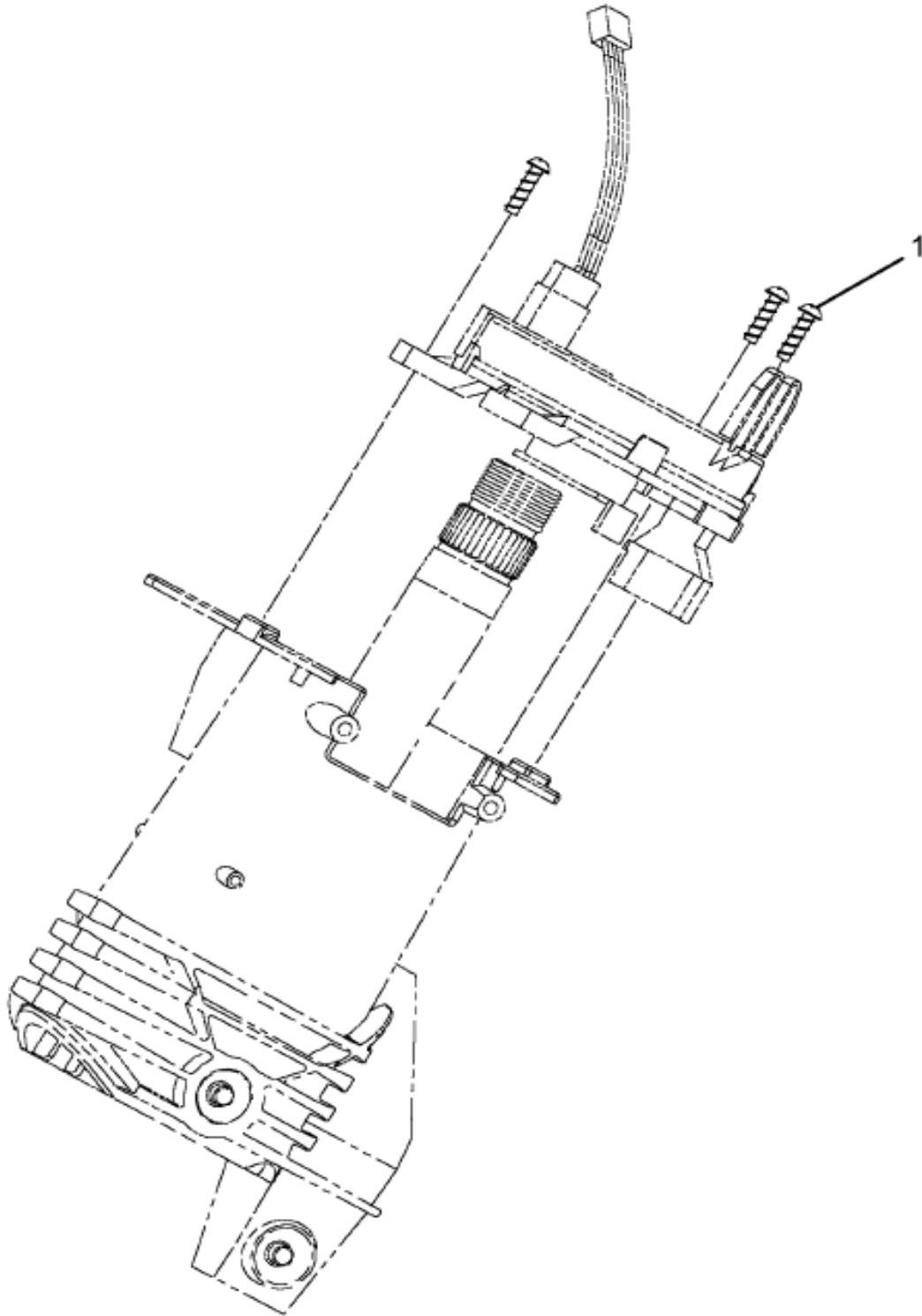


16-C19-0002-A0

E09

Item	Part No.	Qty	Description	Kit	Var	Figure
5	3545990F91	1	ELEC DCM*CLOCKSPRING		0JTT0	3545990F91

Figure 3545990F91
ELEC DCM*CLOCKSPRING



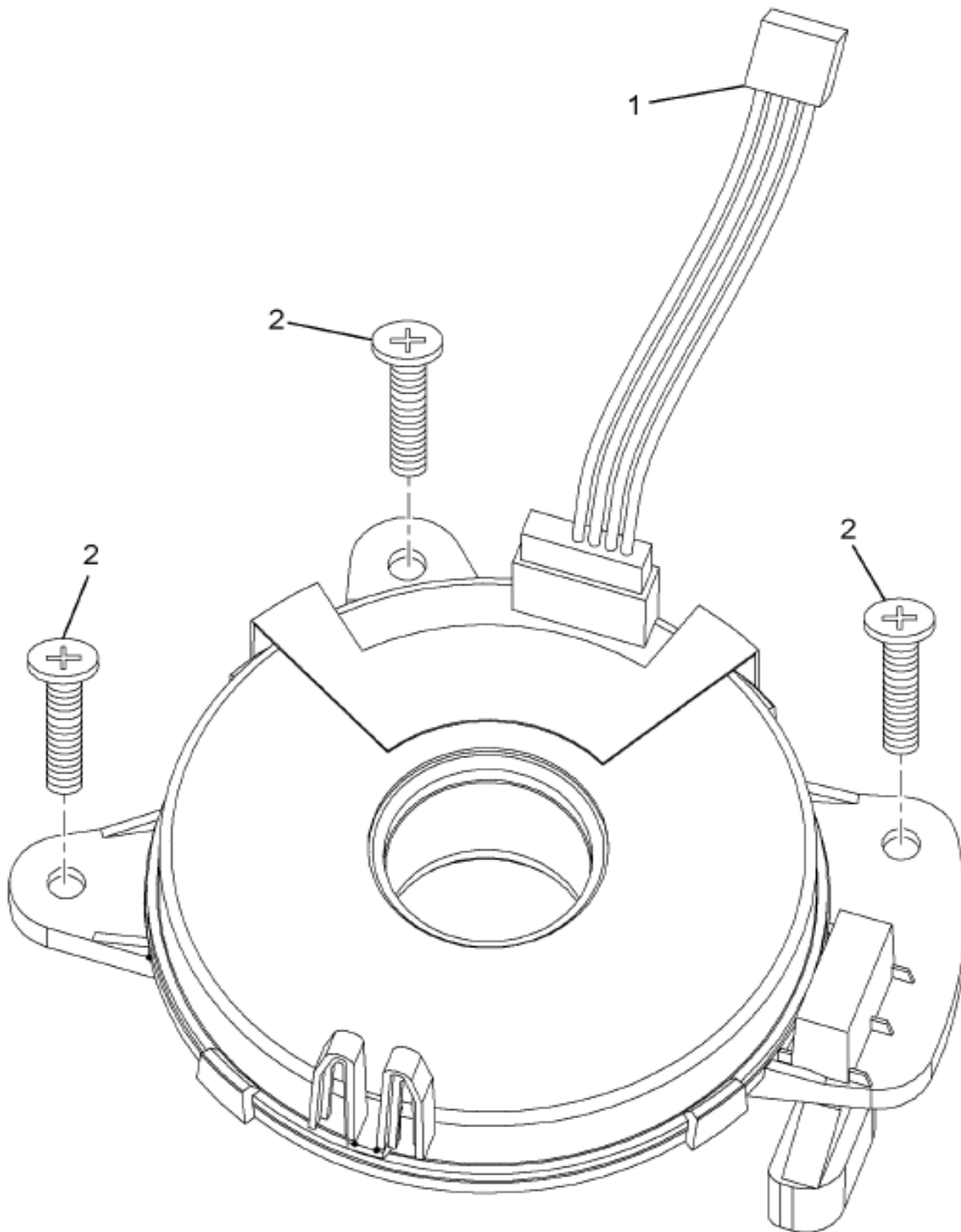
G
R
P
0
8

16-C19-0003-01

H03

Item	Part No.	Qty	Description	Kit	Var	Figure
1	2505847C1	3	SCREW, PLASTITE #8X1/2" P/HEAD			
800		RF	NOTE: THE FOLLOWING PARTS ARE NON-ILLUSTRATED			
801	2505657C91	KT	SPRING,CLOCK W/CANCEL CAM, KIT			2505657C91
880		RF	NOTE: ASM BELOW COMPRISED OF ABOVE COMPONENTS			

Figure 2505657C91
 SPRING, CLOCK W/CANCEL CAM, KIT

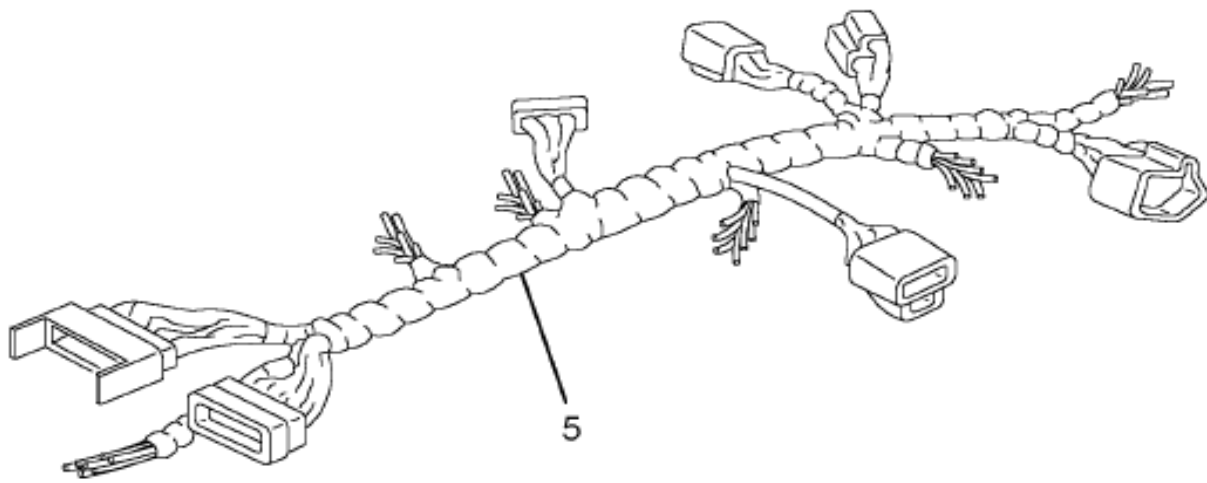


16-C19-0004-01

B06

Item	Part No.	Qty	Description	Kit	Var	Figure
1	3591409C1	1	SPRING, CONTACT*CLOCKSPRING, 4			
2	2505847C1	3	SCREW, PLASTITE #8X1/2" P/HEAD			
880		RF	NOTE: ASM BELOW COMPRISED OF ABOVE COMPONENTS			
881	2505657C91	RF	SPRING, CLOCK W/CANCEL CAM, KIT			

Figure 0M51L
ELECTRICAL SERVICE ASM; CENTER CHASSIS

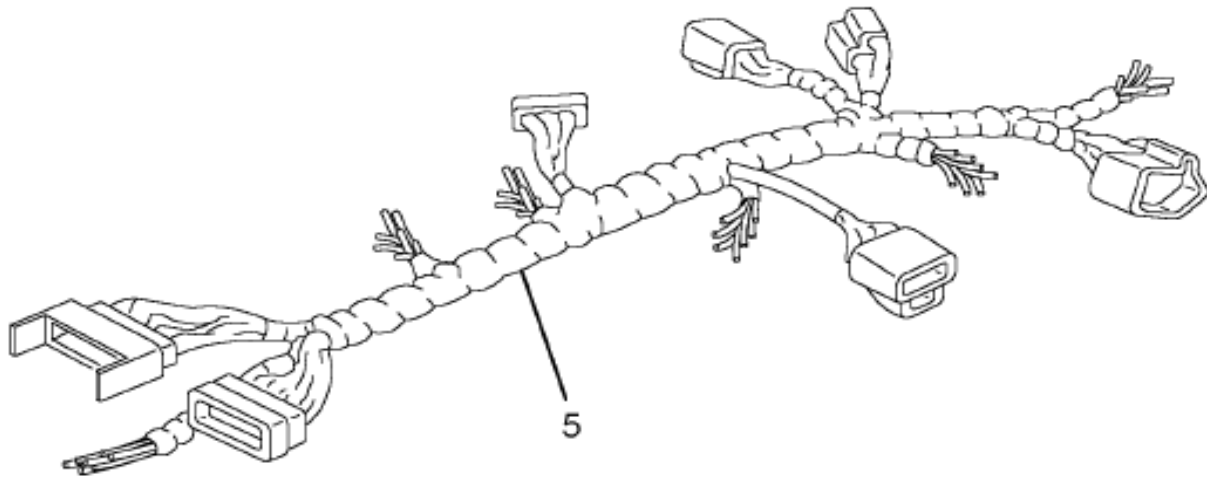


08-D01-0004-01

E04

Item	Part No.	Qty	Description	Kit	Var	Figure
5	2506256C91	AR	HARN,CTR CHAS-SVC ASM,3500,AIR		0M51P	

Figure 0M514
ELECTRICAL SERVICE ASM; DASH



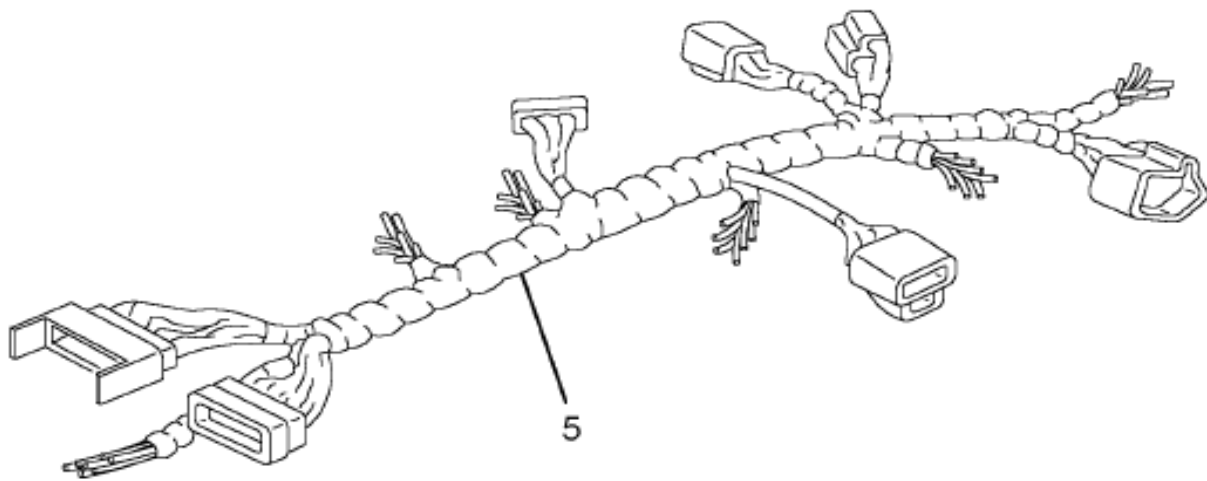
G
r
o
u
p

08-D01-0004-01

E04

Item	Part No.	Qty	Description	Kit	Var	Figure
5	2507945C92	AR	HARN, EXT DASH-SVC ASM, W/I6, AIR		0M516	

Figure 0M4ZH
ELECTRICAL SERVICE ASM; FORWARD CHASSIS



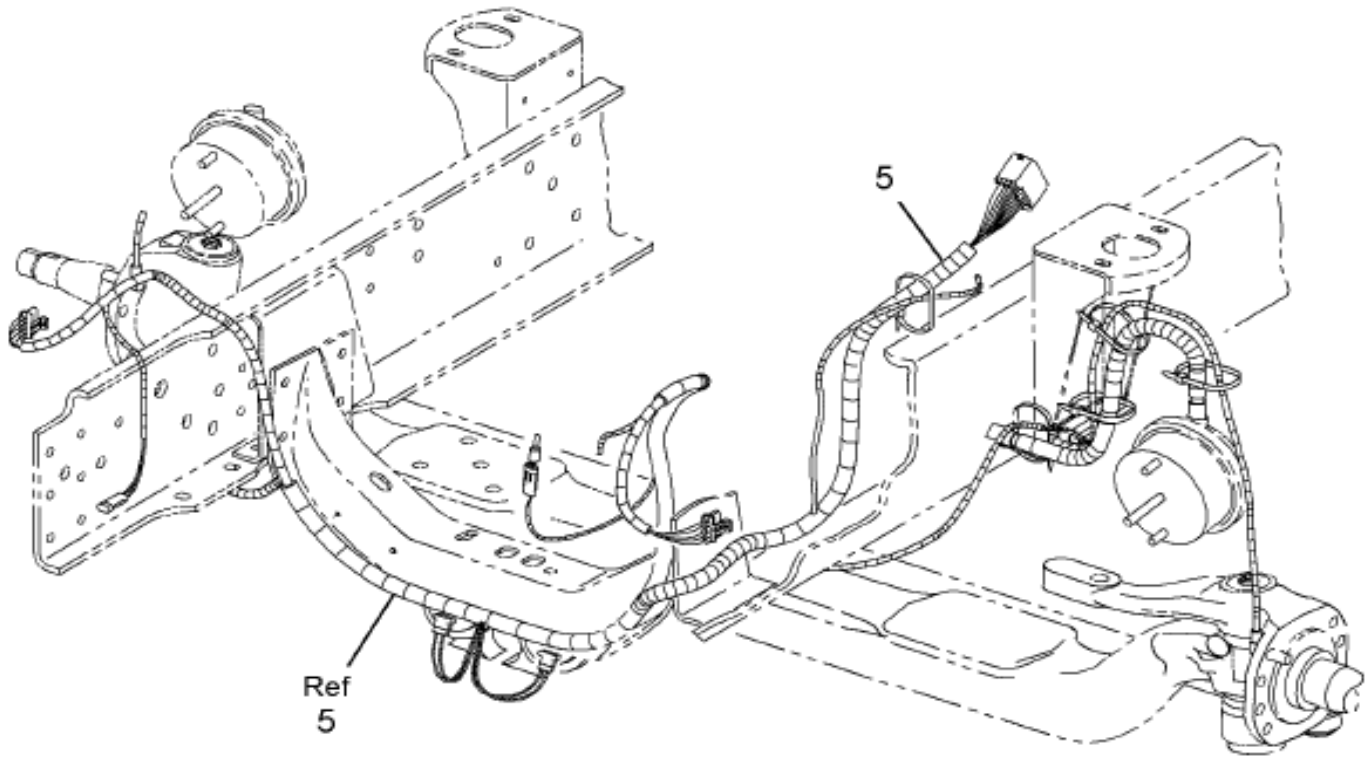
08-D01-0004-01

E04

Item	Part No.	Qty	Description	Kit	Var	Figure
5	2508848C91	AR	HARNESS, FWD CHAS-SVC ASM W/AIR		0M4ZJ	

Figure 0F650

FORWARD CHASSIS HARNESS ASM; AIR/HYD ABS BRAKES



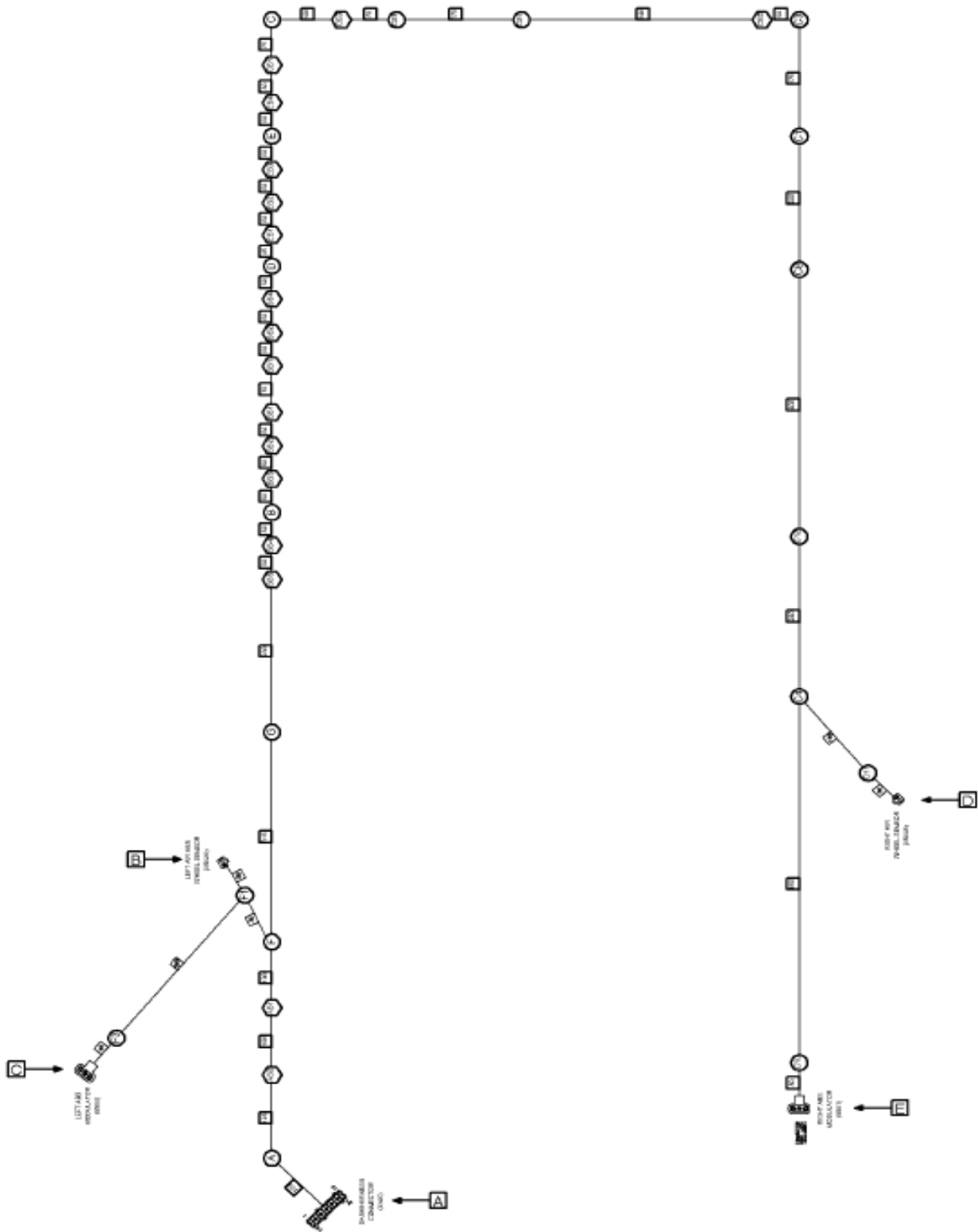
GROUP 8

08-E75-0001-B0

L02

Item	Part No.	Qty	Description	Kit	Var	Figure
5	3572240F91	1	ELEC FWD CHAS BNDX AIR ABS		0F651	3572240F91

Figure 3572240F91
ELEC FWD CHAS BNDX AIR ABS

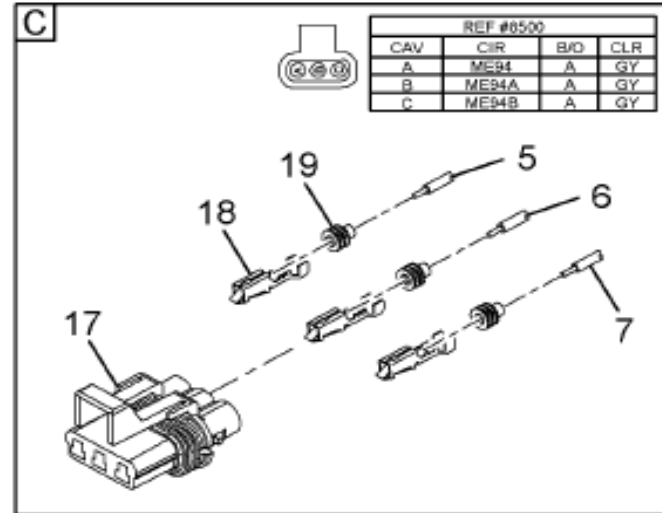
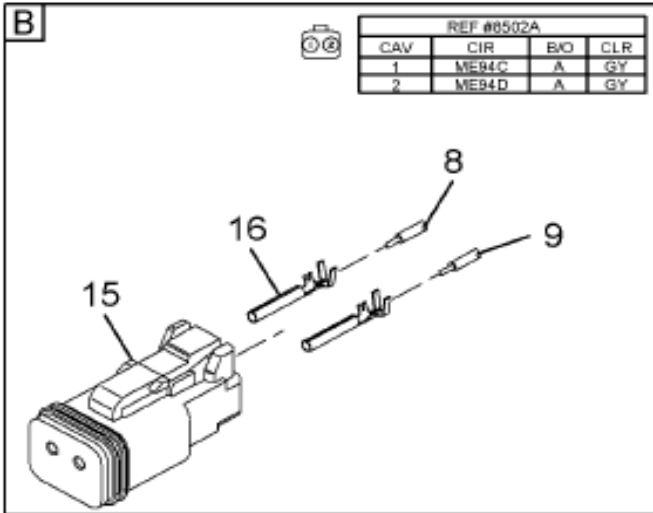
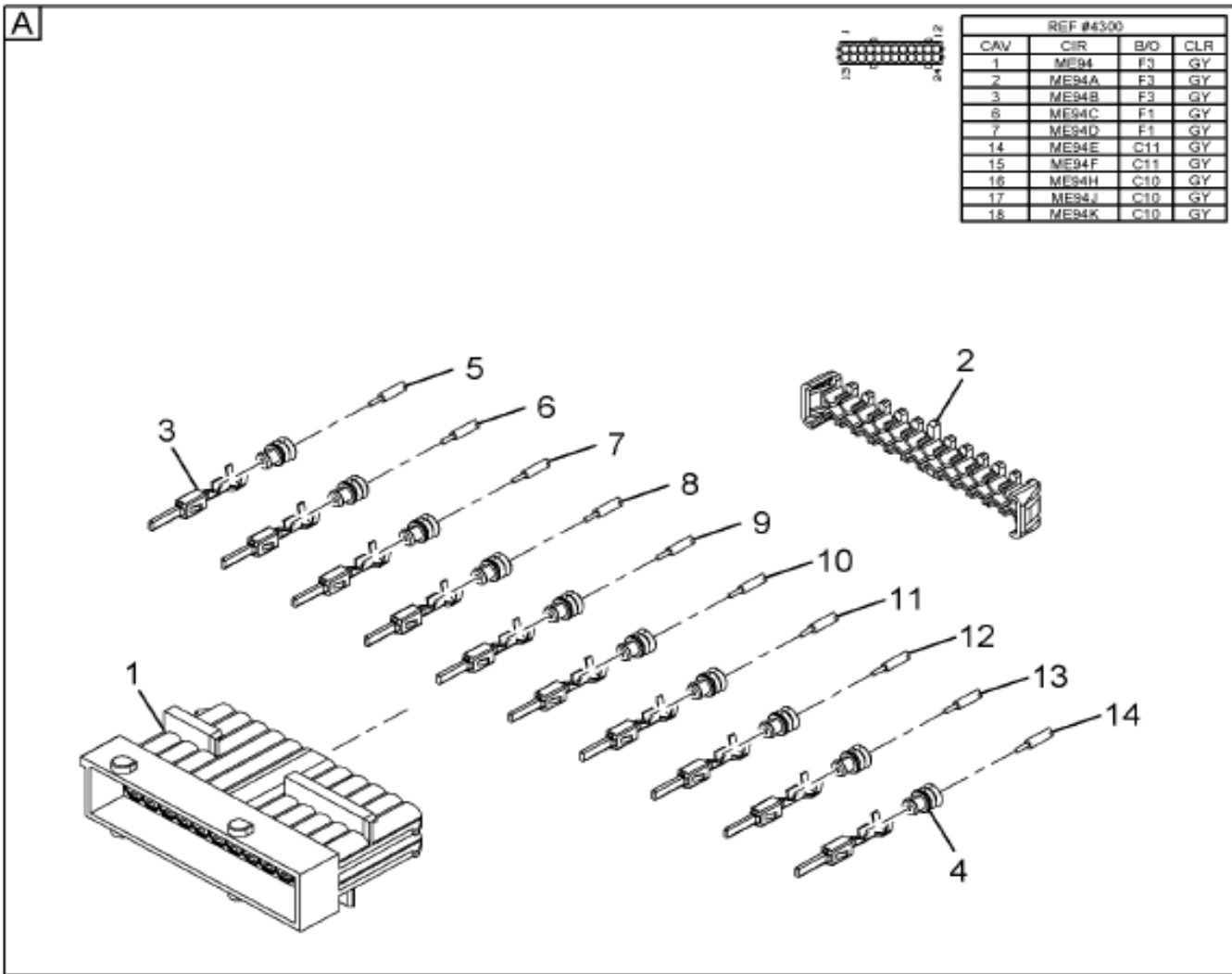


08-E63-0001-01

M10

Figure 1 of 3

Figure 3572240F91
ELEC FWD CHAS BNDX AIR ABS



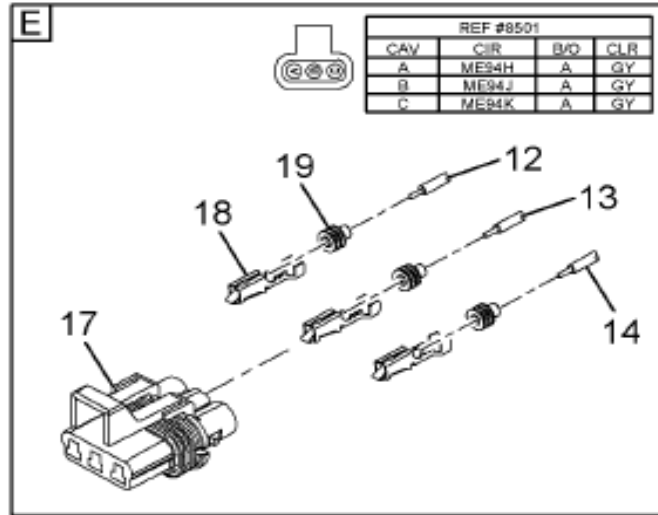
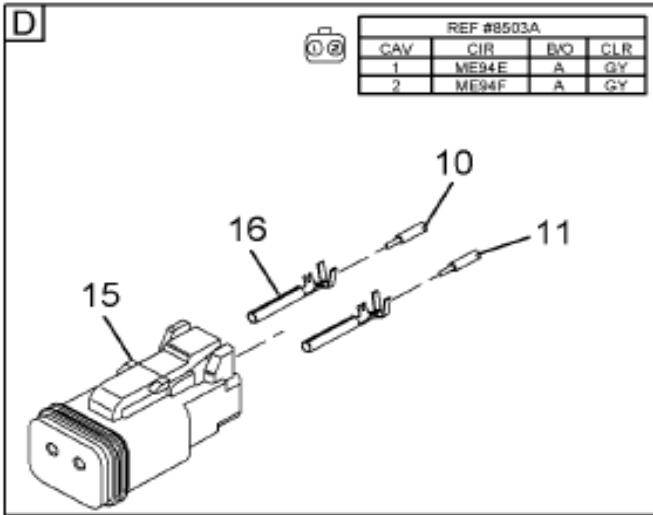
08-E63-0001-02

K10

Figure 2 of 3

GROUP 8

Figure 3572240F91
ELEC FWD CHAS BNDX AIR ABS



08-E63-0001-03

K10

Item	Part No.	Qty	Description	Kit	Var	Figure
1	3558022C1	1	CONNECTOR, BODY*AMP JR-PWR-TIME			
2	3558056C1	1	LOCK, CONNECTOR BODY*AMP JR-PWR			
3	3559036C1	10	TERMINAL, CABLE*AMP JUNIOR-POWE			
4	3509903C1	10	SEAL, CABLE TERMINAL			
5	2643673R1	AR	CABLE LOW TENSION SINGLE COND			
6	2643673R1	AR	CABLE LOW TENSION SINGLE COND			

Figure 0DDSD3

FRONT END WIRING INSTL; FENDER MTD TURN SIGNALS

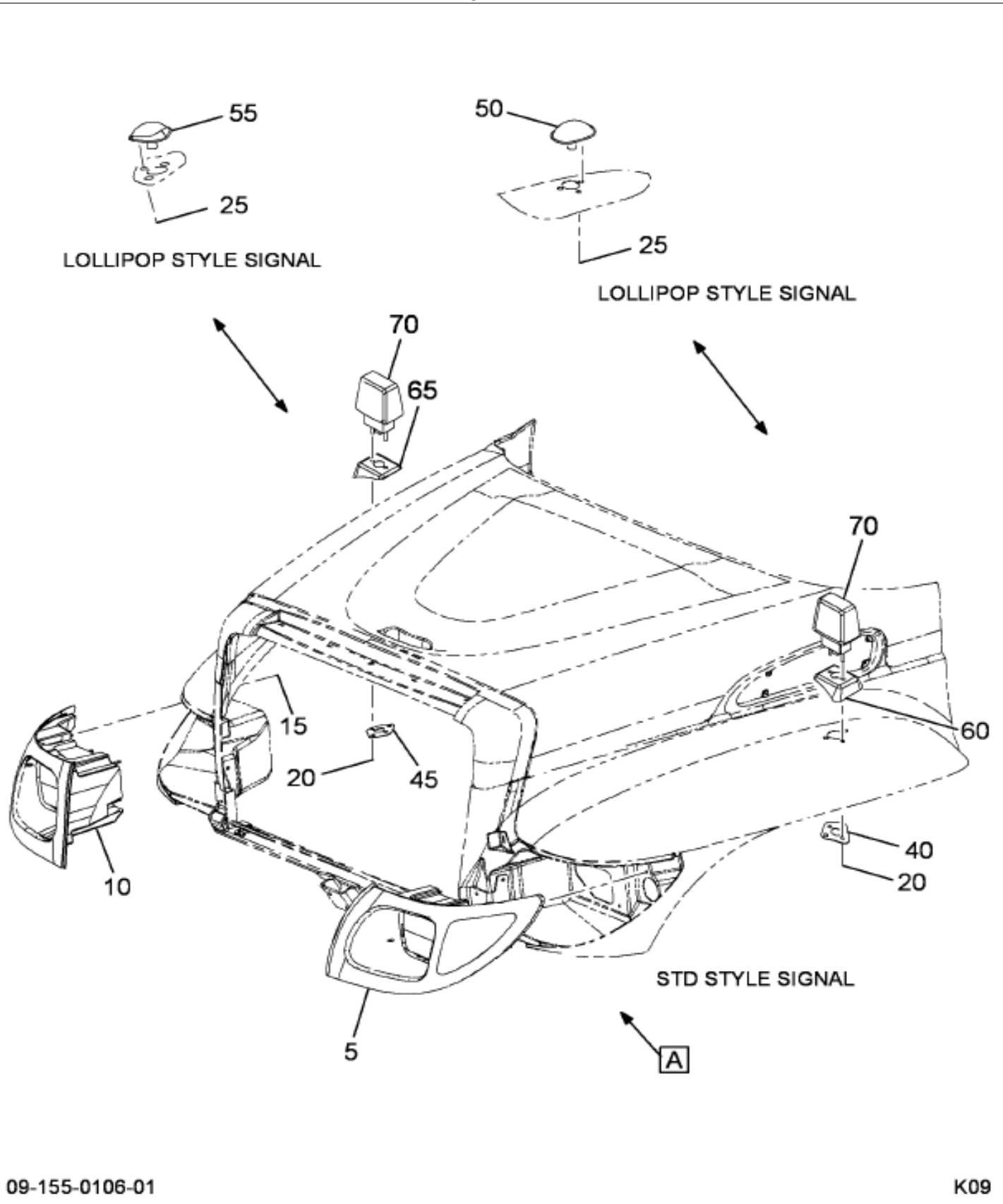
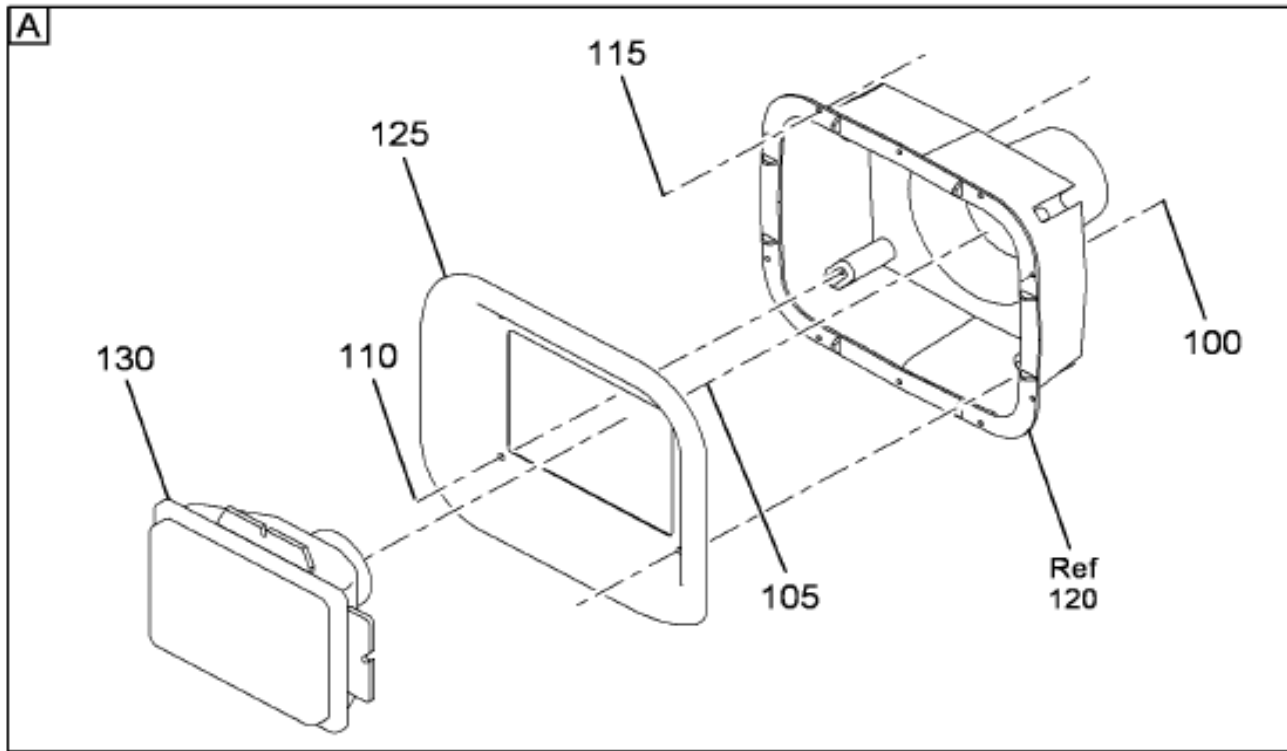
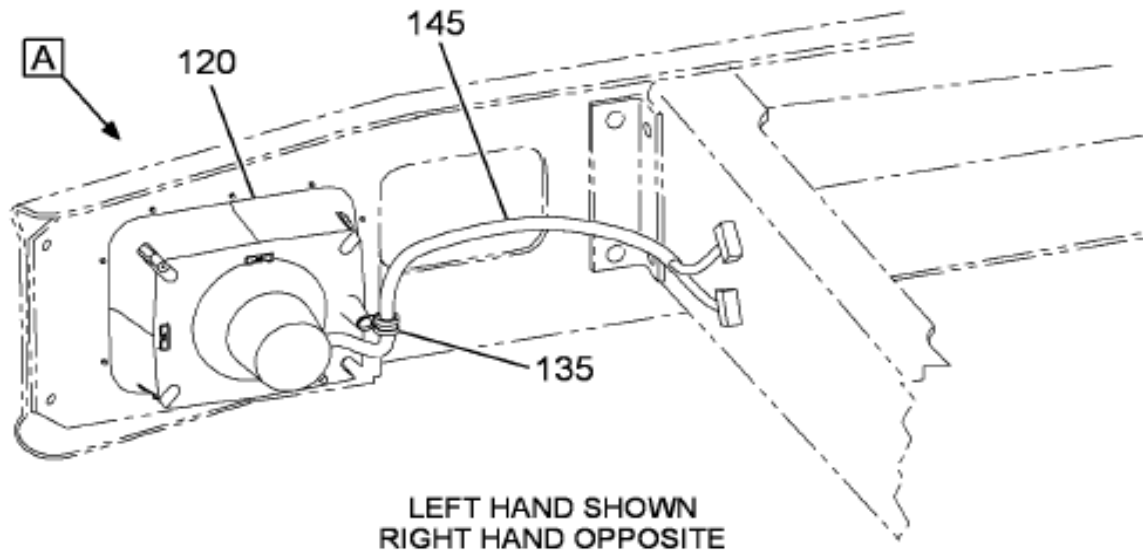


Figure 1 of 3

Figure 0DDS3

FRONT END WIRING INSTL; FENDER MTD TURN SIGNALS



GROUP 08

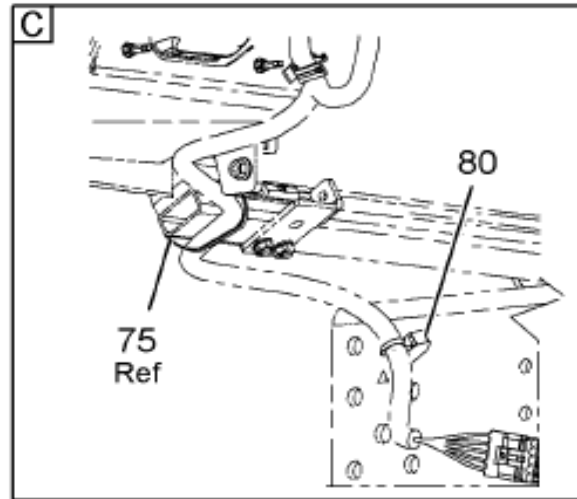
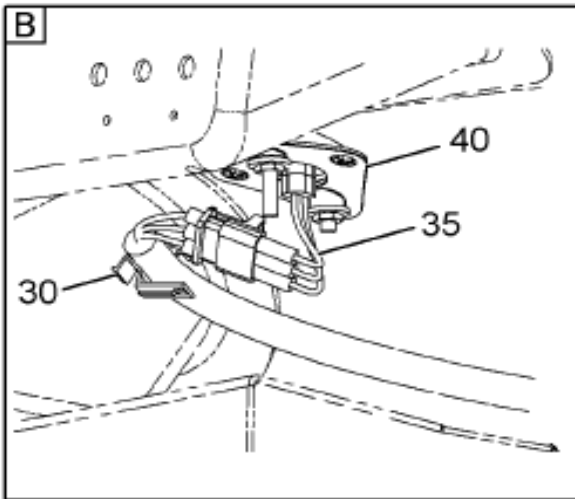
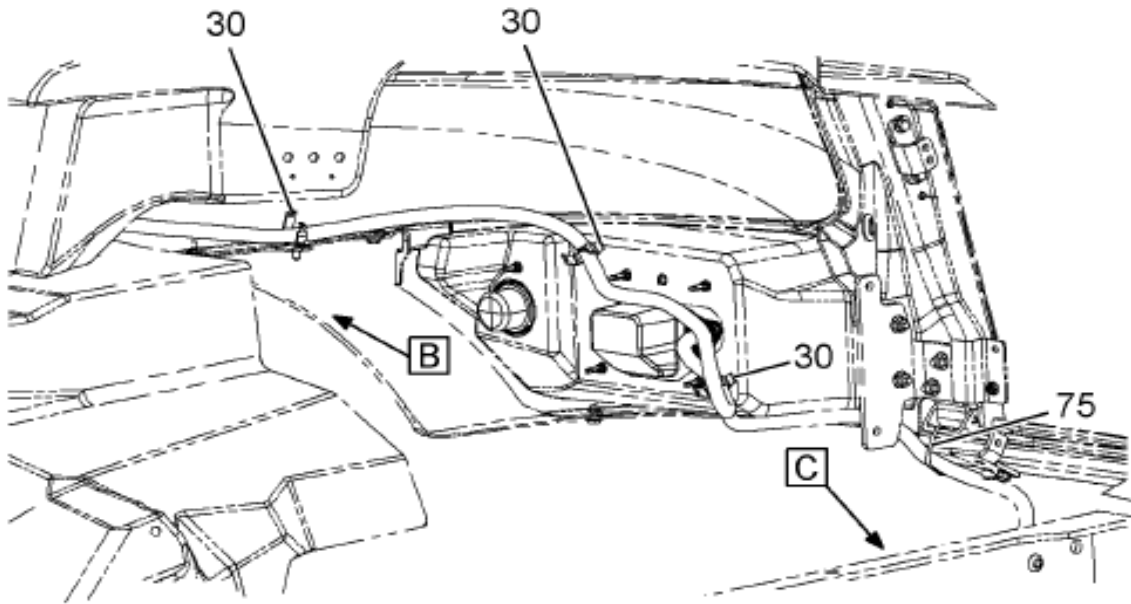
09-155-0106-02

K09

Figure 2 of 3

Figure 0DD53

FRONT END WIRING INSTL; FENDER MTD TURN SIGNALS

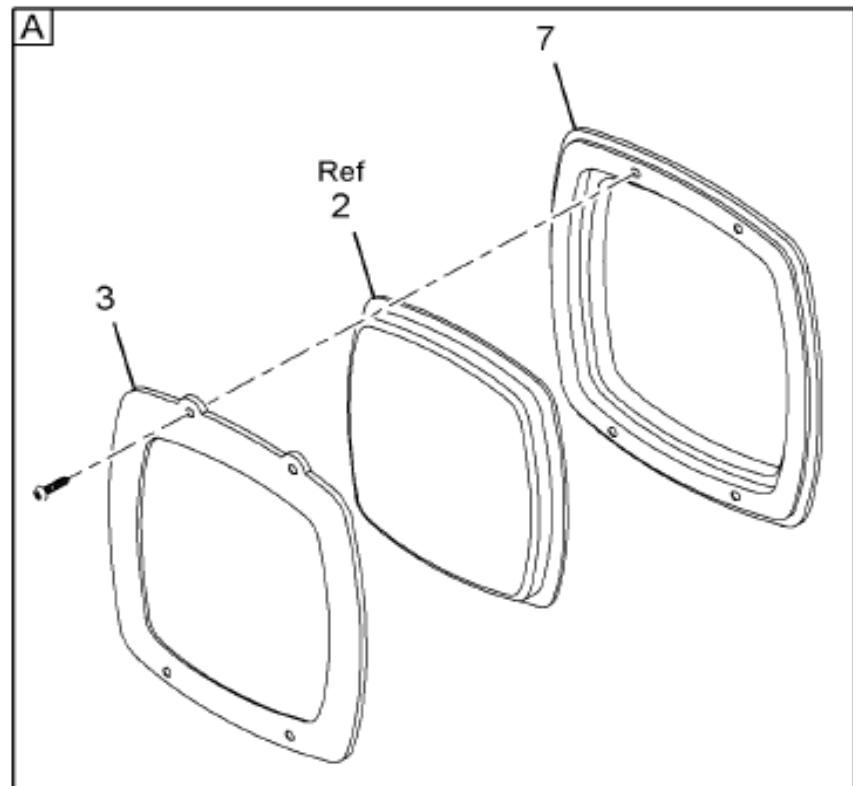
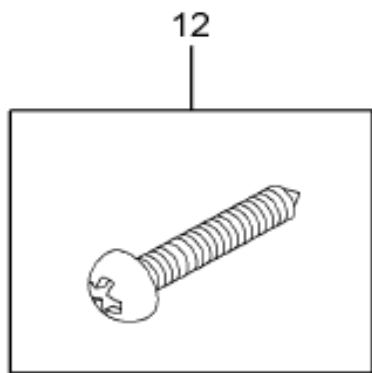
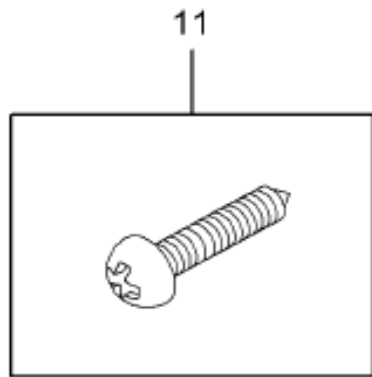
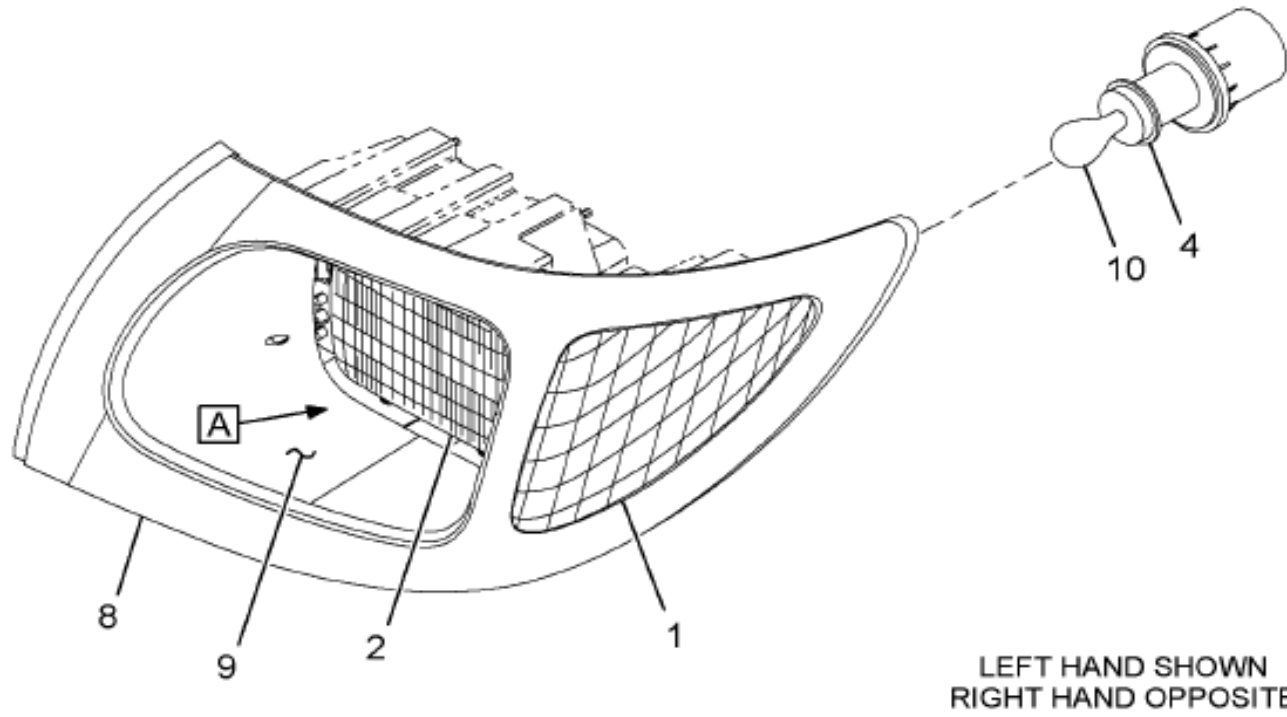


09-155-0106-03

K09

Item	Part No.	Qty	Description	Kit	Var	Figure
5	3610435C91	1	LIGHT, HEAD, LNG LIFE, PRIMED, LH		0MQ9K	3610435C91
10	3610436C91	1	LIGHT, HEAD, LONG LIFE, PRIMED, RH		0MQ9K	3610436C91
15	40233R1	10	NUT, HEX FLG METRIC*M6, CLASS 10		0DD53	
20	3553592C1	4	NUT, HEX METRIC PREV. TORQ*M8		0DD56	
20	3542142C1	4	WASHER, GRAB HNDL MTG M8		0DD56	
30	3530081C1	8	PLATE, TAPPING		0DD53	

Figure 3610437C91
 LIGHT, HEAD, LH, SEALED, PRIMED BZ

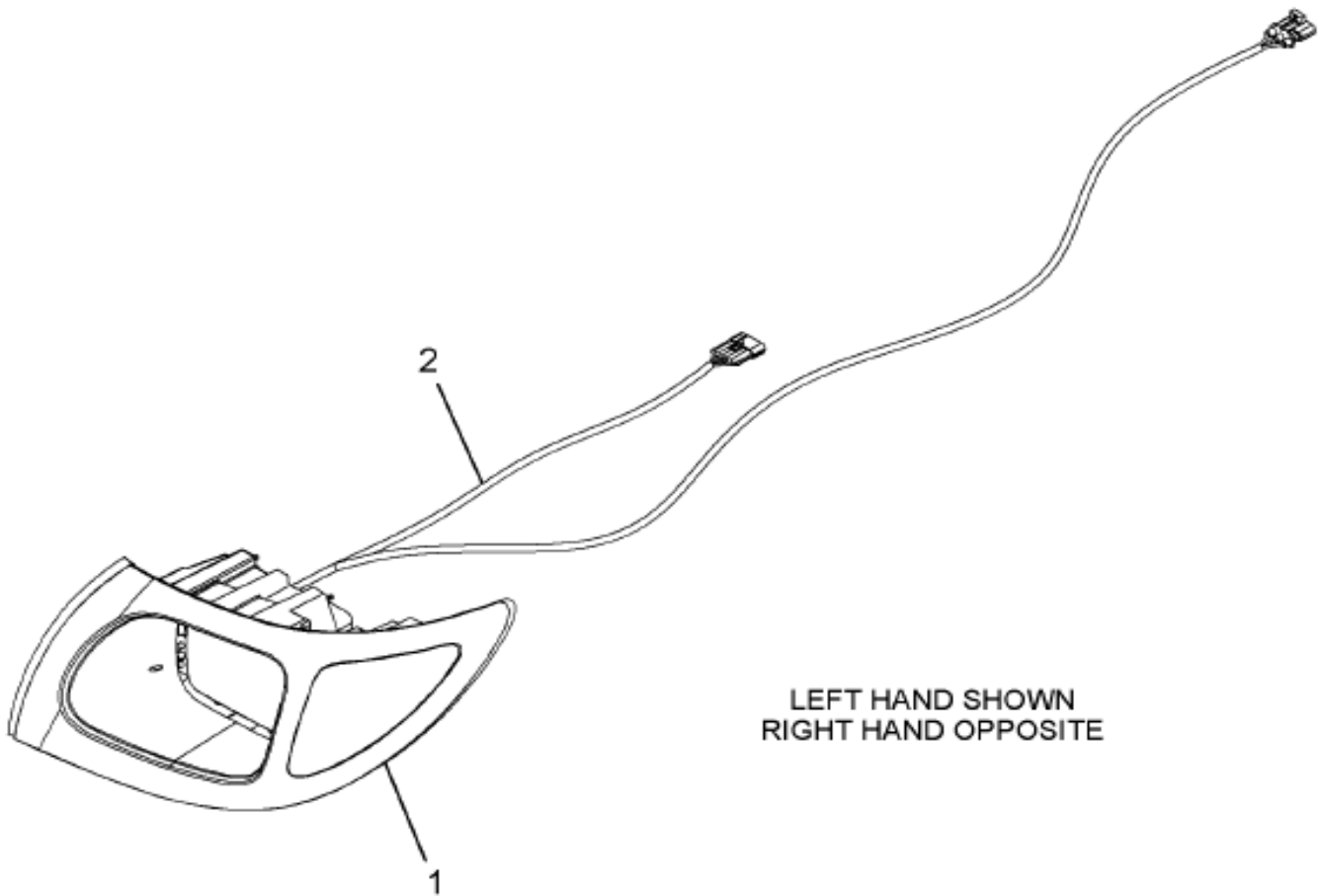


09-155-0185-01

L07

Item	Part No.	Qty	Description	Kit	Var	Figure
1	2588411C91	1	LIGHT,TURN SIGNAL LH			
1		RF	LEFT			
2		1	SEALED BEAM, LONG LIFE			
2	GEH5054	1	LAMP, HALOGEN SEALED BEAM			
3	2509567C1	1	RING, RETAINER SLD BEAM LH			
3		RF	LEFT			

Figure 3610435C91
LIGHT, HEAD, LNG LIFE, PRIMED, LH

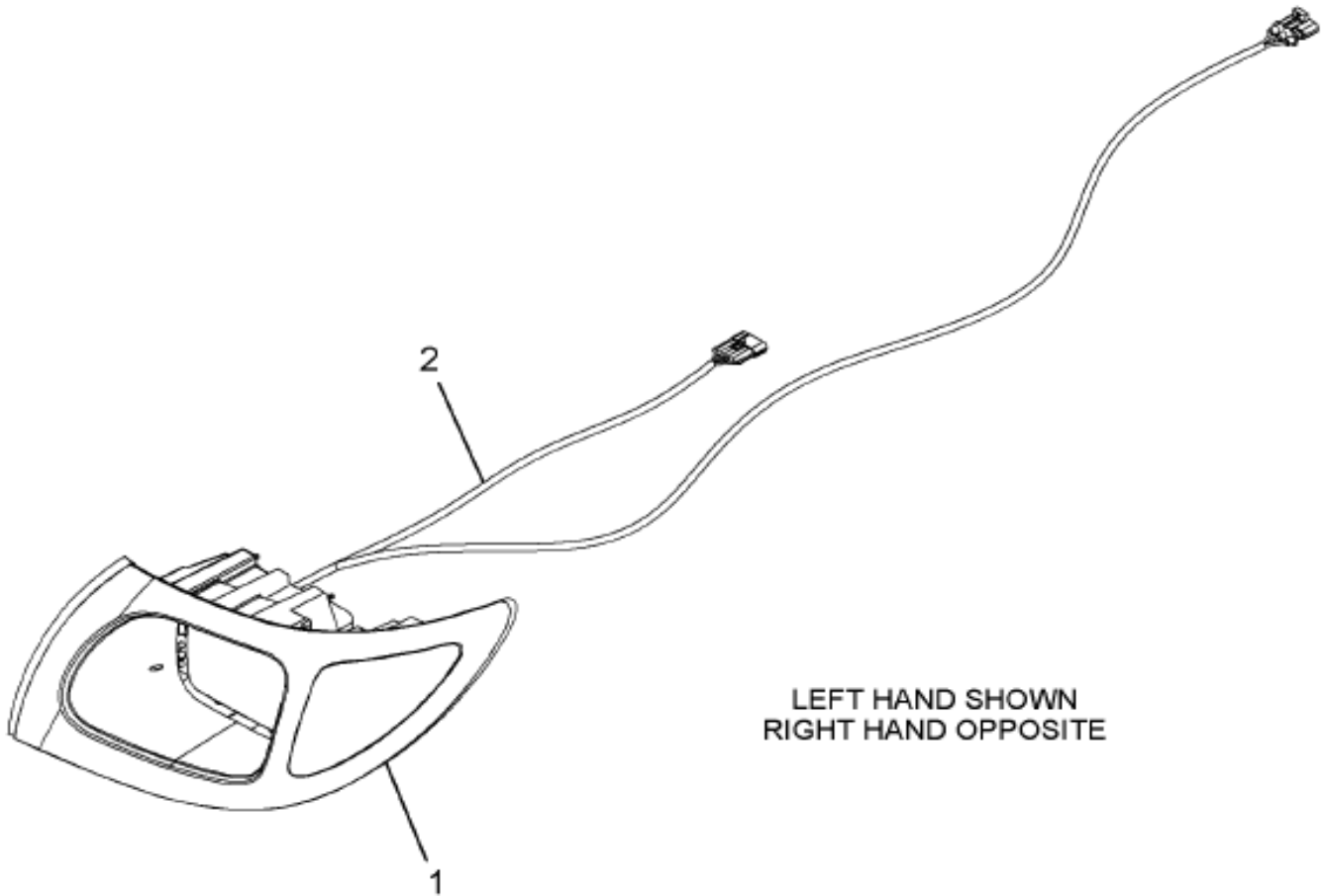


09-155-0161-01

M05

Item	Part No.	Qty	Description	Kit	Var	Figure
1	3610437C91	1	LIGHT, HEAD, LH, SEALED, PRIMED BZ			3610437C91
1		RF	LEFT			
2	3566576C91	1	HARNESS, CHASSIS WIRING*SS LT H			
2		RF	LEFT			
880		RF	NOTE: ASM BELOW COMPRISED OF ABOVE COMPONENTS			

Figure 3610436C91
 LIGHT, HEAD, LONG LIFE, PRIMED, RH

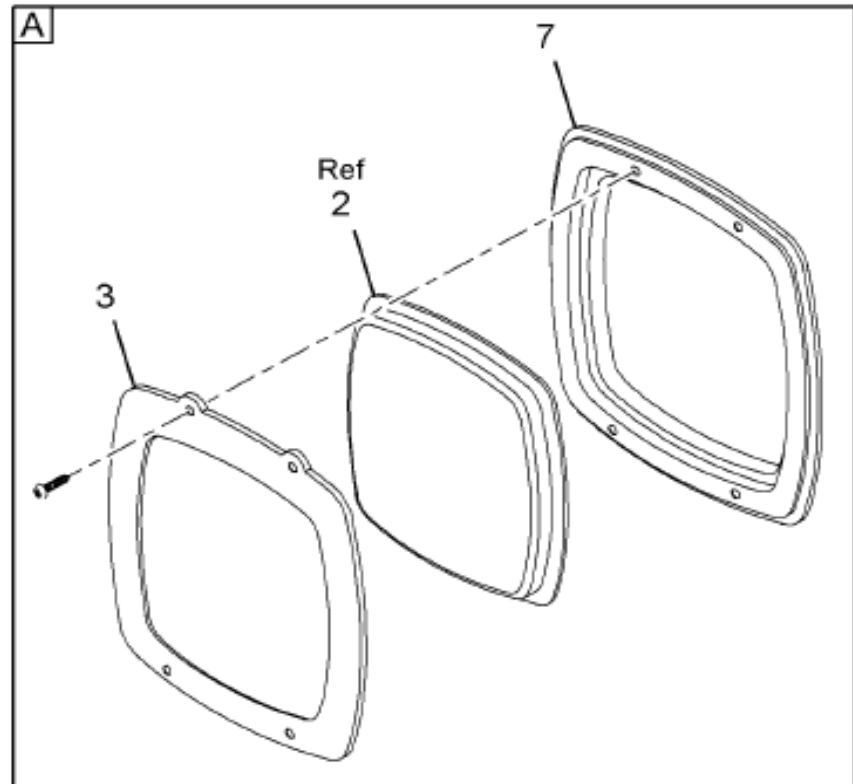
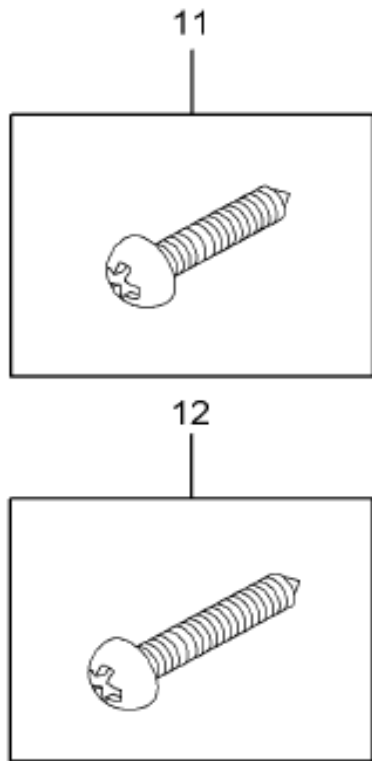
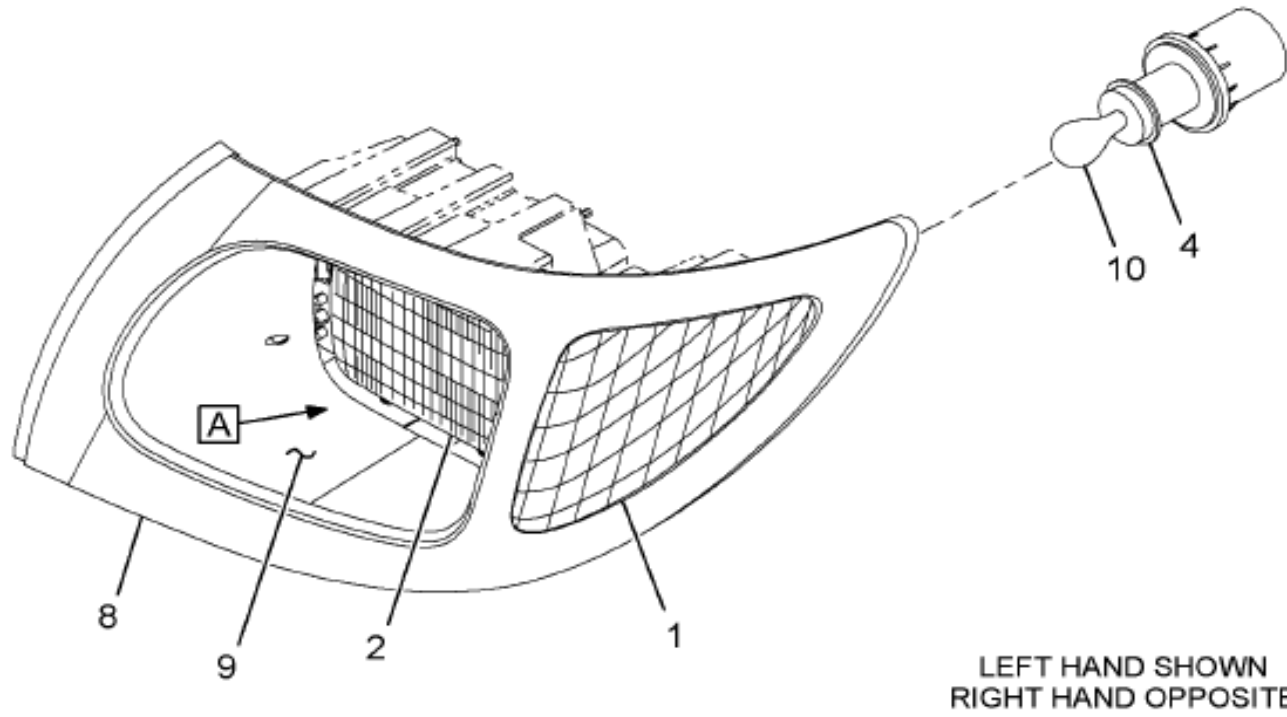


09-155-0161-01

M05

Item	Part No.	Qty	Description	Kit	Var	Figure
1	3566577C91	1	HARNES, CHASSIS WIRING*SS RT H			
1		RF	RIGHT			
2	3610438C91	1	LIGHT, HEAD, RH, SEALED, PRIMED BZ			3610438C91
2		RF	RIGHT			
880		RF	NOTE: ASM BELOW COMPRISED OF ABOVE COMPONENTS			

Figure 3610438C91
 LIGHT, HEAD, RH, SEALED, PRIMED BZ

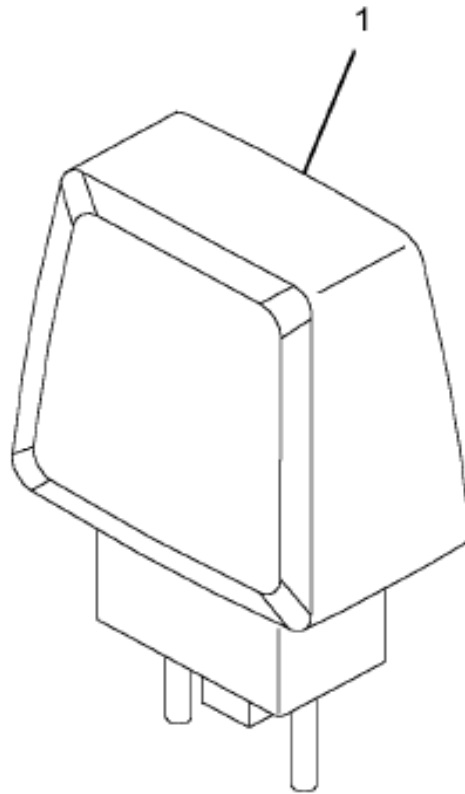


09-155-0185-01

L07

Item	Part No.	Qty	Description	Kit	Var	Figure
1	2588412C91	1	LIGHT,TURN SIGNAL RH			
1		RF	RIGHT			
2		1	SEALED BEAM, LONG LIFE			
2	GEH5054	1	LAMP, HALOGEN SEALED BEAM			
3	2509566C1	1	RING, RETAINER SLD BEAM RH			
3		RF	RIGHT			

Figure 3557672C92
LIGHT, TURN SIGNAL*



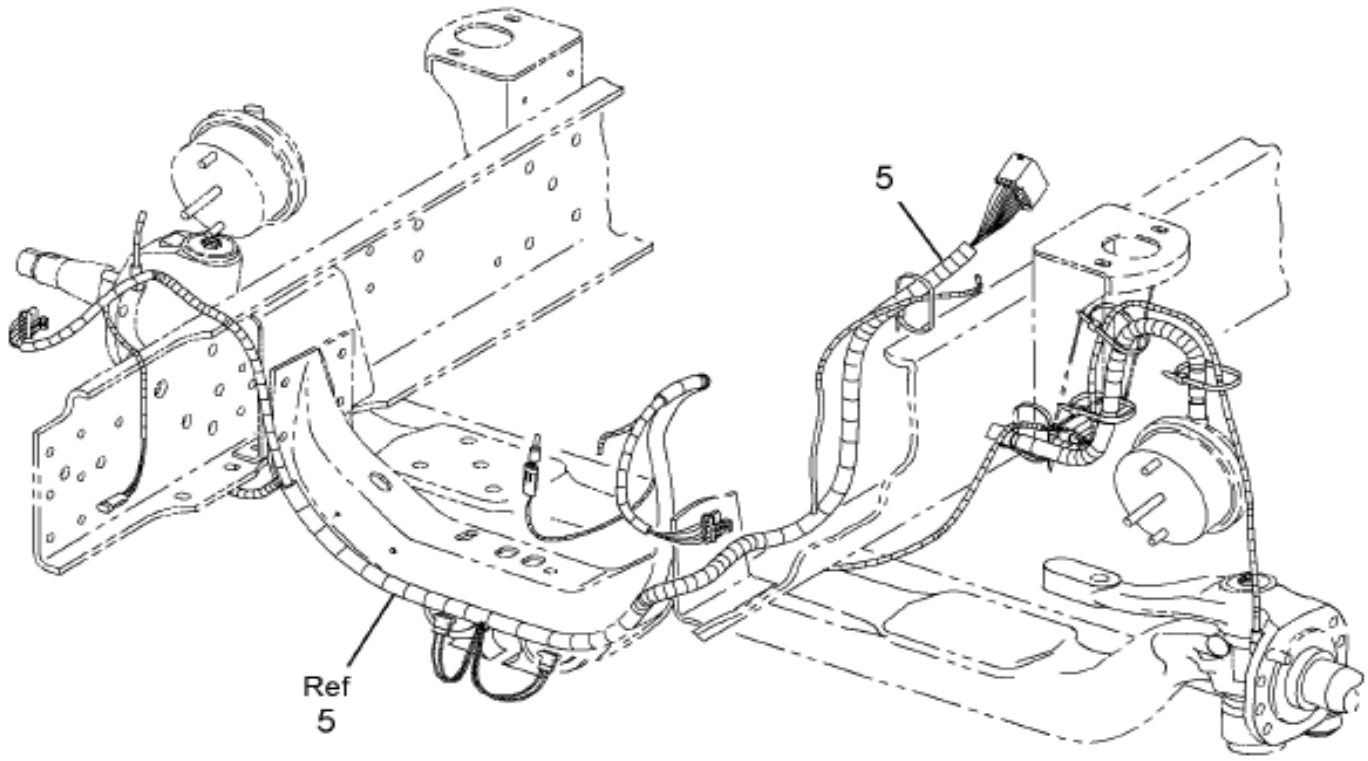
09-155-0034-00

D04

Item	Part No.	Qty	Description	Kit	Var	Figure
1	1669480C1	1	LENS, CLEARANCE LIGHT			
1	1664233C1	1	LAMP, INCANDESCENT 12V WEDGE BA			
1	1669482C1	1	GASKET, TURN SIGNAL LIGHT			
1	1667672C1	1	PAD MTG TURN SIGNAL LIGHT			
1		RF	SCREW #6 THREAD FORMING			
880		RF	NOTE: ASM BELOW COMPRISED OF ABOVE			

Figure 0F655

FWD CHASSIS HARN ASM; AIR COMP (ABR #4)

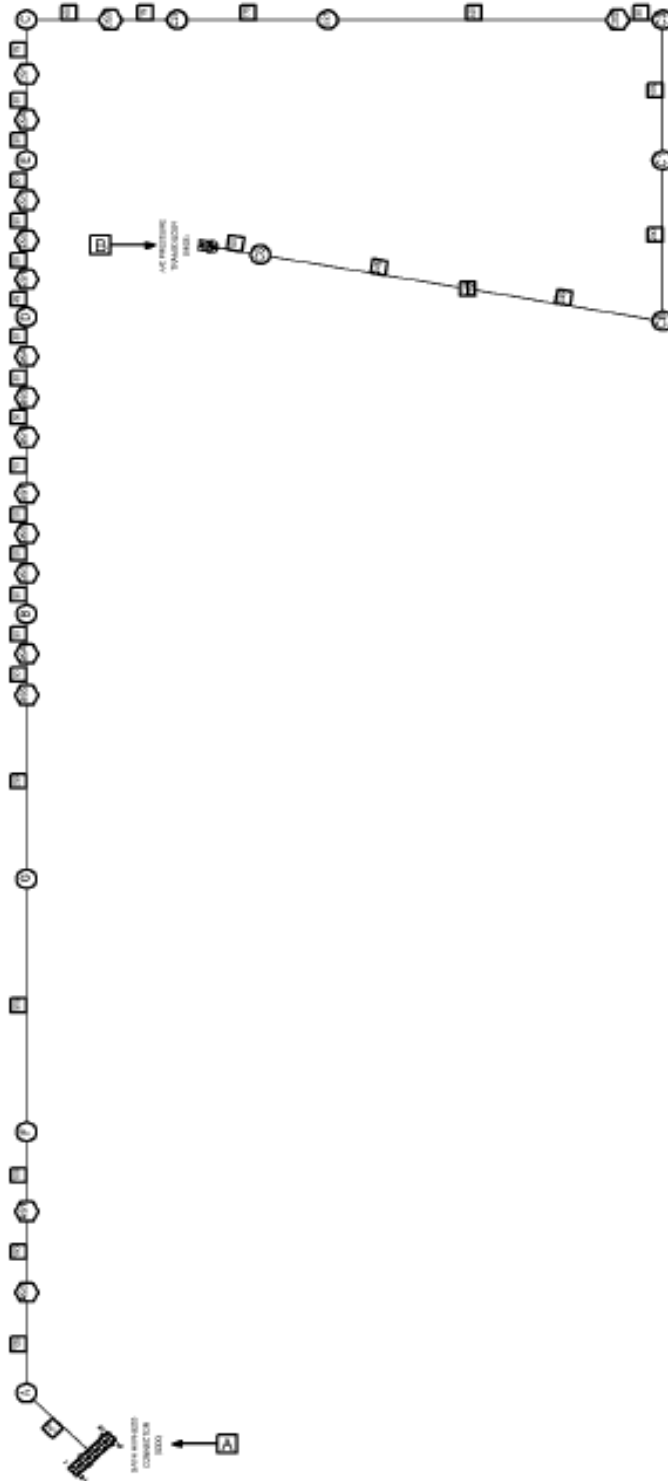


08-E75-0001-B0

L02

Item	Part No.	Qty	Description	Kit	Var	Figure
5	3572242F91	1	MODULE, A/C PRESS TRANSDUCER		0F656	3572242F91

Figure 3572242F91
MODULE, A/C PRESS TRANSDUCER

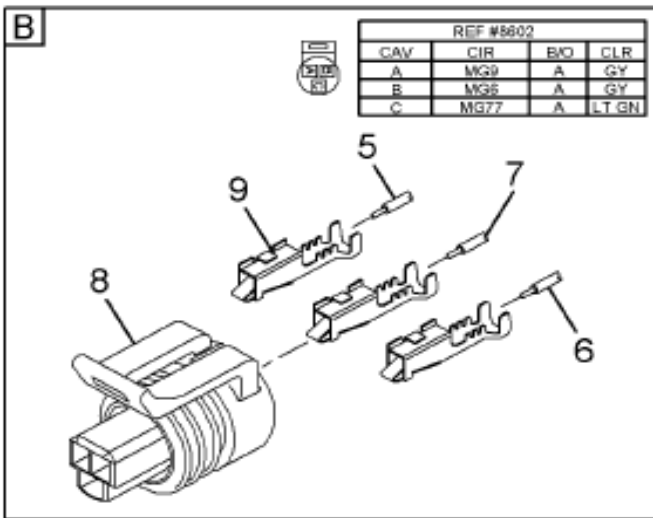
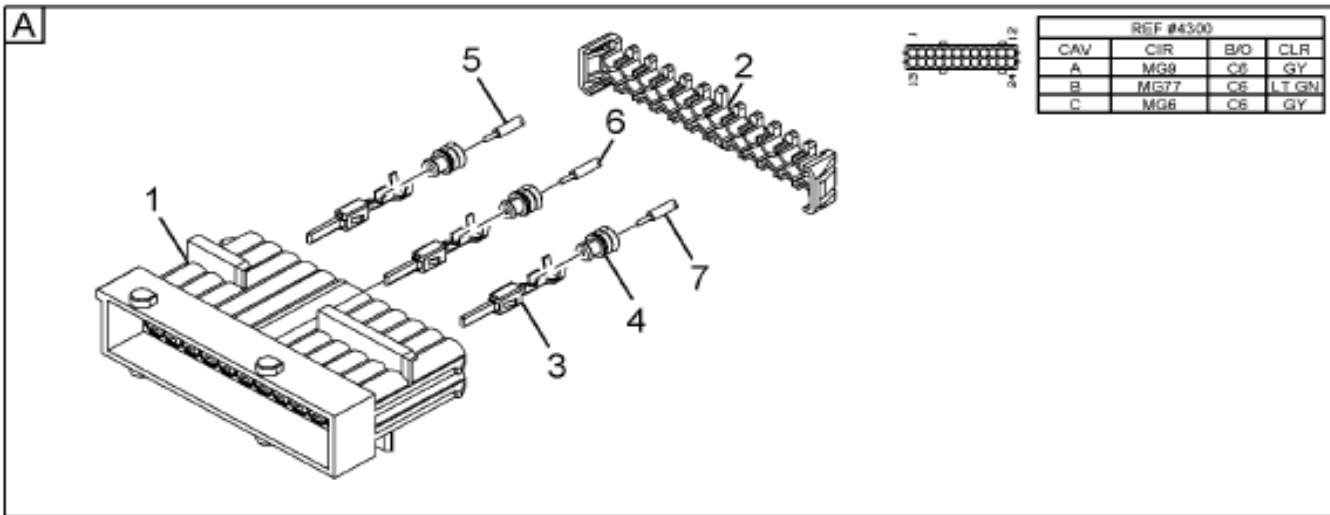


08-E64-0001-01

M10

Figure 1 of 2

Figure 3572242F91
MODULE, A/C PRESS TRANSDUCER



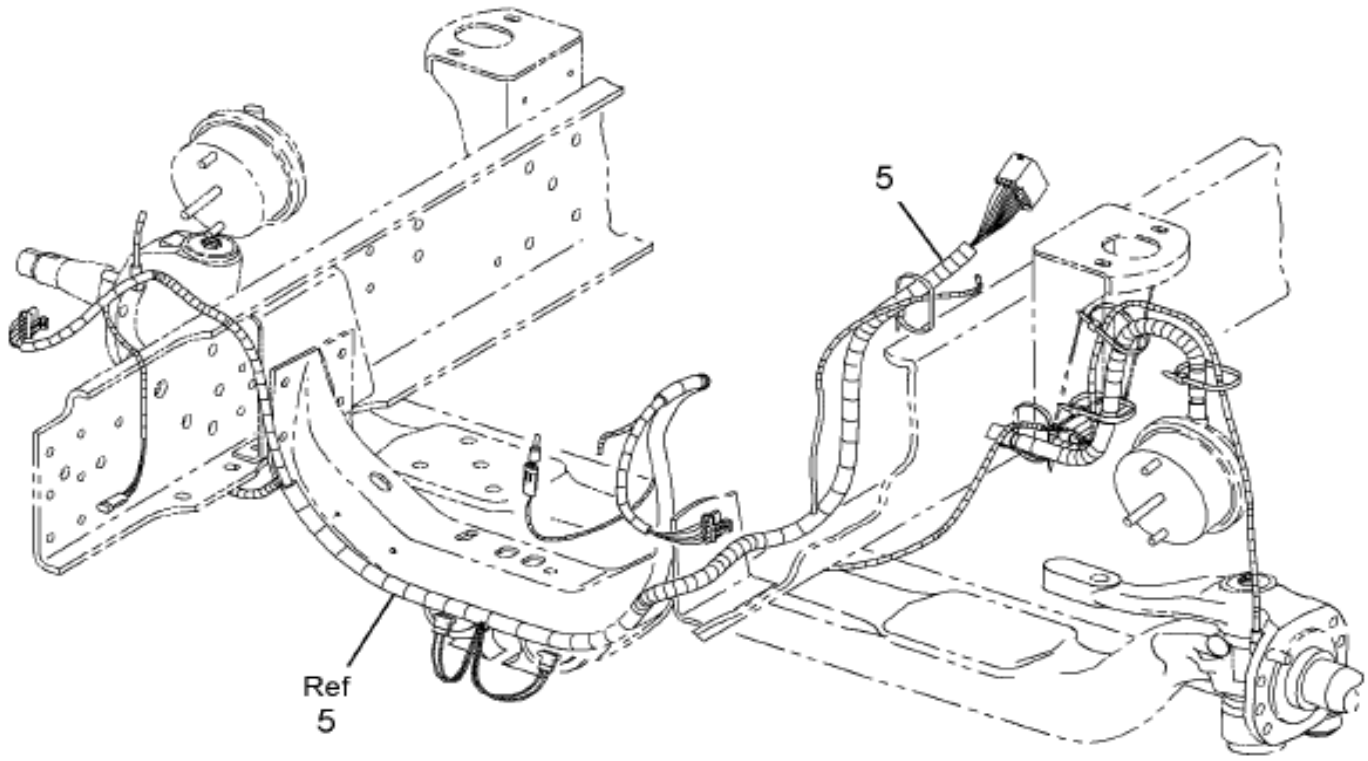
08-E64-0001-02

K10

Item	Part No.	Qty	Description	Kit	Var	Figure
1	3558022C1	1	CONNECTOR, BODY*AMP JR-PWR-TIME			
2	3558056C1	1	LOCK, CONNECTOR BODY*AMP JR-PWR			
3	3559036C1	3	TERMINAL, CABLE*AMP JUNIOR-POWE			
4	3532128C1	3	SEAL, CABLE TERMINAL*AMP CABLE			
5	2643763R1	AR	CABLE LOW TENSION GRAY 20 GAUG			
6	2643761R1	AR	CABLE LOW TENSION LIGHT GREEN			

Figure 0F659

FWD CHASSIS HARN ASM; ETHER START (ABR #5)



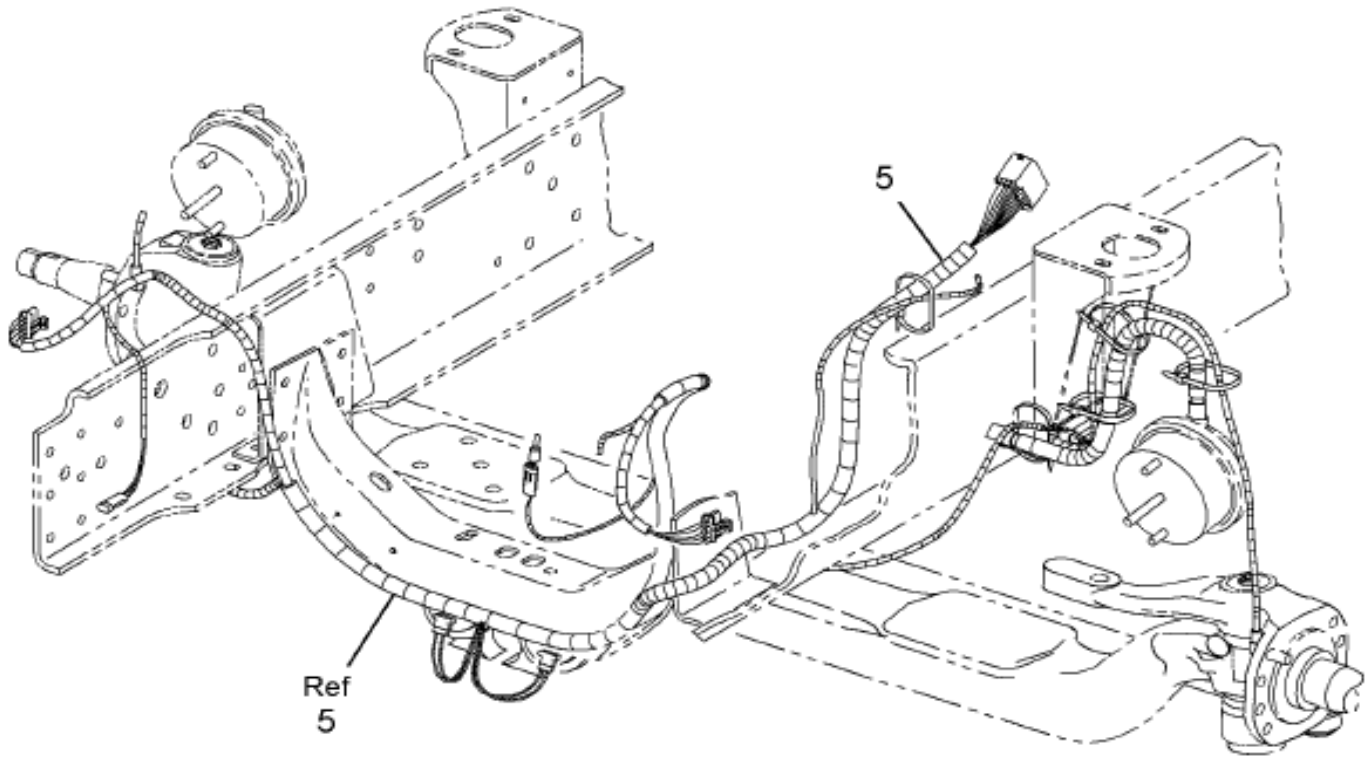
08-E75-0001-B0

L02

Item	Part No.	Qty	Description	Kit	Var	Figure
5	3572244F91	1	ELEC FWD CHAS ETHER ST SS		0H6K1	

Figure 0FVJ9

FWD CHASSIS HARN ASM; FRAME MTD FUEL/WATER SEP (ABR #9)



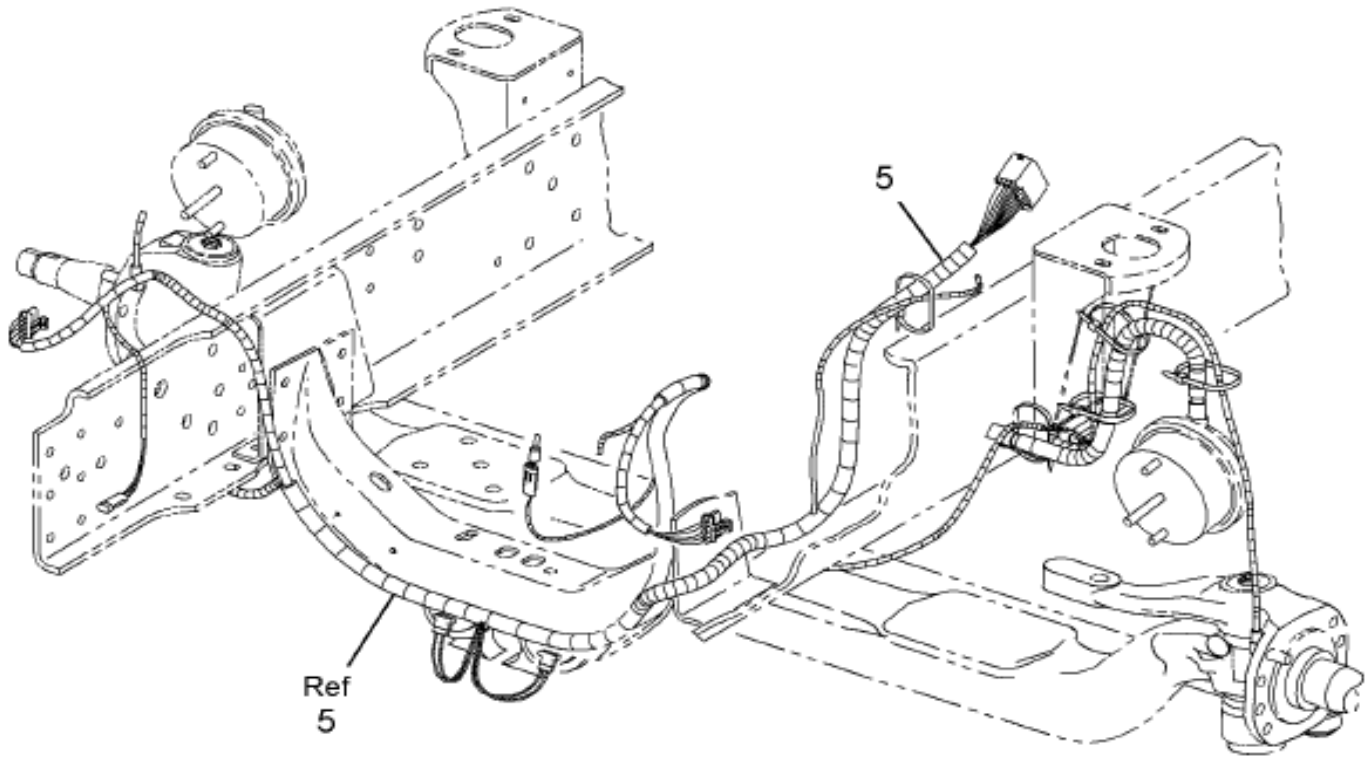
GROUP 08

08-E75-0001-B0

L02

Item	Part No.	Qty	Description	Kit	Var	Figure
5	3572250F91	1	ELEC FUEL/WTR SEP N/TMP SN		0GSJS	

Figure 0G1PT
 FWD CHASSIS HARN ASM; HORN (ABR #11)



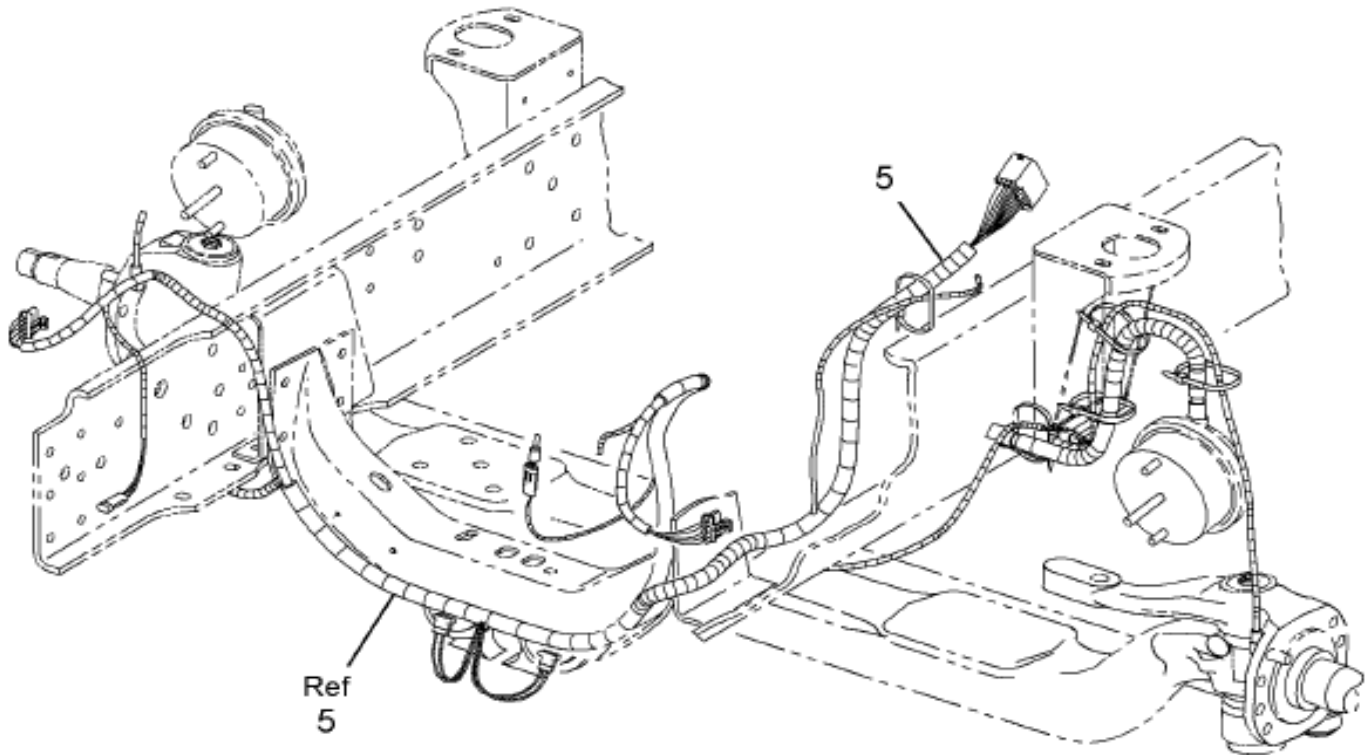
08-E75-0001-B0

L02

Item	Part No.	Qty	Description	Kit	Var	Figure
5	3572697F91	1	ELEC DUAL HORN W/M-NGV-SS		0H4NK	

Figure 0F64M

FWD CHASSIS HARN ASM; SNOW PLOW/FOG LIGHTS (ABR #1)



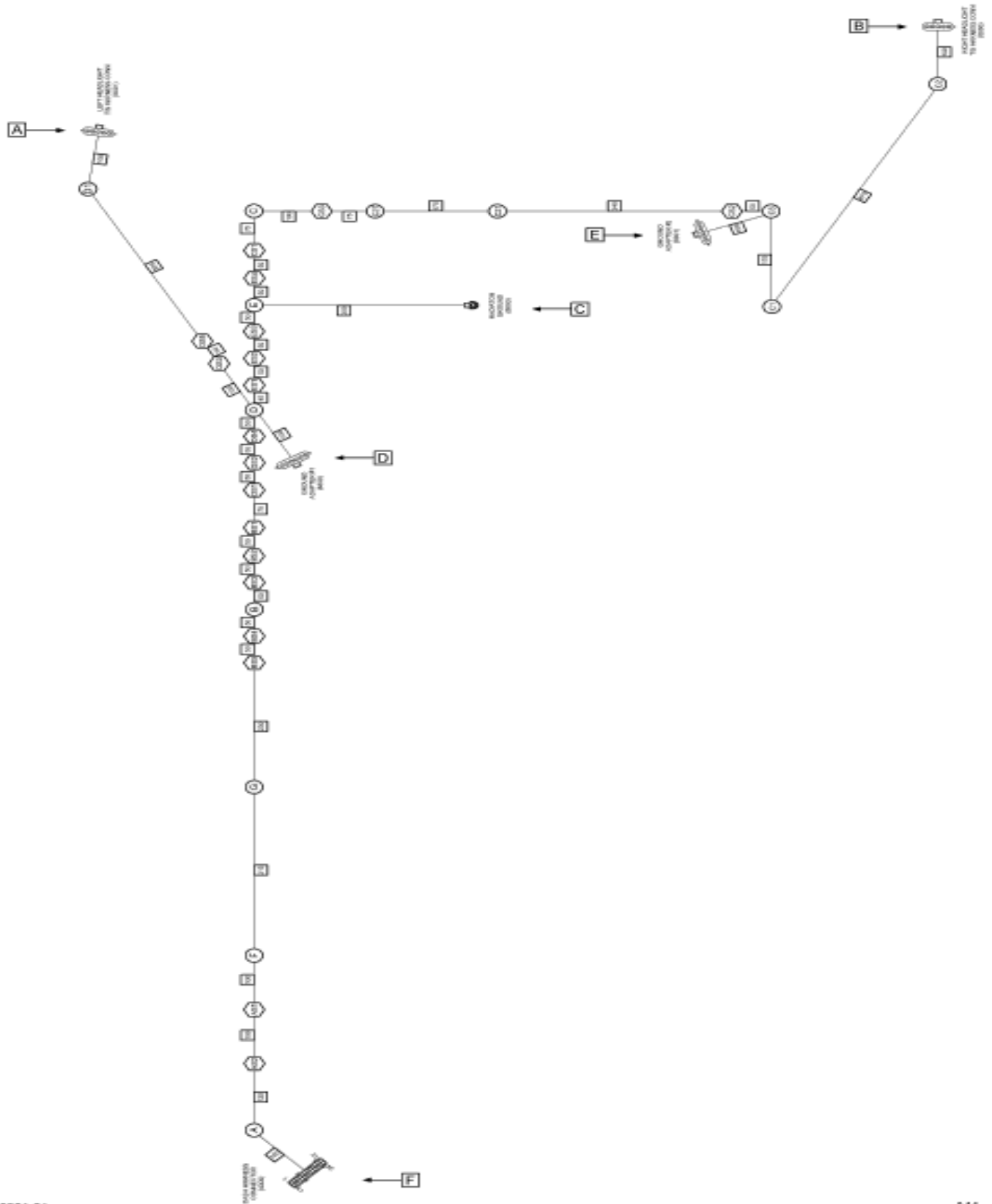
GROUP 8

08-E75-0001-B0

L02

Item	Part No.	Qty	Description	Kit	Var	Figure
5	3572236F91	1	ELEC FWD CHAS BASE		0F64Q	3572236F91

Figure 3572236F91
ELEC FWD CHAS BASE

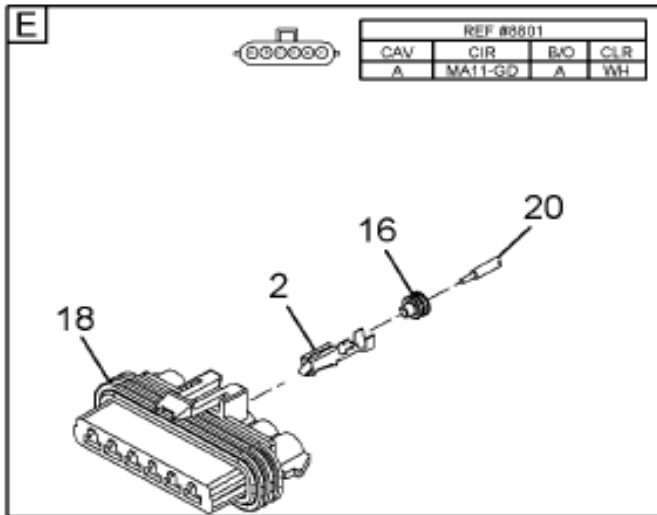
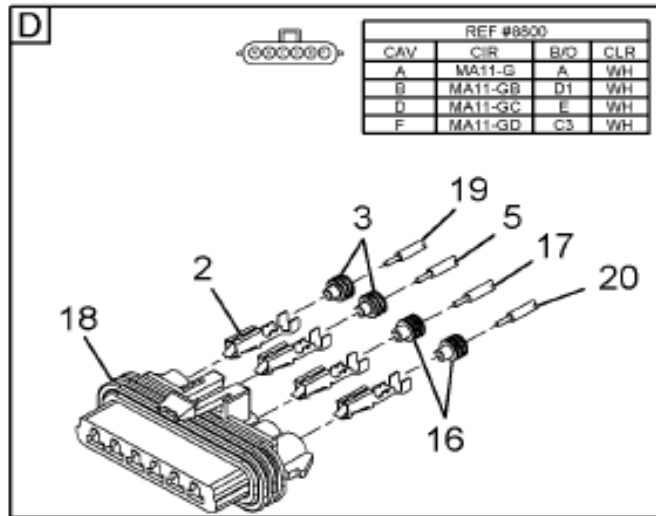
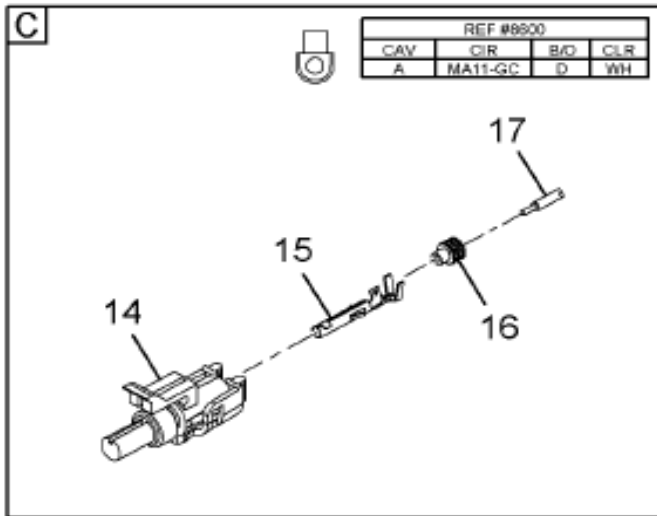
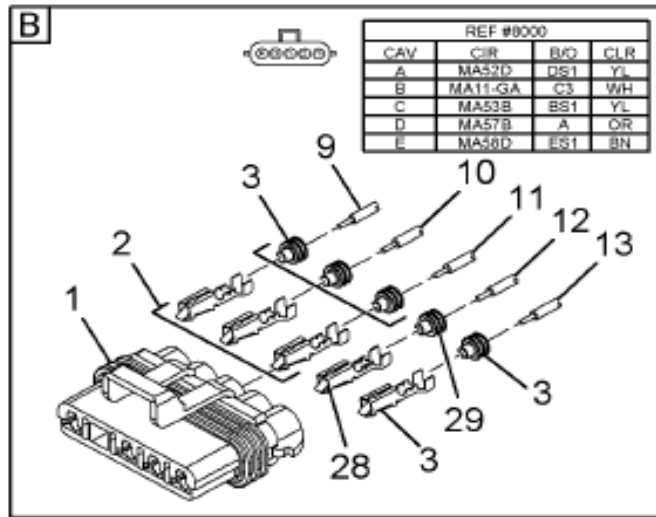
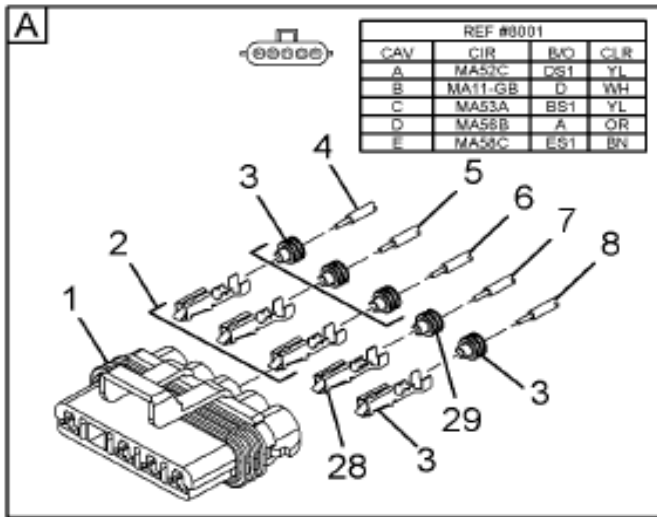


08-E61-0001-01

A11

Figure 1 of 3

Figure 3572236F91
ELEC FWD CHAS BASE



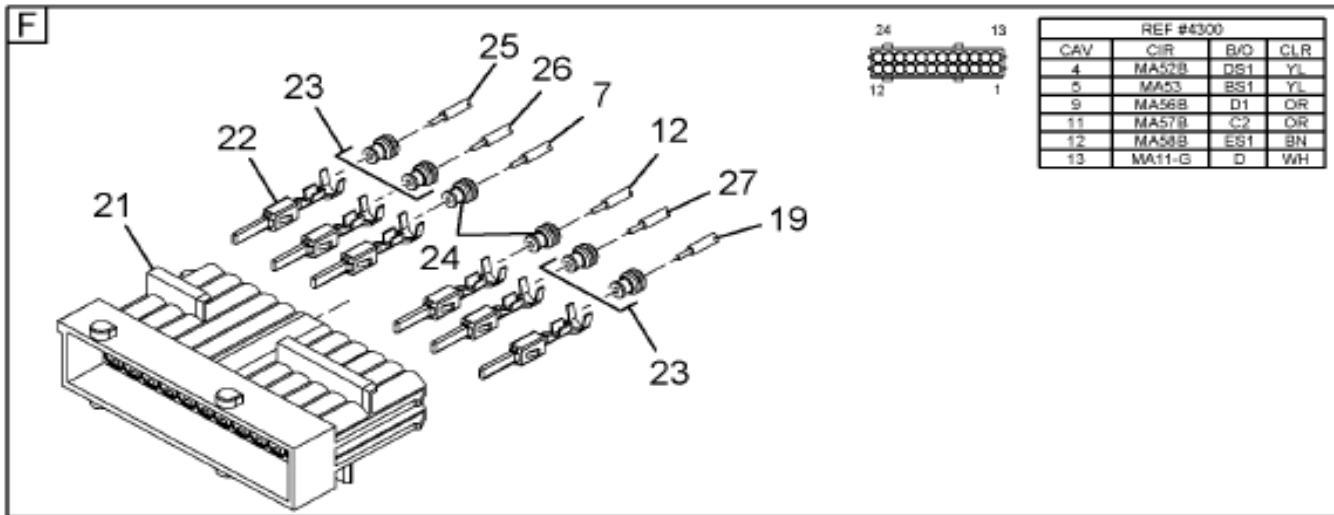
GROUP 8

08-E61-0001-02

A11

Figure 2 of 3

Figure 3572236F91
ELEC FWD CHAS BASE



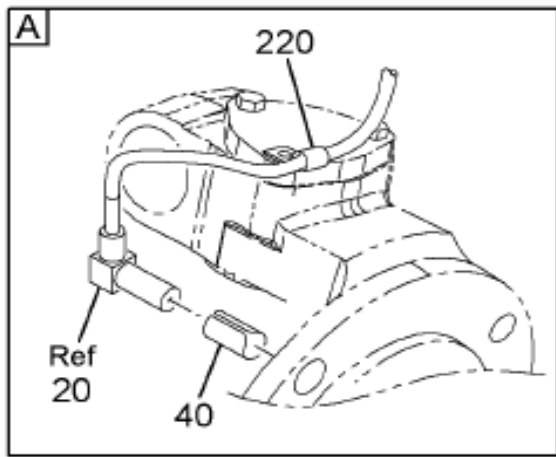
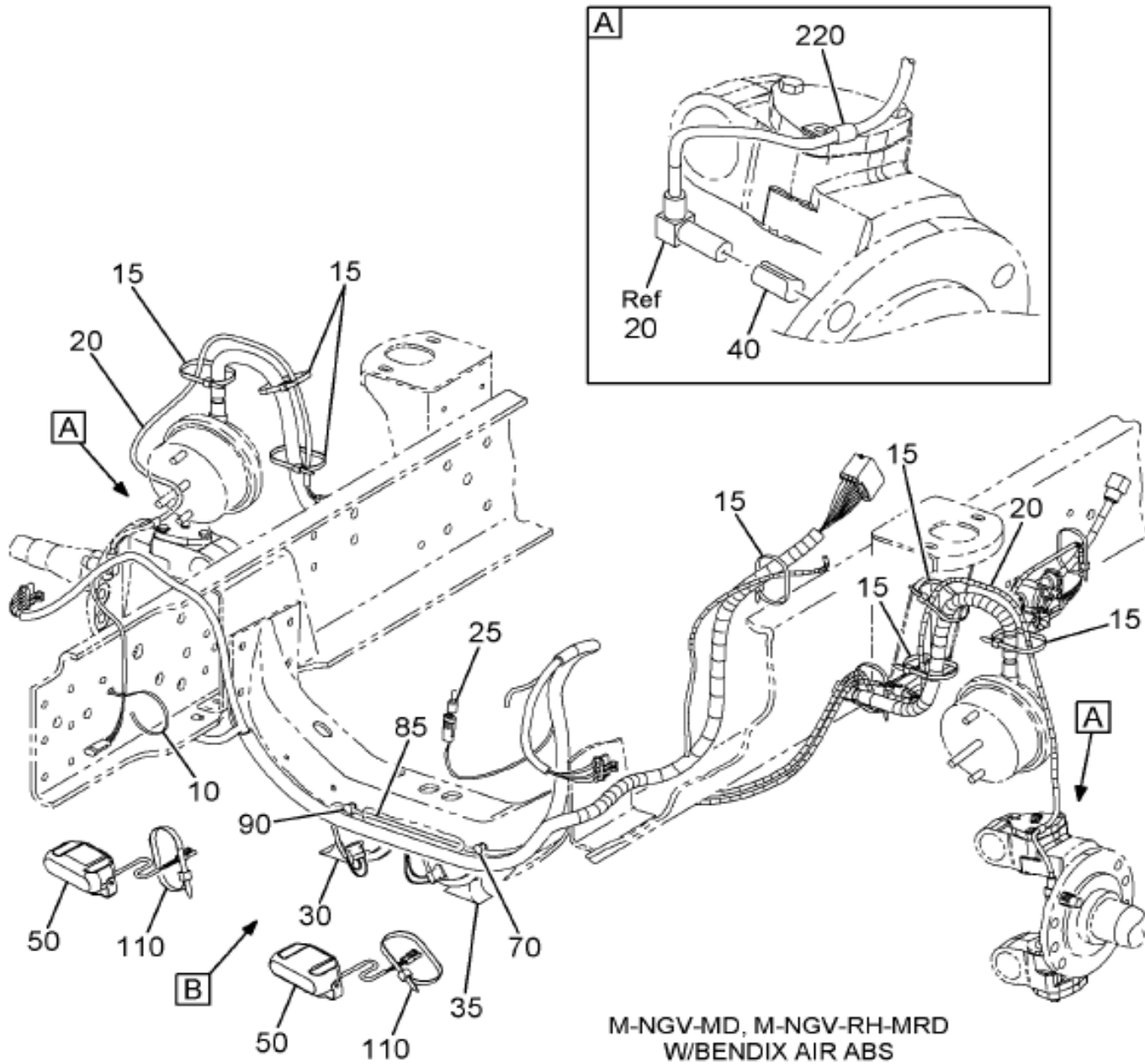
08-E61-0001-03

A11

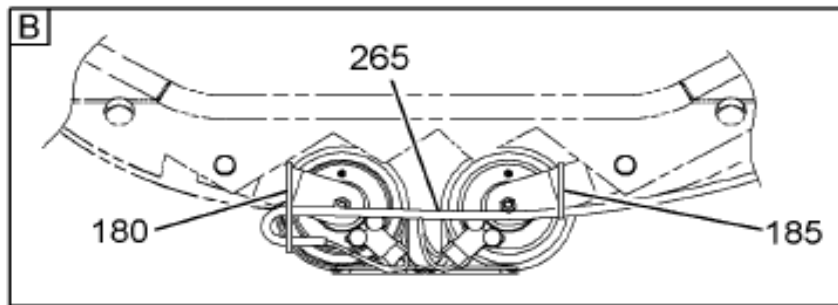
Item	Part No.	Qty	Description	Kit	Var	Figure
1	1661375C2	2	BODY, CONNECTOR			
2	2033816C1	13	TERMINAL, CABLE (FOR 14 GA ONLY			
3	589391C1	12	PLUG, SEALER, LOOSE PIECE			
4	2643693R1	AR	CABLE LOW TENSION SINGLE COND			
5	2643689R1	AR	CABLE LOW TENSION SINGLE COND			
6	2643693R1	AR	CABLE LOW TENSION SINGLE COND			

Figure 06S2V

FWD CHASSIS HARNESS WIRING; TEMP SENSOR, HORN, FOG LT, ABS SENS



M-NGV-MD, M-NGV-RH-MRD
W/BENDIX AIR ABS
EXCLUDING EXCOBEDO TRUCKS



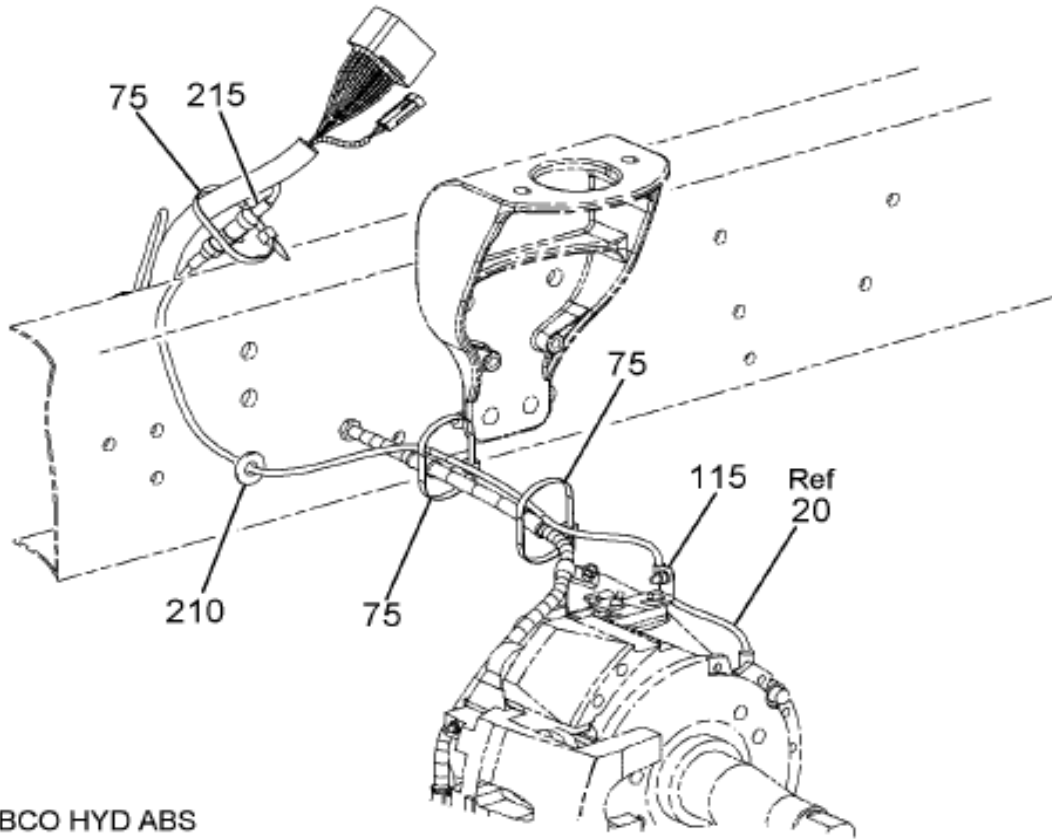
08-V28-0001-00

C09

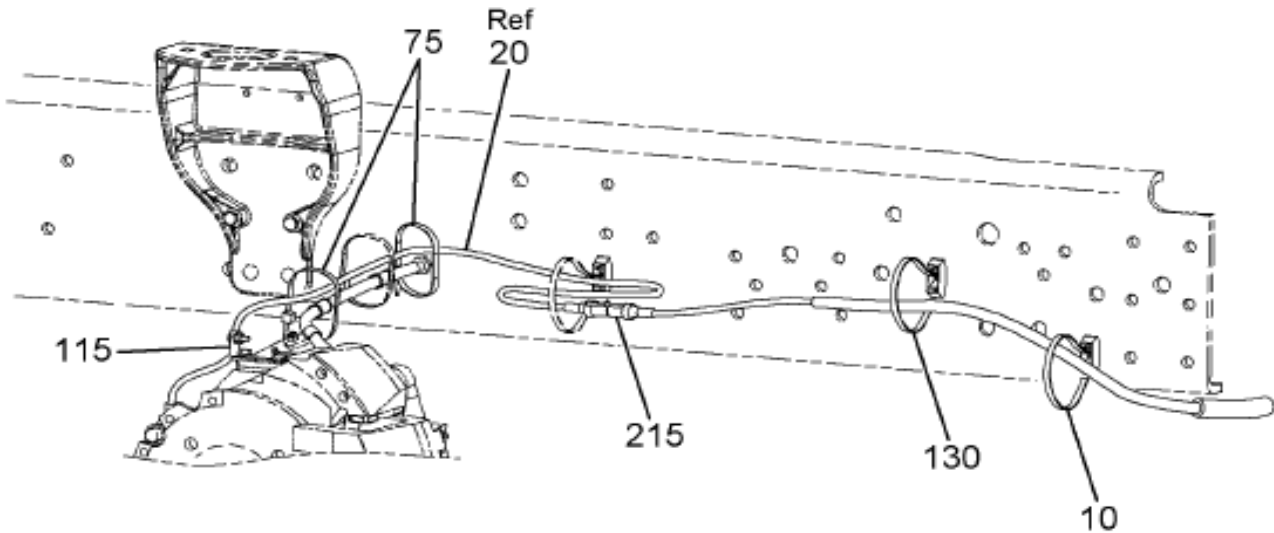
Figure 1 of 8

Figure 06S2V

FWD CHASSIS HARNESS WIRING; TEMP SENSOR, HORN, FOG LT, ABS SENS



GROUP 8



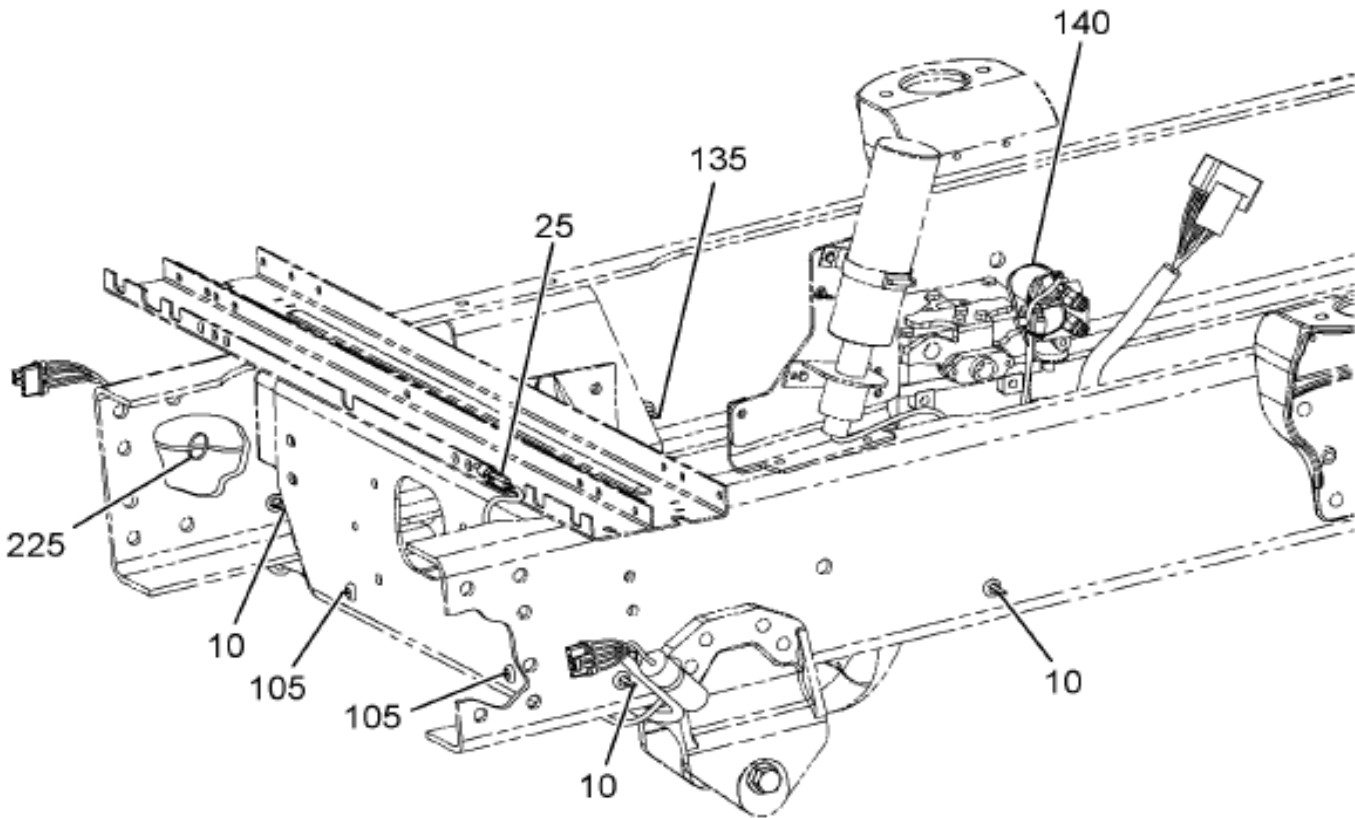
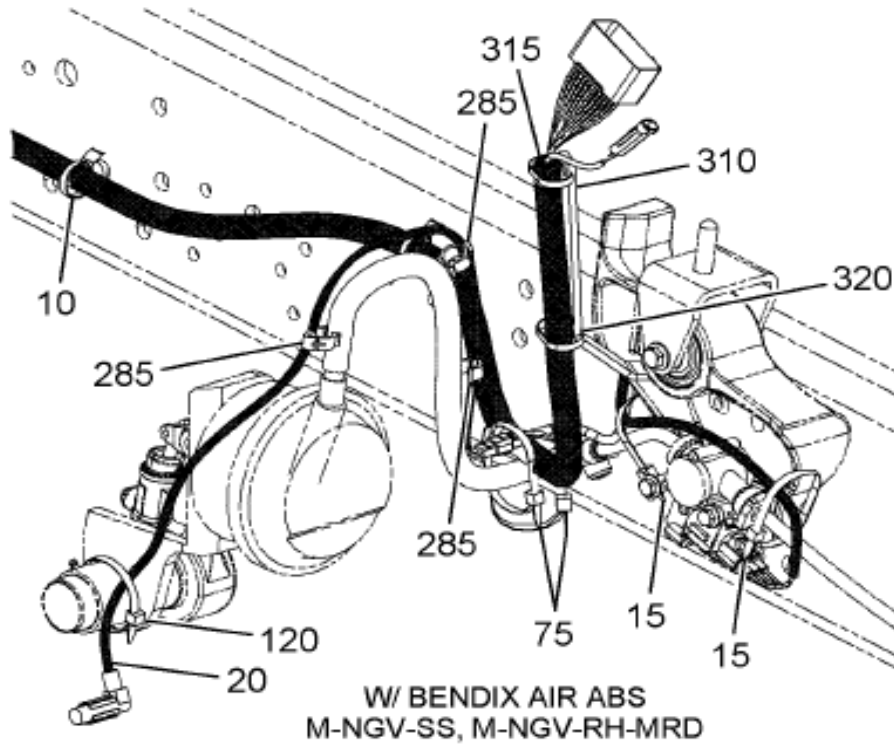
08-V28-0002-01

C09

Figure 2 of 8

Figure 06S2V

FWD CHASSIS HARNESS WIRING; TEMP SENSOR, HORN, FOG LT, ABS SENS



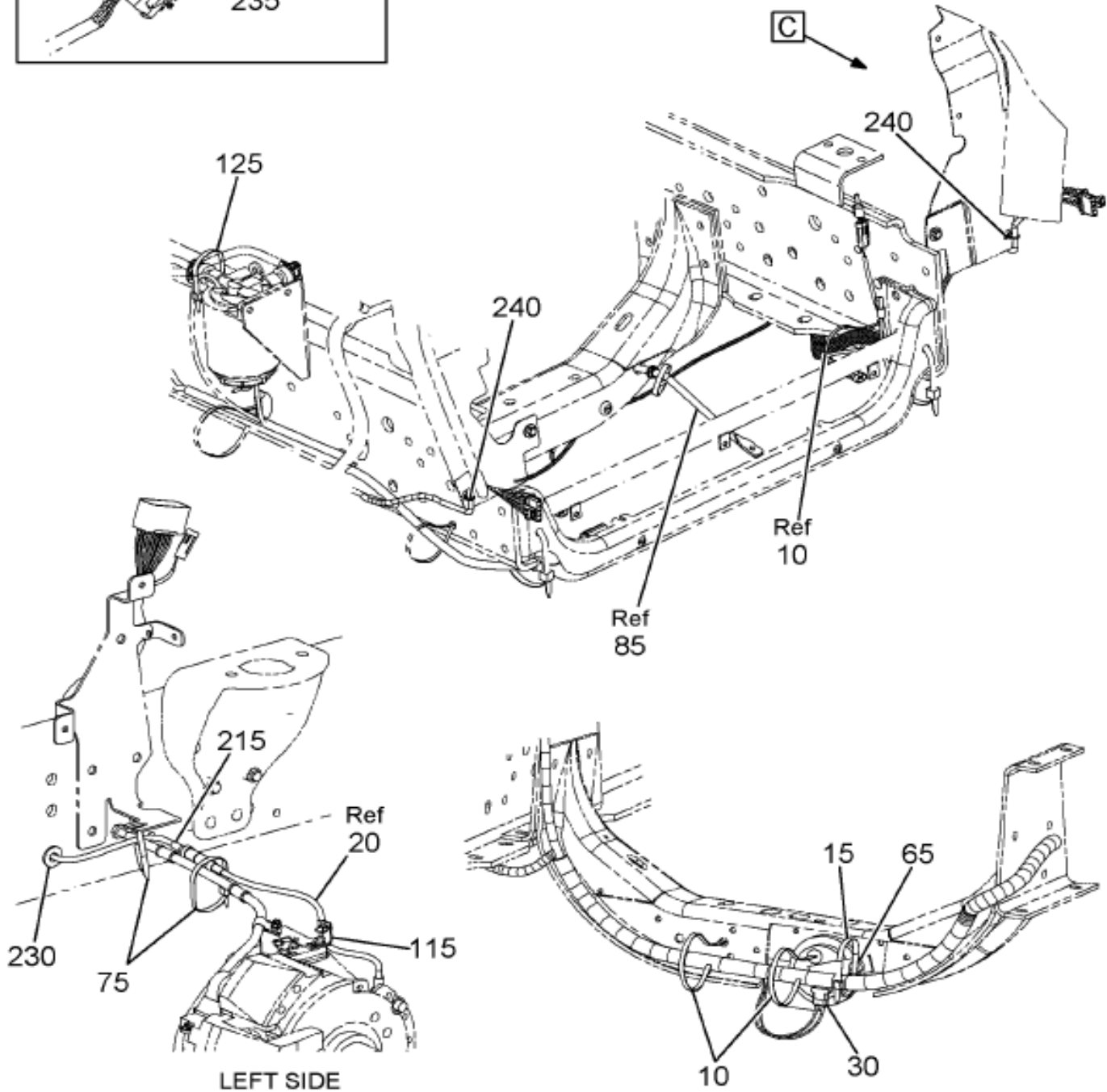
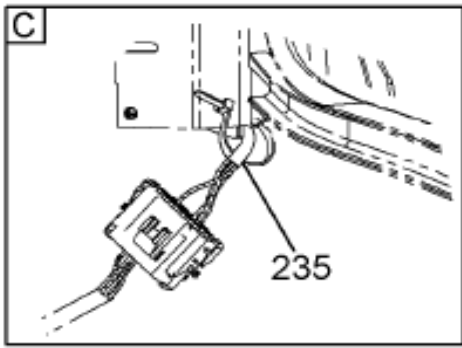
08-V28-0003-02

C09

Figure 3 of 8

Figure 06S2V

FWD CHASSIS HARNESS WIRING; TEMP SENSOR, HORN, FOG LT, ABS SENS



GROUP 8

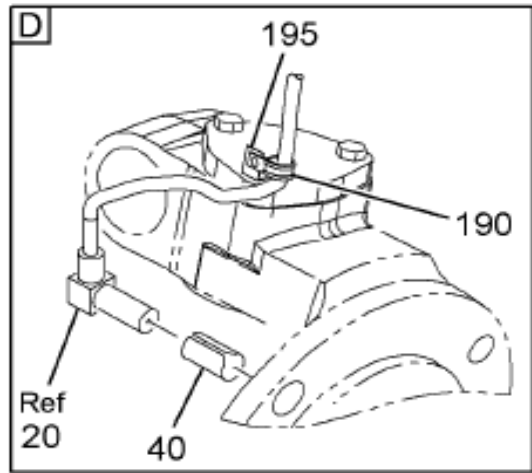
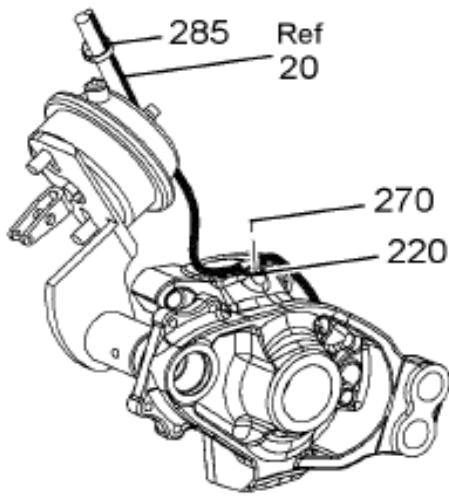
08-V28-0004-03

C09

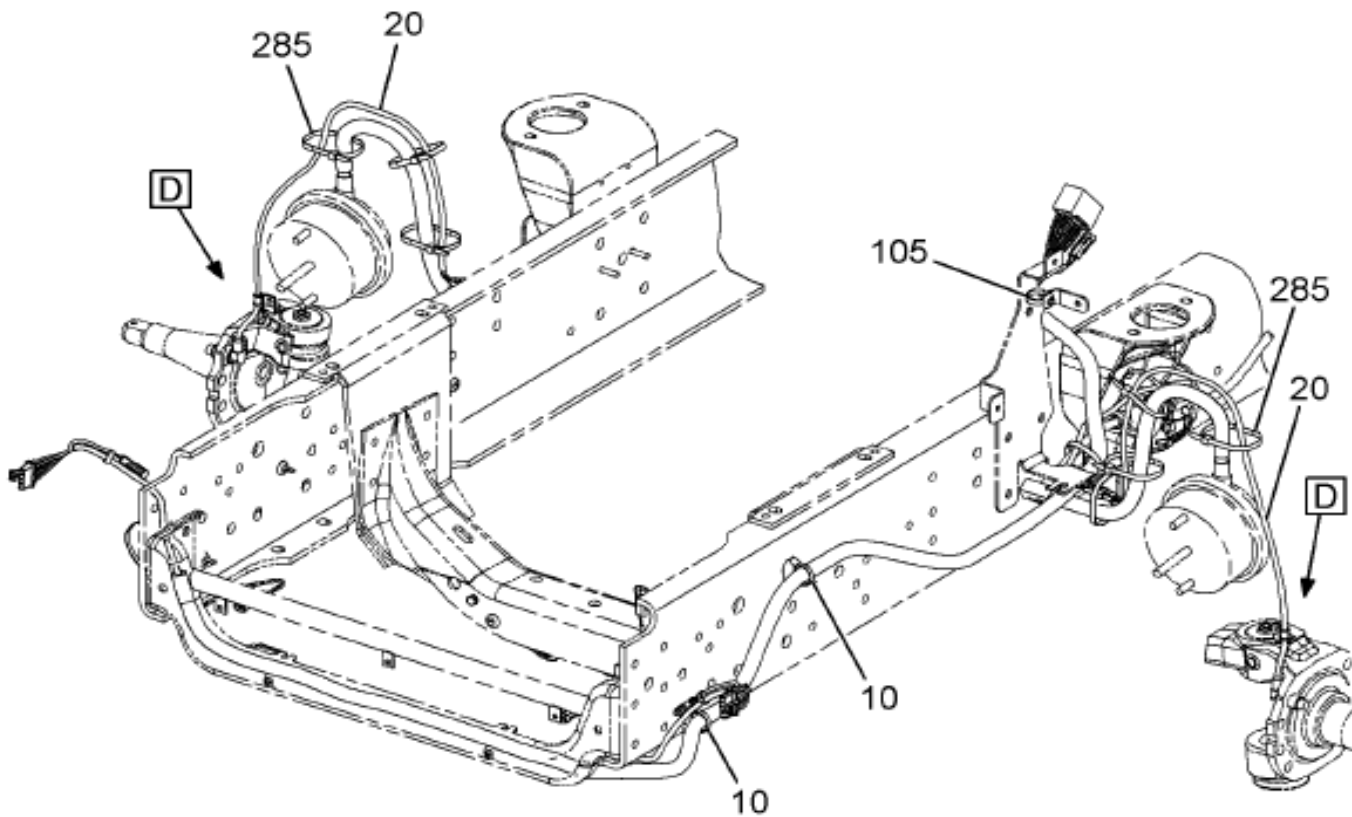
Figure 4 of 8

Figure 06S2V

FWD CHASSIS HARNESS WIRING; TEMP SENSOR, HORN, FOG LT, ABS SENS



W/002ASD, 002ASJ FOR M-NGV-RH-MRD
 002ASB, 002ASK FOR M-NGV-RH-HDD



NGV-MD MODELS
 EXCOBEDO TRUCKS

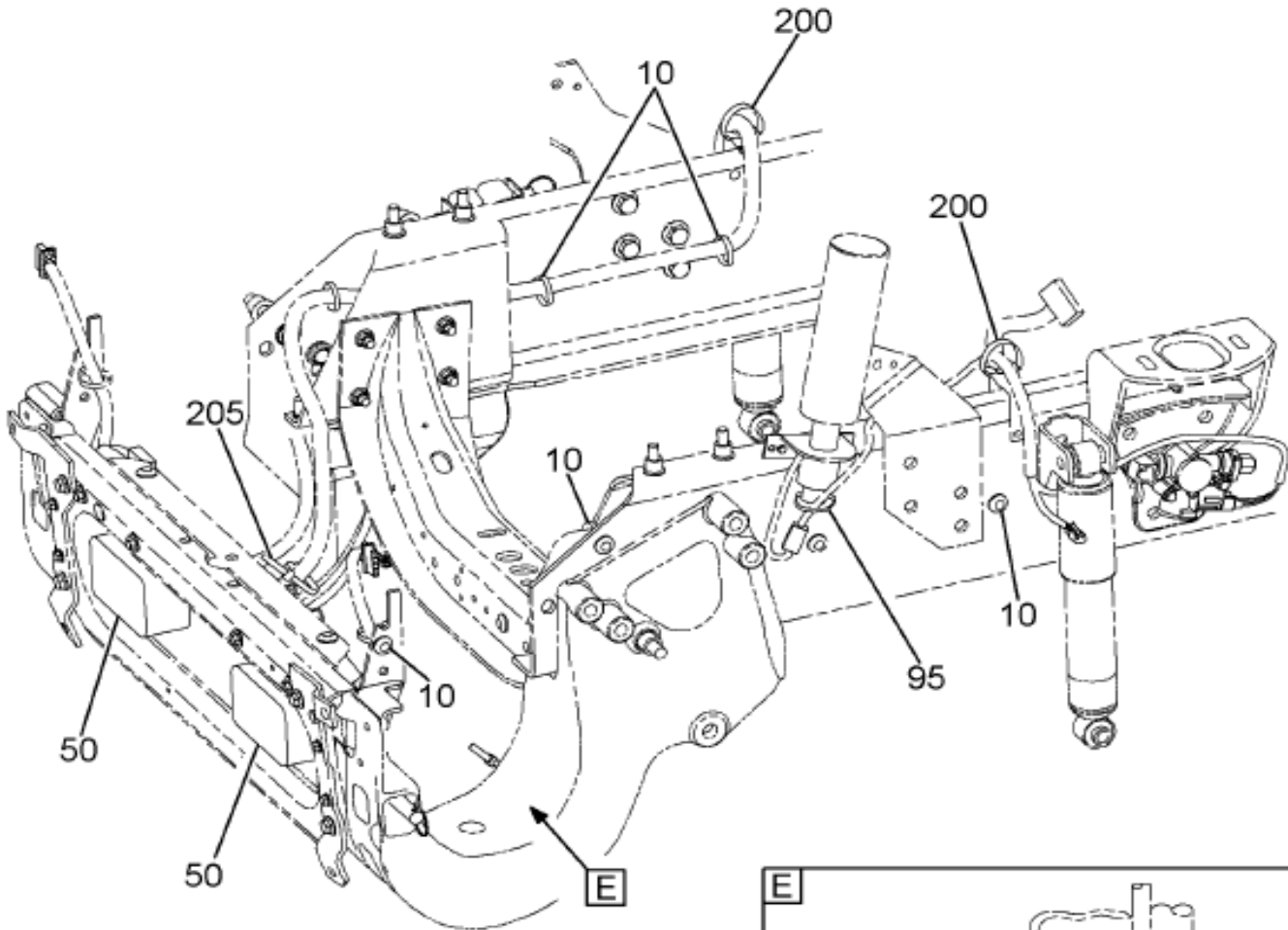
08-V28-0005-04

C09

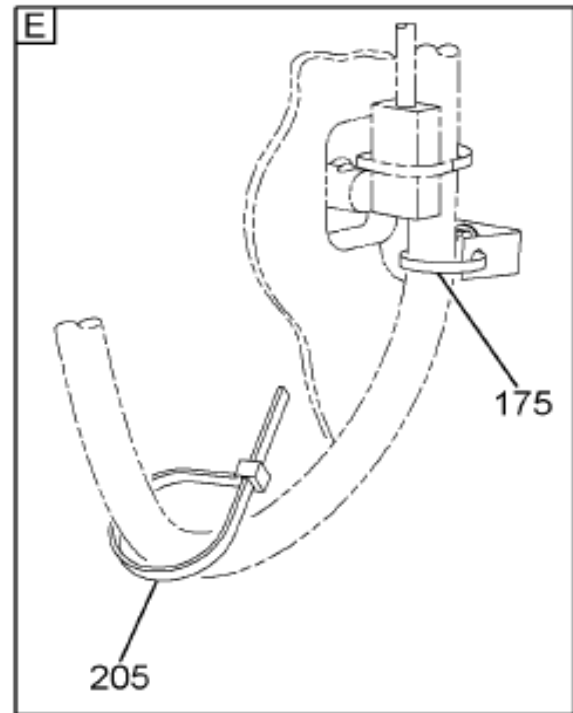
Figure 5 of 8

Figure 06S2V

FWD CHASSIS HARNESS WIRING; TEMP SENSOR, HORN, FOG LT, ABS SENS



M-NGV-RH-HDD



C
R
O
S

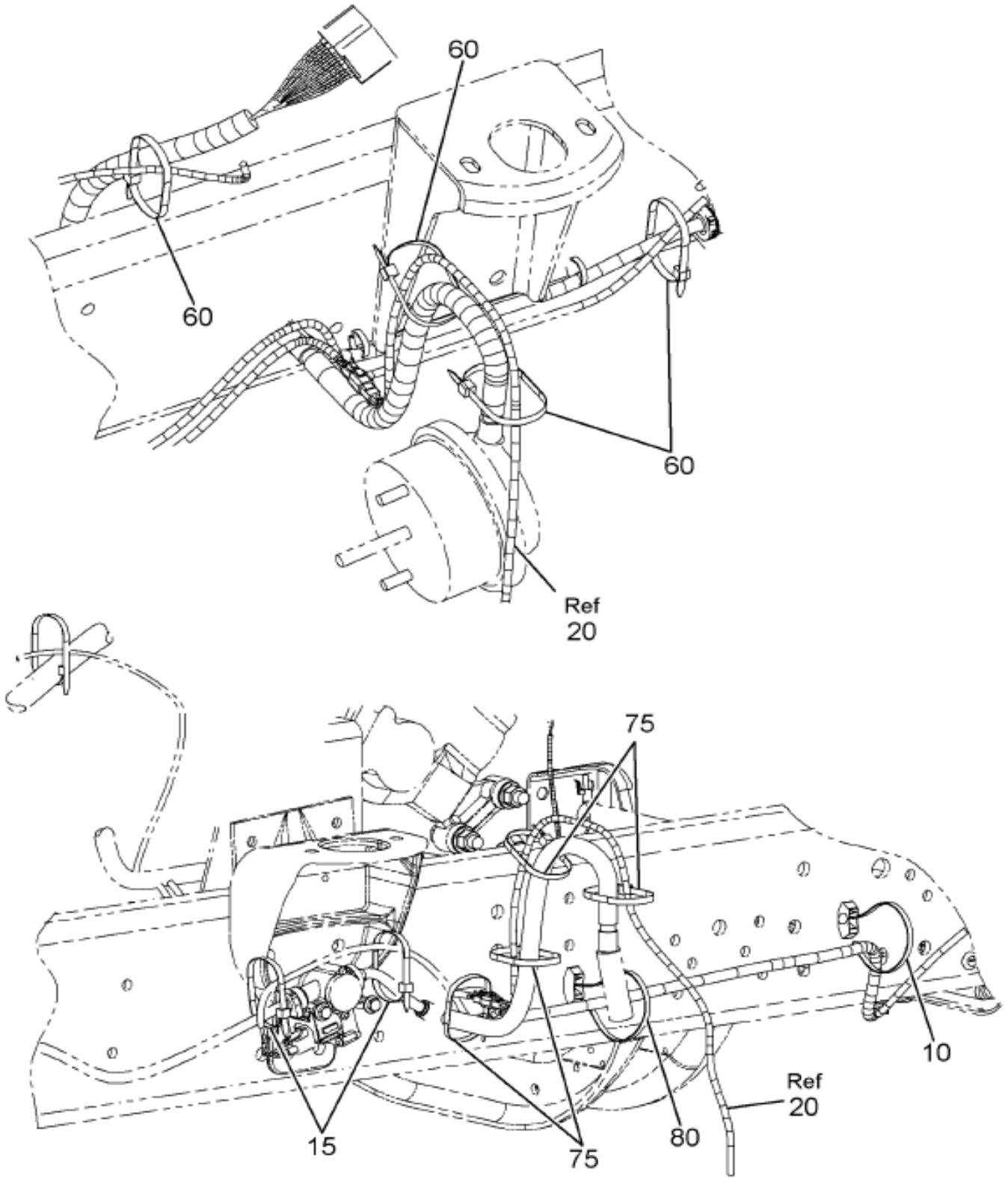
08-V28-0006-05

C09

Figure 6 of 8

Figure 06S2V

FWD CHASSIS HARNESS WIRING; TEMP SENSOR, HORN, FOG LT, ABS SENS



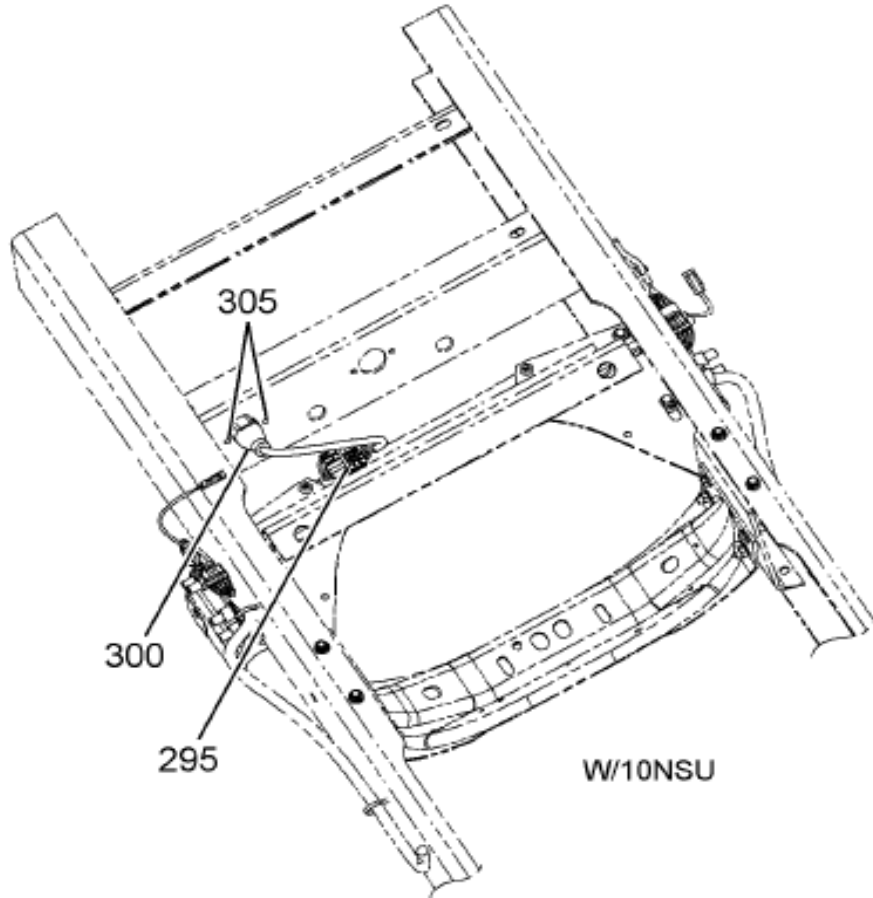
08-V28-0007-06

C09

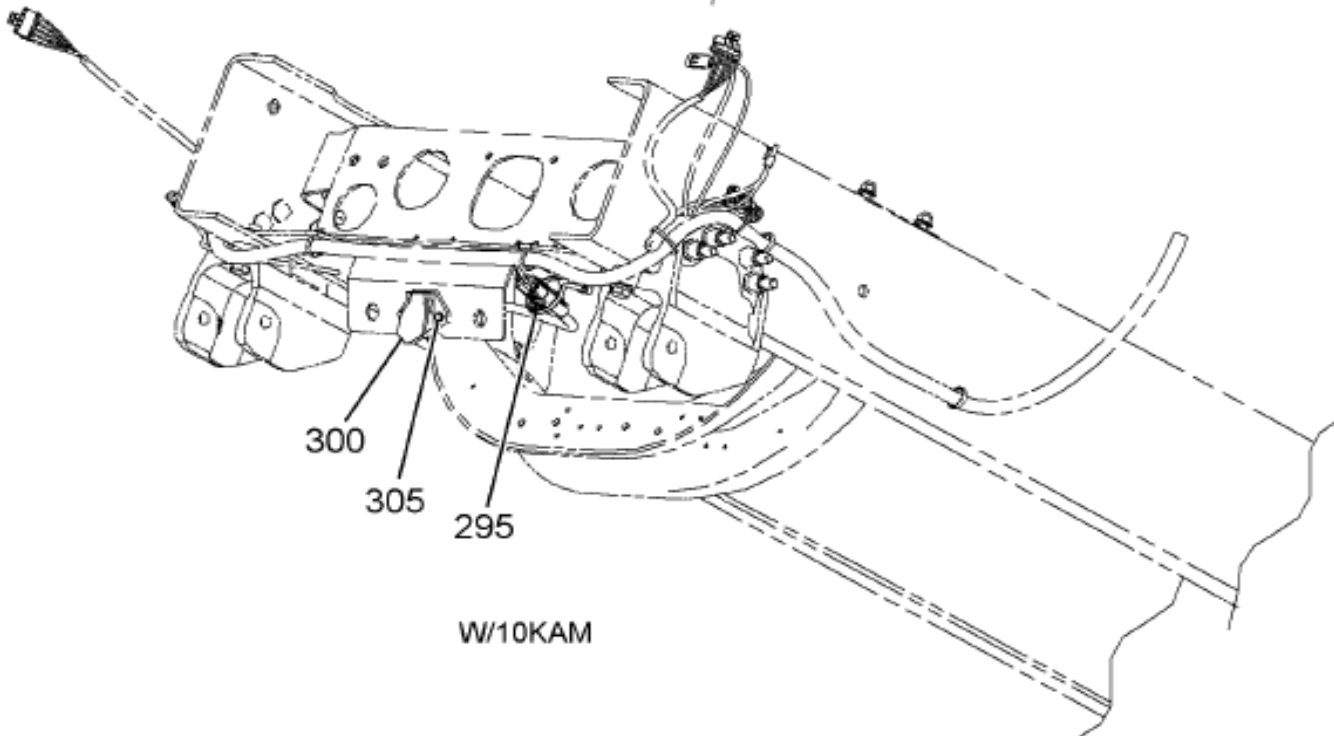
Figure 7 of 8

Figure 06S2V

FWD CHASSIS HARNESS WIRING; TEMP SENSOR, HORN, FOG LT, ABS SENS



W/10NSU



W/10KAM

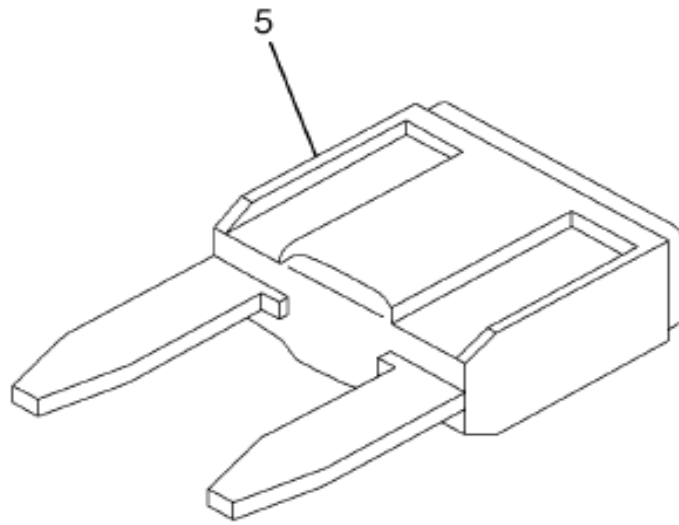
G
R
P
0
8

08-V28-0023-01

C09

Item	Part No.	Qty	Description	Kit	Var	Figure
10	3544557C1	4	STRAP, CABLE LOCK*382MM BUTTON		06S2V	
10	3536111C1	4	GUIDE, BRK HOSE & CABLE*GUIDE S		06S2V	
15	289862C1	1	STRAP, CABLE LOCK		0F7MT	
30	3523179C91	1	HORN, ELEC W/BRKTS LO-NOTE		0H80Q	
30	25493R1	1	BOLT, HH 5/16X1 PHC TYP 8		0H80Q	
30	120214	1	WASHER, LOCK 5/16, REG, STL/ZNC		0H80Q	

Figure 0CSC2
HARNESS ASM, DASH; AIR DRYER WIRING



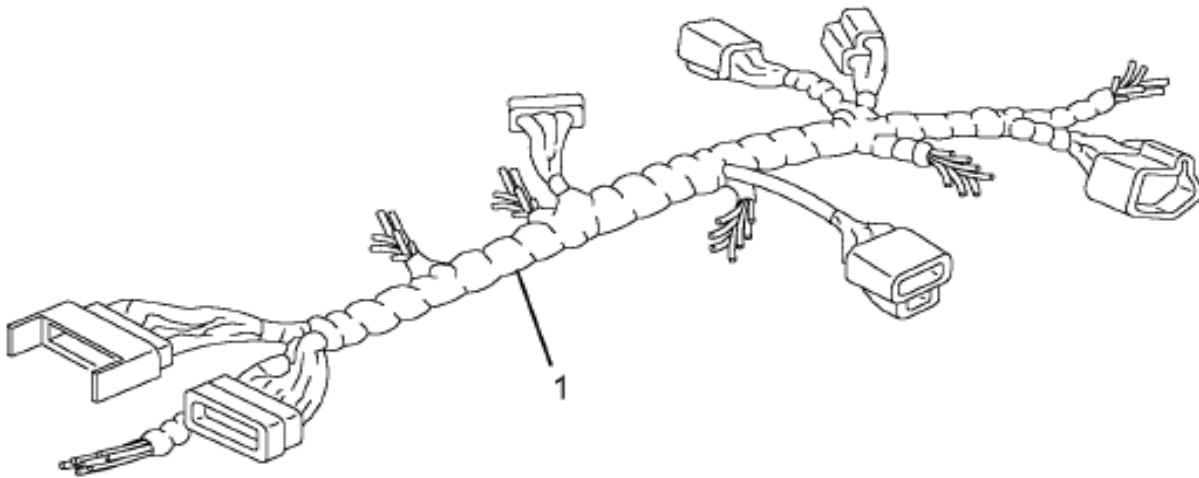
GROUP 08

08-P58-0147-01

B09

Item	Part No.	Qty	Description	Kit	Var	Figure
5	3544510F92	1	HARNESS,DASH ELEC; AIR		OCT0L	3544510F92

Figure 3544510F92
 HARNESS,DASH ELEC; AIR

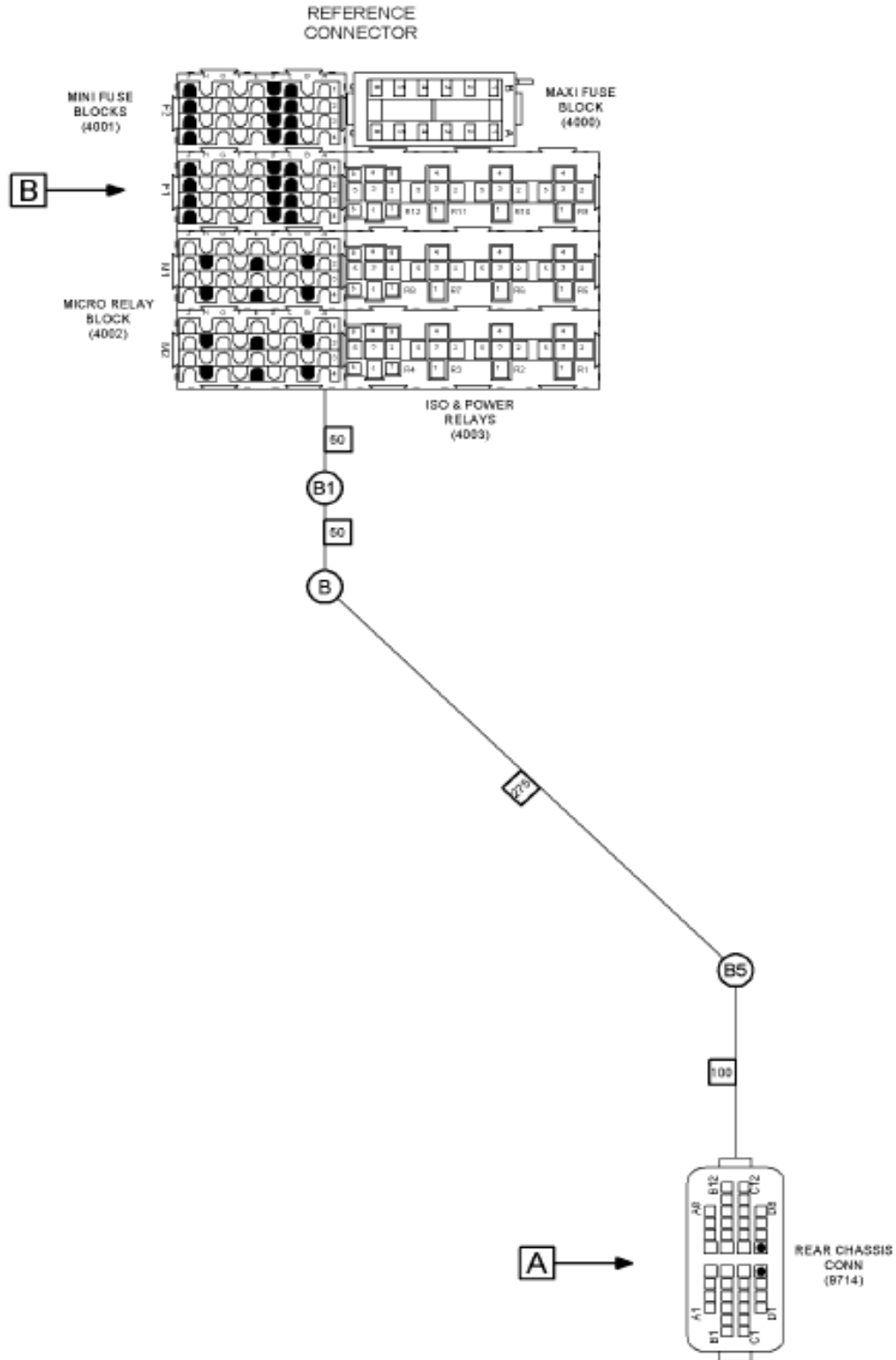


08-P58-0006-01

C03

Item	Part No.	Qty	Description	Kit	Var	Figure
1	3545551C92	1	HARNESS,ELEC; AIR DRYER			3545551C92
1	3534211C1	1	FUSE,*FUSE, 20AMP MINI			
880		RF	NOTE: ASM BELOW COMPRISED OF ABOVE COMPONENTS			
881	3544510F92	RF	HARNESS,DASH ELEC; AIR			

Figure 3545551C92
HARNESS, ELEC; AIR DRYER

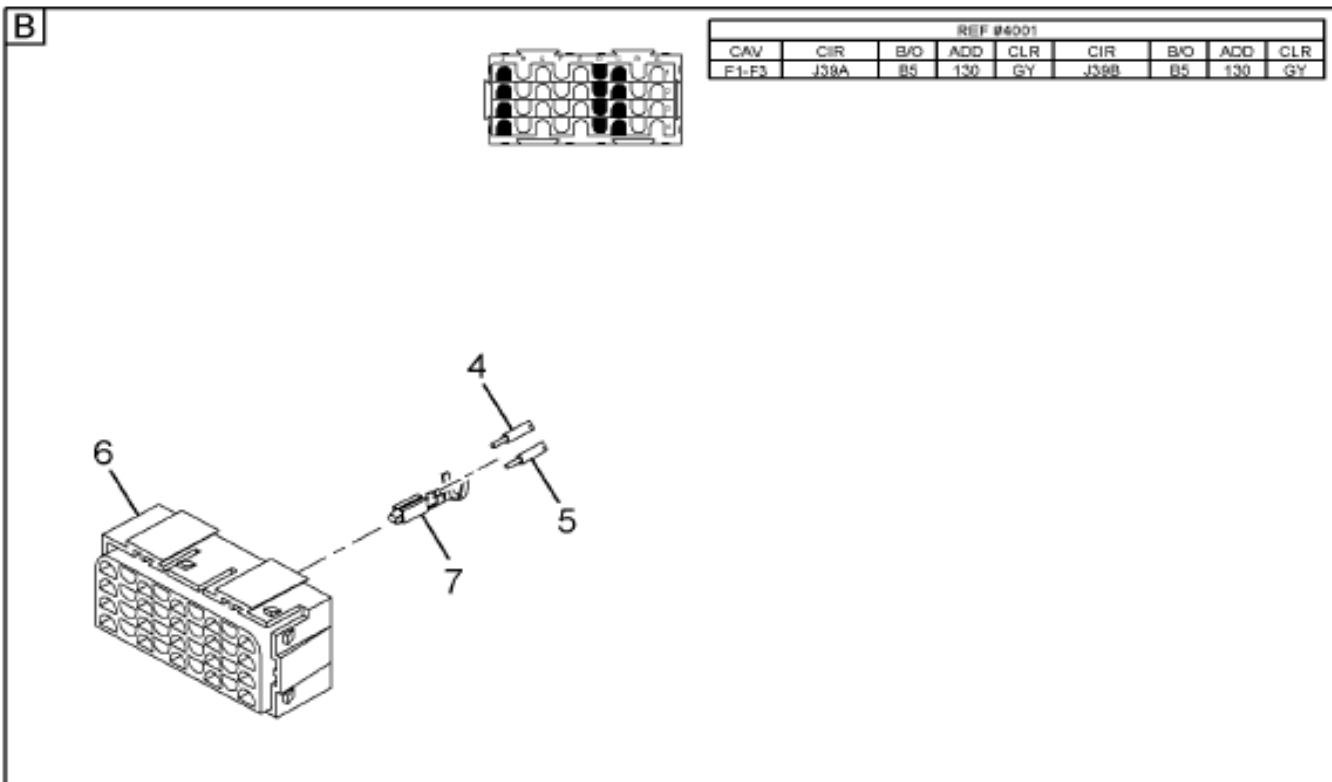
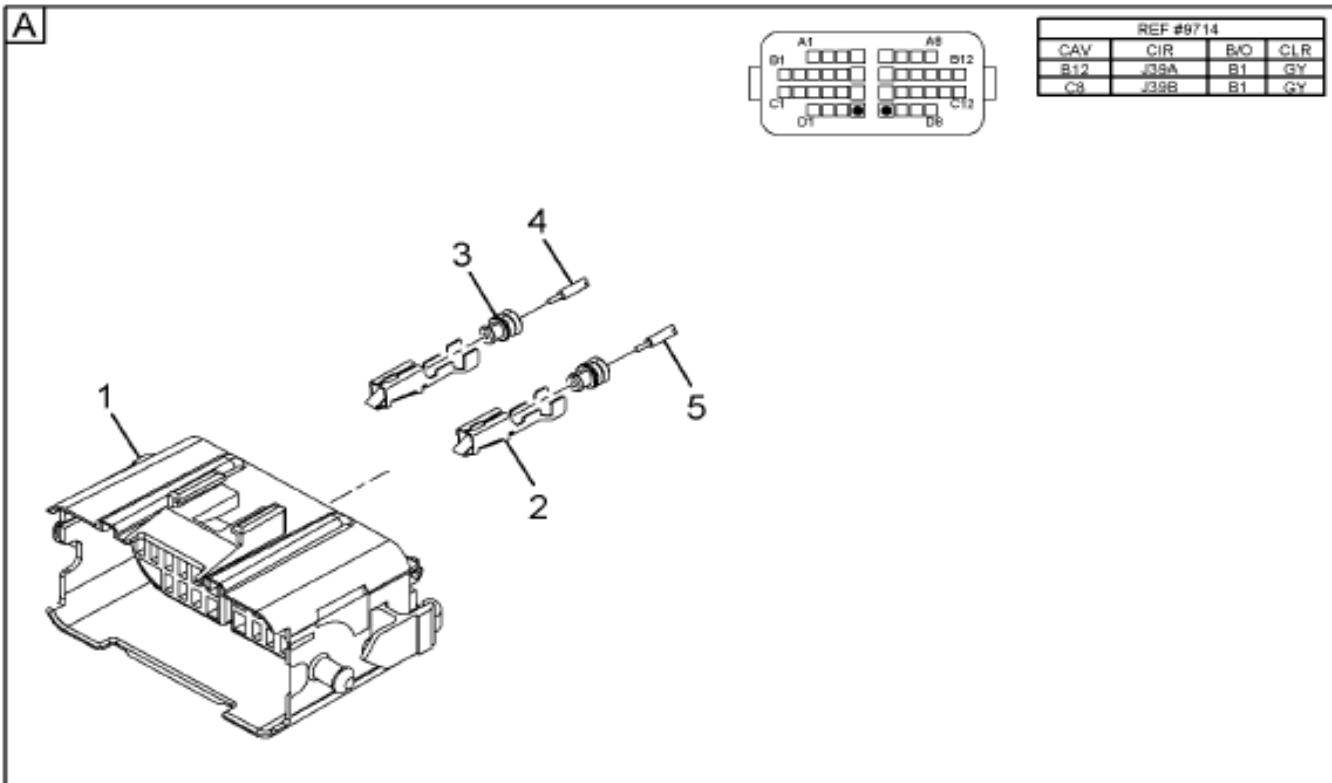


08-D14-0001-01

F10

Figure 1 of 2

Figure 354551C92
HARNESS,ELEC; AIR DRYER



08-D14-0001-02

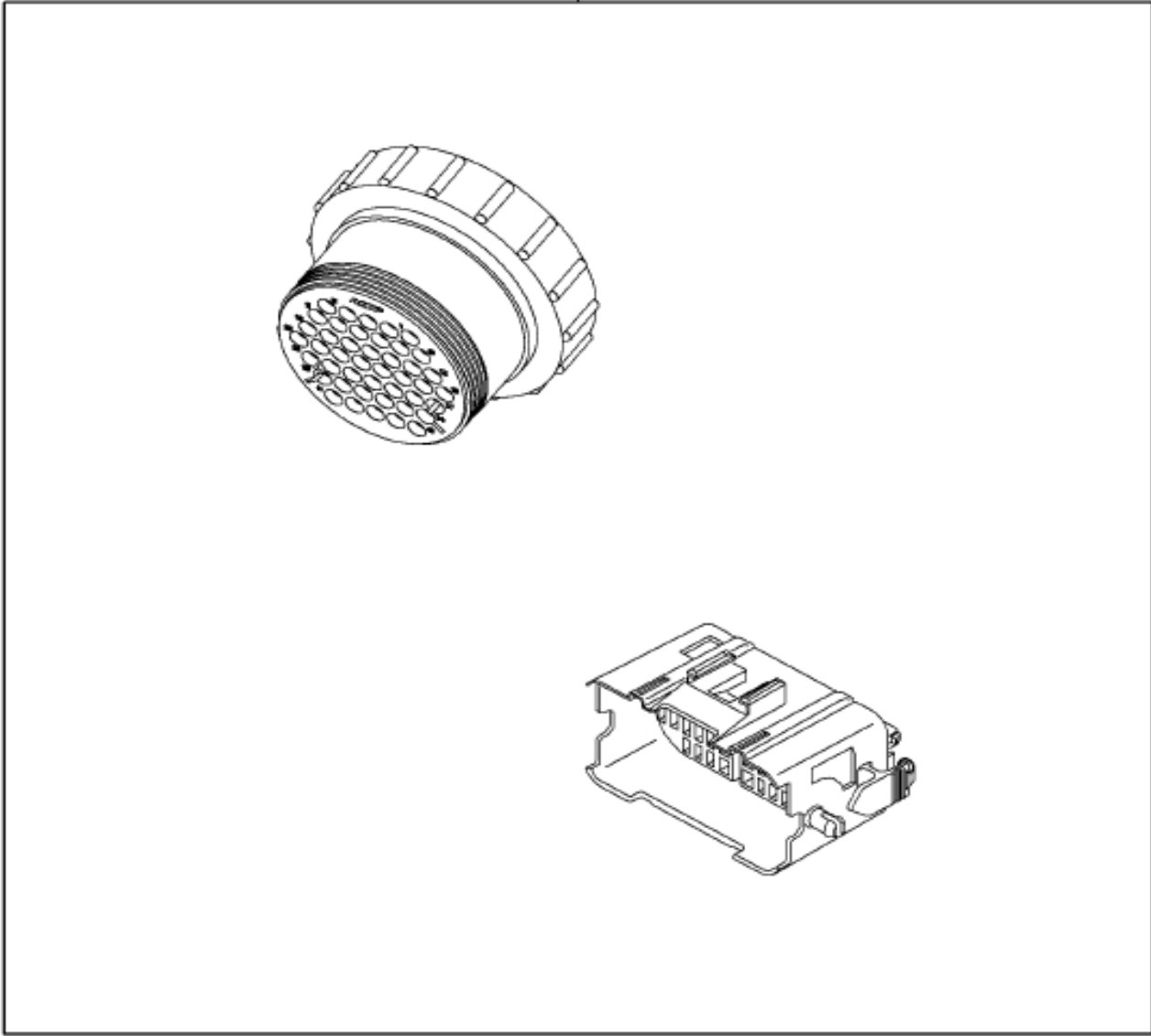
F10

Item	Part No.	Qty	Description	Kit	Var	Figure
1	3535306C1	1	CONNECTOR,BODY 38-WAY FEMALE G			
2	3535303C1	2	TERMINAL,CABLE*CONN TERMINAL			
3	3535424C1	2	PLUG,SEALING*CABLE TERMINAL SE			
4	3510312R1	AR	CABLE,LOW TENSION TXL			
5	3510312R1	AR	CABLE,LOW TENSION TXL			
6	3545599C91	1	CONNECTOR,BODY*FUSE/CIRCUIT BR			

Figure 0CSBR

HARNESS ASM, DASH; DIFF LOCK SENDER WIRING

55

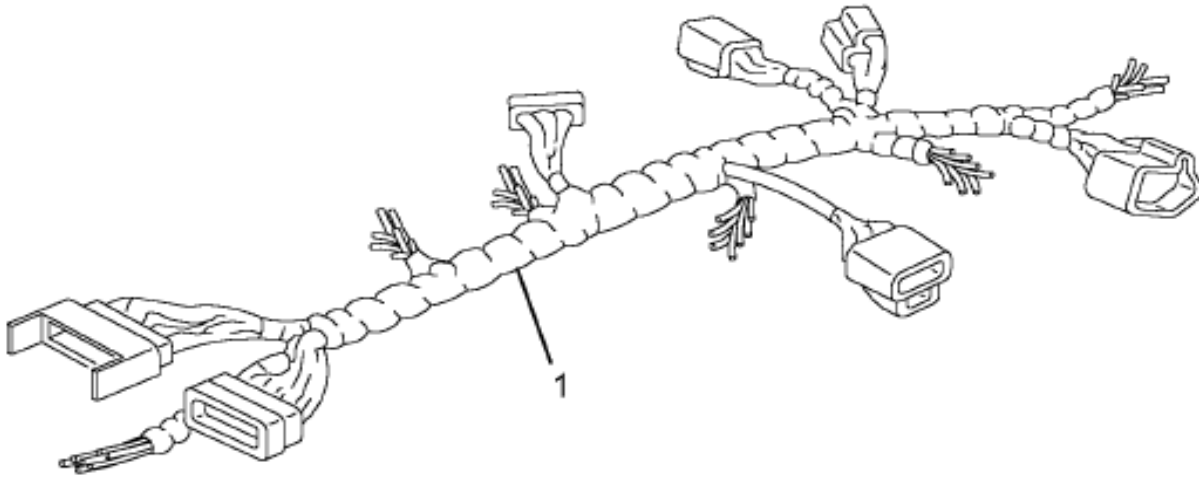


08-D11-0004-01

B09

Item	Part No.	Qty	Description	Kit	Var	Figure
55	3568466F91	1	HARNESS,DASH ELEC; DIF		0HBY6	3568466F91

Figure 3568466F91
HARNESS,DASH ELEC; DIF



Grp 08

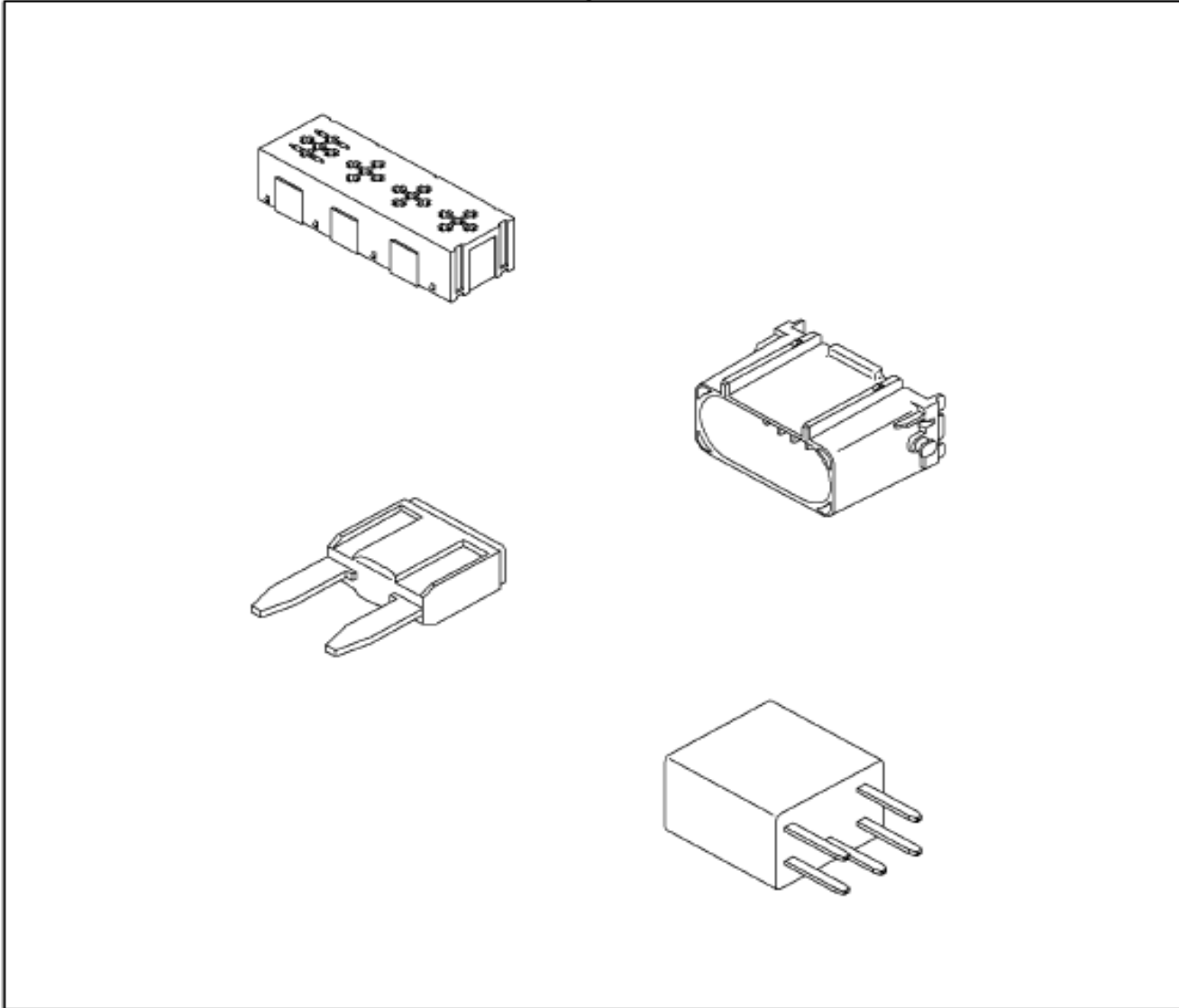
08-P58-0006-01

C03

Item	Part No.	Qty	Description	Kit	Var	Figure
1	3568499C91	1	HARNESS,ELEC; DIFF LOCK SENDER			
1	3568500C91	1	HARNESS,ELEC; SECOND DIFF LOCK			
880		RF	NOTE: ASM BELOW COMPRISED OF ABOVE COMPONENTS			
881	3568466F91	RF	HARNESS,DASH ELEC; DIF			

Figure 0CSBJ
 HARNESS ASM, DASH; ENGINE FAN WIRING

45

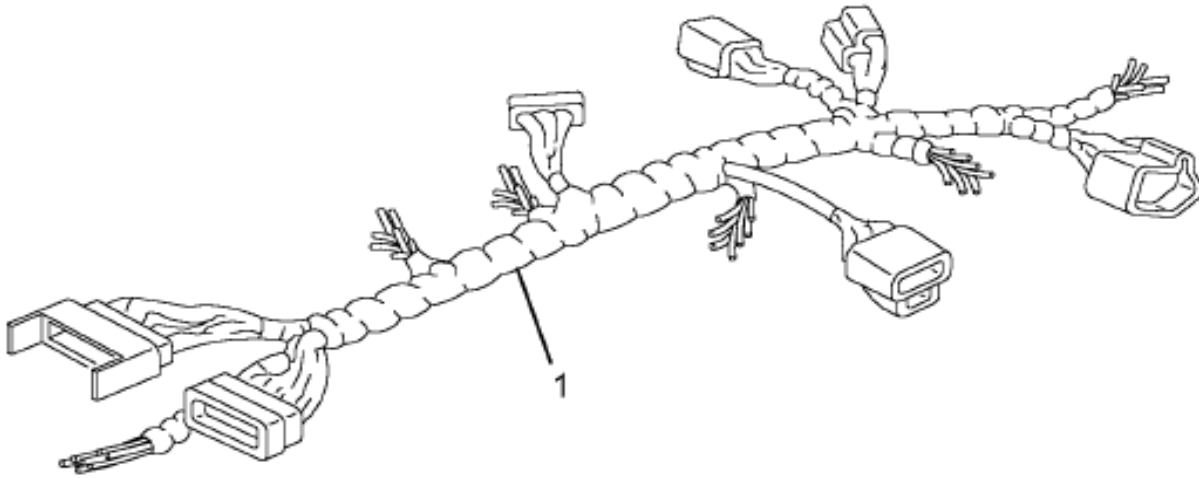


08-D09-0001-01

B09

Item	Part No.	Qty	Description	Kit	Var	Figure
45	3544500F93	1	HARNESS,DASH ELEC; AIR		0JC3L	3544500F93

Figure 3544500F93
 HARNESS,DASH ELEC; AIR



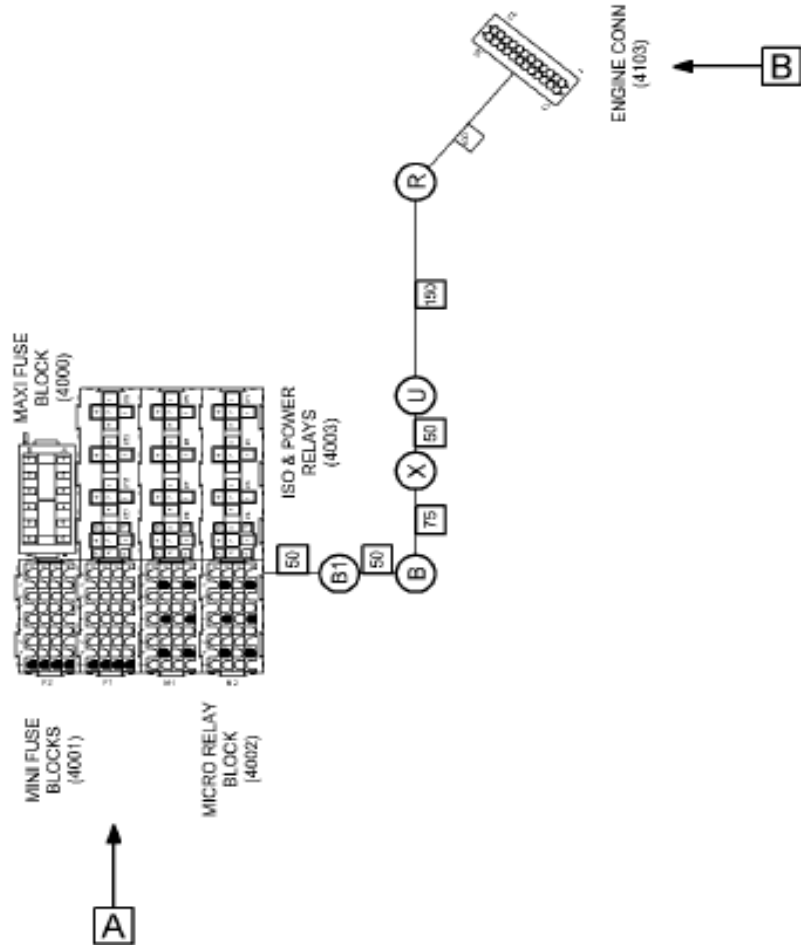
G
R
P
0
8

08-P58-0006-01

C03

Item	Part No.	Qty	Description	Kit	Var	Figure
1	3560277C91	1	HARNESS,ENGINE FAN WIRING ENGI			3560277C91
1	3534209C1	1	FUSE,*FUSE, 10AMP MINI			
880		RF	NOTE: ASM BELOW COMPRISED OF ABOVE COMPONENTS			
881	3544500F93	RF	HARNESS,DASH ELEC; AIR			

Figure 3560277C91
HARNES, ENGINE FAN WIRING ENGI

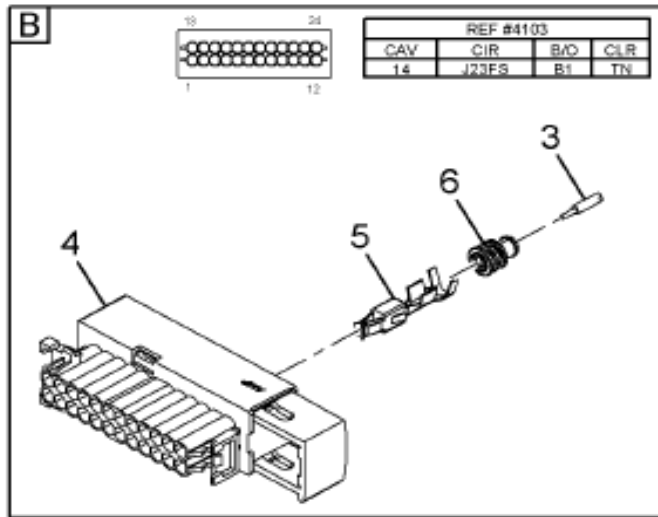
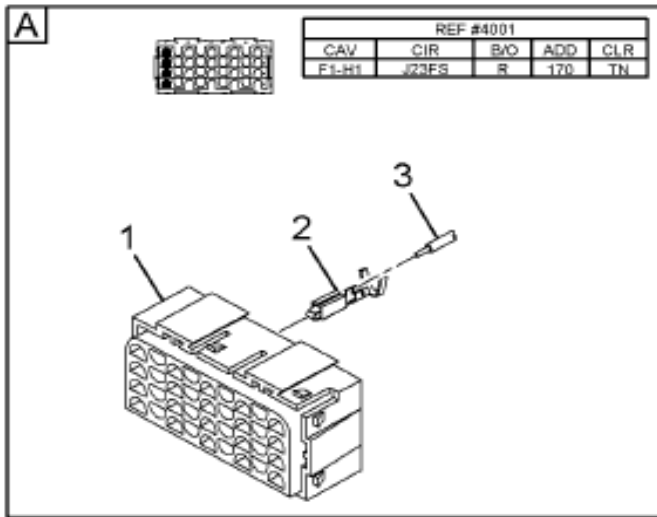


08-471-0037-01

F10

Figure 1 of 2

Figure 3560277C91
 HARNESS, ENGINE FAN WIRING ENGI



G
R
P
0
8

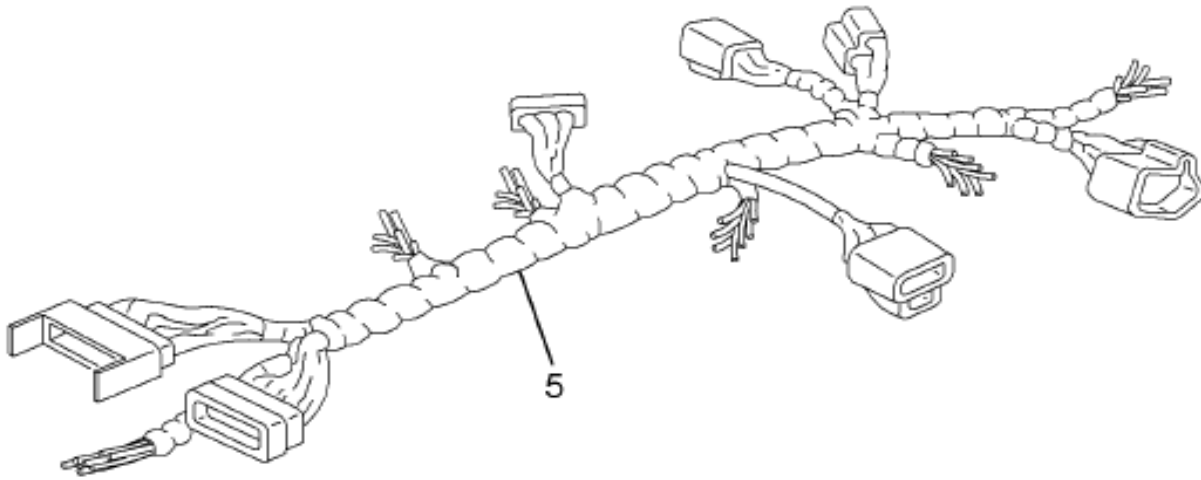
08-471-0037-02

F10

Item	Part No.	Qty	Description	Kit	Var	Figure
1	3545599C91	1	CONNECTOR, BODY*FUSE/CIRCUIT BR			
2	3573312C1	1	TERMINAL, CABLE, 280SERIES FEMAL			
3	2643683R1	AR	CABLE LOW TENSION SINGLE COND			
4	3558026C1	1	CONNECTOR, BODY*AMP JR-PWR-TIME			
5	3559035C1	1	TERMINAL, CABLE*AMP JUNIOR-POWE			
6	3509903C1	1	SEAL, CABLE TERMINAL			

Figure 0CSCF

HARNESS ASM, DASH; ETHER START SYSTEM WIRING



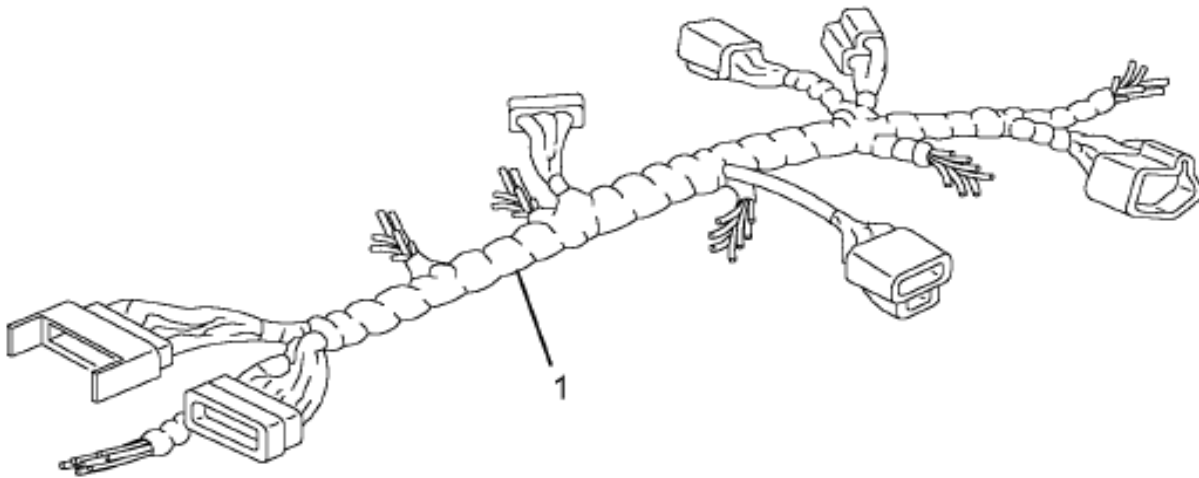
GROUP 08

08-D18-0001-01

C03

Item	Part No.	Qty	Description	Kit	Var	Figure
5	3568469F91	1	HARNESS,DASH ELEC; ETH		0CT0Y	3568469F91

Figure 3568469F91
 HARNESS,DASH ELEC; ETH



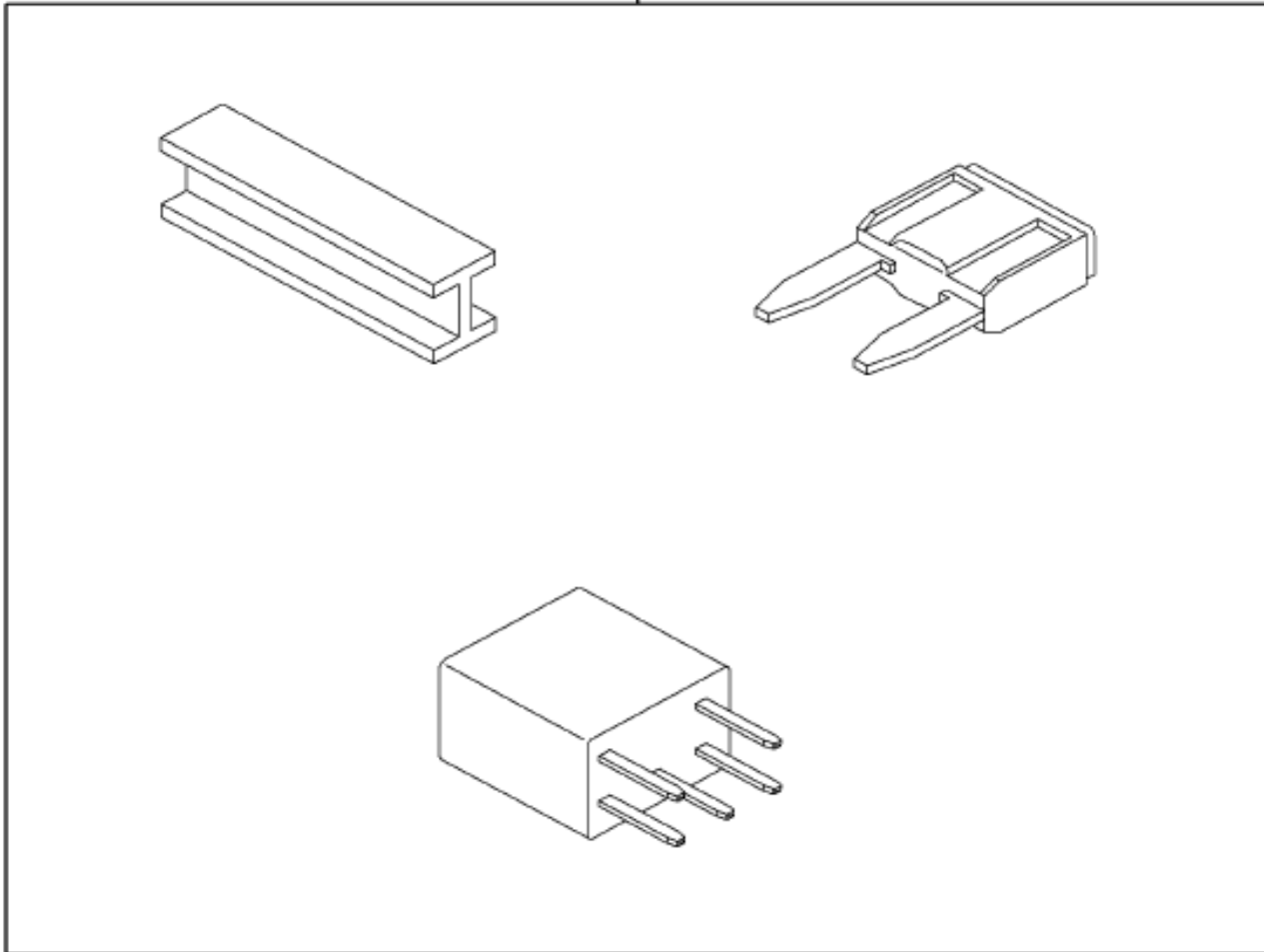
08-P58-0006-01

C03

Item	Part No.	Qty	Description	Kit	Var	Figure
1	3568519C91	1	HARNESS,ETHER START*ETHER STAR			
880		RF	NOTE: ASM BELOW COMPRISED OF ABOVE COMPONENTS			
881	3568469F91	RF	HARNESS,DASH ELEC; ETH			

Figure 0CSCJ
HARNESS ASM, DASH; EXHAUST BRAKE WIRING

95



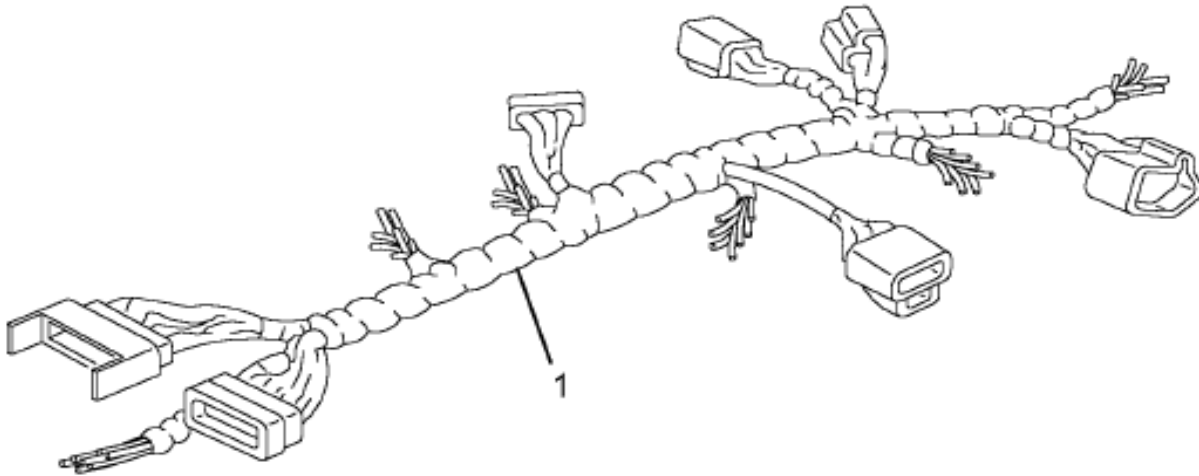
G
R
P
0
8

08-D19-0001-01

B09

Item	Part No.	Qty	Description	Kit	Var	Figure
95	3544520F95	1	HARNESS,DASH ELEC; EXH		0CT11	3544520F95

Figure 3544520F95
 HARNESS ,DASH ELEC; EXH



08-P58-0006-01

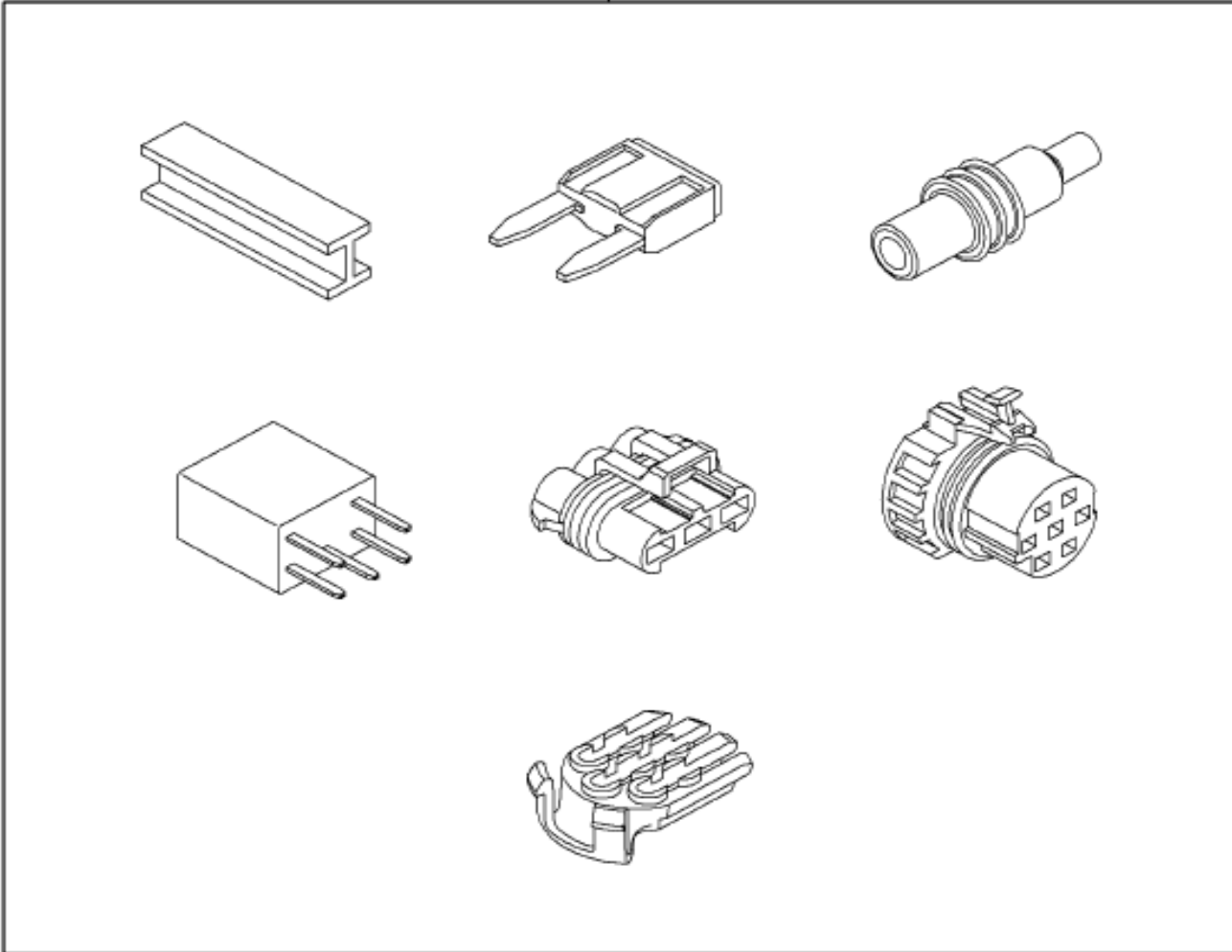
C03

Item	Part No.	Qty	Description	Kit	Var	Figure
1	3560285C91	1	HARNESS, EXHAUST BRK*EXHAUST BR			
1	3534208C1	1	FUSE, *FUSE, 5AMP MINI			
1	3519350C1	1	RELAY, MICRO SPDT			
1	3555642C1	1	PLUG, FILLER*CAVITY BLOCK FOR M			
880	RF		NOTE: ASM BELOW COMPRISED OF ABOVE COMPONENTS			

Figure 0CSCB

HARNESS ASM, DASH; FUEL HEATER SYSTEM WIRING

85

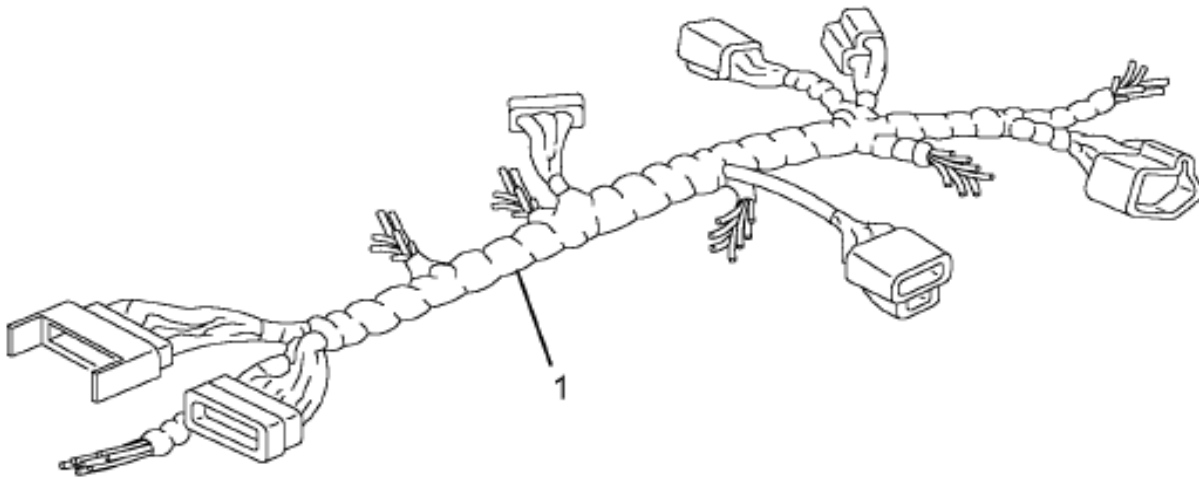


08-D17-0001-01

B09

Item	Part No.	Qty	Description	Kit	Var	Figure
85	3582042F91	1	ELEC DASH, FUEL HTR/SEPARATR		0FL1K	3582042F91

Figure 3582042F91
ELEC DASH,FUEL HTR/SEPARATR



G
R
P
0
8

08-P58-0006-01

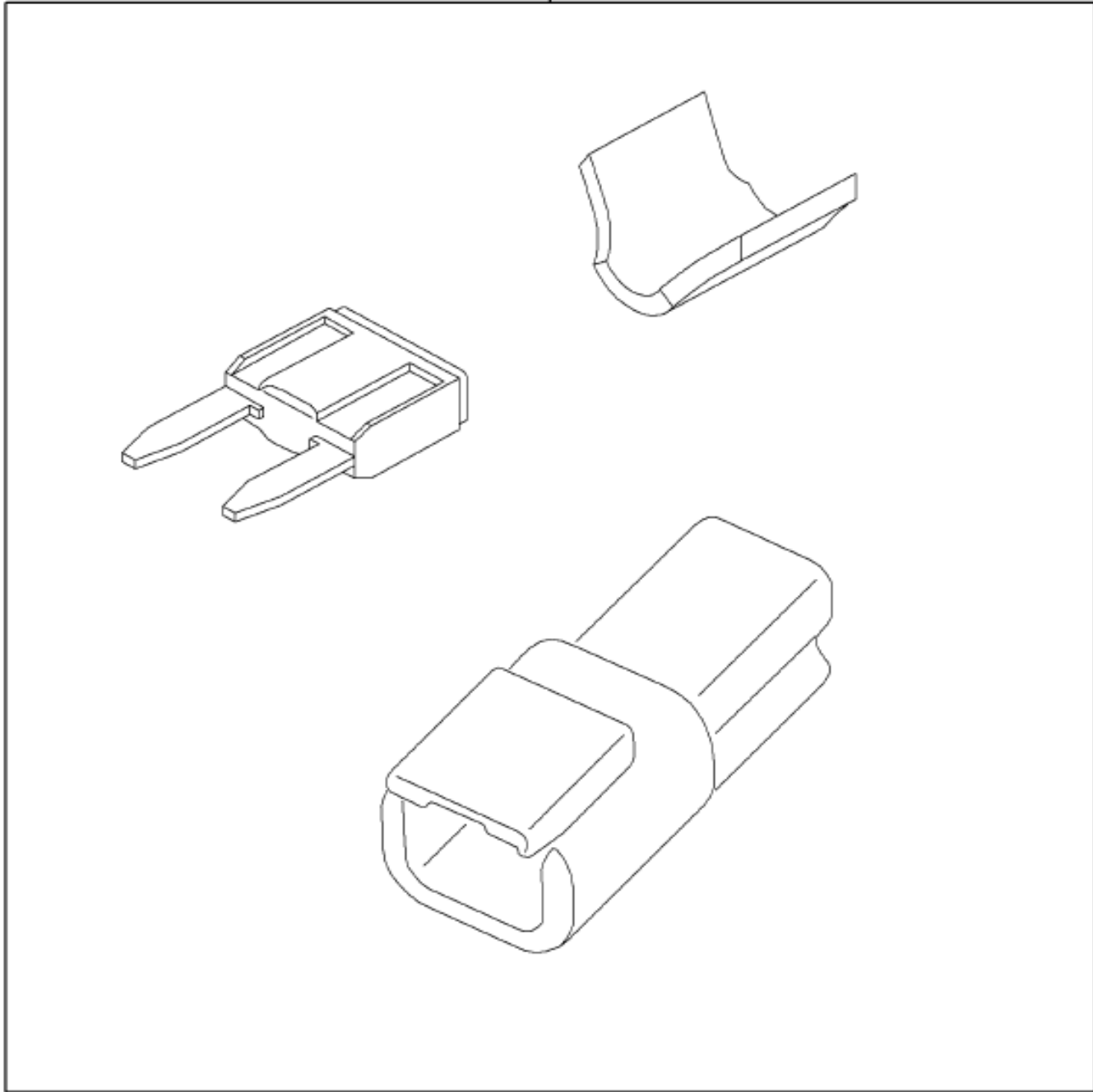
C03

Item	Part No.	Qty	Description	Kit	Var	Figure
1	3582040C91	1	HARN,FUEL/WTR SEP WRG,WIF LGT			
1	3534211C1	1	FUSE,*FUSE, 20AMP MINI			
1	3519350C1	1	RELAY,MICRO SPDT			
1	3555642C1	1	PLUG,FILLER*CAVITY BLOCK FOR M			
1	3571887C1	1	BODY,CONN 7 WAY METRI-PK 280 M			
1	2039342C1	1	LOCK,CONNECTOR BODY			

Figure 0CSB6

HARNESS ASM, DASH; REMOTE POWER/SOLENOID WIRING

30



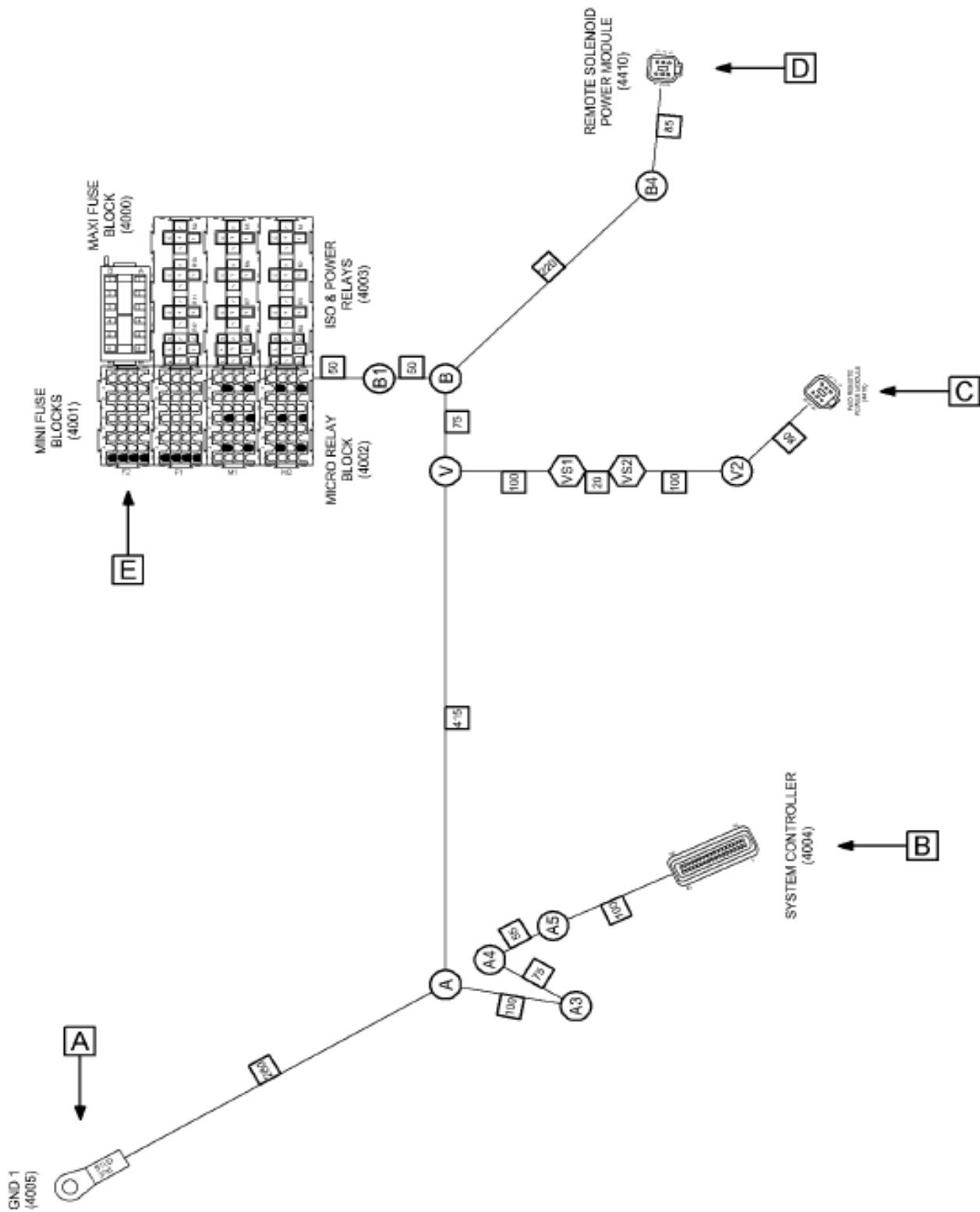
GROUP 8

08-D06-0002-01

B09

Item	Part No.	Qty	Description	Kit	Var	Figure
30	3572558F91	1	HARNESS,DASH ELEC; RR MODULE		0H650	3572558F91

Figure 3572525C91
HARN, DASH WRG, BB DLINK, PWR&GND

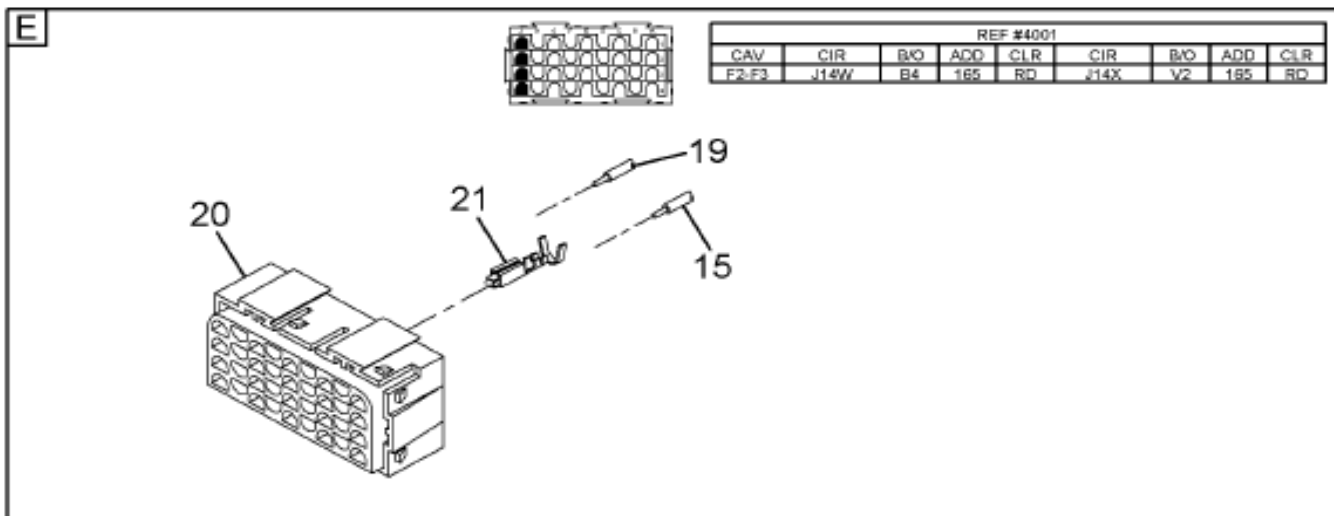
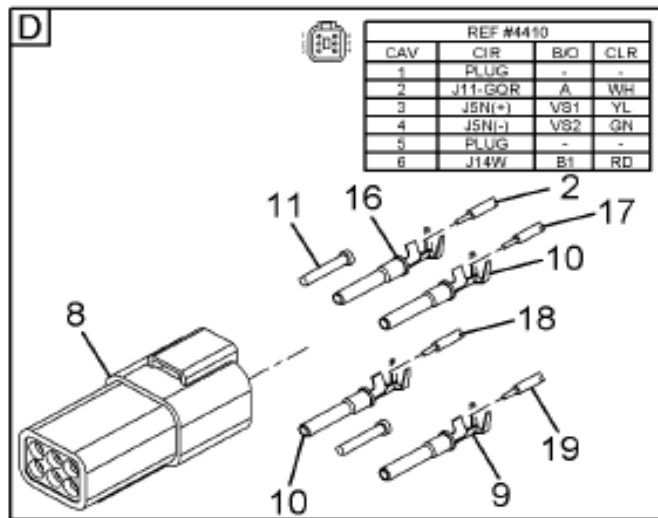
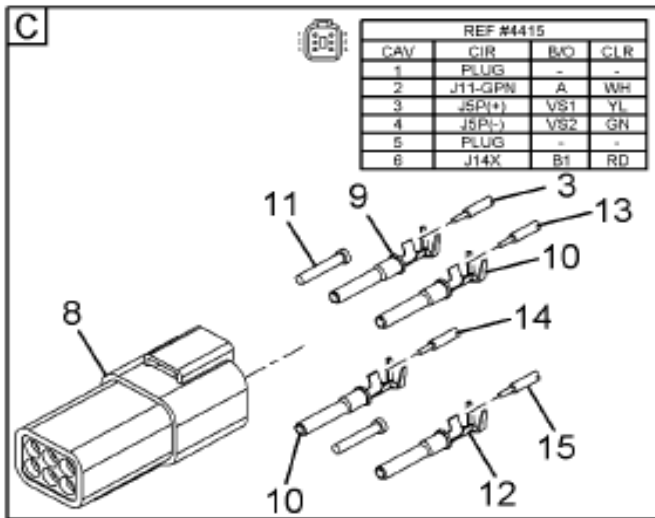
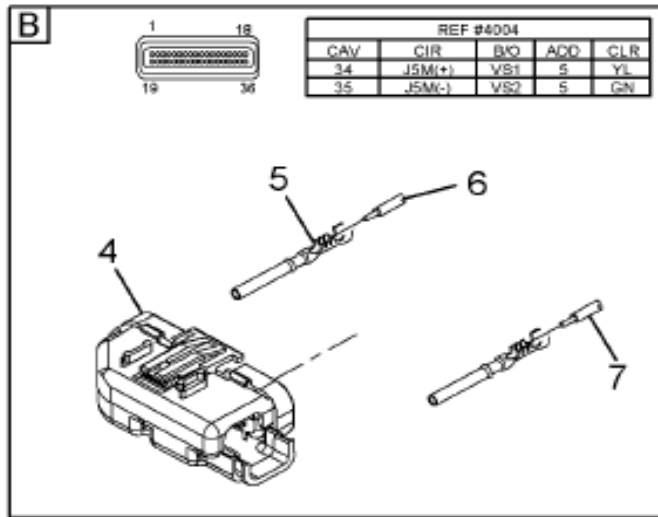
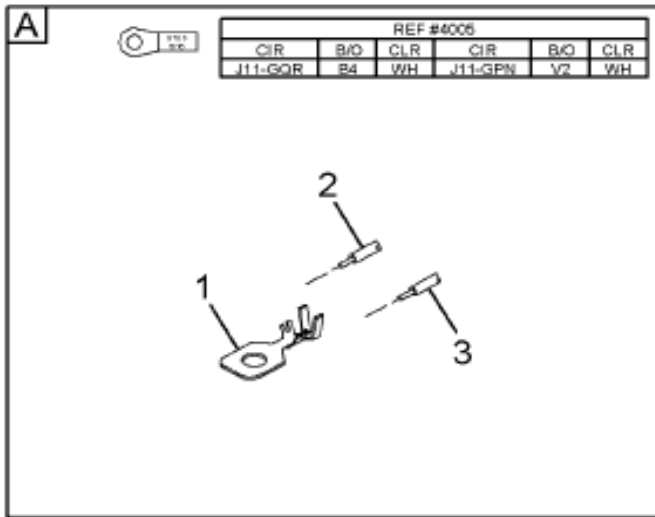


08-D06-0003-01

E11

Figure 1 of 2

Figure 3572525C91
HARN ,DASH WRG ,BB DLINK ,PWR&GND



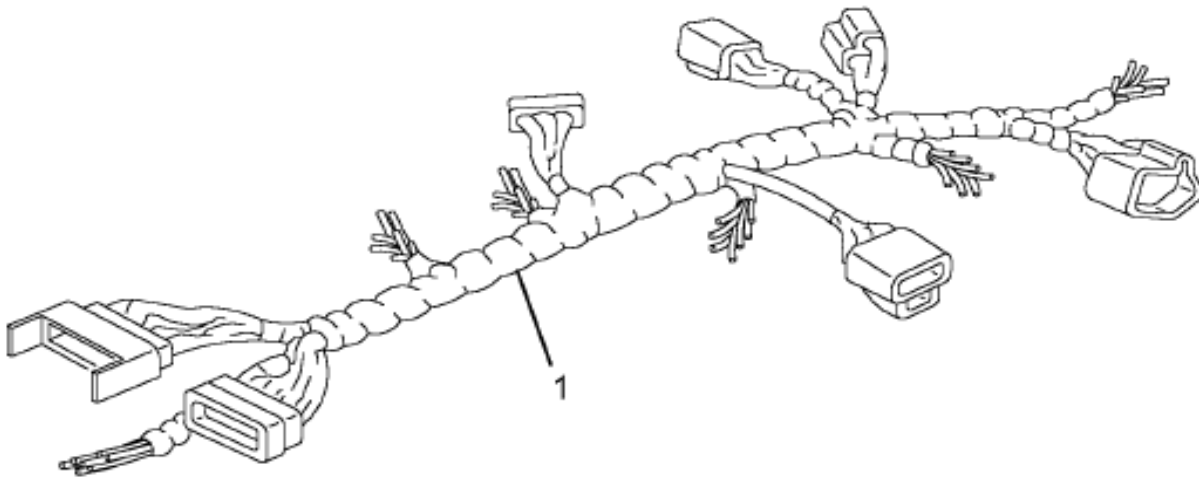
08-D06-0003-02

E11

Item	Part No.	Qty	Description	Kit	Var	Figure
1	2020632C1	1	TERMINAL,CABLE EYELET 5/16			
2	3510361R1	AR	CABLE,LOW TENSION TXL			
3	2643681R1	AR	CABLE LOW TENSION SINGLE COND			
4	3533832C1	1	CONNECTOR,BODY*CNTR STRAIN REL			
5	3517243C1	2	TERMINAL,CABLE			
6	3572112R1	AR	CABLE,ASM J1939/15 19 STRD TWS			

G r o u p

Figure 3572558F91
HARNESS,DASH ELEC; RR MODULE



G
R
P
0
8

08-P58-0006-01

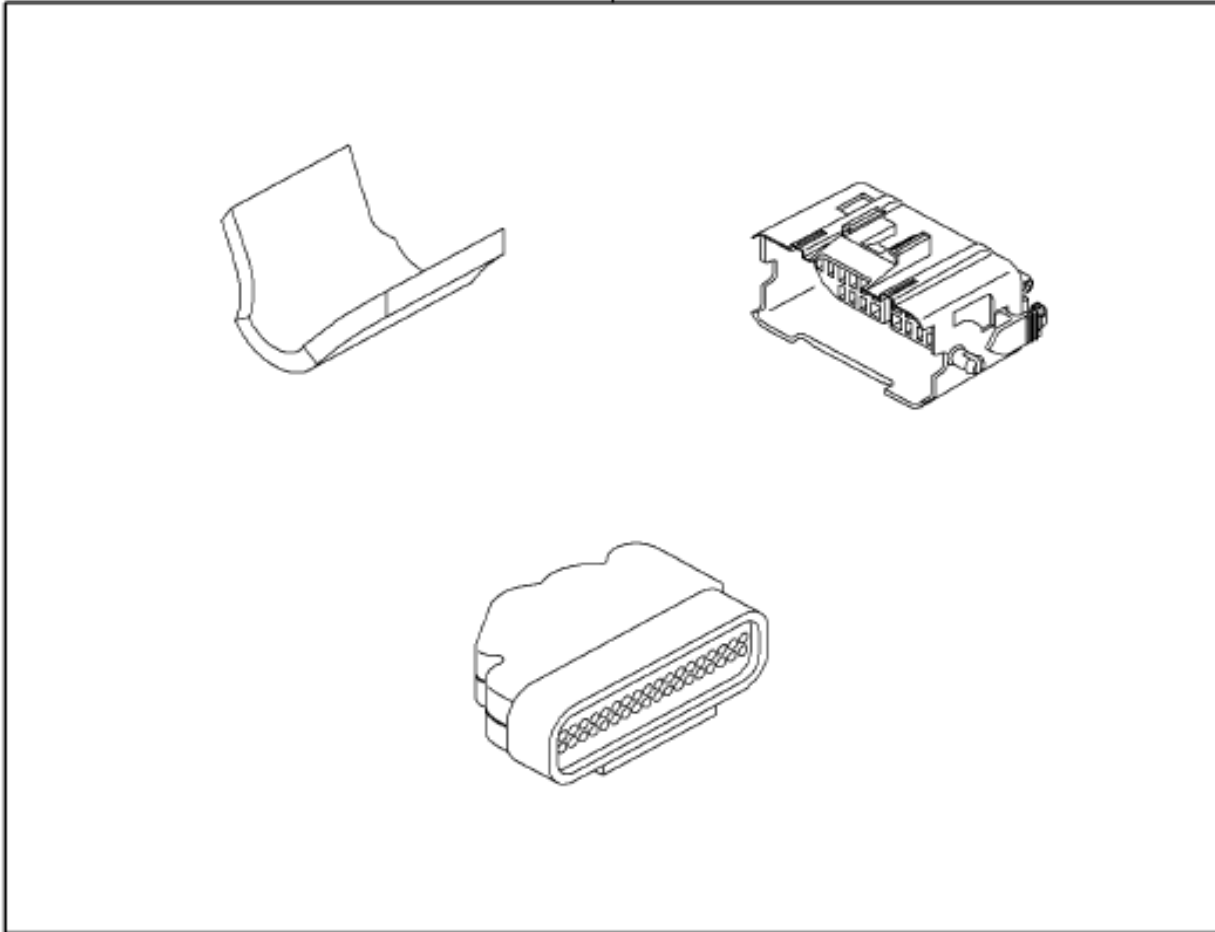
C03

Item	Part No.	Qty	Description	Kit	Var	Figure
1	3572525C91	1	HARN,DASH WRG,BB DLINK,PWR&GND			3572525C91
1	3534208C1	1	FUSE,*FUSE, 5AMP MINI			
1	3559775C1	1	RESISTOR,ELECT*TERMINATING RES			
880		RF	NOTE: ASM BELOW COMPRISED OF ABOVE COMPONENTS			
881	3572558F91	RF	HARNESS,DASH ELEC; RR MODULE			

Figure 0CSBW

HARNESS ASM, DASH; SOLENOID 7 PACK WIRING

60

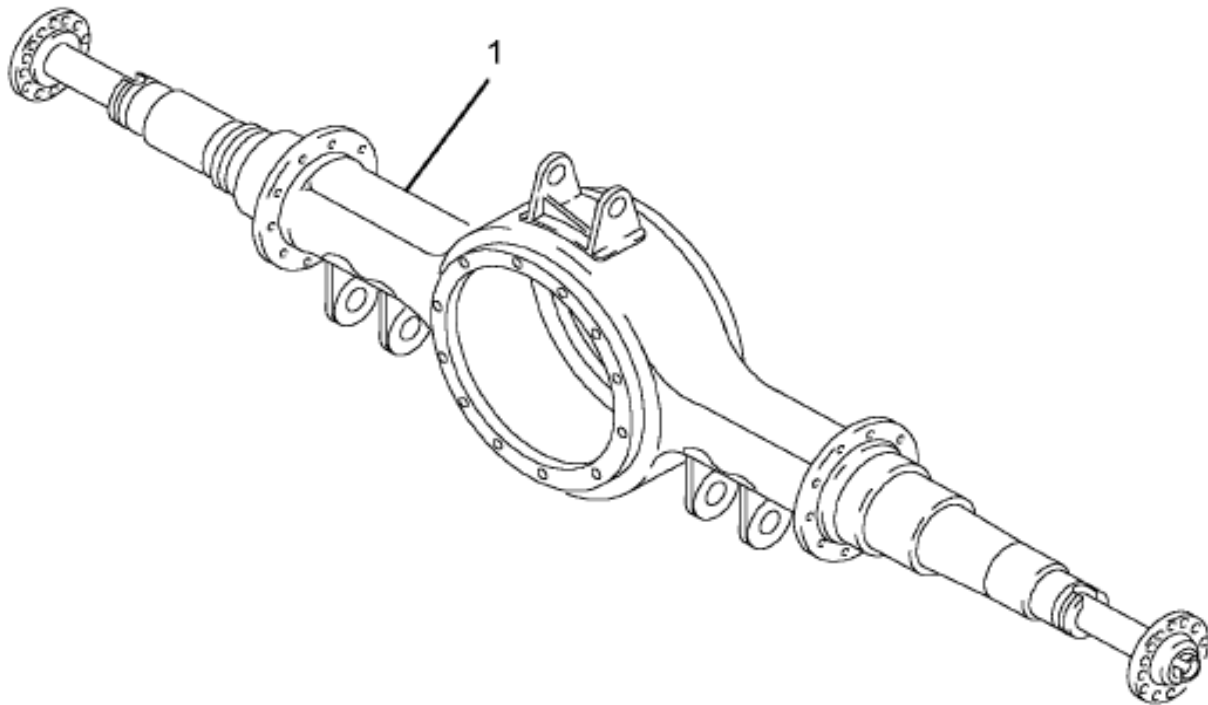


08-D12-0001-01

B09

Item	Part No.	Qty	Description	Kit	Var	Figure
60	3572597F91	1	ELECT DASH HARN,AIR SOL 7PK		0H653	3572597F91

Figure 3572597F91
ELECT DASH HARN,AIR SOL 7PK



G
R
P
0
8

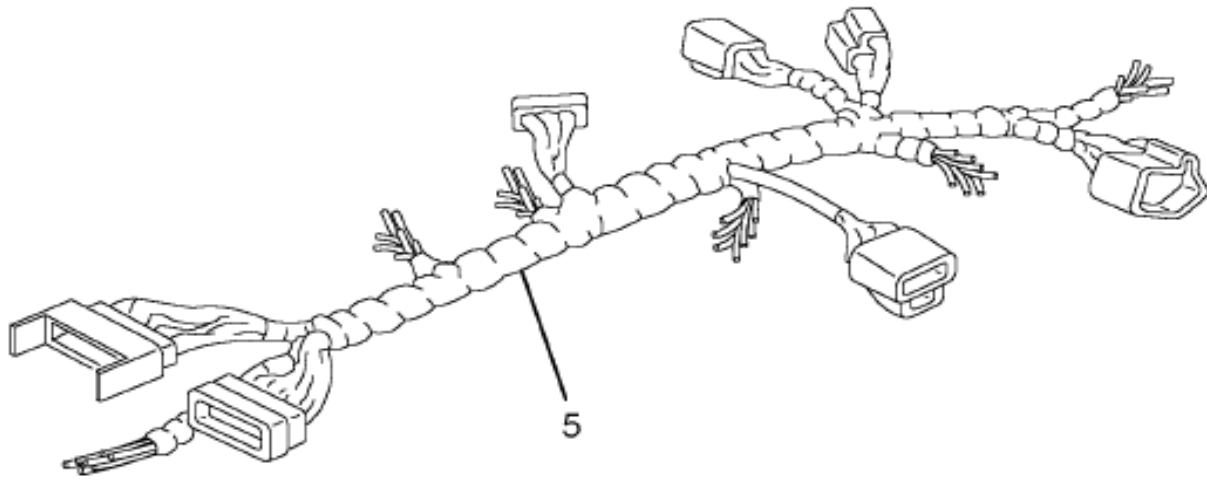
14-594-0182-00

A03

Item	Part No.	Qty	Description	Kit	Var	Figure
1	3574372C91	1	HARN,DASH WRG,SMRT SOL PK(7/14			
880		RF	NOTE: ASM BELOW COMPRISED OF ABOVE COMPONENTS			
881	3572597F91	RF	ELECT DASH HARN,AIR SOL 7PK			

Figure 0FCS8

HARNESS, CENTER CHASSIS; AIR DRYER WIRING (ABR #9)

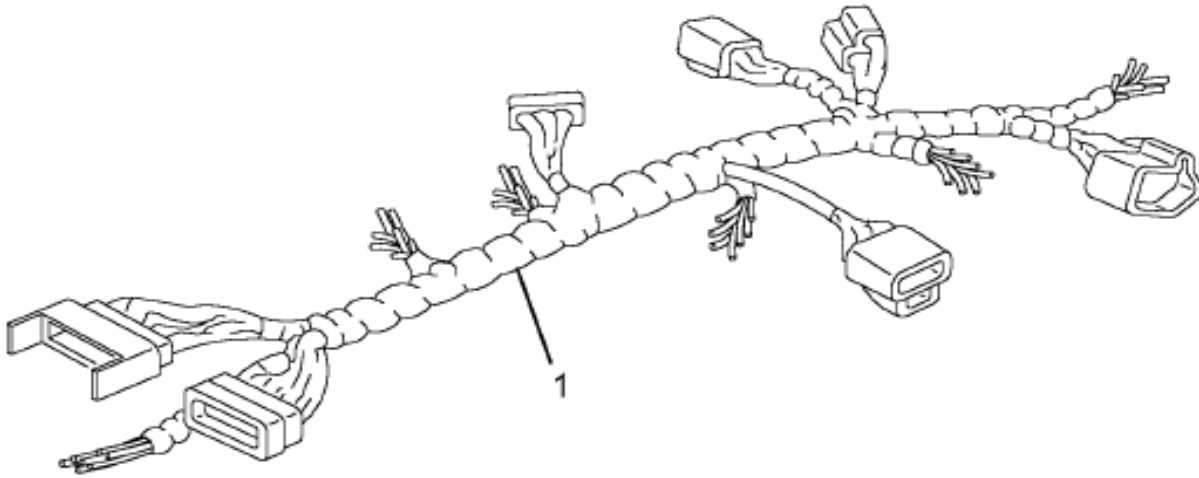


08-D01-0004-01

E04

Item	Part No.	Qty	Description	Kit	Var	Figure
5	3566360F91	1	ELEC CTR CHAS, LEFT SD		0M2KY	3566360F91

Figure 3566360F91
ELEC CTR CHAS, LEFT SD



08
P
58

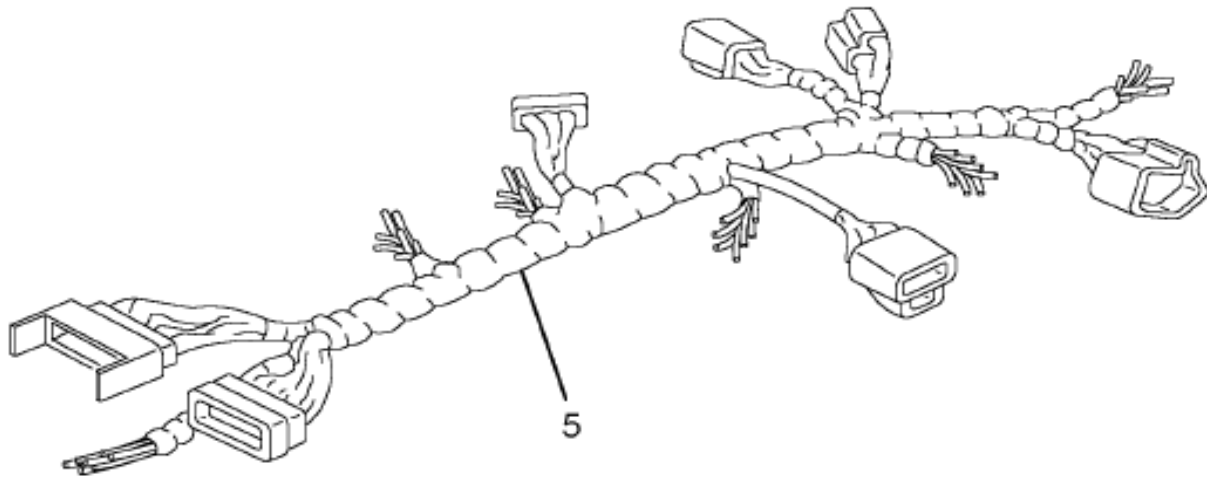
08-P58-0006-01

C03

Item	Part No.	Qty	Description	Kit	Var	Figure
1	3566358C91	1	HARNESS, ELEC; AIR DRYER			
880		RF	NOTE: ASM BELOW COMPRISED OF ABOVE COMPONENTS			
881	3566360F91	RF	ELEC CTR CHAS, LEFT SD			

Figure 0JF84

HARNESS, CENTER CHASSIS; BODY BUILDER DATALINK WIRING ABR 13

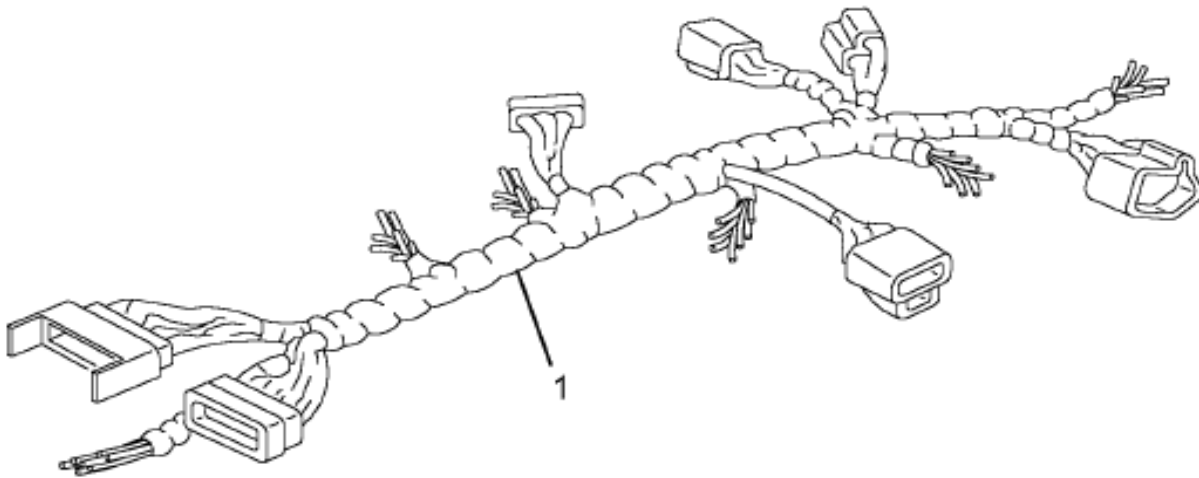


08-D01-0004-01

E04

Item	Part No.	Qty	Description	Kit	Var	Figure
5	3554005F93	1	ELEC CTR CHAS, 7/14 PK DLNK		0N4GB	3554005F93

Figure 3554005F93
 ELEC CTR CHAS, 7/14 PK DLNK



08
P
58

08-P58-0006-01

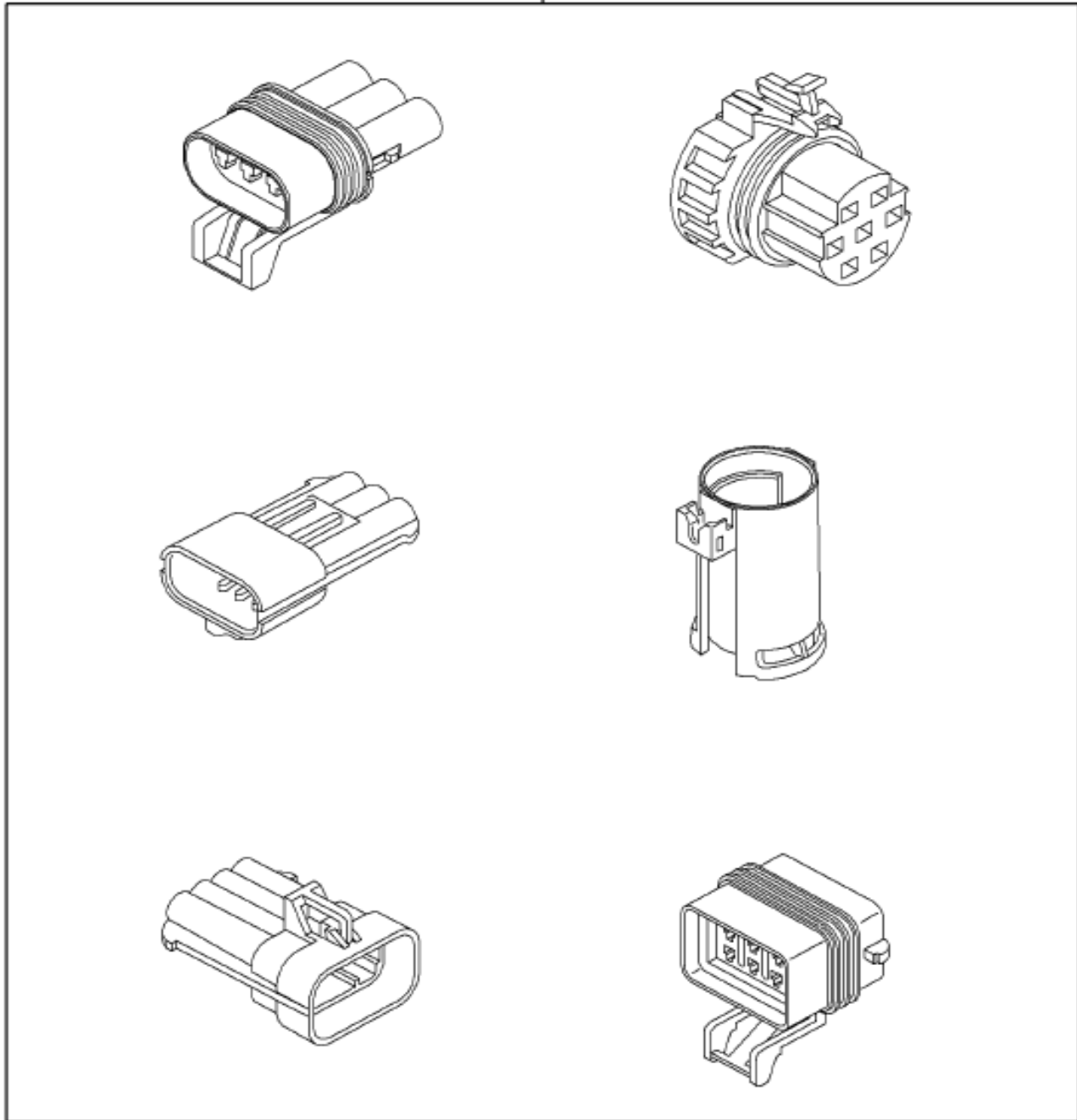
C03

Item	Part No.	Qty	Description	Kit	Var	Figure
1	3554069C93	1	HARNASS,ELEC; 7/14 PK DATALINK			
880		RF	NOTE: ASM BELOW COMPRISED OF ABOVE COMPONENTS			
881	3554005F93	RF	ELEC CTR CHAS, 7/14 PK DLNK			

Figure 0JFJC

HARNESS, CENTER CHASSIS; BODY BUILDER EOF EFFECTS (ABR #24)

120



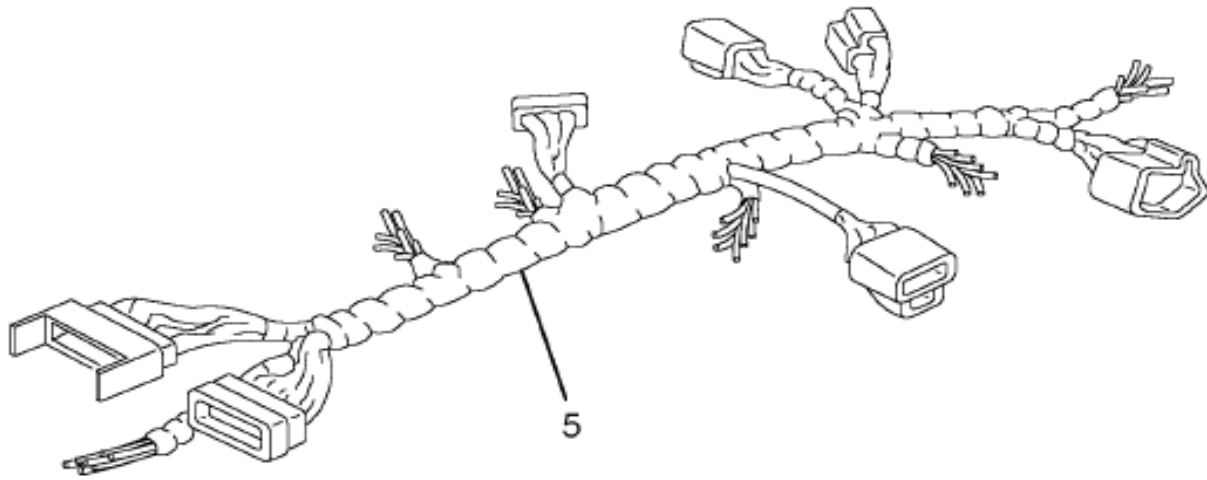
08-H24-0002-01

F09

Item	Part No.	Qty	Description	Kit	Var	Figure
120	3592077F91	1	ELEC CTR CHS-BOD BLD BOC		0N59T	

Figure 0FCS6

HARNESS, CENTER CHASSIS; DIFF LOCK WARNING LIGHT WRG (ABR #7)



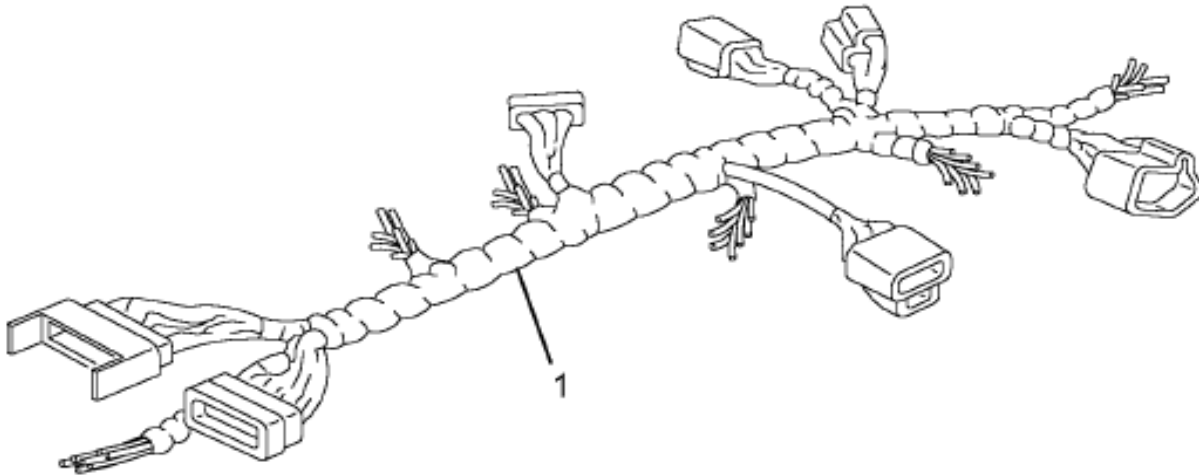
G
R
P
0
8

08-D01-0004-01

E04

Item	Part No.	Qty	Description	Kit	Var	Figure
5	3556086F92	1	ELEC CTR CHAS, *REAR & R		0FLM2	3556086F92

Figure 3556086F92
ELEC CTR CHAS, *REAR & R



08-P58-0006-01

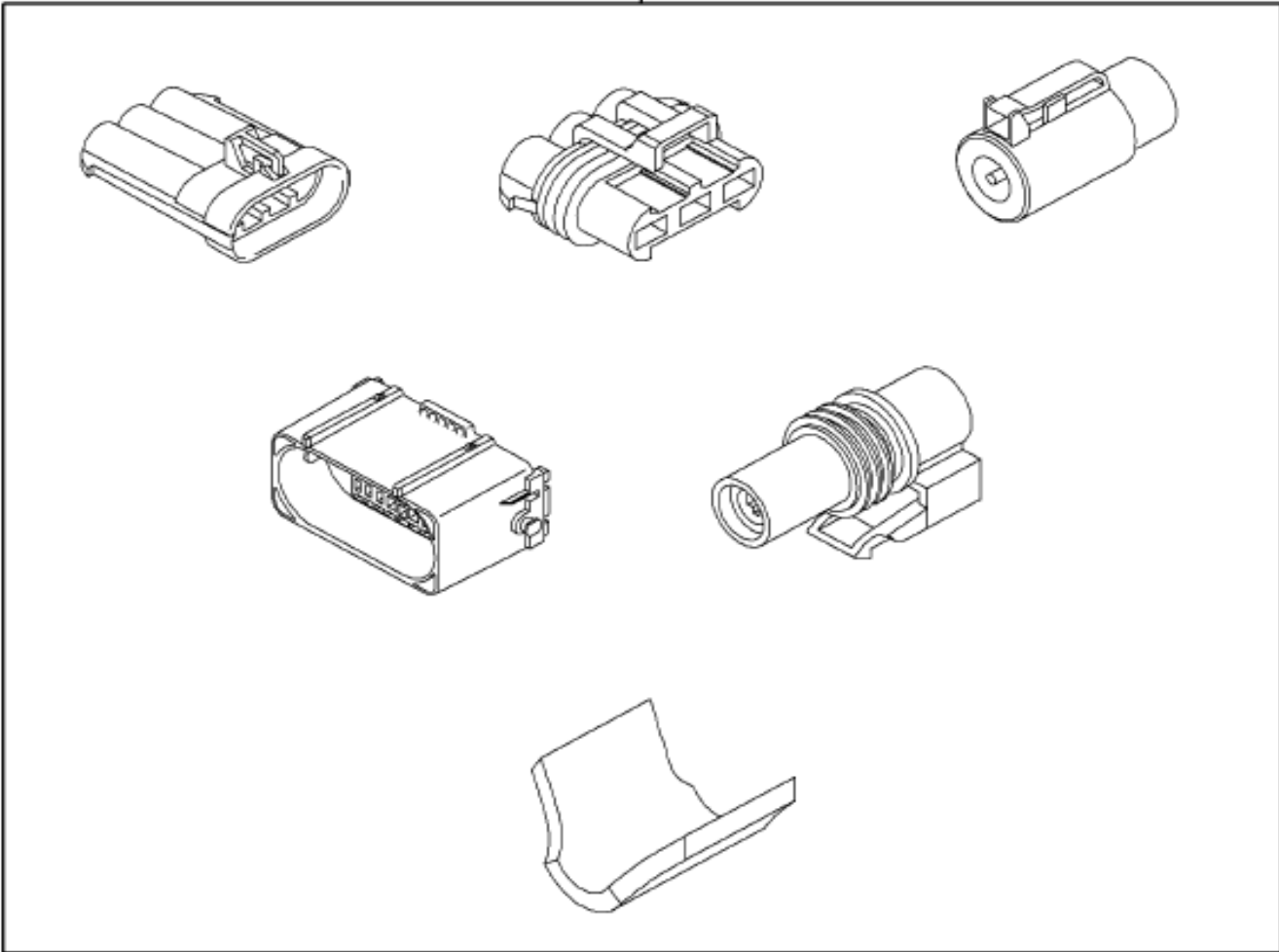
C03

Item	Part No.	Qty	Description	Kit	Var	Figure
1	3560440C91	1	HARNESS, ELEC; CHAS WI			
880		RF	NOTE: ASM BELOW COMPRISED OF ABOVE COMPONENTS			
881	3556086F92	RF	ELEC CTR CHAS, *REAR & R			

Figure 0G1R6

HARNES, CENTER CHASSIS; TRAILER SOCKET, BODY BUILDER WIRING

15



G
R
O
U
P

08-H03-0002-01

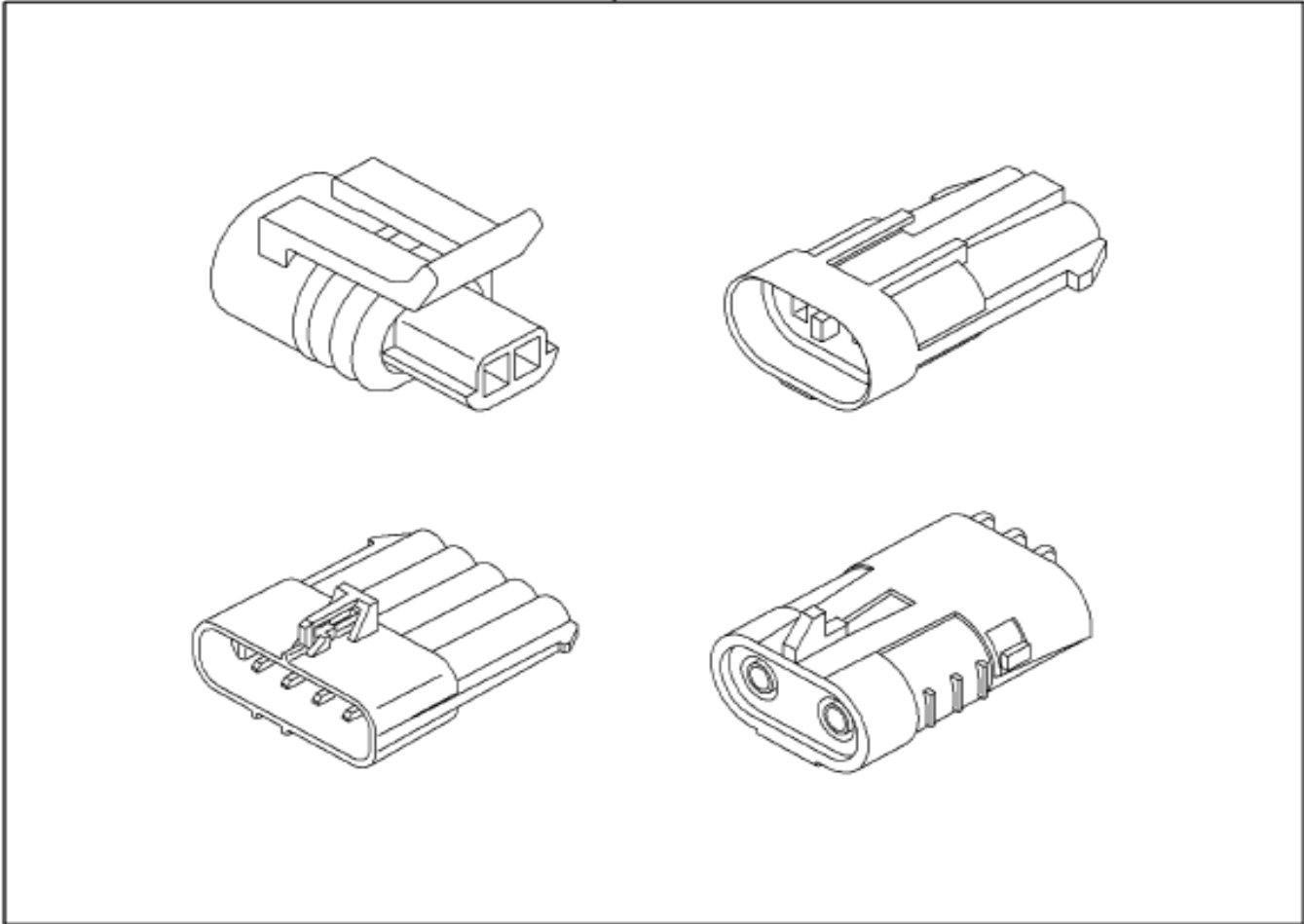
B09

Item	Part No.	Qty	Description	Kit	Var	Figure
15	3592059F93	1	HARN,CTR CHS,TRLR SCKT/BB+3000		0M2F9	

Figure 0JFFD

HARNESS, CENTER CHASSIS; TRANSFER CASE EFFECTS (ABR #18)

90

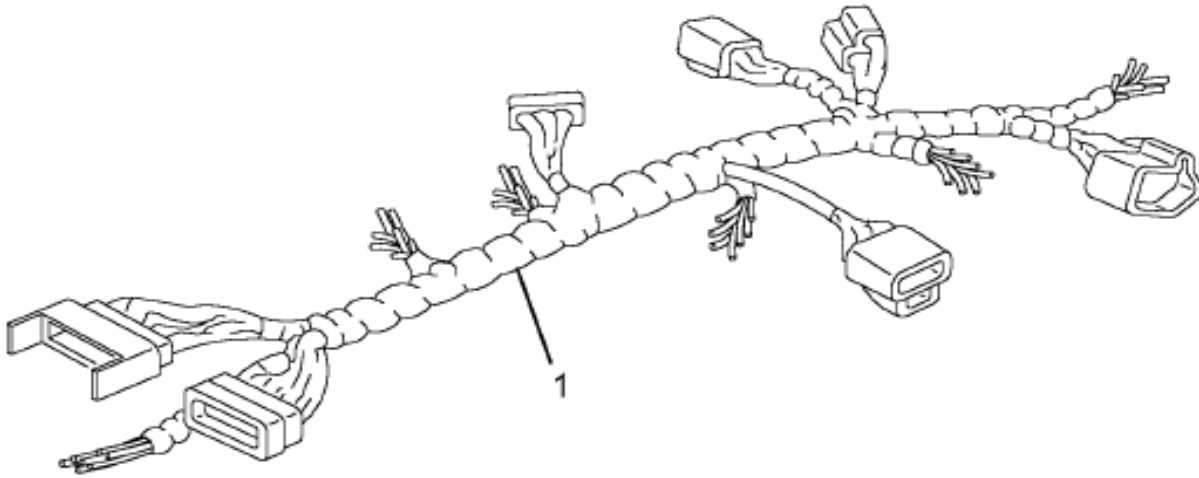


08-H18-0001-01

F09

Item	Part No.	Qty	Description	Kit	Var	Figure
90	3561069F92	1	ELECT. CTR CHASSIS*TRANSFER		0JFFJ	3561069F92

Figure 3561069F92
ELECT. CTR CHASSIS*TRANSFER



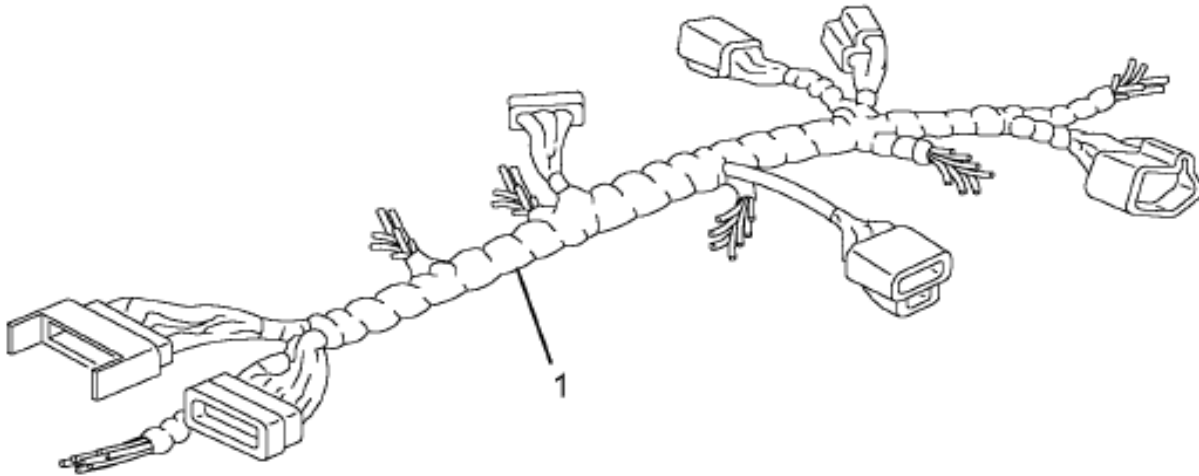
G
R
P
0
8

08-P58-0006-01

C03

Item	Part No.	Qty	Description	Kit	Var	Figure
1	3561060C91	1	HARNESS, ELEC; TRANSFER C			
880		RF	NOTE: ASM BELOW COMPRISED OF ABOVE COMPONENTS			
881	3561069F92	RF	ELECT. CTR CHASSIS*TRANSFER			

Figure 3558533F91
 ELEC CTR CHAS, *SS/RH WA



G
R
P
0
8

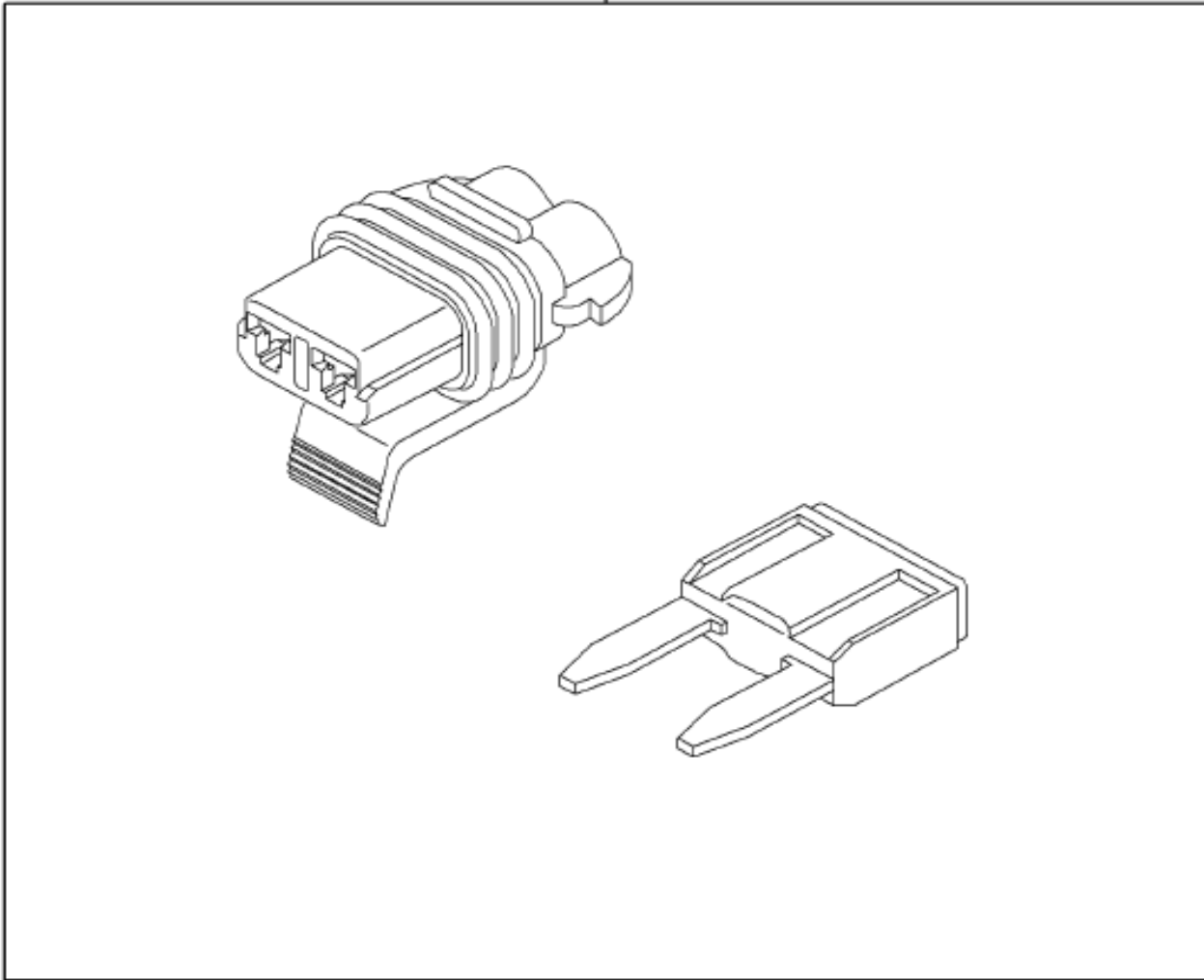
08-P58-0006-01

C03

Item	Part No.	Qty	Description	Kit	Var	Figure
1	3558524C91	1	HARNESS, CHASSIS WIRING*WASHER			
1	3558525C91	1	HARNESS, CHASSIS WIRING*WASHER			
880		RF	NOTE: ASM BELOW COMPRISED OF ABOVE COMPONENTS			
881	3558533F91	RF	ELEC CTR CHAS, *SS/RH WA			

Figure 0FSY5
HARNES, DASH; 2-WAY RADIO EFFECTS

155

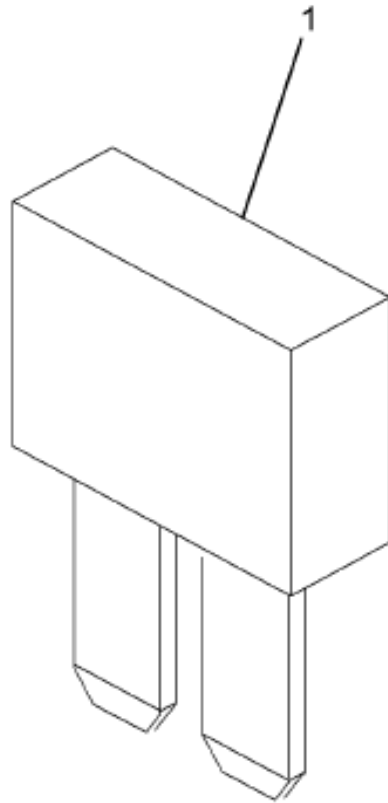


08-D31-0001-01

B09

Item	Part No.	Qty	Description	Kit	Var	Figure
155	3610838F91	1	HARN,DASH,2-WAY RADIO,W/FUSE		0MQZJ	3610838F91

Figure 3610838F91
HARN,DASH,2-WAY RADIO,W/FUSE



G
R
P
0
8

08-P58-0027-01

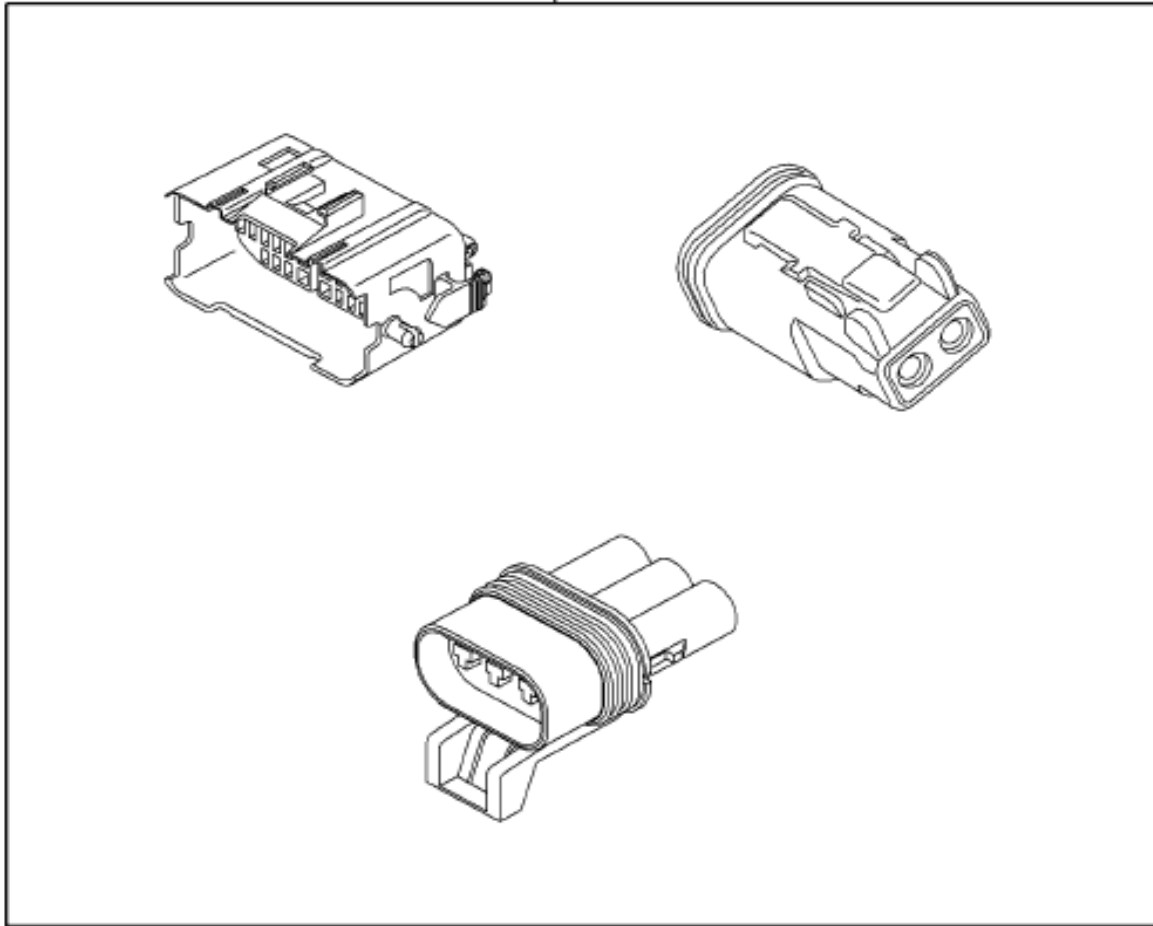
H05

Item	Part No.	Qty	Description	Kit	Var	Figure
1	3534200C1	1	FUSE,*FUSE - 20AMP MAXI			
800		RF	NOTE: THE FOLLOWING PARTS ARE NON-ILLUSTRATED			
801	3610839C91	1	HARN,DASH,CAB,2-WAY RADIO,24V			
880		RF	NOTE: ASM BELOW COMPRISED OF ABOVE COMPONENTS			

Figure 0FBTY

HARNESS, REAR CHASSIS; BRAKE SYSTEM WIRING, ABR#2

10



GROUP 08

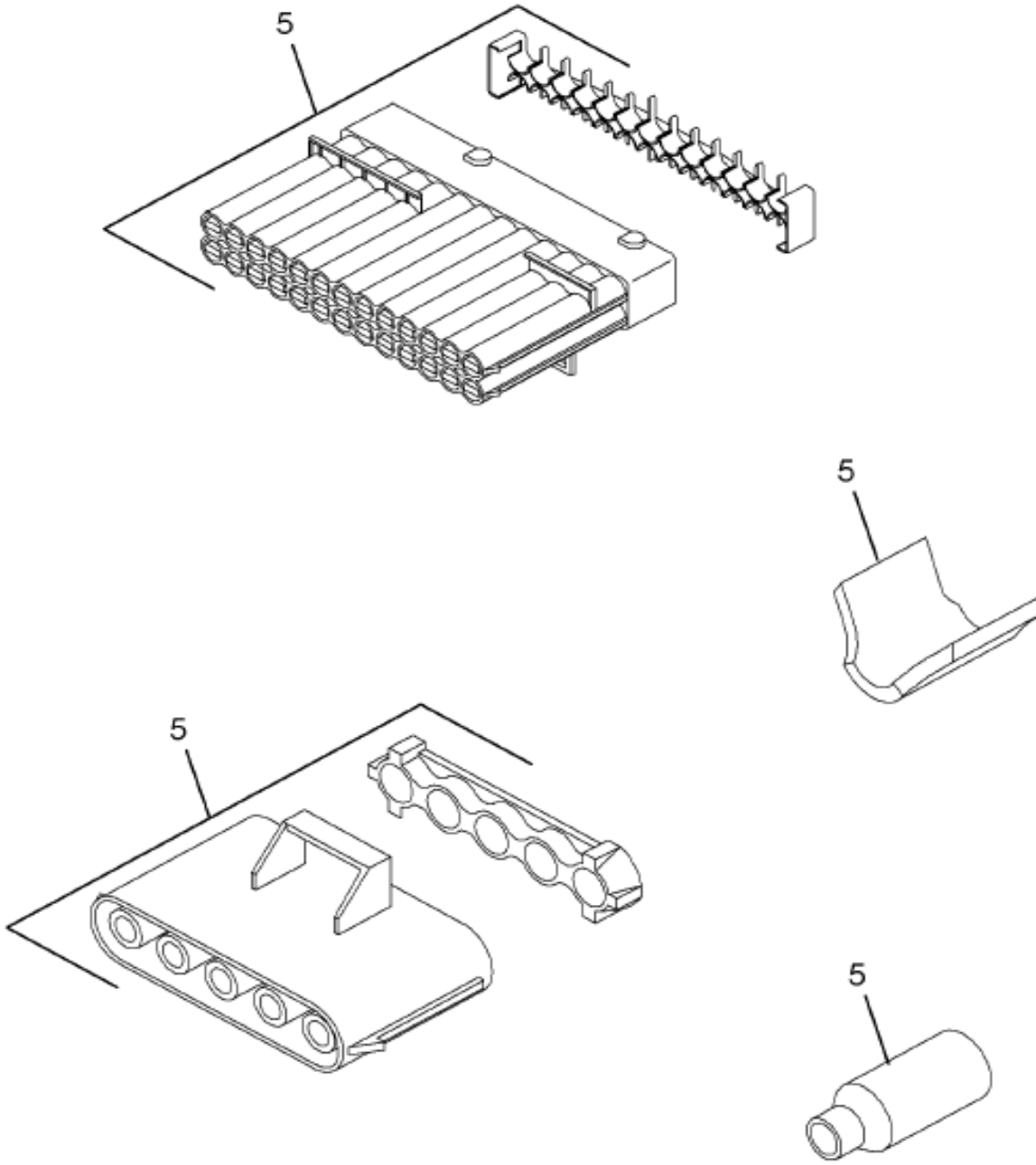
08-R02-0001-01

E08

Item	Part No.	Qty	Description	Kit	Var	Figure
10	3571023F92	1	ELEC RR CHAS, BENDIX AIR ABS		0FBW2	

Figure 0FBTX

HARNESS, REAR CHASSIS; COMMON BASE WIRING, ABR#1



08-P58-0013-01

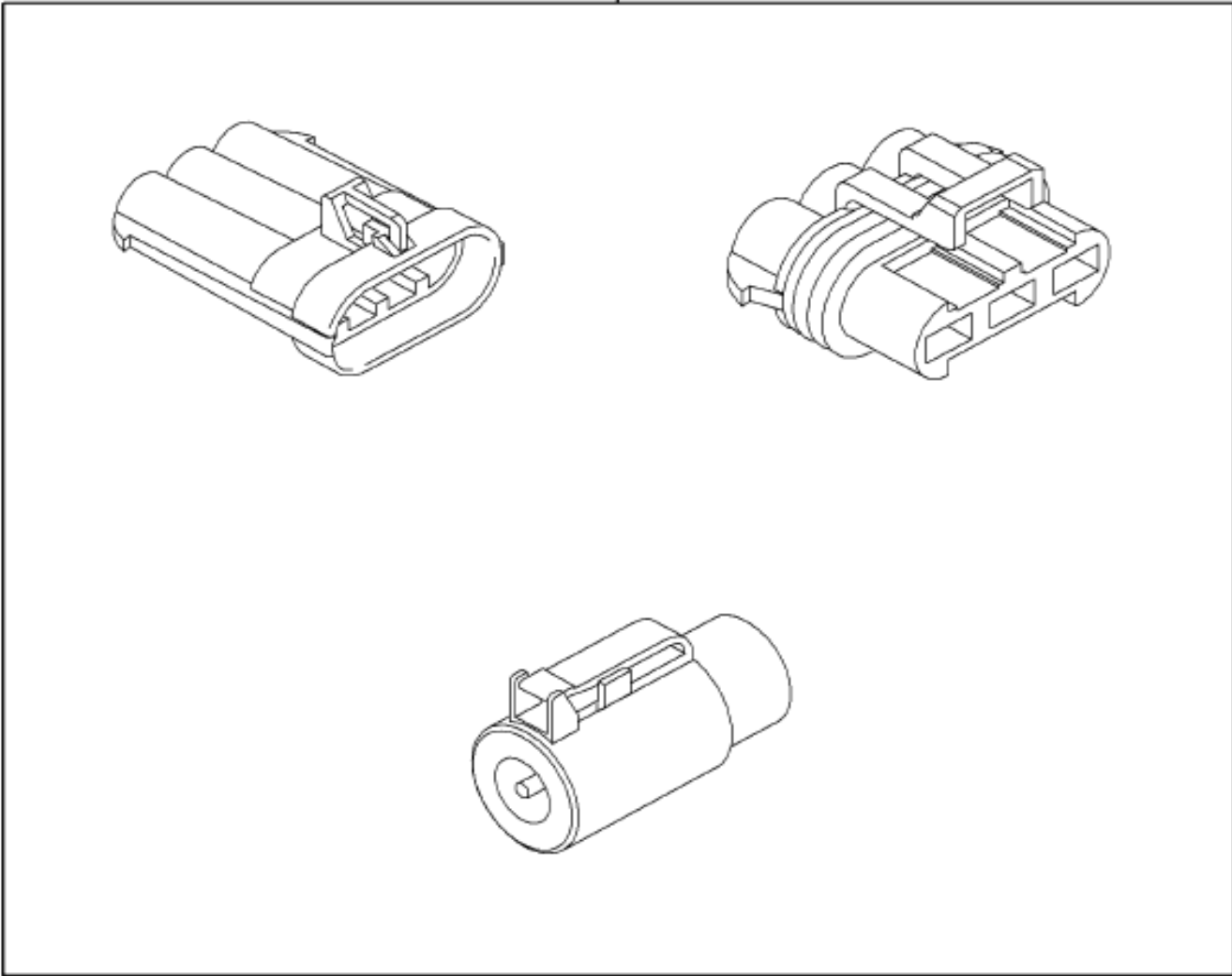
F05

Item	Part No.	Qty	Description	Kit	Var	Figure
5	3571016F93	1	HARNESS, REAR CHSS, BASE +1000MM		0FJMR	

Figure 0FBTZ

HARNES, RR CHASSIS; TRALIER SOCKET/BODY BUILDER WIR, ABR#3

15



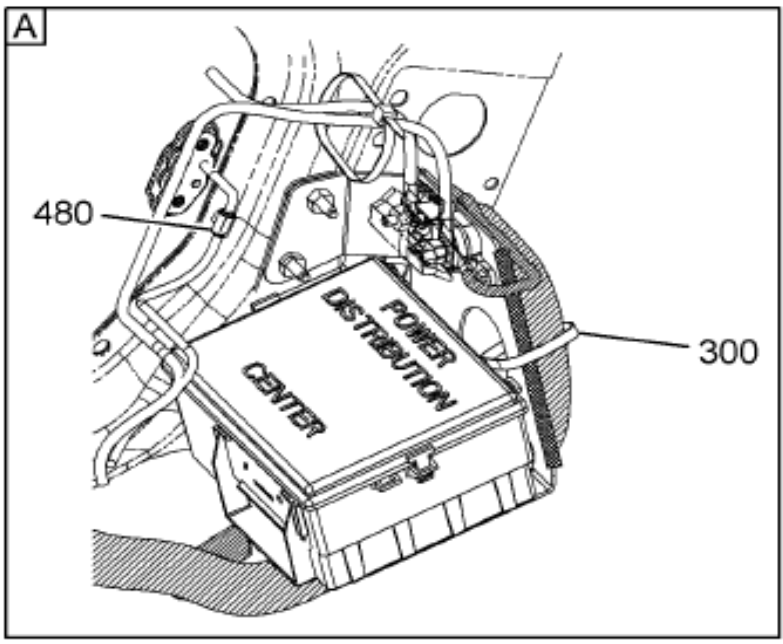
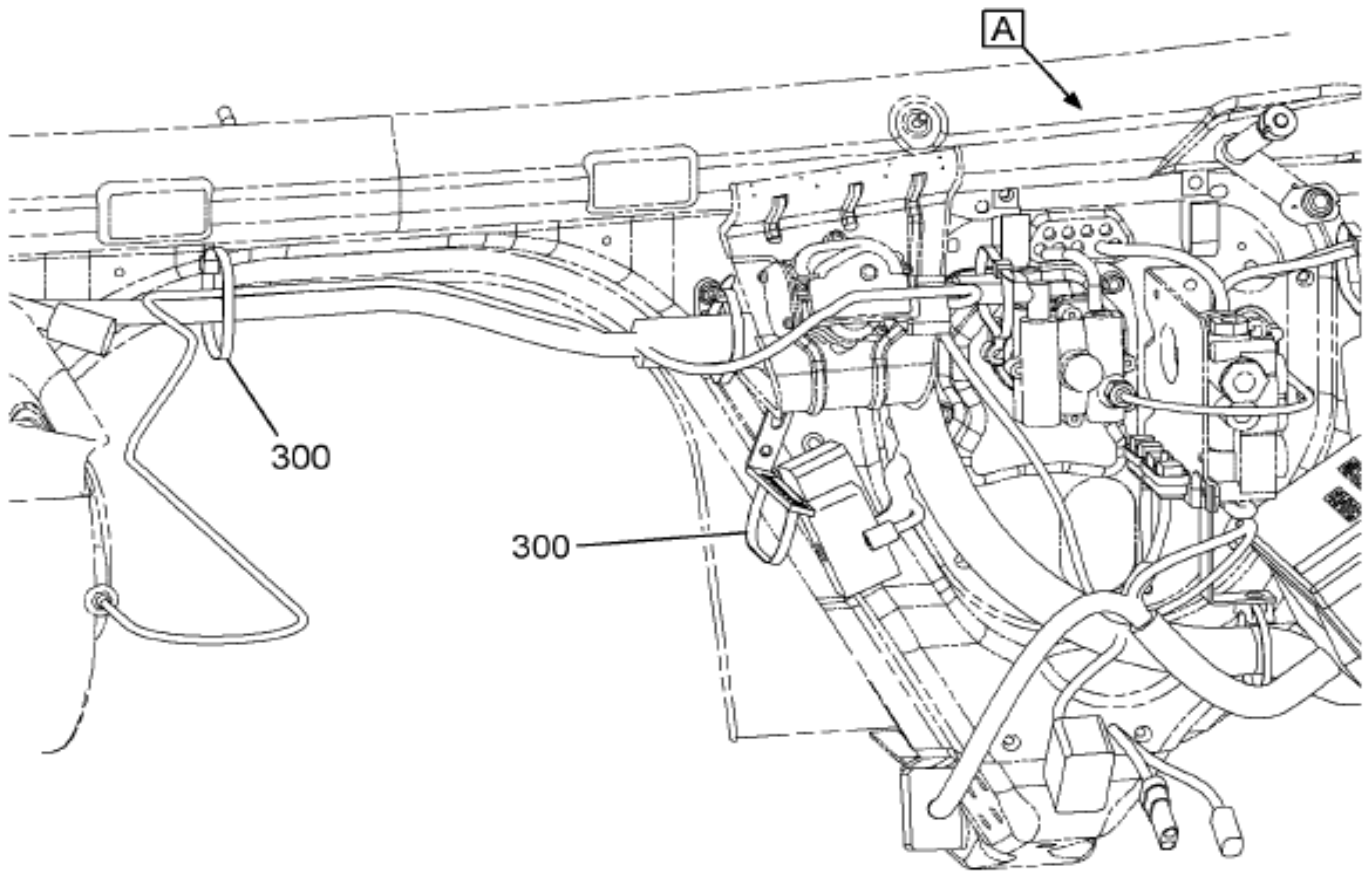
08-R03-0001-01

B09

Item	Part No.	Qty	Description	Kit	Var	Figure
15	3576561F92	1	HARN,REAR CHSS,BDY BLDR,+1000M		0FM4V	

Figure 0DVN0

HARNESS; DASH, AIR RESTRICTION GAUGE TUBING (ABR #27)



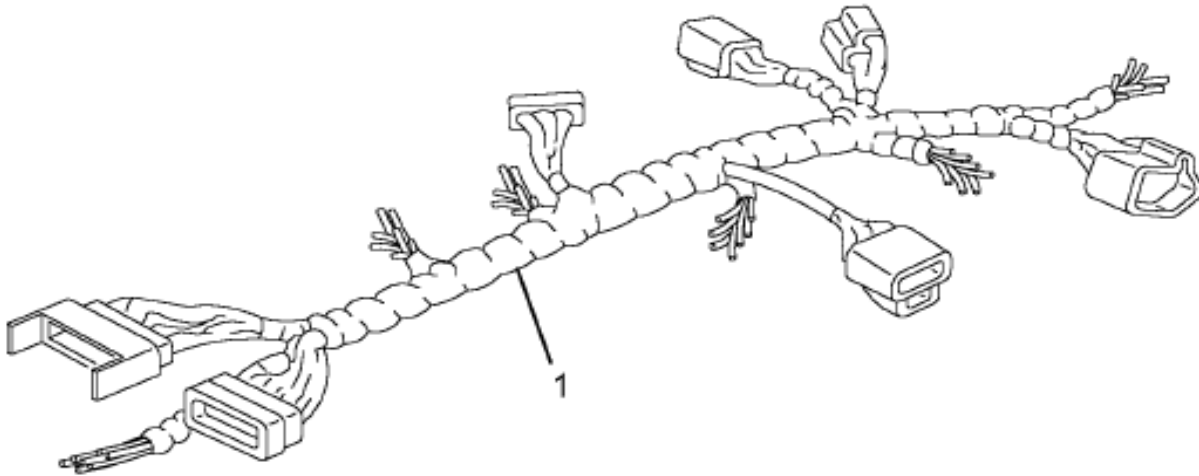
G R P 0 8

08-D27-0001-01

C03

Item	Part No.	Qty	Description	Kit	Var	Figure
300	3544531F92	1	ELECT DASH HARNESS*HOSE FOR		0DVN1	3544531F92

Figure 3544531F92
ELECT DASH HARNESS*HOSE FOR

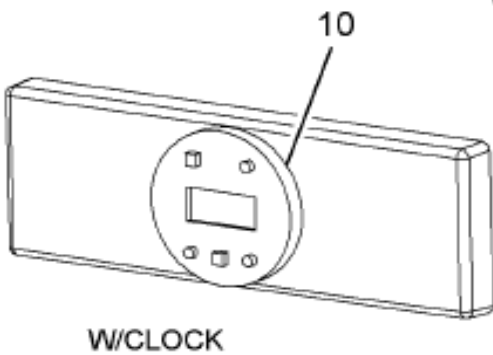
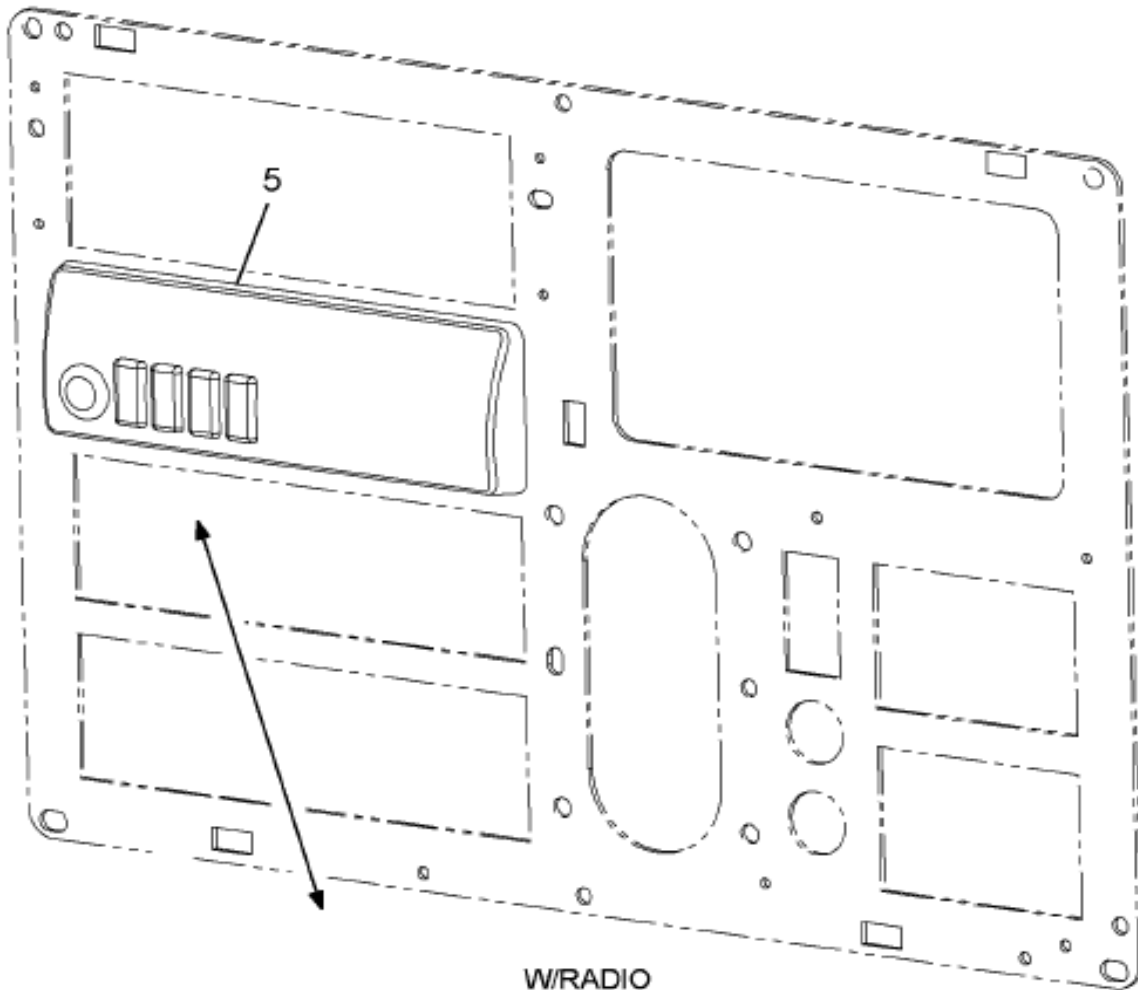


08-P58-0006-01

C03

Item	Part No.	Qty	Description	Kit	Var	Figure
1	417196C3	AR	TUBE,NYLON BULK 1/4 OD BLACK			
880		RF	NOTE: ASM BELOW COMPRISED OF ABOVE COMPONENTS			
881	3544531F92	RF	ELECT DASH HARNESS*HOSE FOR			

Figure 06QK9
IP MODULE EFFECTS; ABR#27, RADIO PANEL



M-NGV-MD
W/16035

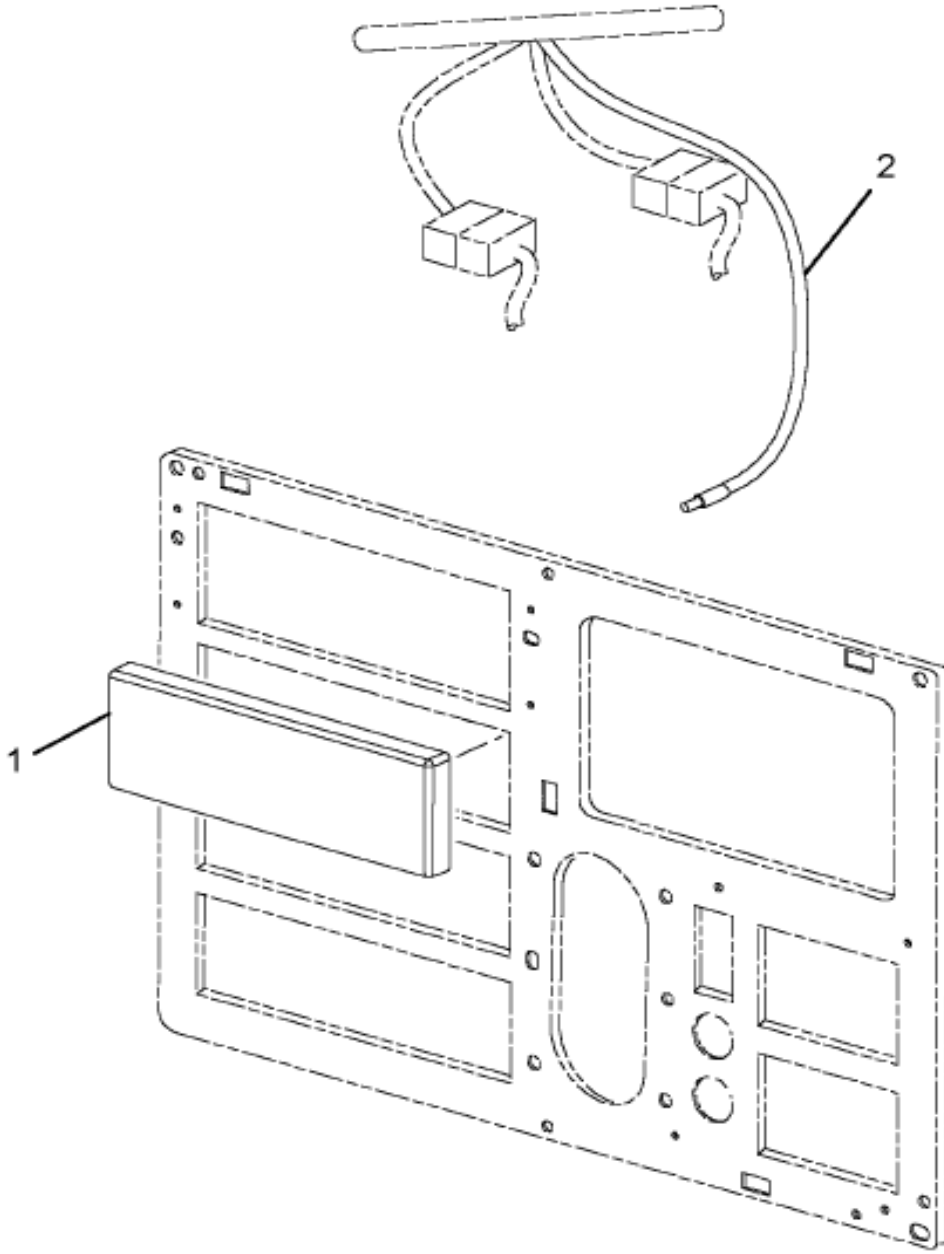
08-P27-0009-A0

L09

Item	Part No.	Qty	Description	Kit	Var	Figure
5	3598054F91	1	IP, PREMIUM CAB TRIM & COUR		06QL9	3598054F91

GROUP 8

Figure 3598054F91
IP, PREMIUM CAB TRIM & COUR



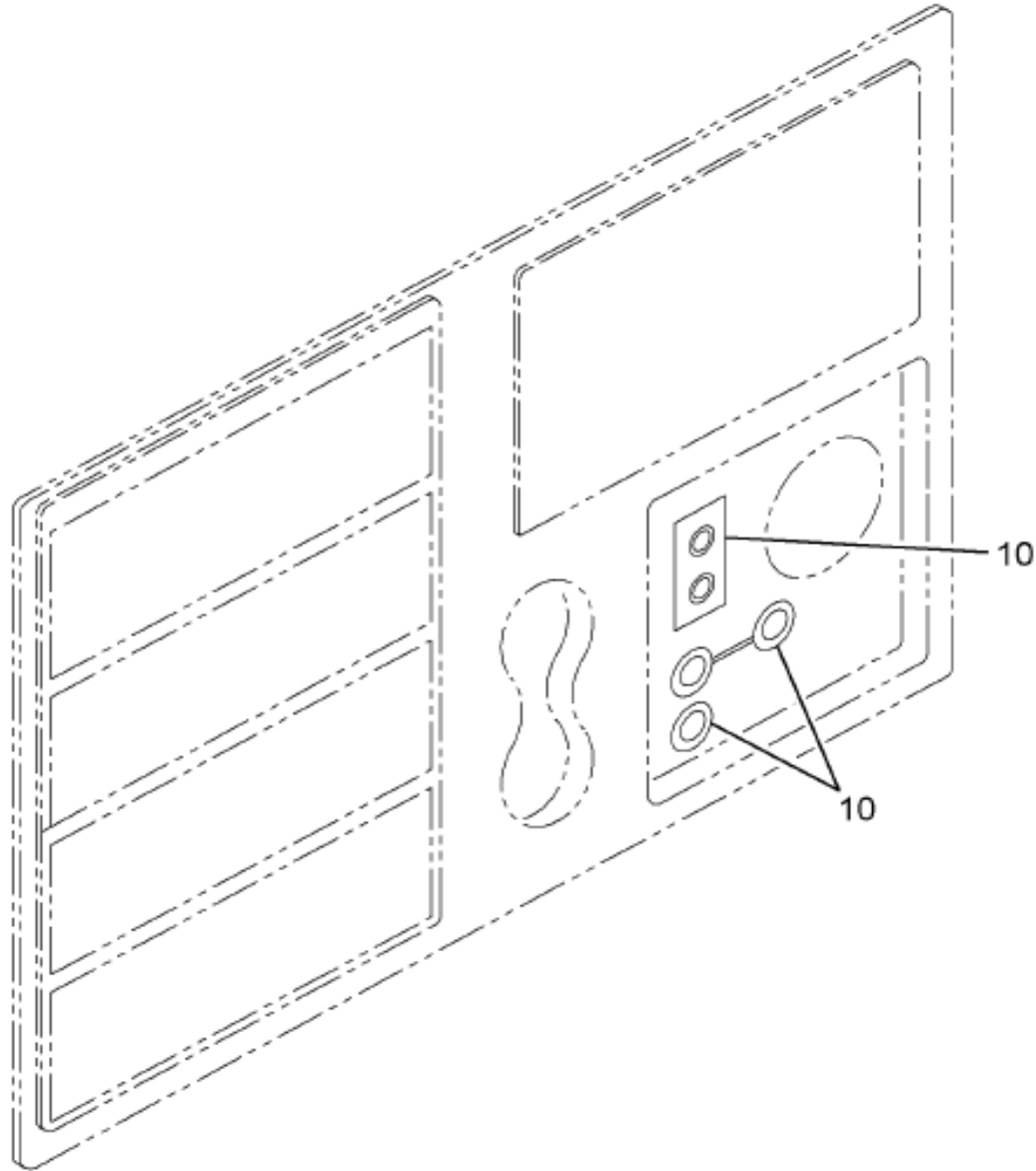
08-P27-0007-00

E04

Item	Part No.	Qty	Description	Kit	Var	Figure
1	3534054C2	1	COVER, INSTRU PNL OPENING			
2	3596958C91	1	HARN, CAB RADIO 16 WAY CONN			
880		RF	NOTE: ASM BELOW COMPRISED OF ABOVE COMPONENTS			
881	3598054F91	RF	IP, PREMIUM CAB TRIM & COUR			

Figure 0DBN1

IP MODULE EFFECTS; ABR#28, CENTER PANEL, POWER SOURCE



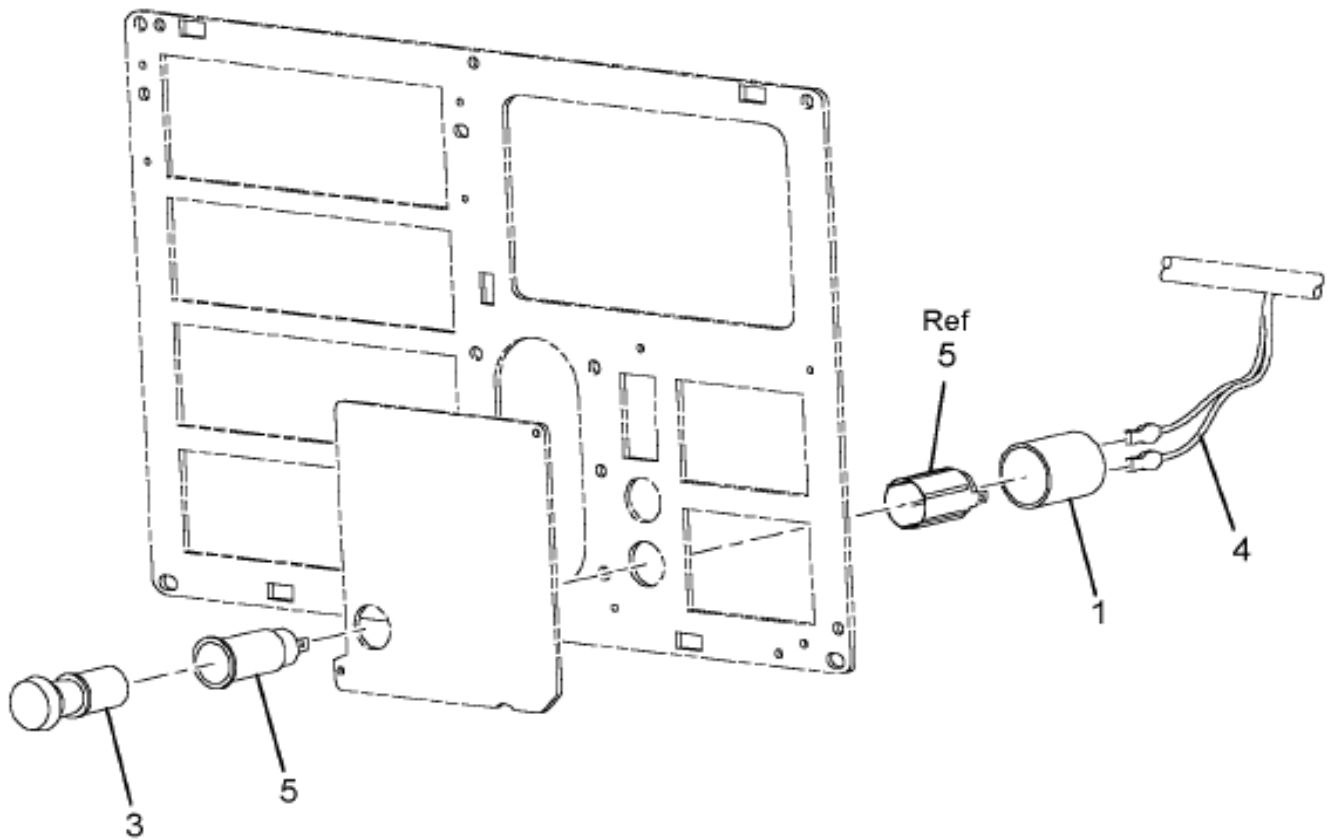
GROUP 8

08-P28-0022-B0

B10

Item	Part No.	Qty	Description	Kit	Var	Figure
10	3581553F91	1	ELEC IP,W/CIG LTR & W/BRKR		0HMYR	3581553F91

Figure 3581553F91
 ELEC IP,W/CIG LTR & W/BRKR



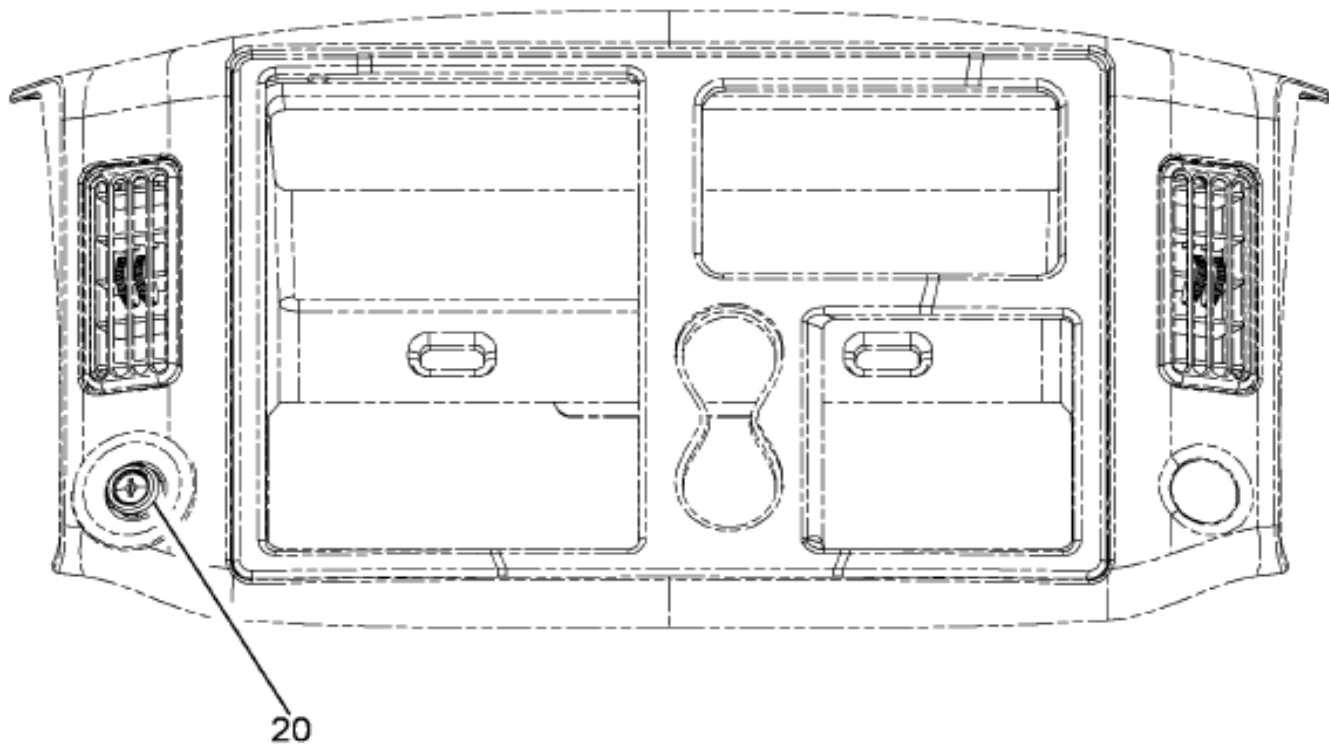
08-P28-0002-00

E04

Item	Part No.	Qty	Description	Kit	Var	Figure
1	2038725C3	1	INSULATOR, HOSE 1.25 X 1.5"			
3	3549468C92	1	ELEMENT,CIGAR LIGHTER W/KNOB			
4	3581340C91	1	CABLE,ASM*BTRY POWER SOURCE FE			
5	415837C91	1	HOUSING,LIGHTER			
800	RF		NOTE: THE FOLLOWING PARTS ARE NON-ILLUSTRATED			

Figure 06SV1

IP MODULE EFFECTS; ABR#29, KEY SWITCH & LOCK SET



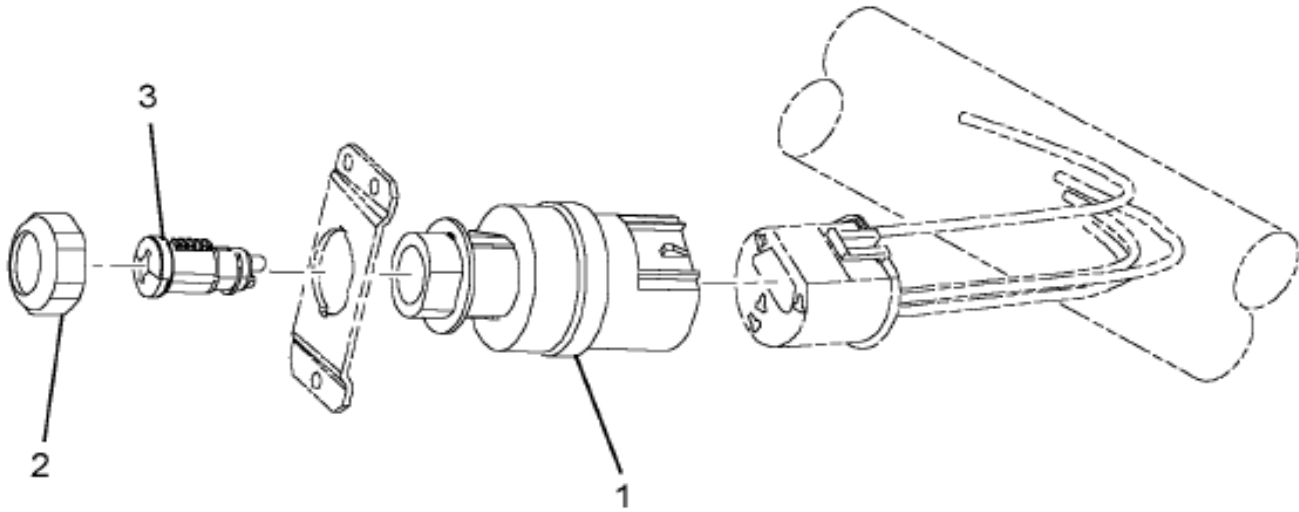
M-NGV-MD,M-NGV-SS
M-NGV-RH

08-P29-0006-A0

G09

Item	Part No.	Qty	Description	Kit	Var	Figure
20	3552933F91	1	ELCTRCAL IP KEY SW & LK SET		0DR58	3552933F91

Figure 3552933F91
ELCTRCAL IP KEY SW & LK SET



G
R
O
U
P

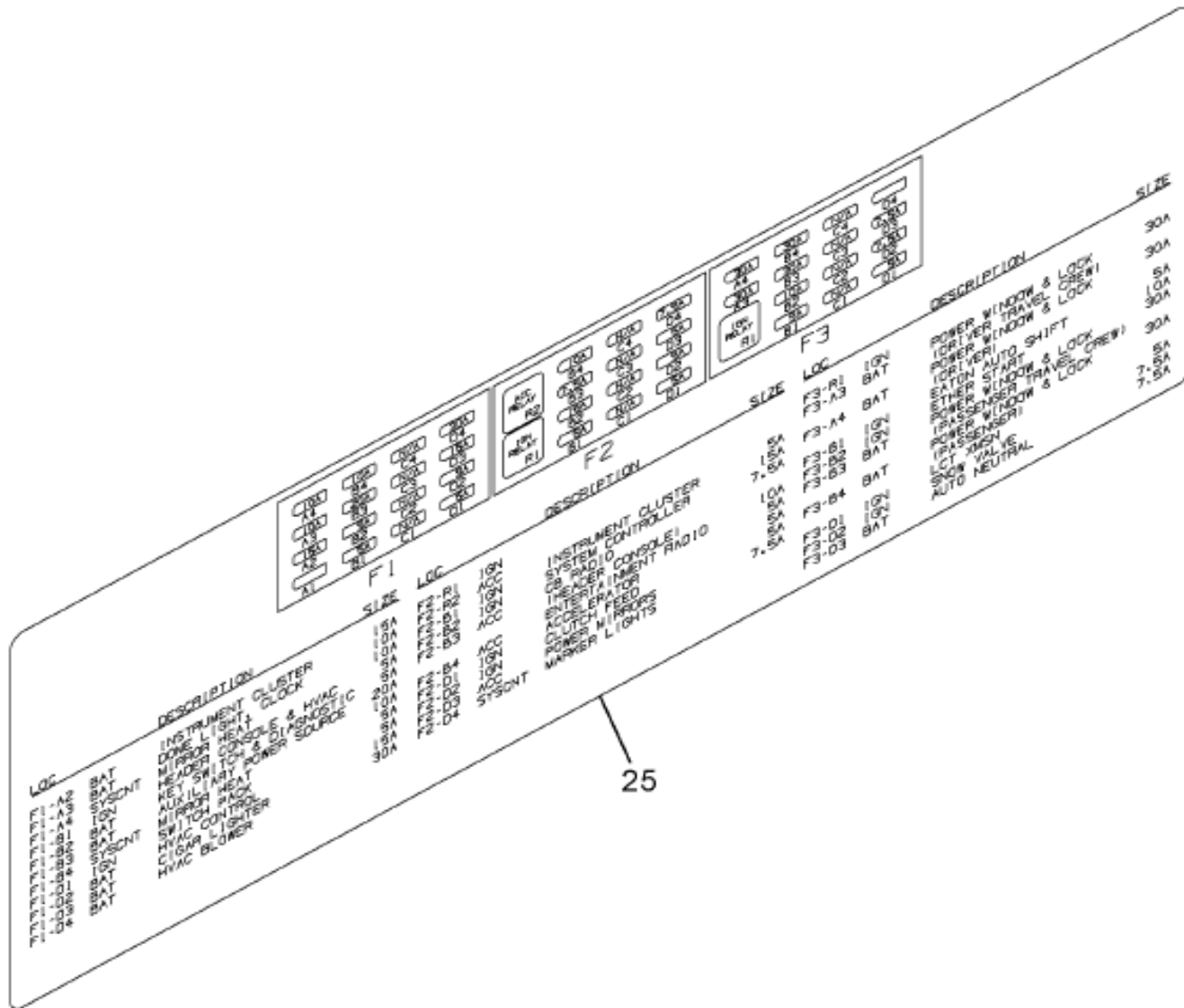
08-P29-0004-00

E04

Item	Part No.	Qty	Description	Kit	Var	Figure
1	3548223C1	1	SWITCH,IGNITION*KEYLESS			
2	3550643C1	1	NUT,SWITCH MTG 1"-32 THREAD			
3	3547899C91	1	KIT,DOOR LOCK (Z-001)			3547899C91
880		RF	NOTE: ASM BELOW COMPRISED OF ABOVE COMPONENTS			
881	3552933F91	RF	ELCTRCAL IP KEY SW & LK SET			

Figure 06TDF

IP MODULE EFFECTS; ABR#31, PRODUCT GRAPHIC, FUSE PANEL



GROUP 08

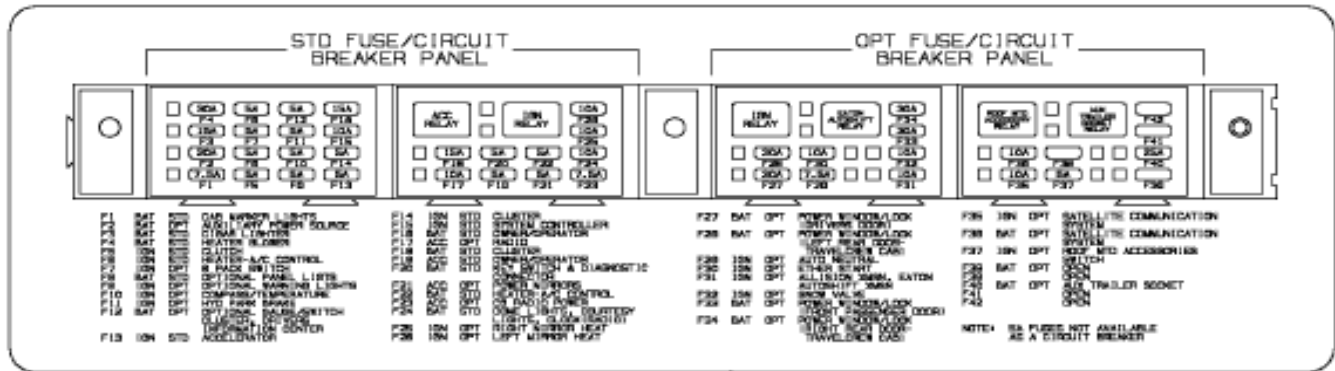
25

08-P31-0004-C0

K02

Item	Part No.	Qty	Description	Kit	Var	Figure
25	3550655F91	1	ELEC IP; FUSE PANEL PR		0F0RD	3550655F91
25	3588092F96	1	IP,FUSE PANEL GRAPHIC,ENGLISH		0F0RD	3588092F96

Figure 3550655F91
ELEC IP; FUSE PANEL PR

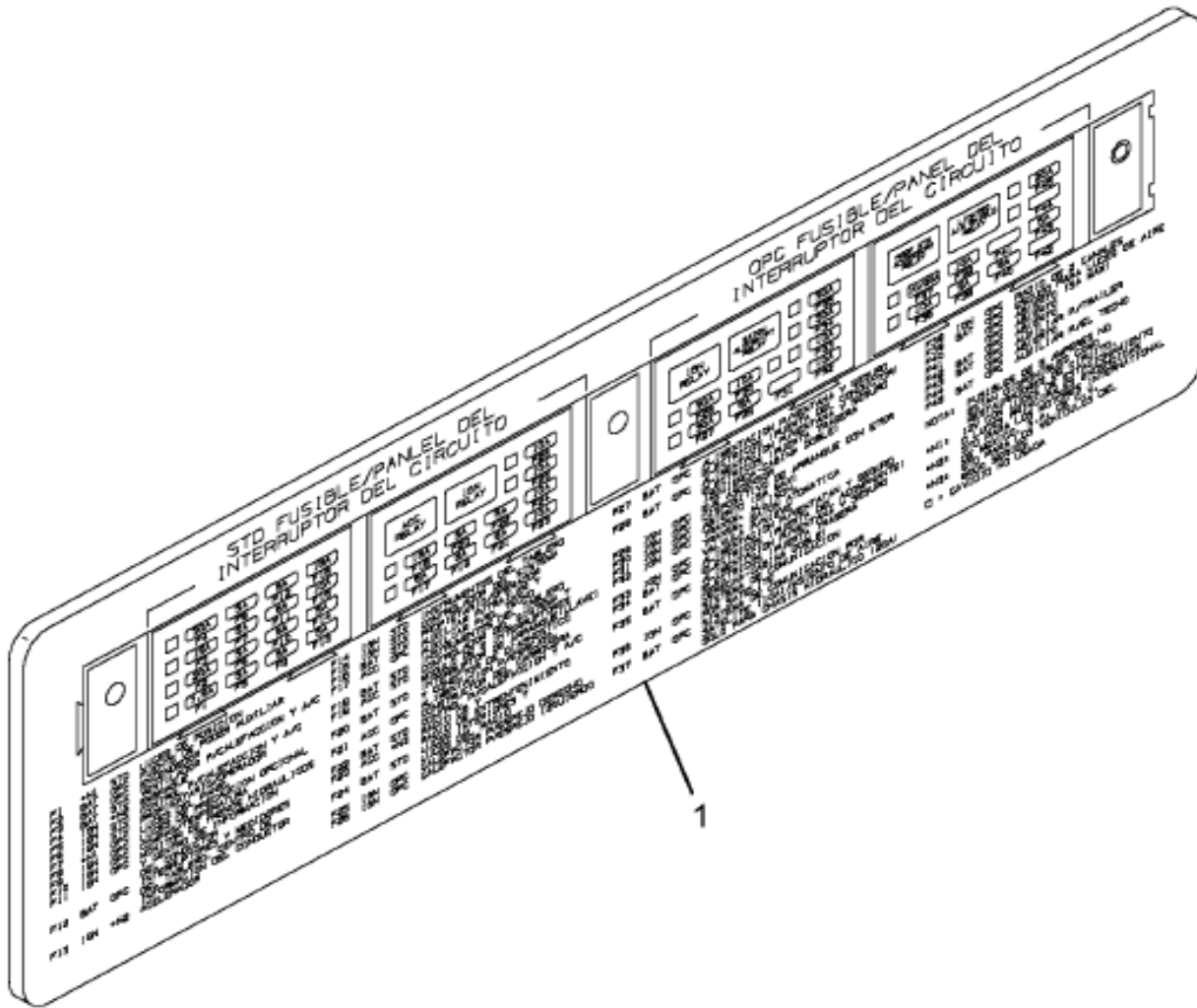


08-P31-0001-00

E04

Item	Part No.	Qty	Description	Kit	Var	Figure
1	3550653C1	1	PRODUCT GRAPHICS, LABEL FUSE ID			
880		RF	NOTE: ASM BELOW COMPRISED OF ABOVE COMPONENTS			
881	3550655F91	RF	ELEC IP; FUSE PANEL PR			

Figure 3588092F96
IP, FUSE PANEL GRAPHIC, ENGLISH



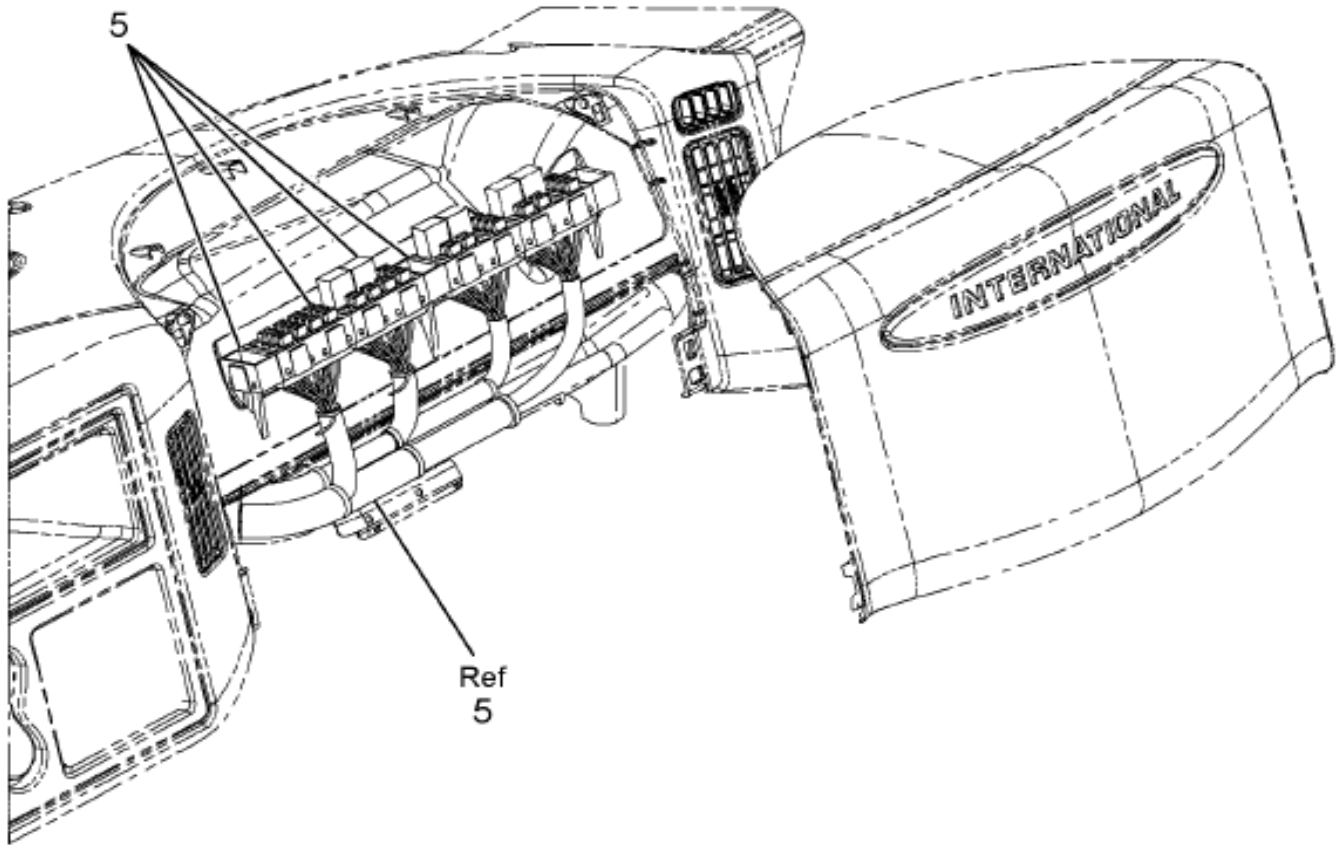
08-P31-0003-00

E04

Item	Part No.	Qty	Description	Kit	Var	Figure
1	3588090C6	1	PROD GRAPH, IP, FUSE PNL, ENGLISH			
880		RF	NOTE: ASM BELOW COMPRISED OF ABOVE COMPONENTS			
881	3588092F96	RF	IP, FUSE PANEL GRAPHIC, ENGLISH			

Figure 0HQHZ

IP MODULE EFFECTS; ABR#32, RPO BASE WIRING HARNESS

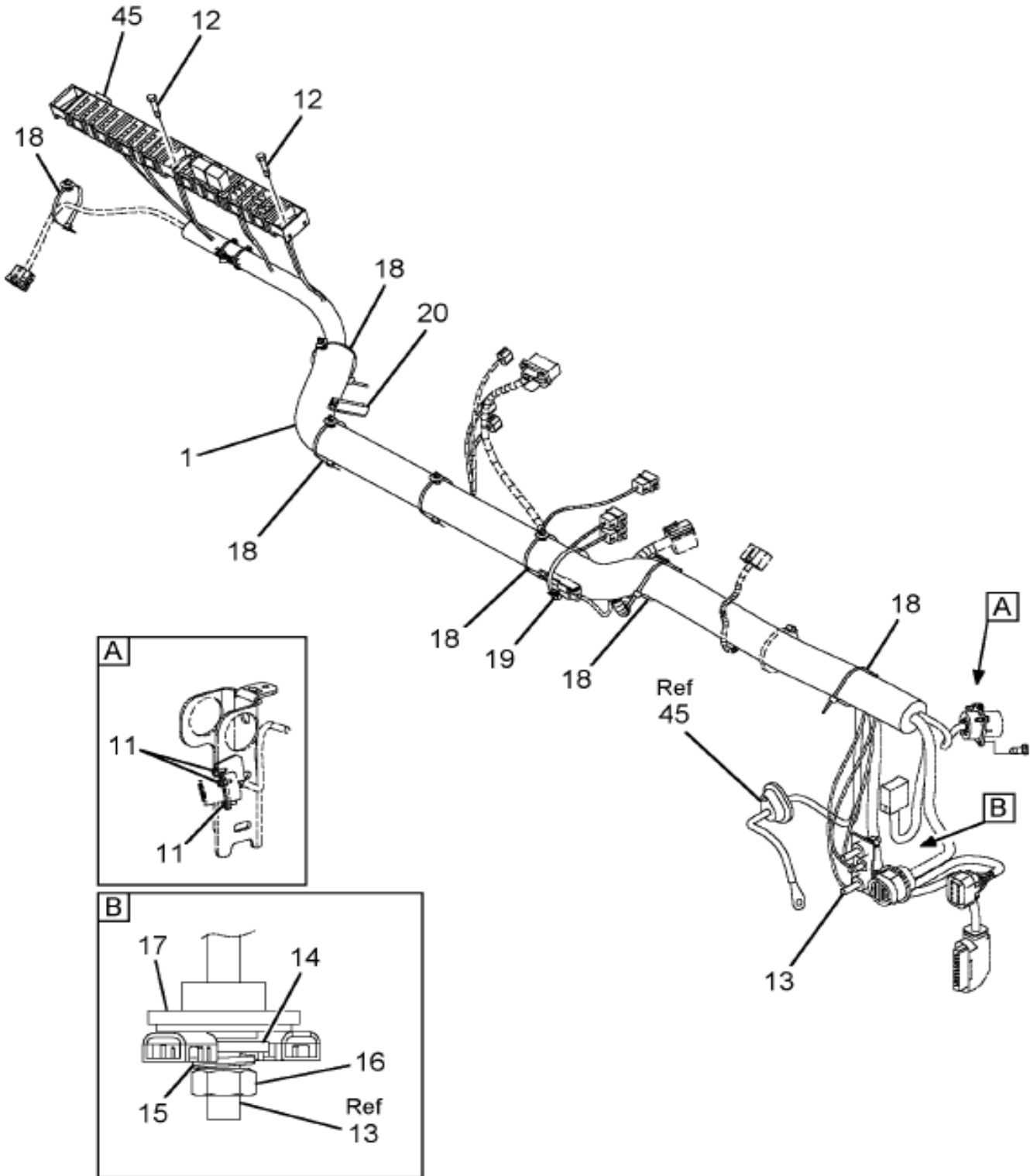


08-124-0001-00

E09

Item	Part No.	Qty	Description	Kit	Var	Figure
5	3588143F92	1	HARN,IP,F1-F4,W/BREAKERS - MRD		0KWDM	3588143F92

Figure 3588143F92
HARN, IP, F1-F4, W/BREAKERS - MRD



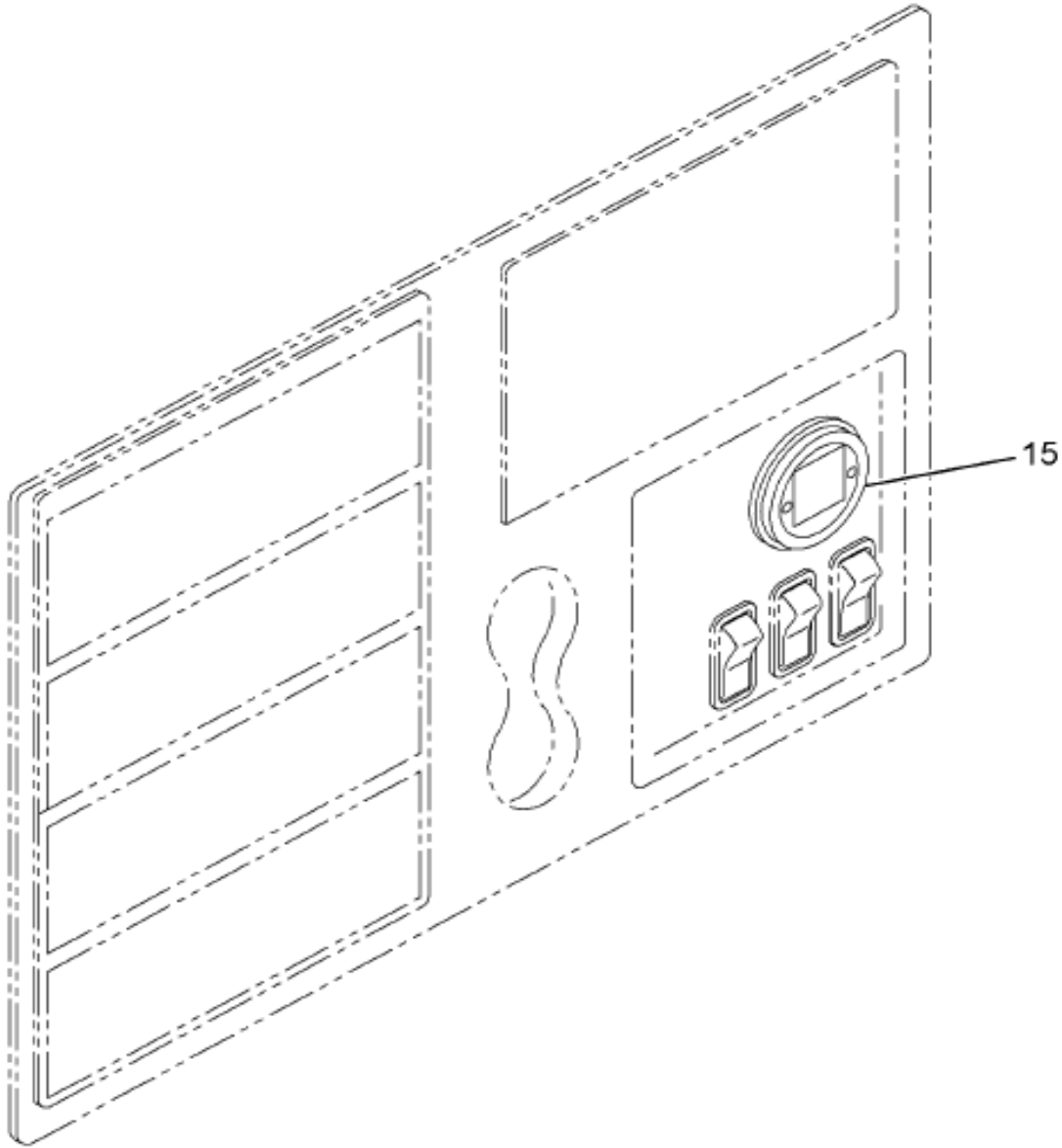
08-P32-0036-01

H03

Item	Part No.	Qty	Description	Kit	Var	Figure
1	3587947C92	1	HARN, CAB, PLAFORM BASE, LH DRV.			
1		RF	LEFT			
1	3581312C91	1	HARN, CAB OVERLAY*ACCELERATO			
11	473158C1	4	SCREW SPL HI-LOW #8-18 X 1/2			
12	473143C1	2	SCREW, SPECIAL HI-LOW			
13	3551282C2	1	STUD, SPECIAL*M8 X 1.25 DUAL SI			

Figure 0DBN3

IP MODULE EFFECTS; ABR#35, FILTER MINDER



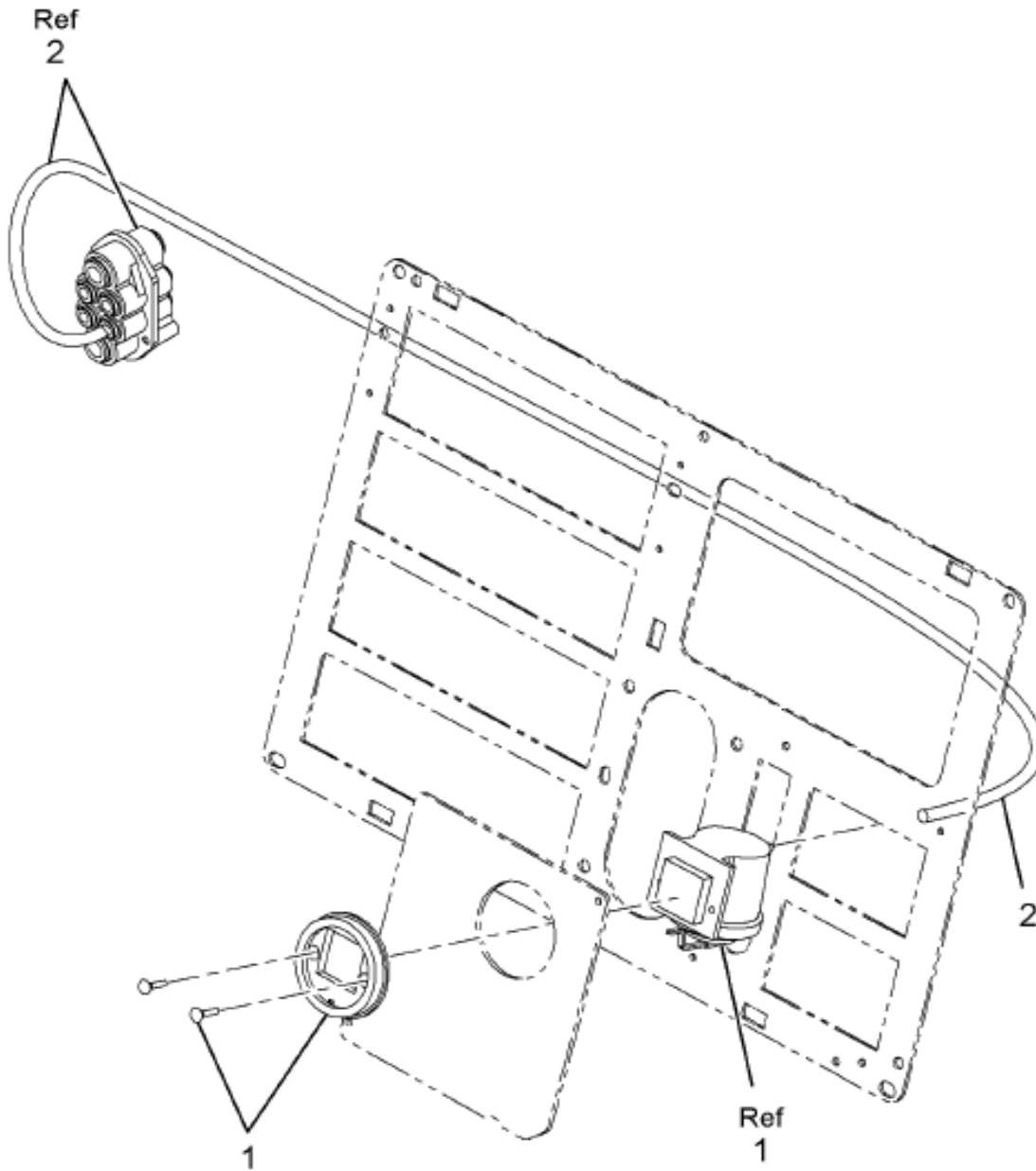
608

08-P35-0002-C0

B10

Item	Part No.	Qty	Description	Kit	Var	Figure
15	3545804F92	1	ELEC IP; PANEL, ELEC		0DBQ2	3545804F92

Figure 3545804F92
ELEC IP; PANEL, ELEC



08-P35-0001-00

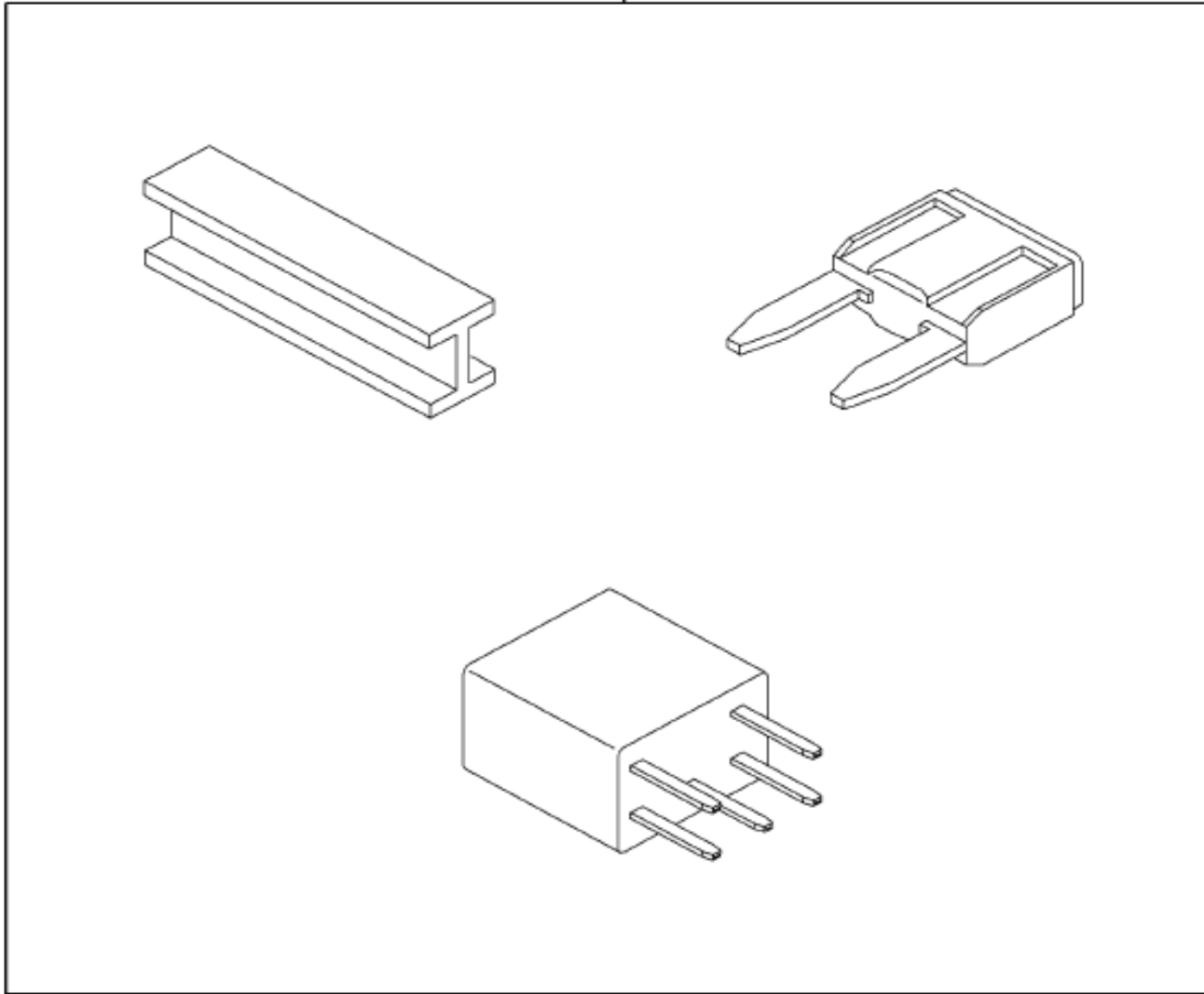
H04

Item	Part No.	Qty	Description	Kit	Var	Figure
1	556779C91	1	GAUGE FILTER LIFE			
2	3547779C1	1	HOSE,FLEX AIR FILTER MINDER			
880		RF	NOTE: ASM BELOW COMPRISED OF ABOVE COMPONENTS			
881	3545804F92	RF	ELEC IP; PANEL, ELEC			

Figure 0JKCD

IP MODULE EFFECTS; ABR#37, OPTIONAL FUSE BLOCK

25



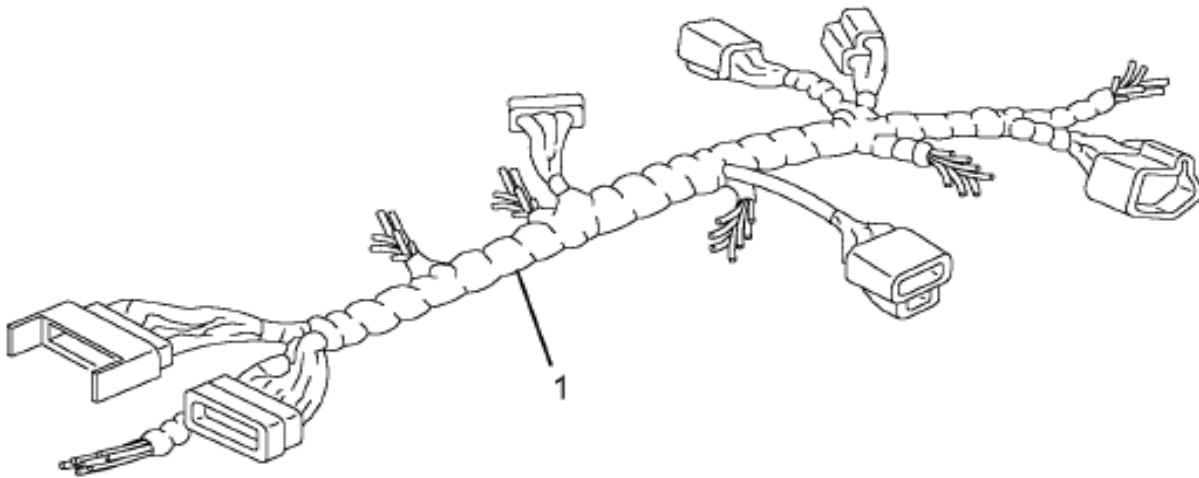
GROUP 08

08-P37-0016-01

C09

Item	Part No.	Qty	Description	Kit	Var	Figure
25	3581517F91	1	ELEC IP,OPT FB 3&4 W/2-WY R		0JKCR	3581517F91

Figure 3581517F91
 ELEC IP,OPT FB 3&4 W/2-WY R



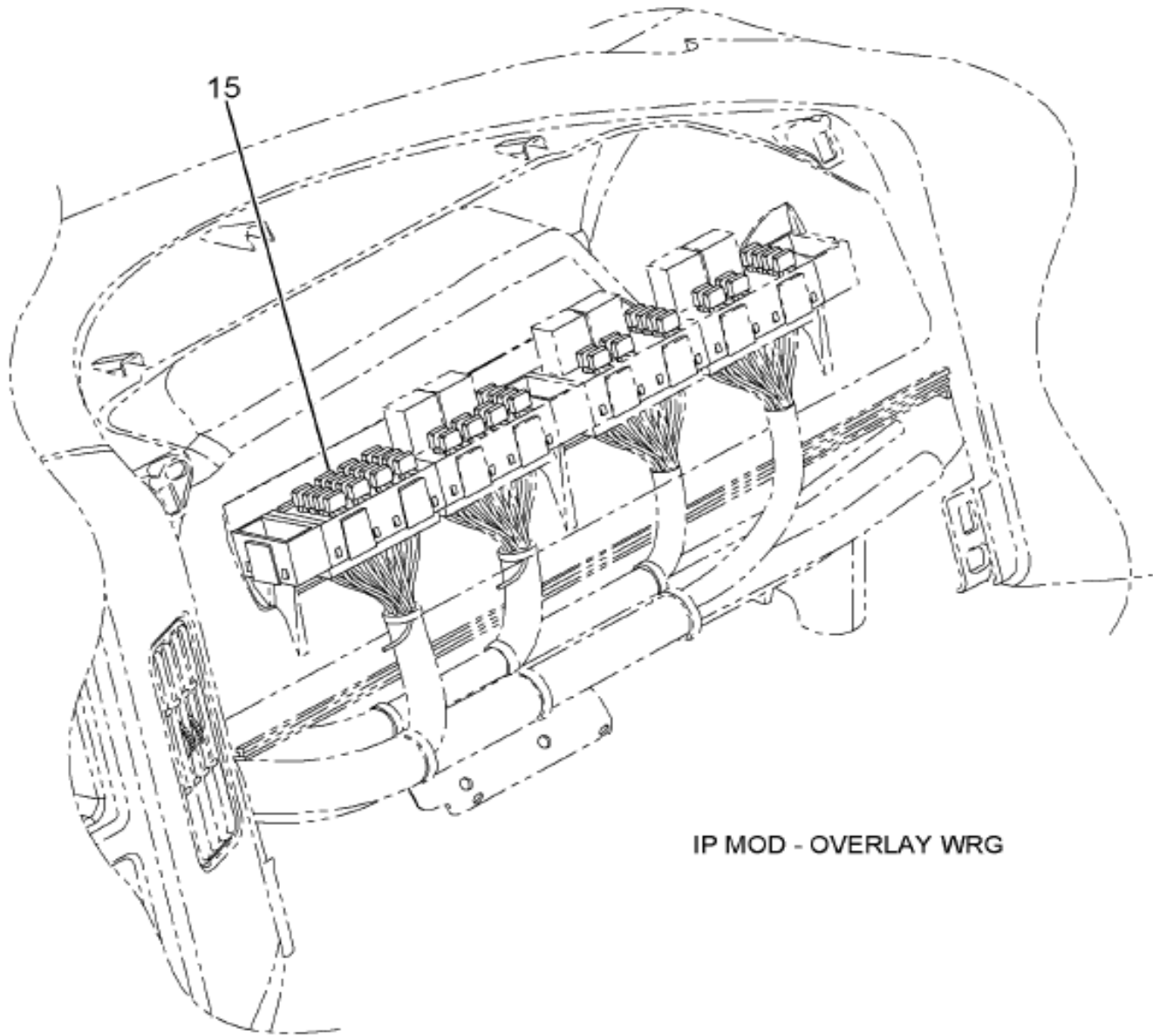
08-P58-0006-01

C03

Item	Part No.	Qty	Description	Kit	Var	Figure
1	3519350C1	1	RELAY,MICRO SPDT			
1	473143C1	1	SCREW,SPECIAL HI-LOW			
1	3581328C91	1	HARNESS,2-WAY RADIO, CAB*FLOOR			
1	3534208C1	1	FUSE,*FUSE, 5AMP MINI			
880	RF		NOTE: ASM BELOW COMPRISED OF ABOVE COMPONENTS			

Figure 0JVT2

IP MODULE EFFECTS; ABR#47, MISCELLANEOUS WIRING



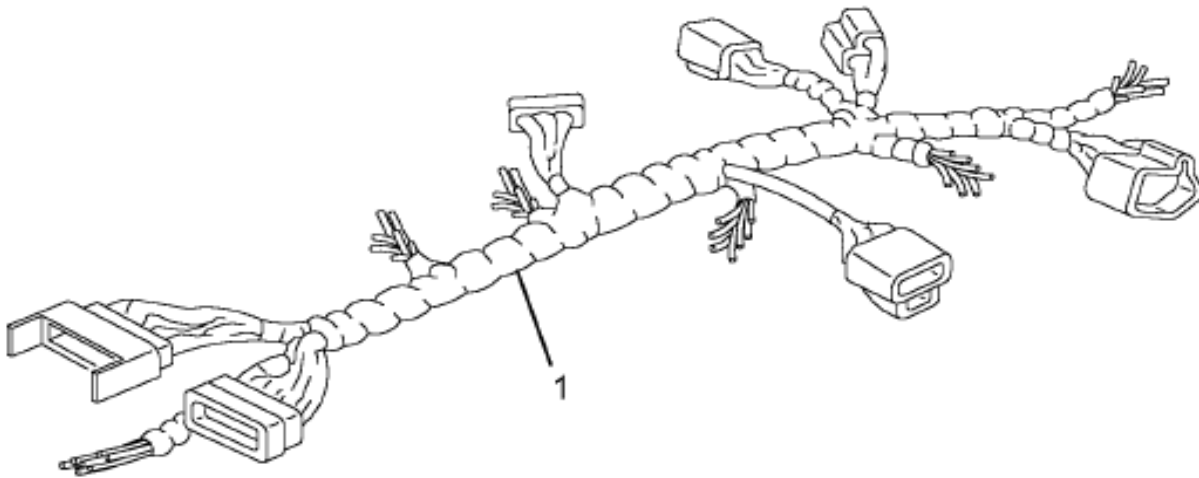
IP MOD - OVERLAY WRG

08-P47-0001-01

B09

Item	Part No.	Qty	Description	Kit	Var	Figure
15	3581429F91	1	ELEC IP,MISC WRG-OPT PNL LT		0KQSF	3581429F91

Figure 3581429F91
 ELEC IP,MISC WRG-OPT PNL LT



G
R
P
0
8

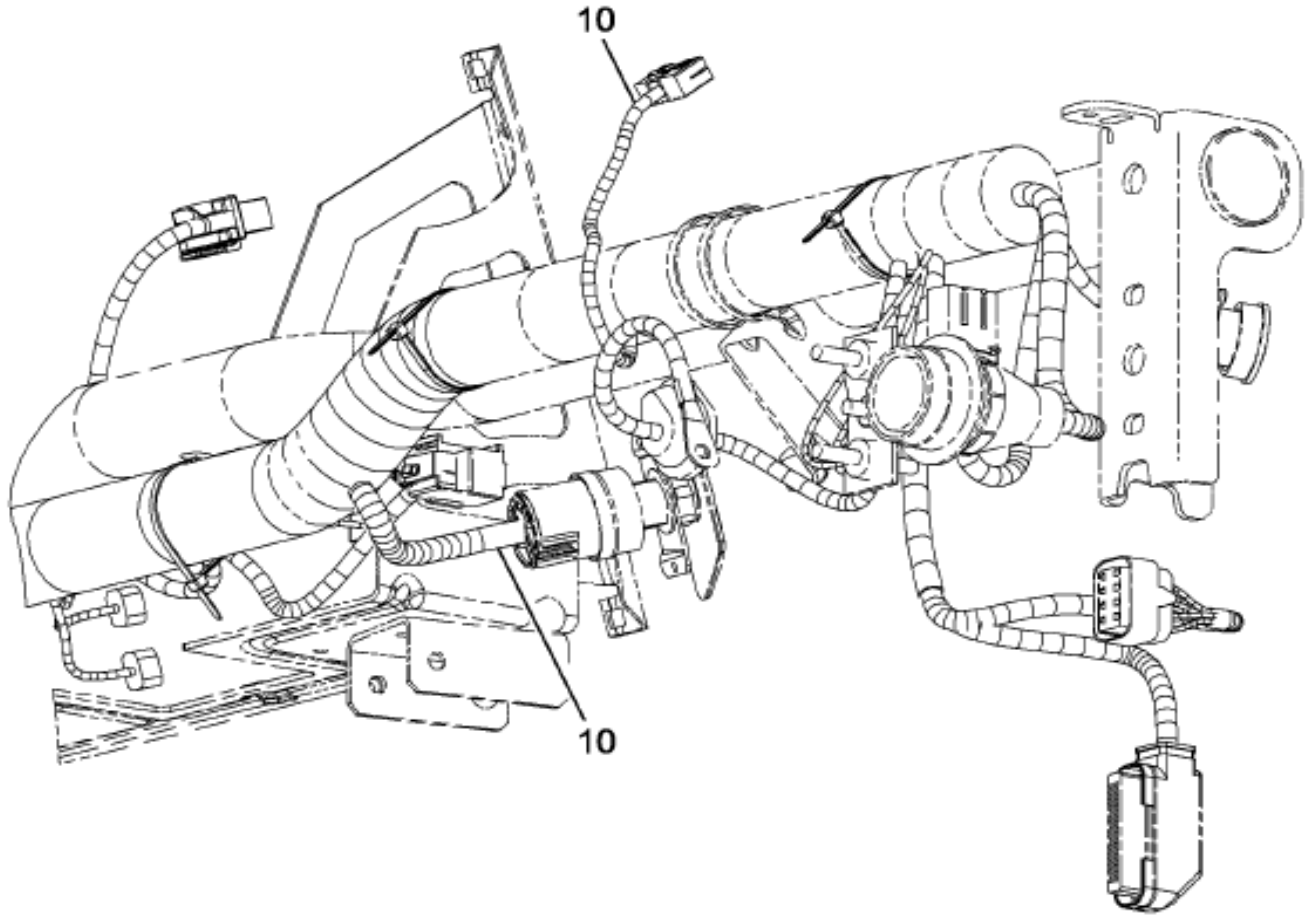
08-P58-0006-01

C03

Item	Part No.	Qty	Description	Kit	Var	Figure
1	3554116C91	1	HARNESS,CAB OVERLAY*ZERO REFER			
1	3581298C91	1	HARNESS,CAB OVERLAY*IP PANEL L			
1	3549344C92	1	CABLE,ASM*IP GROUND OVERLAY			
1	3534208C1	1	FUSE,*FUSE, 5AMP MINI			
1	291207C1	1	STRAP,CABLE LOCK			
880	RF		NOTE: ASM BELOW COMPRISED OF ABOVE			

Figure 0MT13

IP MODULE EFFECTS; ABR#48, CRANK & POWERTRAIN WIRING



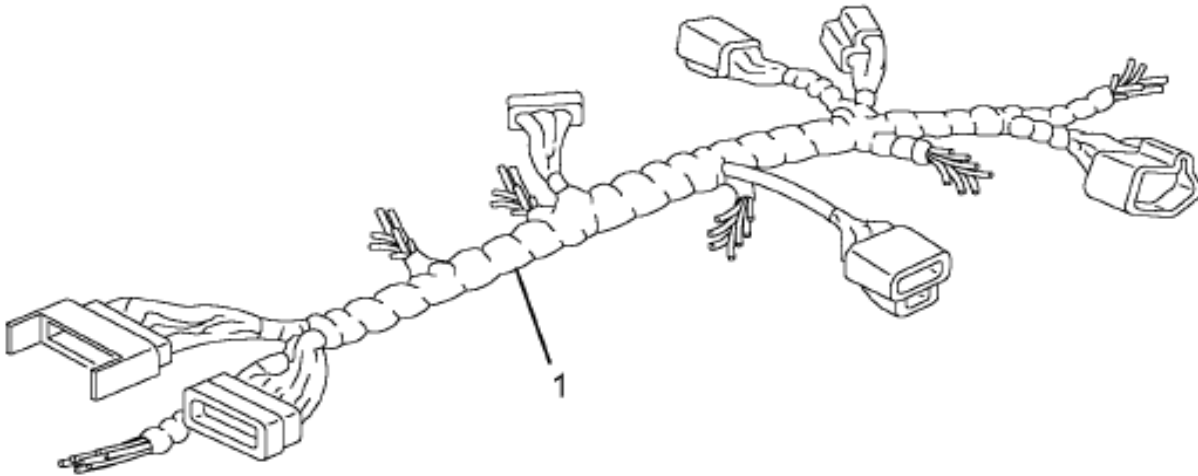
GROUP 08

08-P48-0001-00

L08

Item	Part No.	Qty	Description	Kit	Var	Figure
10	3582056F91	1	ELEC IP,J1708/J1939 N/OPTNS		0MT1X	3582056F91

Figure 3582056F91
ELEC IP,J1708/J1939 N/OPTNS

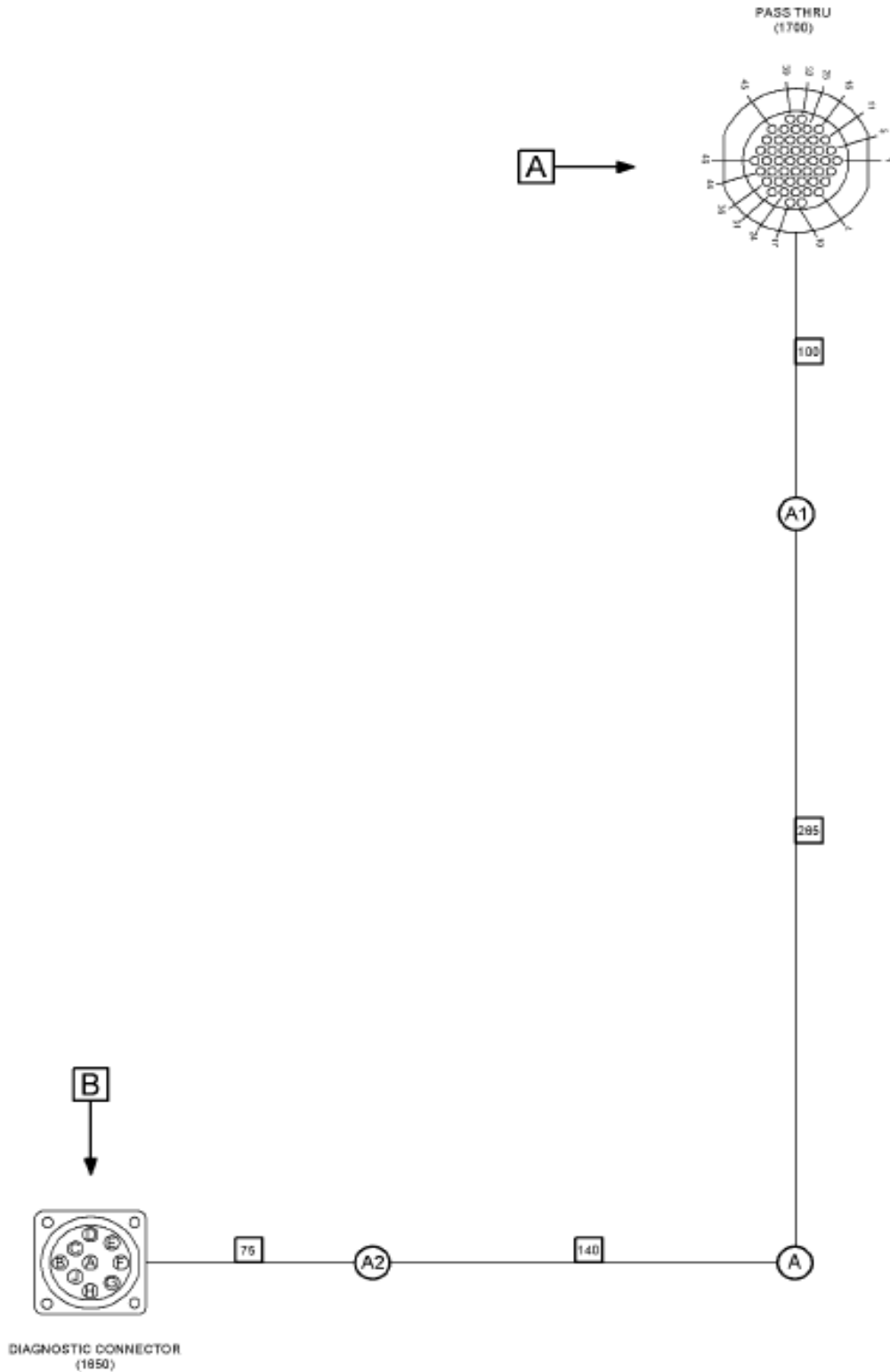


08-P58-0006-01

C03

Item	Part No.	Qty	Description	Kit	Var	Figure
1	291207C1	1	STRAP,CABLE LOCK			
1	3567203C91	1	HARNESS,POWER TRAIN D-LINK WRG			3567203C91
1	3567205C91	1	HARNESS,POWER TRAIN D-LINK WRG			
1	3582045C91	1	HARN,START,N/PUSH BTN W/FB 1-4			
880		RF	NOTE: ASM BELOW COMPRISED OF ABOVE COMPONENTS			

Figure 3567203C91
HARNESS, POWER TRAIN D-LINK WRG

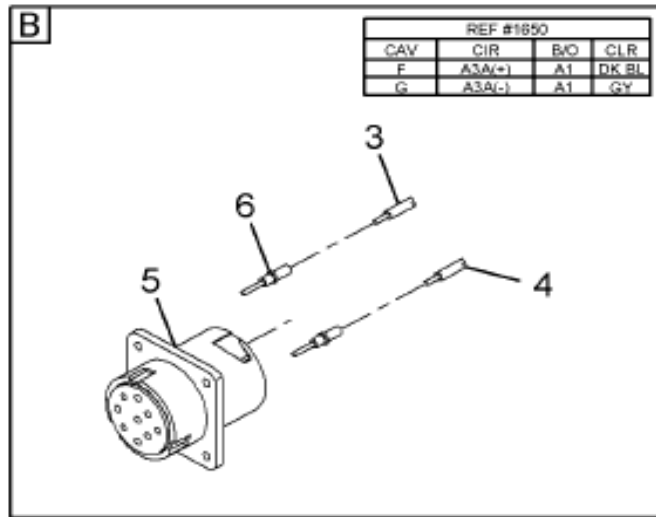
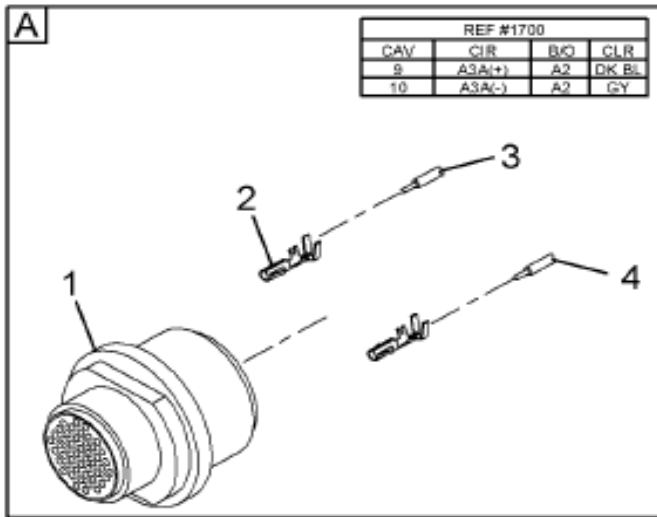


08-P48-0015-01

G10

Figure 1 of 2

Figure 3567203C91
HARNESS, POWER TRAIN D-LINK WRG



G
P
0
8

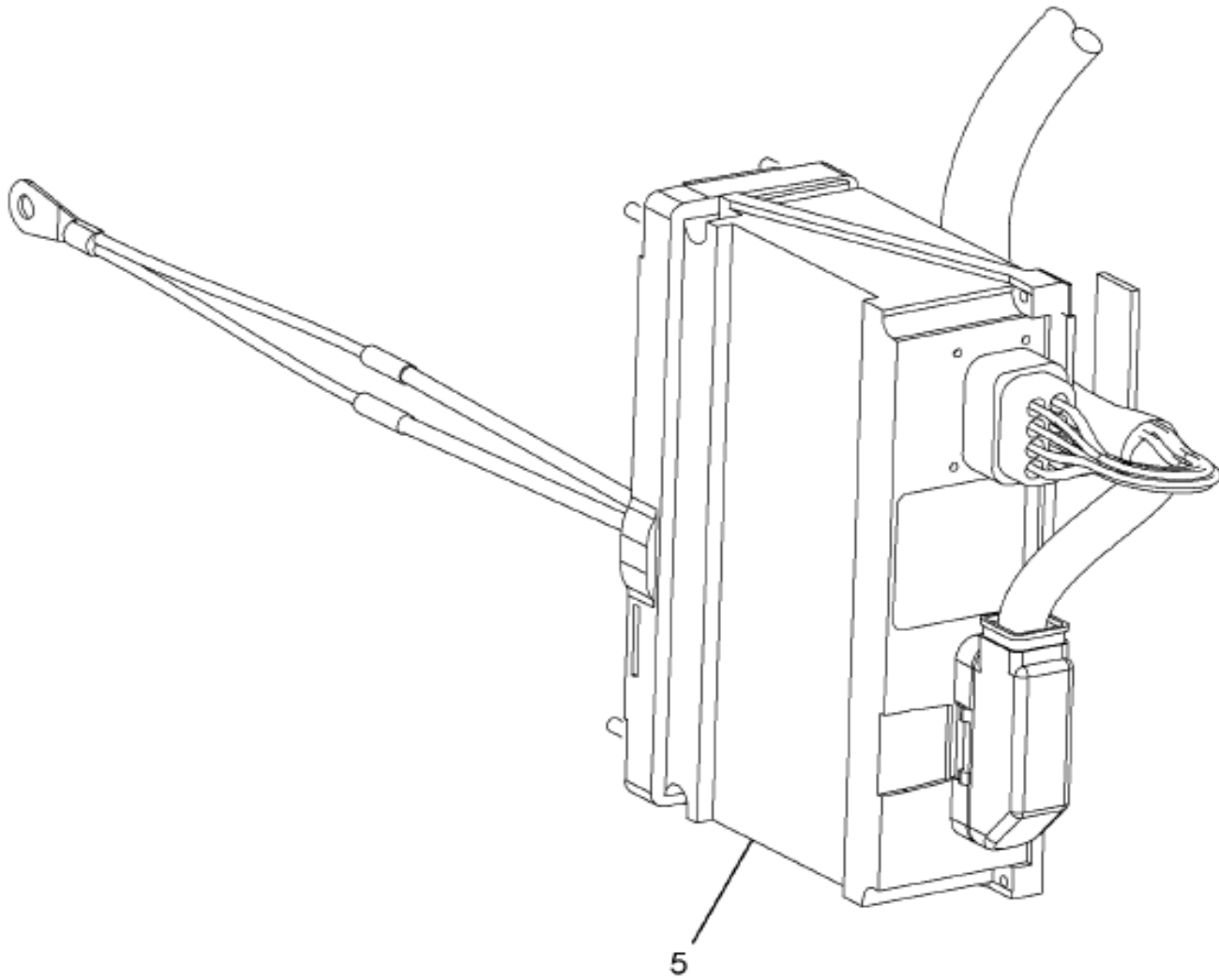
08-P48-0015-02

G10

Item	Part No.	Qty	Description	Kit	Var	Figure
1	3566553C1	1	CONNECTOR,BODY*CONNECTOR, SOCK			
2	3566559C1	2	TERMINAL,CABLE*SOCKET 16-20 GA			
3	2643720R1	AR	CABLE LOW TENSION SINGLE COND			
4	2643673R1	AR	CABLE LOW TENSION SINGLE COND			
5	3544066C1	1	CONNECTOR,BODY*9 PIN DIAG CONN			
6	1651968C1	2	TERMINAL,CABLE SOCKET #16			

Figure 06SHZ

IP MODULE EFFECTS; ABR#50, ELECTRONIC SYSTEM CONTROLLER



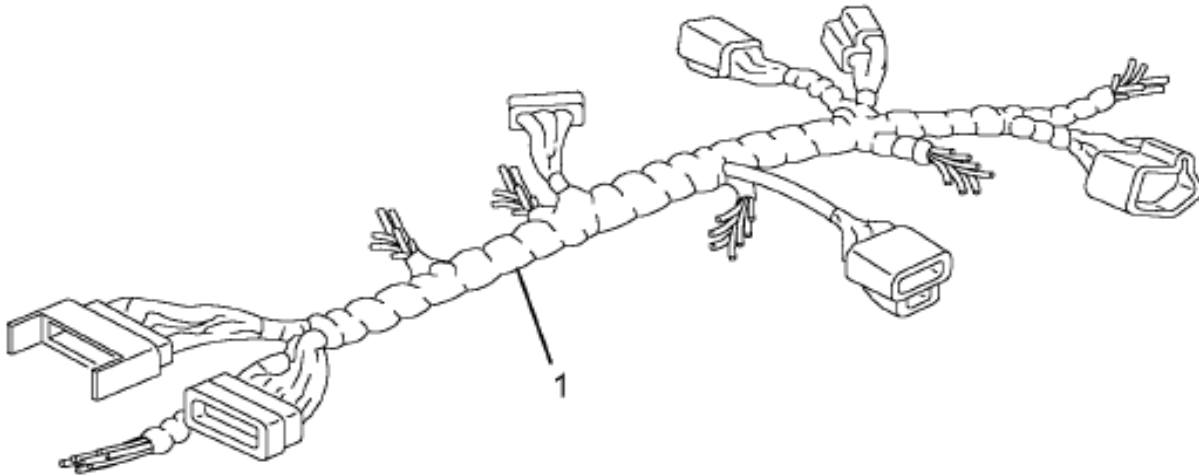
GROUP 08

08-P50-0003-A0

B10

Item	Part No.	Qty	Description	Kit	Var	Figure
5	3579360F93	1	ELECT IP*ESC2 ASM, W/BOOT L		0HCJ4	3579360F93

Figure 3579251C3
CONTROL, ELECTRONIC*ESC2, W/BOO

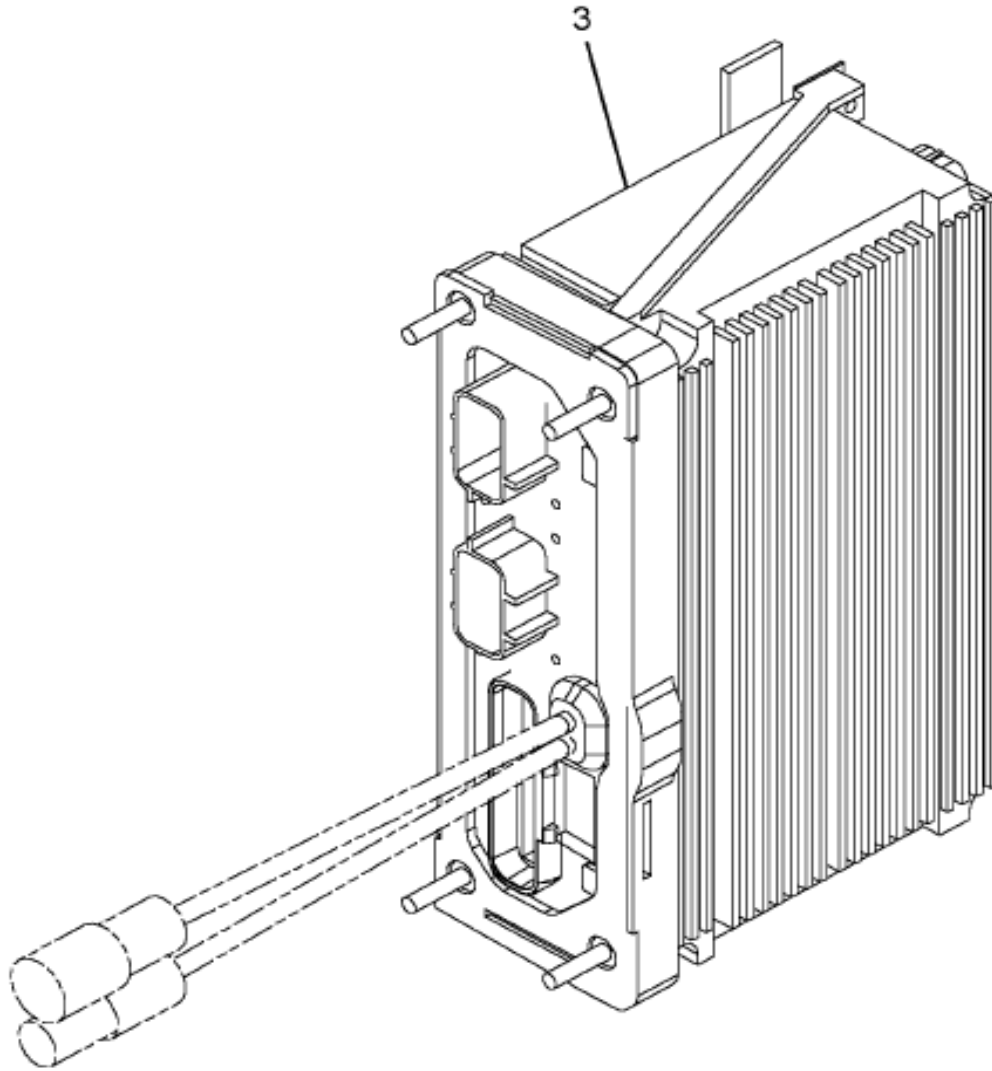


08-P58-0006-01

C03

Item	Part No.	Qty	Description	Kit	Var	Figure
1		RF	ELECTRONIC SYS CNTRLR2-HITACHI			
1	2508483R1	1	MANUAL, INST ELCTRN SYS CNTRLR			
880		RF	NOTE: ASM BELOW COMPRISED OF ABOVE COMPONENTS			
881	3579251C3	RF	CONTROL, ELECTRONIC*ESC2, W/BOO			

Figure 3579360F93
ELECT IP*ESC2 ASM, W/BOOT L



G
R
P
0
8

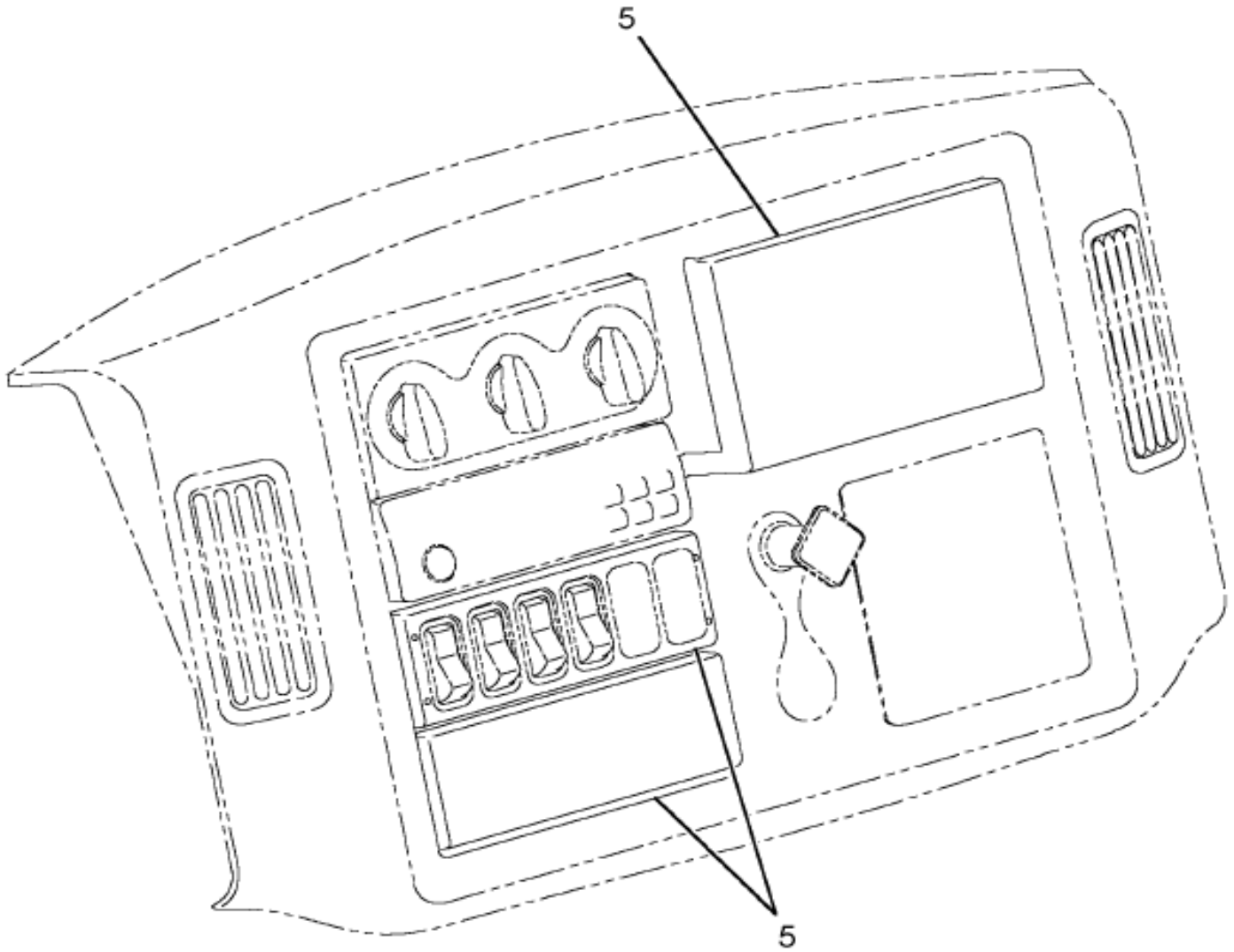
08-P50-0002-00

E04

Item	Part No.	Qty	Description	Kit	Var	Figure
3	3579251C3	1	CONTROL,ELECTRONIC*ESC2, W/BOO			3579251C3
880		RF	NOTE: ASM BELOW COMPRISED OF ABOVE COMPONENTS			
881	3579360F93	RF	ELECT IP*ESC2 ASM, W/BOOT L			

Figure 0L4GS

IP MODULE, HOUSING ASM; SWITCH/GAUGE/ENG DISPLAY (ABR #79)

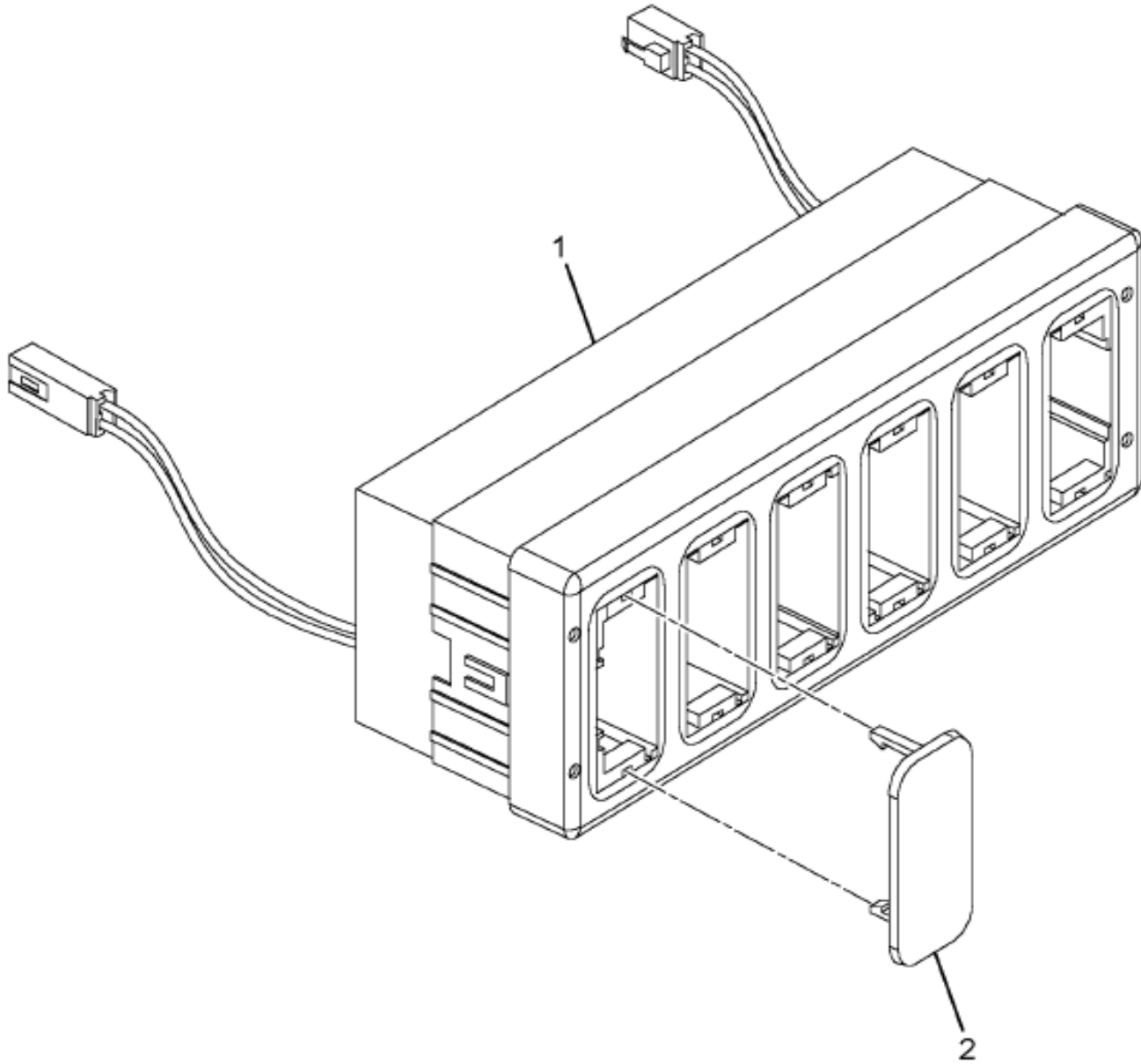


08-P34-0023-00

F04

Item	Part No.	Qty	Description	Kit	Var	Figure
5	3594373F91	1	IP-FULL SW PK W/CVR,POCKET		0L545	3594373F91

Figure 3549776C4
HOUSING, SWITCH*6 PACK DIN MULT



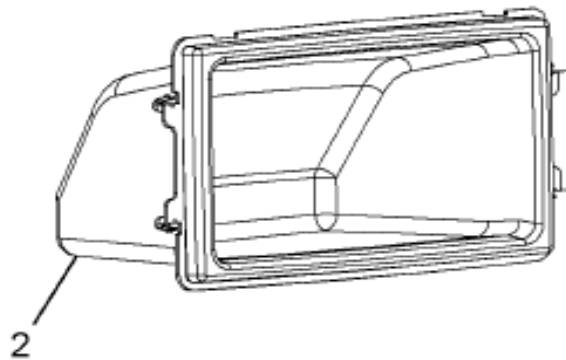
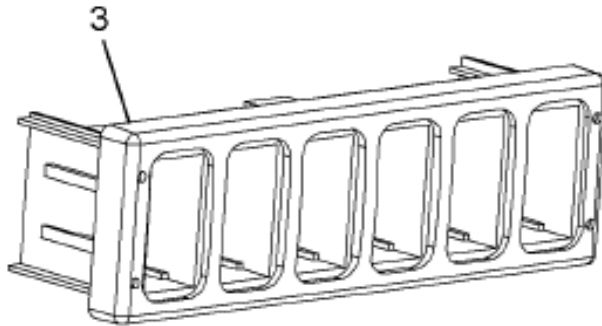
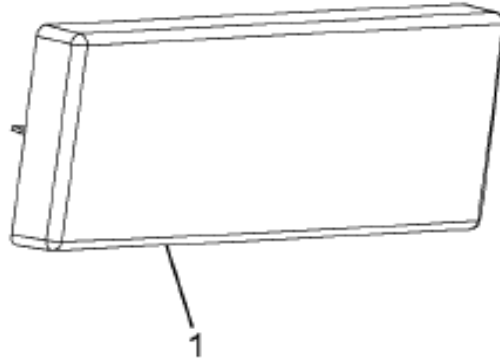
GROUP 8

08-P53-0014-01

H03

Item	Part No.	Qty	Description	Kit	Var	Figure
1		1	6 PACK SWITCH MODULE			
2	3533950C1	6	PLUG, FILLER*SWITCH			
800		RF	NOTE: THE FOLLOWING PARTS ARE NON-ILLUSTRATED			
801	2506670R2	1	MANUAL, SWITCH INSTL SW HSG			
880		RF	NOTE: ASM BELOW COMPRISED OF ABOVE			

Figure 3594373F91
IP-FULL SW PK W/CVR,POCKET



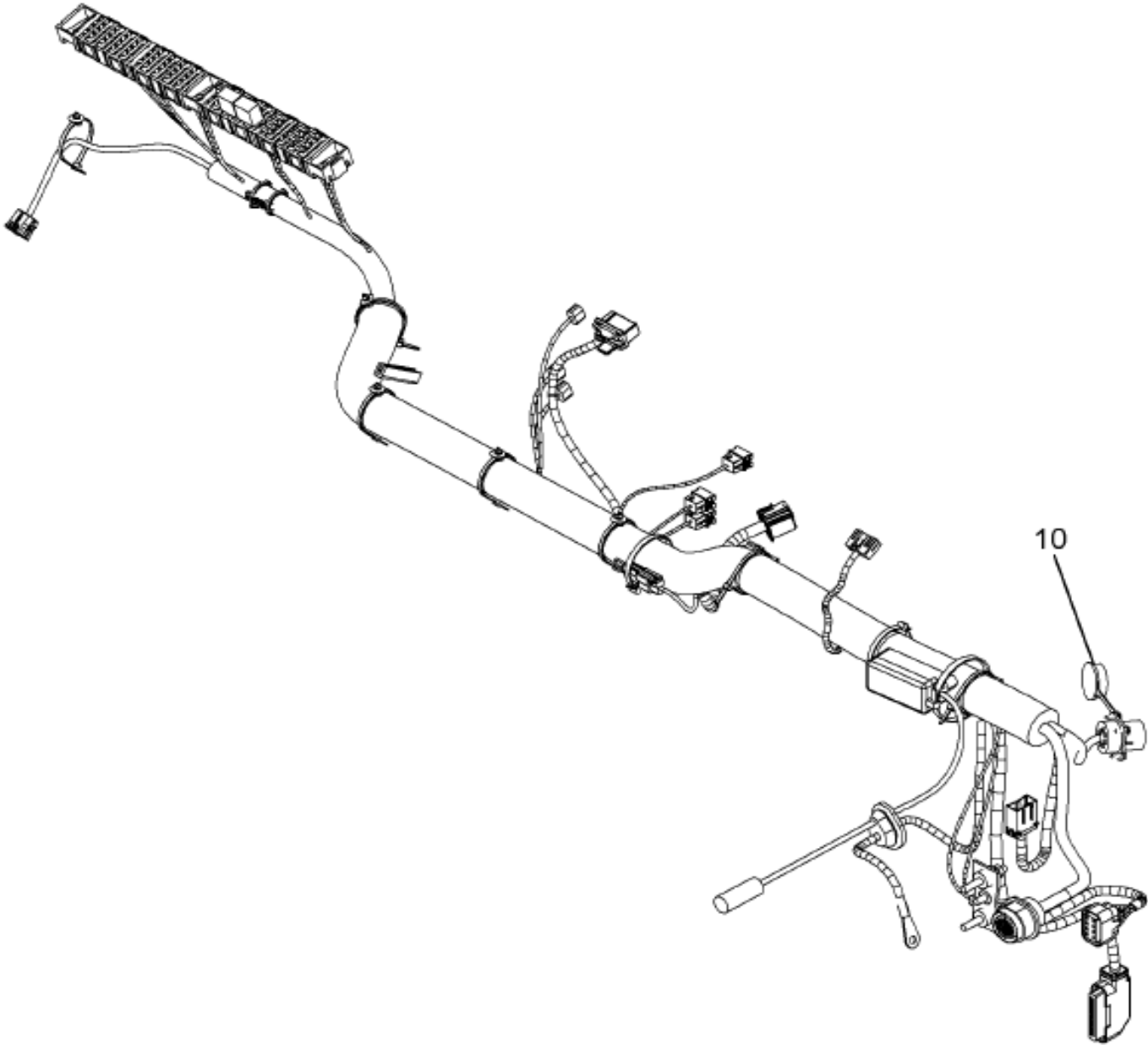
C08

08-P34-0018-01

C08

Item	Part No.	Qty	Description	Kit	Var	Figure
1	3534054C2	1	COVER, INSTRU PNL OPENING			
2	3534056C2	1	PANEL, INSTRUMENT STORAGE BIN			
3	3549776C4	1	HOUSING, SWITCH*6 PACK DIN MULT			3549776C4
880		RF	NOTE: ASM BELOW COMPRISED OF ABOVE COMPONENTS			
881	3594373F91	RF	IP-FULL SW PK W/CVR,POCKET			

Figure 0G1KJ
 IP MODULE, MISC EFFECTS (ABR #95)

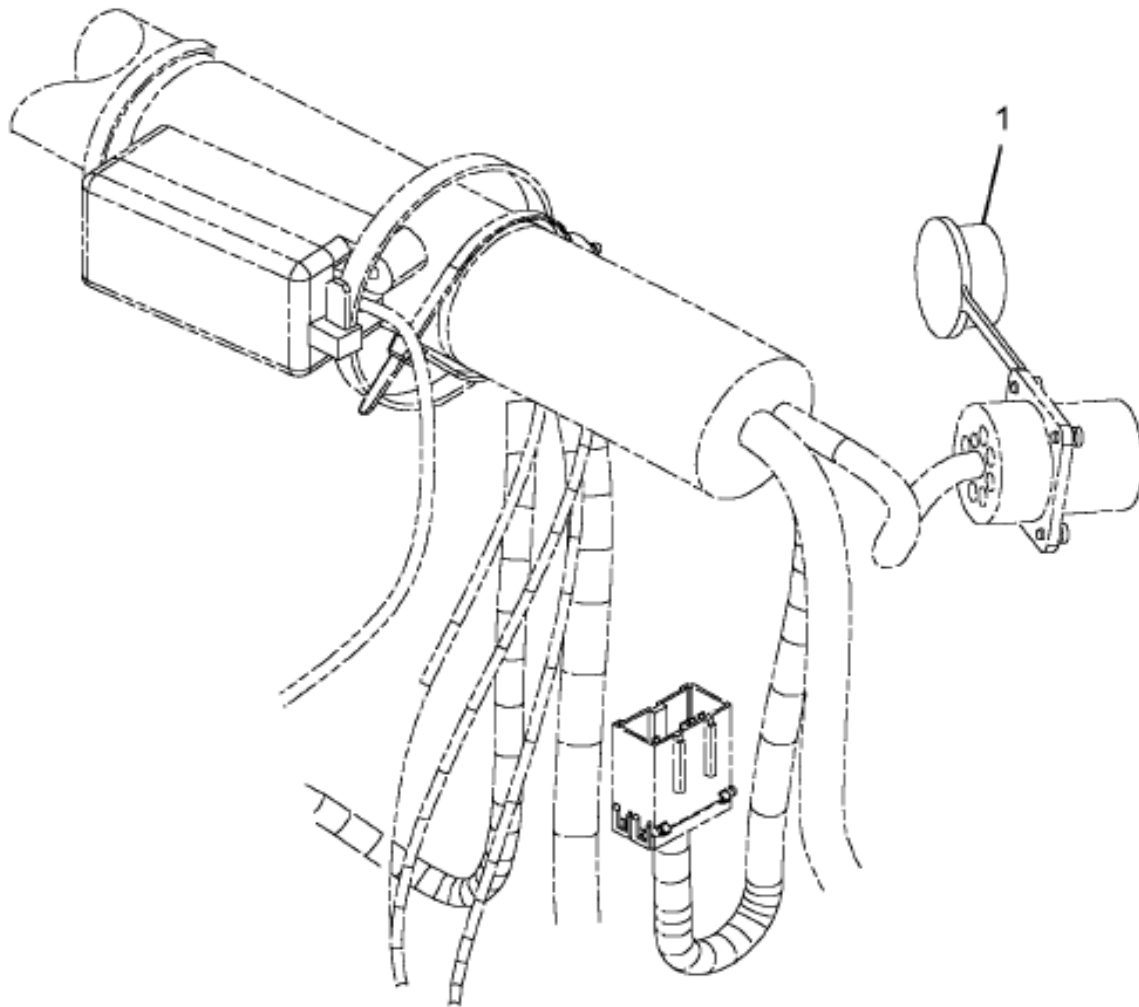


08-P95-0003-01

D09

Item	Part No.	Qty	Description	Kit	Var	Figure
10	3578228F91	1	ELEC IP,FTR CAT#95 MISC EFF		0HR0M	3578228F91

Figure 3578228F91
ELEC IP,FTR CAT#95 MISC EFF



G
R
O
U
P

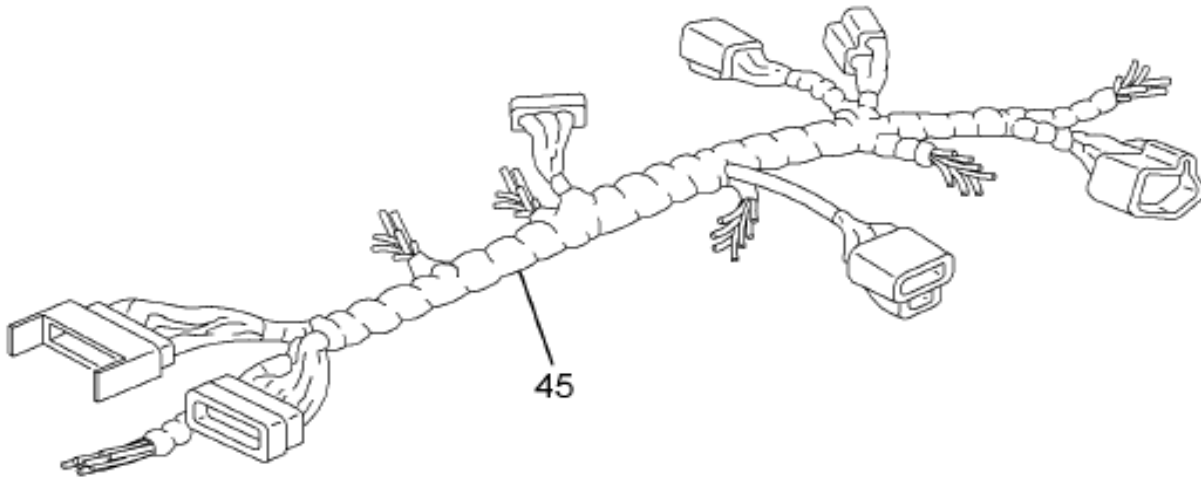
08-P95-0001-00

E04

Item	Part No.	Qty	Description	Kit	Var	Figure
1	3547843C1	1	CAP,RECEPTACLE*9-PIN DATA LINK			
880		RF	NOTE: ASM BELOW COMPRISED OF ABOVE COMPONENTS			
881	3578228F91	RF	ELEC IP,FTR CAT#95 MISC EFF			

Figure 0DCZL

IP MODULE, SWITCH ASM; AIR HORN CNTRL (ABR #68)

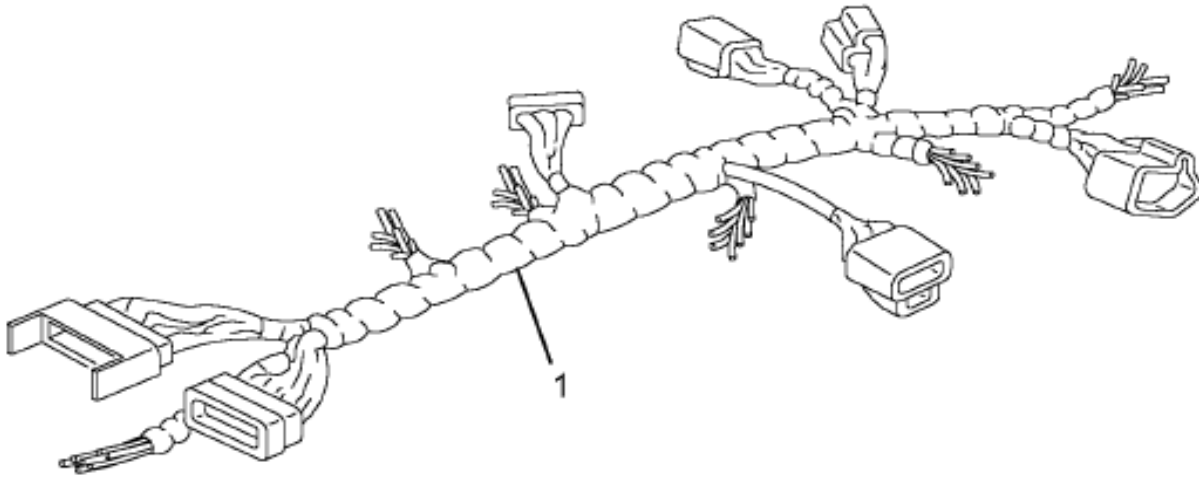


08-P68-0001-01

C03

Item	Part No.	Qty	Description	Kit	Var	Figure
45	3554184F91	1	ELEC IP; W/AIR HORN SWITCH		0DD1S	3554184F91

Figure 3554184F91
ELEC IP; W/AIR HORN SWITCH



GROUP 08

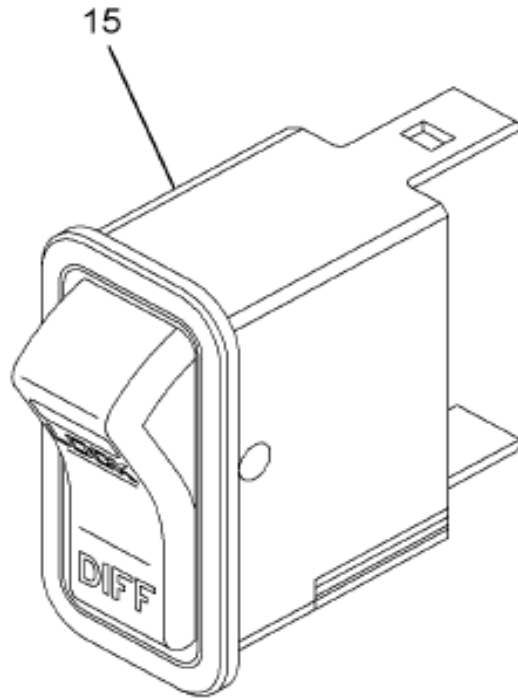
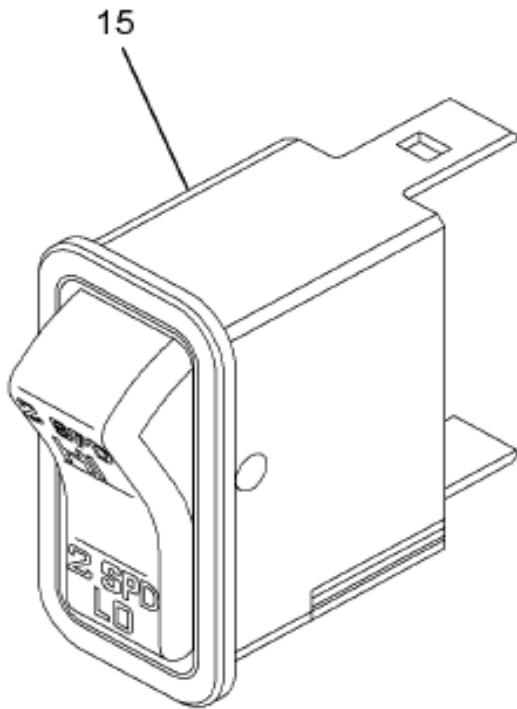
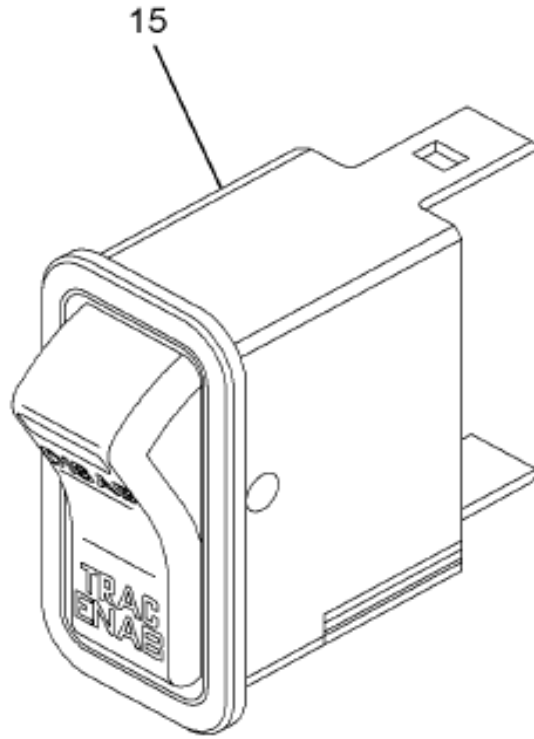
08-P58-0006-01

C03

Item	Part No.	Qty	Description	Kit	Var	Figure
1	3554117C91	1	HARNESS,CAB OVERLAY*W/AIR HORN			
880		RF	NOTE: ASM BELOW COMPRISED OF ABOVE COMPONENTS			
881	3554184F91	RF	ELEC IP; W/AIR HORN SWITCH			

Figure 0DC3W

IP MODULE, SWITCH ASM; AXLE CNTRL (ABR #62)

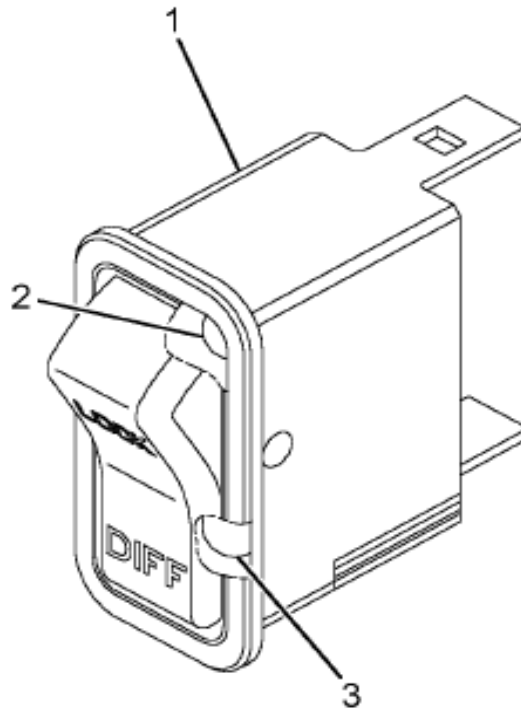


08-P62-0002-C0

L04

Item	Part No.	Qty	Description	Kit	Var	Figure
15	3588124F91	1	ELEC IP,DRVR CTRL LK DIF DB		0FQJG	3588124F91

Figure 3588124F91
ELEC IP,DRVR CTRL LK DIF DB



G
R
P
0
8

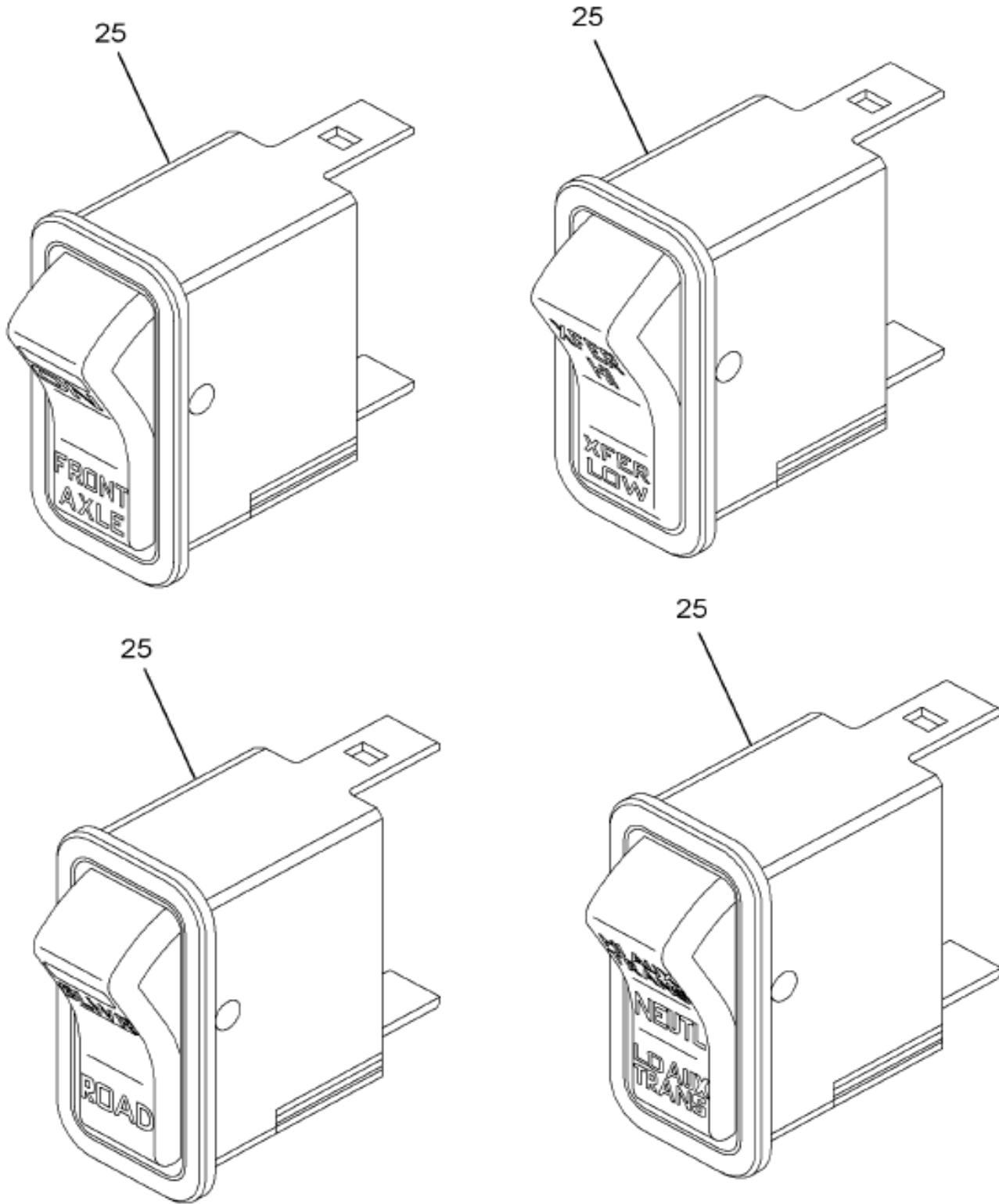
08-P53-0010-01

H03

Item	Part No.	Qty	Description	Kit	Var	Figure
1	3563074C1	1	SWITCH,ELECTRONIC DIF LOCK			3563074C1
2	3578733C1	1	LIGHT,IND,LED ON-GREEN,BRIGHT			
3	3533928C1	1	LIGHT,IND,LED AMBER BKLGT			
800		RF	NOTE: THE FOLLOWING PARTS ARE NON-ILLUSTRATED			
801	3588118C91	1	HARN CAB,O/L DIFFLK WARN LIGHT			

Figure 0DC3Y

IP MODULE, SWITCH ASM; DRIVETRAIN CNTRL (ABR #64)



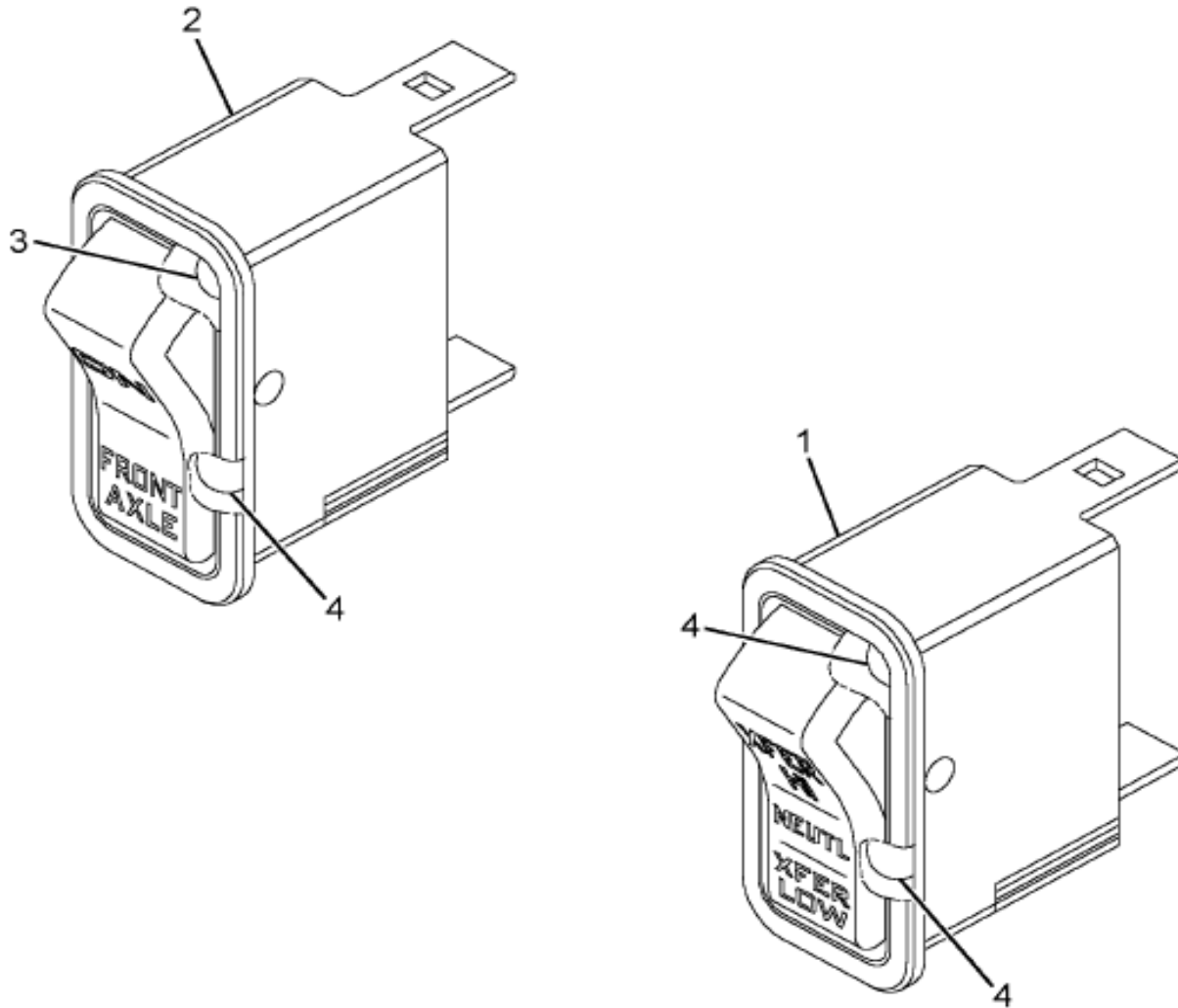
G
R
O
U
P

08-P64-0003-EA

L04

Item	Part No.	Qty	Description	Kit	Var	Figure
25	3578719F92	1	ELECTRICAL IP*TRANSFER CASE		0JZPP	3578719F92

Figure 3578719F92
ELECTRICAL IP*TRANSFER CASE

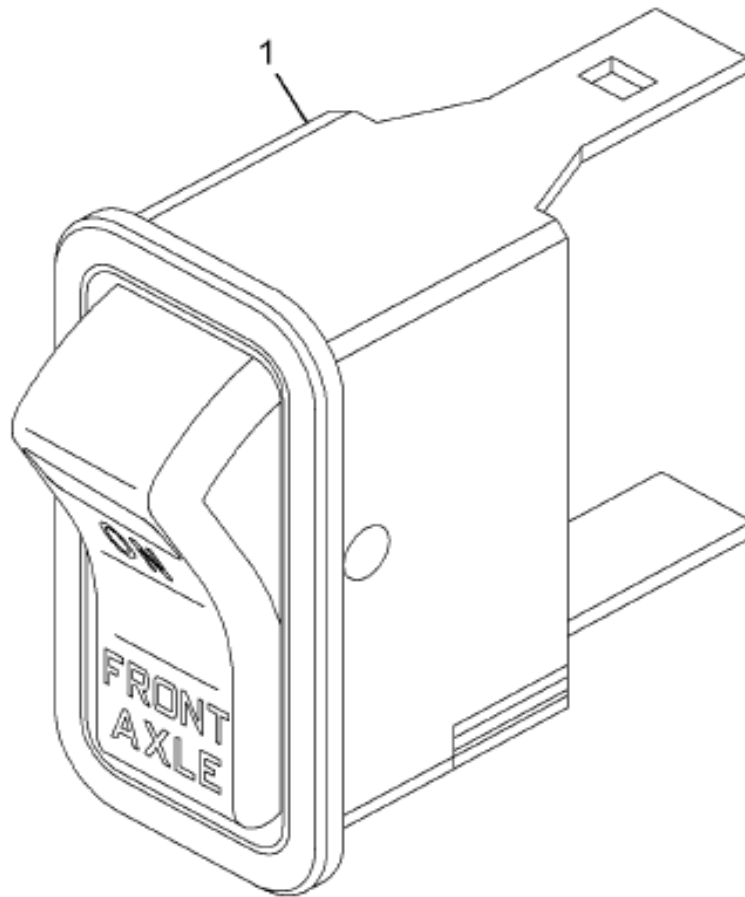


08-P53-0008-01

H03

Item	Part No.	Qty	Description	Kit	Var	Figure
1	3563111C1	1	SWITCH,ELECTRONIC XFER,HI/LOW			3563111C1
2	3563069C1	1	SWITCH,ELECTRONIC FRONT AXLE			3563069C1
3	3578733C1	1	LIGHT,IND,LED ON-GREEN,BRIGHT			
4	3533928C1	3	LIGHT,IND,LED AMBER BKLGT			
800	RF		NOTE: THE FOLLOWING PARTS ARE NON-ILLUSTRATED			

Figure 3563069C1
SWITCH, ELECTRONIC FRONT AXLE



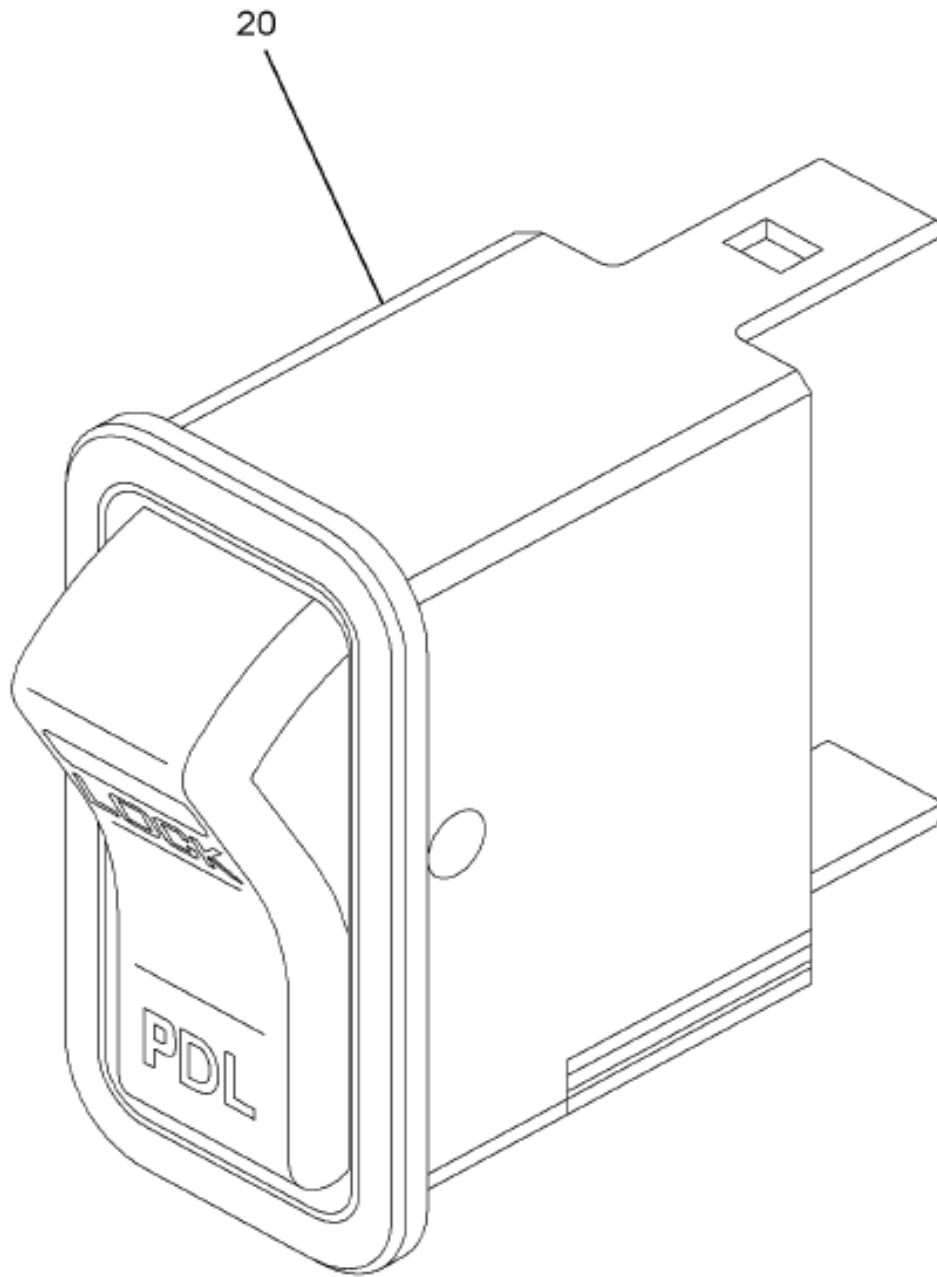
16-75D-M127-01

M09

Item	Part No.	Qty	Description	Kit	Var	Figure
1		RF	SWITCH, FRONT AXLE			
800		RF	NOTE: THE FOLLOWING PARTS ARE NON-ILLUSTRATED			
802	2506670R2	1	MANUAL, SWITCH INSTL SW HSG			
880		RF	NOTE: ASM BELOW COMPRISED OF ABOVE COMPONENTS			

Figure 0DC3X

IP MODULE, SWITCH ASM; POWER DIVIDER LOCK CNTRL (ABR #63)

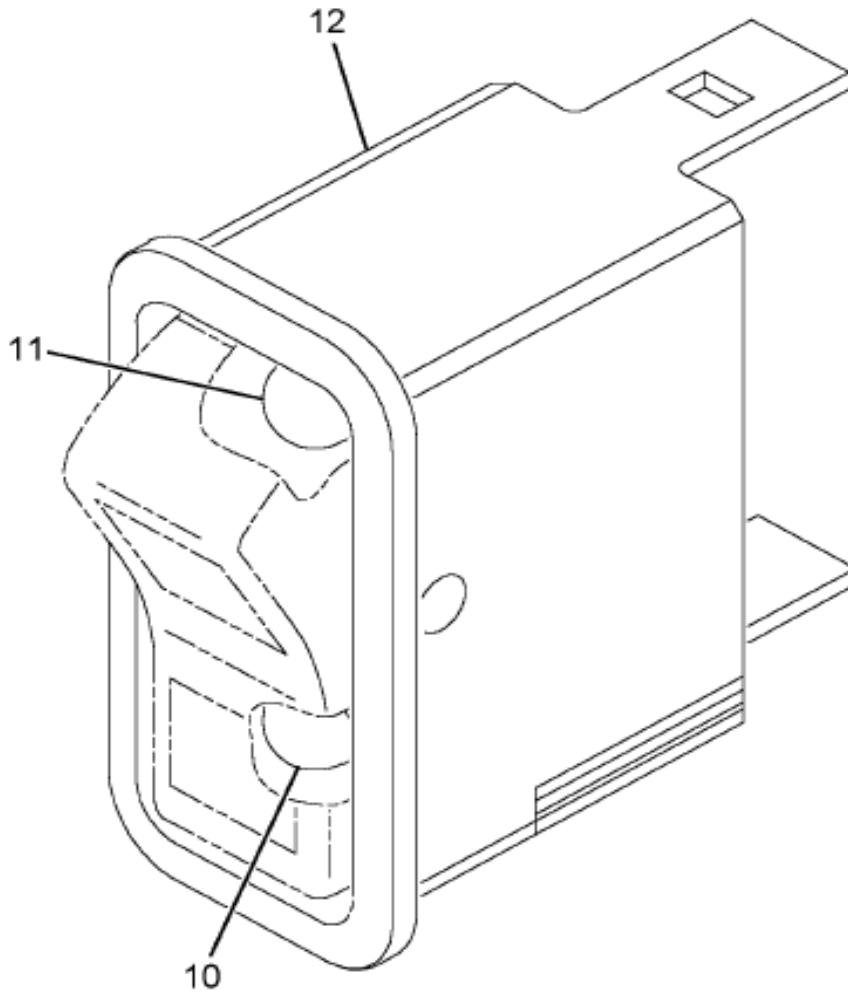


08-P63-0001-BA

K04

Item	Part No.	Qty	Description	Kit	Var	Figure
20	3578747F91	1	ELEC IP,PDL IN/OUT SWITCH		0FQJJ	3578747F91

Figure 3578747F91
ELEC IP,PDL IN/OUT SWITCH



G
R
P
0
8

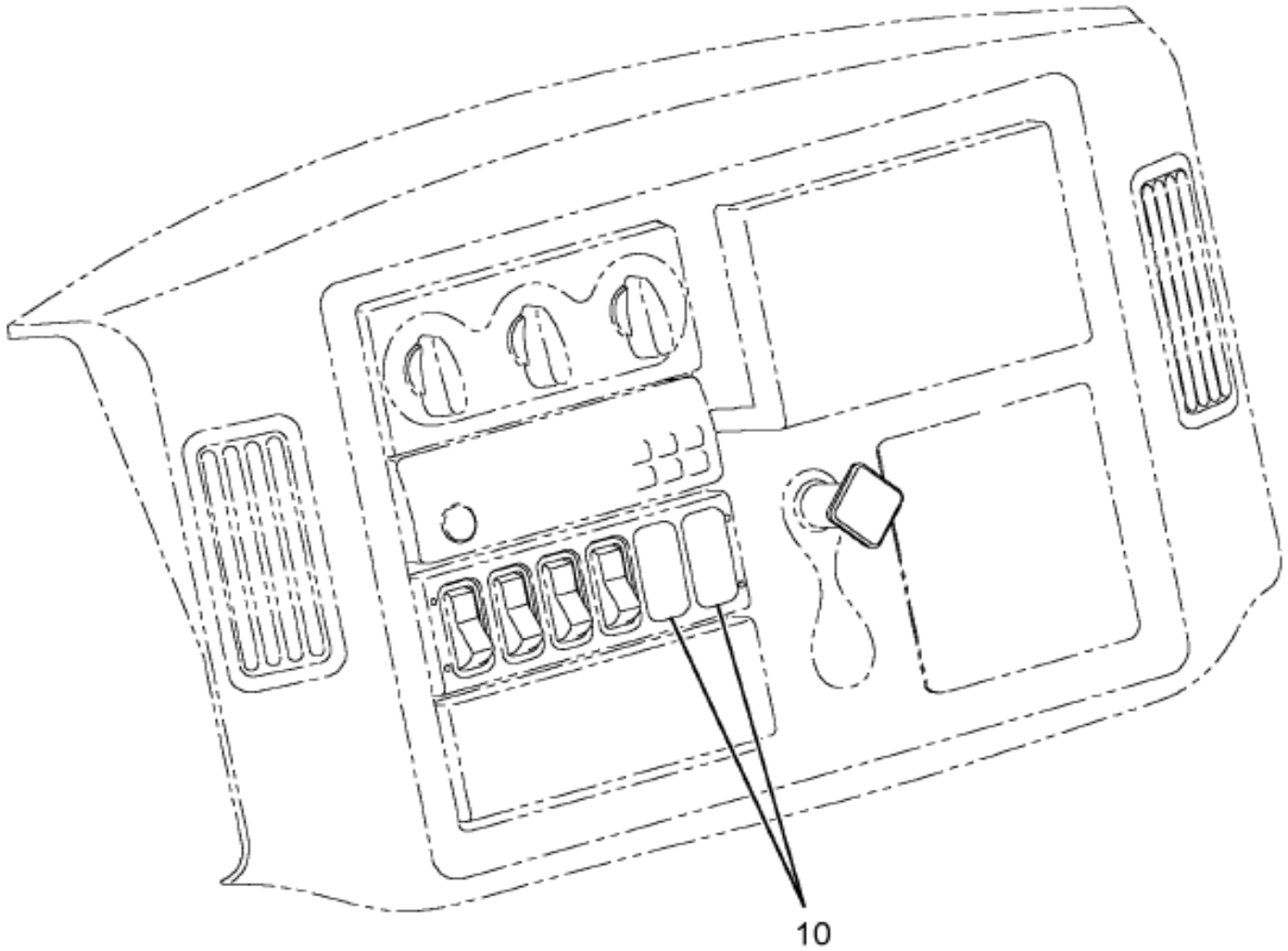
08-P91-0001-00

A03

Item	Part No.	Qty	Description	Kit	Var	Figure
10	3533928C1	1	LIGHT,IND,LED AMBER BKLGT			
11	3578733C1	1	LIGHT,IND,LED ON-GREEN,BRIGHT			
12	3563073C1	1	SWITCH,ELECTRONIC PDL LOCK			3563073C1
880		RF	NOTE: ASM BELOW COMPRISED OF ABOVE COMPONENTS			
881	3578747F91	RF	ELEC IP,PDL IN/OUT SWITCH			

Figure 0L5BD

IP MODULE, SWITCH HOUSING ASM; BLANKS (ABR #80)



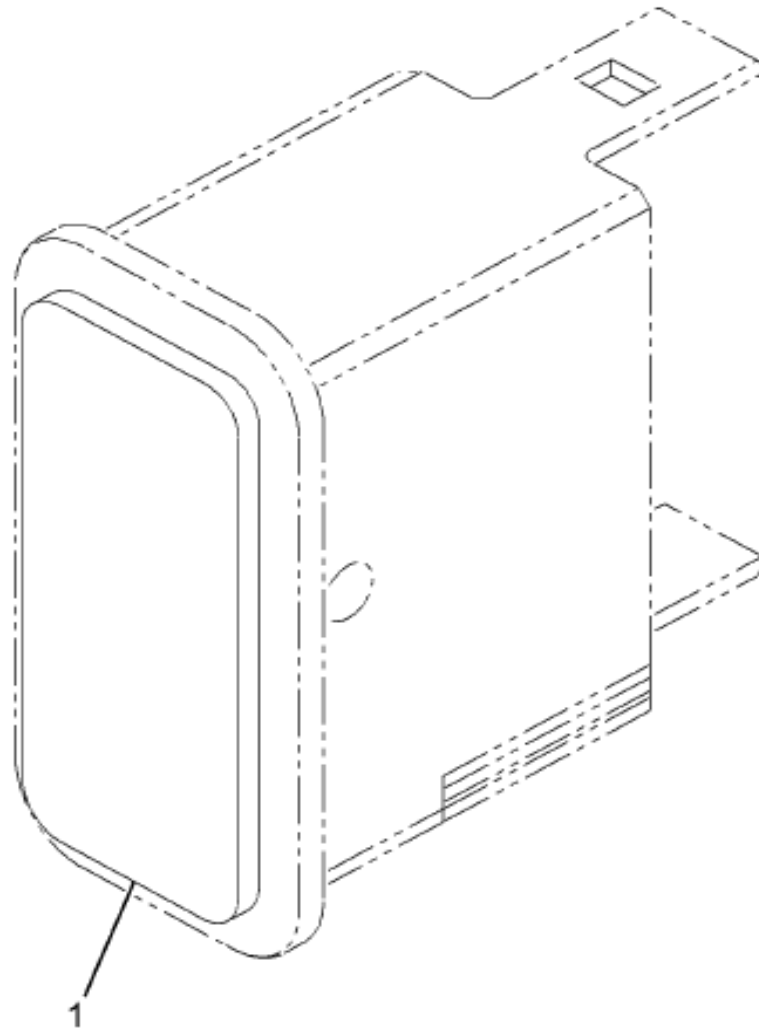
GROUP 8

08-P34-0022-00

F04

Item	Part No.	Qty	Description	Kit	Var	Figure
10	3595677F91	1	IP-1 SWITCH BLANK PLUG		0L5CQ	3595677F91

Figure 3595677F91
IP-1 SWITCH BLANK PLUG



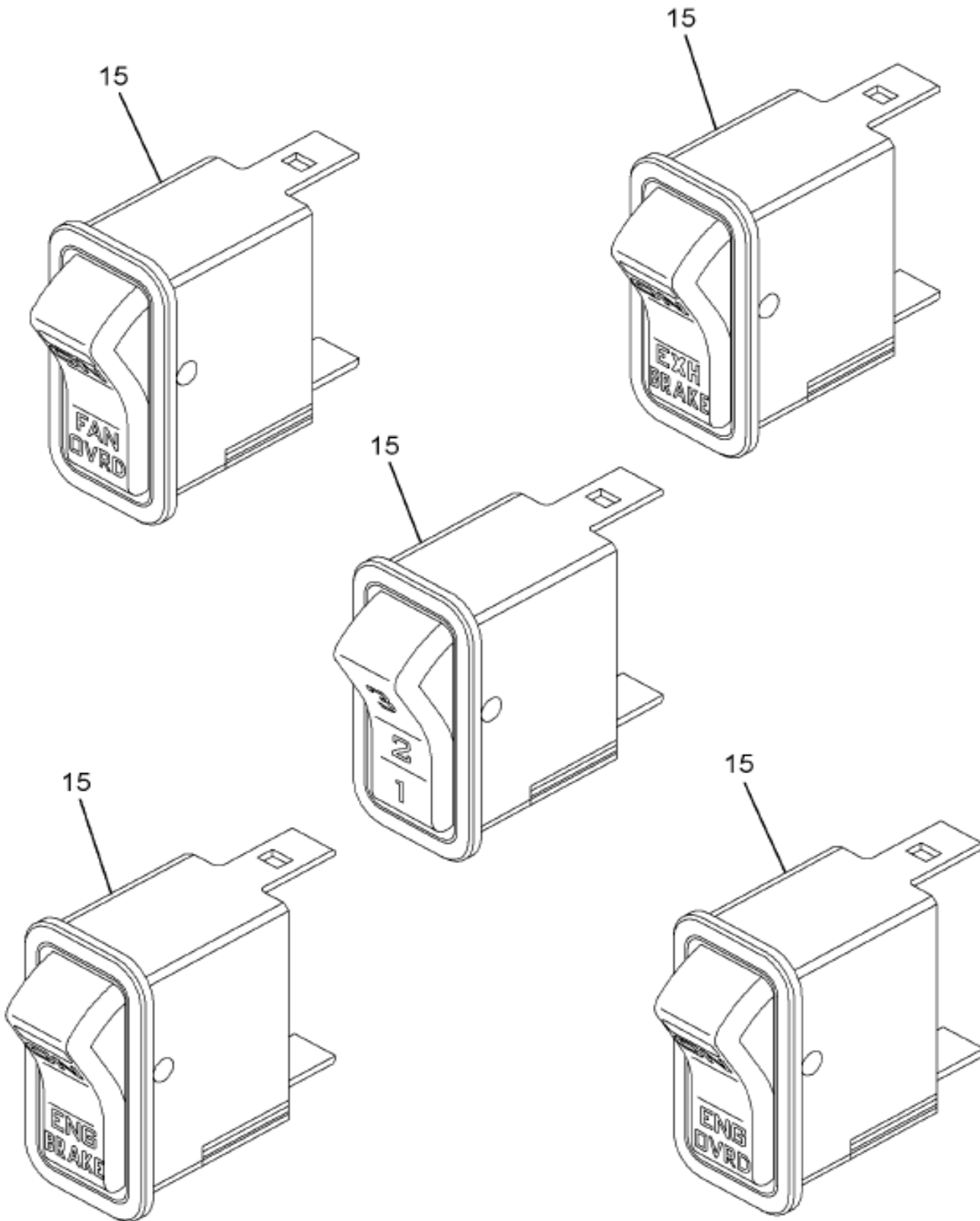
08-P61-0003-01

D04

Item	Part No.	Qty	Description	Kit	Var	Figure
1	3533950C1	1	PLUG, FILLER*SWITCH			
880		RF	NOTE: ASM BELOW COMPRISED OF ABOVE COMPONENTS			
881	3595677F91	RF	IP-1 SWITCH BLANK PLUG			

Figure 0DC6X

IP MODULE, SWITCH INSTL; EXH/COMP BRAKE (ABR #53)



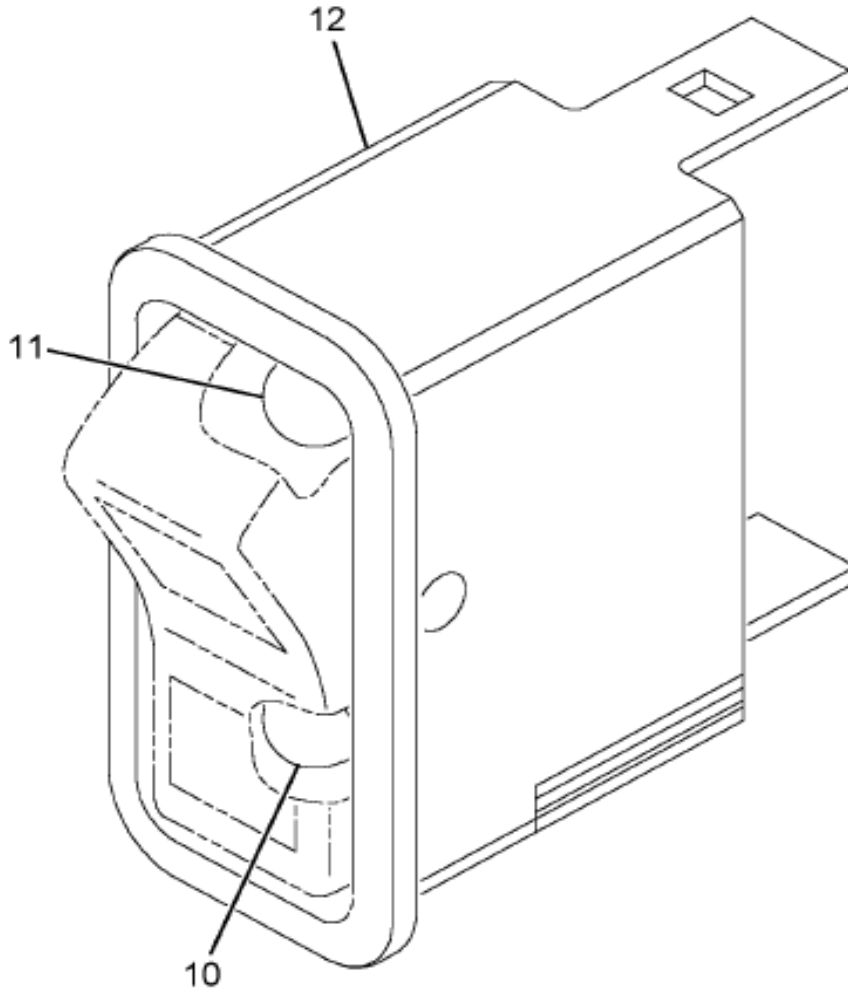
G
R
O
U
P

08-P53-0004-CA

K04

Item	Part No.	Qty	Description	Kit	Var	Figure
15	3578728F91	1	ELEC IP,EXH BRAKE ON/OFF SW		0K60M	3578728F91

Figure 3578728F91
ELEC IP, EXH BRAKE ON/OFF SW

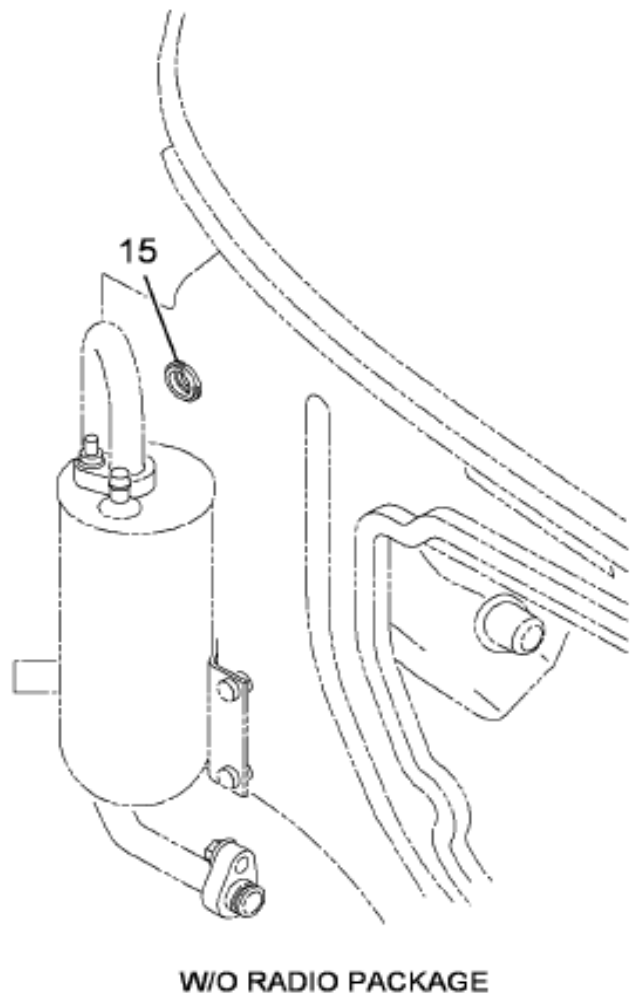
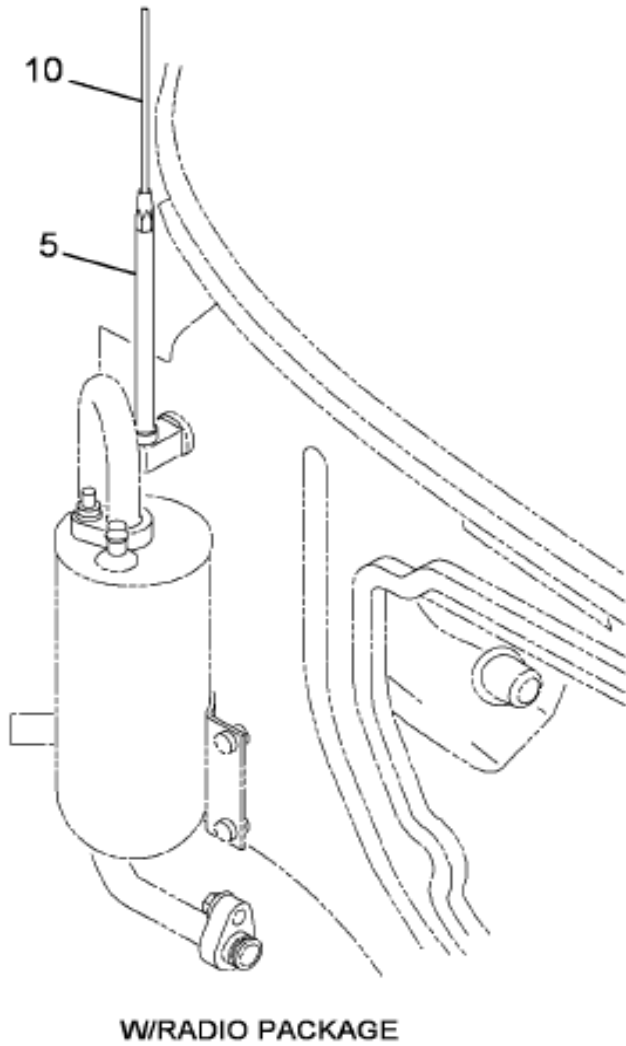


08-P91-0001-00

A03

Item	Part No.	Qty	Description	Kit	Var	Figure
10	3578733C1	1	LIGHT, IND, LED ON-GREEN, BRIGHT			
11	3533928C1	1	LIGHT, IND, LED AMBER BKLGT			
12	3563065C1	1	SWITCH, ELECTR N EXHAUST BRAKE			3563065C1
880		RF	NOTE: ASM BELOW COMPRISED OF ABOVE COMPONENTS			
881	3578728F91	RF	ELEC IP, EXH BRAKE ON/OFF SW			

Figure 0G219
RADIO ANTENNA INSTL;



08-782-0004-BA

G09

Item	Part No.	Qty	Description	Kit	Var	Figure
15	3565069C1	1	PLUG,BUTTON 18MM DIA PLASTIC		0J4SD	

Figure 0HQHQ

REAR CHASSIS HARNESS ASM; W/TURN SIGNAL LIGHT

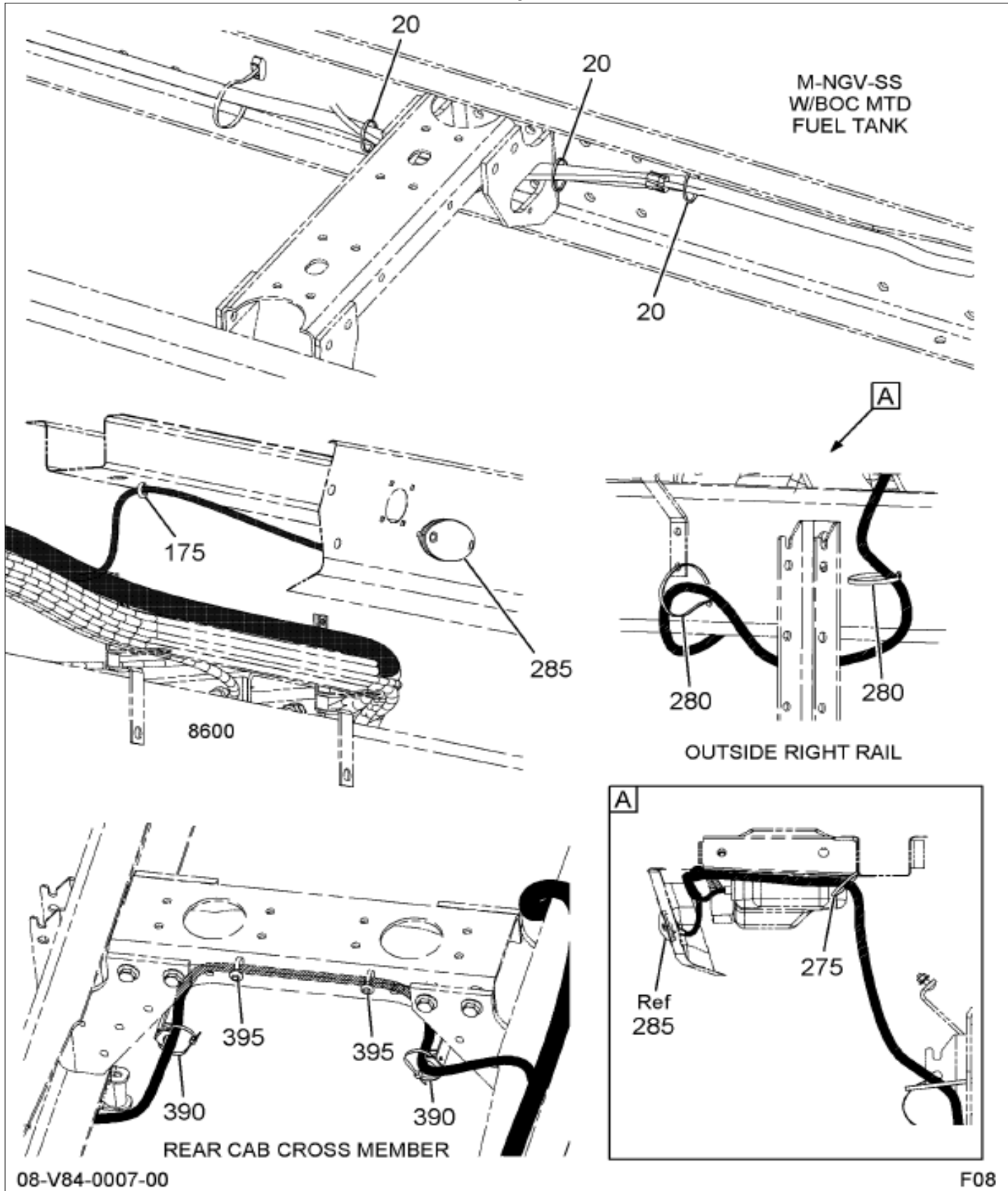


Figure 1 of 9

Figure 0HQHQ

REAR CHASSIS HARNESS ASM; W/TURN SIGNAL LIGHT

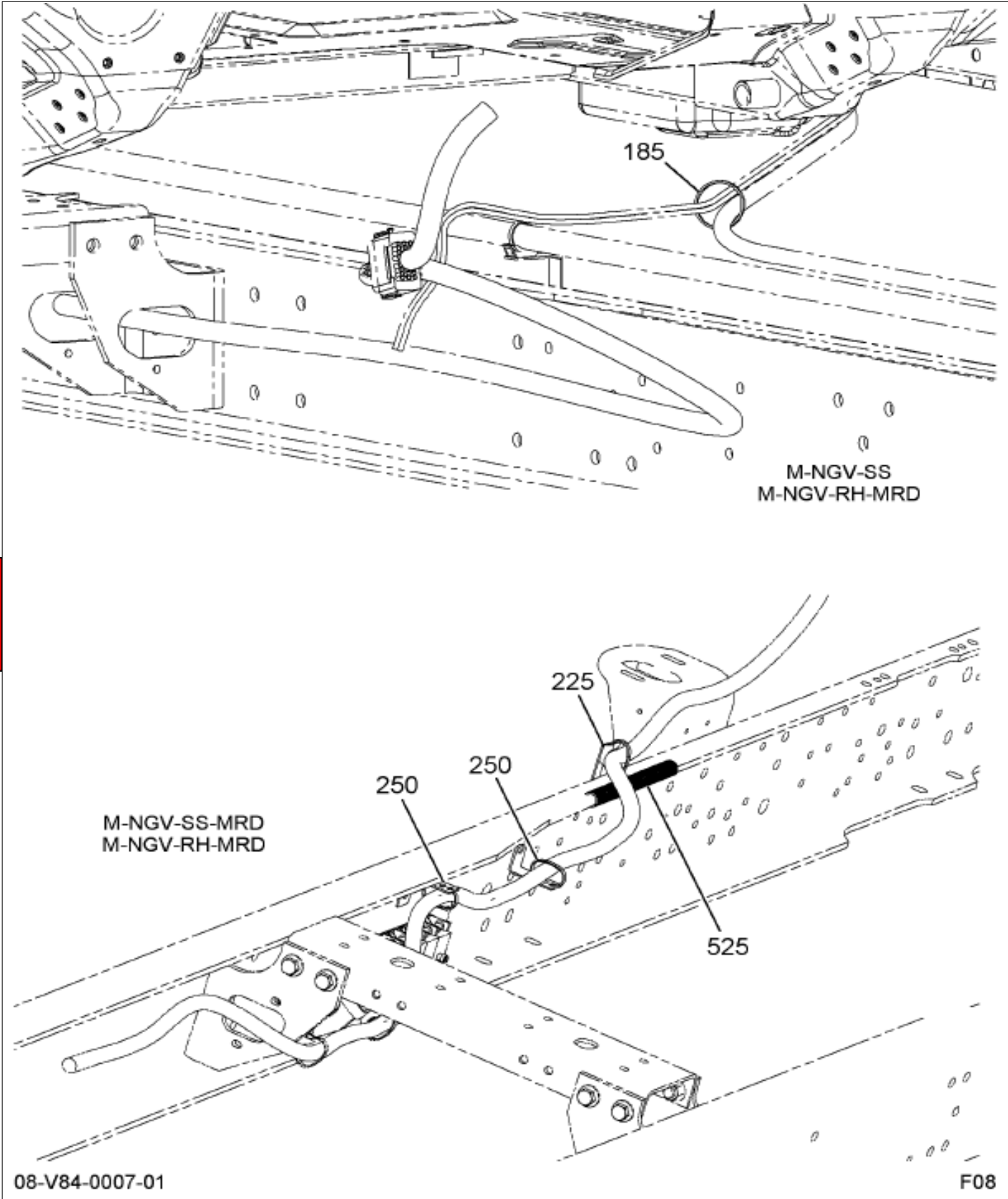
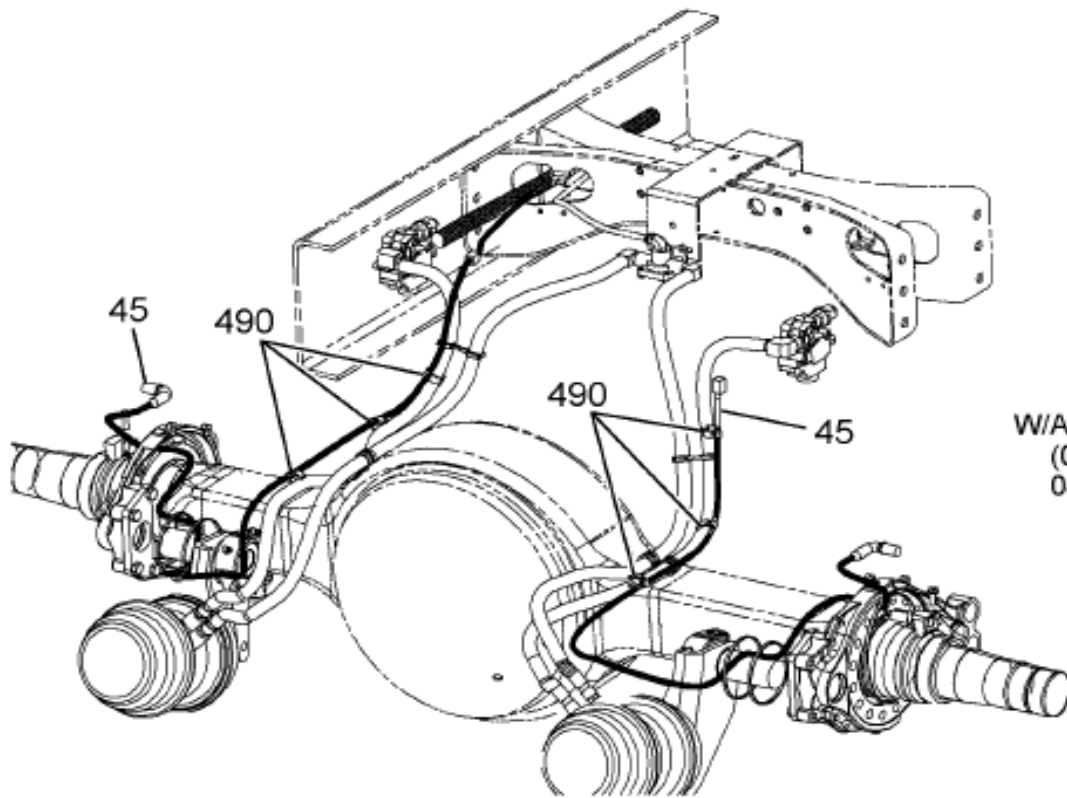


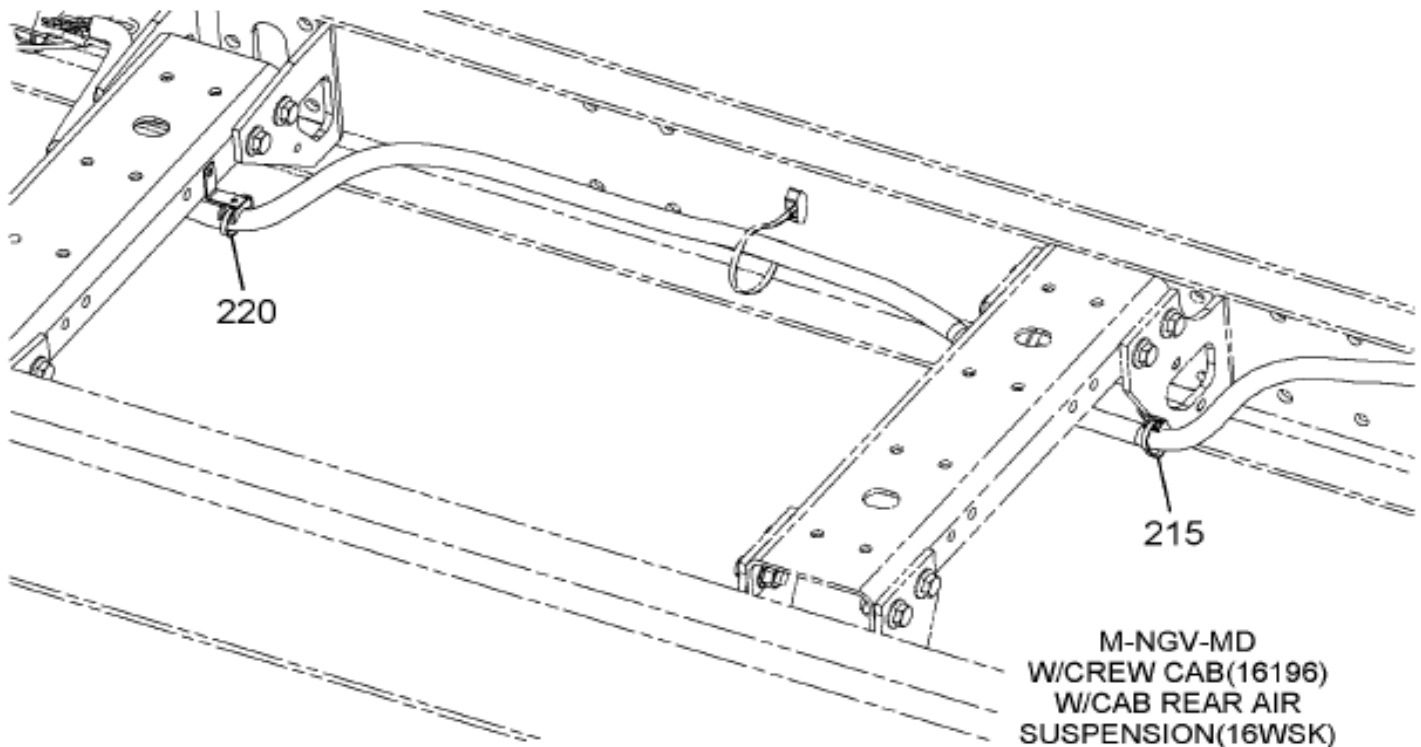
Figure 2 of 9

Figure 0HQHQ

REAR CHASSIS HARNESS ASM; W/TURN SIGNAL LIGHT



M-NGV
 4X2, 4X4
 W/AIR ABS BRAKES
 (04AZA, 04AZJ,
 04AZE, 04AZH)
 W/04ERC



M-NGV-MD
 W/CREW CAB(16196)
 W/CAB REAR AIR
 SUSPENSION(16WSK)

08-V84-0007-02

F08

G
R
P
0
8

Figure 3 of 9

Figure 0HQHQ
REAR CHASSIS HARNESS ASM; W/TURN SIGNAL LIGHT

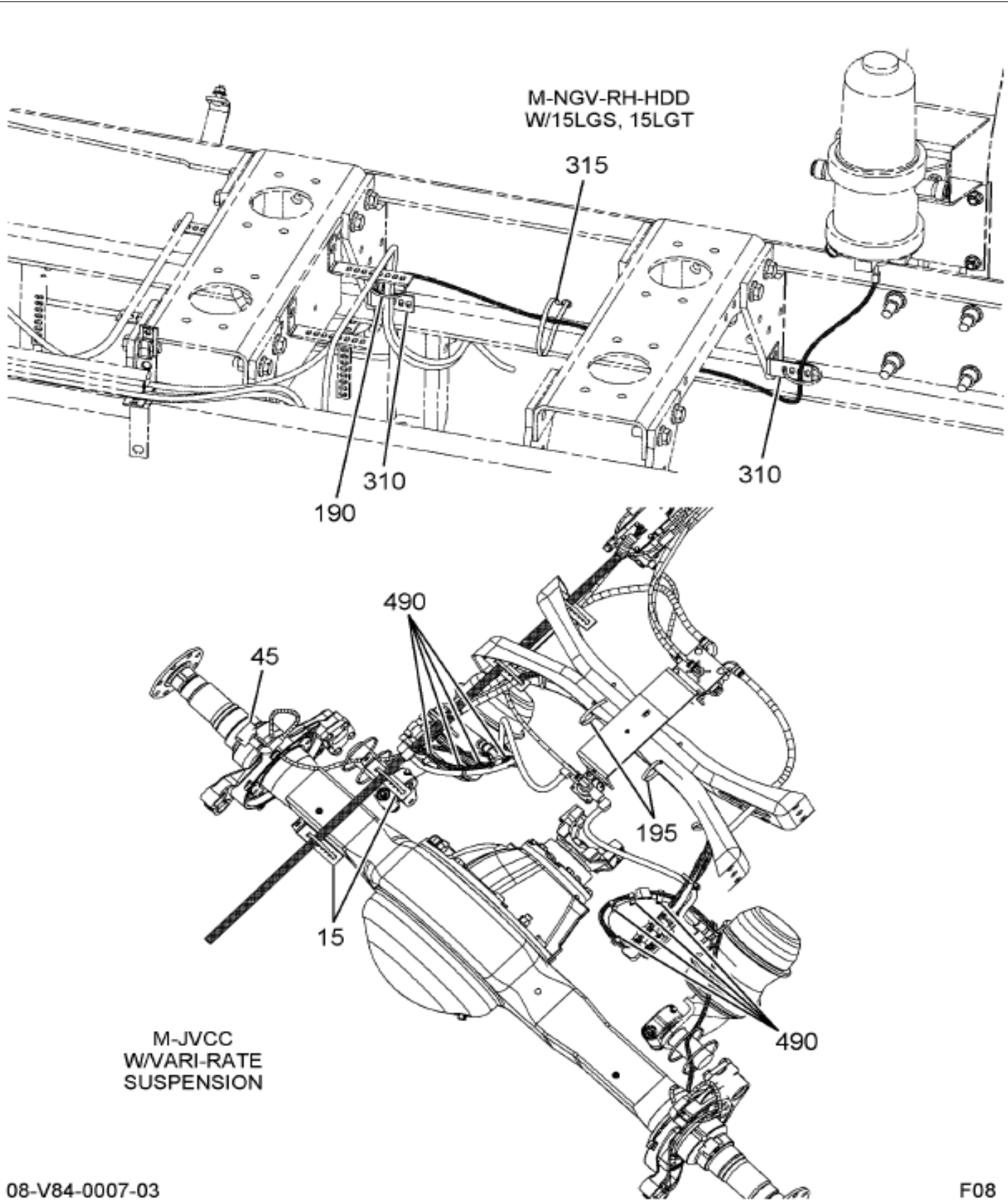


Figure 4 of 9

Figure 0HQHQ

REAR CHASSIS HARNESS ASM; W/TURN SIGNAL LIGHT

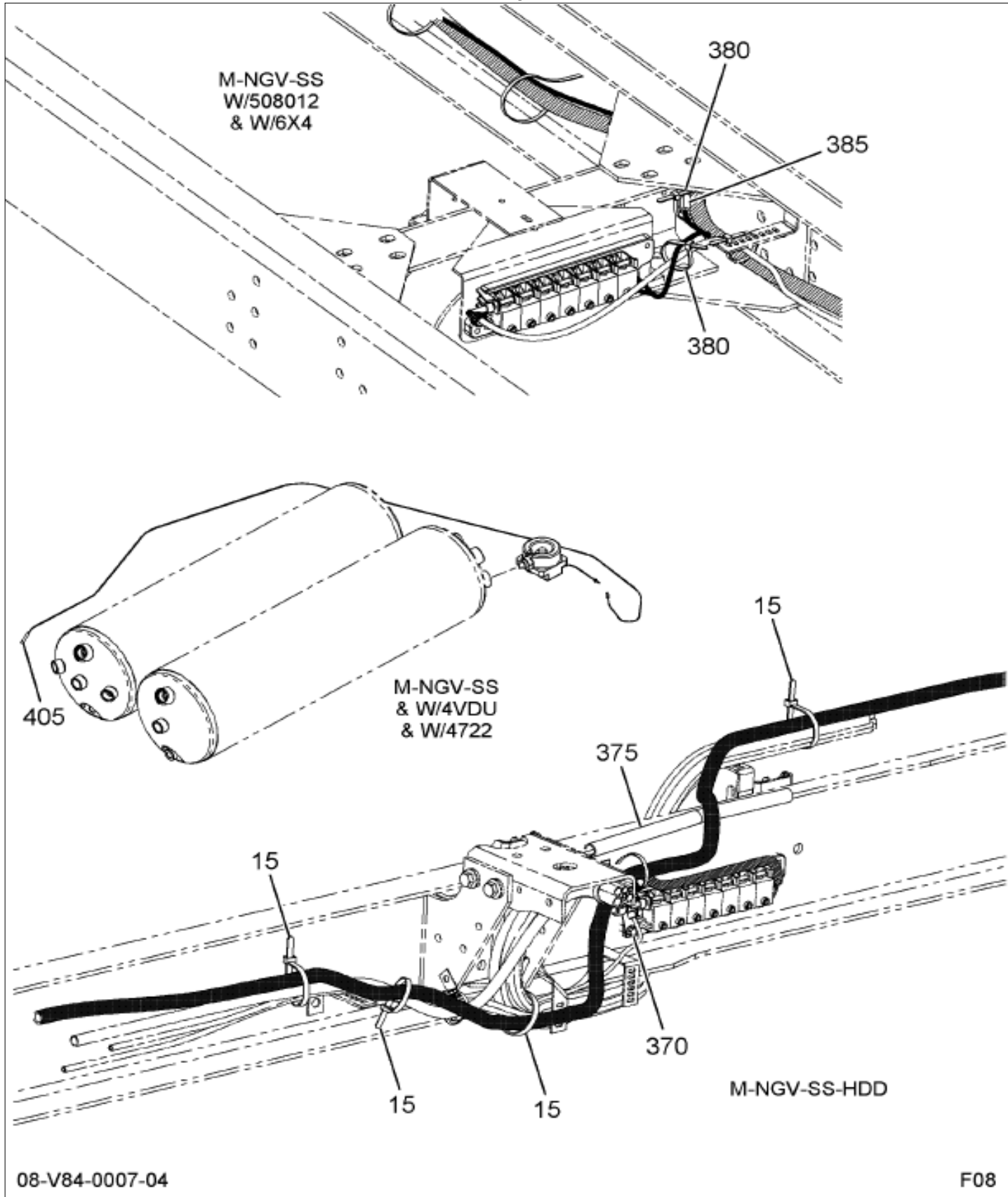
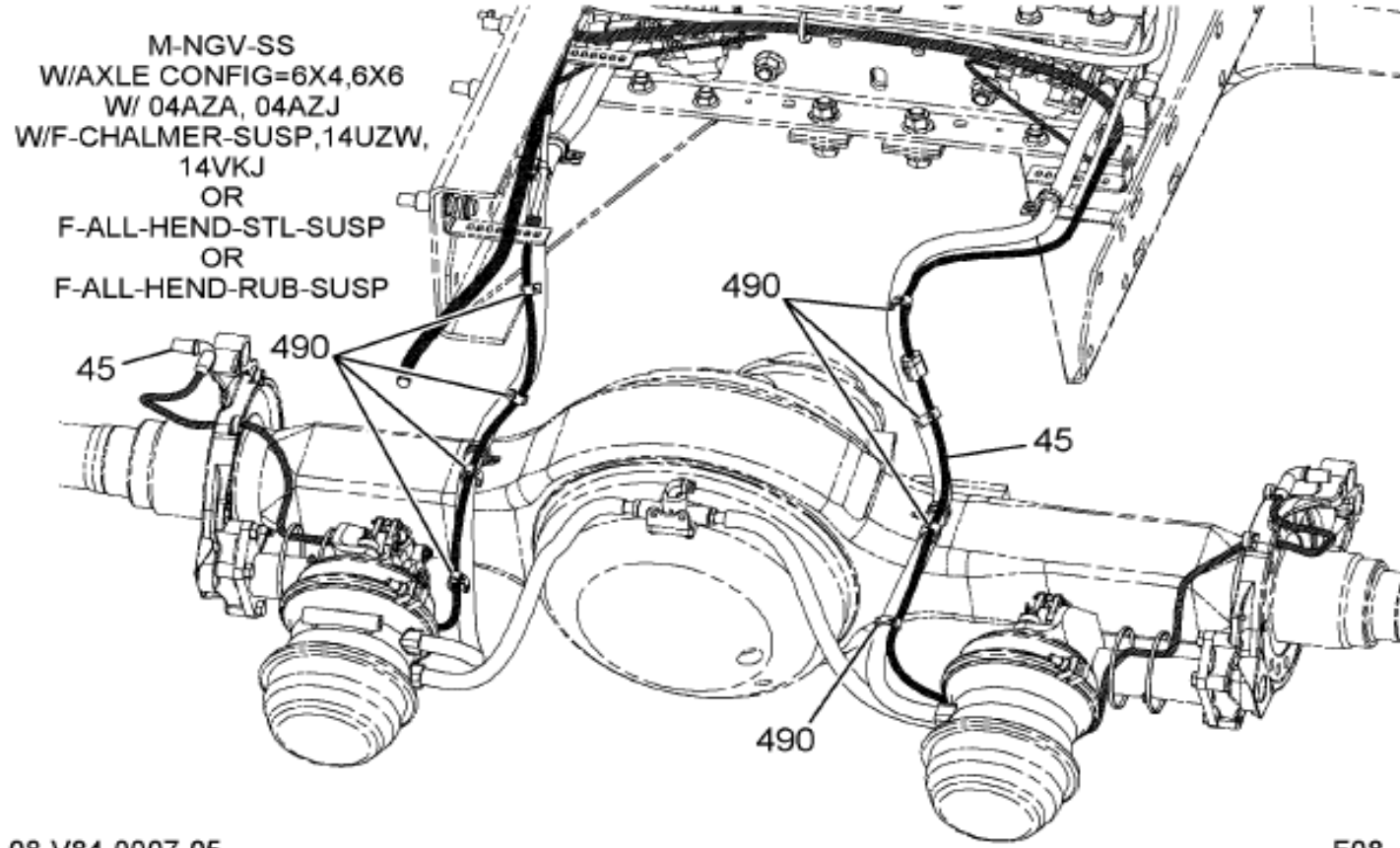
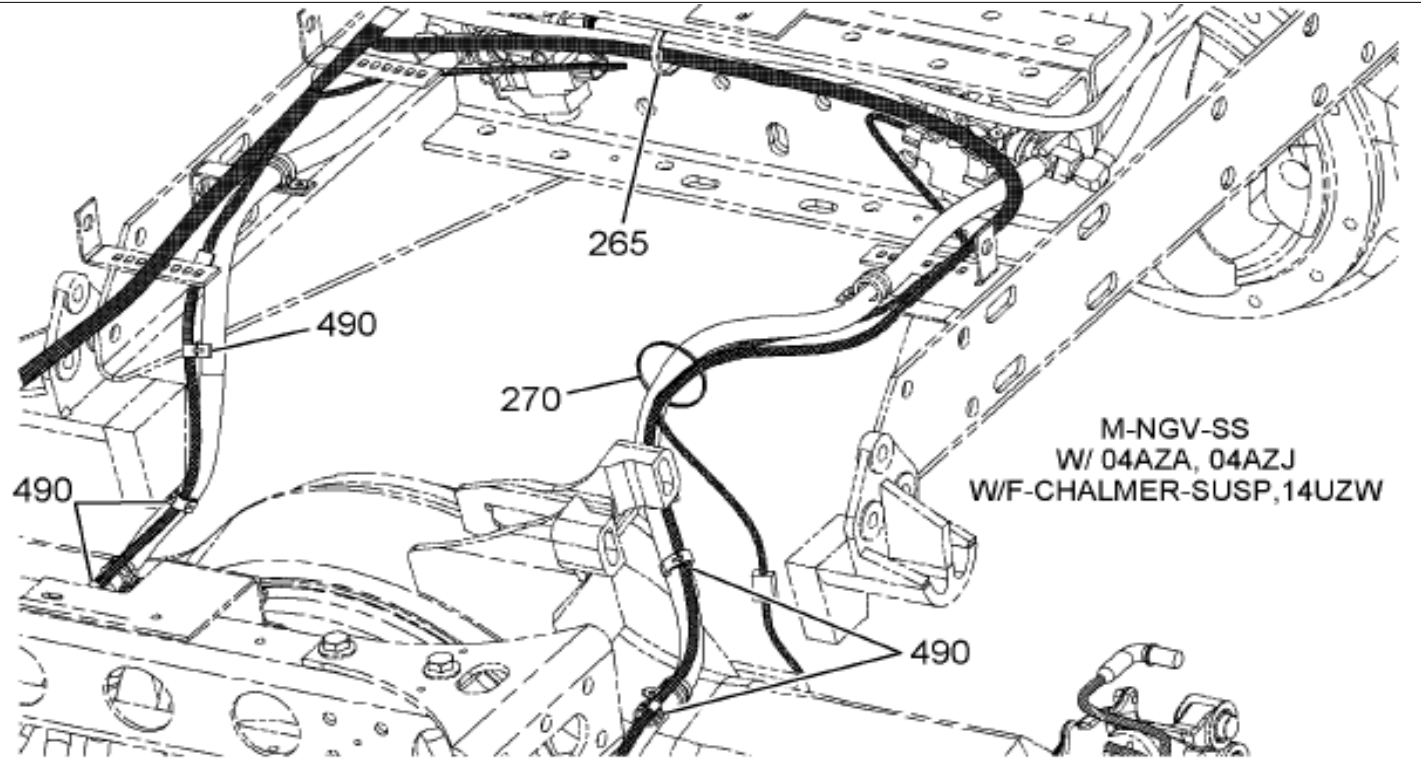


Figure 5 of 9

Figure 0HQHQ

REAR CHASSIS HARNESS ASM; W/TURN SIGNAL LIGHT



08-V84-0007-05

F08

Figure 6 of 9

Figure 0HQHQ

REAR CHASSIS HARNESS ASM; W/TURN SIGNAL LIGHT

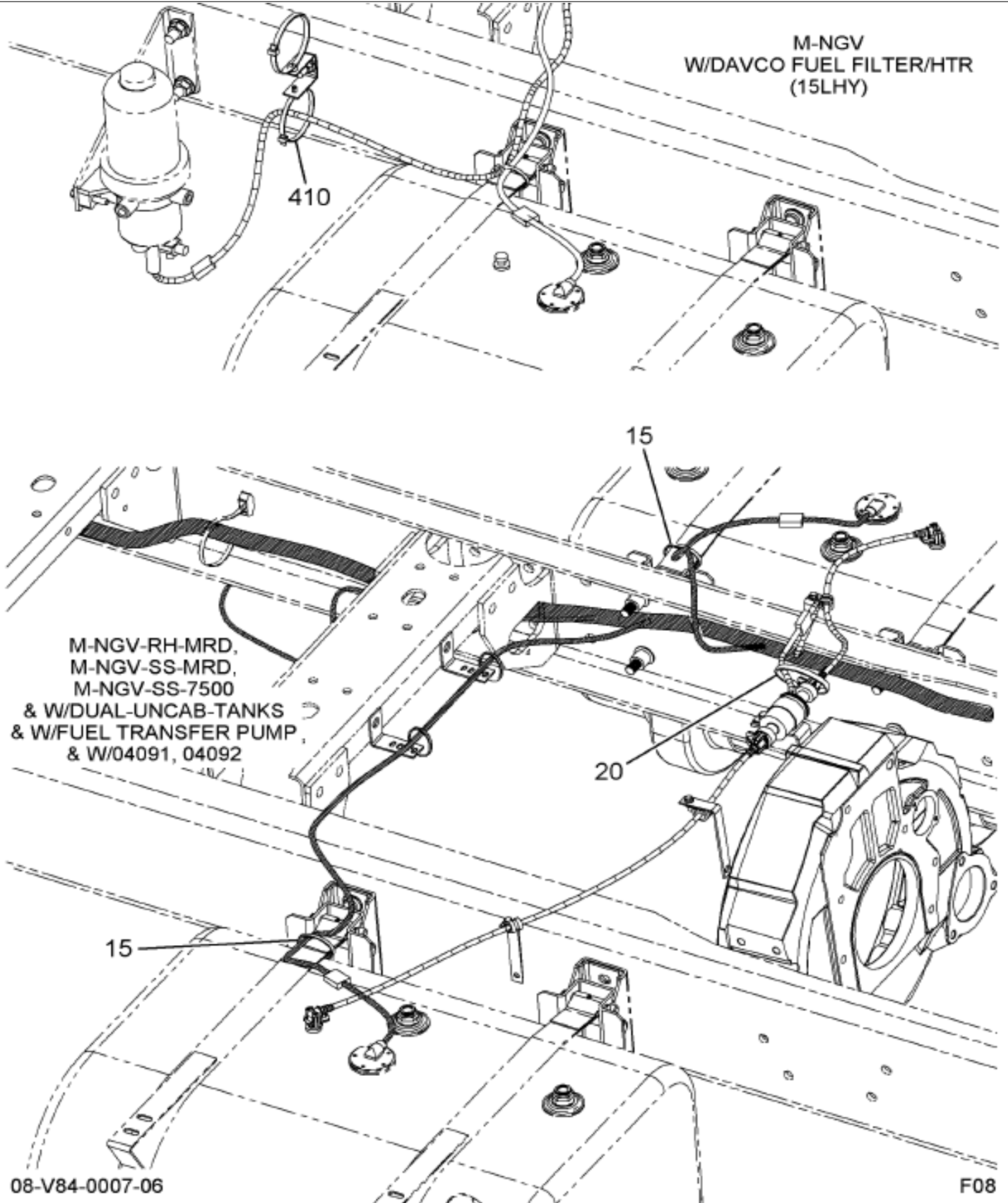
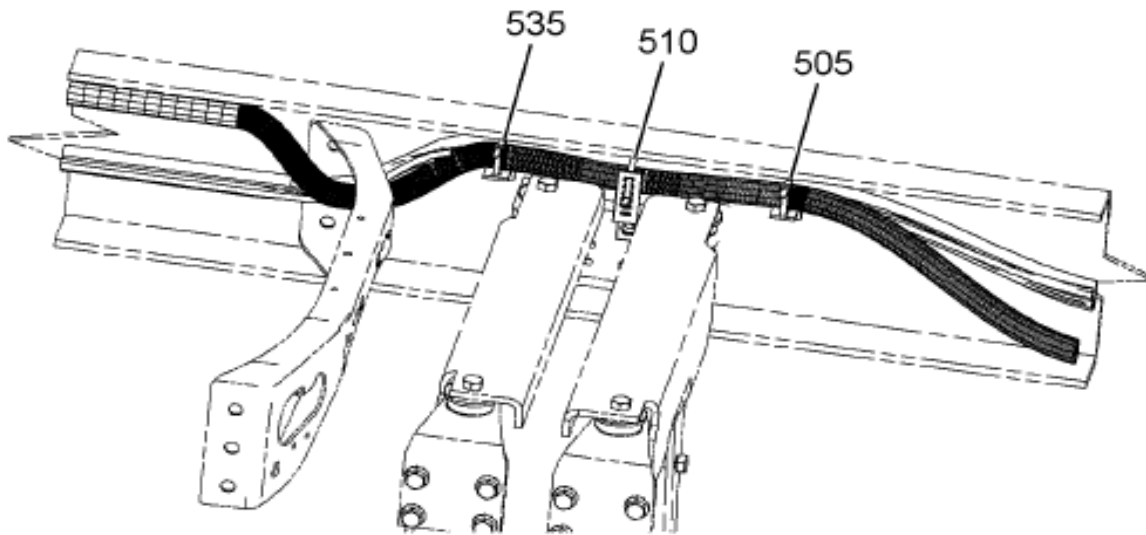
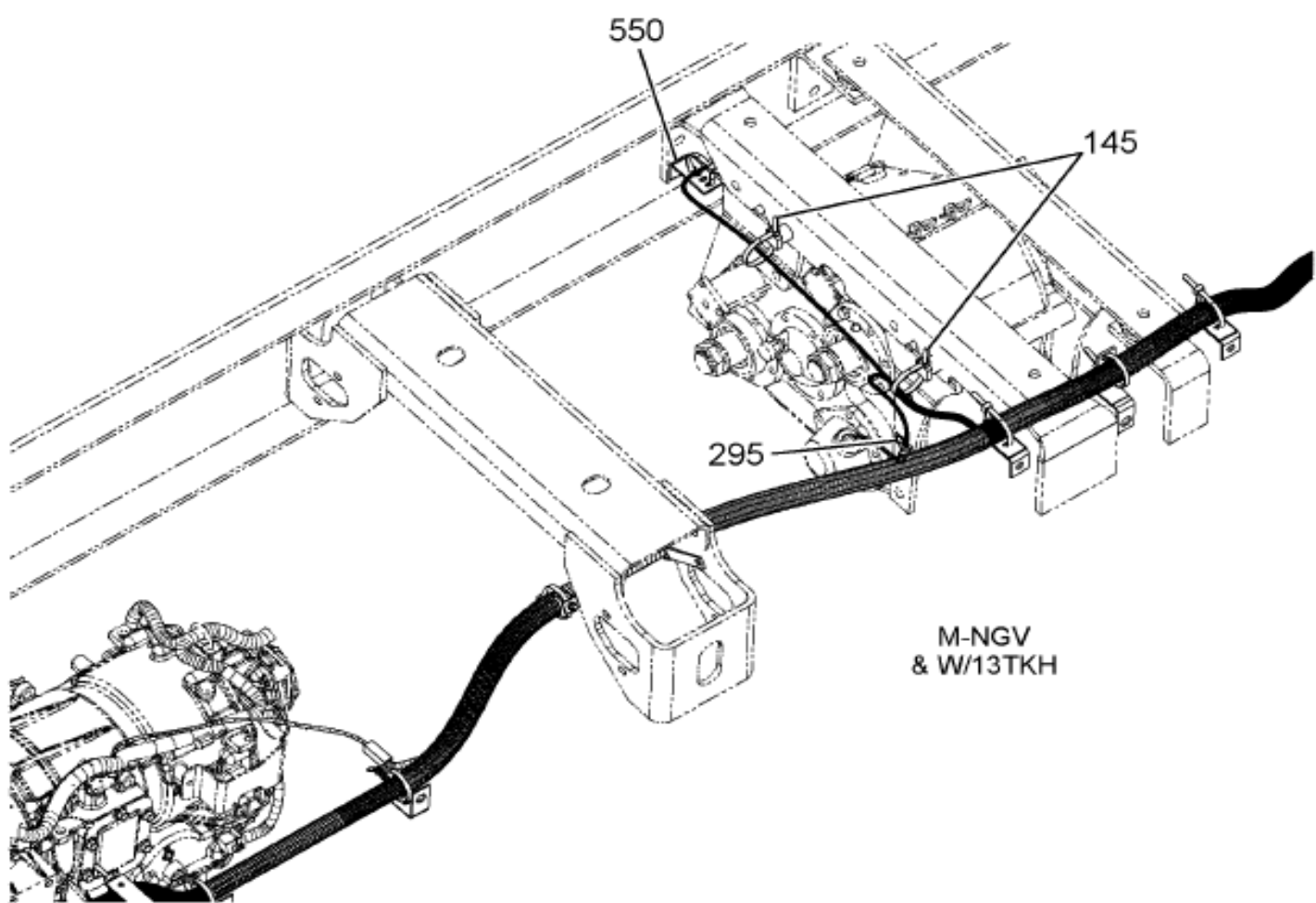


Figure 7 of 9

Figure 0HQHQ
REAR CHASSIS HARNESS ASM; W/TURN SIGNAL LIGHT

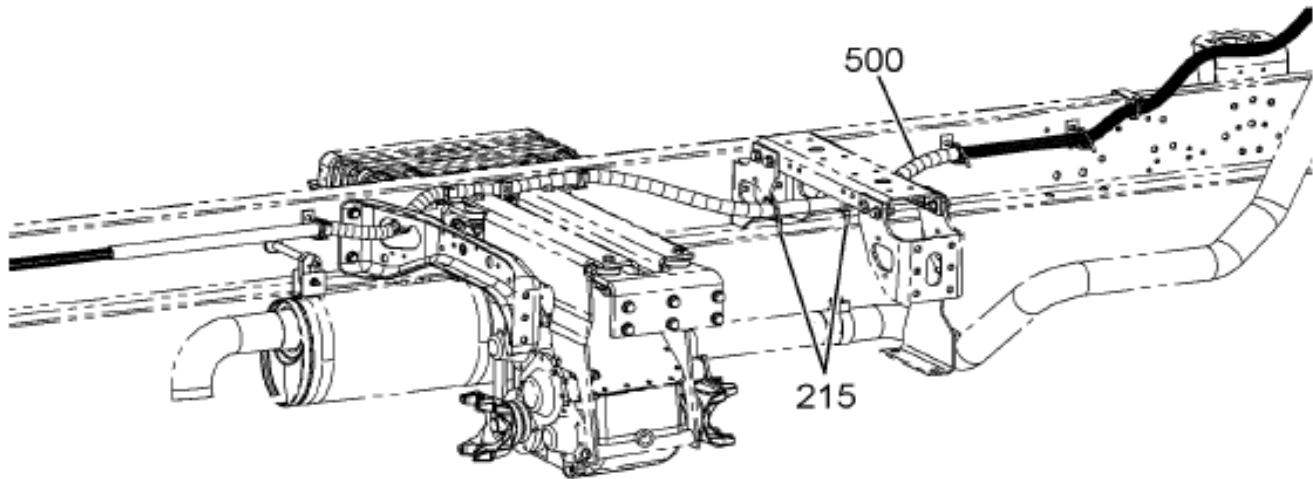


N/0016196, 0016CAB

Figure 8 of 9

Figure 0HQHQ

REAR CHASSIS HARNESS ASM; W/TURN SIGNAL LIGHT



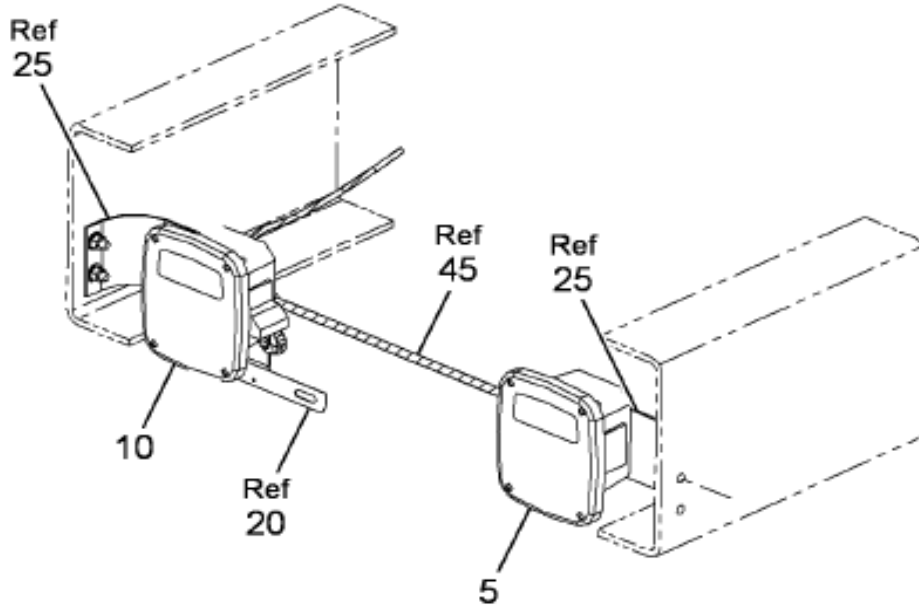
M-NGV
W/XFER-CASE

08-V29-0031-01

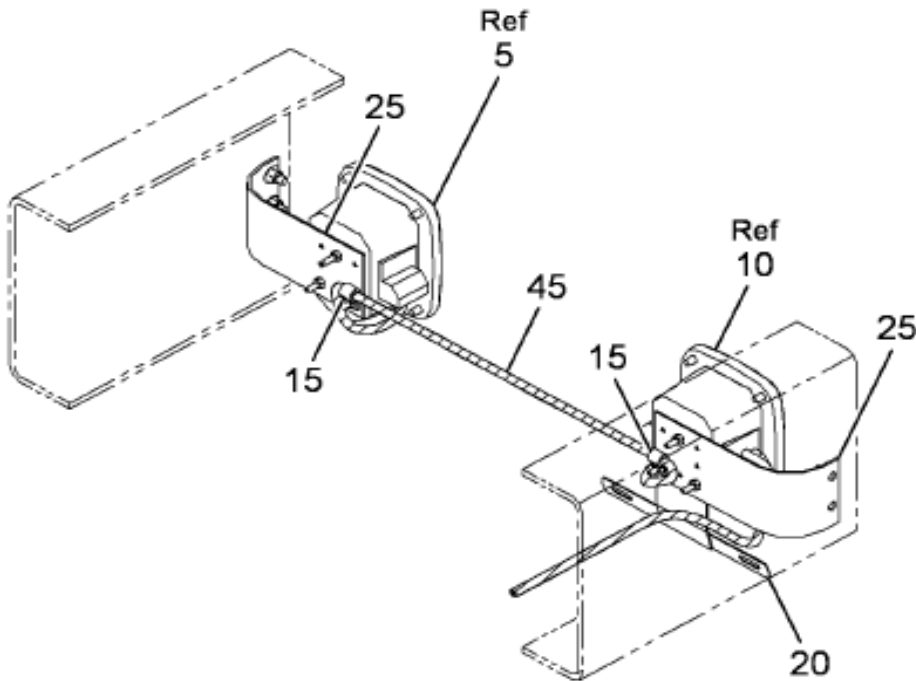
C09

Item	Part No.	Qty	Description	Kit	Var	Figure
15	306132C1	6	STRAP,CABLE LOCK		0HQHQ	
185	306132C1	1	STRAP,CABLE LOCK		0HQJT	
225	3570615C1	1	EXTENSION,CLIP		0HQLN	
225	30665R2	1	BOLT, M10 X 30MM PHC FLG CLASS		0HQLN	
225	30754R1	1	NUT,LOCK OR HEX SPECIAL*PREVAI		0HQLN	
225	2041341C1	1	SADDLE,CLAMP CABLE LOCK MT 1/4		0HQLN	

Figure 0HDDK
RR LIGHT INSTL; STD TAIL LIGHTS



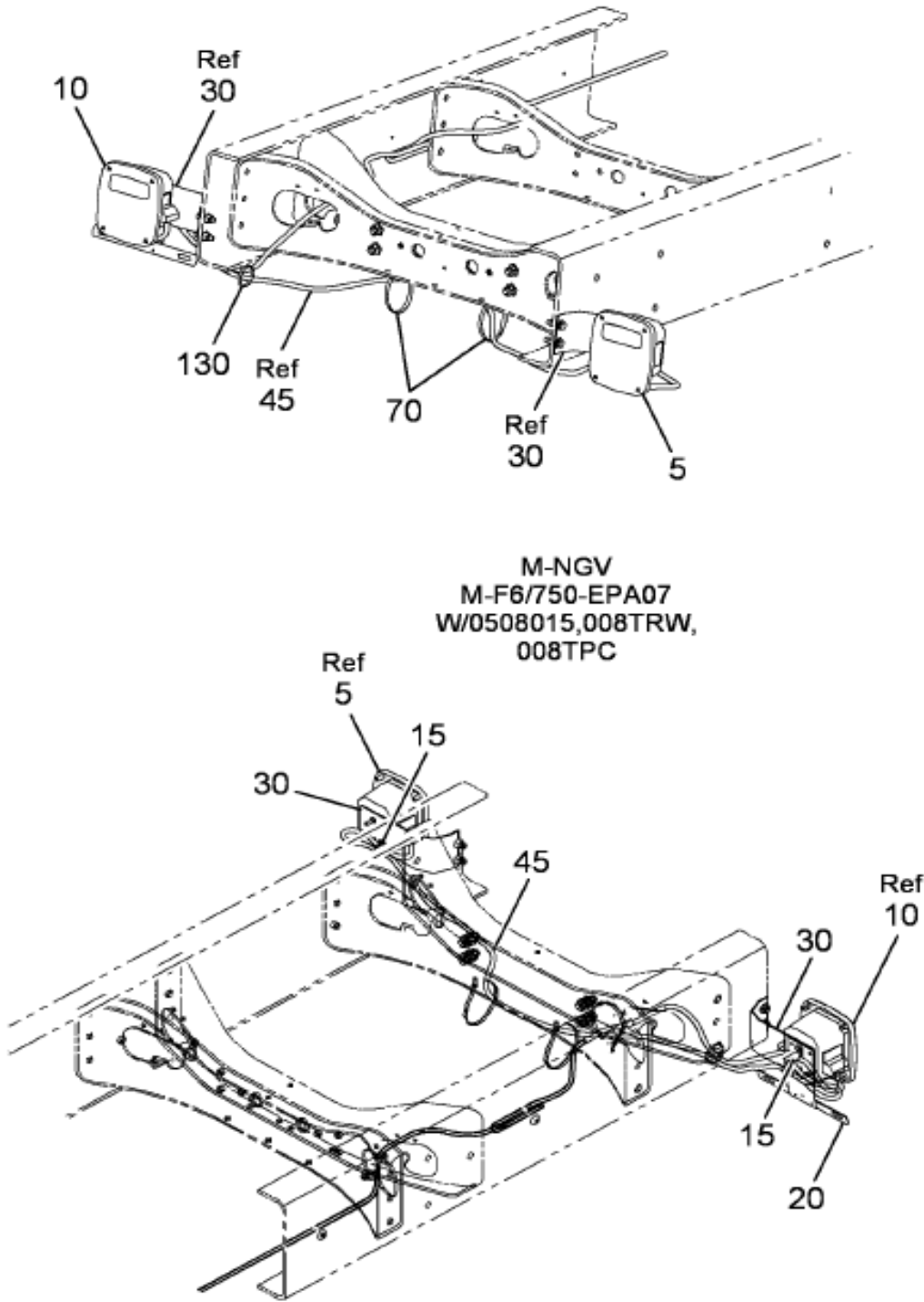
M-NGV
M-F6/750-EPA07
W/0508014,008TPD
N/01572



G
R
P
0
8

Figure 1 of 7

Figure 0HDDK
RR LIGHT INSTL; STD TAIL LIGHTS

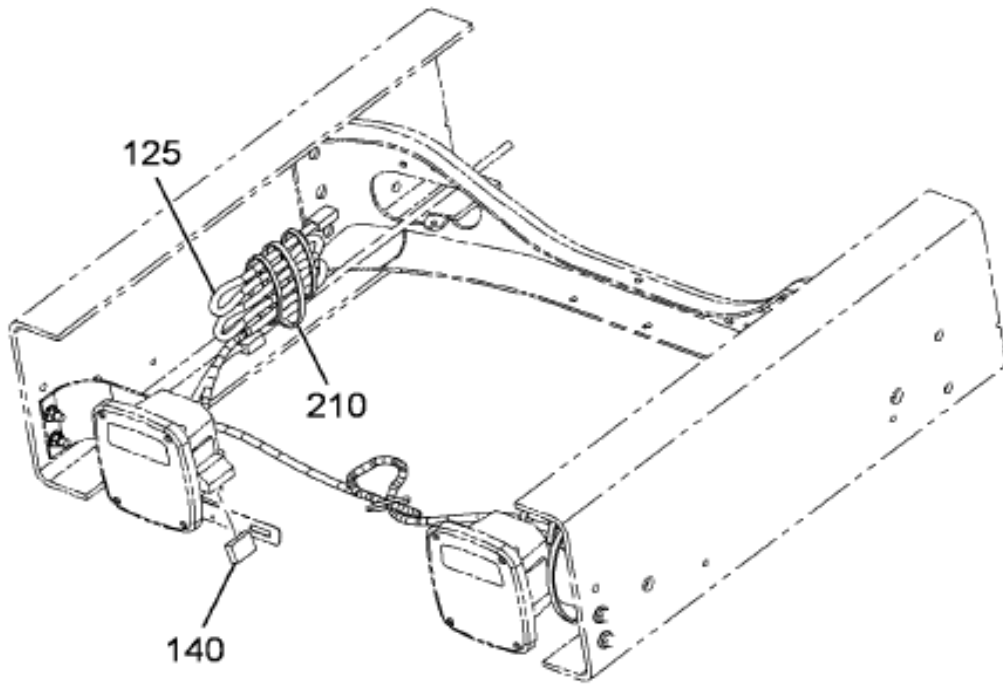


08-266-0059-02

C11

Figure 2 of 7

Figure 0HDDK
RR LIGHT INSTL; STD TAIL LIGHTS



M-NGV
W/08NAA
N/1616

G
R
P
0
8

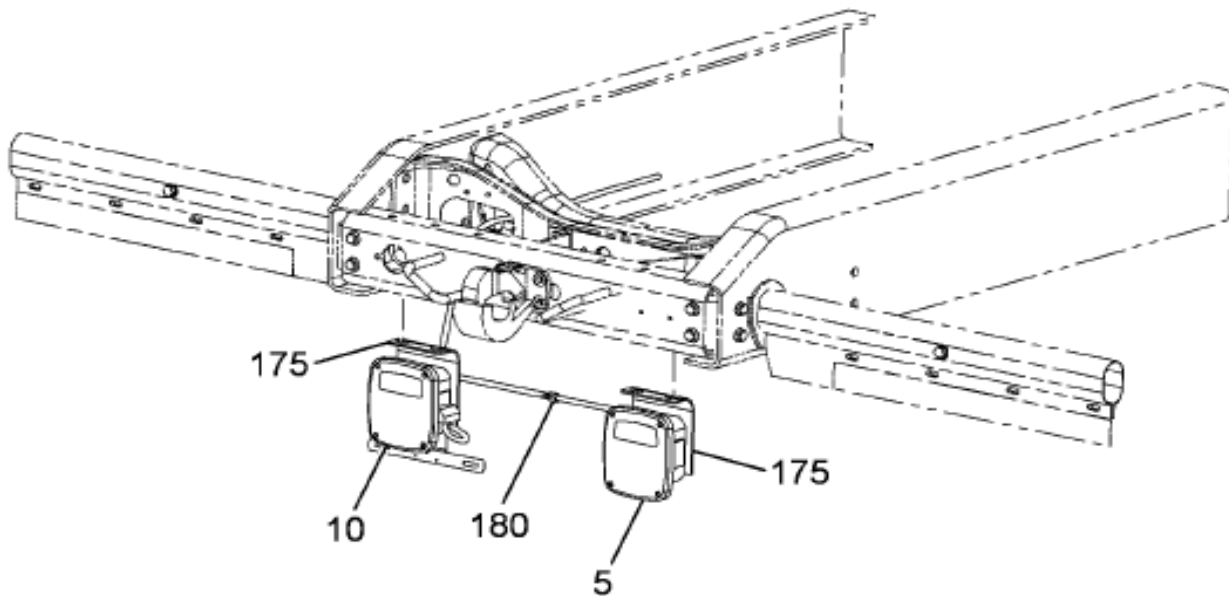
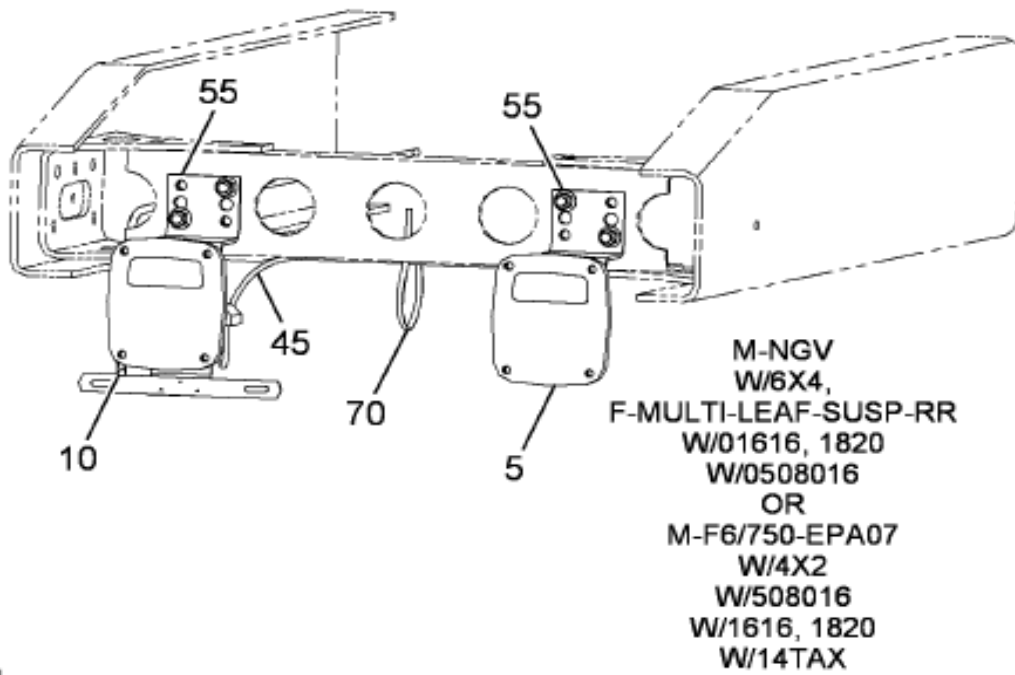
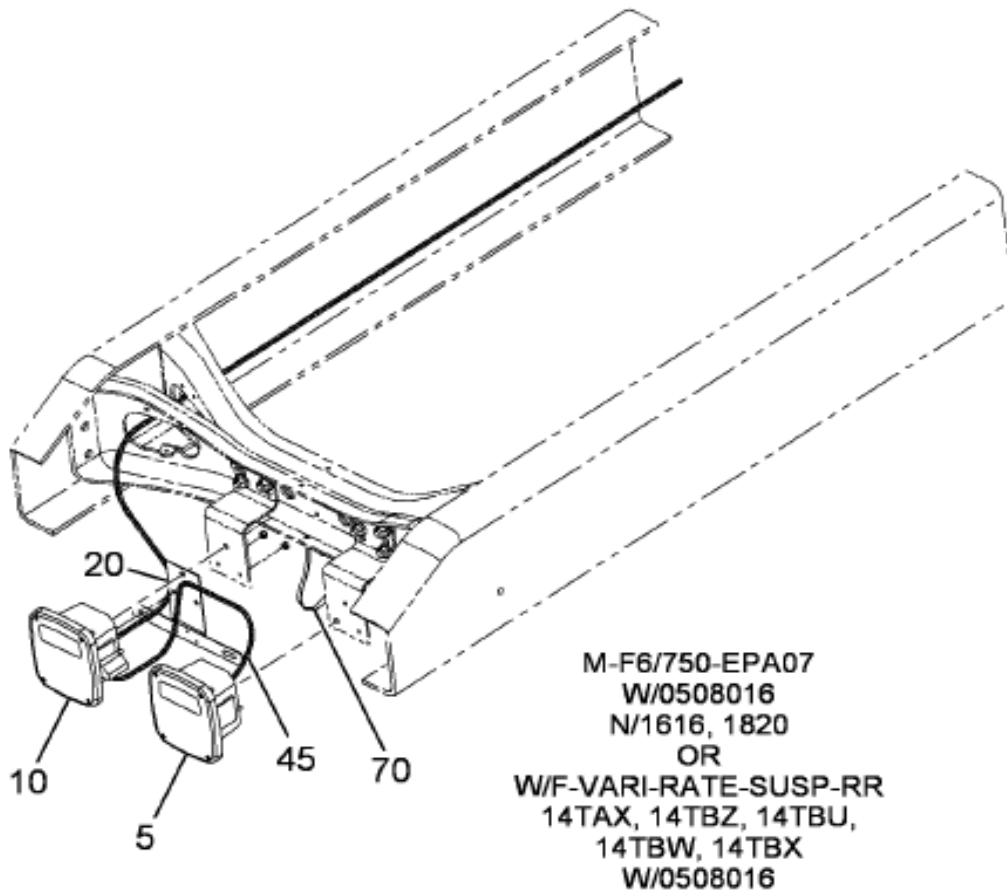


Figure 3 of 7

Figure 0HDDK
RR LIGHT INSTL; STD TAIL LIGHTS

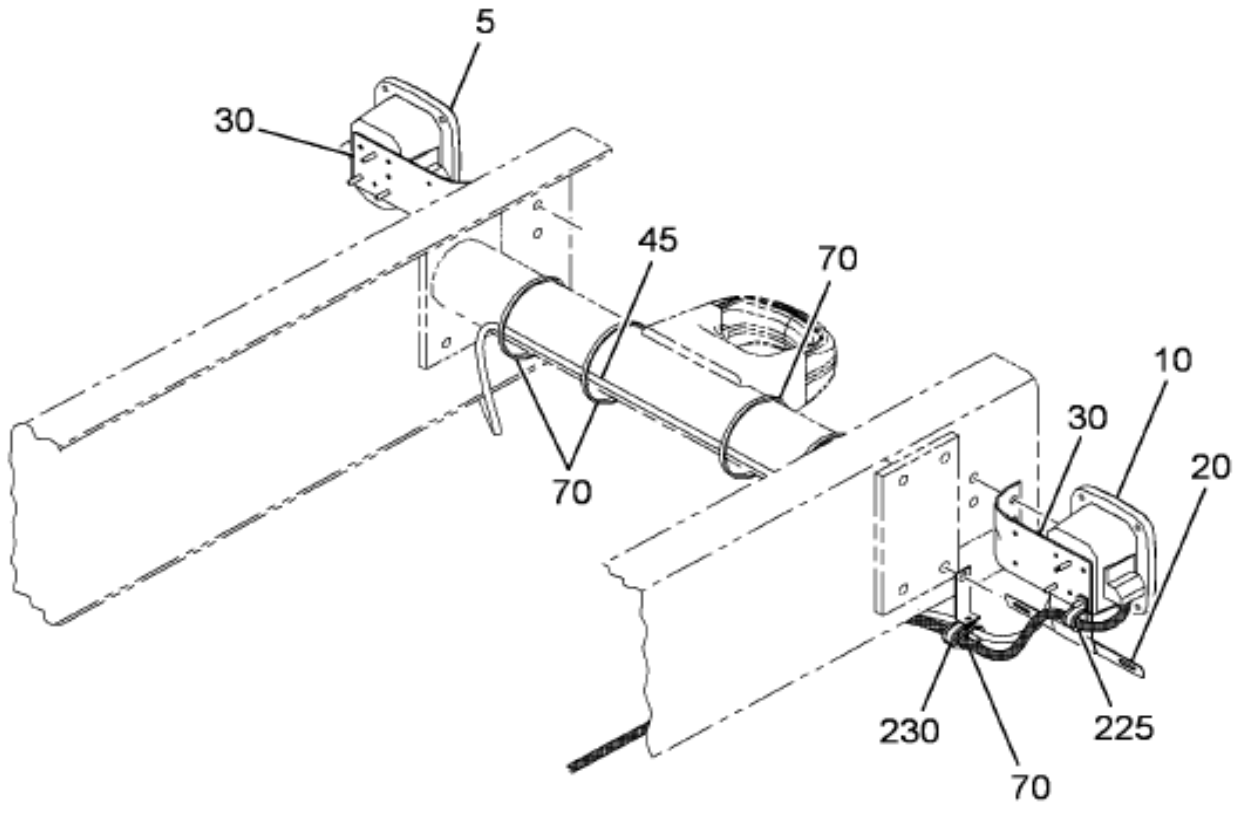


08-266-0059-04

C11

Figure 4 of 7

Figure 0HDDK
RR LIGHT INSTL; STD TAIL LIGHTS

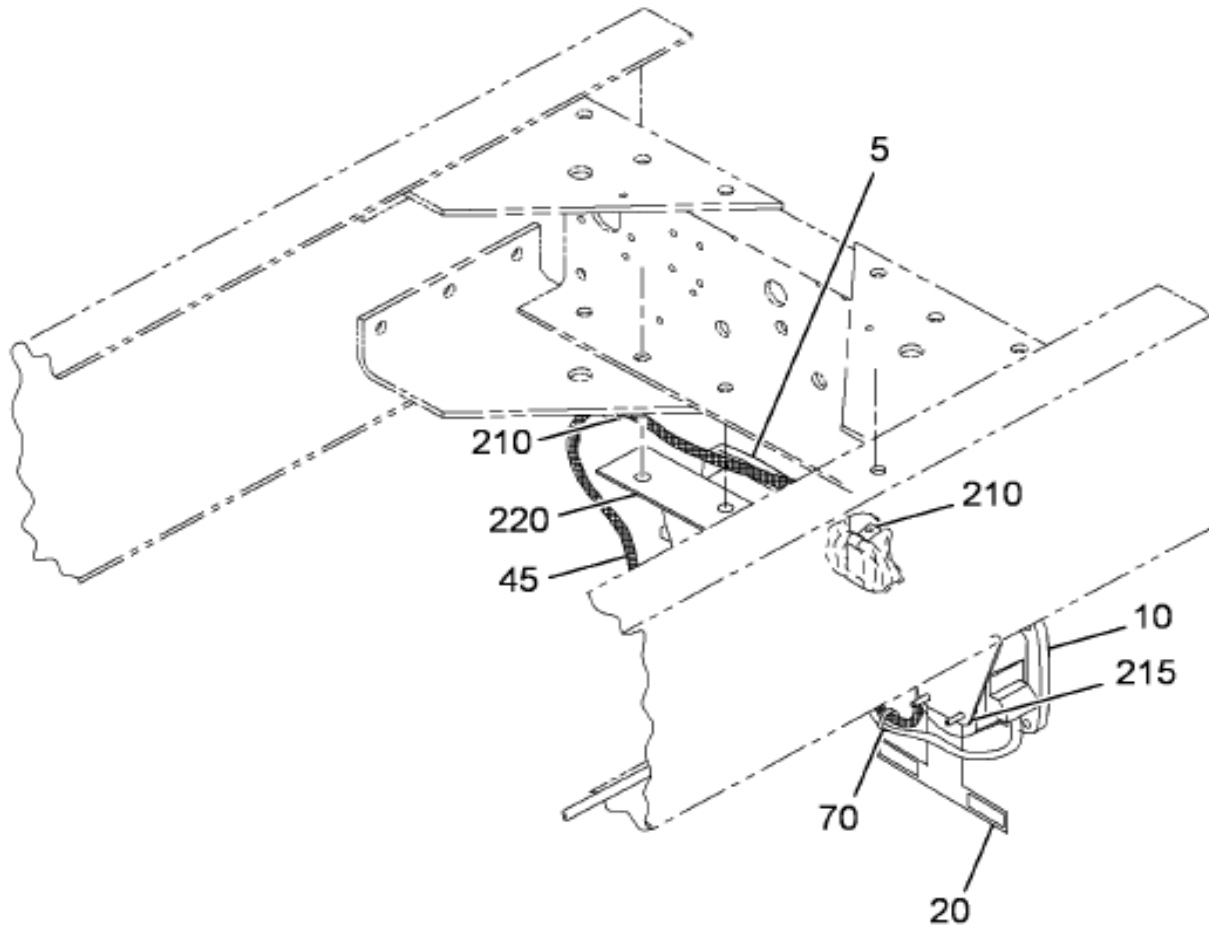


M-NGV
W/508015,8TRW
W/01UAJ

G
R
P
0
8

Figure 5 of 7

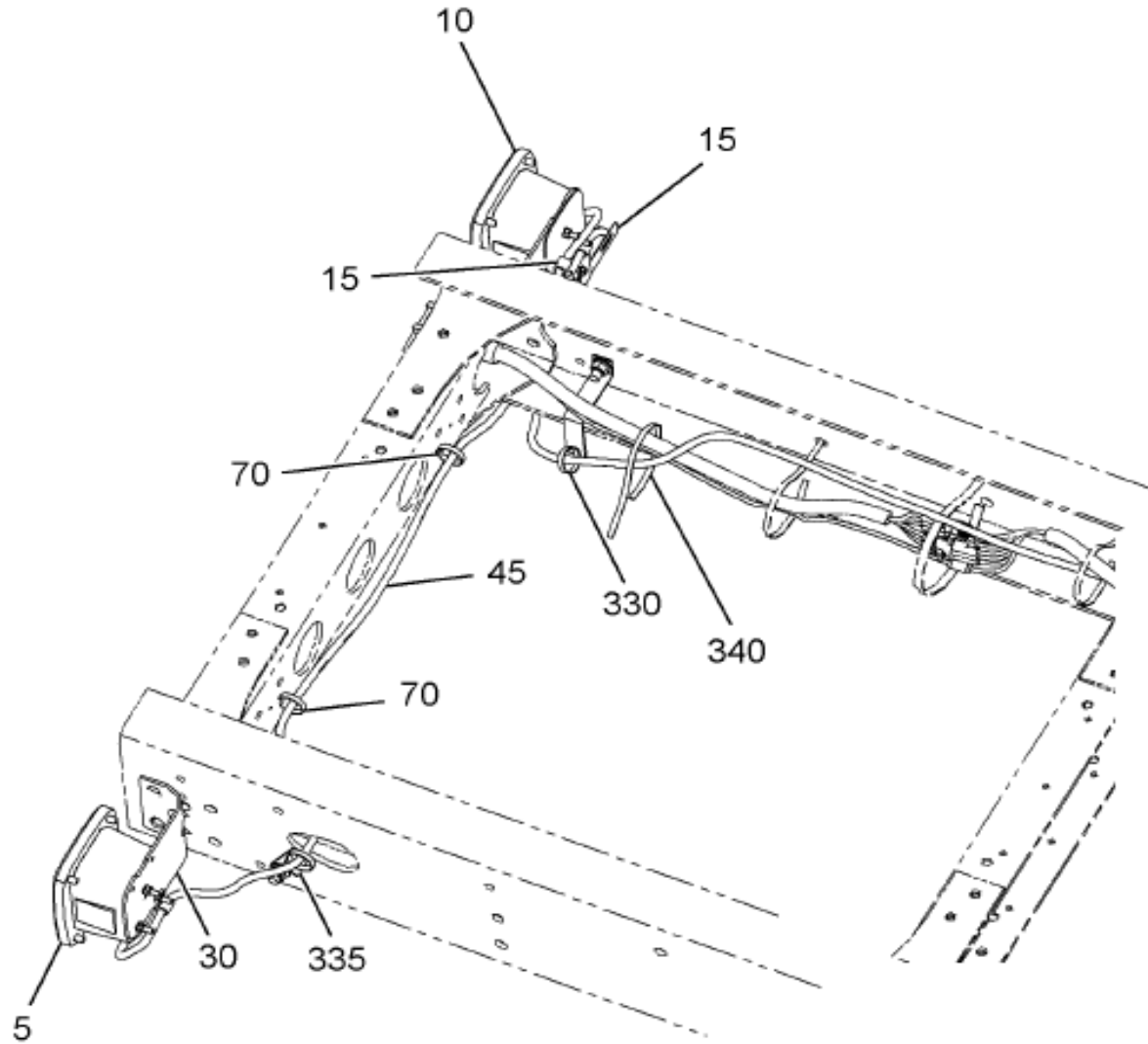
Figure 0HDDK
RR LIGHT INSTL; STD TAIL LIGHTS



M-NGV
W/508016
W/01GTA

Figure 6 of 7

Figure 0HDDK
RR LIGHT INSTL; STD TAIL LIGHTS



TA00500
W/0508015

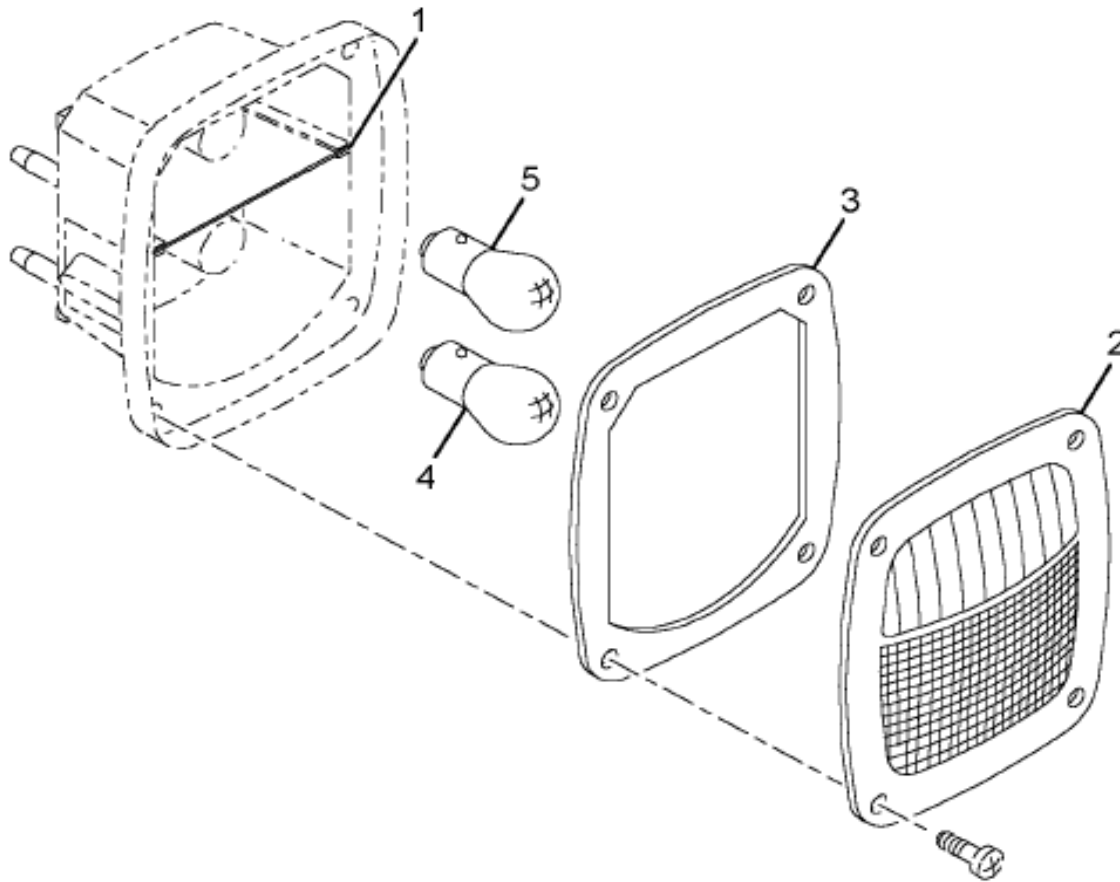
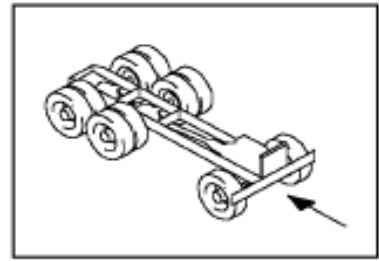
G
R
P
0
8

08-266-0052-01

G10

Item	Part No.	Qty	Description	Kit	Var	Figure
5	3582407C91	1	LIGHT,RIGHT STT FOR BKUP ALARM		0J8X2	3582407C91
5	9413992	3	NUT,HEX		0J8X2	
10	1661281C91	1	LIGHT,ASSY STOP TAIL WITH LICE		0J8X2	1661281C91
10	9413992	3	NUT,HEX		0J8X2	
15	981986R91	2	CLAMP,CABLE OR PIPE		0J8X2	
20	424536C1	1	BRACKET,LICENSE PLATE		0J8X2	

Figure 1661281C91
LIGHT, ASSY STOP TAIL WITH LICE



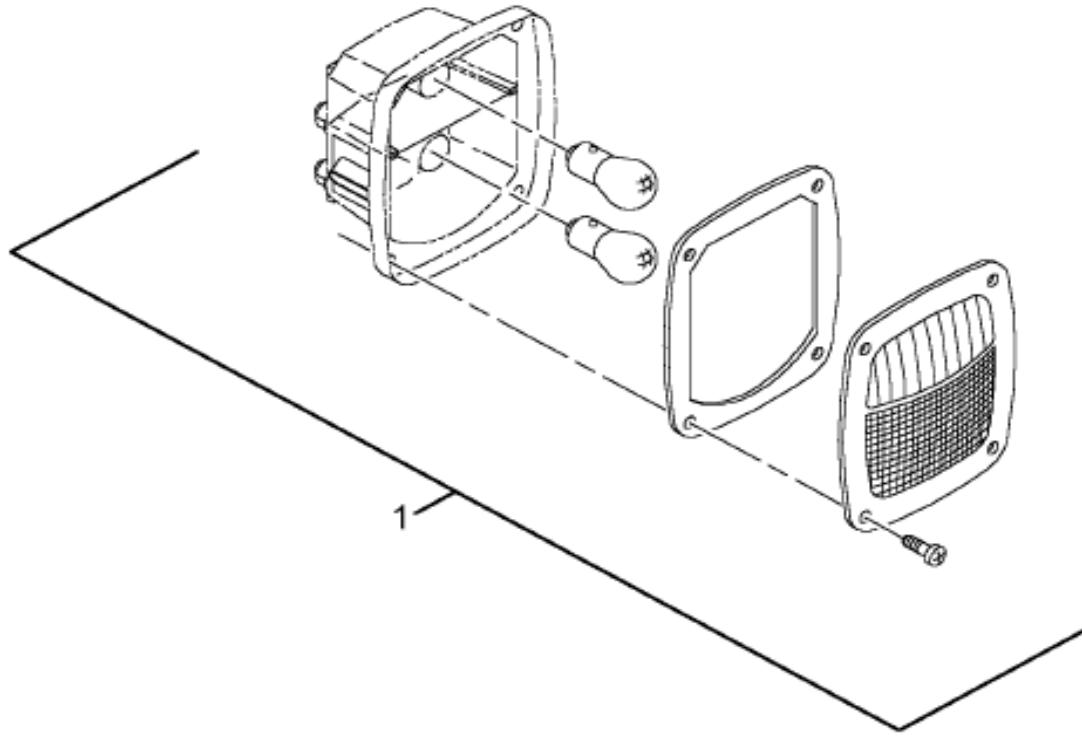
G P 0 8

08-193-0021-00

G03

Item	Part No.	Qty	Description	Kit	Var	Figure
1		RF	BAFFLE, LIGHT			
2	1669581C1	1	LENS, TURN SIGNAL & STOP			
3	1669582C1	1	GASKET, TURN SIGNAL LIGHT			
4	9417867	1	LAMP			
5	9417866	1	LAMP			
880		RF	NOTE: ASM BELOW COMPRISED OF ABOVE			

Figure 3582407C91
 LIGHT,RIGHT STT FOR BKUP ALARM



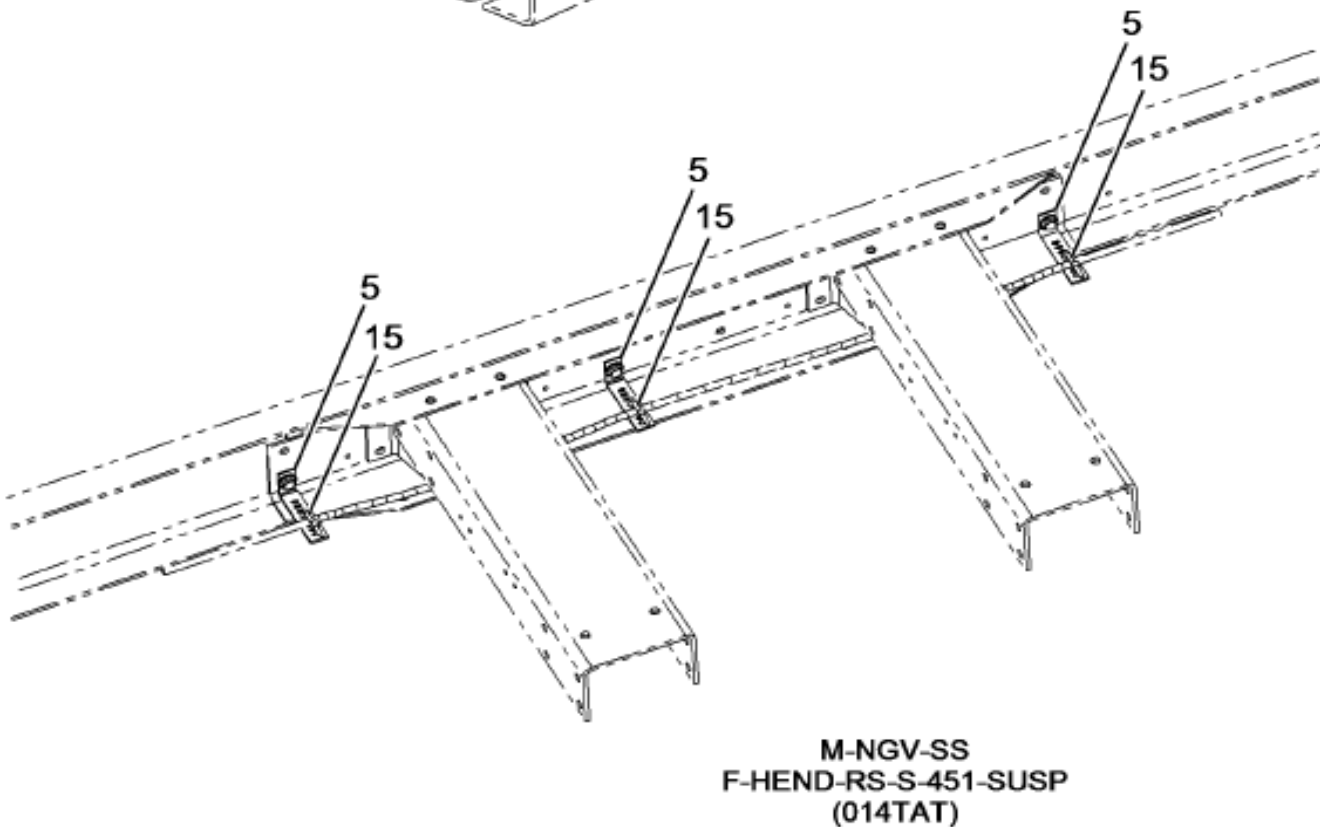
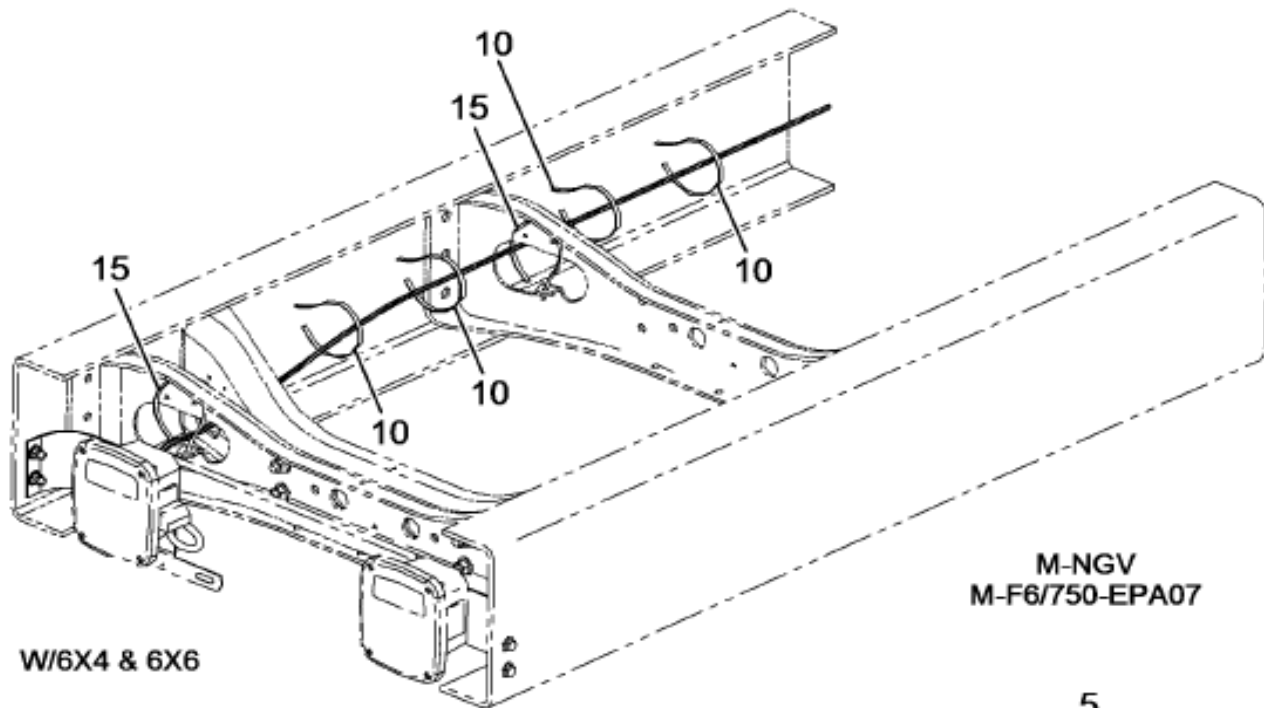
08-193-0126-01

L02

Item	Part No.	Qty	Description	Kit	Var	Figure
1	GE1156	1	LAMP, INCANDESCENT 12V			
1	GE1157	1	LAMP, INCANDESCENT 12V			
880		RF	NOTE: ASM BELOW COMPRISED OF ABOVE COMPONENTS			
881	3582407C91	RF	LIGHT,RIGHT STT FOR BKUP ALARM			

Figure 0HDJP

STOP, TAIL & TURN WIRING INSTL; W/HEND OR CHLMR SUSP



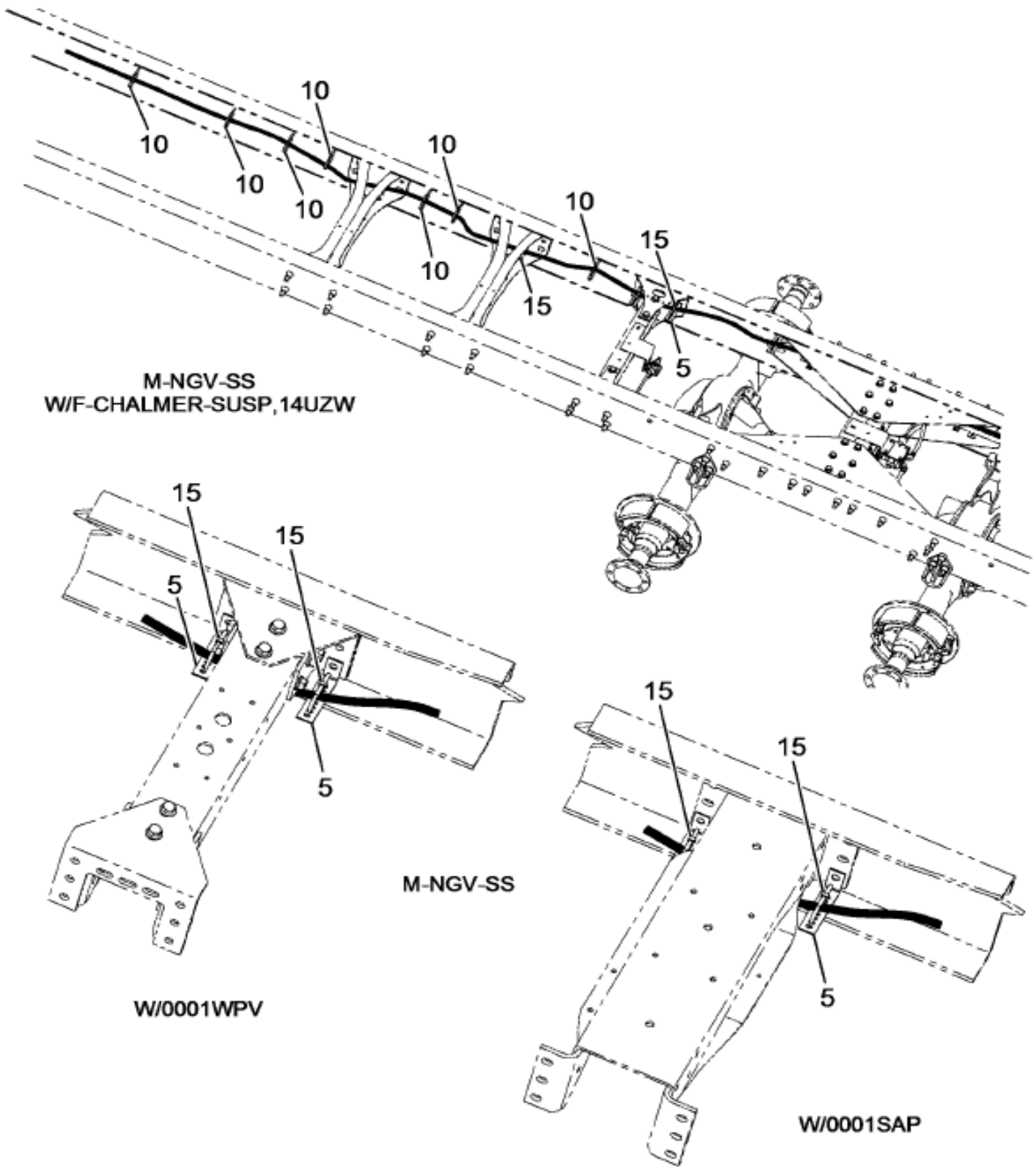
08-193-0193-01

M09

Figure 1 of 3

Figure 0HDJP

STOP, TAIL & TURN WIRING INSTL; W/HEND OR CHLMR SUSP

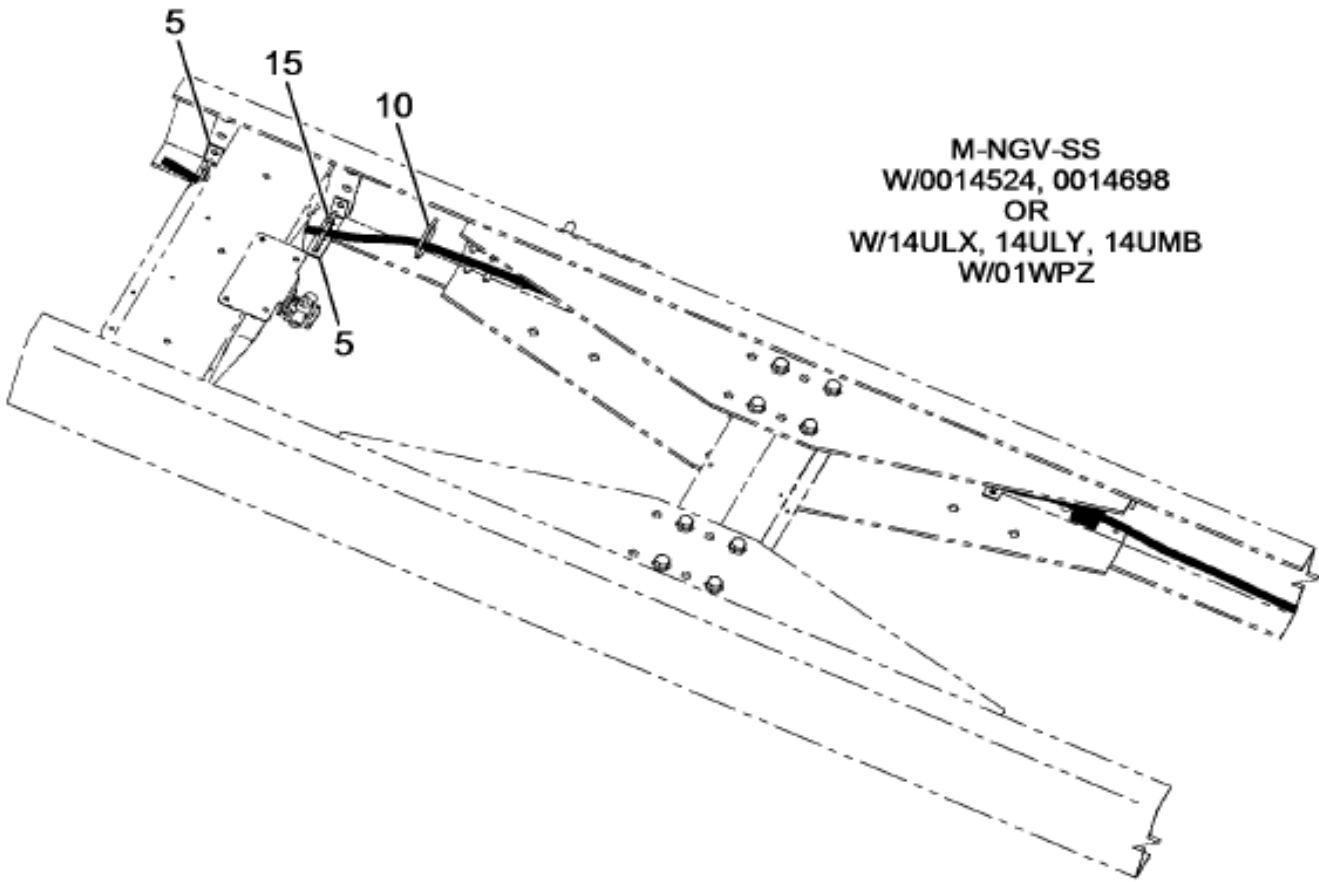


GROUP 8

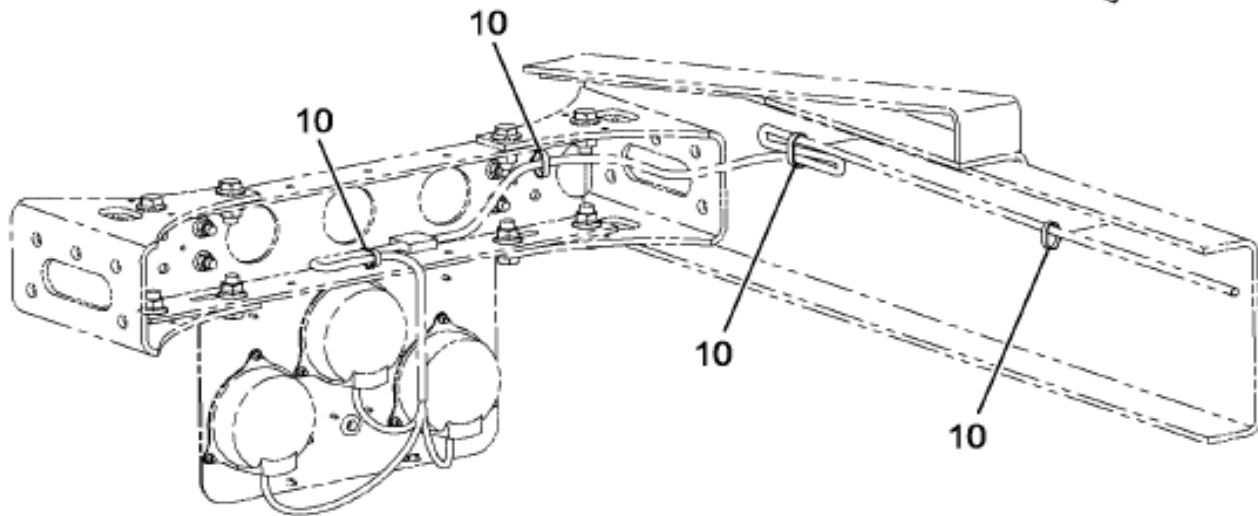
Figure 2 of 3

Figure 0HDJP

STOP, TAIL & TURN WIRING INSTL; W/HEND OR CHLMR SUSP



M-NGV-SS
W/0014524, 0014698
OR
W/14ULX, 14ULY, 14UMB
W/01WPZ



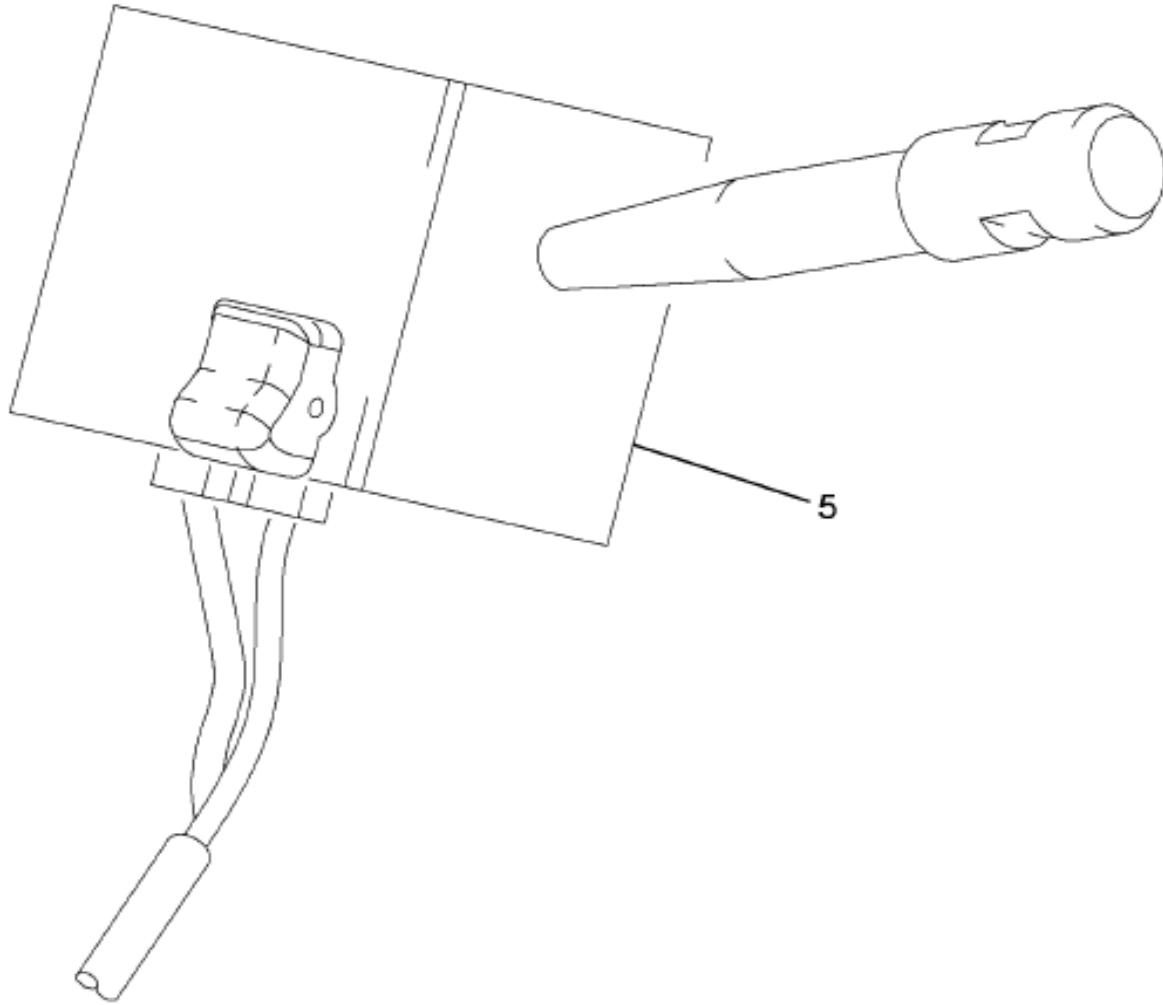
M-NGV-RH-HDD
W/008TNE
W/001823

08-193-0193-03

M09

Item	Part No.	Qty	Description	Kit	Var	Figure
5	2034206C1	2	EXTENSION, CLIP		0HFX9	
10	3544557C1	1	STRAP, CABLE LOCK*382MM BUTTON		0HDMJ	
15	289862C1	2	STRAP, CABLE LOCK		0HDMJ	
15	306132C1	2	STRAP, CABLE LOCK		0HFX9	

Figure 06QS5
TURN SIGNAL SWITCH & DCM HARNESS



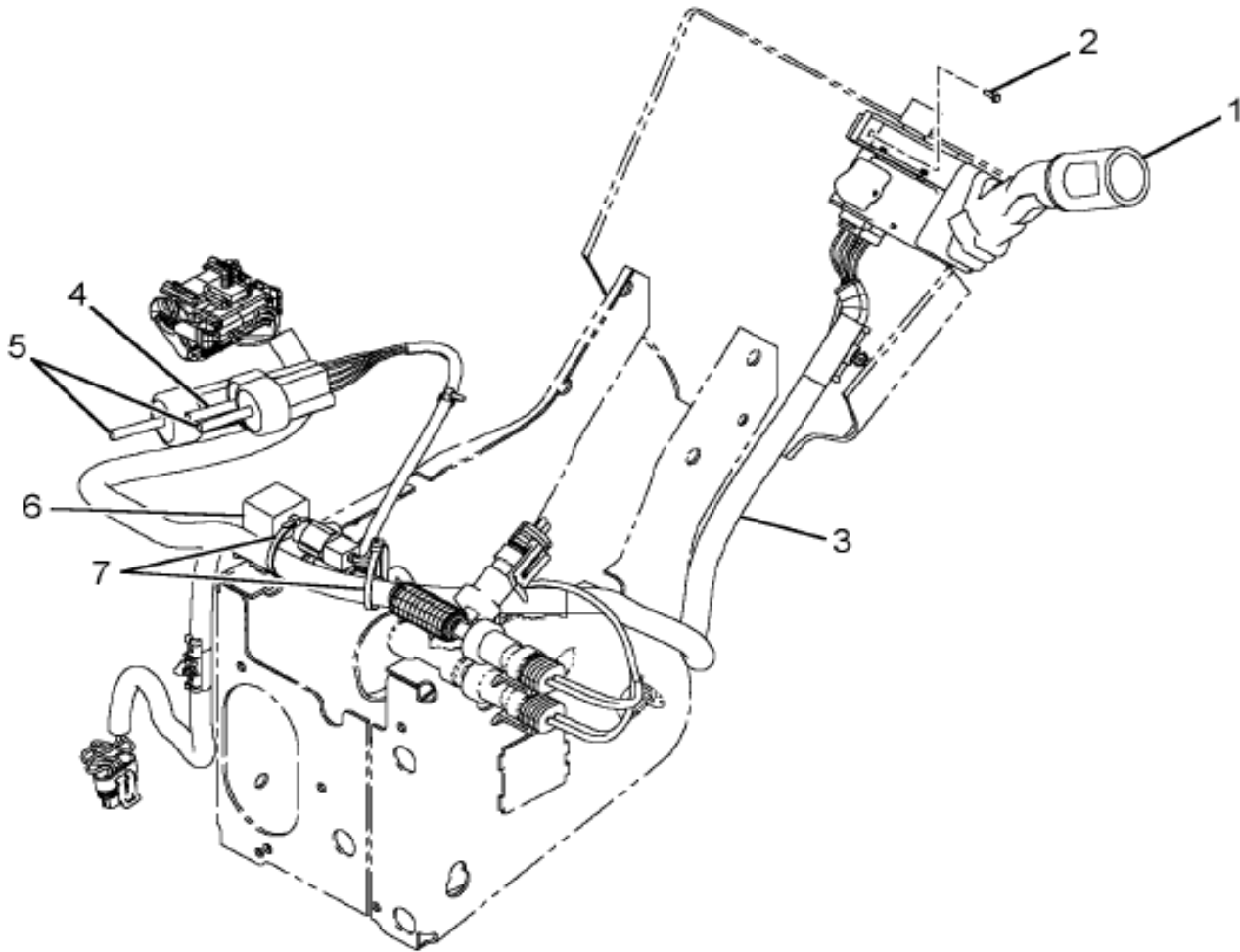
G
R
P
0
8

16-C13-0004-A0

G09

Item	Part No.	Qty	Description	Kit	Var	Figure
5	3554195F93	1	ELECTRICAL DCM*W/AIR BRAKES		06WGL	3554195F93

Figure 3554195F93
ELECTRICAL DCM*W/AIR BRAKES

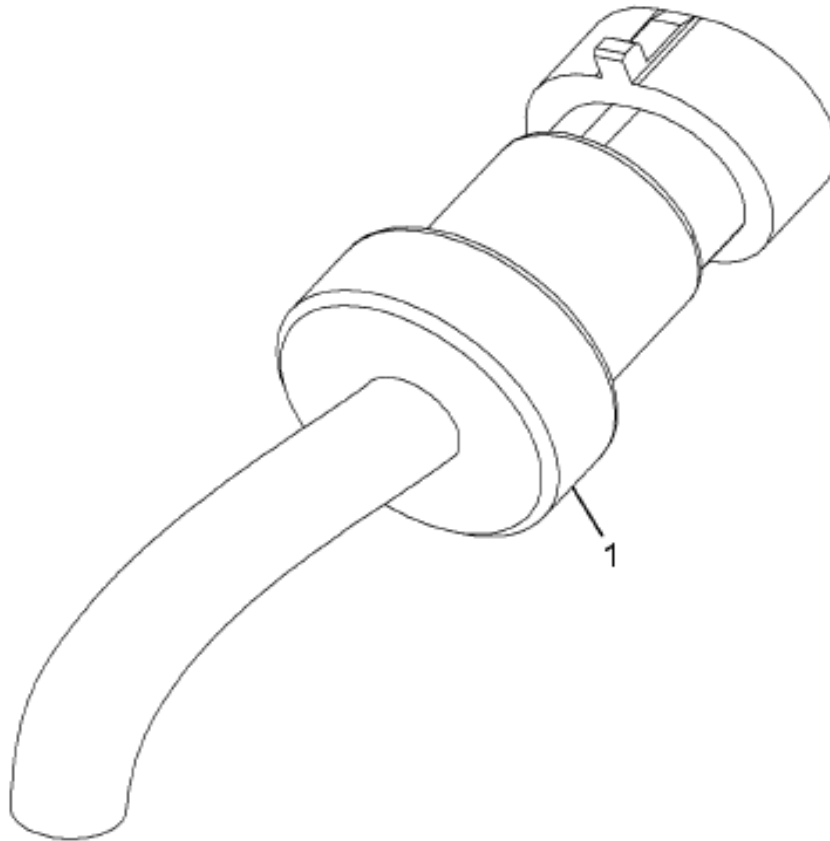


16-C17-0009-01

K03

Item	Part No.	Qty	Description	Kit	Var	Figure
1	2585904C91	1	SWITCH,TURN SIGNAL W/WIPE CTRL			
2	2505847C1	2	SCREW, PLASTITE #8X1/2" P/HEAD			
3	3554122C92	1	HARNESS,ELECT, BASE CAB, HARNE			
4	2507927C1	1	SWITCH,PRESSURE PARK BRK			
5		2	TRANSDUCER,AIR PRES GAUGE	A		
6	1807253C1	1	GAUGE,SENSOR BAROMETRIC AIR			

Figure 2505669C91
 TRANSDUCER, AIR, KIT

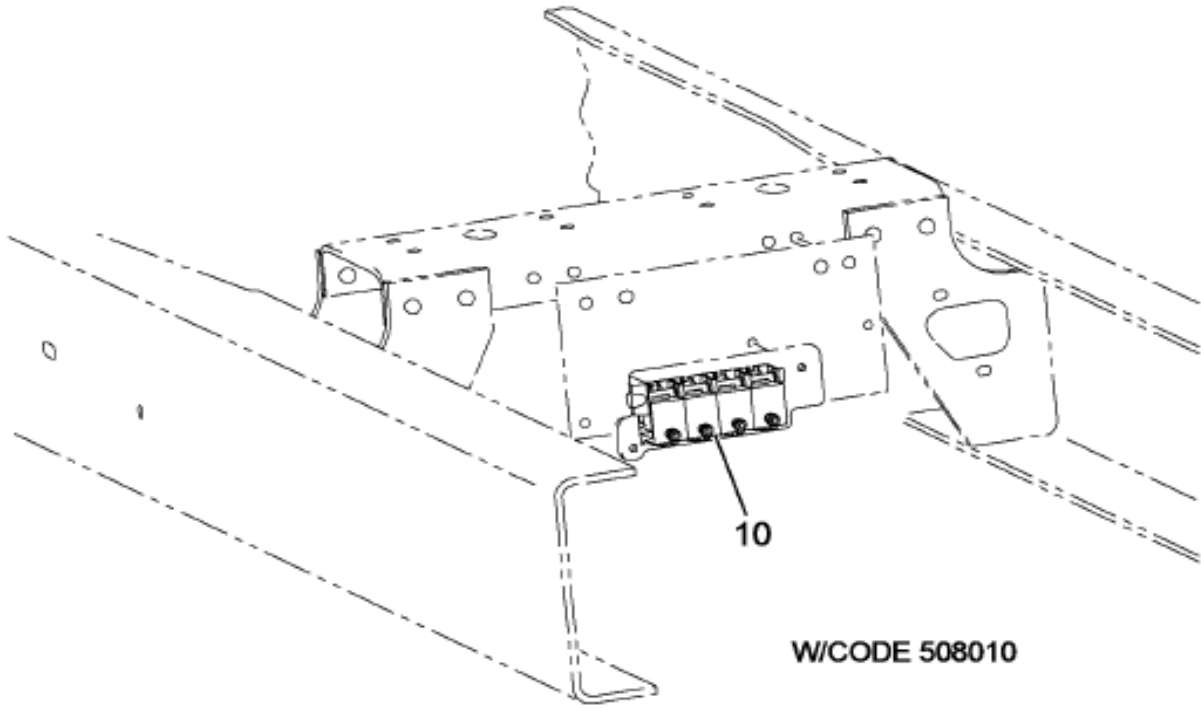


16-D75-M068-01

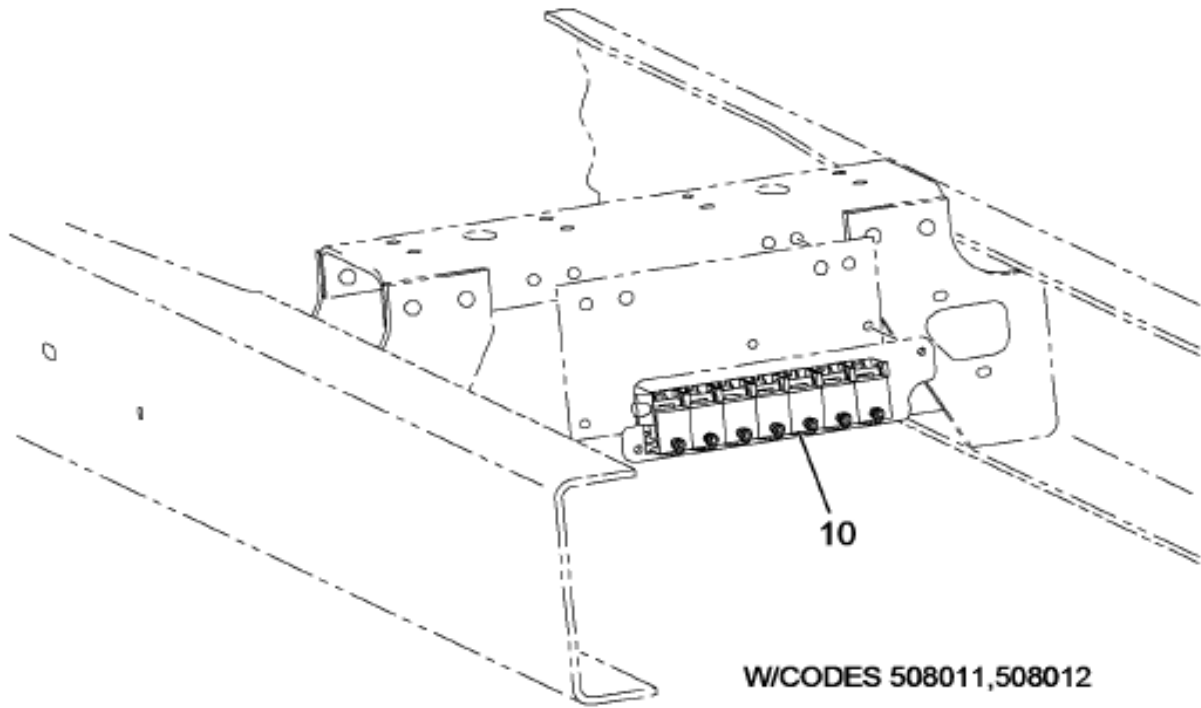
E09

Item	Part No.	Qty	Description	Kit	Var	Figure
1		1	TRANSDUCER, AIR PRESSURE GAUGE			
880		RF	NOTE: ASM BELOW COMPRISED OF ABOVE COMPONENTS			
881	2505669C91	RF	TRANSDUCER, AIR, KIT			

Figure 0CBZX
VALVE, AIR SOLENOID; AIR HORN



W/CODE 508010



W/CODES 508011,508012

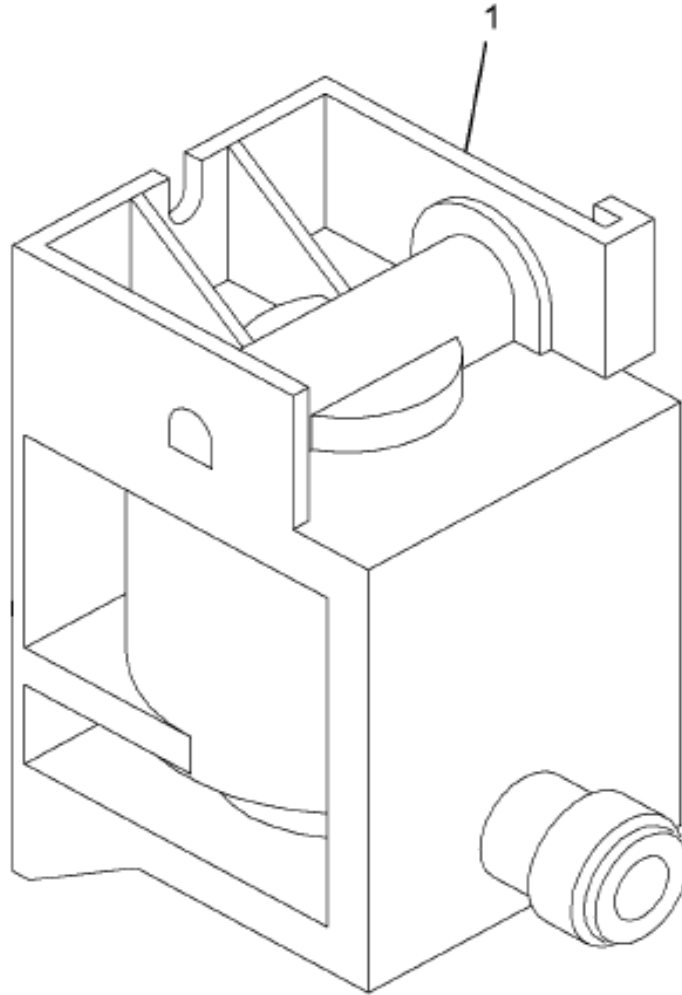
04-S02-0002-BA

L09

Item	Part No.	Qty	Description	Kit	Var	Figure
10	3553365F93	1	VALVE,AIR CNTRL AIR HORN SLND		0CC2X	3553365F93

G
R
P
0
8

Figure 3553365F93
 VALVE,AIR CNTRL AIR HORN SLND

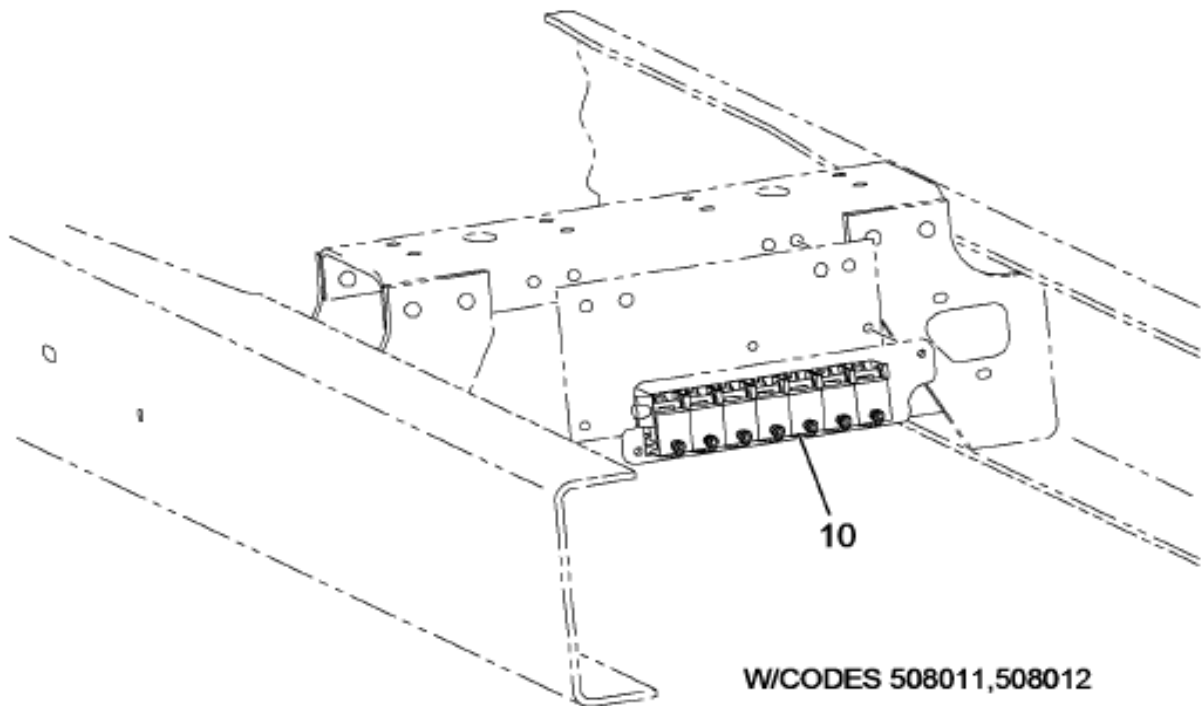
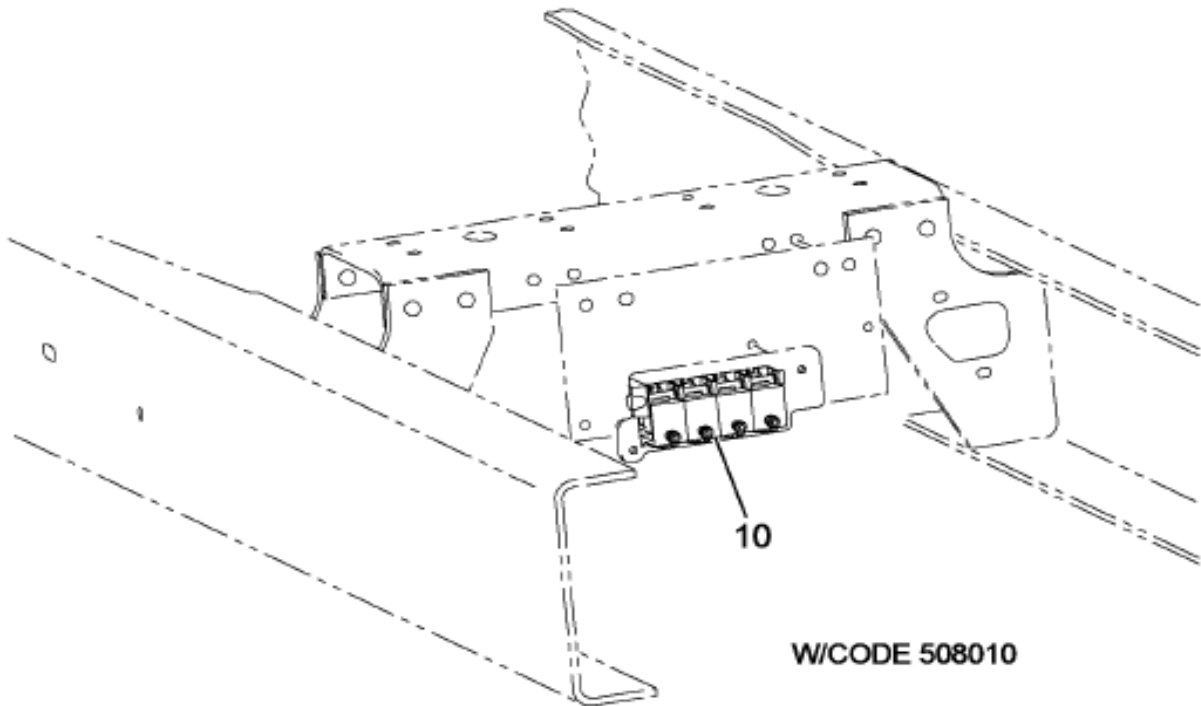


04-S02-0001-00

H05

Item	Part No.	Qty	Description	Kit	Var	Figure
1	3576679C1	1	VALVE,SOLENOID*AIR HORN CNTRL			
1	2020342C1	1	PLUG,FAST CONNECT 1/4 TUBE			
880		RF	NOTE: ASM BELOW COMPRISED OF ABOVE COMPONENTS			
881	3553365F93	RF	VALVE,AIR CNTRL AIR HORN SLND			

Figure 0C BYW
 VALVE, AIR SOLENOID; POWER DIVIDER LOCK



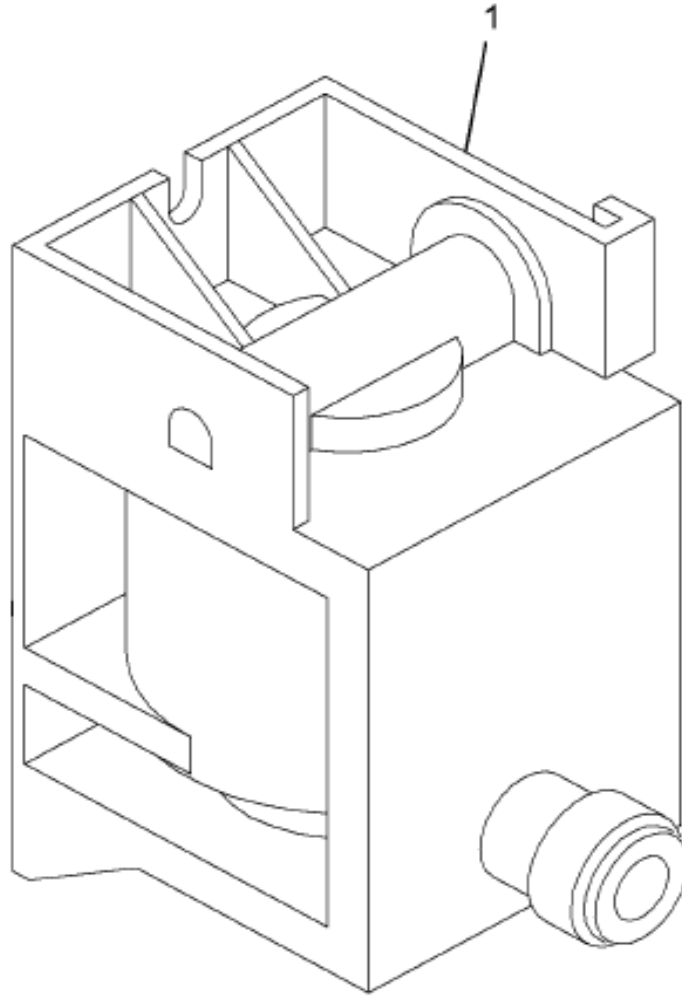
G
R
P
0
8

04-S02-0002-BA

L09

Item	Part No.	Qty	Description	Kit	Var	Figure
10	3553350F91	1	VALVE,SOLENOID*NC PDL CONTROL		0CC25	3553350F91

Figure 3553350F91
 VALVE, SOLENOID*NC PDL CONTROL

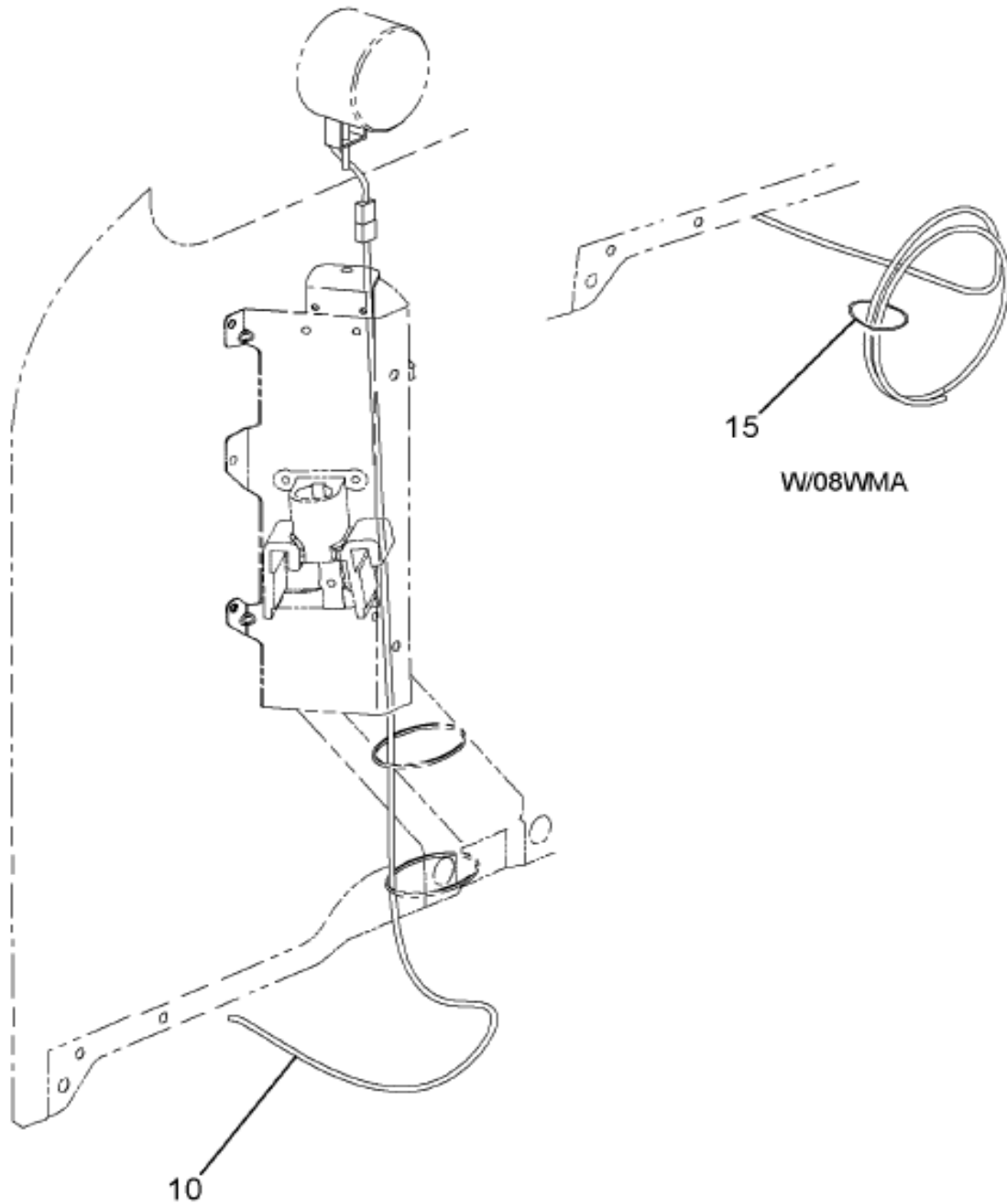


04-S02-0001-00

H05

Item	Part No.	Qty	Description	Kit	Var	Figure
1	2505591C1	1	VALVE, SOLENOID*N.C. AIR			
880		RF	NOTE: ASM BELOW COMPRISED OF ABOVE COMPONENTS			
881	3553350F91	RF	VALVE, SOLENOID*NC PDL CONTROL			

Figure 0GVJ5
WORK LIGHT INSTL; CUSTOMER FURNISHED



GROUP 08

08-209-0017-DA

B10

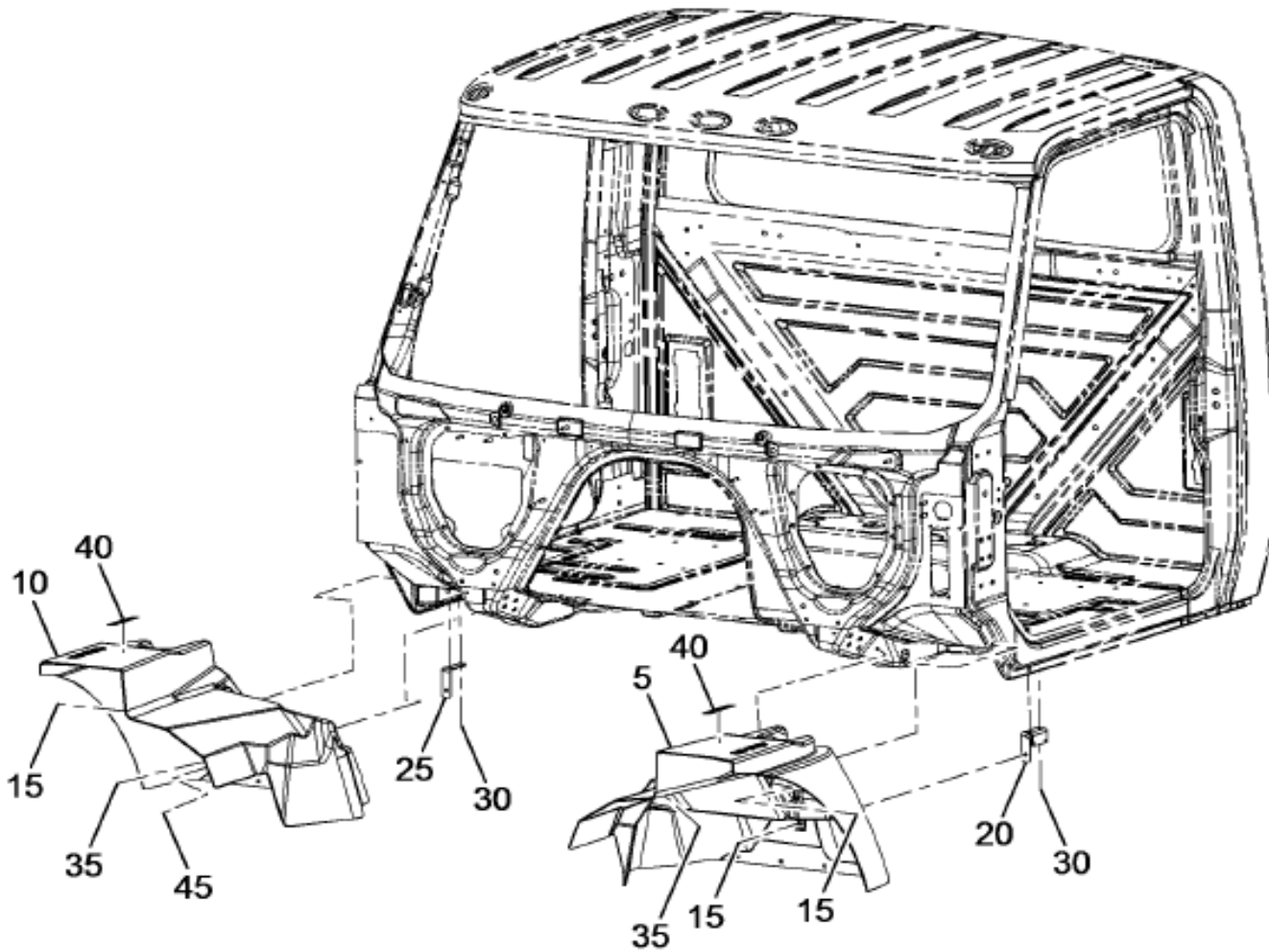
Item	Part No.	Qty	Description	Kit	Var	Figure
10	3573089C91	1	CABLE,ASM WORK LGT,BACK OF CAB		0GVJ5	
15	306132C1	1	STRAP,CABLE LOCK		0GVJ5	

Group 09

Front Sheet Metal

GROUP
09

Figure 0JCH6
FENDER EXTENSIONS; FRONT END



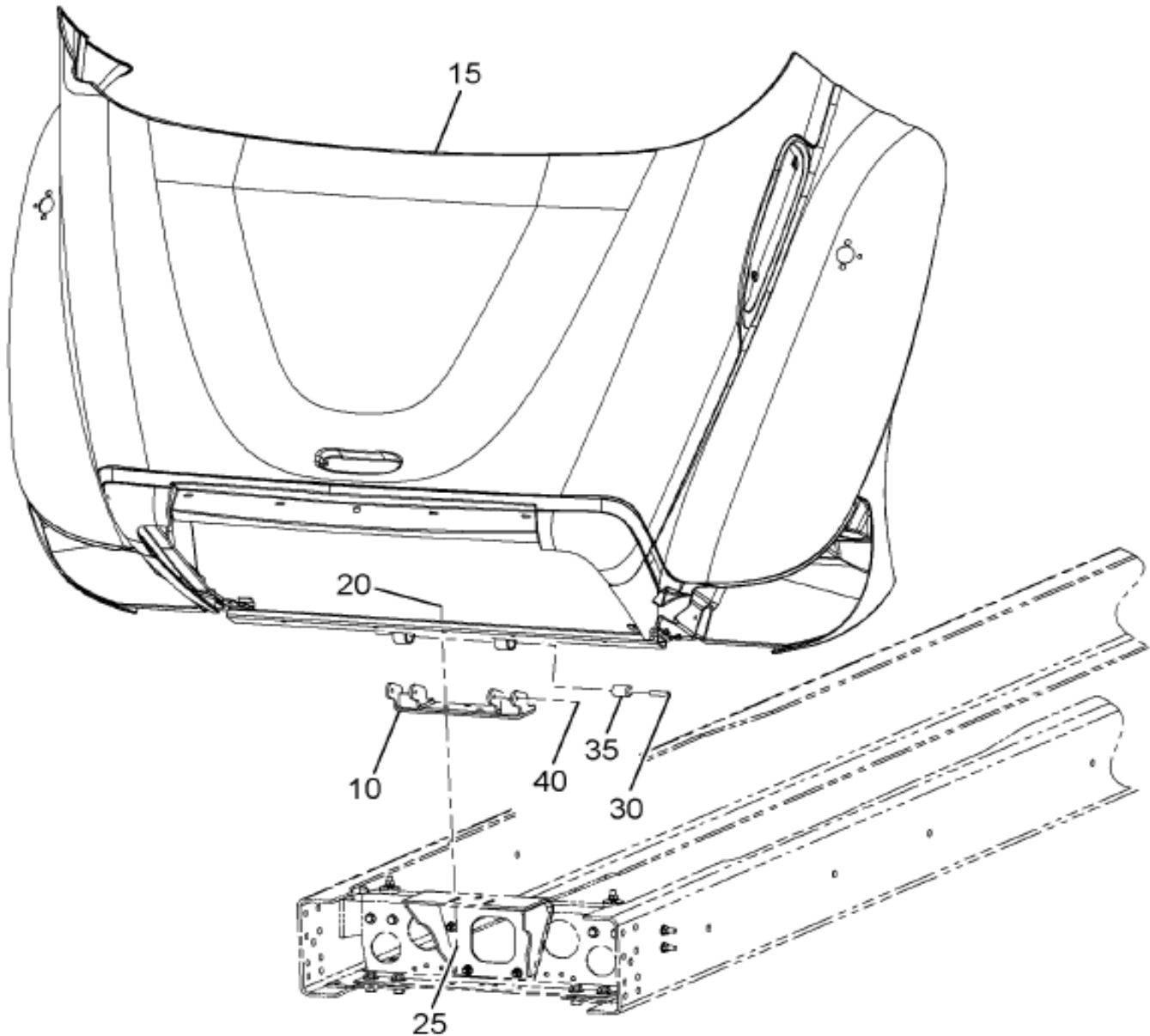
NGV SS107

09-232-0025-01

L09

Item	Part No.	Qty	Description	Kit	Var	Figure
5	3571822C4	1	EXTENSION, FRT FNDR SFA LH		0JG1B	
10	3571823C4	1	EXTENSION, ASST FRT RNDR SFA RH		0JG1B	
15	3571500C1	2	BOLT, SEMS M8 X 1.25 - 30 MM H		0JCH6	
20	3549689C1	1	BRACKET, FENDER EXT TO SILL ASM		0JCH8	
25	3549689C1	1	BRACKET, FENDER EXT TO SILL ASM		0JCH6	
30	3535316C1	4	BOLT, LATCH OR CATCH M6X1-20		0JCH6	

Figure 0FSZ5
FRONT END ASM; HOOD



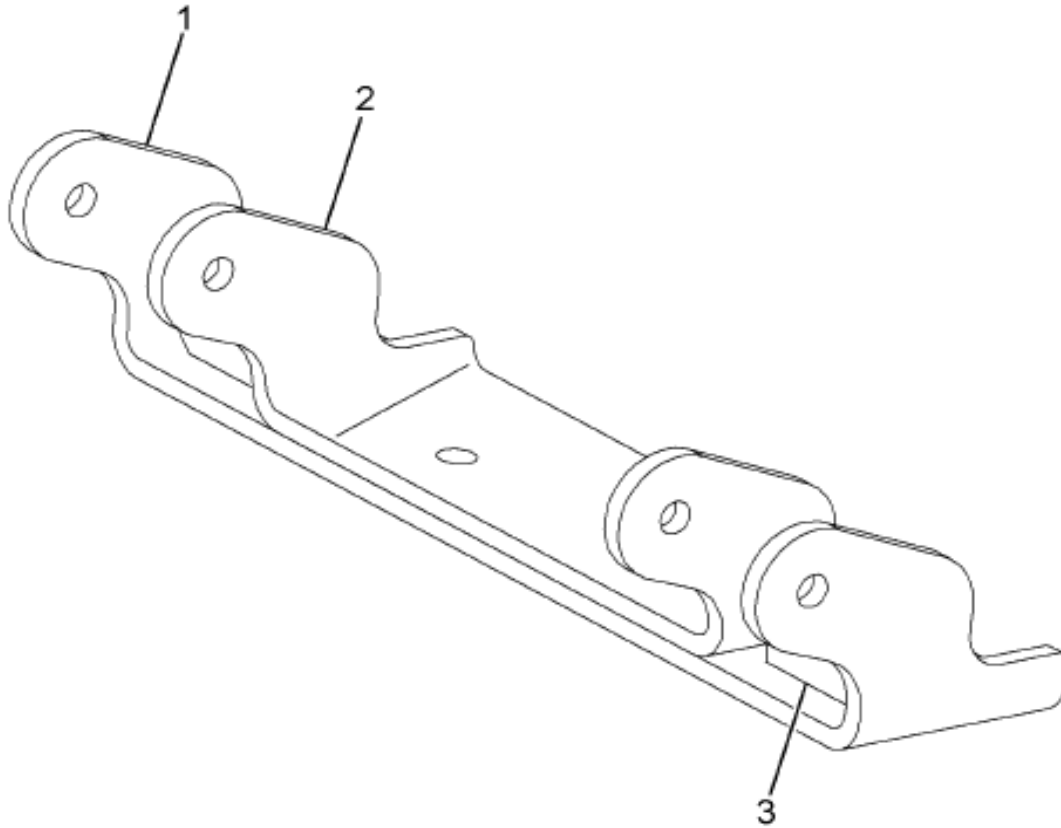
NGV SS107 MRD

09-227-0151-BA

F09

Item	Part No.	Qty	Description	Kit	Var	Figure
10	3593649C1	1	HINGE, ASSY HOOD SUPPORT		0FSZ5	3593649C1
15	3612369C91	1	HOOD, ASSY SFA W/O ACCESS HATCH		0L4WS	3612369C91
20	3554703C1	3	BOLT, HEX FLG HD METRIC*M10 X 4		0FSZ5	
25	3535556C1	3	NUT, HEX METRIC PREV. TORQ*M10		0FSZ5	
40	3588682C1	2	BOLT, HOOD HINGE M10 FLG HD & S		0FSZ5	
8005	3544379C1	2	NUT, HEX FLG M8 METRIC		0FSZ5	

Figure 3593649C1
HINGE, ASSY HOOD SUPPORT



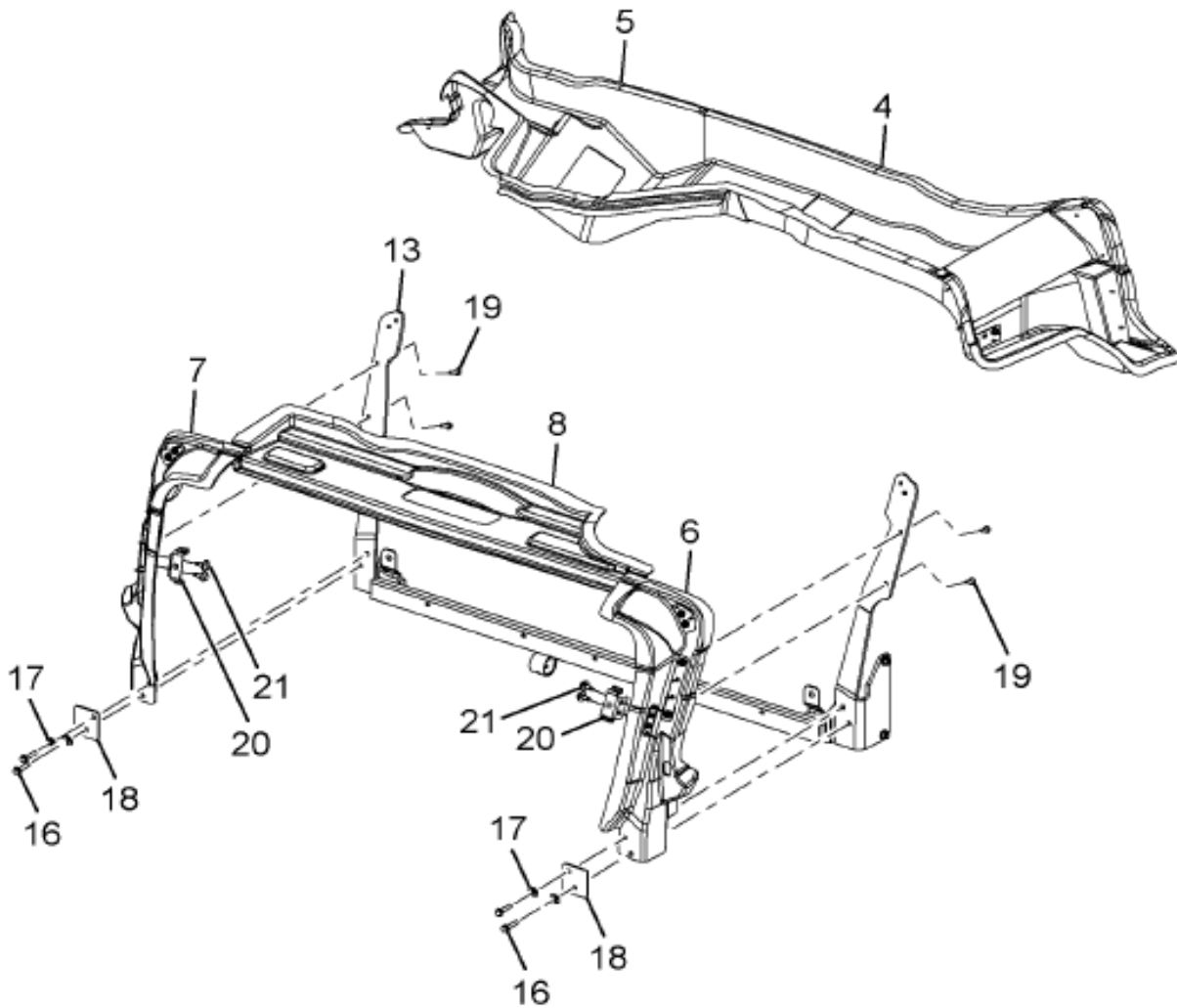
GROUP 9

09-227-0742-01

D07

Item	Part No.	Qty	Description	Kit	Var	Figure
1	3580066C1	1	BRACKET, HINGE SUPT INNER			
2	3580067C1	1	BRACKET, HINGE SUPT OUTER			
3	3580070C1	2	PLATE, REINF HINGE SUPPORT			
880		RF	NOTE: ASM BELOW COMPRISED OF ABOVE COMPONENTS			
881	3593649C1	RF	HINGE, ASSY HOOD SUPPORT			

Figure 3612369C91
HOOD, ASSY SFA W/O ACCESS HATCH

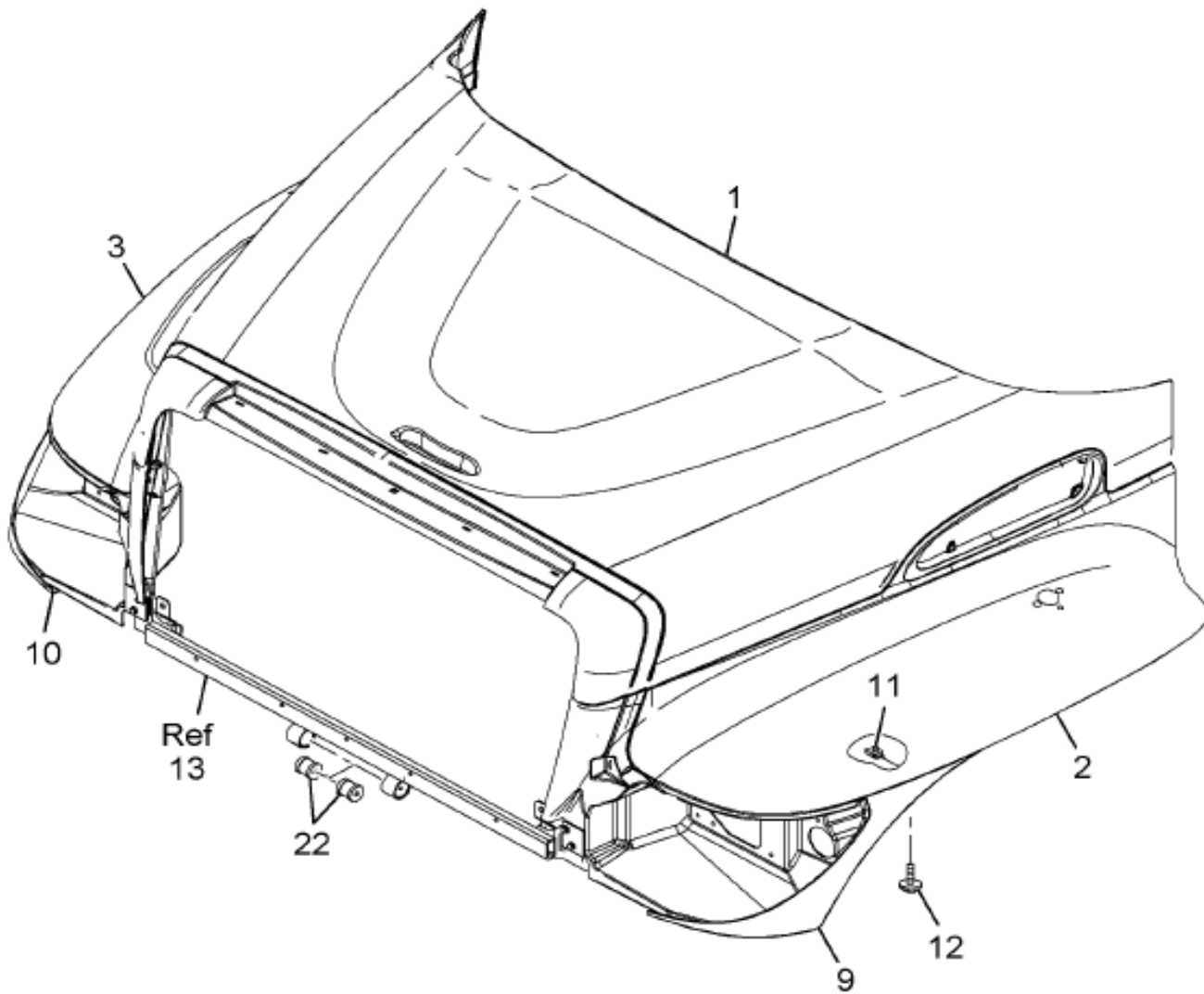


09-227-0213-01

H04

Figure 1 of 2

Figure 3612369C91
HOOD, ASSY SFA W/O ACCESS HATCH

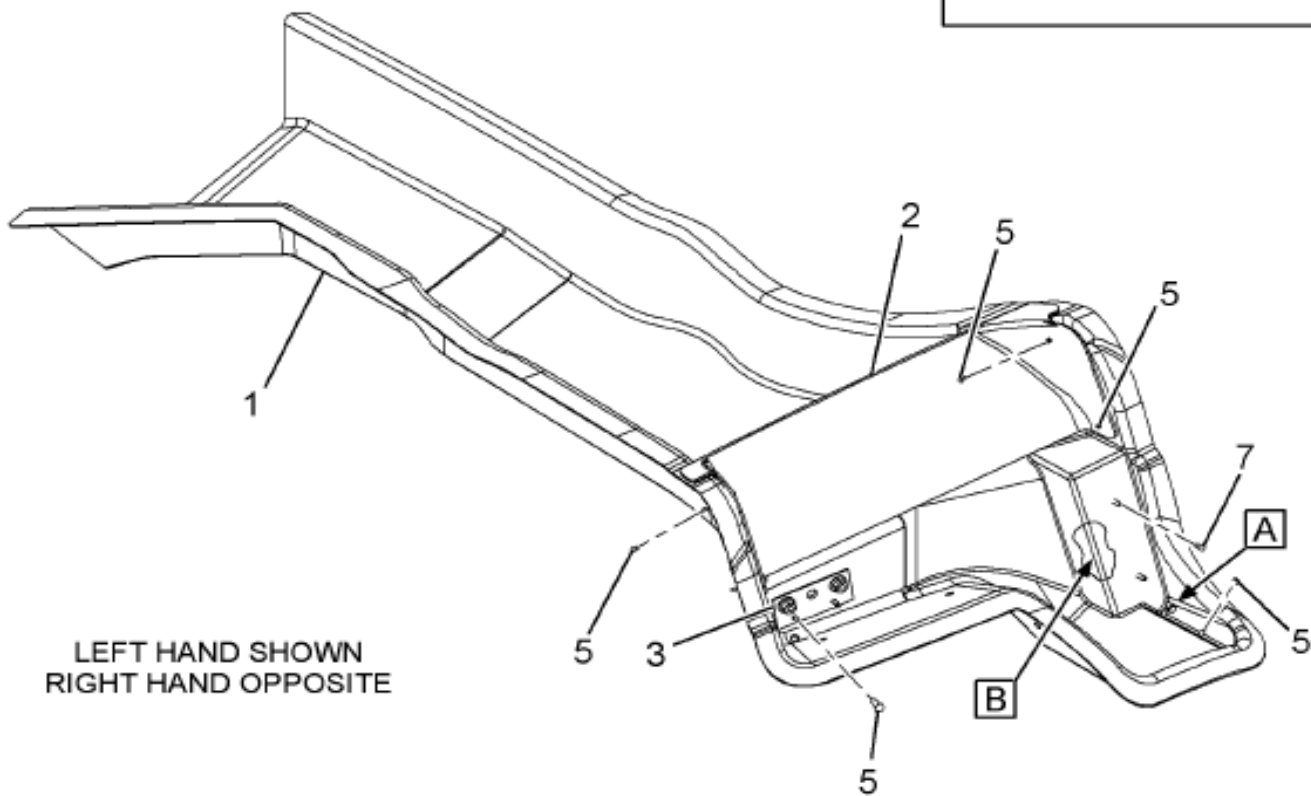
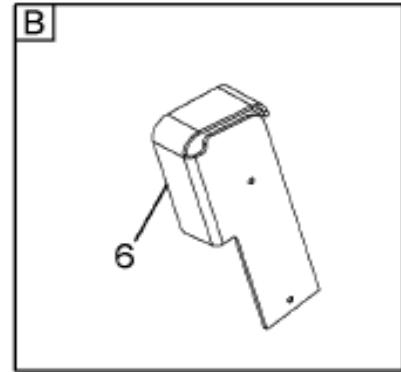
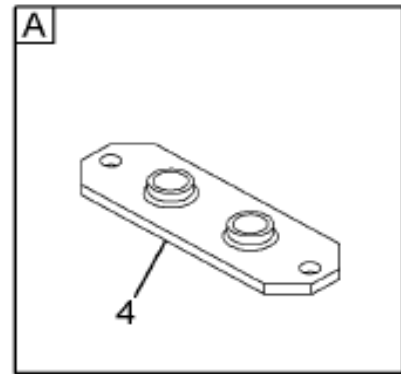


09-227-0213-02

F05

Item	Part No.	Qty	Description	Kit	Var	Figure
1	3556243C2	1	PANEL, HOOD*TOP			
2	3556244C3	1	PANEL*LH HOOD SIDE FENDER			
2		RF	LEFT			
3	3556245C2	1	PANEL, RH HOOD SIDE FENDER			
3		RF	RIGHT			
4	3556250C3	1	REINFORCEMENT, ASSY HOOD LH RR			3556250C3

Figure 3556250C3
REINFORCEMENT, ASSY HOOD LH RR



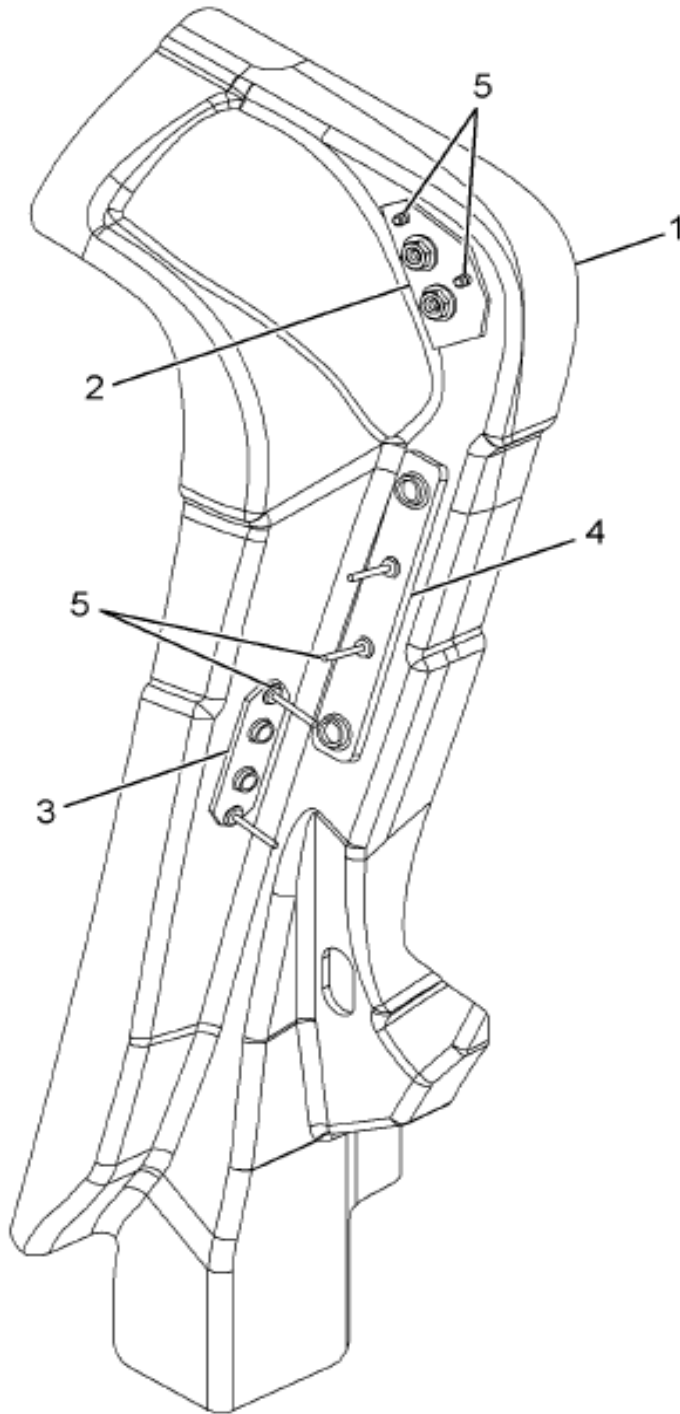
G P 0 9

00-000-0000-00

G05

Item	Part No.	Qty	Description	Kit	Var	Figure
1	3552425C3	1	REINFORCEMENT, HOOD LH REAR			
1		RF	LEFT			
2	3556246C1	1	BAFFLE, HOOD AIR INTAKE			
3	3545926C1	1	PLATE, TAPPING SPLASH PANEL			
4	3575216C1	1	PLATE, TAPPING LATCH			
5	769578C1	8	RIVET, 4.8 X 11.5MM BREAK MAND			

Figure 3556252C3
REINFORCEMENT, HOOD ASSY LH



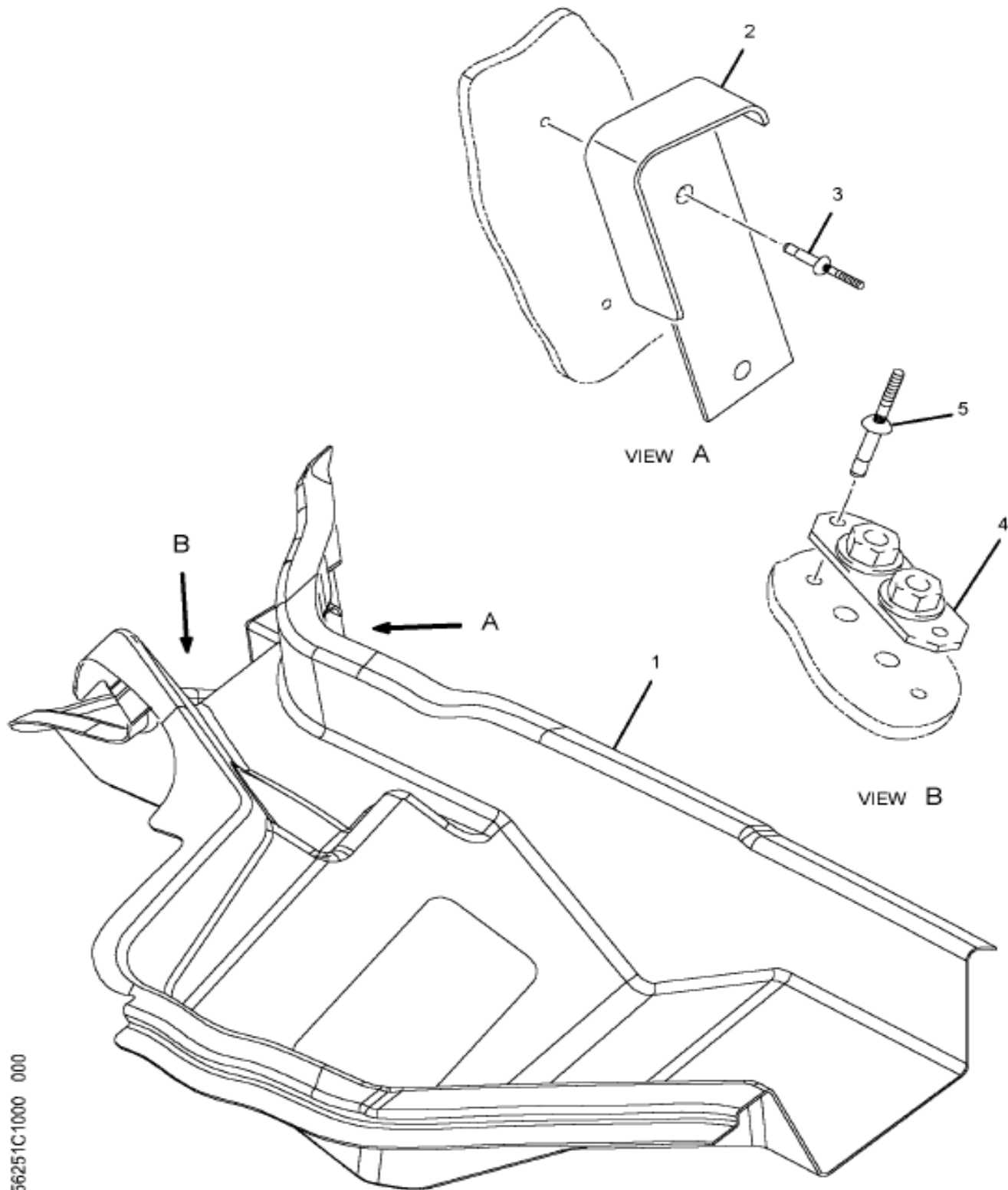
GROUP 9

09-227-0161-01

E06

Item	Part No.	Qty	Description	Kit	Var	Figure
1	3552448C3	1	REINFORCEMENT, HOOD LH FRONT			
1		RF	LEFT			
2	3550610C1	1	PLATE, TAPPING ASSY, HOOD STOP			
2		RF	LEFT			
3	3575216C1	1	PLATE, TAPPING LATCH			
4	3580091C1	1	PLATE, TAPPING*ASSY			

Figure 3556251C2
REINFORCEMENT, HOOD ASSY RH

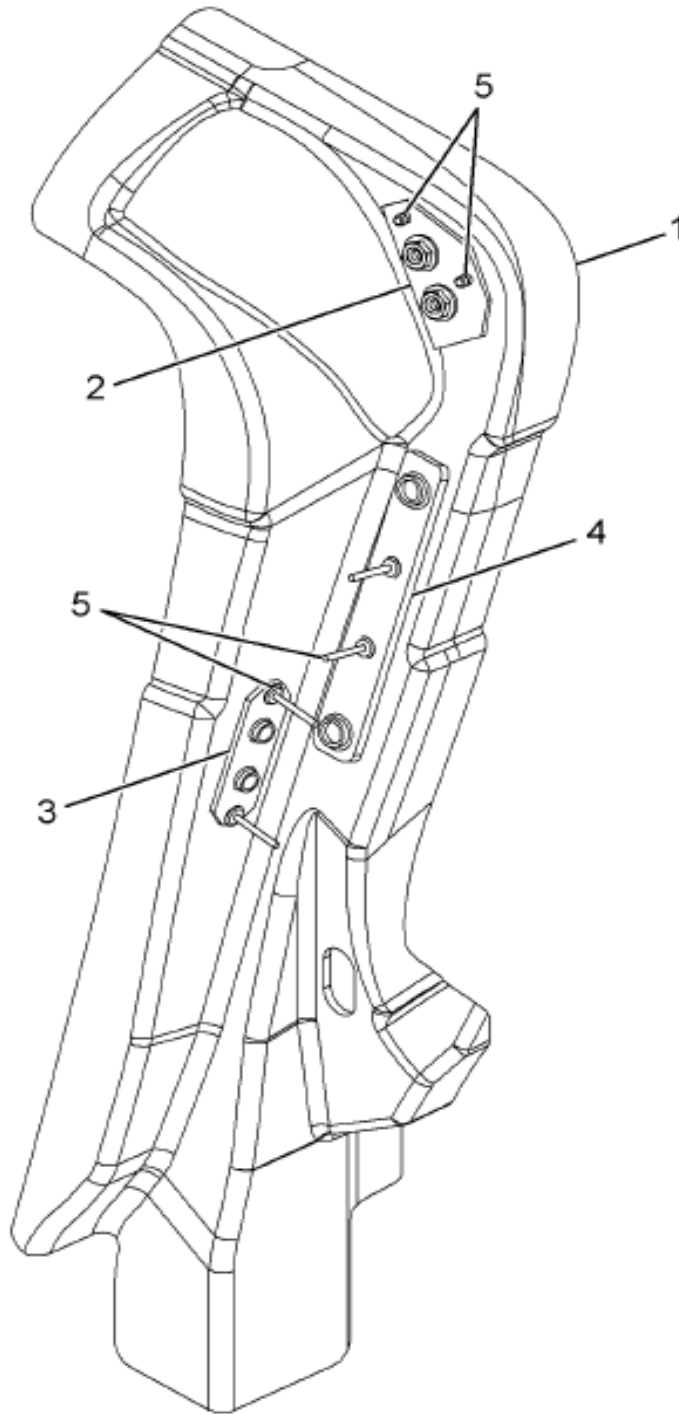


3556251C1000 000

GROUP

Item	Part No.	Qty	Description	Kit	Var	Figure
1	3552426C2	1	REINFORCEMENT, HOOD RH REAR			
		RF	RIGHT			
2	3548632C1	1	GUIDE, HOOD PLATE RH			
		RF	RIGHT			
3	493414C1	2	RIVET, BLIND			
4	3551012C1	1	PLATE, TAPPING HOOD LATCH ASSY			

Figure 3556253C2
REINFORCEMENT, HOOD RH FRONT AS



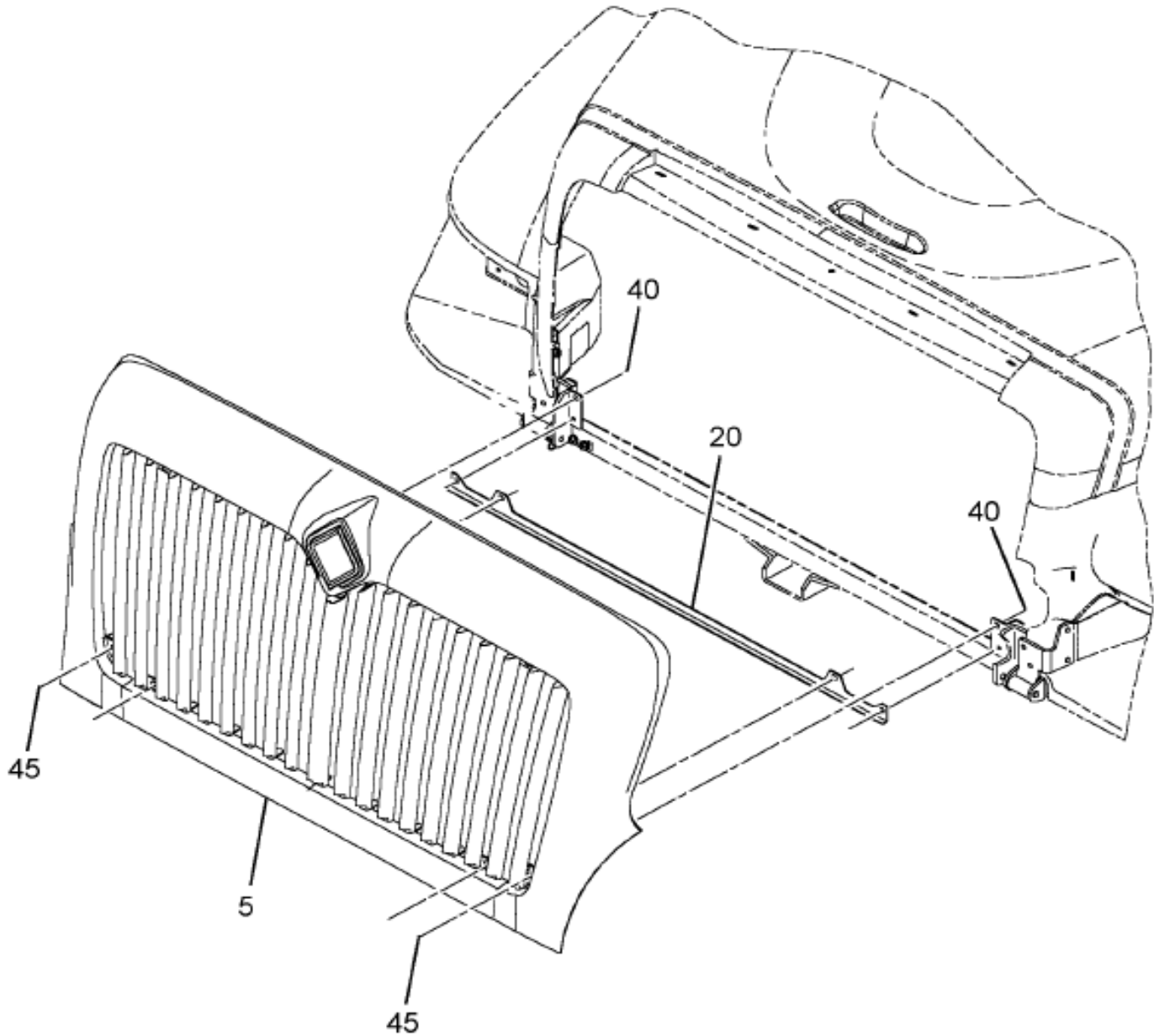
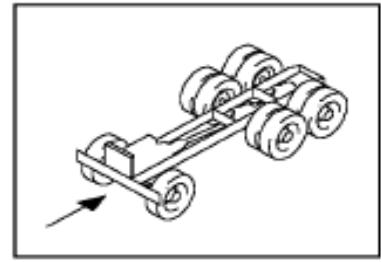
G
R
P
0
9

09-227-0161-01

E06

Item	Part No.	Qty	Description	Kit	Var	Figure
1	3552449C3	1	REINFORCEMENT, HOOD RH FRONT			
2	3550611C1	1	PLATE, TAPPING ASSY, HOOD STOP			
3	3575216C1	1	PLATE, TAPPING LATCH			
4	3580091C1	1	PLATE, TAPPING*ASSY			
4	3580058C1	1	PLATE, TAPPING*			
5	769578C1	6	RIVET, 4.8 X 11.5MM BREAK MAND			

Figure 0FVDZ
FRT GRILLE INSTL; W/BUG SCREEN

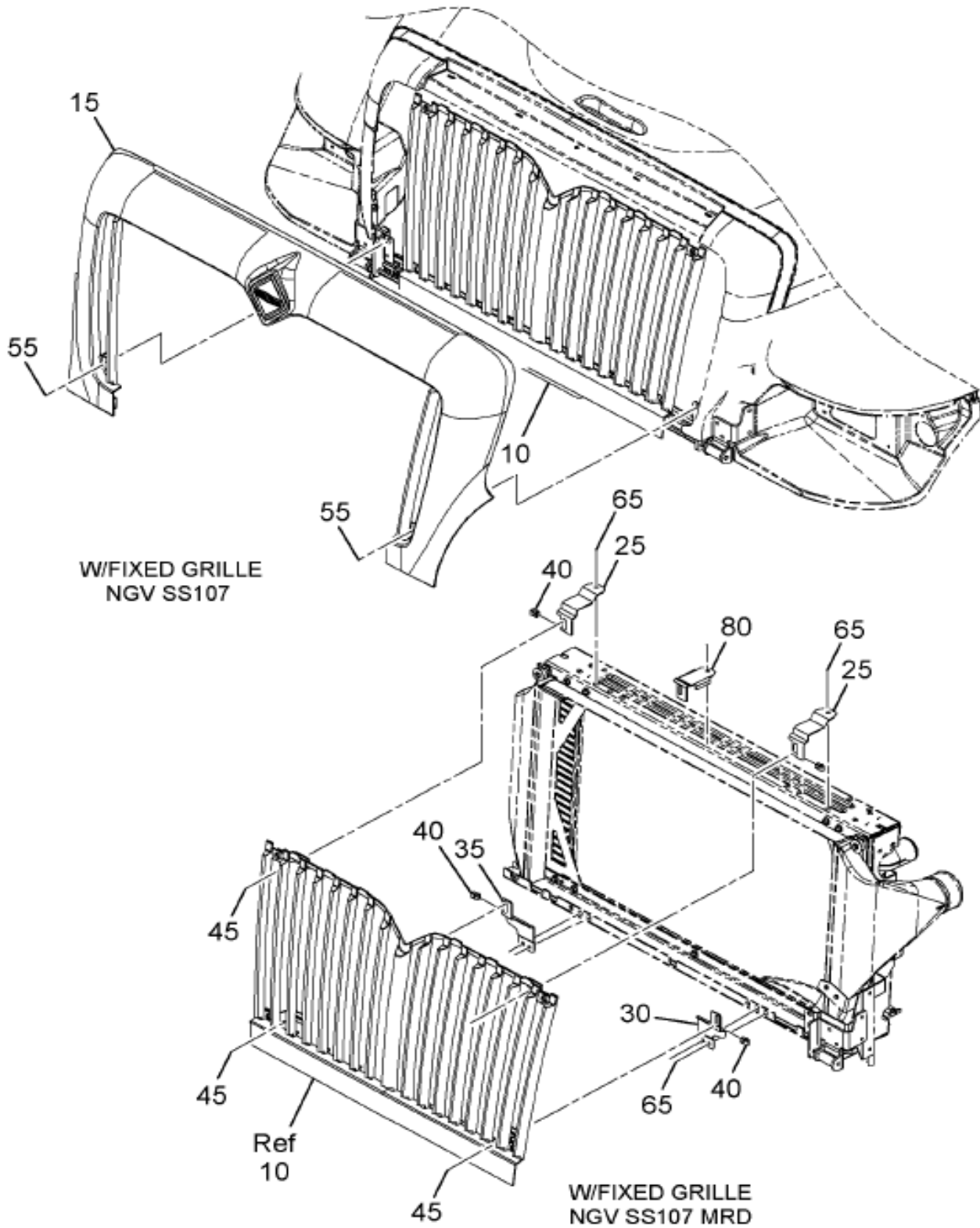


G
R
I
D
E

W/STANDARD GRILLE
NGV SS107
PRIOR TO 5-31-01

Figure 1 of 5

Figure 0FVDZ
FRT GRILLE INSTL; W/BUG SCREEN

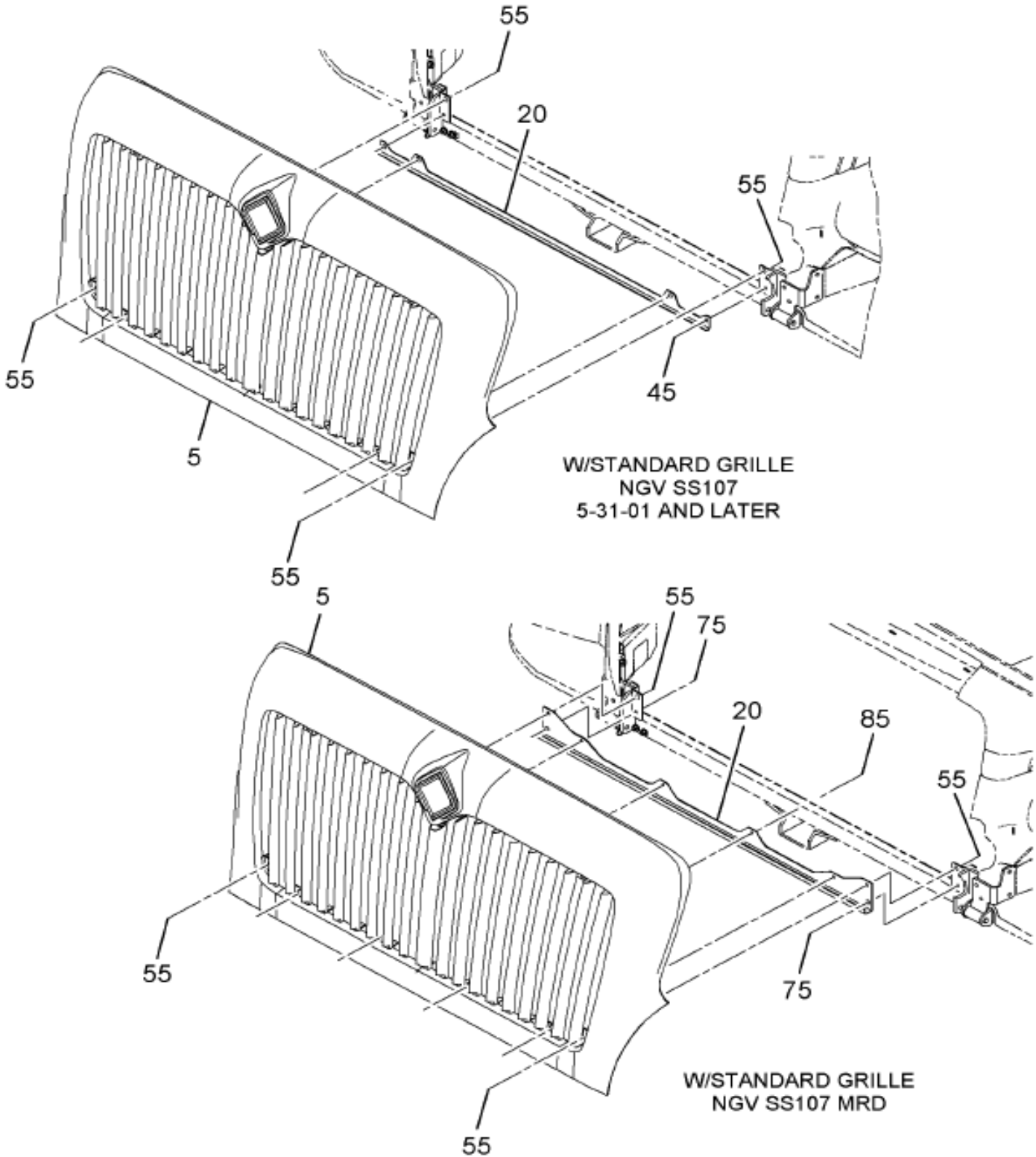


09-225-0054-F0

B04

Figure 2 of 5

Figure 0FVDZ
FRT GRILLE INSTL; W/BUG SCREEN



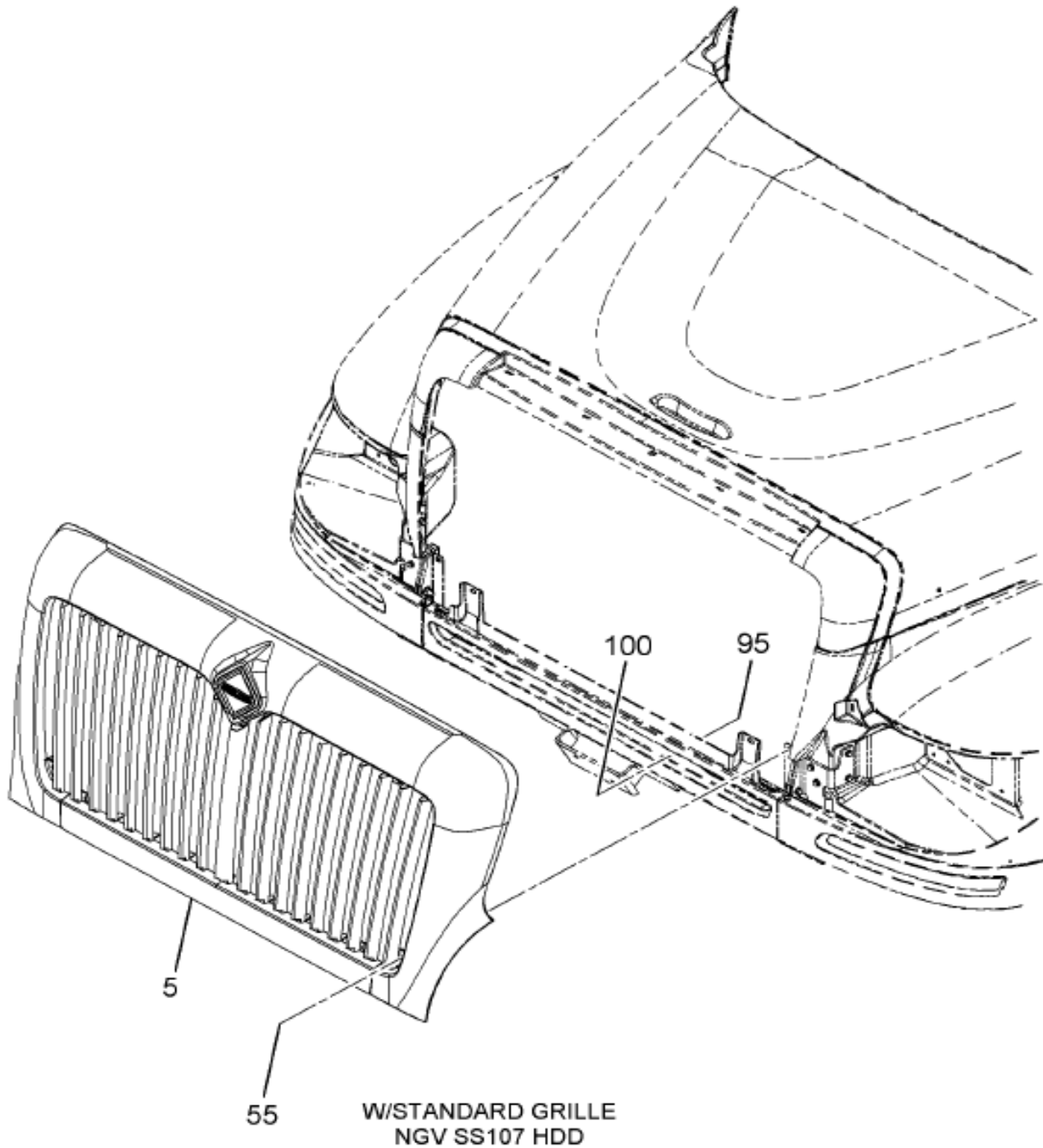
GROUP

09-225-0055-F1

B04

Figure 3 of 5

Figure 0FVDZ
FRT GRILLE INSTL; W/BUG SCREEN

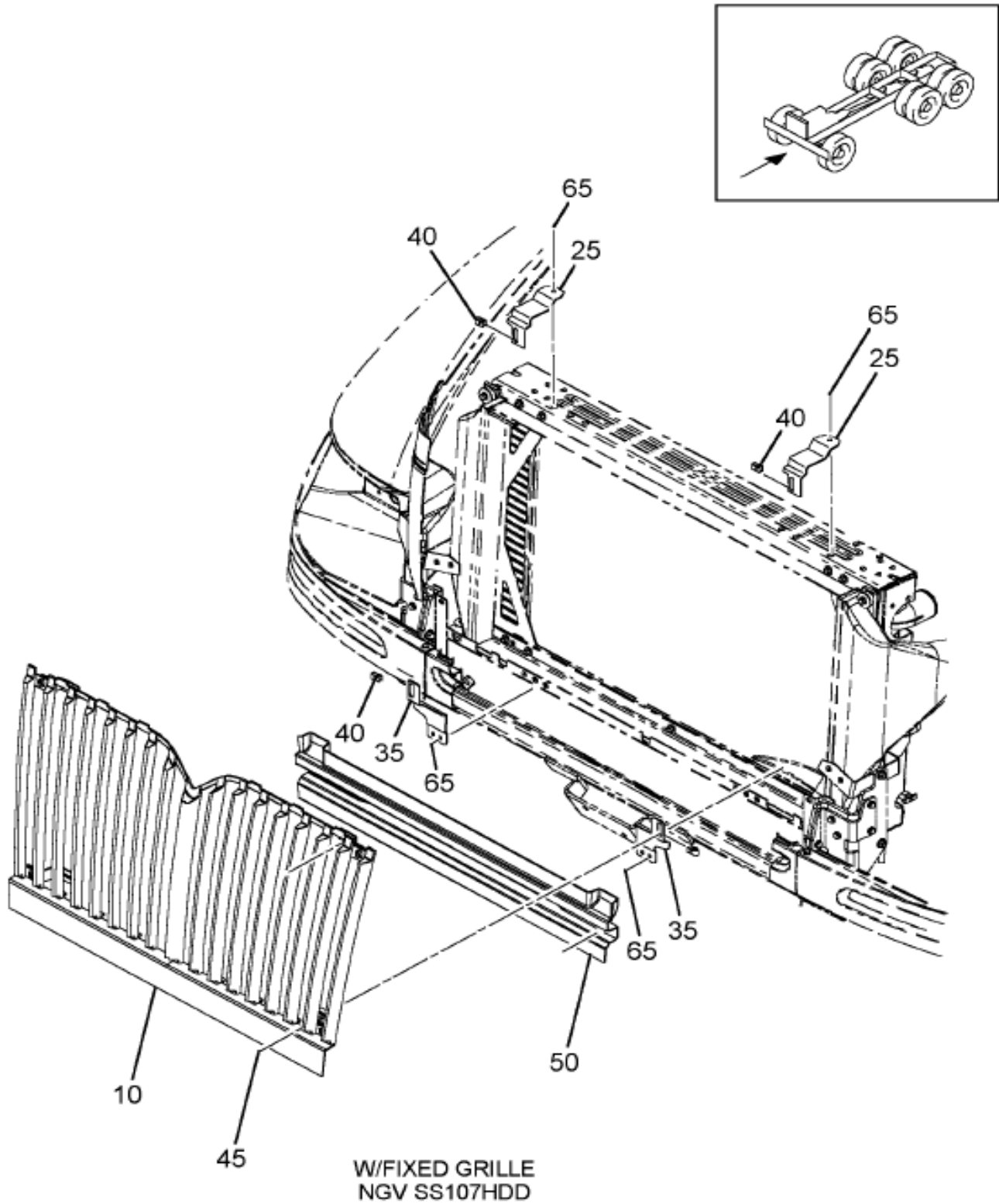


09-225-0056-F2

B04

Figure 4 of 5

Figure 0FVDZ
FRT GRILLE INSTL; W/BUG SCREEN



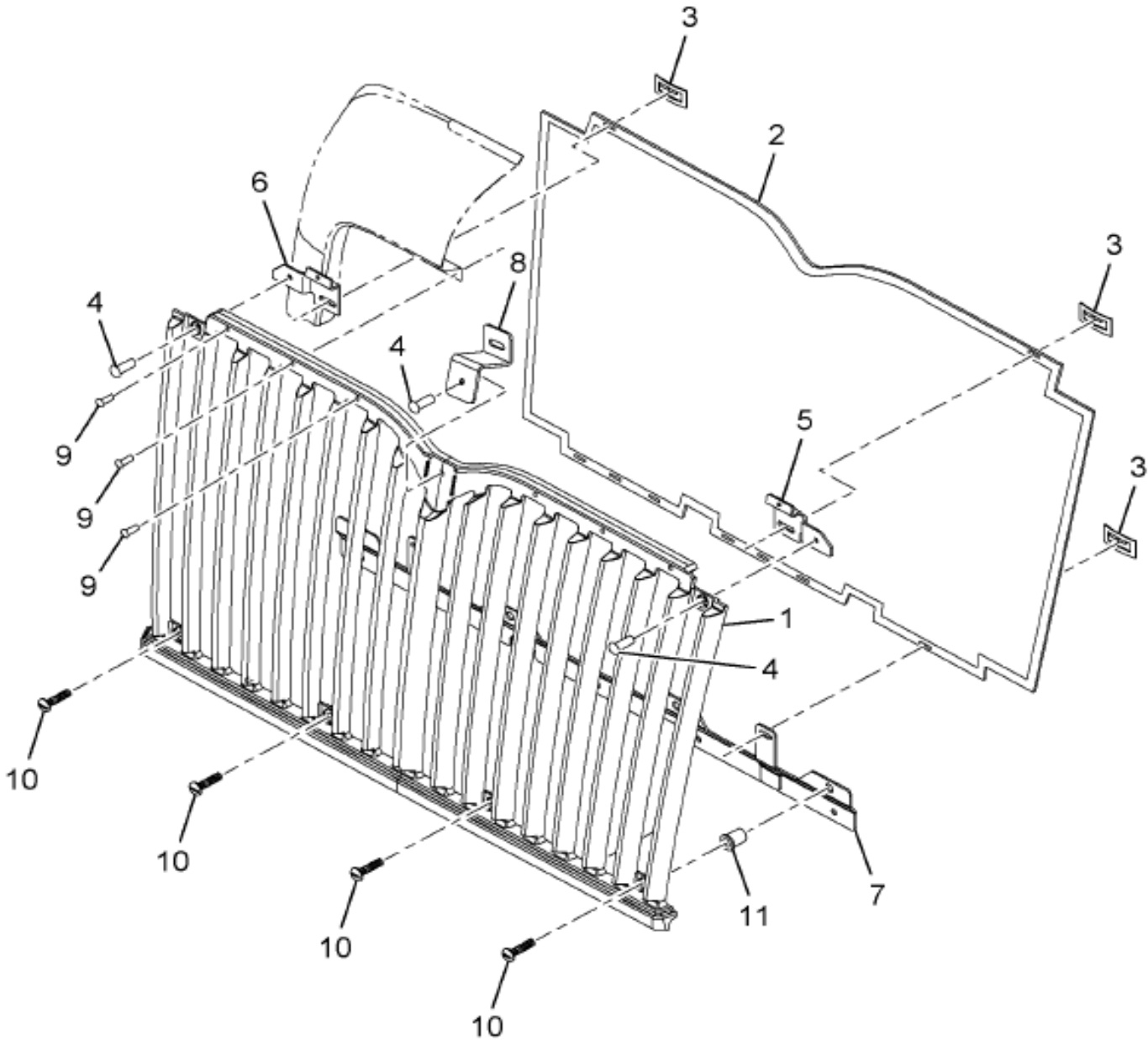
G R P 0 9

09-225-0057-F3

B04

Item	Part No.	Qty	Description	Kit	Var	Figure
10	3610431C91	1	GRILLE,ASSY PRIMED FXD W/SCRN		0MQ9M	3610431C91
15	3610433C91	1	GRILLE,SURROUND ASSY, PRIMED,		0MQ9M	3610433C91
25	3557717C1	2	BRACKET,GRILLE MTG SPT UPR RDT		0MQ9M	
30	3585187C1	1	BRACKET,GRILLE MTG SUPPORT LWR		0MQ9M	
35	3585187C1	1	BRACKET,GRILLE MTG SUPPORT LWR		0MQ9M	
40	30592R1	5	NUT,SPEED STANDARD PART M6X1 U		0MQ9M	

Figure 3610431C91
GRILLE, ASSY PRIMED FXD W/SCRN



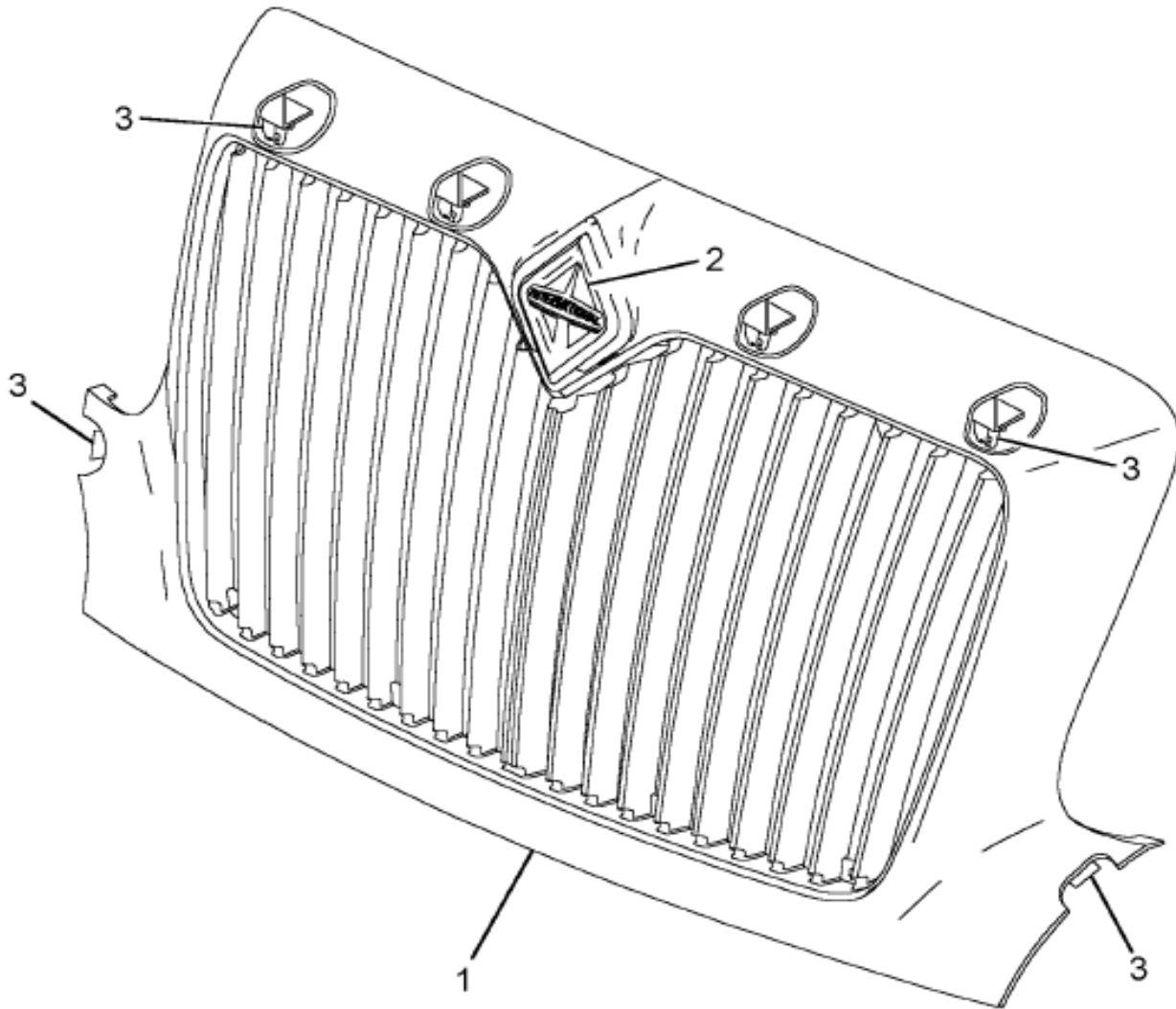
G R P 0 9

09-225-0115-01

F05

Item	Part No.	Qty	Description	Kit	Var	Figure
1	3610432C1	1	GRILLE, BARS PRIMED FIXED			
2	3575031C2	1	SCREEN, BUG FIXED GRILLE			
3	3557139C1	9	CLIP, PUSH -ON FASTNER			
4	1660515C1	3	RIVET BLIND (MONOBOLT 1/4 SST)			
5	3579764C1	1	BRACKET, RAD GRILLE MTG LH			
5	RF	LEFT				

Figure 3610433C91
GRILLE,SURROUND ASSY, PRIMED,



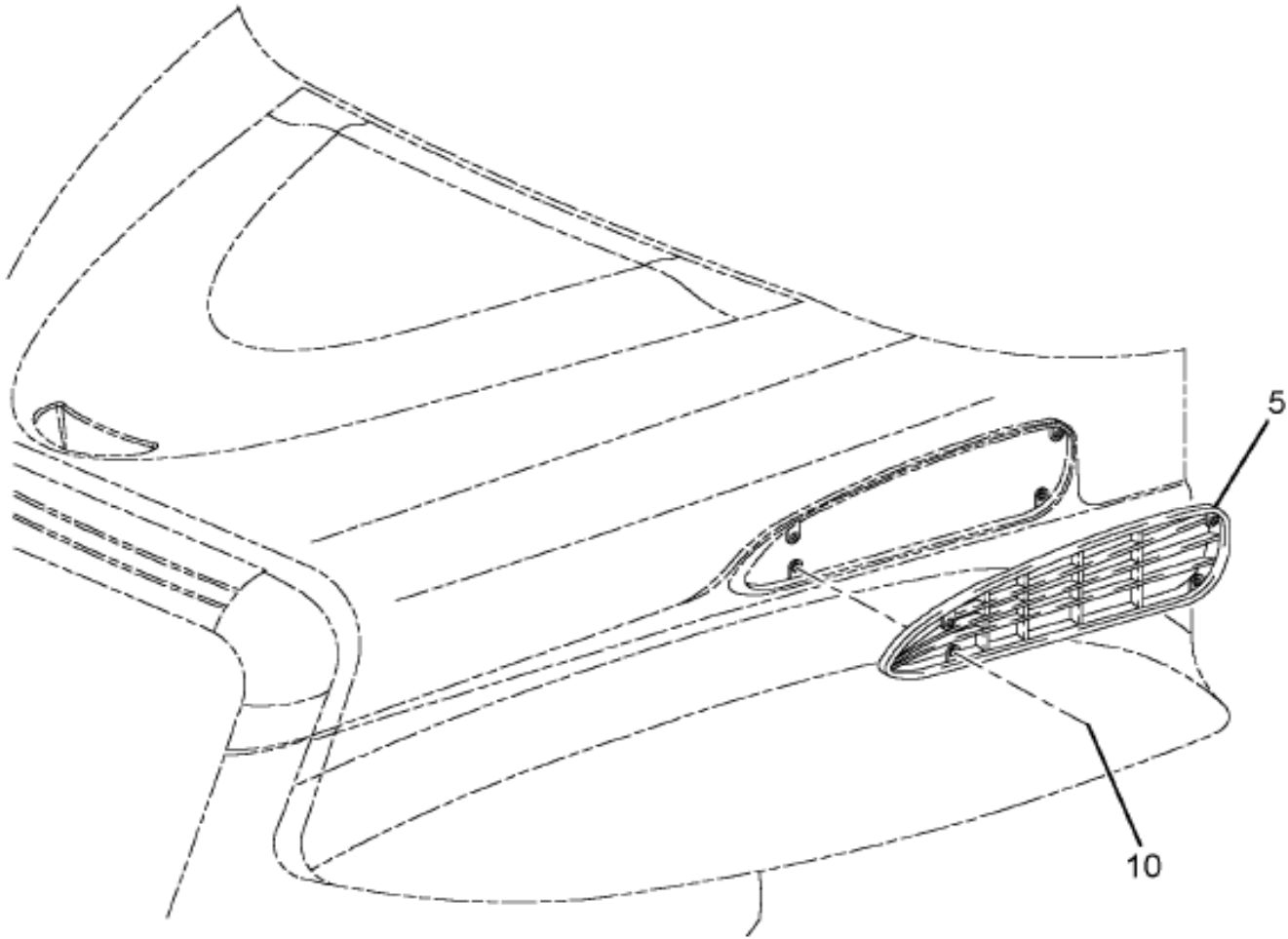
G
R
I
D
E
S

09-225-0076-01

G03

Item	Part No.	Qty	Description	Kit	Var	Figure
1	3610434C1	1	GRILLE,SURROUND PRIMED FIXED			
2	3550901C1	1	PRODUCT GRAPHICS,ORNAMENT HOOD			
3	3558816C1	6	CLIP,GRILLE MOULDING MTG			
880		RF	NOTE: ASM BELOW COMPRISED OF ABOVE COMPONENTS			
881	3610433C91	RF	GRILLE,SURROUND ASSY, PRIMED,			

Figure 0L4SH
GRILLE INSTL, AIR INTAKE

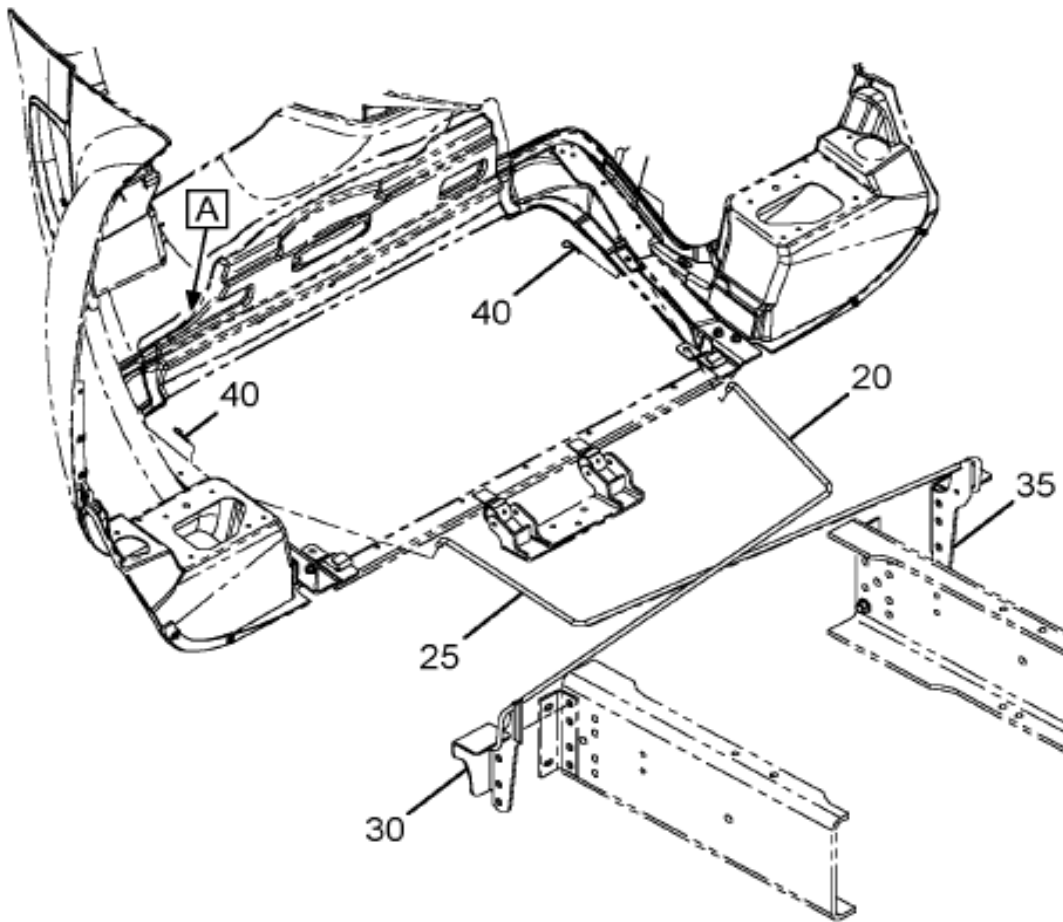
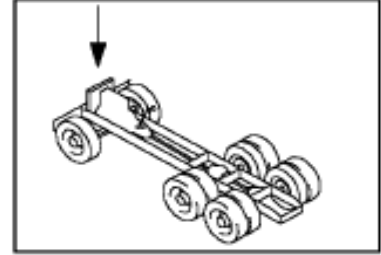
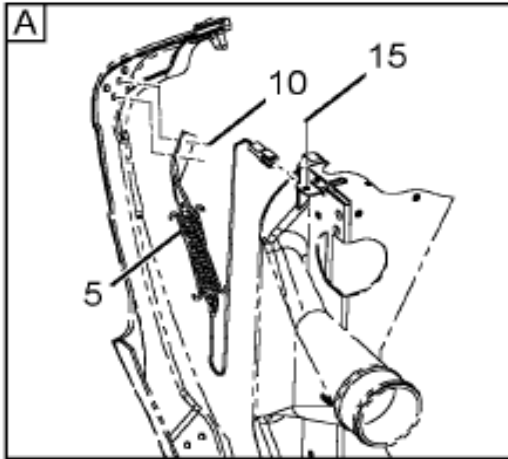


09-804-0004-AA

E04

Item	Part No.	Qty	Description	Kit	Var	Figure
5	3556259C2	1	GRILLE*AIR INTAKE		0L4SJ	
10	3565527C1	4	SCREW, *K50 X 2.24 X 16MM TORX		0L4SH	

Figure 0F4H6
HOOD ASSIST INSTL



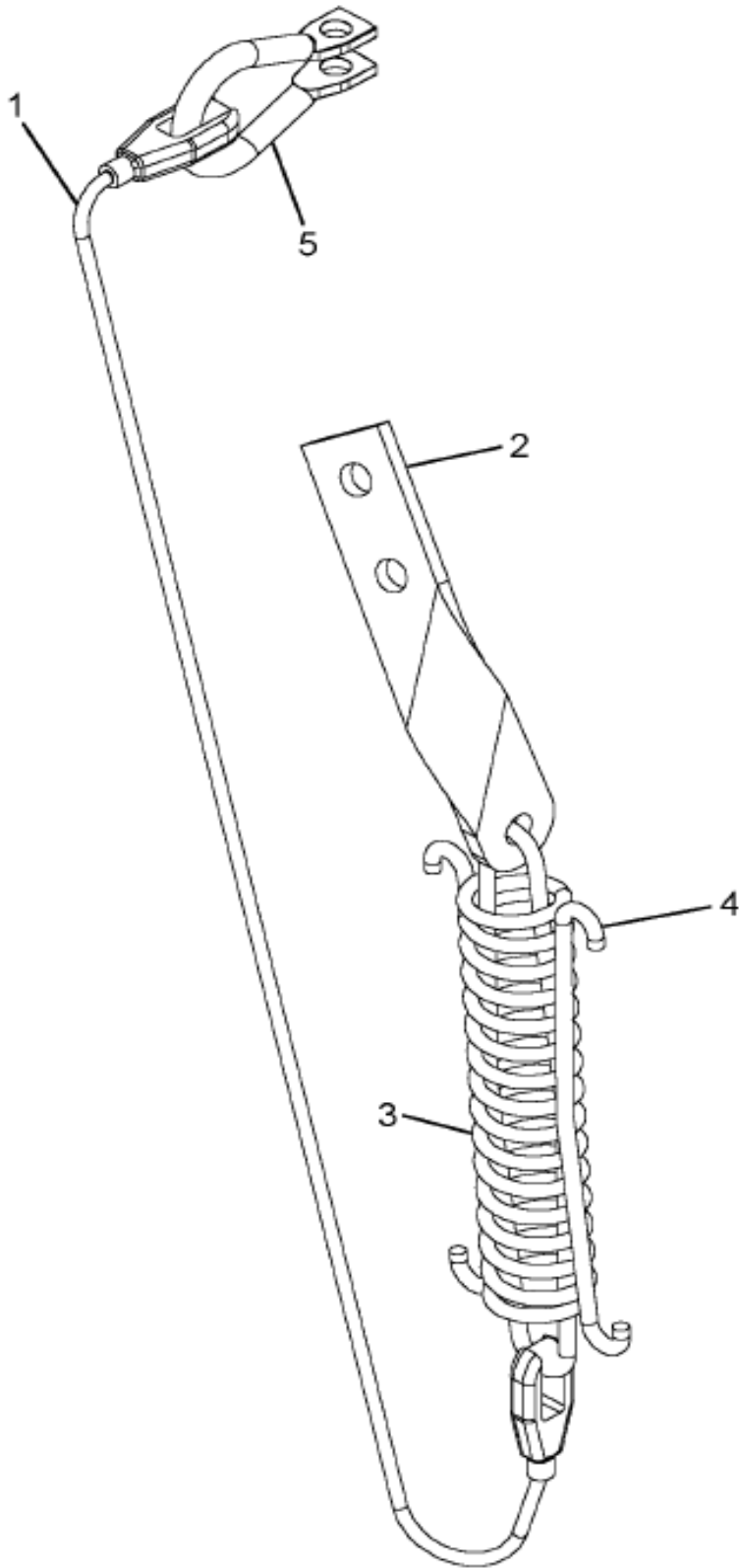
GROUP 9

09-234-0037-AA

C04

Item	Part No.	Qty	Description	Kit	Var	Figure
5	3568420C92	1	CABLE, HOOD SAFETY ASSY LH		0F4H6	3568420C92
5	3568421C92	1	CABLE, HOOD SAFETY ASSY RH		0F4H6	3568421C92
10	3552493C1	4	BOLT, SEMS M6X1.0-25 SST BLK OX		0F4H6	
15	3565528C1	2	PIN, QUICK RELEASE 6.3 X 25 MM		0F4H6	
20	3580060C1	1	BAR, HOOD PVT TRSN BAR LH MRD		0F4H6	
25	3580061C1	1	BAR, HOOD PVT TRSN BAR RH MRD		0F4H6	

Figure 3568420C92
CABLE, HOOD SAFETY ASSY LH



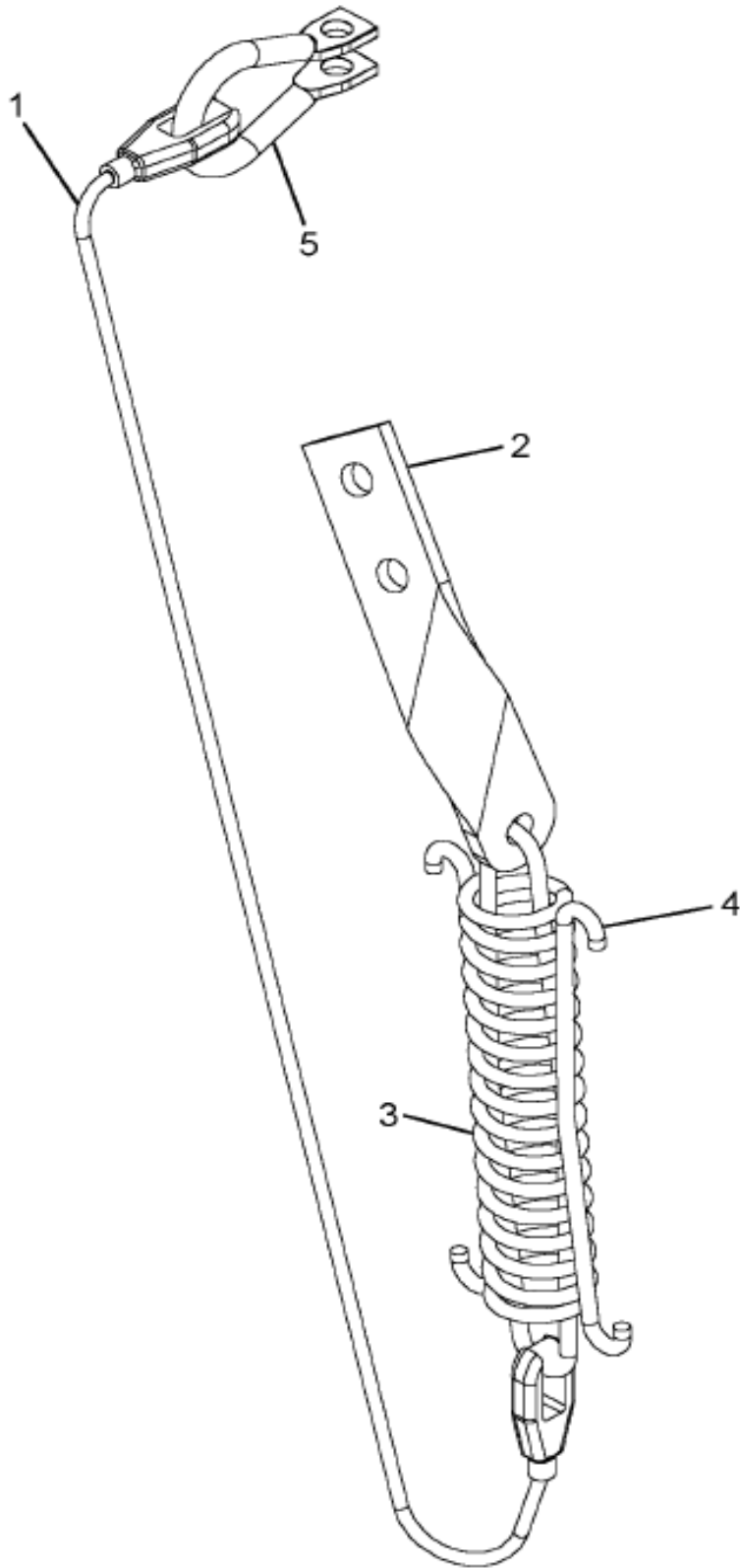
G
R
P
0
9

09-234-0050-01

G03

Item	Part No.	Qty	Description	Kit	Var	Figure
1	3567147C2	1	CABLE, HOOD SAFETY & HOOD SAFTE			
2	3551568C1	1	BRACKET, HOOD SAFETY CABLE LH			
3	590280C2	1	SPRING HOOD CABLE			
4	590279C2	2	SPRING, HOOD CABLE			
5	3588752C1	1	CLEVIS, ROD END*			
880	RF		NOTE: ASM BELOW COMPRISED OF ABOVE			

Figure 3568421C92
CABLE, HOOD SAFETY ASSY RH



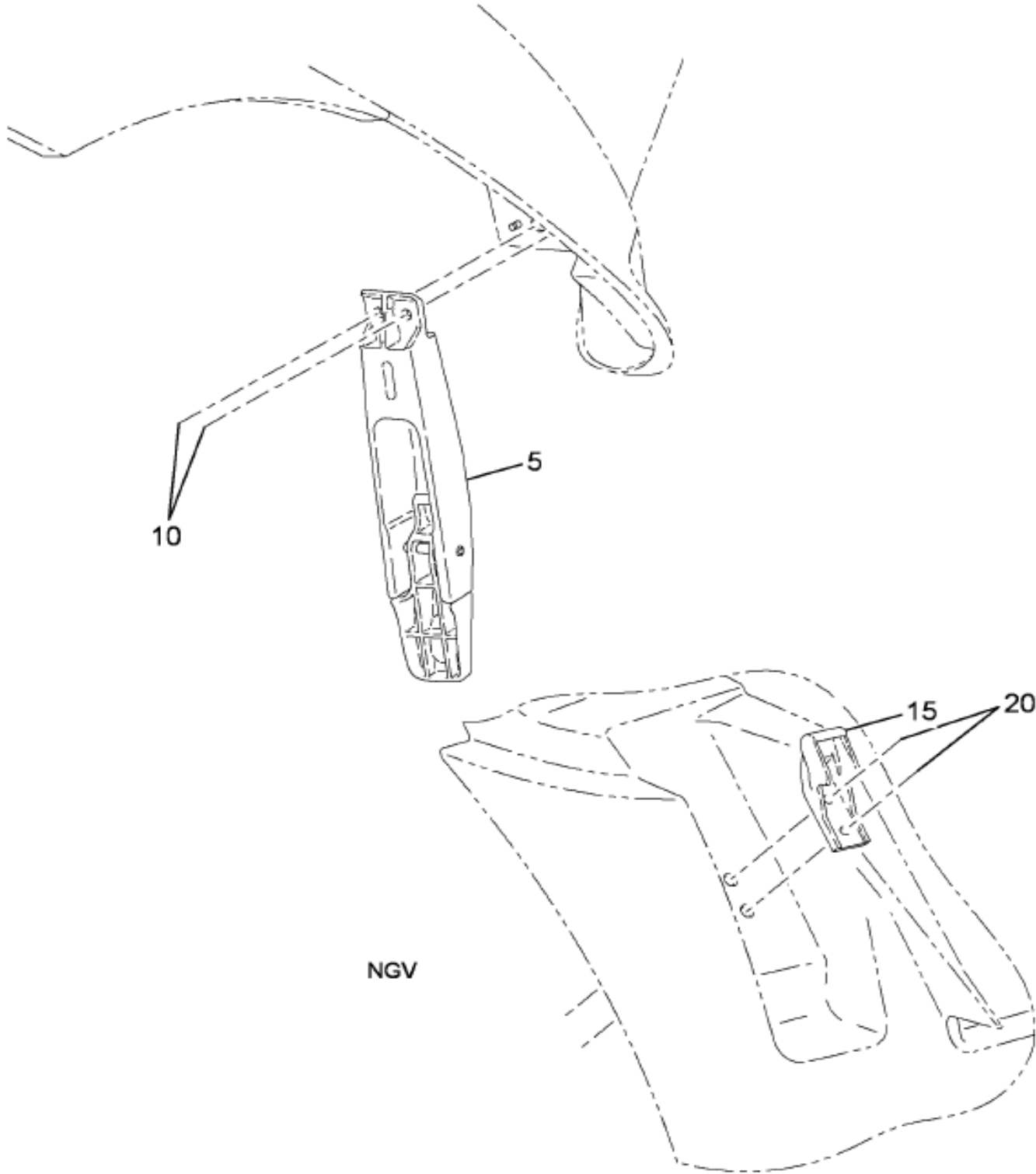
G
R
P
0
9

09-234-0050-01

G03

Item	Part No.	Qty	Description	Kit	Var	Figure
1	3567147C2	1	CABLE, HOOD SAFETY & HOOD SAFTE			
2	3551569C1	1	BRACKET, HOOD SAFETY CABLE RH			
3	590280C2	1	SPRING HOOD CABLE			
4	590279C2	2	SPRING, HOOD CABLE			
5	3588752C1	1	CLEVIS, ROD END*			
880	RF		NOTE: ASM BELOW COMPRISED OF ABOVE			

Figure 0DS0S
HOOD LATCH INSTL



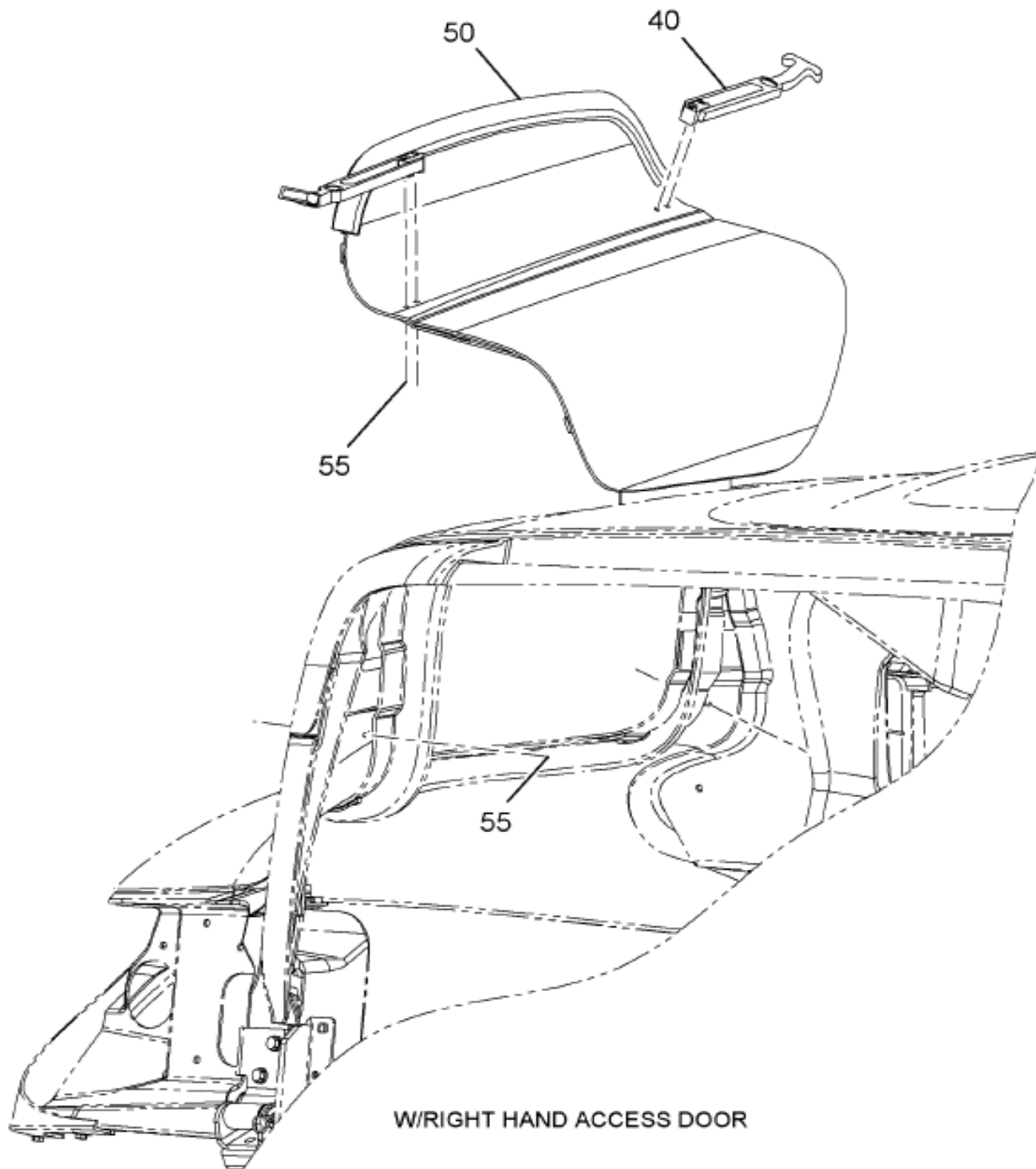
G
P
0
9

09-235-0014-AA

G09

Figure 1 of 3

Figure 0DS0S
HOOD LATCH INSTL

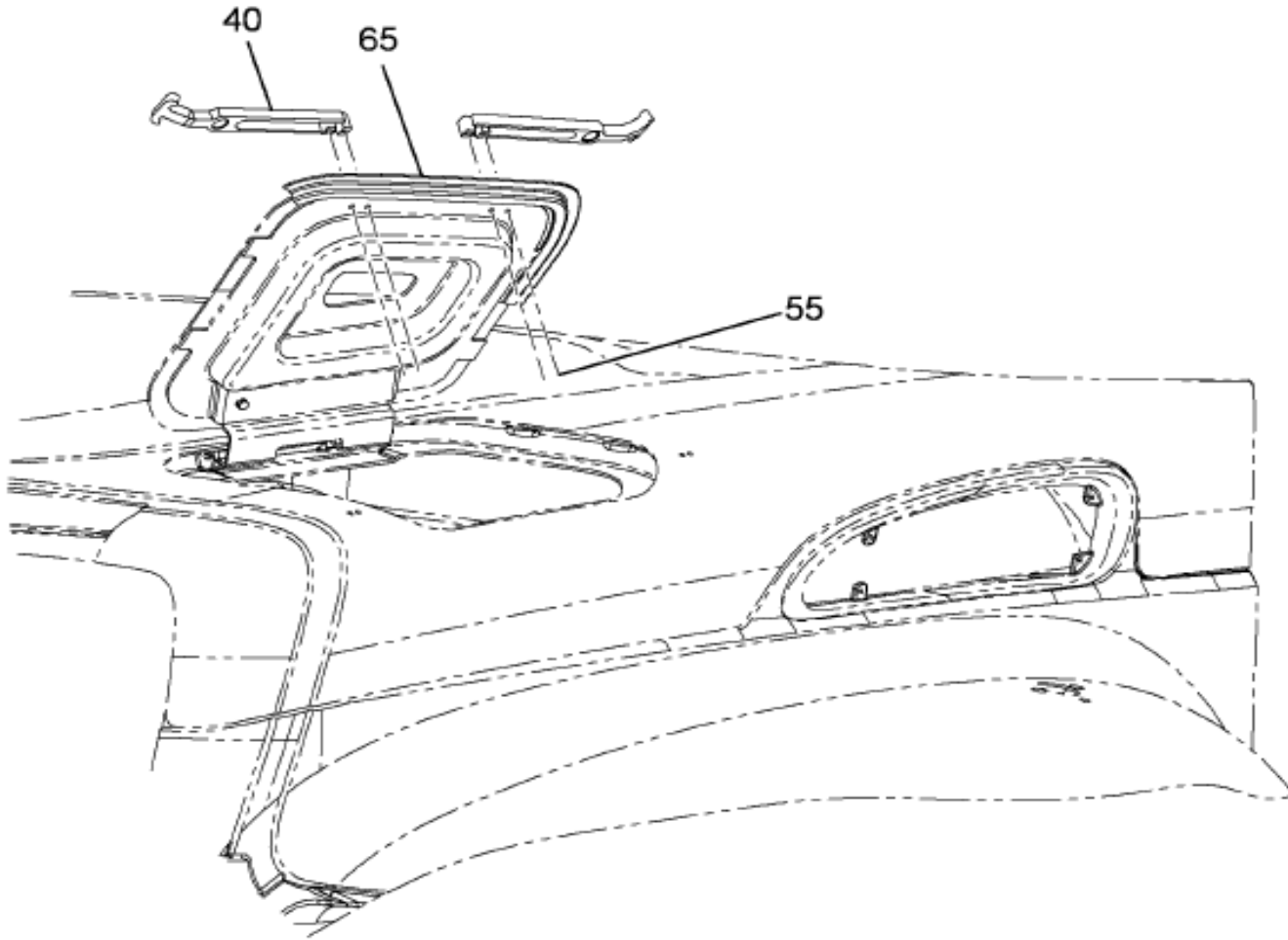


09-235-0015-AB

B04

Figure 2 of 3

Figure 0DS0S
HOOD LATCH INSTL



W/LEFT ACCESS DOOR

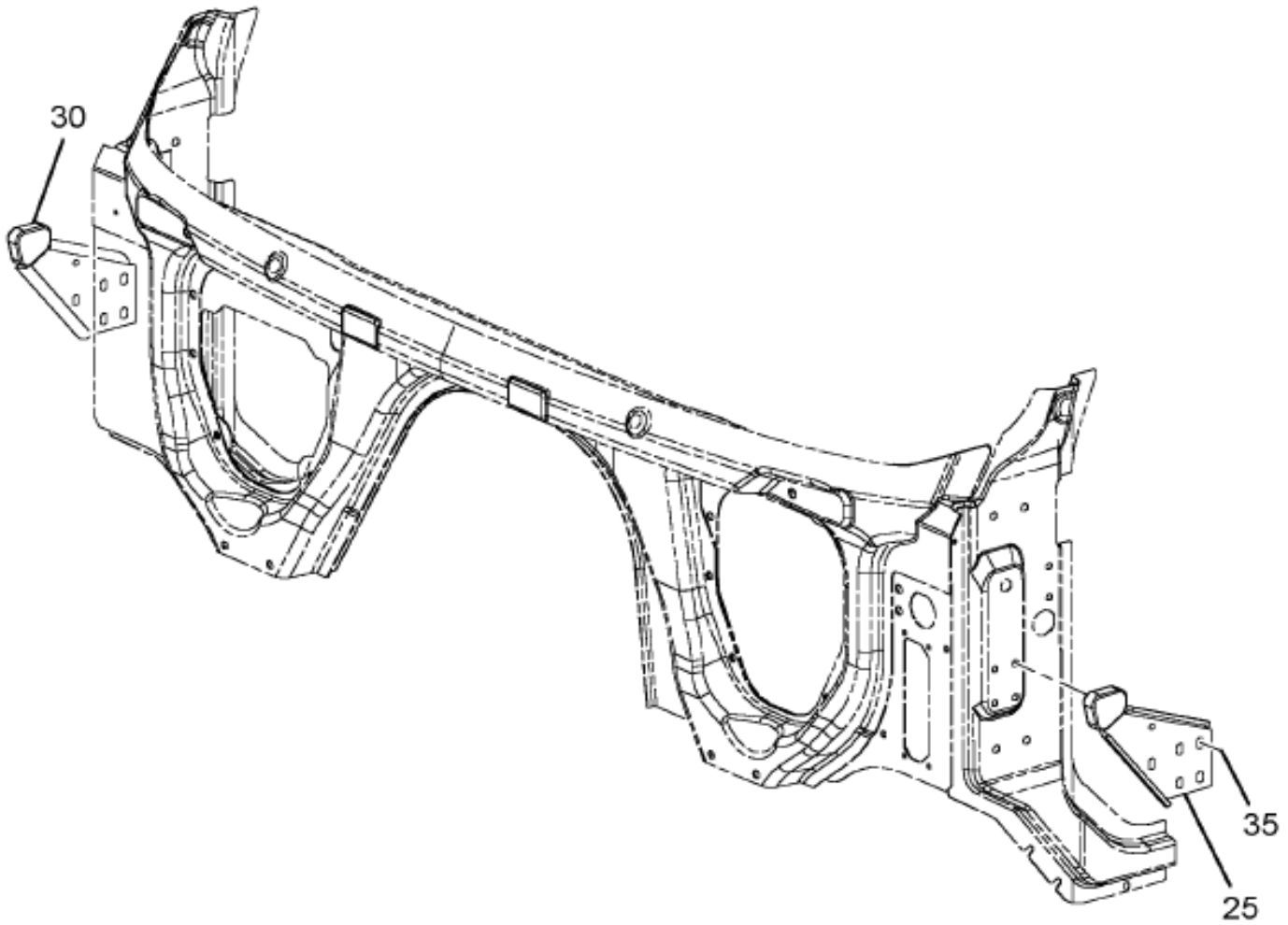
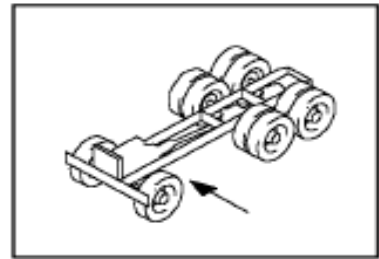
G
R
P
0
9

09-235-0016-AC

G09

Item	Part No.	Qty	Description	Kit	Var	Figure
5	3544924C1	2	LATCH, HOOD STRAP		0DS0S	
10	3566930C1	4	BOLT, SEMS ALL M8 X 1.25-35 M		0DS0S	
15	3544925C2	2	CATCH, HOOD LATCH		0DS0S	
20	3566930C1	2	BOLT, SEMS ALL M8 X 1.25-35 M		0DS0S	

Figure 0DS0W
HOOD SUPPORT INSTL

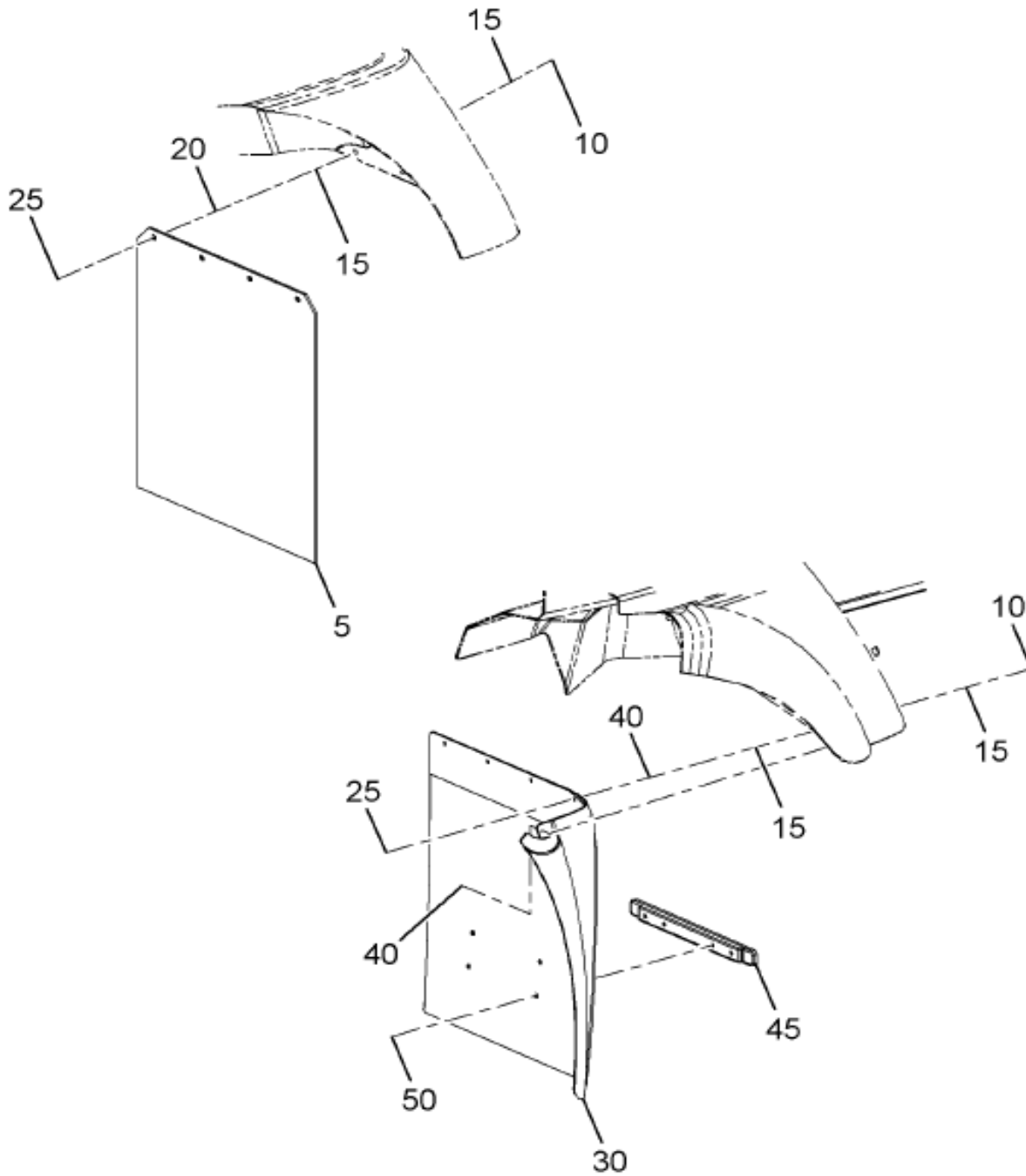


09-229-0021-BA

C04

Item	Part No.	Qty	Description	Kit	Var	Figure
25	3548892C3	2	SUPPORT, ASSY HOOD BRKT		0DS0W	
35	3530018C1	8	BOLT, SEMS ALL M10 X 1.50 35 MM		0DS0W	

Figure 0F448
MUD GUARD INSTL; NO FBC VEHICLES



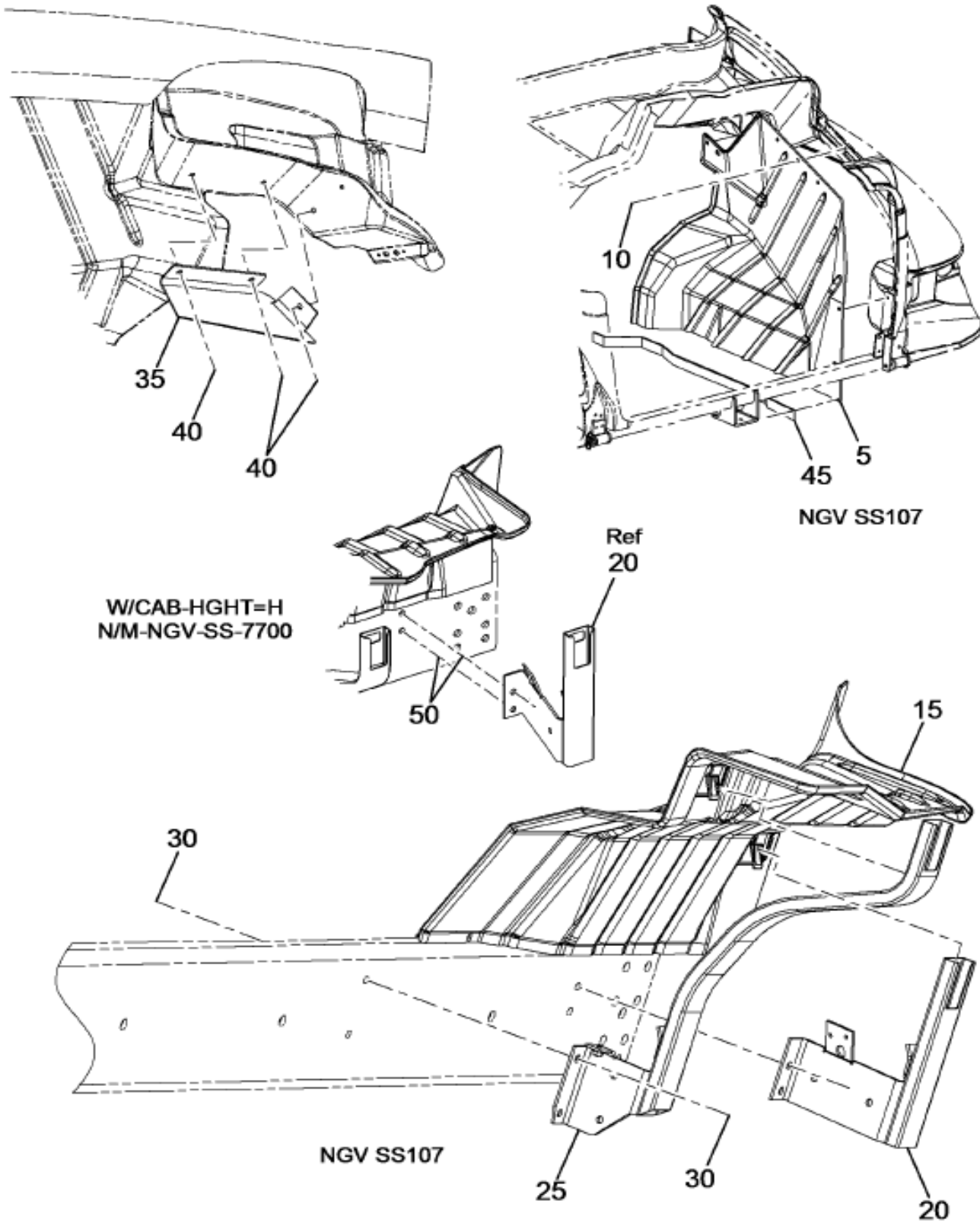
G R P 0 9

09-224-0022-01

H04

Item	Part No.	Qty	Description	Kit	Var	Figure
5	3542036C1	2	GUARD, FRT FNDR 19.68" X 21.45"		0K4QH	
10	3588152C1	8	BOLT, SPL M8-1.25X30 T-40 SST		0F448	
15	3542142C1	16	WASHER, GRAB HNDL MTG M8		0F448	
20	3553000C1	8	WASHER, FENDER MTG LOCK FLAT		0F448	
25	40081R1	8	NUT, HEX METRIC REG. *M8-1.25 SS		0F448	

Figure 0DDTF
SPLASH PANEL INSTL; (FRONT END)



09-231-0037-AA

A09

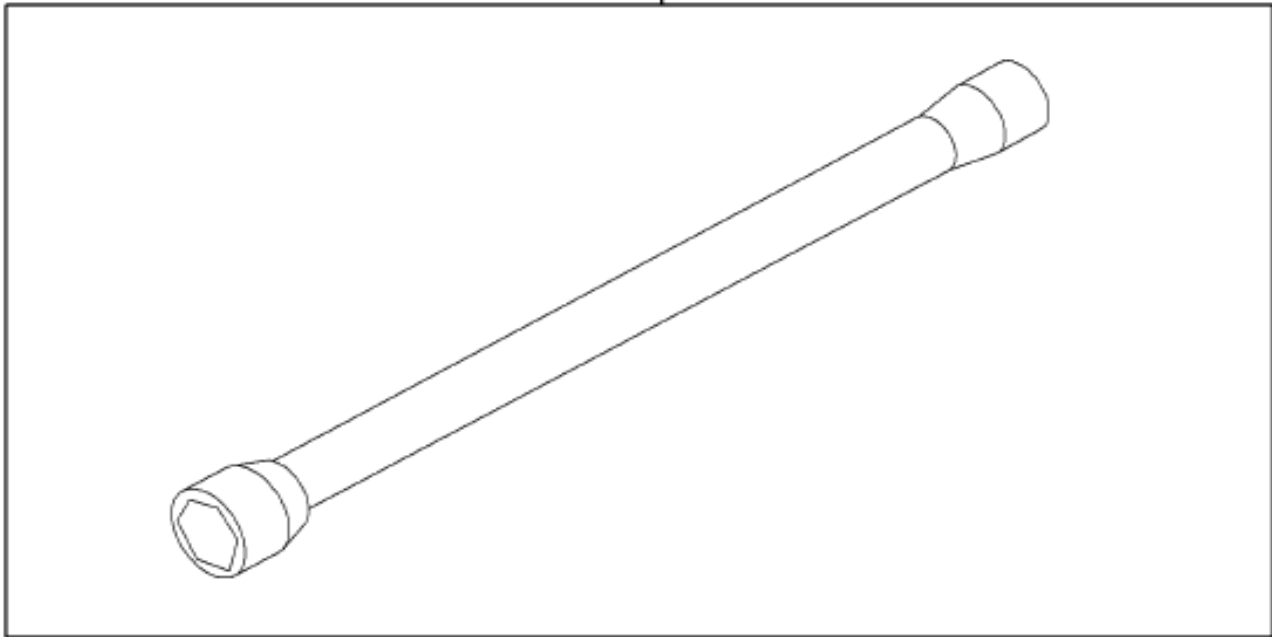
Item	Part No.	Qty	Description	Kit	Var	Figure
5	3553801C1	1	PANEL, FRONT FENDER SPLASH LH		0G47B	
10	3514273C1	7	BOLT, SEMS M8 X 1.25-35		0DDTF	
10	3551059C1	3	NUT, SPEED M8X1.25 U-NUT		0DDTF	
15	3553802C4	1	PANEL, FRT FNDR SPLASH RH		0G47B	
20	3554260C3	1	BRACKET, SPLSH SHLD SPT FRT RH		0G47B	
25	3554263C4	1	BRACKET, SPLASH SHIELD SUPT RH		0G47B	

Group 10 Miscellaneous

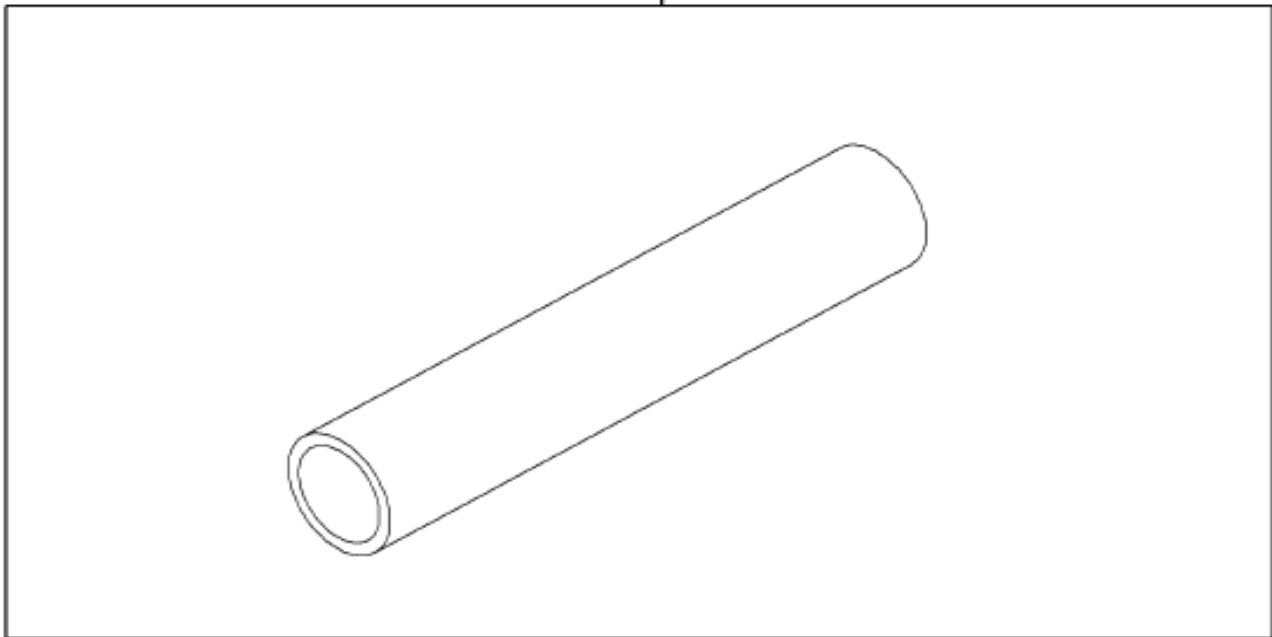
G
R
P
1
0

Figure 0G1P6
LUG WRENCH & HANDLE

10



15

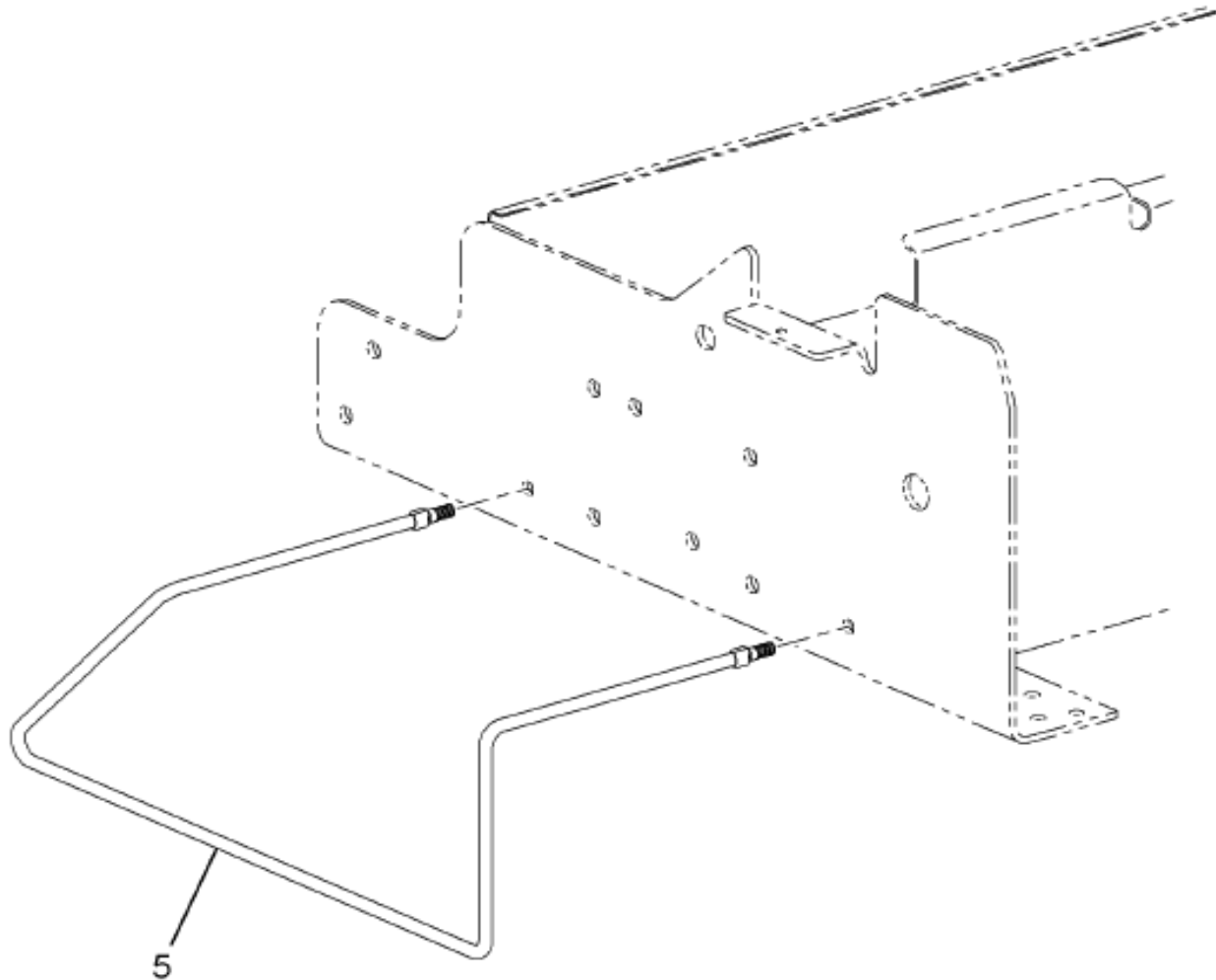


29-713-0001-01

E05

Item	Part No.	Qty	Description	Kit	Var	Figure
10	1619951C2	1	TOOL WRENCH WHEEL BOLT		0G1P6	
15	459840C1	1	HANDLE, RIM WRENCH		0G1P6	

Figure 0LQ83
MUD FLAP GUARDS; FOR BATTERY BOXES



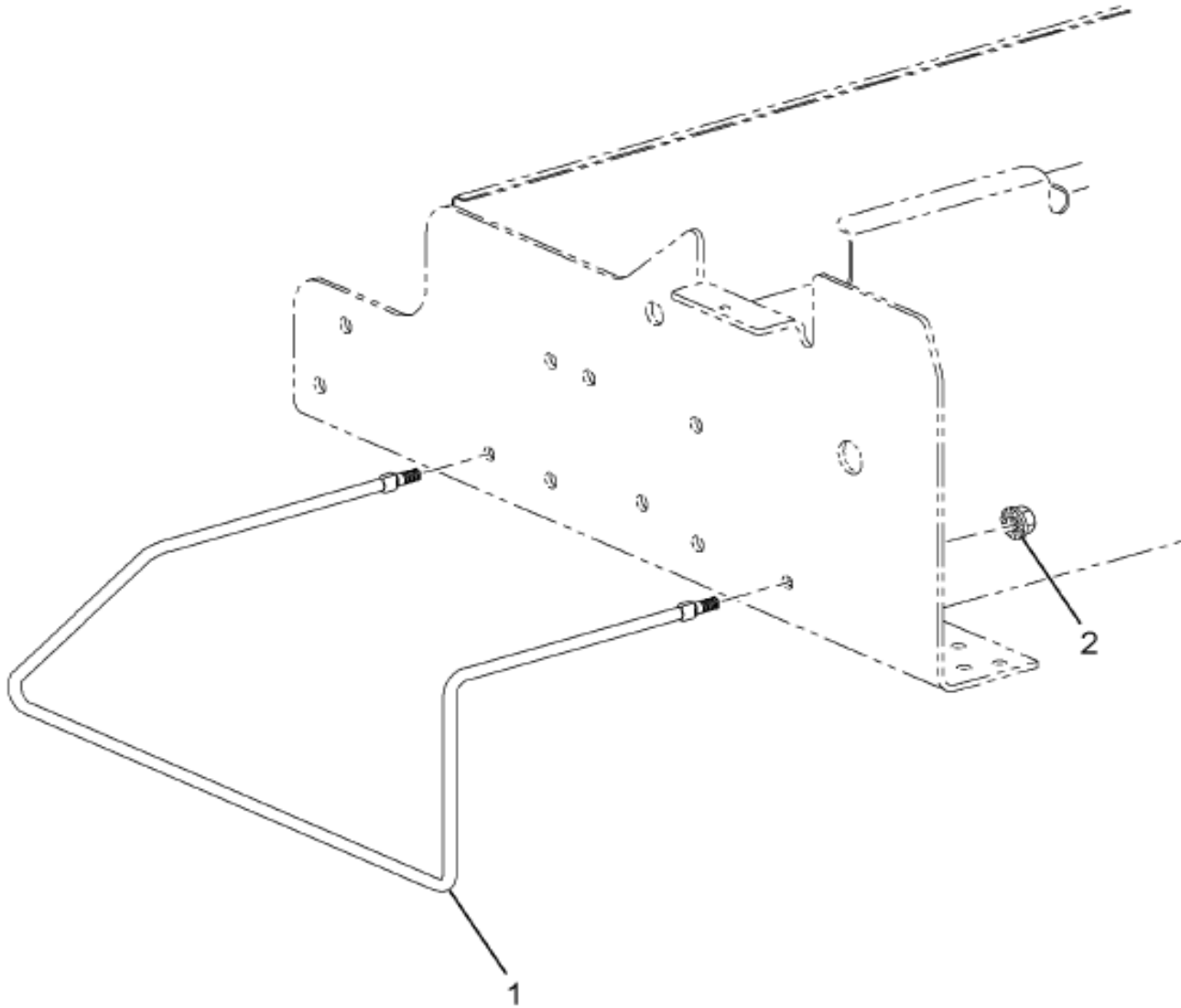
Grp
10

08-L56-0001-01

B05

Item	Part No.	Qty	Description	Kit	Var	Figure
5	3601764F91	1	BBAT MUD FLAP GUARD		0LQ87	3601764F91

Figure 3601764F91
BBAT MUD FLAP GUARD



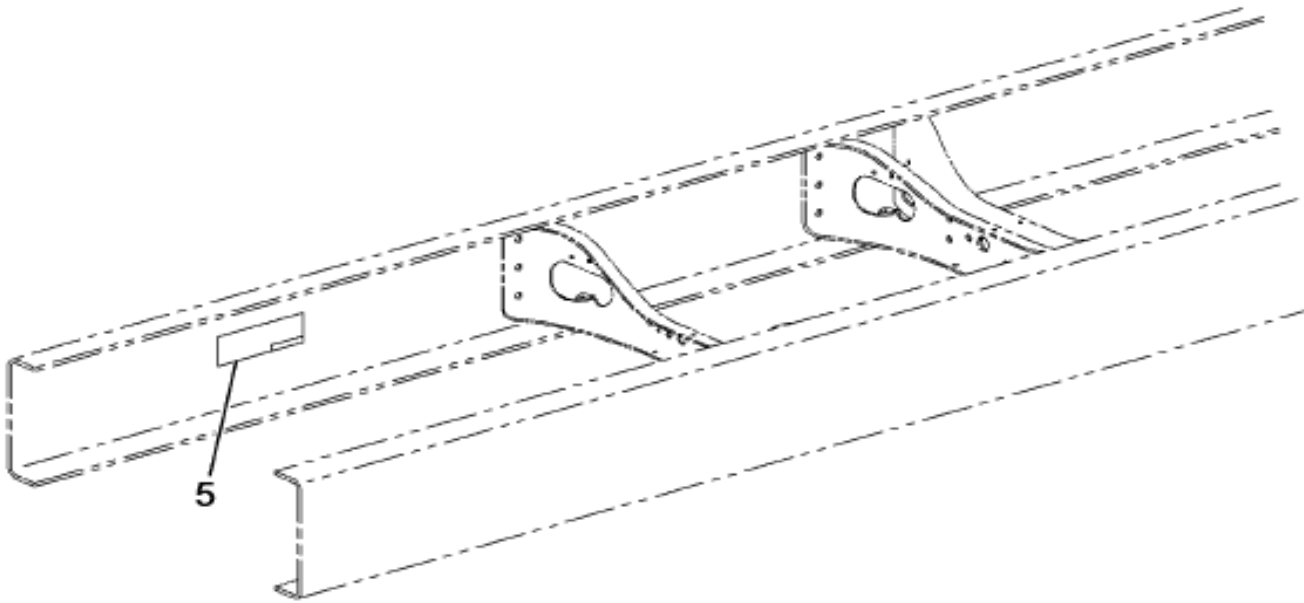
08-L56-0002-01

B05

Item	Part No.	Qty	Description	Kit	Var	Figure
1	3601692C1	1	GUARD, MUD FLAP			
2	3548808C1	2	NUT, WELD FLANGED M8 X 1.25			
880		RF	NOTE: ASM BELOW COMPRISED OF ABOVE COMPONENTS			
881	3601764F91	RF	BBAT MUD FLAP GUARD			

Figure 0KD5K

PRODUCT GRAPHIC; FRAME DRILLING & WELDING



M-NGV
FRAME DRILLING
AND WELDING

10-534-0002-AA

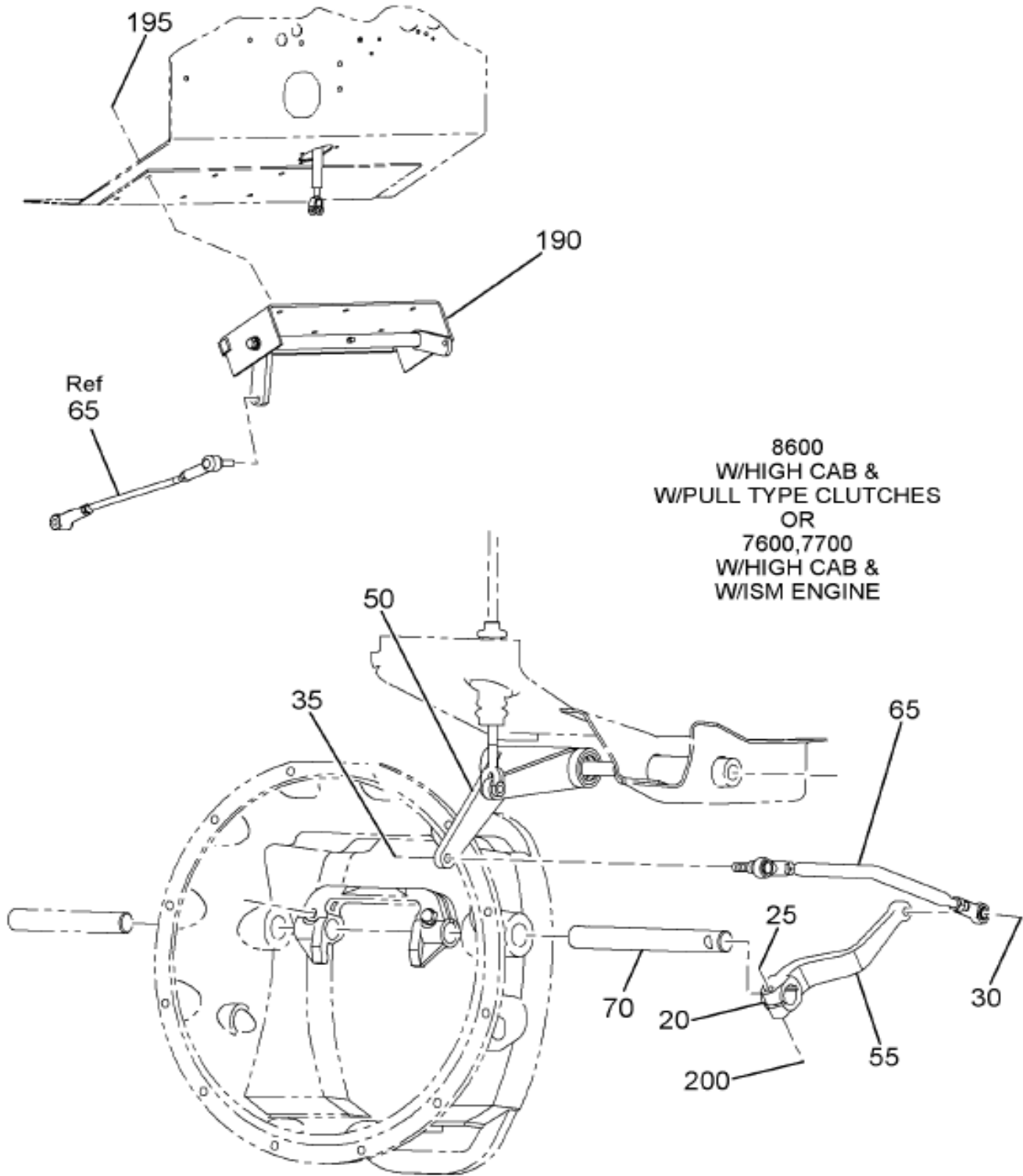
C09

Item	Part No.	Qty	Description	Kit	Var	Figure
5	1255458R2	1	PRODUCT GRAPHICS, FRAME WELDING		0KD5L	

Group 11 Clutch

G
r
p
1
1

Figure 06VKP
CLUTCH CONTROLS MTG; HORIZONTAL LINK

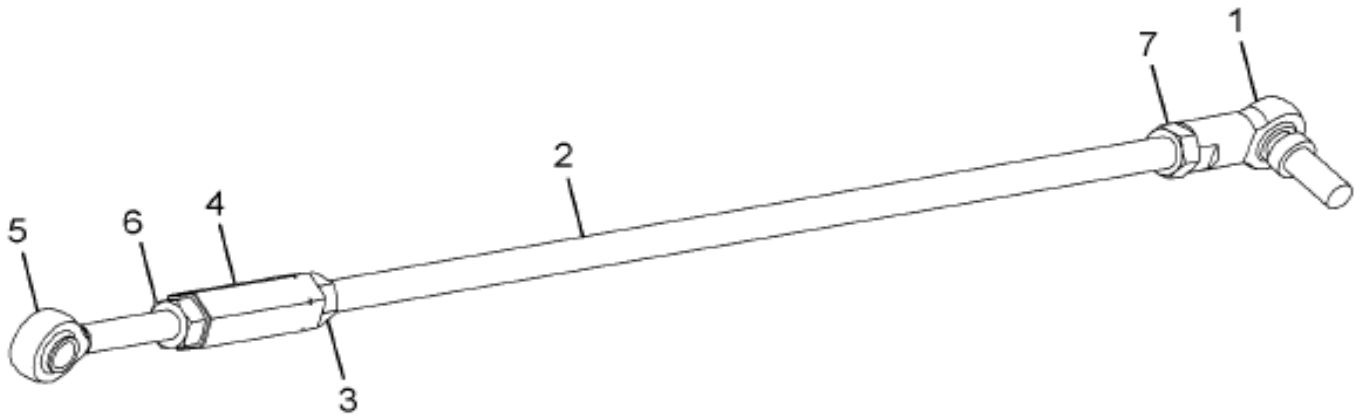


11-V05-0047-01

C09

Item	Part No.	Qty	Description	Kit	Var	Figure
20	124553	1	KEY, 1/4 X 1 SAE 15 WOODRUFF		0MHD2	
25	30023R1	1	BOLT, M10 X 40 PHC CLASS 10.9		0MHD2	
25	933965R1	1	WASHER, LOCK 10MM		0MHD2	
30	3586926C1	1	STUD, CLUTCH ROD		0MHD2	
30	30727R1	1	NUT, HEX FLG METRIC-M10 ZND FI		0MHD2	
35	933965R1	1	WASHER, LOCK 10MM		0MHD2	

Figure 3544412C91
 ROD, CLUTCH CONTROL *LOWER ROD A

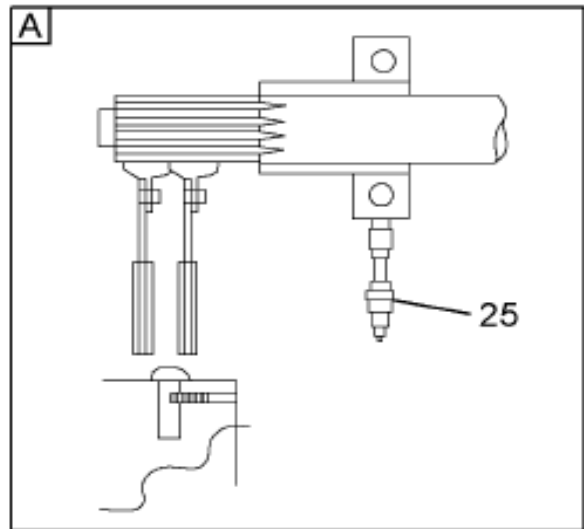
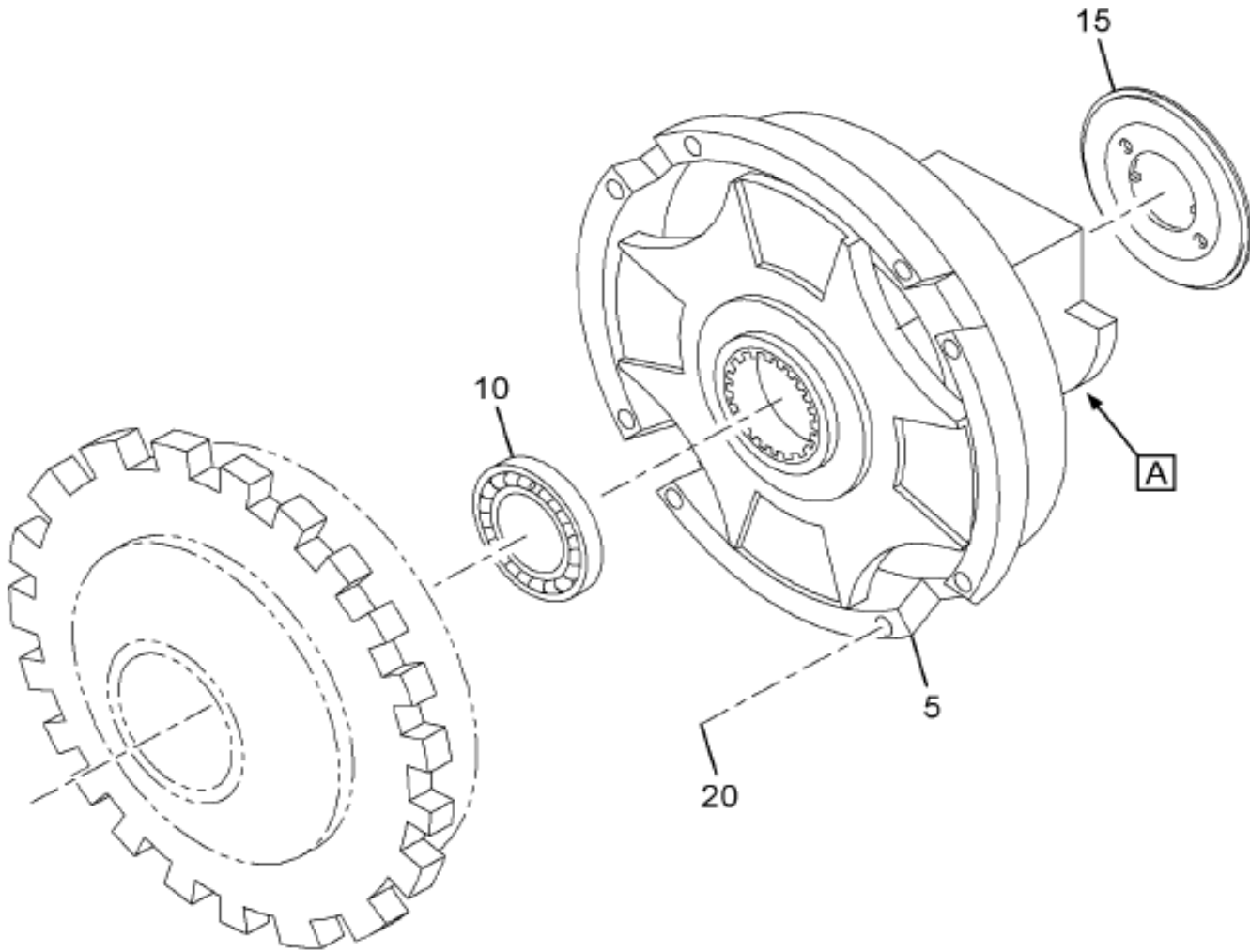


11-V05-0016-01

F05

Item	Part No.	Qty	Description	Kit	Var	Figure
1	3532860C1	1	JOINT, BALL*LH FEMALE THREAD W/			
1		RF	LEFT			
2	3532840C1	1	ROD, CLUTCH CONTROL*			
3	3532841C1	1	NUT, LOCK CLUTCH ADJ *LEFT HAND			
4	3544397C1	1	TURNBUCKLE, CLUTCH CONTROL ROD*			
5	3544399C1	1	JOINT, BALL*W/ MALE ROD END			

Figure 06MG9
CLUTCH INSTL; DANA



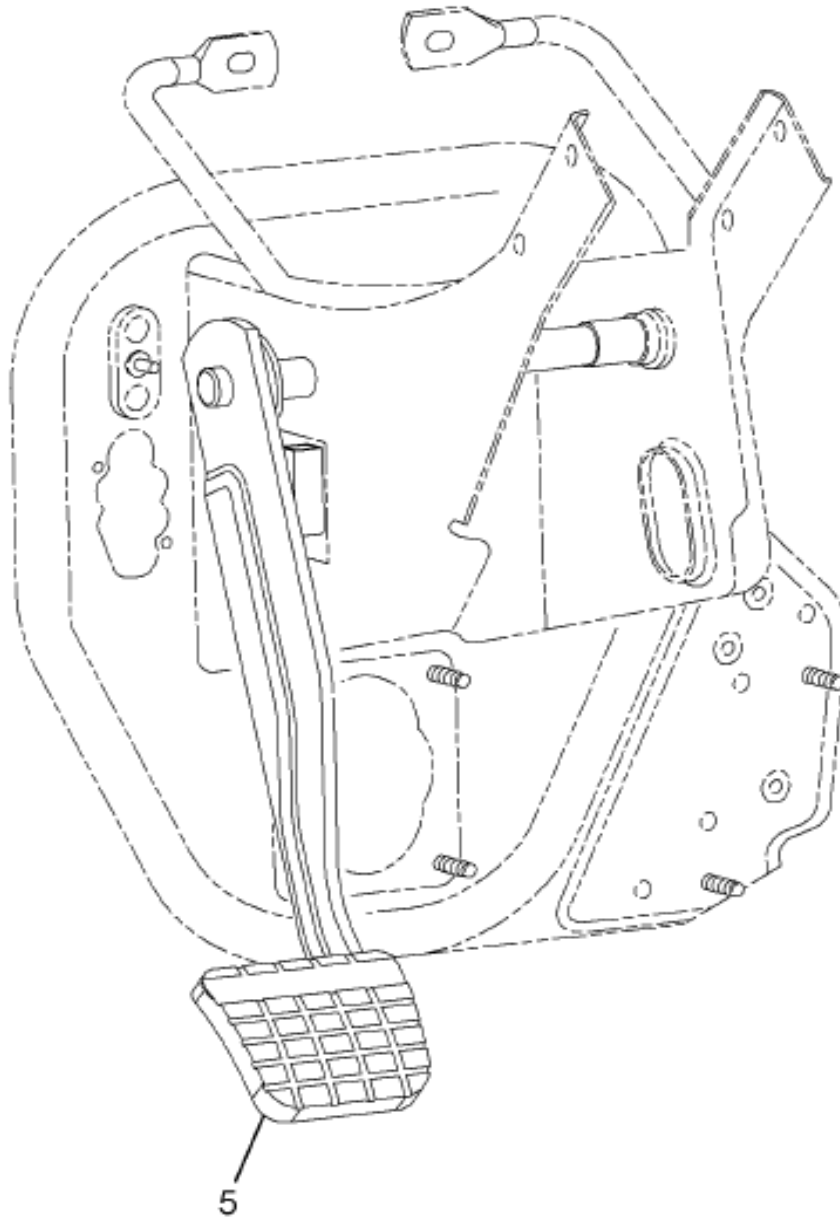
11-242-0015-01

K08

Item	Part No.	Qty	Description	Kit	Var	Figure
5	3584629C91	1	CLUTCH,ASM 14" SAS 1.75 SPLINE		0JK9S	
10	453879R91	1	BEARING,BALL		06T3R	
20	24621R1	8	BOLT, 3/8 X 2-1/4 PHC TYPE 8		0JK9S	
20	120382	8	WASHER,LOCK 3/8 ZINC PLATED		0JK9S	
25	586529C1	1	HOSE,FLEXIBLE GREASE		07Q92	
25	3420H	1	WASHER,FLAT		07Q92	

Figure 06LQ5

CLUTCH PEDAL & SHAFT INSTL; W/ OR W/O PEDAL

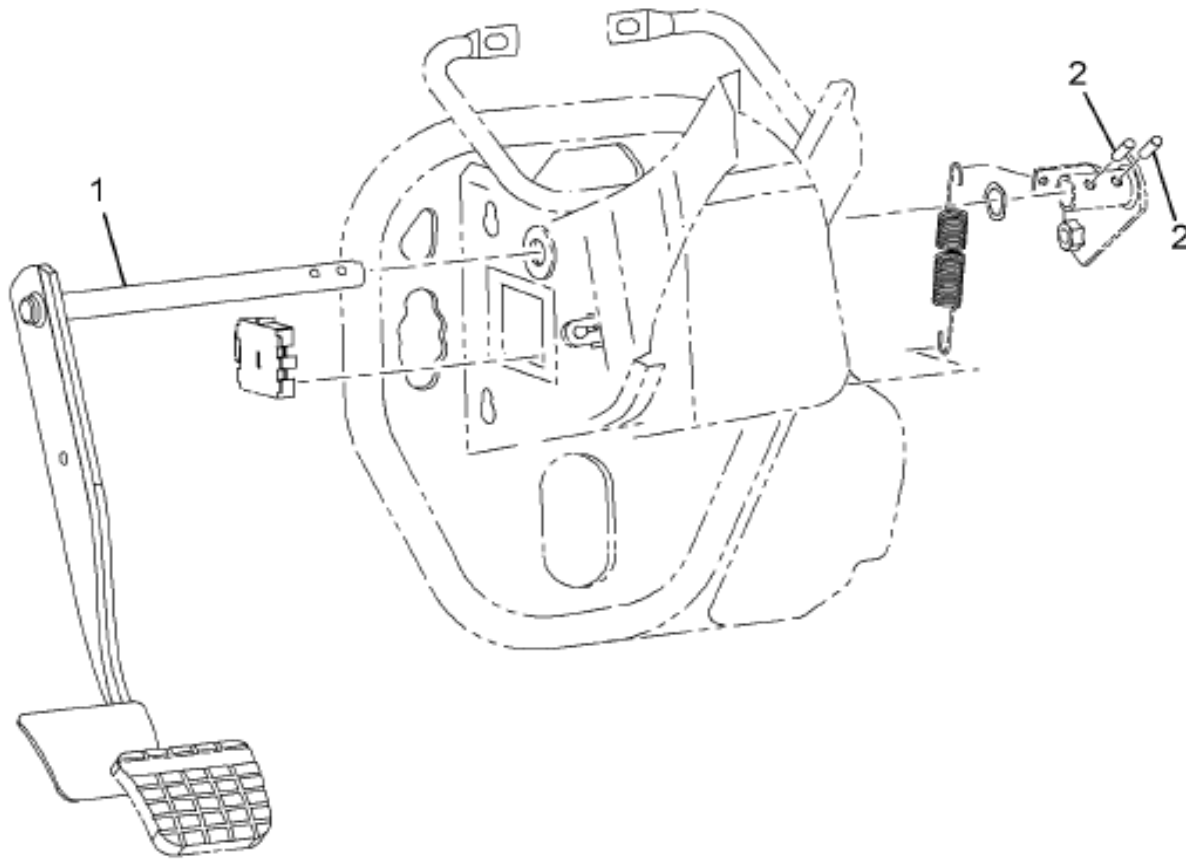


16-C12-0004-AA

C10

Item	Part No.	Qty	Description	Kit	Var	Figure
5	3546983F91	1	PEDAL, CLUTCH*W/LHD		0GWDK	3546983F91

Figure 2506172C92
KIT, CLUTCH PEDAL



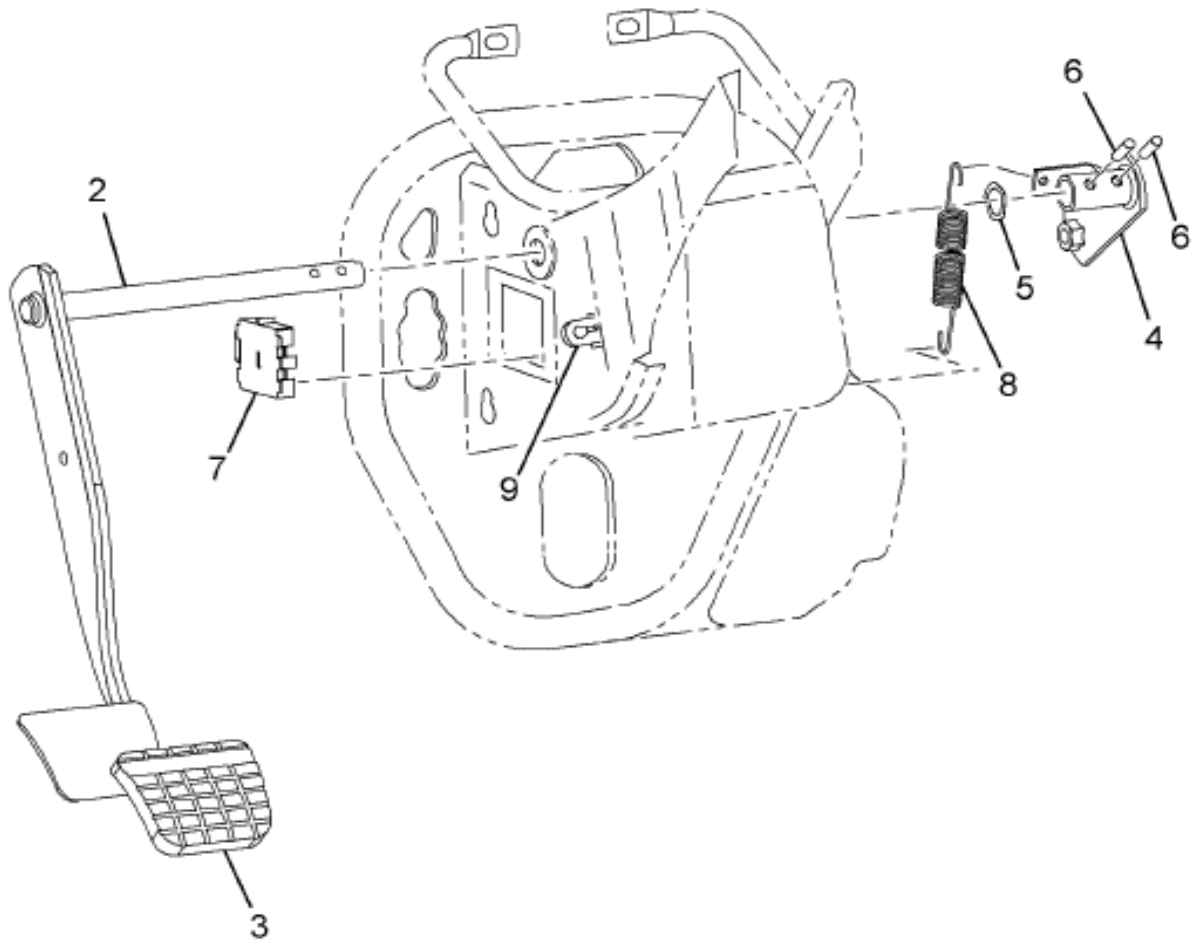
Grp
11

16-C12-0008-01

B07

Item	Part No.	Qty	Description	Kit	Var	Figure
1	2505805C1	1	PEDAL, CLUTCH			
2	2505697C1	2	PIN, ROLL 1/4" X 1.125" = 30PCS			
800		RF	NOTE: THE FOLLOWING PARTS ARE NON-ILLUSTRATED			
801		1	MANUAL, INSTRUCTION SHEET			
880		RF	NOTE: ASM BELOW COMPRISED OF ABOVE			

Figure 3546983F91
 PEDAL, CLUTCH*W/LHD



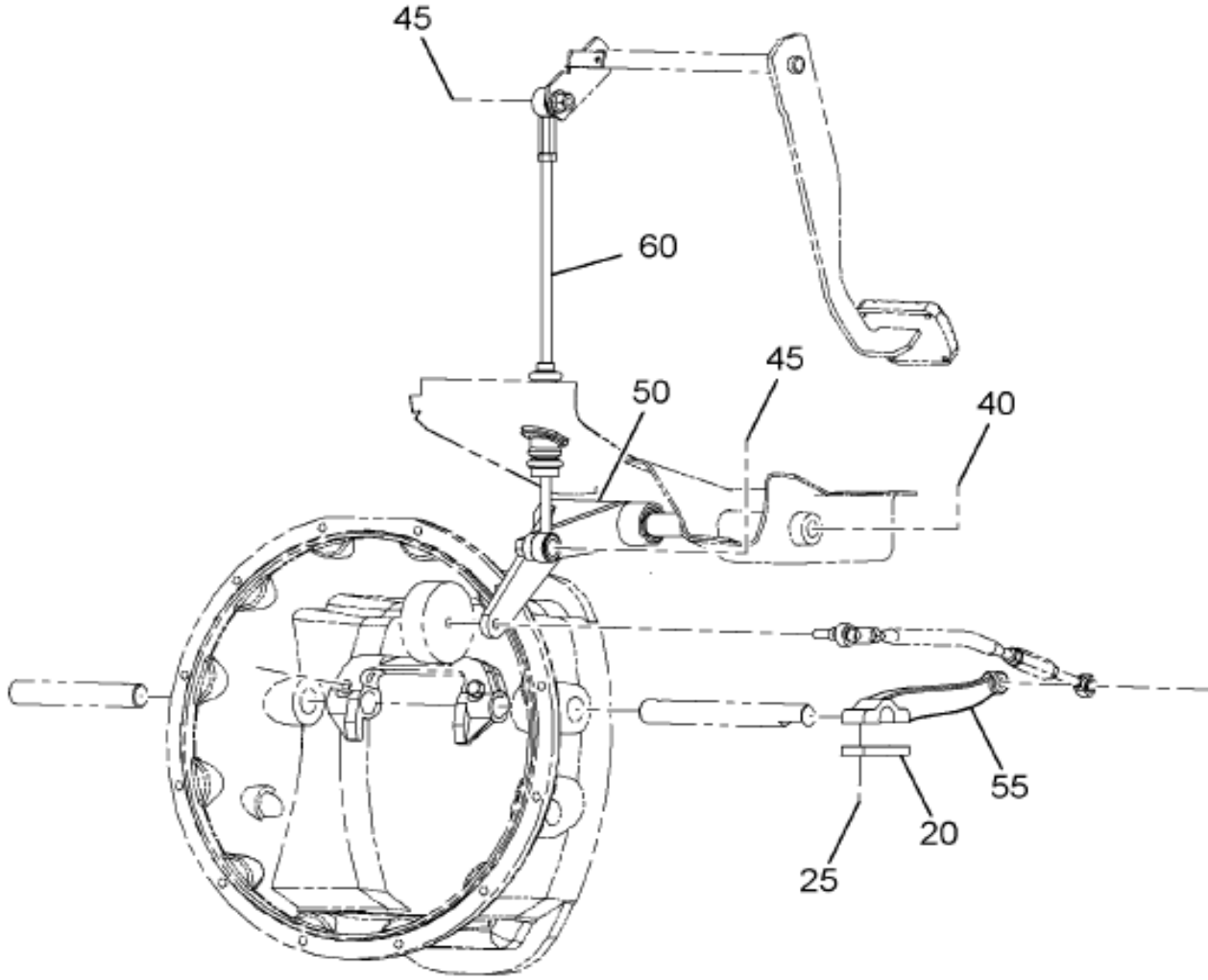
Grp
11

16-C12-0003-00

B05

Item	Part No.	Qty	Description	Kit	Var	Figure
2	2505805C1	1	PEDAL, CLUTCH	A		
3	2505695C1	1	PAD, PEDAL*COVER			
4	2505806C1	1	BRACKET, CLUTCH RELAY SHAFT OR			
5	2505808C1	1	WASHER, CLUTCH PEDAL SHAFT BRKT	B		
6	2505697C1	2	PIN, ROLL 1/4" X 1.125" = 30PCS	A		
7	3534031C1	2	SWITCH, CRUISE CLUTCH			

Figure 06VKH
INTMD CLUTCH CONTROLS; (LHD)



W/M-NGV
W/CAB-HGHT = L
CAB-HGHT = M

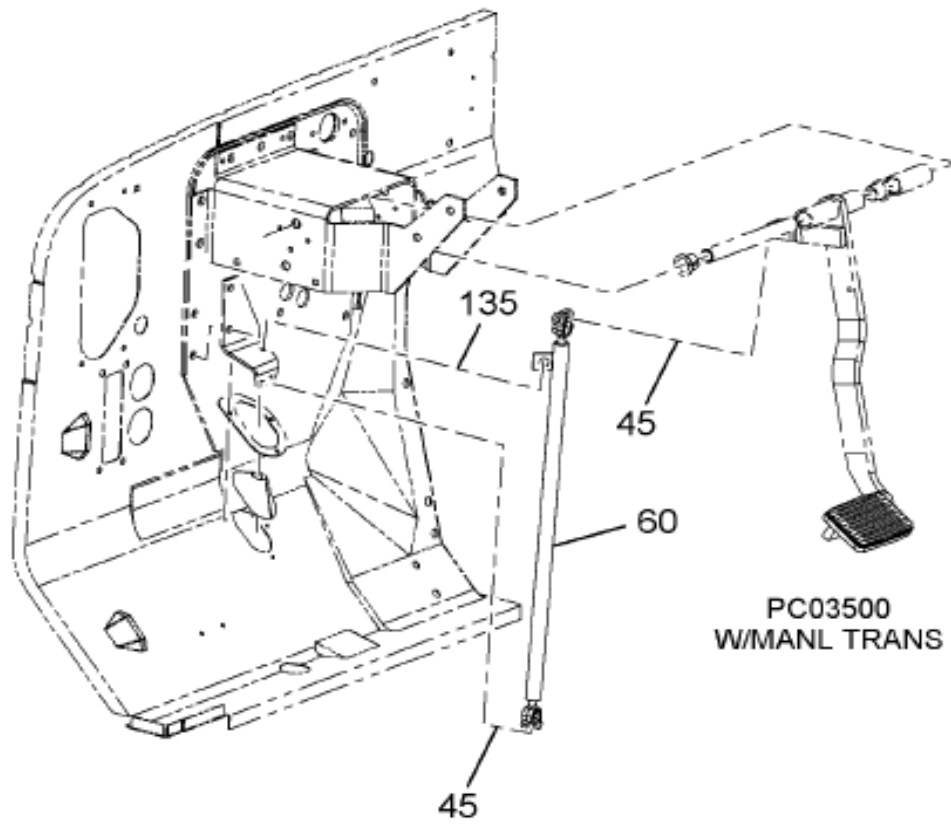
Grp
11

11-V04-0002-AB

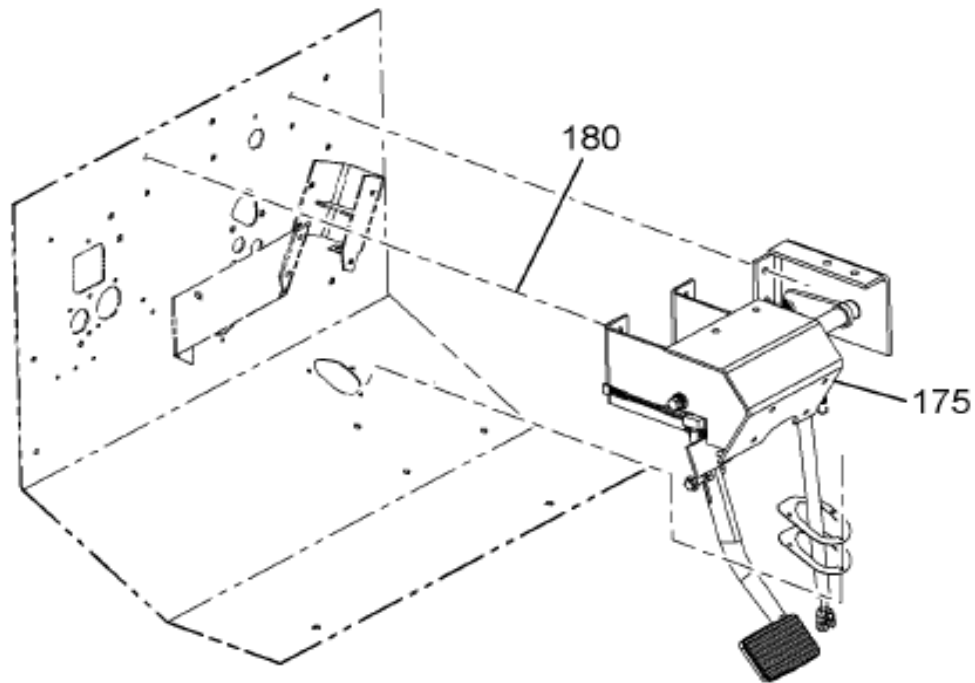
M10

Figure 1 of 2

Figure 06VKH
INTMD CLUTCH CONTROLS; (LHD)



PC03500
W/MANL TRANS



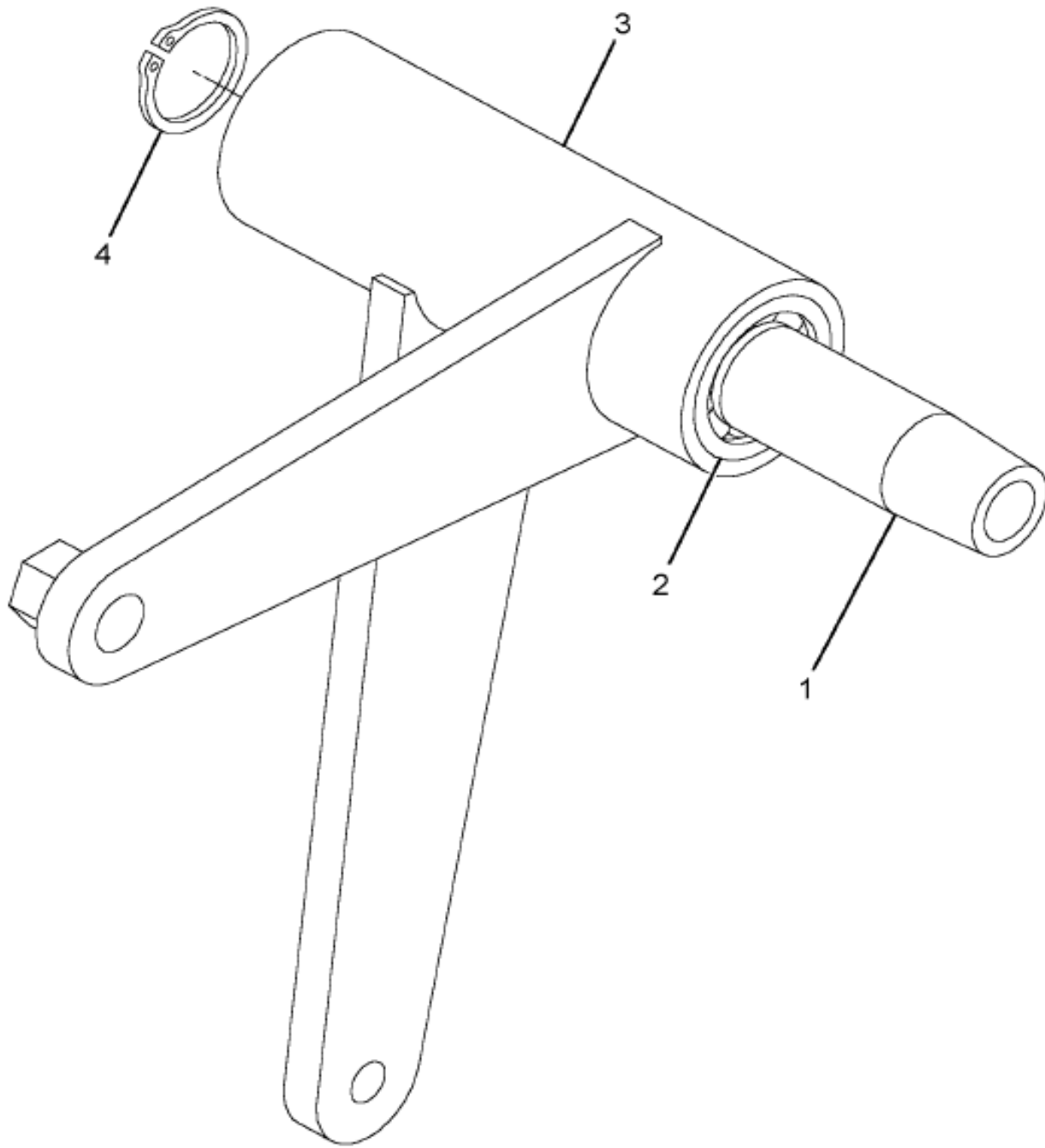
PC02500, PC04500

11-V04-0002-02

M10

Item	Part No.	Qty	Description	Kit	Var	Figure
40	30081R1	1	BOLT, M16 X 160 PHC CLASS 10.9		07Q6M	
40	934185R1	1	WASHER, 16MM LOCK		07Q6M	
40	30329R1	1	WASHER, 17.3 X 30 X 4MM		07Q6M	
45	3545813C1	2	BOLT, SHOULDER*18MM SHLD X 18MM		07Q6M	
50	3532907C91	1	LEVER, BELLCRANK CLUTCH CONT*CL		07Q6M	3532907C91
60	3544408C91	1	ROD, CLUTCH CONTROL*VERT ROD AS		07Q6M	3544408C91

Figure 3532907C91
LEVER, BELLCRANK CLUTCH CONT*CL



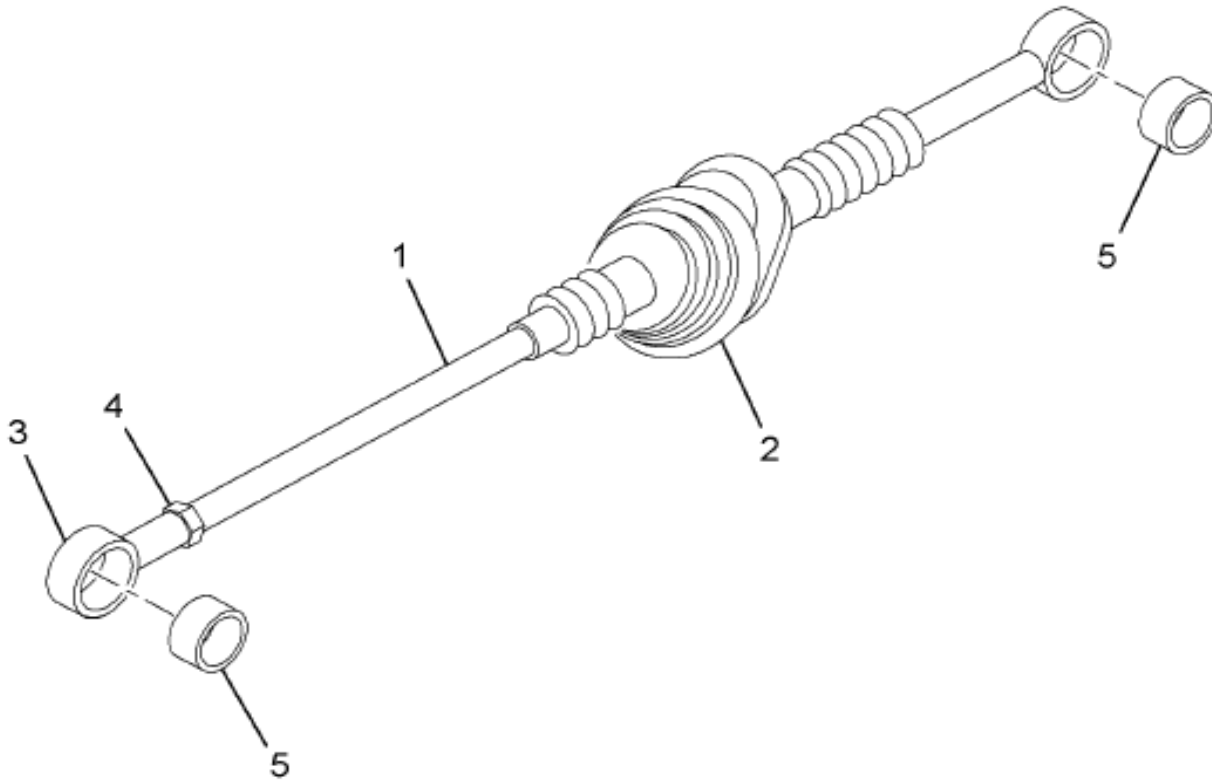
Grp
11

11-V04-0006-01

E03

Item	Part No.	Qty	Description	Kit	Var	Figure
1	3532849C1	1	SHAFT, CLUTCH RELAY LEVER*			
2	3532850C1	2	BEARING, BALL*			
3	3532906C1	1	TUBE, CLUTCH CONT LINK*CLUTCH R			
4	934424R1	1	RING, RTNG EXTERNAL*STD			
880	RF		NOTE: ASM BELOW COMPRISED OF ABOVE COMPONENTS			

Figure 3544408C91
 ROD, CLUTCH CONTROL*VERT ROD AS



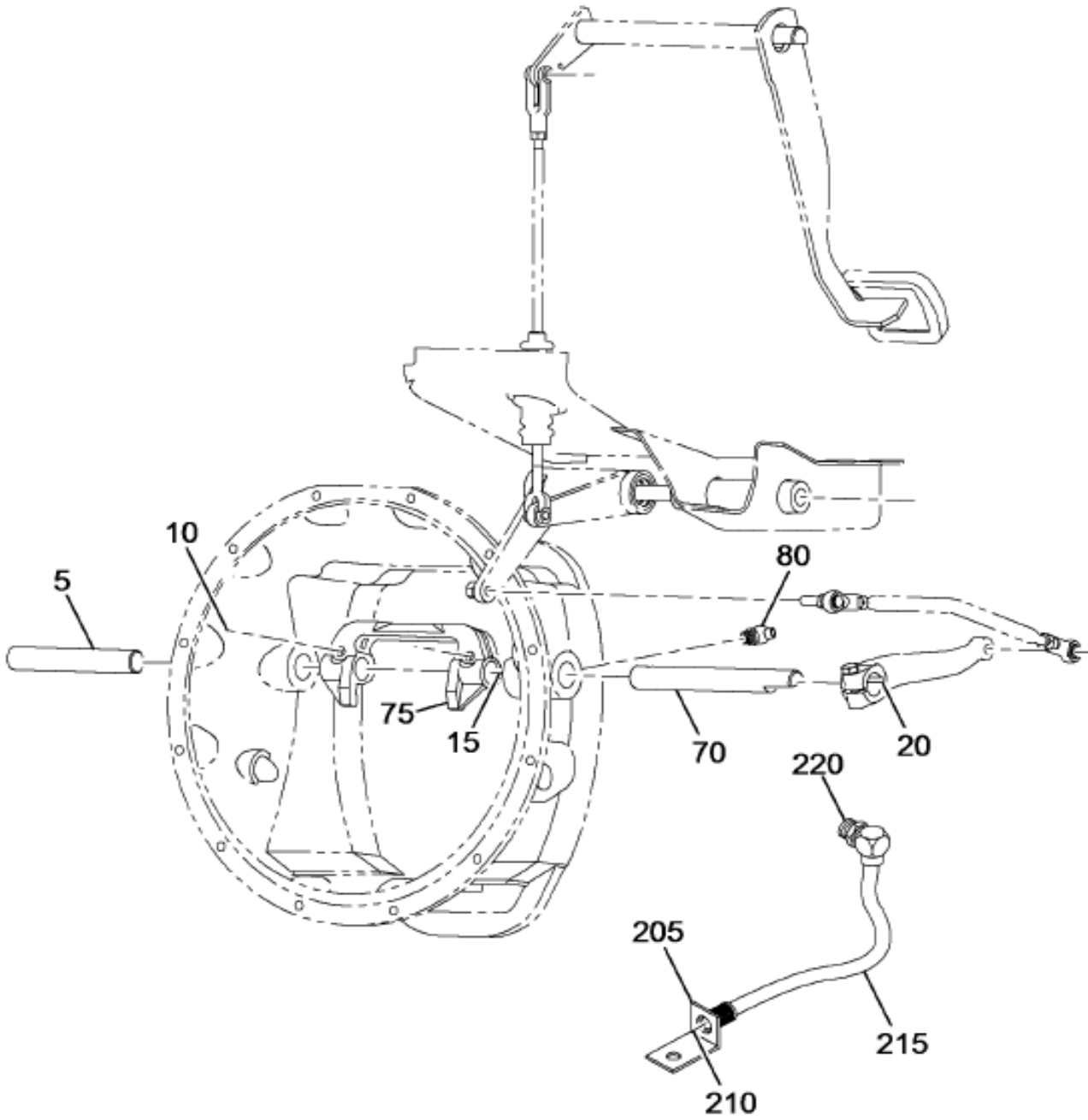
Grp
11

11-V04-0009-01

D05

Item	Part No.	Qty	Description	Kit	Var	Figure
1	3544405C1	1	ROD, CLUTCH CONTROL*			
2	3536316C91	1	BOOT, CLUTCH ROD*ASSY			
3	3544407C1	1	LINK, CLUTCH CONTROL*			
4	30168R1	1	NUT, M10 PHC CLASS 10			
4	3532853C1	1	NUT, LOCK CLUTCH ADJ *M10X1.5 Z			
5	3545812C1	2	BUSHING, CLUTCH RELAY LEVER*18M			

Figure 06VL5
LOWER CLUTCH CONTROL INSTL



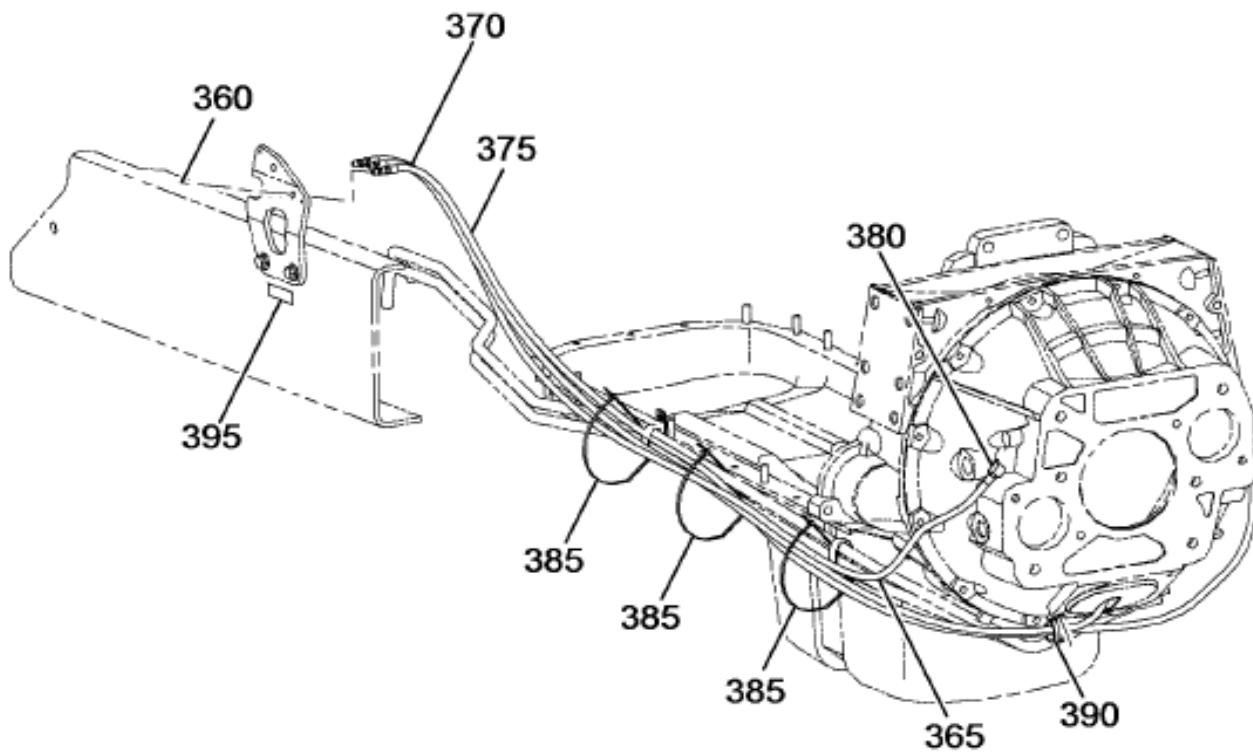
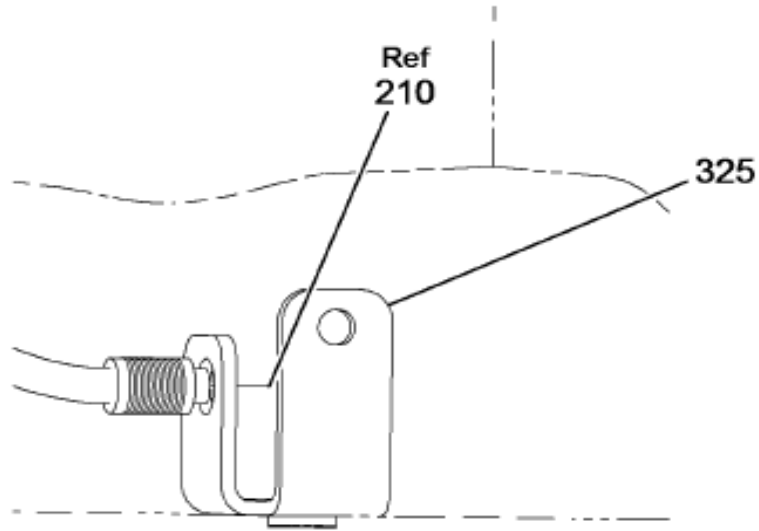
Grp
11

11-244-0006-00

M08

Figure 1 of 2

Figure 06VL5
LOWER CLUTCH CONTROL INSTL



11-244-0044-01

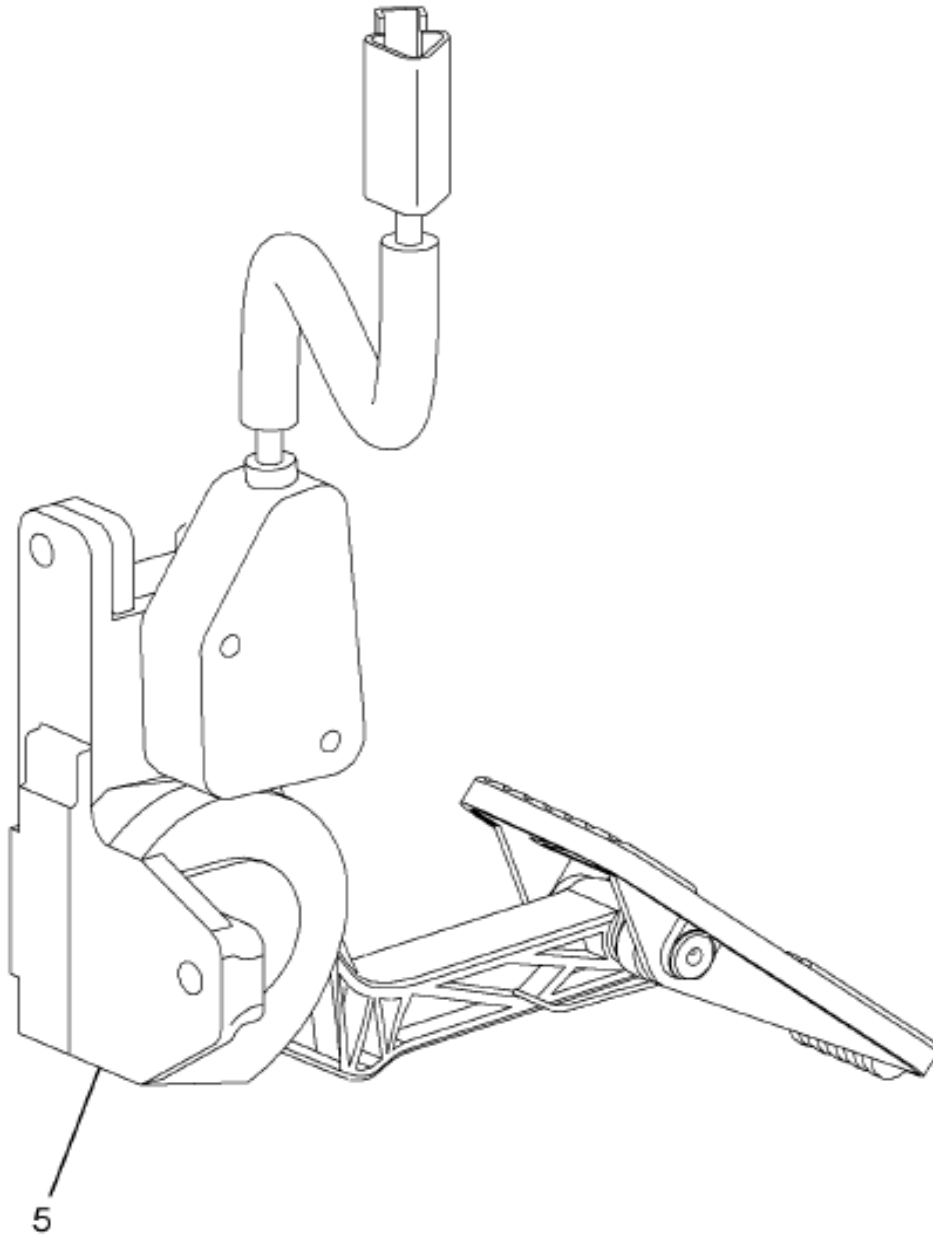
M08

Item	Part No.	Qty	Description	Kit	Var	Figure
5	309129C1	1	SHAFT,CLUTCH REL FORK		0MHDS	
10	70427R1	2	BOLT,7/16 X 1-1/4 PHC TYPE 8		0MHDS	
15	32796VA	1	WASHER,SPECIAL KEY FOR TRANS		0MHDS	
70	3532872C1	1	SHAFT,CLUTCH REL FORK*		0MHDS	
75	697924R6	1	FORK,CLUTCH RELEASE		0DRS1	
80	126152	2	LUBRICATOR, 1/8 PTF SHORT 45D		0GGX1	

Group 12 Engines

G
R
P
1
2

Figure 06LPB
ACCEL PEDAL ASM

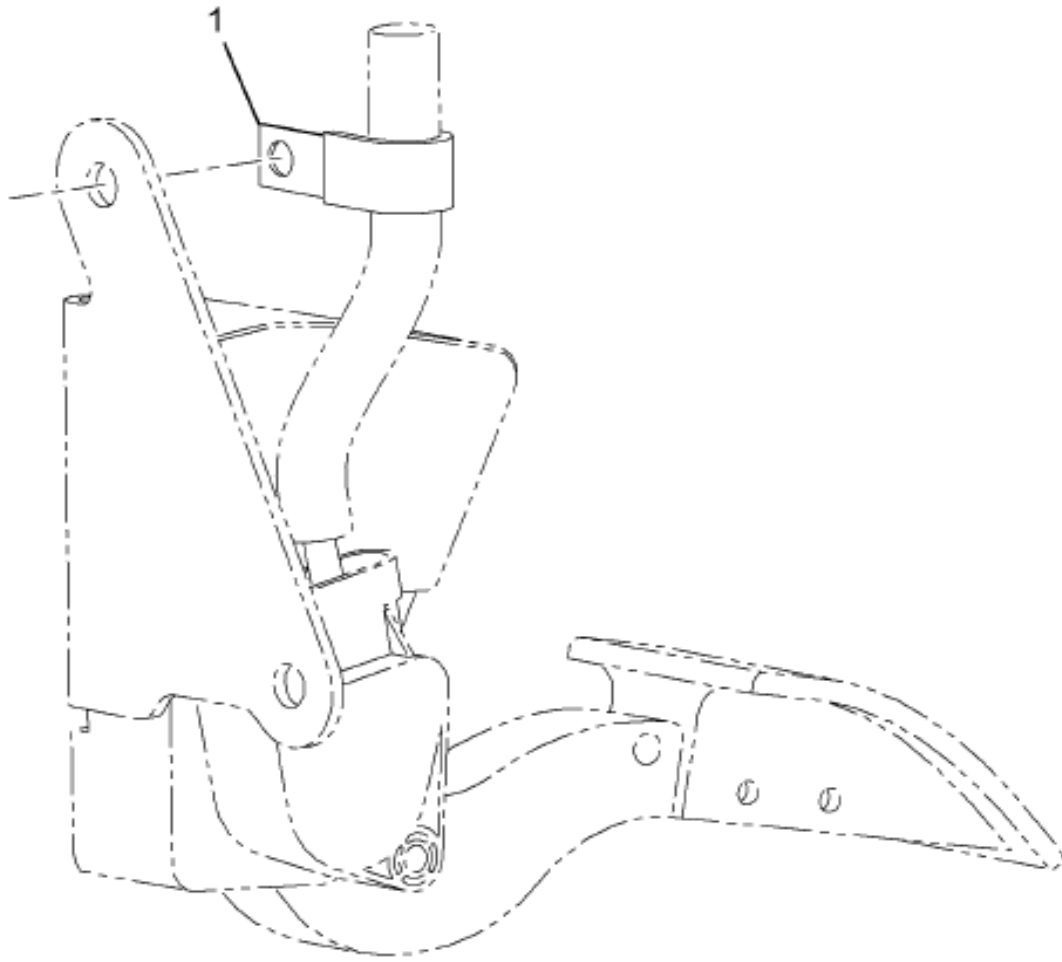


12-C11-0001-01

K04

Item	Part No.	Qty	Description	Kit	Var	Figure
5	3592631F91	1	ENG, ACCESS*ACCEL PEDAL N/C		0M1RX	3592631F91

Figure 3592631F91
 ENG, ACCESS*ACCEL PEDAL N/C



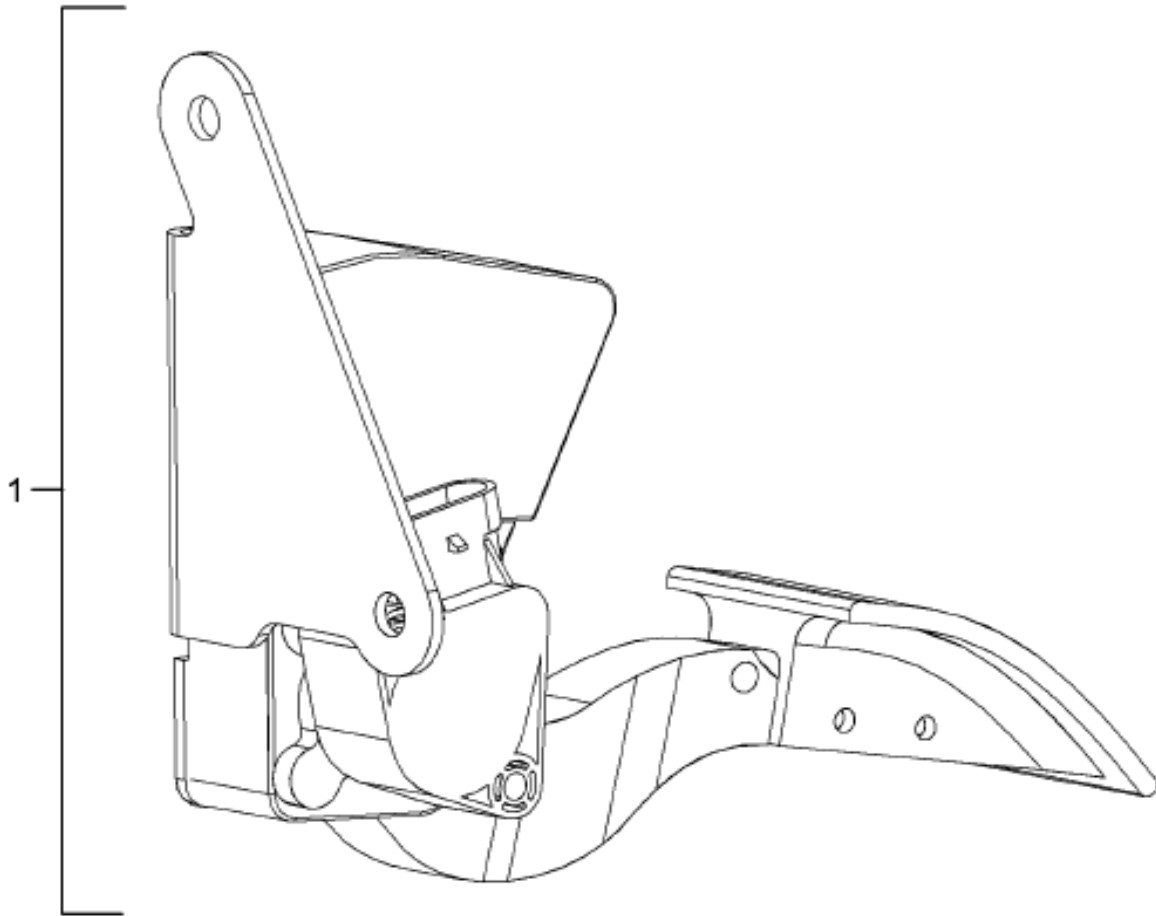
G
r
p
1
2

12-C11-0002-01

A05

Item	Part No.	Qty	Description	Kit	Var	Figure
1	2587187C1	1	CLIP, OPEN RUBBER DIPPED			
801		KT	KIT, ACCEL PEDAL ASM			
802	2586242C91	1	KIT, ACCEL PEDAL ASSY			2586242C91
880		RF	NOTE: ASM BELOW COMPRISED OF ABOVE COMPONENTS			
881	3592631F91	RF	ENG, ACCESS*ACCEL PEDAL N/C			

Figure 2586242C91
KIT,ACCEL PEDAL ASSY

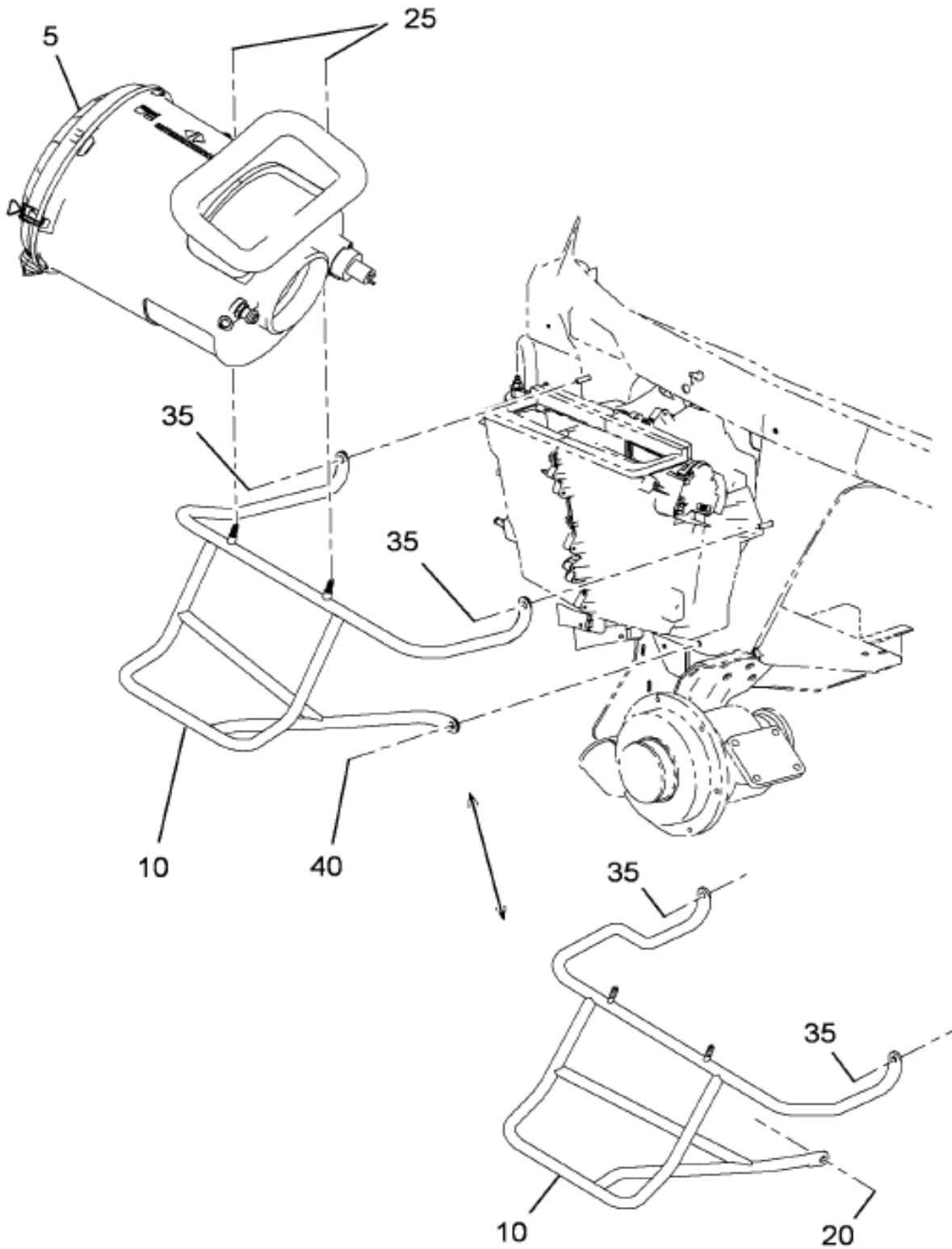


12-C11-0004-01

C05

Item	Part No.	Qty	Description	Kit	Var	Figure
1	2586248C91	1	KIT,ACCEL SENSOR			
880		RF	NOTE: ASM BELOW COMPRISED OF ABOVE COMPONENTS			
881	2586242C91	RF	KIT,ACCEL PEDAL ASSY			

Figure 07TXX
AIR CLEANER INSTL



Grp
12

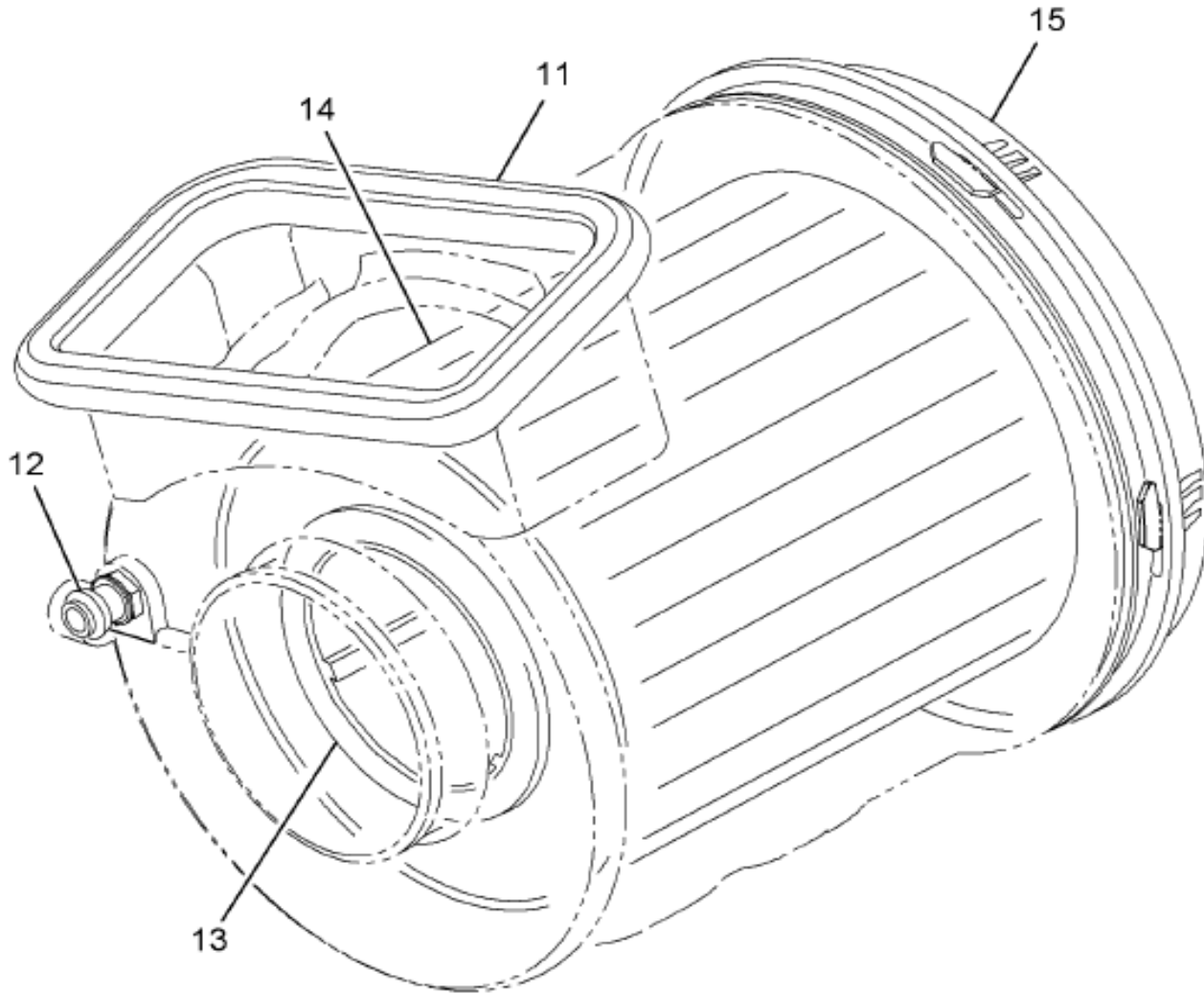
12-636-0048-01

PRIOR TO JUNE 11, 2002

E09

Item	Part No.	Qty	Description	Kit	Var	Figure
5	3562349C91	1	CLEANER, ASSY AIR DRY TYPE 13"		07TYK	3562349C91
10	3548672C3	1	BRACKET, AIR CLEANER SUPT*ASSY		0G7R0	
25	3535162C1	2	NUT, HEX METRIC PREV. TORQ*M8 X		0G7R0	
35	3535162C1	2	NUT, HEX METRIC PREV. TORQ*M8 X		0G7R0	
40	31055R1	1	BOLT, M8 X 25 PHC CL 8.8 FLG/H		0G7R0	

Figure 3562349C91
CLEANER, ASSY AIR DRY TYPE 13"



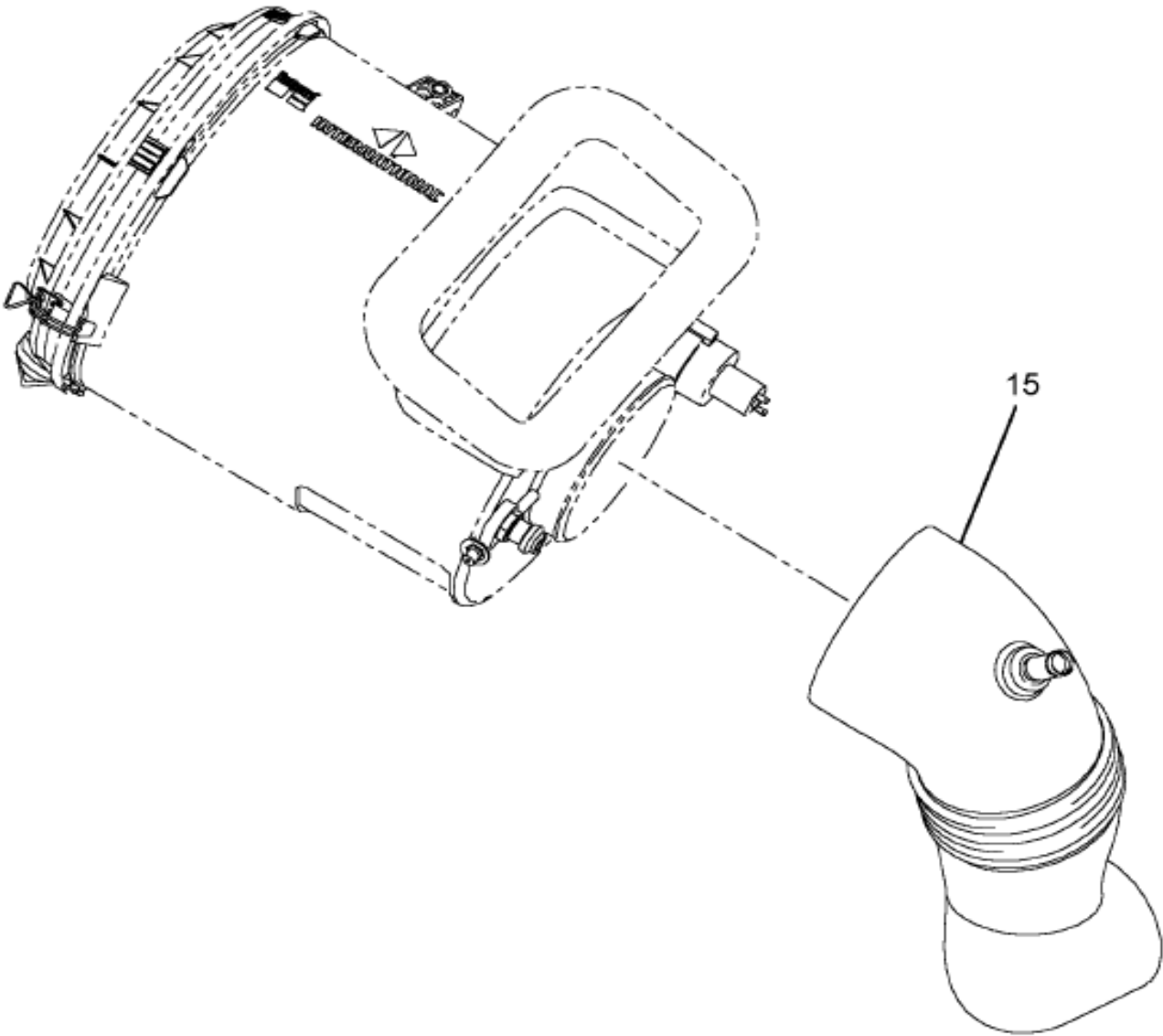
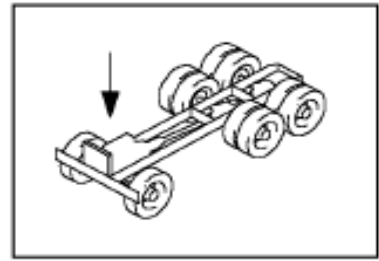
12-636-0026-00

G04

Item	Part No.	Qty	Description	Kit	Var	Figure
11	3562354C1	1	SEAL, AIR CLEANER TO HOOD*HOOD			
12	1814320C1	1	SENSOR, TEMPERATURE			
13	3532800C1	1	ELEMENT, AIR CLEANER SECONDARY			
14	3532801C1	1	ELEMENT, AIR CLEANER PRIMARY			
15	3546422C1	1	COVER, AIR CLEANER			
880	RF		NOTE: ASM BELOW COMPRISED OF ABOVE			

Figure 07V12

AIR CLEANER PIPING INSTL; CLEAN AIR DUCT

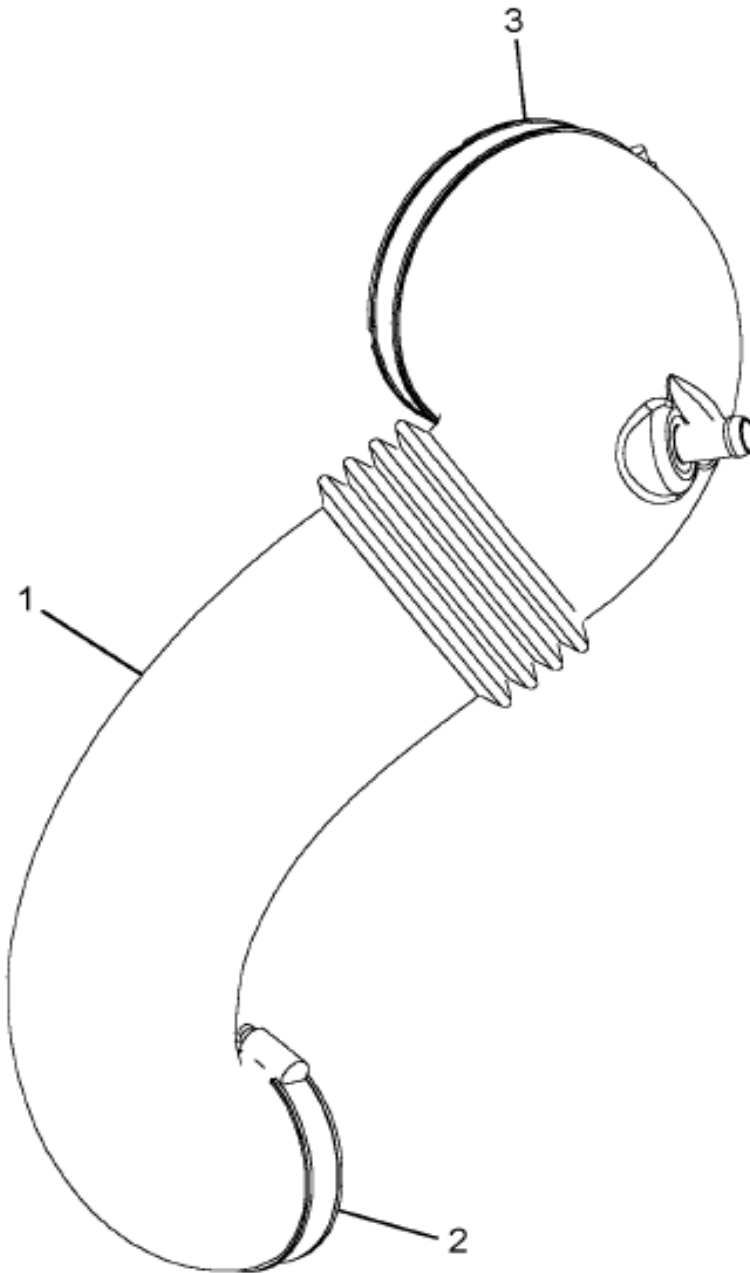


12-251-0035-BA

K02

Item	Part No.	Qty	Description	Kit	Var	Figure
15	3560955C91	1	HOSE,AIR CLEANER FOR SS107MB/F		07V13	3560955C91

Figure 3560955C91
HOSE, AIR CLEANER FOR SS107MB/F



G
R
P
1
2

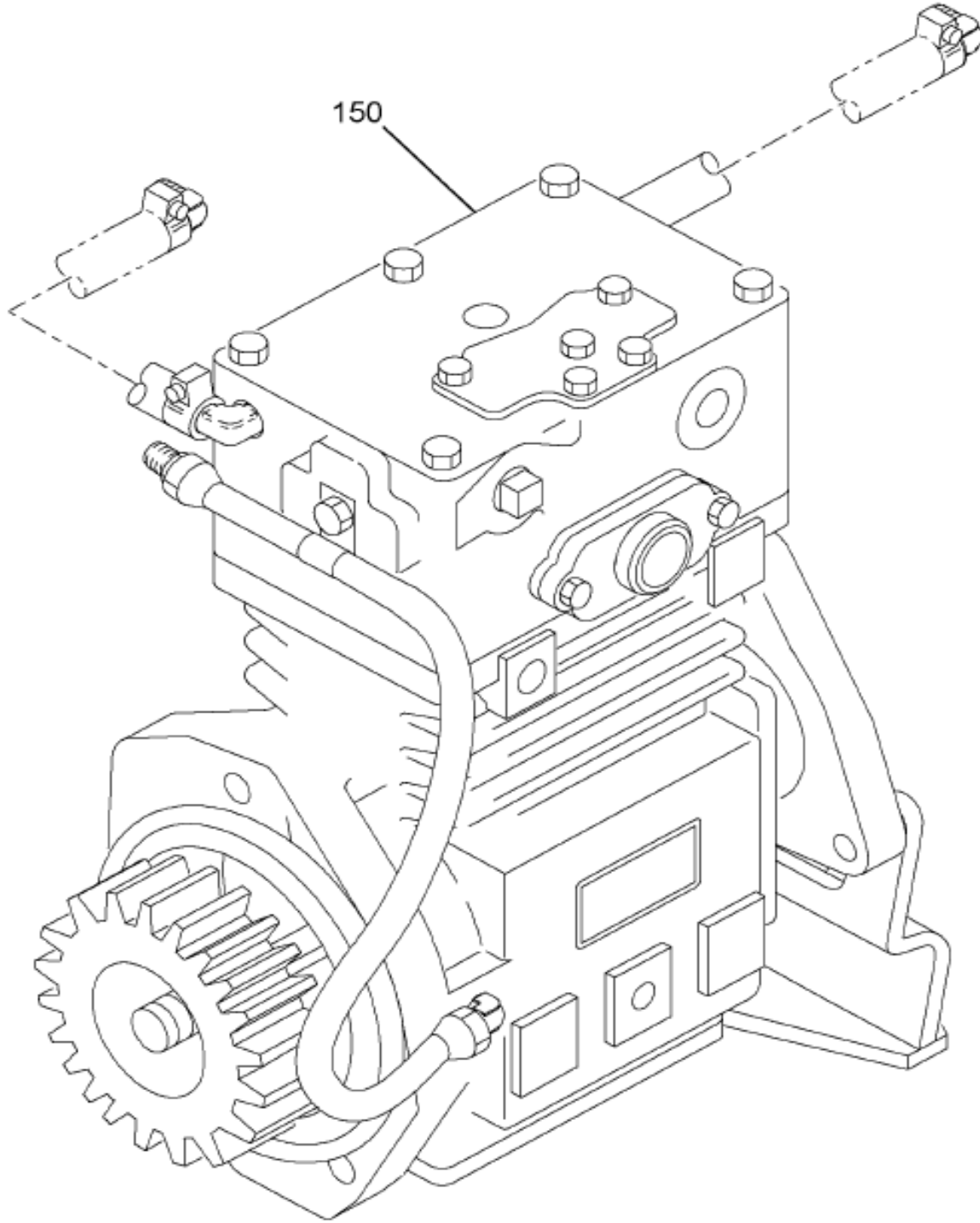
12-251-0105-01

G03

Item	Part No.	Qty	Description	Kit	Var	Figure
1	3540427C1	1	HOSE, AIR CLEANER			
2	576181C1	AR	CLAMP, HOSE HIGH TORQUE			
3	576177C1	AR	CLAMP, HOSE HI TORQUE			
880		RF	NOTE: ASM BELOW COMPRISED OF ABOVE COMPONENTS			
881	3560955C91	RF	HOSE, AIR CLEANER FOR SS107MB/F			

Figure 0FB8Z

AIR COMPRESSOR EFFECTS; (ABR#4), INTL DT-466,I-530



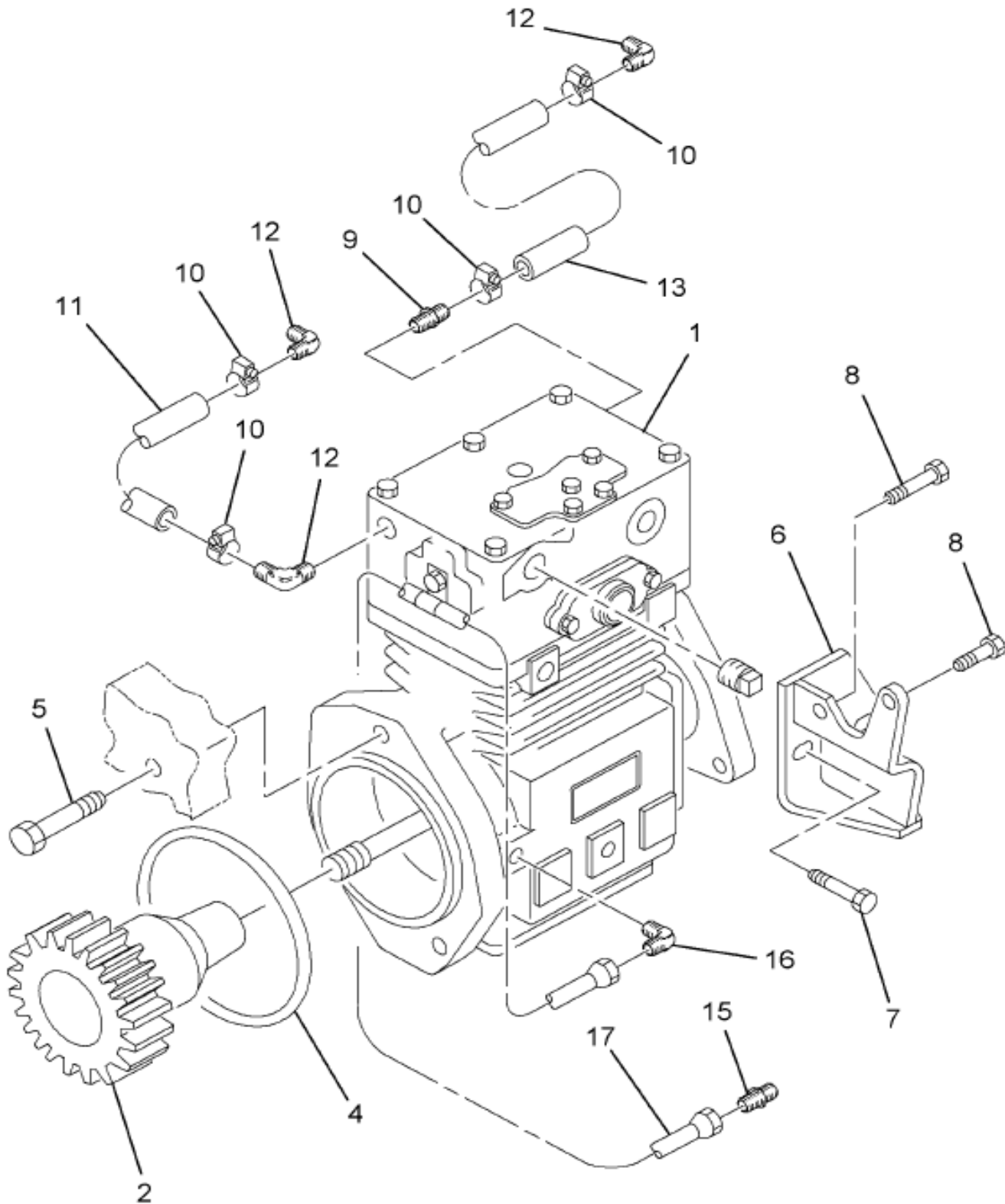
12-E04-0001-00

K04

Item	Part No.	Qty	Description	Kit	Var	Figure
150	2008344F91	1	COMPRESSOR,ASM AIR BW TF550		0FBTL	2008344F91

Figure 641016L002
AIR COMPRESSOR UNIT

U



Grp
12

12-ENG-0235-01

C03

Item	Part No.	Qty	Description	Kit	Var	Figure
1	2003252C97	1	COMPRESSOR,ASM AIR TU-FLO 550			
1		RF	ORDER 1694005C91			
2	1830070C1	1	GEAR,AIR COMPR W/O KEYWAY			
2	1820296C2	1	GEAR,COMPR DRIVE W/KEYWAY			
4	1818727C1	1	SEAL,AIR COMPRESSOR*O-RING			
5	1817969C1	2	BOLT,M12 X 80MM,HEX FLANGE			

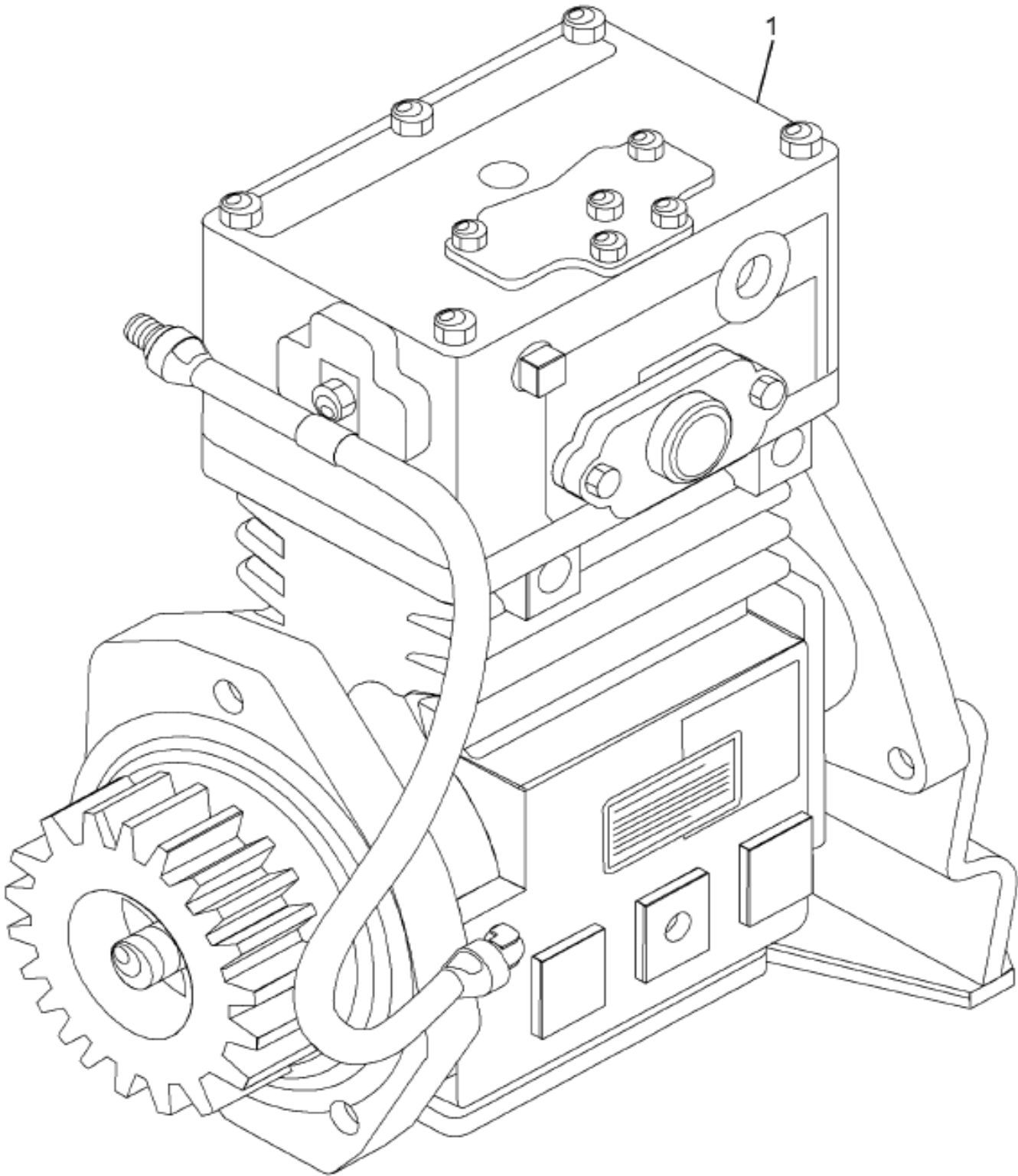
Figure 641016L002

AIR COMPRESSOR UNIT

U

Item	Part No.	Qty	Description	Kit	Var	Figure
6	1822067C1	1	BRACKET, AIR COMPRESSOR			
7	1817967C1	2	BOLT, M12 X 1.75 6Q 25MM			
8	1817965C1	2	BOLT, M10X1.5X25MM HEX FLANGE			
9	864439R1	1	NIPPLE, HOSE			
10	576166C1	4	CLAMP, HOSE, HI-TORQUE			
11	L2643505	AR	HOSE, 1/2"X50' HEATER			
12	864457R1	3	ELBOW, 90DEG 1/2MPT X 1/2 HOSE			
13	L2643505	AR	HOSE, 1/2"X50' HEATER			
15	118748	1	UNION, 1/4 PLN 45D FLARED			
16	118753	1	ELBOW, 1/4 PLN 45D FLARED TUBE			
17	1821023C1	1	HOSE, AIR COMP			1821023C1
800		RF	NOTE: THE FOLLOWING PARTS ARE NON-ILLUSTRATED			
801	1822123C1	1	SPACER, AIR COMP SUPT			
880		RF	NOTE: ASM BELOW COMPRISED OF ABOVE COMPONENTS			
881	641016L002	RF	AIR COMPRESSOR UNIT	U		
NON-ILLUSTRATED REFERENCE FIGURE 1821023C1						
1	4305602R1	AR	CONDUIT, HOSE PROTECTIVE			
2	4305621R1	1	HOSE, AIR COMPRESSOR			
3	592942C91	2	FITTING, HOSE 1/4" AIR			
880		RF	NOTE: ASM BELOW COMPRISED OF ABOVE COMPONENTS			
881	1821023C1	RF	HOSE, AIR COMP			

Figure 2008344F91
 COMPRESSOR,ASM AIR BW TF550

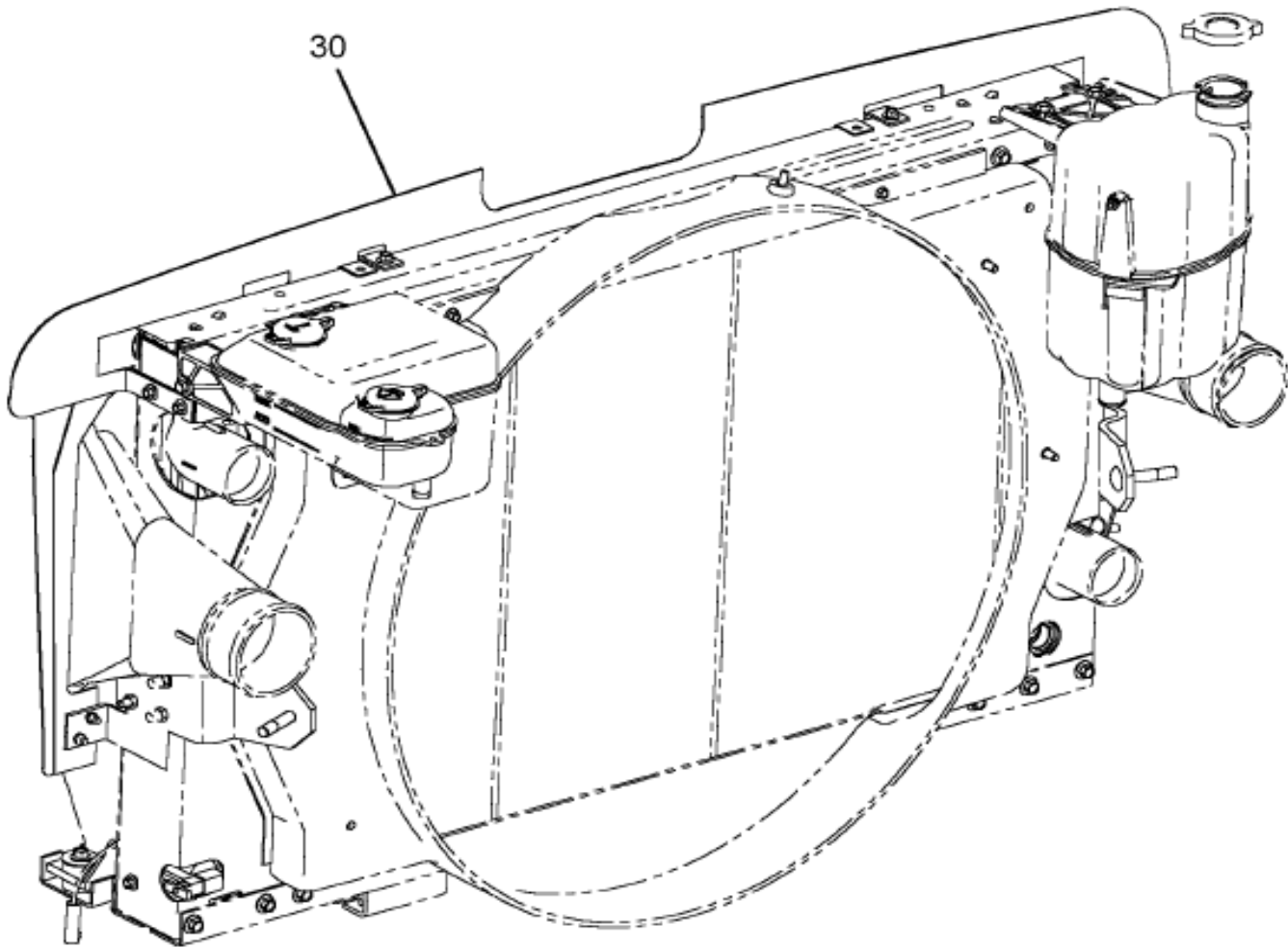
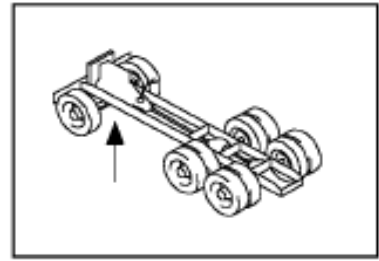


12-E04-0003-01

E05

Item	Part No.	Qty	Description	Kit	Var	Figure
1		RF	QL11 - AIR COMPRESSOR			
1	641016L002	1	AIR COMPRESSOR UNIT	U		641016L002
880		RF	NOTE: ASM BELOW COMPRISED OF ABOVE COMPONENTS			
881	2008344F91	RF	COMPRESSOR,ASM AIR BW TF550			

Figure 07RSN
AIR RECIRCULATION SEALS; RADIATOR, (ABR#6)

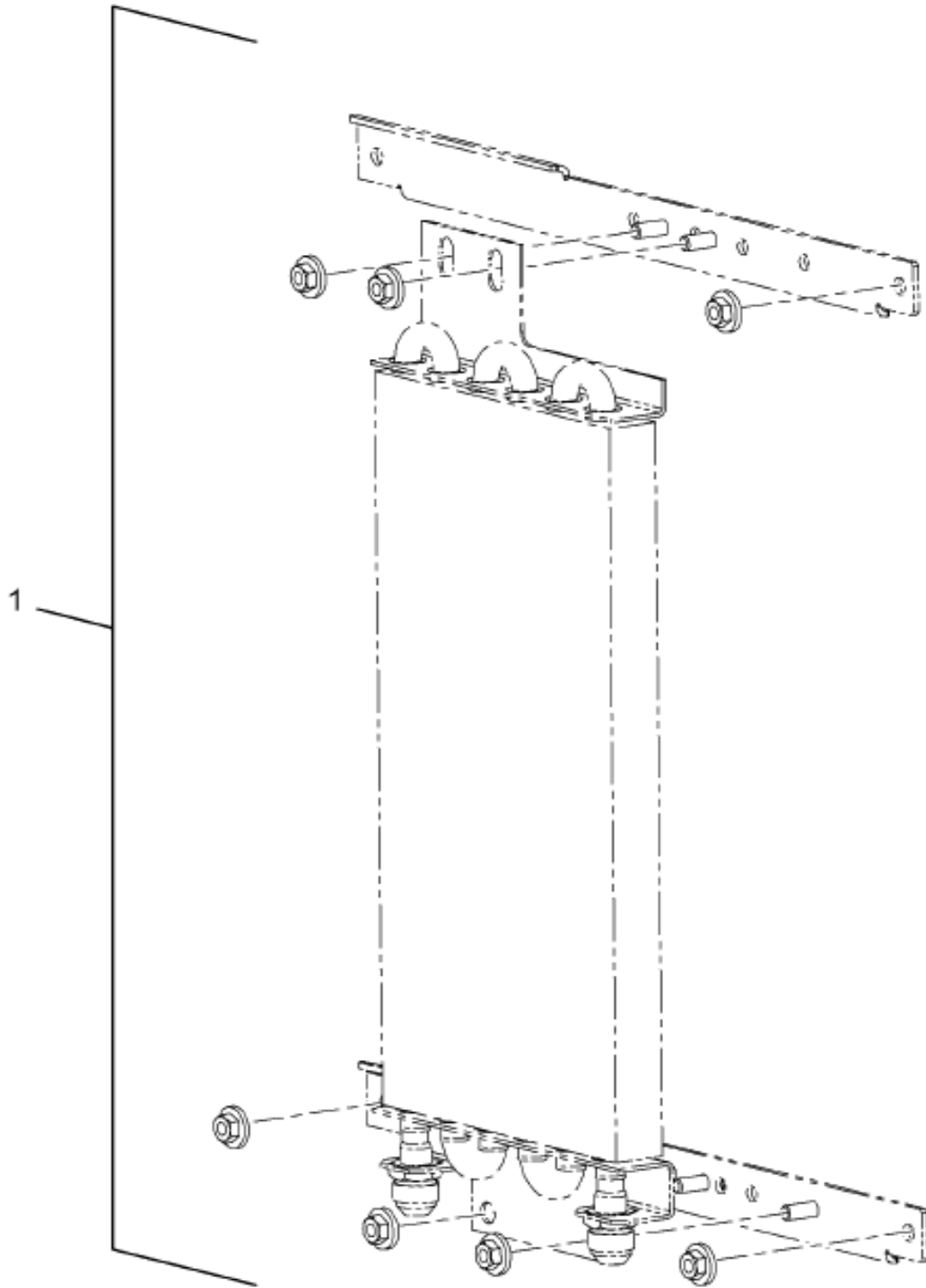


12-C06-0015-FA

L02

Item	Part No.	Qty	Description	Kit	Var	Figure
30	3551080F94	1	SEAL,COOLING SYSTEM*RECIRC PAN		07RSQ	3551080F94

Figure 2507476C91
KIT, RECIRC HARDWARE



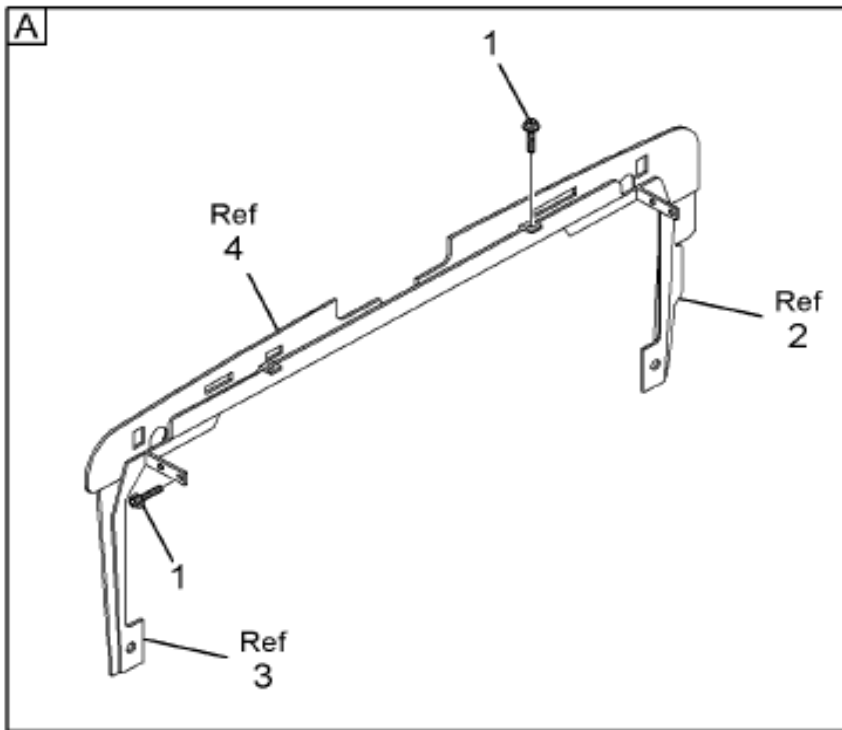
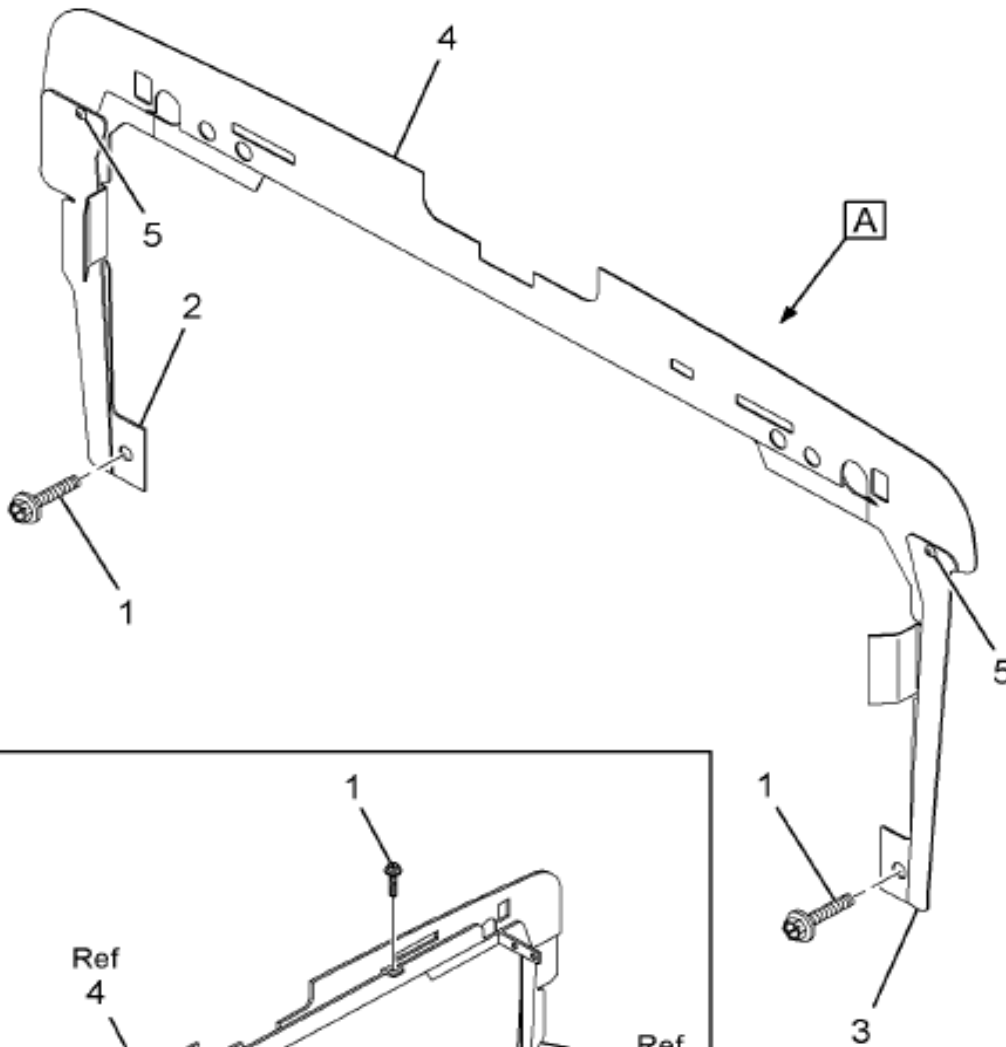
Grp
12

12-C07-0015-01

A05

Item	Part No.	Qty	Description	Kit	Var	Figure
1		RF	SCREW, M8 X 1.25-6GX14L			
1		RF	HEX NUT 8MX1.25			
880		RF	NOTE: ASM BELOW COMPRISED OF ABOVE COMPONENTS			
881	2507476C91	RF	KIT, RECIRC HARDWARE			

Figure 2507472C92
SEAL, COOLING RECIRC ASSY

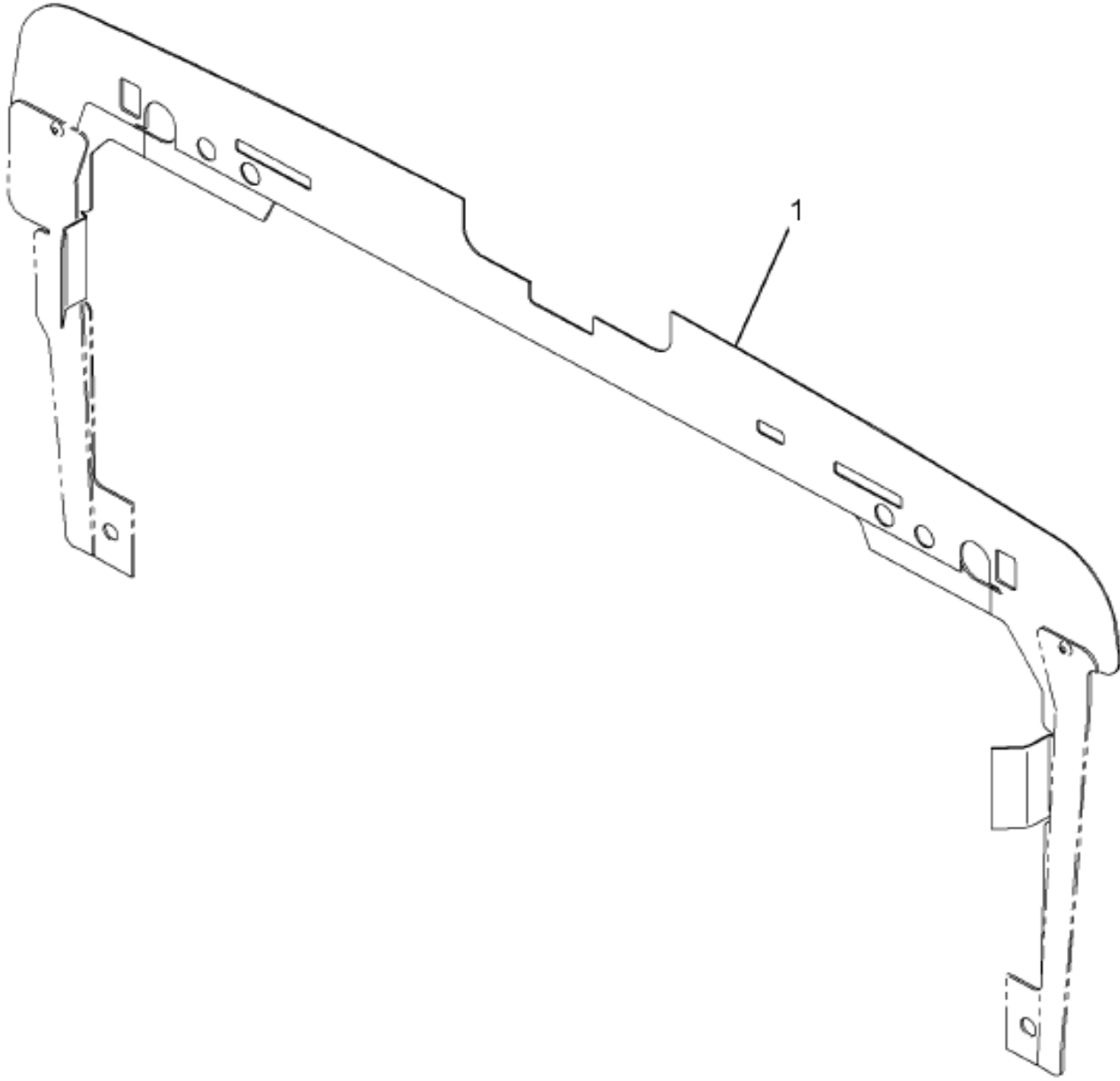


12-C06-0039-01

L05

Item	Part No.	Qty	Description	Kit	Var	Figure
1		8	SCREW, M8 X 1.25-6GX14L	A		
2	2507473C91	1	SEAL, RECIRC RH SIDE ASSY			
2		RF	RIGHT			
3	2507474C91	1	SEAL, RECIRC LH SIDE ASSY			
3		RF	LEFT			
4	2507475C92	1	SEAL, RECIRC UPPER ASSY			

Figure 3551080F94
SEAL, COOLING SYSTEM*RECIRC PAN

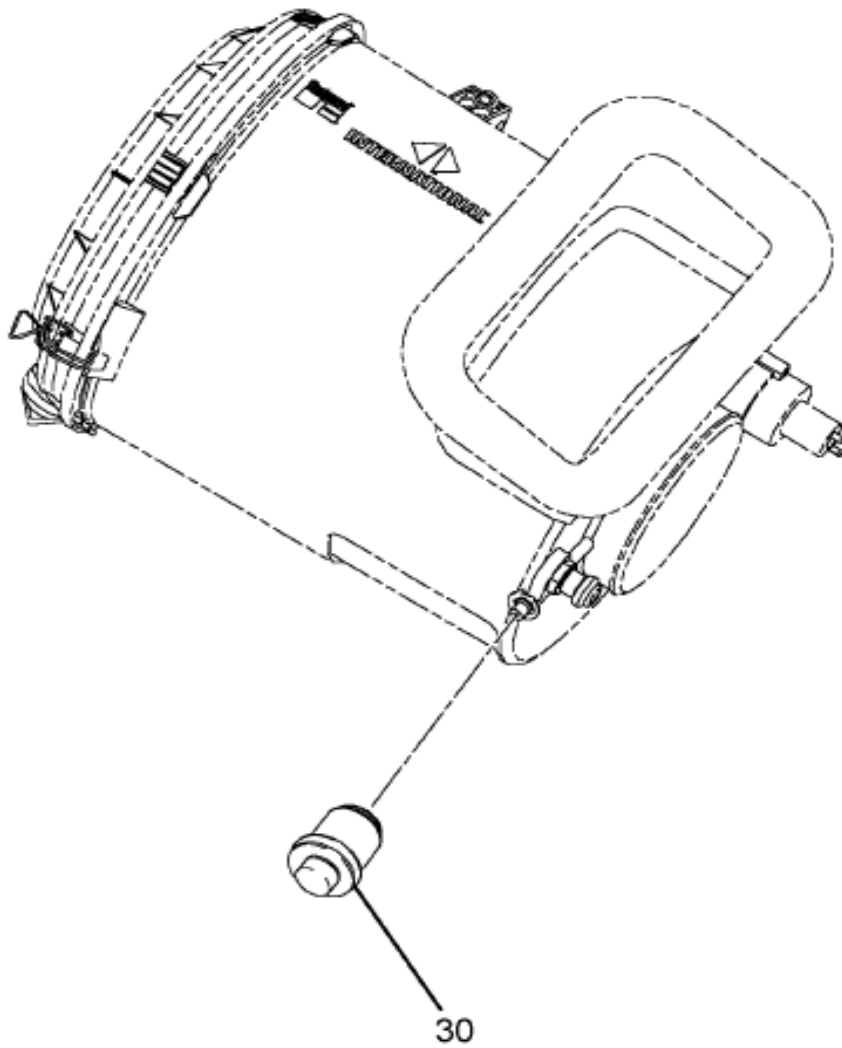
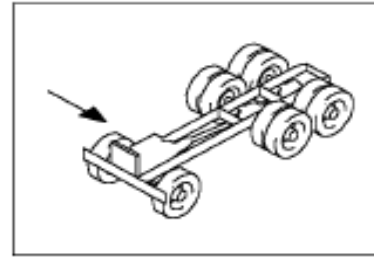


12-C06-0038-01

L05

Item	Part No.	Qty	Description	Kit	Var	Figure
1	2507472C92	1	SEAL, COOLING RECIRC ASSY			2507472C92
880		RF	NOTE: ASM BELOW COMPRISED OF ABOVE COMPONENTS			
881	3551080F94	RF	SEAL, COOLING SYSTEM*RECIRC PAN			

Figure 07V15
AIR RESTRICTION GAUGE INSTL



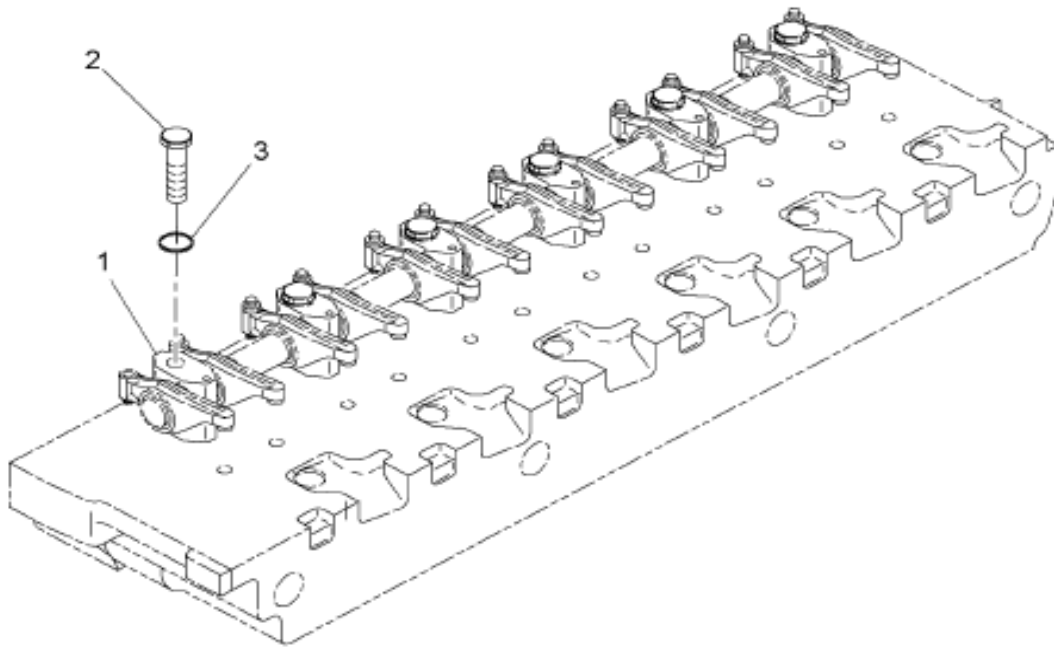
Grp
12

12-252-0027-CA

K02

Item	Part No.	Qty	Description	Kit	Var	Figure
30	2024445C1	1	ELBOW, PUSH TO CONNECT*		07V17	

Figure 641008C003
ARM, ROCKER

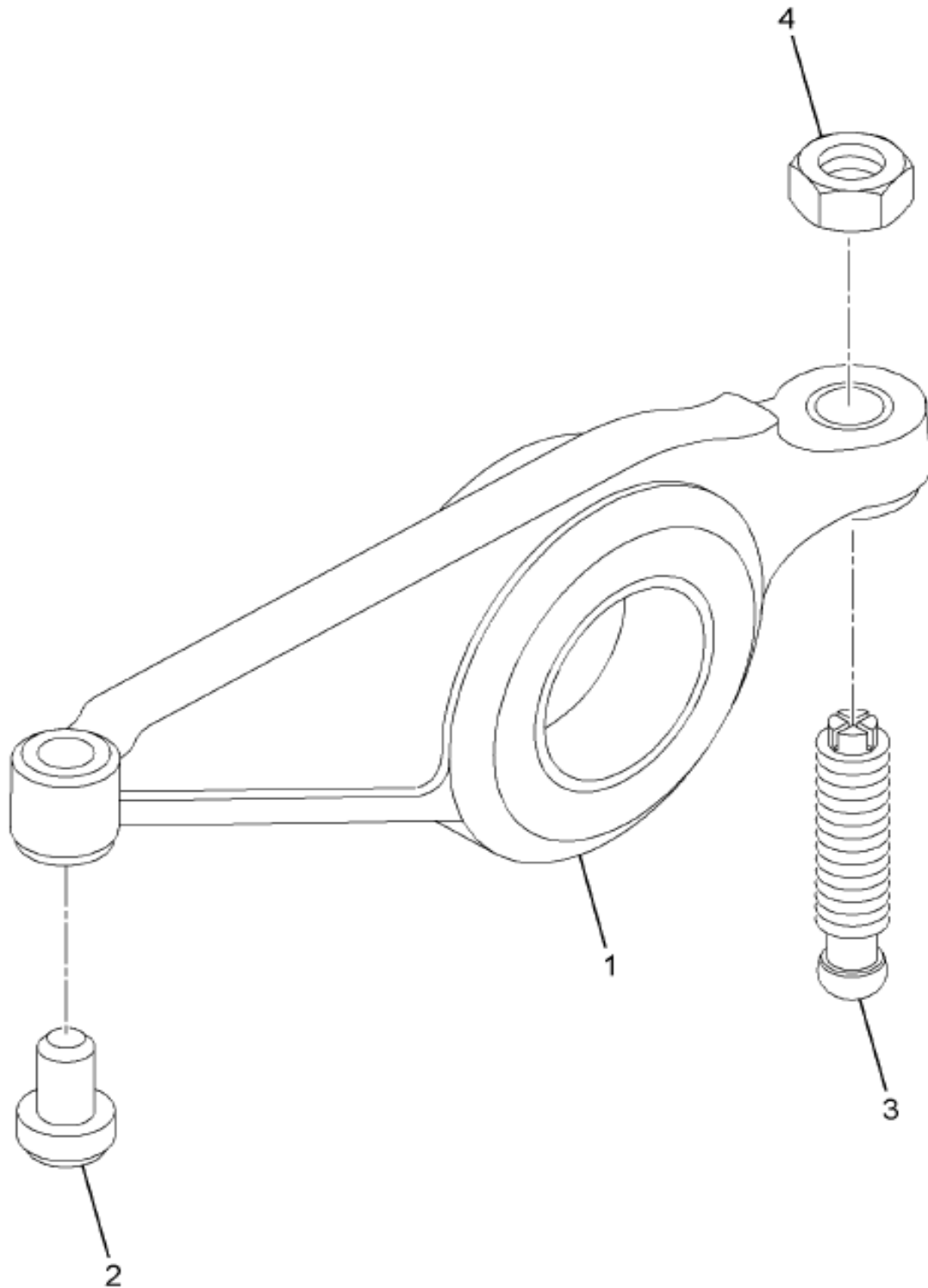


12-ENG-1839-01

H07

Item	Part No.	Qty	Description	Kit	Var	Figure
1	1830593C91	1	SHAFT W/ BRACKET			
1		RF	BEFORE 6/8/1999			
1	1830593C92	1	SHAFT W/ BRACKET			
1		RF	BETWEEN 6/8/1999 AND 6/5/2002			
1	1830593C93	1	SHAFT, ROCKER ARM W/ BRACKET			
1		RF	BETWEEN 6/5/2002 AND 6/19/2003			

Figure 1827195C95
ARM ASSY,ROCKER (RATIO 1:66)

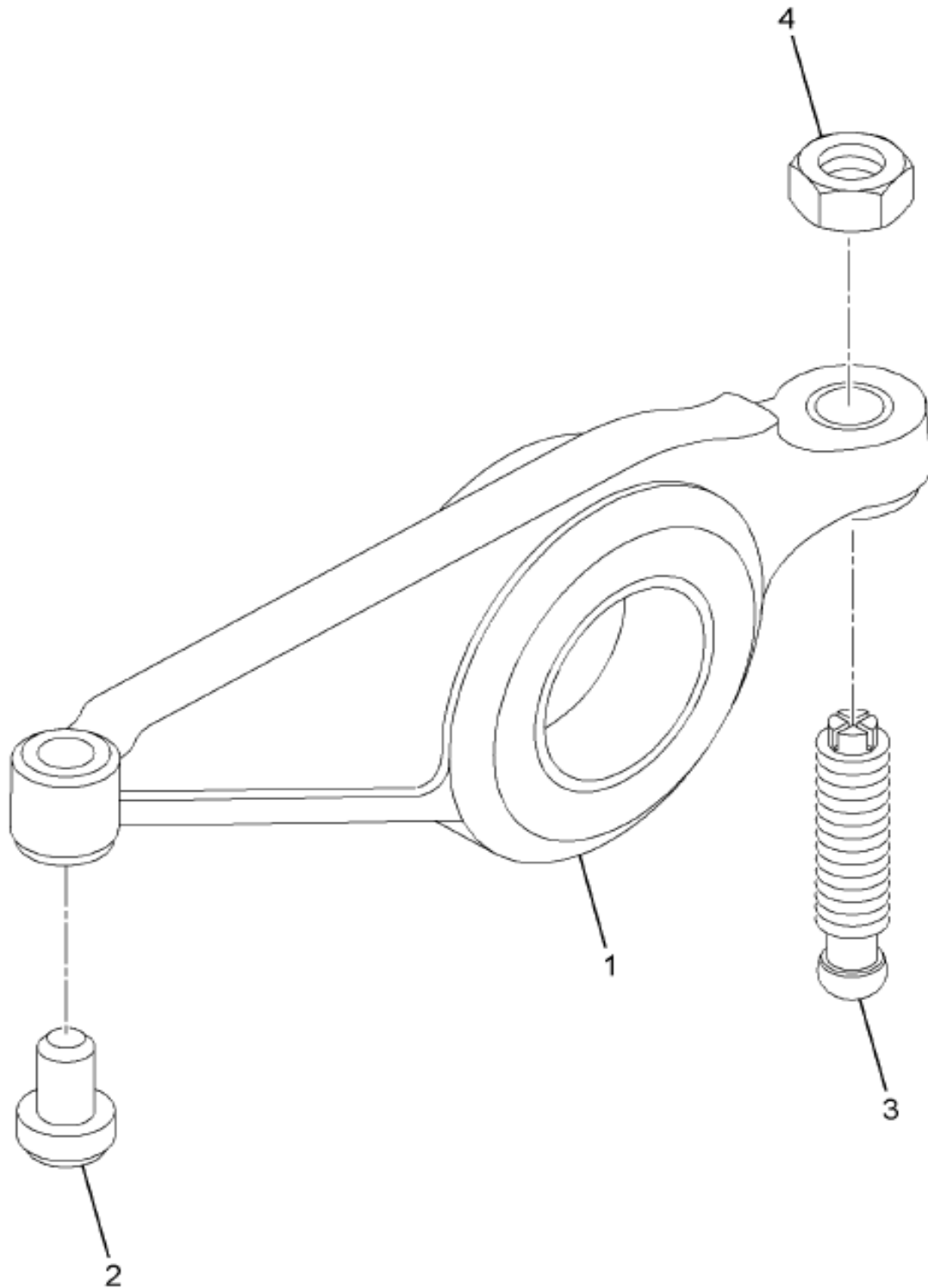


12-ENG-1072-01

E04

Item	Part No.	Qty	Description	Kit	Var	Figure
1	1827743C4	1	ARM,ROCKER (RATION 1:66)			
2	1827193C1	1	BUTTON, ROCKER ARM			
3	16067DA	1	SCREW,ROCKER ARM ADJ			
4	1820923C2	1	NUT,VALVE ADJ SCREW			
880	RF		NOTE: ASM BELOW COMPRISED OF ABOVE COMPONENTS			

Figure 1872755C91
ARM, VALVE ROCKER ASSY

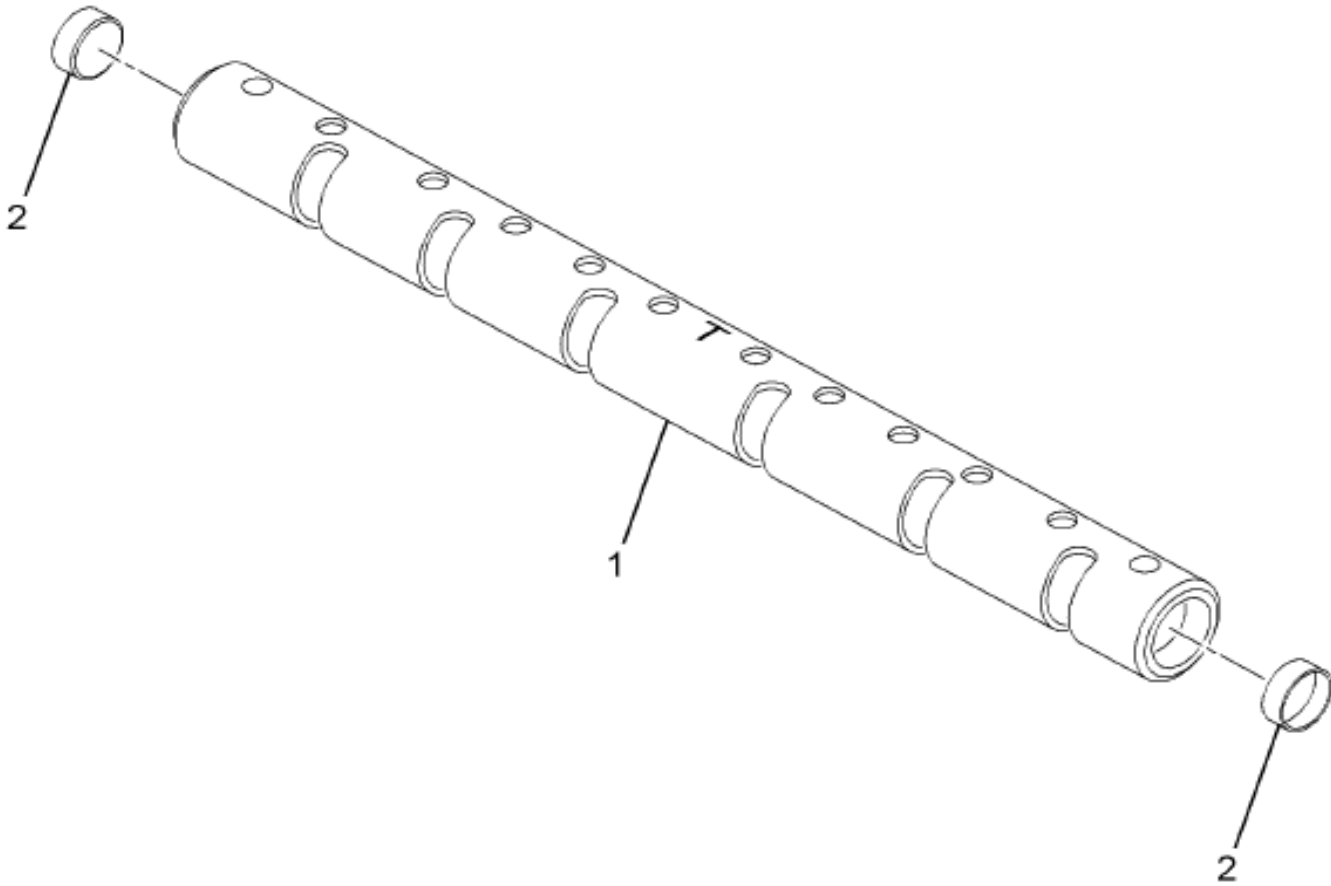


12-ENG-1072-01

E04

Item	Part No.	Qty	Description	Kit	Var	Figure
1	1872514C1	1	ARM, VALVE ROCKER			
2	1827193C1	1	BUTTON, ROCKER ARM			
3	1854757C1	1	SCREW, ADJUSTER			
4	1841734C1	1	NUT, VALVE ADJUSTING SCREW			
880	RF		NOTE: ASM BELOW COMPRISED OF ABOVE COMPONENTS			

Figure 1830592C91
SHAFT ASSY, ROCKER ARM

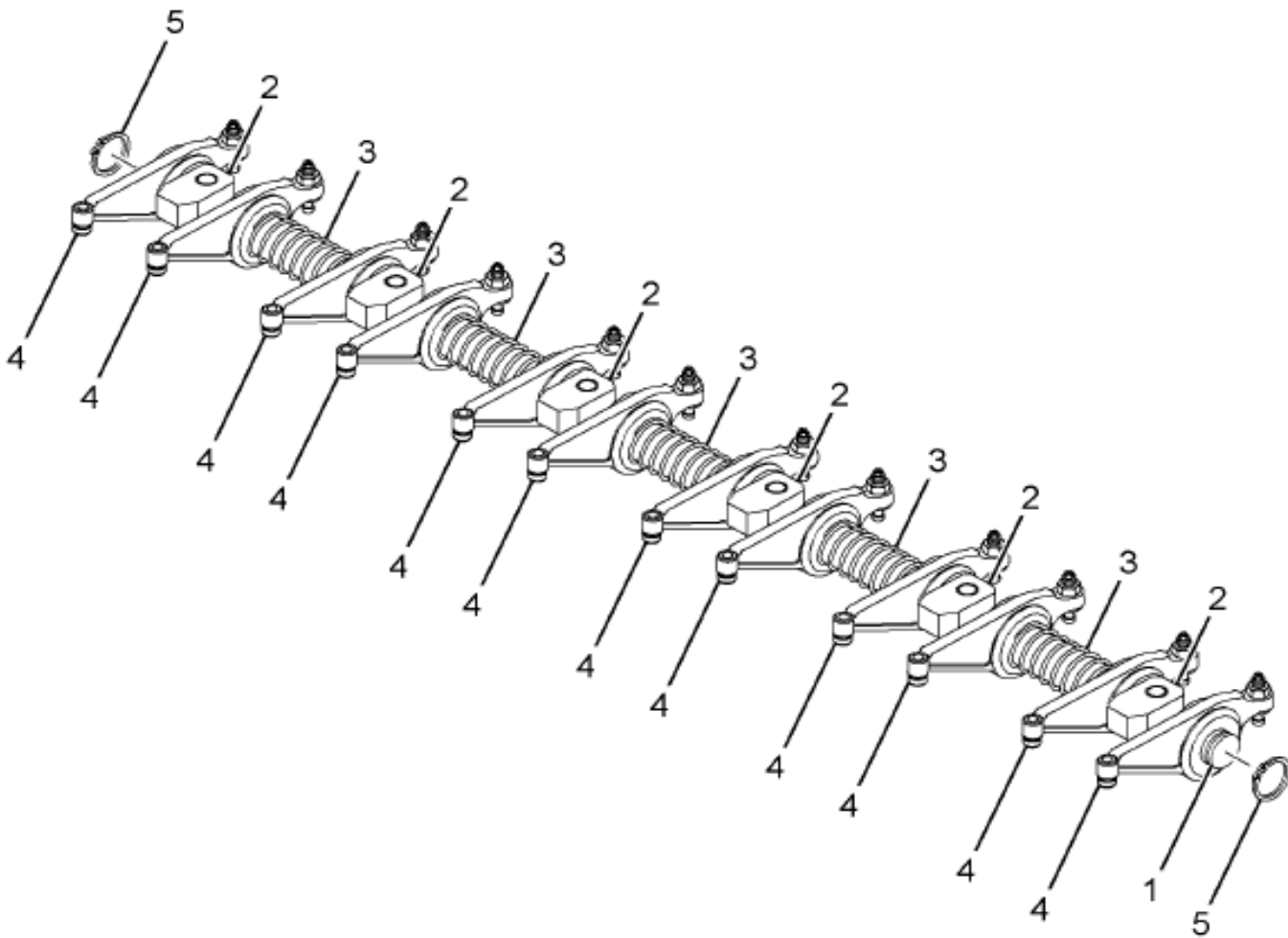


12-ENG-1073-01

E04

Item	Part No.	Qty	Description	Kit	Var	Figure
1	1827168C1	1	SHAFT,ROCKER ARM			
2	327412R1	2	PLUG, 13/16 CUP			
880		RF	NOTE: ASM BELOW COMPRISED OF ABOVE COMPONENTS			
881	1830592C91	RF	SHAFT ASSY, ROCKER ARM			

Figure 1830593C94
SHAFT ASSY, BRACKET & ROCKER ARM



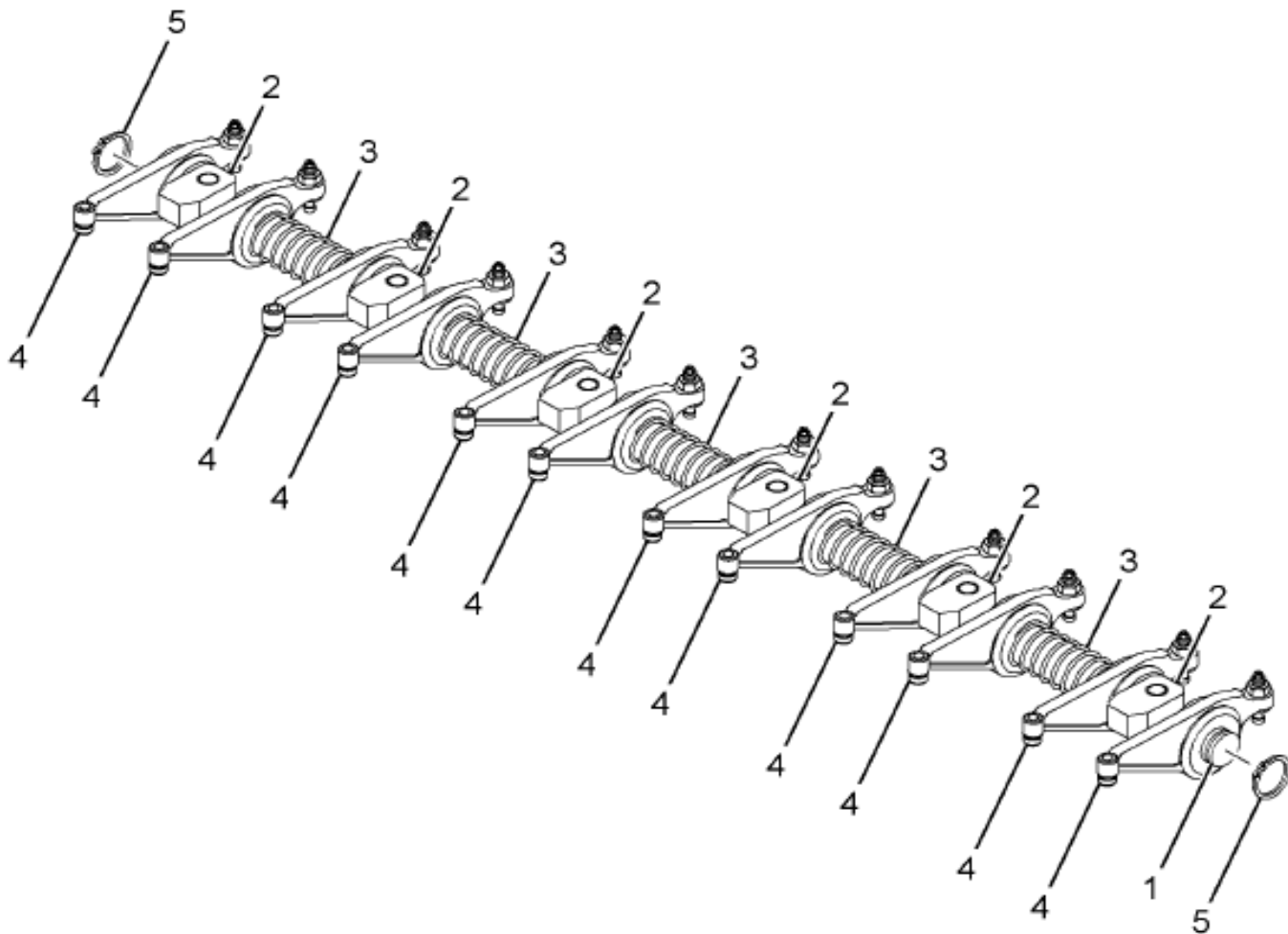
Grp
12

12-ENG-1074-01

E04

Item	Part No.	Qty	Description	Kit	Var	Figure
1	1830592C91	1	SHAFT ASSY, ROCKER ARM			1830592C91
2	1827435C1	6	BRACKET, ROCKET SHAFT			
3	1827316C1	5	SPRING, ROCKER SHAFT			
4	1827195C95	12	ARM ASSY, ROCKER (RATIO 1:66)			1827195C95
5	454319R1	2	RING, SNAP 1.041 EXT RET			
880	RF		NOTE: ASM BELOW COMPRISED OF ABOVE			

Figure 1872757C91
SHAFT, ASSY, BRACKET & ROCKER ARM



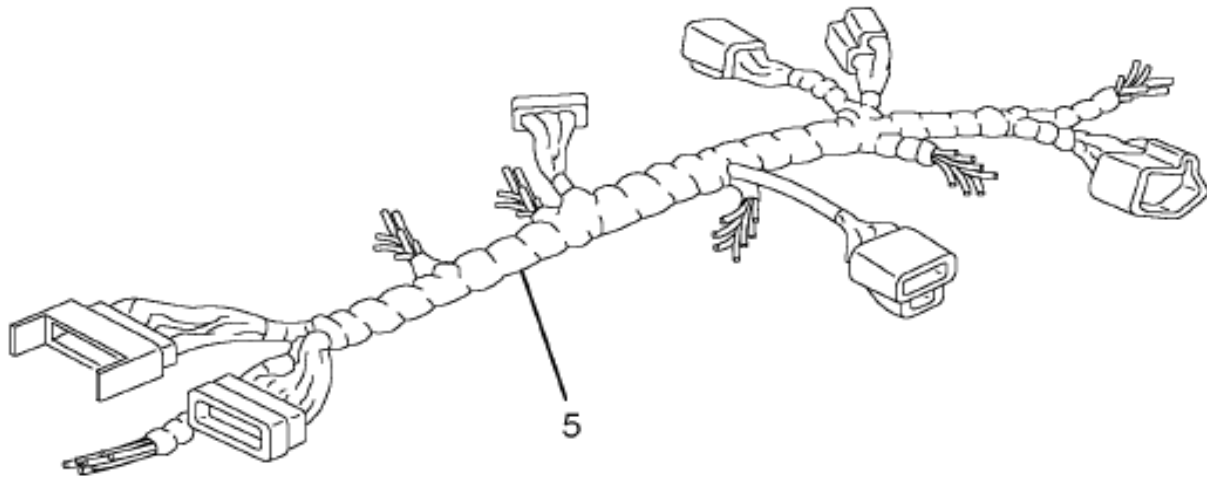
Grp
12

12-ENG-1074-01

E04

Item	Part No.	Qty	Description	Kit	Var	Figure
1	1830592C91	1	SHAFT ASSY, ROCKER ARM			1830592C91
2	1827435C1	6	BRACKET, ROCKET SHAFT			
3	1827316C1	5	SPRING, ROCKER SHAFT			
4	1872755C91	12	ARM, VALVE ROCKER ASSY			1872755C91
5	454319R1	2	RING, SNAP 1.041 EXT RET			
880	RF		NOTE: ASM BELOW COMPRISED OF ABOVE			

Figure 0F105
BASE ENGINE WIRING; (ABR#1)



Grp
12

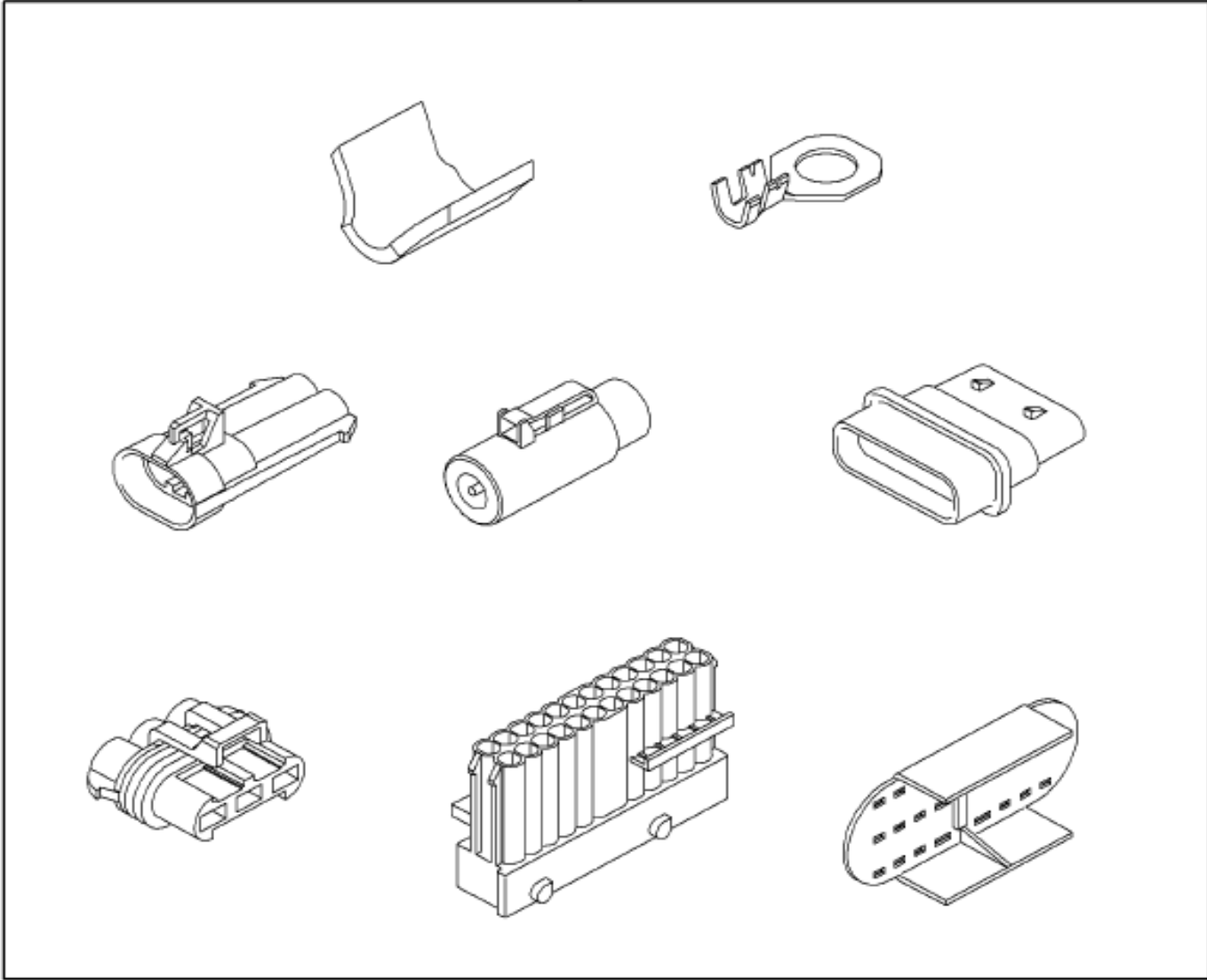
08-D01-0004-01

E04

Item	Part No.	Qty	Description	Kit	Var	Figure
5	3612457F91	1	HARN,BASE,INTL I6,24V STARTER		0FYCT	3612457F91

Figure 3612457F91
HARN,BASE,INTL I6,24V STARTER

1

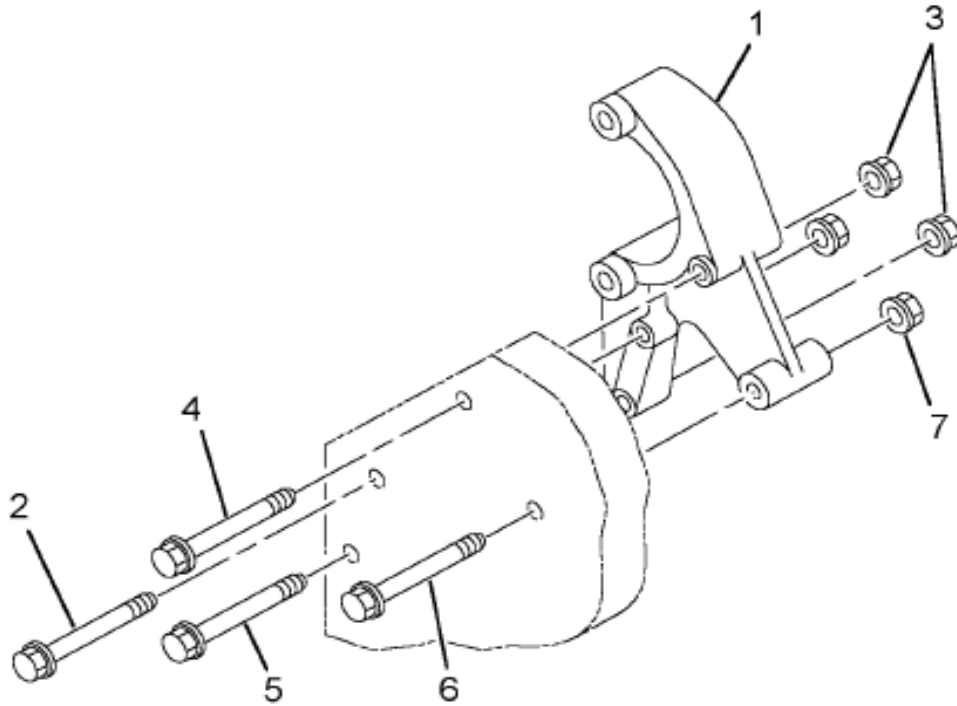


08-P58-0026-01

H05

Item	Part No.	Qty	Description	Kit	Var	Figure
1	3612452C91	1	HARN,INTL I6,BASE,24V STARTER			
880		RF	NOTE: ASM BELOW COMPRISED OF ABOVE COMPONENTS			
881	3612457F91	RF	HARN,BASE,INTL I6,24V STARTER			

Figure 641009L011
BRACKET, ALTERNATOR LEECE-NEVILLE



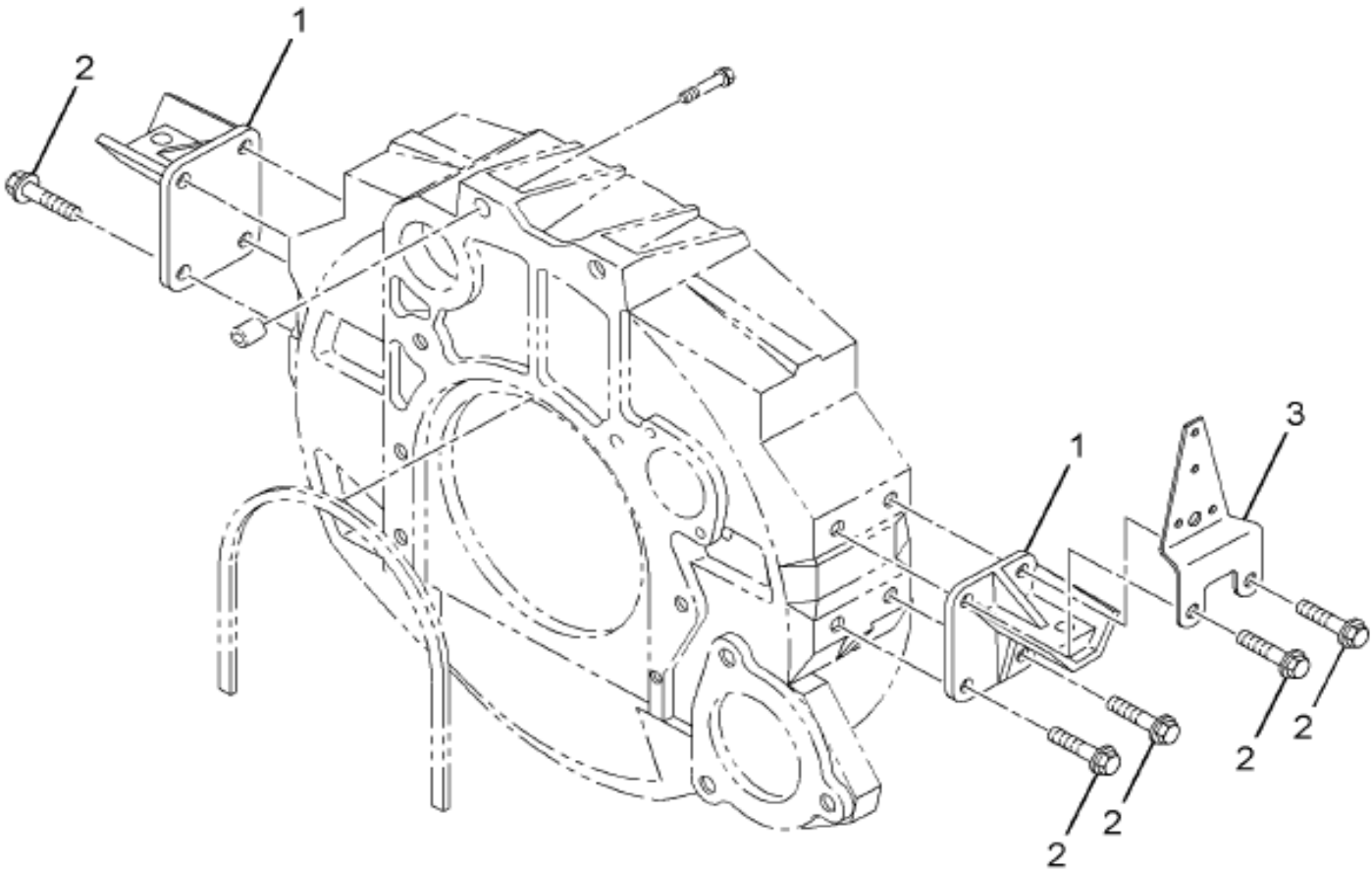
Grp
12

12-ENG-0276-01

D03

Item	Part No.	Qty	Description	Kit	Var	Figure
1	1822039C3	1	BRACKET, ALTERNATOR MOUNTING			
2	1822018C1	1	BOLT M10 X 90 MM			
3	31083R1	3	NUT M10 X 1.50			
4	1820590C1	1	BOLT			
5	1817993C1	1	BOLT M10 X 1.5-6G X 80 MM LONG			
6	1823809C1	1	BOLT M8 X 120MM			

Figure 641010N007
BRACKET, REAR MOUNT



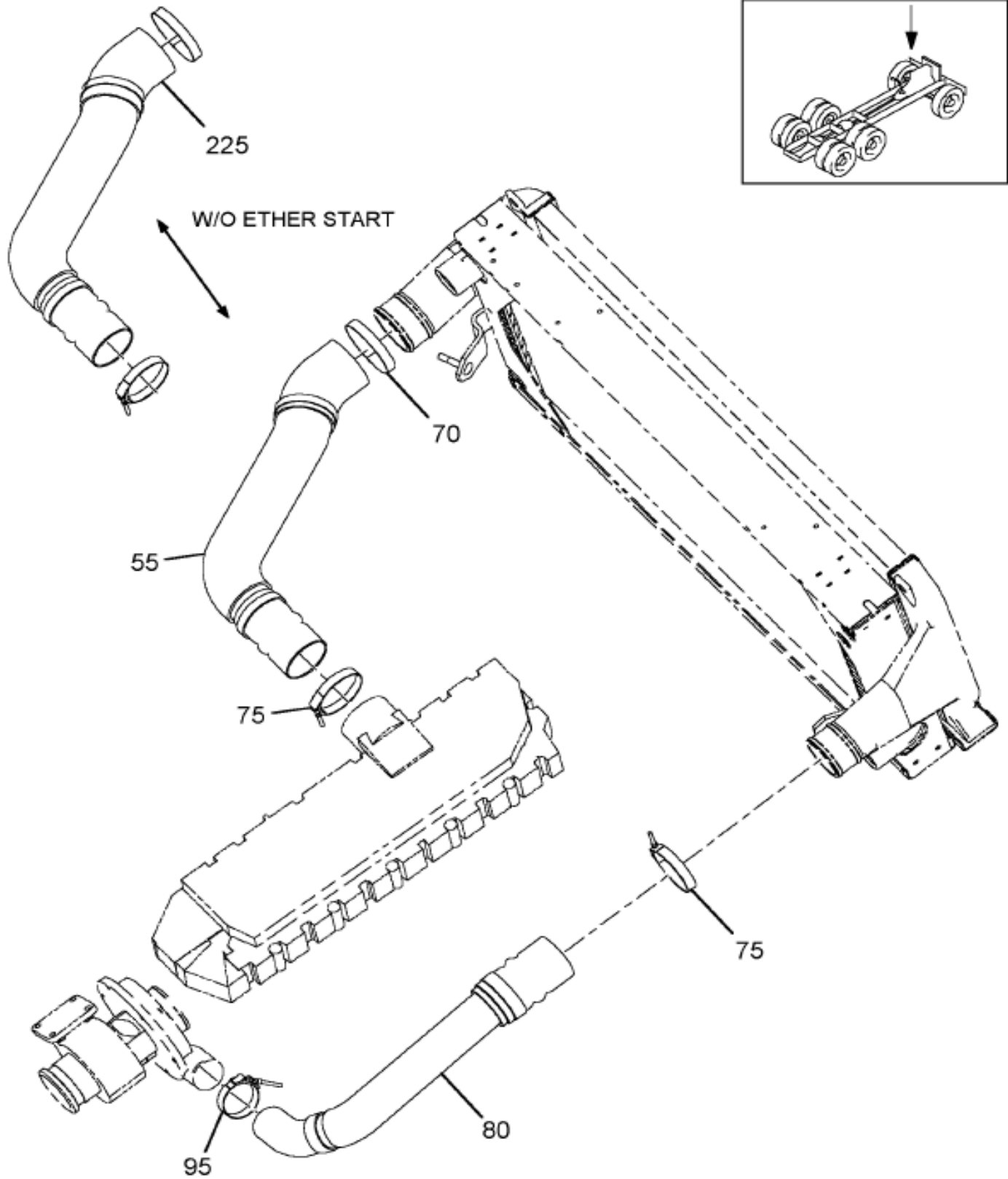
Grp
12

12-ENG-0262-01

E04

Item	Part No.	Qty	Description	Kit	Var	Figure
1	3532953C1	2	BRACKET, REAR ENGINE MOUNTING			
2	1817852C1	8	BOLT, FLANGED M12 X 1.75 MM X40 MM			
3	2024992C4	1	BRACKET, FILL TUBE			
880		RF	NOTE: ASM BELOW COMPRISED OF ABOVE COMPONENTS			
881	641010N007	RF	BRACKET, REAR MOUNT			

Figure 07PJX
CAC PIPING INSTL

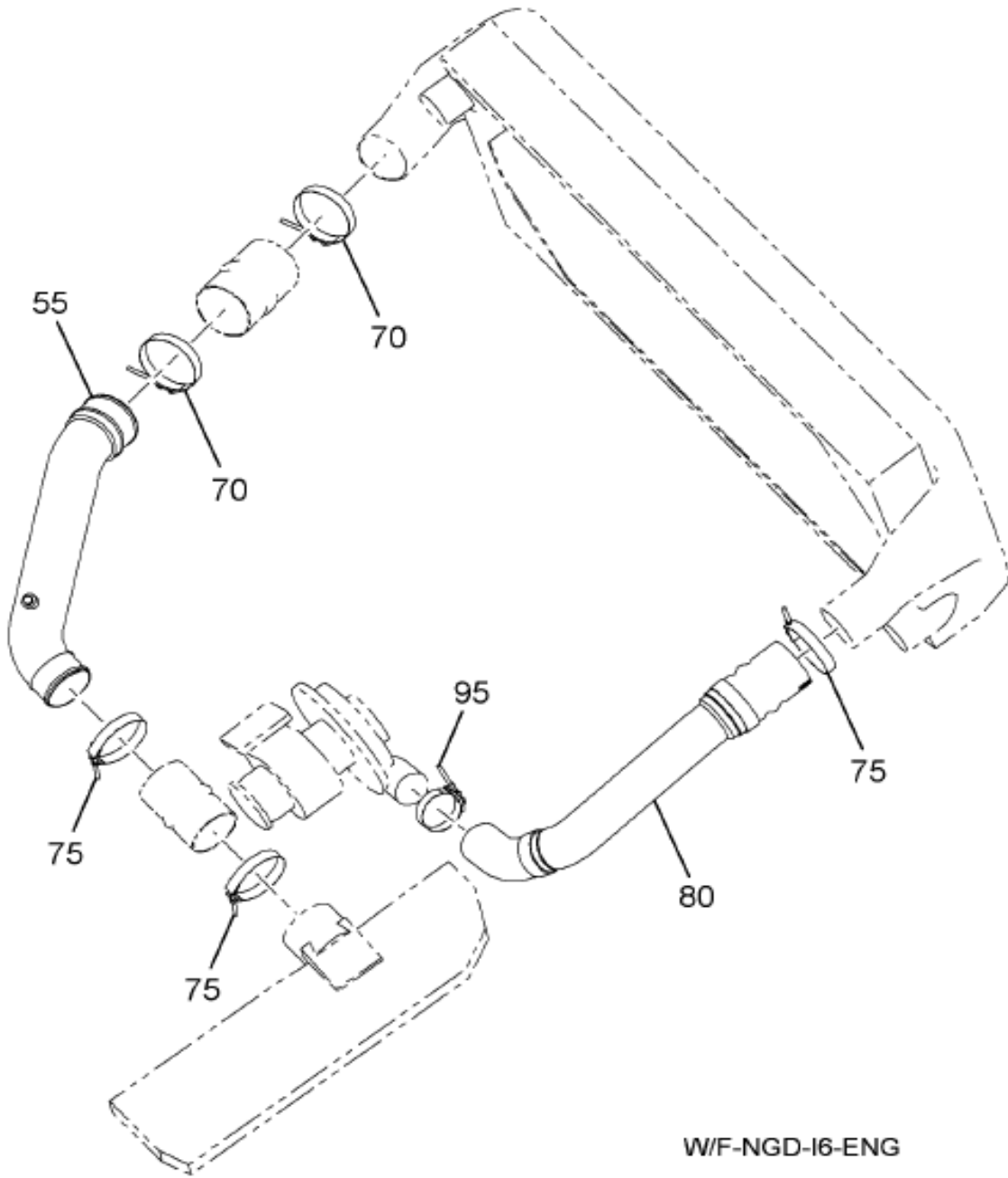


12-719-0082-BA

M03

Figure 1 of 2

Figure 07PJX
CAC PIPING INSTL



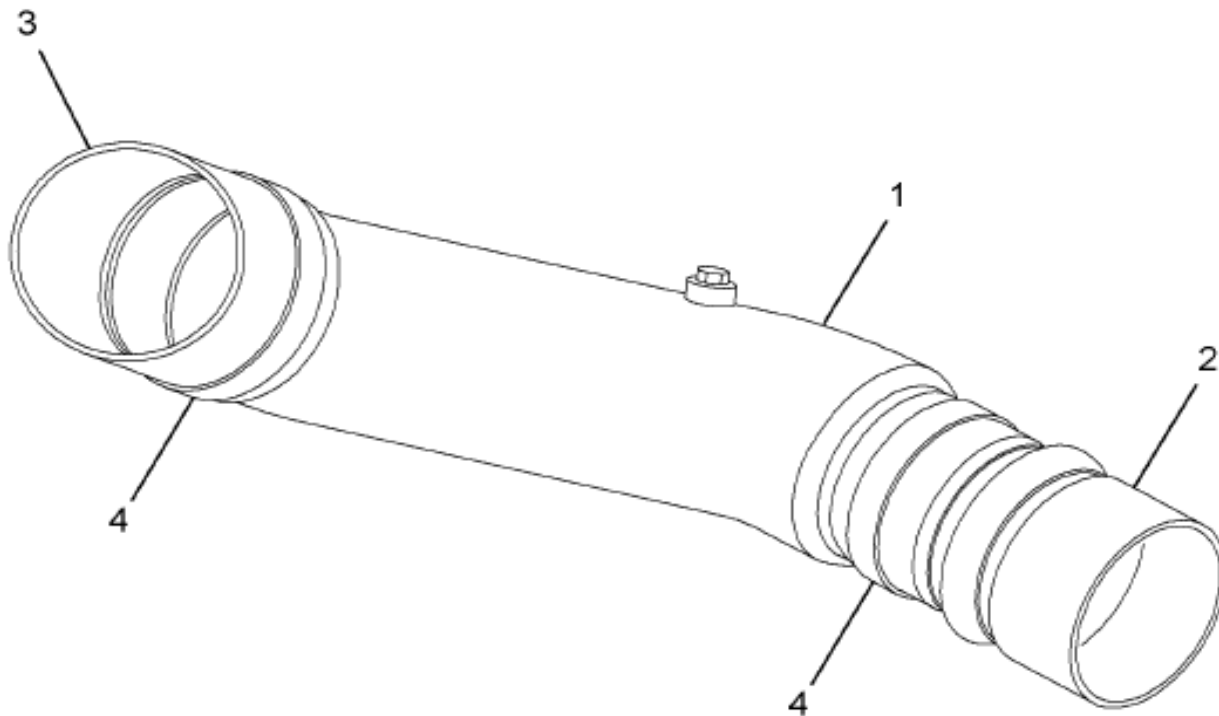
W/F-NGD-I6-ENG

12-719-0179-01

E05

Item	Part No.	Qty	Description	Kit	Var	Figure
55	3563258C91	1	PIPE,AIR COLD SIDE		0HZN6	3563258C91
70	2005763C91	1	CLAMP,CAC HOSE		07PJX	
75	3546551C1	1	CLAMP,T-BOLT HEAT EXCHANGER		07PJX	
75	3557857C1	1	CLAMP,HEAT EXCHANGER		07PJX	
80	3543959C94	1	PIPE,AIR*PIPE, AIR CAC INLET A		0HZN6	3543959C94
95	3557854C1	1	CLAMP,HEAT EXCHANGER		07PJX	

Figure 3563258C91
PIPE,AIR COLD SIDE

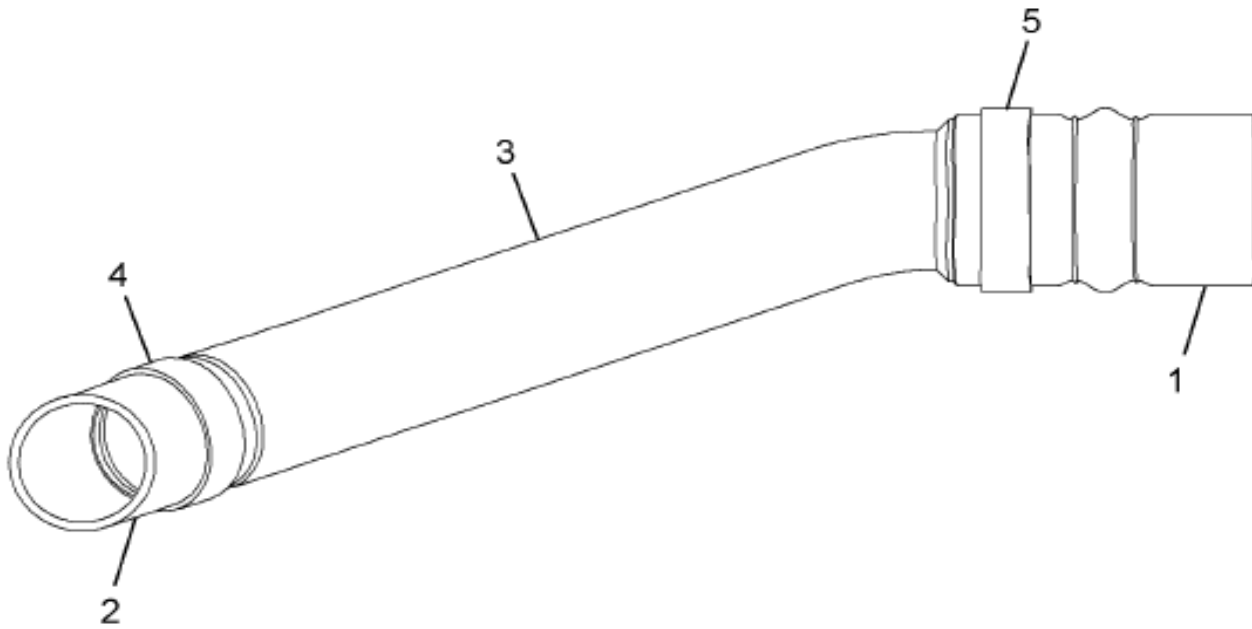


12-719-0325-01

A07

Item	Part No.	Qty	Description	Kit	Var	Figure
1	3563257C91	1	PIPE,AIR COLD SIDE			
2	3543544C1	1	HOSE,FLEXIBLE AIR CAC COLD SID			
3	3561905C1	1	ELBOW,HOSE CAC 4" COLD SIDE 45			
4	3557858C1	2	CLAMP,HEAT EXCHANGER			
880	RF		NOTE: ASM BELOW COMPRISED OF ABOVE COMPONENTS			

Figure 3543959C94
 PIPE,AIR*PIPE, AIR CAC INLET A

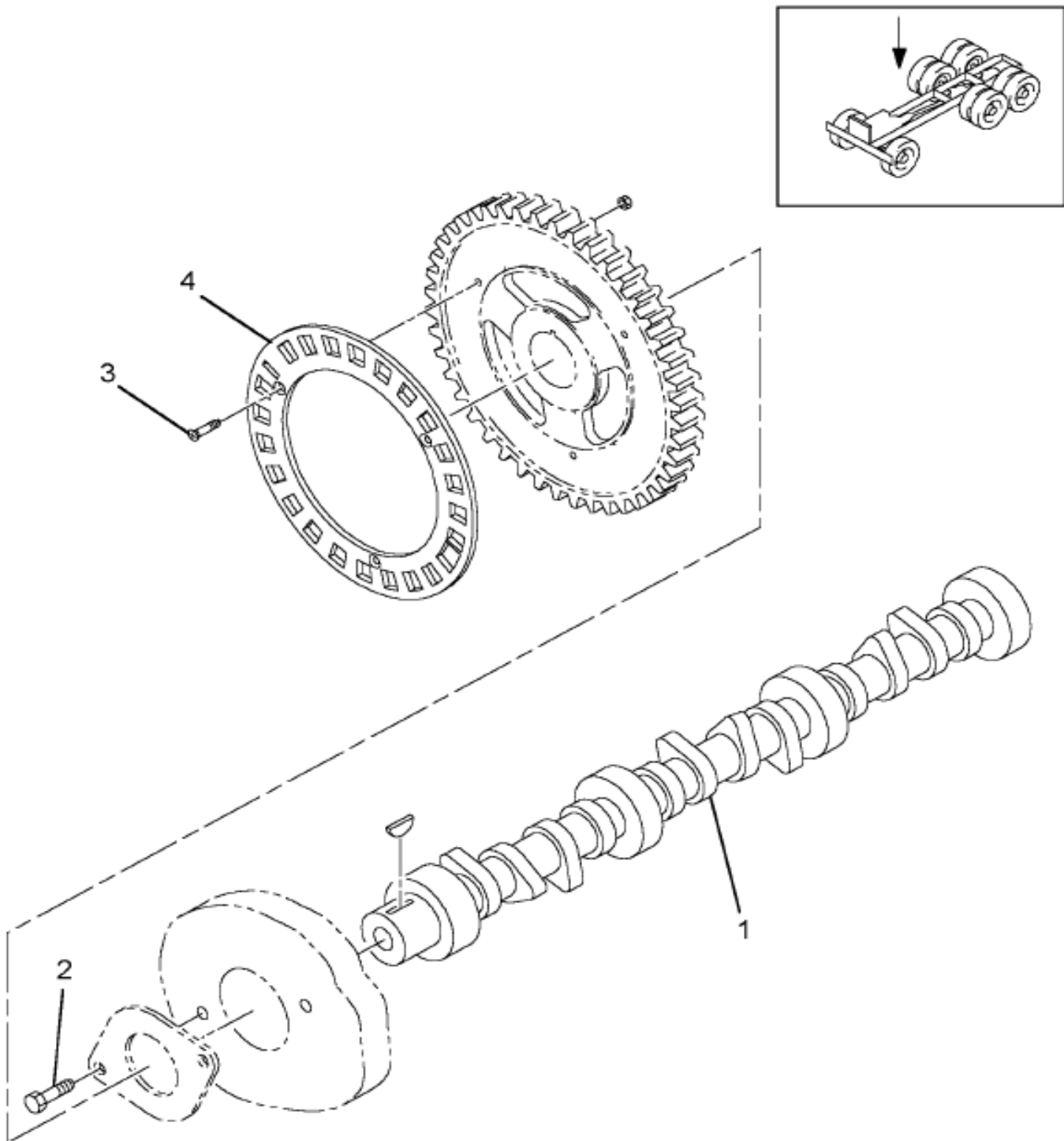


12-719-0272-01

L06

Item	Part No.	Qty	Description	Kit	Var	Figure
1	3541592C1	1	HOSE,FLEXIBLE AIR			
2	3541593C2	1	HOSE,FLEXIBLE AIR			
3	3543958C3	1	PIPE,AIR*PIPE, AIR CAC INLET			
4	3557854C1	1	CLAMP,HEAT EXCHANGER			
5	3557857C1	1	CLAMP,HEAT EXCHANGER			
880	RF		NOTE: ASM BELOW COMPRISED OF ABOVE			

Figure 641003A004
CAMSHAFT

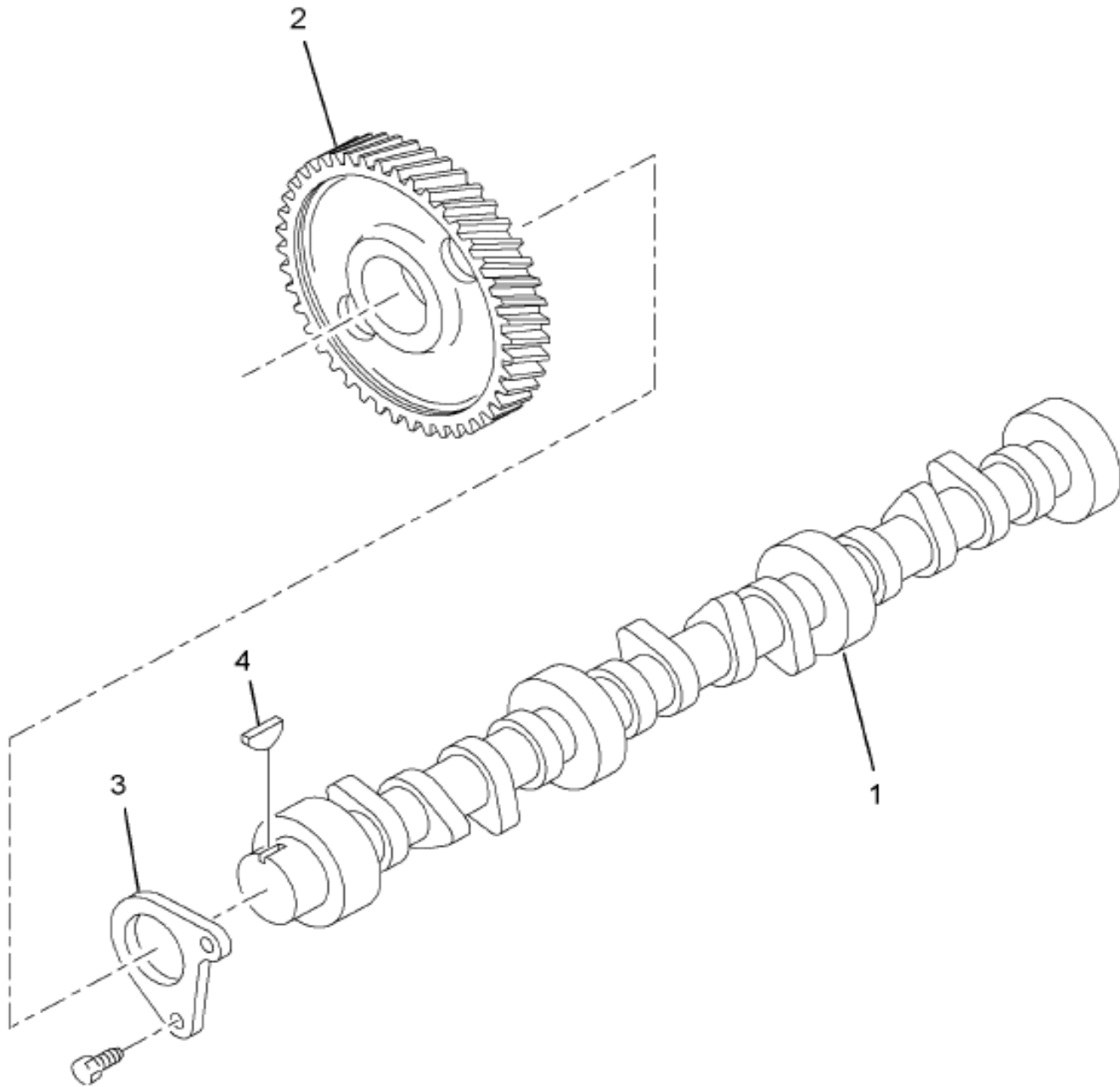


12-ENG-0139-01

A03

Item	Part No.	Qty	Description	Kit	Var	Figure
1	1830613C91	1	CAMSHAFT ASM			1830613C91
2	1817956C1	2	BOLT, FLANGE M8 X 20MM			
3	1825464C1	3	SCREW, FLAT HEAD M5X12			
4	1824723C1	1	DISC, TIMING SENSOR			
880	RF		NOTE: ASM BELOW COMPRISED OF ABOVE COMPONENTS			

Figure 1830613C91
CAMSHAFT, ASSEMBLY

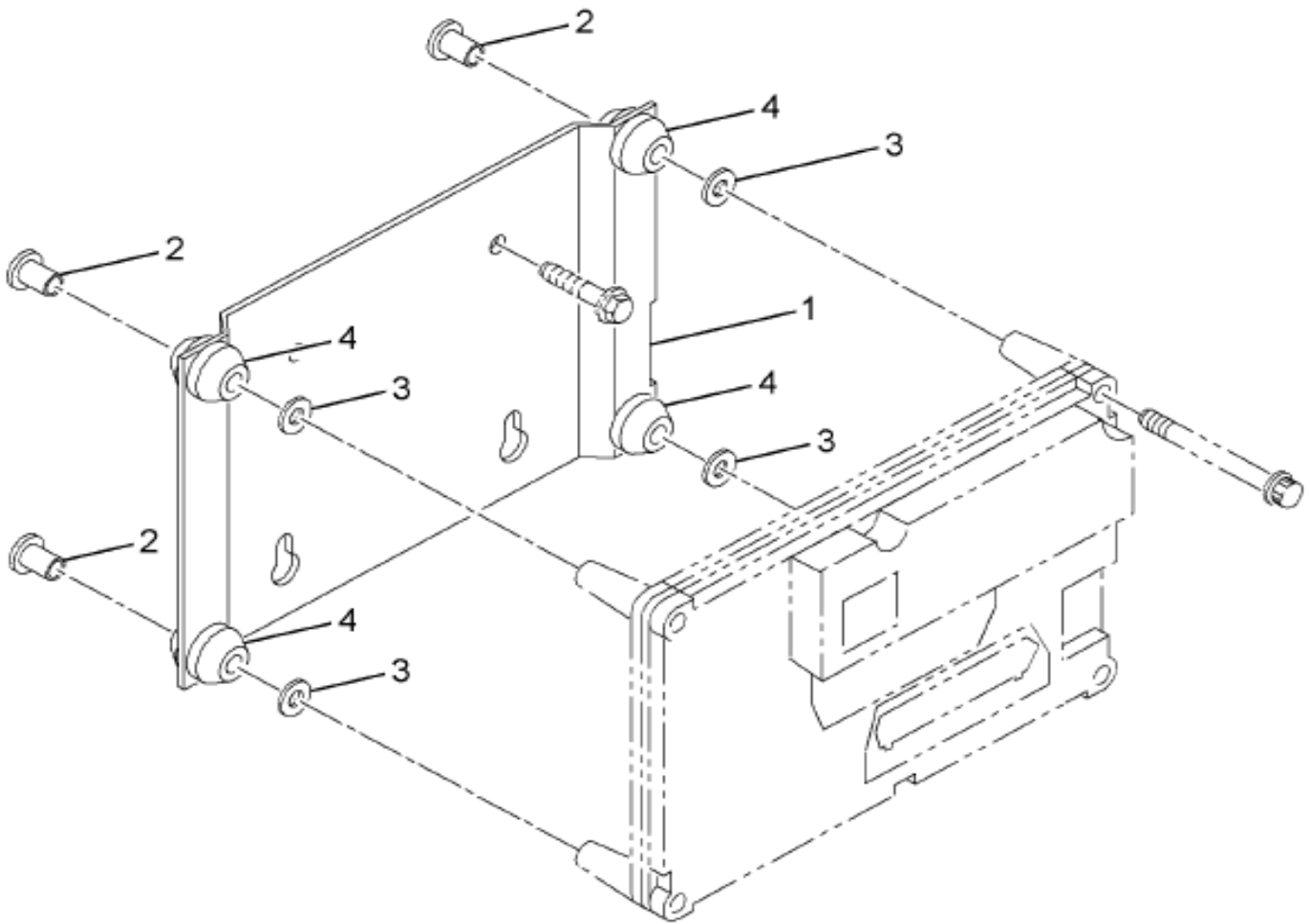


12-ENG-0583-01

H03

Item	Part No.	Qty	Description	Kit	Var	Figure
1	1824747C1	1	CAMSHAFT, MACHINING			
2	1823944C92	1	GEAR ASSY, CAMSHAFT			1823944C92
3	1817545C1	1	PLATE, CAMSHAFT THRUST FLANGE			
4	218211	1	KEY, 1/4 X 3/4 SAE 91 WOODRUFF			
880		RF	NOTE: ASM BELOW COMPRISED OF ABOVE COMPONENTS			

Figure 1829953C92
BRACKET ASSY.,CEC REAR MOUNT



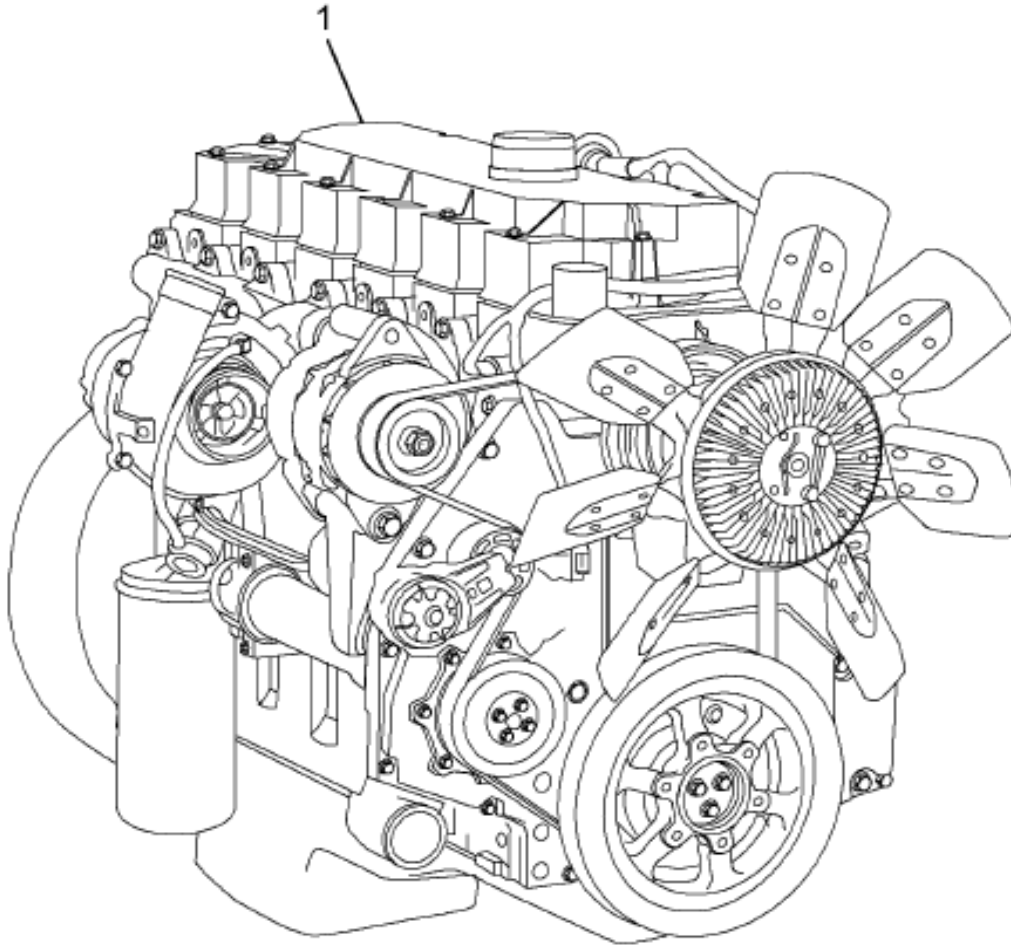
Grp
1
2

12-ENG-1071-01

E04

Item	Part No.	Qty	Description	Kit	Var	Figure
1	1829944C1	1	BRACKET ASSY,CEC MOD REAR MNT			
2	1830118C1	4	SPACER, NUT			
3	1829863C1	4	WASHER,FLAT M8			
4	1825945C1	8	GROMMET,VIBRATION ISOLATOR			
880	RF		NOTE: ASM BELOW COMPRISED OF ABOVE COMPONENTS			

Figure 3534677F91
CONTROL, ELECTRONIC CEC HARDWAR



DT 466

Grp
12

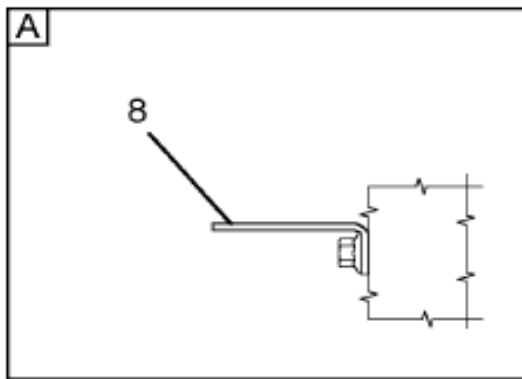
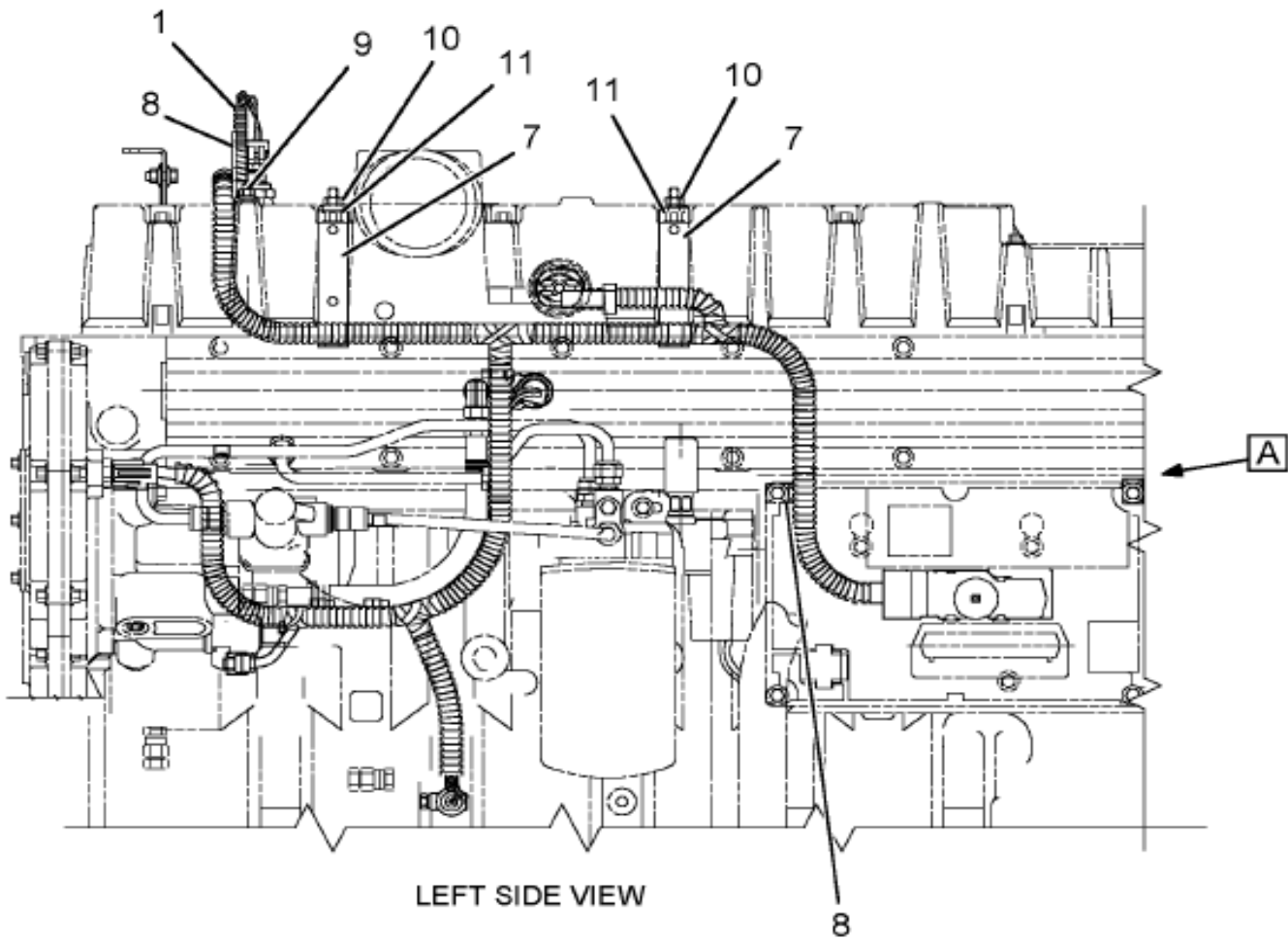
12-E02-0001-01

D09

Item	Part No.	Qty	Description	Kit	Var	Figure
1		RF	IC13 - ELECTR.HDW REAR MOUNT 12V			
1	641009A008	1	ELECTRIC,WIRING REAR CEC	U		641009A008
1	641009B005	1	ELECTRONIC SENSORS-NGV	U		641009B005
1	641009C014	1	REAR MTG CEC-NGV	U		641009C014
880		RF	NOTE: ASM BELOW COMPRISED OF ABOVE COMPONENTS			

Figure 641009A008
ELECTRIC, WIRING REAR CEC

U

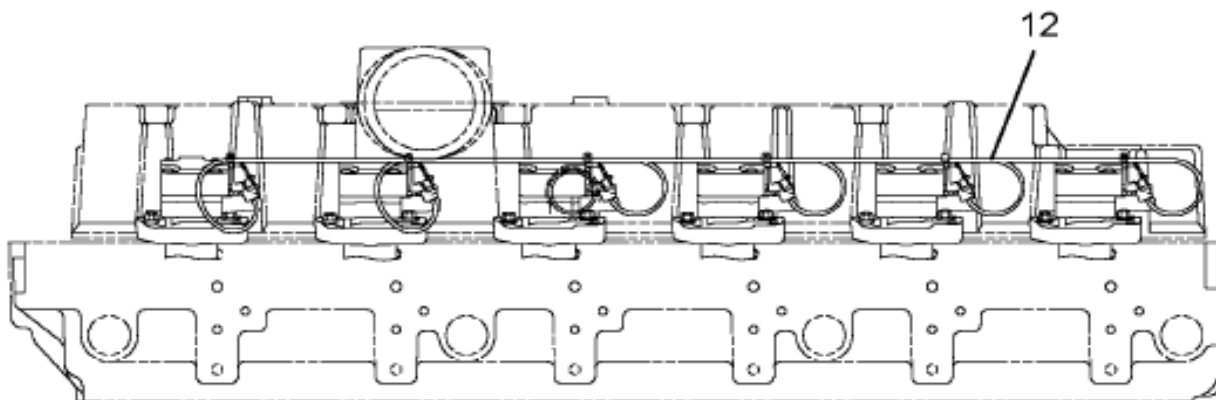
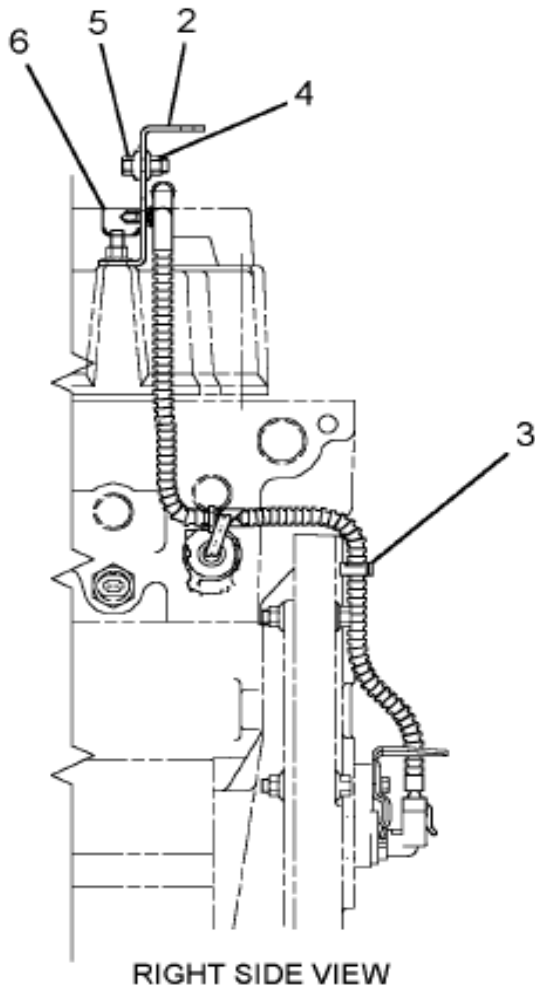


Grp
1
2

Figure 1 of 2

Figure 641009A008
ELECTRIC, WIRING REAR CEC

U



12-ENG-0365-02

E03

Item	Part No.	Qty	Description	Kit	Var	Figure
1	1833443C95	1	HARNASS ASSY,ENGINE I6 HEUI			1833443C95
1		RF	BEFORE 10/21/2009			
1	1889514C91	1	HARNASS ASSY,ENGINE I6 HEUI			
1		RF	10/21/2009 AND LATER			
2	2002176C1	1	EXTENSION,CLIP			
3	1807336C1	1	CLIP,HARNASS			

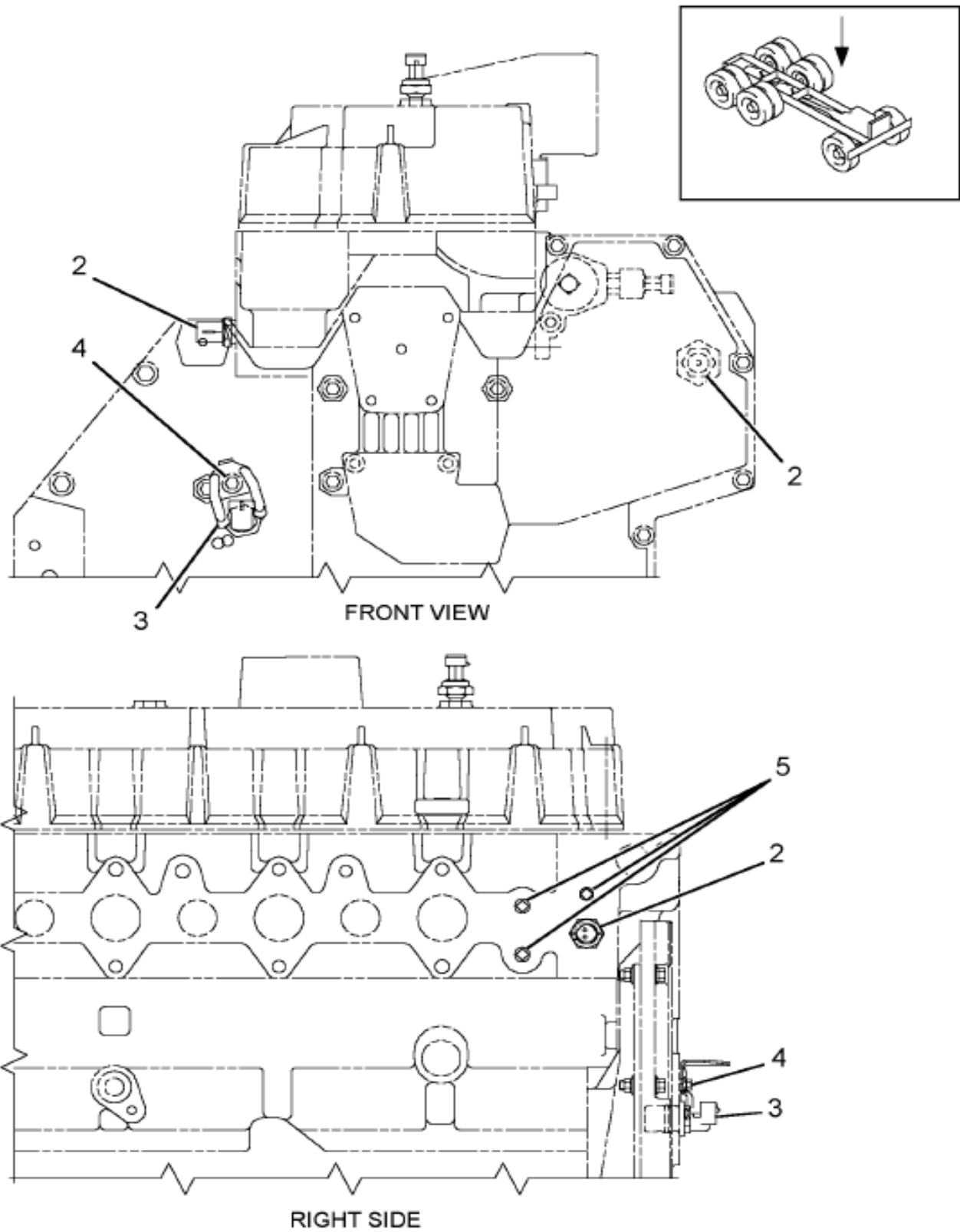
Figure 641009A008

ELECTRIC, WIRING REAR CEC

U

Item	Part No.	Qty	Description	Kit	Var	Figure
4	40049R1	1	NUT, M6 X 1.0 HEX FLANGE			
5	1817953C1	1	BOLT, M6 X 1.0 X 16MM HEX FLANG			
6	2003460C1	1	CLAMP, CABLE			
7	1833417C2	2	BRACKET, EXTENSION			
8	1833419C2	3	BRACKET, EXTENSION			
9	1822888C1	1	BOLT, M8X12 HEX FLANGE			
10	40050R1	2	NUT, M8 X 1.25 HEX FLG, PHC GR10			
11	30175R1	2	WASHER, 8.8 X 17 X 2MM PHC			
12	1807455C91	1	HARNESS, INTERNAL WIRING			
12		RF	BEFORE 01/27/2000			
12	1807455C92	1	HARNESS, INTERNAL WIRING			1807455C92
12		RF	BETWEEN 01/27/2000 AND 10/21/2009			
12	1889905C91	1	HARNESS ASSY, INJECTOR			1889905C91
12		RF	10/21/2009 AND LATER			
800		RF	NOTE: THE FOLLOWING PARTS ARE NON-ILLUSTRATED			
801	1807323C1	1	RING, O 16 PASS-THRU CONNECTOR			
802	1833424C1	1	COVER, CHASSIS HARNESS			
803	299565C1	2	CLAMP, .688 DIA ZNP COATED MED			
880		RF	NOTE: ASM BELOW COMPRISED OF ABOVE COMPONENTS			
881	641009A008	RF	ELECTRIC, WIRING REAR CEC	U		

Grp
12



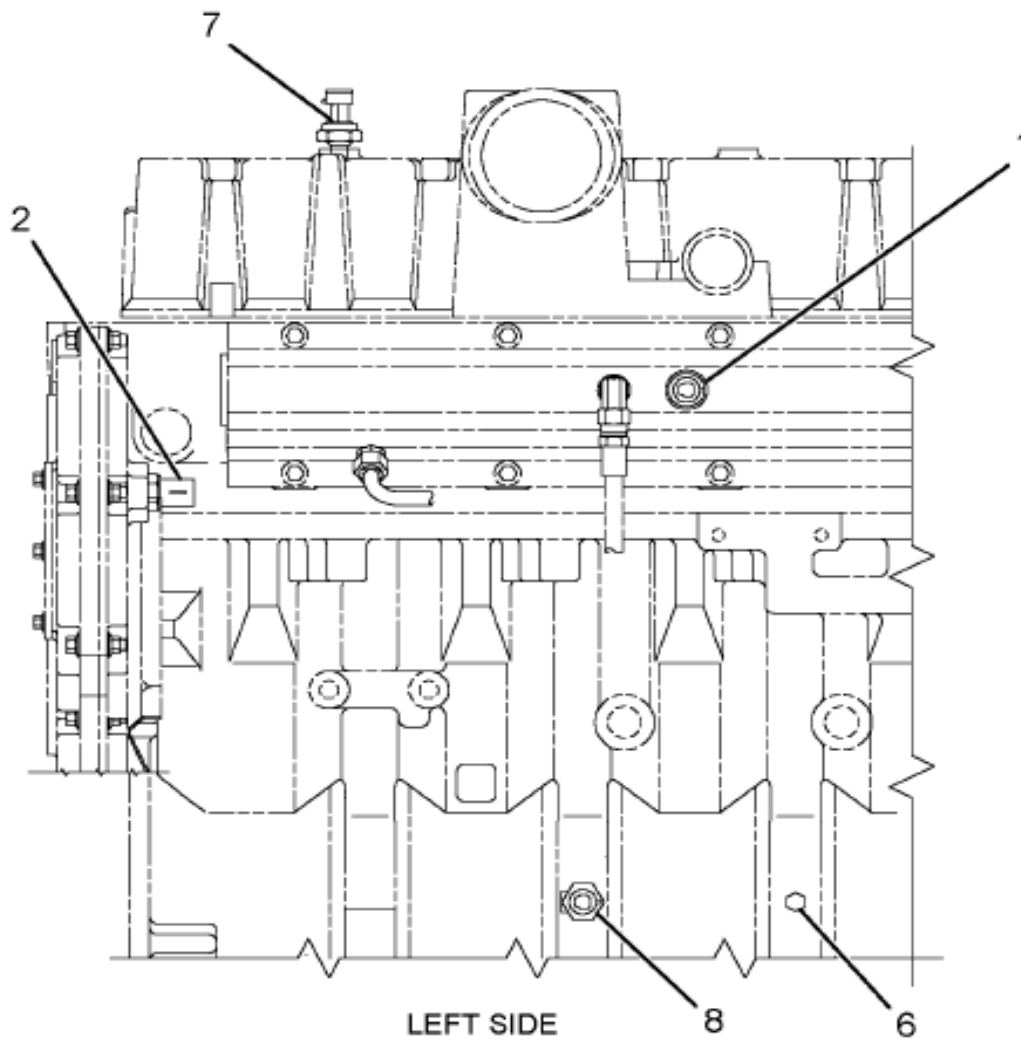
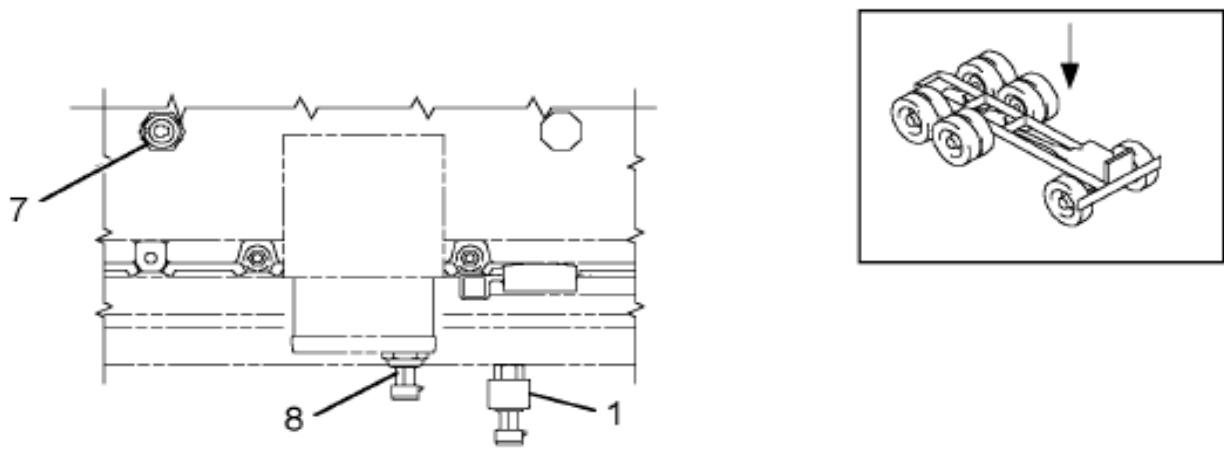
12-ENG-0423-01

E03

Figure 1 of 2

Figure 641009B005
ELECTRONIC SENSORS-NGV

U



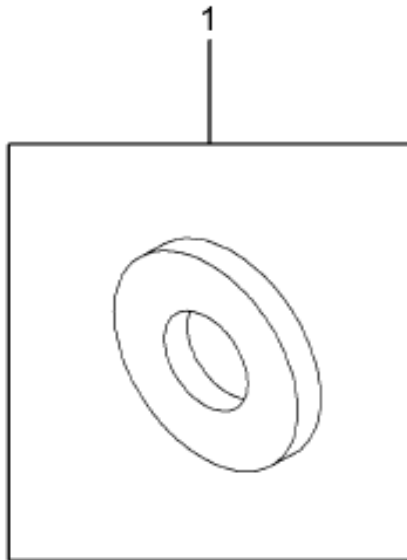
G R P
1 2

12-ENG-0423-02

E03

Item	Part No.	Qty	Description	Kit	Var	Figure
1	1830669C91	1	SENSOR, INJ CONT PRES (ICP)			1830669C91
2	1814320C1	2	SENSOR, TEMPERATURE			
		RF	BEFORE 10/20/2009			
2	1889511C1	2	SENSOR, TEMPERATURE			
		RF	10/20/2009 AND LATER			
3	1807339C92	1	SENSOR, CAMSHAFT POS CMP			

Figure 1830110C1
GROMMET ASSY, WASHER & GROMMET



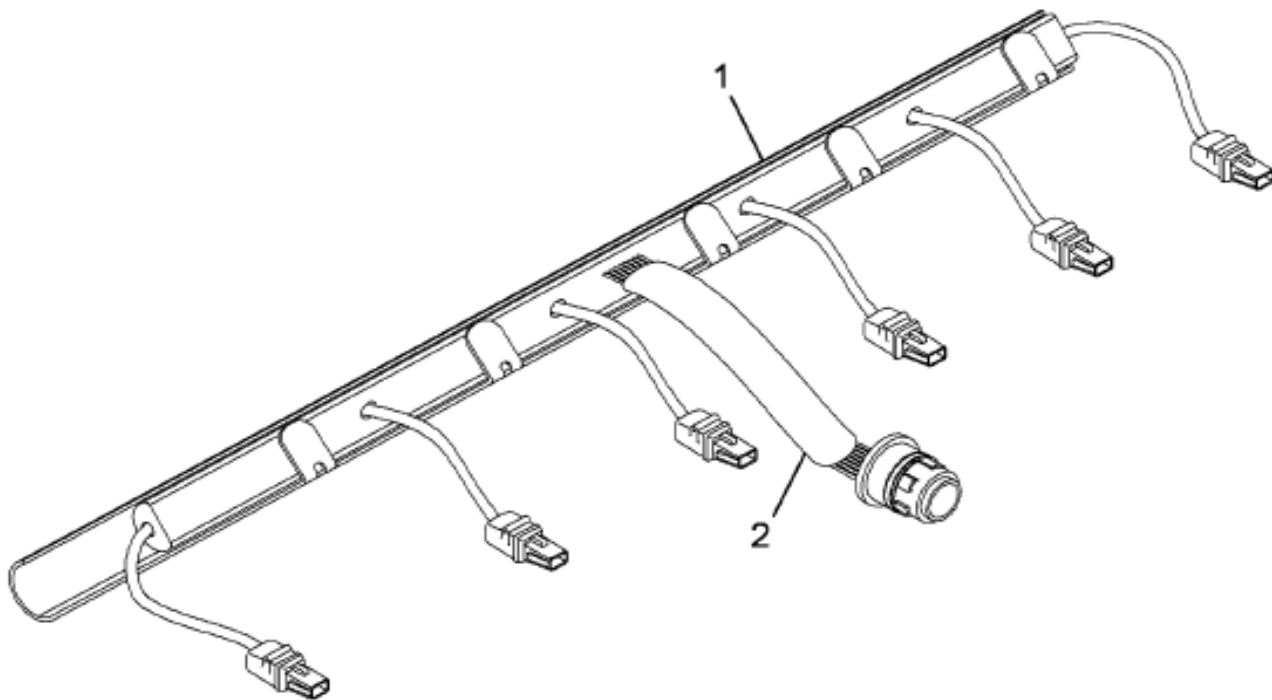
G
r
p
1
2

12-ENG-2225-01

F09

Item	Part No.	Qty	Description	Kit	Var	Figure
1	1829863C1	1	WASHER, FLAT M8			
880		RF	NOTE: ASM BELOW COMPRISED OF ABOVE COMPONENTS			
881	1830110C1	RF	GROMMET ASSY, WASHER & GROMMET			

Figure 1889905C91
HARNESS ASSY, INJECTOR

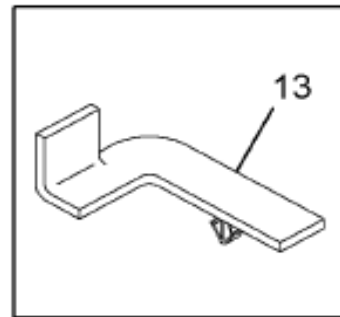
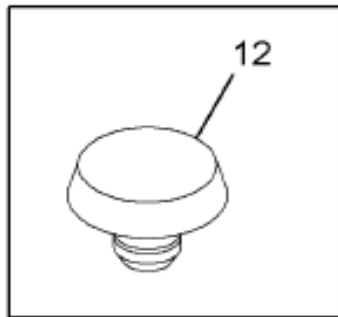
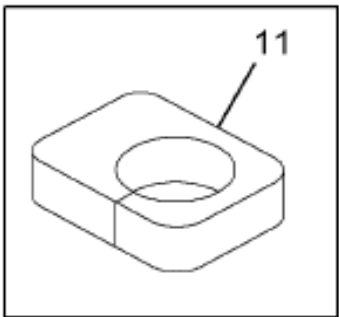
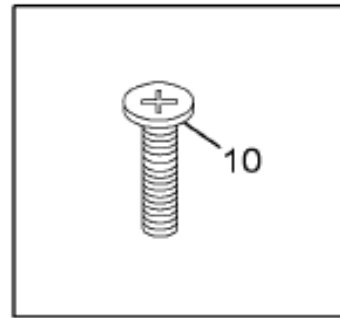
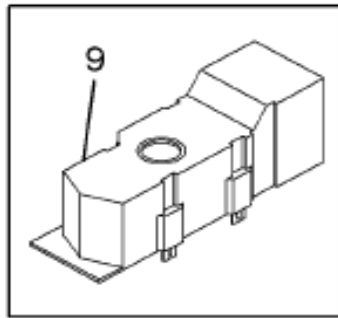
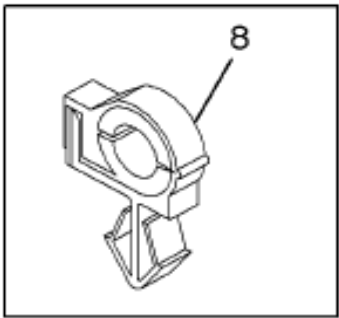
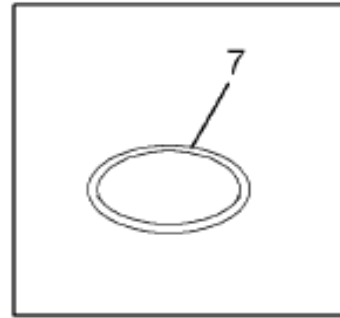
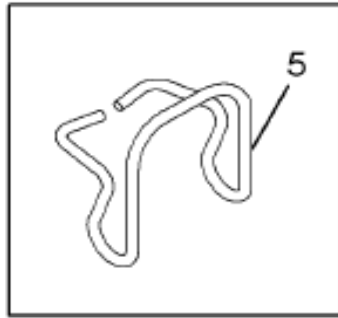
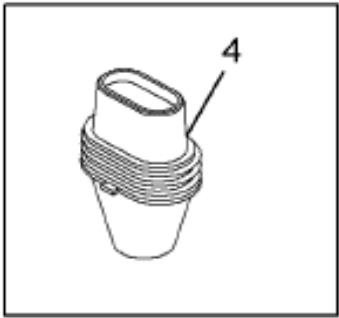
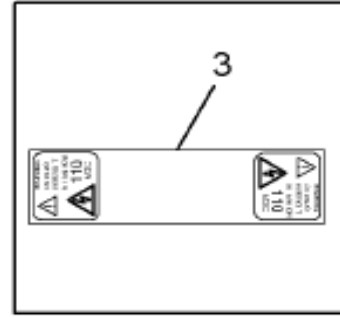
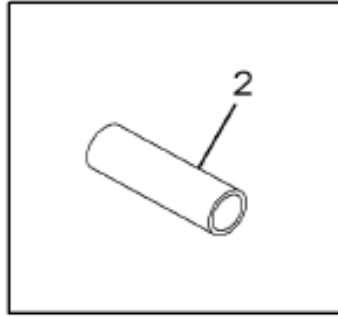
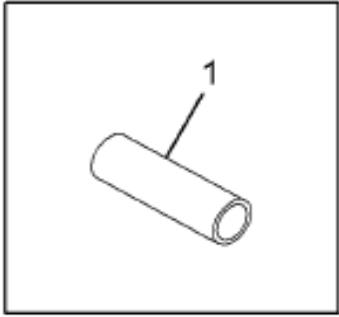


12-ENG-2578-01

G11

Item	Part No.	Qty	Description	Kit	Var	Figure
1	1807296C1	1	CHANNEL, WIRING HARNESS			
2	1890310C91	1	HARNESS, INTERNAL WIRING			1890310C91
880		RF	NOTE: ASM BELOW COMPRISED OF ABOVE COMPONENTS			
881	1889905C91	RF	HARNESS ASSY, INJECTOR			

Figure 1833443C95
 HARNESS ASSY,ENGINE I6 HEUI

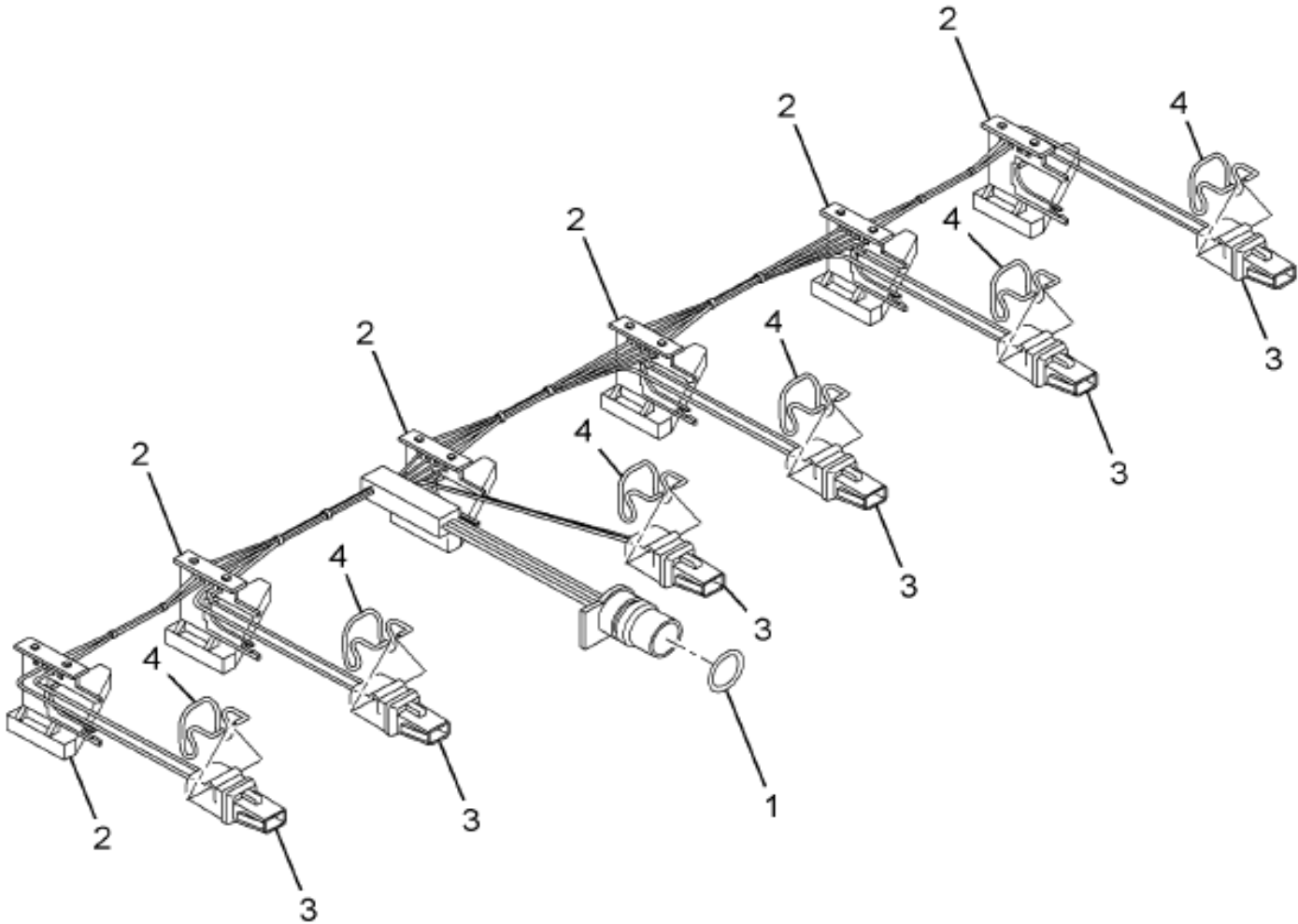


12-ENG-1668-01

E06

Item	Part No.	Qty	Description	Kit	Var	Figure
1	2644000R1	2	SLEEVE HEAT SHRINK			
2	2644038R1	1	SLEEVE,CABLE INSULATING			
3	1807428C1	1	PROD.GRAPH.WARN.LABEL			
4	1807322C1	1	CONNECTOR,IPR			
5	1822897C1	1	CLIP,HARNESS RETAINER			
7	1807261C1	2	SEAL, PRESS CONNECTOR			

Figure 1807455C92
HARNESS, INTERNAL WIRING

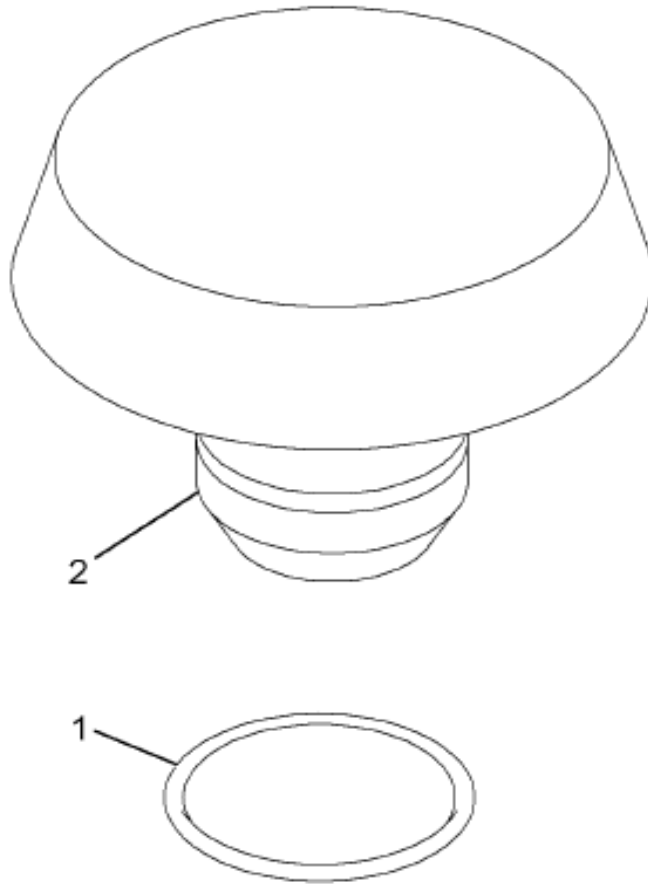


12-ENG-1159-01

G04

Item	Part No.	Qty	Description	Kit	Var	Figure
1	1824908C1	1	RING, O SIZE 124			
2	1827803C2	6	SUPPORT, UVC HARNESS			
3	1815924C2	6	CONNECTOR, INJECTOR CYLINDER			
4	1822897C1	6	CLIP, HARNESS RETAINER			
880	RF		NOTE: ASM BELOW COMPRISED OF ABOVE COMPONENTS			

Figure 1831415C92
KNOB, ASSY, CEC HARNESS (95)



12-ENG-1666-01

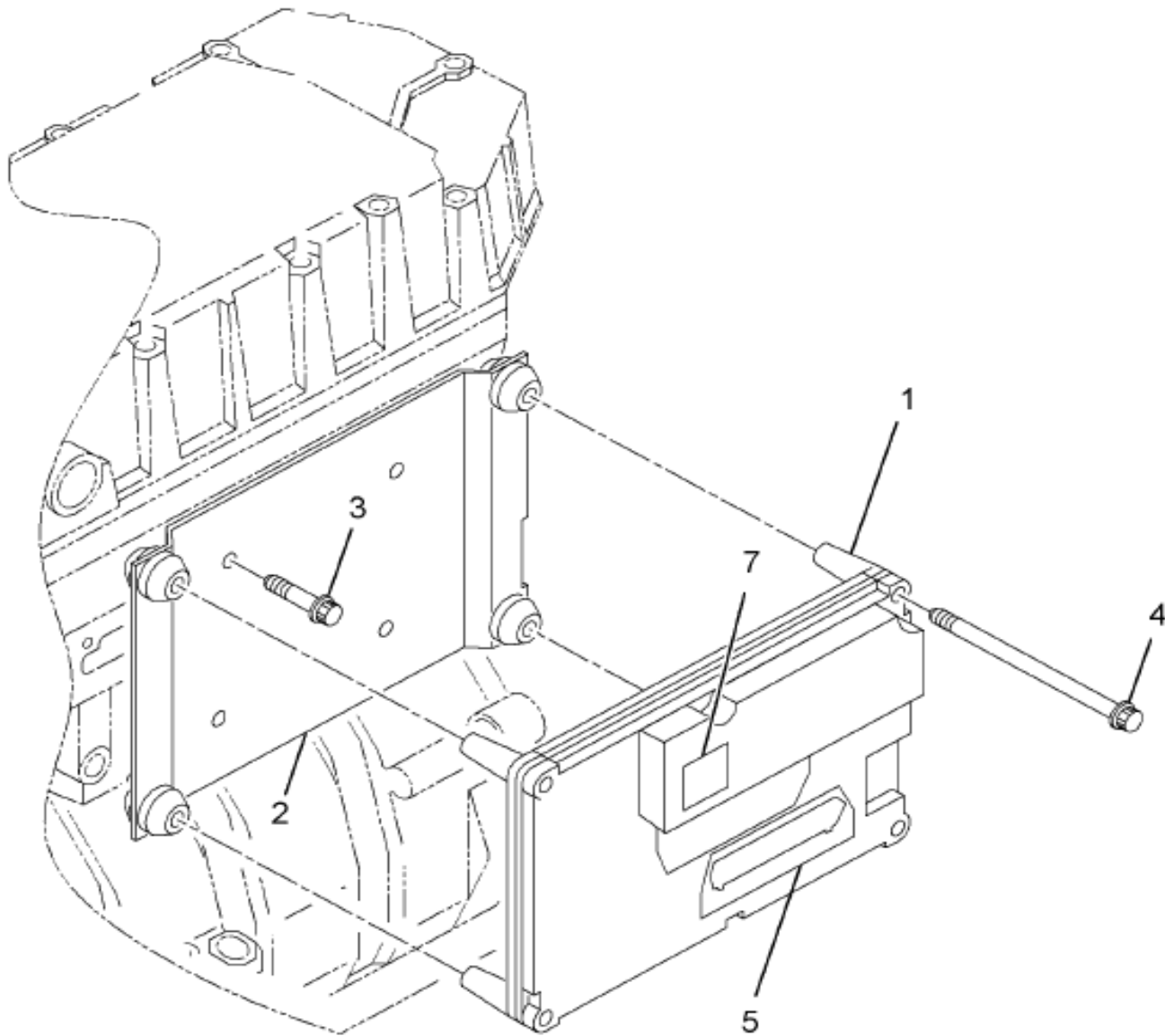
E06

Item	Part No.	Qty	Description	Kit	Var	Figure
1	1831376C1	1	FASTENER, SPECIAL*KNOB O-RING			
2	1827157C2	1	KNOB, CEC HARNESS			
880		RF	NOTE: ASM BELOW COMPRISED OF ABOVE COMPONENTS			
881	1831415C92	RF	KNOB, ASSY, CEC HARNESS (95)			

Figure 641009C014

REAR MTG CEC-NGV

U

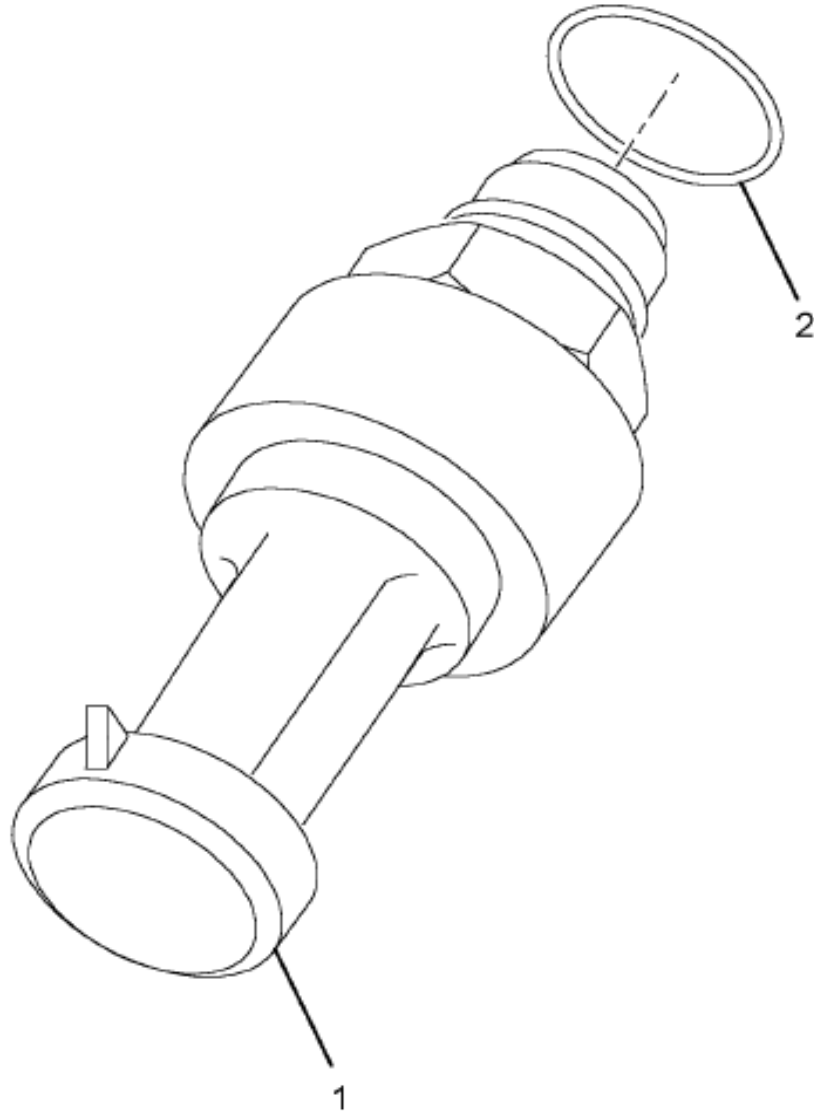


12-ENG-0422-01

G04

Item	Part No.	Qty	Description	Kit	Var	Figure
1	1833341C1	1	MODULE,ELECT CONTROL 12V-CEC			
2	1829953C92	RF	BRACKET ASSY.,CEC REAR MOUNT			1829953C92
2		RF	ORDER COMPONENTS BELOW TO MAKE ASSEMBLY			
2	1829944C1	1	BRACKET ASSY,CEC MOD REAR MNT			
2	1825945C1	8	GROMMET,VIBRATION ISOLATOR			
2	1829863C1	4	WASHER,FLAT M8			

Figure 1830669C91
 SENSOR, INJ CONT PRES (ICP)



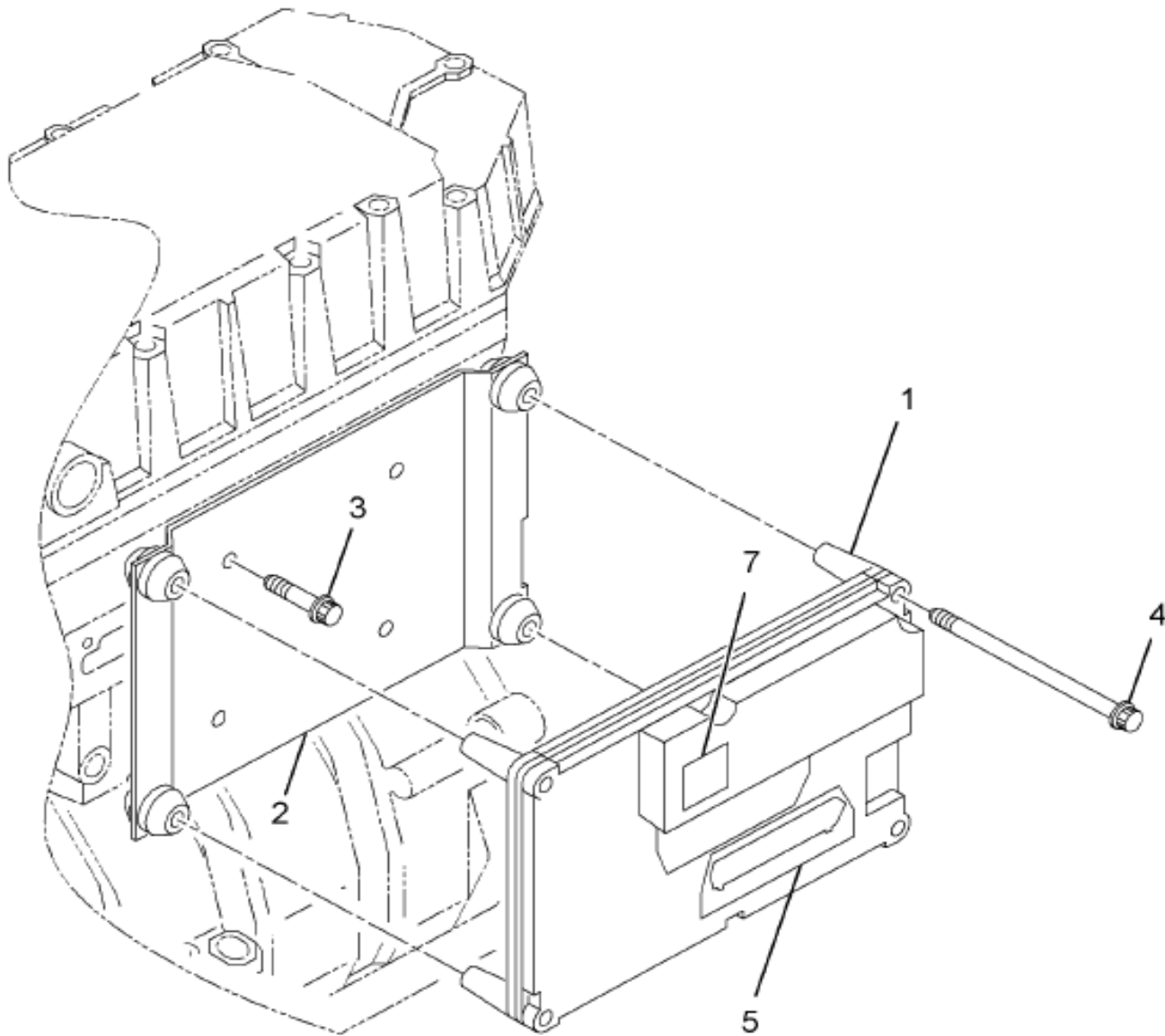
Grp
1
2

12-ENG-0841-01

M03

Item	Part No.	Qty	Description	Kit	Var	Figure
1	1833031C1	1	SENSOR, INJ CONT PRESS (ICP)			
2	1815874C1	1	RING, O #905			
880		RF	NOTE: ASM BELOW COMPRISED OF ABOVE COMPONENTS			
881	1830669C91	RF	SENSOR, INJ CONT PRES (ICP)			

Figure 641009C014
CEC, REAR MOUNTING

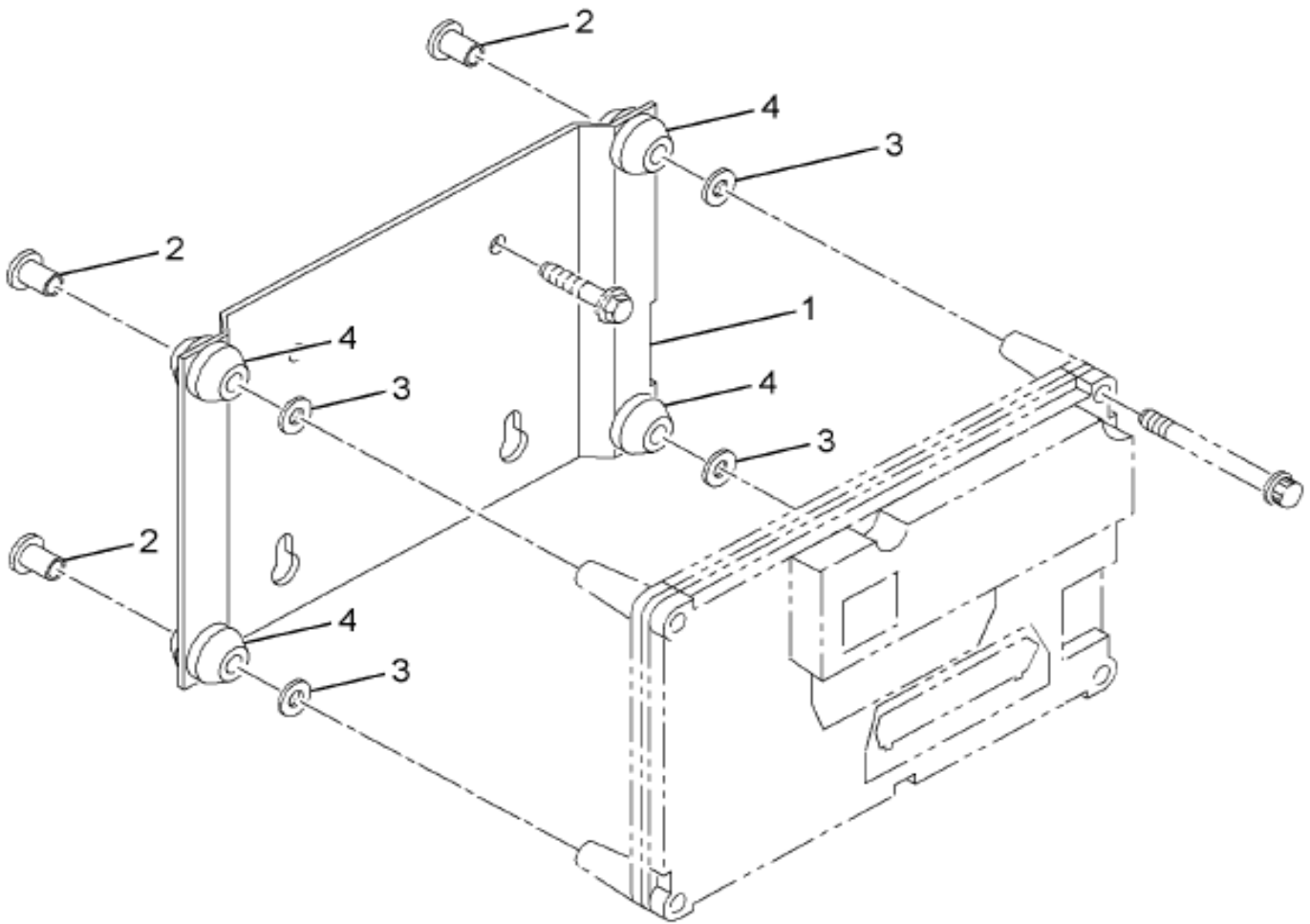


12-ENG-0422-01

G04

Item	Part No.	Qty	Description	Kit	Var	Figure
1	1833341C1	1	, ELECTRONIC CONTROL CONSOLIDATED ENGINE 12 VOLT			
2	1829953C92	RF	BRACKET ASM.,CEC REAR MOUNT			1829953C92
2		RF	ORDER COMPONENTS BELOW TO MAKE ASSEMBLY			
2	1829944C1	1	BRACKET, MOUNTING CEC MODULE REAR			
2	1825945C1	8	GROMMET VIBRATION ISOLATOR			

Figure 1829953C92
BRACKET ASSY.,CEC REAR MOUNT

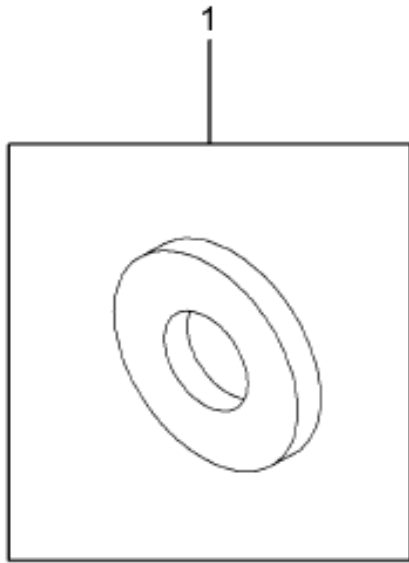


12-ENG-1071-01

E04

Item	Part No.	Qty	Description	Kit	Var	Figure
1	1829944C1	1	BRACKET ASSY,CEC MOD REAR MNT			
2	1830118C1	4	SPACER, NUT			
3	1829863C1	4	WASHER,FLAT M8			
4	1825945C1	8	GROMMET,VIBRATION ISOLATOR			
880	RF		NOTE: ASM BELOW COMPRISED OF ABOVE COMPONENTS			

Figure 1830110C1
GROMMET ASSY, WASHER & GROMMET

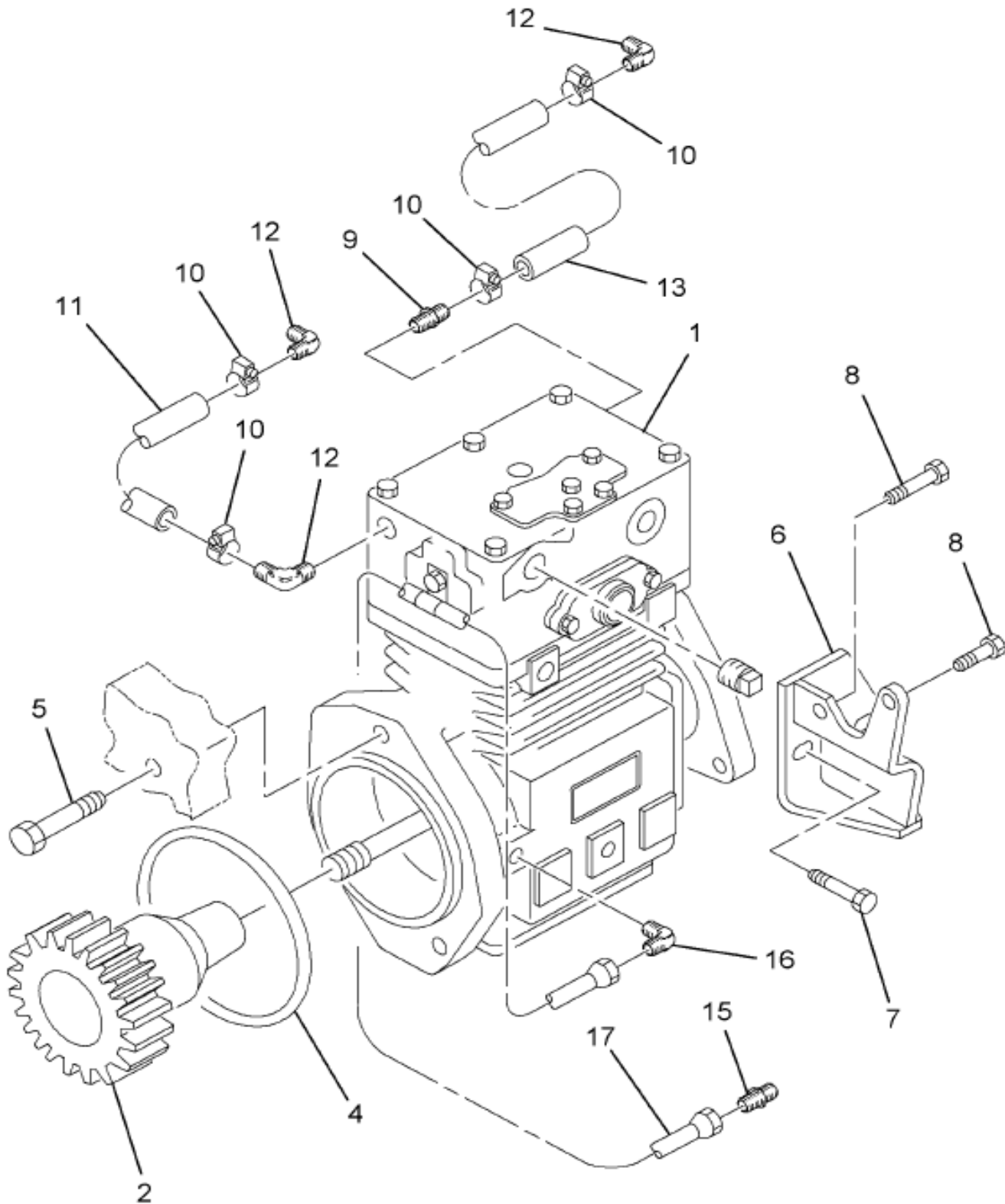


12-ENG-2225-01

F09

Item	Part No.	Qty	Description	Kit	Var	Figure
1	1829863C1	1	WASHER, FLAT M8			
880		RF	NOTE: ASM BELOW COMPRISED OF ABOVE COMPONENTS			
881	1830110C1	RF	GROMMET ASSY, WASHER & GROMMET			

Figure 641016L002
COMPRESSOR, AIR



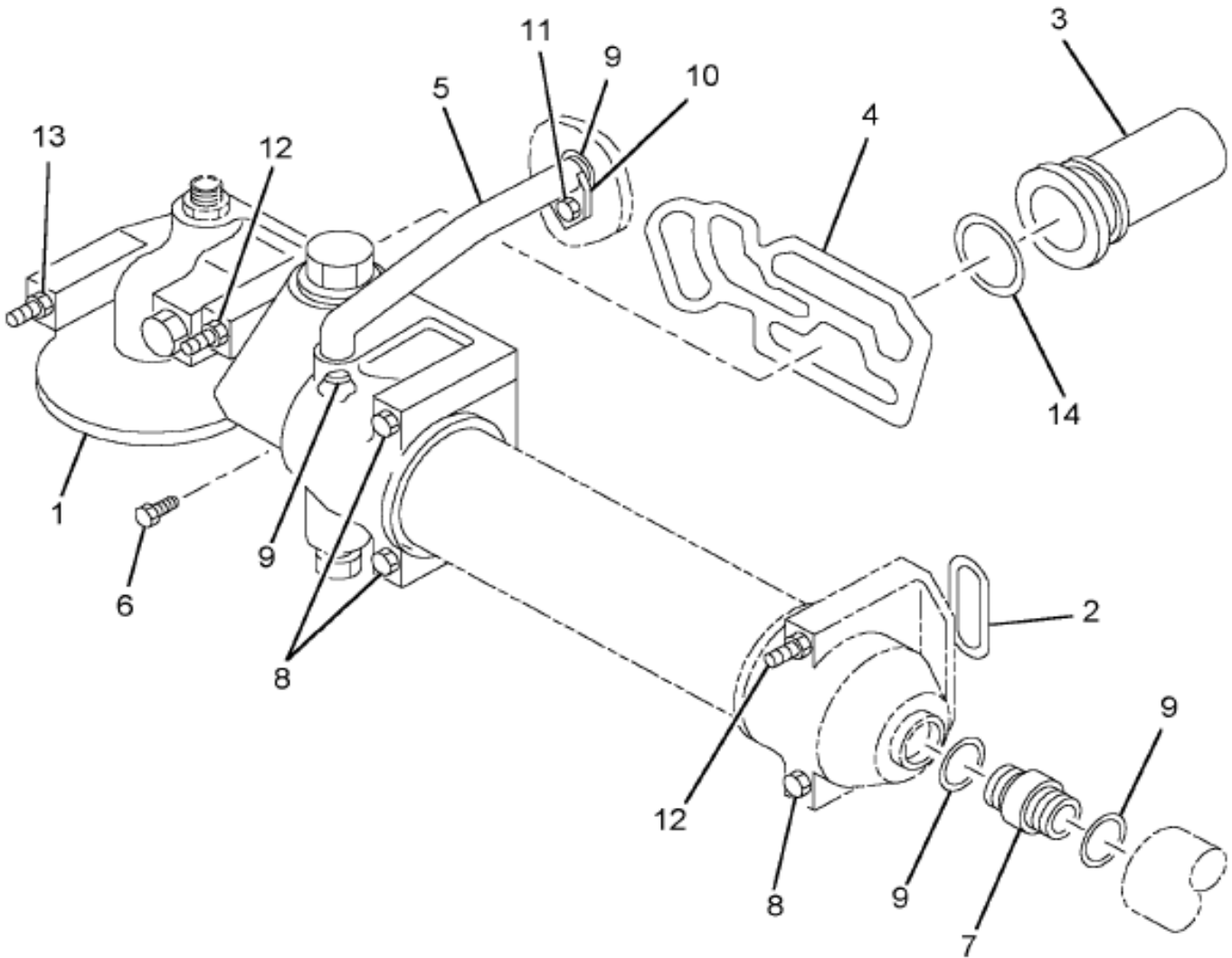
G R P
1 2

12-ENG-0235-01

C03

Item	Part No.	Qty	Description	Kit	Var	Figure
1	2003252C97	1	COMPRESSOR,AIR AIR BENDIX TU-FLO 550			
1		RF	ORDER 1694005C91			
2	1830070C1	1	GEAR, AIR COMPRESSOR DRIVE W/O KEYWAY			
2	1820296C2	1	GEAR, COMPRESSOR DRIVE W/ KEYWAY			
4	1818727C1	1	GASKET AIR COMPRESSOR MOUNTING			
5	1817969C1	2	BOLT, FLANGED HEAD M12 X 1.75-6G X 80 MM			

Figure 641013C002
COOLER, OIL

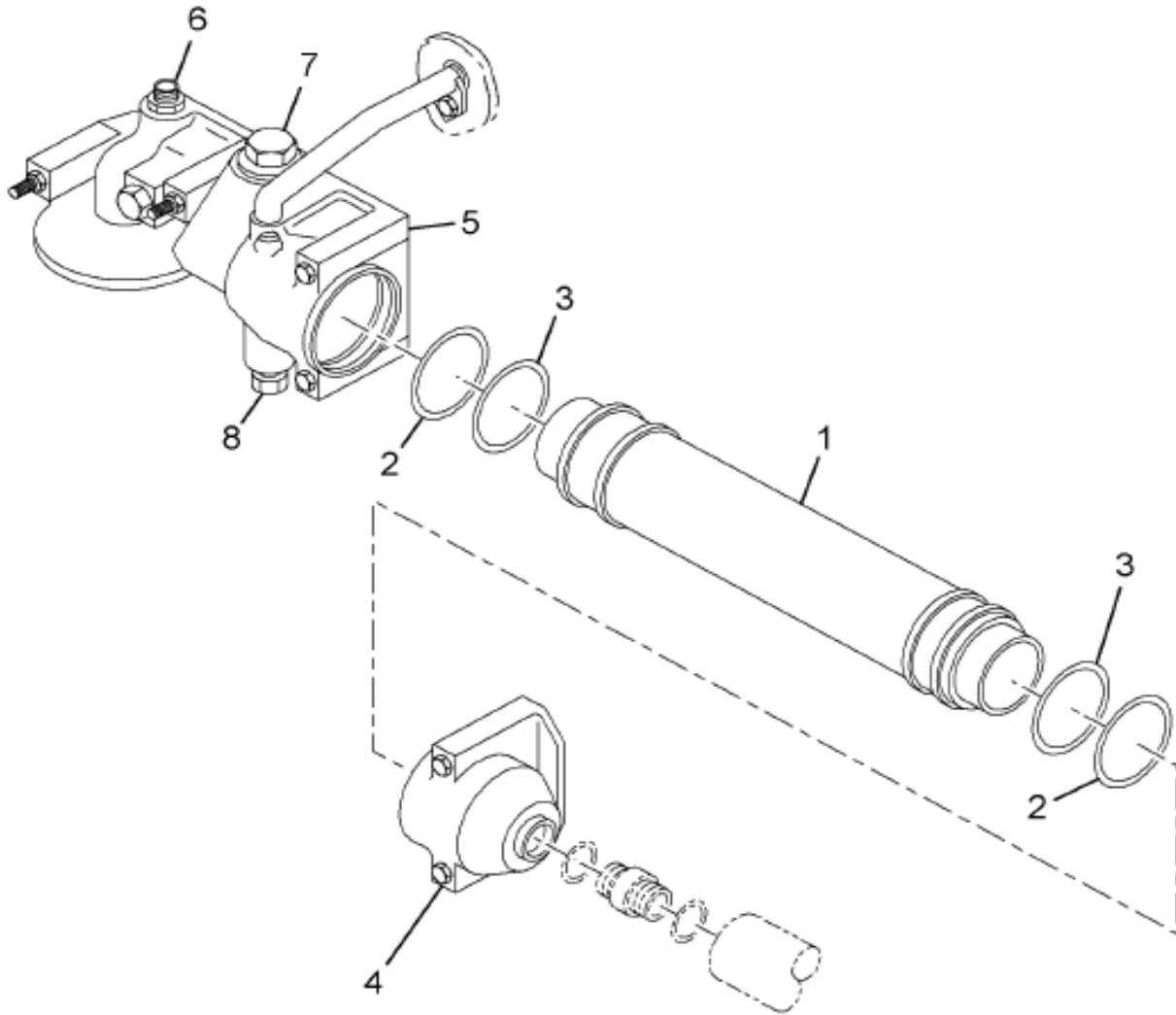


12-ENG-0094-01

B03

Item	Part No.	Qty	Description	Kit	Var	Figure
1	1830622C92	1	COOLER,ASM OIL			1830622C92
2	1830362C1	1	SEAL, FRONT OIL COOLER HEADER			
3	1815239C3	1	VALVE, OIL PRESSURE REGULATOR			
4	1817849C3	1	GASKET OIL FILTER HEADER			
5	1817669C1	1	TUBE, WATER INLET			
6	1817958C1	1	BOLT, FLANGE M8 X 1.25MM X 30MM			

Figure 1830622C92
COOLER,ASM OIL



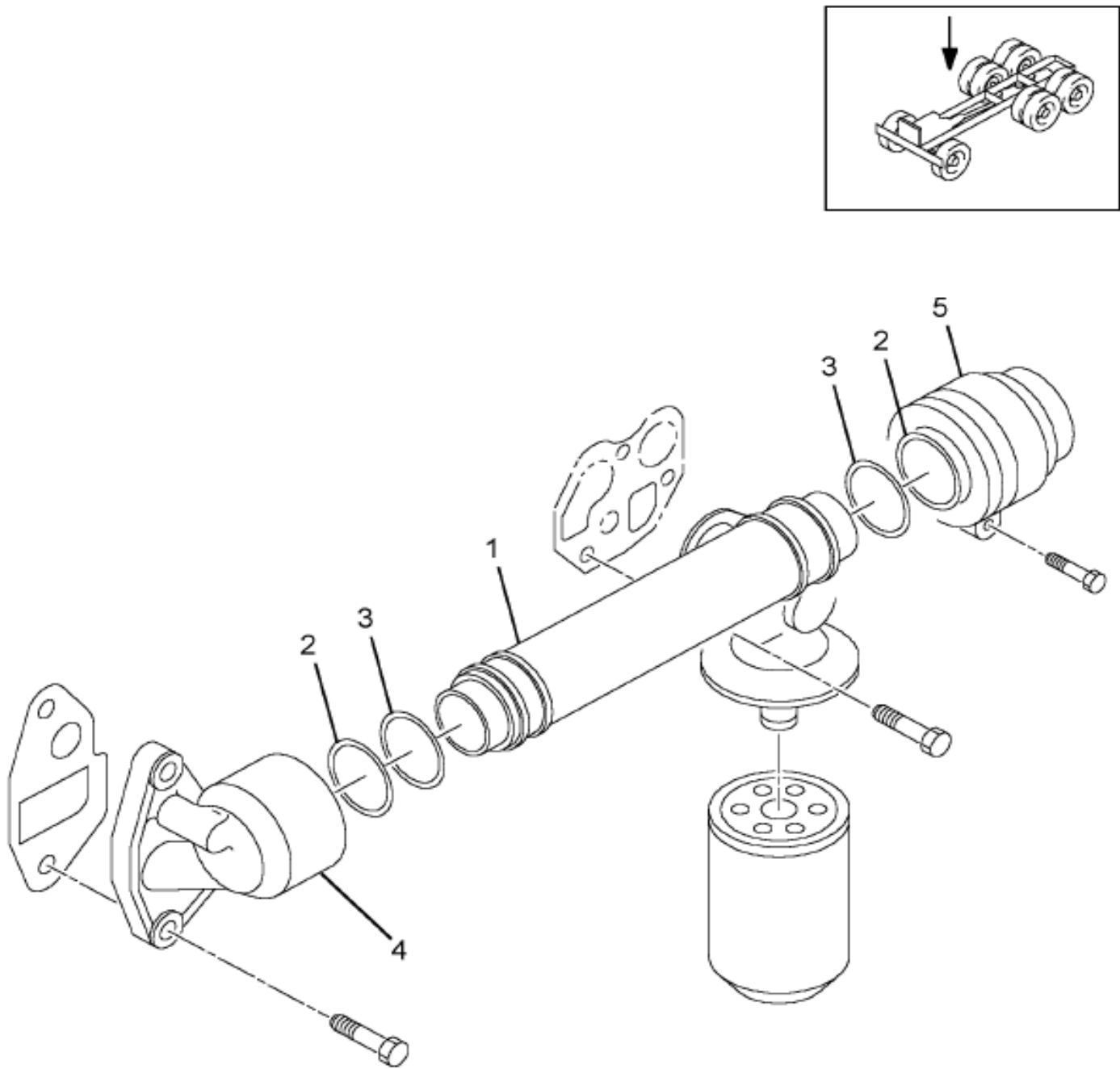
Grp
12

12-ENG-1520-01

J05

Item	Part No.	Qty	Description	Kit	Var	Figure
1	1815904C2	1	COOLER,OIL			
2	1824736C1	2	RING, O-SEAL			
3	1824735C1	2	RING, O SEAL			
4	1830623C1	1	HEADER,OIL COOLER FRONT			
5	1817574C1	1	HEADER, OIL COOLER FLTR			
6	606819C1	1	CONNECTOR,1/4 NPTF 3/8 OD			

Figure 1841739C91
COOLER, ASM OIL



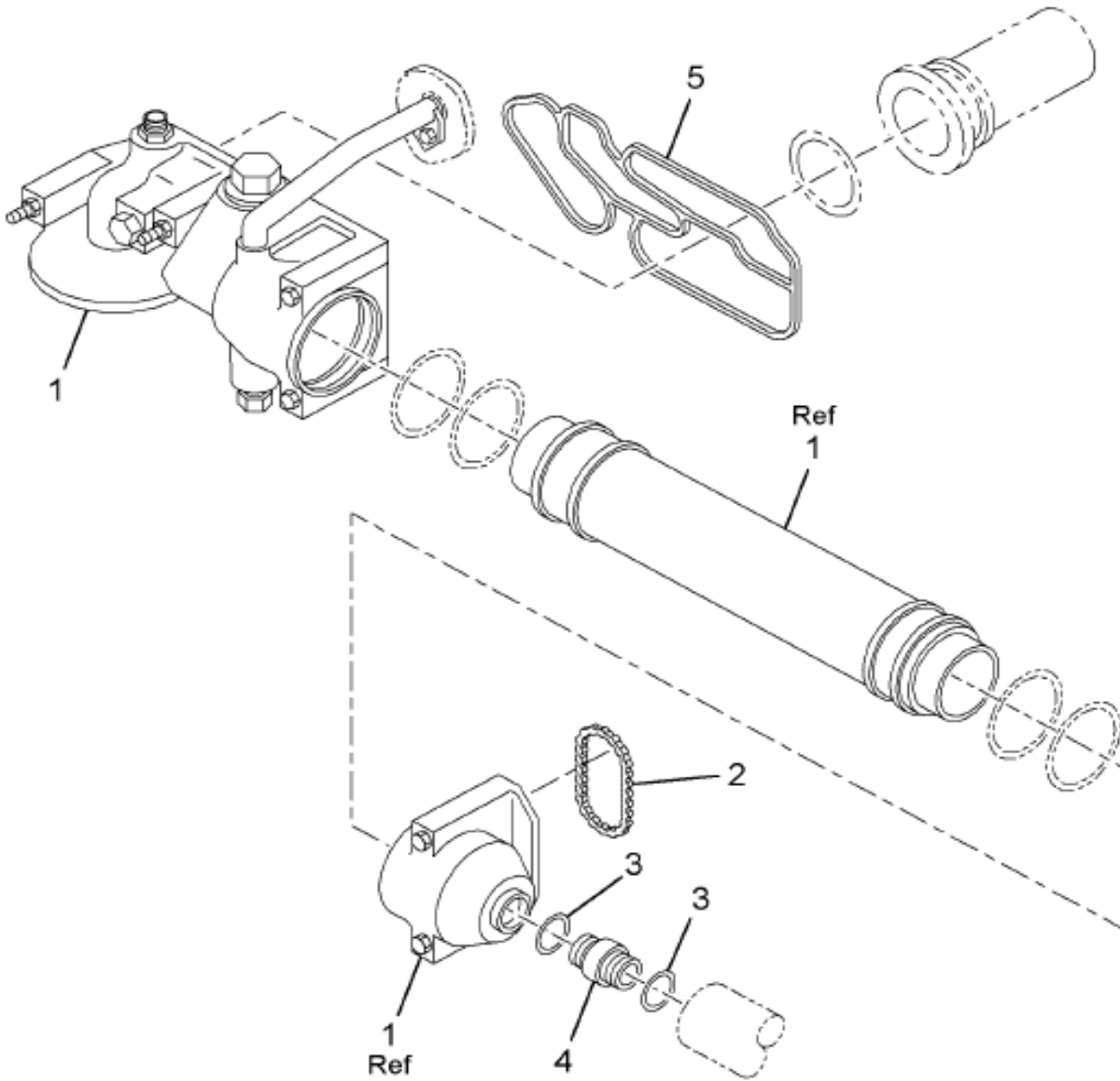
G R P
1 2

12-ENG-0405-02

G03

Item	Part No.	Qty	Description	Kit	Var	Figure
1	1815904C2	1	COOLER,OIL			
2	1824736C1	2	RING, O-SEAL			
3	1824735C1	2	RING, O SEAL			
4	1830623C1	1	HEADER,OIL COOLER FRONT			
5	1905439R92	1	HEADER,OIL COOLER OR FILTER			
5	1905439R93	1	HEADER,OIL COOLER OR FILTER			

Figure 183359C94
KIT,OIL COOLER I-308



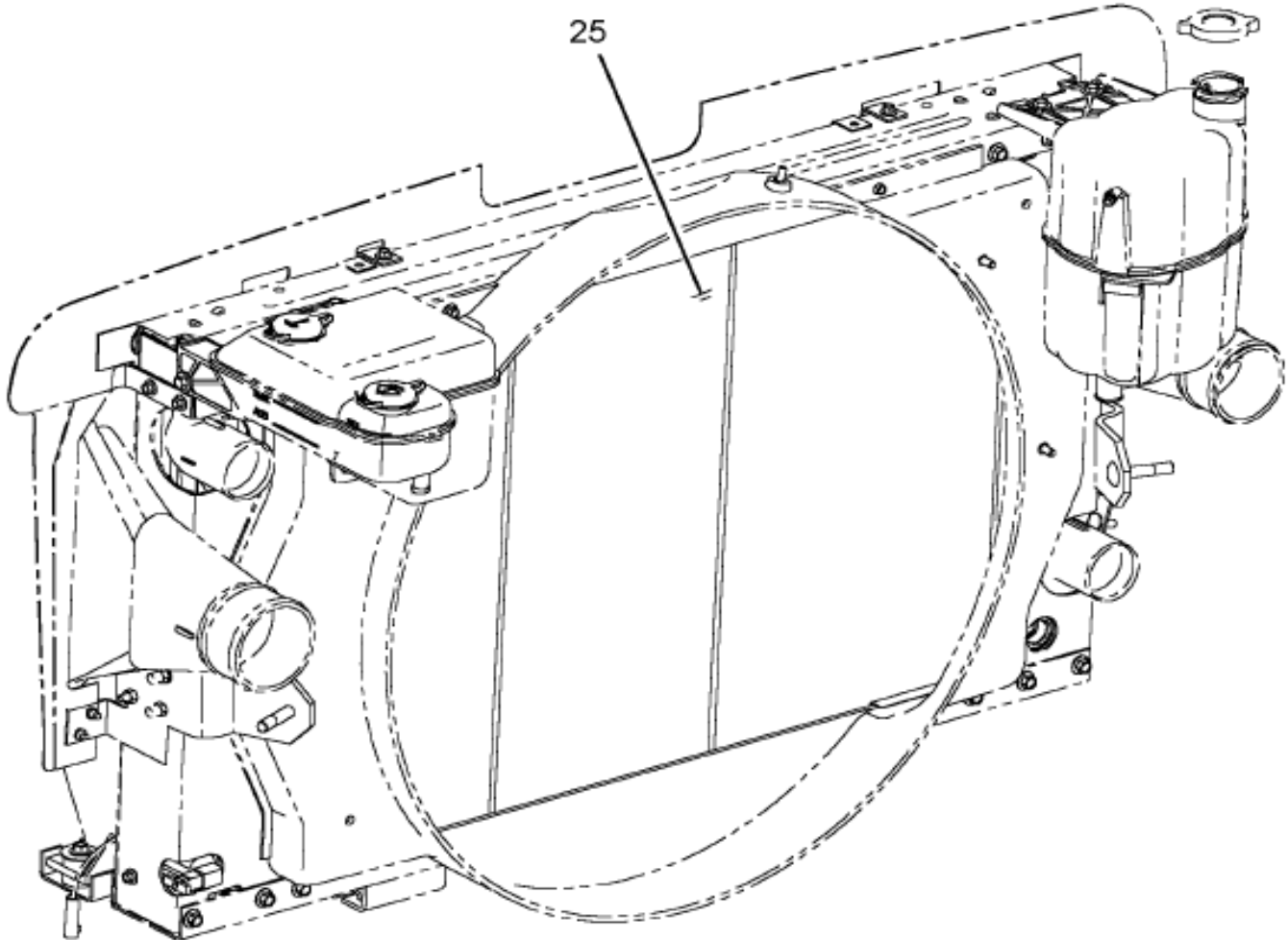
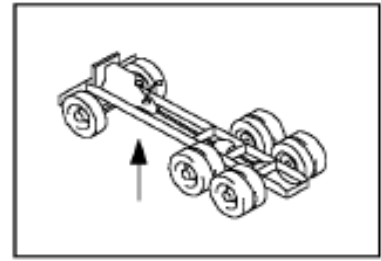
Grp
12

12-ENG-1450-01

L05

Item	Part No.	Qty	Description	Kit	Var	Figure
1	1841739C91	1	COOLER,ASM OIL			1841739C91
2	1830362C1	1	SEAL RING,FRONT HEADER			
3	1821098C2	4	RING,O			
4		1	FITTING ASM.,TURBO OIL SUPPLY			
5	1817849C3	1	GASKET OIL FILLER HEADER			
880	RF		NOTE: ASM BELOW COMPRISED OF ABOVE			

Figure 07RRZ
 COOLING PACKAGE; A/C CONDENSER, (ABR#5)



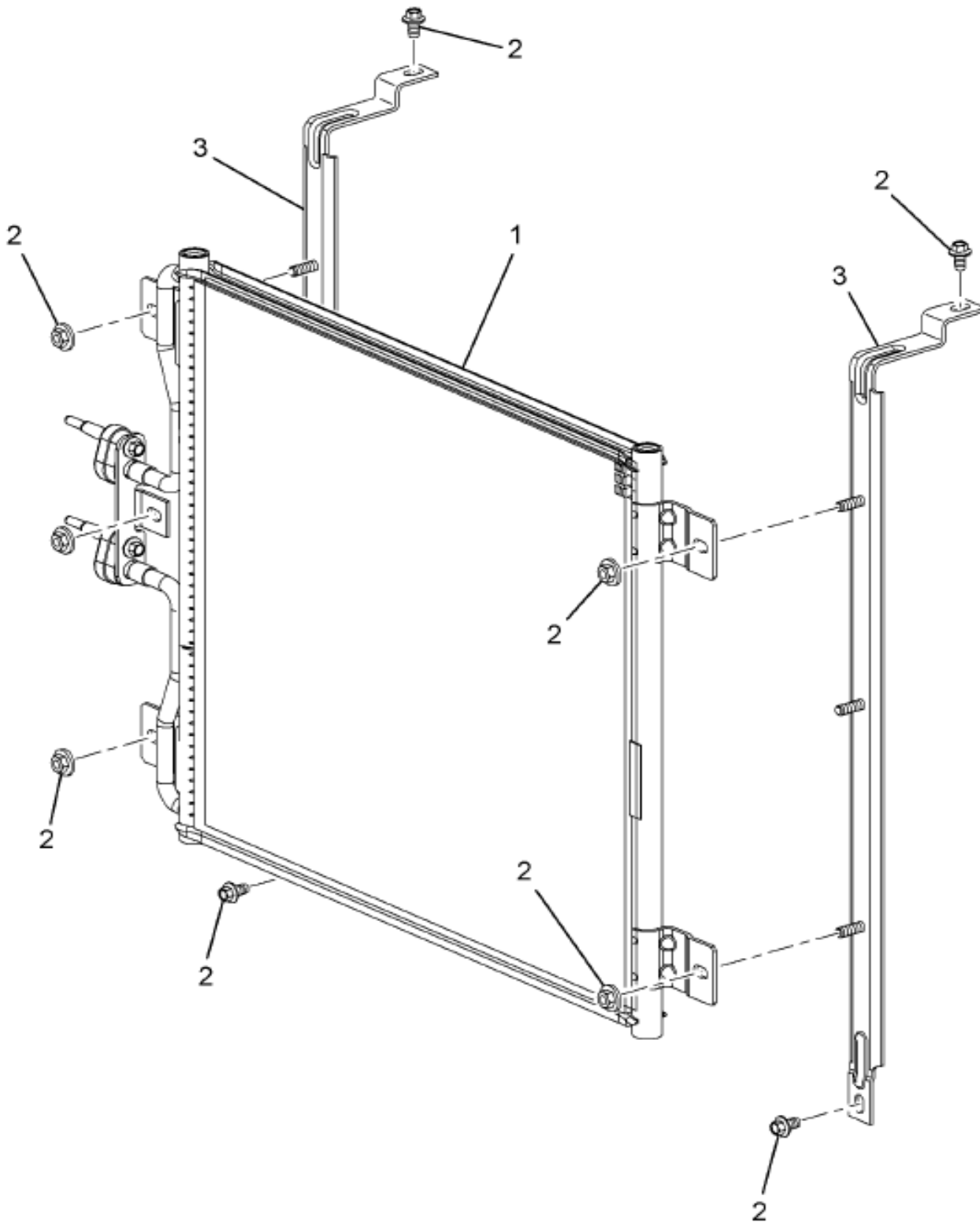
Grp
12

12-C05-0008-EA

L02

Item	Part No.	Qty	Description	Kit	Var	Figure
25	3551081F92	1	CONDENSER,AIR COND PF CONDENS		07RSD	3551081F92

Figure 3551081F92
CONDENSER, AIR COND PF CONDENSO

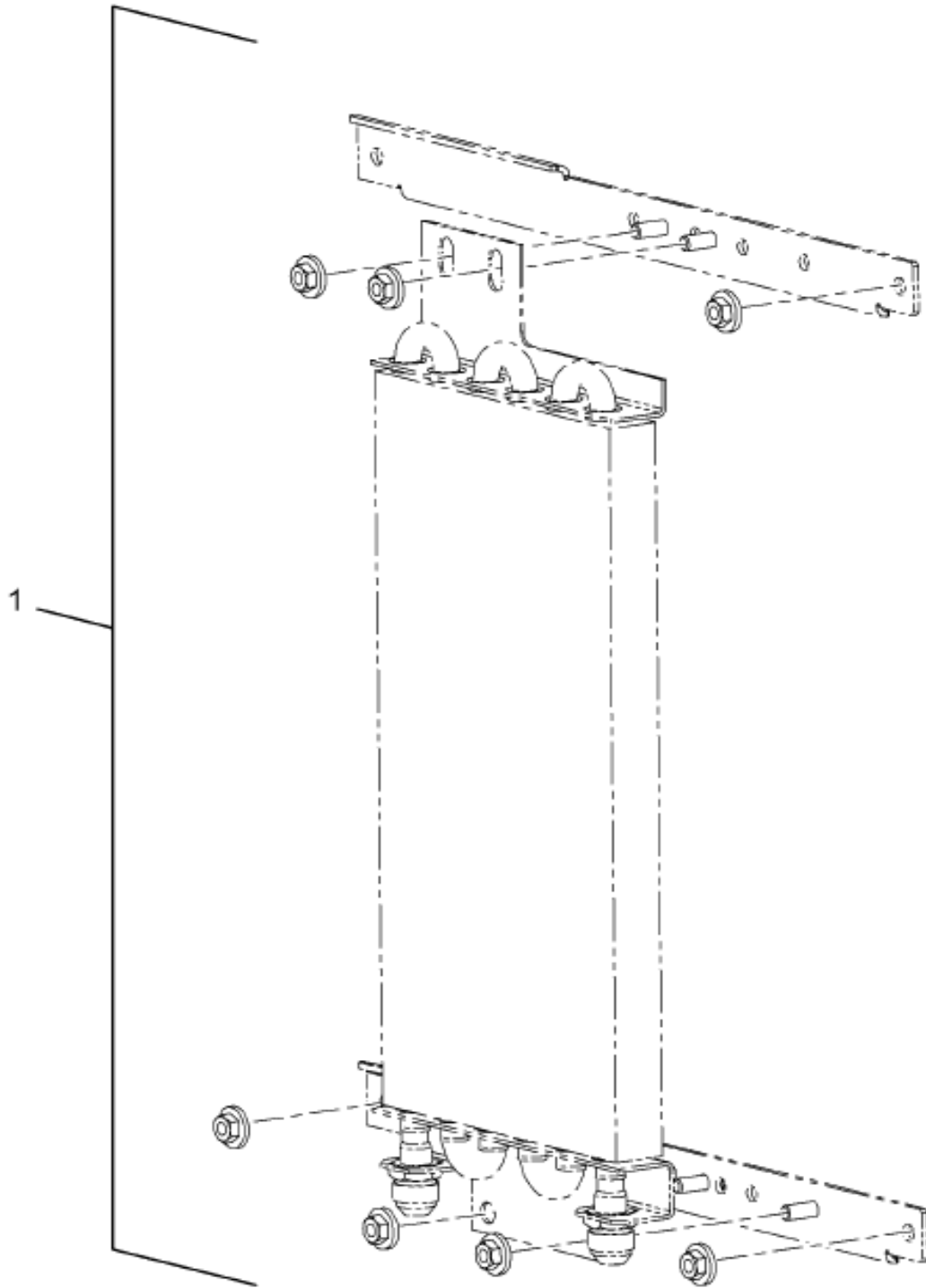


12-C05-0023-01

A06

Item	Part No.	Qty	Description	Kit	Var	Figure
1	2507482C91	1	CONDENSER, AIR COND			
2	2507476C91	KT	KIT, RECIRC HARDWARE			2507476C91
3	2507483C91	2	BRACKET, CONDENSER MTG ASSY			
880		RF	NOTE: ASM BELOW COMPRISED OF ABOVE COMPONENTS			
881	3551081F92	RF	CONDENSER, AIR COND PF CONDENSO			

Figure 2507476C91
KIT, RECIRC HARDWARE



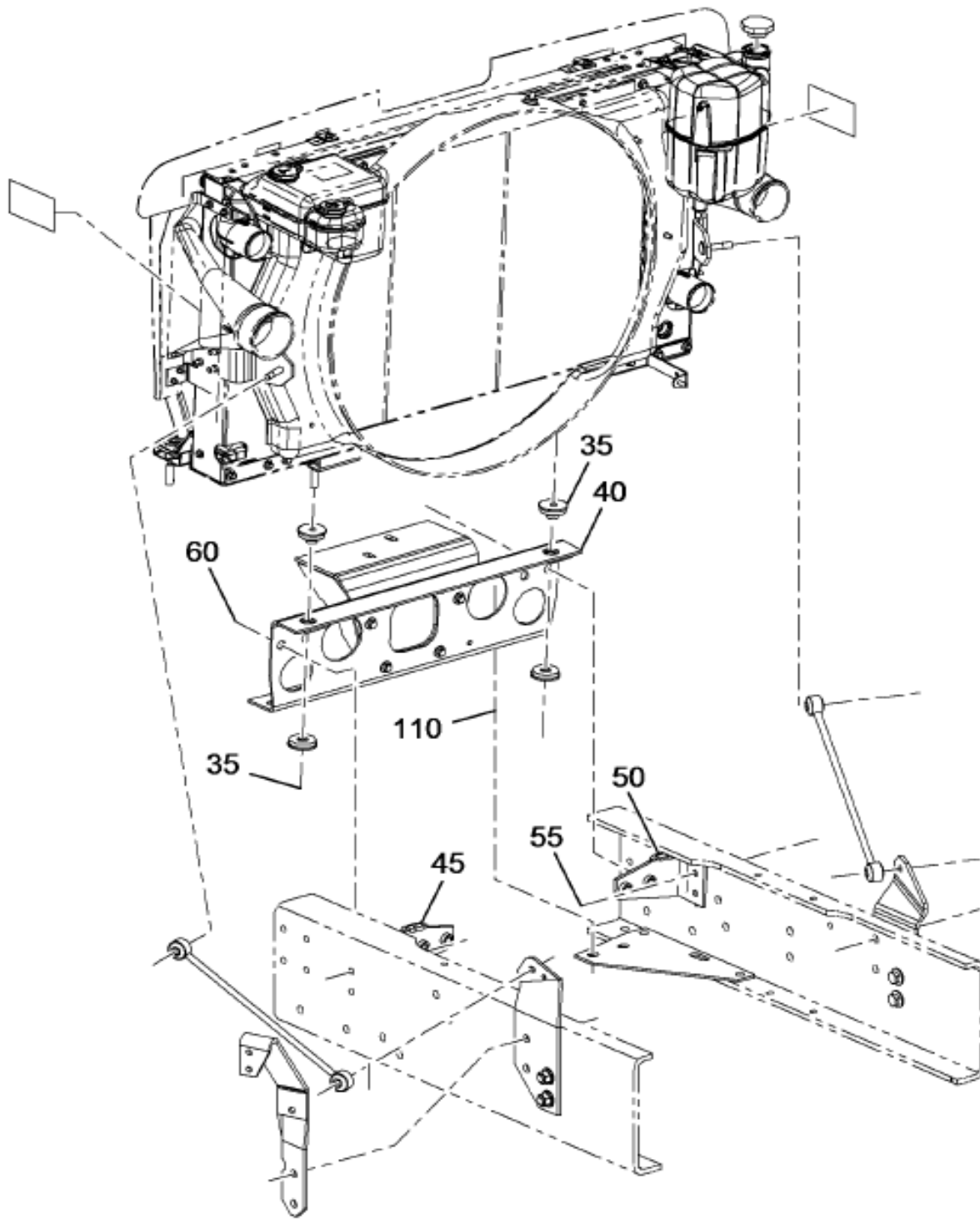
Grp
12

12-C07-0015-01

A05

Item	Part No.	Qty	Description	Kit	Var	Figure
1		RF	SCREW, M8 X 1.25-6GX14L			
1		RF	HEX NUT 8MX1.25			
880		RF	NOTE: ASM BELOW COMPRISED OF ABOVE COMPONENTS			
881	2507476C91	RF	KIT, RECIRC HARDWARE			

Figure 07RTJ
COOLING PKG MTG; RADIATOR



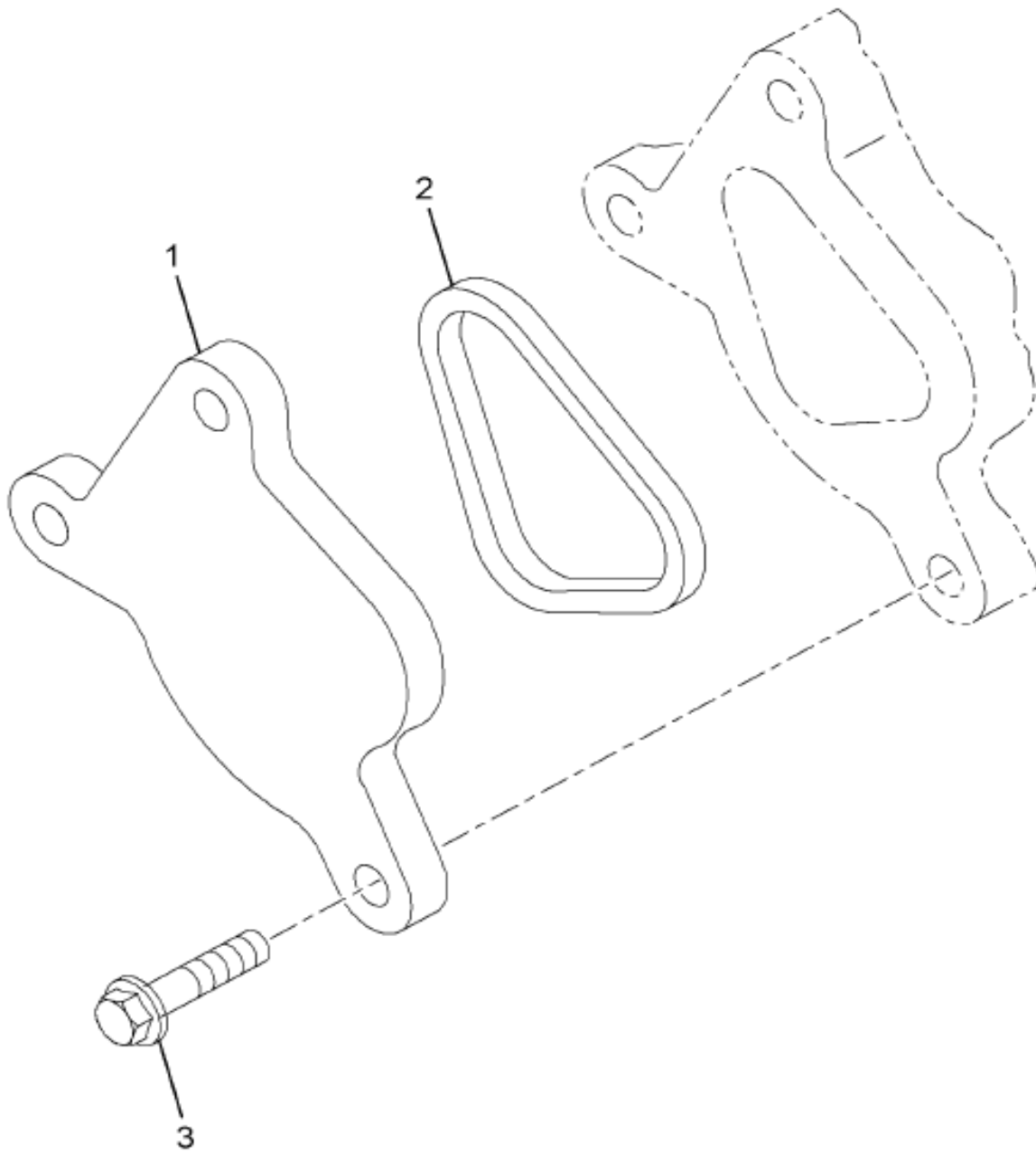
M-NGV-SS
W/F-NGD-I6-ENG
W/F-INTL-I6-EGR-ENG

12-V01-0005-GA

E11

Item	Part No.	Qty	Description	Kit	Var	Figure
35	3560217C1	2	INSULATOR,RAD MTG		07RTJ	
35	21883R1	2	WASHER,.531 X 1.750 X .090		07RTJ	
35	30749R2	2	BOLT,HEX HD METRIC M12X60 PHC		07RTJ	
35	30755R1	2	NUT,HEX M12 FLANGED		07RTJ	

Figure 641005M005
COVER, COOLANT FILTER

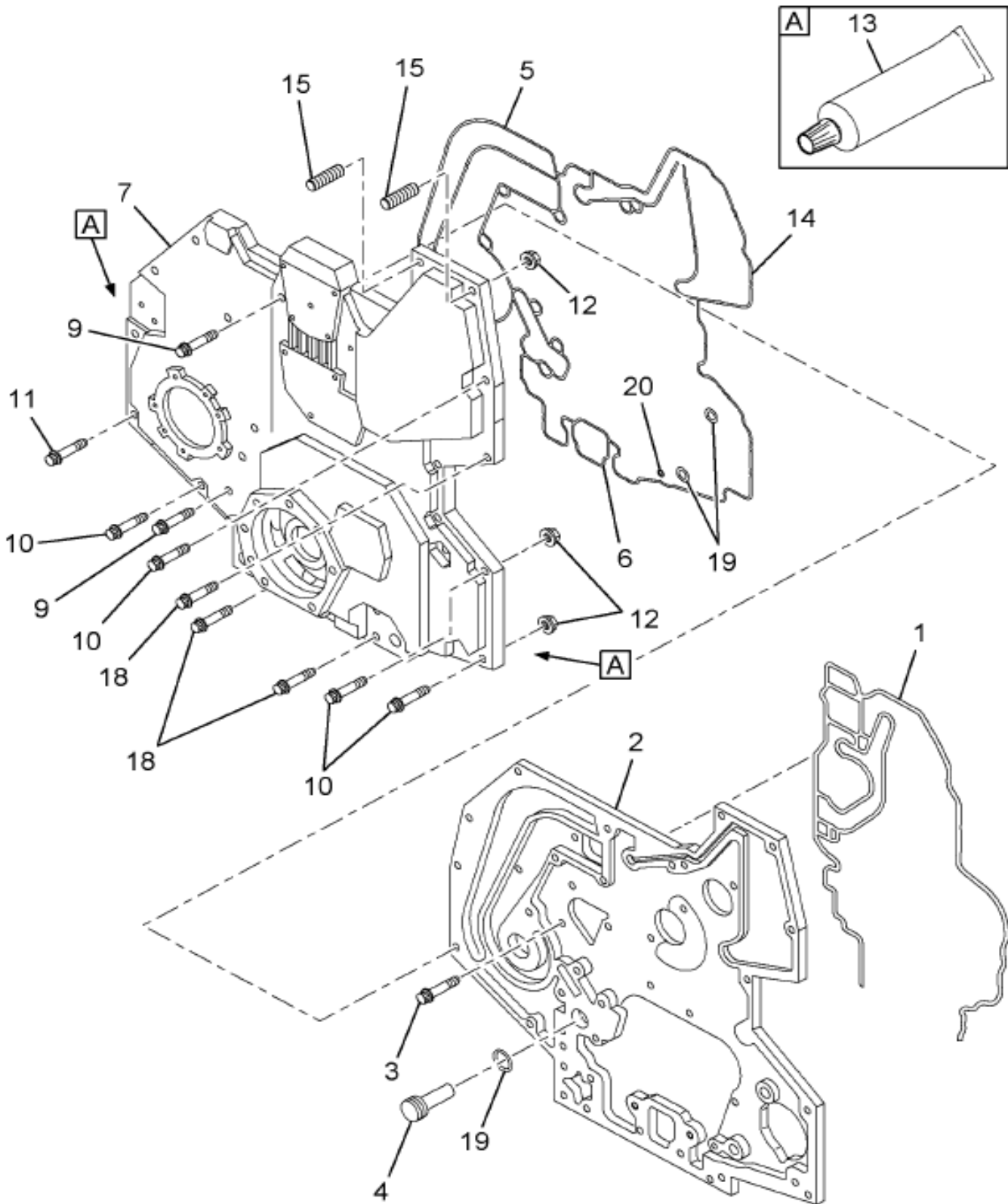


12-ENG-0258-01

E05

Item	Part No.	Qty	Description	Kit	Var	Figure
1	1830305C1	1	COVER, COOLANT FILTER			
2	1820353C1	1	RING, "O" FILTER			
3	1817957C1	3	BOLT, FLANGE M8 X 25MM			
880		RF	NOTE: ASM BELOW COMPRISED OF ABOVE COMPONENTS			
881	641005M005	RF	COVER, COOLANT FILTER			

Figure 641006B009
COVER, FRONT (I-308)

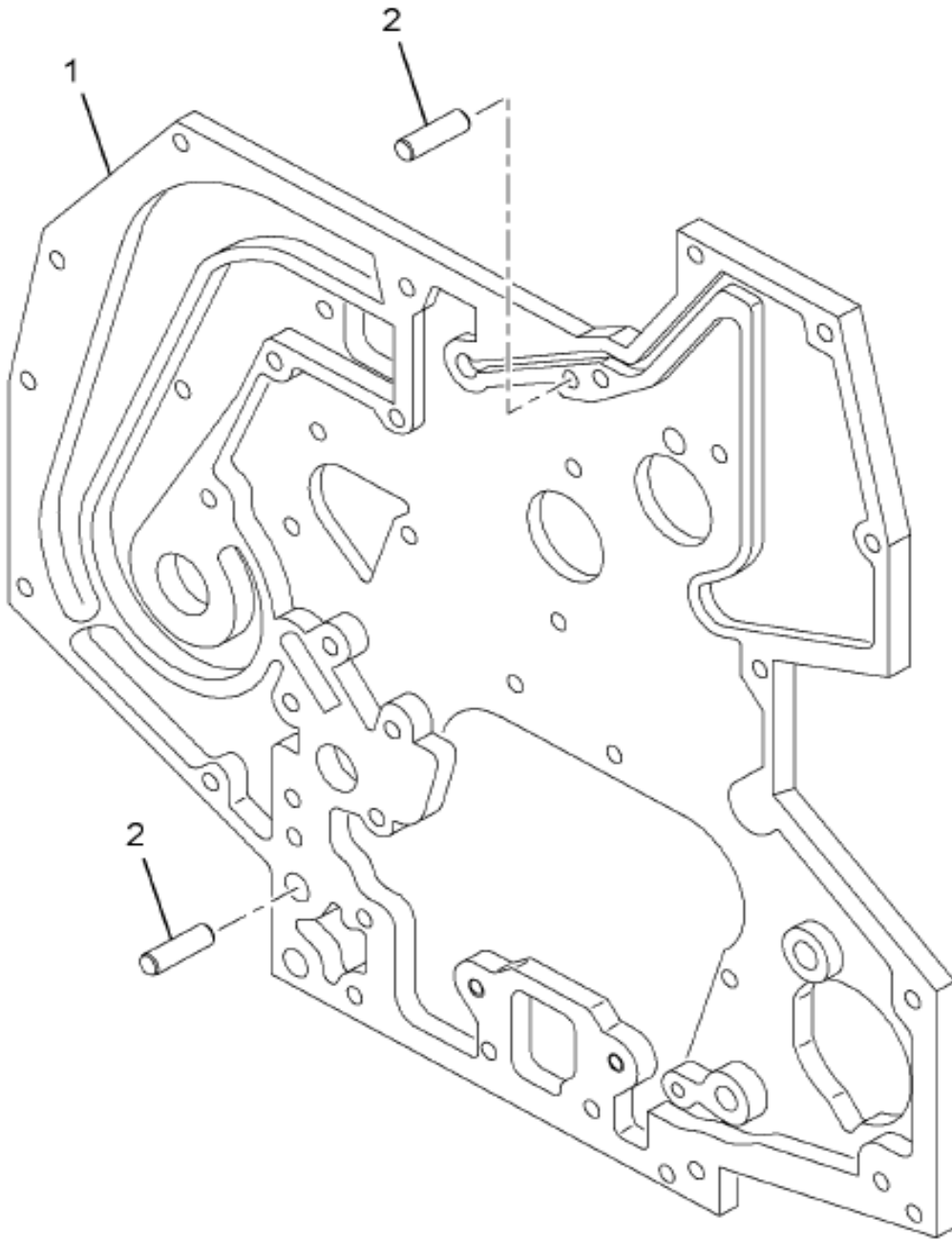


12-ENG-1433-01

E05

Item	Part No.	Qty	Description	Kit	Var	Figure
1	1842910C1	1	GASKET FRONT COVER TO CRANKCASE	A		
2	1826335C91	1	COVER ASM, FRONT CRANKCASE (REAR HALF)			1826335C91
3	1822121C2	9	BOLT, FLANGE			
4	1833386C1	1	VALVE ASM, OIL RELIEF			1833386C1
5	1842909C1	1	GASKET FRONT COVER	A		
6	1818716C5	1	GASKET OIL SUCTION	A		

Figure 1826335C91
COVER ASSY., FRONT (REAR HALF)

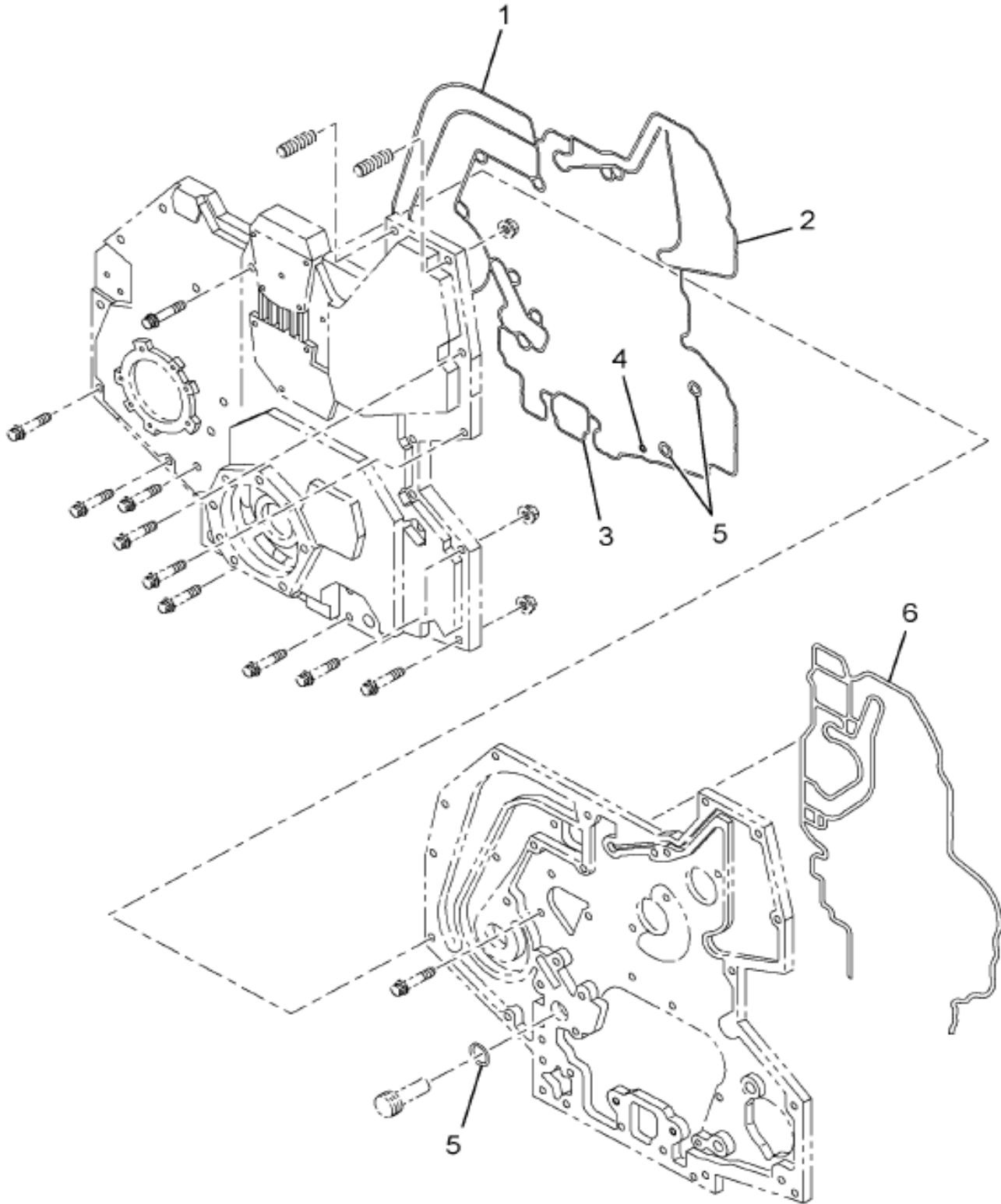


12-ENG-1432-01

E05

Item	Part No.	Qty	Description	Kit	Var	Figure
1	1826315C1	1	COVER, FRONT (REAR HALF)			
2	1820813C1	4	PIN, REAR FRT COVER DOWEL			
880		RF	NOTE: ASM BELOW COMPRISED OF ABOVE COMPONENTS			
881	1826335C91	RF	COVER ASSY., FRONT (REAR HALF)			

Figure 1824984C95
KIT, FRONT COVER GASKET

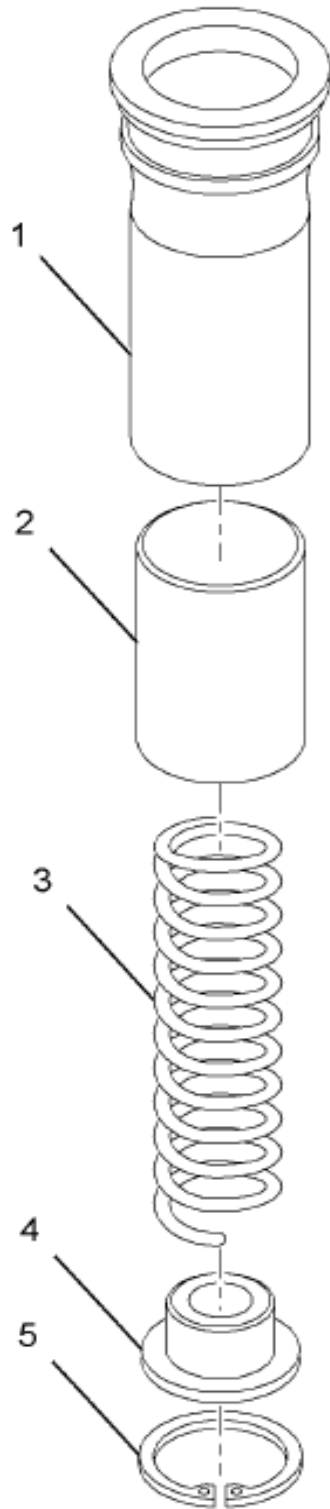


12-ENG-1748-01

K07

Item	Part No.	Qty	Description	Kit	Var	Figure
1	1842909C1	1	GASKET, FRONT COVER			
2	1820920C3	1	SEAL, RESERVOIR			
3	1818716C5	1	GASKET, FC OIL SUCTION			
4	1820878C2	1	RING, O #111			
5	1820907C2	3	RING, O #118			
6	1842910C1	1	GASKET, FRONT COVER, C" CASE			

Figure 1833386C1
VALVE ASSY., OIL RELIEF



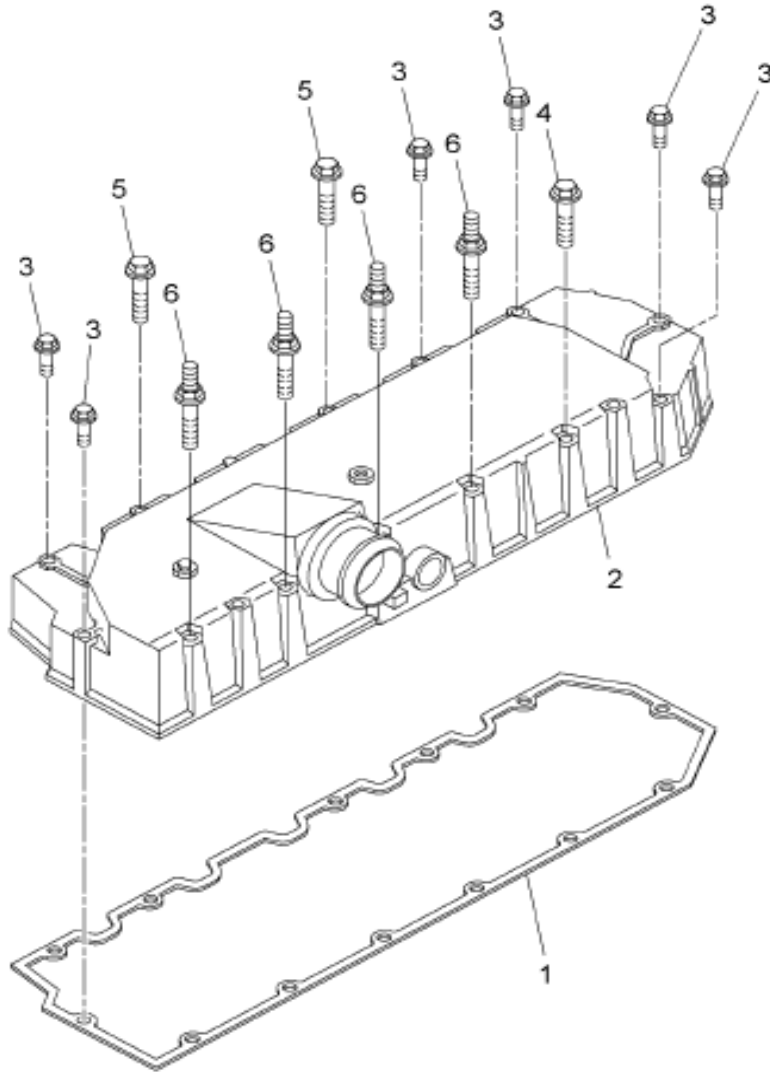
12-ENG-0855-01

A04

Grp
12

Item	Part No.	Qty	Description	Kit	Var	Figure
1	1833234C1	1	HOUSING, VALVE			
2	1833344C1	1	VALVE			
3	1833235C1	1	SPRING, RELIEF VALVE			
4	1834335C1	1	RETAINER, VALVE			
5	55163R1	1	RING, SNAP HYDV HYD CYL CON .83			
880	RF		NOTE: ASM BELOW COMPRISED OF ABOVE			

Figure 641008D013
COVER, VALVE



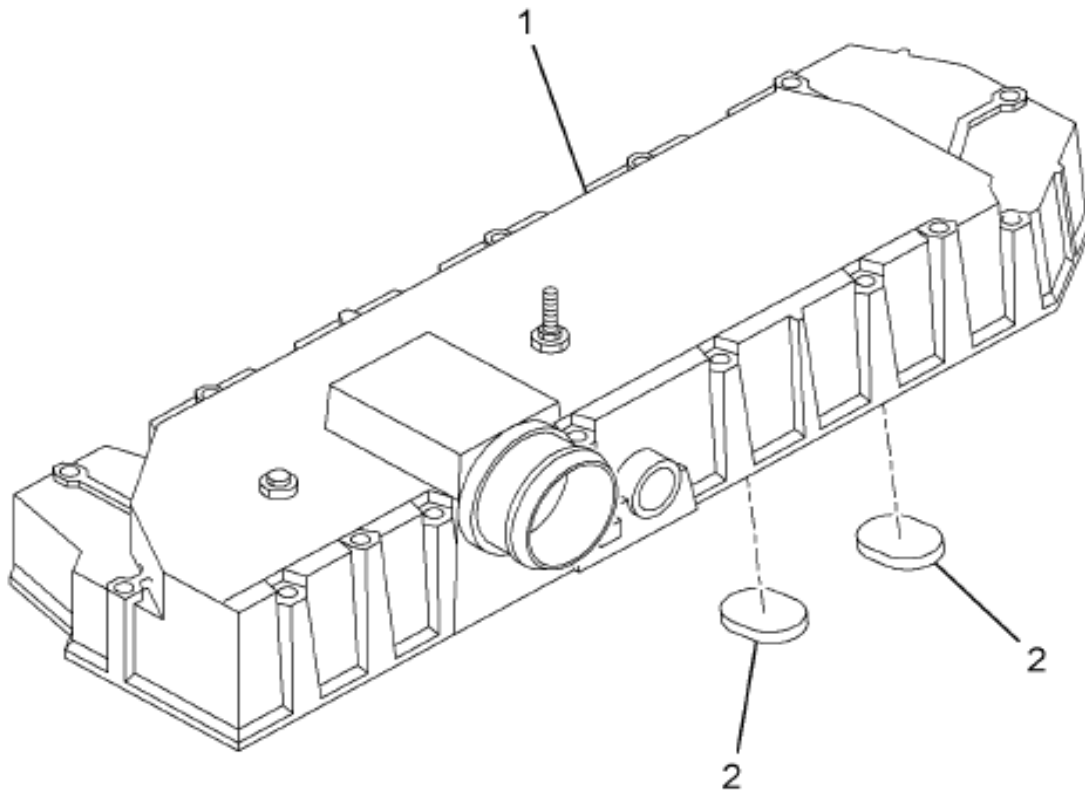
Grp
12

12-ENG-1842-01

G07

Item	Part No.	Qty	Description	Kit	Var	Figure
1	1820909C1	1	GASKET VALVE COVER			
1		RF	BEFORE 03/04/2010			
1	1820909C2	1	GASKET, VALVE COVER			
1		RF	03/04/2010 AND LATER			
2	1828262C92	1	COVER, VALVE			1828262C92
3	1817961C1	6	BOLT M8 X 90			

Figure 1828262C92
COVER ASSEMBLY, VALVE

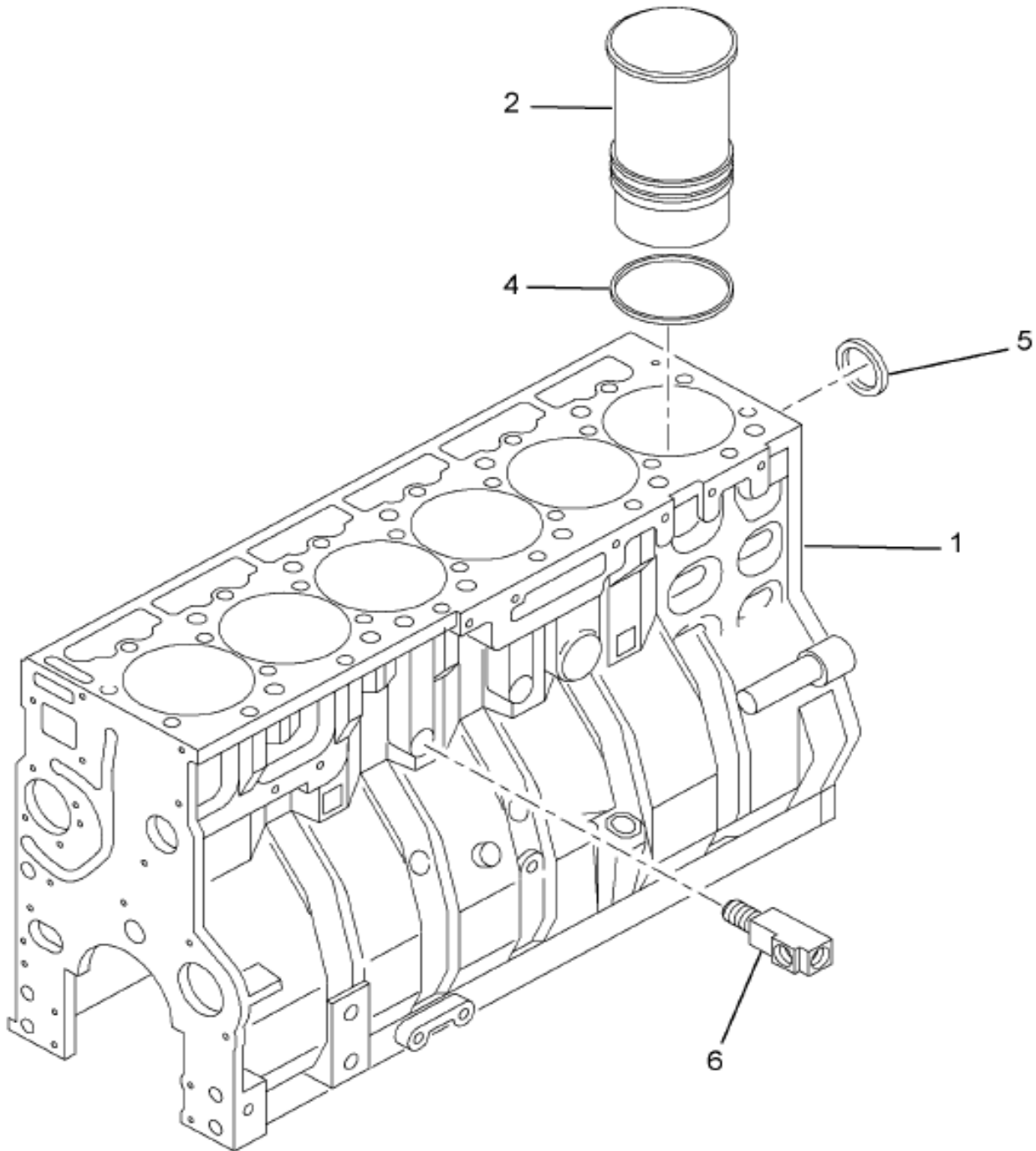


12-ENG-1553-01

K05

Item	Part No.	Qty	Description	Kit	Var	Figure
1	1827895C2	1	COVER, VALVE			
2	1825688C1	2	ELEMENT, BREATHER			
880		RF	NOTE: ASM BELOW COMPRISED OF ABOVE COMPONENTS			
881	1828262C92	RF	COVER ASSEMBLY, VALVE			

Figure 641006A005
CRANKCASE

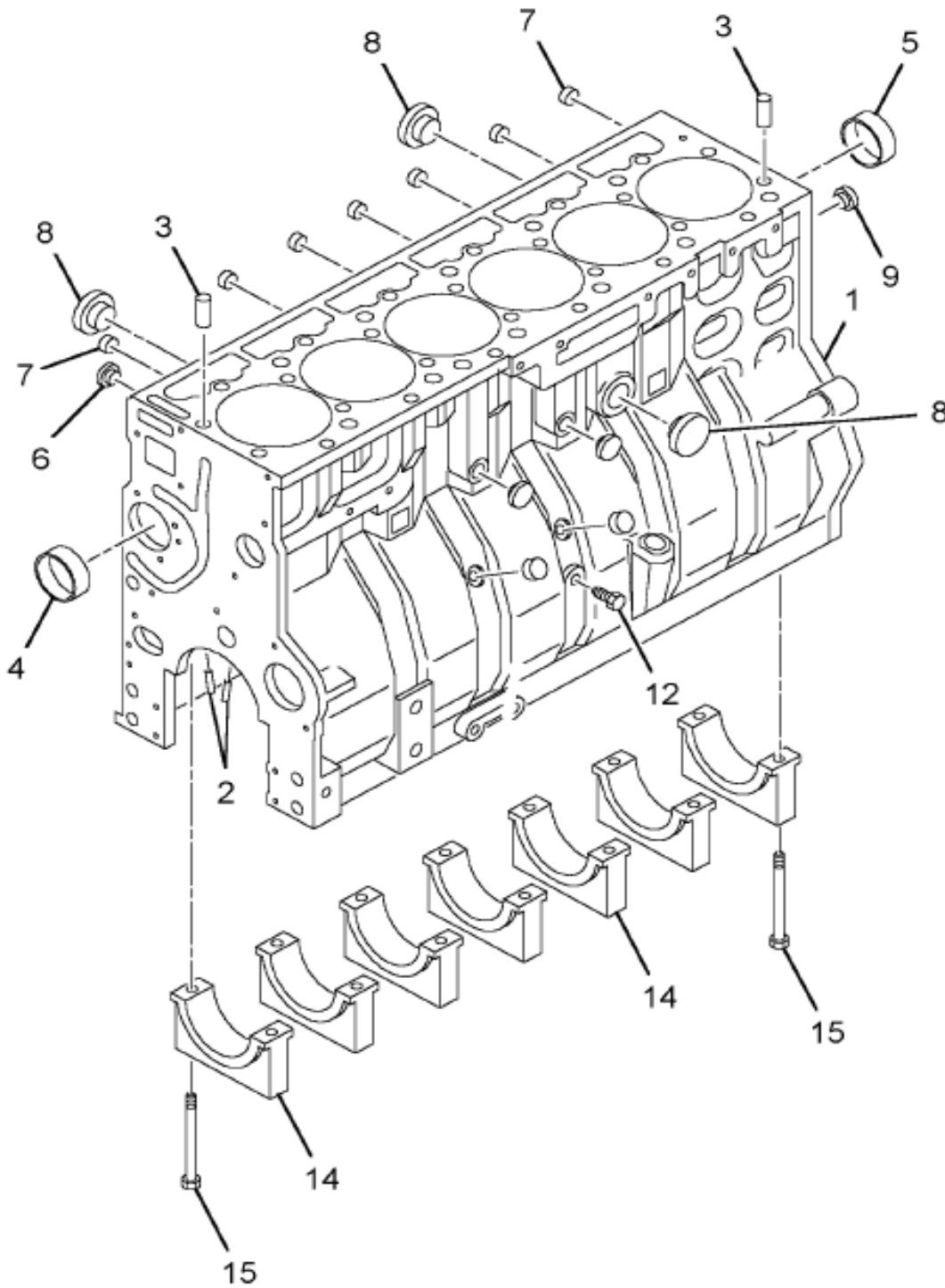


12-ENG-1421-01

E05

Item	Part No.	Qty	Description	Kit	Var	Figure
1	1830617C92	1	CRANKCASE ASM			1830617C92
2	1830706C1	6	SLEEVE, CYLINDER			
4	1817000C2	6	RING, SEAL CREVICE			
5	682444C1	1	RING, CAMSHAFT REAR SEAL			
5		RF	BEFORE 05/10/2006			
5	682444C2	1	RING, CAMSHAFT SEAL REAR			

Figure 1830617C92
CRANKCASE ASSEMBLY



12-ENG-0848-01

M03

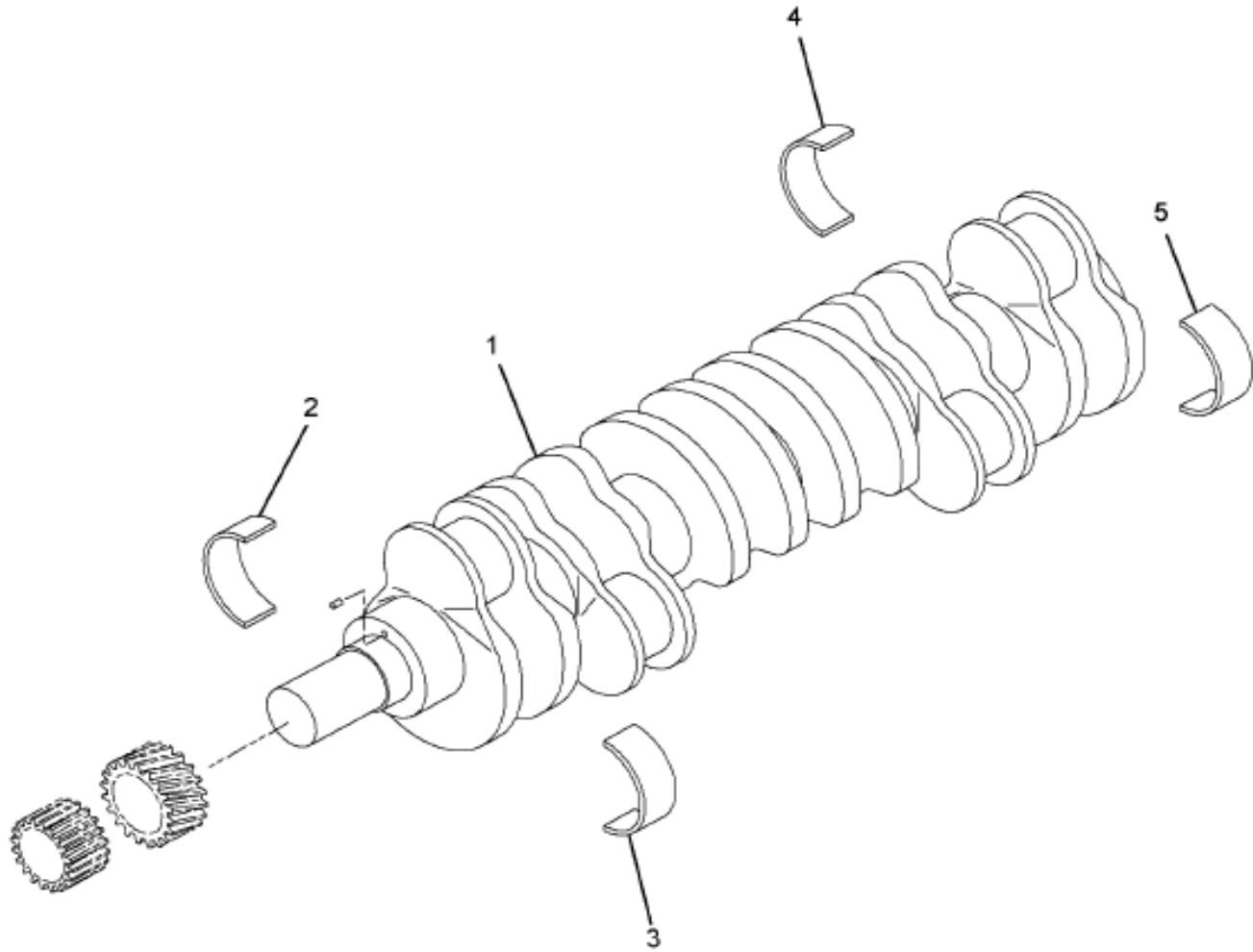
Item	Part No.	Qty	Description	Kit	Var	Figure
1	1830279C1	1	CRANKCASE			
2	1830360C1	12	TUBE, OIL JET			
3	684902C1	2	BUSHING, PISTON PIN			
4	675424C1	1	BEARING, CAM FRONT	A		
4	675020C2	1	BEARING	A		
5	675425C1	1	BEARING, CAM REAR	A		

**Figure 1830617C92
CRANKCASE ASSEMBLY**

Item	Part No.	Qty	Description	Kit	Var	Figure
5	675021C2	1	BEARING	A		
6	444618	1	PLUG, 1/4-18 PLN H/HD AUTO PIP			
7	1826342C1	7	PLUG,PIPE 1/8 NPTF			
8	23623R1	3	PLUG, 1-1/4 CUP			
9	40005R1	1	PLUG,INJ PUMP			
12	1838845C1	1	BOLT,STUD (METRIC)			
14	1830616C1	7	CAP,MAIN BEARING			
15	1827078C1	14	BOLT,BEARING CAP			
800		RF	NOTE: THE FOLLOWING PARTS ARE NON-ILLUSTRATED			
870	680117C3	KT	KIT,CAMSHFT BEARING,I308			680117C3
870		RF	(CONSISTS OF PARTS DENOTED BY A)			
880		RF	NOTE: ASM BELOW COMPRISED OF ABOVE COMPONENTS			
881	1830617C92	RF	CRANKCASE ASSEMBLY			
NON-ILLUSTRATED REFERENCE FIGURE 680117C3						
1	675424C1	1	BEARING, CAM FRONT			
2	675020C2	1	BEARING			
3	675021C2	1	BEARING			
4	1830059C1	1	BEARING,CAMSHAFT,REAR			
880		RF	NOTE: ASM BELOW COMPRISED OF ABOVE COMPONENTS			
881	680117C3	RF	KIT,CAMSHFT BEARING,I308			

G
R
P
1
2

Figure 641007A004
CRANKSHAFT



12-ENG-1632-01

C07

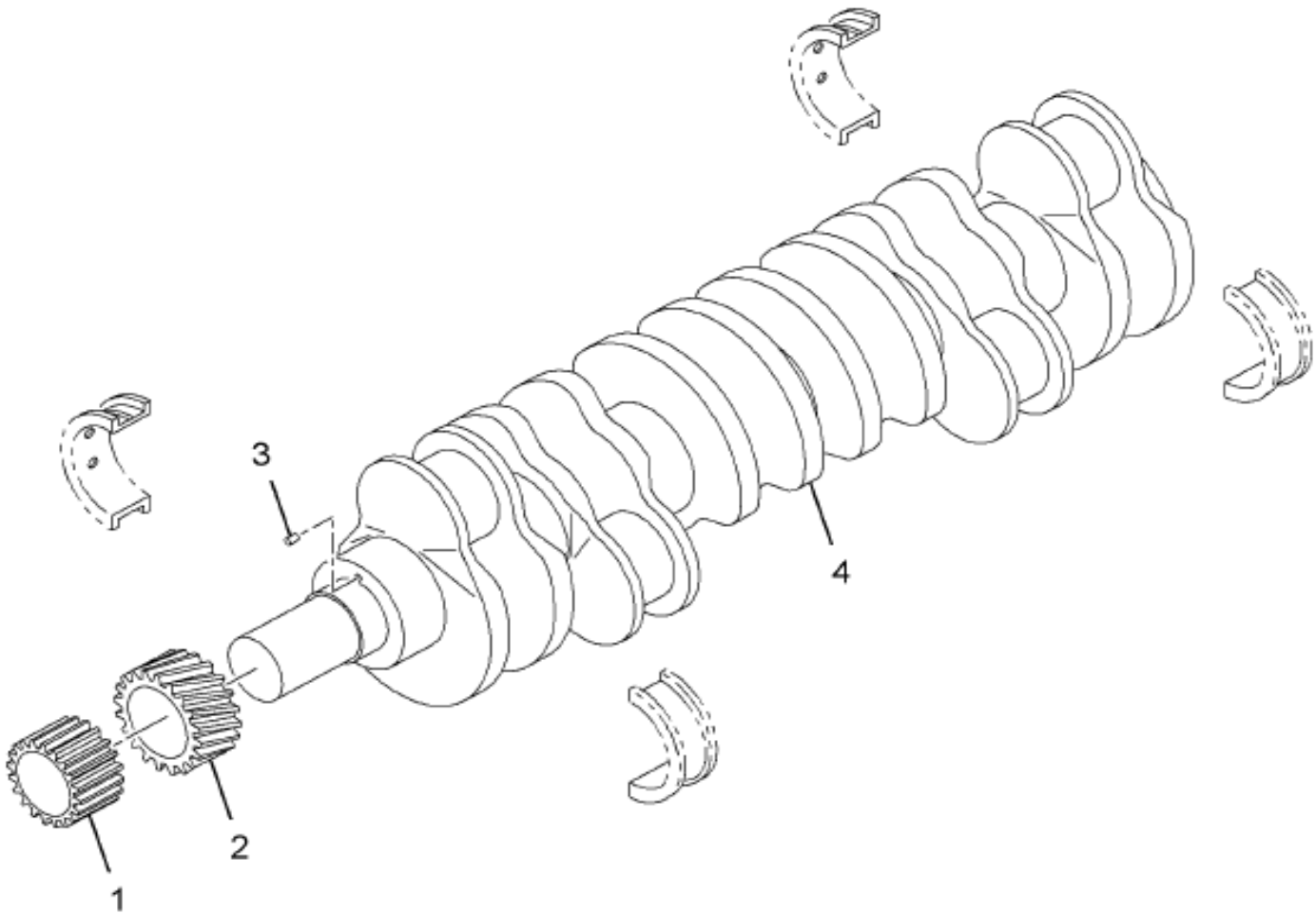
Item	Part No.	Qty	Description	Kit	Var	Figure
1	1830596C91	1	CRANKSHAFT ASM			1830596C91
2	1830506C1	6	BEARING,C'SHAFT FRONT UPPER	A		
3	1817021C1	6	BEARING CRANKSHAFT INT & LOW	A		
4	1830505C1	1	BEARING,C'SHAFT REAR UPPER	B		
5	1830269C1	1	BEARING, C'SHAFT REAR LOWER	B		
800	RF		NOTE: THE FOLLOWING PARTS ARE			

Figure 641007A004
CRANKSHAFT

Item	Part No.	Qty	Description	Kit	Var	Figure
			NON-ILLUSTRATED			
870	1830725C91	6	PACKAGE, CRANKSHAFT BEARINGS FRONT			1830725C91
870		KT	(CONSISTS OF PARTS DENOTED BY A)			
871	1830726C91	1	KIT, REAR MAIN BEARING			1830726C91
871		KT	(CONSISTS OF PARTS DENOTED BY B)			
880		RF	NOTE: ASM BELOW COMPRISED OF ABOVE COMPONENTS			
881	641007A004	RF	CRANKSHAFT			
			NON-ILLUSTRATED REFERENCE FIGURE 1830725C91			
1	1817021C1	1	BEARING CRANKSHAFT INT & LOW			
2	1830506C1	1	BEARING,C'SHAFT FRONT UPPER			
880		RF	NOTE: ASM BELOW COMPRISED OF ABOVE COMPONENTS			
881	1830725C91	RF	PACKAGE,C"SHAFT BRGS FRONT			
			NON-ILLUSTRATED REFERENCE FIGURE 1830726C91			
1	1830269C1	1	BEARING, C'SHAFT REAR LOWER			
2	1830505C1	1	BEARING,C'SHAFT REAR UPPER			
880		RF	NOTE: ASM BELOW COMPRISED OF ABOVE COMPONENTS			
881	1830726C91	RF	PACKAGE,MAIN BRG REAR STD			

GROUP 12

Figure 1830596C91
CRANKSHAFT ASSEMBLY

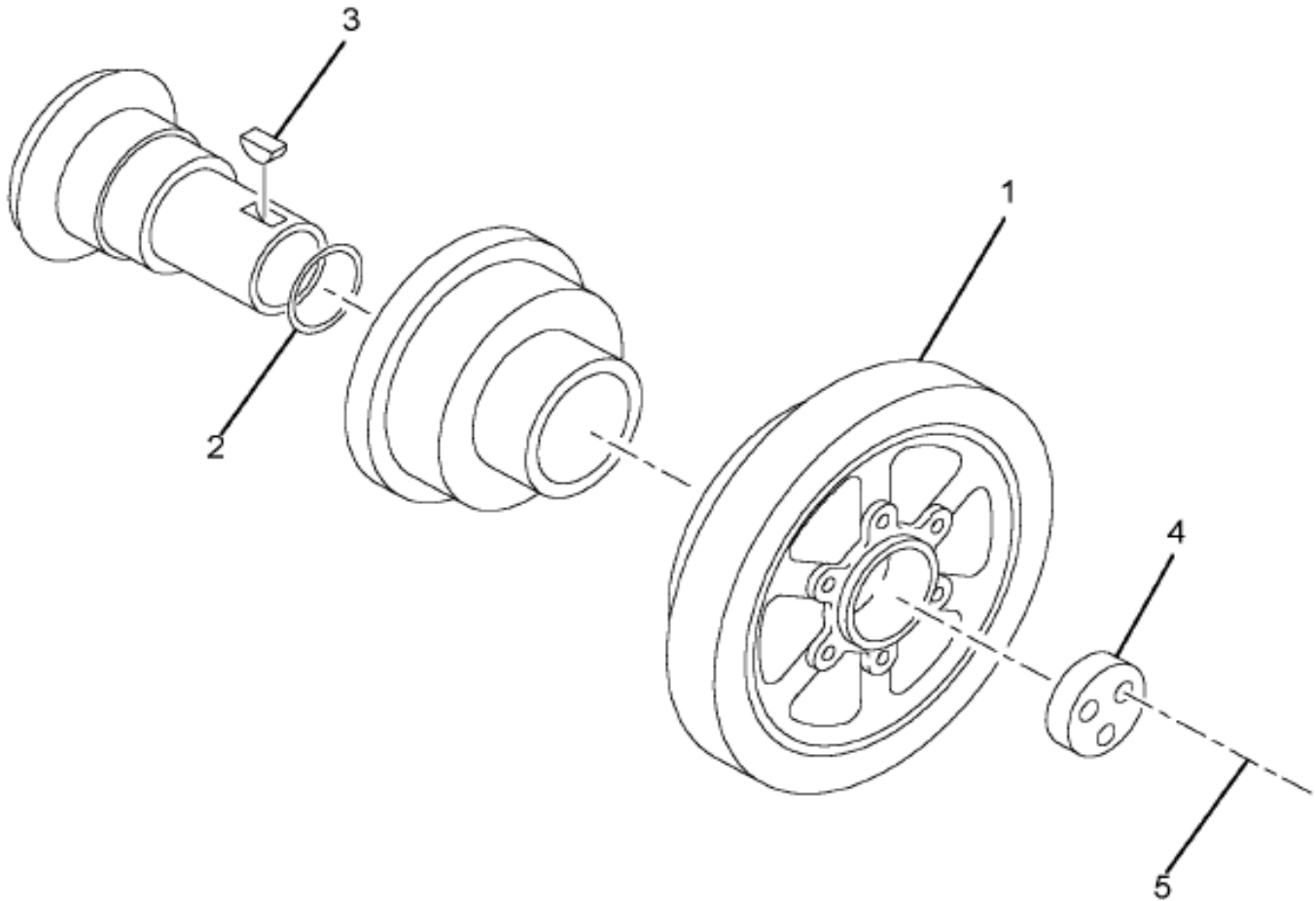


12-ENG-0999-01

D04

Item	Part No.	Qty	Description	Kit	Var	Figure
1	675364C1	1	GEAR, IDLER TIMING			
2	1820299C1	1	GEAR, CRANKSHAFT			
3	17135R1	1	PIN, 5/32 X 5/16 PLN SLT-SPR			
4	1830620C1	1	CRANKSHAFT			
880	RF		NOTE: ASM BELOW COMPRISED OF ABOVE COMPONENTS			

Figure 641007B006
DAMPER, VIBRATION

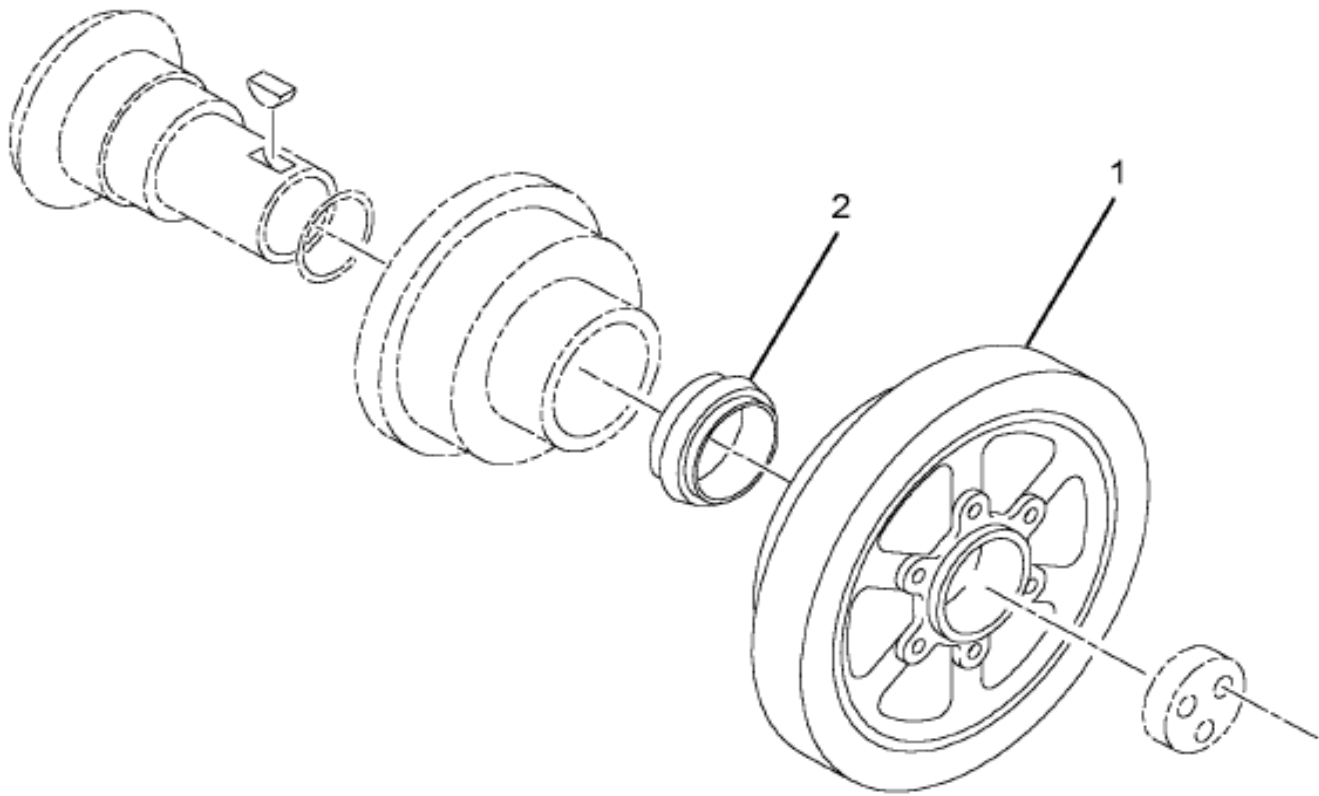


12-ENG-0077-01

A03

Item	Part No.	Qty	Description	Kit	Var	Figure
1	1830736C91	1	DAMPER			1830736C91
2	687024C1	1	WASHER, SEAL			
3	691044C1	1	KEY, VIBRATION DAMPER			
4	675412C1	1	PLATE, DAMPER RETAINER			
5	1823929C1	3	BOLT M12 X 1.25MM			
880	RF		NOTE: ASM BELOW COMPRISED OF ABOVE			

Figure 1830736C91
DAMPER ASSEMBLY

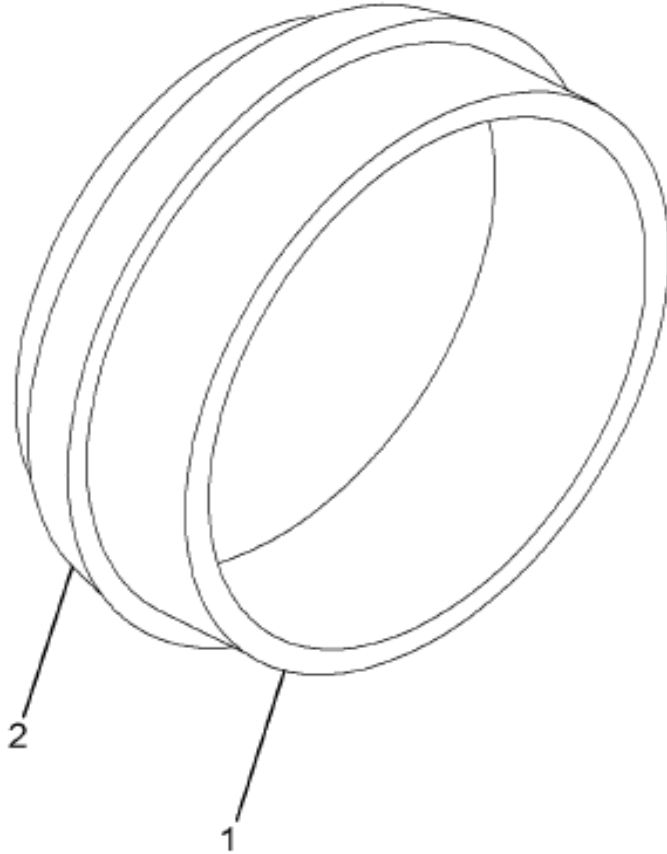


12-ENG-0594-01

H03

Item	Part No.	Qty	Description	Kit	Var	Figure
1	1820856C2	1	DAMPER,VIBRATION EMD-1701			
2	1827176C91	1	SLEEVE,ASSY POSE			1827176C91
880		RF	NOTE: ASM BELOW COMPRISED OF ABOVE COMPONENTS			
881	1830736C91	RF	DAMPER ASSEMBLY			

Figure 1827176C91
SLEEVE, ASSY POSE



Grp
1
2

12-ENG-0715-01

L04

Item	Part No.	Qty	Description	Kit	Var	Figure
1	1827174C1	1	SLEEVE, WEAR	A		
2	1827175C1	1	SEAL, DUST-POSE	A		
801		RF	(CONSISTS OF PARTS DENOTED BY A)			
880		RF	NOTE: ASM BELOW COMPRISED OF ABOVE COMPONENTS			
881	1827176C91	RF	SLEEVE, ASSY POSE			

Figure 07PJY
DEARTH HOSE INSTL

FOR M-NGV-SS
W/FNGD-16-ENG

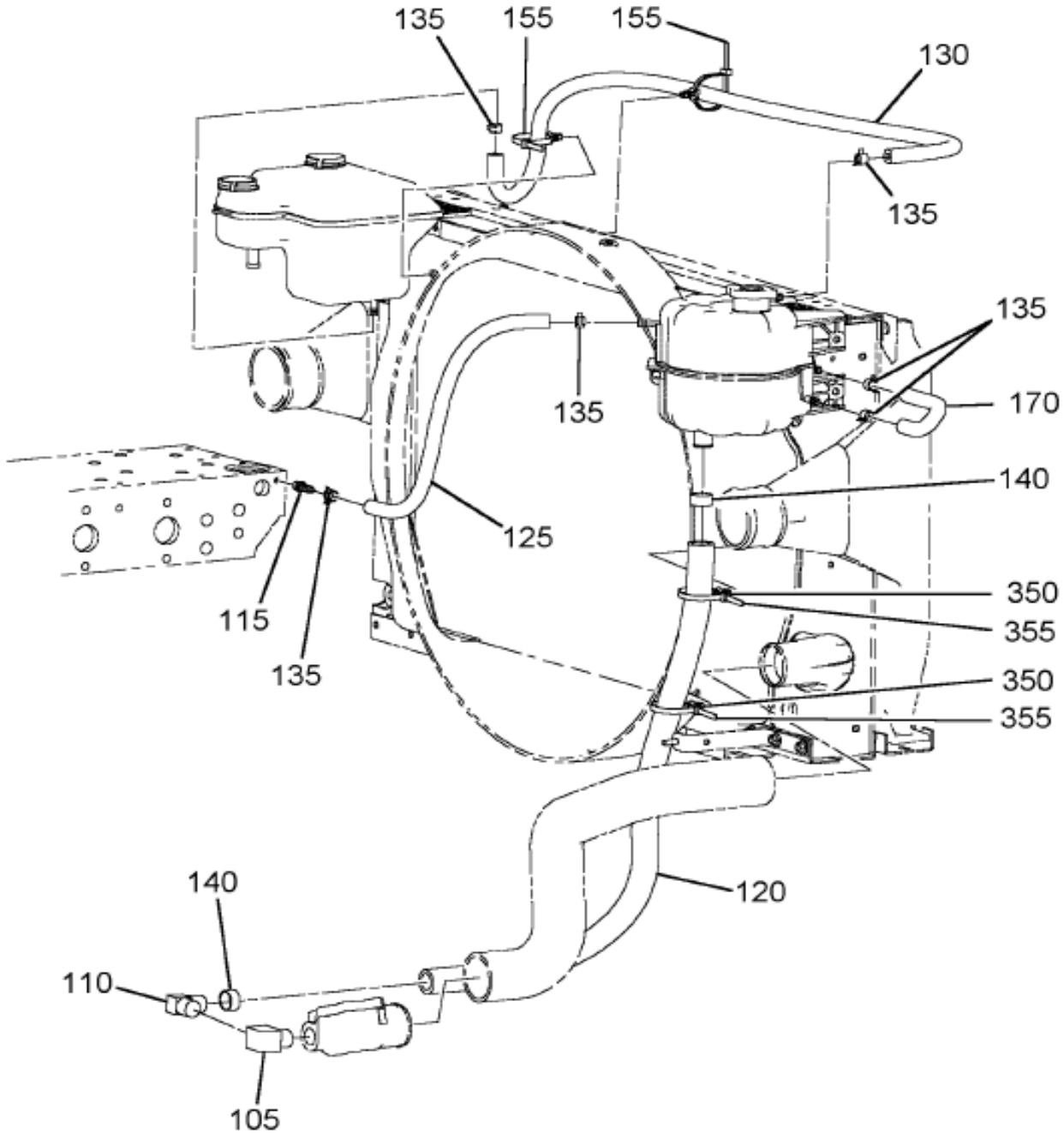
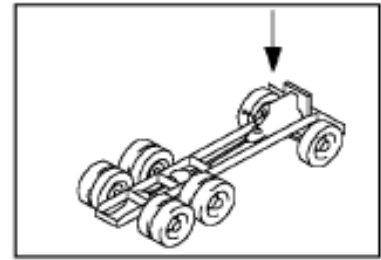
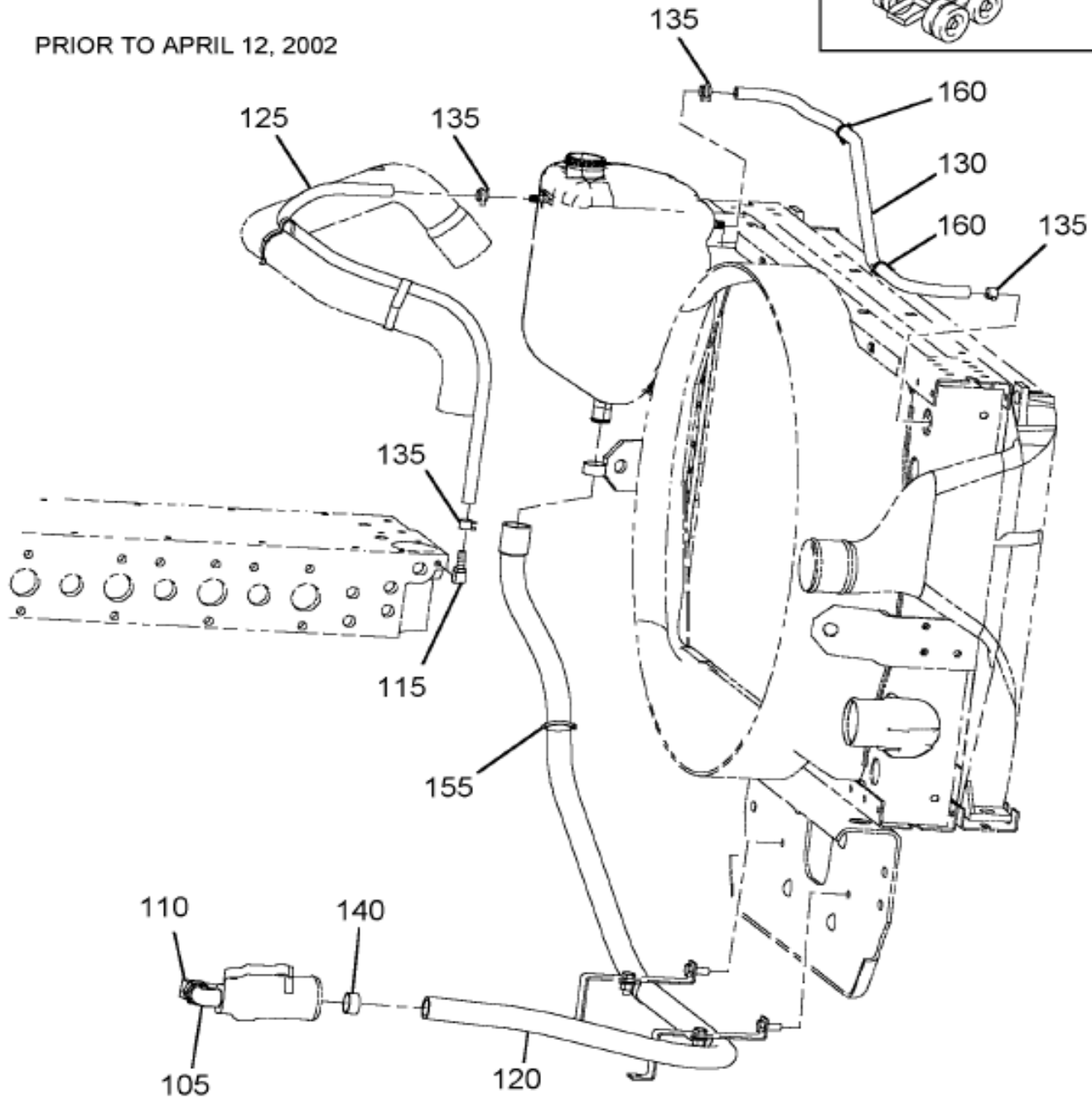


Figure 1 of 2

Figure 07PJY
DEARTN HOSENG INSTL

FOR M-NGV-SS
W/FNGD-16-ENG

PRIOR TO APRIL 12, 2002



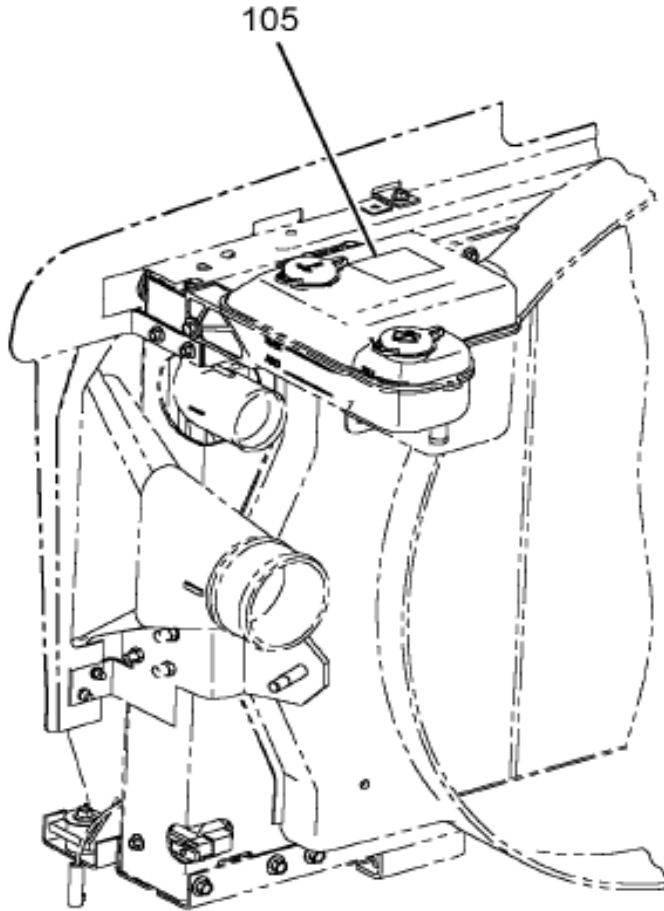
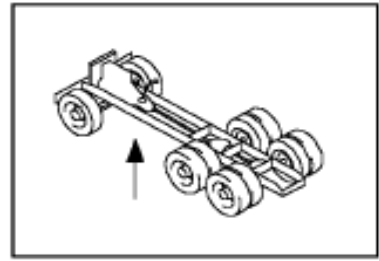
Grp
1
2

12-720-0081-01

A04

Item	Part No.	Qty	Description	Kit	Var	Figure
105	444046	1	ELBOW, 3/4-14 PLN AUTO 90D PIP		07PJY	
110	413729C1	1	ELBOW,HOSE		07PJY	
115	293344C1	1	NIPPLE,HOSE		07PJY	
120	2643493R1	70	HOSE,HEATER PREMIUM*1" ID		0F101	
125	2643504R1	70	HOSE,HEATER BULK 3/8" ID		0F101	
130	2643504R1	1150	HOSE,HEATER BULK 3/8" ID		0F101	

Figure 08XXF
DEARTN/SURGE TANK DECAL INSTL



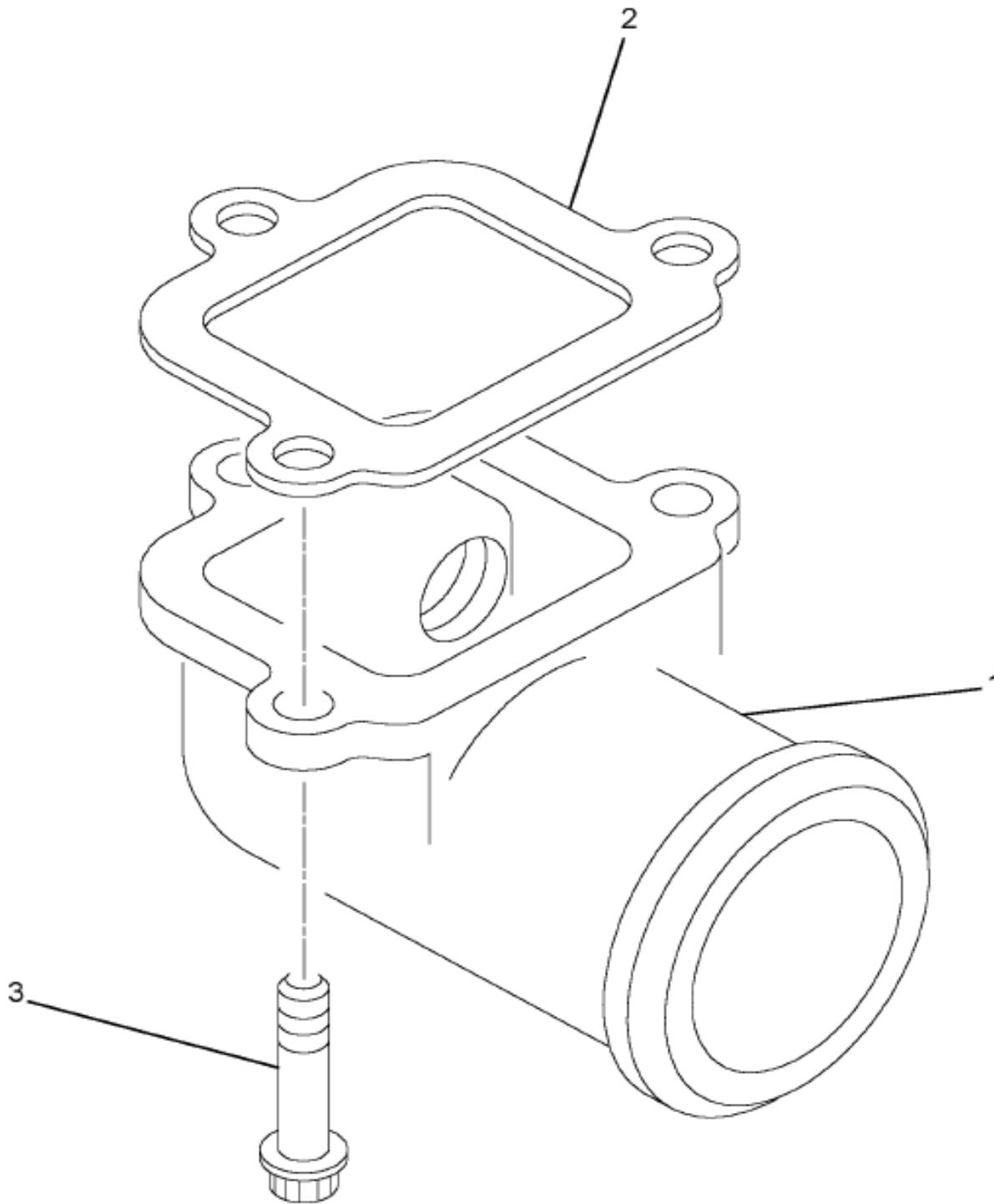
Grp
12

12-475-0091-KA

L02

Item	Part No.	Qty	Description	Kit	Var	Figure
105	3528274C3	1	PRODUCT GRAPHICS,DECAL ANTI FR		0H9VY	

Figure 641005P005
ELBOW, WATER INLET

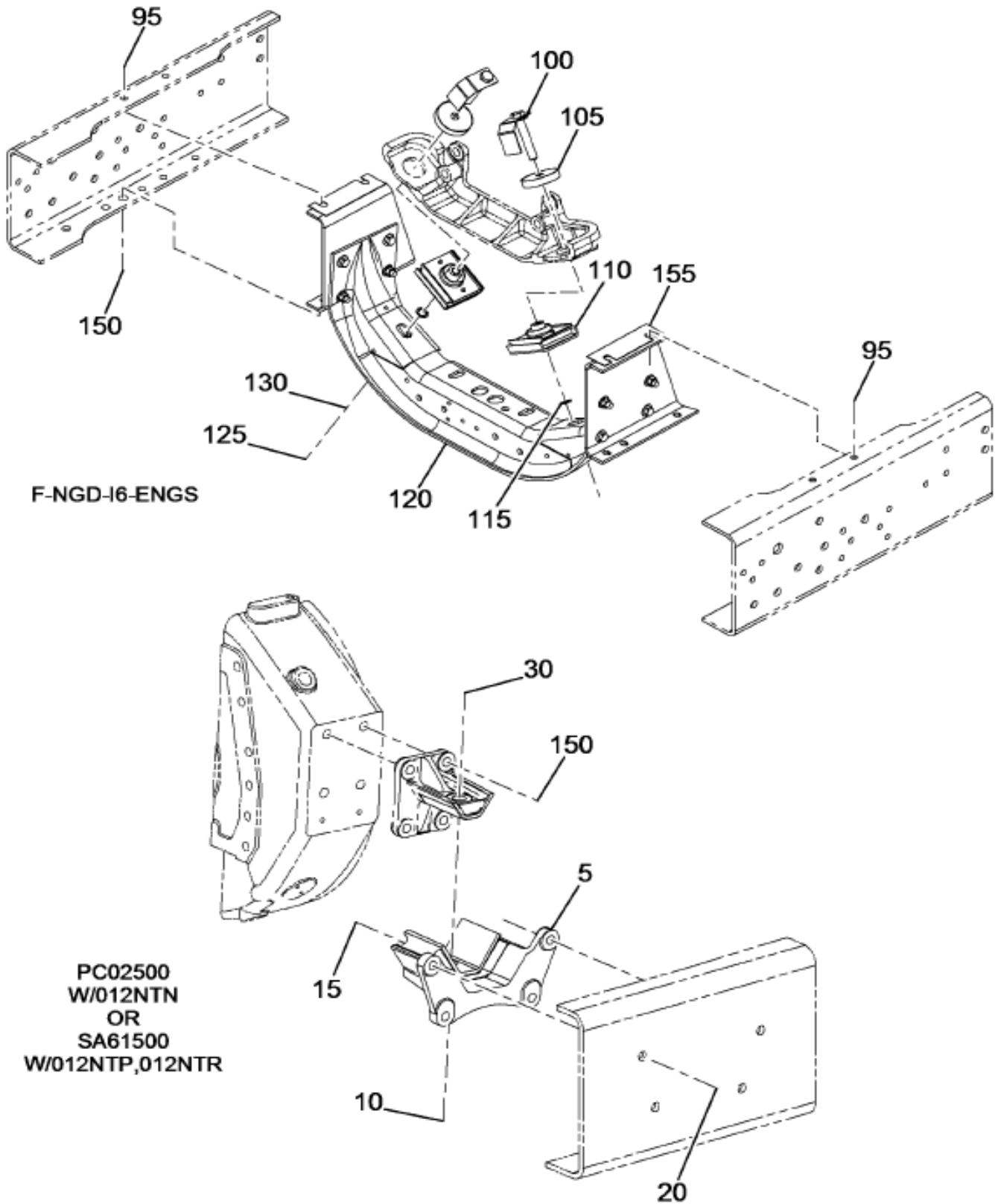


12-ENG-0107-01

B03

Item	Part No.	Qty	Description	Kit	Var	Figure
1	3527258C1	1	INLET, WATER			
2	1817974C1	1	GASKET WATER INLET			
3	1817958C1	3	BOLT, FLANGE M8 X 1.25MM X 30MM			
880		RF	NOTE: ASM BELOW COMPRISED OF ABOVE COMPONENTS			
881	641005P005	RF	ELBOW, WATER INLET			

Figure 07NDS
ENG MTG INSTL; FRONT & REAR

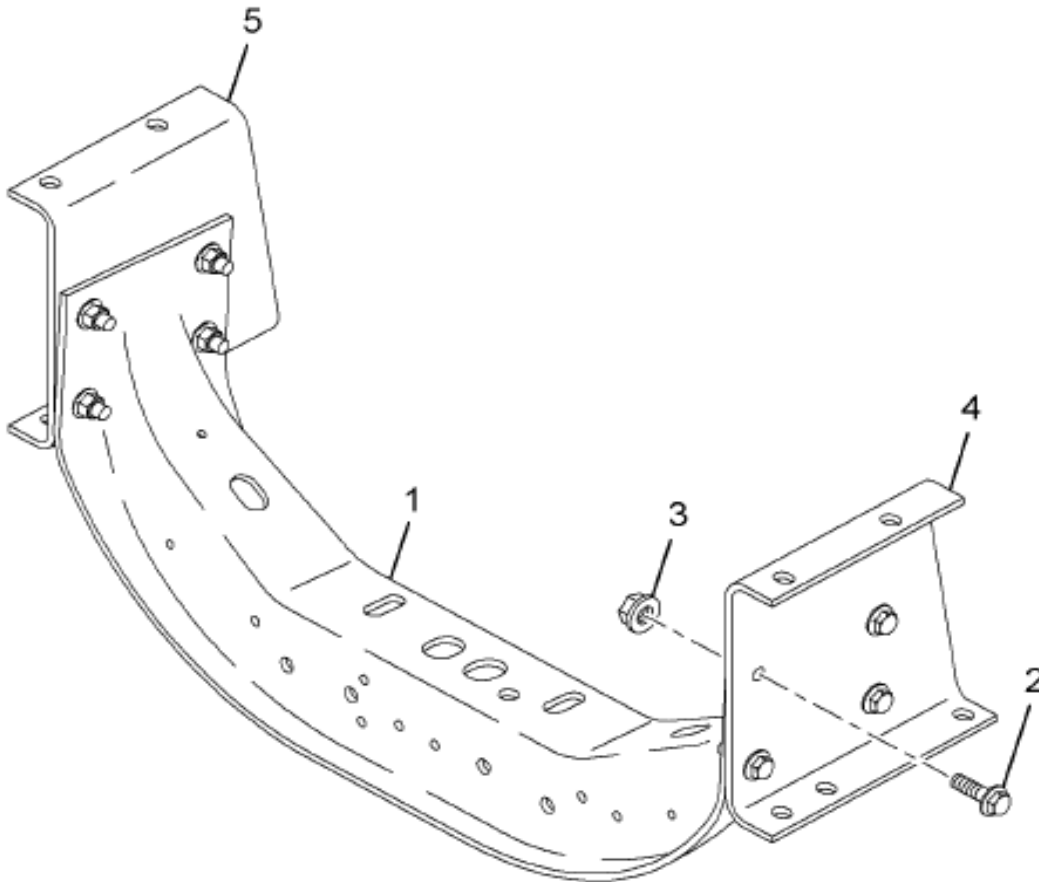


12-263-0068-BA

E09

Item	Part No.	Qty	Description	Kit	Var	Figure
5	3549169C1	2	INSULATOR,ENG REAR MTG		07NDS	
10	3532955C1	2	INSULATOR,SNUBBER I6		07NDS	
15	30752R2	8	BOLT, M16 X 50MM PHC FLG CLASS		07NDS	
20	30756R1	8	NUT,HEX M16 PRVTRQ		07NDS	
30	40203R1	2	BOLT,HEX FLG HD METRIC*M16 X 9		07NDS	
95	30748R2	4	BOLT, M12 X 50MM PHC FLG CLASS		07NFD	

Figure 3538857C93
CROSSMEMBER, ENGINE MTG REMOVEA



Grp
1
2

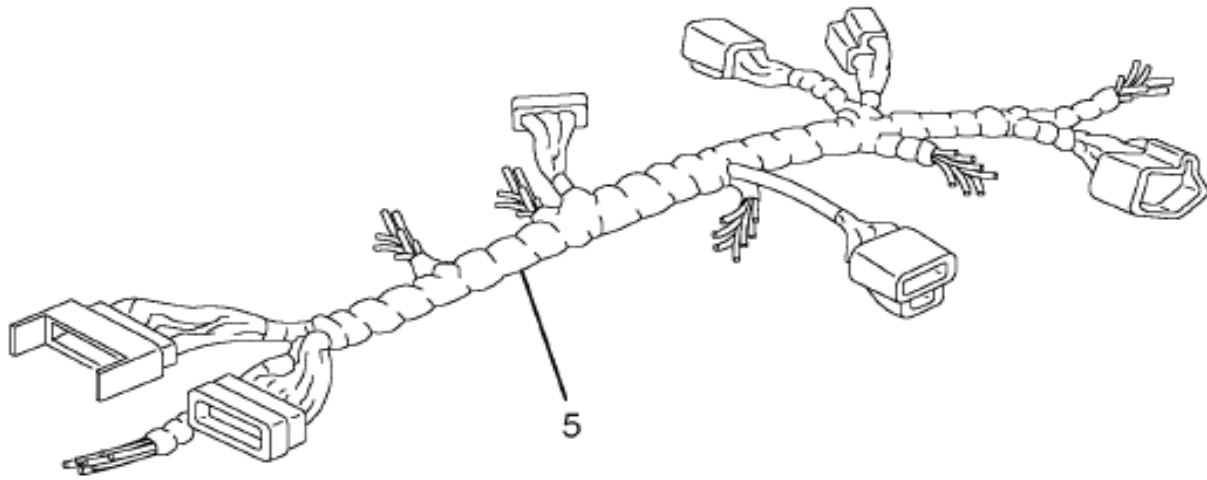
01-263-0006-01

C05

Item	Part No.	Qty	Description	Kit	Var	Figure
1	1664732C4	1	CROSSMEMBER,ENGINE MTG FRONT			
2	30745R2	8	BOLT,M12 X 35 HEX FLG HD			
3	30755R1	8	NUT,HEX M12 FLANGED			
4	3538781C3	1	BRACKET,ENG FRT LT			
4		RF	LEFT			
5	3538782C3	1	BRACKET,ENG FRT RT			

Figure 0F107

ENGINE CHARGING CIRCUIT WIRING; (ABR#2), FOR NGV ENGINE



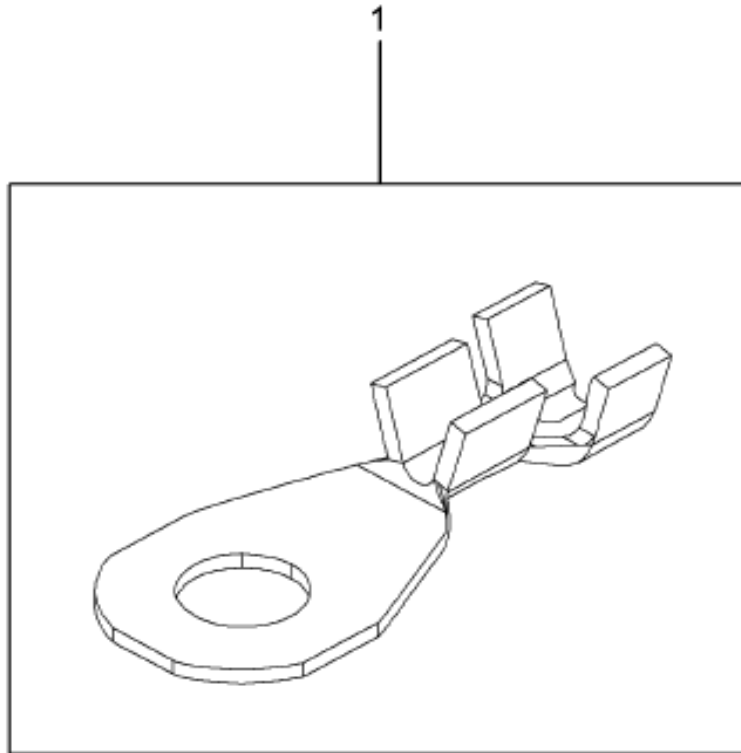
Grp
12

08-D01-0004-01

E04

Item	Part No.	Qty	Description	Kit	Var	Figure
5	3550545F93	1	ELECT INTL I6 ENG 2 GA CHG		0F10T	3550545F93

Figure 3550545F93
ELECT INTL I6 ENG 2 GA CHG

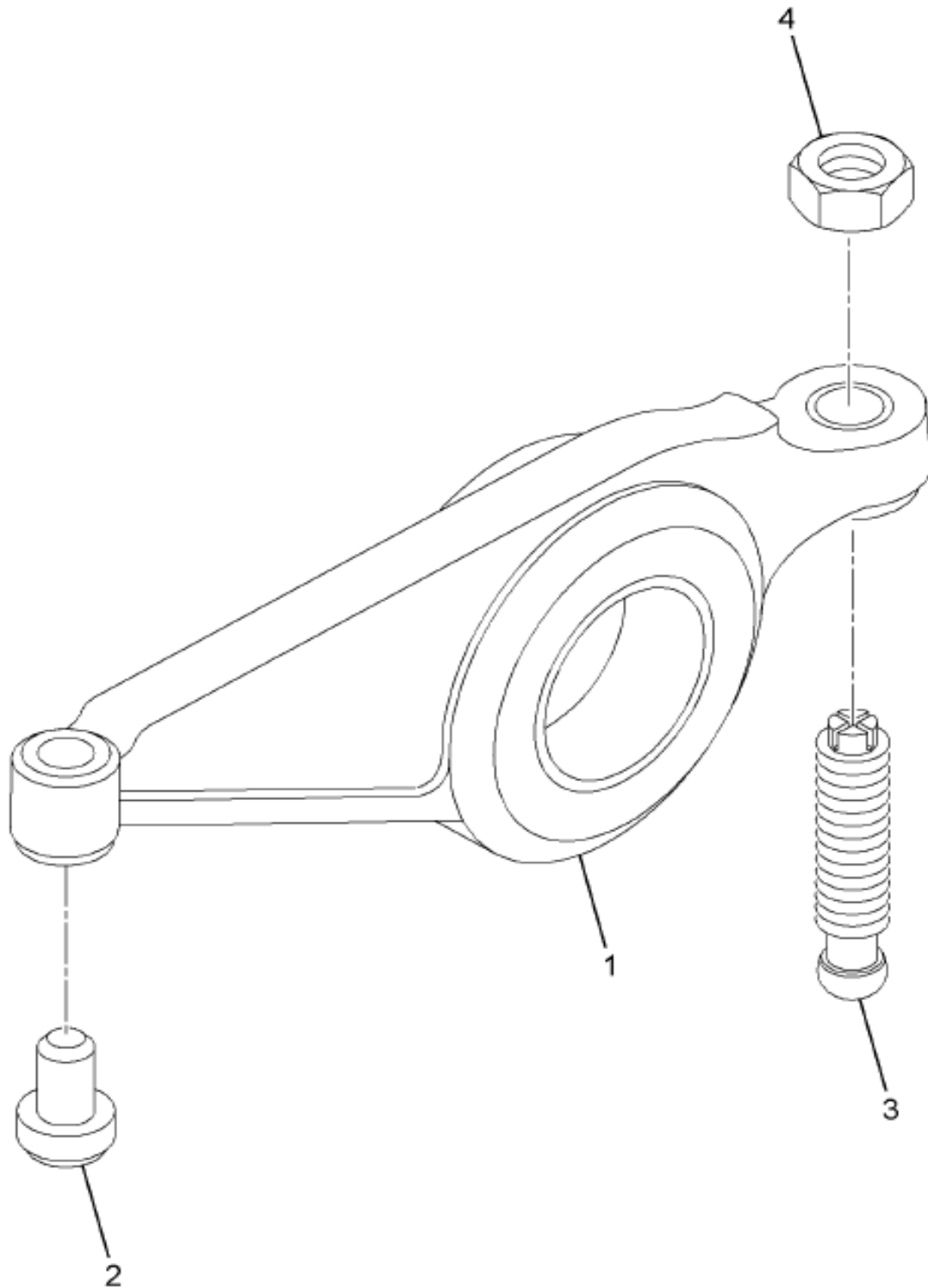


12-E51-0004-01

G09

Item	Part No.	Qty	Description	Kit	Var	Figure
1	3550322C93	1	HARNASS,ELEC I6 ENG 2GA CHG			
880		RF	NOTE: ASM BELOW COMPRISED OF ABOVE COMPONENTS			
881	3550545F93	RF	ELECT INTL I6 ENG 2 GA CHG			

Figure 1827195C95
ARM ASSY,ROCKER (RATIO 1:66)

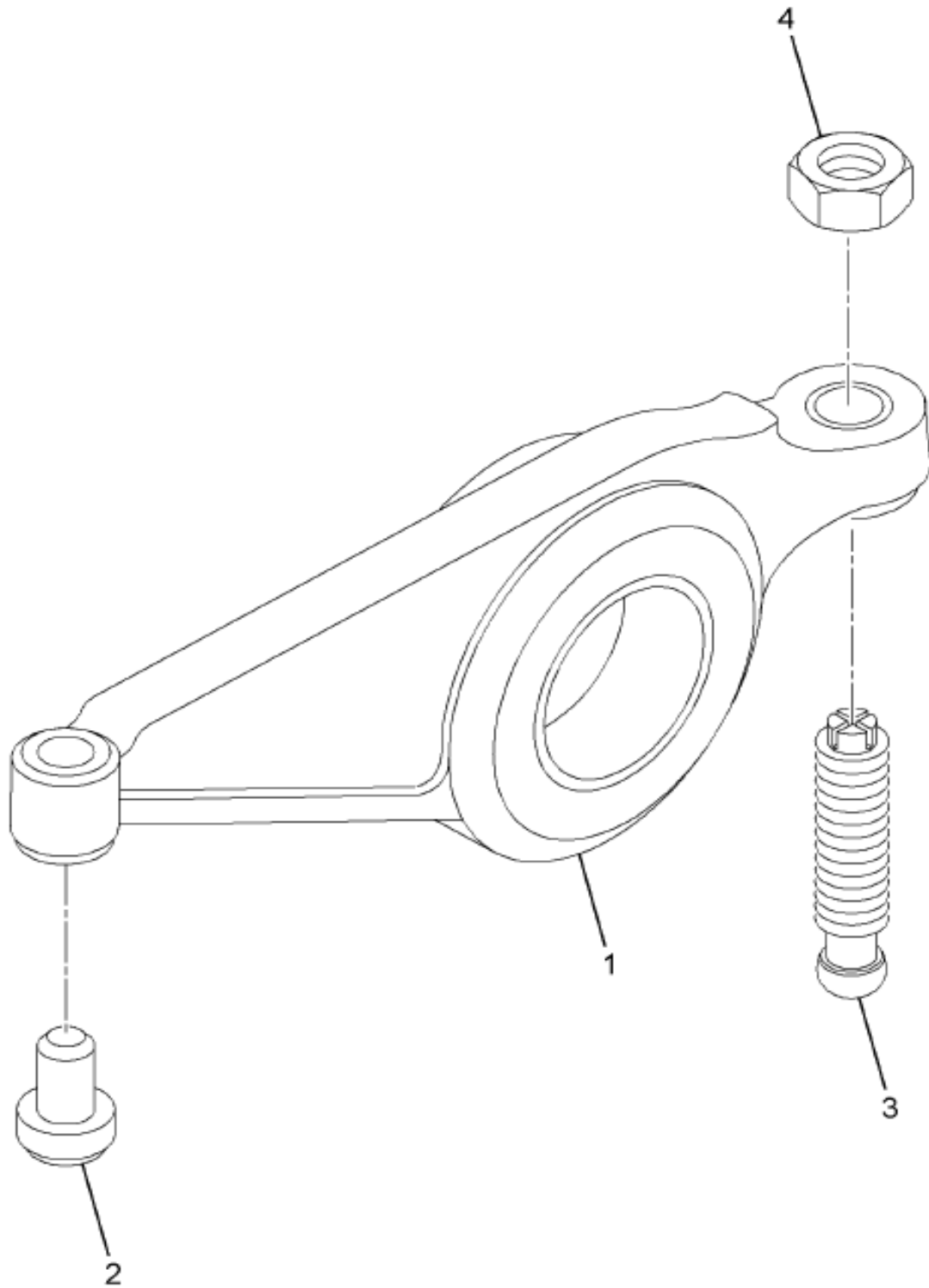


12-ENG-1072-01

E04

Item	Part No.	Qty	Description	Kit	Var	Figure
1	1827743C4	1	ARM,ROCKER (RATION 1:66)			
2	1827193C1	1	BUTTON, ROCKER ARM			
3	16067DA	1	SCREW,ROCKER ARM ADJ			
4	1820923C2	1	NUT,VALVE ADJ SCREW			
880	RF		NOTE: ASM BELOW COMPRISED OF ABOVE COMPONENTS			

Figure 1872755C91
ARM, VALVE ROCKER ASSY



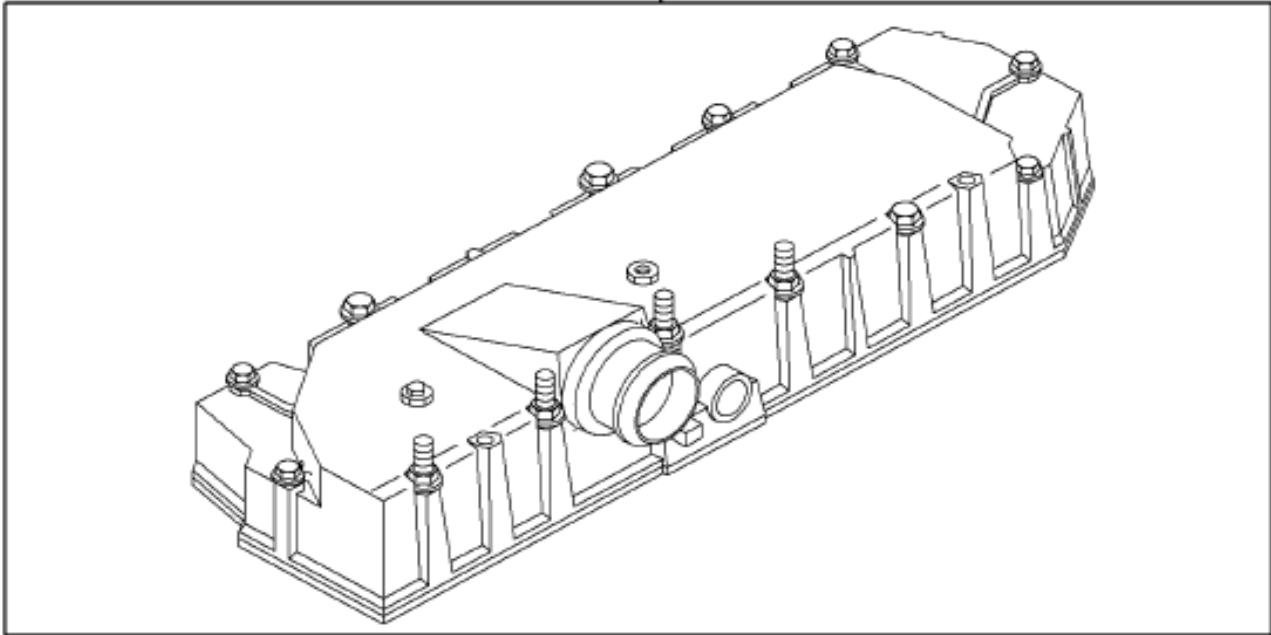
12-ENG-1072-01

E04

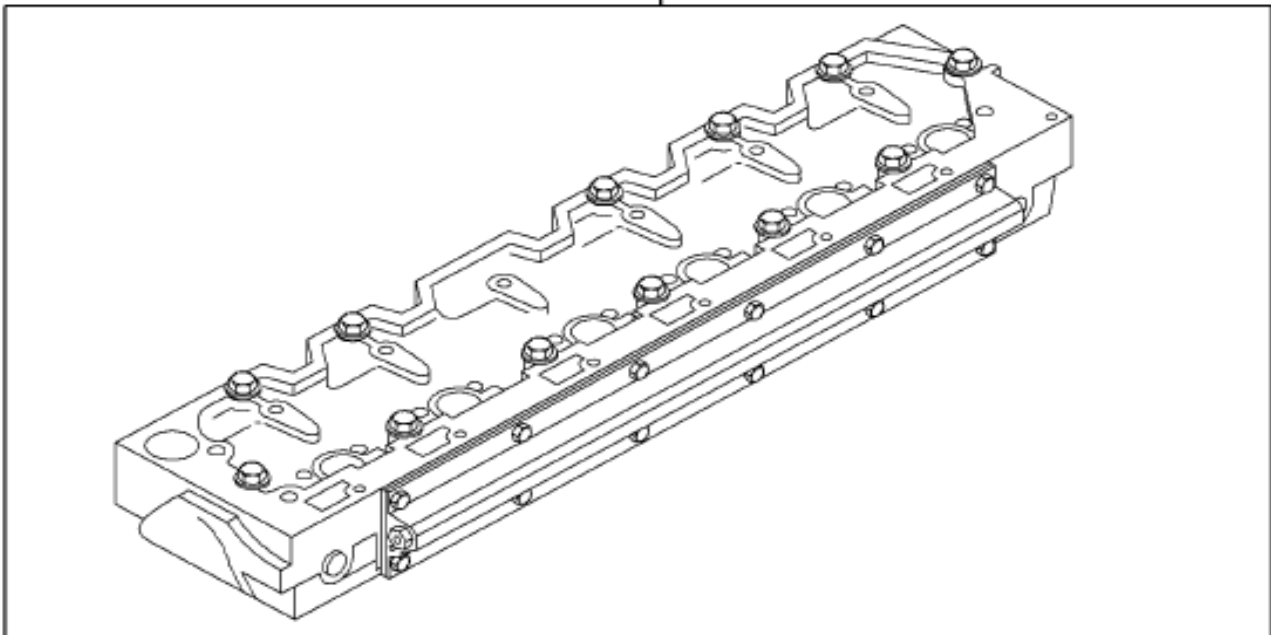
Item	Part No.	Qty	Description	Kit	Var	Figure
1	1872514C1	1	ARM, VALVE ROCKER			
2	1827193C1	1	BUTTON, ROCKER ARM			
3	1854757C1	1	SCREW, ADJUSTER			
4	1841734C1	1	NUT, VALVE ADJUSTING SCREW			
880	RF		NOTE: ASM BELOW COMPRISED OF ABOVE COMPONENTS			

Figure 3553584F91
BRAKE, COMPRESSION*FBO ENG FEAT

1



2

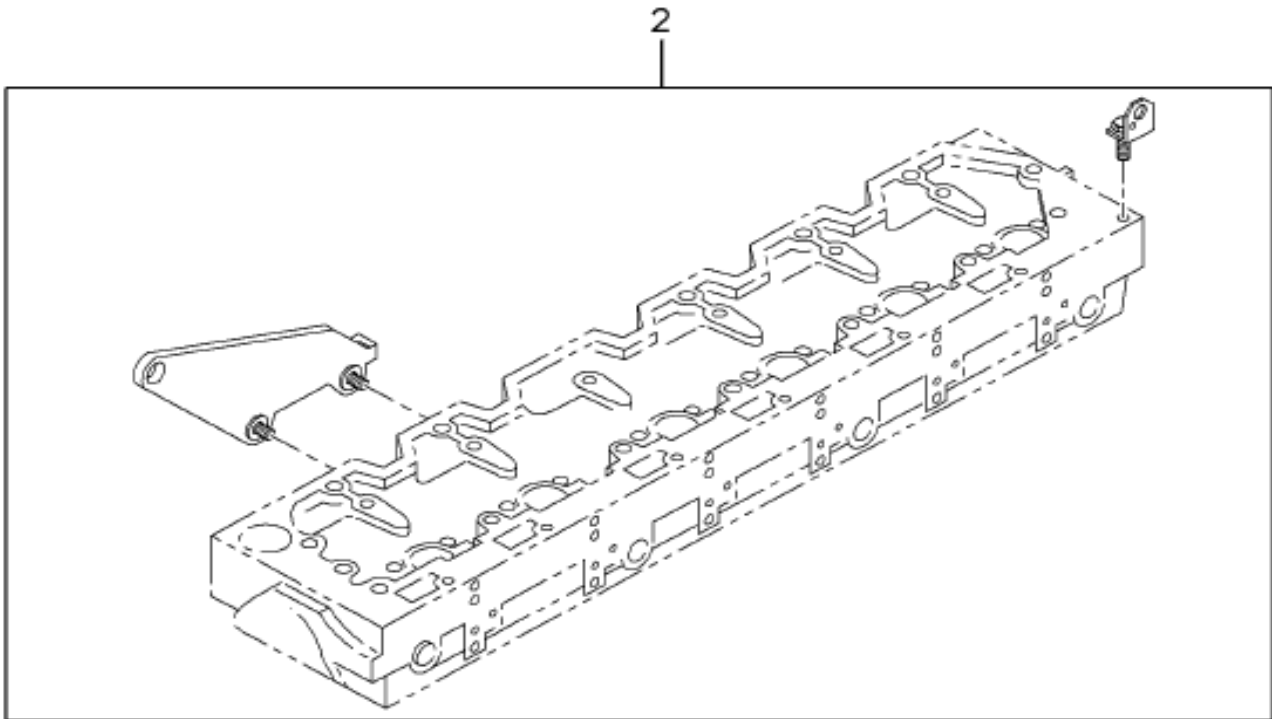
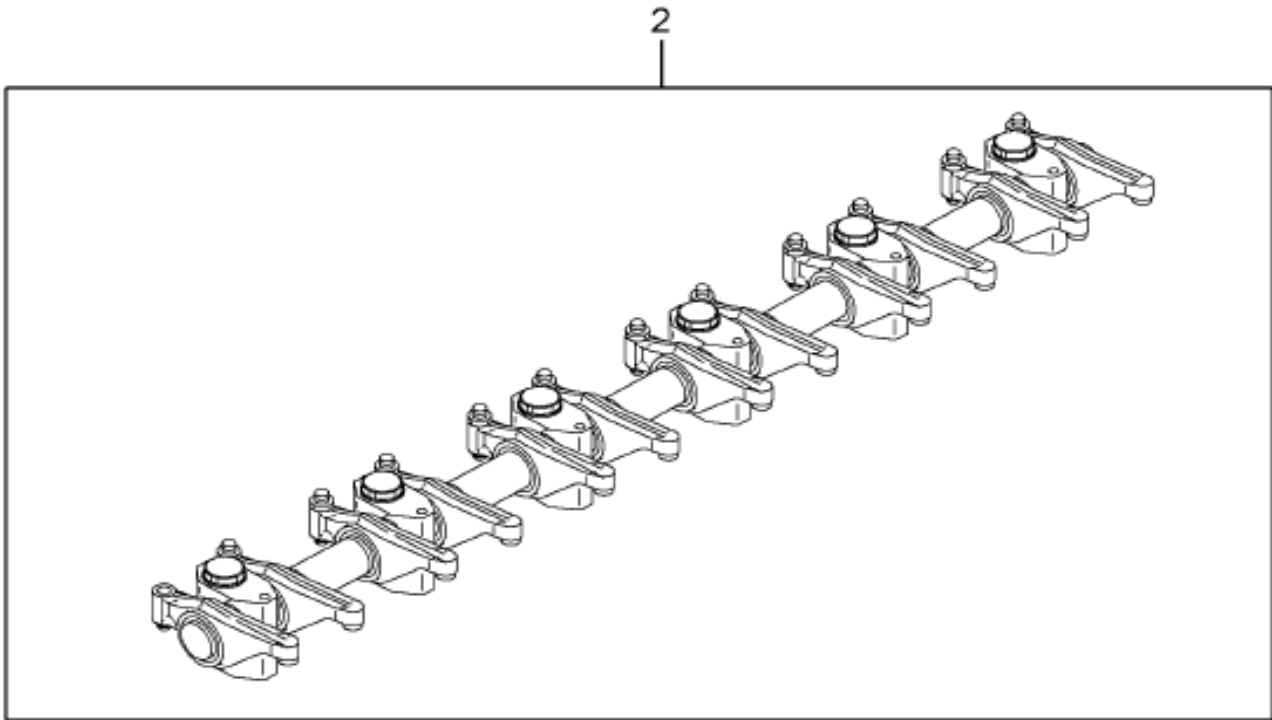


12-E05-0001-01

E05

Figure 1 of 3

Figure 3553584F91
BRAKE, COMPRESSION*FBO ENG FEAT



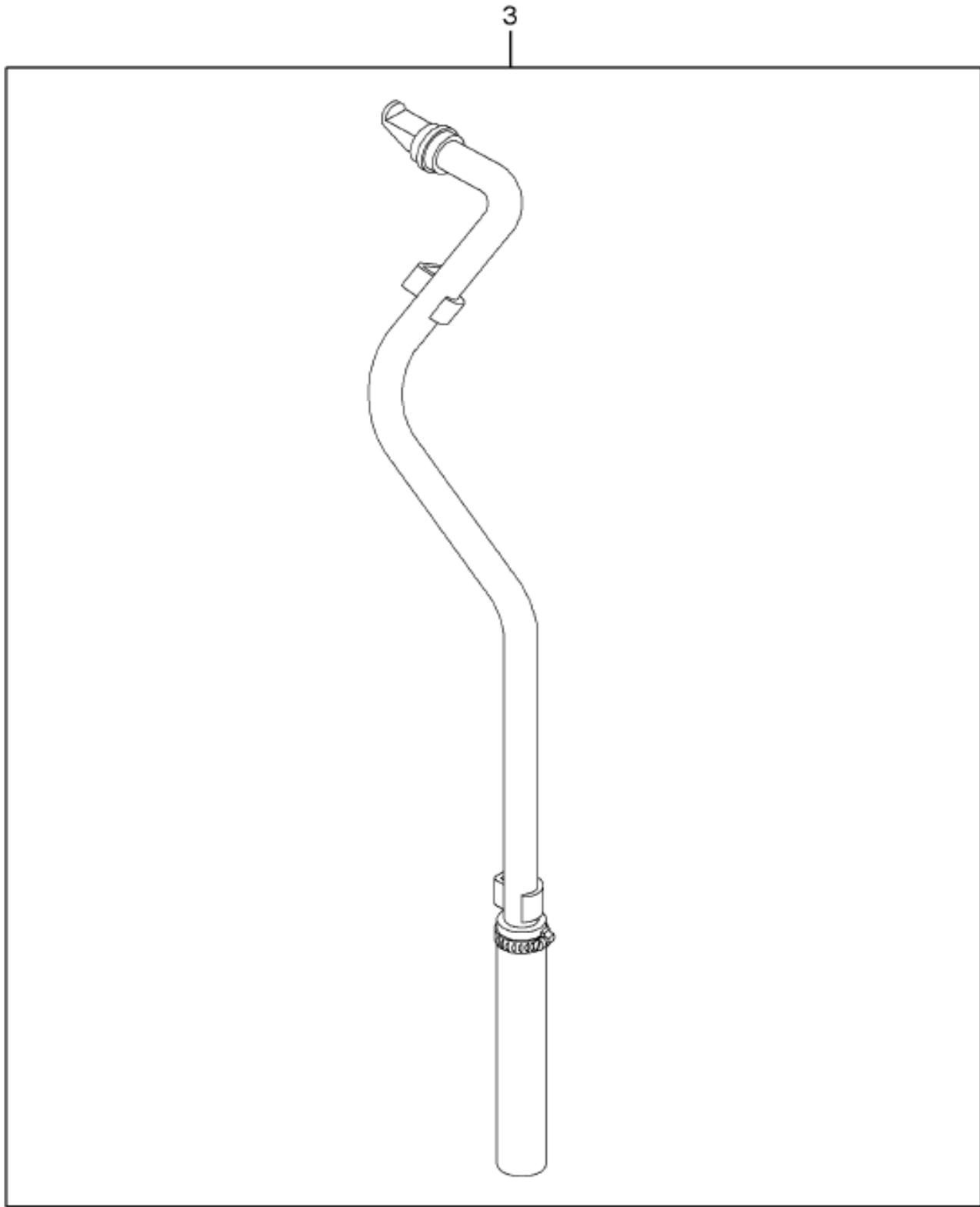
GRP
12

12-E05-0001-02

E05

Figure 2 of 3

Figure 3553584F91
BRAKE, COMPRESSION*FBO ENG FEAT

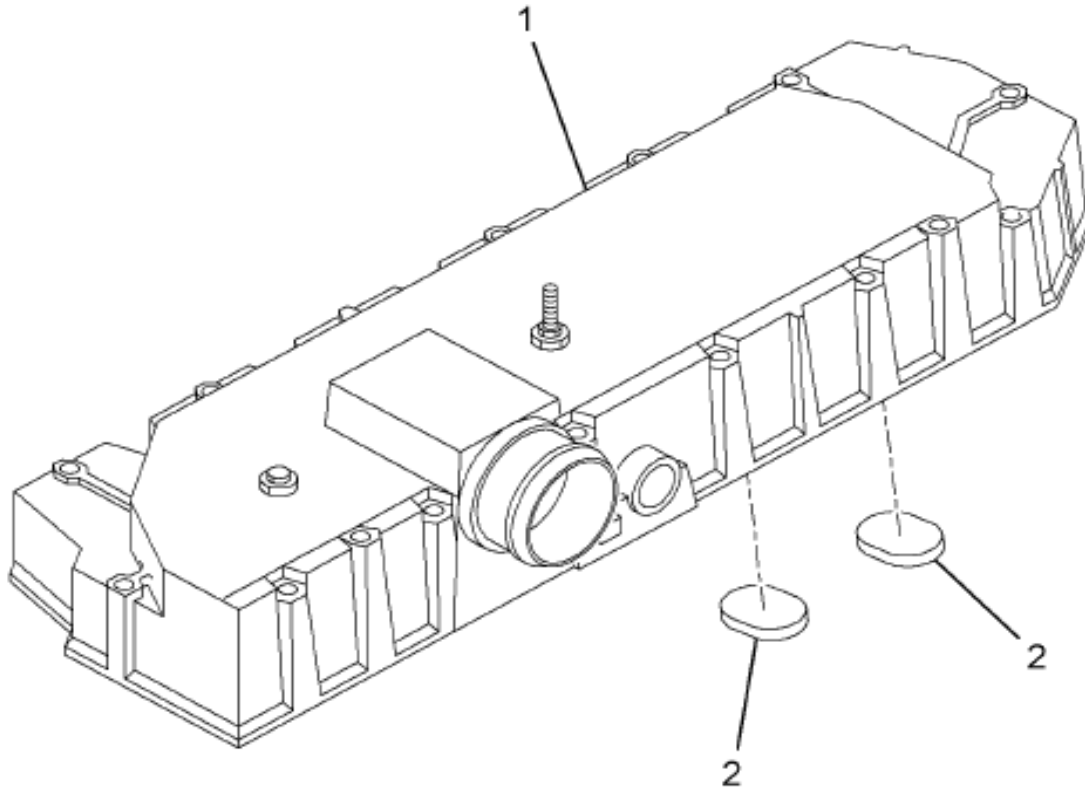


12-E05-0001-03

E05

Item	Part No.	Qty	Description	Kit	Var	Figure
1		RF	HD13 - VALVE COVER			
1	641008D013	1	VALVE COVER, SIDE INLET W/O ENG.BRK			641008D013
2		RF	HF04 - LIFTING EYE 530 NO BRAKE			
2	641008A009	1	CYLINDER HEAD UNIT (I-308/530)			641008A009
2	641008C003	1	ROCKER ARM UNIT(I-308)			641008C003
2	641008F002	1	LIFTING EYE UNIT		U	641008F002

Figure 1828262C92
COVER ASSEMBLY, VALVE

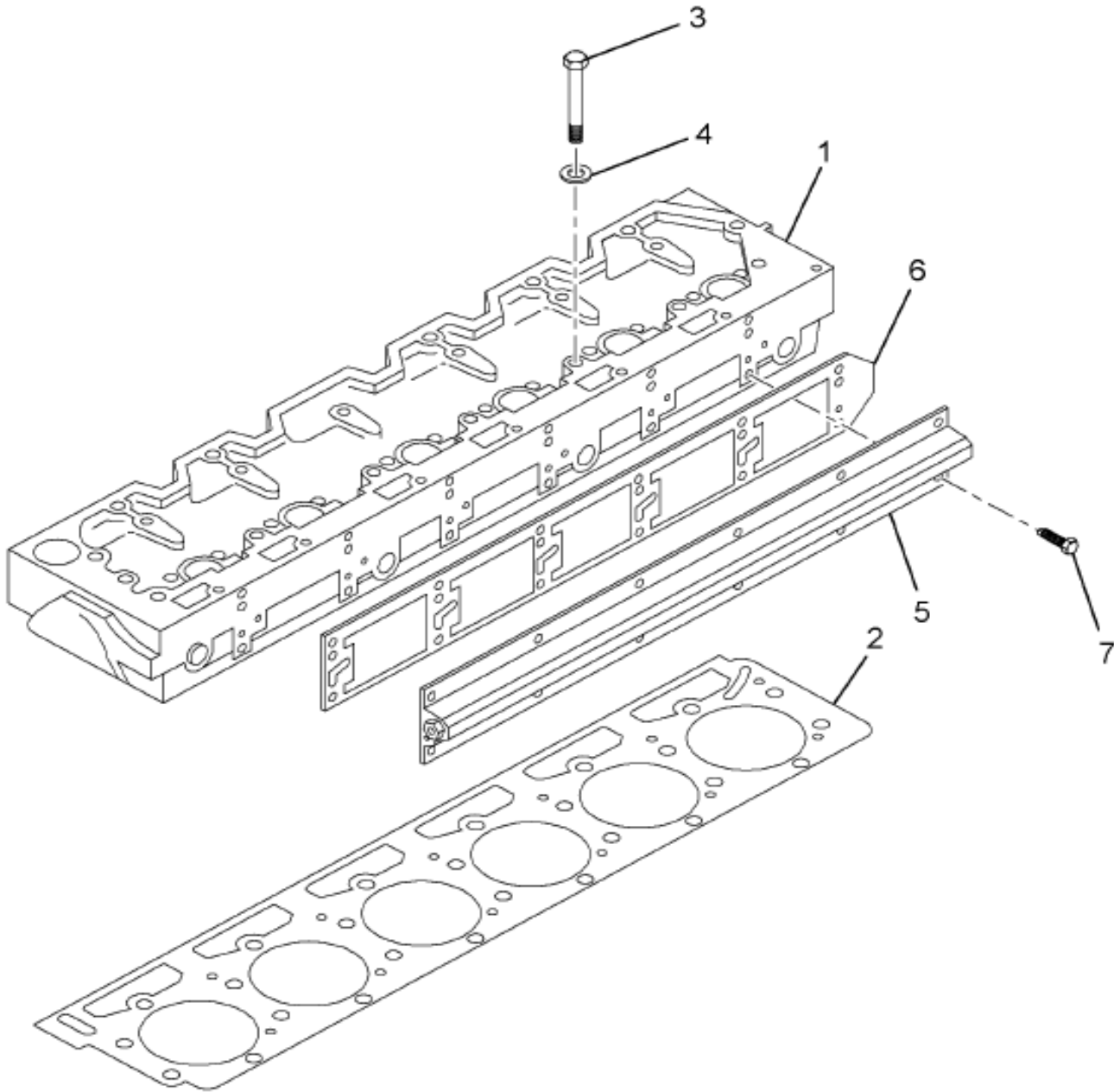


12-ENG-1553-01

K05

Item	Part No.	Qty	Description	Kit	Var	Figure
1	1827895C2	1	COVER, VALVE			
2	1825688C1	2	ELEMENT, BREATHER			
880		RF	NOTE: ASM BELOW COMPRISED OF ABOVE COMPONENTS			
881	1828262C92	RF	COVER ASSEMBLY, VALVE			

Figure 641008A009
CYLINDER HEAD UNIT (I-308/530)



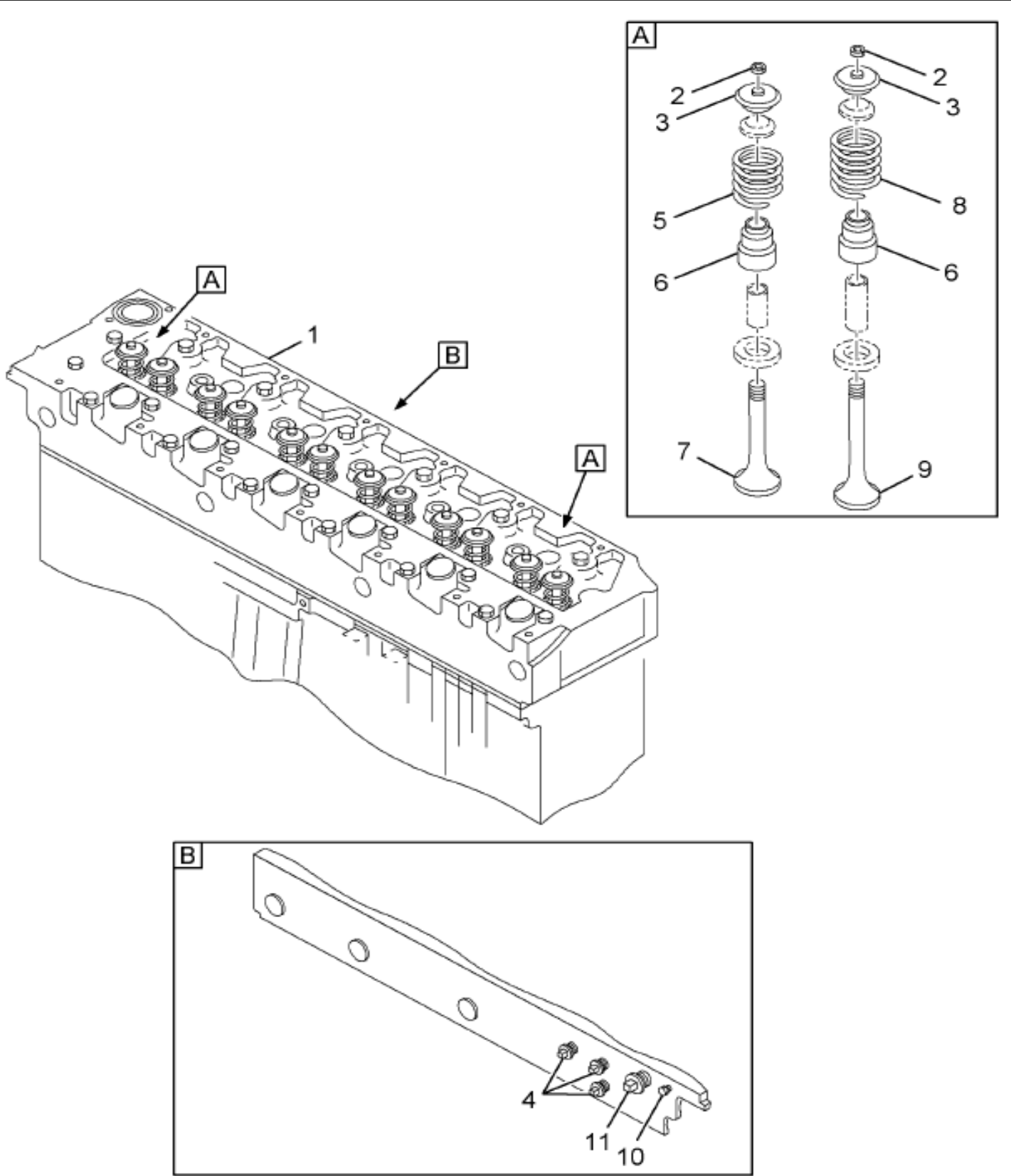
Grp
12

12-ENG1840-01

G07

Item	Part No.	Qty	Description	Kit	Var	Figure
1	1830346C95	1	HEAD ASSY,CYLINDER,W/VALVES			1830346C95
2	1830189C2	1	GASKET-CYLINDER HEAD			
3	1824954C2	20	BOLT,CYLINDER HEAD			
4	1814757C2	20	WASHER,HARDENED			
5	1829825C92	1	MANIFOLD ASSY., OIL & FUEL			1829825C92
6	1822577C1	1	GASKET, MANIFOLD			

Figure 1830346C95
HEAD ASSY, CYLINDER, W/VALVES



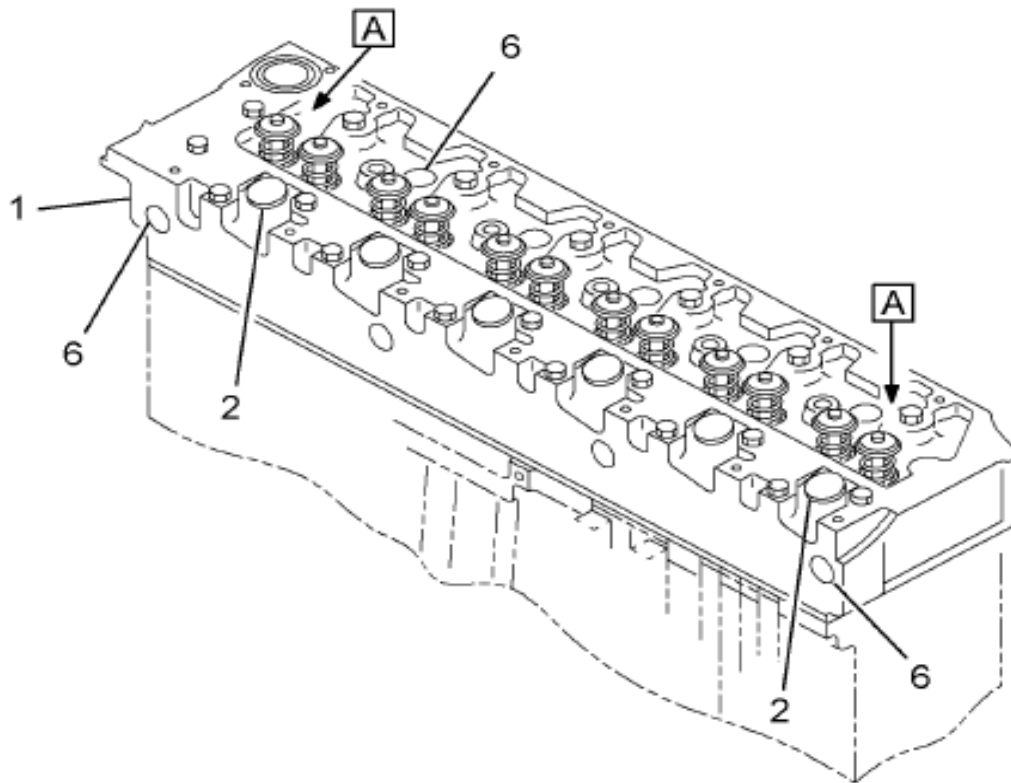
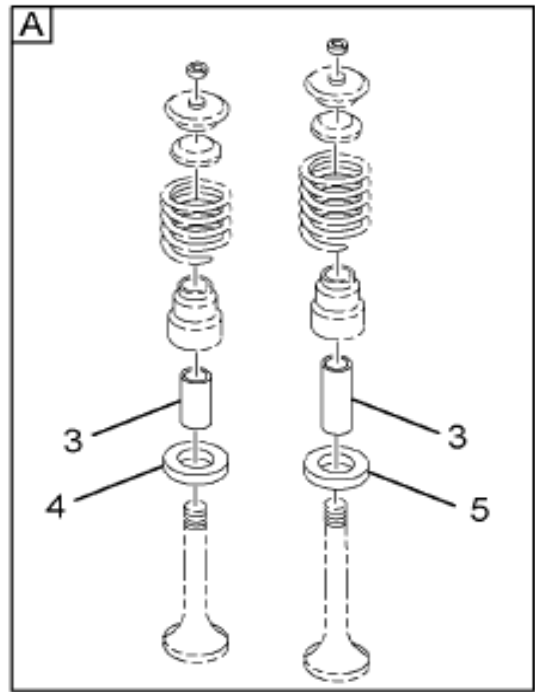
Grp
12

12-ENG-1976-01

B09

Item	Part No.	Qty	Description	Kit	Var	Figure
1	1830345C93	1	HEAD ASSY., CYLINDER			1830345C93
2	1824644C1	24	KEY, MANIF HEAT CONT LEVER			
3	1824680C1	12	ROTATOR, VALVE			
4	445751	3	PLUG, 1/2-14 PLN SQ/SKT AUTO P			
5	677349C1	6	SPRING, INTAKE VALVE			
6	1823925C1	12	SEAL, VALVE STEM ASSY.			

Figure 1830345C93
HEAD ASSY., CYLINDER



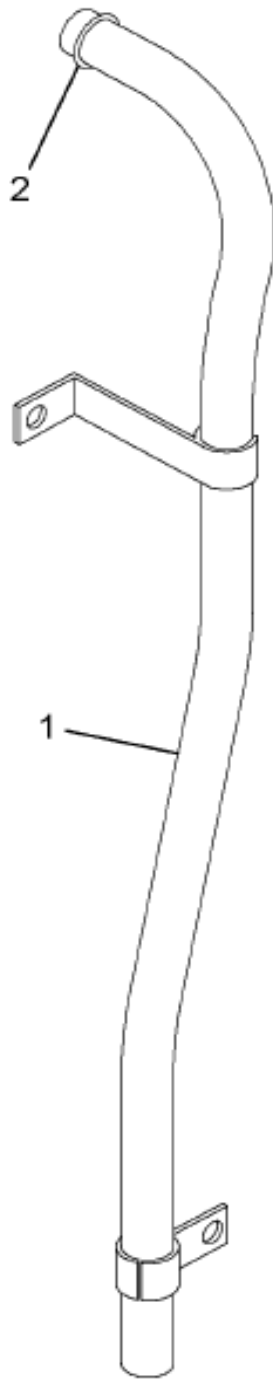
Grp
12

12-ENG-0850-01

M03

Item	Part No.	Qty	Description	Kit	Var	Figure
1	1827113C2	1	HEAD, CYLINDER			
2	1833382C1	6	SLEEVE, INJECTOR			
3	1824647C1	12	GUIDE, VALVE (SERVICE)			
4	1827121C2	6	INSERT, INTAKE VALVE SEAT, STD			
4	1830310C2	6	INSERT, INT SEAT, .002 OVERSIZE			
4	1830311C2	6	INSERT, INT SEAT, .015 OVERSIZE			

Figure 1830188C91
KIT, BREATHER TUBE



Grp
1
2

12-ENG-1448-01

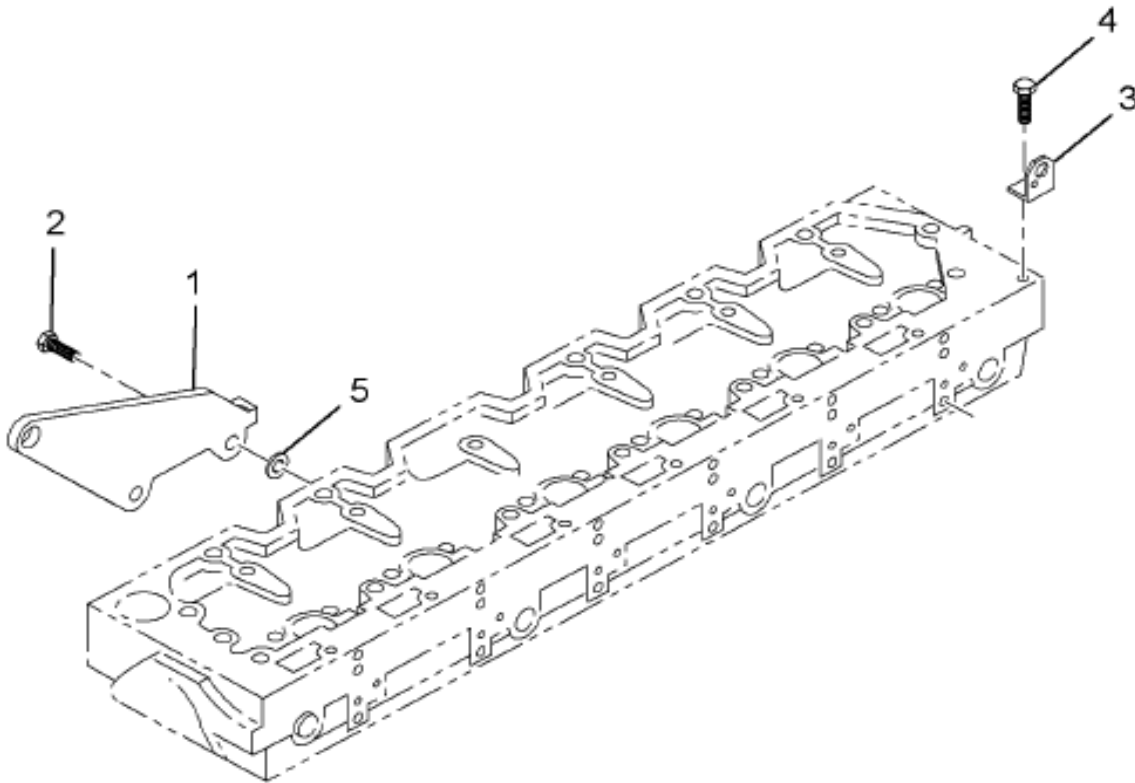
G05

Item	Part No.	Qty	Description	Kit	Var	Figure
1	1827224C1	1	TUBE ASSEMBLY, BREATHER			1827224C1
2	1822135C1	1	RING, O #214			
880		RF	NOTE: ASM BELOW COMPRISED OF ABOVE COMPONENTS			
881	1830188C91	RF	KIT, BREATHER TUBE			

Figure 641008F002

LIFTING EYE UNIT

U

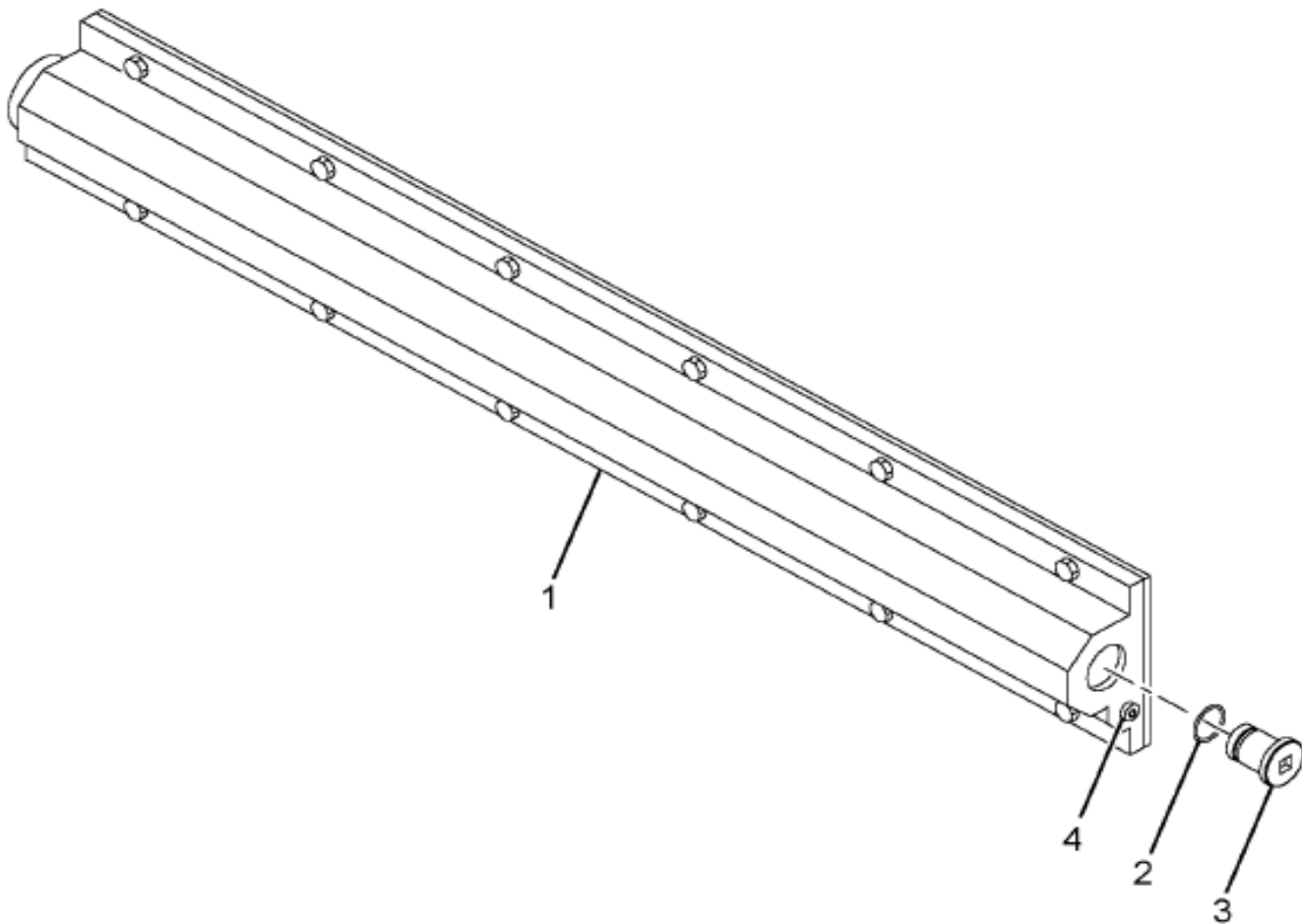


12-ENG-1841-01

G07

Item	Part No.	Qty	Description	Kit	Var	Figure
1	1833385C1	1	EYE, LIFTING			
2	1817967C1	2	BOLT, M12 X 1.75 6Q 25MM			
3	1820215C1	1	EYE, LIFTING REAR			
4	1820235C1	1	BOLT, M14 X 30 HEX FLGE			
5	1814757C2	2	WASHER, HARDENED			
880	RF		NOTE: ASM BELOW COMPRISED OF ABOVE			

Figure 1829825C92
MANIFOLD ASSY., OIL & FUEL

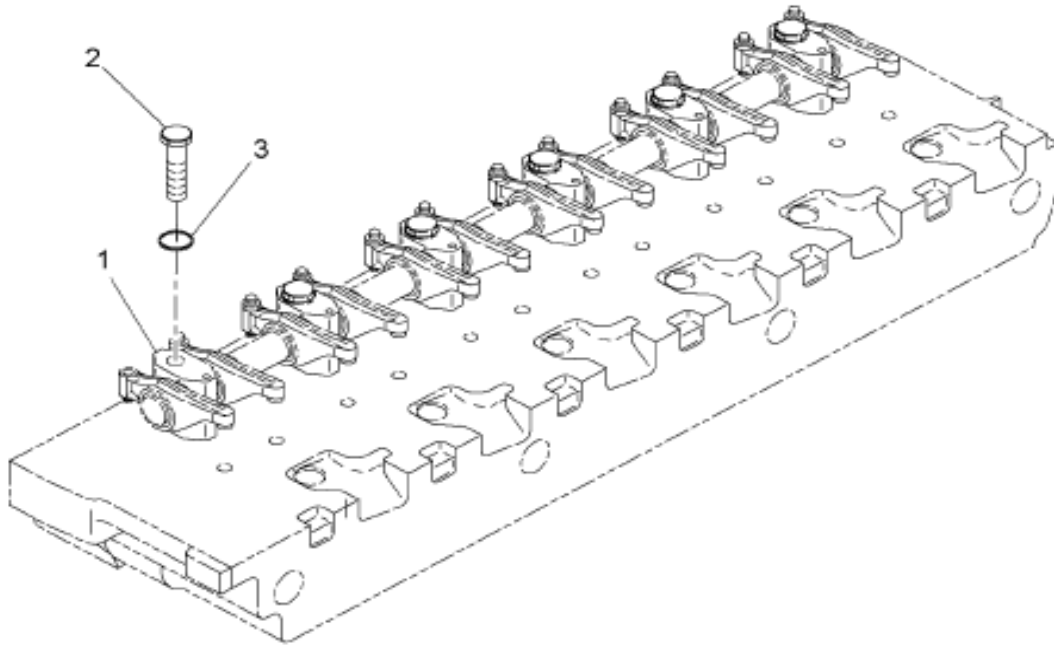


12-ENG-0797-01

K03

Item	Part No.	Qty	Description	Kit	Var	Figure
1	1826313C1	1	MANIFOLD,OIL/FUEL			
2	1831483C1	2	SEAL,OIL RAIL END PLUG			
3	1827515C1	2	PLUG,OIL RAIL END			
4	444697	1	PLUG, 3/8-18 PLN HEX/SKT AUTO			
880	RF		NOTE: ASM BELOW COMPRISED OF ABOVE COMPONENTS			

Figure 641008C003
ROCKER ARM UNIT (I-308)

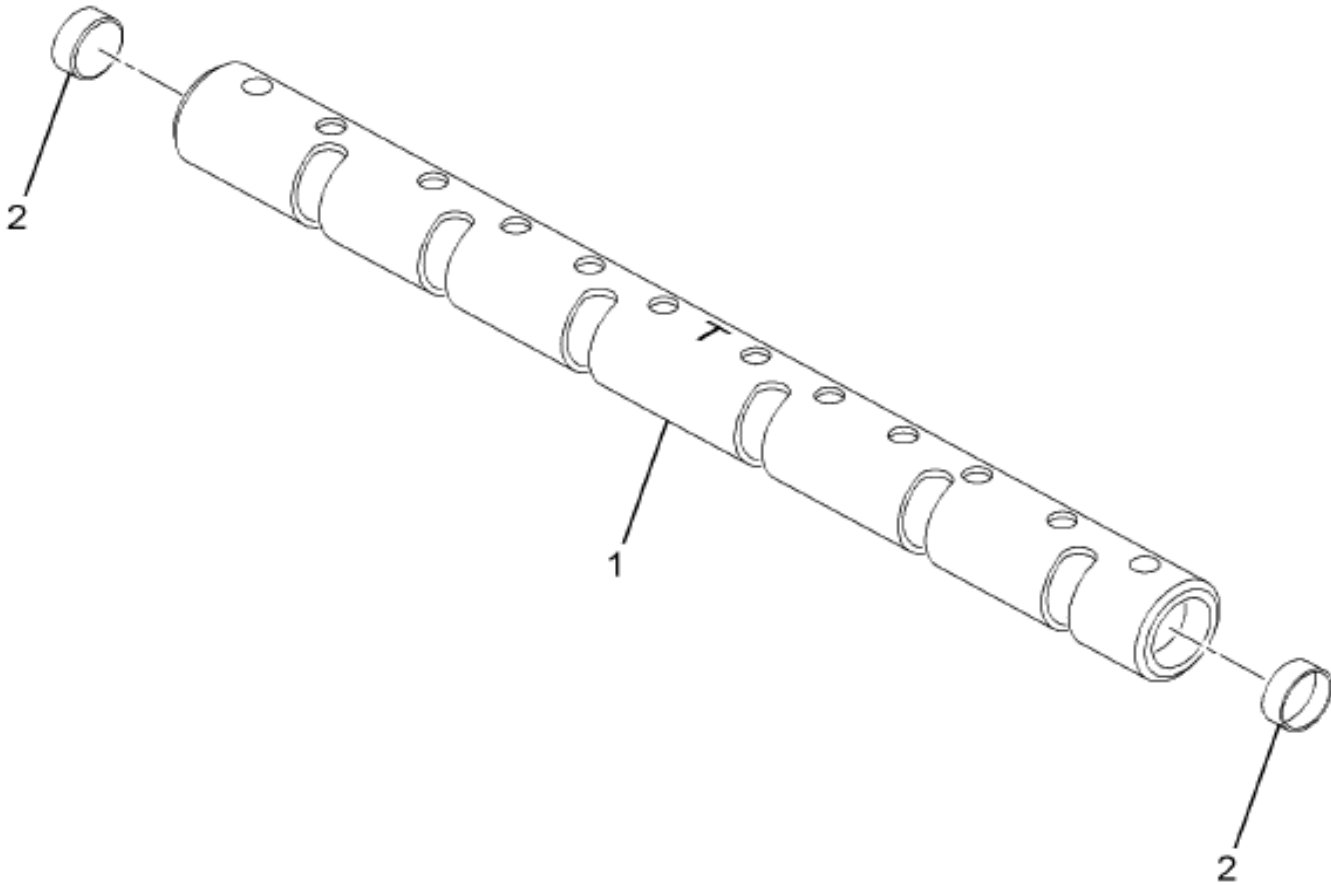


12-ENG-1839-01

H07

Item	Part No.	Qty	Description	Kit	Var	Figure
1	1830593C91	1	SHAFT, ASSY BRACKET & ROCKER ARM			
1		RF	BEFORE 6/8/1999			
1	1830593C92	1	SHAFT ASSY., BRKT & ROCKER ARM			
1		RF	BETWEEN 6/8/1999 AND 6/5/2002			
1	1830593C93	1	SHAFT ASSY, BRKT & ROCKER ARM			
1		RF	BETWEEN 6/5/2002 AND 6/19/2003			

Figure 1830592C91
SHAFT ASSY, ROCKER ARM

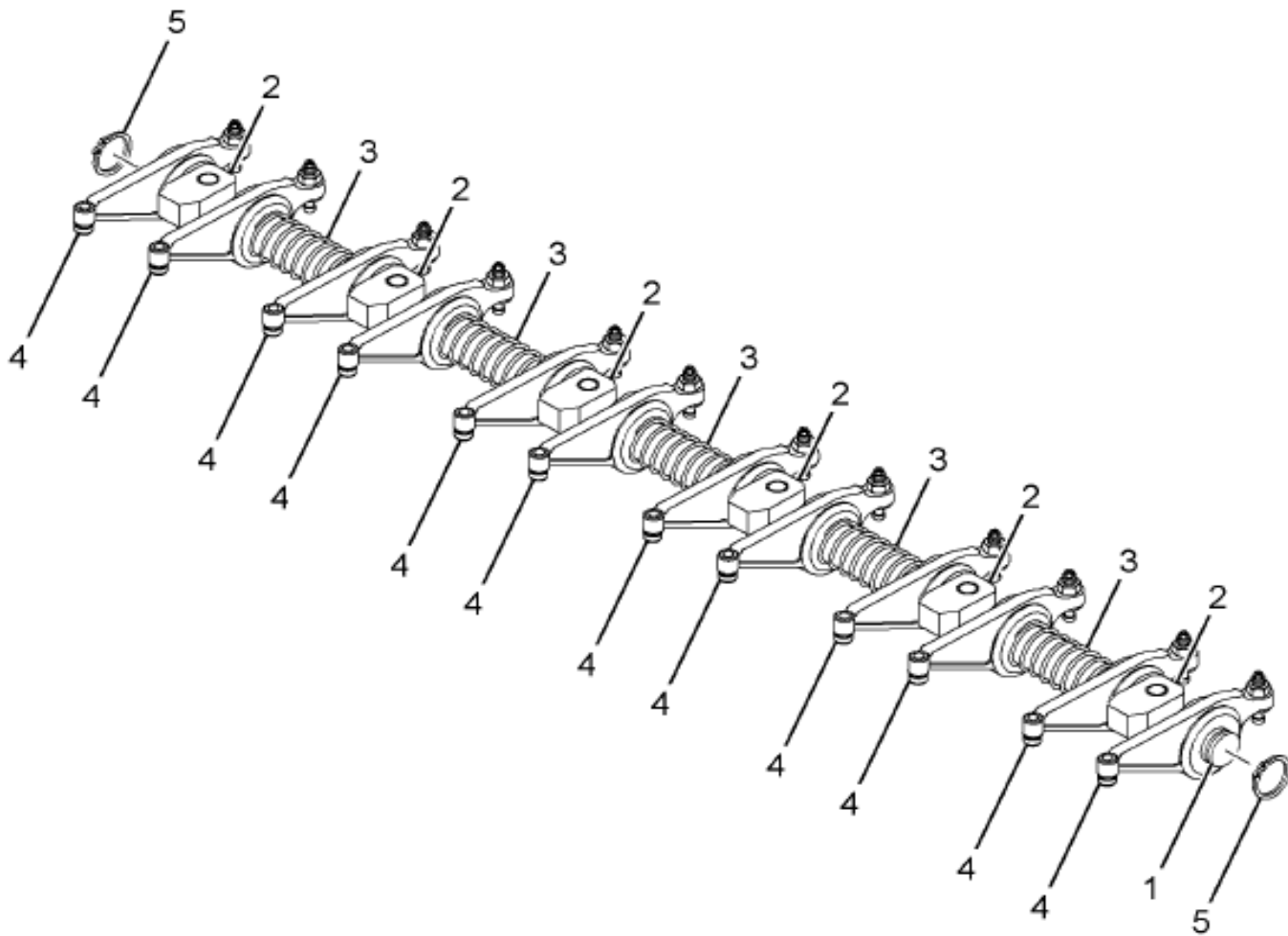


12-ENG-1073-01

E04

Item	Part No.	Qty	Description	Kit	Var	Figure
1	1827168C1	1	SHAFT,ROCKER ARM			
2	327412R1	2	PLUG, 13/16 CUP			
880		RF	NOTE: ASM BELOW COMPRISED OF ABOVE COMPONENTS			
881	1830592C91	RF	SHAFT ASSY, ROCKER ARM			

Figure 1830593C94
SHAFT ASSY, BRACKET & ROCKER ARM



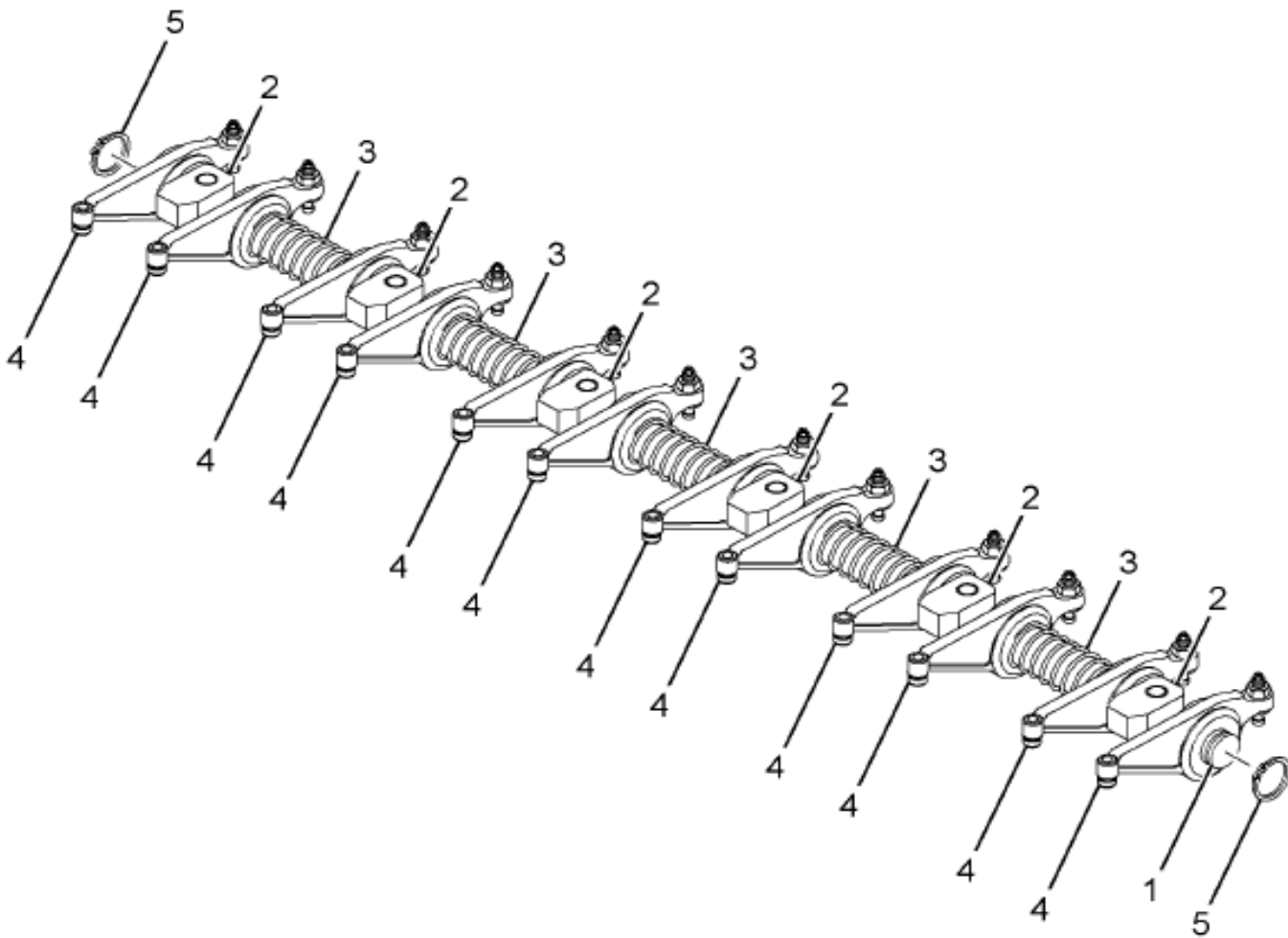
G R P
1 2

12-ENG-1074-01

E04

Item	Part No.	Qty	Description	Kit	Var	Figure
1	1830592C91	1	SHAFT ASSY, ROCKER ARM			1830592C91
2	1827435C1	6	BRACKET, ROCKET SHAFT			
3	1827316C1	5	SPRING, ROCKER SHAFT			
4	1827195C95	12	ARM ASSY, ROCKER (RATIO 1:66)			1827195C95
5	454319R1	2	RING, SNAP 1.041 EXT RET			
880	RF		NOTE: ASM BELOW COMPRISED OF ABOVE			

Figure 1872757C91
SHAFT, ASSY, BRACKET & ROCKER ARM



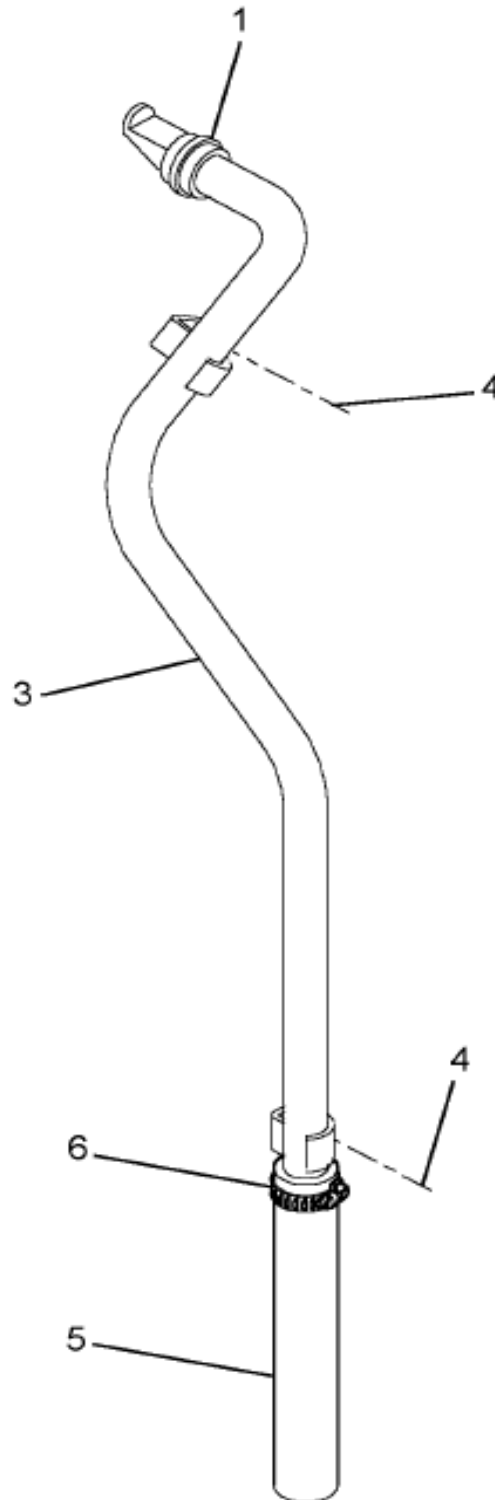
Grp
12

12-ENG-1074-01

E04

Item	Part No.	Qty	Description	Kit	Var	Figure
1	1830592C91	1	SHAFT ASSY, ROCKER ARM			1830592C91
2	1827435C1	6	BRACKET, ROCKET SHAFT			
3	1827316C1	5	SPRING, ROCKER SHAFT			
4	1872755C91	12	ARM, VALVE ROCKER ASSY			1872755C91
5	454319R1	2	RING, SNAP 1.041 EXT RET			
880	RF		NOTE: ASM BELOW COMPRISED OF ABOVE			

Figure 641017L003
SIDE VENTING BREATHER - HEUI



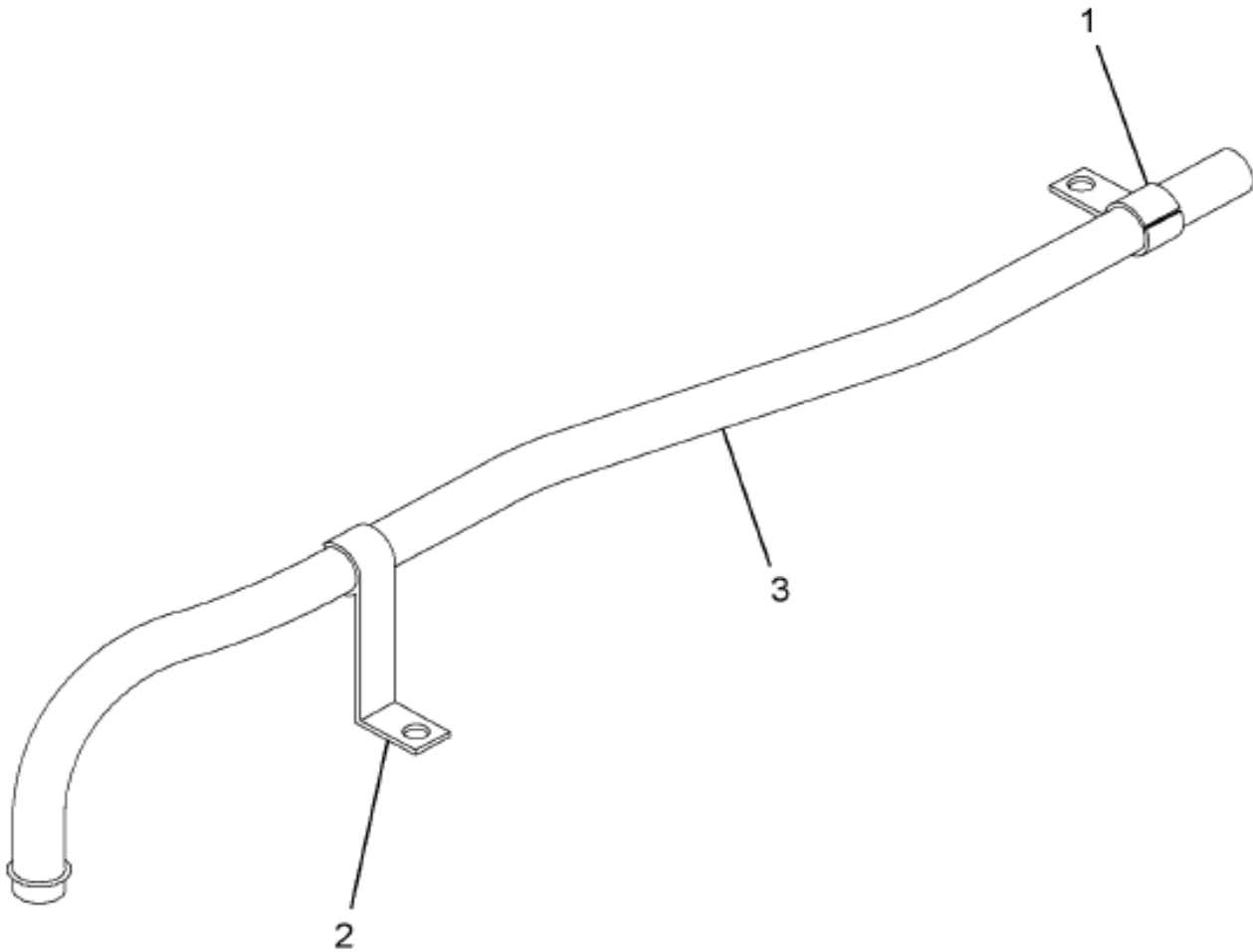
Grp
12

12-ENG-0122-01

B03

Item	Part No.	Qty	Description	Kit	Var	Figure
1	1822135C1	1	RING, O #214	A		
3	1827224C1	1	TUBE ASSEMBLY, BREATHER	A		1827224C1
4	1818233C1	1	BOLT, M10 X 20 HEX FLGE			
5	1841142C1	1	HOSE, BREATHER			
6	311164C91	1	CLAMP, NO. 20 TYPE F HOSE			
801	1830188C91	KT	KIT, BREATHER TUBE			1830188C91

Figure 1827224C1
TUBE ASSEMBLY, BREATHER



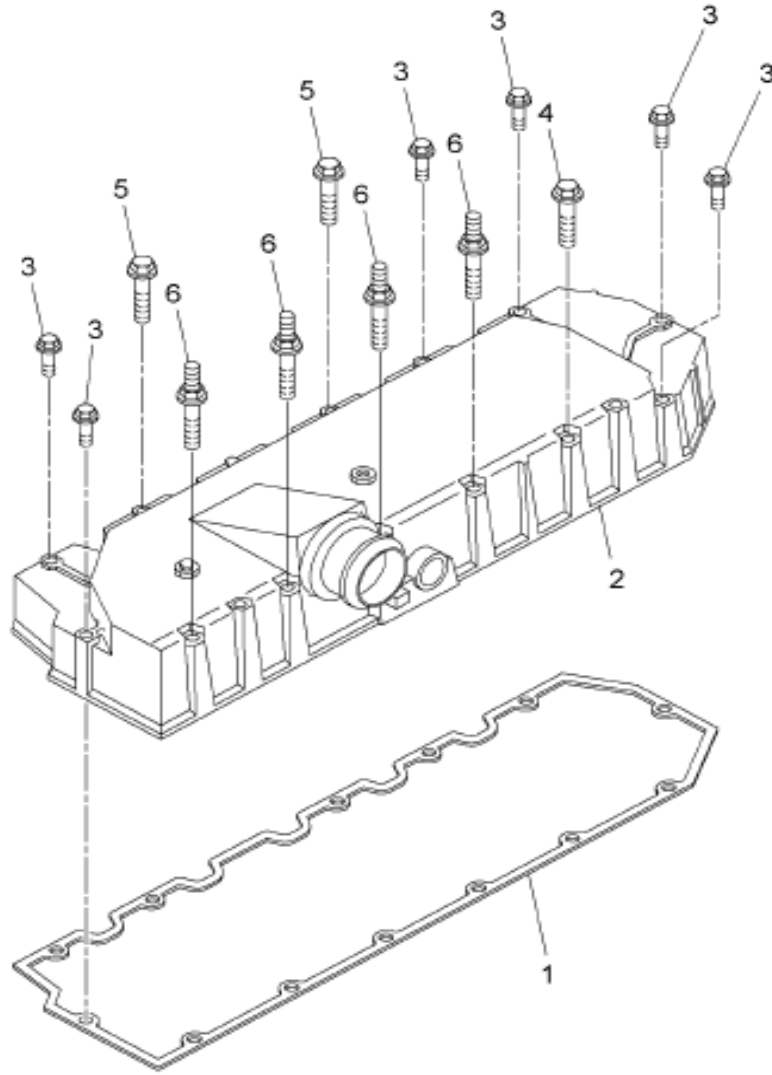
Grp
12

12-ENG-1555-01

K05

Item	Part No.	Qty	Description	Kit	Var	Figure
1	1820912C1	1	BRACKET, BREATHER TUBE - LOWER			
2	1827221C1	1	BRACKET, BREATHER TUBE-UPPER			
3	1829909C1	1	TUBE, BREATHER (SIDE)			
880		RF	NOTE: ASM BELOW COMPRISED OF ABOVE COMPONENTS			
881	1827224C1	RF	TUBE ASSEMBLY, BREATHER			

Figure 641008D013
VALVE COVER, SIDE INLET W/O ENG.BRK

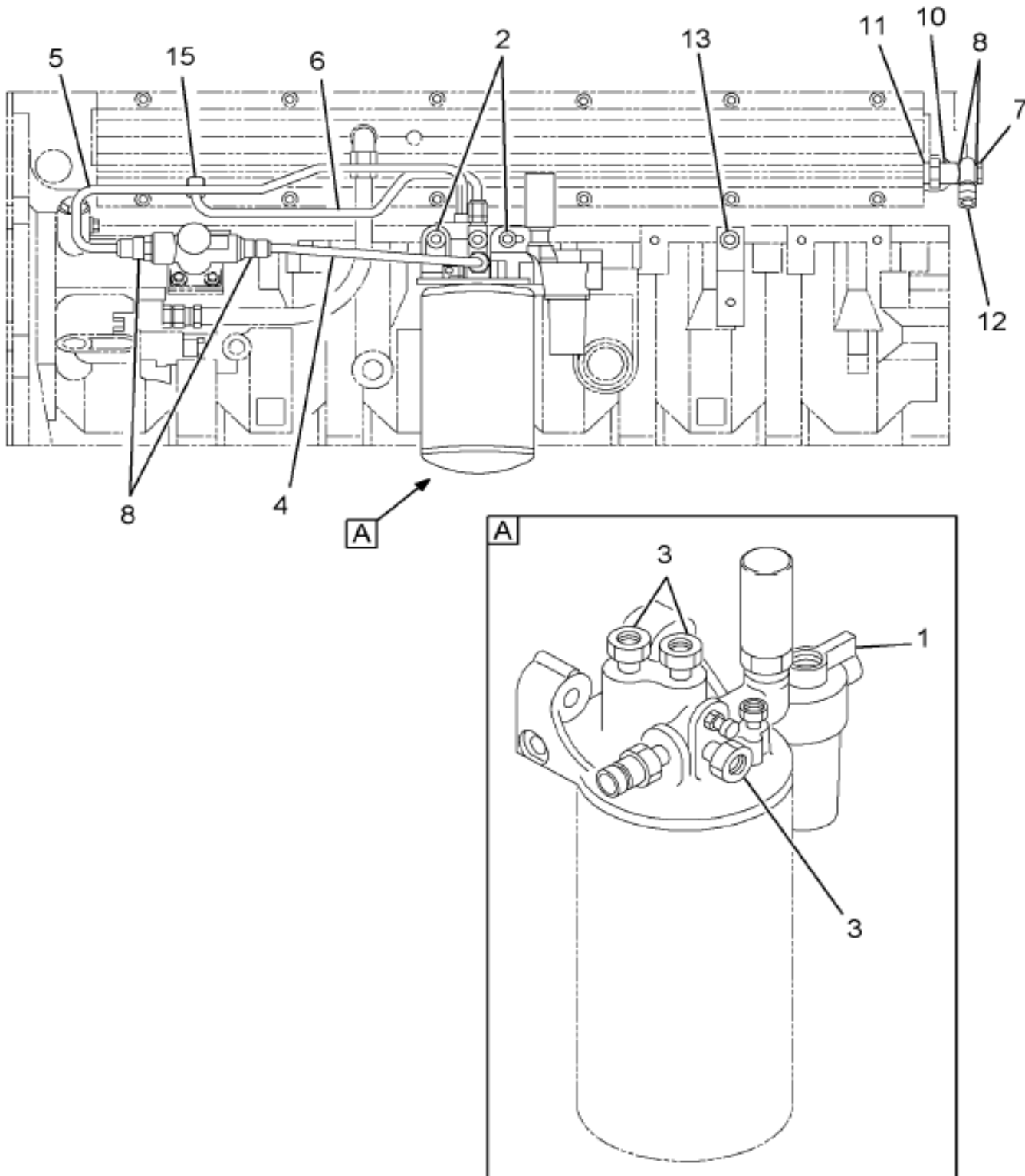


12-ENG-1842-01

G07

Item	Part No.	Qty	Description	Kit	Var	Figure
1	1820909C1	1	GASKET, VALVE COVER			
1		RF	BEFORE 03/04/2010			
1	1820909C2	1	GASKET, VALVE COVER			
1		RF	03/04/2010 AND LATER			
2	1828262C92	1	COVER ASSEMBLY, VALVE			1828262C92
3	1817961C1	6	BOLT,M8-1.25 X 90MM,HEX FLANGE			

Figure 641011L019
FUEL FILTER



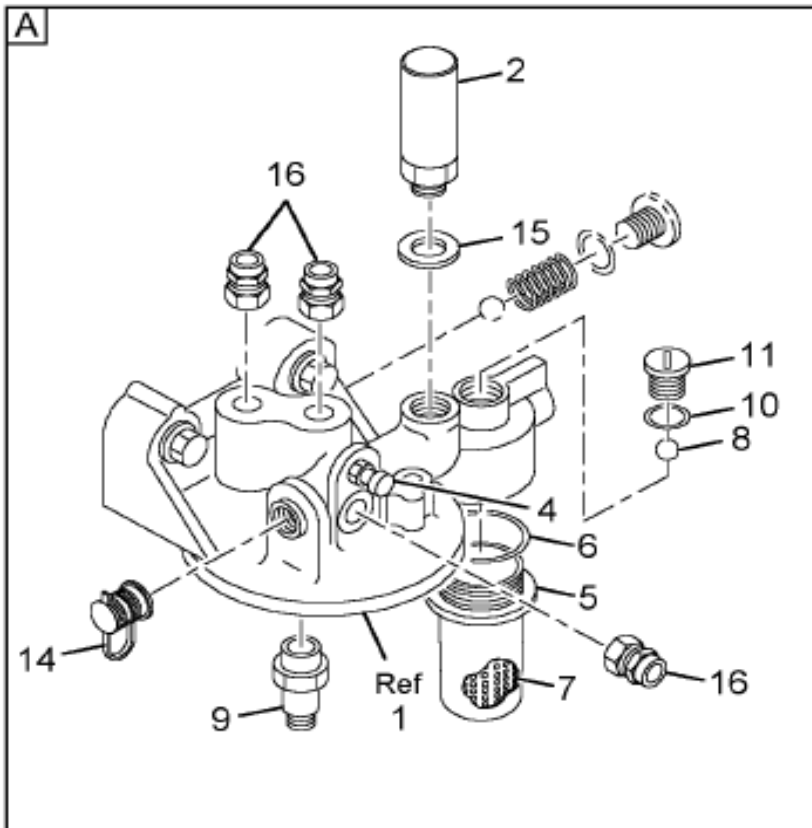
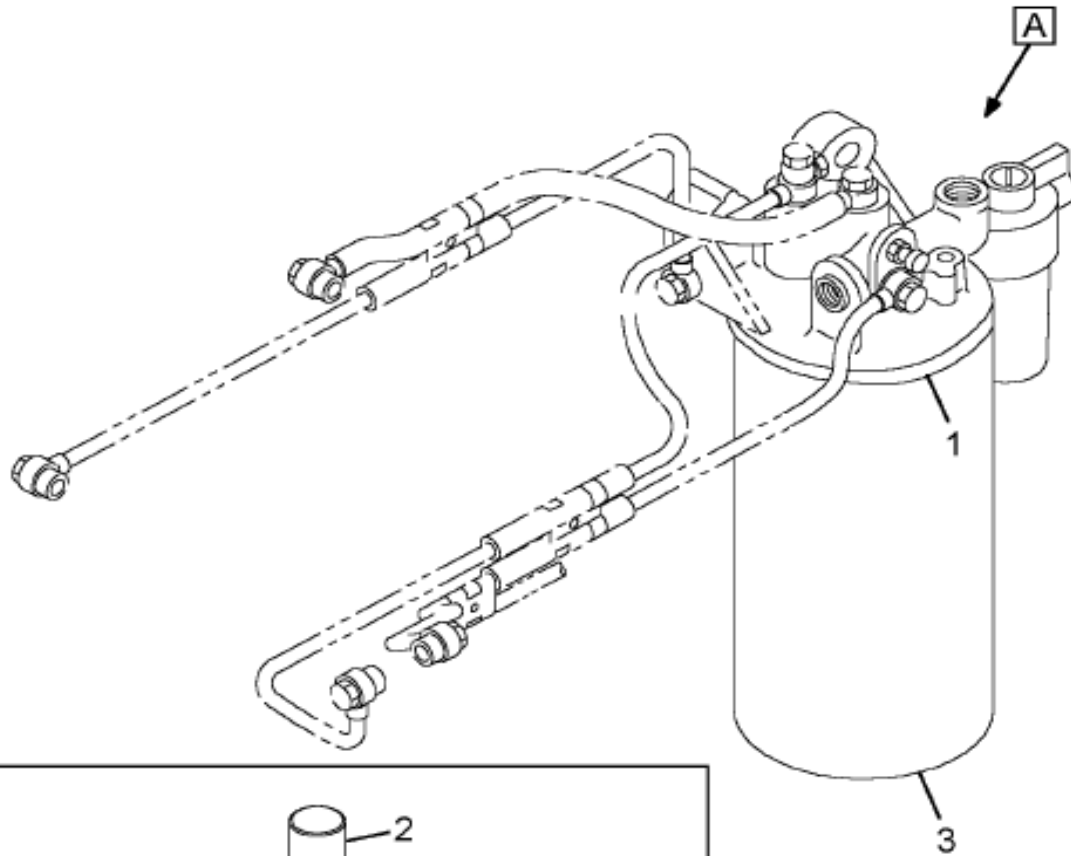
12-ENG-0263-01

C03

Item	Part No.	Qty	Description	Kit	Var	Figure
1	1836287C91	1	HEADER ASSY, FUEL FILTER			1836287C91
2	1817978C1	2	BOLT, M8 X 35-10.9 HEX FLG			
3	606819C1	3	CONNECTOR, 1/4 NPTF 3/8 OD			
4	1825520C91	1	TUBE ASSY., TRANSFER PUMP IN			1825520C91
5	1825521C93	1	TUBE ASSY., TRNSFR PUMP OUTLET			1825521C93
5	265205R1	2	NUT, 3/8 FLEX TUBE			

Grp
12

Figure 1836287C91
 HEADER ASSY, FUEL FILTER



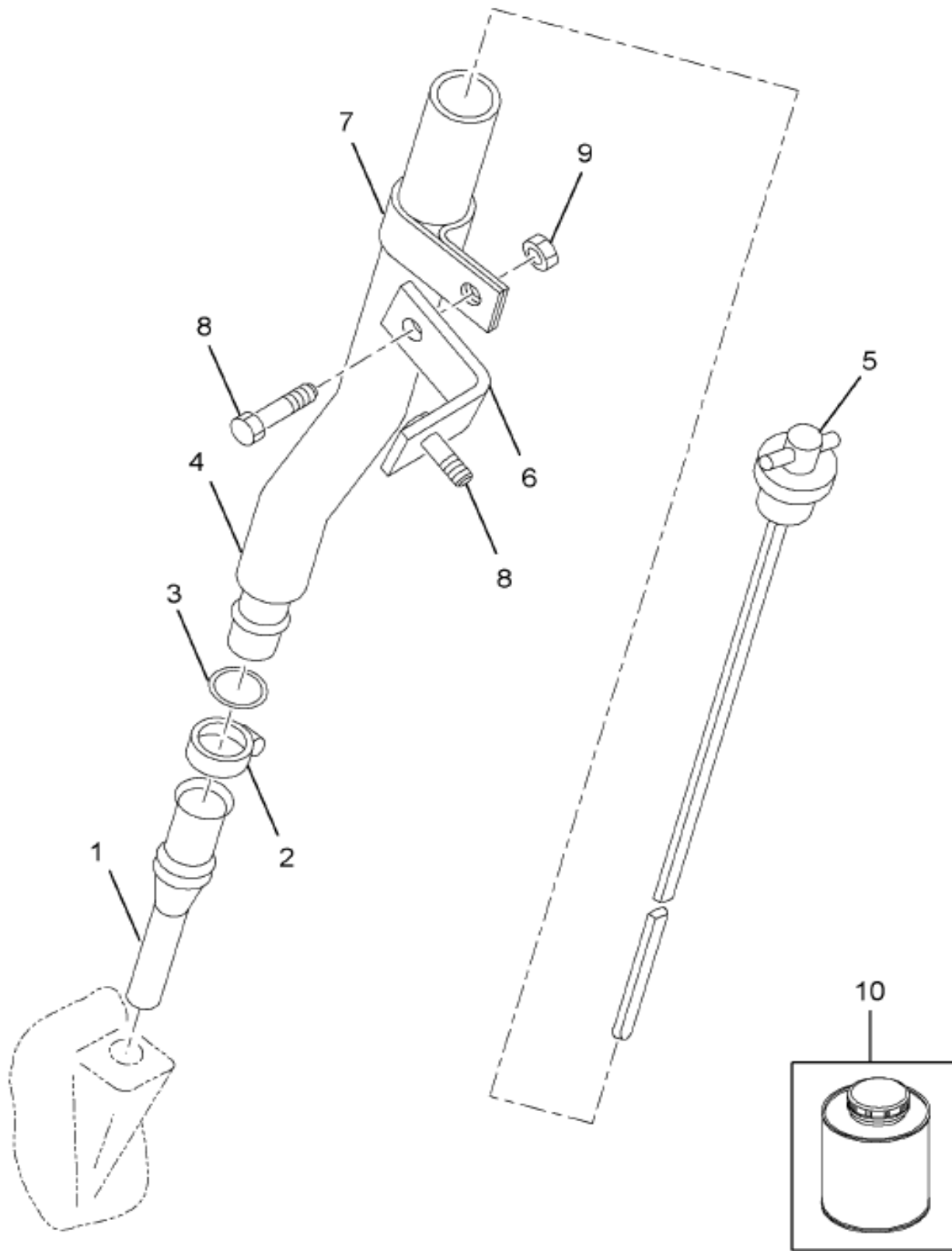
12-ENG-0831-01

L03

Item	Part No.	Qty	Description	Kit	Var	Figure
1	1836409C1	1	HEADER, FUEL FILTER			
2	1824946C1	1	PUMP, HAND PRIMER			
3	1822588C1	1	FILTER, FUEL			
4	1816216C1	1	VALVE, PRIMING			
5	1818516C1	1	BOWL, PRESCREEN			
6	1818518C1	1	RING, O STRAINER			

Grp
1
2

Figure 641006M011
OIL LEVEL GAUGE, NGV, RACOR UNIT U

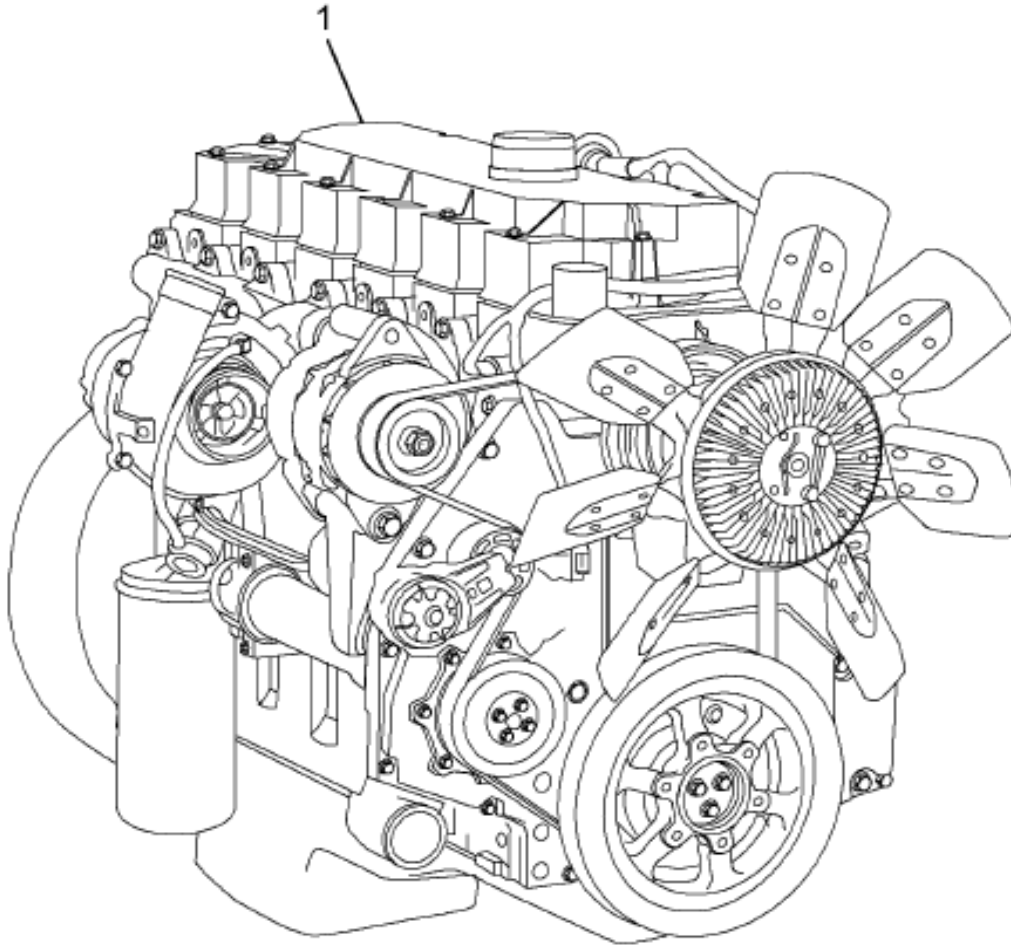


12-ENG-0290-01

G10

Item	Part No.	Qty	Description	Kit	Var	Figure
1	691846C1	1	TUBE,OIL LEVEL GAUGE			
2	690835C1	1	CLAMP,OIL FILLER MTG			
3	1812559C1	1	SEAL,OIL DIPSTICK TUBE			
4	1836472C1	1	TUBE ASSY.,OIL FILLER			
5	1836473C1	1	GAUGE, OIL LEVEL			
5	RF		BEFORE 05/13/2010			

Figure 3540904F91
 PACKAGE, ATTRIBUTE*N/BLOCK HTR



DT 466

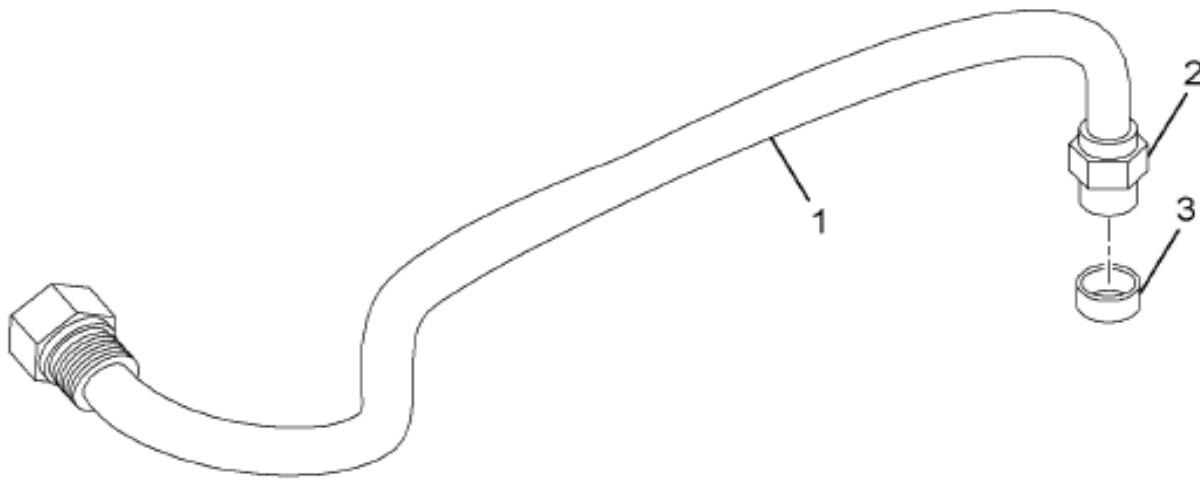
Grp
12

12-E02-0001-01

D09

Item	Part No.	Qty	Description	Kit	Var	Figure
1		RF	ER00 - NO BLOCK HEATER FEATURE			
1		RF	FM12 - OIL LEVEL GA,NGV,RACOR			
1	641006M011	1	OIL LEVEL GAUGE, NGV, RACOR UNIT	U		641006M011
1		RF	KL19 - RACOR FUEL FILTER			
1	641011L019	1	FUEL FILTER			641011L019
880		RF	NOTE: ASM BELOW COMPRISED OF ABOVE			

Figure 1829801C91
TUBE ASSY., FINAL FILTER OUTLET



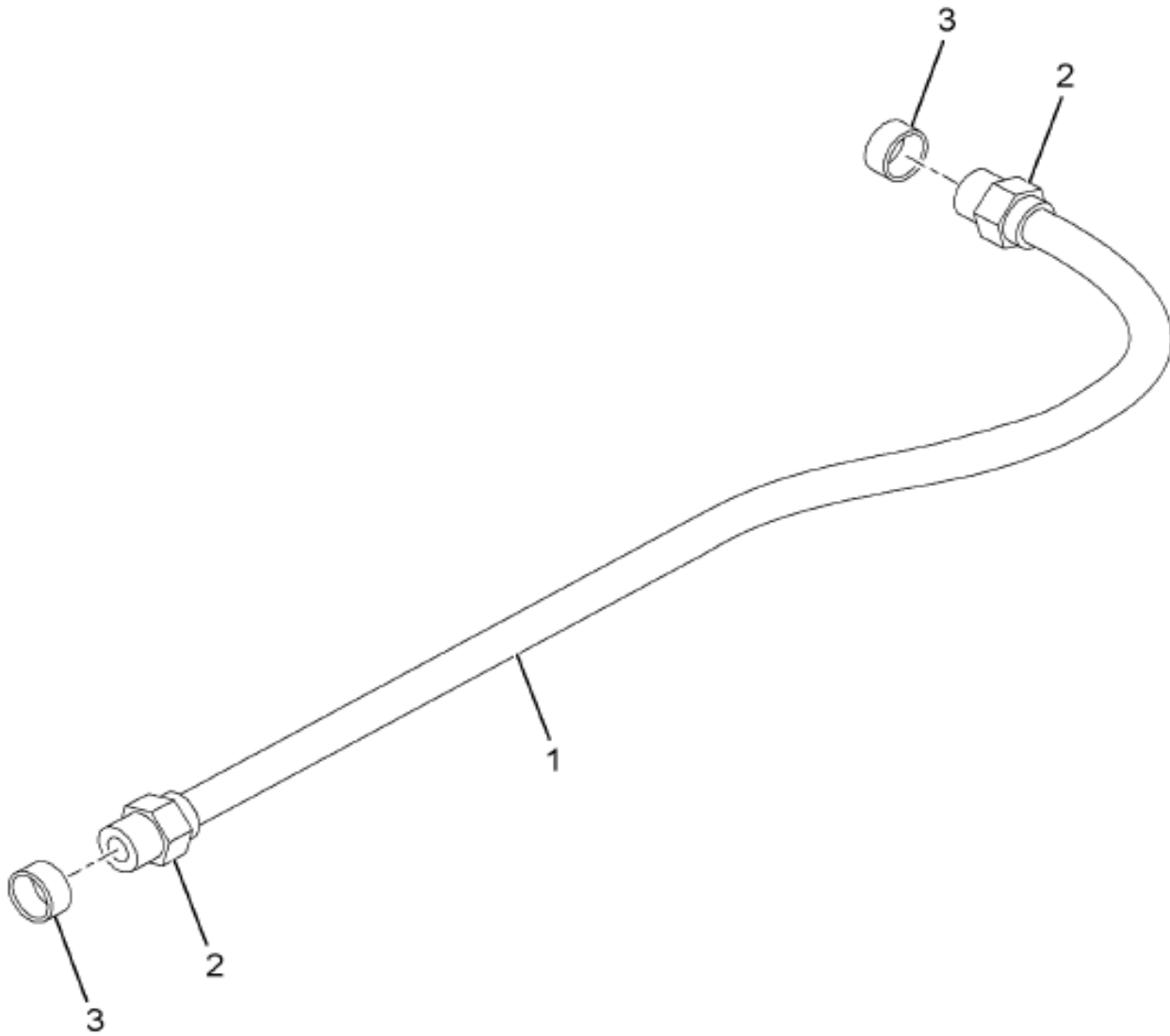
Grp
1
2

12-ENG-1305-01

A05

Item	Part No.	Qty	Description	Kit	Var	Figure
1	1829832C1	1	TUBE, FINAL FILTER OUTLET			
2	265205R1	1	NUT, 3/8 FLEX TUBE			
3	265204R1	1	SLEEVE, COMP OR FLEX TUBE			
880		RF	NOTE: ASM BELOW COMPRISED OF ABOVE COMPONENTS			
881	1829801C91	RF	TUBE ASSY., FINAL FILTER OUTLET			

Figure 1825520C91
TUBE ASSY., TRANSFER PUMP IN

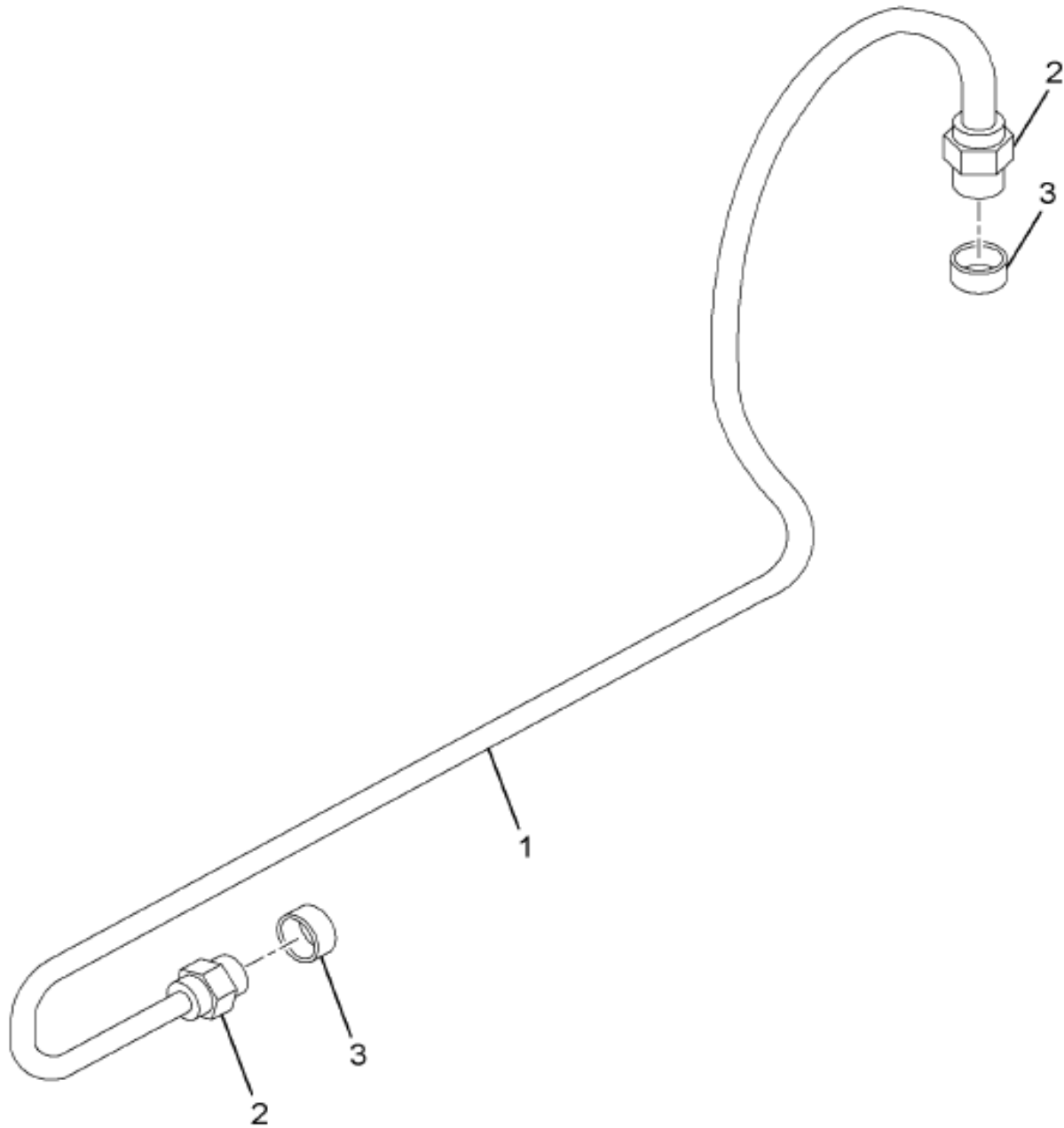


12-ENG-1303-01

A05

Item	Part No.	Qty	Description	Kit	Var	Figure
1	1825613C1	1	TUBE, TRANSFER PUMP INLET			
2	265205R1	2	NUT, 3/8 FLEX TUBE			
3	265204R1	2	SLEEVE, COMP OR FLEX TUBE			
880		RF	NOTE: ASM BELOW COMPRISED OF ABOVE COMPONENTS			
881	1825520C91	RF	TUBE ASSY., TRANSFER PUMP IN			

Figure 1825521C93
TUBE ASSY., TRNSFR PUMP OUTLET



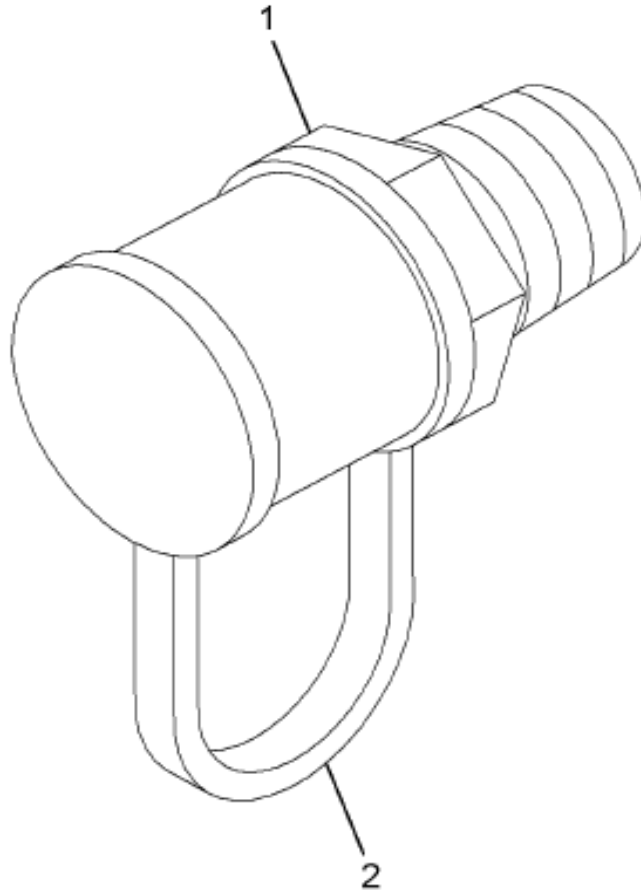
Grp
1
2

12-ENG-1304-01

A05

Item	Part No.	Qty	Description	Kit	Var	Figure
1	1829830C1	1	TUBE, TRANSFER PUMP OUTLET			
2	265205R1	2	NUT, 3/8 FLEX TUBE			
3	265204R1	2	SLEEVE, COMP OR FLEX TUBE			
880		RF	NOTE: ASM BELOW COMPRISED OF ABOVE COMPONENTS			
881	1825521C93	RF	TUBE ASSY., TRNSFR PUMP OUTLET			

Figure 1822530C92
VALVE ASSY, CHECK



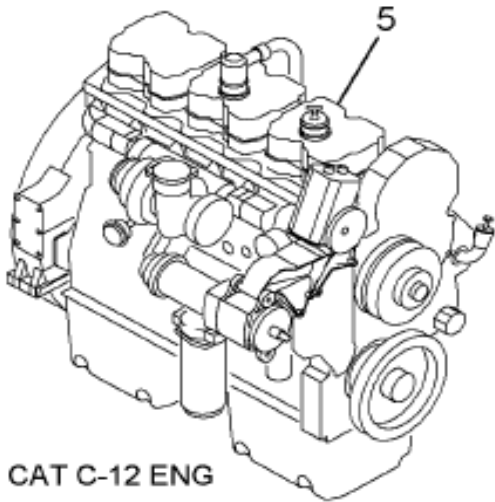
12-ENG-1306-01

A05

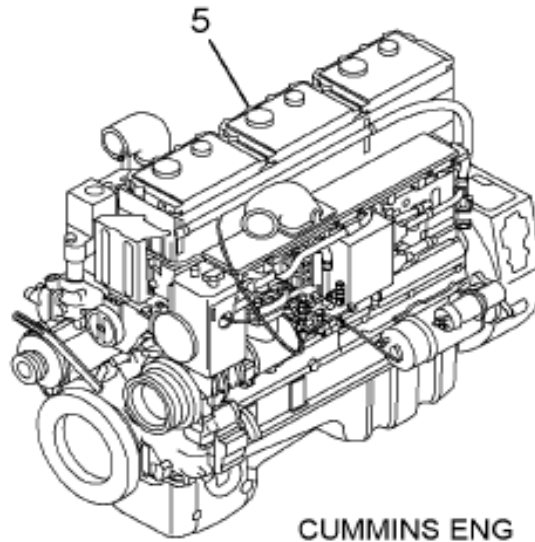
Item	Part No.	Qty	Description	Kit	Var	Figure
1	1823306C1	1	NIPPLE, VALVE COMPUCHECK			
2	1655349C1	1	CAP, BRK CHAMBER			
880		RF	NOTE: ASM BELOW COMPRISED OF ABOVE COMPONENTS			
881	1822530C92	RF	VALVE ASSY, CHECK			

Figure 0FB85

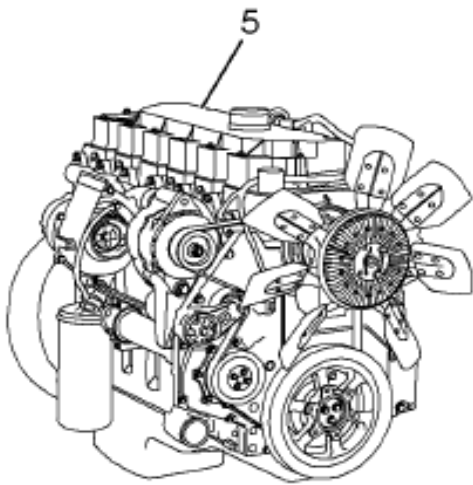
ENGINE CORE & PERFORMANCE; ABR#01, INTL I-530 ST/H



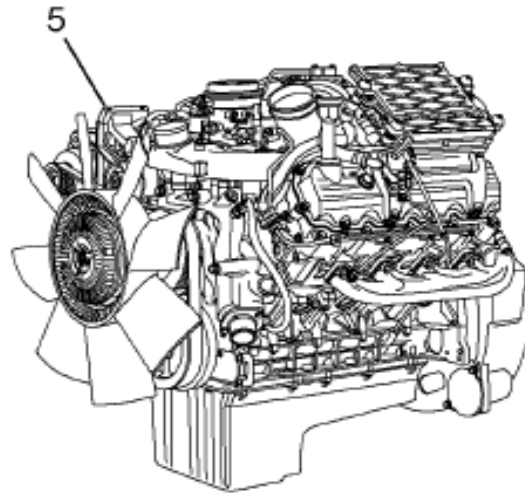
CAT C-12 ENG



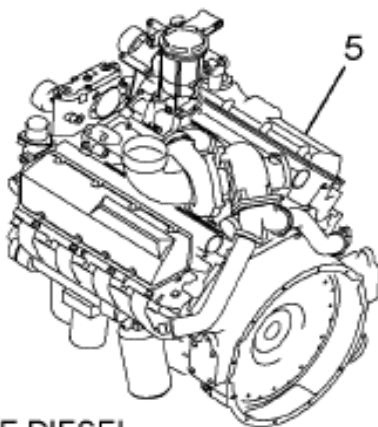
CUMMINS ENG



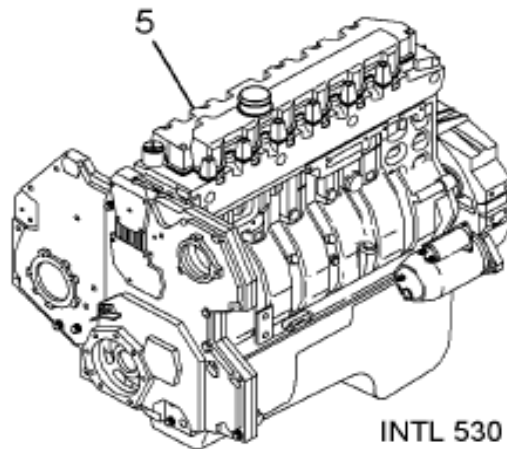
INTL I6 DT466 ENG



INTL V8



INTL T44E DIESEL



INTL 530 DIESEL

12-E01-0001-01

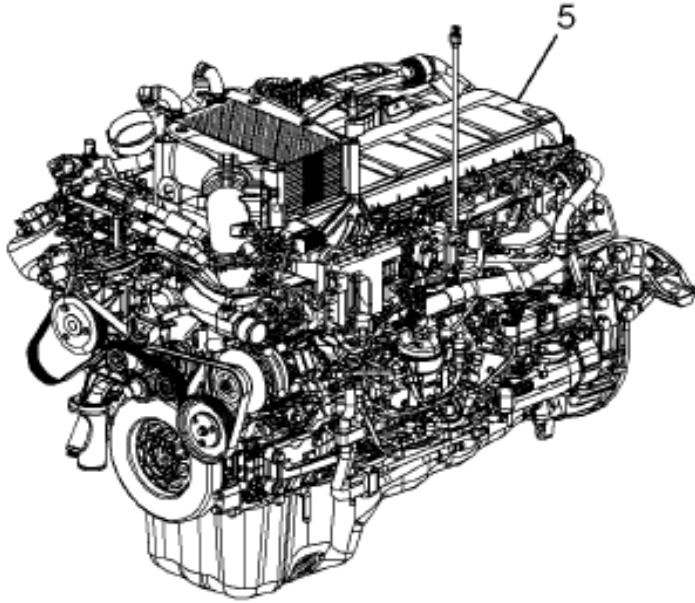
L04

GROUP 12

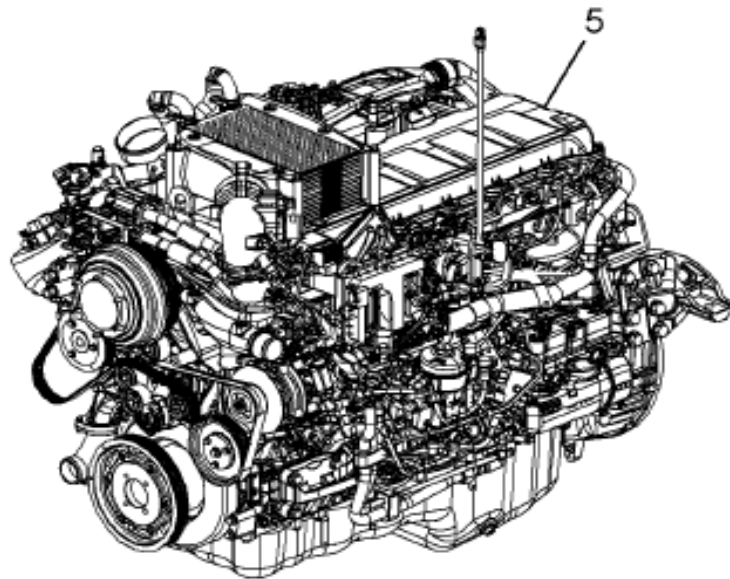
Figure 1 of 2

Figure 0FB85

ENGINE CORE & PERFORMANCE; ABR#01, INTL I-530 ST/H



INTL V06 MAN



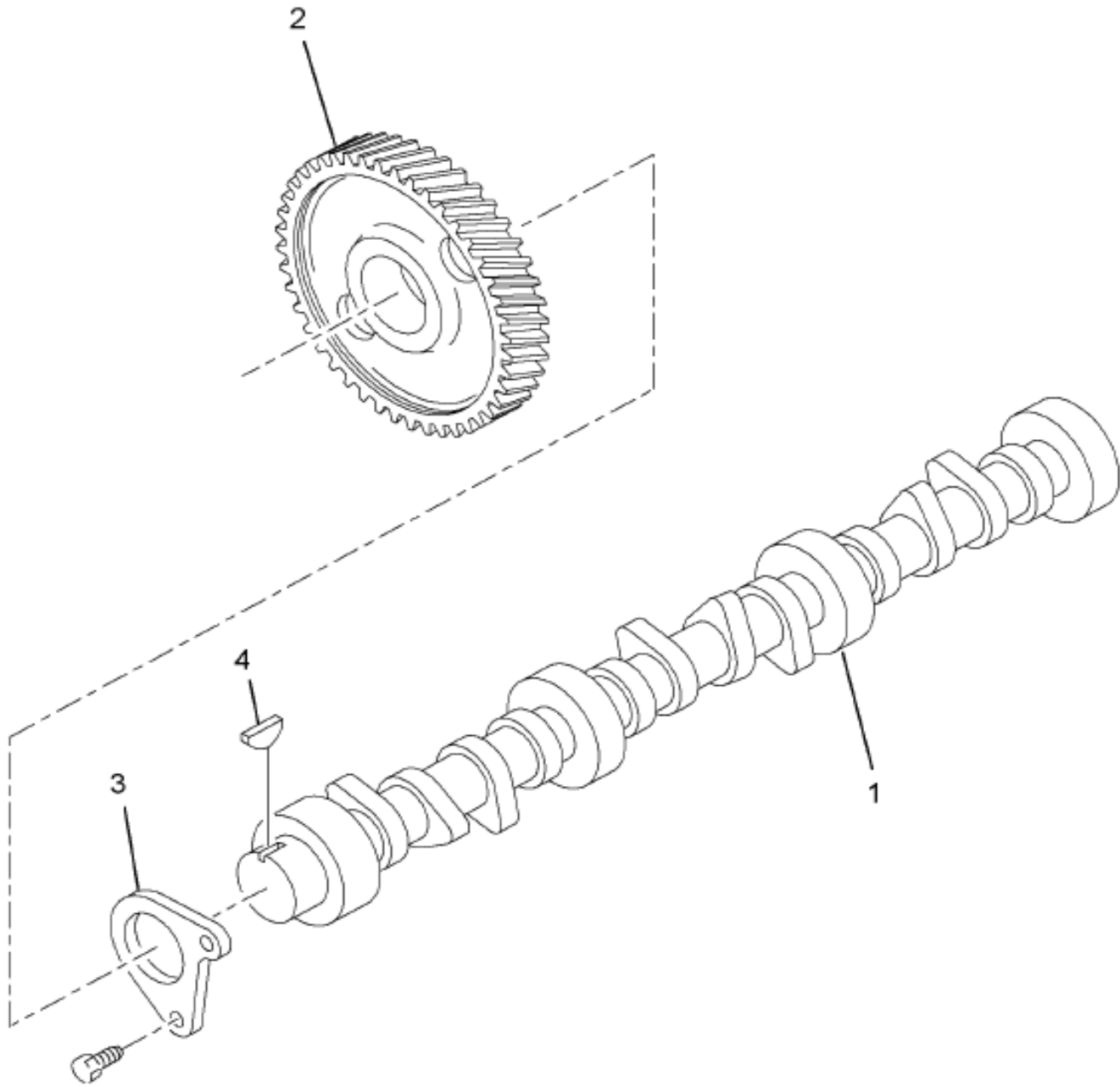
INTL V10 MAN

12-E01-0001-02

K08

Item	Part No.	Qty	Description	Kit	Var	Figure
5	3540803F92	1	ENGINE, *PERF RAT, 12NMX, DT530E,		0FBP0	3540803F92

Figure 1830613C91
CAMSHAFT, ASSEMBLY



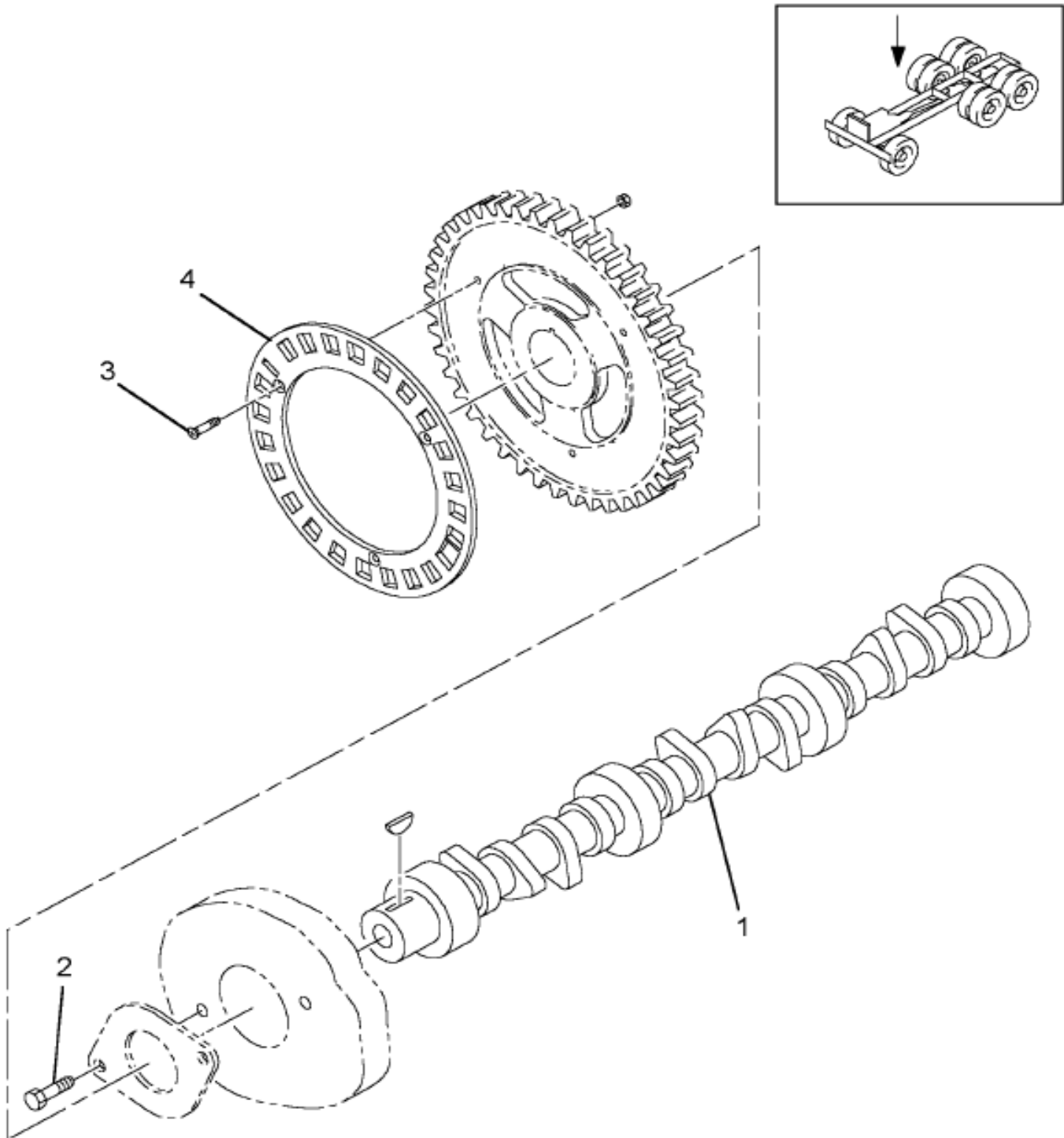
Grp
12

12-ENG-0583-01

H03

Item	Part No.	Qty	Description	Kit	Var	Figure
1	1824747C1	1	CAMSHAFT, MACHINING			
2	1823944C92	1	GEAR ASSY, CAMSHAFT			1823944C92
3	1817545C1	1	PLATE, CAMSHAFT THRUST FLANGE			
4	218211	1	KEY, 1/4 X 3/4 SAE 91 WOODRUFF			
880		RF	NOTE: ASM BELOW COMPRISED OF ABOVE COMPONENTS			

Figure 641003A004
CAMSHAFT-(I-308) UNIT



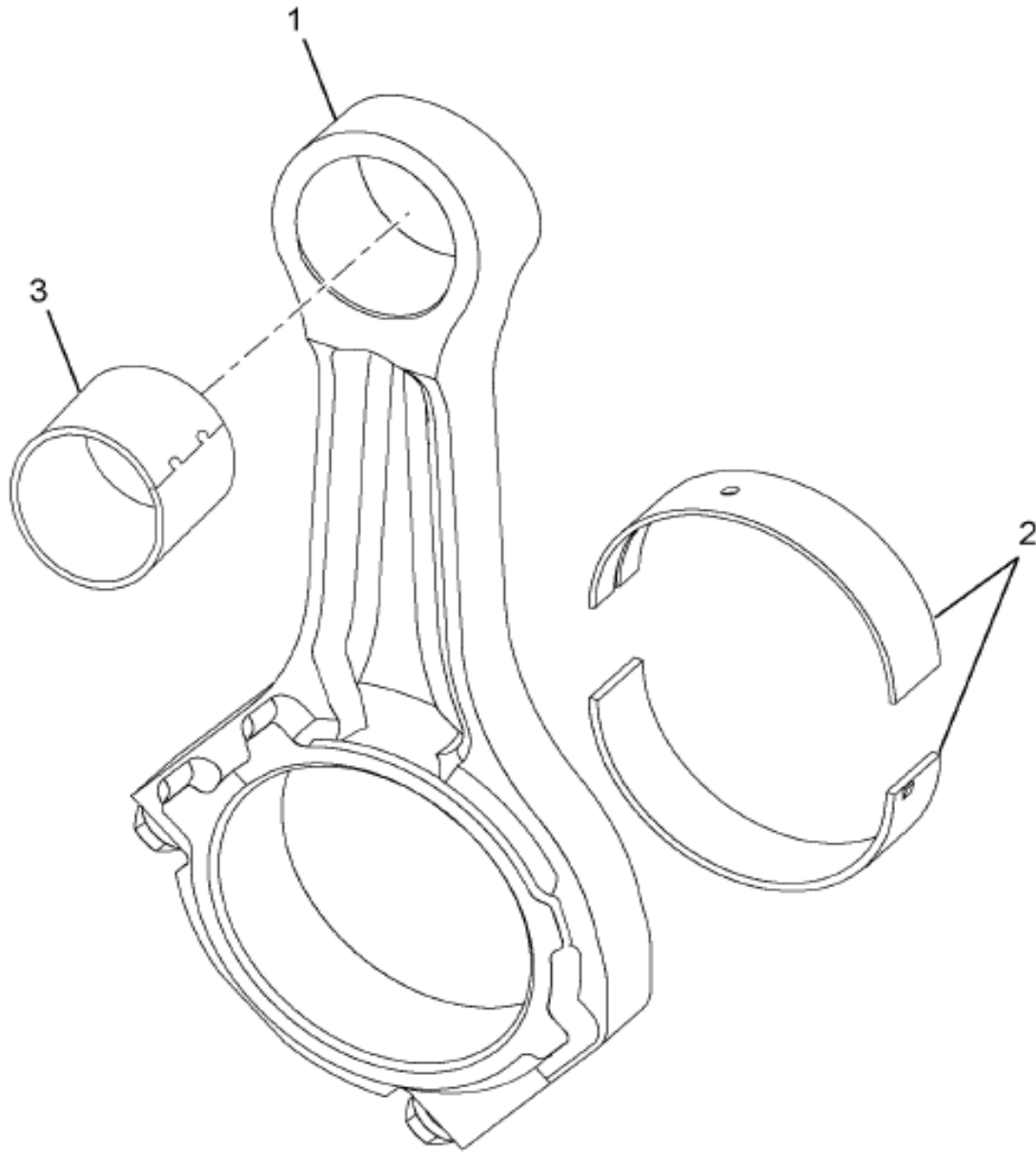
Grp
1
2

12-ENG-0139-01

A03

Item	Part No.	Qty	Description	Kit	Var	Figure
1	1830613C91	1	CAMSHAFT,ASSEMBLY			1830613C91
2	1817956C1	2	BOLT,HEX FLANGE,M8 X 20MM			
3	1825464C1	3	SCREW,FL HD M5X12			
4	1824723C1	1	DISC,TIMING SENSOR			
880	RF		NOTE: ASM BELOW COMPRISED OF ABOVE COMPONENTS			

Figure 641004A002
CONNECTING ROD(I-308) UNIT



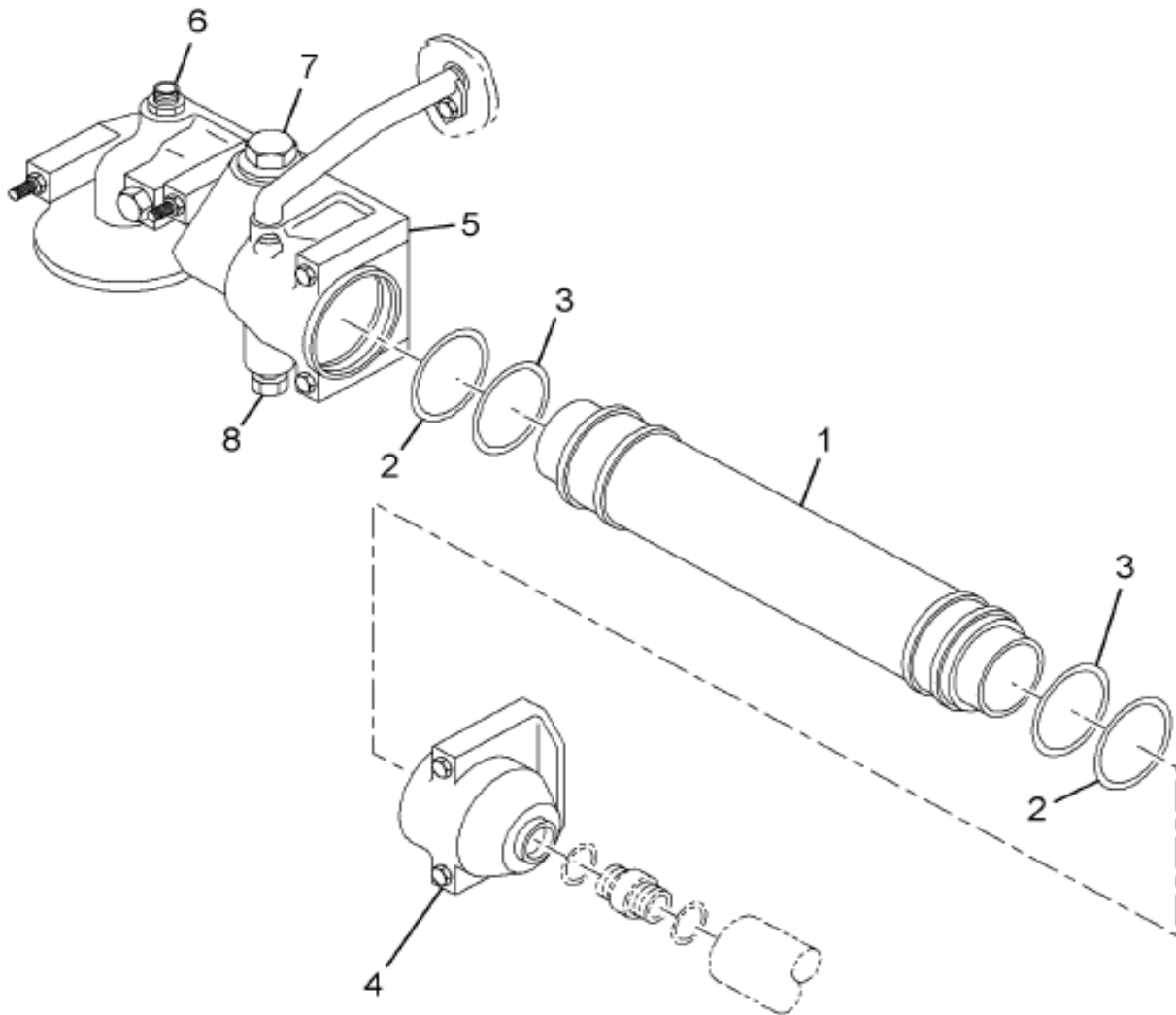
Grp
12

12-ENG-1930-01

G08

Item	Part No.	Qty	Description	Kit	Var	Figure
1	1830153C91	6	ROD,ASM CONNECTING			1830153C91
1		RF	BEFORE 01/22/2002			
1	1841615C91	6	ROD ASSEMBLY,CONNECTING			1841615C91
1		RF	BETWEEN 01/22/2002 AND 04/21/2006			
1	1841634C91	6	ROD ASSY, CONNECTING			1841634C91
1		RF	BETWEEN 04/21/2004 AND 09/14/2006			

Figure 1830622C92
COOLER,ASM OIL



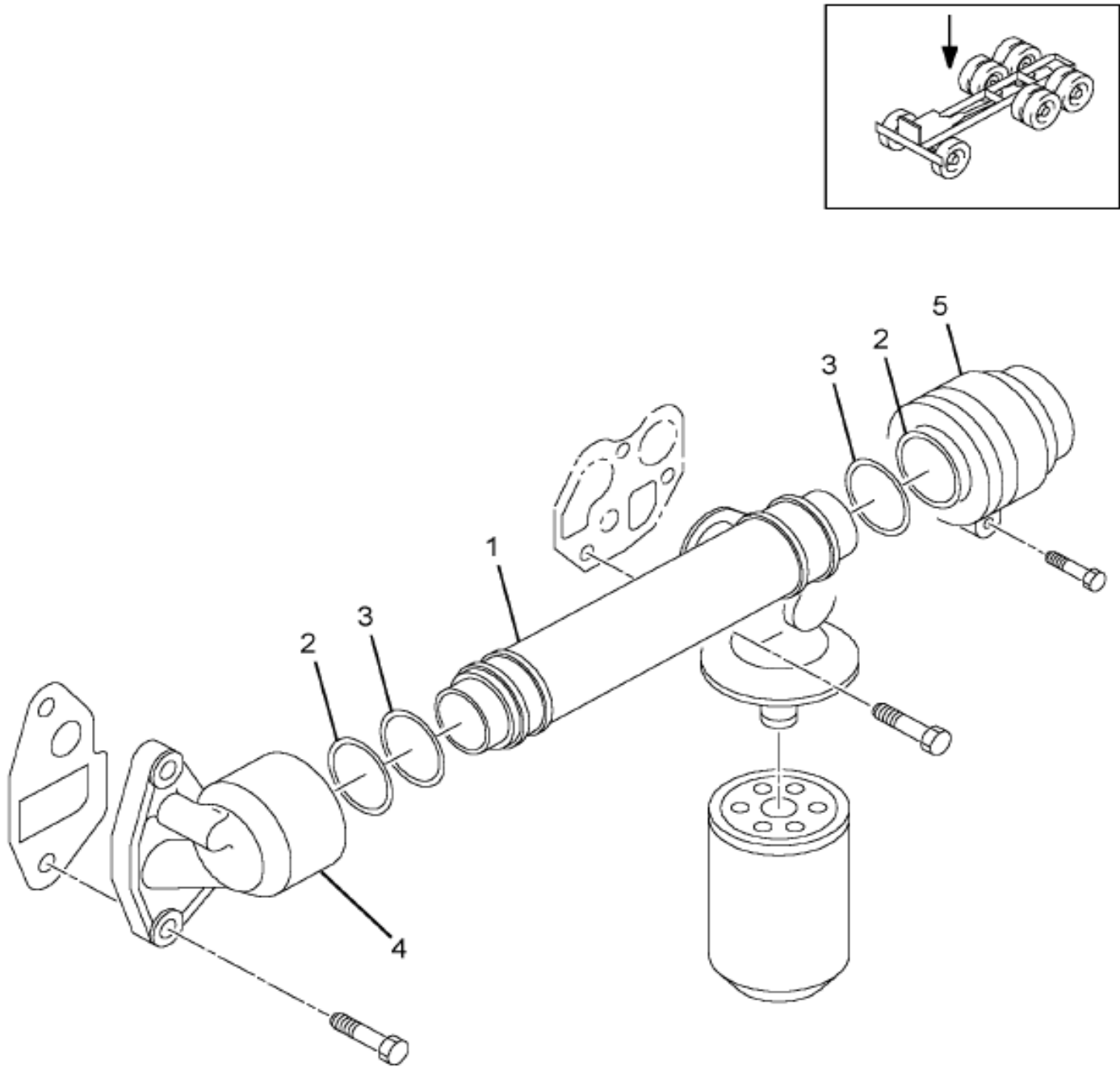
Grp
12

12-ENG-1520-01

J05

Item	Part No.	Qty	Description	Kit	Var	Figure
1	1815904C2	1	COOLER,OIL			
2	1824736C1	2	RING, O-SEAL			
3	1824735C1	2	RING, O SEAL			
4	1830623C1	1	HEADER,OIL COOLER FRONT			
5	1817574C1	1	HEADER, OIL COOLER FLTR			
6	606819C1	1	CONNECTOR,1/4 NPTF 3/8 OD			

Figure 1841739C91
COOLER, ASM OIL



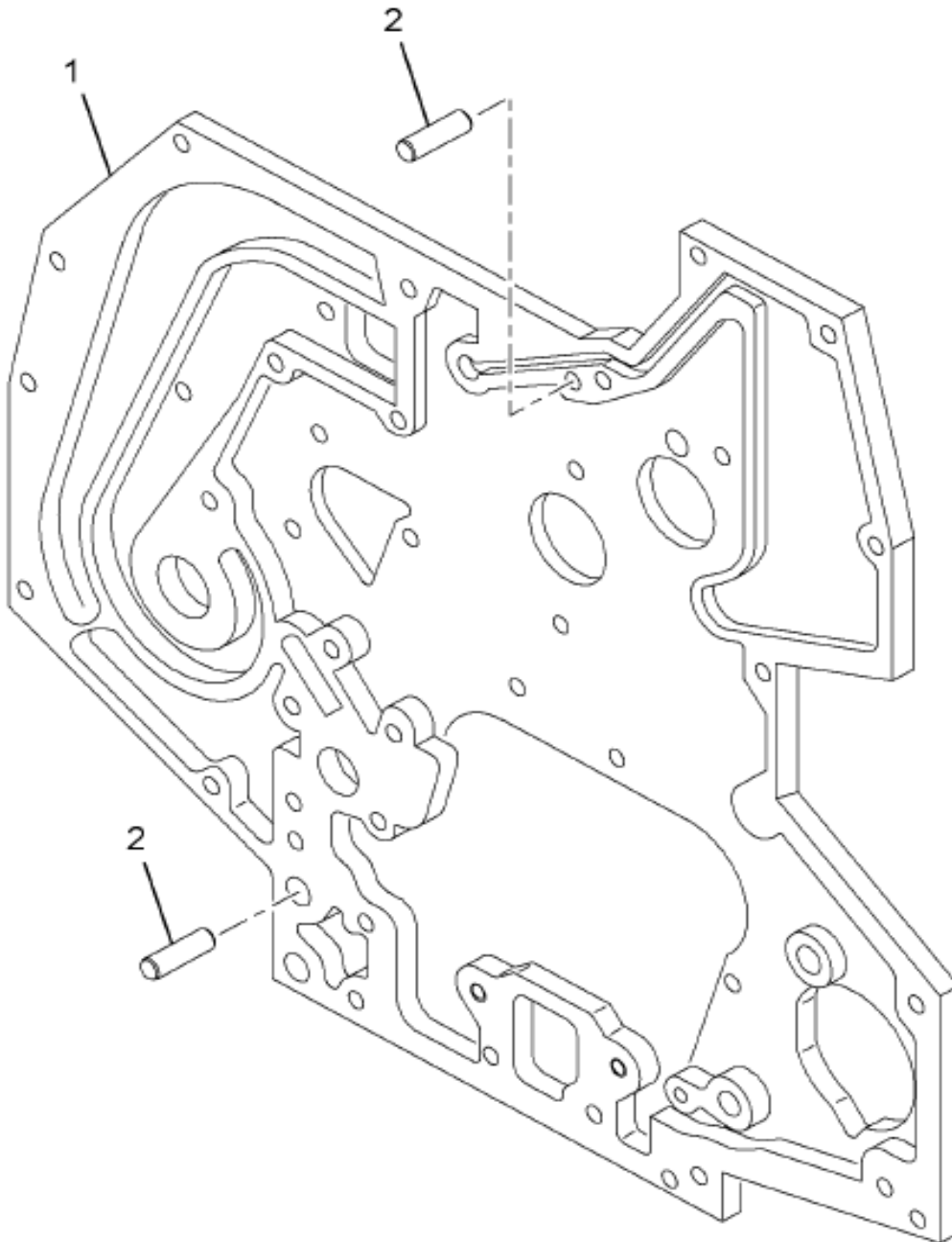
Grp
12

12-ENG-0405-02

G03

Item	Part No.	Qty	Description	Kit	Var	Figure
1	1815904C2	1	COOLER,OIL			
2	1824736C1	2	RING, O-SEAL			
3	1824735C1	2	RING, O SEAL			
4	1830623C1	1	HEADER,OIL COOLER FRONT			
5	1905439R92	1	HEADER,OIL COOLER OR FILTER			
5	1905439R93	1	HEADER,OIL COOLER OR FILTER			

Figure 1826335C91
COVER ASSY., FRONT (REAR HALF)



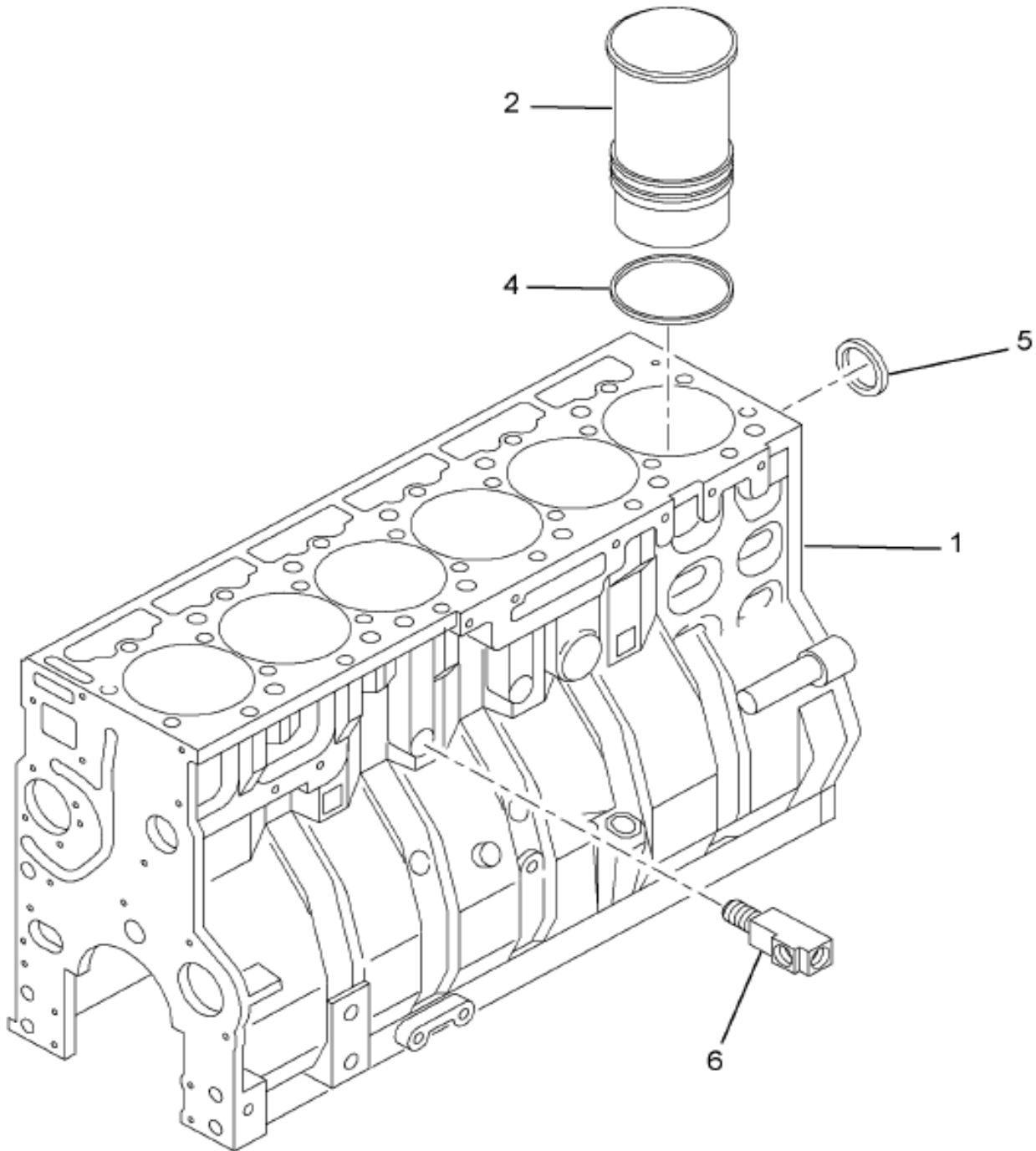
Grp
12

12-ENG-1432-01

E05

Item	Part No.	Qty	Description	Kit	Var	Figure
1	1826315C1	1	COVER, FRONT (REAR HALF)			
2	1820813C1	4	PIN, REAR FRT COVER DOWEL			
880		RF	NOTE: ASM BELOW COMPRISED OF ABOVE COMPONENTS			
881	1826335C91	RF	COVER ASSY., FRONT (REAR HALF)			

Figure 641006A005
CRANKCASE (I-308) UNIT

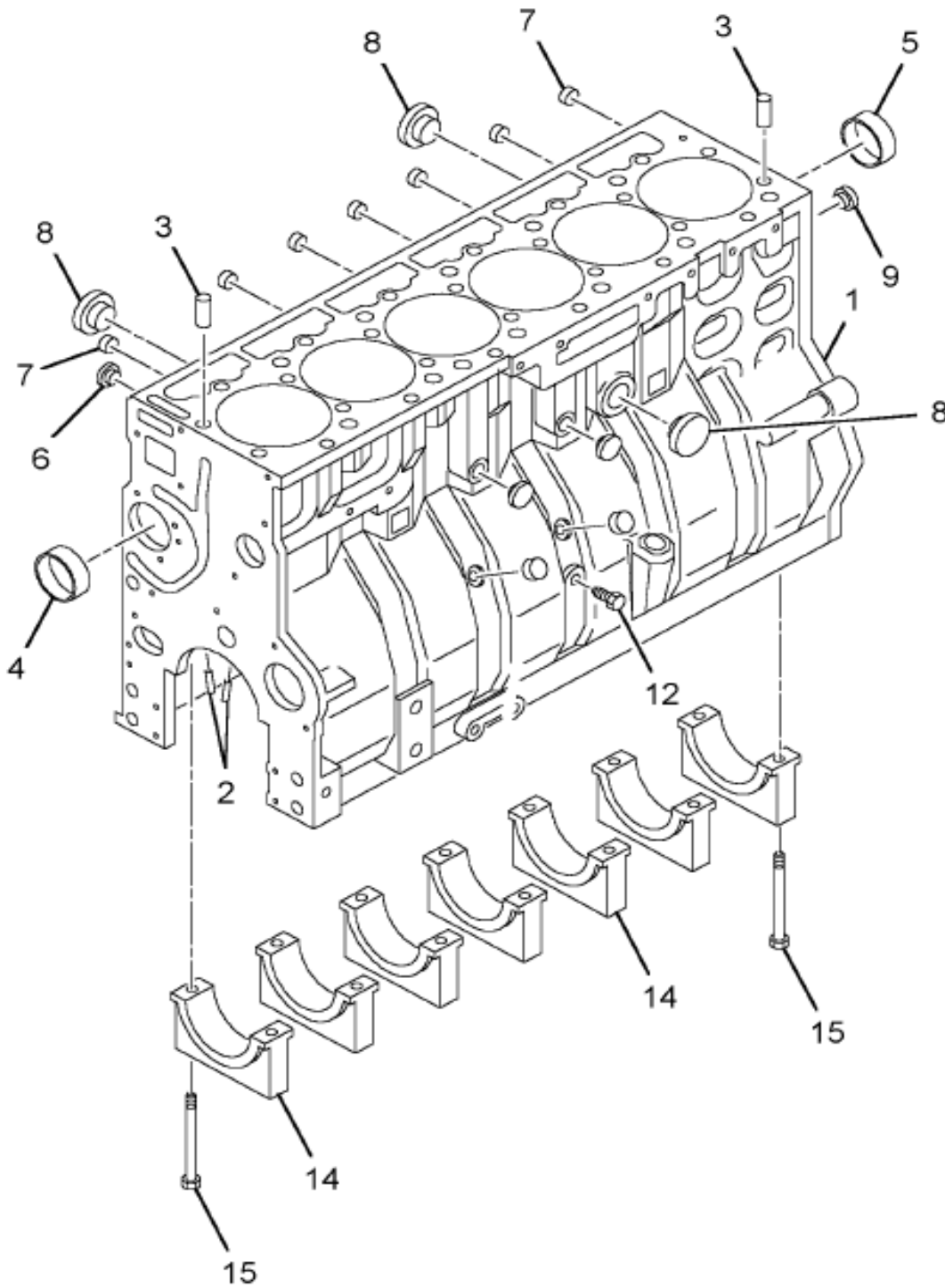


12-ENG-1421-01

E05

Item	Part No.	Qty	Description	Kit	Var	Figure
1	1830617C92	1	CRANKCASE ASSEMBLY			1830617C92
2	1830706C1	6	SLEEVE, CYLINDER			
4	1817000C2	6	RING, CREVICE SEAL			
5	682444C1	1	RING, CAMSHAFT SEAL-REAR			
5		RF	BEFORE 05/10/2006			
5	682444C2	1	RING, CAMSHAFT SEAL-REAR			

Figure 1830617C92
CRANKCASE ASSEMBLY



12-ENG-0848-01

M03

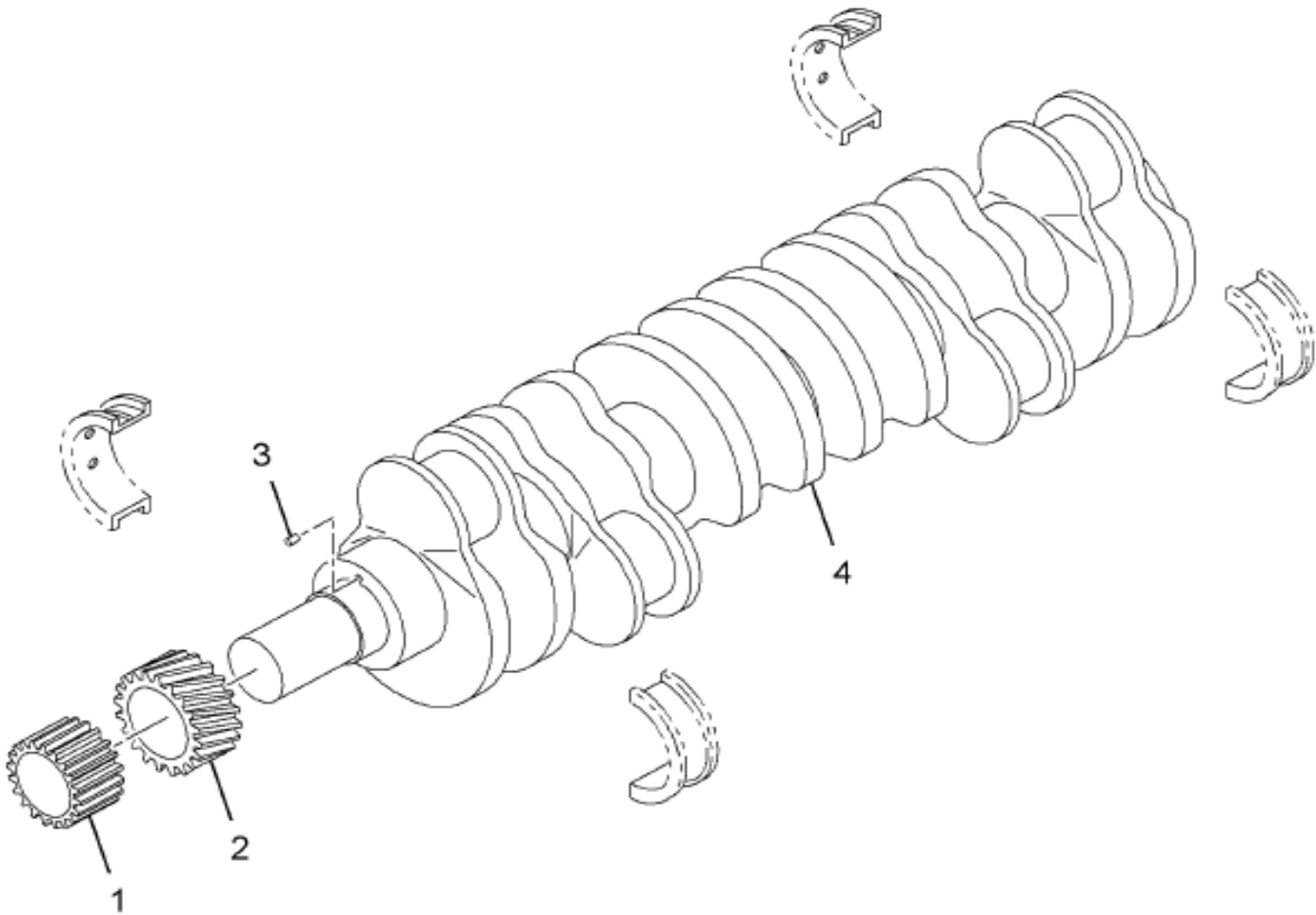
Item	Part No.	Qty	Description	Kit	Var	Figure
1	1830279C1	1	CRANKCASE			
2	1830360C1	12	TUBE, OIL JET			
3	684902C1	2	BUSHING, PISTON PIN			
4	675424C1	1	BEARING, CAM FRONT	A		
4	675020C2	1	BEARING	A		
5	675425C1	1	BEARING, CAM REAR	A		

**Figure 1830617C92
CRANKCASE ASSEMBLY**

Item	Part No.	Qty	Description	Kit	Var	Figure
5	675021C2	1	BEARING	A		
6	444618	1	PLUG, 1/4-18 PLN H/HD AUTO PIP			
7	1826342C1	7	PLUG,PIPE 1/8 NPTF			
8	23623R1	3	PLUG, 1-1/4 CUP			
9	40005R1	1	PLUG,INJ PUMP			
12	1838845C1	1	BOLT,STUD (METRIC)			
14	1830616C1	7	CAP,MAIN BEARING			
15	1827078C1	14	BOLT,BEARING CAP			
800		RF	NOTE: THE FOLLOWING PARTS ARE NON-ILLUSTRATED			
870	680117C3	KT	KIT,CAMSHFT BEARING,I308			680117C3
870		RF	(CONSISTS OF PARTS DENOTED BY A)			
880		RF	NOTE: ASM BELOW COMPRISED OF ABOVE COMPONENTS			
881	1830617C92	RF	CRANKCASE ASSEMBLY			
NON-ILLUSTRATED REFERENCE FIGURE 680117C3						
1	675424C1	1	BEARING, CAM FRONT			
2	675020C2	1	BEARING			
3	675021C2	1	BEARING			
4	1830059C1	1	BEARING,CAMSHAFT,REAR			
880		RF	NOTE: ASM BELOW COMPRISED OF ABOVE COMPONENTS			
881	680117C3	RF	KIT,CAMSHFT BEARING,I308			

G
R
P
1
2

Figure 1830596C91
CRANKSHAFT ASSEMBLY

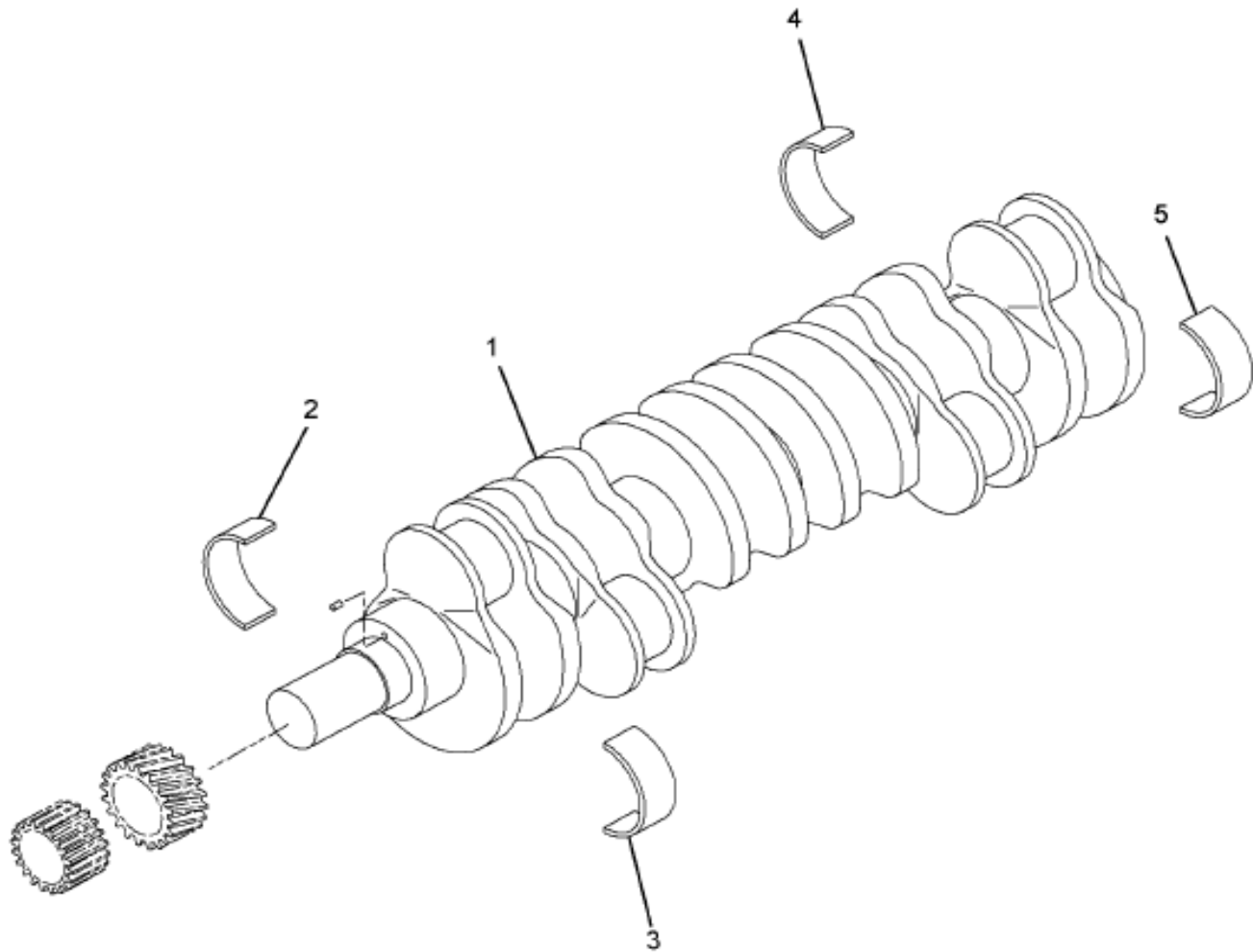


12-ENG-0999-01

D04

Item	Part No.	Qty	Description	Kit	Var	Figure
1	675364C1	1	GEAR, IDLER TIMING			
2	1820299C1	1	GEAR, CRANKSHAFT			
3	17135R1	1	PIN, 5/32 X 5/16 PLN SLT-SPR			
4	1830620C1	1	CRANKSHAFT			
880	RF		NOTE: ASM BELOW COMPRISED OF ABOVE COMPONENTS			

Figure 641007A004
CRANKSHAFT UNIT (I-308)



12-ENG-1632-01

C07

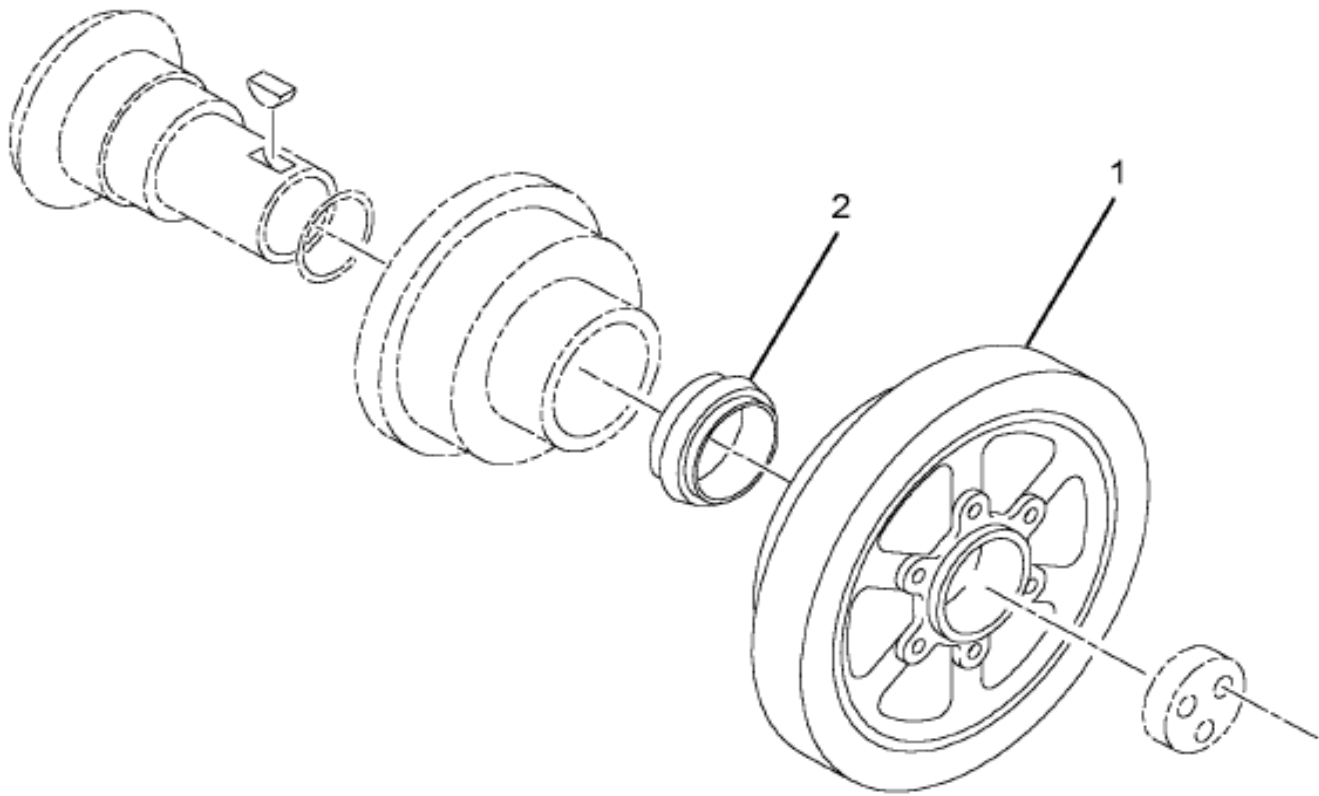
Item	Part No.	Qty	Description	Kit	Var	Figure
1	1830596C91	1	CRANKSHAFT ASSEMBLY			1830596C91
2	1830506C1	6	BEARING,C'SHAFT FRONT UPPER	A		
3	1817021C1	6	BEARING CRANKSHAFT INT & LOW	A		
4	1830505C1	1	BEARING,C'SHAFT REAR UPPER	B		
5	1830269C1	1	BEARING, C'SHAFT REAR LOWER	B		
800	RF		NOTE: THE FOLLOWING PARTS ARE			

Figure 641007A004
CRANKSHAFT UNIT (I-308)

Item	Part No.	Qty	Description	Kit	Var	Figure
			NON-ILLUSTRATED			
870	1830725C91	6	PACKAGE,C"SHAFT BRGS FRONT			1830725C91
870		KT	(CONSISTS OF PARTS DENOTED BY A)			
871	1830726C91	1	PACKAGE,MAIN BRG REAR STD			1830726C91
871		KT	(CONSISTS OF PARTS DENOTED BY B)			
880		RF	NOTE: ASM BELOW COMPRISED OF ABOVE			
			COMPONENTS			
881	641007A004	RF	CRANKSHAFT UNIT (I-308)			
			NON-ILLUSTRATED REFERENCE FIGURE 1830725C91			
1	1817021C1	1	BEARING CRANKSHAFT INT & LOW			
2	1830506C1	1	BEARING,C'SHAFT FRONT UPPER			
880		RF	NOTE: ASM BELOW COMPRISED OF ABOVE			
			COMPONENTS			
881	1830725C91	RF	PACKAGE,C"SHAFT BRGS FRONT			
			NON-ILLUSTRATED REFERENCE FIGURE 1830726C91			
1	1830269C1	1	BEARING, C'SHAFT REAR LOWER			
2	1830505C1	1	BEARING,C'SHAFT REAR UPPER			
880		RF	NOTE: ASM BELOW COMPRISED OF ABOVE			
			COMPONENTS			
881	1830726C91	RF	PACKAGE,MAIN BRG REAR STD			

G
R
P
1
2

Figure 1830736C91
DAMPER ASSEMBLY

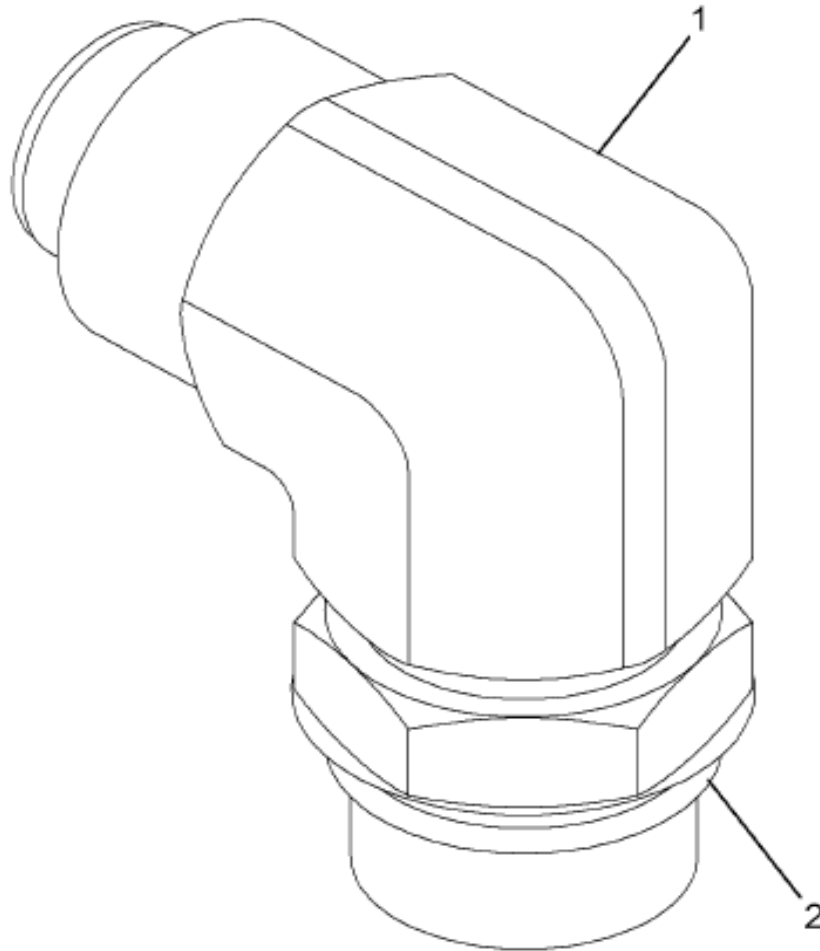


12-ENG-0594-01

H03

Item	Part No.	Qty	Description	Kit	Var	Figure
1	1820856C2	1	DAMPER,VIBRATION EMD-1701			
2	1827176C91	1	SLEEVE,ASSY POSE			1827176C91
880		RF	NOTE: ASM BELOW COMPRISED OF ABOVE COMPONENTS			
881	1830736C91	RF	DAMPER ASSEMBLY			

Figure 1825563C91
ELBOW ASSY., 37-DEG O-RING BOSS



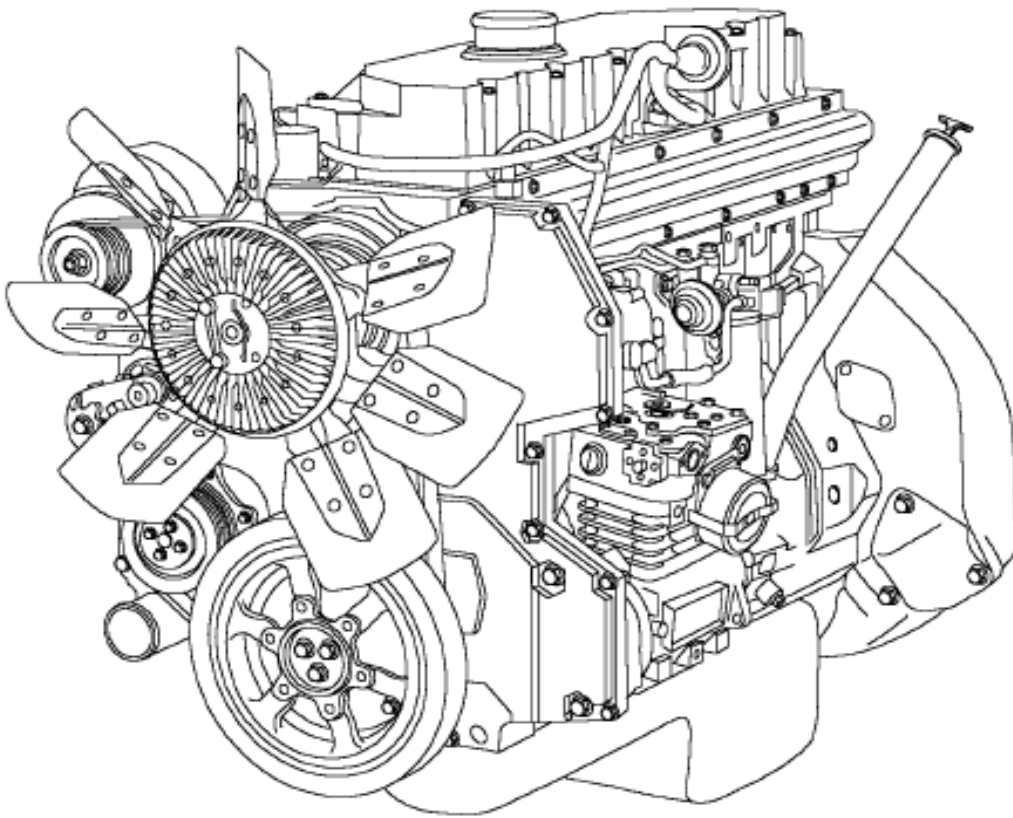
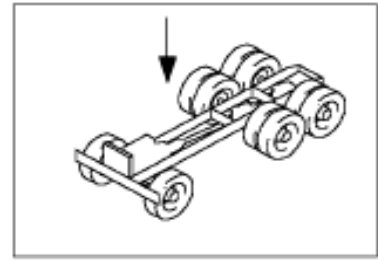
Grp
1
2

10-001-0004-01

K04

Item	Part No.	Qty	Description	Kit	Var	Figure
1	9410976	1	ELBOW,PIPE 90-37D FL TB .56-18			
2	1823790C1	1	RING,O #906			
880		RF	NOTE: ASM BELOW COMPRISED OF ABOVE COMPONENTS			
881	1825563C91	RF	ELBOW ASSY.,37-DEG O-RING BOSS			

Figure 3540803F92
ENGINE, *PERF RAT, 12NMX, DT530E,



530

12-ENG-0056-01

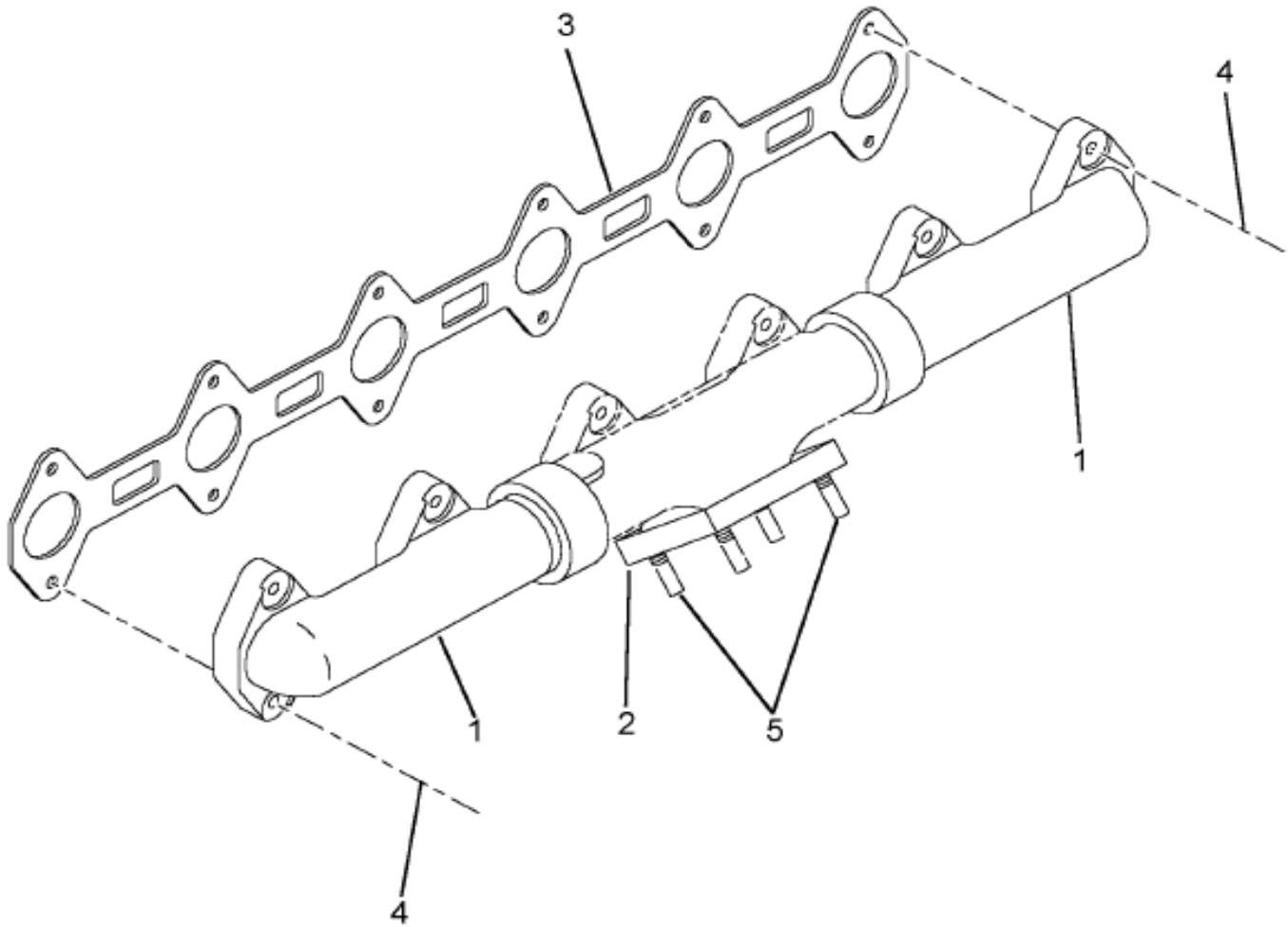
A03

Item	Part No.	Qty	Description	Kit	Var	Figure
1		RF	530V - NGV 530 CORE			
1	641003A004	1	CAMSHAFT-(I-308) UNIT			641003A004
1	641003C002	1	TAPPET UNIT			641003C002
1	641003D002	1	IDLER GEAR UNIT			641003D002
1	641004A002	1	CONNECTING ROD(I-308) UNIT			641004A002
1	641006A005	1	CRANKCASE (I-308) UNIT			641006A005

Figure 3540803F92
ENGINE, *PERF RAT, 12NMX, DT530E,

Item	Part No.	Qty	Description	Kit	Var	Figure
1	641007A004	1	CRANKSHAFT UNIT (I-308)			641007A004
1	641013A003	1	PUMP, OIL UNIT I308 530			641013A003
1	641013B002	1	OIL FILTER UNIT			641013B002
1	641013B003	1	OIL FILTER			641013B003
1	641013C002	1	OIL COOLER UNIT (I-308)			641013C002
2		RF	BC01 - PAINT,NGD BLUE			
2	641002C001	RF	PAINT UNIT (NGD BLUE)			641002C001
3		RF	BD00 - PLATE NONE			
4		RF	BE01 - LABELS,EMISSION O/HWY DOMESTIC			
4		RF	LABELS,EMMISSION O/HWY DOMESTI			
5		RF	FB09 - FRONT COVER SAE B FLG CACSPT			
5	641006B009	1	FRONT COVER (I308) UNIT			641006B009
6		RF	GB04 - VIB DAMPER I-308 530 MRD			
6	641007B006	1	VIBRATION DAMPER UNIT			641007B006
7		RF	M106 - I308 530MRD 275HP@2000RPM			
7	641004B021	1	PISTON UNIT (I-308,530MRD)			641004B021
7	641005A004	1	WATER PUMP			641005A004
7	641011C054	1	FUEL INJECTOR UNIT (I-308,530)			641011C054
7	641011E002	1	HYDRAULIC FUEL SYSTEM UNIT			641011E002
8		RF	NB01 - EXHAUST MANIFOLD-DOWN MT TURBO			
8	641014B001	1	EXHAUST MANIFOLD UNIT			641014B001
880		RF	NOTE: ASM BELOW COMPRISED OF ABOVE COMPONENTS			
881	3540803F92	RF	ENGINE, *PERF RAT, 12NMX, DT530E,			
NON-ILLUSTRATED REFERENCE FIGURE 641002C001						
1	1822510C1	AR	PAINT, SPEC BLUE			
2	1831729C1	1	LUBRICATOR, GREASE, DIELECTRIC			
880		RF	NOTE: ASM BELOW COMPRISED OF ABOVE COMPONENTS			
881	641002C001	RF	PAINT UNIT (NGD BLUE)			

Figure 641014B001
EXHAUST MANIFOLD UNIT

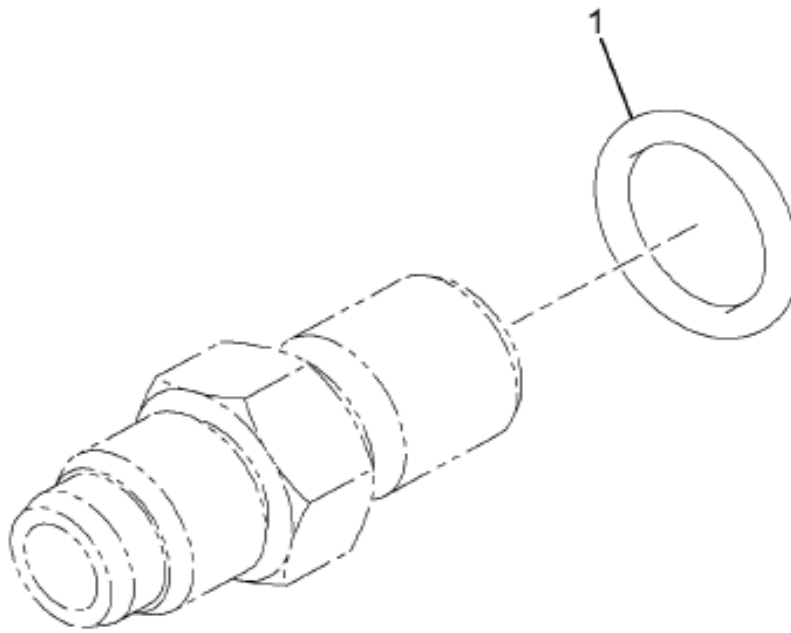


12-ENG-0095-01

B03

Item	Part No.	Qty	Description	Kit	Var	Figure
1	1814149C2	2	MANIFOLD, EXHAUST FRT/RR			
2	1818561C3	1	MANIFOLD, EXHAUST - CENTER			
3	1825436C1	1	GASKET, EXHAUST MANIFOLD			
4	1817830C1	12	BOLT, M12 X 1.75 6Q 35MM			
5	1821642C3	4	STUD, TURBO ADAPTER			
800	RF		NOTE: THE FOLLOWING PARTS ARE			

Figure 1842004C91
 FITTING, 37 DEG FLARED HP HOSE

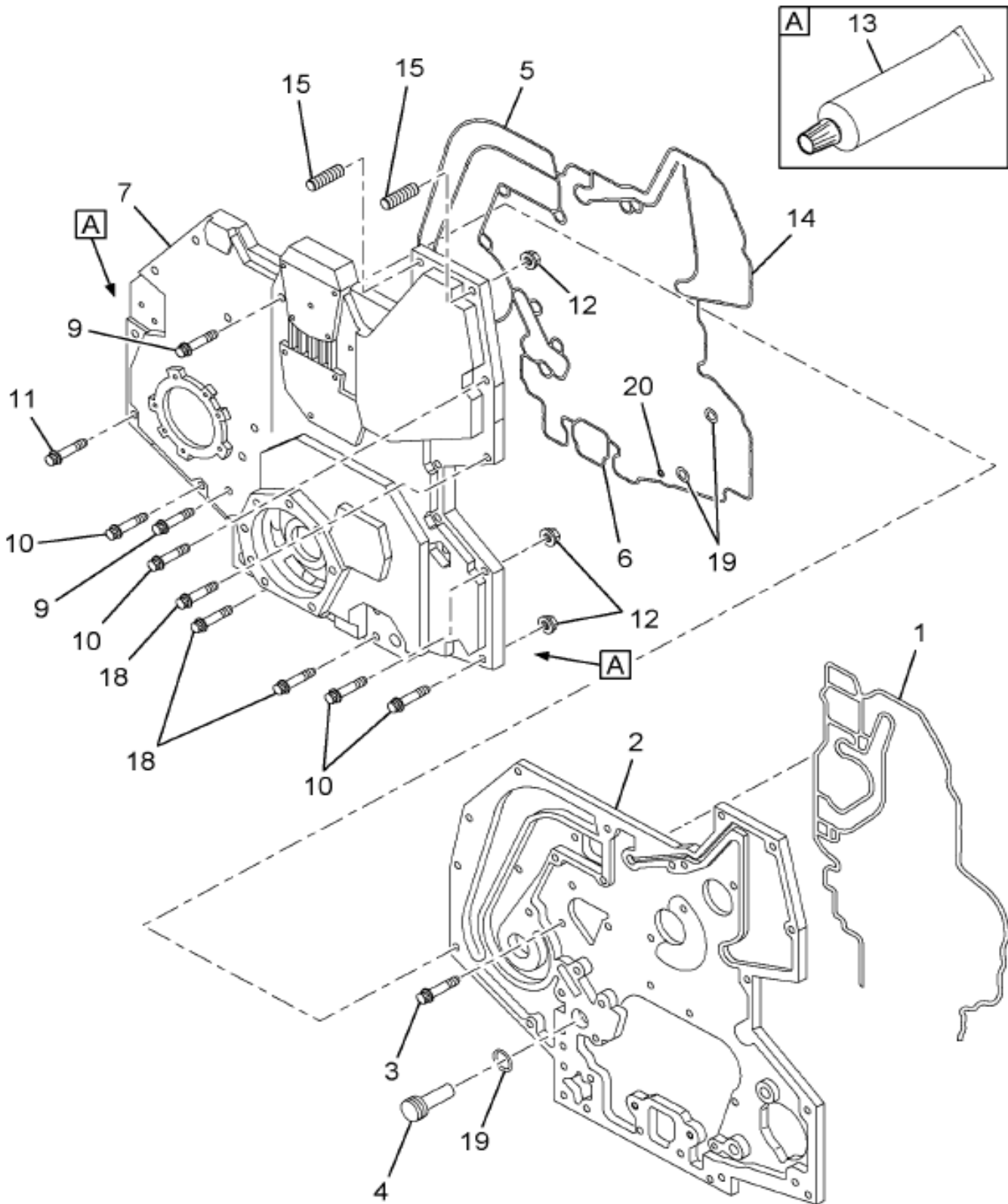


12-ENG-2036-01

C09

Item	Part No.	Qty	Description	Kit	Var	Figure
1	1823790C1	1	RING, O #906			
880		RF	NOTE: ASM BELOW COMPRISED OF ABOVE COMPONENTS			
881	1842004C91	RF	FITTING, 37 DEG FLARED HP HOSE			

Figure 641006B009
FRONT COVER (I308) UNIT

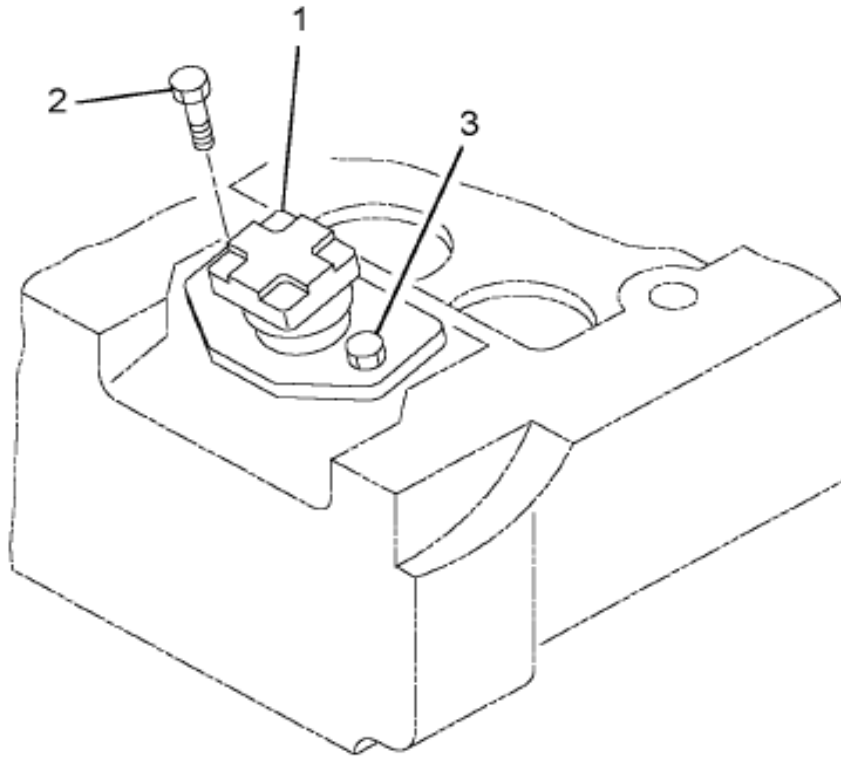


12-ENG-1433-01

E05

Item	Part No.	Qty	Description	Kit	Var	Figure
1	1842910C1	1	GASKET,FRONT COVER,C"CASE	A		
2	1826335C91	1	COVER ASSY.,FRONT (REAR HALF)			1826335C91
3	1822121C2	9	BOLT, HF SPCL-M8P			
4	1833386C1	1	VALVE ASSY., OIL RELIEF			1833386C1
5	1842909C1	1	GASKET,FRONT COVER	A		
6	1818716C5	1	GASKET,FC OIL SUCTION	A		

Figure 641011C054
FUEL INJECTOR UNIT (I-308,530)



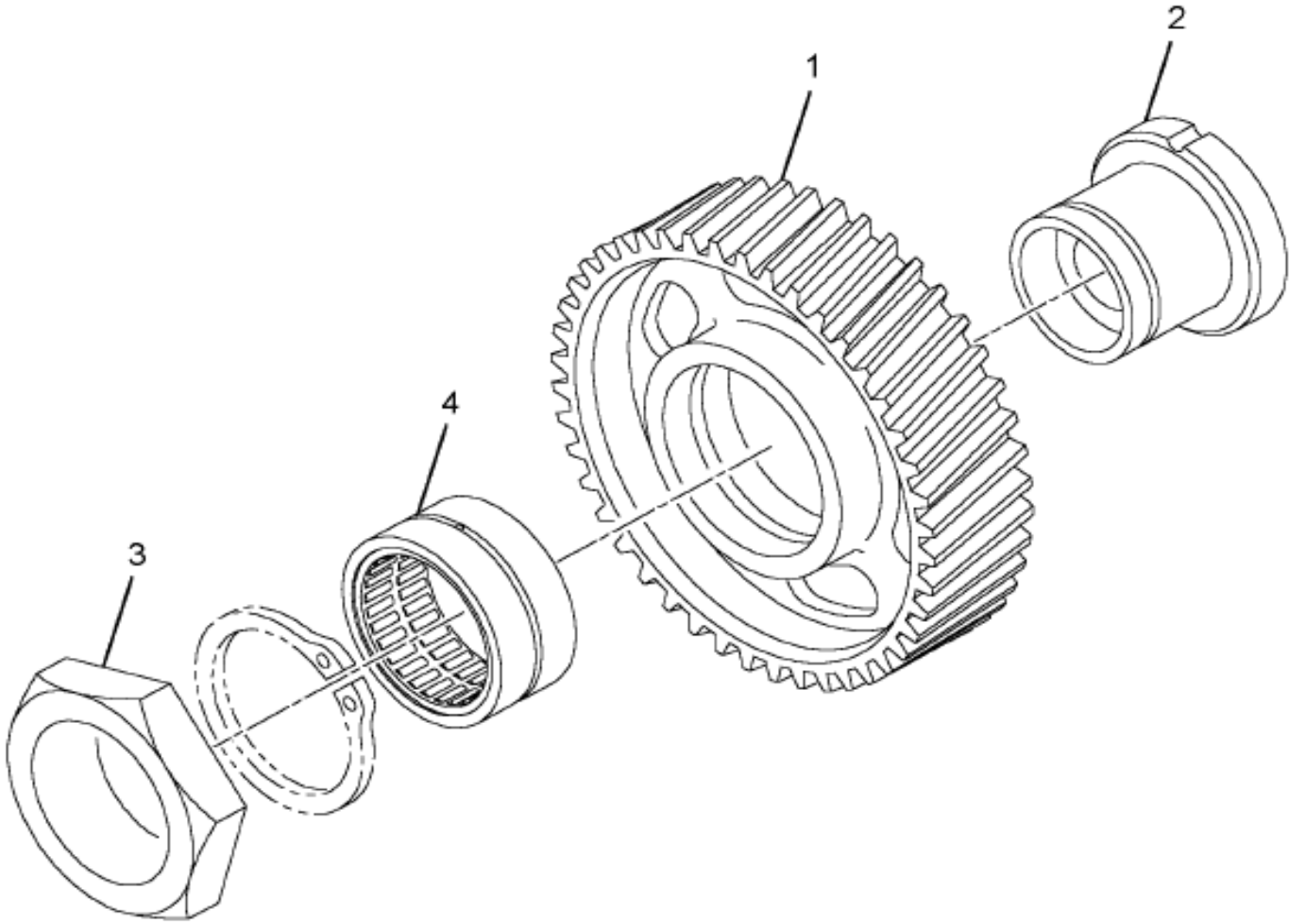
Grp
1
2

12-ENG-0147-01

A03

Item	Part No.	Qty	Description	Kit	Var	Figure
1	1830692C92	6	INJECTOR ASSY,W/SEALS			1830692C92
2	1830050C1	6	BOLT, INJECTOR			
3	1830051C1	6	BOLT, SHOULDER			
800		RF	NOTE: THE FOLLOWING PARTS ARE NON-ILLUSTRATED			
801	1830742C92	KT	KIT, INJECTOR SEALS			1830742C92

Figure 1822101C95
GEAR ASSY, LOWER



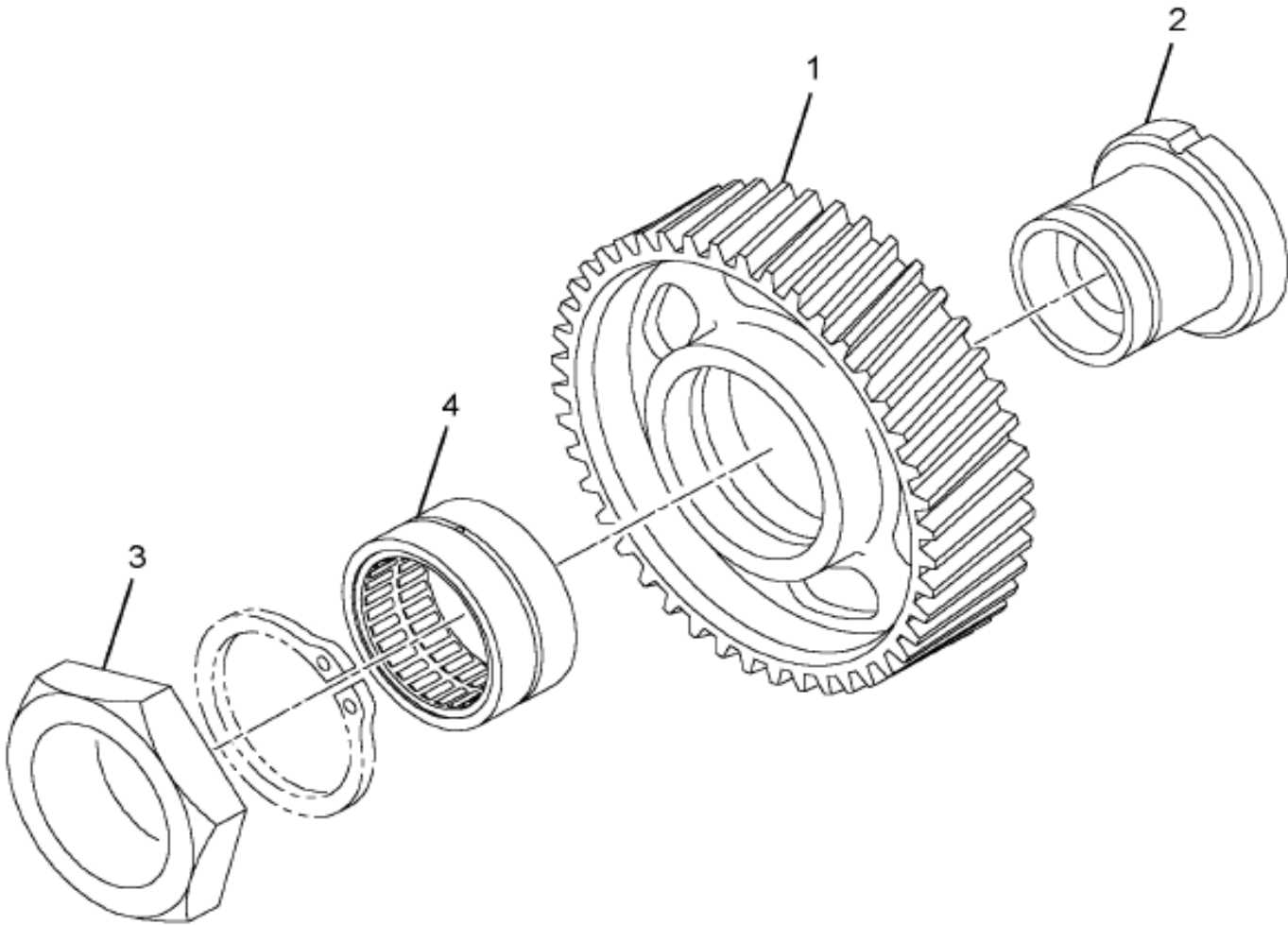
Grp
12

12-ENG-0694-01

J03

Item	Part No.	Qty	Description	Kit	Var	Figure
1	1824636C1	1	GEAR, IDLER LOWER (HEUI)			
2	1820294C1	1	SHAFT, IDLER LOWER			
3	1820301C1	1	NUT, LOWER IDLER SHAFT			
4	1818614C91	1	BEARING, LOWER IDLER GEAR			
880	RF		NOTE: ASM BELOW COMPRISED OF ABOVE COMPONENTS			

Figure 1822102C95
GEAR ASSY., UPPER



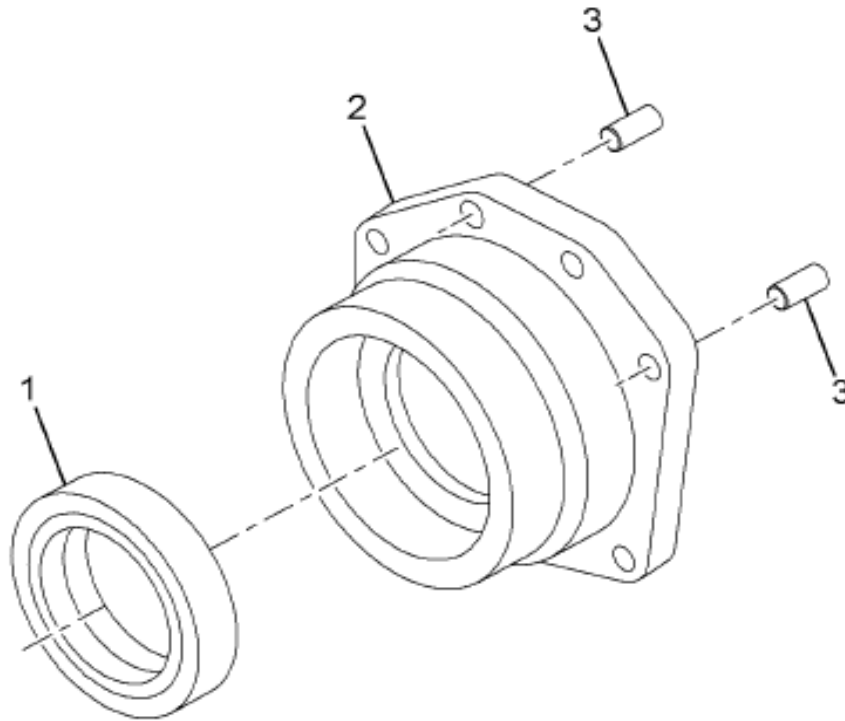
Grp
1
2

12-ENG-0694-01

J03

Item	Part No.	Qty	Description	Kit	Var	Figure
1	1824635C1	1	GEAR, IDLER UPPER (HEUI)			
2	1820277C1	1	SHAFT, IDLER UPPER			
3	1820278C1	1	NUT, UPPER IDLER SHAFT			
4	1820383C91	1	BEARING, IDLER UPPER			
880	RF		NOTE: ASM BELOW COMPRISED OF ABOVE COMPONENTS			

Figure 1827395C92
HOUSING, OIL PUMP



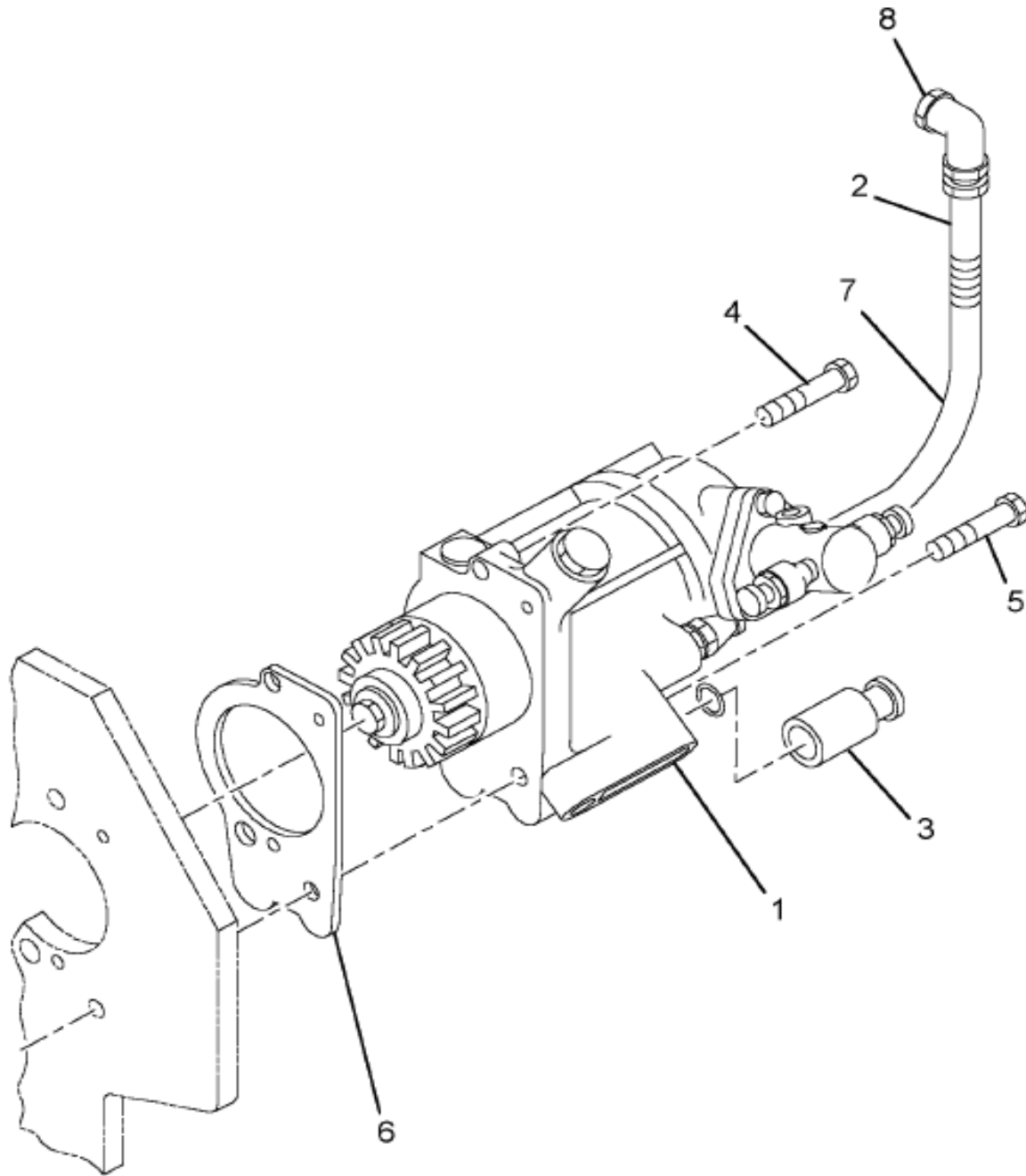
Grp
12

12-ENG-1749-01

F07

Item	Part No.	Qty	Description	Kit	Var	Figure
1	1827177C1	1	SEAL, FRONT-RADIAL LIP TYPE			
2	1827396C2	1	HOUSING, LUBE OIL PUMP			
3	680482C1	2	PIN, DOWEL CRKSHFT FLYWHEEL			
880		RF	NOTE: ASM BELOW COMPRISED OF ABOVE COMPONENTS			
881	1827395C92	RF	HOUSING, OIL PUMP			

Figure 641011E002
HYDRAULIC FUEL SYSTEM UNIT

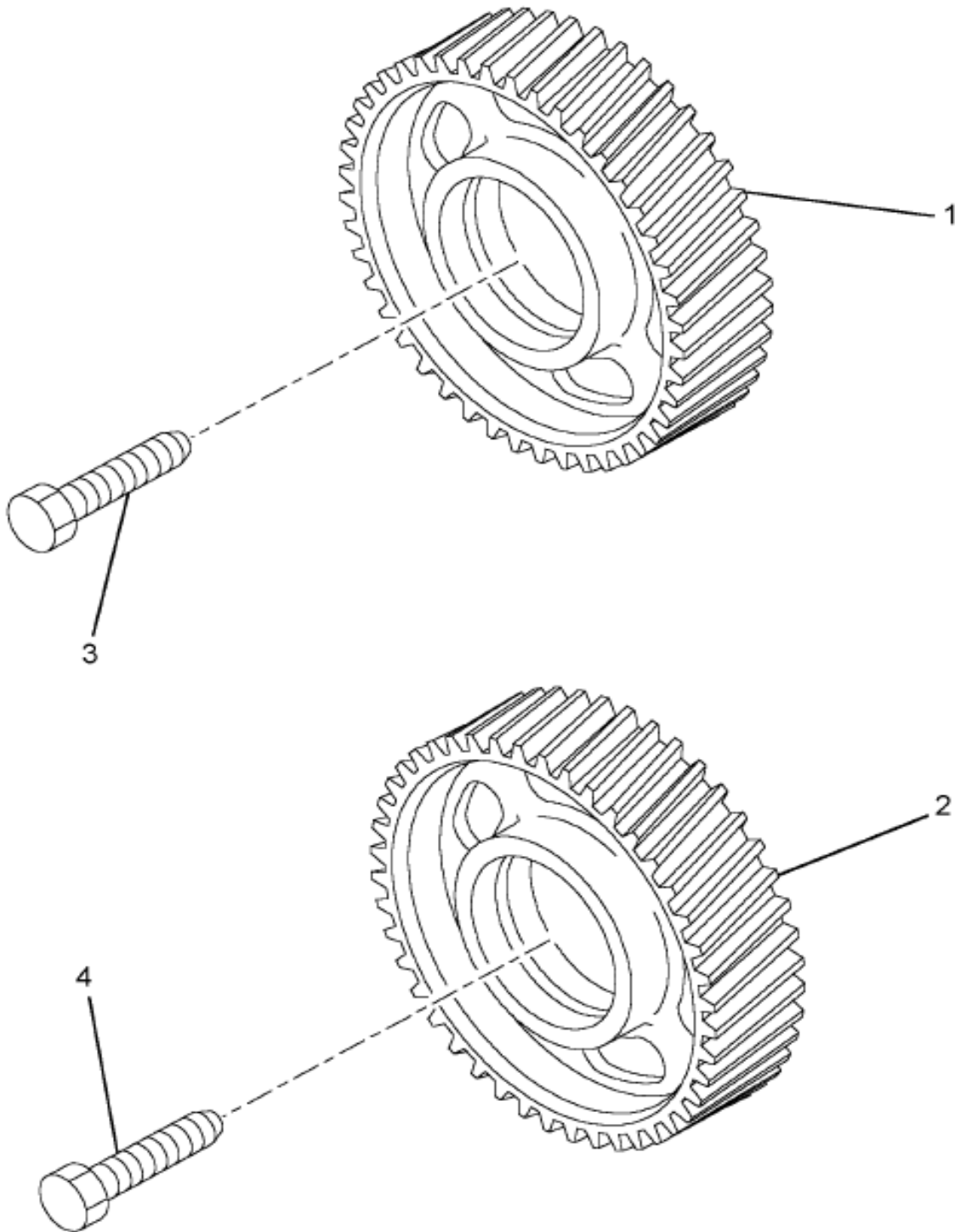


12-ENG-0149-01

B03

Item	Part No.	Qty	Description	Kit	Var	Figure
1	1830177C92	1	PUMP,HIGH PRESSURE OIL			1830177C92
2	1829802C1	1	HOSE ASSY.,HIGH PRESSURE			
3	1841217C91	1	PACKAGE-INJ PRESSURE REGULATOR			1841217C91
4	1824752C1	1	BOLT,M8 X 1.25 X 55MM			
5	1818726C1	1	BOLT, M8 X 70 HEX FLANGE			
6	1825685C1	1	SEAL,REXROTH PUMP FLANGE			

Figure 641003D002
IDLER GEAR UNIT

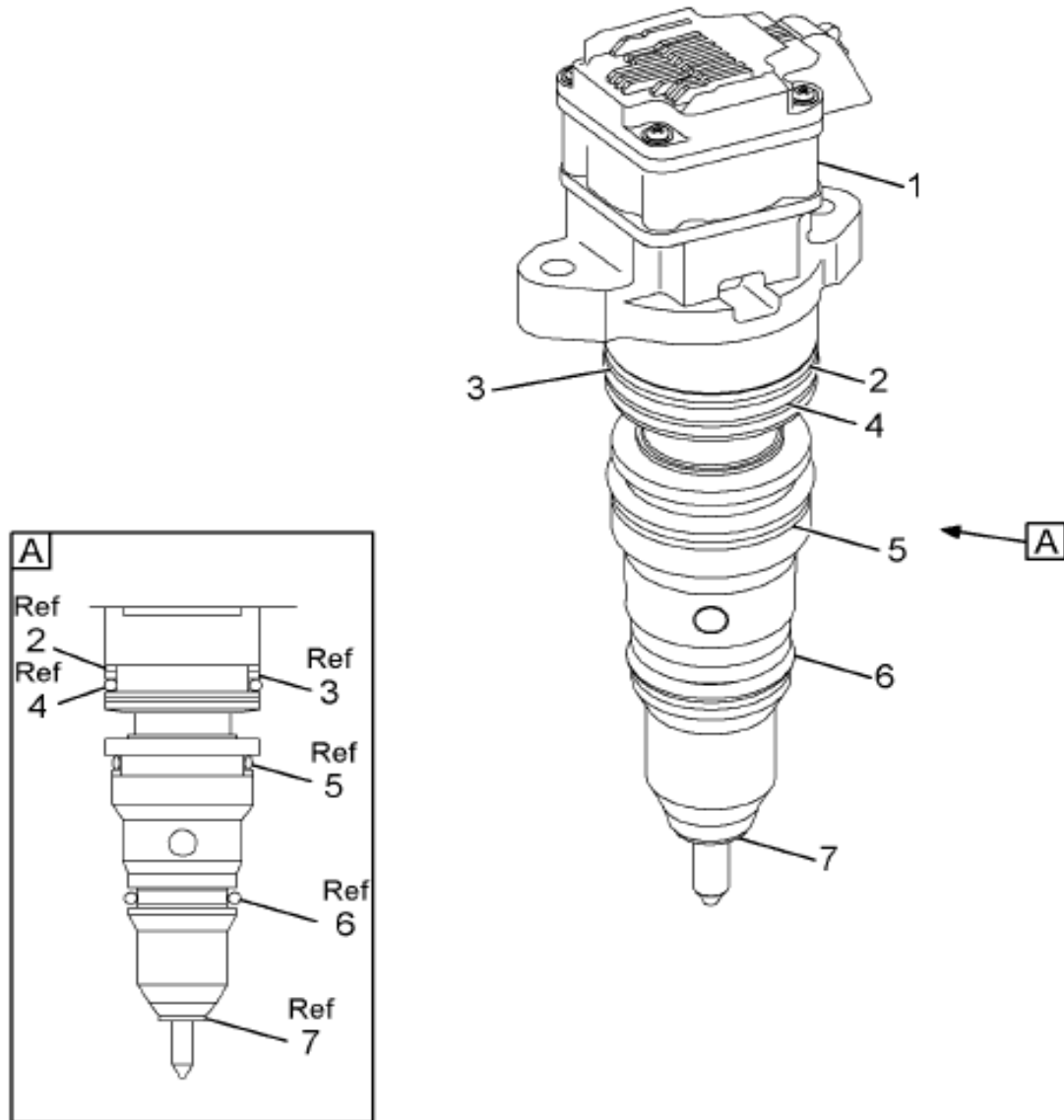


12-ENG-0080-01

A03

Item	Part No.	Qty	Description	Kit	Var	Figure
1	1822102C95	1	GEAR ASSY.,UPPER			1822102C95
2	1822101C95	1	GEAR ASSY.,LOWER			1822101C95
3	1820287C1	1	BOLT, UPPER IDLER GEAR RET			
4	40055R1	1	BOLT,M20 X 70 12PT			
880	RF		NOTE: ASM BELOW COMPRISED OF ABOVE COMPONENTS			

Figure 1830692C92
INJECTOR ASSY, W/SEALS

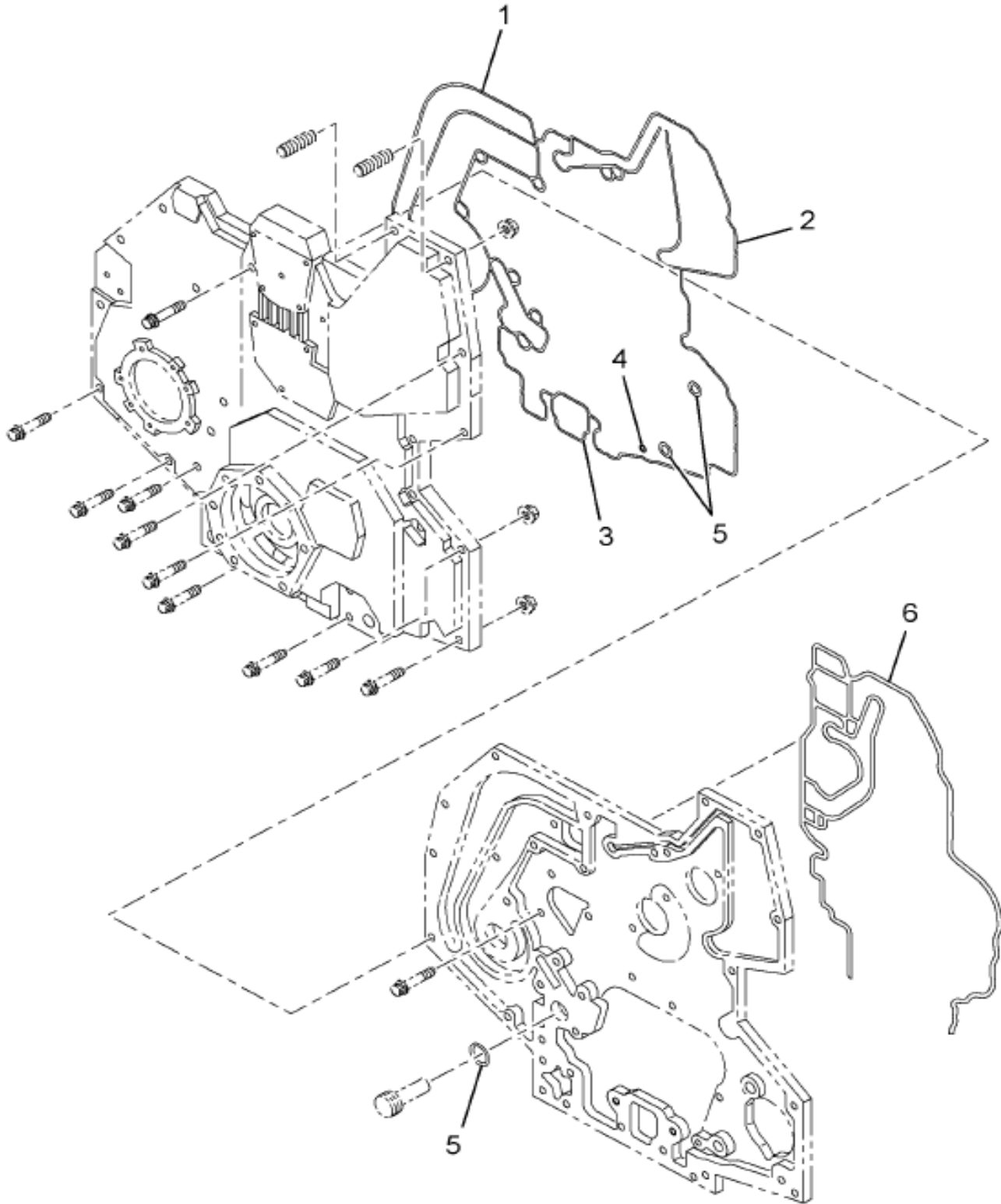


12-ENG-1889-01

L07

Item	Part No.	Qty	Description	Kit	Var	Figure
1	1830691C1	1	INJECTOR ASSY.			
2	1817073C2	1	RING, UPPER BACKUP			
3	1817074C1	1	RING, CUSHION			
4	1816000C1	1	RING,O 3.15 X 34.54 ID			
5	1834357C1	1	SEAL,MIDDLE INJECTOR			
6	1814695C1	1	SEAL,O-RING #213			

Figure 1824984C95
KIT, FRONT COVER GASKET

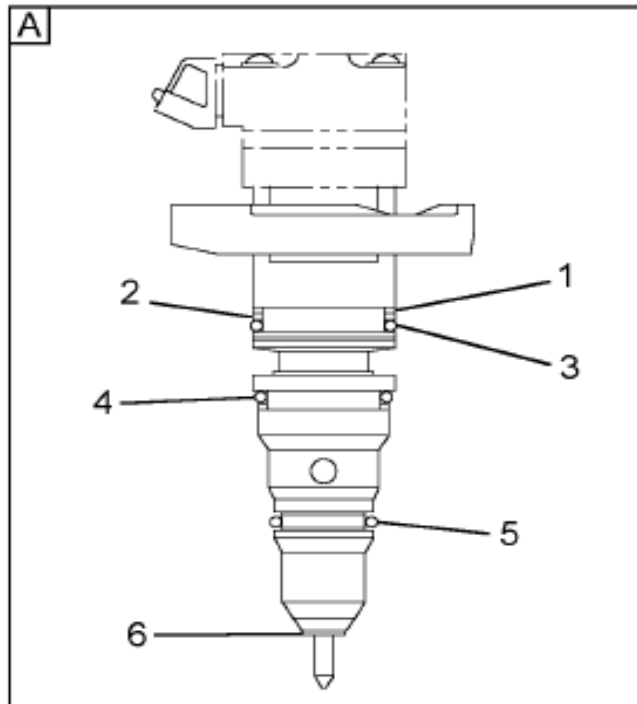
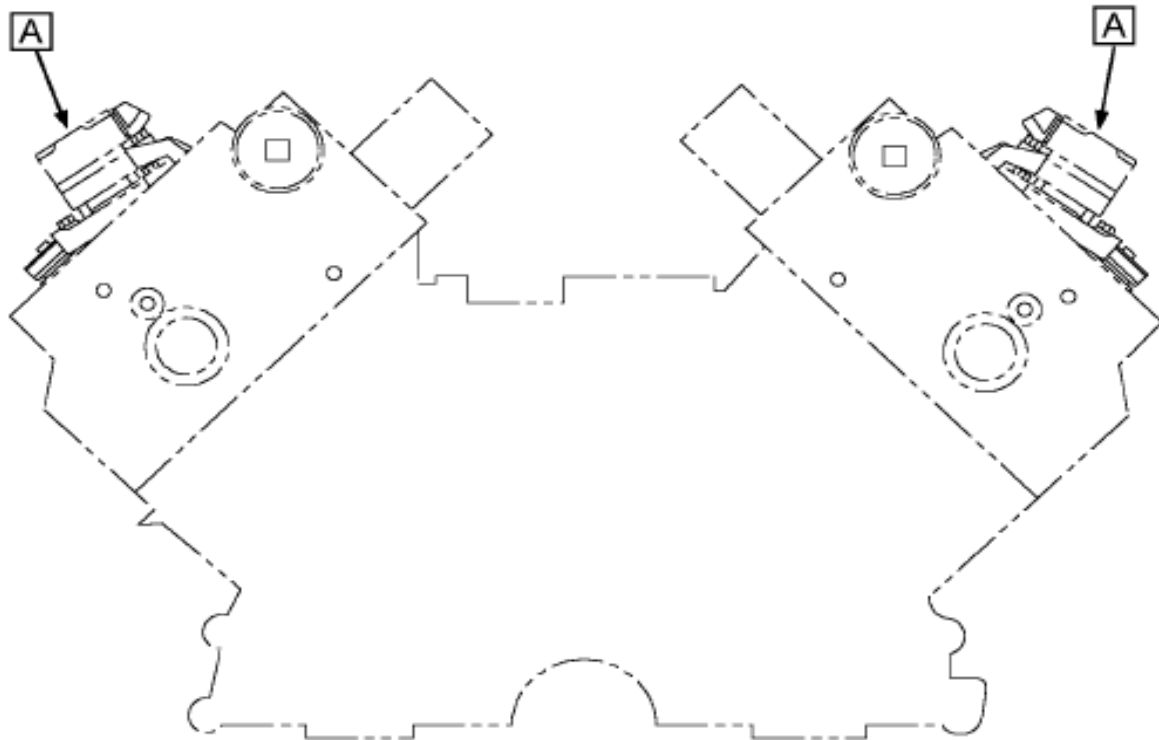


12-ENG-1748-01

K07

Item	Part No.	Qty	Description	Kit	Var	Figure
1	1842909C1	1	GASKET, FRONT COVER			
2	1820920C3	1	SEAL, RESERVOIR			
3	1818716C5	1	GASKET, FC OIL SUCTION			
4	1820878C2	1	RING, O #111			
5	1820907C2	3	RING, O #118			
6	1842910C1	1	GASKET, FRONT COVER, C" CASE			

Figure 1830742C92
KIT, INJECTOR SEALS

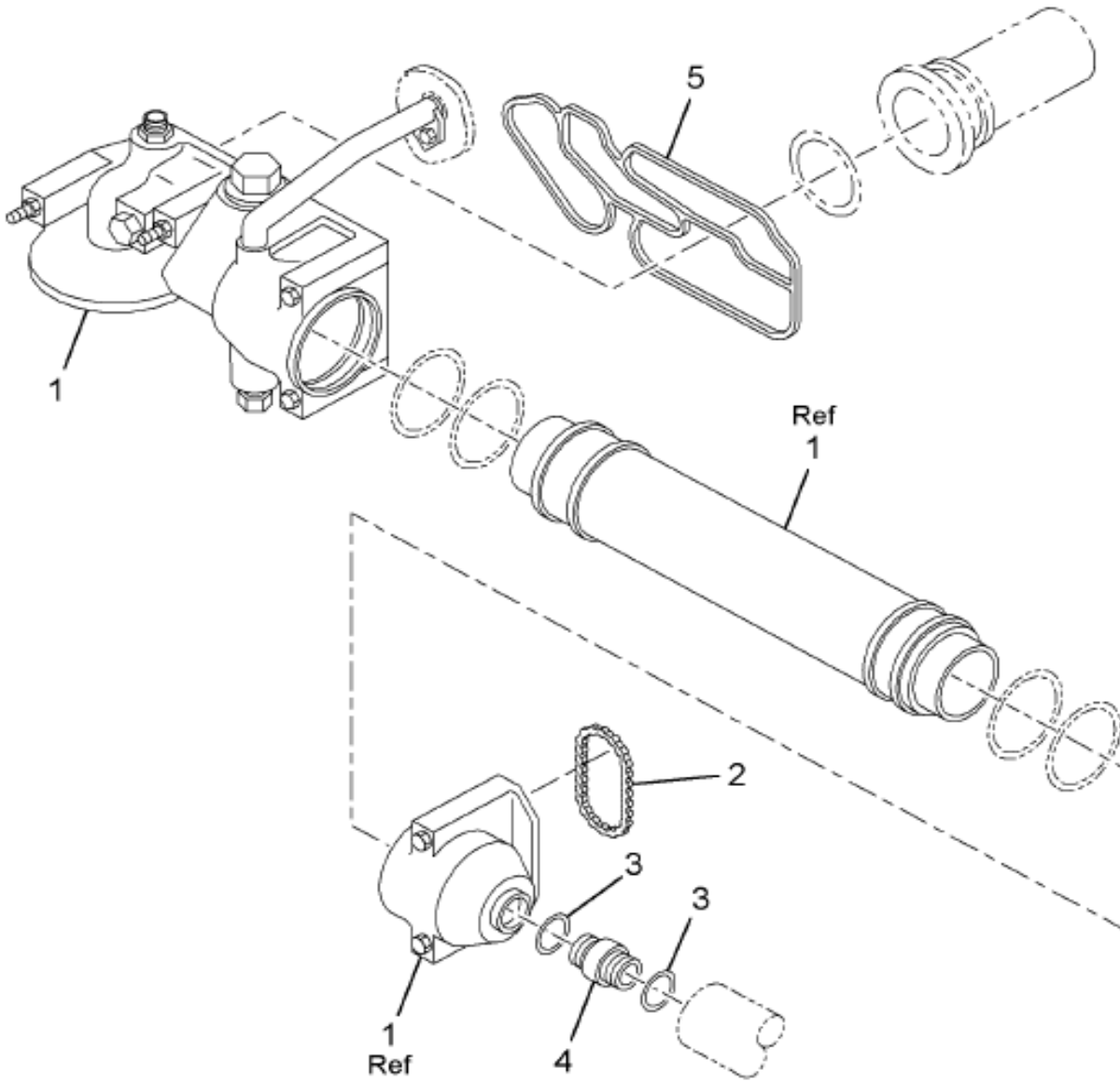


12-ENG-0495-01

G03

Item	Part No.	Qty	Description	Kit	Var	Figure
1	1817073C2	1	RING, UPPER BACKUP			
2	1817074C1	1	RING, CUSHION			
3	1816000C1	1	RING,O 3.15 X 34.54 ID			
4	1834357C1	1	SEAL,MIDDLE INJECTOR			
5	1814695C1	1	SEAL,O-RING #213			
6	1830317C1	1	GASKET, INJECTOR			

Figure 183359C94
KIT,OIL COOLER I-308

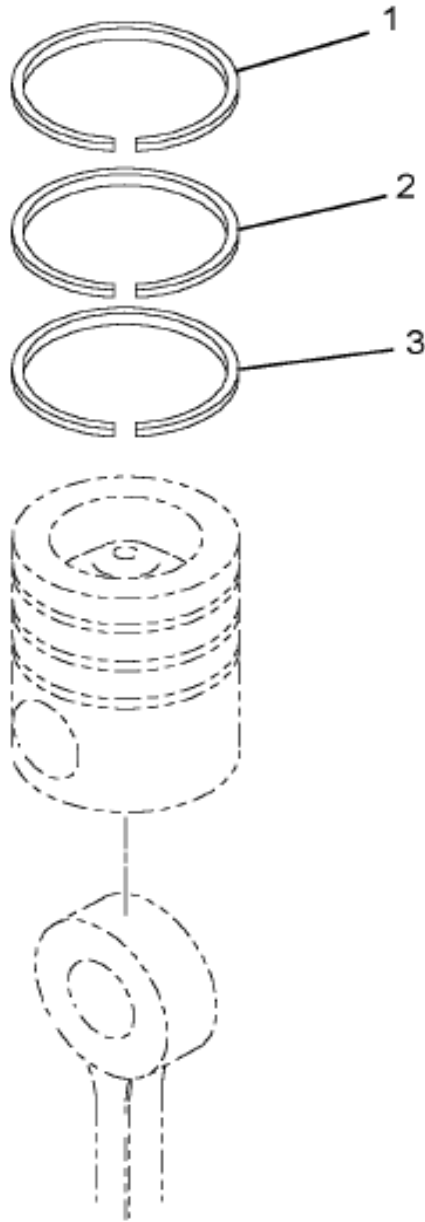


12-ENG-1450-01

L05

Item	Part No.	Qty	Description	Kit	Var	Figure
1	1841739C91	1	COOLER,ASM OIL			1841739C91
2	1830362C1	1	SEAL RING,FRONT HEADER			
3	1821098C2	4	RING,O			
4		1	FITTING ASM.,TURBO OIL SUPPLY			
5	1817849C3	1	GASKET OIL FILLER HEADER			
880	RF		NOTE: ASM BELOW COMPRISED OF ABOVE			

Figure 1830723C92
KIT, PISTON RING, 466, 230-270BHP

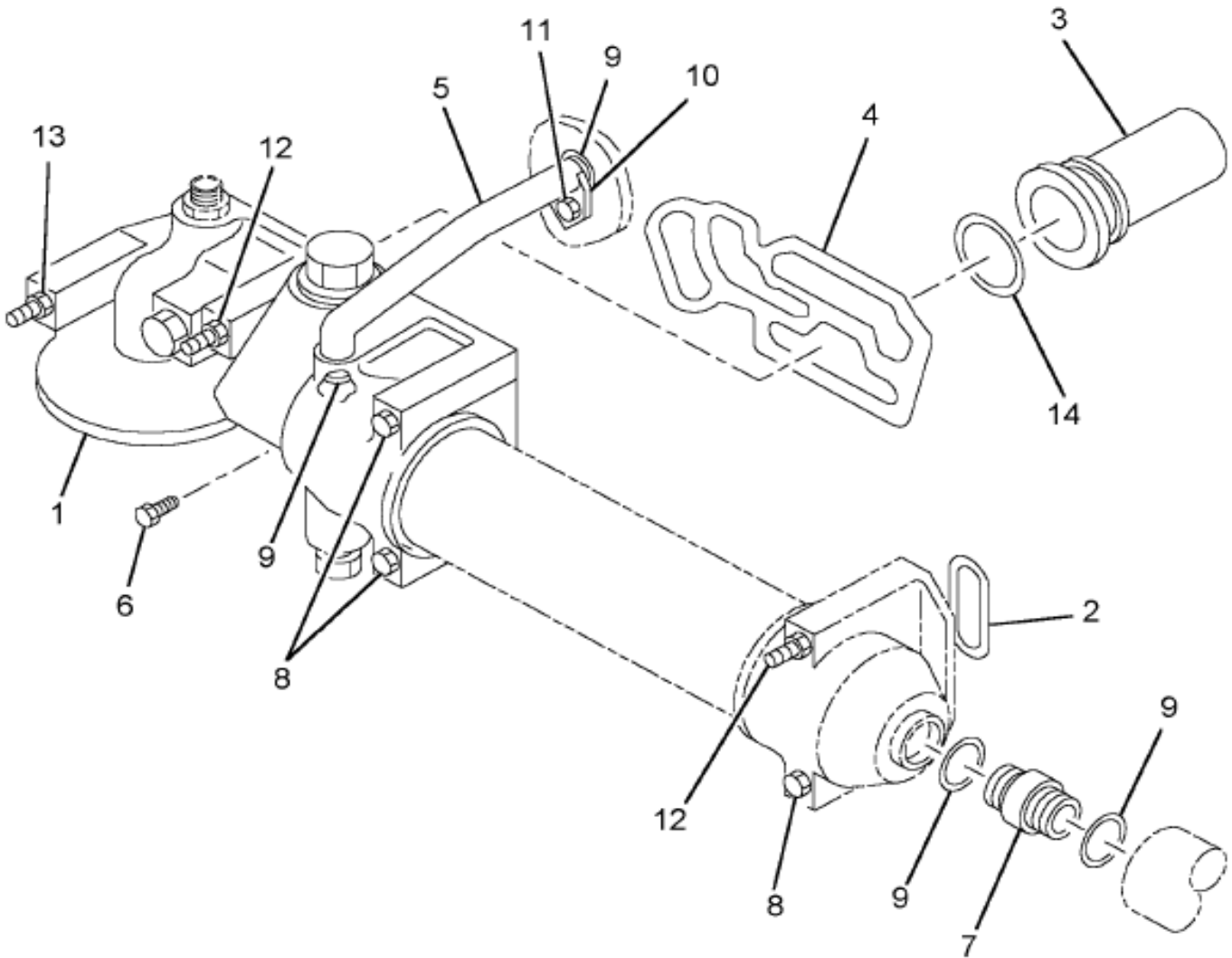


12-ENG-0497-01

G03

Item	Part No.	Qty	Description	Kit	Var	Figure
1	1817586C1	1	RING, TOP COMPRESSION			
2	1817587C1	1	RING, 2ND COMPRESSION			
3	1830595C1	1	RING, OIL CONTROL			
880		RF	NOTE: ASM BELOW COMPRISED OF ABOVE COMPONENTS			
881	1830723C92	RF	KIT, PISTON RING, 466, 230-270BHP			

Figure 641013C002
OIL COOLER UNIT (I-308)



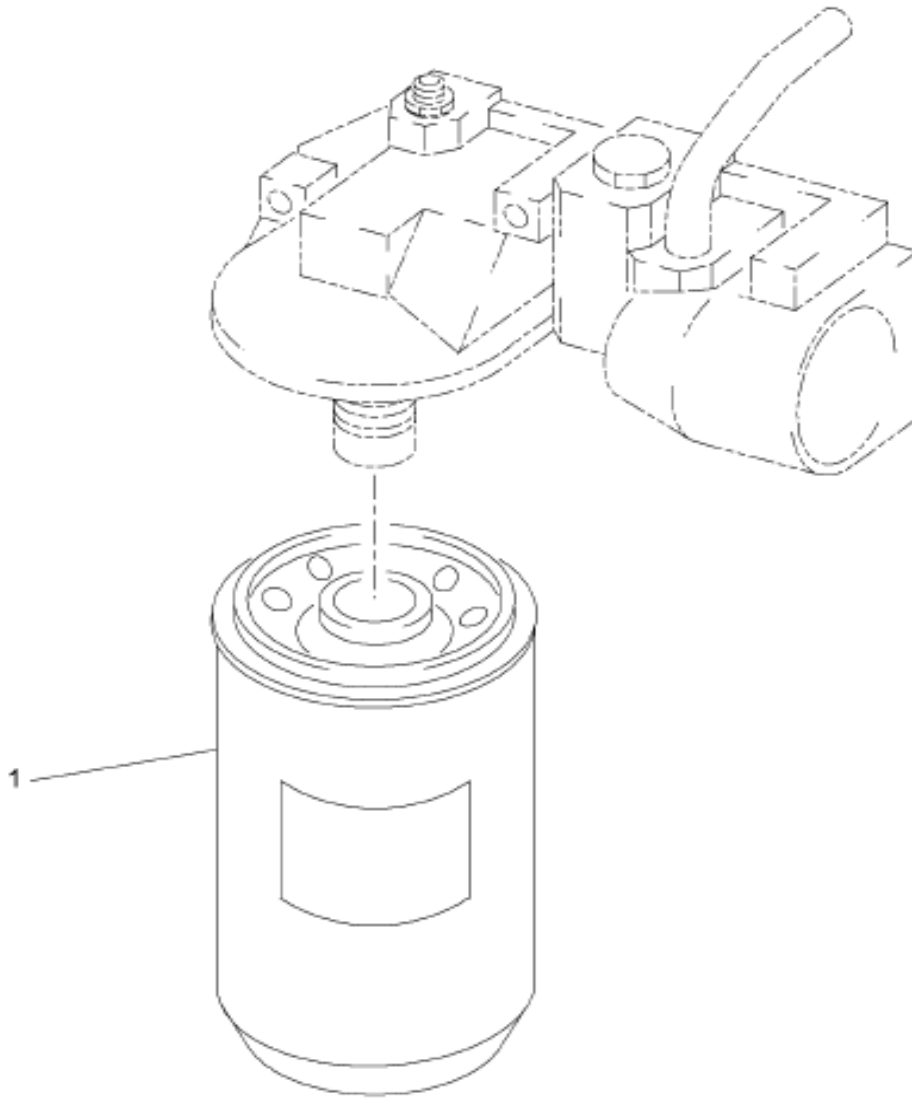
Grp
12

12-ENG-0094-01

B03

Item	Part No.	Qty	Description	Kit	Var	Figure
1	1830622C92	1	COOLER, ASM OIL			1830622C92
2	1830362C1	1	SEAL RING, FRONT HEADER			
3	1815239C3	1	VALVE, OIL PRESS, REG.			
4	1817849C3	1	GASKET OIL FILLER HEADER			
5	1817669C1	1	TUBE, WATER INLET			
6	1817958C1	1	BOLT, CRANKCASE M8X30-10.9 HF			

Figure 641013B003
OIL FILTER



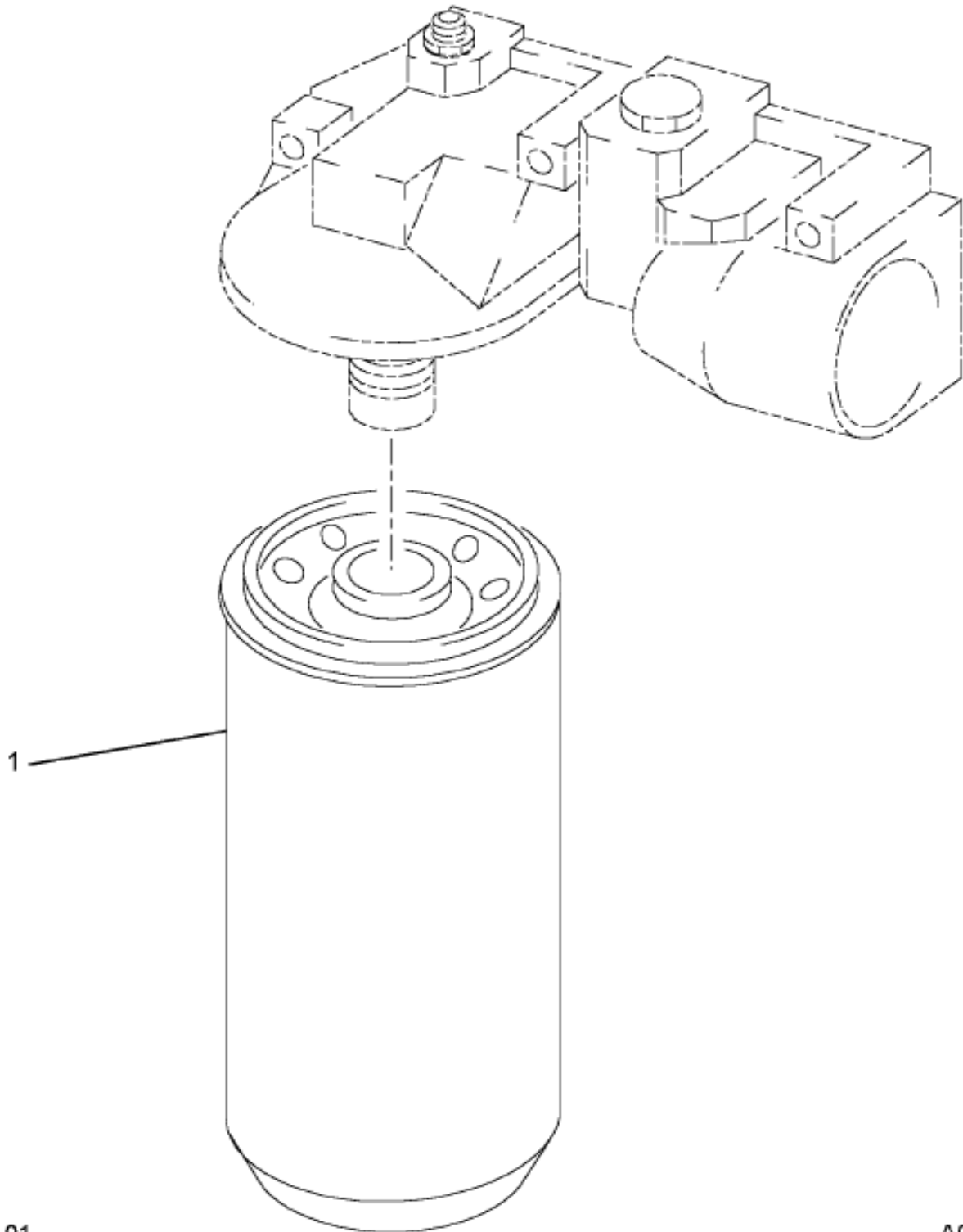
G
R
P
1
2

12-ENG-1881-01

G07

Item	Part No.	Qty	Description	Kit	Var	Figure
1	1842816C2	1	FILTER ASSY, SHORT OIL			
880		RF	NOTE: ASM BELOW COMPRISED OF ABOVE COMPONENTS			
881	641013B003	RF	OIL FILTER			

Figure 641013B002
OIL FILTER UNIT

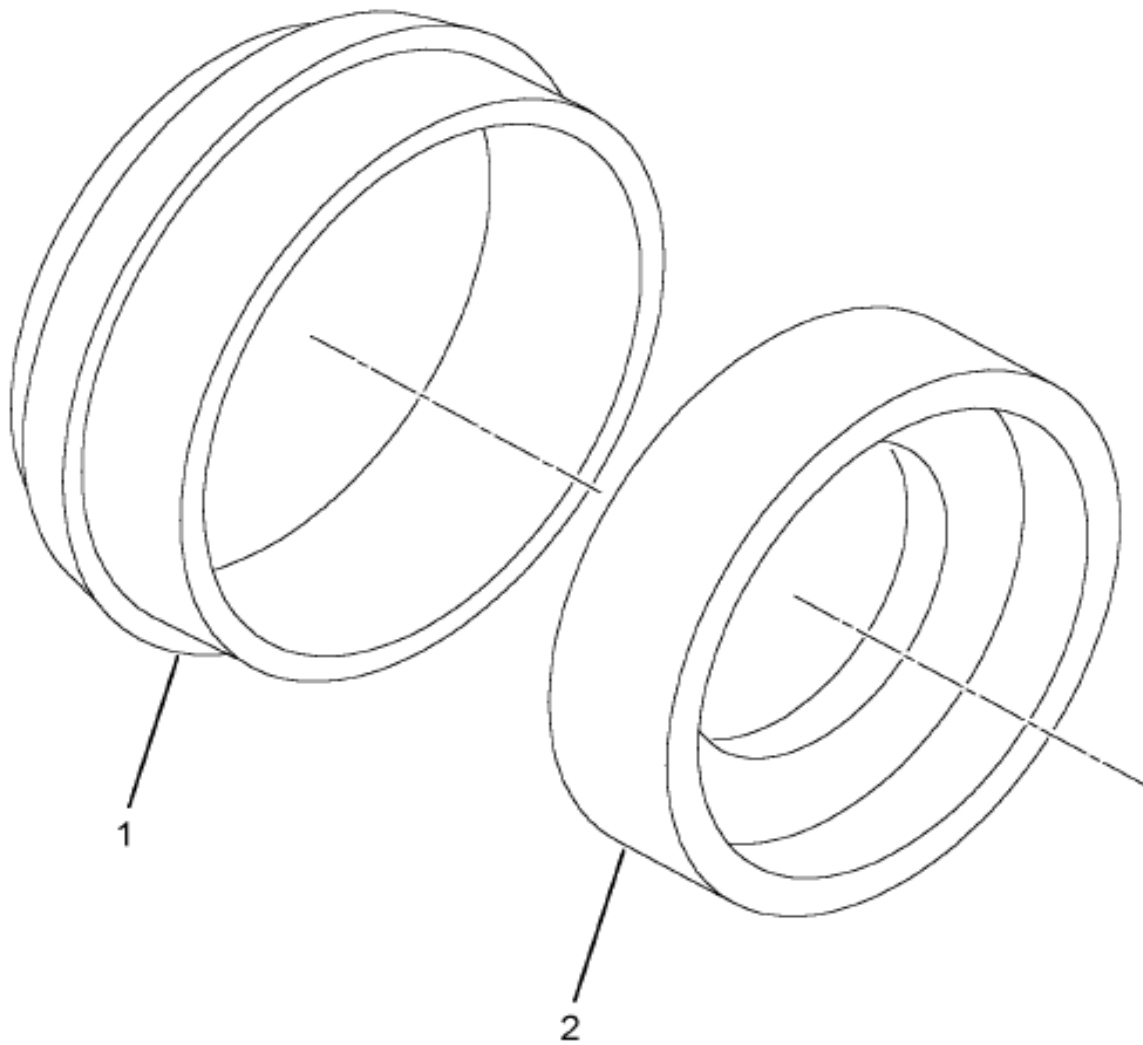


12-ENG-0093-01

A03

Item	Part No.	Qty	Description	Kit	Var	Figure
1	1833121C1	1	FILTER, EXTENDED LIFE OIL			
1		RF	SEE SERVICE RECALL 04504 SHORT OIL FILTER			
1		RF	ON 7000 SERIES 4X4 & 4X6			
880		RF	NOTE: ASM BELOW COMPRISED OF ABOVE COMPONENTS			
881	641013B002	RF	OIL FILTER UNIT			

Figure 1833096C92
 PACKAGE FRONT OIL SEAL 530/570



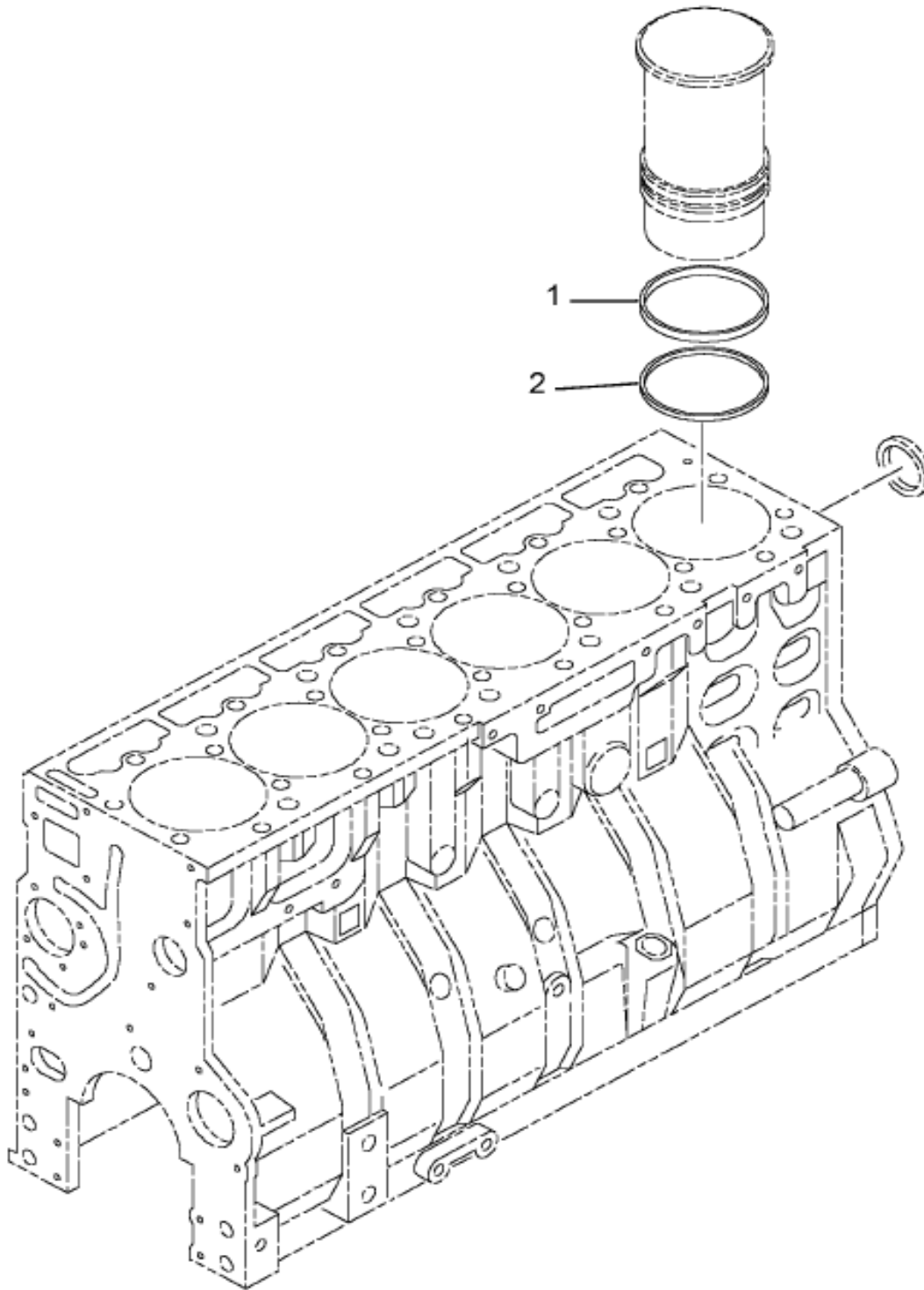
Grp
1
2

12-ENG-0603-01

J03

Item	Part No.	Qty	Description	Kit	Var	Figure
1	1827177C1	1	SEAL, FRONT-RADIAL LIP TYPE			
2	1827176C91	1	SLEEVE, ASSY POSE			1827176C91
800		RF	NOTE: THE FOLLOWING PARTS ARE NON-ILLUSTRATED			
801	1171742R1	1	INSTRUCTION SHT			
880		RF	NOTE: ASM BELOW COMPRISED OF ABOVE			

Figure 1822322C92
PACKAGE, CYL SLEEVE RING



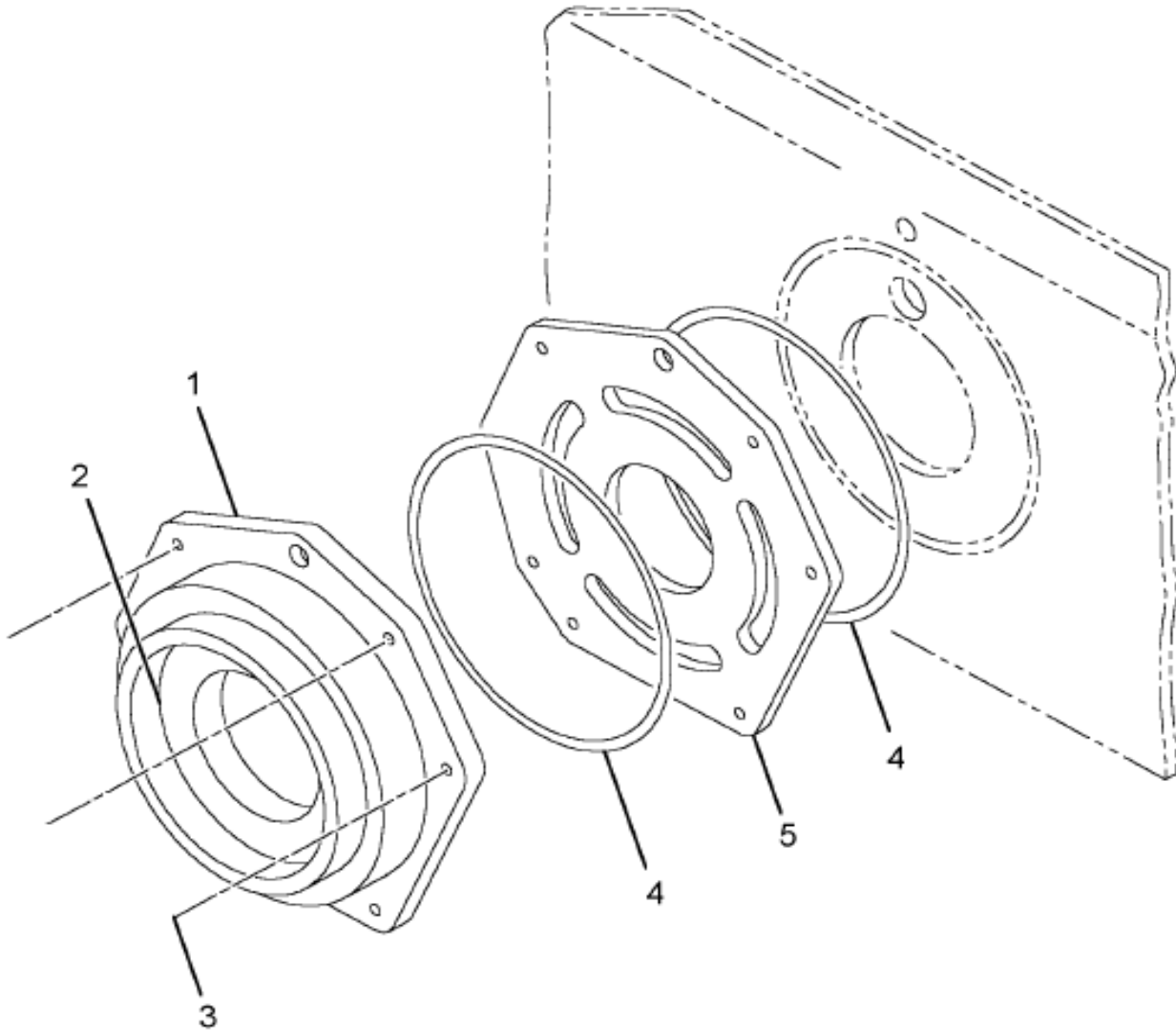
Grp
12

00-000-3821-01

G03

Item	Part No.	Qty	Description	Kit	Var	Figure
1	1817633C2	1	RING O CYL SLEEVE			
2	1817000C2	1	RING, CREVICE SEAL			
880		RF	NOTE: ASM BELOW COMPRISED OF ABOVE COMPONENTS			
881	1822322C92	RF	PACKAGE, CYL SLEEVE RING			

Figure 1833357C92
PACKAGE, OIL PUMP

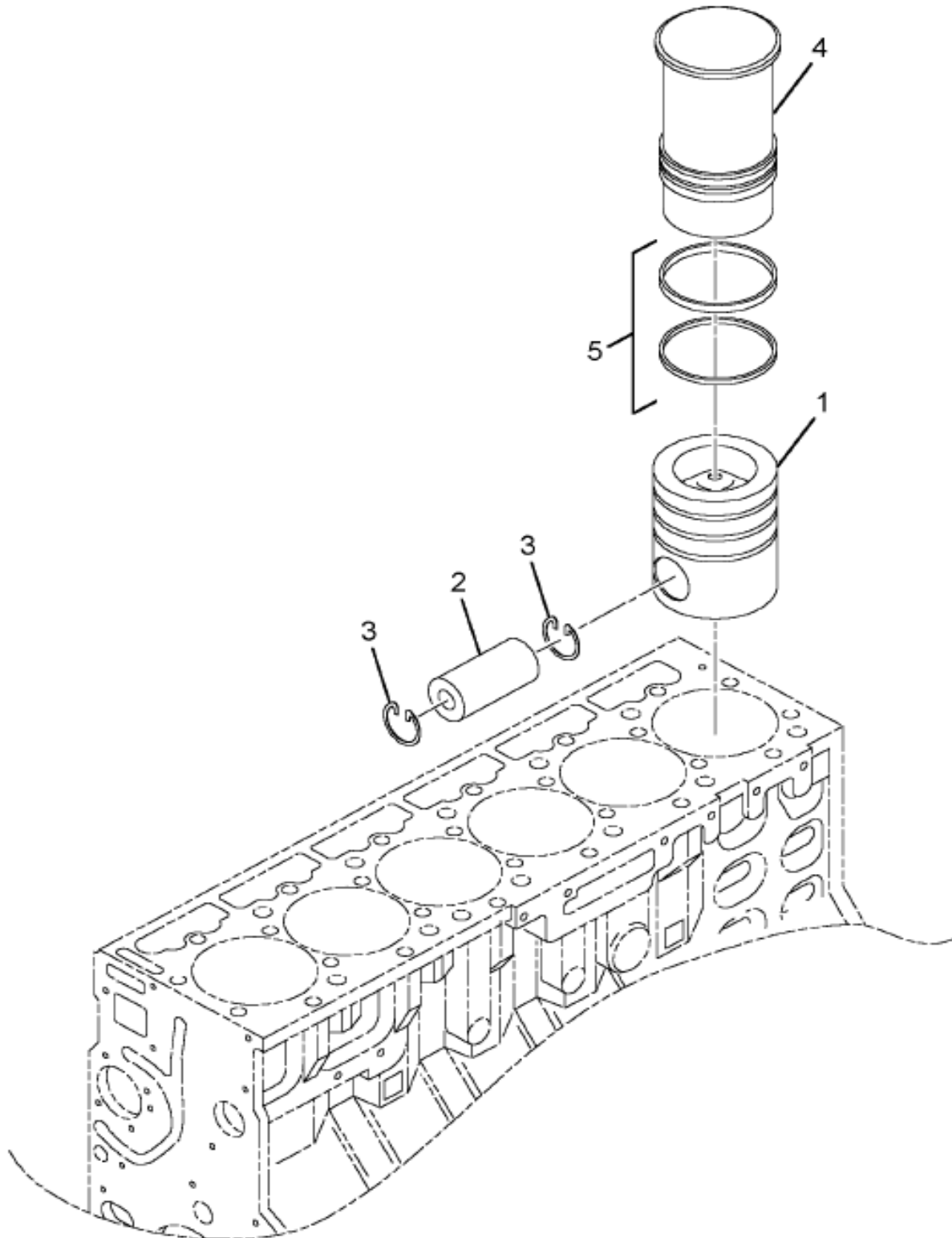


12-ENG-0602-01

J03

Item	Part No.	Qty	Description	Kit	Var	Figure
1	1827395C92	1	HOUSING, OIL PUMP			1827395C92
2	1827397C91	1	ROTOR ASSY, OIL PUMP			
3	1827176C91	1	SLEEVE, ASSY POSE			1827176C91
4	1817862C1	2	SEAL, OIL PUMP			
5	1827400C1	1	PLATE, OIL PUMP HOUSING			
880	RF		NOTE: ASM BELOW COMPRISED OF ABOVE			

Figure 1830709C92
PACKAGE, PISTON & SLEEVE

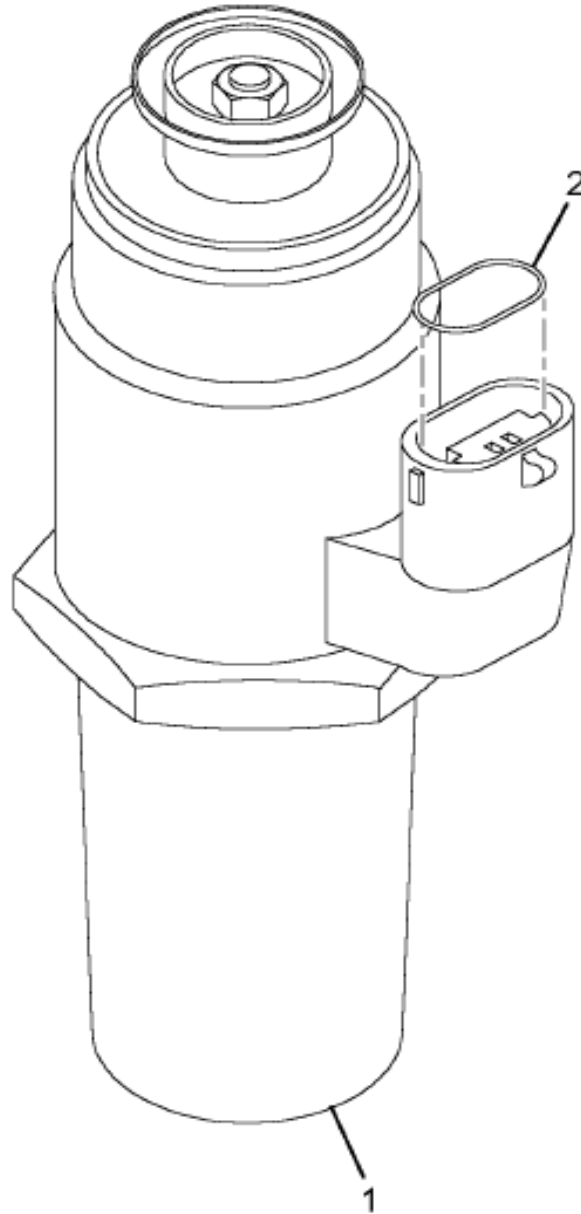


12-ENG-0599-01

H03

Item	Part No.	Qty	Description	Kit	Var	Figure
1	1830532C2	1	PISTON (530)			
2	1830060C1	1	PIN, PISTON STD			
3	1818702C1	2	RING, PISTON PIN RETAINER			
4	1830706C1	1	SLEEVE, CYLINDER			
5	1822322C92	1	PACKAGE, CYL SLEEVE RING			1822322C92
880	RF		NOTE: ASM BELOW COMPRISED OF ABOVE			

Figure 1841217C91
PACKAGE-INJ PRESSURE REGULATOR

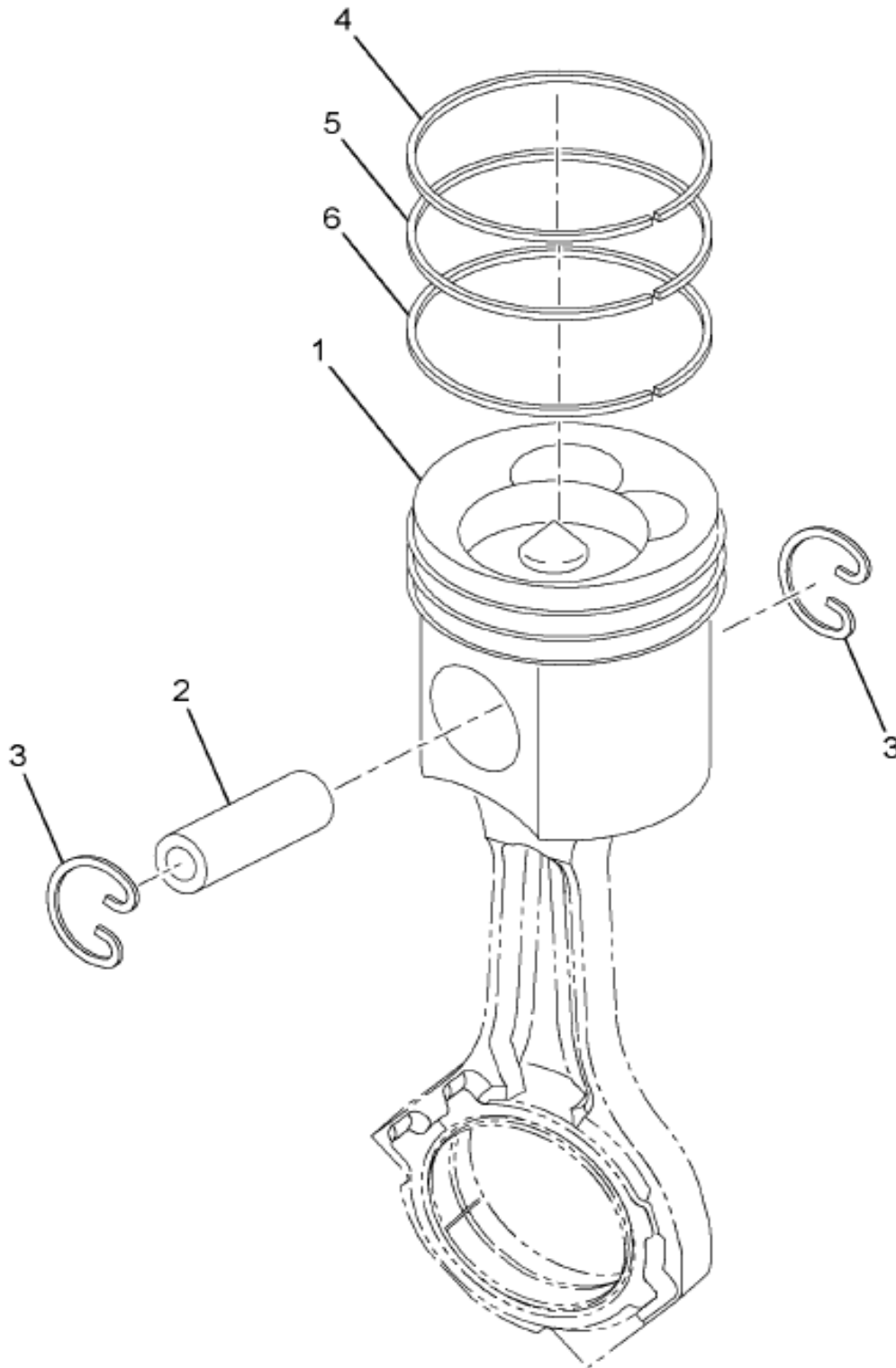


12-ENG-0745-01

K03

Item	Part No.	Qty	Description	Kit	Var	Figure
1	1841086C91	1	RGULATOR- INJ. PRESS			
2	1807263C1	1	SEAL, PRESSOR SENSOR			
880		RF	NOTE: ASM BELOW COMPRISED OF ABOVE COMPONENTS			
881	1841217C91	RF	PACKAGE-INJ PRESSURE REGULATOR			

Figure 641004B021
PISTON UNIT (I-308,530MRD)



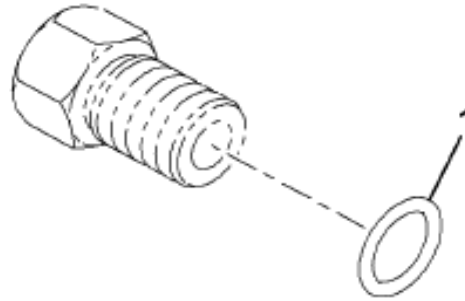
Grp
12

12-ENG-1400-01

D05

Item	Part No.	Qty	Description	Kit	Var	Figure
1	1830532C2	6	PISTON (530)	A		
2	1830060C1	6	PIN,PISTON STD	A		
3	1818702C1	12	RING,PISTON PIN RETAINER	A		
4	1817586C1	6	RING, TOP COMPRESSION	B		
5	1817587C1	6	RING, 2ND COMPRESSION	B		
6	1830595C1	6	RING,OIL CONTROL	B		

Figure 1842002C91
 PLUG ASSY, CONSTRUCTION



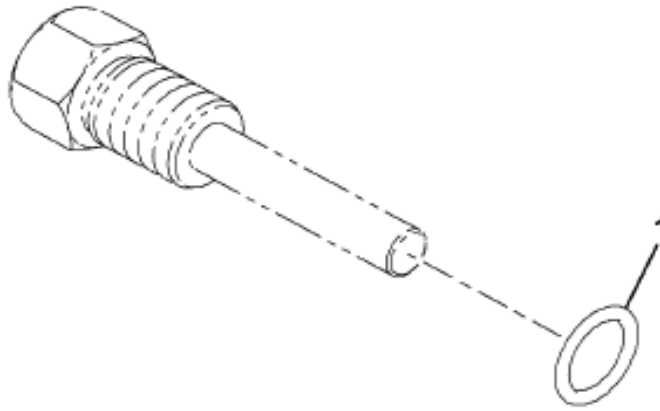
Grp
 1
 2

12-ENG-2034-01

C09

Item	Part No.	Qty	Description	Kit	Var	Figure
1	1842011C1	1	RING, O #903			
880		RF	NOTE: ASM BELOW COMPRISED OF ABOVE COMPONENTS			
881	1842002C91	RF	PLUG ASSY, CONSTRUCTION			

Figure 1842003C91
 PLUG ASSY,OIL FERRY

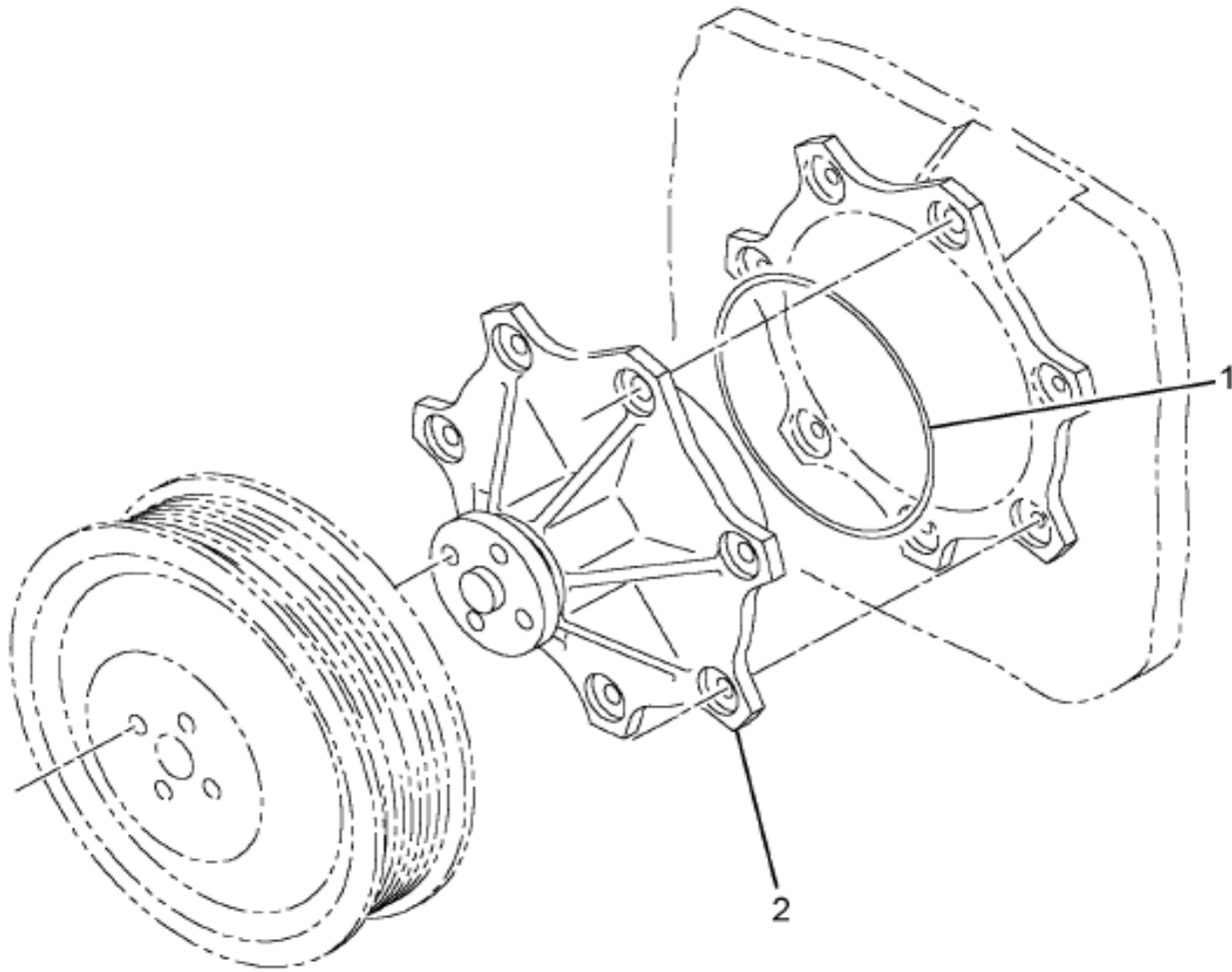


12-ENG-2035-01

C09

Item	Part No.	Qty	Description	Kit	Var	Figure
1	1842011C1	1	RING,O #903			
880		RF	NOTE: ASM BELOW COMPRISED OF ABOVE COMPONENTS			
881	1842003C91	RF	PLUG ASSY,OIL FERRY			

Figure 1830606C95
PUMP ASSEMBLY, WATER



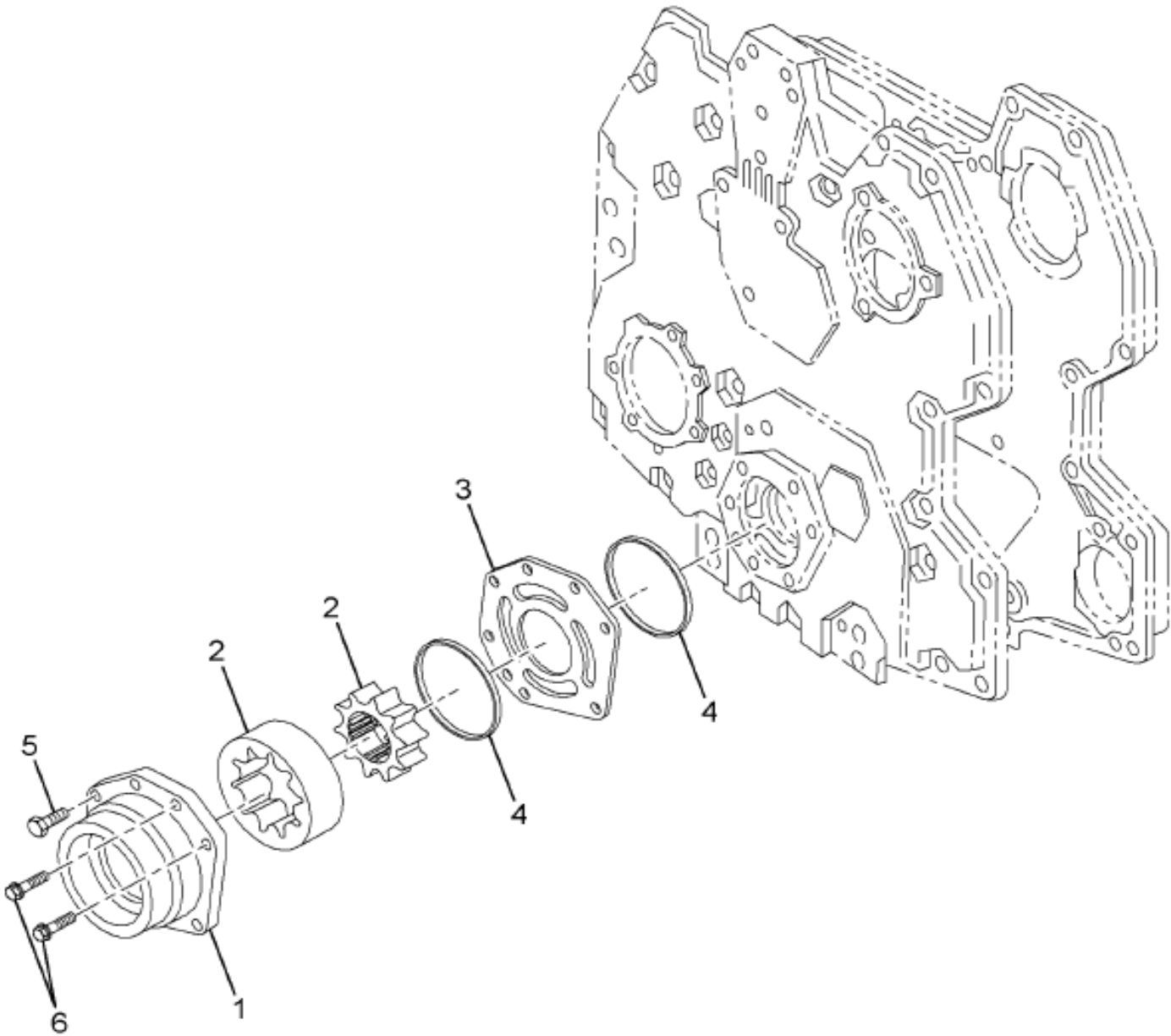
G
R
P
1
2

12-ENG-0528-01

G03

Item	Part No.	Qty	Description	Kit	Var	Figure
1	1819099C1	1	SEAL, WATER PUMP			
2	1830607C5	1	PUMP, SUB-ASSEMBLY, WATER			1830607C5
880		RF	NOTE: ASM BELOW COMPRISED OF ABOVE COMPONENTS			
881	1830606C95	RF	PUMP ASSEMBLY, WATER			

Figure 641013A003
PUMP, OIL UNIT I308 530

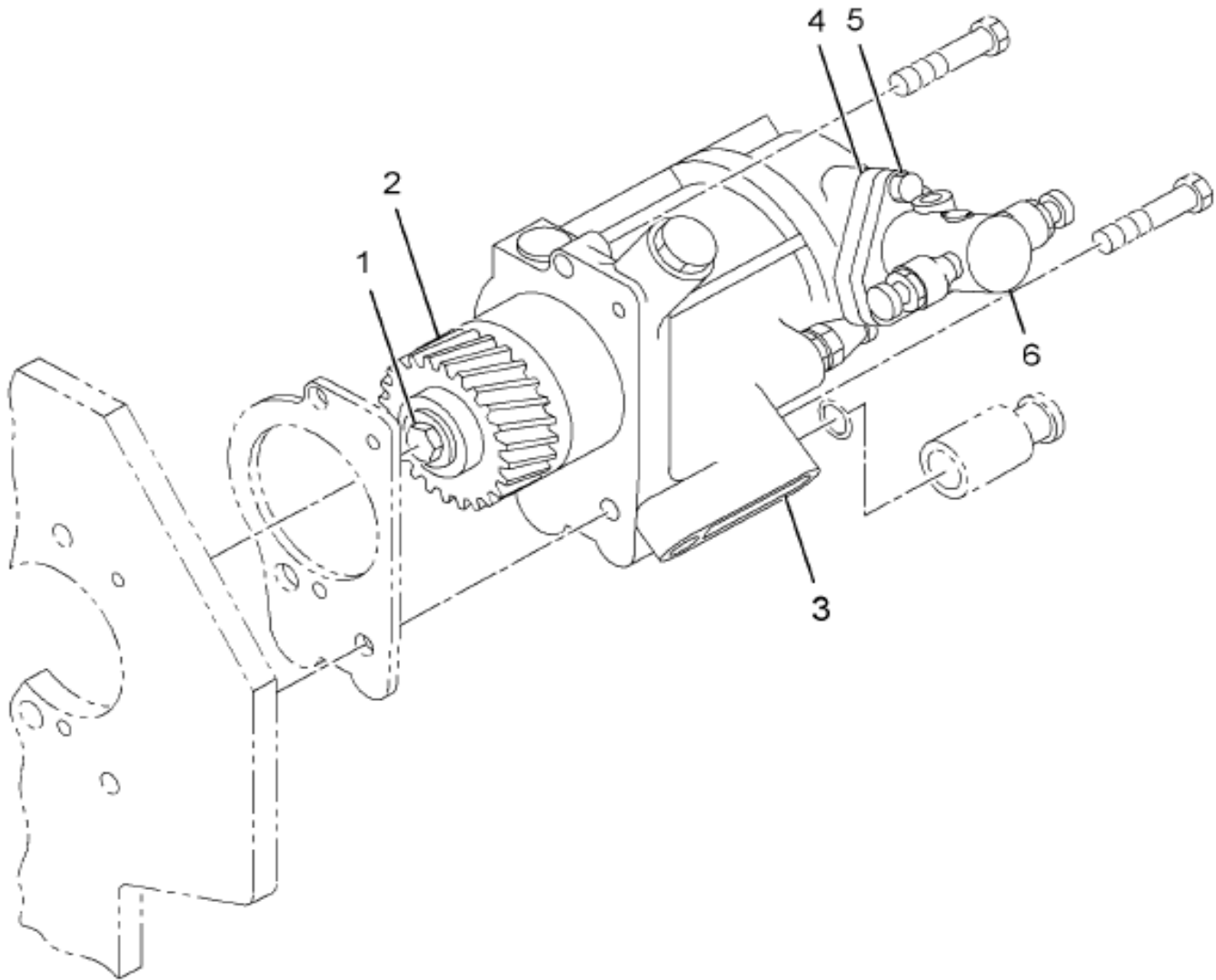


12-ENG-0092-01

F07

Item	Part No.	Qty	Description	Kit	Var	Figure
1	1827395C92	1	HOUSING,OIL PUMP			1827395C92
2	1827397C91	1	ROTOR ASSY,OIL PUMP			
3	1827400C1	1	PLATE,OIL PUMP HOUSING			
4	1817862C1	2	SEAL, OIL PUMP			
5	1817859C1	4	BOLT, M8 X 1.25 6Q 60MM			
6	1817957C1	2	BOLT, M8X25 HEX FLANGE			

Figure 1830177C92
PUMP, HIGH PRESSURE OIL

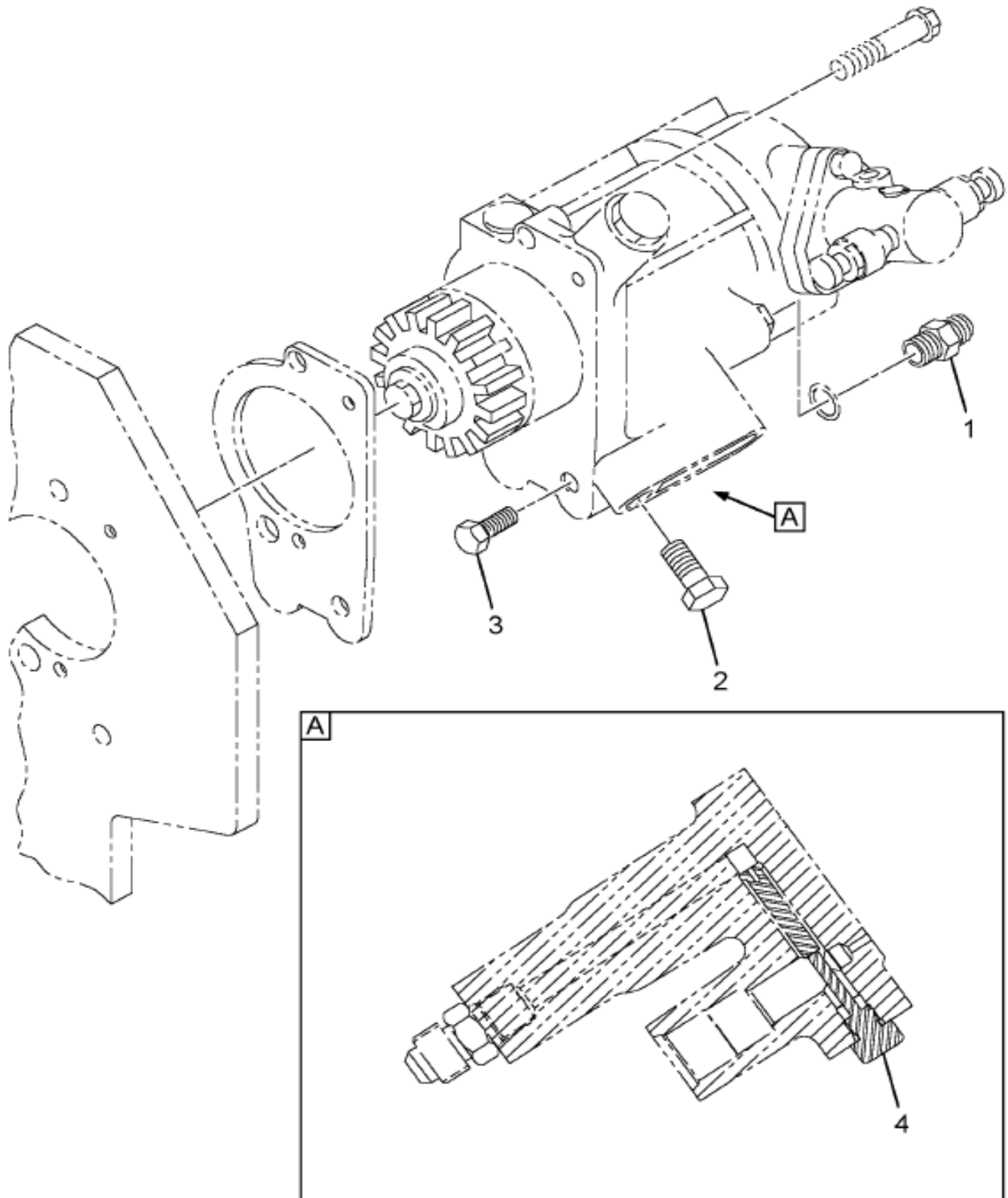


12-ENG-0847-01

G04

Item	Part No.	Qty	Description	Kit	Var	Figure
1	1818236C1	1	BOLT, M12 X 30 HEX FLANGE			
2	1820967C2	1	GEAR, PUMP			
3	1830192C2	1	PUMP, HIGH PRESSURE OIL			1830192C2
4	1824755C1	1	GASKET, FUEL PUMP			
5	1817817C1	3	BOLT, M6-1.0 X 20MM, HEX FLANGE			
6	1821232C92	1	PUMP, LOW PRESSURE FUEL SUPPLY			1821232C92

Figure 1830192C2
PUMP, HIGH PRESSURE OIL

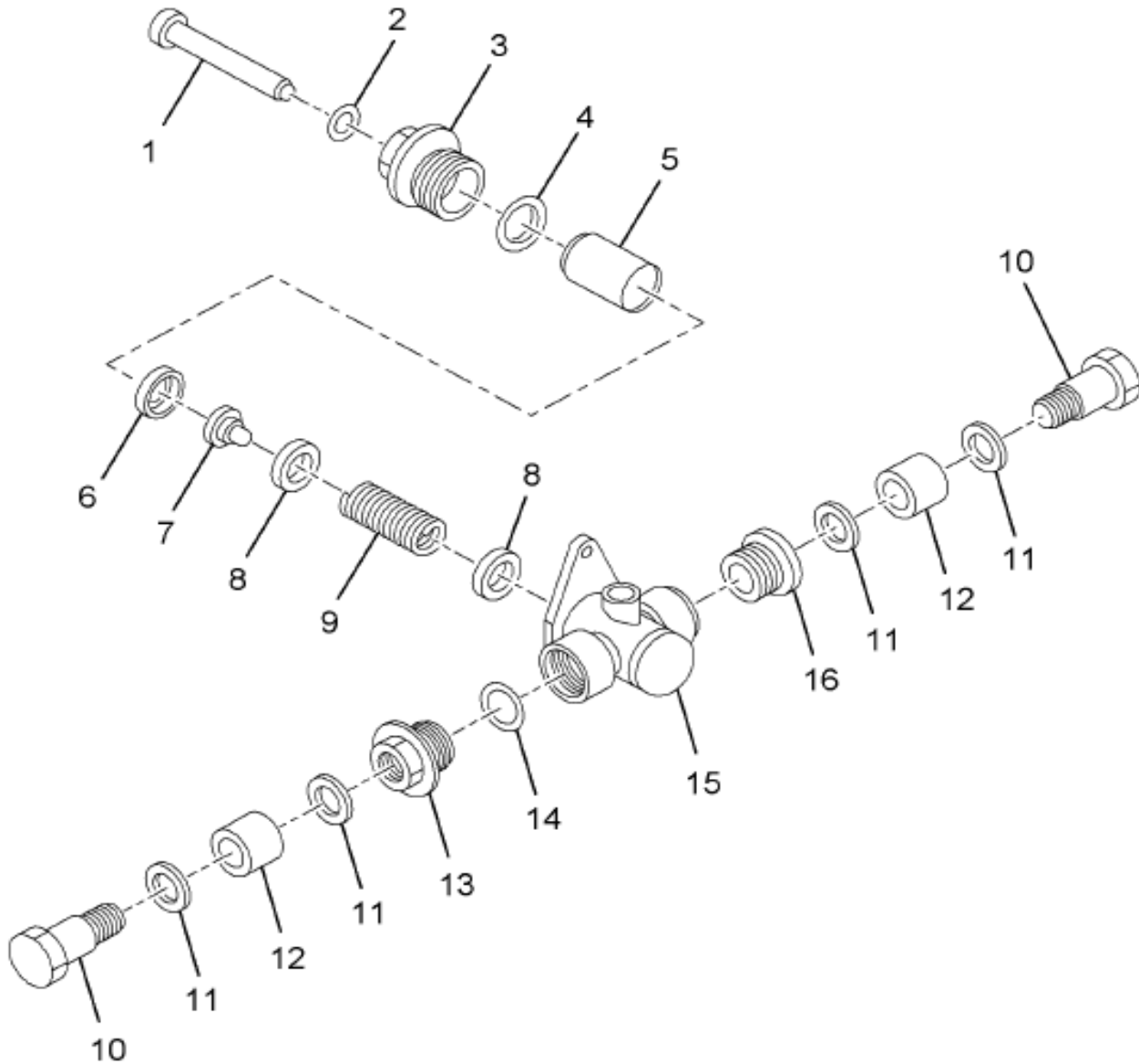


12-ENG-0839-01

K03

Item	Part No.	Qty	Description	Kit	Var	Figure
1	1842004C91	1	FITTING, 37 DEG FLARED HP HOSE			1842004C91
2	1842002C91	1	PLUG ASSY, CONSTRUCTION			1842002C91
3	1842003C91	1	PLUG ASSY, OIL FERRY			1842003C91
4	1825238C1	1	FILTER, EDGE, HI PRESS OIL PUMP			
880	RF		NOTE: ASM BELOW COMPRISED OF ABOVE COMPONENTS			

Figure 1821232C92
PUMP, LOW PRESSURE FUEL SUPPLY

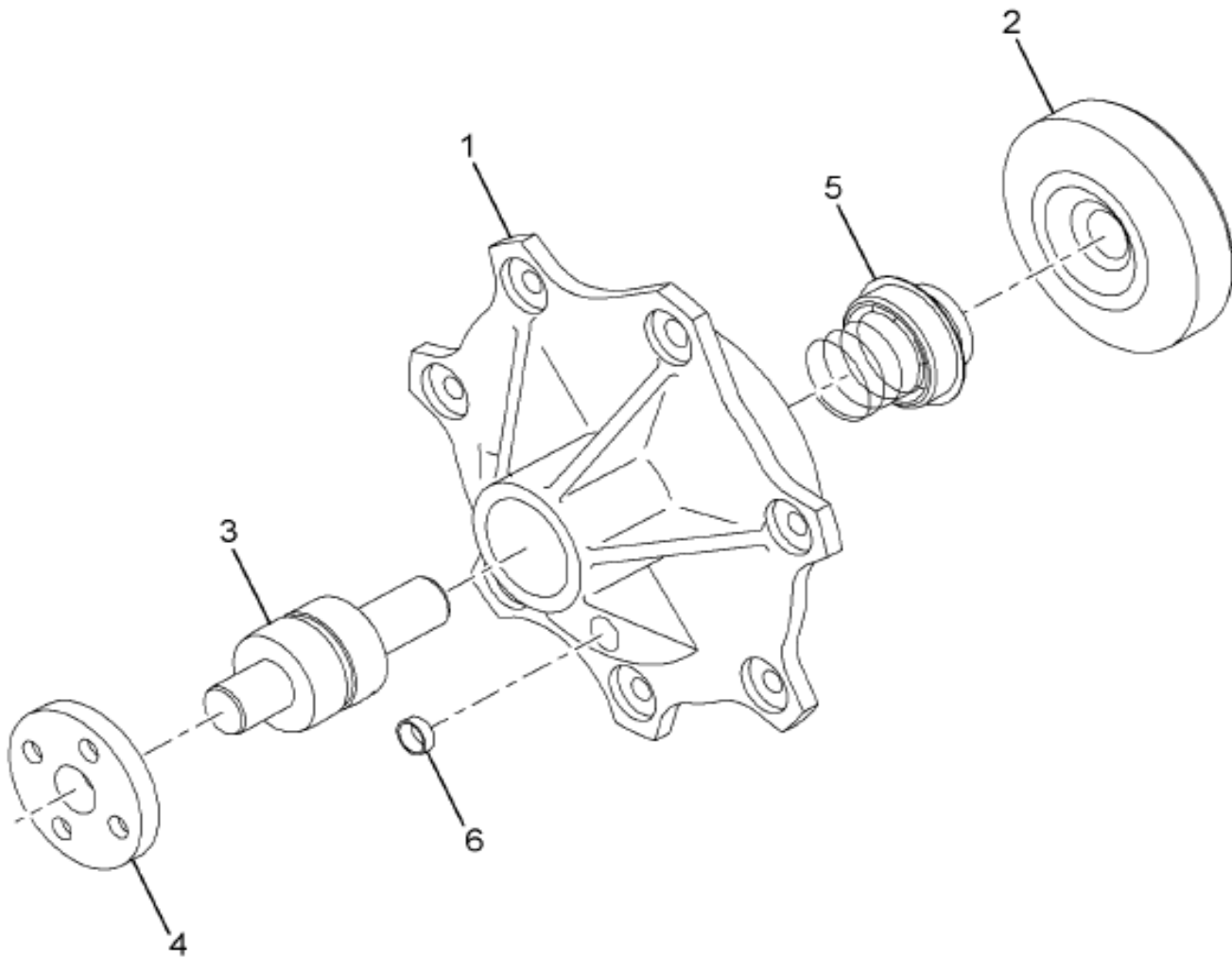


12-ENG-1524-01

J05

Item	Part No.	Qty	Description	Kit	Var	Figure
1	1821143C1	1	TAPPET, SLIDING			
2	1812691C1	1	RING, O			
3	1821144C1	1	ROLLER TAPPET, SHELL			
4	1823010C1	1	RING, O			
5	1819005C1	1	PLUNGER, PUMP			
6	1813824C1	1	RING, O			

Figure 1830607C5
PUMP, SUB-ASSEMBLY, WATER

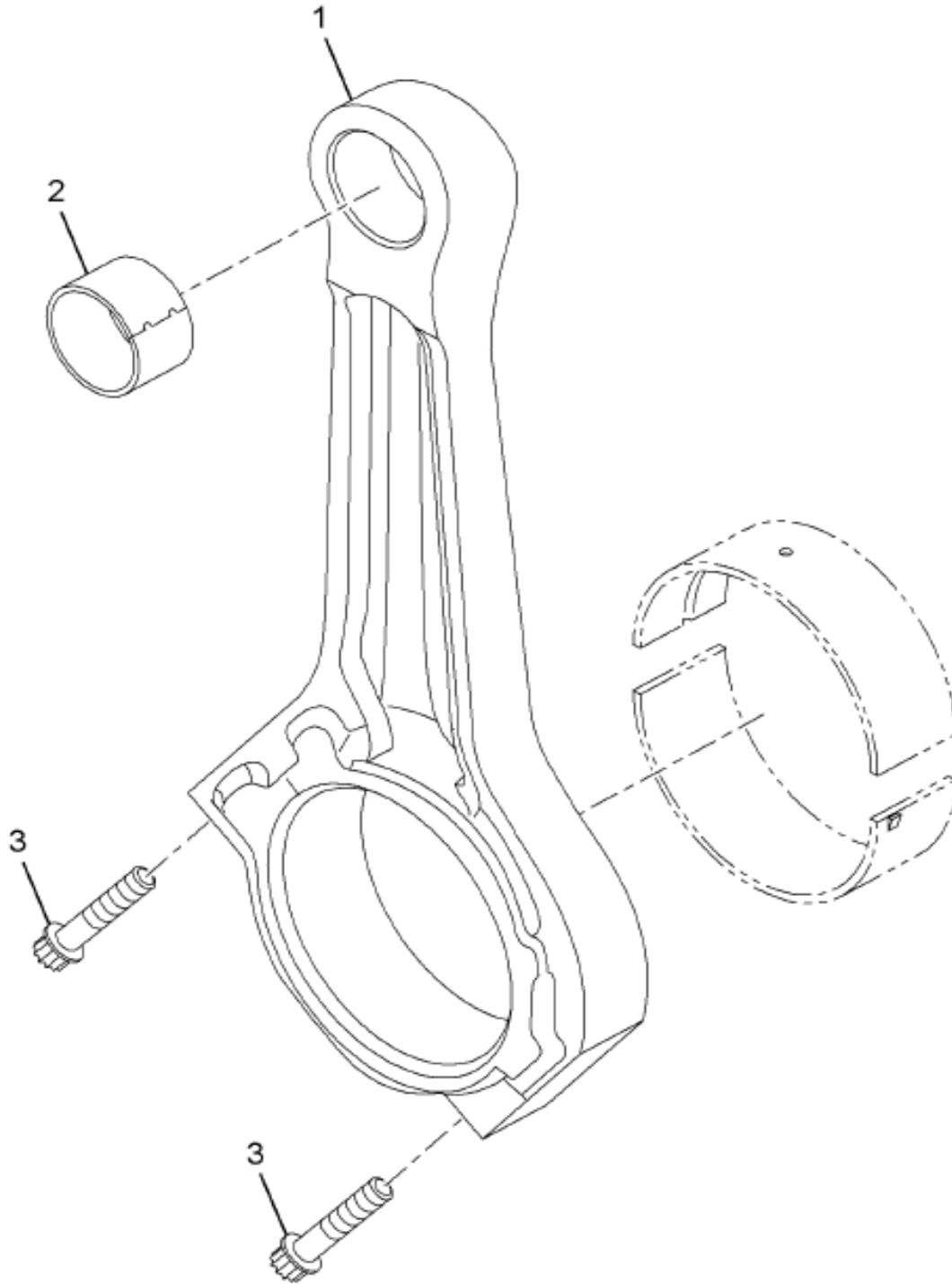


12-ENG-2025-01

C09

Item	Part No.	Qty	Description	Kit	Var	Figure
1	1890235C1	1	HOUSING, WATER PUMP			
2	1821931C1	1	IMPELLER, WATER PUMP			
3	1821934C5	1	BEARING, SHAFT, WATER PUMP			
4	1822091C2	1	HUB, FAN & PULLEY			
5	1891275C1	1	SEAL ASSY., WATER PUMP-LNG LIFE			
6	347822R1	1	PLUG, 5/8 CUP			

Figure 1841615C91
 ROD ASSEMBLY,CONNECTING

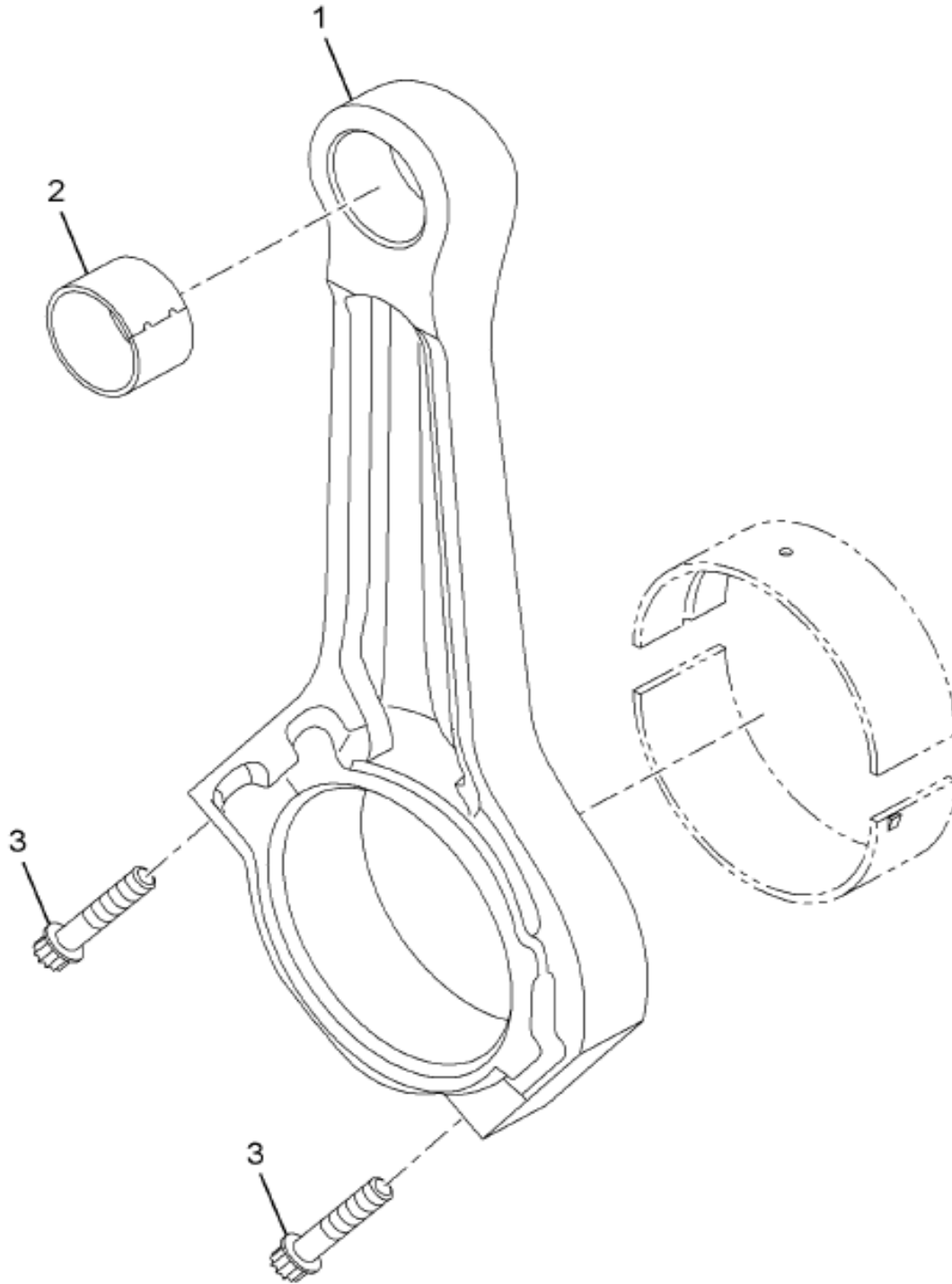


12-ENG-0988-01

D11

Item	Part No.	Qty	Description	Kit	Var	Figure
1	1841534C1	1	ROD & CAP, CONNECTING			
2	1841496C1	1	BUSHING,CONNECTING ROD			
3	1840363C1	2	BOLT,CONNECTING ROD			
880		RF	NOTE: ASM BELOW COMPRISED OF ABOVE COMPONENTS			
881	1841615C91	RF	ROD ASSEMBLY,CONNECTING			

Figure 1841634C91
 ROD ASSY, CONNECTING



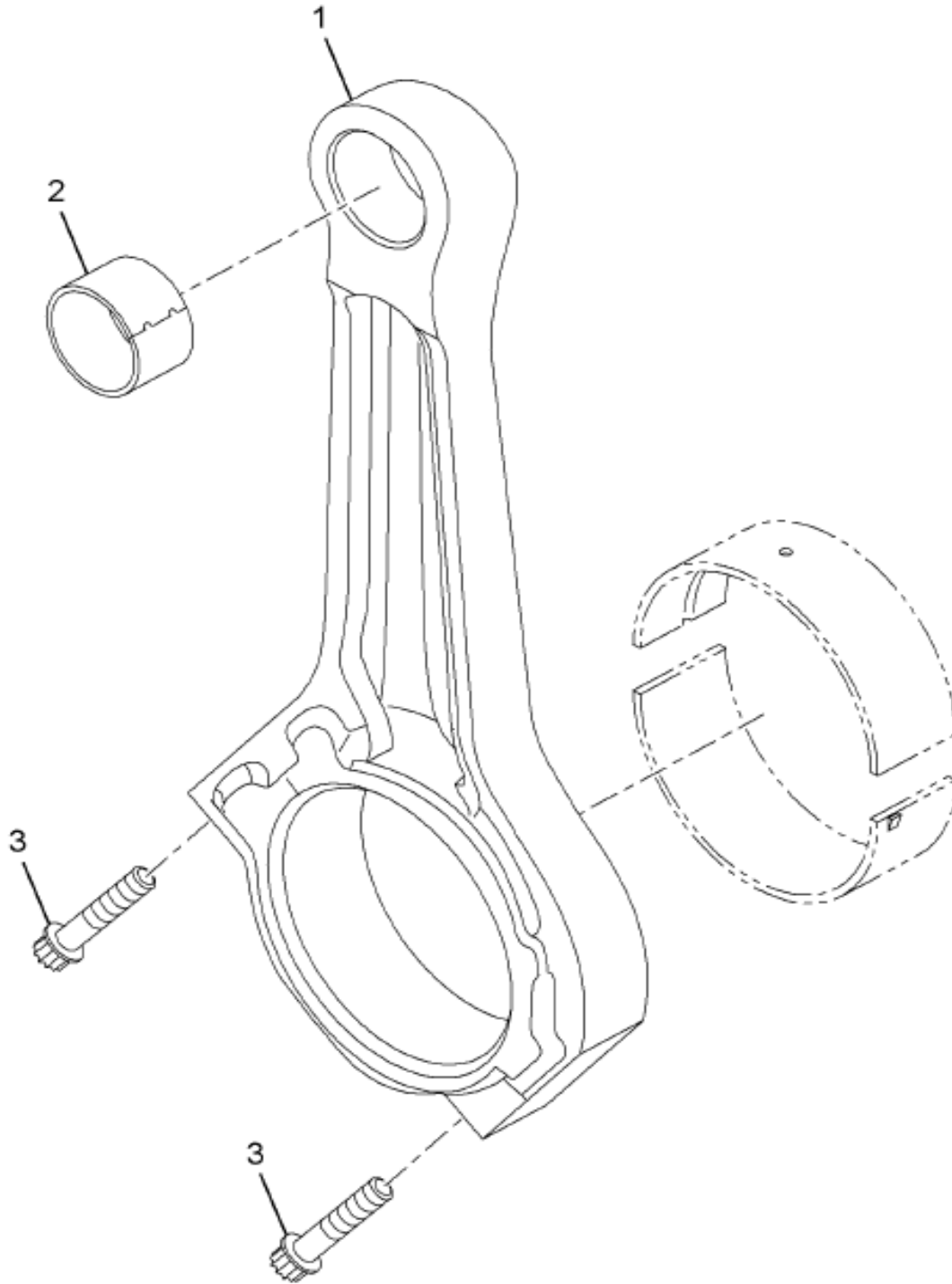
Grp
12

12-ENG-0988-01

D11

Item	Part No.	Qty	Description	Kit	Var	Figure
1	1841534C1	1	ROD & CAP, CONNECTING			
2	1840592C1	1	BUSHING,CONNECTING ROD			
3	1840363C1	2	BOLT,CONNECTING ROD			
880		RF	NOTE: ASM BELOW COMPRISED OF ABOVE COMPONENTS			
881	1841634C91	RF	ROD ASSY, CONNECTING			

Figure 1830153C91
 ROD,ASM CONNECTING

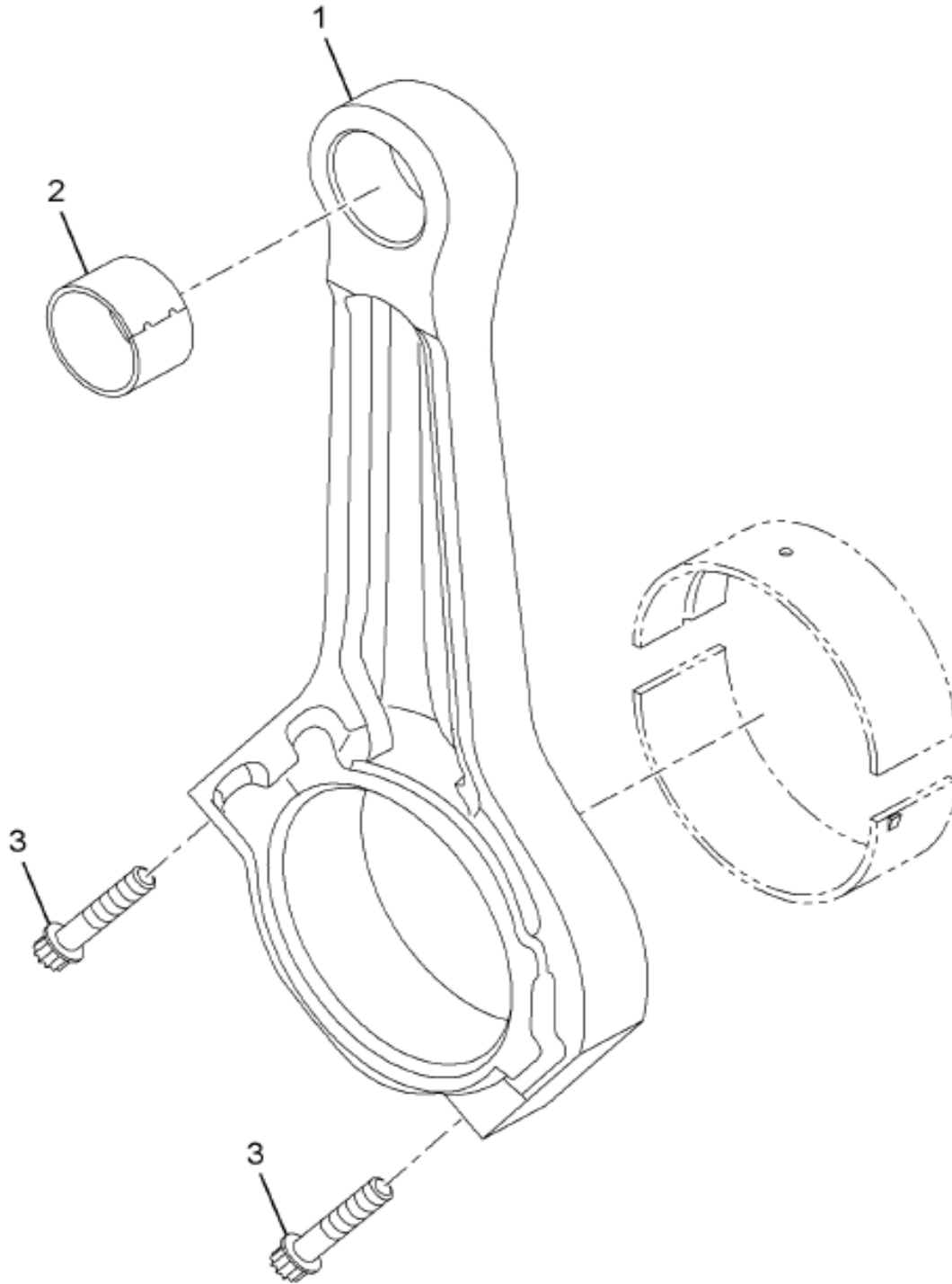


12-ENG-0988-01

D11

Item	Part No.	Qty	Description	Kit	Var	Figure
1	1830152C1	1	ROD & CAP, CONNECTING			
2	1818598C1	1	BUSHING, CONN ROD			
3	1817537C1	2	BOLT, CONN ROD			
880		RF	NOTE: ASM BELOW COMPRISED OF ABOVE COMPONENTS			
881	1830153C91	RF	ROD,ASM CONNECTING			

Figure 1873875C95
 ROD,ASM CONNECTING



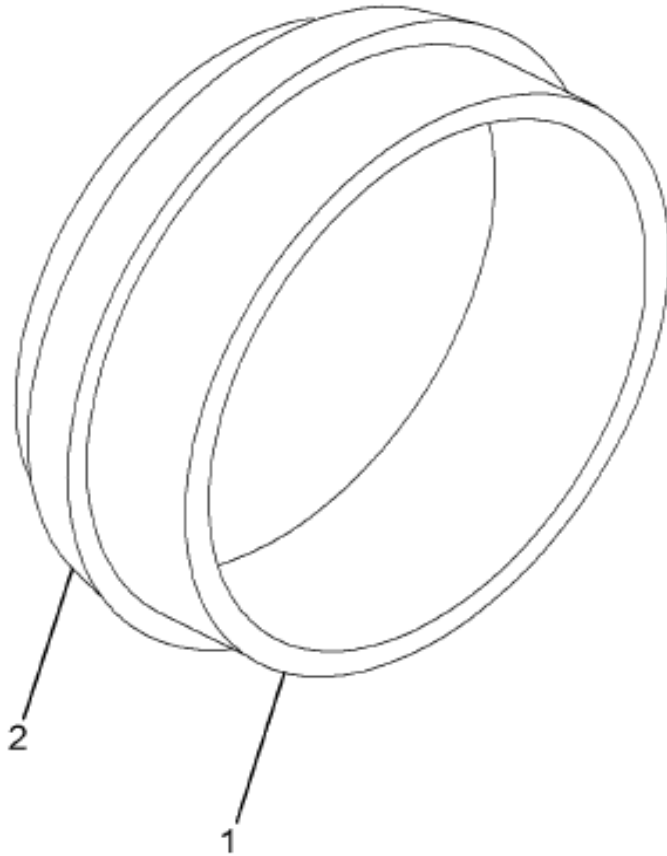
G R P 1 2

12-ENG-0988-01

D11

Item	Part No.	Qty	Description	Kit	Var	Figure
1	1873876C2	1	ROD & CAP, CONNECTING			
2	1878248C1	1	BUSHING,CONNECTING ROD			
3	1873884C2	2	BOLT,CONNECTING ROD			
880		RF	NOTE: ASM BELOW COMPRISED OF ABOVE COMPONENTS			
881	1873875C95	RF	ROD,ASM CONNECTING			

Figure 1827176C91
SLEEVE, ASSY POSE

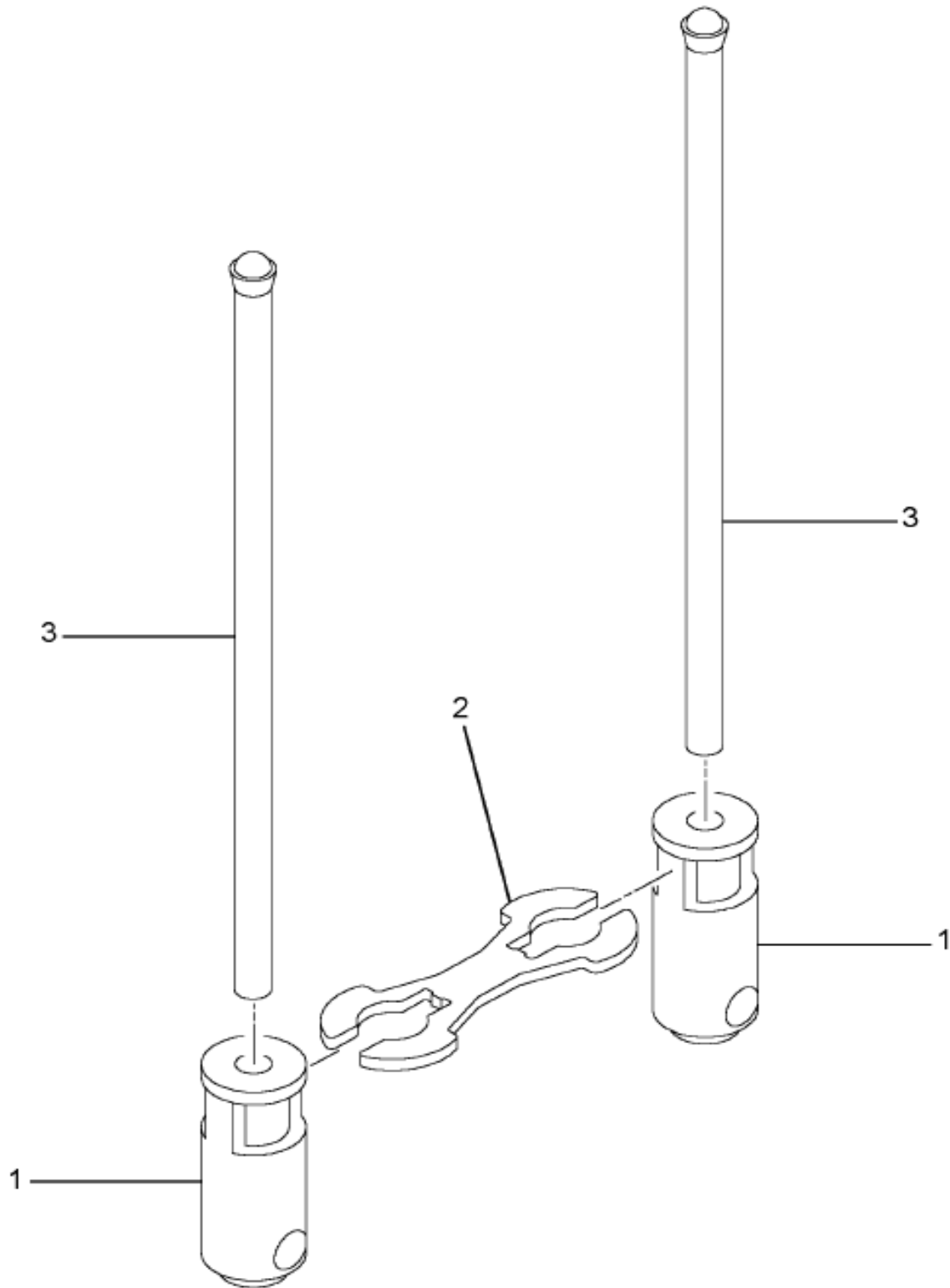


12-ENG-0715-01

L04

Item	Part No.	Qty	Description	Kit	Var	Figure
1	1827174C1	1	SLEEVE, WEAR	A		
2	1827175C1	1	SEAL, DUST-POSE	A		
801		RF	(CONSISTS OF PARTS DENOTED BY A)			
880		RF	NOTE: ASM BELOW COMPRISED OF ABOVE COMPONENTS			
881	1827176C91	RF	SLEEVE, ASSY POSE			

Figure 641003C002
TAPPET UNIT



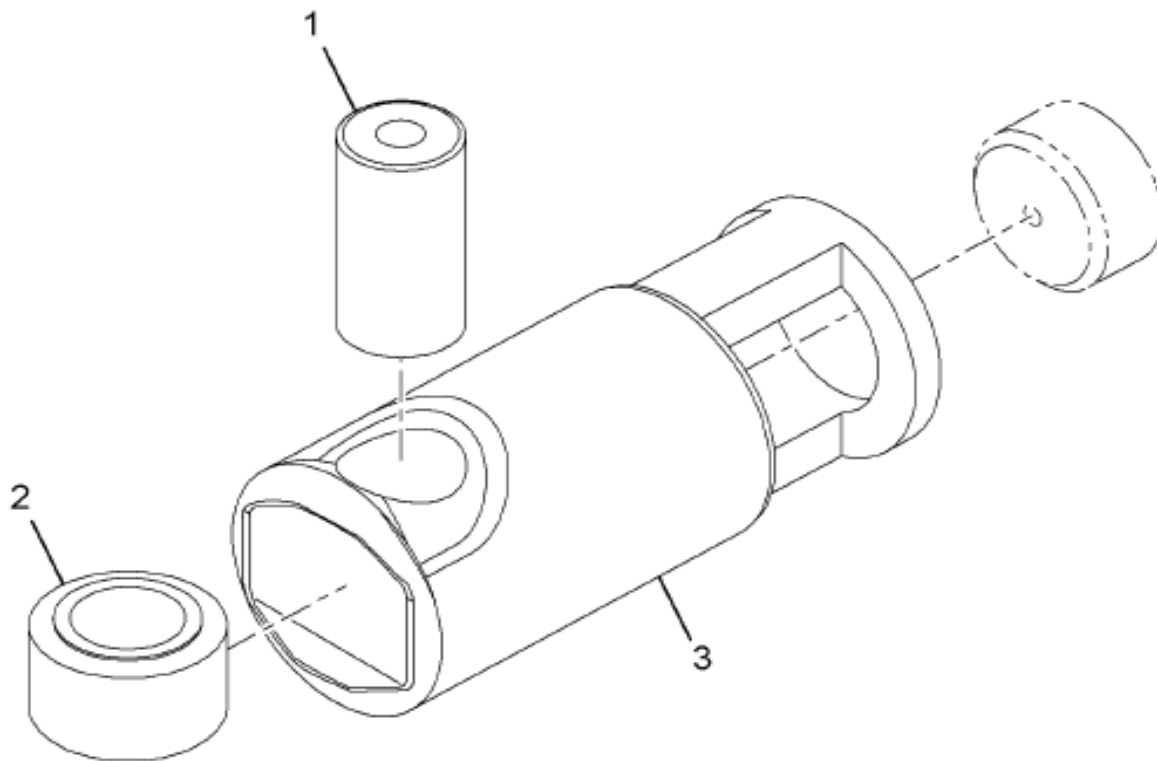
Grp
12

12-ENG-0140-01

B03

Item	Part No.	Qty	Description	Kit	Var	Figure
1	1809570C2	12	TAPPET,ENG VALVE			
1		RF	BEFORE 02/06/2006			
1	1850160C1	12	TAPPET ASSY,ROLLER			
1		RF	BETWEEN 02/06/2006 AND 07/02/2006			
1	1850160C2	12	TAPPET ASSY,ROLLER			1850160C2
1		RF	BETWEEN 07/02/2006 AND 08/17/2009			

Figure 1850160C2
TAPPET ASSY,ROLLER



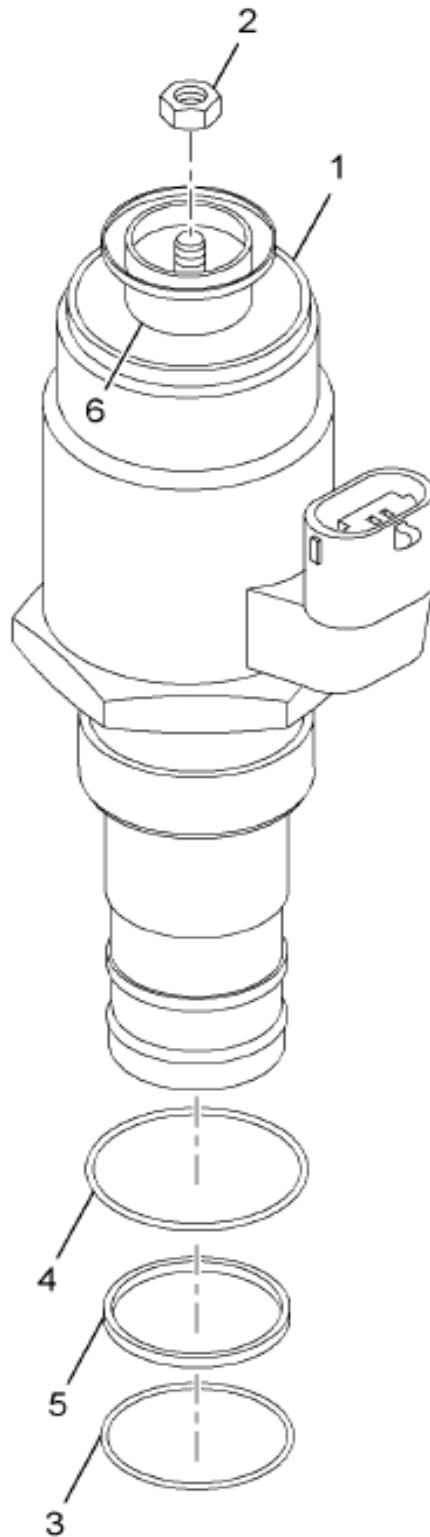
Grp
1
2

12-MF9-0102-01

J09

Item	Part No.	Qty	Description	Kit	Var	Figure
1	1844180C2	1	PIN,ROLLER TAPPET			
2	1844181C3	1	ROLLER,TAPPET			
3	1854755C2	1	BODY, TAPPET ROLLER			
880		RF	NOTE: ASM BELOW COMPRISED OF ABOVE COMPONENTS			
881	1850160C2	RF	TAPPET ASSY,ROLLER			

Figure 1825249C91
VALVE ASSY, IPR

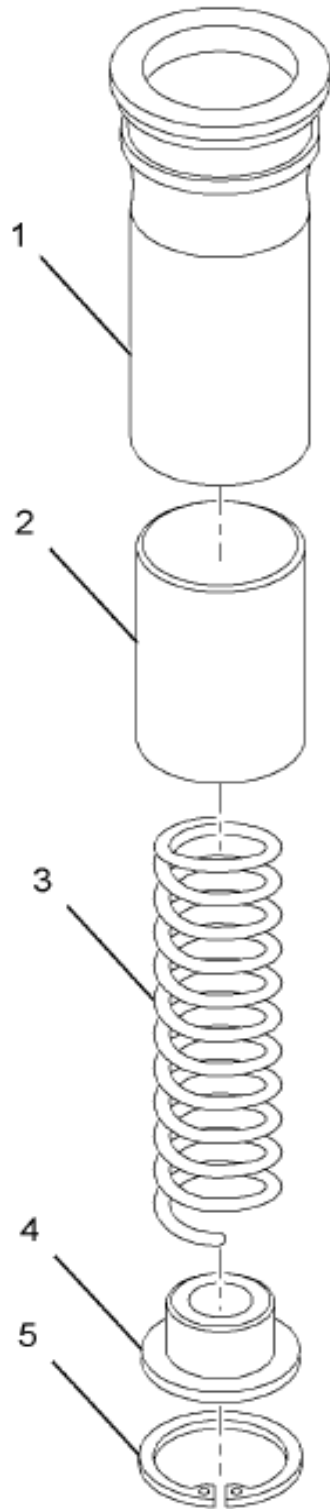


12-ENG-0867-01

A04

Item	Part No.	Qty	Description	Kit	Var	Figure
1	1825349C1	1	VALVE, INJ.PRES. REGULATOR			
2	1824978C1	1	NUT, (IPR)			
3	1824979C1	1	RING, O			
4	1824980C1	1	RING, O #018			
5	1824981C1	1	SEAL, BACK-UP RING			
6	1826345C1	1	SPACER			

Figure 1833386C1
VALVE ASSY., OIL RELIEF

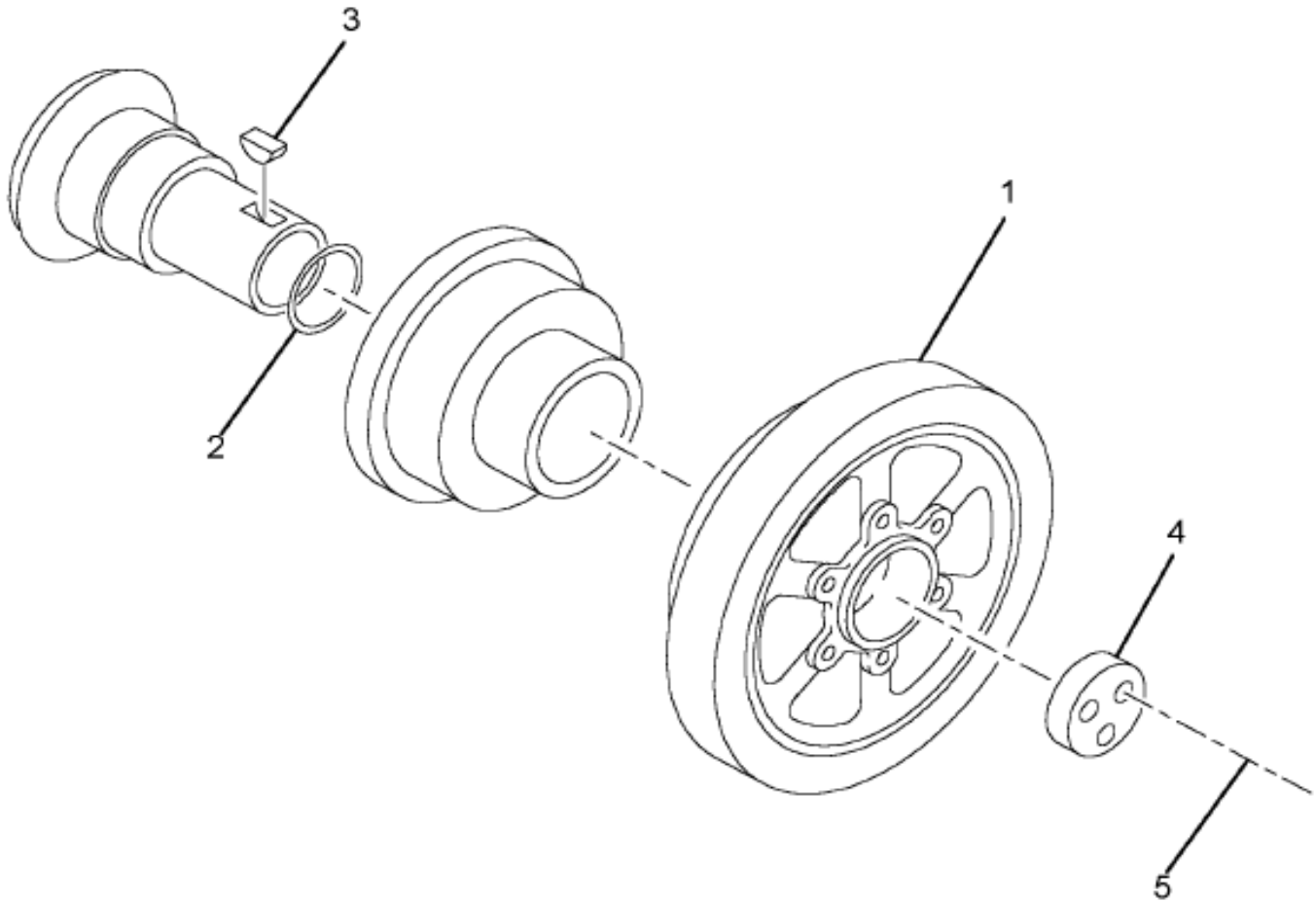


12-ENG-0855-01

A04

Item	Part No.	Qty	Description	Kit	Var	Figure
1	1833234C1	1	HOUSING, VALVE			
2	1833344C1	1	VALVE			
3	1833235C1	1	SPRING, RELIEF VALVE			
4	1834335C1	1	RETAINER, VALVE			
5	55163R1	1	RING, SNAP HYDV HYD CYL CON .83			
880	RF		NOTE: ASM BELOW COMPRISED OF ABOVE			

Figure 641007B006
VIBRATION DAMPER UNIT

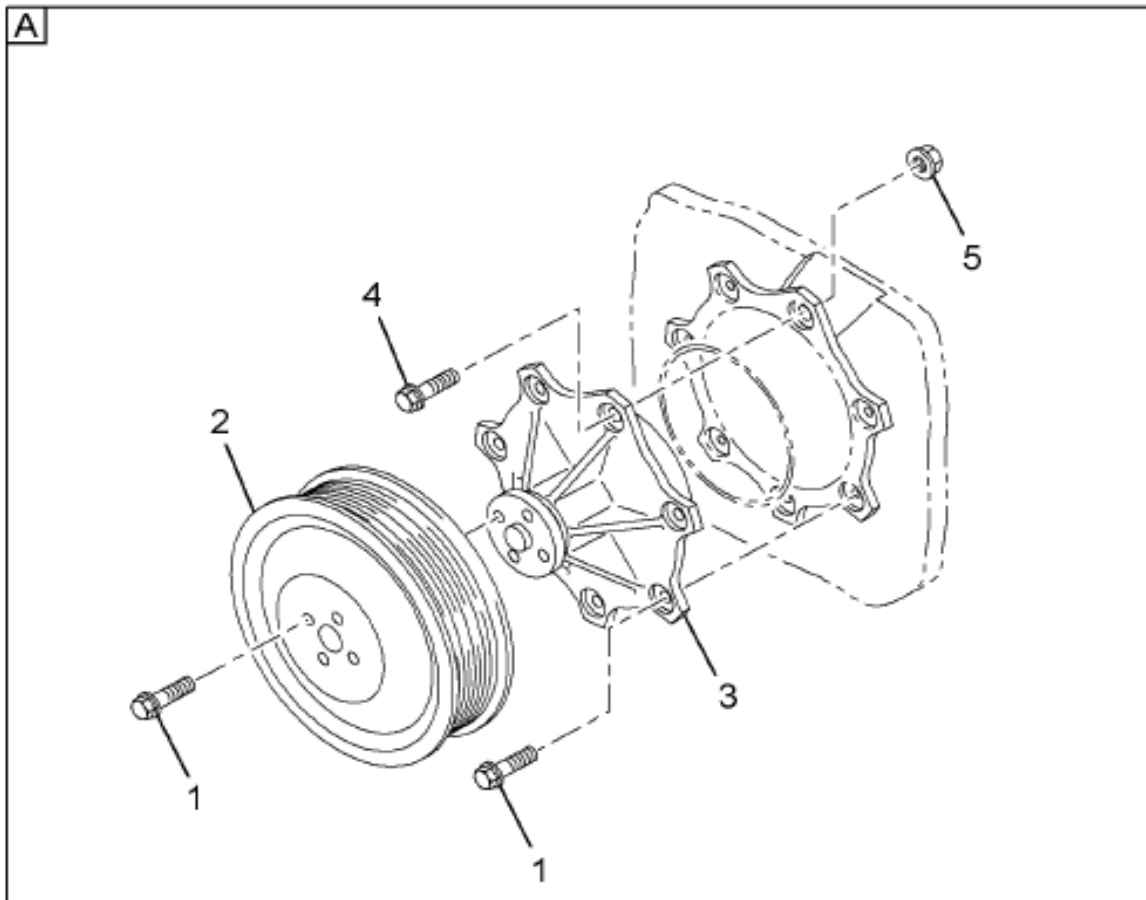
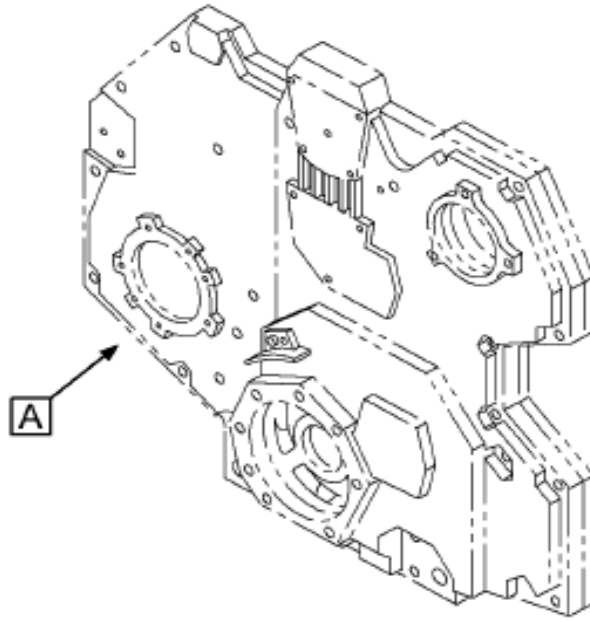


12-ENG-0077-01

A03

Item	Part No.	Qty	Description	Kit	Var	Figure
1	1830736C91	1	DAMPER ASSEMBLY			1830736C91
2	687024C1	1	WASHER, SPECIAL			
3	691044C1	1	KEY, WOODRUFF			
4	675412C1	1	PLATE, CAMSHFT BRG COVER			
5	1823929C1	3	BOLT, M12 X 1.25			
880	RF		NOTE: ASM BELOW COMPRISED OF ABOVE			

Figure 641005A004
WATER PUMP

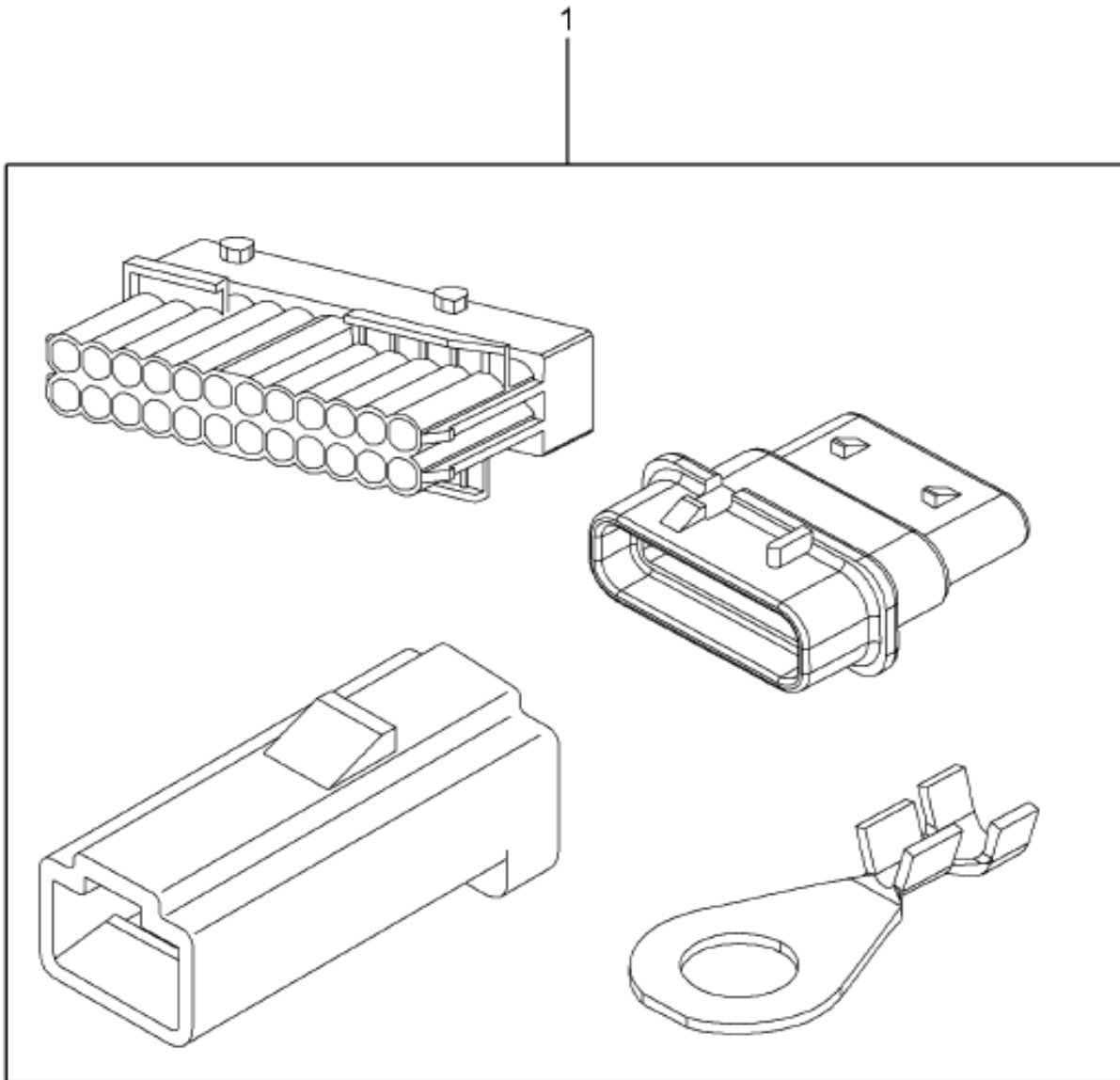


12-ENG-1294-01

A05

Item	Part No.	Qty	Description	Kit	Var	Figure
1	1817810C1	10	BOLT,M6 X 1.25 12MM HEX FLANGE			
2	1817629C1	1	PULLEY,WATER PUMP			
3	1830606C93	1	PUMP ASSY, WATER			
3		RF	BEFORE 06/28/2005			
3	1830606C94	1	PUMP ASSEMBLY,WATER			
3		RF	BETWEEN 06/28/2005 AND 02/09/2010			

Figure 3576010F92
ELECT INTL I6 ENG EXH BRAKE



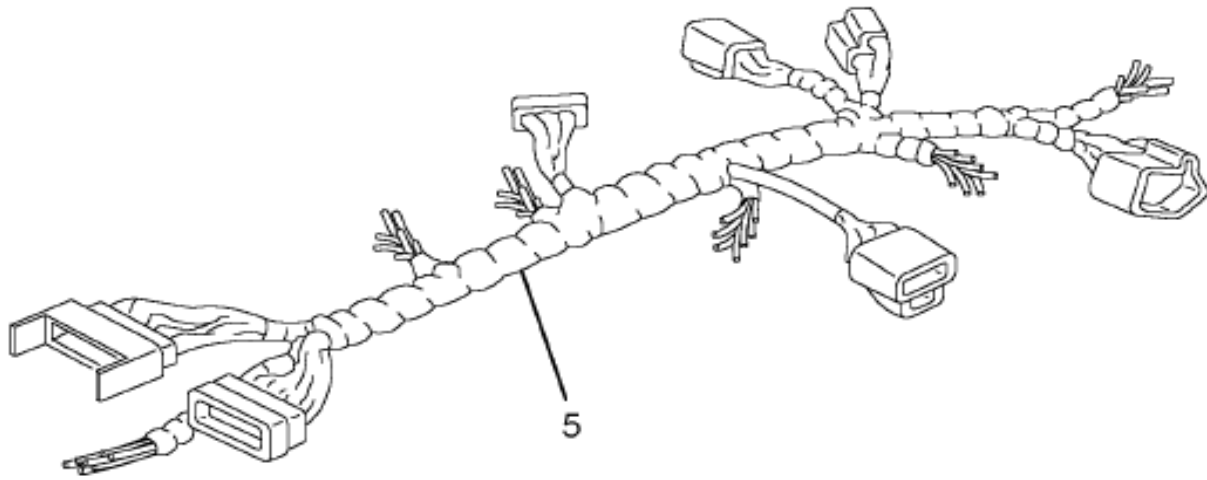
Grp
12

12-E55-0002-01

G09

Item	Part No.	Qty	Description	Kit	Var	Figure
1	3576008C92	1	HARNASS,ELECTRICAL ENGINE HARN			
880		RF	NOTE: ASM BELOW COMPRISED OF ABOVE COMPONENTS			
881	3576010F92	RF	ELECT INTL I6 ENG EXH BRAKE			

Figure 0F10B
ENGINE FAN CIRCUIT WIRING; ABR#4

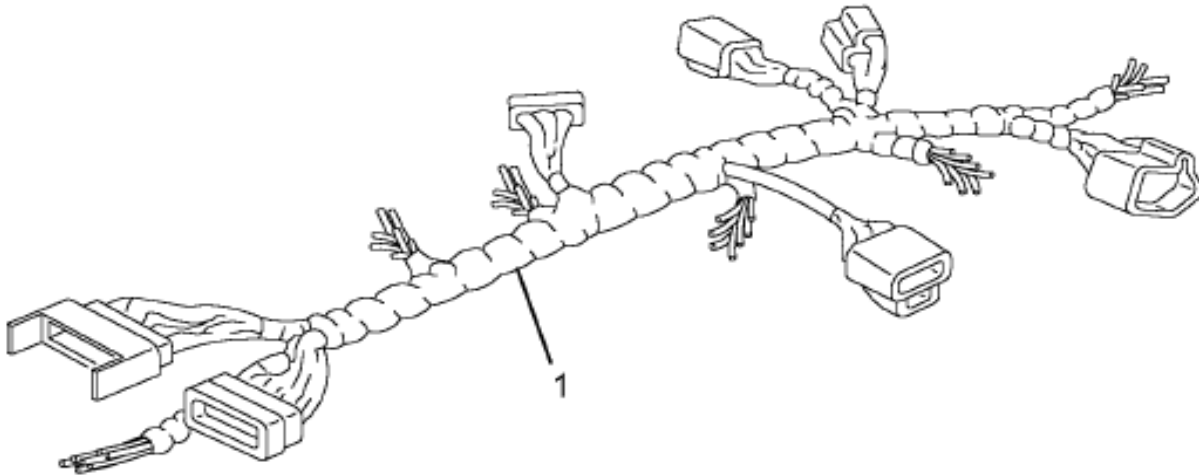


08-D01-0004-01

E04

Item	Part No.	Qty	Description	Kit	Var	Figure
5	3550550F93	1	ELECT INTL I6 ENG*HORTON FA		0JBWM	3550550F93

Figure 3550550F93
ELECT INTL I6 ENG*HORTON FA



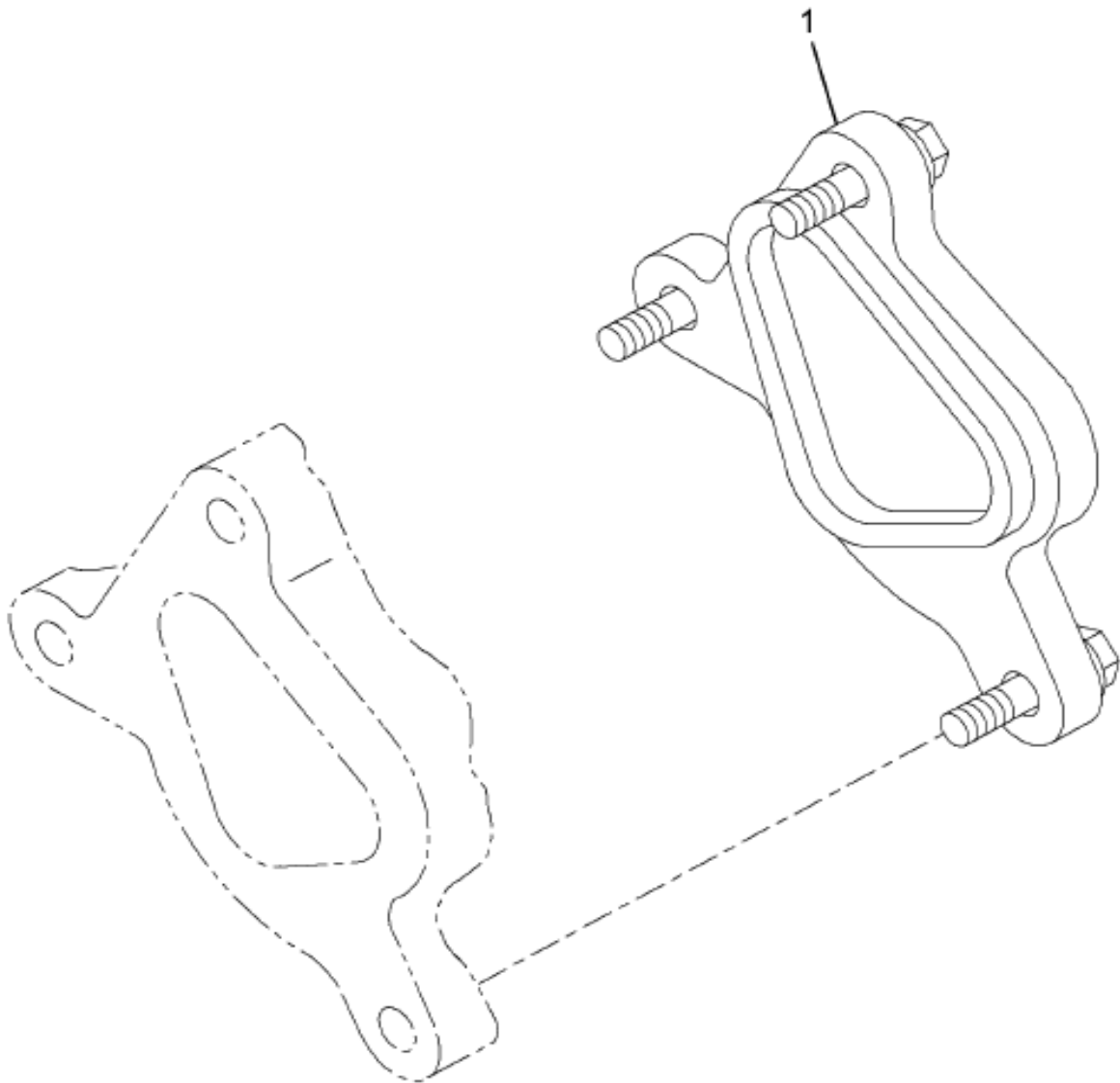
Grp
1
2

08-P58-0006-01

C03

Item	Part No.	Qty	Description	Kit	Var	Figure
1	3560341C91	1	HARNESS, ELEC; ENGINE			
1	417196C3	AR	TUBE, NYLON BULK 1/4 OD BLACK			
880		RF	NOTE: ASM BELOW COMPRISED OF ABOVE COMPONENTS			
881	3550550F93	RF	ELECT INTL I6 ENG*HORTON FA			

Figure 3554348F91
 FILTER, WATER*W/CAP AND LESS CO



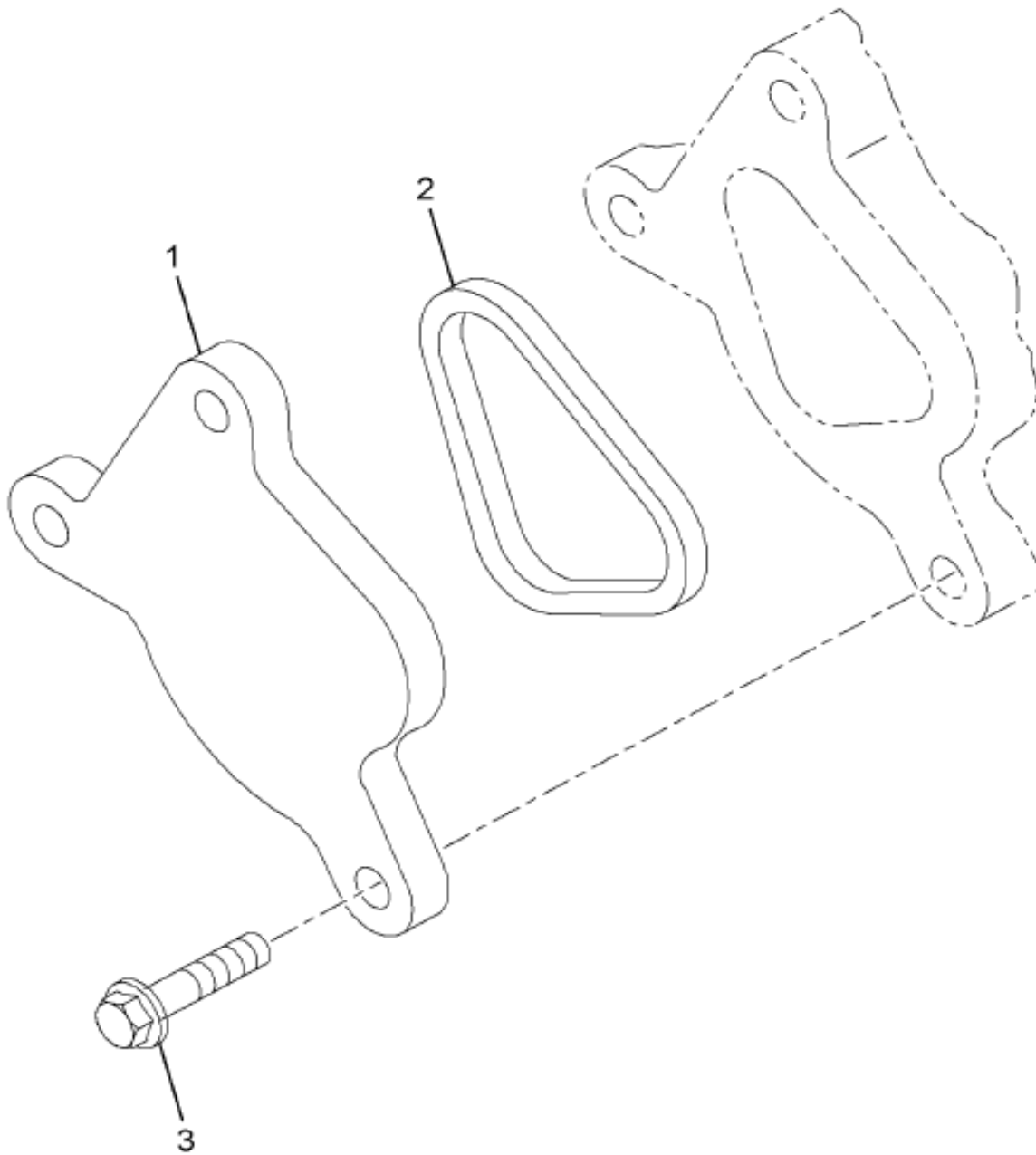
Grp
1
2

12-E07-0001-01

E05

Item	Part No.	Qty	Description	Kit	Var	Figure
1		RF	EM04 - COOLANT CONDITIONER COVER			
1	641005M005	1	SUB-SECT, COOLANT CONDITIONER UNIT U			641005M005
880		RF	NOTE: ASM BELOW COMPRISED OF ABOVE COMPONENTS			
881	3554348F91	RF	FILTER, WATER*W/CAP AND LESS CO			

Figure 641005M005
SUB-SECT, COOLANT CONDITIONER UNIT U

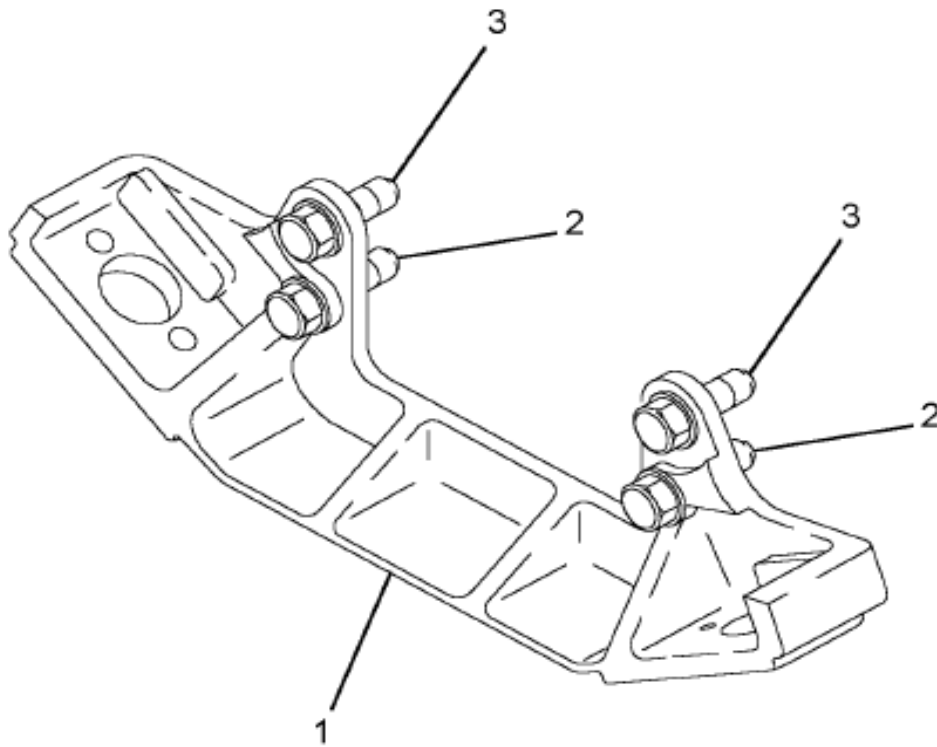


12-ENG-0258-01

E05

Item	Part No.	Qty	Description	Kit	Var	Figure
1	1830305C1	1	COVER, COOLANT FILTER			
2	1820353C1	1	RING, FILTER O			
3	1817957C1	3	BOLT, M8X25 HEX FLANGE			
880		RF	NOTE: ASM BELOW COMPRISED OF ABOVE COMPONENTS			
881	641005M005	RF	SUB-SECT, COOLANT CONDITIONER UNIT U			

Figure 641010M001
ENGINE MOUNT, FRONT



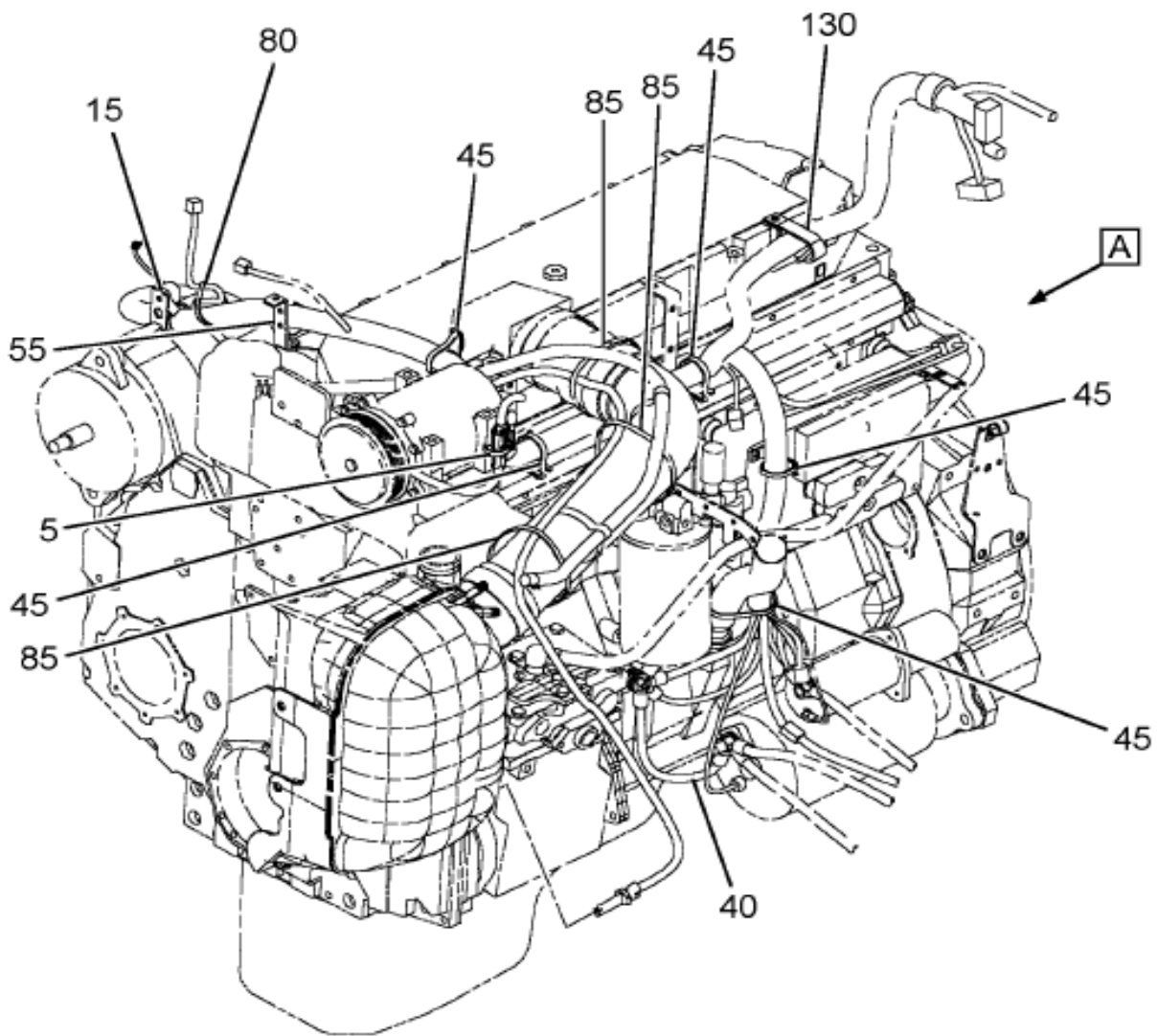
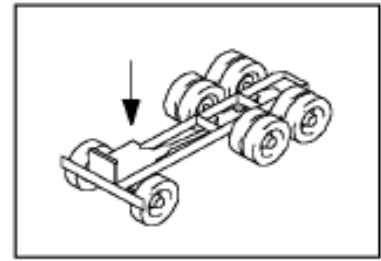
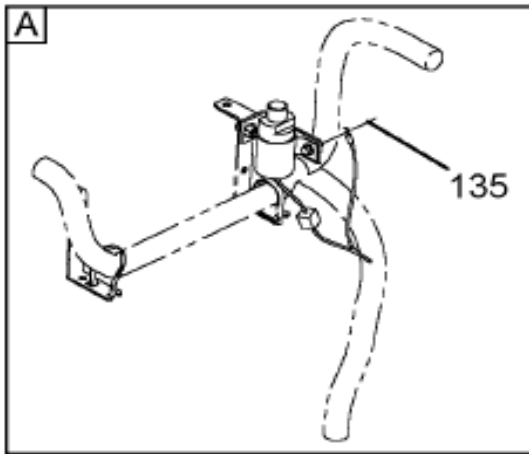
Grp
12

12-ENG-0112-01

B03

Item	Part No.	Qty	Description	Kit	Var	Figure
1	1678077C1	1	BRACKET, FRONT ENGINE MOUNTING			
2	1820392C1	2	BOLT M18X 100MM			
3	1817860C1	2	BOLT M18 X 70MM			
880		RF	NOTE: ASM BELOW COMPRISED OF ABOVE COMPONENTS			
881	641010M001	RF	ENGINE MOUNT, FRONT			

Figure 06MYC
ENGINE WIRING INSTL

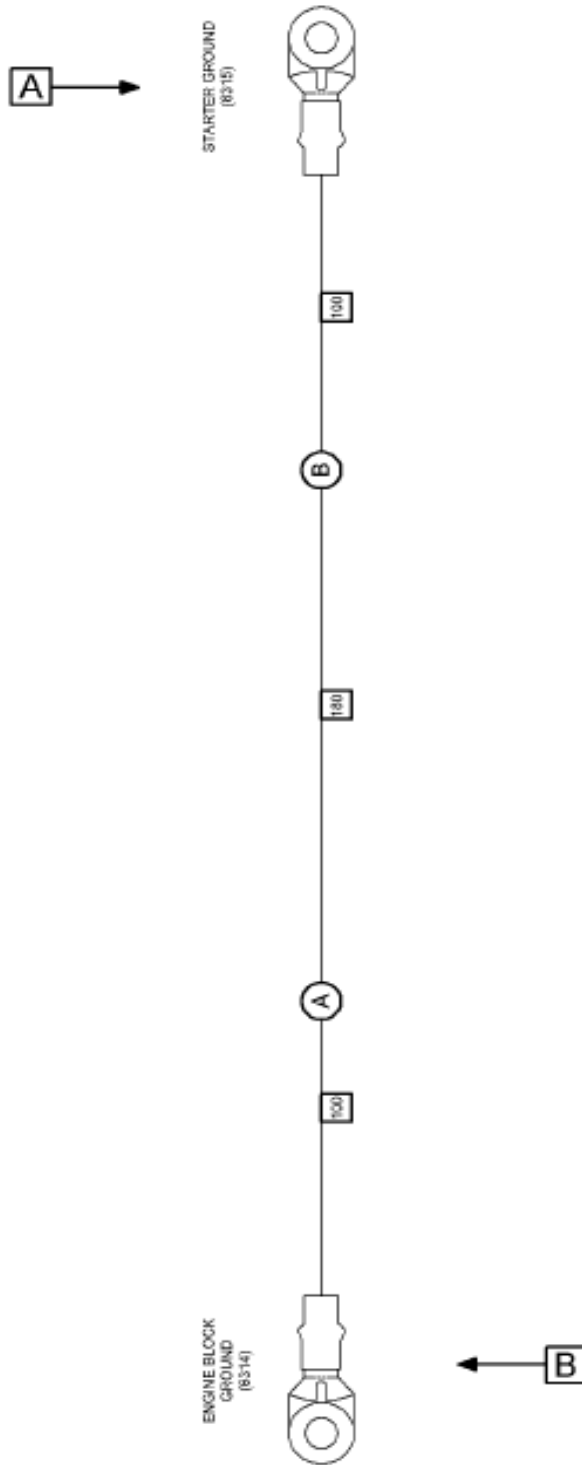


12-149-0401-01

A04

Item	Part No.	Qty	Description	Kit	Var	Figure
5	289862C1	1	STRAP,CABLE LOCK		06MYC	
15	3545771C1	1	GUIDE,BRK HOSE & CABLE		06MYC	
15	31046R1	1	BOLT, M6 X 20 PHC CL 8.8 FLG/H		06MYC	
15	40209R1	1	NUT,M6 PREV TORX HF		06MYC	
15	306132C1	1	STRAP,CABLE LOCK		06MYC	
40	3565992C91	1	HARNESS,ELEC; ENG BLOCK GRD		0FH7G	3565992C91

Figure 3565992C91
HARNES, ELEC; ENG BLOCK GRD

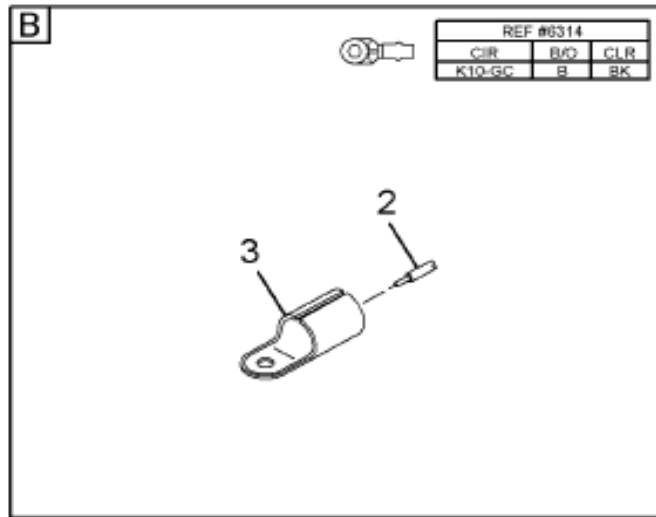
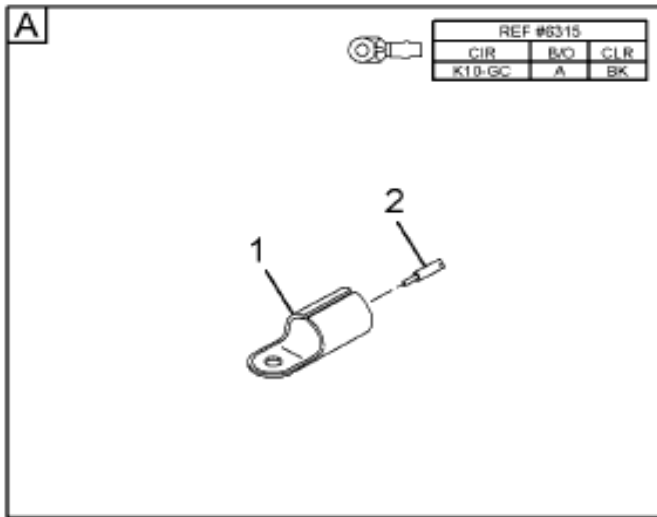


12-149-0615-01

D11

Figure 1 of 2

Figure 3565992C91
HARNESS,ELEC; ENG BLOCK GRD



G
r
p
1
2

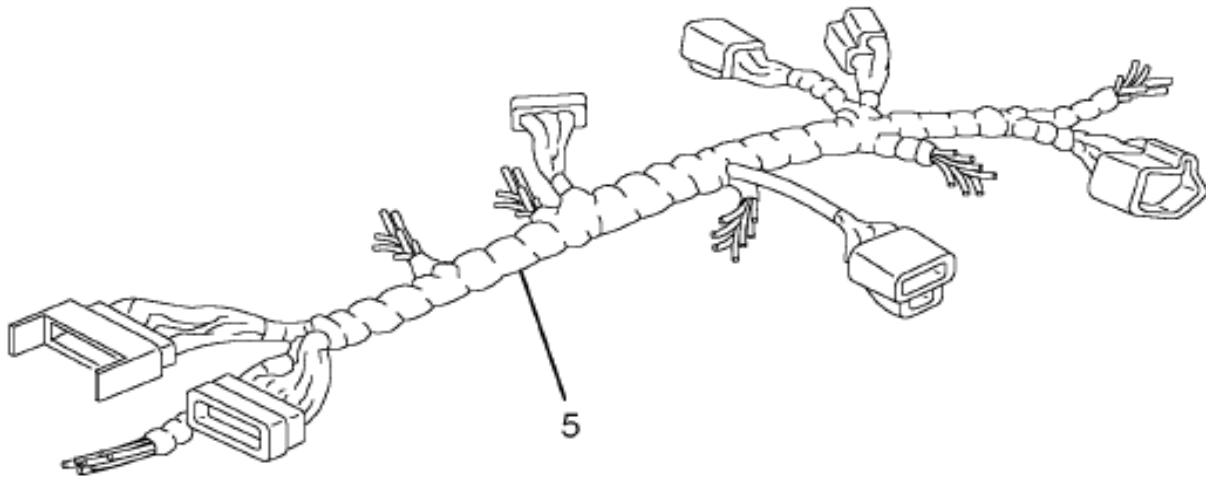
12-149-0615-02

D11

Item	Part No.	Qty	Description	Kit	Var	Figure
1	475965C1	1	TERMINAL,CABLE BAT			
2	2643302R1	AR	CABLE			
3	475964C1	1	TERMINAL,CABLE BAT			
880		RF	NOTE: ASM BELOW COMPRISED OF ABOVE COMPONENTS			
881	3565992C91	RF	HARNESS,ELEC; ENG BLOCK GRD			

Figure 0HQCG

ENGINE WIRING; ABR#13,J1939 DATA-LINK,I6

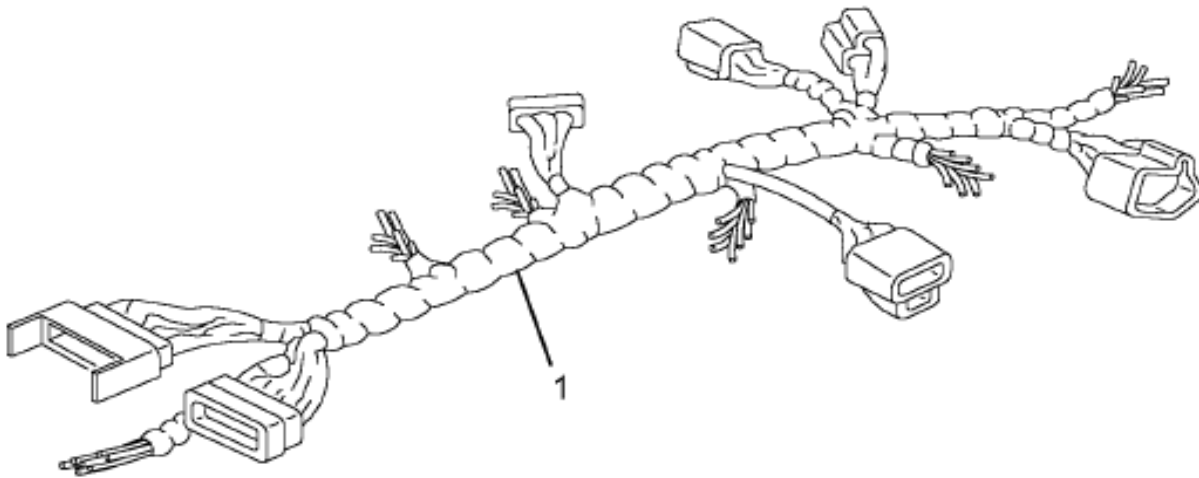


08-D01-0004-01

E04

Item	Part No.	Qty	Description	Kit	Var	Figure
5	3577524F91	1	ELEC INTL I6,J1939 W/MANUAL		0HQCK	3577524F91

Figure 3577524F91
 ELEC INTL I6,J1939 W/MANUAL



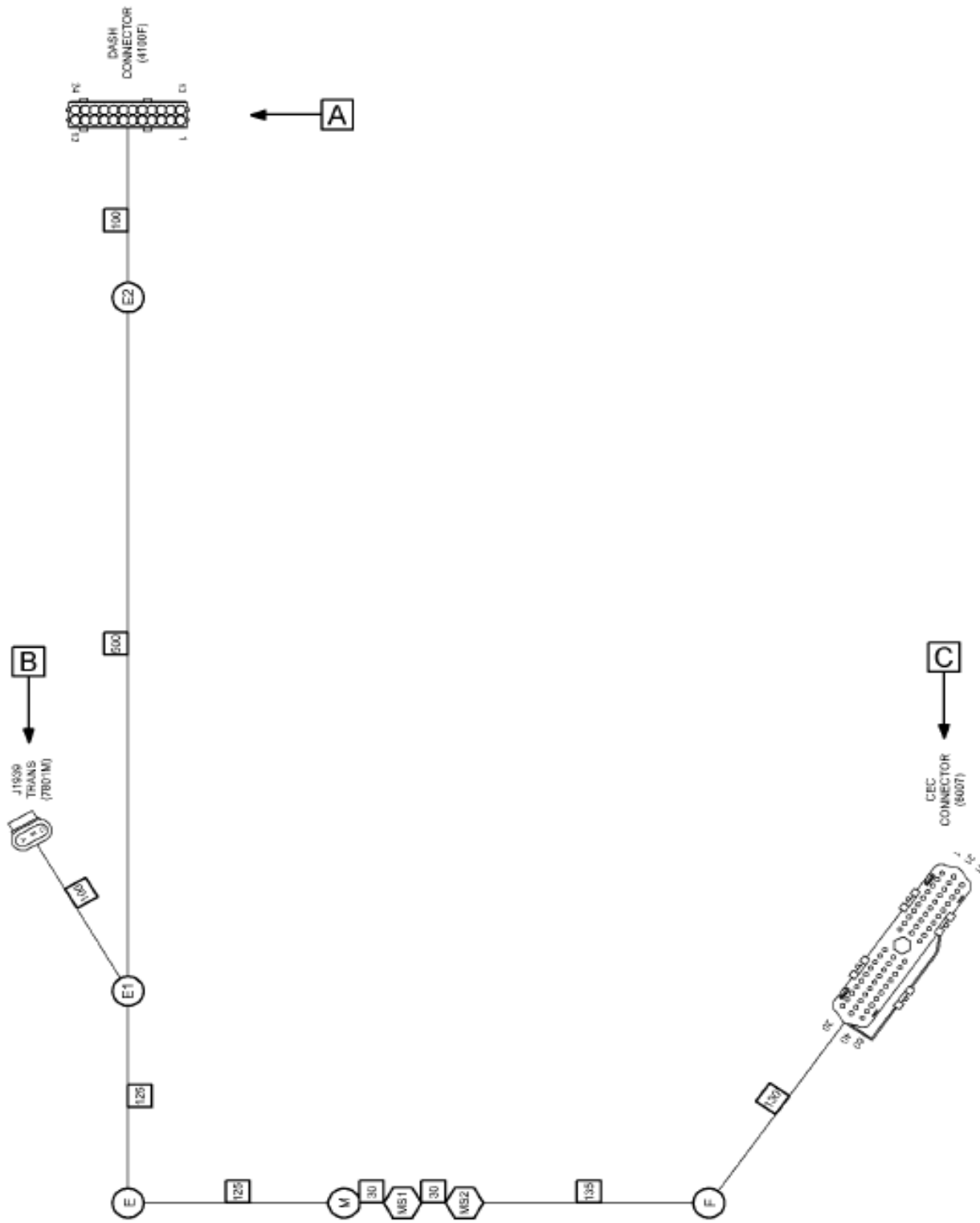
Grp
12

08-P58-0006-01

C03

Item	Part No.	Qty	Description	Kit	Var	Figure
1	3577574C91	1	HARN,ELEC,J1939 O/L W/ALLSN&I6			3577574C91
880		RF	NOTE: ASM BELOW COMPRISED OF ABOVE COMPONENTS			
881	3577524F91	RF	ELEC INTL I6,J1939 W/MANUAL			

Figure 3577574C91
HARN, ELEC, J1939 O/L W/ALLSN&I6

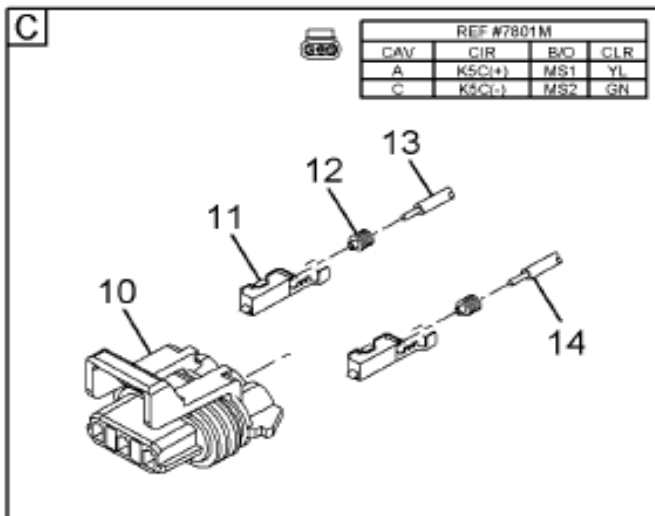
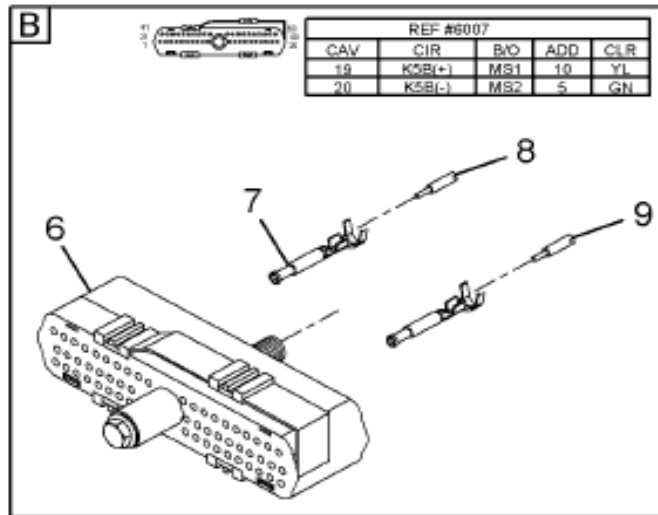
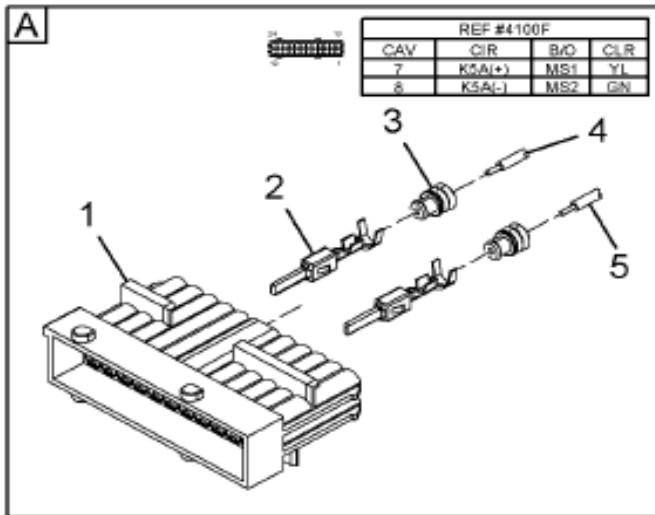


13-E81-0010-01

A11

Figure 1 of 2

Figure 3577574C91
HARN,ELEC,J1939 O/L W/ALLSN&I6



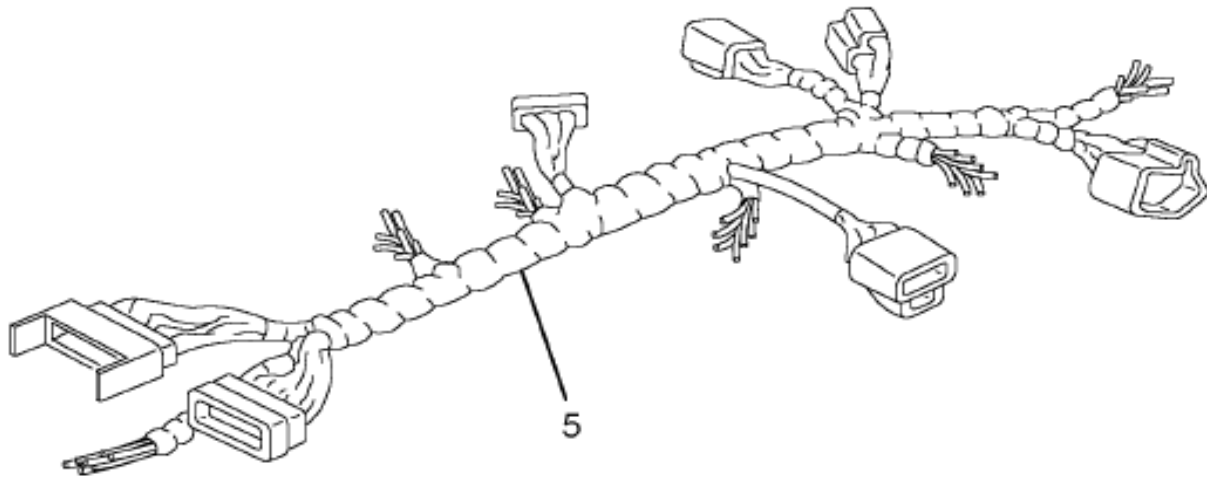
G
R
P
1
2

13-E81-0010-02

A11

Item	Part No.	Qty	Description	Kit	Var	Figure
1	3558022C1	1	CONNECTOR,BODY*AMP JR-PWR-TIME			
2	3559036C1	2	TERMINAL,CABLE*AMP JUNIOR-POWE			
3	3532128C1	2	SEAL,CABLE TERMINAL*AMP CABLE			
4	3572112R1	AR	CABLE,ASM J1939/15 19 STRD TWS			
5	3572112R1	AR	CABLE,ASM J1939/15 19 STRD TWS			
6	3541979C1	1	CONNECTOR,BODY*60 WAY			

Figure 0F10C
ENGINE WIRING; FREON CPRSR,ABR#5



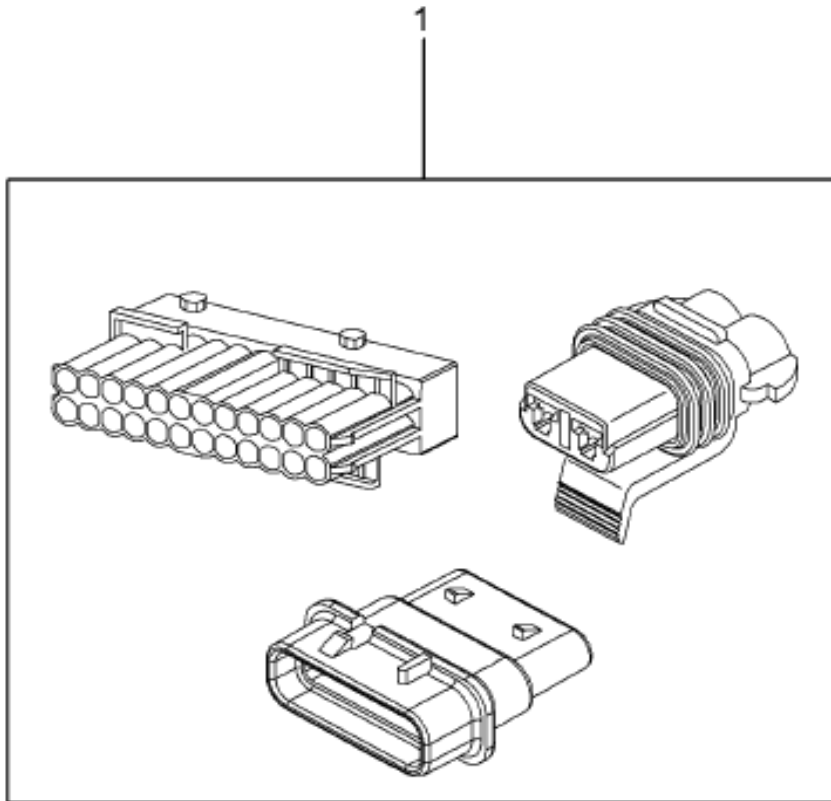
Grp
12

08-D01-0004-01

E04

Item	Part No.	Qty	Description	Kit	Var	Figure
5	3550553F93	1	ELEC INTL I6 ENG*FREQ		0F11J	3550553F93

Figure 3550553F93
ELEC INTL I6 ENG*FREQ

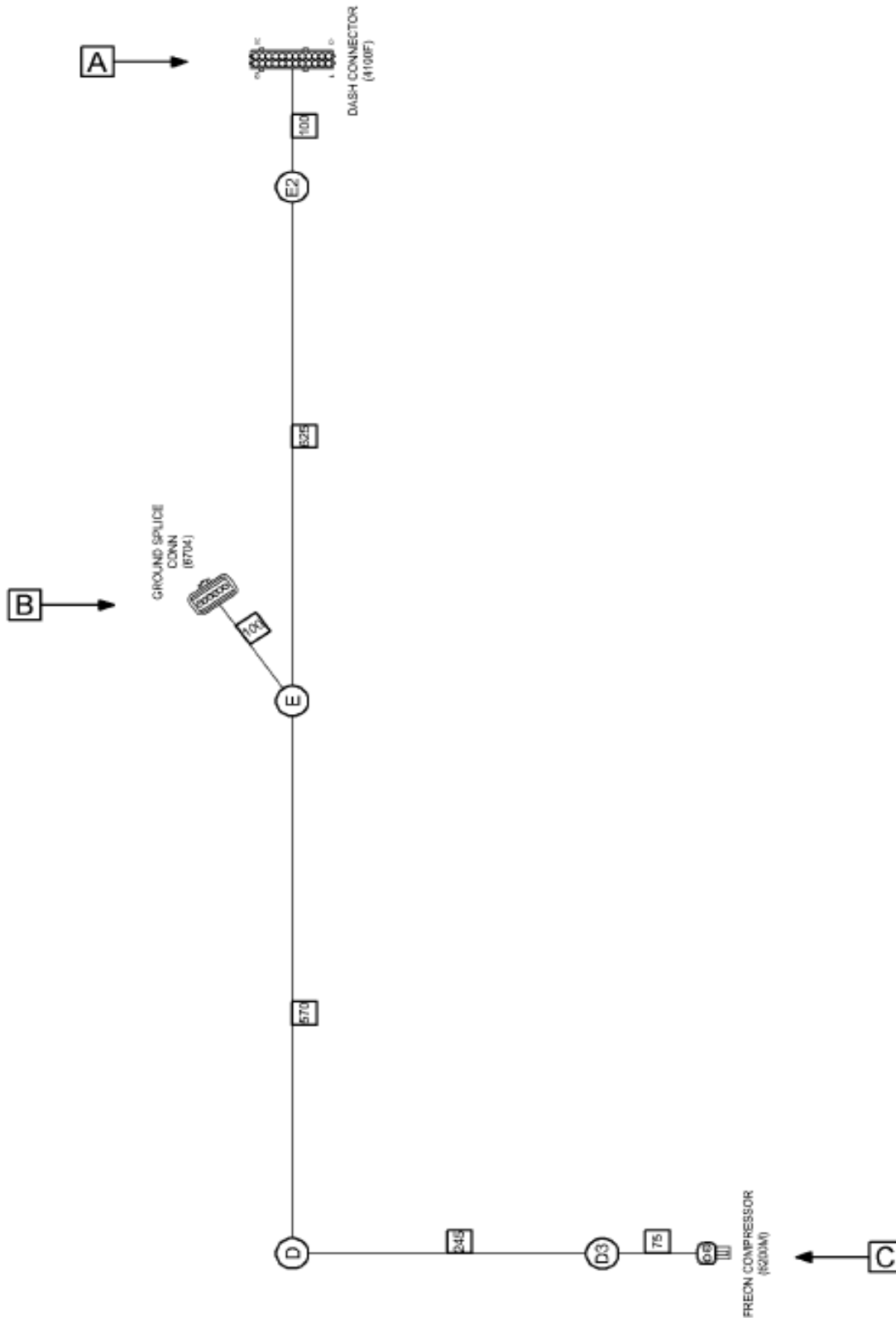


12-E56-0003-01

G09

Item	Part No.	Qty	Description	Kit	Var	Figure
1	3560343C91	1	HARNASS,ELEC A/C COMPR			3560343C91
880		RF	NOTE: ASM BELOW COMPRISED OF ABOVE COMPONENTS			
881	3550553F93	RF	ELEC INTL I6 ENG*FREQ			

Figure 3560343C91
HARNES, ELEC A/C COMPR



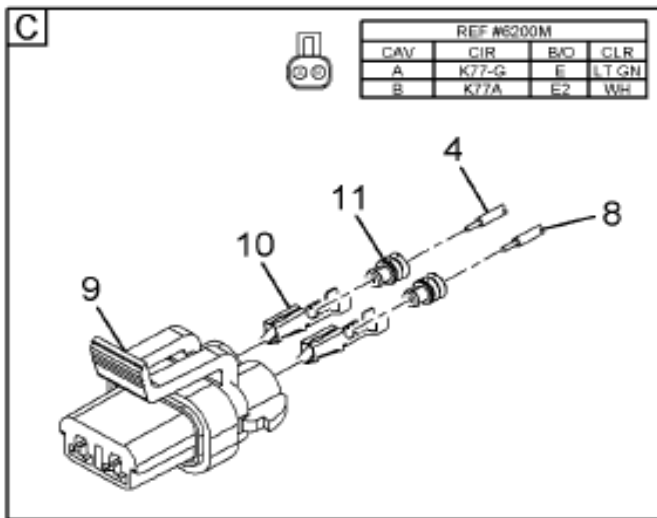
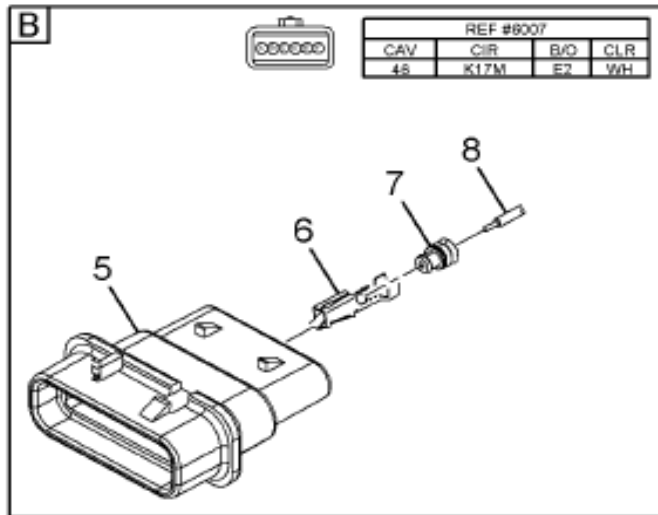
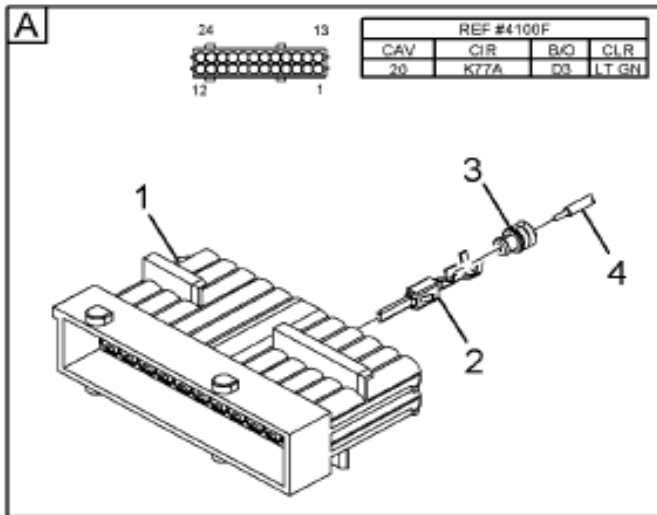
Grp
1
2

12-E54-0004-01

F10

Figure 1 of 2

Figure 3560343C91
HARNES, ELEC A/C COMPR

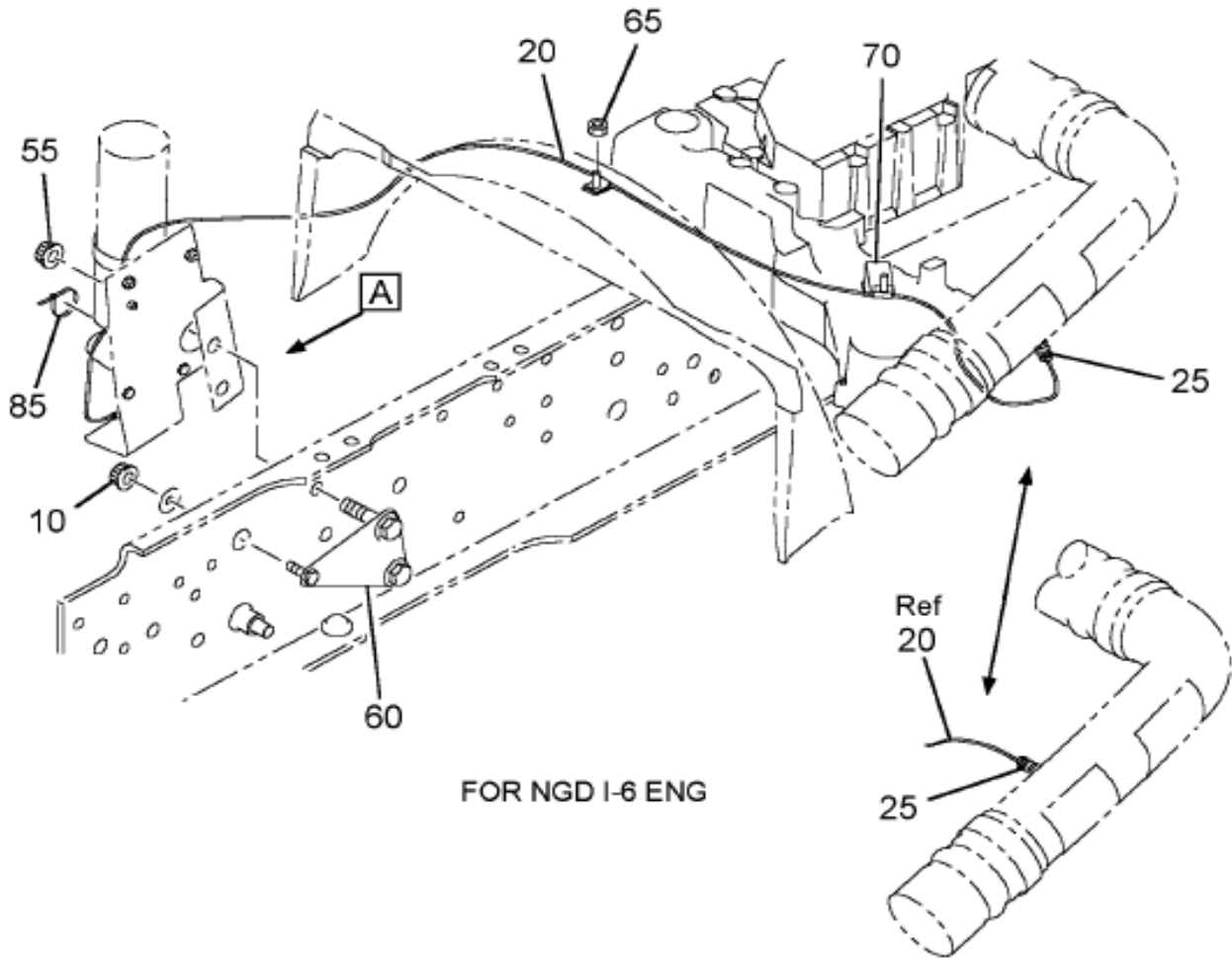


12-E54-0004-02

F10

Item	Part No.	Qty	Description	Kit	Var	Figure
1	3558022C1	1	CONNECTOR, BODY*AMP JR-PWR-TIME			
2	3559037C1	1	TERMINAL, CABLE*AMP JUNIOR-POWE			
3	3509903C1	1	SEAL, CABLE TERMINAL			
4	2643678R1	AR	CABLE LOW TENSION SINGLE COND			
5	3543729C1	1	CONNECTOR, BUS BAR*BUS BAR* 150			
6	3535303C1	1	TERMINAL, CABLE*CONN TERMINAL			

Figure 06VS3
ETHER START INSTL

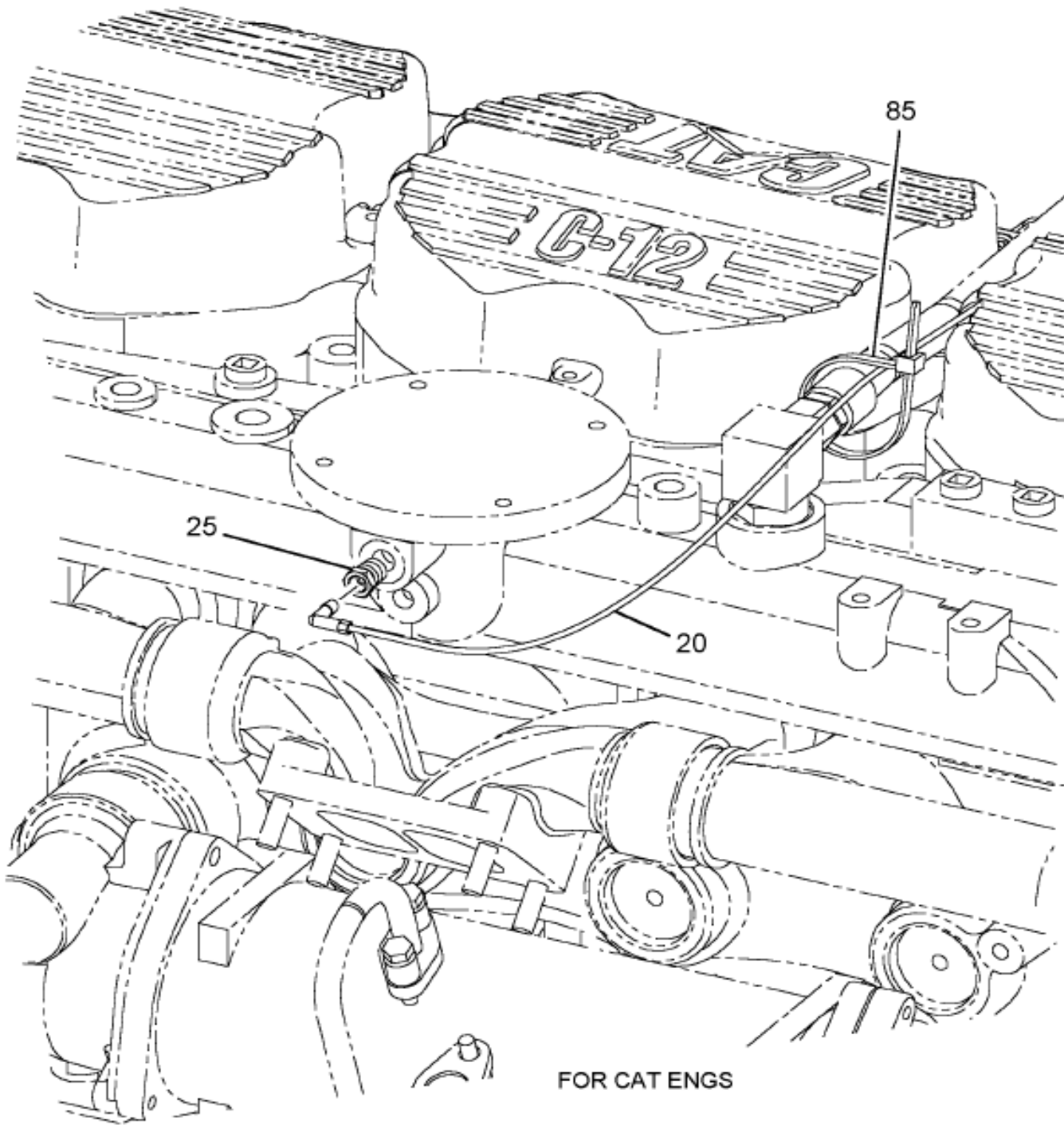


12-261-0038-A0

F04

Figure 1 of 3

Figure 06VS3
ETHER START INSTL



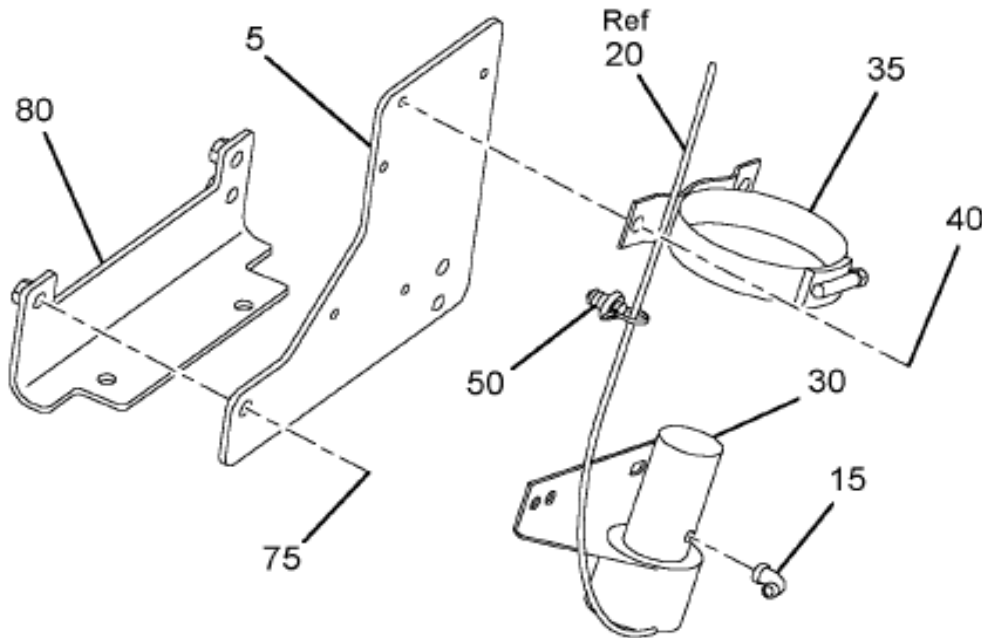
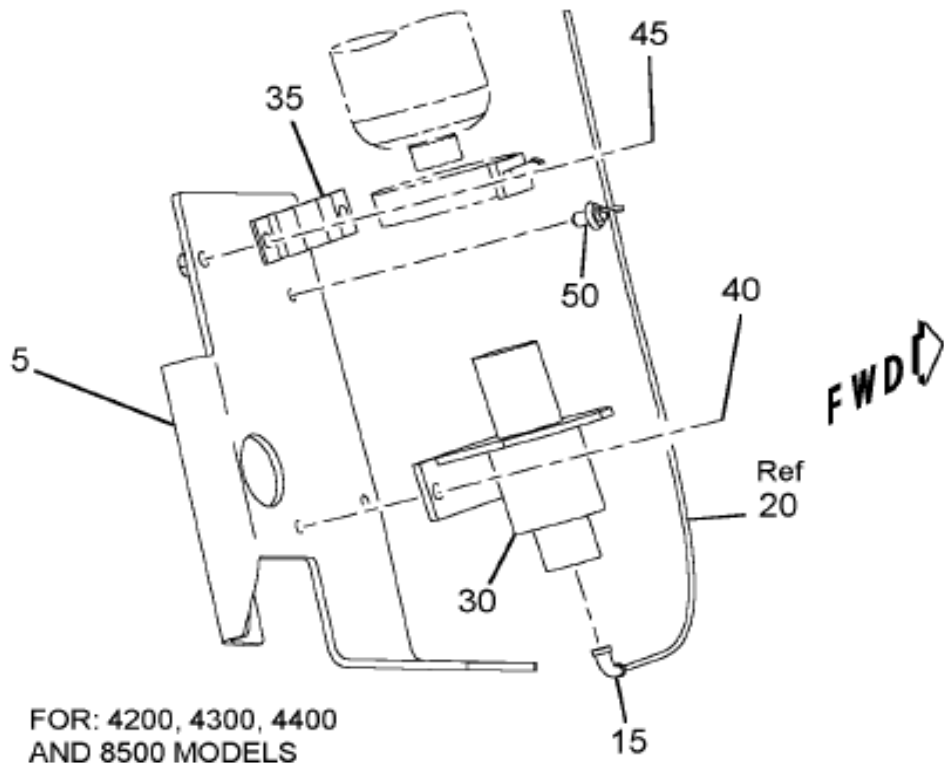
GRP
12

12-261-0039-A1

F04

Figure 2 of 3

Figure 06VS3
ETHER START INSTL

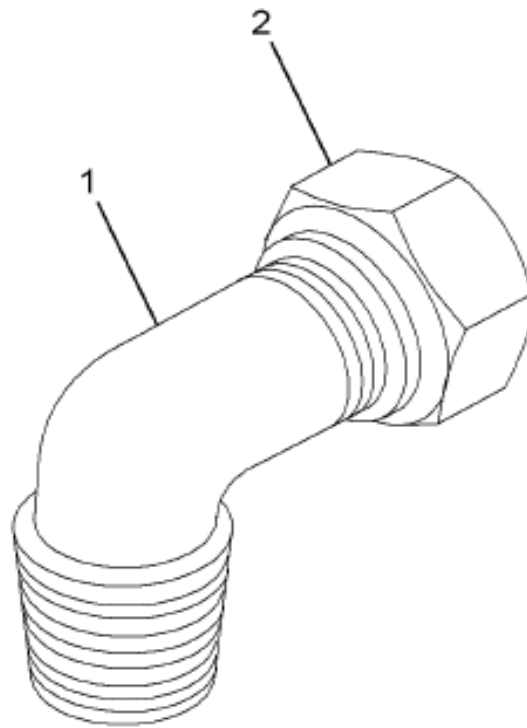


12-261-0040-A2

F04

Item	Part No.	Qty	Description	Kit	Var	Figure
5	3544556C3	1	BRACKET, ETHER START		0D28L	
15	299466C11	1	ELBOW		06VS3	299466C11
20	417195C3	50	TUBE, NYLON BULK 1/8 OD BLACK		0D28L	
25	2041689C1	1	JET, ATOMIZER ETHER START		0D28L	
25	298608C11	1	CONNECTOR, COMP TUBE		0D28L	
30	3565663C91	1	VALVE, STARTING FUEL STARTING F		06VS3	

Figure 299466C11
ELBOW



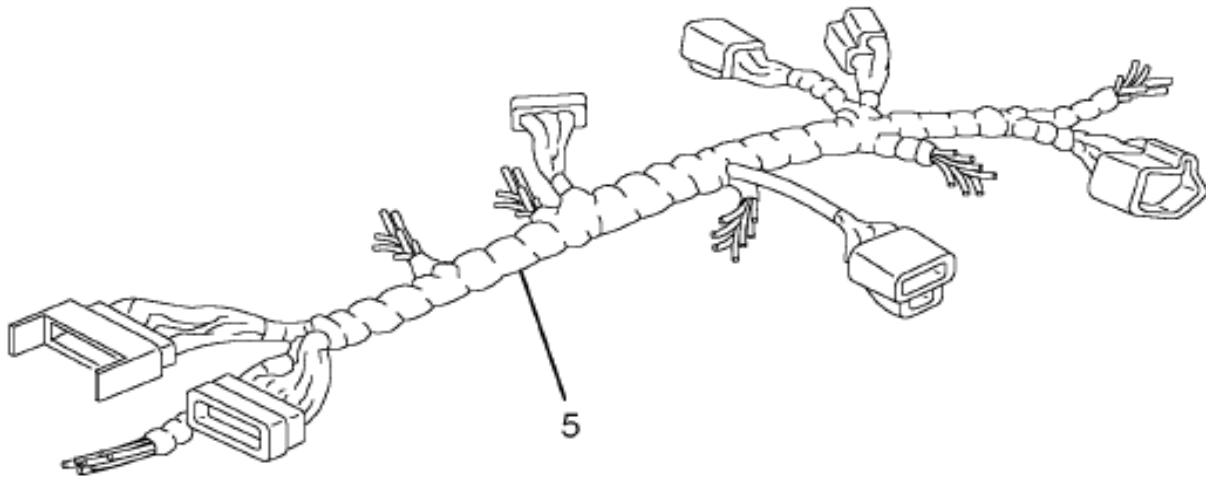
10-001-0006-01

K04

Item	Part No.	Qty	Description	Kit	Var	Figure
1	121322	1	SLEEVE, 1/8 PLN BALL			
1	140303	1	ELBOW, 1/8 PLN BALL SLEEVE TUB			
1	298609C1	1	SLEEVE,COMP TUBE			
1	299466C1	1	ELBOW COMP TUBE S			
2	121220	1	NUT, 1/8 PLN BALL SLEEVE TUBE			
2	298610C1	1	NUT,COMP TUBE			

Figure 0F10F

ETHER START OVERLAY WIRING; (ABR#7), FOR NGV I6 ENGINE

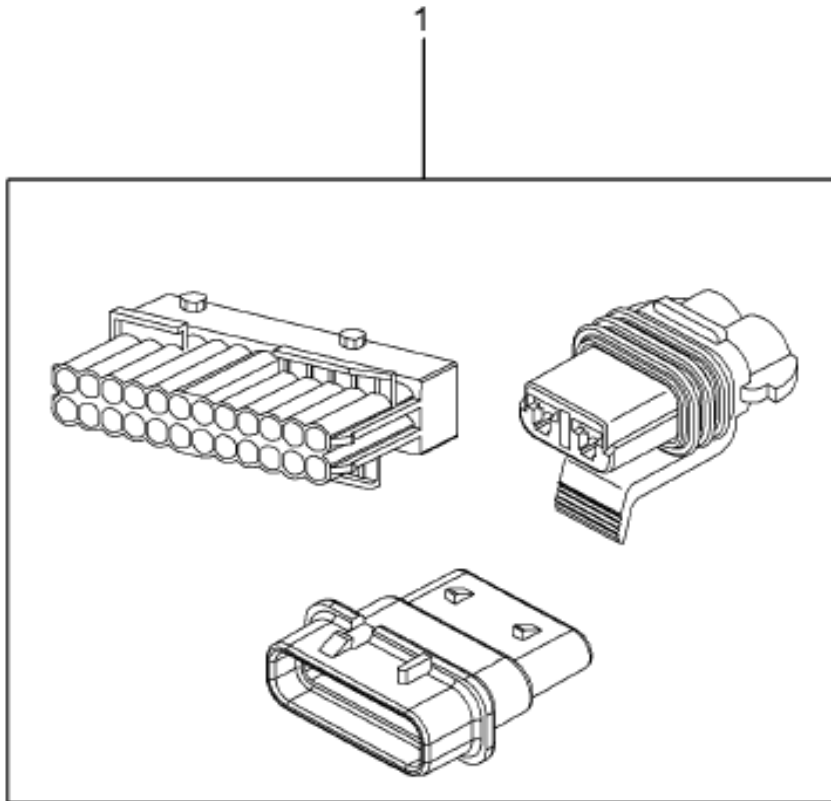


08-D01-0004-01

E04

Item	Part No.	Qty	Description	Kit	Var	Figure
5	3550557F92	1	ELEC INTL I6 ENG*ETHE		0F11Q	3550557F92

Figure 3550557F92
ELEC INTL I6 ENG*ETHE



G
r
p
1
2

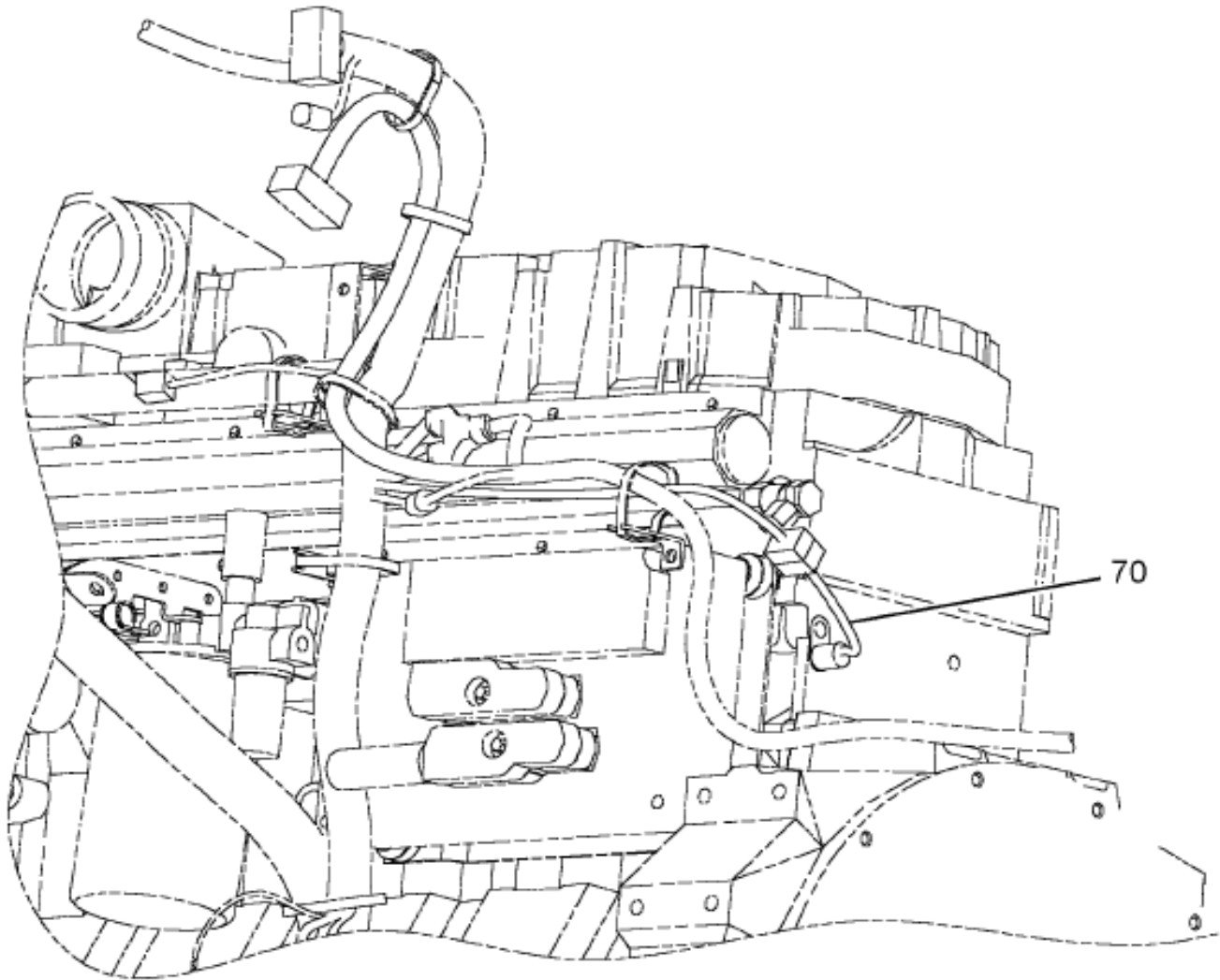
12-E56-0003-01

G09

Item	Part No.	Qty	Description	Kit	Var	Figure
1	3560345C91	1	HARNESS, ELEC; ENGINE			
880		RF	NOTE: ASM BELOW COMPRISED OF ABOVE COMPONENTS			
881	3550557F92	RF	ELEC INTL I6 ENG*ETHE			

Figure 0BHYT

ETHER START WIRING INSTL; W/NGV INTL I6 ENGINE

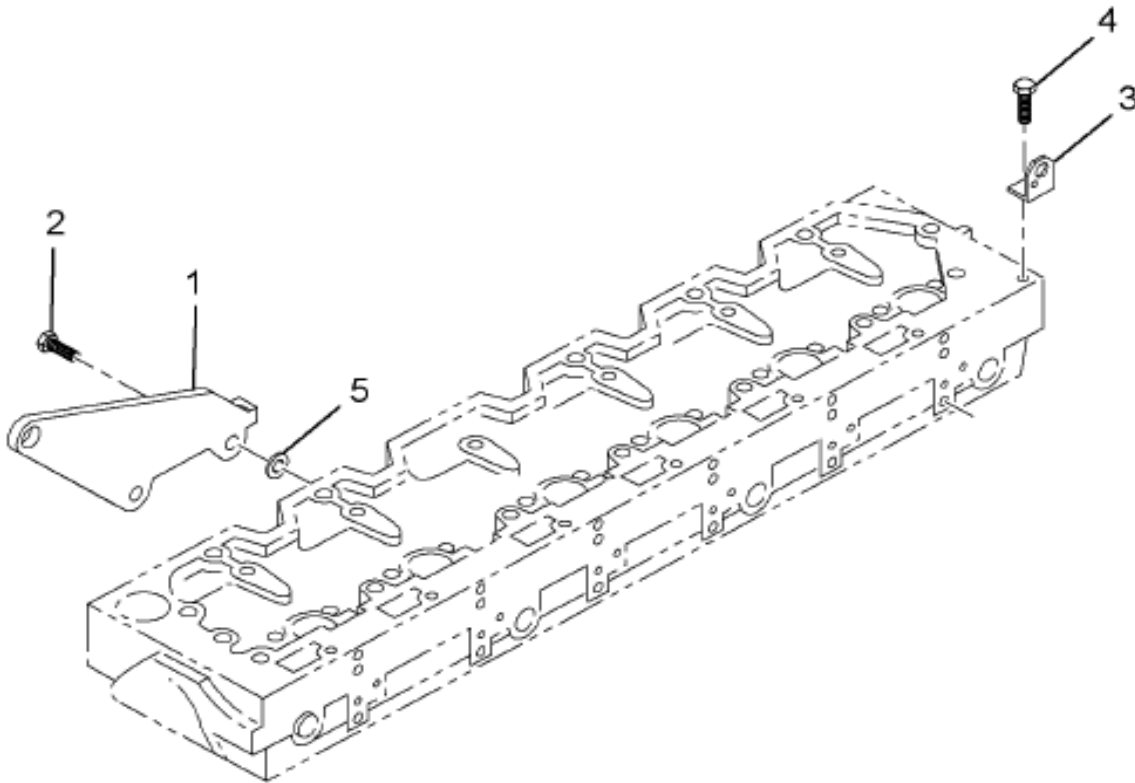


12-150-0017-C0

E04

Item	Part No.	Qty	Description	Kit	Var	Figure
70	3534280C91	1	SWITCH, THERMOSTAT		0BHYT	
70	30019R1	1	BOLT, M10 X 20 PHC CLASS 10.9		0BHYT	
70	933965R1	1	WASHER, LOCK 10MM		0BHYT	
70	30282R1	1	WASHER, 10.8 X 21 X 2MM		0BHYT	

Figure 641008F002
EYE, LIFTING



G
R
P
1
2

12-ENG-1841-01

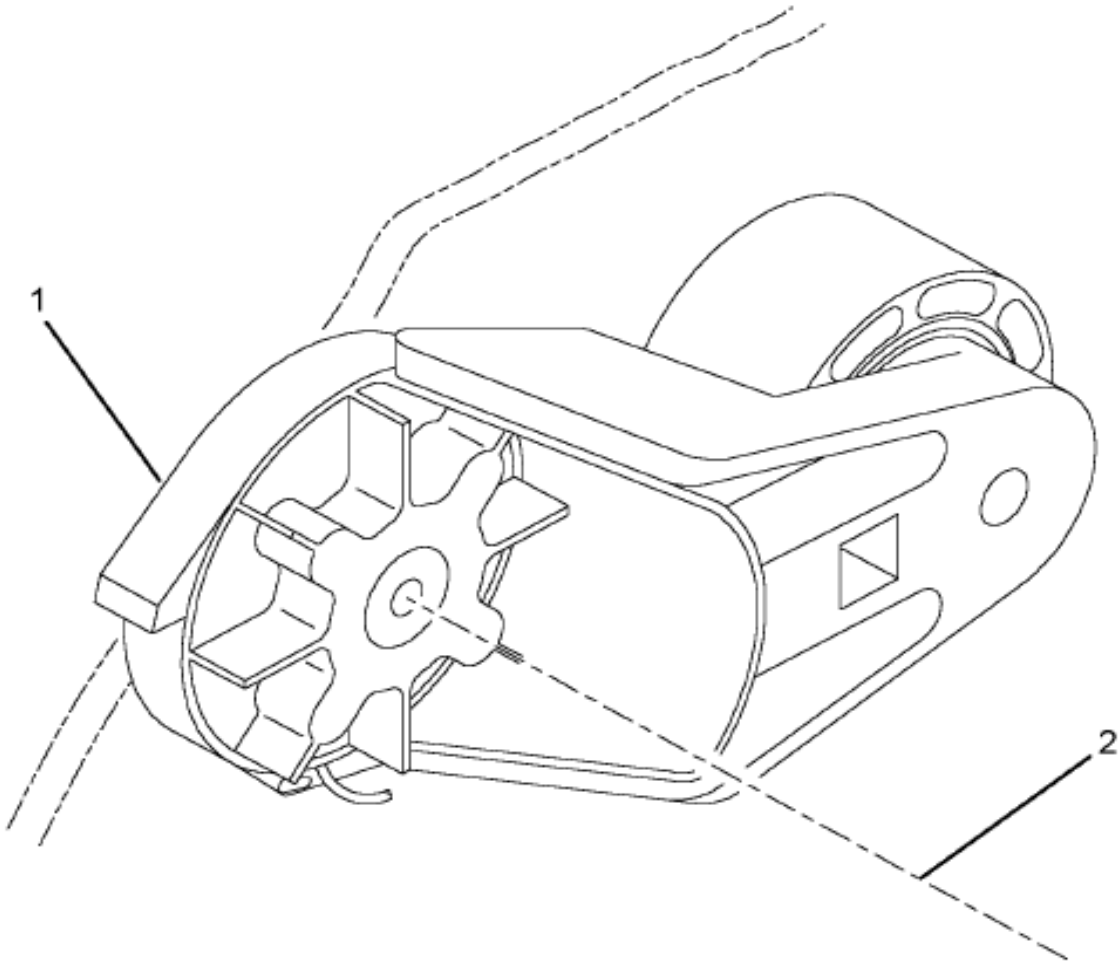
G07

Item	Part No.	Qty	Description	Kit	Var	Figure
1	1833385C1	1	EYE, LIFTING			
2	1817967C1	2	BOLT M12 X 25			
3	1820215C1	1	EYE, REAR ENGINE LIFTING			
4	1820235C1	1	BOLT M14X30			
5	1814757C2	2	WASHER, HARDENED			
880	RF		NOTE: ASM BELOW COMPRISED OF ABOVE			

Figure 641020B002

AUTO TENSIONER UNIT

U

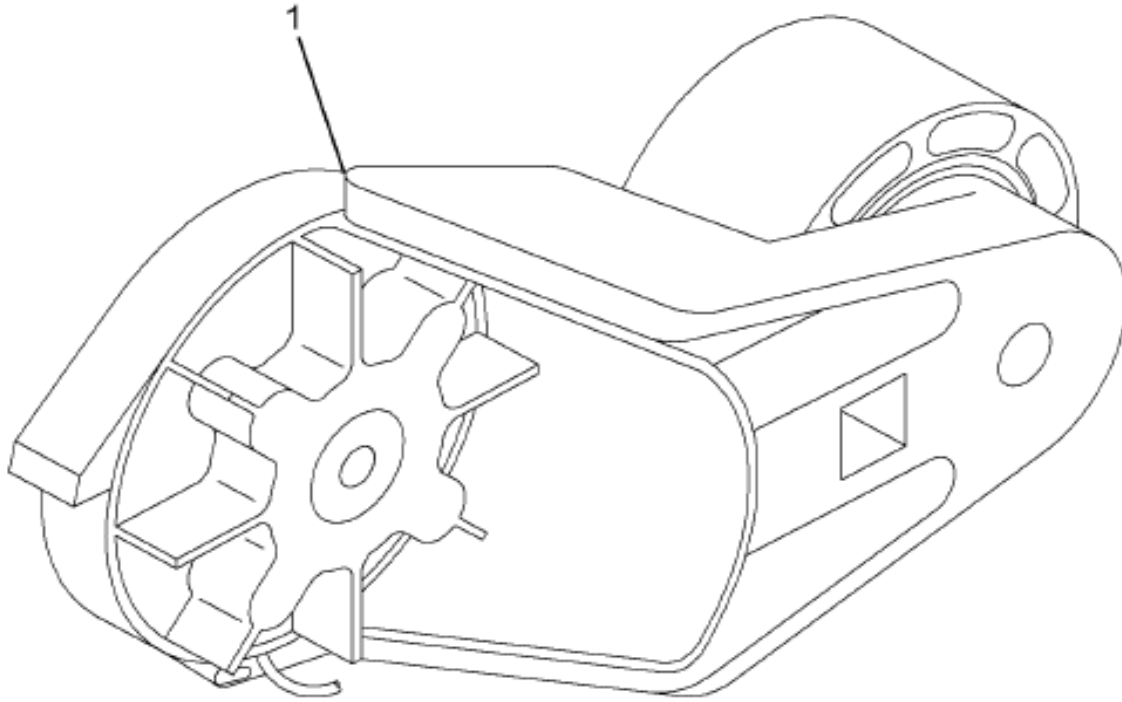


12-ENG-0097-01

B03

Item	Part No.	Qty	Description	Kit	Var	Figure
1	1830033C2	1	TENSIONER ASSY,AUTOMATIC			
2	1817993C1	1	BOLT,M10-1.50 X 80MM HEX FLANG			
880		RF	NOTE: ASM BELOW COMPRISED OF ABOVE COMPONENTS			
881	641020B002	RF	AUTO TENSIONER UNIT		U	

Figure 3516414F91
TENSIONER, FAN L/ DRIVE



Grp
1
2

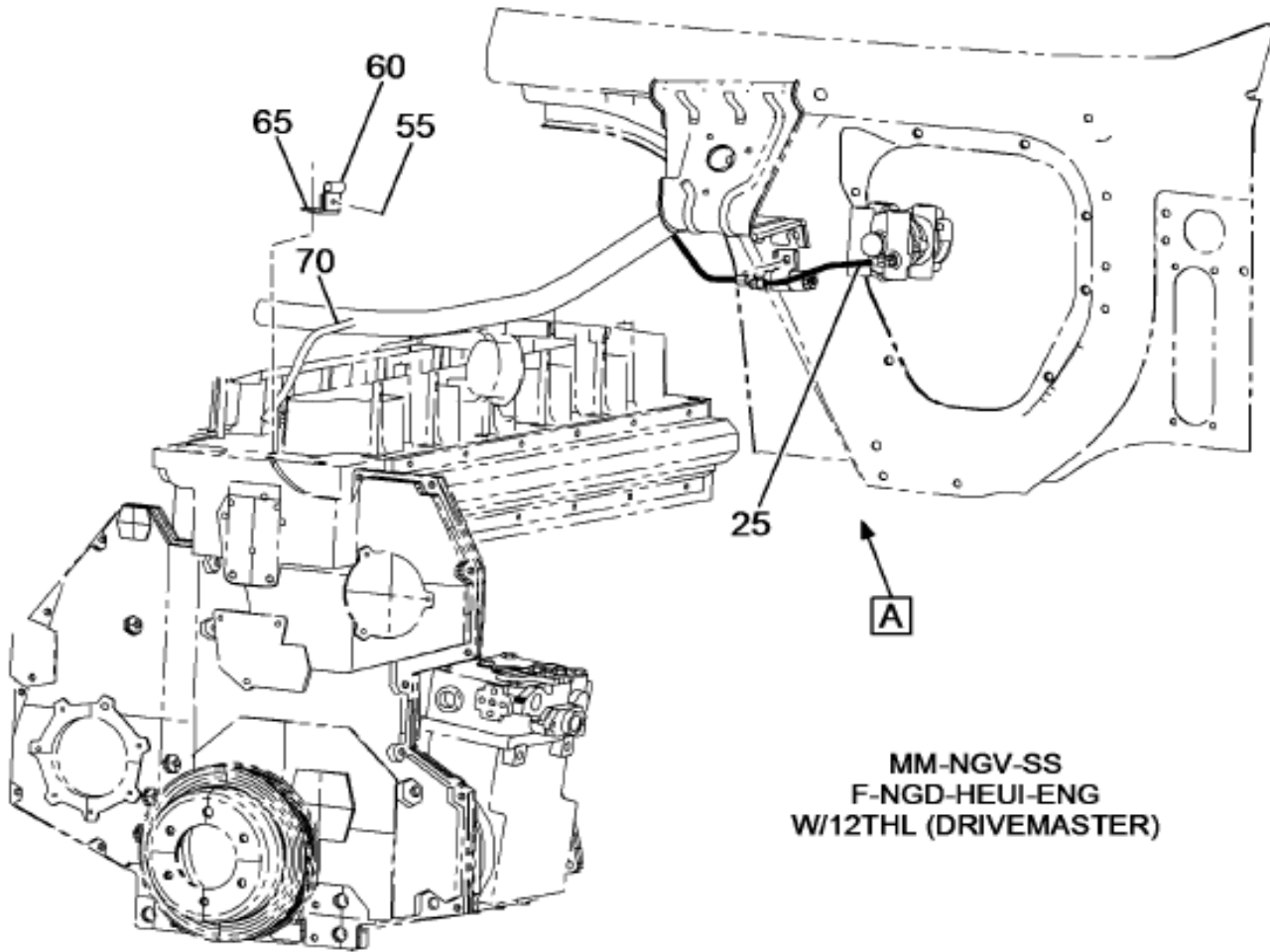
12-E11-0003-01

K04

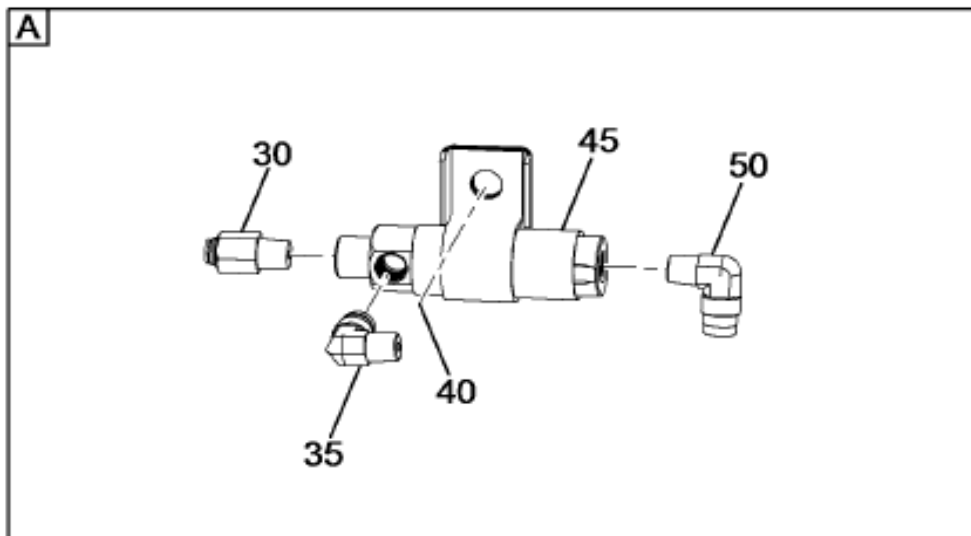
Item	Part No.	Qty	Description	Kit	Var	Figure
1		RF	EL42 - W/O FAN DRIVE & TENSIONER			
1	641020B002	1	AUTO TENSIONER UNIT	U		641020B002
2		RF	EL00 - WITHOUT FAN DRIVE			
880		RF	NOTE: ASM BELOW COMPRISED OF ABOVE COMPONENTS			
881	3516414F91	RF	TENSIONER, FAN L/ DRIVE			

Figure 07SL0

FAN DRIVE HOISING INSTL; W/HORTON 12THL



MM-NGV-SS
F-NGD-HEUI-ENG
W/12THL (DRIVEMASTER)

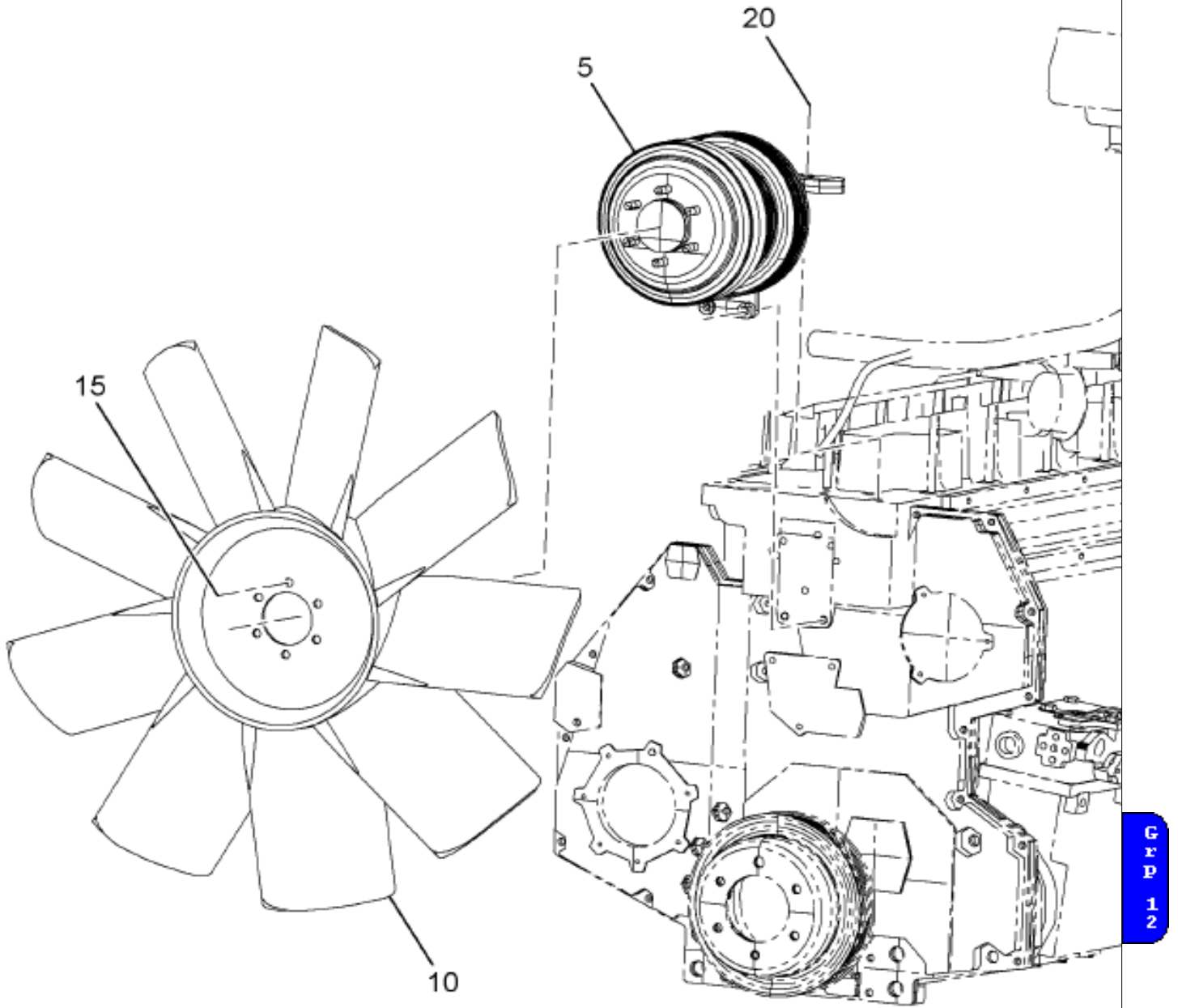


12-478-0063-BA

E09

Item	Part No.	Qty	Description	Kit	Var	Figure
25	417196C3	12	TUBE,NYLON BULK 1/4 OD BLACK		07SL0	
30	2017481C1	1	CONNECTOR,PUSH TO CONNECT*		07SL0	
35	2017508C1	1	ELBOW,QC 90D 1/8NPT X 1/4QC		07SL0	
40	3535162C1	1	NUT,HEX METRIC PREV. TORQ*M8 X		07SL0	
45	3551298C92	1	VALVE,SOLENOID AIR COND		07SL0	
50	9409931	1	ELBOW,PIPE 90D 1/8MPTX1/8FPT		07SL0	

Figure 07SHT
FAN DRIVE INSTL; HORTON



Grp
12

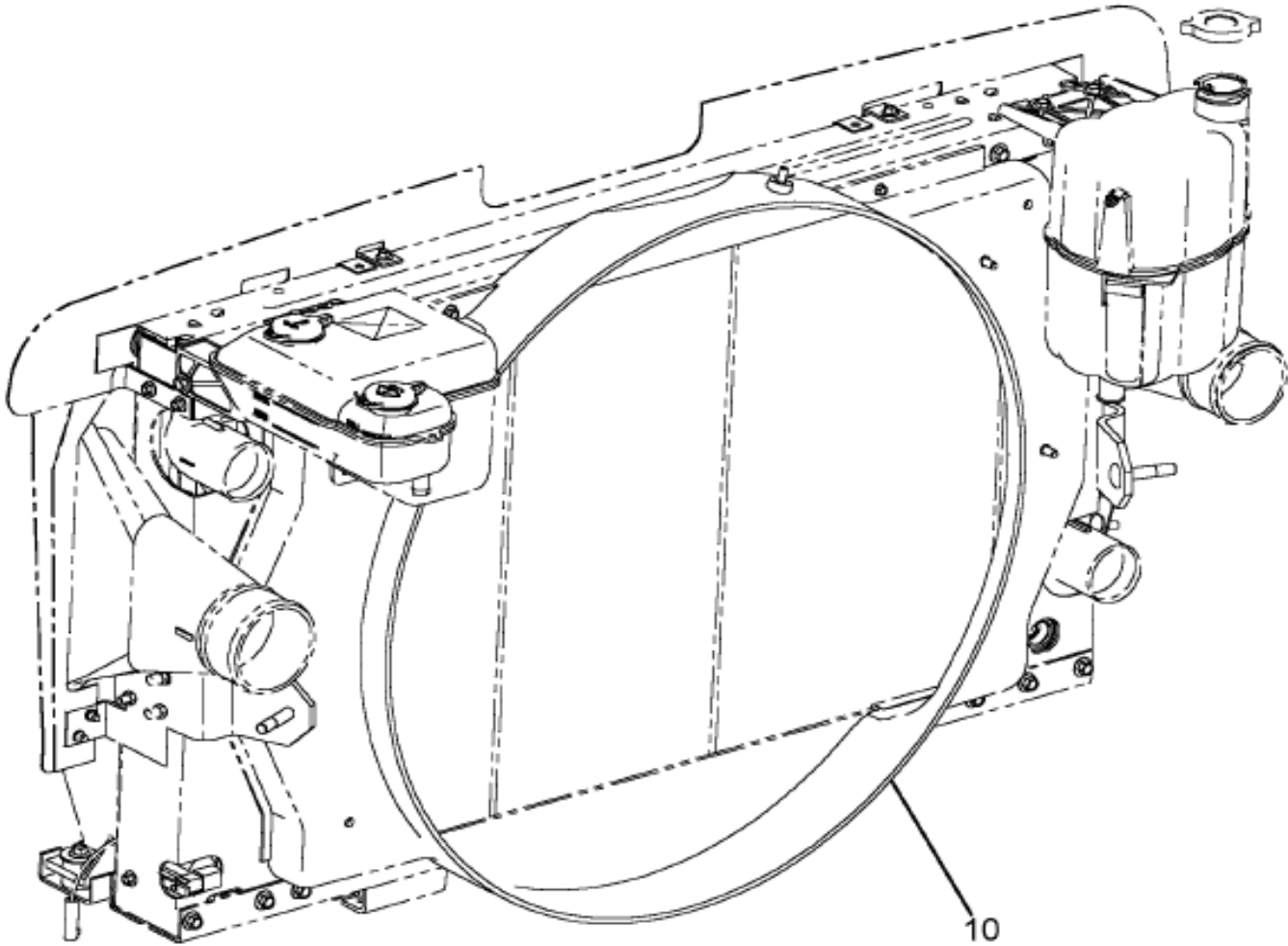
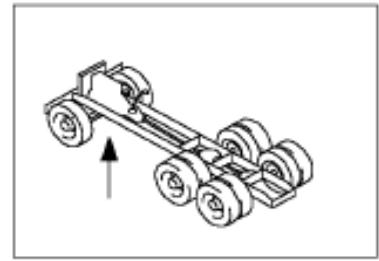
12-268-0043-01

D10

Item	Part No.	Qty	Description	Kit	Var	Figure
5	3545365C91	1	DRIVE, FAN & MTG ASM		07SKJ	
10	3563602C1	1	FAN, ENG COOLING 30" DIA 2.56"		07SKJ	
15	120382	6	WASHER, LOCK 3/8 ZINC PLATED		07SHT	
15	120369	6	NUT, 3/8-NF TYPE 5		07SHT	
15	25709R1	6	WASHER-.406X.812X.089HDN		07SHT	
20	31055R1	2	BOLT, M8 X 25 PHC CL 8.8 FLG/H		07SHT	

Figure 07RKC

FAN SHROUD INSTL; COOLING PKG, 30" (I-6 ENGINE)



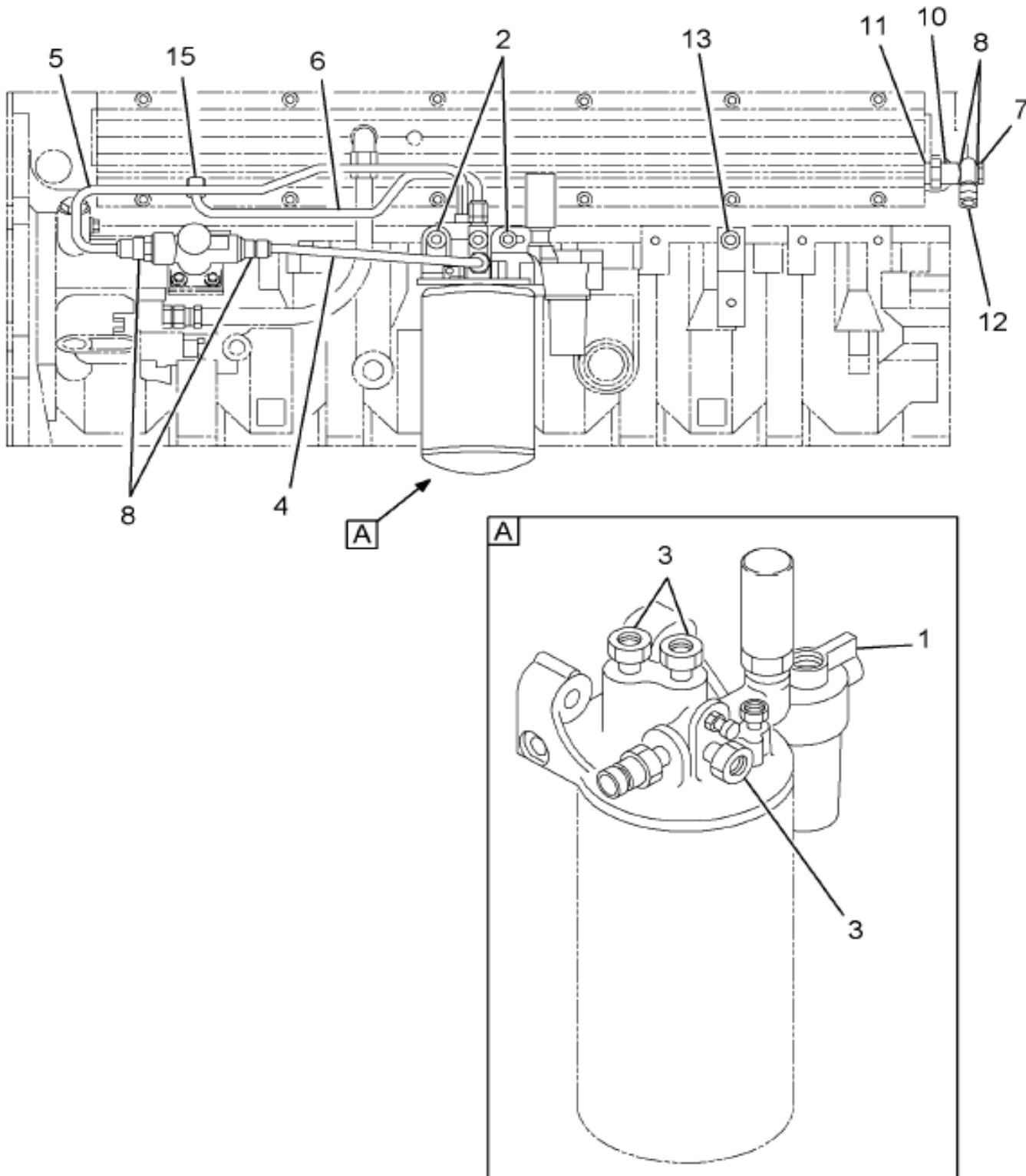
Grp
12

12-C02-0010-BA

L02

Item	Part No.	Qty	Description	Kit	Var	Figure
10	3588828F91	1	ENG COOL*30 IN FAN SHROUD W		0K24T	

Figure 641011L019
FILTER, FUEL

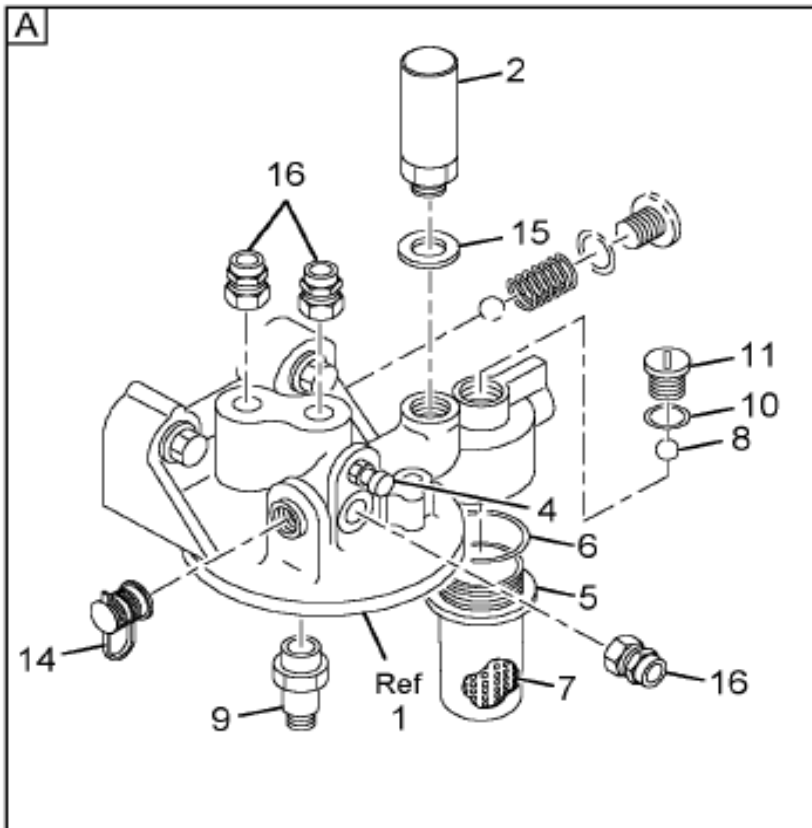
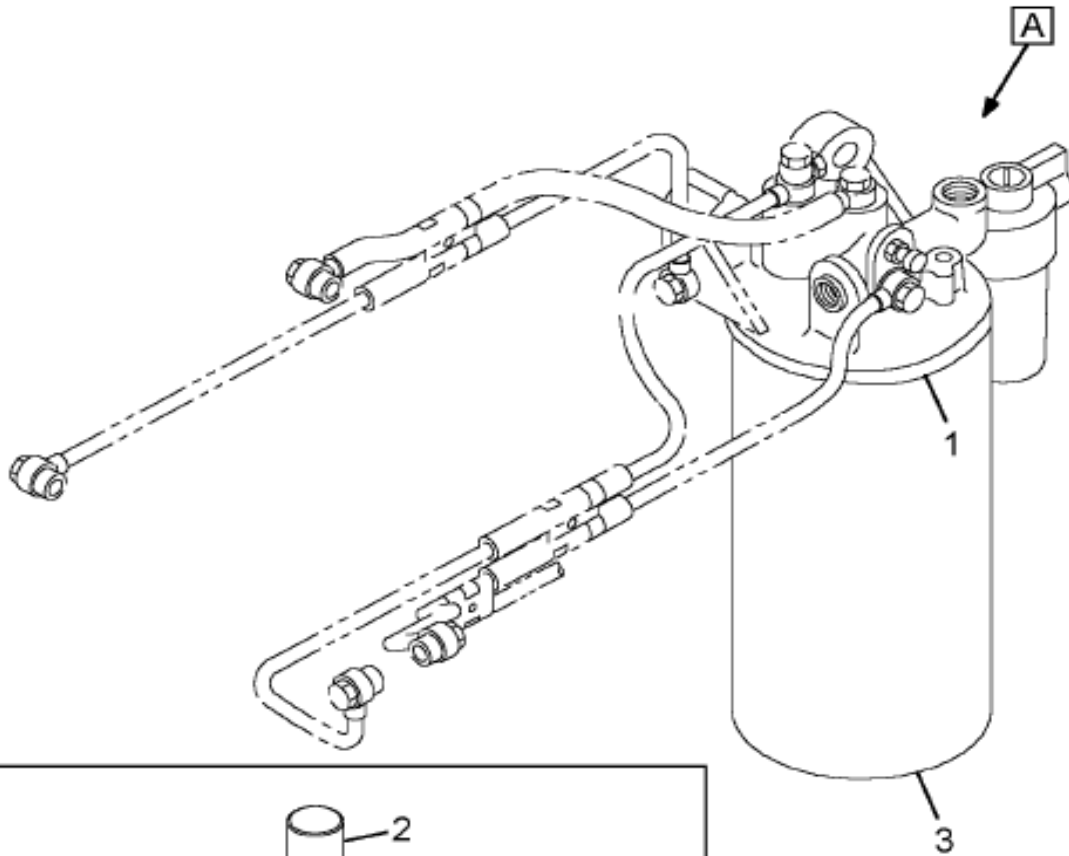


12-ENG-0263-01

C03

Item	Part No.	Qty	Description	Kit	Var	Figure
1	1836287C91	1	HEADER, FUEL FILTER			1836287C91
2	1817978C1	2	BOLT, FLANGED M8 X 1.25 MM X 35 MM			
3	606819C1	3	FITTING, FLEX TUBE 1/4" NPTF 3/8" O.D.			
4	1825520C91	1	TUBE, TRANSFER PUMP INLET			1825520C91
5	1825521C93	1	TUBE, TRANSFER PUMP OUTLET			1825521C93
5	265205R1	2	NUT, FERRULE FLARED TUBE FITTING 3/8"			

Figure 1836287C91
 HEADER ASSY, FUEL FILTER

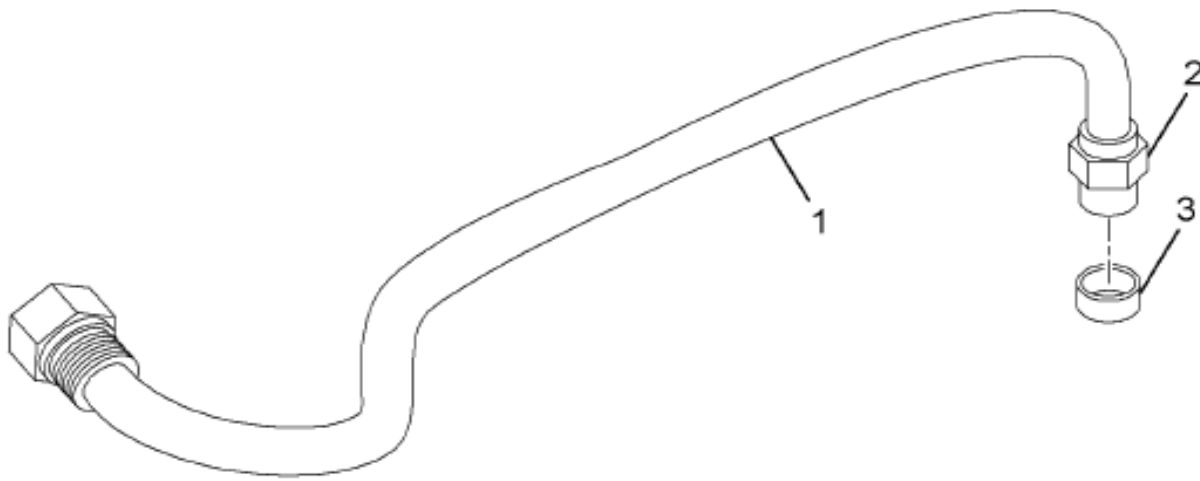


12-ENG-0831-01

L03

Item	Part No.	Qty	Description	Kit	Var	Figure
1	1836409C1	1	HEADER, FUEL FILTER			
2	1824946C1	1	PUMP, HAND PRIMER			
3	1822588C1	1	FILTER, FUEL			
4	1816216C1	1	VALVE, PRIMING			
5	1818516C1	1	BOWL, PRESCREEN			
6	1818518C1	1	RING, O STRAINER			

Figure 1829801C91
TUBE ASSY., FINAL FILTER OUTLET

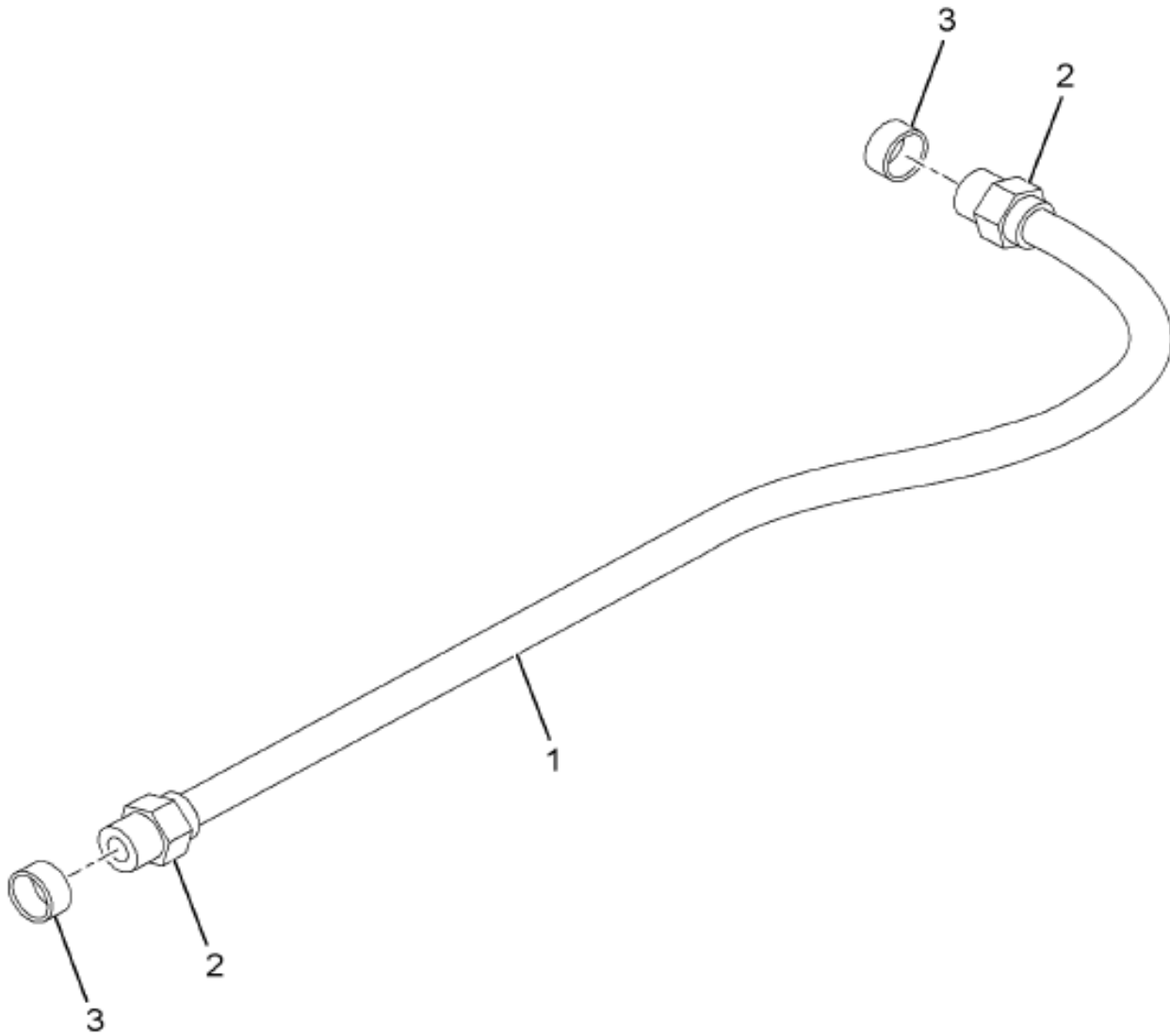


12-ENG-1305-01

A05

Item	Part No.	Qty	Description	Kit	Var	Figure
1	1829832C1	1	TUBE, FINAL FILTER OUTLET			
2	265205R1	1	NUT, 3/8 FLEX TUBE			
3	265204R1	1	SLEEVE, COMP OR FLEX TUBE			
880		RF	NOTE: ASM BELOW COMPRISED OF ABOVE COMPONENTS			
881	1829801C91	RF	TUBE ASSY., FINAL FILTER OUTLET			

Figure 1825520C91
TUBE ASSY., TRANSFER PUMP IN



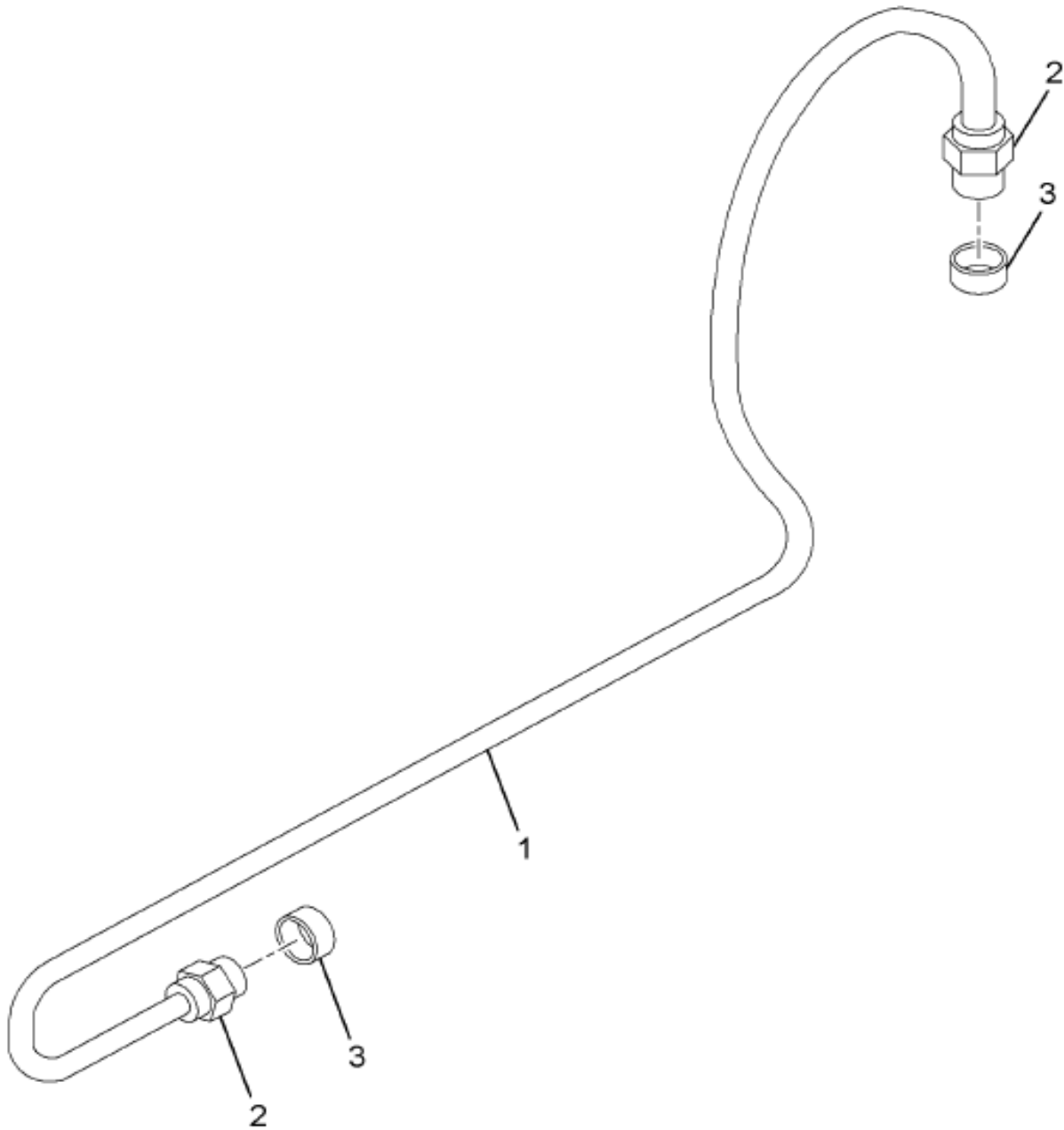
Grp
12

12-ENG-1303-01

A05

Item	Part No.	Qty	Description	Kit	Var	Figure
1	1825613C1	1	TUBE, TRANSFER PUMP INLET			
2	265205R1	2	NUT, 3/8 FLEX TUBE			
3	265204R1	2	SLEEVE, COMP OR FLEX TUBE			
880		RF	NOTE: ASM BELOW COMPRISED OF ABOVE COMPONENTS			
881	1825520C91	RF	TUBE ASSY., TRANSFER PUMP IN			

Figure 1825521C93
TUBE ASSY., TRNSFR PUMP OUTLET

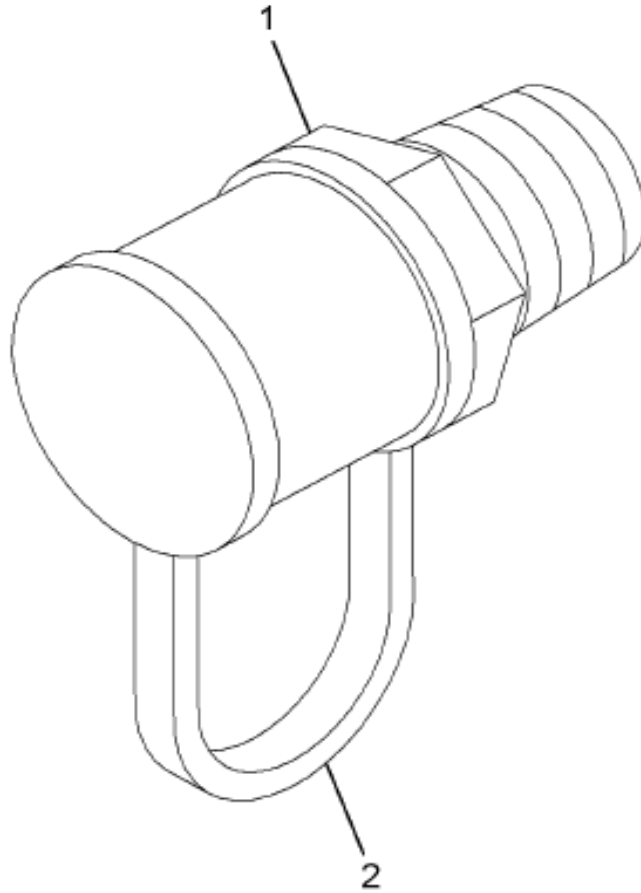


12-ENG-1304-01

A05

Item	Part No.	Qty	Description	Kit	Var	Figure
1	1829830C1	1	TUBE, TRANSFER PUMP OUTLET			
2	265205R1	2	NUT, 3/8 FLEX TUBE			
3	265204R1	2	SLEEVE, COMP OR FLEX TUBE			
880		RF	NOTE: ASM BELOW COMPRISED OF ABOVE COMPONENTS			
881	1825521C93	RF	TUBE ASSY., TRNSFR PUMP OUTLET			

Figure 1822530C92
VALVE ASSY, CHECK



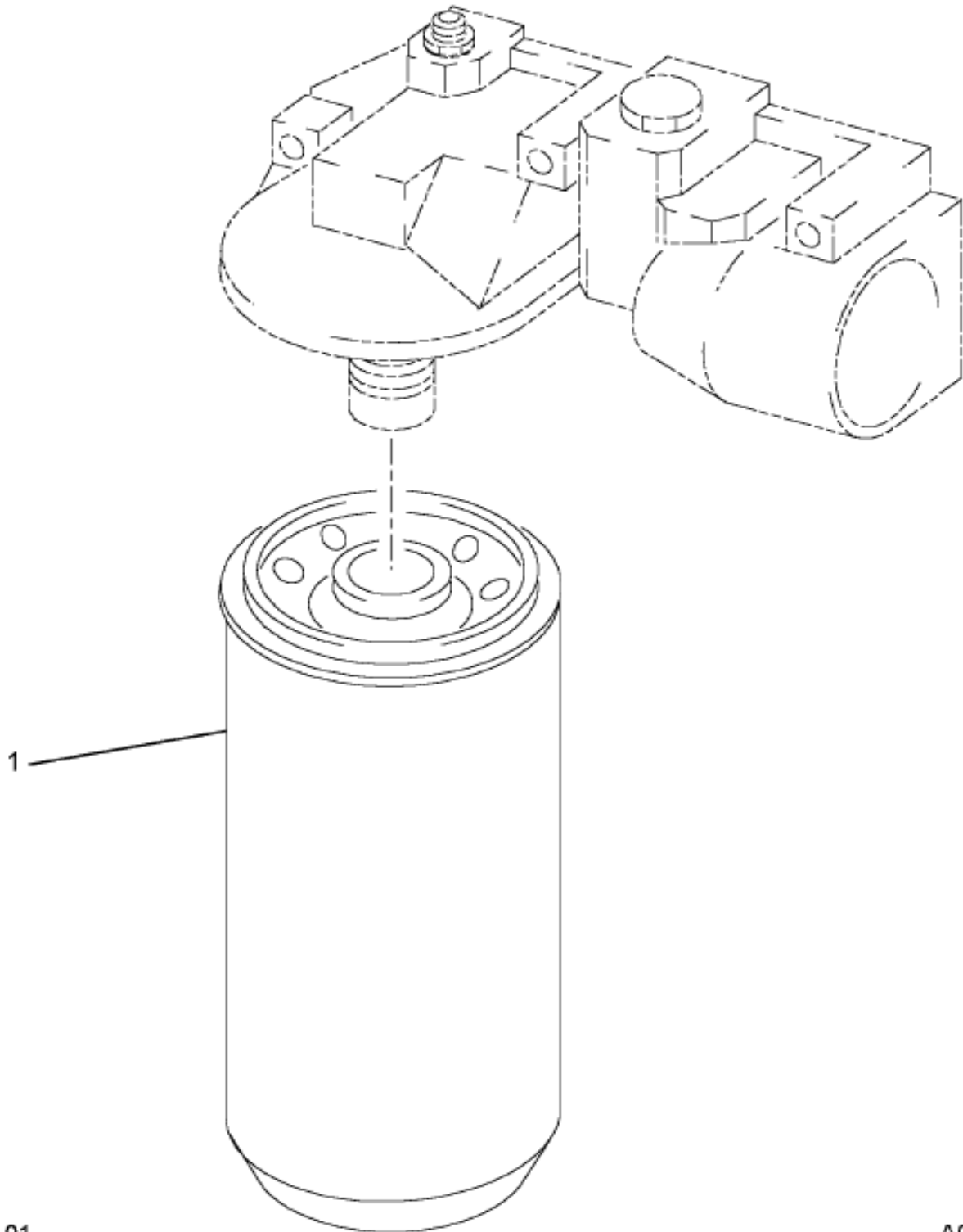
Grp
1
2

12-ENG-1306-01

A05

Item	Part No.	Qty	Description	Kit	Var	Figure
1	1823306C1	1	NIPPLE, VALVE COMPUCHECK			
2	1655349C1	1	CAP, BRK CHAMBER			
880		RF	NOTE: ASM BELOW COMPRISED OF ABOVE COMPONENTS			
881	1822530C92	RF	VALVE ASSY, CHECK			

Figure 641013B002
 FILTER, OIL



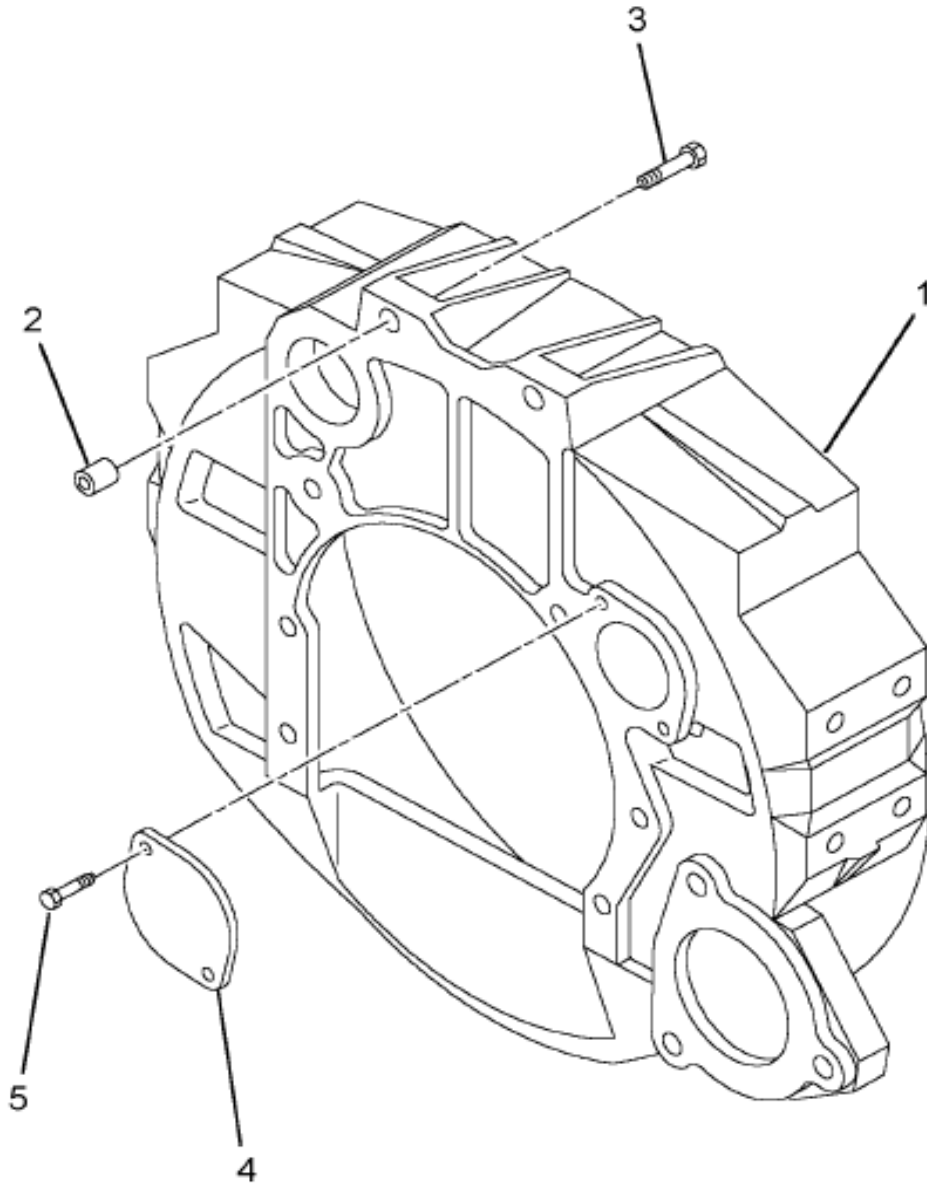
12-ENG-0093-01

A03

Item	Part No.	Qty	Description	Kit	Var	Figure
1	1833121C1	1	FILTER, OIL EXTENDED LIFE			
1		RF	SEE SERVICE RECALL 04504 SHORT OIL FILTER			
1		RF	ON 7000 SERIES 4X4 & 4X6			
880		RF	NOTE: ASM BELOW COMPRISED OF ABOVE COMPONENTS			
881	641013B002	RF	FILTER, OIL			

Figure 641010L001
FLYWHEEL HOUSING UNIT

U



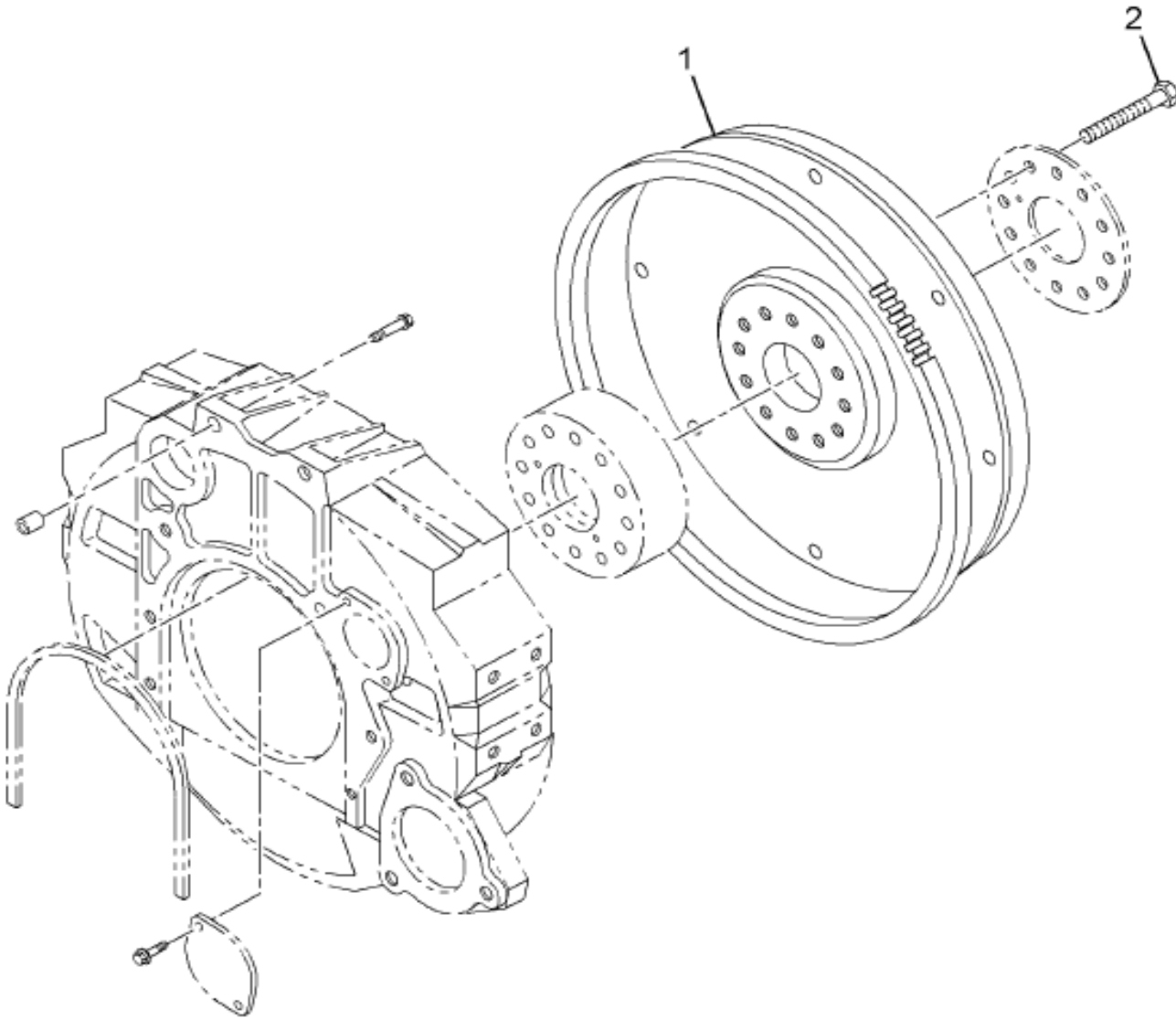
Grp
12

12-ENG-0174-01

C03

Item	Part No.	Qty	Description	Kit	Var	Figure
1	1820338C2	1	HOUSING, FLYWHEEL			
2	1822086C1	2	PIN, HOLLOW DOWEL			
3	1820606C1	8	BOLT, FLANGE M12 X 1.75MM X 50MM			
4	686702C1	1	PLATE, COVER CAMSHAFT BEARING			
5	1817953C1	2	BOLT, FLANGE M6 X 1 MM X 16 MM			
800	RF		NOTE: THE FOLLOWING PARTS ARE			

Figure 641007L001
 FLYWHEEL, MANUAL TRANSMISSION FLAT 14" CLUTCH



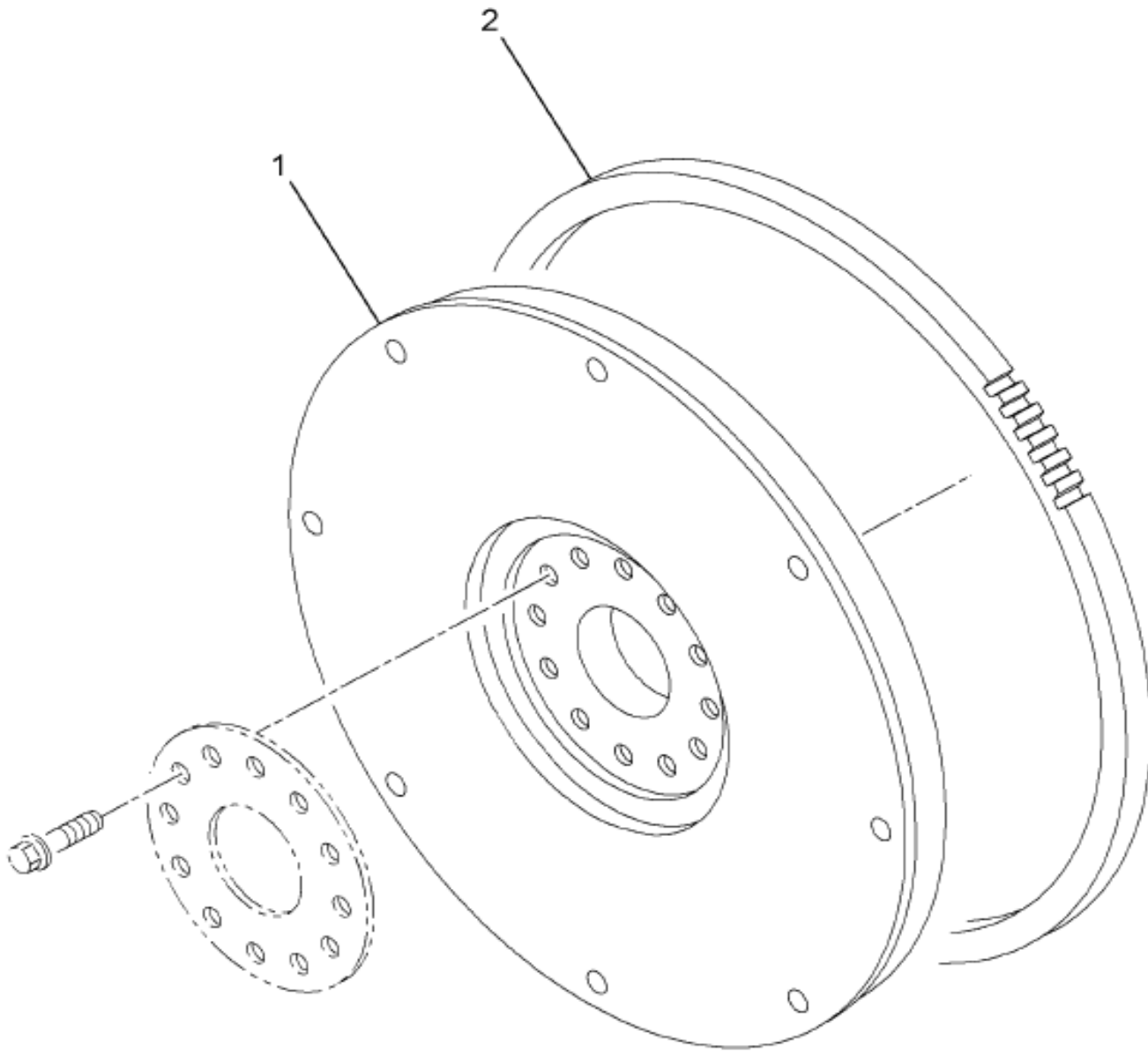
Grp
1
2

12-ENG-0209-01

D04

Item	Part No.	Qty	Description	Kit	Var	Figure
1	1821915C91	1	FLYWHEEL ASM			1821915C91
2	1823929C1	12	BOLT M12 X 1.25MM			
880		RF	NOTE: ASM BELOW COMPRISED OF ABOVE COMPONENTS			
881	641007L001	RF	FLYWHEEL, MANUAL TRANSMISSION FLAT 14" CLUTCH			

Figure 1821915C91
FLYWHEEL, MAN



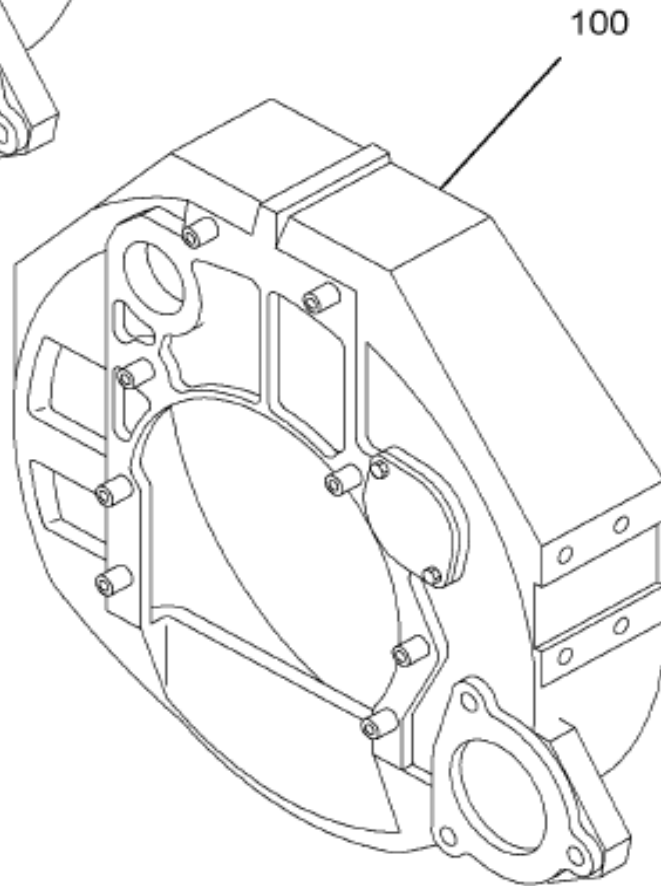
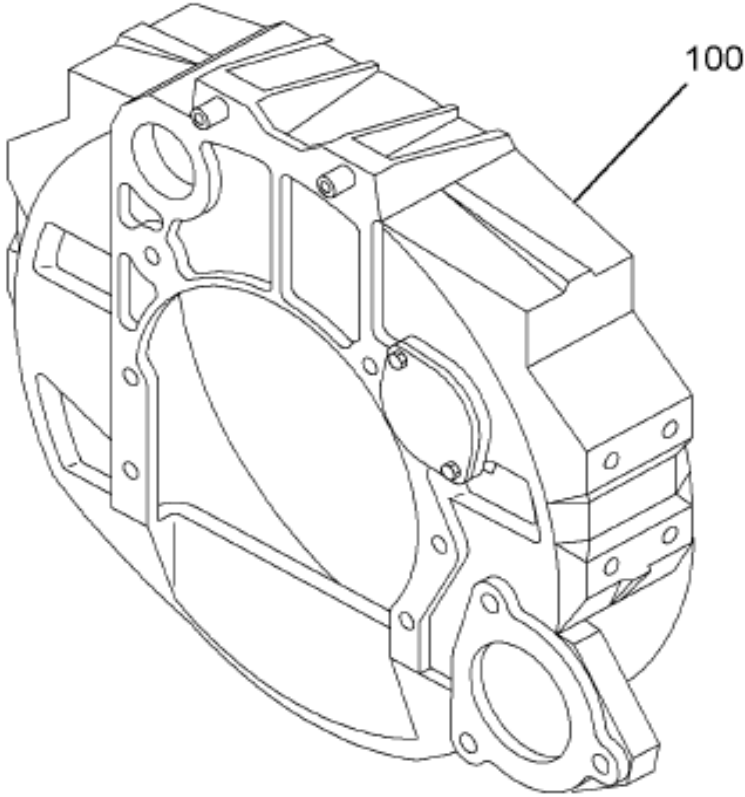
12-ENG-1016-01

D04

Item	Part No.	Qty	Description	Kit	Var	Figure
1	1821916C1	1	FLYWHEEL, ENG			
2	1815440C1	1	GEAR RING EMD 1208			
880		RF	NOTE: ASM BELOW COMPRISED OF ABOVE COMPONENTS			
881	1821915C91	RF	FLYWHEEL, MAN			

Figure 0FB8Y

FLYWHEEL/HOUSING EFFECTS; ABR#03, INTL I-530



Grp 12

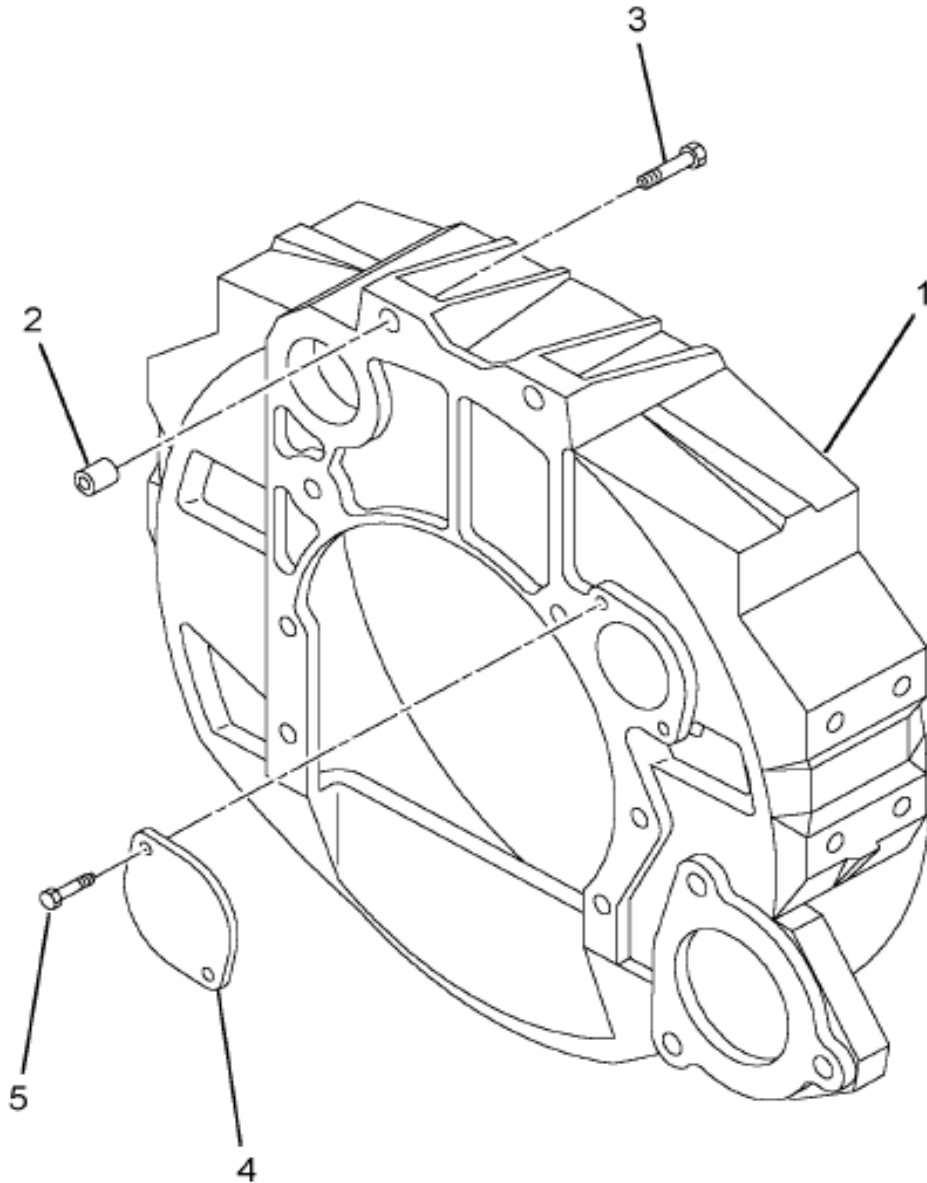
12-E03-0001-01

K04

Item	Part No.	Qty	Description	Kit	Var	Figure
100	2008329F91	1	HOUSING, FLYWHEEL		0FBYX	2008329F91

Figure 641010L001
FLYWHEEL HOUSING UNIT

U



12-ENG-0174-01

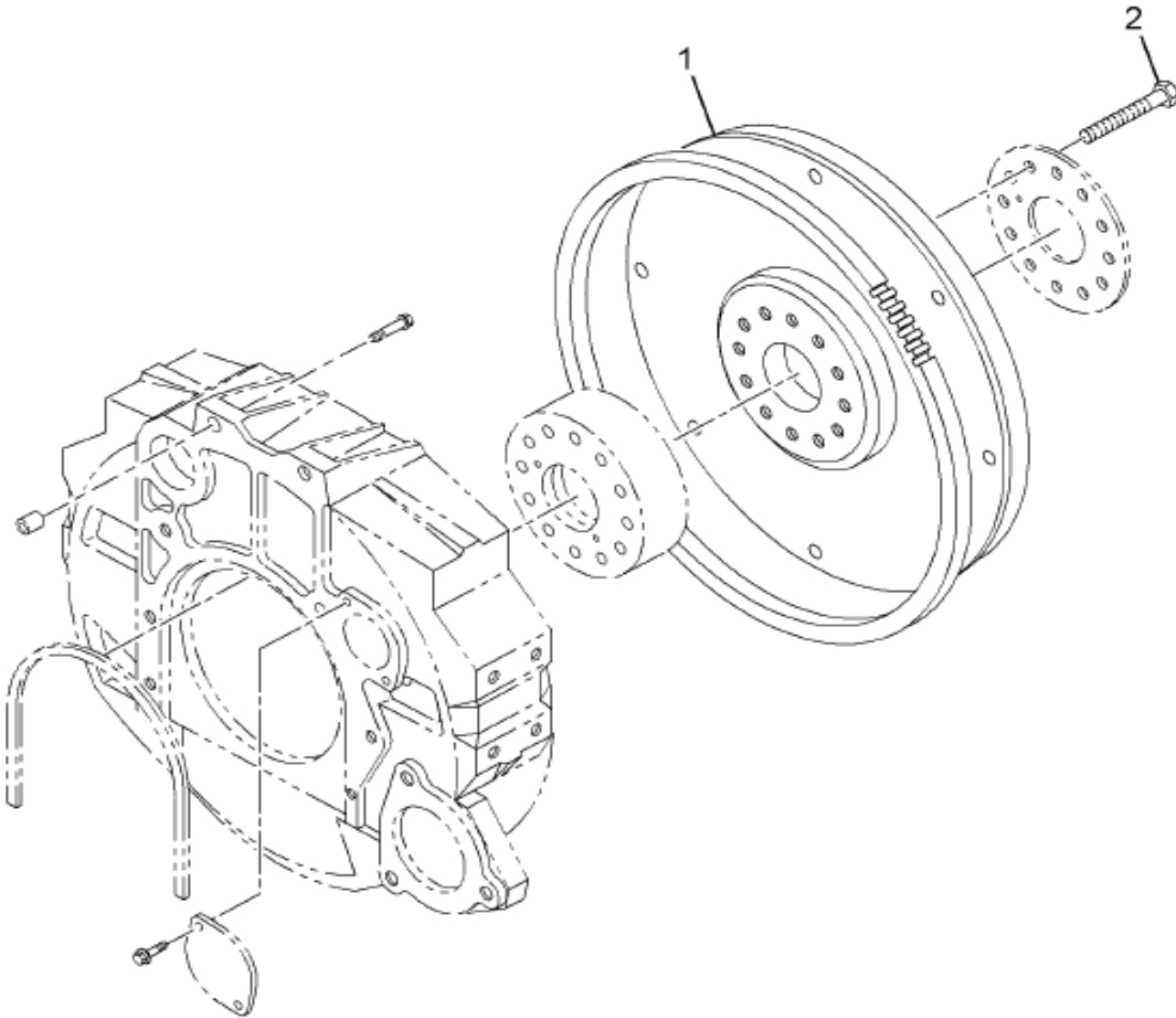
C03

Item	Part No.	Qty	Description	Kit	Var	Figure
1	1820338C2	1	HOUSING, FLYWHEEL SAE#2			
2	1822086C1	2	BUSHING, FLYWHEEL BOLT			
3	1820606C1	8	BOLT, M12X1.75X50MM HEX FLANGE			
4	686702C1	1	PLATE, COVER			
5	1817953C1	2	BOLT, M6 X 1.0 X 16MM HEX FLANG			
800	RF		NOTE: THE FOLLOWING PARTS ARE			

Figure 641007L001

FLYWHEEL UNIT

U

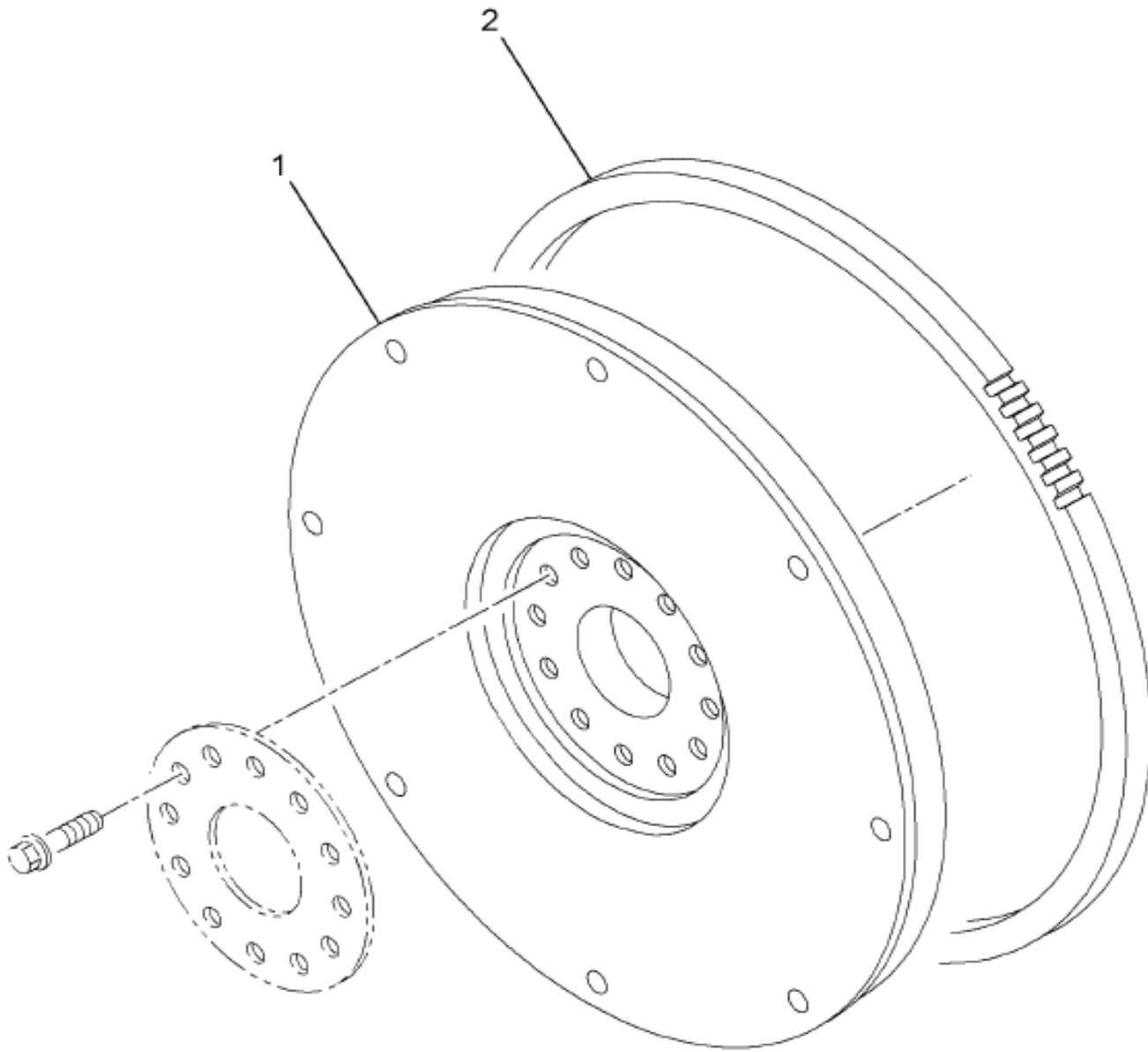


12-ENG-0209-01

D04

Item	Part No.	Qty	Description	Kit	Var	Figure
1	1821915C91	1	FLYWHEEL, MAN			1821915C91
2	1823929C1	12	BOLT, M12 X 1.25			
880		RF	NOTE: ASM BELOW COMPRISED OF ABOVE COMPONENTS			
881	641007L001	RF	FLYWHEEL UNIT		U	

Figure 1821915C91
FLYWHEEL, MAN



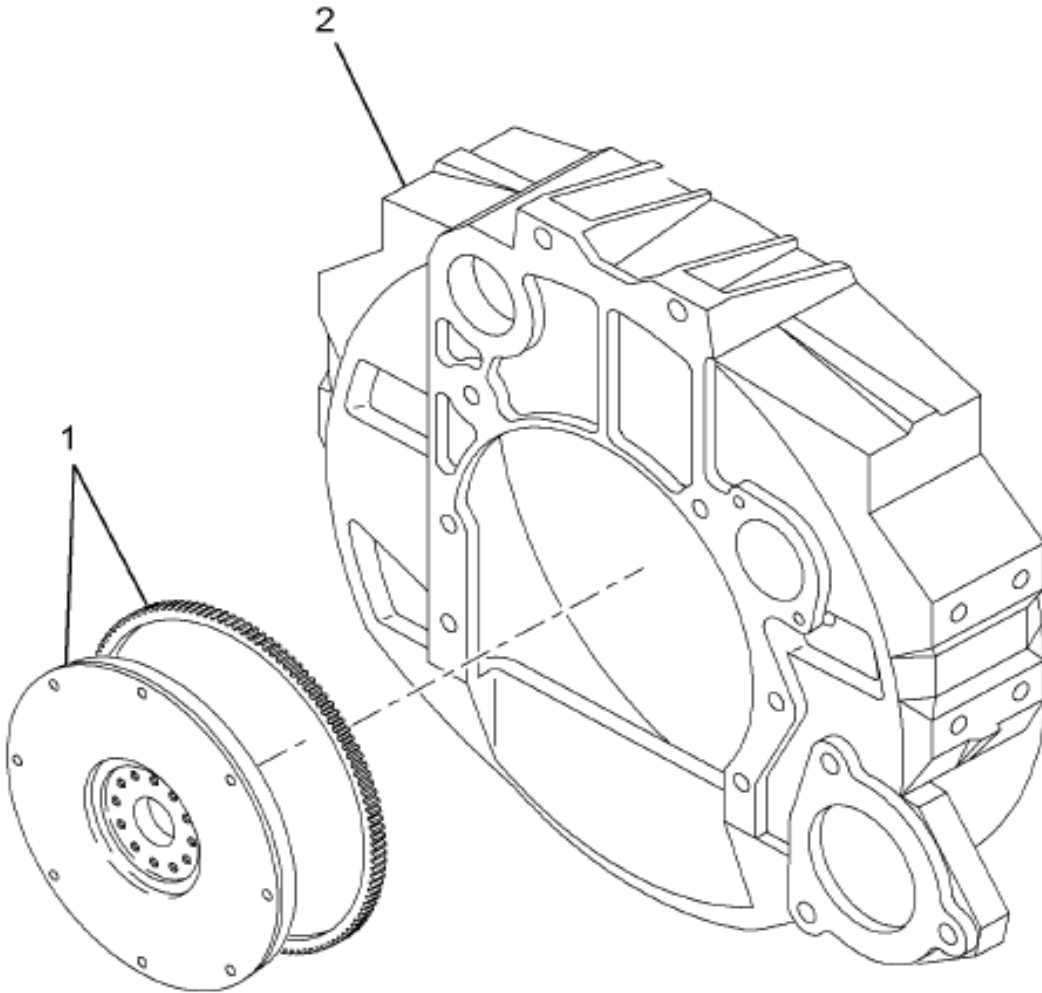
Grp
1
2

12-ENG-1016-01

D04

Item	Part No.	Qty	Description	Kit	Var	Figure
1	1821916C1	1	FLYWHEEL, ENG			
2	1815440C1	1	GEAR RING EMD 1208			
880		RF	NOTE: ASM BELOW COMPRISED OF ABOVE COMPONENTS			
881	1821915C91	RF	FLYWHEEL, MAN			

Figure 2008329F91
HOUSING, FLYWHEEL

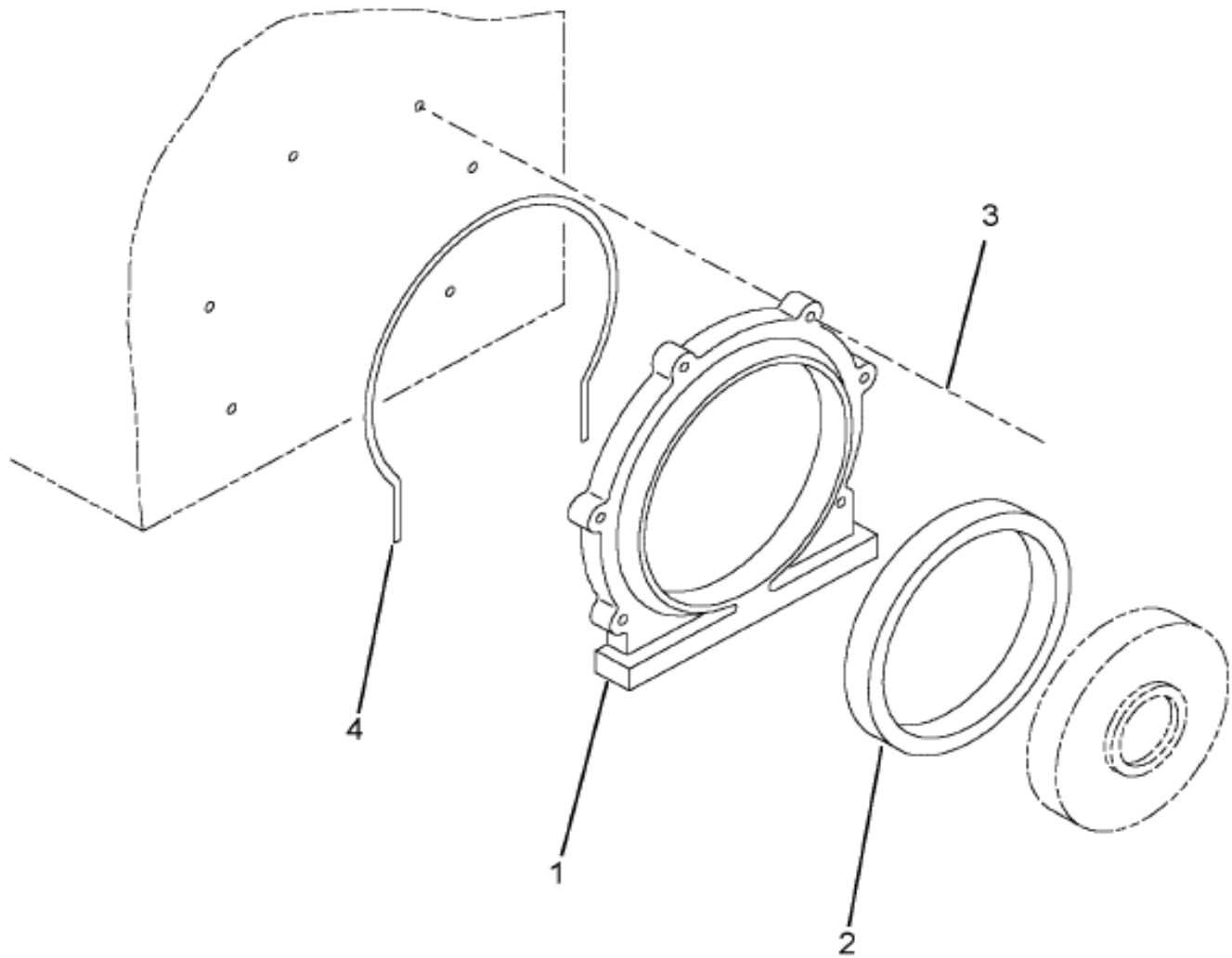


12-E03-0002-01

M04

Item	Part No.	Qty	Description	Kit	Var	Figure
1		RF	GL01 - FLYWHEEL			
1	641007L001	1	FLYWHEEL UNIT		U	641007L001
2		RF	JL01 - FLYWHEEL HOUSING SAE #2			
2	641007C001	1	REAR OIL SEALS UNIT			641007C001
2	641010L001	1	FLYWHEEL HOUSING UNIT		U	641010L001
880		RF	NOTE: ASM BELOW COMPRISED OF ABOVE			

Figure 641007C001
REAR OIL SEALS UNIT

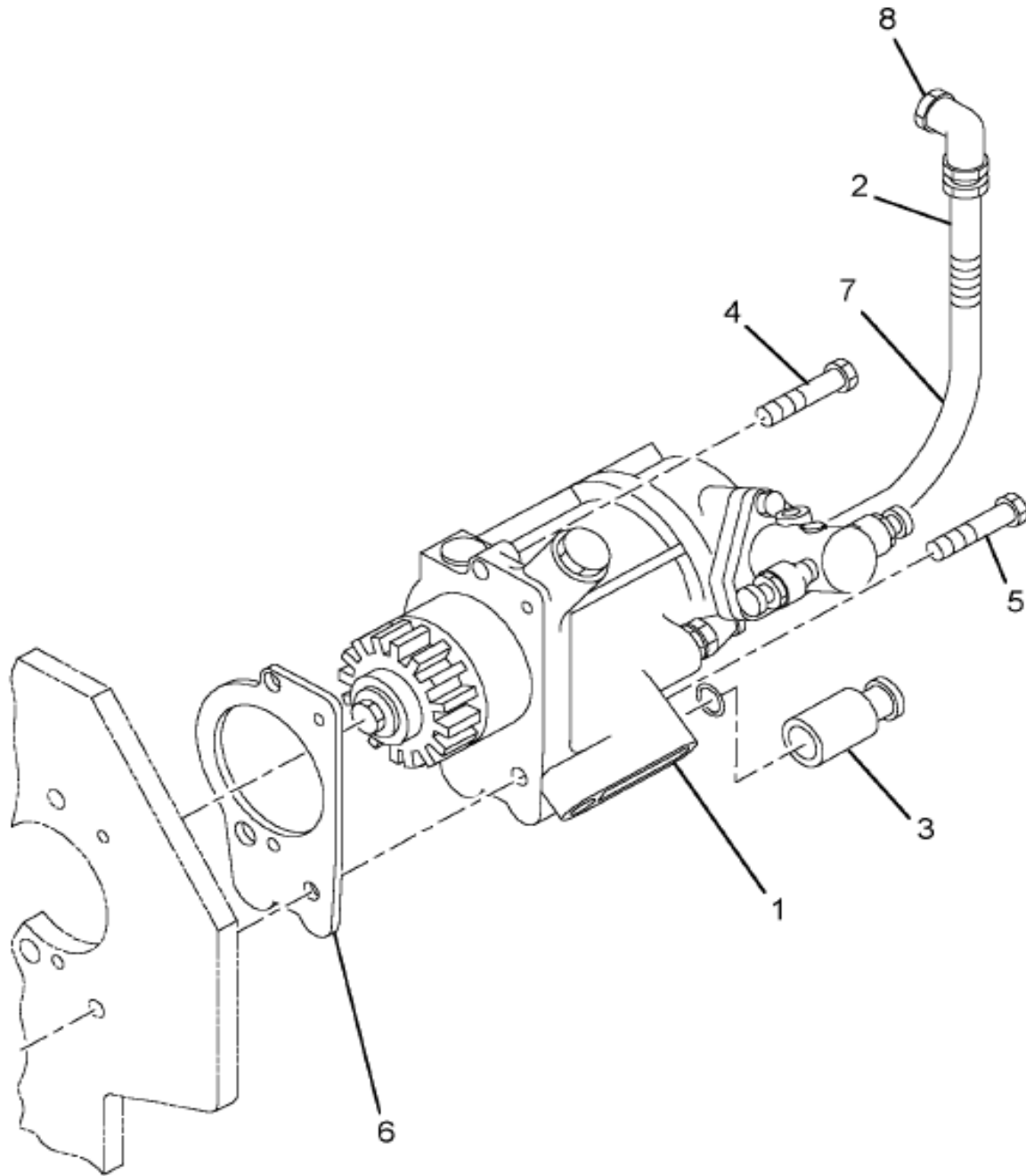


12-ENG-0087-01

A03

Item	Part No.	Qty	Description	Kit	Var	Figure
1	1815699C3	1	CARRIER,OIL SEAL			
1	1823733C2	1	CARRIER, W/REAR PTO			
2	1817867C92	1	SEAL ASSEMBLY,RADIAL LIP			
3	1817958C1	6	BOLT,CRANKCASE M8X30-10.9 HF			
4	1824911C1	1	GASKET,REAR SEAL CARRIER			
880	RF		NOTE: ASM BELOW COMPRISED OF ABOVE			

Figure 641011E002
FUEL SYSTEM, HYDRAULIC

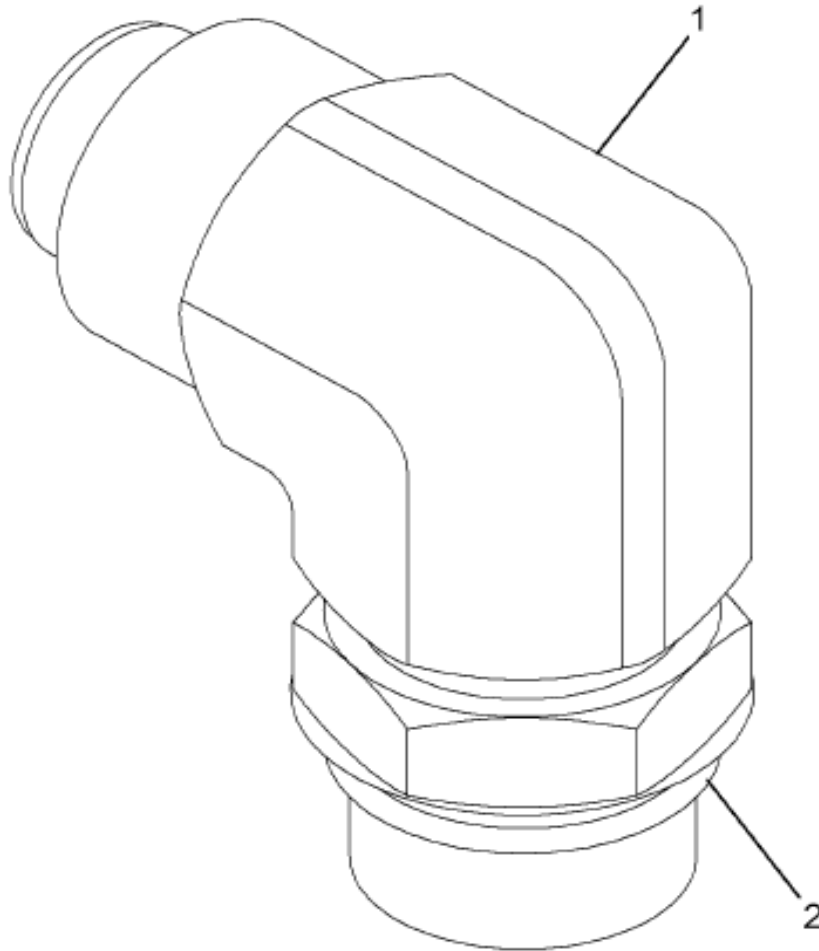


12-ENG-0149-01

B03

Item	Part No.	Qty	Description	Kit	Var	Figure
1	1830177C92	1	PUMP, HIGH PRESSURE OIL			1830177C92
2	1829802C1	1	HOSE, HIGH PRESSURE			
3	1841217C91	1	KIT, INJECTOR PRESSURE REGULATOR			1841217C91
4	1824752C1	1	BOLT, FLANGED M8 X 55			
5	1818726C1	1	BOLT M8 X 70			
6	1825685C1	1	SEAL, PUMP FLANGE			

Figure 1825563C91
ELBOW ASSY., 37-DEG O-RING BOSS

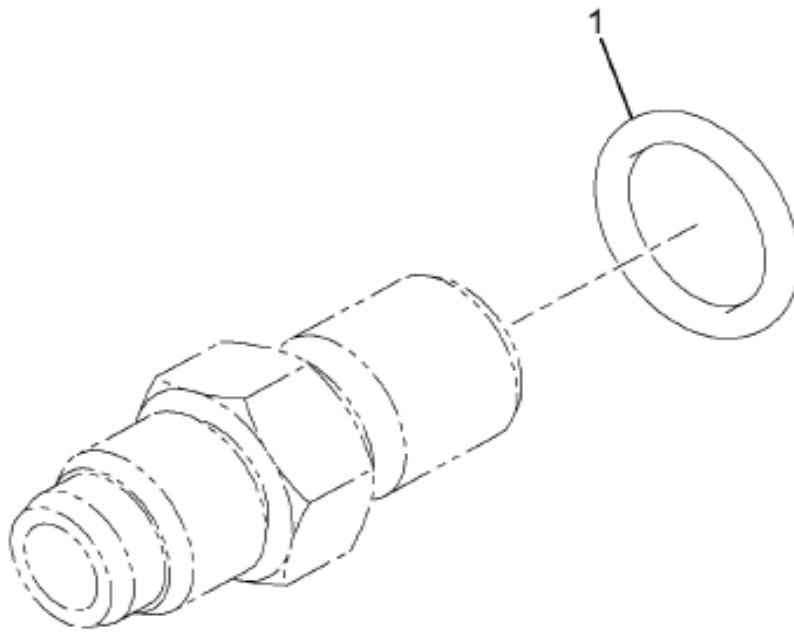


10-001-0004-01

K04

Item	Part No.	Qty	Description	Kit	Var	Figure
1	9410976	1	ELBOW,PIPE 90-37D FL TB .56-18			
2	1823790C1	1	RING,O #906			
880		RF	NOTE: ASM BELOW COMPRISED OF ABOVE COMPONENTS			
881	1825563C91	RF	ELBOW ASSY.,37-DEG O-RING BOSS			

Figure 1842004C91
 FITTING, 37 DEG FLARED HP HOSE



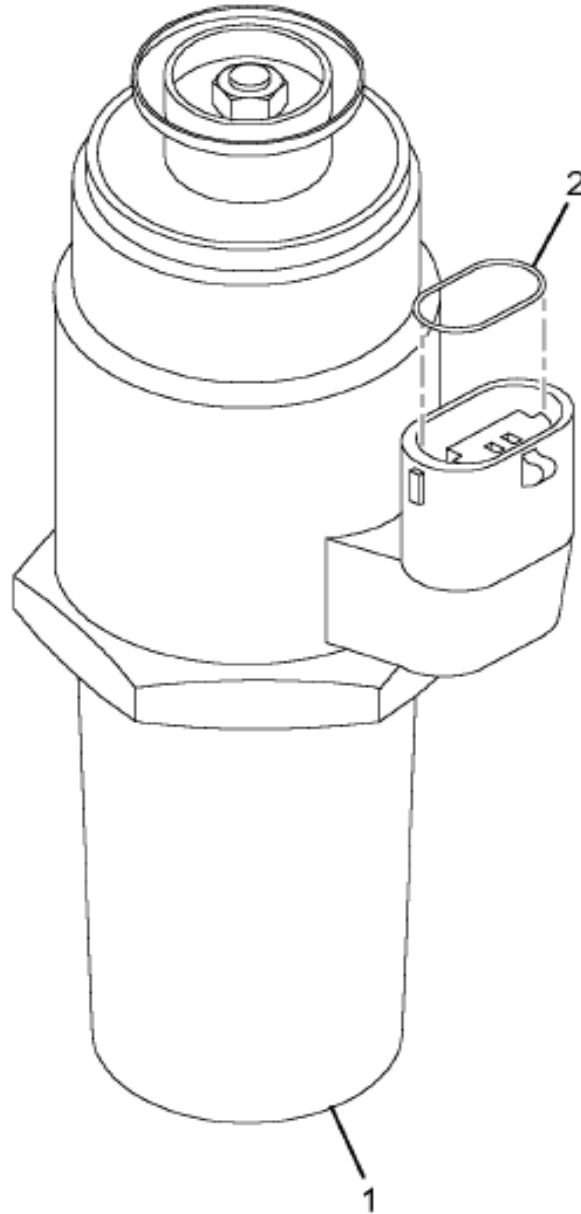
Grp
1
2

12-ENG-2036-01

C09

Item	Part No.	Qty	Description	Kit	Var	Figure
1	1823790C1	1	RING, O #906			
880		RF	NOTE: ASM BELOW COMPRISED OF ABOVE COMPONENTS			
881	1842004C91	RF	FITTING, 37 DEG FLARED HP HOSE			

Figure 1841217C91
PACKAGE-INJ PRESSURE REGULATOR

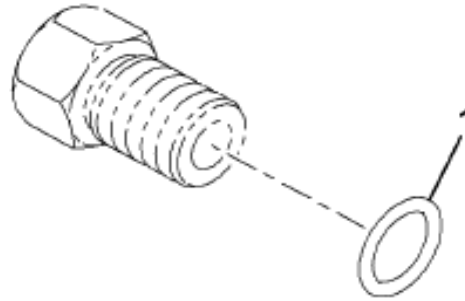


12-ENG-0745-01

K03

Item	Part No.	Qty	Description	Kit	Var	Figure
1	1841086C91	1	REGULATOR- INJ. PRESS			
2	1807263C1	1	SEAL, PRESSOR SENSOR			
880		RF	NOTE: ASM BELOW COMPRISED OF ABOVE COMPONENTS			
881	1841217C91	RF	PACKAGE-INJ PRESSURE REGULATOR			

Figure 1842002C91
 PLUG ASSY, CONSTRUCTION



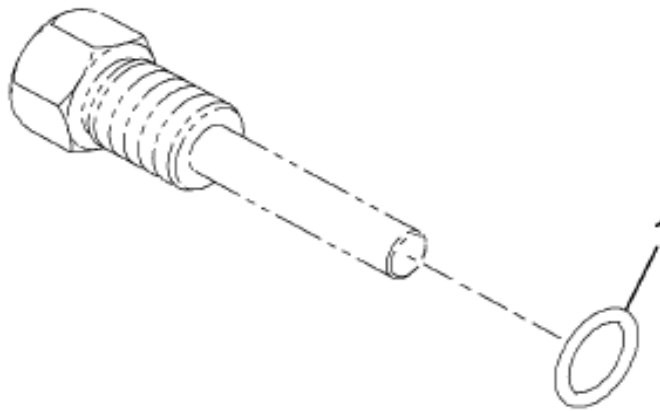
Grp
 1
 2

12-ENG-2034-01

C09

Item	Part No.	Qty	Description	Kit	Var	Figure
1	1842011C1	1	RING, O #903			
880		RF	NOTE: ASM BELOW COMPRISED OF ABOVE COMPONENTS			
881	1842002C91	RF	PLUG ASSY, CONSTRUCTION			

Figure 1842003C91
 PLUG ASSY,OIL FERRY

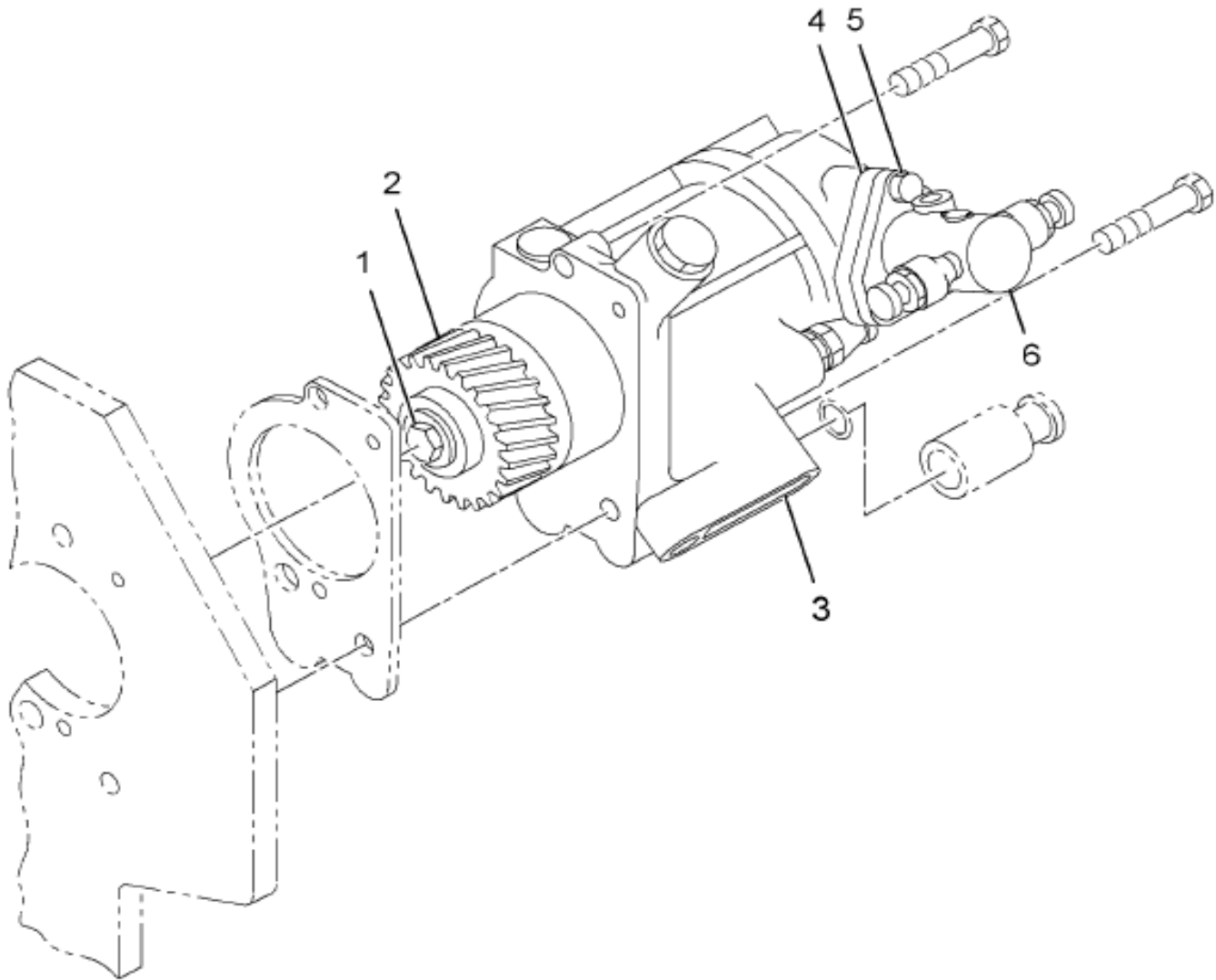


12-ENG-2035-01

C09

Item	Part No.	Qty	Description	Kit	Var	Figure
1	1842011C1	1	RING,O #903			
880		RF	NOTE: ASM BELOW COMPRISED OF ABOVE COMPONENTS			
881	1842003C91	RF	PLUG ASSY,OIL FERRY			

Figure 1830177C92
PUMP, HIGH PRESSURE OIL

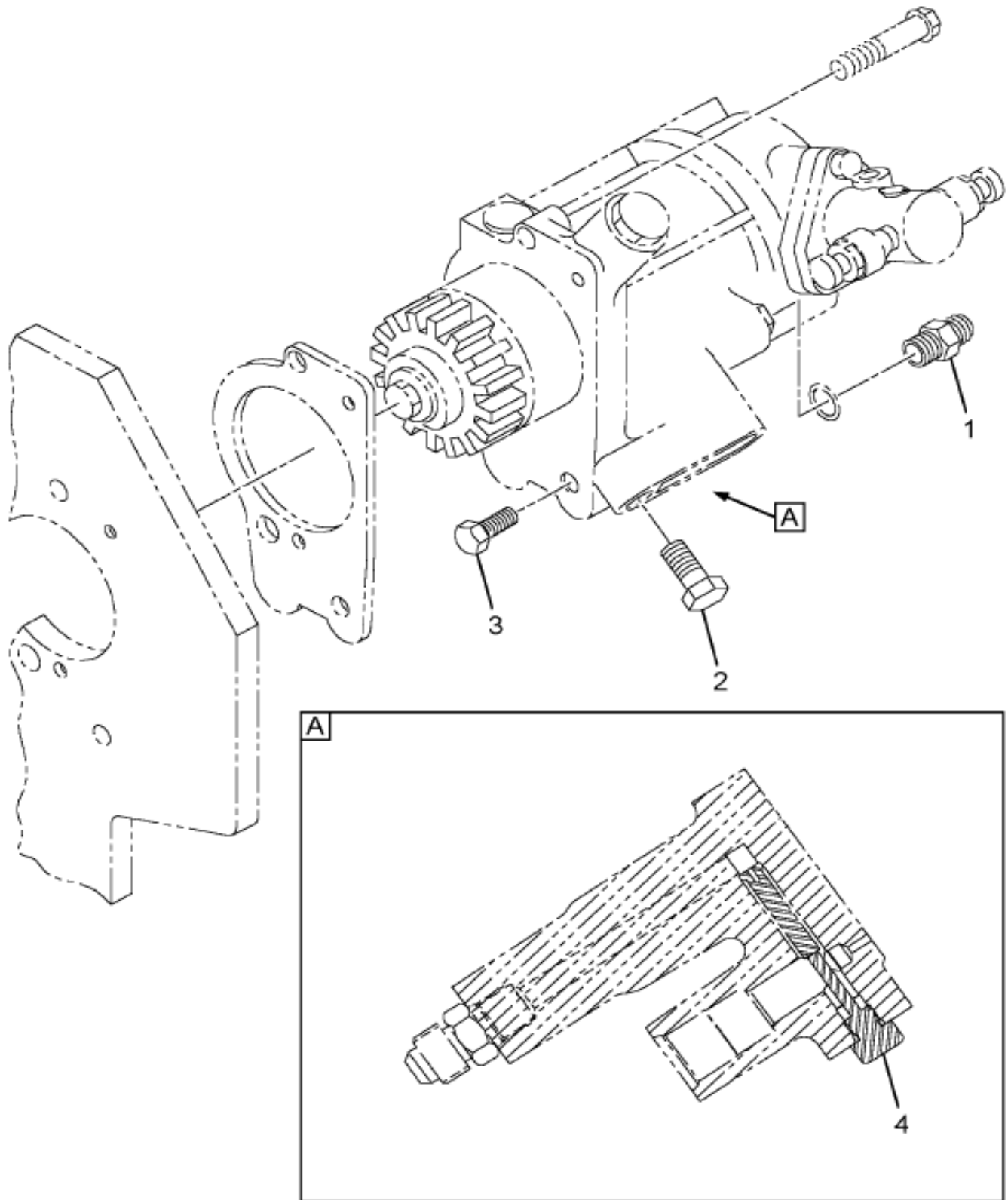


12-ENG-0847-01

G04

Item	Part No.	Qty	Description	Kit	Var	Figure
1	1818236C1	1	BOLT, M12 X 30 HEX FLANGE			
2	1820967C2	1	GEAR, PUMP			
3	1830192C2	1	PUMP, HIGH PRESSURE OIL			1830192C2
4	1824755C1	1	GASKET, FUEL PUMP			
5	1817817C1	3	BOLT, M6-1.0 X 20MM, HEX FLANGE			
6	1821232C92	1	PUMP, LOW PRESSURE FUEL SUPPLY			1821232C92

Figure 1830192C2
PUMP, HIGH PRESSURE OIL



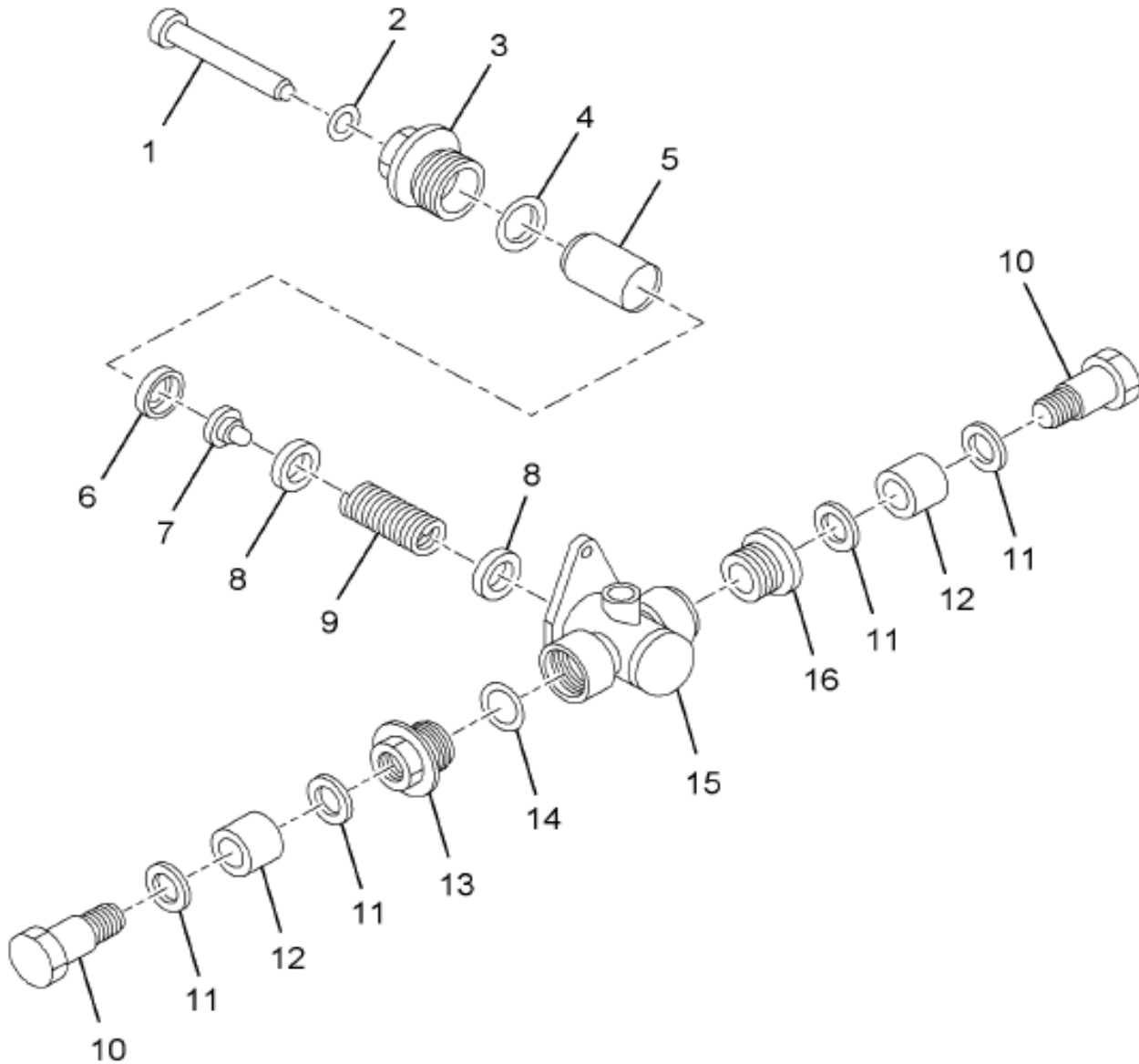
12-ENG-0839-01

K03

Item	Part No.	Qty	Description	Kit	Var	Figure
1	1842004C91	1	FITTING, 37 DEG FLARED HP HOSE			1842004C91
2	1842002C91	1	PLUG ASSY, CONSTRUCTION			1842002C91
3	1842003C91	1	PLUG ASSY, OIL FERRY			1842003C91
4	1825238C1	1	FILTER, EDGE, HI PRESS OIL PUMP			
880	RF		NOTE: ASM BELOW COMPRISED OF ABOVE COMPONENTS			

Grp
12

Figure 1821232C92
PUMP, LOW PRESSURE FUEL SUPPLY

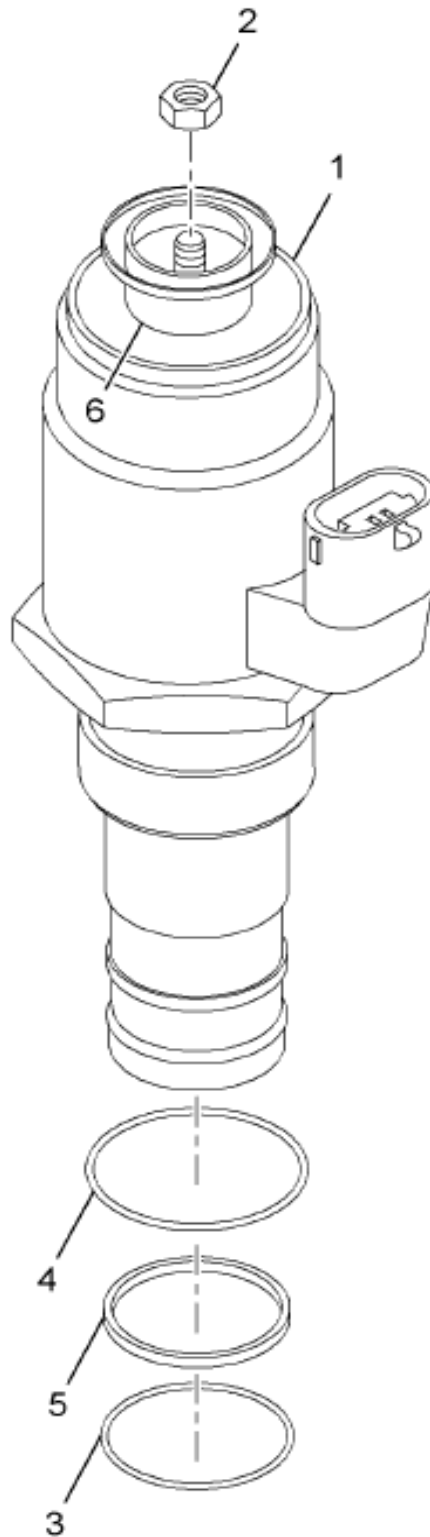


12-ENG-1524-01

J05

Item	Part No.	Qty	Description	Kit	Var	Figure
1	1821143C1	1	TAPPET, SLIDING			
2	1812691C1	1	RING, O			
3	1821144C1	1	ROLLER TAPPET, SHELL			
4	1823010C1	1	RING, O			
5	1819005C1	1	PLUNGER, PUMP			
6	1813824C1	1	RING, O			

Figure 1825249C91
VALVE ASSY, IPR

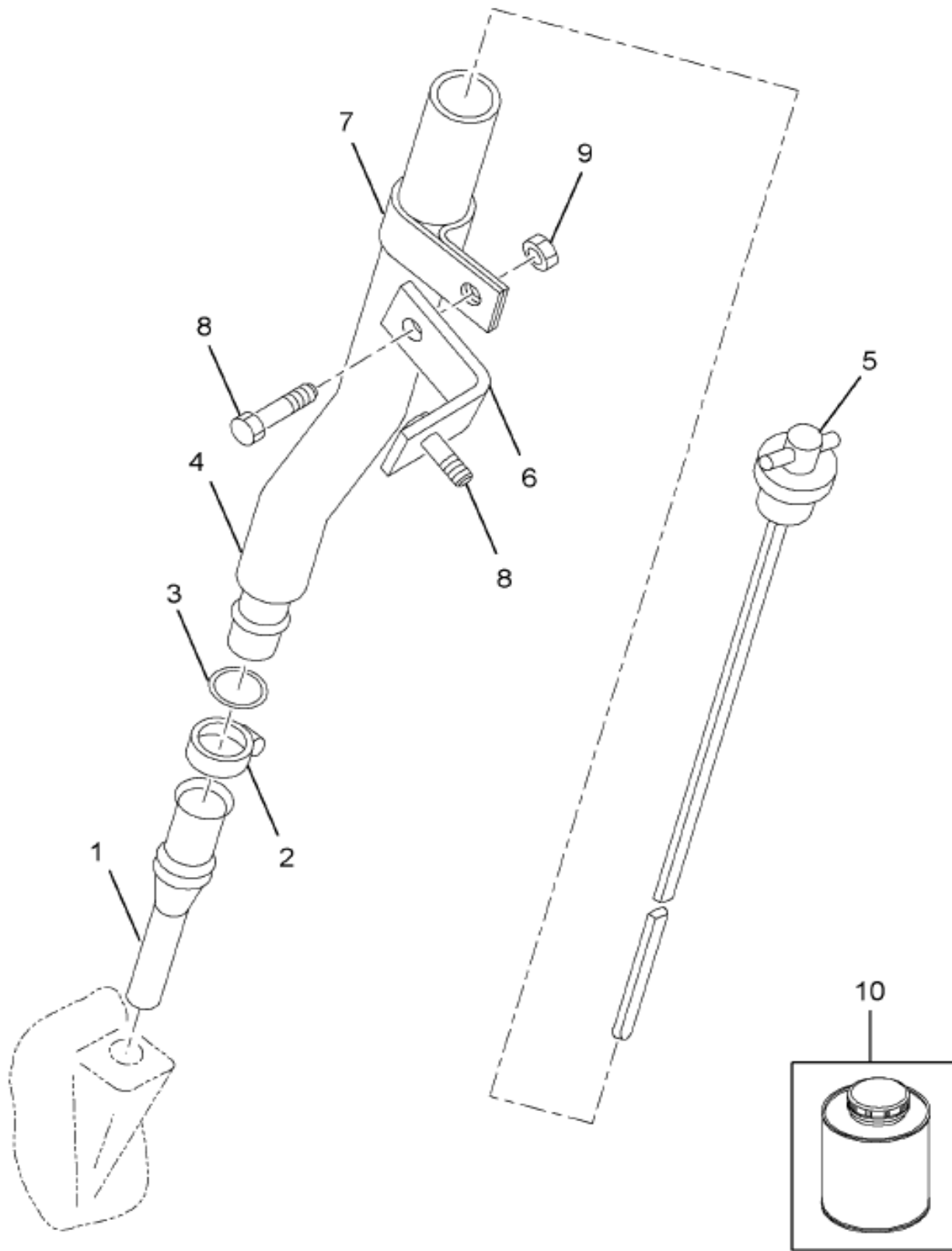


12-ENG-0867-01

A04

Item	Part No.	Qty	Description	Kit	Var	Figure
1	1825349C1	1	VALVE, INJ.PRES. REGULATOR			
2	1824978C1	1	NUT, (IPR)			
3	1824979C1	1	RING, O			
4	1824980C1	1	RING, O #018			
5	1824981C1	1	SEAL, BACK-UP RING			
6	1826345C1	1	SPACER			

Figure 641006M011
GAUGE, OIL LEVEL NGV RACOR



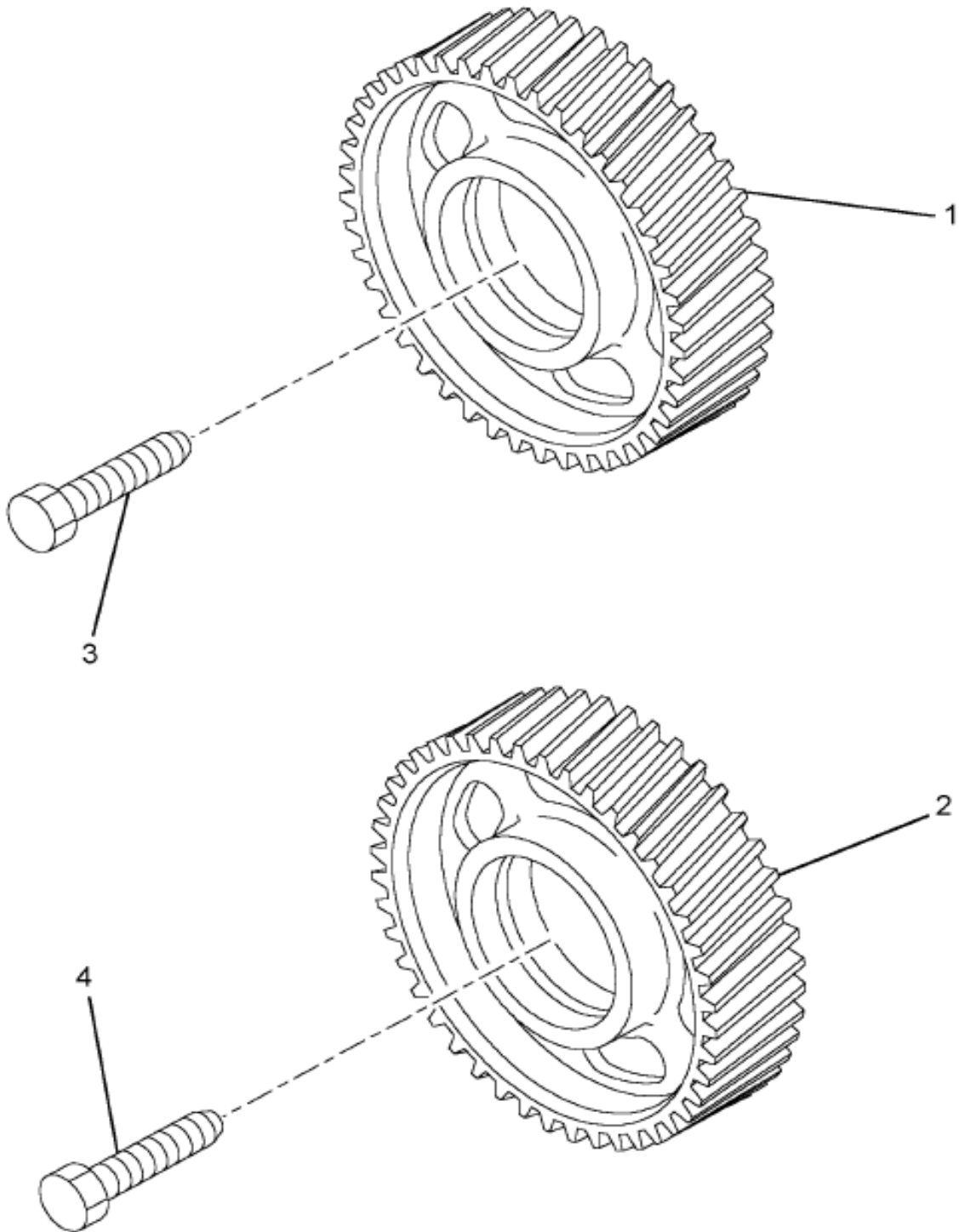
12-ENG-0290-01

G10

Item	Part No.	Qty	Description	Kit	Var	Figure
1	691846C1	1	TUBE,OIL LEVEL GAUGE			
2	690835C1	1	CLAMP OIL FILLER			
3	1812559C1	1	SEAL, OIL DIPSTICK TUBE			
4	1836472C1	1	TUBE, OIL FILLER			
5	1836473C1	1	GAUGE OIL LEVEL			
5		RF	BEFORE 05/13/2010			

Grp
12

Figure 641003D002
GEAR, IDLER



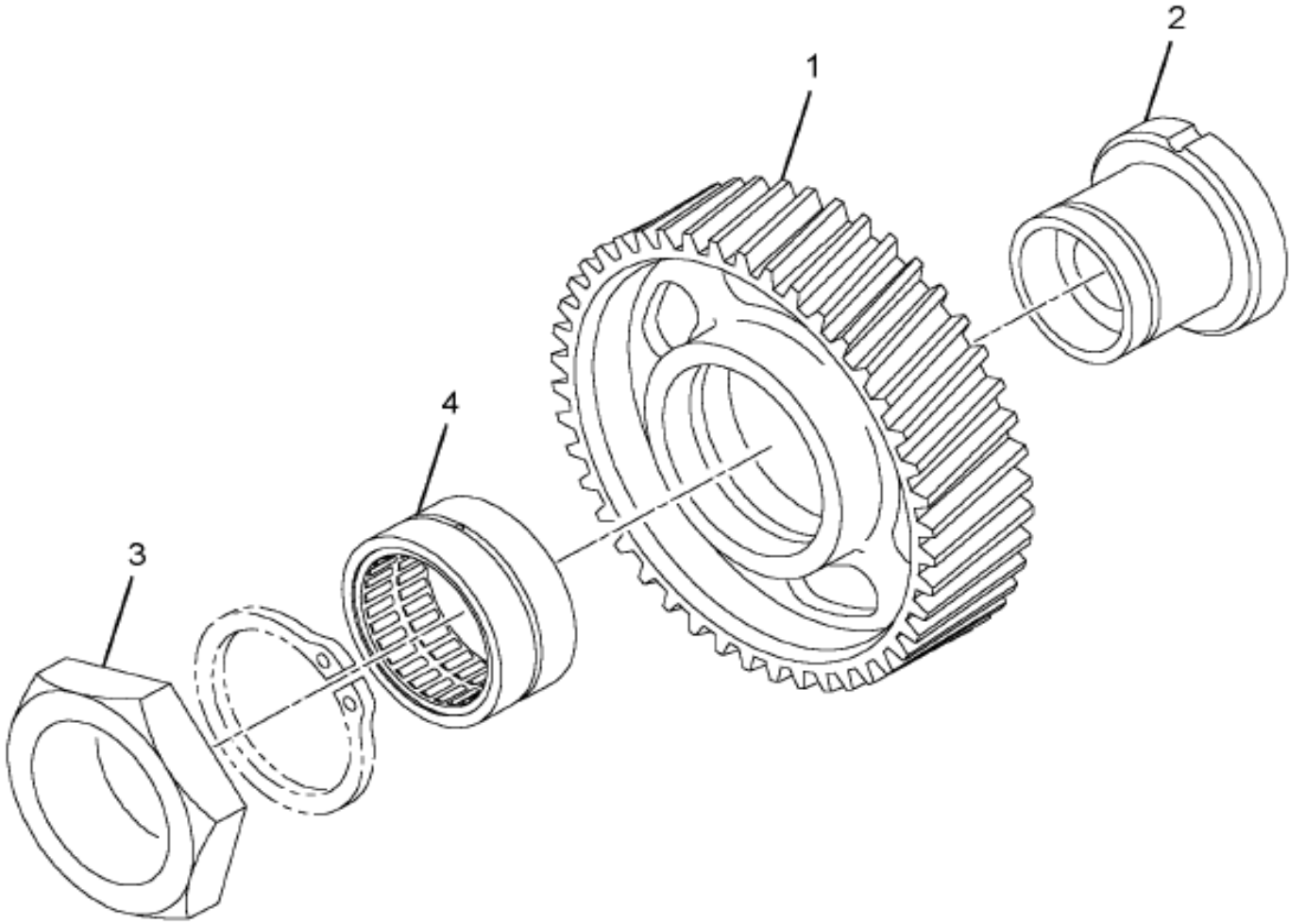
12-ENG-0080-01

A03

Grp
12

Item	Part No.	Qty	Description	Kit	Var	Figure
1	1822102C95	1	GEAR, IDLER UPPER			1822102C95
2	1822101C95	1	GEAR, IDLER LOWER			1822101C95
3	1820287C1	1	BOLT M16 X 65MM			
4	40055R1	1	BOLT M20 X 70 MM			
880	RF		NOTE: ASM BELOW COMPRISED OF ABOVE COMPONENTS			

Figure 1822101C95
GEAR ASSY, LOWER



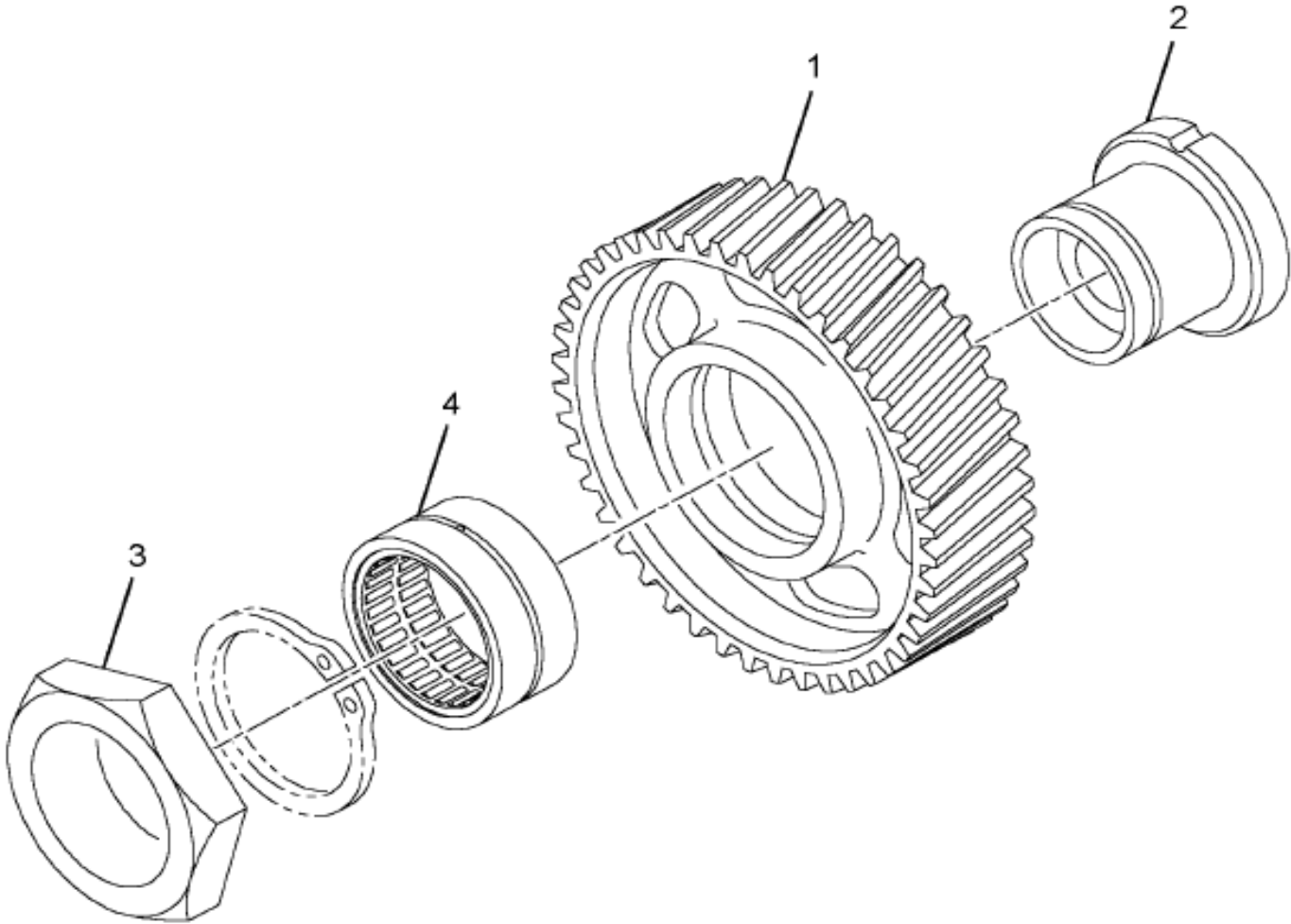
Grp
12

12-ENG-0694-01

J03

Item	Part No.	Qty	Description	Kit	Var	Figure
1	1824636C1	1	GEAR, IDLER LOWER (HEUI)			
2	1820294C1	1	SHAFT, IDLER LOWER			
3	1820301C1	1	NUT, LOWER IDLER SHAFT			
4	1818614C91	1	BEARING, LOWER IDLER GEAR			
880	RF		NOTE: ASM BELOW COMPRISED OF ABOVE COMPONENTS			

Figure 1822102C95
GEAR ASSY., UPPER



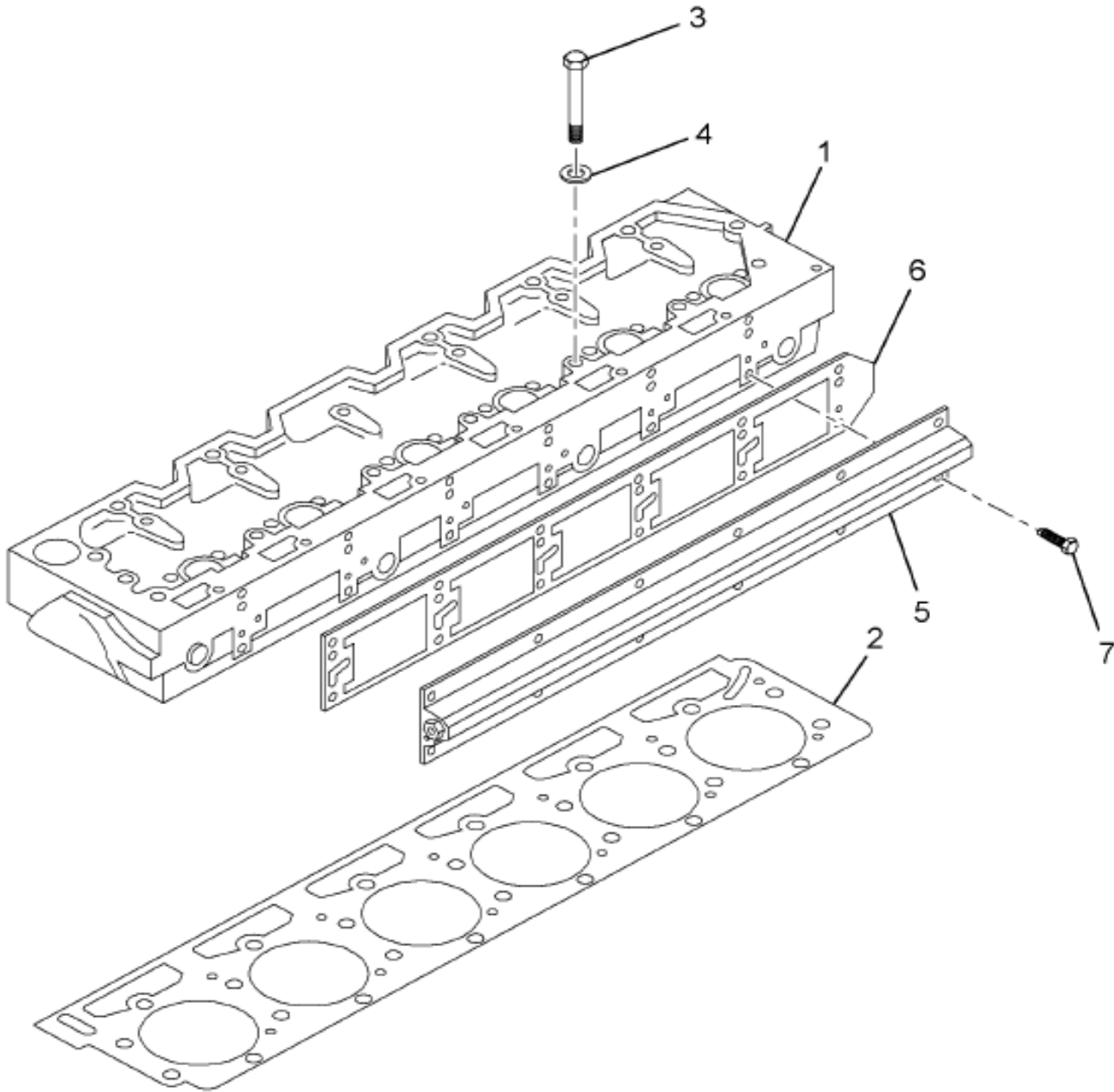
Grp
1
2

12-ENG-0694-01

J03

Item	Part No.	Qty	Description	Kit	Var	Figure
1	1824635C1	1	GEAR, IDLER UPPER (HEUI)			
2	1820277C1	1	SHAFT, IDLER UPPER			
3	1820278C1	1	NUT, UPPER IDLER SHAFT			
4	1820383C91	1	BEARING, IDLER UPPER			
880	RF		NOTE: ASM BELOW COMPRISED OF ABOVE COMPONENTS			

Figure 641008A009
HEAD, CYLINDER



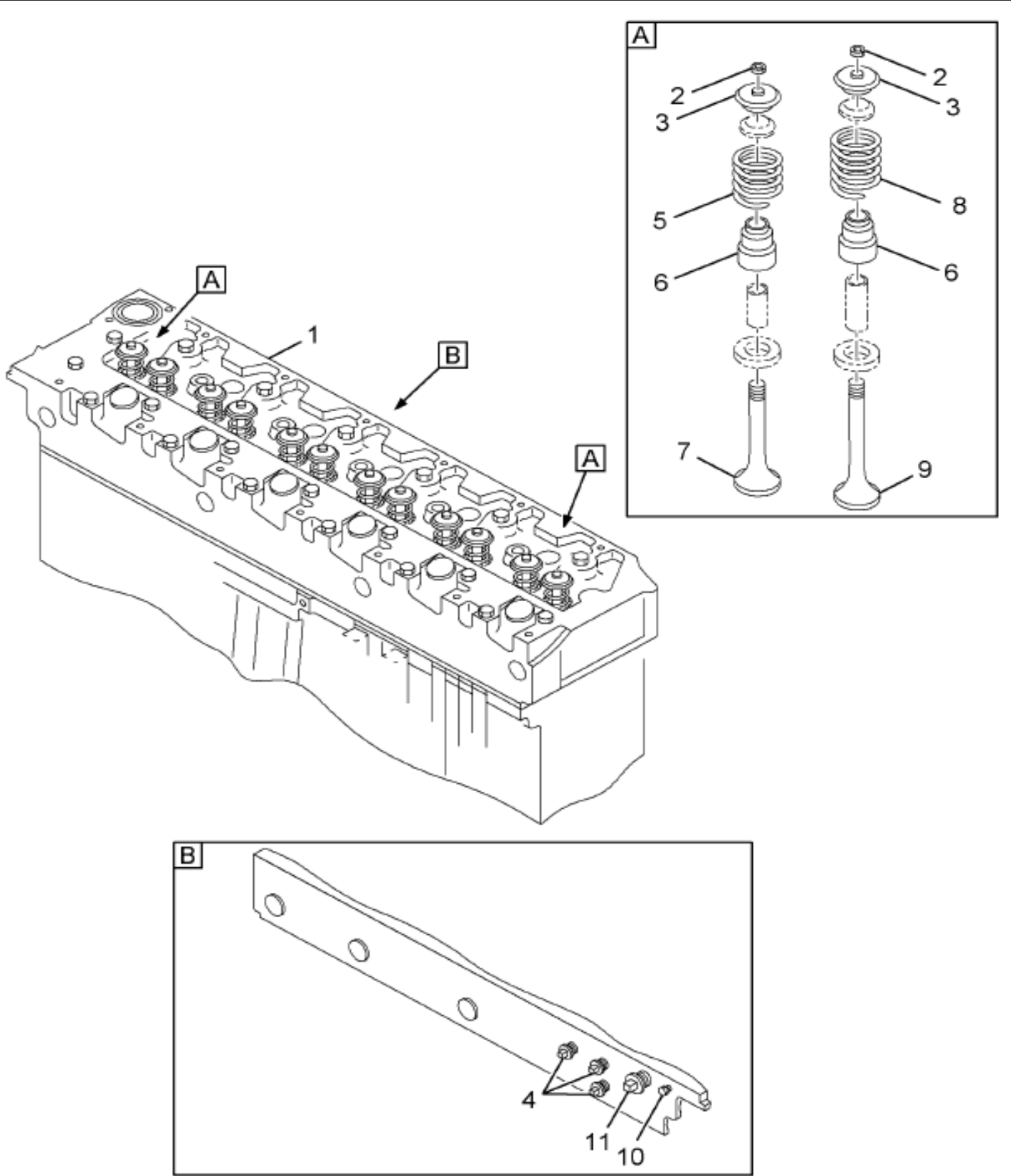
Grp
12

12-ENG1840-01

G07

Item	Part No.	Qty	Description	Kit	Var	Figure
1	1830346C95	1	HEAD, CYLINDER			1830346C95
2	1830189C2	1	GASKET CYLINDER HEAD			
3	1824954C2	20	BOLT, CYLINDER HEAD			
4	1814757C2	20	WASHER, HARDENED			
5	1829825C92	1	MANIFOLD			1829825C92
6	1822577C1	1	GASKET MANIFOLD			

Figure 1830346C95
HEAD ASSY, CYLINDER, W/VALVES



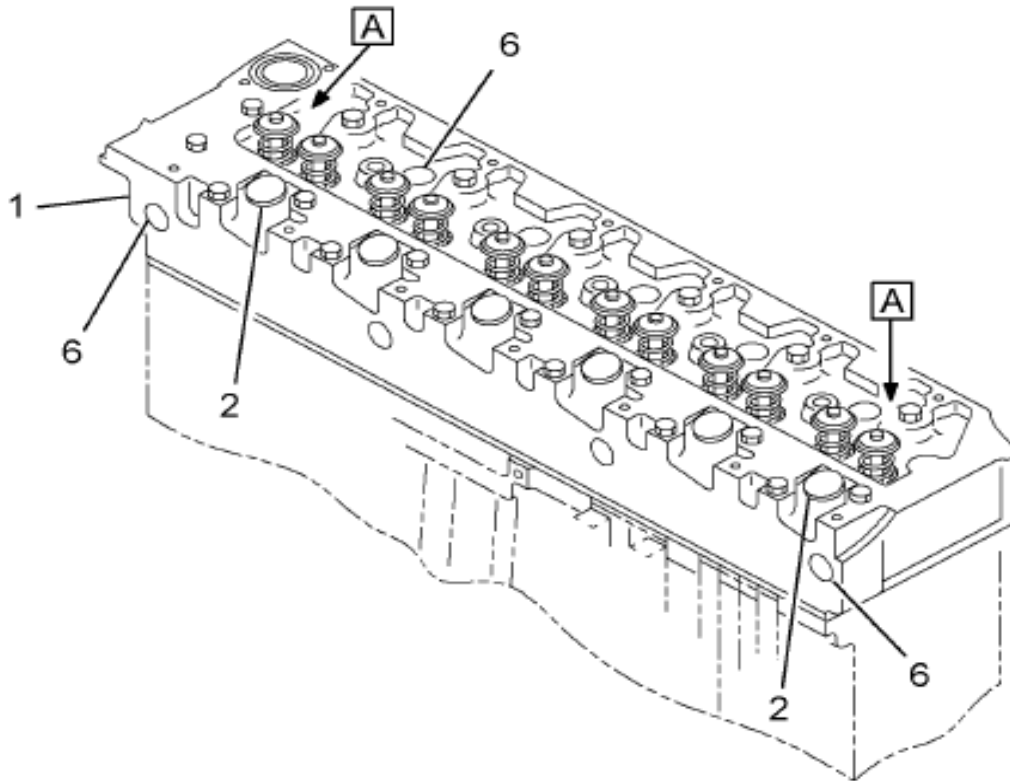
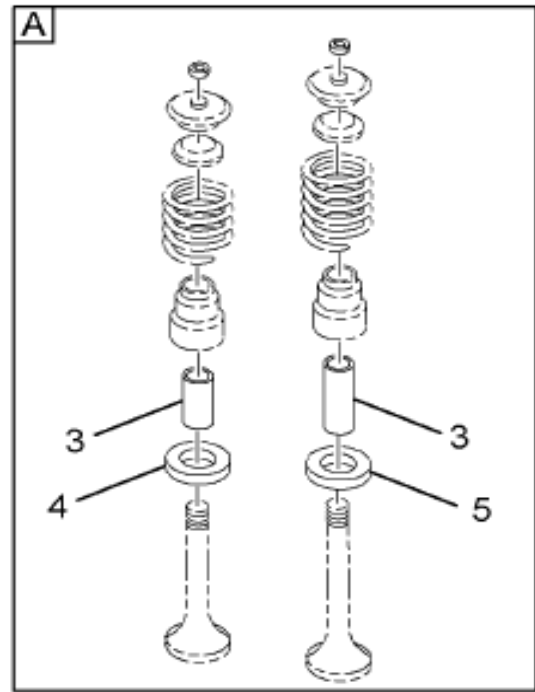
G R P 1 2

12-ENG-1976-01

B09

Item	Part No.	Qty	Description	Kit	Var	Figure
1	1830345C93	1	HEAD ASSY., CYLINDER			1830345C93
2	1824644C1	24	KEY, MANIF HEAT CONT LEVER			
3	1824680C1	12	ROTATOR, VALVE			
4	445751	3	PLUG, 1/2-14 PLN SQ/SKT AUTO P			
5	677349C1	6	SPRING, INTAKE VALVE			
6	1823925C1	12	SEAL, VALVE STEM ASSY.			

Figure 1830345C93
HEAD ASSY., CYLINDER



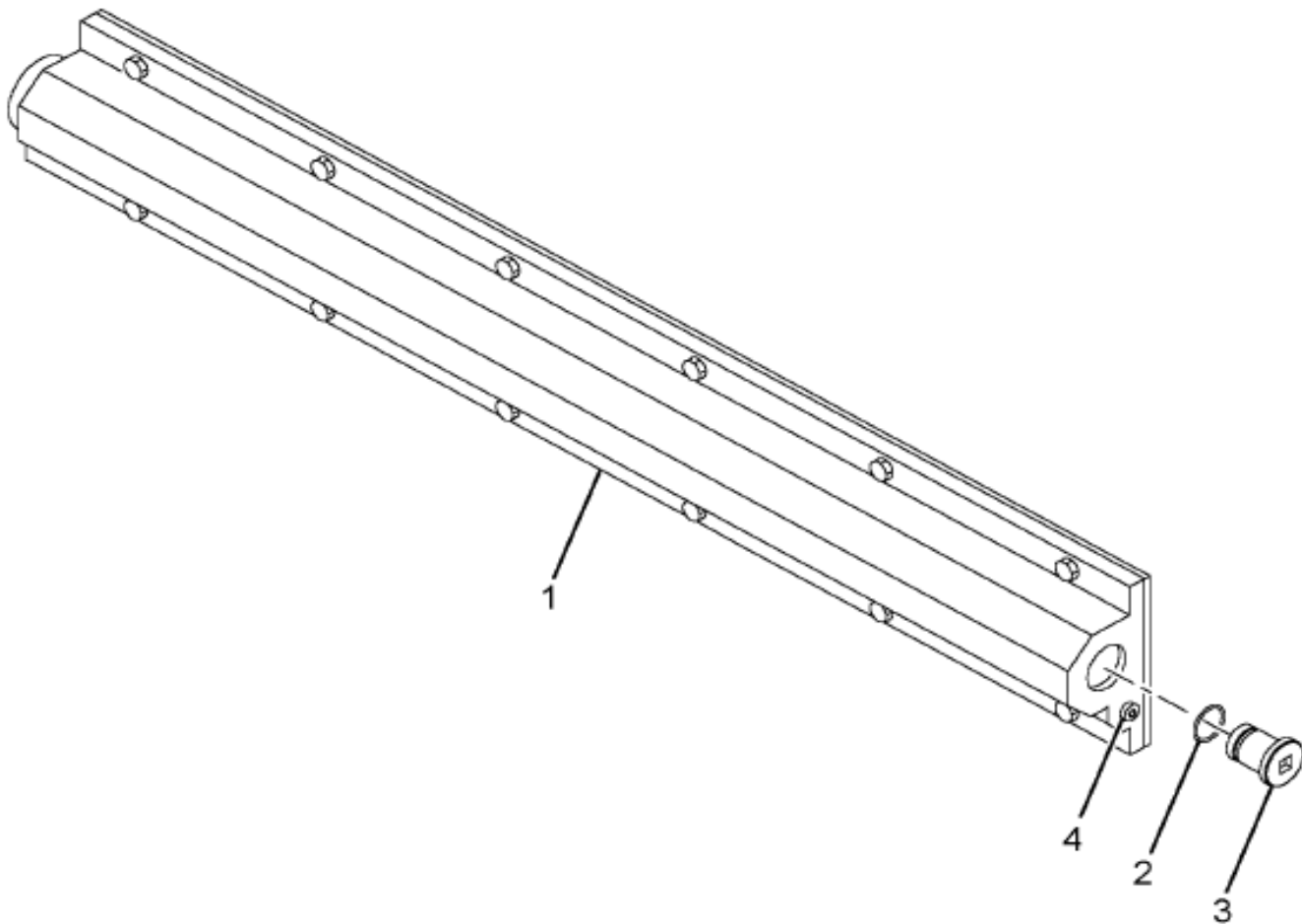
Grp
12

12-ENG-0850-01

M03

Item	Part No.	Qty	Description	Kit	Var	Figure
1	1827113C2	1	HEAD, CYLINDER			
2	1833382C1	6	SLEEVE, INJECTOR			
3	1824647C1	12	GUIDE, VALVE (SERVICE)			
4	1827121C2	6	INSERT, INTAKE VALVE SEAT, STD			
4	1830310C2	6	INSERT, INT SEAT, .002 OVERSIZE			
4	1830311C2	6	INSERT, INT SEAT, .015 OVERSIZE			

Figure 1829825C92
MANIFOLD ASSY., OIL & FUEL

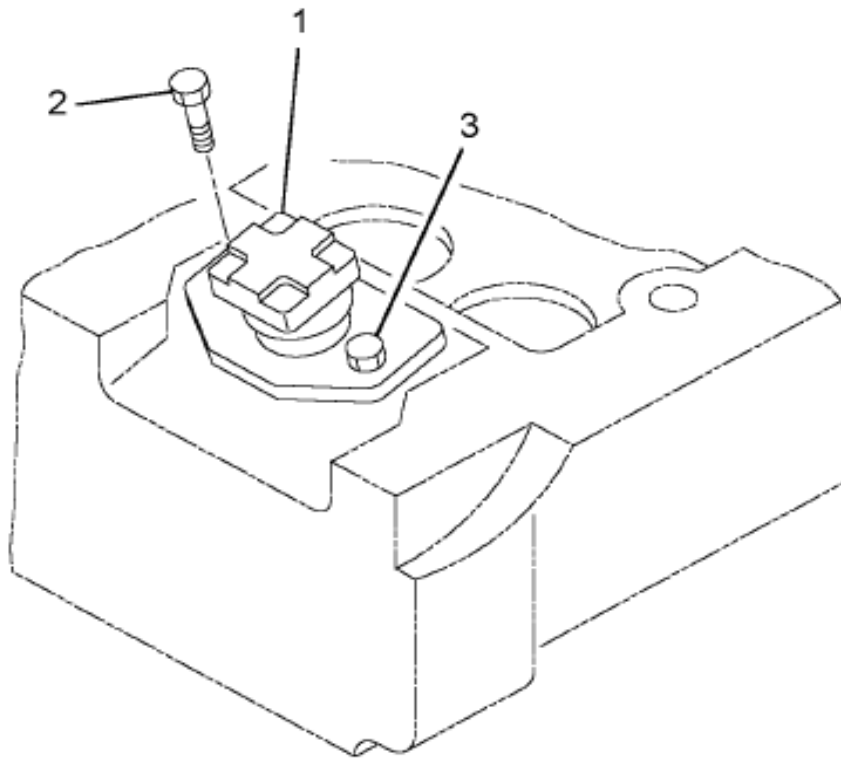


12-ENG-0797-01

K03

Item	Part No.	Qty	Description	Kit	Var	Figure
1	1826313C1	1	MANIFOLD,OIL/FUEL			
2	1831483C1	2	SEAL,OIL RAIL END PLUG			
3	1827515C1	2	PLUG,OIL RAIL END			
4	444697	1	PLUG, 3/8-18 PLN HEX/SKT AUTO			
880	RF		NOTE: ASM BELOW COMPRISED OF ABOVE COMPONENTS			

Figure 641011C054
INJECTOR, FUEL



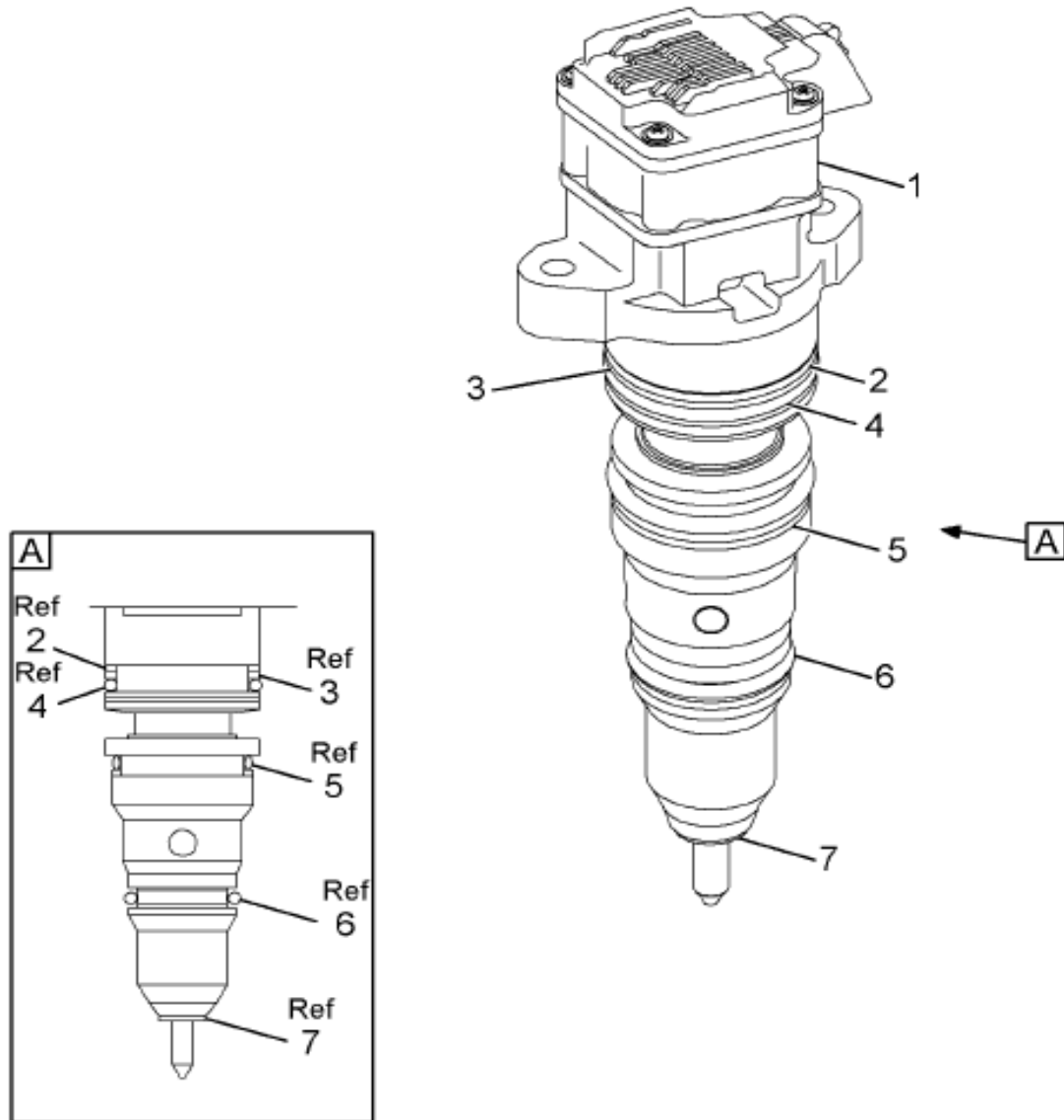
Grp
1
2

12-ENG-0147-01

A03

Item	Part No.	Qty	Description	Kit	Var	Figure
1	1830692C92	6	INJECTOR, W/ SEALS			1830692C92
2	1830050C1	6	BOLT, INJECTOR			
3	1830051C1	6	BOLT, SHOULDER			
800		RF	NOTE: THE FOLLOWING PARTS ARE NON-ILLUSTRATED			
801	1830742C92	KT	KIT, INJECTOR SEAL			1830742C92

Figure 1830692C92
INJECTOR ASSY, W/SEALS



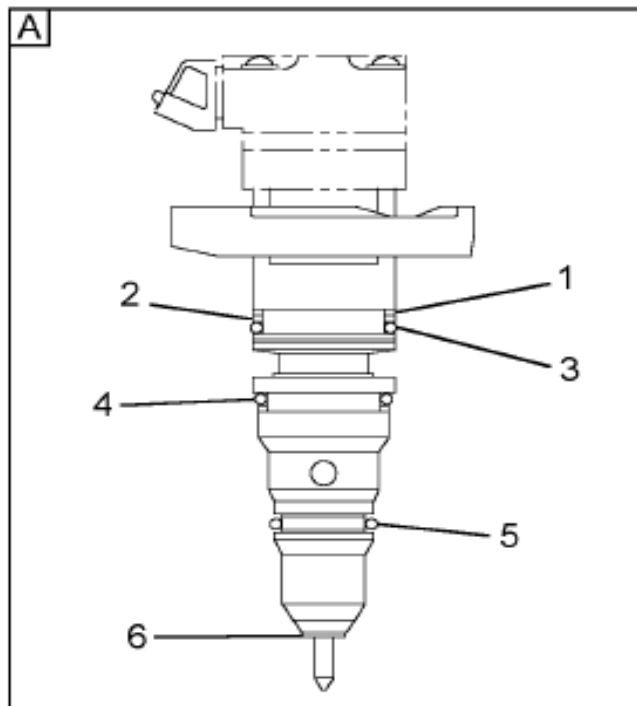
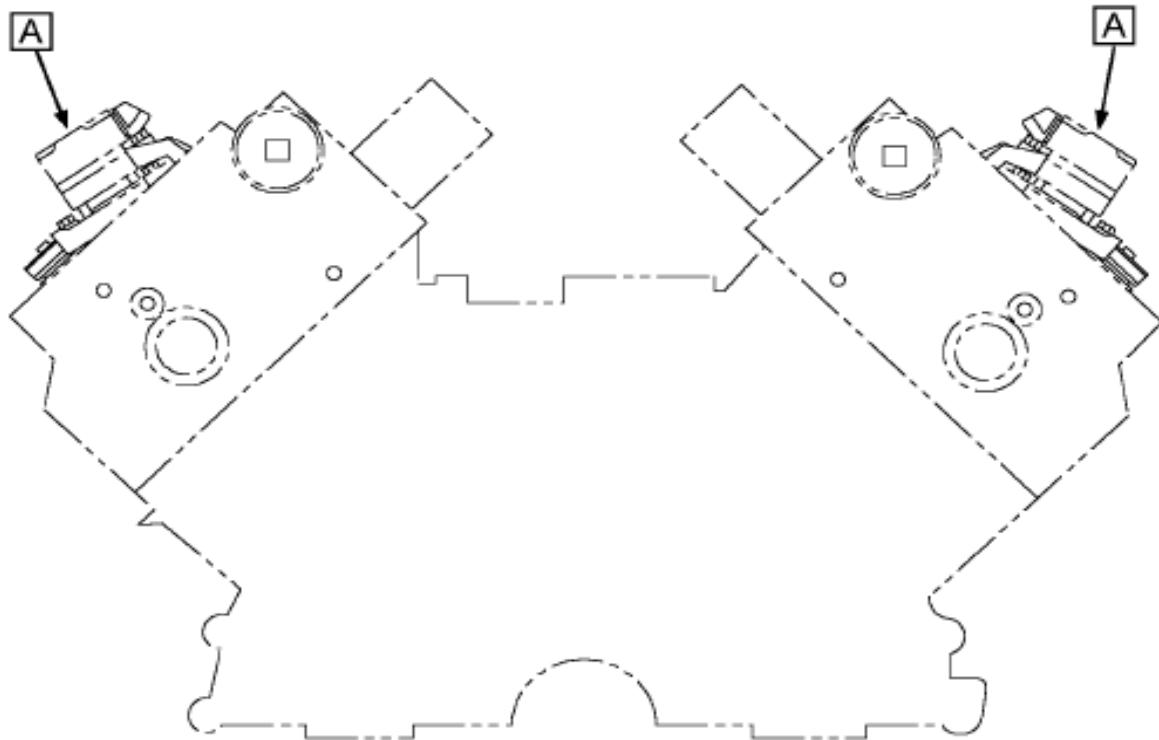
Grp
12

12-ENG-1889-01

L07

Item	Part No.	Qty	Description	Kit	Var	Figure
1	1830691C1	1	INJECTOR ASSY.			
2	1817073C2	1	RING, UPPER BACKUP			
3	1817074C1	1	RING, CUSHION			
4	1816000C1	1	RING,O 3.15 X 34.54 ID			
5	1834357C1	1	SEAL,MIDDLE INJECTOR			
6	1814695C1	1	SEAL,O-RING #213			

Figure 1830742C92
KIT, INJECTOR SEALS



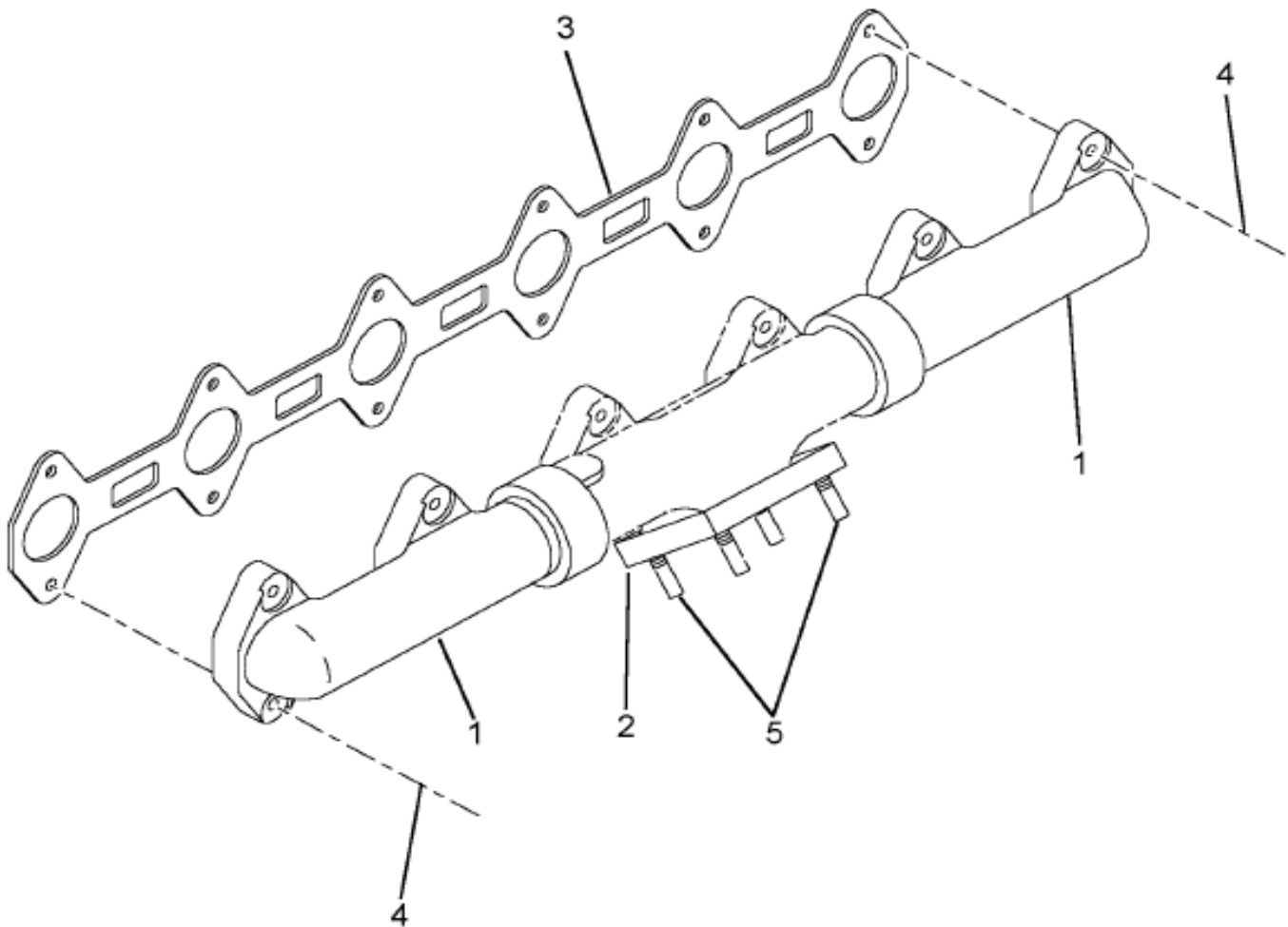
12-ENG-0495-01

G03

Item	Part No.	Qty	Description	Kit	Var	Figure
1	1817073C2	1	RING, UPPER BACKUP			
2	1817074C1	1	RING, CUSHION			
3	1816000C1	1	RING,O 3.15 X 34.54 ID			
4	1834357C1	1	SEAL,MIDDLE INJECTOR			
5	1814695C1	1	SEAL,O-RING #213			
6	1830317C1	1	GASKET, INJECTOR			

Grp
12

Figure 641014B003
MANIFOLD, EXHAUST

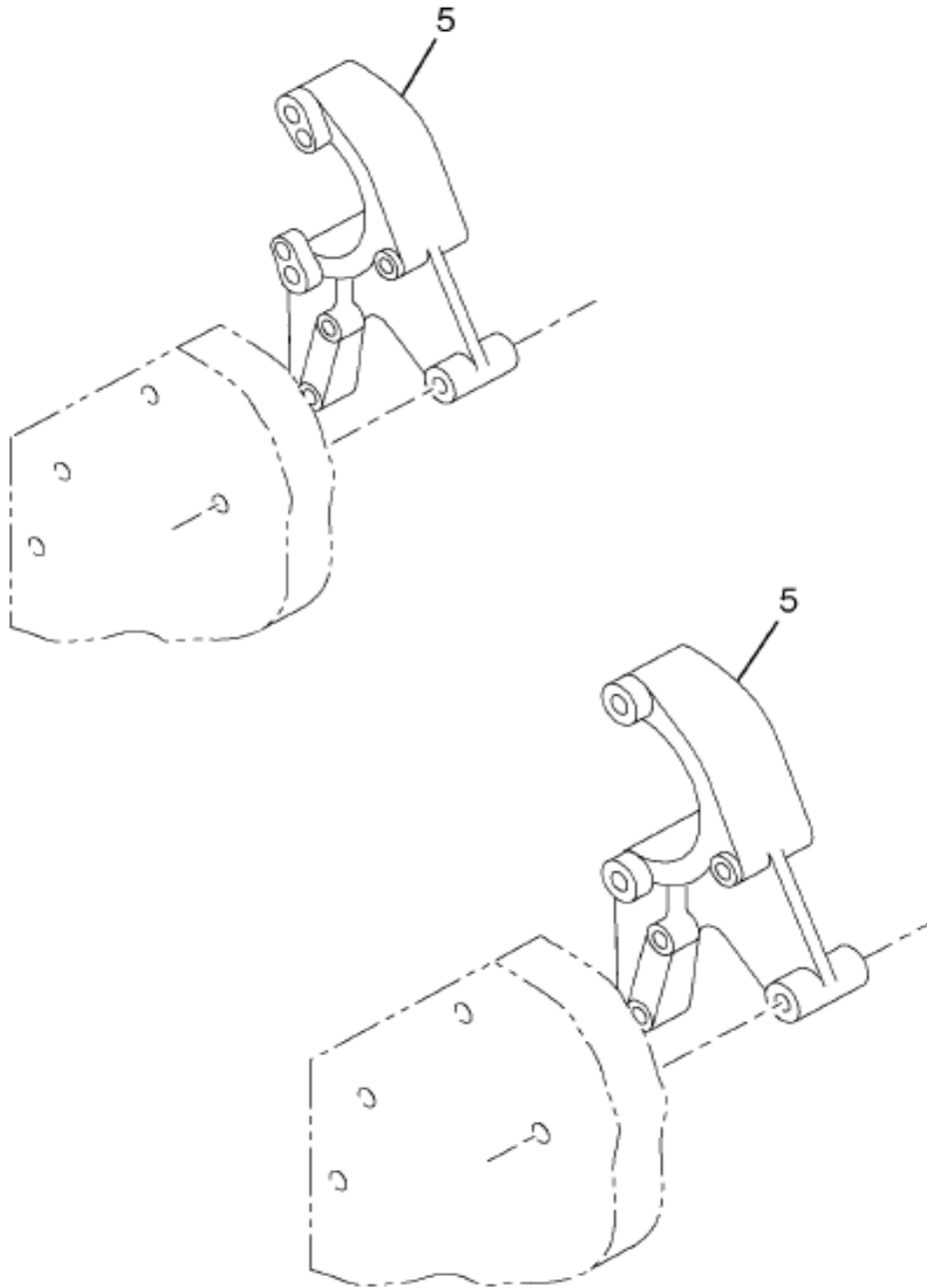


00-000-3051-00

A03

Item	Part No.	Qty	Description	Kit	Var	Figure
1	1814149C2	2	MANIFOLD, FRONT & REAR EXHAUST			
2	1818561C3	1	MANIFOLD, CENTER EXHAUST			
3	1825436C1	1	GASKET EXHAUST MANIFOLD			
4	1817830C1	12	BOLT M12 X 1.75MM X 35MM			
5	1821642C3	4	STUD, TURBO ADAPTER			
880	RF		NOTE: ASM BELOW COMPRISED OF ABOVE			

Figure 0FBCJ
MISC ENGINE EFFECTS; ALTERNATOR BRKT



12-FB7-0002-01

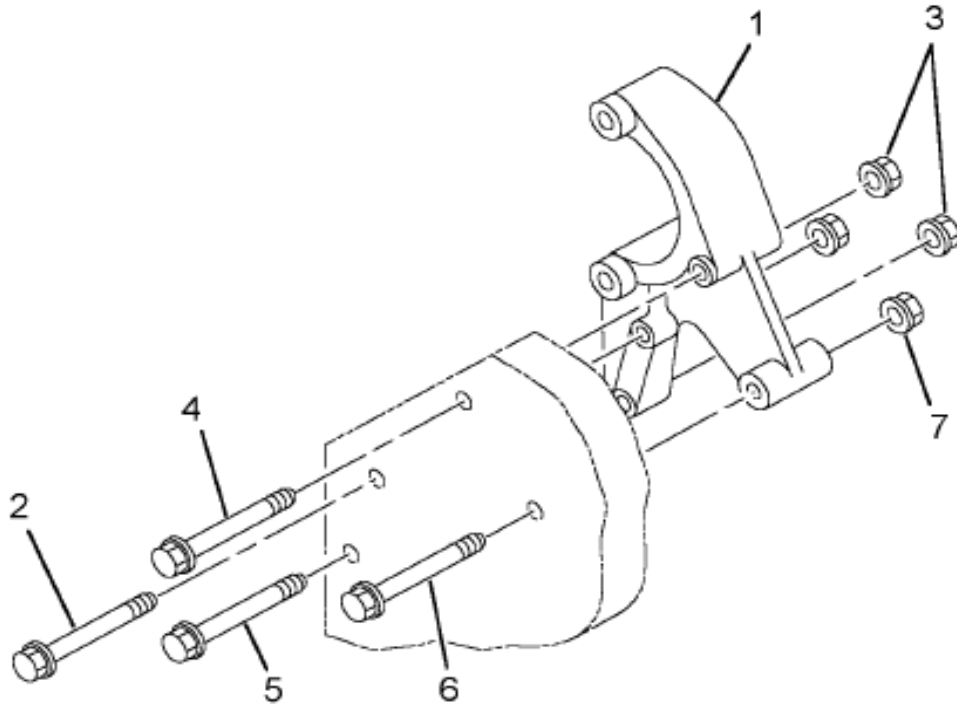
K04

Item	Part No.	Qty	Description	Kit	Var	Figure
5	2040506F91	1	BRACKET,ALT MTG LEECE NEVILLE		0FBCQ	2040506F91
NON-ILLUSTRATED REFERENCE FIGURE 2040506F91						
1		RF	IL11 - ALT.BRKT LEECE-NEVILLE			
1	641009L011	1	ALT. BRACKET LEESE-NEVILLE	U		641009L011
880		RF	NOTE: ASM BELOW COMPRISED OF ABOVE			

Figure 641009L011

ALT. BRACKET LEESE-NEVILLE

U

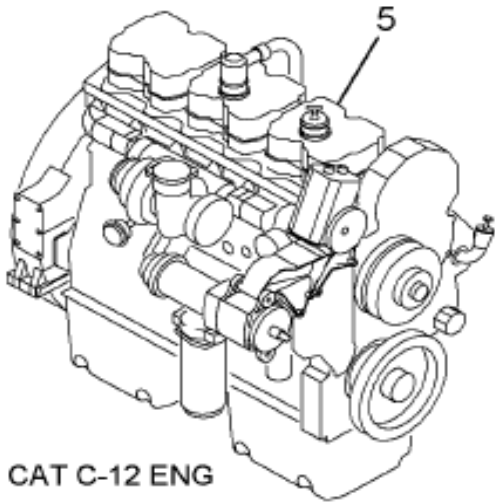


12-ENG-0276-01

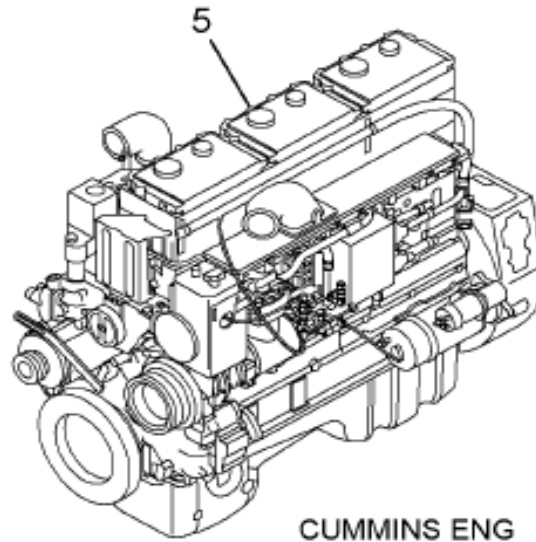
D03

Item	Part No.	Qty	Description	Kit	Var	Figure
1	1822039C3	1	BRACKET, ALTERNATOR MOUNTING			
2	1822018C1	1	BOLT, M10 X 90MM			
3	31083R1	3	NUT, M10 X 1.50 6H FN			
4	1820590C1	1	BOLT, M10X120 HEX FLANGE			
5	1817993C1	1	BOLT, M10-1.50 X 80MM HEX FLANG			
6	1823809C1	1	BOLT, M8X120MM (SPEC LONG THD)			

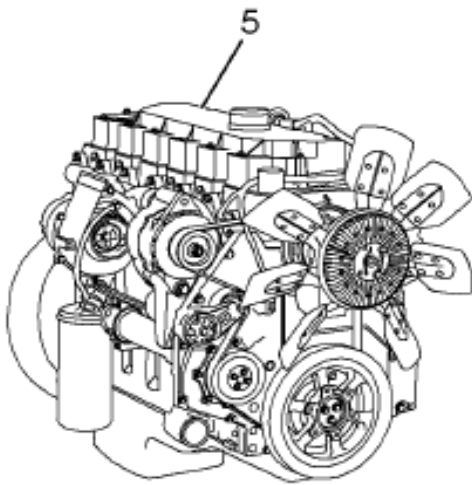
Figure 0FB8T
MODEL/CHASSIS EFFECTS; (ABR#2),



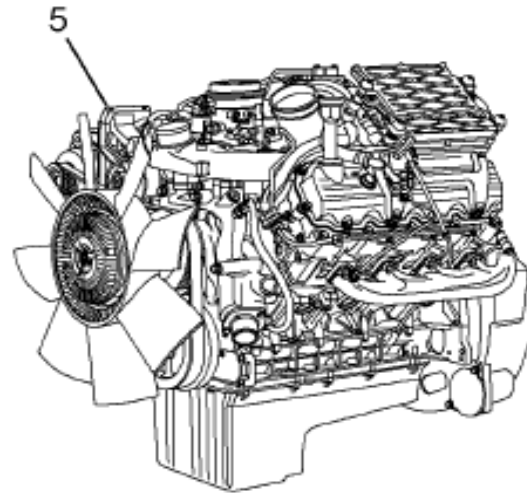
CAT C-12 ENG



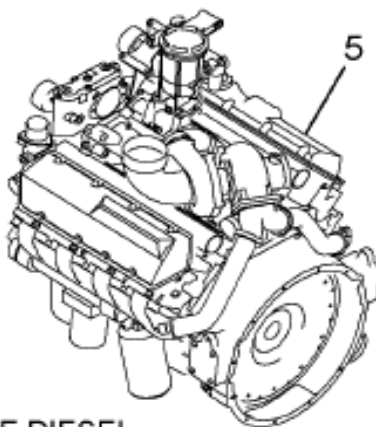
CUMMINS ENG



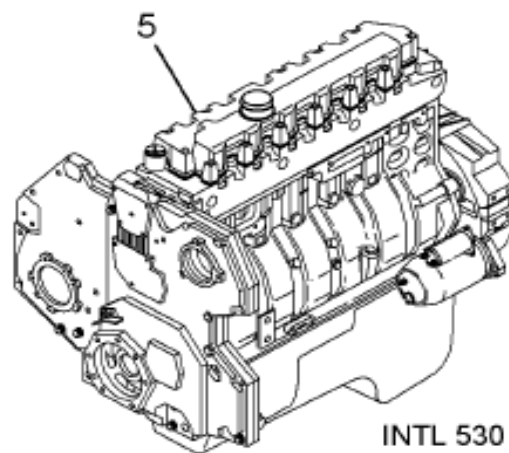
INTL I6 DT466 ENG



INTL V8



INTL T44E DIESEL



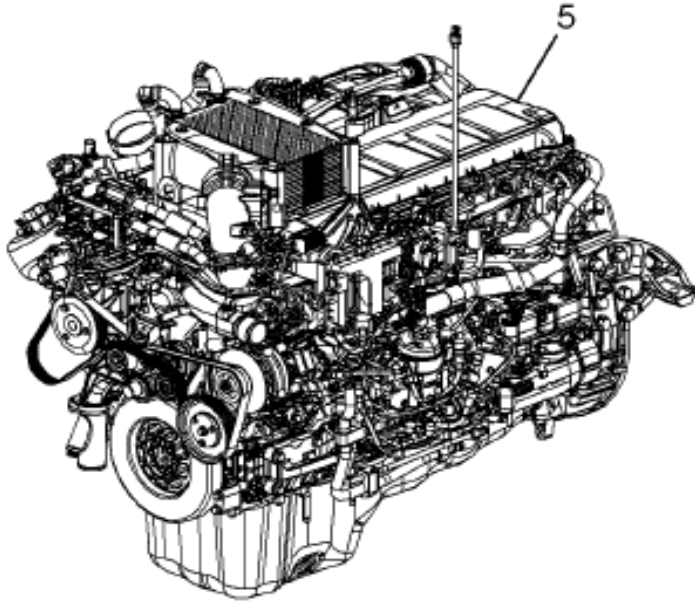
INTL 530 DIESEL

12-E01-0001-01

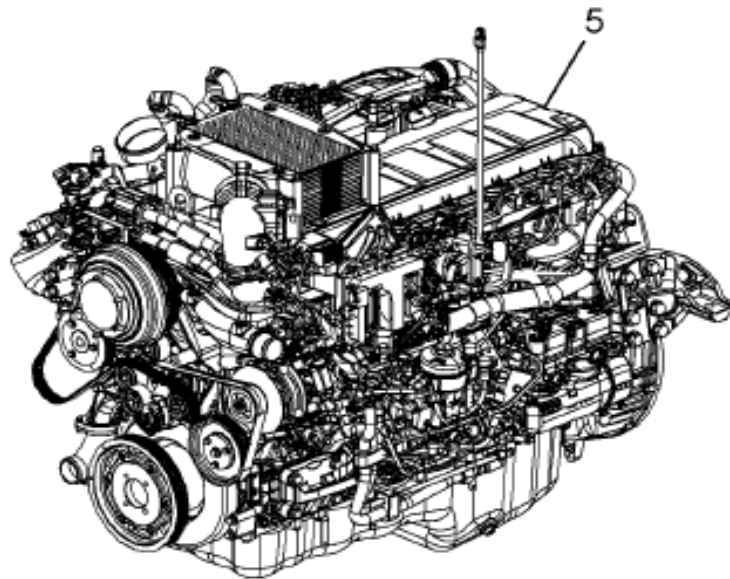
L04

Figure 1 of 2

Figure 0FB8T
MODEL/CHASSIS EFFECTS; (ABR#2),



INTL V06 MAN



INTL V10 MAN

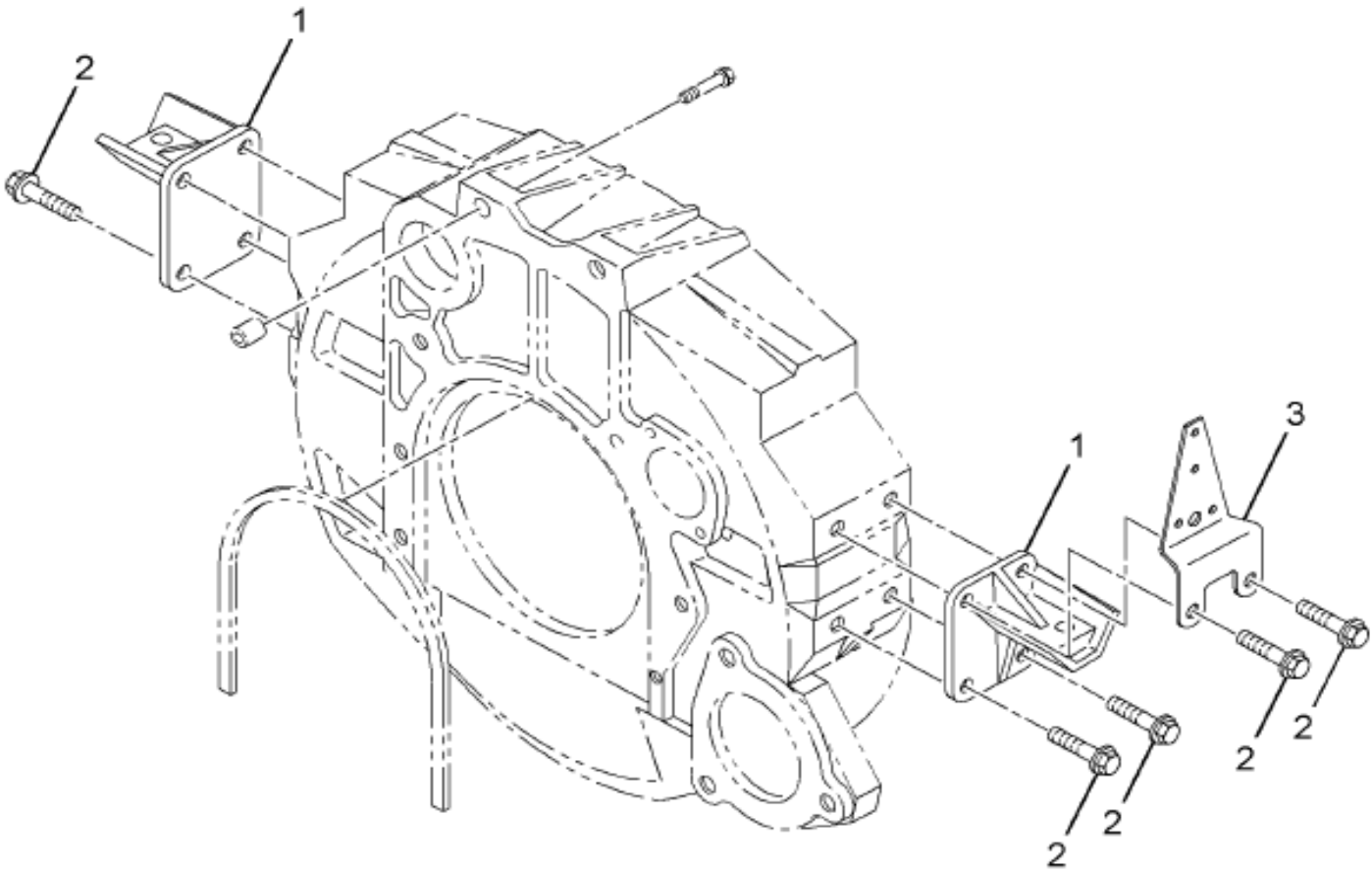
Grp
12

12-E01-0001-02

K08

Item	Part No.	Qty	Description	Kit	Var	Figure
5	3554346F91	1	PACKAGE,ATTRIBUTE*MDL EFF-SS W		0FBQL	3554346F91

Figure 641010N007
BRACKET, ENG. MT.REAR W/XMSN

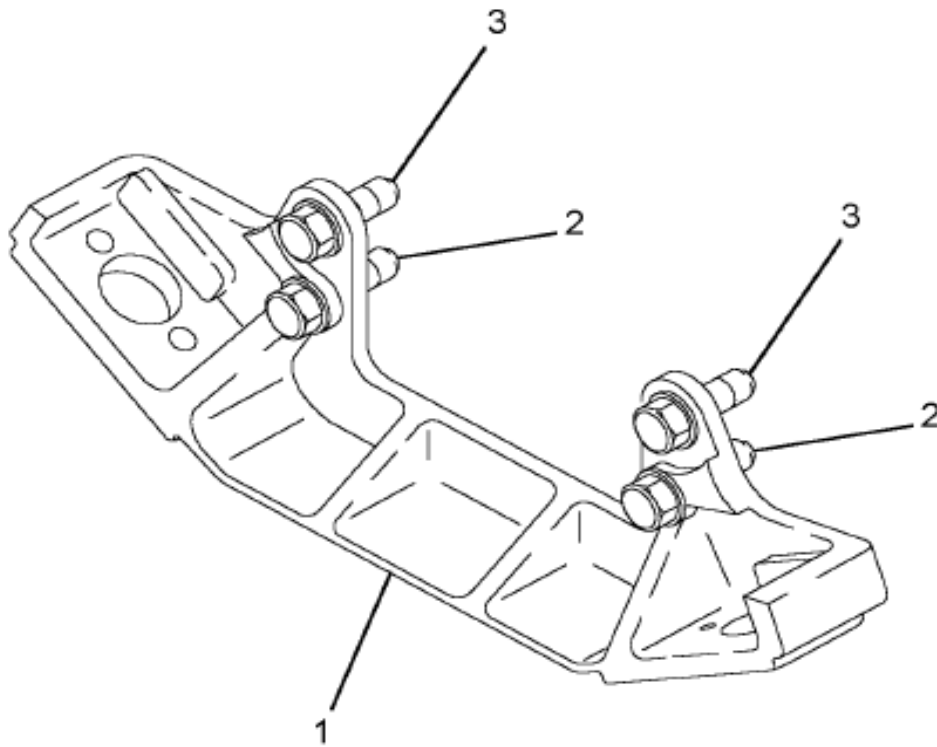


12-ENG-0262-01

E04

Item	Part No.	Qty	Description	Kit	Var	Figure
1	3532953C1	2	SUPPORT, FLYWHEEL HOUSING BRKT			
2	1817852C1	8	BOLT, M12X1.75X40MM HEX FLANGE			
3	2024992C4	1	BRACKET, FILL TUBE*XMSN			
880		RF	NOTE: ASM BELOW COMPRISED OF ABOVE COMPONENTS			
881	641010N007	RF	BRACKET, ENG. MT.REAR W/XMSN			

Figure 641010M001
FRONT ENGINE MOUNTS UNIT



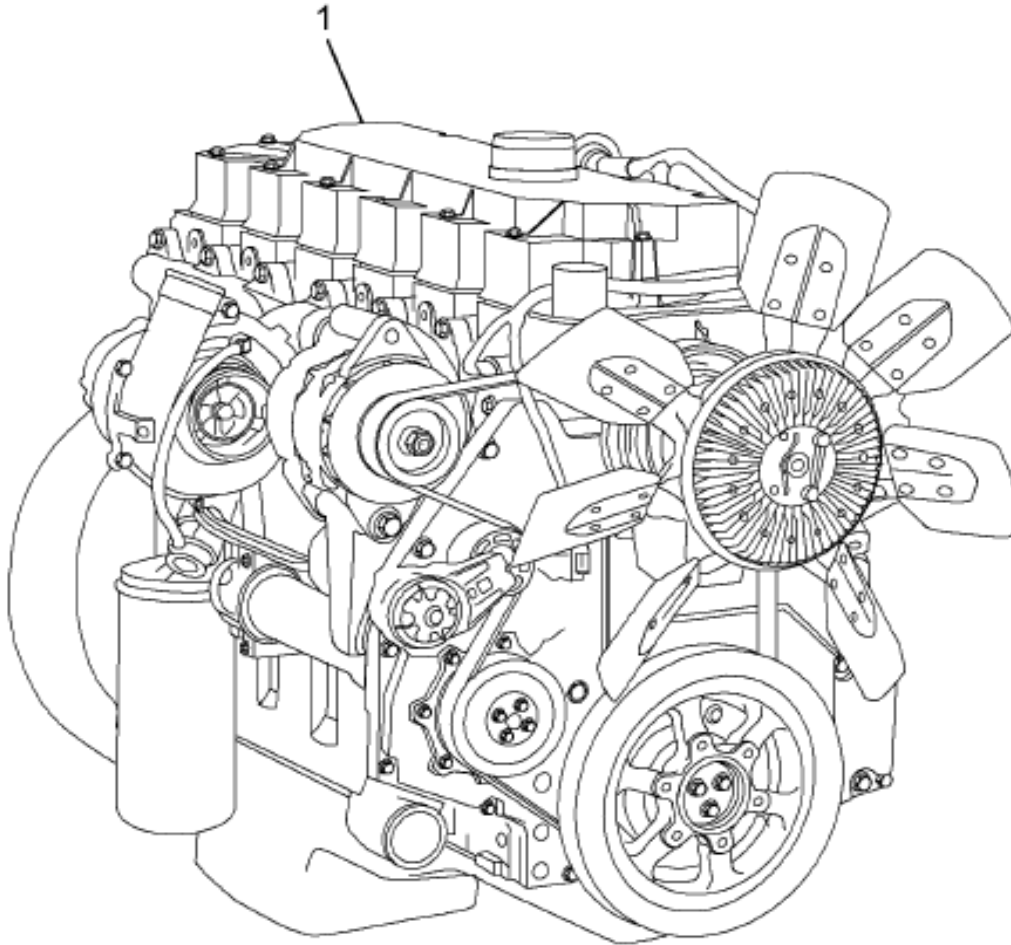
Grp
12

12-ENG-0112-01

B03

Item	Part No.	Qty	Description	Kit	Var	Figure
1	1678077C1	1	BRACKET,ENG MTG FRONT GIVE DES			
2	1820392C1	2	BOLT, M18 X 100MM LONG			
3	1817860C1	2	BOLT, M18 X 70MM LONG			
880		RF	NOTE: ASM BELOW COMPRISED OF ABOVE COMPONENTS			
881	641010M001	RF	FRONT ENGINE MOUNTS UNIT			

Figure 3554346F91
PACKAGE, ATTRIBUTE*MDL EFF-SS W



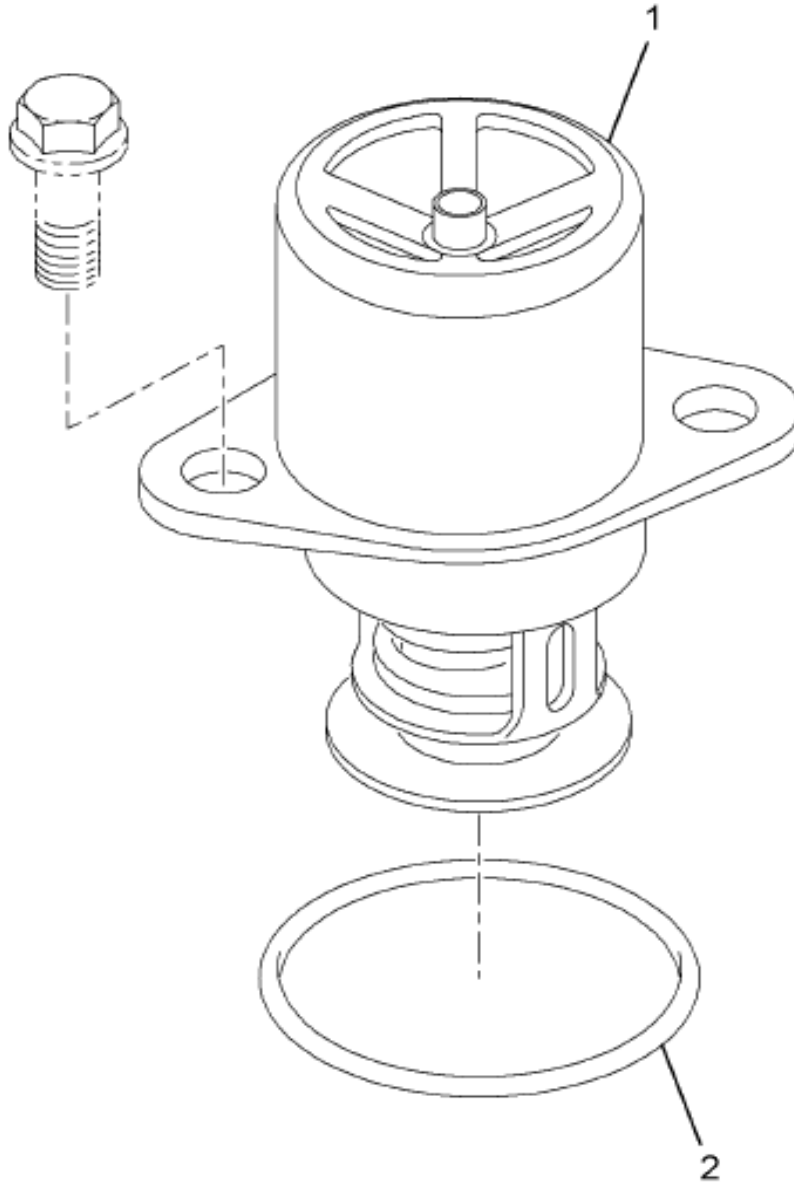
DT 466

12-E02-0001-01

D09

Item	Part No.	Qty	Description	Kit	Var	Figure
1		RF	WATER OUTLET, RIGHT SIDE FEATURE			
1	641005B001	1	THERMOSTAT UNIT			641005B001
1		RF	ELBOW, WTR INLET-OEM FORWARD FEATURE			
1	641005P005	1	WATER INLET ELBOW UNIT			641005P005
1		RF	FRONT ENGINE MOUNTS-2 POINT FEATURE			
1	641010M001	1	FRONT ENGINE MOUNTS UNIT			641010M001

Figure 1830256C93
THERMOSTAT ASSEMBLY

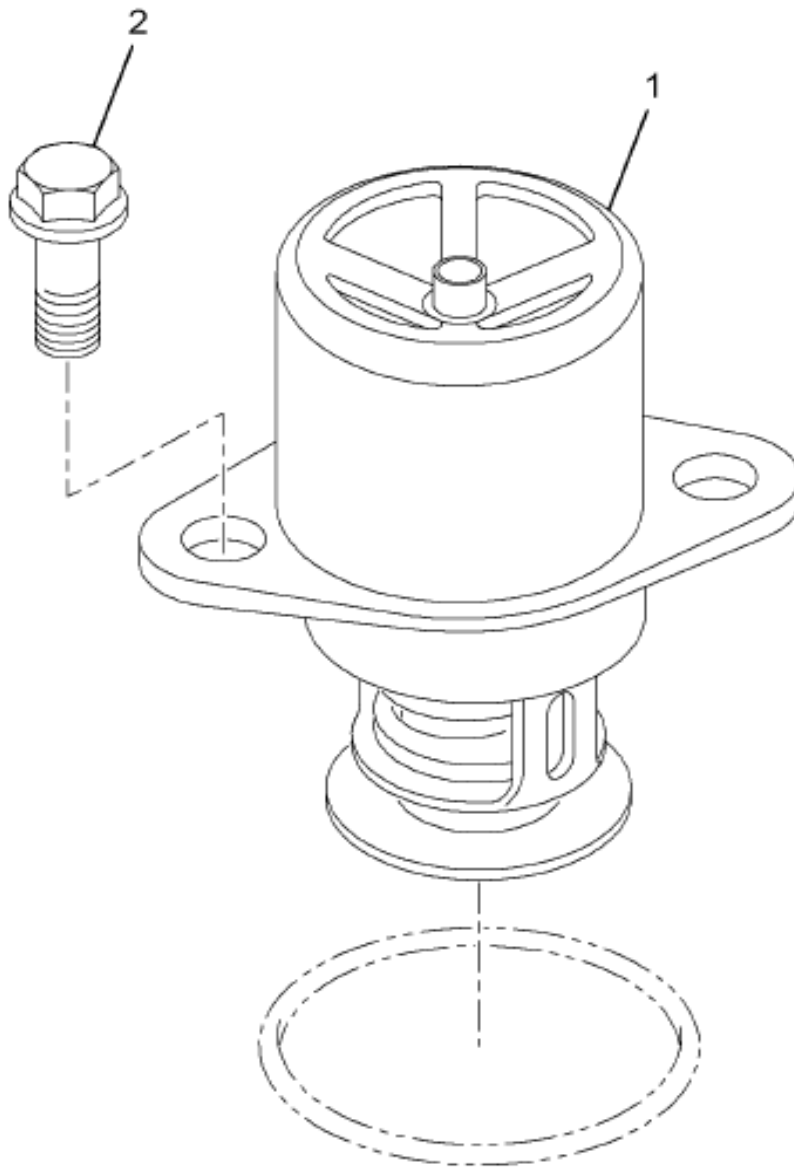


12-ENG-1403-01

D05

Item	Part No.	Qty	Description	Kit	Var	Figure
1	1830120C2	1	THERMOSTAT			
2	1836075C1	1	RING,O 2 1/8 I.D.			
880		RF	NOTE: ASM BELOW COMPRISED OF ABOVE COMPONENTS			
881	1830256C93	RF	THERMOSTAT ASSEMBLY			

Figure 641005B001
THERMOSTAT UNIT



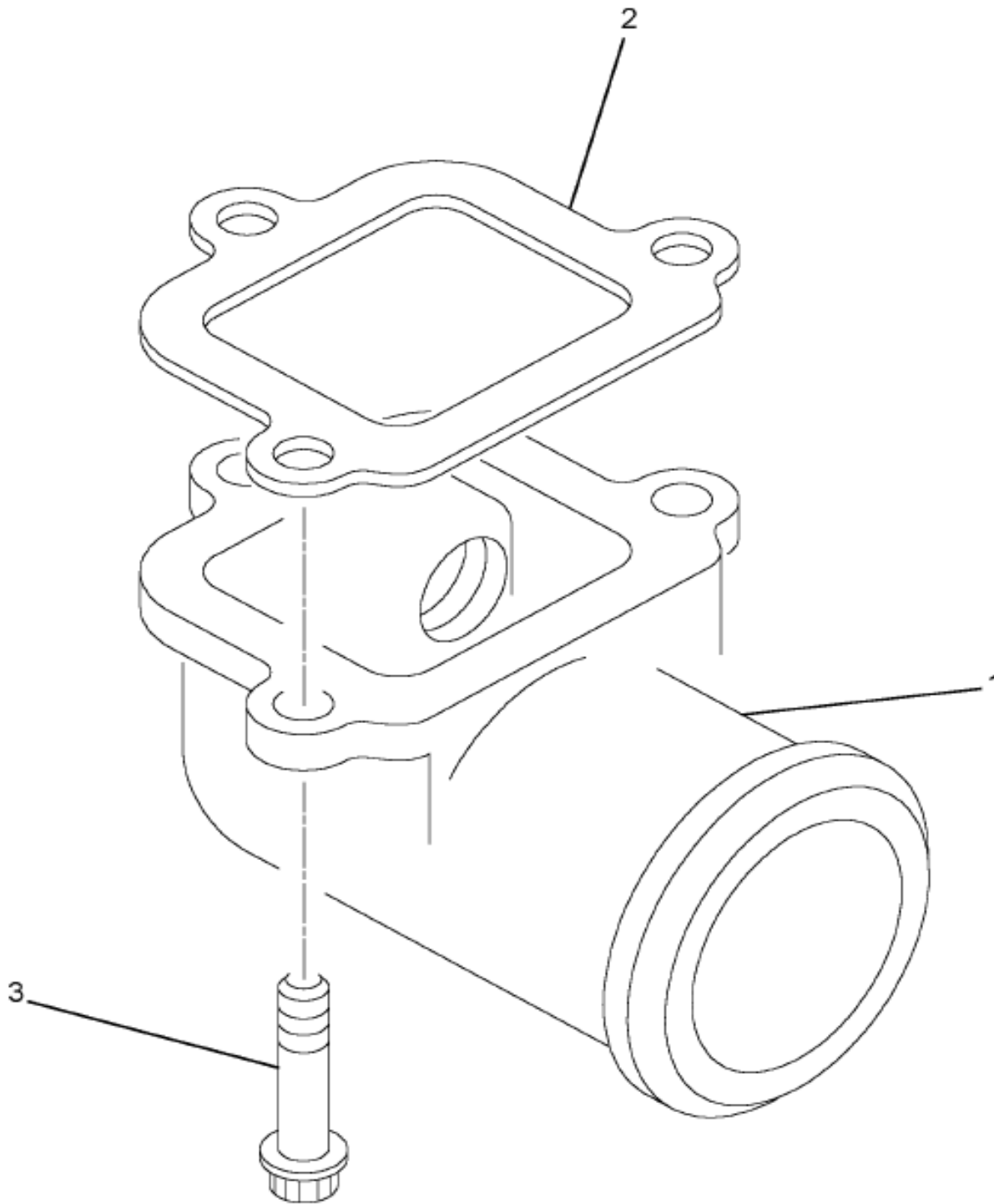
12-ENG-1402-01

D05

Item	Part No.	Qty	Description	Kit	Var	Figure
1	1830256C93	1	THERMOSTAT ASSEMBLY			1830256C93
1	1820951C1	1	RING, THERMOSTAT			
2	1817812C1	2	BOLT, M8X16-10.9 HEX FLANGE			
880		RF	NOTE: ASM BELOW COMPRISED OF ABOVE COMPONENTS			
881	641005B001	RF	THERMOSTAT UNIT			

G
R
P
1
2

Figure 641005P005
WATER INLET ELBOW UNIT



12-ENG-0107-01

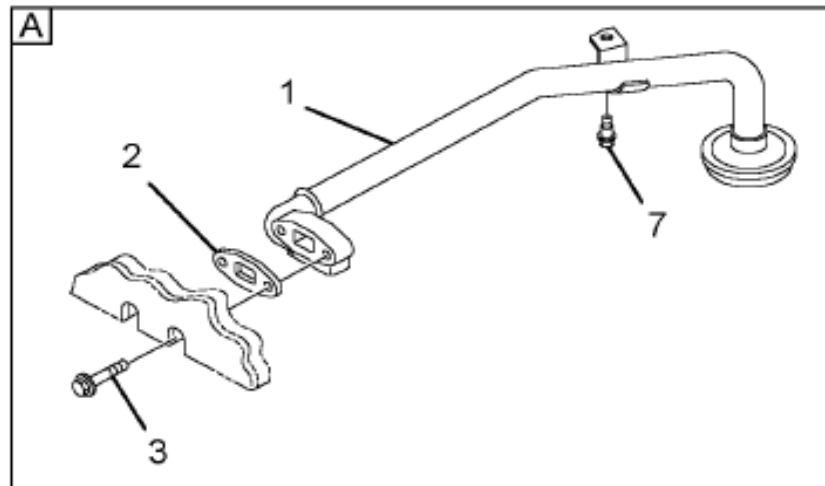
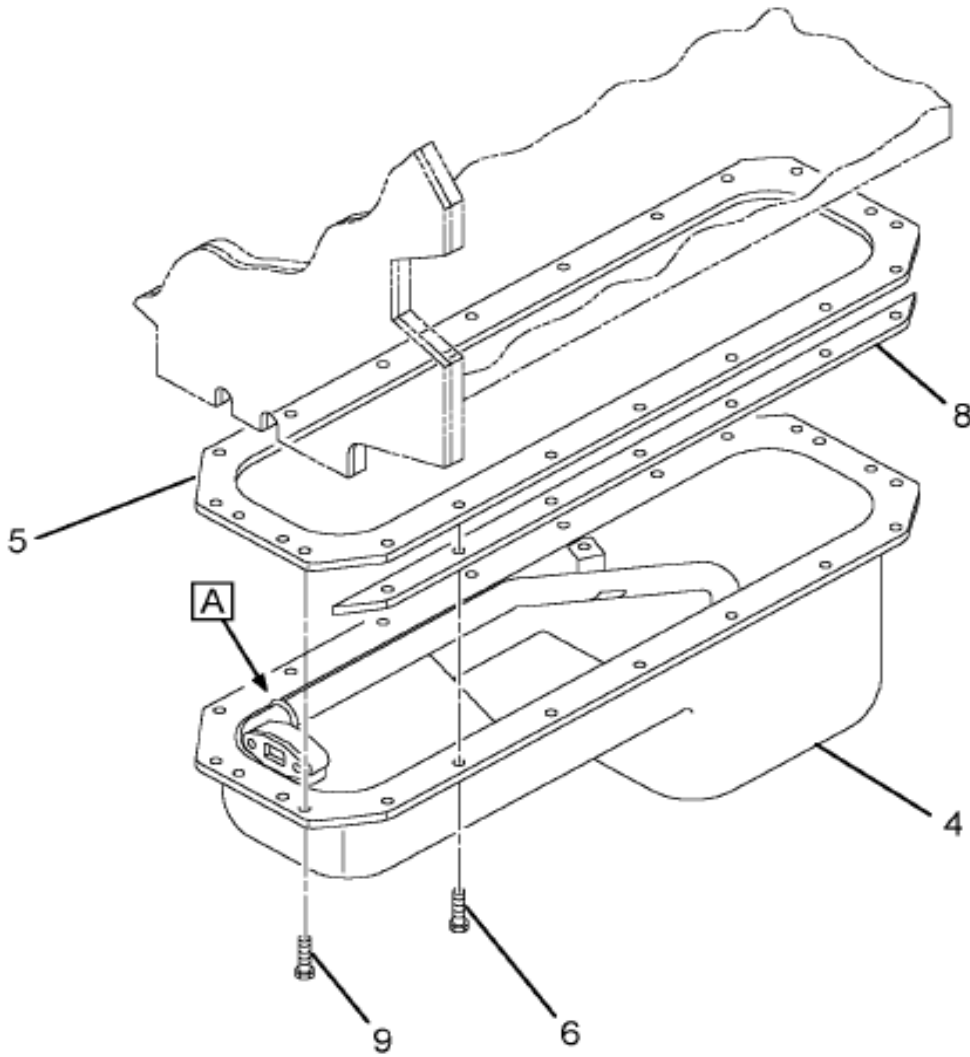
B03

Item	Part No.	Qty	Description	Kit	Var	Figure
1	3527258C1	1	INLET, WATER ENGINE			
2	1817974C1	1	GASKET, WATER INLET ELBOW			
3	1817958C1	3	BOLT, CRANKCASE M8X30-10.9 HF			
880		RF	NOTE: ASM BELOW COMPRISED OF ABOVE COMPONENTS			
881	641005P005	RF	WATER INLET ELBOW UNIT			

Figure 641006L001

OIL PAN UNIT

U25

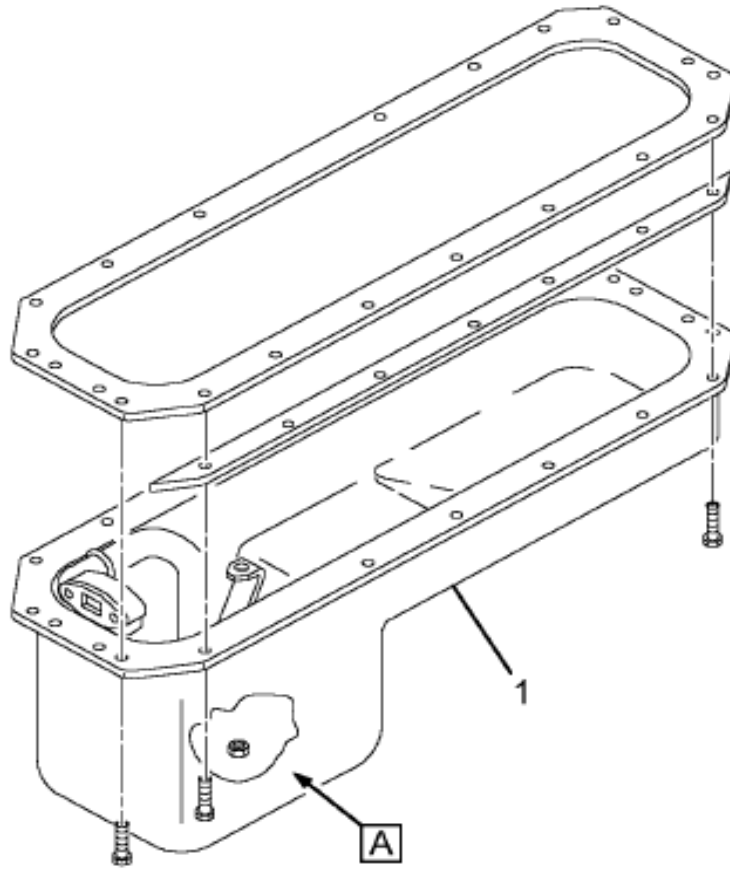
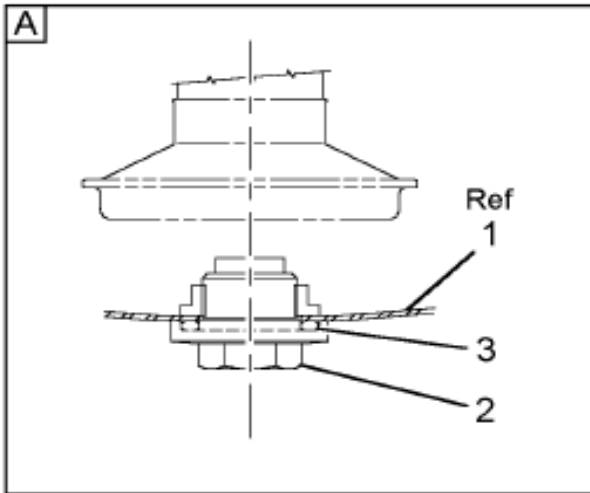


12-ENG-0380-01

B03

Item	Part No.	Qty	Description	Kit	Var	Figure
1	1834491C1	1	TUBE ASSY., OIL PICK-UP			
2	1816722C2	1	GASKET,CAMSHAFT BRG PLATE			
3	1817960C1	2	BOLT,M8 X 45MM HEX FLANGE			
4	1823278C92	1	PAN ASSEMBLY,OIL			1823278C92
5	1826587C1	1	GASKET,OIL PAN			
6	1823275C1	14	BOLT, M8 X 1.25 X 30MM			

Figure 1823278C92
PAN ASSEMBLY, OIL

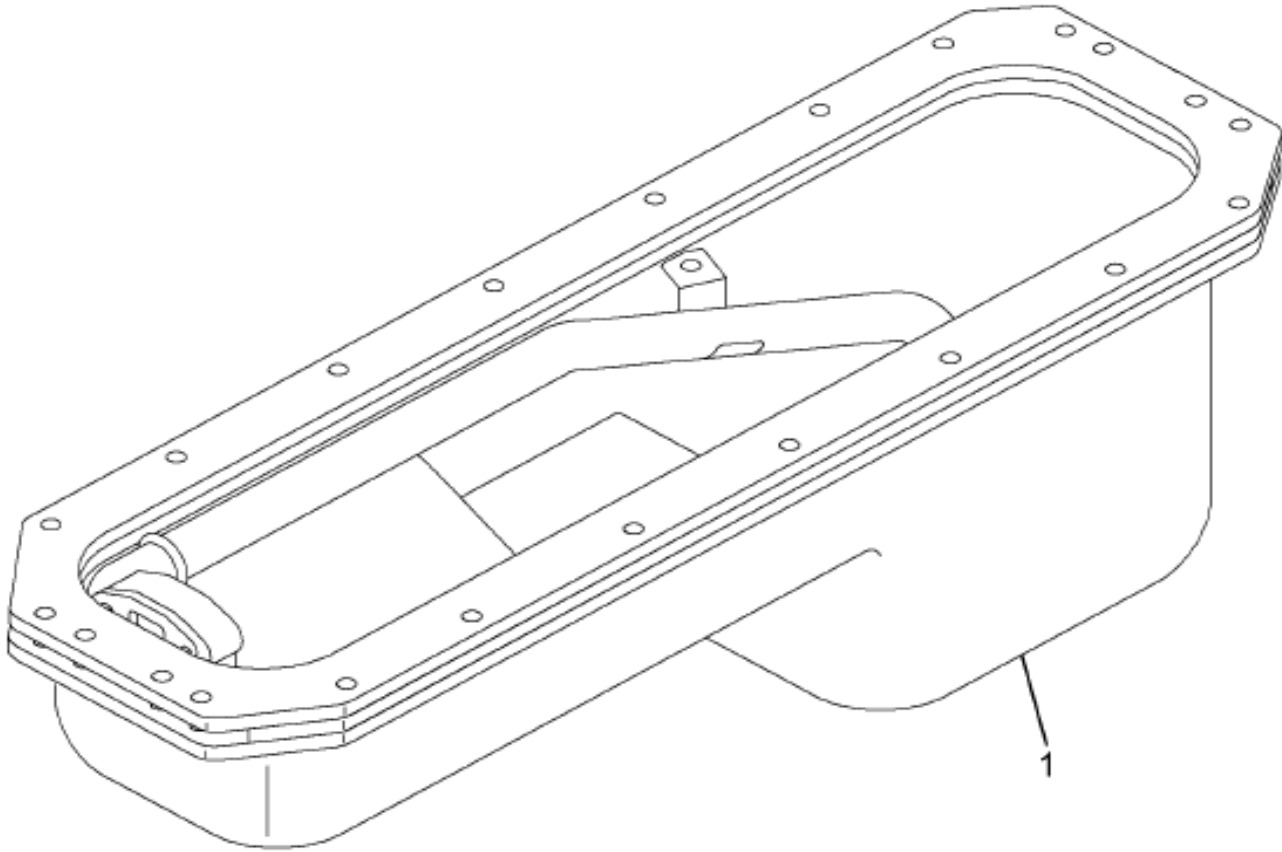


12-ENG-0499-01

G03

Item	Part No.	Qty	Description	Kit	Var	Figure
1	1823277C1	1	PAN, OIL (24 QTS)			
2	1825504C1	1	PLUG, FLANGED HEX HEAD			
3	1825610C1	1	RING, O #217 OIL PAN			
800		RF	NOTE: THE FOLLOWING PARTS ARE NON-ILLUSTRATED			
801	1821013C1	1	BLOCK, TAPPING-DRAIN PLUG			

Figure 3554354F91
 PAN,OIL*SS SF ALLWHLDRV W/SHAL

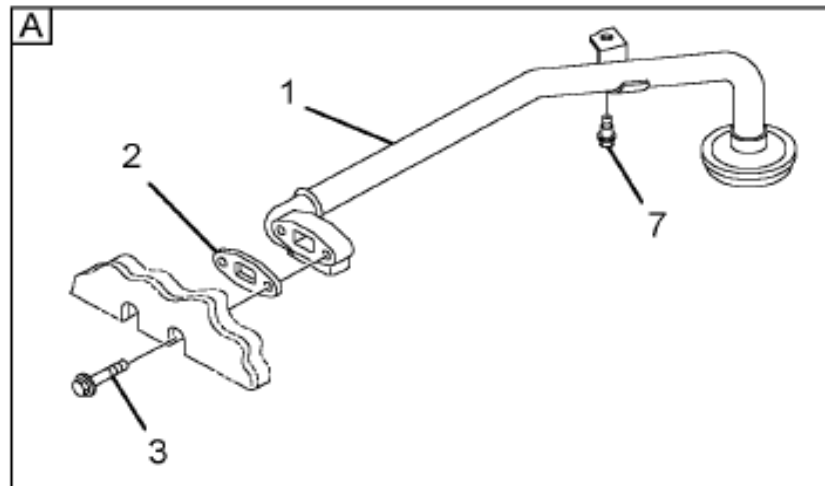
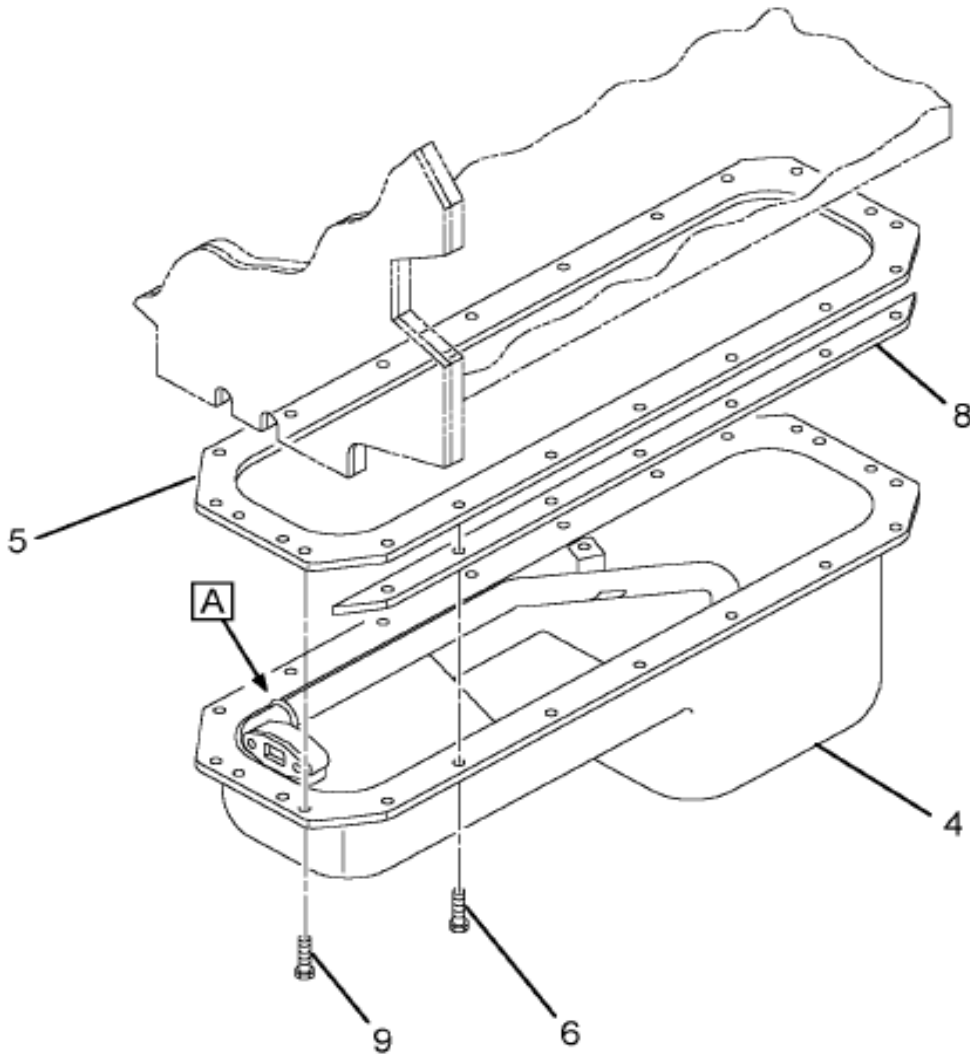


12-E08-0002-01

D09

Item	Part No.	Qty	Description	Kit	Var	Figure
1		RF	FL01 - OIL PAN REAR SUMP			
1	641006L001	1	OIL PAN UNIT	U25		641006L001
880		RF	NOTE: ASM BELOW COMPRISED OF ABOVE COMPONENTS			
881	3554354F91	RF	PAN,OIL*SS SF ALLWHLDRV W/SHAL			

Figure 641006L001
PAN, OIL

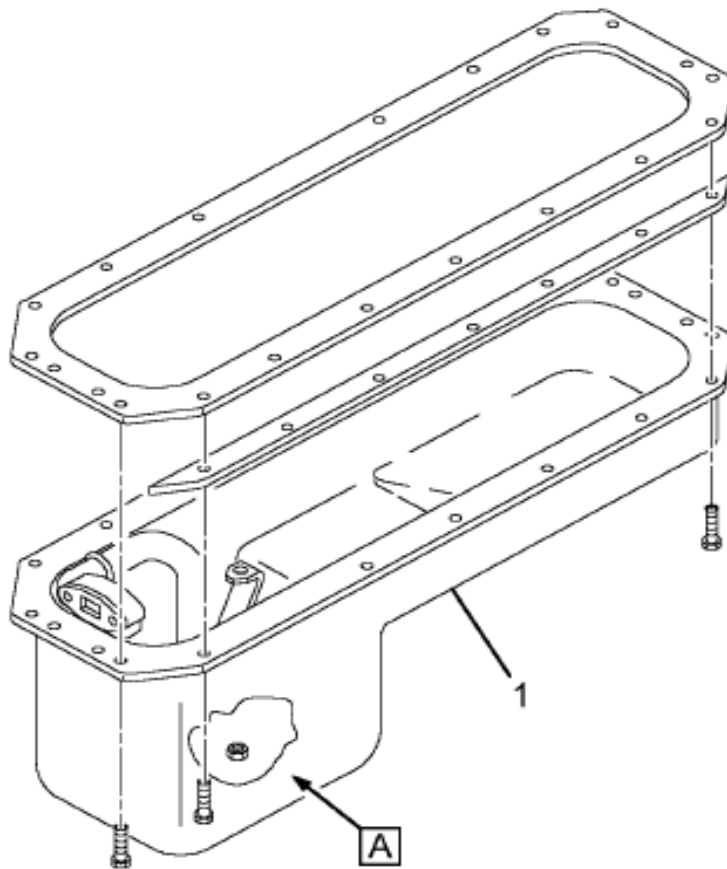
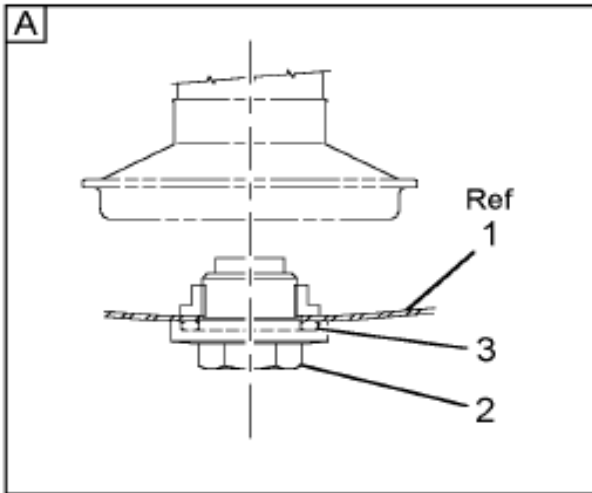


12-ENG-0380-01

B03

Item	Part No.	Qty	Description	Kit	Var	Figure
1	1834491C1	1	TUBE, OIL PICK UP			
2	1816722C2	1	GASKET OIL SUCTION			
3	1817960C1	2	BOLT, FLANGE M8 X 1.25MM X 45MM			
4	1823278C92	1	PAN, OIL			1823278C92
5	1826587C1	1	GASKET OIL PAN			
6	1823275C1	14	BOLT M8 X 1.25 X 30MM			

Figure 1823278C92
PAN ASSEMBLY, OIL

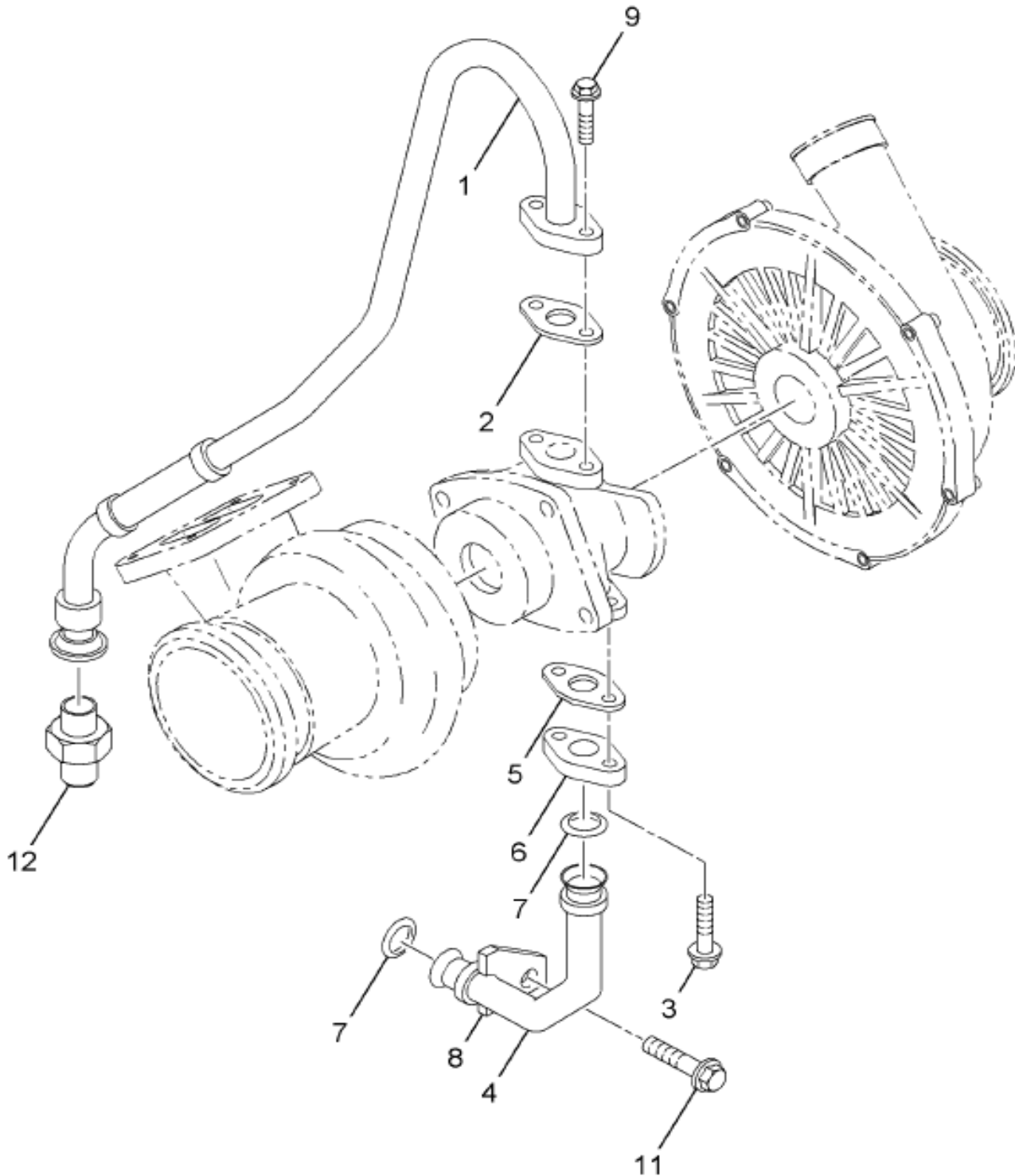


12-ENG-0499-01

G03

Item	Part No.	Qty	Description	Kit	Var	Figure
1	1823277C1	1	PAN, OIL (24 QTS)			
2	1825504C1	1	PLUG, FLANGED HEX HEAD			
3	1825610C1	1	RING, O #217 OIL PAN			
800		RF	NOTE: THE FOLLOWING PARTS ARE NON-ILLUSTRATED			
801	1821013C1	1	BLOCK, TAPPING-DRAIN PLUG			

Figure 641015D001
PIPING, TURBO

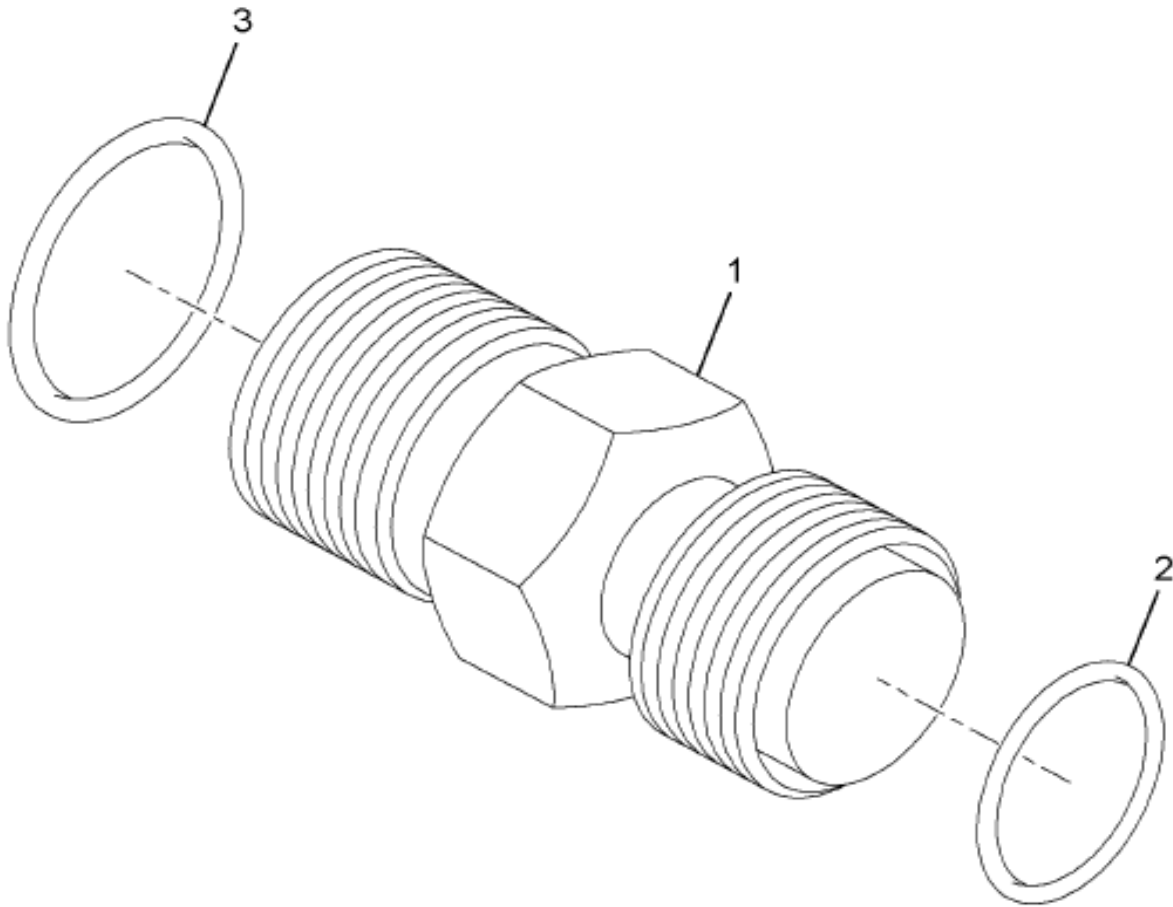


12-ENG-1079-01

F04

Item	Part No.	Qty	Description	Kit	Var	Figure
1	1845824C1	1	TUBE, TURBO OIL INLET			
2	253660R2	1	GASKET OIL INLET FLANGE			
3	1817978C1	2	BOLT, FLANGED M8 X 1.25 MM X 35 MM			
4	1825669C1	1	TUBE, TURBO OIL DRAIN			
5	1820936C1	1	GASKET TURBO OIL DRAIN			
6	1825667C1	1	FLANGE, TURBO OIL DRAIN			

Figure 1845826C92
FITTING TURBO OIL

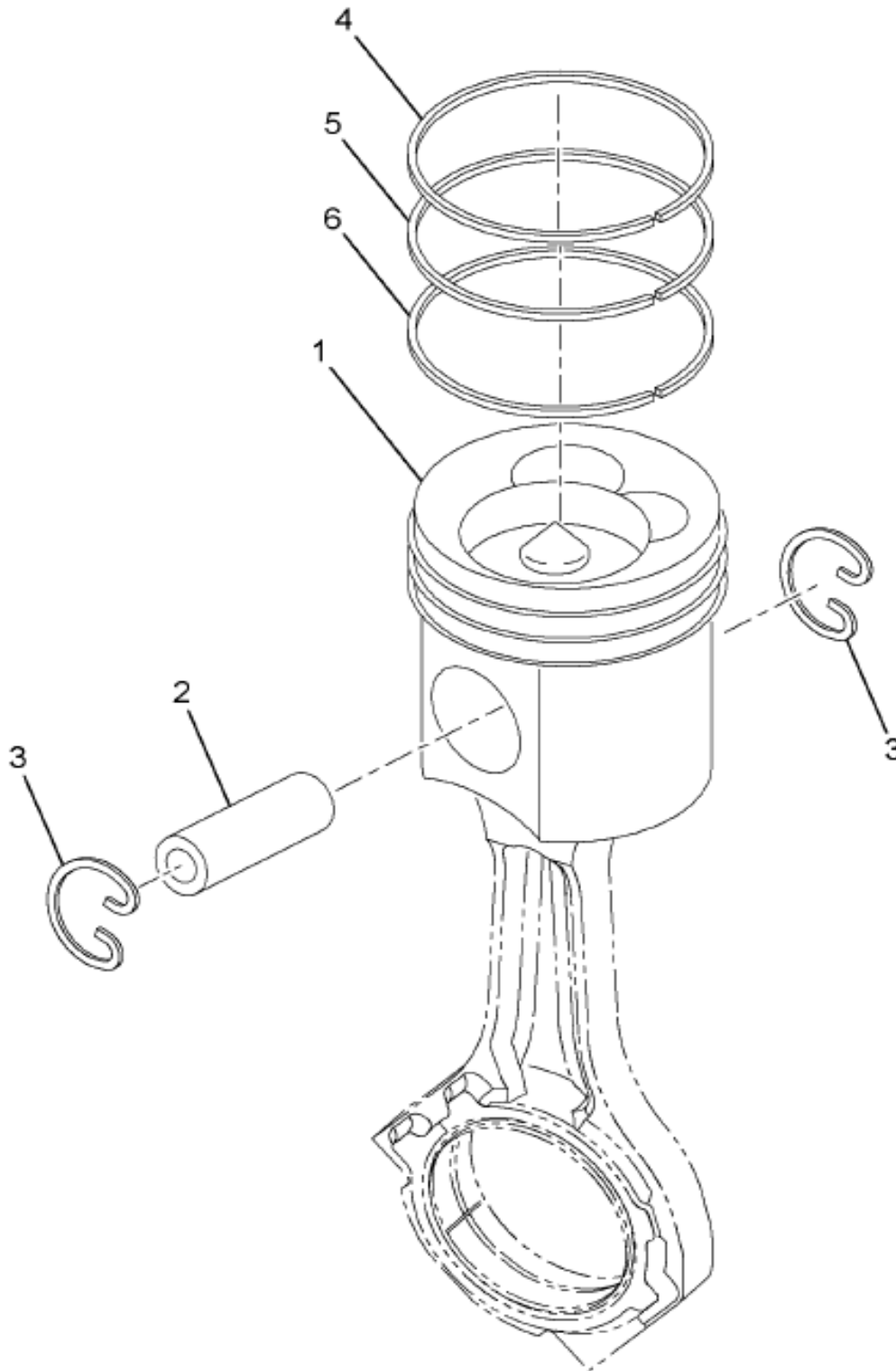


10-002-0001-01

J04

Item	Part No.	Qty	Description	Kit	Var	Figure
1	1845825C1	1	FITTING, TURBO OIL SUPPLY			
2	1815980C1	1	RING, "O" #908 .644" X .731"			
3	1839026C1	1	RING, "O" #012 .364" X .434"			
880		RF	NOTE: ASM BELOW COMPRISED OF ABOVE COMPONENTS			
881	1845826C92	RF	FITTING TURBO OIL			

Figure 641004B021
PISTONS (I-308, 530)



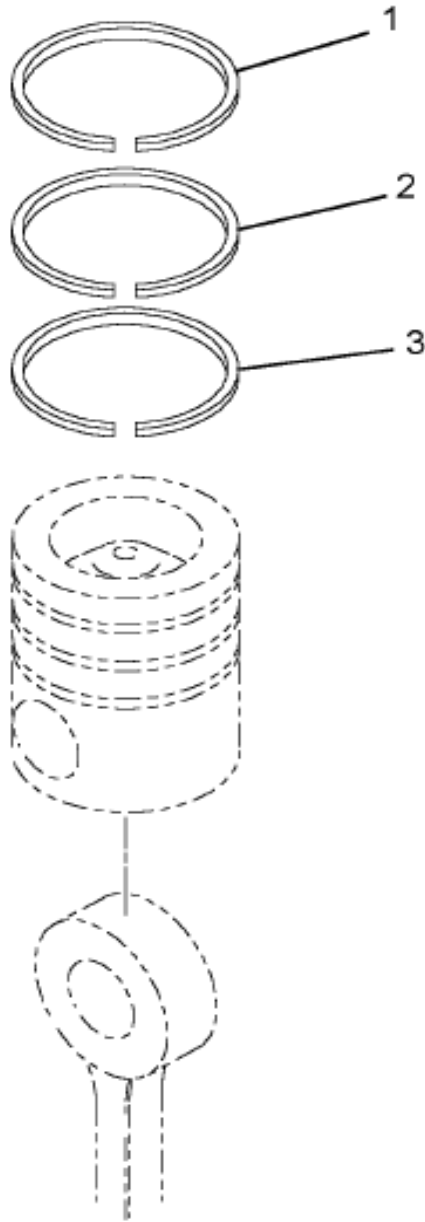
Grp
12

12-ENG-1400-01

D05

Item	Part No.	Qty	Description	Kit	Var	Figure
1	1830532C2	6	PISTON	A		
2	1830060C1	6	PIN, PISTON	A		
3	1818702C1	12	RETAINER, PIN	A		
4	1817586C1	6	RING, TOP COMPRESSION	B		
5	1817587C1	6	RING, 2ND COMPRESSION	B		
6	1830595C1	6	RING, OIL CONTROL	B		

Figure 1830723C92
KIT, PISTON RING, 466, 230-270BHP



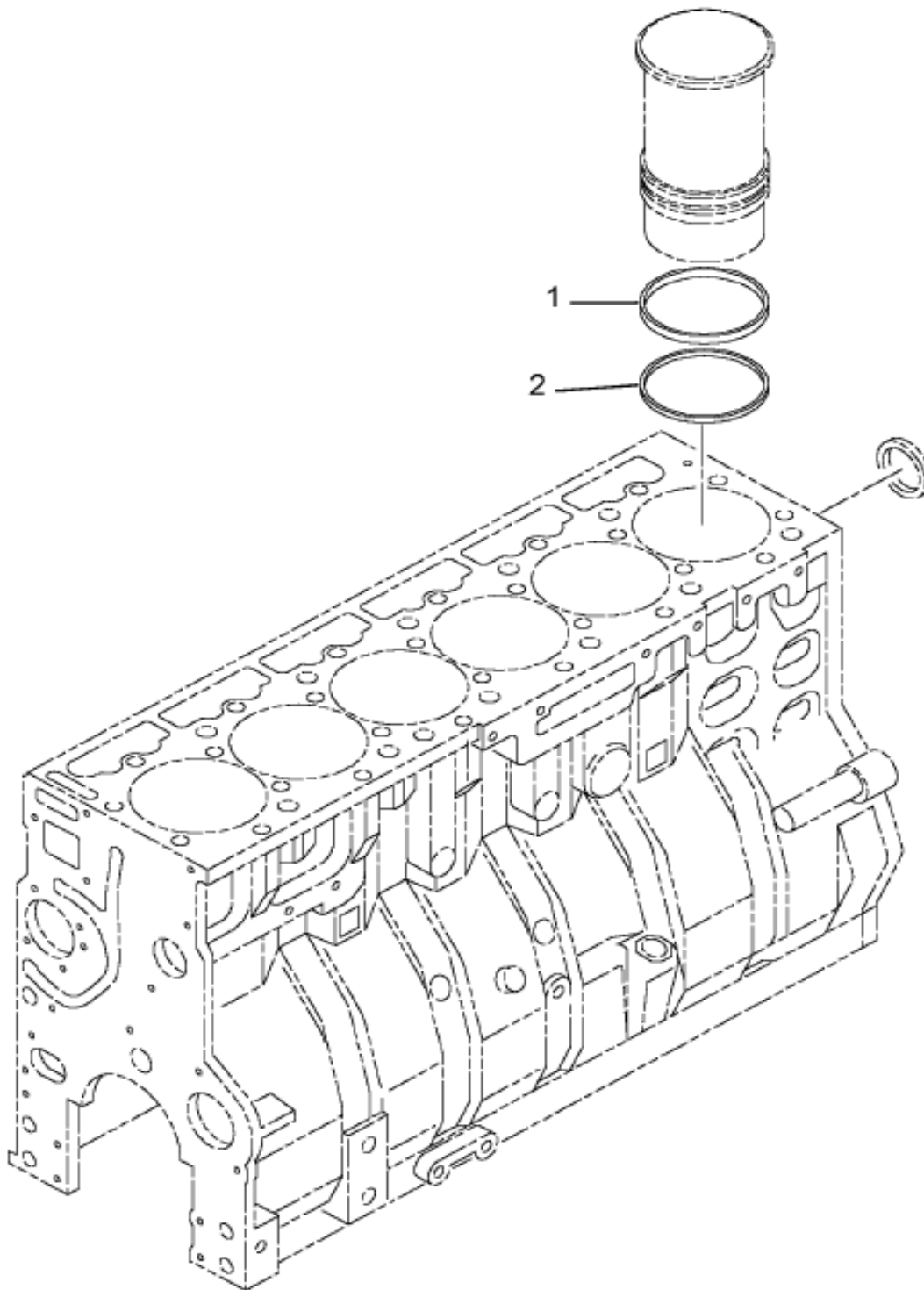
Grp
12

12-ENG-0497-01

G03

Item	Part No.	Qty	Description	Kit	Var	Figure
1	1817586C1	1	RING, TOP COMPRESSION			
2	1817587C1	1	RING, 2ND COMPRESSION			
3	1830595C1	1	RING, OIL CONTROL			
880		RF	NOTE: ASM BELOW COMPRISED OF ABOVE COMPONENTS			
881	1830723C92	RF	KIT, PISTON RING, 466, 230-270BHP			

Figure 1822322C92
PACKAGE, CYL SLEEVE RING

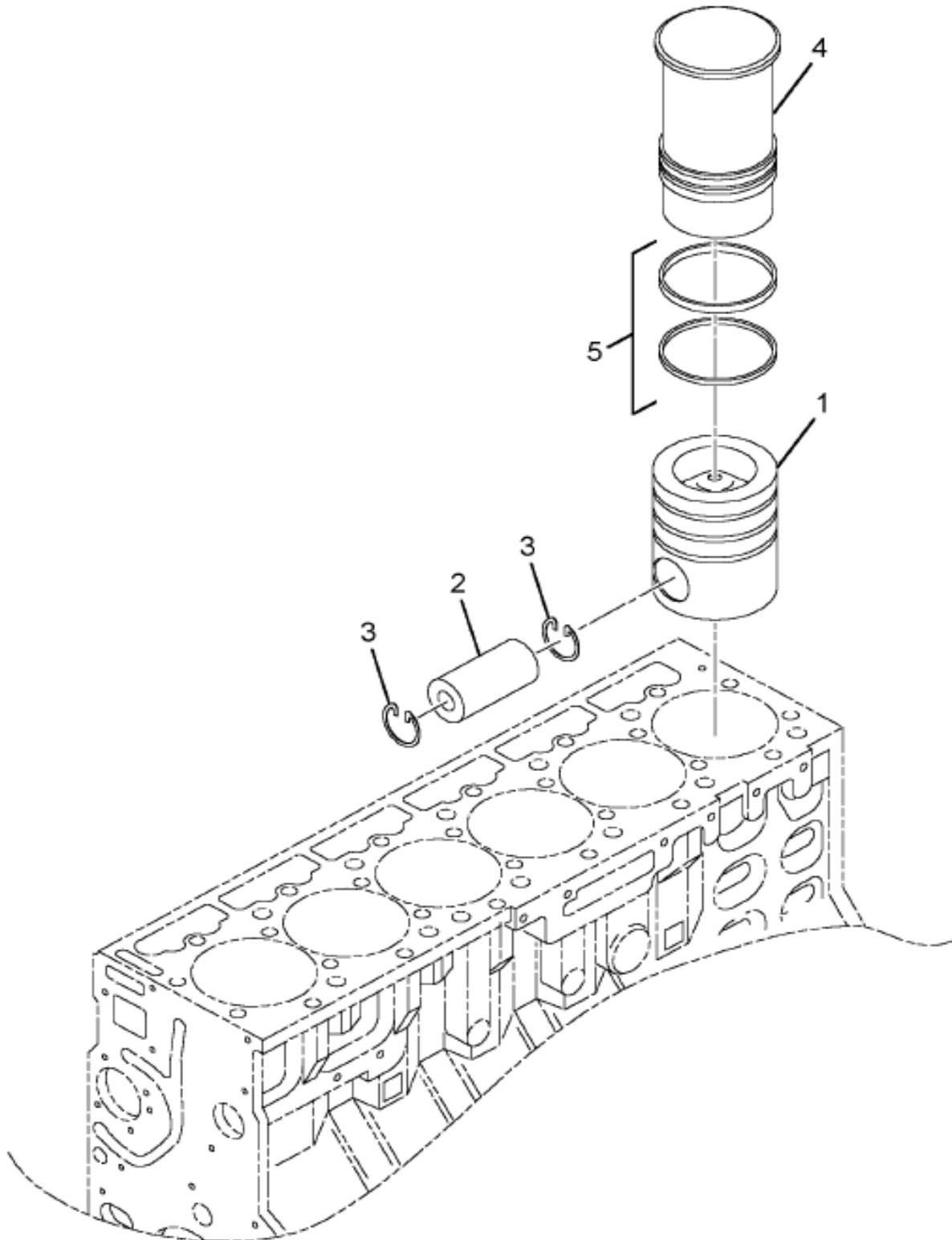


00-000-3821-01

G03

Item	Part No.	Qty	Description	Kit	Var	Figure
1	1817633C2	1	RING O CYL SLEEVE			
2	1817000C2	1	RING, CREVICE SEAL			
880		RF	NOTE: ASM BELOW COMPRISED OF ABOVE COMPONENTS			
881	1822322C92	RF	PACKAGE, CYL SLEEVE RING			

Figure 1830709C92
PACKAGE, PISTON & SLEEVE



Grp
12

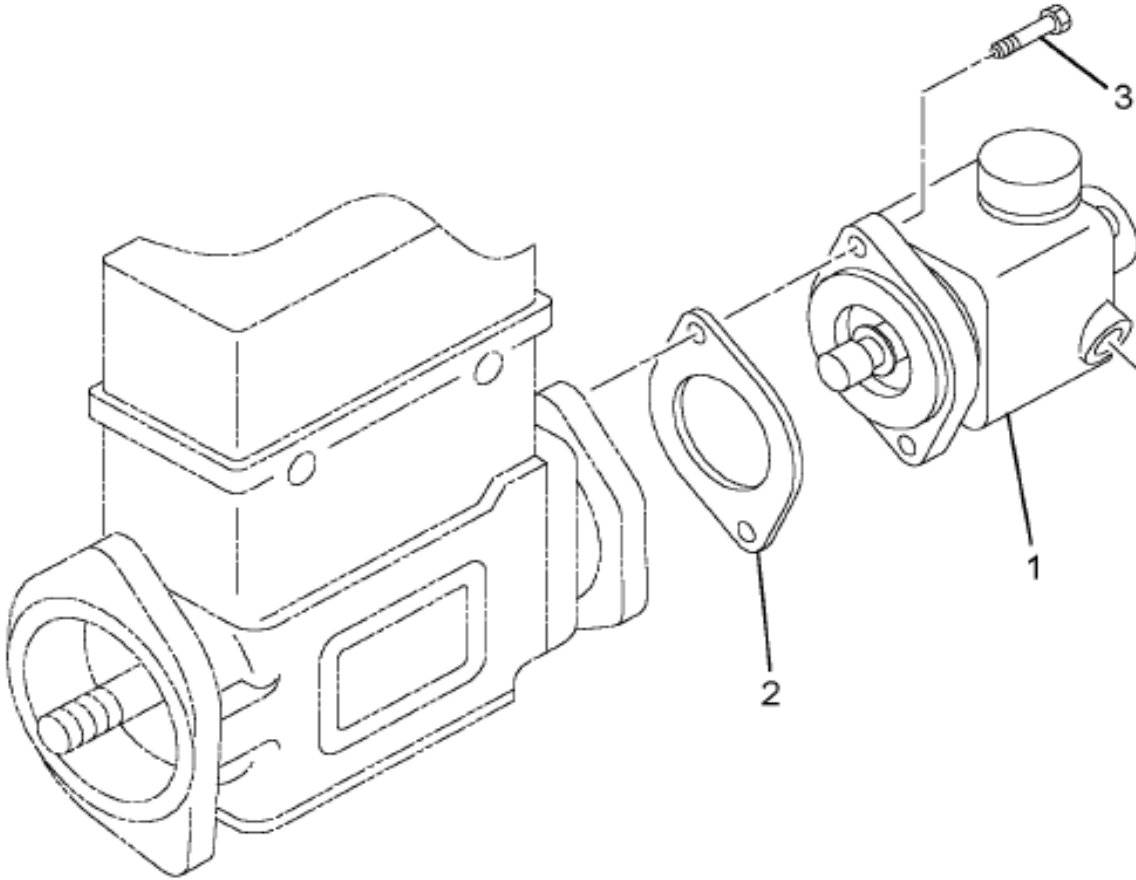
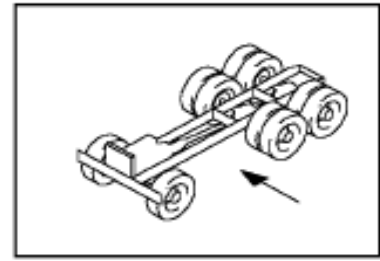
12-ENG-0599-01

H03

Item	Part No.	Qty	Description	Kit	Var	Figure
1	1830532C2	1	PISTON (530)			
2	1830060C1	1	PIN, PISTON STD			
3	1818702C1	2	RING, PISTON PIN RETAINER			
4	1830706C1	1	SLEEVE, CYLINDER			
5	1822322C92	1	PACKAGE, CYL SLEEVE RING			1822322C92
880	RF		NOTE: ASM BELOW COMPRISED OF ABOVE			

Figure 641016M014
POWER STEERING PUMP COLLECTOR

U

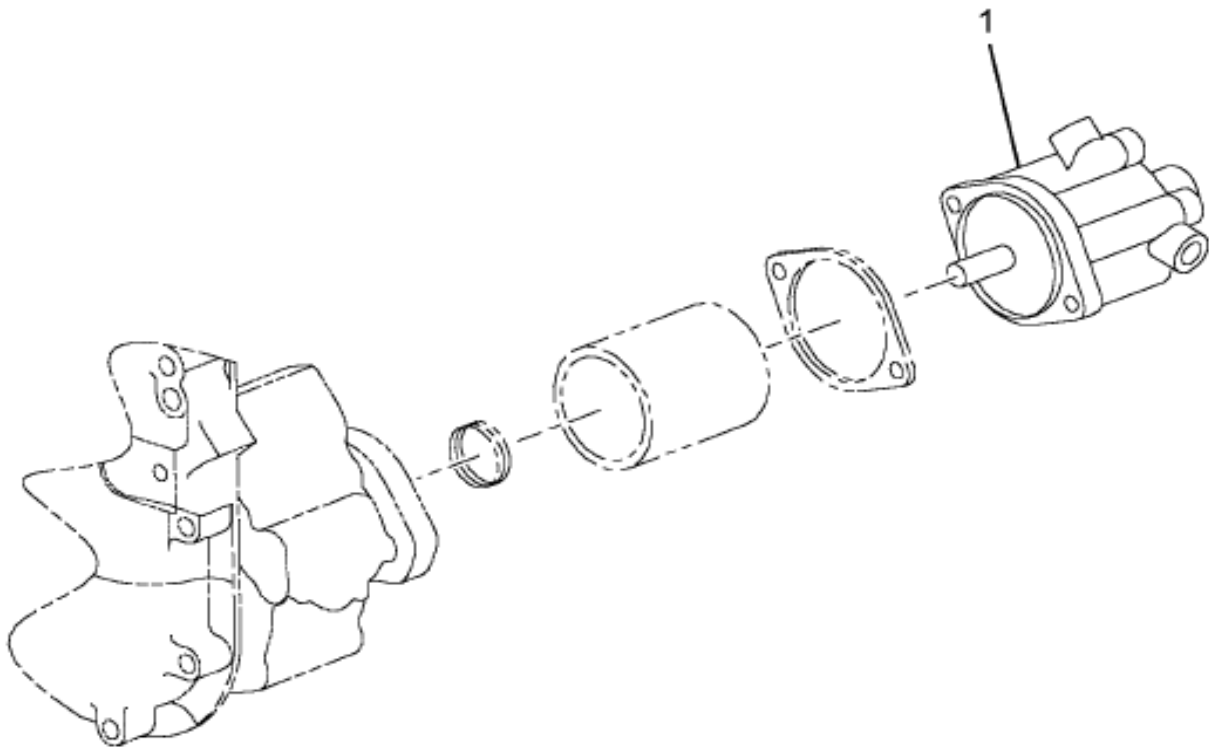


12-ENG-0363-01

E03

Item	Part No.	Qty	Description	Kit	Var	Figure
1	3542059C91	1	PUMP, POWER STRG			3542059C91
2	591597C2	1	GASKET PUMP P/S			
3	1818281C1	2	BOLT, M10 X 35MM HGH			
880		RF	NOTE: ASM BELOW COMPRISED OF ABOVE COMPONENTS			
881	641016M014	RF	POWER STEERING PUMP COLLECTOR	U		

Figure 3542059C91
PUMP, POWER STRG



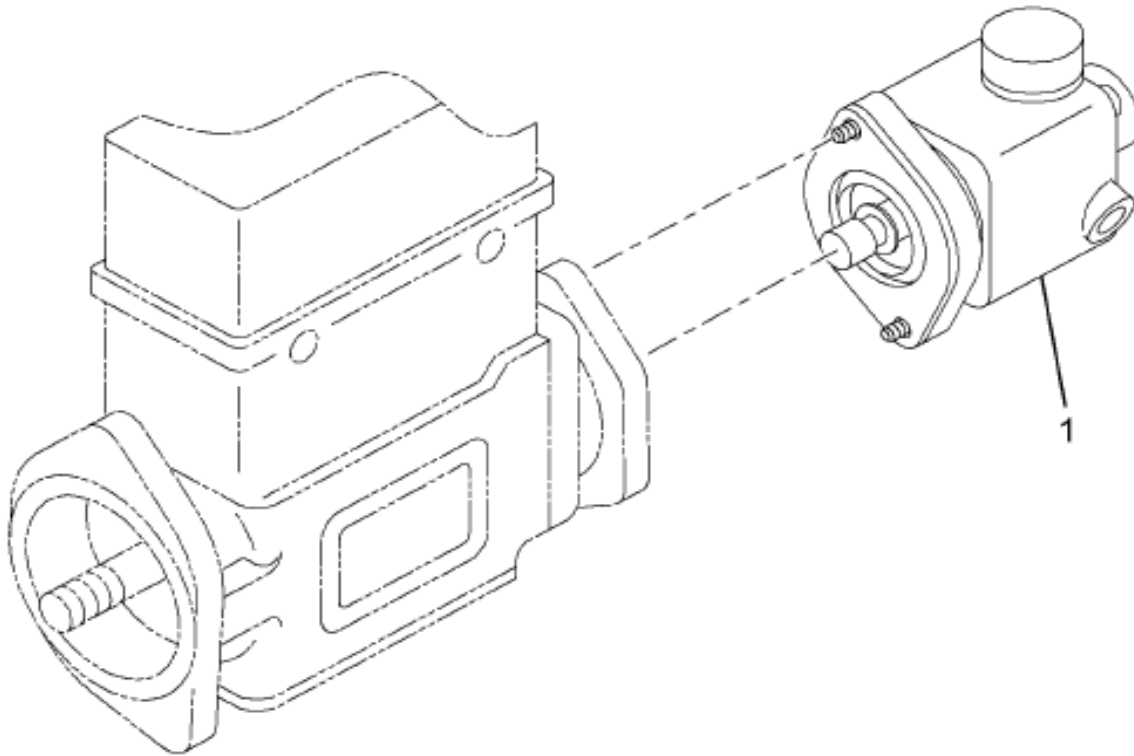
Grp
1
2

05-069-0011-00

A03

Item	Part No.	Qty	Description	Kit	Var	Figure
1	1669456C91	1	SET, O RING SEALS			
880		RF	NOTE: ASM BELOW COMPRISED OF ABOVE COMPONENTS			
881	3542059C91	RF	PUMP, POWER STRG			

Figure 3556348F91
PUMP, POWER STRG*LUK LF73C

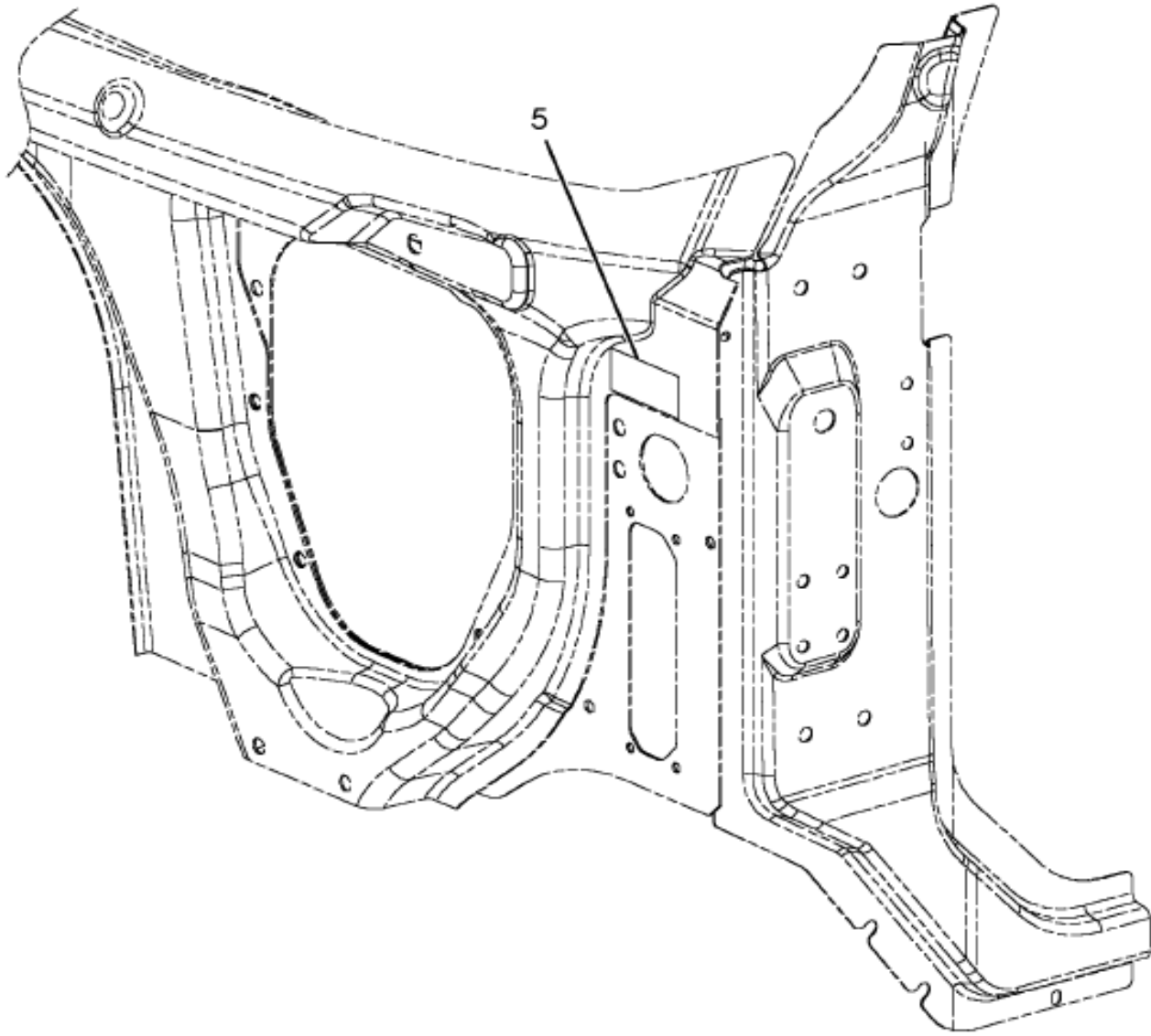
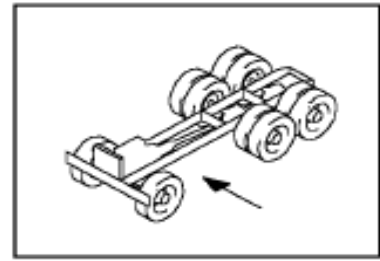


12-E12-0002-01

D09

Item	Part No.	Qty	Description	Kit	Var	Figure
1		RF	QM14 - HYD.PUMP LUK LF73C			
1	641016M014	1	POWER STEERING PUMP COLLECTOR		U	641016M014
880		RF	NOTE: ASM BELOW COMPRISED OF ABOVE COMPONENTS			
881	3556348F91	RF	PUMP, POWER STRG*LUK LF73C			

Figure 08XWZ
PRODUCT GRAPHIC; ENGINE OIL



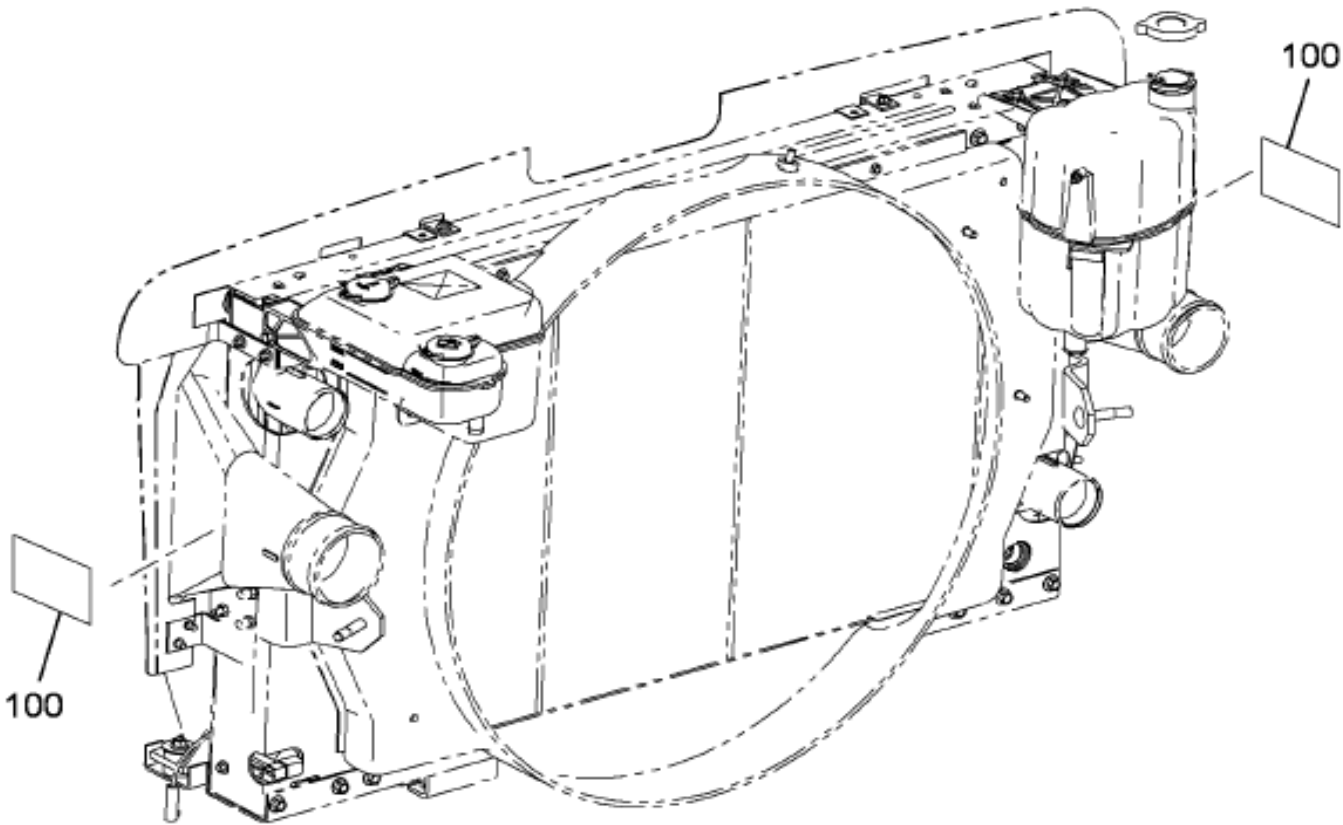
Grp
12

12-908-0005-GA

M02

Item	Part No.	Qty	Description	Kit	Var	Figure
5	3519749C2	1	PRODUCT GRAPHICS, LABEL INFO*EN		0FBFD	

Figure 07S0Z
PRODUCT GRAPHIC; FAN DRIVE



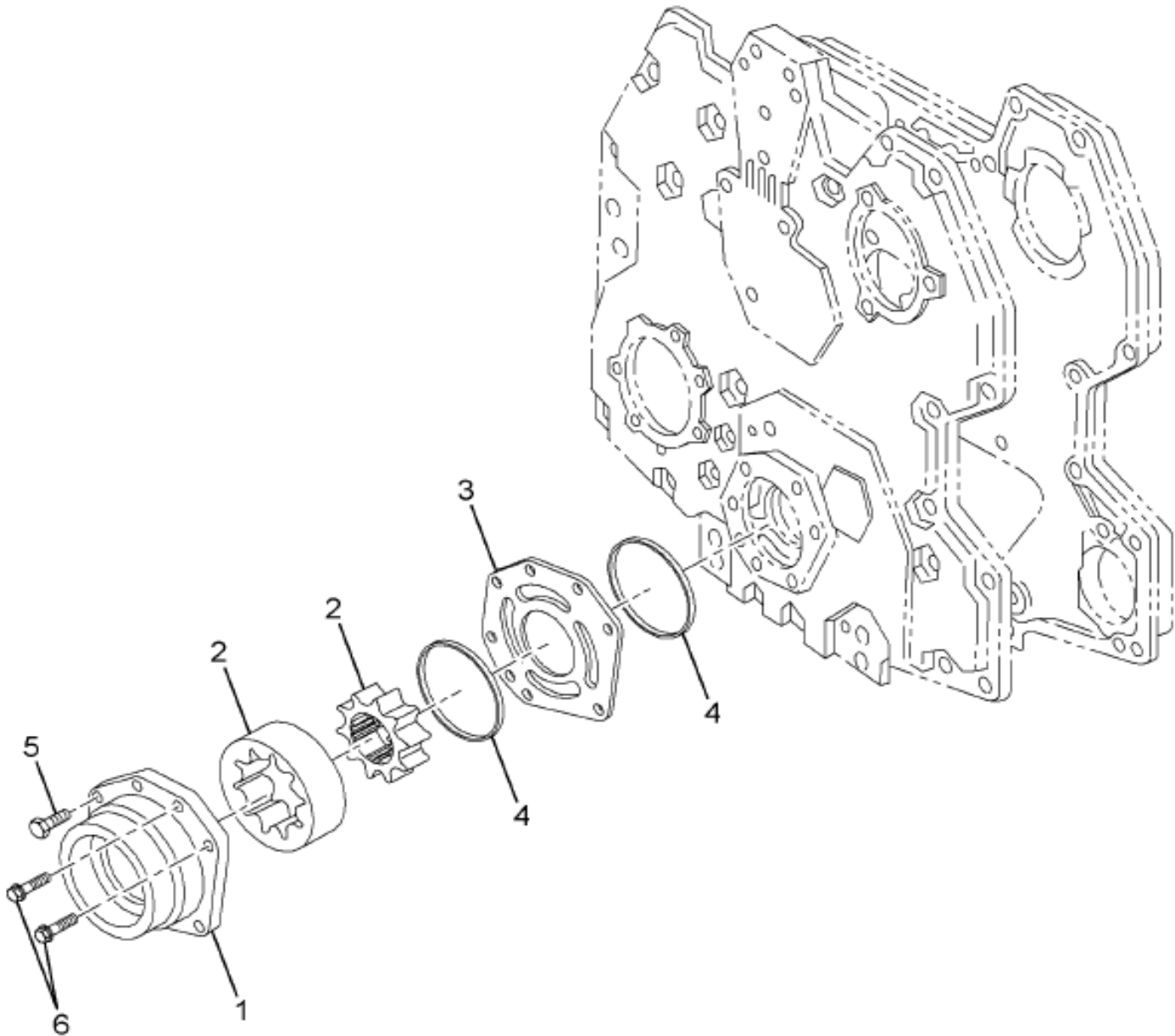
MM-NGV-SS
WF-NGD-16-ENG

12-282-0007-JA

J09

Item	Part No.	Qty	Description	Kit	Var	Figure
100	1656690C1	2	PRODUCT GRAPHICS,AUTO FAN CLU		0H9VW	

Figure 641013A003
PUMP, OIL



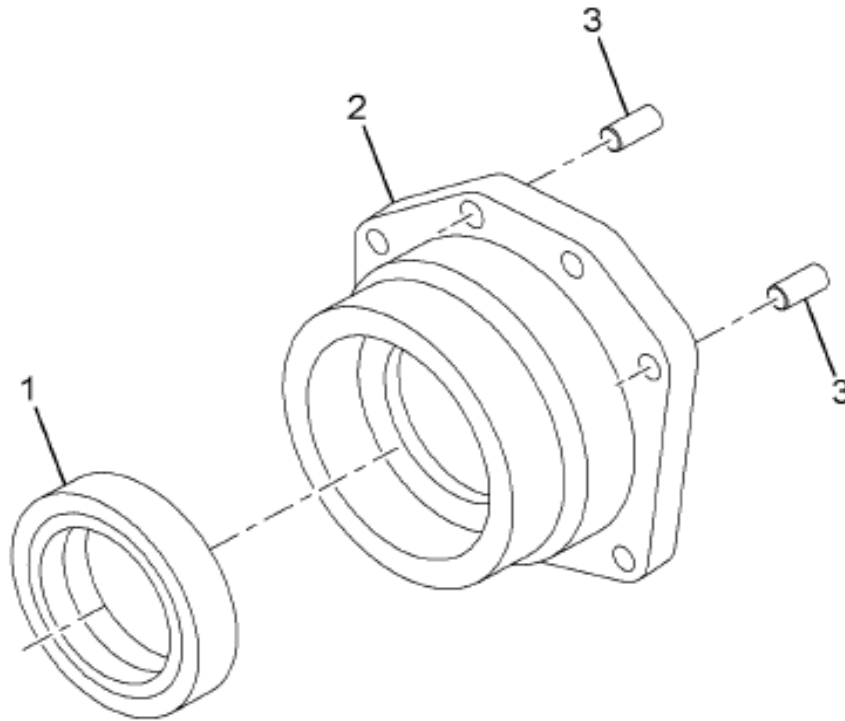
Grp
12

12-ENG-0092-01

F07

Item	Part No.	Qty	Description	Kit	Var	Figure
1	1827395C92	1	HOUSING, OIL PUMP			1827395C92
2	1827397C91	1	ROTOR, OIL PUMP			
3	1827400C1	1	PLATE, OIL PUMP HOUSING			
4	1817862C1	2	SEAL, OIL PUMP HOUSING			
5	1817859C1	4	BOLT M8 X 1.25 60MM			
6	1817957C1	2	BOLT, FLANGE M8 X 25MM			

Figure 1827395C92
HOUSING, OIL PUMP



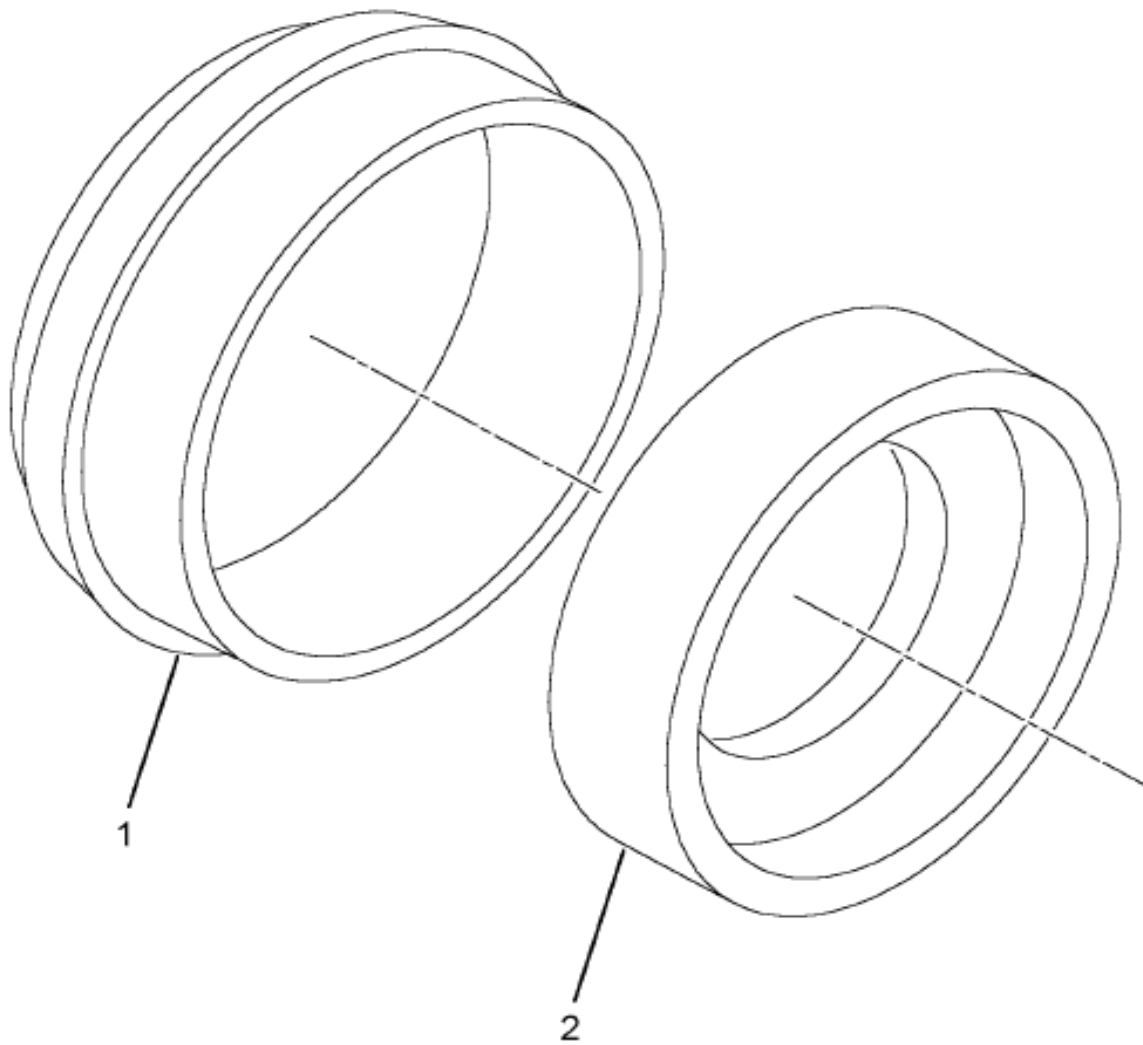
Grp
12

12-ENG-1749-01

F07

Item	Part No.	Qty	Description	Kit	Var	Figure
1	1827177C1	1	SEAL, FRONT-RADIAL LIP TYPE			
2	1827396C2	1	HOUSING, LUBE OIL PUMP			
3	680482C1	2	PIN, DOWEL CRKSHFT FLYWHEEL			
880		RF	NOTE: ASM BELOW COMPRISED OF ABOVE COMPONENTS			
881	1827395C92	RF	HOUSING, OIL PUMP			

Figure 1833096C92
 PACKAGE FRONT OIL SEAL 530/570

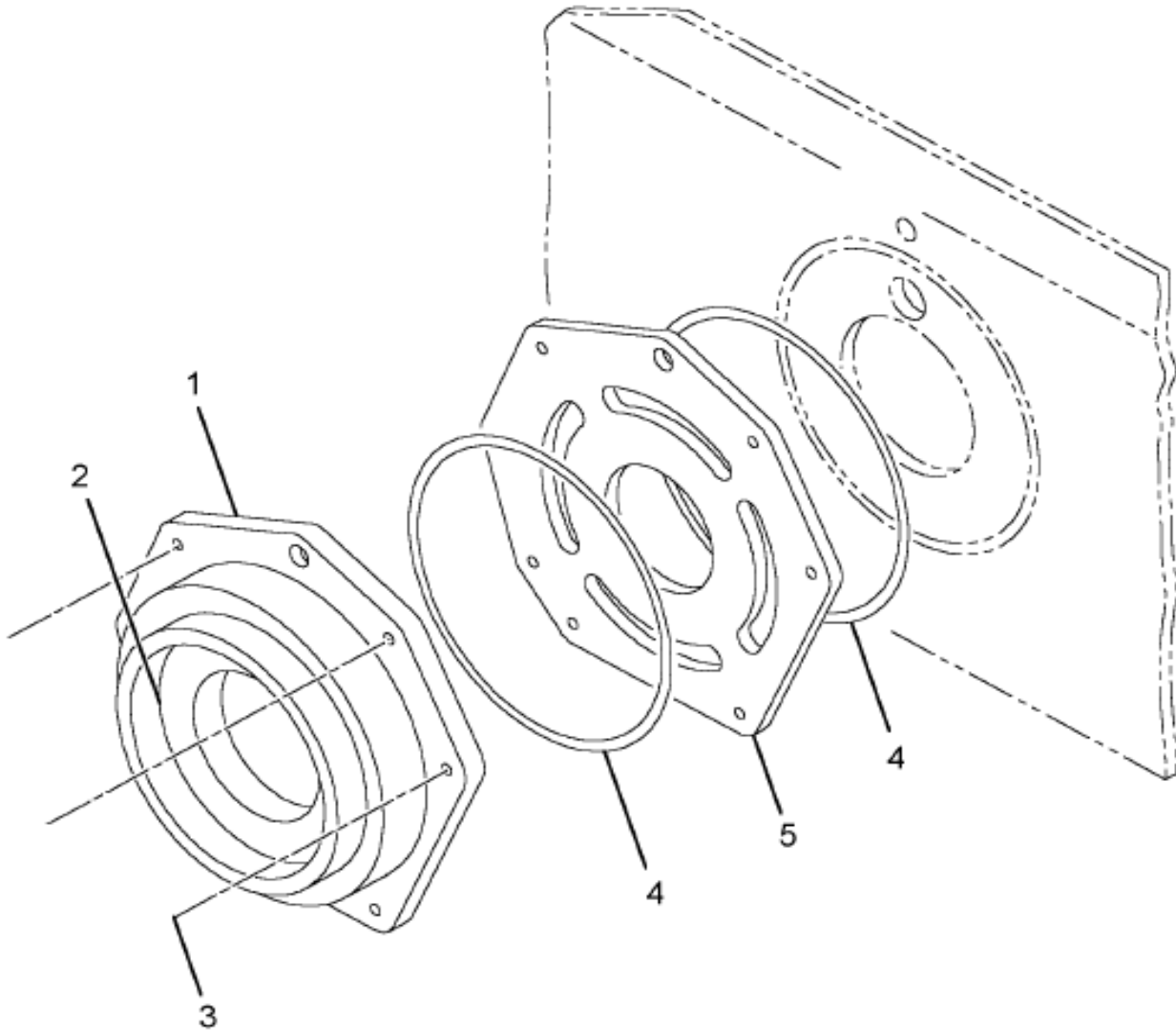


12-ENG-0603-01

J03

Item	Part No.	Qty	Description	Kit	Var	Figure
1	1827177C1	1	SEAL, FRONT-RADIAL LIP TYPE			
2	1827176C91	1	SLEEVE, ASSY POSE			1827176C91
800		RF	NOTE: THE FOLLOWING PARTS ARE NON-ILLUSTRATED			
801	1171742R1	1	INSTRUCTION SHT			
880		RF	NOTE: ASM BELOW COMPRISED OF ABOVE			

Figure 1833357C92
PACKAGE, OIL PUMP

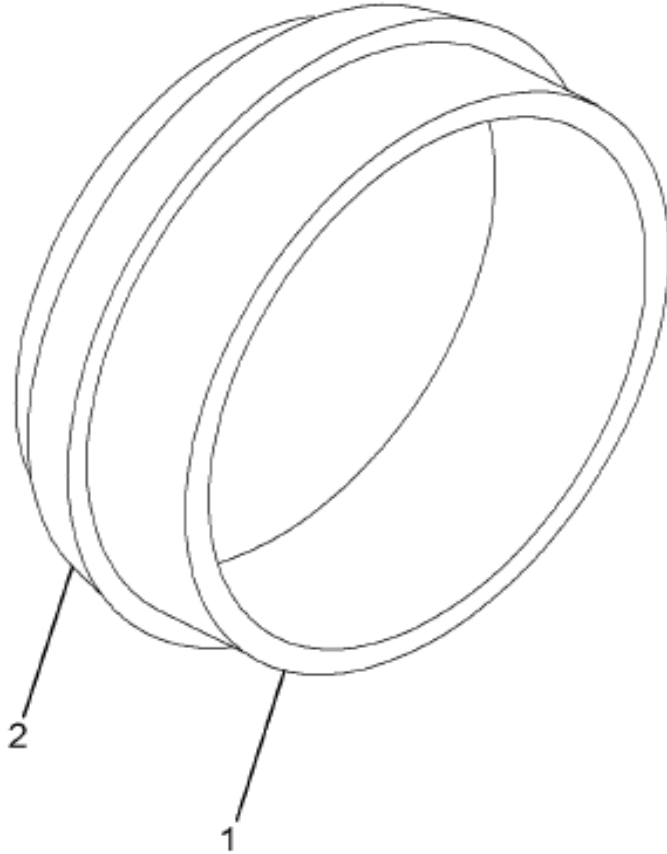


12-ENG-0602-01

J03

Item	Part No.	Qty	Description	Kit	Var	Figure
1	1827395C92	1	HOUSING, OIL PUMP			1827395C92
2	1827397C91	1	ROTOR ASSY, OIL PUMP			
3	1827176C91	1	SLEEVE, ASSY POSE			1827176C91
4	1817862C1	2	SEAL, OIL PUMP			
5	1827400C1	1	PLATE, OIL PUMP HOUSING			
880	RF		NOTE: ASM BELOW COMPRISED OF ABOVE			

Figure 1827176C91
SLEEVE, ASSY POSE

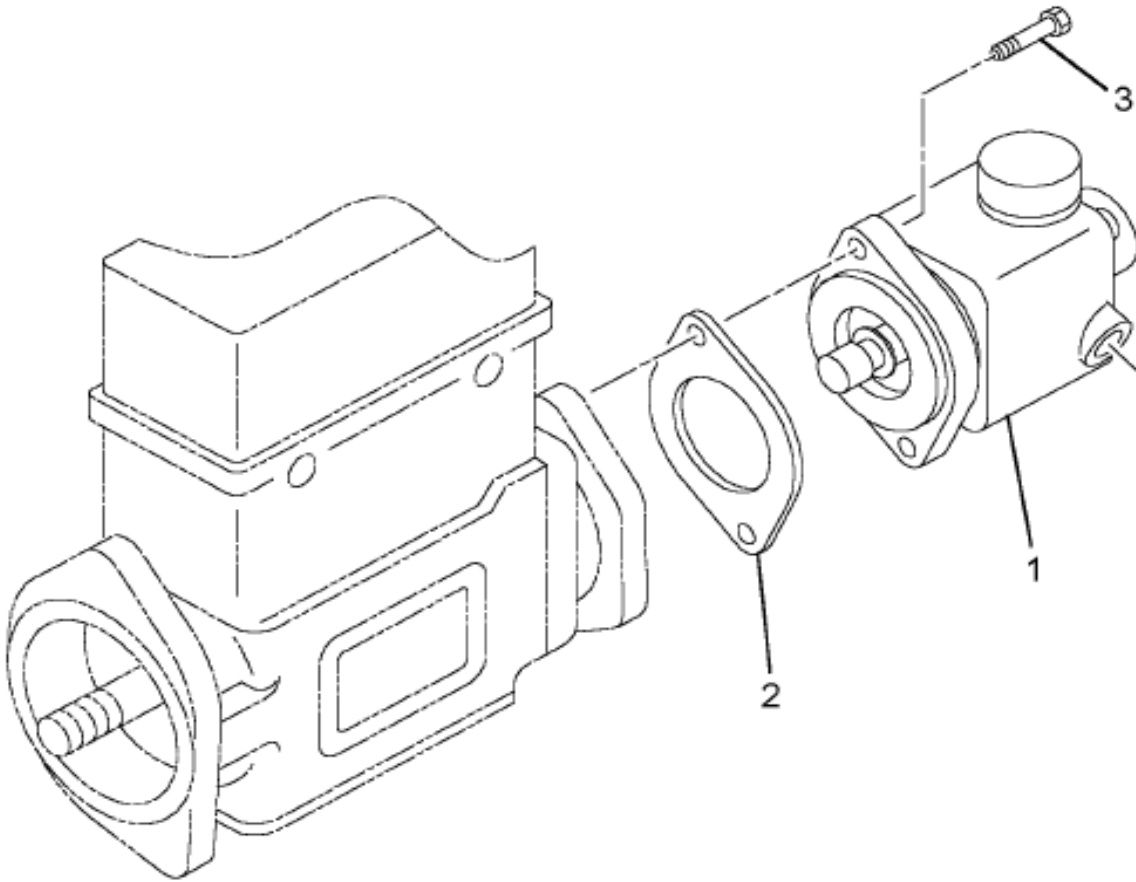
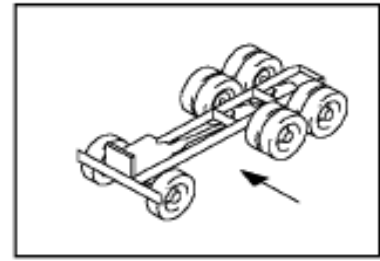


12-ENG-0715-01

L04

Item	Part No.	Qty	Description	Kit	Var	Figure
1	1827174C1	1	SLEEVE, WEAR	A		
2	1827175C1	1	SEAL, DUST-POSE	A		
801		RF	(CONSISTS OF PARTS DENOTED BY A)			
880		RF	NOTE: ASM BELOW COMPRISED OF ABOVE COMPONENTS			
881	1827176C91	RF	SLEEVE, ASSY POSE			

Figure 641016M014
PUMP, POWER STEERING



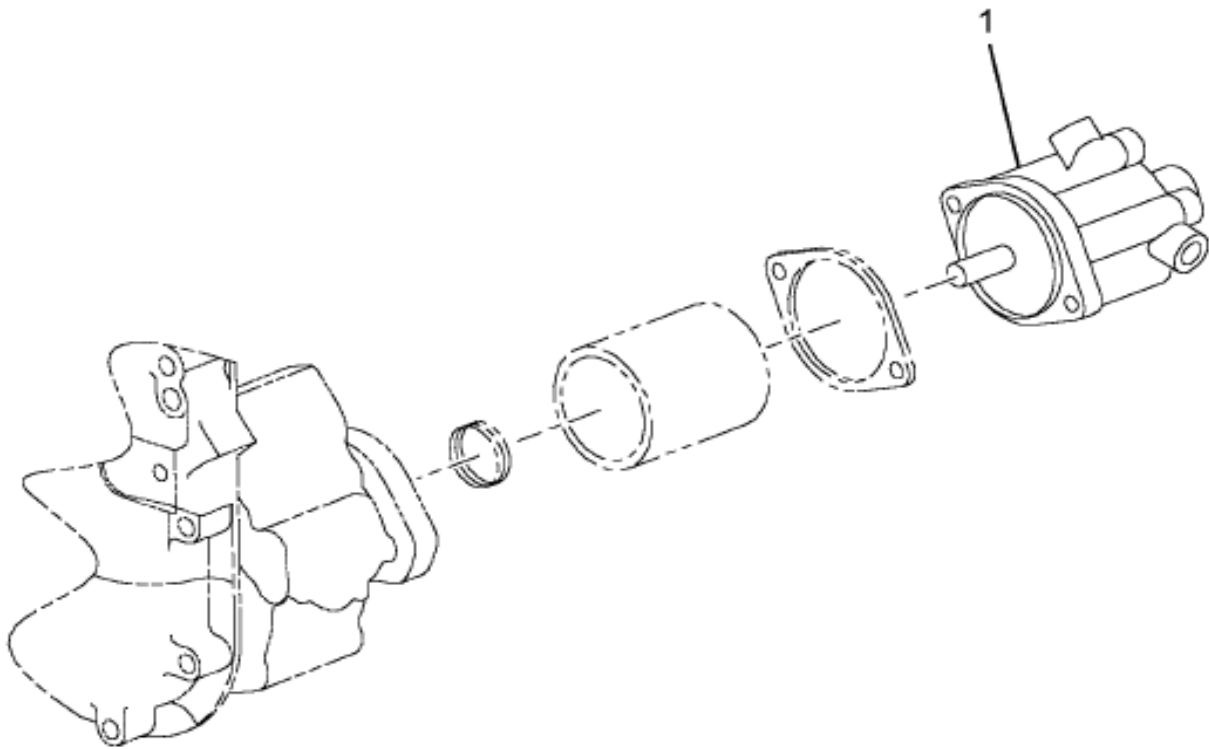
G
R
P
1
2

12-ENG-0363-01

E03

Item	Part No.	Qty	Description	Kit	Var	Figure
1	3542059C91	1	PUMP, POWER STEERING LF73C			3542059C91
2	591597C2	1	GASKET, MOUNTING POWER STEERING PUMP			
3	1818281C1	2	BOLT M10 X 1.5-6G X 35MM			
880		RF	NOTE: ASM BELOW COMPRISED OF ABOVE COMPONENTS			
881	641016M014	RF	PUMP, POWER STEERING			

Figure 3542059C91
PUMP, POWER STRG

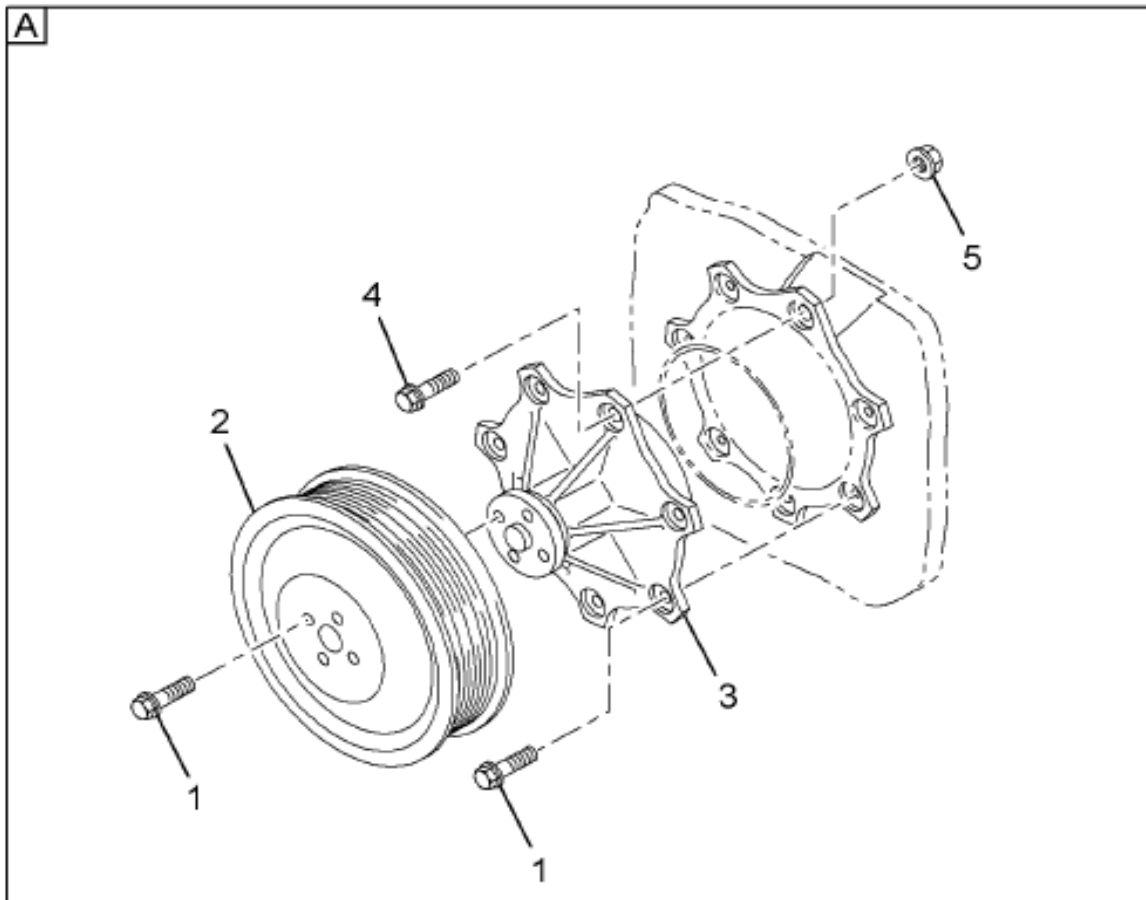
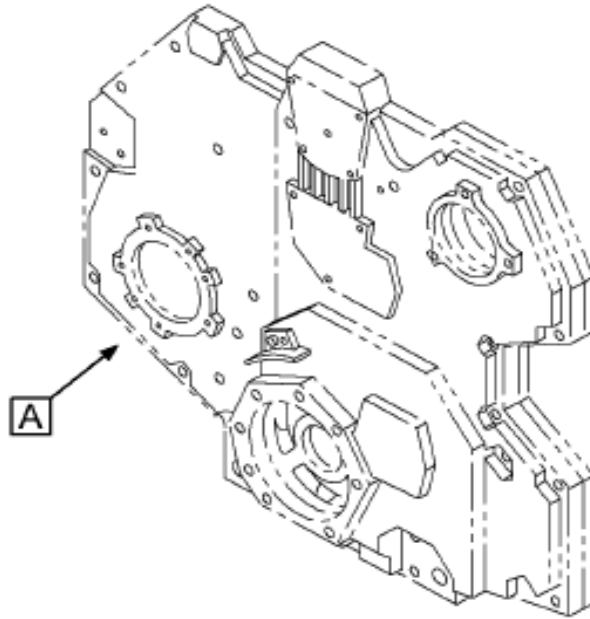


05-069-0011-00

A03

Item	Part No.	Qty	Description	Kit	Var	Figure
1	1669456C91	1	SET, O RING SEALS			
880		RF	NOTE: ASM BELOW COMPRISED OF ABOVE COMPONENTS			
881	3542059C91	RF	PUMP, POWER STRG			

Figure 641005A004
PUMP, WATER



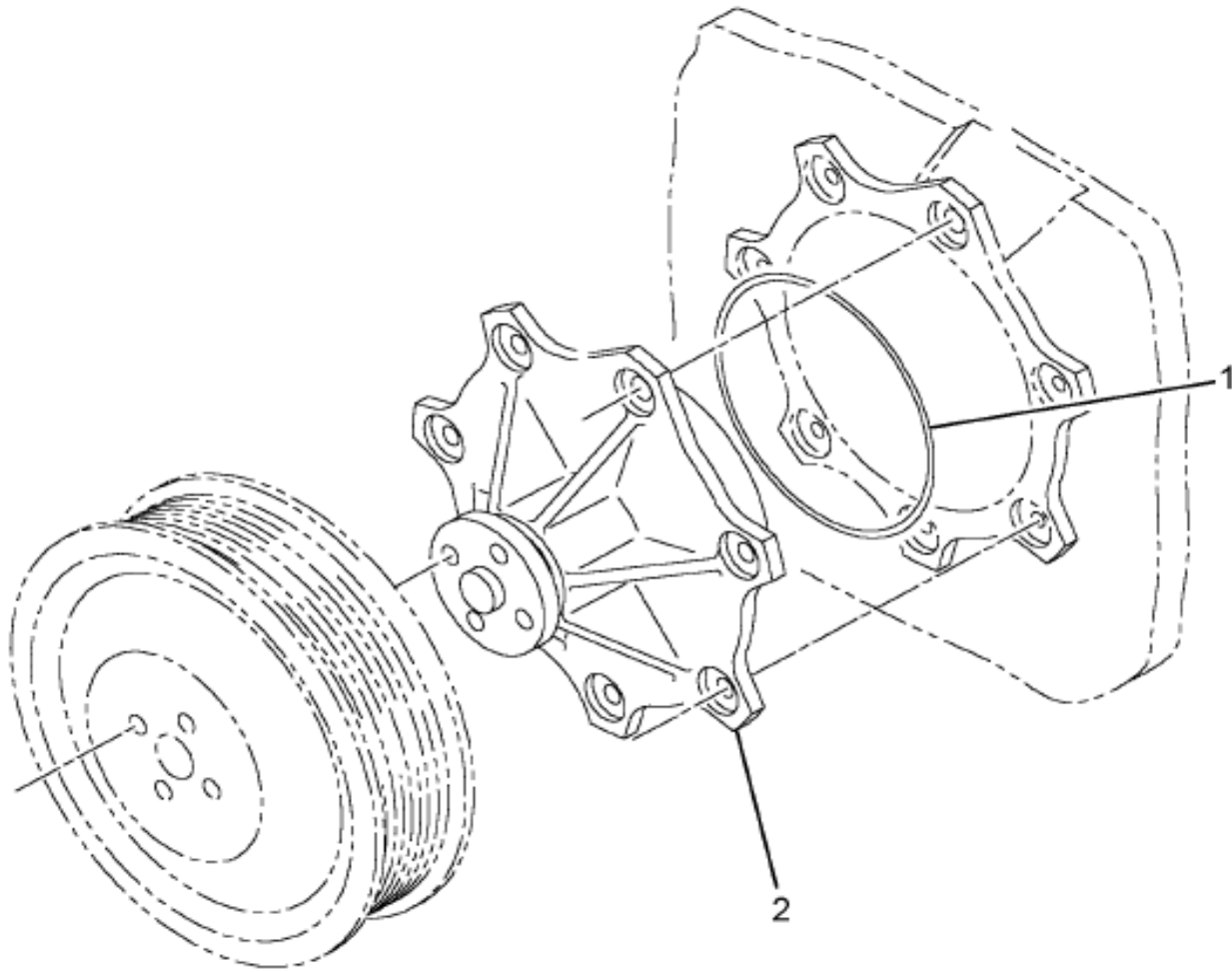
Grp
12

12-ENG-1294-01

A05

Item	Part No.	Qty	Description	Kit	Var	Figure
1	1817810C1	10	BOLT M6 X 12			
2	1817629C1	1	PULLEY, WATER PUMP			
3	1830606C93	1	PUMP, WATER			
3		RF	BEFORE 06/28/2005			
3	1830606C94	1	PUMP, WATER			
3		RF	BETWEEN 06/28/2005 AND 02/09/2010			

Figure 1830606C95
PUMP ASSEMBLY, WATER



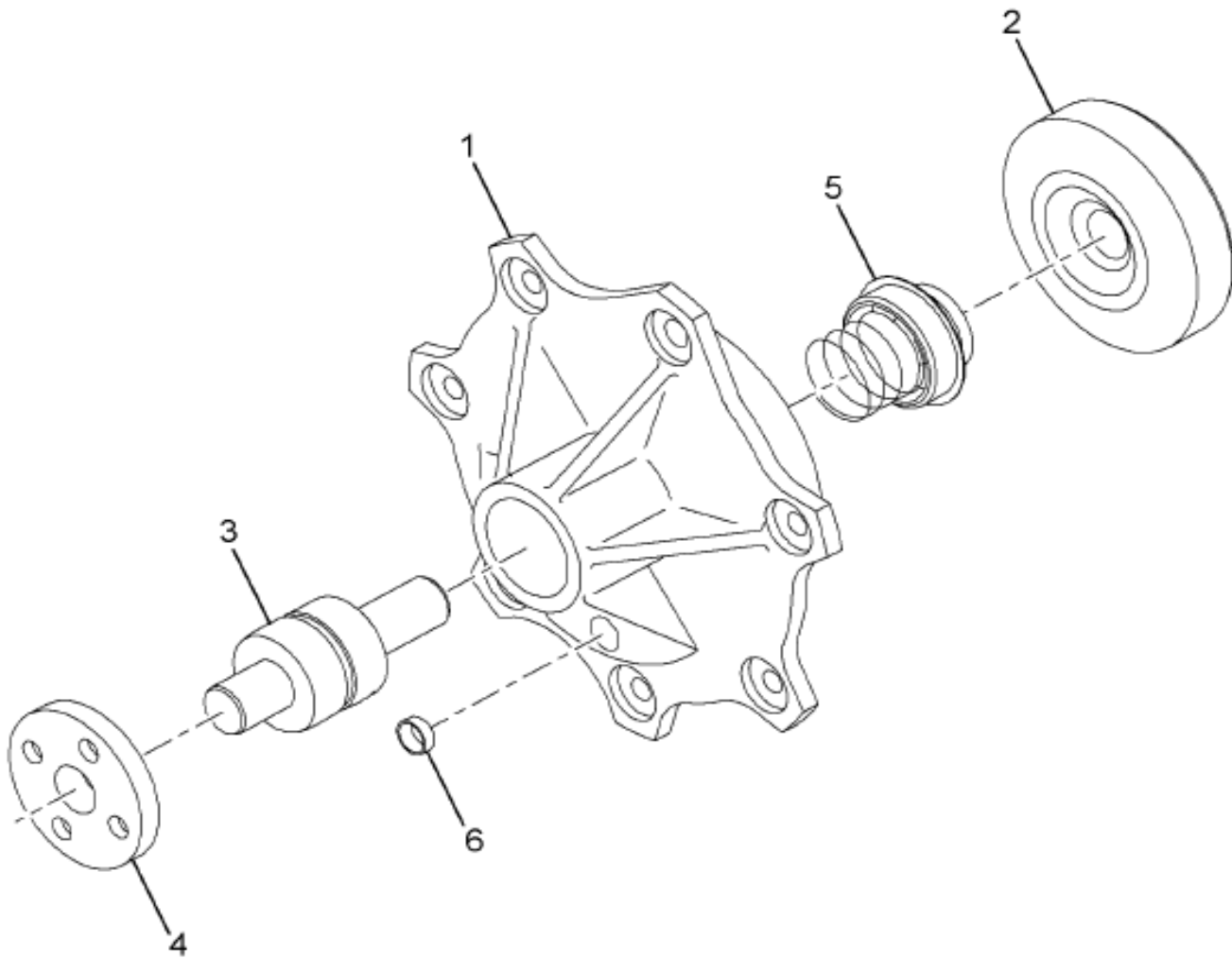
Grp
12

12-ENG-0528-01

G03

Item	Part No.	Qty	Description	Kit	Var	Figure
1	1819099C1	1	SEAL, WATER PUMP			
2	1830607C5	1	PUMP, SUB-ASSEMBLY, WATER			1830607C5
880		RF	NOTE: ASM BELOW COMPRISED OF ABOVE COMPONENTS			
881	1830606C95	RF	PUMP ASSEMBLY, WATER			

Figure 1830607C5
PUMP, SUB-ASSEMBLY, WATER

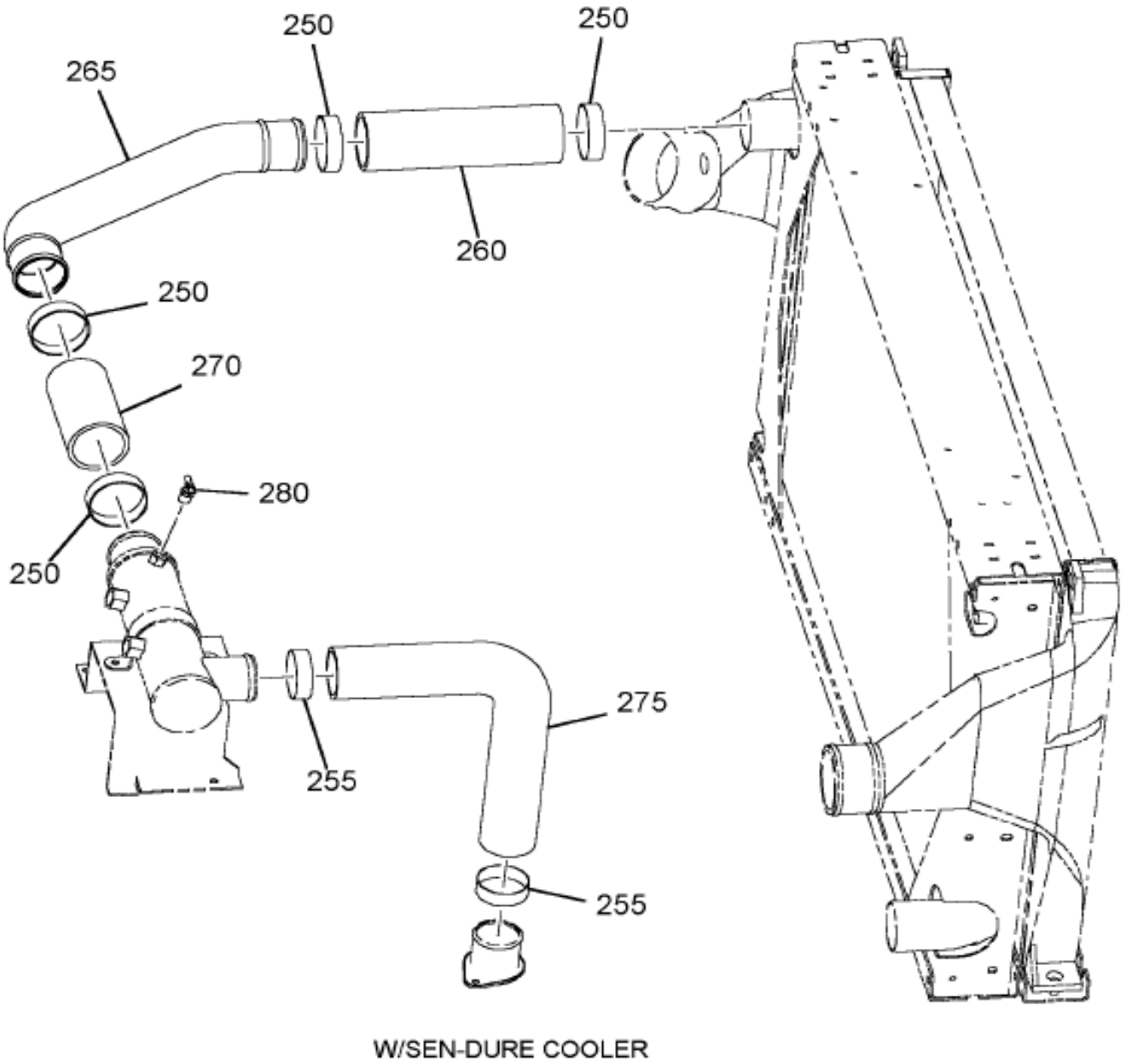


12-ENG-2025-01

C09

Item	Part No.	Qty	Description	Kit	Var	Figure
1	1890235C1	1	HOUSING, WATER PUMP			
2	1821931C1	1	IMPELLER, WATER PUMP			
3	1821934C5	1	BEARING, SHAFT, WATER PUMP			
4	1822091C2	1	HUB, FAN & PULLEY			
5	1891275C1	1	SEAL ASSY., WATER PUMP-LNG LIFE			
6	347822R1	1	PLUG, 5/8 CUP			

Figure 07PJQ
RAD HOSEING INSTL

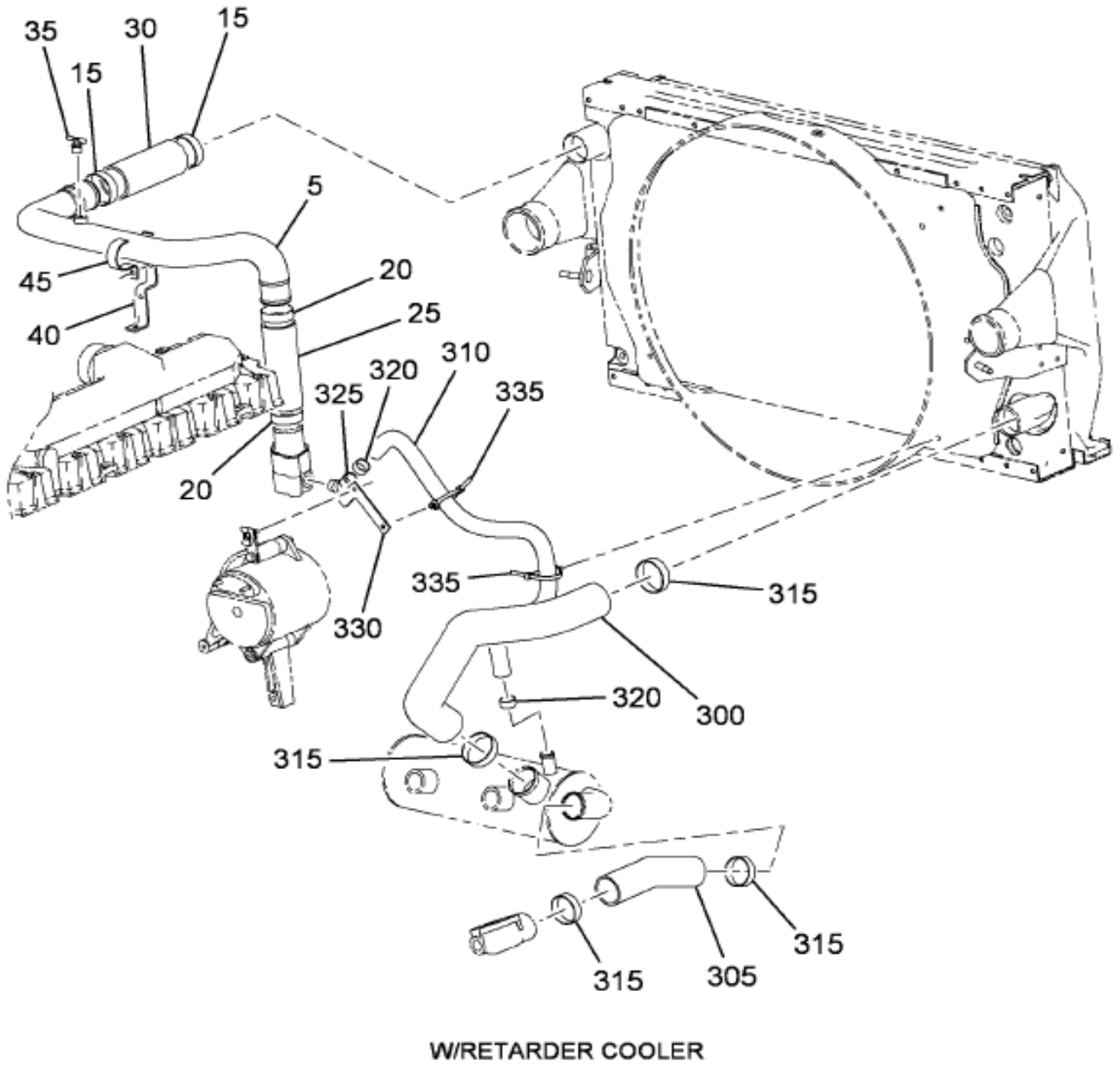


12-255-0061-AB

K02

Figure 1 of 3

Figure 07PJQ
RAD HOSE INSTL



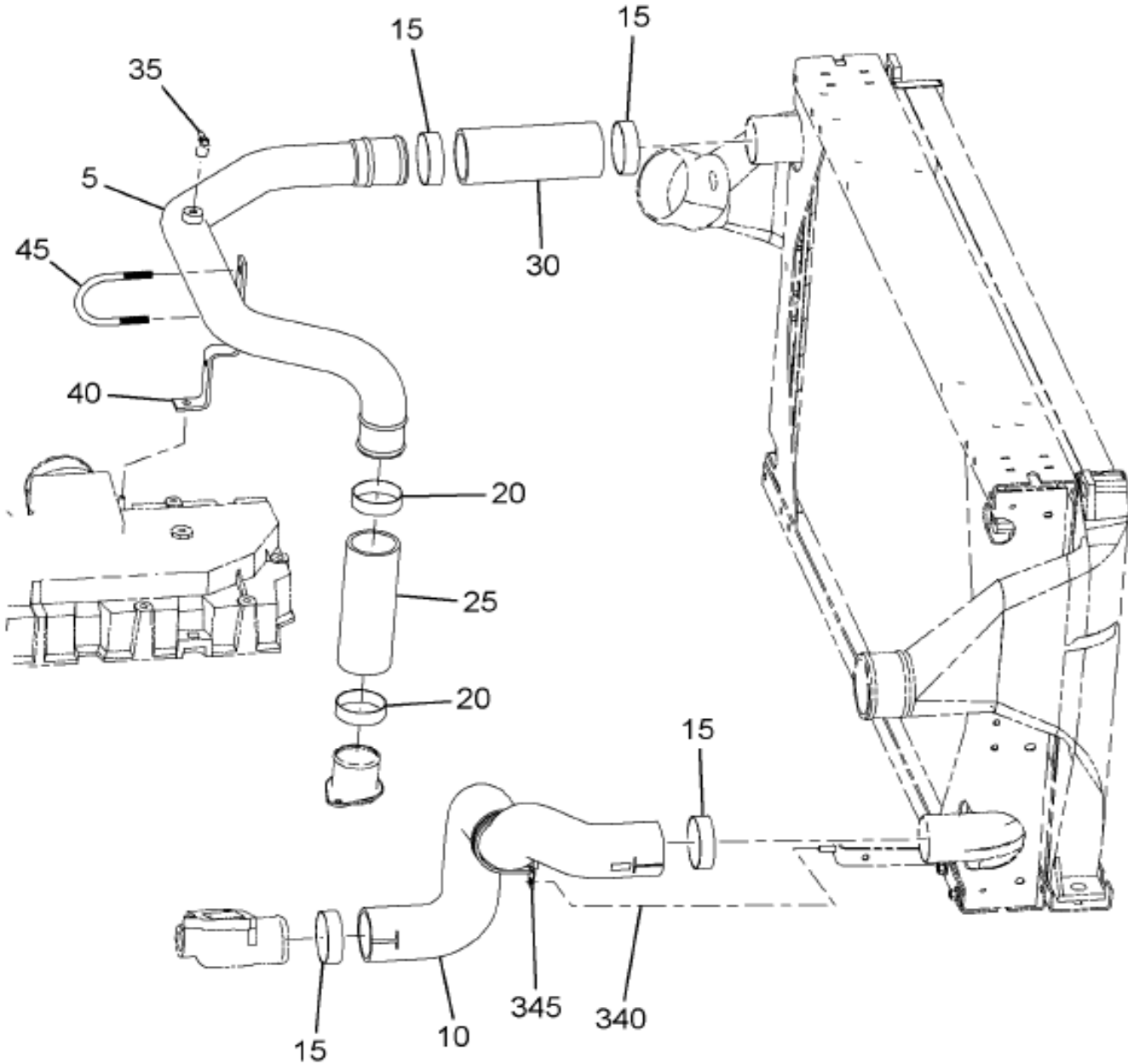
GRP
12

12-255-0088-01

F09

Figure 2 of 3

Figure 07PJQ
RAD HOSEING INSTL



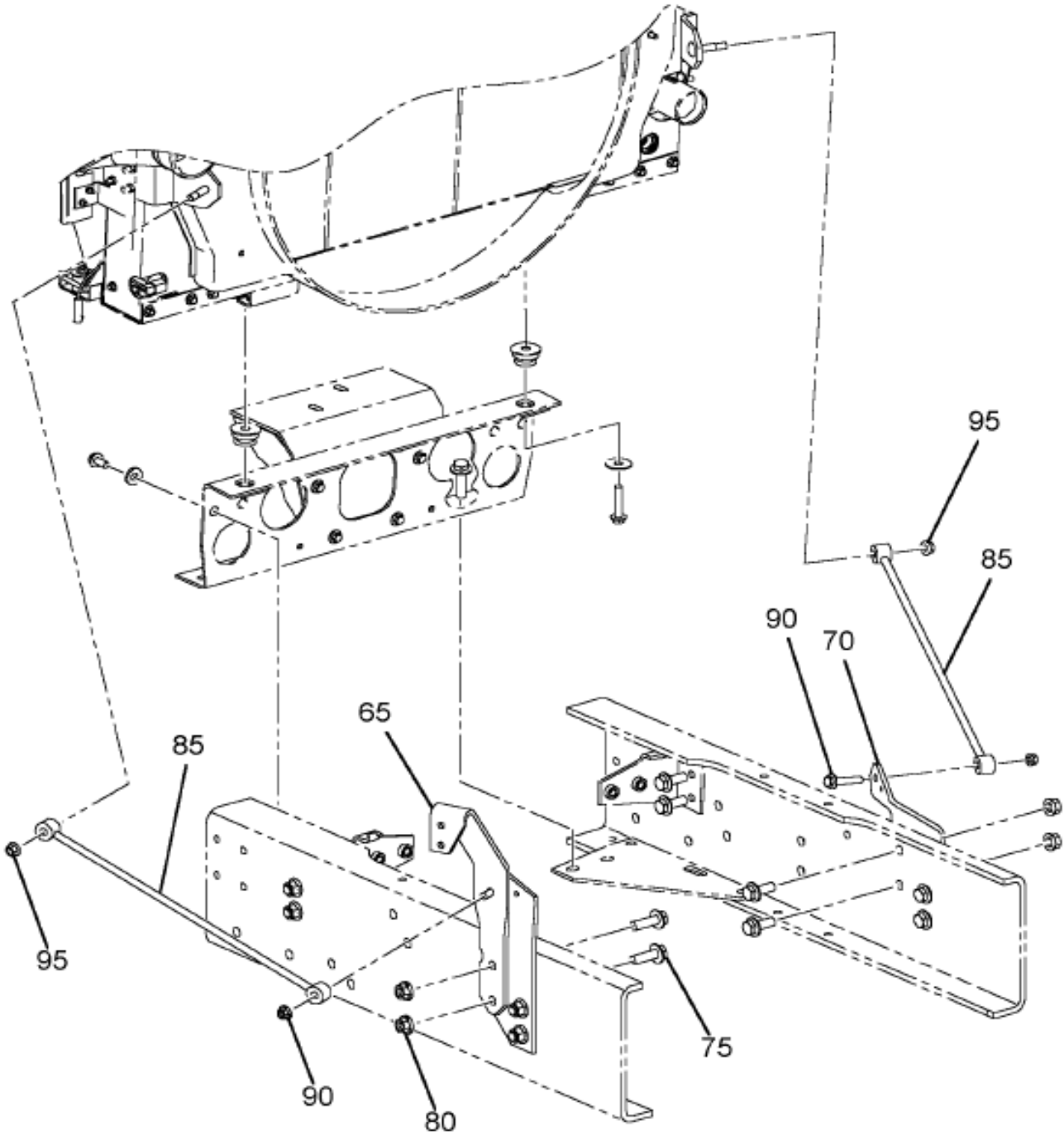
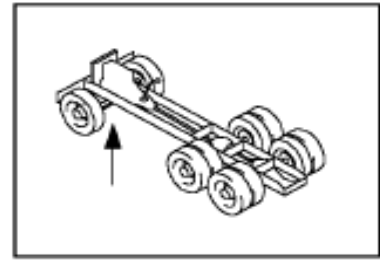
W/F-NGD-I6-ENG

12-255-0089-01

F09

Item	Part No.	Qty	Description	Kit	Var	Figure
5	3551019C2	1	PIPE,RADIATOR* UPPER RADIATOR		07PJV	
10	3579553C3	1	HOSE,RAD OUTLET LOWER RADIATOR		07PJV	
15	3535084R1	4	CLAMP,RAD OUTLET PIPE		07PJV	
20	3535083R1	2	CLAMP,RAD INLET		07PJV	
25	584832C1	1	HOSE,RAD OUTLET		07PJV	
30	3550792C2	1	HOSE,RAD*PREMIUM -178MM ID X 2		07PJV	

Figure 07RYM
RAD STAY ROD INSTL; LOWER

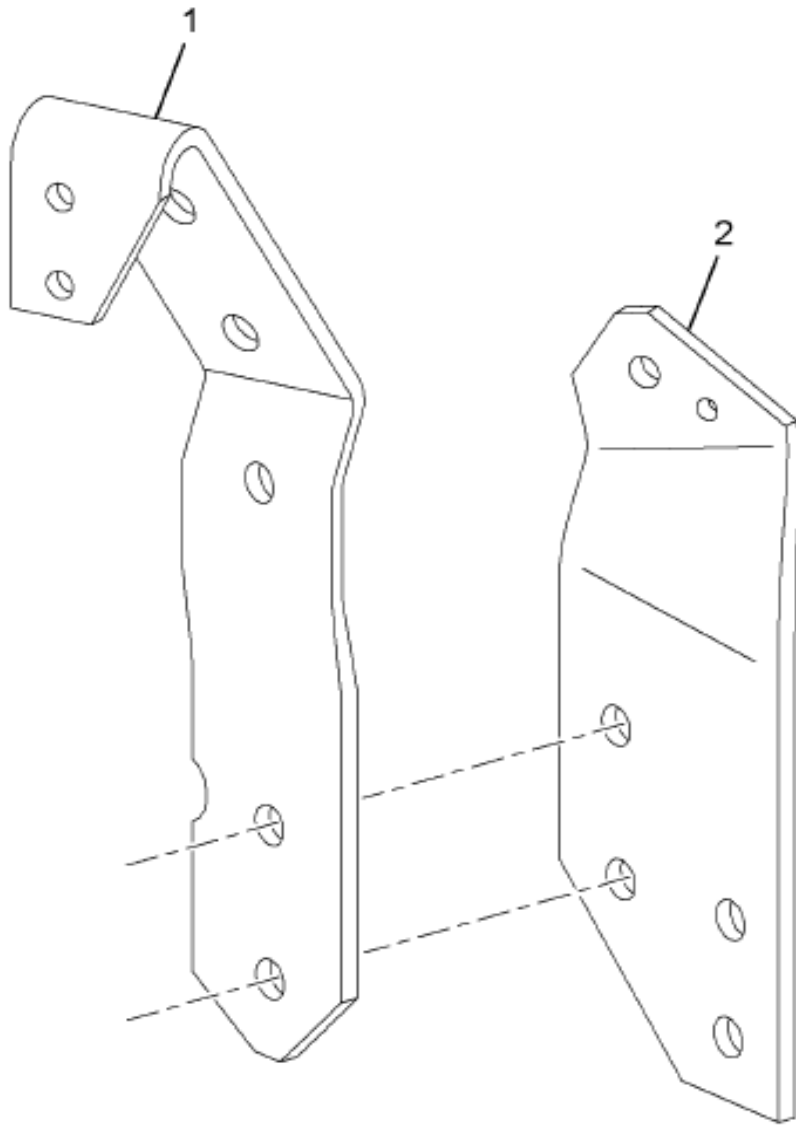


12-287-0026-HA

L02

Item	Part No.	Qty	Description	Kit	Var	Figure
65	3558303C4	1	BRACE, PWR STRG RESVR BRKT		07RYM	3558303C4
70	3557822C2	1	SUPPORT, , FRAME MOUNTED ROD BR		0JDP9	
75	30752R2	8	BOLT, M16 X 50MM PHC FLG CLASS		0HTWV	
80	30756R1	8	NUT, HEX M16 PRVTRQ		0HTWV	
85	3541975C2	2	ROD, RAD SUPT		07RYM	
90	31069R1	2	BOLT, M12 X 70 PHC CL 10.9 FLG		07RYM	

Figure 3558303C4
BRACE, PWR STRG RESVR BRKT

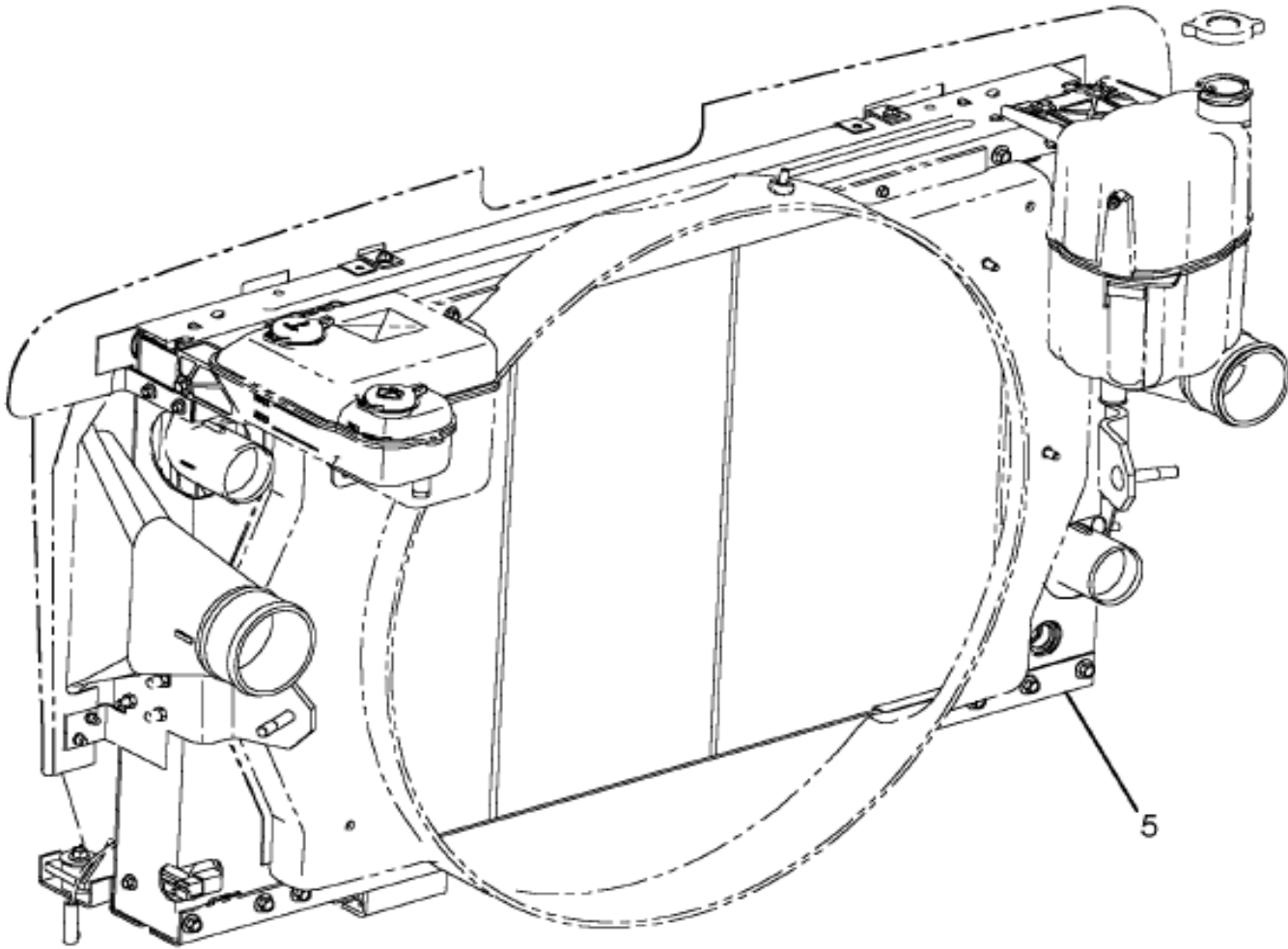
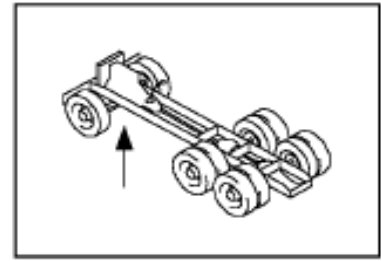


05-070-0051-01

F05

Item	Part No.	Qty	Description	Kit	Var	Figure
1	3553547C4	1	BRACE, PWR STRG RESVR BRKT			
2	3557821C2	1	SUPPORT, , FRAME MOUNTED ROD BR			
880		RF	NOTE: ASM BELOW COMPRISED OF ABOVE COMPONENTS			
881	3558303C4	RF	BRACE, PWR STRG RESVR BRKT			

Figure 07RF1
RADIATOR ASM; CAC



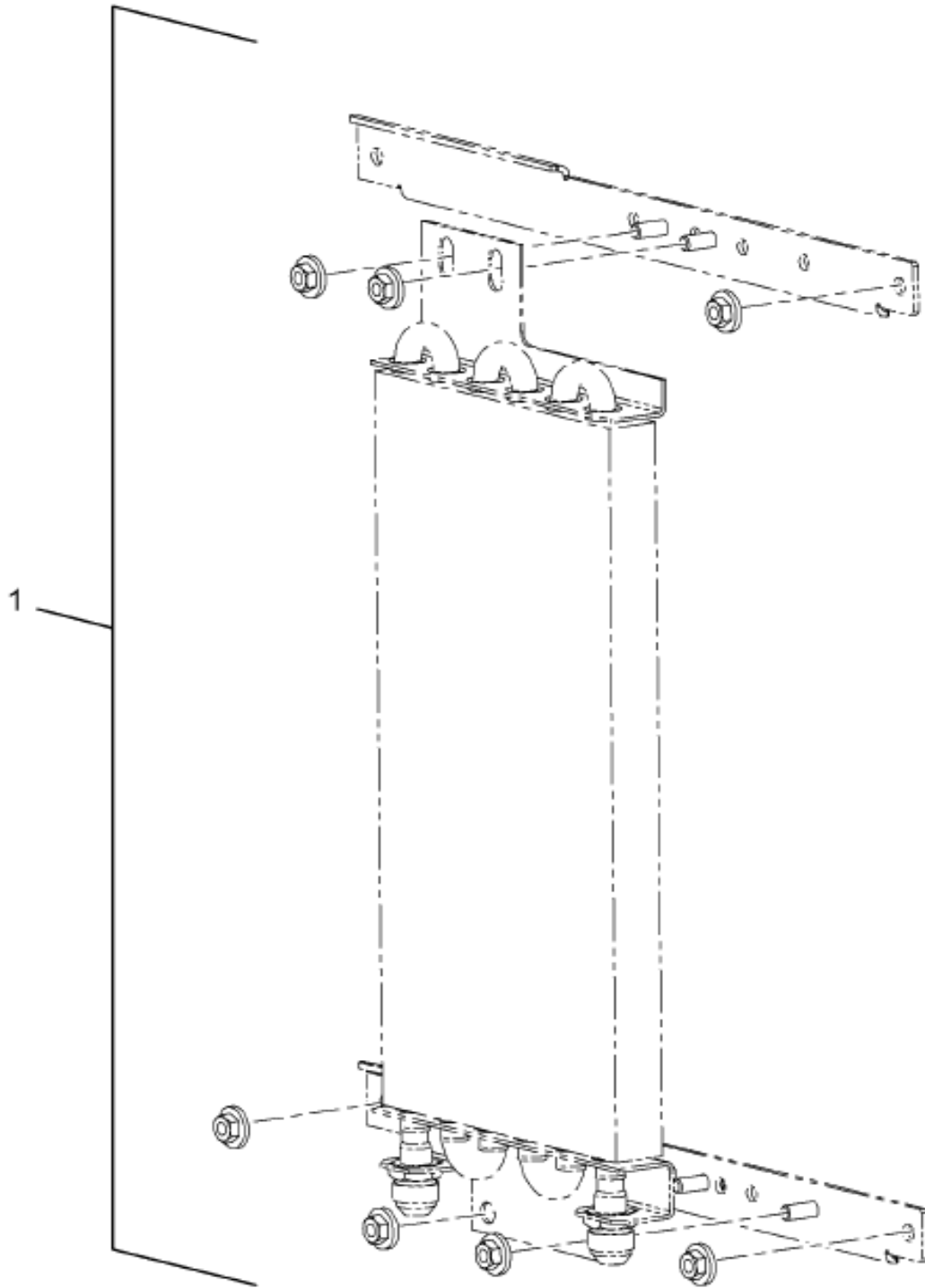
G R P
1 2

12-C01-0015-AA

L02

Item	Part No.	Qty	Description	Kit	Var	Figure
5	3588619F92	1	RADIATOR,ASM*AL 2 ROW RAD/CAC		0K241	3588619F92

Figure 2507476C91
KIT, RECIRC HARDWARE

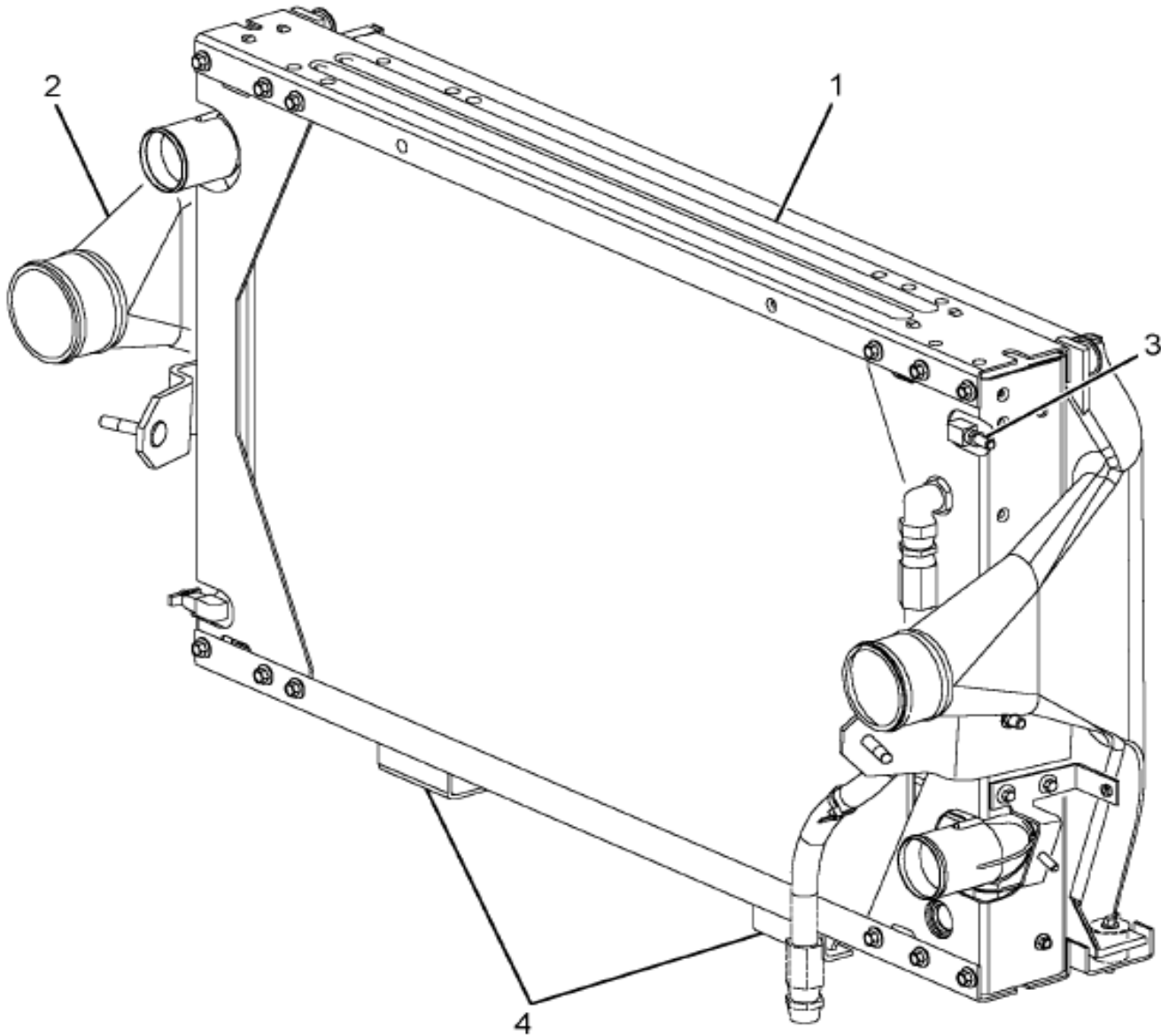


12-C07-0015-01

A05

Item	Part No.	Qty	Description	Kit	Var	Figure
1		RF	SCREW, M8 X 1.25-6GX14L			
1		RF	HEX NUT 8MX1.25			
880		RF	NOTE: ASM BELOW COMPRISED OF ABOVE COMPONENTS			
881	2507476C91	RF	KIT, RECIRC HARDWARE			

Figure 2586041C91
RADIATOR, ALUM W/CAC, FRAME



Grp
12

12-C01-0045-01

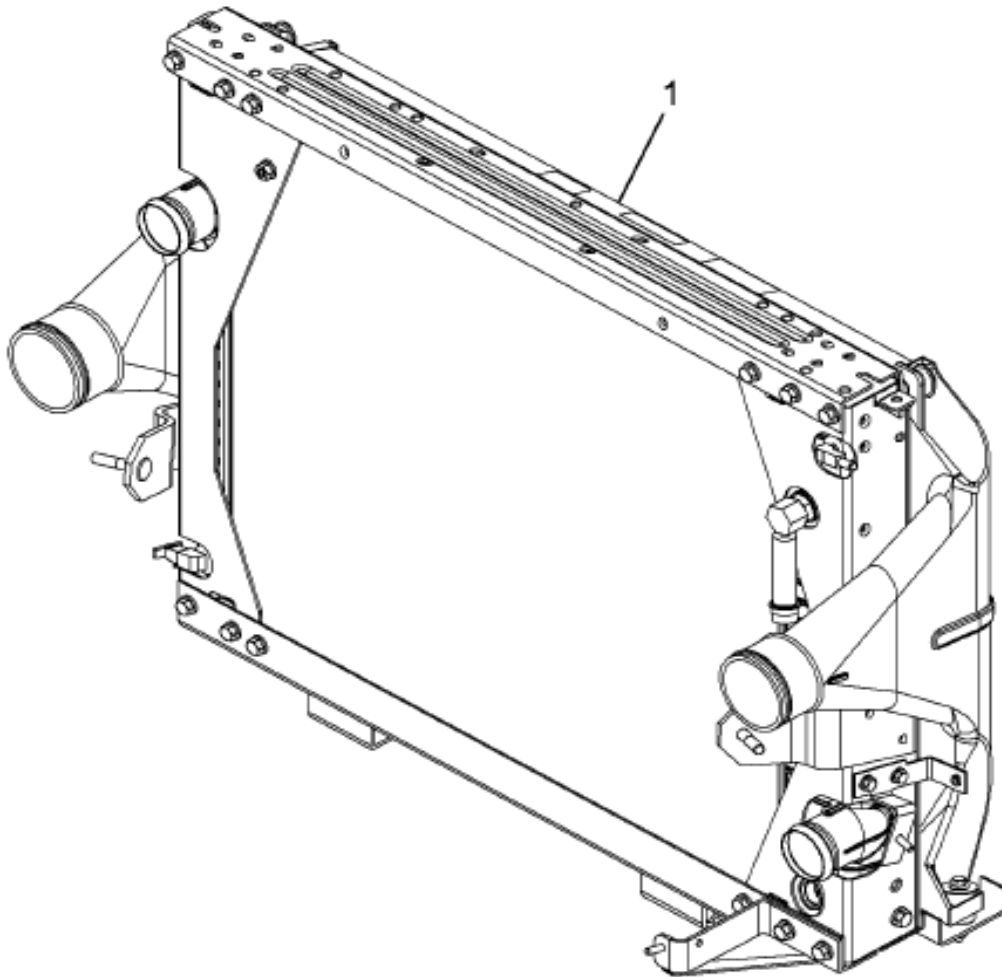
G03

Item	Part No.	Qty	Description	Kit	Var	Figure
1	2586042C91	1	RADIATOR, ALUM RAD ASSY			
2	2507449C1	1	VENT, ASSY			
3	2507372C1	1	COOLER, CHARGE AIR			
4	2507483C91	2	BRACKET, CONDENSER MTG ASSY			
800	RF		NOTE: THE FOLLOWING PARTS ARE NON-ILLUSTRATED			

Figure 2586041C91
RADIATOR, ALUM W/CAC, FRAME

Item	Part No.	Qty	Description	Kit	Var	Figure
801	2507468C91	1	CHANNEL, C SUPPORT BOTTOM CAC			
802	2507471C91	1	SHROUD, FAN FEATURE			
803	2507472C92	1	SEAL, COOLING RECIRC ASSY			2507472C92
804	2507477C2	1	TANK, RADIATOR SURGE, OVERFLOW			2507477C2
805	2507478C2	1	TANK, RAD DEAERATION			
806	2507482C91	1	CONDENSER, AIR COND			
807	2507458C91	1	KIT, CAC MTG W/ ISOLATORS			
808	2507459C91	1	KIT, RAD SPT LH RR SIDE FRAME			
809	2507460C91	1	KIT, RAD SPT LH FRT SIDE FRAME			
810	2507461C91	1	KIT, HARDWARE CAC			2507461C91
811	2507462C91	1	KIT, RAD SPT RH RR SIDE FRAME			
812	2507463C91	1	KIT, RAD SPT RH FRT SIDE FRAME			
813	2507464C91	1	KIT, RAD TOP FRAME ASSY W/ ISOL			
814	2507465C91	1	KIT, RAD SUP BOT FRM ASS W/ ISOL			
815	2507469C91	1	KIT, RECIRC MNTG BRKT			
816	2507470C91	1	KIT, HARDWARE SURGE TANK			2507470C91
816	2507479C91	1	KIT, CAPS (2)			
817	2507470C91	1	KIT, HARDWARE SURGE TANK			2507470C91
880		RF	NOTE: ASM BELOW COMPRISED OF ABOVE COMPONENTS			
881	2586041C91	RF	RADIATOR, ALUM W/CAC, FRAME			
NON-ILLUSTRATED REFERENCE FIGURE 2507461C91						
1		RF	LOCKSCREW, M10X1.5-6GX14L			
2		RF	SCREW, M8 X 1.25-6GX14L			
880		RF	NOTE: ASM BELOW COMPRISED OF ABOVE COMPONENTS			
881	2507461C91	RF	KIT, HARDWARE CAC			
NON-ILLUSTRATED REFERENCE FIGURE 2507470C91						
1		RF	LOCKSCREW			
1		RF	HEX NUT 8MX1.25			
880		RF	NOTE: ASM BELOW COMPRISED OF ABOVE COMPONENTS			
881	2507470C91	RF	KIT, HARDWARE SURGE TANK			
NON-ILLUSTRATED REFERENCE FIGURE 2507477C2						
1	2507479C91	KT	KIT, CAPS (2)			
880		RF	NOTE: ASM BELOW COMPRISED OF ABOVE COMPONENTS			
881	2507477C2	RF	TANK, RADIATOR SURGE, OVERFLOW			

Figure 3588619F92
RADIATOR,ASM*AL 2 ROW RAD/CAC



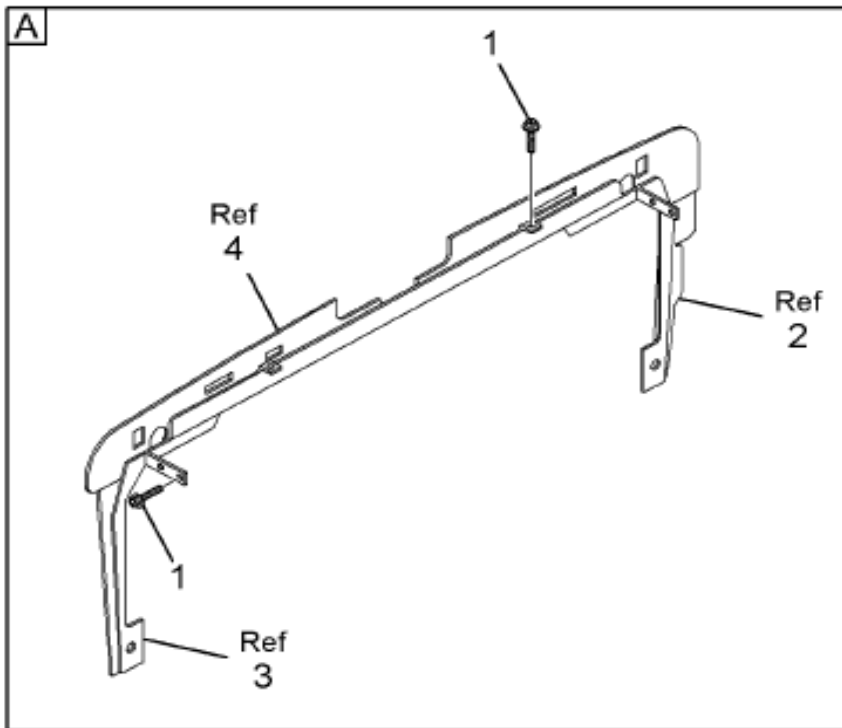
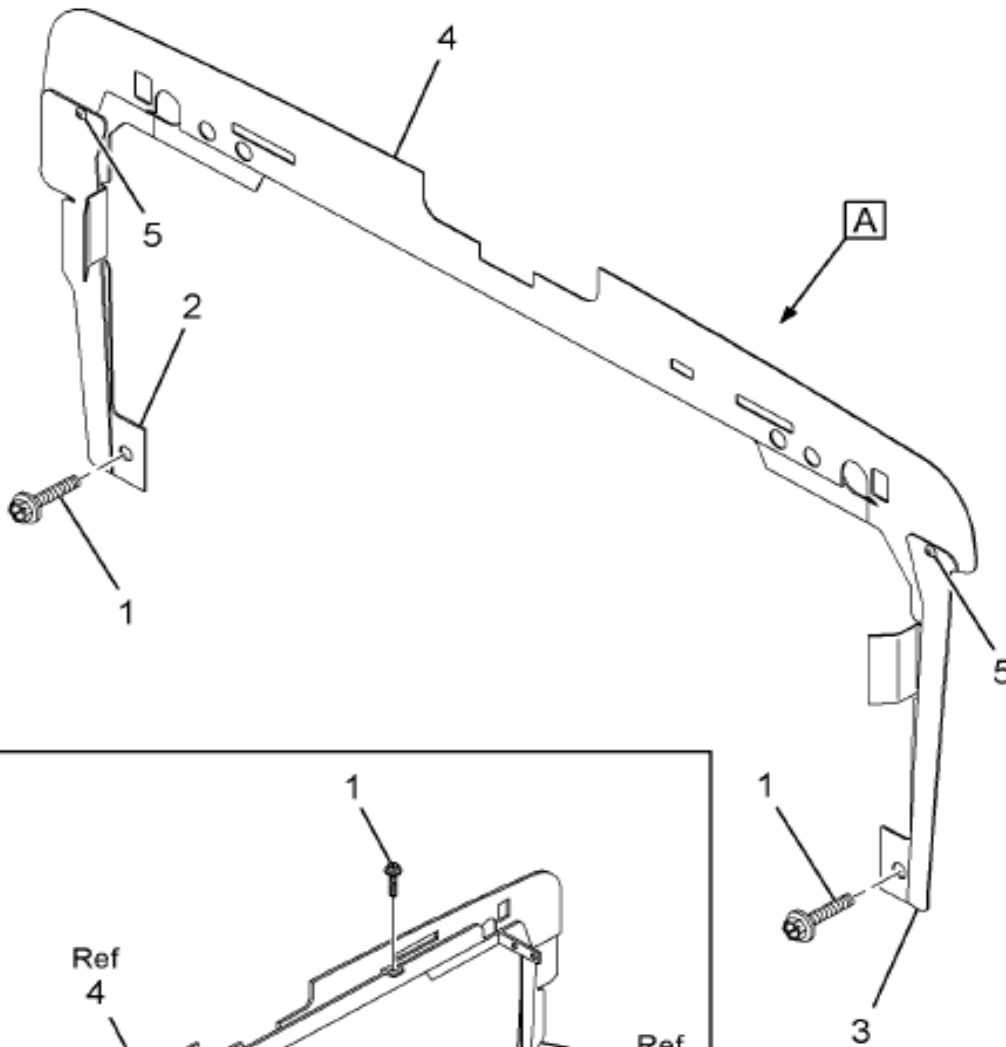
Grp
12

12-C01-0043-01

C11

Item	Part No.	Qty	Description	Kit	Var	Figure
1	2586041C91	1	RADIATOR,ALUM W/CAC,FRAME			2586041C91
880		RF	NOTE: ASM BELOW COMPRISED OF ABOVE COMPONENTS			
881	3588619F92	RF	RADIATOR,ASM*AL 2 ROW RAD/CAC			

Figure 2507472C92
SEAL, COOLING RECIRC ASSY

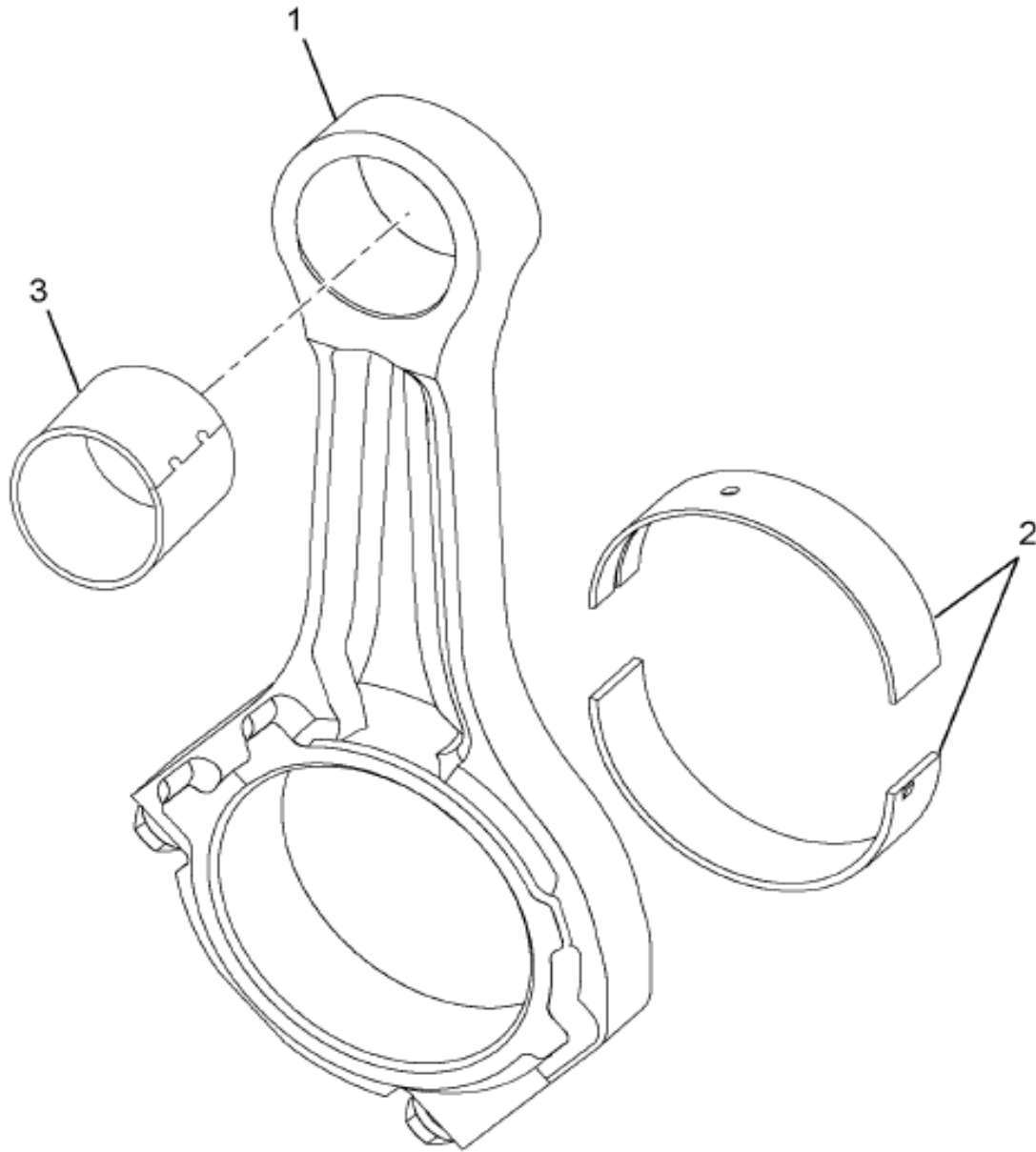


12-C06-0039-01

L05

Item	Part No.	Qty	Description	Kit	Var	Figure
1		8	SCREW, M8 X 1.25-6GX14L	A		
2	2507473C91	1	SEAL, RECIRC RH SIDE ASSY			
		RF	RIGHT			
3	2507474C91	1	SEAL, RECIRC LH SIDE ASSY			
		RF	LEFT			
4	2507475C92	1	SEAL, RECIRC UPPER ASSY			

Figure 641004A002
 ROD, CONNECTING

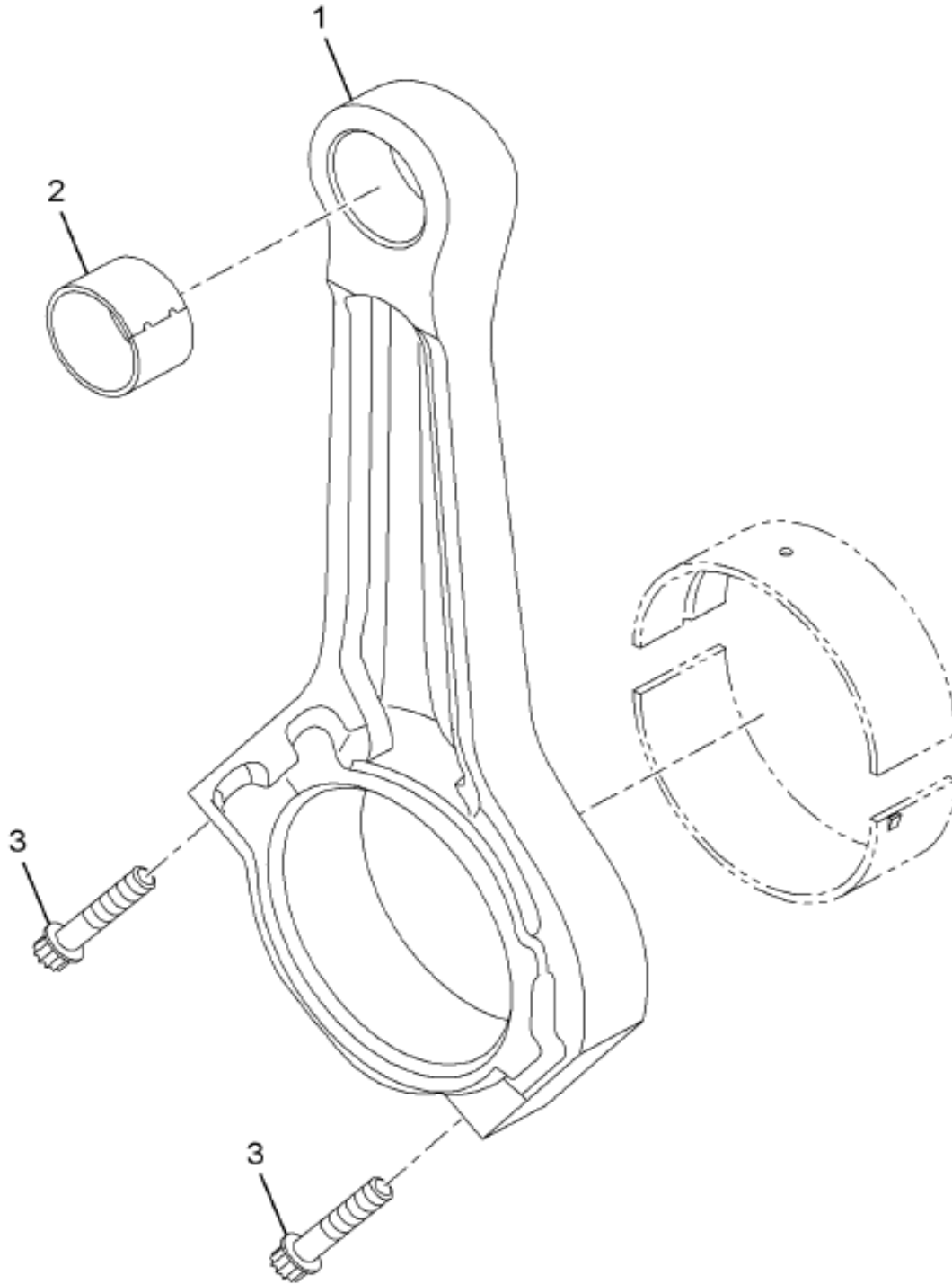


12-ENG-1930-01

G08

Item	Part No.	Qty	Description	Kit	Var	Figure
1	1830153C91	6	ROD, CONNECTING			1830153C91
1		RF	BEFORE 01/22/2002			
1	1841615C91	6	ROD ASM, CONNECTING			1841615C91
1		RF	BETWEEN 01/22/2002 AND 04/21/2006			
1	1841634C91	6	ROD, CONNECTING			1841634C91
1		RF	BETWEEN 04/21/2004 AND 09/14/2006			

Figure 1841615C91
 ROD ASSEMBLY,CONNECTING

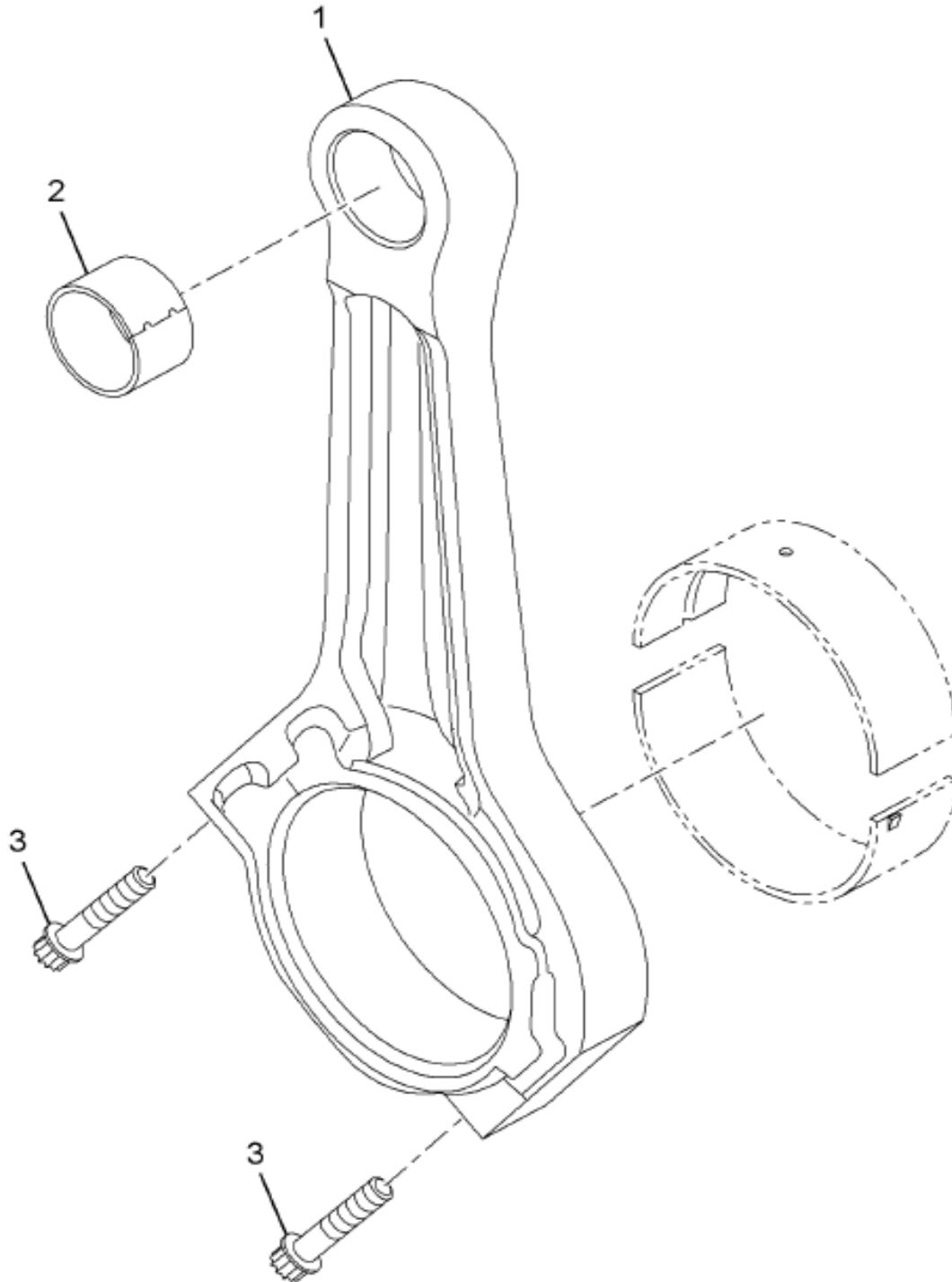


12-ENG-0988-01

D11

Item	Part No.	Qty	Description	Kit	Var	Figure
1	1841534C1	1	ROD & CAP, CONNECTING			
2	1841496C1	1	BUSHING,CONNECTING ROD			
3	1840363C1	2	BOLT,CONNECTING ROD			
880		RF	NOTE: ASM BELOW COMPRISED OF ABOVE COMPONENTS			
881	1841615C91	RF	ROD ASSEMBLY,CONNECTING			

Figure 1841634C91
 ROD ASSY, CONNECTING



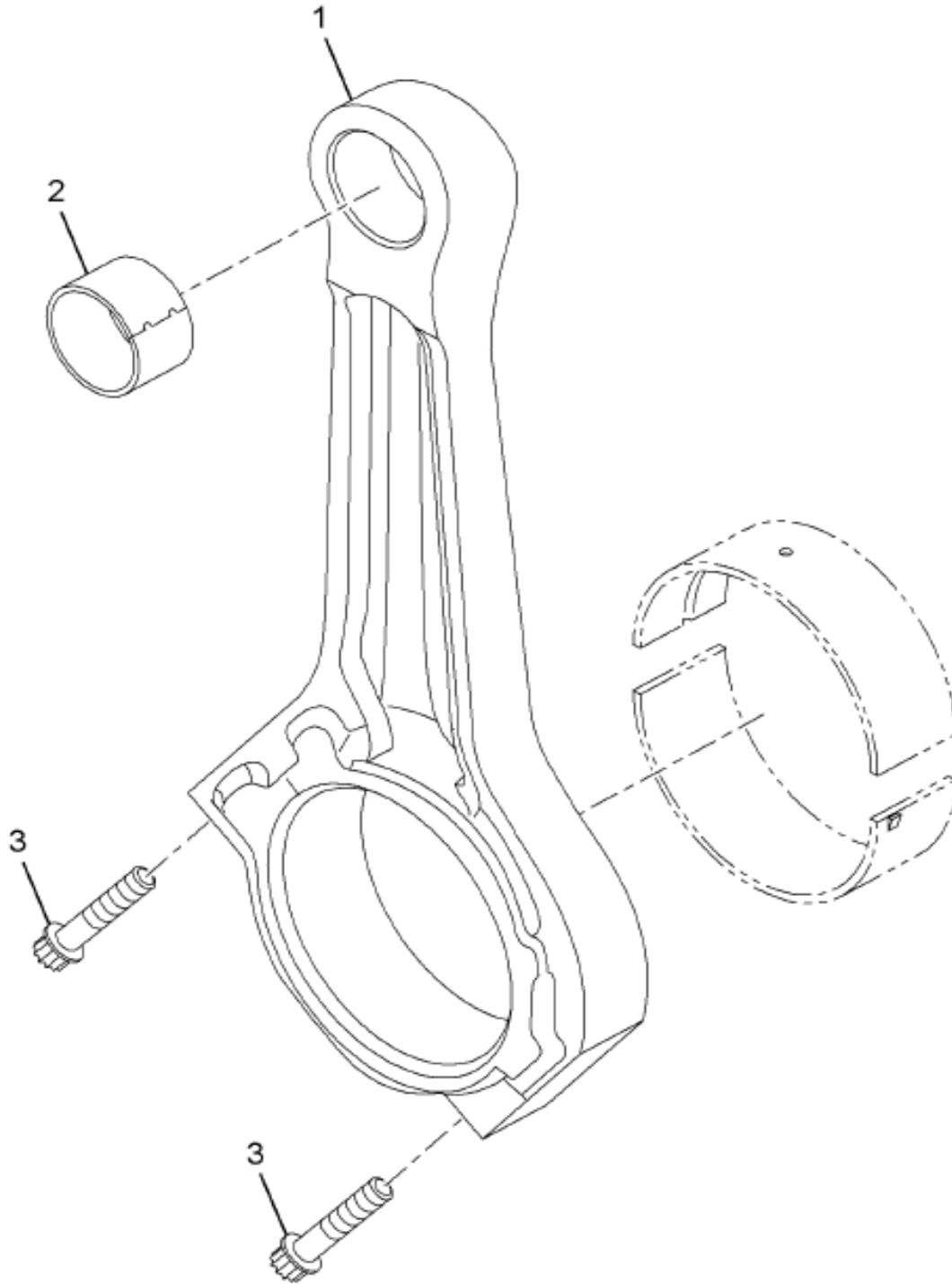
12-ENG-0988-01

D11

Item	Part No.	Qty	Description	Kit	Var	Figure
1	1841534C1	1	ROD & CAP, CONNECTING			
2	1840592C1	1	BUSHING,CONNECTING ROD			
3	1840363C1	2	BOLT,CONNECTING ROD			
880		RF	NOTE: ASM BELOW COMPRISED OF ABOVE COMPONENTS			
881	1841634C91	RF	ROD ASSY, CONNECTING			

 G
 R
 P
 1
 2

Figure 1830153C91
 ROD,ASM CONNECTING

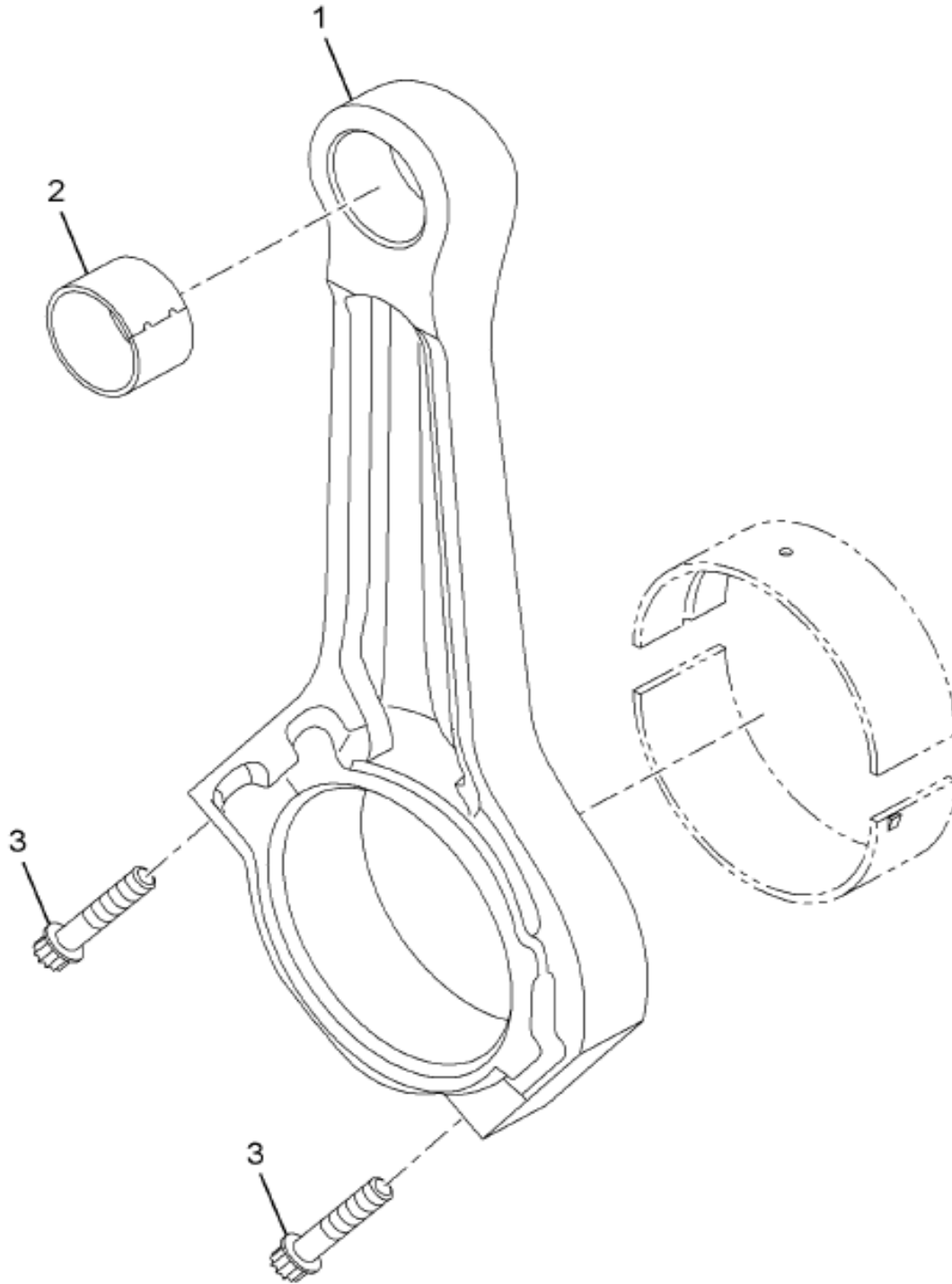


12-ENG-0988-01

D11

Item	Part No.	Qty	Description	Kit	Var	Figure
1	1830152C1	1	ROD & CAP, CONNECTING			
2	1818598C1	1	BUSHING, CONN ROD			
3	1817537C1	2	BOLT, CONN ROD			
880		RF	NOTE: ASM BELOW COMPRISED OF ABOVE COMPONENTS			
881	1830153C91	RF	ROD,ASM CONNECTING			

Figure 1873875C95
 ROD,ASM CONNECTING



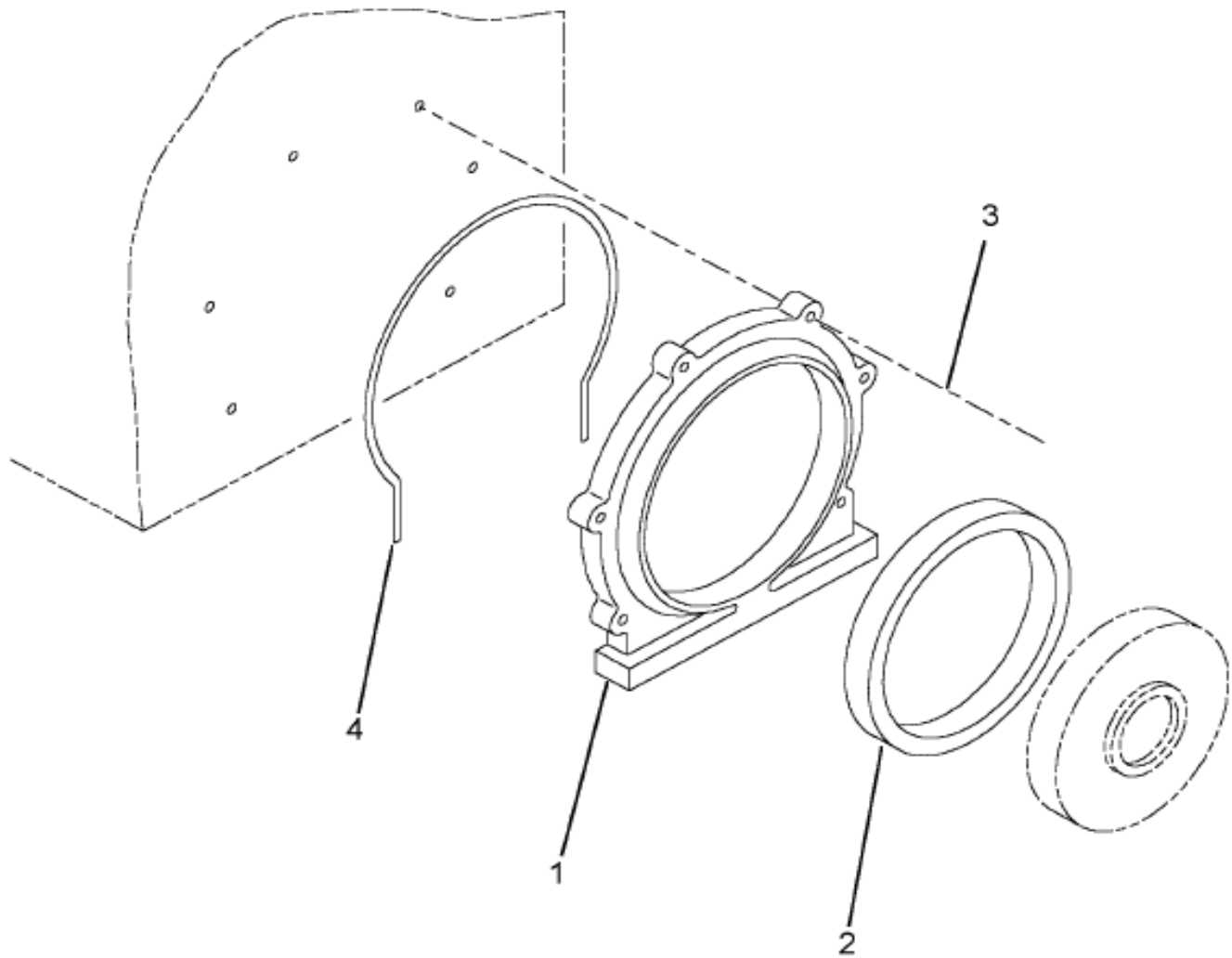
G R P 1 2

12-ENG-0988-01

D11

Item	Part No.	Qty	Description	Kit	Var	Figure
1	1873876C2	1	ROD & CAP, CONNECTING			
2	1878248C1	1	BUSHING,CONNECTING ROD			
3	1873884C2	2	BOLT,CONNECTING ROD			
880		RF	NOTE: ASM BELOW COMPRISED OF ABOVE COMPONENTS			
881	1873875C95	RF	ROD,ASM CONNECTING			

Figure 641007C001
SEAL, OIL REAR

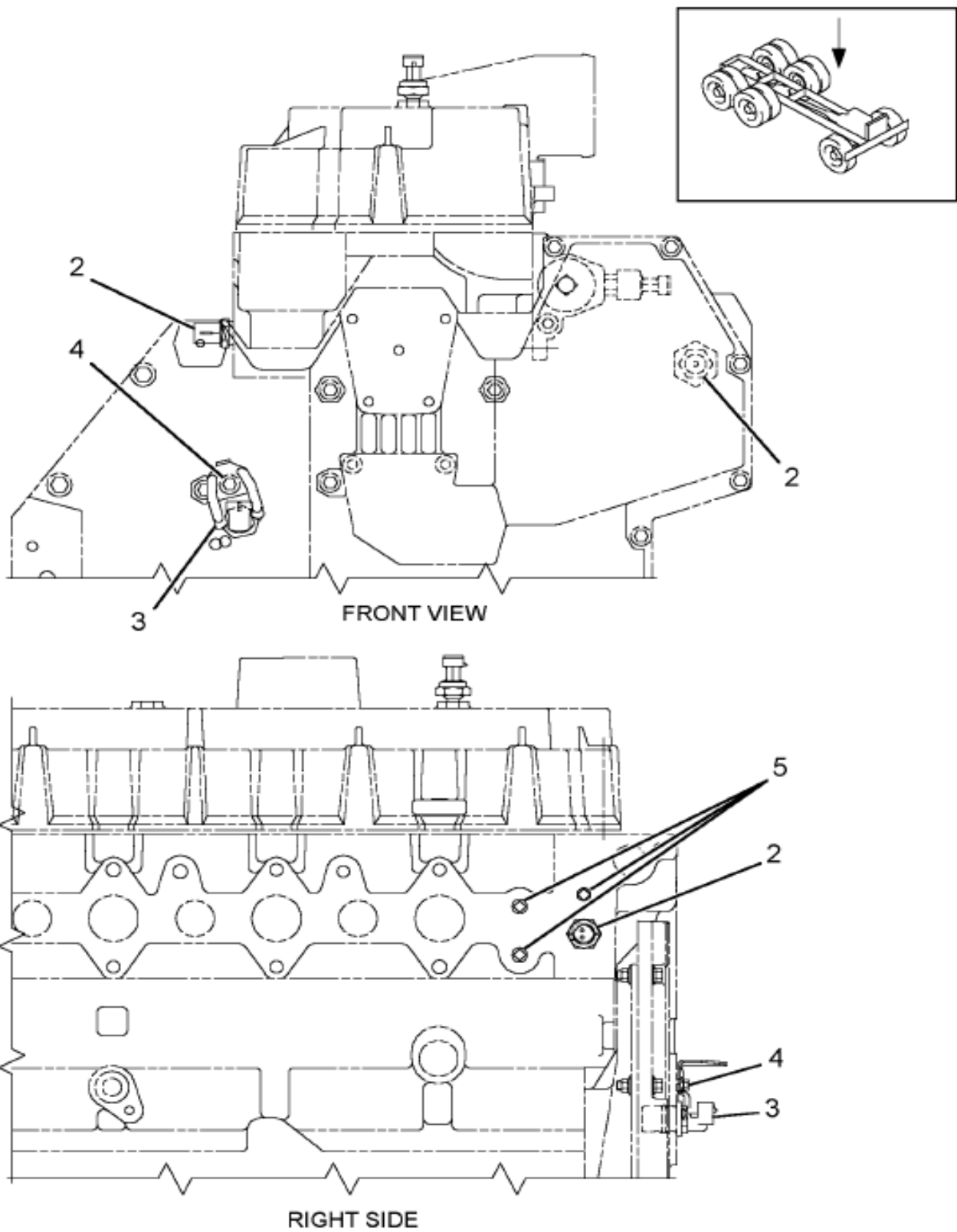


12-ENG-0087-01

A03

Item	Part No.	Qty	Description	Kit	Var	Figure
1	1815699C3	1	CARRIER, OIL SEAL			
1	1823733C2	1	CARRIER, OIL SEAL REAR PTO			
2	1817867C92	1	SEAL, RADIAL LIP			
3	1817958C1	6	BOLT, FLANGE M8 X 1.25MM X 30MM			
4	1824911C1	1	GASKET REAR SEAL CARRIER			
880	RF		NOTE: ASM BELOW COMPRISED OF ABOVE			

Figure 641009B005
SENSORS, ELECTRONIC NGV

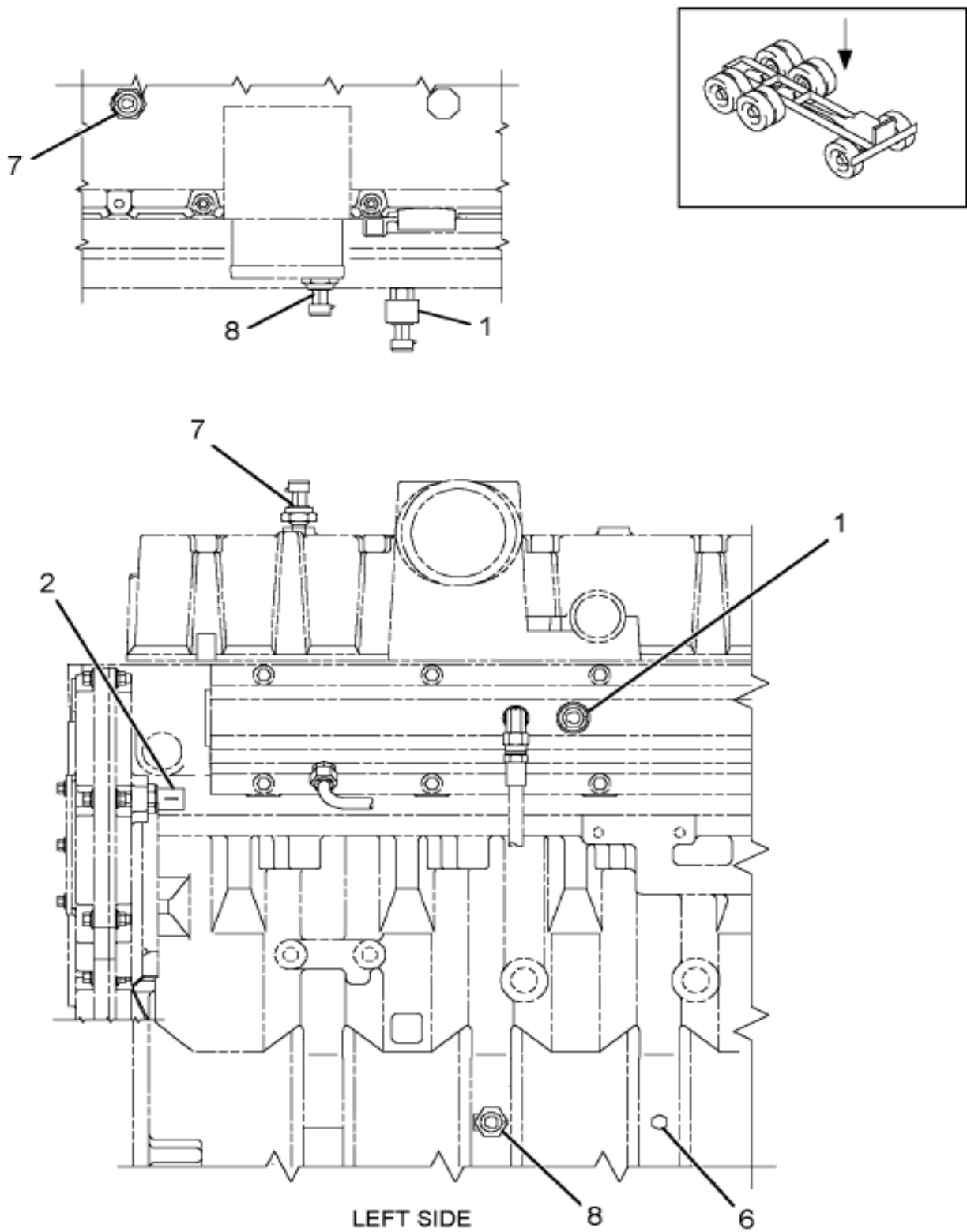


12-ENG-0423-01

E03

Figure 1 of 2

Figure 641009B005
SENSORS, ELECTRONIC NGV



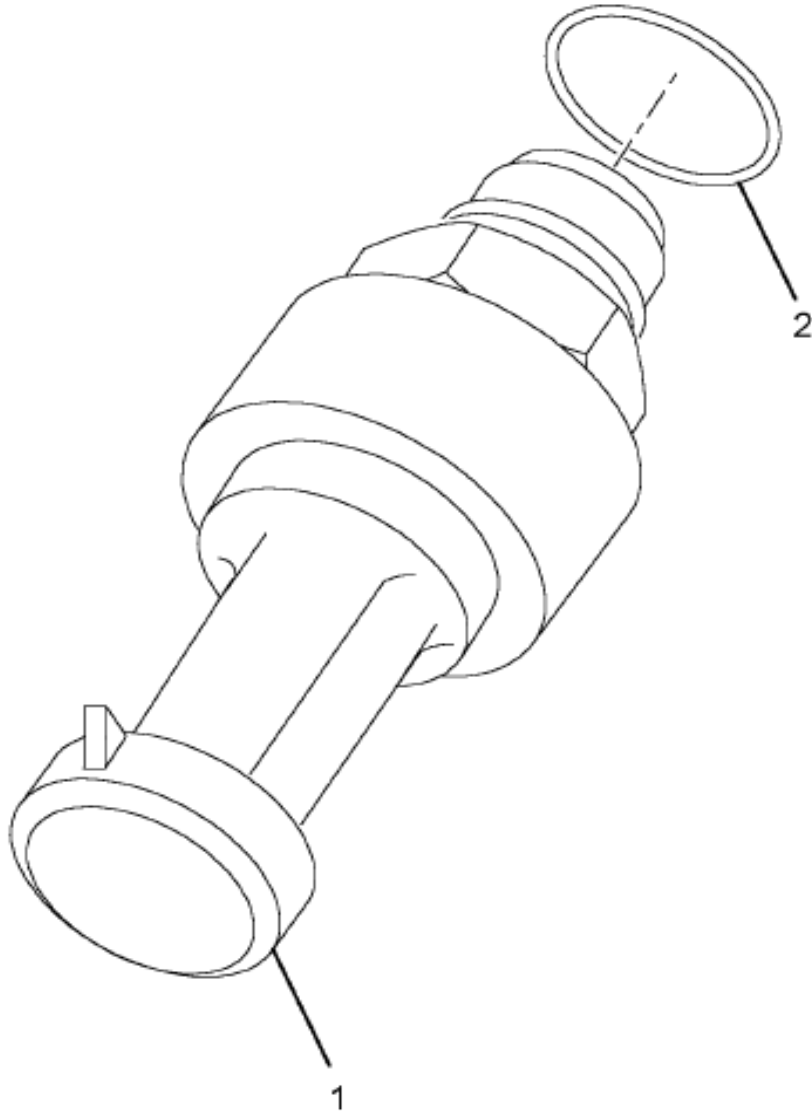
G R P
1 2

12-ENG-0423-02

E03

Item	Part No.	Qty	Description	Kit	Var	Figure
1	1830669C91	1	SENSOR, INJECTOR CONTROL PRESSURE			1830669C91
2	1814320C1	2	SENSOR, OIL/COOLANT TEMPERATURE			
2		RF	BEFORE 10/20/2009			
2	1889511C1	2	SENSOR TEMP			
2		RF	10/20/2009 AND LATER			
3	1807339C92	1	SENSOR, CAMSHAFT POSITION			

Figure 1830669C91
 SENSOR, INJ CONT PRES (ICP)



Grp
1
2

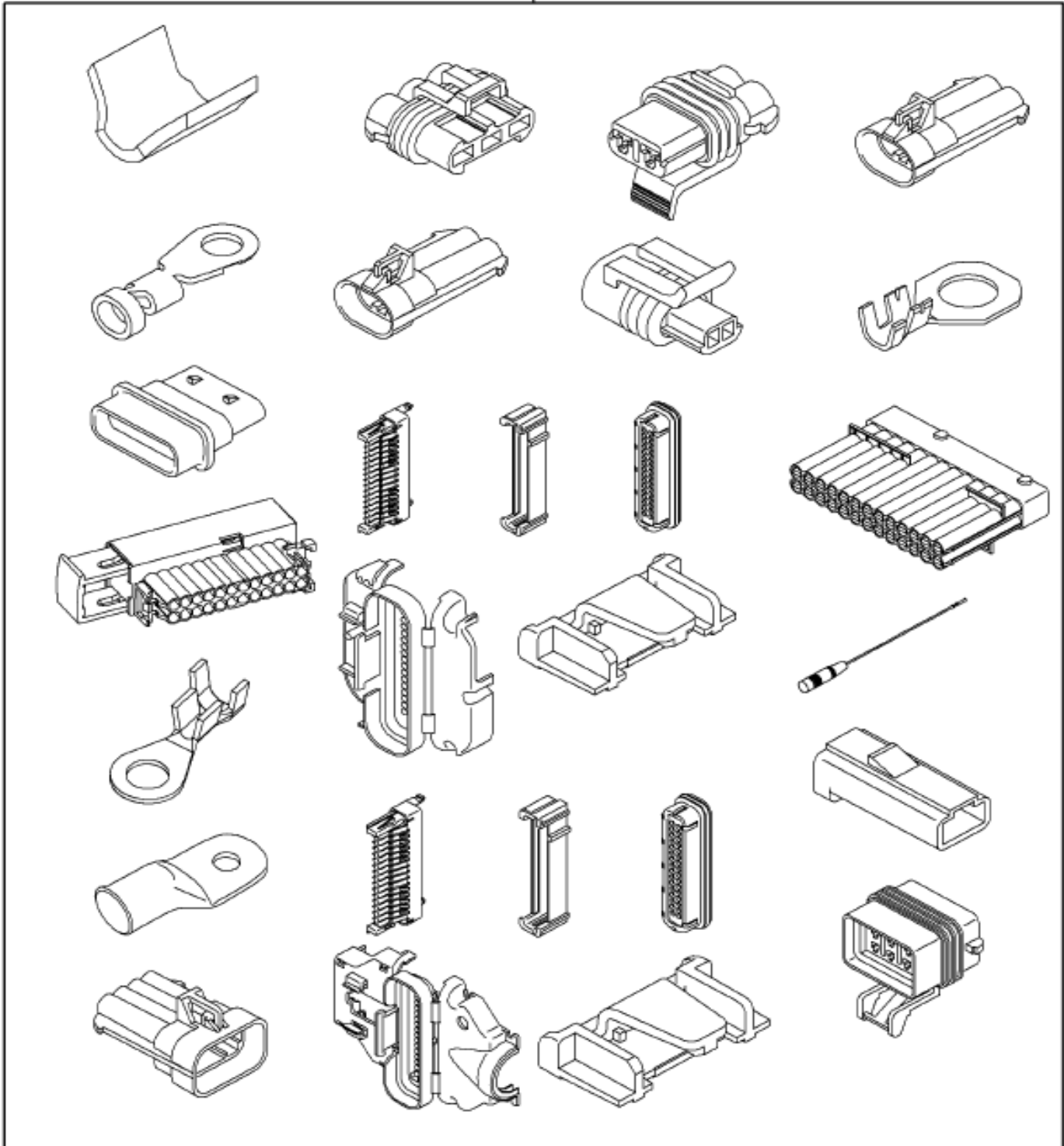
12-ENG-0841-01

M03

Item	Part No.	Qty	Description	Kit	Var	Figure
1	1833031C1	1	SENSOR, INJ CONT PRESS (ICP)			
2	1815874C1	1	RING, O #905			
880		RF	NOTE: ASM BELOW COMPRISED OF ABOVE COMPONENTS			
881	1830669C91	RF	SENSOR, INJ CONT PRES (ICP)			

Figure 0M4ZM
SERVICE ENGINE ELECTRICAL; ELECTRICAL

10

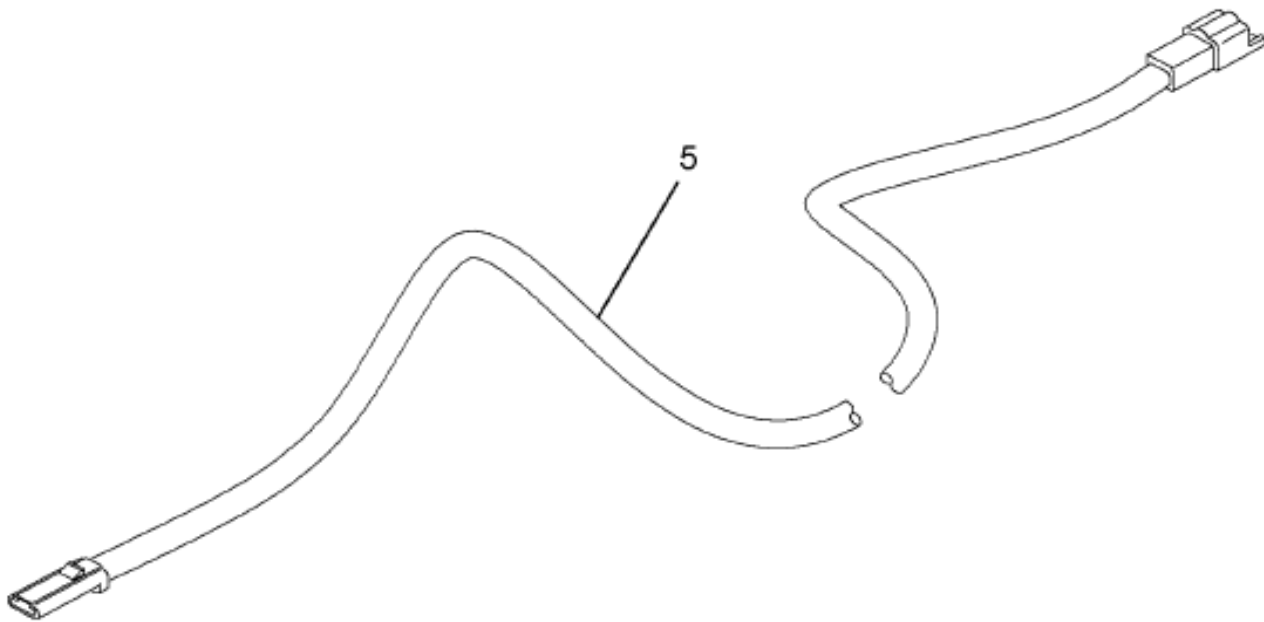


12-V95-0005-01

J09

Item	Part No.	Qty	Description	Kit	Var	Figure
10	2509257C91	AR	HARN, ENGINE-SVC ASM W/I6, MANL		0M4ZY	

Figure 3579832F91
ELEC INTL I6,W/AUX XMSN EFF



G
r
p
1
2

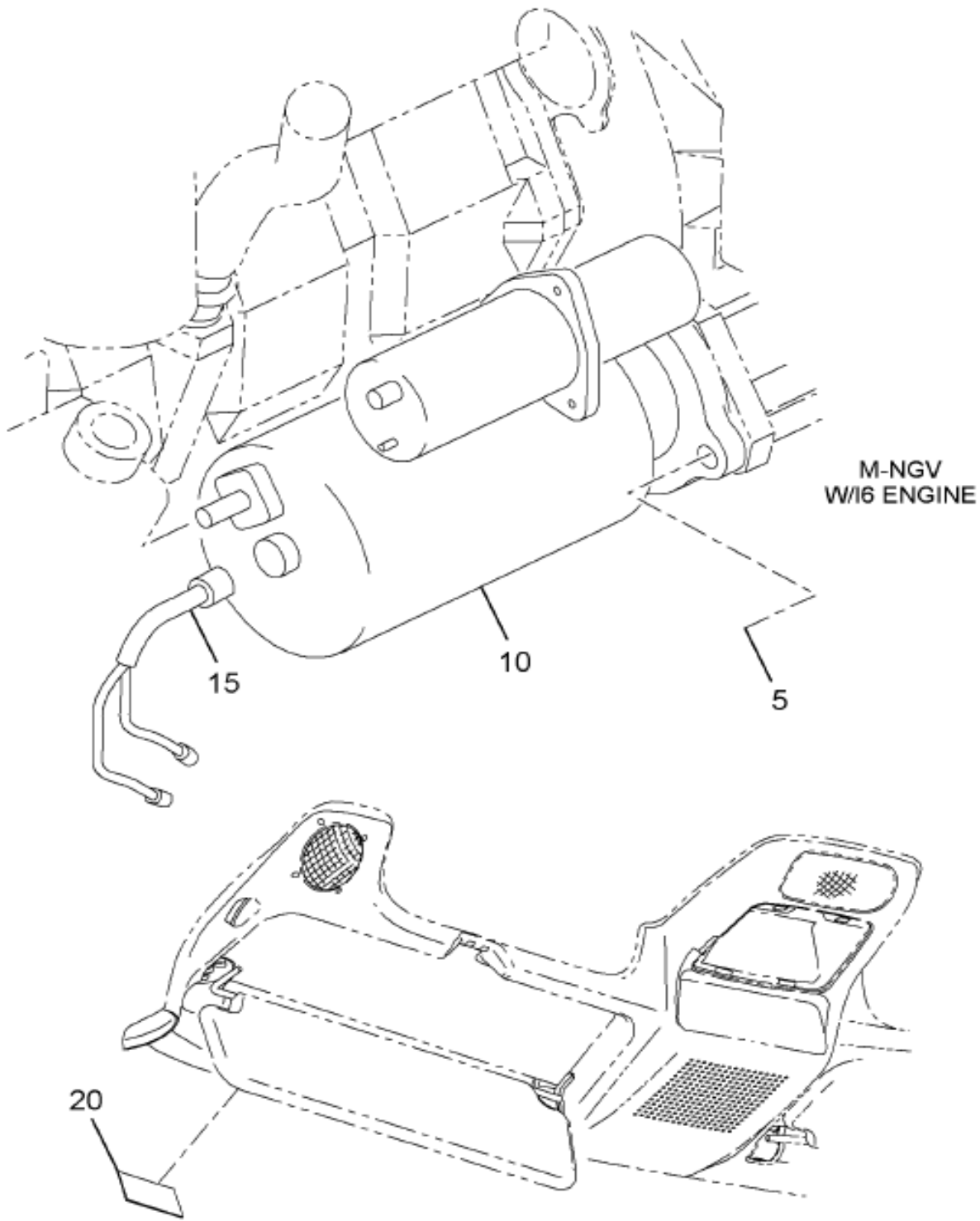
12-E60-0001-04

G04

Item	Part No.	Qty	Description	Kit	Var	Figure
5	3579980C91	1	HARN,XFER CASE,AUX XMSN SPEEDO			
880		RF	NOTE: ASM BELOW COMPRISED OF ABOVE COMPONENTS			
881	3579832F91	RF	ELEC INTL I6,W/AUX XMSN EFF			

Figure 06S2T

STARTING MOTOR INSTL; W/WIRING, W/INTL I-6 ENG

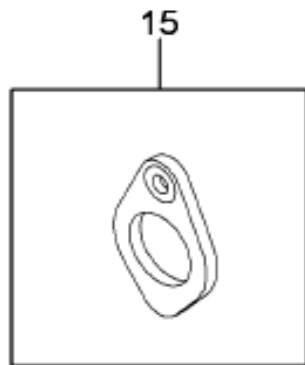
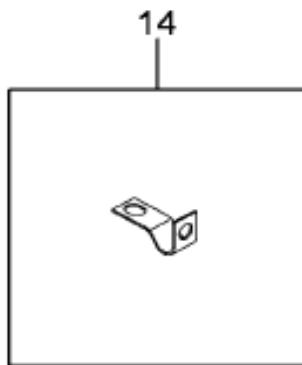
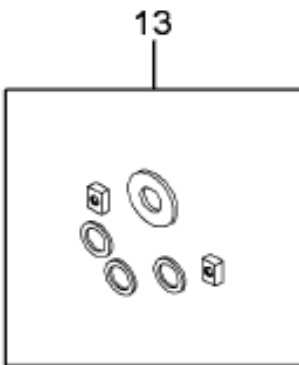
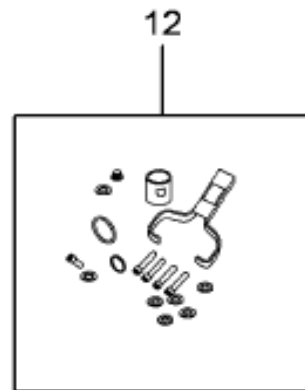
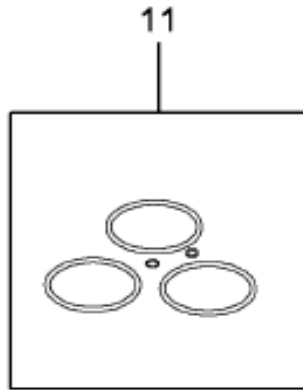
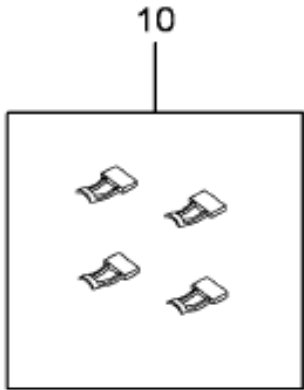
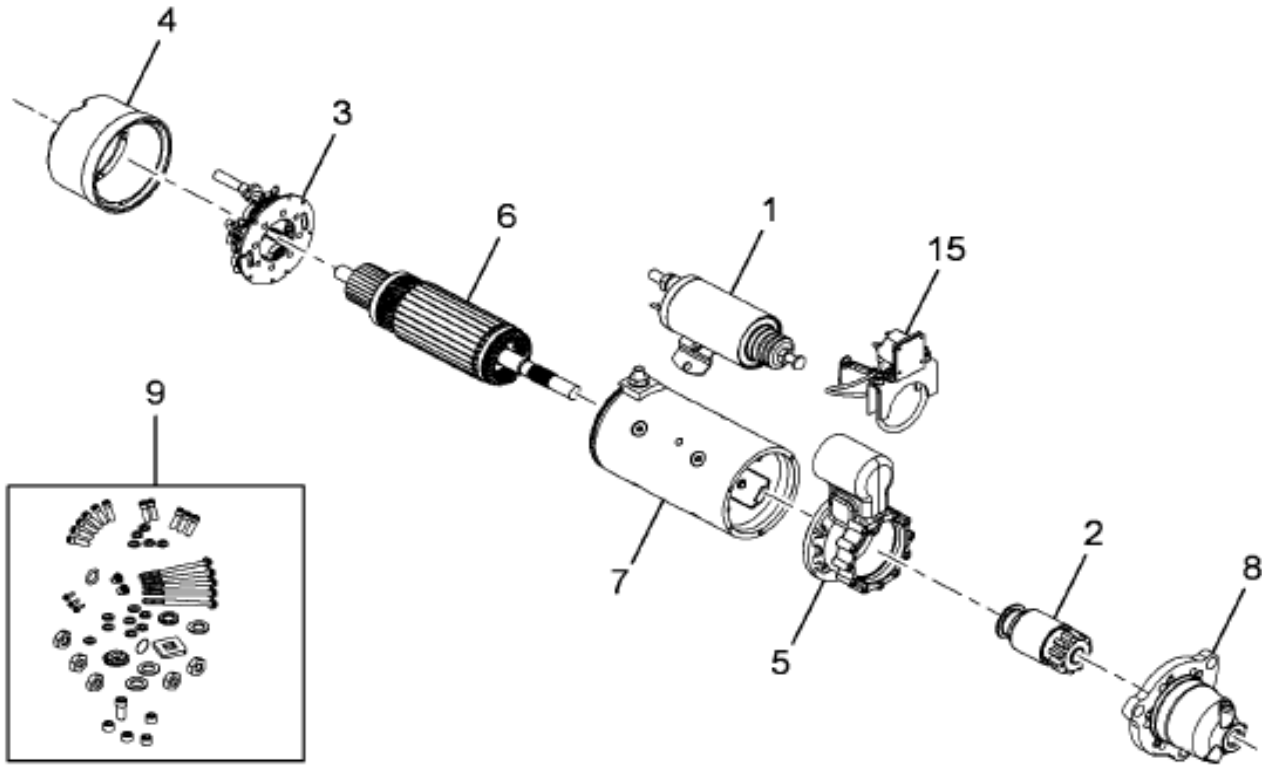


12-192-0048-01

H10

Item	Part No.	Qty	Description	Kit	Var	Figure
5	24863R1	3	BOLT, 1/2 X 1-3/4 PHC TYPE 8		0K846	
5	120384	3	WASHER LOCK 1/2" REG, STL/ZNC		0K846	
10	3610516C91	1	MOTOR, START 24V, L/N N/MAG SW		0MQ7C	3610516C91

Figure 3610516C91
MOTOR, START 24V, L/N N/MAG SW

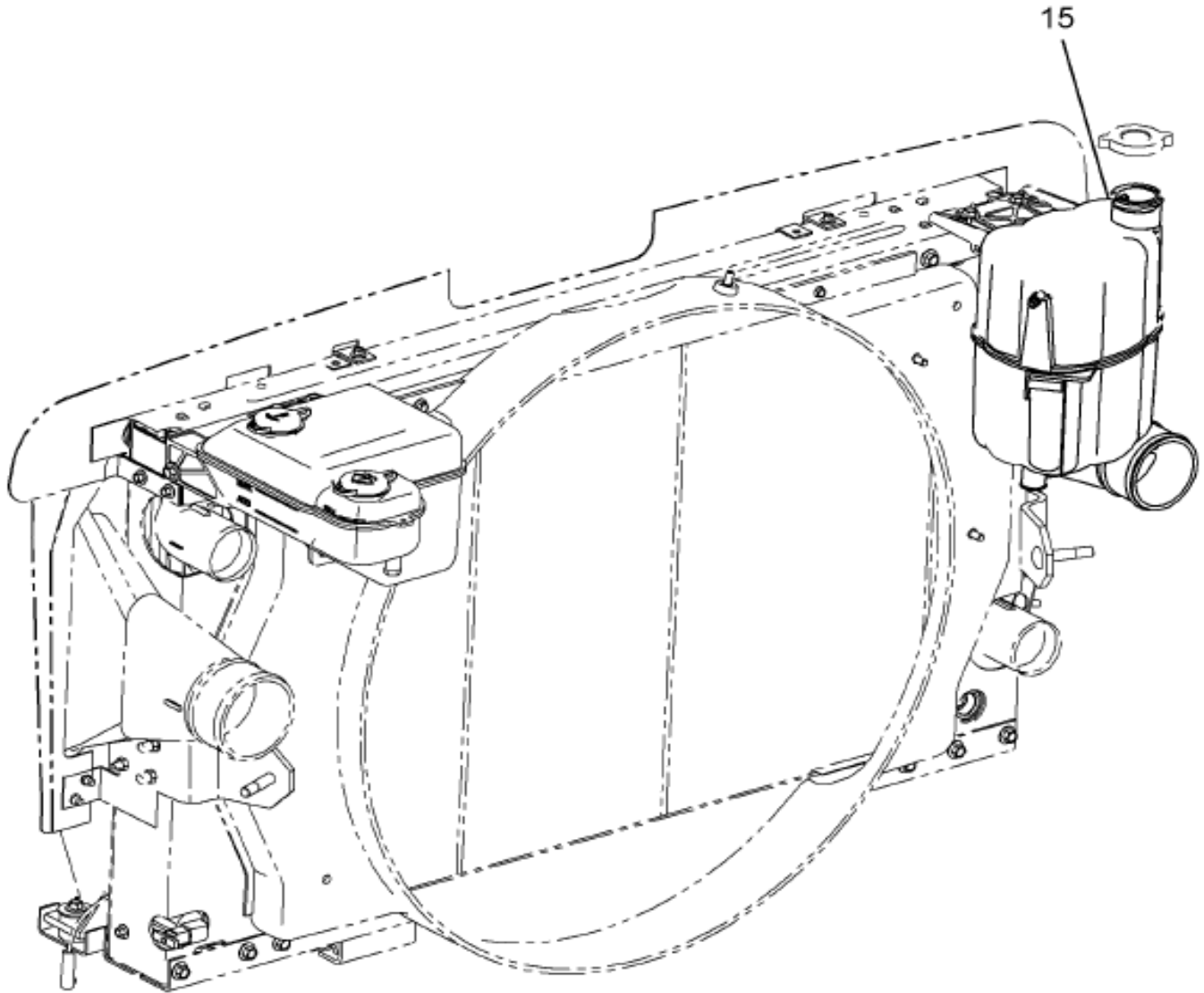


12-192-0084-01

G09

Item	Part No.	Qty	Description	Kit	Var	Figure
1	2598046C91	1	CONTROL, SOLENOID			
2	LNP852957	1	DRIVE ASSY			
3		1	BRUSHHOLDER ASM			
4		KT	COMM END HOUSING KIT			
5		1	SHIFT HOUSING ASM			
6		1	ARMATURE ASM			

Figure 07RR2
SURGE TANK & MTG; DEAERATION



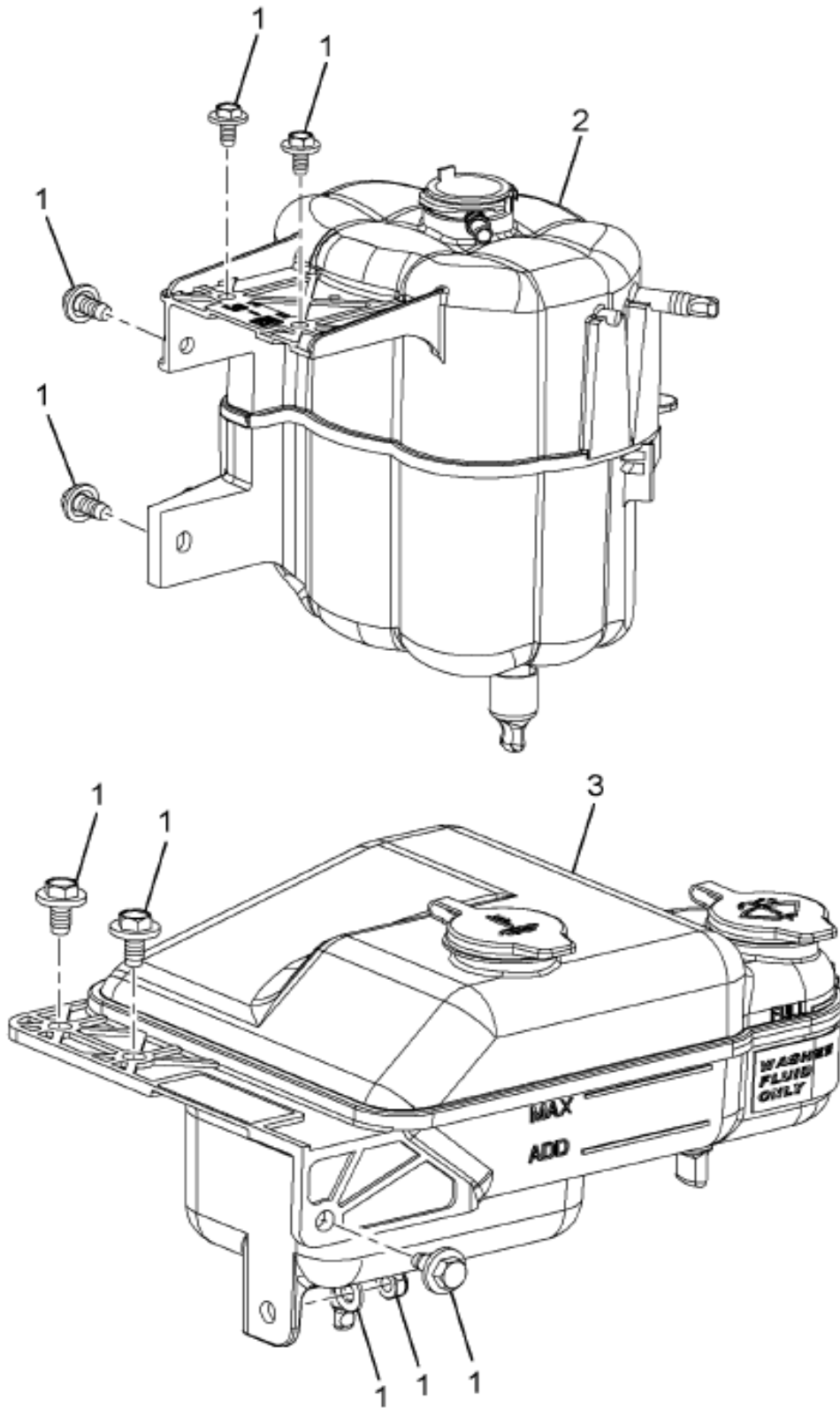
Grp
12

12-C03-0012-CA

D10

Item	Part No.	Qty	Description	Kit	Var	Figure
15	3551079F94	1	TANK,RAD SURGE OR COOLANT*		0KD5G	3551079F94
15	2200182C1	1	CAP,RAD FILLER		0KD5G	

Figure 3551079F94
TANK,RAD SURGE OR COOLANT*

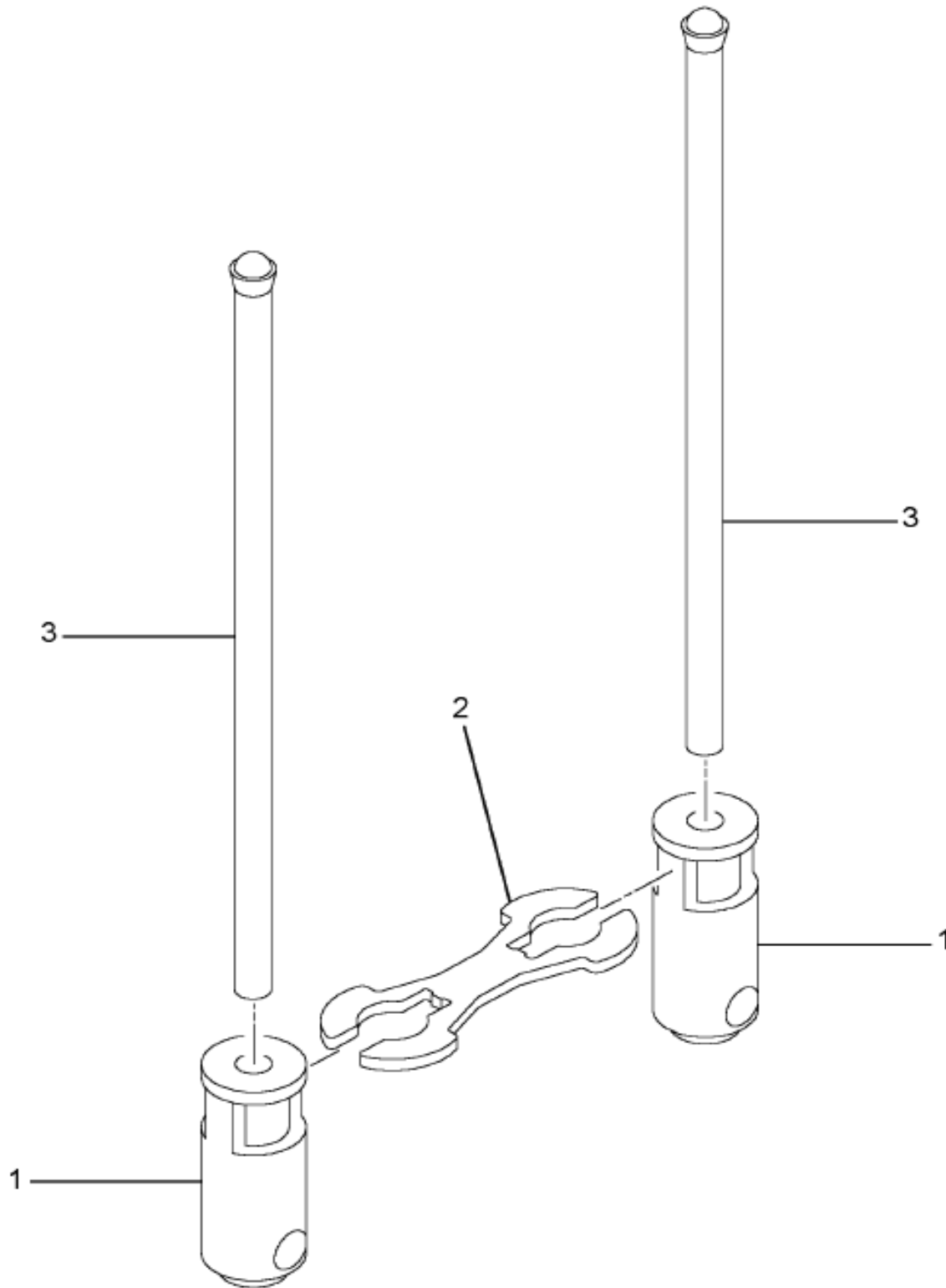


12-C03-0047-01

A07

Item	Part No.	Qty	Description	Kit	Var	Figure
1	2507470C91	KT	KIT, HARDWARE SURGE TANK			2507470C91
2	2507478C2	1	TANK,RAD DEAERATION			
3	2507477C2	1	TANK,RADIATOR SURGE,OVERFLOW			2507477C2
800		RF	NOTE: THE FOLLOWING PARTS ARE NON-ILLUSTRATED			
801	2507479C91	KT	KIT,CAPS(2)			

Figure 641003C002
TAPPETS, VALVE

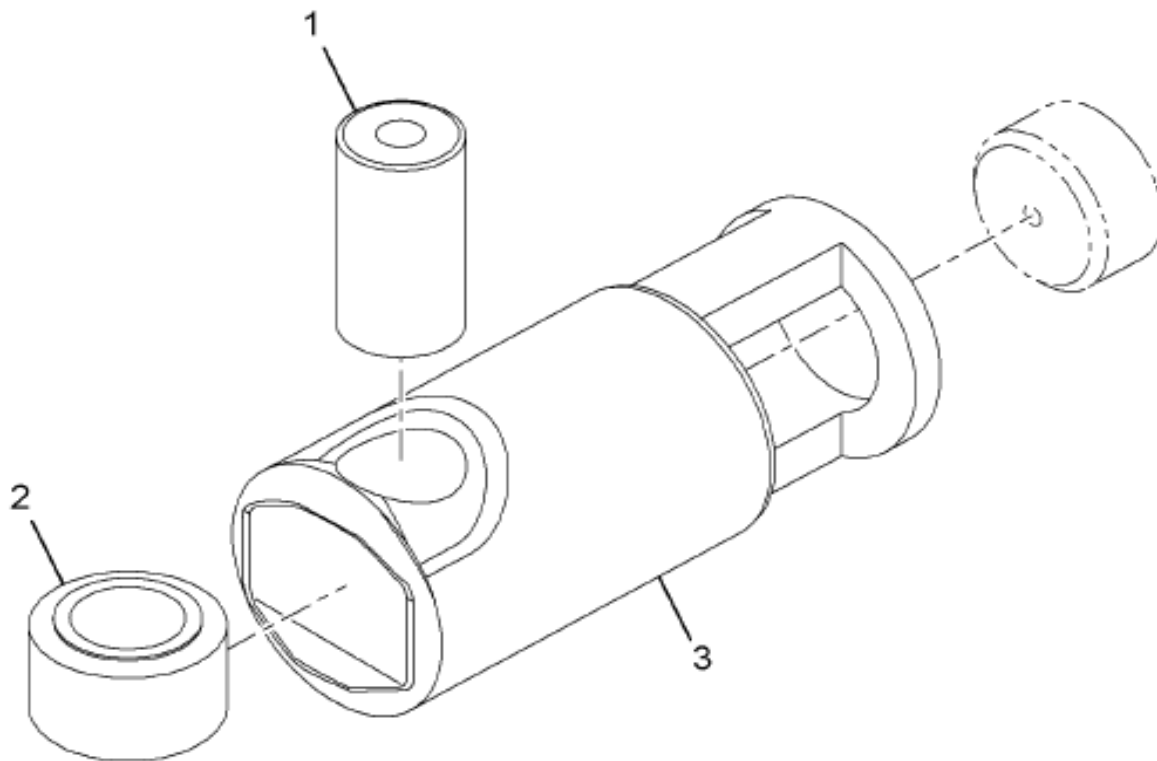


12-ENG-0140-01

B03

Item	Part No.	Qty	Description	Kit	Var	Figure
1	1809570C2	12	LIFTER, VALVE			
1		RF	BEFORE 02/06/2006			
1	1850160C1	12	LIFTER, VALVE			
1		RF	BETWEEN 02/06/2006 AND 07/02/2006			
1	1850160C2	12	TAPPET ASM, ROLLER			1850160C2
1		RF	BETWEEN 07/02/2006 AND 08/17/2009			

Figure 1850160C2
TAPPET ASSY,ROLLER

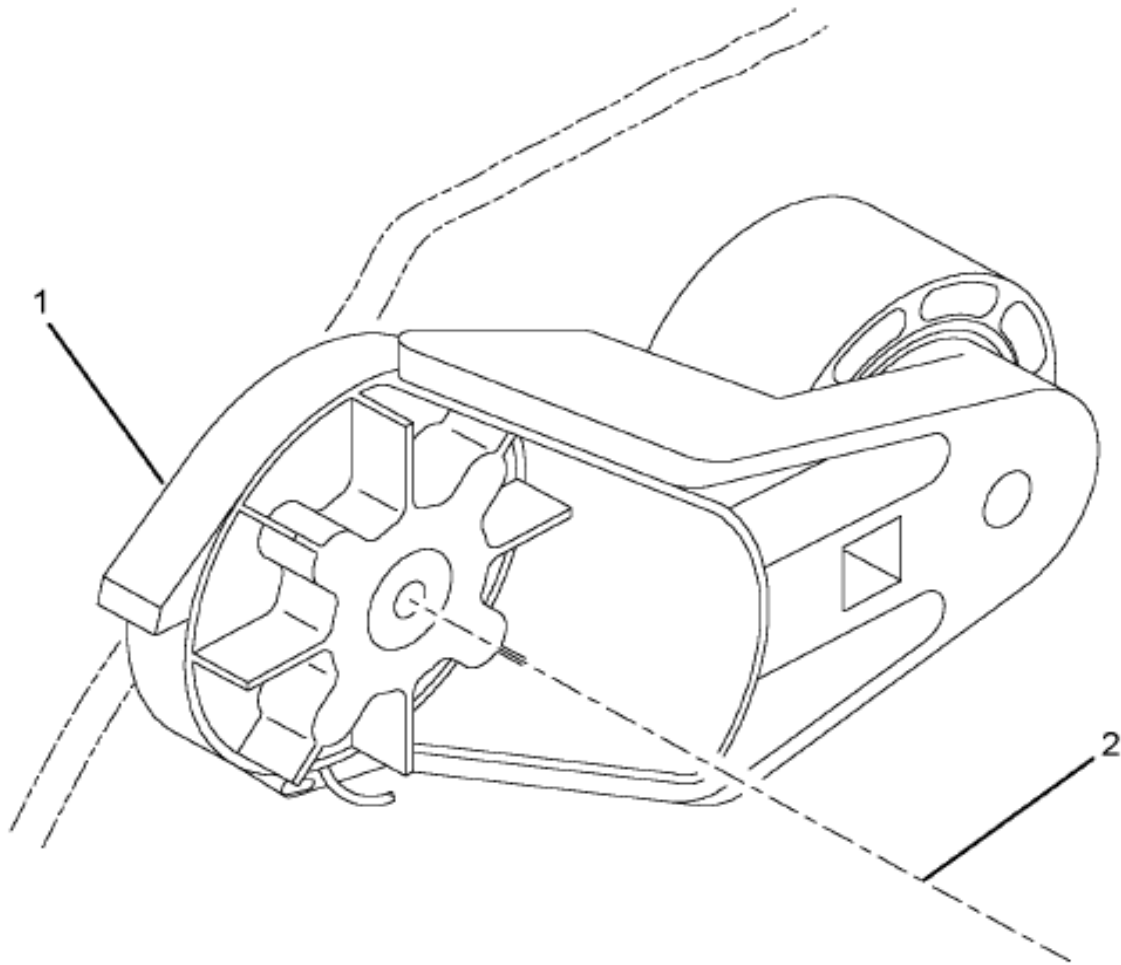


12-MF9-0102-01

J09

Item	Part No.	Qty	Description	Kit	Var	Figure
1	1844180C2	1	PIN,ROLLER TAPPET			
2	1844181C3	1	ROLLER,TAPPET			
3	1854755C2	1	BODY, TAPPET ROLLER			
880		RF	NOTE: ASM BELOW COMPRISED OF ABOVE COMPONENTS			
881	1850160C2	RF	TAPPET ASSY,ROLLER			

Figure 641020B002
TENSIONER, AUTO



Grp
1
2

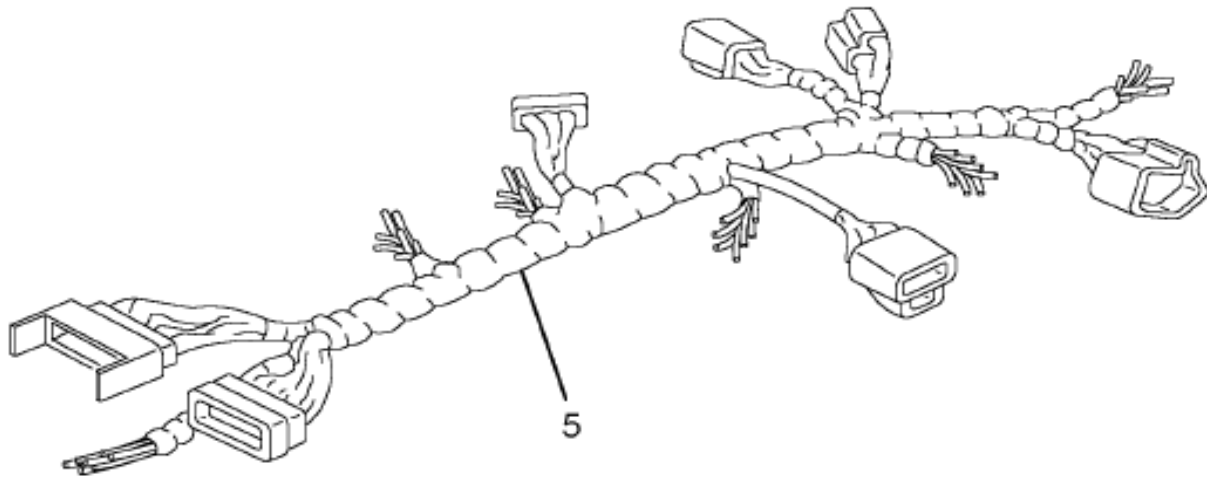
12-ENG-0097-01

B03

Item	Part No.	Qty	Description	Kit	Var	Figure
1	1830033C2	1	TENSIONER, AUTOMATIC BELT			
2	1817993C1	1	BOLT M10 X 1.5-6G X 80 MM LONG			
880		RF	NOTE: ASM BELOW COMPRISED OF ABOVE COMPONENTS			
881	641020B002	RF	TENSIONER, AUTO			

Figure 0F10G

THERMAL OVERCRANK PROTECTION WIRING; (ABR#8), FOR NGV ENGINE

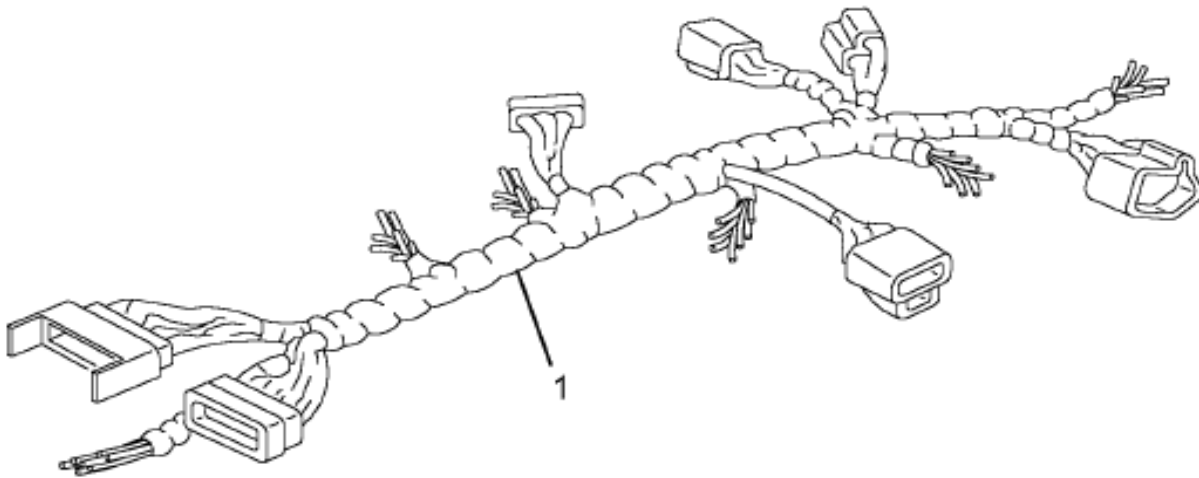


08-D01-0004-01

E04

Item	Part No.	Qty	Description	Kit	Var	Figure
5	3550558F93	1	ELEC INTL I6 ENG*N/		0F11S	3550558F93

Figure 3550558F93
ELEC INTL I6 ENG*N/



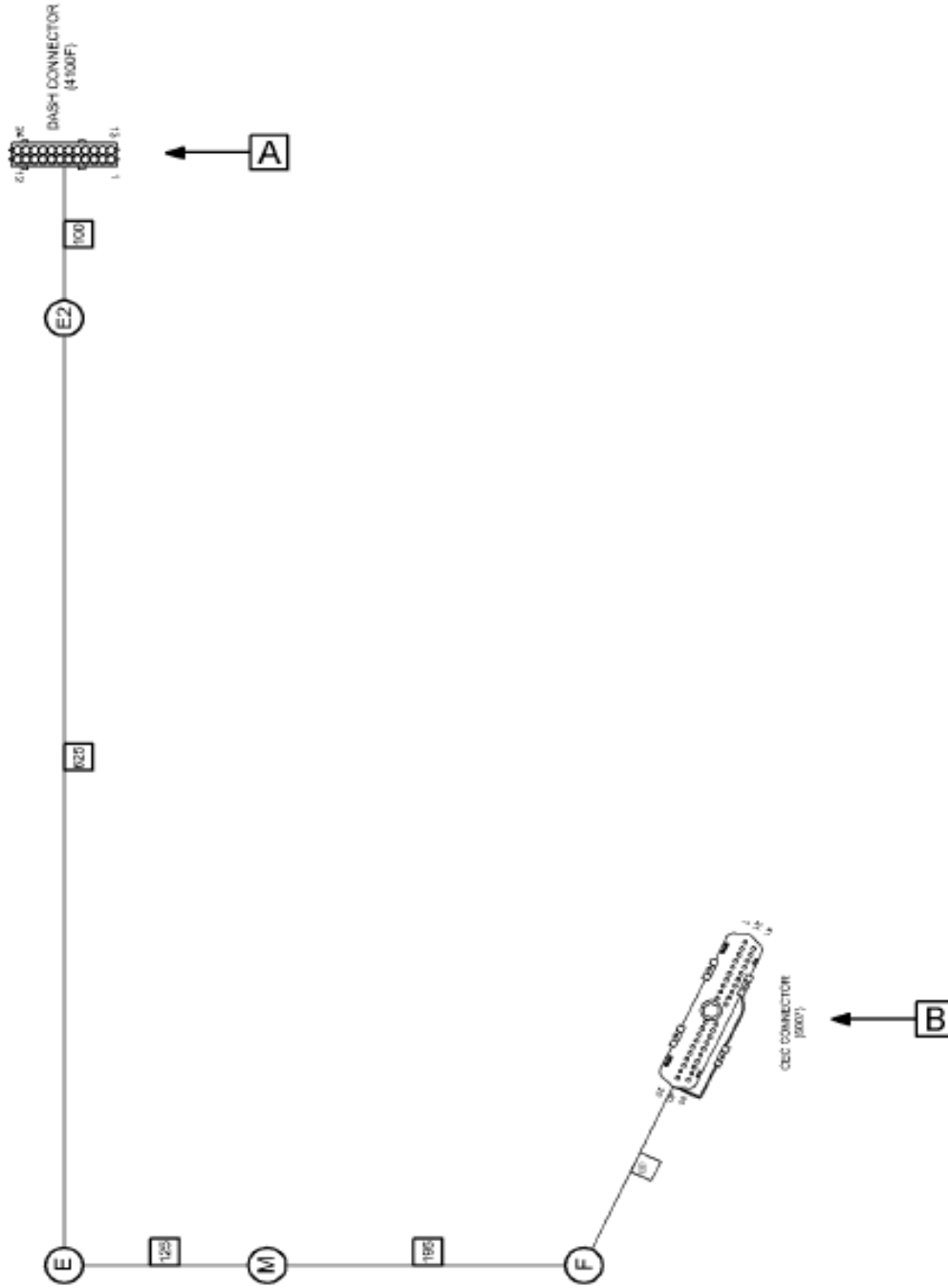
Grp
12

08-P58-0006-01

C03

Item	Part No.	Qty	Description	Kit	Var	Figure
1	3560346C92	1	HARNESS, ELEC; ENGINE			3560346C92
880		RF	NOTE: ASM BELOW COMPRISED OF ABOVE COMPONENTS			
881	3550558F93	RF	ELEC INTL I6 ENG*N/			

Figure 3560346C92
HARNES, ELEC; ENGINE

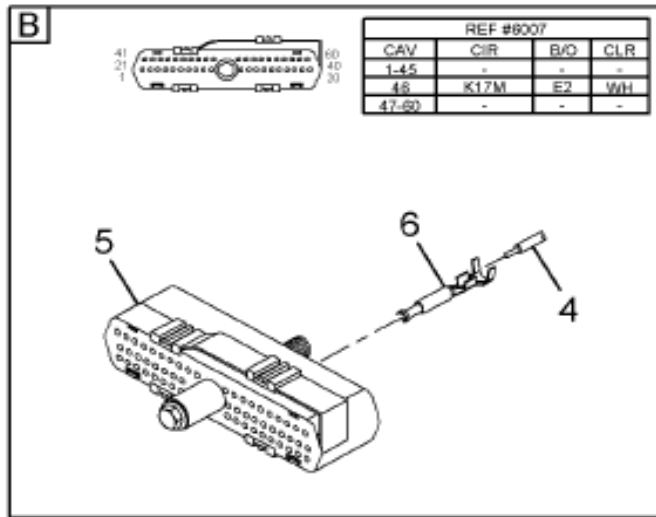
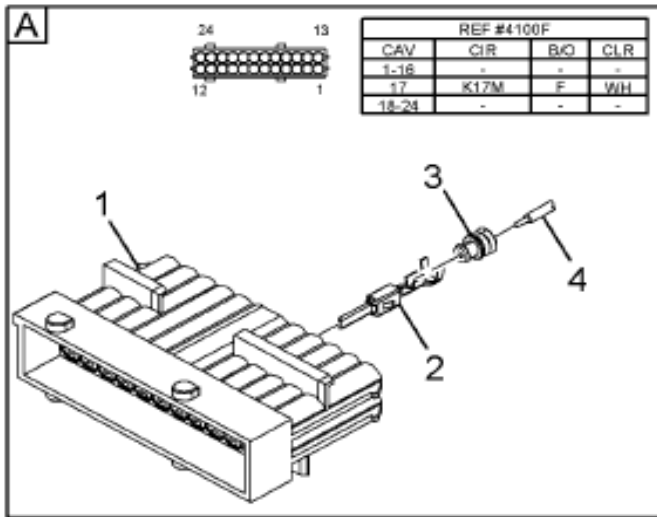


12-E57-0002-02

F10

Figure 1 of 2

Figure 3560346C92
HARNESS, ELEC; ENGINE



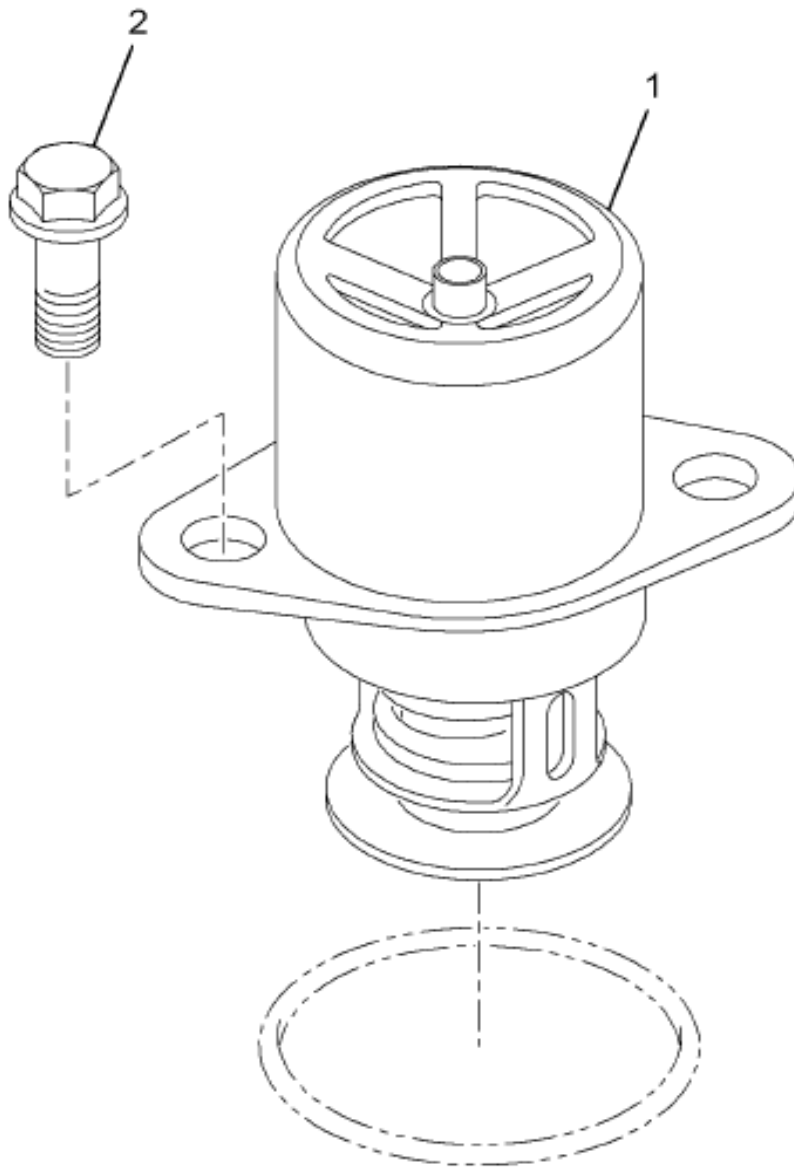
12-E57-0002-01

F10

Item	Part No.	Qty	Description	Kit	Var	Figure
1	3558022C1	1	CONNECTOR, BODY*AMP JR-PWR-TIME			
2	3559036C1	1	TERMINAL, CABLE*AMP JUNIOR-POWE			
3	3509903C1	1	SEAL, CABLE TERMINAL			
4	2643674R1	AR	CABLE LOW TENSION SINGLE COND			
5	3541979C1	1	CONNECTOR, BODY*60 WAY			
6	2041419C1	1	TERMINAL, CABLE			

Grp 12

Figure 641005B001
THERMOSTAT ASM, WATER OUTLET

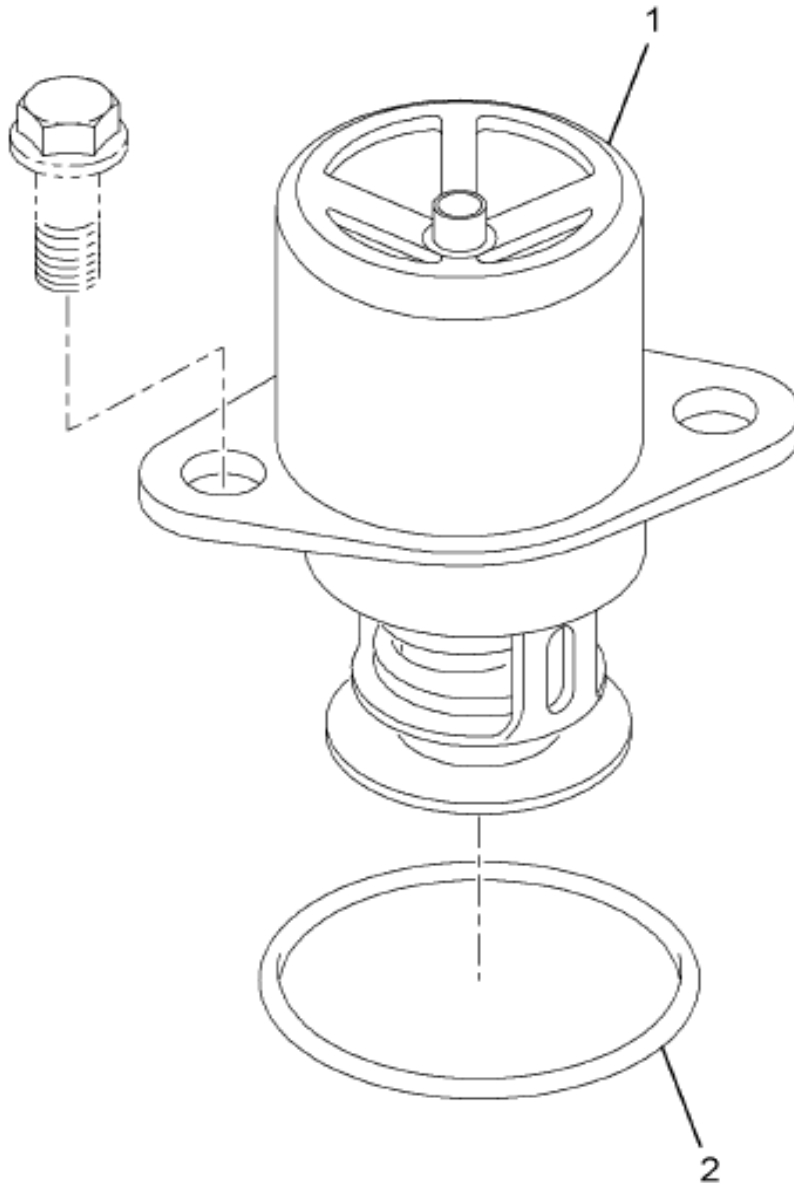


12-ENG-1402-01

D05

Item	Part No.	Qty	Description	Kit	Var	Figure
1	1830256C93	1	THERMOSTAT			1830256C93
1	1820951C1	1	RING, "O"			
2	1817812C1	2	BOLT, FLANGE HEX M8 X 16MM			
880		RF	NOTE: ASM BELOW COMPRISED OF ABOVE COMPONENTS			
881	641005B001	RF	THERMOSTAT ASM, WATER OUTLET			

Figure 1830256C93
THERMOSTAT ASSEMBLY

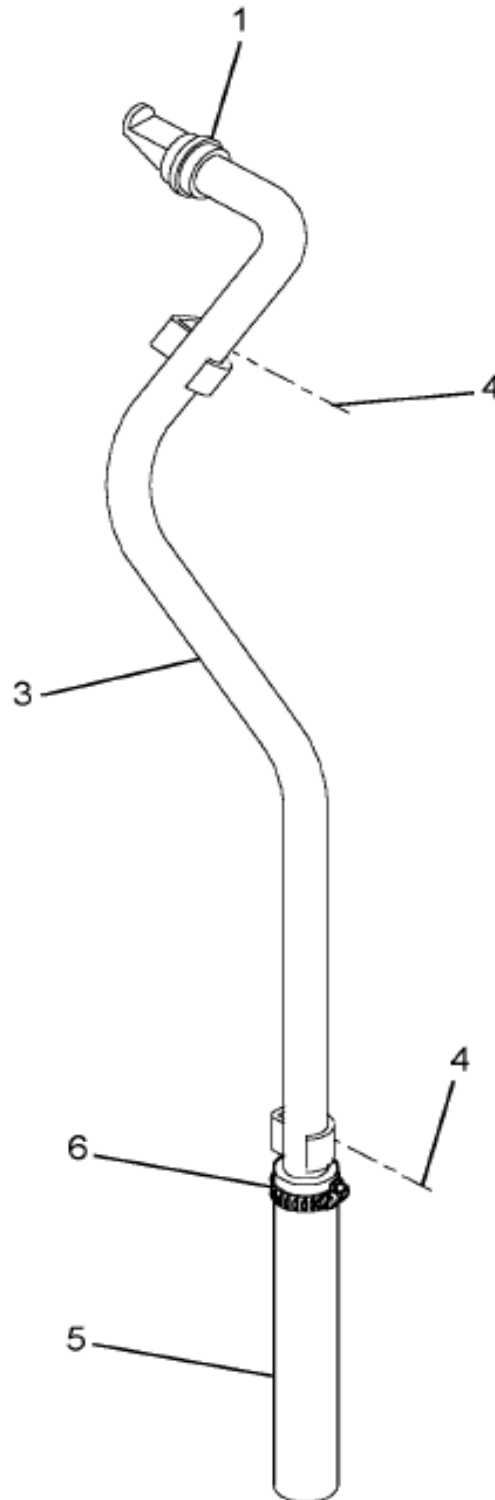


12-ENG-1403-01

D05

Item	Part No.	Qty	Description	Kit	Var	Figure
1	1830120C2	1	THERMOSTAT			
2	1836075C1	1	RING,O 2 1/8 I.D.			
880		RF	NOTE: ASM BELOW COMPRISED OF ABOVE COMPONENTS			
881	1830256C93	RF	THERMOSTAT ASSEMBLY			

Figure 641017L003
TUBE, VENT

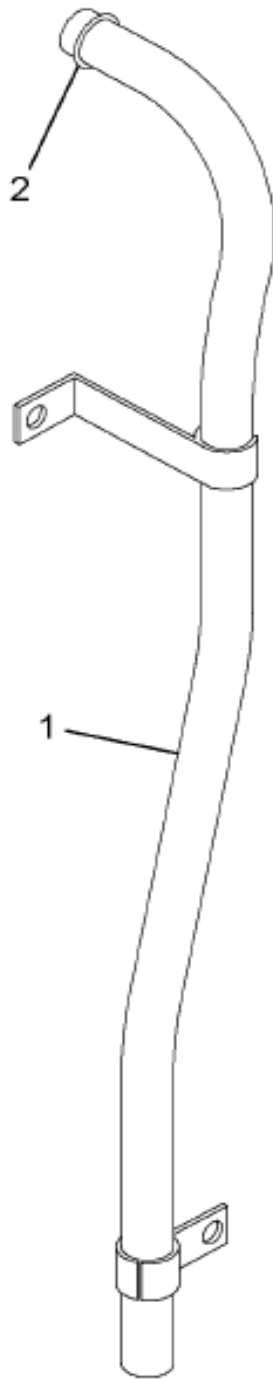


12-ENG-0122-01

B03

Item	Part No.	Qty	Description	Kit	Var	Figure
1	1822135C1	1	RING, "O" BREATHER TUBE #214	A		
3	1827224C1	1	TUBE ASSEMBLY, BREATHER	A		1827224C1
4	1818233C1	1	BOLT M10 X 20			
5	1841142C1	1	HOSE, BREATHER			
6	311164C91	1	CLAMP, HOSE TYPE F # 20			
801	1830188C91	KT	KIT, BREATHER TUBE			1830188C91

Figure 1830188C91
KIT, BREATHER TUBE



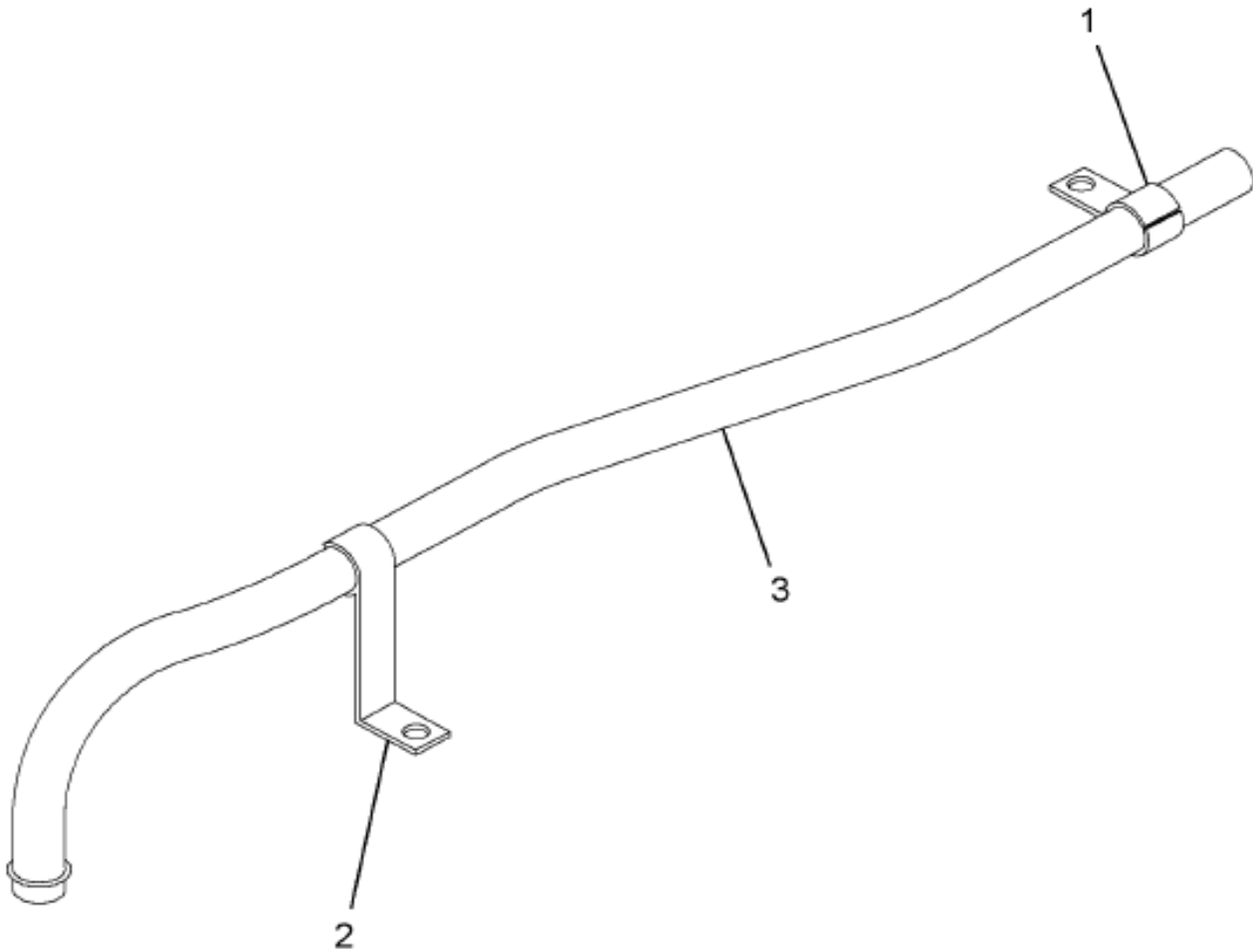
Grp
1
2

12-ENG-1448-01

G05

Item	Part No.	Qty	Description	Kit	Var	Figure
1	1827224C1	1	TUBE ASSEMBLY, BREATHER			1827224C1
2	1822135C1	1	RING, O #214			
880		RF	NOTE: ASM BELOW COMPRISED OF ABOVE COMPONENTS			
881	1830188C91	RF	KIT, BREATHER TUBE			

Figure 1827224C1
TUBE ASSEMBLY, BREATHER

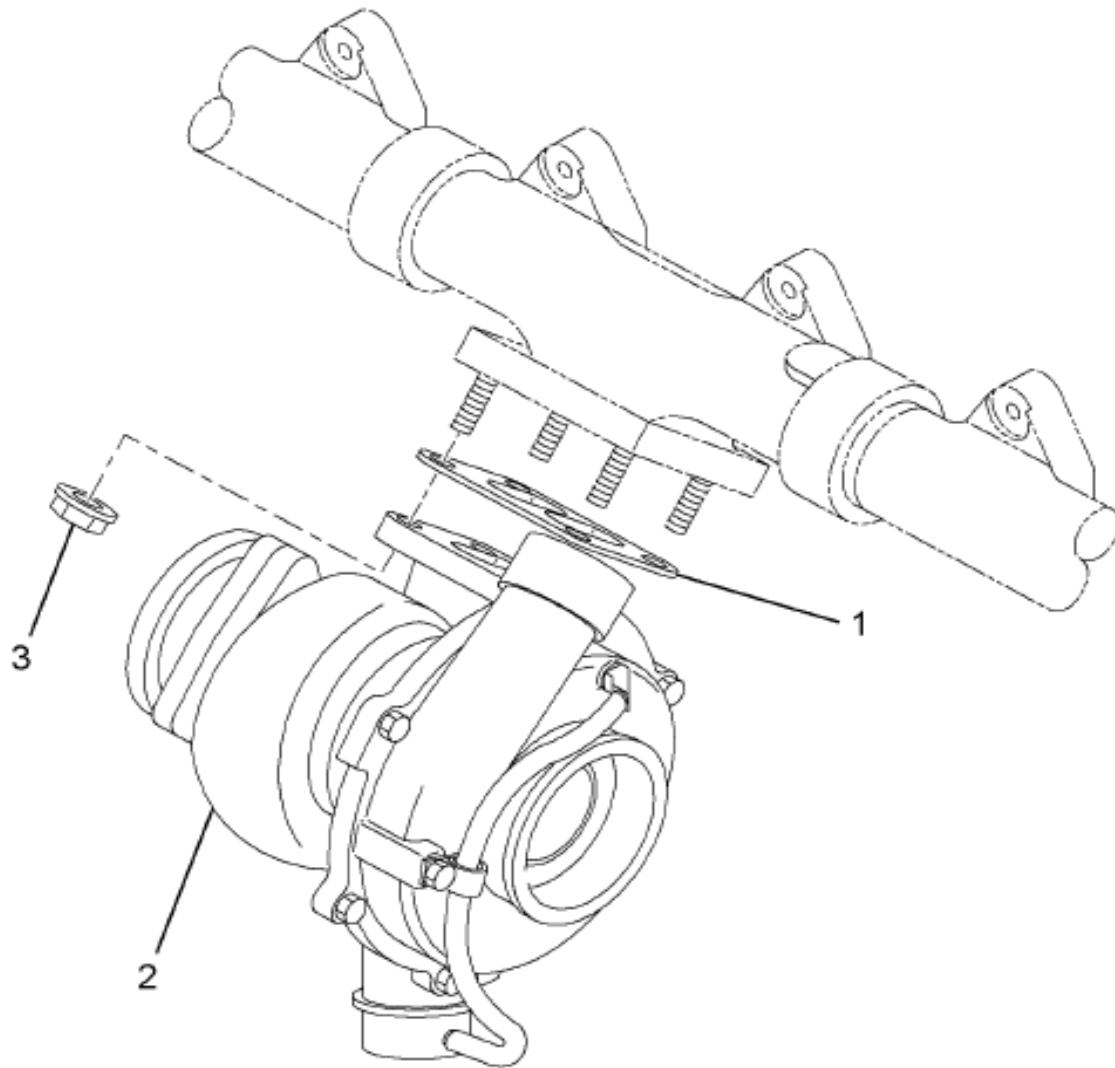


12-ENG-1555-01

K05

Item	Part No.	Qty	Description	Kit	Var	Figure
1	1820912C1	1	BRACKET, BREATHER TUBE - LOWER			
2	1827221C1	1	BRACKET, BREATHER TUBE-UPPER			
3	1829909C1	1	TUBE, BREATHER (SIDE)			
880		RF	NOTE: ASM BELOW COMPRISED OF ABOVE COMPONENTS			
881	1827224C1	RF	TUBE ASSEMBLY, BREATHER			

Figure 641015A067
TURBOCHARGER



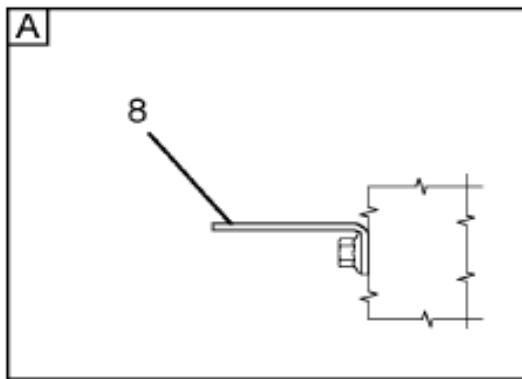
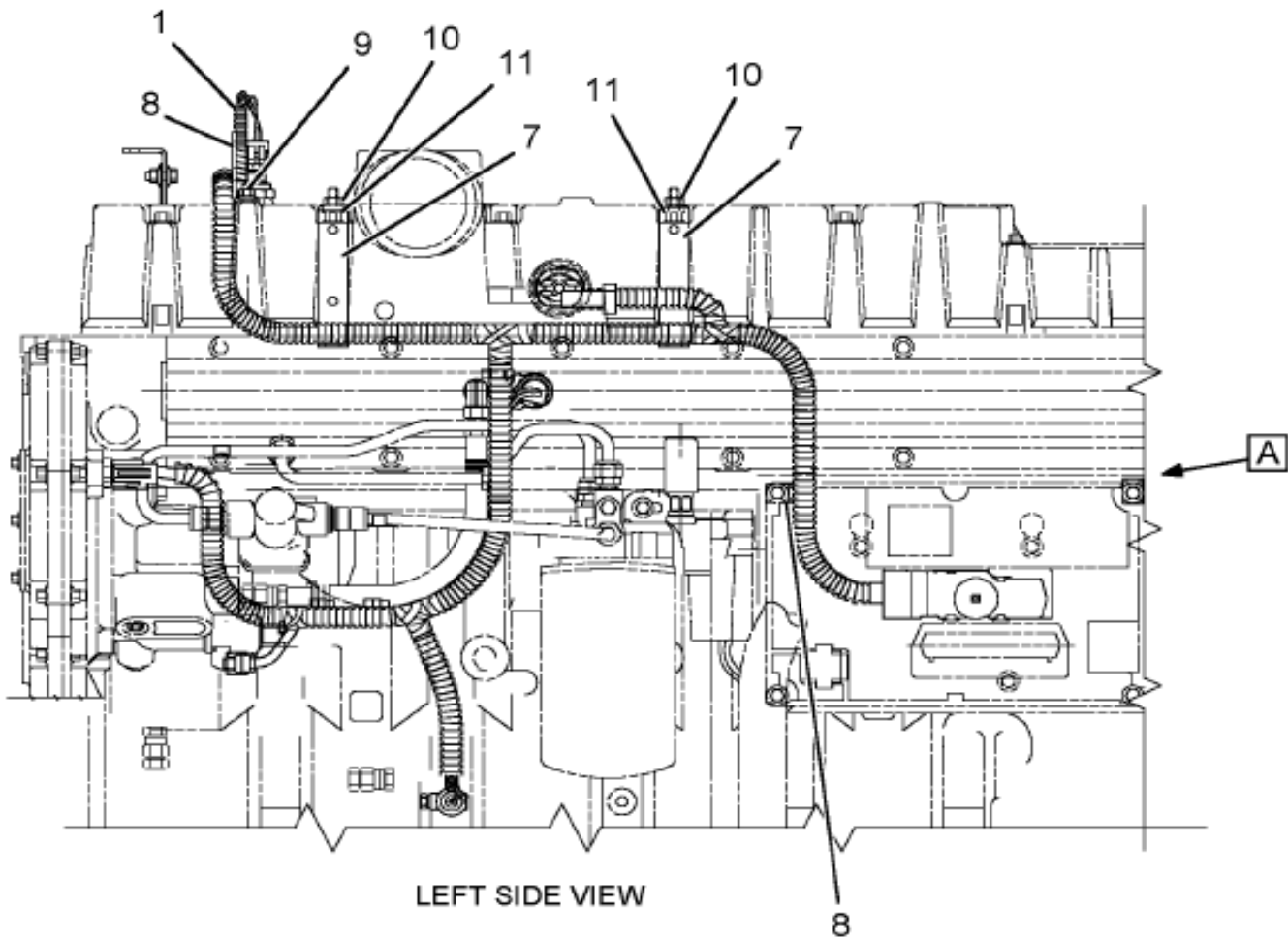
Grp
12

12-ENG-1226-01

K04

Item	Part No.	Qty	Description	Kit	Var	Figure
1	1822120C1	1	GASKET TURBO ADAPTER			
2	1836094C92	1	TURBOCHARGER			
3	1841574C2	4	NUT, FLANGE HEAD SPIRALOCK THREAD M10 X 1.25			
880	RF		NOTE: ASM BELOW COMPRISED OF ABOVE COMPONENTS			

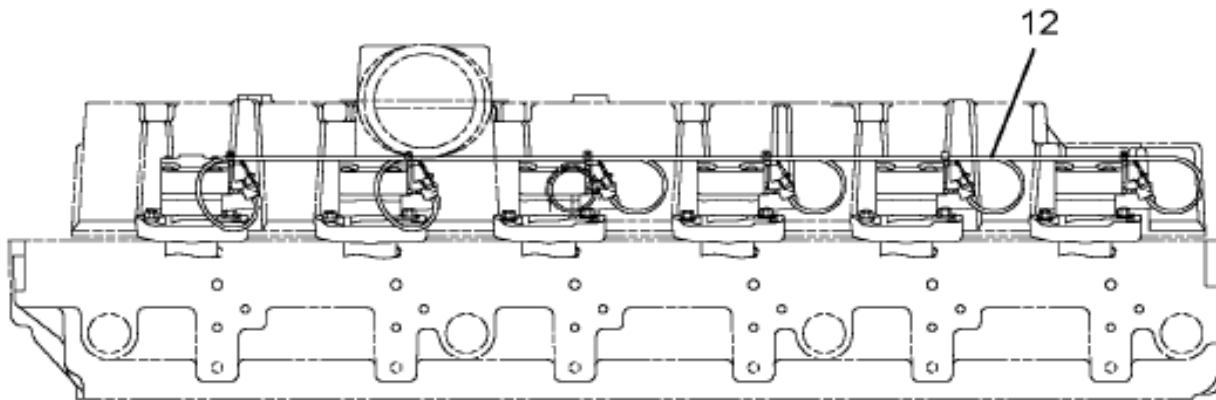
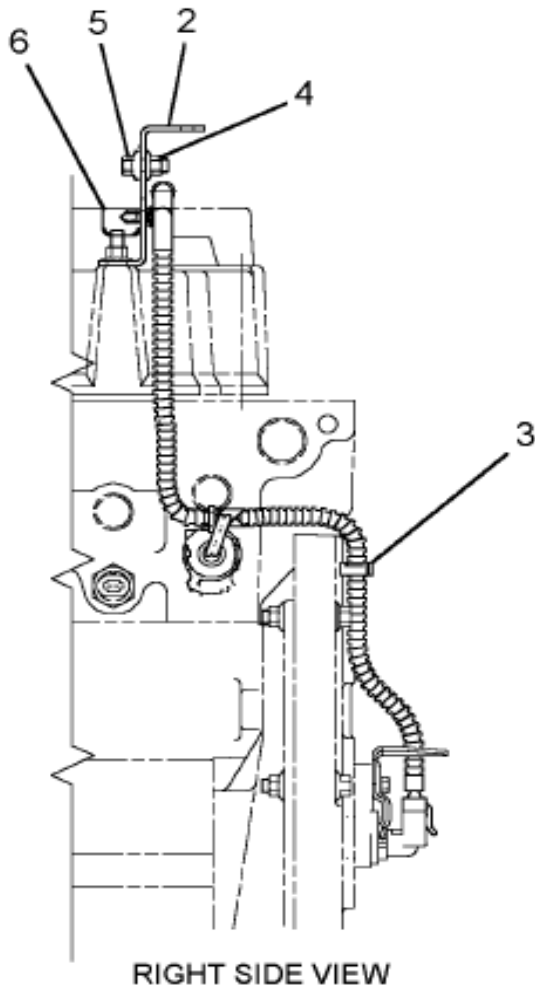
Figure 641009A008
WIRING, ELECTRONIC REAR CEC



Grp
12

Figure 1 of 2

Figure 641009A008
WIRING, ELECTRONIC REAR CEC



12-ENG-0365-02

E03

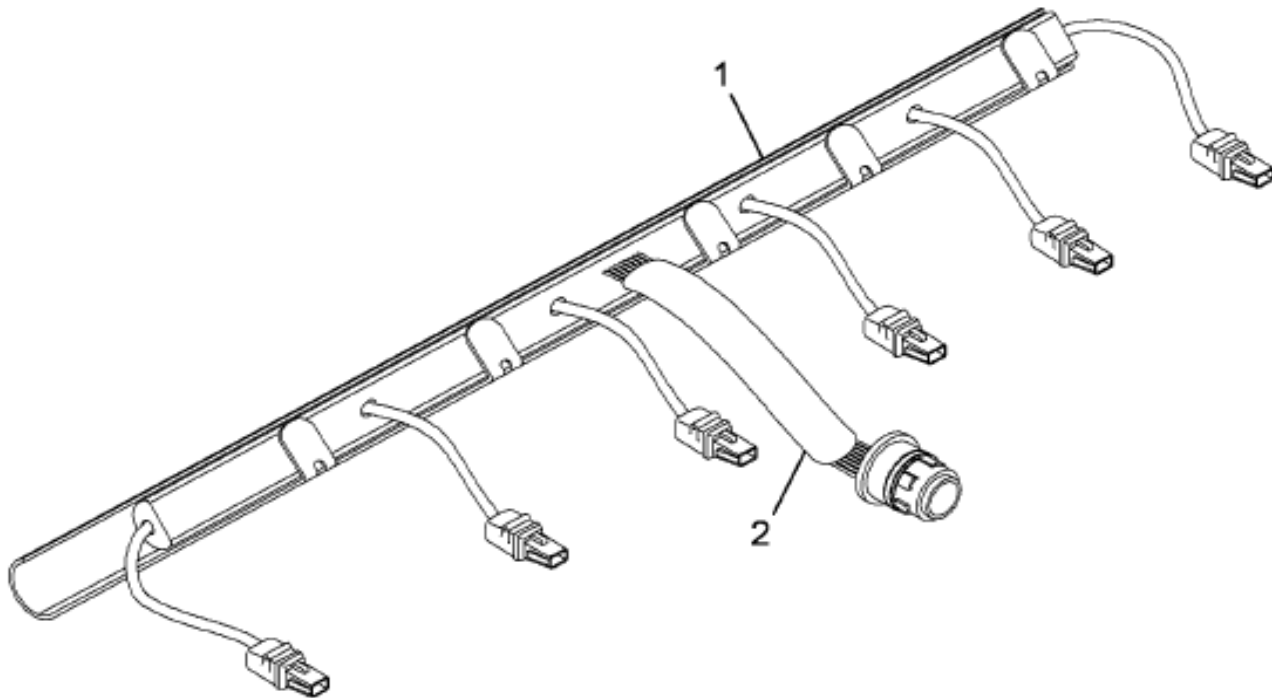
Item	Part No.	Qty	Description	Kit	Var	Figure
1	1833443C95	1	HARNASS, ELECTRICAL I6 HEUI ENGINES			1833443C95
1		RF	BEFORE 10/21/2009			
1	1889514C91	1	HARNASS ASSY,ENGINE I6 HEUI			
1		RF	10/21/2009 AND LATER			
2	2002176C1	1	EXTENSION CLIP			
3	1807336C1	1	CLIP, MOUNTING ENGINE HARNASS			

Figure 641009A008
WIRING, ELECTRONIC REAR CEC

Item	Part No.	Qty	Description	Kit	Var	Figure
4	40049R1	1	NUT, HEX GRADE 10 M6 X 1 MM			
5	1817953C1	1	BOLT, FLANGE M6 X 1 MM X 16 MM			
6	2003460C1	1	CLAMP,CABLE COATED 1.0 ID .406 DIA MTG HOLE			
7	1833417C2	2	BRACKET, EXTENSION			
8	1833419C2	3	BRACKET, EXTENSION			
9	1822888C1	1	BOLT M8 X 12			
10	40050R1	2	NUT, HEX FLANGED			
11	30175R1	2	WASHER			
12	1807455C91	1	HARNESS, ELECTRICAL INTERNAL WIRING			
12		RF	BEFORE 01/27/2000			
12	1807455C92	1	HARNESS, ELECTRICAL INTERNAL WIRING			1807455C92
12		RF	BETWEEN 01/27/2000 AND 10/21/2009			
12	1889905C91	1	HARNESS ASM, INJECTOR			1889905C91
12		RF	10/21/2009 AND LATER			
800		RF	NOTE: THE FOLLOWING PARTS ARE NON-ILLUSTRATED			
801	1807323C1	1	RING,O 16 PASS-THRU CONNECTOR			
802	1833424C1	1	COVER, CHASSIS HARNESS			
803	299565C1	2	CLAMP,CABLE SGL-COATED 11/16 X .406 MTG			
880		RF	NOTE: ASM BELOW COMPRISED OF ABOVE COMPONENTS			
881	641009A008	RF	WIRING, ELECTRONIC REAR CEC			

G
R
P
1
2

Figure 1889905C91
HARNESS ASSY, INJECTOR

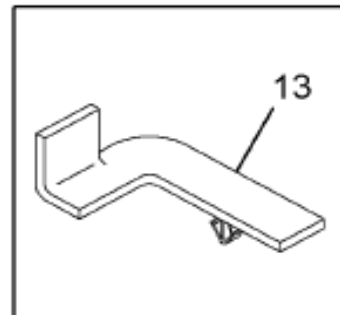
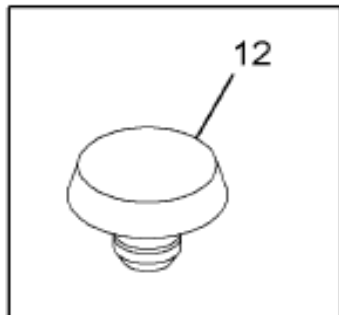
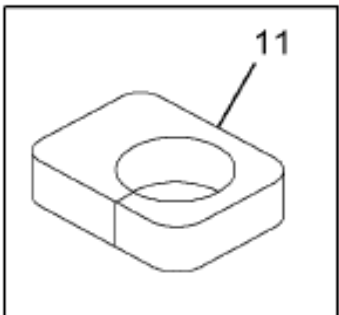
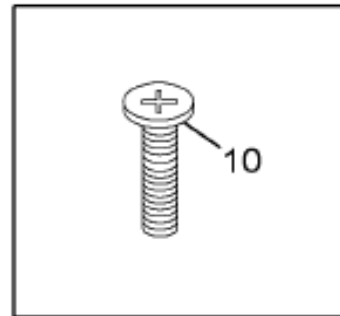
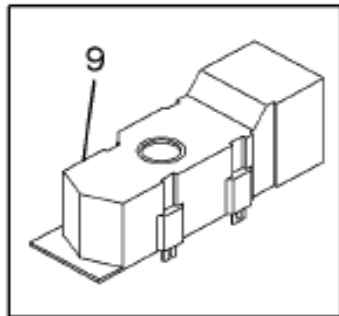
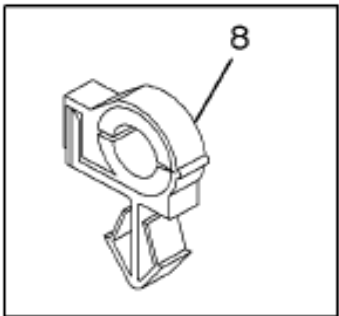
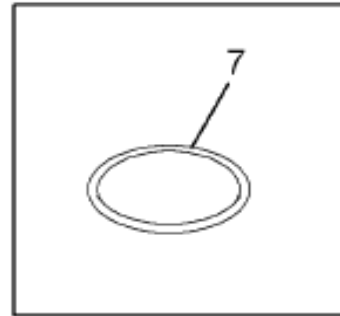
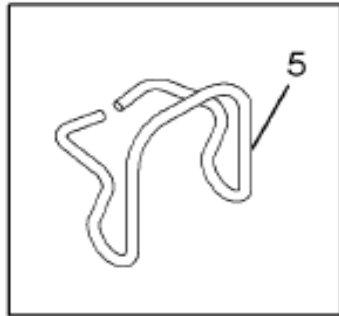
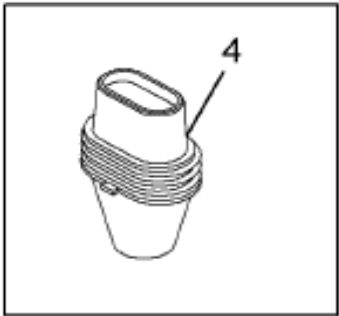
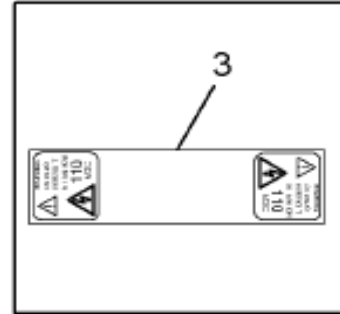
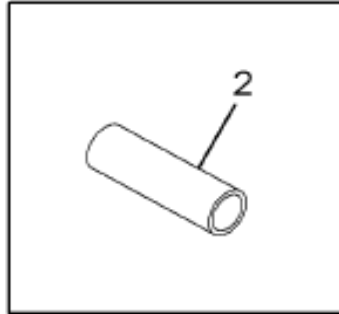
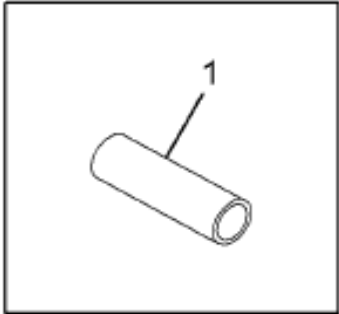


12-ENG-2578-01

G11

Item	Part No.	Qty	Description	Kit	Var	Figure
1	1807296C1	1	CHANNEL, WIRING HARNESS			
2	1890310C91	1	HARNESS, INTERNAL WIRING			1890310C91
880		RF	NOTE: ASM BELOW COMPRISED OF ABOVE COMPONENTS			
881	1889905C91	RF	HARNESS ASSY, INJECTOR			

Figure 1833443C95
 HARNESS ASSY,ENGINE I6 HEUI

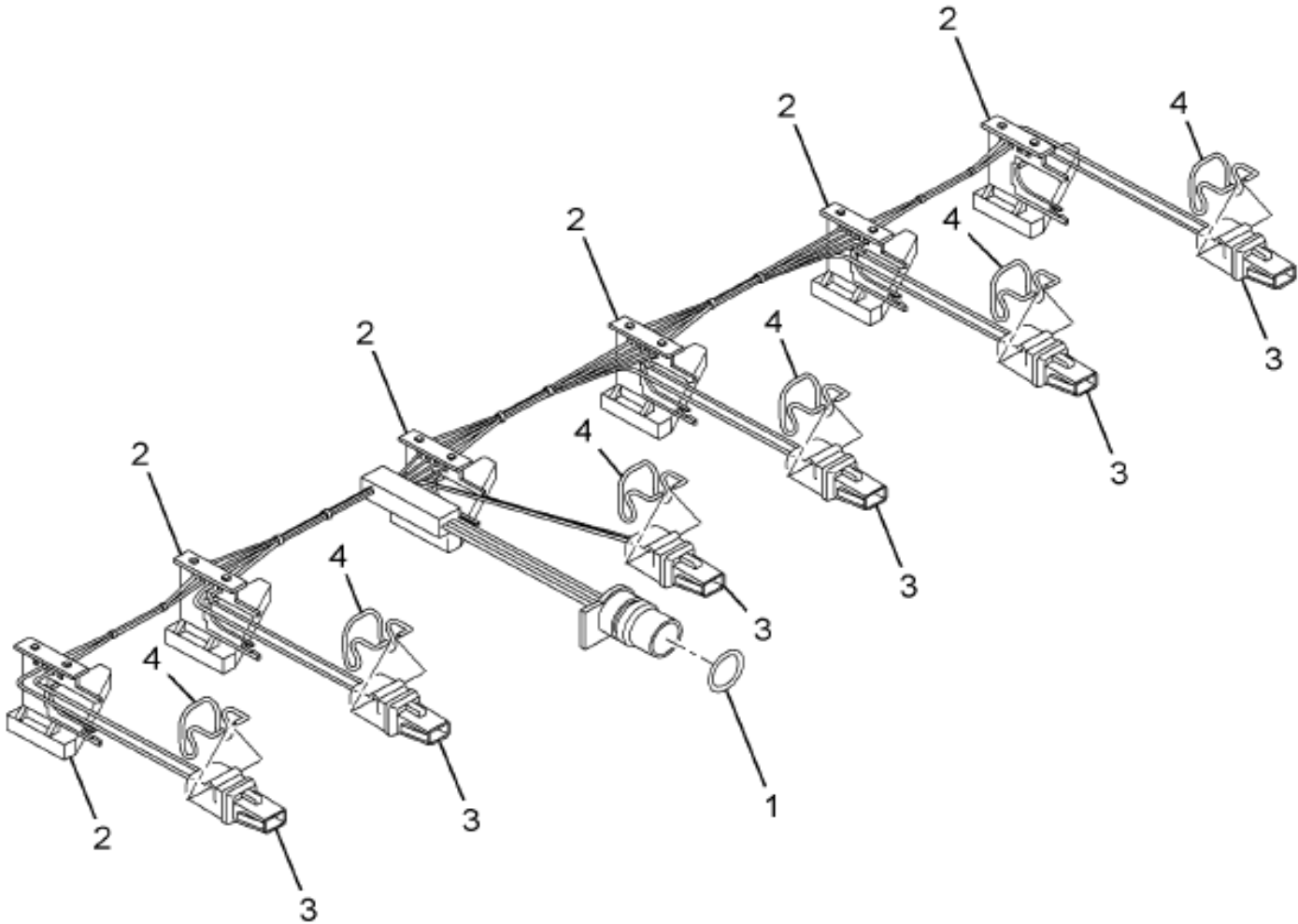


12-ENG-1668-01

E06

Item	Part No.	Qty	Description	Kit	Var	Figure
1	2644000R1	2	SLEEVE HEAT SHRINK			
2	2644038R1	1	SLEEVE,CABLE INSULATING			
3	1807428C1	1	PROD.GRAPH.WARN.LABEL			
4	1807322C1	1	CONNECTOR,IPR			
5	1822897C1	1	CLIP,HARNESS RETAINER			
7	1807261C1	2	SEAL, PRESS CONNECTOR			

Figure 1807455C92
HARNESS, INTERNAL WIRING

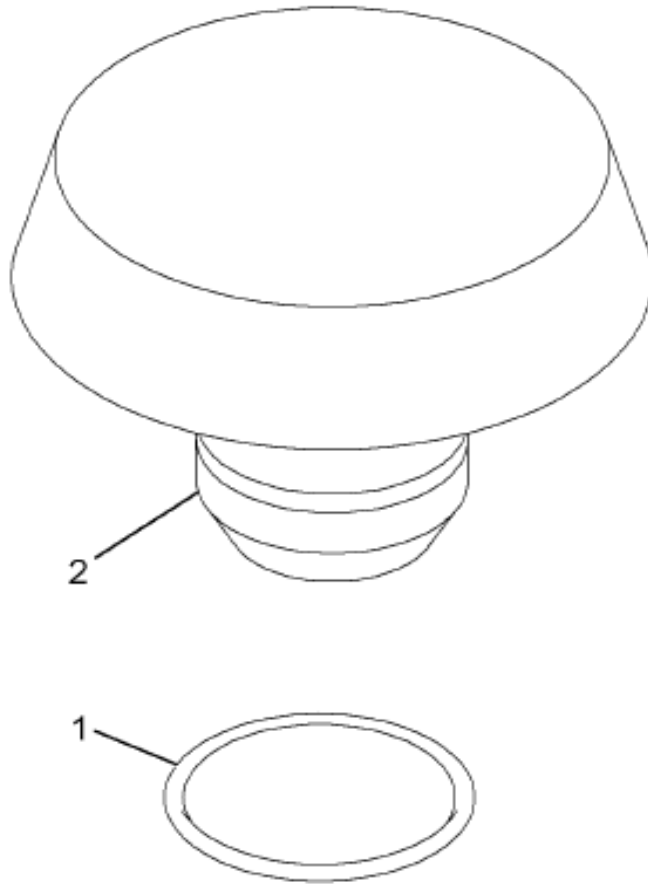


12-ENG-1159-01

G04

Item	Part No.	Qty	Description	Kit	Var	Figure
1	1824908C1	1	RING, O SIZE 124			
2	1827803C2	6	SUPPORT, UVC HARNESS			
3	1815924C2	6	CONNECTOR, INJECTOR CYLINDER			
4	1822897C1	6	CLIP, HARNESS RETAINER			
880	RF		NOTE: ASM BELOW COMPRISED OF ABOVE COMPONENTS			

Figure 1831415C92
KNOB, ASSY, CEC HARNESS (95)

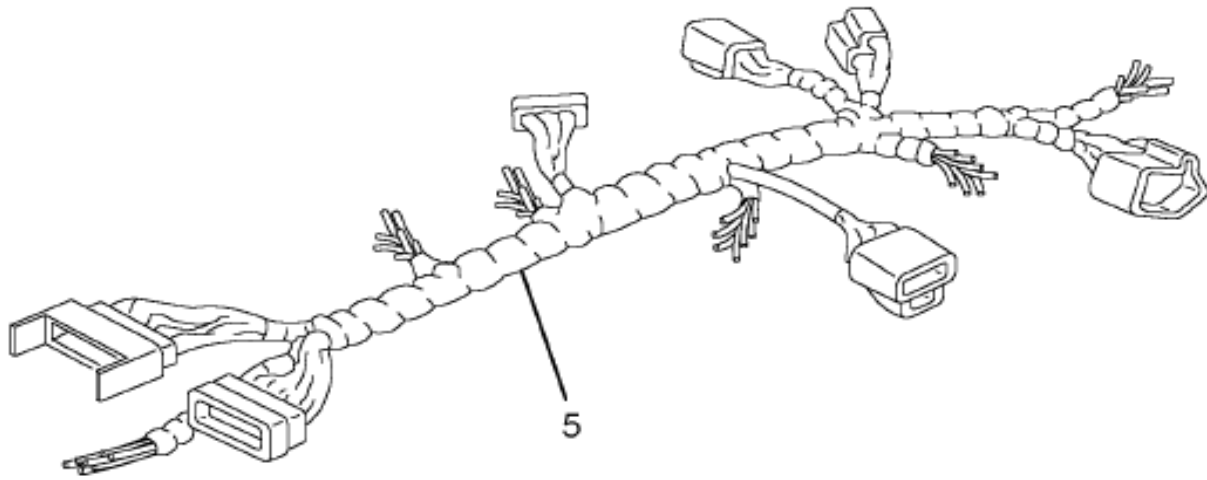


12-ENG-1666-01

E06

Item	Part No.	Qty	Description	Kit	Var	Figure
1	1831376C1	1	FASTENER, SPECIAL*KNOB O-RING			
2	1827157C2	1	KNOB, CEC HARNESS			
880		RF	NOTE: ASM BELOW COMPRISED OF ABOVE COMPONENTS			
881	1831415C92	RF	KNOB, ASSY, CEC HARNESS (95)			

Figure 0HQ6Z
XMSN WIRING; MANUAL FOR I6 ENGINE



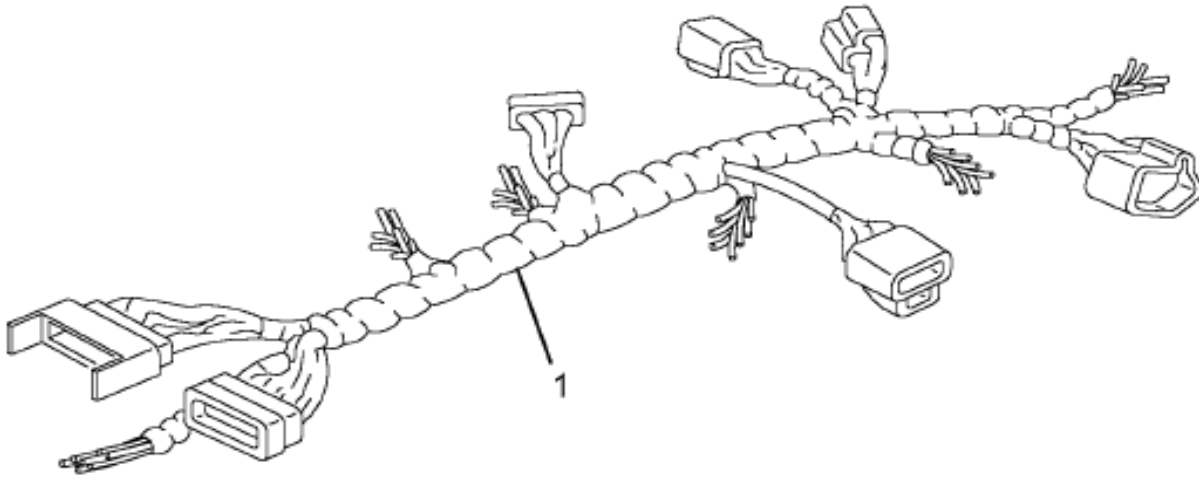
G
R
P
1
2

08-D01-0004-01

E04

Item	Part No.	Qty	Description	Kit	Var	Figure
5	3579827F91	1	ELEC INTL I6,MANL XMSN,STD		0HQ72	3579827F91

Figure 3579827F91
 ELEC INTL I6,MANL XMSN,STD

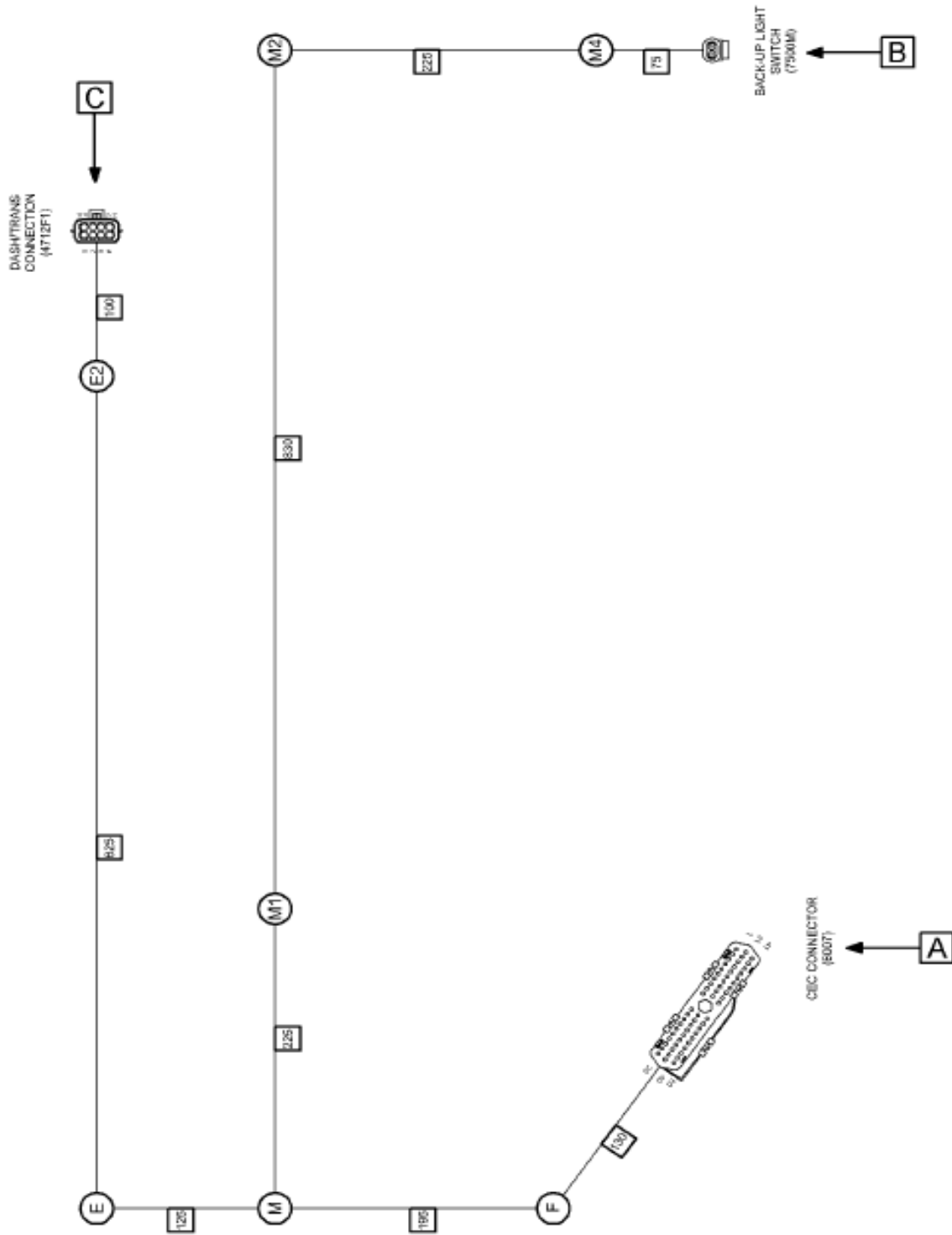


08-P58-0006-01

C03

Item	Part No.	Qty	Description	Kit	Var	Figure
1	3579843C91	1	HARNESS,MANUAL XMSN,STANDARD			3579843C91
880		RF	NOTE: ASM BELOW COMPRISED OF ABOVE COMPONENTS			
881	3579827F91	RF	ELEC INTL I6,MANL XMSN,STD			

Figure 3579843C91
HARNESS, MANUAL XMSN, STANDARD



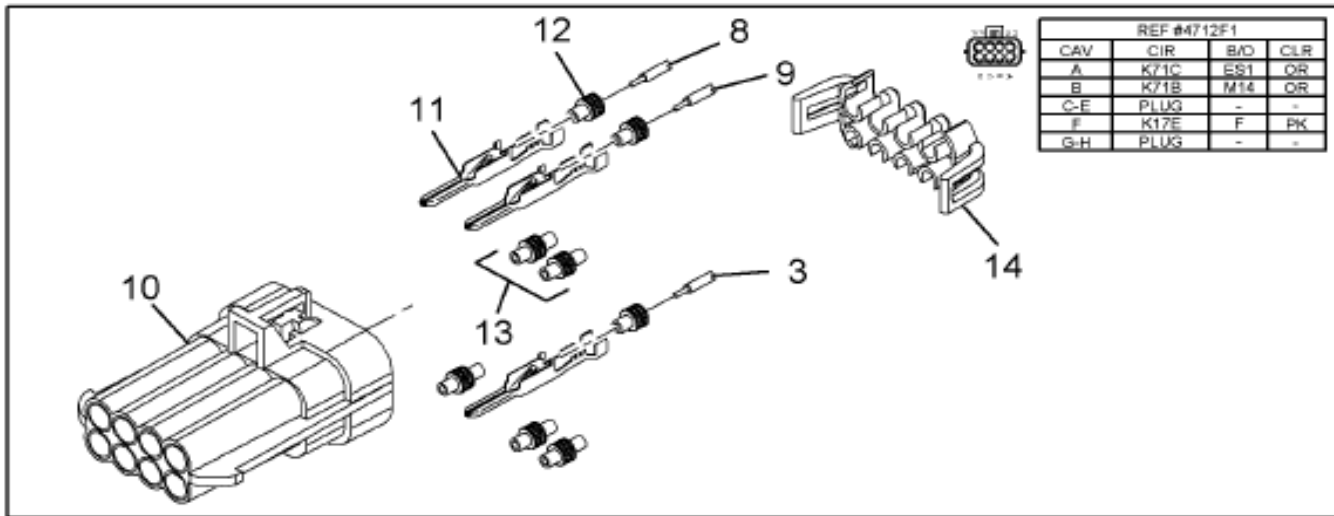
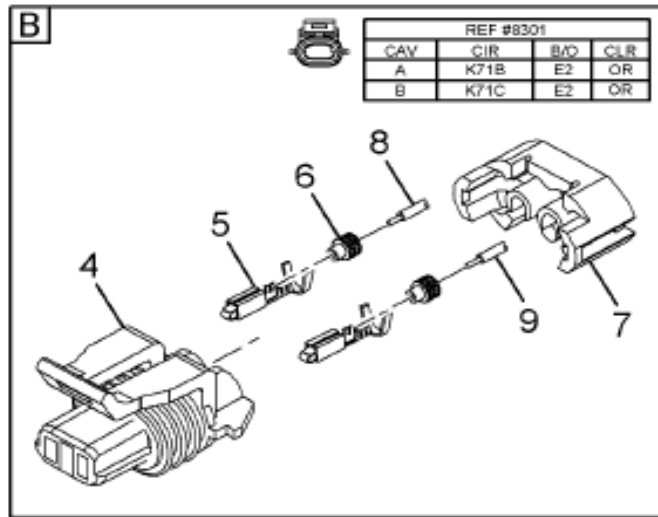
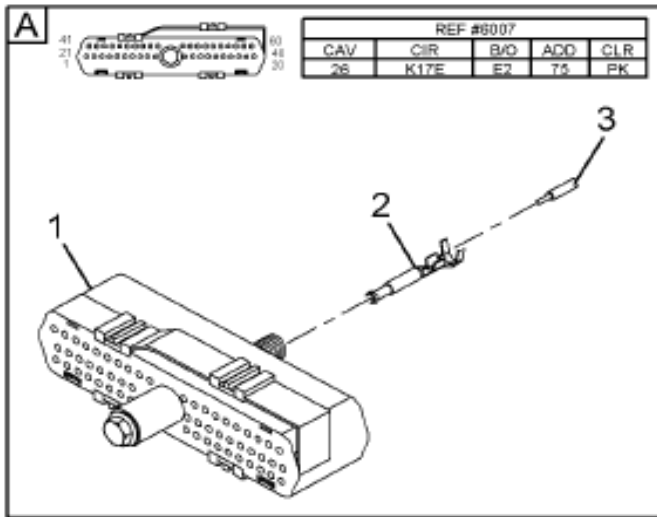
12-E80-0040-01

B11

Grp 12

Figure 1 of 2

Figure 3579843C91
HARNESS ,MANUAL XMSN , STANDARD



12-E80-0040-02

B11

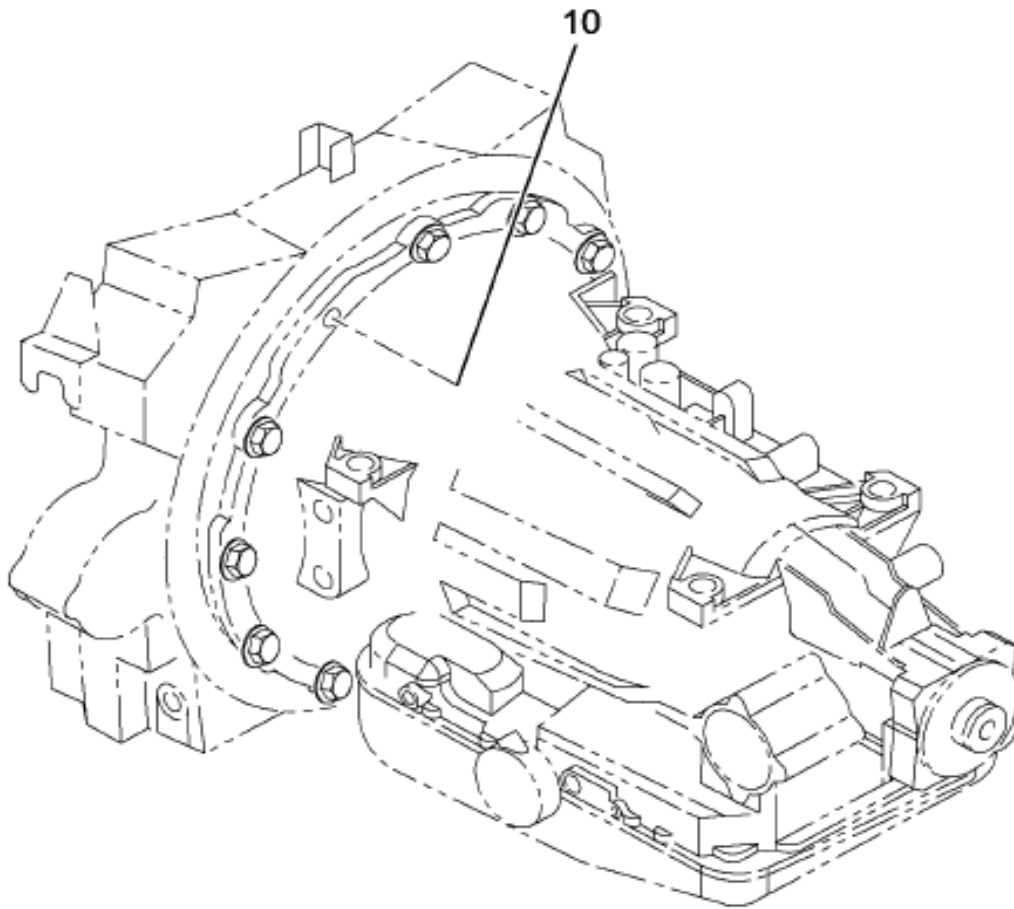
Item	Part No.	Qty	Description	Kit	Var	Figure
1	3541979C1	1	CONNECTOR,BODY*60 WAY			
2	2041419C1	1	TERMINAL,CABLE			
3	3510323R1	AR	CABLE,LOW TENSION TXL			
4	1661778C1	1	BODY,CONNECTOR 2 WAY			
5	1661875C1	2	TERMINAL,FEMALE 150 SEALED			
6	1661872C1	2	SEAL,CABLE TERM 150 LOOSE			

Group 13 Transmission

G
r
p
1
3

Figure 0FK2V

CLUTCH HSG INSTL; W/FULLER, SPICER & MERITOR TRANS



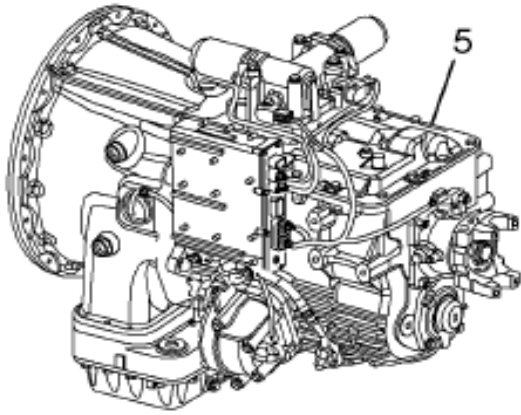
11-245-0001-AA

H09

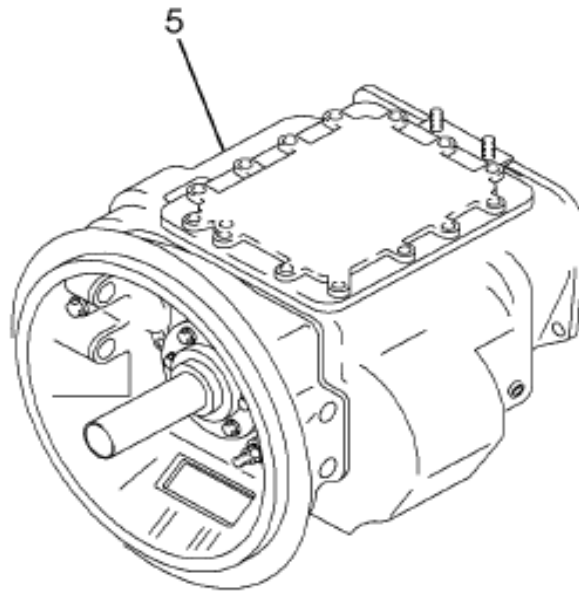
Item	Part No.	Qty	Description	Kit	Var	Figure
10	3545158C1	12	BOLT,XMSN MTG OR AUX XMSN*SEMS		0H66V	

Figure 0FKP3

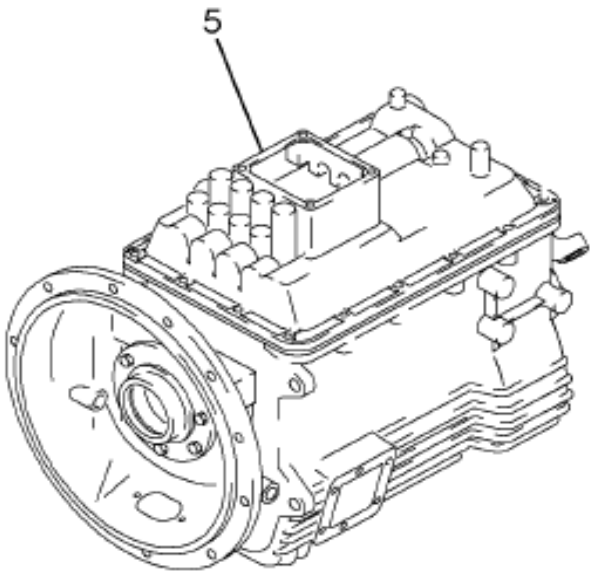
CLUTCH HSG; FULLER FS(O)-54/6406N, 6305A/D, 8406A



EATON AUTOSHIFT



FULLER T SERIES



FULLER FS SERIES

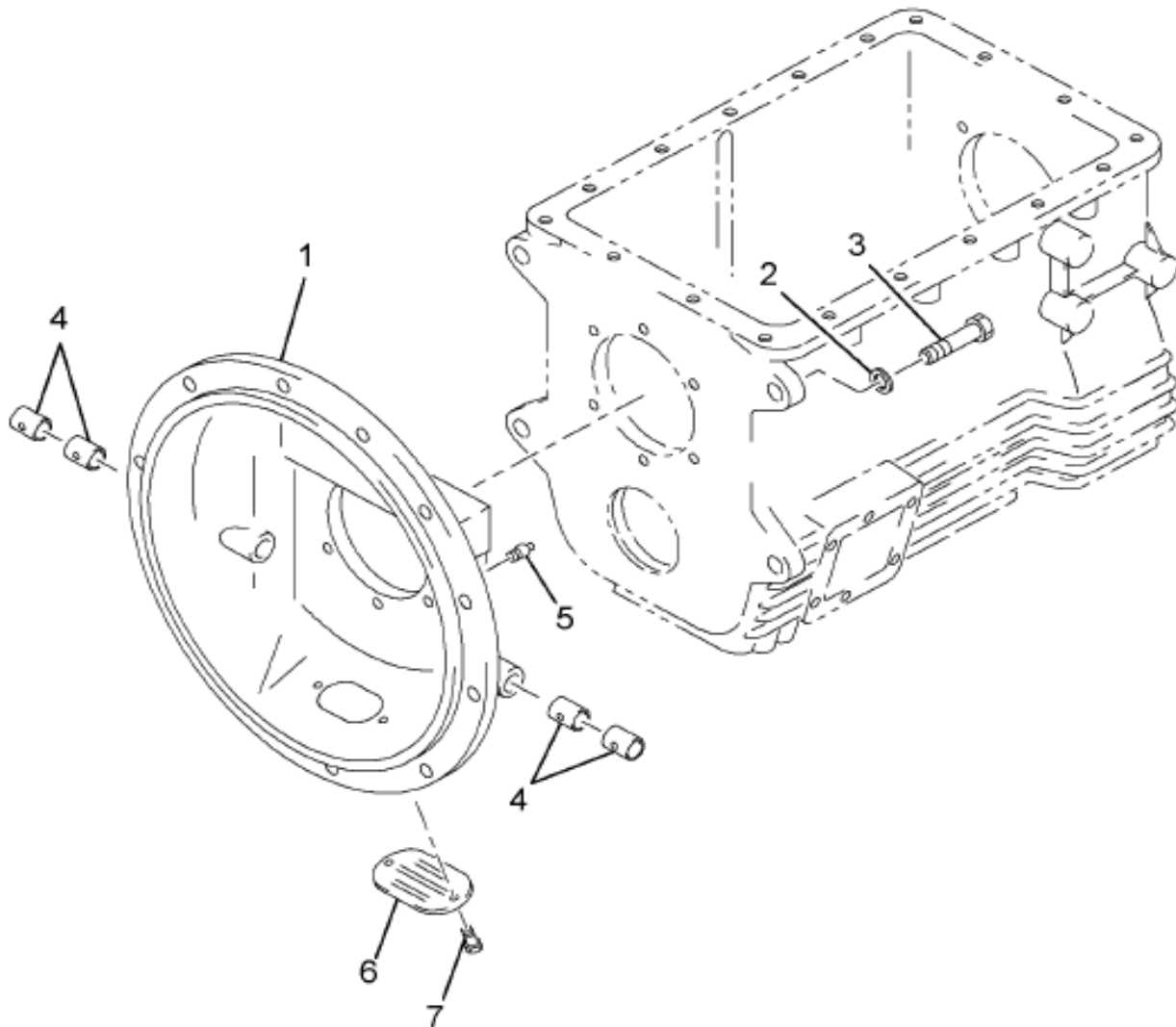
13-F01-0003-01

K04

Item	Part No.	Qty	Description	Kit	Var	Figure
5	3549043F91	1	HOUSING, XMSH BELL ALSO FOR CLU		0FKP4	3549043F91

Grp
13

Figure 3549043F91
HOUSING, XMSH BELL ALSO FOR CLU

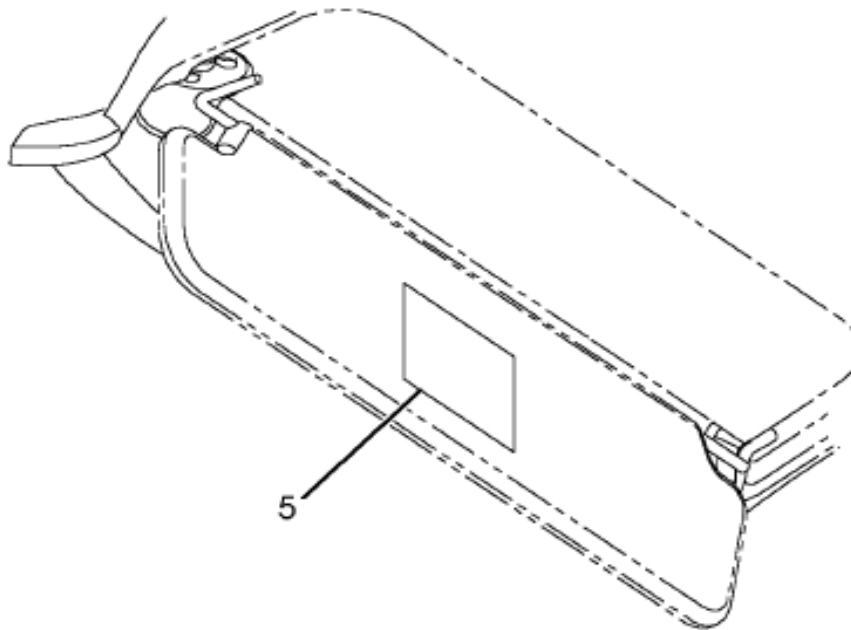
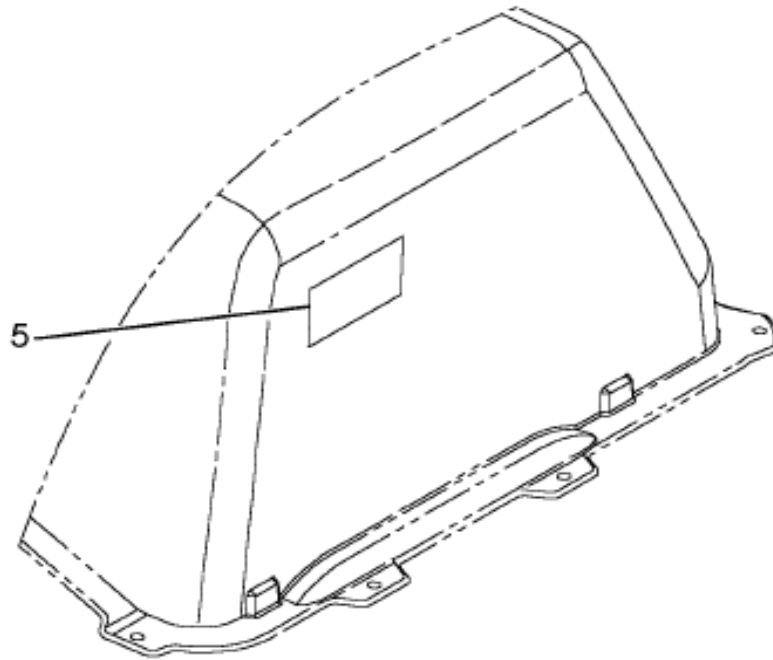


13-C50-0002-00

K05

Item	Part No.	Qty	Description	Kit	Var	Figure
1	FULA5634	1	HOUSING, TRANS BELL			
2	FULX31000	4	WASHER, LOCK 5-8			
3	FULX81011	4	BOLT			
4	FUL12815	4	BUSHING, CLUTCH RELEASE FORK SH			
5	FUL4300301	2	FITTING, SPECIAL			
6	FUL23380	1	COVER, TRANS BELL HSG			

Figure 06WTQ
 PRODUCT GRAPHIC, XMSN LABEL; SHIFT



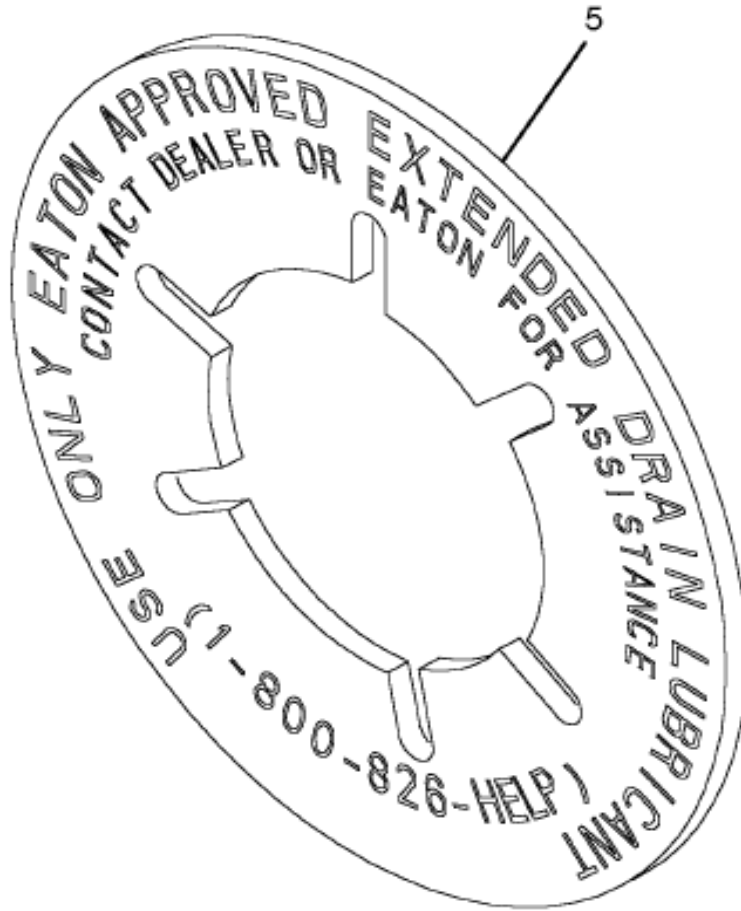
VIEW LOOKING UP

13-308-0012-AA

G04

Item	Part No.	Qty	Description	Kit	Var	Figure
8005	2643716R1	1	PAINT PRIMER ADHESIVE		06WTQ	

Figure 0GXWZ
PRODUCT GRAPHIC; LUBE INSTRUCTIONS



13-630-0002-A2

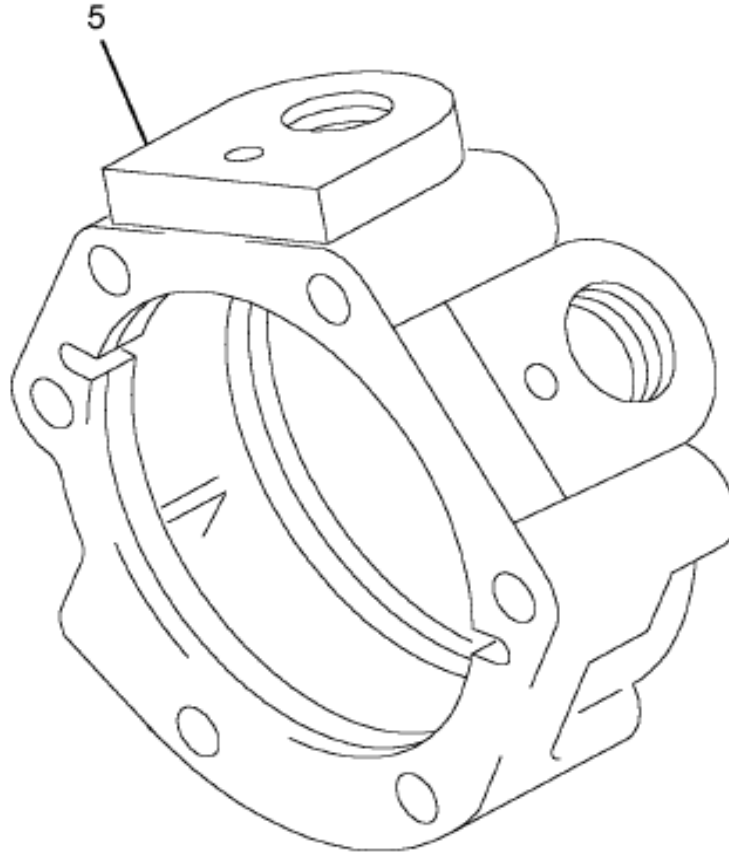
L02

Item	Part No.	Qty	Description	Kit	Var	Figure
5	2037905C1	1	TAG, IDENT SYN/LUB D/PLUG 3/4"		0LFL6	

Grp 13

Figure 0FKNR

RR BEARING RETAINER; FULLER FS(O)-54/6406N, 6305A/D, 8406A

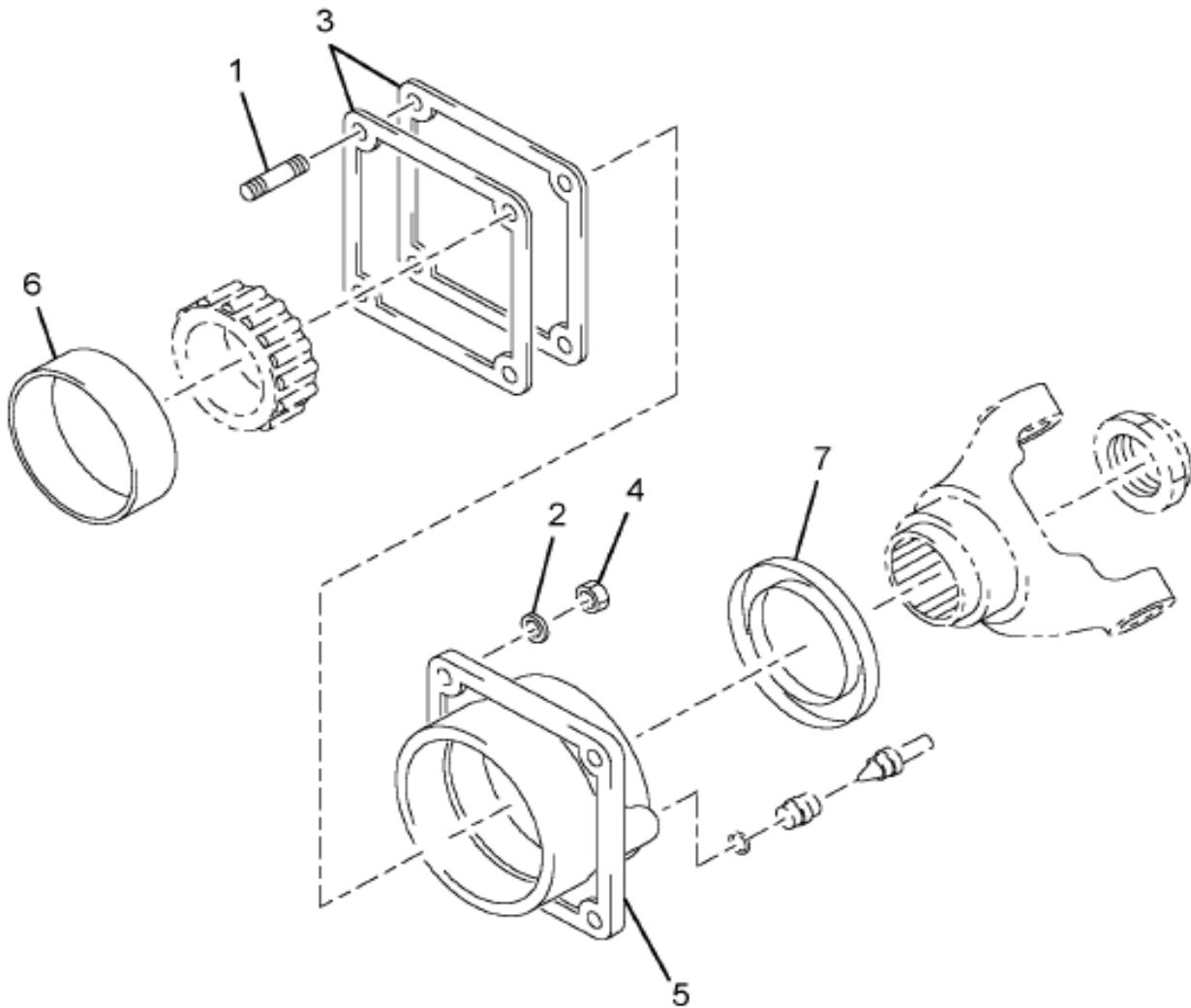
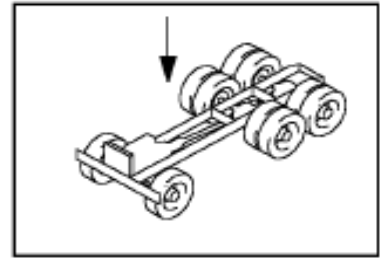


13-C37-0009-FA

E04

Item	Part No.	Qty	Description	Kit	Var	Figure
5	3549040F91	1	RETAINER, MASHFT REAR BRG*		0FKNS	3549040F91

Figure 3549040F91
RETAINER, MASHFT REAR BRG*



13-C32-0001-00

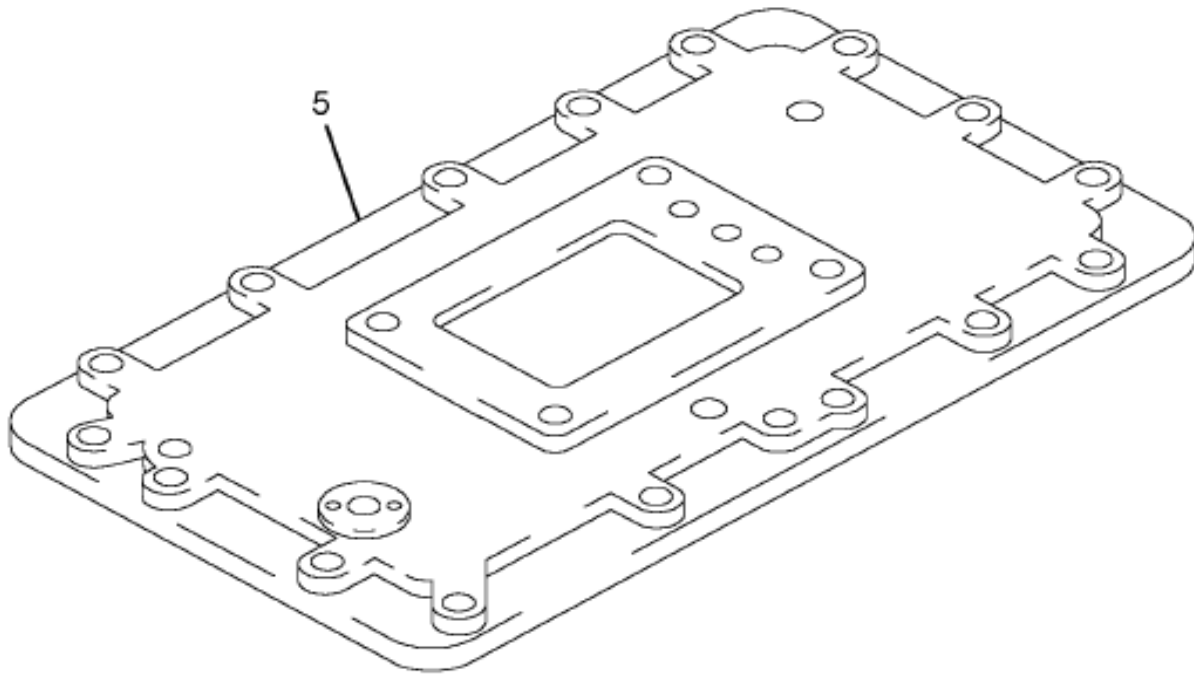
L02

Item	Part No.	Qty	Description	Kit	Var	Figure
1	FUL239433	4	STUD, TRANS CASE TO FLYWHEEL HS			
2	FUL239436	4	WASHER, REAR BRG RETAINER BOLT			
3	FUL3315662	AR	SHIM, .004			
4	25922R1	4	NUT, 1/2-NF PHC JAM TYPE 8			
5		KT	RETAINSR, MASHFT REAR BRG			
6	FUL711123	1	BEARING, CUP			

Grp
13

Figure 0FKN4

SHIFT BAR HSG ASM; FULLER FS(O)-54/6406N, 6305A/D, 8406A



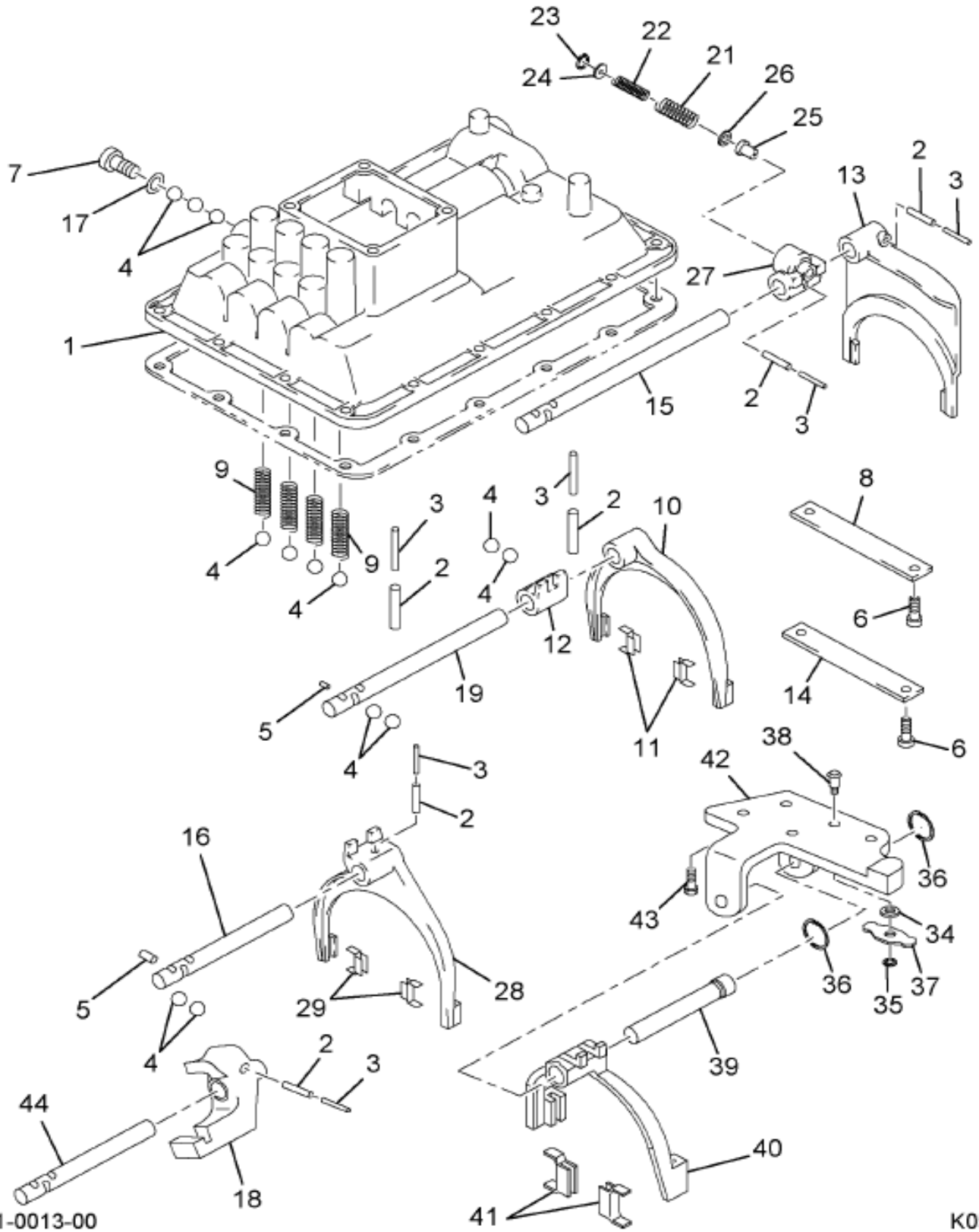
Grp
13

13-C31-0022-CA

E04

Item	Part No.	Qty	Description	Kit	Var	Figure
5	3568552F91	1	HOUSING,SHIFT BAR*STD SHIFT CN		0GV7D	3568552F91

Figure 3568552F91
HOUSING, SHIFT BAR*STD SHIFT CN



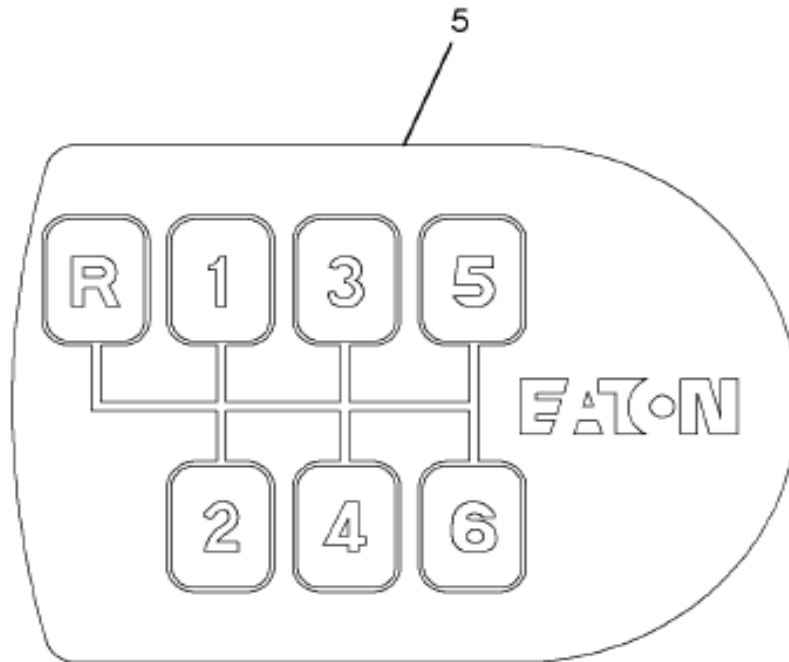
13-C31-0013-00

K05

Item	Part No.	Qty	Description	Kit	Var	Figure
1	FULA6974	1	HOUSING, SHIFT BAR			
2	FUL1JM3528	6	PIN, SHIFT BAR INTERLOCK			
3	FUL1JM6028	6	PIN, SHIFT BAR INTERLOCK			
4	FUL10J14	13	BALL			
5	FUL201044	2	PIN, SHIFT, INNER LOCK			
6	1666227C1	5	SCREW, TAPPING 3/8 16X1			

Figure 0GHWX

TRANS SHIFT LEVER KNOB BEZEL INSTL; SHIFT PATTERN



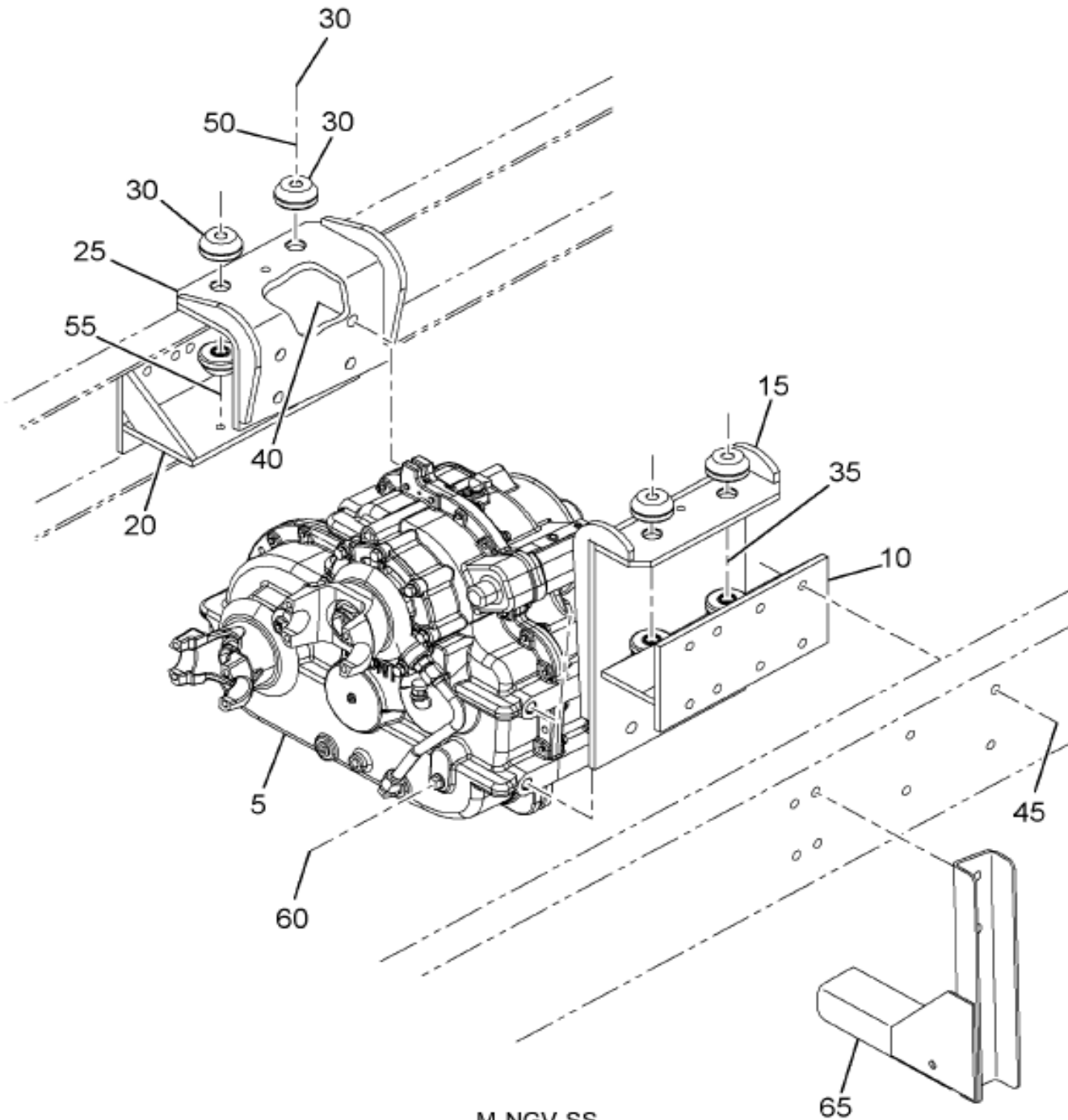
13-885-0001-A0

B10

Item	Part No.	Qty	Description	Kit	Var	Figure
5	3515503C1	1	BEZEL,XMSN SHIFT DIAL		0GHWZ	

Figure 07VS1

TRANSFER CASE ASM & INSTL; T-4210 & T-4213 FOR NG



M-NGV-SS
 W/13TKA,13TKB,13TKC
 W/16030, 16196,16CAB

13-296-0064-AA

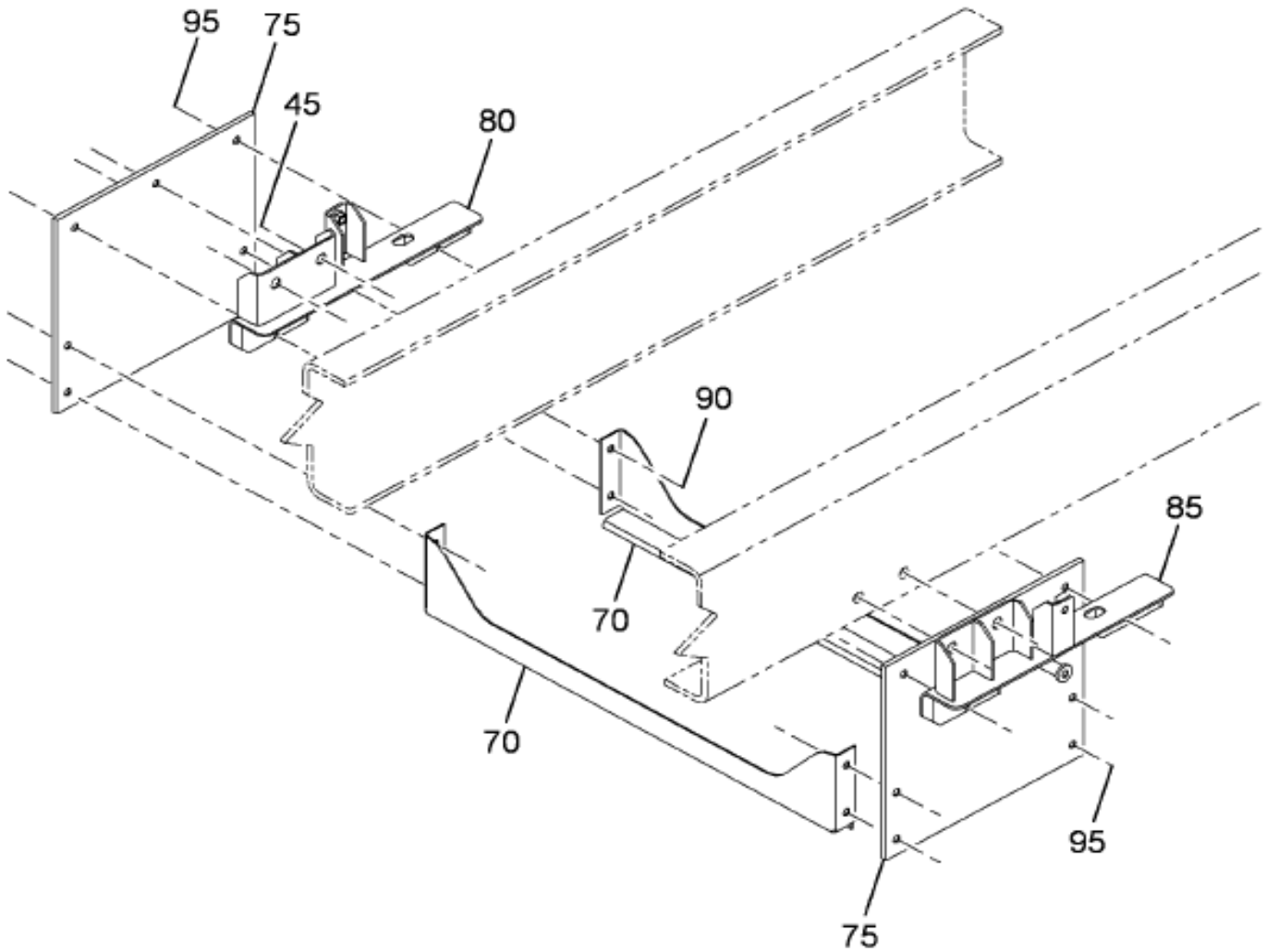
D10

Grp 13

Figure 1 of 2

Figure 07VS1

TRANSFER CASE ASM & INSTL; T-4210 & T-4213 FOR NG

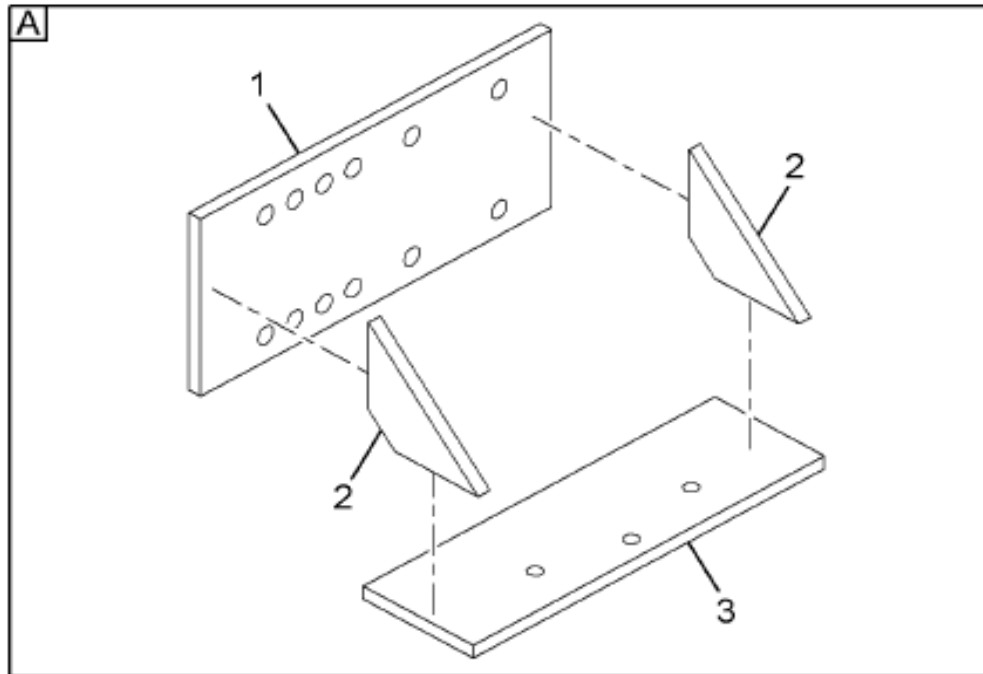
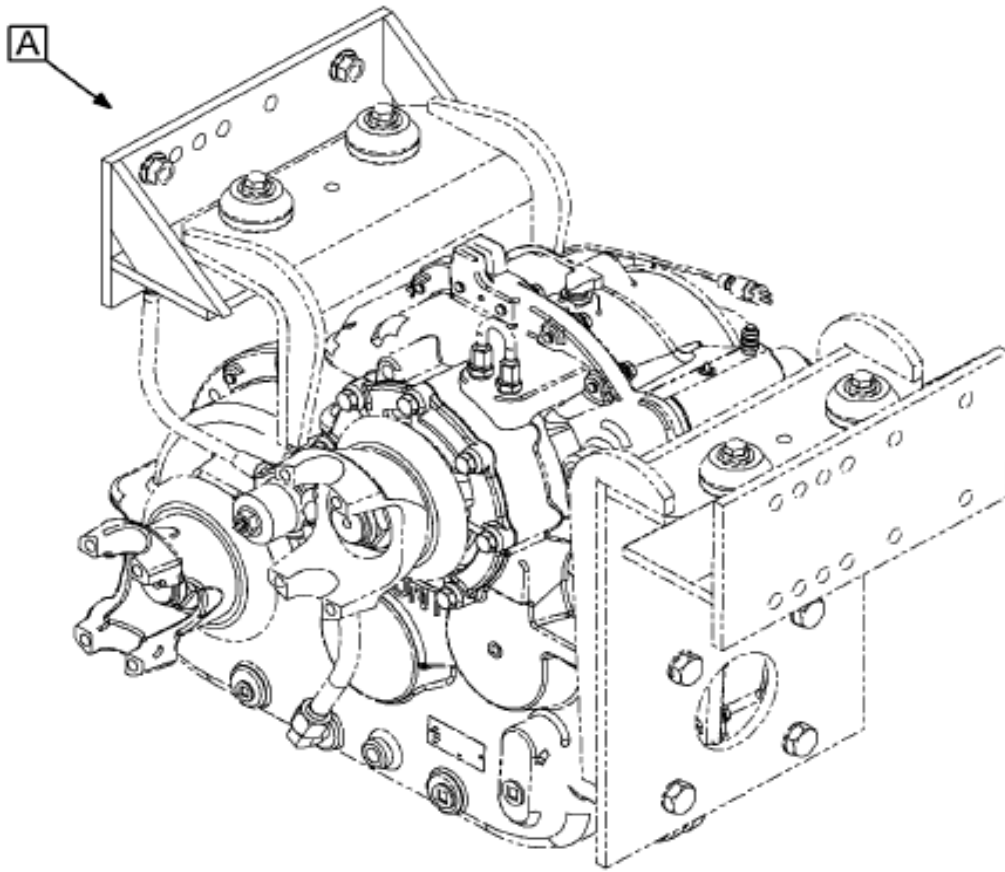


13-296-0064-01

C10

Item	Part No.	Qty	Description	Kit	Var	Figure
5	3600089C92	1	CASE,TRANSFER CPT W/GEARS, MER		0JLQF	3600089C92
10	3545096C4	1	BRACKET,SPT OR MTG T-CASE*FRAM		07VS1	
15	3545098C3	1	BRACKET,SPT OR MTG T-CASE*MTG		07VS1	
20	3545097C5	1	BRACKET,SPT OR MTG T-CASE*FRAM		07VS1	3545097C5
25	3545099C3	1	BRACKET,SPT OR MTG T-CASE*MTG		07VS1	
30	80445R1	8	INSULATOR,AUX TRANS MTG		07VS1	

Figure 3545097C5
BRACKET, SPT OR MTG T-CASE*FRAM

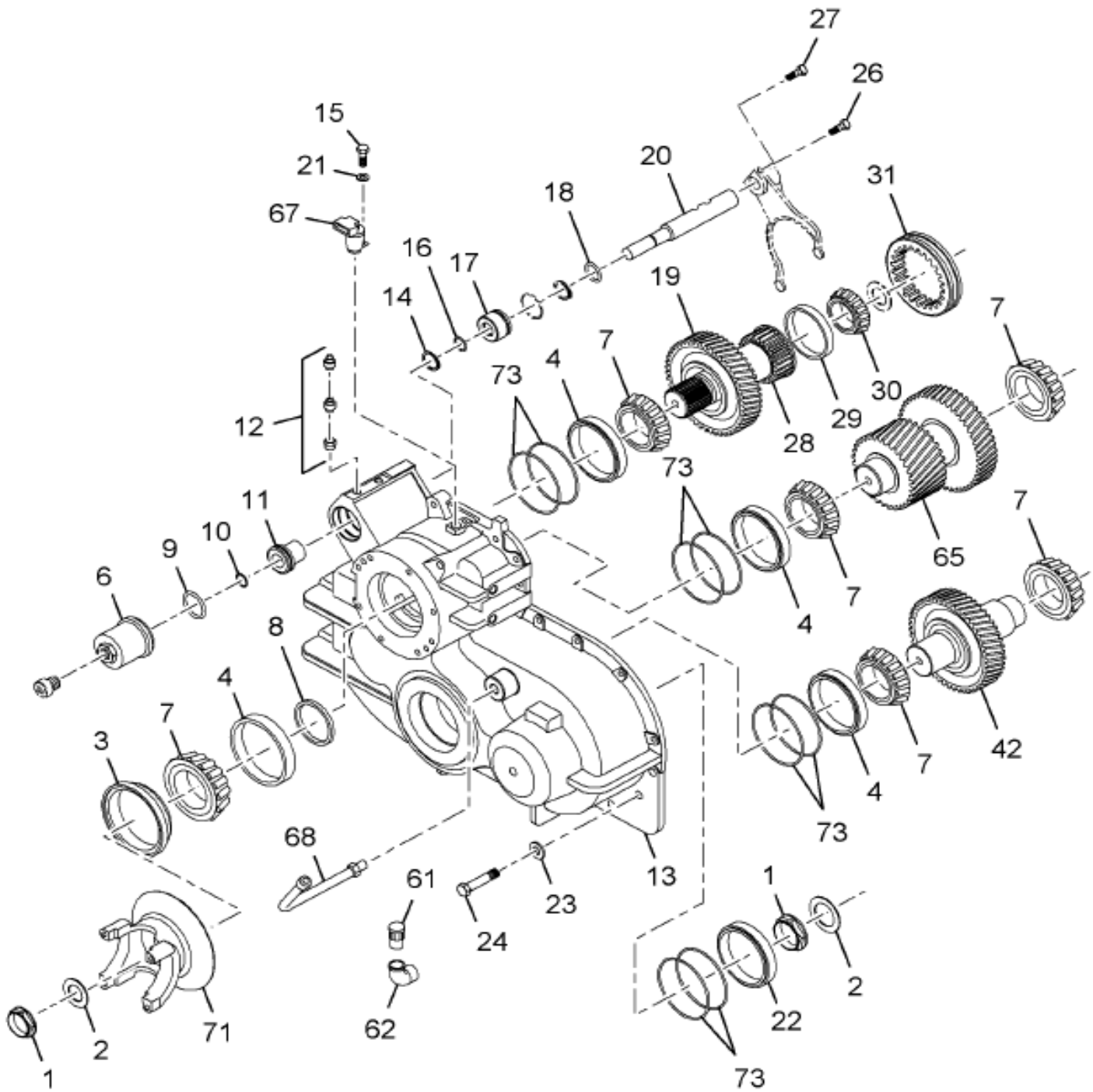


13-D65-M004-01

E09

Item	Part No.	Qty	Description	Kit	Var	Figure
1	3541454C6	1	BRACKET, SPT OR MTG T-CASE*BRAC			
2	3545093C3	2	GUSSET, LEVER BRKT OR SPT T-CAS			
3	3549671C2	1	BRACKET, SPT OR MTG T-CASE*FRAM			
880		RF	NOTE: ASM BELOW COMPRISED OF ABOVE COMPONENTS			
881	3545097C5	RF	BRACKET, SPT OR MTG T-CASE*FRAM			

Figure 3600089C92
CASE, TRANSFER CPT W/GEARS, MER



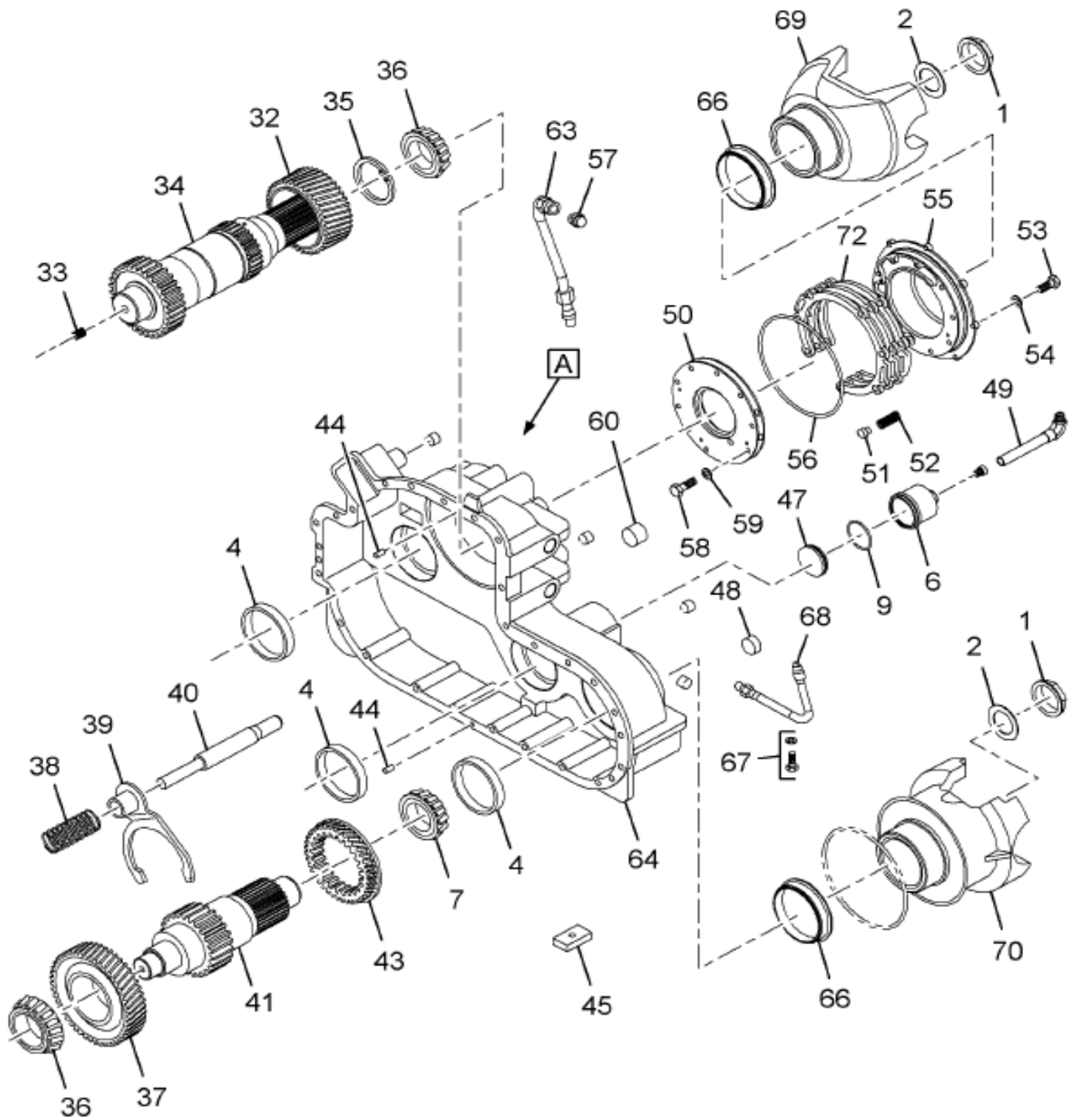
Grp
13

13-296-0099-01

C05

Figure 1 of 3

Figure 3600089C92
CASE, TRANSFER CPT W/GEARS, MER

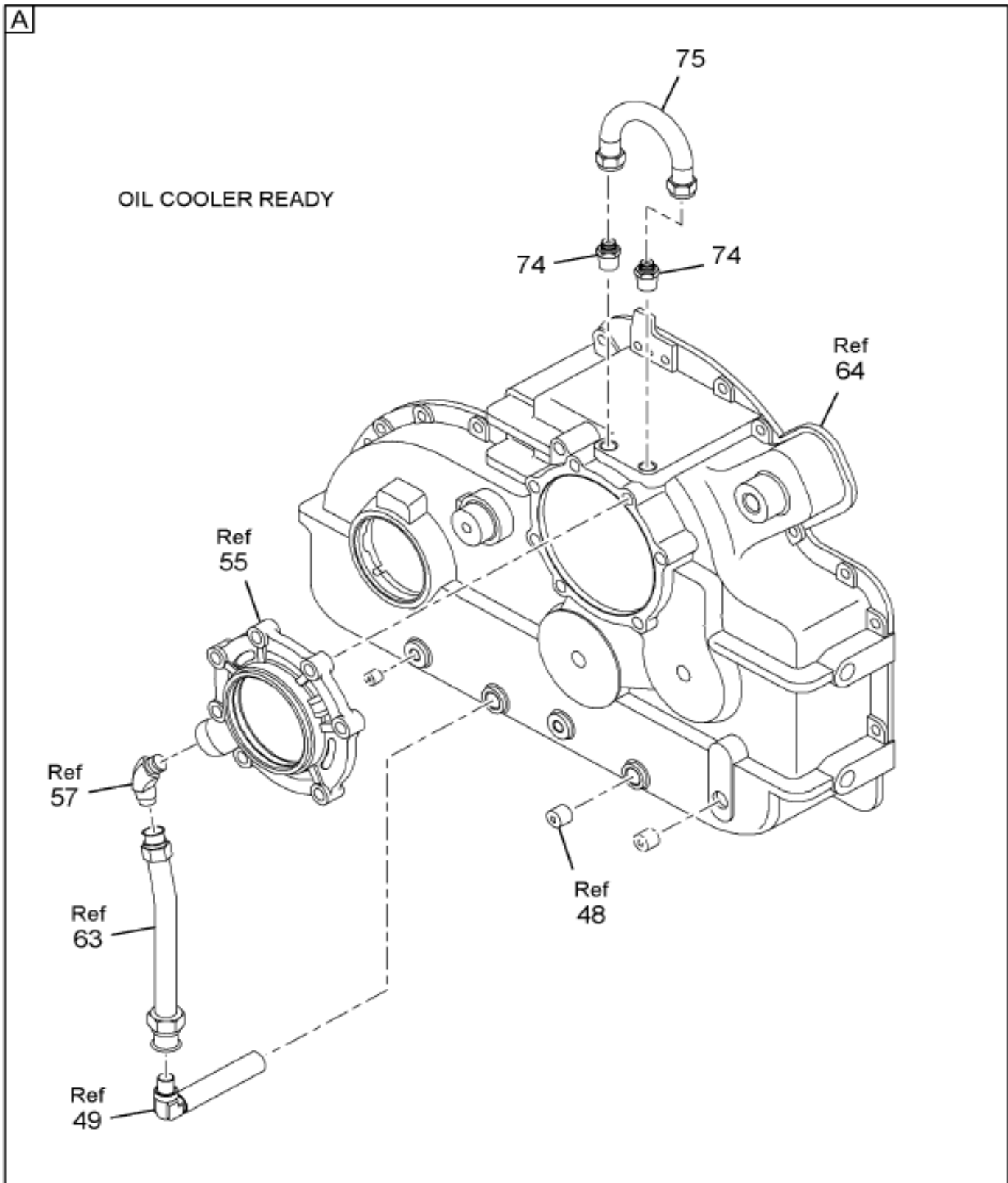


13-296-0098-02

C05

Figure 2 of 3

Figure 3600089C92
CASE, TRANSFER CPT W/GEARS, MER



Grp
13

13-296-0098-03

C05

Item	Part No.	Qty	Description	Kit	Var	Figure
1	1685173C1	4	NUT, HEX LK PINION			
2	264663C1	4	WASHER, PINION SHAFT NUT			
3	A1205Q2591	1	SEAL, OIL PINION 160/161/164			
4	TMHM212011	7	BEARING-CUP			
6	2508284C1	2	CYLINDER, AIR SHIFT			
7	TMHM212049	7	BEARING-CONE			

Figure 360089C92
CASE,TRANSFER CPT W/GEARS, MER

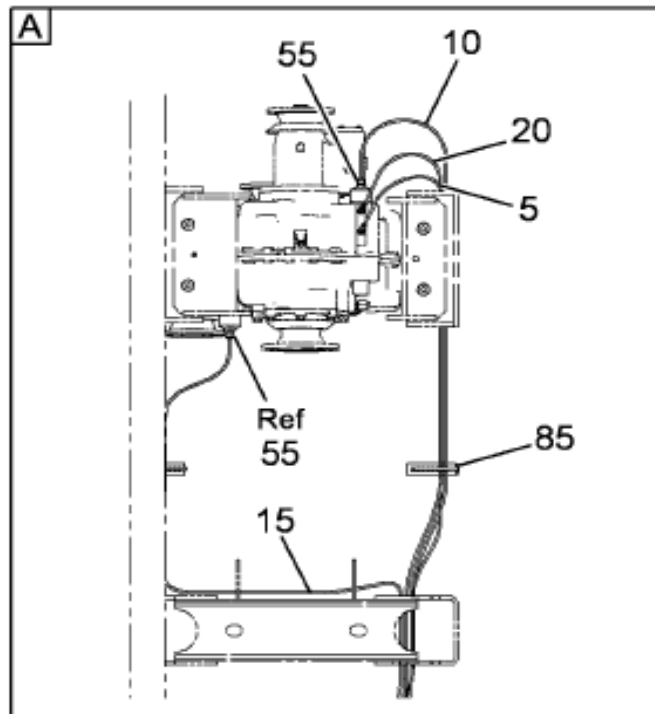
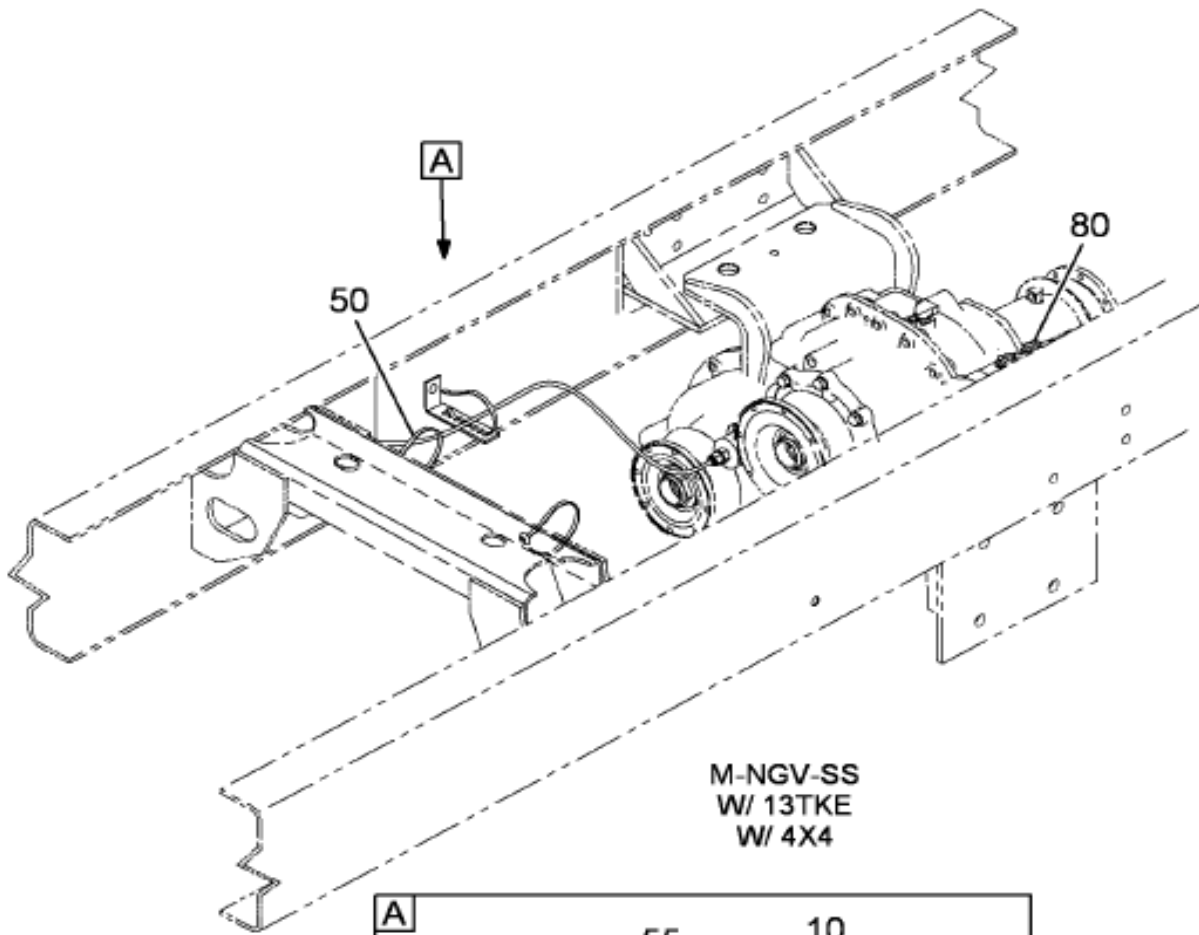
Item	Part No.	Qty	Description	Kit	Var	Figure
8	2508292C1	AR	SPACER,BRG T-CASE .362"			
9	5X1326	2	ORING			
10	5X1290	2	O-RING			
11	2587149C1	1	PISTON,T-CASE OUTER			
12	2585583C1	1	BREATHER,TRANSFER CASE			
12	2585584C1	1	BUSHING,TRANSFER CASE			
13	2589031C1	1	COVER,TRANSFER CASE			
14	1229U4857	2	RINGSNAP			
15	S2442	1	BOLT,CAPSCREW			
16	5X1292	1	ORING			
17	2508298C1	1	PISTON,T-CASE INNER			
18	5X1291	2	ORING			
19	2508291C1	1	GEAR,DRIVE HELICAL			
20	2508278C1	1	SHAFT,SHIFTER			
21	1692843C1	1	WASHER,SPECIAL			
22	HM813810	1	CUP-TAPER-BRG			
23	213319R1	26	WASHER,CARRIER TO HSG BOLT 7/1			
24	S2714A2	26	CAPSCREW			
26	S1712A2	1	CAPSCREW			
27	S1612A2	1	CAPSCREW			
28	2508290C1	1	SHAFT,OUTPUT T-CASE			
29	2587518C1	1	BEARING,CUP			
30	2508275C1	1	BEARING,CONE			
31	2508270C1	1	COLLAR,CLUTCH			
32	2508273C1	1	GEAR,HELICAL DR T-CASE			
33	2508276C1	1	PLUG,SPL HEX RECESS 1/4-18NPT			
34	2589028C1	1	SHAFT,INPUT OR MAIN T-CASE			
35	2588925C1	1	RING,SNAP			
36	1656945C91	2	BEARING,CONE OUTER PINION			
37	2508282C1	1	GEAR,DRIVEN HELICAL			
38	867718R1	1	SPRING, AXLE SHIFT PUSH ROD			
39	1670490C91	1	FORK SHIFT ASSY IAD			
40	2508283C1	1	ROD,PUSH DIFF LOCK OUT			
41	2508281C1	1	GEAR,DRIVEN HELICAL			
42	2508280C1	1	SHAFT,OUTPUT T-CASE			
43	2503468C1	1	COLLAR,I.A.D. CLUTCH			
44	1246T1190	2	PIN,DOWEL T-CASE			
45	2588916C1	3	MAGNET,ASSY			
47	2230T1190	1	PISTON,SHIFT CYL			
48	586049C1	1	PLUG,MAGNETIC DRAIN 3/4NF			
49	A2206U1347	1	FITTING,TUBE ADAPTER			
50	2586860C1	1	PUMP,OIL			
51	1685730C1	1	VALVE,RELIEF 14GRR			
52	1670524C1	1	SPRING,THRUST INPUT SHAFT			
53	S2814A2	7	BOLT,HH BRG CAGE			
54	213524R1	7	WASHER,FLAT DIFF TO HSG 1/2ID			
55	A3226W1479	1	CAGE,BEARING			
56	5X1327	1	ORING			
57	2588964C1	1	FITTING,ELBOW			
58	2508277C1	6	BOLT,CAPSCREW			
59	1229E1669P	6	WASHERFL			
60	9409949	1	PLUG,PIPE 3/4 NPT			
61	91916R91	1	BREATHER,TRANS 3/8 PTF SHORT			
62	2588920C1	1	ELBOW, 90 DEG STREET			
63	A2206A1483	1	TUBE ASSEMBLY			
64	2588918C1	1	CASE,TRANSFER			
65	2508279C1	1	GEAR,IDLER			
66	2502761C1	2	SEAL,OIL FWD & REAR OUTPUT			

Figure 3600089C92
CASE,TRANSFER CPT W/GEARS, MER

Item	Part No.	Qty	Description	Kit	Var	Figure
67	1696022C1	2	BOLT,HEX METRIC M16 X 1.5 X 20			
67	2586861C1	1	TRANSMITTER,SPEED SENSOR			
67	449671R1	2	WASHER,CARRIER TO HSG BOLT			
68	2026065C91	1	HARNESS,W/SWITCH D/L IND			
69	3260S1813	1	YOKE,SPLINE			
70	2508303C1	1	YOKE,DEFLECTOR ASSY SPL140			
71	2508303C1	1	YOKE,DEFLECTOR ASSY SPL140			
72	1670291C1	AR	SHIM,PIN GEAR BRG CAGE			
72	1670292C1	AR	SHIM,PIN GEAR BRG CAGE			
72	1670293C1	AR	SHIM INPUT BRG CAGE .010			
73	2508287C1	AR	SHIM,BRG ADJ T-CASE			
73	2508288C1	AR	SHIM,BRG ADJ T-CASE			
73	2508289C1	AR	SHIM,BRG ADJ T-CASE			
74	2588915C1	2	FITTING,CONNECTOR			
75	2588965C1	1	TUBE ASSY			
800		RF	NOTE: THE FOLLOWING PARTS ARE NON-ILLUSTRATED			
801	2297G7287	AR	FLUID,LUB OIL			
802	S2710A2	1	BOLT/CAPSCREW			
803	2501792C1	1	CLIP,DCDL SENSOR SWITCH			
804	2508293C1	AR	SPACER,BRG T-CASE .003"			
805	2508294C1	AR	SPACER,BRG T-CASE .009"			
806	2508295C1	AR	SPACER,BRG T-CASE, .015"			
807	2508296C1	AR	SPACER,BRG T-CASE, .021"			
808	2585800C1	AR	SHIM			
809	1693154C1	1	CLAMP, BOOT REMOTE CONTROL HSG			
810	TMHM212049	2	BEARING-CONE			
811	TMHM212049	1	BEARING-CONE			
812	1656945C91	1	BEARING,CONE OUTER PINION			
813	TMHM212011	4	BEARING-CUP			
814	TMHM212049	2	BEARING-CONE			
815	1229U4857	1	RINGSNAP			
816	2508284C1	1	CYLINDER,AIR SHIFT			
817	5X1326	1	ORING			
818	5X1290	1	O-RING			
819	213319R1	1	WASHER,CARRIER TO HSG BOLT 7/1			
820	264663C1	1	WASHER,PINION SHAFT NUT			
821	1685173C1	1	NUT,HEX LK PINION			
822	2502761C1	1	SEAL,OIL FWD & REAR OUTPUT			
823	264663C1	1	WASHER,PINION SHAFT NUT			
824	1685173C1	1	NUT,HEX LK PINION			
825	264663C1	1	WASHER,PINION SHAFT NUT			
826	1685173C1	1	NUT,HEX LK PINION			
880		RF	NOTE: ASM BELOW COMPRISED OF ABOVE COMPONENTS			
881	3600089C92	RF	CASE,TRANSFER CPT W/GEARS, MER			

G
r
p
1
3

Figure 07VRS
TRANSFER CASE CONTROL INSTL



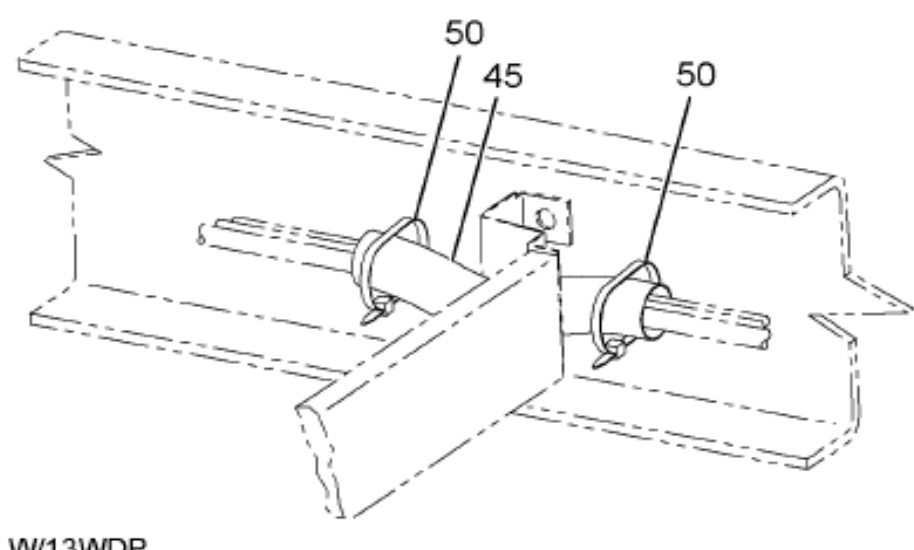
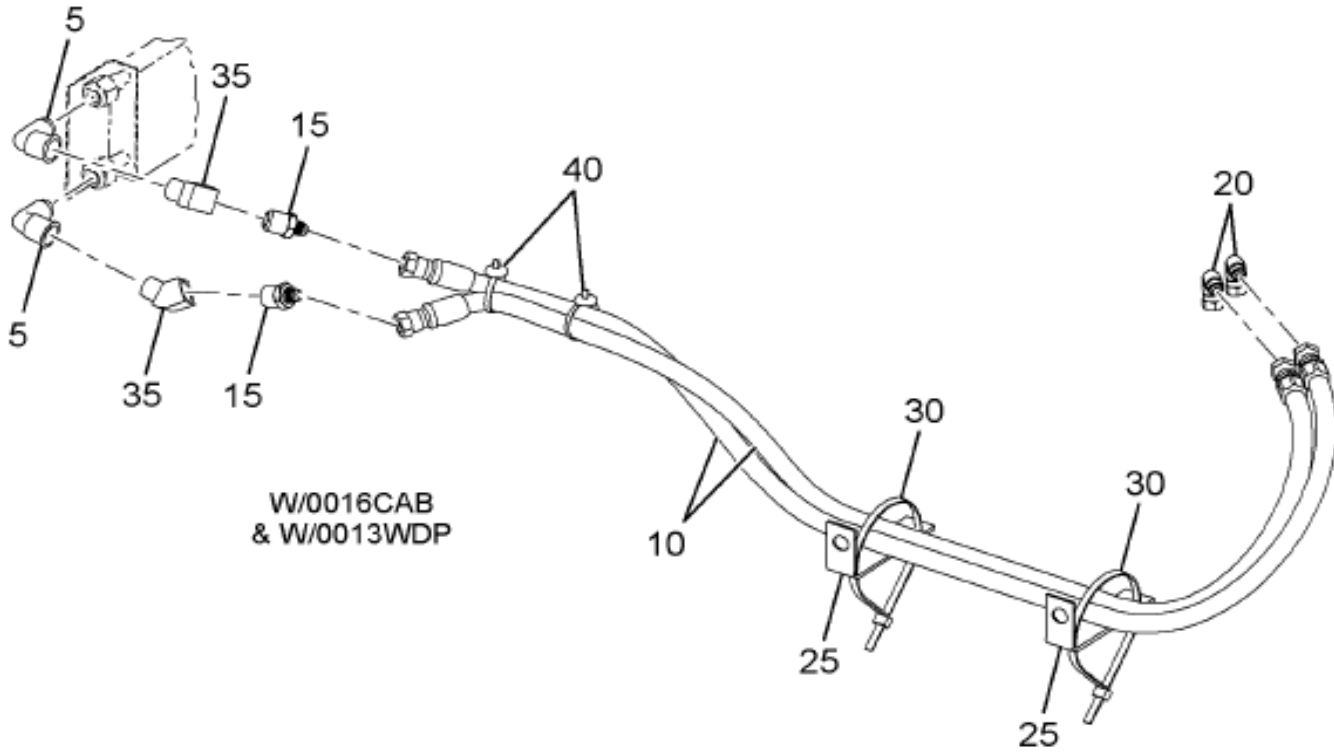
13-547-0055-01

A11

Item	Part No.	Qty	Description	Kit	Var	Figure
5	418688C3	1100	TUBE,NYLON BULK 1/4 WHITE		07VRS	
10	3520528C2	1100	TUBE,NYLON BULK 1/4 OD PURPLE		07VRS	
15	418691C3	1100	TUBE,NYLON BULK 1/4 RED		07VRS	
50	3526024C1	2	STRAP,CABLE LOCK		07VRS	
55	2017483C1	2	CONNECTOR,PUSH TO CONNECT*		07VRS	
80	2017510C1	1	ELBOW,QC 90D 1/4NPT X 1/4QC		07VRS	

Figure 0M6Q2

TRANSFER CASE OIL COOLER HOSEING INSTL



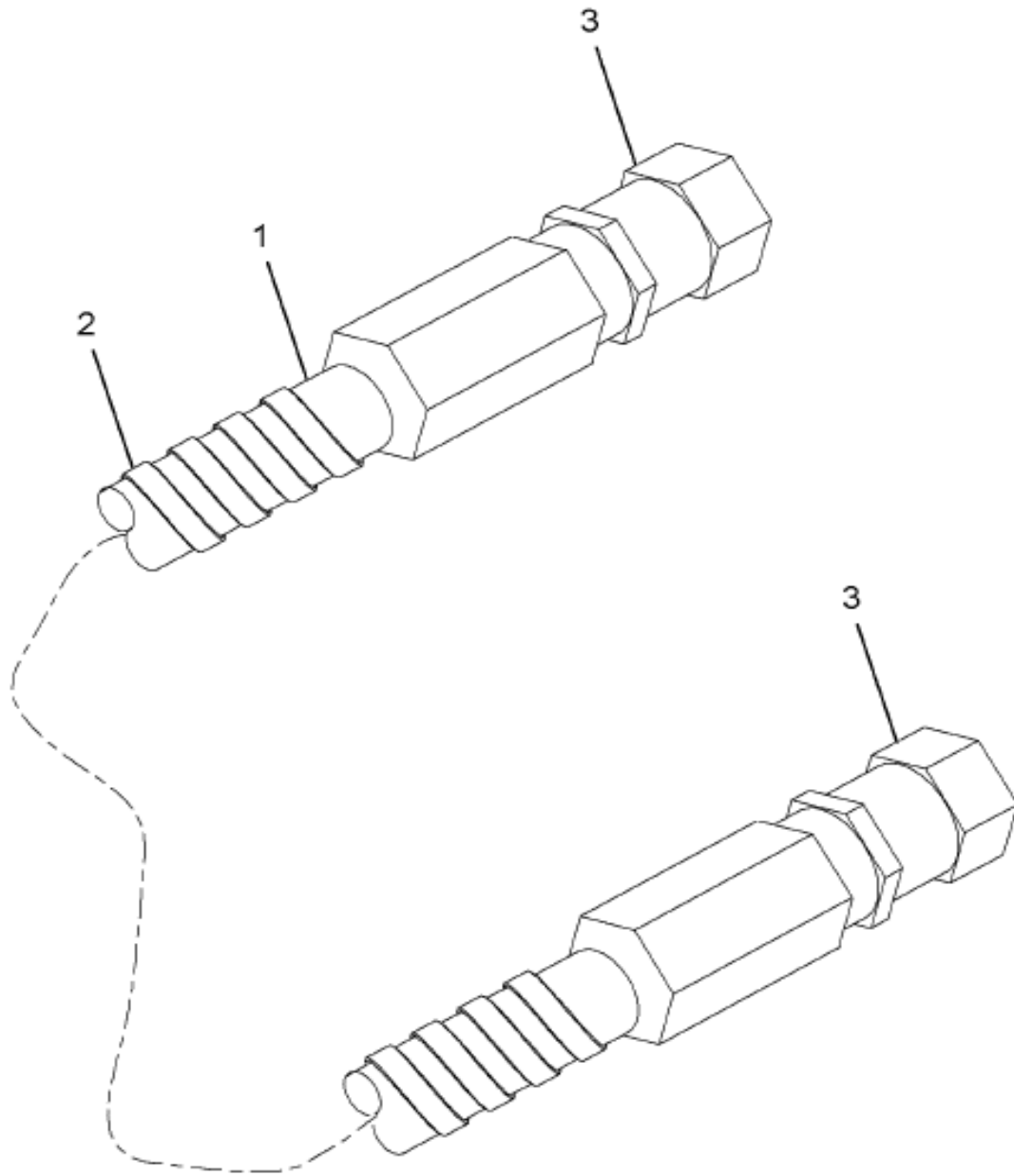
13-754-0005-01

E05

Item	Part No.	Qty	Description	Kit	Var	Figure
5	144283	2	ELBOW, 5/8 PLN 45D FLARED TUBE		0M6Q2	
10	3605404C91	2	HOSE,, TRANSFER CASE AIR TO OI		0M6Q2	3605404C91
15	3532627C1	2	CONNECTOR,ADAPTER PIPE TO HOSE		0M6Q2	
20	9410280	2	ELBOW,90DEG 9/16 SWIVEL		0M6Q2	
25	2034206C1	2	EXTENSION,CLIP		0M6Q2	
30	306132C1	2	STRAP,CABLE LOCK		0M6Q2	

Grp
13

Figure 3605404C91
HOSE,, TRANSFER CASE AIR TO OI



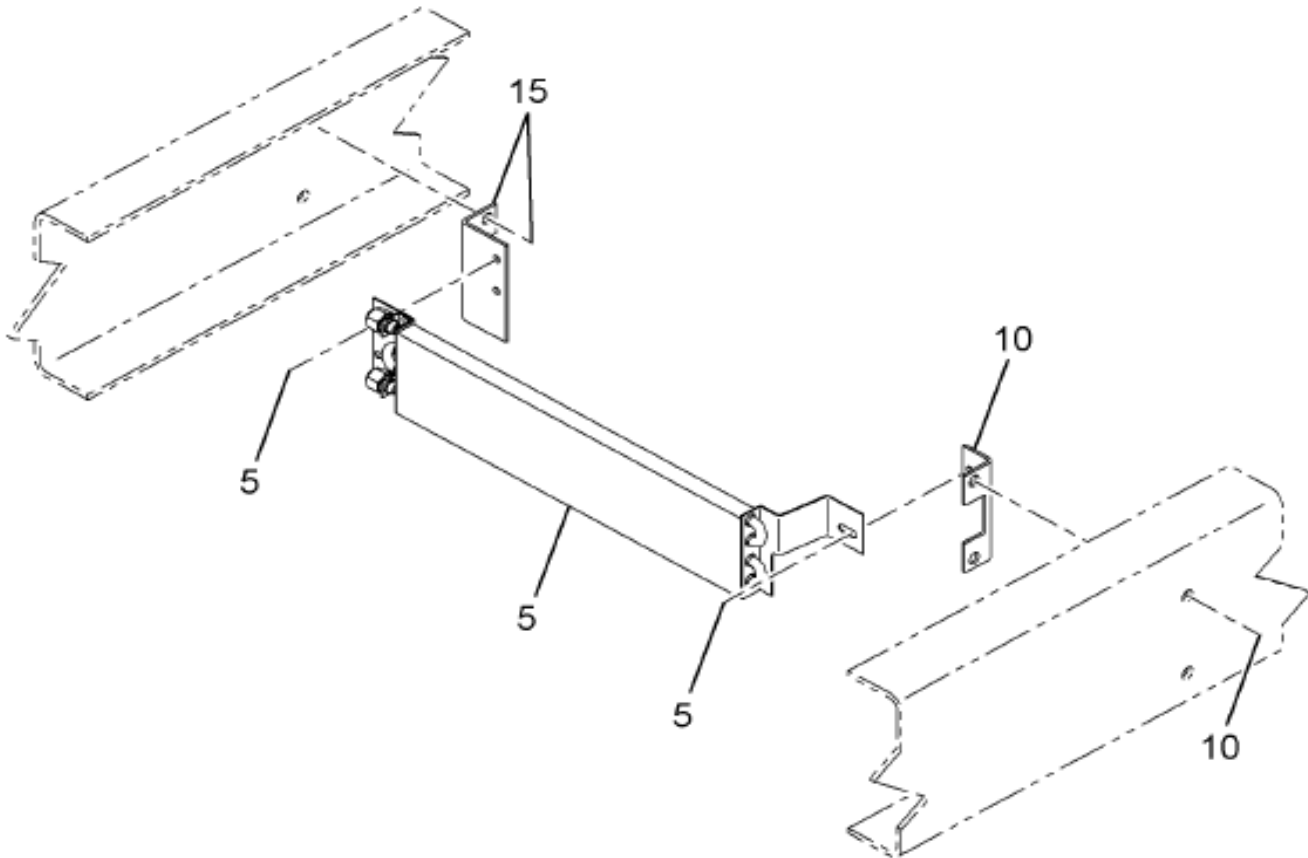
Grp
13

10-005-0014-01

D05

Item	Part No.	Qty	Description	Kit	Var	Figure
1	375054C2	AR	HOSE,BLK(.406ID) 1/2 TUBE			
2	375047C1	AR	LOOM,CABLE 1/2"			
3	3532691C1	2	FITTING,LUBRICATOR*9/16-18 JIC			
880		RF	NOTE: ASM BELOW COMPRISED OF ABOVE COMPONENTS			
881	3605404C91	RF	HOSE,, TRANSFER CASE AIR TO OI			

Figure 0M5GN
TRANSFER CASE OIL COOLER INSTL



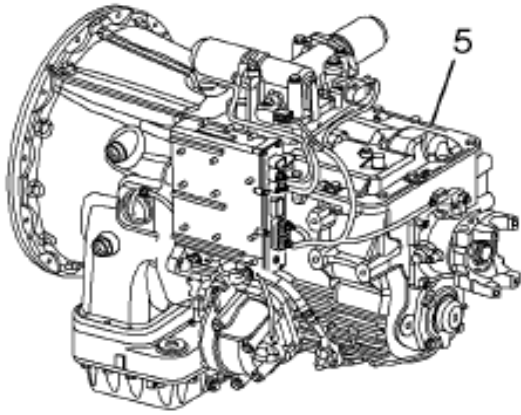
13-753-0006-01

E05

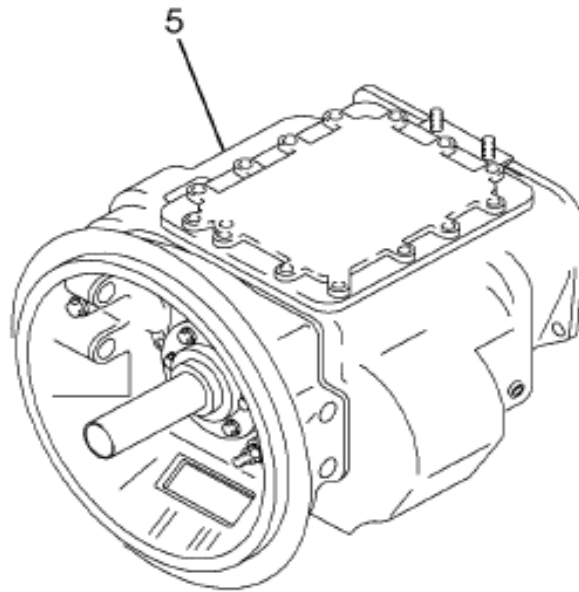
Item	Part No.	Qty	Description	Kit	Var	Figure
5	2021064C1	1	COOLER,OIL PWR STRG/TRANS		0M5GN	
5	31054R1	3	BOLT, M8 X 20 PHC CL 8.8 FLG/H		0M5GN	
5	40066R1	3	NUT, M8 - HF LOCK		0M5GN	
10	2035165C1	1	BRACKET,OIL COOLER MTG		0M5GN	
10	3535554C1	2	NUT,HEX METRIC PREV. TORQ*M16		0M5GN	
10	40222R1	2	BOLT,HEX FLG HD METRIC*M16 X 5		0M5GN	

Figure 0FKM2

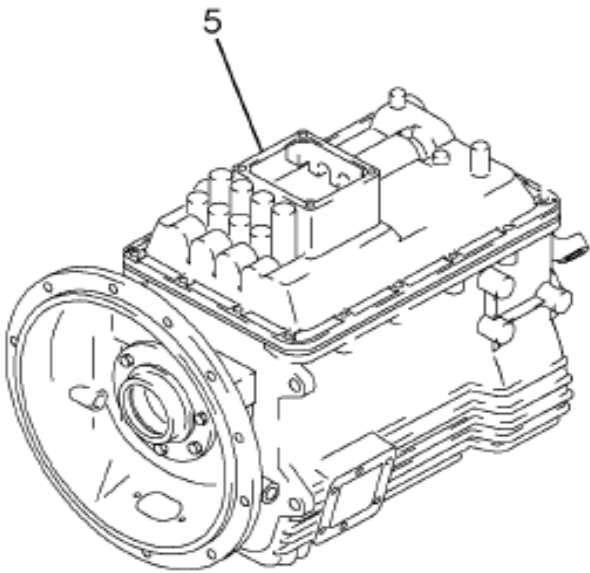
XMSN BASE ASM; FULLER FS(O)-54/6406N, 6305A/D, 8406



EATON AUTOSHIFT



FULLER T SERIES



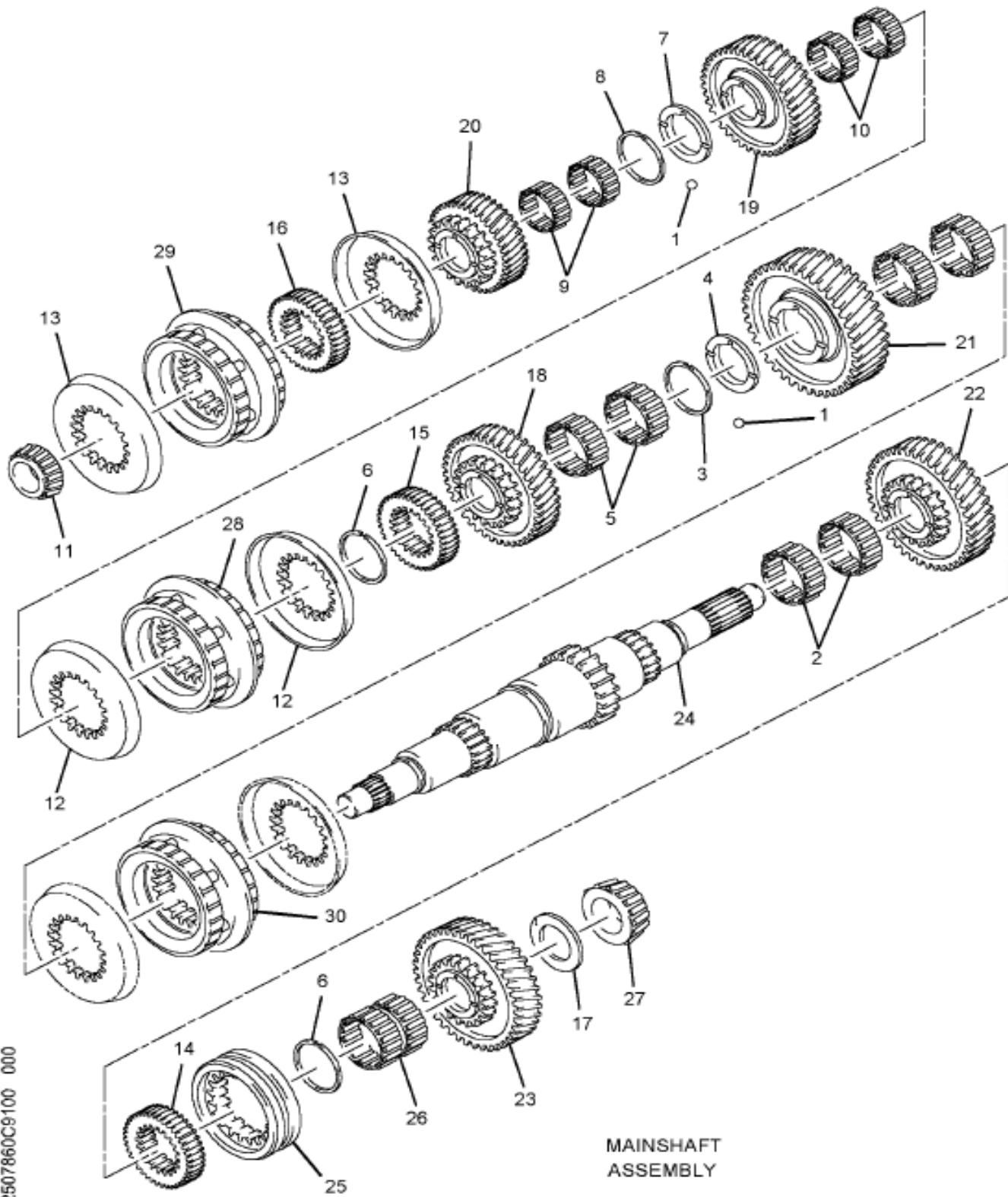
FULLER FS SERIES

13-F01-0003-01

K04

Item	Part No.	Qty	Description	Kit	Var	Figure
5	3568551F91	1	TRANSMISSION,L/HSG*BASE XMSN A		0GV7B	3568551F91

Figure 2507860C91
SHAFT, TRANS MAIN



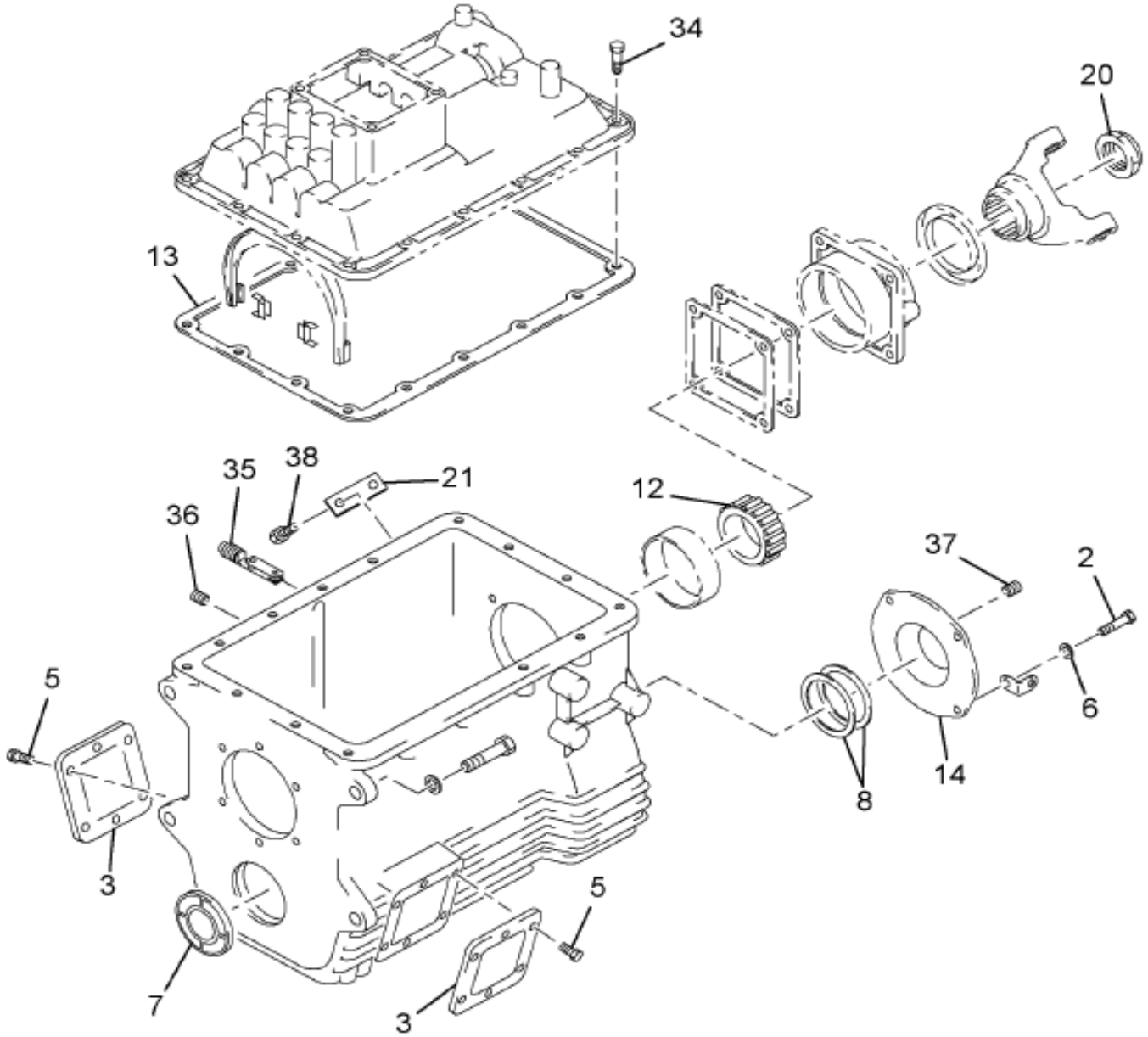
2507860C9100 000

MAINSHAFT
ASSEMBLY

Grp
13

Item	Part No.	Qty	Description	Kit	Var	Figure
1	FUL10J06	2	BALL			
2	FUL3315703	4	BEARING, NEEDLE ASM			
3	FUL3315717	1	RING, SNAP			
4	FUL3315719	1	WASHER, MASHFT GEAR GIVE 4TH OR			
5	FUL3315722	2	BEARING, NEEDLE ASM			
6	FUL3315725	2	RING, PISTON PIN RETAINING			

Figure 3568551F91
TRANSMISSION, L/HSG*BASE XMSN A



TRANSMISSION CASE
ASSEMBLY

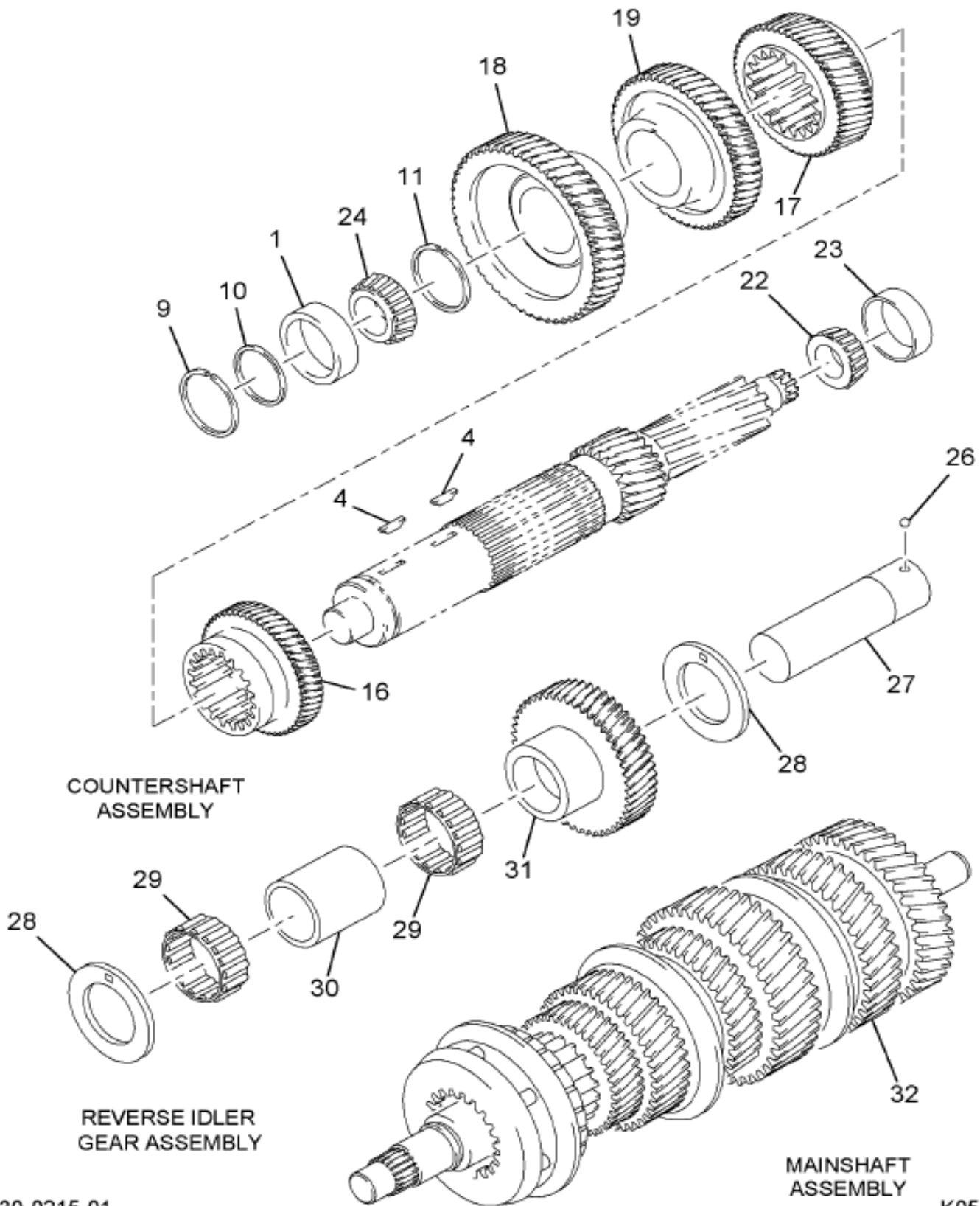
13-C30-0214-00

K05

Grp
13

Figure 1 of 2

Figure 3568551F91
TRANSMISSION, L/HSG*BASE XMSN A



13-C30-0215-01

K05

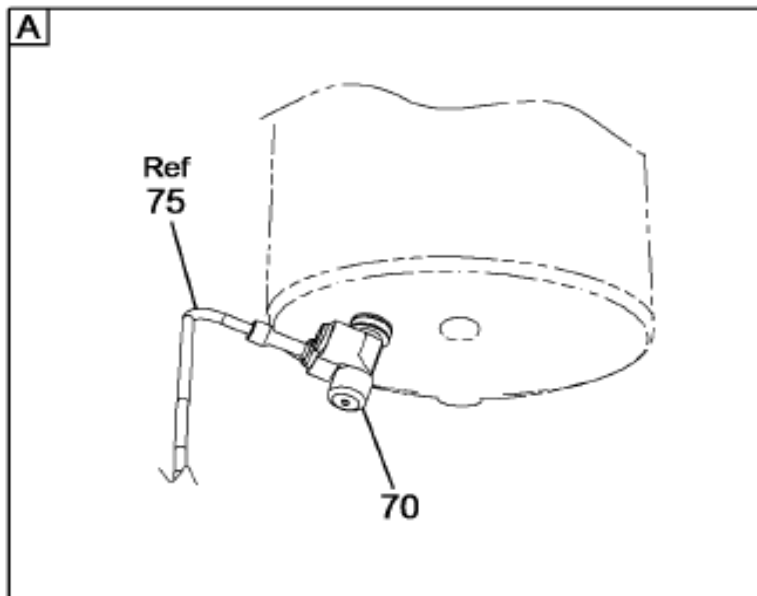
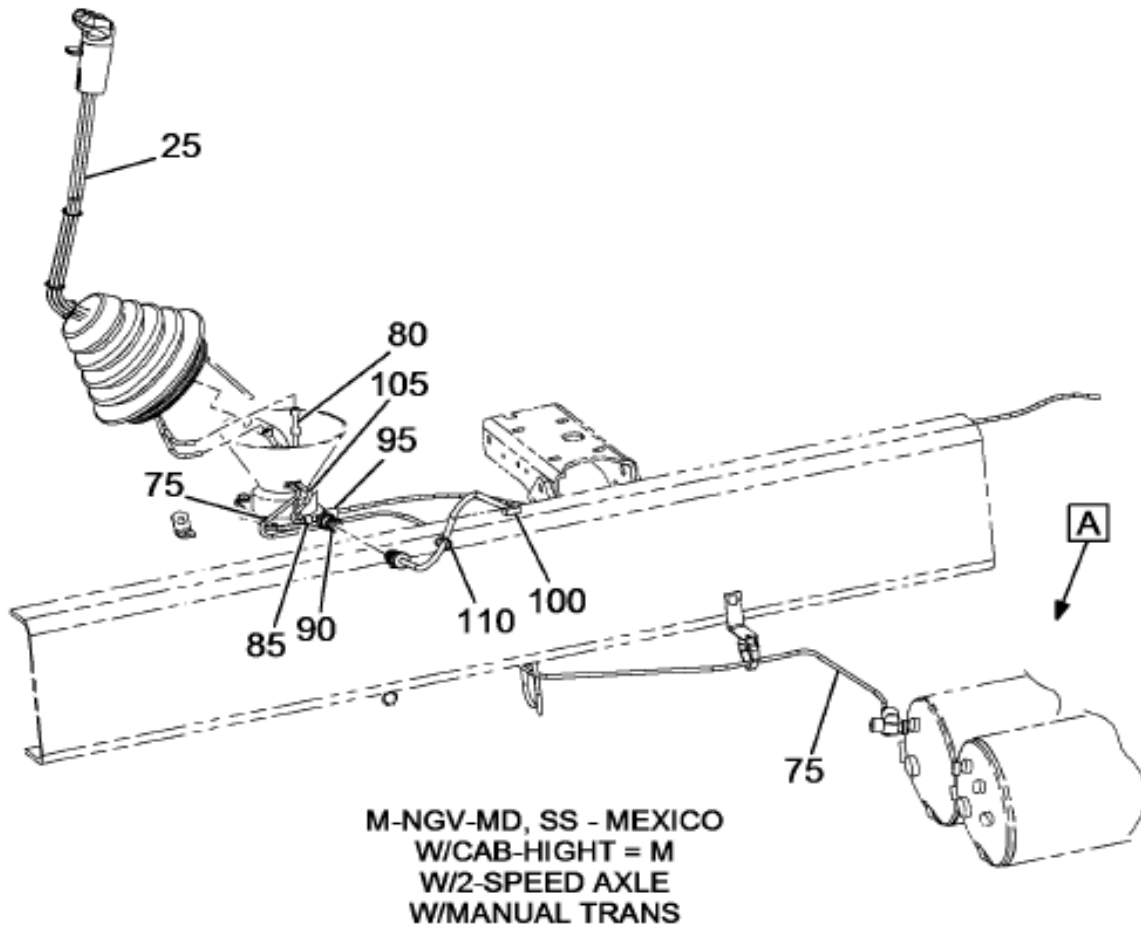
Item	Part No.	Qty	Description	Kit	Var	Figure
1	FUL1313645	1	BEARING,CUP			
2	FUL1C620H	4	BOLT,W/LOCK WASHER			
3	FUL201398	2	COVER,PTO OPENING PAD			
4	FUL230292	2	KEY,ALL WOODRUFF SPECIAL			
5	FUL239613	12	BOLT,P.T.O. COVER			
6	FUL25E17H	4	WASHER,CTSHFT FRT BRG			

Figure 3568551F91
TRANSMISSION,L/HSG*BASE XMSN A

Item	Part No.	Qty	Description	Kit	Var	Figure
7	FUL3315679	1	PLUG,SPECIAL TRANS HOLES PIPE			
8		AR	SHIM	A		
9	FUL3315686	1	RING,SNAP			
10	FUL3315687	1	WASHER,CTSHFT FRT BRG			
11	FUL3315751	1	RING,PISTON PIN RETAINING			
12	FUL3316160	1	ROTOR,SPEEDO 16 TEETH			
13	FUL4300854	1	GASKET,SHIFT BAR HSG			
14	FUL4301607	1	COVER,CTSHFT REAR BRG			
16	FUL4304056	1	GEAR,CTSHFT 3RD			
17	FUL4304097	1	GEAR,CTSHFT 4TH			
18	FUL4304541	1	GEAR,TRANS CTSHFT DRIVE			
19	FUL4304542	1	GEAR,TRANS CTSHFT DRIVE			
20		RF	NUT	B		
21	FUL57000	1	PLATE,TRANS CASE REAR			
22	FUL658981	1	BEARING,CONE/ROLLERS			
23	FUL660181	1	BEARING CUP			
24	FUL791943	1	BEARING CONE/ROLLER			
26	FUL10J06	1	BALL			
27	FUL3315672	1	SHAFT,REVERSE IDLER GEAR			
28	FUL3315673	2	WASHER,REV IDLER GEAR THRUST			
29	FUL3315674	2	BEARING,NEEDLE ASM			
30	FUL3315676	1	SPACER,AUX CTSHFT BRG			
31	FUL4301491	1	GEAR,REV IDLER			
32	2507860C91	1	SHAFT,TRANS MAIN			2507860C91
34	475711C1	14	BOLT,HEX HEAD			
34	FULX8688	3	BOLT,W/LOCK WASHER			
35	FULX121207	1	PLUG PIPE 3/4 MAGD			
36	FULX121209	1	PLUG,SPECIAL TRANS HOLES PIPE			
37	FULX12405	1	PLUG,SPECIAL TRANS HOLES PIPE			
38	FULX13206	2	SCREW TAPPING			
801	FULK2183	KT	KIT,SHIM TRANSMISSION ASSY			
801		RF	(CONSISTS OF PARTS DENOTED BY A)			
802	FULK3411	KT	KIT,OUTPUT SHAFT NUT			
802		RF	(CONSISTS OF PARTS DENOTED BY B)			
803	FUL4301958	1	GASKET, SHIFT LEVER HSG			
880		RF	NOTE: ASM BELOW COMPRISED OF ABOVE COMPONENTS			
881	3568551F91	RF	TRANSMISSION,L/HSG*BASE XMSN A			

Figure 0G4JT

XMSN CONTROLS; HOUSING ASM, FULLER XMSN W/MID CAB



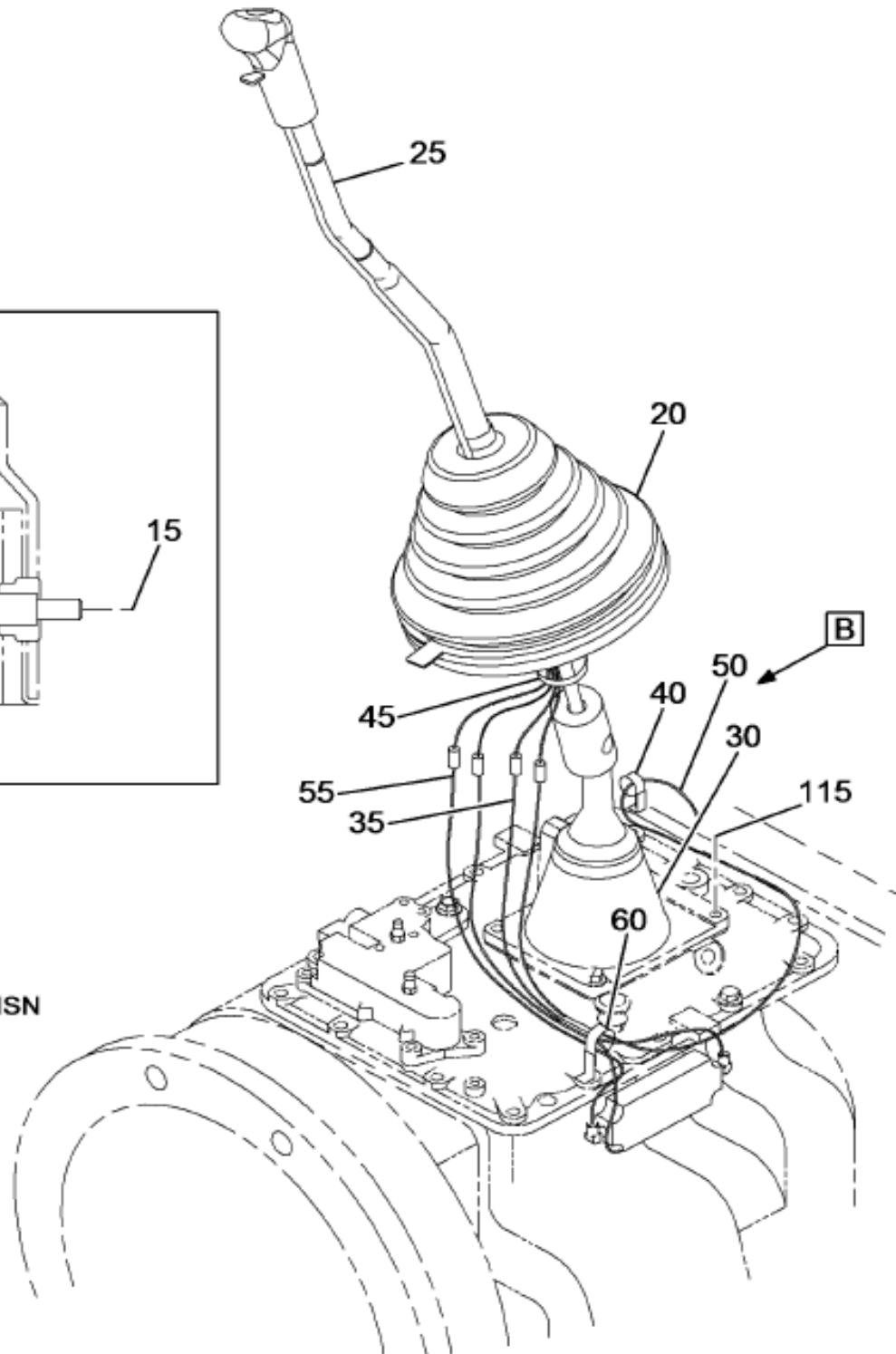
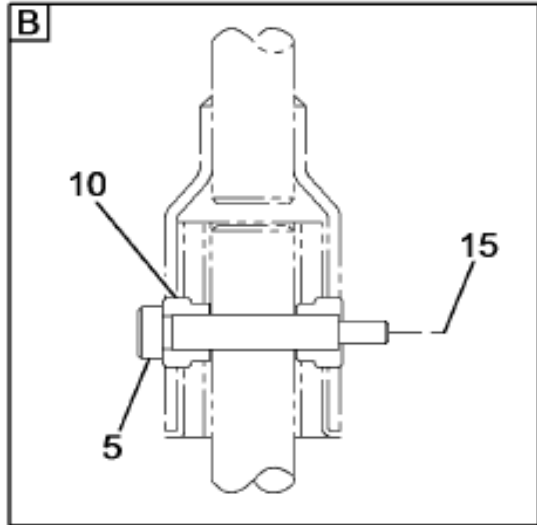
13-313-0413-01

G09

Figure 1 of 2

Figure 0G4JT

XMSN CONTROLS; HOUSING ASM, FULLER XMSN W/MID CAB



NGV - SS
W/FULLER 10 & 11 XMSN

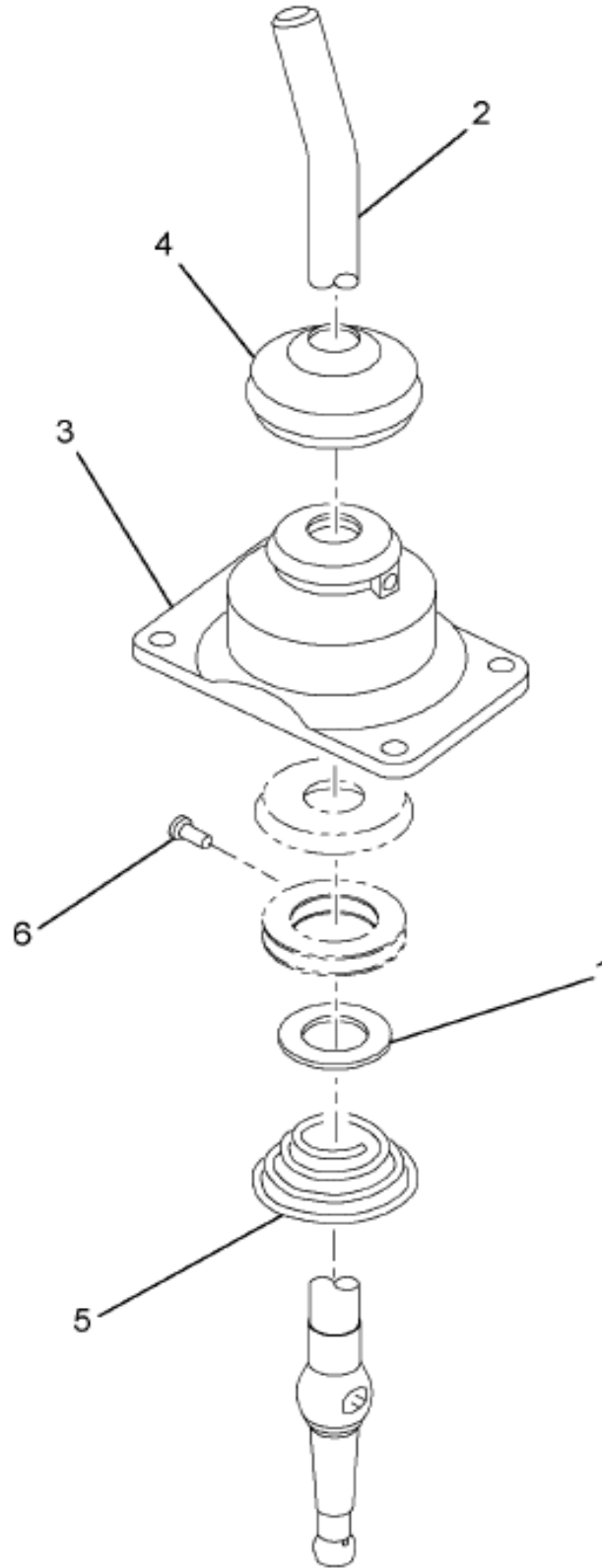
Grp
13

13-313-0215-KA

G09

Item	Part No.	Qty	Description	Kit	Var	Figure
5	2034718C1	1	BOLT, SHOULDER		0G4JT	
10	1646655C1	2	BUSHING, PIN GEAR SHIFT		0G4JT	
15	9413977	1	NUT, HEX LK 5/16NC		0G4JT	
20	3541820C2	1	BOOT, XMSN GEAR SHIFT LEVER LOW		0G4JT	
25	3576511C92	1	LEVER, XMSN*SHIFTER LEVER ASSY		0HLT1	3576511C92
30	3576514C91	1	HOUSING, CONTROL W/LEVER*CONTRO		0HLT1	3576514C91

Figure 3576514C91
HOUSING, CONTROL W/LEVER*CONTRO

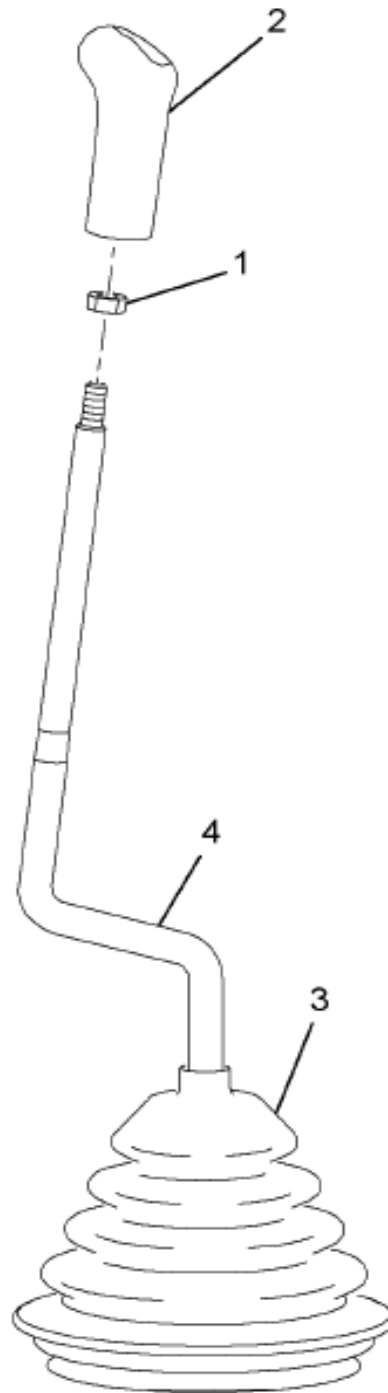


13-313-0136-00

J05

Item	Part No.	Qty	Description	Kit	Var	Figure
1	3576698C1	1	HOUSING, CONTROL LEVER*GEAR SHI			
2	3576513C1	1	LEVER, XMSN*SHIFT, LOWER			
3	496623C1	1	BOOT, TRANS GEAR SHIFT LEVER			
4	496641C1	1	PIN, GEAR SHIFT LEVER			
5	1681129C1	1	WASHER TRANS LEVER RETAINING			
6	496626C1	1	SPRING,			

Figure 3576511C92
LEVER, XMSN*SHIFTER LEVER ASSY



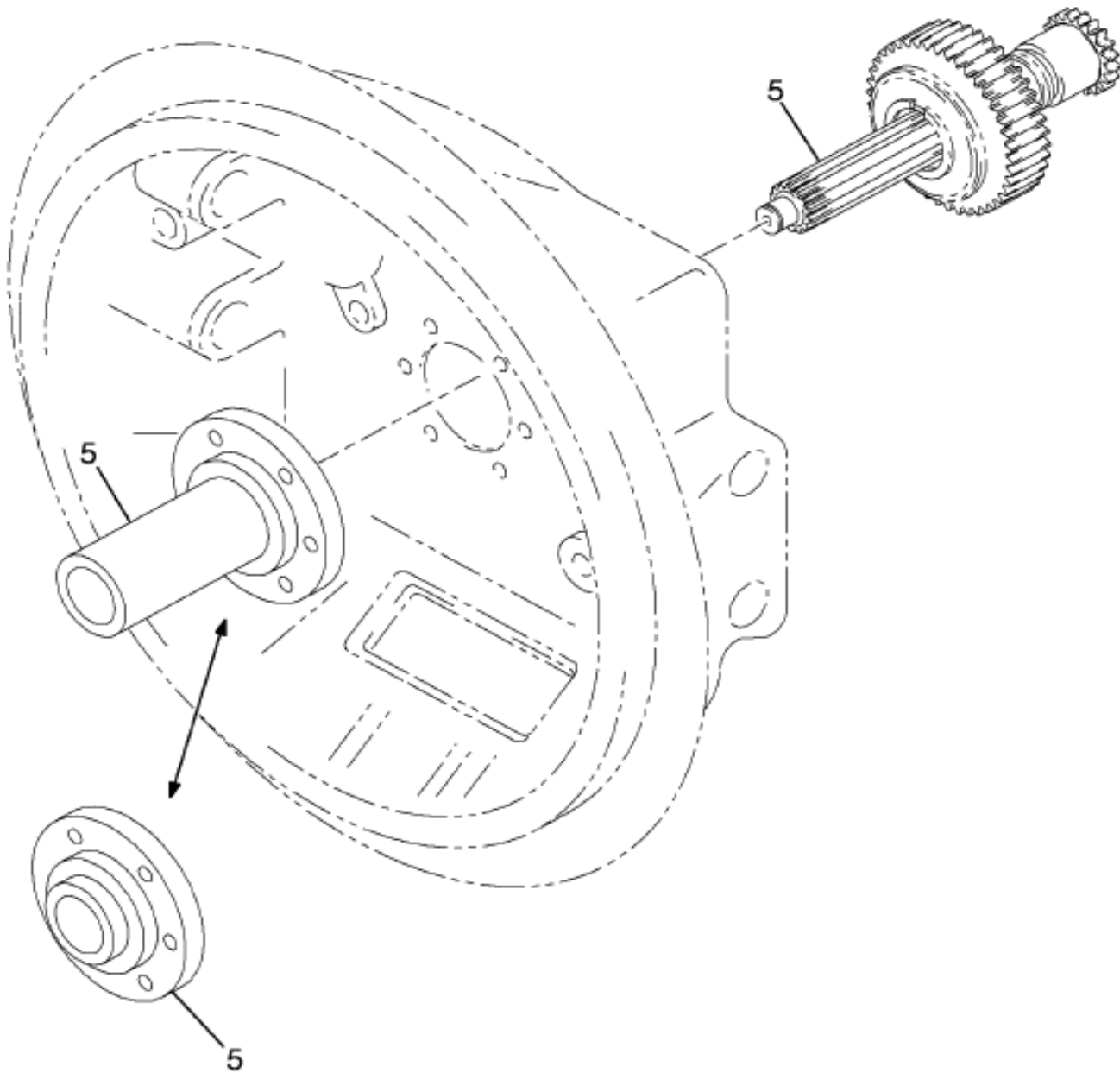
13-313-0134-00

J05

Item	Part No.	Qty	Description	Kit	Var	Figure
1	3575912C1	1	NUT, HEX JAM*1/2-13 UNC, PHC, G			
2	3584119C1	1	KNOB, MANUAL SHIFT CONTROL*KNOB			
3	3531768C2	1	BOOT, XMSN GEAR SHIFT LEVER*SHI			
4	3576510C1	1	LEVER, XMSN*SHIFTER LEVER			
880	RF		NOTE: ASM BELOW COMPRISED OF ABOVE COMPONENTS			

Figure 0FKP5

XMSN INPUT SHAFT; FULLER FS(O)-54/6406N, 6305A/D, 8406A

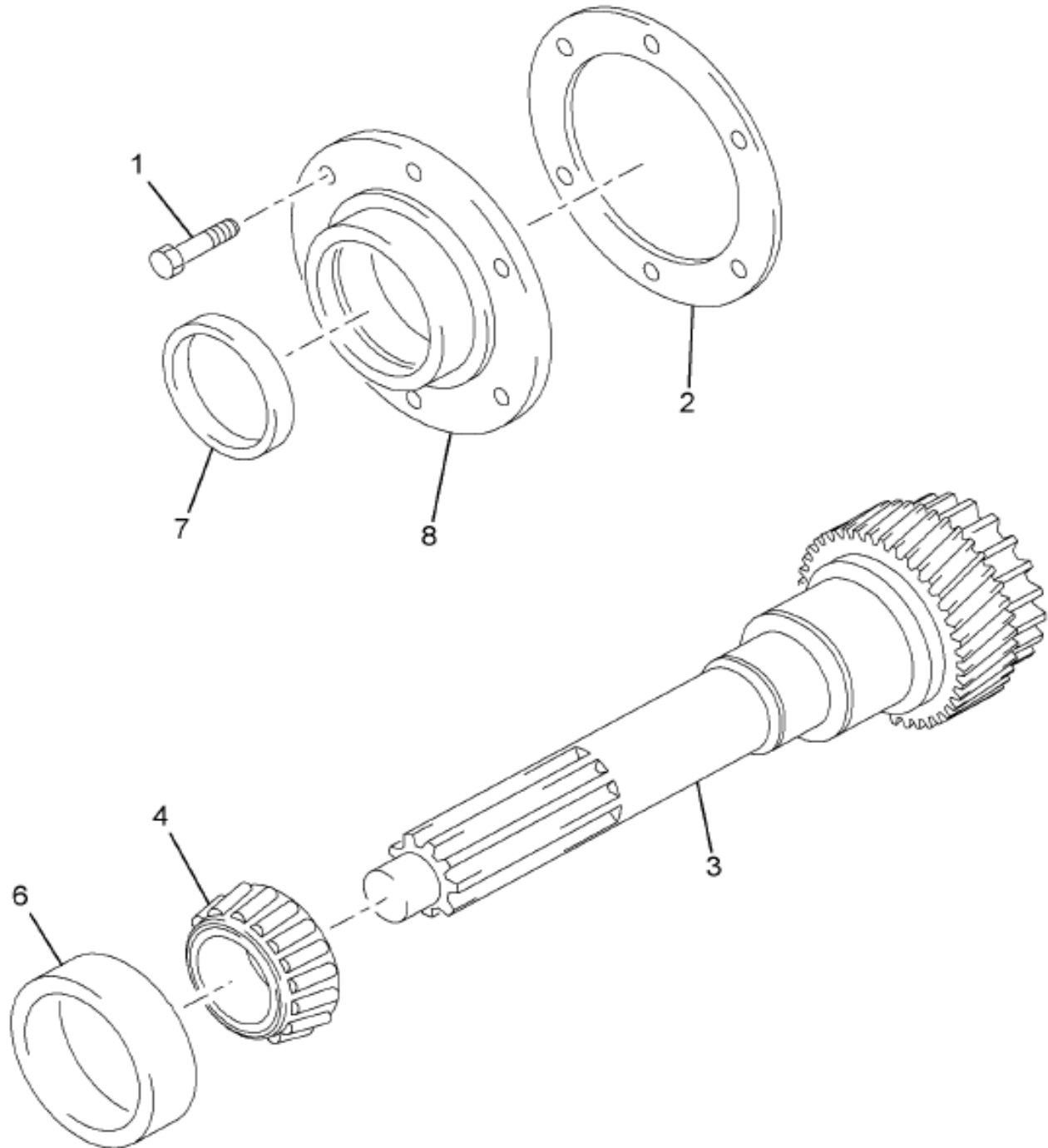


13-C51-0013-AA

E09

Item	Part No.	Qty	Description	Kit	Var	Figure
5	3568555F91	1	SHAFT,CLUTCH INPUT*1.75" PULL		0GV84	3568555F91

Figure 3568555F91
SHAFT, CLUTCH INPUT*1.75" PULL



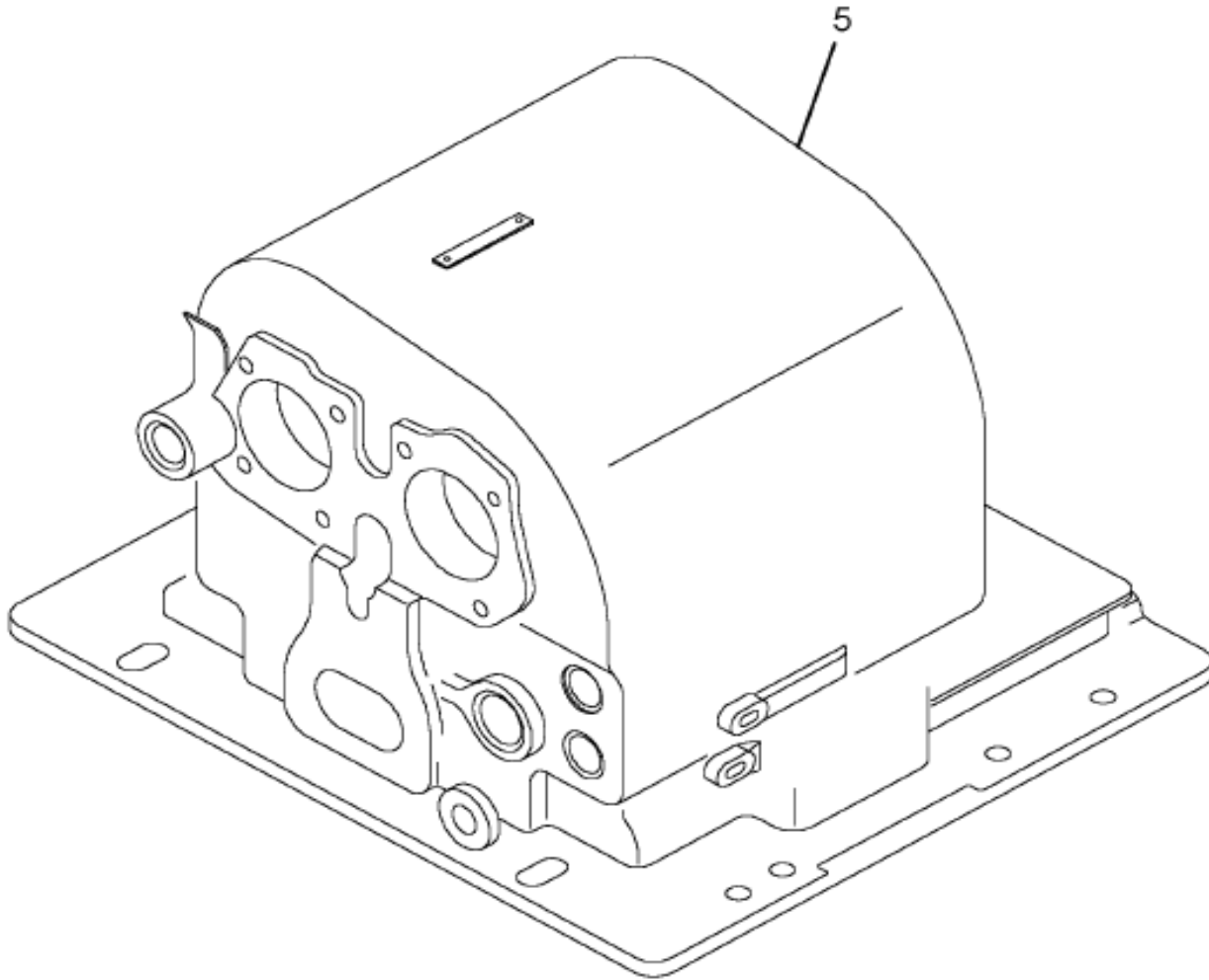
13-C51-0009-00

K05

Item	Part No.	Qty	Description	Kit	Var	Figure
1	FUL239614	6	BOLT, SPECIAL			
2	FUL3315659	1	GASKET, MAIN DRIVE GEAR BRG RET			
3	FUL4304539	1	SHAFT, INPUT			
4	FUL742259	1	BEARING, CONE/ROLLERS			
6	FUL675250	1	BEARING, CUP			
7	FUL4300121	1	SEAL, OIL DRIVE GEAR BRG RET RA			

Figure 0FKP1

XMSN PTO; FULLER FS(O)-54/6406N,6305A/D,8406A

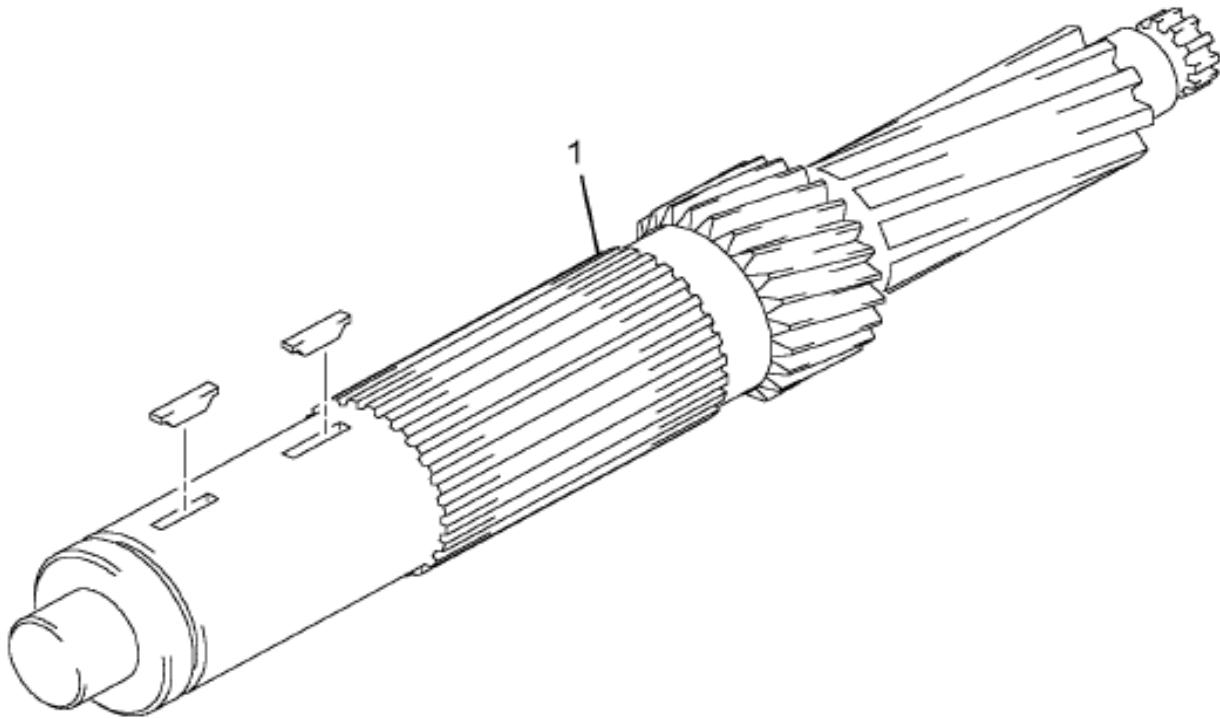


13-C45-0006-AA

E04

Item	Part No.	Qty	Description	Kit	Var	Figure
5	3569708F91	1	POWER TAKE OFF,ASM*THRU-SHAFT		0GVFP	3569708F91

Figure 3569708F91
POWER TAKE OFF,ASM*THRU-SHAFT



Grp
13

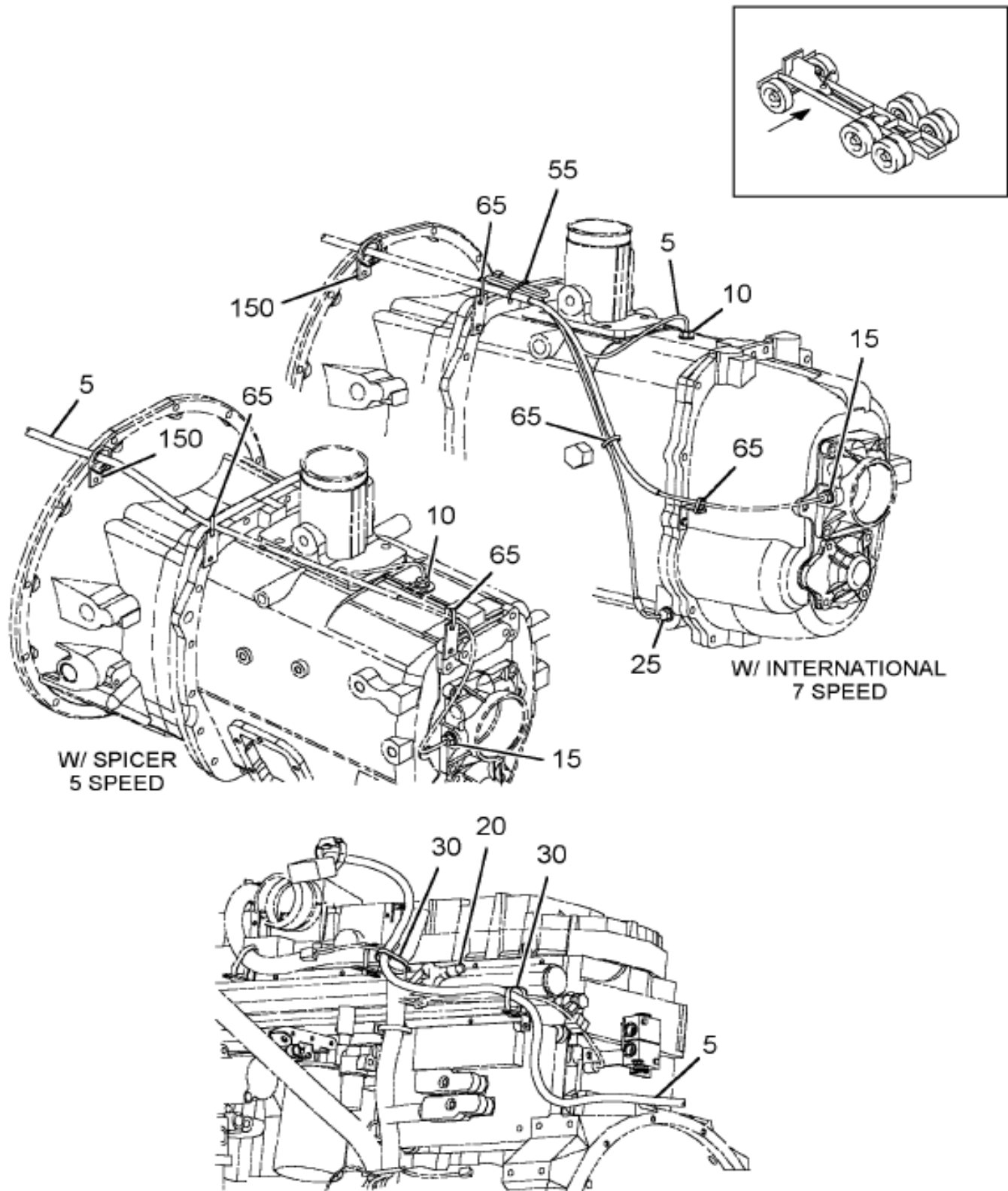
13-C45-0004-00

L02

Item	Part No.	Qty	Description	Kit	Var	Figure
1	FUL4303238	1	SHAFT,TRANS COUNTER			
880		RF	NOTE: ASM BELOW COMPRISED OF ABOVE COMPONENTS			
881	3569708F91	RF	POWER TAKE OFF,ASM*THRU-SHAFT			

Figure 06RJY

XMSN WIRING INSTL; W/BACK-UP SW,SPEEDO SENSOR



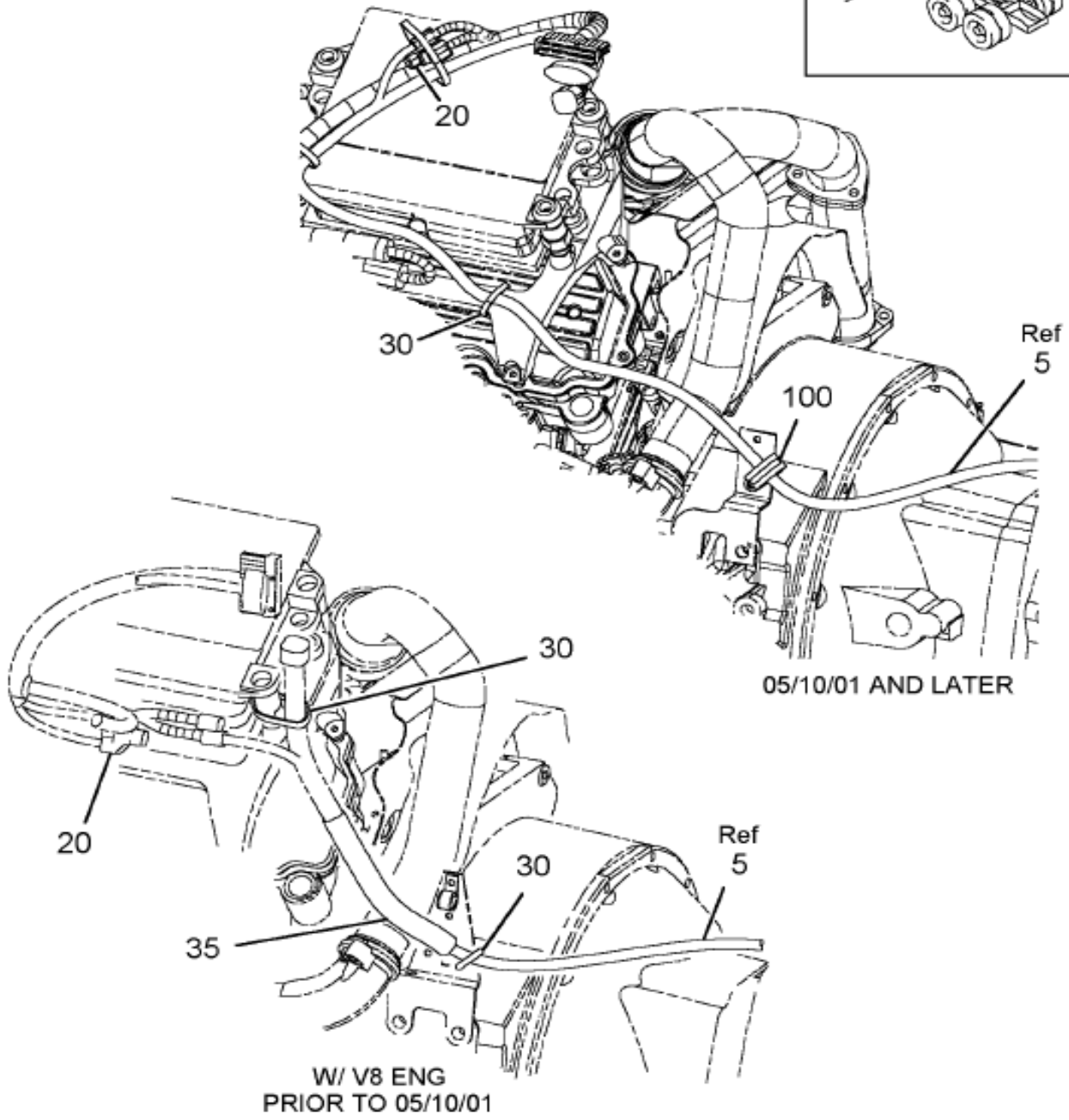
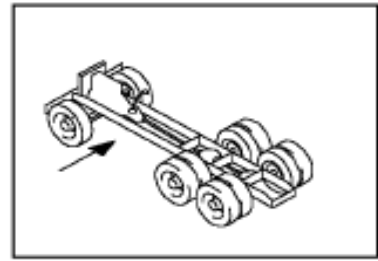
08-649-0065-00

M02

Figure 1 of 3

Figure 06RJY

XMSN WIRING INSTL; W/BACK-UP SW,SPEEDO SENSOR

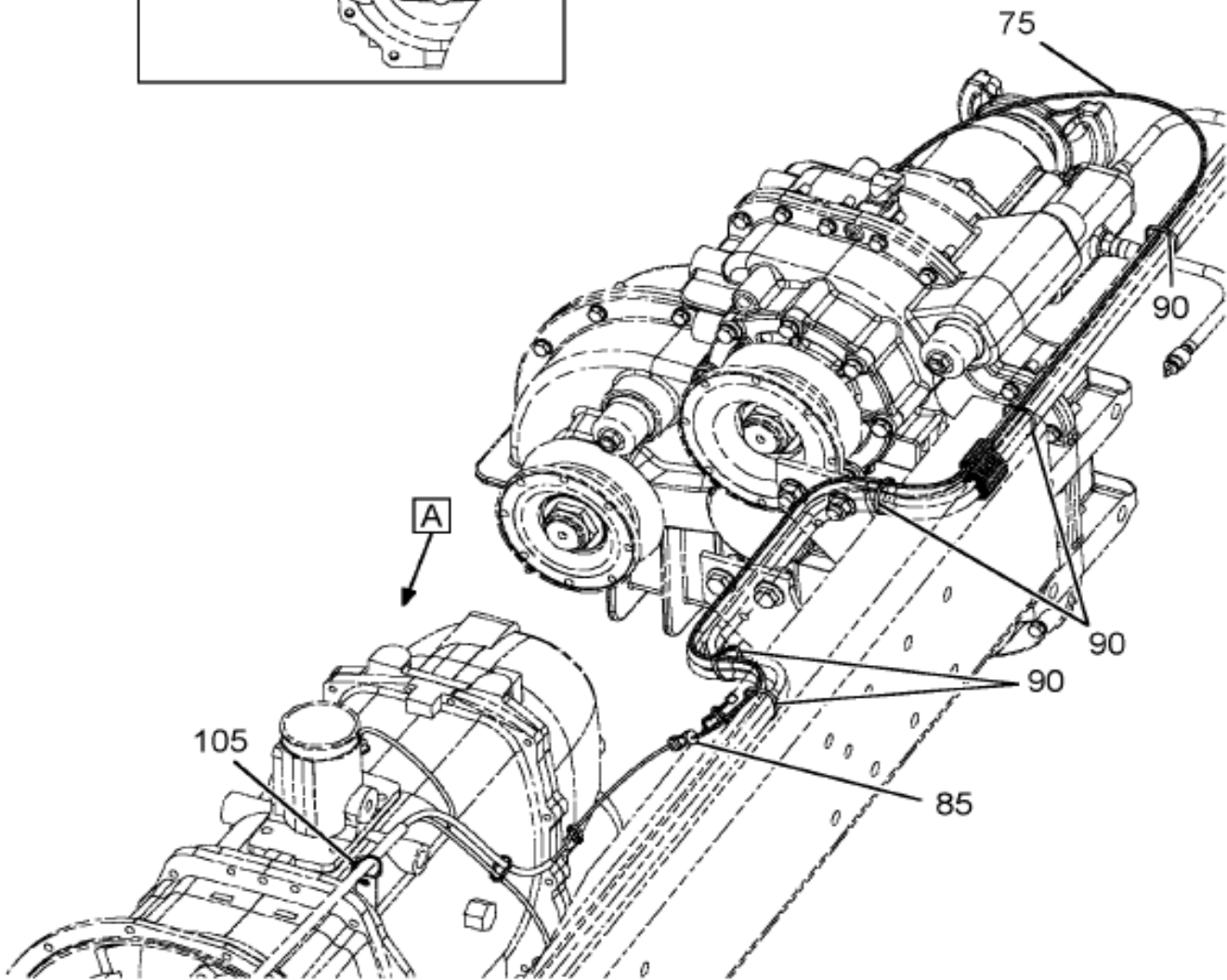
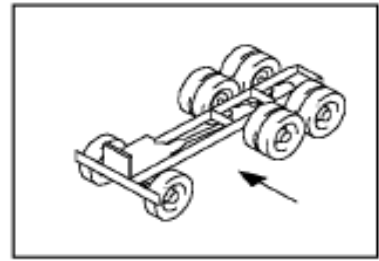
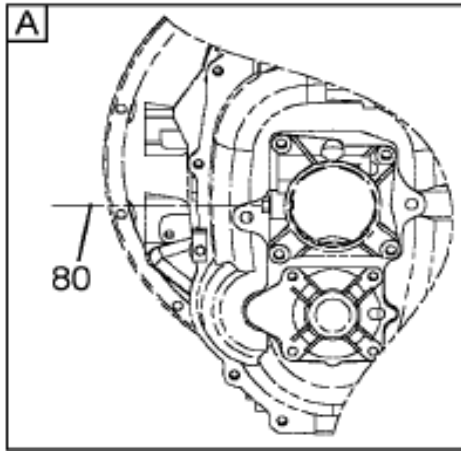


Grp 13

Figure 2 of 3

Figure 06RJY

XMSN WIRING INSTL; W/BACK-UP SW,SPEEDO SENSOR



08-649-0067-02

M02

Item	Part No.	Qty	Description	Kit	Var	Figure
10	2038062C1	1	SWITCH, LIGHT BACK-UP 9/16-18		0K8MT	
10	367155C1	1	GASKET,		0K8MT	
65	306132C1	4	STRAP, CABLE LOCK		06RJY	

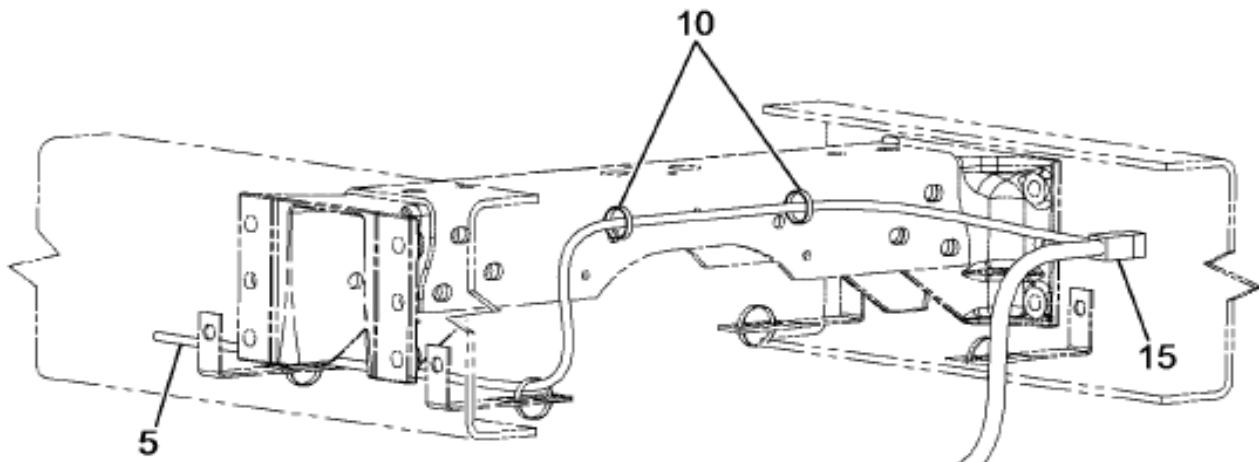
Group 14

Rear Axle

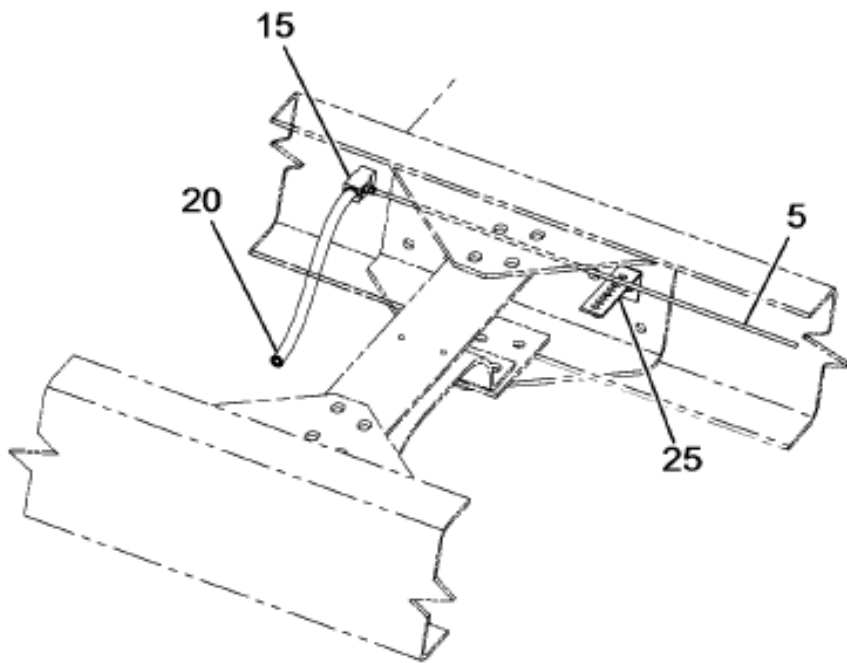
G
R
P
1
4

Figure 0GRRS

AIR BRK TUBING INSTL; PDL CONTROL, W/DANA OR MERITOR TANDEM



FOR: M-NGV
W/F-IROS-6X4-AIR-SUSP

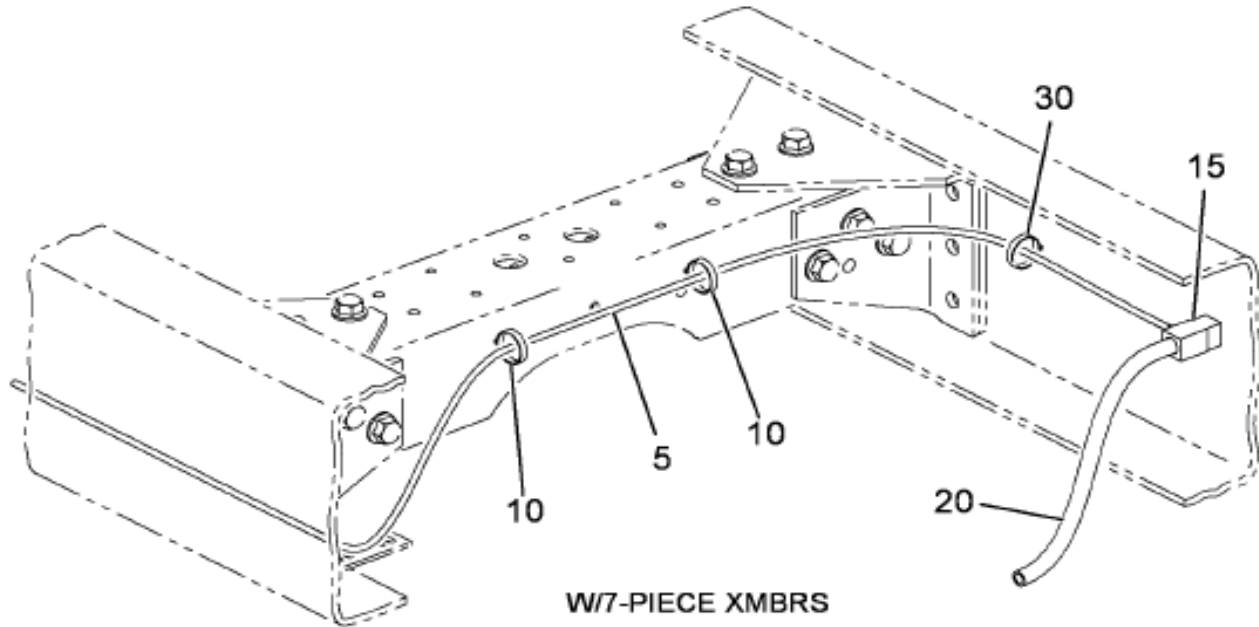
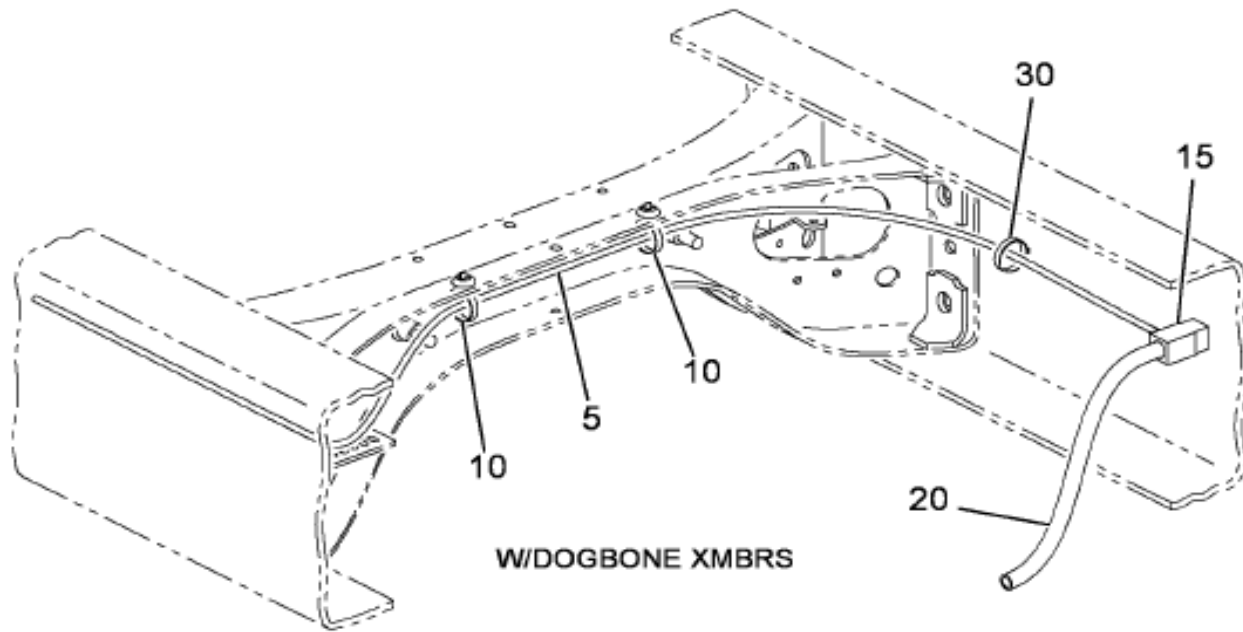


M-NGV
W/F-HEND-AIR-SUSP
W/MERITOR 14X TANDEM AXLES

Figure 1 of 4

Figure 0GRRS

AIR BRK TUBING INSTL; PDL CONTROL, W/DANA OR MERITOR TANDEM



Grp
14

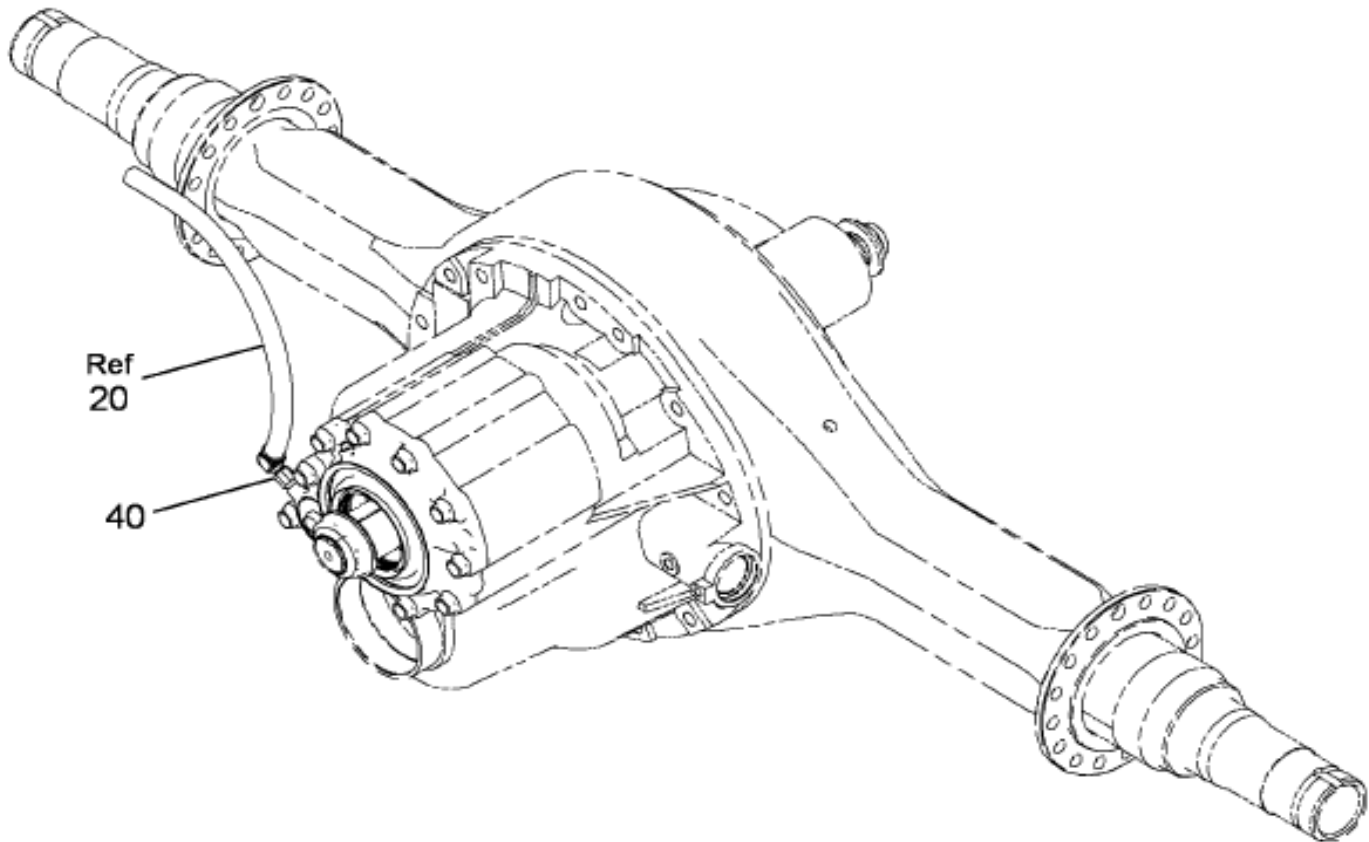
14-053-0025-AB

E09

Figure 2 of 4

Figure 0GRRS

AIR BRK TUBING INSTL; PDL CONTROL, W/DANA OR MERITOR TANDEM



FOR: M-NGV
& W/AXLE CONFIG=6X4,6x6
W/14GJH,14GJJ,14GJK,14GJL,14GJM,
14GJN,14GJT,14GJY

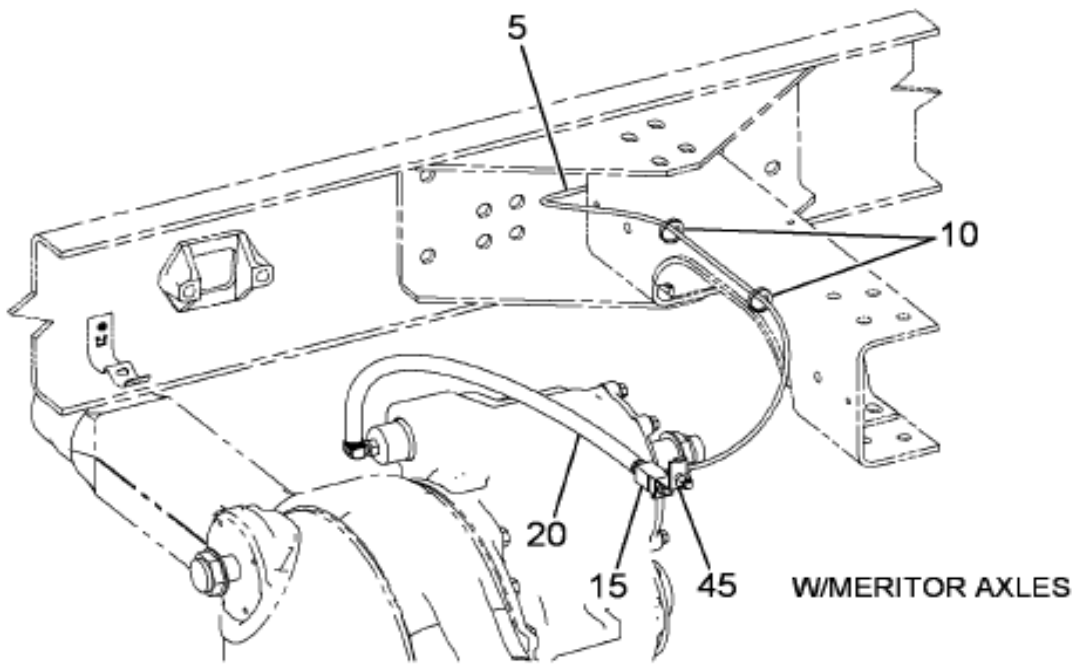
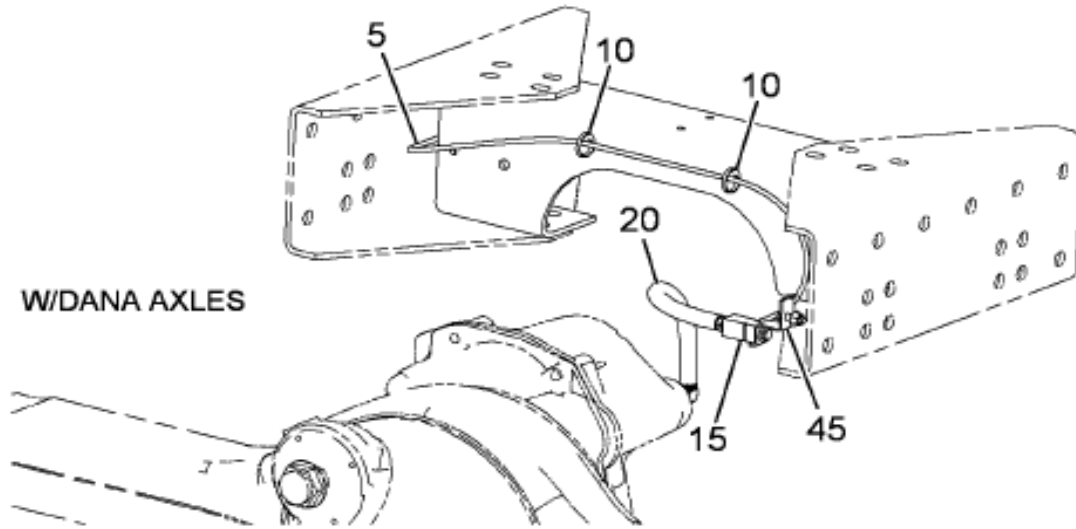
14-053-0025-01

E09

Figure 3 of 4

Figure 0GRRS

AIR BRK TUBING INSTL; PDL CONTROL, W/DANA OR MERITOR TANDEM



FOR:
M-NGV-SS
W/PRIMAAX SUSP

14-053-0025-02

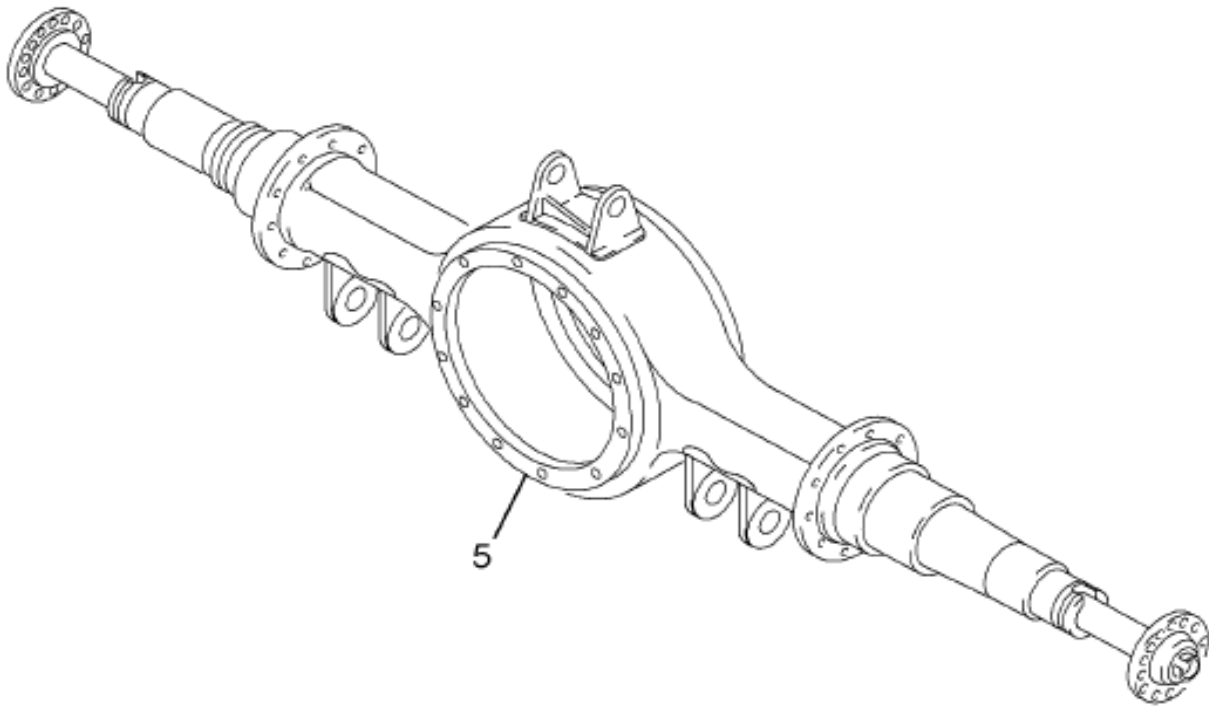
E09

Item	Part No.	Qty	Description	Kit	Var	Figure
5	2643501R2	3300	TUBE,NYLON BULK 1/4 SILVER		0MR1W	
10	3530605C1	2	STRAP,CABLE LOCK*BUTTON STRAPL		0MR1W	
15	3566174C1	1	ELBOW, QUALITY CONNECT*SPECIAL		0GRRS	
15	3549305C1	1	BOLT,HEX FLG HD METRIC*M10 X 3		0GRVK	
15	933965R1	1	WASHER,LOCK 10MM		0GRVK	
20	473255C1	1	HOSE,AIR TRAILER CONNECTING		0GRT4	

Grp 14

Figure 0MKZ3

AXLE ASM, FWD RR; 14HRT; W/HEND SUSP, 17" HI TTRB, DCLD



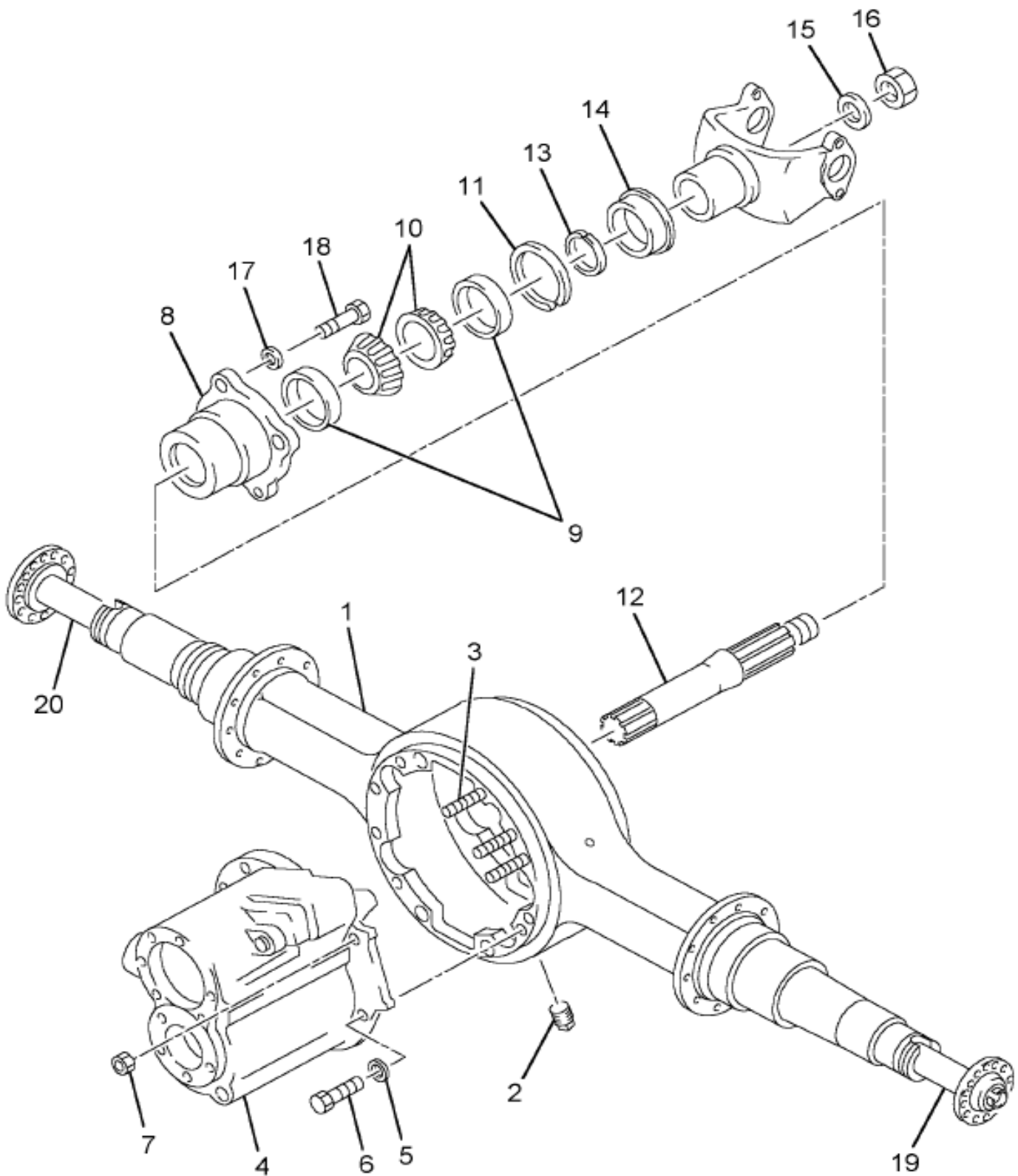
Grp 14

14-717-0001-30

D11

Item	Part No.	Qty	Description	Kit	Var	Figure
5	3609633C91	1	AXLE, FWD REAR, 14HRT, TTRB, 6.14		0MKZF	3609633C91

Figure 3609621C91
 AXLE,ASM F/R 14HRT 6.14 TTRB



14-594-0480-01

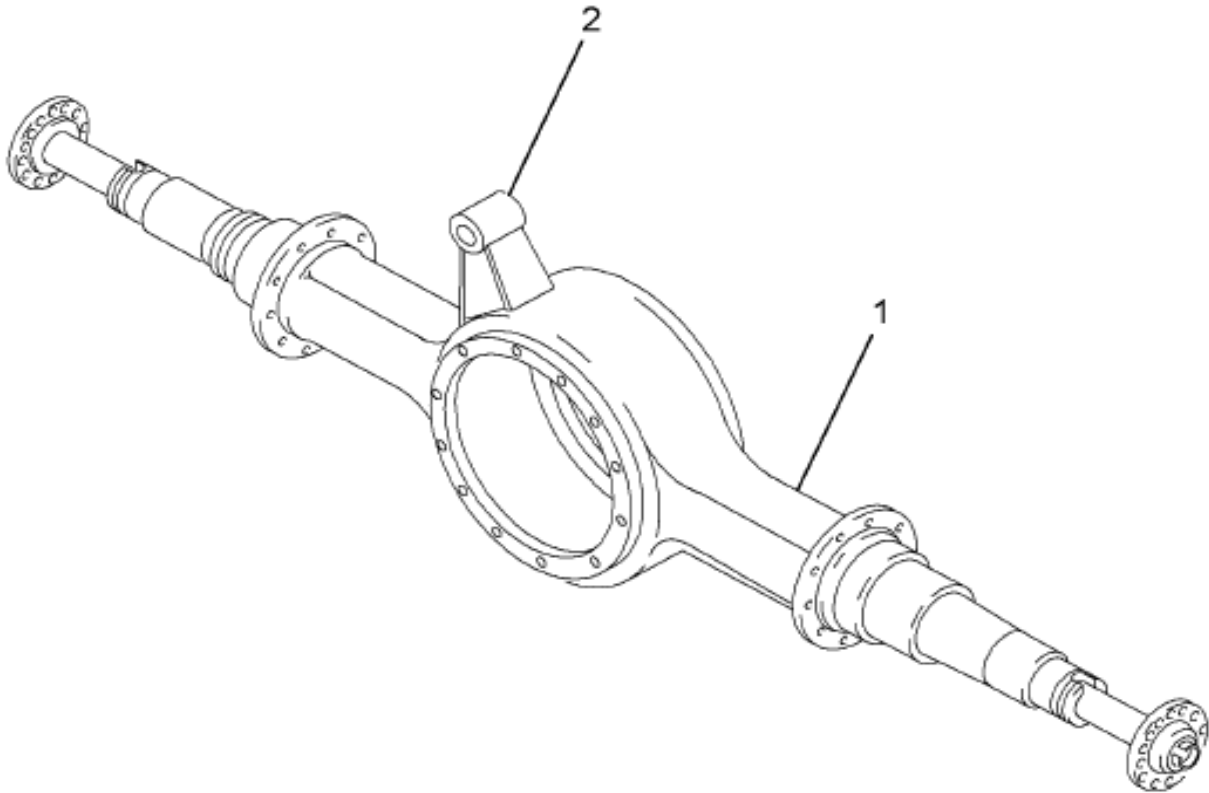
G03

Item	Part No.	Qty	Description	Kit	Var	Figure
1	2502528C1	1	HOUSING, F/R AXLE 14GRU, W, Z HEN			
2	586049C1	1	PLUG, MAGNETIC DRAIN 3/4NF			
3	1692831C1	2	STUD, AUX TRANS SUPT			
4	2503395C91	1	DIFFERENTIAL, F/R 6.14 814GTJ			2503395C91
5	226846R1	12	WASHER, CARRIER TO HSG BOLT			
6	1695182C1	7	BOLT, DIFF CARR TO HSG SHORT			

Figure 3609621C91
AXLE,ASM F/R 14HRT 6.14 TTRB

Item	Part No.	Qty	Description	Kit	Var	Figure
6	1695183C1	3	BOLT,DIFF CARR TO HSG MED			
7	25950R1	2	NUT,5/8-18NF PHC JAM TYPE 8			
8	1670261C91	1	CAGE,PINION DRIVE GEAR BRG			
9	376463C1	1	BEARING,CUP			
10	364463C91	2	BEARING,COVER/ROLLER			
11	496298C1	1	RING,SNAP .155 IN THK			
11	496299C1	1	RING,SNAP .158 IN THK			
11	496300C1	1	RING,SNAP .161 IN THK			
11	496301C1	1	RING,SNAP .164 IN THK			
11	496302C1	1	RING,SNAP .167 IN THK			
11	496303C1	1	RING,SNAP .170 IN THK			
11	496304C1	1	RING,SNAP .173 IN THK			
11	496305C1	1	RING SNAP .176 IN THK			
11	496306C1	1	RING,SNAP .179 IN THK			
11	496307C1	1	RING,SNAP .182 IN THK			
12	1670493C91	1	SHAFT,OUTPUT PD			
13	1670500C1	1	RING SNAP OUTPUT BRG SPACER			
14	2589851C1	1	SEAL,OIL SLEEVE OUTPUT (FRT)			
14	2589852C1	1	SEAL,OIL SLEEVE INPUT (FRT)			
15	452436C1	1	WASHER,COMP FLG NUT			
16	2000231C1	1	NUT,LOCK INPUT/OUTPUT SHAFT			
17	1824866C1	4	WASHER,NEOPREME LUBERFINER			
18	698786R1	4	BOLT,DIFF THRU SHAFT BRG RET			
19	1665496C1	1	SHAFT,AXLE 2.10-41 X 37.18 SHT			
19		RF	LEFT			
20	1686034C1	1	SHAFT,AXLE 2.10-41 X 43.13 LNG			
20		RF	RIGHT			
800		RF	NOTE: THE FOLLOWING PARTS ARE NON-ILLUSTRATED			
801	2588916C1	4	MAGNET,ASSY			
802	3150A1509	1	BRACKET,BEAM HANGER LT			
803	3150C1511	1	BRACKET,BEAM HANGER RT			
804	3150S1631	1	BRACKET,TORQUE ROD MTG OR RADI			
880		RF	NOTE: ASM BELOW COMPRISED OF ABOVE COMPONENTS			
881	3609621C91	RF	AXLE,ASM F/R 14HRT 6.14 TTRB			

Figure 3609633C91
 AXLE, FWD REAR, 14HRT, TTRB, 6.14

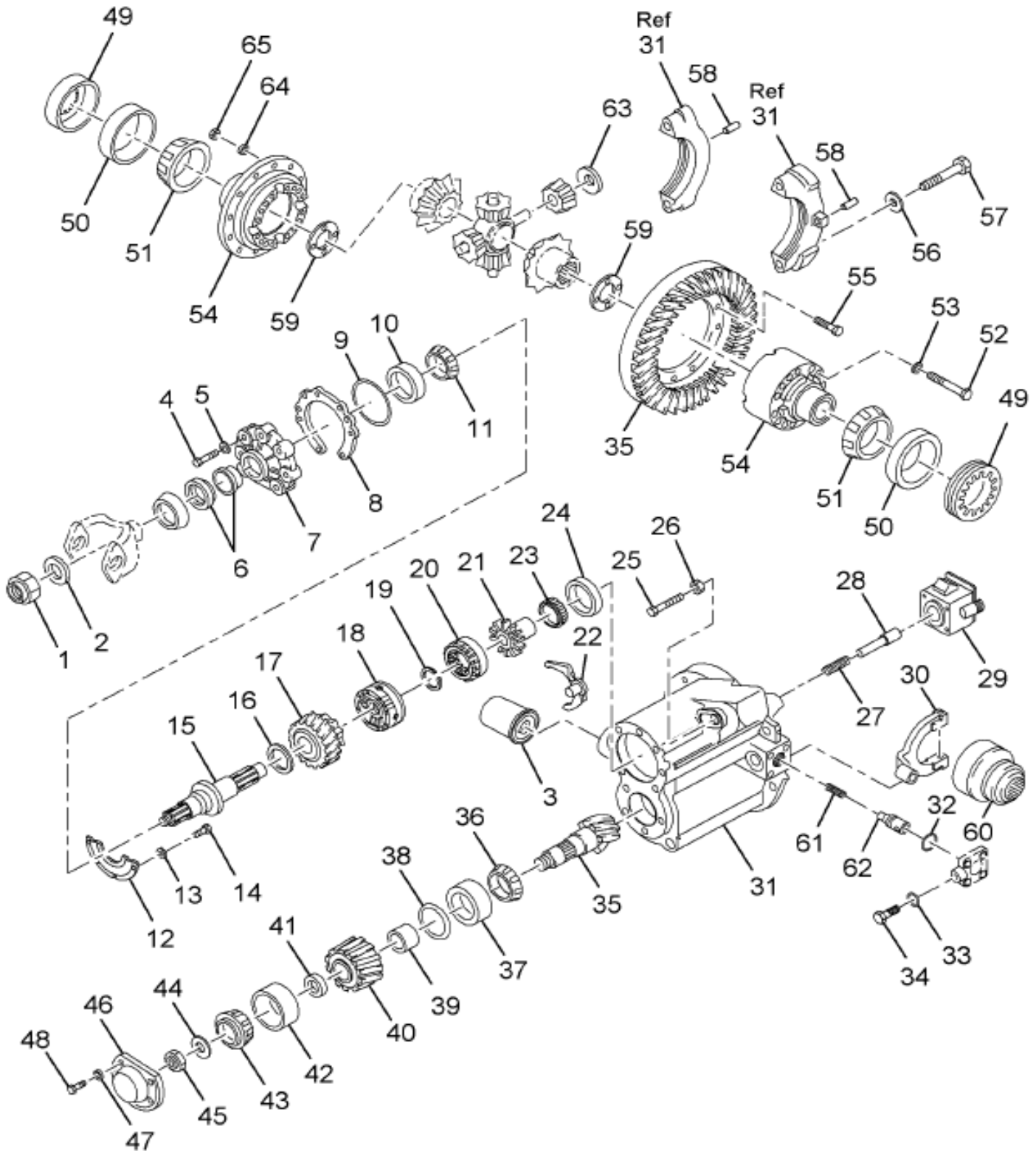


14-717-0115-01

C05

Item	Part No.	Qty	Description	Kit	Var	Figure
1	3609621C91	1	AXLE, ASM F/R 14HRT 6.14 TTRB			3609621C91
2	1689136C1	1	BRACKET, TORQUE ROD TRANSVERSE			
800		RF	NOTE: THE FOLLOWING PARTS ARE NON-ILLUSTRATED			
801	3609626C1	1	HOUSING, REAR AXLE, 14GRZ/UR/UU			
880		RF	NOTE: ASM BELOW COMPRISED OF ABOVE			

Figure 2503395C91
DIFFERENTIAL, F/R 6.14 814GTJ



14-717-0343-01

K10

Item	Part No.	Qty	Description	Kit	Var	Figure
1	1685173C1	1	NUT, HEX LK PINION			
2	264663C1	1	WASHER, PINION SHAFT NUT			
3	1685141C1	1	ELEMENT, OIL FILTER			
4	1696018C1	7	BOLT, CARR 12MM X 45MM L			
5	2500348C1	7	WASHER, FLAT SPL			
6	2502761C1	1	SEAL, OIL FWD & REAR OUTPUT	A		

Figure 2503395C91
DIFFERENTIAL, F/R 6.14 814GTJ

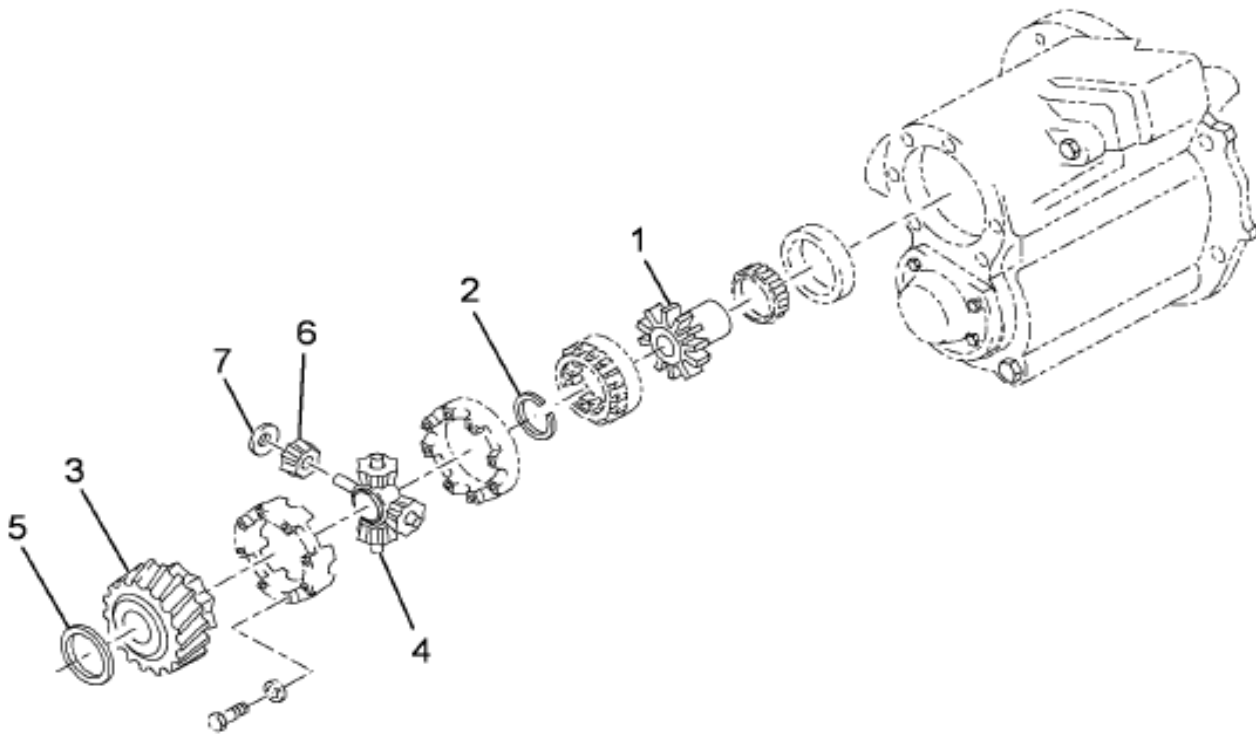
Item	Part No.	Qty	Description	Kit	Var	Figure
7	1696386C91	1	CAGE, INPUT W/CUP			
8	1670291C1	AR	SHIM, PIN GEAR BRG CAGE			
8	1670292C1	AR	SHIM, PIN GEAR BRG CAGE			
8	1670293C1	AR	SHIM INPUT BRG CAGE .010			
9	1670307C1	1	RING, O	A		
10	FP3920	1	BEARING, CUP	A		
11	FPJM511945	1	BEARING, CONE INPUT SHAFT	A		
12	1670298C1	1	BAFFLE, PIN GEAR BRG			
13	483361C1	3	WASHER, BRG CAP BOLT			
14	1696228C1	3	BOLT, HH M8 X 16MM BAFFLE			
15	1696385C91	1	SHAFT, INPUT IAD W/NUT			
16	1670272C1	1	WASHER, HELICAL GEAR TO PIN GEA			
16	2503262C1	1	WASHER, HELICAL GEAR TO PIN GEA			
17	1670532C1	1	GEAR, INTEGRAL SPUR & BEVEL	E, G		
18	2503466C91	1	CASE, IAD W/PIN GEARS BOLTED			
19	1670527C1	1	RING, SNAP	G		
20	2503468C1	1	COLLAR, I.A.D. CLUTCH			
21	1670523C1	1	GEAR, IAD SIDE FRT	G		
22	1670490C91	1	FORK SHIFT ASSY IAD			
23	FPJLM710949	1	BEARING, CONE/ROLLERS	A		
24	FPJLM710910	1	BEARING, CUP	A		
25	1670304C1	1	BOLT, SPECIAL			
26	1696227C1	1	NUT, PD SHIFTER SHAFT			
27	867718R1	1	SPRING, AXLE SHIFT PUSH ROD			
28	1670295C1	1	SHAFT, SHIFT FORK DIFF LOCK			
29	1696962C91	1	CYLINDER, I.A.D. SHIFT			
30	1696594C1	1	FORK, SHIFT DIFF LOCK			
31	2503473C91	1	CARRIER, DIFF W/BRG CAPS			
32	1696234C1	1	RING, O AIR CYL	F		
33	1696235C1	1	SEAL, SHIFT MOTOR TO CARR	F		
34	1696236C1	1	BOLT, HEX SHIFT CYL	F		
35	1670372C91	1	GEAR SET DIFF R & P 6.14			
36	FPH715334	1	BEARING, CONE INR PINION	A		
37	FPH715311	1	BEARING, CUP	A		
38	242815R1	AR	SHIM, PIN GEAR BRG SPACER .003			
38	242816R1	AR	SHIM, PIN GEAR BRG SPACER .005			
38	242817R1	AR	SHIM, PIN GEAR BRG SPACER .010			
39	1670502C1	1	SPACER, HELICAL GEAR			
40	1670531C1	1	GEAR HELICAL DRIVEN	E		
41	1669540C1	AR	SPACER, PIN BRG .209	D		
41	1669541C1	AR	SPACER, PIN BRG .210	D		
41	1669542C1	AR	SPACER, PIN BRG .211	D		
41	1669543C1	AR	SPACER, PIN BRG .212	D		
41	1669544C1	AR	SPACER, PIN BRG .213	D		
41	1669545C1	AR	SPACER, PIN BRG .217	D		
41	1669546C1	AR	SPACER, PIN BRG .220	D		
41	1669547C1	AR	SPACER, PIN BRG .224	D		
41	1670547C1	AR	SPACER, PIN BRG .228	D		
41	1670548C1	AR	SPACER, PIN BRG .232	D		
41	1670549C1	AR	SPACER, PIN BRG .236	D		
41	1670550C1	AR	SPACER, PIN BRG .240	D		
41	1670551C1	AR	SPACER, PIN BRG .241	D		
41	1670552C1	AR	SPACER, PIN BRG .242	D		
41	1670553C1	AR	SPACER, PIN BRG .243	D		
41	1670554C1	AR	SPACER, PIN BRG .244	D		
42	FP72487	1	BEARING, CUP	A		
43	FP72212C	1	BEARING, CONE/ROLLERS	A		
44	1696377C1	1	WASHER, COMP FLANGE NUT			

**G
r
p
1
4**

Figure 2503395C91
DIFFERENTIAL, F/R 6.14 814GTJ

Item	Part No.	Qty	Description	Kit	Var	Figure
45	1685173C1	1	NUT,HEX LK PINION			
46	1670299C1	1	COVER,DR PIN GEAR BRG CAGE			
47	1658423C1	5	WASHER,FLAT M10			
47	1658423C1	8	WASHER,FLAT M10			
48	1696229C1	5	BOLT,HH M10 X 45MM PIN CAGE			
49	1670522C1	1	ADJUSTER,DIFF BRG LT & RT			
49	1685251C1	1	ADJUSTER,DIFF BRG RT			
50	1685257C1	1	BEARING,CUP	A		
50	FPJM716610	2	BEARING,CUP	A		
51	1685250C91	1	BEARING,ROLLER ASM	A		
51	FPJM716649	2	BEARING,CONE/ROLLERS	A		
52	1685290C1	16	BOLT,SPECIAL			
53	2500348C1	16	WASHER,FLAT SPL			
54	1670488C91	1	CASE,ASSY DIFF 4.33-7.17 RATIO			
55	1670534C1	12	BOLT,HH DR GR	C		
56	1670535C1	4	WASHER,FLAT BRG CAP			
57	1696376C1	4	BOLT,DIFF CARR BRG CAP			
58	1670274C1	1	PIN,DOWEL SPECIAL			
58	683774R1	1	PIN,COTTER DIFF BRG ADJ LK			
59	1696379C1	2	WASHER,THRUST SIDE GR	B		
60	1685253C1	1	COLLAR,SHIFT CLUTCH			
61	1696233C1	1	SPRING,SHIFT FORK			
62	1696232C1	1	SHAFT,SHIFT FORK DIFF LOCK			
63	242834R1	4	WASHER,THRUST DIFF SPIDER GEAR			
63	72335R1	4	WASHER,THRUST DIFF SPIDER GEAR	B		
64	449671R1	12	WASHER,CARRIER TO HSG BOLT	C		
65	1691622C1	12	NUT,HEX LK METRIC M16	C		
800	RF		NOTE: THE FOLLOWING PARTS ARE NON-ILLUSTRATED			
801	1696237C1	8	BOLT,HH M10 X 45MM IAD			
802	2026065C91	1	HARNESS,W/SWITCH D/L IND			
803	3261A1067	1	CYLINDER,SHIFT			
804	1668809C1	1	SHIELD,OIL FILTER (DIFF)			
870	1698252C91	KT	KIT,DIFF BRG & SEAL F/R 814GTJ			1698252C91
870	RF		(CONSISTS OF PARTS DENOTED BY A)			
871	1670538C91	KT	GEAR SET,DIFF SIDE & PIN			
871	RF		(CONSISTS OF PARTS DENOTED BY B)			
872	1692759C91	KT	KIT,BOLT & NUT 140,141,145			
872	RF		(CONSISTS OF PARTS DENOTED BY C)			
873	1694539C91	KT	SET,SPACER PIN BRG RT34145			
873	RF		(CONSISTS OF PARTS DENOTED BY D)			
874	1694543C91	KT	KIT,HELICAL GEAR RT34/40145			1694543C91
874	RF		(CONSISTS OF PARTS DENOTED BY E)			
875	1696245C91	KT	CYLINDER,IAD AIR SHIFT D/L			
875	RF		(CONSISTS OF PARTS DENOTED BY F)			
876	2503467C91	KT	CASE,IAD W/GEAR SET (BOLTED)			
876	RF		(CONSISTS OF PARTS DENOTED BY G)			
877	1696416C91	KT	GEAR SET,DIFF SIDE & PIN			
878	2502117C91	KT	KIT,DCDL SWITCH AND CLIP			
879	2502023C91	KT	GEAR SET,I.A.D.SIDE&PIN 14GRB			2502023C91
880	RF		NOTE: ASM BELOW COMPRISED OF ABOVE COMPONENTS			
881	2503395C91	RF	DIFFERENTIAL,F/R 6.14 814GTJ			
			NON-ILLUSTRATED REFERENCE FIGURE 1698252C91			
1	TM72487	1	BEARING,CUP			
2	TM72212C	1	BEARING,CONE			
3	TMH715311	1	BEARING,CUP			

Figure 2502023C91
GEAR SET, I.A.D. SIDE & PIN 14GRB

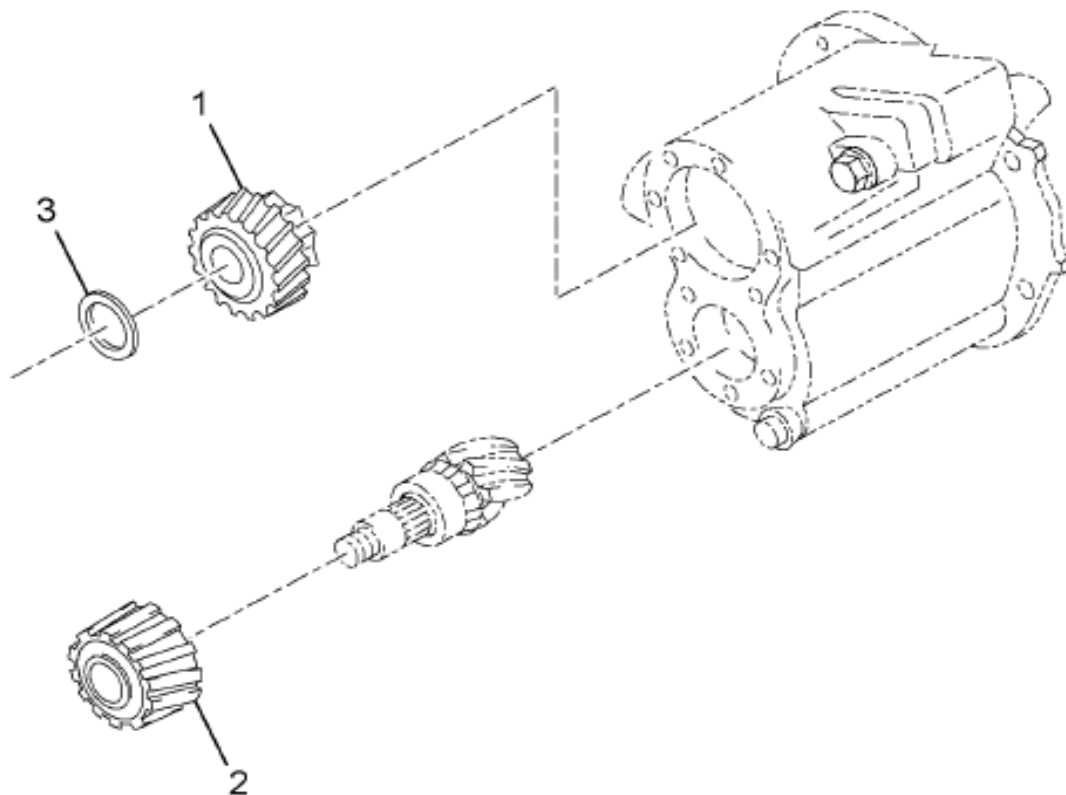


14-717-0346-01

K10

Item	Part No.	Qty	Description	Kit	Var	Figure
1	1670523C1	1	GEAR, IAD SIDE FRT			
2	1670527C1	1	RING, SNAP			
3		1	GEAR INTEGRAL, SPUR/BEVEL-FIN			
4		1	SPIDER-DIFF, FIN			
5	2594597C1	1	WASHER, THRUST HELICAL PINION			
6		4	PINION-DIFF FIN			

Figure 1694543C91
KIT, HELICAL GEAR RT34/40145



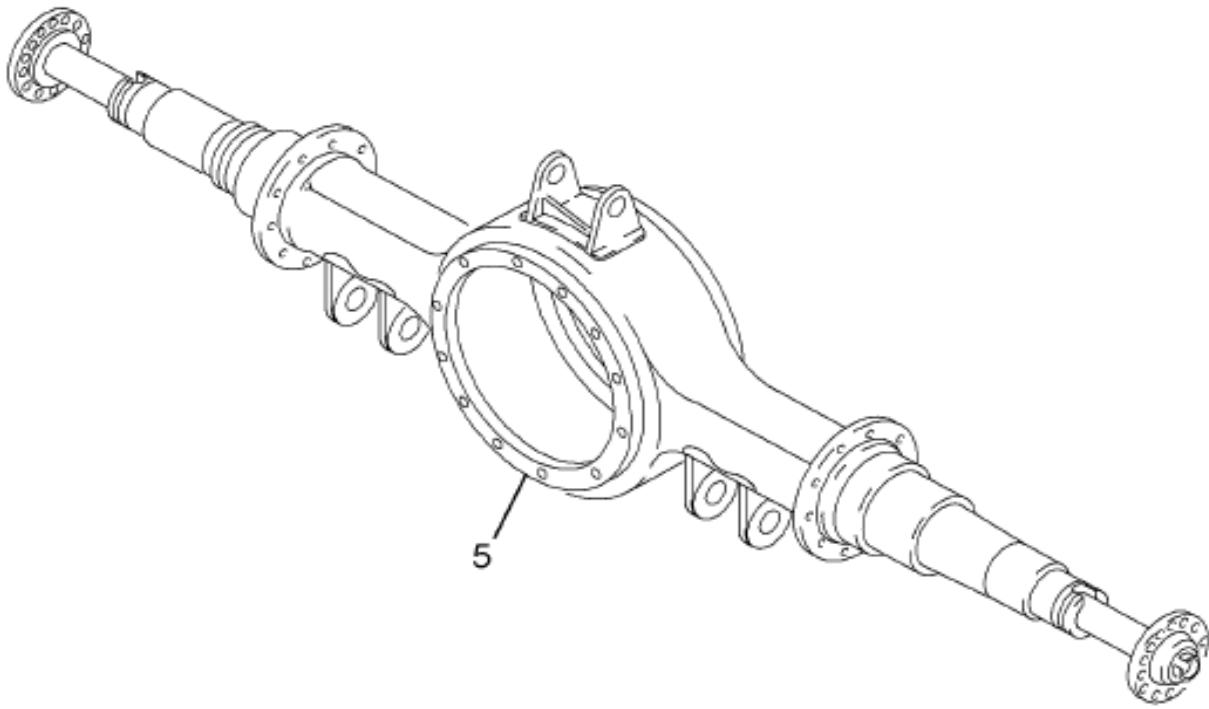
14-717-0344-01

K10

Item	Part No.	Qty	Description	Kit	Var	Figure
1		1	GEAR INTEGRAL, SPUR/BEVEL-FIN			
2	1670531C1	1	GEAR HELICAL DRIVEN			
3	2594597C1	1	WASHER, THRUST HELICAL PINION			
880		RF	NOTE: ASM BELOW COMPRISED OF ABOVE COMPONENTS			
881	1694543C91	RF	KIT, HELICAL GEAR RT34/40145			

Figure 0MKYC

AXLE ASM,RR/RR; 14GUR,14HRT,W/HEND,NEWAY SUSP, 17" HI TTRB



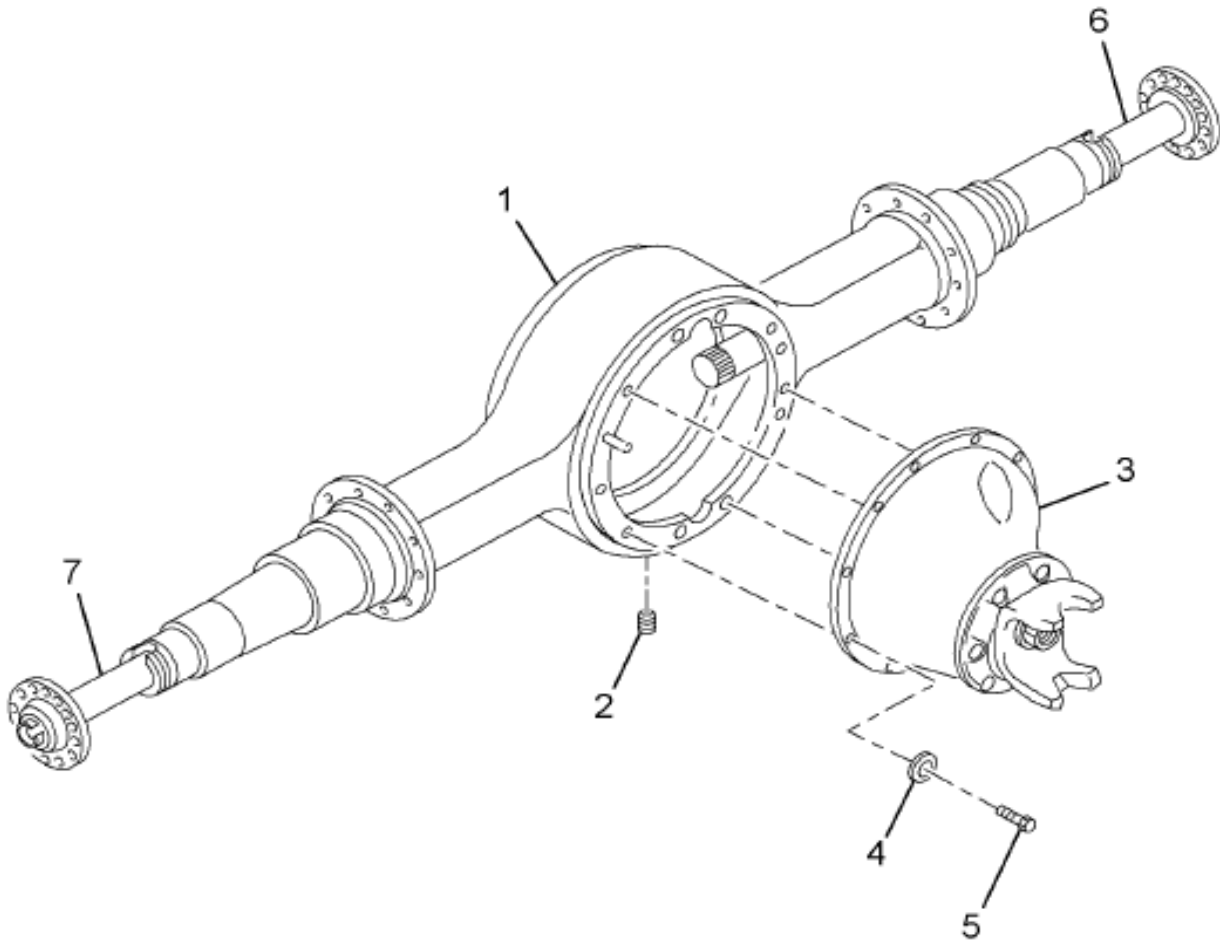
Grp
14

14-594-0001-00

D11

Item	Part No.	Qty	Description	Kit	Var	Figure
5	3609644C91	1	AXLE,RR RR,14GUR/HRT,TTRB,6.14		0MKYQ	3609644C91

Figure 3602600C91
AXLE, ASSY R/R 6.14 14GUR TTRB

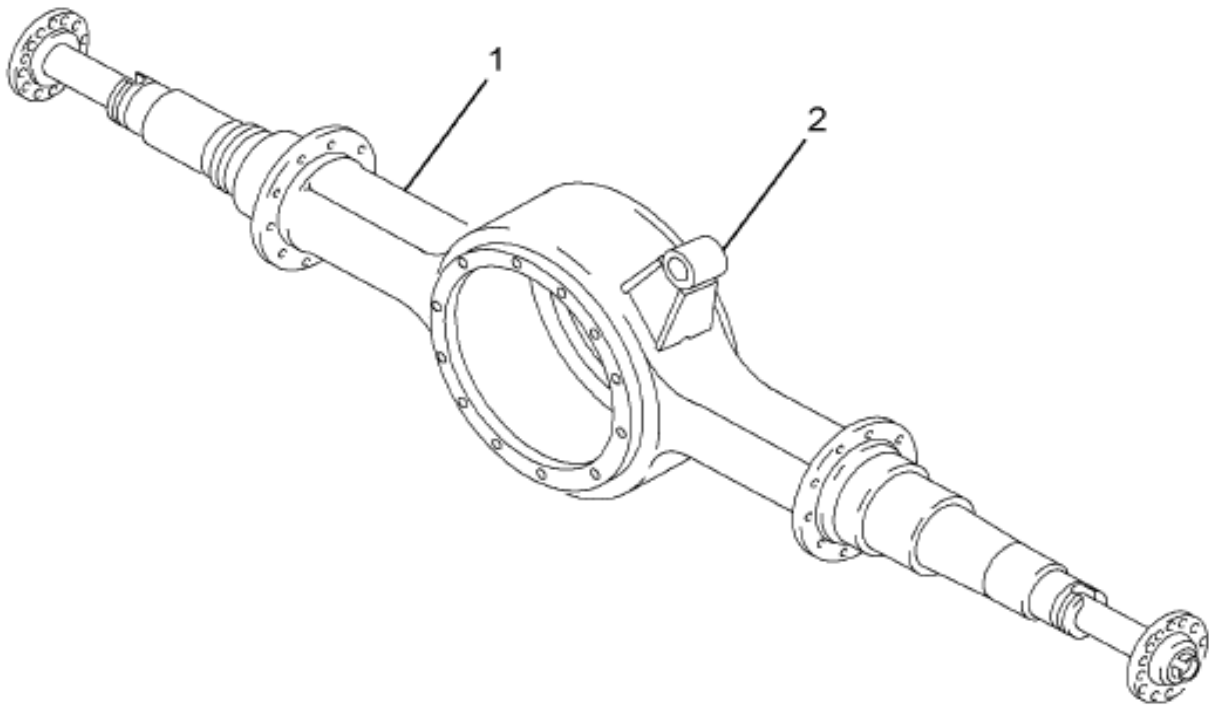


14-594-0458-01

K06

Item	Part No.	Qty	Description	Kit	Var	Figure
1	2502531C1	1	HOUSING, R/R AXLE 14GRU, W, Z HEN			
1	2588916C1	4	MAGNET, ASSY			
2	586049C1	1	PLUG, MAGNETIC DRAIN 3/4NF			
3		1	DIFFERENTIAL, REAR REAR 6.14:1			
4	226846R1	12	WASHER, CARRIER TO HSG BOLT			
5	1695182C1	8	BOLT, DIFF CARR TO HSG SHORT			

Figure 3609644C91
 AXLE,RR RR,14GUR/HRT,TTRB,6.14

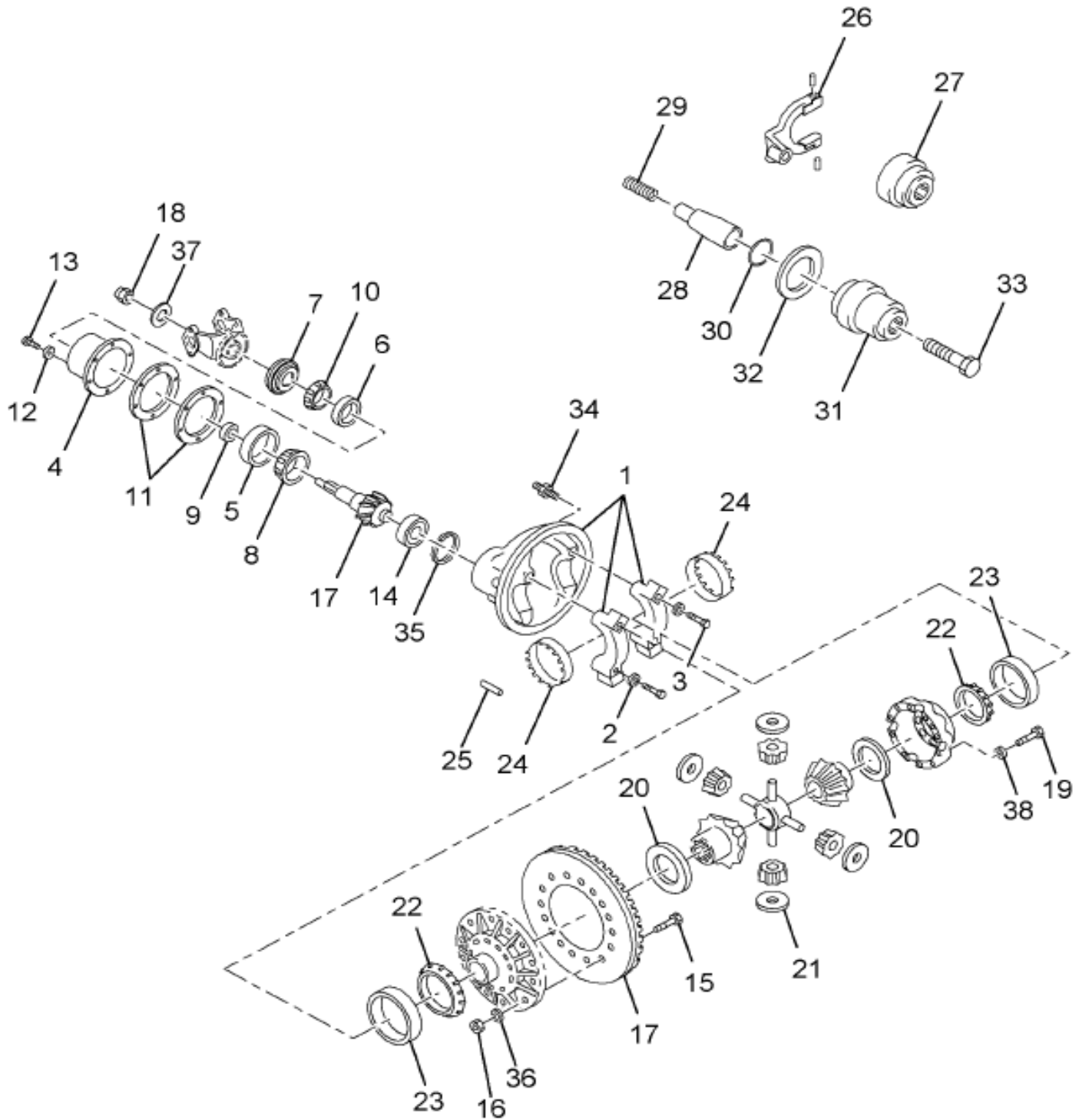


14-717-0114-01

C05

Item	Part No.	Qty	Description	Kit	Var	Figure
1	3602600C91	1	AXLE,ASSY R/R 6.14 14GUR TTRB			3602600C91
2	1689136C1	1	BRACKET,TORQUE ROD TRANSVERSE			
800		RF	NOTE: THE FOLLOWING PARTS ARE NON-ILLUSTRATED			
801	3609637C1	1	HOUSING,REAR AXLE,14GRZ/UR/UU/			
880		RF	NOTE: ASM BELOW COMPRISED OF ABOVE			

Figure 1696762C91
DIFFERENTIAL, R/R 6.14 14GRN



14-594-0823-01

M06

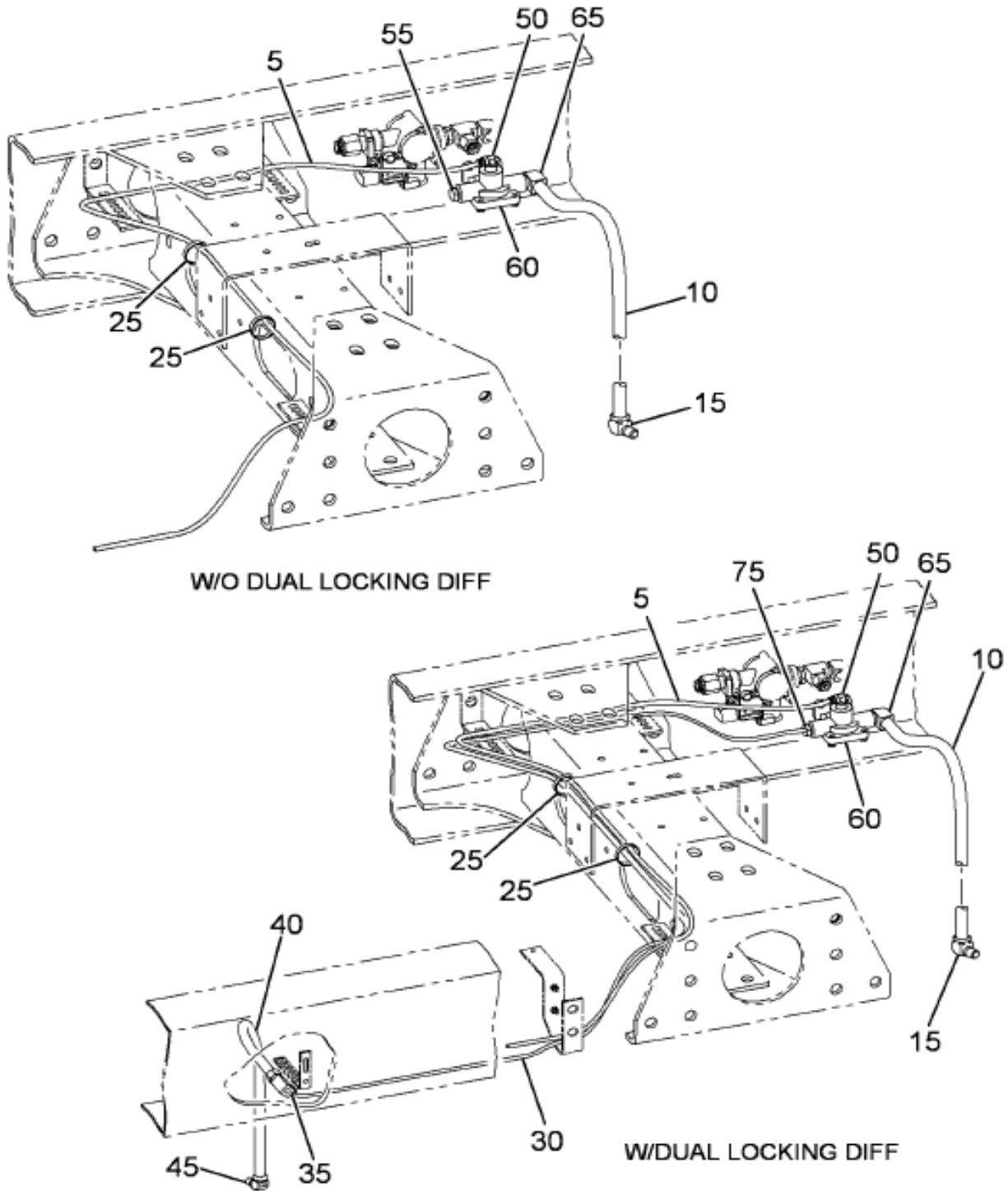
Item	Part No.	Qty	Description	Kit	Var	Figure
1	1696822C91	1	CARRIER,DIFF W/BRG CAPS 14GRN			
2	1670535C1	4	WASHER,FLAT BRG CAP			
3	1696376C1	4	BOLT,DIFF CARR BRG CAP			
4	1670483C91	1	CAGE,ASSY PINION W/CUPS 14GRB			
5	FP72487	1	BEARING,CUP			
6	FP55437	1	BEARING,CUP			

Figure 1696762C91
DIFFERENTIAL,R/R 6.14 14GRN

Item	Part No.	Qty	Description	Kit	Var	Figure
7	596600C91	1	SEAL,OIL PINION			
8	FP72212C	1	BEARING, CONE/ROLLERS			
9	1670511C1	AR	SPACER,PIN BRG .344	C		
9	1670512C1	AR	SPACER,PIN BRG .345	C		
9	1670513C1	AR	SPACER,PIN BRG .346	C		
9	1670514C1	AR	SPACER,PIN BRG .347	C		
9	1670515C1	AR	SPACER,PIN BRG .348	C		
9	1670516C1	AR	SPACER,PIN BRG .353	C		
9	1670517C1	AR	SPACER,PIN BRG .358	C		
9	1670518C1	AR	SPACER,PIN BRG .359	C		
9	1670519C1	AR	SPACER,PIN BRG .360	C		
9	1670520C1	AR	SPACER,PIN BRG .361	C		
9	1670521C1	AR	SPACER,PIN BRG .362	C		
10	FP55206C	1	BEARING, CONE PINION OUTER			
11	1670504C1	AR	SHIM,PIN BRG CAGE .003	D		
11	1670505C1	AR	SHIM PIN BRG CAGE .005	D		
11	1670506C1	AR	SHIM,PIN BRG CAGE .008	D		
11	1670507C1	AR	SHIM,PIN BRG CAGE .020	D		
12	213524R1	8	WASHER,FLAT DIFF TO HSG 1/2ID			
13	1696018C1	8	BOLT,CARR 12MM X 45MM L			
14	1111341C91	1	BEARING-SPIGOT			
15	934738R1	12	BOLT, M16 X 60 PHC CLASS 10.9	A		
16	1691622C1	12	NUT,HEX LK METRIC M16	A		
17	1694201C91	1	GEAR SET,DIFF R&P 6.14 14GRB,C			
18	2000231C1	1	NUT,LOCK INPUT/OUTPUT SHAFT			
19	1685290C1	16	BOLT,SPECIAL			
20	1696379C1	2	WASHER,THRUST SIDE GR	B		
21	72335R1	4	WASHER,THRUST DIFF SPIDER GEAR	B		
22	FPJM716649	1	BEARING, CONE/ROLLERS			
22		RF	LEFT			
22	1685250C91	1	BEARING,ROLLER ASM			
22		RF	RIGHT			
23	1685257C1	1	BEARING,CUP			
23		RF	RIGHT			
23	FPJM716610	1	BEARING,CUP			
24	1670522C1	1	ADJUSTER,DIFF BRG LT & RT			
24		RF	LEFT			
24	1685251C1	1	ADJUSTER,DIFF BRG RT			
24		RF	RIGHT			
25	683774R1	2	PIN,COTTER DIFF BRG ADJ LK			
25		RF	LEFT			
25	1670274C1	1	PIN,DOWEL SPECIAL			
25		RF	RIGHT			
26	1696594C1	1	FORK,SHIFT DIFF LOCK			
27	1685253C1	1	COLLAR,SHIFT CLUTCH			
28	1696232C1	1	SHAFT,SHIFT FORK DIFF LOCK			
29	1696233C1	1	SPRING,SHIFT FORK			
30	1696234C1	1	RING,O AIR CYL			
31	1696245C91	1	CYLINDER,IAD AIR SHIFT D/L			
32	1696235C1	1	SEAL,SHIFT MOTOR TO CARR			
33	1696236C1	1	BOLT,HEX SHIFT CYL			
34	2026065C91	1	HARNESS,W/SWITCH D/L IND			
35	91081R2	1	RING,SNAP PINION GEAR BRG			
36	449671R1	12	WASHER,CARRIER TO HSG BOLT	A		
37	452436C1	1	WASHER,COMP FLG NUT			
38	213524R1	16	WASHER,FLAT DIFF TO HSG 1/2ID			
800		RF	NOTE: THE FOLLOWING PARTS ARE NON-ILLUSTRATED			

Figure 0GNXX

AXLE CONTROLS INSTL; HEND WALKING BEAM, N/IND CNTRLS



14-668-0113-BA

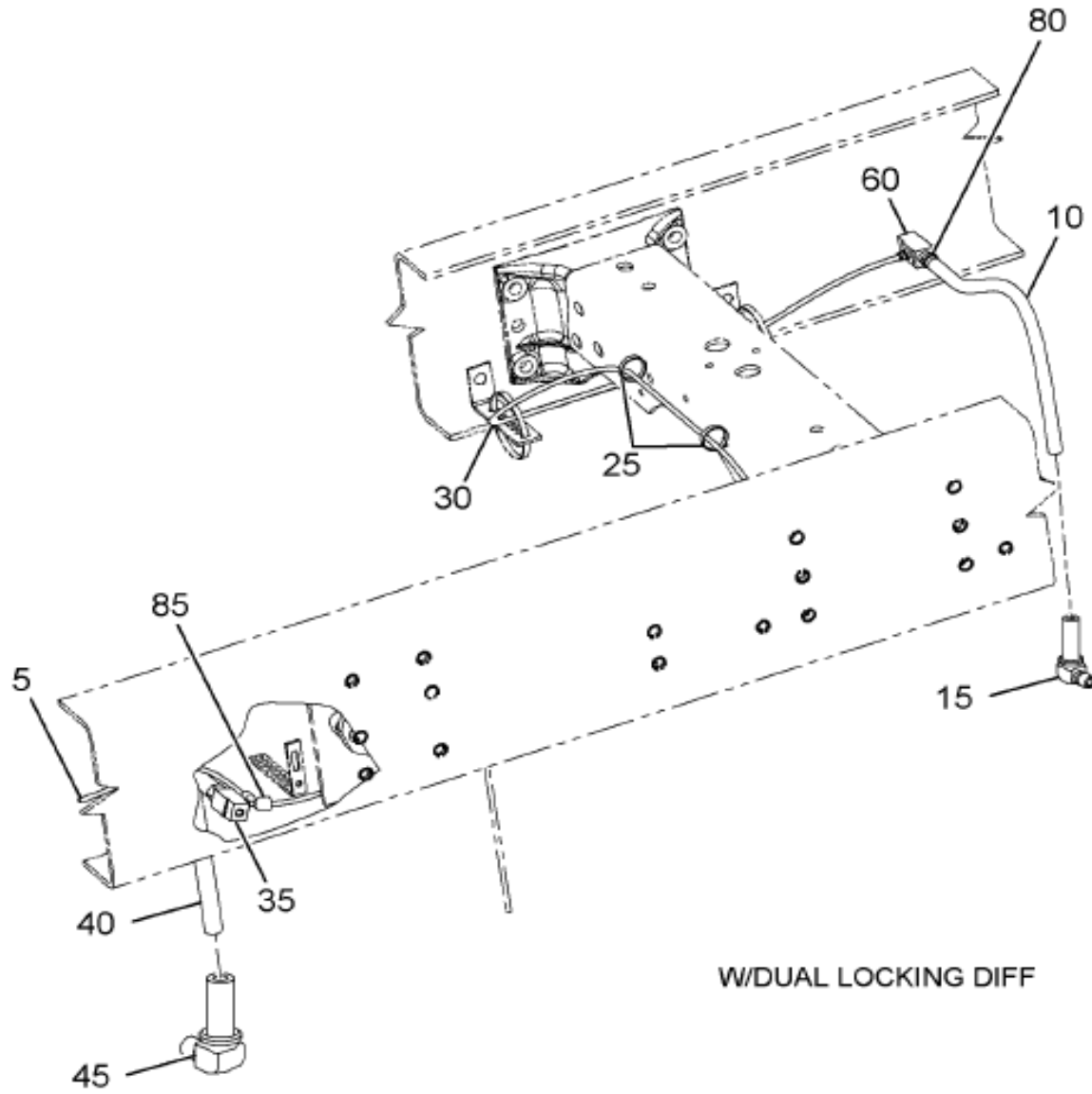
J09

Grp 14

Figure 1 of 3

Figure 0GNXX

AXLE CONTROLS INSTL; HEND WALKING BEAM, N/IND CNTRLs



W/DUAL LOCKING DIFF

M-NGV
W/6X4 IROS
N/14WBN, 14GGS, 14GGX,
14GGR

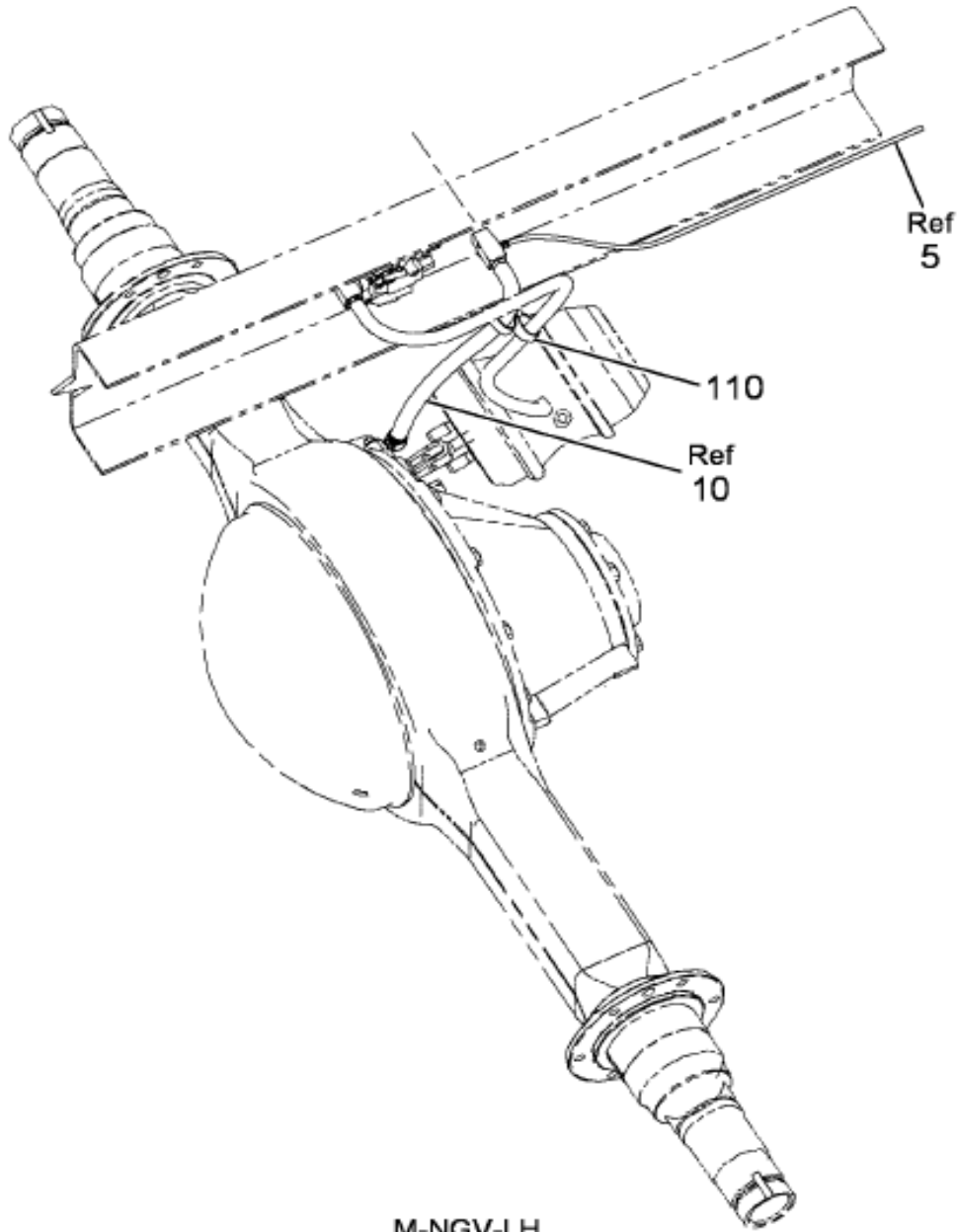
14-668-0114-BB

C11

Figure 2 of 3

Figure 0GNXX

AXLE CONTROLS INSTL; HEND WALKING BEAM, N/IND CNTRLS



M-NGV-LH
W/4X2 IROS SUSP
W/14AGJ, 14AEL
14AGV, 14AGU

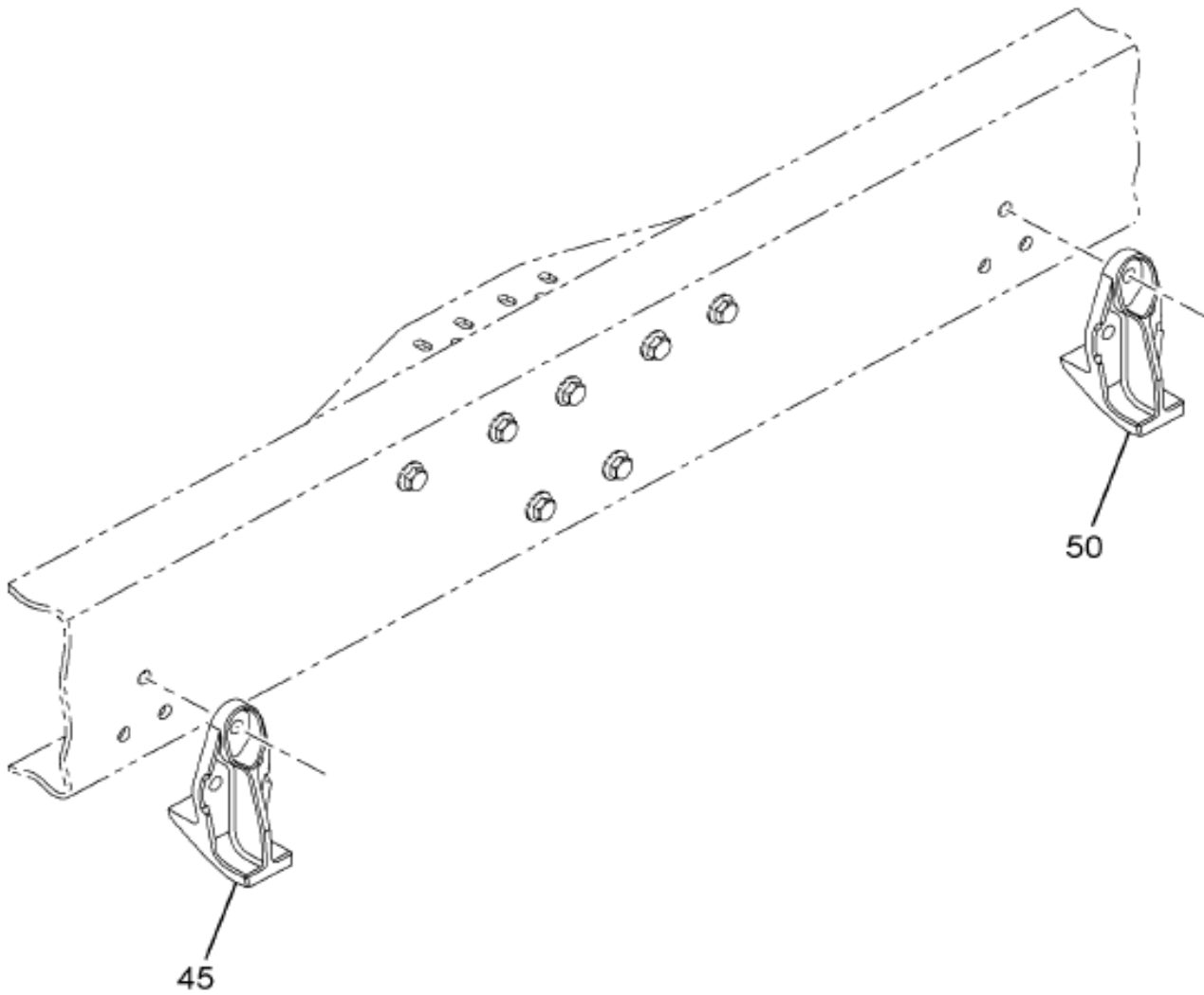
Grp
14

14-668-0197-01

C10

Item	Part No.	Qty	Description	Kit	Var	Figure
5	3520529C2	2200	TUBE,NYLON BULK 1/4 OD TAN		0MSKQ	
10	3572292C1	1	HOSE,FLEX AIR*AIR 1/2 ID X 7/8		0MSFK	
15	3564894C1	1	ELBOW,REDUCING 90DEG*1/4MX3/8F		0H2VK	
25	3530605C1	1	STRAP,CABLE LOCK*BUTTON STRAPL		0GNXX	
30	3520529C2	2250	TUBE,NYLON BULK 1/4 OD TAN		0HXZP	
35	3566174C1	1	ELBOW, QUALITY CONNECT*SPECIAL		0MMVJ	

Figure 07RTP
 AXLE STOP & MTG; REAR, W/HEND HN SUSP



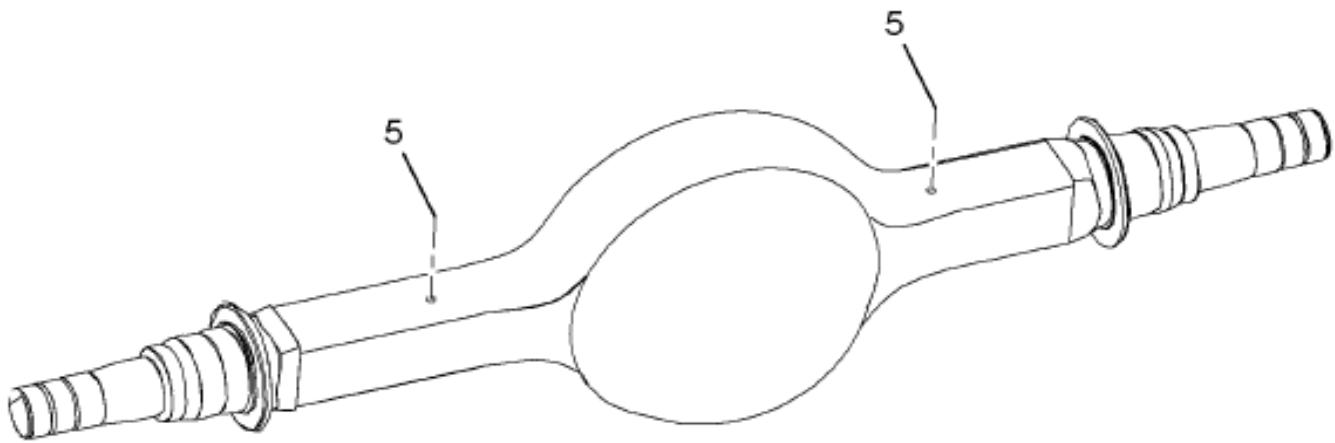
14-635-0033-CA

J04

Item	Part No.	Qty	Description	Kit	Var	Figure
45	3594994C1	2	STOP,RR AXLE AXLE 5.00		0H07R	
45	3565364C1	6	BOLT,XMBR CUSHION MTG		0H07R	
45	1518213C1	6	COLLAR, HUCK 5/8 DIA.		0H07R	
50	3595000C1	2	STOP,RR AXLE AXLE 5.50		0H07R	
50	3565364C1	6	BOLT,XMBR CUSHION MTG		0H07R	
50	1518213C1	6	COLLAR, HUCK 5/8 DIA.		0H07R	

Grp
14

Figure 0FTBS
AXLE STUD INSTL; RR



M-9800
 W/04098, 04099
 W/AXLE-CONFIG = 6X4
 W/14ULB, 14UNT

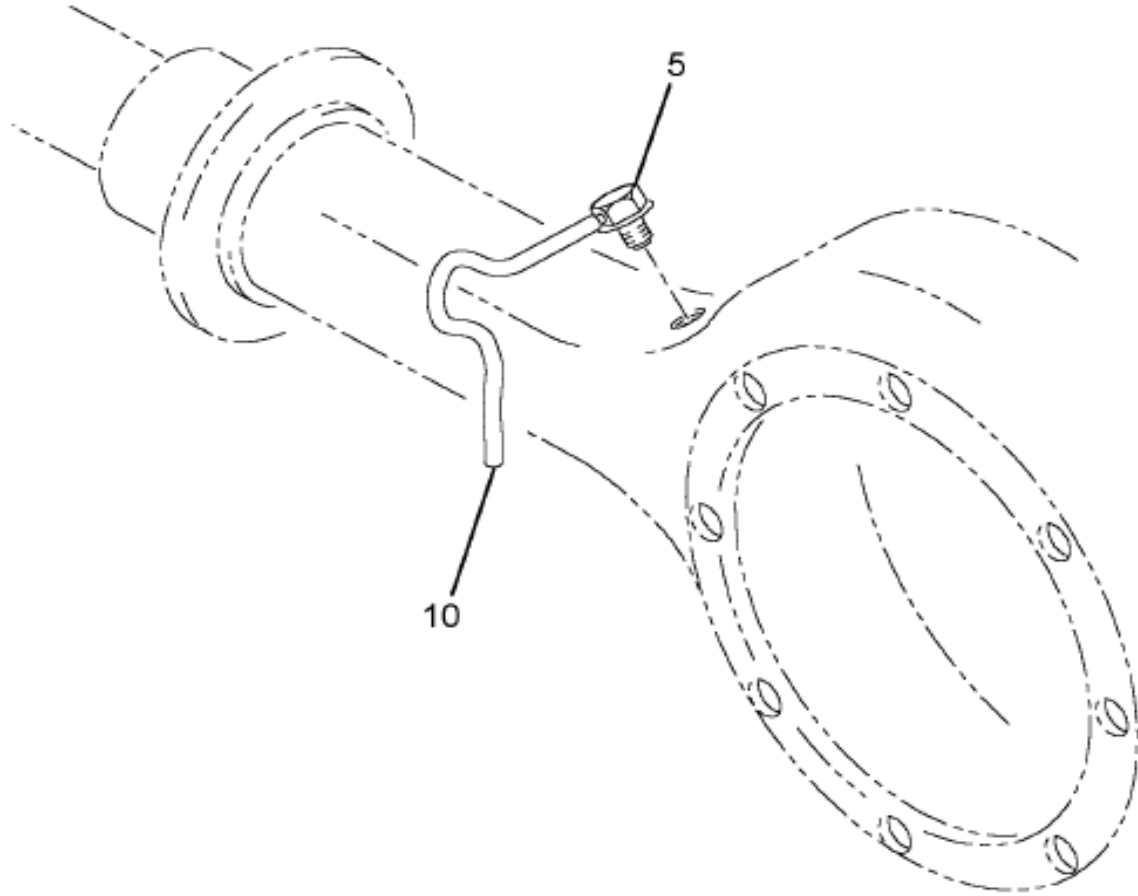
04-063-0003-00

G10

Item	Part No.	Qty	Description	Kit	Var	Figure
5	1689984C1	4	STUD, SPECIAL		0FTBS	

Figure 06XKL

BREATHER COVER INSTL; REAR AXLE, DIRONA, ROCKWELL, SPICER



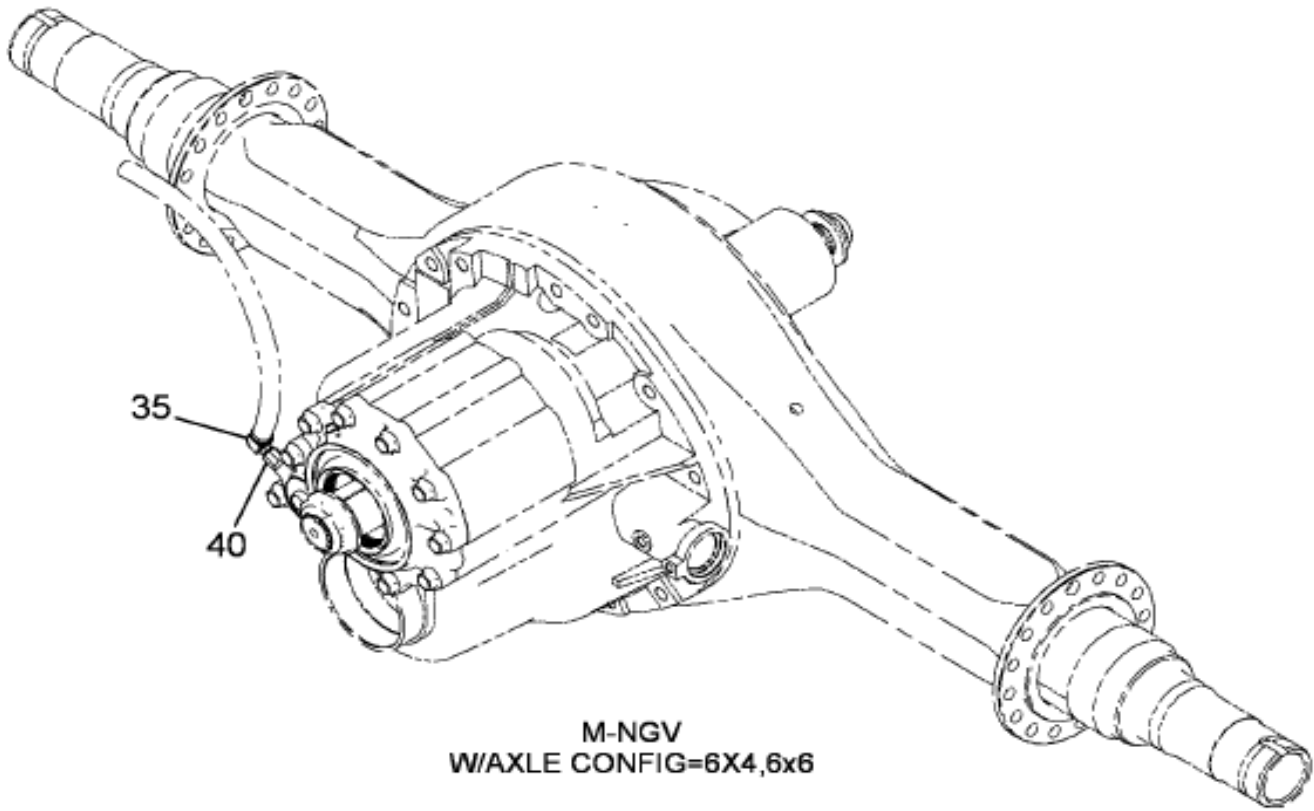
Grp 14

14-633-0004-AA

H04

Item	Part No.	Qty	Description	Kit	Var	Figure
5	91916R91	1	BREATHER,TRANS 3/8 PTF SHORT		06XKL	
5	91916R91	1	BREATHER,TRANS 3/8 PTF SHORT		06XKN	

Figure 0GRRV
FITTING, ELBOW; PDL CONTROL



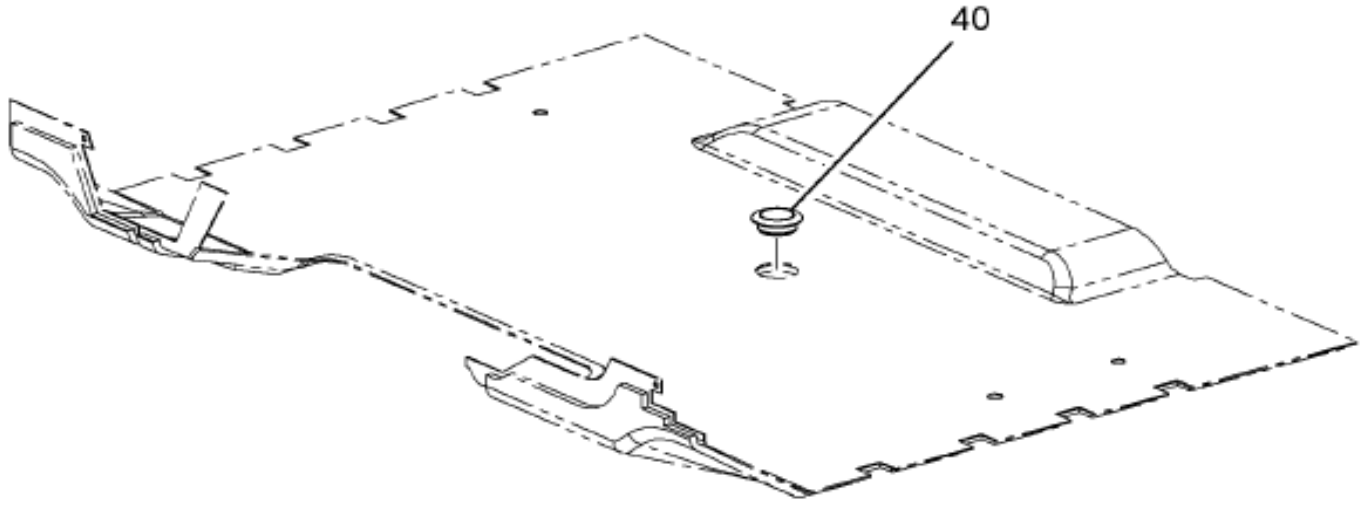
04-068-0006-01

K10

Item	Part No.	Qty	Description	Kit	Var	Figure
35	3564894C1	1	ELBOW,REDUCING 90DEG*1/4MX3/8F		0GRRV	

Figure 0GGDZ

LIFT AXLE CONTROLS; GROMMET, CAB FLOOR



Grp 14

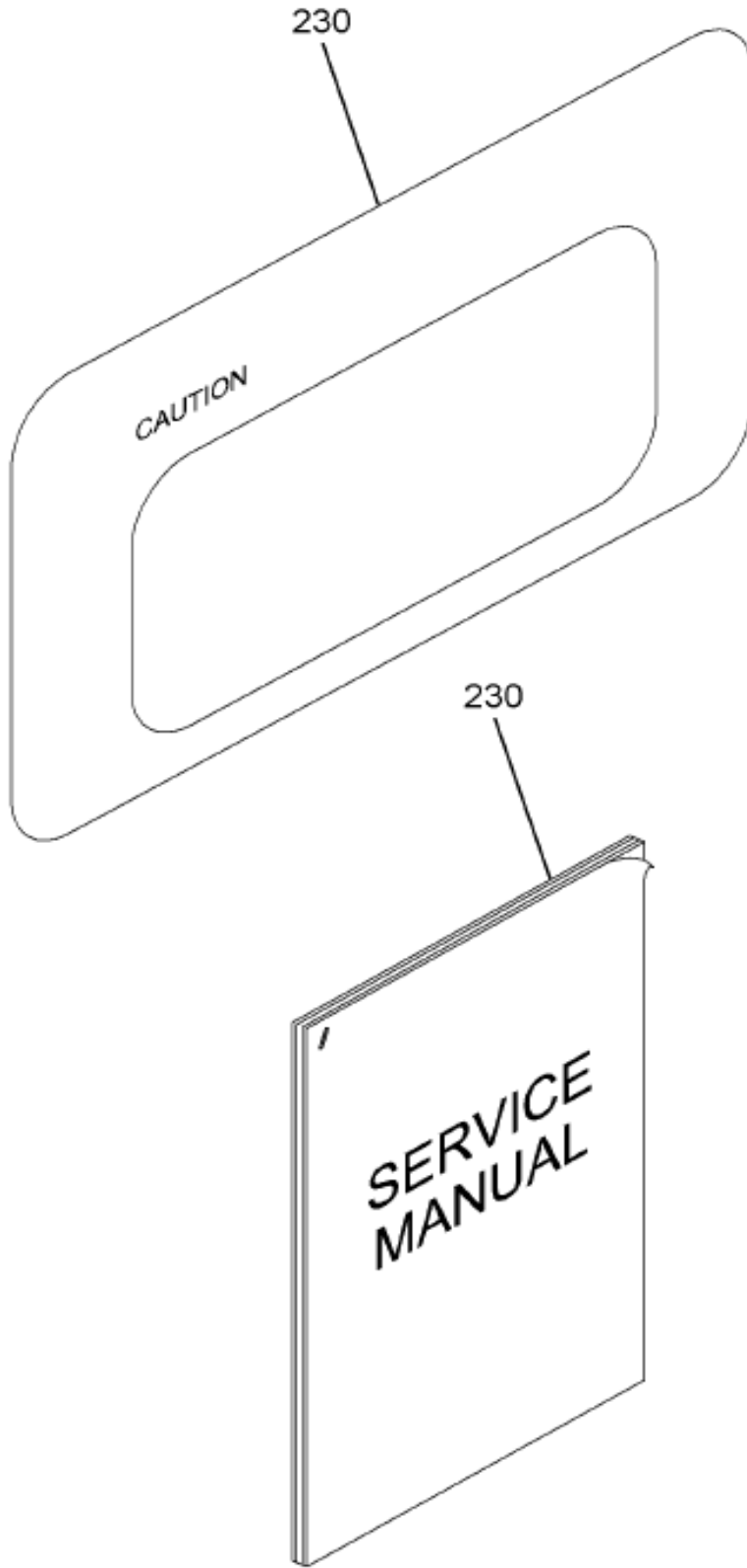
14-588-0014-CA

H04

Item	Part No.	Qty	Description	Kit	Var	Figure
40	3565125C1	1	GROMMET,RUBBER PIPE CABLE ETC		0GGDZ	

Figure 0H71N

REAR AXLE INFO KIT; 14GRB/C/N,14GSB/G/X,14GTJ/K,14GUU/R

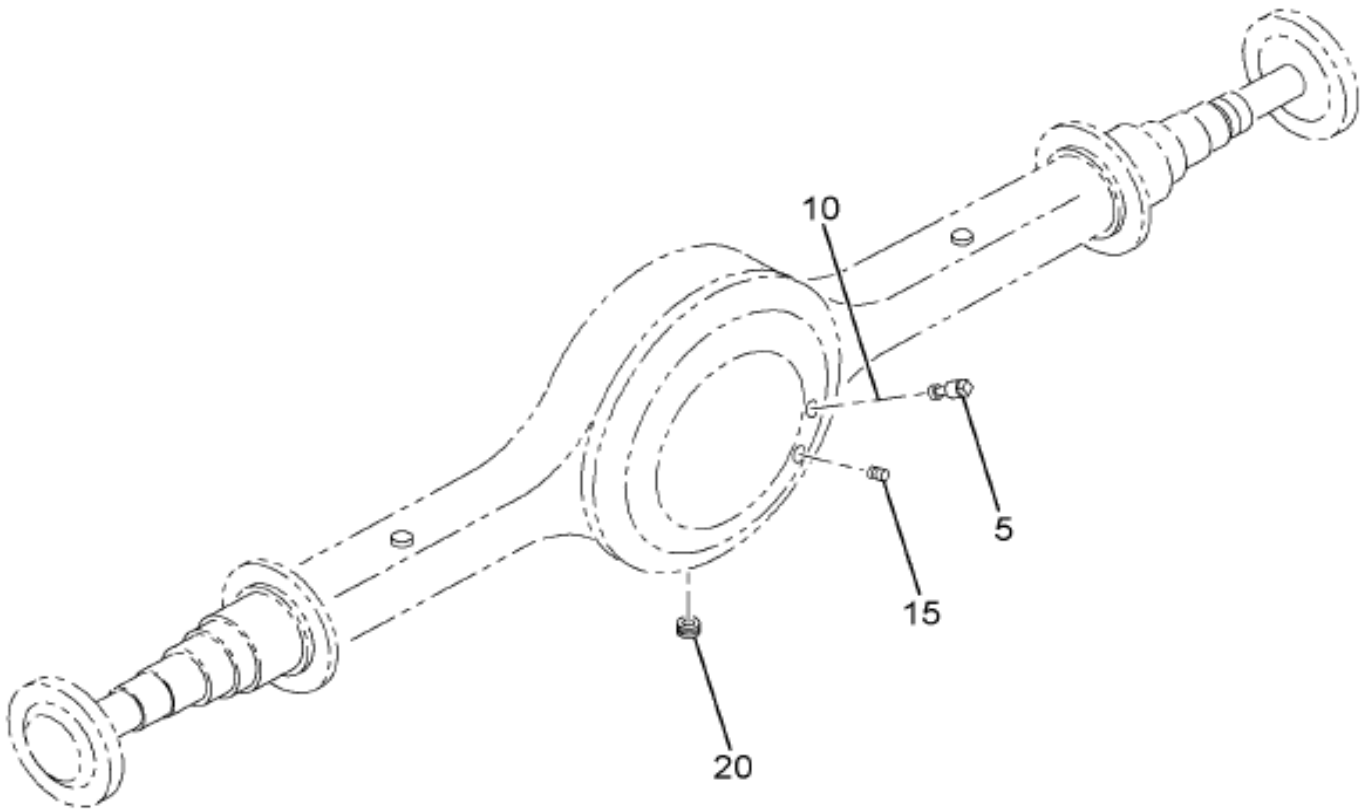


14-718-0001-01

A05

Item	Part No.	Qty	Description	Kit	Var	Figure
230	3566911C1	1	PROD GRAPH,LABEL CAUTION,MERTR		0H9F4	
230	3566915R1	1	MANUAL,INST,TECH SERVICE AID		0H9F4	

Figure 06WX8
RR AXLE PLUG CHART



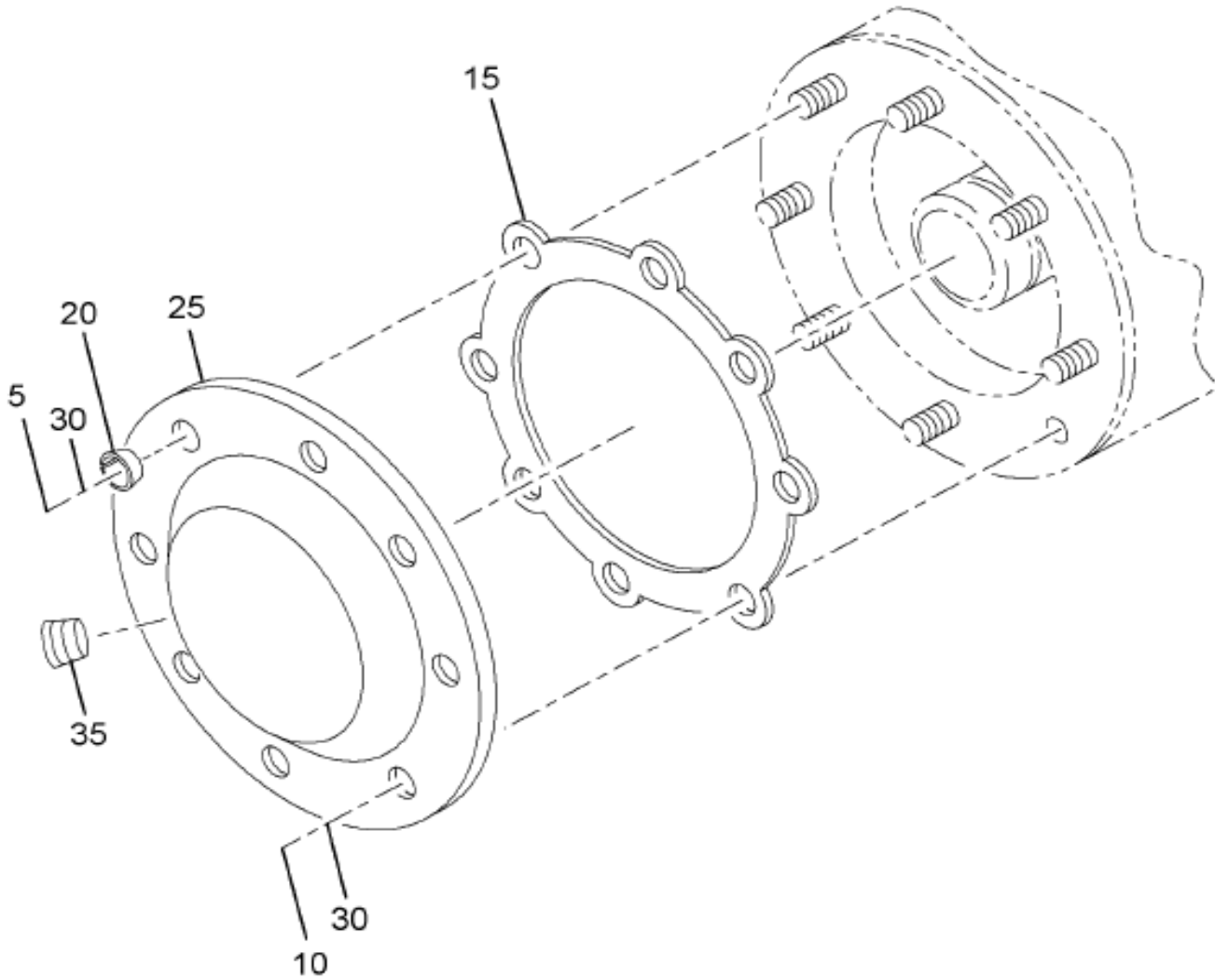
G
R
P
1
4

10-517-0002-A0

E09

Item	Part No.	Qty	Description	Kit	Var	Figure
5	586045C1	2	PLUG,SPECIAL 3/4-14 NPTF		06XB4	
15	586048C1	2	PLUG,SPECIAL 1/2-14 NPTF		06XB0	
20	586049C1	2	PLUG,MAGNETIC DRAIN 3/4NF		06XGT	

Figure 0DMPJ
RR AXLE SHAFT MTG HDWE

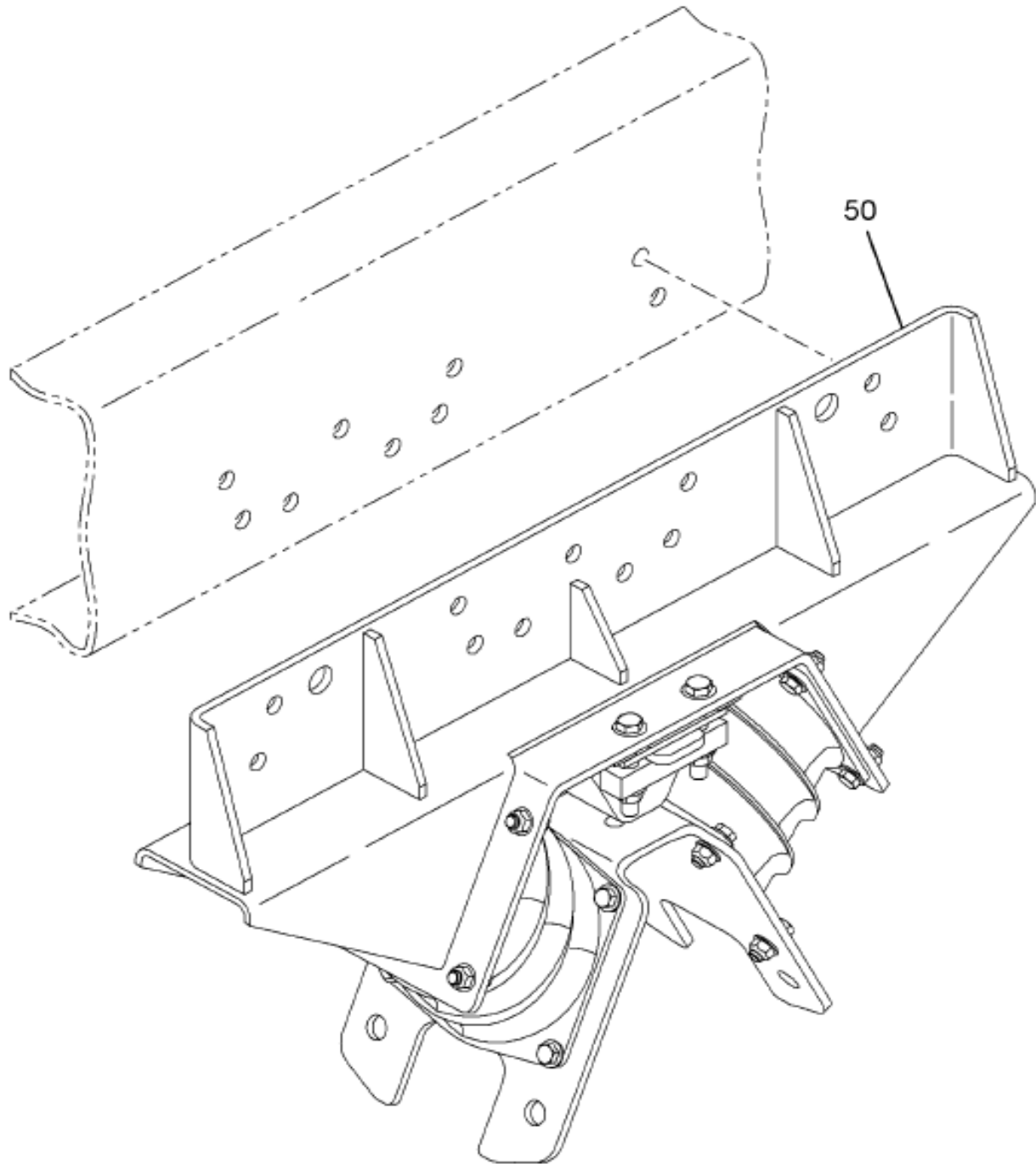


14-739-0005-01

D09

Item	Part No.	Qty	Description	Kit	Var	Figure
5	2003027C1	14	NUT, HEX AXLE SHAFT 3/4NF		0DMQW	
5	2003027C1	14	NUT, HEX AXLE SHAFT 3/4NF		0N504	
10	2017187C1	2	BOLT, AXLE SHAFT FLG*3/4NC-2.0		0DMQW	
10	2017187C1	2	BOLT, AXLE SHAFT FLG*3/4NC-2.0		0N504	
15	3566160C1	2	GASKET, AXLE SHAFT FLG 200 WE		0DMQW	
15	3566160C1	2	GASKET, AXLE SHAFT FLG 200 WE		0N504	

Figure 07QT9
RR SPRING SUSP INSTL; HN SERIES



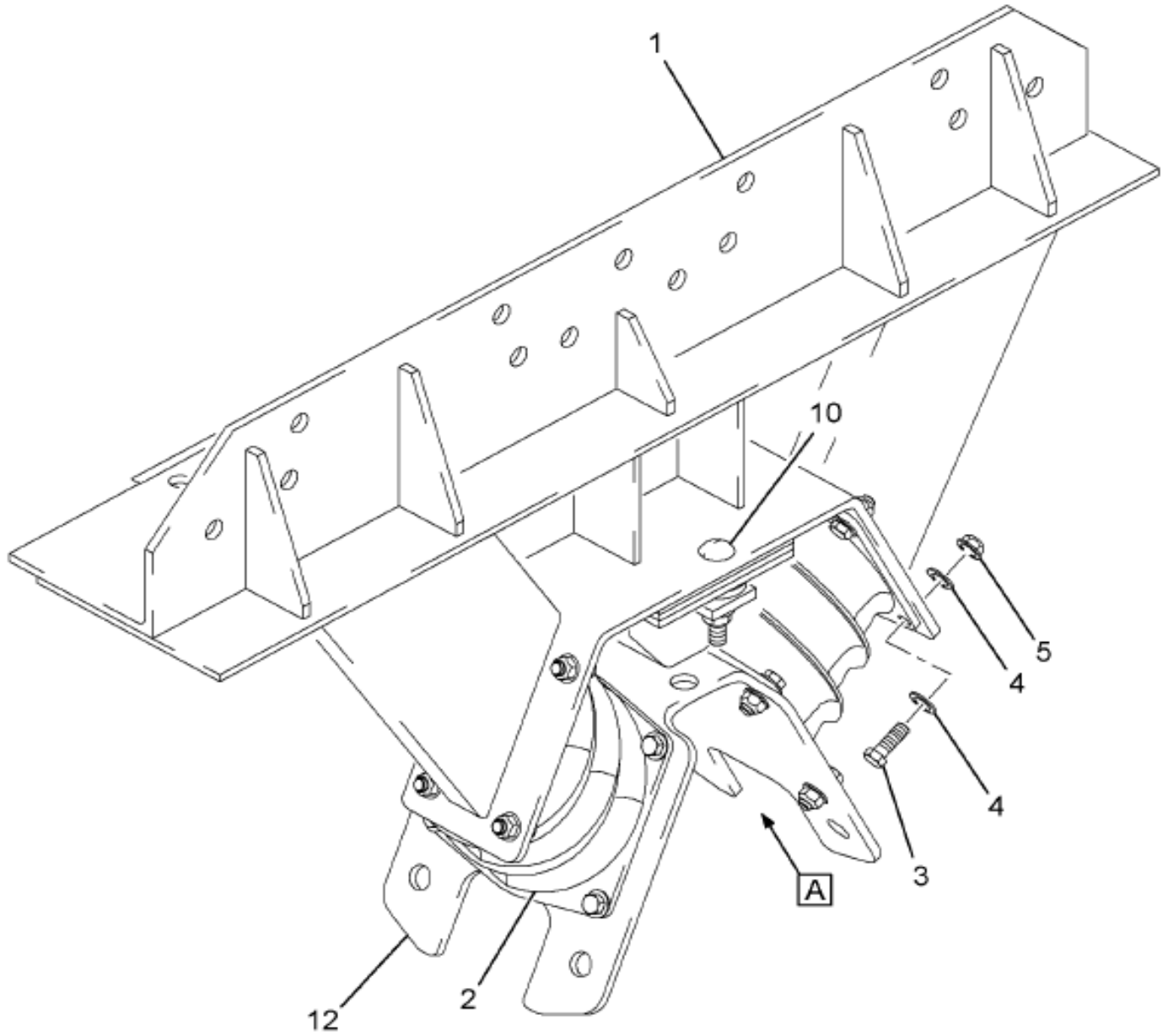
14-550-0074-BA

H04

Item	Part No.	Qty	Description	Kit	Var	Figure
50	3563253C92	2	SADDLE, REAR SPRING & EQUAL BEA		07R0S	3563253C92
50	1518208C1	22	BOLT, HUCK 5/8 DIA		07R0S	
50	1518213C1	22	COLLAR, HUCK 5/8 DIA.		07R0S	

G R P 1 4

Figure 3563253C92
SADDLE, REAR SPRING & EQUAL BEA

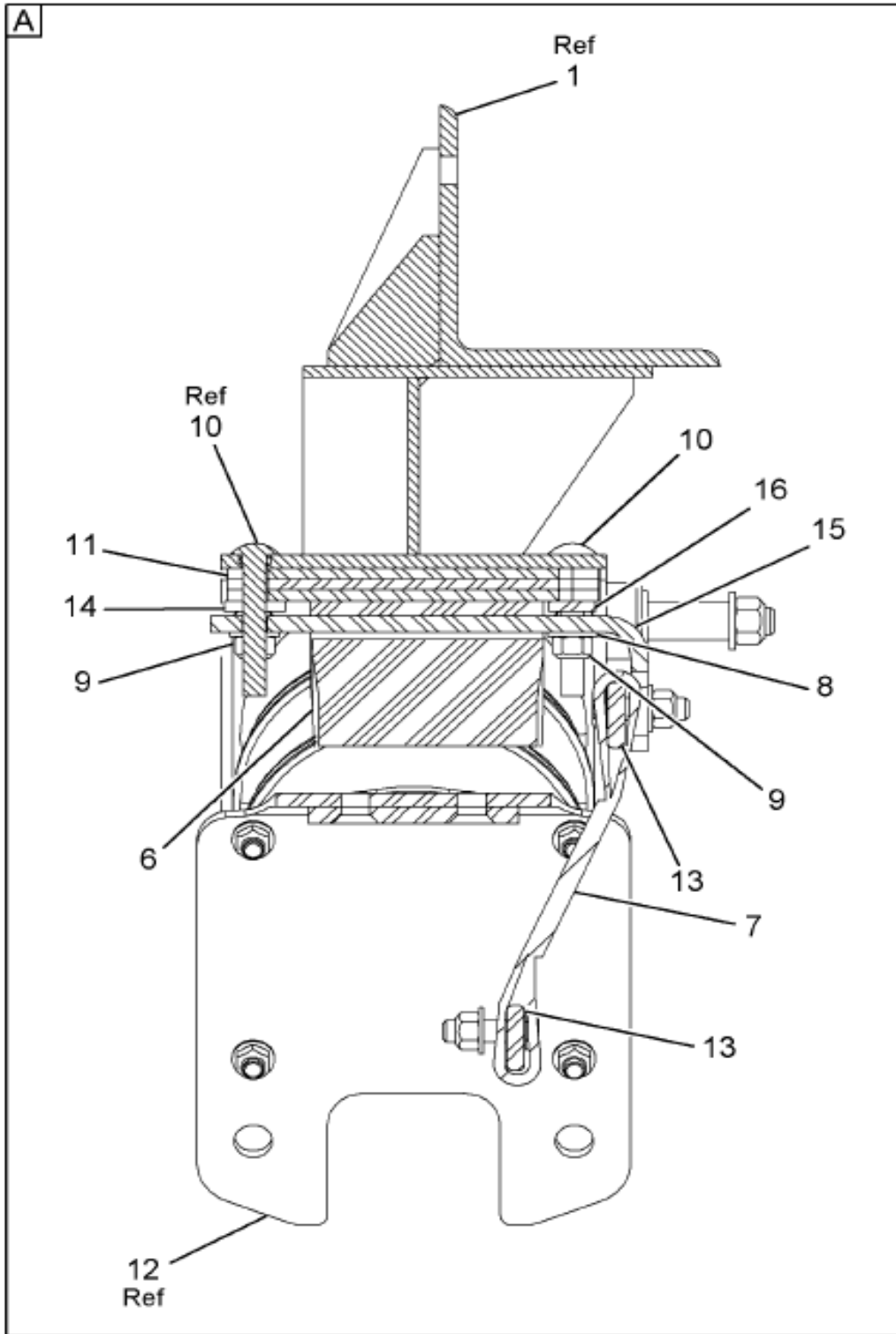


14-550-0051-00

H04

Figure 1 of 2

Figure 3563253C92
SADDLE, REAR SPRING & EQUAL BEA



14-550-0052-01

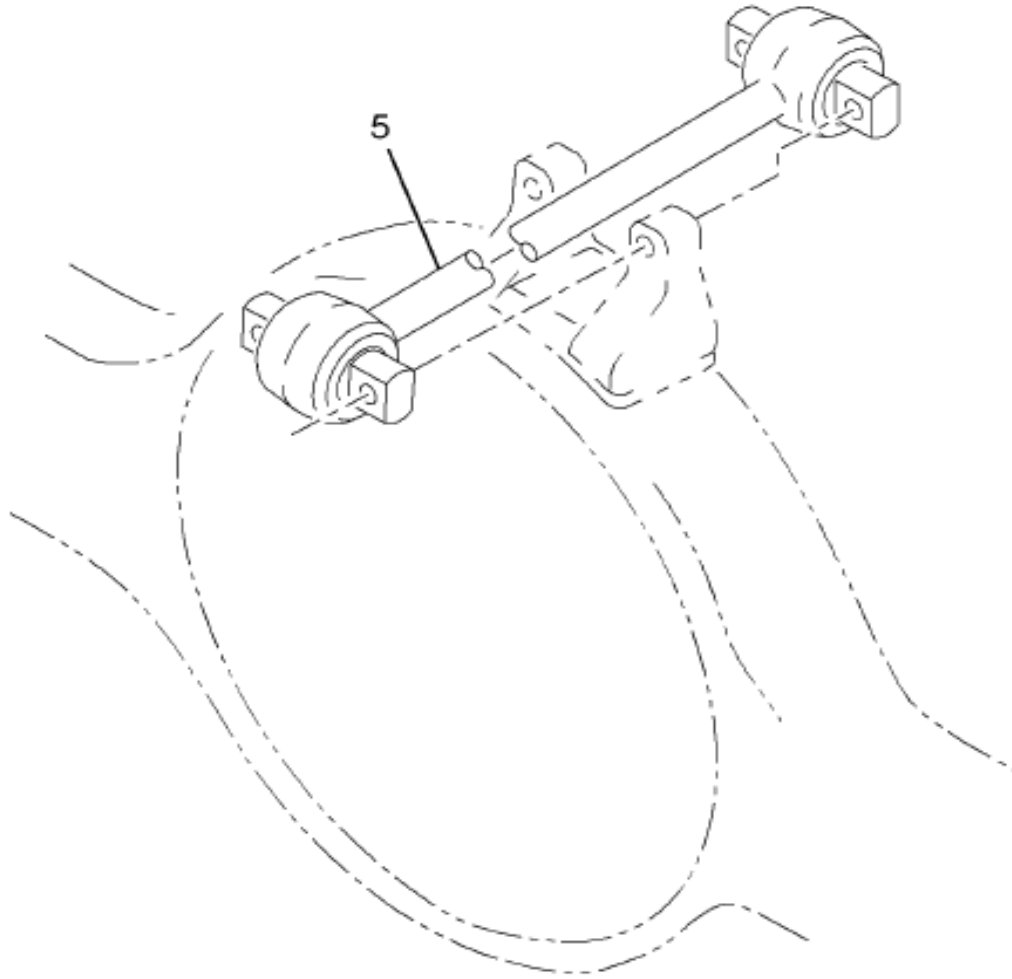
H04

Item	Part No.	Qty	Description	Kit	Var	Figure
1	RF		SADDLE FABRICATION			
2	RF		RUBBER, BOLSTER	A		
3	80298R1	16	BOLT, 7/16-NF X 1-1/2 PHC TYPE			
4	25846R1	32	WASHER, FLAT 7/16			
5	273896	16	NUT, 7/16-NF PHC P/T LOCK TYPE			
6	2506183C1	1	SPRING, ASSY AUX RUBBER			

Grp 14

Figure 0HJS0

RR SUSP PARTS; TORQUE ROD ASM, FWD/RR; 23 1/2"



14-758-0003-01

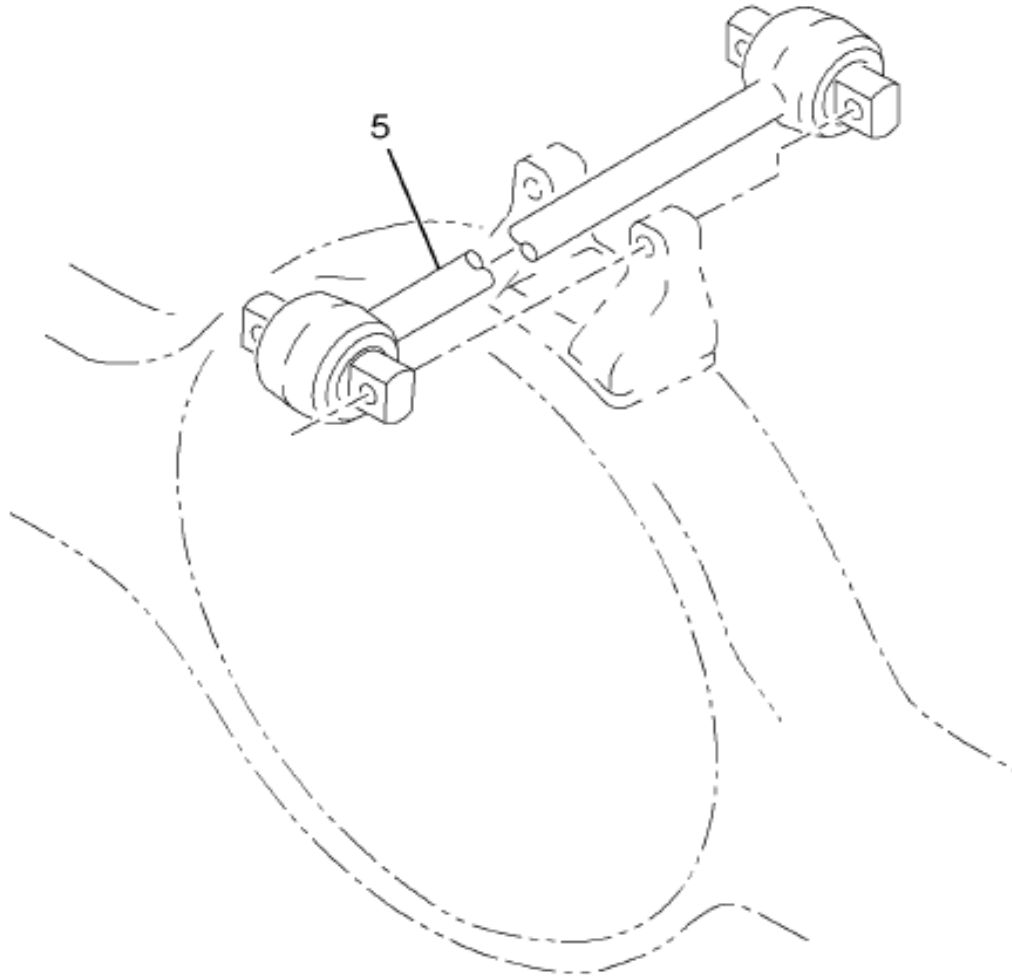
H04

Item	Part No.	Qty	Description	Kit	Var	Figure
5	3554442C91	1	ROD, ASSY TORQUE 2-BOLT 23.5 LG		0HJS0	

G
R
P
1
4

Figure 0FVR5

RR SUSP PARTS; TORQUE ROD ASM, RR/RR; 29"

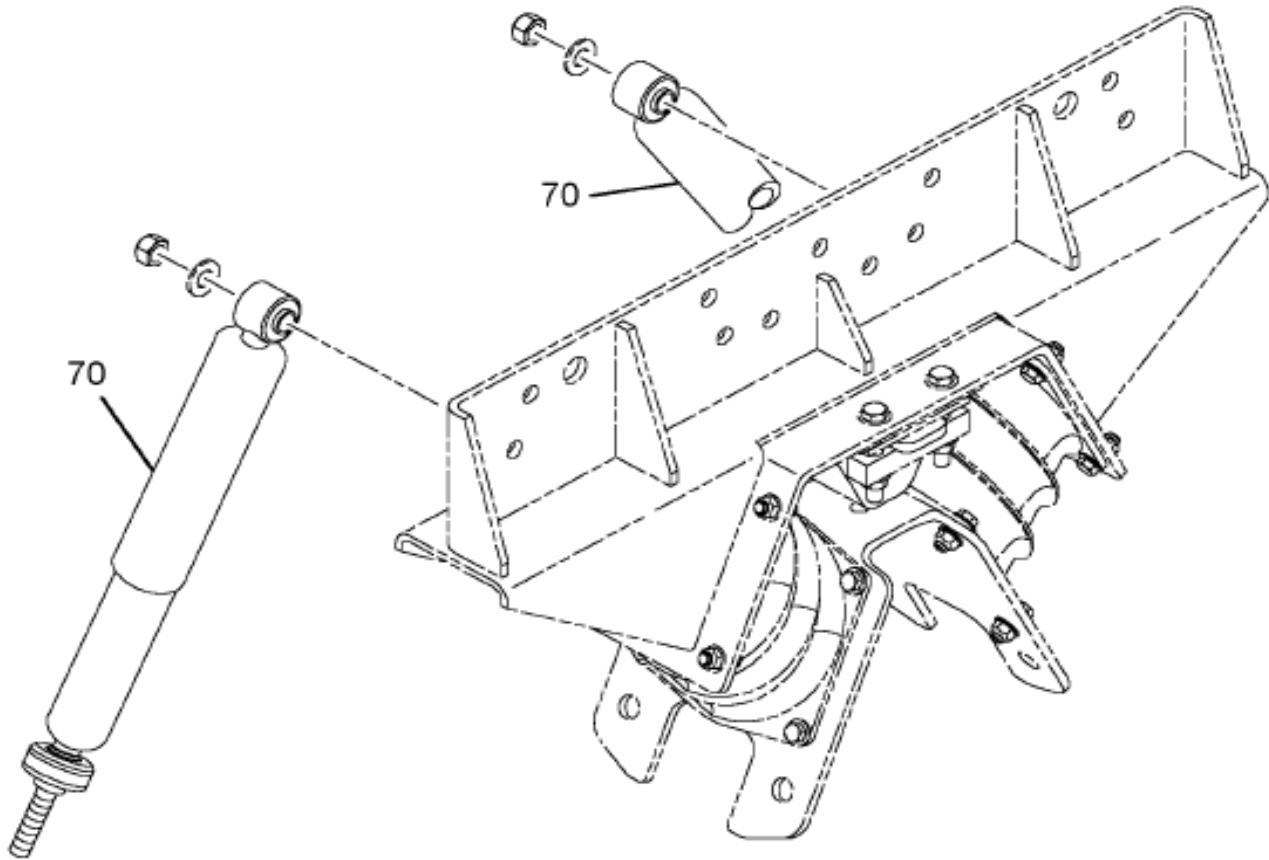
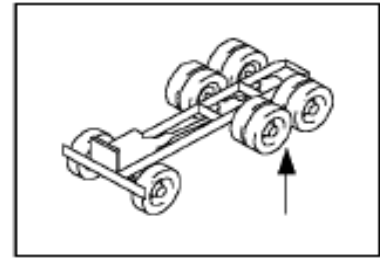


14-758-0003-01

H04

Item	Part No.	Qty	Description	Kit	Var	Figure
5	1661935C91	1	ROD ASSY TORQUE 29" LG		0FVR5	

Figure 07R2S
SHOCK ABSORBER & MTG



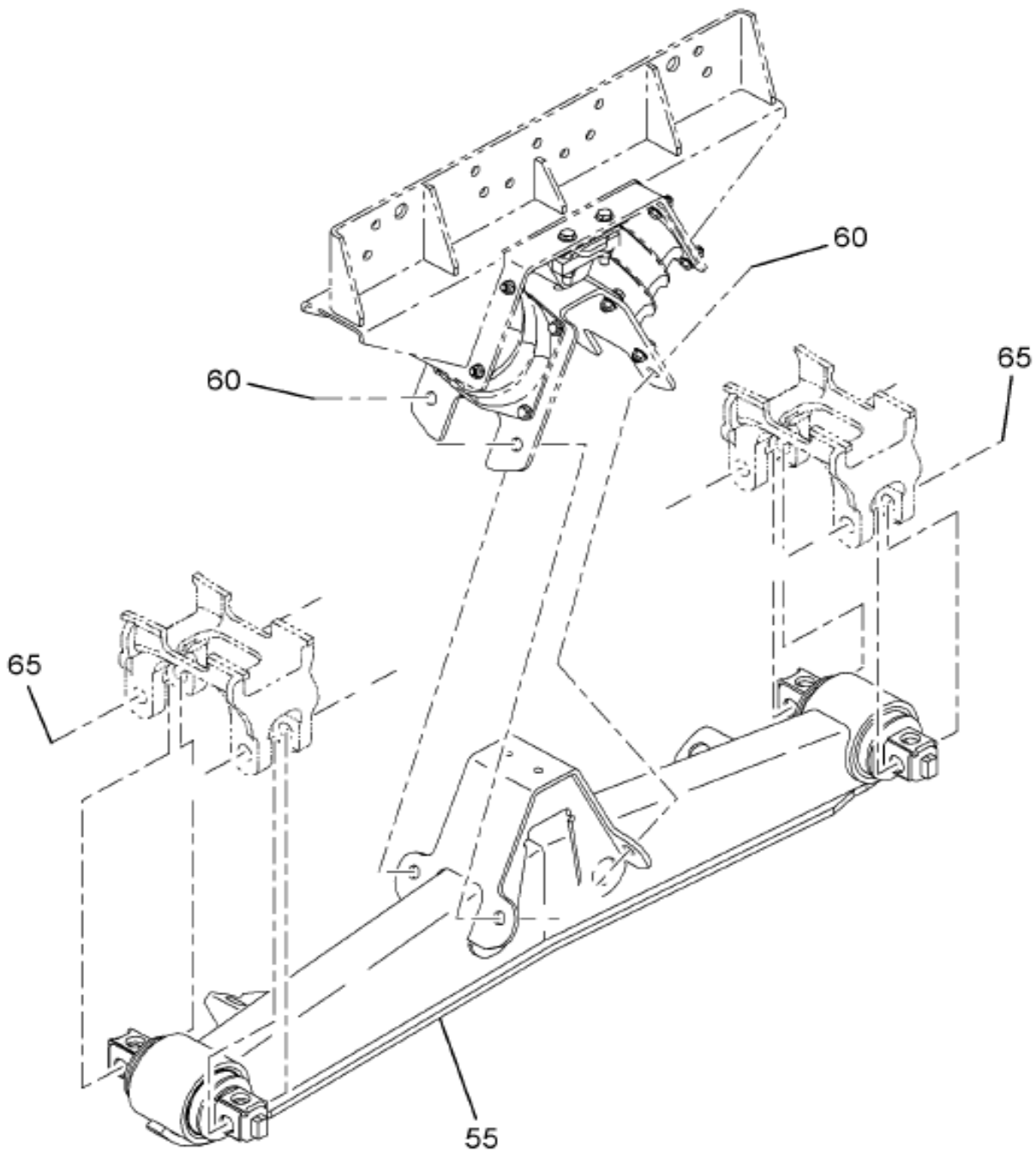
Grp
14

14-325-0024-DA

M02

Item	Part No.	Qty	Description	Kit	Var	Figure
70	3515265C1	4	ABSORBER,SHOCK LT & RT 1 3/8		07R2S	

Figure 07R21
SUSPENSION BEAM INSTL; REAR, HN SERIES

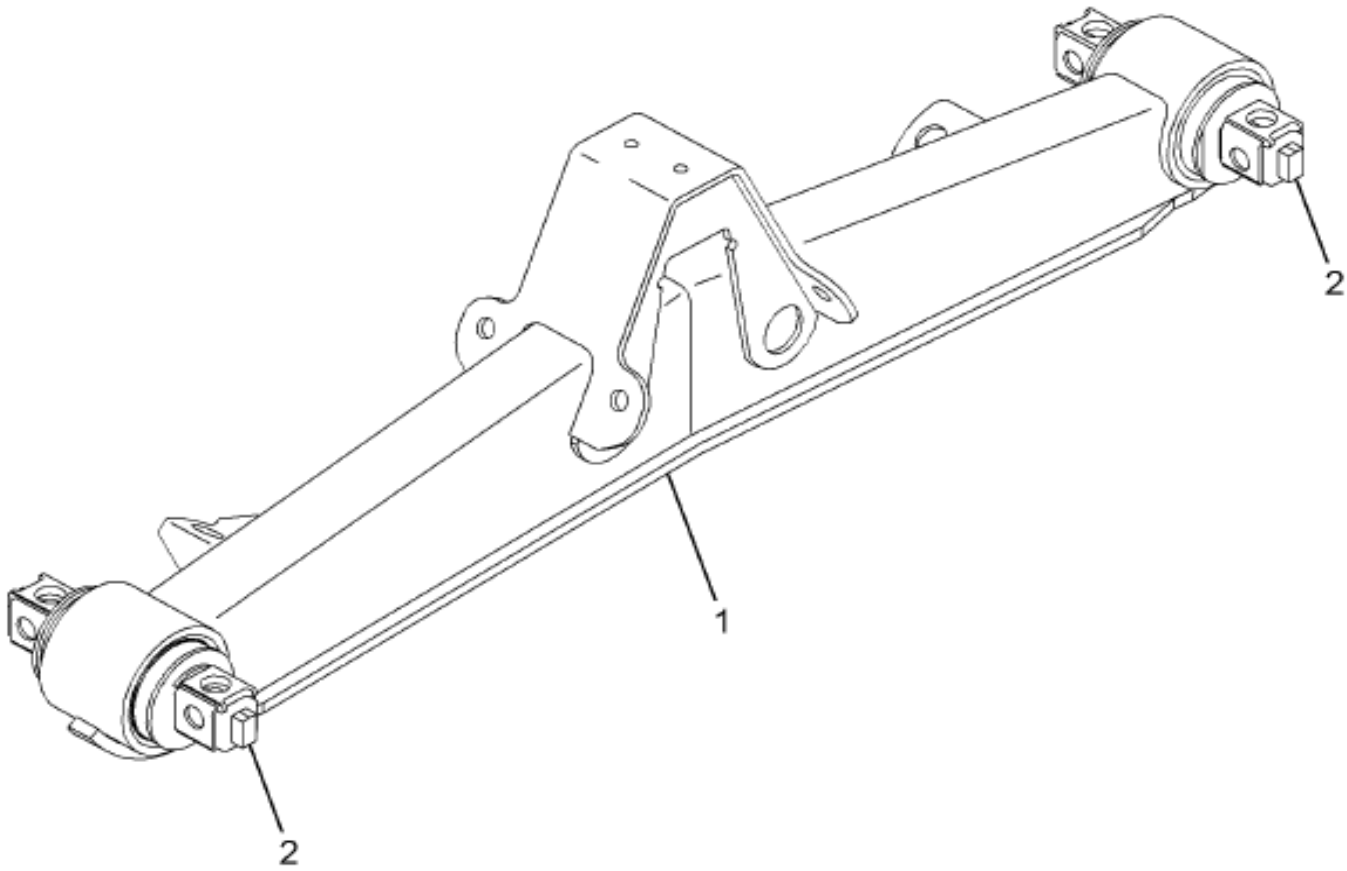


14-323-0027-CA

H04

Item	Part No.	Qty	Description	Kit	Var	Figure
55	3516037C92	2	BEAM,ASSY EQ W/BUSH 54 HN-402		07R24	3516037C92
60	24888R1	8	BOLT, 3/4 X 2 PHC TYPE 8		07R24	
60	25712R1	16	WASHER, .812X1.500X.179 H		07R24	
60	9413983	8	NUT,HEX 3/4 NC LOCK		07R24	
65	25996R1	8	BOLT, 1 X 6 PHC TYPE 8		07R24	
65	390312C1	8	WASHER, 1.062 X 2.000 X .134 H		07R24	

Figure 3516037C92
 BEAM, ASSY EQ W/BUSH 54 HN-402



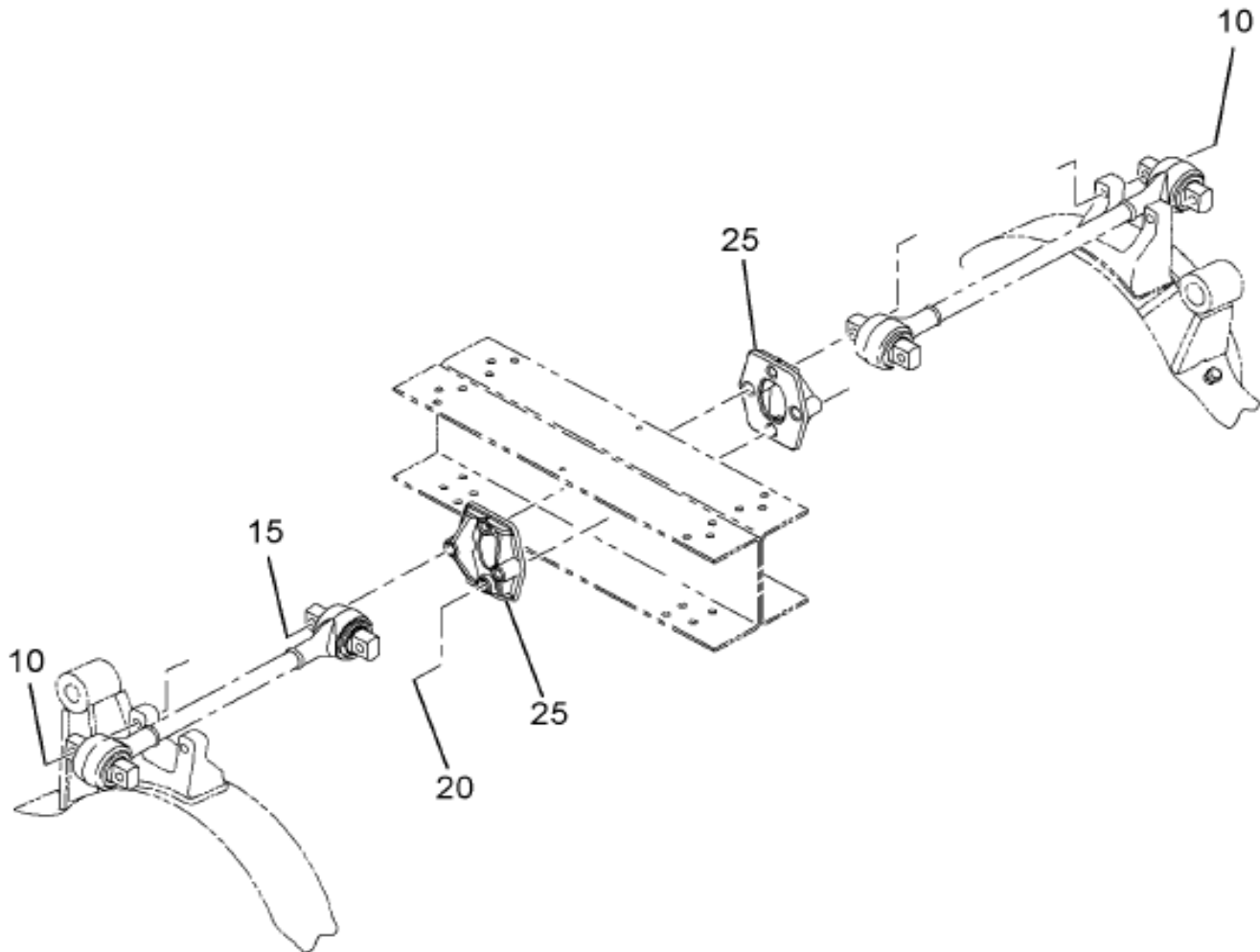
14-323-0038-01

B04

Item	Part No.	Qty	Description	Kit	Var	Figure
1		RF	BEAM, EQUILIZER BASIC NSS			
2		RF	BUSHING ASM	A		
801	1685931C91	KT	KIT, BEAM END BUSHING W/SHIM			
801		RF	(CONSISTS OF PARTS DENOTED BY A)			
880		RF	NOTE: ASM BELOW COMPRISED OF ABOVE COMPONENTS			

Figure 07RTF

TORQUE ROD INSTL; LONGITUDINAL, W/HEND HN SUSP

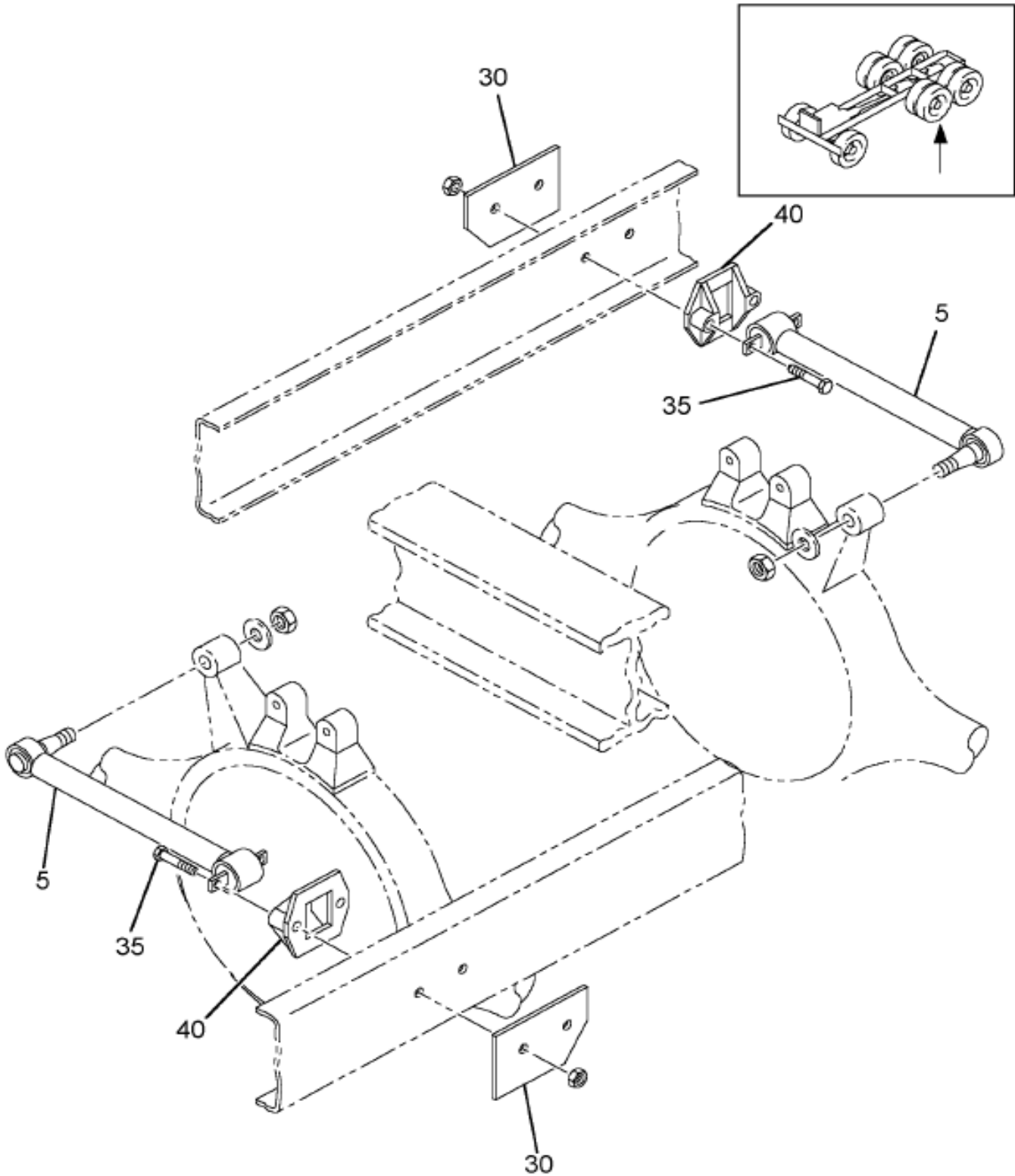


14-552-0045-BA

H04

Item	Part No.	Qty	Description	Kit	Var	Figure
10	31077R1	4	BOLT, M16 X 100 PHC CL 10.9 FL		07RTF	
10	30756R1	4	NUT, HEX M16 PRVTRQ		07RTF	
15	576187C1	2	BOLT, FLGD HEX HEAD 5/8-18		07RTF	
15	414089C1	2	NUT, FLG HD LK 5/8 NF		07RTF	
25	752999C1	2	BRACKET, TORQUE ROD FRAME		0LHYR	

Figure 07RTC
TRANSVERSE TORQUE ROD INSTL; W/HEND HN SUSP



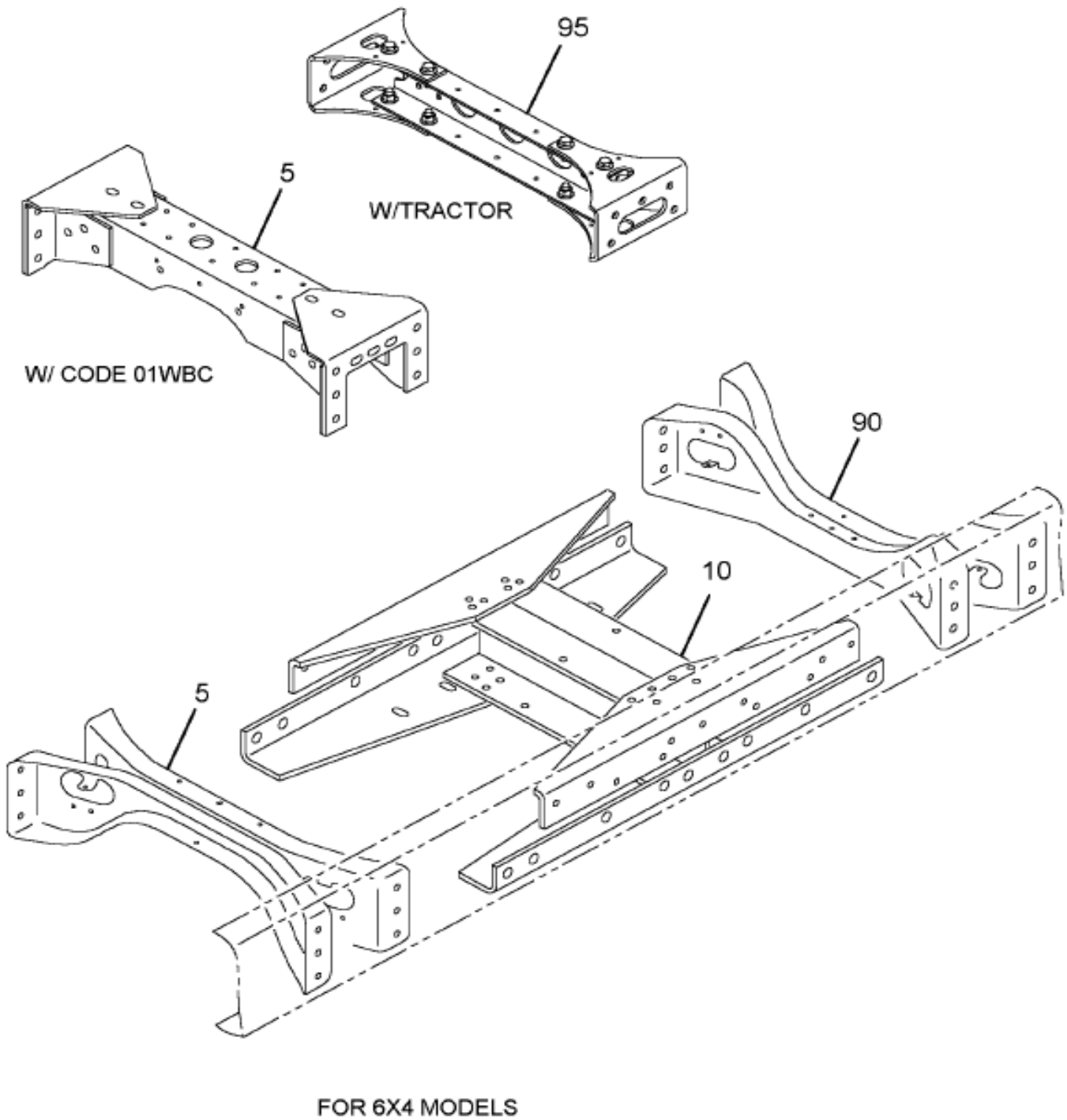
14-551-0026-AA

L02

Item	Part No.	Qty	Description	Kit	Var	Figure
5	491546C91	2	ROD, TORQUE		0J57H	
5		REF	WASHER, 1.312X2.750X.134 P		07RTC	
5		REF	NUT, 1-1/4-NF P/T LOCK TYPE 8		07RTC	
30	1514921C1	2	BAR, TORQUE ROD BRKT		07RTC	
35	31078R1	4	BOLT, M16 X 120 PHC CL 10.9 FL		07RTC	
35	30756R1	4	NUT, HEX M16 PRVTRQ		07RTC	

Grp
14

Figure 07Q7J
XMBR SUSP BRKT; FRAME EFFECTS



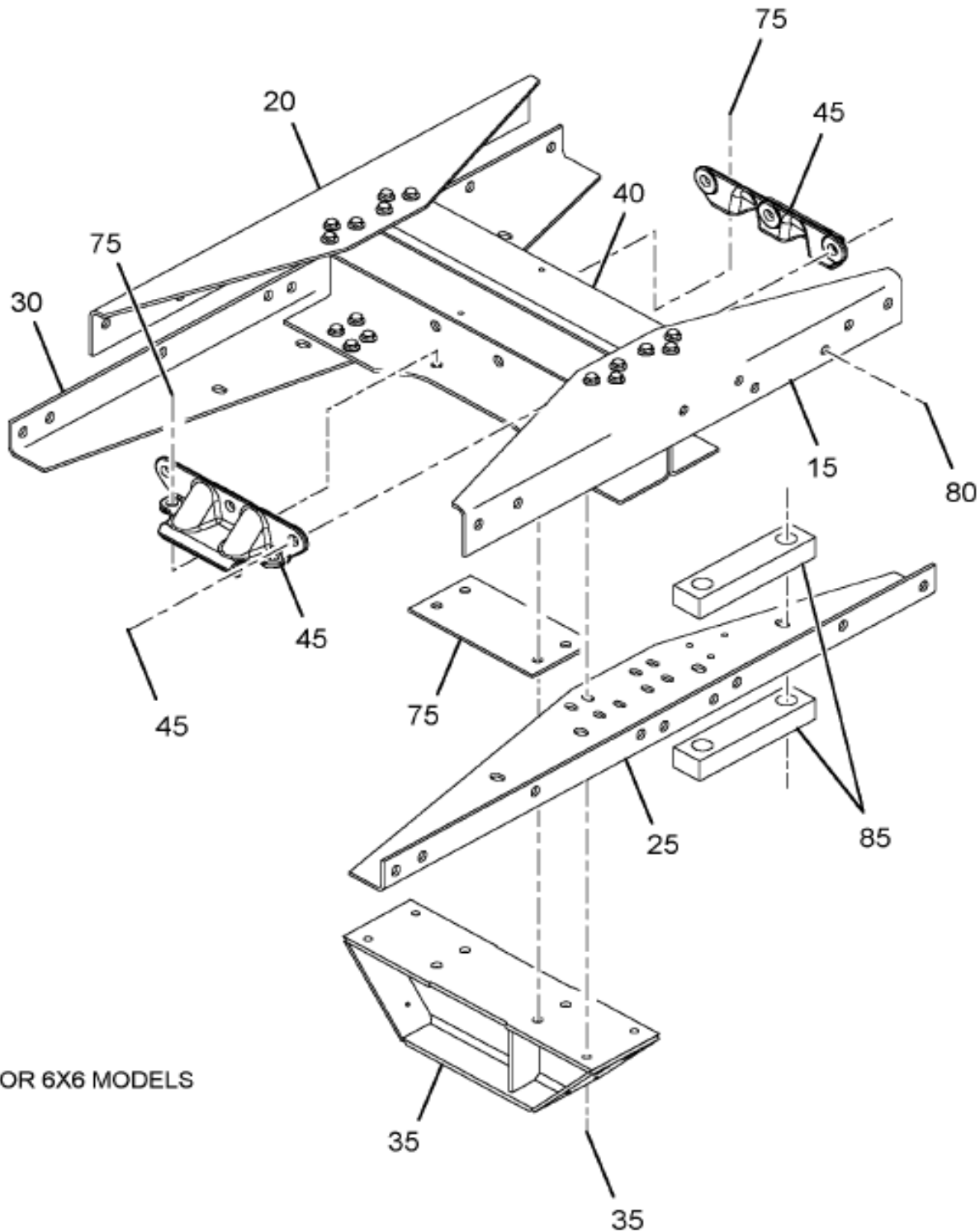
14-549-0080-AA

D04

Grp
14

Figure 1 of 2

Figure 07Q7J
XMBR SUSP BRKT; FRAME EFFECTS



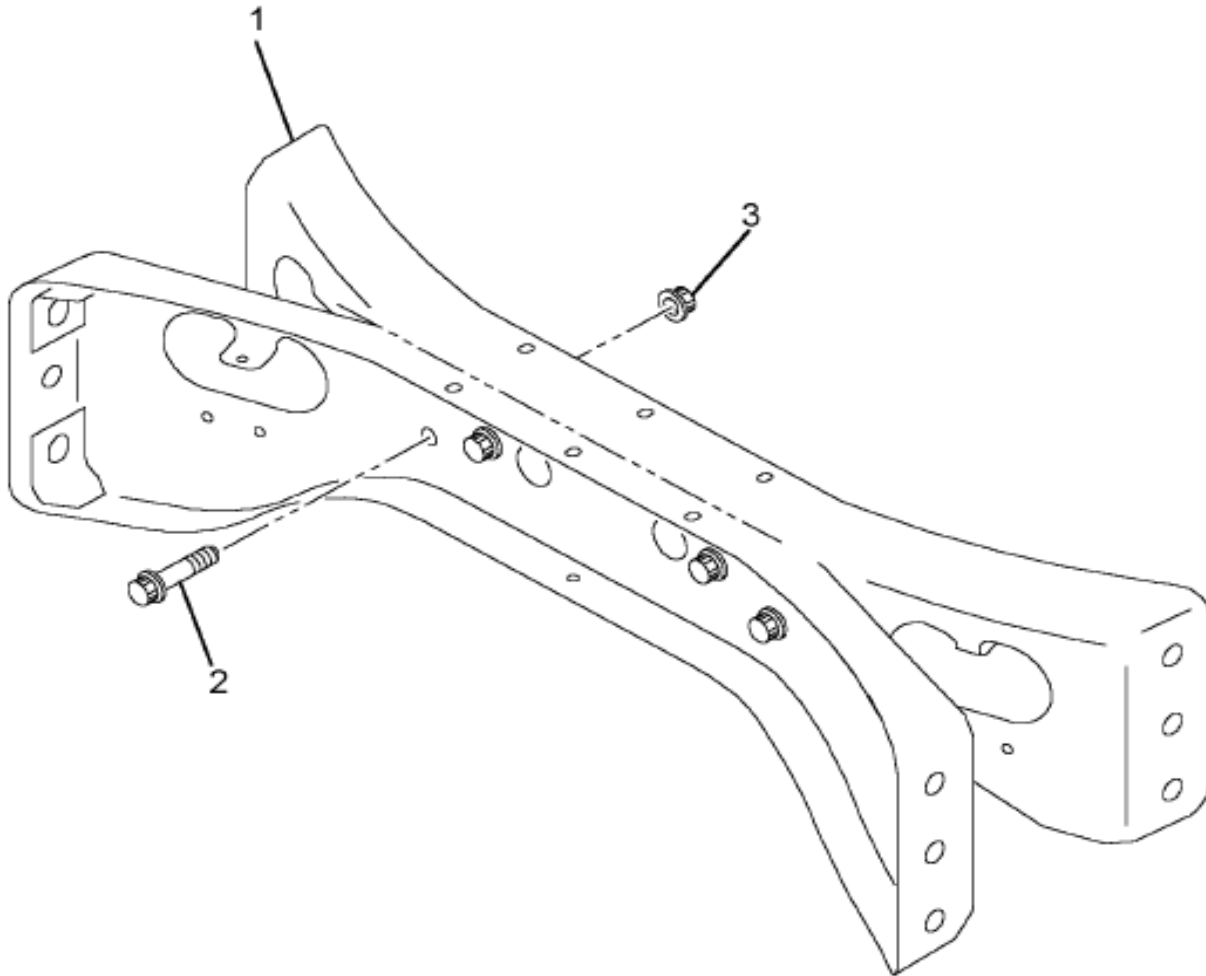
FOR 6X6 MODELS

14-549-0081-AB

G04

Item	Part No.	Qty	Description	Kit	Var	Figure
5	1664557C92	1	C MEMBER		07Q7M	1664557C92
5	1518208C1	8	BOLT,HUCK 5/8 DIA		07Q7M	
5	1518213C1	8	COLLAR, HUCK 5/8 DIA.		07Q7M	
10	3594746C1	2	CROSSMEMBER, BOGIE		0LCM4	
10	31086R1	24	BOLT, M20 X 50 PHC CL 10.9 FLG		07Q7J	
10	40204R1	24	NUT,HEX METRIC PREV. (SPR)		07Q7J	

Figure 1664557C92
C MEMBER

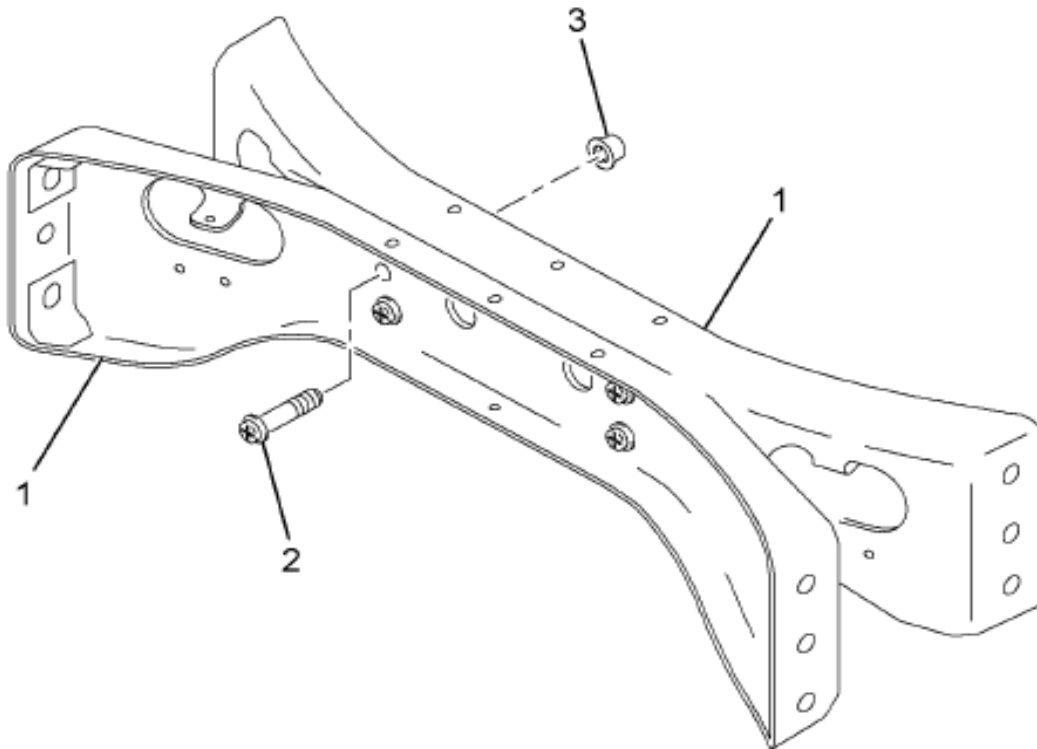


01-006-0033-00

M02

Item	Part No.	Qty	Description	Kit	Var	Figure
1	1664609C3	2	CROSSMEMBER			
2	3508419C1	4	BOLT,HUCK SPIN FASTENER 1/2"D			
2	414051C1	4	BOLT,HEX-HD 1/2-20 UNF X 1-1/4			
3	1518207C1	4	BOLT,HUCK			
3	414087C1	4	NUT, FLG HD LK 1/2-20			
880	RF		NOTE: ASM BELOW COMPRISED OF ABOVE			

Figure 1664559C92
C MEMBER

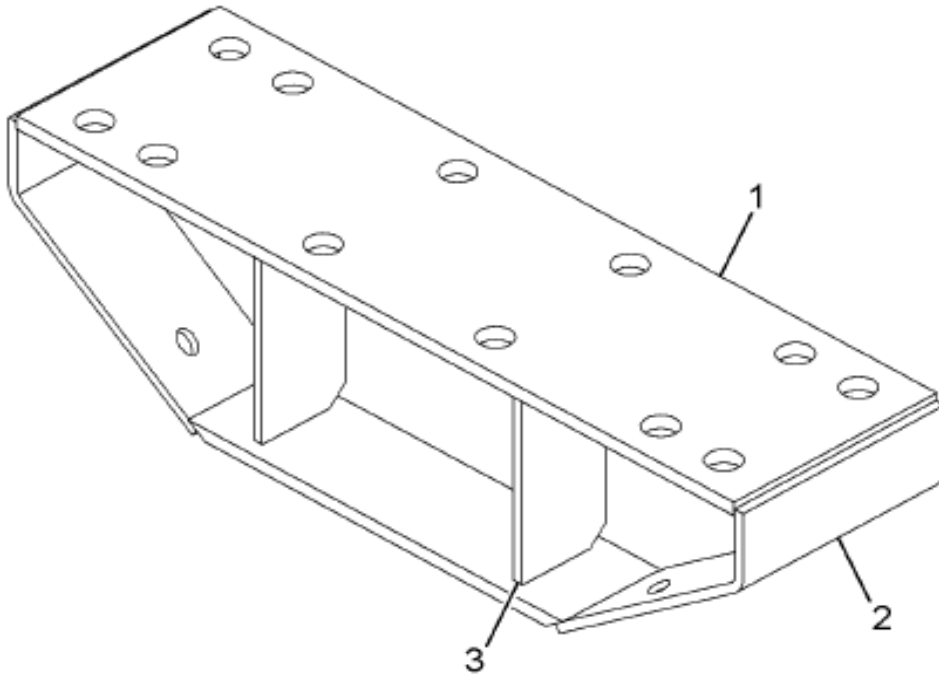


01-004-0099-00

C05

Item	Part No.	Qty	Description	Kit	Var	Figure
1	1660091C2	2	C MEMBER			
2	3508419C1	4	BOLT,HUCK SPIN FASTENER 1/2"D			
2	414051C1	4	BOLT,HEX-HD 1/2-20 UNF X 1-1/4			
3	1518207C1	4	BOLT,HUCK			
3	414087C1	4	NUT, FLG HD LK 1/2-20			
800	RF		NOTE: THE FOLLOWING PARTS ARE			

Figure 3595144C2
 SUPPORT,, ASSY, TORQUE ROD



14-549-0195-01

B08

Item	Part No.	Qty	Description	Kit	Var	Figure
1	3595143C1	1	SUPPORT,ASSY TORQUE ROD BRKT			
2	3595149C2	2	BAR,, SUPPORT ASSY			
3	425878C1	4	BAR,GUSSET			
880		RF	NOTE: ASM BELOW COMPRISED OF ABOVE COMPONENTS			
881	3595144C2	RF	SUPPORT,, ASSY, TORQUE ROD			

Group 15 Fuel Tanks

G
R
P
1
5

Figure 0H3G3
FUEL HOSEING INSTL

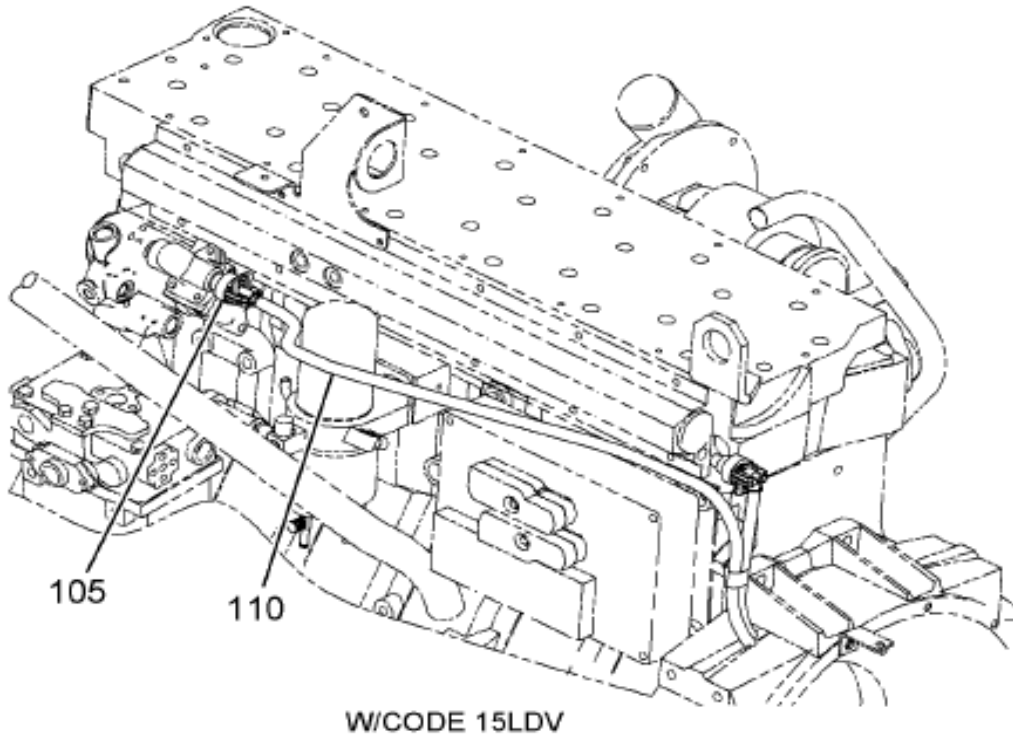
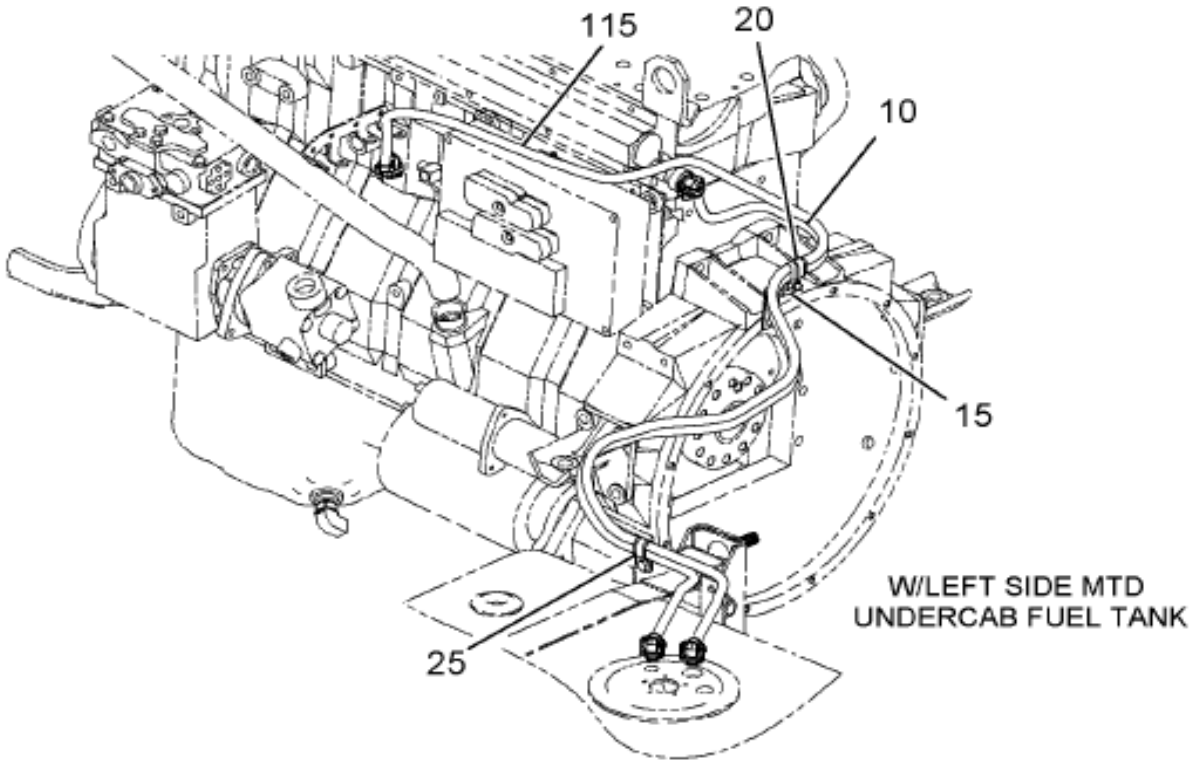
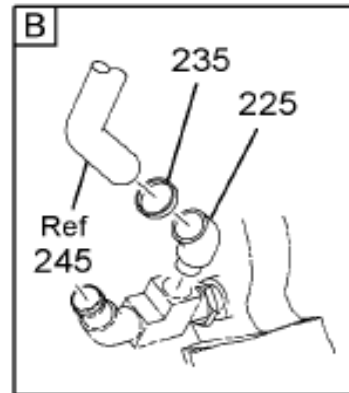
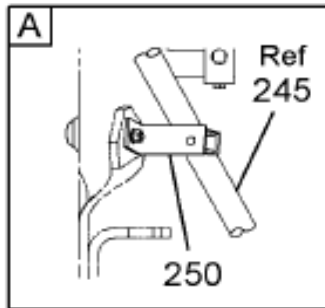
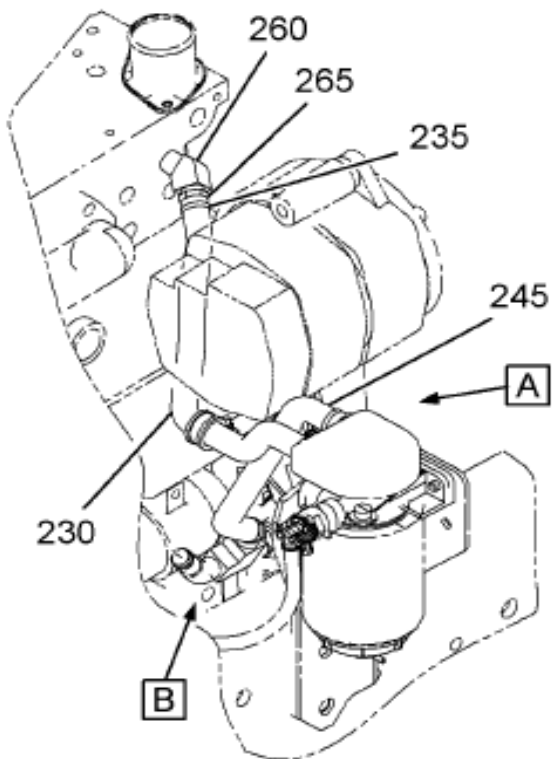
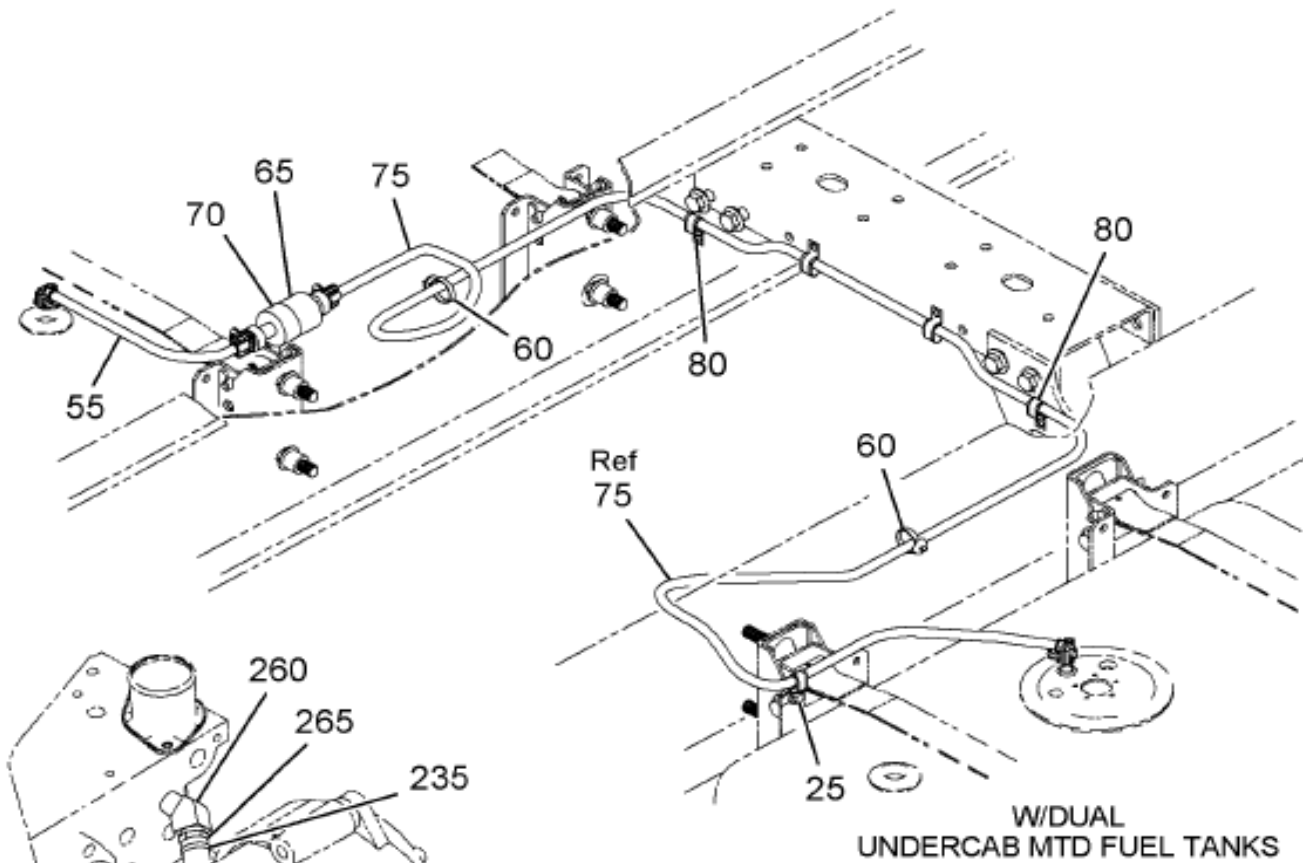


Figure 1 of 8

Figure 0H3G3
FUEL HOSEING INSTL



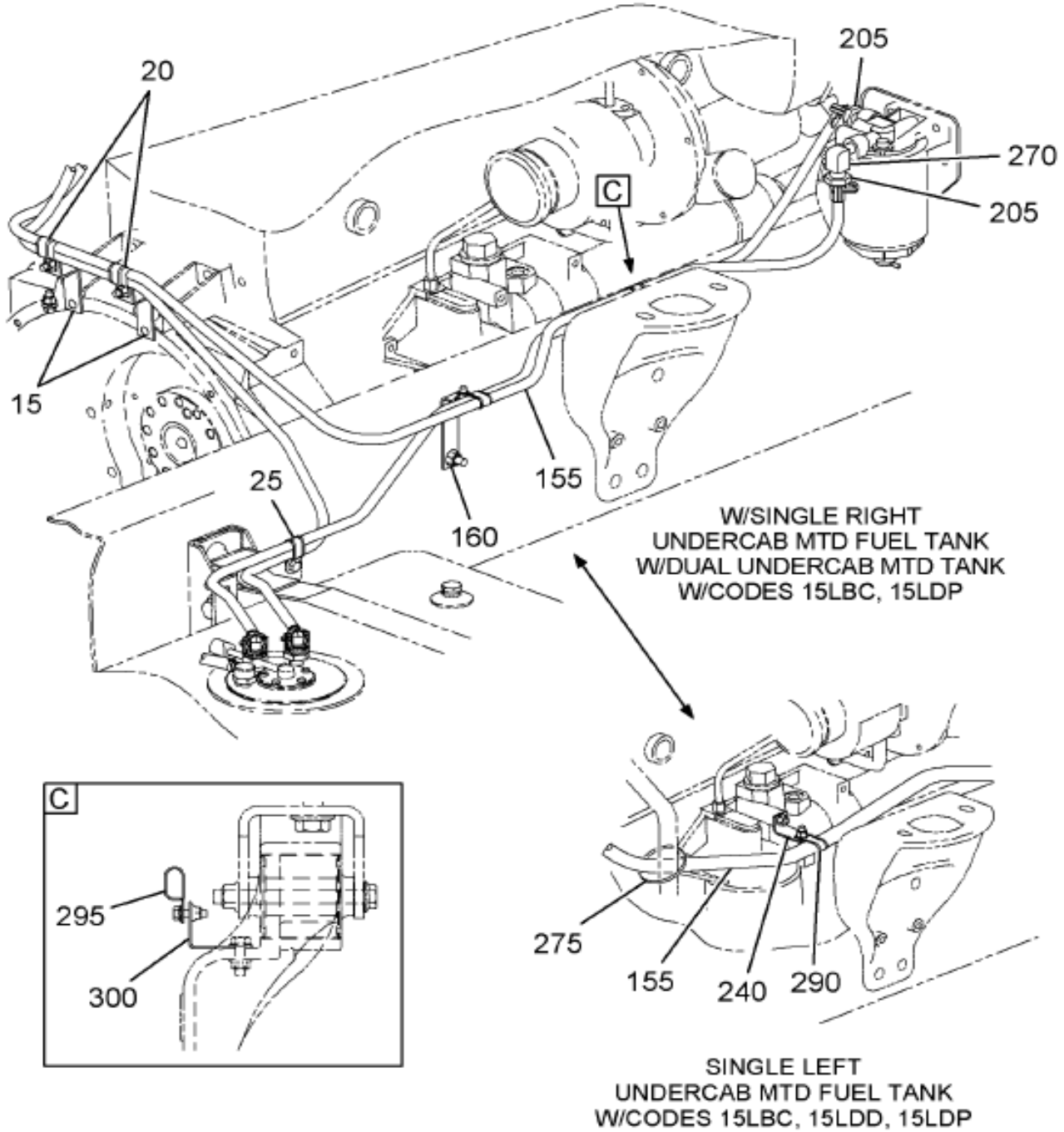
15-336-0081-01

C05

Grp
15

Figure 2 of 8

Figure 0H3G3
FUEL HOSEING INSTL

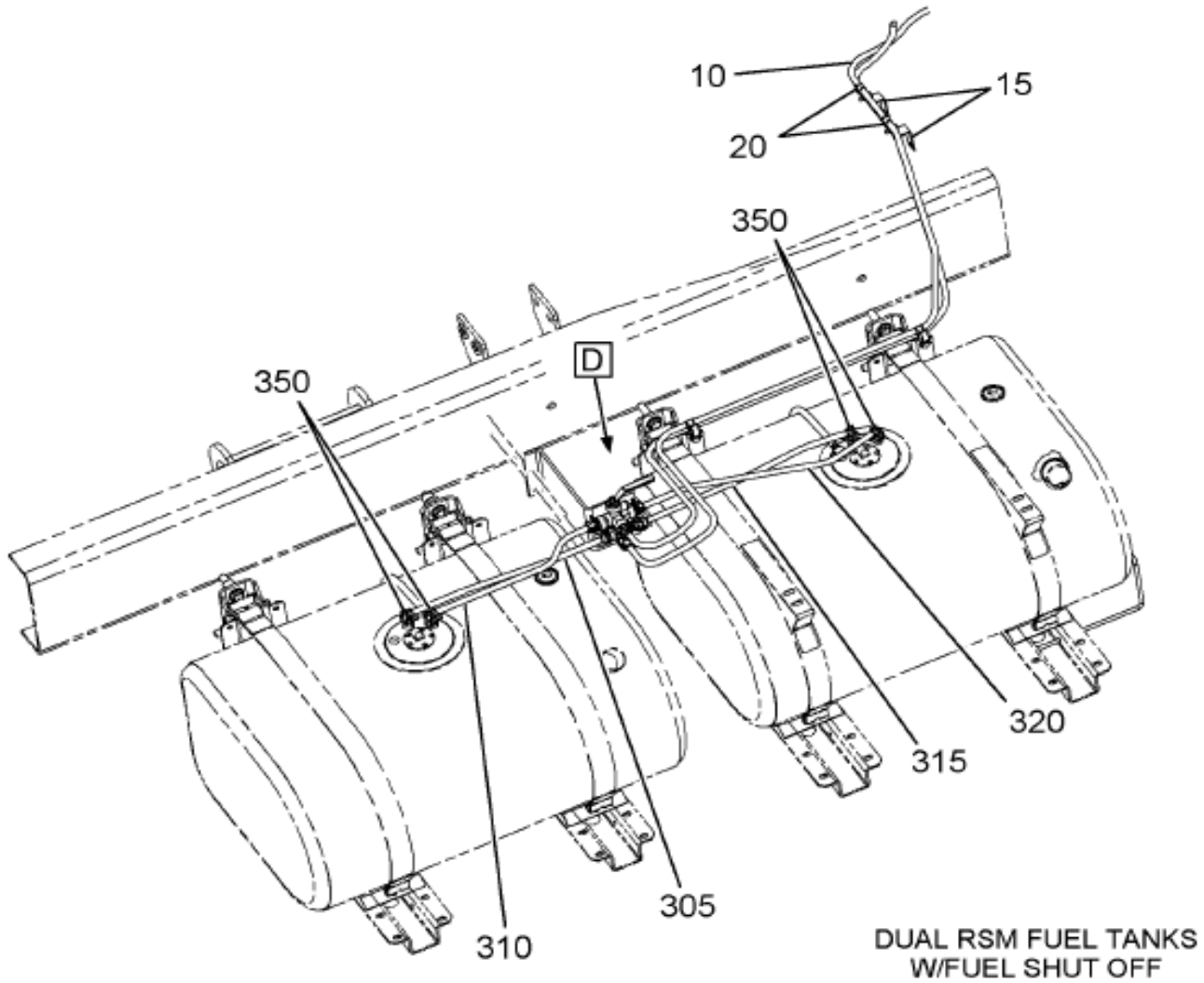


15-336-0082-01

C05

Figure 3 of 8

Figure 0H3G3
FUEL HOSEING INSTL



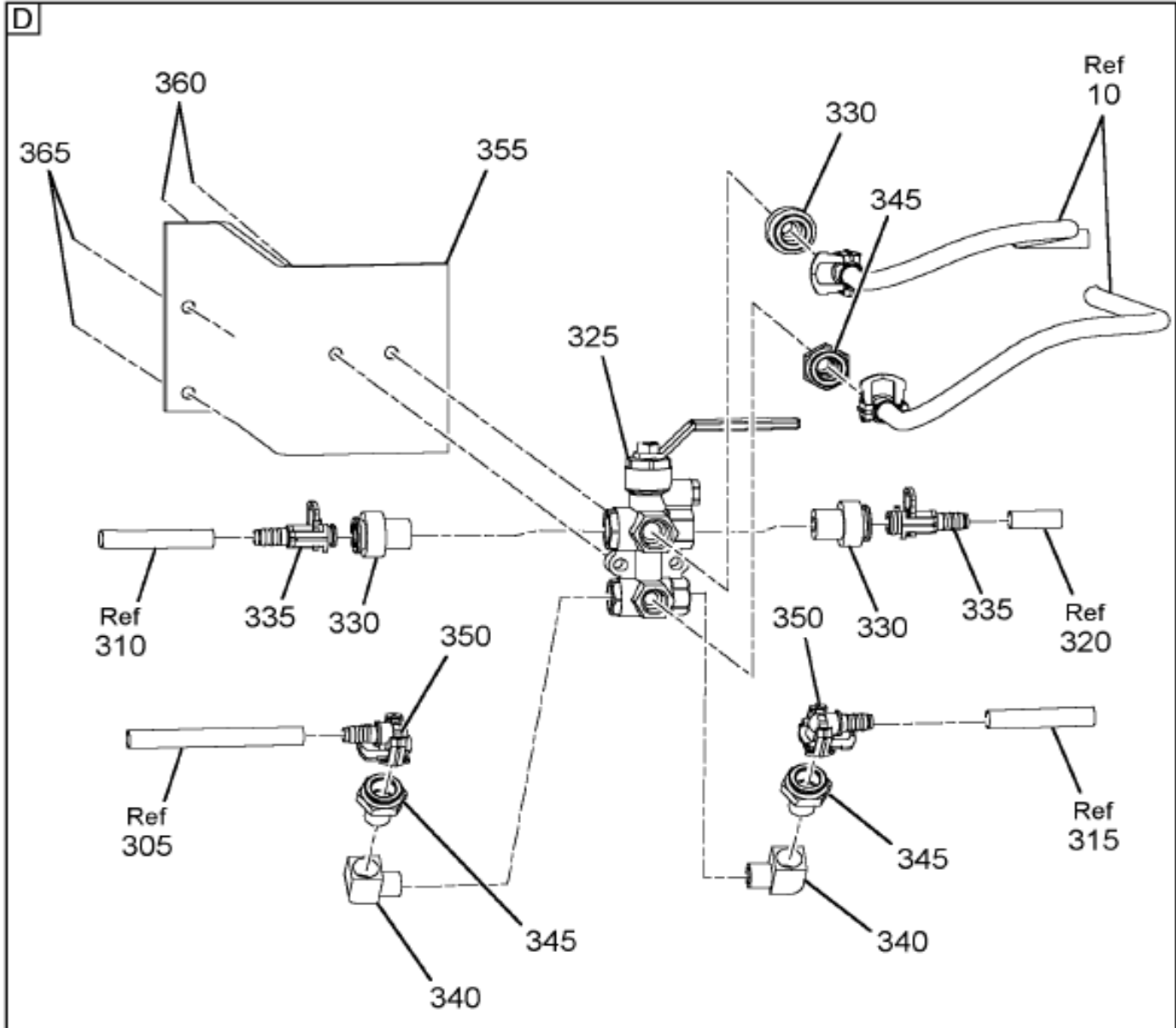
15-336-0083-01

C05

GROUP
15

Figure 4 of 8

Figure 0H3G3
FUEL HOSEING INSTL

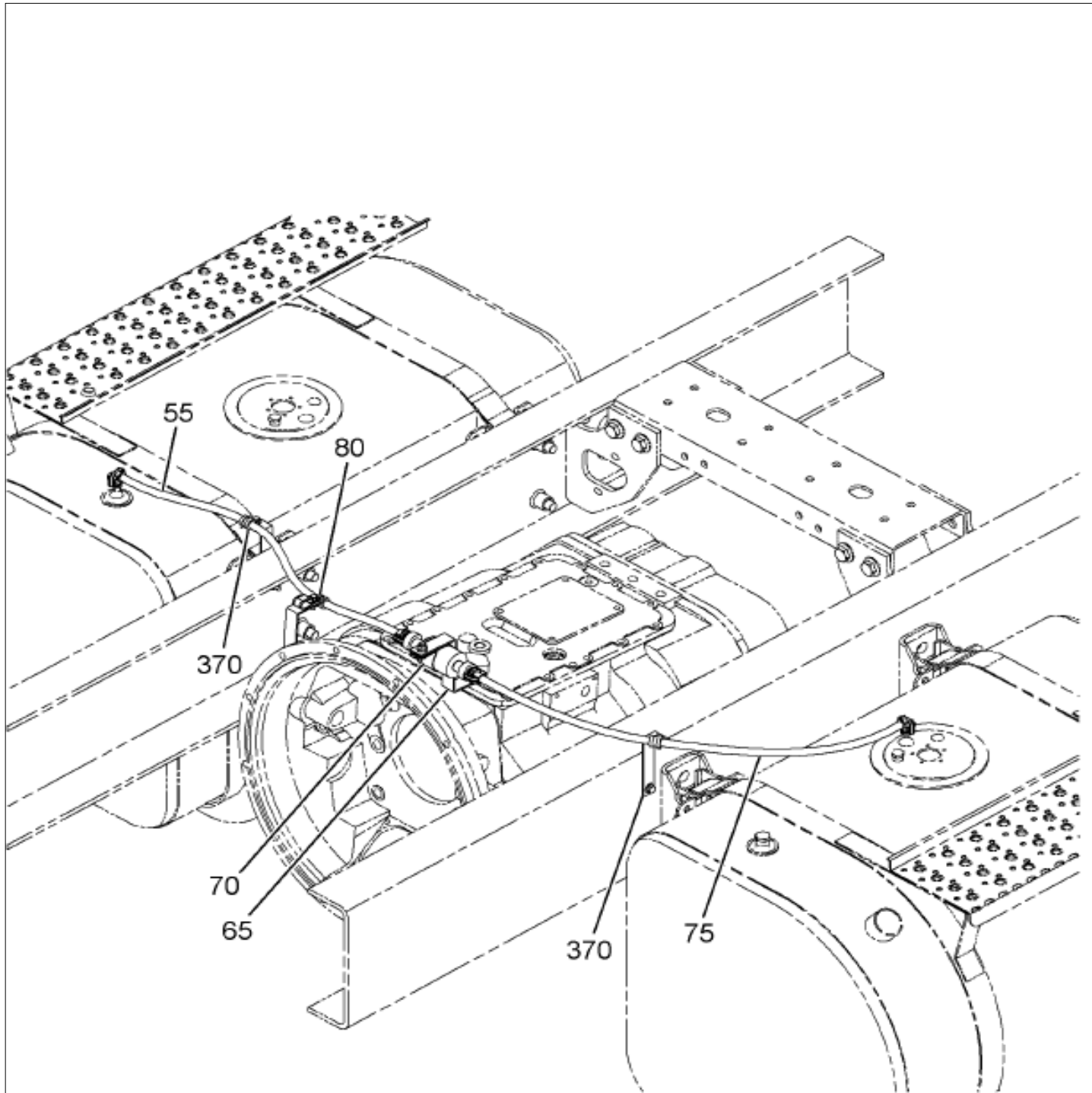


15-336-0083-02

C04

Figure 5 of 8

Figure 0H3G3
FUEL HOSEING INSTL



M-NGV-SS-MRD
 W/I-308 ENGINE
 W/15DMU, 15DMR, 15DMN
 W/F-FULLER-AIR-TRANS
 N/13WAR, 13WAS

15-336-0083-03

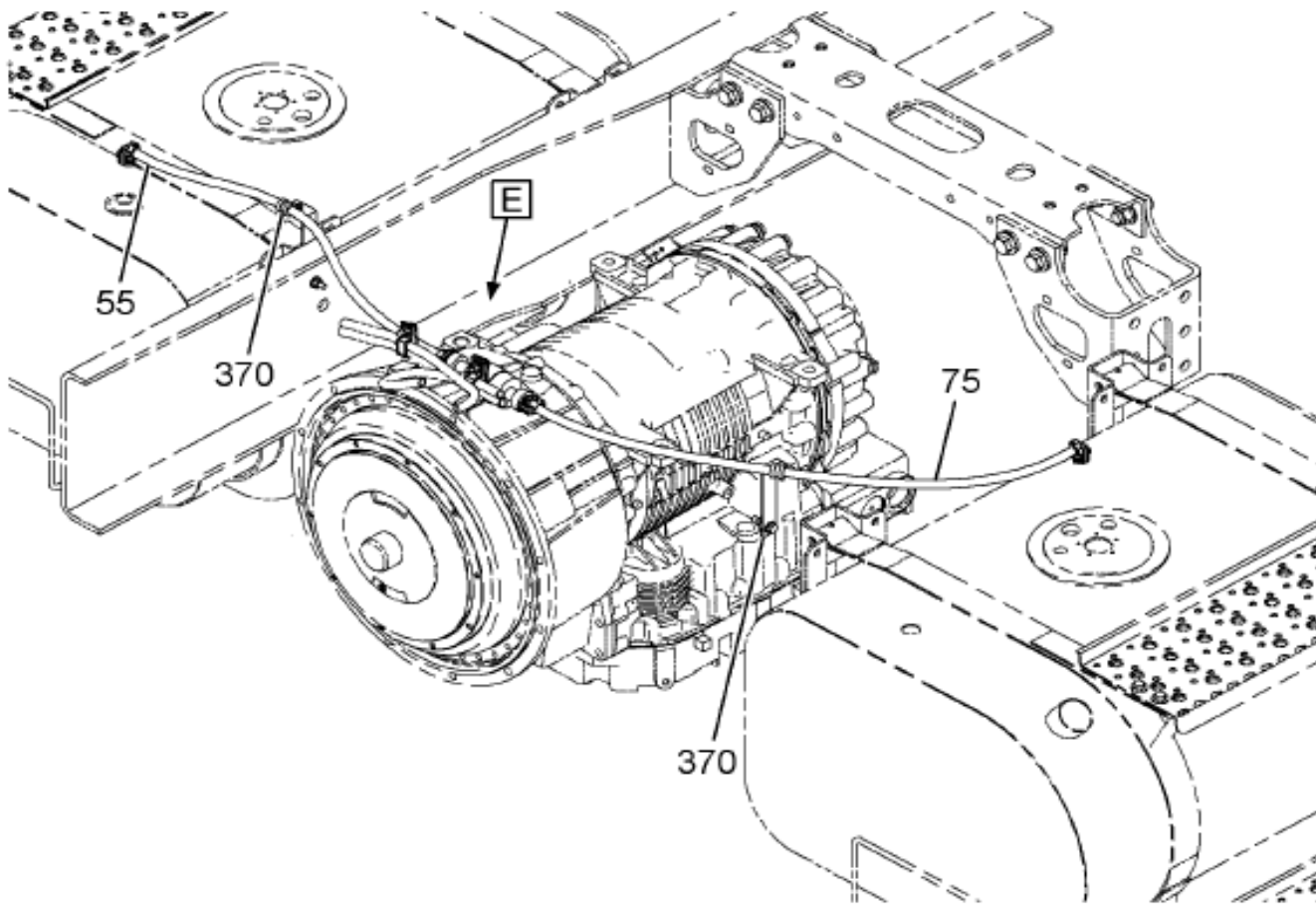
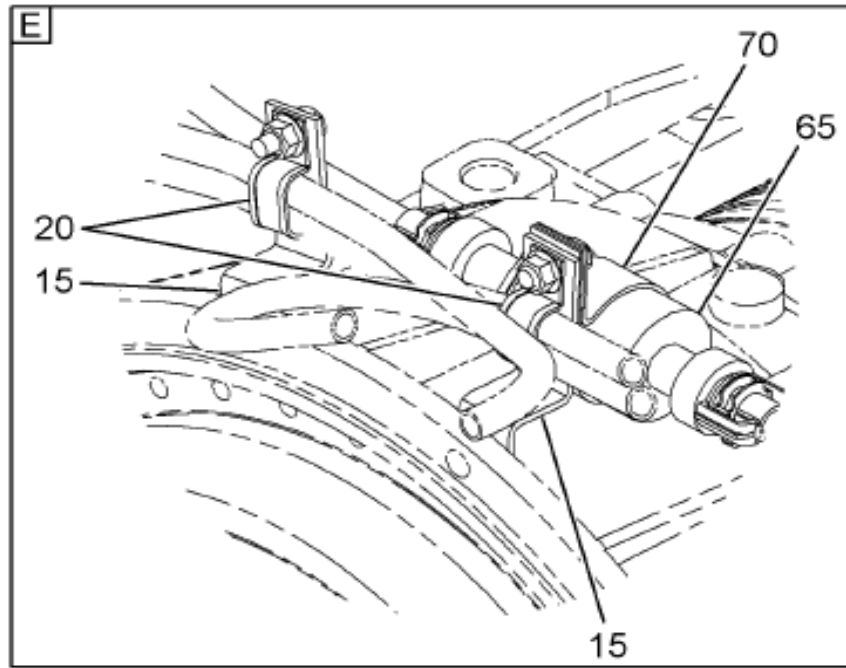
C09

GROUP 15

Figure 6 of 8

Figure 0H3G3
FUEL HOSEING INSTL

M-NGV-SS-MRD,
M-NGV-SS-7500
& W/15DMU,15DMR,15DMN
& W/F-AUTO-TRANS
& W/F-INTL-HEUI-ENG



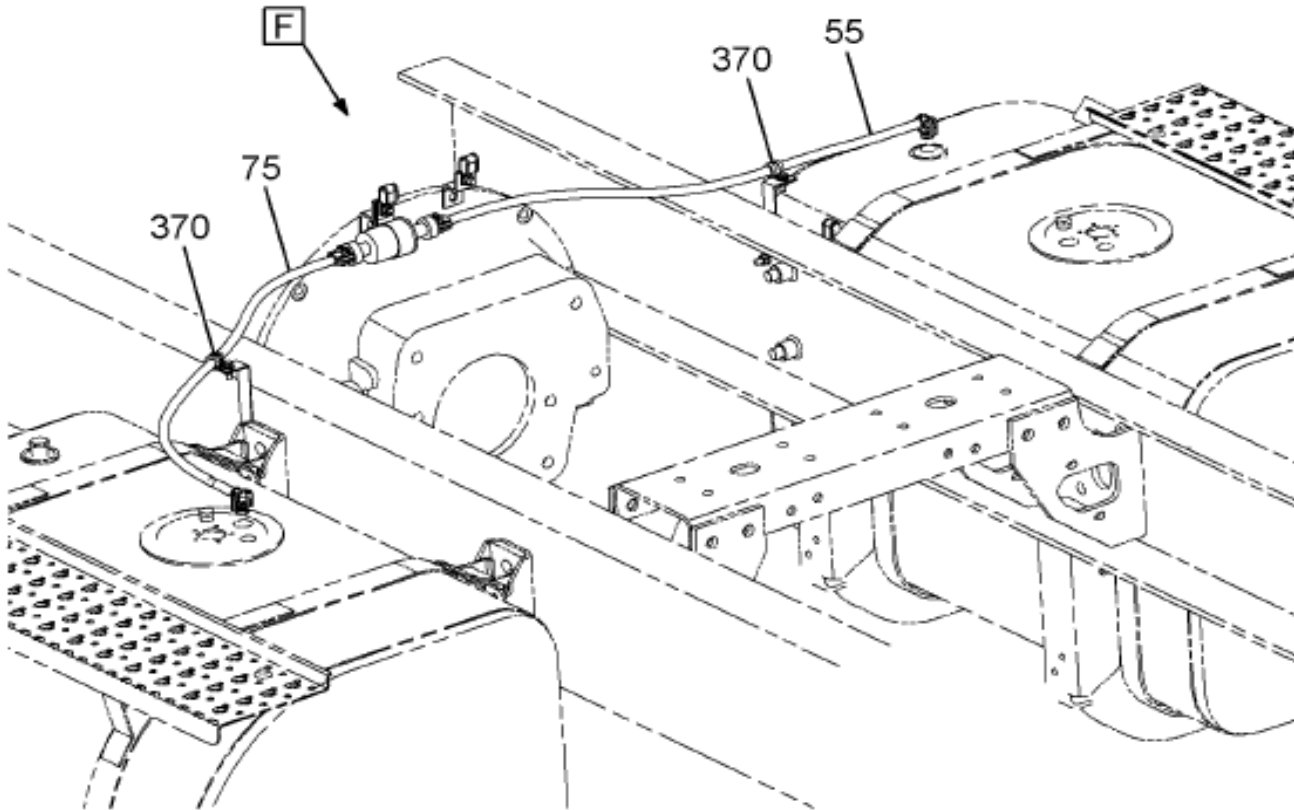
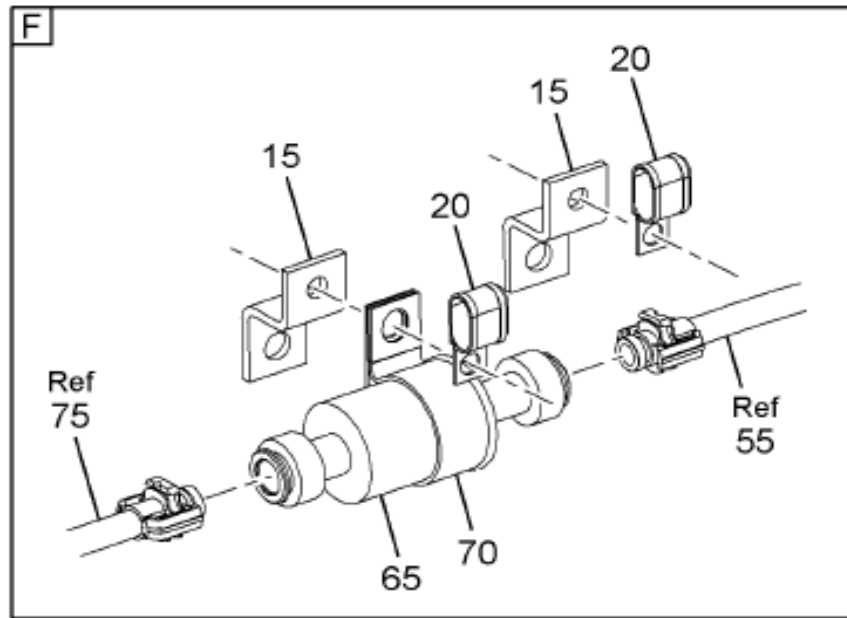
15-336-0083-04

C09

Figure 7 of 8

Figure 0H3G3
FUEL HOSE INSTL

M-NGV-SS-MRD
& W/F-INTL-530-HEUI-ENG
& W/F-DUAL-UNCAB-TANK



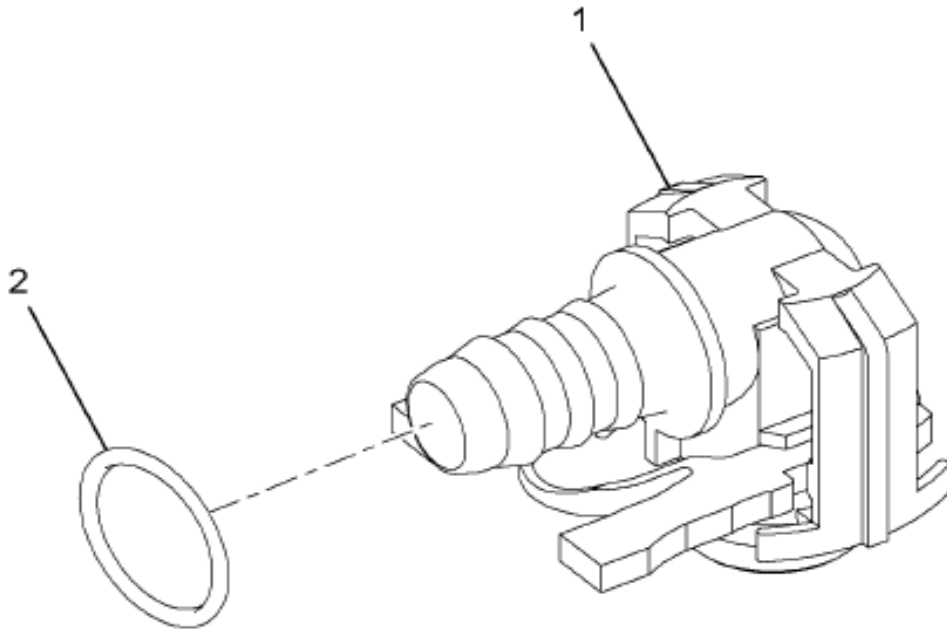
15-336-0083-05

C09

Item	Part No.	Qty	Description	Kit	Var	Figure
15	3530796C1	2	EXTENSION, EXH PIPE BRKT		0HQZ	
20	352356C1	3	CLAMP,		0HQZ	
20	3547776C1	3	BOLT, HEX FLG HD METRIC*M8 X 20		0HQZ	
20	31082R1	3	NUT, M8X1.25 CLASS 8 PHC FLG		0HQZ	
25	352356C1	1	CLAMP,		0HQZ	
25	3541322C1	1	BOLT, SPECIAL*M8 X 1.25 - 25 MM		0HQZ	

Grp
15

Figure 3533425C3
 FITTING, FUEL OUTLET*90 DEG VOS



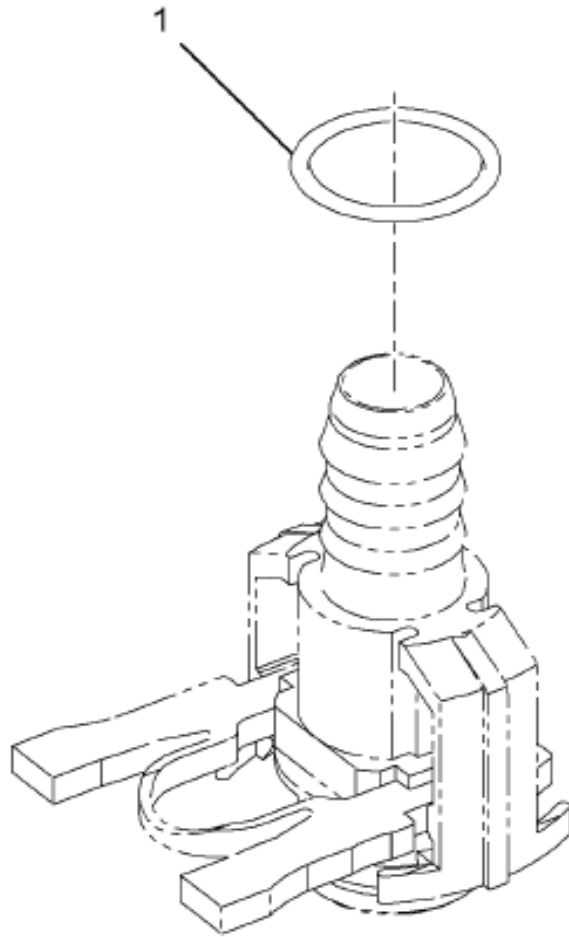
10-001-0018-01

A05

Grp
15

Item	Part No.	Qty	Description	Kit	Var	Figure
1		RF	FITTING, 90 DEGREE			
2	2506277C1	1	RING,O FUEL LINE FITTING			
880		RF	NOTE: ASM BELOW COMPRISED OF ABOVE COMPONENTS			
881	3533425C3	RF	FITTING, FUEL OUTLET*90 DEG VOS			

Figure 3533426C3
 FITTING, FUEL OUTLET*STRAIGHT V

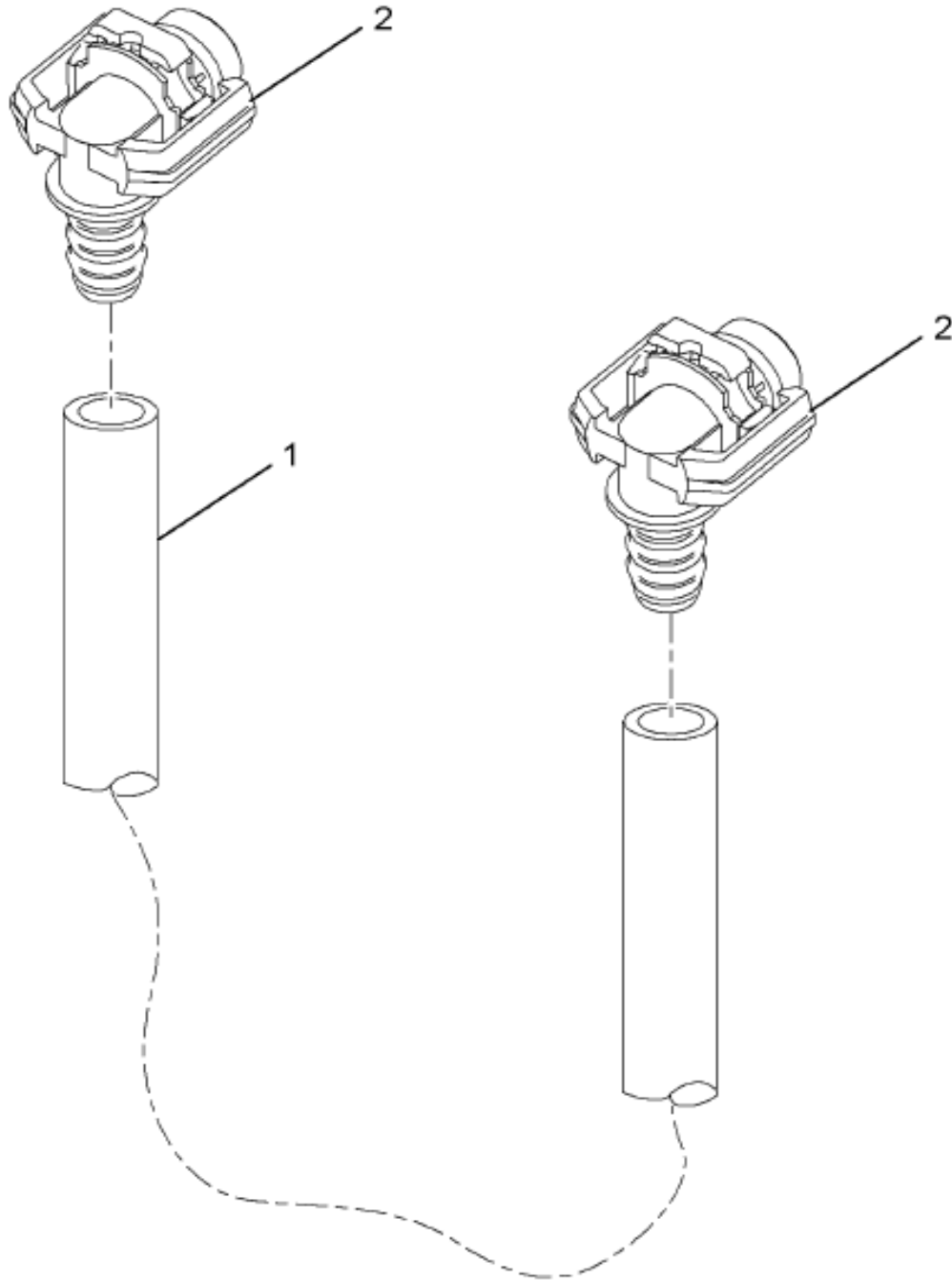


10-001-0021-01

B06

Item	Part No.	Qty	Description	Kit	Var	Figure
1	2506277C1	1	RING, O FUEL LINE FITTING			
880		RF	NOTE: ASM BELOW COMPRISED OF ABOVE COMPONENTS			
881	3533426C3	RF	FITTING, FUEL OUTLET*STRAIGHT V			

Figure 3563483C92
TUBE, FUEL LINE (PLASTIC OR NYL)



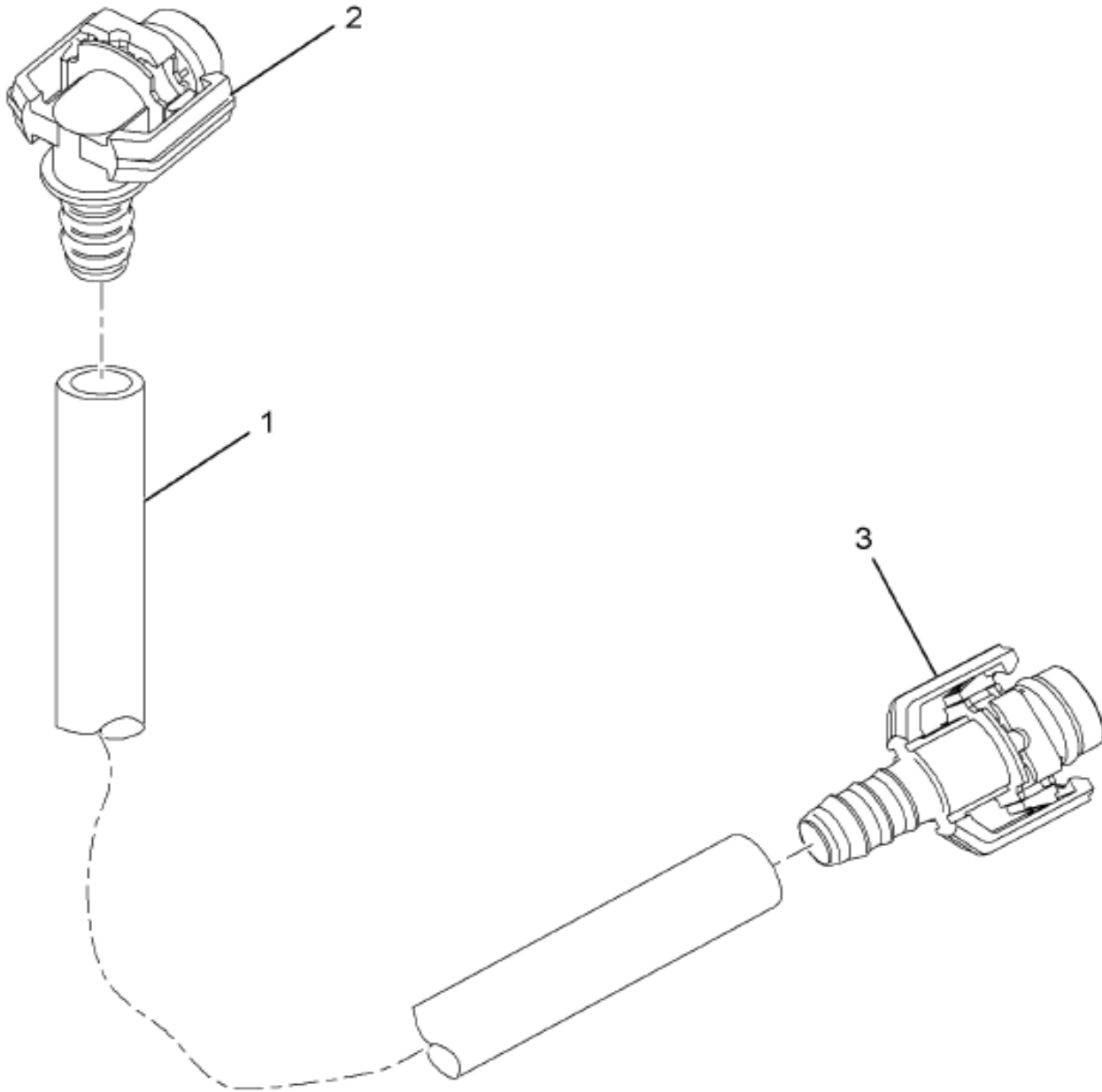
10-005-0001-01

A05

Item	Part No.	Qty	Description	Kit	Var	Figure
1	3563482C2	1	TUBE, FUEL LINE (PLASTIC OR NYL)			
2	3533425C3	2	FITTING, FUEL OUTLET*90 DEG VOS			3533425C3
2	3533425C2	2	FITTING, FUEL OUTLET*90 DEG VOS			
880		RF	NOTE: ASM BELOW COMPRISED OF ABOVE COMPONENTS			
881	3563483C92	RF	TUBE, FUEL LINE (PLASTIC OR NYL)			

Grp
15

Figure 3572003C92
TUBE, FUEL LINE (PLASTIC OR NYL

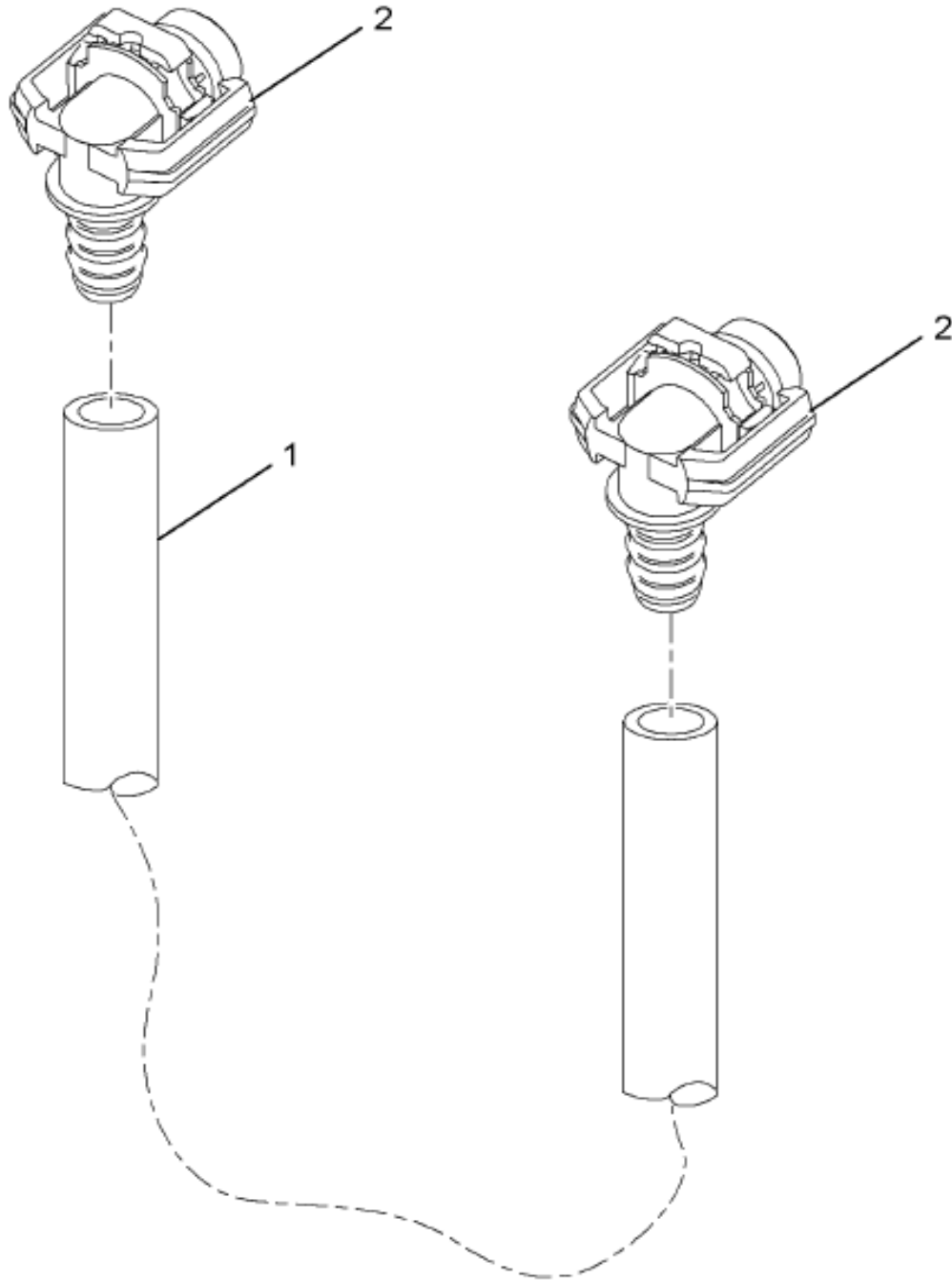


10-005-0002-01

A05

Item	Part No.	Qty	Description	Kit	Var	Figure
1	3572009C2	1	TUBE, FUEL LINE (PLASTIC OR NYL			
2	3533425C2	1	FITTING, FUEL OUTLET*90 DEG VOS			
2	3533425C3	1	FITTING, FUEL OUTLET*90 DEG VOS			3533425C3
3	3533426C2	1	FITTING, FUEL OUTLET*STRAIGHT V			
3	3533426C3	1	FITTING, FUEL OUTLET*STRAIGHT V			3533426C3
880	RF		NOTE: ASM BELOW COMPRISED OF ABOVE			

Figure 3577848C91
TUBE, FUEL LINE (PLASTIC OR NYL)

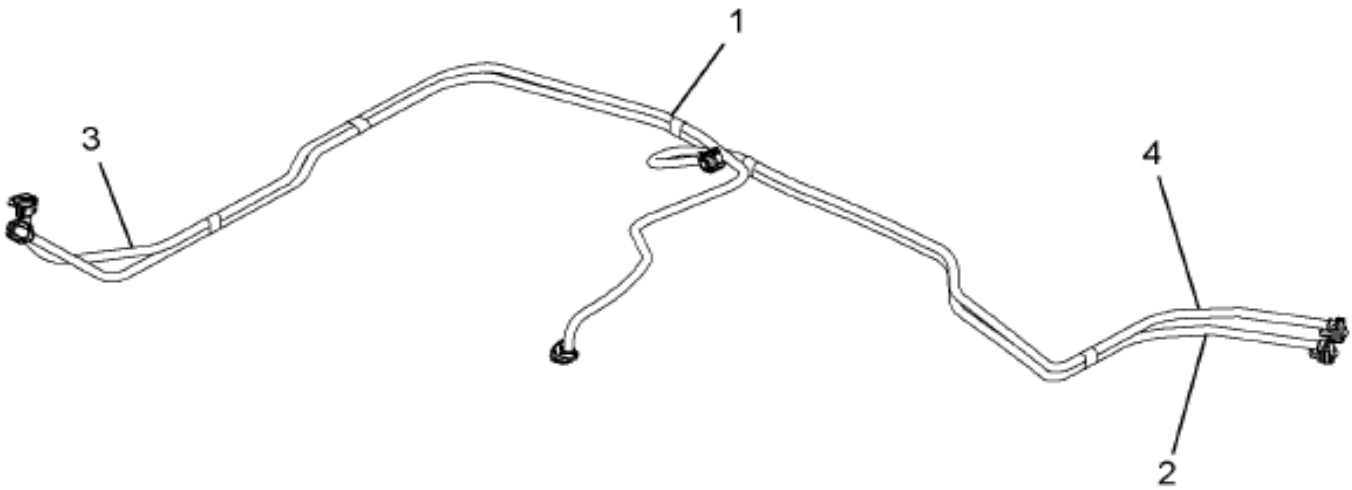


10-005-0001-01

A05

Item	Part No.	Qty	Description	Kit	Var	Figure
1	3577847C1	AR	TUBE, FUEL LINE (PLASTIC OR NYL			
2	3533425C2	2	FITTING, FUEL OUTLET*90 DEG VOS			
2	3533425C3	2	FITTING, FUEL OUTLET*90 DEG VOS			3533425C3
880		RF	NOTE: ASM BELOW COMPRISED OF ABOVE COMPONENTS			
881	3577848C91	RF	TUBE, FUEL LINE (PLASTIC OR NYL			

Figure 3577849C91
TUBE, FUEL LINE (PLASTIC OR NYL)



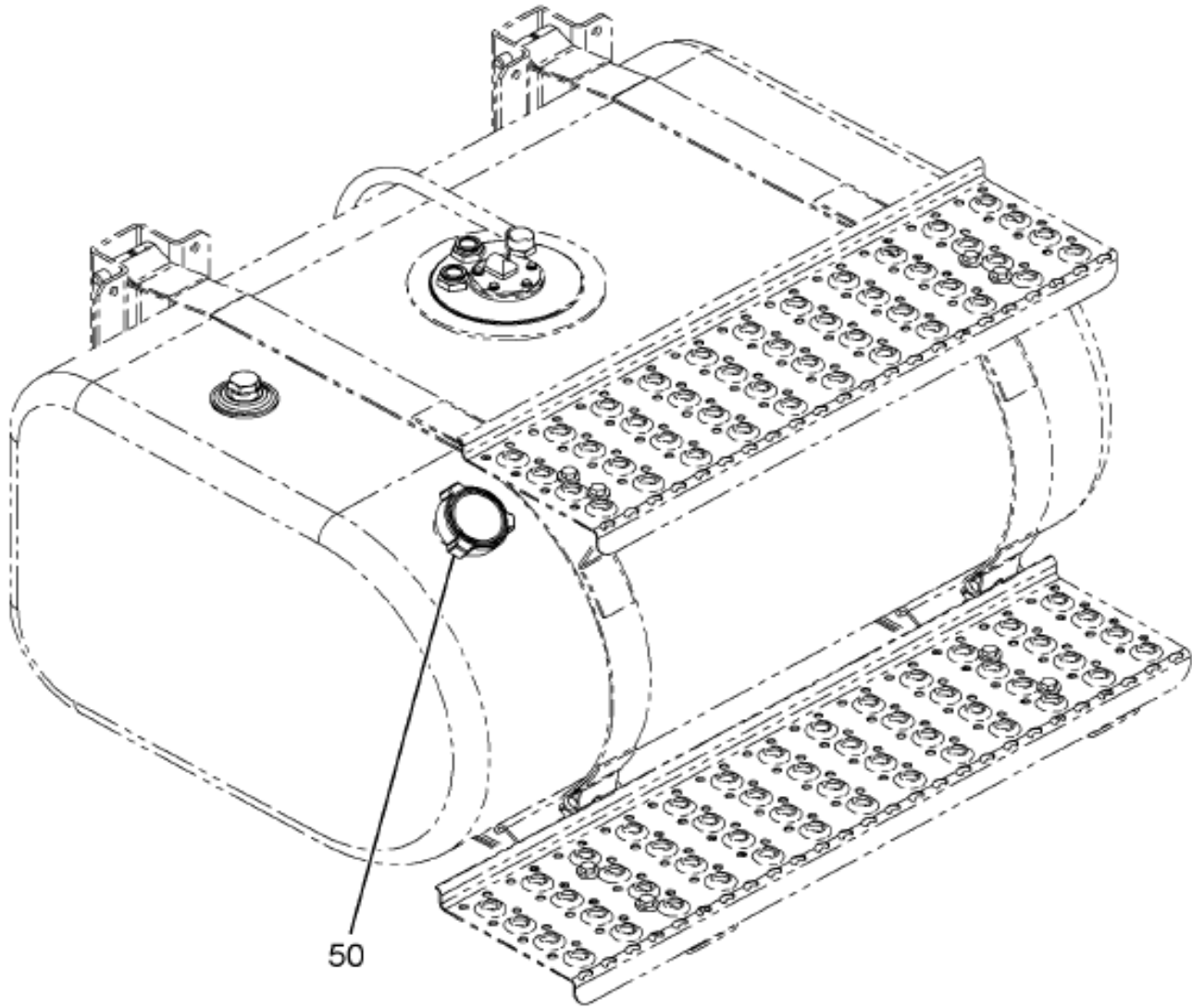
15-336-0033-00

J04

Grp
15

Item	Part No.	Qty	Description	Kit	Var	Figure
1	3577848C91	1	TUBE, FUEL LINE (PLASTIC OR NYL			3577848C91
2	3563483C92	1	TUBE, FUEL LINE (PLASTIC OR NYL			3563483C92
3	3572003C92	1	TUBE, FUEL LINE (PLASTIC OR NYL			3572003C92
4	2643130R1	4	TAPE, PLASTIC 3/4" WIDE			
880	RF		NOTE: ASM BELOW COMPRISED OF ABOVE COMPONENTS			

Figure 0FTK4
 FUEL TANK MODULE; LT SIDE CAP, (ABR#10)



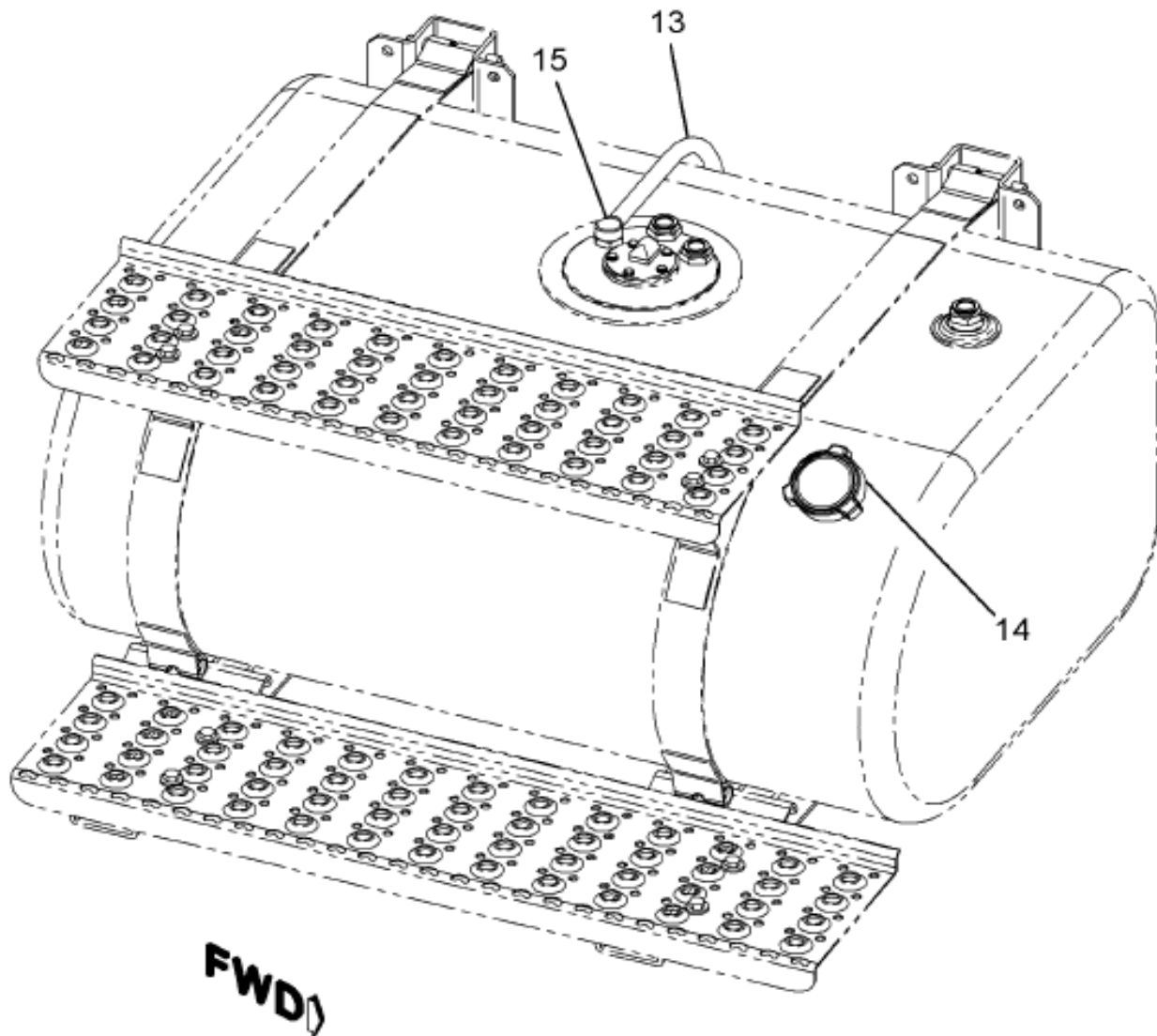
15-L29-0007-01

D05

Item	Part No.	Qty	Description	Kit	Var	Figure
50	3548102F91	1	CAP,FUEL TANK FILLER NON LOCKI		0L5Q2	3548102F91

Grp
15

Figure 3548102F91
CAP, FUEL TANK FILLER NON LOCKI



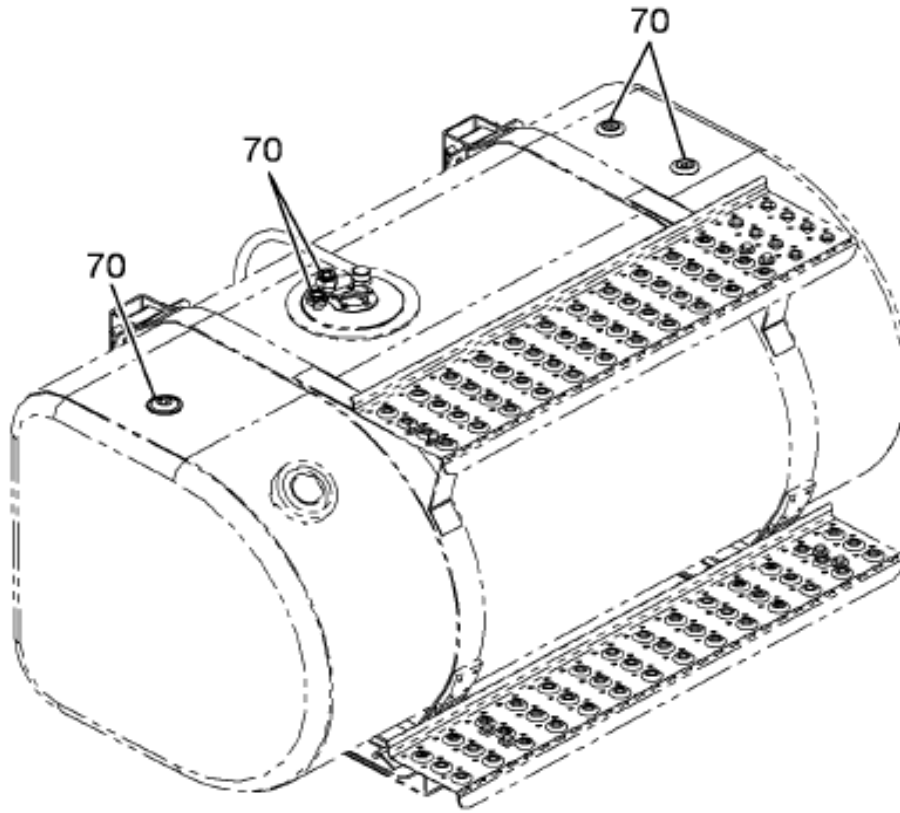
15-L28-0001-00

K04

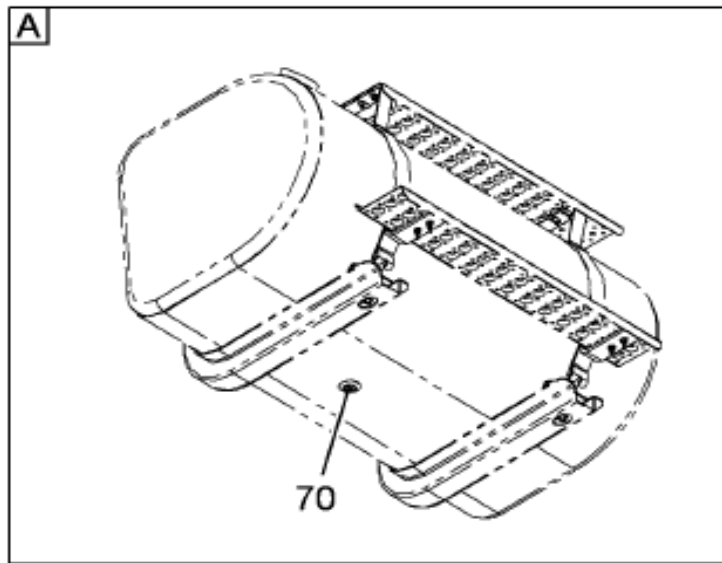
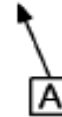
Item	Part No.	Qty	Description	Kit	Var	Figure
13	2643544R1	AR	HOSE, FUEL & OIL 5/16			
13	406340C1	1	CLAMP, 9/16 DIA HOSE			
14	3548221C1	1	CAP, FUEL TANK FILLER NON LOCKI			3548221C1
15	3548222C1	1	VENTILATOR, FUEL*FULL FUNCTION			
880		RF	NOTE: ASM BELOW COMPRISED OF ABOVE COMPONENTS			

Figure 0FTQK

FUEL TANK MODULE; LT SIDE DRAW TUBES, (ABR#14)



FUEL TANK TRIMMINGS
23" DEEP LEFT SIDE TANK
FOR SINGLE CONFIGURATION
W/DUAL SUPPLY LINES ONLY

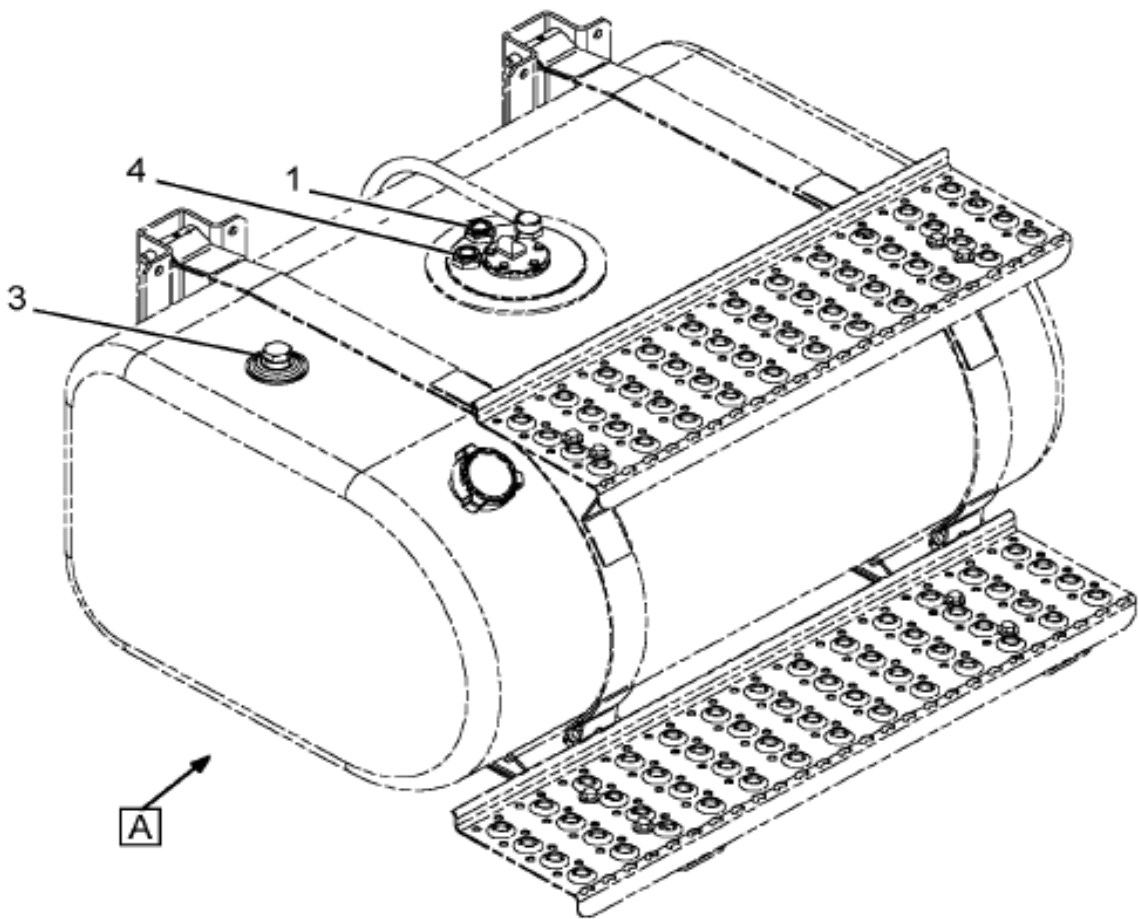
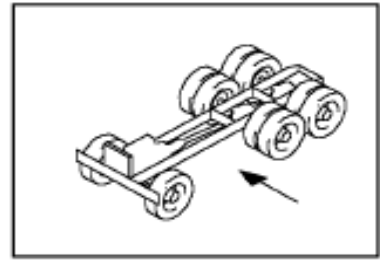
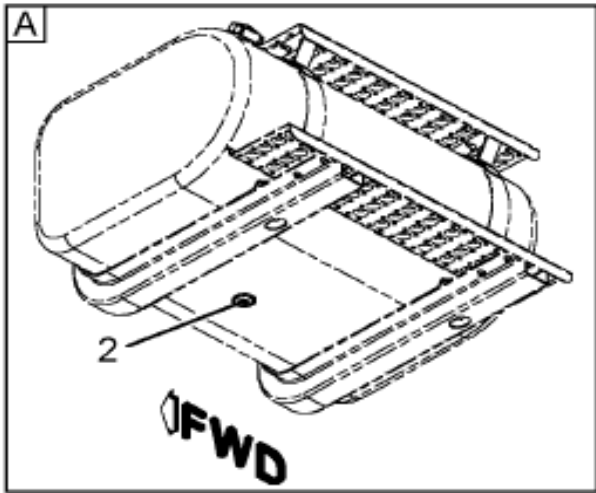


15-L33-0006-01

B09

Item	Part No.	Qty	Description	Kit	Var	Figure
70	3548119F92	1	TUBE, FUEL TANK INLET OR OUTLET		0FVC4	3548119F92

Figure 3548119F92
TUBE, FUEL TANK INLET OR OUTLET



15-L32-0002-00

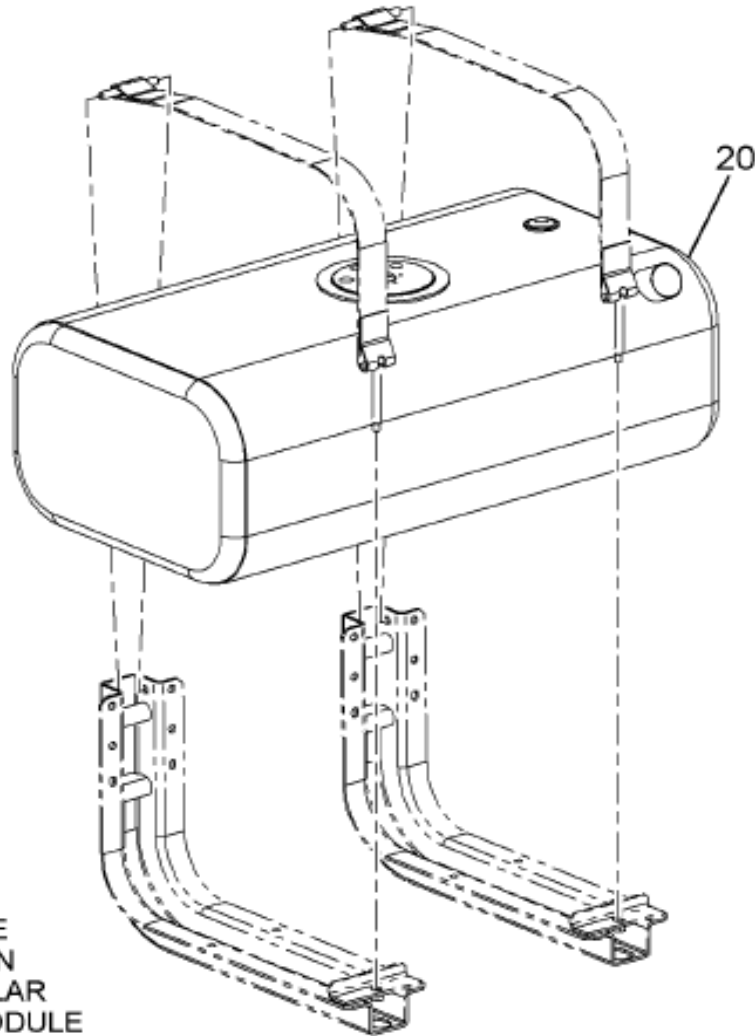
K02

Grp
15

Item	Part No.	Qty	Description	Kit	Var	Figure
1	3535969C1	1	ADAPTER, FUEL TANK FLANGE*QUICK			
2	444705	1	PLUG, 1/2-14 PLN HEX/SKT AUTO			
3	444632	1	PLUG, 1/2-14 PLN H/HD PIPE			
4	3555278C1	1	OUTLET, FUEL TANK*FUEL TANK OUT			
880	RF		NOTE: ASM BELOW COMPRISED OF ABOVE COMPONENTS			

Figure 0FTGW

FUEL TANK MODULE; LT SIDE MTD TANK, (ABR #2)



LEFT SIDE
35 GALLON
RECTANGULAR
FUEL TANK MODULE

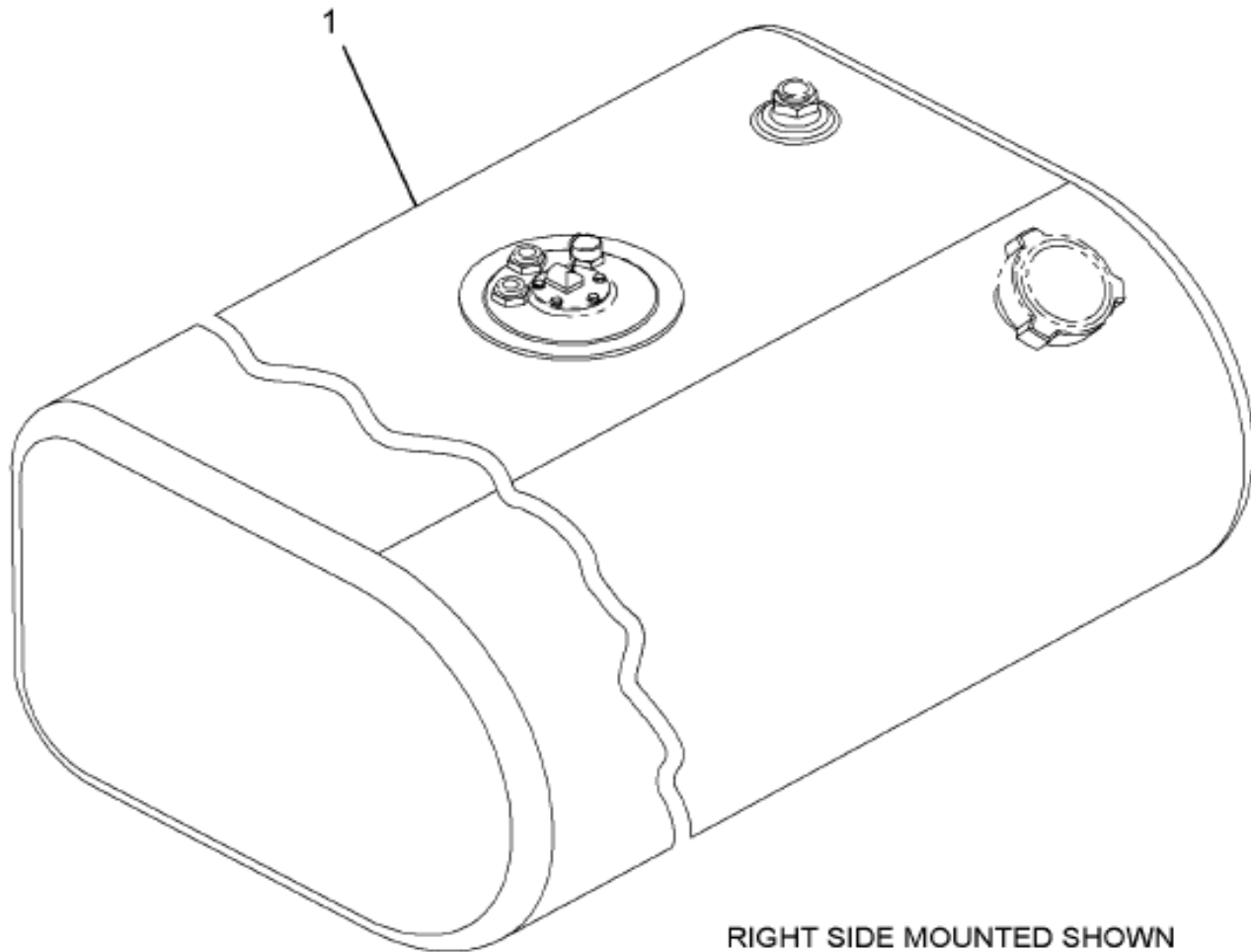
Grp
15

15-L23-0052-01

E09

Item	Part No.	Qty	Description	Kit	Var	Figure
20	3546877F93	1	FUEL TANK, 70 GAL D-STYLE,		0FTVY	3546877F93

Figure 3546877F93
 FUEL TANK, 70 GAL D-STYLE,



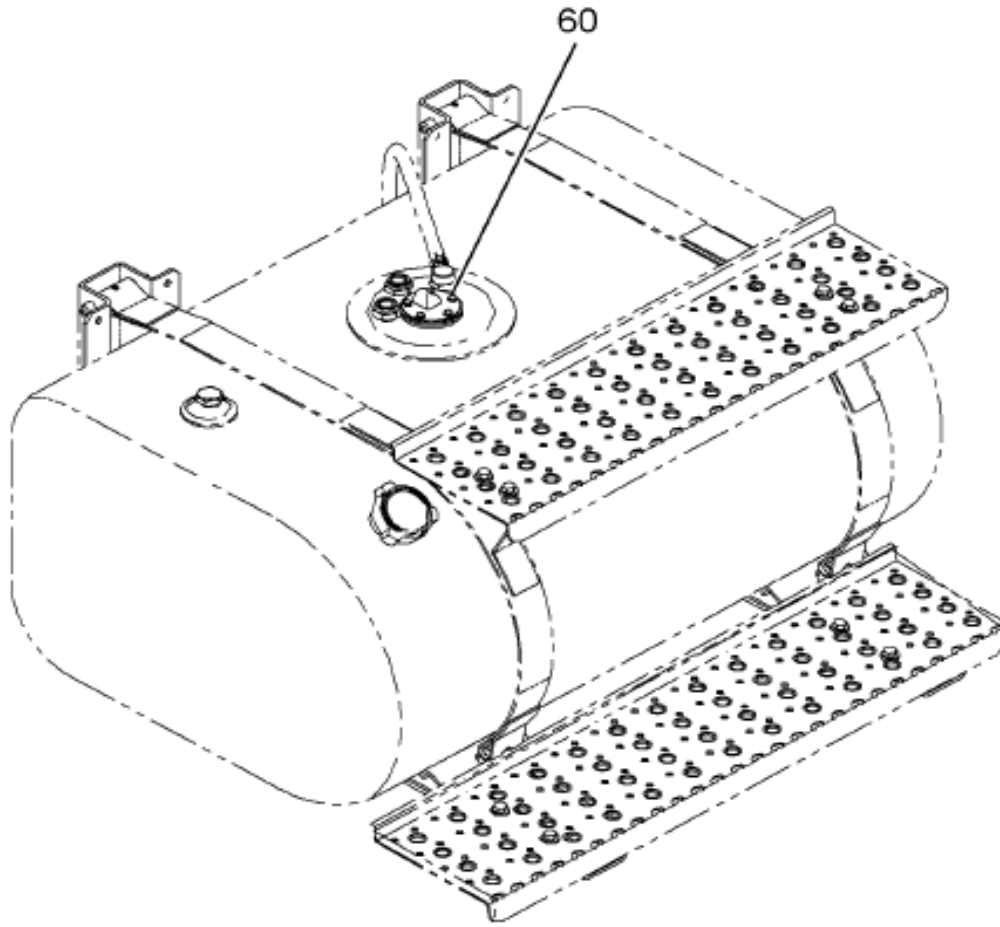
RIGHT SIDE MOUNTED SHOWN
 LEFT SIDE MOUNTED OPPOSITE

15-L20-0013-01

B05

Item	Part No.	Qty	Description	Kit	Var	Figure
1	3534400C95	1	TANK,FUEL, 70 GAL D-STYLE LSM			
1		RF	LEFT			
880		RF	NOTE: ASM BELOW COMPRISED OF ABOVE COMPONENTS			
881	3546877F93	RF	FUEL TANK, 70 GAL D-STYLE,			

Figure 0FTPV
FUEL TANK MODULE; LT SIDE SENDER, (ABR#12)



FUEL TANK TRIMMINGS
LEFT SIDE TANKS
FOR SINGLE OR DUAL

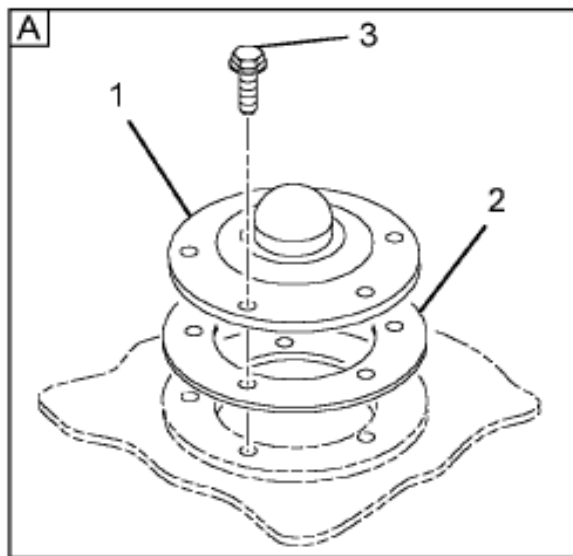
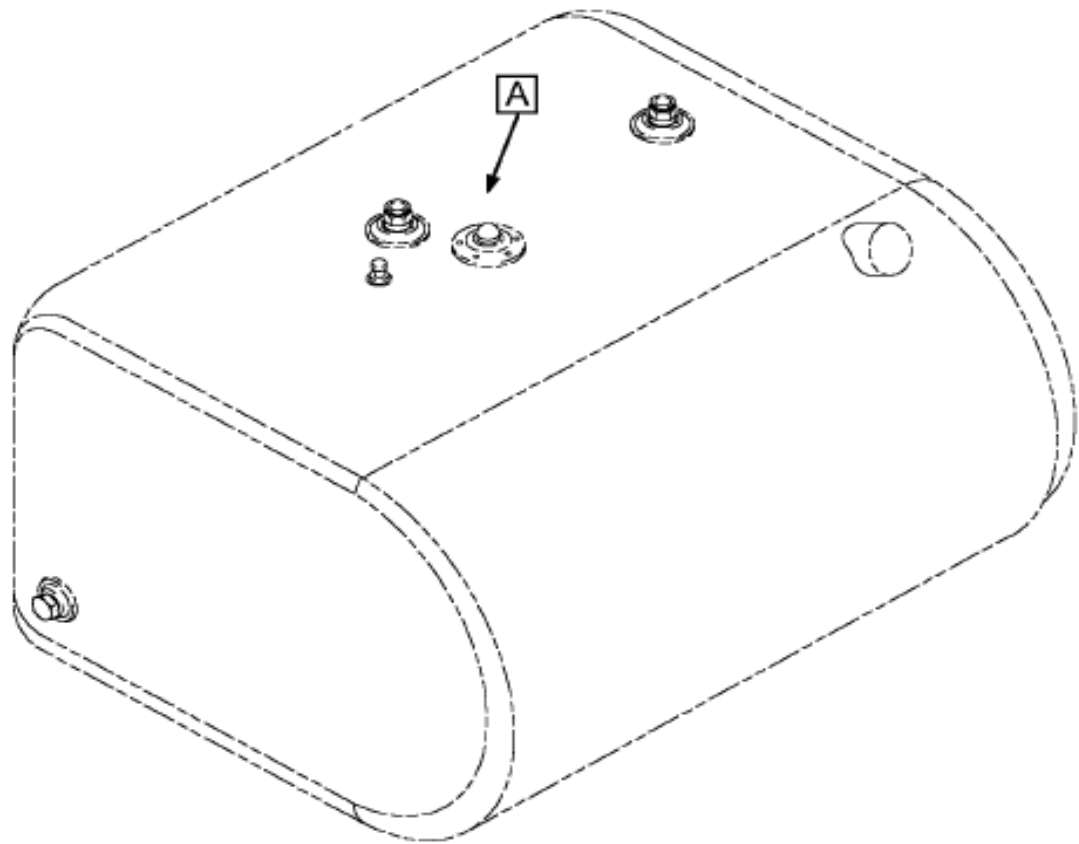
15-L31-0003-FD

D10

Grp
15

Item	Part No.	Qty	Description	Kit	Var	Figure
60	3548110F95	1	FUEL TANK*LSM 19" DEEP TANK		0FV5P	3548110F95

Figure 3548110F95
 FUEL TANK*LSM 19" DEEP TANK

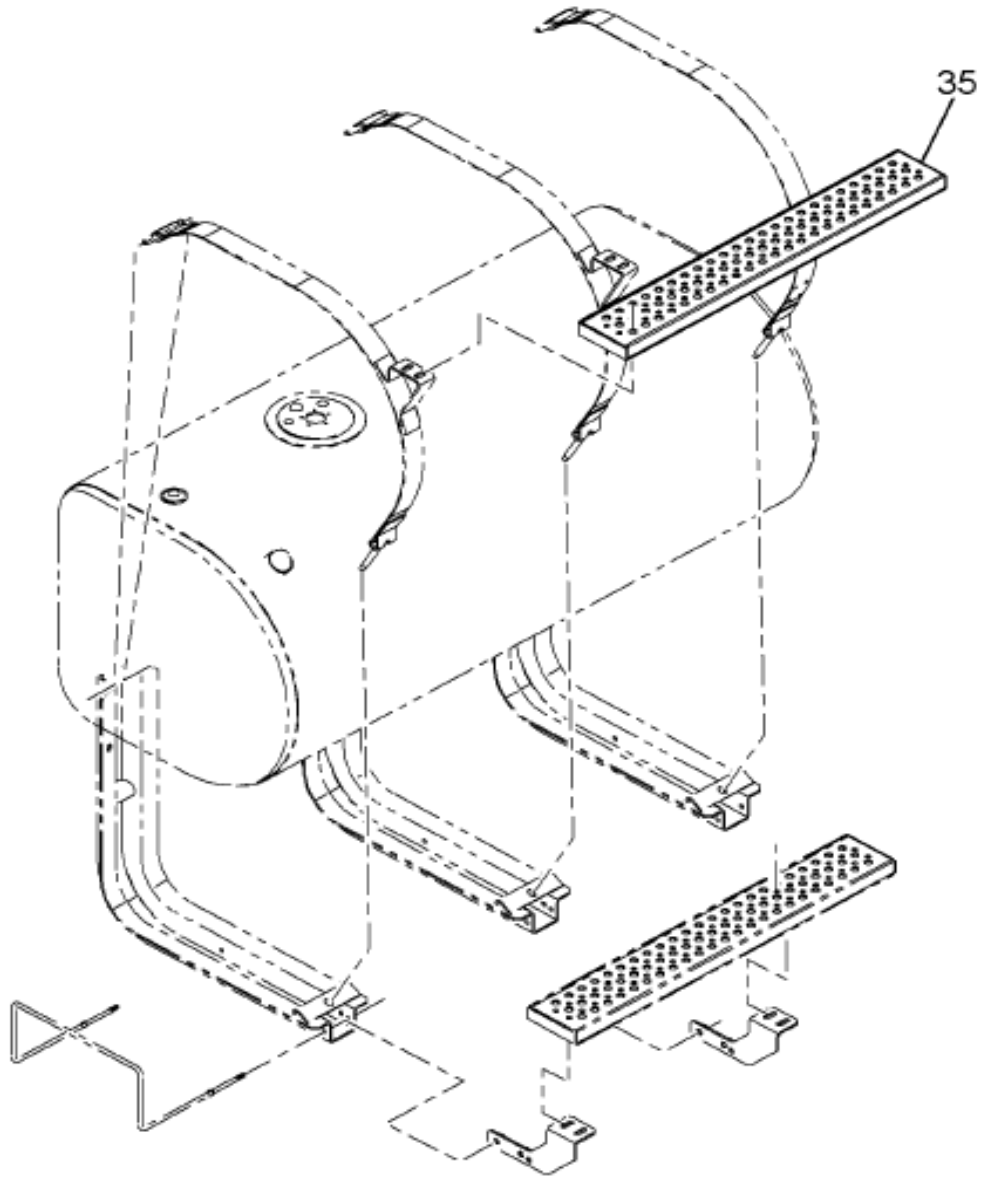


15-L30-0001-00

M02

Item	Part No.	Qty	Description	Kit	Var	Figure
1	3591594C1	1	GAUGE, FUEL SENDER*SENDER, FUEL			
2	3591600C1	1	GASKET, FUEL TANK CAP*FUEL SEND			
3	3593564C1	5	SCREW, HH MACH #10-32 X 1 1/4			
880		RF	NOTE: ASM BELOW COMPRISED OF ABOVE COMPONENTS			
881	3548110F95	RF	FUEL TANK*LSM 19" DEEP TANK			

Figure 0GLNF
FUEL TANK MODULE; LT SIDE STEPS, (ABR#8)



M-NGV-SS
& W/120 GAL/80-40G 23"
D-TANKS
& W/16XTL

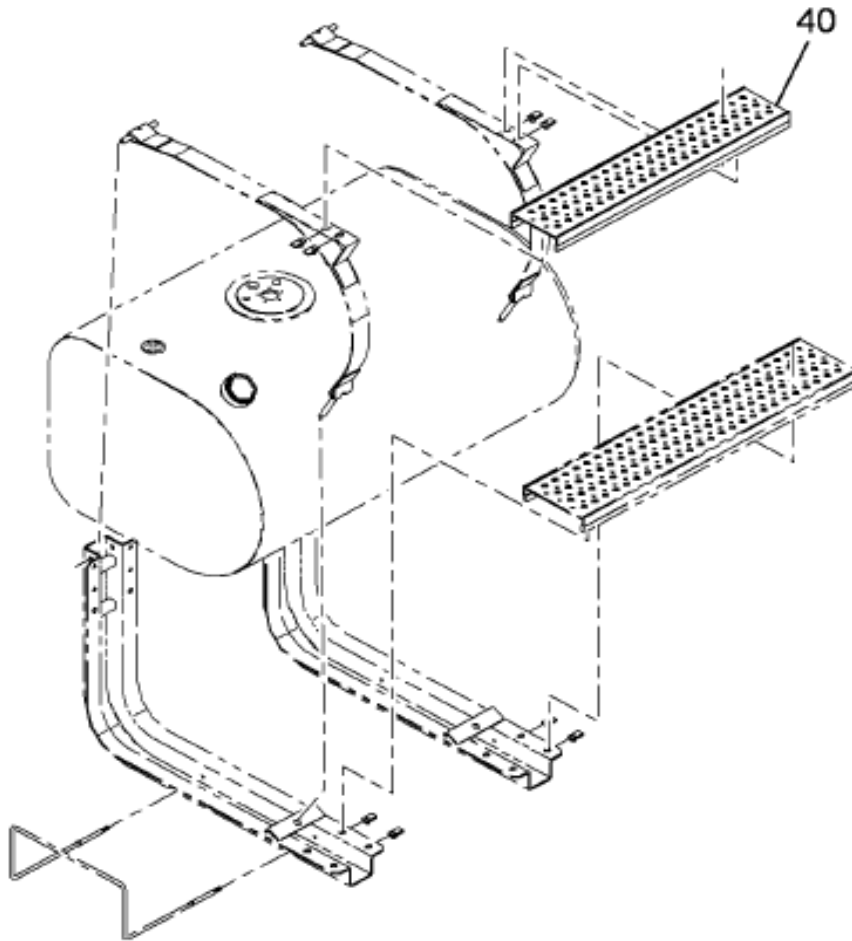
15-L27-0112-01

L10

Grp
15

Figure 1 of 2

Figure 0GLNF
 FUEL TANK MODULE; LT SIDE STEPS, (ABR#8)



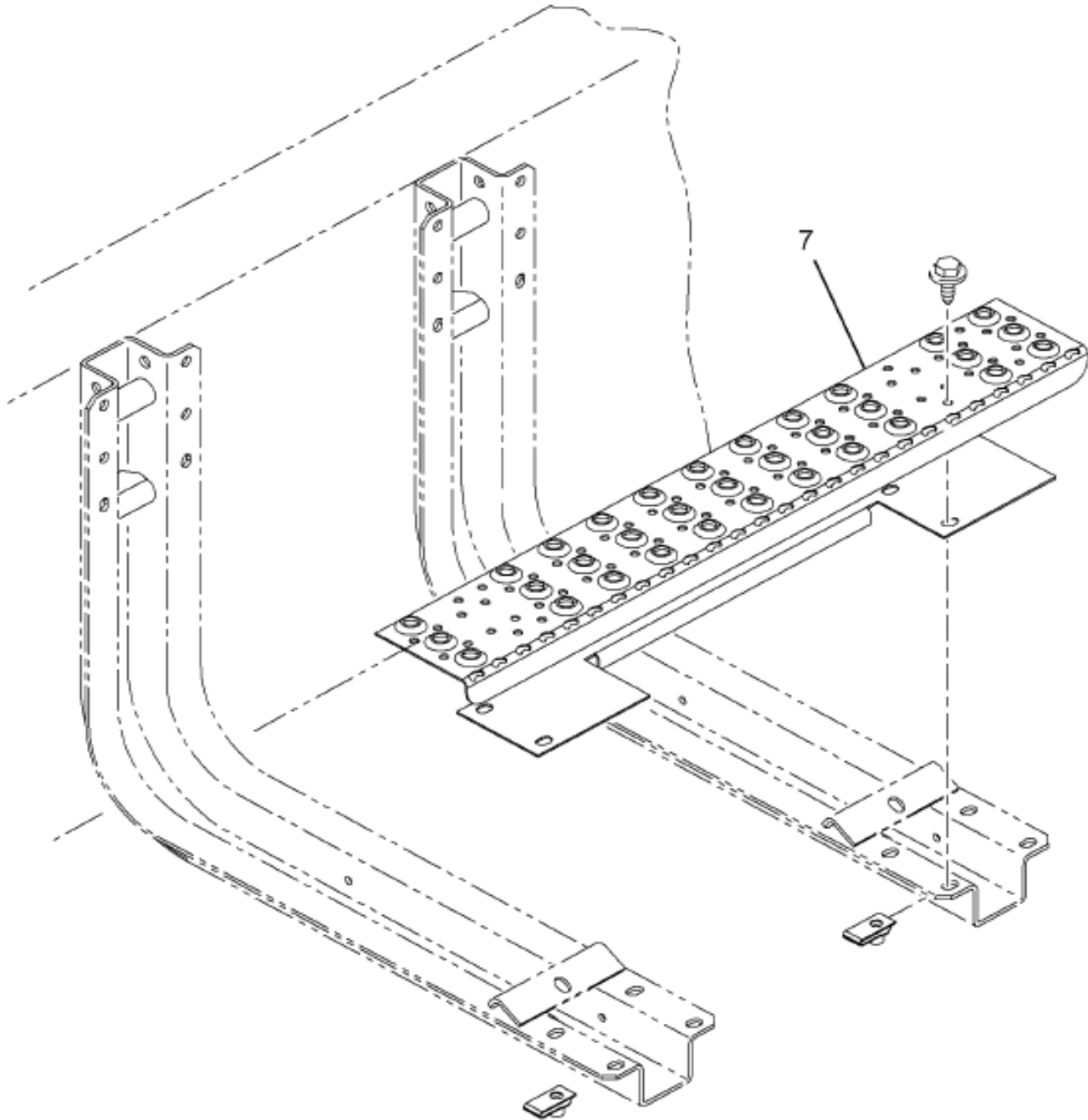
M-NGV-SS
 W/70 GAL 19" D-TANKS
 W/16XTK

15-L27-0114-01

A11

Item	Part No.	Qty	Description	Kit	Var	Figure
35	3570012F91	1	STEP,FUEL TANK*70 GAL D, LH		0HB66	3570012F91

Figure 3570012F91
STEP, FUEL TANK*70 GAL D, LH

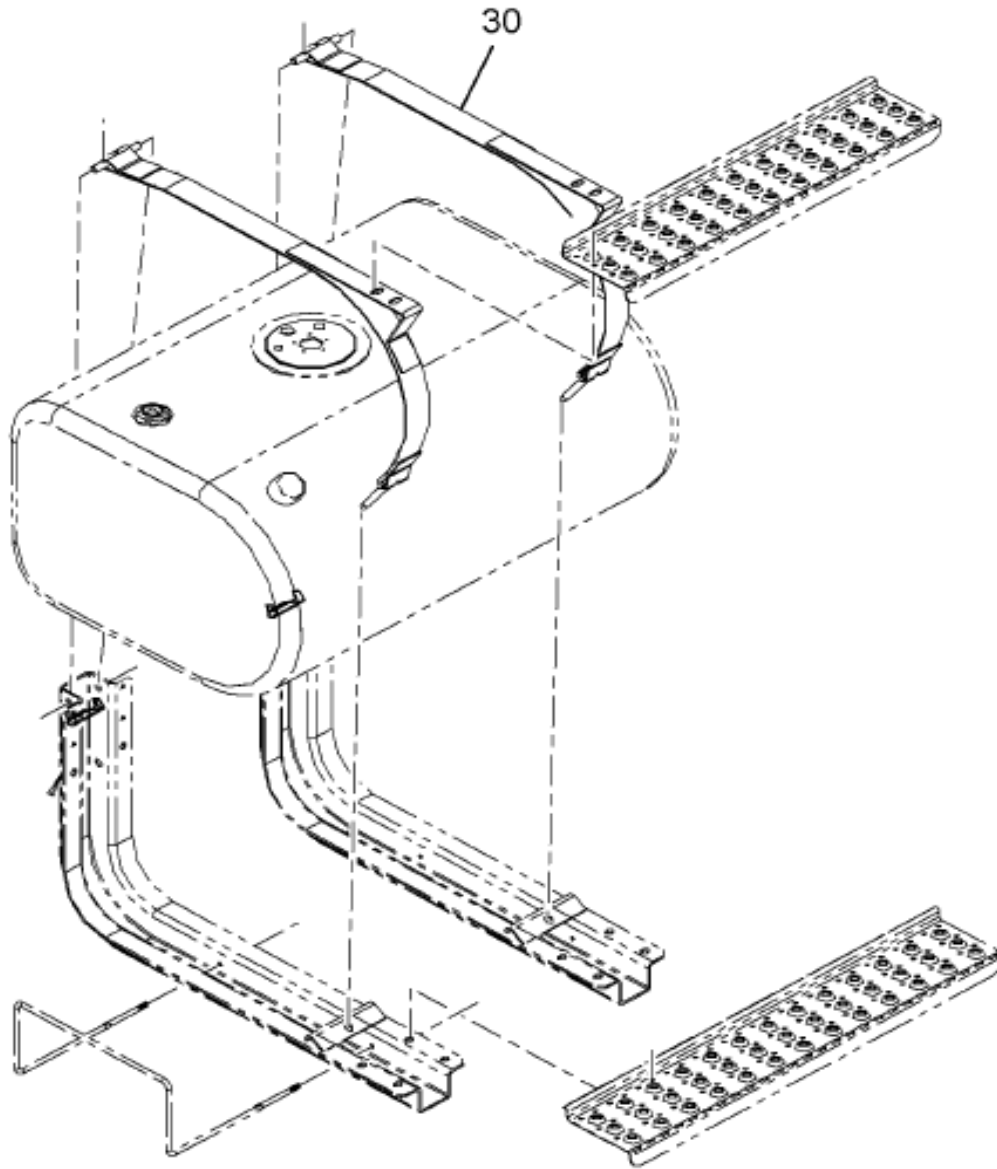


15-L27-0008-00

K04

Item	Part No.	Qty	Description	Kit	Var	Figure
7	3536370C2	1	STEP, FUEL TANK*704 MM UPR			
7	3541322C1	4	BOLT, SPECIAL*M8 X 1.25 - 25 MM			
7	3541323C1	8	NUT, SPECIAL*M8 X 1.25 U-NUT (L			
7	3555605C1	4	BOLT, SEMS ALL M8 X 1.25-30 MM			
7	3569864C1	1	STEP, FUEL TANK*			
7	3569874C1	1	REINFORCEMENT, STEP			

Figure 0FTH5
 FUEL TANK MODULE; LT SIDE STRAPS, (ABR#6)



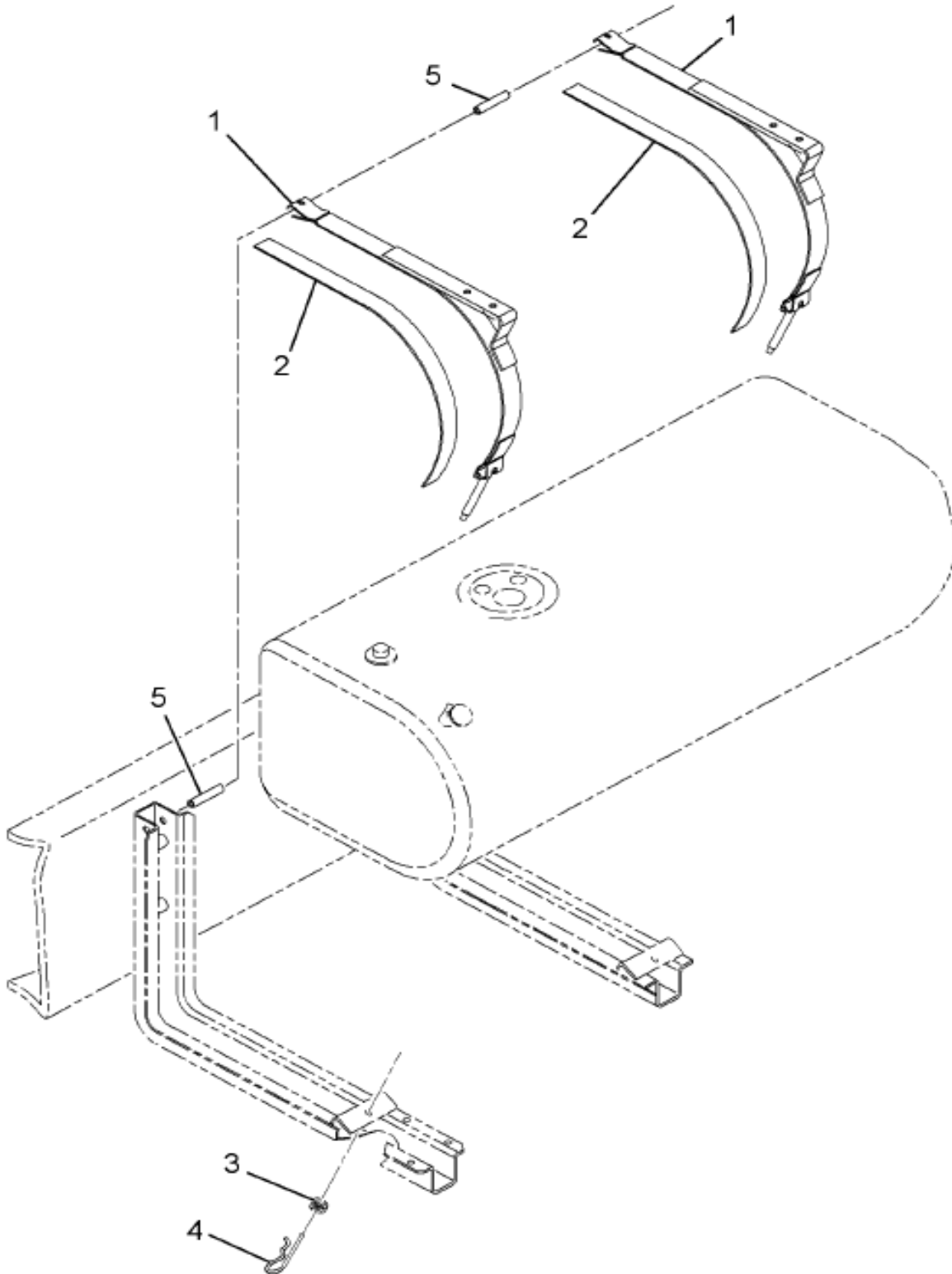
15-L25-0092-01

D10

Grp
15

Item	Part No.	Qty	Description	Kit	Var	Figure
30	3586670F92	1	FUEL TK*70 GAL D-STYLE, N/S		0FTZY	3586670F92

Figure 3586670F92
FUEL TK*70 GAL D-STYLE, N/S



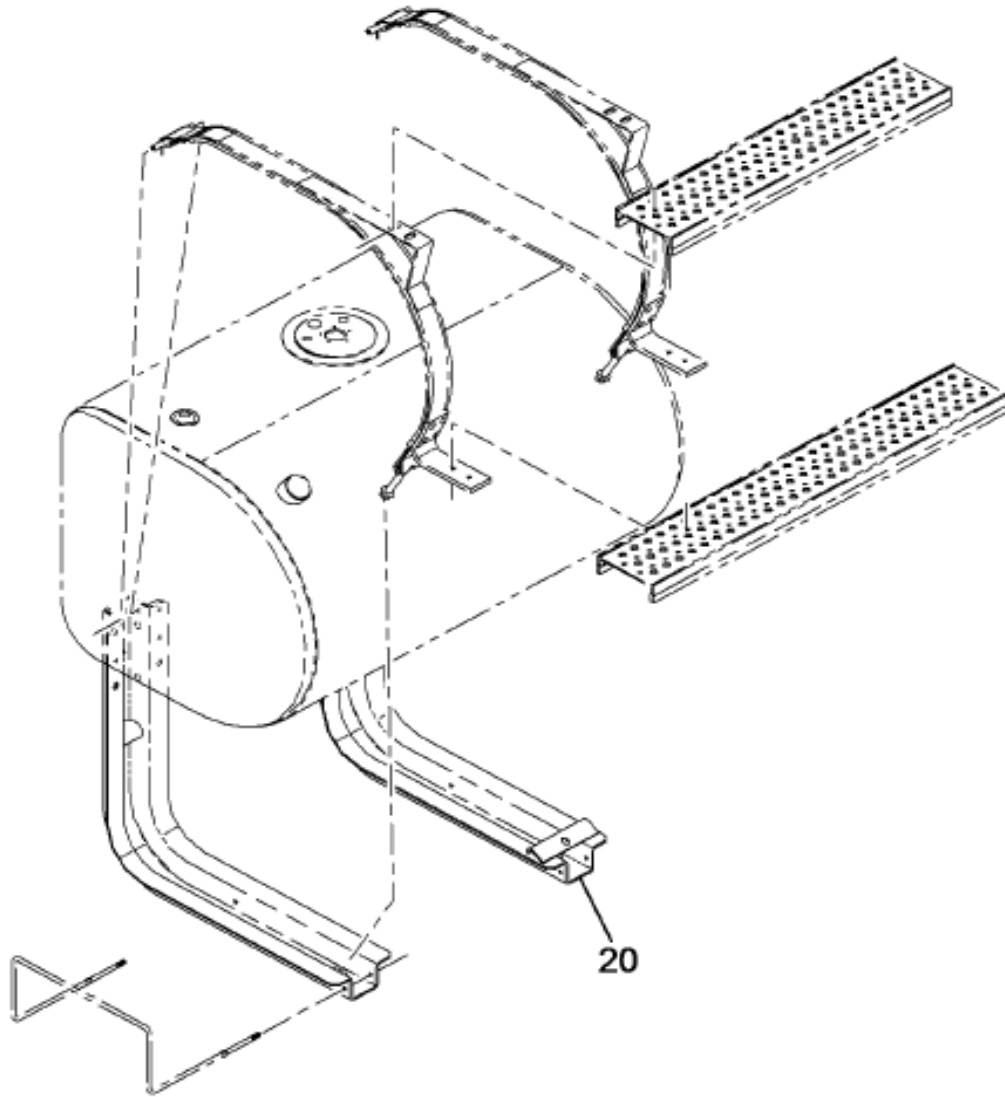
15-L24-0015-01

D04

Item	Part No.	Qty	Description	Kit	Var	Figure
1	3586665C2	2	STRAP, FUEL TANK MTG*ASSY OF ST			
2	2643614R1	2	LINING, FUEL TANK STRAP OR SUPT			
3	30755R1	2	NUT, HEX M12 FLANGED			
4	103375	4	PIN, 3/32 X 1/4 PLN COTTER			
5	3586802C1	2	PIN, FUEL TANK STRAP*LOCATING P			
880	RF		NOTE: ASM BELOW COMPRISED OF ABOVE			

Figure 0FTH3

FUEL TANK MODULE; LT SIDE SUPPORTS, (ABR#4)



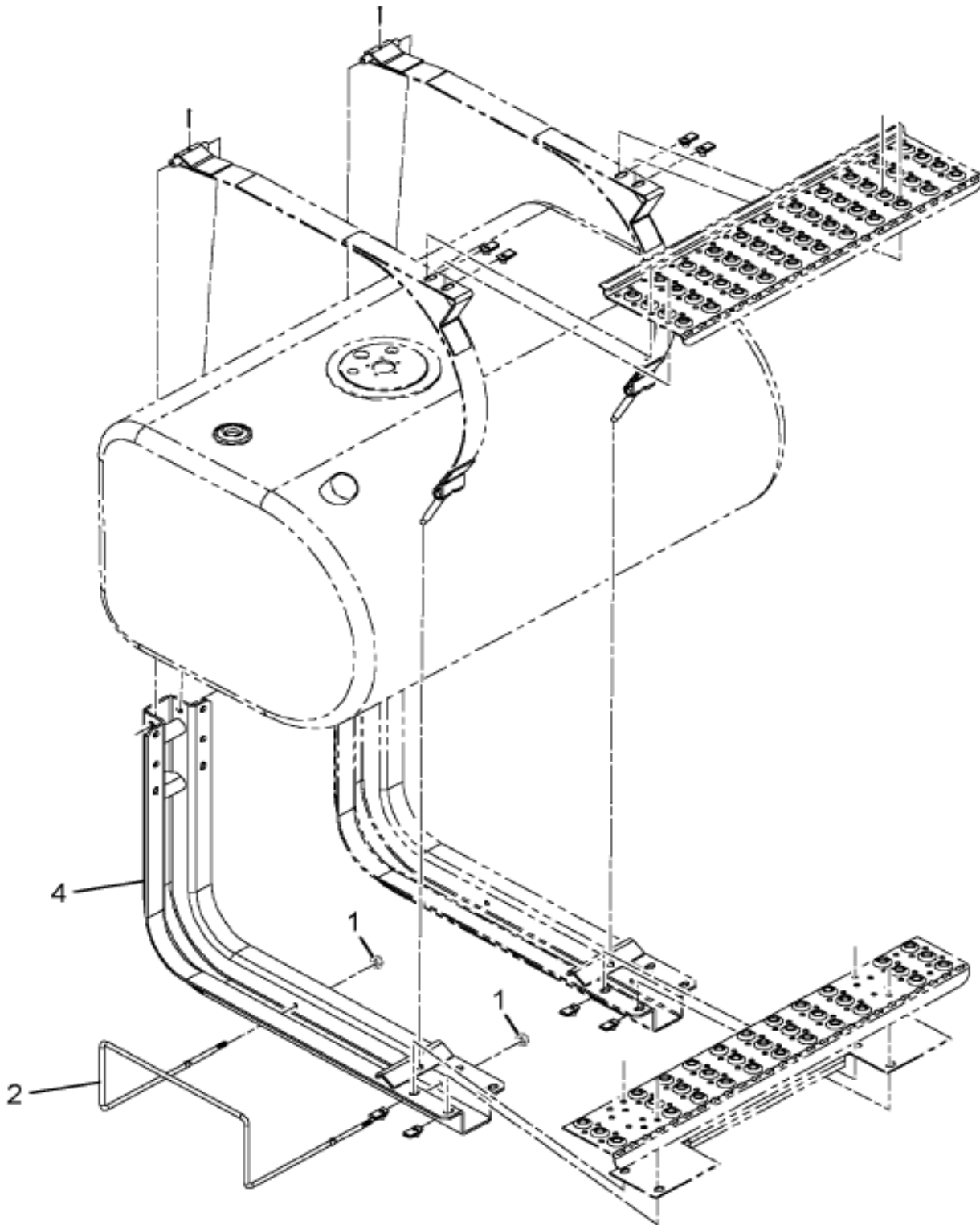
M-NGV-SS
W/80 GAL 23" D-TANKS
W/16XTM

15-L23-0106-01

L10

Item	Part No.	Qty	Description	Kit	Var	Figure
20	3573570F92	1	FUEL TK*70 GAL "D" STYLE, L		0HB5M	3573570F92

Figure 3573570F92
 FUEL TK*70 GAL "D" STYLE, L



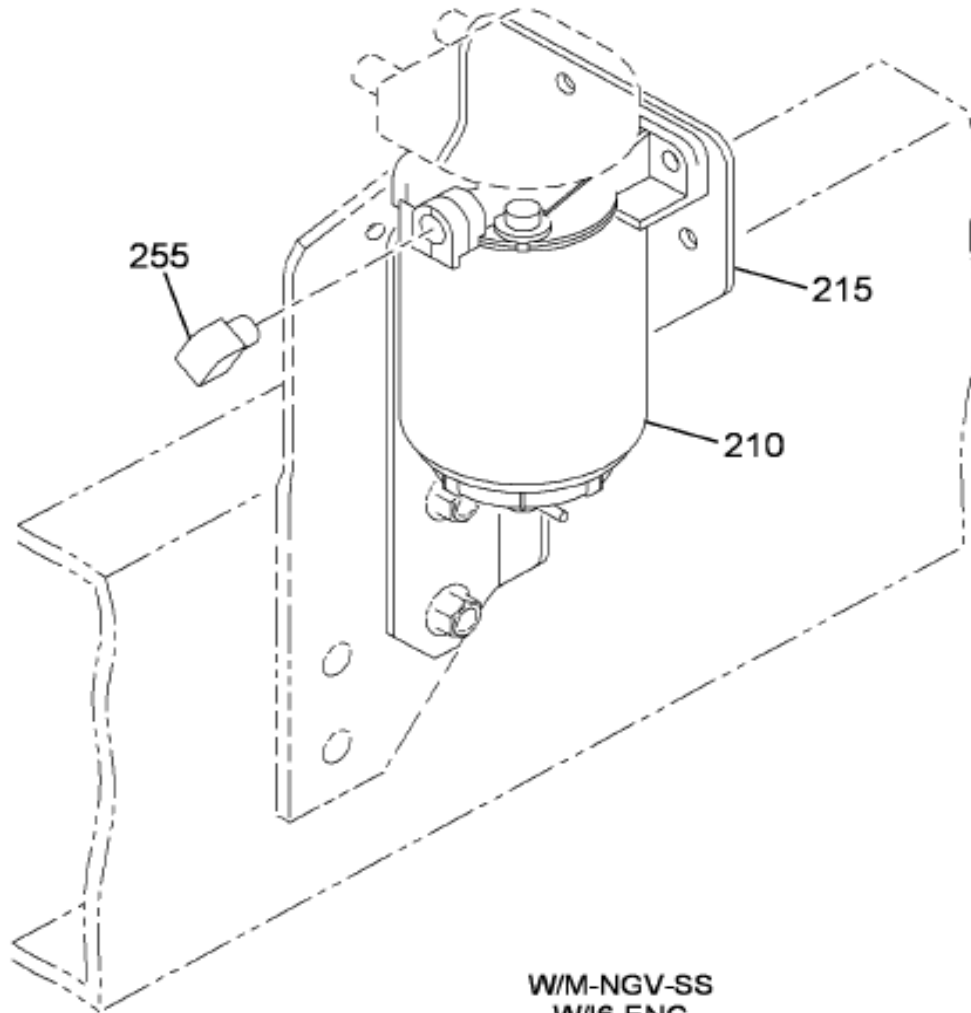
15-L22-0017-01

H03

Item	Part No.	Qty	Description	Kit	Var	Figure
1	40066R1	2	NUT, M8 - HF LOCK			
2	3558300C1	1	BRACKET, MUD FLAP GUARD			
4	3589338C1	2	SUPPORT, FUEL TANK*FOR 70 GAL 1			3589338C1
880	RF		NOTE: ASM BELOW COMPRISED OF ABOVE COMPONENTS			
881	3573570F92	RF	FUEL TK*70 GAL "D" STYLE, L			

Grp
15

Figure 0FTZD
FUEL/WATER SEPARATOR INSTL



W/M-NGV-SS
W/16-ENG
W/15LBC, 15LDP

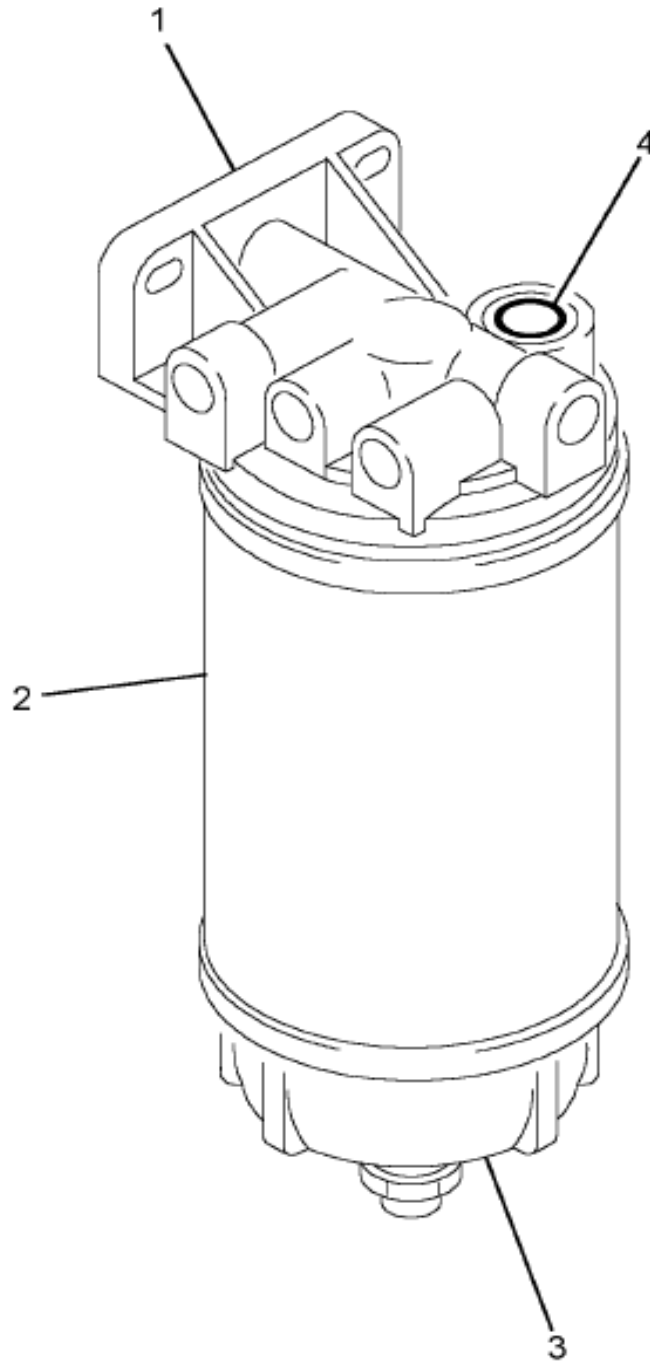
15-329-0167-01

E09

Item	Part No.	Qty	Description	Kit	Var	Figure
210	1087486R1	1	MANUAL, INST, INSTRUCTION		0FTZG	
210	1618386C93	1	FILTER, FUEL		0FTZG	1618386C93
210	24840R1	2	BOLT, 3/8 X 1 PHC TYPE 8		0FTZG	
210	120382	2	WASHER, LOCK 3/8 ZINC PLATED		0FTZG	
215	3542528C1	1	BRACKET, FUEL FILTER MTG*BRACKE		0FTZG	

Grp
15

Figure 1618386C93
 FILTER, FUEL

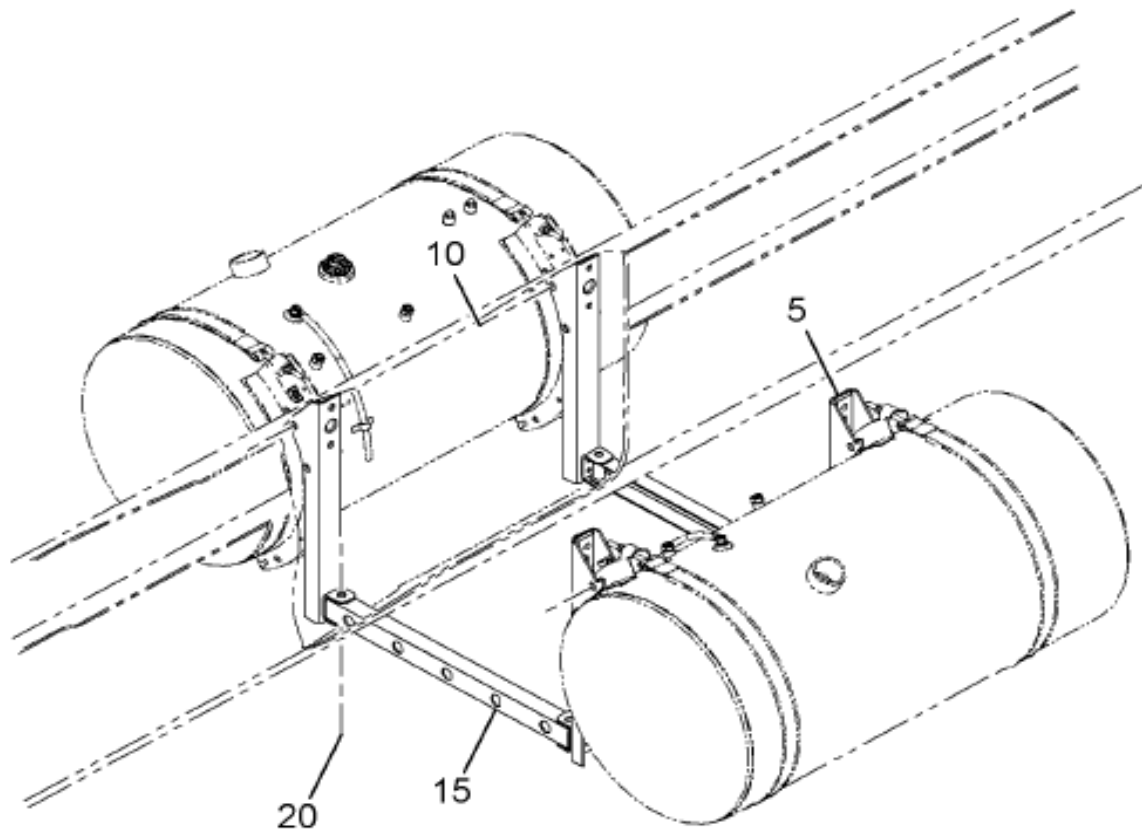


15-329-0061-00

F03

Item	Part No.	Qty	Description	Kit	Var	Figure
1	1677003C1	1	HEAD, FUEL FILTER			
2	1677004C91	1	ELEMENT, FUEL FILTER			
3	1677005C91	1	BOWL, FUEL FILTER			
3	1811052C1	1	RING, O			
4	1811053C1	1	RING, O			
801	1811495C91	KT	HEATER			1811495C91

Figure 0FV9D
LT SIDE FUEL TANK MTG



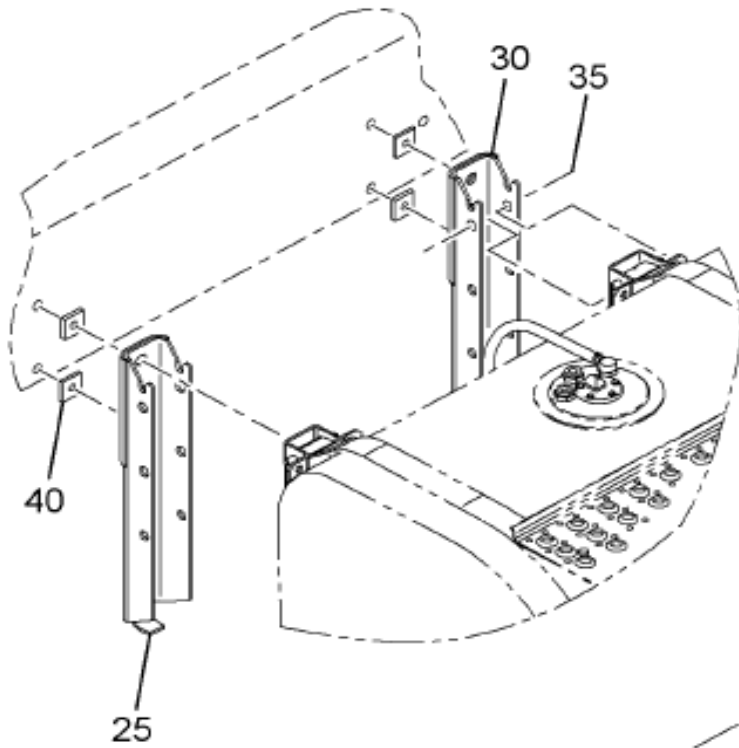
NGV-LH, LF51700
W/DUAL BOC 115 GAL TANKS

15-257-0004-01

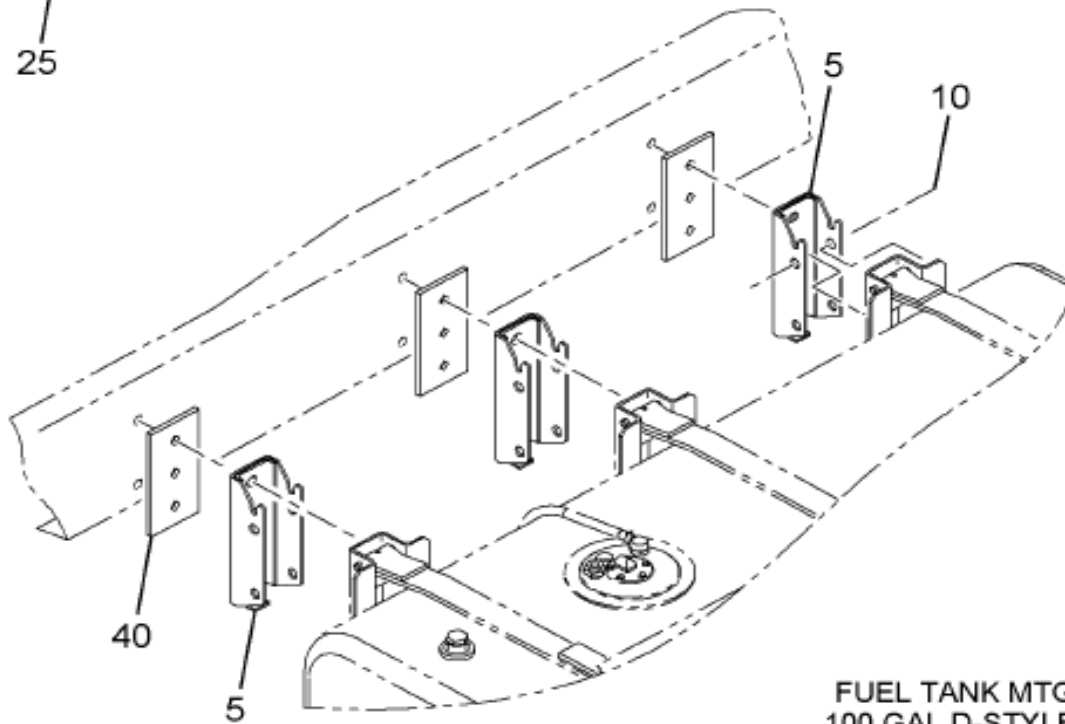
F11

Figure 1 of 2

Figure 0FV9D
LT SIDE FUEL TANK MTG



FUEL TANK MTG FOR:
100 GAL 23" DEEP
D-STYLE TANK FOR NGV-SS



FUEL TANK MTG FOR:
100 GAL D-STYLE TANK
70/30 GAL COMBINATION
FUEL/HYDRAULIC TANK

Grp
15

15-257-0005-01

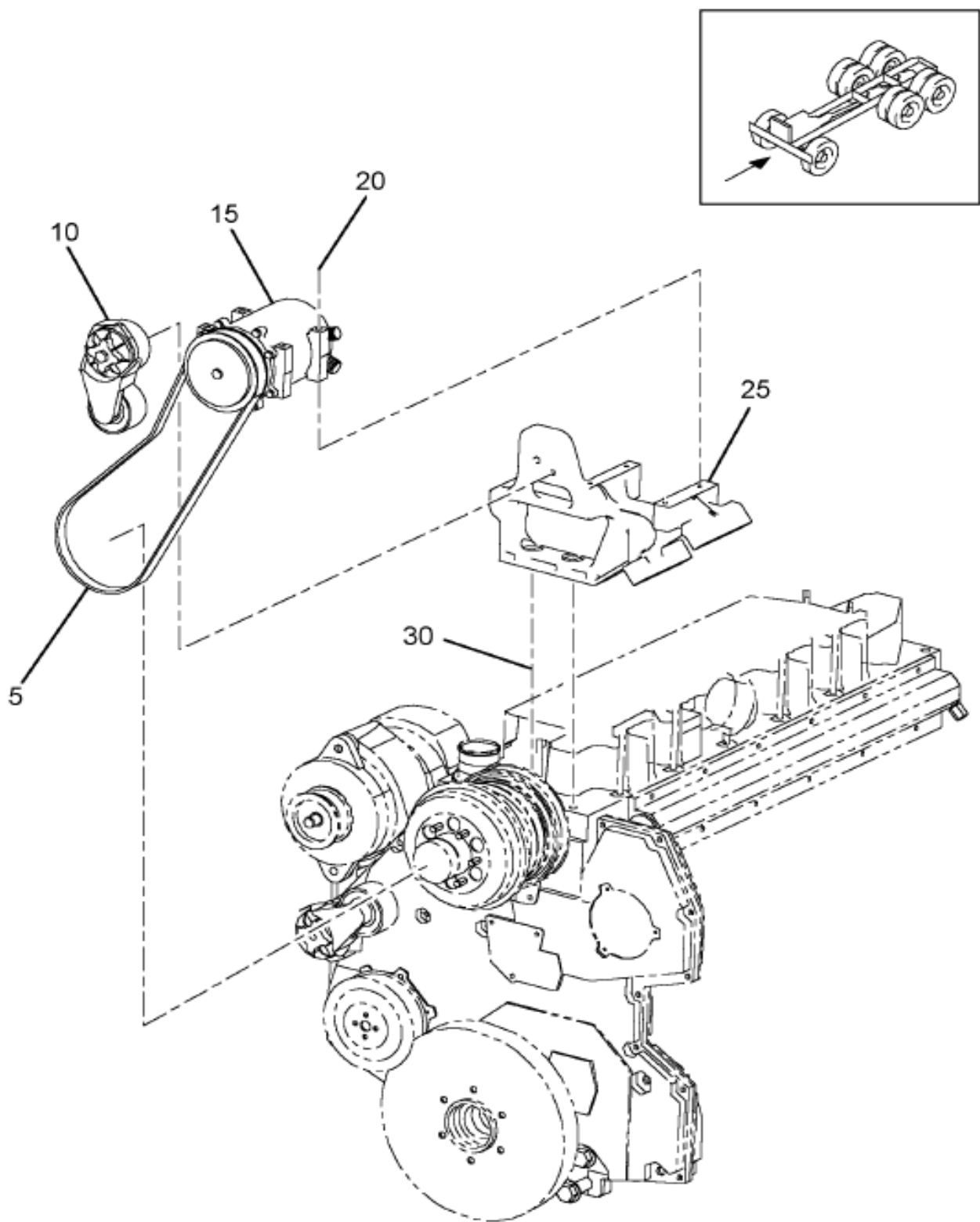
F04

Item	Part No.	Qty	Description	Kit	Var	Figure
5	3588749C1	2	BRACKET, FUEL TANK MTG (15-8790		0K99W	
5	1518208C1	4	BOLT, HUCK 5/8 DIA		0K99W	
5	3691088C1	4	BOLT, HUCK-SPIN 5/8 DIA -16		0K99W	
5	1518213C1	4	COLLAR, HUCK 5/8 DIA.		0K99W	
10	40250R1	4	BOLT, HEX FLG HD METRIC*M16 X 1		0K99W	
10	3535554C1	4	NUT, HEX METRIC PREV. TORQ*M16		0K99W	

Group 16 Cab

G
R
P
1
6

Figure 06PSZ
A/C COMPSTR INSTL; EATON

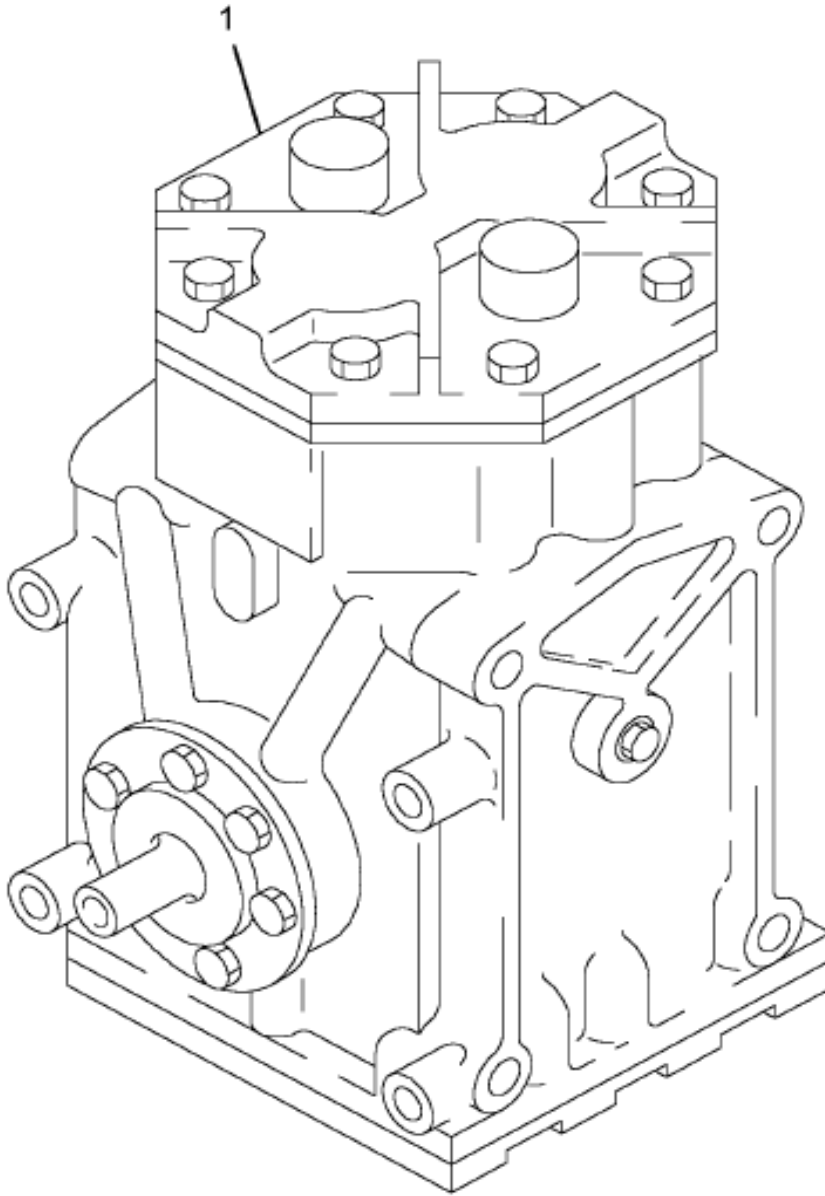


16-362-0025-AA

C04

Item	Part No.	Qty	Description	Kit	Var	Figure
5	1841563C1	1	BELT, 6PK. 45.70		07SV6	
10	3543883C1	1	TENSIONER, DRIVE COMPR		07SV6	
10	30255R1	1	BOLT, HH*HEX HD M10 X 1.5 X 80.		07SV6	
15	3547916C1	1	COMPRESSOR, AIR COND		07SV6	3547916C1
20	1817962C1	4	BOLT M8 X 100 HEX FLANGE		07SV6	
25	1834579C3	1	BRACKET, COMPR MTG AIR COND		07SV6	

Figure 3547916C1
 COMPRESSOR, AIR COND



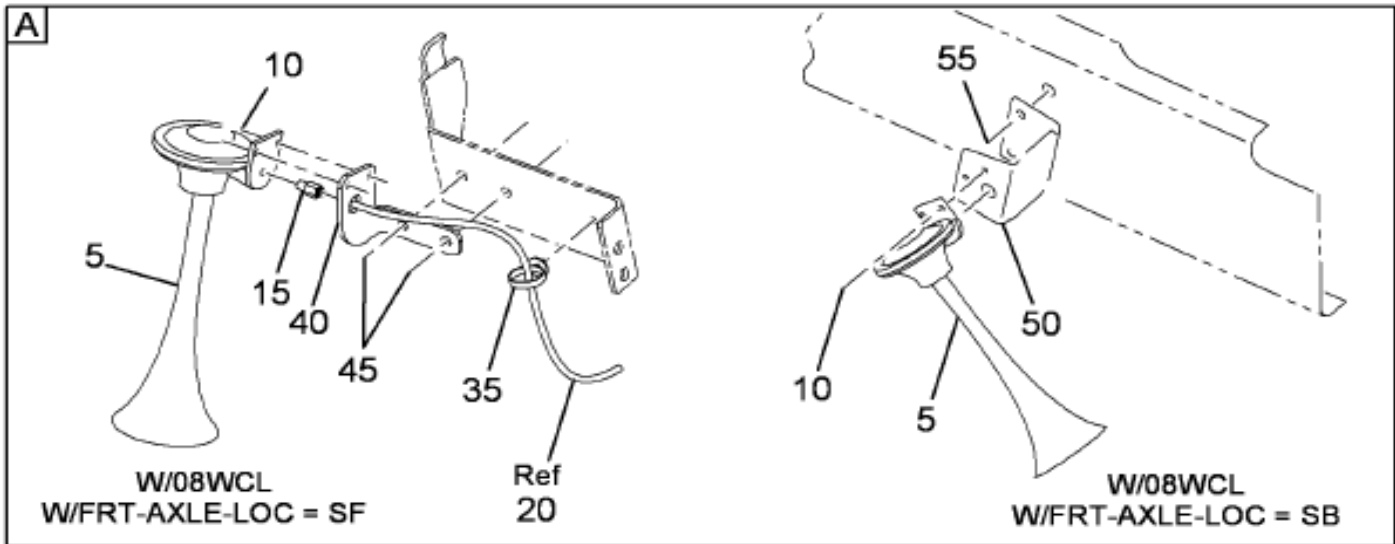
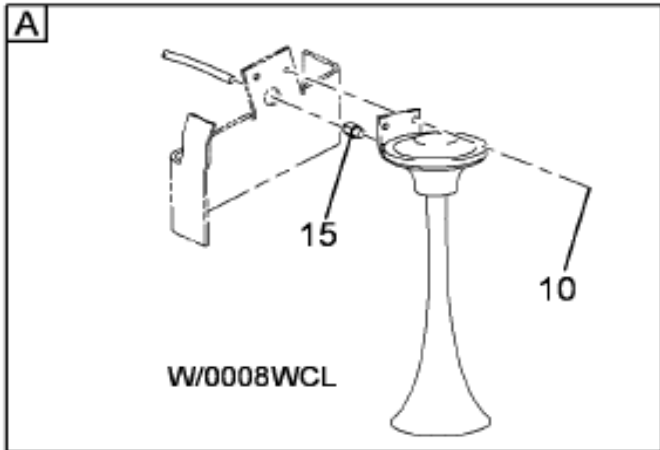
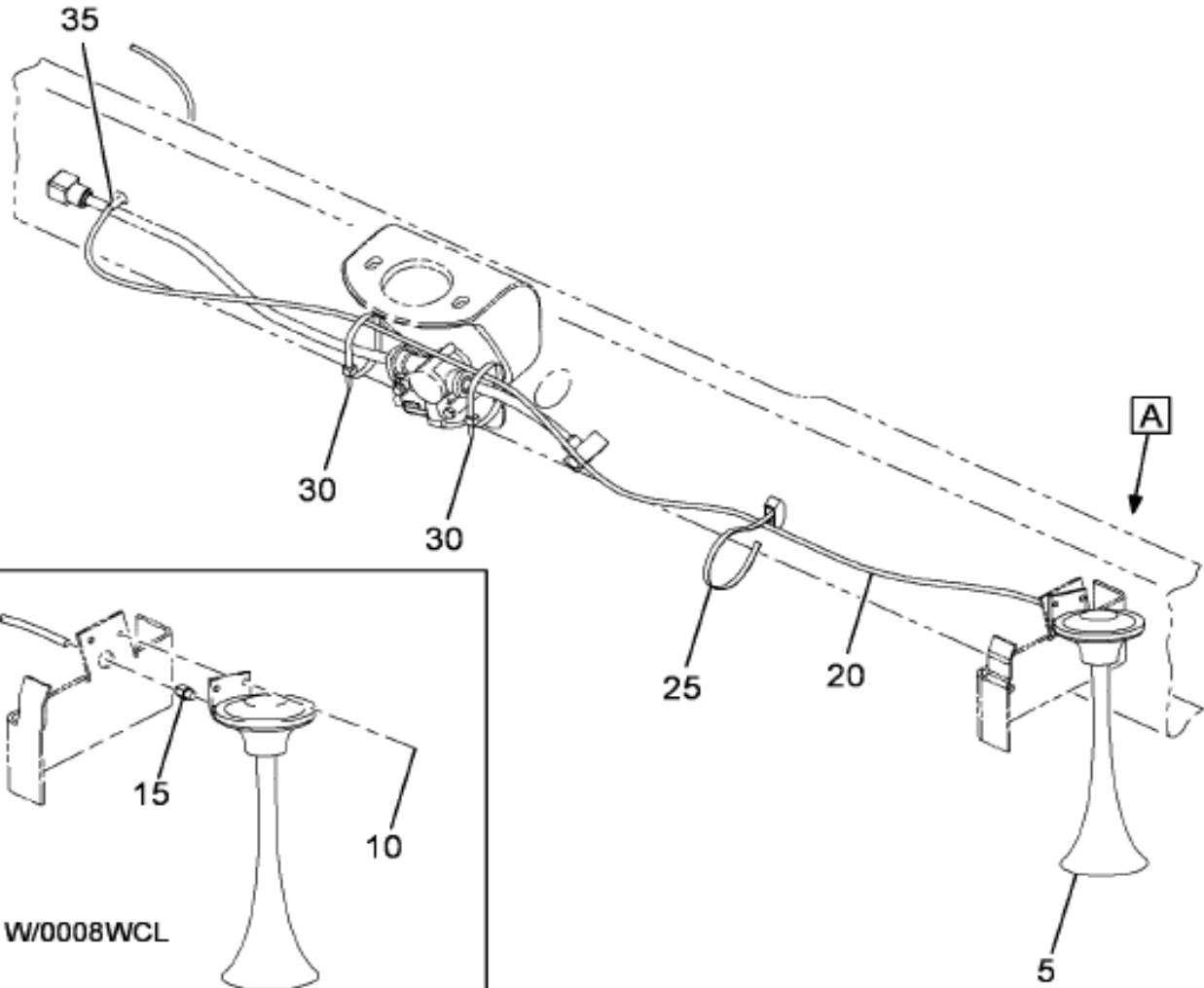
16-362-0021-02

L02

Grp
16

Item	Part No.	Qty	Description	Kit	Var	Figure
1	2505911C91	1	COIL, COMPR PULLEY CLUCH W/ACSY			
1	3535042C1	1	PULLEY, DRIVE A/C COMPR			
880		RF	NOTE: ASM BELOW COMPRISED OF ABOVE COMPONENTS			
881	3547916C1	RF	COMPRESSOR, AIR COND			

Figure 0G9F8
AIR HORN INSTL; MTD RIGHT FRAME RAIL

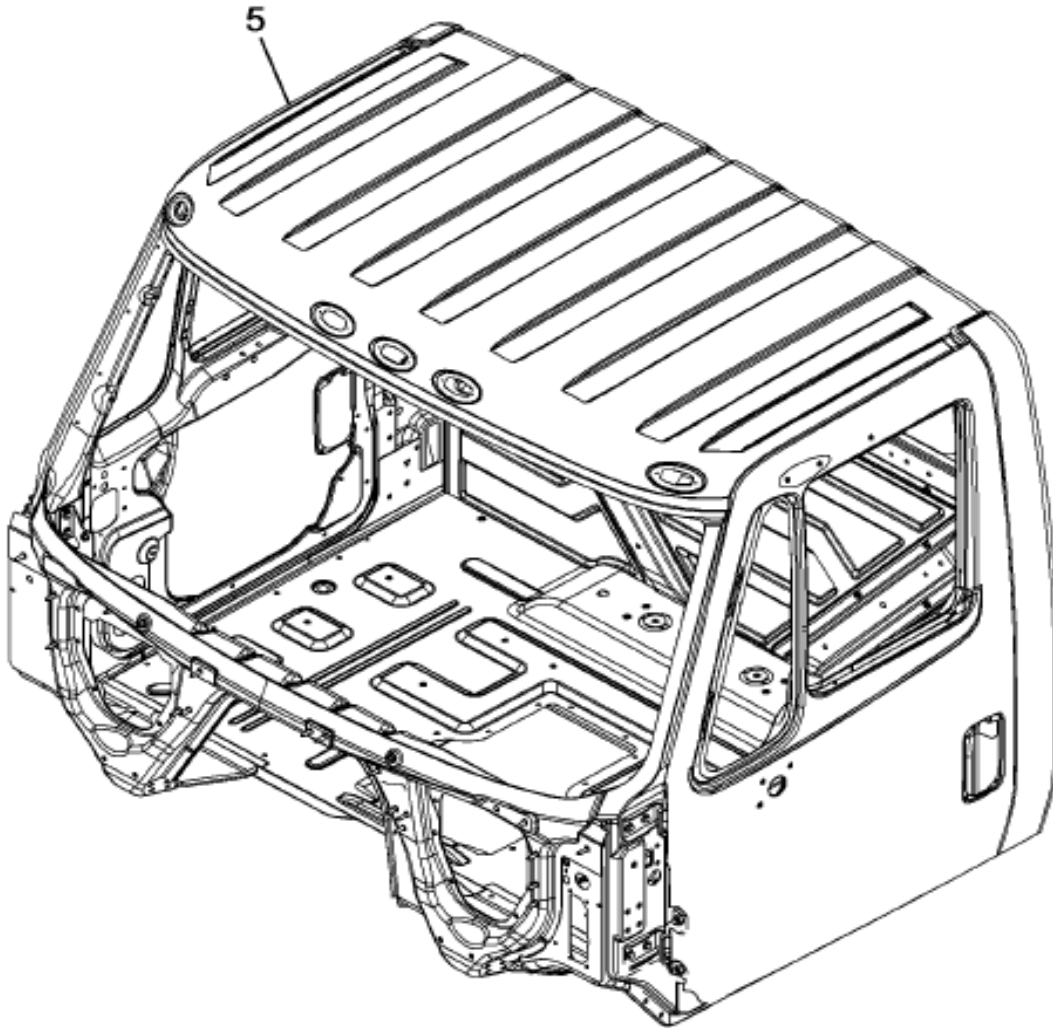


16-344-0024-AA

F09

Item	Part No.	Qty	Description	Kit	Var	Figure
5	1670115C1	1	HORN,ASSY AIR SINGLE		0G9F8	
10	3544378C1	2	NUT,HEX METRIC PREV. TORQ*M6 H		0G9F8	
10	3552155C1	2	BOLT,HEX FLG HD METRIC*M6 X 20		0G9F8	
15	3606280C1	1	CONNECTOR,QC PMT ADAPTER		0G9F8	
20	417196C3	5500	TUBE,NYLON BULK 1/4 OD BLACK		0JJ5D	
25	3544557C1	1	STRAP,CABLE LOCK*382MM BUTTON		0JJ5D	

Figure 0H9RV
CAB ASM; NGV

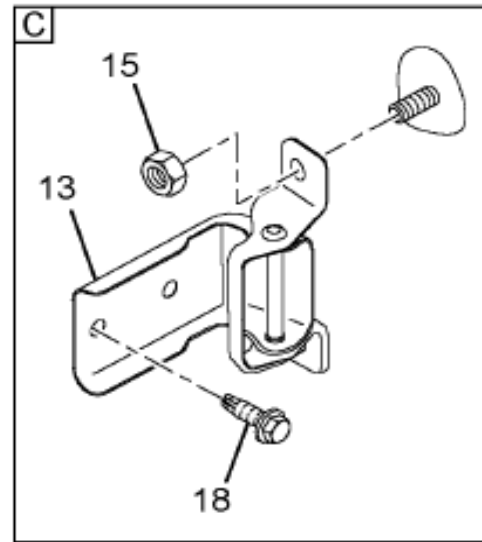
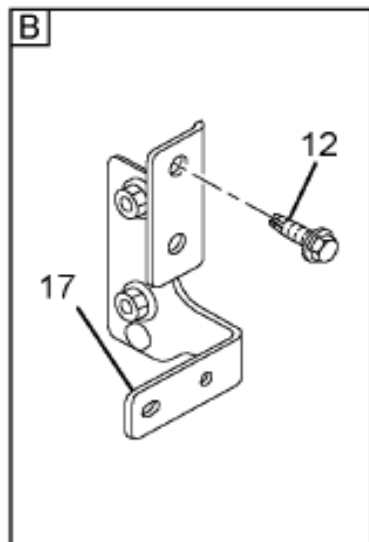
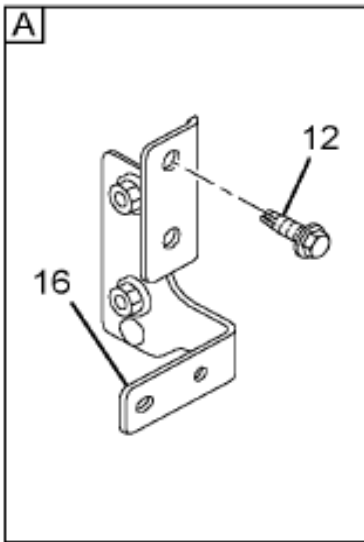
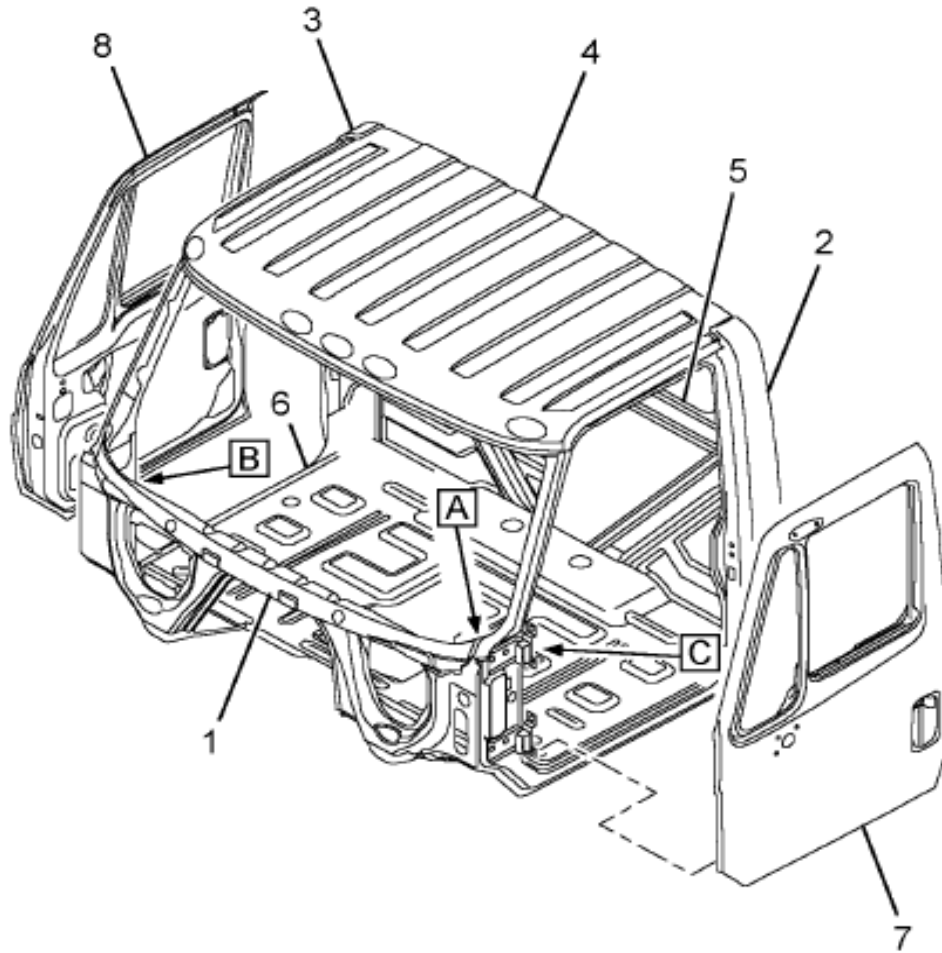


16-447-0409-01

A10

Item	Part No.	Qty	Description	Kit	Var	Figure
5	3579484C93	1	CAB,REGULAR COMPLETE (CE5)		0KMXL	3579484C93
5	3572158C92	1	PANEL,ASSY DASH LHD CONV V8-I6		0KMXL	3572158C92
5	3579435C91	1	PANEL,SIDE BODY*ASSY WELDED, N		0KMXL	3579435C91
5	3579436C91	1	PANEL,SIDE BODY*ASSY WELDED, N		0KMXL	3579436C91
5	3572685C91	1	PANEL,ASM ROOF WLDD EXT D AERO		0KMXL	3572685C91
5	3540844C95	1	PANEL,ASSY BCK OTR WLDD TRCTR		0KMXL	3540844C95

Figure 3579484C93
CAB, REGULAR COMPLETE (CE5)

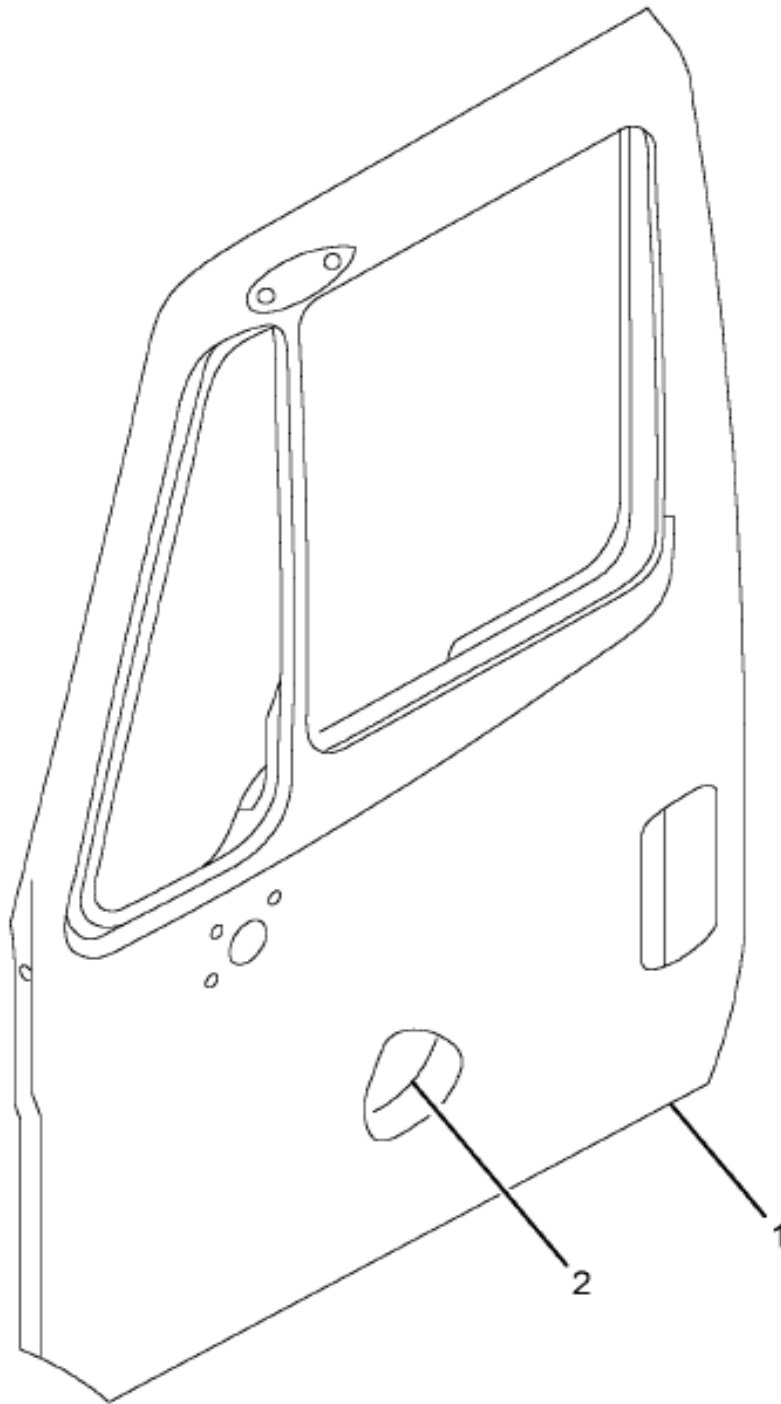


16-447-0365-01

B04

Item	Part No.	Qty	Description	Kit	Var	Figure
1	3572158C92	1	PANEL, ASSY DASH LHD CONV V8-I6			3572158C92
2	3579435C91	1	PANEL, SIDE BODY*ASSY WELDED, N			3579435C91
3	3579436C91	1	PANEL, SIDE BODY*ASSY WELDED, N			3579436C91
4	3572685C91	1	PANEL, ASM ROOF WLDD EXTND AERO			3572685C91
5	3540844C95	1	PANEL, ASSY BCK OTR WLDD TRCTR			3540844C95
6	3543973C95	1	UNDERBODY, ASSY EXTND I6/V8			3543973C95

Figure 3560064C94
DOOR, CAB LT ASSY WELDED

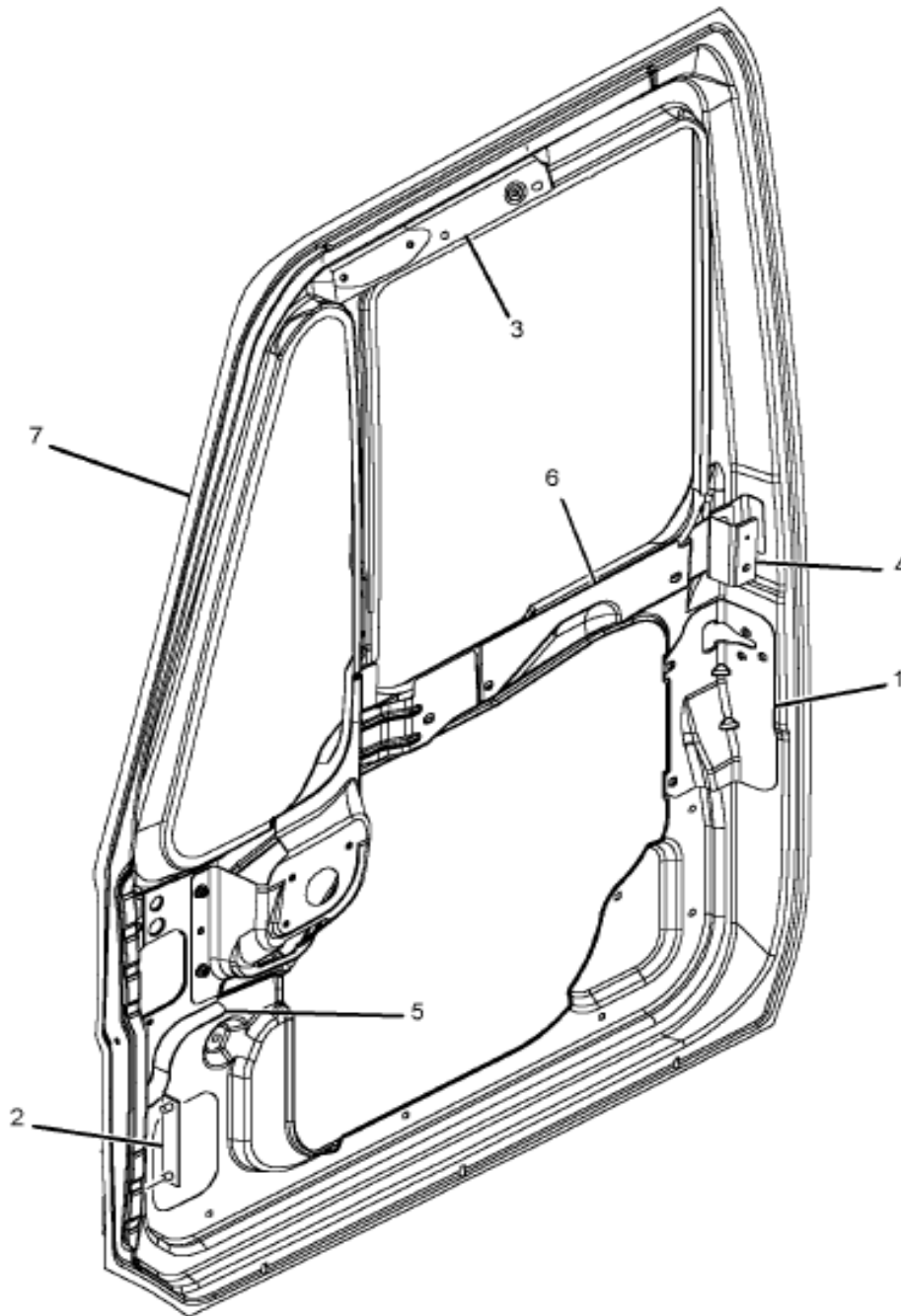


16-421-0032-01

H03

Item	Part No.	Qty	Description	Kit	Var	Figure
1	3560062C94	1	DOOR, CAB LT INNER ASSY			3560062C94
2	3555091C91	1	DOOR, CAB LT OUTER ASSY			
880		RF	NOTE: ASM BELOW COMPRISED OF ABOVE COMPONENTS			
881	3560064C94	RF	DOOR, CAB LT ASSY WELDED			

Figure 3560062C94
DOOR, CAB LT INNER ASSY

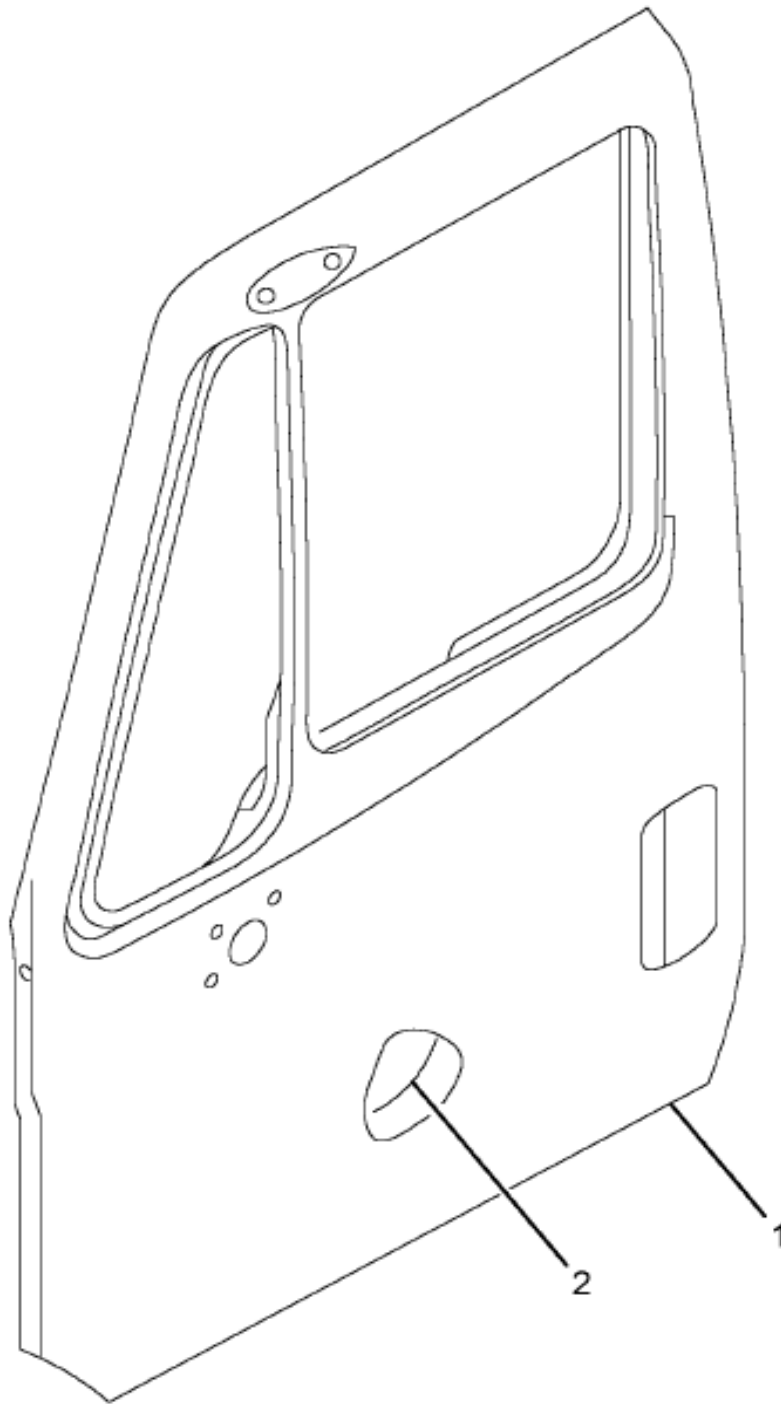


3560062C9200 000

Grp
16

Item	Part No.	Qty	Description	Kit	Var	Figure
1	3560088C2	1	PANEL, DOOR LH CONV			
2	3560054C1	1	REINFORCEMENT, DR HNG FRT LH			
3	3543337C3	2	PLATE, WELD STUD			
4	3555103C1	1	REINFORCEMENT, MIRROR BRACE LH			
5	3511953C1	1	REINFORCEMENT, DR INR PNL LH			
6	3560060C1	1	REINFORCEMENT, MIR BRC INR LH			

Figure 3560065C94
DOOR, CAB RT ASSY WELDED



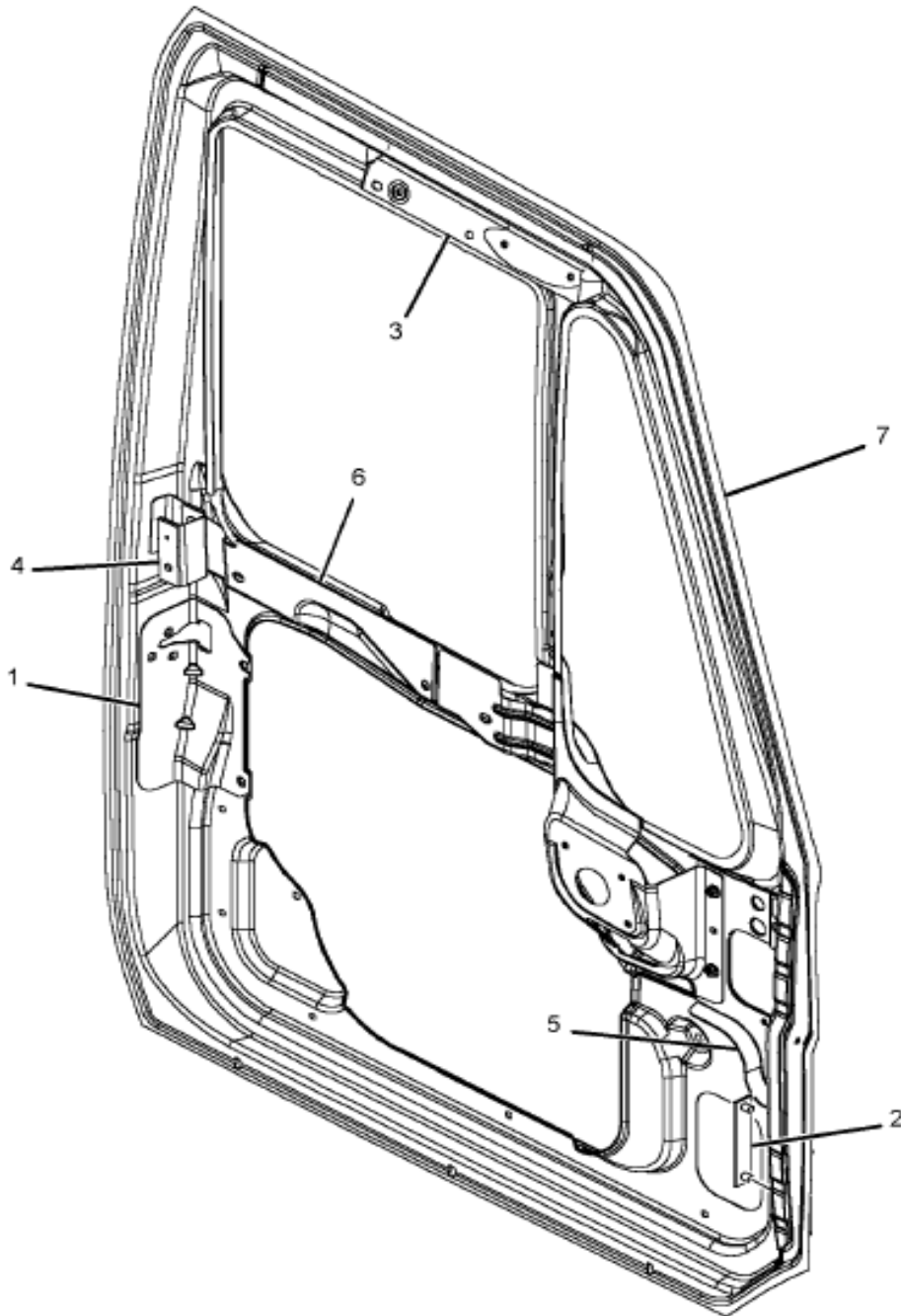
16-421-0032-01

H03

Grp
16

Item	Part No.	Qty	Description	Kit	Var	Figure
1	3560063C94	1	DOOR, CAB RT INNER ASSY			3560063C94
2	3555092C91	1	DOOR, CAB RT OUTER ASSY			
880		RF	NOTE: ASM BELOW COMPRISED OF ABOVE COMPONENTS			
881	3560065C94	RF	DOOR, CAB RT ASSY WELDED			

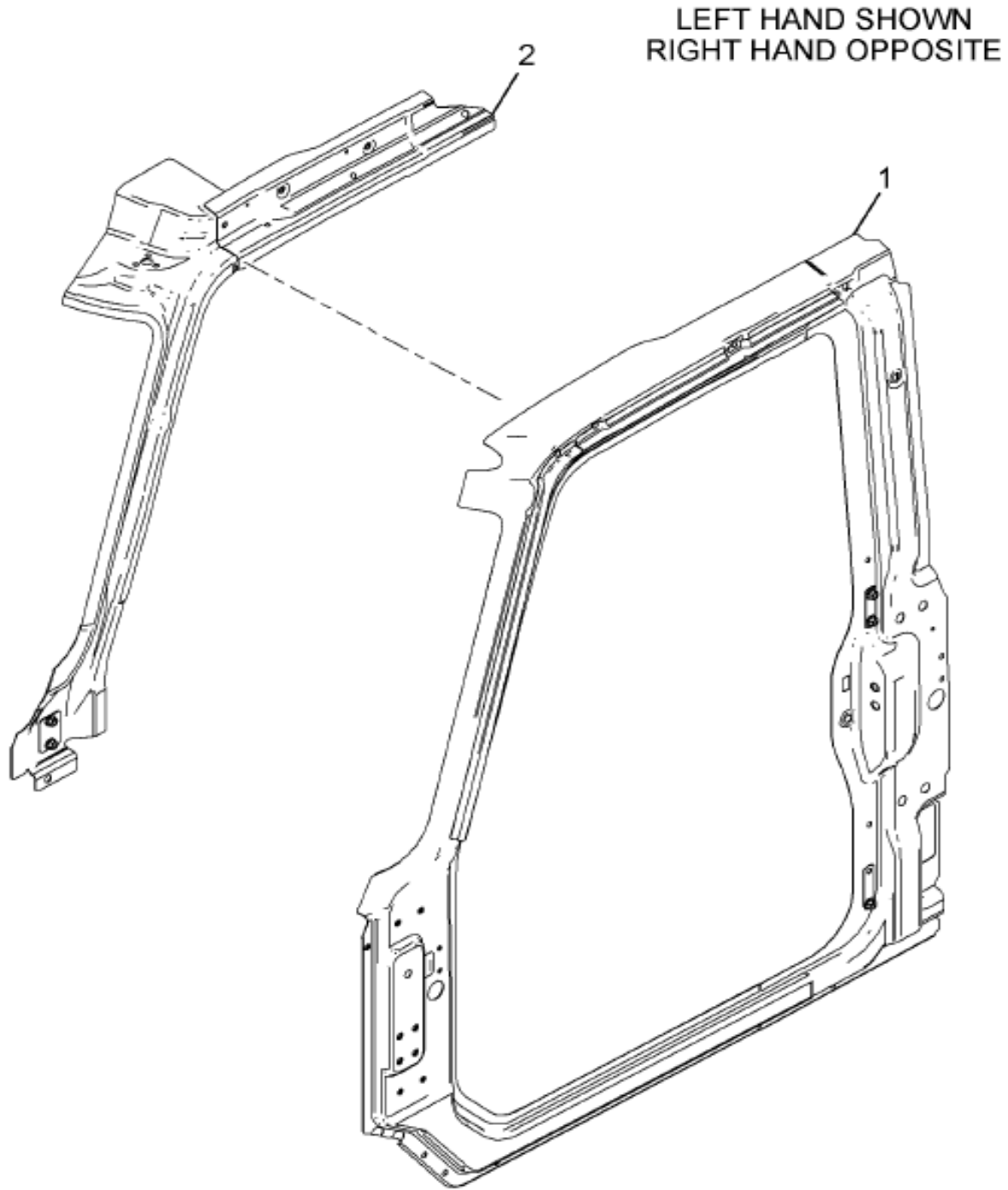
Figure 3560063C94
DOOR,CAB RT INNER ASSY



3560063C9200 000

Item	Part No.	Qty	Description	Kit	Var	Figure
1	3560089C2	1	PANEL,DOOR RH CONV			
2	3560055C1	1	REINFORCEMENT,DR HNG FRT RH			
3	3543337C3	2	PLATE,WELD STUD			
4	3555104C1	1	REINFORCEMENT,MIRROR BRACE RH			
5	3511954C1	1	REINFORCEMENT,DR IND PNL RH			
6	3560061C1	1	REINFORCEMENT,MIR BRC INR RH			

Figure 3535208C3
FRAME,DR ASSY FRT LH T/C & EXT

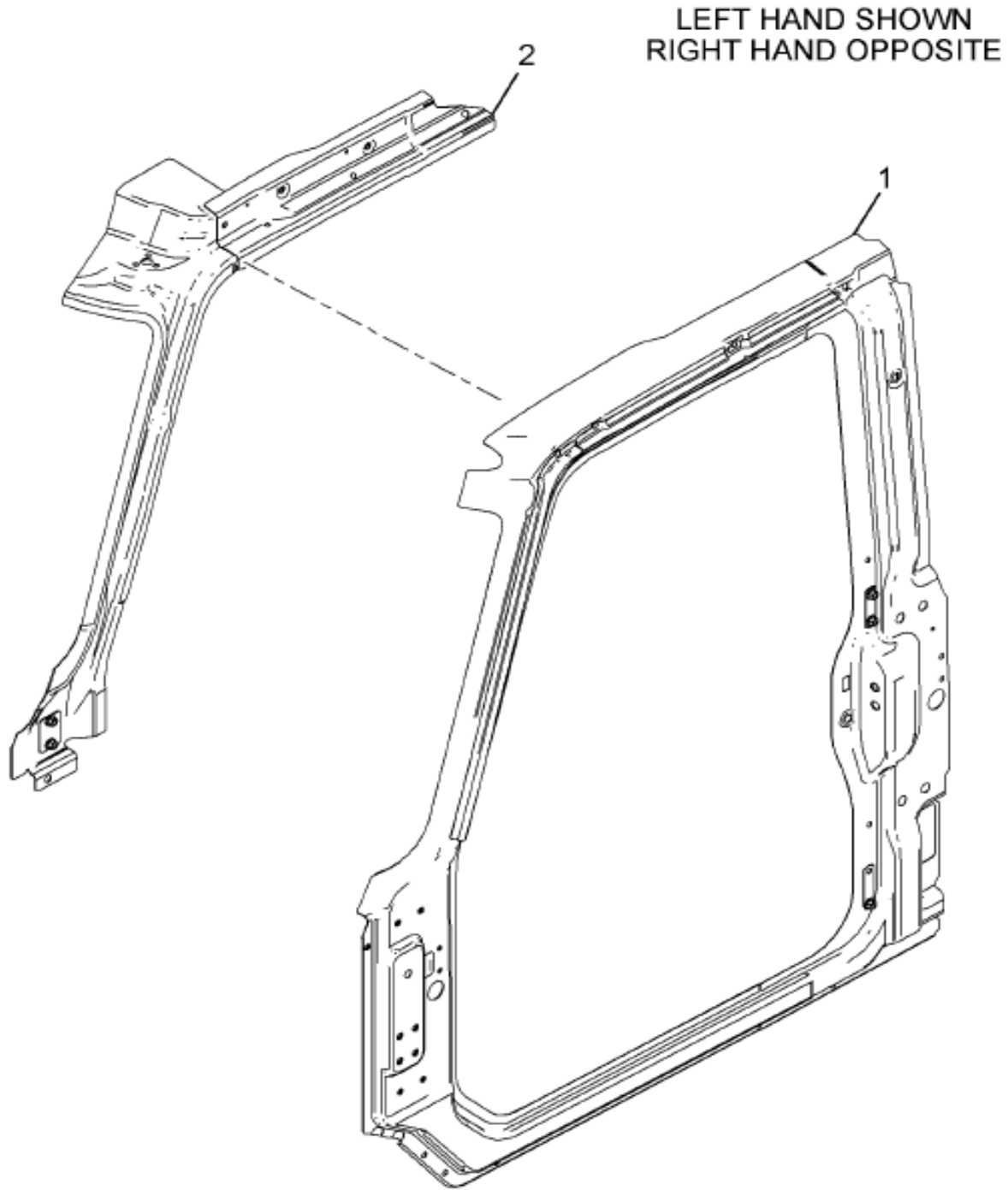


16-D75-M005-01

D09

Item	Part No.	Qty	Description	Kit	Var	Figure
1	3532658C3	1	FRAME,DR OPNG FRT LH T/C & EXT			3532658C3
2	3549782C1	1	PILLAR,& INR PNL ASSY A-PLR LH			
880		RF	NOTE: ASM BELOW COMPRISED OF ABOVE COMPONENTS			
881	3535208C3	RF	FRAME,DR ASSY FRT LH T/C & EXT			

Figure 3535209C3
FRAME,DR ASSY FRT RH T/C & EXT



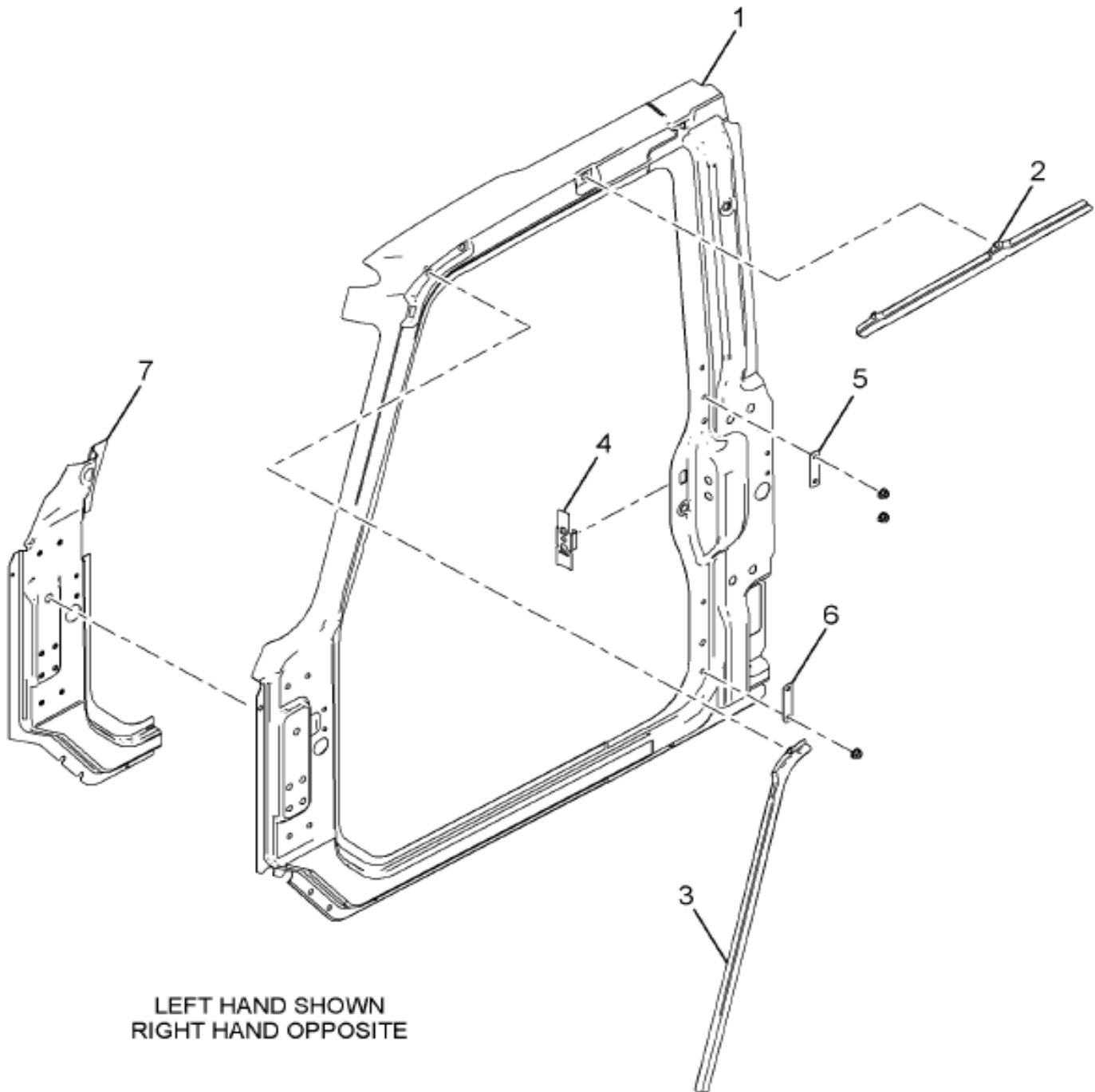
16-D75-M005-01

D09

Grp
16

Item	Part No.	Qty	Description	Kit	Var	Figure
1	3532659C3	1	FRAME,DR OPNG FRT RH T/C & EXT			3532659C3
2	3549783C1	1	PILLAR,& INR PNL ASSY A-PLR RH			
880		RF	NOTE: ASM BELOW COMPRISED OF ABOVE COMPONENTS			
881	3535209C3	RF	FRAME,DR ASSY FRT RH T/C & EXT			

Figure 3532658C3
FRAME,DR OPNG FRT LH T/C & EXT

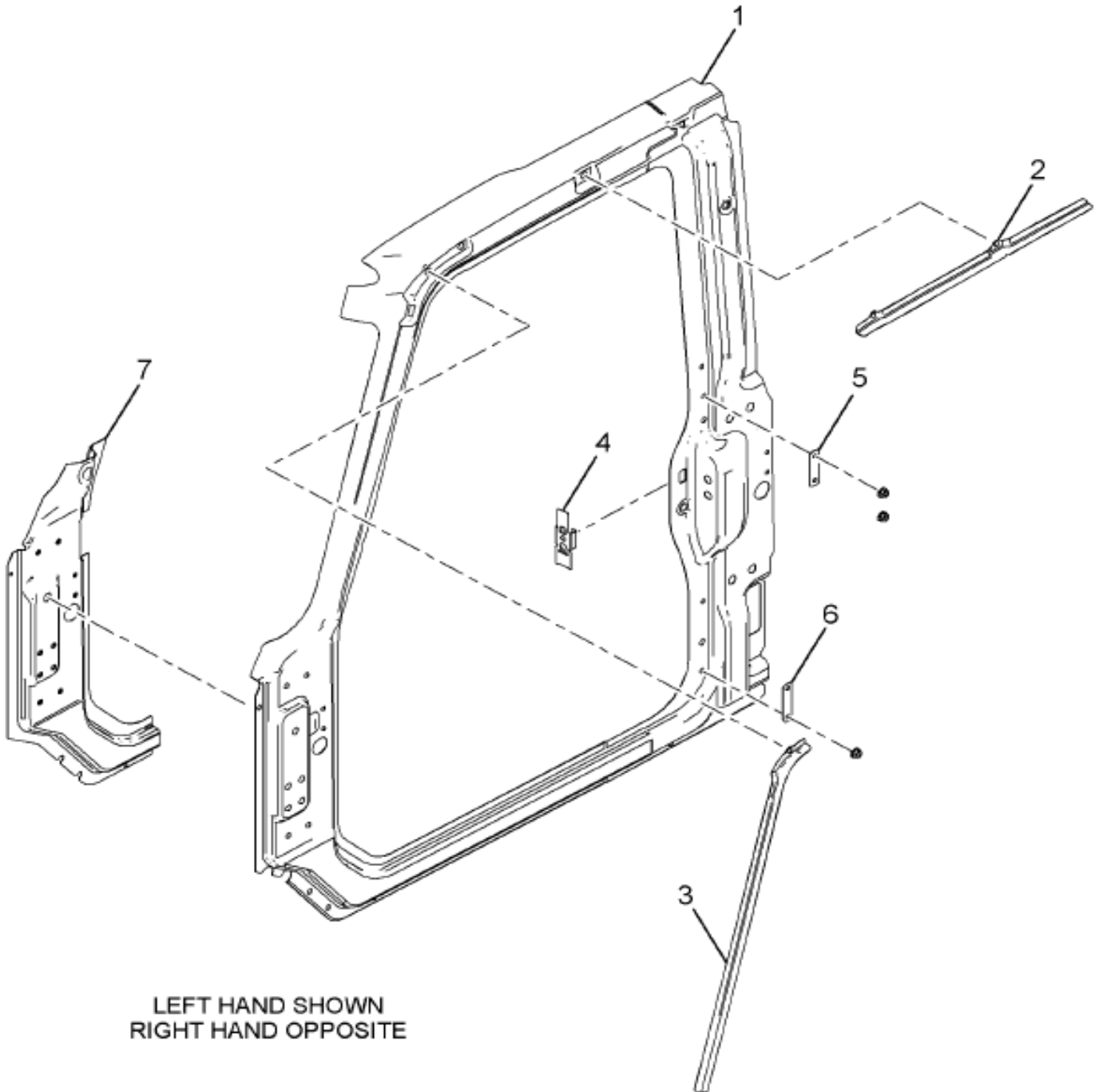


16-D75-M004-01

D09

Item	Part No.	Qty	Description	Kit	Var	Figure
1	3546446C4	1	FRAME,DR OPNG FRT LH T/C & EXT			
2	3510035C1	1	RAIL,BODY SIDE DRIP LH			
3	3532263C1	1	RAIL,BODY SIDE A-PILLAR LH			
4	3510043C1	1	RETAINER,TAPPING PLATE STRIKER			
5	3533582C2	1	PLATE,TAPPING ASSY REAR SPKR			
6	3543560C2	1	PLATE,TAPPING B-PLR GRB HNDL			

Figure 3532659C3
 FRAME,DR OPNG FRT RH T/C & EXT

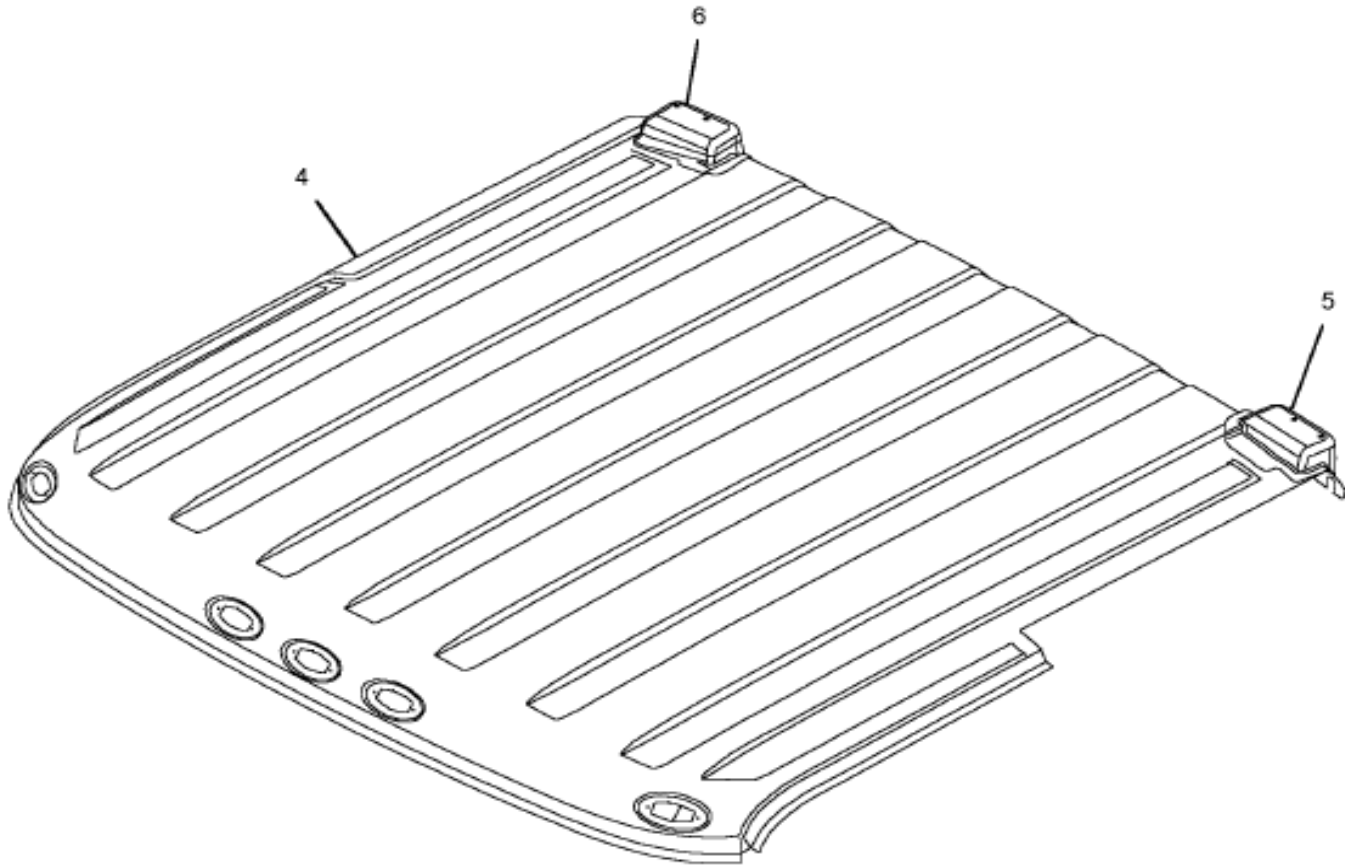


16-D75-M004-01

D09

Item	Part No.	Qty	Description	Kit	Var	Figure
1	3546447C4	1	FRAME,DR OPNG FRT RH T/C & EXT			
2	3510036C1	1	RAIL,BODY SIDE DRIP RH			
3	3532264C1	1	RAIL,BODY SIDE A-PILLAR RH			
4	3510043C1	1	RETAINER,TAPPING PLATE STRIKER			
5	3533582C2	1	PLATE,TAPPING ASSY REAR SPKR			
6	3543560C2	1	PLATE,TAPPING B-PLR GRB HNDL			

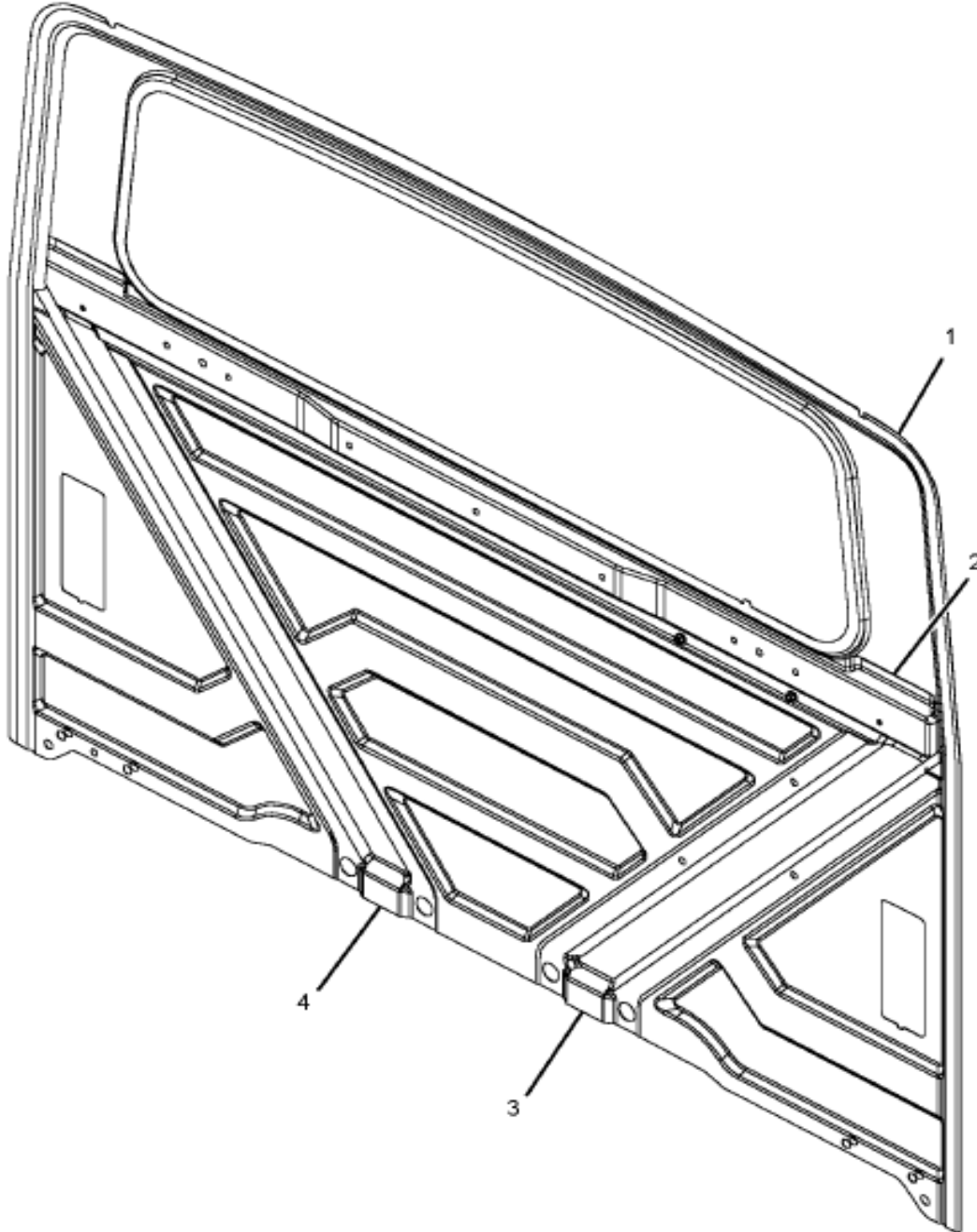
Figure 3572685C91
 PANEL,ASM ROOF WLDD EXTD AERO



3572685C9100 000

Item	Part No.	Qty	Description	Kit	Var	Figure
4	3511402C92	1	PANEL,ASSY ROOF WLDD EXT CV/LF			3511402C92
5	3517267C2	1	BRACKET,ROOF FAIRING EXTEND LH			
6	3517268C2	1	BRACKET,ROOF FAIRING EXTEND RH			
880		RF	NOTE: ASM BELOW COMPRISED OF ABOVE COMPONENTS			
881	3572685C91	RF	PANEL,ASM ROOF WLDD EXTD AERO			

Figure 3540844C95
 PANEL, ASSY BCK OTR WLDD TRCTR

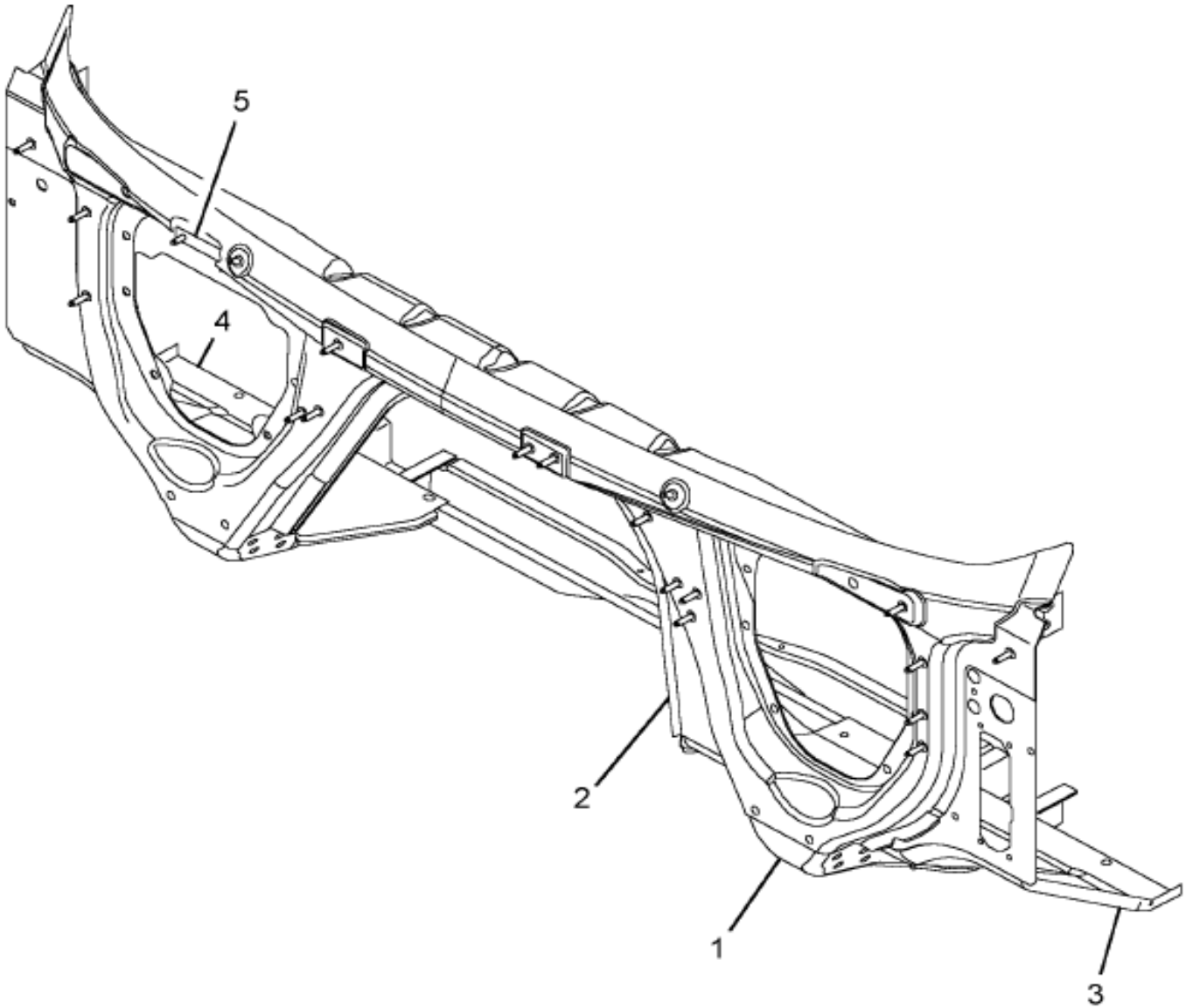


3511399C9400 000

Grp 16

Item	Part No.	Qty	Description	Kit	Var	Figure
1	3540843C1	1	PANEL, BACK CAB OTR			
2	3593268C1	1	REINFORCEMENT, CAB BACK PANEL			
3	3534377C2	1	REINFORCEMENT, CAB BACK PANEL			
4	3510051C3	1	REINFORCEMENT, CAB BACK PANEL			
880	RF		NOTE: ASM BELOW COMPRISED OF ABOVE COMPONENTS			

Figure 3572158C92
 PANEL, ASSY DASH LHD CONV V8-I6



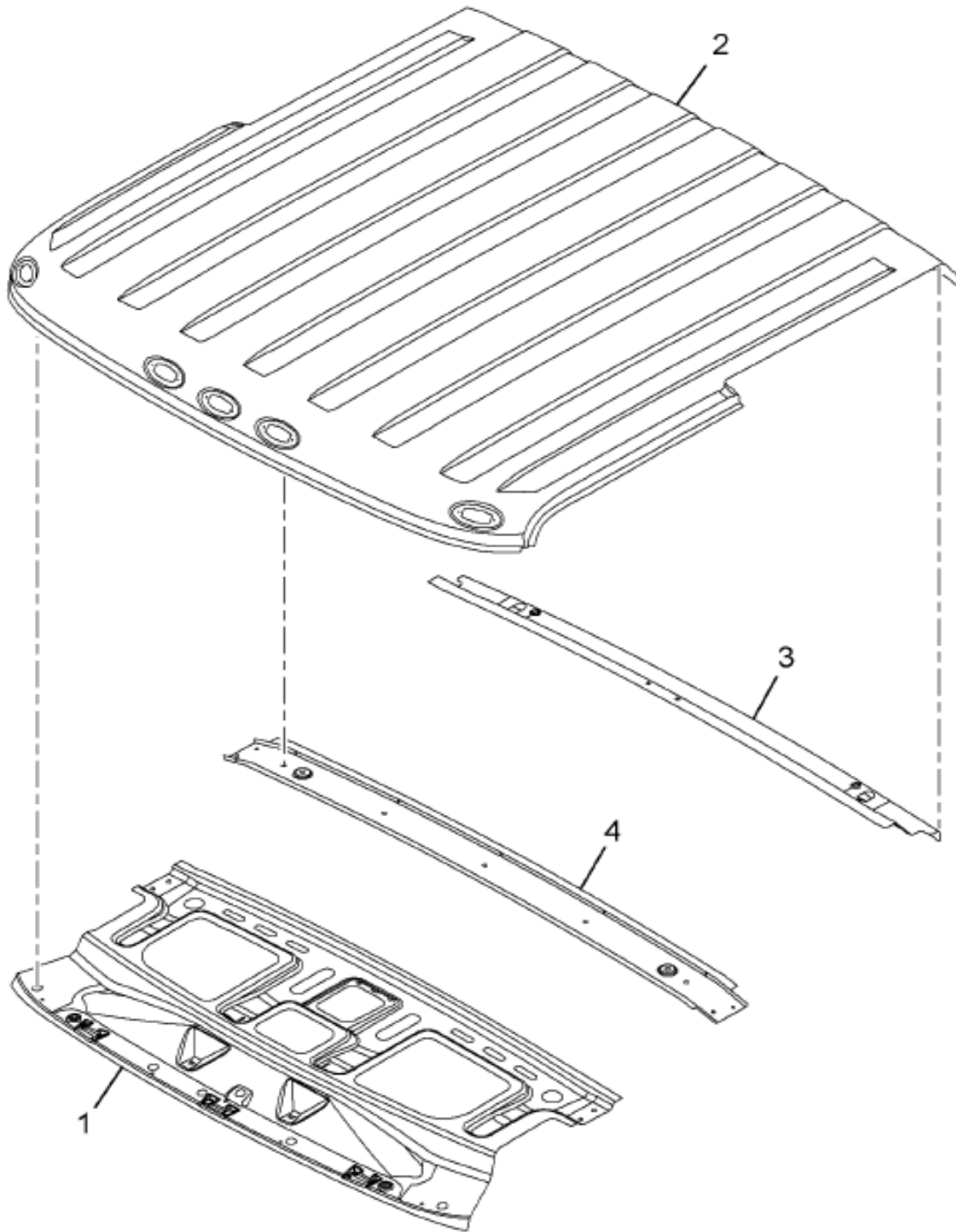
16-447-0234-00

K03

Grp
16

Item	Part No.	Qty	Description	Kit	Var	Figure
1	3550779C2	1	REINFORCEMENT, DASH PANEL ASSY			3550779C2
2	3572101C1	1	PANEL, DASH NGV CONV LHD			
3	3508373C1	1	PANEL, TOE BOARD LEFT SIDE LHD			
4	3508375C2	1	PANEL, TOE BOARD RIGHT SIDE LHD			
5	3533843C1	1	PLATE, MOUNTING STUD ASSY			
880	RF		NOTE: ASM BELOW COMPRISED OF ABOVE			

Figure 3511402C92
 PANEL, ASSY ROOF WLDD EXT CV/LF



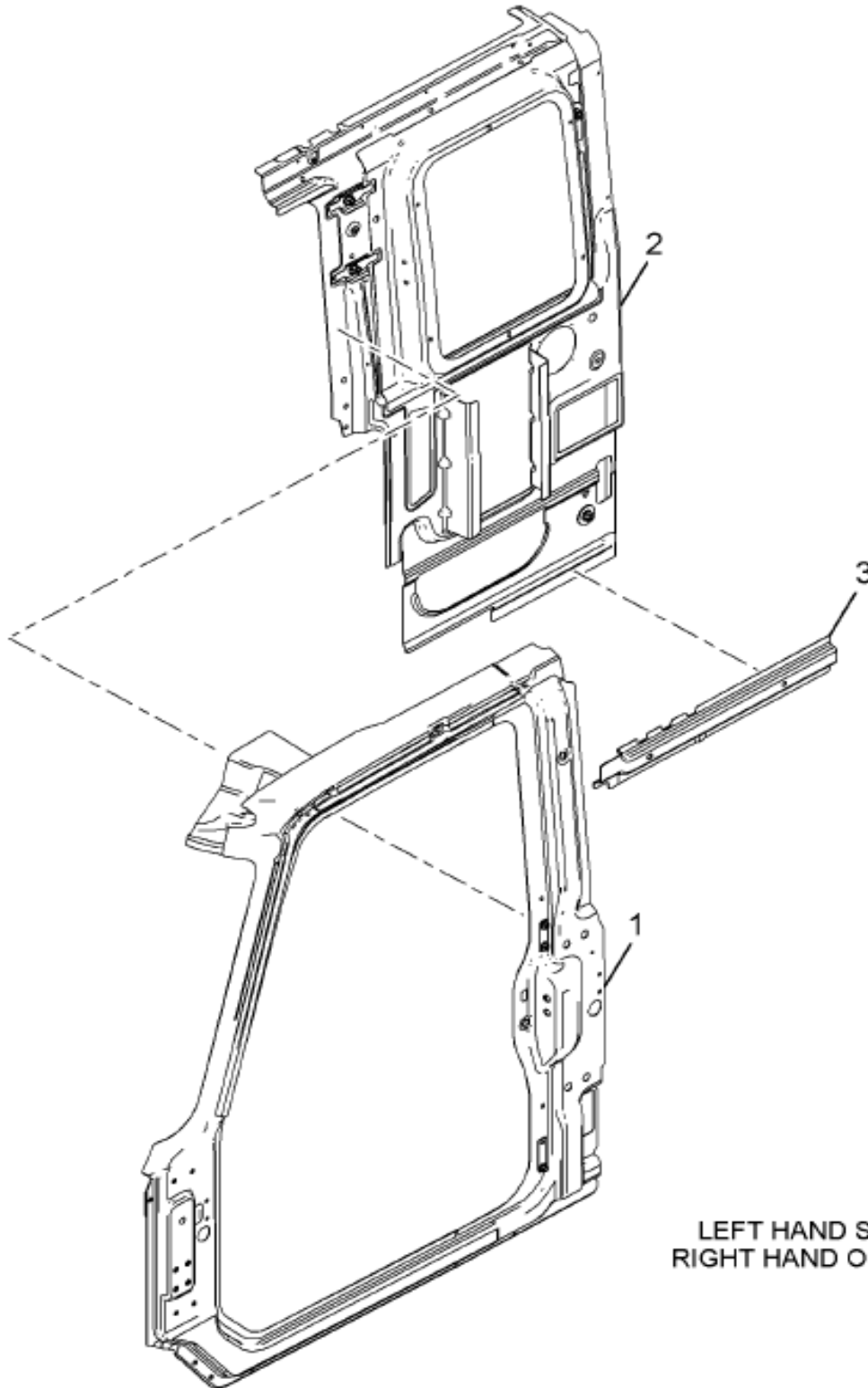
16-D75-M011-01

D09

Grp
16

Item	Part No.	Qty	Description	Kit	Var	Figure
1	3508452C3	1	PANEL, ROOF CAB INNER			
2	3510066C1	1	PANEL, ROOF CAB OTR EXT			
3	3510093C2	1	PANEL, HEADER REAR			
4	3510129C1	1	REINFORCEMENT, ROOF BOW			
880	RF		NOTE: ASM BELOW COMPRISED OF ABOVE COMPONENTS			

Figure 3548076C3
 PANEL, SIDE BODY SUB ASSY LH



LEFT HAND SHOWN
 RIGHT HAND OPPOSITE

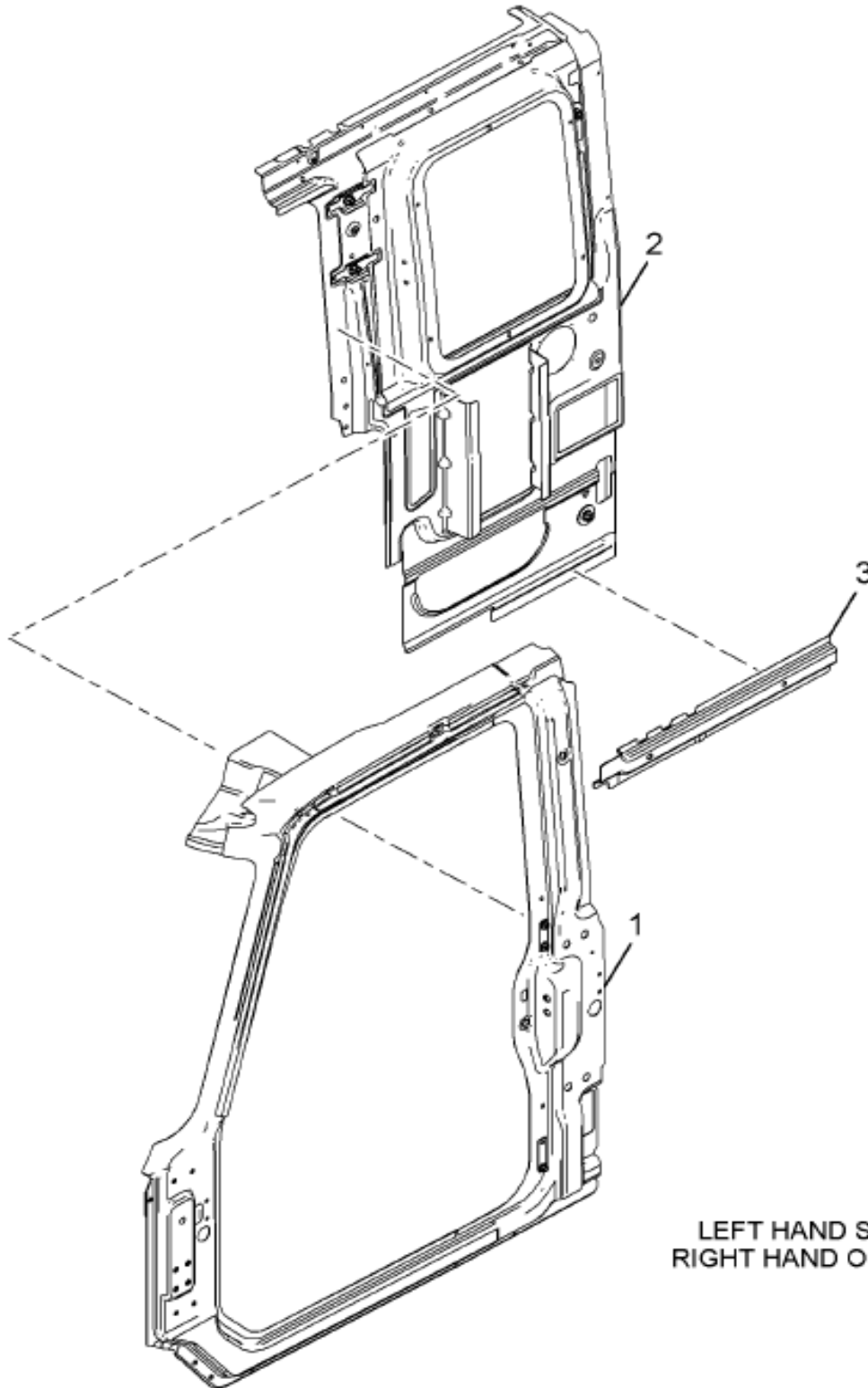
16-D75-M008-01

D09

Grp
 16

Item	Part No.	Qty	Description	Kit	Var	Figure
1	3535208C3	1	FRAME, DR ASSY FRT LH T/C & EXT			3535208C3
1		RF	LEFT			
2	3548080C1	1	PANEL, PILLAR BODY SD REINF LH			
2		RF	LEFT			
3	3531489C1	1	SILL, PANEL OTR LH EXT CAB			
3		RF	LEFT			

Figure 3548077C3
 PANEL, SIDE BODY SUB ASSY RH



LEFT HAND SHOWN
 RIGHT HAND OPPOSITE

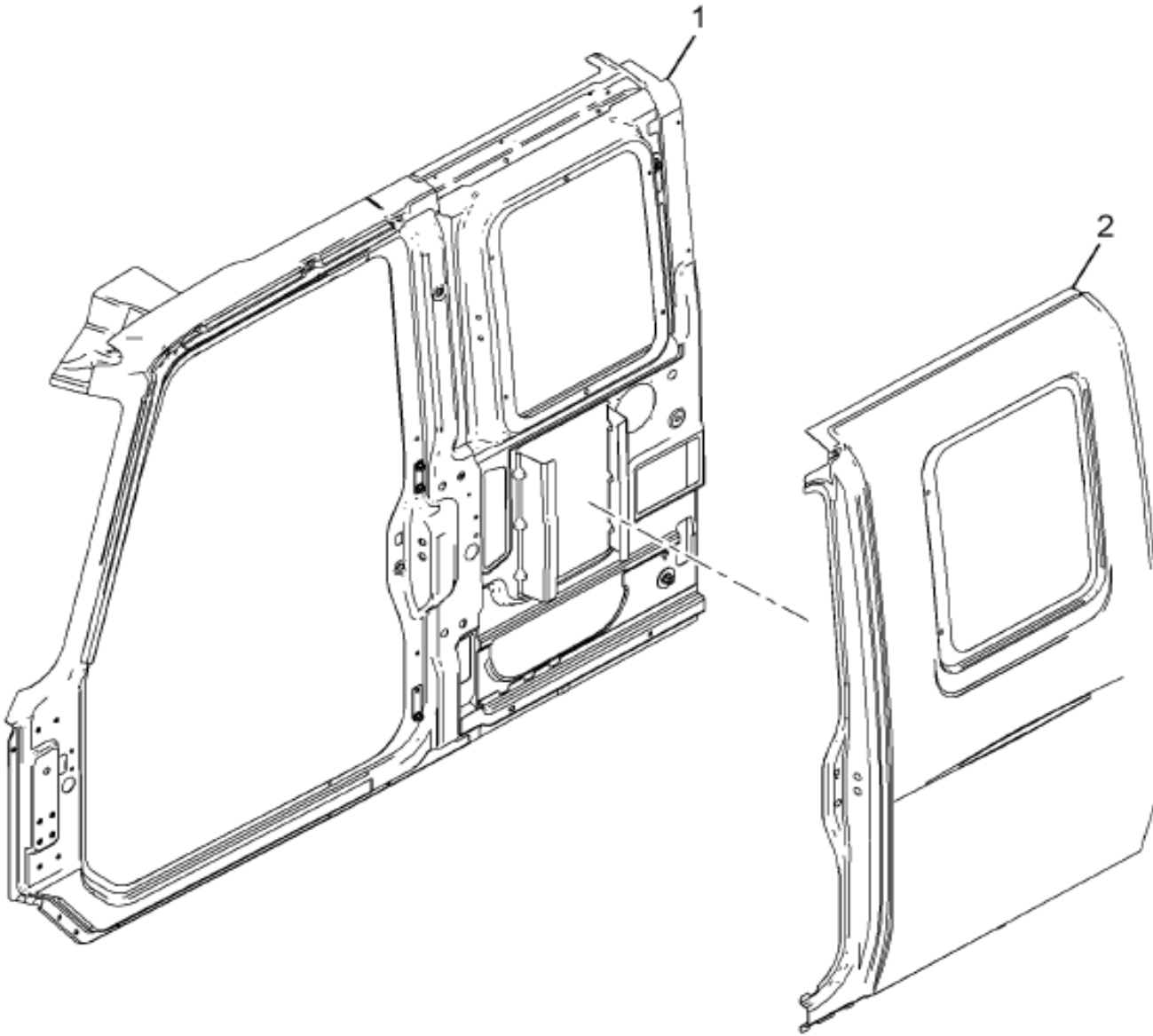
16-D75-M008-01

D09

Grp
16

Item	Part No.	Qty	Description	Kit	Var	Figure
1	3535209C3	1	FRAME,DR ASSY FRT RH T/C & EXT			3535209C3
1		RF	RIGHT			
2	3548081C1	1	PANEL,PILLAR BODY SD REINF RH			
2		RF	RIGHT			
3	3531490C1	1	SILL,PANEL OTR RH EXT CAB			
3		RF	RIGHT			

Figure 3579435C91
 PANEL, SIDE BODY*ASSY WELDED, N



LEFT HAND SHOWN
 RIGHT HAND OPPOSITE

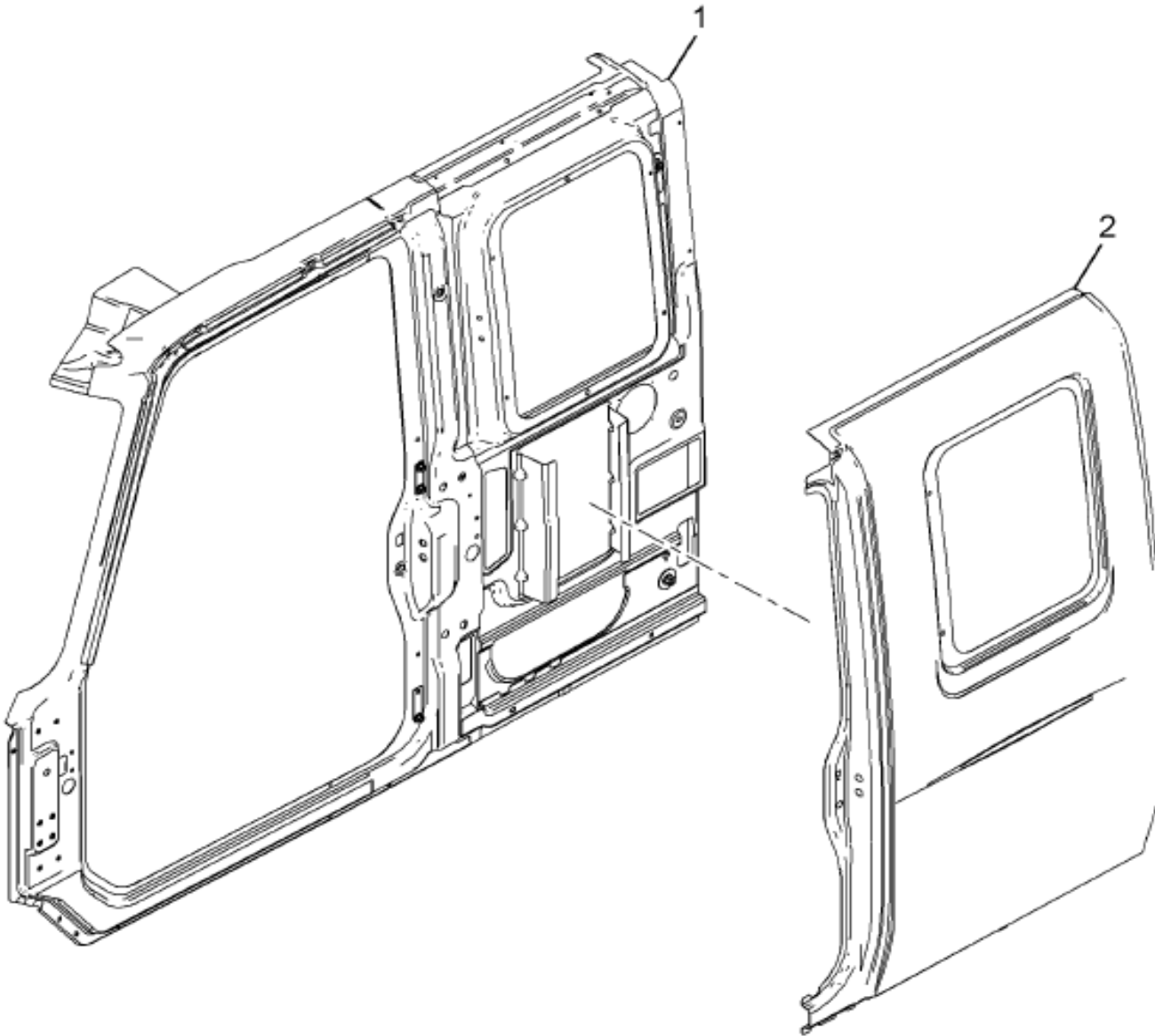
16-D75-M009-01

D09

Grp
 16

Item	Part No.	Qty	Description	Kit	Var	Figure
1	3548076C3	1	PANEL, SIDE BODY SUB ASSY LH			3548076C3
2	3579409C1	1	PANEL, B-PILLR CRNR LH XTND CNV			
880		RF	NOTE: ASM BELOW COMPRISED OF ABOVE COMPONENTS			
881	3579435C91	RF	PANEL, SIDE BODY*ASSY WELDED, N			

Figure 3579436C91
 PANEL, SIDE BODY*ASSY WELDED, N



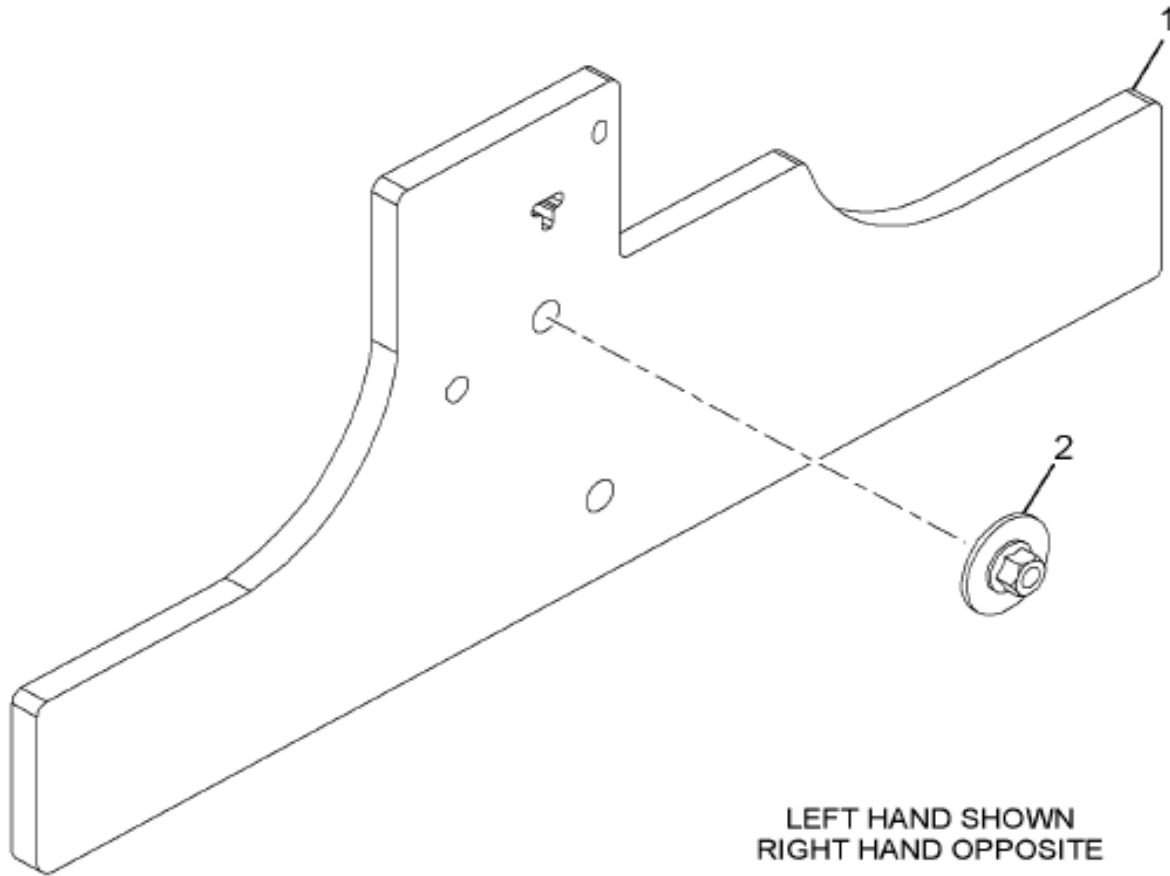
LEFT HAND SHOWN
 RIGHT HAND OPPOSITE

16-D75-M009-01

D09

Item	Part No.	Qty	Description	Kit	Var	Figure
1	3548077C3	1	PANEL, SIDE BODY SUB ASSY RH			3548077C3
2	3579410C1	1	PANEL, B-PILLR CORNR RH CORNR			
880		RF	NOTE: ASM BELOW COMPRISED OF ABOVE COMPONENTS			
881	3579436C91	RF	PANEL, SIDE BODY*ASSY WELDED, N			

Figure 3533672C1
 PLATE, SEAT BELT ANCHOR LH



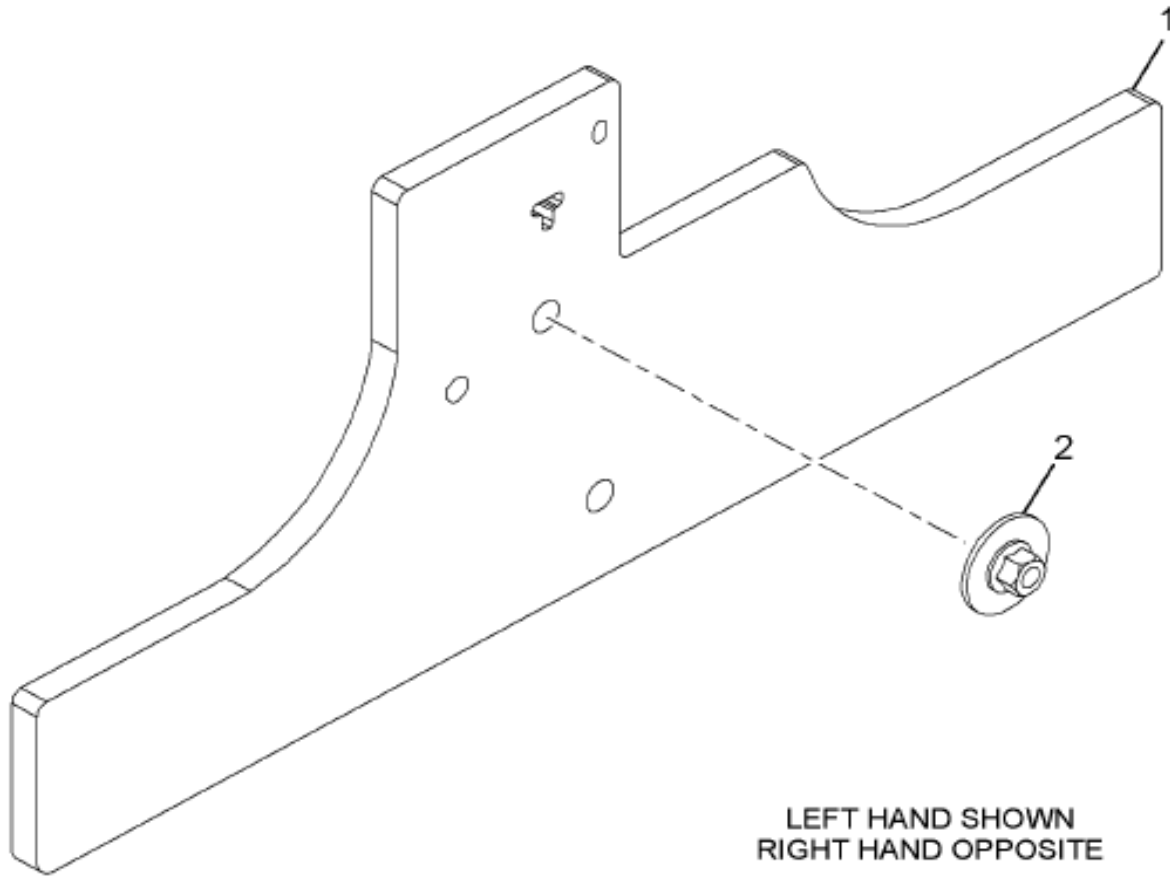
16-D75-M019-01

D09

Grp
 16

Item	Part No.	Qty	Description	Kit	Var	Figure
1	3531041C1	1	PLATE, SEAT BELT ANCHOR			
2	3531042C1	1	PLATE, WELD NUT B-PILLAR LWR			
880		RF	NOTE: ASM BELOW COMPRISED OF ABOVE COMPONENTS			
881	3533672C1	RF	PLATE, SEAT BELT ANCHOR LH			

Figure 3533673C1
 PLATE, SEAT BELT ANCHOR RH

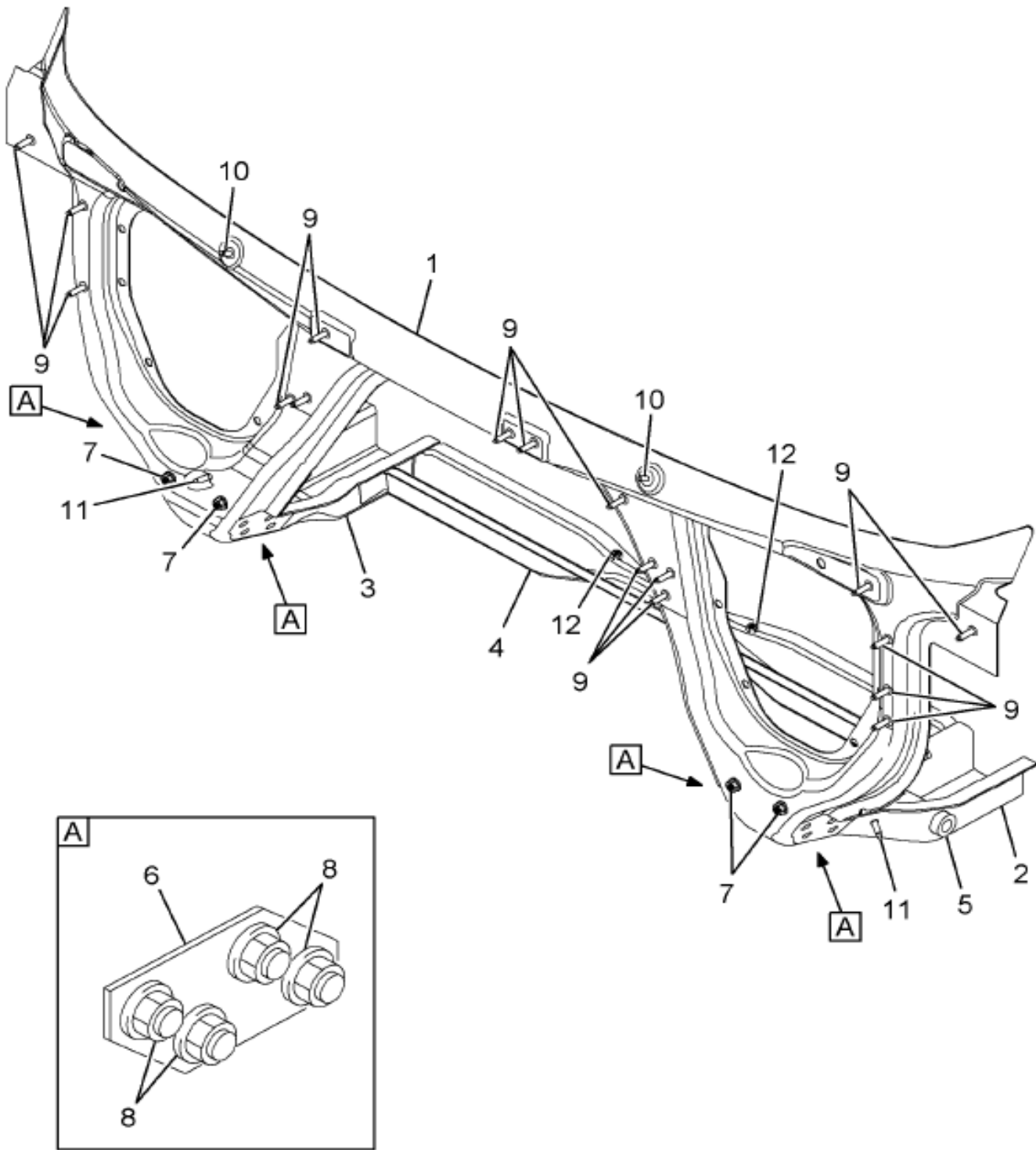


16-D75-M019-01

D09

Item	Part No.	Qty	Description	Kit	Var	Figure
1	3531041C1	1	PLATE, SEAT BELT ANCHOR			
2	3531042C1	1	PLATE, WELD NUT B-PILLAR LWR			
880		RF	NOTE: ASM BELOW COMPRISED OF ABOVE COMPONENTS			
881	3533673C1	RF	PLATE, SEAT BELT ANCHOR RH			

Figure 3550779C2
REINFORCEMENT, DASH PANEL ASSY



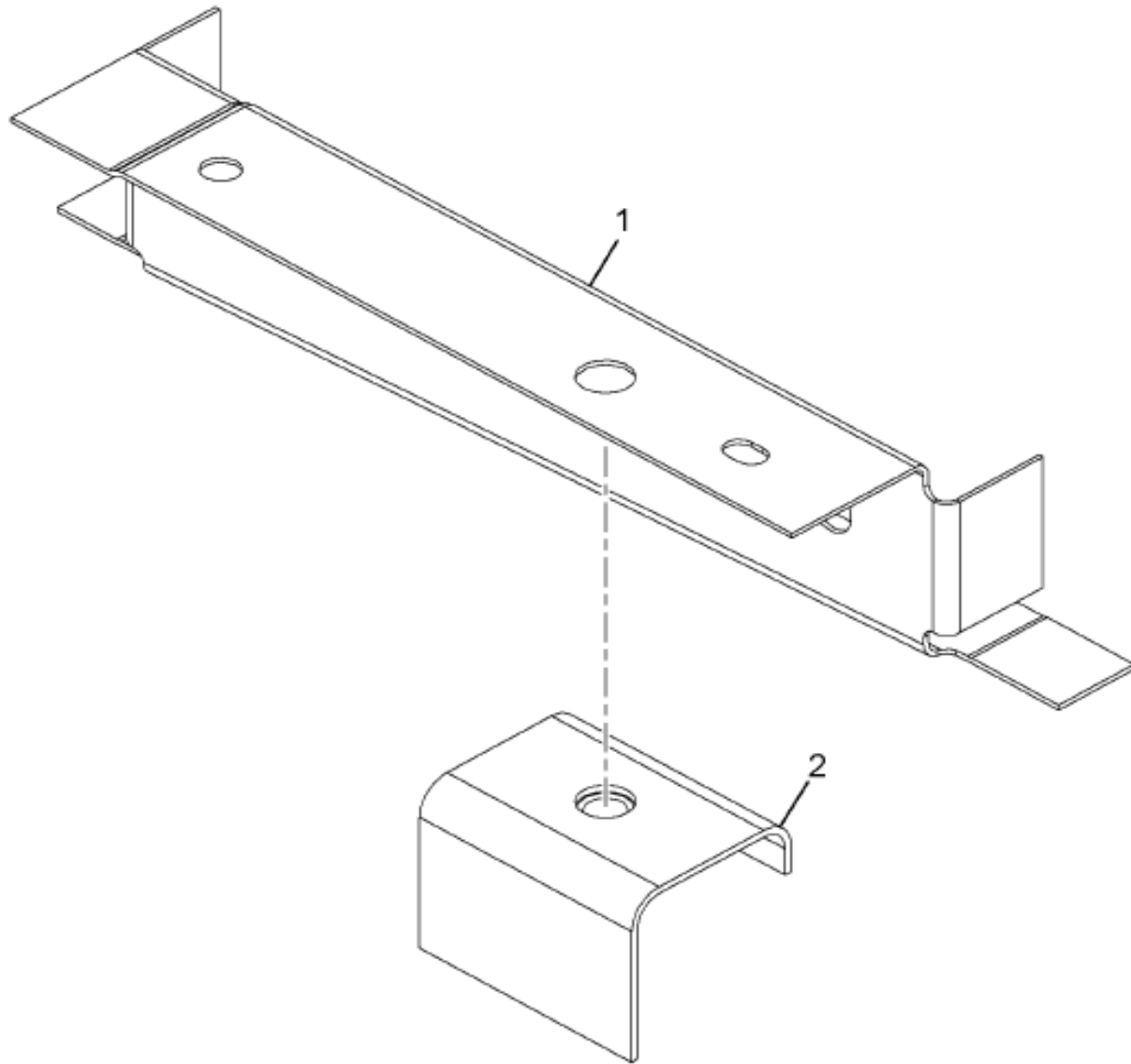
16-447-0498-01

C05

Grp
16

Item	Part No.	Qty	Description	Kit	Var	Figure
1	3509468C2	1	REINFORCEMENT, DASH PANEL			
2	3550719C1	1	REINFORCEMENT, CAB MTG LH SILL			
2		RF	LEFT			
3	3550720C1	1	REINFORCEMENT, CAB MTG RH SILL			
3		RF	RIGHT			
4	3550725C1	1	REINFORCEMENT, FLOOR PNL CENTER			

Figure 3531028C1
REINFORCEMENT, FLR PNL SIDE



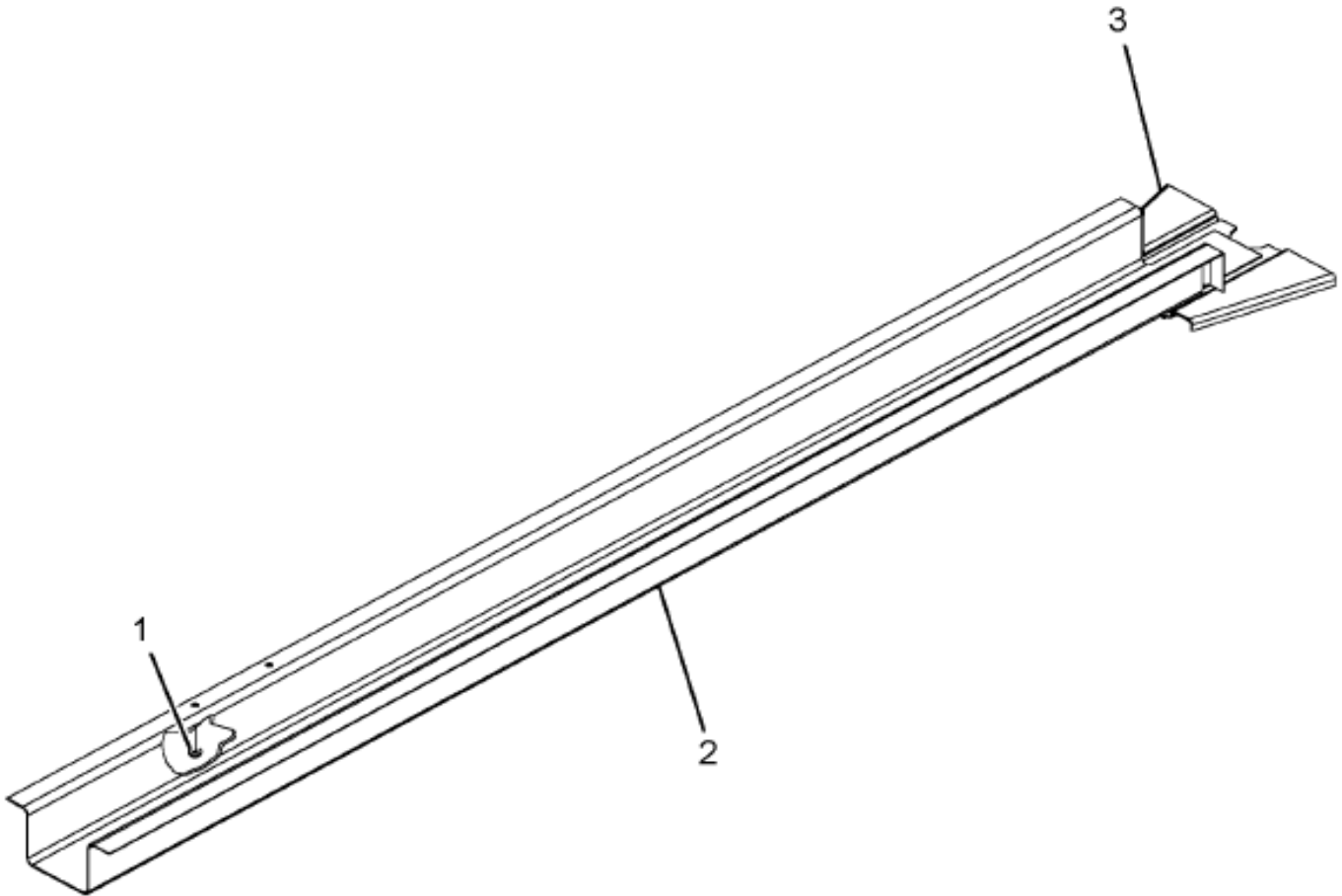
16-D75-M018-01

D09

Grp
16

Item	Part No.	Qty	Description	Kit	Var	Figure
1	3510121C1	1	REINFORCEMENT, FLOOR PNL SEAT			
2	3531330C1	1	PLATE, TAPPING			
2	3539297C1	1	PLATE, WELD NUT ASSY M12			
880		RF	NOTE: ASM BELOW COMPRISED OF ABOVE COMPONENTS			
881	3531028C1	RF	REINFORCEMENT, FLR PNL SIDE			

Figure 3509593C1
SILL, ASSY SLED RUNNER ASSY EX

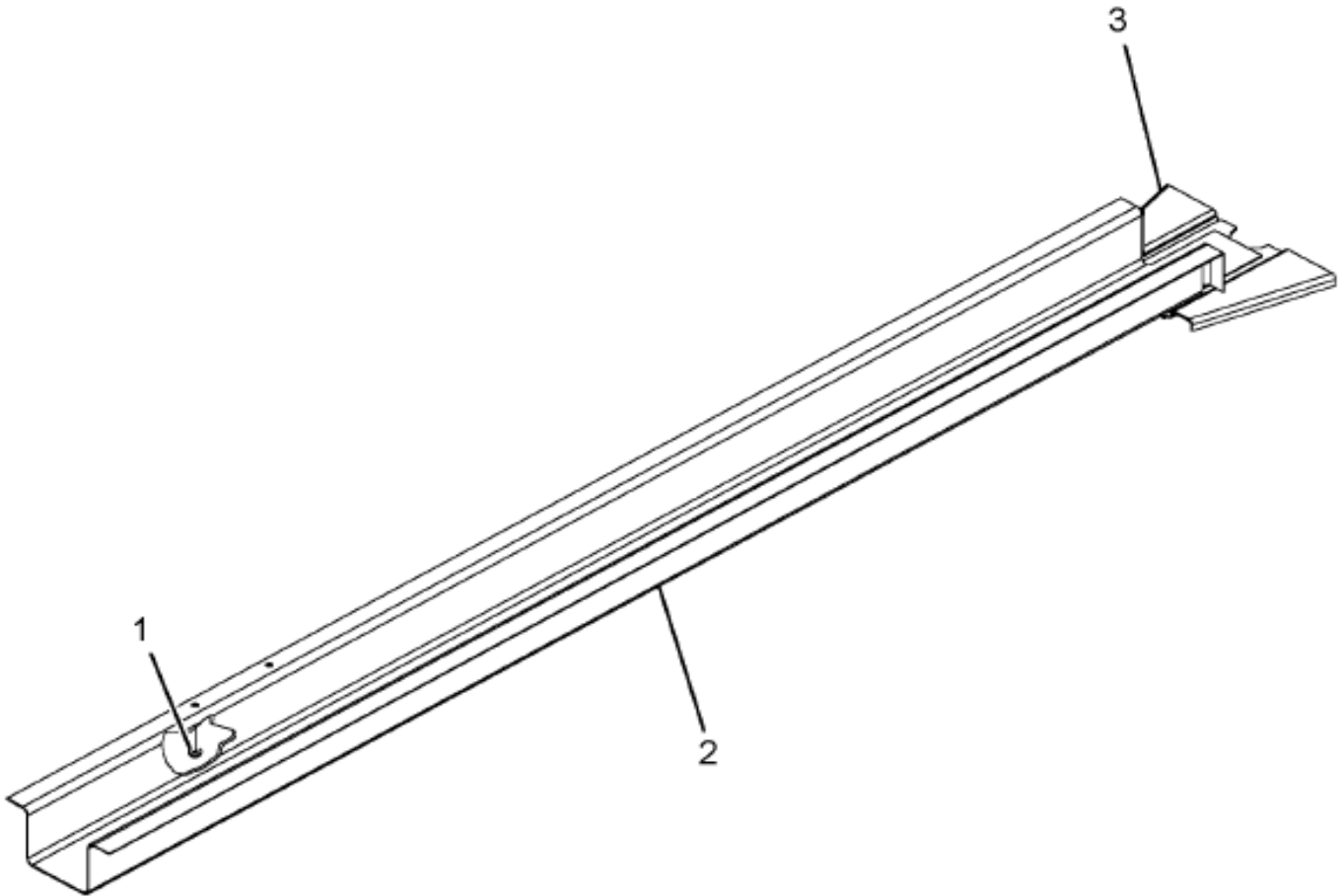


16-447-0286-01

J03

Item	Part No.	Qty	Description	Kit	Var	Figure
1	3532732C1	8	NUT, WELD FLANGE M8 X 1.25			
1	3534518C1	2	NUT, WELD FLNG M6 X 10 6G/6H			
2	3509592C1	1	SILL, CAB FLOOR OR COWL UNDERBO			
3	3543719C1	1	REINFORCEMENT, SILL OR SUB SILL			
880	RF		NOTE: ASM BELOW COMPRISED OF ABOVE COMPONENTS			

Figure 3509593C2
SILL, ASSY SLED RUNNER EXT-CAB

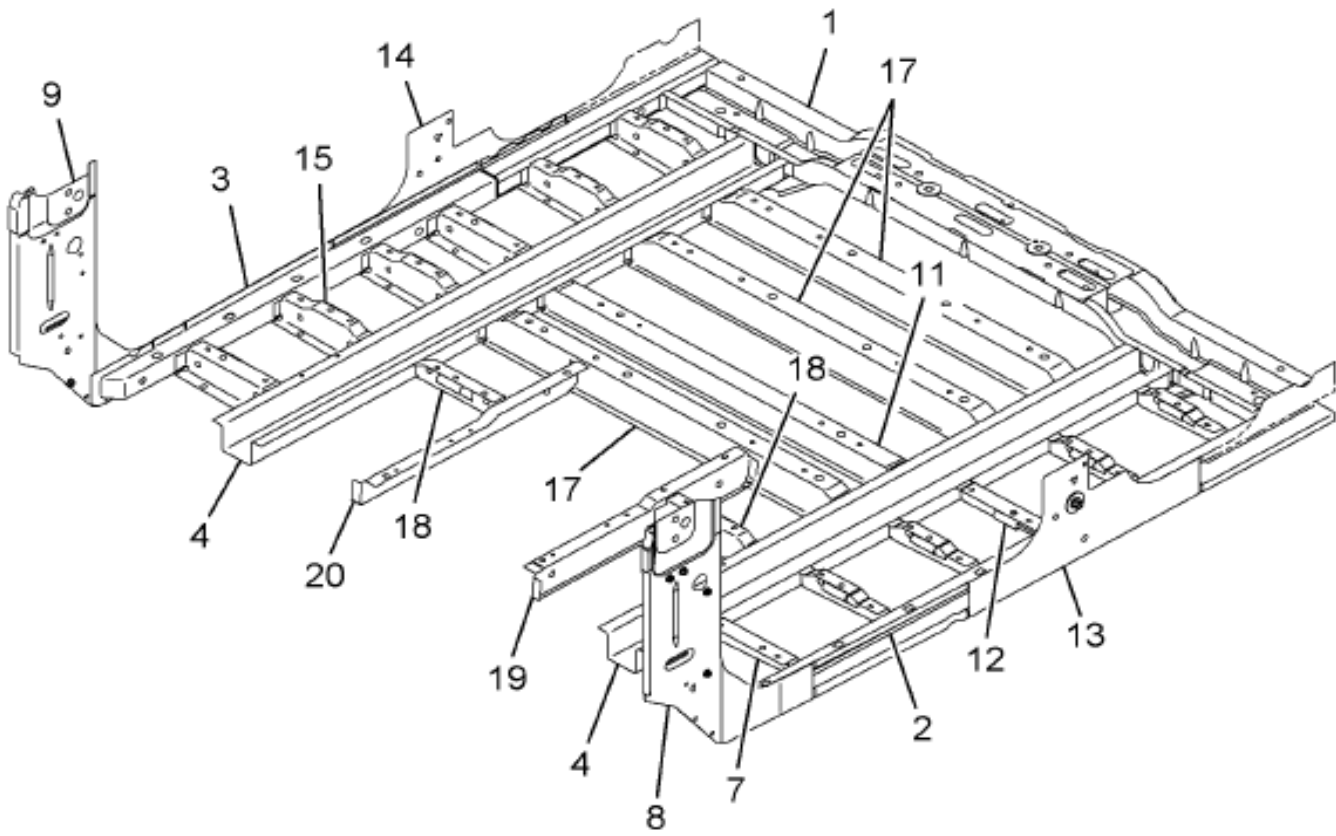


16-447-0286-01

J03

Item	Part No.	Qty	Description	Kit	Var	Figure
1	3534518C1	2	NUT, WELD FLNG M6 X 10 6G/6H			
2	3509592C2	1	SILL, CAB FLOOR OR COWL UNDRBDY			
3	3543719C1	1	REINFORCEMENT, SILL OR SUB SILL			
880		RF	NOTE: ASM BELOW COMPRISED OF ABOVE COMPONENTS			
881	3509593C2	RF	SILL, ASSY SLED RUNNER EXT-CAB			

Figure 3543973C95
UNDERBODY, ASSY EXTND I6/V8



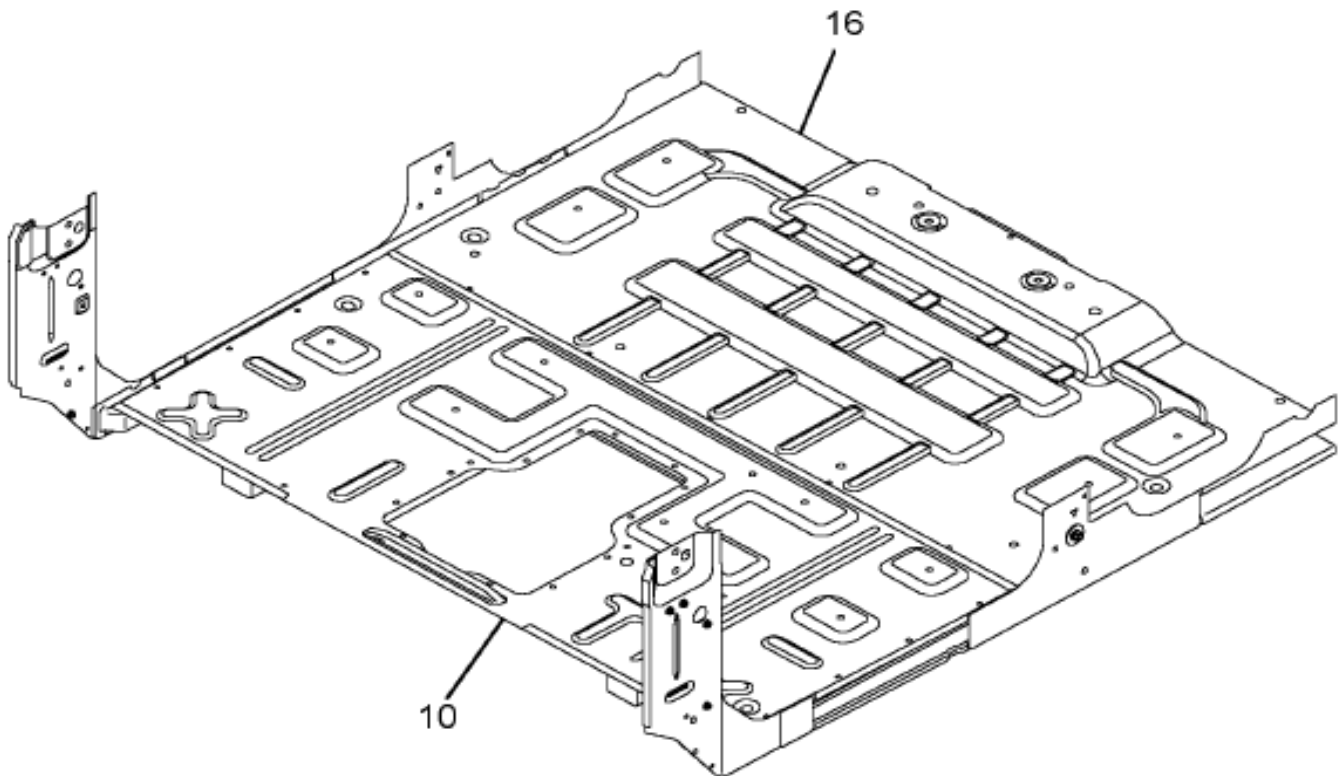
16-447-0374-01

B04

Grp
16

Figure 1 of 2

Figure 3543973C95
UNDERBODY, ASSY EXTND I6/V8



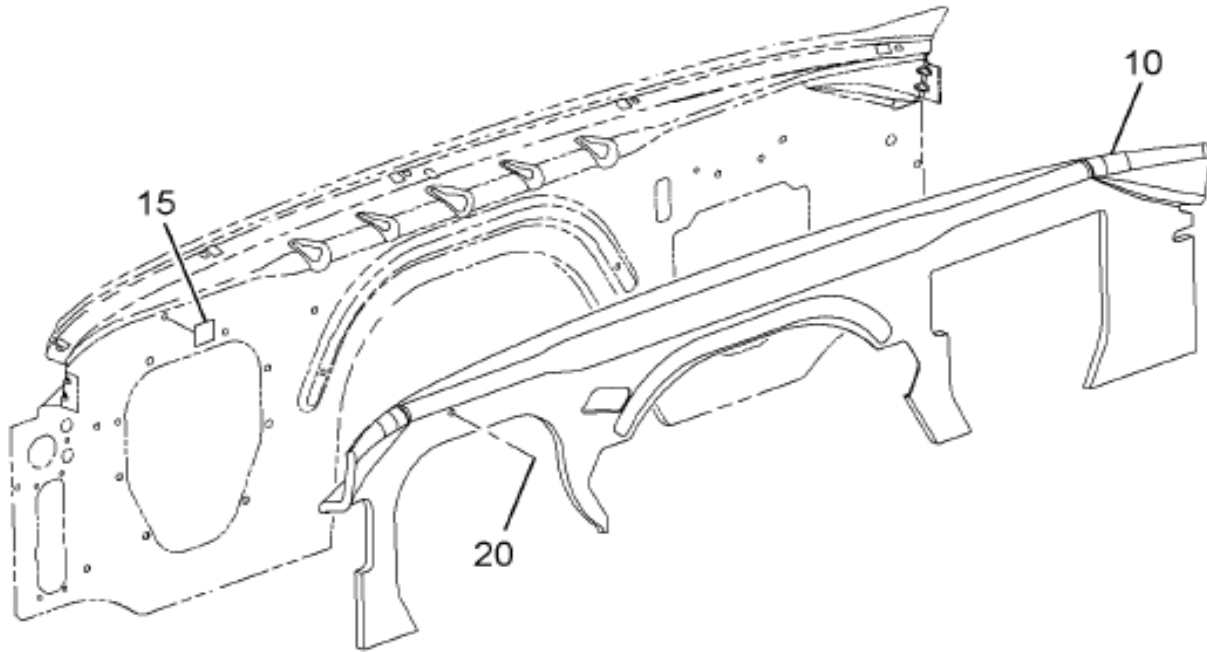
16-447-0289-02

J03

Item	Part No.	Qty	Description	Kit	Var	Figure
1	3509307C3	1	SILL, ASSY REAR			
2	3570285C1	1	SILL, CAB SIDE EXT LH			
3	3570286C1	1	SILL, CAB SIDE EXT RH			
4	3509593C1	2	SILL, ASSY SLED RUNNER ASSY EX			3509593C1
4	3509593C2	2	SILL, ASSY SLED RUNNER EXT-CAB			3509593C2
7	3510121C1	2	REINFORCEMENT, FLOOR PNL SEAT			

Figure 06SV4

CAB DASH INTERIOR TRIM INSTL; INSULATOR



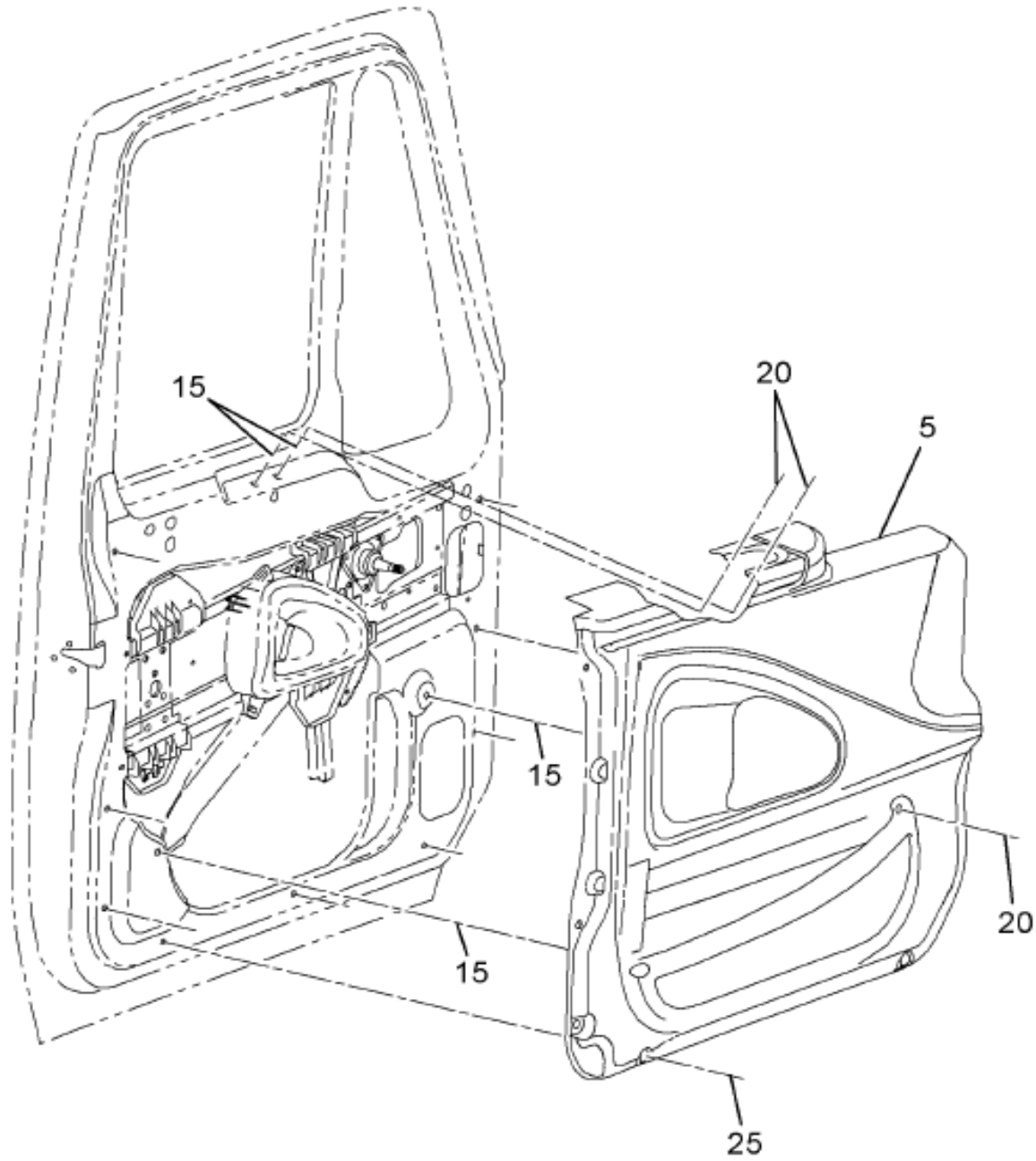
16-404-0022-00

F09

Item	Part No.	Qty	Description	Kit	Var	Figure
15	3540481C2	1	SEAL, CAB		0GGH3	

Figure 0JC0G

CAB DOOR PANEL INSTL; INTERIOR FRONT LEFT



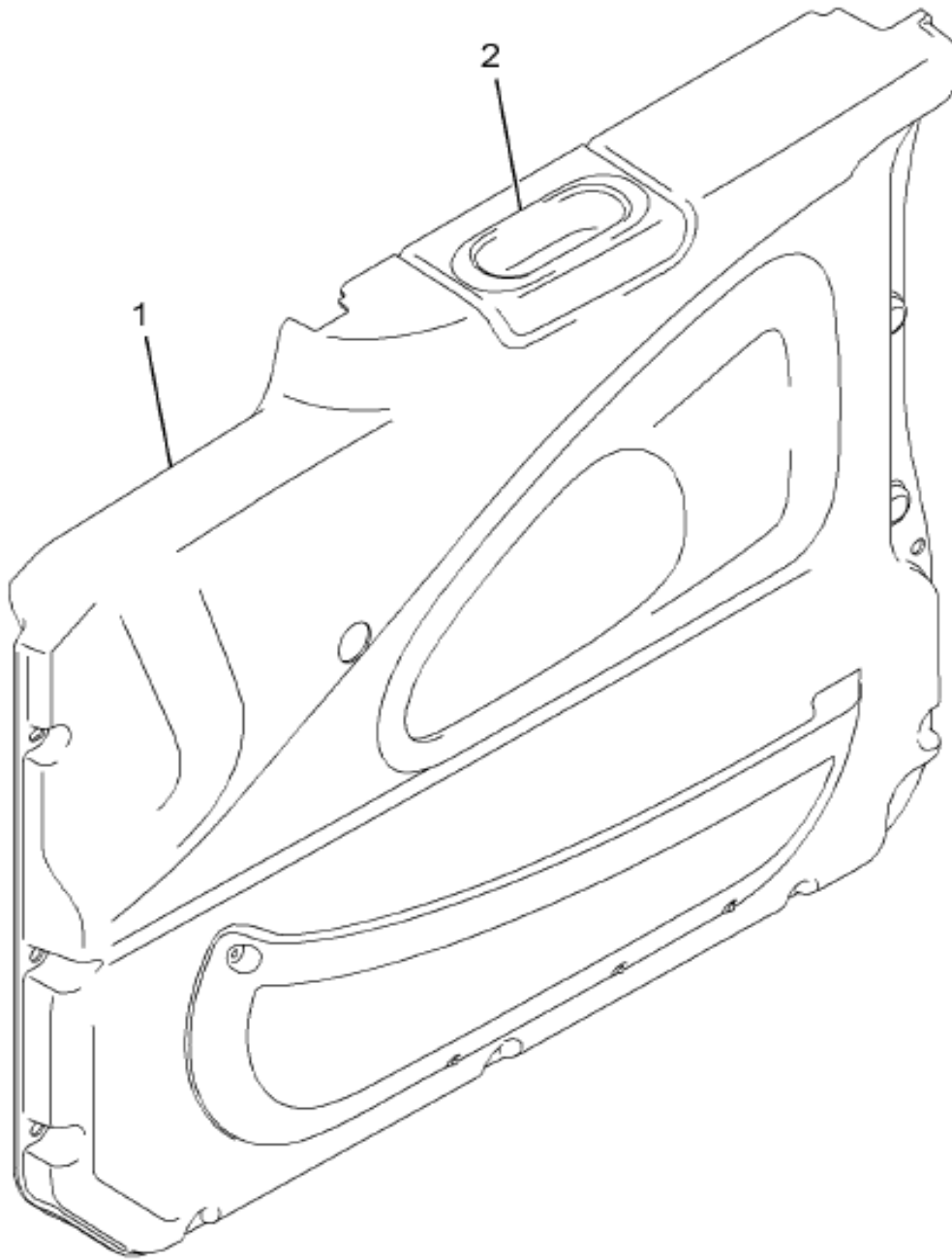
16-773-0041-01

M02

Grp
16

Item	Part No.	Qty	Description	Kit	Var	Figure
5	3533752C94	1	PANEL, DOOR TRM LH FRT STD MAN		0JDMC	3533752C94
15	3548695C1	2	FASTENER, TRIM NYLON GROMMET		0JC0G	
20	3552454C1	2	SCREW, TAPPING M4.2 X 1.41-35MM		0JC0G	
25	3511058C2	9	FASTENER, TRM 2-STG RVT SMK GRY		0JC0G	

Figure 3533752C94
 PANEL, DOOR TRM LH FRT STD MAN



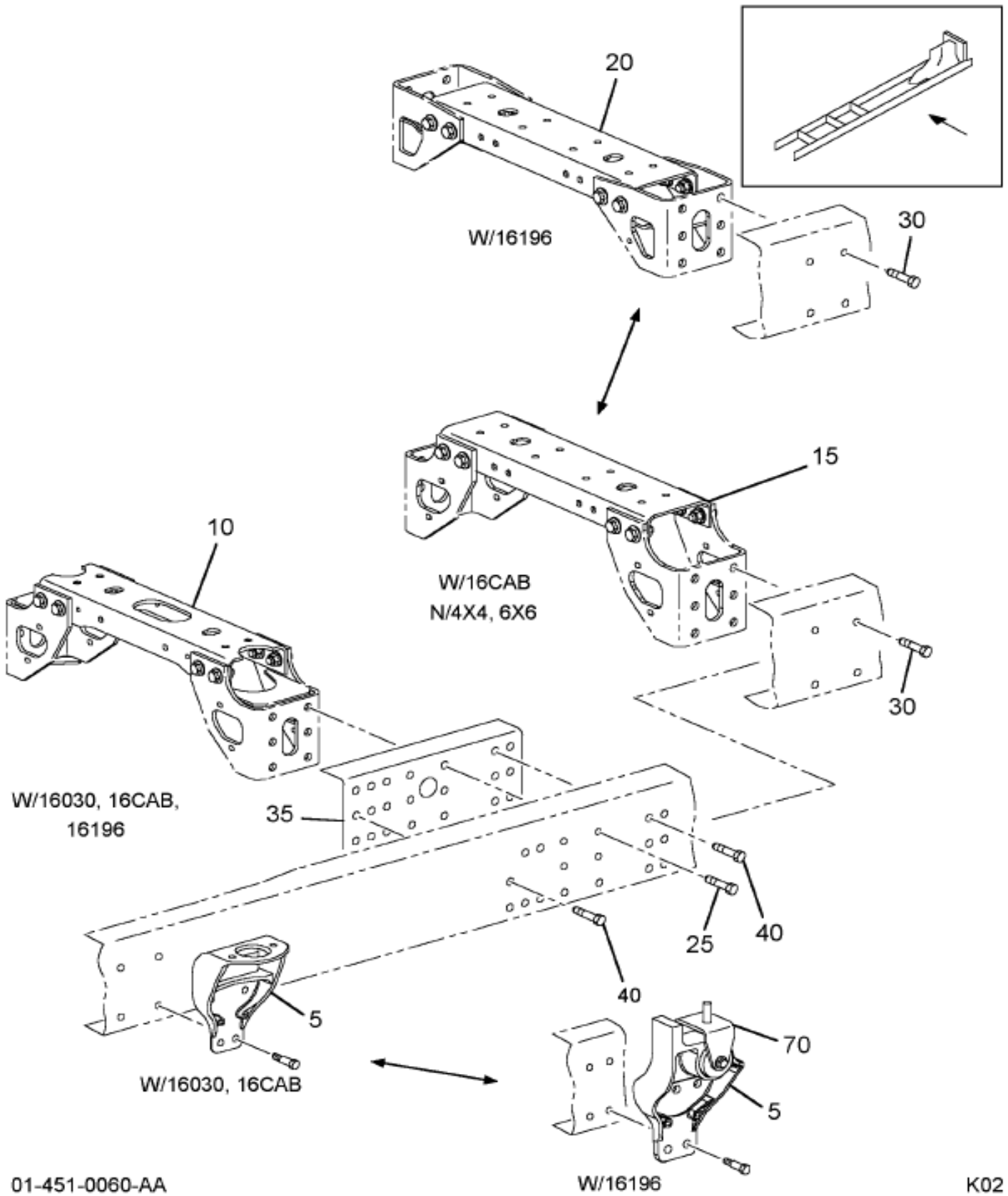
16-773-0051-01

C04

Item	Part No.	Qty	Description	Kit	Var	Figure
1	2505200C91	1	PANEL, DR TRM LH STD			
2	2505201C1	1	CONTAINER, PULL CUP			
801	2505202C91	KT	KIT, INTR TRM PCKT SMK GRY LH			
880		RF	NOTE: ASM BELOW COMPRISED OF ABOVE COMPONENTS			
881	3533752C94	RF	PANEL, DOOR TRM LH FRT STD MAN			

Figure 0GB2V

CAB MTG; FRAME EFFECTS, FRT & REAR, W/AIR SUSP



01-451-0060-AA

W/16196

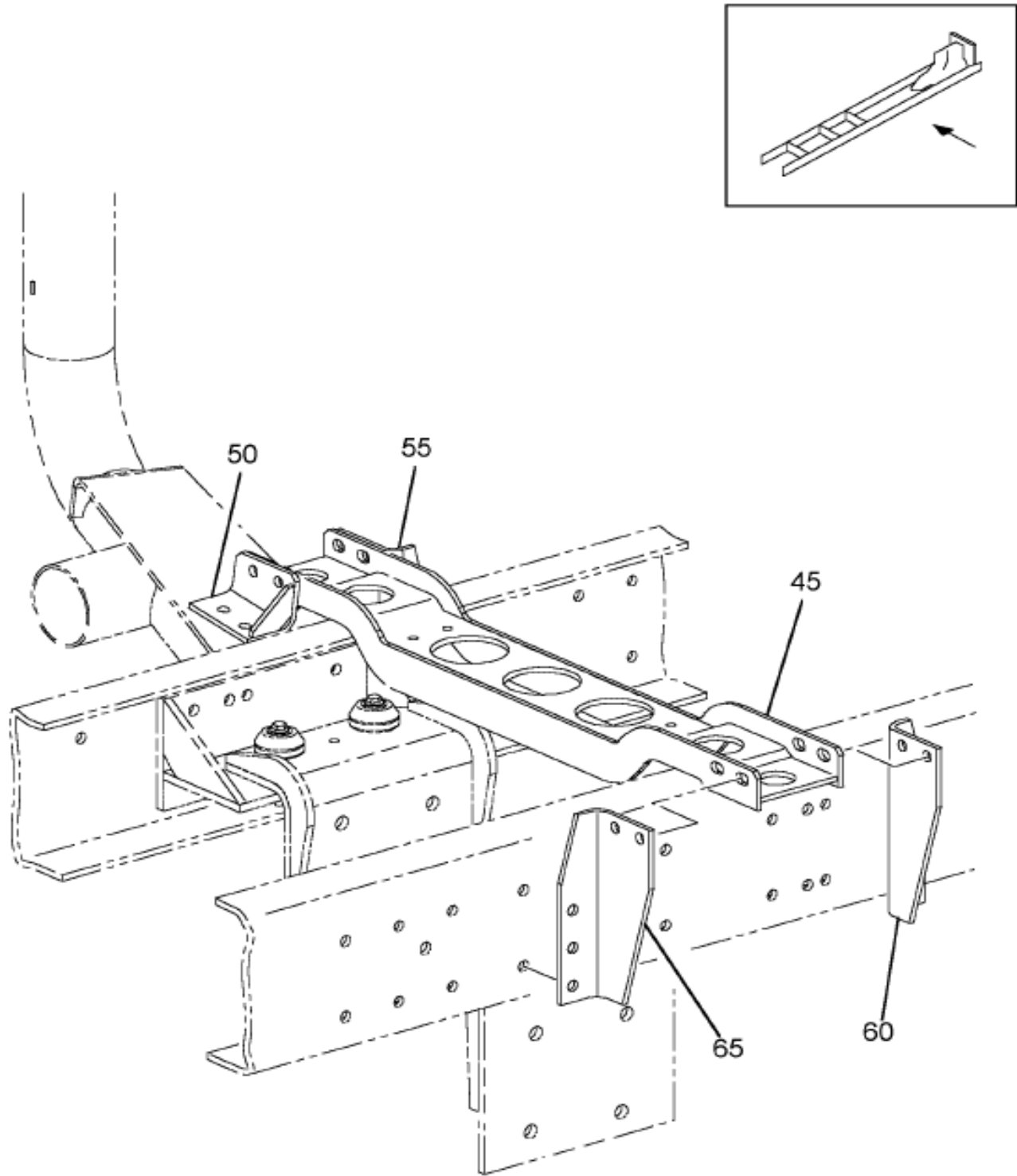
K02

Grp
16

Figure 1 of 2

Figure 0GB2V

CAB MTG; FRAME EFFECTS, FRT & REAR, W/AIR SUSP



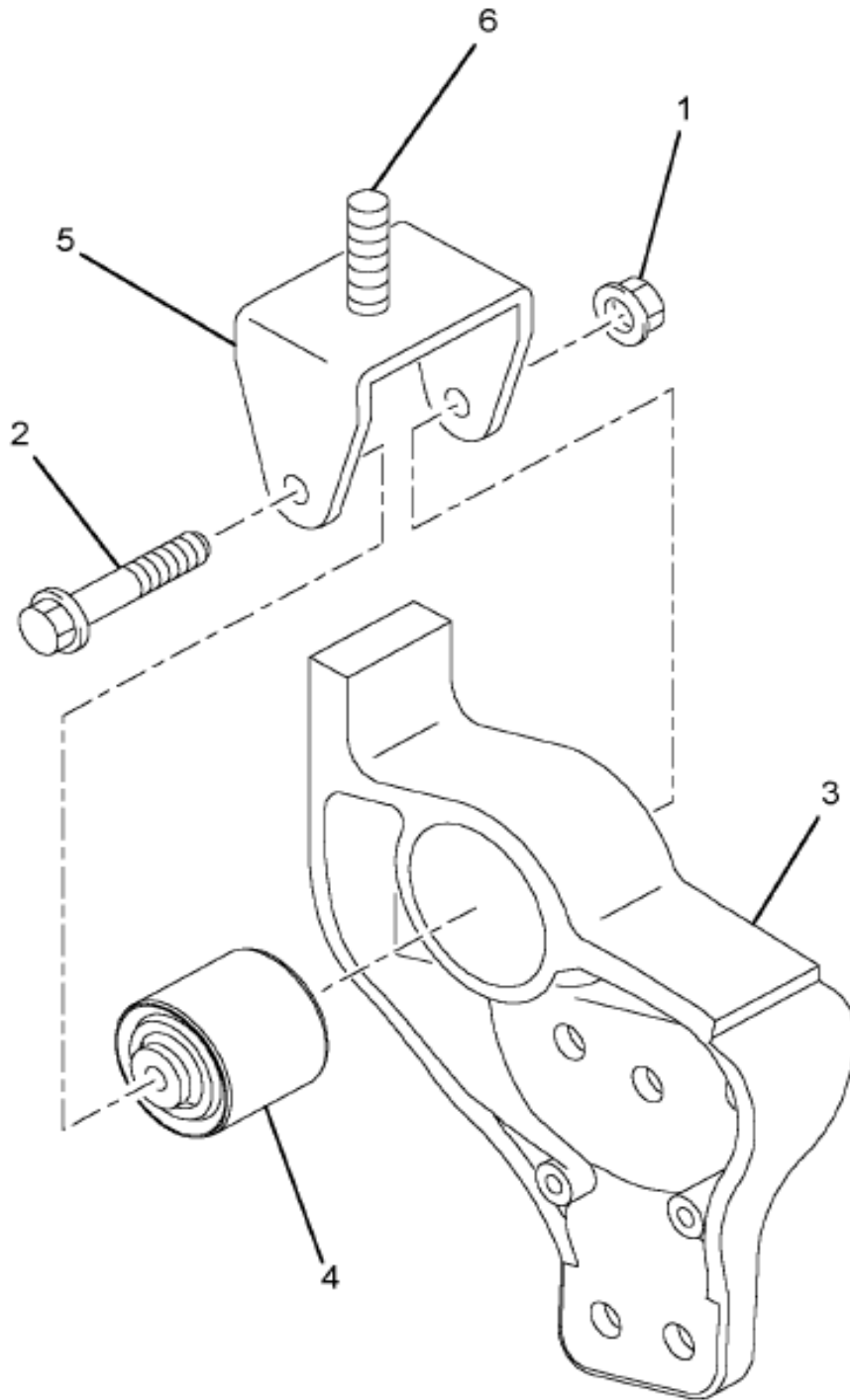
W/16CAB

01-451-0061-AB

K02

Item	Part No.	Qty	Description	Kit	Var	Figure
5	3574671C91	1	BRACKET,CAB FRT MTG RH		0HHJX	3574671C91
5	1518208C1	8	BOLT,HUCK 5/8 DIA		0GB37	
5	3589599C91	1	BRACKET,CAB FRT LH CS/CE CAB		0HHJX	3589599C91
5	1518213C1	8	COLLAR, HUCK 5/8 DIA.		0GB37	
10	3566415C93	1	CROSSMEMBER,CAB REAR SUPT		0GB4R	3566415C93
25	30752R2	8	BOLT, M16 X 50MM PHC FLG CLASS		0GB37	

Figure 3589599C91
BRACKET,CAB FRT LH CS/CE CAB

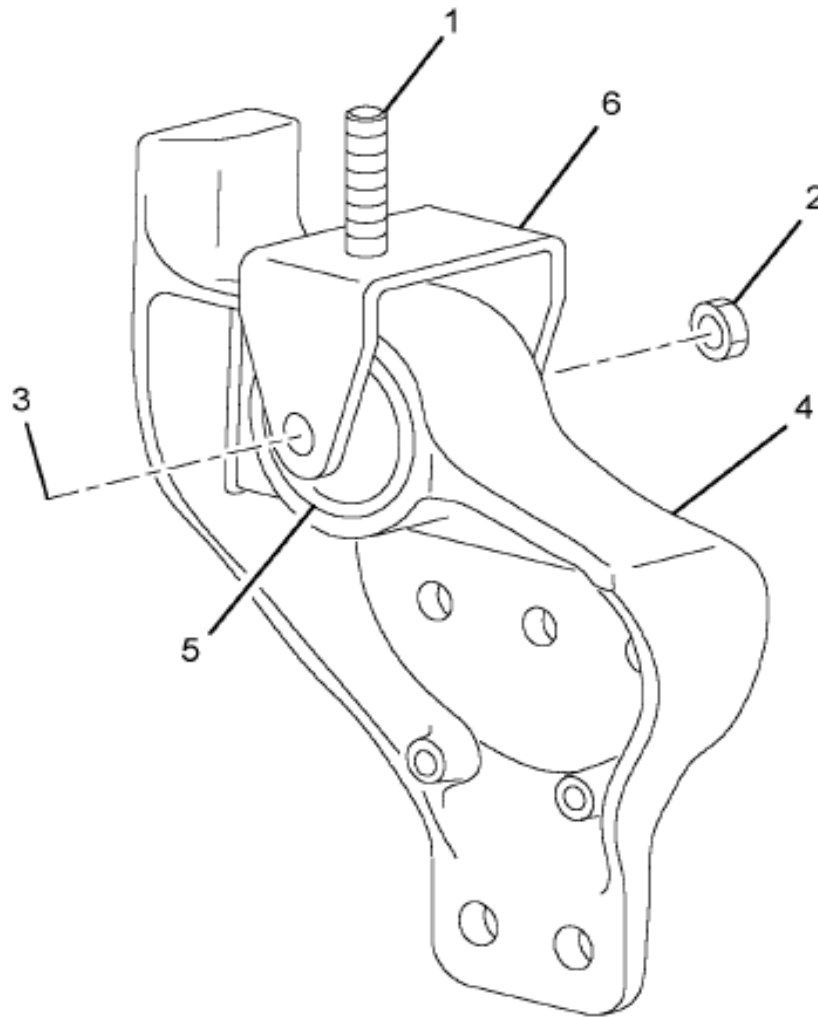


01-451-0024-00

C04

Item	Part No.	Qty	Description	Kit	Var	Figure
1	30755R1	1	NUT, HEX M12 FLANGED			
2	31072R1	1	BOLT, M12 X 120 PHC CL 10.9 FL			
3	3574674C1	1	BRACKET,CAB FRT MTG LH			
3		RF	LEFT			
4	3574678C1	1	BUSHING,SPG SILENT BLOC 6-6-3			
5	3574682C1	1	CLEVIS,ROD WELD ETC FRT CAB MO			

Figure 3574671C91
BRACKET,CAB FRT MTG RH

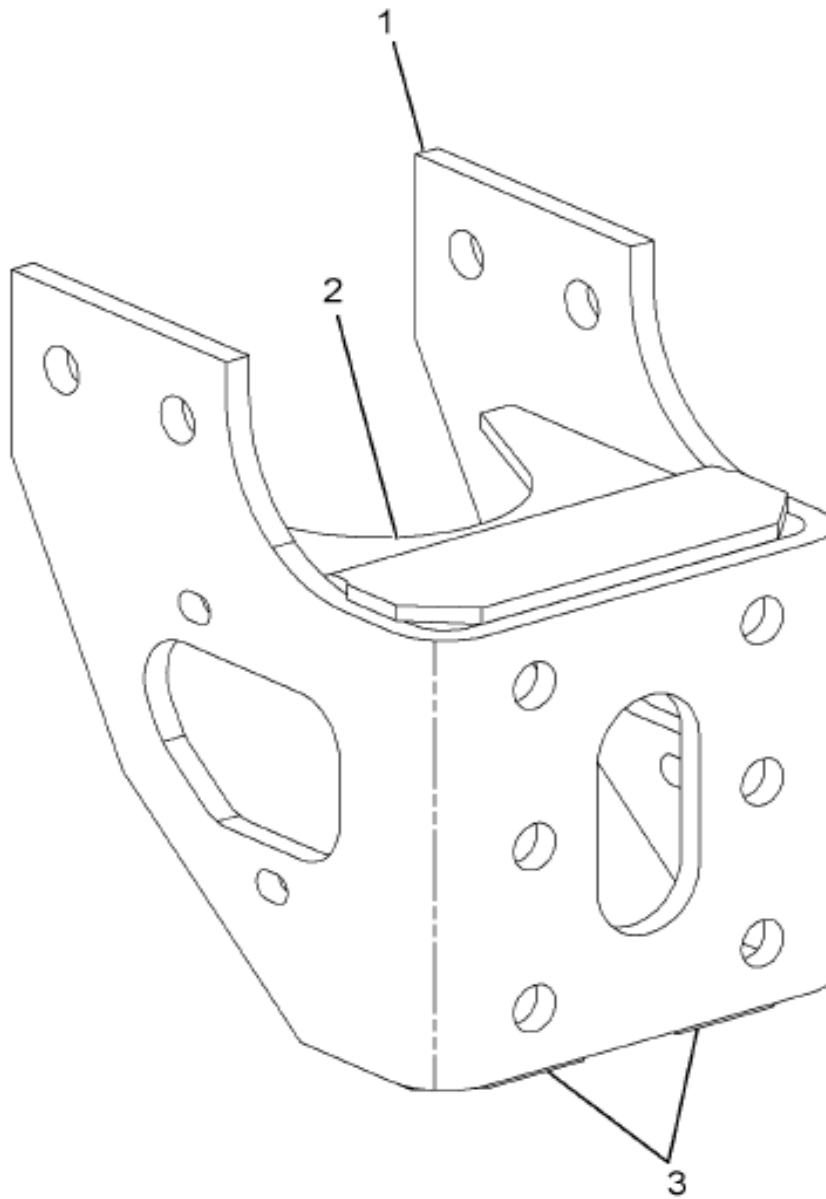


01-451-0023-00

C04

Item	Part No.	Qty	Description	Kit	Var	Figure
1	3579029C1	1	BOLT,HEX FLG HD METRIC*M16X50			
2	30755R1	1	NUT,HEX M12 FLANGED			
3	31072R1	1	BOLT, M12 X 120 PHC CL 10.9 FL			
4	3574675C1	1	BRACKET,CAB FRT MTG RH			
5	3574678C1	1	BUSHING,SPG SILENT BLOC 6-6-3			
6	3574682C1	1	CLEVIS,ROD WELD ETC FRT CAB MO			

Figure 3554851C3
BRACKET,CAB MTG XMBR ASSY

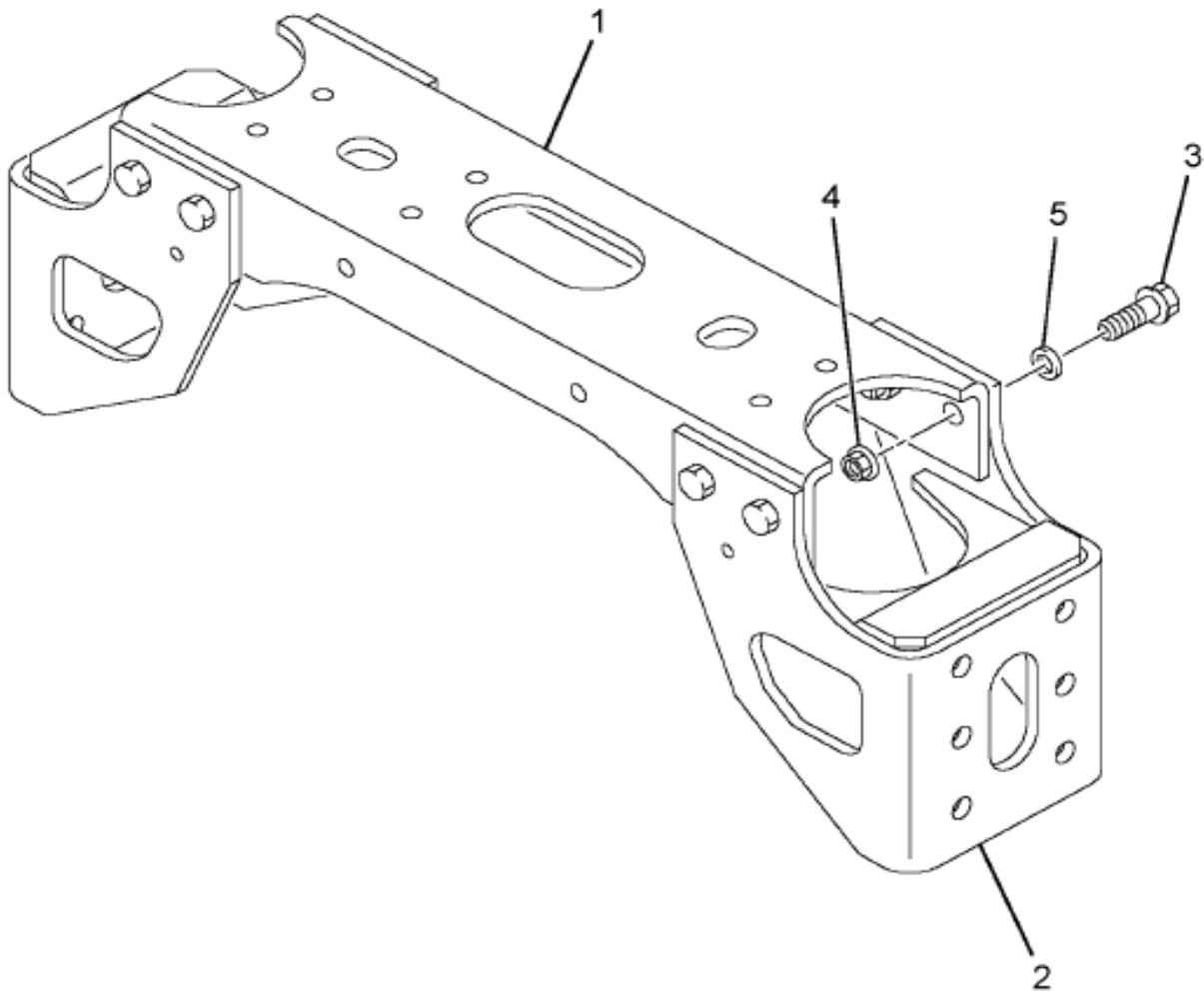
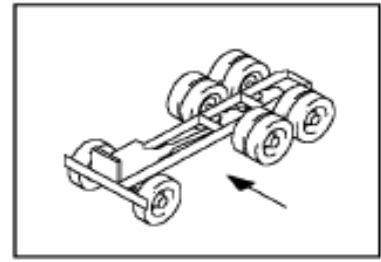


01-451-0112-01

A05

Item	Part No.	Qty	Description	Kit	Var	Figure
1	3531896C3	1	BRACKET,CAB MTG XMBR REAR			
2	3554849C3	1	GUSSET,FRAME XMBR COMMON TO LT			
3	3554850C1	2	GUSSET,FRAME XMBR COMMON TO LT			
880		RF	NOTE: ASM BELOW COMPRISED OF ABOVE COMPONENTS			
881	3554851C3	RF	BRACKET,CAB MTG XMBR ASSY			

Figure 3566415C93
CROSSMEMBER, CAB REAR SUPT



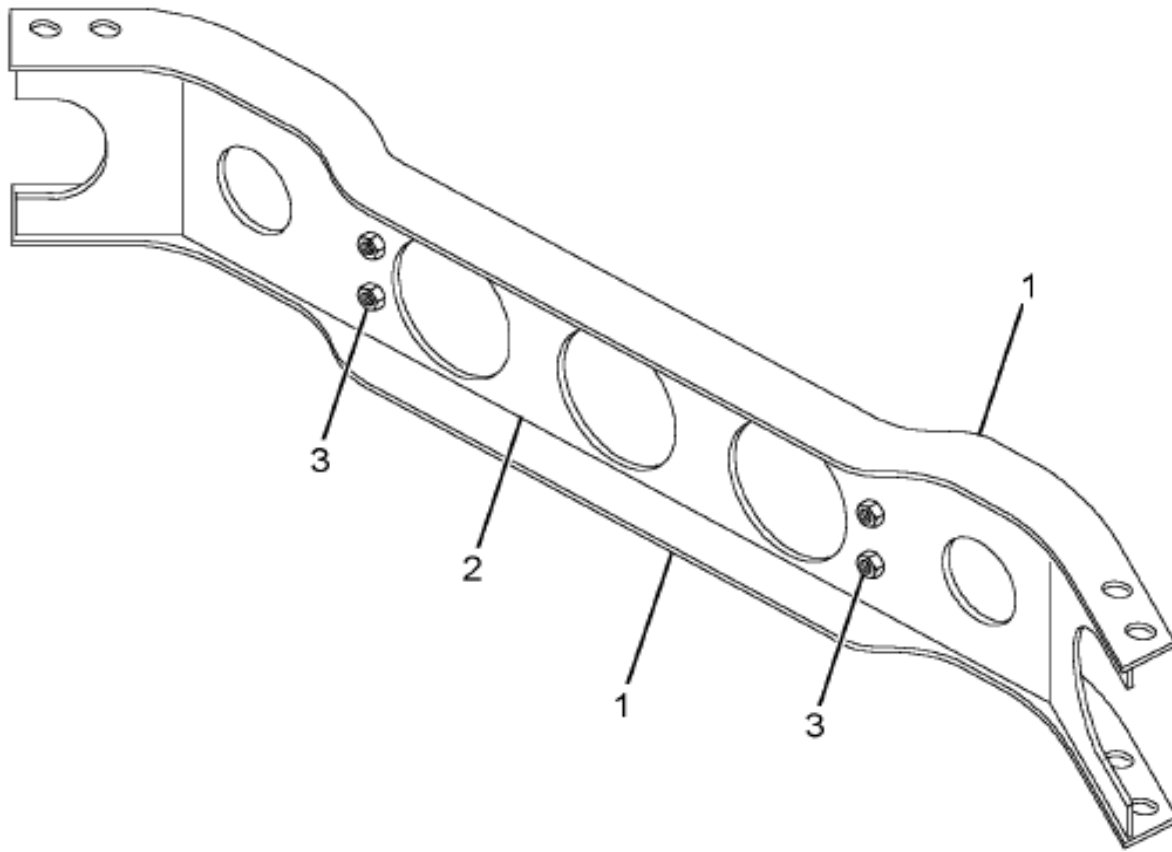
01-451-0021-00

H03

Grp
16

Item	Part No.	Qty	Description	Kit	Var	Figure
1	3565362C2	1	CHANNEL, XMBR CTR SEC			
2	3554851C3	2	BRACKET, CAB MTG XMBR ASSY			3554851C3
3	30751R2	8	BOLT, HEX FLG HD METRIC*M16 X 4			
4	30756R1	8	NUT, HEX M16 PRVTRQ			
5	30186R1	8	WASHER, 17.3 X 34 X 5MM PHC			
880	RF		NOTE: ASM BELOW COMPRISED OF ABOVE			

Figure 3558573C6
 CROSSMEMBER, CAB REAR SUPT*ASSY



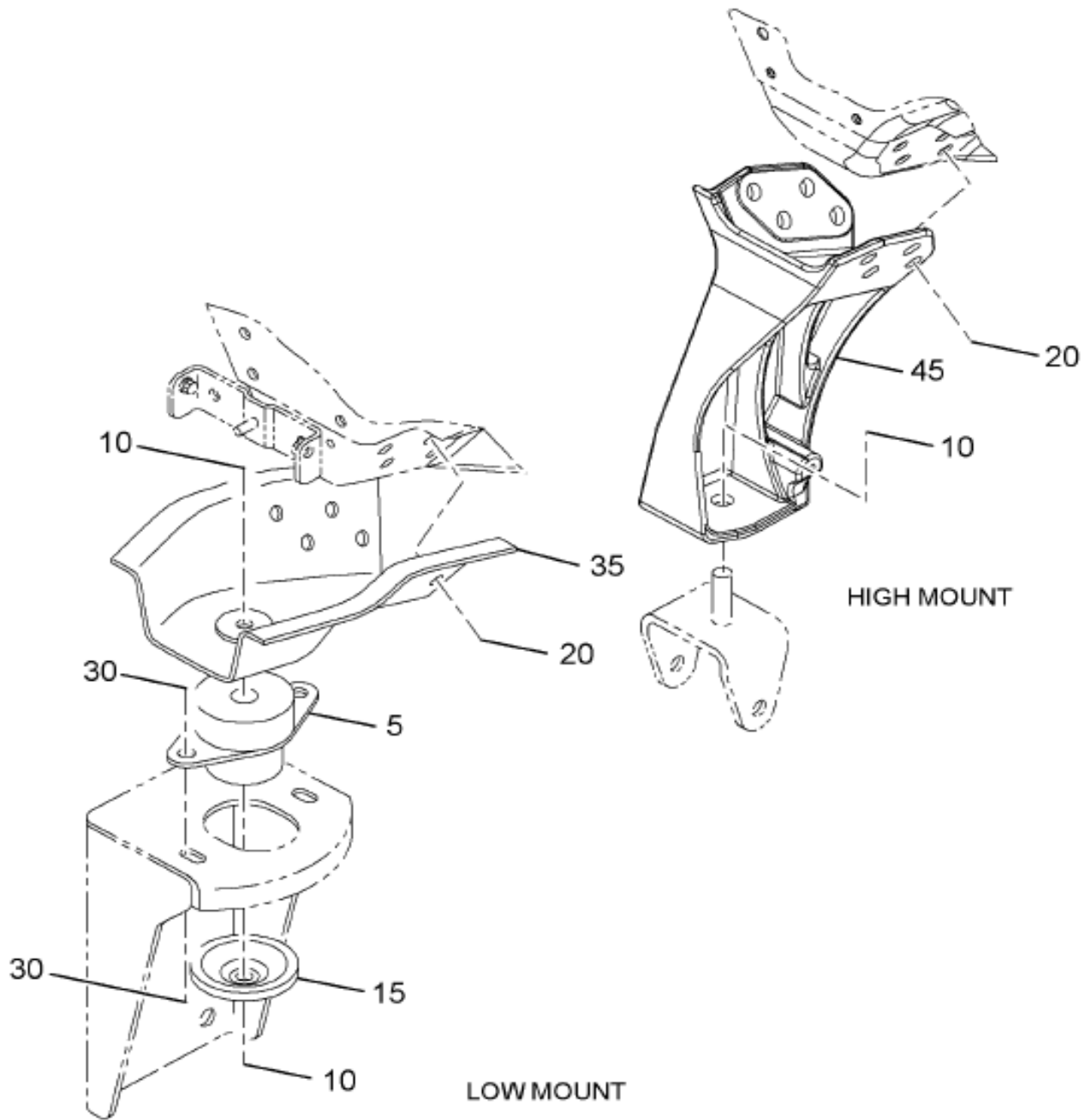
01-451-0094-01

H03

Grp
16

Item	Part No.	Qty	Description	Kit	Var	Figure
1	3558571C3	2	PLATE,CAB MTG XMBR			
2	3558572C5	1	PLATE,CAB MTG OR BODY XMBR			
3	3570140C1	4	NUT,ENG MTG BOLT*CLINCH, M12 X			
880		RF	NOTE: ASM BELOW COMPRISED OF ABOVE COMPONENTS			
881	3558573C6	RF	CROSSMEMBER,CAB REAR SUPT*ASSY			

Figure 0LLJR
CAB MTG; FRONT



16-345-0094-01

J09

Figure 1 of 4

Figure 0LLJR
CAB MTG; FRONT

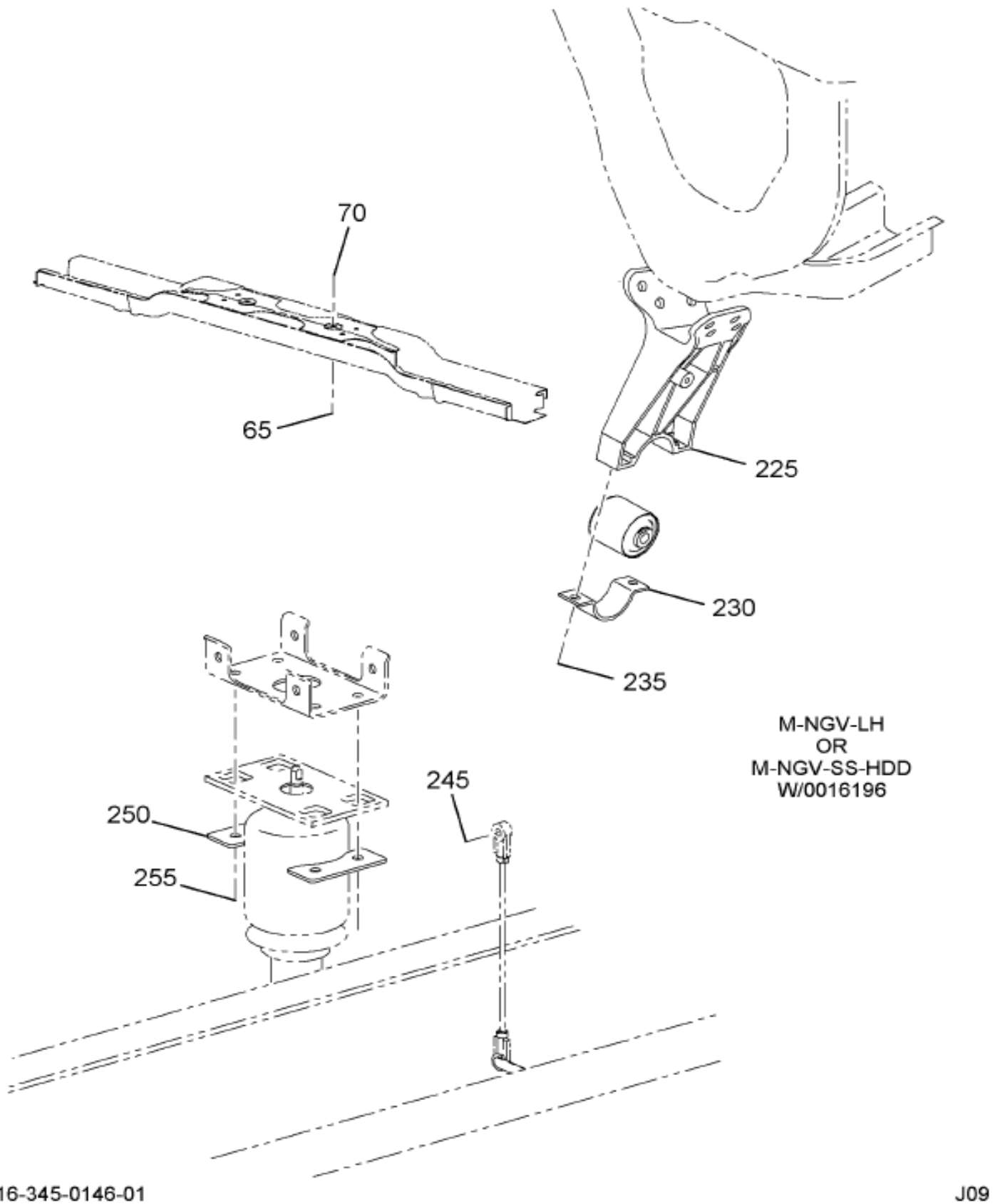
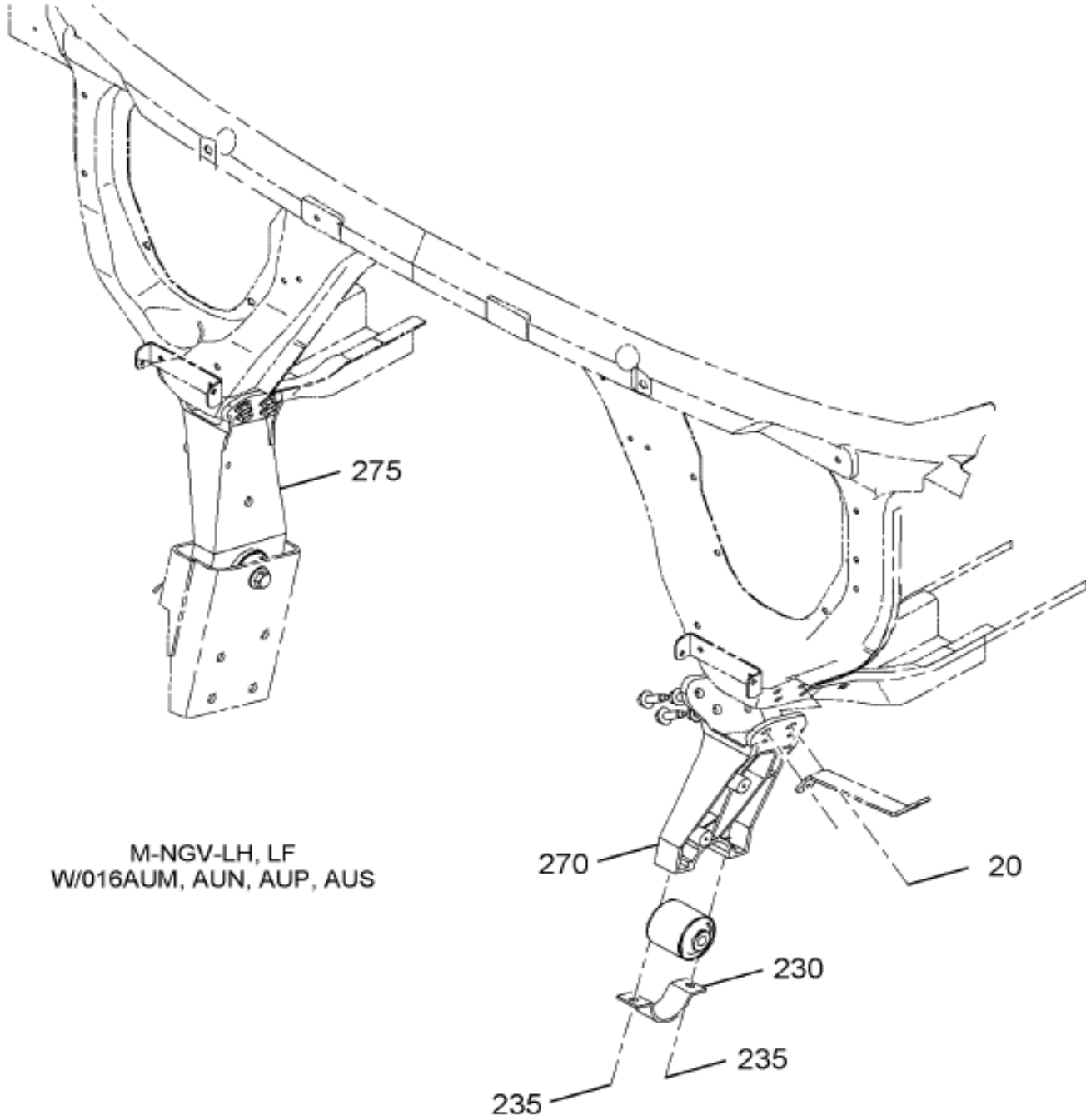


Figure 2 of 4

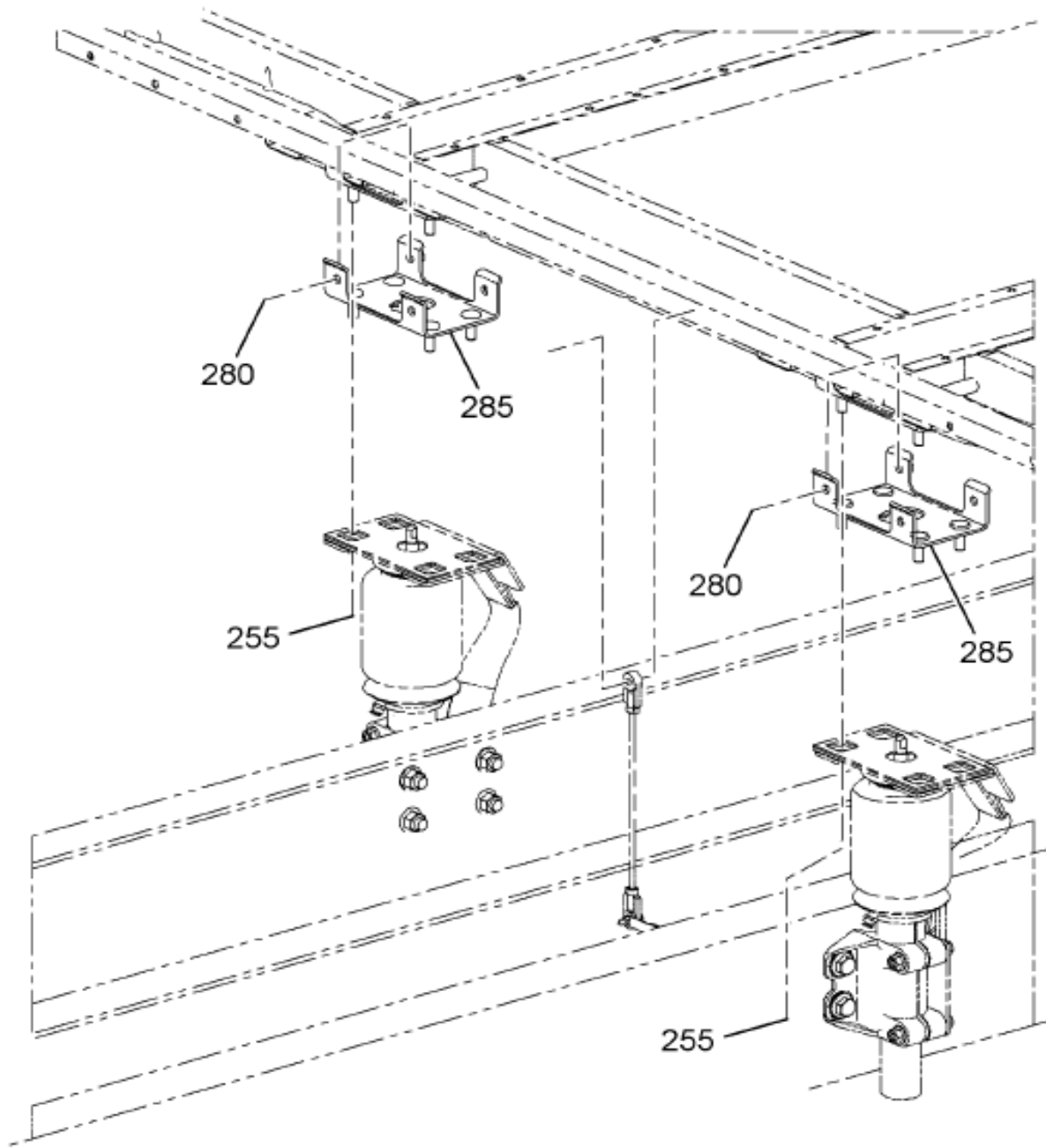
Figure 0LLJR
CAB MTG; FRONT



M-NGV-LH, LF
W/016AUM, AUN, AUP, AUS

Figure 3 of 4

Figure 0LLJR
CAB MTG; FRONT



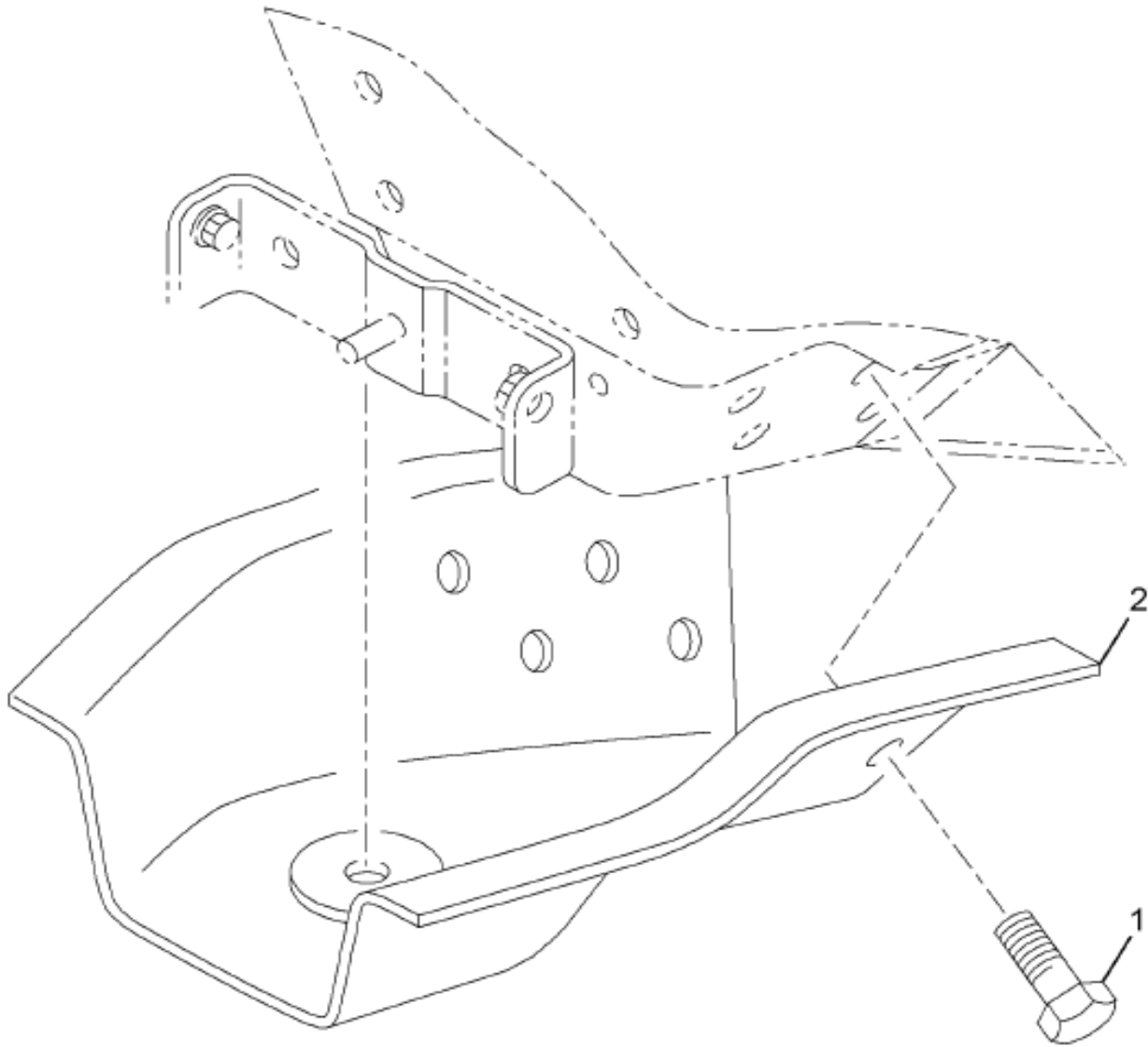
16-345-0152-02

F10

Grp
16

Item	Part No.	Qty	Description	Kit	Var	Figure
10	3535554C1	2	NUT, HEX METRIC PREV. TORQ*M16		0LLVK	
20		REF	BOLT, CAB MTG M12X1.75 37MM		0LLVK	
35		REF	BRACKET, CAB FRONT MTG OR COWL		0LLVK	
35	3596415C91	1	BRACKET ASM, CAB FRONT MTG		0LLVK	3596415C91

Figure 3596415C91
BRACKET ASM,CAB FRONT MTG



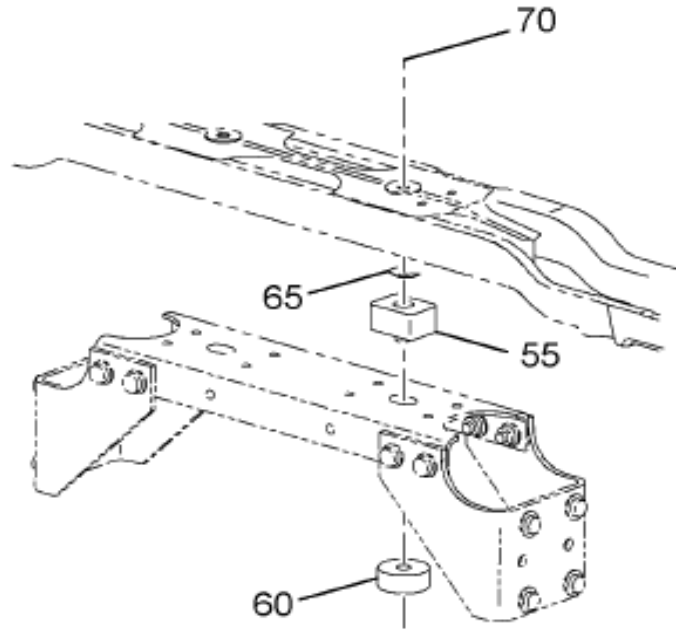
16-D75-M031-01

D09

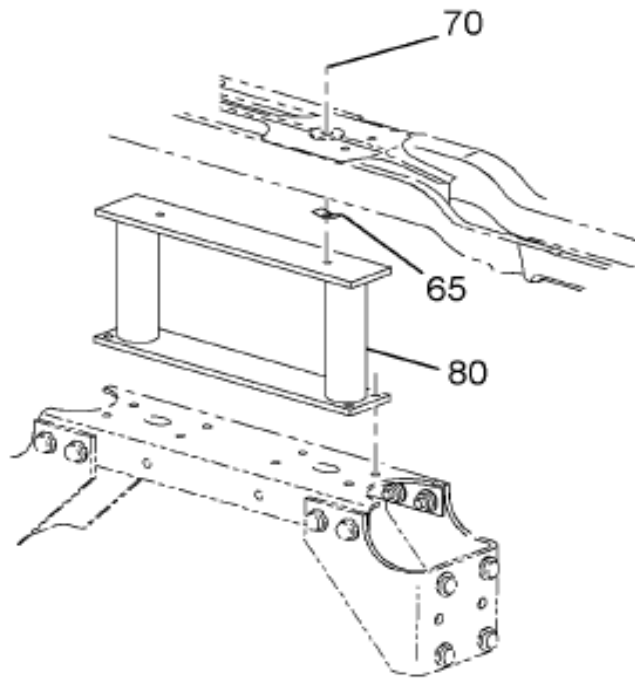
Item	Part No.	Qty	Description	Kit	Var	Figure
1	3552011C1	16	BOLT,CAB MTG M12X1.75 37MM			
2	3565823C2	2	BRACKET,CAB FRONT MTG OR COWL			
880		RF	NOTE: ASM BELOW COMPRISED OF ABOVE COMPONENTS			
881	3596415C91	RF	BRACKET ASM,CAB FRONT MTG			

Figure 06QSL
CAB MTG; REAR

LOW MOUNT
W/O AIR SUSP



MID AND HIGH MOUNT
W/AIR SUSP



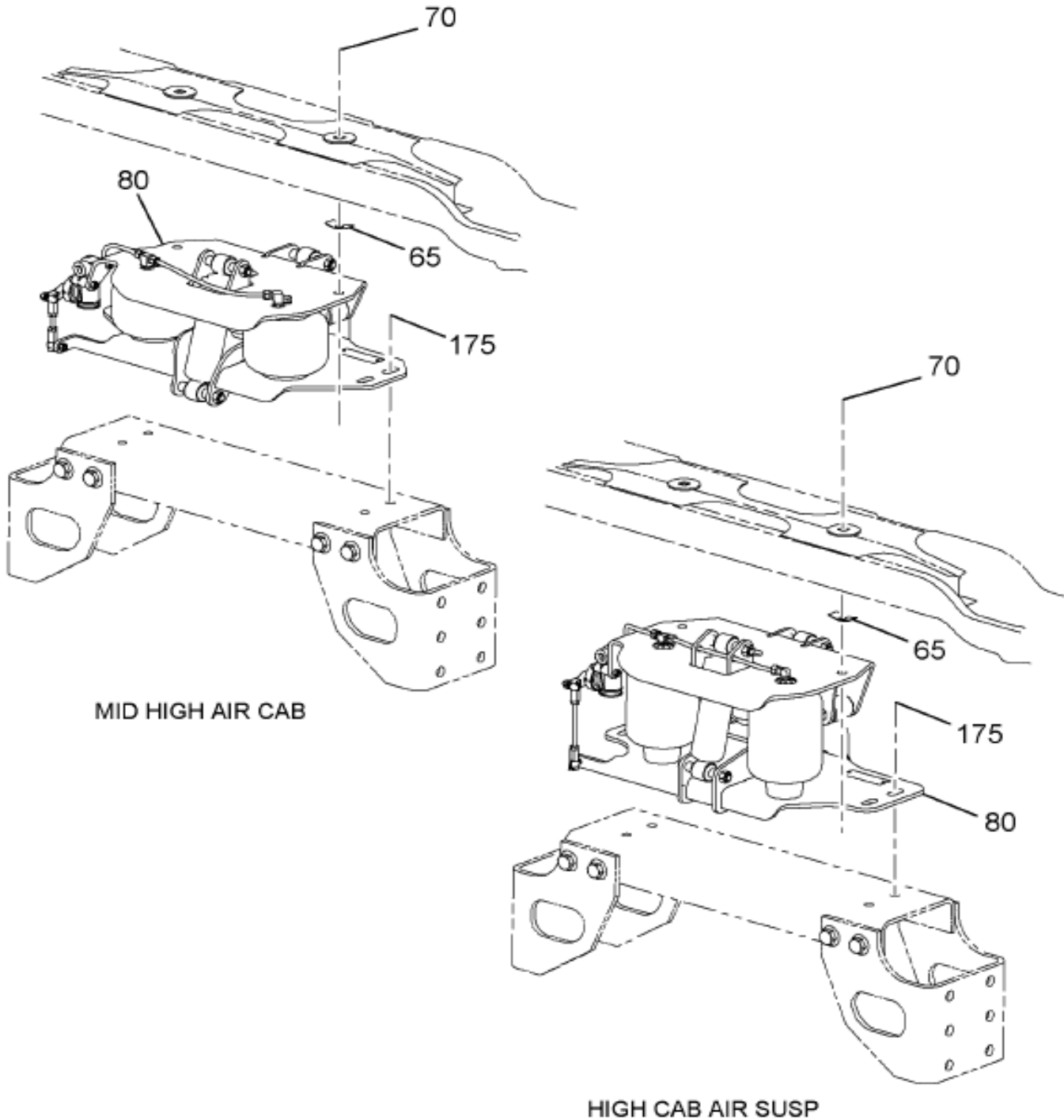
16-346-0007-A0

C09

Grp
16

Figure 1 of 2

Figure 06QSL
CAB MTG; REAR

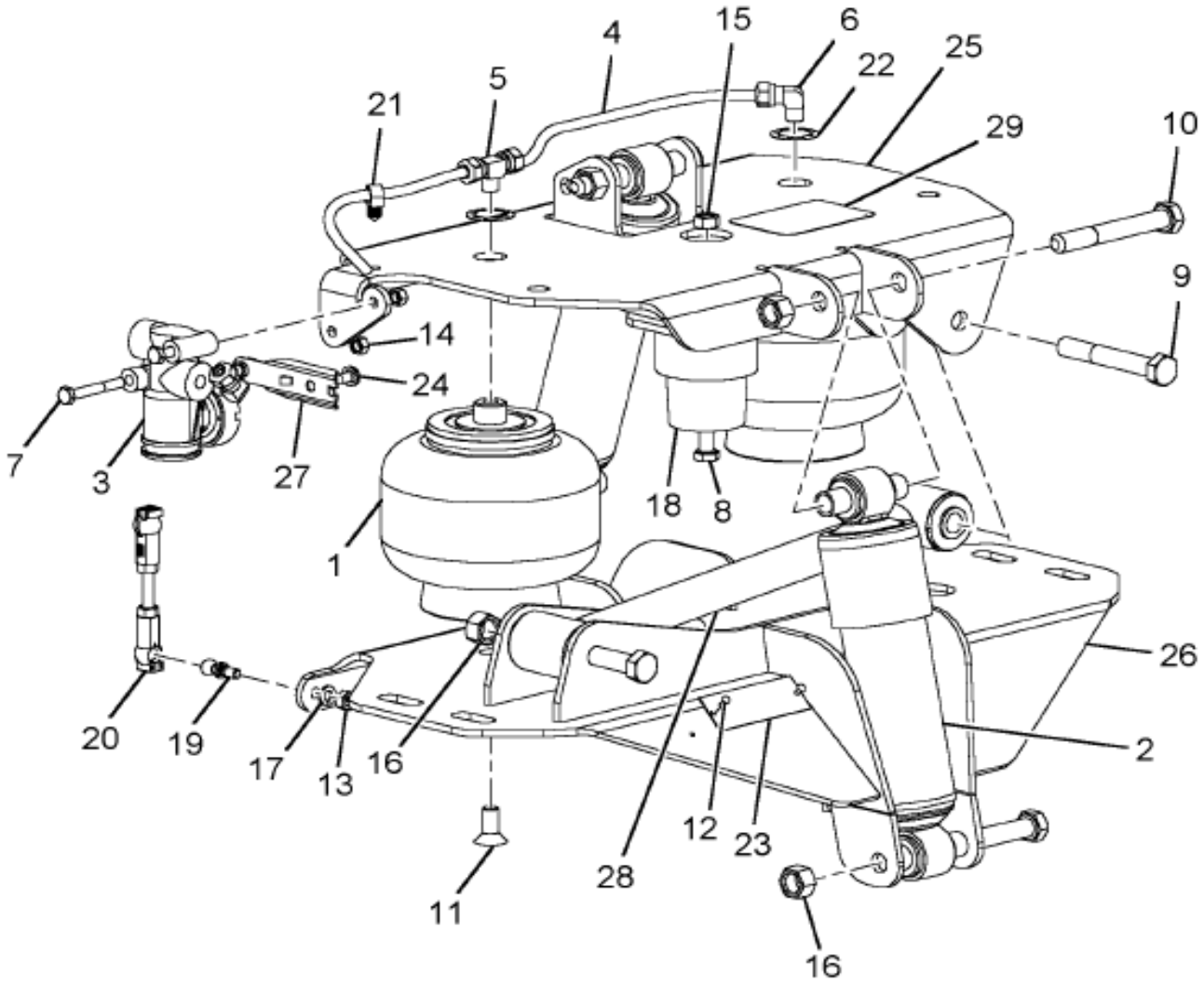


16-346-0008-AA

C09

Item	Part No.	Qty	Description	Kit	Var	Figure
65	3539317C1	2	RETAINER, FSTNR RR CAB MNT BLT		06QSL	
70	3535371C1	2	BOLT, CAB MTG REAR		0GD7K	
70	30755R1	2	NUT, HEX M12 FLANGED		0GD7K	
80	3540379C96	1	CAB AIR SUSP SS MID HIGH		0GD7K	3540379C96
175	30744R2	4	BOLT, HEX HD MET M12X30 PHC FLG		0GD7K	

Figure 3540379C96
CAB AIR SUSP SS MID HIGH



16-346-0015-01

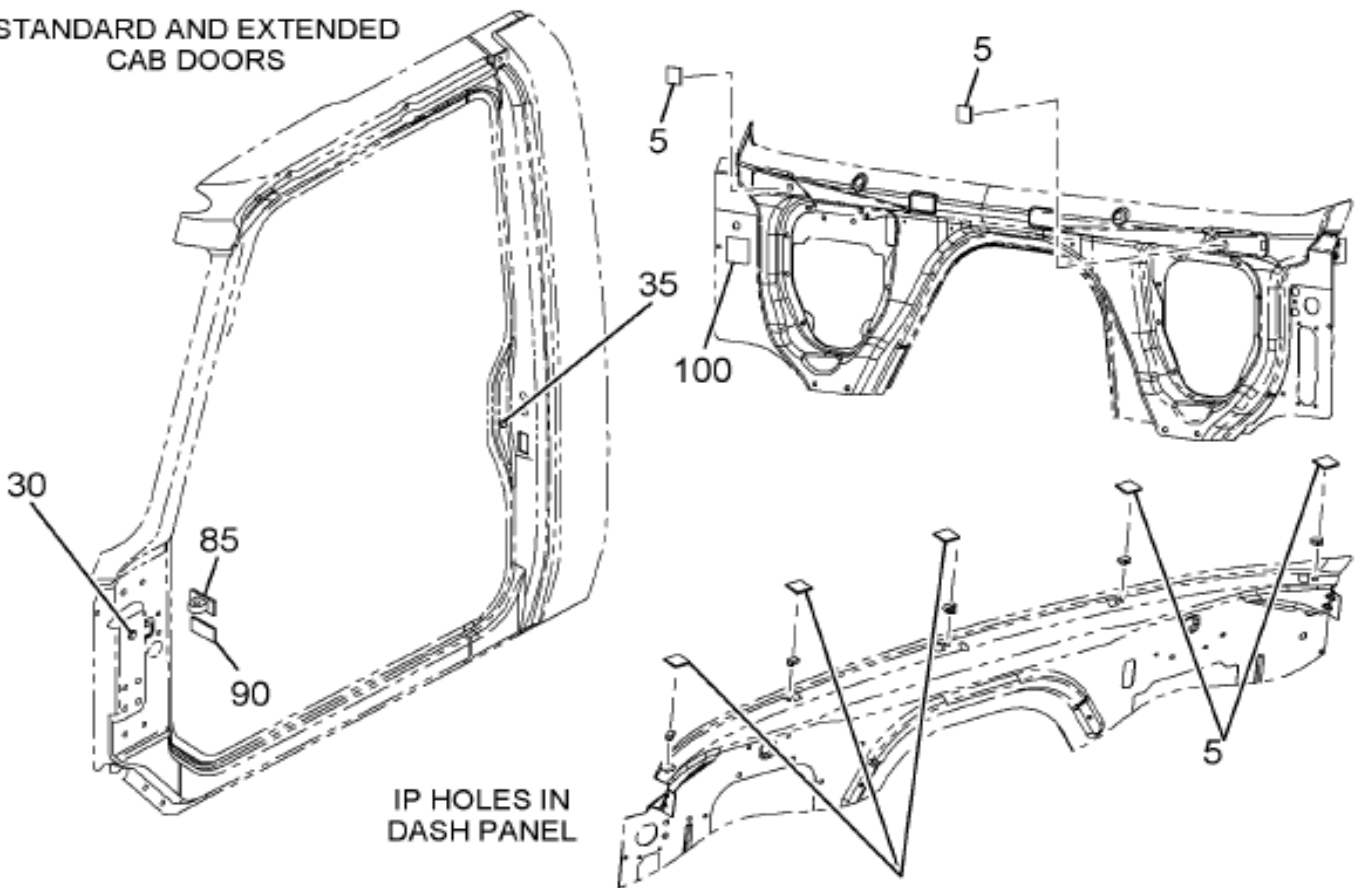
K03

Grp
16

Item	Part No.	Qty	Description	Kit	Var	Figure
1	2507408C1	2	SPRING,AIR CAB MTG			
2	2509223C91	2	ABSORBER,SHOCK CAB AIR SUSP			
3	2508328C1	1	VALVE,HGHT CNTRL W/O VLV ARM			
4		RF	TUBE,PLASTIC 0.250 X 1.63"			
5	2507386C1	1	FITTING,SPL TEE 1/4 TB 1/8			
6	2502510C1	2	ELBOW,90 1/4 TB 1/8M-NPT DOT			

Figure 0F26J
CAB SEALING INSTL

STANDARD AND EXTENDED
CAB DOORS



IP HOLES IN
DASH PANEL

I6/V8 STANDARD
CAB FLOOR

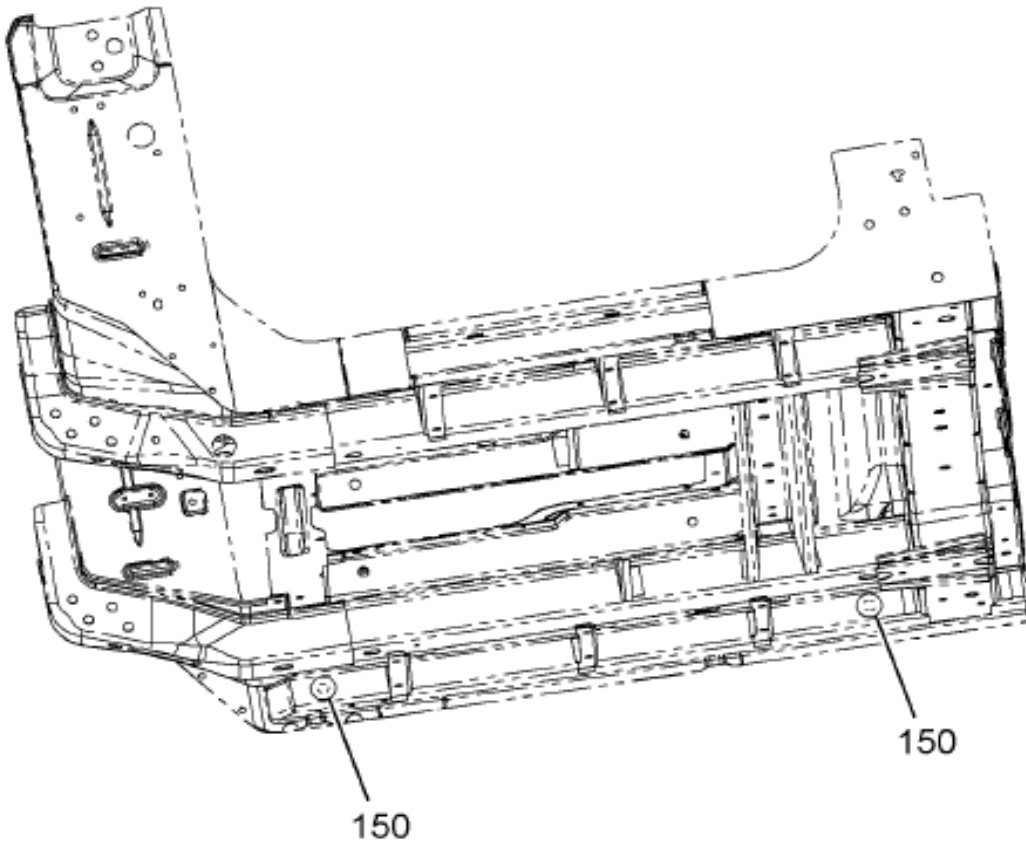
16-348-0009-AA

K10

Grp
16

Figure 1 of 6

Figure 0F26J
CAB SEALING INSTL

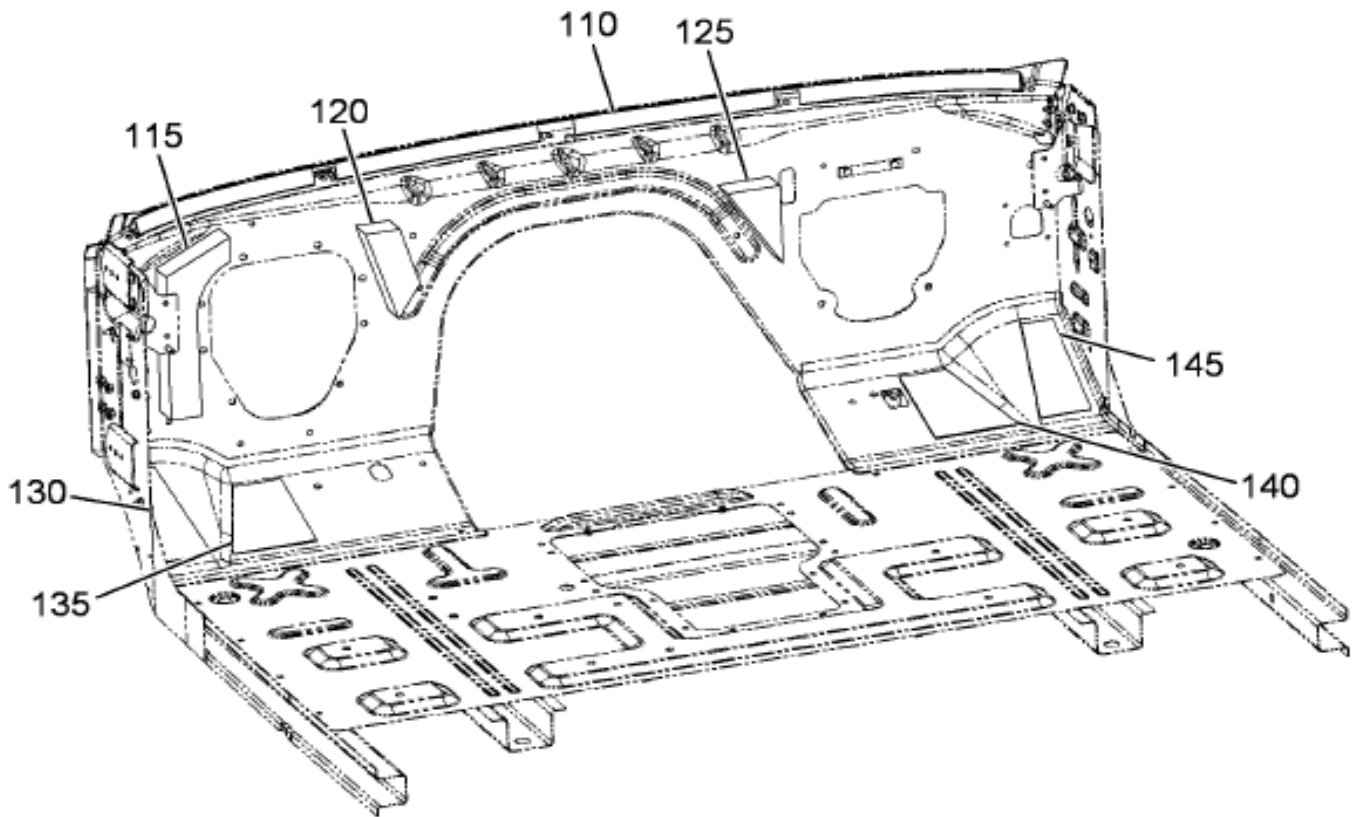


16-348-0019-01

K10

Figure 2 of 6

Figure 0F26J
CAB SEALING INSTL



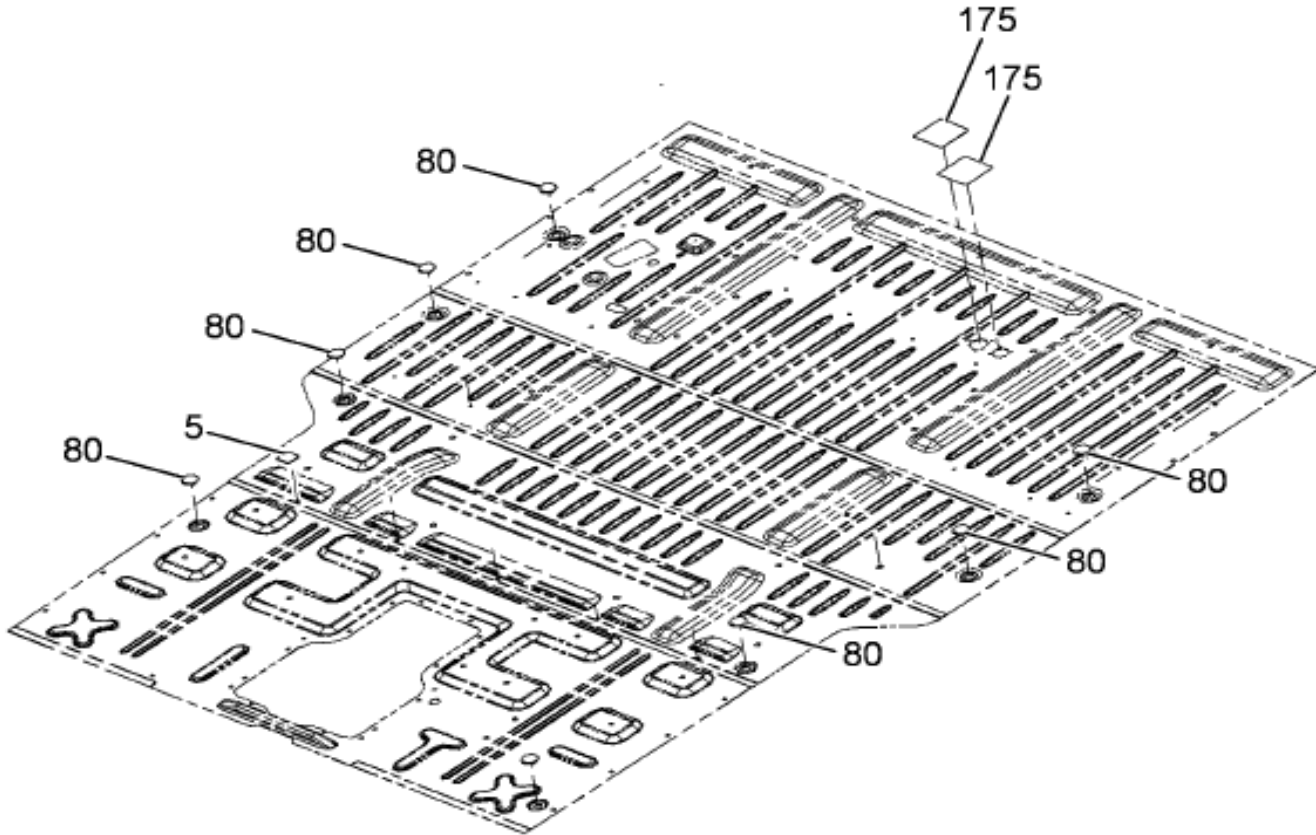
16-348-0019-02

A10

G
R
P
1
6

Figure 3 of 6

Figure 0F26J
CAB SEALING INSTL



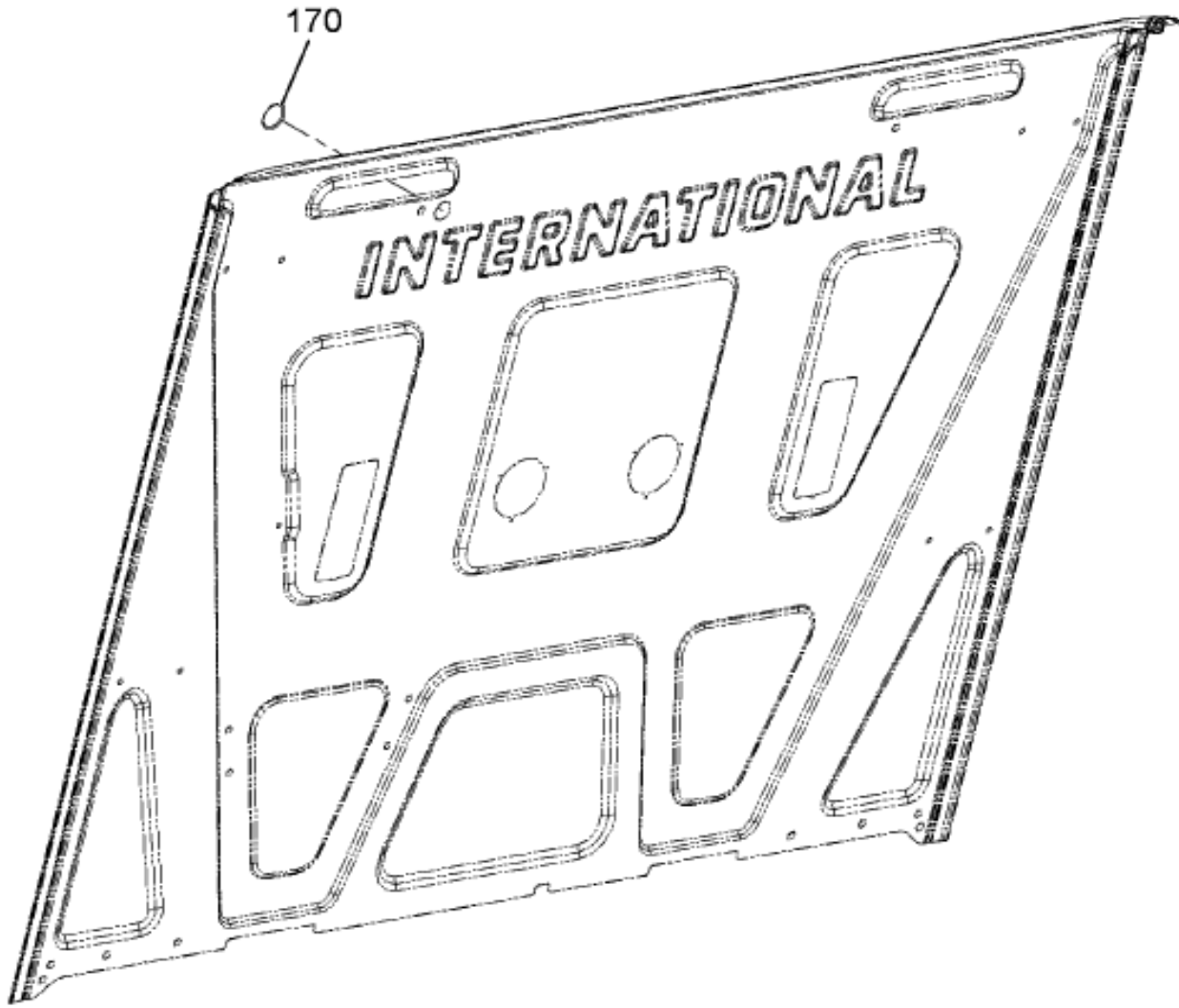
LH LONG SLEEPER

16-348-0020-01

A10

Figure 4 of 6

Figure 0F26J
CAB SEALING INSTL



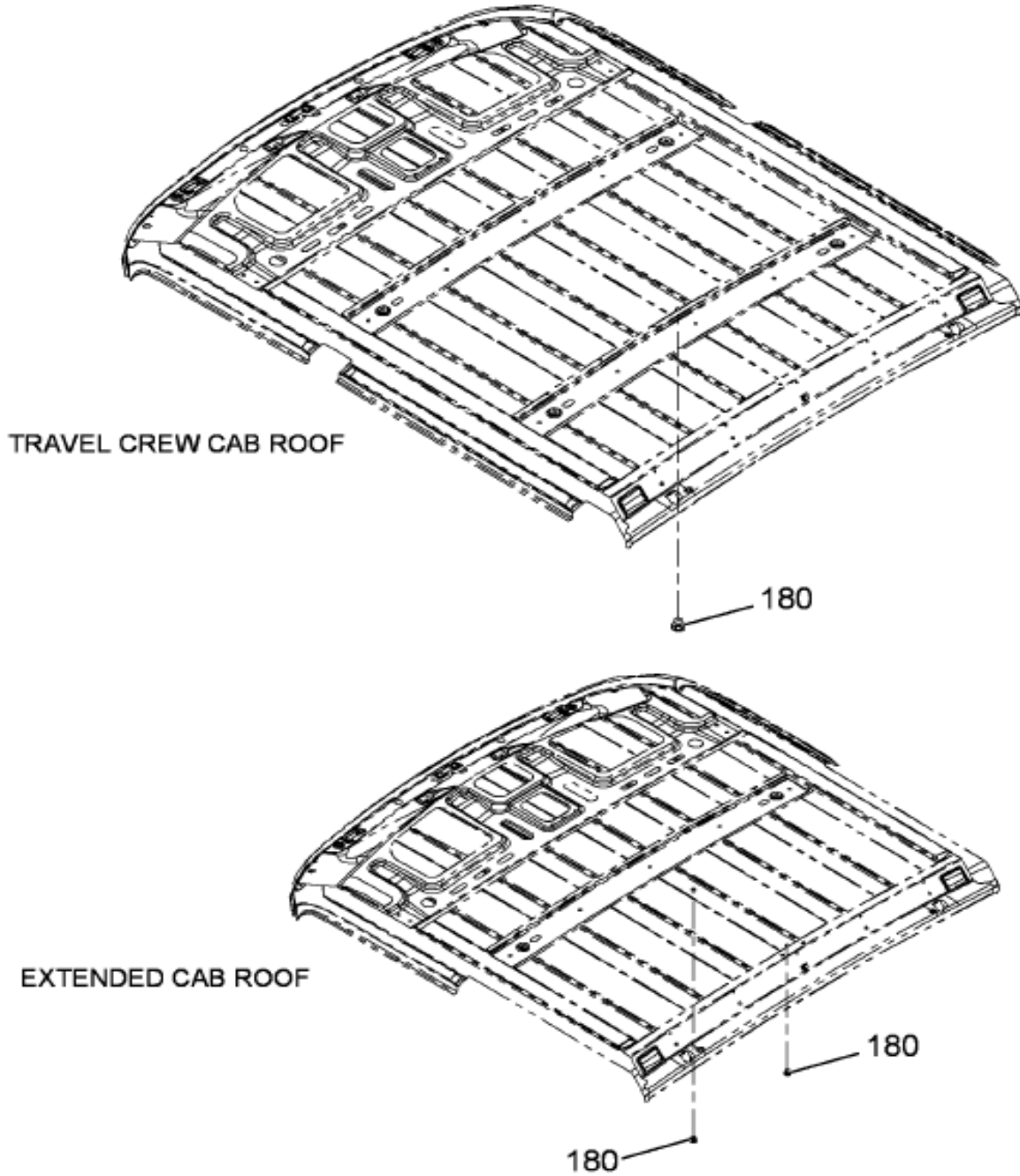
16-348-0021-01

A10

G
R
P
1
6

Figure 5 of 6

Figure 0F26J
CAB SEALING INSTL



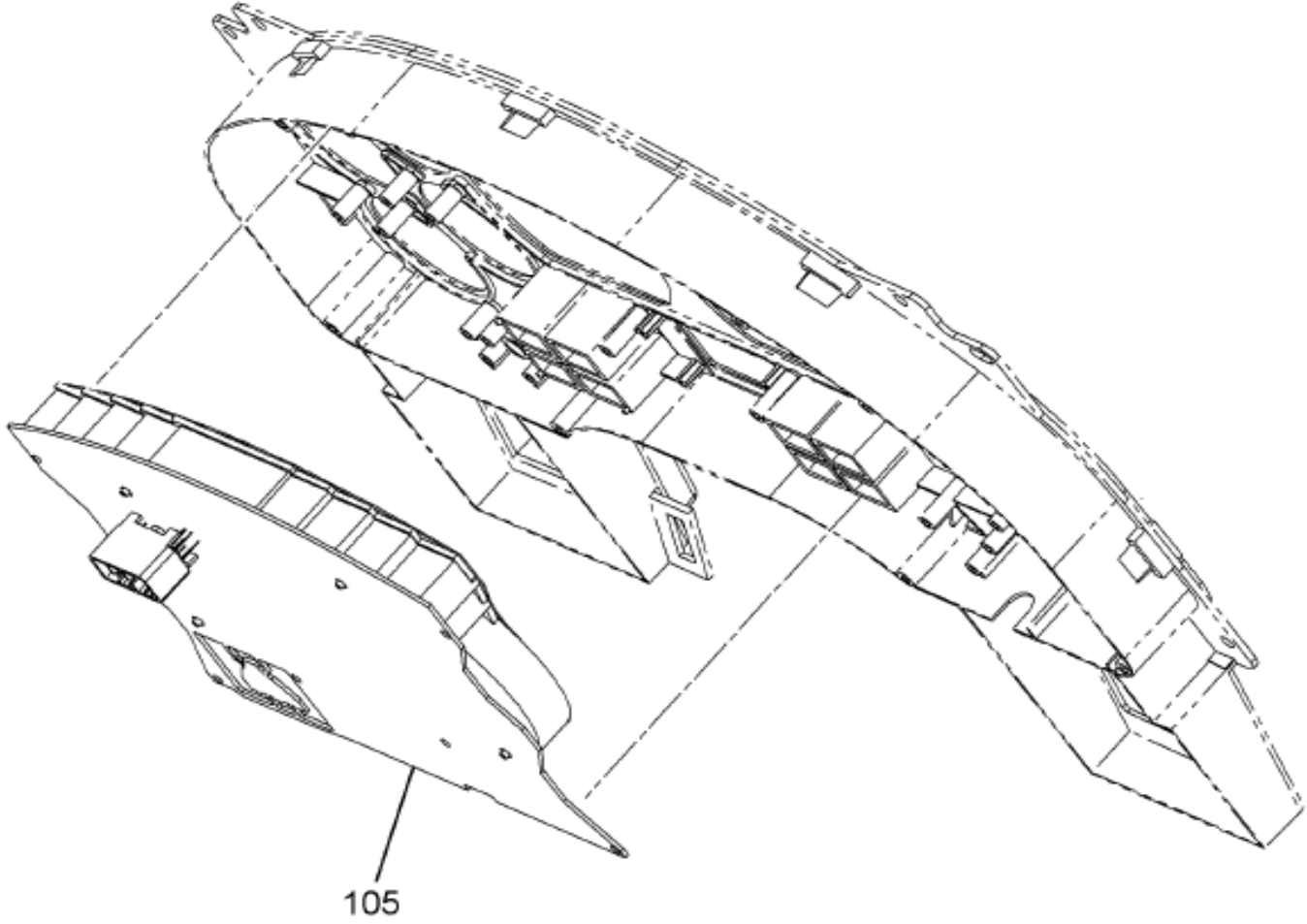
16-348-0022-01

A10

Item	Part No.	Qty	Description	Kit	Var	Figure
5	3540481C2	2	SEAL,CAB		0F26J	
5	3540481C2	3	SEAL,CAB		0HXY7	
5	3540481C2	5	SEAL,CAB		0FVR2	
30	3558722C1	2	PLUG,BUTTON BUTTTON -5/8" DIA		0FVR4	
35	3565069C1	2	PLUG,BUTTON 18MM DIA PLASTIC		0FVR4	
8005	REF		SEALANT, CAB SEALING DOOR HEM		0F26J	

Figure 0HT25

CENTER IP, GAUGE INSTL; SPEEDO & TACH (ABR #76)

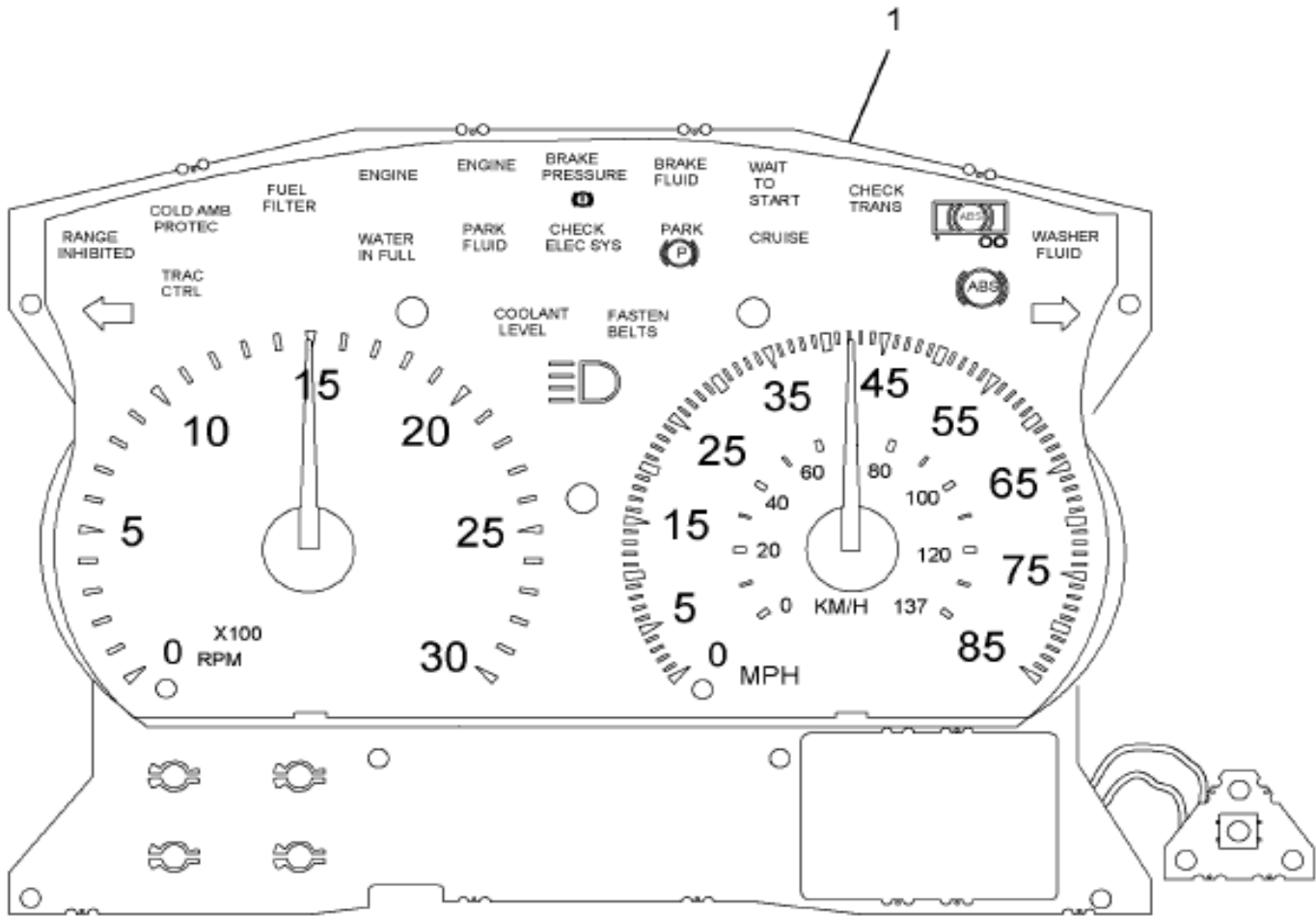


16-P76-0004-01

M02

Item	Part No.	Qty	Description	Kit	Var	Figure
105	3604608F91	1	IP,CNTR MOD-METRC,GUAGES-ENGLS		0M37T	3604608F91

Figure 3604608F91
IP, CNTR MOD-METRC, GUAGES-ENGLS



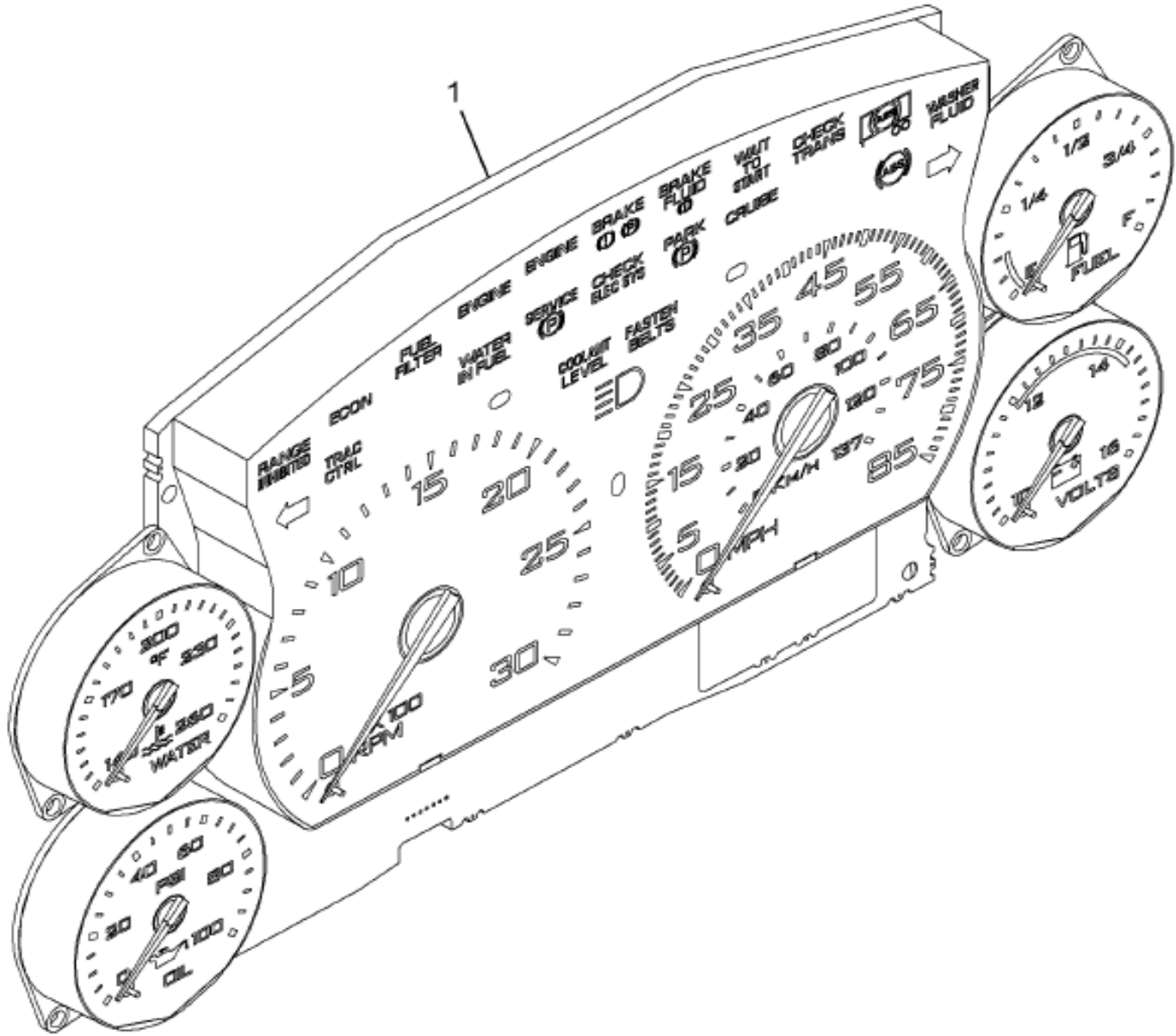
16-P76-0001-00

G05

Grp
16

Item	Part No.	Qty	Description	Kit	Var	Figure
1	3604600C91	1	SPDOMTR, & TACH HD ASM, METRC/MET			3604600C91
880		RF	NOTE: ASM BELOW COMPRISED OF ABOVE COMPONENTS			
881	3604608F91	RF	IP, CNTR MOD-METRC, GUAGES-ENGLS			

Figure 3604600C91
SPDOMTR, & TACH HD ASM, METRC/MET

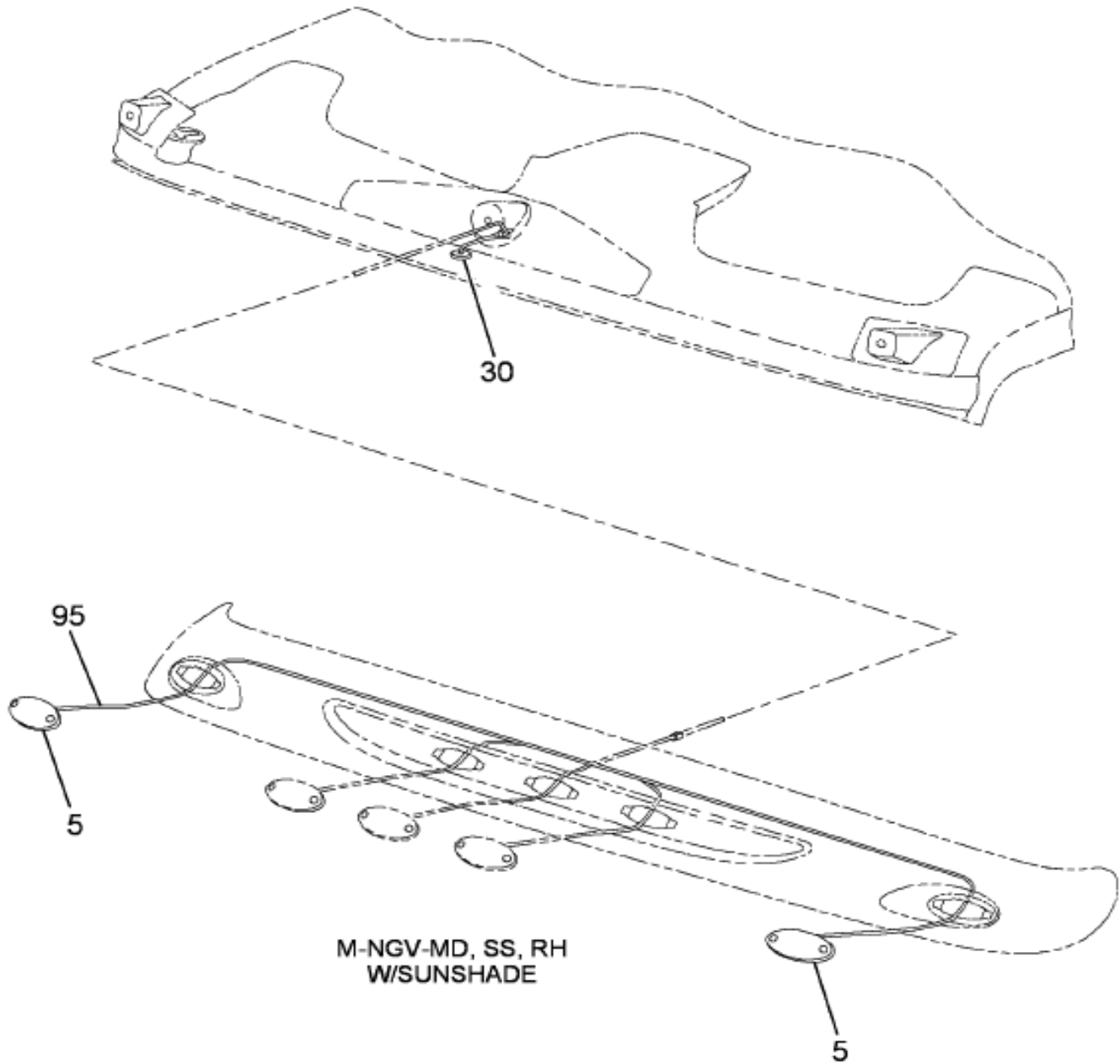


16-P76-0005-01

E05

Item	Part No.	Qty	Description	Kit	Var	Figure
1	2509518C91	1	BUZZER, SPEAKER ALARM-2 LAYER			
1	2506725C91	1	BUTTON, ODOMETER RESET L/SWITCH			
800		RF	NOTE: THE FOLLOWING PARTS ARE NON-ILLUSTRATED			
801	2587206C91	1	SWITCH, ODMTR RESET W/HARN&BTN			
880		RF	NOTE: ASM BELOW COMPRISED OF ABOVE			

Figure 06V2B
CLEARANCE/MARKER LT WIRING INSTL

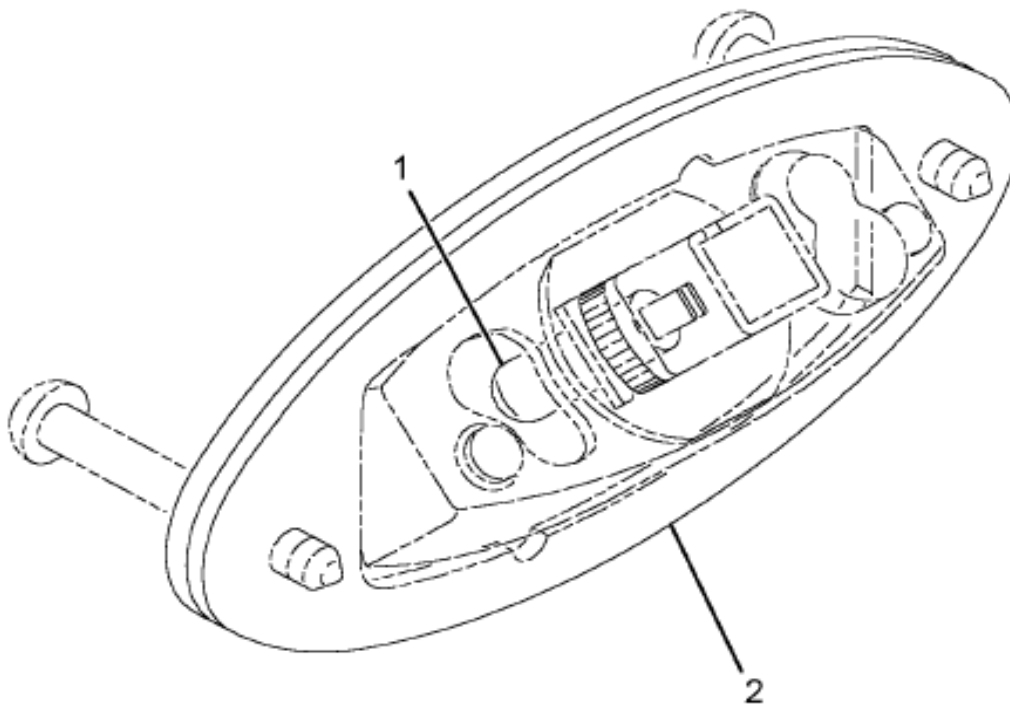


08-V72-0002-00

F09

Item	Part No.	Qty	Description	Kit	Var	Figure
5	3524553C94	5	LIGHT, *INCANDESCENT AMBER		06V2C	3524553C94
30	117973	5	GROMMET, 5/16 X 1-3/8 X 1/4 D/		06V2C	

Figure 3524553C94
 LIGHT, *INCANDESCENT AMBER



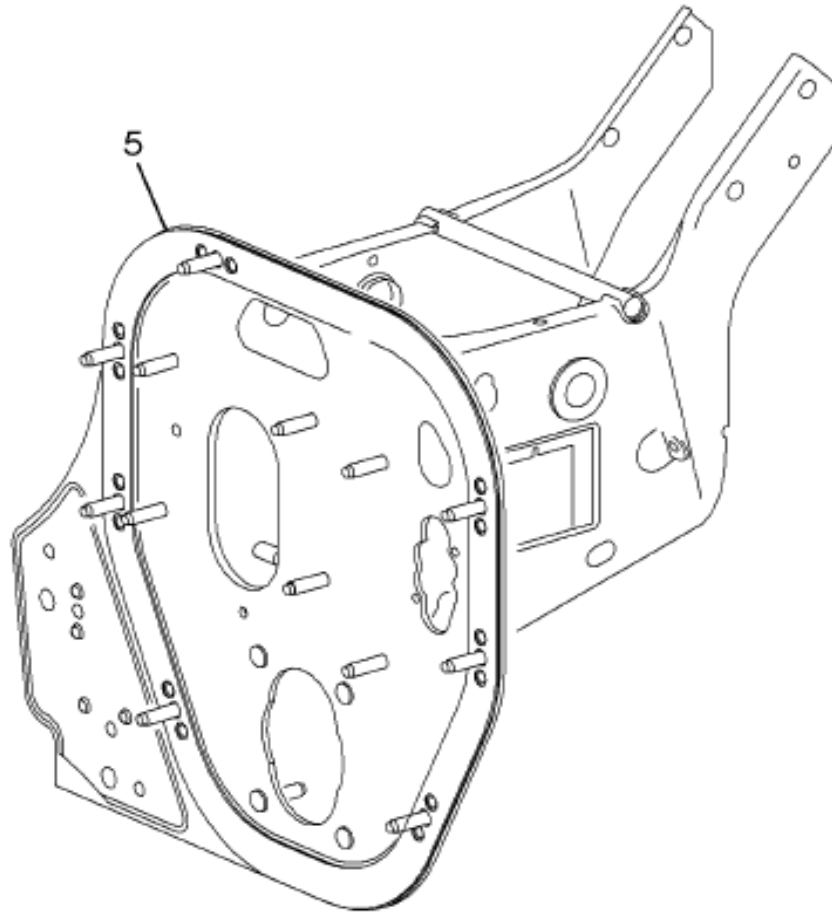
08-661-0008-00

E04

Grp
16

Item	Part No.	Qty	Description	Kit	Var	Figure
1	GE193	1	LAMP, INCANDESCENT 12V			
2	2504138C1	1	GASKET, MARKER LIGHT MTG			
880		RF	NOTE: ASM BELOW COMPRISED OF ABOVE COMPONENTS			
881	3524553C94	RF	LIGHT, *INCANDESCENT AMBER			

Figure 06LWF
DCM BASE PLATE ASM

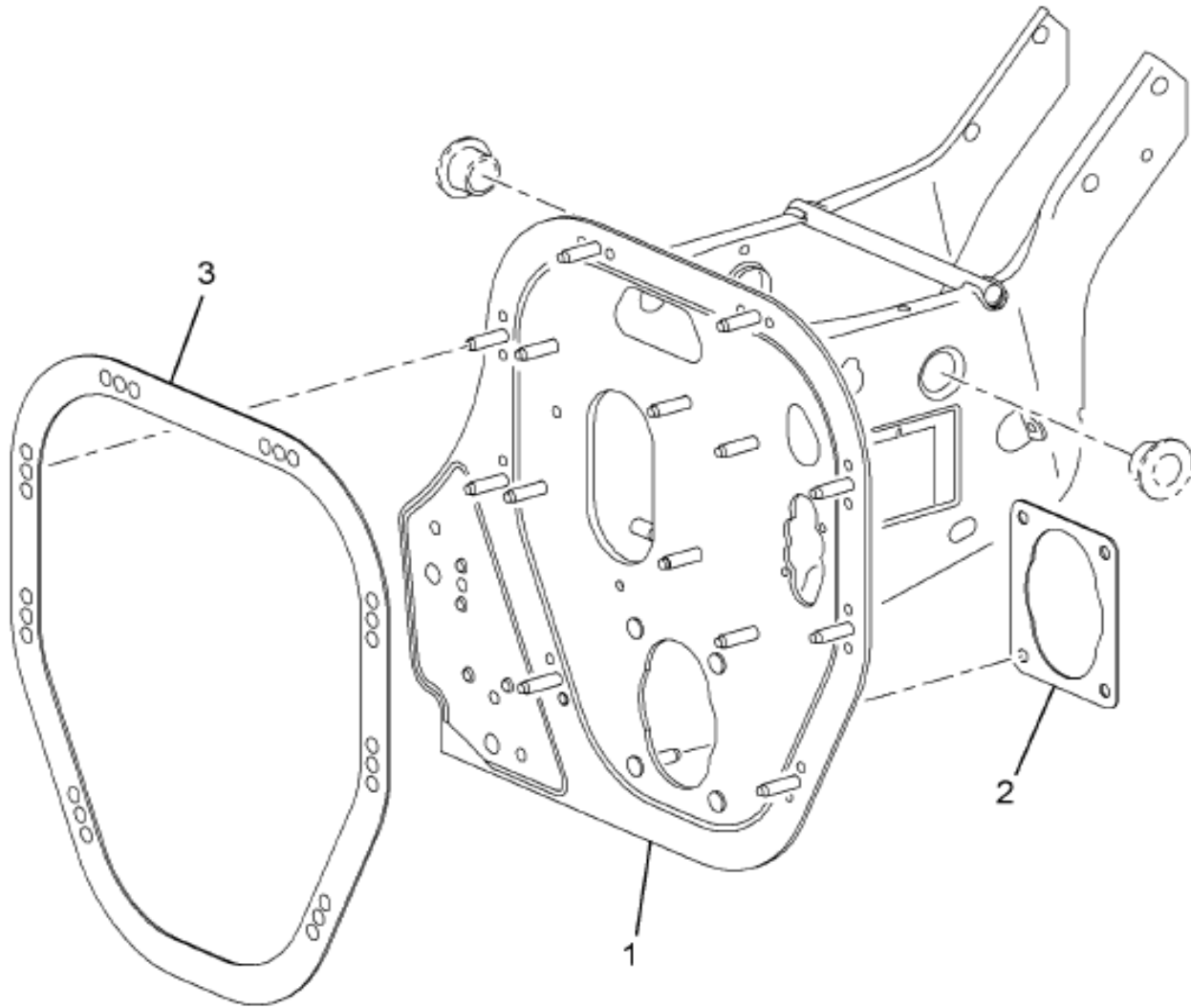


16-C10-0002-01

C10

Item	Part No.	Qty	Description	Kit	Var	Figure
5	3544868F93	1	BRAKE, DCM MTG BASE PLATE		06LWW	3544868F93

Figure 3544868F93
BRAKE, DCM MTG BASE PLATE



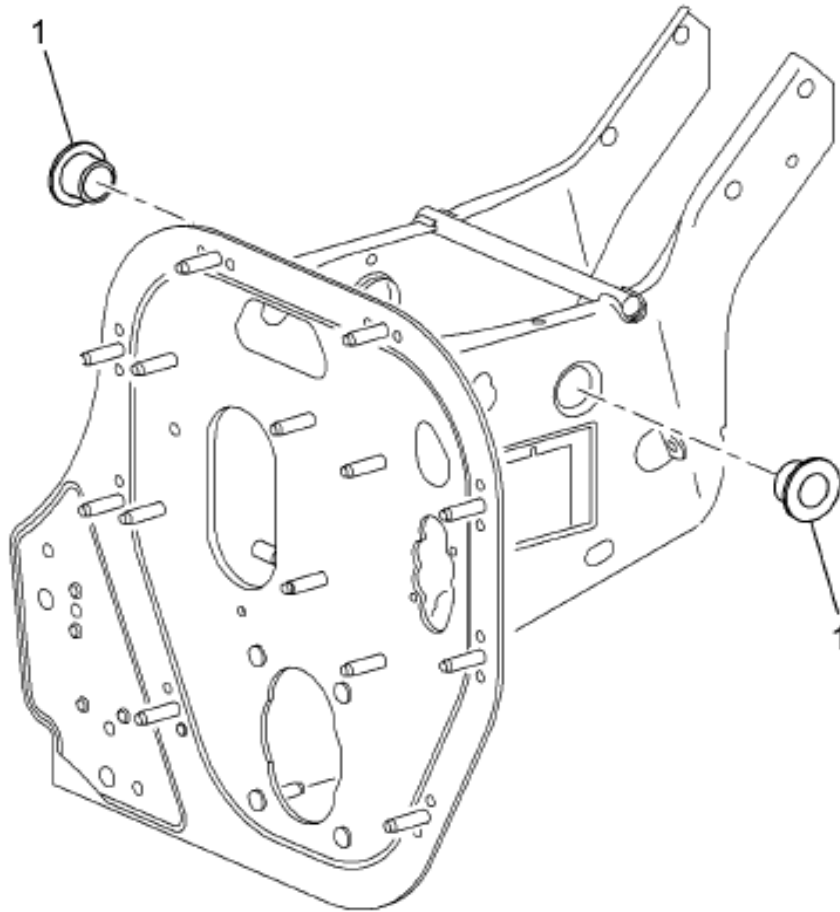
16-C10-0001-00

B05

Grp
16

Item	Part No.	Qty	Description	Kit	Var	Figure
1	2505776C91	1	PLATE,DCM BASE ASSEMBLY			2505776C91
2	2505773C1	1	GASKET,STEERING COLUMN			
3	2505774C1	1	GASKET,MODULE PLATE*DCM			
880		RF	NOTE: ASM BELOW COMPRISED OF ABOVE COMPONENTS			
881	3544868F93	RF	BRAKE, DCM MTG BASE PLATE			

Figure 2505776C91
 PLATE,DCM BASE ASSEMBLY

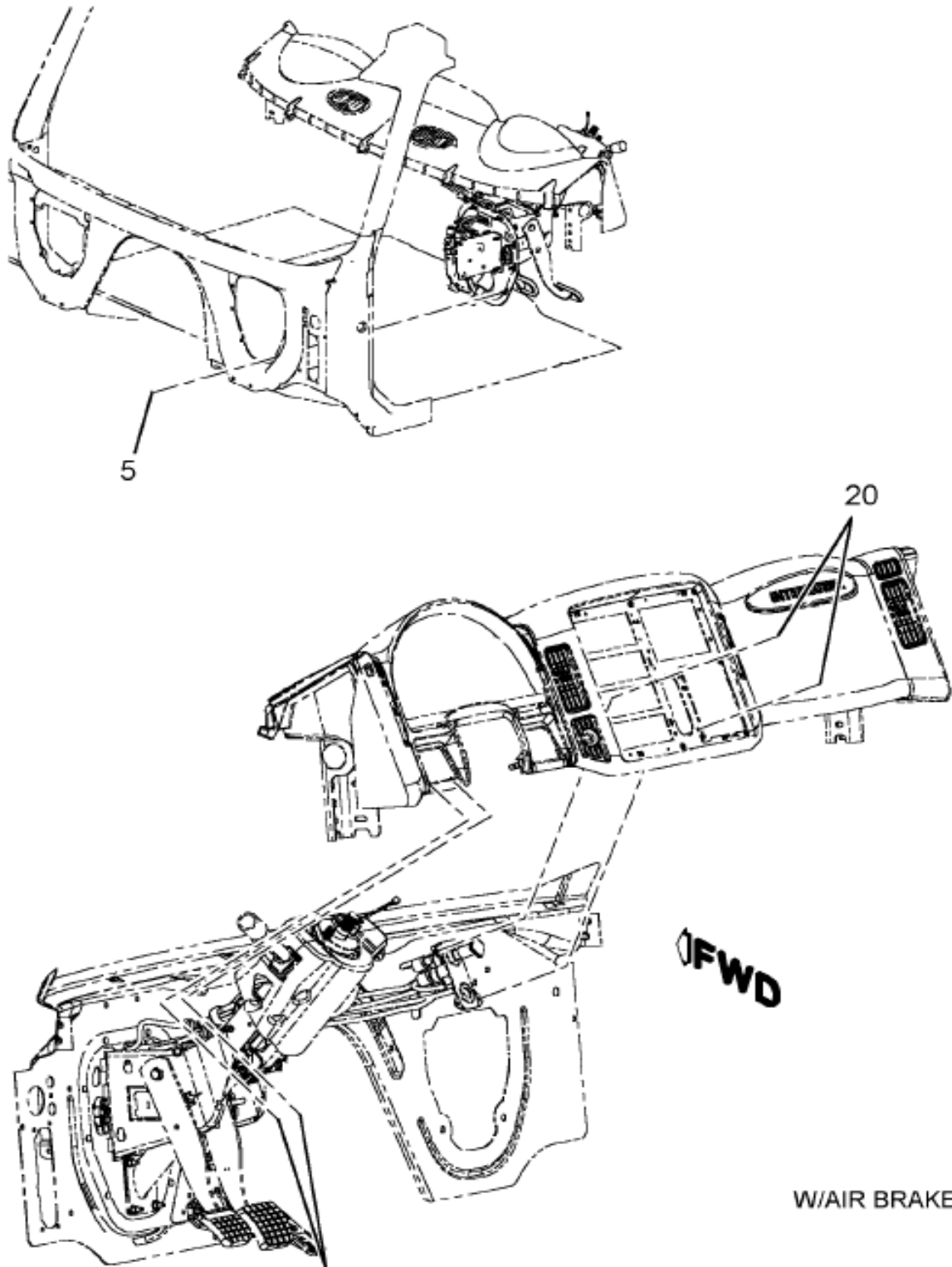


16-C10-0005-01

A09

Item	Part No.	Qty	Description	Kit	Var	Figure
1	2505775C1	2	BUSHING,CLUTCH PEDAL SHAFT BRK			
880		RF	NOTE: ASM BELOW COMPRISED OF ABOVE COMPONENTS			
881	2505776C91	RF	PLATE,DCM BASE ASSEMBLY			

Figure 06QS3
DCM MOUNTING HARDWARE



01-V40-0001-01

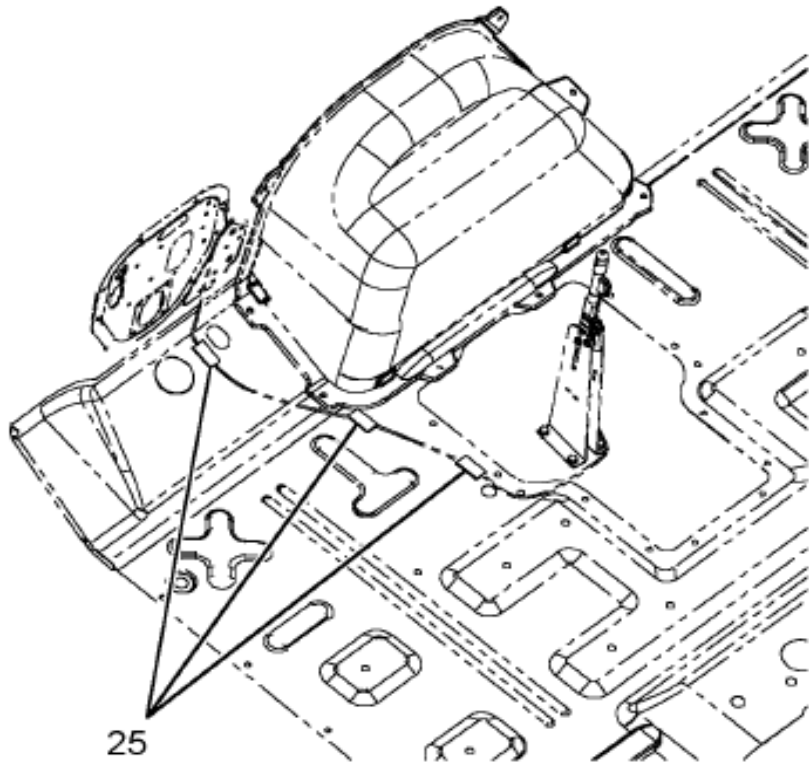
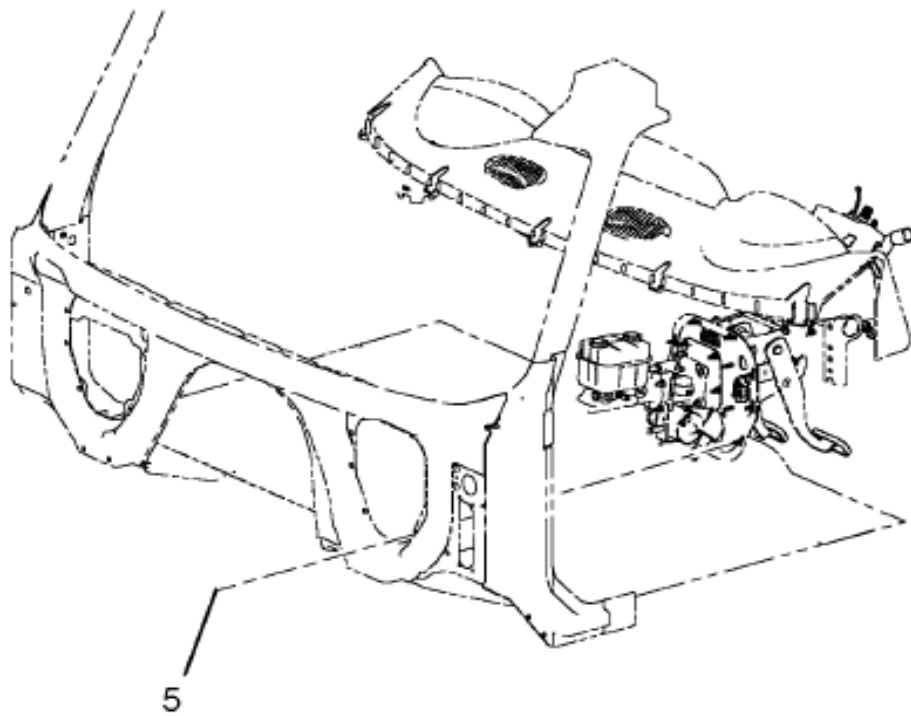
15

F04

Grp
16

Figure 1 of 2

Figure 06QS3
DCM MOUNTING HARDWARE



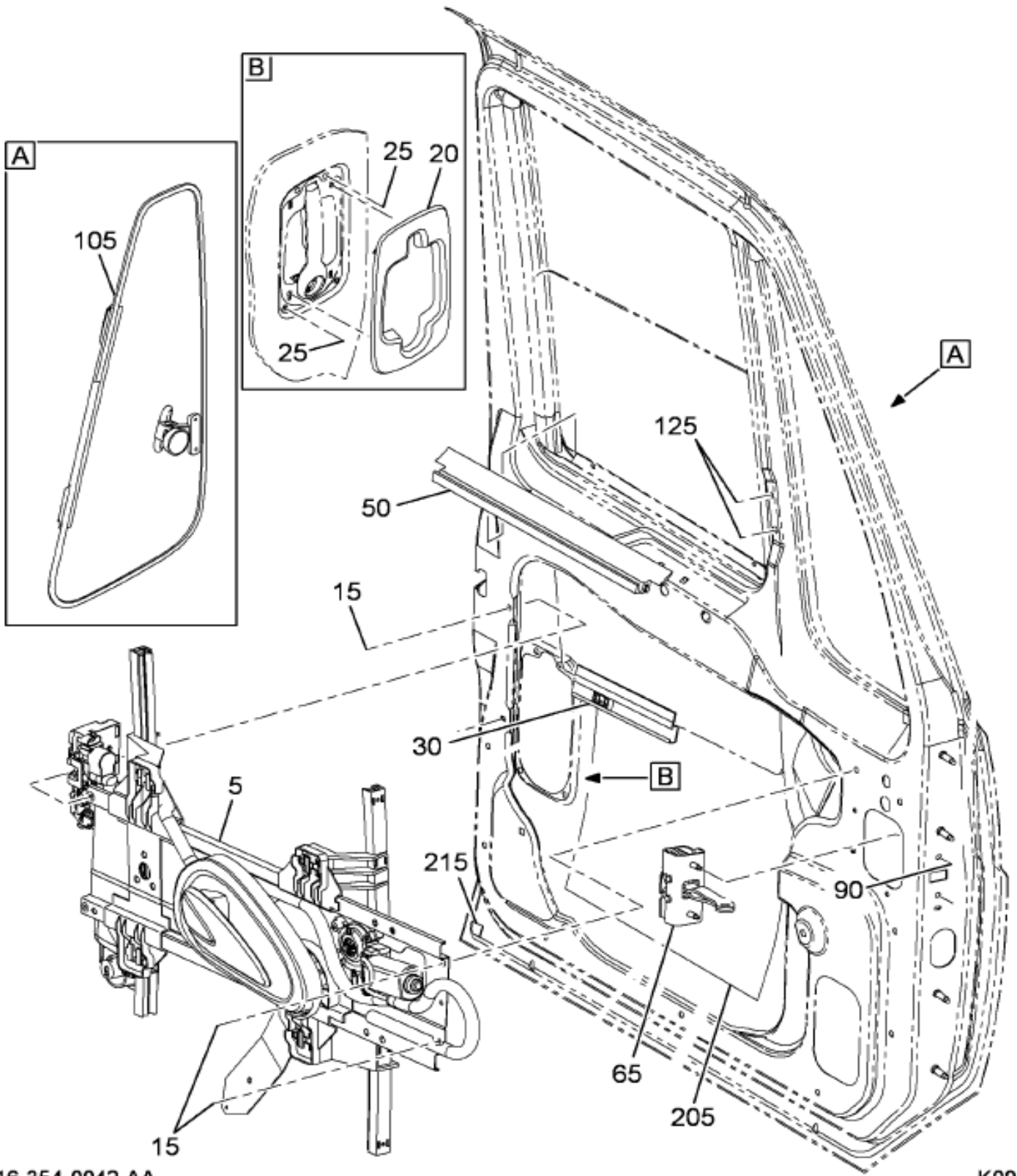
W/HYDRAULIC BRAKE

01-V40-0001-02

F04

Item	Part No.	Qty	Description	Kit	Var	Figure
5	3535162C1	8	NUT, HEX METRIC PREV. TORQ*M8 X		06QS3	
15	3535185C1	2	BOLT, SEMS ALL M8 X 1.25 75MM L		06QS3	
20	3535292C1	4	BOLT, SEMS ALL 6MM X 15 TORX		06QS4	

Figure 06MT8
DOOR COMPONENT INSTL; CAB, W/VENT WINDOW



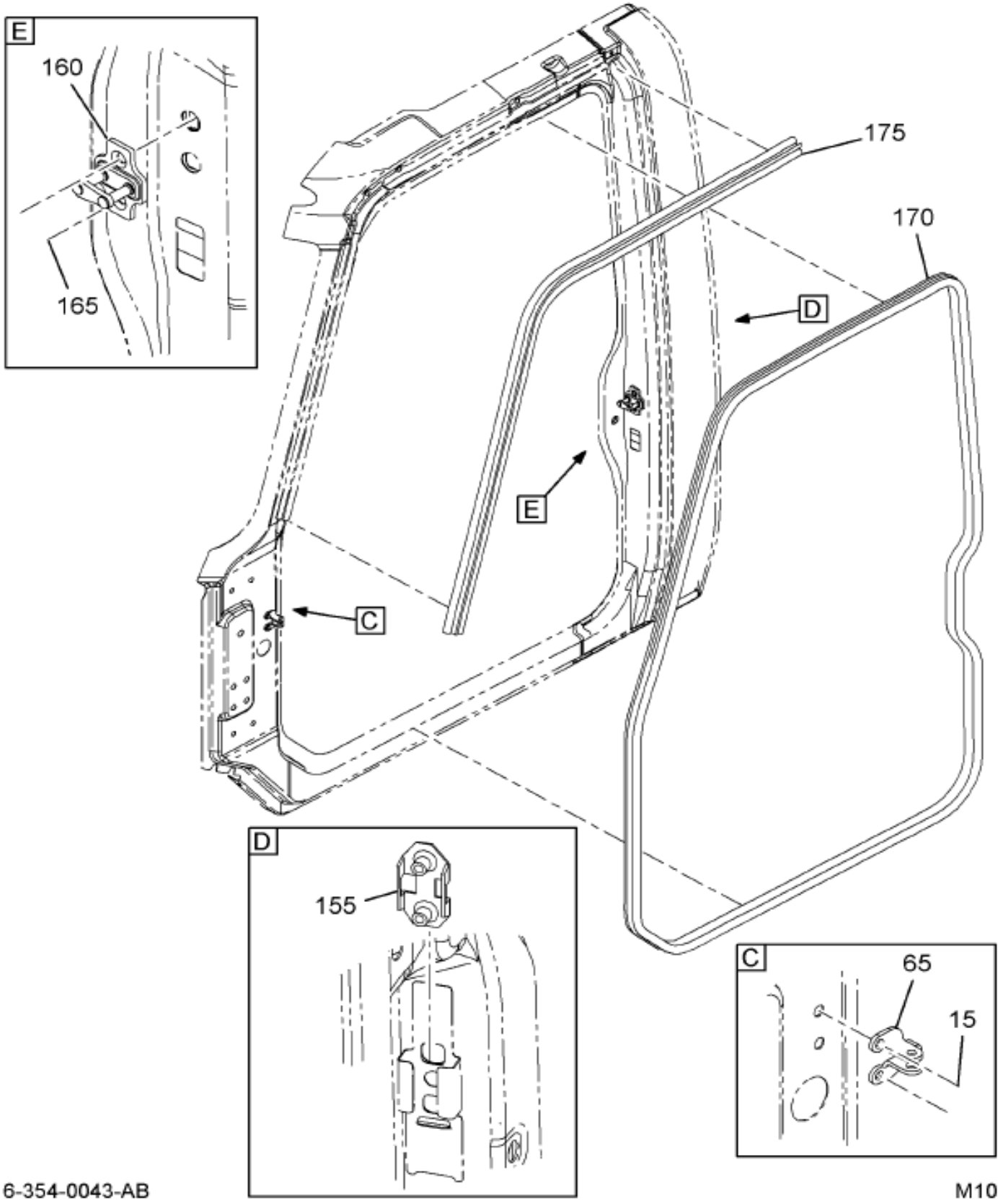
16-354-0042-AA

K09

Grp
16

Figure 1 of 6

Figure 06MT8
DOOR COMPONENT INSTL; CAB, W/VENT WINDOW

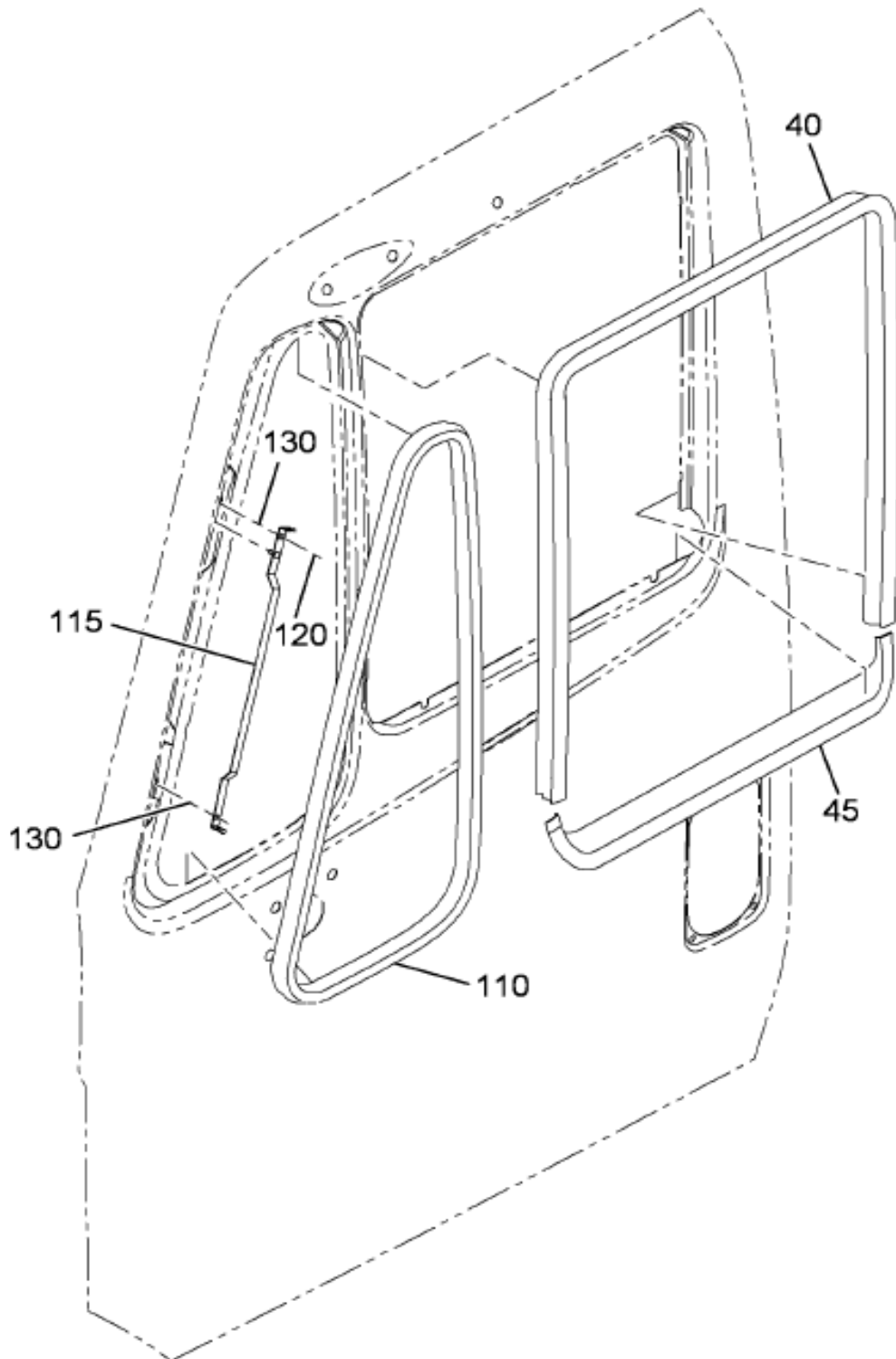


16-354-0043-AB

M10

Figure 2 of 6

Figure 06MT8
DOOR COMPONENT INSTL; CAB, W/VENT WINDOW



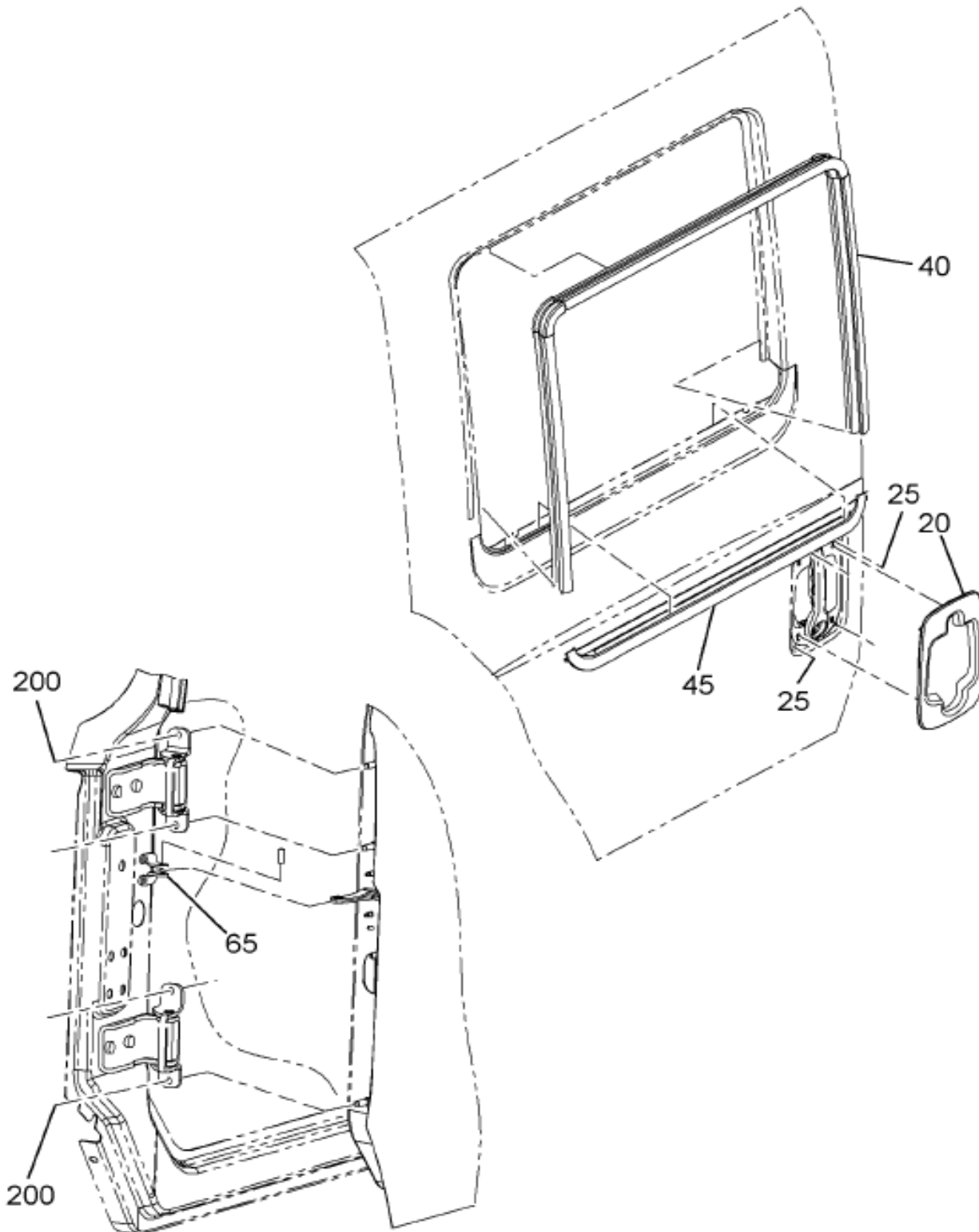
16-354-0044-AC

K09

GROUP
16

Figure 3 of 6

Figure 06MT8
DOOR COMPONENT INSTL; CAB, W/VENT WINDOW

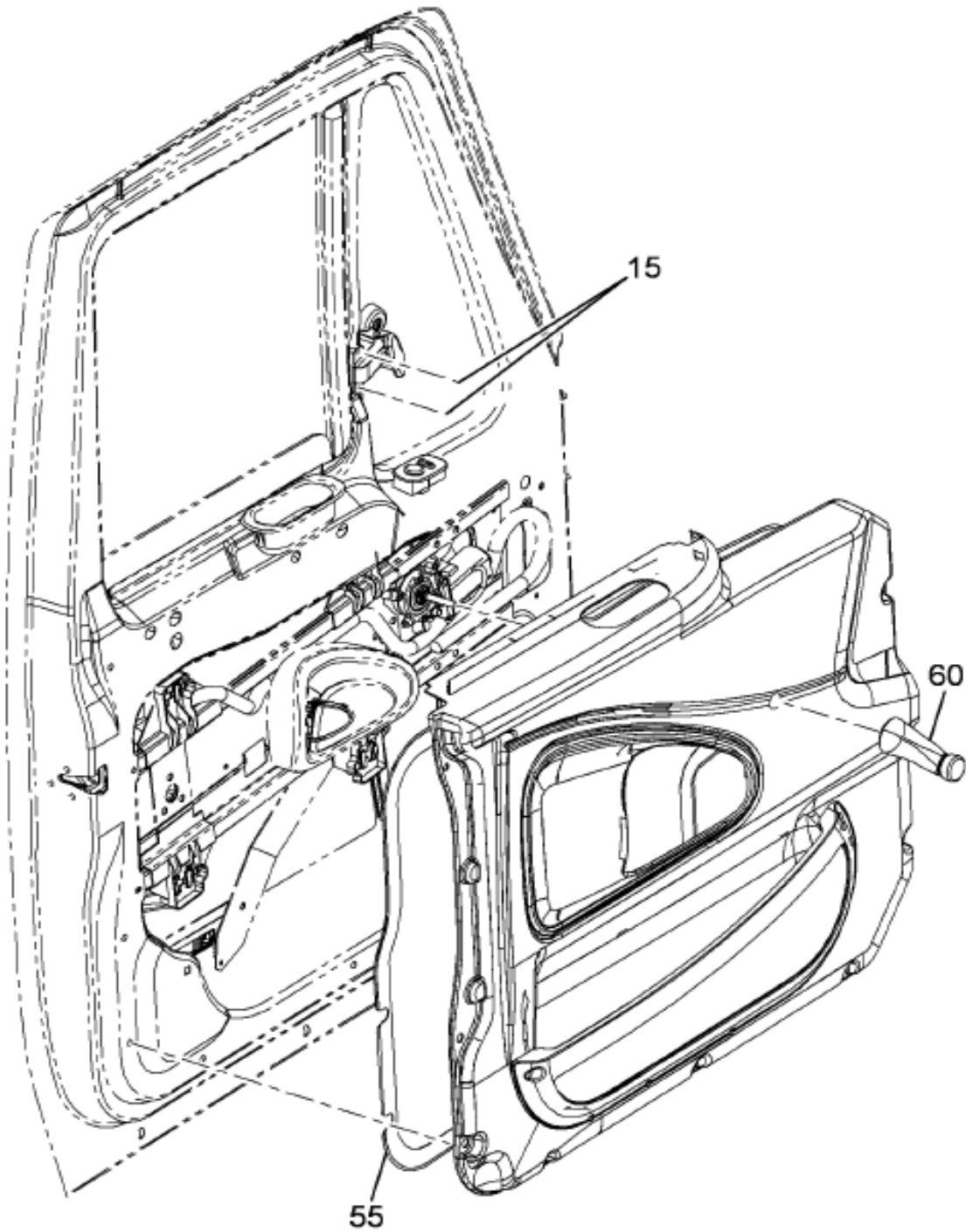


16-354-0045-AD

G09

Figure 4 of 6

Figure 06MT8
DOOR COMPONENT INSTL; CAB, W/VENT WINDOW



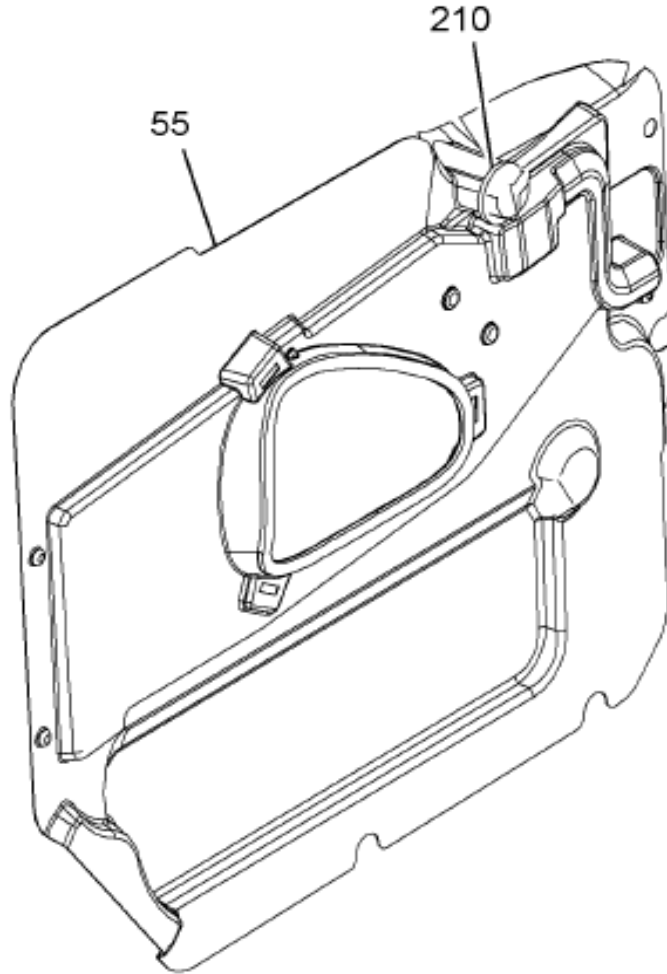
16-354-0048-AG

K09

Grp
16

Figure 5 of 6

Figure 06MT8
DOOR COMPONENT INSTL; CAB, W/VENT WINDOW

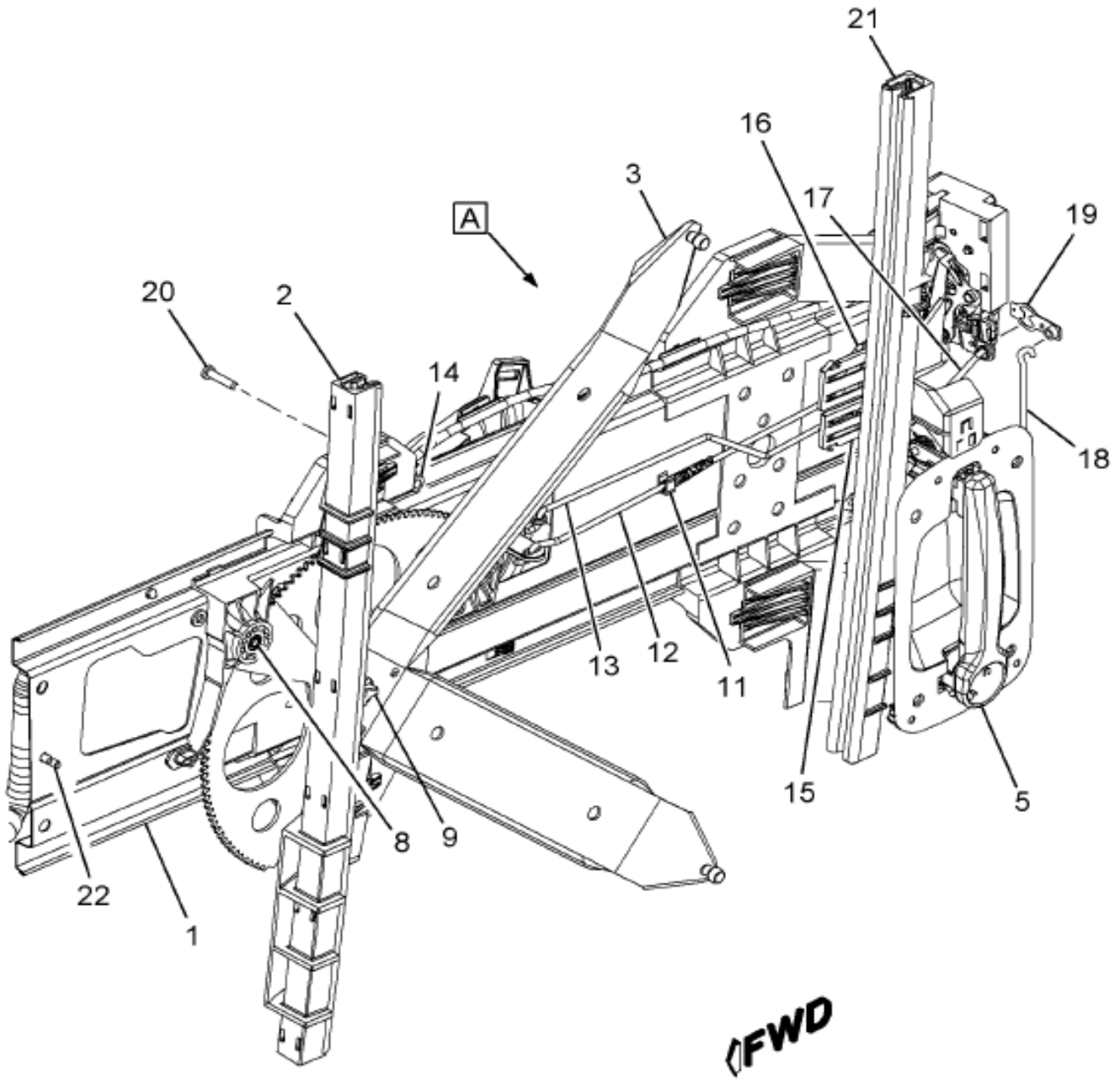


16-354-0051-AK

G09

Item	Part No.	Qty	Description	Kit	Var	Figure
5	3556202C94	1	DOOR ASSY HDWE MANUAL LH		0DCNN	3556202C94
5	3556203C94	1	DOOR ASSY HDWE MANUAL RH		0DCNN	3556203C94
15	3535316C1	4	BOLT,LATCH OR CATCH M6X1-20		06MT8	
15	3535316C1	6	BOLT,LATCH OR CATCH M6X1-20		06MT8	
15	3535316C1	8	BOLT,LATCH OR CATCH M6X1-20		06MT8	
15	3535316C1	4	BOLT,LATCH OR CATCH M6X1-20		06MT8	

Figure 3556202C94
DOOR ASSY HDWE MANUAL LH

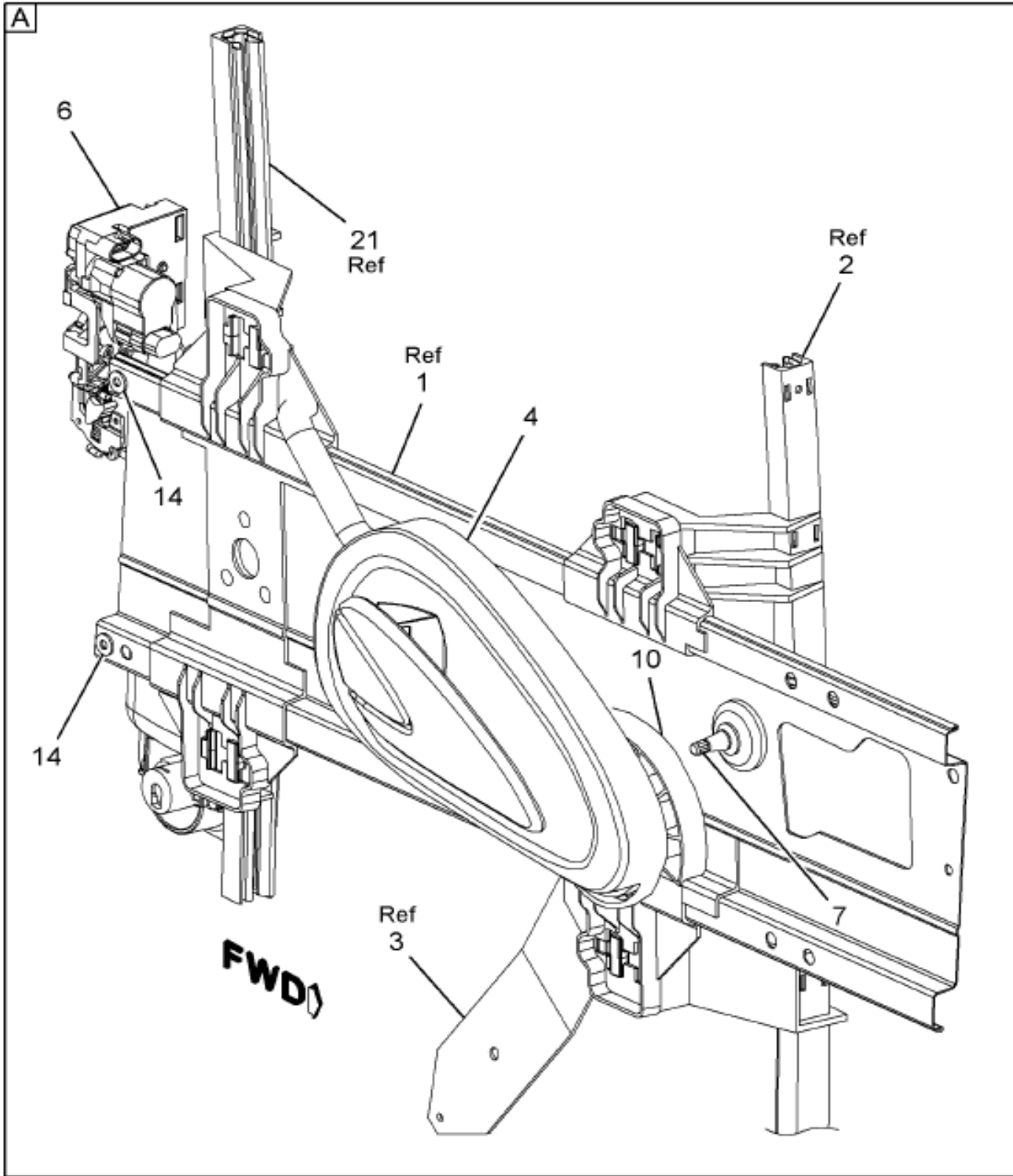


16-354-0024-00

L04

Figure 1 of 2

Figure 3556202C94
DOOR ASSY HDWE MANUAL LH



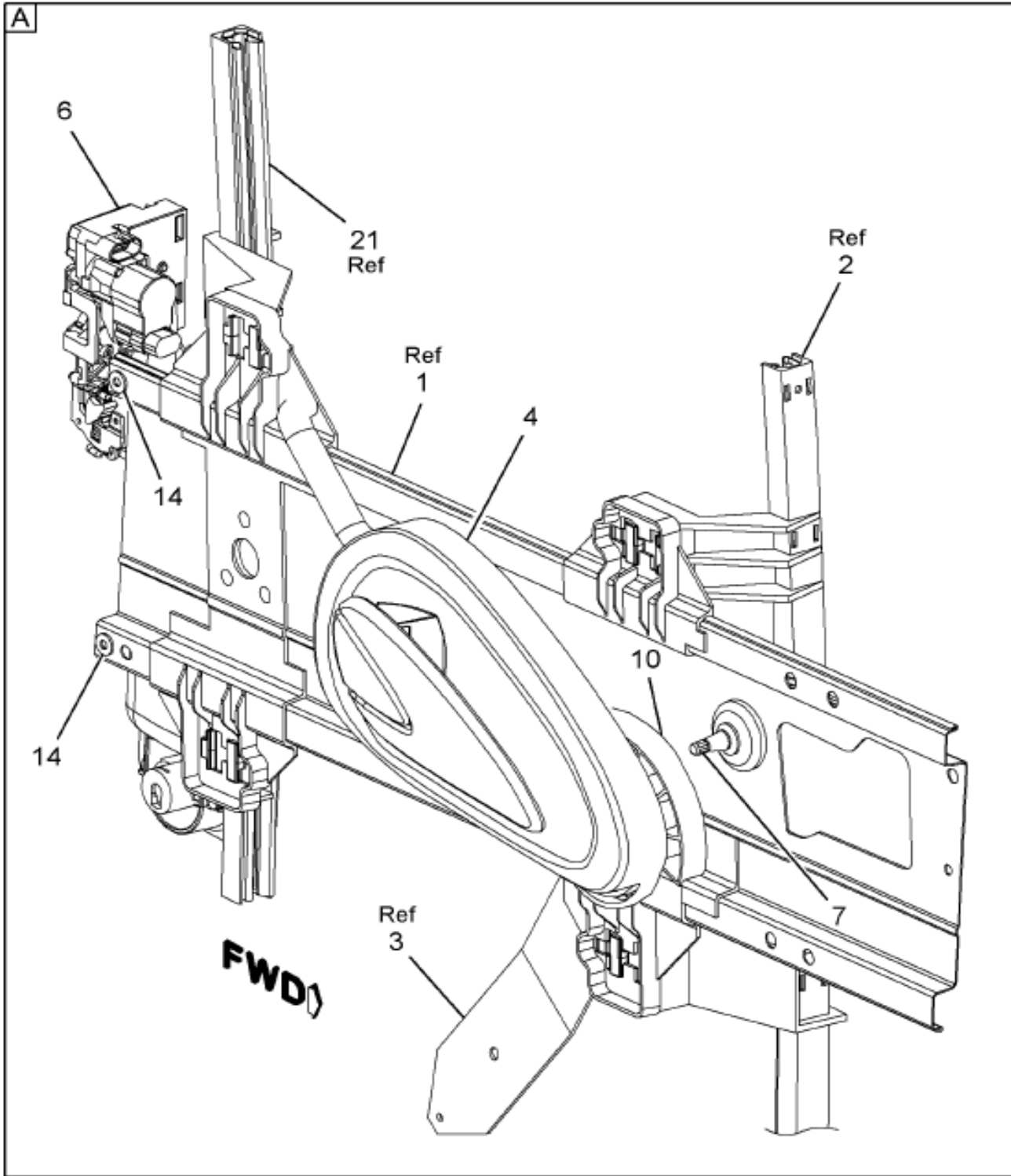
16-354-0025-01

L04

Grp
16

Item	Part No.	Qty	Description	Kit	Var	Figure
1	2506044C1	1	BEAM, STRUCTURAL DOOR LH			
2	2506042C1	1	CHANNEL, GLSS RUN FRT DR FRT LH			
3	2505433C1	1	REGULATOR, DOOR GLASS MNL LH			
4	2505424C1	1	HANDLE, DOOR INSIDE LH			
5	2587515C1	1	HANDLE, DOOR OUTSIDE LH			
5	RF		LEFT			

Figure 3556203C94
DOOR ASSY HDWE MANUAL RH

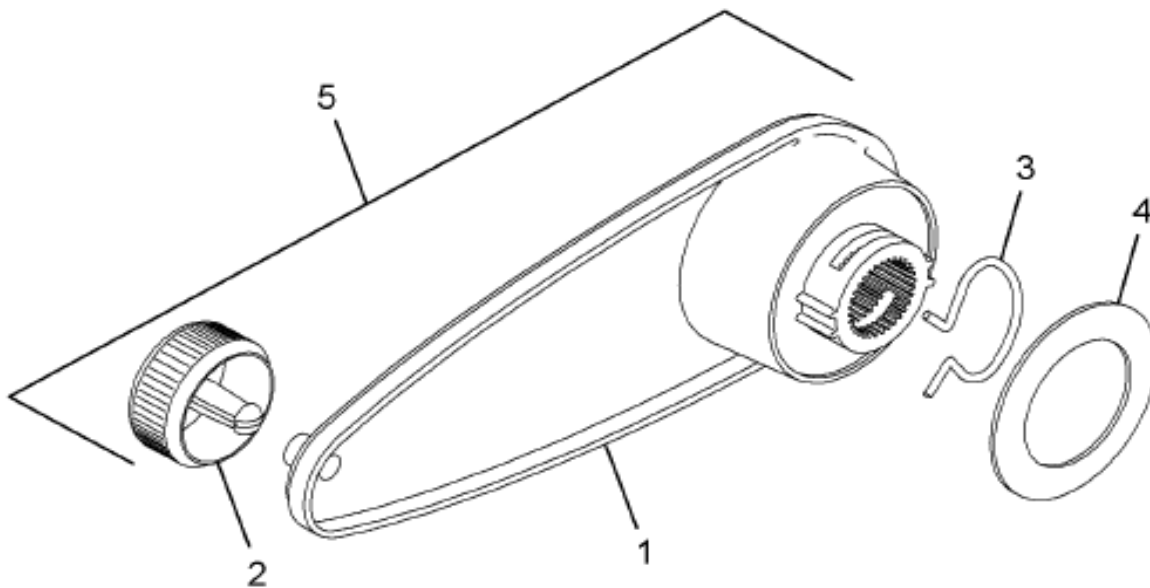


16-354-0025-01

L04

Item	Part No.	Qty	Description	Kit	Var	Figure
1	2506045C1	1	BEAM, STRUCTURAL DOOR RH			
2	2506043C1	1	CHANNEL, GLSS RUN FRT DR FRT RH			
3	2505434C1	1	REGULATOR, DOOR GLASS MNL RH			
4	2505425C1	1	HANDLE, DOOR INSIDE RH			
5	2505423C1	1	HANDLE, DOOR OUTSIDE RH			
6	2505413C1	1	LATCH, DOOR MANUAL RH FRT			

Figure 3508990C4
HANDLE, WINDOW REGULATOR MANUAL

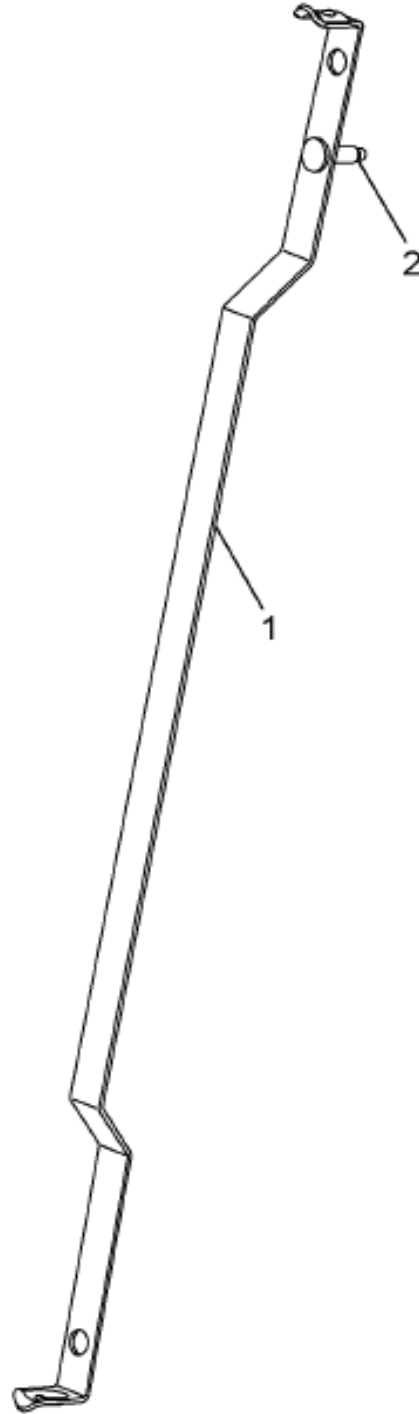


16-354-0118-01

E05

Item	Part No.	Qty	Description	Kit	Var	Figure
1		1	HANDLE, INSIDE CRANK			
2		1	KNOB, INSIDE CRANK HANDLE			
3	2507659C1	1	CLIP, RETAINING DR WNDW HNDL			
4	2507660C1	1	WASHER, DR INSIDE WNDW HNDL			
5		1	HANDLE, ASM INSIDE CRANK			
880		RF	NOTE: ASM BELOW COMPRISED OF ABOVE			

Figure 3546657C4
HINGE, WING WINDOW VENT, RH ASM

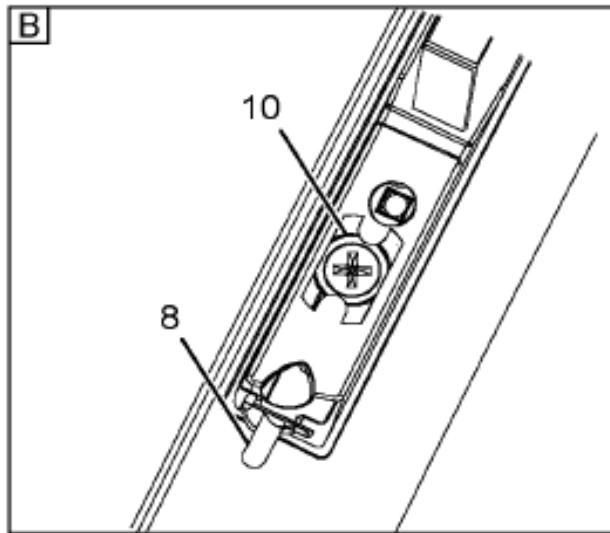
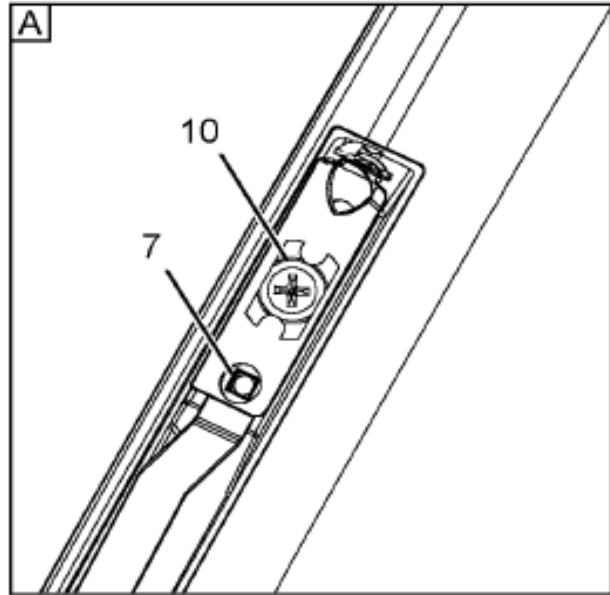
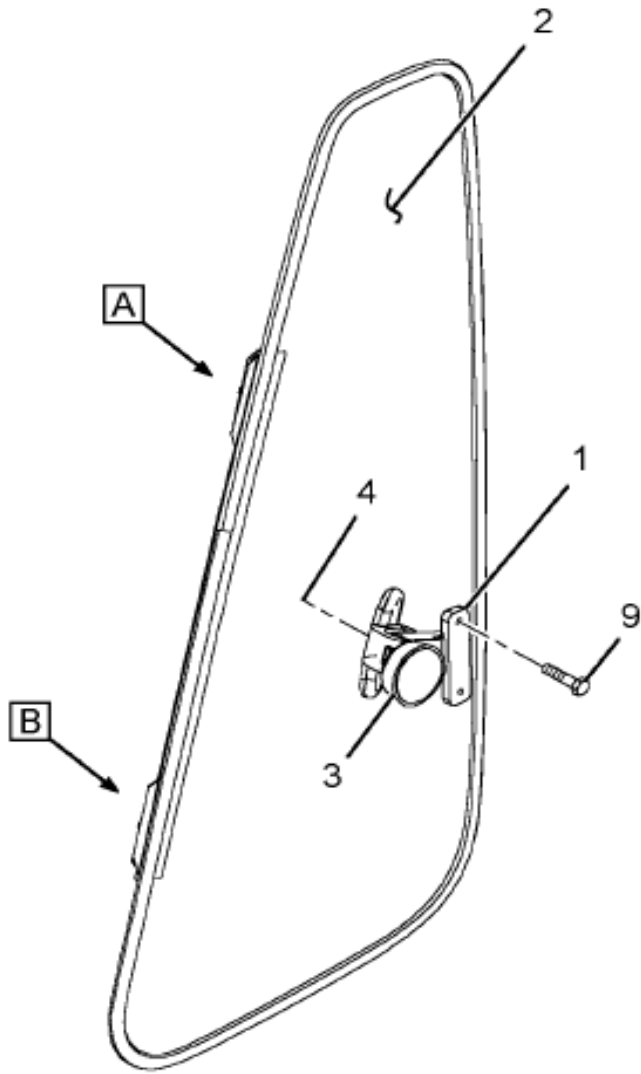


16-354-0094-01

K04

Item	Part No.	Qty	Description	Kit	Var	Figure
1	3549705C4	1	HINGE, WING WINDOW VENT, STRAP,			
2	3549642C2	1	PIN, STRAIGHT*VENT WINDOW HINGE			
880		RF	NOTE: ASM BELOW COMPRISED OF ABOVE COMPONENTS			
881	3546657C4	RF	HINGE, WING WINDOW VENT, RH ASM			

Figure 3567240C92
WINDOW, VENT LH



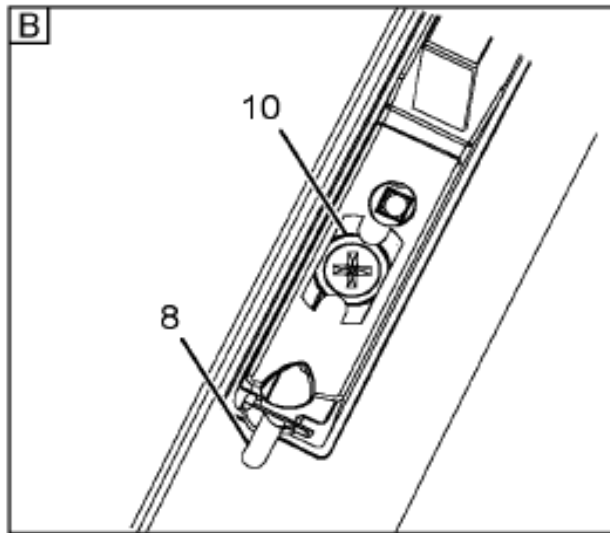
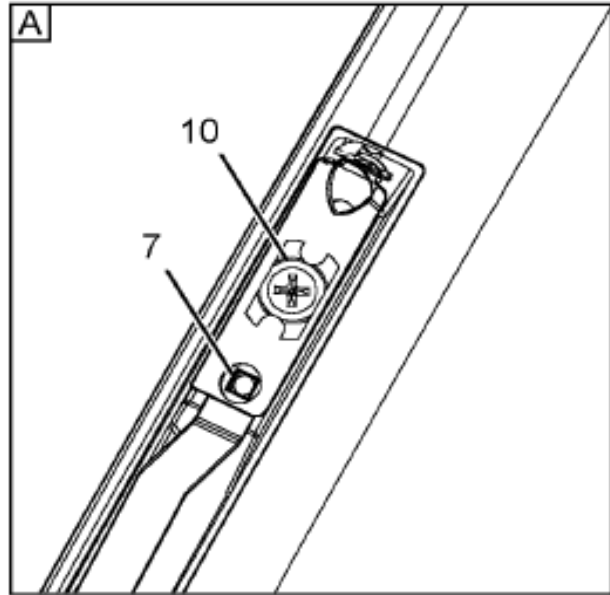
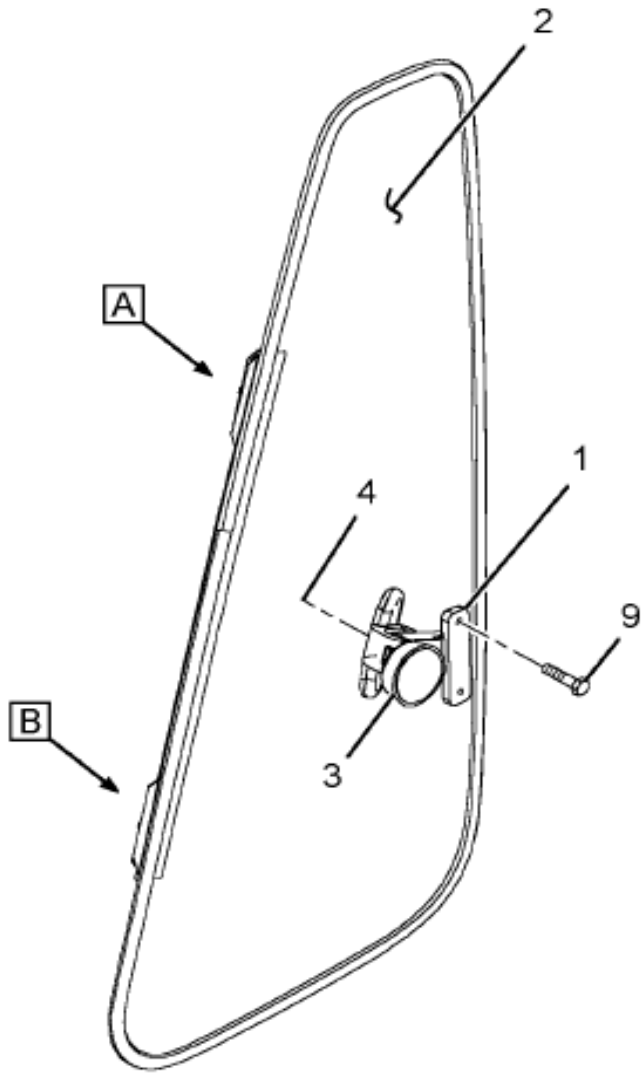
16-354-0090-01

B04

Grp
16

Item	Part No.	Qty	Description	Kit	Var	Figure
1	2505426C1	1	LATCH, VENT WINDOW LH			
1		RF	LEFT			
2		1	GLASS, VENT WINDOW LH			
2		RF	LEFT			
3	2591745C1	1	NUT, GLASS VENT WNDW LATCH MTG			
4	2591746C1	1	SCREW, SPL VENT WNDW LATCH MTG			

Figure 3567241C92
WINDOW, VENT RH



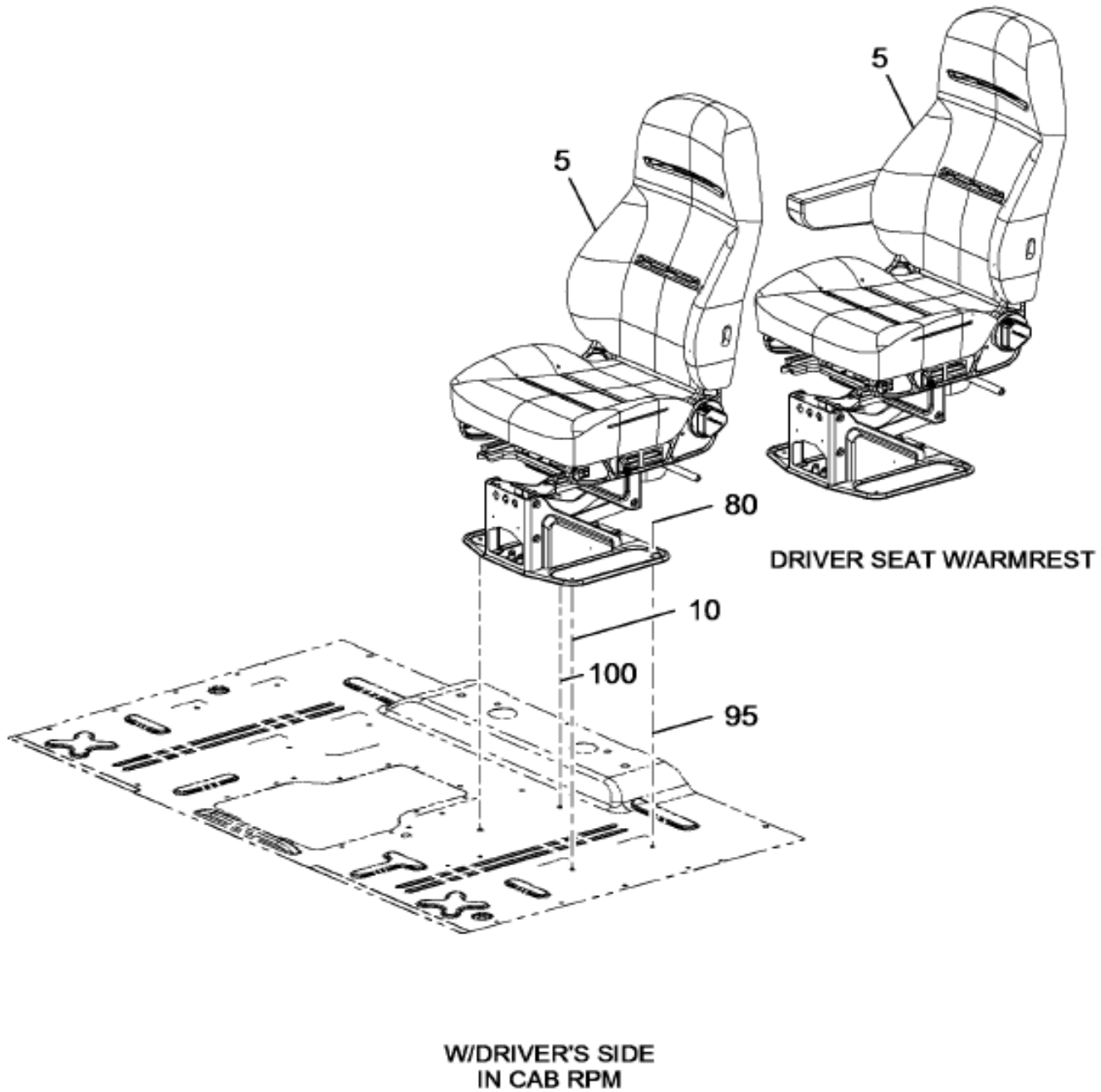
16-354-0090-01

B04

Grp
16

Item	Part No.	Qty	Description	Kit	Var	Figure
1	2505427C1	1	LATCH, VENT WINDOW RH			
1		RF	RIGHT			
2		1	GLASS, VENT WINDOW RH			
2		RF	RIGHT			
3	2591745C1	RF	NUT, GLASS VENT WNDW LATCH MTG			
4	2591746C1	RF	SCREW, SPL VENT WNDW LATCH MTG			

Figure 0FVYN
DRIVERS SEAT INSTL; W/BELT, NATIONAL



16-432-0694-01

E11

Grp
16

Figure 1 of 3

Figure 0FVYN
DRIVERS SEAT INSTL; W/BELT, NATIONAL

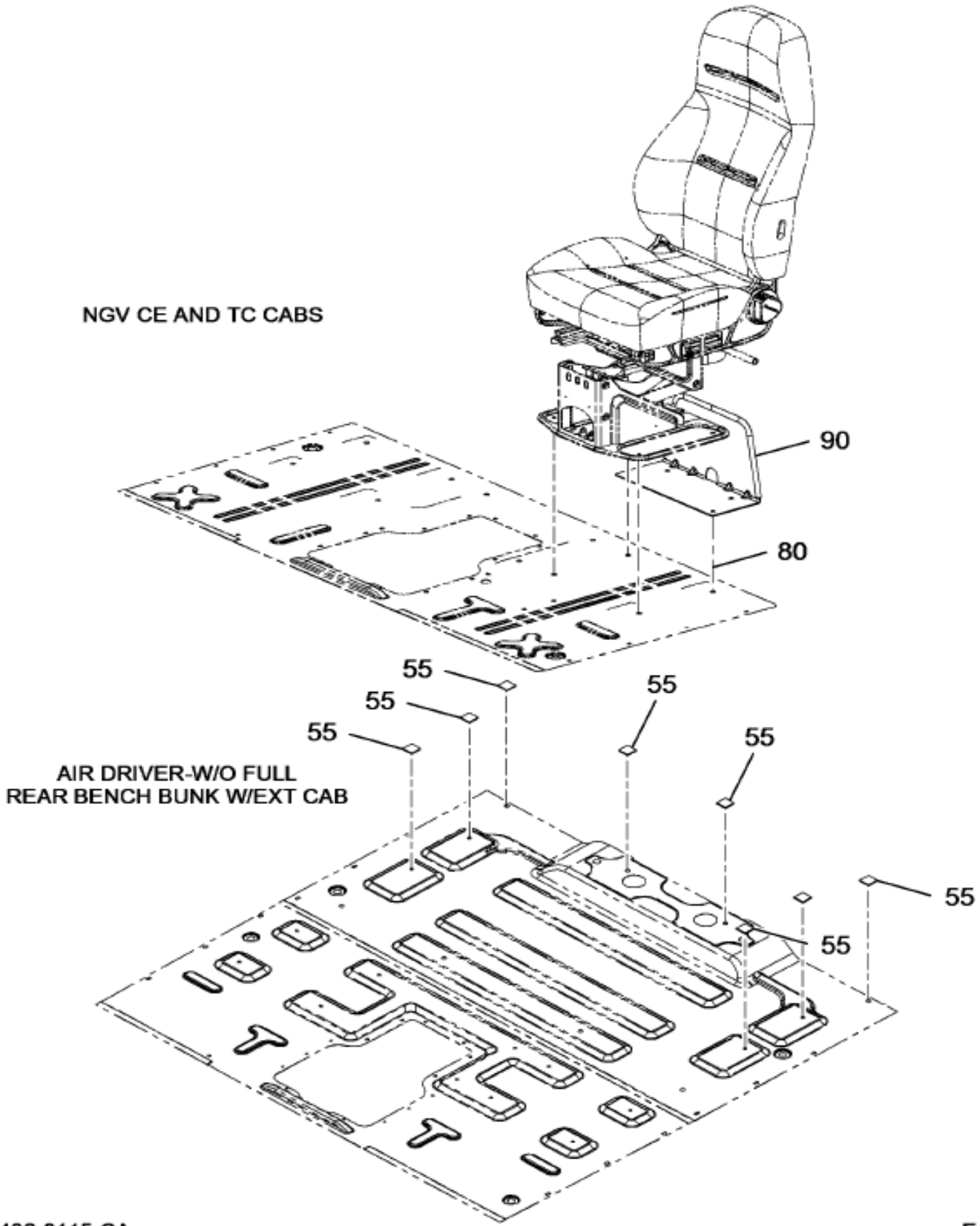
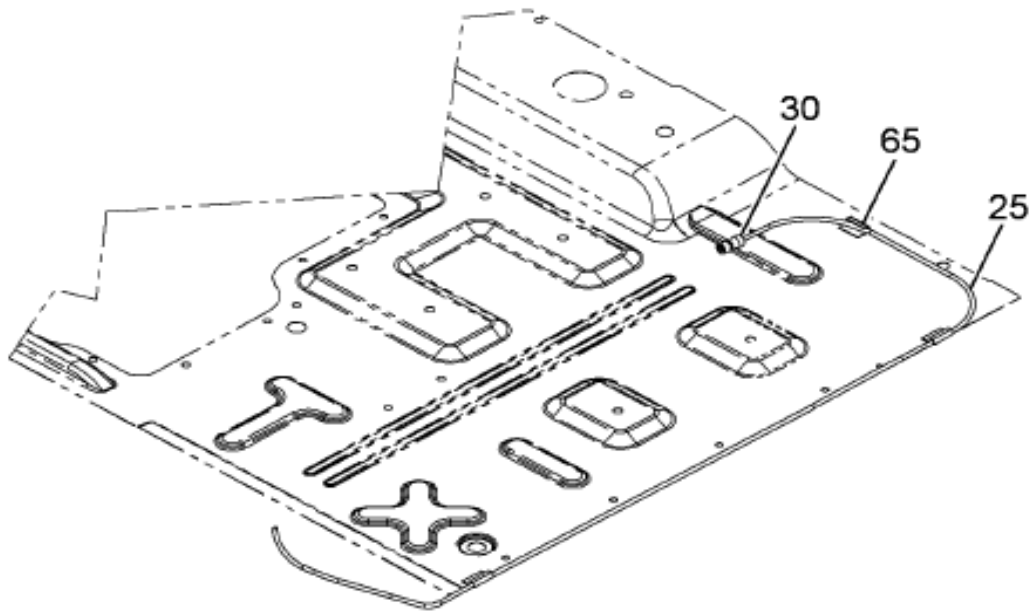
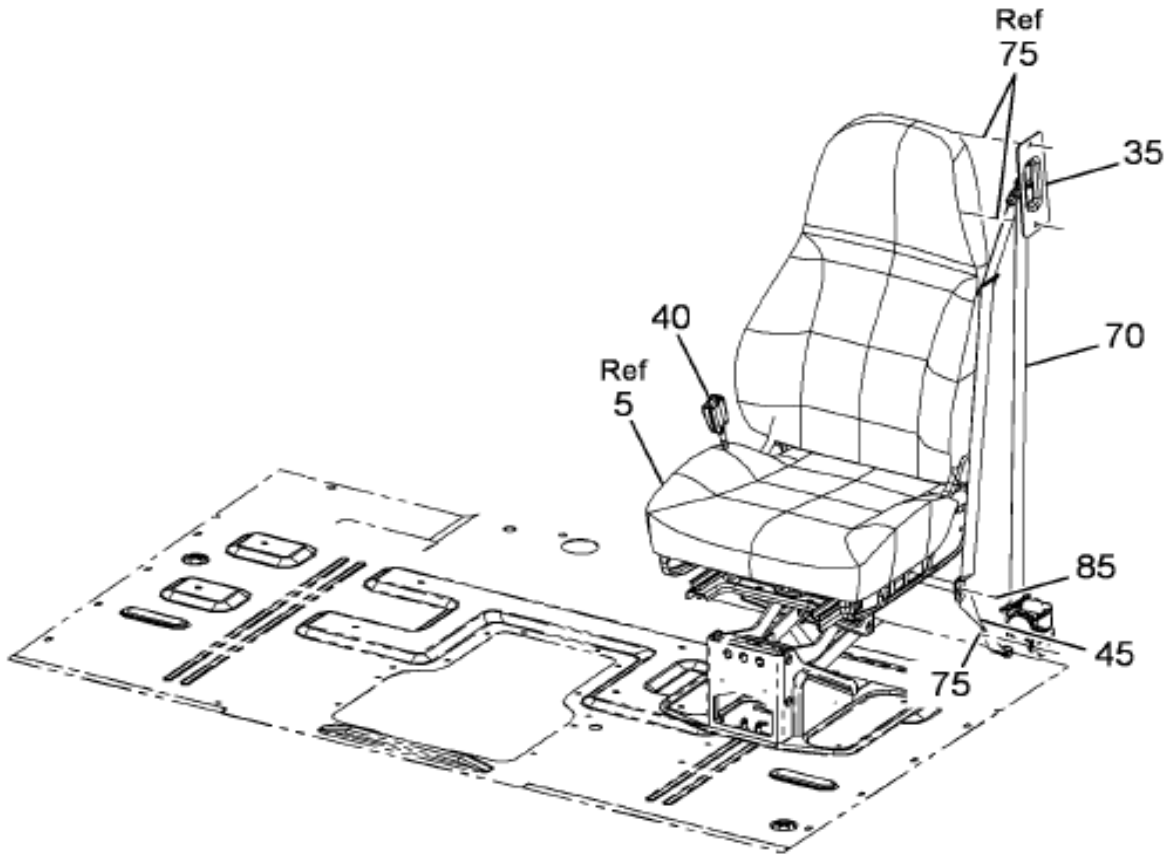


Figure 2 of 3

Figure 0FVYN
DRIVERS SEAT INSTL; W/BELT, NATIONAL



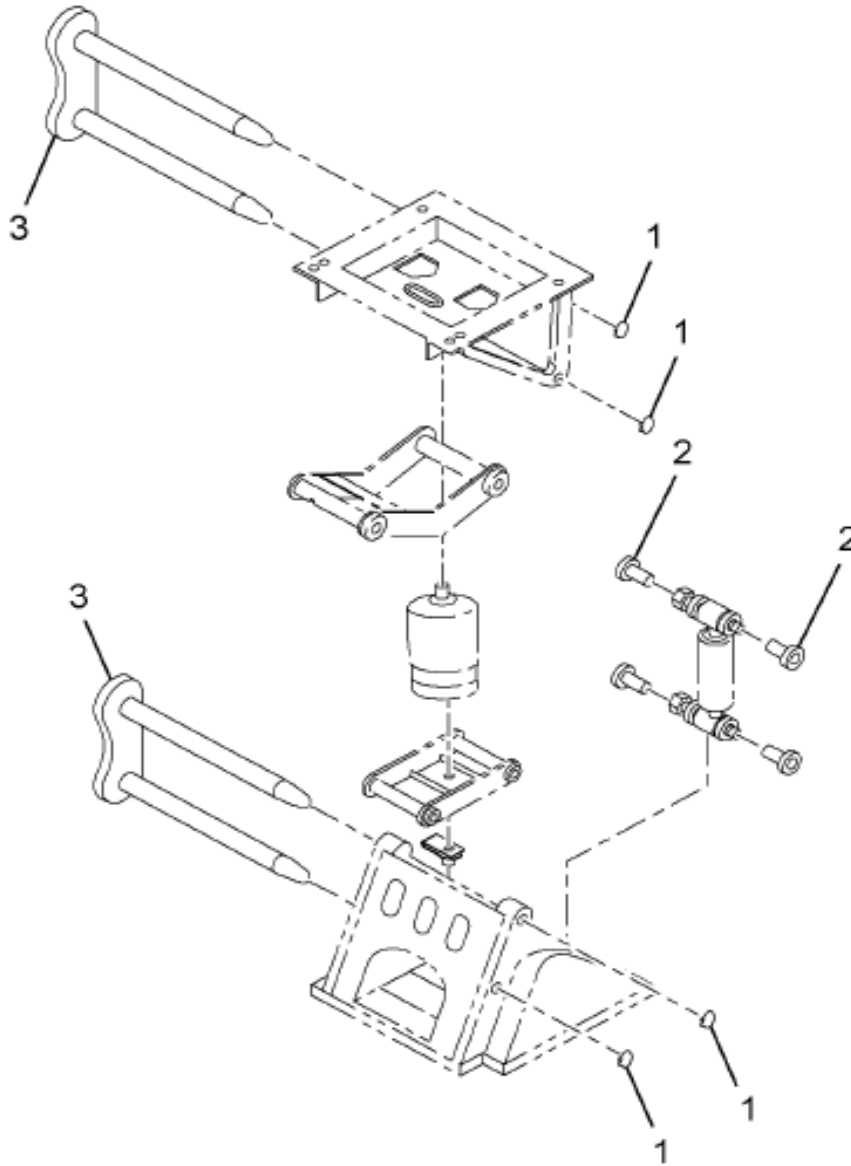
16-432-0136-01

A11

Grp
16

Item	Part No.	Qty	Description	Kit	Var	Figure
5	3545029C1	1	BELT, TETHER		0LHX0	
5	3558491C92	1	SEAT, DRS HI VN AIR LMBR W/AR		0FVYY	3558491C92
10	3544442C1	4	BOLT, SEAT MTG STUD		0KYFW	
25	417196C3	2265	TUBE, NYLON BULK 1/4 OD BLACK		0FW1H	
30	2017506C1	1	COUPLING, PUSH TO CONNECT*		0FW1H	
35	3562147C2	1	BRACKET, SEAT BELT FIXED TURNIN		0FVYN	

Figure 1660393C91
KIT, SEAT SHAFT ASSY W/BUSH



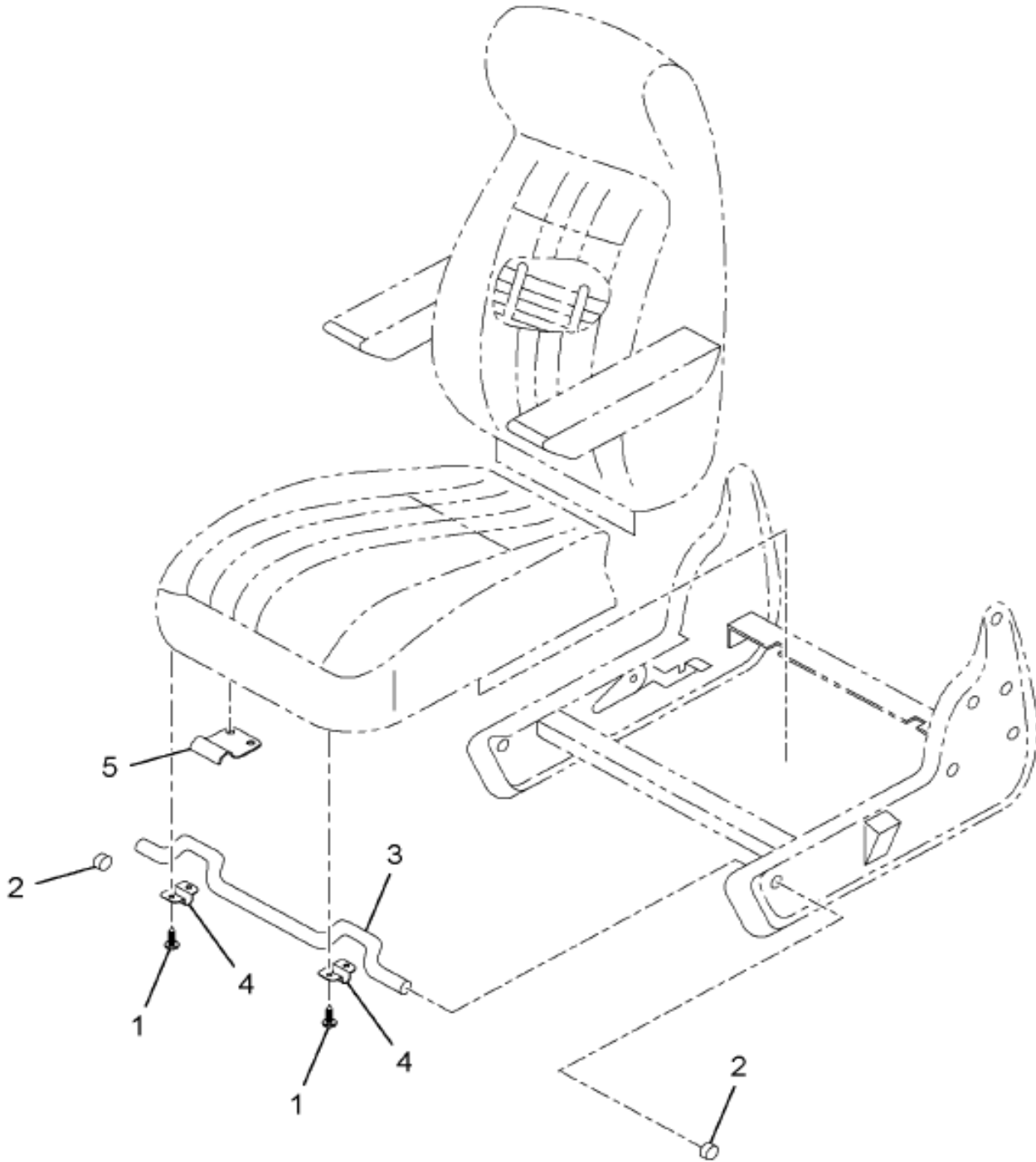
16-432-0801-01

J10

Grp
16

Item	Part No.	Qty	Description	Kit	Var	Figure
1	544968R1	4	RING			
2	574906C1	8	BUSHING, SEAT SHAFT			
3		2	S-SHAFT & LOCK TAB ASM			
800		RF	NOTE: THE FOLLOWING PARTS ARE NON-ILLUSTRATED			
801		AR	CARTON, 3.75 X 3.75 X8			

Figure 2595024C91
KIT, FRT SEAT CUSH ADJ REPAIR



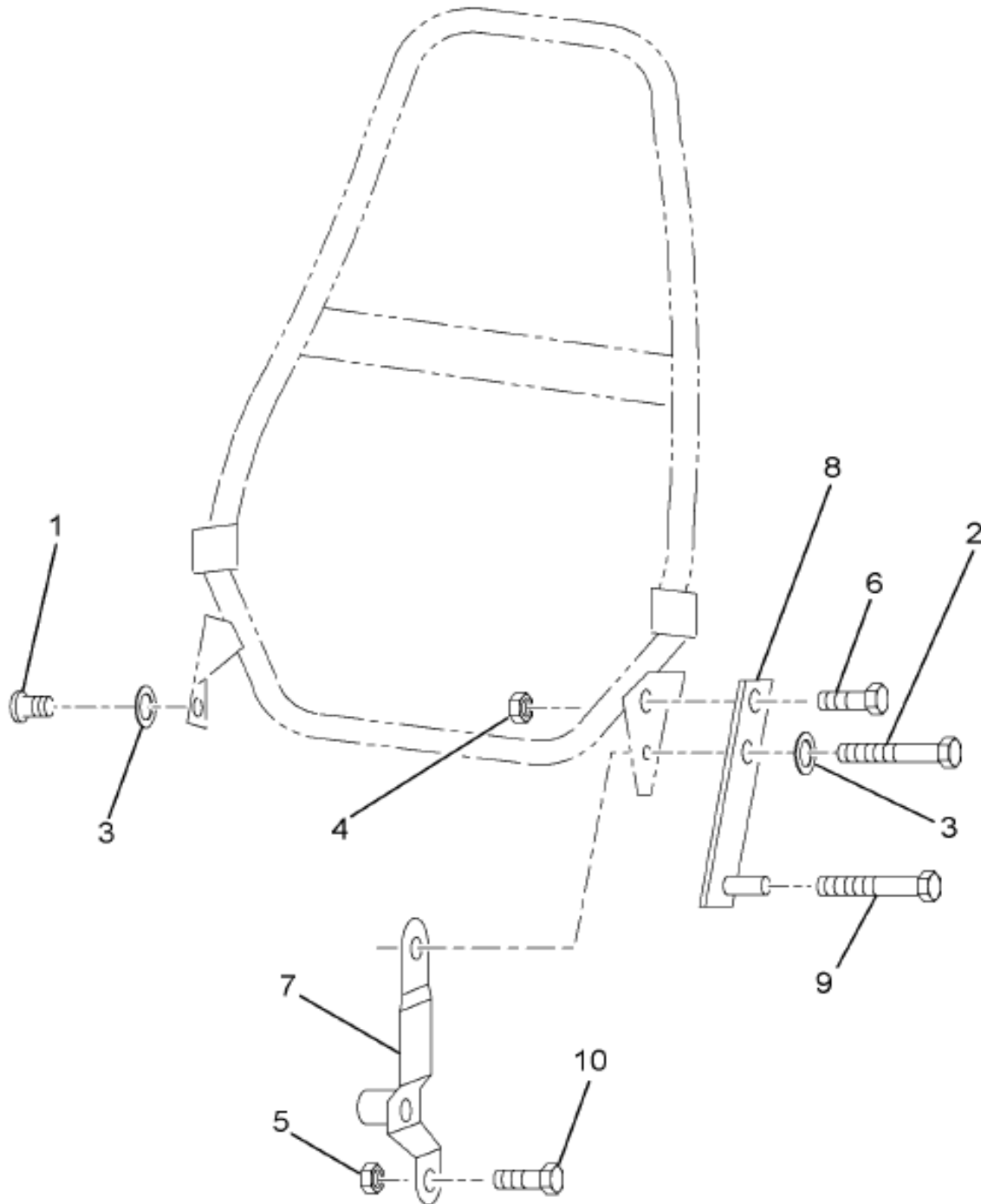
16-432-0804-01

J10

Grp
16

Item	Part No.	Qty	Description	Kit	Var	Figure
1		2	BOLT, HANDLE RET. #10 X 3/4			
2	2502265C1	2	CAP, CUSH ADJUSTER ROD			
3	1685443C1	1	ROD, CUSHION ADJ			
4	1685444C1	2	RETAINER, SEAT CUSHION ADJUSTER			
5	NS22754605	1	HANDLE-FRT CSH PULL-GREY PLS			
800	RF		NOTE: THE FOLLOWING PARTS ARE			

Figure 2505361C91
KIT, SEAT BCK FRM TO LWR FRM



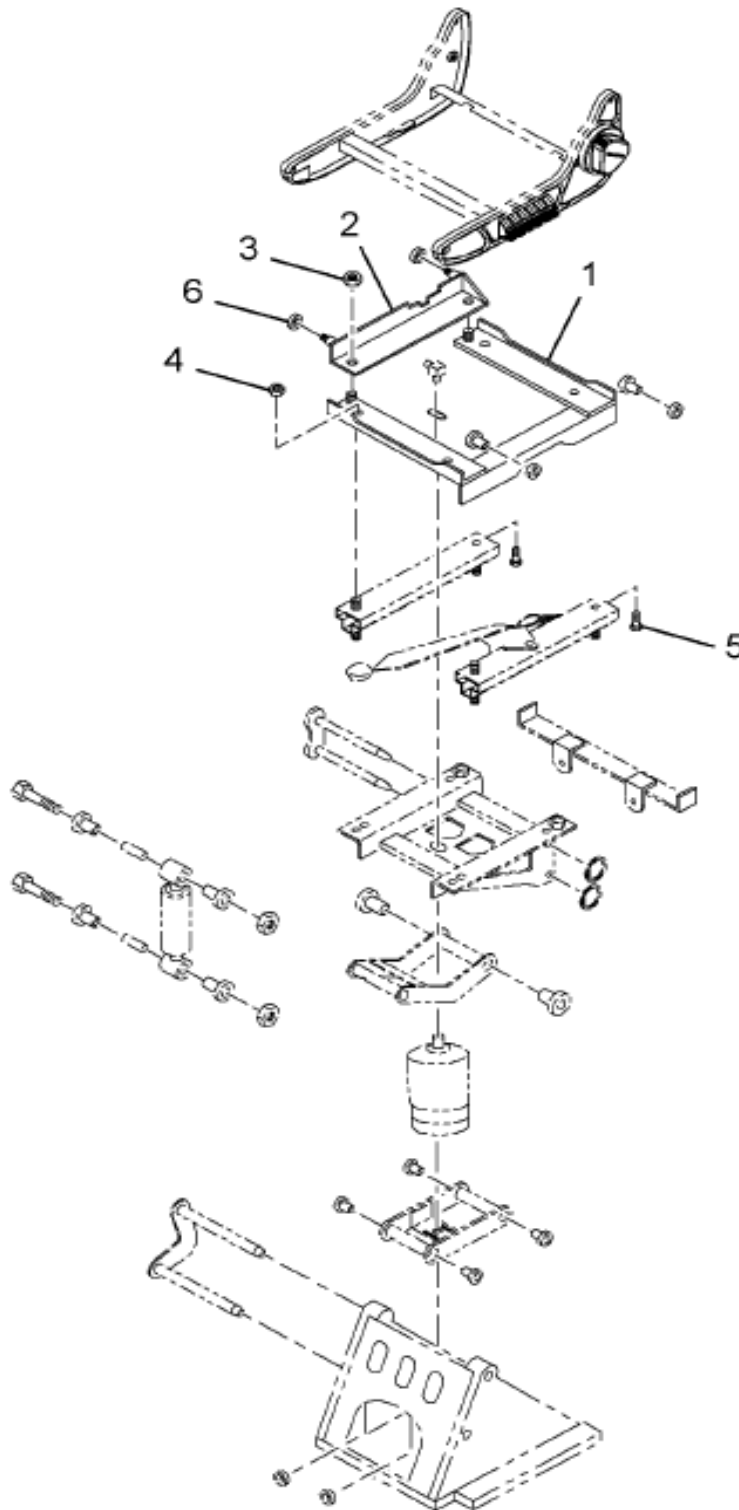
16-432-0737-01

D09

Grp
16

Item	Part No.	Qty	Description	Kit	Var	Figure
1		1	BOLT, SHOULDER			
2		1	BOLT, SHOULDER			
3		6	WASHER, WAVE 3/8			
4		1	NUT, 5/16-18 LOCK REG. .359"			
5		1	NUT, 5/16 LOCK HEVY LOCK			
6		1	BOLT, SHOULDER 3/8-16 X 1			

Figure 1698197C91
KIT, SEAT CHUGGER



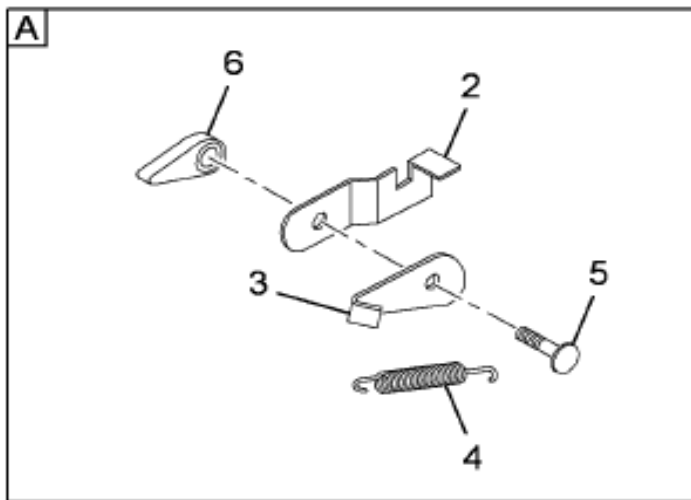
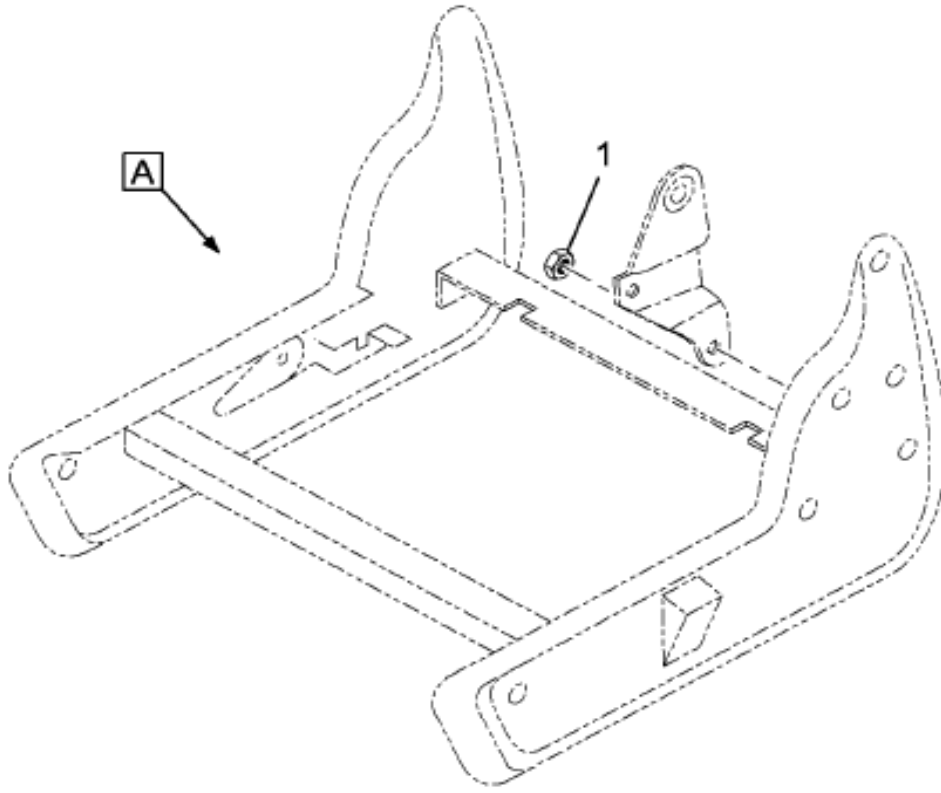
16-432-0738-01

G10

G
R
P
1
6

Item	Part No.	Qty	Description	Kit	Var	Figure
1		1	SUPPORT, CHUGGER			
2		1	SUPPORT,ASM BEARING			
3		2	NUT & WASHER ASM, 5/16-18			
4		4	NUT, 5/16-18 LOCK REG. .359"			
5	2502303C1	4	BOLT,SPL SQ NECK TRACK STUD			
6	1685465C1	4	BEARING,ROLLER ASM CHUGGER SEA			

Figure 2505379C91
KIT, SEAT CHUGGER LOCKOUT



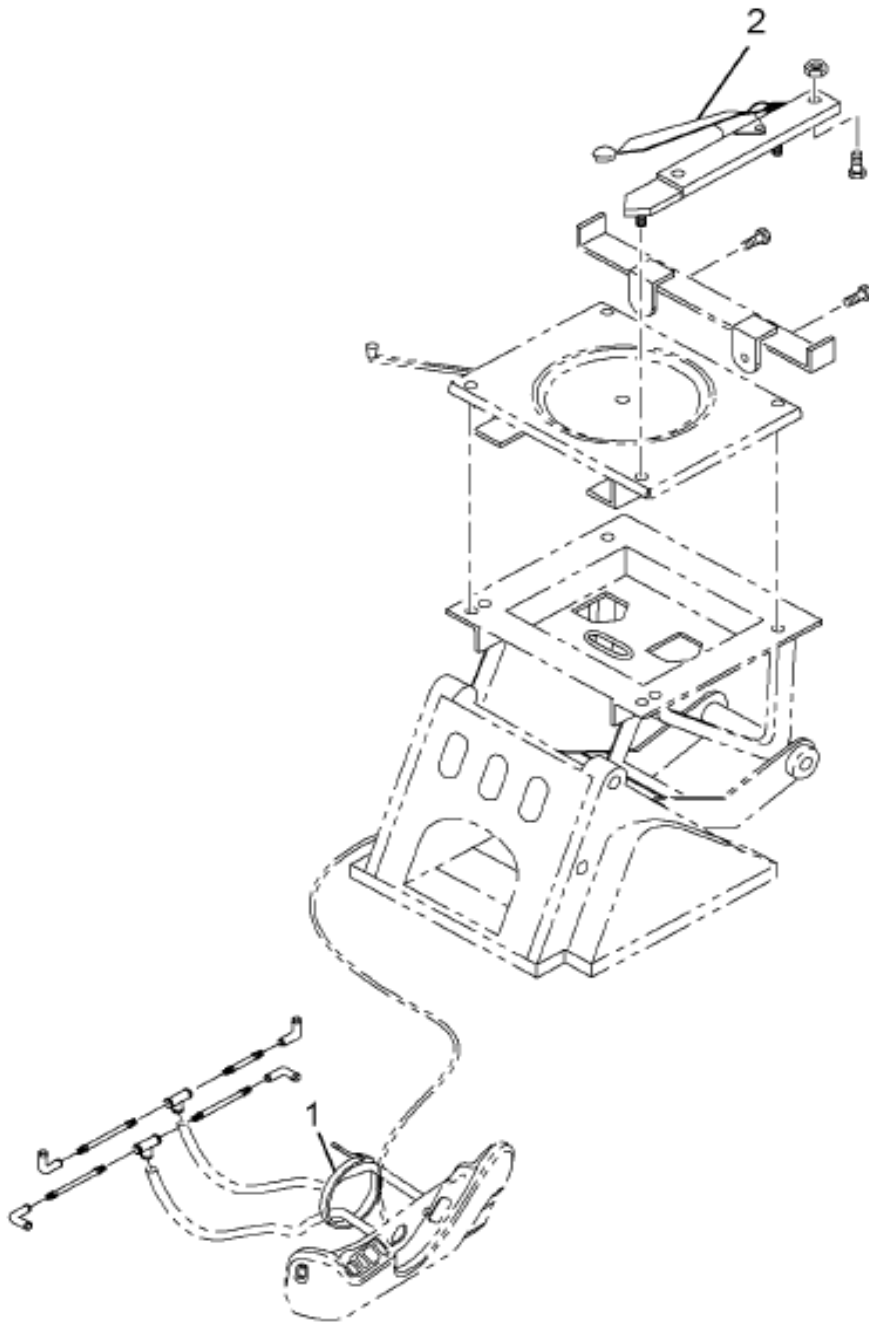
16-432-0803-01

J10

Grp
16

Item	Part No.	Qty	Description	Kit	Var	Figure
1		1	NUT, 1/4-28 LK NYLON INSERT			
2	1685460C1	1	PLATE, SEAT ISOLATOR LOCK			
3	1685459C1	1	LATCH, SEAT BACK ADJ LOCK			
4	1685463C1	1	SPRING, SEAT ADJUSTER ISOL LOCK			
5		1	BOLT, ISOLATOR PIVOT BLACK			
6		1	HANDLE, LH LEVER CHGR GRY X			

Figure 2505886C91
KIT, TRACK SEAT ADJ



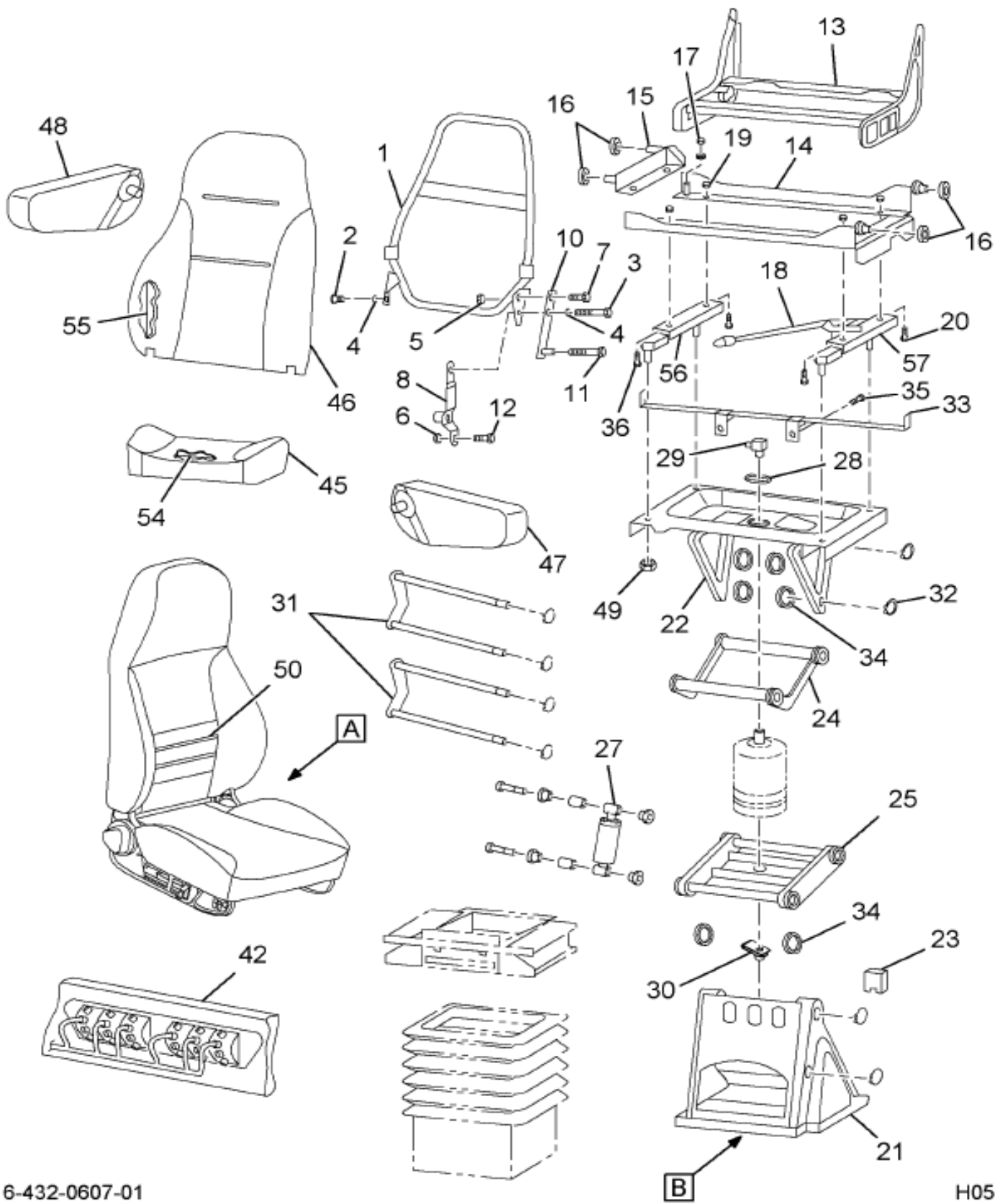
16-432-0802-01

J10

Grp
16

Item	Part No.	Qty	Description	Kit	Var	Figure
1		AR	STRAP, PANDUIT TIE			
2	2505380C1	1	KNOB, SEAT TRACK			
800		RF	NOTE: THE FOLLOWING PARTS ARE NON-ILLUSTRATED			
801		AR	CARTON, 5 X 5 X 22			
802		1	TRACK & HANDLE ASY 7.5 HGV			

Figure 3558491C92
SEAT,DRS HI VN AIR LMBR W/AR



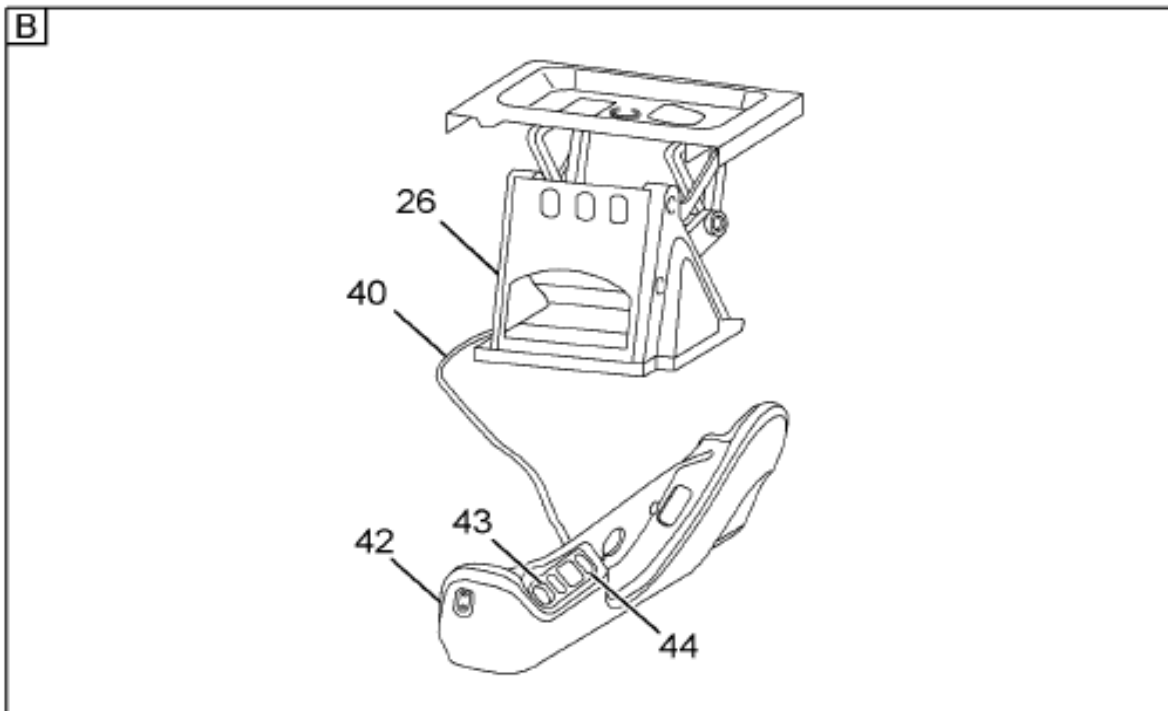
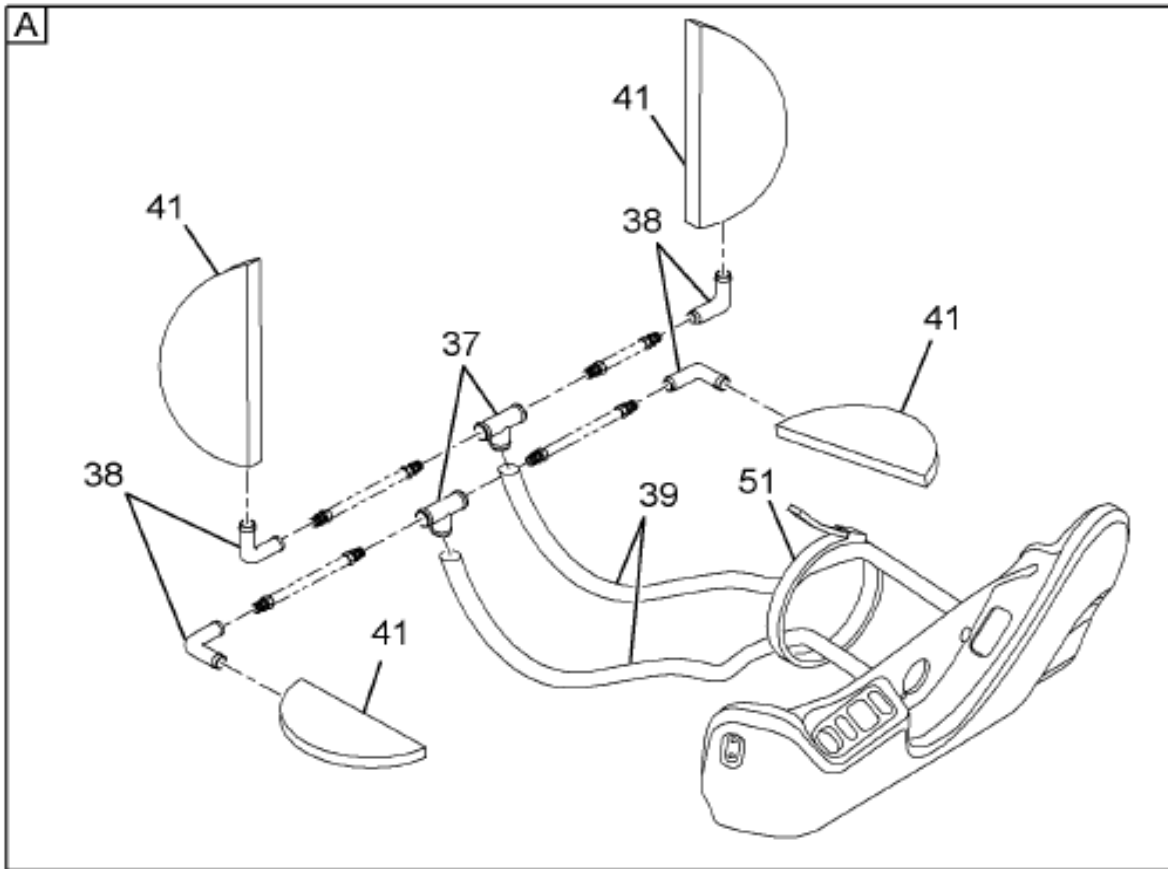
16-432-0607-01

H05

Grp
16

Figure 1 of 2

Figure 3558491C92
SEAT,DRS HI VN AIR LMBR W/AR



16-432-0584-02

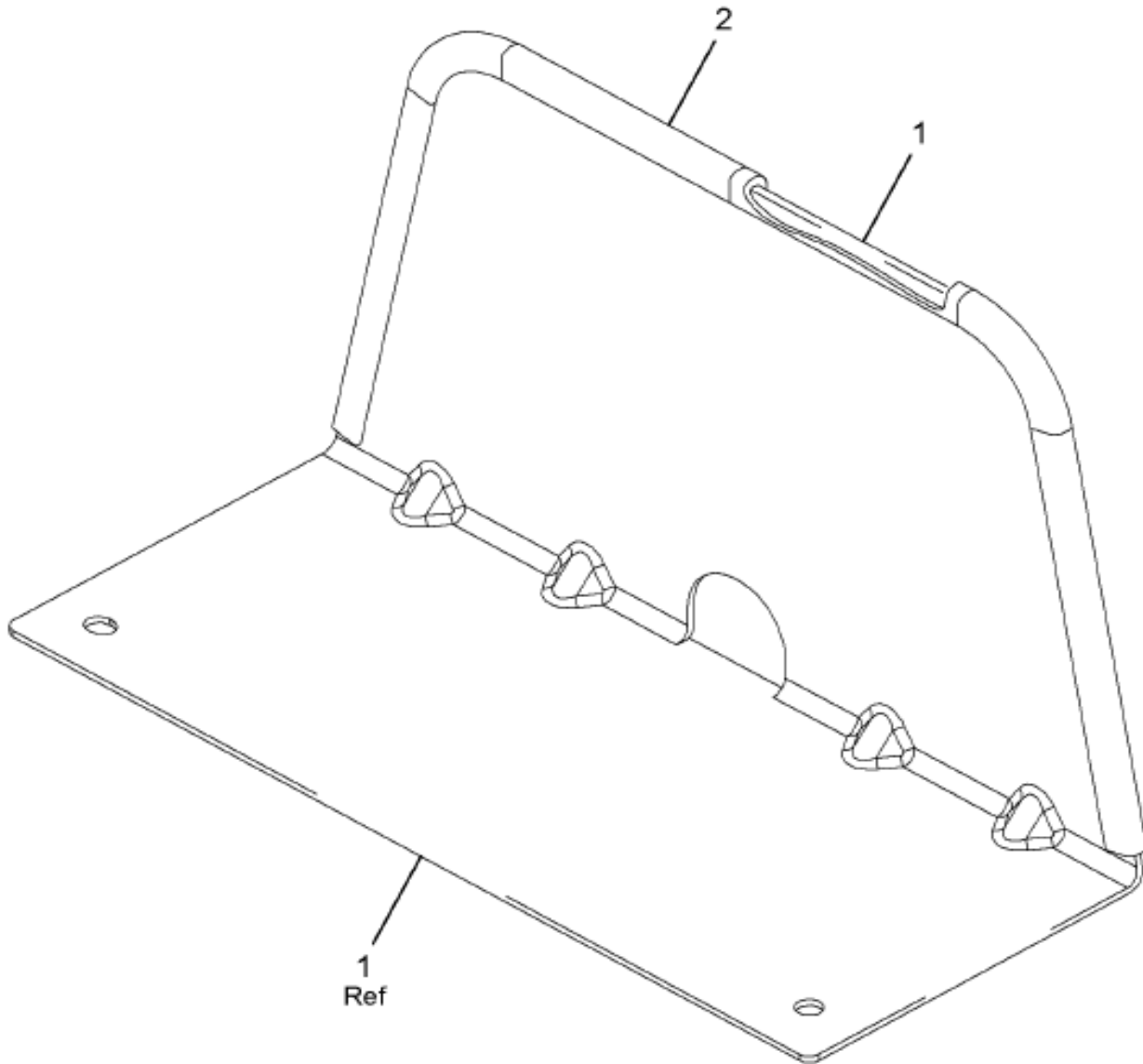
G05

Item	Part No.	Qty	Description	Kit	Var	Figure
1	2585486C1	1	FRAME,SEAT BACK HI			
2		1	BOLT,SHOULDER			
3		1	BOLT,SHOULDER			
4		6	WASHER, WAVE 3/8			
5		1	NUT, 5/16-18 LOCK REG. .359"			
6		1	NUT, 5/16 LOCK HEVY LOCK			

Figure 3558491C92
SEAT,DRS HI VN AIR LMBR W/AR

Item	Part No.	Qty	Description	Kit	Var	Figure
7		1	BOLT,SHOULDER 3/8-16 X 1			
8		1	PLATE,ASM BACK			
10		1	BRACKET,SEAT RCLN LMTNG 6-23 DEGREES			
10	2505006C1	1	BRACKET,SEAT RECLINE LIMITING			
11	1685452C1	1	BOLT,SPECIAL BACKREST ADJU KNO	A		
12		1	BOLT SQ NECK 5/16X.68			
13	2505826C1	1	FRAME,SEAT LOWER			
14		1	SUPPORT, CHUGGER	B		
15		1	SUPPORT,ASM BEARING	B		
16	1685465C1	4	BEARING,ROLLER ASM CHUGGER SEA	B		
17		2	NUT & WASHER ASM 5/16-18	B		
18	2505380C1	1	KNOB,SEAT TRACK	D		
19		4	NUT, 5/16-18 LOCK REG. .359"	B		
20	2502303C1	4	BOLT,SPL SQ NECK TRACK STUD	D		
21		1	BASE, MOUNTING SEAT LOWER			
22	2505383C1	1	BASE,SEAT MTG UPPER			
23	2505384C1	1	BUMPER,SEAT STOP (STD)			
24	2505385C1	1	ARM,ASSY UPPER W/BUSHINGS			
25	2502060C91	AR	ARM,ASSY LWR W/BUSHINGS			
25	2505386C91	AR	ARM,ASSY LWR F/LTD UP-STOP			
26	2505907C91	1	PEDESTAL,SEAT			
27	507831C91	1	ABSORBER, SHOCK H.D. SEAT			
28	1685464C1	1	RETAINER,AIR SPRING SEAT.			
29	571156C1	1	ELBOW, HOSE CONNECTOR 90 DEG.			
30		1	CLIP, HAIR PIN			
31		2	SHAFT	C		
32	544968R1	4	RING	C		
33	2505888C1	1	BRACKET,SEAT BELT MOUNTING			
34	2505470C1	8	BUSHING,SEAT ARM SPACER			
35		2	BOLT,SELF TAPPING			
36		4	BOLT,5/16-18			
37		2	TEE,PLASTIC BARBED FITTING			
38		3	ELBOW,90 DEG BARBED PLASTIC			
39		AR	TUBING,CLEAR 2.83'			
39		AR	TUBING,GREEN 2.67'			
40		AR	TUBING,BLACK NYLON			
41	1699520C1	4	SUPPORT,ASM SEAT AIR LIMBAR			
42	2505829C1	1	MANIFOLD,ASSY SEAT 2 BUTTON			
43	2505476C1	5	VALVE,AIR L-PRESS GRY HNDL LUM			
44	2505475C1	1	VALVE,AIR HI PRESS RED HNDL			
45		1	COVER,SEAT CUSH GRY VN			
46		1	COVER,BCK CUSH MID GRY VN			
47	2505893C1	AR	REST,ARM SEAT LH GRY VN			
47		RF	LEFT			
48	2505894C1	AR	REST,ARM SEAT RH GRY VN			
48		RF	RIGHT			
49		4	NUT, 5/16-18 LOCK REG. .359"			
50	2505855C1	1	SUPPORT,SNGL CHMBR AIR LUMBAR			
51		5	STRAP,PANDUIT TIE			
54	2505891C91	1	CUSHION,SEAT GRAY VINYL			
55	2585487C91	1	CUSHION,BACK HI GRAY VINYL			
56		1	TRACK, SLAVE	D		
57		1	TRACK, LOCKING	D		
801	2505361C91	KT	KIT,SEAT BCK FRM TO LWR FRM			2505361C91
801		RF	(CONSISTS OF PARTS DENOTED BY A)			
802	1698197C91	KT	KIT,SEAT CHUGGER			1698197C91
802		RF	(CONSISTS OF PARTS DENOTED BY B)			
803	1660393C91	KT	KIT, SEAT SHAFT ASSY W/BUSH			1660393C91

Figure 3562449C92
SHIELD, SUSP SEAT



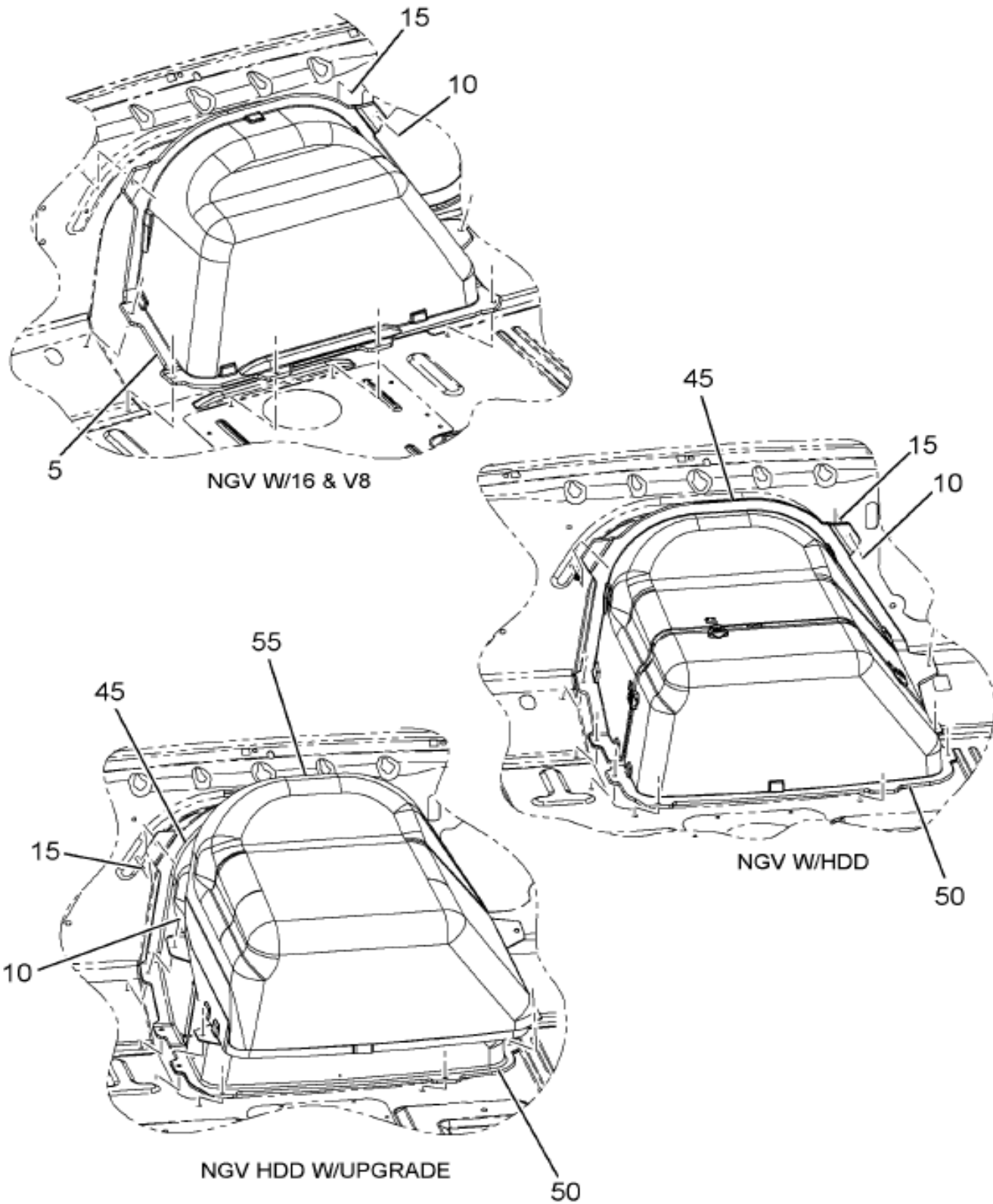
16-432-0070-00

M04

Grp
16

Item	Part No.	Qty	Description	Kit	Var	Figure
1	3562450C2	1	SHIELD, SUSP SEAT			
2	3562451C1	1	STRIP, TRIM SPORTS TOP			
880		RF	NOTE: ASM BELOW COMPRISED OF ABOVE COMPONENTS			
881	3562449C92	RF	SHIELD, SUSP SEAT			

Figure 0JT53
ENGINE COVER INSTL

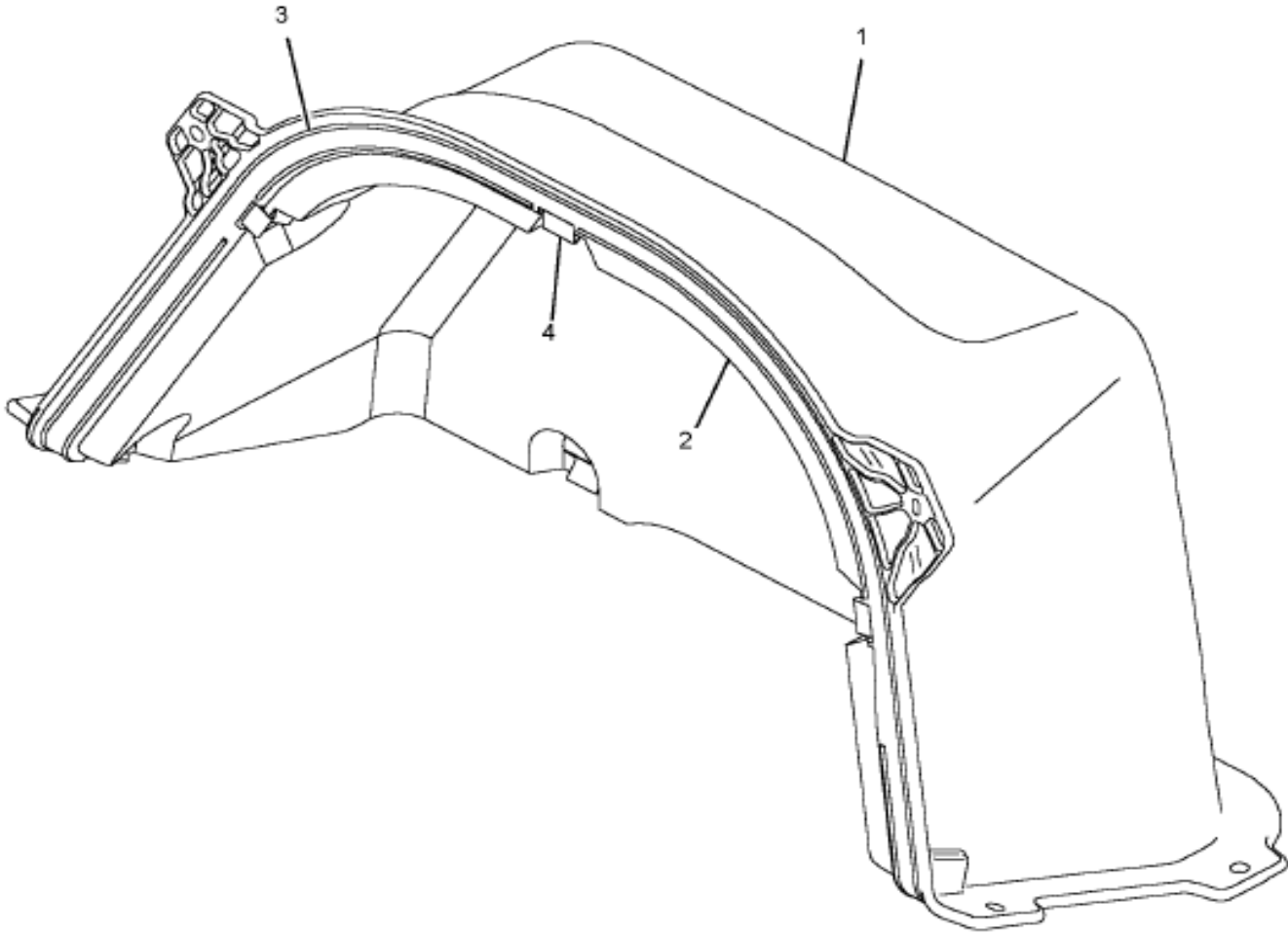


16-V02-0011-01

K09

Item	Part No.	Qty	Description	Kit	Var	Figure
5	3508281C93	1	COVER,ASSY ENG I6		0L40T	3508281C93
10	3510917C1	8	BOLT,SEMS ALL M6 35MM LONG HEX		0L40T	
15	3510918C1	6	INSERT,THREADED M6 OPEN END		0L40T	

Figure 3508281C93
COVER, ASSY ENG I6

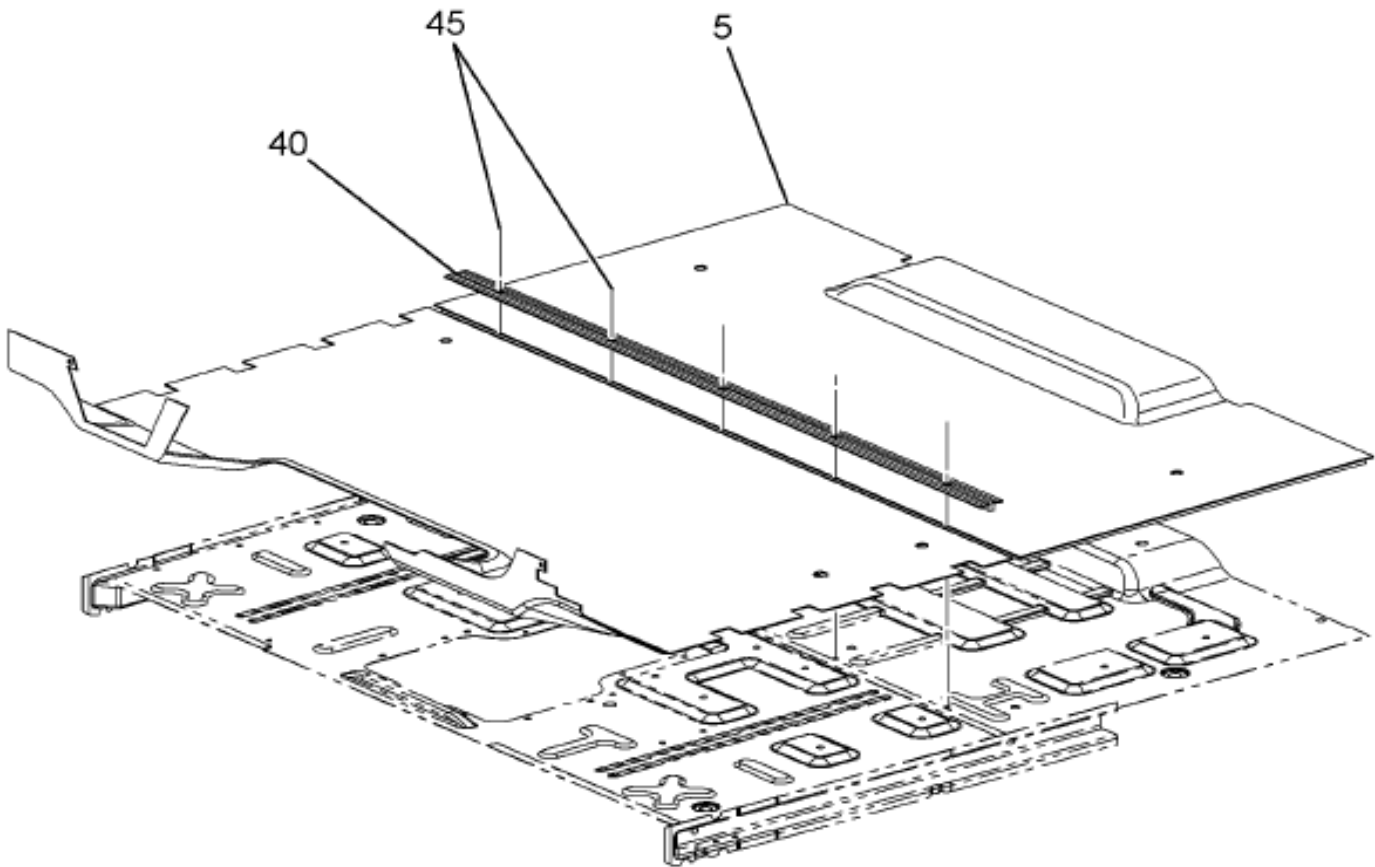


3508281C9100 000

Grp
16

Item	Part No.	Qty	Description	Kit	Var	Figure
1	3508276C2	1	COVER,ENGINE I6 ENGINE			
2	3508277C1	1	INSULATOR,CAB ENG COVER I6 ENG			
3	3508978C2	AR	SEAL,ENGINE COVER			
4	3541216C1	7	FASTENER,ENGINE COVER CLIP			
880	RF		NOTE: ASM BELOW COMPRISED OF ABOVE COMPONENTS			

Figure 0G7XT
FLOOR MAT INSTL



16-361-0028-01

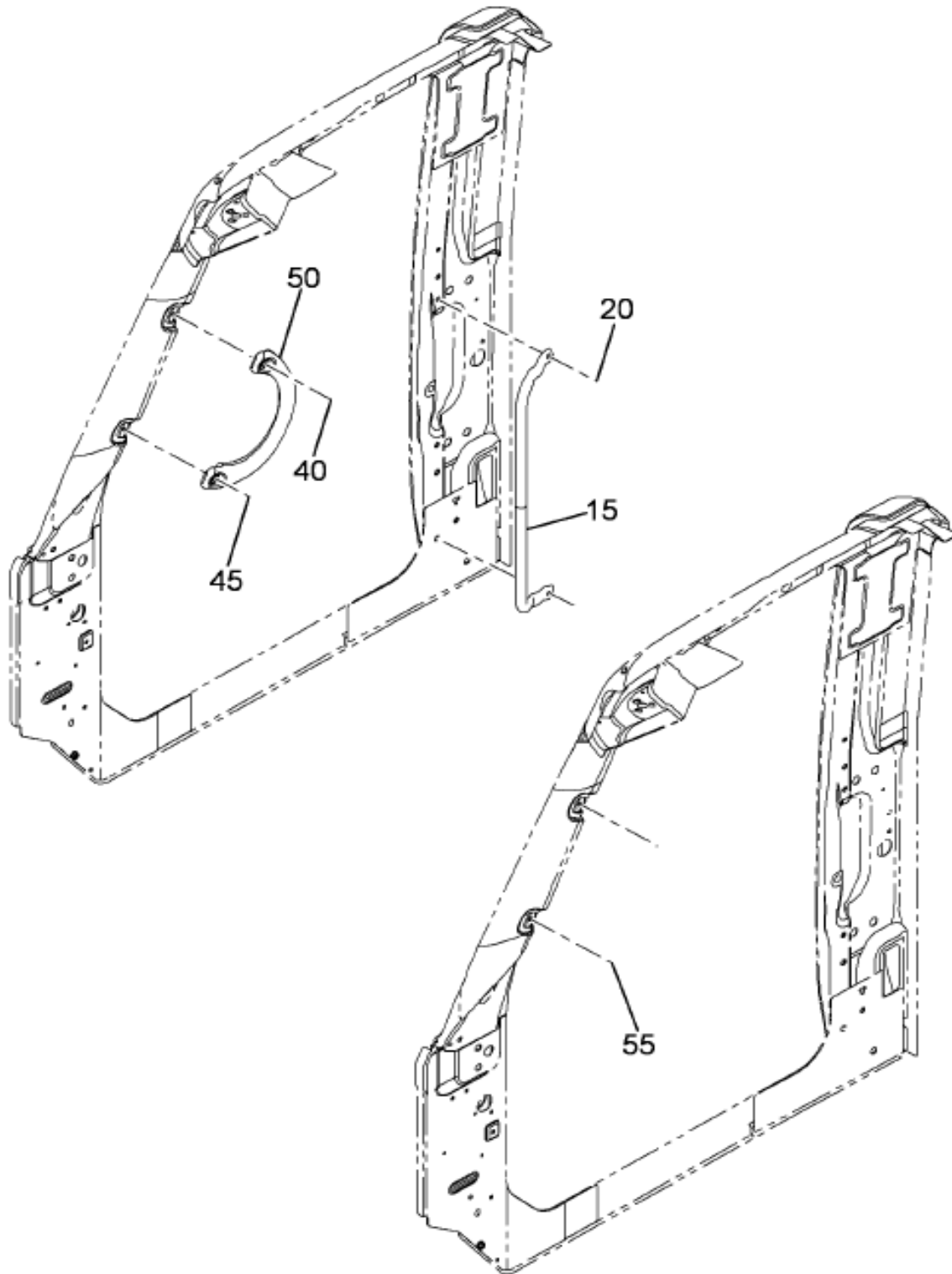
L02

Grp
16

Item	Part No.	Qty	Description	Kit	Var	Figure
5	3536117M1	1	MAT,CUTOUT-STD,EXT CAB & T'CRE		0G7XT	
5	3565131C1	1	MAT,FLOOR PRECUT*CONV CAB W/ I		0KYX1	
5	3565132C2	1	MAT,FLOOR PRECUT CONV EXT CAB		0KYX5	
5	3536118M1	1	MAT,CUTOUT-STD,EXT CAB & T'CRE		0G7XT	
5	3548992M1	1	MAT,CUTOUT-STD,EXT CAB & T'CRE		0G7Y2	
5	3548993M1	1	MAT,CUTOUT-STD,EXT CAB & T'CRE		0G7Y3	

Figure 06STC

GRAB HANDLE & MTG; CAB, INTERIOR, A & B-PILLAR



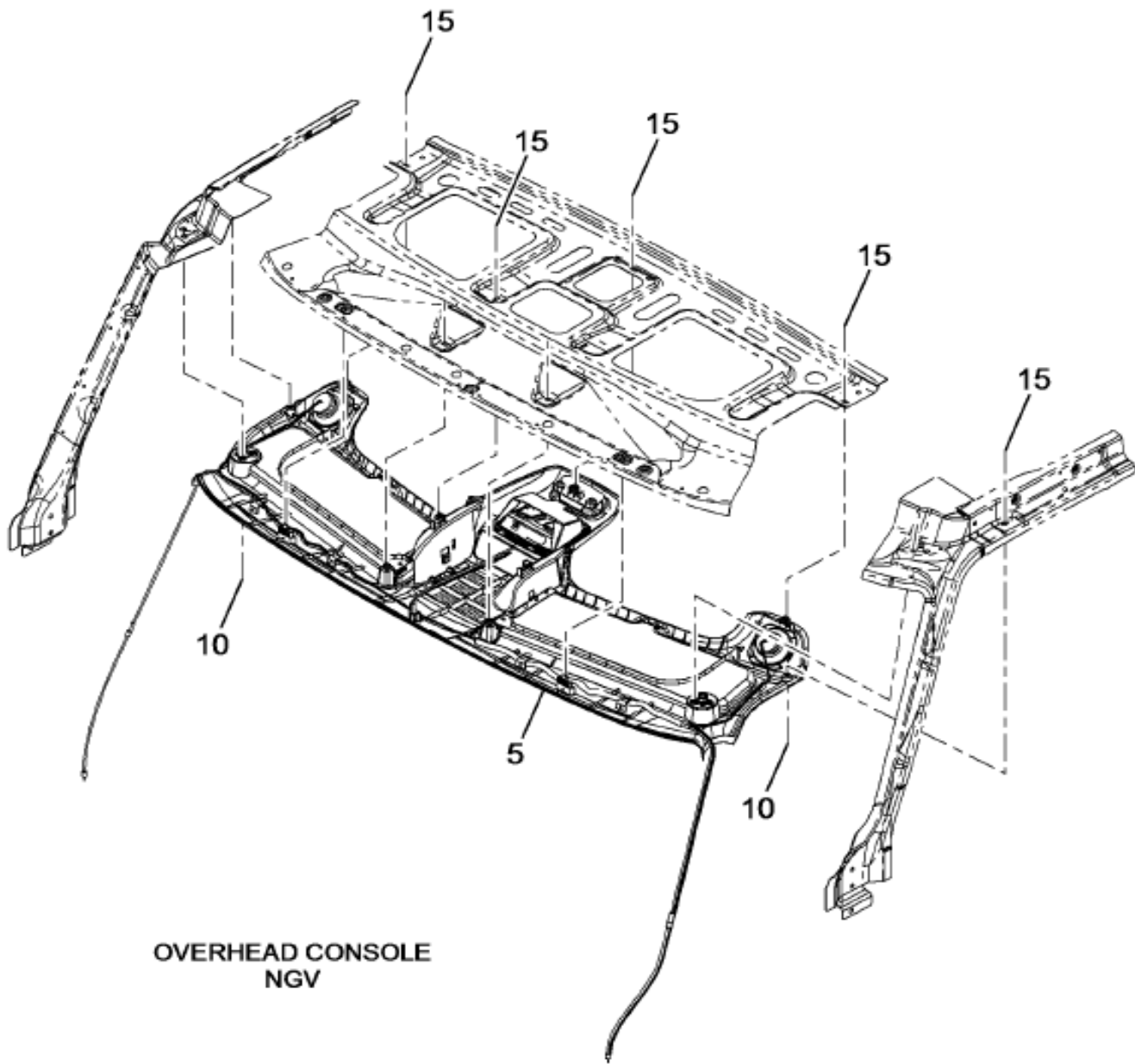
16-681-0047-01

E09

G
R
P
1
6

Item	Part No.	Qty	Description	Kit	Var	Figure
15	3542428C1	2	HANDLE,GRAB B-PILLAR		0DB5D	
20	3532083C1	4	BOLT,LOCK 8 MM W/PATCH		0DB5D	
40	3510917C1	2	BOLT,SEMS ALL M6 35MM LONG HEX		0DB5D	
45	3510918C1	2	INSERT,THREADED M6 OPEN END		0DB5D	
50	3543557C1	1	HANDLE,GRAB A-PILLAR		0DB5D	

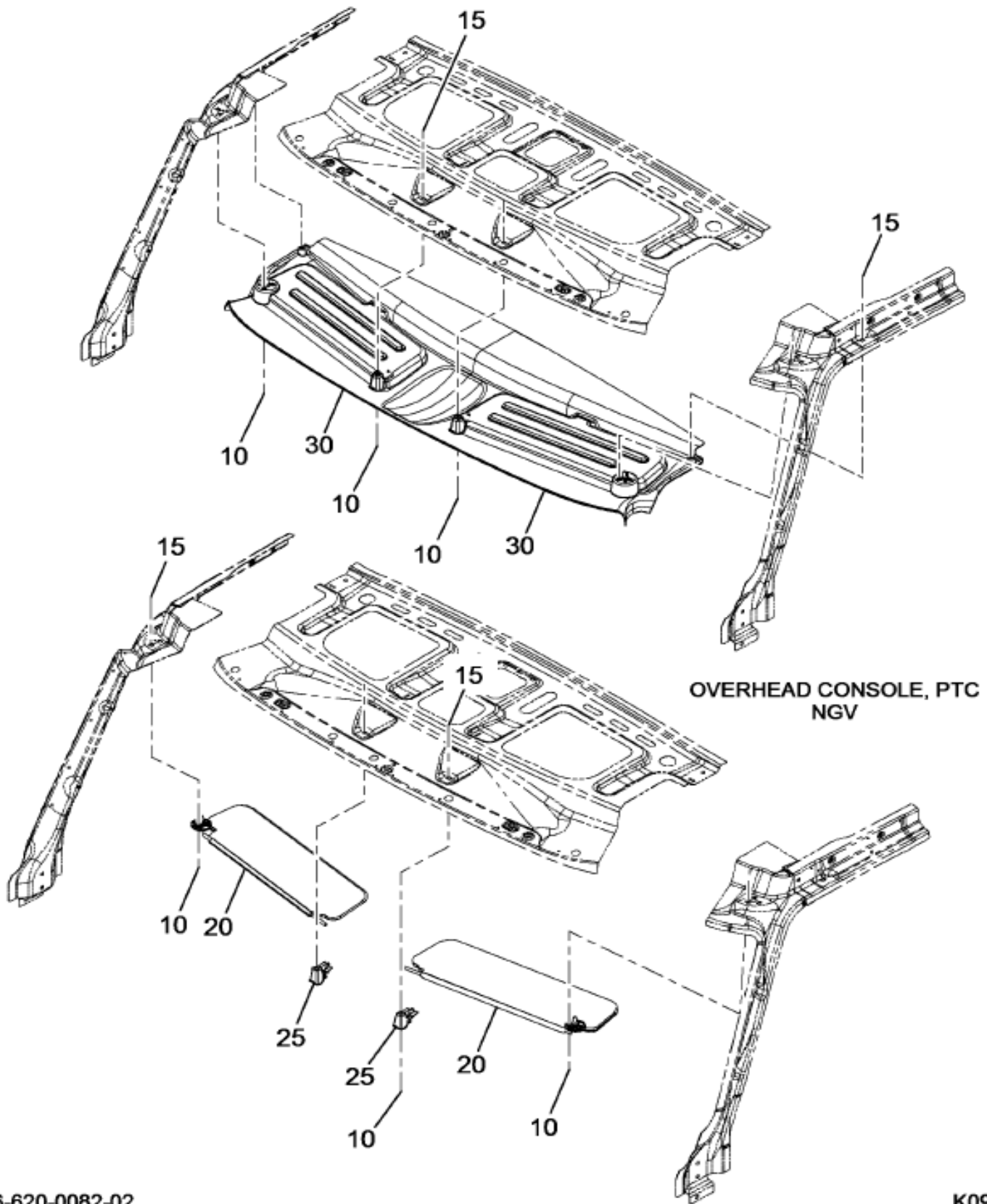
Figure 0D927
HEADER PANEL INSTL; FRONT



OVERHEAD CONSOLE
NGV

Figure 1 of 2

Figure 0D927
 HEADER PANEL INSTL; FRONT



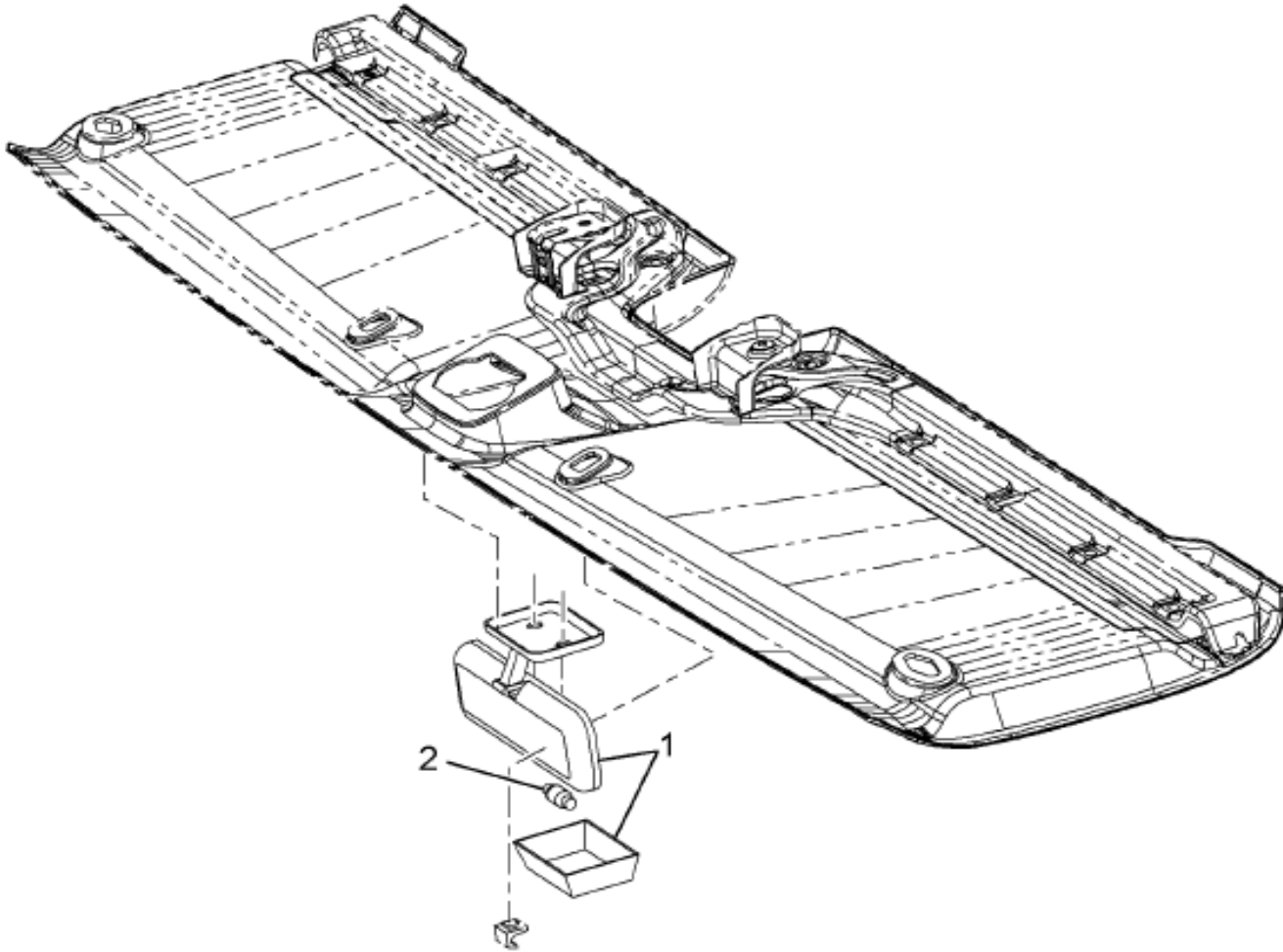
16-620-0082-02

K09

Grp
16

Item	Part No.	Qty	Description	Kit	Var	Figure
5	3546500C95	1	PANEL, OVRHD CNSL STD		0DDZM	3546500C95
10	3552454C1	14	SCREW, TAPPING M4.2 X 1.41-35MM		0DDZM	
15	3548695C1	14	FASTENER, TRIM NYLON GROMMET		0DDZM	

Figure 3609781C1
 LIGHT, DOME DRAWBRIDGE GRAY

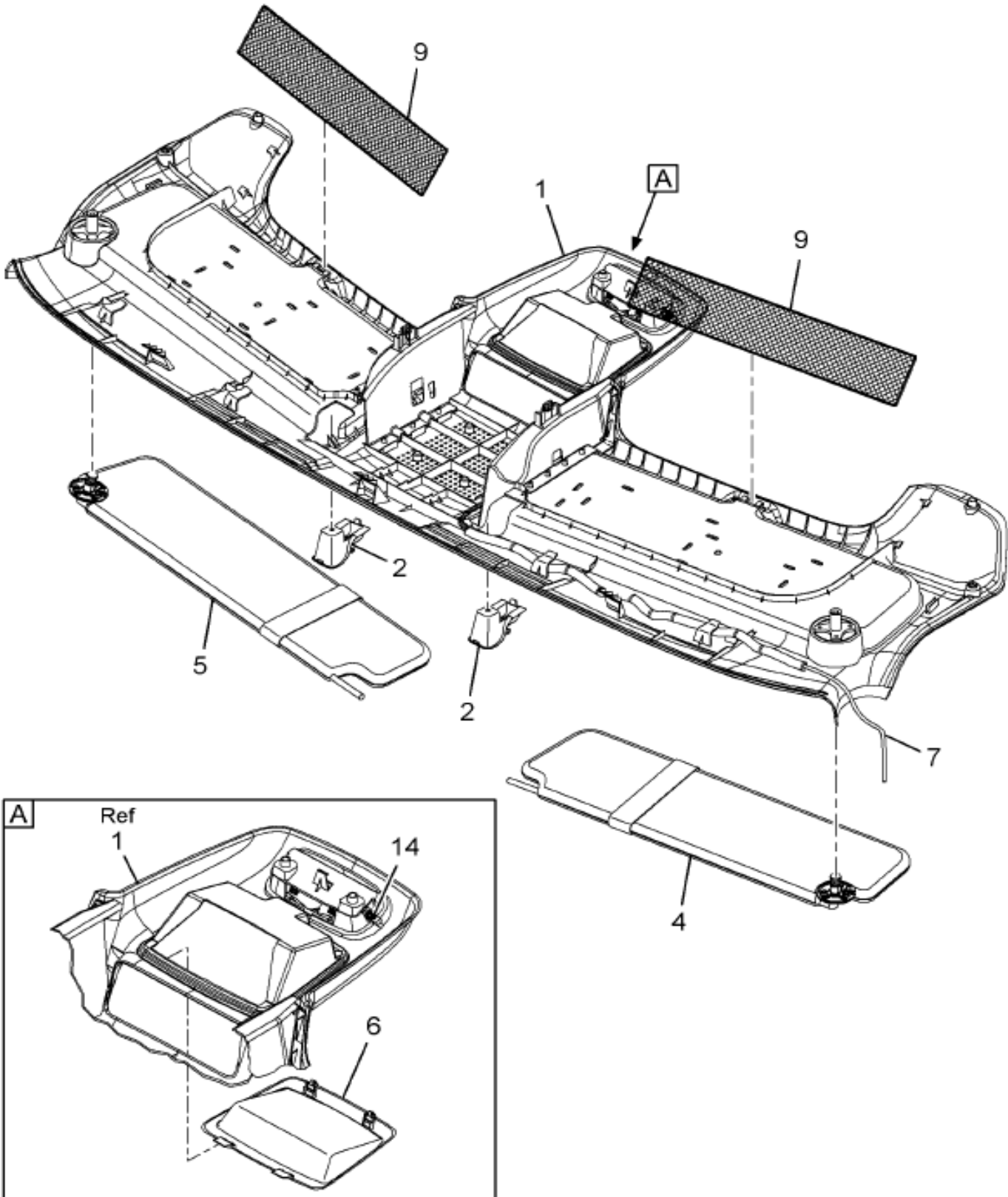


16-N02-0021-01

J07

Item	Part No.	Qty	Description	Kit	Var	Figure
1	2508816C1	1	LENS, DOME LIGHT			
2	GE2122	1	LAMP, INCANDESCENT 12V			
880		RF	NOTE: ASM BELOW COMPRISED OF ABOVE COMPONENTS			
881	3609781C1	RF	LIGHT, DOME DRAWBRIDGE GRAY			

Figure 3546500C95
 PANEL, OVRHD CNSL STD



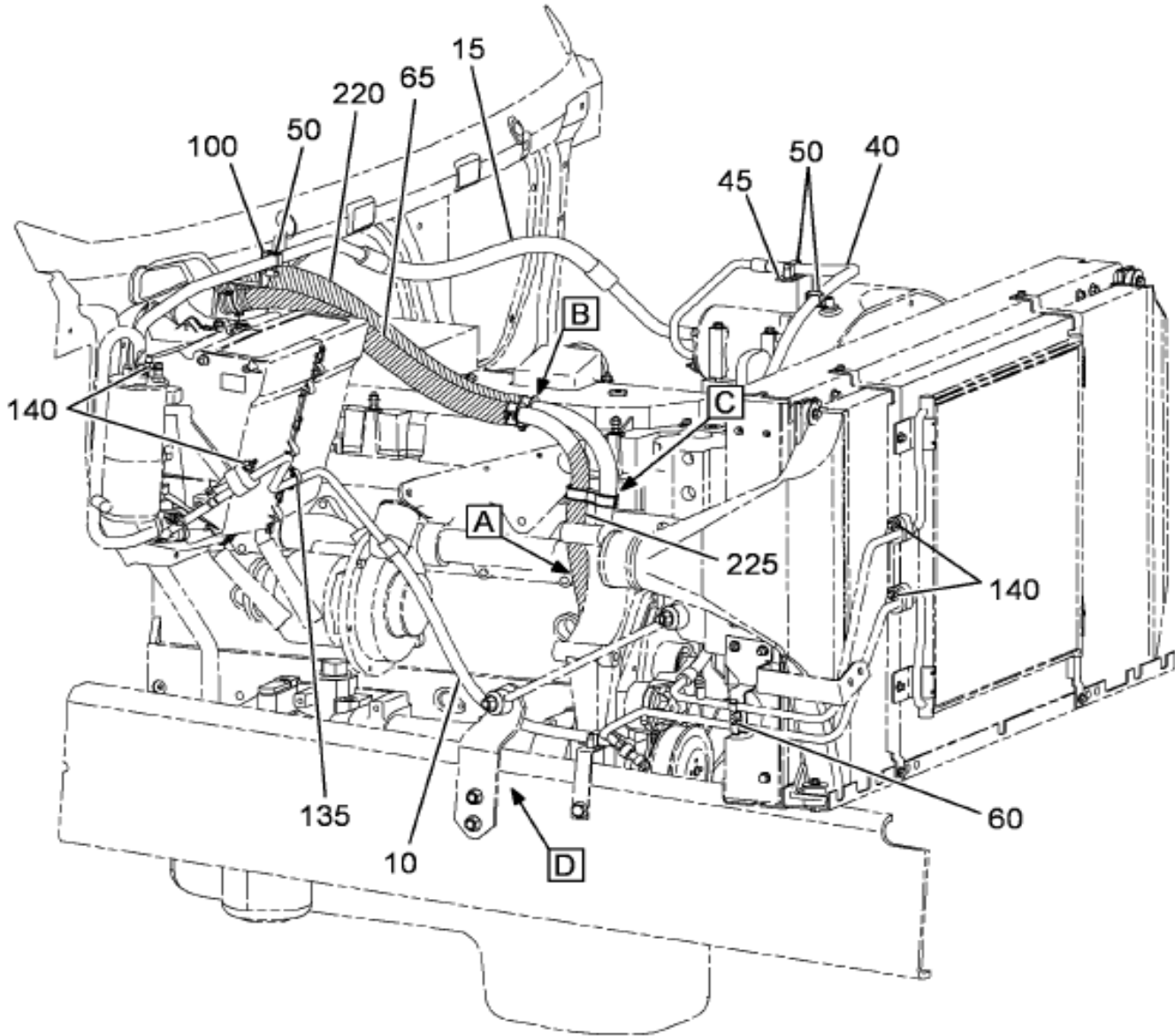
16-620-0122-01

F05

Grp
16

Item	Part No.	Qty	Description	Kit	Var	Figure
1	3604881C1	1	PANEL, OVERHEAD CONSOLE			
2	3565232C1	1	CLIP, SUN VISOR ROD LH			
2		RF	LEFT			
2	3565233C1	1	CLIP, SUN VISOR ROD RH			
2		RF	RIGHT			
4	3565230C3	1	VISOR, SUN LH			

Figure 07TDL
HTR & A/C HOSE ROUTING



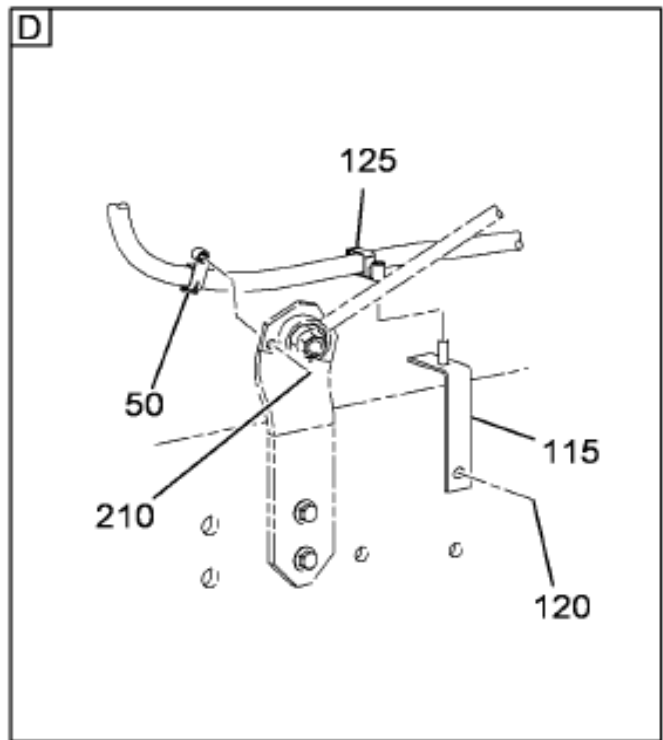
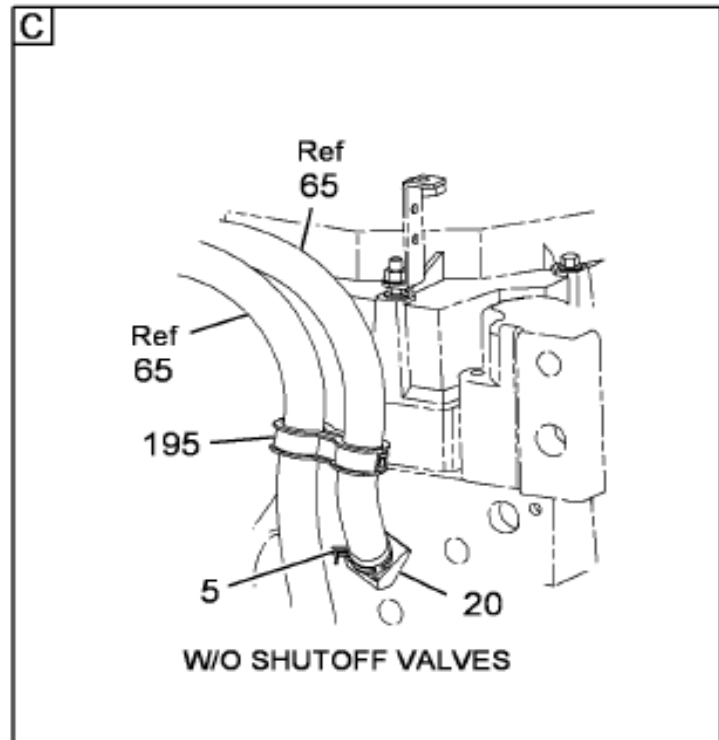
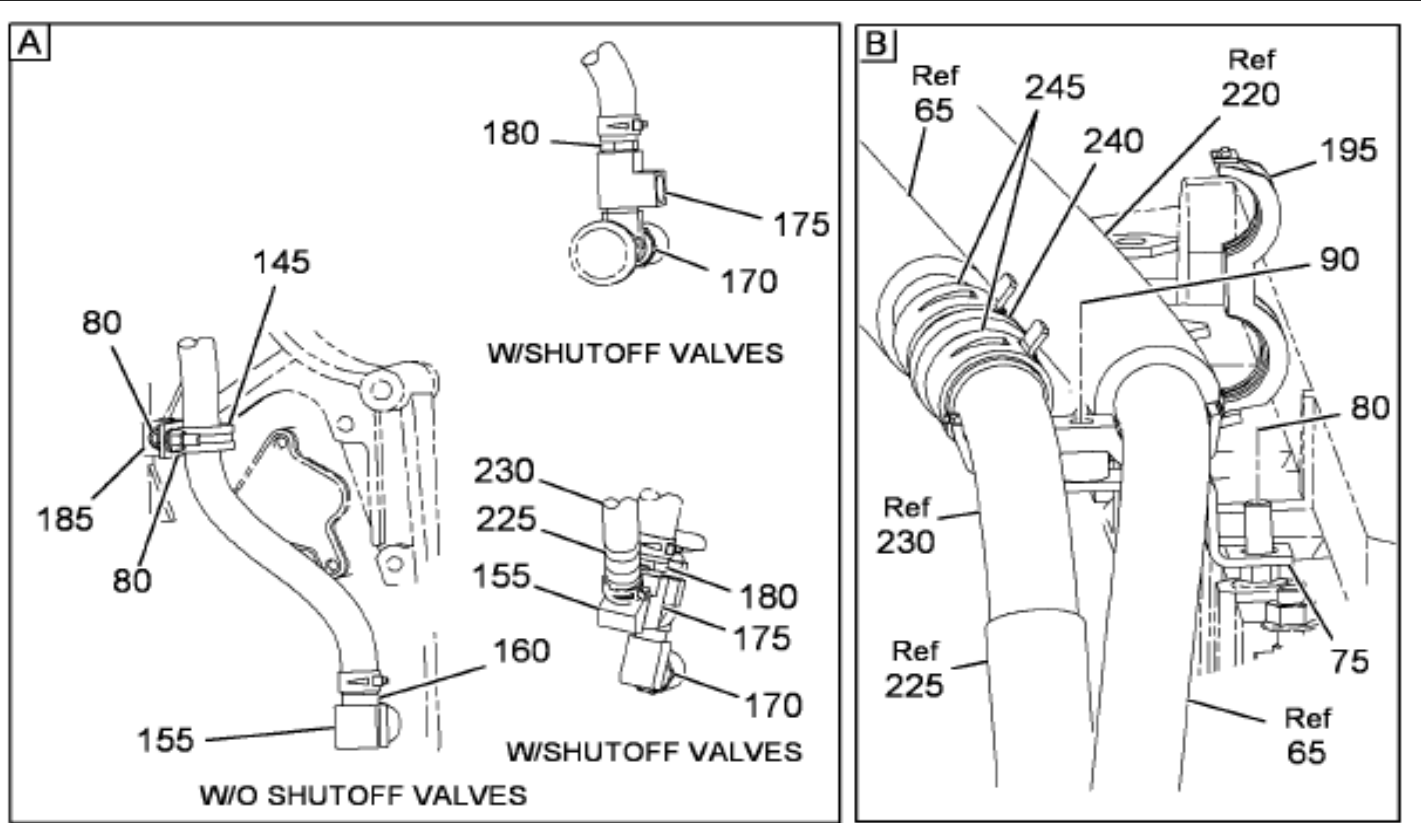
16-367-0383-01

E09

Grp
16

Figure 1 of 2

Figure 07TDL
HTR & A/C HOSE ROUTING

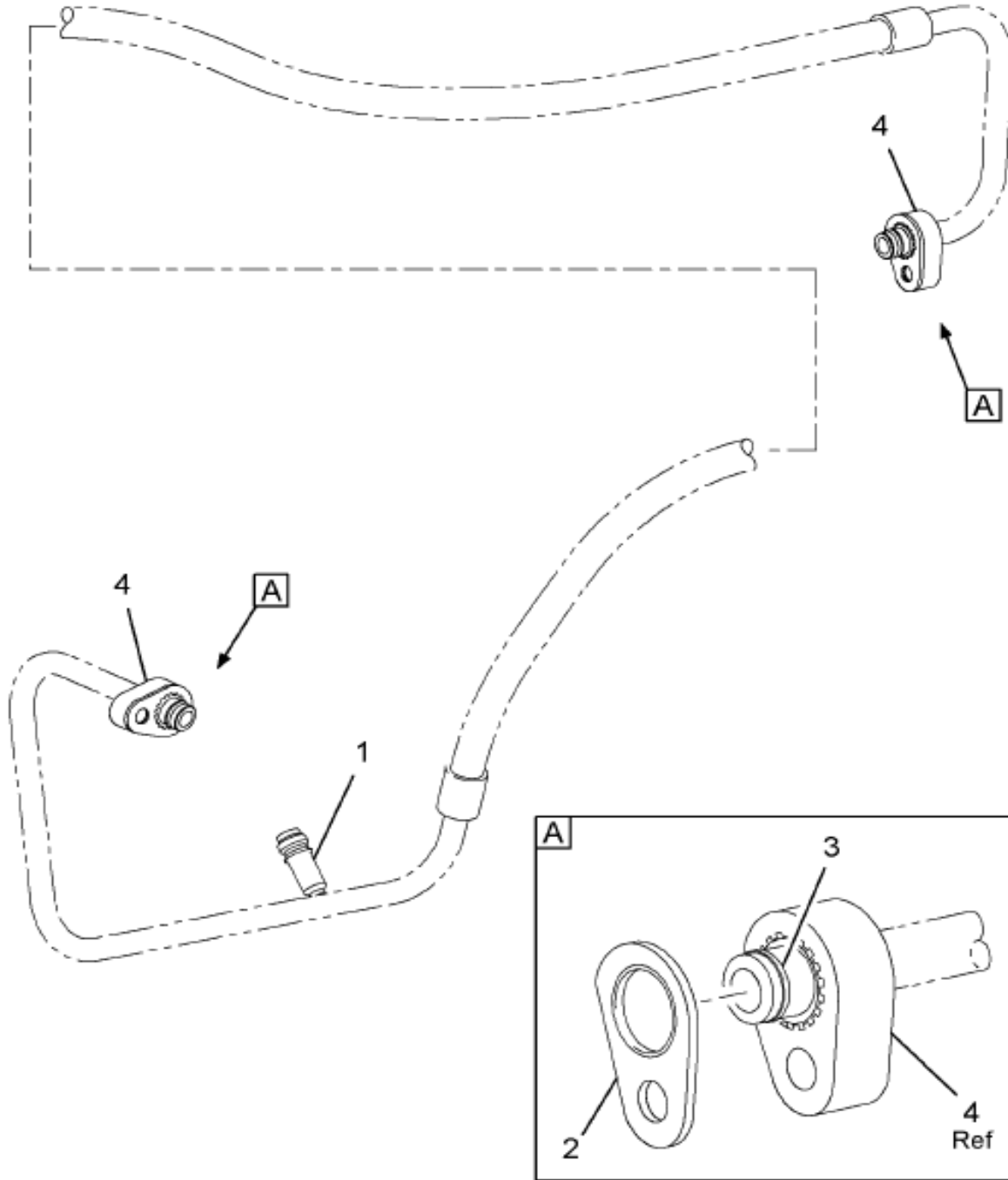


16-367-0383-02

E09

Item	Part No.	Qty	Description	Kit	Var	Figure
5	2022867C1	2	CLAMP, COOLER MTG #27		07TDR	
10	3557557C94	1	HOSE,A/C ASSY COND TO EVAP		0G6KH	3557557C94
15	3557559C93	1	HOSE,ASSY ACCUM TO COMPR		0GM5T	
20	864450R1	1	ELBOW,HOSE GIVE SIZE		07TDV	
40	3557558C91	1	HOSE, AC ASSY COMP TO COND		0G6KH	3557558C91
45	3546118C1	1	EXTENSION,CLIP ASSY "Z" STYLE		0G6KH	

Figure 3557558C91
HOSE, AC ASSY COMP TO COND

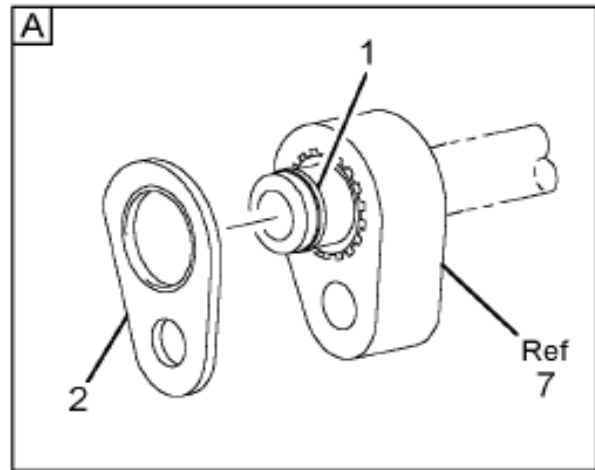
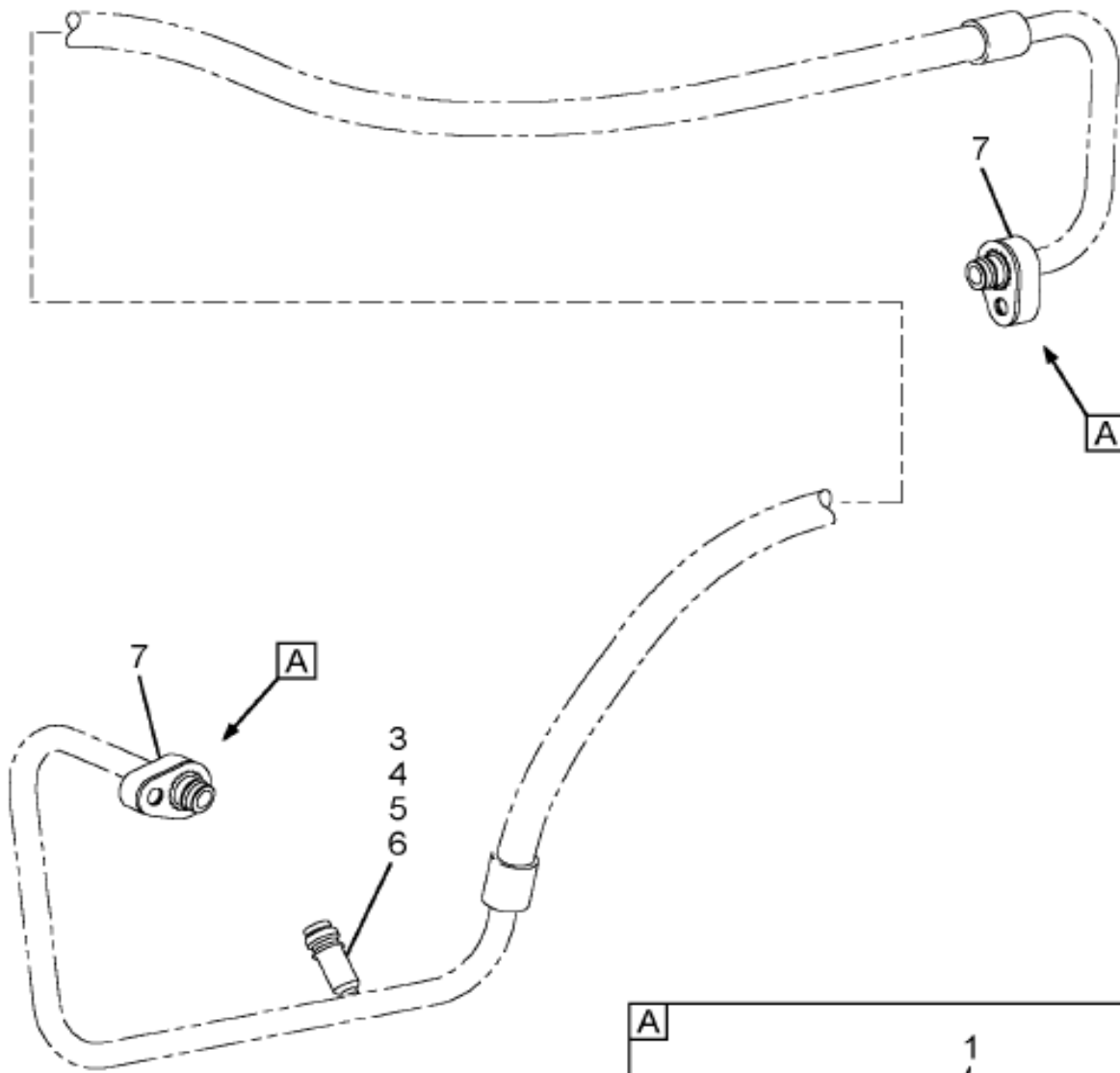


16-367-0092-00

L04

Item	Part No.	Qty	Description	Kit	Var	Figure
1	3544707C1	1	VALVE,AIR CONTROL ASSY CHARGIN			
1	3544706C1	1	CORE,VALVE ASSY A/C CHARGING V			
1	3544705C1	1	CAP,RERIG FITTING			
2	3543881C1	2	SEAL,C-PLATE 1/2"			
3	3543727C1	2	RING,O SEAL 10.78 X 2.62 (TAN)			
4	3555226C1	2	CAP,DUST REFRIG FTG 1/2" MALE			

Figure 3557557C94
HOSE,A/C ASSY COND TO EVAP

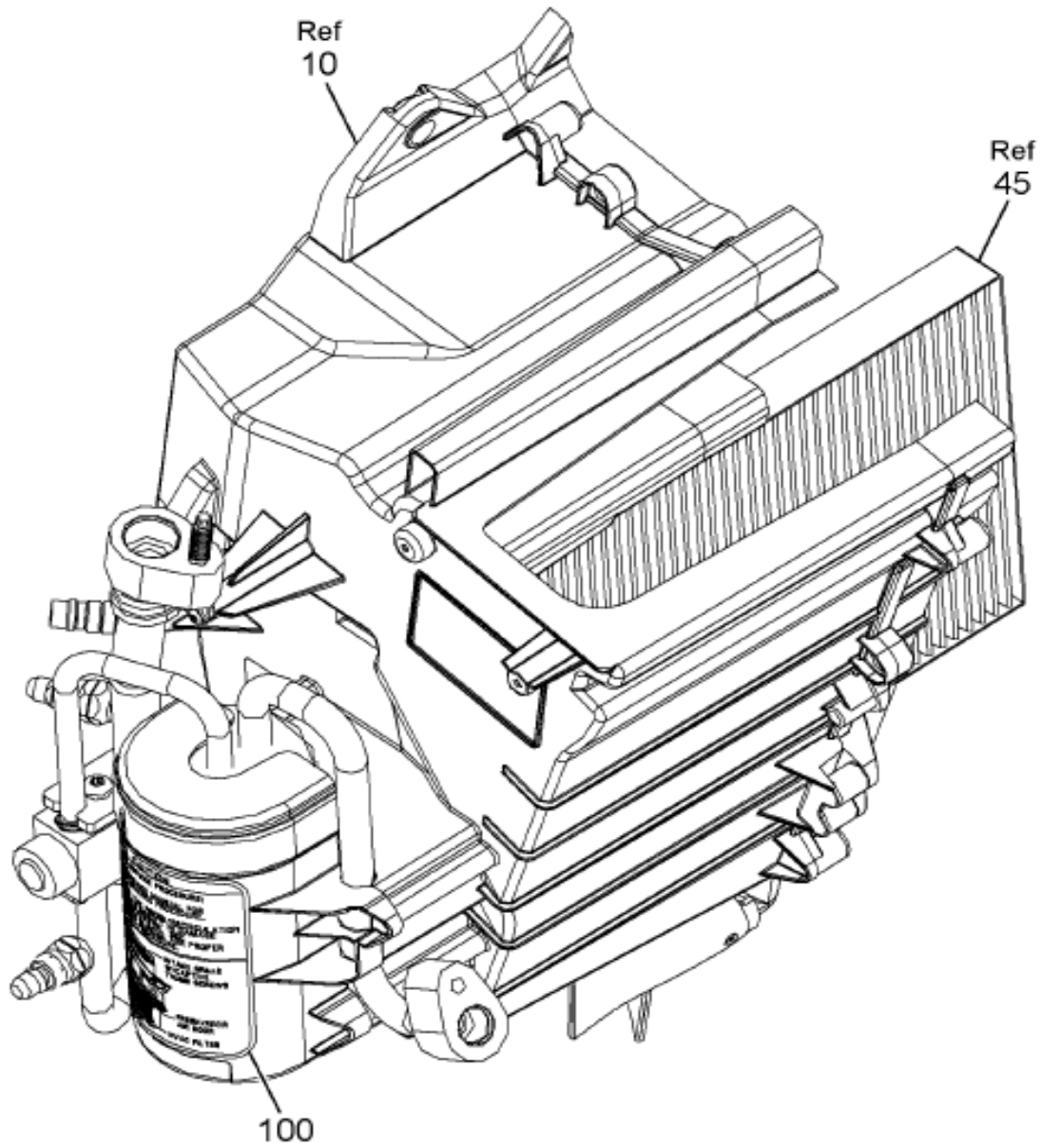


16-367-0403-01

C03

Item	Part No.	Qty	Description	Kit	Var	Figure
1	3543727C1	2	RING,O SEAL 10.78 X 2.62 (TAN)			
2	3543881C1	2	SEAL,C-PLATE 1/2"			
3	3546241C1	1	SWITCH,A/C PRESS TRANSDUCER			
4	3544769C1	1	VALVE,AIR CONTROL			
5	2503677C1	1	CORE,VALVE A/C HOSE			
6	1693968C1	1	RING,O A/C HNBR (W/134A) #6			

Figure 0LV7L
HTR & A/C UNIT INSTL; W/DUCT

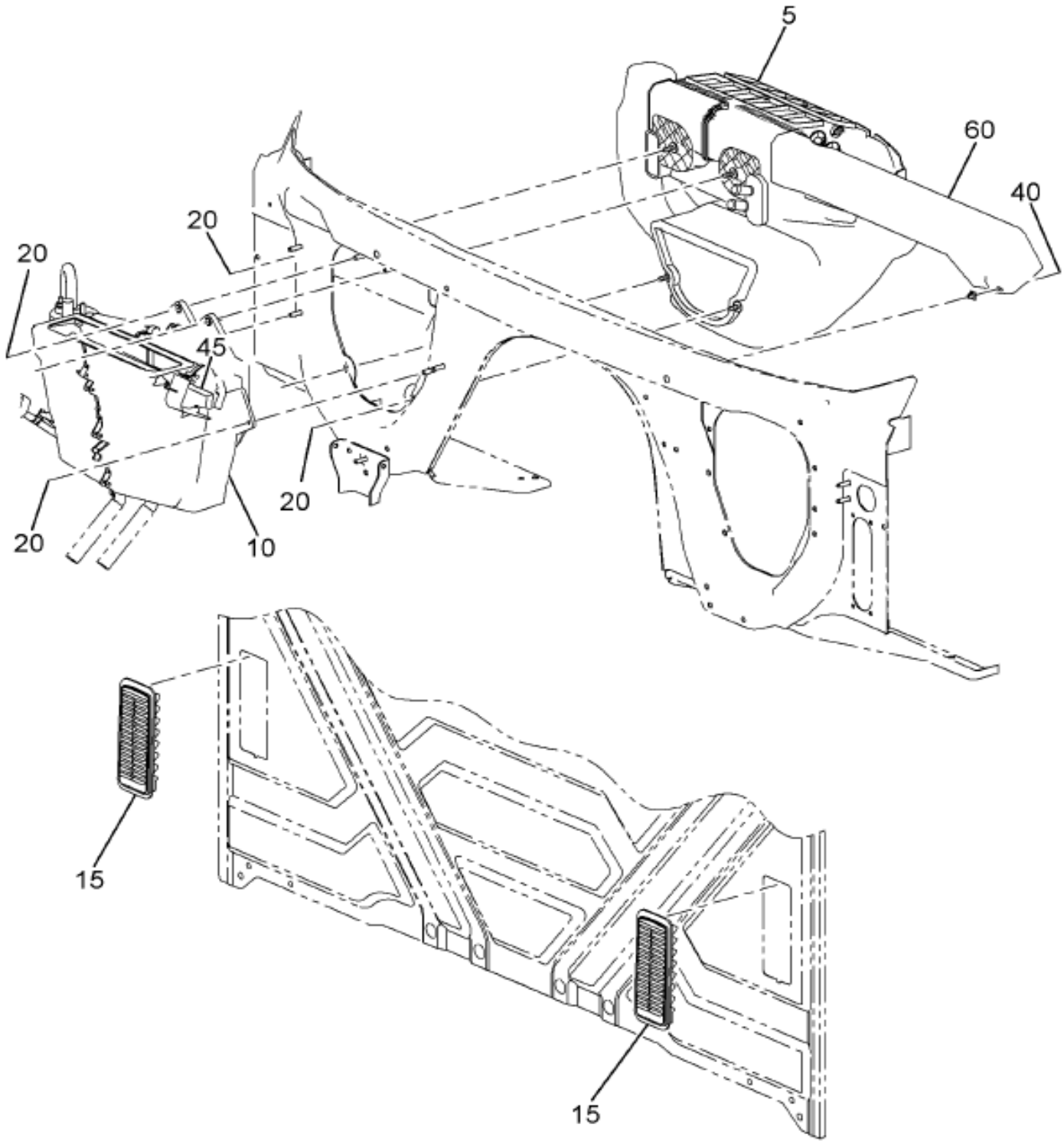


16-377-0151-01

D09

Figure 1 of 3

Figure 0LV7L
HTR & A/C UNIT INSTL; W/DUCT



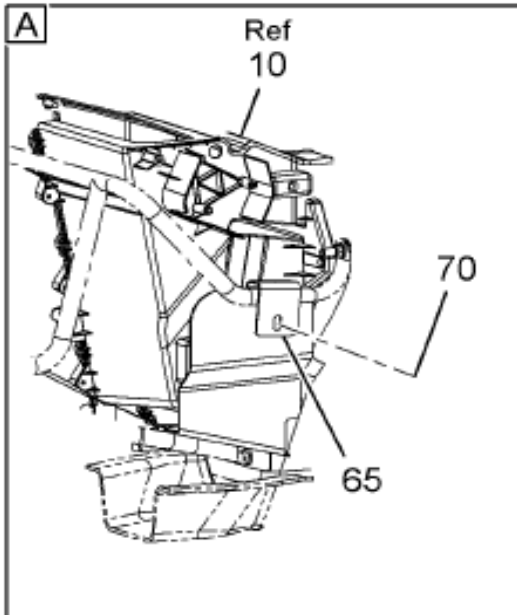
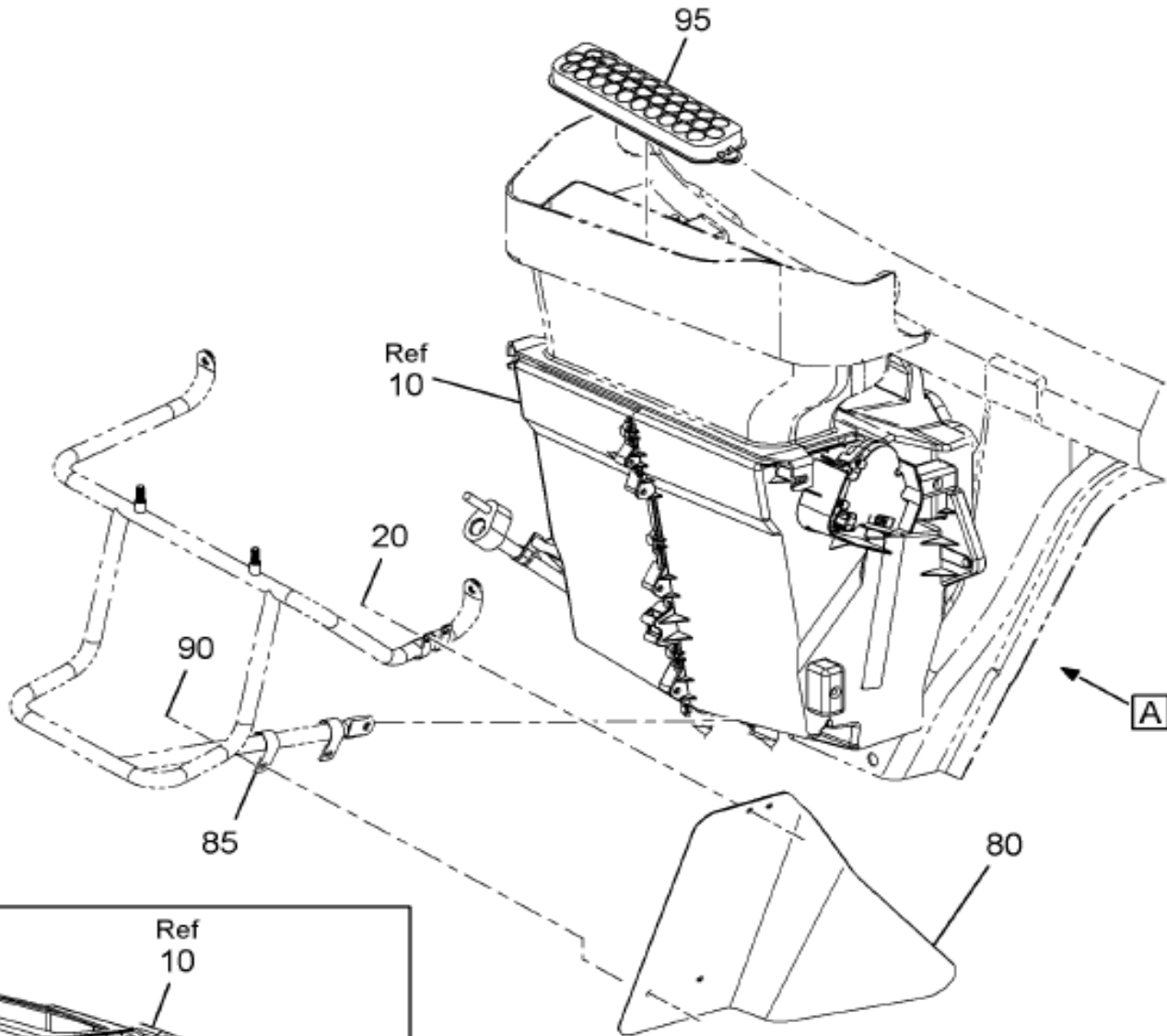
16-377-0051-AA

D09

Grp
16

Figure 2 of 3

Figure 0LV7L
HTR & A/C UNIT INSTL; W/DUCT

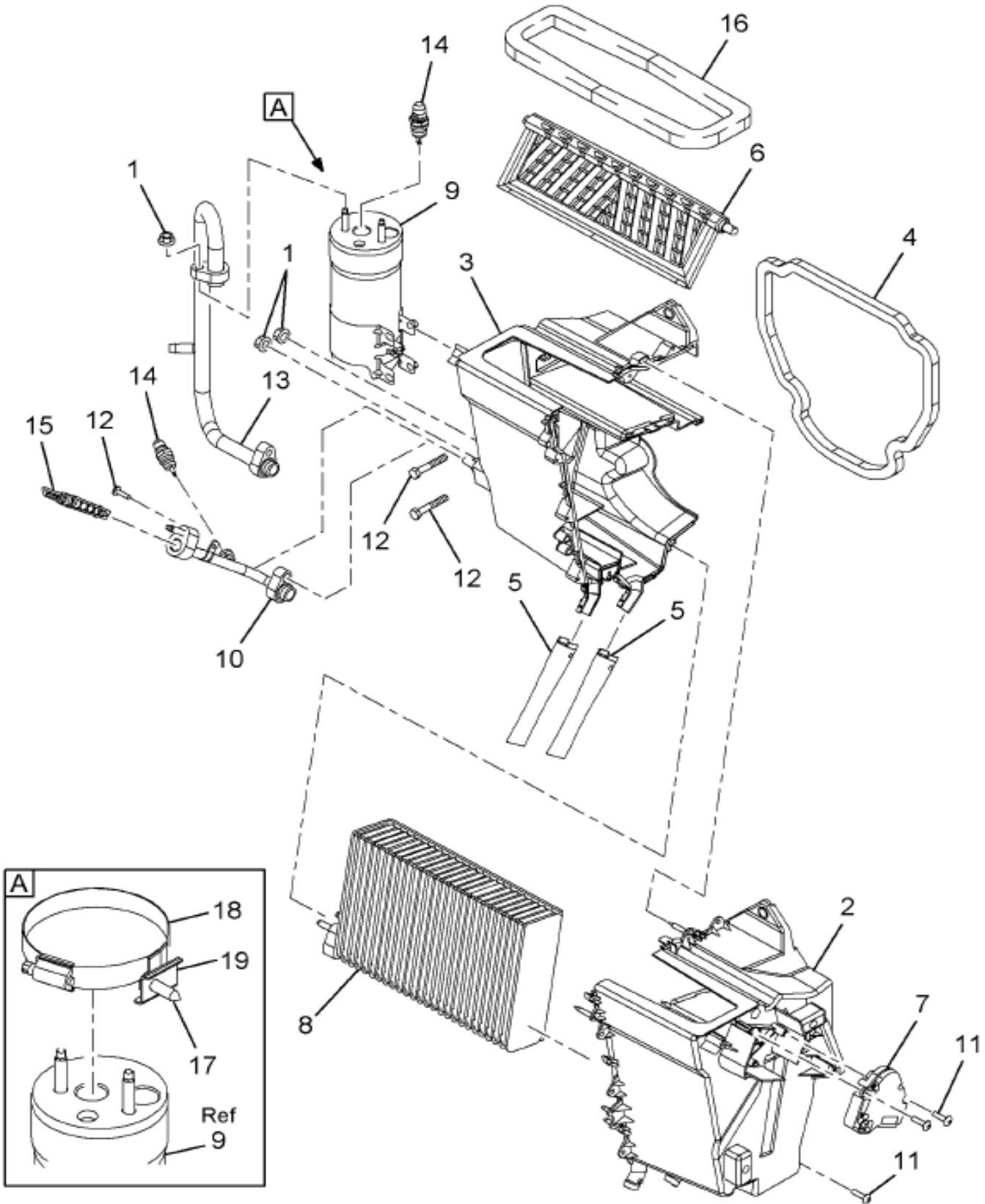


16-377-0072-01

D09

Item	Part No.	Qty	Description	Kit	Var	Figure
5	3530971C96	1	HEATER, ASSY FRESH AIR LHD CONV		0LV90	3530971C96
10	3602447C91	1	AIR CONDITIONER, ASSY LHD CONV		0LV90	3602447C91
15	3544247C1	2	DUCT, CAB EXHAUSTER		0LV7L	
20	3534873C2	8	NUT, HEX*M8 X 1.25 W/CAPTURE WA		0LV7L	
40	3552454C1	1	SCREW, TAPPING M4.2 X 1.41-35MM		0LV7L	
40	3548695C1	1	FASTENER, TRIM NYLON GROMMET		0LV7L	

Figure 3602447C91
AIR CONDITIONER, ASSY LHD CONV

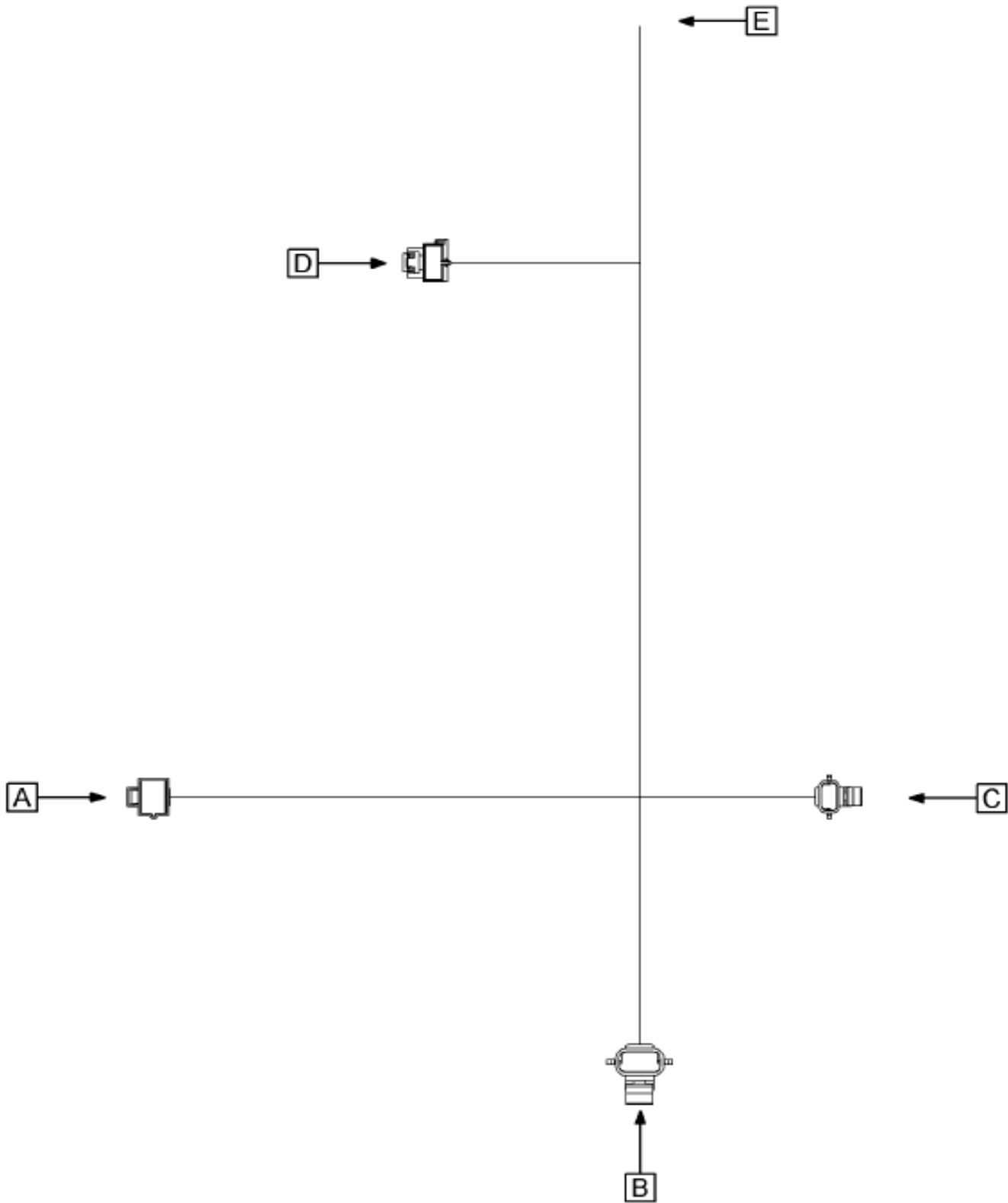


16-377-0075-01

B05

Item	Part No.	Qty	Description	Kit	Var	Figure
1	3534873C2	3	NUT, HEX*M8 X 1.25 W/CAPTURE WA			
2	3542570C3	1	DUCT, AIR COND LT HOUSING			
3	3542571C3	1	DUCT, AIR COND RT HOUSING			
4	3542572C2	1	SEAL, DUCT AIR COND			
5	3542573C3	2	TUBE, DRAIN DUCKBILL			
6	3542574C2	1	DOOR, A/C FRESH/RECIRC AIR			

Figure 3545211C93
HARNESS, CAB/PLATFORM WIRING BA

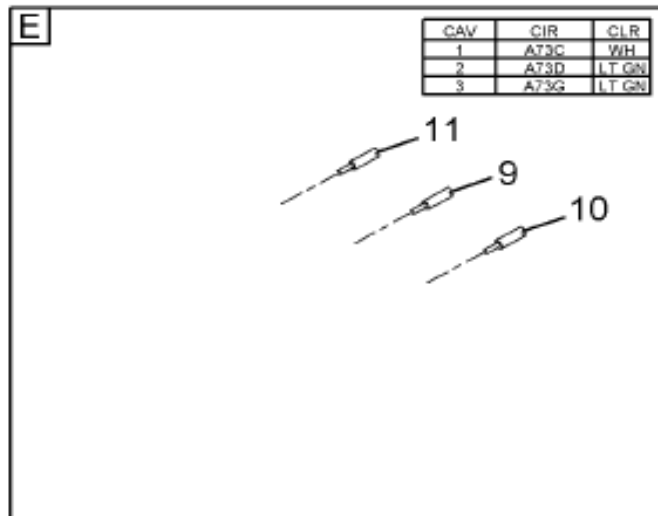
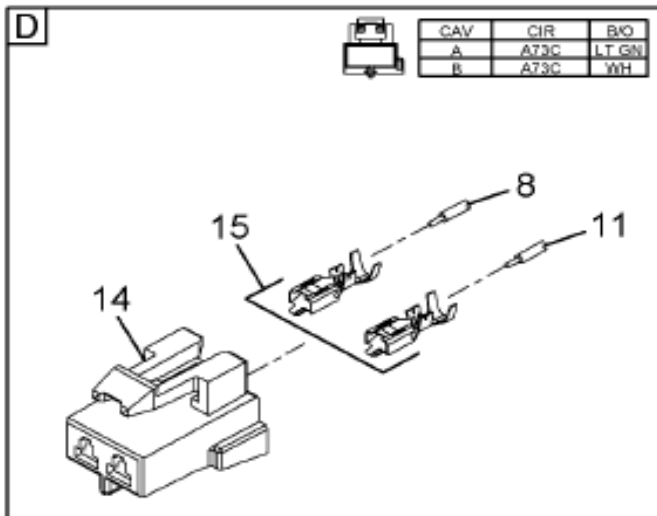
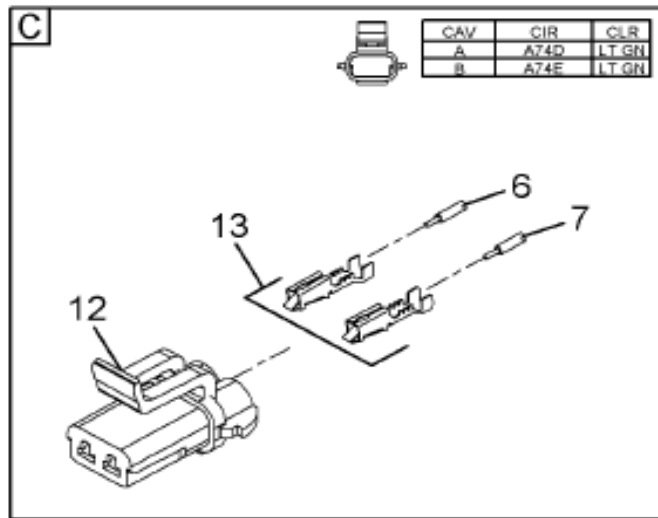
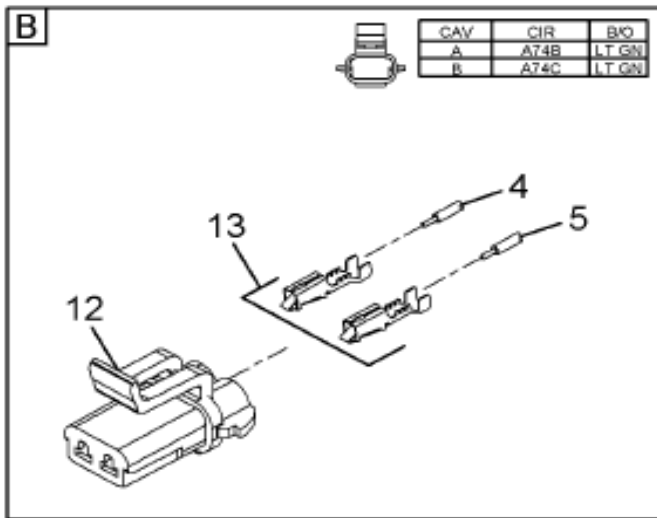
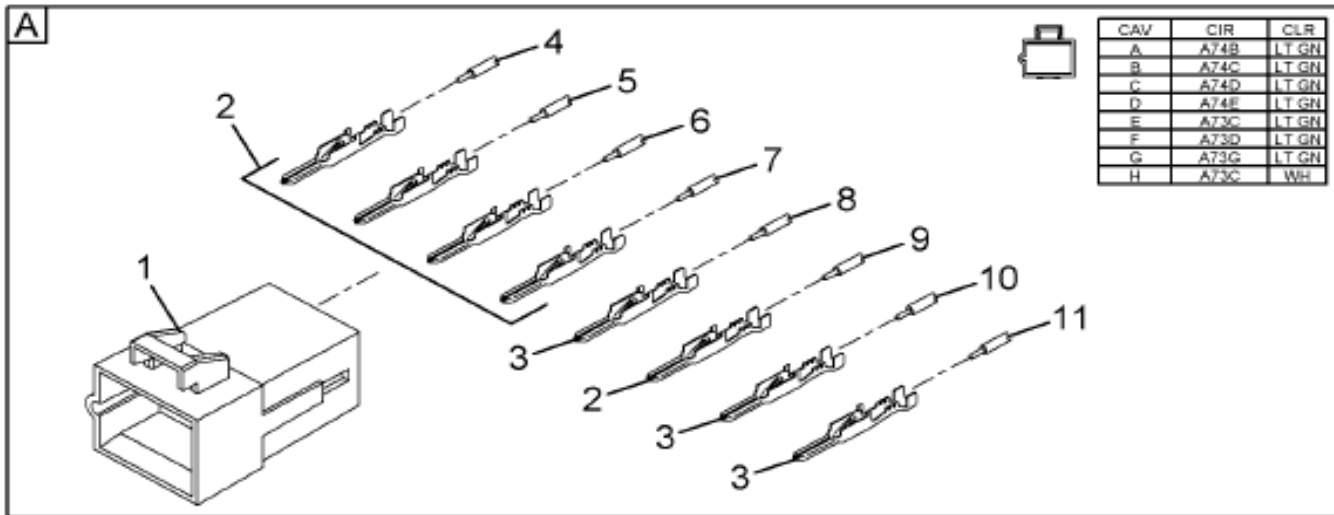


16-377-0202-01

G11

Figure 1 of 2

Figure 3545211C93
HARNESS, CAB/PLATFORM WIRING BA



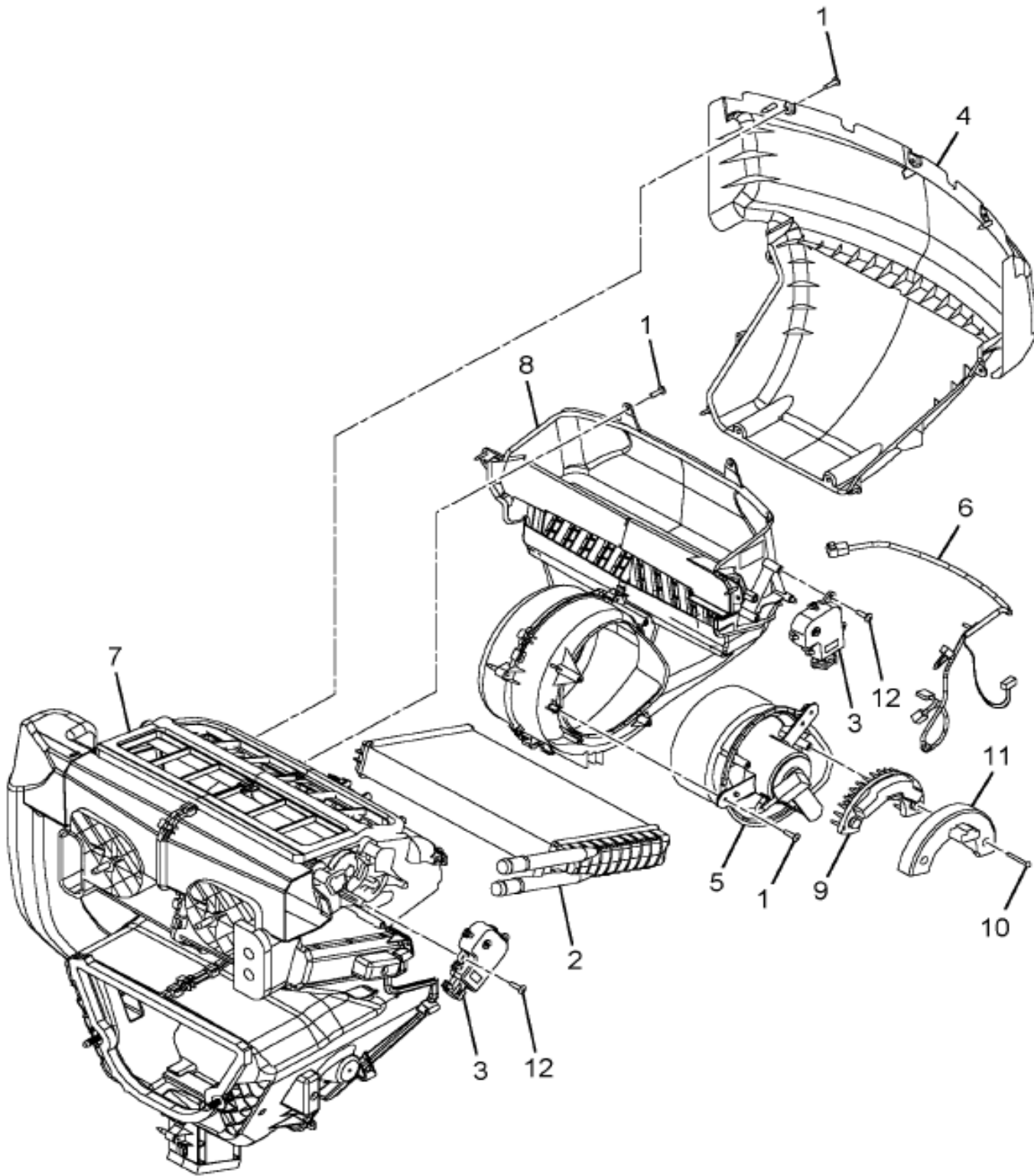
16-377-0202-02

G11

Grp 16

Item	Part No.	Qty	Description	Kit	Var	Figure
1	2005836C1	1	CONNECTOR, CABLE 8M M/P 280			
2	1661212C1	5	TERMINAL, MALE 280 SERIES			
3	3534167C1	3	TERMINAL, CABLE*MALE M/P 280 SE			
4		AR	CABLE, 18 GA			
5		AR	CABLE, 18 GA			
6		AR	CABLE, 18 GA			

Figure 3530971C96
HEATER, ASSY FRESH AIR LHD CONV



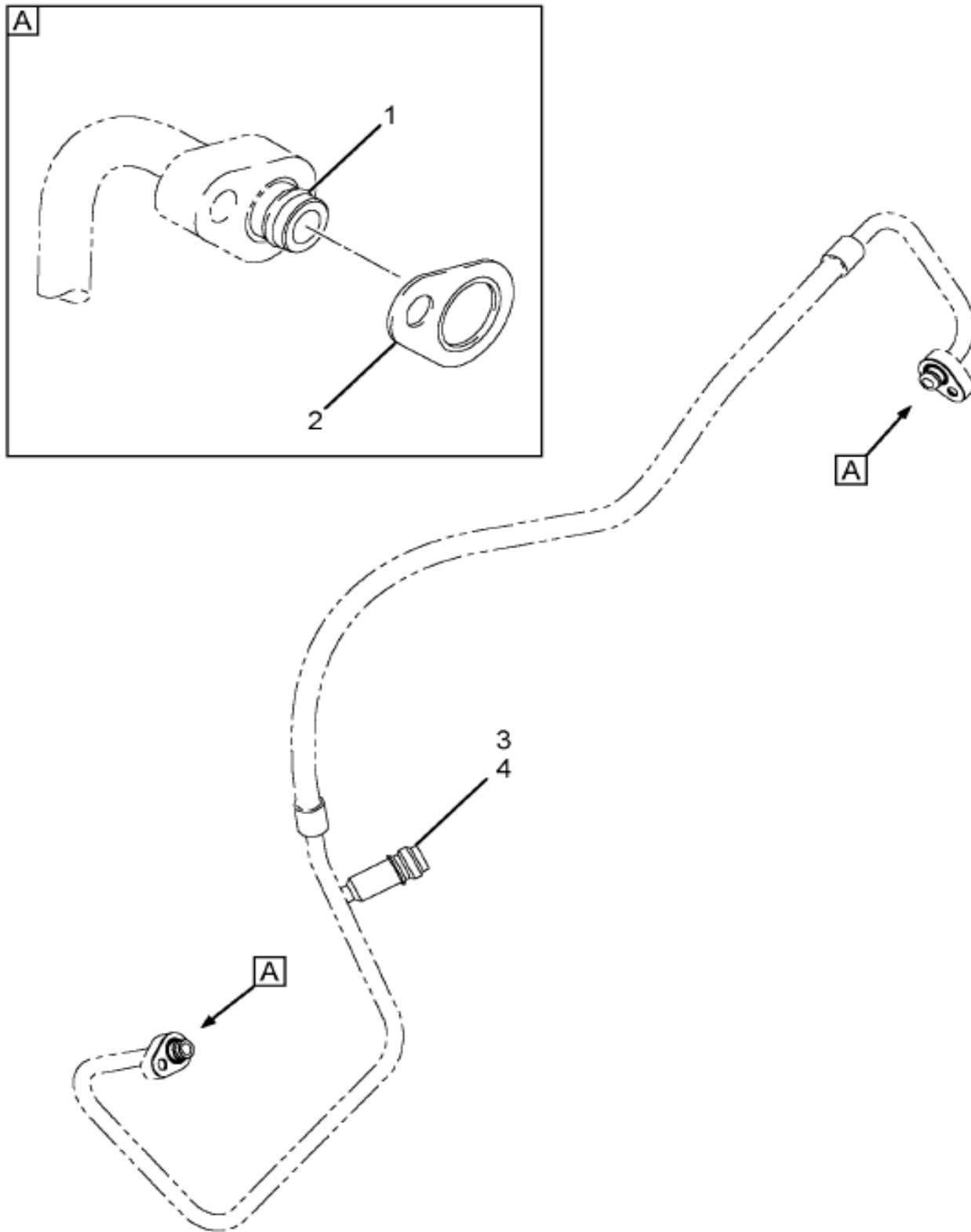
16-377-0045-00

J03

Grp
16

Item	Part No.	Qty	Description	Kit	Var	Figure
1	3542582C1	16	SCREW, SPL HI-LO #11-16 X 3/4			
2	3542604C3	1	CORE, ASM HEATER			
3	3542606C1	2	MOTOR, CNTRL MODE DR ACTUATORSR			
4	3542607C2	1	COVER, TRIM HEATER			
5	3542611C2	1	BLOWER, HEATER TEMP BLEND			
6	3545211C93	1	HARNESS, CAB/PLATFORM WIRING BA			3545211C93

Figure 3548042C1
TUBE,A/C EVAP TO ACCM W/O VLV



16-367-0441-01

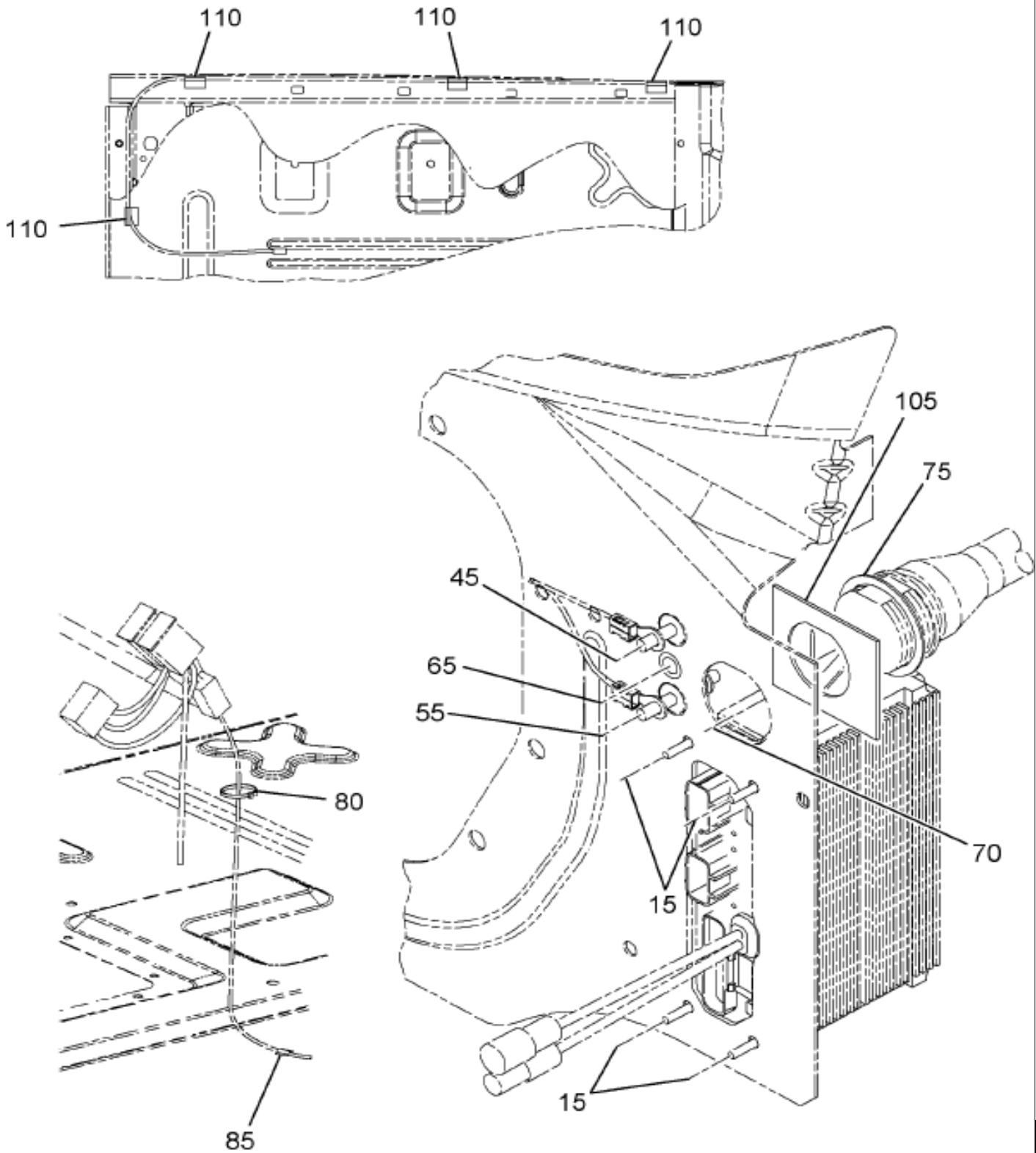
J03

Grp
16

Item	Part No.	Qty	Description	Kit	Var	Figure
1	3543728C1	1	RING,O SEAL 15.54 X 2.62			
2	3543882C1	1	SEAL,C-PLATE 3/4"			
3	2507537C1	1	CORE,ASSY VLV A/C CHRNG M8			
4	2507540C1	1	CAP,RERIG FITTING M8			
880	RF		NOTE: ASM BELOW COMPRISED OF ABOVE COMPONENTS			

Figure 06TRV

INSTR PANEL MTG & WIRING INSTL; CONTROL MODULE



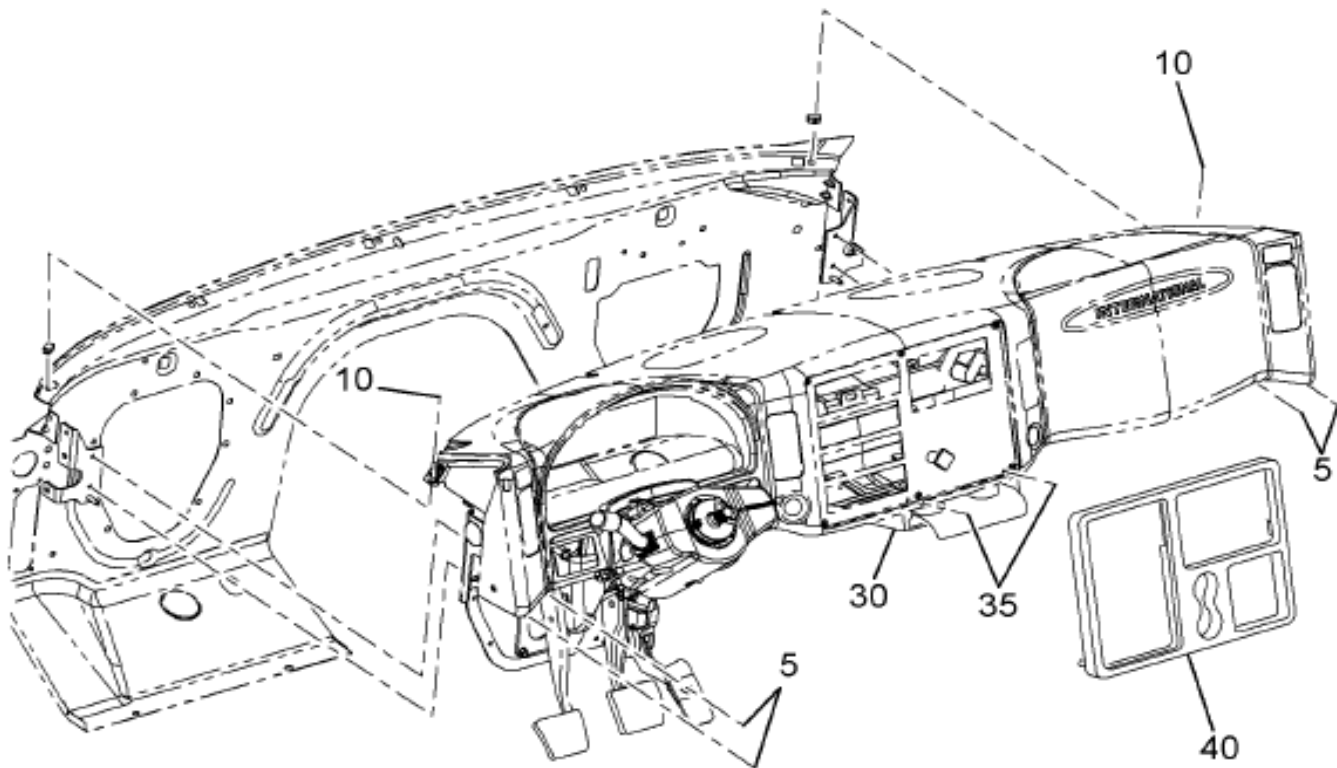
08-V82-0001-01

B04

Grp
16

Item	Part No.	Qty	Description	Kit	Var	Figure
15	3535410C1	4	NUT,HEX METRIC PREV. TORQ*M6 X		06TRV	
65	3535162C1	1	NUT,HEX METRIC PREV. TORQ*M8 X		06TRV	
65	2643099R1	1	SEAL,MISS SEALING COMPOUND		06TRV	
70	3566557C1	1	NUT,SPECIAL*48-WAY ITT CANNON		06TRV	
75	3566556C1	1	GASKET,COVER RECEPTACLE*48-WAY		06TRV	

Figure 06RNB
INSTRUMENT PANEL INSTL; MTG HDWE FOR CUPHOLDER

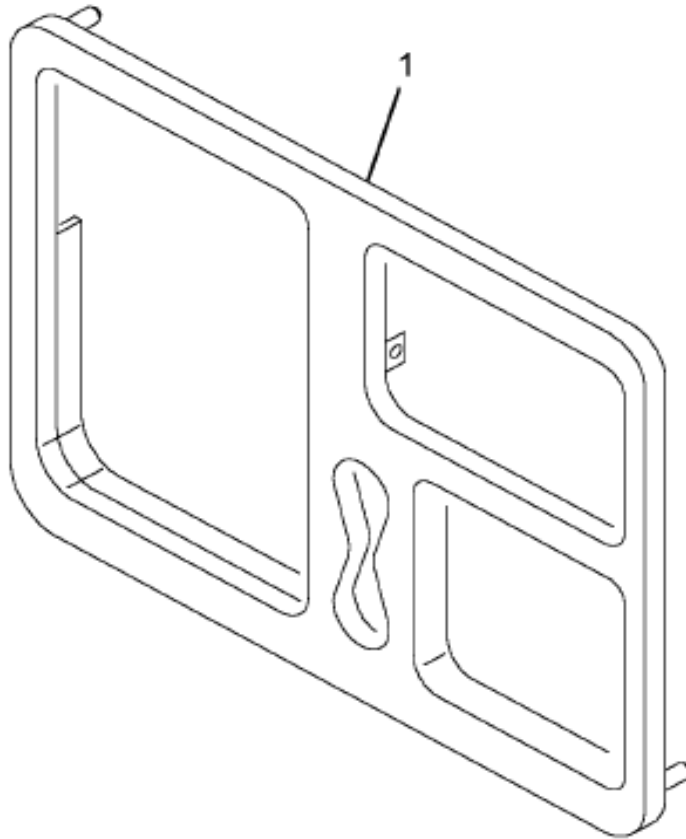


08-V81-0004-AA

D08

Item	Part No.	Qty	Description	Kit	Var	Figure
5	3514273C1	4	BOLT,SEMS M8 X 1.25-35		06RNB	
10	3544343C1	5	NUT,SPEED M6 X 1 U-NUT LCKNG		06RNB	
10	3510917C1	5	BOLT,SEMS ALL M6 35MM LONG HEX		06RNB	
30	3553479C2	1	HOLDER,CUP 2-CUP W/ ASHTRAY		0GRF2	3553479C2
35	3545857C1	2	SCREW,TAPPING M4.2 X 1.4 - 30M		0GRF2	
40	3544344C2	1	COVER,INSTRUMENT PANEL CTR		0DCDS	3544344C2

Figure 3544344C2
COVER, INSTRUMENT PANEL CTR



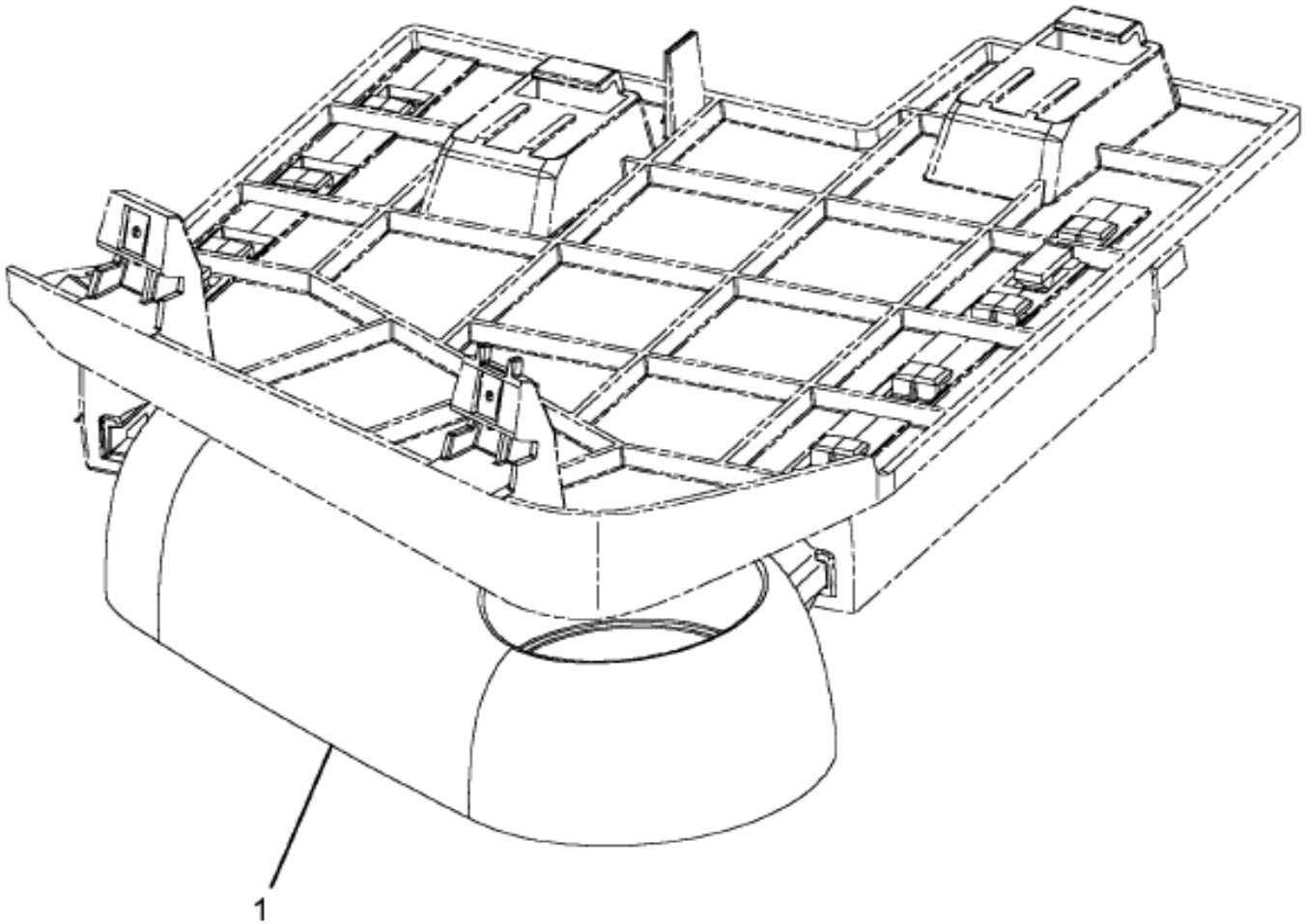
08-V81-0001-00

E04

Grp
16

Item	Part No.	Qty	Description	Kit	Var	Figure
1	2508859C1	5	CLIP, INSTR PNL CTR PNL TRM BZL			
880		RF	NOTE: ASM BELOW COMPRISED OF ABOVE COMPONENTS			
881	3544344C2	RF	COVER, INSTRUMENT PANEL CTR			

Figure 3553479C2
 HOLDER, CUP 2-CUP W/ ASHTRAY

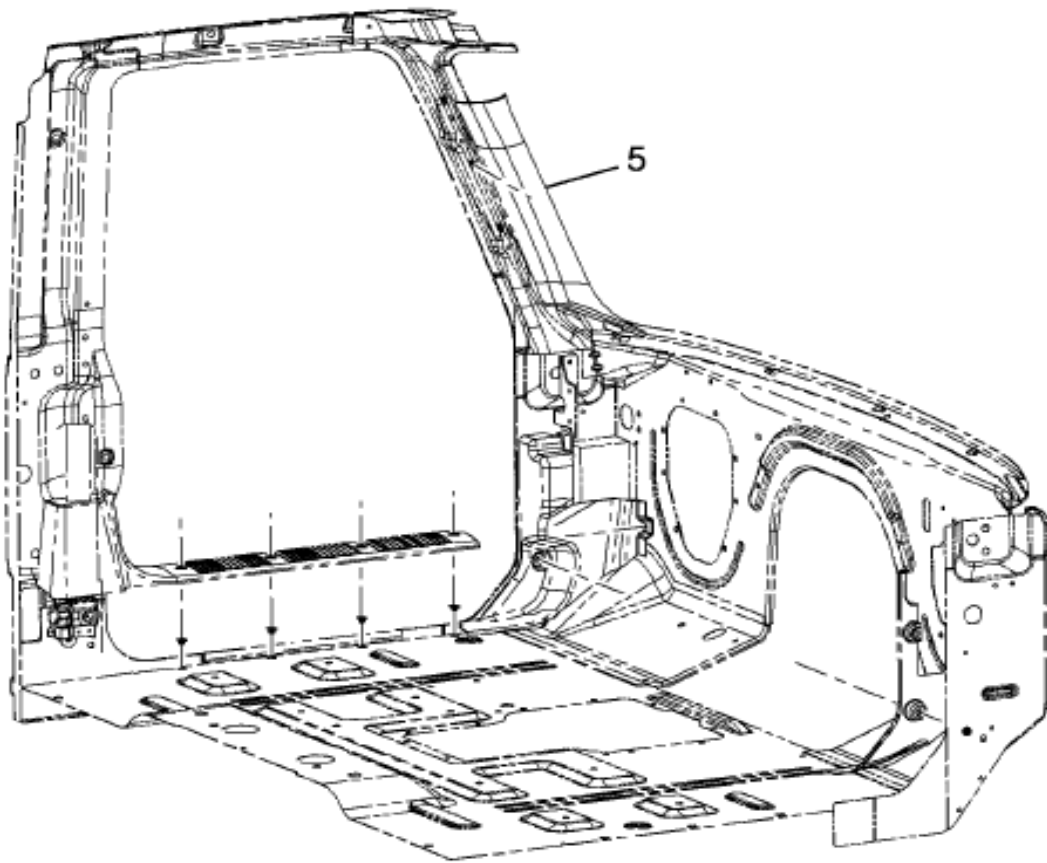


08-V81-0003-00

E04

Item	Part No.	Qty	Description	Kit	Var	Figure
1	3547242C1	1	TRAY,ASH			
880		RF	NOTE: ASM BELOW COMPRISED OF ABOVE COMPONENTS			
881	3553479C2	RF	HOLDER,CUP 2-CUP W/ ASHTRAY			

Figure 0D92B
 INTERIOR TRIM INSTL; A-PILLAR



NGV CONV

16-396-0009-01

B11

Grp
16

Item	Part No.	Qty	Description	Kit	Var	Figure
5	3543556C3	1	COVER,A-PILLAR TRIM RH		0JDDX	
5	3545399C3	1	COVER,A-PILLAR TRIM LH		0JDDX	

Figure 06SH9

INTERIOR TRIM INSTL; BACK & SIDE, B-PILLAR COVERS

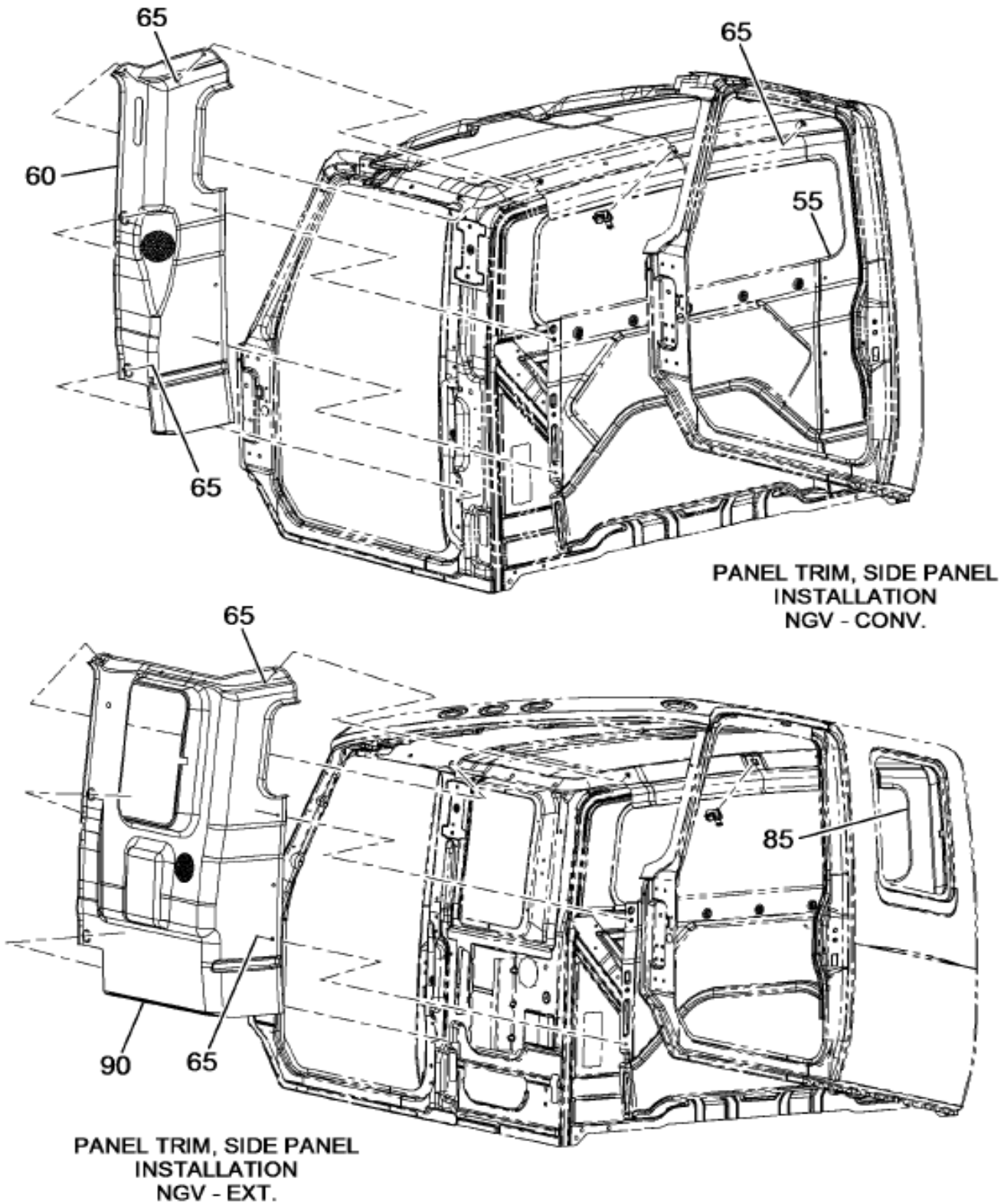
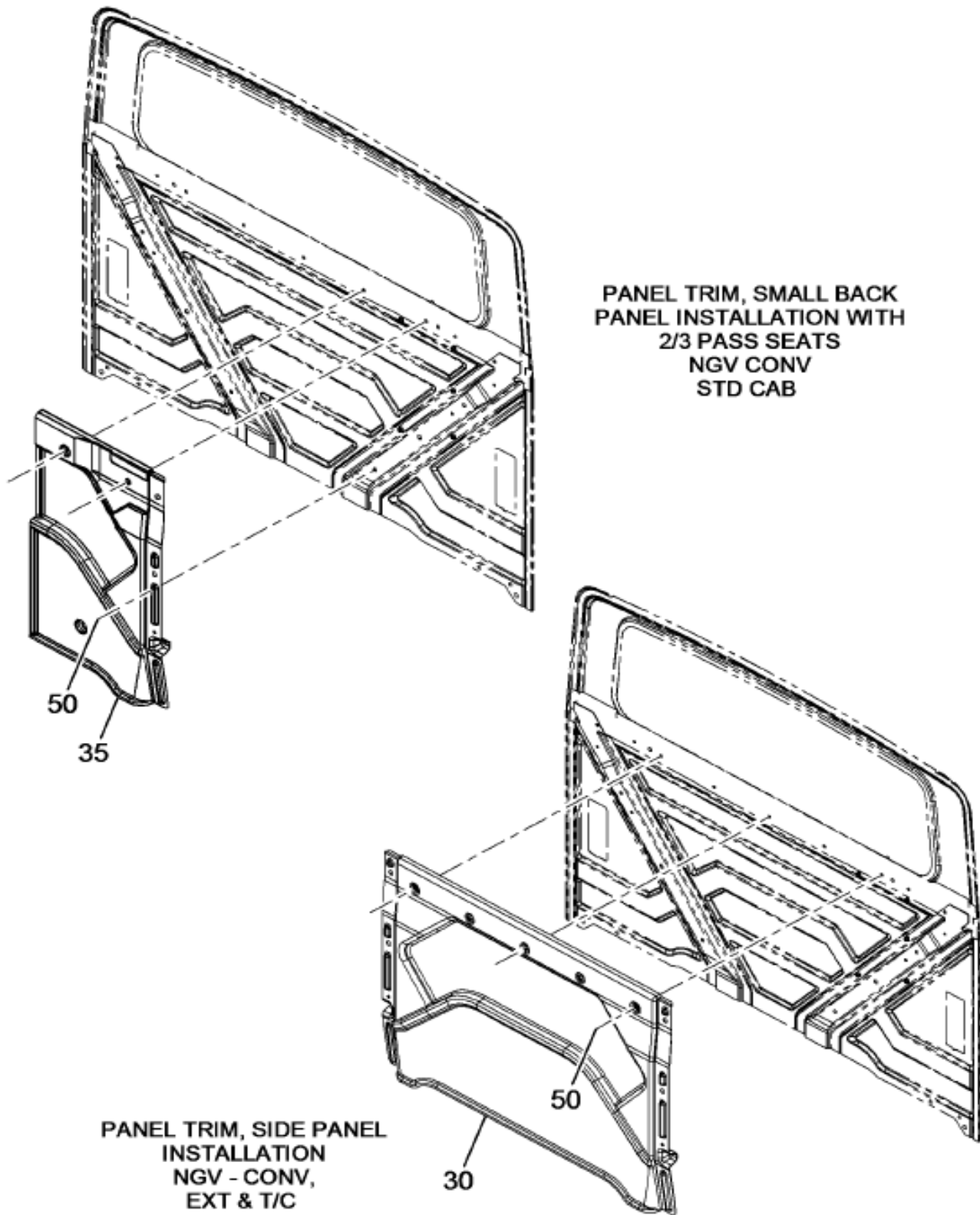


Figure 1 of 4

Figure 06SH9

INTERIOR TRIM INSTL; BACK & SIDE, B-PILLAR COVERS



16-380-0076-01

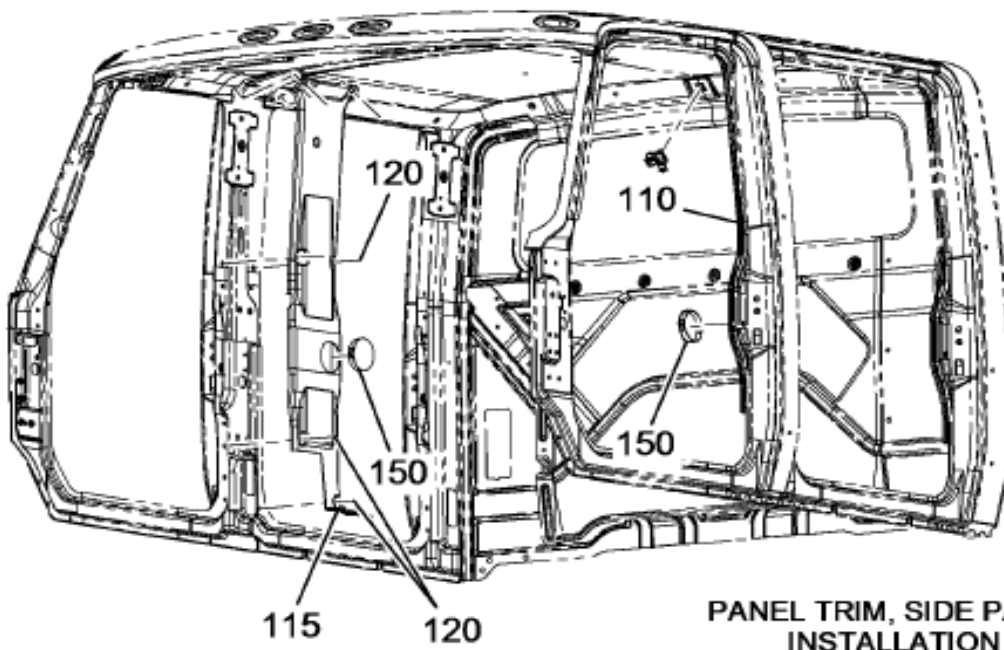
A10

Grp
16

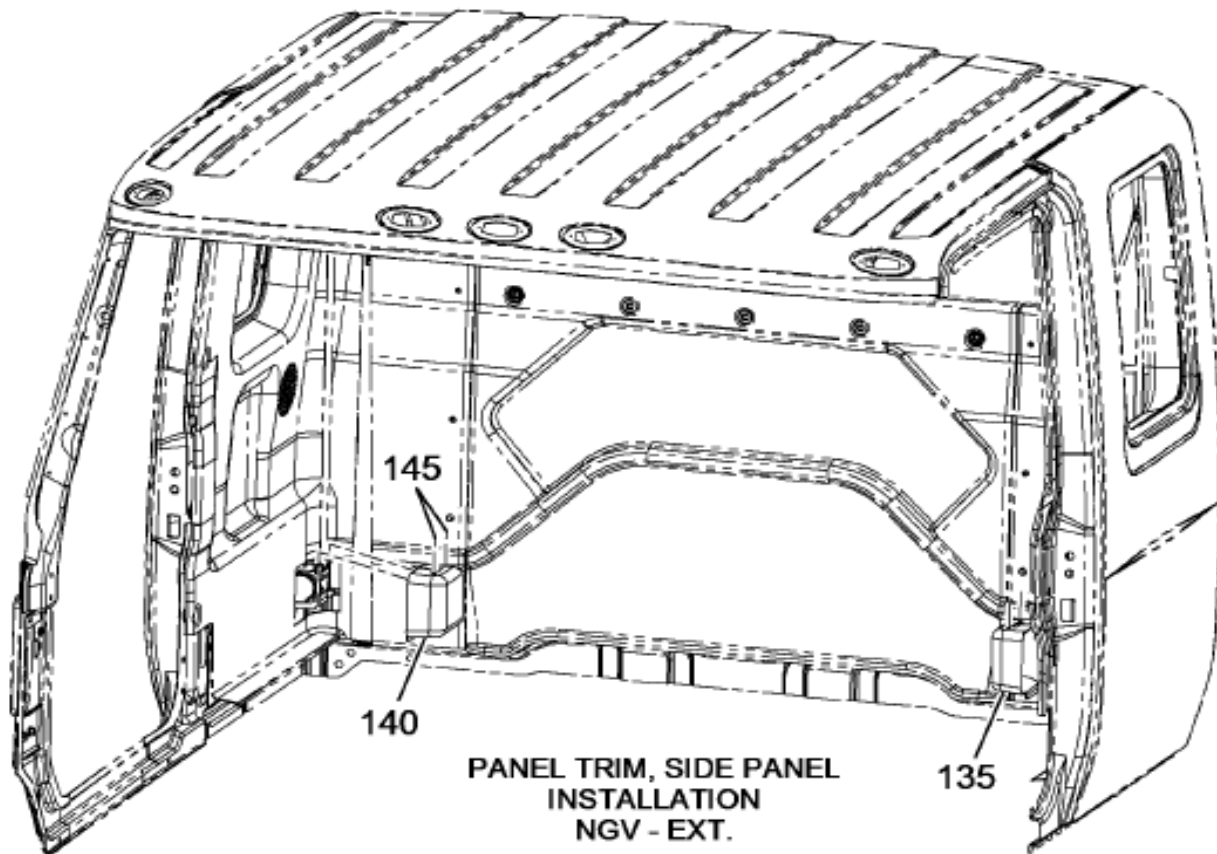
Figure 2 of 4

Figure 06SH9

INTERIOR TRIM INSTL; BACK & SIDE, B-PILLAR COVERS



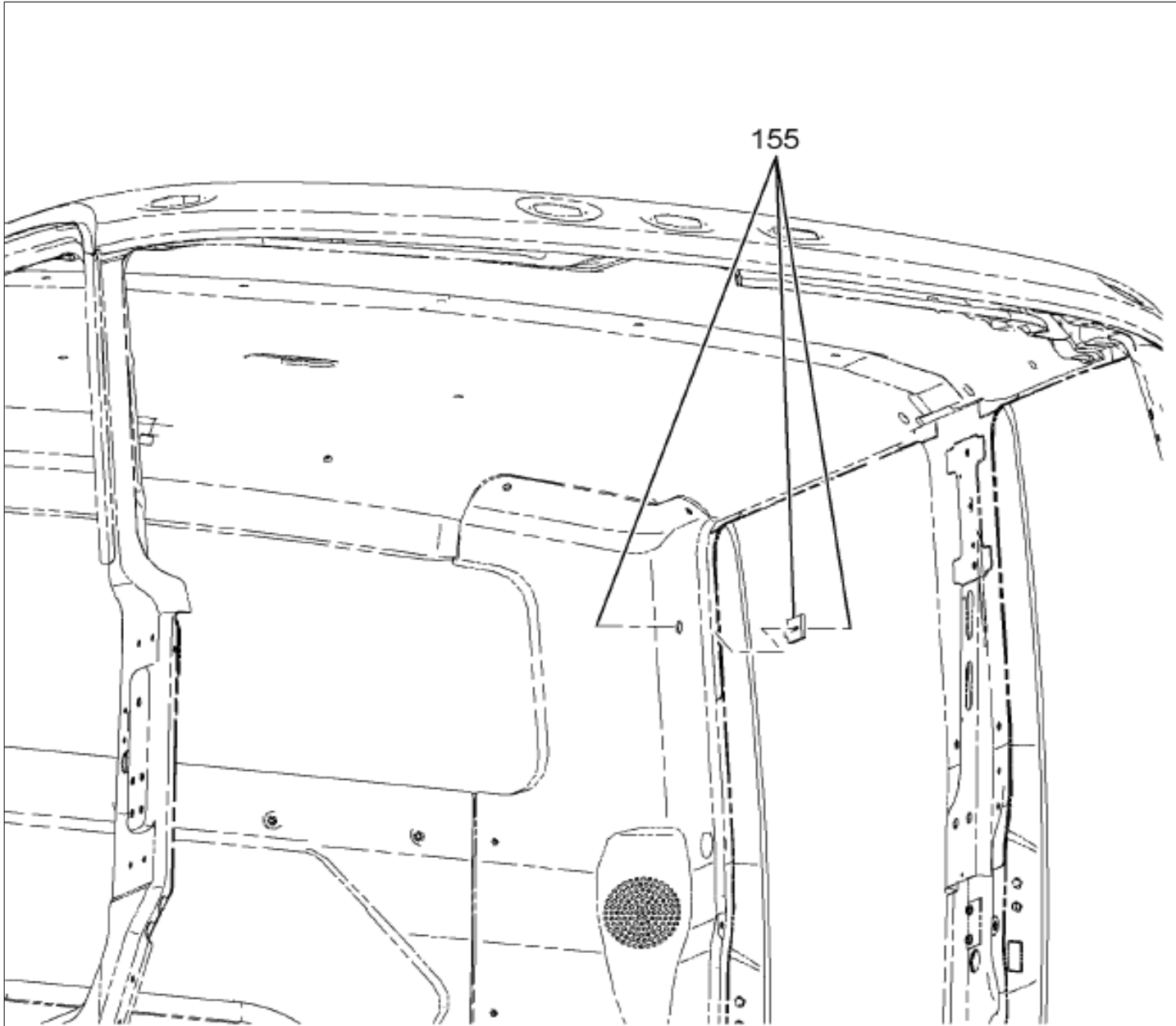
PANEL TRIM, SIDE PANEL
INSTALLATION
NGV - T/C



PANEL TRIM, SIDE PANEL
INSTALLATION
NGV - EXT.

Figure 06SH9

INTERIOR TRIM INSTL; BACK & SIDE, B-PILLAR COVERS



NGV
W/CREW CAB
W/16PCU

16-380-0158-03

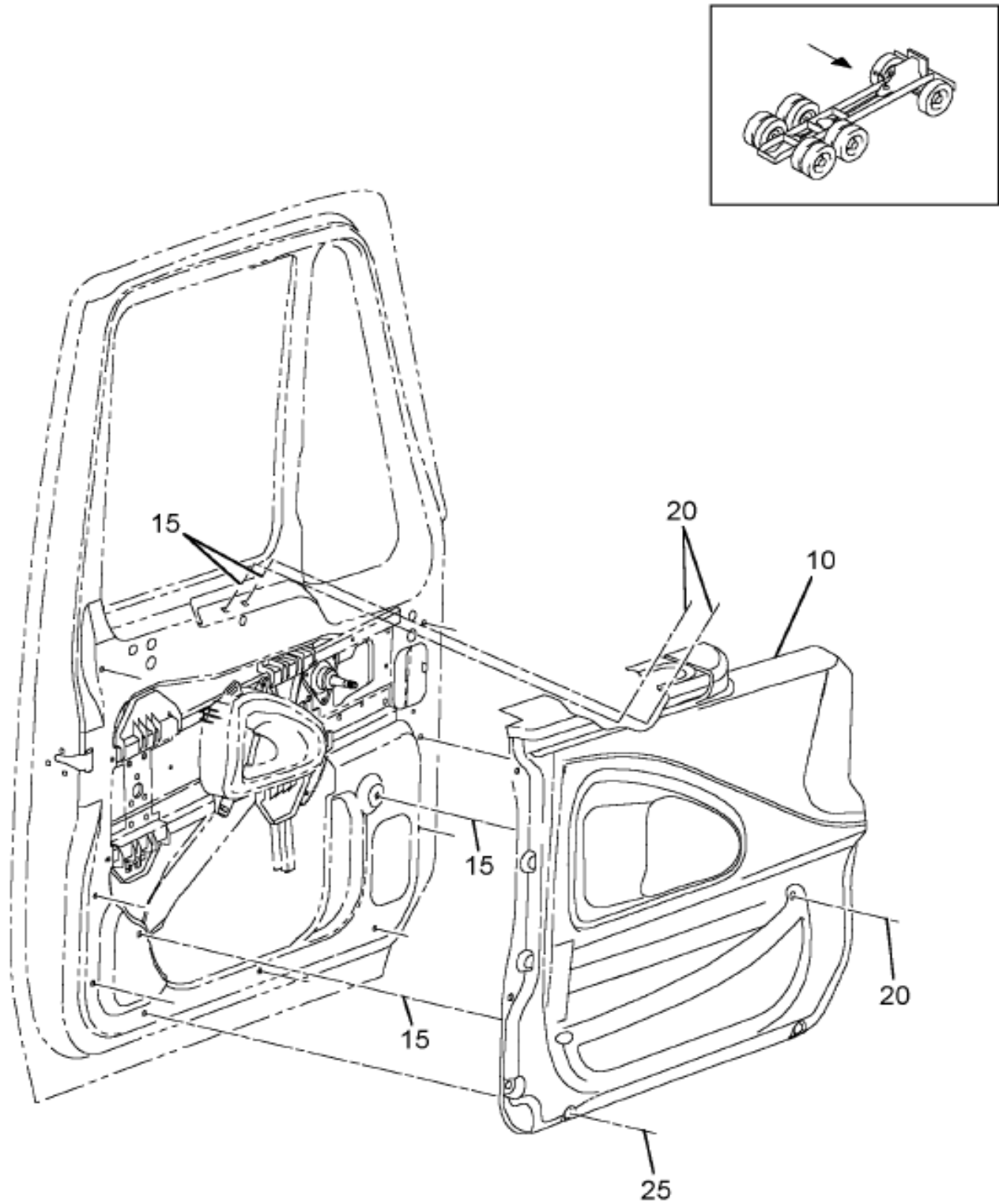
M09

Grp
16

Item	Part No.	Qty	Description	Kit	Var	Figure
30	3512588C7	1	PANEL, CAB BCK TRM LWR STD/CREW		0KNH9	
50	3548696C2	5	FASTENER, TRIM XMAS TREE GRAY		0KNH9	
65	3548696C2	8	FASTENER, TRIM XMAS TREE GRAY		0DZGZ	
85	3545410C2	1	PANEL, SIDE TRIM INTERIOR LH		0DZGZ	
85	3548696C2	8	FASTENER, TRIM XMAS TREE GRAY		0DZGZ	
90	3545411C2	1	PANEL, SIDE TRIM INTERIOR RH		0DZGZ	

Figure 06QG0

INTERIOR TRIM INSTL; CAB DOOR PANEL, FRONT, RIGHT

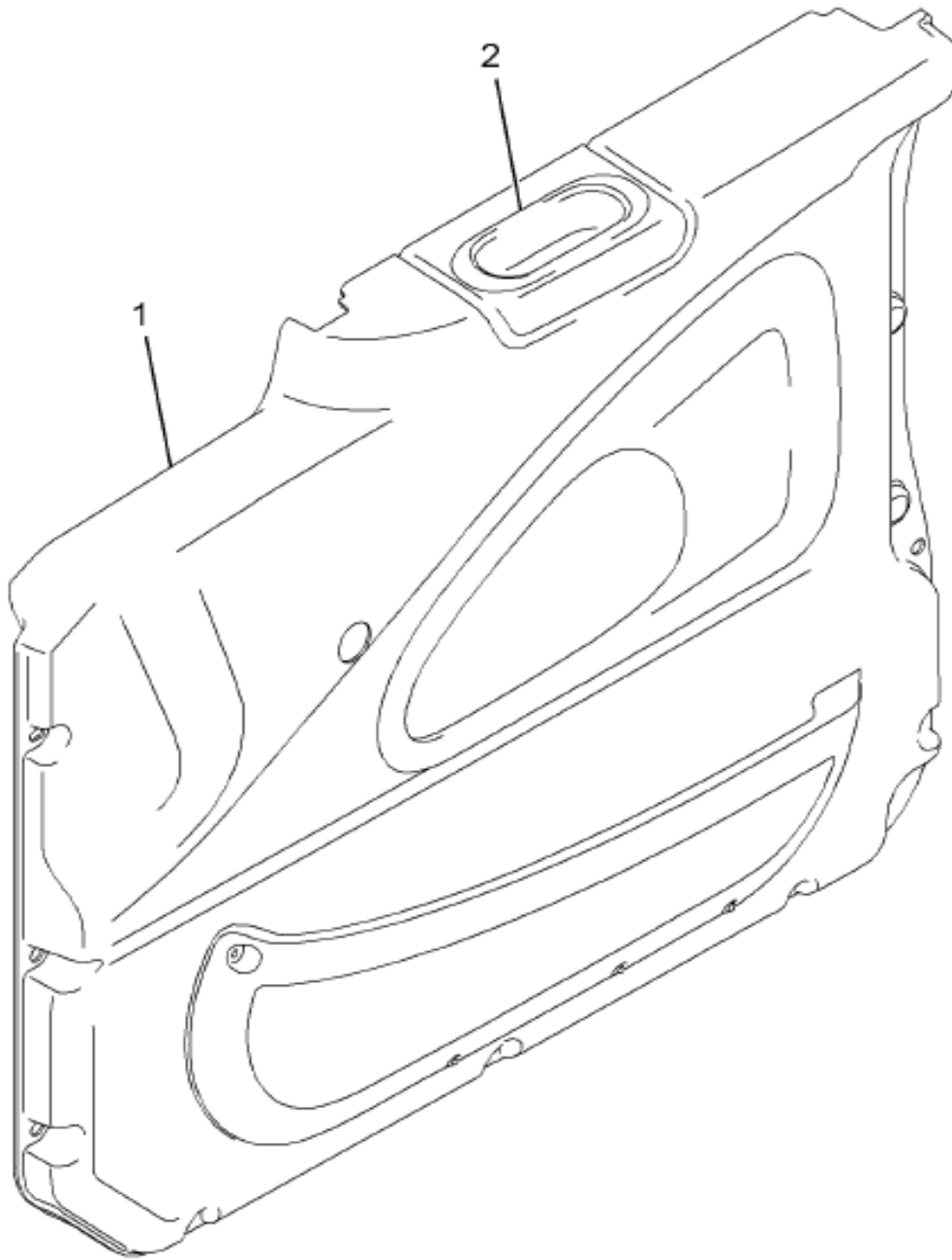


16-773-0035-AA

K02

Item	Part No.	Qty	Description	Kit	Var	Figure
10	3558221C92	1	PANEL, DOOR TRIM RH CONV FRONT		0FS1G	3558221C92
15	3548695C1	2	FASTENER, TRIM NYLON GROMMET		0FS1G	
20	3552454C1	2	SCREW, TAPPING M4.2 X 1.41-35MM		0FS1G	
25	3511058C2	9	FASTENER, TRM 2-STG RVT SMK GRY		0FS1G	

Figure 3558221C92
 PANEL, DOOR TRIM RH CONV FRONT



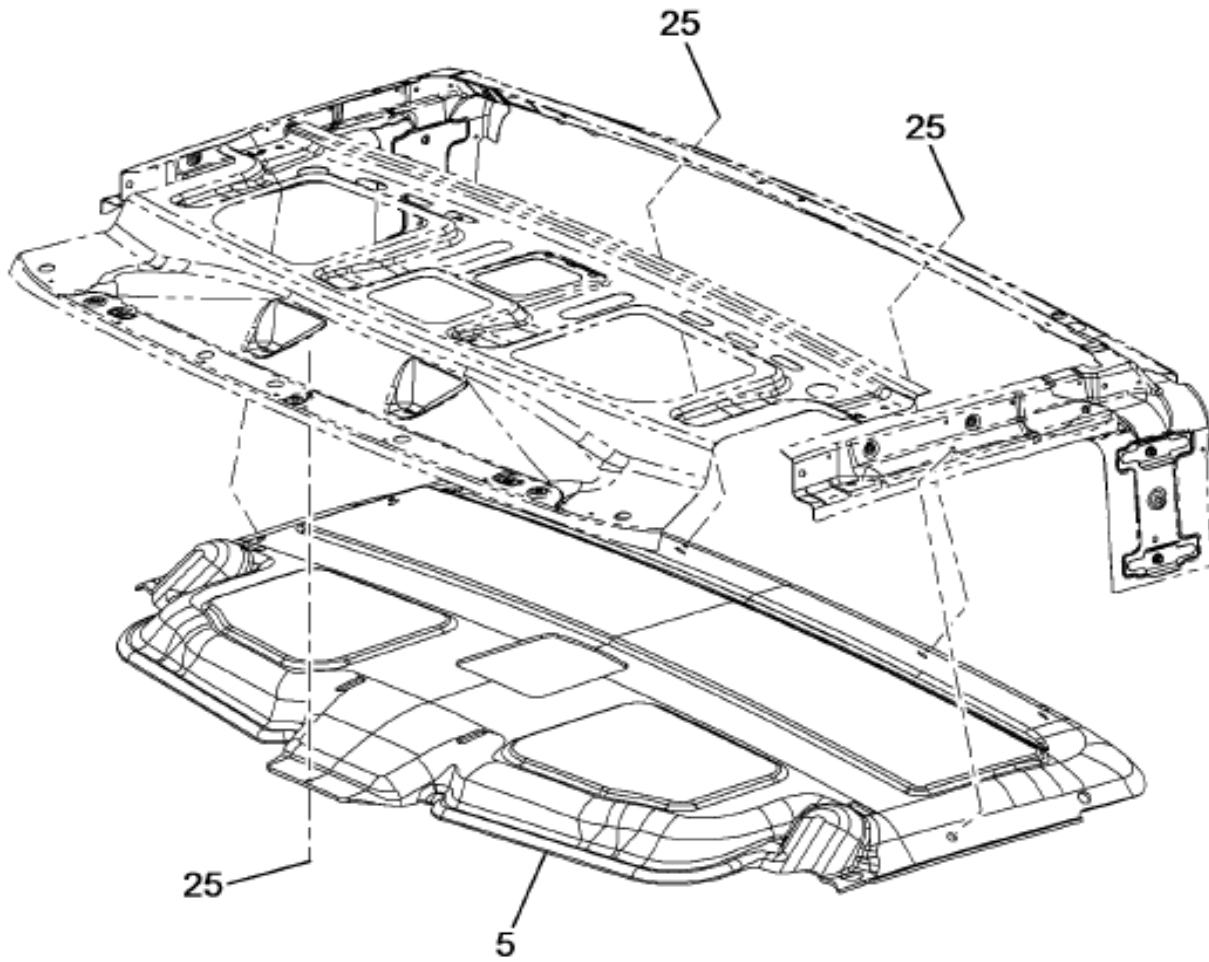
16-773-0051-01

C04

Grp
16

Item	Part No.	Qty	Description	Kit	Var	Figure
1	2506370C91	1	PANEL, DR TRM RH STD SMOKE GRAY			
2	2505201C1	1	CONTAINER, PULL CUP			
801	2506369C91	KT	KIT, INTR TRM PCKT SMK GRY RH			
880		RF	NOTE: ASM BELOW COMPRISED OF ABOVE COMPONENTS	Q		
881	3558221C92	RF	PANEL, DOOR TRIM RH CONV FRONT			

Figure 06SH8
INTERIOR TRIM; HEADLINER



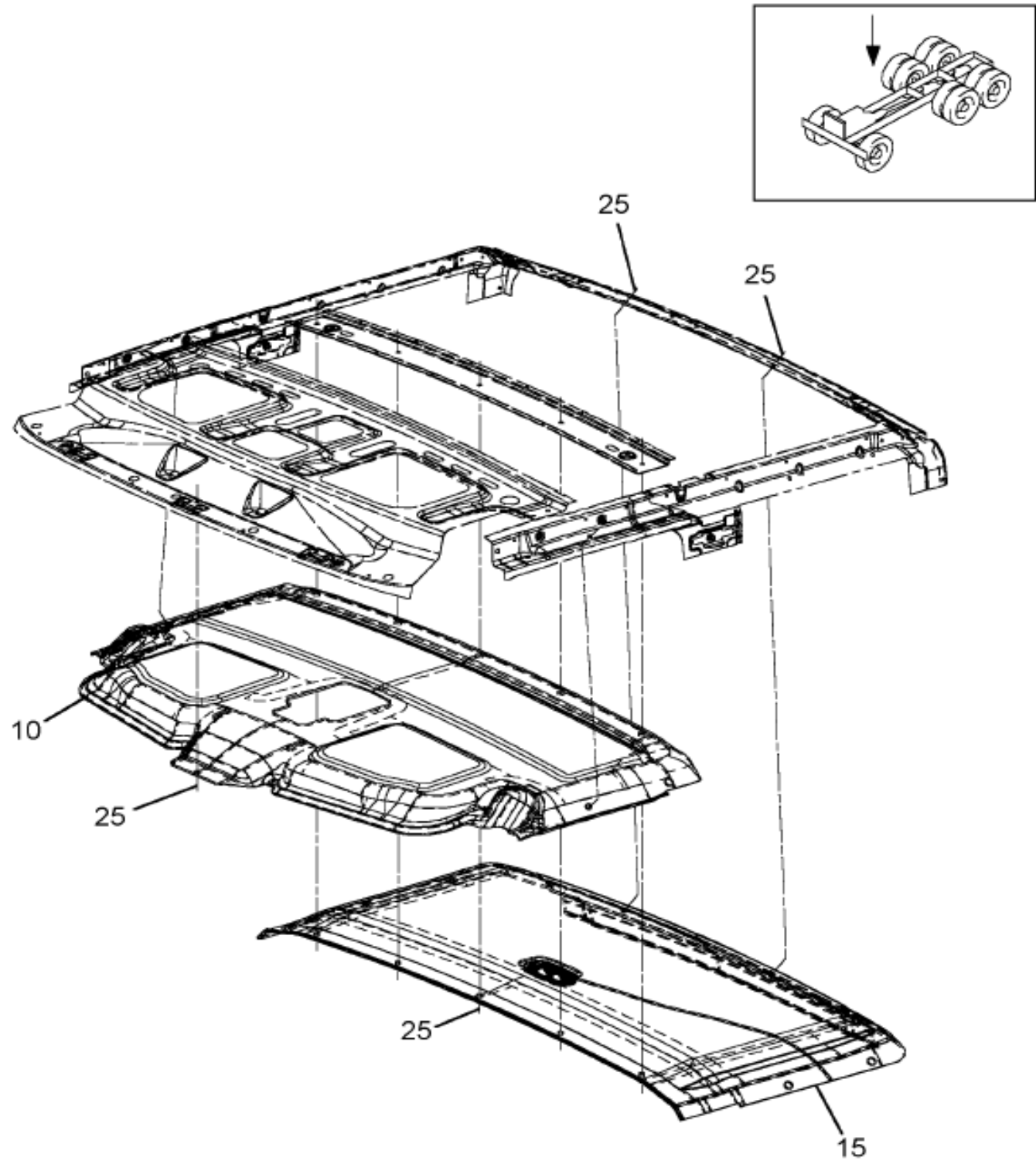
PANEL TRIM, SIDE PANEL
INSTALLATION
NGV - CONV

16-389-0033-01

E09

Figure 1 of 3

Figure 06SH8
INTERIOR TRIM; HEADLINER



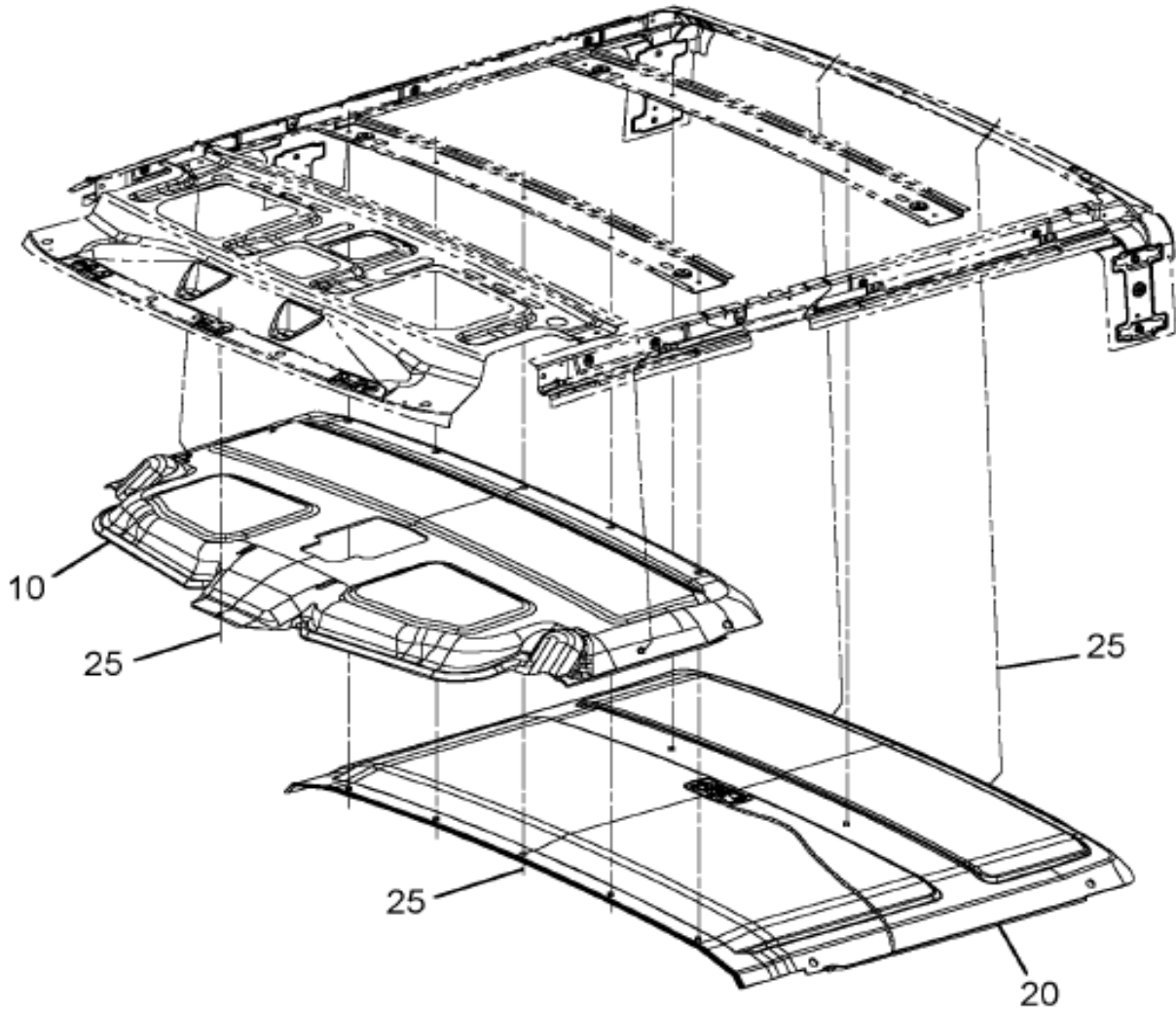
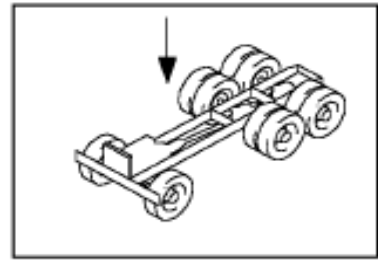
16-389-0034-01

M02

Grp
16

Figure 2 of 3

Figure 06SH8
 INTERIOR TRIM; HEADLINER

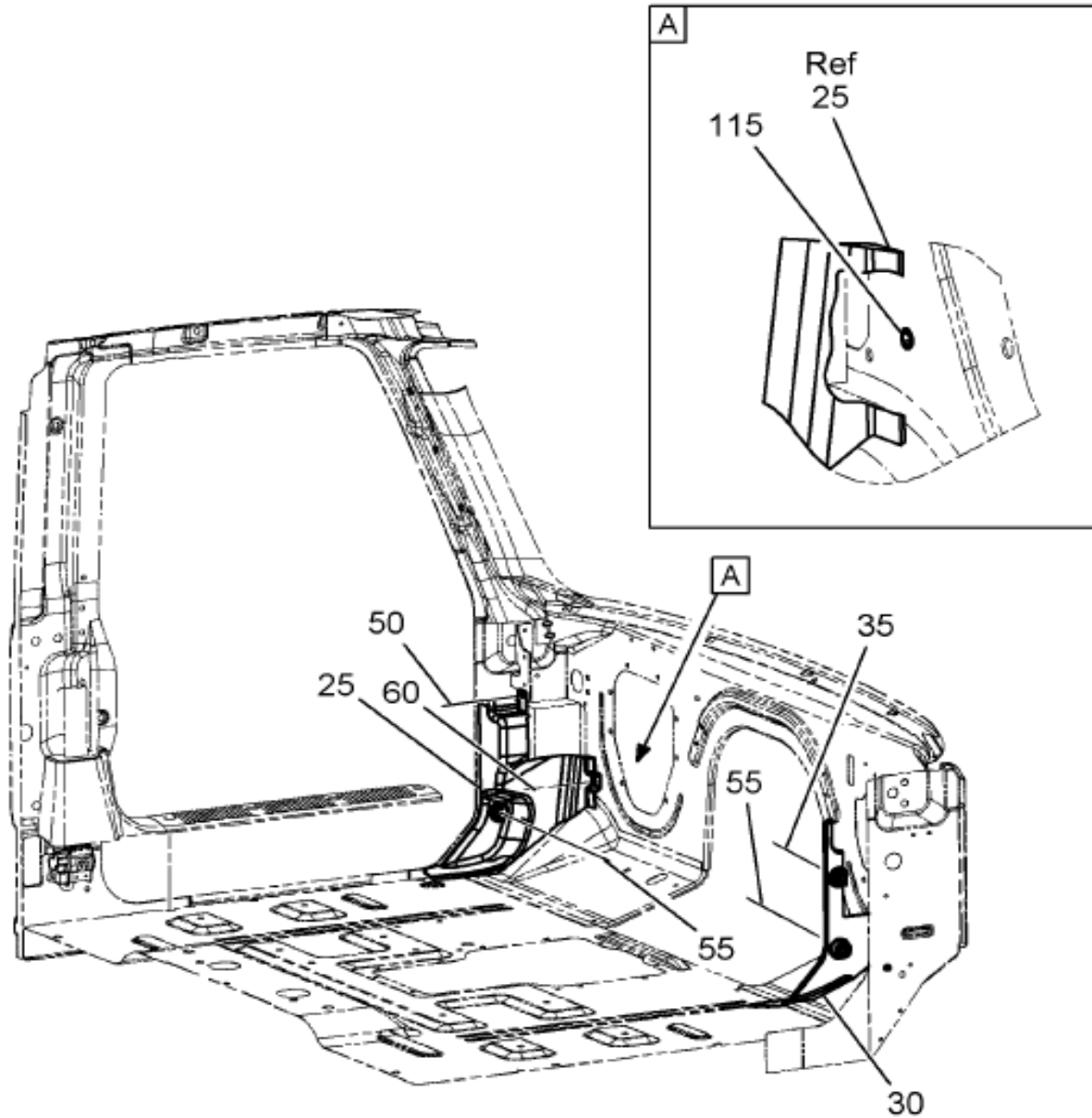


16-389-0035-01

M02

Item	Part No.	Qty	Description	Kit	Var	Figure
10	3562027C1	1	LINING, HEAD ROOF TRIM EXTENDED		OMMY7	
25	3548696C2	8	FASTENER, TRIM XMAS TREE GRAY		OMMY7	

Figure 06NKM
 INTERIOR TRIM; KICK PANEL INSTL



16-415-0005-AA

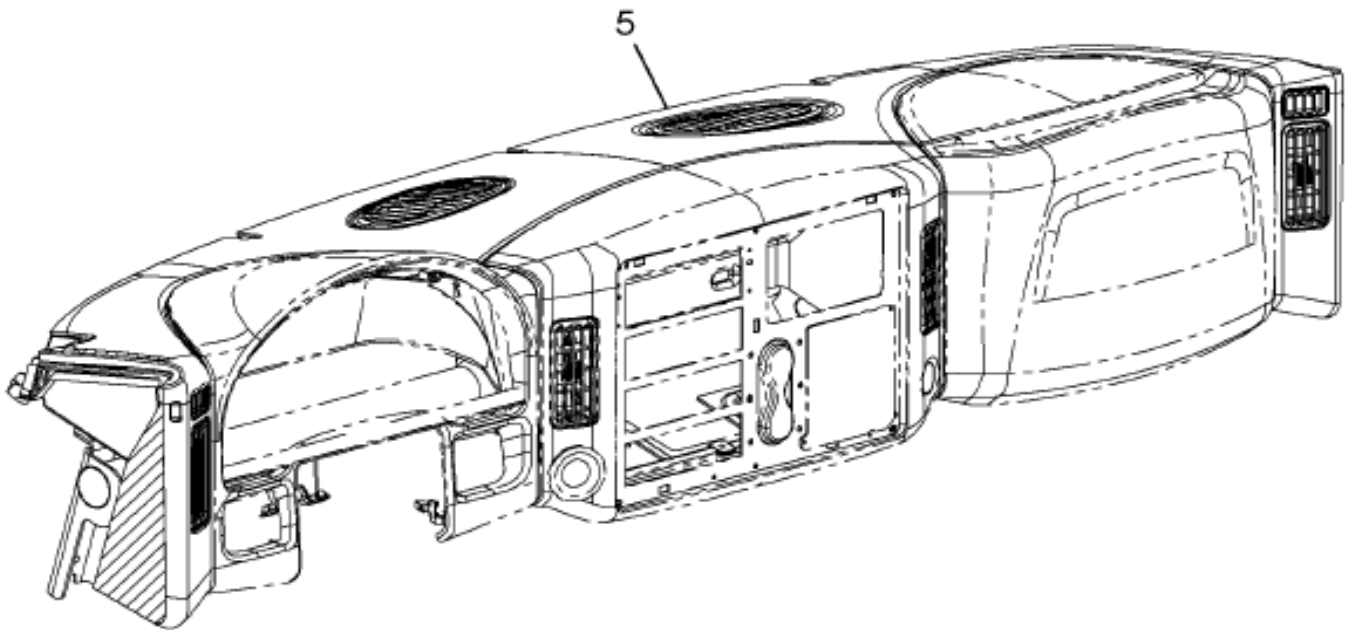
B10

Grp
16

Item	Part No.	Qty	Description	Kit	Var	Figure
25	3544791C3	1	PANEL, COWL TRIM LH		06NLW	
30	3544792C3	1	PANEL, COWL TRIM RH		06NLW	
35	3511058C2	1	FASTENER, TRM 2-STG RVT SMK GRY		06NLW	
50	3534873C2	1	NUT, HEX*M8 X 1.25 W/CAPTURE WA		06NLW	
55	3532083C1	2	BOLT, LOCK 8 MM W/PATCH		06NLW	
60	3510917C1	1	BOLT, SEMS ALL M6 35MM LONG HEX		06NLW	

Figure 06JTX

IP MODULE EFFECTS; ABR#1, MAIN CARRIER ASM



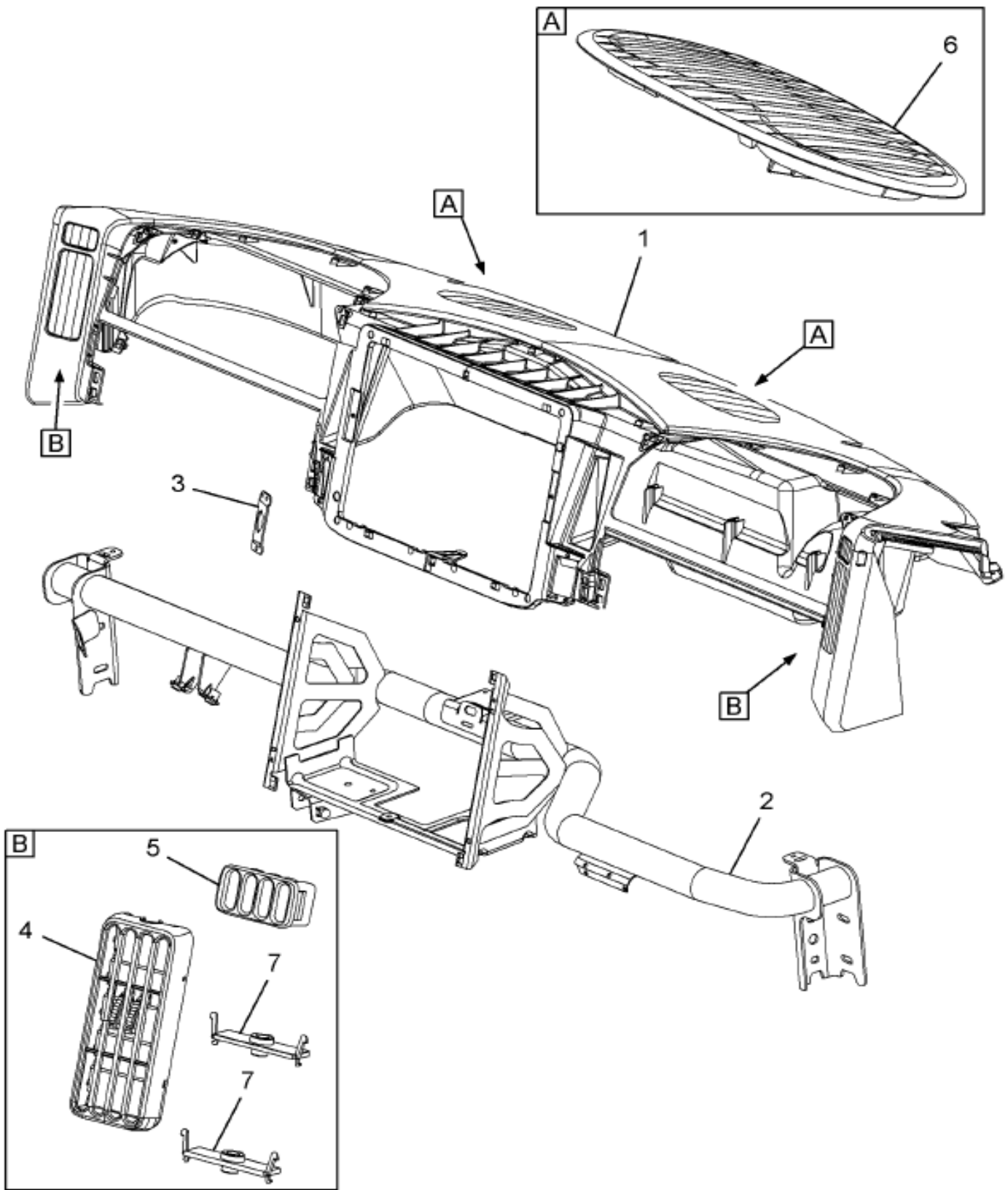
08-P01-0002-A1

B11

Grp
16

Item	Part No.	Qty	Description	Kit	Var	Figure
5	3511018F93	1	INST PANEL MAIN CARRIER LHD		06JTY	3511018F93

Figure 3511018F93
INST PANEL MAIN CARRIER LHD



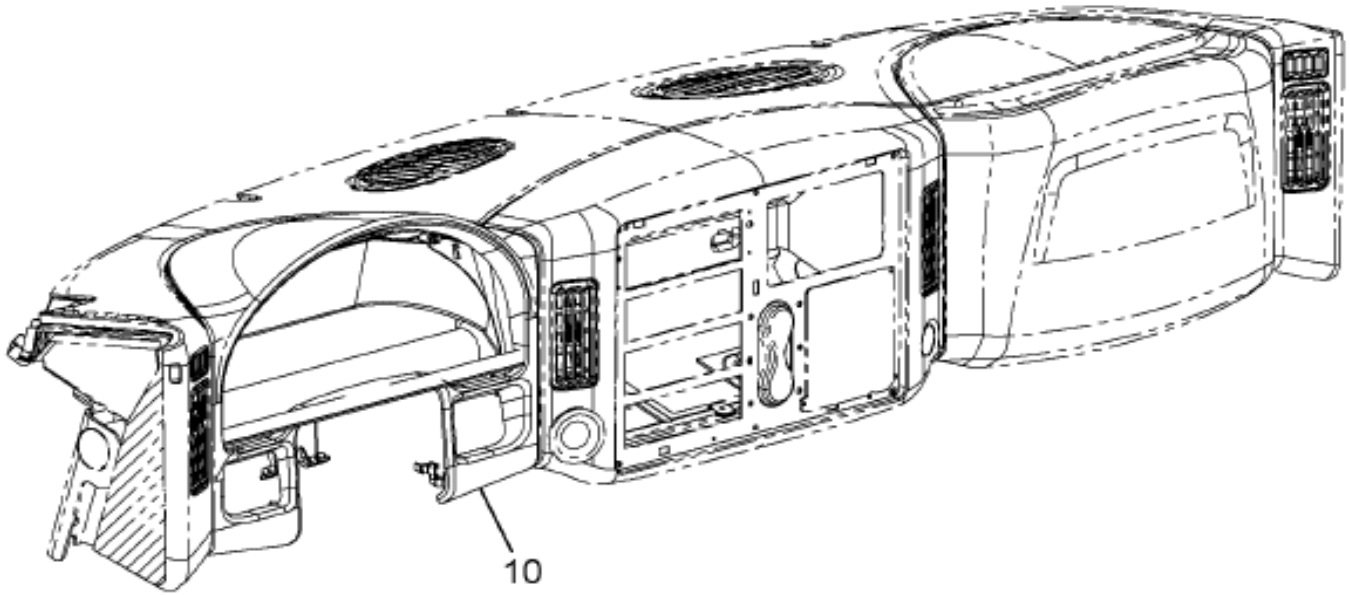
08-P01-0001-00

E04

Item	Part No.	Qty	Description	Kit	Var	Figure
1	3547243C1	1	PANEL, INSTRUMENT DUCT LHD			
2	3547249C1	1	PANEL, INSTRUMENT TIEBAR LHD			
3	3554198C1	1	BRACKET, SWITCH IGNITION			
4	3547244C1	2	OUTLET, LOUVER AIR COND			
5	3547247C1	2	OUTLET, DEFROSTER SIDE WINDOW			
6	3547246C1	2	OUTLET, DEFROSTER WINDSHIELD			

Figure 06JV1

IP MODULE EFFECTS; ABR#2, LEFT CLOSEOUT PANEL

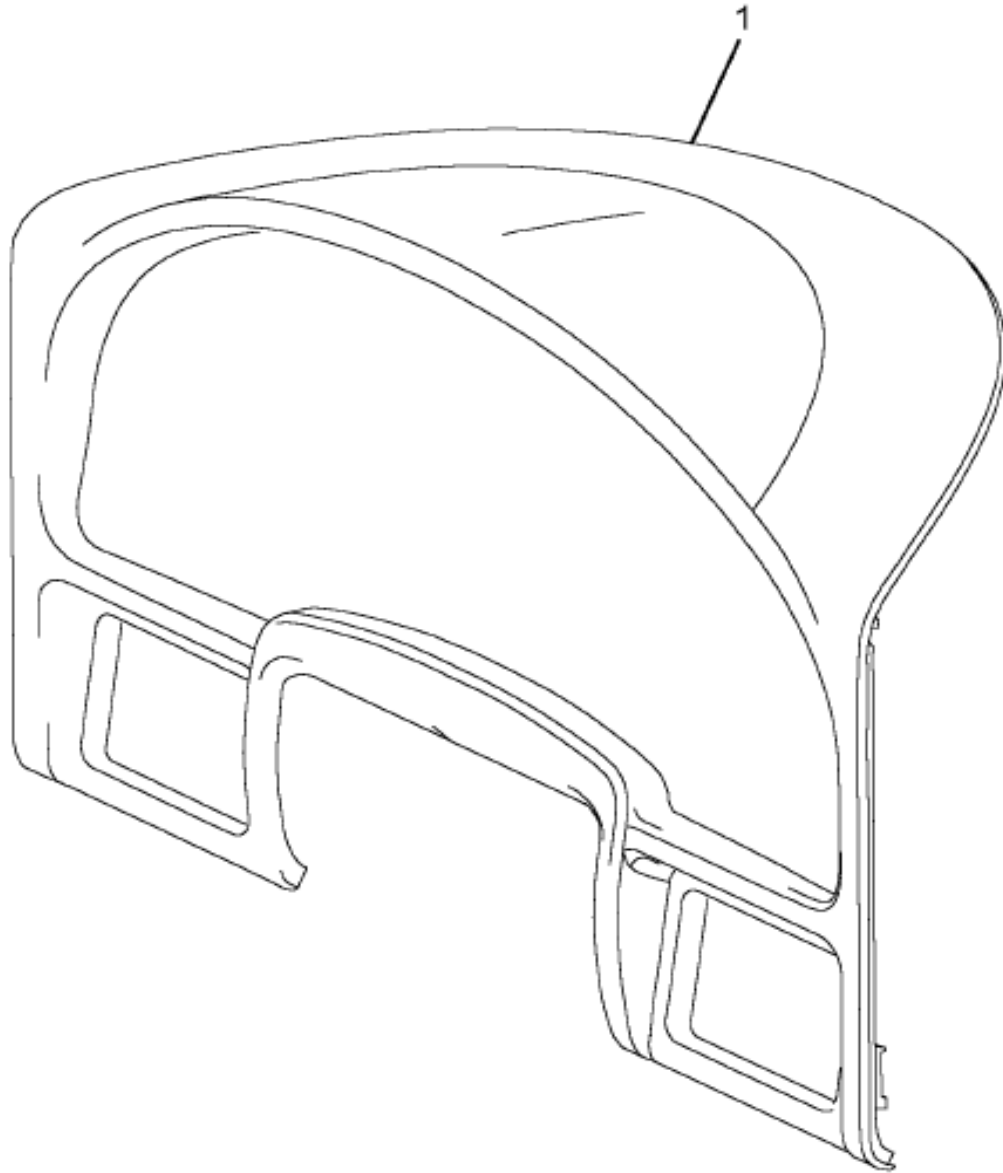


08-P02-0003-A2

B11

Item	Part No.	Qty	Description	Kit	Var	Figure
10	3511042F93	1	INST PNL CLSTR CLSOUT LHD		06JV2	3511042F93

Figure 3511042F93
INST PNL CLSTR CLSOUT LHD



08-P02-0002-00

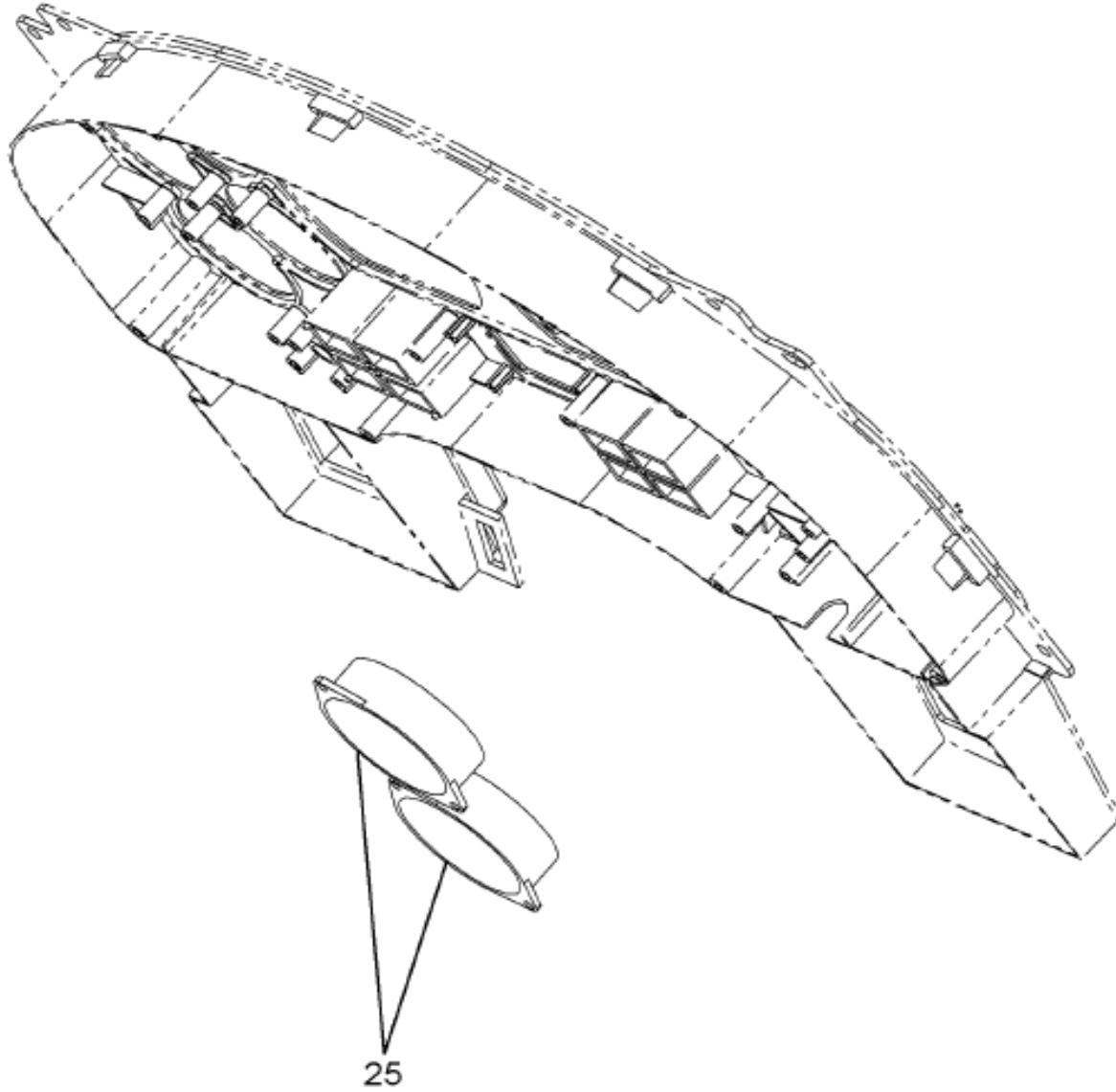
J03

Grp
16

Item	Part No.	Qty	Description	Kit	Var	Figure
1	3547251C1	1	PANEL, INSTRUMENT CLSTR CLOSEOU			
1	2507003C1	6	CLIP, INSTR CLSTR CLOSEOUT TRM			
880		RF	NOTE: ASM BELOW COMPRISED OF ABOVE COMPONENTS			
881	3511042F93	RF	INST PNL CLSTR CLSOUT LHD			

Figure 0DBVZ

IP MODULE EFFECTS; ABR#21, GAUGE BLANKS

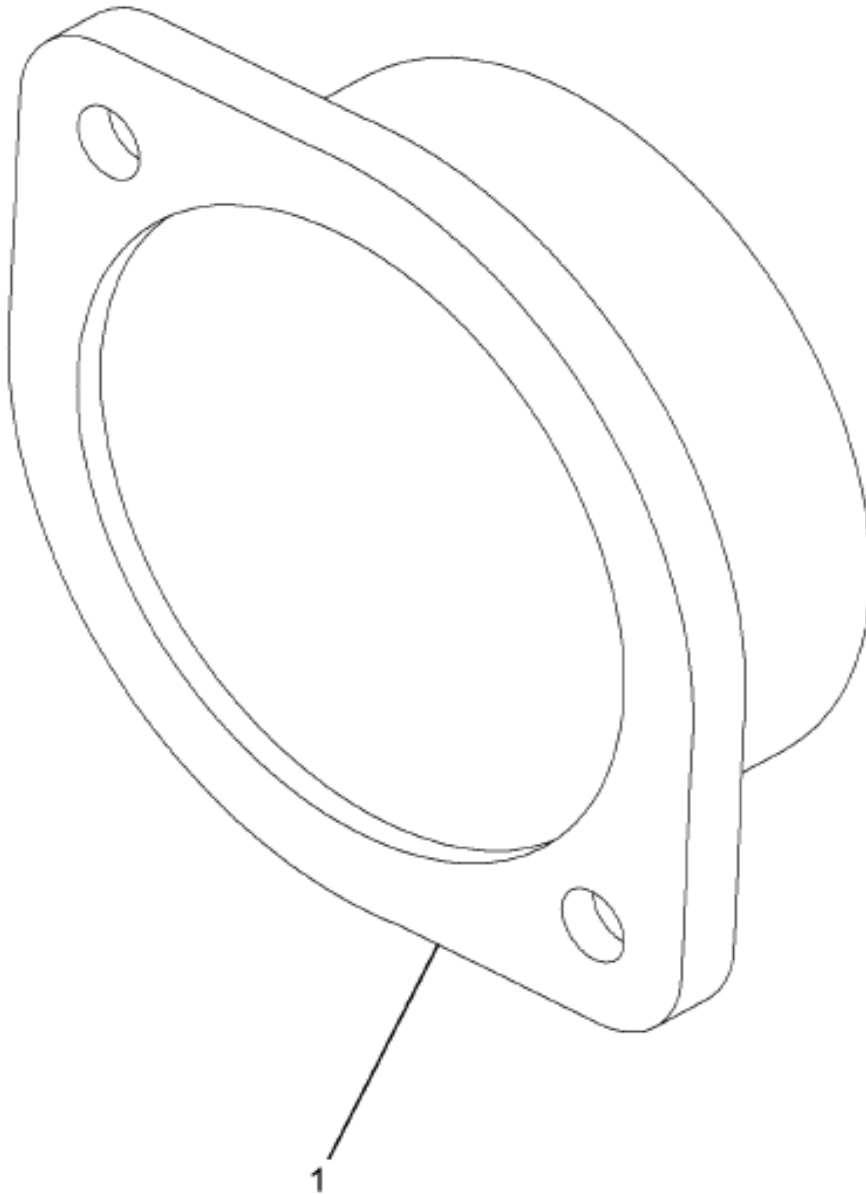


08-P21-0001-01

J04

Item	Part No.	Qty	Description	Kit	Var	Figure
25	3536055F91	1	GAUGE, ELTRNC*BLANK - COVER QTY		0LX41	3536055F91

Figure 3536055F91
 GAUGE,ELTRNC*BLANK - COVER QTY



08-P42-0009-01

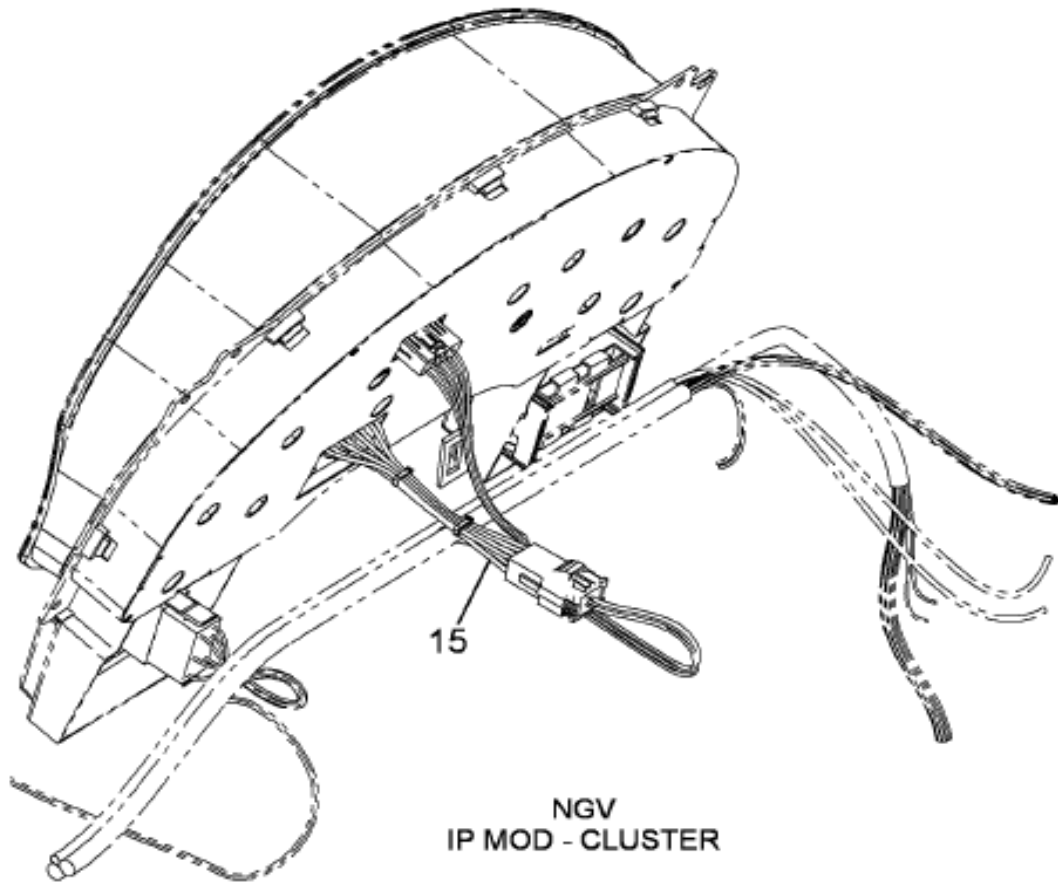
C04

Grp
16

Item	Part No.	Qty	Description	Kit	Var	Figure
1	3533906C1	2	COVER,GAUGE HOLE*BLANK - INSTR			
880		RF	NOTE: ASM BELOW COMPRISED OF ABOVE COMPONENTS			
881	3536055F91	RF	GAUGE,ELTRNC*BLANK - COVER QTY			

Figure 06P5C

IP MODULE EFFECTS; ABR#22, RIGHT SIDE WARNING LIGHT

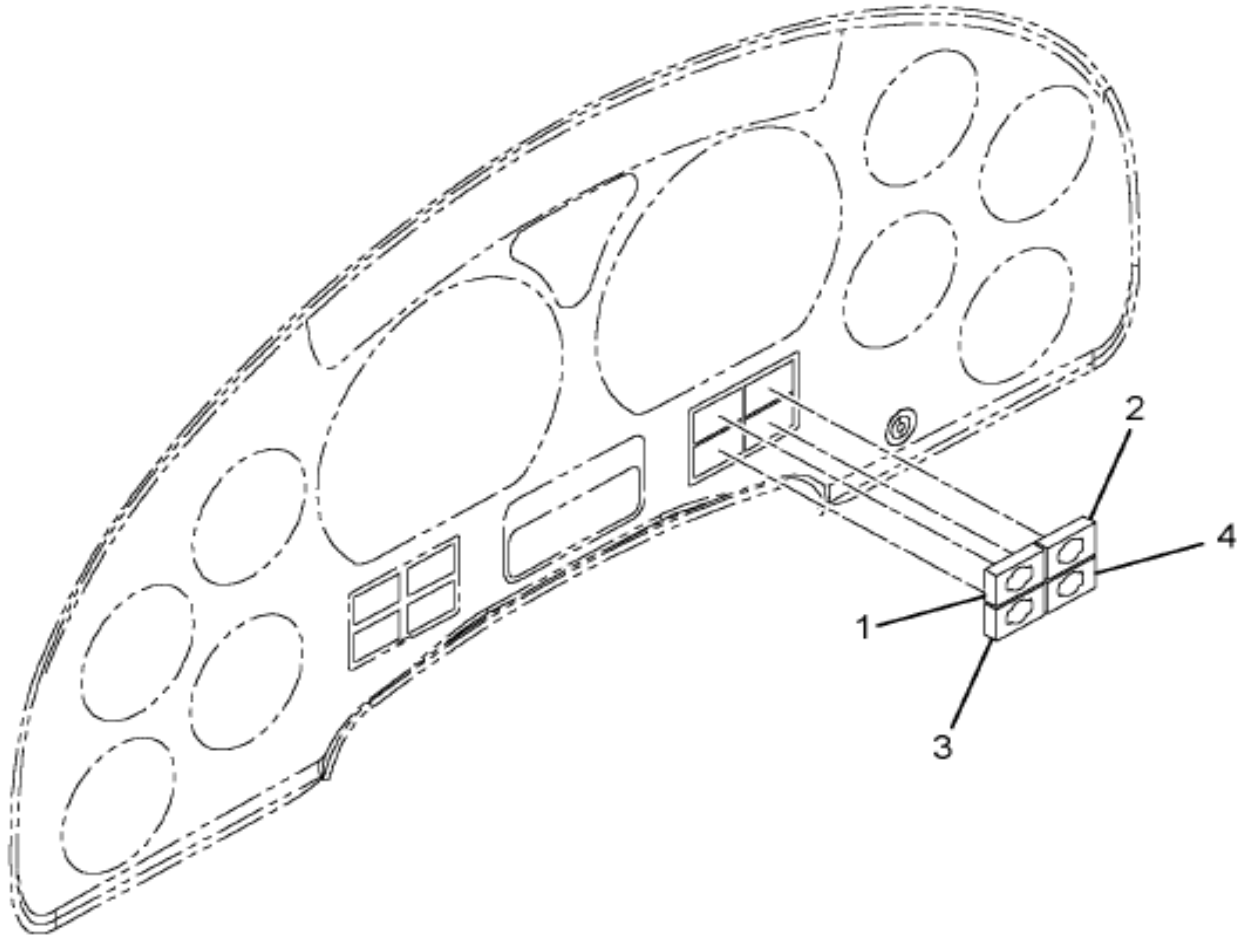


08-P22-0003-C0

A11

Item	Part No.	Qty	Description	Kit	Var	Figure
15	3588131F91	1	ELEC IP,OPT WARN W/XFER CAS		0K4LH	3588131F91

Figure 3588131F91
ELEC IP,OPT WARN W/XFER CAS



08-P22-0006-01

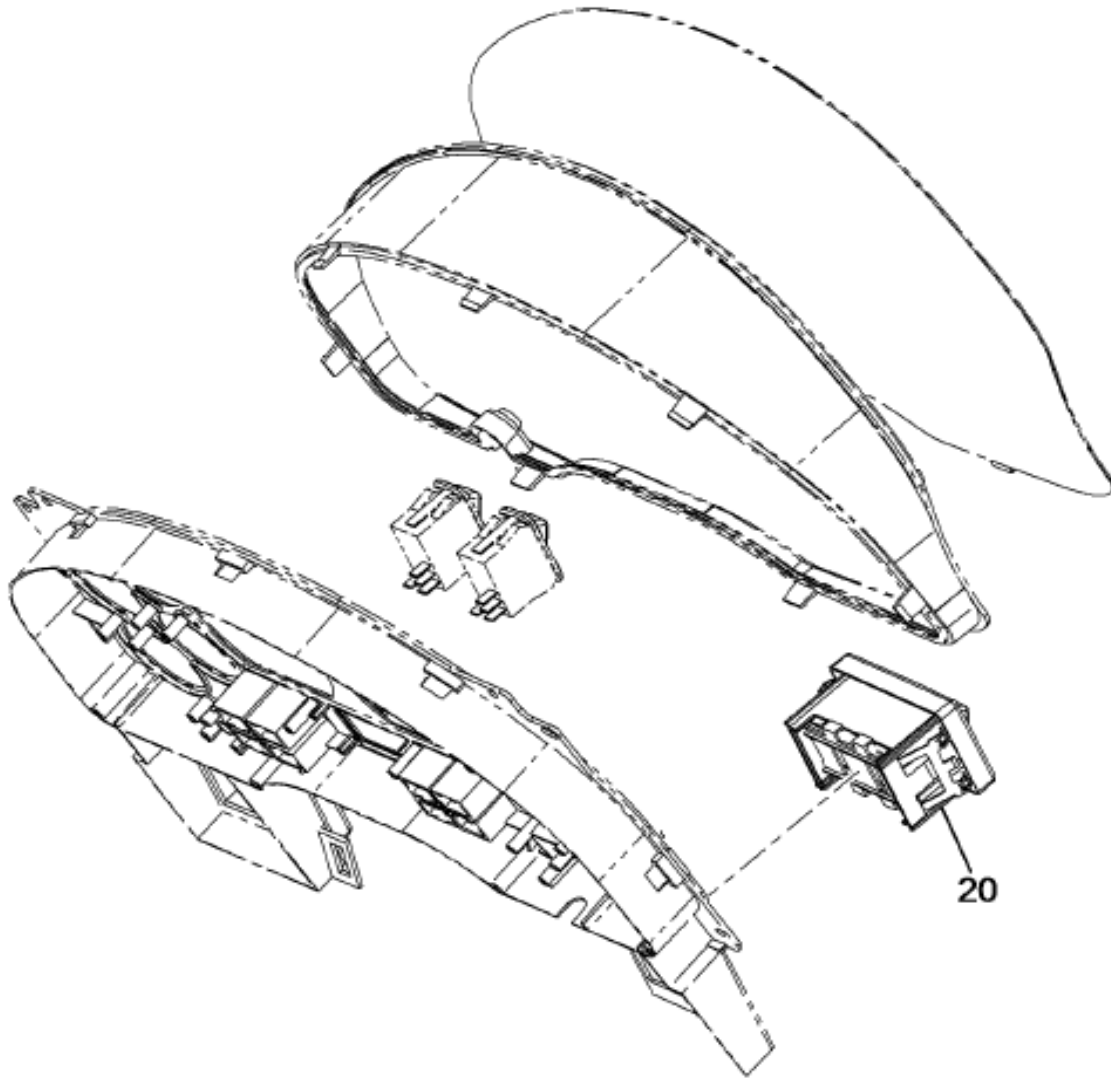
H03

Grp
16

Item	Part No.	Qty	Description	Kit	Var	Figure
1	3550731C2	1	LENS, INSTR CLUSTER*FWD AXLE DI			
2	3550732C2	1	LENS, INSTR CLUSTER*RR AXLE DIF			
3	3550733C1	1	LENS, INSTR CLUSTER*SNOW VALVE			
4	3588116C1	1	LENS, INSTR CLUSTER*FR AXLE ENG			
800	RF		NOTE: THE FOLLOWING PARTS ARE NON-ILLUSTRATED			

Figure 0J7JK

IP MODULE EFFECTS; ABR#23, LEFT HAND SWITCH HOUSING



NGV
IP MOD - CLUSTER
(W/AIR BRAKES)

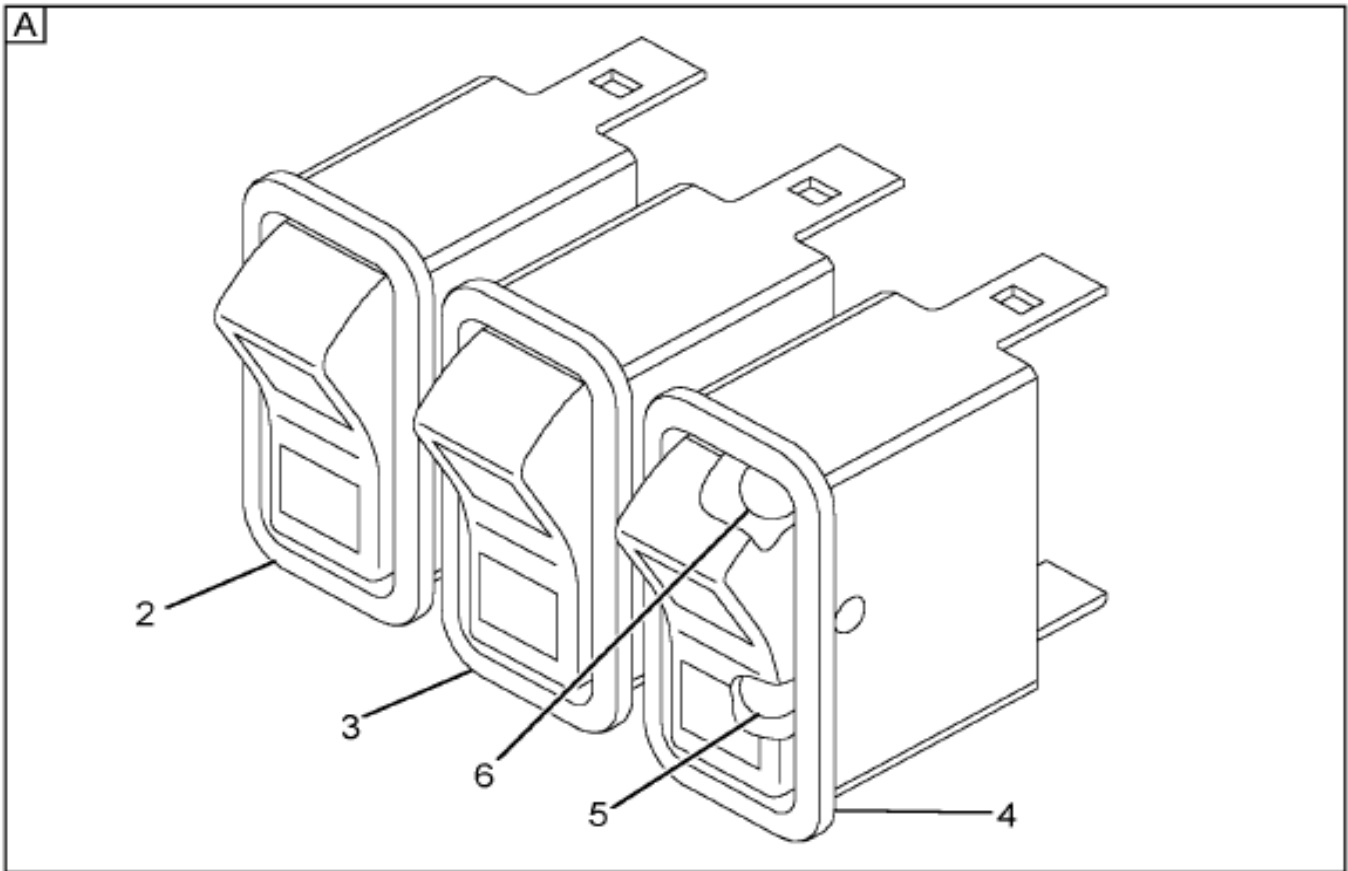
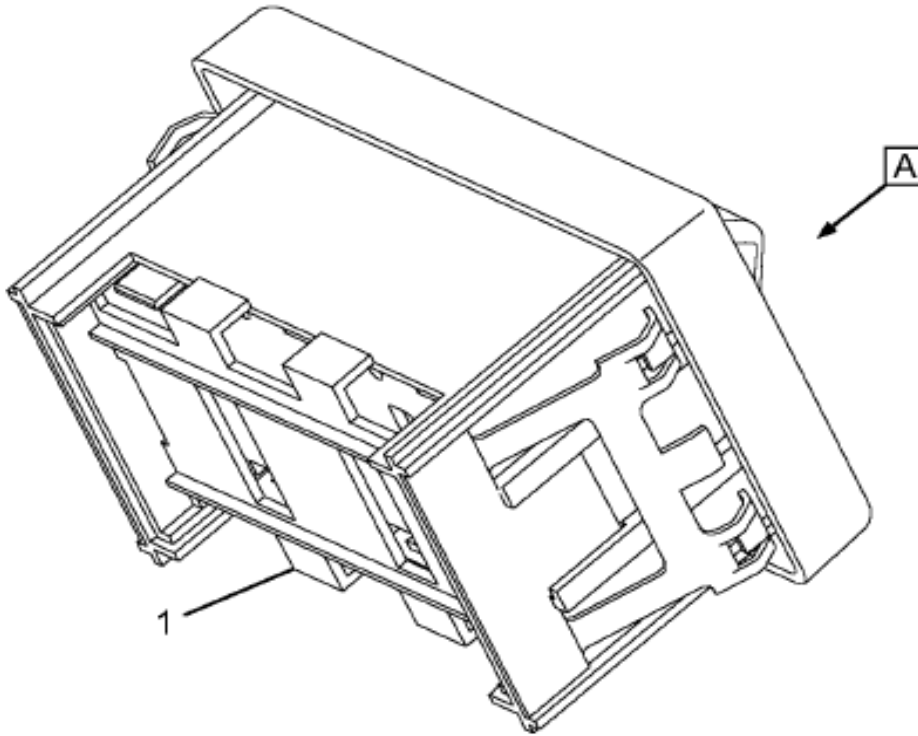
08-P23-0003-01

A09

Grp
16

Item	Part No.	Qty	Description	Kit	Var	Figure
20	3581699F91	1	ELEC IP,3 SW HDLGT MOD-2LYR		0JD12	3581699F91

Figure 3581699F91
ELEC IP, 3 SW HDLGT MOD-2LYR



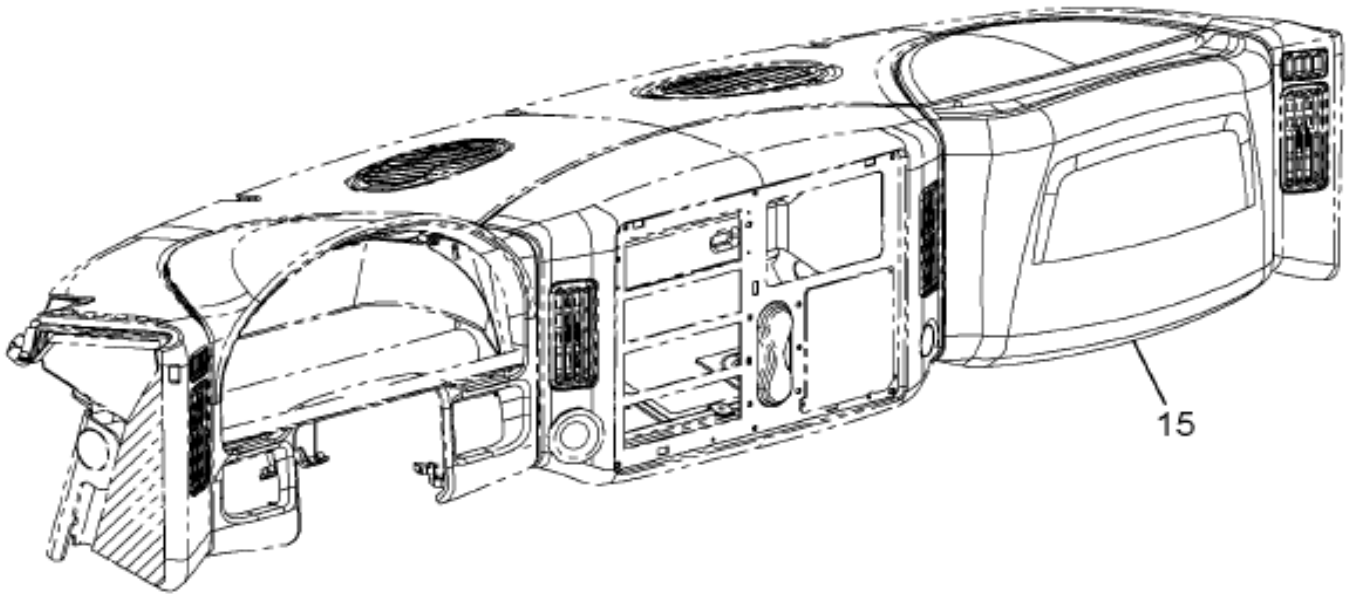
08-P23-0004-01

E03

Item	Part No.	Qty	Description	Kit	Var	Figure
1	3582062C1	1	HOUSING,SW ASSY,2/3 PK (2 LYR)			
2	3563061C1	1	SWITCH,HEADLIGHT-3 WAY ROCKER			
3	3563062C1	1	SWITCH,ELEC PANEL LIGHT DIMMER			3563062C1
4	3563063C1	1	SWITCH,ELECTRONIC WORK LIGHT			3563063C1
5	3533928C1	1	LIGHT,IND,LED AMBER BKLGT			
6	3578733C1	1	LIGHT,IND,LED ON-GREEN,BRIGHT			

Figure 06JV5

IP MODULE EFFECTS; ABR#3, RIGHT CLOSEOUT PANEL

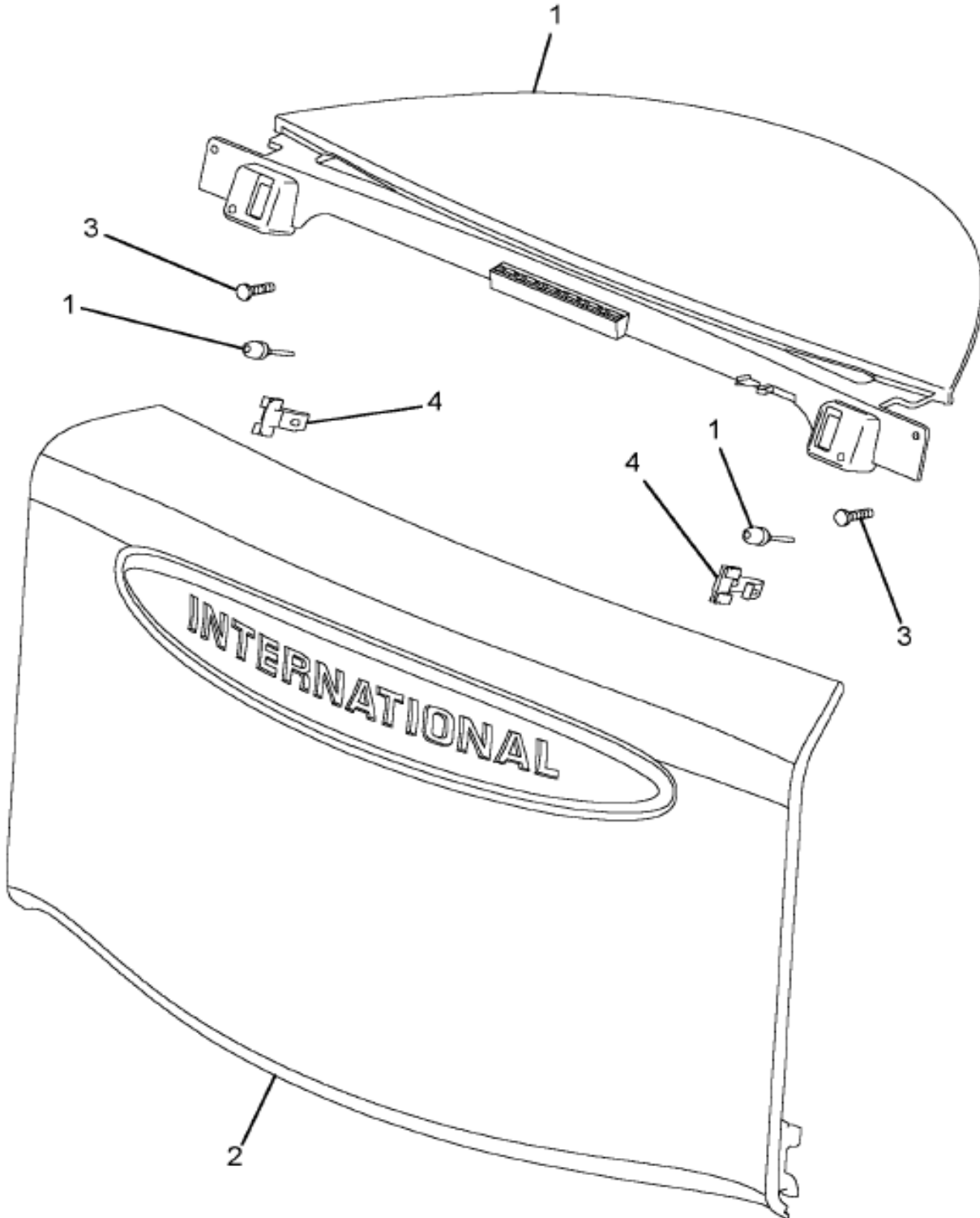


08-P03-0003-A3

B11

Item	Part No.	Qty	Description	Kit	Var	Figure
15	3511056F93	1	INST PNL PASS CLSOUT LHD		06JV6	3511056F93

Figure 3511056F93
INST PNL PASS CLSOUT LHD



08-P03-0002-00

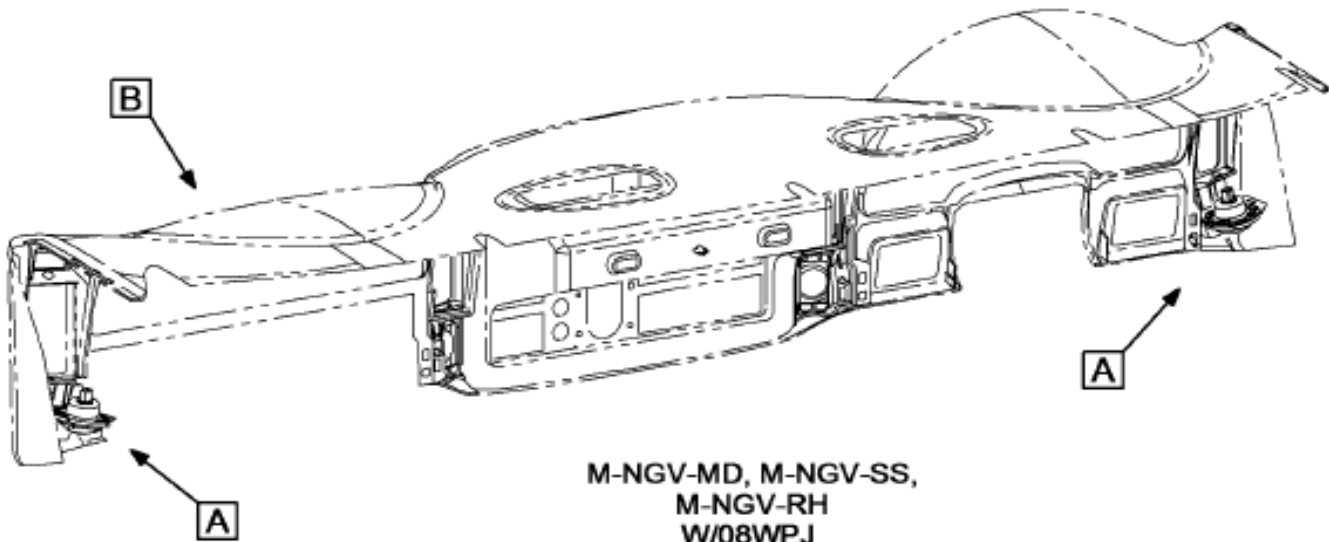
G03

Grp
16

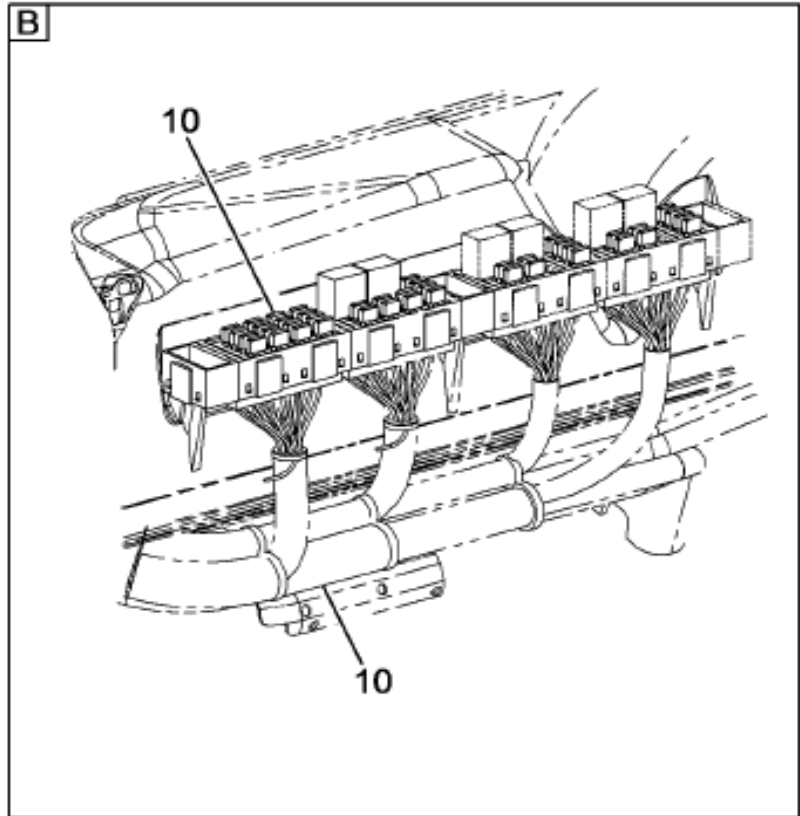
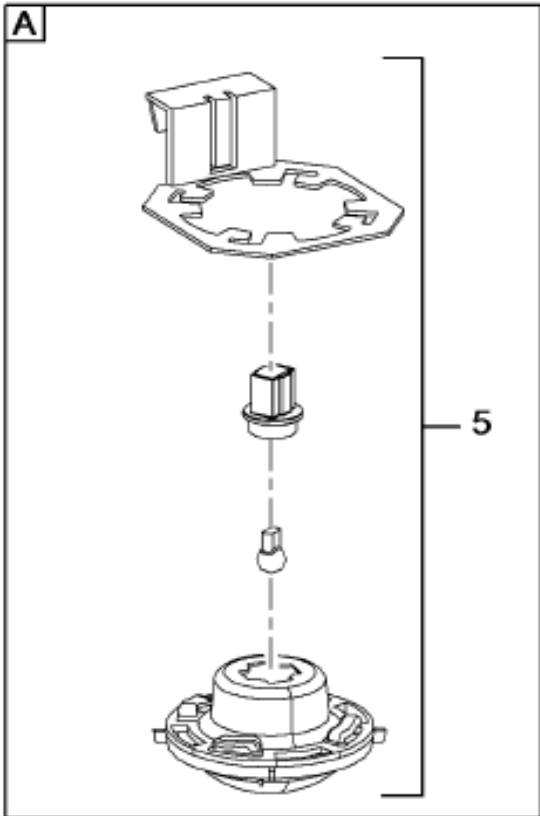
Item	Part No.	Qty	Description	Kit	Var	Figure
1	3547252C1	1	PANEL, INSTRUMENT UPR PAS PNL			
2	3547253C1	1	PANEL, INSTRUMENT FUSE ACCESS			
3	473143C1	2	SCREW, SPECIAL HI-LOW			
4	2507003C1	2	CLIP, INSTR CLSTR CLOSEOUT TRM			
880	RF		NOTE: ASM BELOW COMPRISED OF ABOVE COMPONENTS			

Figure 0DC0X

IP MODULE EFFECTS; ABR#30, COURTESY & DOME LIGHT WIRING



M-NGV-MD, M-NGV-SS,
M-NGV-RH
W/08WPJ
W/016WRX, 016WSG
OR
W/016WRZ, 016WSJ



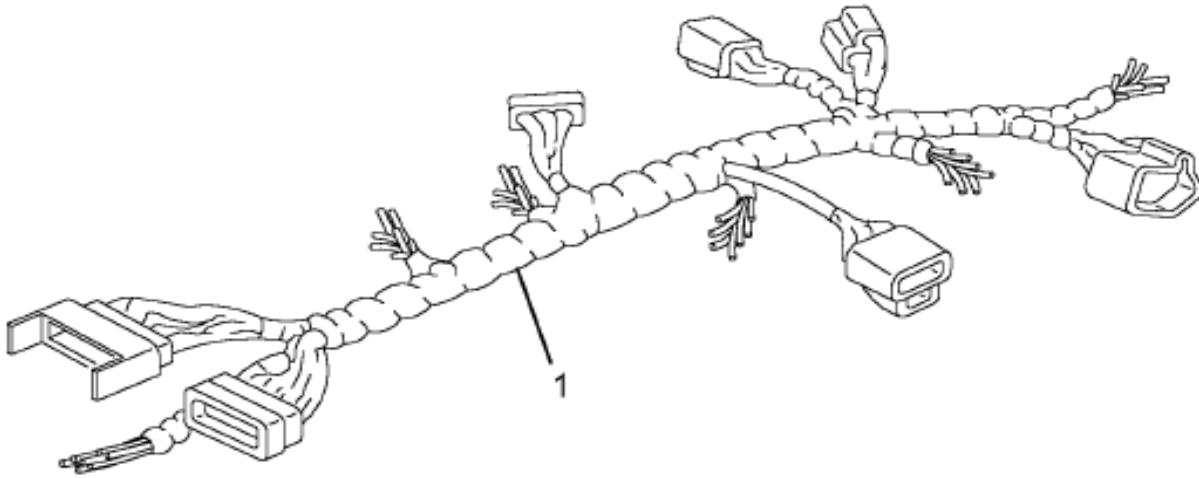
08-P30-0003-A0

M08

Item	Part No.	Qty	Description	Kit	Var	Figure
10	3549471F92	1	ELEC IP; DOME & COURTESY LIGHT		0DCJX	3549471F92

Grp
16

Figure 3549471F92
ELEC IP; DOME & COURTESY LIGHT

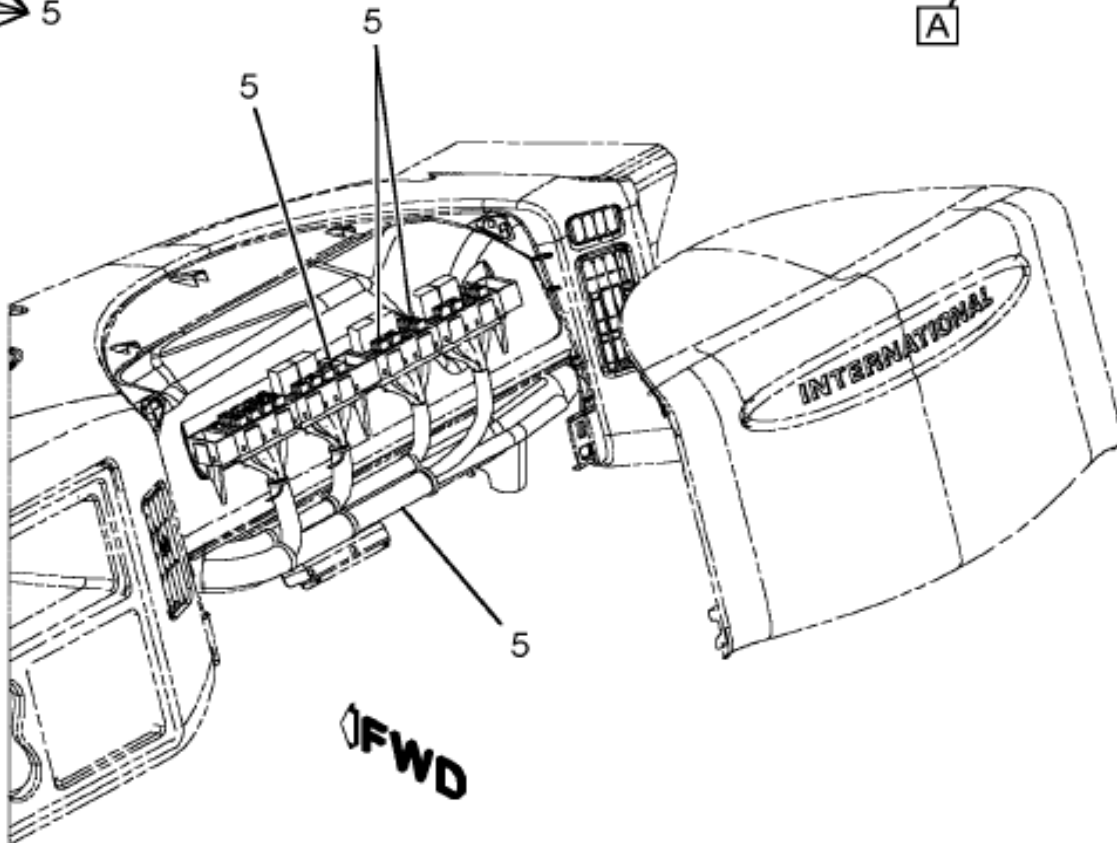
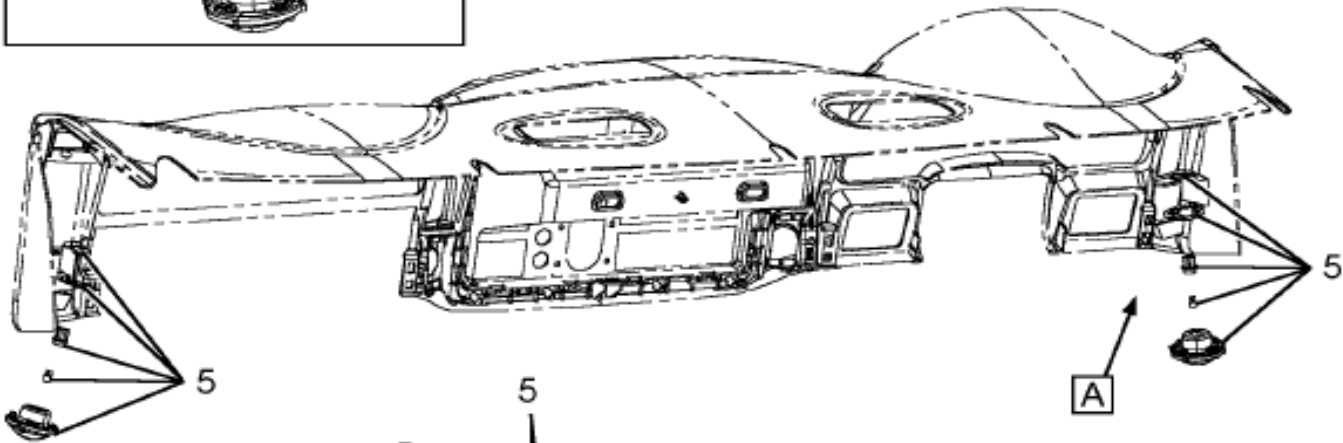
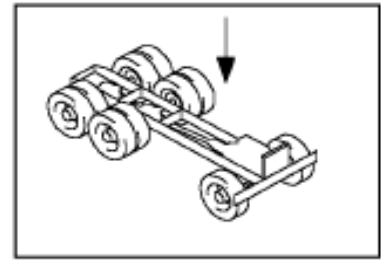
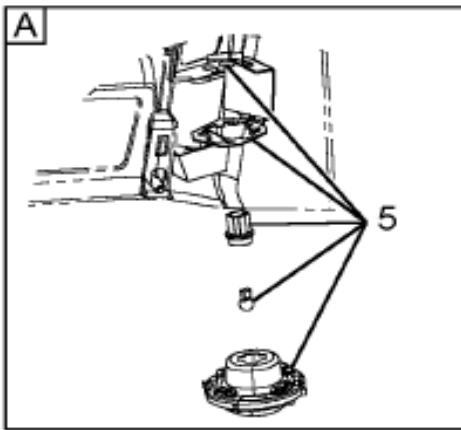


08-P58-0006-01

C03

Item	Part No.	Qty	Description	Kit	Var	Figure
1	3549470C92	1	HARNESS, DOME & COURTESY LT WRG			
1	3549470C91	1	HARNESS, DOME & COURTESY LT WRG			
880		RF	NOTE: ASM BELOW COMPRISED OF ABOVE COMPONENTS			
881	3549471F92	RF	ELEC IP; DOME & COURTESY LIGHT			

Figure 0LFV4
IP MODULE EFFECTS; ABR#36, DOOR WIRING



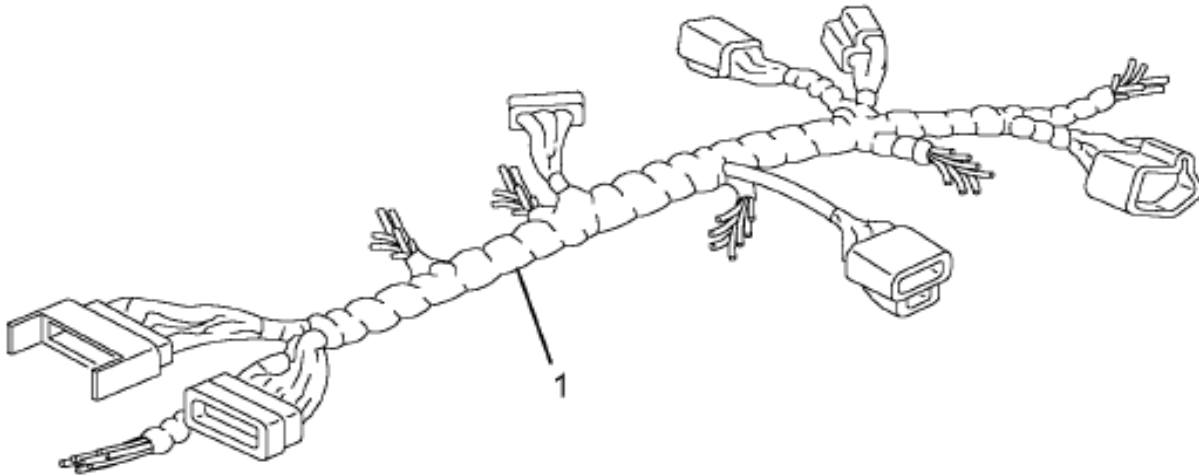
08-P36-0003-01

A03

Grp
16

Item	Part No.	Qty	Description	Kit	Var	Figure
5	3581426F91	1	ELEC IP,MRKR LTS,FUSED,N/PW		0LXH3	3581426F91

Figure 3581426F91
ELEC IP,MRKR LTS,FUSED,N/PW

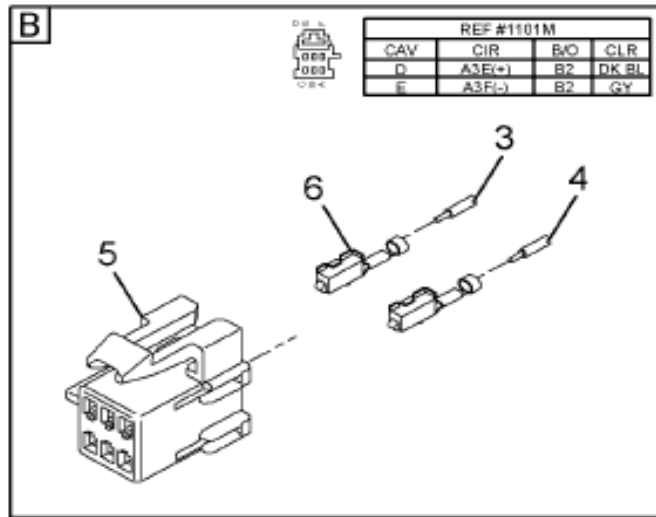
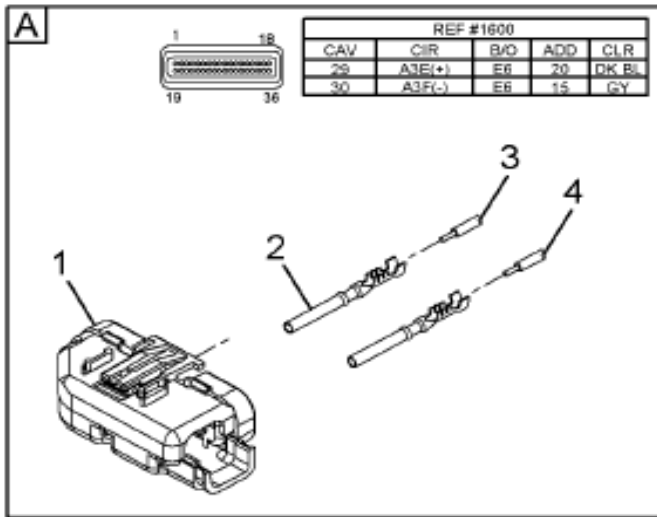


08-P58-0006-01

C03

Item	Part No.	Qty	Description	Kit	Var	Figure
1	3581285C91	1	HARN,BODY ACCESS,MRKR LGTS-CAB			
1	3549338C92	1	HARNESS,POWER TRAIN D-LINK WRG			3549338C92
880		RF	NOTE: ASM BELOW COMPRISED OF ABOVE COMPONENTS			
881	3581426F91	RF	ELEC IP,MRKR LTS,FUSED,N/PW			

Figure 3549338C92
HARNESS, POWER TRAIN D-LINK WRG



08-P36-0015-02

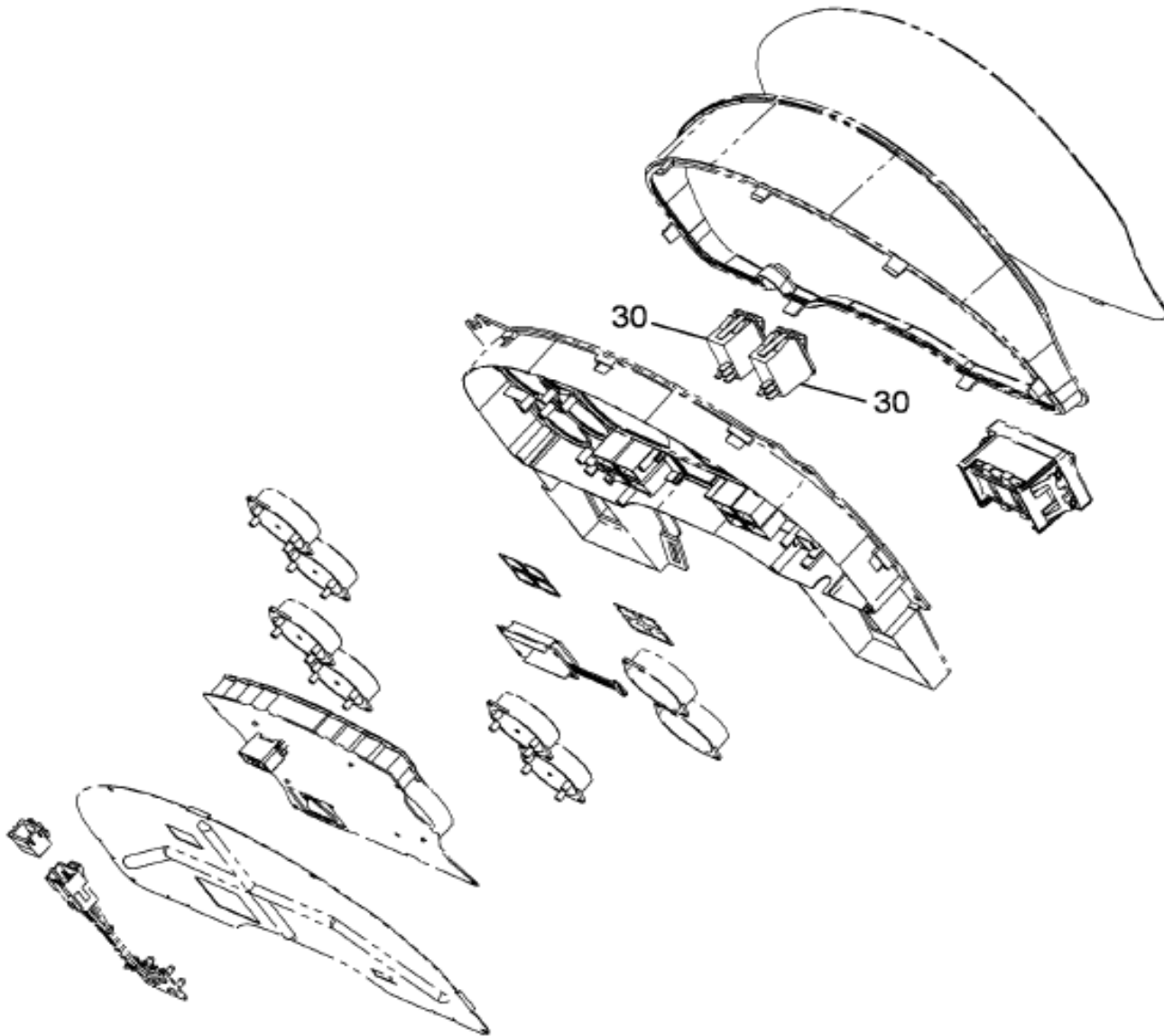
F11

Grp
16

Item	Part No.	Qty	Description	Kit	Var	Figure
1	3533832C1	1	CONNECTOR, BODY*CNTR STRAIN REL			
2	3517243C1	2	TERMINAL, CABLE			
3	2643771R1	AR	CABLE LOW TENSION DARK BLUE 20			
4	2643763R1	AR	CABLE LOW TENSION GRAY 20 GAUG			
5	2031871C1	1	CONNECTOR, METRI-PACK 150 SERS			
6	3544254C1	2	TERMINAL, CABLE*FEMALE METRI-PA			

Figure 0DBW0

IP MODULE EFFECTS; ABR#38, STARTER SWITCH



NGV
IP MOD - CLUSTER
(W/AIR BRAKES)

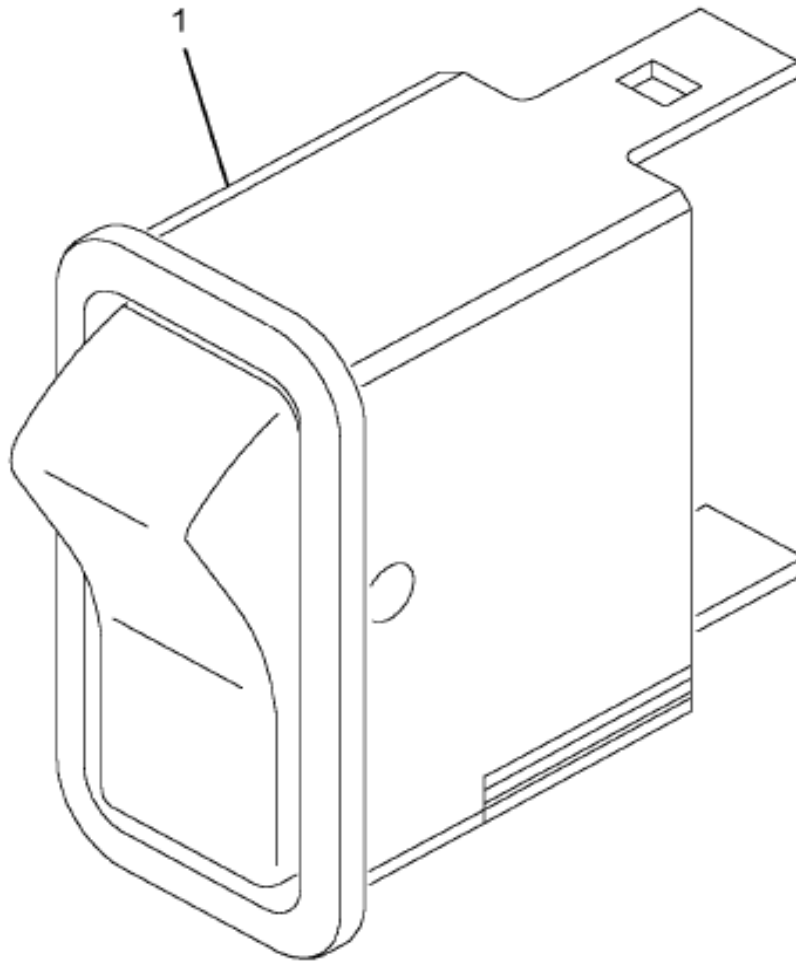
08-P38-0010-01

B09

Grp
16

Item	Part No.	Qty	Description	Kit	Var	Figure
30	3581516F91	1	ELEC IP,ETHR STRT WRG&W/BRK		0FRFK	3581516F91

Figure 3581516F91
ELEC IP,ETHR STRT WRG&W/BRK



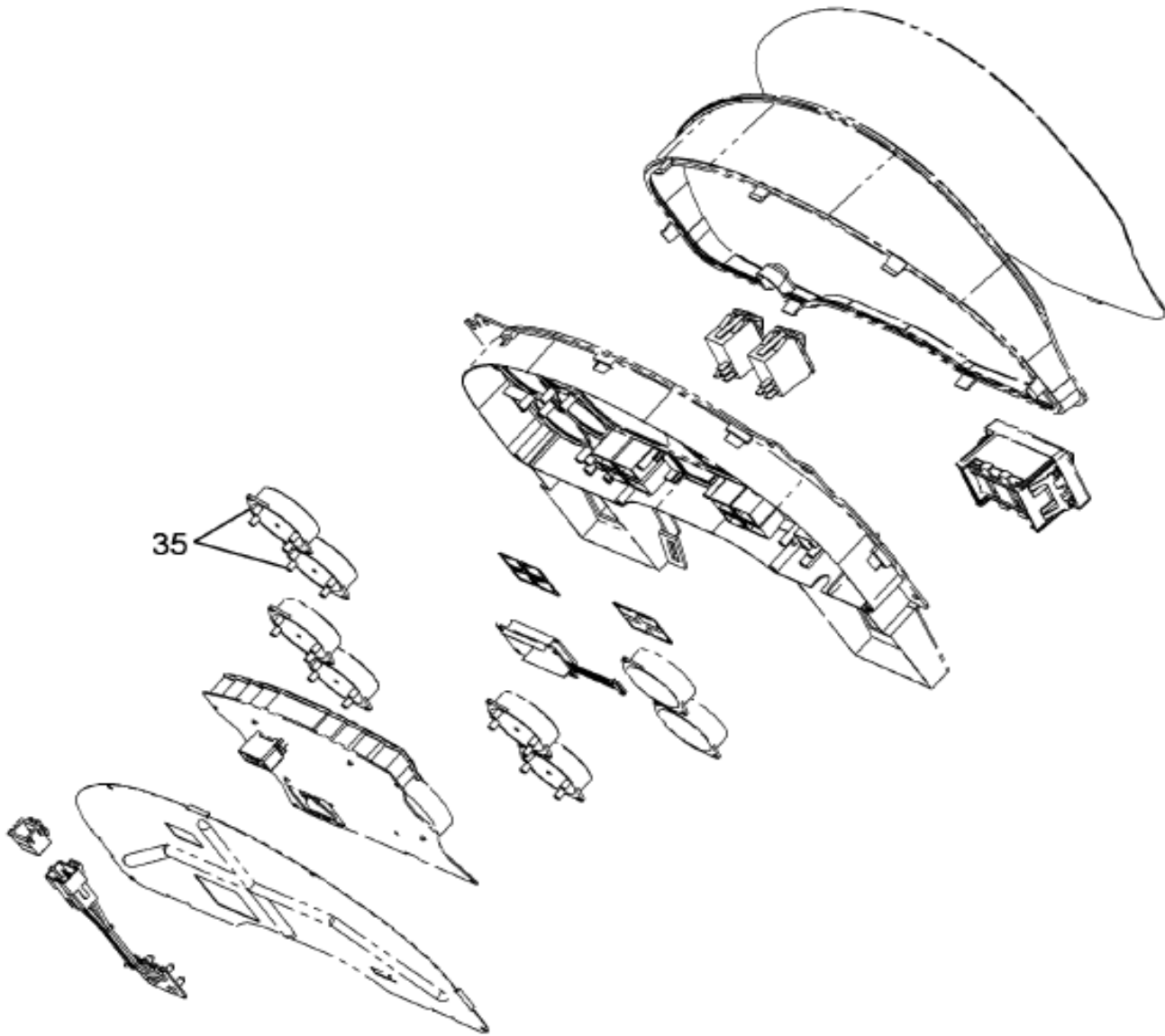
08-P69-0001-00

E04

Item	Part No.	Qty	Description	Kit	Var	Figure
1	3536178C1	1	BREAKER,CIRCUIT*10 AMP, 12 VOL			
1	3549930C1	1	SWITCH,ETHER START			
1	3581316C91	1	HARNESS,CAB WRG,ETHER START*EL			
880		RF	NOTE: ASM BELOW COMPRISED OF ABOVE COMPONENTS			
881	3581516F91	RF	ELEC IP,ETHR STRT WRG&W/BRK			

Figure 0DBW1

IP MODULE EFFECTS; ABR#39, #1 AND #2 AIR GAUGES



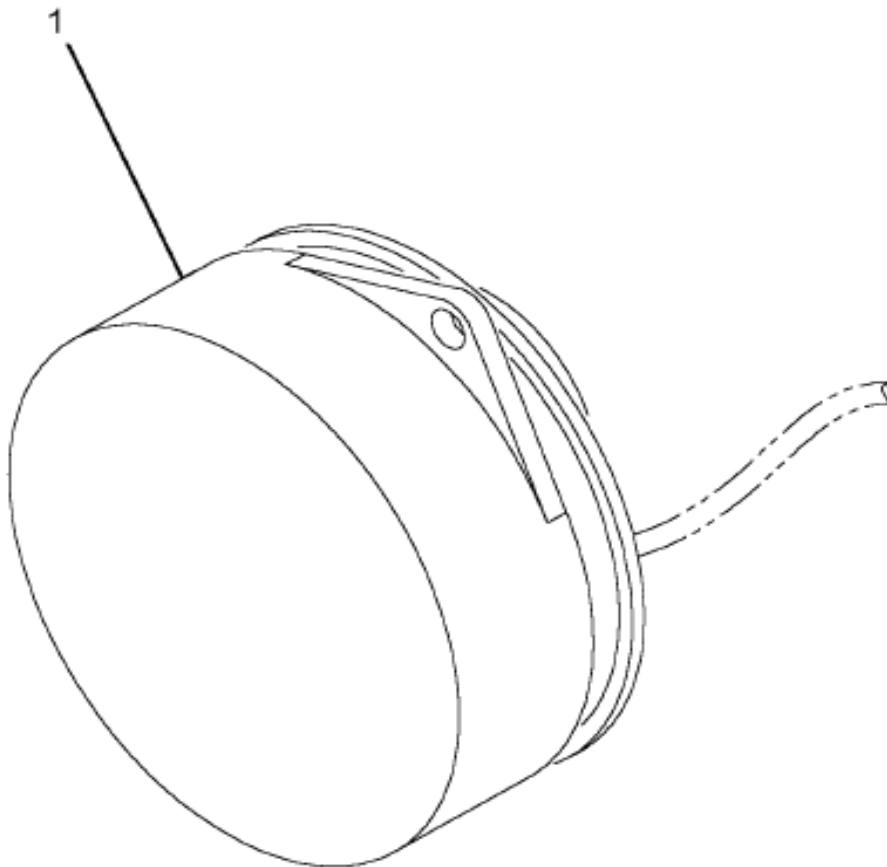
08-P39-0002-01

E09

Grp
16

Item	Part No.	Qty	Description	Kit	Var	Figure
35	3547873F91	1	ELEC IP; GAUGES, CLUST		0DMT9	3547873F91

Figure 3547873F91
ELEC IP; GAUGES, CLUST

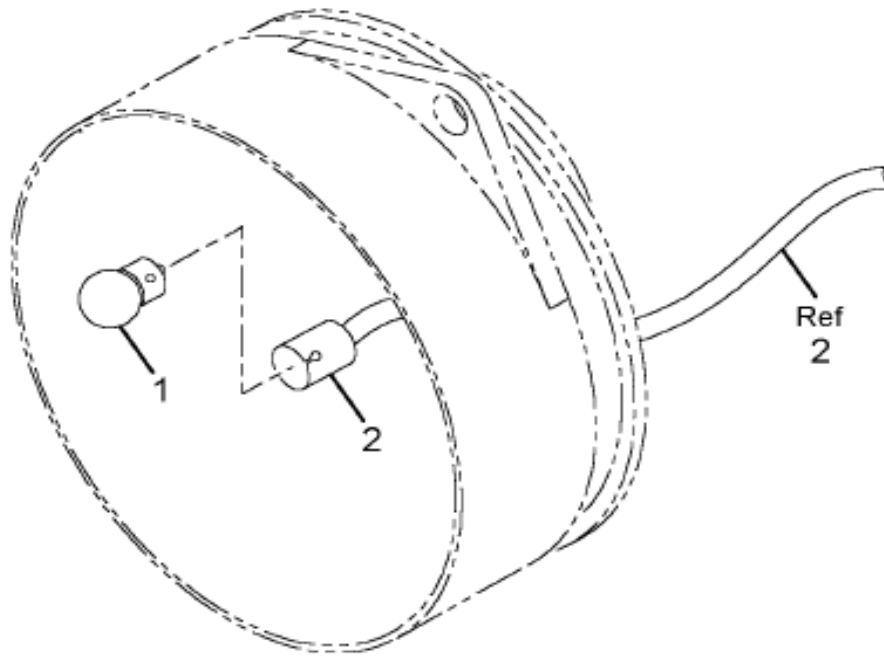


08-P42-0006-01

J03

Item	Part No.	Qty	Description	Kit	Var	Figure
1	3533892C1	1	GAUGE,ELTRNC*AIR 1 (METRIC)			3533892C1
1	3533893C1	1	GAUGE,ELTRNC*AIR 2 (METRIC)			3533893C1
880		RF	NOTE: ASM BELOW COMPRISED OF ABOVE COMPONENTS			
881	3547873F91	RF	ELEC IP; GAUGES, CLUST			

Figure 3533892C1
GAUGE, ELTRNC*AIR 1 (METRIC)



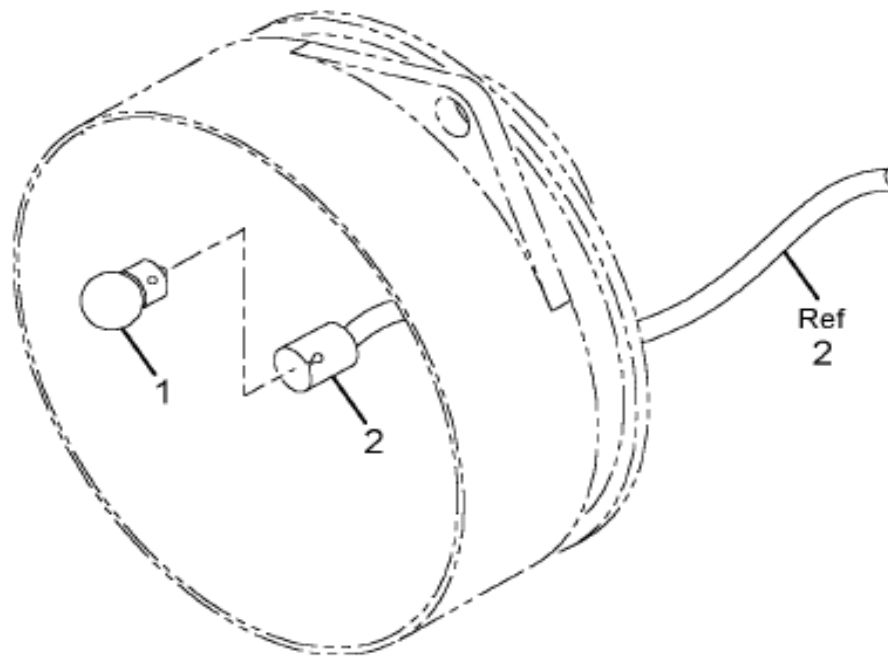
08-P42-0004-01

H03

Grp
16

Item	Part No.	Qty	Description	Kit	Var	Figure
1	2506796C1	2	LAMP, INCANDESCENT			
2	2506798C1	1	HARNES, GAUGE JUMPER 5"-100/PK			
800		RF	NOTE: THE FOLLOWING PARTS ARE NON-ILLUSTRATED			
801	2506420R1	1	MANUAL, INST GAGE INST & RPLMNT			
880		RF	NOTE: ASM BELOW COMPRISED OF ABOVE			

Figure 3533893C1
GAUGE, ELTRNC*AIR 2 (METRIC)



08-P42-0004-01

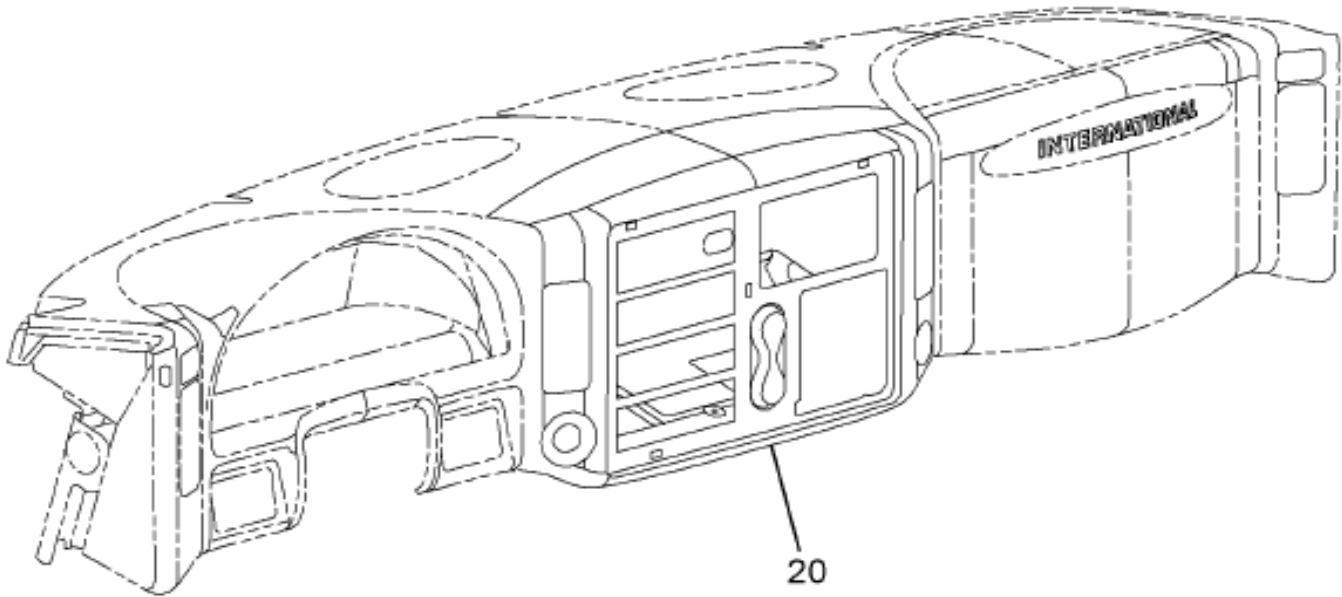
H03

Grp
16

Item	Part No.	Qty	Description	Kit	Var	Figure
1	2506796C1	2	LAMP, INCANDESCENT			
2	2506798C1	1	HARNES, GAUGE JUMPER 5"-100/PK			
800		RF	NOTE: THE FOLLOWING PARTS ARE NON-ILLUSTRATED			
801	2506420R1	1	MANUAL, INST GAGE INST & RPLMNT			
880		RF	NOTE: ASM BELOW COMPRISED OF ABOVE			

Figure 06JV9

IP MODULE EFFECTS; ABR#4, CENTER COVER ASM



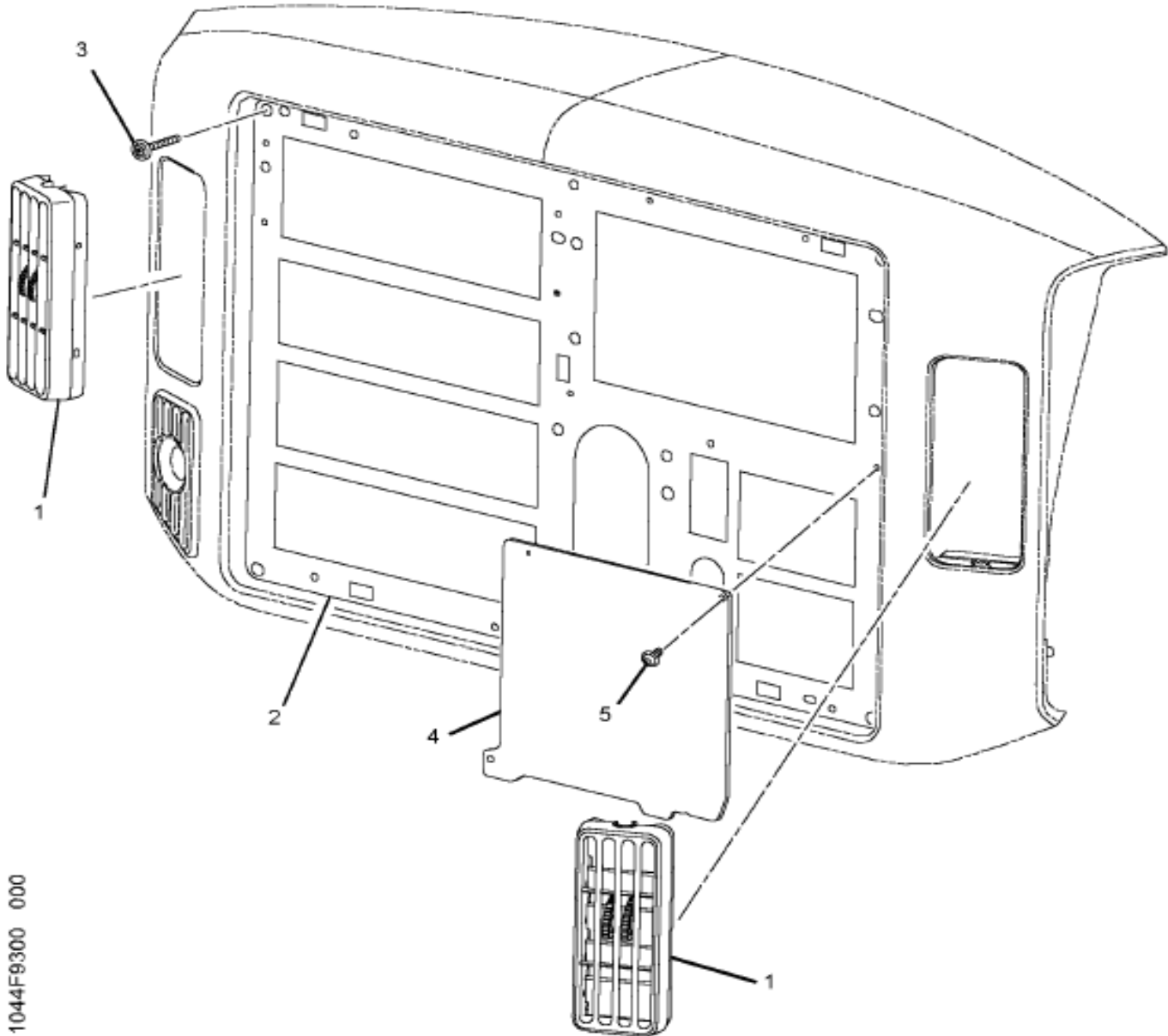
08-P04-0004-A4

K02

Grp
16

Item	Part No.	Qty	Description	Kit	Var	Figure
20	3511044F93	1	INST PNL FLT CTR ASSY LHD		06JVB	3511044F93

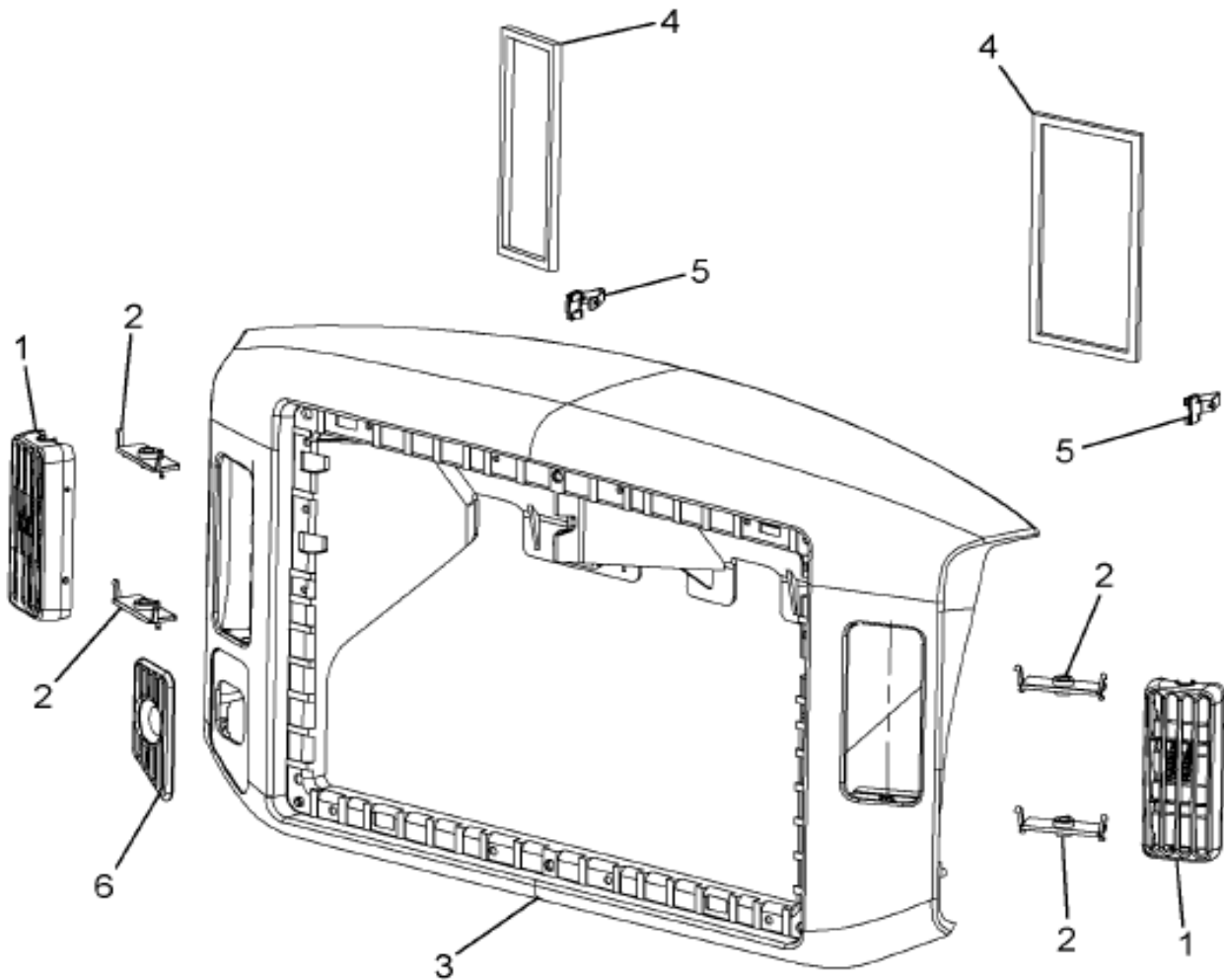
Figure 3511044F93
INST PNL FLT CTR ASSY LHD



3511044F9300 000

Item	Part No.	Qty	Description	Kit	Var	Figure
1	3547254C1	1	PANEL, INSTR CNTR FLAT COVR LHD			3547254C1
2	3547255C1	1	PANEL, INSTR CNTR MNT PLATE LHD			
3	3545857C1	6	SCREW, TAPPING M4.2 X 1.4 - 30M			
4	3547256C1	1	PANEL, INSTR CNTR TRIM PLATE			
5	3545277C1	2	SCREW, SELF DRILLING			
880	RF		NOTE: ASM BELOW COMPRISED OF ABOVE			

Figure 3547254C1
 PANEL, INSTR CNTR FLAT COVR LHD



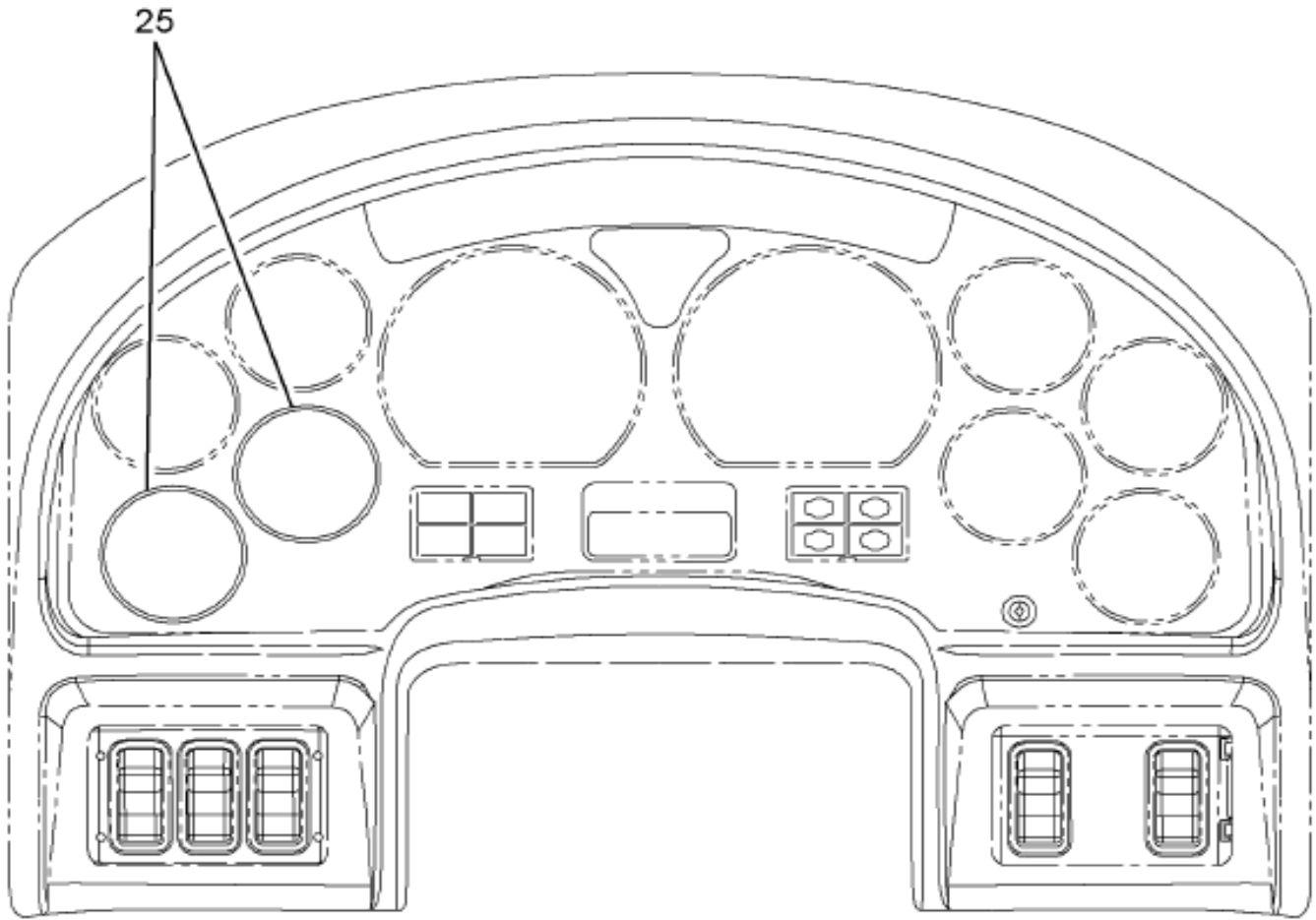
08-P04-0009-01

C06

Item	Part No.	Qty	Description	Kit	Var	Figure
1	3547244C1	2	OUTLET, LOUVER AIR COND			
2	3547245C1	4	BUSHING, SPECIAL NYL A/C OUTLET			
3		1	COVER, CENTER MEDIUM DUTY			
4		2	SEAL, FOAM CENTER COVER			
5	2507003C1	1	CLIP, INSTR CLSTR CLOSEOUT TRM			
6	2509753C1	1	SHIELD, IGN SW KEY			

Figure 0DBW8

IP MODULE EFFECTS; ABR#46, GAUGE PRIORITY

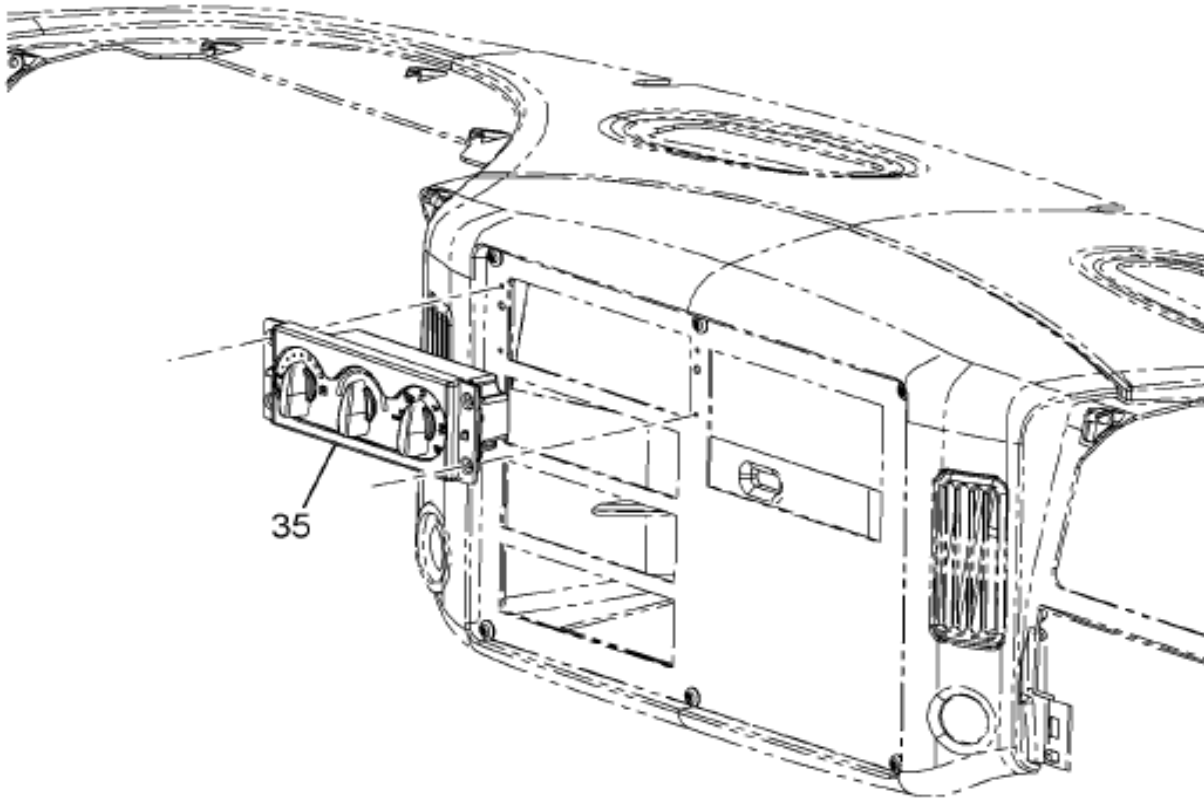


08-P43-0002-E0

B10

Item	Part No.	Qty	Description	Kit	Var	Figure
25	3554789F91	1	ELEC IP; CLUSTER MOUNT		OFFC1	3554789F91
NON-ILLUSTRATED REFERENCE FIGURE 3554789F91						
1	3545857C1	4	SCREW,TAPPING M4.2 X 1.4 - 30M			
880	RF		NOTE: ASM BELOW COMPRISED OF ABOVE COMPONENTS			

Figure 06M0N
 IP MODULE EFFECTS; ABR#7, HVAC CONTROL

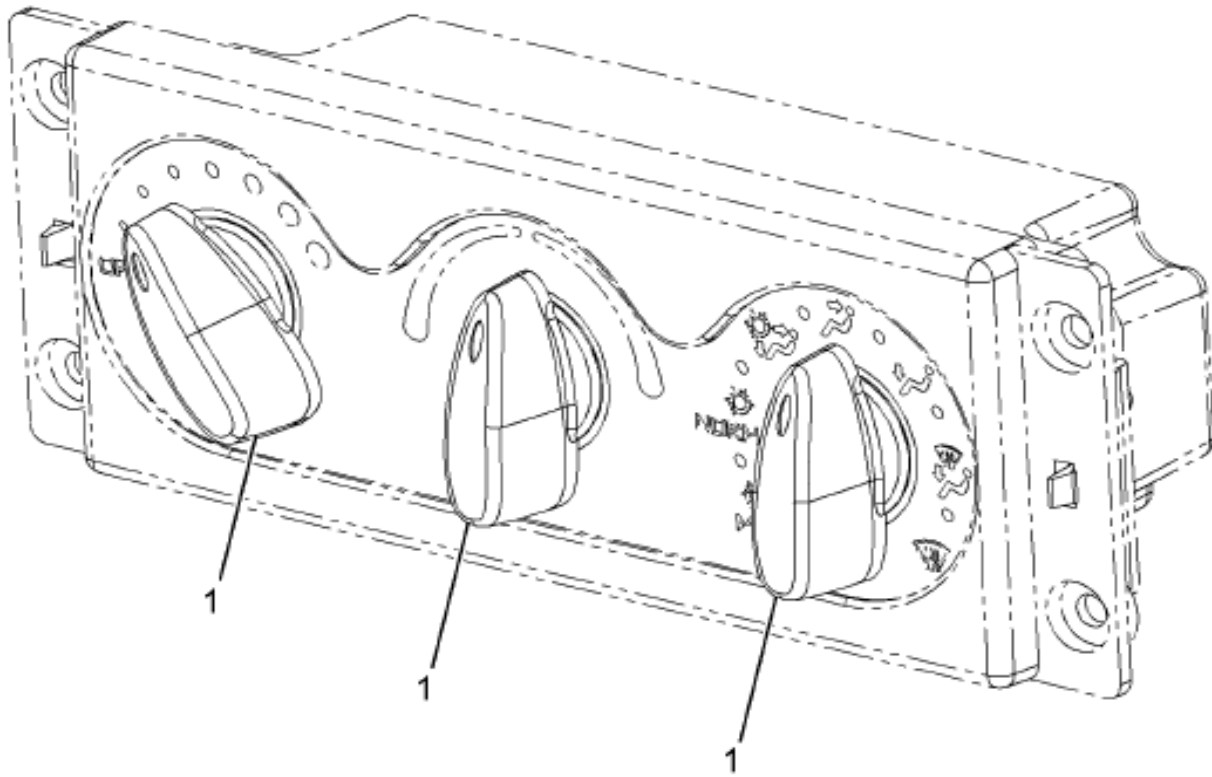


08-P07-0003-A7

B11

Item	Part No.	Qty	Description	Kit	Var	Figure
35	3545546F93	1	INST PANEL HTR-A/C CONT		06M16	3545546F93

Figure 3545543C3
CONTROL, HEATER AND AC



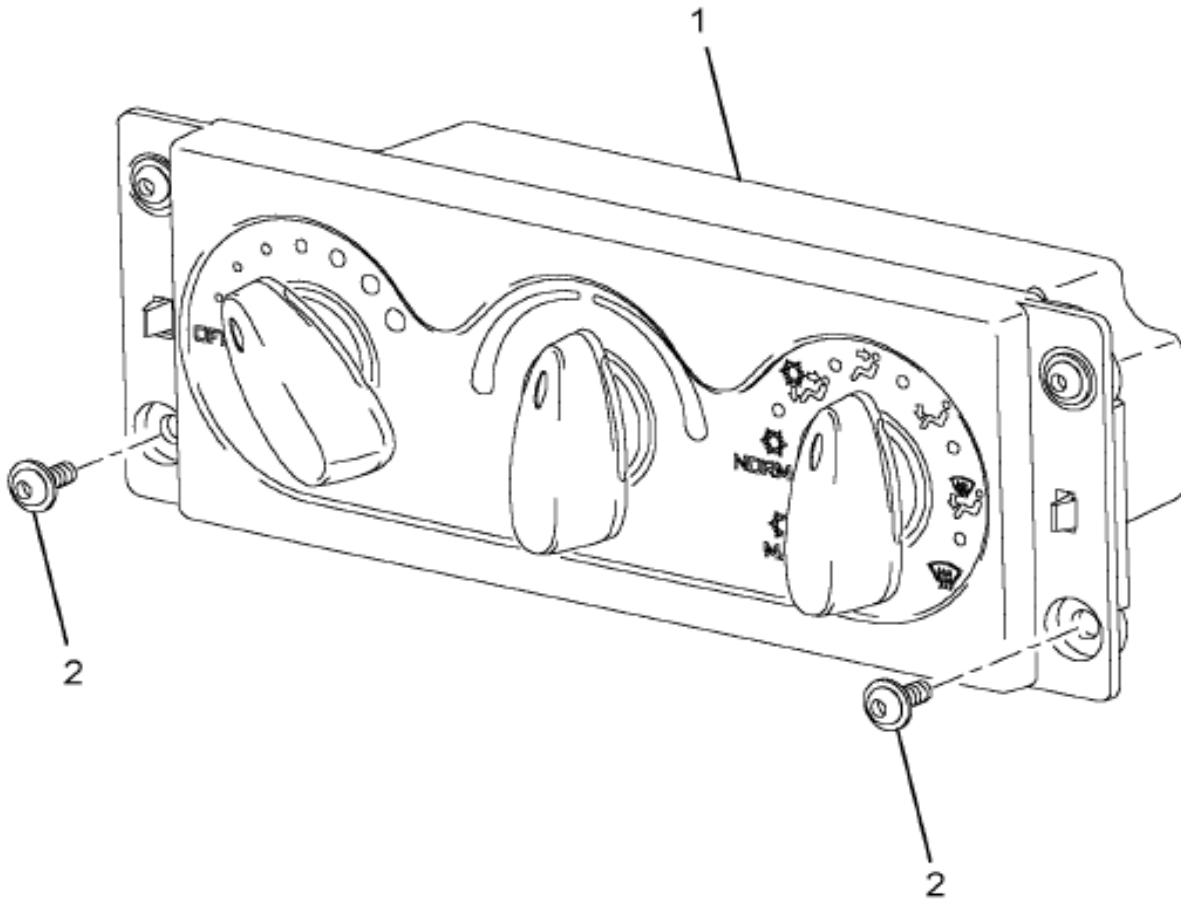
08-P07-0005-01

D04

Grp
16

Item	Part No.	Qty	Description	Kit	Var	Figure
1	2587970C1	3	KNOB, HEATER-A/C KNOB			
880		RF	NOTE: ASM BELOW COMPRISED OF ABOVE COMPONENTS			
881	3545543C3	RF	CONTROL, HEATER AND AC			

Figure 3545546F93
INST PANEL HTR-A/C CONT

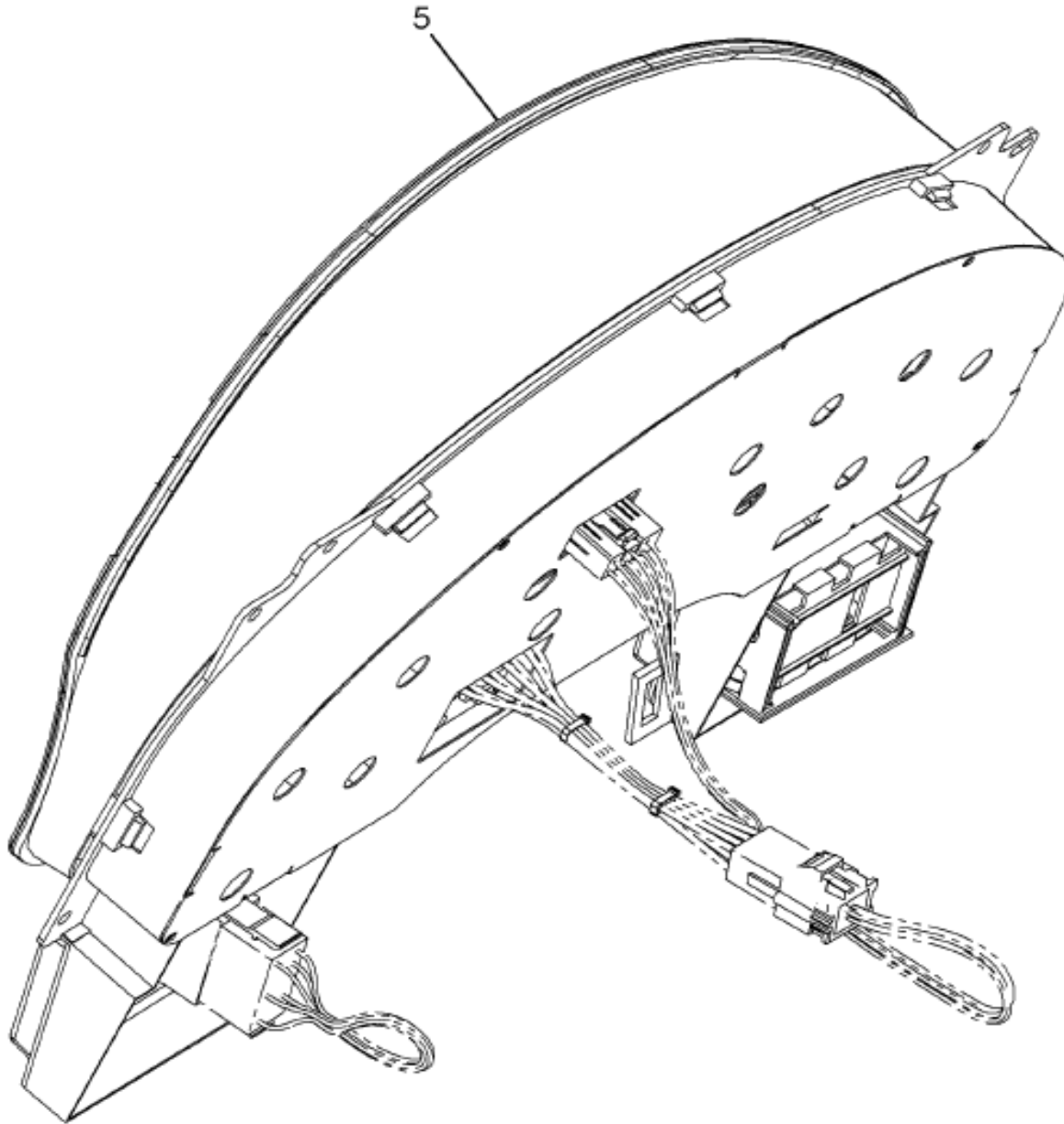


08-P07-0004-01

J03

Item	Part No.	Qty	Description	Kit	Var	Figure
1	3545543C3	1	CONTROL, HEATER AND AC			3545543C3
2	3545277C1	4	SCREW, SELF DRILLING			
880		RF	NOTE: ASM BELOW COMPRISED OF ABOVE COMPONENTS			
881	3545546F93	RF	INST PANEL HTR-A/C CONT			

Figure 0LK4R
IP MODULE, HOUSING INSTL (ABR #20)



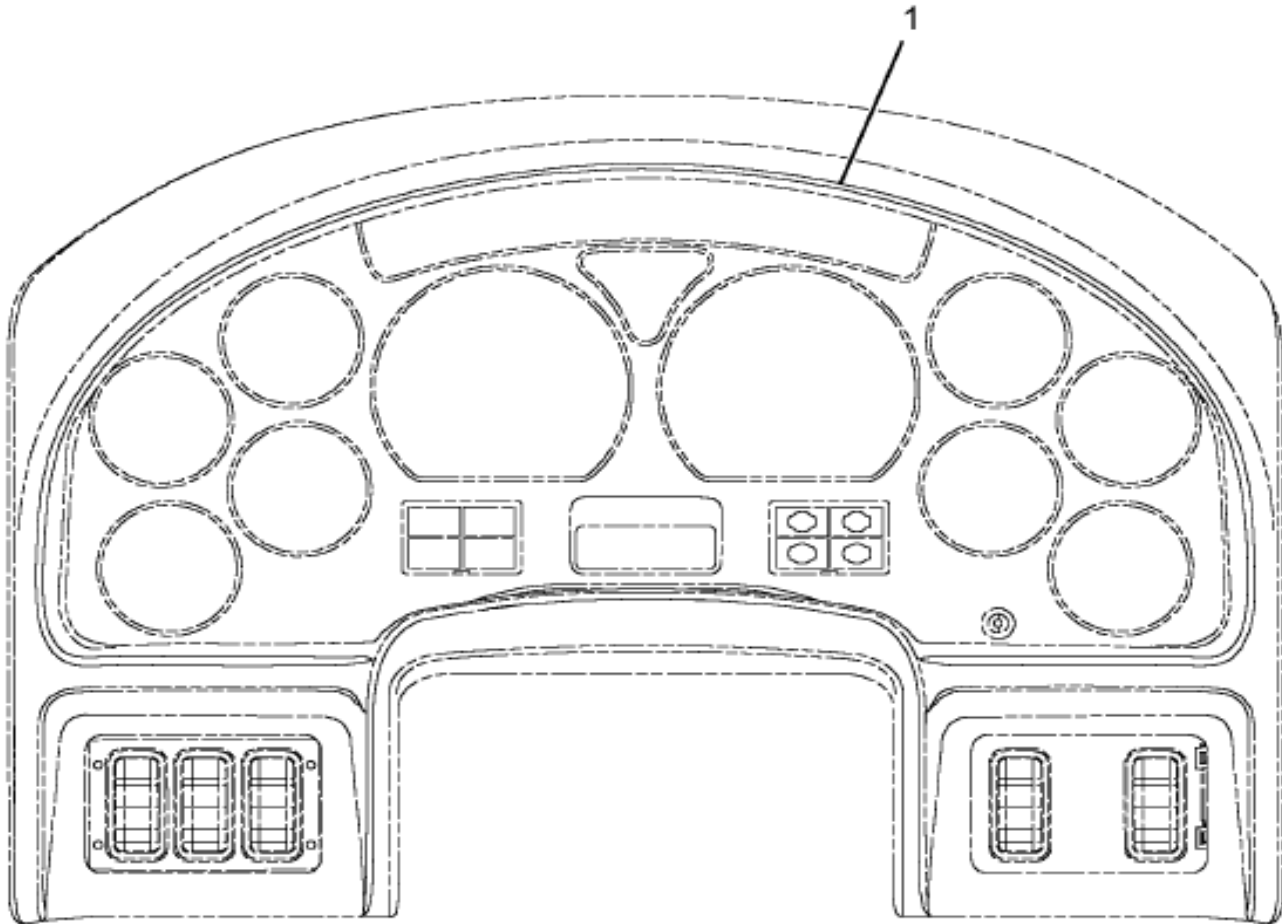
08-P20-0002-01

J04

Grp
16

Item	Part No.	Qty	Description	Kit	Var	Figure
5	3554390F91	1	ELEC IP; CLUSTER HOUSI		0LK57	3554390F91

Figure 3554390F91
ELEC IP; CLUSTER HOUSI



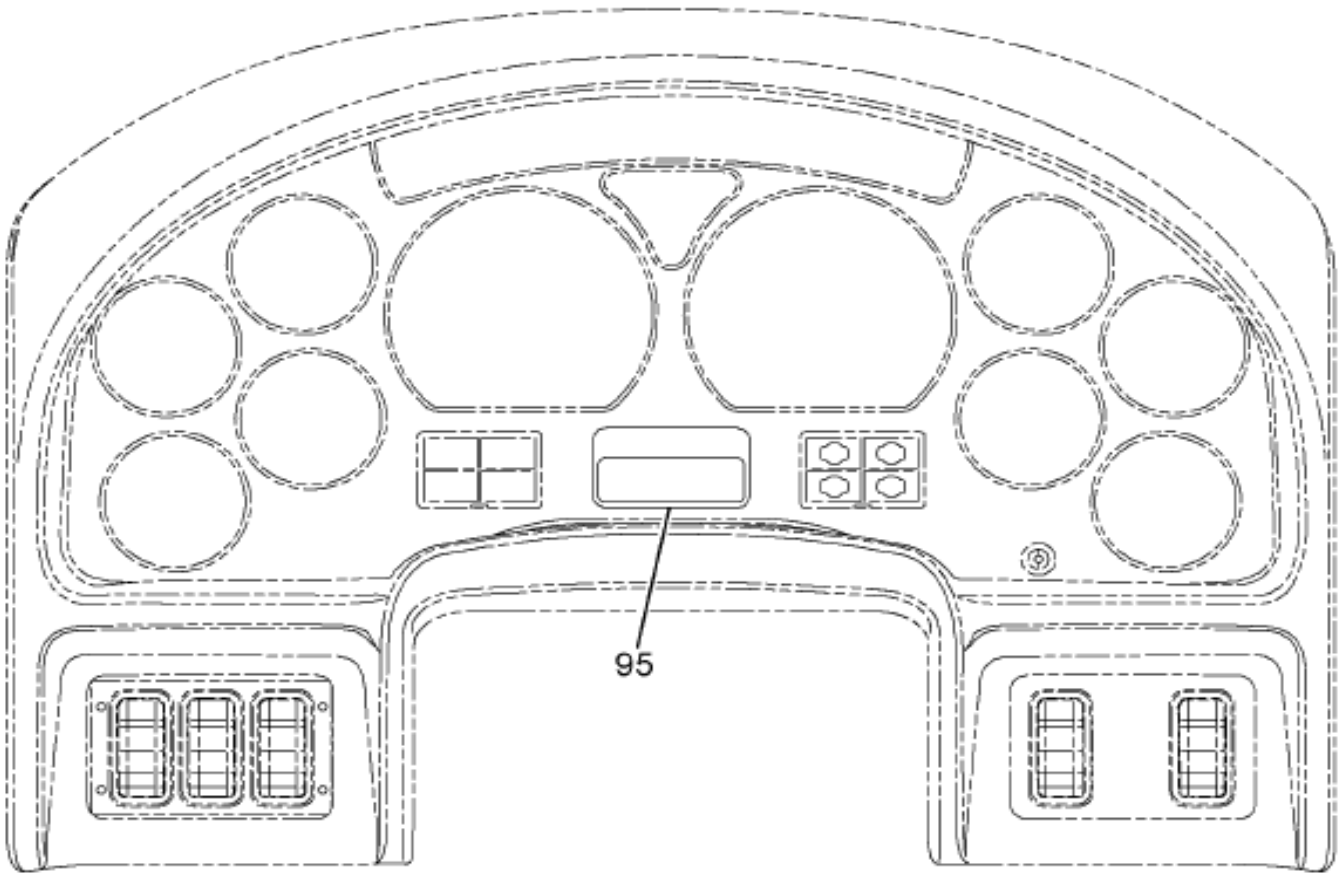
08-P20-0001-00

E04

Item	Part No.	Qty	Description	Kit	Var	Figure
1	3554430C91	1	HOUSING, INSTR CLUSTER*HOUSING			
880		RF	NOTE: ASM BELOW COMPRISED OF ABOVE COMPONENTS			
881	3554390F91	RF	ELEC IP; CLUSTER HOUSI			

Figure 0FFCK

IP MODULE, LCD DISPLAY; ODOMETER (ABR #74)



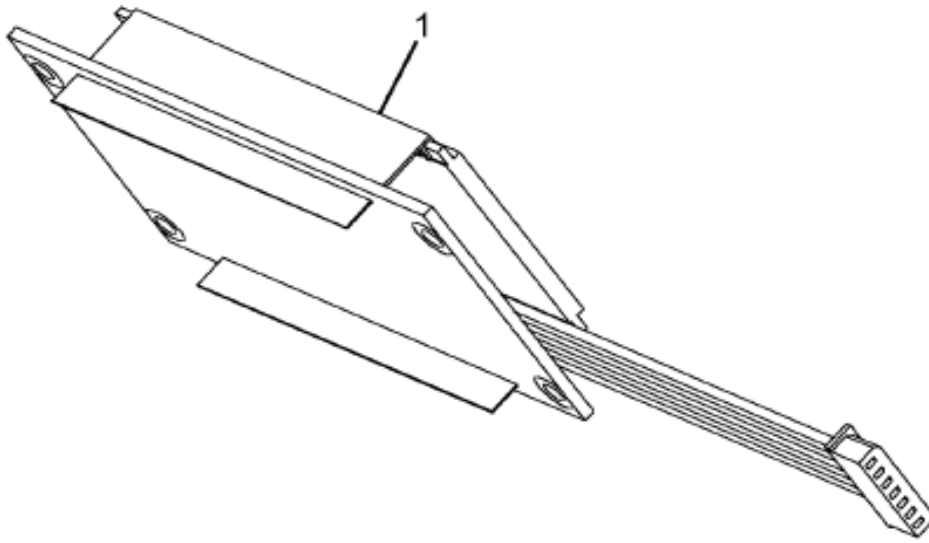
16-P74-0001-TA

B09

Grp
16

Item	Part No.	Qty	Description	Kit	Var	Figure
95	3554423F91	1	ELEC IP; LCD N/EATON A		0J8KJ	3554423F91

Figure 3554423F91
 ELEC IP; LCD N/EATON A



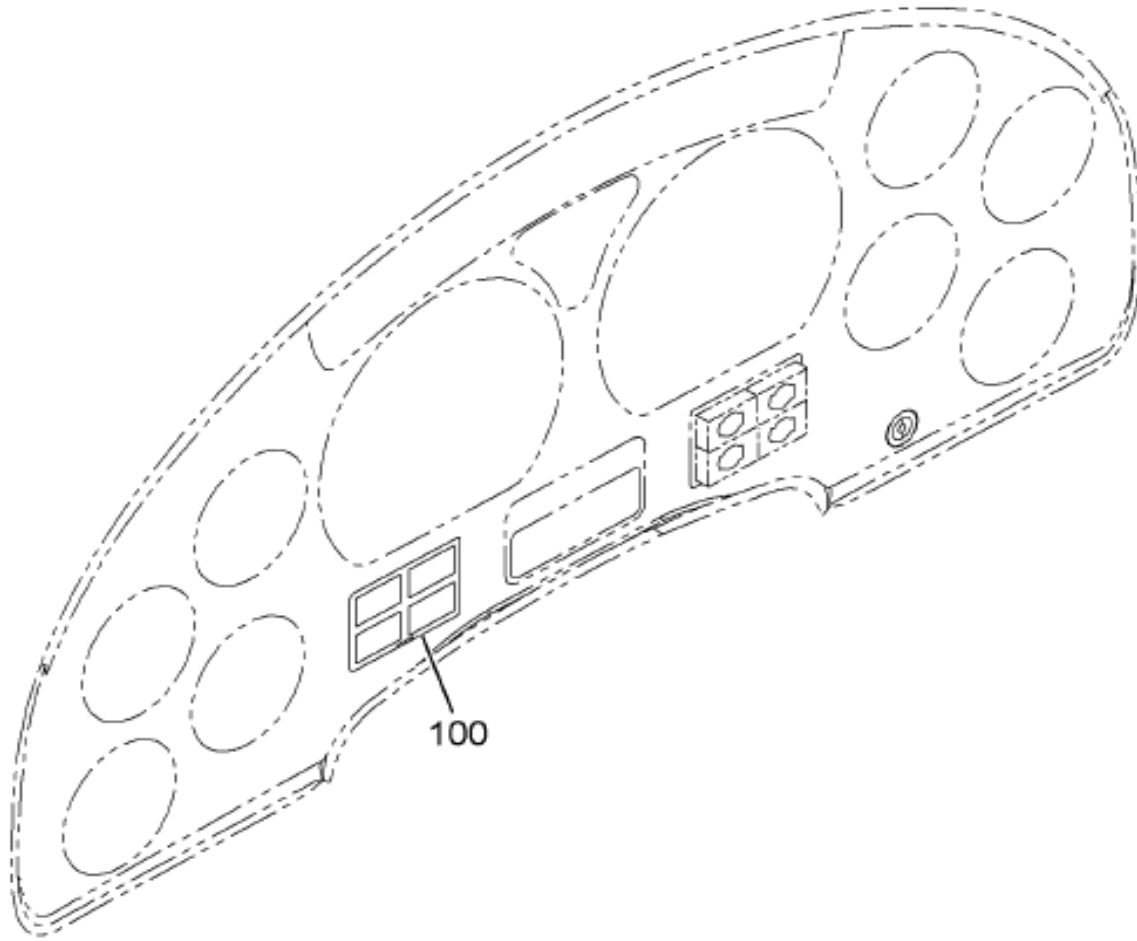
16-P74-0002-01

K03

Item	Part No.	Qty	Description	Kit	Var	Figure
1	3554433C1	1	METER, ODOMETER*LCD N/EATON AUT			
880		RF	NOTE: ASM BELOW COMPRISED OF ABOVE COMPONENTS			
881	3554423F91	RF	ELEC IP; LCD N/EATON A			

Figure 0FFCL

IP MODULE, WARNING LIGHTS; LT (ABR #75)



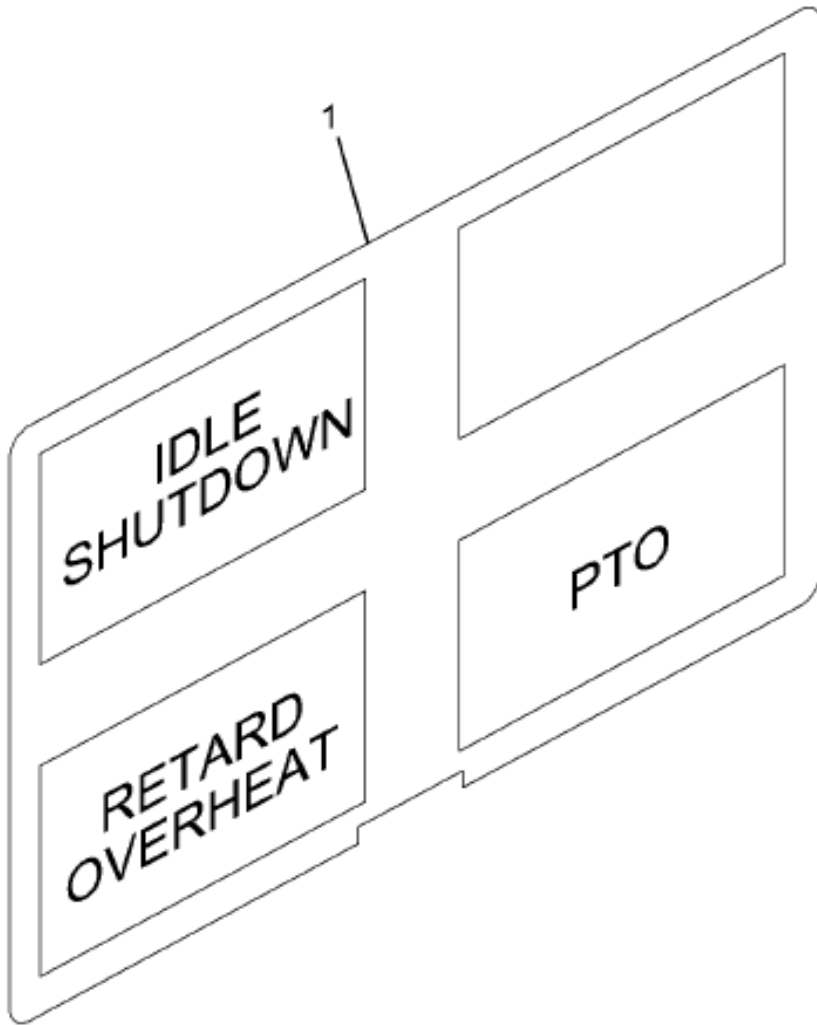
16-P75-0001-UA

G07

G
R
P
1
6

Item	Part No.	Qty	Description	Kit	Var	Figure
100	3604603F91	1	IP,CLUSTER,LEFT WARNING LIGHTS		0M37N	3604603F91

Figure 3604603F91
IP,CLUSTER,LEFT WARNING LIGHTS



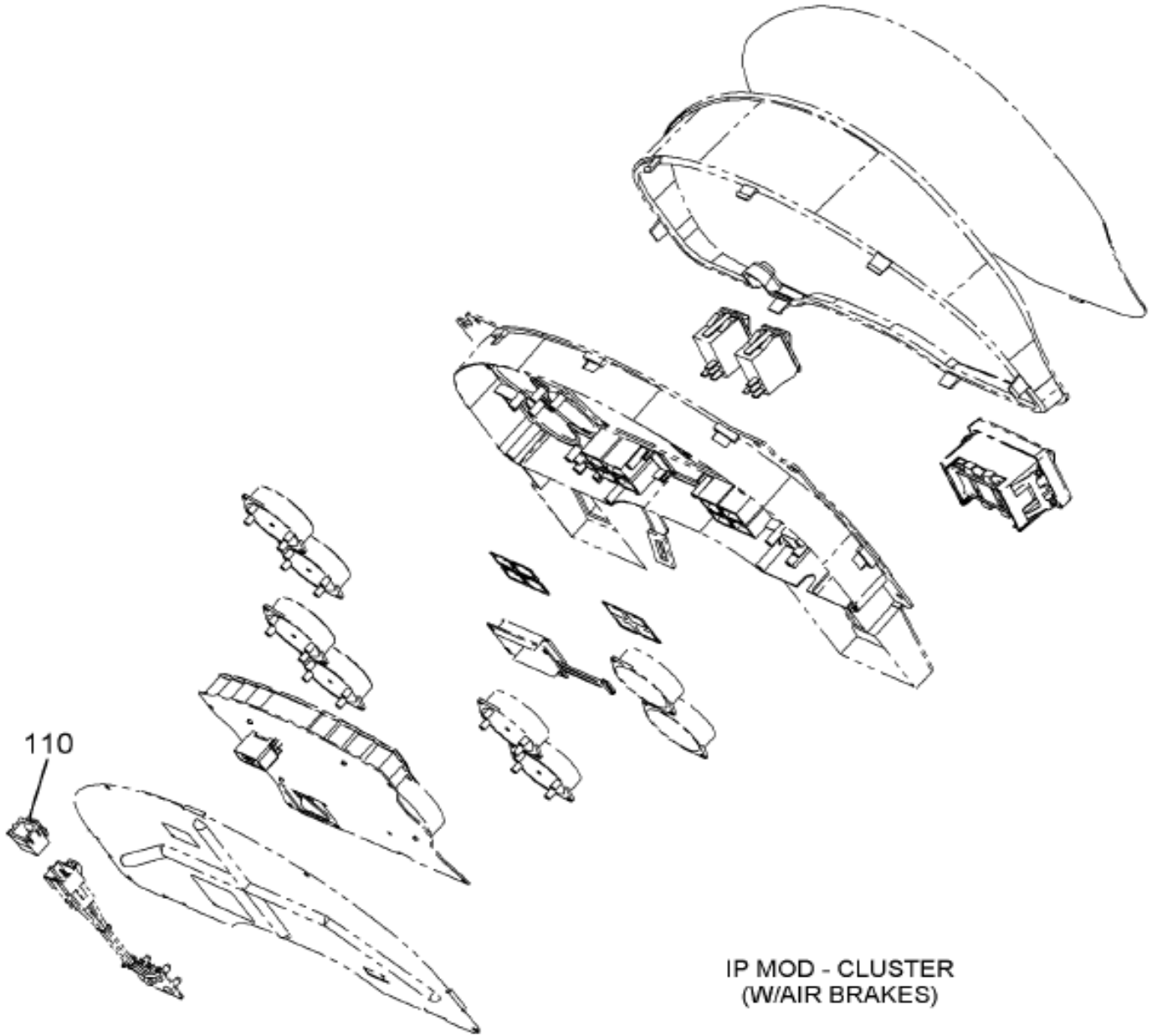
16-P75-0005-01

F05

Item	Part No.	Qty	Description	Kit	Var	Figure
1	3604595C1	1	LENS, INSTR CLUSTER, IDLE SHUTD			
880		RF	NOTE: ASM BELOW COMPRISED OF ABOVE COMPONENTS			
881	3604603F91	RF	IP,CLUSTER,LEFT WARNING LIGHTS			

Figure 0FG0C

IP MODULE, WIRING INSTL; WARNING LIGHT (ABR #77)



IP MOD - CLUSTER
(W/AIR BRAKES)

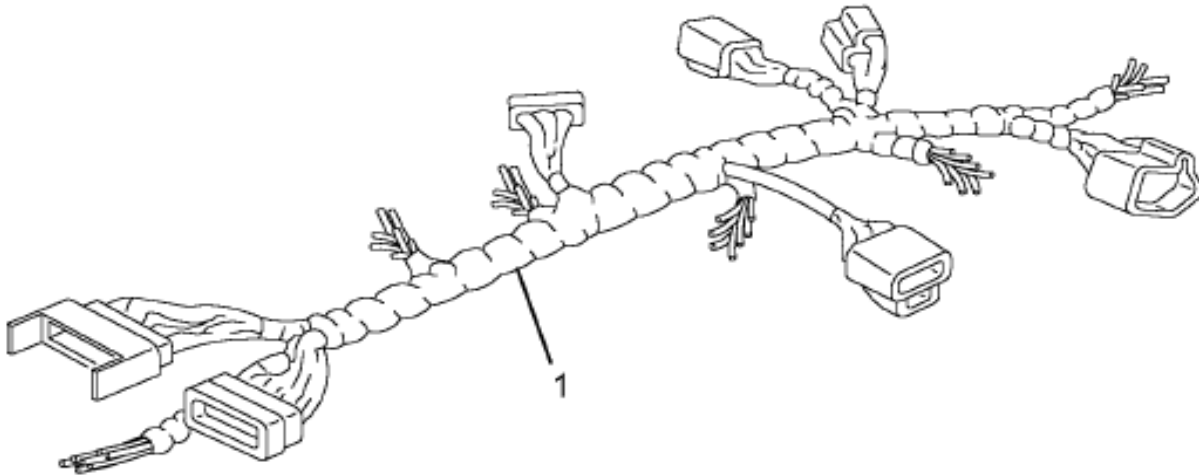
16-P77-0001-01

B09

Grp
16

Item	Part No.	Qty	Description	Kit	Var	Figure
110	3588120F91	1	ELEC IP,WARN LIGHT IGN ADAP		0K7M8	3588120F91

Figure 3588120F91
ELEC IP,WARN LIGHT IGN ADAP

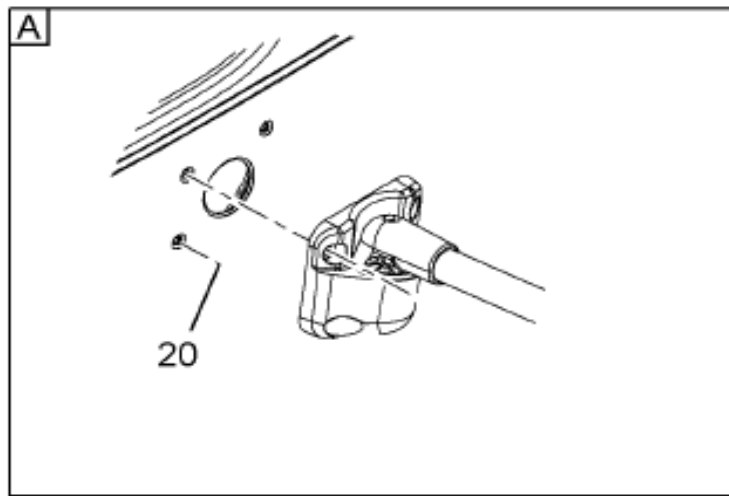
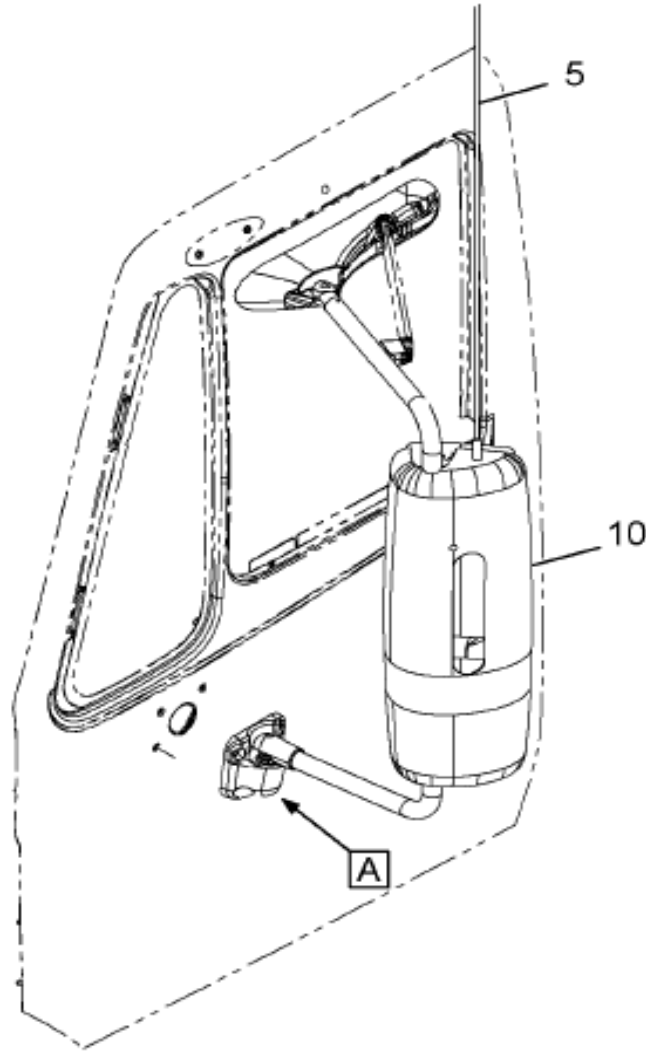


08-P58-0006-01

C03

Item	Part No.	Qty	Description	Kit	Var	Figure
1	3588115C91	1	HARN,CAB OVERLAY WARN LT IGN A			
1	3534208C1	1	FUSE,*FUSE, 5AMP MINI			
880		RF	NOTE: ASM BELOW COMPRISED OF ABOVE COMPONENTS			
881	3588120F91	RF	ELEC IP,WARN LIGHT IGN ADAP			

Figure 0M72R
MIRROR ASM & MTG; REAR VIEW



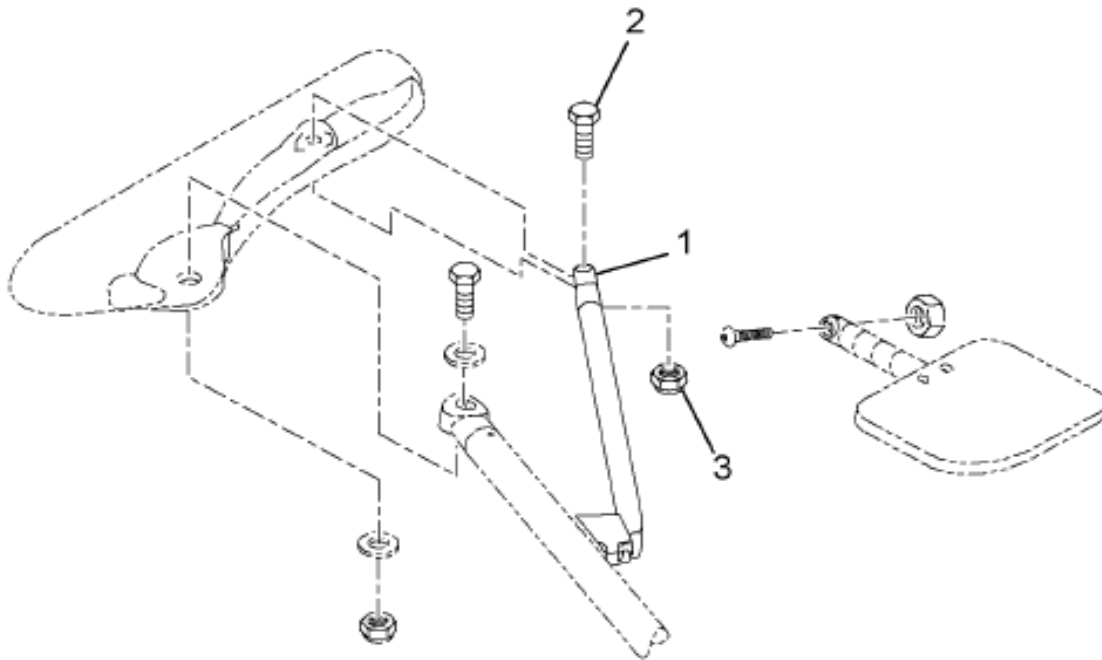
16-503-0359-01

L10

Grp
16

Item	Part No.	Qty	Description	Kit	Var	Figure
5	3561587C94	1	MIRROR,RR VW LH FLT & CNVX BLK		0M72W	3561587C94
5	3561588C94	1	MIRROR,RR VW RH FLT & CNVX BLK		0M72W	3561588C94
20	3588152C1	12	BOLT,SPL M8-1.25X30 T-40 SST		0M72R	

Figure 2507655C91
KIT, FLIP-OUT ARM LH



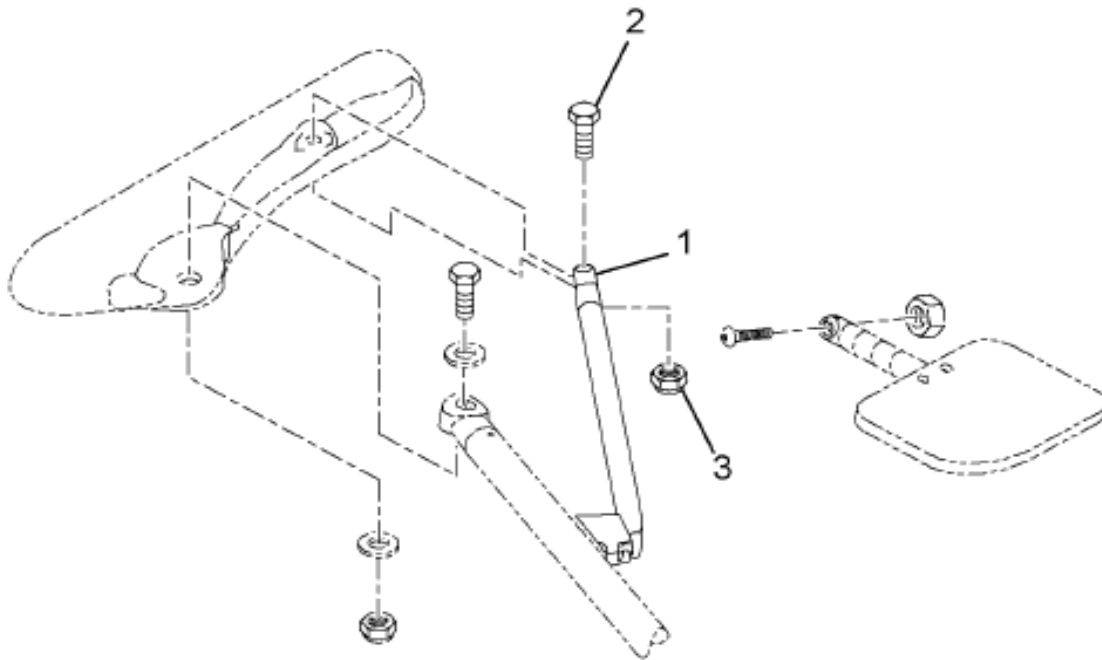
LEFT HAND SHOWN
RIGHT HAND OPPOSITE

16-503-0261-01

C08

Item	Part No.	Qty	Description	Kit	Var	Figure
1		1	ARM, FLIP-OUT WITH TIP LH			
1		RF	LEFT			
2		1	SCREW, M5-0.8			
3		1	NUT, M5 NYLON INSERT LOCK			
800		RF	NOTE: THE FOLLOWING PARTS ARE NON-ILLUSTRATED			

Figure 2507656C91
KIT, FLIP-OUT ARM RH



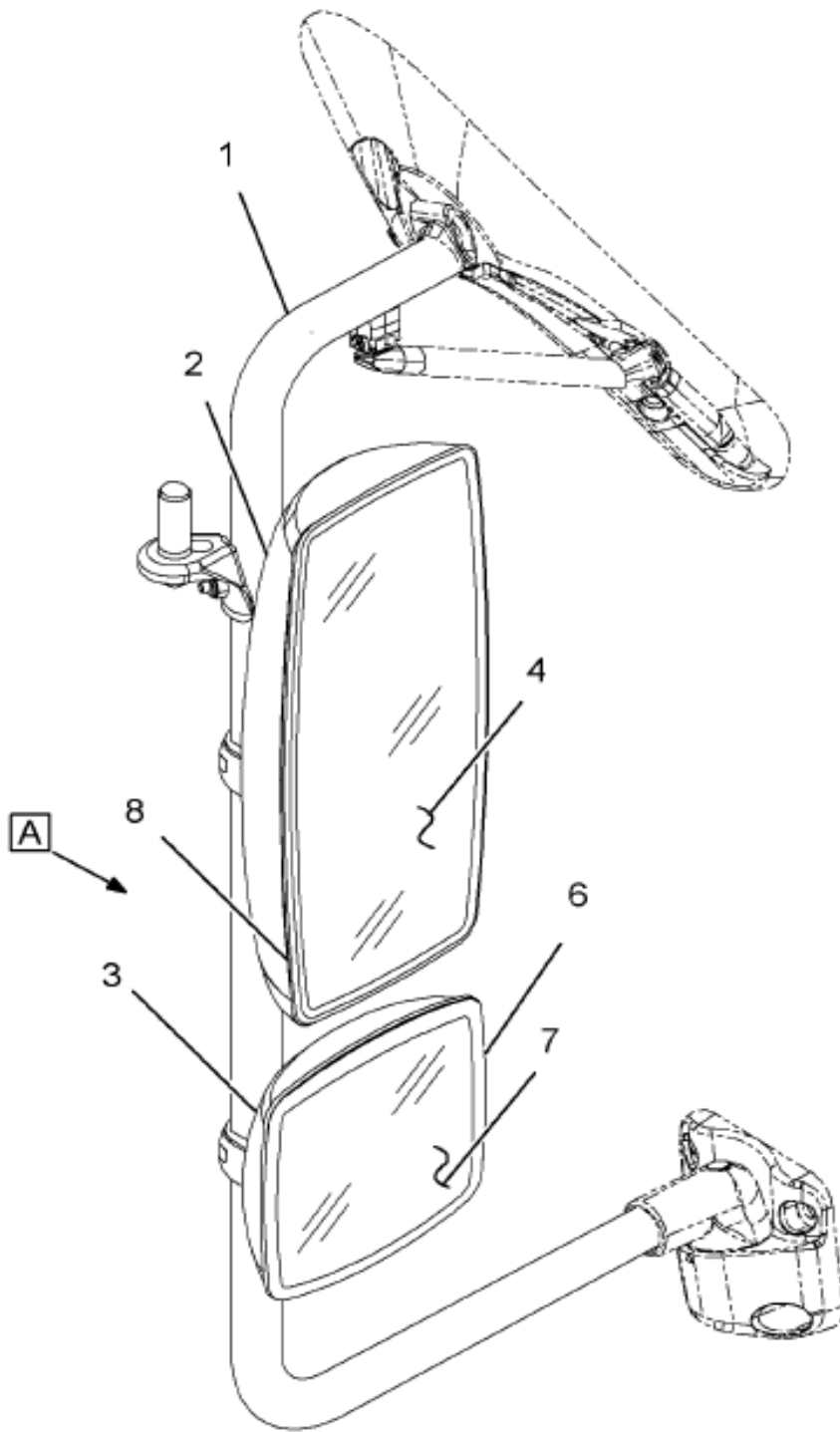
LEFT HAND SHOWN
RIGHT HAND OPPOSITE

16-503-0261-01

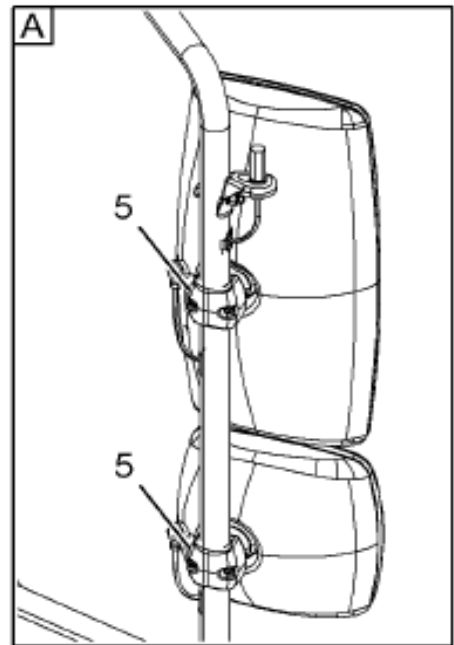
C08

Item	Part No.	Qty	Description	Kit	Var	Figure
1		1	ARM, FLIP-OUT WITH TIP RH			
1		RF	RIGHT			
2		1	SCREW, M5-0.8			
3		1	NUT, M5 NYLON INSERT LOCK			
800		RF	NOTE: THE FOLLOWING PARTS ARE NON-ILLUSTRATED			

Figure 3561587C94
MIRROR,RR VW LH FLT & CNVX BLK



LEFT HAND SHOWN
RIGHT HAND OPPOSITE

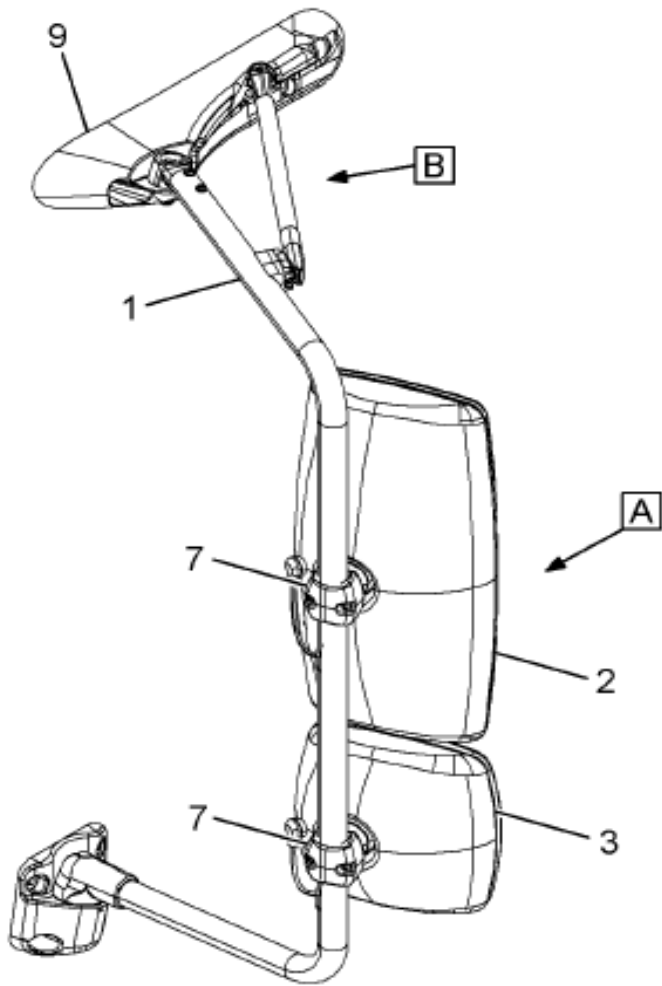


16-503-0370-01

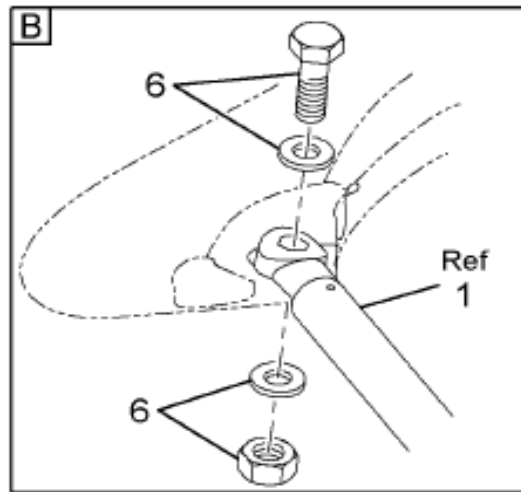
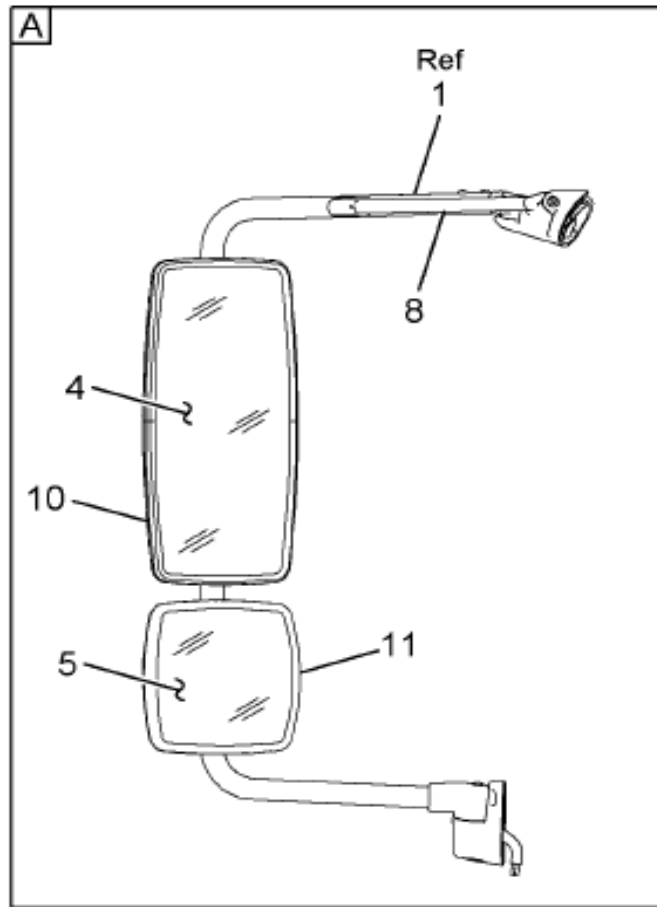
A11

Item	Part No.	Qty	Description	Kit	Var	Figure
1	2505274C2	1	BRACKET,ASSY LH BLK			
1		RF	LEFT			
2	2505281C1	1	HEAD,MIRROR CNVX 406 MNL BLCK			
3	2505280C1	1	HEAD,MIRR HD 405 FLAT			
4	2505813C1	1	GLASS,ASSY MIR STD FLT			
5	2507274C1	2	CLAMP,MIR TUBE CLAMP BLACK (1)			

Figure 3561588C94
MIRROR,RR VW RH FLT & CNVX BLK



LEFT HAND SHOWN
RIGHT HAND OPPOSITE

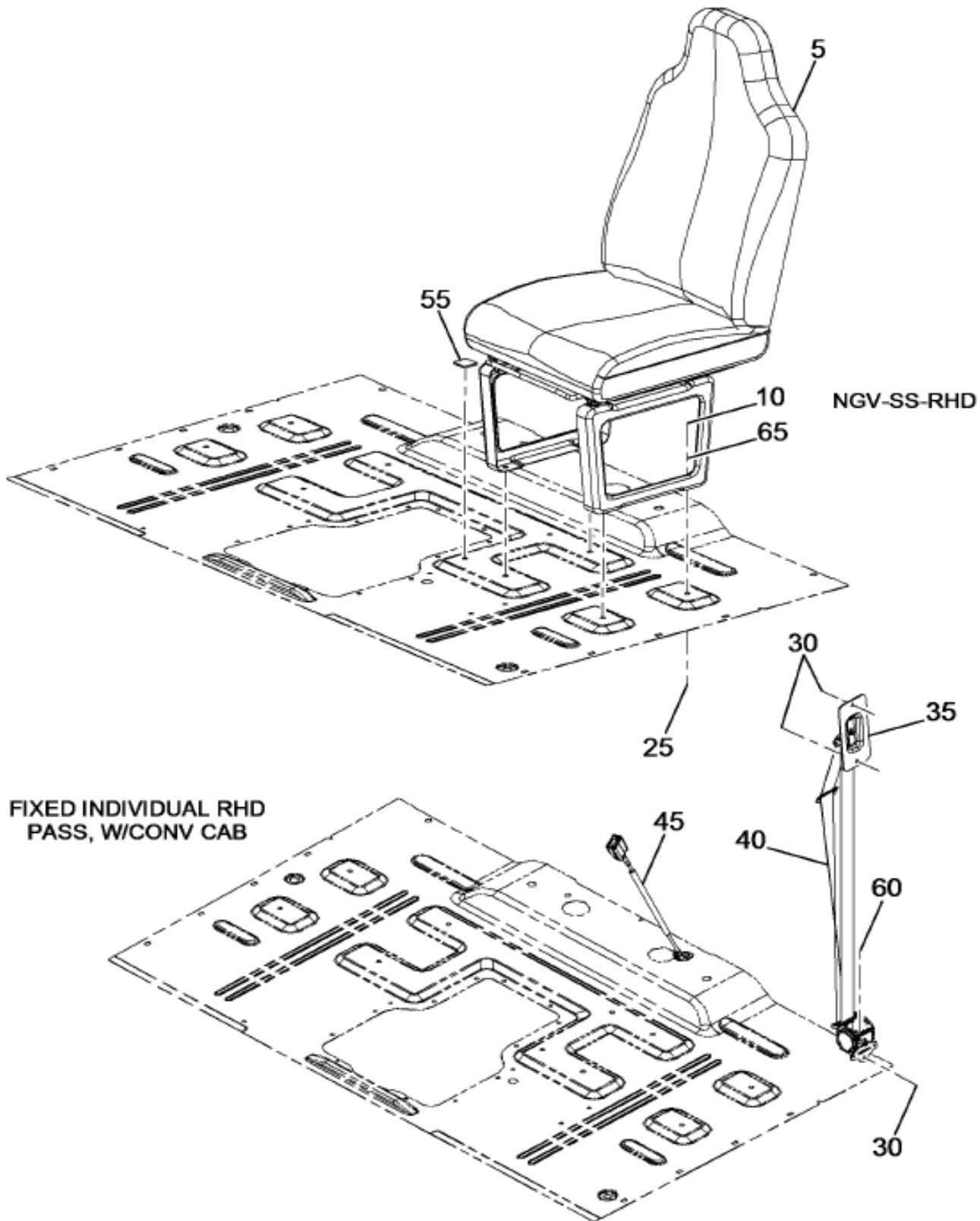


16-503-0187-01

D07

Item	Part No.	Qty	Description	Kit	Var	Figure
1	2505275C2	1	BRACKET,ASSY RH BLK			
1		RF	RIGHT			
2	2505280C1	1	HEAD,MIRR HD 405 FLAT			
3	2505281C1	1	HEAD,MIRROR CNVX 406 MNL BLCK			
4	2505813C1	1	GLASS,ASSY MIR STD FLT			
5	2505815C1	1	GLASS,ASSY MIR CNVX BLACK HEAD			

Figure 0GWJ7
PASS SEAT INSTL; W/ BELT

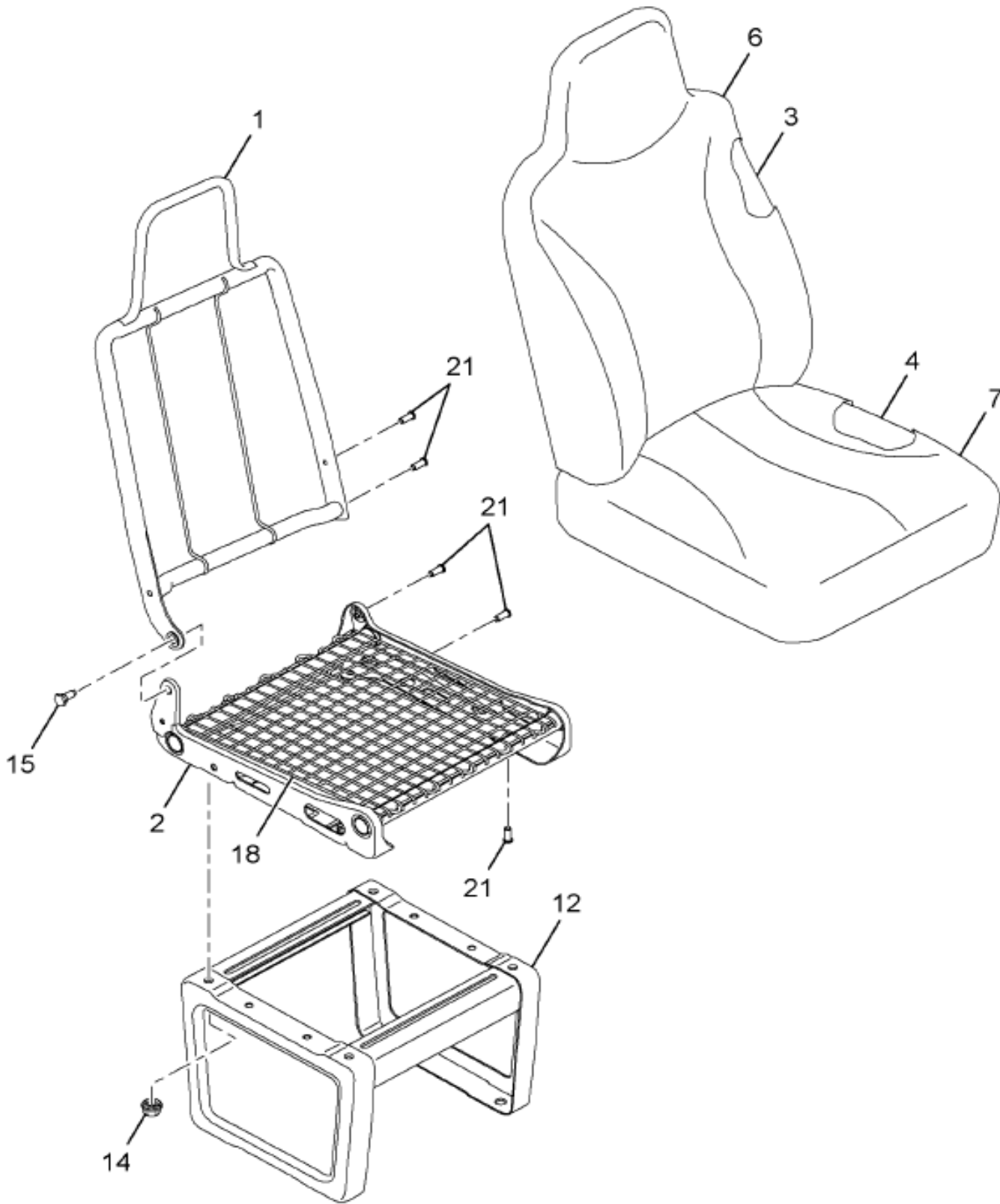


16-629-0160-01

A09

Item	Part No.	Qty	Description	Kit	Var	Figure
5	3575748C93	1	SEAT,DRS 1/3 HI BCK VINYL		0MVTD	3575748C93
10	3544442C1	4	BOLT,SEAT MTG STUD		0KYL7	
25	3557057C1	4	NUT,HEX*M8 X 1.25 W/ CAPTURE		0GWJ7	
30	3554364C1	3	BOLT,SPECIAL SEAT BELT ANCHOR		0KXGR	
35	3562147C2	1	BRACKET,SEAT BELT FIXED TURNIN		0GWJ7	
40	3549503C4	1	BELT,SAFETY RETRACTOR		0KXGR	

Figure 3575748C93
SEAT,DRS 1/3 HI BCK VINYL

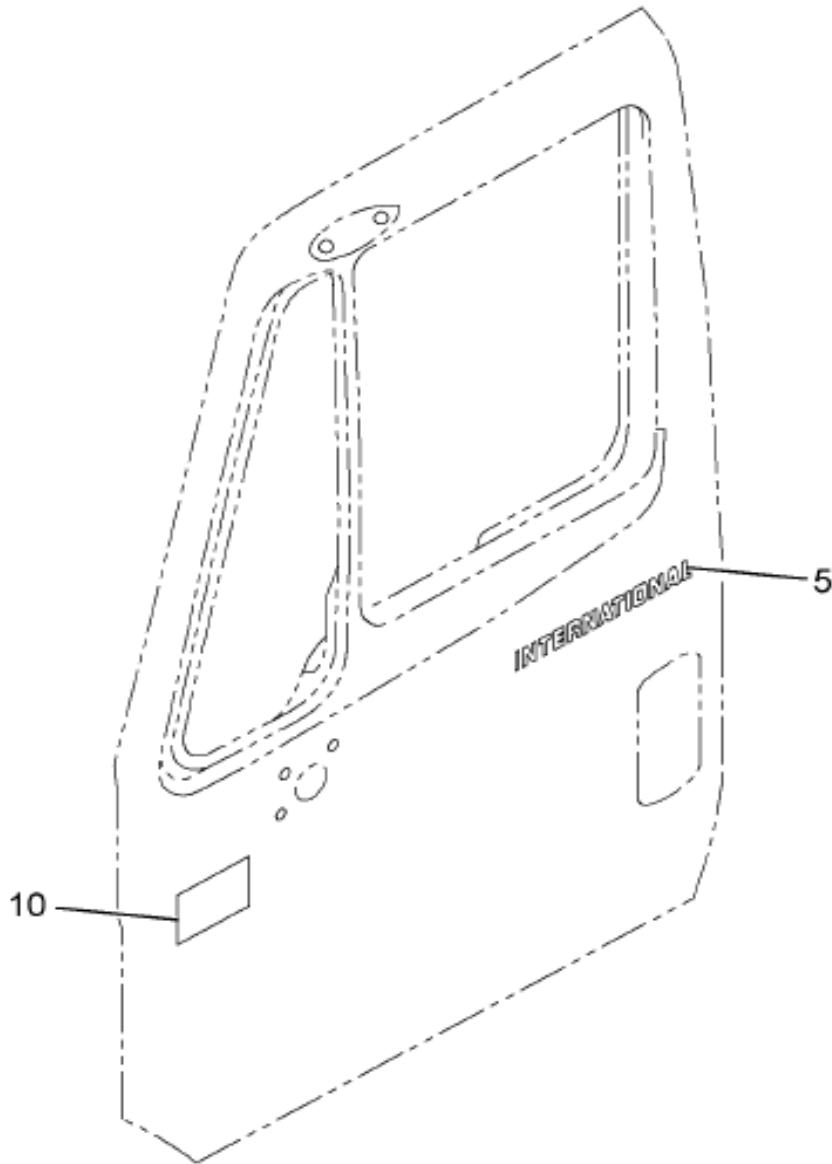


16-432-0590-01

M04

Item	Part No.	Qty	Description	Kit	Var	Figure
1	2505725C1	1	FRAME,SEAT (BUCKET BACK CUSH)			
2	2505724C1	1	FRAME,SEAT (BUCKET SEAT CUSH)			
3		1	PAD,ASM BUCKET BACK			
4		1	PAD ASM BUCKET CUSHION			
6	2509756C91	1	CUSHION,BACK HI 1/3 VINYL FXD			
7	2507654C91	1	CUSHION,SEAT W/CVR			

Figure 0LV42
 PRODUCT GRAPHIC; CAB, PRODUCT ID

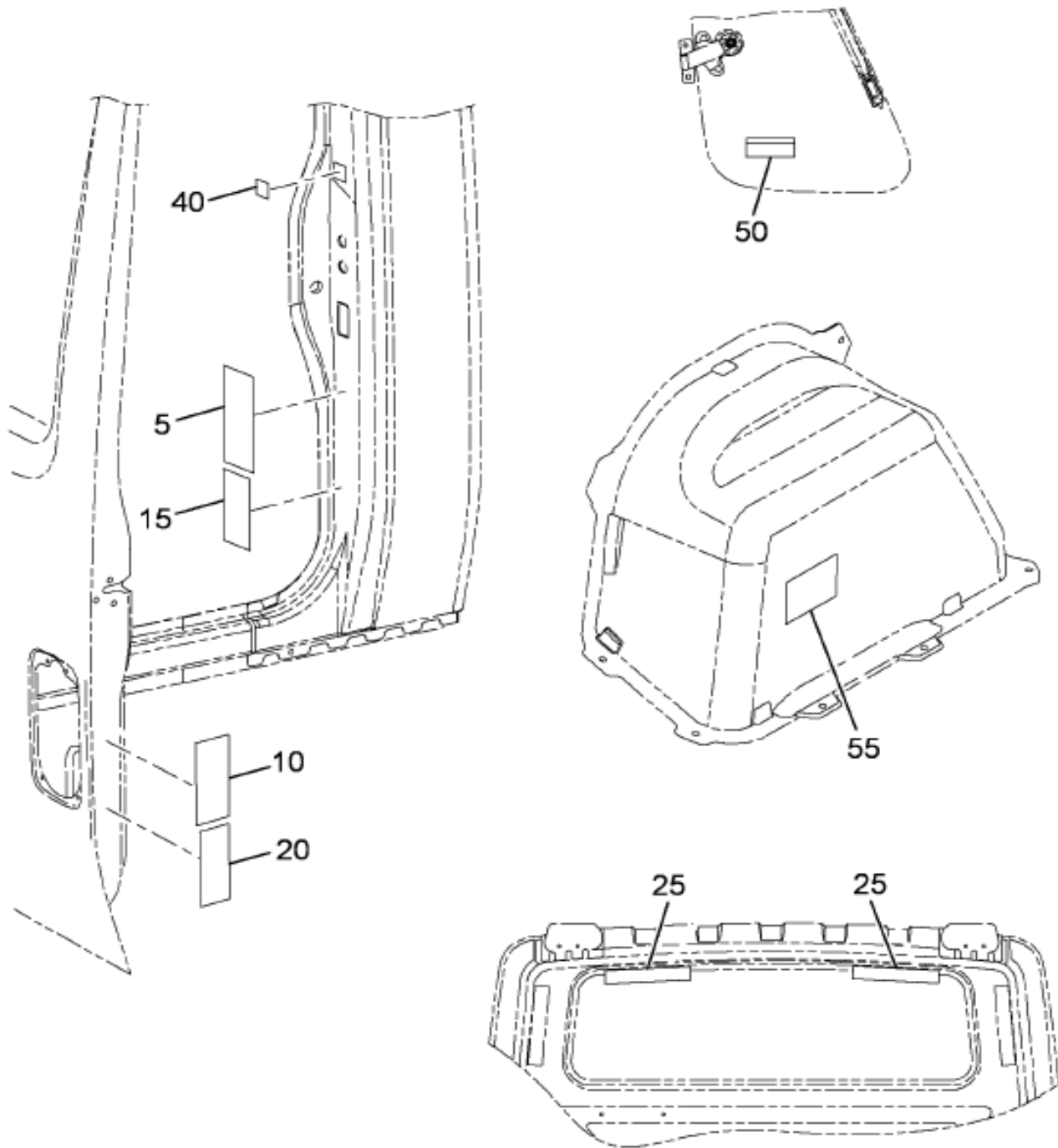


16-421-0012-AA

J04

Item	Part No.	Qty	Description	Kit	Var	Figure
5	3550918C2	2	PRODUCT GRAPHICS(INTERNATIONAL		0MQJN	
10	3550939C2	2	PRODUCT GRAPHICS,7400/DT530		0MQJN	

Figure 07M4J
PRODUCT GRAPHIC; LEGISLATIVE



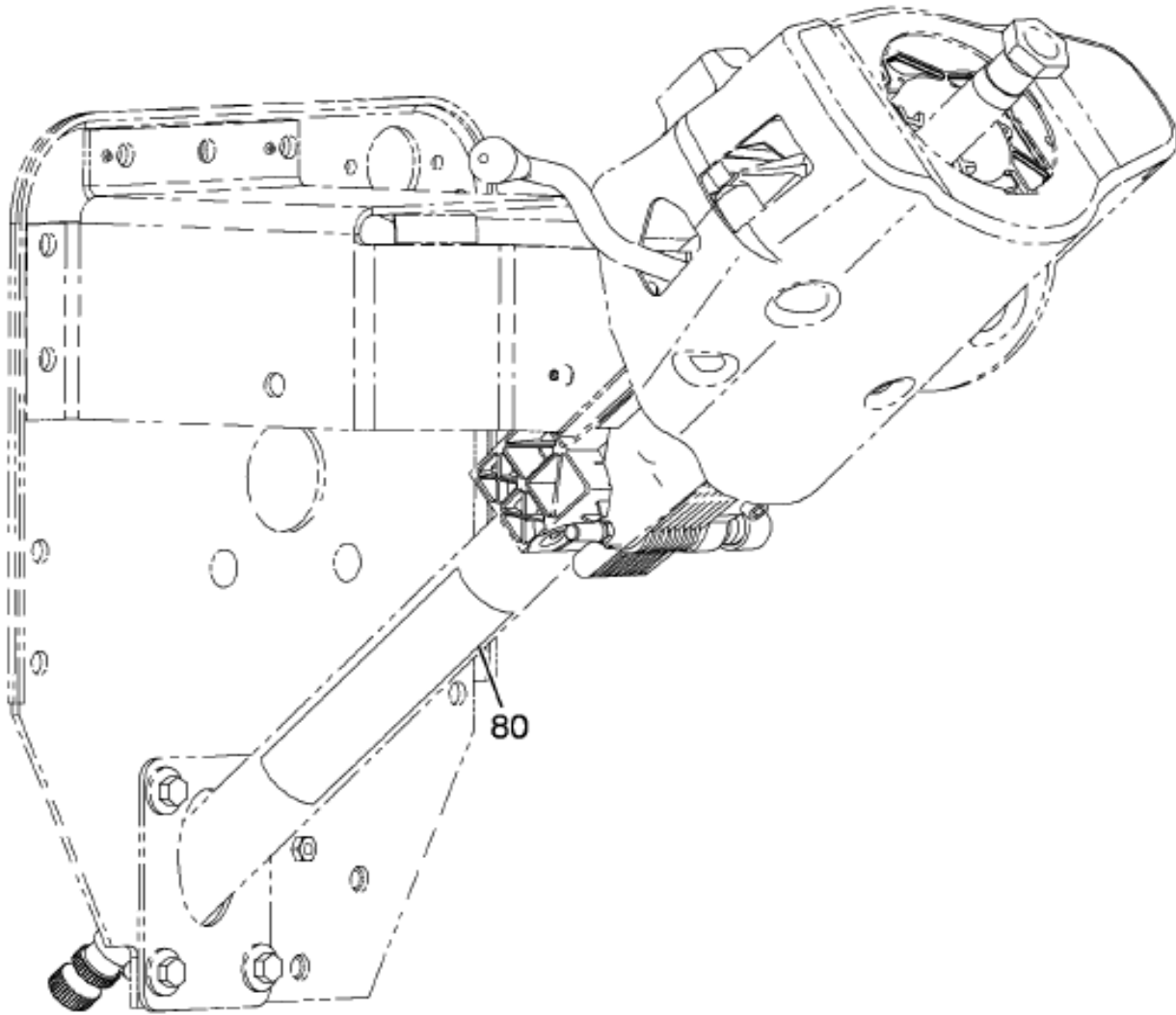
16-767-0005-AA

M09

Grp
16

Figure 1 of 3

Figure 07M4J
PRODUCT GRAPHIC; LEGISLATIVE

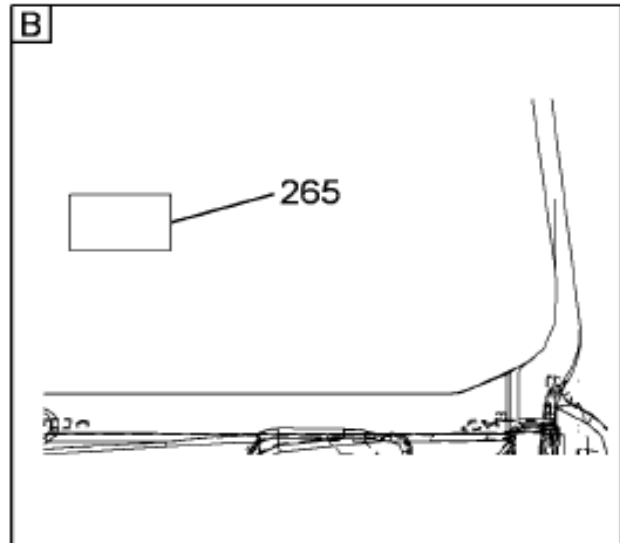
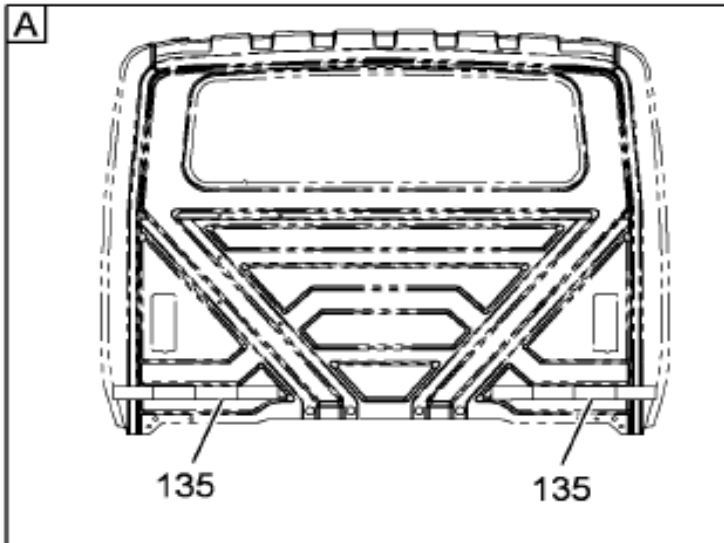
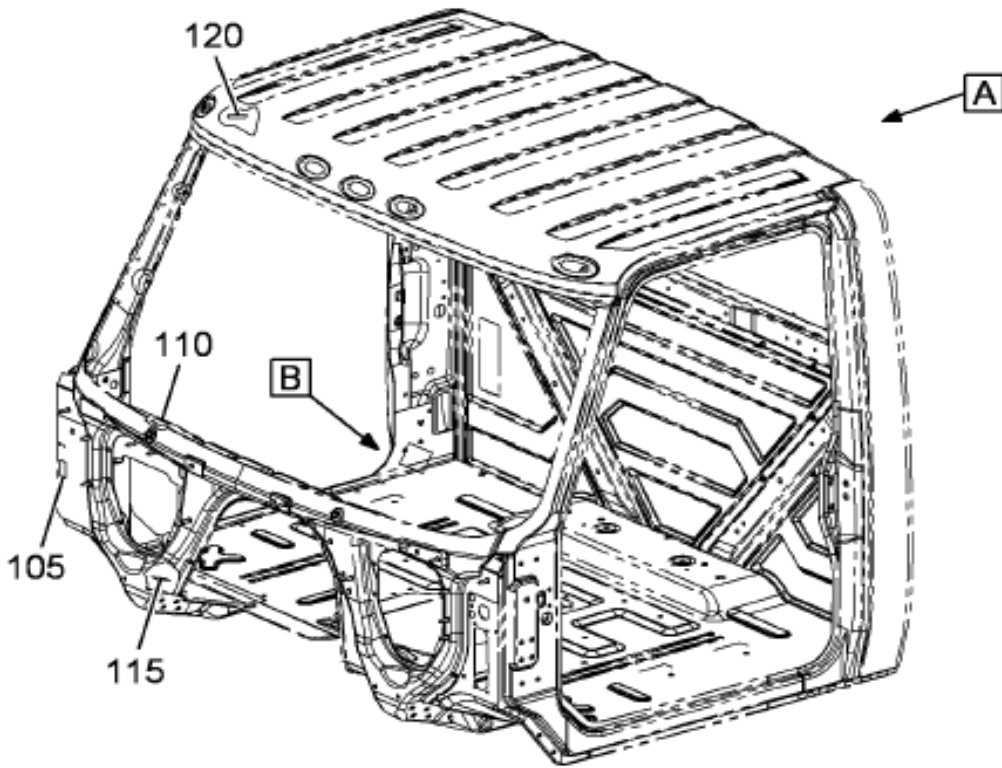


16-767-0015-01

M09

Figure 2 of 3

Figure 07M4J
PRODUCT GRAPHIC; LEGISLATIVE



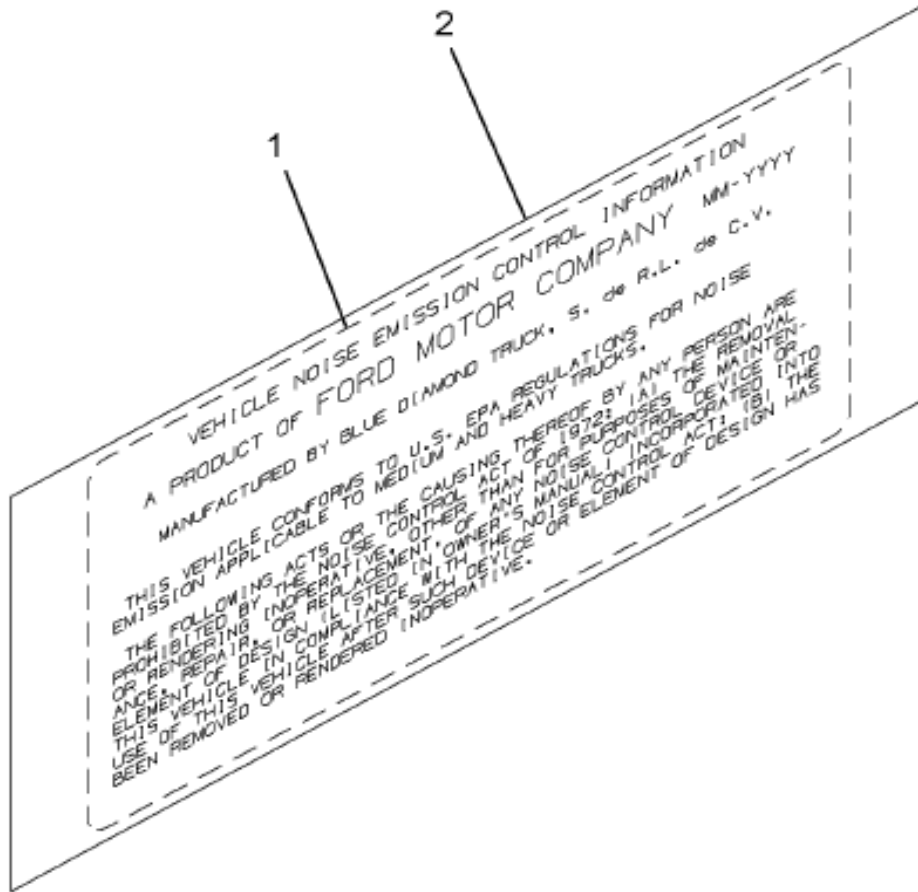
16-767-0020-02

M09

Grp
16

Item	Part No.	Qty	Description	Kit	Var	Figure
10	3585327C1	1	PRODUCT GRAPHICS, PATENT*ALL MO		07M4J	
20	3593358C2	1	PRODUCT GRAPHICS, NOISE EMISSION		0LB7C	3593358C2
55		REF	PROD GRAPH, LABEL CAUTION, MERTR		0H5Q9	
8005		REF	MANUAL, INST, TECH SERVICE AID		0H5Q9	
8005	1087423R1	1	STATIONERY, POST CARD FOR EXPOR		0LBHX	

Figure 3593358C2
 PRODUCT GRAPHICS,NOISE EMISSIO



16-768-0016-01

K03

Item	Part No.	Qty	Description	Kit	Var	Figure
1	3518910C2	1	PRODUCT GRAPHICS,*BLANK LABEL			
2	435654C2	1	COVER PROTECTIVE			
880		RF	NOTE: ASM BELOW COMPRISED OF ABOVE COMPONENTS			
881	3593358C2	RF	PRODUCT GRAPHICS,NOISE EMISSIO			

Figure 0FDGN
PRODUCT GRAPHIC; NON-LEGISLATIVE

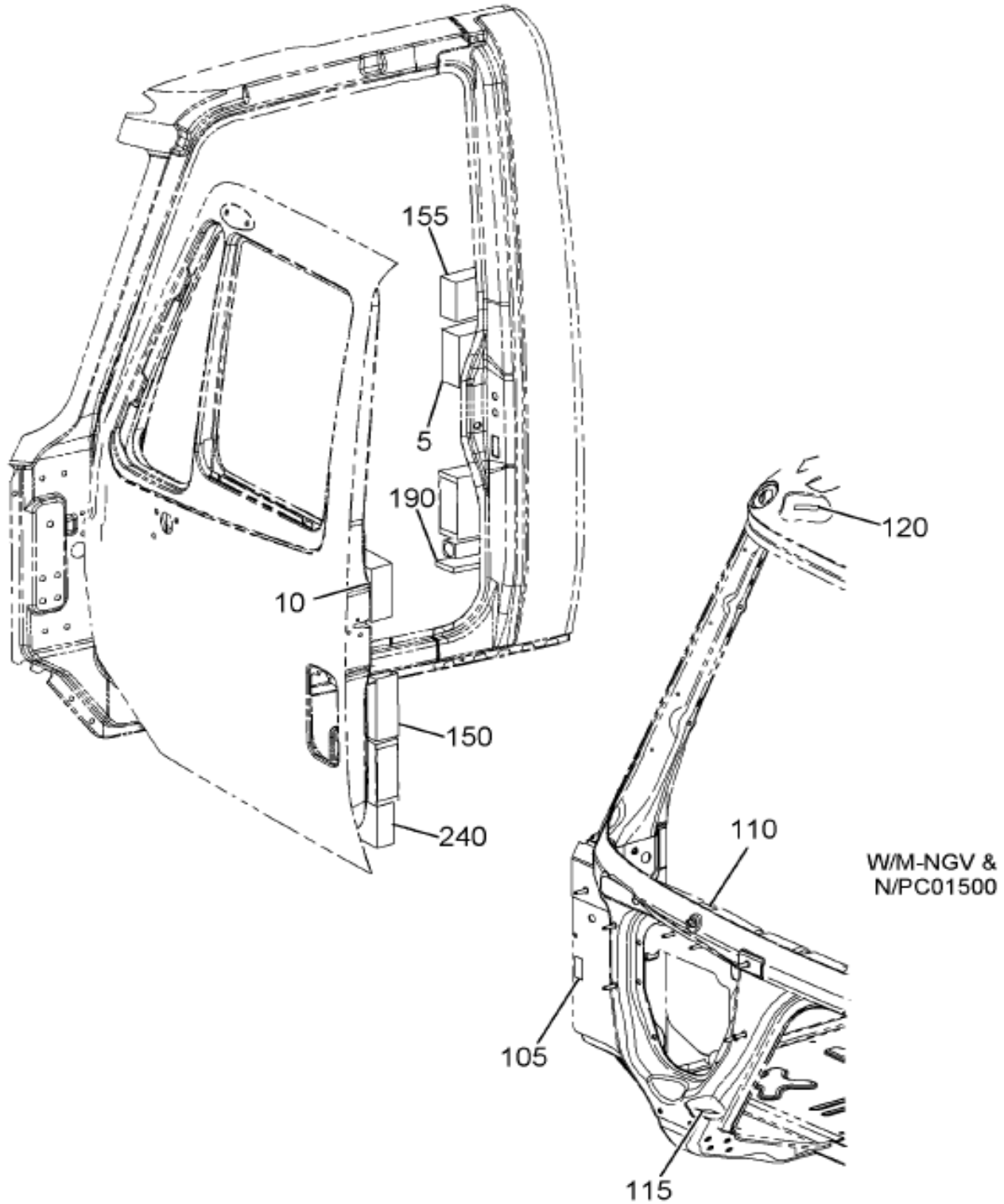
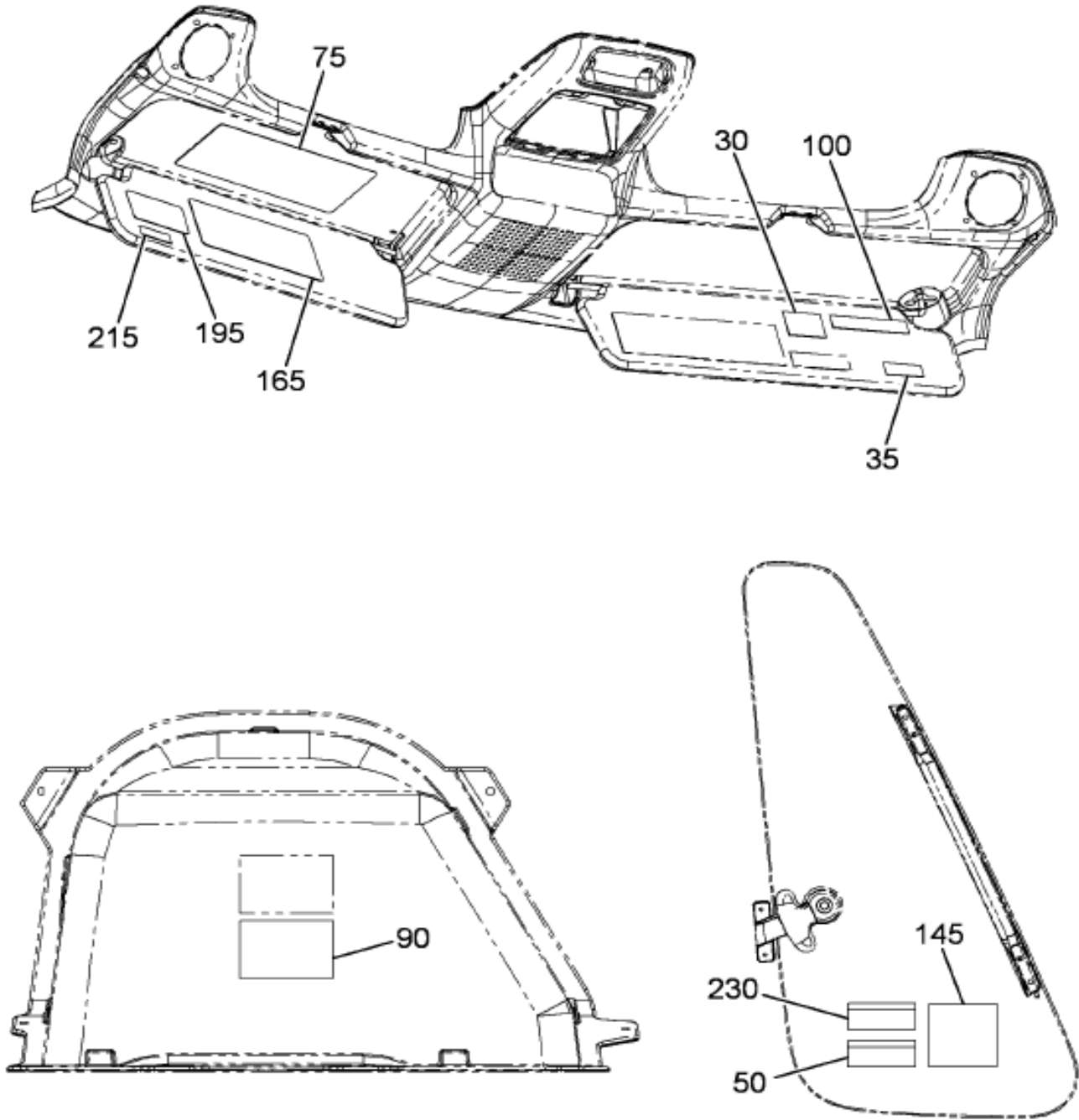


Figure 1 of 6

Figure 0FDGN
PRODUCT GRAPHIC; NON-LEGISLATIVE



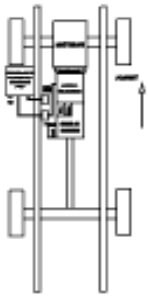
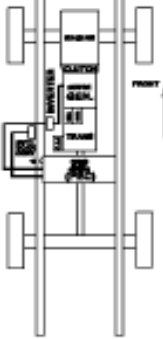
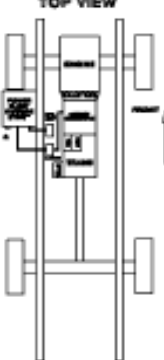
16-768-0034-02

C09

Figure 2 of 6

Figure 0FDGN
 PRODUCT GRAPHIC; NON-LEGISLATIVE

235

<p style="text-align: center;">VEHICULE HYBRIDE DES SYSTEMES HYBRIDES INTERNATIONAL ET EATON</p> <p style="text-align: center;">⚠ AVERTISSEMENT</p> <p>DANGER DE CHOC ELECTRIQUE. SEULS LES TECHNICIENS BIEN FORMES EN CETTE MATIERE DOIVENT EFFECTUER L'ENTRETIEN DES COMPOSANTS A HAUTE TENSION ET LES CABLES A HAUTE TENSION DANS CETTE UNITE. LES CIRCUITS ET LES COMPOSANTS HAUTE TENSION COMPORTENT DES NIVEAUX DE TENSION POURVANT PROVOQUER UN DOMMAGE A L'EQUIPEMENT, UN CHOC ELECTRIQUE ET (OU) UNE ELECTROCUTION MORTELLE EN CAS DE MANIPULATION INAPPROPRIEE. LES COMPOSANTS DU VEH DOIVENT ETRE INSPECTES PAR UN TECHNICIEN FORME EN CETTE MATIERE AVANT D'ETRE REMIS EN SERVICE A LA SUITE D'UN ACCIDENT.</p> <p>POUR OBTENIR UNE ASSISTANCE TECHNIQUE, VEUILLEZ COMPOSER LE 1 800 336-4500 AVANT DE RECUPERER OU DE REPARER CE VEHICULE <small>see https://www.international@vevs.com/service/</small></p>	<p style="text-align: center;">VUE EN PLAN</p>  <p style="text-align: center;"><small>*EMPLACEMENT DU CABLE-COURT DE LA BATTERIE</small></p>
<p style="text-align: center;">HYBRID VEHICLE by INTERNATIONAL AND EATON HYBRID SYSTEMS</p> <p style="text-align: center;">⚠ WARNING</p> <p>Shock Hazard. Only trained technicians should service the high voltage components and high voltage cables in this unit. High voltage circuits and components contain voltage levels that may cause equipment damage, electric shock, and/or deadly electrocution if handled incorrectly. HEV components should be inspected by a trained technician prior to active service following an accident.</p> <p>FOR TECHNICAL ASSISTANCE CALL (800) 336-4500 BEFORE RECOVERING OR REPAIRING THIS VEHICLE <small>SEE HTTP://ROADRANGER.COM</small></p>	<p style="text-align: center;">TOP VIEW</p>  <p style="text-align: center;"><small>* BATTERY DISCONNECT LOCATION</small></p>
<p style="text-align: center;">HYBRID VEHICLE by INTERNATIONAL AND EATON HYBRID SYSTEMS</p> <p style="text-align: center;">⚠ WARNING</p> <p>Shock Hazard. Only trained technicians should service the high voltage components and high voltage cables in this unit. High voltage circuits and components contain voltage levels that may cause equipment damage, electric shock, and/or deadly electrocution if handled incorrectly. HEV components should be inspected by a trained technician prior to active service following an accident.</p> <p>FOR TECHNICAL ASSISTANCE CALL (800) 336-4500 BEFORE RECOVERING OR REPAIRING THIS VEHICLE <small>see http://roadranger.com/roadranger/serviceassistance@vevs.com</small></p>	<p style="text-align: center;">TOP VIEW</p>  <p style="text-align: center;"><small>* BATTERY DISCONNECT LOCATION</small></p>

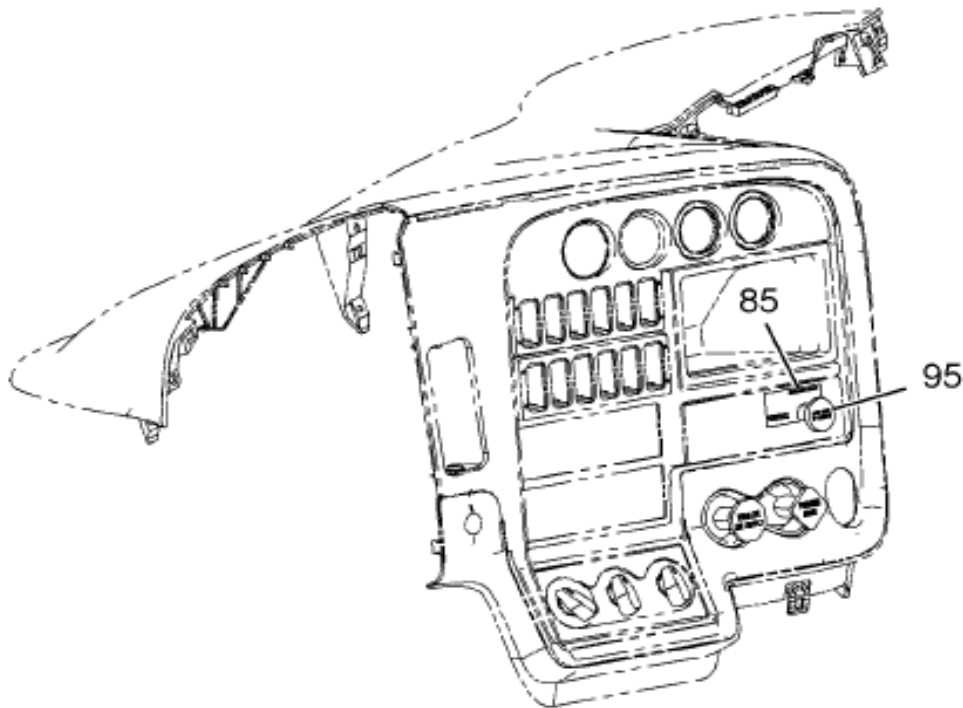
16-768-0034-03

B10

G R P 1 6

Figure 3 of 6

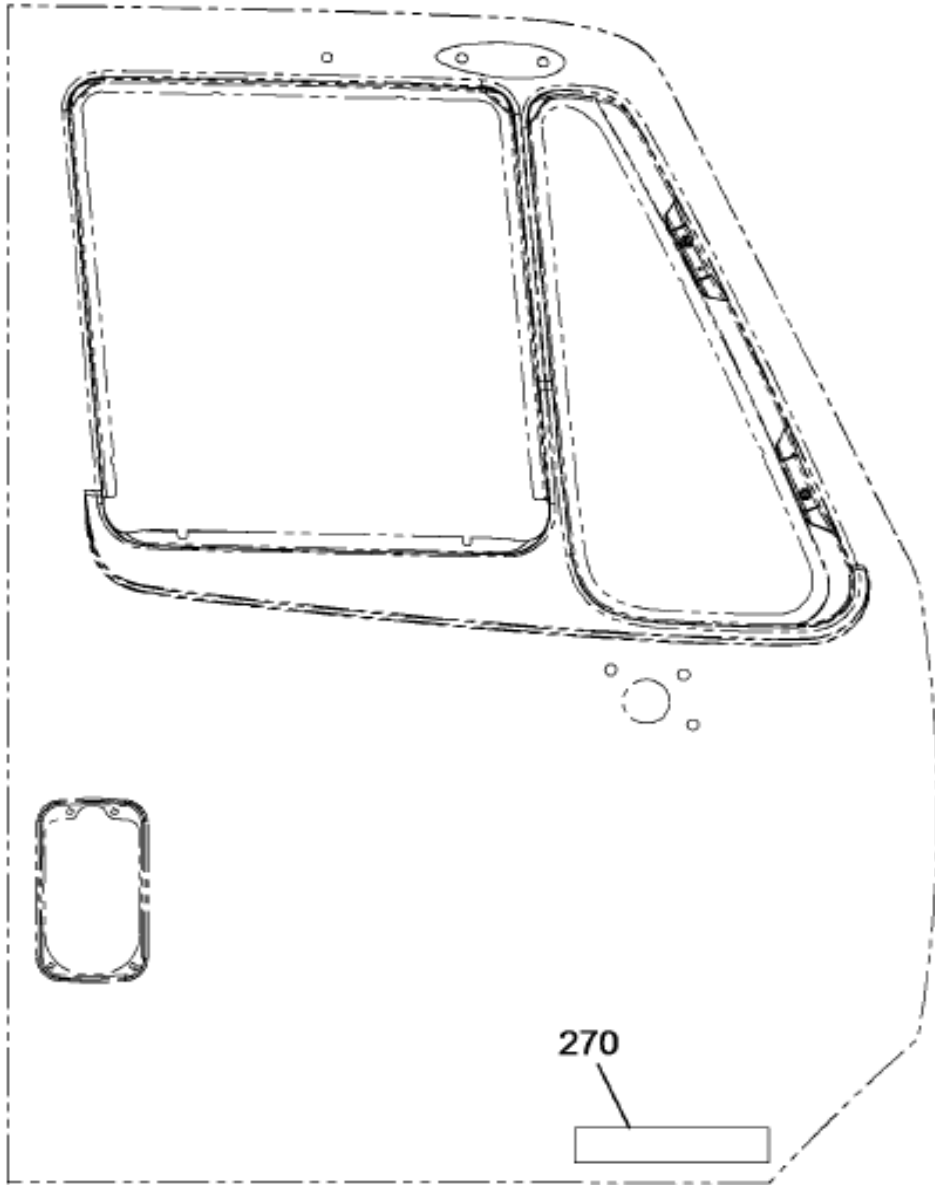
Figure 0FDGN
PRODUCT GRAPHIC; NON-LEGISLATIVE



LF51700
W/04596

Figure 4 of 6

Figure 0FDGN
PRODUCT GRAPHIC; NON-LEGISLATIVE



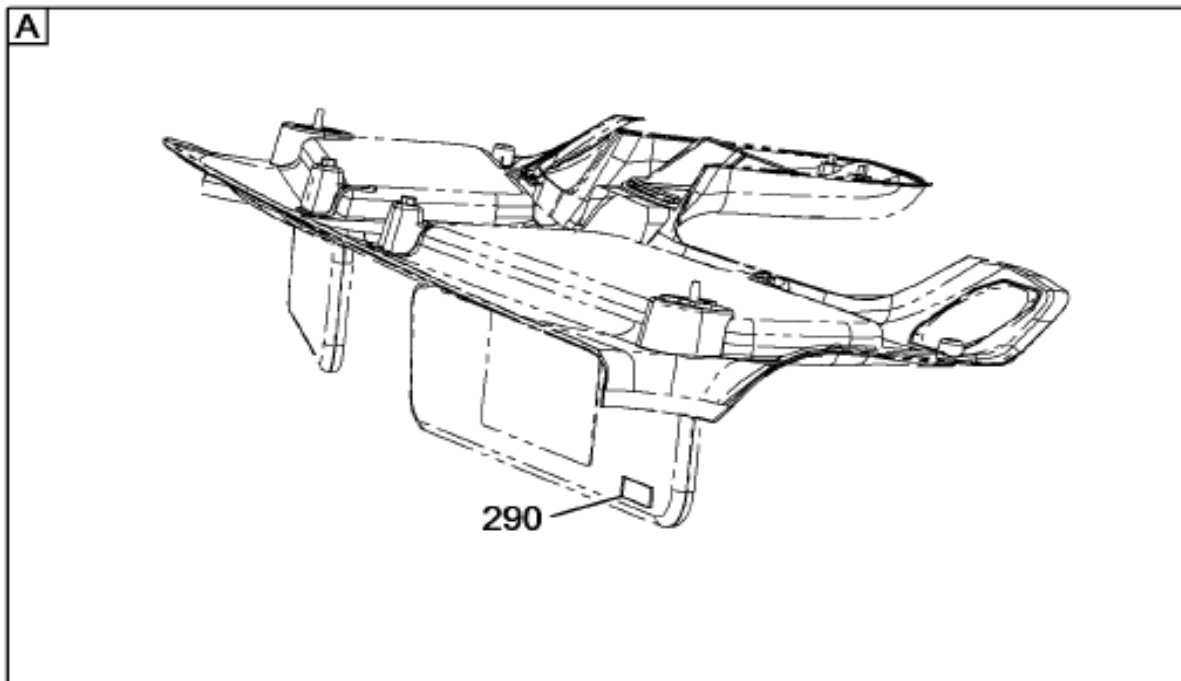
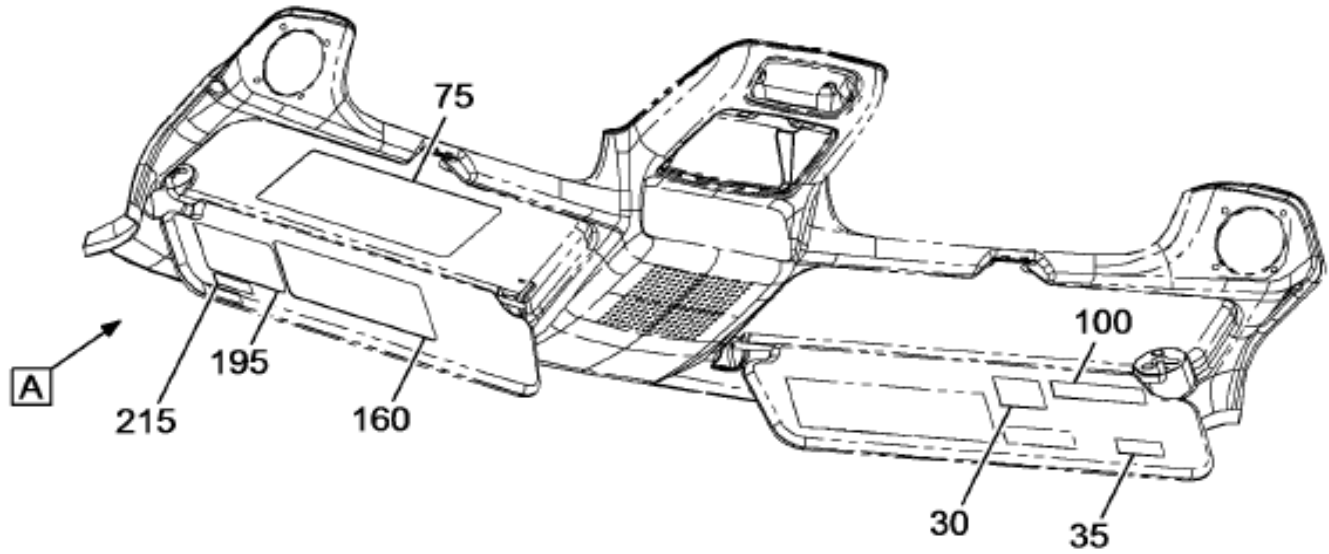
16-768-0045-01

D11

GRP
16

Figure 5 of 6

Figure 0FDGN
 PRODUCT GRAPHIC; NON-LEGISLATIVE

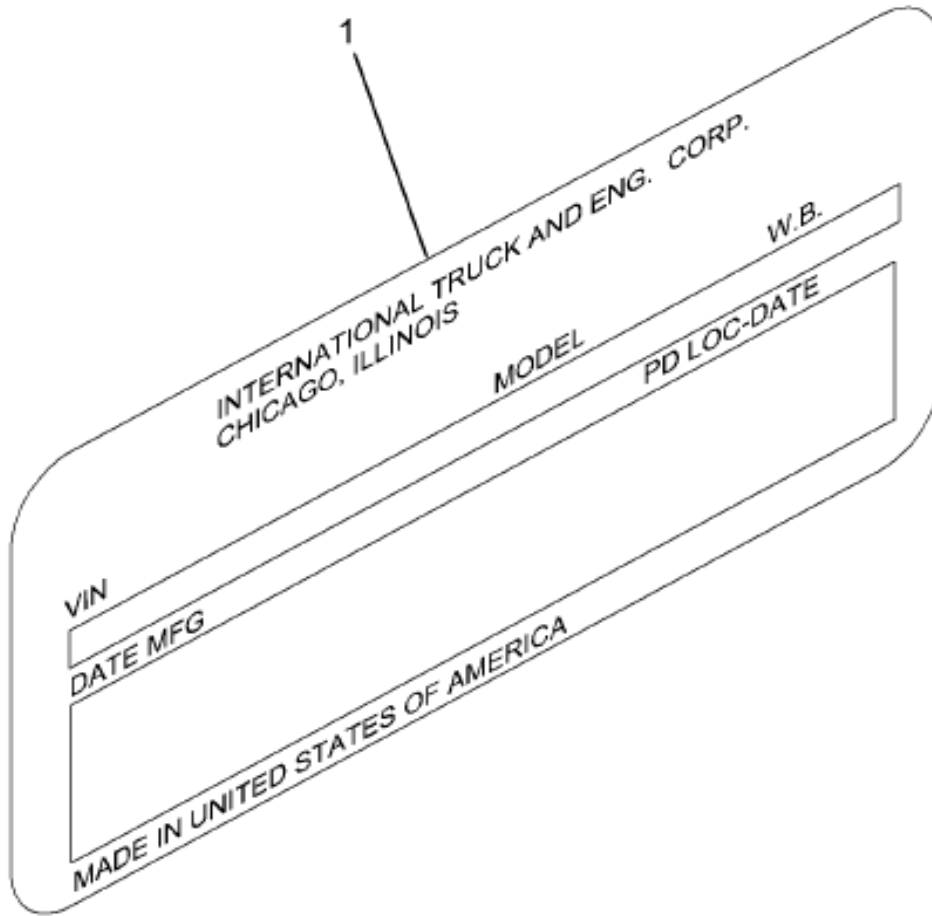


16-768-0047-01

E11

Item	Part No.	Qty	Description	Kit	Var	Figure
5	3591764C1	1	PRODUCT GRAPHICS,VEHICLE ID NO		0LB6P	3591764C1
50	3557499C1	1	PRODUCT GRAPHICS,ESCUTCHEON*TH		0L4SX	
100	3588769C1	1	PRODUCT GRAPHICS,SAFETY*WARNIN		0K4JG	

Figure 3591764C1
 PRODUCT GRAPHICS,VEHICLE ID NO



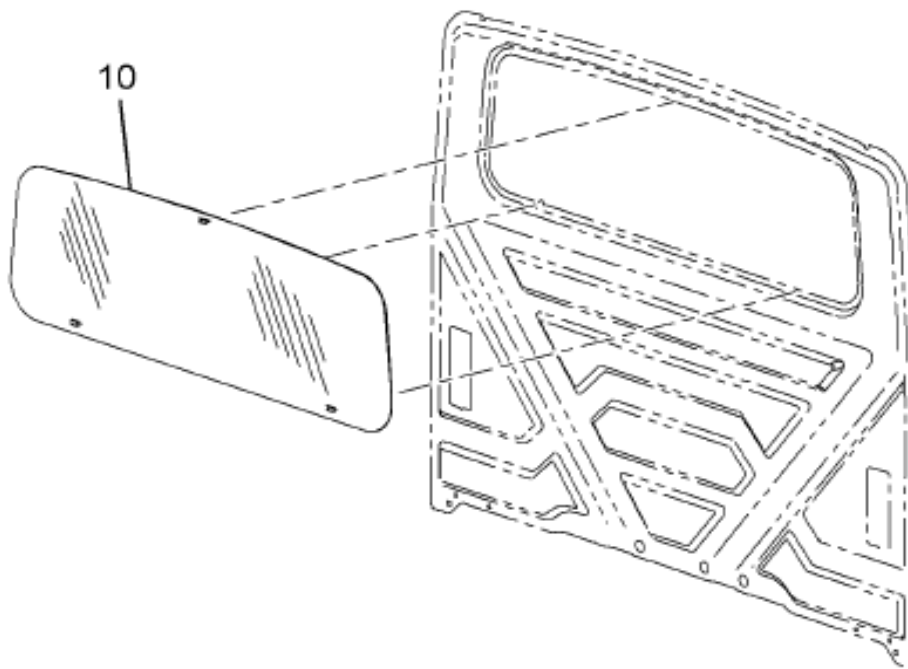
16-421-0037-01

A05

Grp
16

Item	Part No.	Qty	Description	Kit	Var	Figure
1	3518910C2	1	PRODUCT GRAPHICS,*BLANK LABEL			
880		RF	NOTE: ASM BELOW COMPRISED OF ABOVE COMPONENTS			
881	3591764C1	RF	PRODUCT GRAPHICS,VEHICLE ID NO			

Figure 06MXP
REAR WINDOW INSTL

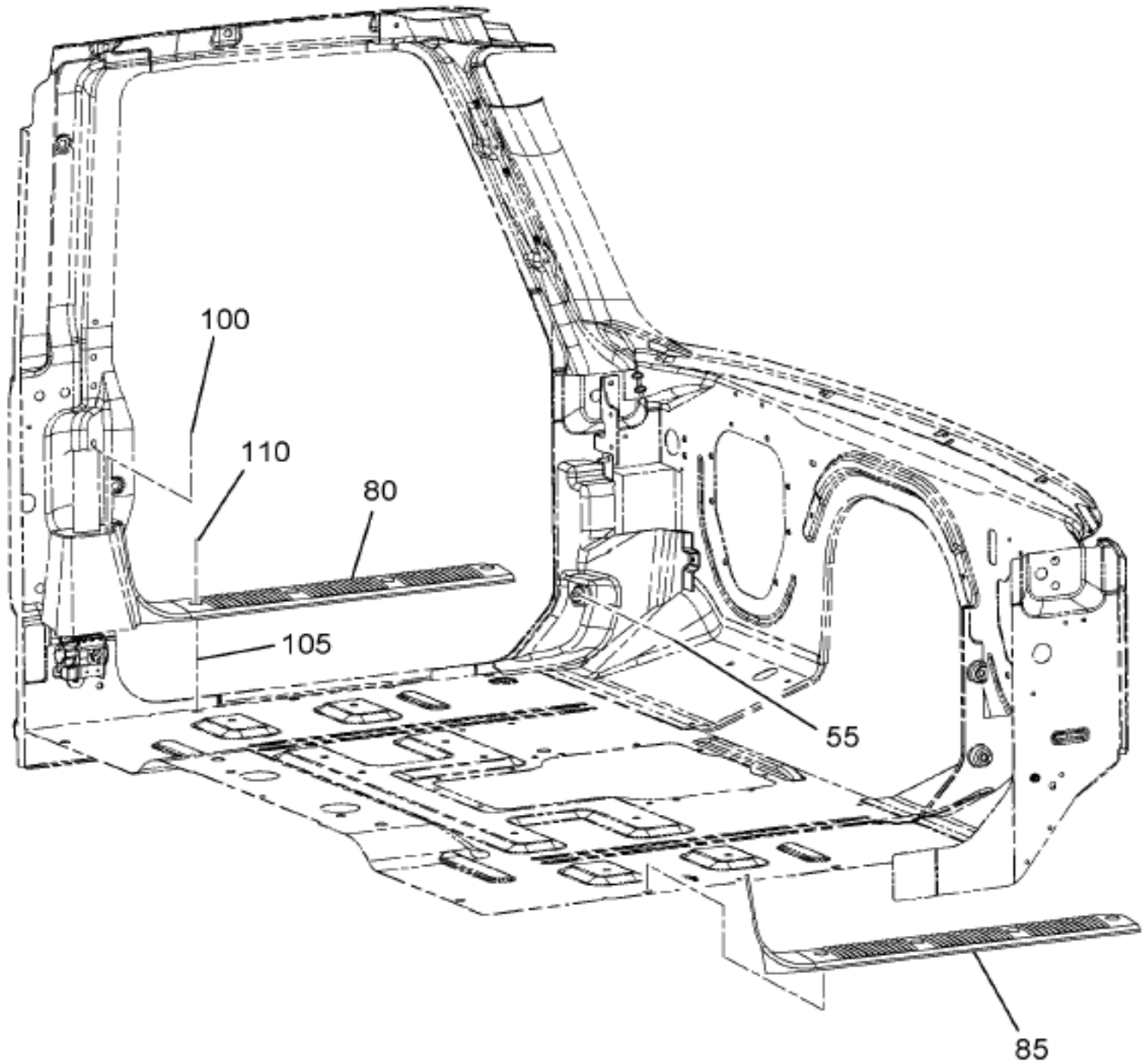


16-363-0007-01

B10

Item	Part No.	Qty	Description	Kit	Var	Figure
10	3575695C1	1	GLASS,WNDW RR PRIVAGUARD TINT		0HJ79	
8005	3566773R1	1	SEALANT,ADHESIVE URETHANE,1PA		0HJ79	

Figure 06NKY
SCUFF PLATE INSTL; LT/RT



16-427-0007-C0

B10

Item	Part No.	Qty	Description	Kit	Var	Figure
80	3544789C4	1	PLATE,SCUFF LH BLACK		06NLY	
85	3544790C4	1	PLATE,SCUFF RH BLACK		06NLY	
100	3584262C1	2	FASTENER,TRIM XMAS TREE 6.45 X		06NLY	
105	3548695C1	8	FASTENER,TRIM NYLON GROMMET		06NLY	
110	3552454C1	8	SCREW,TAPPING M4.2 X 1.41-35MM		06NLY	

Figure 0M56Q
SERVICE CAB ASM

CAB ASSEMBLY MATRIX

CAB MODEL	CAB STYLE	ENGINE	SERVICE SHELL CAB	SERVICE TRIMMED CAB	PRODUCTION CAB ASSY	UNDERBODY ASSEMBLY
7600/8500	BS2	BB	CAB027TCA	CAB517TCA/CAB517PTCA	3602962C94	3547272C98
42/43/4400 - 73/74/7500	CS1	V8 + I6	CAB027	CAB513/CAB513P	3602961C94	3547271C98
7600	CS3	BB	CAB028TR	CAB516/CAB516P	3602964C94	3547272C98
4400,7400,7500, 8500	CS5	V8 + I6	CAB027TC	CAB517/CAB517P	3602966C94	3547271C98
76,008,600	CS6	BB	CAB028	CAB519/CAB519P	3602967C94	3547272C98
42/43/4400 - 73/74/7500	CS7	V8 + I6	CAB027TRA	CAB513TRA/CAB513PTRA	3602968C94	3547271C98
7600	CS8	BB	CAB028TRA	CAB516TRA/CAB516PTRA	3602969C94	3547272C98
8500	CS9	V8 + I6	CAB030	CAB522/CAB522P	3604145C94	3547271C98
8600	CS10	BB	CAB031	CAB523/CAB523P	3604146C94	3547272C98
8500	CS11	V8 + I6	CAB032	CAB524/CAB524P	3604147C94	3547271C98
8600	CS12	BB	CAB033	CAB525/CAB525P	3604148C94	3547272C98
42/43/4400 - 73/74/7500	CE1	V8 + I6	CAB025	CAB514/CAB514P	3602971C94	3543973C98
7600	CE3	BB	CAB029TR	CAB520/CAB520P	3602972C94	3543976C97
76,008,600	CE4	BB	CAB029	CAB521/CAB521P	3602973C94	3543976C97
8500	CE5	V8 + I6	CAB025TC	CAB514TC/CAB514PTC	3602976C94	3543973C98
42/43/4400 - 73/74/7500	CT1	V8 + I6	CAB026	CAB515/CAB515P	3602975C95	3543974C98

LEGEND

- BS1 LIGHT WEIGHT HIGHWAY TRACTOR - AERO - LHD - I6 ENGINE
 BS2 LIGHT WEIGHT HIGHWAY TRACTOR - AERO - LHD - BIG BORE ENGINE
 CS1 SEVERE SERVICE - TRUCK - LHD - V8 OR I6 ENGINE
 CS3 SEVERE SERVICE - TRUCK - LHD - BIG BORE ENGINE
 CS5 SEVERE SERVICE - TRACTOR - LHD - V8 OR I6 W/AERO SIDE ASSYS
 CS6 SEVERE SERVICE - TRACTOR - LHD - BIG BORE W/AERO SIDE ASSYS
 CS7 SEVERE SERVICE - TRUCK - LHD - V8 OR I6 W/AERO SIDE ASSYS
 CS8 SEVERE SERVICE - TRUCK- LHD-BIG BORE W/AERO SIDE ASSYS
 CS9 REGIONAL HAUL - TRACTOR - LHD - V8 OR I6 - W/ ROOF BRACKETS
 CS10 REGIONAL HAUL - TRACTOR - LHD - BIG BORE - W/ ROOF BRACKETS
 CS11 REGIONAL HAUL - TRACTOR - LHD - V8 OR I8 - STD ROOF
 CS12 REGIONAL HAUL - TRACTOR - LHD - BIG BORE - STD ROOF
 CE1 EXTENDED CAB - TRUCK - LHD- V8 OR I6 ENGINE
 CE3 EXTENDED CAB - TRUCK - LHD - BIG BORE ENGINE
 CE4 EXTENDED CAB - TRUCK - LHD - BIG BORE ENGINE W/ TRACTOR BACK PANEL
 CE5 EXTENDED CAB - TRUCK - LHD - V8 OR I6 ENGINE W/ TRACTOR BACK PANEL
 CT1 TRAVELCREW CAB - TRUCK - LHD - V8 OR I6 ENGINE
 BB BIG BORE
 TC TRACTOR AIR BRAKES
 TCA TRACTOR AIR BRAKES AND AERO EFFECTS
 TR TRUCK AIR OR HYDRAULIC BRAKES
 TRA TRUCK AIR OR HYDRAULIC BRAKES AND AERO EFFECTS
 P PREMIUM TRIM LEVEL

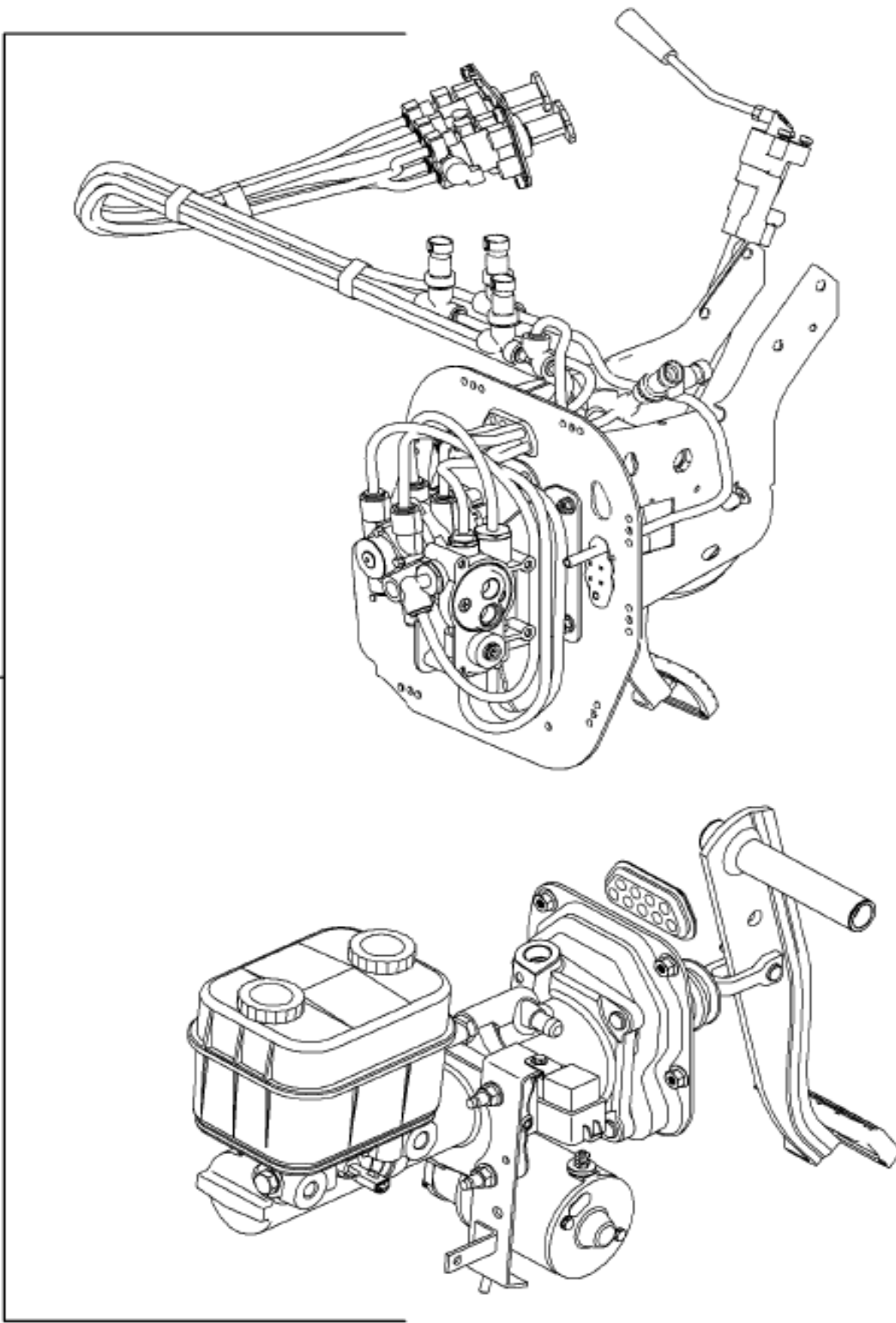
10-V97-0001-01

K06

Item	Part No.	Qty	Description	Kit	Var	Figure
8005	CAB025	AR	CAB,SHELL EXTNDD W/V8 OR I6		0M56R	

Figure 0M3VN
SERVICE CAB ASM; DRIVER CONTROL MODULE

30



16-V94-0011-01

A08

Grp
16

Item	Part No.	Qty	Description	Kit	Var	Figure
30	2505767C93	AR	BRAKE-SVC DCM W/TRCT BRK,MN		0M3VR	

Figure 0M58J
SERVICE CAB ASM; MATRIX

CAB ASSEMBLY MATRIX

CAB MODEL	CAB STYLE	ENGINE	SERVICE SHELL CAB	SERVICE TRIMMED CAB	PRODUCTION CAB ASSY	UNDERBODY ASSEMBLY
7600/8500	BS2	BB	CAB027TCA	CAB517/CAB517PTCA	3602963C94	3547272C98
42/43/4400 - 73/74/7500	CS1	V8 + I6	CAB027	CAB513/CAB513P	3602961C94	3547271C98
7600	CS3	BB	CAB028TR	CAB516/CAB516P	3602964C94	3547272C98
4400,7400,7500, 8500	CS5	V8 + I6	CAB027TC	CAB517/CAB517P	3602966C94	3547271C98
76,008,600	CS6	BB	CAB028	CAB519/CAB519P	3602967C94	3547272C98
42/43/4400 - 73/74/7500	CS7	V8 + I6	CAB027TRA	CAB513TRA/CAB513PTRA	3602968C94	3547271C98
7600	CS8	BB	CAB028TRA	CAB516TRA/CAB516PTRA	3602969C94	3547272C98
8500	CS9	V8 + I6	CAB030	CAB522/CAB522P	3604145C94	3547271C98
8600	CS10	BB	CAB031	CAB523/CAB523P	3604146C94	3547272C98
8500	CS11	V8 + I6	CAB032	CAB524/CAB524P	3604147C94	3547271C98
8600	CS12	BB	CAB033	CAB525/CAB525P	3604148C94	3547272C98
42/43/4400 - 73/74/7500	CE1	V8 + I6	CAB025	CAB514/CAB514P	3602971C94	3543973C98
7600	CE3	BB	CAB029TR	CAB520/CAB520P	3602972C94	3543976C97
76,008,600	CE4	BB	CAB029	CAB521/CAB521P	3602973C94	3543976C97
8500	CE5	V8 + I6	CAB025TC	CAB514TC/CAB514PTC	3602976C94	3543973C98
42/43/4400 - 73/74/7500	CT1	V8 + I6	CAB026	CAB515/CAB515P	3602975C95	3543974C98

LEGEND

- BS1 LIGHT WEIGHT HIGHWAY TRACTOR - AERO - LHD - I6 ENGINE
 BS2 LIGHT WEIGHT HIGHWAY TRACTOR - AERO - LHD - BIG BORE ENGINE
 CS1 SEVERE SERVICE - TRUCK - LHD - V8 OR I6 ENGINE
 CS3 SEVERE SERVICE - TRUCK - LHD - BIG BORE ENGINE
 CS5 SEVERE SERVICE - TRACTOR - LHD - V8 OR I6 W/AERO SIDE ASSYS
 CS6 SEVERE SERVICE - TRACTOR - LHD - BIG BORE W/AERO SIDE ASSYS
 CS7 SEVERE SERVICE - TRUCK - LHD - V8 OR I6 W/AERO SIDE ASSYS
 CS8 SEVERE SERVICE - TRUCK- LHD-BIG BORE W/AERO SIDE ASSYS
 CS9 REGIONAL HAUL - TRACTOR - LHD - V8 OR I6 - W/ ROOF BRACKETS
 CS10 REGIONAL HAUL - TRACTOR - LHD - BIG BORE - W/ ROOF BRACKETS
 CS11 REGIONAL HAUL - TRACTOR - LHD - V8 OR I8 - STD ROOF
 CS12 REGIONAL HAUL - TRACTOR - LHD - BIG BORE - STD ROOF
 CE1 EXTENDED CAB - TRUCK - LHD- V8 OR I6 ENGINE
 CE3 EXTENDED CAB - TRUCK - LHD - BIG BORE ENGINE
 CE4 EXTENDED CAB - TRUCK - LHD - BIG BORE ENGINE W/ TRACTOR BACK PANEL
 CE5 EXTENDED CAB - TRUCK - LHD - V8 OR I6 ENGINE W/ TRACTOR BACK PANEL
 CT1 TRAVELCREW CAB - TRUCK - LHD - V8 OR I6 ENGINE
 BB BIG BORE
 TC TRACTOR AIR BRAKES
 TCA TRACTOR AIR BRAKES AND AERO EFFECTS
 TR TRUCK AIR OR HYDRAULIC BRAKES
 TRA TRUCK AIR OR HYDRAULIC BRAKES AND AERO EFFECTS
 P PREMIUM TRIM LEVEL

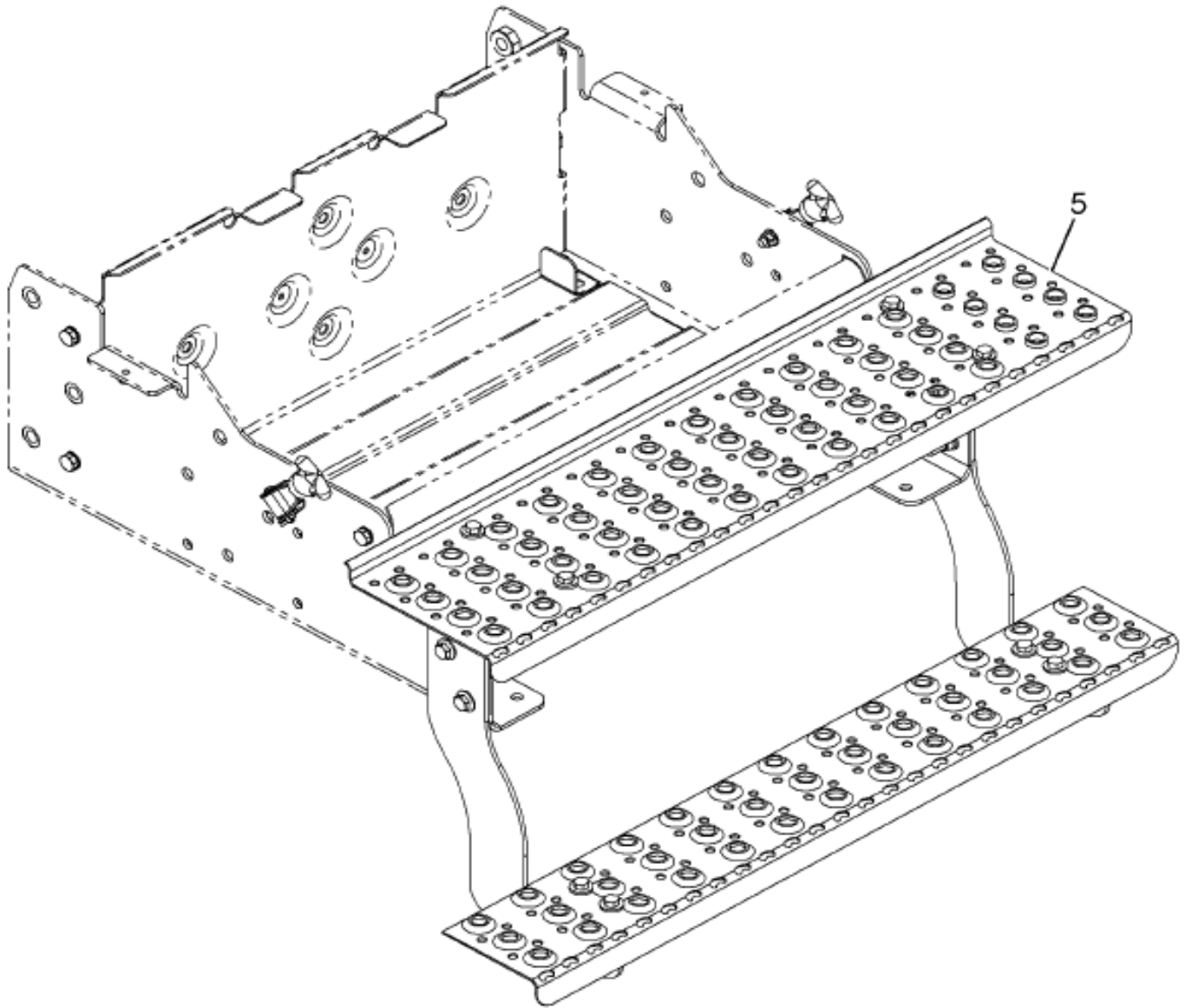
10-V97-0001-01

K06

Item	Part No.	Qty	Description	Kit	Var	Figure
8005	CAB514	AR	CAB,STD TRM EXT I6/V8 TK HY/AR		0M58Q	

G
r
p
1
6

Figure 0J2LZ
 STEPS; BATTERY BOX MODULE

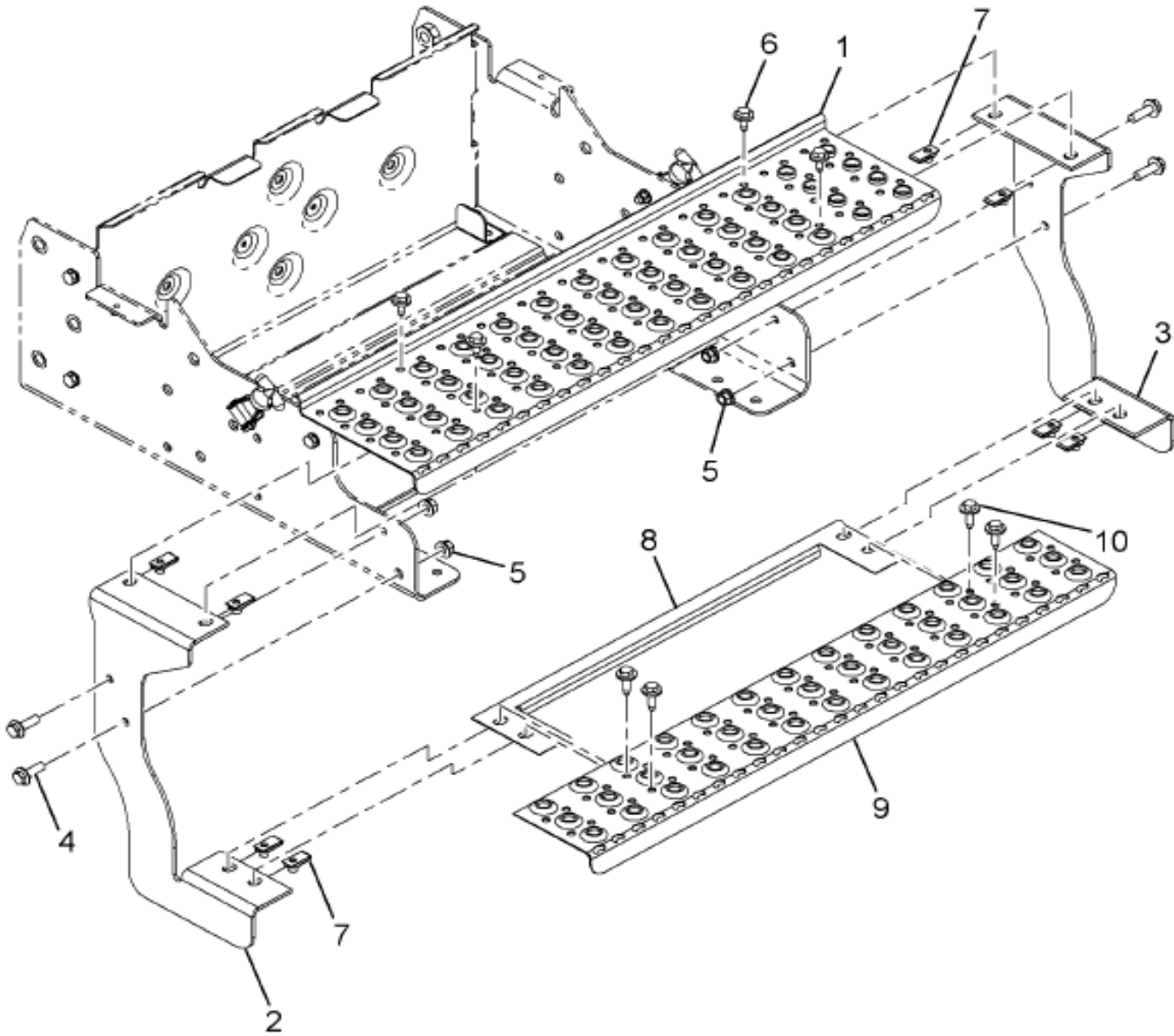


08-L49-0019-01

L04

Item	Part No.	Qty	Description	Kit	Var	Figure
5	3576163F92	1	ELEC,BATT BOX STEPS-832MM		0J2M6	3576163F92

Figure 3576163F92
ELEC, BATT BOX STEPS-832MM



08-L48-0016-01

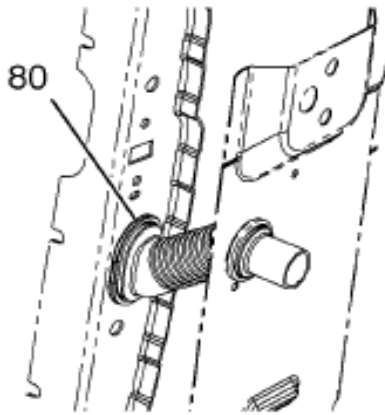
L04

Grp
16

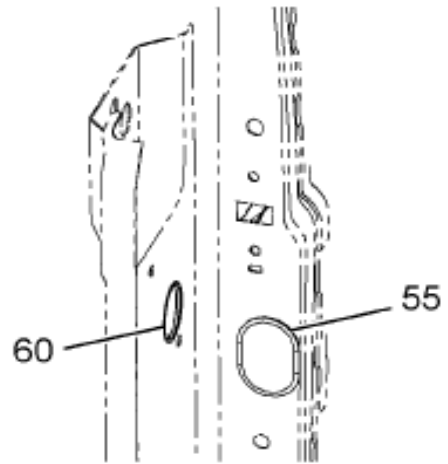
Item	Part No.	Qty	Description	Kit	Var	Figure
1	3571061C1	1	STEP, FUEL TANK*896 MM X 190 MM			
2	3580256C1	1	BRACKET, STEP MTG LH			
2		RF	LEFT			
3	3580257C1	1	BRACKET, STEP MTG RH			
3		RF	RIGHT			
4	3549305C1	4	BOLT, HEX FLG HD METRIC*M10 X 3			

Figure 0J4WM

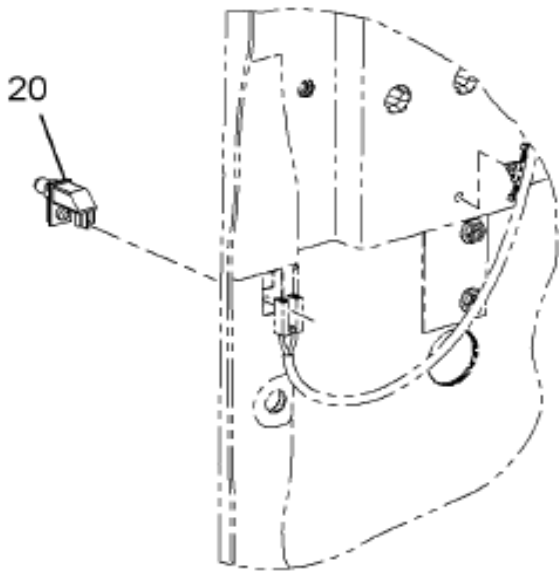
SWITCH INSTL, DOOR; DOME LGHT, MAGNETIC, STD/EXTD/CREW CAB



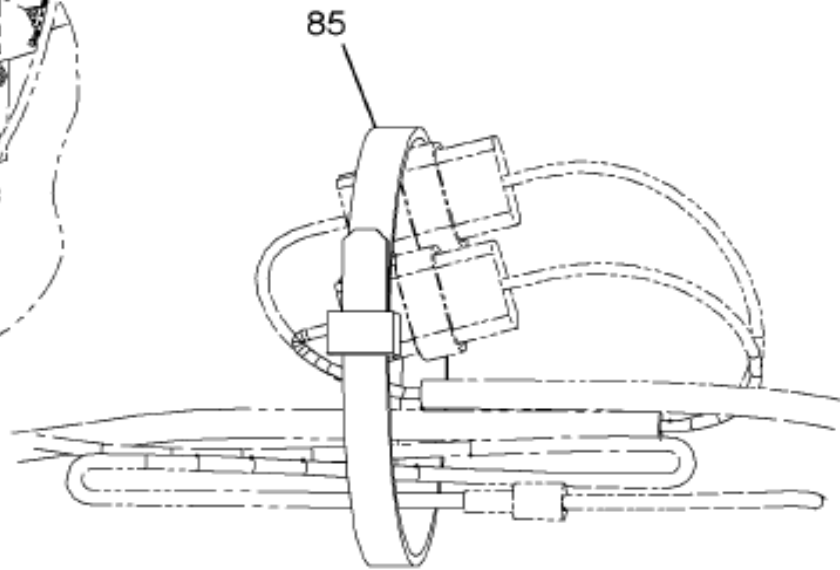
FOR M-NGV-SS
W/ROOF AUX LOAD



M-NGV-MD, SS,
RH W/FRONT DOORS
N/POWER MIRRORS,
CB PKG, OR DOOR PODS
OR W/CREW DOORS
N/DOOR PODS



M-NGV-MD,
SS RH



M-NGV-MD, SS,
RH W/POWER MIRRORS, CB PKG, OR DOOR PODS

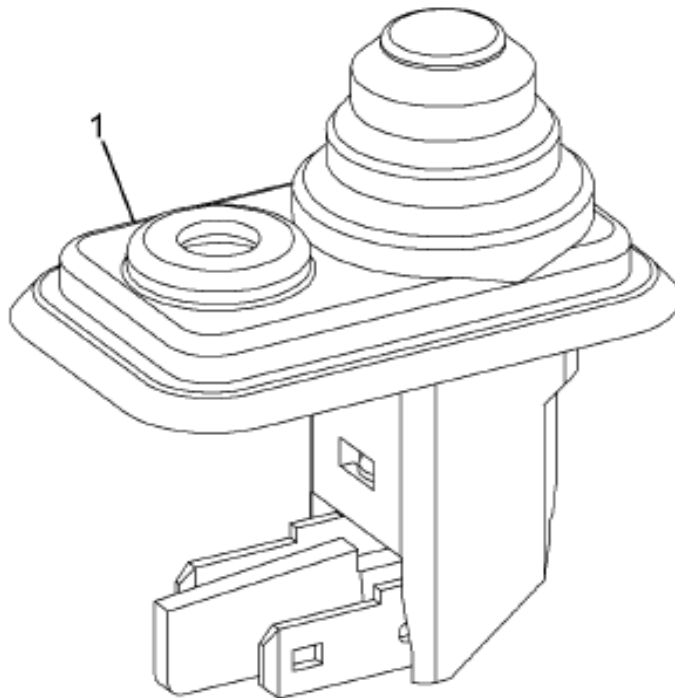
08-V73-0002-01

H04

Grp
16

Item	Part No.	Qty	Description	Kit	Var	Figure
20	3579984C1	2	SWITCH,DOR CNTRL DOME/CRTSY LT		0J4WN	3579984C1
20	3580447C1	2	SCREW,TAPPING #6-20 X 1/2" PH		0J4WN	
55	3548935C2	2	PLUG,PLASTIC 62 X 40 OVAL		0J4WQ	
60	3548936C1	2	PLUG,PLASTIC 38MM		0J4WQ	

Figure 3579984C1
SWITCH,DOR CNTRL DOME/CRTSY LT

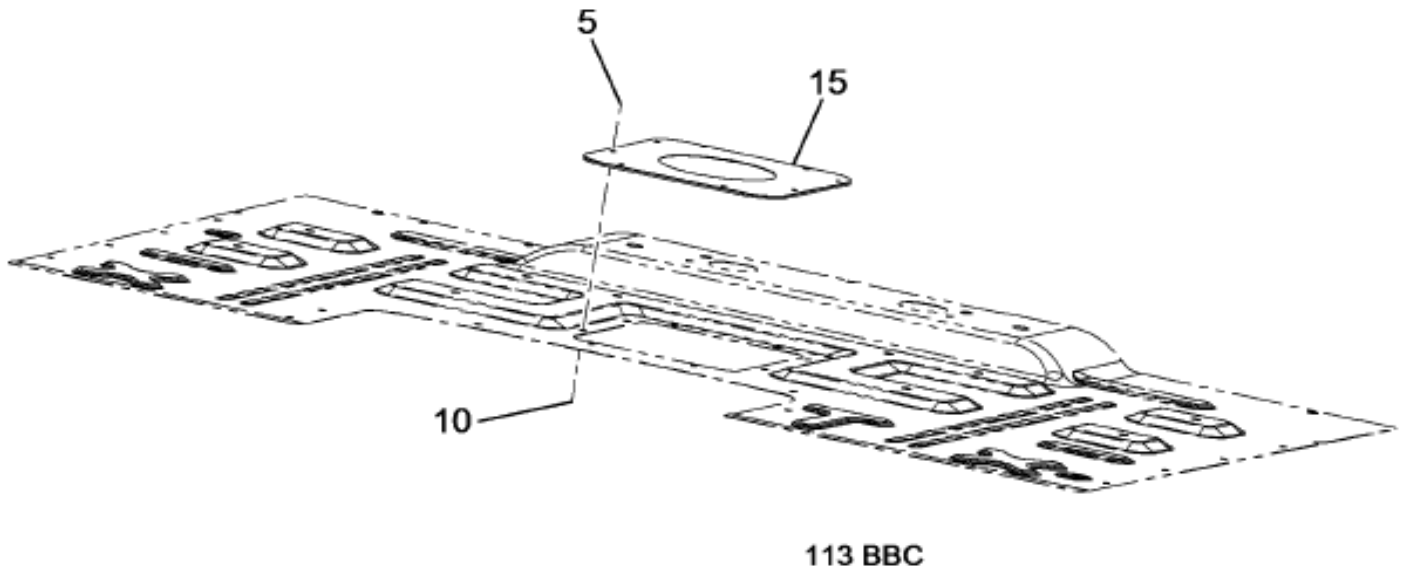
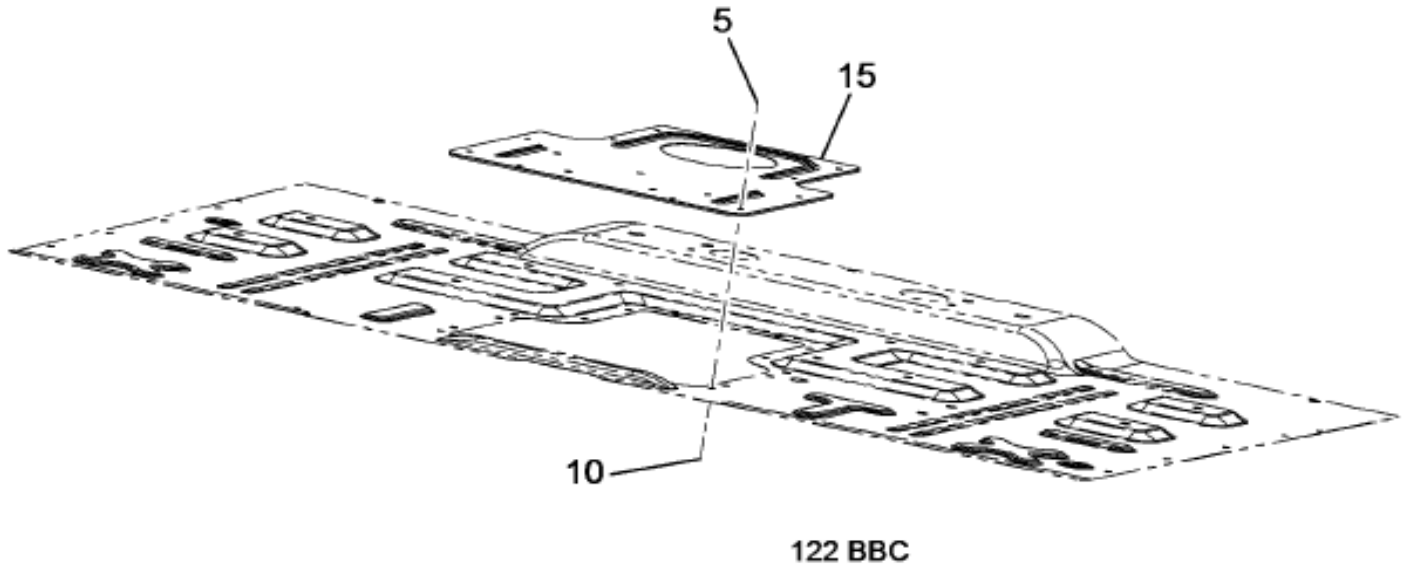


08-V73-0005-01

J07

Item	Part No.	Qty	Description	Kit	Var	Figure
1	2596707C1	1	SEAL,DOOR DOME LIGHT SWITCH			
880		RF	NOTE: ASM BELOW COMPRISED OF ABOVE COMPONENTS			
881	3579984C1	RF	SWITCH,DOR CNTRL DOME/CRTSY LT			

Figure 0G4M9
TRANSMISSION COVER INSTL



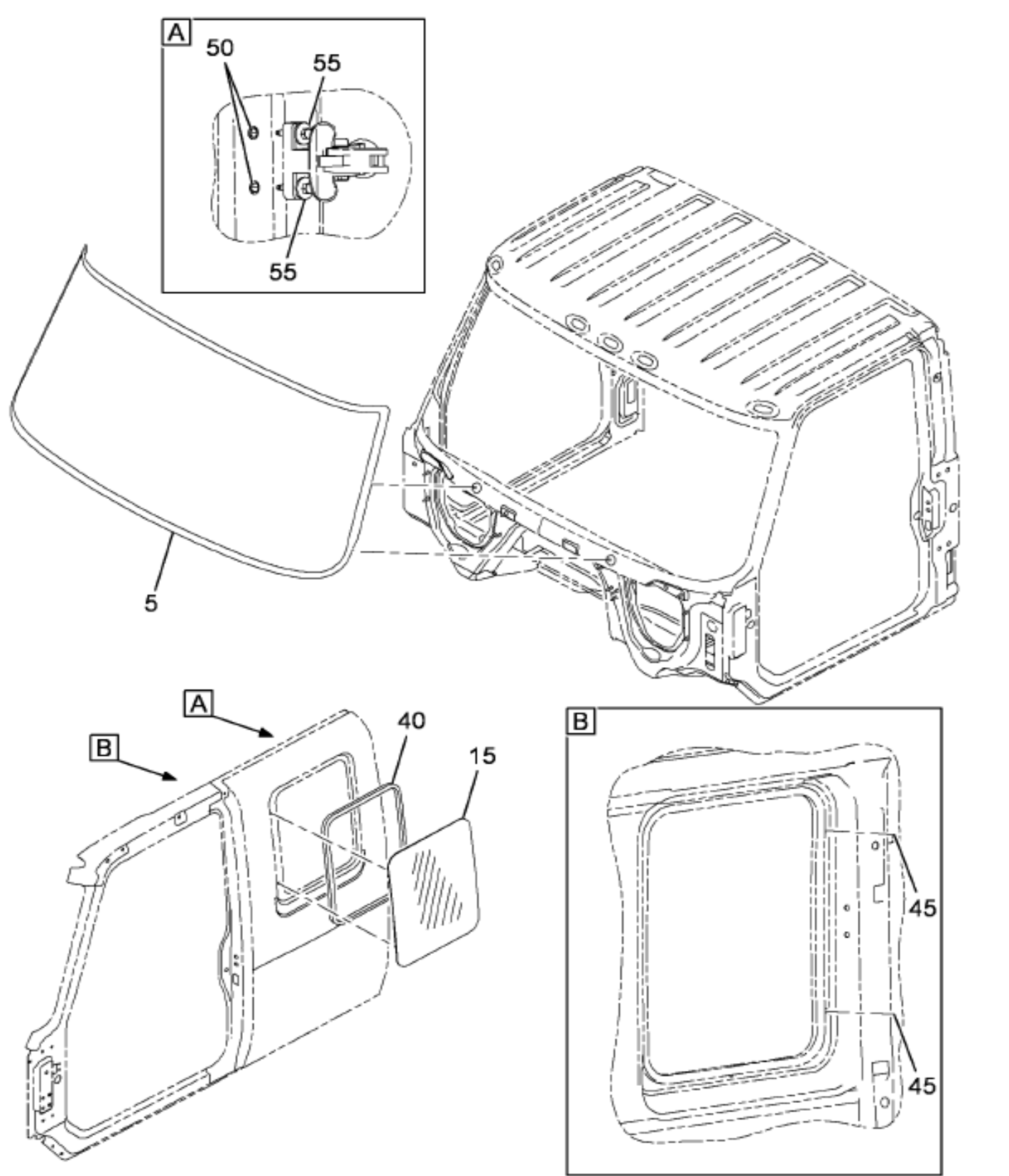
16-V03-0012-01

E09

Grp
16

Item	Part No.	Qty	Description	Kit	Var	Figure
5	3535318C1	12	BOLT,SEMS M6X1.0-25 CL9.8		0GR78	
10	3510918C1	6	INSERT,THREADED M6 OPEN END		0GR78	
15	3558328C93	1	COVER,XMSN OPENING		0GR78	

Figure 06MXR
WINDSHIELD INSTL; W/REAR SIDE QTR WINDOW

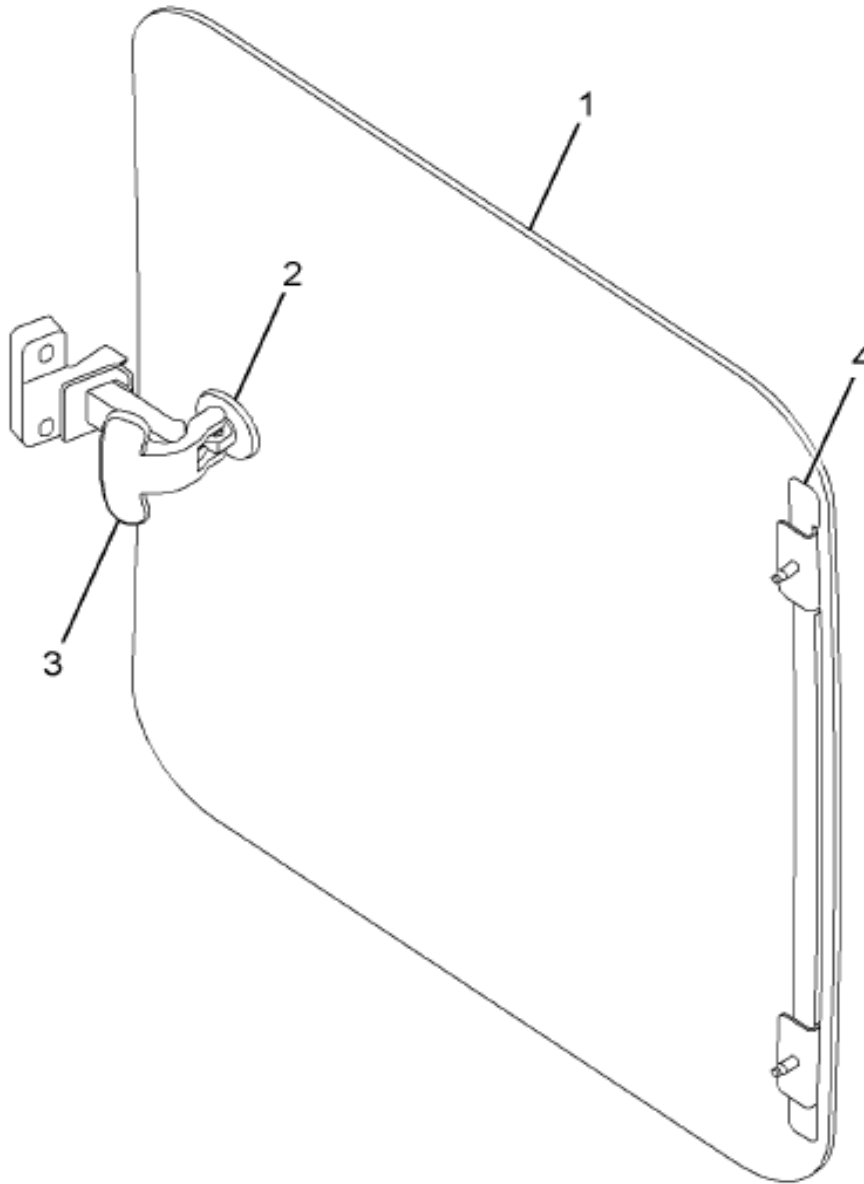


16-364-0007-A0

G09

Item	Part No.	Qty	Description	Kit	Var	Figure
5	3509899C4	1	WINDSHIELD,ASM SOLX ENCAPSULAT		0GWB6	
15	3562174C94	2	WINDOW,ASSY VENT DARK TINT		0GWB7	3562174C94
40	3564826C4	2	SEAL,QTR WNDW EXTENDED CAB		0GWB7	
45	3535410C1	4	NUT,HEX METRIC PREV. TORQ*M6 X		0GWB7	
50	3510918C1	4	INSERT,THREADED M6 OPEN END		0GWB7	
55	3510917C1	4	BOLT,SEMS ALL M6 35MM LONG HEX		0GWB7	

Figure 3562174C94
WINDOW, ASSY VENT DARK TINT



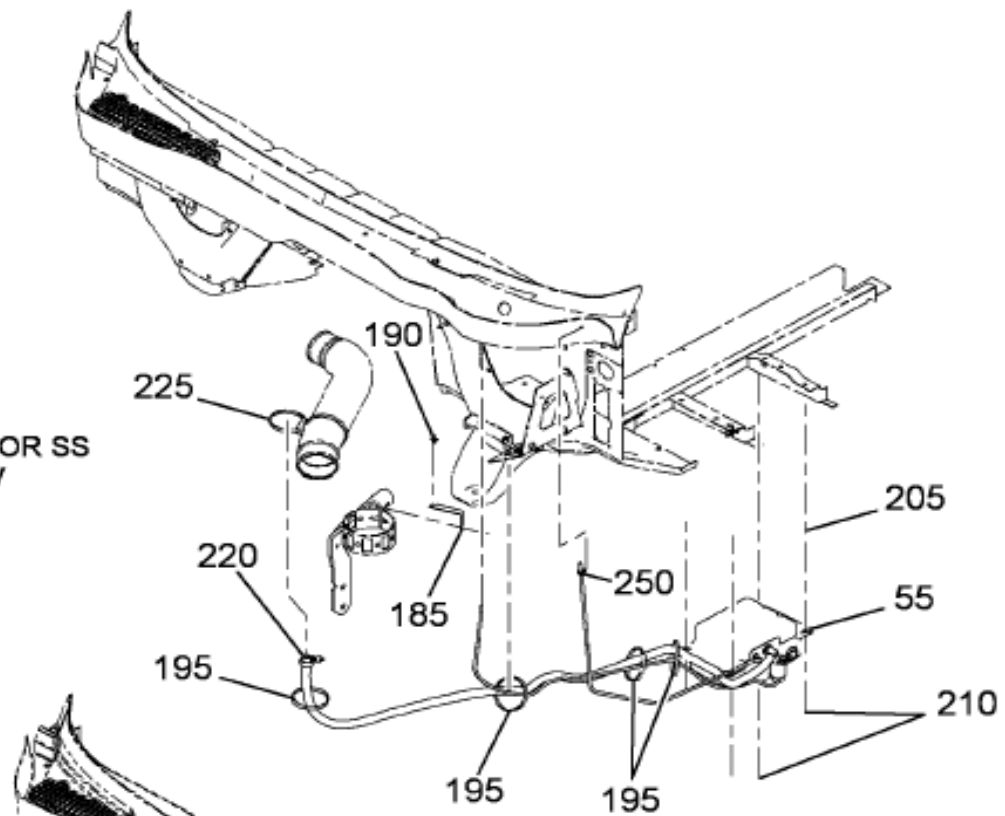
16-364-0012-01

G04

Item	Part No.	Qty	Description	Kit	Var	Figure
1	3553452C3	1	GLASS, WINDOW REAR SIDE			
2		1	BUTTON			
3	2507098C1	1	LATCH, W/O BUTTON VENT WINDOW			
3	2507098C2	1	LATCH, W/O BUTTON VENT WINDOW			
4		1	HINGE ASM			
880	RF		NOTE: ASM BELOW COMPRISED OF ABOVE			

Figure 06TJY
WINDSHIELD WASHER INSTL

WASHER BOTTLE FOR SS
DES FOR NGV



WASHER BOTTLE FOR 8500
DES FOR NGV

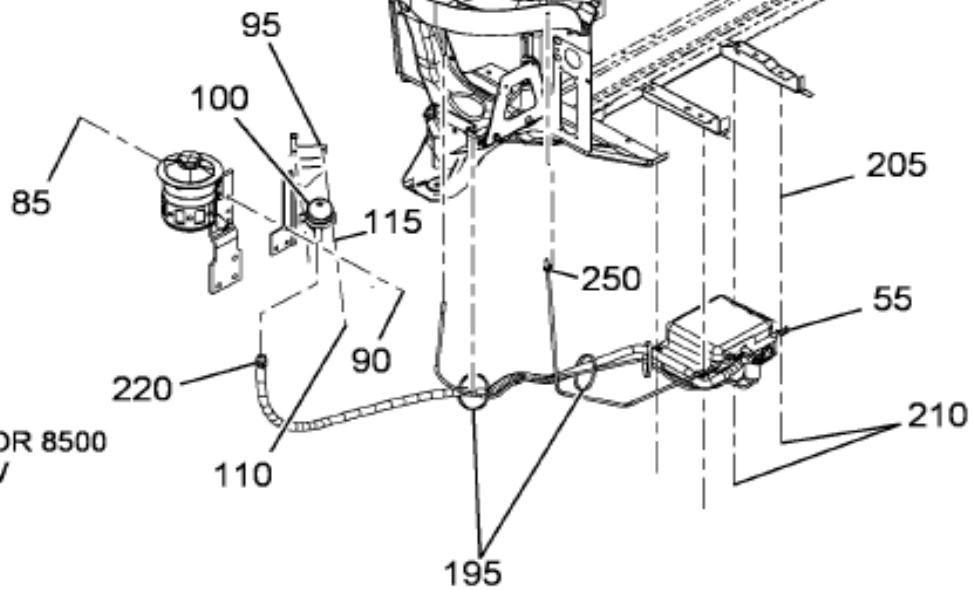
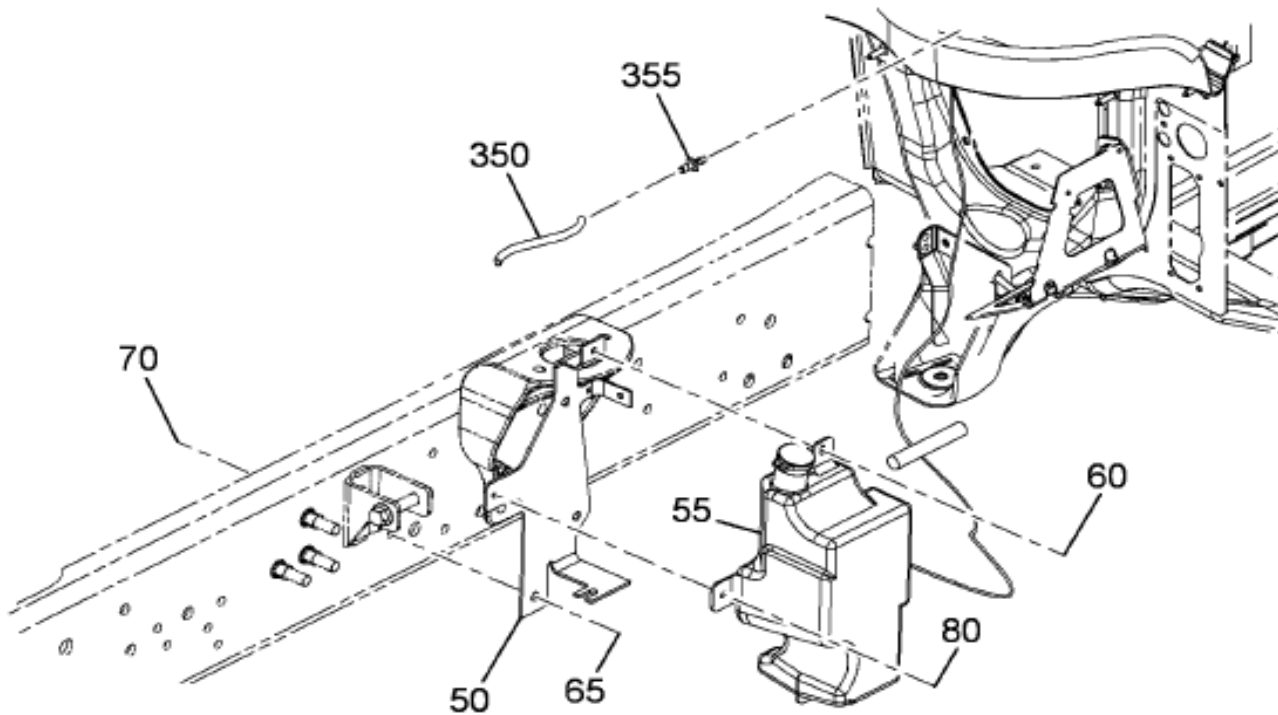
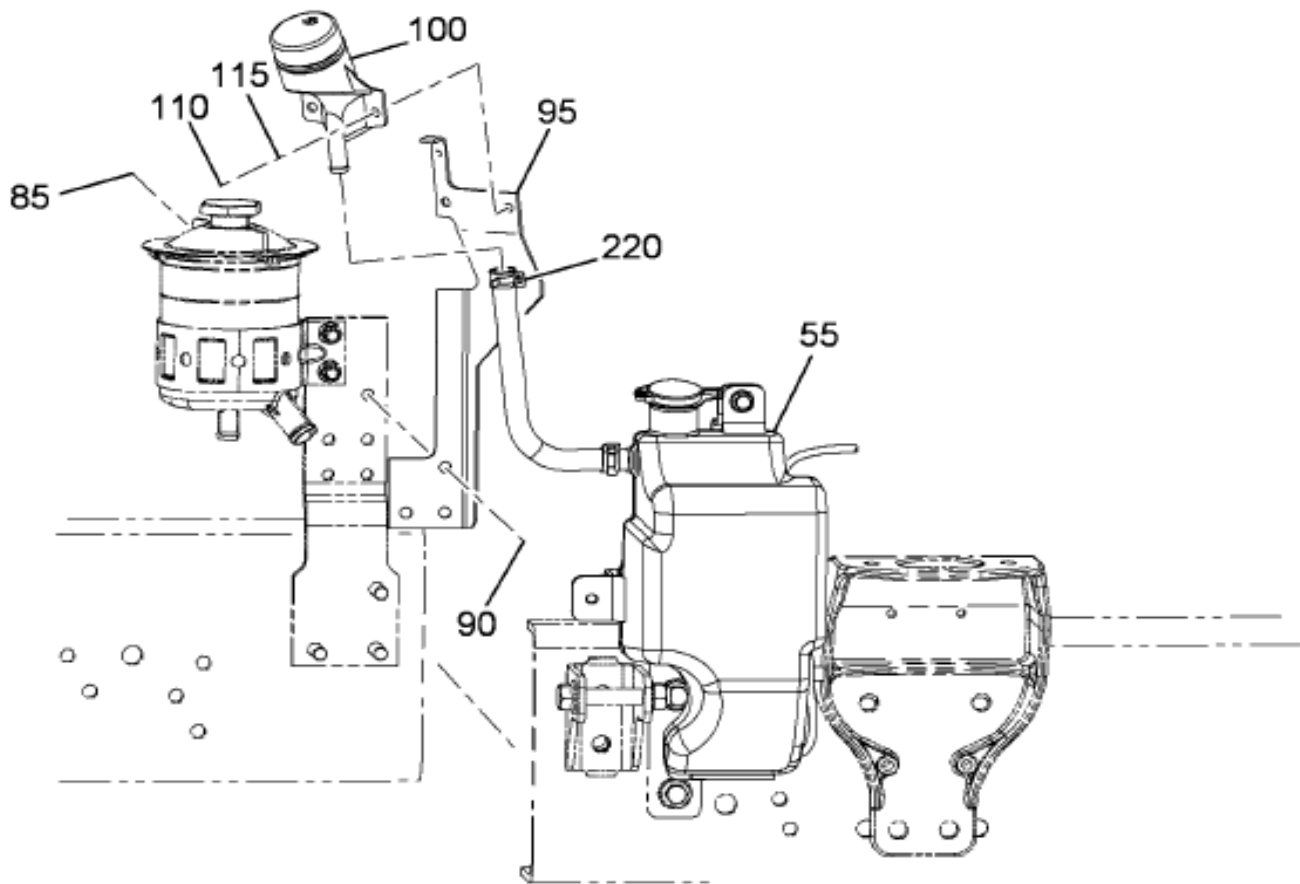


Figure 06TJY
WINDSHIELD WASHER INSTL



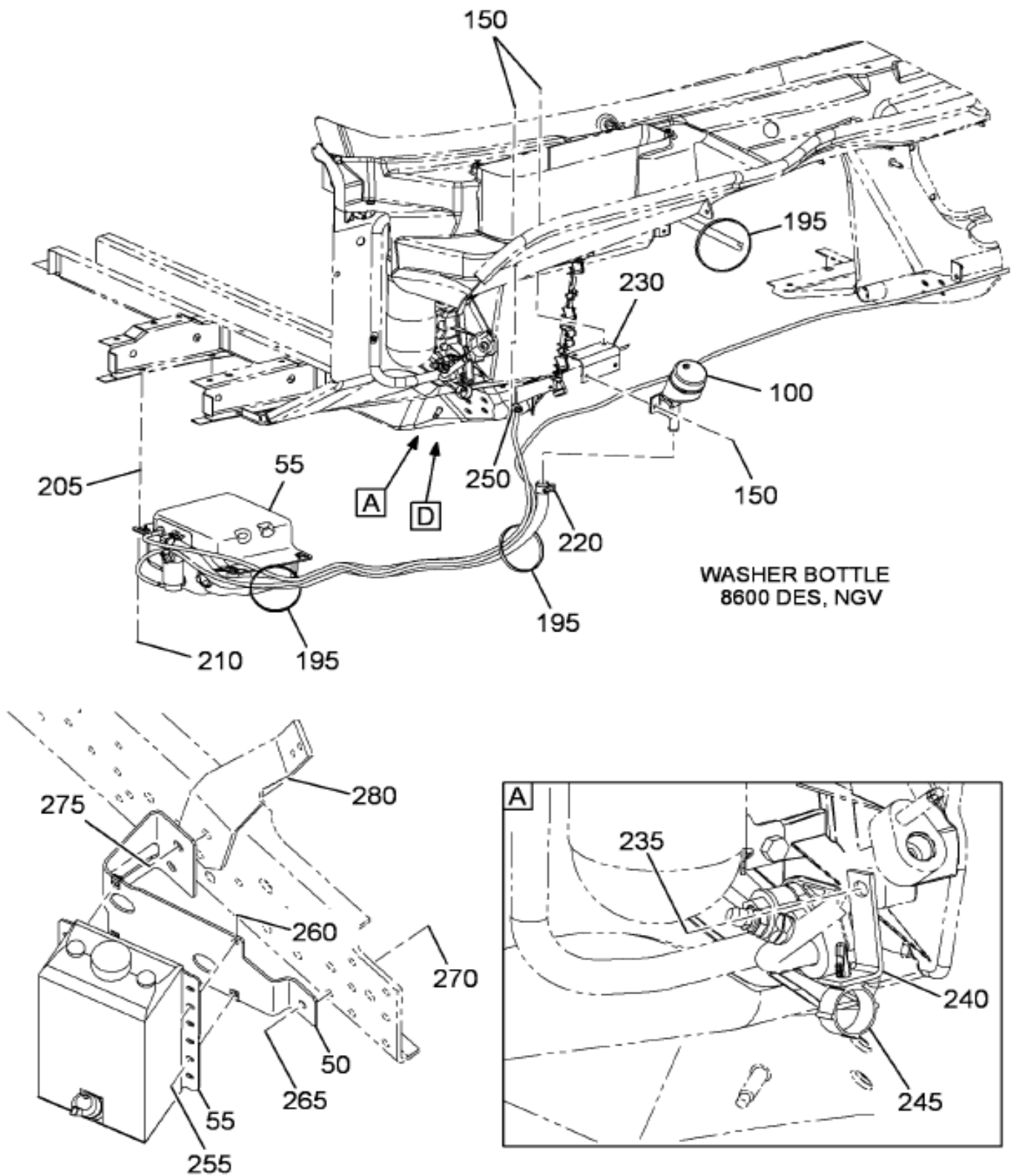
16-438-0046-03

K09

Grp
16

Figure 2 of 16

Figure 06TJY
WINDSHIELD WASHER INSTL

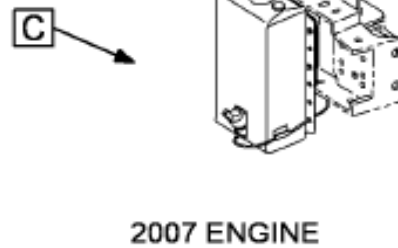
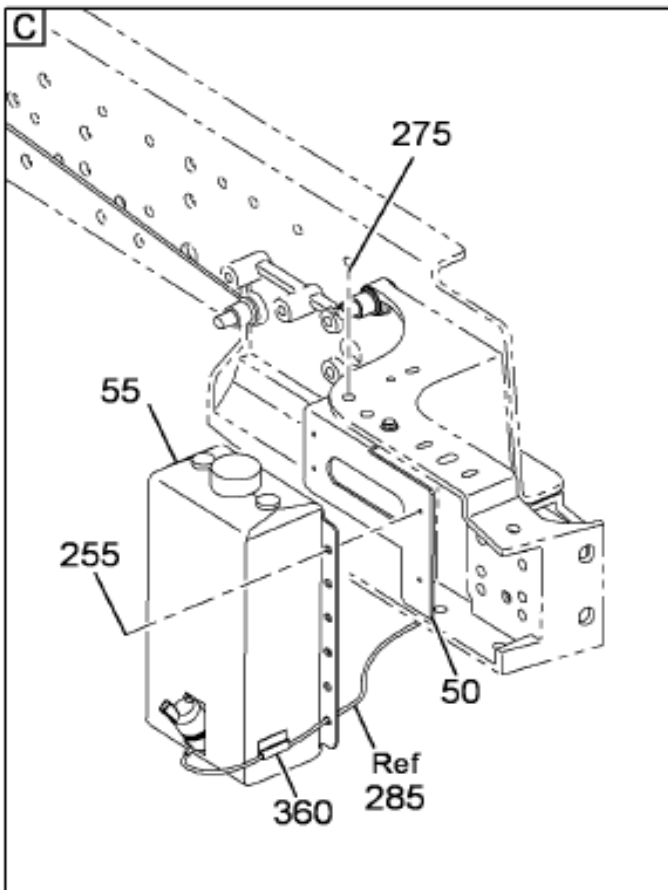
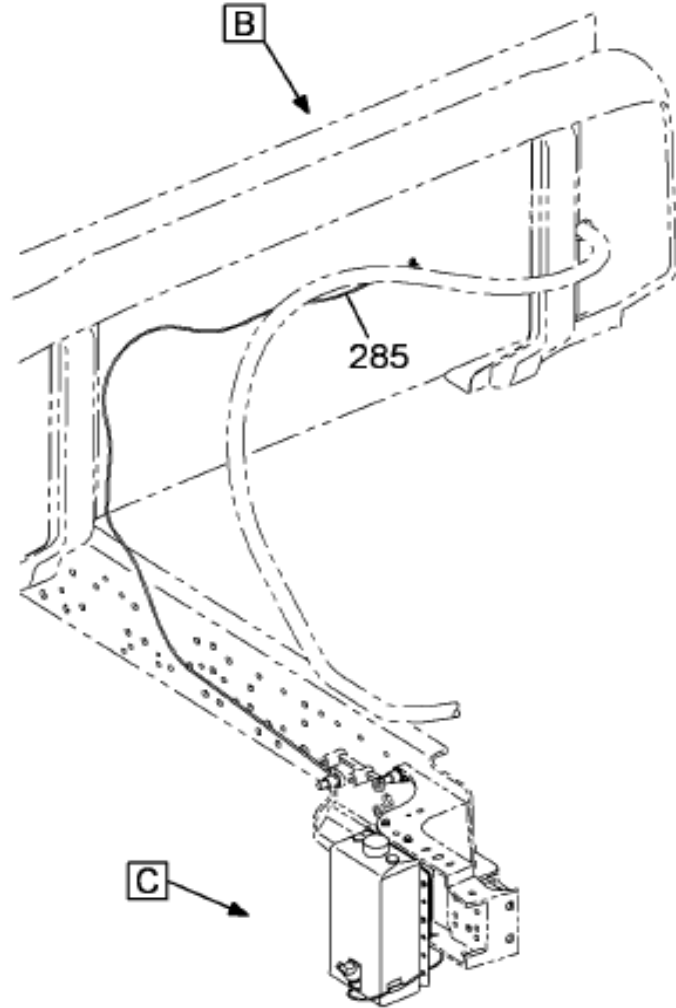
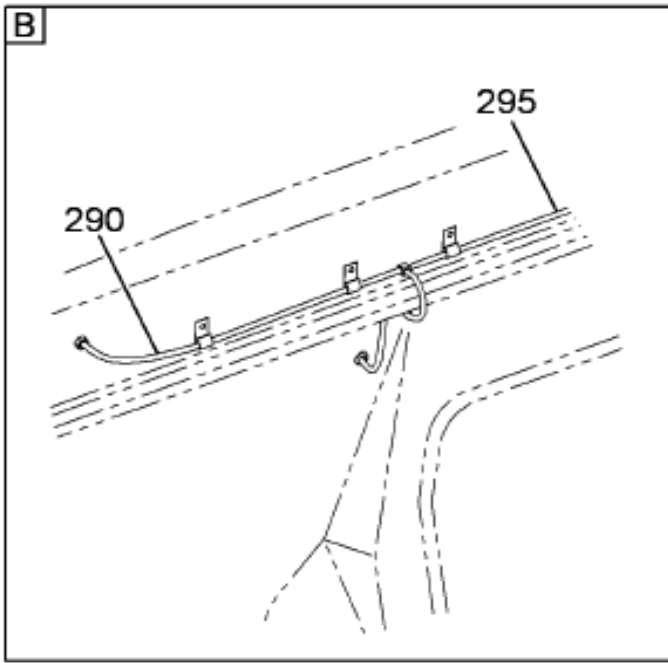


16-438-0046-04

K09

Figure 3 of 16

Figure 06TJY
WINDSHIELD WASHER INSTL



16-438-0082-01

K09

Grp
16

Figure 4 of 16

Figure 06TJY
WINDSHIELD WASHER INSTL

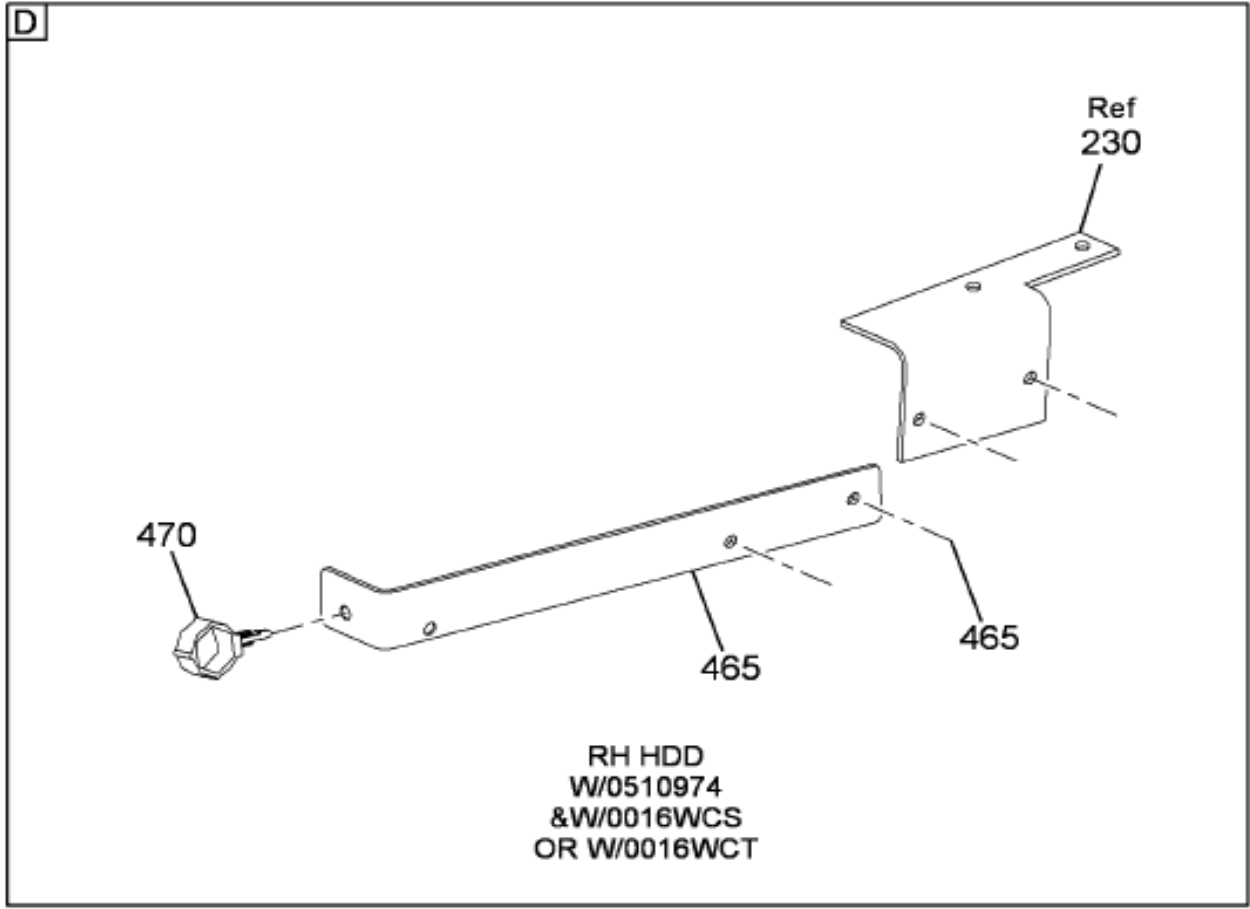
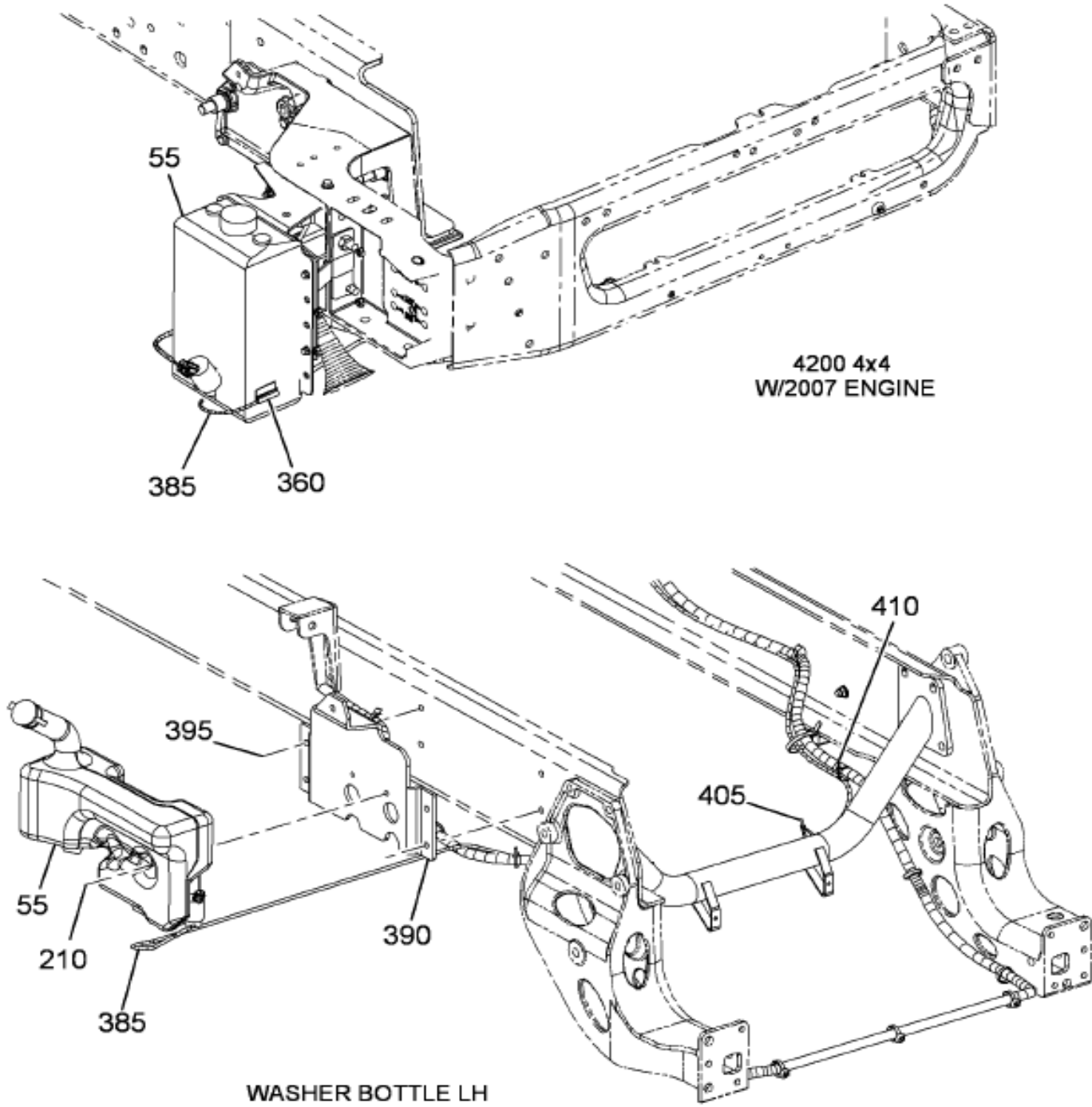


Figure 06TJY
WINDSHIELD WASHER INSTL



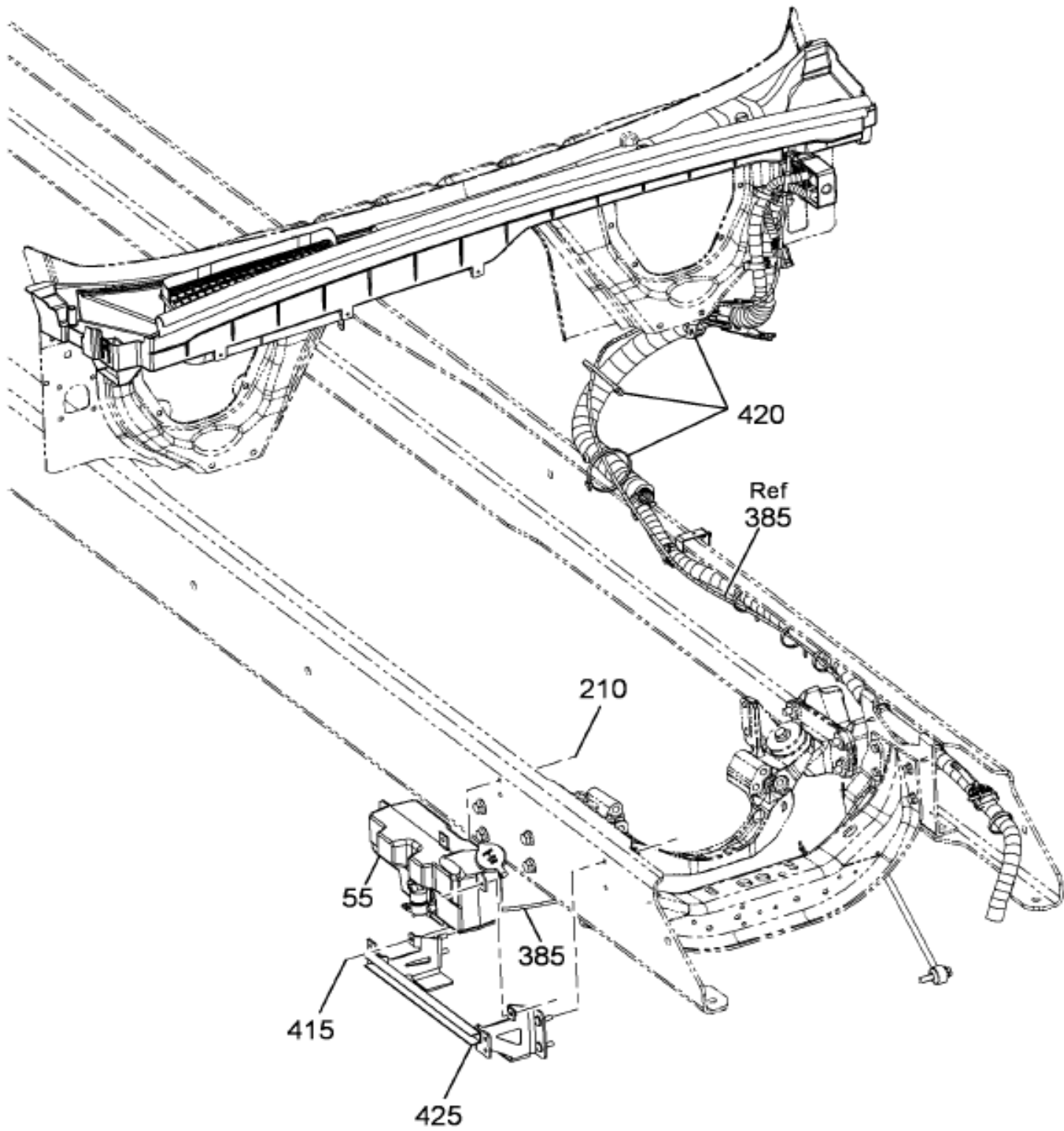
16-438-0082-02

K09

Grp
16

Figure 6 of 16

Figure 06TJY
WINDSHIELD WASHER INSTL

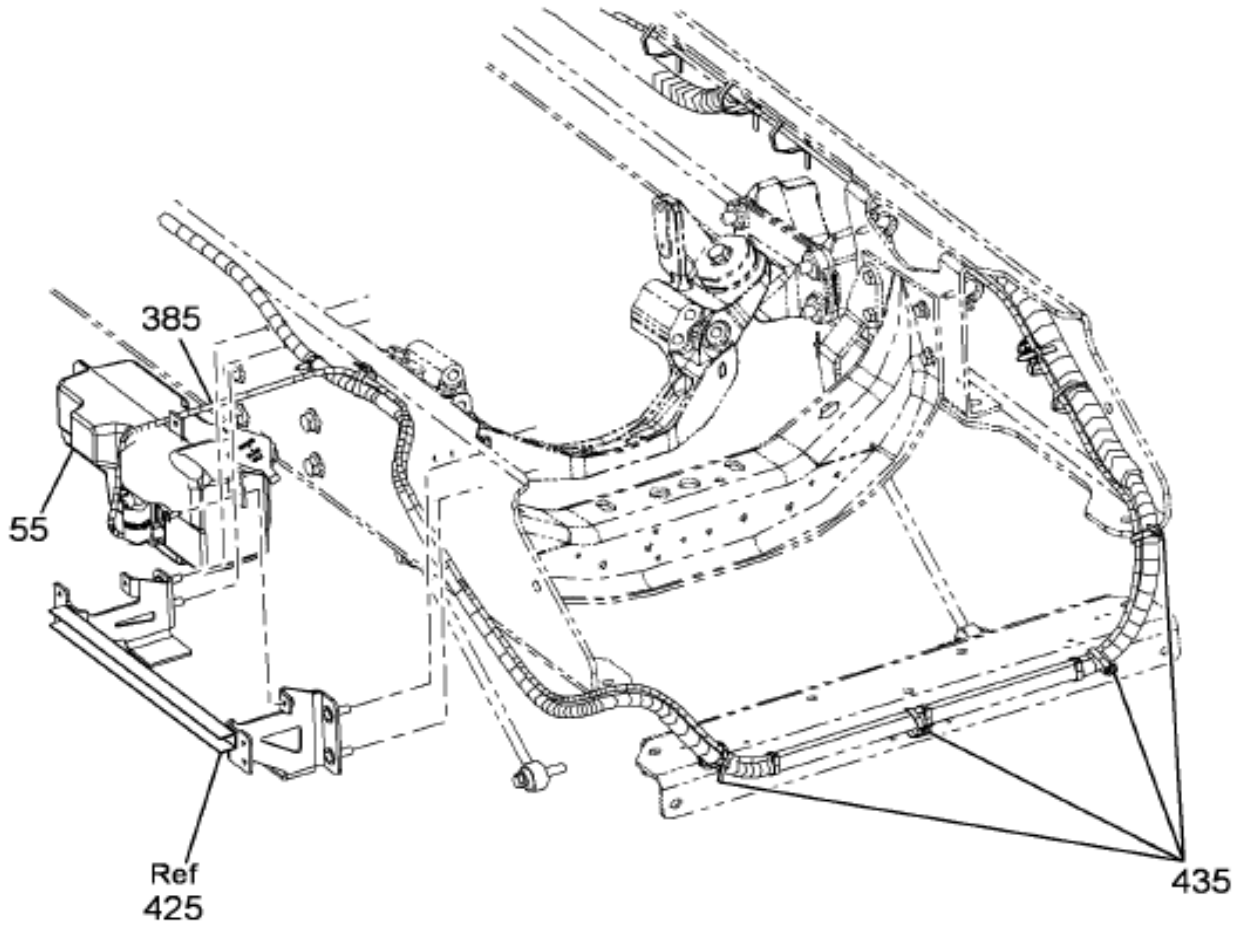


16-438-0082-03

K09

Figure 7 of 16

Figure 06TJY
WINDSHIELD WASHER INSTL



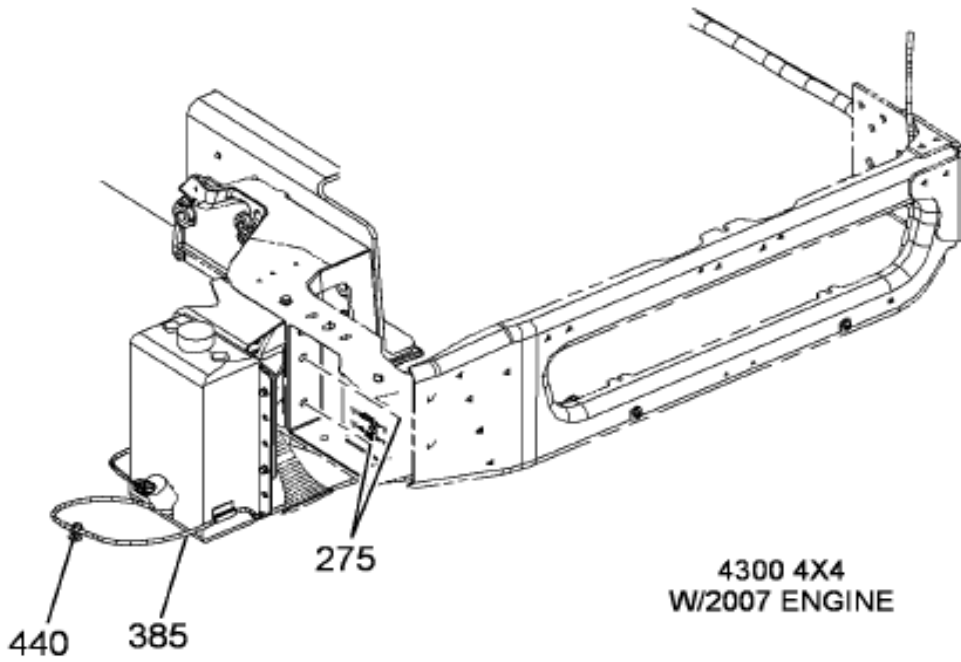
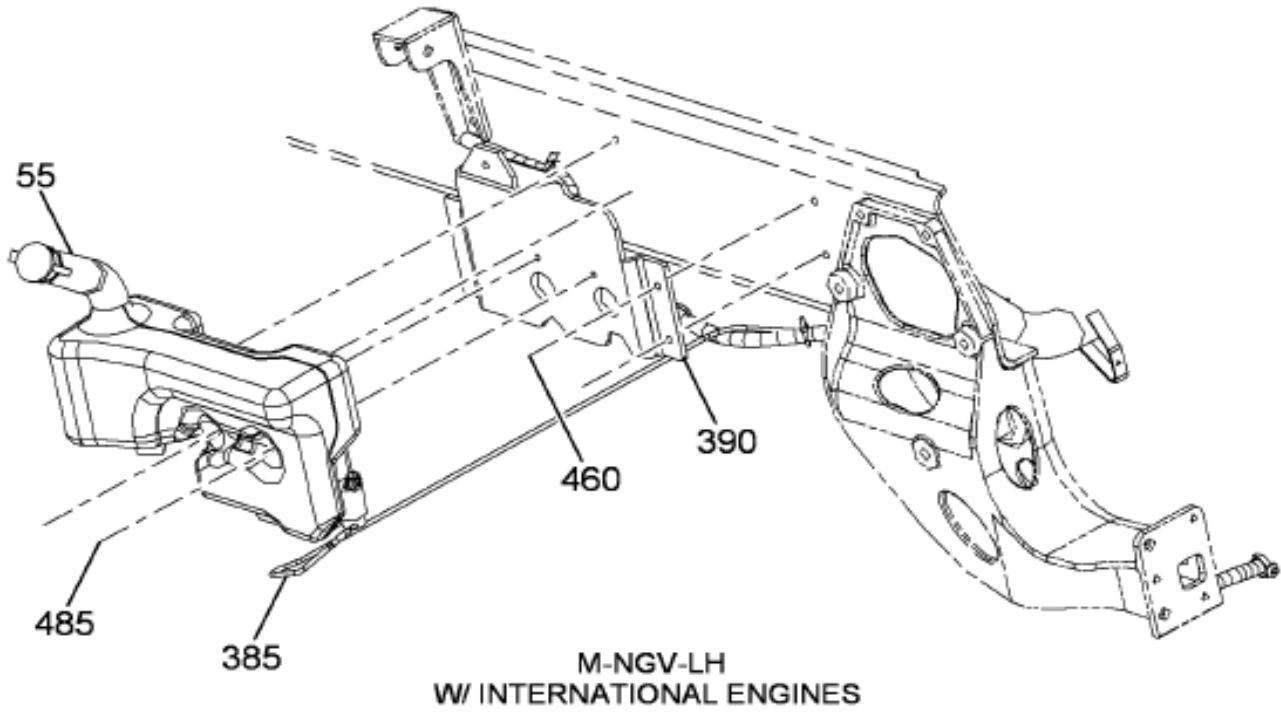
16-438-0095-01

K09

Grp
16

Figure 8 of 16

Figure 06TJY
WINDSHIELD WASHER INSTL

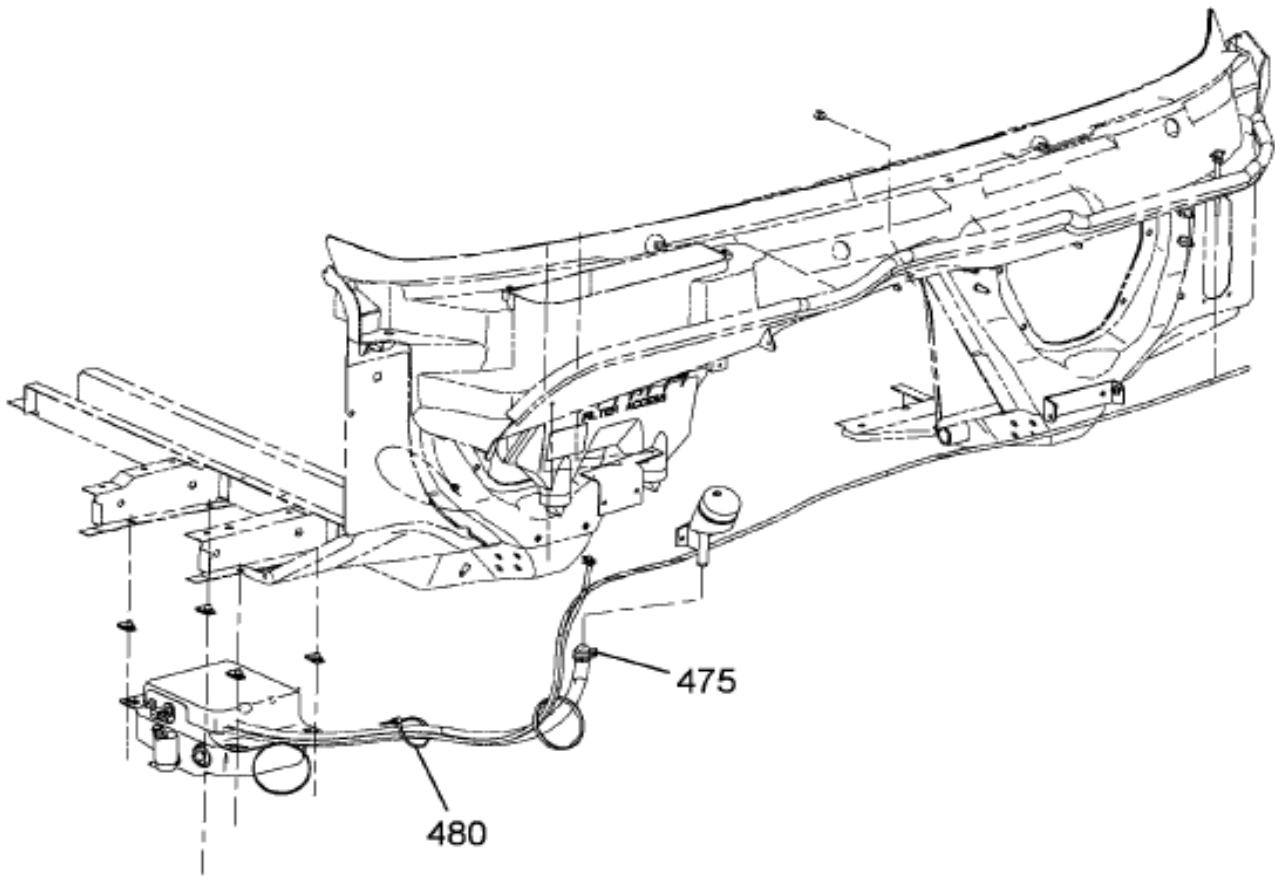


16-438-0105-01

K09

Figure 9 of 16

Figure 06TJY
WINDSHIELD WASHER INSTL



RH HDD
W/ 0510974
& W/0016WCS
OR W/ 0016WCT

16-438-0115-01

K09

Grp
16

Figure 10 of 16

Figure 06TJY
WINDSHIELD WASHER INSTL

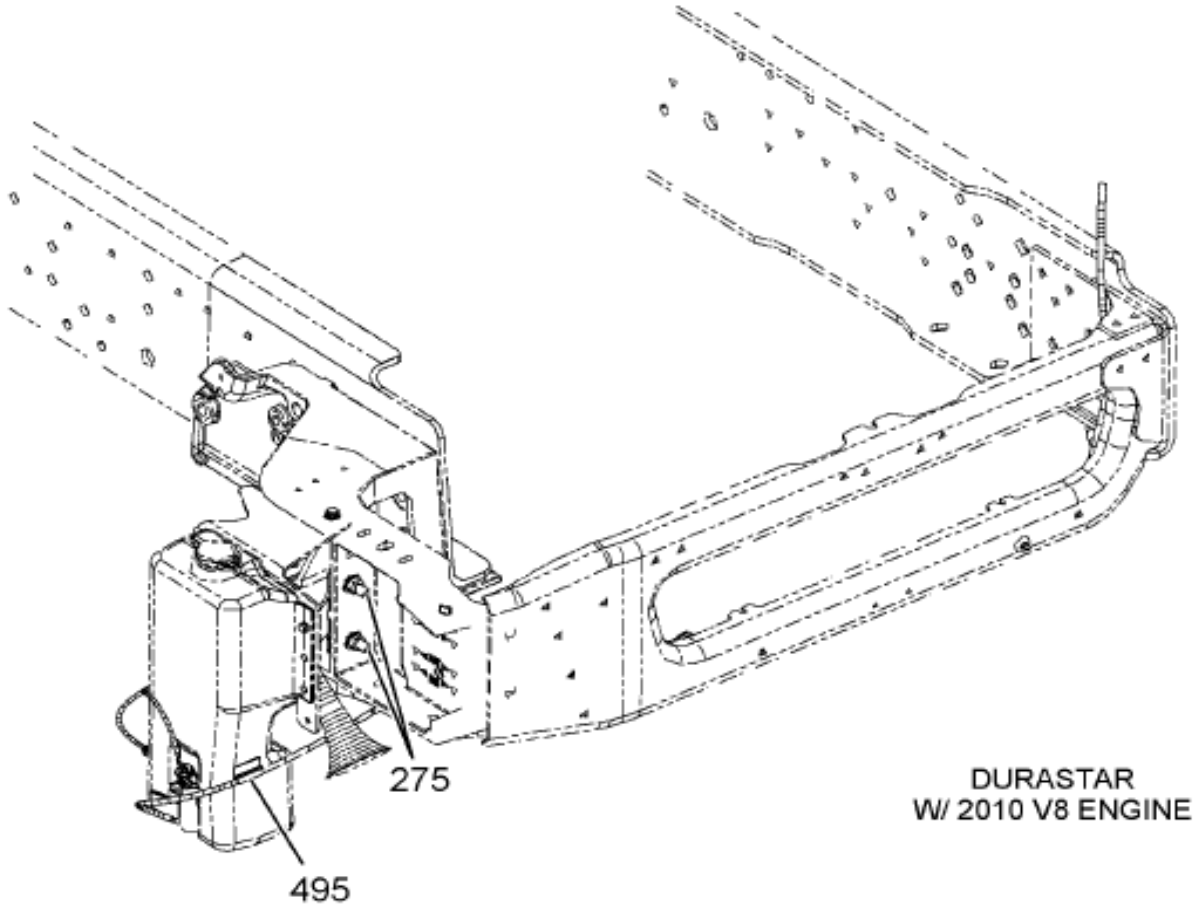
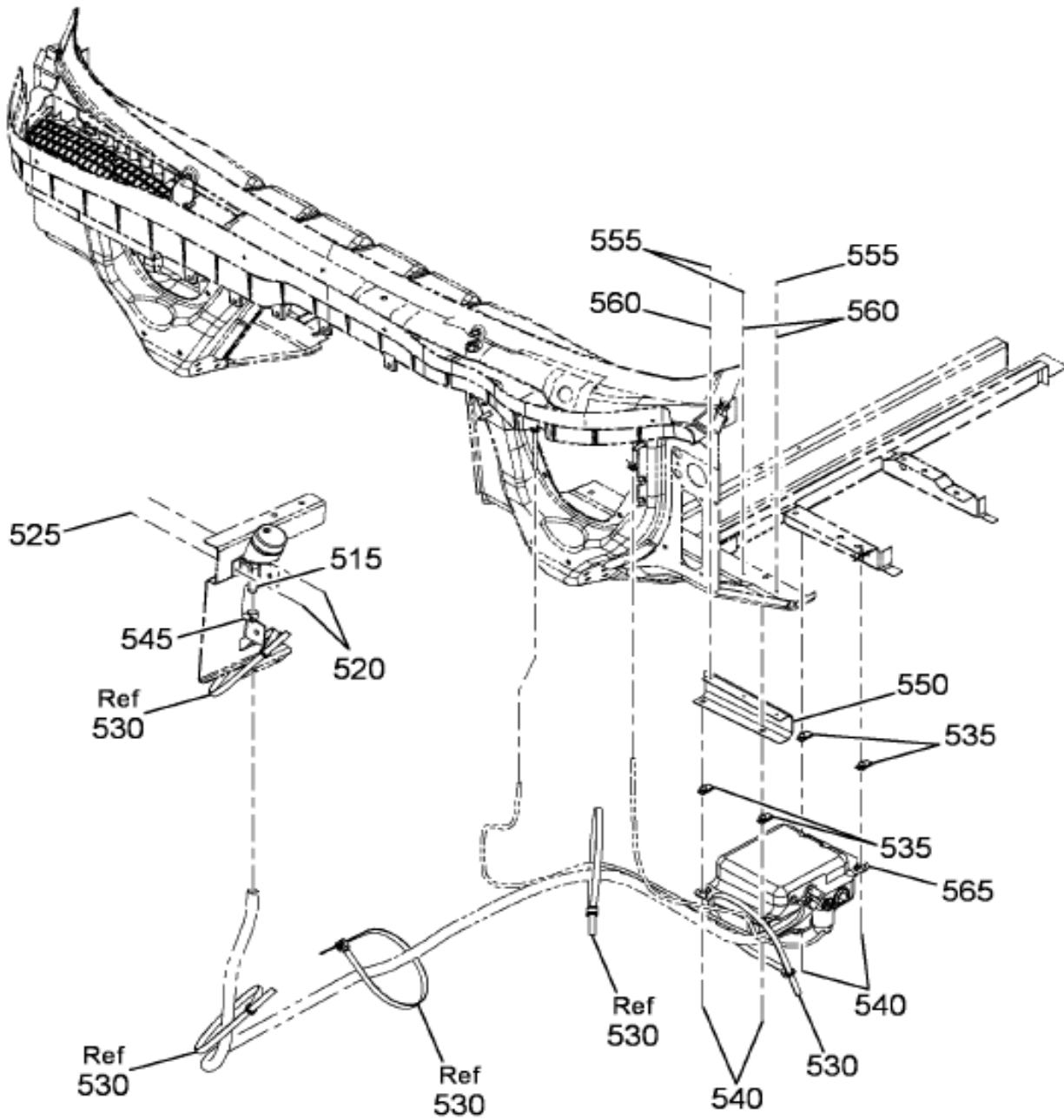


Figure 06TJY
WINDSHIELD WASHER INSTL



TERRASTAR

16-438-0126-01

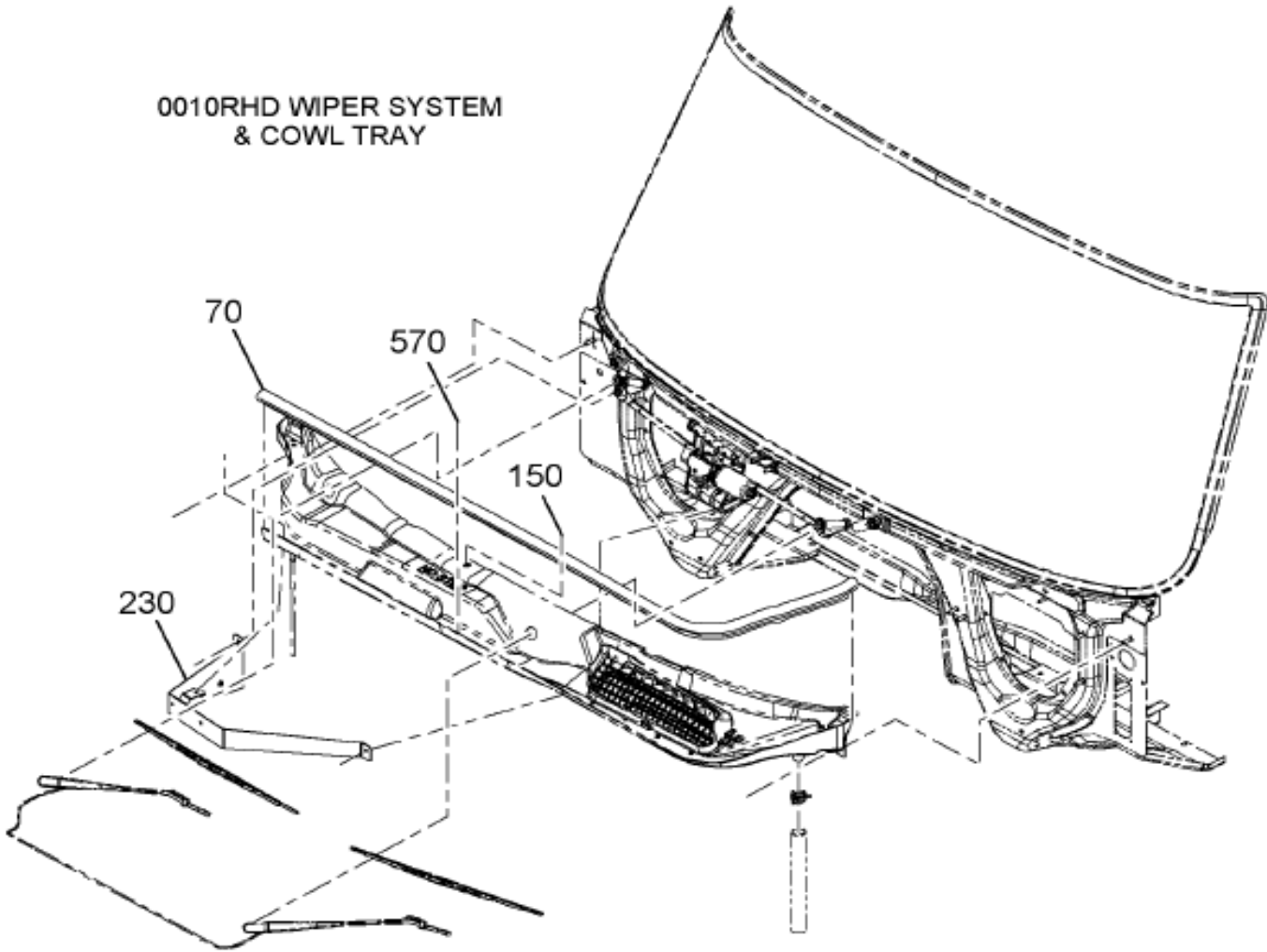
G10

G
R
P
1
6

Figure 12 of 16

Figure 06TJY
WINDSHIELD WASHER INSTL

0010RHD WIPER SYSTEM
& COWL TRAY

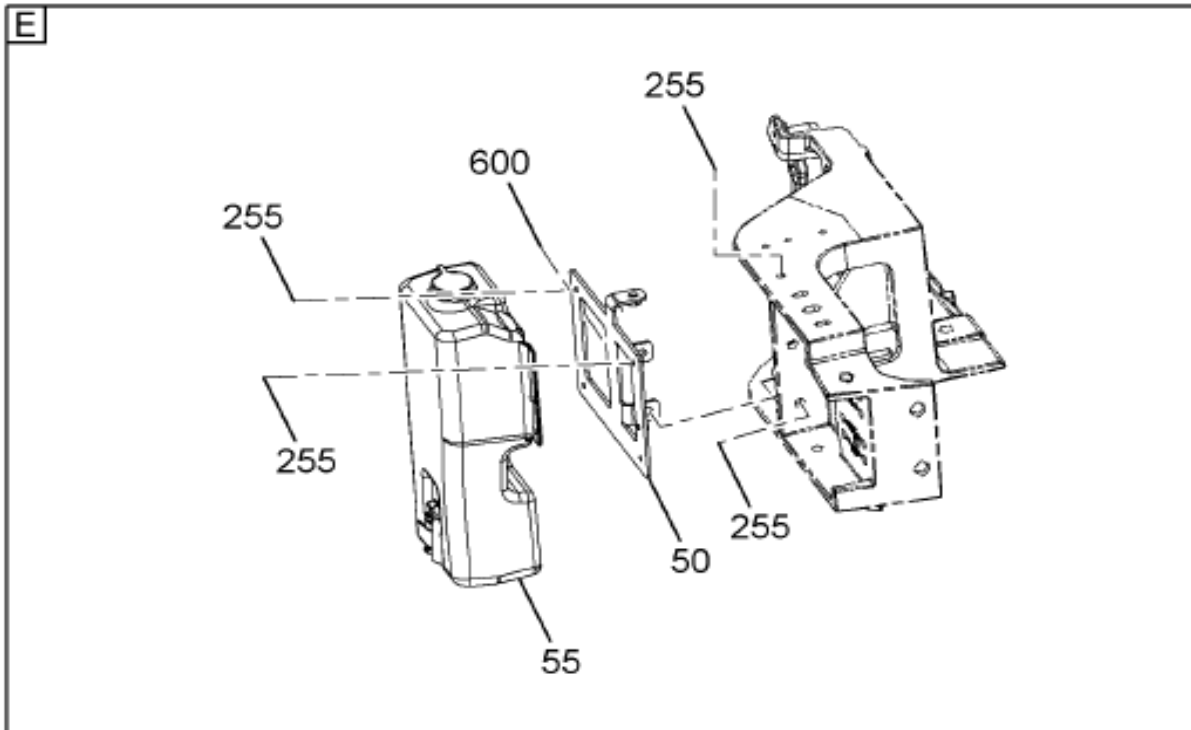
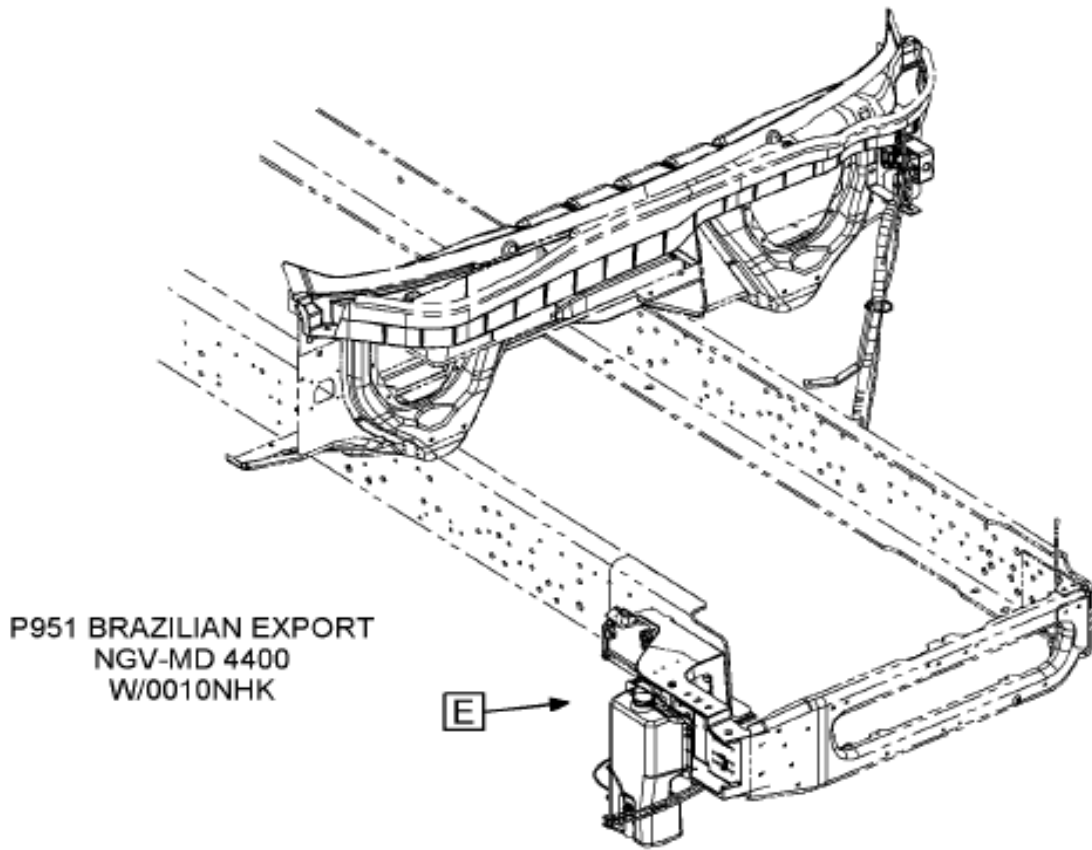


16-438-0129-01

A11

Figure 13 of 16

Figure 06TJY
WINDSHIELD WASHER INSTL



16-438-0129-02

A11

Grp
16

Figure 14 of 16

Figure 06TJY
WINDSHIELD WASHER INSTL

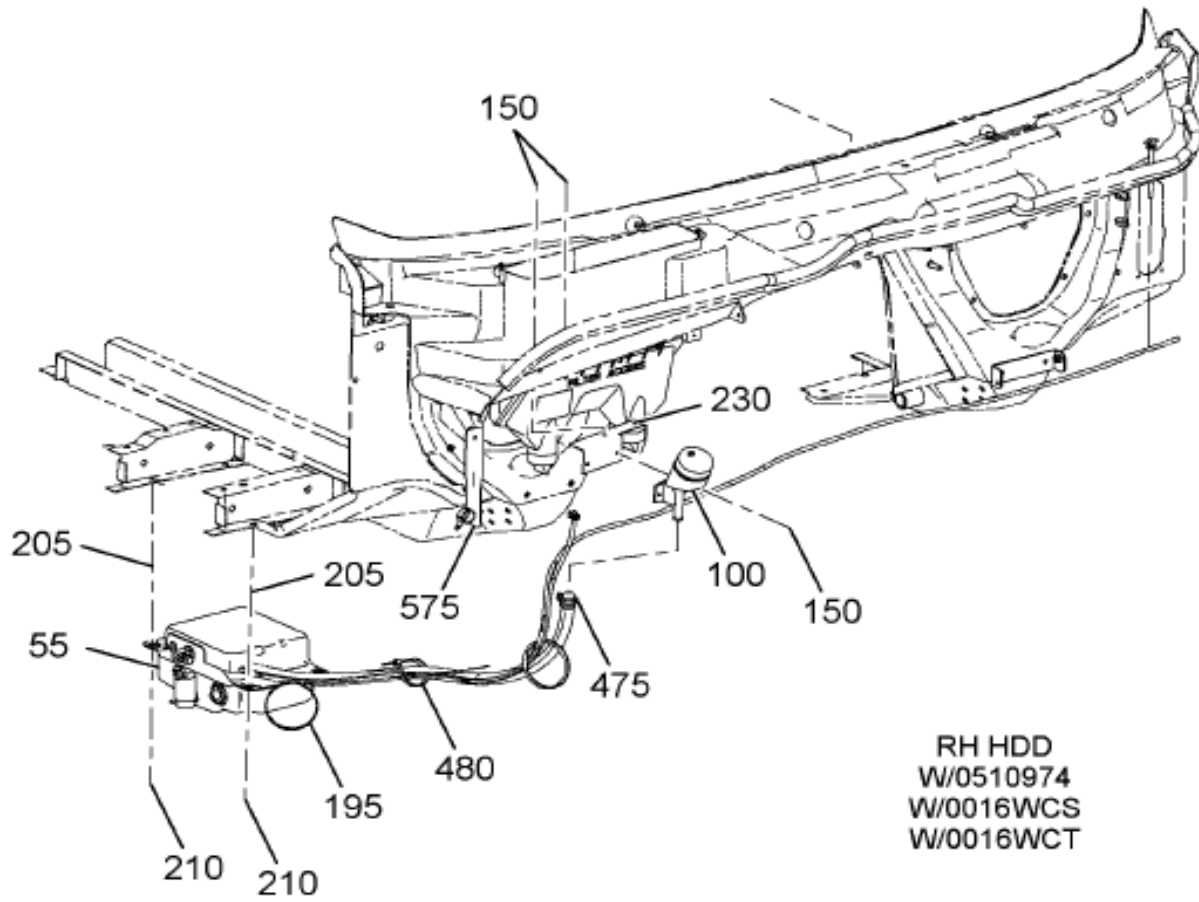
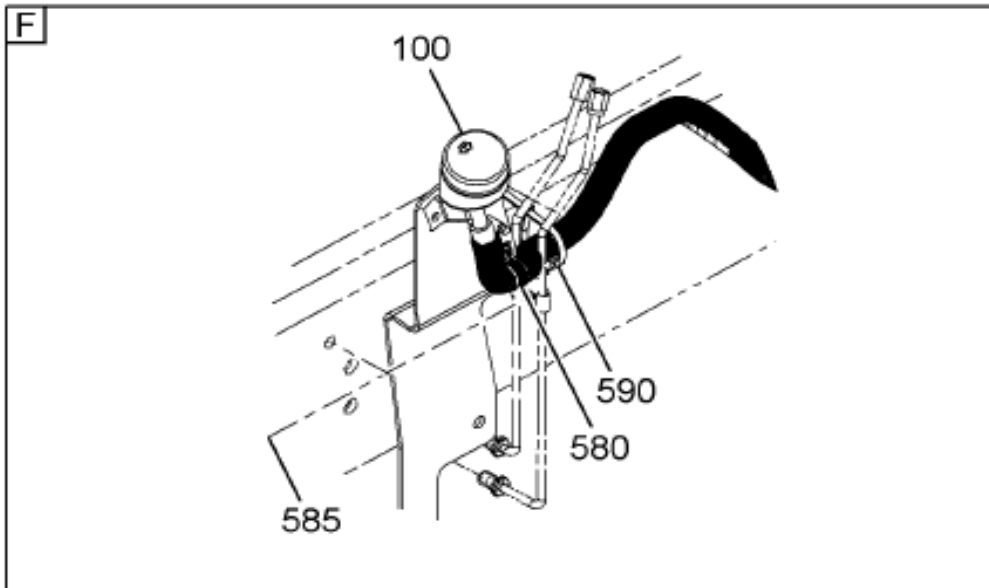
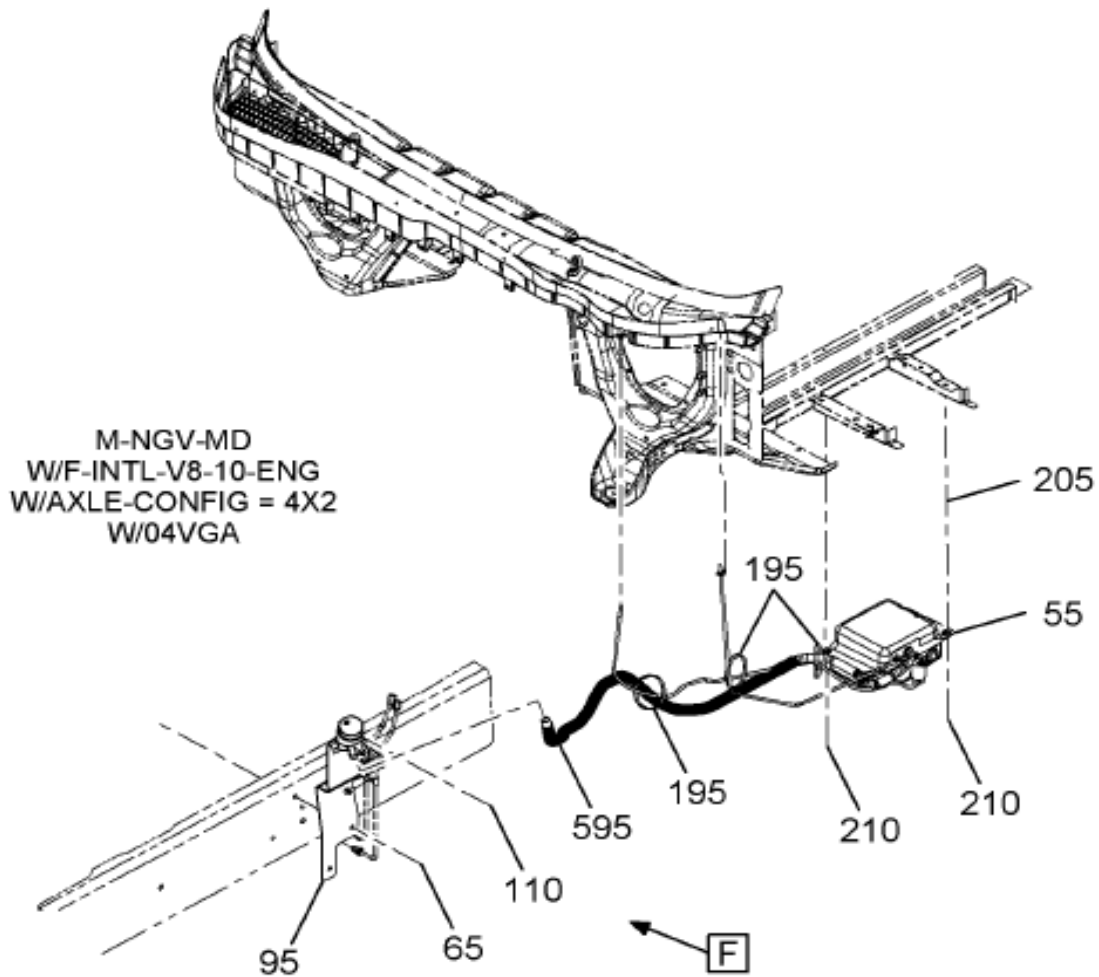


Figure 15 of 16

Figure 06TJY
WINDSHIELD WASHER INSTL



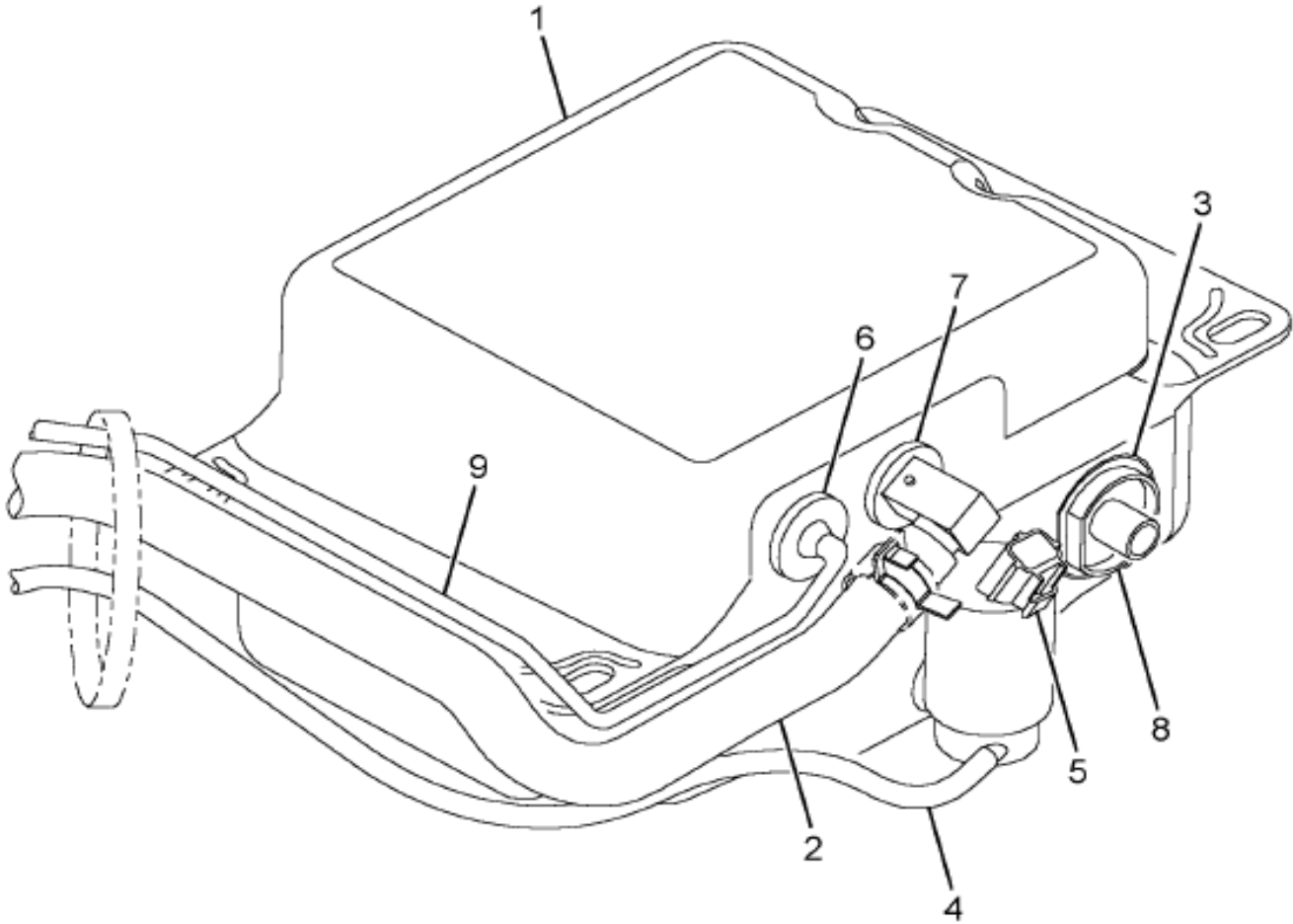
16-438-0129-04

A11

Grp
16

Item	Part No.	Qty	Description	Kit	Var	Figure
55	3561152C94	1	WASHER, WINDSHIELD BOTTLE 700		0GB7B	3561152C94
185	211088R1	1	EXTENSION, CLIP L TYPE		0GB7B	
190	3560710C91	1	STRAP, CABLE LOCK*HELLERMAN TYT		0GB7B	
195	3516934C1	4	STRAP, CABLE LOCK 1/2" X 20"		0GB7B	
205	3510210C1	4	NUT, SPEED		0GB7B	
210	3514273C1	4	BOLT, SEMS M8 X 1.25-35		0GB7B	

Figure 3561152C94
WASHER, WINDSHIELD BOTTLE 700



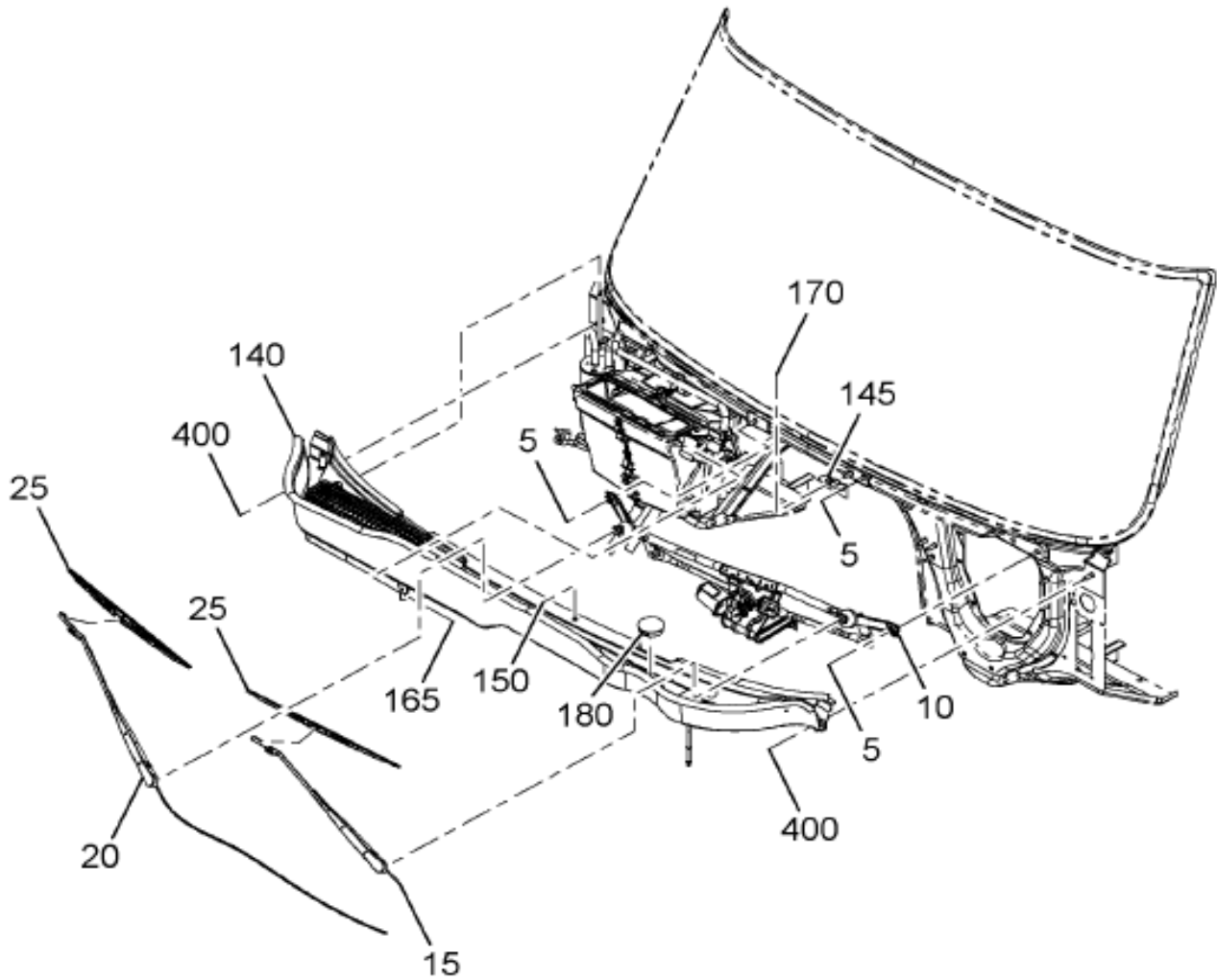
16-438-0056-01

K03

G
R
P
1
6

Item	Part No.	Qty	Description	Kit	Var	Figure
1		RF	BOTTLE, WINDSHIELD WASHER			
2		RF	HOSE, 15.9 ID X 20.7 OD X 2250			
3	2506101C1	1	GAUGE, FLUID LEVEL SENSOR			
4		RF	HOSE, 3.97 ID X 7.14 OD X 1700			
5	2506099C1	1	PUMP, ELEC W/S WPR W/O GROMMET			
6		RF	CONNECTOR, 1/4" STRAIGHT			

Figure 06SLV
WINDSHIELD WIPER INSTL; W/BAFFLE ASM



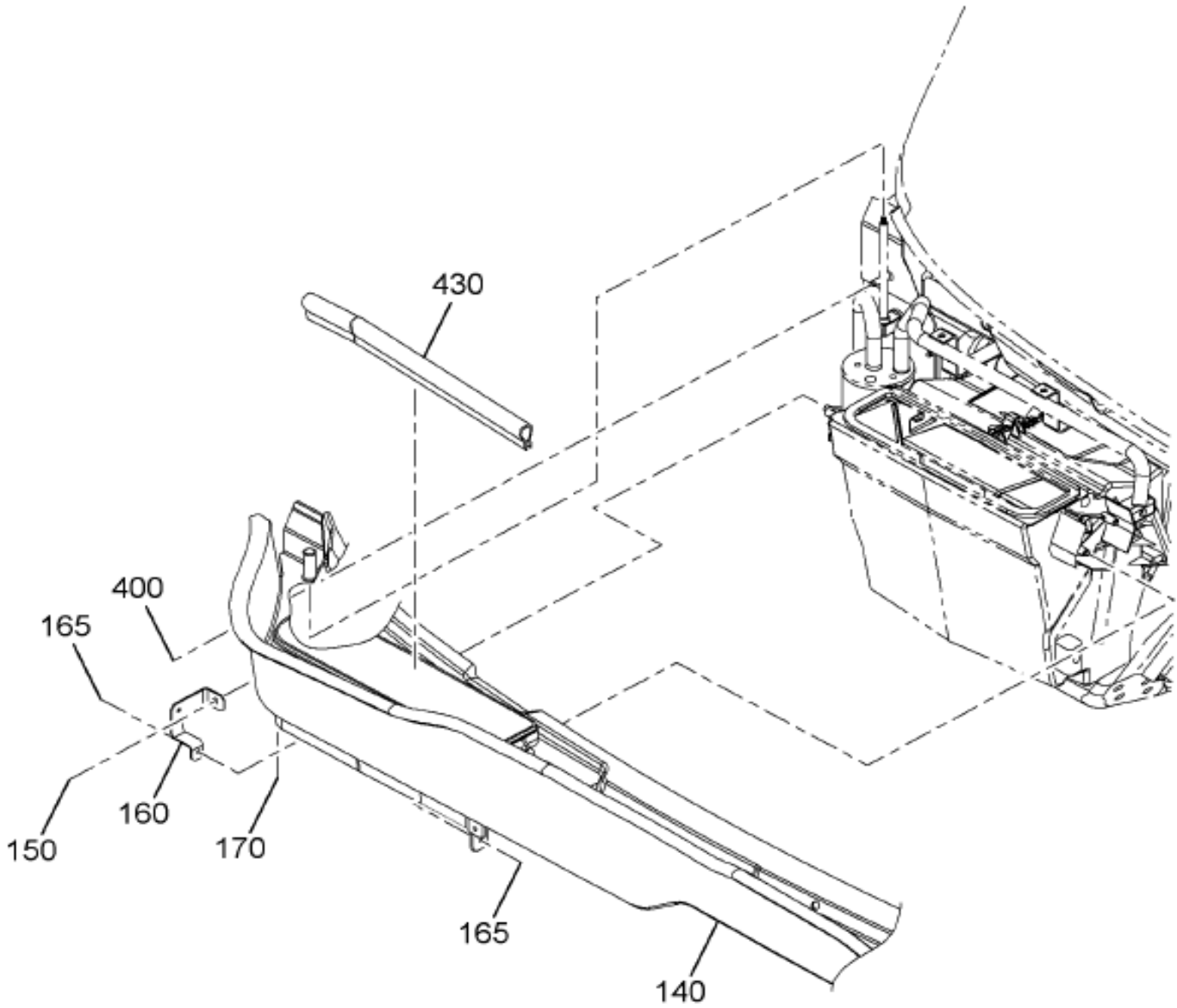
16-562-0037-BC

C11

Grp
16

Figure 1 of 5

Figure 06SLV
WINDSHIELD WIPER INSTL; W/BAFFLE ASM

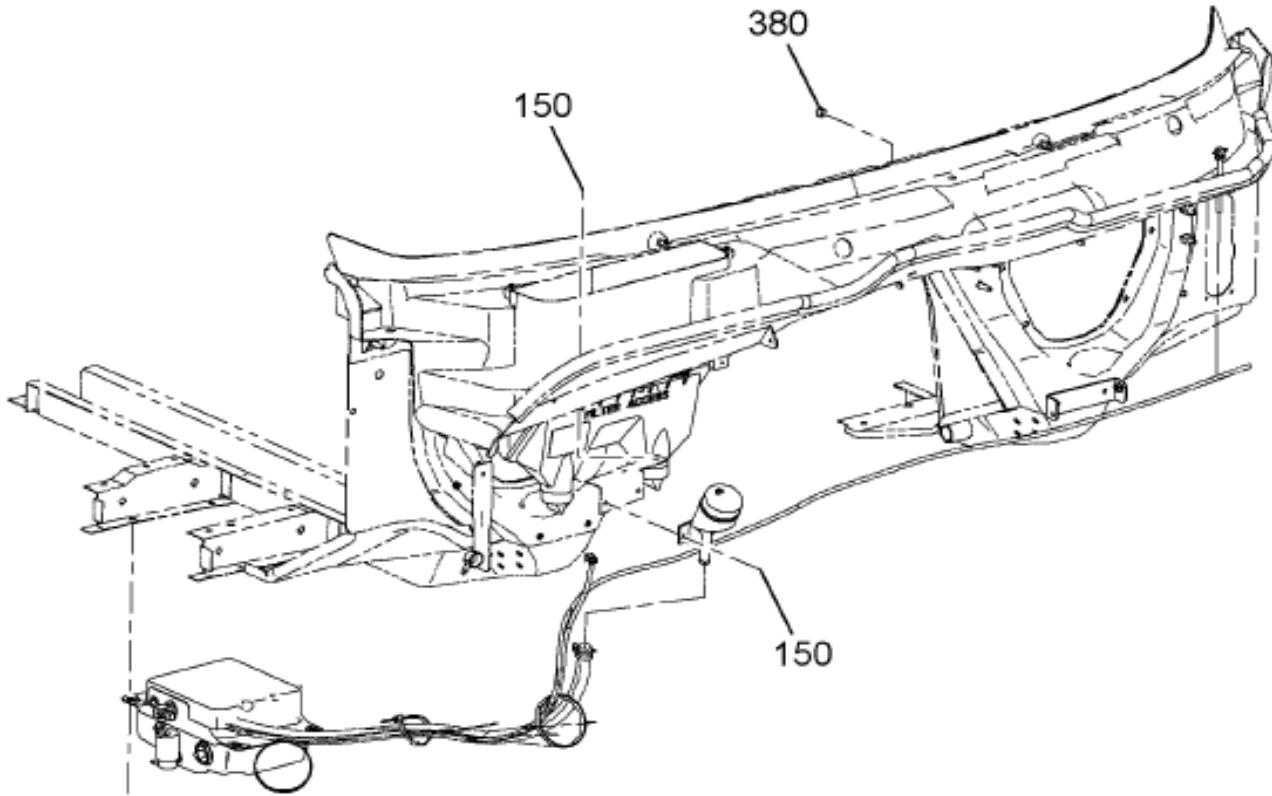


16-562-0036-BB

C11

Figure 2 of 5

Figure 06SLV
WINDSHIELD WIPER INSTL; W/BAFFLE ASM



RH HDD
W/0510974
W/0016WCS
W/0016WCT

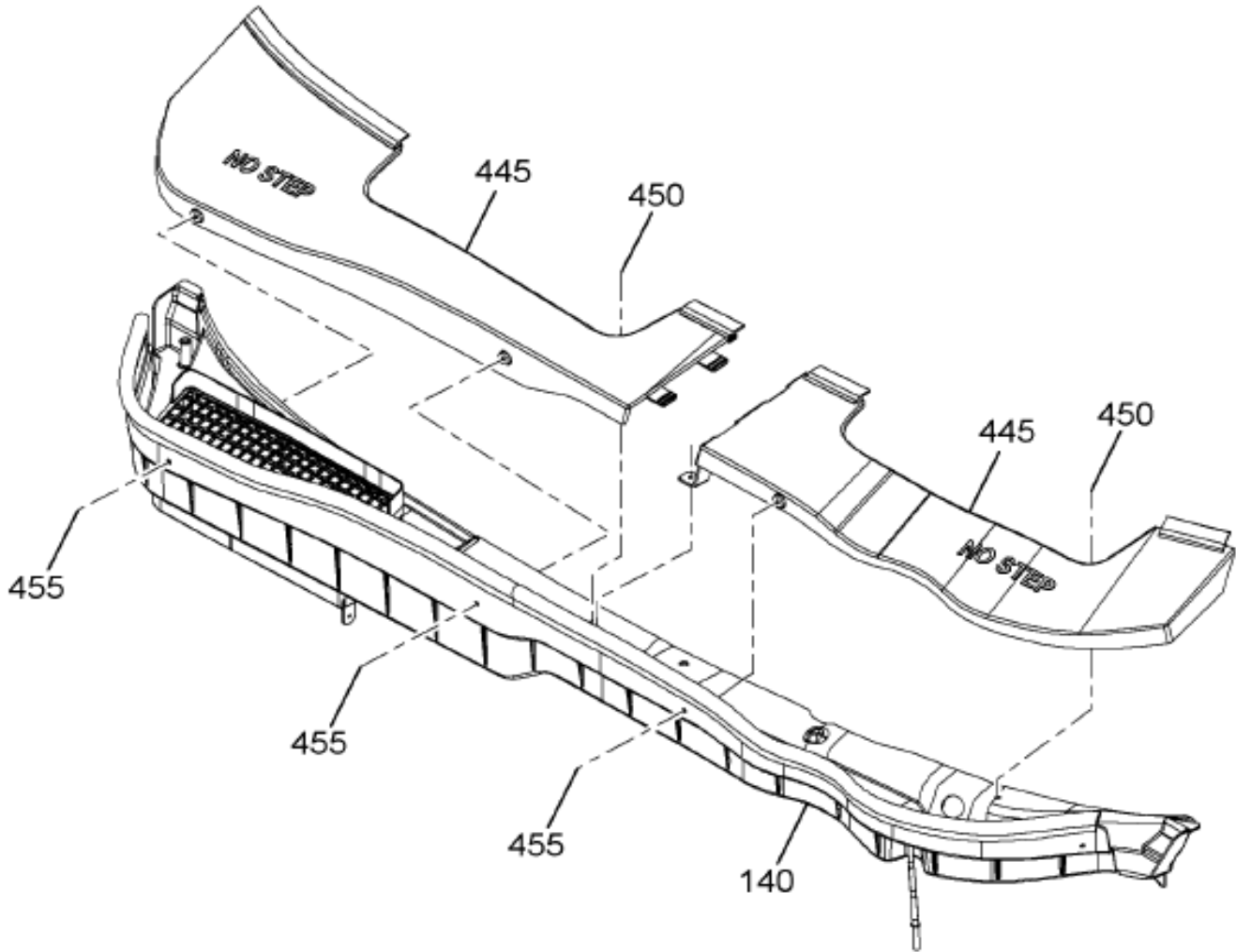
16-562-0104-01

C11

Grp
16

Figure 3 of 5

Figure 06SLV
WINDSHIELD WIPER INSTL; W/BAFFLE ASM

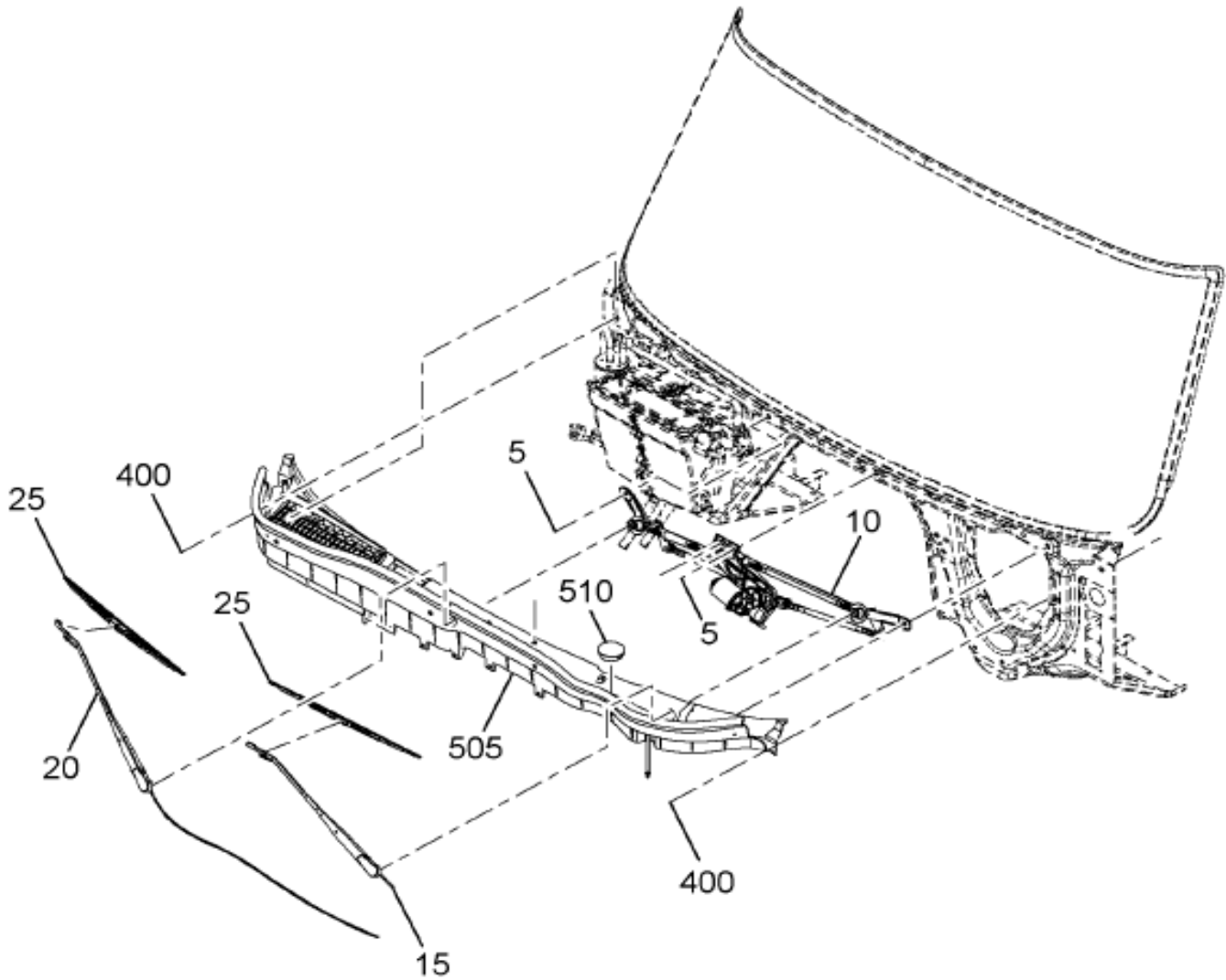


16-562-0121-01

C11

Figure 4 of 5

Figure 06SLV
WINDSHIELD WIPER INSTL; W/BAFFLE ASM



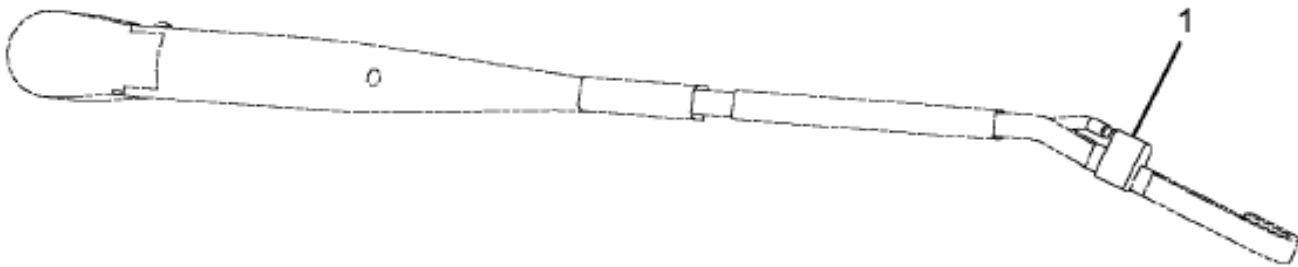
16-562-0153-01

C11

Grp
16

Item	Part No.	Qty	Description	Kit	Var	Figure
5	3535162C1	4	NUT,HEX METRIC PREV. TORQ*M8 X		06SLV	
10	3554255C93	1	WIPER,W/S ELECT, LH DRIVE		0FVTZ	3554255C93
15	3535049C2	1	ARM,W/S WIPER LHD DRVR SIDE		0FVTZ	3535049C2
20	3535050C3	1	ARM,W/S WIPER PASS, LH DRIVE		0FVTZ	3535050C3
25	3535051C1	2	BLADE,W/S WIPER 22" LHD		0FVTZ	3535051C1
140	3550838C95	1	BAFFLE,ASM MOTOR COVER COWL		0F4V8	3550838C95

Figure 3535049C2
 ARM,W/S WIPER LHD DRVR SIDE



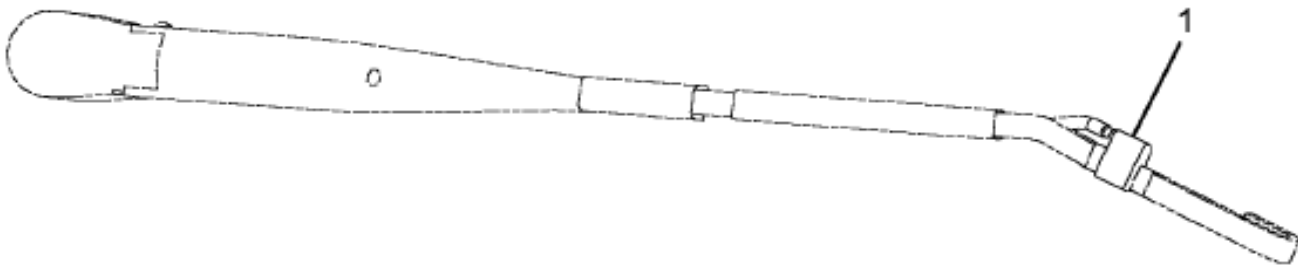
16-562-0070-01

G03

G
r
p
1
6

Item	Part No.	Qty	Description	Kit	Var	Figure
1	2504705C91	1	KIT,W/S WPR ARM NOZZLE			
880		RF	NOTE: ASM BELOW COMPRISED OF ABOVE COMPONENTS			
881	3535049C2	RF	ARM,W/S WIPER LHD DRVR SIDE			

Figure 3535050C3
ARM,W/S WIPER PASS, LH DRIVE

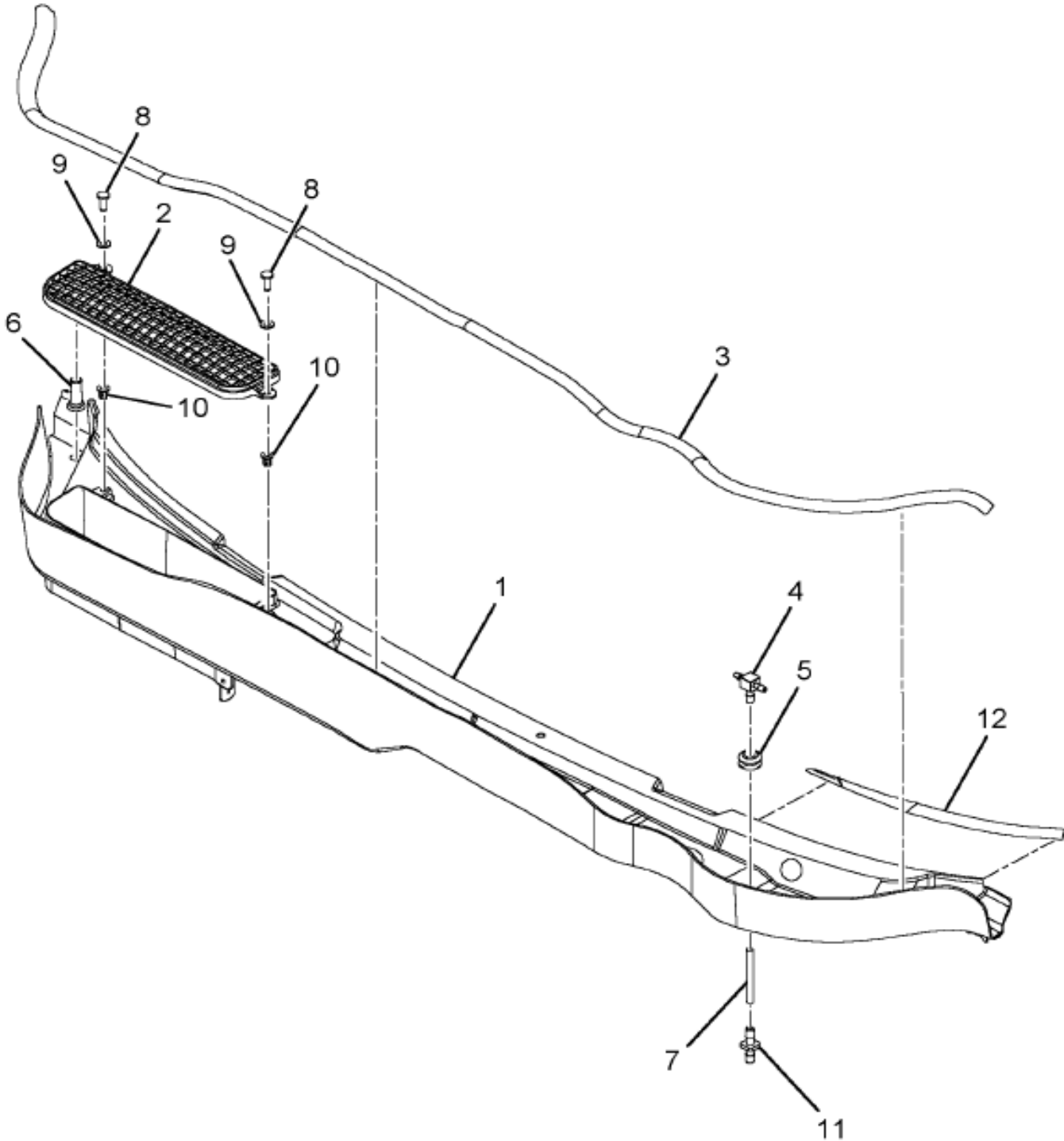


16-562-0070-01

G03

Item	Part No.	Qty	Description	Kit	Var	Figure
1	2504705C91	1	KIT,W/S WPR ARM NOZZLE			
880		RF	NOTE: ASM BELOW COMPRISED OF ABOVE COMPONENTS			
881	3535050C3	RF	ARM,W/S WIPER PASS, LH DRIVE			

Figure 3550838C95
 BAFFLE,ASM MOTOR COVER COWL



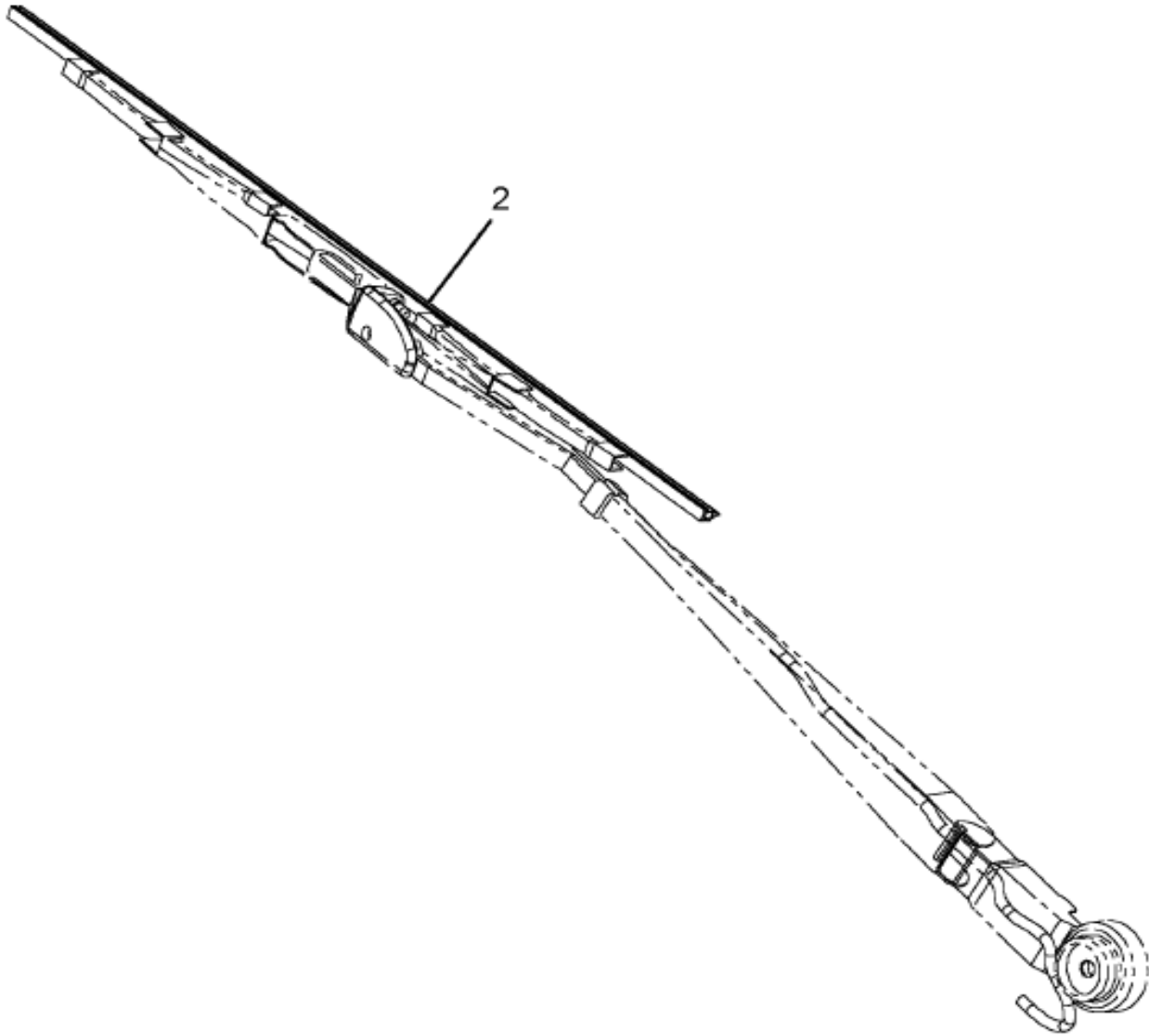
16-562-0079-01

J03

Grp
16

Item	Part No.	Qty	Description	Kit	Var	Figure
1	3550841C5	1	COVER, CLOSEOUT COWL/DASH PANE			
2	3550843C1	1	SCREEN,AIR INTAKE GRILLE HVAC			
3	3550845C1	AR	SEAL,AIR CLOSEOUT TRAY TO HOOD			
4	3552344C1	1	TEE,HOSE W/S WASHER			
5	3527130C1	1	GROMMET,W/WASHER HOSE TO COWL			
6	3555650C1	1	FERRULE,SEAL ANTENNA TO COWL			

Figure 3535051C1
BLADE,W/S WIPER 22" LHD



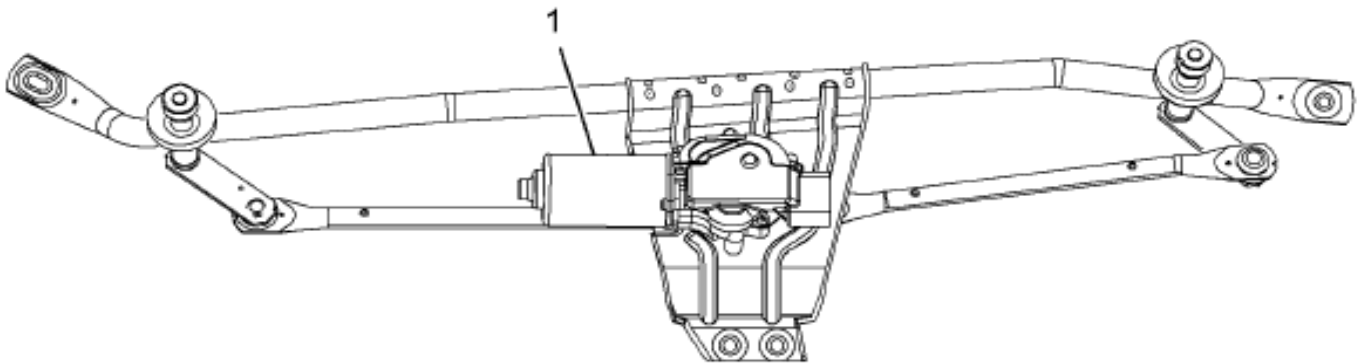
16-363-0012-01

H03

Grp
16

Item	Part No.	Qty	Description	Kit	Var	Figure
2		1	BLADE,REFILL W/S WIPER 22"			
800		RF	NOTE: THE FOLLOWING PARTS ARE NON-ILLUSTRATED			
801	2505480C2	1	BLADE,REFILL WPR 22" EXTRUDED			
880		RF	NOTE: ASM BELOW COMPRISED OF ABOVE COMPONENTS			

Figure 3554255C93
WIPER, W/S ELECT, LH DRIVE



16-562-0022-00

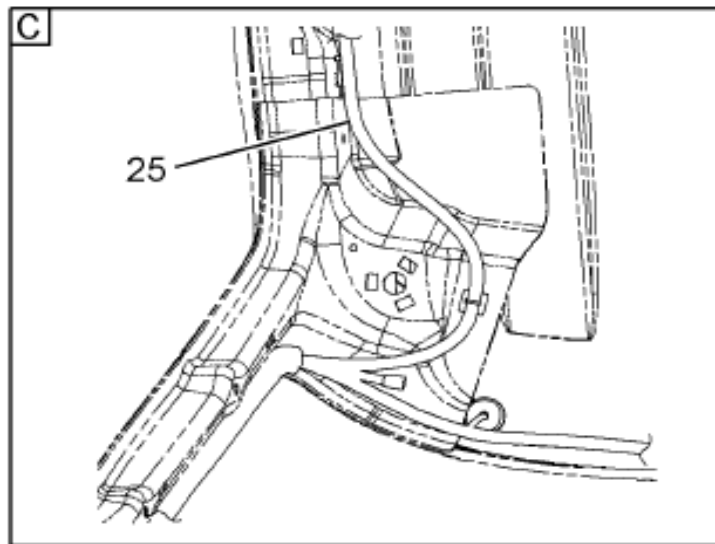
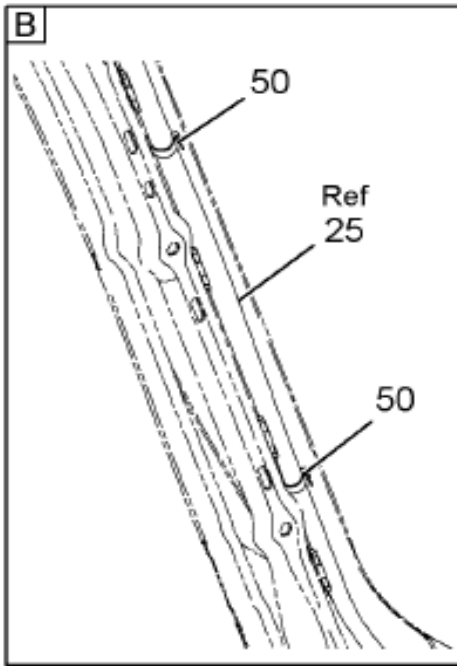
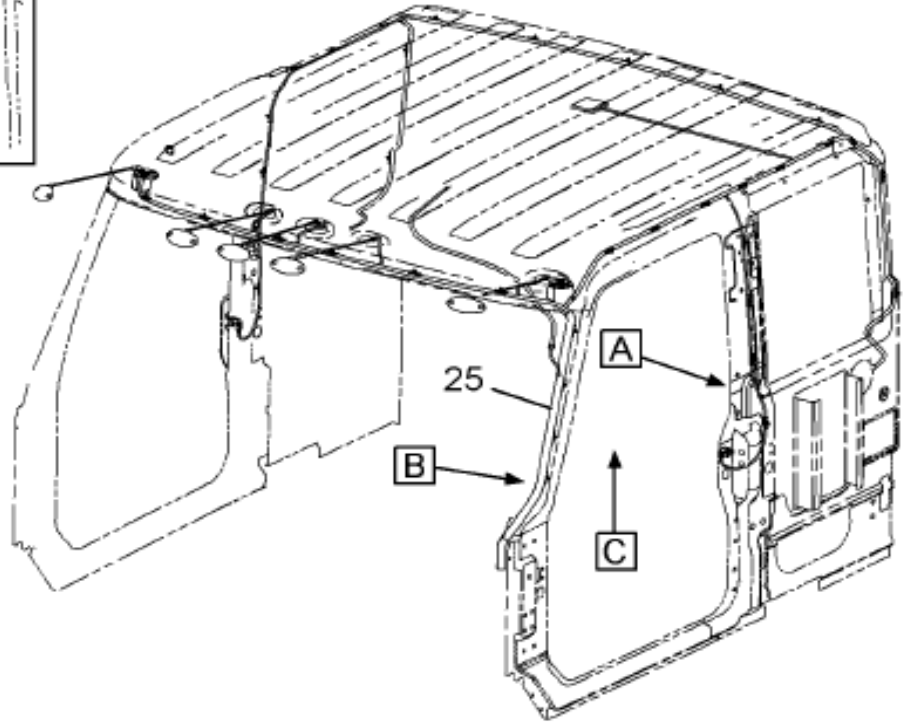
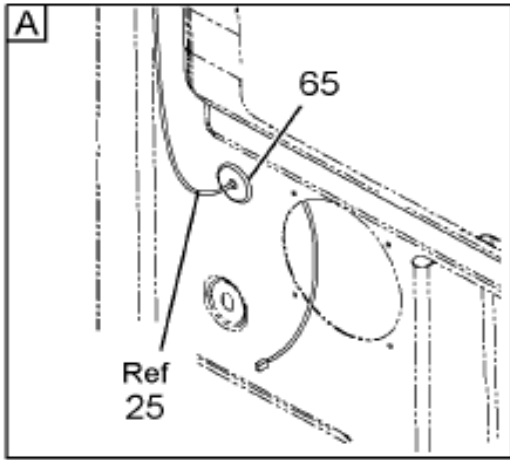
A05

Grp
16

Item	Part No.	Qty	Description	Kit	Var	Figure
1	2588669C1	1	ARM, W/S REGULATOR LHD			
1	2588670C1	1	MOTOR, W/S WIPER ELECT 12V			
880		RF	NOTE: ASM BELOW COMPRISED OF ABOVE COMPONENTS			
881	3554255C93	RF	WIPER, W/S ELECT, LH DRIVE			

Figure 0JDY4

WIRING INSTL; CAB, STD, EXTD, CREW CABS



08-661-0021-01

L02

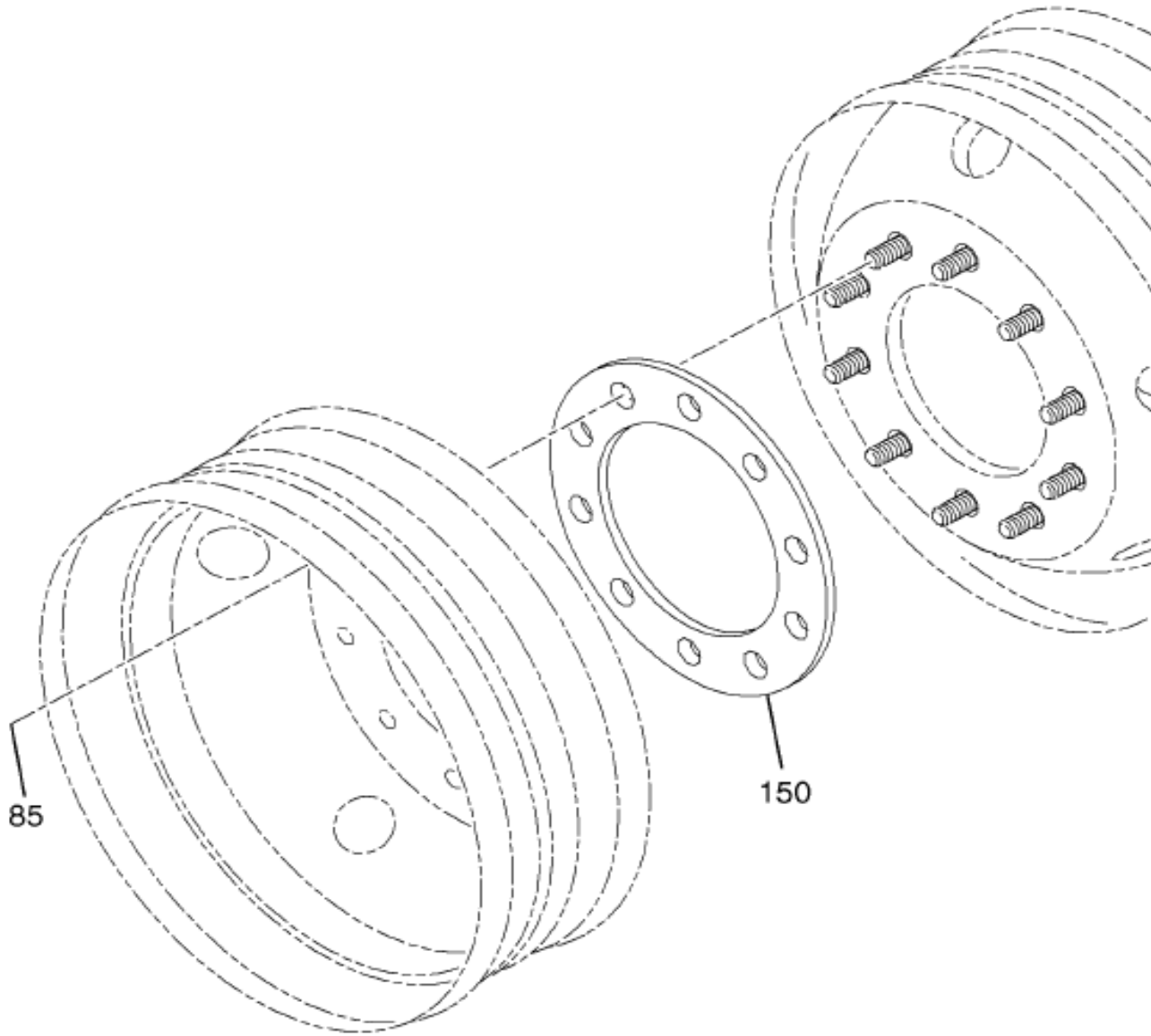
Item	Part No.	Qty	Description	Kit	Var	Figure
25	3582404C91	1	HARNES, ROOF WRG, EXTENDED CAB		0JDY8	
65	117971	2	GROMMET, 1/4 X 1 X 3/8 D/C RUB		0JDY8	

Group 17 Wheels

G
R
P
1
7

Figure 0MVFK

HDWE, RR AXLE RIM MTG; M22X1.5 NUT, W/10-STUD HUB



28-628-0009-01

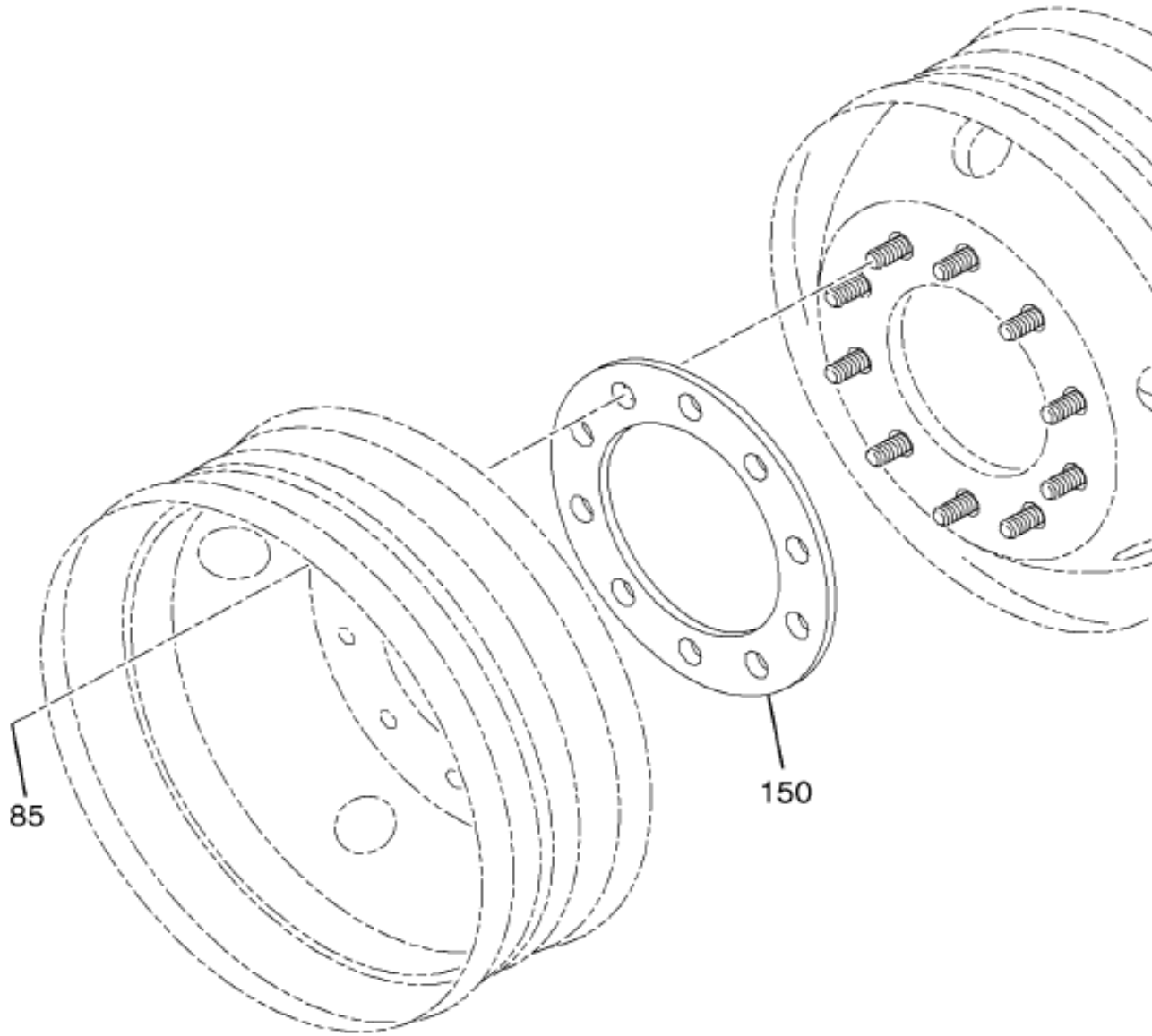
M02

Item	Part No.	Qty	Description	Kit	Var	Figure
85	1649492C2	40	NUT, WHEEL HUB BOLT M22 X 1.5		0MVFK	

Grp
17

Figure 0MTH4

HDWE; FRT AXLE RIM MTG,M22 - 1.5 MM NUT



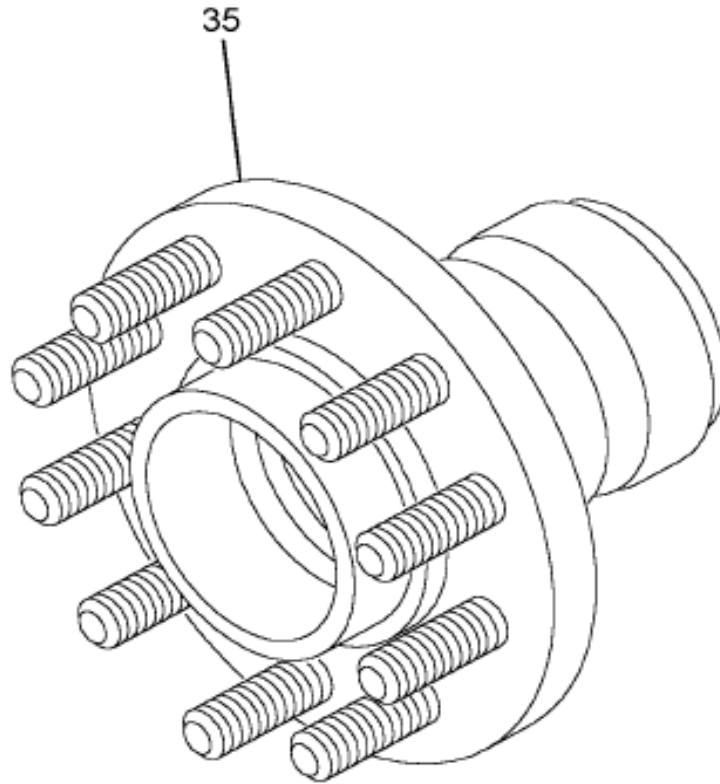
28-628-0009-01

M02

Item	Part No.	Qty	Description	Kit	Var	Figure
85	1649492C2	20	NUT,WHEEL HUB BOLT M22 X 1.5		0MTH4	

Figure 0FWS5

HUBS & DRUMS; FRT DRV AXLE ASM MODULE



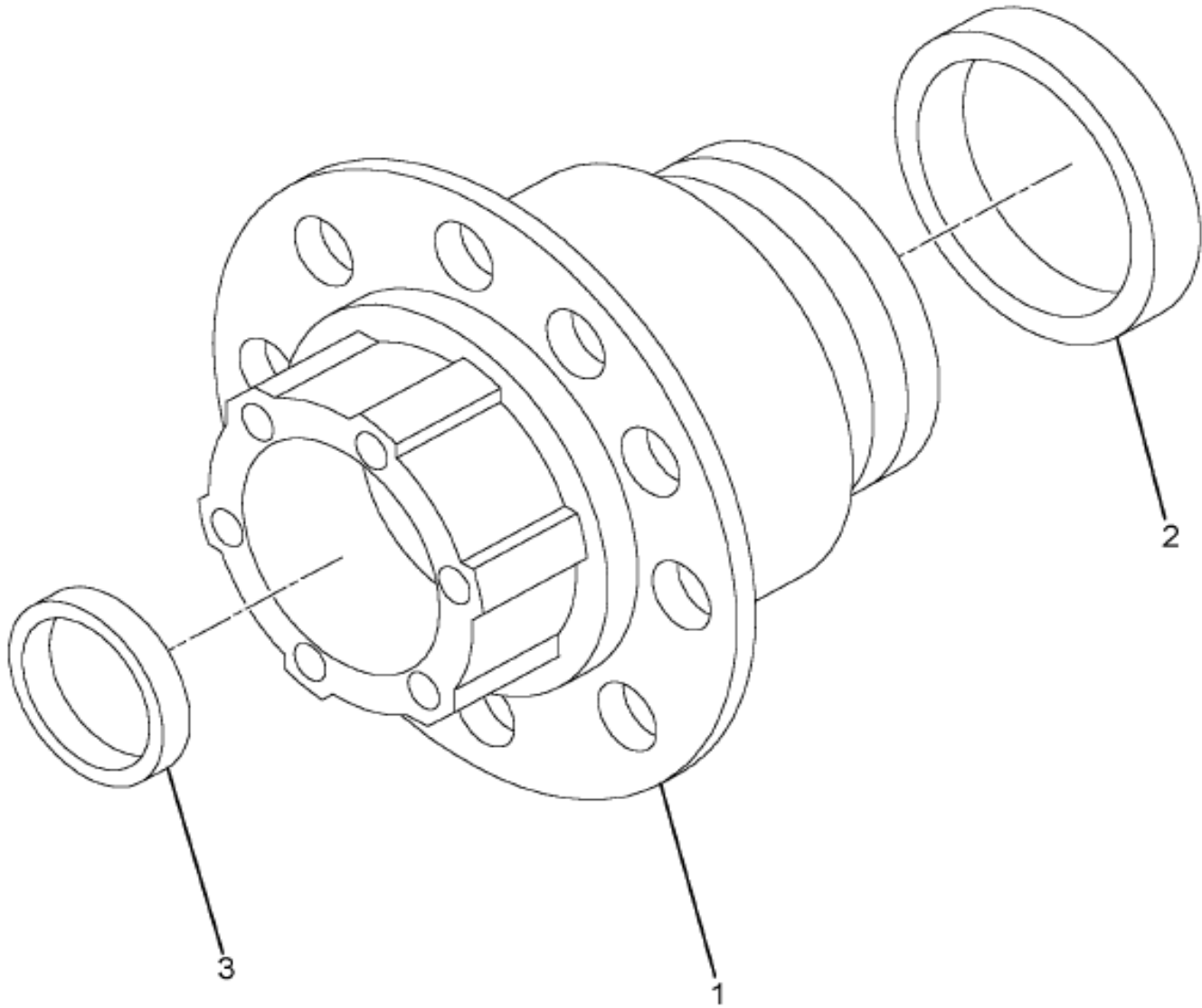
02-A08-0004-01

M02

Item	Part No.	Qty	Description	Kit	Var	Figure
35	3556968F91	1	HUB,FRT WHL W/DRUM 16.5X FC#7		0FWWF	3556968F91

Grp 17

Figure 1699658C91
HUB, ASSY BRK 16.5 X 6

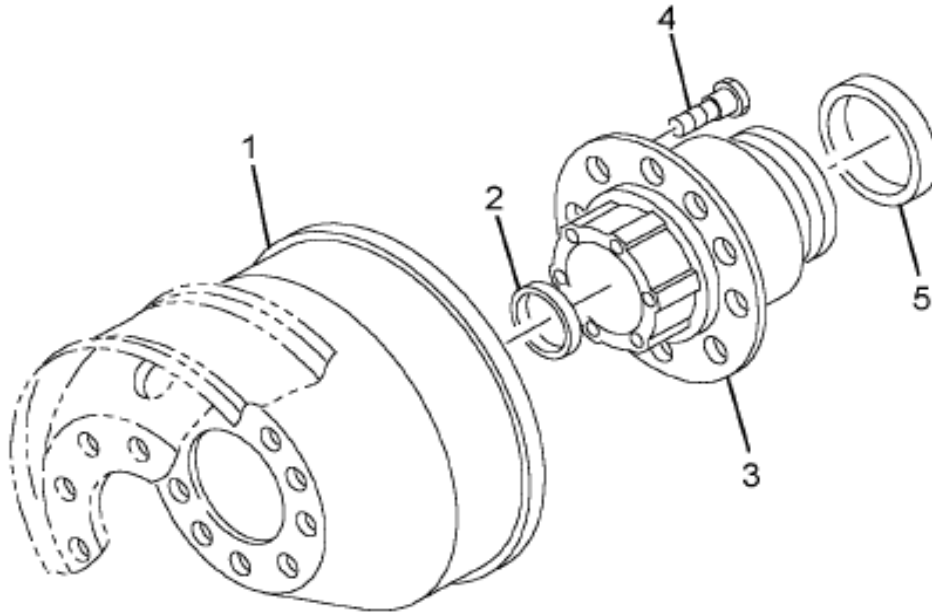


27-603-0030-01

H04

Item	Part No.	Qty	Description	Kit	Var	Figure
1		RF	HUB, FRONT WHL L/DRUM			
2	FP52618	1	BEARING, CUP INNER			
3	FP592A	1	BEARING, CUP INR WHL			
880		RF	NOTE: ASM BELOW COMPRISED OF ABOVE COMPONENTS			
881	1699658C91	RF	HUB, ASSY BRK 16.5 X 6			

Figure 3556968F91
HUB, FRT WHL W/DRUM 16.5X FC#7



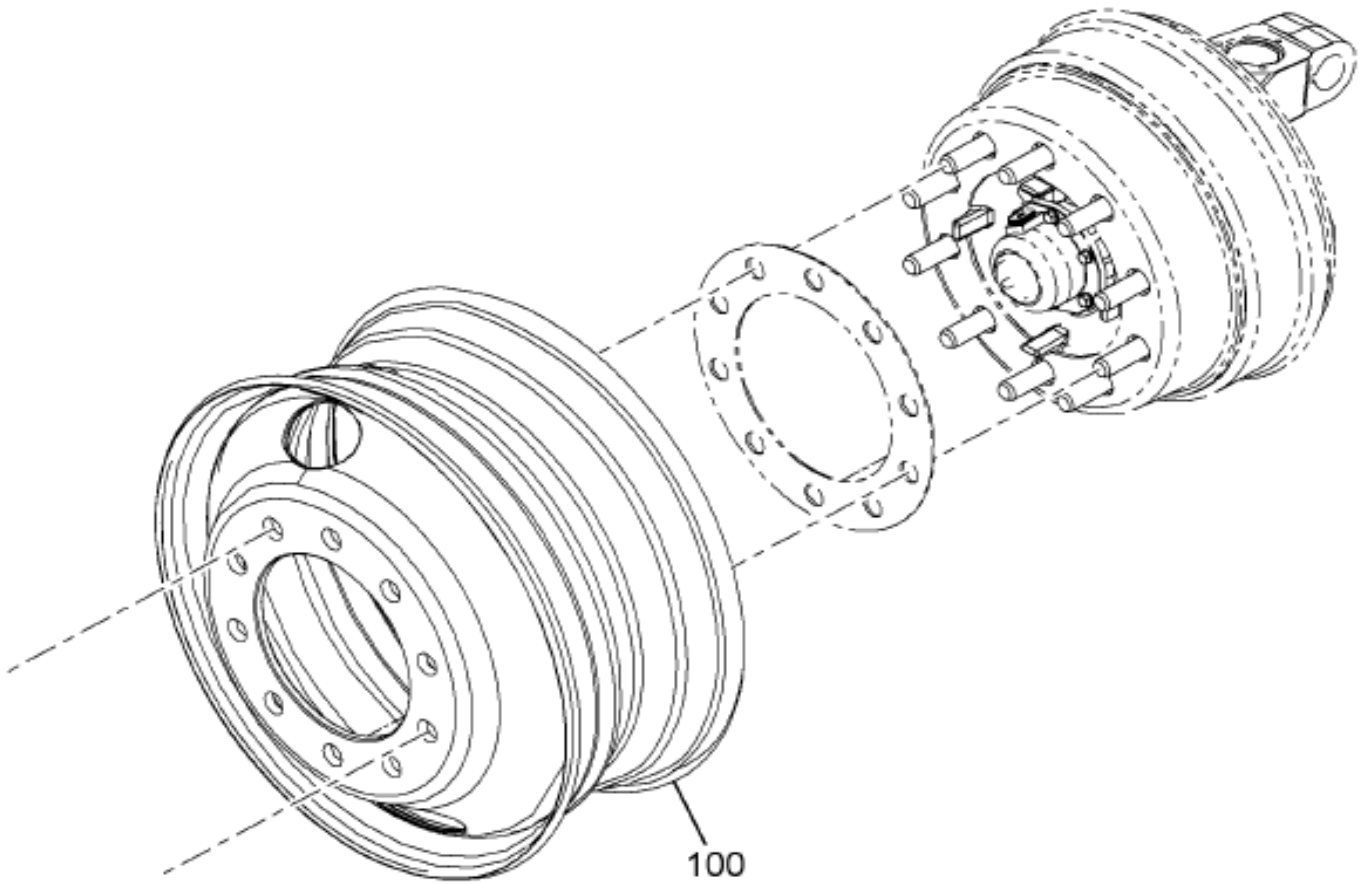
27-603-0018-00

M02

Item	Part No.	Qty	Description	Kit	Var	Figure
1	2501597C1	2	DRUM, BRAKE FRT 16.5X6 BALANCED			
2	TM52618	2	BEARING, CUP			
3		RF	HUB & DRUM ASM 16.5X5			
3	1699658C91	2	HUB, ASSY BRK 16.5 X 6			1699658C91
3	2502203C1	2	RING, EXCITER ABS			
4	2507896C1	20	STUD, WHL RH			

Grp
17

Figure 07SXT
RIM, FRT AXLE; DISC WHEEL 1-PC



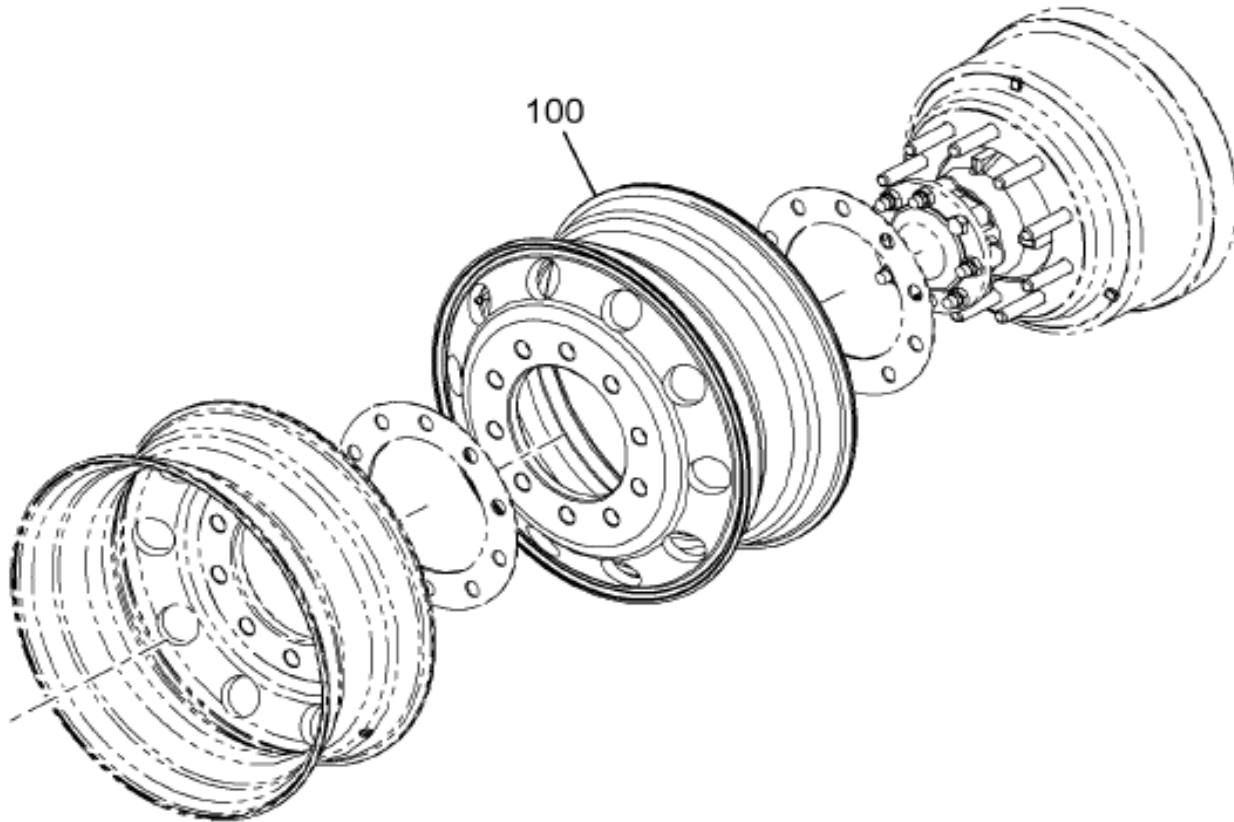
27-604-0006-01

E10

Item	Part No.	Qty	Description	Kit	Var	Figure
100	3571733C1	2	WHEEL,DISC 22.5X*8.25DC BLACK		0J6C5	

Grp
17

Figure 06M11
 RIM; RR AXLE, DISC WHEEL, 1-PC

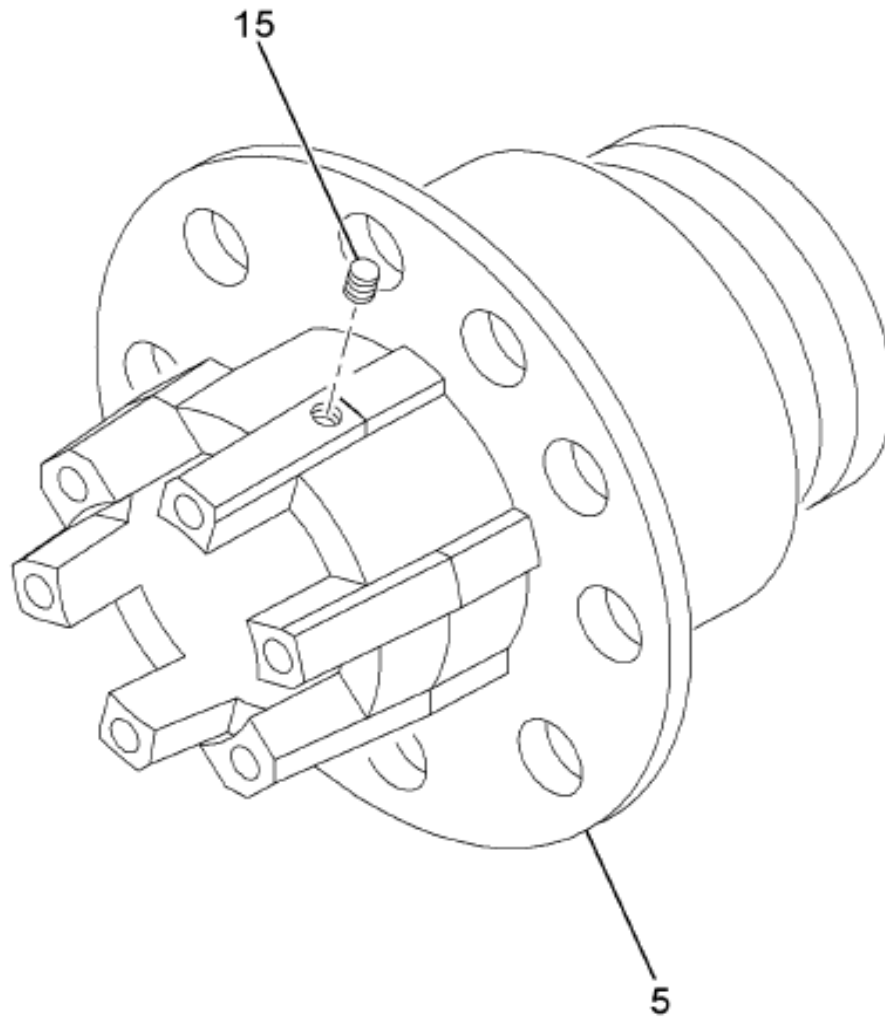


28-607-0007-GA

G10

Item	Part No.	Qty	Description	Kit	Var	Figure
100	3571733C1	8	WHEEL,DISC 22.5X*8.25DC BLACK		0H1WK	

Figure 06LVQ
RR WHEEL HUB ASM; DISC



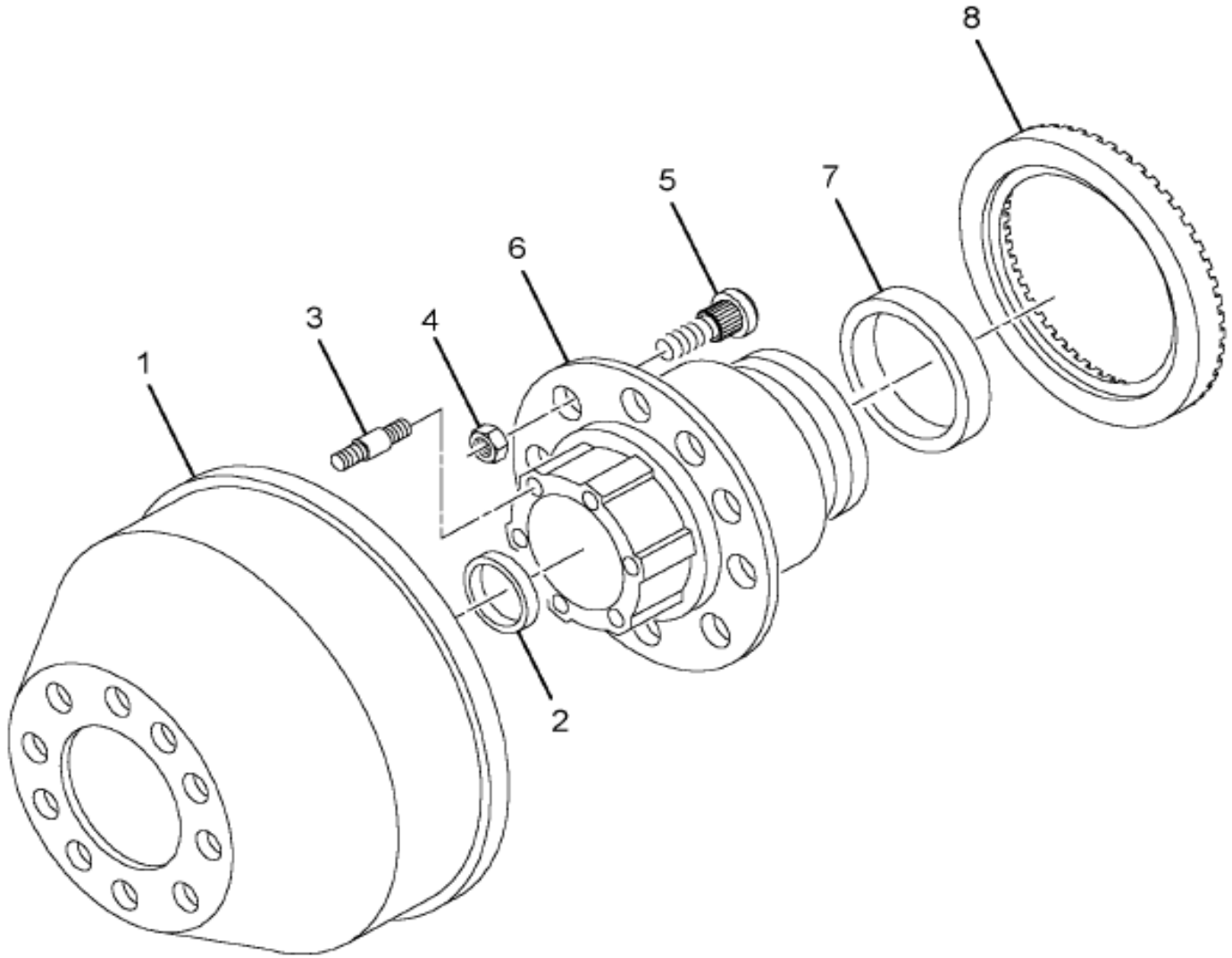
28-606-0029-01

D09

Item	Part No.	Qty	Description	Kit	Var	Figure
5	2014885C93	2	HUB, REAR WHEEL W/DRUM*CAST		06MDN	2014885C93
5	2003838C94	2	HUB, REAR WHEEL W/DRUM*CAST		06MDN	2003838C94

Grp
17

Figure 2003838C94
HUB, REAR WHEEL W/DRUM*CAST

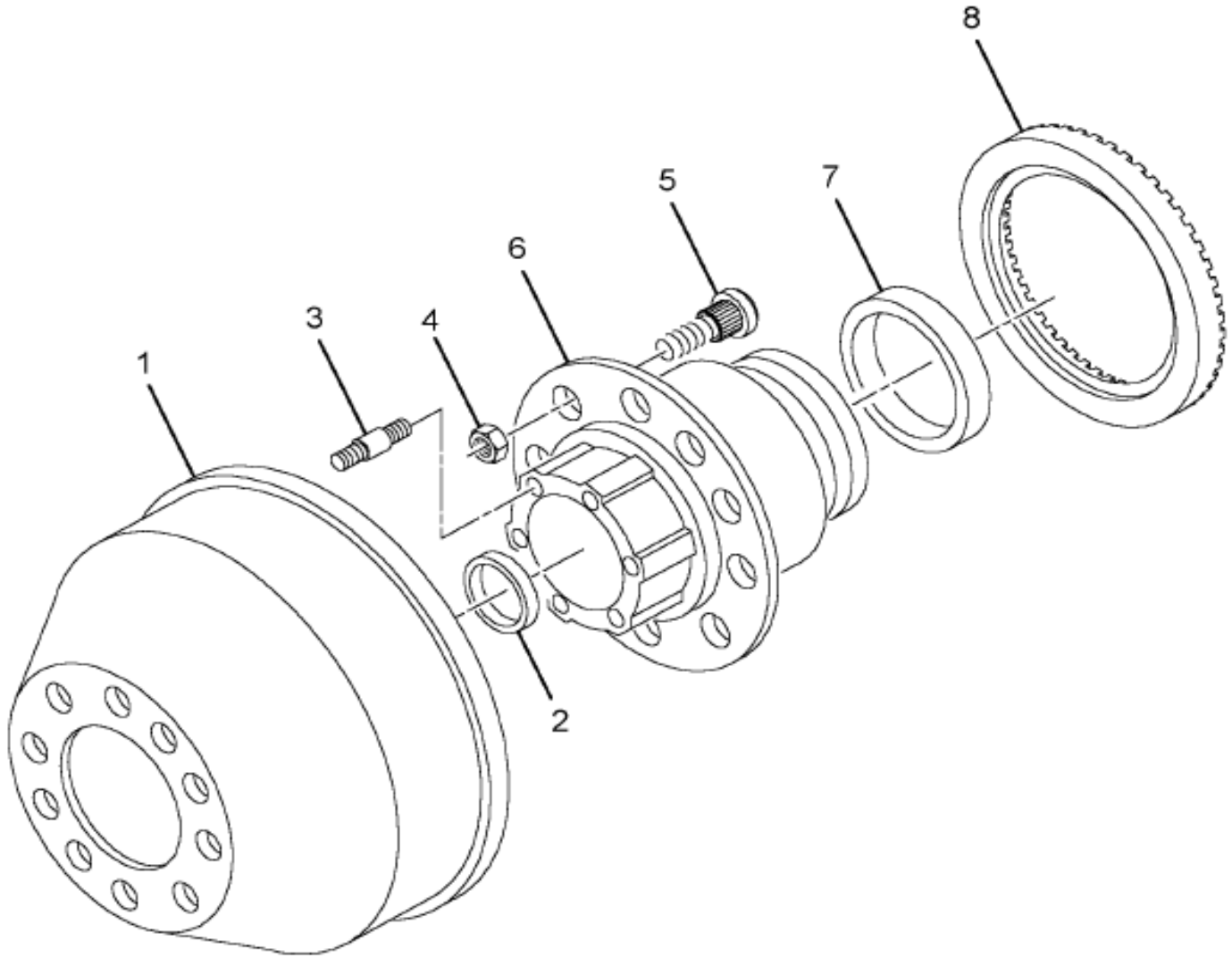


28-606-0042-01

K03

Item	Part No.	Qty	Description	Kit	Var	Figure
1	ZBR3600AX	1	DRUM-BRAKE 16.5X7 BAL 1PC			
2	TM572	1	BEARING, CUP			
3	588760C1	7	STUD DRIVE			
4		RF	RETAINING NUT			
5	2007175C2	10	BOLT, WHL HUB RHD M22 X 3.5" LG			
6	2586994C91	1	HUB, REAR WHL W/CUPS & STUDS			

Figure 2014885C93
HUB, REAR WHEEL W/DRUM*CAST

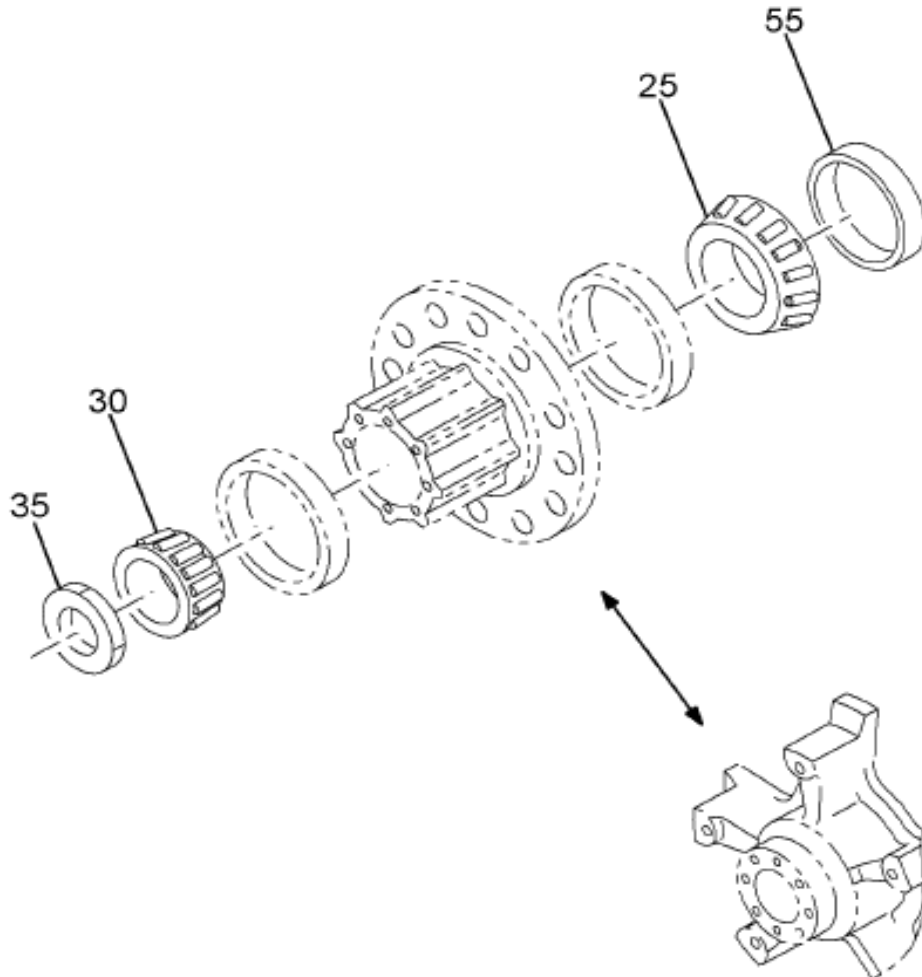


28-606-0042-01

K03

Item	Part No.	Qty	Description	Kit	Var	Figure
1	ZBR3600AX	1	DRUM-BRAKE 16.5X7 BAL 1PC			
2	TM572	1	BEARING, CUP			
3	588760C1	7	STUD DRIVE			
4		RF	RETAINING NUT			
5	2007175C2	10	BOLT, WHL HUB RHD M22 X 3.5" LG			
6	2586994C91	1	HUB, REAR WHL W/CUPS & STUDS			

Figure 06M1J
SEAL & BRGS; WHEELS,RR AXLE



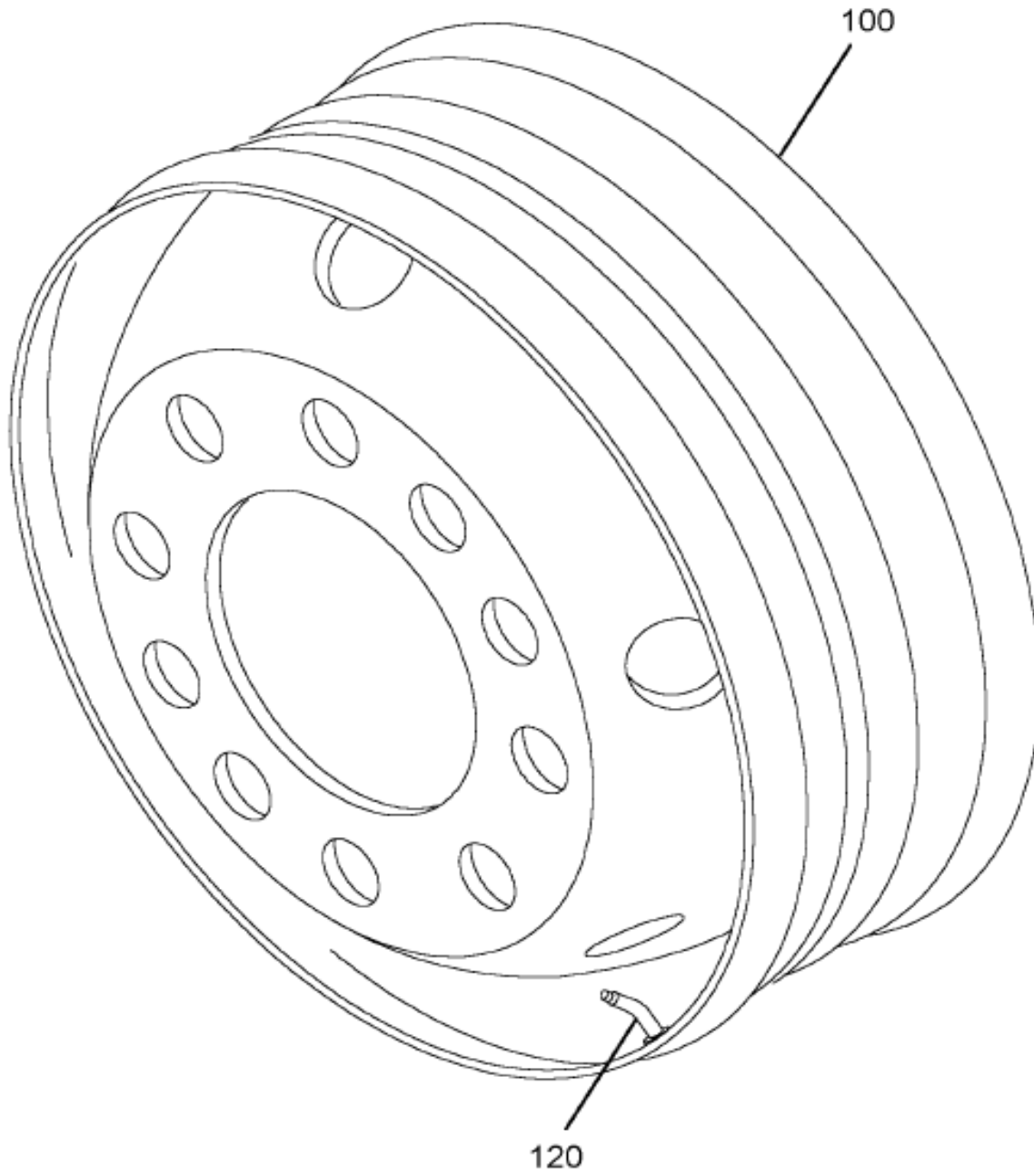
28-612-0004-01

F09

Item	Part No.	Qty	Description	Kit	Var	Figure
25	3592356C91	4	BEARING, CONE INR WHL 594A		06MG7	
30	3592365C91	4	BEARING, CONE OTR WHL		06MG7	
35	2032055C1	4	NUT, RR WHL BRG ADJ (AXILOK)		06MGC	
55	775698C91	4	SEAL, OIL REAR WHEEL BRG INNER		06MGD	

Figure 0LFW1

SPARE WHEEL ASM; DISC, 22.5 X 8.25DC STEEL, BLACK PC



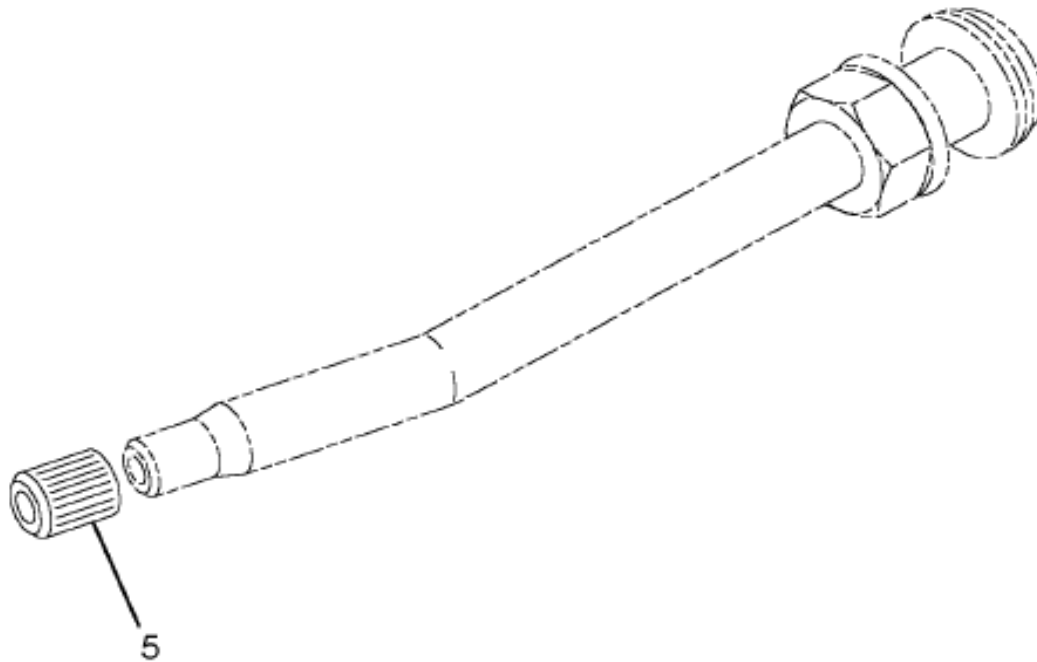
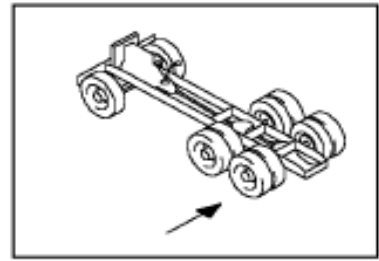
25-614-0010-00

F04

Item	Part No.	Qty	Description	Kit	Var	Figure
100	3571733C1	1	WHEEL,DISC 22.5X*8.25DC BLACK		0LFW1	
120	158120R93	1	VALVE,TUBELESS TIRE W/CAP 3.75		0LFW1	158120R93

Grp
17

Figure 158120R93
VALVE, TUBELESS TIRE W/CAP 3.75

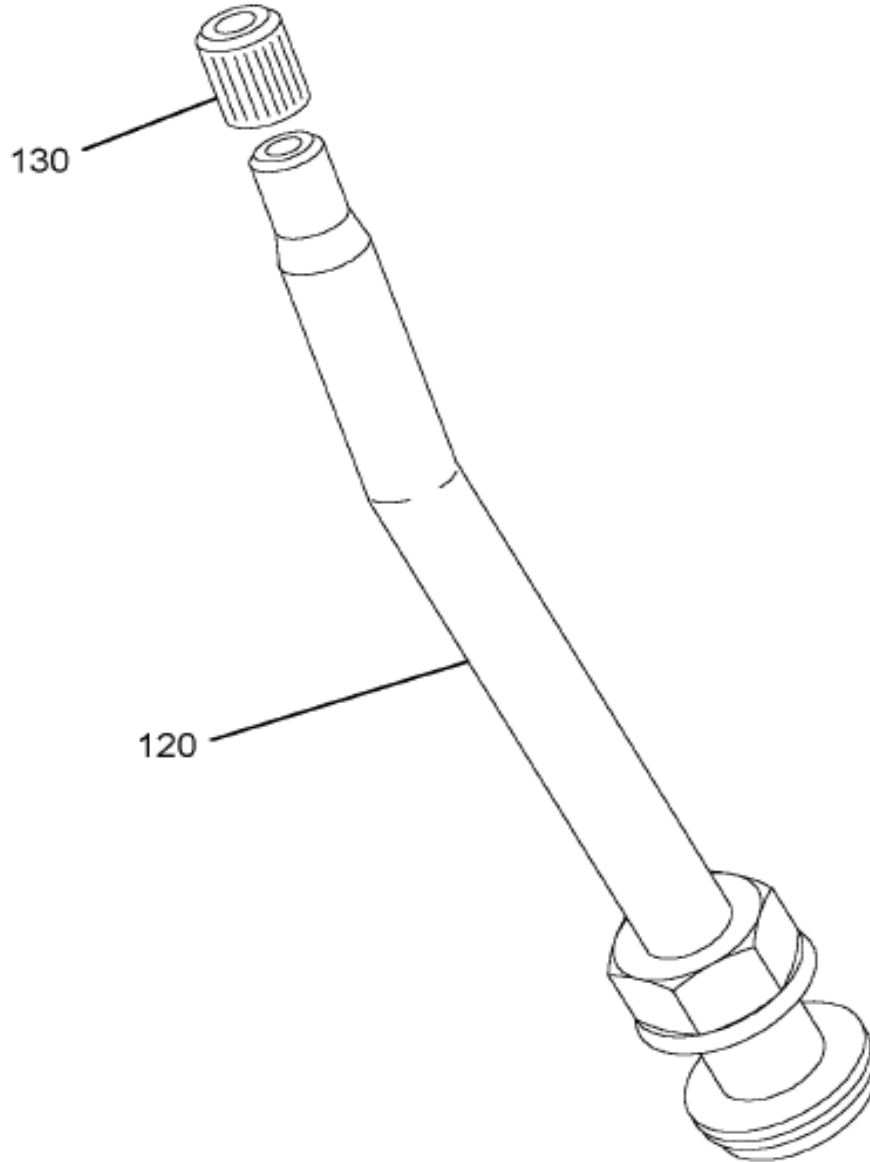


27-613-0001-01

A03

Item	Part No.	Qty	Description	Kit	Var	Figure
5	140255H	1	CAP, VALVE TIRE			
880		RF	NOTE: ASM BELOW COMPRISED OF ABOVE COMPONENTS			
881	158120R93	RF	VALVE, TUBELESS TIRE W/CAP 3.75			

Figure 081GV
TIRE VALVE & CAP; FRONT WHEEL



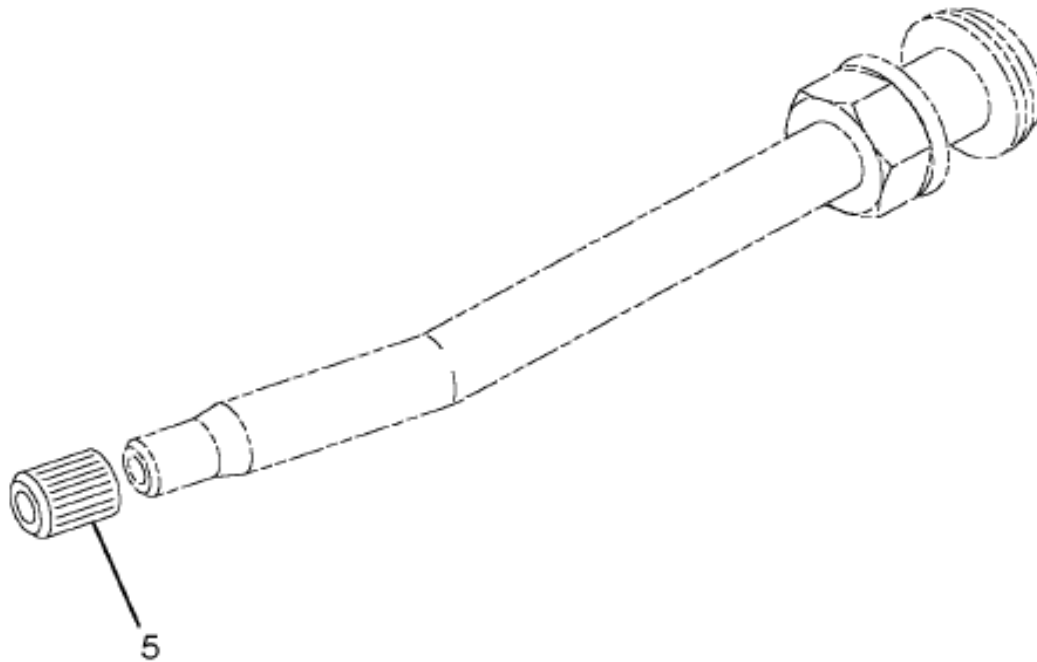
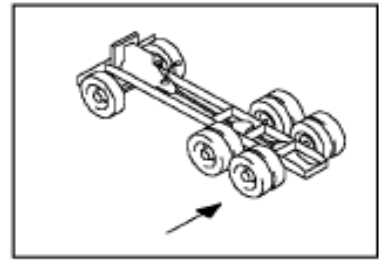
27-611-0001-01

G04

Item	Part No.	Qty	Description	Kit	Var	Figure
120	158120R93	2	VALVE, TUBELESS TIRE W/CAP 3.75		0G3NB	158120R93

Grp
17

Figure 158120R93
VALVE, TUBELESS TIRE W/CAP 3.75

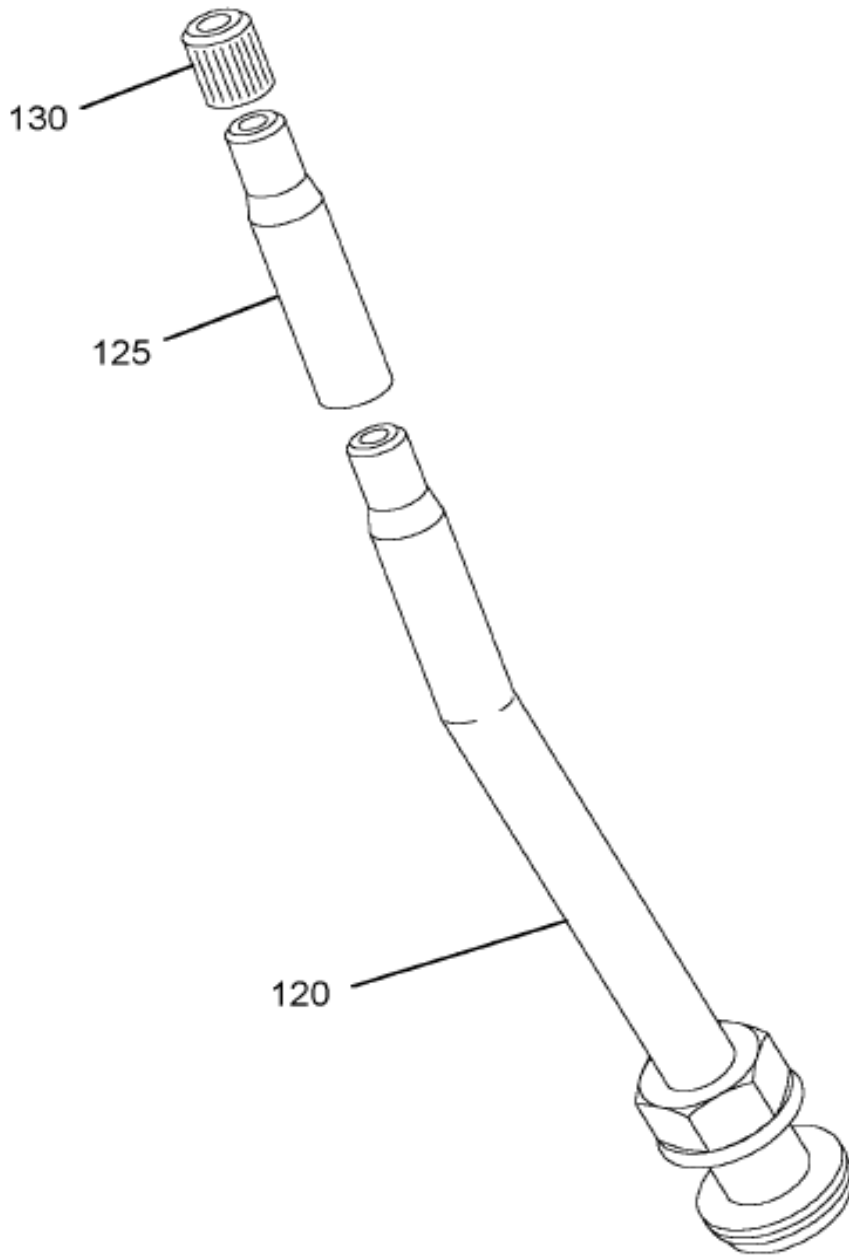


27-613-0001-01

A03

Item	Part No.	Qty	Description	Kit	Var	Figure
5	140255H	1	CAP, VALVE TIRE			
880		RF	NOTE: ASM BELOW COMPRISED OF ABOVE COMPONENTS			
881	158120R93	RF	VALVE, TUBELESS TIRE W/CAP 3.75			

Figure 06M1R
TIRE VALVE & CAP; REAR WHEEL



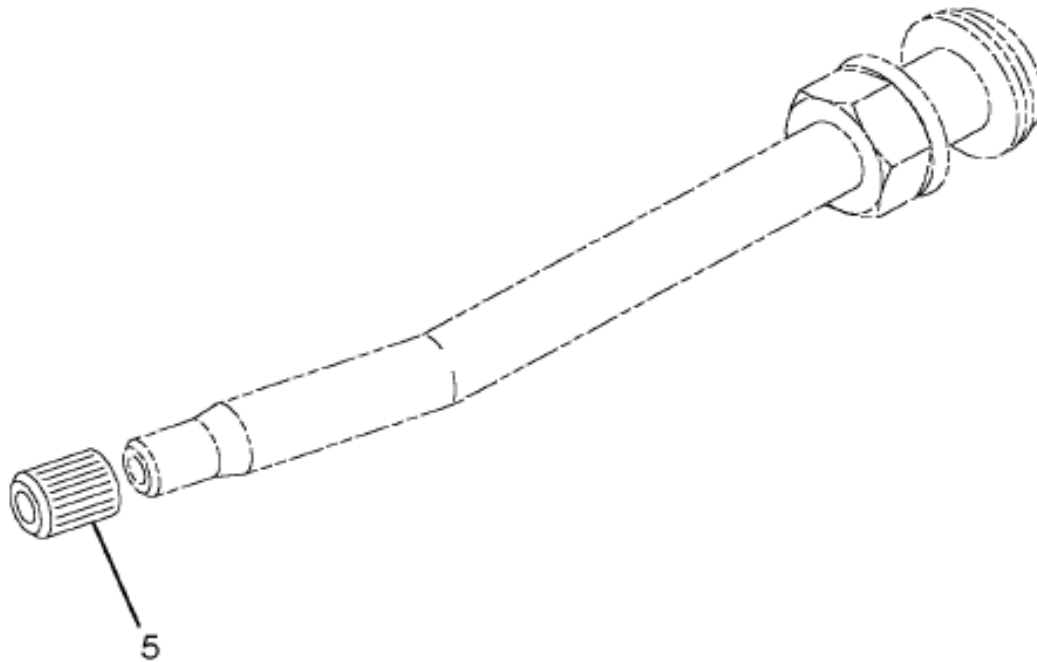
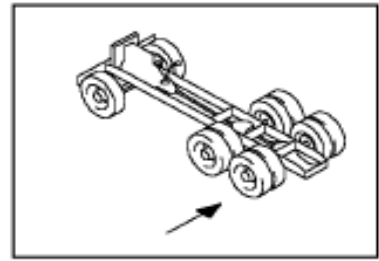
27-611-0002-01

G04

Item	Part No.	Qty	Description	Kit	Var	Figure
120	158120R93	8	VALVE, TUBELESS TIRE W/CAP 3.75		06MGY	158120R93

Grp
17

Figure 158120R93
VALVE, TUBELESS TIRE W/CAP 3.75

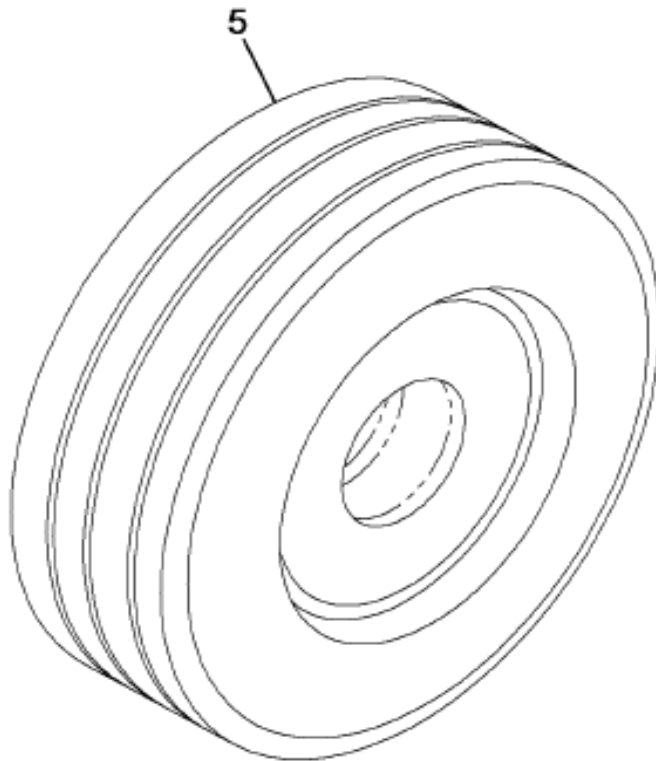


27-613-0001-01

A03

Item	Part No.	Qty	Description	Kit	Var	Figure
5	140255H	1	CAP, VALVE TIRE			
880		RF	NOTE: ASM BELOW COMPRISED OF ABOVE COMPONENTS			
881	158120R93	RF	VALVE, TUBELESS TIRE W/CAP 3.75			

Figure 0HYWQ
TIRE; GOODYEAR 12R22.5 UNISTEEL G



30-602-0002-AA

L08

Item	Part No.	Qty	Description	Kit	Var	Figure
5	7382150162	1	TIRE,GOODYR. 12R22.5 UNISTL G		0HYWQ	

Grp
17

Appendix

List of Abbreviations

Abbrev.	Description	Abbrev.	Description
A/C	Air Conditioning	CR-PLTD	Chromium Plated
ACCEL	Accelerator	CR-REC-HD	Cross Recess Head
ADAP	Adapter	CRG	Carriage
ADH	Adhesive	CRKCASE	Crankcase
ADJ	Adjuster, Adjustable, Adjusting	CRKSHFT	Crankshaft
AL	Aluminum	CS	Conventional School Bus
ALM	Alarm	CSK	Counter Sunk
ALT	Alternator	CSK	Counter Sink
AMP	Amperes	CSUNK	Counter Sunk
AMP, A	Ampere	CT	Coated
AMT	Antenna	CTR	Center
ANG	Angle	CTSHFT	Countershaft
APPROX	Approximately	CU	Cubic
AR	As Required	CU FT	Cubic Feet
ASSY	Assembly	CU IN	Cubic Inch
ATT	Attaching, Attachment	CUSH	Cushion
AUTO	Automatic	CVR	Cover
AUX	Auxiliary	CW	Clockwise
AWG	American Wire Gauge	CYL	Cylinder
BAT	Battery	D/S #	Direct Ship Number
BEC	Bumper-to-Back of Cab	DB	Decibel
BC	Bigcam	DBL	Double
BK	Brake	DE	Drive End
BRG	Bearing	DEC	Decimal
BRK	Brake	DEG	Degree
BRKT	Bracket	DIA	Diameter
BTM	Bottom	DIAG	Diagram
BUSH	Bushing	DIAPH	Diaphragm
BUZR	Buzzer	DIFF	Differential
CAP	Capacity	DISC	Disconnect
CAP SCR	Cap Screw	DOM	Domestic
CARR	Carrier	DPDT	Double Pole Double Throw
CAT	Catalytic	DPST	Double Pole Single Throw
CCW	Counter Clockwise	DR	Drive
CD-PLTD	Cadmium Plated	DR	Door
CDS	Cold Drawn Steel	ELEC	Electrical
CE	Commutator End	ELECT	Electrical
CFS	Cold Finish Steel	EMERG	Emergency
CHAM	Chamfer	ENG	Engine
CHK	Check	EQ SP	Equally Spaced
CI	Cast Iron	EQUIP	Equipment
CK BKR	Circuit Breaker	EQUIV	Equivalent
CK	Circuit	ES	Extra Smooth
CL LPS	Clearance Lamps	EVAP	Evaporator
CL-REC-HD	Clutch Recess Head	EXH	Exhaust
CLKG	Caulking	EXH	Exterior, External
CM	Centimeter	EXP	Export
COL	Column	EXT	Exterior
COMMUT	Commutator	EXTN	Extension
COMPR	Compressor	F-HD	Flat Head
COMPT	Compartment	F-PT	Flat-point
CON	Control	F/F	Forward Folding
COND	Condenser	FASTNR	Fastener
CONN	Connector, Connection, Connecting	FBRGLS	Fiberglass
CONV	Converter	FE	Front Engine
CPRSR	Compressor	FIG	Figure
CPT	Complete	FIL-HD	Fillister Head
CR	Cold Rolled	FITT	Fitting, Fittings

List of Abbreviations

Abbrev.	Description	Abbrev.	Description
FL	Flat	IN LB	Inch Pounds (Force)
FLEX	Flexible	INSP	Inspection
FLG	Flange	INST	Instrument
FLR	Floor	INT	Interior, Internal
FM	Female	INTER	Intermediate
FR	Frame	INTLK	Interlock
FRT	Front	IS	Integrated School Bus
FT	Feet, Foot	ISO	Isometric
FT LB	Foot Pounds (Force)	JB	Junction Box
FW	Flat Washer	JCT	Junction
FWD	Forward	JUNC	Junction
G	Grade	K/PIN	King Pin
GA	Gauge	KNCKL	Knuckle
GA	Gage/Guage	L/F	Left Front
GAL	Gallon	L/R	Left Read
GALV	Galvanize	LAM	Laminated
GASK	Gasket	LB	Pound
GD	Guard	LG	Length
GE	Genesis	LGT	Light
GEN	Generator	LH	Left Hand
GMP	Gallons Per Minute	LHD	Left Hand Drive
GND	Ground	LIC	License
GOV	Governor	LK	Lock
GRD	Ground	LKG	Locking
GROM	Grommet	LN	Lock Nut
GRP	Group	LOW	Low
GVW	Gross Vehicle Weight	LRG	Large
H/DR	High Door	LSM	Left Side Mounted
HARN	Hamess	LT	Left
HB	High Back	LT	Light
HD	Head	LT	TRANS Light Transmission
HD	Heavy Duty	LUB	Lubrication
HDL	Handle	LUGG	Luggage
HDLS	Headless	LW	Lockwasher
HDN	Hardened	LW	Lock Washer (Split-Helical)
HDR	Header	M	Male
HDW	Hardware	M SCR	Machine Screw
HEND	Hendrickson	MACH	Machine
HEX	Hexagon	MANF	Manifold
HGE	Hinge	MASHFT	Mainshaft
HI	High	MAST	Master
HN	Hex Nut	MATL	Material
HP	Horsepower	MAX	Maximum
HR	Hot Rolled	MBR	Member
HR	Hour	MECH	Mechanical
HRP&O	Hot Rolled, Pickled and Oiled	MED	Medium
HSG	Housing	MILSPEC	Military Specification
HT	Heat Treat	MIN	Minimum
HTR	Heater	MIRR	Mirror
HVY	Heavy	MISC	Miscellaneous
HYD	Hydraulic	MLDG	Moulding
HYDV	Hydrovac	MM	Millimeters
I/S	Inside Diameter	MOM	Momentary
IC	Integrated Chassis	MPG	Miles Per Gallon
ID	Inside Diameter	MPH	Miles Per Hour
IGN	Ignition	MSW	Master Switch
IMPEL	Impeller	MTG	Mounting
IN	Inch, Inches	MTR	Motor

List of Abbreviations

Abbrev.	Description	Abbrev.	Description
NATL.....	National	RE.....	Rear Engine
NC.....	National Coarse Thread	REG.....	Regulator
NEG.....	Negative	REH.....	Reusable End Hose
NF.....	National Fine Thread	REINF.....	Reinforce, Reinforcement
NI.....	Nickel	REQD.....	Required
NO.....	Number	RETNR.....	Retainer
NOM.....	Nominal	REV.....	Reverse
NPT.....	National Pipe Thread	RH.....	Right Hand
NPT.....	National Pipe Thread (Tapered)	RHB.....	Rockwell Hardness B
O/O.....	Outside Opening	RHC.....	Rockwell Hardness C
O/S.....	Outside	RHD.....	Right Hand Drive
OBS.....	Obsolete	RHEO.....	Rheostat
OD.....	Outside Diameter	RIV.....	Rivet
OFS.....	Offset	RLY.....	Relay
OH.....	Overhead	RND.....	Round
OPER.....	Operating	RPM.....	Revolutions Per Minute
OPP.....	Opposite	RR.....	Rear
OPT.....	Optional	RSM.....	Right Side Mounted
OPT.....	Option	RT.....	Right
OPTL.....	Optional	RVT.....	Rivet/Riveted
ORIG.....	Original	S/S.....	Split-Sash
OTR.....	Outer	SAE.....	Society of Automotive Engineers
OV-HD.....	Oval Head	SB.....	School Bus
OVH.....	Oval Head	SBA.....	Set Back Axle
OZ.....	Ounce	SCR.....	Screw
P/SEAT.....	Passenger Seat	SECT.....	Section
P/T.....	Pass Thru	SEL.....	Selector
PAN-HD.....	Pan Head	SER.....	Series
PC.....	Piece	SERV.....	Service
PDC.....	Parts Distribution Center	SFA.....	Set Forward Axle
PERF.....	Perforated	SGL.....	Single
PHOS.....	Phosphate	SHFT.....	Shaft
PKG.....	Package	SHK/ABS.....	Shock Absorber
PKT.....	Pocket	SHLD.....	Shield
PL.....	Plain	SHLDR.....	Shoulder
PLCS.....	Places	SHPF.....	Shakeproof
PLD.....	Plated	SLK.....	Slack
PLTD.....	Plated	SLT.....	Slotted
PNH.....	Pan Head	SLTD.....	Slotted
PNL.....	Panel	SM.....	Small
POS.....	Positive	SMBR.....	Side Membe
PRE-PPM.....	Pre-Primed	SOL.....	Solenoid
PROD.....	Production	SPD.....	Speed
PROP.....	Propeller	SPDT.....	Single Pole Double Throw
PSI.....	Pounds Per Square Inch	SPEC.....	Special
PT.....	Point	SPEC.....	Specification
PT.....	Pint	SPECS.....	Specifications
PTO.....	Power Take-off	SPEEDO.....	Speedometer
QT.....	Quart	SPG.....	Spring
QTY.....	Quantity	SPKR.....	Speaker
R/F.....	Right Front	SPST.....	Single Pole Single Throw
R/R.....	Right Rear	SQ.....	Square
RAD.....	Radiator	SQ-NK.....	Square Neck
RAD.....	Radio	SST.....	Stainless Steel
RAD.....	Radius	STC EMB.....	Stucco Empossed
RCPT.....	Receptacle	STD.....	Standard
RD.....	Round	STGHT.....	Straight
RDH.....	Round Head	STL.....	Steel

List of Abbreviations

Abbrev.	Description	Abbrev.	Description
STM WDO	Storm Window		
STNLS	Stainless		
STRG	Steering		
SUB	Substitute		
SUBASSY	Subassembly		
SUPT	Support		
SUSP	Suspension		
SW	Switch		
SWVL	Swivel		
SYS	System		
T	Teeth		
TACH	Tachometer		
TAP	Tapping		
TEMP	Temperature		
TERM	Terminal		
THD	Threads		
THD	Thread		
THERMO	Thermostat		
TIM	Timken		
TMPD	Tempered		
TOL	Tolerance		
TORQ	Torque		
TR-HD	Truss Head		
TRANS	Transmission		
TRH	Truss Head		
TRUN	Trunnion		
TS	Terminal Strip		
TSHLD	Threshold		
TUBLR	Tubular		
TYP	Typical		
U/S	Undersize		
UNC	Unified Course Thread		
UNF	Unified Fine Thread		
UNFIN	Unfinished		
UNIV	Universal		
UPR	Upper		
V	Volt		
VAC	Vacuum		
VENT	Ventilator		
VERT	Vertical		
VIN	Vehicle Identification Number		
VL	Valve		
VNDL-LK	Vandal Lock		
VOL	Volume		
W/	With		
W/O	Without		
W/S	Windshield		
WB	Wheel Base		
WB	Wheel Base		
WDO	Window		
WIN	Window		
WIR	Wiring		
WLD	Welded		
WLDMT	Weldment		
WT	Weight		
XMBR	Crossmember		
ZN	Zinc		

Part Description Index

Description	Part No.	Group	Figure	Page
ABSORBER, SHOCK H.D. SEAT	507831C91	16	3558491C92	1507
ABSORBER,SHOCK CAB AIR SUSP	2509223C91	16	3540379C96	1451
ABSORBER,SHOCK COMMON	3576465C1	3	07W2Z	114
ABSORBER,SHOCK LT & RT 1 3/8	3515265C1	14	07R2S	1325
ADAPTER, FILTER ELEMENT	1819496C1	12	1830622C92	821
ADAPTER, FINAL FILTER	1819195C1	12	1836287C91	901
ADAPTER,AUTO PIPE 1/2 TO 3/8 P	444034	4	OMT69	140
ADAPTER,FUEL TANK FLANGE*QUICK	3535969C1	15	0H3G3	1342
ADAPTER,FUEL TANK FLANGE*QUICK	3535969C1	15	3548119F92	1363
ADHESIVE LOCKTITE	2297T4180	2	1676480C91	98
ADHESIVE LOCKTITE	2297T4180	14	2503395C91	1292
ADHESIVE,LOCTITE 294	4305626R1	12	641006M011	903
ADJUSTER,BRAKE SLACK	R802446	4	3548002C91	244
ADJUSTER,BRAKE SLACK	R802446	4	3548018C91	246
ADJUSTER,BRAKE SLACK	R802447	4	3548003C91	248
ADJUSTER,BRAKE SLACK	R802447	4	3548019C91	250
ADJUSTER,BRK SLACK 1.25-24	R801103	4	3556963F91	226
ADJUSTER,BRK SLACK 5.5" FC#6	3556963F91	4	0FWS4	225
ADJUSTER,BRK SLACK 5.5" FC#6	3556963F91	4	3556963F91	226
ADJUSTER,DIFF BRG LT	2508066C1	2	2507920C91	94
ADJUSTER,DIFF BRG LT & RT	1670522C1	14	1696762C91	1304
ADJUSTER,DIFF BRG LT & RT	1670522C1	14	2503395C91	1292
ADJUSTER,DIFF BRG RT	1685251C1	14	1696762C91	1304
ADJUSTER,DIFF BRG RT	1685251C1	14	2503395C91	1292
ADJUSTER,DIFF BRG RT	2508067C1	2	2507920C91	94
AIR COMPRESSOR UNIT	U 641016L002	12	2008344F91	757
AIR COMPRESSOR UNIT	U 641016L002	12	641016L002	755
AIR CONDITIONER,ASSY LHD CONV	3602447C91	16	0LV7L	1530
AIR CONDITIONER,ASSY LHD CONV	3602447C91	16	3602447C91	1534
ALT. BRACKET LEESE-NEVILLE	U 641009L011	12	0FBCJ	1108
ALT. BRACKET LEESE-NEVILLE	U 641009L011	12	641009L011	777
ANCHOR,QUALITY CONNECT*1/2 QC	3546235C1	4	0H75S	134
ANCHOR,QUALITY CONNECT*EXTER.	3546234C1	4	0GBMF	122
ANGLE,FUEL TANK MTG*	3533100C3	15	3573570F92	1377
ARM ASSY,ROCKER (RATIO 1:66)	1827195C95	12	1827195C95	766
ARM ASSY,ROCKER (RATIO 1:66)	1827195C95	12	1830593C94	771
ARM, ROCKER	641008C003	12	641008C003	764
ARM,ASSY LWR F/LTD UP-STOP	2505386C91	16	3558491C92	1507
ARM,ASSY LWR W/BUSHINGS	2502060C91	16	3558491C92	1507
ARM,ASSY UPPER W/BUSHINGS	2505385C1	16	3558491C92	1507
ARM,BRAKE PEDAL WELDMENT	2506175C1	4	2506176C91	206
ARM,CAB SUSP	2503547C1	16	3540379C96	1451
ARM,ROCKER (RATION 1:66)	1827743C4	12	1827195C95	766
ARM,STEERING GEAR	3584070C1	5	0MFX6	263
ARM,STRG SGL LT 10-16K	2508829C1	2	3577157F91	110
ARM,STRG SGL LT 10-16K FC#3ABR	3577157F91	2	0FWS1	109
ARM,STRG SGL LT 10-16K FC#3ABR	3577157F91	2	3577157F91	110
ARM,STRG TIE ROD, KNUCKLE, TIE	3599758F91	2	0FWS0	100
ARM,STRG TIE ROD, KNUCKLE, TIE	3599758F91	2	3599758F91	101
ARM,VALVE ROCKER	1872514C1	12	1872755C91	768
ARM,VALVE ROCKER ASSY	1872755C91	12	1872755C91	768
ARM,VALVE ROCKER ASSY	1872755C91	12	1872757C91	773
ARM,W/S REGULATOR LHD	2588669C1	16	3554255C93	1679
ARM,W/S WIPER LHD DRVR SIDE	3535049C2	16	06SLV	1667
ARM,W/S WIPER LHD DRVR SIDE	3535049C2	16	3535049C2	1673
ARM,W/S WIPER PASS, LH DRIVE	3535050C3	16	06SLV	1667
ARM,W/S WIPER PASS, LH DRIVE	3535050C3	16	3535050C3	1674
ASSY,SHIM SPRING MOUNTING	2506187C1	14	3563253C92	1320

Part Description Index

Description		Part No.	Group	Figure	Page
AUTO TENSIONER UNIT	U	641020B002	12	3516414F91	1039
AUTO TENSIONER UNIT	U	641020B002	12	641020B002	1038
AXLE,ASM F/R 14HRT 6.14 TTRB		3609621C91	14	3609621C91	1288
AXLE,ASM F/R 14HRT 6.14 TTRB		3609621C91	14	3609633C91	1290
AXLE,ASSY R/R 6.14 14GUR TTRB		3602600C91	14	3602600C91	1300
AXLE,ASSY R/R 6.14 14GUR TTRB		3602600C91	14	3609644C91	1302
AXLE,FWD REAR,14HRT,TTRB, 6.14		3609633C91	14	0MKZ3	1287
AXLE,FWD REAR,14HRT,TTRB, 6.14		3609633C91	14	3609633C91	1290
AXLE,RR RR,14GUR/HRT,TTRB,6.14		3609644C91	14	0MKYC	1299
AXLE,RR RR,14GUR/HRT,TTRB,6.14		3609644C91	14	3609644C91	1302
BAFFLE,ASM MOTOR COVER COWL		3550838C95	16	06SLV	1667
BAFFLE,ASM MOTOR COVER COWL		3550838C95	16	3550838C95	1675
BAFFLE,HOOD AIR INTAKE		3556246C1	9	3556250C3	687
BAFFLE,PIN GEAR BRG		1670298C1	14	2503395C91	1292
BALL		FUL10J06	13	2507860C91	1261
BALL		FUL10J06	13	3568551F91	1263
BALL		FUL10J14	13	3568552F91	1242
BALL,CHECK VALVE		1820478C1	12	1836287C91	901
BAR, OIL PAN MOUNTING		1822523C1	12	641006L001	1122
BAR,, LIFTING EYE		1612149C2	1	3616541C1	79
BAR,, SPACER		3595156C1	14	07Q7J	1333
BAR,, SUPPORT ASSY		3595149C2	14	3595144C2	1340
BAR,GUSSET		425878C1	14	3595144C2	1340
BAR,HOOD PVT TRSN BAR LH MRD		3580060C1	9	0F4H6	705
BAR,HOOD PVT TRSN BAR RH MRD		3580061C1	9	0F4H6	705
BAR,SHIFT 1ST/2ND		FUL4304561	13	3568552F91	1242
BAR,TORQUE ROD BRKT		1514921C1	14	07RTC	1331
BAR,YOKE		FUL4304536	13	3568552F91	1242
BAR,YOKE		FUL4304537	13	3568552F91	1242
BAR,YOKE 3RD/4TH		FUL4301471	13	3568552F91	1242
BAR,YOKE REVERSE		FUL4301469	13	3568552F91	1242
BASE,SEAT MTG LOWER		2592624C1	16	3558491C92	1507
BASE,SEAT MTG UPPER		2505383C1	16	3558491C92	1507
BASE,STRAPLOCK MTG*STRAPLOCK M		3552653C1	8	06VZJ	411
BASE,TURN LIGHT MTG*AUXILLIARY		3544466C1	8	0DDS3	506
BASE,TURN LIGHT MTG*AUXILLIARY		3544467C1	8	0DDS3	506
BATTERY,12V,650 CCA,STUD,55LB		3608478C1	8	0MTSD	384
BBAT MUD FLAP GUARD		3601764F91	10	0LQ83	721
BBAT MUD FLAP GUARD		3601764F91	10	3601764F91	722
BBAT, 33" BTRY BOX ASSY		3576152F93	8	0HL44	387
BBAT, 33" BTRY BOX ASSY		3576152F93	8	3576152F93	388
BBAT, AIR TANKS, 11" STEEL		3576188F92	4	0LFZB	182
BBAT, AIR TANKS, 11" STEEL		3576188F92	4	3576188F92	183
BBAT, W/L TRUCK BOX, DUAL		3616579F91	8	0GCKG	395
BBAT, W/L TRUCK BOX, DUAL		3616579F91	8	3616579F91	396
BBAT,PRIMARY AIR TANK TUBING		3558645F93	4	0HWF8	178
BBAT,PRIMARY AIR TANK TUBING		3558645F93	4	3558645F93	179
BEAM,ASSY EQ W/BUSH 54 HN-402		3516037C92	14	07R21	1326
BEAM,ASSY EQ W/BUSH 54 HN-402		3516037C92	14	3516037C92	1328
BEAM,STRUCTURAL DOOR LH		2506044C1	16	3556202C94	1478
BEAM,STRUCTURAL DOOR RH		2506045C1	16	3556203C94	1481
BEARING		675020C2	12	1830617C92	844
BEARING		675021C2	12	1830617C92	844
BEARING		FUL4304555	13	2507860C91	1261
BEARING CONE/ROLLER		FUL791943	13	3568551F91	1263
BEARING CRANKSHAFT INT & LOW		1817021C1	12	641007A004	846
BEARING CUP		FUL660181	13	3568551F91	1263
BEARING, C'SHAFT REAR LOWER		1830269C1	12	641007A004	846

Part Description Index

Description	Part No.	Group	Figure	Page
BEARING, CAM FRONT	675424C1	12	1830617C92	844
BEARING, CAM REAR	675425C1	12	1830617C92	844
BEARING, CUP INNER	FP52618	2	3556927F91	87
BEARING, CUP INNER	FP52618	17	1699658C91	1686
BEARING, IDLER UPPER	1820383C91	12	1822102C95	945
BEARING, LOWER IDLER GEAR	1818614C91	12	1822101C95	943
BEARING, ASSY RR PINION	1228H580	2	1676480C91	98
BEARING, ASSY RR PINION	2508123C91	2	2507920C91	94
BEARING, BALL	453879R91	11	06MG9	730
BEARING, BALL*	3532850C1	11	3532907C91	739
BEARING, C' SHAFT FRONT UPPER	1830506C1	12	641007A004	846
BEARING, C' SHAFT REAR UPPER	1830505C1	12	641007A004	846
BEARING, CAMSHAFT, REAR	1830059C1	12	1830617C92	844
BEARING, CONE	2508275C1	13	3600089C92	1249
BEARING, CONE	FUL5557003	13	2507860C91	1261
BEARING, CONE	TM34306	2	1676480C91	98
BEARING, CONE	TM34306	2	2507920C91	94
BEARING, CONE	TM3994	2	1676480C91	98
BEARING, CONE	TM3994	2	2507920C91	94
BEARING, CONE	TM55200C	2	1676480C91	98
BEARING, CONE	TM55200C	2	2507920C91	94
BEARING, CONE	TM72212C	14	2503395C91	1292
BEARING, CONE	TMH715334	14	2503395C91	1292
BEARING, CONE	TMHM804846	2	1676480C91	98
BEARING, CONE	TMHM804846	2	2507920C91	94
BEARING, CONE	TMJLM710949	14	2503395C91	1292
BEARING, CONE	TMJM511945	14	2503395C91	1292
BEARING, CONE	TMJM716649	14	2503395C91	1292
BEARING, CONE	TMLM104949	14	2503395C91	1292
BEARING, CONE INNER	FP52400	2	3556927F91	87
BEARING, CONE INPUT SHAFT	FPJM511945	14	2503395C91	1292
BEARING, CONE INR PINION	FPH715334	14	2503395C91	1292
BEARING, CONE INR WHL 594A	3592356C91	17	06M1J	1696
BEARING, CONE OTR WHL	3592365C91	17	06M1J	1696
BEARING, CONE OUTER	TM594A	2	3556927F91	87
BEARING, CONE OUTER PINION	1656945C91	13	3600089C92	1249
BEARING, CONE PINION OUTER	FP55206C	14	1696762C91	1304
BEARING, CONE/ROLLERS	FP72212C	14	1696762C91	1304
BEARING, CONE/ROLLERS	FP72212C	14	2503395C91	1292
BEARING, CONE/ROLLERS	FPJLM710949	14	2503395C91	1292
BEARING, CONE/ROLLERS	FPJM716649	14	1696762C91	1304
BEARING, CONE/ROLLERS	FPJM716649	14	2503395C91	1292
BEARING, CONE/ROLLERS	FUL658981	13	3568551F91	1263
BEARING, CONE/ROLLERS	FUL710787	13	2507860C91	1261
BEARING, CONE/ROLLERS	FUL742259	13	3568555F91	1273
BEARING, CONN ROD	1830149C1	12	641004A002	917
BEARING, CONNECTING ROD	1841931C1	12	641004A002	917
BEARING, COVER/ROLLER	364463C91	14	3609621C91	1288
BEARING, CUP	1685257C1	14	1696762C91	1304
BEARING, CUP	1685257C1	14	2503395C91	1292
BEARING, CUP	2587518C1	13	3600089C92	1249
BEARING, CUP	376463C1	14	3609621C91	1288
BEARING, CUP	FP3920	14	2503395C91	1292
BEARING, CUP	FP55437	14	1696762C91	1304
BEARING, CUP	FP72487	14	1696762C91	1304
BEARING, CUP	FP72487	14	2503395C91	1292
BEARING, CUP	FPH715311	14	2503395C91	1292
BEARING, CUP	FPJLM710910	14	2503395C91	1292

Part Description Index

Description	Part No.	Group	Figure	Page
BEARING,CUP	FPJM716610	14	1696762C91	1304
BEARING,CUP	FPJM716610	14	2503395C91	1292
BEARING,CUP	FUL1313645	13	3568551F91	1263
BEARING,CUP	FUL675250	13	3568555F91	1273
BEARING,CUP	FUL711123	13	3549040F91	1239
BEARING,CUP	TM34478	2	1676480C91	98
BEARING,CUP	TM34478	2	2507920C91	94
BEARING,CUP	TM3920	14	2503395C91	1292
BEARING,CUP	TM52618	17	3556968F91	1687
BEARING,CUP	TM55437	2	1676480C91	98
BEARING,CUP	TM55437	2	2507920C91	94
BEARING,CUP	TM572	17	2003838C94	1692
BEARING,CUP	TM572	17	2014885C93	1694
BEARING,CUP	TM592A	2	3556927F91	87
BEARING,CUP	TM592A	17	2003838C94	1692
BEARING,CUP	TM592A	17	2014885C93	1694
BEARING,CUP	TM592A	17	3556968F91	1687
BEARING,CUP	TM72487	14	2503395C91	1292
BEARING,CUP	TMH715311	14	2503395C91	1292
BEARING,CUP	TMHM804810	2	1676480C91	98
BEARING,CUP	TMHM804810	2	2507920C91	94
BEARING,CUP	TMJLM104910	14	2503395C91	1292
BEARING,CUP	TMJLM710910	14	2503395C91	1292
BEARING,CUP	TMJM511910	2	1676480C91	98
BEARING,CUP	TMJM511910	2	2507920C91	94
BEARING,CUP	TMJM716610	14	2503395C91	1292
BEARING,CUP INR WHL	FP592A	17	1699658C91	1686
BEARING,NEEDLE ASM	FUL3315674	13	3568551F91	1263
BEARING,NEEDLE ASM	FUL3315703	13	2507860C91	1261
BEARING,NEEDLE ASM	FUL3315722	13	2507860C91	1261
BEARING,NEEDLE ASM	FUL3315737	13	2507860C91	1261
BEARING,NEEDLE ASM	FUL4124075	13	2507860C91	1261
BEARING,ROLLER ASM	1685250C91	14	1696762C91	1304
BEARING,ROLLER ASM	1685250C91	14	2503395C91	1292
BEARING,ROLLER ASM CHUGGER SEA	1685465C1	16	1698197C91	1501
BEARING,ROLLER ASM CHUGGER SEA	1685465C1	16	3558491C92	1507
BEARING,SHAFT,WATER PUMP	1821934C5	12	1830607C5	986
BEARING,THRUST LWR K/P 02ERD,E	1685073C91	2	3599758F91	101
BEARING-CONE	TMHM212049	13	3600089C92	1249
BEARING-CUP	TMHM212011	13	3600089C92	1249
BEARING-SPIGOT	1111341C91	14	1696762C91	1304
BELT,6PK. 45.70	1841563C1	16	06PSZ	1386
BELT,8PK.75.60	1841558C1	8	06PWH	360
BELT,BUCKLE STATIC SEAT RH	3549506C2	16	0GWJ7	1616
BELT,SAFETY AIR SEAT W/TETHER	3549507C92	16	0FVYN	1491
BELT,SAFETY RETRACTOR	3549503C4	16	0FVYN	1491
BELT,SAFETY RETRACTOR	3549503C4	16	0GWJ7	1616
BELT,TETHER	3545029C1	16	0FVYN	1491
BEZEL,BLACK SPOT CONVEX R450	2509979C1	16	3561587C94	1612
BEZEL,BLACK SPOT CONVEX R450	2509979C1	16	3561588C94	1614
BEZEL,FLAT MAIN BLACK	2509980C1	16	3561587C94	1612
BEZEL,FLAT MAIN BLACK	2509980C1	16	3561588C94	1614
BEZEL,HD LIGHT PRMD LH W/NUTS	2590271C91	8	3610437C91	510
BEZEL,HD LIGHT PRMD RH W/NUTS	2590272C91	8	3610438C91	516
BEZEL,TRIM, CENTER	3605567C2	16	3546500C95	1521
BEZEL,TRM OTR DOOR HNDL LH	3576482C1	16	06MT8	1471
BEZEL,TRM OTR DOOR HNDL RH	3576483C1	16	06MT8	1471
BEZEL,XMSN SHIFT DIAL	3515503C1	13	0GHWX	1244

Part Description Index

Description	Part No.	Group	Figure	Page
BLADE,REFILL WPR 22" EXTRUDED	2505480C2	16	3535051C1	1677
BLADE,W/S WIPER 22" LHD	3535051C1	16	06SLV	1667
BLADE,W/S WIPER 22" LHD	3535051C1	16	3535051C1	1677
BLOCK	FUL3316300	13	3568552F91	1242
BLOCK, TAPPING-DRAIN PLUG	1821013C1	12	1823278C92	1124
BLOCK,FUSE, MEGAFUSE HOLDER	3573658C92	8	06VZJ	411
BLOCK,SHIFT	FUL4304627	13	3568552F91	1242
BLOCK,SHIFT 1ST/2ND SPEED	FUL3315778	13	3568552F91	1242
BLOCK,SHIFT 1ST/REV SPEED	FULA5231	13	3568552F91	1242
BLOWER,HEATER TEMP BLEND	3542611C2	16	3530971C96	1539
BODY, TAPPET ROLLER	1854755C2	12	1850160C2	995
BODY,CONN 7 WAY METRI-PK 280 M	3571887C1	8	3582042F91	559
BODY,CONNECTOR	1661375C2	8	3572236F91	528
BODY,CONNECTOR	1671610C1	12	3560343C91	1023
BODY,CONNECTOR	587566C91	8	3572236F91	528
BODY,CONNECTOR 2 WAY	1661778C1	12	3579843C91	1227
BODY,CONNECTOR ELECT FEMALE	3543888C1	8	3545544C92	491
BOLT	1820590C1	12	641009L011	777
BOLT	1841027C1	12	641006M011	903
BOLT	FULX81011	13	3549043F91	1234
BOLT 12-POINT	1657366C1	6	2035774C91	339
BOLT M10 X 1.5 X 25MM	1817965C1	12	641016L002	755
BOLT M10 X 1.5-6G X 35MM	1818281C1	12	641016M014	1142
BOLT M10 X 1.5-6G X 80 MM LONG	1817993C1	12	641009L011	777
BOLT M10 X 1.5-6G X 80 MM LONG	1817993C1	12	641020B002	1038
BOLT M10 X 20	1818233C1	12	641017L003	893
BOLT M10 X 90 MM	1822018C1	12	641009L011	777
BOLT M12 X 1.25MM	1823929C1	12	641007B006	850
BOLT M12 X 1.25MM	1823929C1	12	641007L001	1055
BOLT M12 X 1.75MM X 35MM	1817830C1	12	641014B003	1106
BOLT M12 X 25	1817967C1	12	641008F002	882
BOLT M12 X 25	1817967C1	12	641016L002	755
BOLT M14X30	1820235C1	12	641008F002	882
BOLT M16 X 65MM	1820287C1	12	641003D002	950
BOLT M18 X 70MM	1817860C1	12	641010M001	1011
BOLT M18X 100MM	1820392C1	12	641010M001	1011
BOLT M20 X 70 MM	40055R1	12	641003D002	950
BOLT M6 X 12	1817810C1	12	641005A004	1002
BOLT M8 X 1.25 60MM	1817859C1	12	641013A003	978
BOLT M8 X 1.25 60MM HEX FLANGE	1817811C1	12	641005A004	1002
BOLT M8 X 1.25 X 30MM	1823275C1	12	641006L001	1122
BOLT M8 X 1.25 X 40MM	1817959C1	12	641006B009	832
BOLT M8 X 1.25 X 40MM	1817959C1	12	641008A009	875
BOLT M8 X 100 HEX FLANGE	1817962C1	12	641013C002	819
BOLT M8 X 100 HEX FLANGE	1817962C1	16	06PSZ	1386
BOLT M8 X 110	1818693C1	12	641008D013	839
BOLT M8 X 12	1822888C1	12	641009A008	795
BOLT M8 X 120MM	1823809C1	12	641009L011	777
BOLT M8 X 60	1817811C1	12	641005A004	1002
BOLT M8 X 70	1818726C1	12	641011E002	948
BOLT M8 X 80	1818231C1	12	641009C014	809
BOLT M8 X 80MM	1835385C1	12	641006L001	1122
BOLT M8 X 90	1817961C1	12	641008D013	839
BOLT, 1 X 6 PHC TYPE 8	25996R1	14	07R21	1326
BOLT, 1 X 6-1/2 PHC TYPE 8	26632R1	3	07W2Z	114
BOLT, 1 X 7 PHC TYPE 8	25885R1	3	07W2Z	114
BOLT, 1/2 X 1-3/4 PHC TYPE 8	24863R1	12	06S2T	1192
BOLT, 1/2 X 6 PHC TYPE 8	25687R1	8	06PWH	360

Part Description Index

Description	Part No.	Group	Figure	Page
BOLT, 1/4 X 1 PHC TYPE 8	25483R1	4	OMT49	238
BOLT, 1/4 X 1 PHC TYPE 8	25483R1	8	0GCJR	371
BOLT, 3/4 X 2 PHC TYPE 8	24888R1	14	07R21	1326
BOLT, 3/8 X 2-1/4 PHC TYPE 8	24621R1	11	06MG9	730
BOLT, 5/8-NF X 2 PHC TYPE 8	25051R1	4	0DR90	240
BOLT, 7/16-NF X 1-1/2 PHC TYPE	80298R1	14	3563253C92	1320
BOLT, BANJO BOLT M14 X 1.5	1810491C1	12	641011L019	899
BOLT, CYLINDER HEAD	1824954C2	12	641008A009	875
BOLT, CYLINDER HEAD	1824955C1	12	641008C003	764
BOLT, FLANGE	1822121C2	12	641006B009	832
BOLT, FLANGE HEX M8 X 100MM	1817962C1	12	641013C002	819
BOLT, FLANGE HEX M8 X 16MM	1817812C1	12	641005B001	1119
BOLT, FLANGE HEX M8 X 16MM	1817812C1	12	641009B005	798
BOLT, FLANGE HEX M8 X 16MM	1817812C1	12	641013C002	819
BOLT, FLANGE HEX M8 X 16MM	1817812C1	12	641015D001	1132
BOLT, FLANGE M12 X 1.75MM X 50MM	1820606C1	12	641010L001	1053
BOLT, FLANGE M6 X 1 MM X 16 MM	1817953C1	12	641006M011	903
BOLT, FLANGE M6 X 1 MM X 16 MM	1817953C1	12	641009A008	795
BOLT, FLANGE M6 X 1 MM X 16 MM	1817953C1	12	641010L001	1053
BOLT, FLANGE M8 X 1.25MM X 24MM	1823281C1	12	641006L001	1122
BOLT, FLANGE M8 X 1.25MM X 30MM	1817958C1	12	641005P005	858
BOLT, FLANGE M8 X 1.25MM X 30MM	1817958C1	12	641006B009	832
BOLT, FLANGE M8 X 1.25MM X 30MM	1817958C1	12	641007C001	1064
BOLT, FLANGE M8 X 1.25MM X 30MM	1817958C1	12	641013C002	819
BOLT, FLANGE M8 X 1.25MM X 45MM	1817960C1	12	641006B009	832
BOLT, FLANGE M8 X 1.25MM X 45MM	1817960C1	12	641006L001	1122
BOLT, FLANGE M8 X 20MM	1817956C1	12	641003A004	786
BOLT, FLANGE M8 X 20MM	1817956C1	12	641009C014	809
BOLT, FLANGE M8 X 20MM	1817956C1	12	641011L019	899
BOLT, FLANGE M8 X 20MM	1817956C1	12	641015D001	1132
BOLT, FLANGE M8 X 25MM	1817957C1	12	641005M005	831
BOLT, FLANGE M8 X 25MM	1817957C1	12	641006B009	832
BOLT, FLANGE M8 X 25MM	1817957C1	12	641013A003	978
BOLT, FLANGED HEAD M12 X 1.75-6G X 80 MM	1817969C1	12	641016L002	755
BOLT, FLANGED M12 X 1.75 MM X40 MM	1817852C1	12	641010N007	779
BOLT, FLANGED M8 X 1.25 MM X 35 MM	1817978C1	12	641011L019	899
BOLT, FLANGED M8 X 1.25 MM X 35 MM	1817978C1	12	641015D001	1132
BOLT, FLANGED M8 X 55	1824752C1	12	641011E002	948
BOLT, HF SPCL-M8P	1822121C2	12	641006B009	832
BOLT, HUCK-SPIN 5/8 DIA -16	3691088C1	15	0FV9D	1382
BOLT, INJECTOR	1830050C1	12	641011C054	941
BOLT, M10 X 20 HEX FLGE	1818233C1	12	641017L003	893
BOLT, M10 X 20 PHC CLASS 10.9	30019R1	12	0BHYT	1034
BOLT, M10 X 20MM PHC FLG CLASS	30848R2	7	0HGRZ	342
BOLT, M10 X 25 PHC CLASS 10.9	30020R1	12	07PJQ	1162
BOLT, M10 X 25MM PHC FLG CLASS	30664R2	4	0GBMF	122
BOLT, M10 X 30MM PHC FLG CLASS	30665R2	5	0L4J0	256
BOLT, M10 X 30MM PHC FLG CLASS	30665R2	8	0HQHQ	645
BOLT, M10 X 35MM HGH	1818281C1	12	641016M014	1142
BOLT, M10 X 40 PHC CLASS 10.9	30023R1	11	06VKP	726
BOLT, M10 X 90MM	1822018C1	12	641009L011	777
BOLT, M10X120 HEX FLANGE	1820590C1	12	641009L011	777
BOLT, M12 X 1.25	1823929C1	12	641007B006	850
BOLT, M12 X 1.25	1823929C1	12	641007L001	1055
BOLT, M12 X 1.75 6Q 25MM	1817967C1	12	641008F002	882
BOLT, M12 X 1.75 6Q 25MM	1817967C1	12	641016L002	755
BOLT, M12 X 1.75 6Q 35MM	1817830C1	12	641014B001	936

Part Description Index

Description	Part No.	Group	Figure	Page
BOLT, M12 X 120 PHC CL 10.9 FL	31072R1	16	3574671C91	1438
BOLT, M12 X 120 PHC CL 10.9 FL	31072R1	16	3589599C91	1436
BOLT, M12 X 30 HEX FLANGE	1818236C1	12	1830177C92	980
BOLT, M12 X 50MM PHC FLG CLASS	30748R2	1	0M7YB	72
BOLT, M12 X 50MM PHC FLG CLASS	30748R2	8	0MSPY	397
BOLT, M12 X 50MM PHC FLG CLASS	30748R2	9	0DDTF	716
BOLT, M12 X 50MM PHC FLG CLASS	30748R2	12	07NDS	859
BOLT, M12 X 70 PHC CL 10.9 FLG	31069R1	12	07RYM	1166
BOLT, M12 X 80 PHC CL 10.9 FLG	31070R1	12	07SHT	1041
BOLT, M14 X 30 HEX FLGE	1820235C1	12	641008F002	882
BOLT, M16 X 100 PHC CL 10.9 FL	31077R1	12	07NDS	859
BOLT, M16 X 100 PHC CL 10.9 FL	31077R1	14	07Q7J	1333
BOLT, M16 X 100 PHC CL 10.9 FL	31077R1	14	07RTF	1330
BOLT, M16 X 120 PHC CL 10.9 FL	31078R1	3	07W2Z	114
BOLT, M16 X 120 PHC CL 10.9 FL	31078R1	14	07RTC	1331
BOLT, M16 X 160 PHC CLASS 10.9	30081R1	11	06VKH	737
BOLT, M16 X 40MM PHC FLG CLASS	30750R2	4	0G5H4	189
BOLT, M16 X 40MM PHC FLG CLASS	30750R2	16	0GB2V	1433
BOLT, M16 X 50MM PHC FLG CLASS	30752R2	1	0M7YB	72
BOLT, M16 X 50MM PHC FLG CLASS	30752R2	12	07NDS	859
BOLT, M16 X 50MM PHC FLG CLASS	30752R2	12	07RYM	1166
BOLT, M16 X 50MM PHC FLG CLASS	30752R2	13	07VS1	1245
BOLT, M16 X 50MM PHC FLG CLASS	30752R2	16	0GB2V	1433
BOLT, M16 X 60 PHC CLASS 10.9	934738R1	14	1696762C91	1304
BOLT, M16 X 60MM PHC FLG CLASS	30753R2	1	07VHX	68
BOLT, M16 X 60MM PHC FLG CLASS	30753R2	1	07X7R	80
BOLT, M16 X 60MM PHC FLG CLASS	30753R2	3	07W2Z	114
BOLT, M16 X 60MM PHC FLG CLASS	30753R2	4	0MSR4	158
BOLT, M16 X 60MM PHC FLG CLASS	30753R2	16	0GB2V	1433
BOLT, M16 X 70 PHC CL 10.9 FLG	31075R1	1	07VQC	76
BOLT, M16 X 70 PHC CL 10.9 FLG	31075R1	3	07W2Z	114
BOLT, M18 X 100MM LONG	1820392C1	12	641010M001	1011
BOLT, M18 X 70MM LONG	1817860C1	12	641010M001	1011
BOLT, M20 X 50 PHC CL 10.9 FLG	31086R1	14	07Q7J	1333
BOLT, M20 X 80 PHC CL 10.9 FLG	31089R1	5	0MFX6	263
BOLT, M6 X 20 PHC CL 8.8 FLG/H	31046R1	12	06MYC	1012
BOLT, M6 X 40 PHC CL 8.8 FLG/H	31049R1	8	3613280C92	398
BOLT, M6 X 40 PHC CL 8.8 FLG/H	31049R1	16	0LV7L	1530
BOLT, M6 X 40 PHC CLASS 10.9	30197R1	8	3613280C92	398
BOLT, M8 X 1.25 6Q 60MM	1817859C1	12	641013A003	978
BOLT, M8 X 1.25 X 30MM	1823275C1	12	641006L001	1122
BOLT, M8 X 110 HEX FLGE	1818693C1	12	641008D013	839
BOLT, M8 X 20 PHC CL 8.8 FLG/H	31054R1	8	06VZJ	411
BOLT, M8 X 20 PHC CL 8.8 FLG/H	31054R1	12	06MYC	1012
BOLT, M8 X 20 PHC CL 8.8 FLG/H	31054R1	13	0M5GN	1258
BOLT, M8 X 25 PHC CL 8.8 FLG/H	31055R1	4	0MT69	140
BOLT, M8 X 25 PHC CL 8.8 FLG/H	31055R1	12	07SHT	1041
BOLT, M8 X 25 PHC CL 8.8 FLG/H	31055R1	12	07TXX	749
BOLT, M8 X 25 PHC CL 8.8 FLG/H	31055R1	15	0H3G3	1342
BOLT, M8 X 35-10.9 HEX FLG	1817978C1	12	641011L019	899
BOLT, M8 X 40 PHC CL 8.8 FLG/H	31057R1	4	0HKJF	166
BOLT, M8 X 40 PHC CL 8.8 FLG/H	31057R1	16	07TDL	1523
BOLT, M8 X 40MM PHC P/T CLASS	30837R1	9	3612369C91	684
BOLT, M8 X 50 PHC CL 8.8 FLG/H	31058R1	4	0HKJF	166
BOLT, M8 X 70 HEX FLANGE	1818726C1	12	641011E002	948
BOLT, M8 X 80 HEX FLANGE	1818231C1	12	641009C014	809
BOLT, M8X12 HEX FLANGE	1822888C1	12	641009A008	795
BOLT, M8X16-10.9 HEX FLANGE	1817812C1	12	641005B001	1119

Part Description Index

Description	Part No.	Group	Figure	Page
BOLT, M8X16-10.9 HEX FLANGE	1817812C1	12	641009B005	798
BOLT, M8X16-10.9 HEX FLANGE	1817812C1	12	641013C002	819
BOLT, M8X25 HEX FLANGE	1817957C1	12	641005M005	831
BOLT, M8X25 HEX FLANGE	1817957C1	12	641006B009	832
BOLT, M8X25 HEX FLANGE	1817957C1	12	641013A003	978
BOLT, M8X40-10.9 HEX FLANGE	1817959C1	12	641006B009	832
BOLT, M8X40-10.9 HEX FLANGE	1817959C1	12	641008A009	875
BOLT, SHOULDER	1830051C1	12	641011C054	941
BOLT, U 3/8-16 UNC 2.25 STEEL	452992C1	12	07PJQ	1162
BOLT, UPPER IDLER GEAR RET	1820287C1	12	641003D002	950
BOLT,1/2 1-1/4 PHC TYPE 8	24861R1	4	3548002C91	244
BOLT,1/2 1-1/4 PHC TYPE 8	24861R1	4	3548003C91	248
BOLT,1/2 1-1/4 PHC TYPE 8	24861R1	4	3548018C91	246
BOLT,1/2 1-1/4 PHC TYPE 8	24861R1	4	3548019C91	250
BOLT,3/8 X 1 PHC TYPE 8	24840R1	2	3556980F91	90
BOLT,3/8 X 1 PHC TYPE 8	24840R1	15	0FTZD	1379
BOLT,3/8 X 1/2 PHC TYPE 8	24838R1	4	2507869C91	217
BOLT,3/8 X 1/2 PHC TYPE 8	24838R1	4	2507870C91	219
BOLT,3/8X7/8 UNC SOC FLT CSK H	2590794C1	16	3540379C96	1451
BOLT,7/16 X 1-1/4 PHC TYPE 8	70427R1	11	06VL5	743
BOLT,AXLE SHAFT FLG*3/4NC-2.0	2017187C1	14	0DMPJ	1318
BOLT,AXLE SHAFT FLG*3/4NC-2.0	2017187C1	17	2003838C94	1692
BOLT,AXLE SHAFT FLG*3/4NC-2.0	2017187C1	17	2014885C93	1694
BOLT,BEARING CAP	1827078C1	12	1830617C92	844
BOLT,BOLT,J M8X266MM,CL.8.8,Z	3553501C3	8	0HL8D	366
BOLT,BUMPER*6 LOBE M12 X 41 S	3579048C1	1	0F9CX	71
BOLT,CAB MTG M12X1.75 37MM	3552011C1	16	3596415C91	1448
BOLT,CAB MTG REAR	3535371C1	16	06QSL	1449
BOLT,CAPSCREW	2508277C1	13	3600089C92	1249
BOLT,CAPSCREW	S2442	13	3600089C92	1249
BOLT,CARR 12MM X 45MM L	1696018C1	14	1696762C91	1304
BOLT,CARR 12MM X 45MM L	1696018C1	14	2503395C91	1292
BOLT,CONN ROD	1817537C1	12	1830153C91	990
BOLT,CONNECTING ROD	1840363C1	12	1841615C91	988
BOLT,CONNECTING ROD	1840363C1	12	1841634C91	989
BOLT,CONNECTING ROD	1873884C2	12	1873875C95	991
BOLT,CRANKCASE M8X30-10.9 HF	1817958C1	12	641005P005	858
BOLT,CRANKCASE M8X30-10.9 HF	1817958C1	12	641006B009	832
BOLT,CRANKCASE M8X30-10.9 HF	1817958C1	12	641007C001	1064
BOLT,CRANKCASE M8X30-10.9 HF	1817958C1	12	641013C002	819
BOLT,CYL HEAD	1824955C1	12	641008C003	764
BOLT,CYLINDER HEAD	1824954C2	12	641008A009	875
BOLT,DIFF CARR BRG CAP	1696376C1	14	1696762C91	1304
BOLT,DIFF CARR BRG CAP	1696376C1	14	2503395C91	1292
BOLT,DIFF CARR TO HSG MED	1695183C1	14	3602600C91	1300
BOLT,DIFF CARR TO HSG MED	1695183C1	14	3609621C91	1288
BOLT,DIFF CARR TO HSG SHORT	1695182C1	2	3556980F91	90
BOLT,DIFF CARR TO HSG SHORT	1695182C1	14	3602600C91	1300
BOLT,DIFF CARR TO HSG SHORT	1695182C1	14	3609621C91	1288
BOLT,DIFF THRU SHAFT BRG RET	698786R1	14	3609621C91	1288
BOLT,FLANGED HD -1/2-20	428997C1	13	07VS1	1245
BOLT,FLGD HEX HEAD 5/8-18	576187C1	14	07RTF	1330
BOLT,HEAVY HX FLG-M8 X 80MM	1835385C1	12	641006L001	1122
BOLT,HEX 1/2 X 4-1/2 PHC TYPE8	24869R1	8	06PWH	360
BOLT,HEX FLANGE,M8 X 20MM	1817956C1	12	641003A004	786
BOLT,HEX FLANGE,M8 X 20MM	1817956C1	12	641009C014	809
BOLT,HEX FLANGE,M8 X 20MM	1817956C1	12	641011L019	899
BOLT,HEX FLANGE,STUD, M8 X 30	1820921C1	12	641013C002	819

Part Description Index

Description	Part No.	Group	Figure	Page
BOLT,HEX FLG HD M8 X 30 10.9 P	31056R1	4	0LNNN	162
BOLT,HEX FLG HD M8 X 30 10.9 P	31056R1	5	0FSWW	269
BOLT,HEX FLG HD METRIC	30849R2	8	0HDDK	655
BOLT,HEX FLG HD METRIC	30849R2	15	0H3G3	1342
BOLT,HEX FLG HD METRIC M8 X 45	3557983C1	4	0MT69	140
BOLT,HEX FLG HD METRIC*HVY, M1	3551579C1	4	0H75S	134
BOLT,HEX FLG HD METRIC*HVY, M1	3551579C1	4	0LNNN	162
BOLT,HEX FLG HD METRIC*HVY, M1	3551579C1	4	0MSR4	158
BOLT,HEX FLG HD METRIC*HVY, M1	3551579C1	7	3579392C91	345
BOLT,HEX FLG HD METRIC*M10 X 3	3549305C1	14	0GNXX	1307
BOLT,HEX FLG HD METRIC*M10 X 3	3549305C1	14	0GRRS	1282
BOLT,HEX FLG HD METRIC*M10 X 3	3549305C1	16	3576163F92	1639
BOLT,HEX FLG HD METRIC*M10 X 4	30850R2	4	0MT69	140
BOLT,HEX FLG HD METRIC*M10 X 4	3554703C1	9	0FSZ5	682
BOLT,HEX FLG HD METRIC*M10X25,	40218R1	4	0J0LQ	127
BOLT,HEX FLG HD METRIC*M10X25,	40218R1	12	06VS3	1026
BOLT,HEX FLG HD METRIC*M12 X 3	3554702C1	1	0M7YB	72
BOLT,HEX FLG HD METRIC*M12-1.7	3535858C1	1	3567132C93	74
BOLT,HEX FLG HD METRIC*M12-1.7	3535858C1	4	0J0LQ	127
BOLT,HEX FLG HD METRIC*M12-1.7	3535858C1	7	07HVV	344
BOLT,HEX FLG HD METRIC*M16 X 1	40250R1	15	0FV9D	1382
BOLT,HEX FLG HD METRIC*M16 X 4	30751R2	16	3566415C93	1441
BOLT,HEX FLG HD METRIC*M16 X 4	3540873C1	1	0M7YB	72
BOLT,HEX FLG HD METRIC*M16 X 4	40236R1	4	0J0LQ	127
BOLT,HEX FLG HD METRIC*M16 X 4	40236R1	4	0LNNN	162
BOLT,HEX FLG HD METRIC*M16 X 4	40236R1	8	0HL8B	369
BOLT,HEX FLG HD METRIC*M16 X 5	40222R1	13	0M5GN	1258
BOLT,HEX FLG HD METRIC*M16 X 9	40203R1	12	07NDS	859
BOLT,HEX FLG HD METRIC*M16X50	3579029C1	16	3574671C91	1438
BOLT,HEX FLG HD METRIC*M16X60	3579031C1	16	3589599C91	1436
BOLT,HEX FLG HD METRIC*M6 X 20	3552155C1	4	06SPT	153
BOLT,HEX FLG HD METRIC*M6 X 20	3552155C1	4	0J0LQ	127
BOLT,HEX FLG HD METRIC*M6 X 20	3552155C1	4	0LNNN	162
BOLT,HEX FLG HD METRIC*M6 X 20	3552155C1	7	0HGRZ	342
BOLT,HEX FLG HD METRIC*M6 X 20	3552155C1	8	086VD	364
BOLT,HEX FLG HD METRIC*M6 X 20	3552155C1	15	0H3G3	1342
BOLT,HEX FLG HD METRIC*M6 X 20	3552155C1	16	0G9F8	1388
BOLT,HEX FLG HD METRIC*M6 X 50	40220R1	4	0J3JB	231
BOLT,HEX FLG HD METRIC*M8 X 12	3552342C1	4	0H75S	134
BOLT,HEX FLG HD METRIC*M8 X 20	3547776C1	8	3576152F93	388
BOLT,HEX FLG HD METRIC*M8 X 20	3547776C1	15	0H3G3	1342
BOLT,HEX FLG HD METRIC*M8 X 90	3557701C1	4	0MT69	140
BOLT,HEX HD MET M12X30 PHC FLG	30744R2	16	06QSL	1449
BOLT,HEX HD METRIC M12X60 PHC	30749R2	3	07W2Z	114
BOLT,HEX HD METRIC M12X60 PHC	30749R2	12	07RTJ	830
BOLT,HEX HEAD	475711C1	13	3568551F91	1263
BOLT,HEX METRIC M16 X 1.5 X 20	1696022C1	13	3600089C92	1249
BOLT,HEX SHIFT CYL	1696236C1	14	1696762C91	1304
BOLT,HEX SHIFT CYL	1696236C1	14	2503395C91	1292
BOLT,HEX-HD 1/2-20 UNF X 1-1/4	414051C1	1	1664559C92	82
BOLT,HEX-HD 1/2-20 UNF X 1-1/4	414051C1	14	1664557C92	1336
BOLT,HEX-HD 1/2-20 UNF X 1-1/4	414051C1	14	1664559C92	1338
BOLT,HH 1/2NC X 1.5 (PATCH)	470729C2	2	3556927F91	87
BOLT,HH 1/4-20 X 3/4 PHC TYP 8	25222R1	8	0GCJR	371
BOLT,HH 1/4-20 X 3/4 PHC TYP 8	25222R1	8	0HQHQ	645
BOLT,HH 1/4-20 X 3/4 PHC TYP 8	25222R1	8	0JGYR	400
BOLT,HH 5/16X1 PHC TYP 8	25493R1	8	06S2V	532
BOLT,HH 5/8NC X 3 PHC GRADE 8	24879R1	2	3599758F91	101

Part Description Index

Description	Part No.	Group	Figure	Page
BOLT,HH BRG CAGE	S2814A2	13	3600089C92	1249
BOLT,HH DIFF CASE	2508076C1	2	2507920C91	94
BOLT,HH DIFF TO HSG LONG	2507883C1	2	3556927F91	87
BOLT,HH DIFF TO HSG SHORT	2507882C1	2	3556927F91	87
BOLT,HH DR GR	1670534C1	14	2503395C91	1292
BOLT,HH DR GR TO CASE	2508071C1	2	2507920C91	94
BOLT,HH FLG HD M8 X 30 METRIC	3561048C1	4	0J0LQ	127
BOLT,HH K/P CAP 3/4NCX1-3/4	2507893C1	2	3599758F91	101
BOLT,HH K/P CAP 7/8NCX3	2507892C1	2	3577157F91	110
BOLT,HH K/P CAP 7/8NCX3	2507892C1	2	3599758F91	101
BOLT,HH K/P CAP 7/8NCX3	2507892C1	4	3556963F91	226
BOLT,HH M10 X 45MM IAD	1696237C1	14	2503395C91	1292
BOLT,HH M10 X 45MM PIN CAGE	1696229C1	14	2503395C91	1292
BOLT,HH M12X1.75X40	2502739C1	2	2507920C91	94
BOLT,HH M16X80 SHOCK MTG	30298R1	3	07W2Z	114
BOLT,HH M8 X 16MM BAFFLE	1696228C1	14	2503395C91	1292
BOLT,HH M8X1.25X20	2508069C1	2	2507920C91	94
BOLT,HH M90X2X90	2508061C1	2	2507920C91	94
BOLT,HH*HEX HD M10 X 1.5 X 80.	30255R1	16	06PSZ	1386
BOLT,HH*M20X45	30088R1	13	07VS1	1245
BOLT,HH, M6-15MM CLASS 10	931585R1	4	0H75S	134
BOLT,HH, M6-15MM CLASS 10	931585R1	4	0J0LQ	127
BOLT,HH, M6-16MM CLASS 10	934810R1	12	06VS3	1026
BOLT,HOOD HINGE M10 FLG HD & S	3588682C1	9	0FSZ5	682
BOLT,HUCK	1518202C1	12	07NDS	859
BOLT,HUCK	1518207C1	1	1664559C92	82
BOLT,HUCK	1518207C1	12	07NDS	859
BOLT,HUCK	1518207C1	14	1664557C92	1336
BOLT,HUCK	1518207C1	14	1664559C92	1338
BOLT,HUCK 5/8 DIA	1518208C1	1	0BDC4	81
BOLT,HUCK 5/8 DIA	1518208C1	8	0HL8B	369
BOLT,HUCK 5/8 DIA	1518208C1	14	07Q7J	1333
BOLT,HUCK 5/8 DIA	1518208C1	14	07QT9	1319
BOLT,HUCK 5/8 DIA	1518208C1	15	0FV9D	1382
BOLT,HUCK 5/8 DIA	1518208C1	16	0GB2V	1433
BOLT,HUCK 5/8 DIA	1518209C1	3	07W2Z	114
BOLT,HUCK SPIN FASTENER 1/2"D	3508419C1	1	1664559C92	82
BOLT,HUCK SPIN FASTENER 1/2"D	3508419C1	14	1664557C92	1336
BOLT,HUCK SPIN FASTENER 1/2"D	3508419C1	14	1664559C92	1338
BOLT,HUCK, 5/8 DIA	3542178C1	3	07W2Z	114
BOLT,INJECTOR	1830050C1	12	641011C054	941
BOLT,LATCH OR CATCH M6X1-20	3535316C1	9	0FVDZ	695
BOLT,LATCH OR CATCH M6X1-20	3535316C1	9	0JCH6	680
BOLT,LATCH OR CATCH M6X1-20	3535316C1	16	06MT8	1471
BOLT,LOCK 8 MM W/PATCH	3532083C1	16	06NKM	1557
BOLT,LOCK 8 MM W/PATCH	3532083C1	16	06STC	1517
BOLT,LOCK 8 MM W/PATCH	3532083C1	16	0H9RV	1390
BOLT,LOCK 8 MM W/PATCH	3532083C1	16	3579484C93	1392
BOLT,LOCK M8 X 1,25 X 20 MM BO	3553462C1	4	0KTMY	228
BOLT,M10 X 25 PHC CLASS 8.8	931195R1	8	3576152F93	388
BOLT,M10-1.50 X 80MM HEX FLANG	1817993C1	12	641009L011	777
BOLT,M10-1.50 X 80MM HEX FLANG	1817993C1	12	641020B002	1038
BOLT,M10X1.5X25MM HEX FLANGE	1817965C1	12	641016L002	755
BOLT,M12 X 35 HEX FLG HD	30745R2	8	0GCJR	371
BOLT,M12 X 35 HEX FLG HD	30745R2	12	3538857C93	861
BOLT,M12 X 80MM,HEX FLANGE	1817969C1	12	641016L002	755
BOLT,M12X1.75X40MM HEX FLANGE	1817852C1	12	641010N007	779
BOLT,M12X1.75X50MM HEX FLANGE	1820606C1	12	641010L001	1053

Part Description Index

Description	Part No.	Group	Figure	Page
BOLT,M20 X 70 12PT	40055R1	12	641003D002	950
BOLT,M6 X 1 6GX40MM,HEX FLANGE	1841027C1	12	641006M011	903
BOLT,M6 X 1.0 X 16MM HEX FLANG	1817953C1	12	641006M011	903
BOLT,M6 X 1.0 X 16MM HEX FLANG	1817953C1	12	641009A008	795
BOLT,M6 X 1.0 X 16MM HEX FLANG	1817953C1	12	641010L001	1053
BOLT,M6 X 1.25 12MM HEX FLANGE	1817810C1	12	641005A004	1002
BOLT,M6 X 30 PHC CLASS 10.9	30195R1	16	07TDL	1523
BOLT,M6-1.0 X 20MM,HEX FLANGE	1817817C1	12	1830177C92	980
BOLT,M8 X 1.25 X 55MM	1824752C1	12	641011E002	948
BOLT,M8 X 45MM HEX FLANGE	1817960C1	12	641006B009	832
BOLT,M8 X 45MM HEX FLANGE	1817960C1	12	641006L001	1122
BOLT,M8-1.25 X 24MM HEX FLANGE	1823281C1	12	641006L001	1122
BOLT,M8-1.25 X 90MM,HEX FLANGE	1817961C1	12	641008D013	839
BOLT,M8X120MM(SPEC LONG THD)	1823809C1	12	641009L011	777
BOLT,P.T.O. COVER	FUL239613	13	3568551F91	1263
BOLT,RD HD SQ NK 1/2 X 3 1/2	27463R1	14	3563253C92	1320
BOLT,SEAT MTG STUD	3544442C1	16	0FVYN	1491
BOLT,SEAT MTG STUD	3544442C1	16	0GWJ7	1616
BOLT,SEMS M8 X 1.25-35	3514273C1	9	0DDTF	716
BOLT,SEMS M8 X 1.25-35	3514273C1	16	06RNB	1544
BOLT,SEMS M8 X 1.25-35	3514273C1	16	06TJY	1648
BOLT,SEMS M8 X 1.25-35	3514273C1	16	0H9RV	1390
BOLT,SEMS M8 X 1.25-35	3514273C1	16	3579484C93	1392
BOLT,SEMS ALL 6MM X 15 TORX	3535292C1	16	06QS3	1469
BOLT,SEMS ALL M10 X 1.50 35 MM	3530018C1	9	0DS0W	714
BOLT,SEMS ALL M6 35MM LONG HEX	3510917C1	16	06MXR	1644
BOLT,SEMS ALL M6 35MM LONG HEX	3510917C1	16	06NKM	1557
BOLT,SEMS ALL M6 35MM LONG HEX	3510917C1	16	06RNB	1544
BOLT,SEMS ALL M6 35MM LONG HEX	3510917C1	16	06STC	1517
BOLT,SEMS ALL M6 35MM LONG HEX	3510917C1	16	0JT53	1512
BOLT,SEMS ALL M6 X 1.0 - 19.5M	3571282C1	9	3612369C91	684
BOLT,SEMS ALL M6X1.0-25MM SST	3565835C2	9	0FVDZ	695
BOLT,SEMS ALL M6X1.0-25MM SST	3565835C2	9	3610431C91	701
BOLT,SEMS ALL M8 X 1.25 75MM L	3535185C1	16	06QS3	1469
BOLT,SEMS ALL M8 X 1.25-30 MM	3555605C1	15	3570012F91	1371
BOLT,SEMS ALL M8 X 1.25-30 MM	3555605C1	16	3576163F92	1639
BOLT,SEMS ALL M8 X 1.25-35 M	3566930C1	9	0DS0S	711
BOLT,SEMS M6X1.0-25 CL9.8	3535318C1	16	06SLV	1667
BOLT,SEMS M6X1.0-25 CL9.8	3535318C1	16	0G4M9	1643
BOLT,SEMS M6X1.0-25 SST BLK OX	3552493C1	9	0F4H6	705
BOLT,SEMS M6X1.0-25 SST BLK OX	3552493C1	9	3612369C91	684
BOLT,SEMS M8 X 1.25 - 30 MM H	3571500C1	9	0JCH6	680
BOLT,SEMS M8 X 1.25 - 30 MM HE	3564070C1	9	0JCH6	680
BOLT,SEMS M8 X 1.25-25 MM HH	3566931C1	9	3612369C91	684
BOLT,SHOULDER	1830051C1	12	641011C054	941
BOLT,SHOULDER	2034718C1	13	0G4JT	1266
BOLT,SHOULDER*18MM SHLD X 18MM	3545813C1	11	06VKH	737
BOLT,SPECIAL	1670304C1	14	2503395C91	1292
BOLT,SPECIAL	1685290C1	14	1696762C91	1304
BOLT,SPECIAL	1685290C1	14	2503395C91	1292
BOLT,SPECIAL	433971C1	8	0GCJR	371
BOLT,SPECIAL	FUL239614	13	3568555F91	1273
BOLT,SPECIAL	FULX8L408	13	3549043F91	1234
BOLT,SPECIAL 5/8NCX2 1/2 DRYLO	484697C1	2	3556927F91	87
BOLT,SPECIAL BACKREST ADJU KNO	1685452C1	16	2505361C91	1499
BOLT,SPECIAL BACKREST ADJU KNO	1685452C1	16	3558491C92	1507
BOLT,SPECIAL HEX HD 12 PT HD	2500670C1	6	414STHXXXX	296
BOLT,SPECIAL M10 X 1.5 X 14MM,	3570199C1	9	0FVDZ	695

Part Description Index

Description	Part No.	Group	Figure	Page
BOLT,SPECIAL SEAT BELT ANCHOR	3554364C1	16	0FVYN	1491
BOLT,SPECIAL SEAT BELT ANCHOR	3554364C1	16	0GWJ7	1616
BOLT,SPECIAL SEAT BELT ANCHOR	3554369C1	16	0FVYN	1491
BOLT,SPECIAL*7/16-20 12-PT TOR	3535854C1	5	06SPX	259
BOLT,SPECIAL*M8 X 1.25 - 25 MM	3541322C1	15	0H3G3	1342
BOLT,SPECIAL*M8 X 1.25 - 25 MM	3541322C1	15	3570012F91	1371
BOLT,SPECIAL*M8 X 1.25 - 25 MM	3541322C1	16	3576163F92	1639
BOLT,SPECIAL*U 7/8-14 UNRF X 1	527567C1	3	07W2Z	114
BOLT,SPG CTR 1/2NF X 4 1/2	111140R1	3	3540967C91	119
BOLT,SPL M12X25-10.9 BRG RET	3513117C1	6	3513127C91	292
BOLT,SPL M12X25-10.9 BRG RET	3513117C1	6	3524823C91	290
BOLT,SPL M12X25-10.9 BRG RET	3513117C1	6	414STHXXXX	296
BOLT,SPL M6 X 1 TORX HD	2506023C1	16	3556202C94	1478
BOLT,SPL M6 X 1 TORX HD	2506023C1	16	3556203C94	1481
BOLT,SPL M8-1.25X30 T-40 SST	3588152C1	9	0F448	715
BOLT,SPL M8-1.25X30 T-40 SST	3588152C1	16	0M72R	1607
BOLT,SPL SQ NECK TRACK STUD	2502303C1	16	1698197C91	1501
BOLT,SPL SQ NECK TRACK STUD	2502303C1	16	3558491C92	1507
BOLT,SPL STRIKER M8X1.25-35	3535317C1	16	06MT8	1471
BOLT,STUD	1826584C1	12	641006B009	832
BOLT,STUD (METRIC)	1838845C1	12	1830617C92	844
BOLT,STUD, M8 X 1.25	1819931C1	12	641013C002	819
BOLT,STUD,M8 X 90 VALVE COVER	1819245C1	12	641008D013	839
BOLT,TORX M12X1.7X54 SEAT BELT	3554368C1	16	0GWJ7	1616
BOLT,U SPL 7/8UN X 14 STYL 050	3559757C1	3	07W2Z	114
BOLT,W/LOCK WASHER	69480R91	4	0DR90	240
BOLT,W/LOCK WASHER	FUL1C620H	13	3568551F91	1263
BOLT,W/LOCK WASHER	FULX8688	13	3568551F91	1263
BOLT,WHL HUB RHD M22 X 3.5"LG	2007175C2	17	2003838C94	1692
BOLT,WHL HUB RHD M22 X 3.5"LG	2007175C2	17	2014885C93	1694
BOLT,XMBR CUSHION MTG	3565364C1	14	07RTP	1311
BOLT,XMSN MTG OR AUX XMSN*SEMS	3545158C1	13	0FK2V	1232
BOLT/CAPSCREW	S2710A2	13	3600089C92	1249
BOOT,CLUTCH ROD*ASSY	3536316C91	11	3544408C91	741
BOOT,TRANS GEAR SHIFT LEVER	496623C1	13	3576514C91	1268
BOOT,XMSN GEAR SHIFT LEVER LOW	3541820C2	13	0G4JT	1266
BOOT,XMSN GEAR SHIFT LEVER*SHI	3531768C2	13	3576511C92	1270
BOWL,FUEL FILTER	1677005C91	15	1618386C93	1380
BOWL,PRESSCREEN	1818516C1	12	1836287C91	901
BOX,JUNCTION*POWER DISTRIBUTIO	3554607C1	8	3554606C91	441
BRACE,PDC BRACKET	3580251C1	8	06VZJ	411
BRACE,PDC BRACKET W/WELD NUT	3557674C3	8	06VZJ	411
BRACE,PWR STRG RESVR BRKT	3553547C4	5	3558303C4	257
BRACE,PWR STRG RESVR BRKT	3553547C4	12	3558303C4	1168
BRACE,PWR STRG RESVR BRKT	3558303C4	5	0L4J0	256
BRACE,PWR STRG RESVR BRKT	3558303C4	5	3558303C4	257
BRACE,PWR STRG RESVR BRKT	3558303C4	12	07RYM	1166
BRACE,PWR STRG RESVR BRKT	3558303C4	12	3558303C4	1168
BRACKET	1817671C1	12	641013C002	819
BRACKET	1817671C1	12	641015D001	1132
BRACKET	FUL4304323	13	3568552F91	1242
BRACKET ASM,CAB FRONT MTG	3596415C91	16	0LLJR	1444
BRACKET ASM,CAB FRONT MTG	3596415C91	16	3596415C91	1448
BRACKET ASM.,CEC REAR MOUNT	1829953C92	12	641009C014	809
BRACKET ASSY,CEC MOD REAR MNT	1829944C1	12	1829953C92	791
BRACKET ASSY,CEC MOD REAR MNT	1829944C1	12	641009C014	809
BRACKET ASSY.,CEC REAR MOUNT	1829953C92	12	1829953C92	791
BRACKET ASSY.,CEC REAR MOUNT	1829953C92	12	641009C014	809

Part Description Index

Description	Part No.	Group	Figure	Page
BRACKET, AIR COMPRESSOR	1822067C1	12	641016L002	755
BRACKET, ALTERNATOR LEECE-NEVILLE	641009L011	12	641009L011	777
BRACKET, ALTERNATOR MOUNTING	1822039C3	12	641009L011	777
BRACKET, BREATHER TUBE - LOWER	1820912C1	12	1827224C1	895
BRACKET, COMPR MTG AIR COND	1834579C3	16	06PSZ	1386
BRACKET, ENG. MT.REAR W/XMSN	641010N007	12	3554346F91	1116
BRACKET, ENG. MT.REAR W/XMSN	641010N007	12	641010N007	779
BRACKET, EXTENSION	1833417C2	12	641009A008	795
BRACKET, EXTENSION	1833419C2	12	641009A008	795
BRACKET, FILL TUBE	2024992C4	12	641010N007	779
BRACKET, FRONT ENGINE MOUNTING	1678077C1	12	641010M001	1011
BRACKET, LEFT REAR ENGINE MOUNTING	1664749C2	12	641010L001	1053
BRACKET, MOUNTING CEC MODULE REAR	1829944C1	12	641009C014	809
BRACKET, OIL COOLER	1817671C1	12	641013C002	819
BRACKET, REAR ENGINE MOUNTING	3532953C1	12	641010N007	779
BRACKET, REAR MOUNT	641010N007	12	641010N007	779
BRACKET, RIGHT REAR ENGINE MOUNTING	1664750C2	12	641010L001	1053
BRACKET, SUPPORT OIL FILLER PIPE	2029308C3	12	641006M011	903
BRACKET,*INSIDE RAIL 11.9 MM M	3543311C1	8	0HDDK	655
BRACKET,AIR BRK VALVE MTG	2505843C91	4	2505660C91	201
BRACKET,AIR BRK VALVE MTG LT	3520897C1	4	0MT69	140
BRACKET,AIR BRK VALVE MTG RT	3520898C1	4	0MT69	140
BRACKET,AIR CLEANER SUPT*ASSY	3548672C3	12	07TXX	749
BRACKET,AIR*AIR DRYER MOUNTING	3540418C2	4	0MSR4	158
BRACKET,ALT MTG LEECE NEVILLE	2040506F91	12	0FBCJ	1108
BRACKET,ALTERNATOR MOUNTING	1822039C3	12	641009L011	777
BRACKET,ASSY LH BLK	2505274C2	16	3561587C94	1612
BRACKET,ASSY RH BLK	2505275C2	16	3561588C94	1614
BRACKET,BACK UP ALARM	546561C2	8	086VD	364
BRACKET,BATT BOX CLAMP*BRACKET	3558084C1	8	3576152F93	388
BRACKET,BATTERY OR BOX MTG OR	777814C1	8	3576152F93	388
BRACKET,BEAM HANGER LT	3150A1509	14	3602600C91	1300
BRACKET,BEAM HANGER LT	3150A1509	14	3609621C91	1288
BRACKET,BEAM HANGER RT	3150C1511	14	3602600C91	1300
BRACKET,BEAM HANGER RT	3150C1511	14	3609621C91	1288
BRACKET,BREATHER TUBE-UPPER	1827221C1	12	1827224C1	895
BRACKET,BRK CAMSHAFT & CHAMBER	1694330C91	4	3548002C91	244
BRACKET,BRK CAMSHAFT & CHAMBER	1694332C91	4	3548003C91	248
BRACKET,BRK CAMSHAFT & CHAMBER	1699327C91	4	3548018C91	246
BRACKET,BRK CAMSHAFT & CHAMBER	1699329C91	4	3548019C91	250
BRACKET,BRK CHAMBER LT	2507894C1	4	3556963F91	226
BRACKET,BRK CHAMBER RT	2507895C1	4	3556963F91	226
BRACKET,CAB FRONT MTG OR COWL	3565823C2	16	3596415C91	1448
BRACKET,CAB FRT LH CS/CE CAB	3589599C91	16	0GB2V	1433
BRACKET,CAB FRT LH CS/CE CAB	3589599C91	16	3589599C91	1436
BRACKET,CAB FRT MTG LH	3574674C1	16	3589599C91	1436
BRACKET,CAB FRT MTG RH	3574671C91	16	0GB2V	1433
BRACKET,CAB FRT MTG RH	3574671C91	16	3574671C91	1438
BRACKET,CAB FRT MTG RH	3574675C1	16	3574671C91	1438
BRACKET,CAB MTG XMBR ASSY	3554851C3	16	3554851C3	1440
BRACKET,CAB MTG XMBR ASSY	3554851C3	16	3566415C93	1441
BRACKET,CAB MTG XMBR REAR	3531896C3	16	3554851C3	1440
BRACKET,CAB MTG XMBR REAR LH	3576214C1	16	0GB2V	1433
BRACKET,CAB MTG XMBR REAR LH	3576216C1	16	0GB2V	1433
BRACKET,CAB MTG XMBR REAR RH	3576215C1	16	0GB2V	1433
BRACKET,CAB MTG XMBR REAR RH	3576217C1	16	0GB2V	1433
BRACKET,CAB REAR MTG	2586468C1	16	3540379C96	1451
BRACKET,CLUTCH RELAY SHAFT OR	2505806C1	11	3546983F91	735

Part Description Index

Description	Part No.	Group	Figure	Page
BRACKET,CONDENSER MTG ASSY	2507483C91	12	2586041C91	1171
BRACKET,CONDENSER MTG ASSY	2507483C91	12	3551081F92	828
BRACKET,CONT VLV COMP BRK	2024708C1	7	0HGRZ	342
BRACKET,DASH/COWL CLOSEOUT	3551810C2	16	06SLV	1667
BRACKET,DOOR CHECK BODY SIDE	3551557C1	16	06MT8	1471
BRACKET,ENG FRT LT	3538781C3	12	3538857C93	861
BRACKET,ENG FRT RT	3538782C3	12	3538857C93	861
BRACKET,ENG MTG FRONT GIVE DES	1678077C1	12	641010M001	1011
BRACKET,ENG MTG REAR LT	1664749C2	12	641010L001	1053
BRACKET,ENG MTG REAR RT	1664750C2	12	641010L001	1053
BRACKET,ETHER START	2007418C1	12	06VS3	1026
BRACKET,ETHER START	3544556C3	12	06VS3	1026
BRACKET,ETHER START	3557684C2	12	06VS3	1026
BRACKET,FENDER EXT TO SILL ASM	3549689C1	9	0JCH6	680
BRACKET,FILL TUBE*XMSN	2024992C4	12	641010N007	779
BRACKET,FRONT ABS MTG SHOCK	3541648C2	3	07W2Z	114
BRACKET,FRONT BUMPER SUPT	3540724C2	1	0F9CX	71
BRACKET,FRONT SPRING RR	3541835C1	3	3541836C91	117
BRACKET,FRONT SPRING RR	3543963C1	3	3543964C91	118
BRACKET,FRT SPG FRT LT	3541823C1	3	07W2Z	114
BRACKET,FRT SPG FRT RT	3541829C1	3	07W2Z	114
BRACKET,FRT SPG RR W/BUSHING	3541836C91	3	07W2Z	114
BRACKET,FRT SPG RR W/BUSHING	3541836C91	3	3541836C91	117
BRACKET,FRT SPG RR W/BUSHING	3543964C91	3	07W2Z	114
BRACKET,FRT SPG RR W/BUSHING	3543964C91	3	3543964C91	118
BRACKET,FUEL FILTER MTG*BRACKE	3542528C1	15	0FTZD	1379
BRACKET,FUEL TANK MTG (15-8790	3588749C1	15	0FV9D	1382
BRACKET,GRILLE MTG SPT UPR RDT	3557717C1	9	0FVDZ	695
BRACKET,GRILLE MTG SUPPORT	3588826C1	9	3610431C91	701
BRACKET,GRILLE MTG SUPPORT LWR	3585187C1	9	0FVDZ	695
BRACKET,HINGE SUPT INNER	3580066C1	9	3593649C1	683
BRACKET,HINGE SUPT OUTER	3580067C1	9	3593649C1	683
BRACKET,HOOD ASSIST MOUNTING	3580068C1	9	3612369C91	684
BRACKET,HOOD ASSIST LH	3580051C3	9	0F4H6	705
BRACKET,HOOD ASSIST RH	3580052C3	9	0F4H6	705
BRACKET,HOOD HINGE ASSY, CENTE	3567131C2	1	3567132C93	74
BRACKET,HOOD SAFETY CABLE LH	3551568C1	9	3568420C92	707
BRACKET,HOOD SAFETY CABLE RH	3551569C1	9	3568421C92	709
BRACKET,INSTR PANEL ASSY LH	3509986C2	16	0H9RV	1390
BRACKET,INSTR PANEL ASSY LH	3509986C2	16	3579484C93	1392
BRACKET,INSTR PANEL ASSY RH	3509987C2	16	0H9RV	1390
BRACKET,INSTR PANEL ASSY RH	3509987C2	16	3579484C93	1392
BRACKET,LEFT	3548593C3	8	0HL8B	369
BRACKET,LEFT BATT BOX SUPPORT	3539597C7	8	3539597C7	390
BRACKET,LEFT BATT BOX SUPPORT	3539597C7	8	3576152F93	388
BRACKET,LICENSE PLATE	424536C1	8	0HDDK	655
BRACKET,MUD FLAP GUARD	3558300C1	15	3573570F92	1377
BRACKET,OIL COOLER MTG	2035165C1	13	0M5GN	1258
BRACKET,OIL FILLER PIPE	2029308C3	12	641006M011	903
BRACKET,RAD GRILLE MTG CTR	3579766C1	9	3610431C91	701
BRACKET,RAD GRILLE MTG CTR	3579767C1	9	0FVDZ	695
BRACKET,RAD GRILLE MTG LH	3579764C1	9	3610431C91	701
BRACKET,RAD GRILLE MTG RH	3579765C1	9	3610431C91	701
BRACKET,RAD MTG*LEFT MTG	3566352C2	1	0M7YB	72
BRACKET,RAD MTG*RIGHT MTG	3566353C2	1	0M7YB	72
BRACKET,RELAY VALVE	3548173C2	4	0MT69	140
BRACKET,RETAINER RING LH	2588413C1	8	3610437C91	510
BRACKET,RETAINER RING RH	2588414C1	8	3610438C91	516

Part Description Index

Description	Part No.	Group	Figure	Page
BRACKET,RIGHT	3548594C3	8	0HL8B	369
BRACKET,RIGHT BATT BOS SUPPORT	3539598C7	8	3539598C7	392
BRACKET,RIGHT BATT BOS SUPPORT	3539598C7	8	3576152F93	388
BRACKET,ROCKET SHAFT	1827435C1	12	1830593C94	771
BRACKET,ROCKET SHAFT	1827435C1	12	1872757C91	773
BRACKET,ROOF FAIRING EXTEND LH	3517267C2	16	3572685C91	1406
BRACKET,ROOF FAIRING EXTEND RH	3517268C2	16	3572685C91	1406
BRACKET,SEAT BELT FIXED TURNIN	3562147C2	16	0FVYN	1491
BRACKET,SEAT BELT FIXED TURNIN	3562147C2	16	0GWJ7	1616
BRACKET,SEAT BELT MOUNTING	2505888C1	16	3558491C92	1507
BRACKET,SEAT RCLN LMTNG 6-23LH	2590579C91	16	3558491C92	1507
BRACKET,SEAT RECLINE LIMITING	2505006C1	16	2505361C91	1499
BRACKET,SEAT RECLINE LIMITING	2505006C1	16	3558491C92	1507
BRACKET,SOLENOID 7PK GOLD TRMN	3553323F94	8	0CBKD	352
BRACKET,SOLENOID 7PK GOLD TRMN	3553323F94	8	3553323F94	353
BRACKET,SPLASH SHIELD SUPT RH	3554263C4	9	0DDTF	716
BRACKET,SPLSH SHLD SPT FRT RH	3554260C3	9	0DDTF	716
BRACKET,SPT OR MTG T-CASE*BRAC	3541454C6	13	3545097C5	1248
BRACKET,SPT OR MTG T-CASE*FRAM	3545096C4	13	07VS1	1245
BRACKET,SPT OR MTG T-CASE*FRAM	3545097C5	13	07VS1	1245
BRACKET,SPT OR MTG T-CASE*FRAM	3545097C5	13	3545097C5	1248
BRACKET,SPT OR MTG T-CASE*FRAM	3549671C2	13	3545097C5	1248
BRACKET,SPT OR MTG T-CASE*MTG	3545098C3	13	07VS1	1245
BRACKET,SPT OR MTG T-CASE*MTG	3545099C3	13	07VS1	1245
BRACKET,STEP MTG LH	3580256C1	16	3576163F92	1639
BRACKET,STEP MTG RH	3580257C1	16	3576163F92	1639
BRACKET,SWITCH IGNITION	3554198C1	16	3511018F93	1560
BRACKET,TERMINAL *JUMP STUD AN	3544573C2	8	3559964F92	386
BRACKET,TORQUE ROD FRAME	752999C1	14	07RTC	1331
BRACKET,TORQUE ROD FRAME	752999C1	14	07RTF	1330
BRACKET,TORQUE ROD MTG OR RADI	3150S1631	14	3602600C91	1300
BRACKET,TORQUE ROD MTG OR RADI	3150S1631	14	3609621C91	1288
BRACKET,TORQUE ROD TRANSVERSE	1689136C1	14	3609633C91	1290
BRACKET,TORQUE ROD TRANSVERSE	1689136C1	14	3609644C91	1302
BRACKET-REBOUND STRAP MTN	H60639000	14	3563253C92	1320
BRAKE*DRAIN VALVES, BATTERY	3559112F91	4	0FLMS	229
BRAKE*DRAIN VALVES, BATTERY	3559112F91	4	3559112F91	230
BRAKE,DCM MTG BASE PLATE	3544868F93	16	06LWF	1466
BRAKE,DCM MTG BASE PLATE	3544868F93	16	3544868F93	1467
BRAKE,COMPRESSION*FBO ENG FEAT	3553584F91	12	0FB92	865
BRAKE,COMPRESSION*FBO ENG FEAT	3553584F91	12	3553584F91	870
BRAKE,COMPRESSION*PACBRAKE EXH	3575124C91	7	0HGRZ	342
BRAKE,DCM*TRACTOR AIR VALVE	3540368F94	4	06LQJ	196
BRAKE,DCM*TRACTOR AIR VALVE	3540368F94	4	3540368F94	197
BRAKE,GROUP FRT DR AXLE 16.5X5	3556961F91	4	0FWS3	215
BRAKE,GROUP FRT DR AXLE 16.5X5	3556961F91	4	3556961F91	216
BRAKE,GROUP FRT LT 16.5X5 Q+	2507869C91	4	2507869C91	217
BRAKE,GROUP FRT LT 16.5X5 Q+	2507869C91	4	3556961F91	216
BRAKE,GROUP FRT RT 16.5X5 Q+	2507870C91	4	2507870C91	219
BRAKE,GROUP FRT RT 16.5X5 Q+	2507870C91	4	3556961F91	216
BRAKE,GROUP REAR LT*16.5 X 7.0	3548002C91	4	0DR90	240
BRAKE,GROUP REAR LT*16.5 X 7.0	3548002C91	4	3548002C91	244
BRAKE,GROUP REAR LT*16.5 X 7.0	3548018C91	4	0DR90	240
BRAKE,GROUP REAR LT*16.5 X 7.0	3548018C91	4	3548018C91	246
BRAKE,GROUP REAR RT*16.5 X 7.0	3548003C91	4	0DR90	240
BRAKE,GROUP REAR RT*16.5 X 7.0	3548003C91	4	3548003C91	248
BRAKE,GROUP REAR RT*16.5 X 7.0	3548019C91	4	0DR90	240
BRAKE,GROUP REAR RT*16.5 X 7.0	3548019C91	4	3548019C91	250

Part Description Index

Description	Part No.	Group	Figure	Page
BRAKE,PRIMARY AIR TANK FITTINGS	3571402F94	4	0LHN1	168
BRAKE,PRIMARY AIR TANK FITTINGS	3571402F94	4	3571402F94	169
BRAKE,WET/2NDRY AIR TNK FITTINGS	3588790F92	4	0LHMY	170
BRAKE,WET/2NDRY AIR TNK FITTINGS	3588790F92	4	3588790F92	171
BRAKE,WET/2NDRY AIR TNK TUBING	3604563F91	4	0HWF7	180
BRAKE,WET/2NDRY AIR TNK TUBING	3604563F91	4	3604563F91	181
BRAKE-SVC DCM W/TRCT BRK,MN	2505767C93	16	0M3VN	1635
BREAKER,CIRCUIT*10 AMP, 12 VOL	3536178C1	8	3588143F92	601
BREAKER,CIRCUIT*10 AMP, 12 VOL	3536178C1	16	3581516F91	1582
BREAKER,CIRCUIT*15 AMP, 12 VOL	3536179C1	8	3581553F91	592
BREAKER,CIRCUIT*15 AMP, 12 VOL	3536179C1	8	3588143F92	601
BREAKER,CIRCUIT*30 AMP, 12 VOL	3536182C1	8	3588143F92	601
BREATHER,TRANS 3/8 PTF SHORT	91916R91	2	3556927F91	87
BREATHER,TRANS 3/8 PTF SHORT	91916R91	13	3600089C92	1249
BREATHER,TRANS 3/8 PTF SHORT	91916R91	14	06XKL	1313
BREATHER,TRANSFER CASE	2585583C1	13	3600089C92	1249
BRUSH HOLDER	ZLNA0091028	8	3610514C91	362
BUMPER,CAB AIR SUSP RUBBER	2501303C1	16	3540379C96	1451
BUMPER,CAB DOOR	3790034C1	16	06MT8	1471
BUMPER,FRONT PAINTED SWEPT	3542418C3	1	0F9CX	71
BUMPER,FRT SPG	1656697C1	3	07W2Z	114
BUMPER,PEDAL STOP	2505694C1	11	3546983F91	735
BUMPER,SEAT STOP (STD)	2505384C1	16	3558491C92	1507
BUSHING, CONN ROD	1818598C1	12	1830153C91	990
BUSHING, ROD CONNECTING	1872733C2	12	641004A002	917
BUSHING, SEAT SHAFT	574906C1	16	1660393C91	1495
BUSHING,ACCEL PEDAL	1813821C1	12	1821232C92	984
BUSHING,BRK SHOE ANCHOR PIN	577650C1	4	2507869C91	217
BUSHING,BRK SHOE ANCHOR PIN	577650C1	4	2507870C91	219
BUSHING,BRK SHOE ANCHOR PIN	577650C1	4	3548002C91	244
BUSHING,BRK SHOE ANCHOR PIN	577650C1	4	3548003C91	248
BUSHING,BRK SHOE ANCHOR PIN	577650C1	4	3548018C91	246
BUSHING,BRK SHOE ANCHOR PIN	577650C1	4	3548019C91	250
BUSHING,CAMSHAFT BRKT	1691529C1	4	3548002C91	244
BUSHING,CAMSHAFT BRKT	1691529C1	4	3548003C91	248
BUSHING,CAMSHAFT BRKT	1691529C1	4	3548018C91	246
BUSHING,CAMSHAFT BRKT	1691529C1	4	3548019C91	250
BUSHING,CLUTCH PEDAL SHAFT BRK	2505775C1	16	2505776C91	1468
BUSHING,CLUTCH RELAY LEVER*18M	3545812C1	11	3544408C91	741
BUSHING,CLUTCH RELEASE FORK SH	FUL12815	13	3549043F91	1234
BUSHING,CONNECTING ROD	1840592C1	12	1841634C91	989
BUSHING,CONNECTING ROD	1841496C1	12	1841615C91	988
BUSHING,CONNECTING ROD	1872733C2	12	641004A002	917
BUSHING,CONNECTING ROD	1878248C1	12	1873875C95	991
BUSHING,FLYWHEEL BOLT	1822086C1	12	641010L001	1053
BUSHING,FRT AXLE WHL KNCKL ABS	2502201C1	2	3556927F91	87
BUSHING,HSG AXLE SHAFT	2507879C1	2	3556927F91	87
BUSHING,K/P UPR & LWR 02ERD,E	1685074C1	2	3556927F91	87
BUSHING, KNUCKLE	2507890C1	2	3599758F91	101
BUSHING,PIN GEAR SHIFT	1646655C1	13	0G4JT	1266
BUSHING,PISTON PIN	684902C1	12	1830617C92	844
BUSHING,REDUCER*3/8 TO 1/4	ZAC212862	4	3548796F91	194
BUSHING,SEAT ARM SPACER	2505470C1	16	3558491C92	1507
BUSHING,SPECIAL NYL A/C OUTLET	3547245C1	16	3511018F93	1560
BUSHING,SPECIAL NYL A/C OUTLET	3547245C1	16	3547254C1	1592
BUSHING,SPG PIN RUBBER 14-20K	3533233C1	3	3540967C91	119
BUSHING,SPG PIN RUBBER 14-20K	3533233C1	3	3541836C91	117
BUSHING,SPG PIN RUBBER 14-20K	3533233C1	3	3543964C91	118

Part Description Index

Description	Part No.	Group	Figure	Page
BUSHING,SPG SILENT BLOC 6-6-3	3574678C1	16	3574671C91	1438
BUSHING,SPG SILENT BLOC 6-6-3	3574678C1	16	3589599C91	1436
BUSHING,SPL DOOR PINION	2506040C1	16	3556202C94	1478
BUSHING,SPL DOOR PINION	2506040C1	16	3556203C94	1481
BUSHING,STRG KNUCKLE	1676226C1	4	2507869C91	217
BUSHING,STRG KNUCKLE	1676226C1	4	2507870C91	219
BUSHING,TRAN GEAR	FUL4302680	13	3568552F91	1242
BUSHING,TRANS SHIFT FORK	FUL227675	13	3568552F91	1242
BUSHING,TRANSFER CASE	2585584C1	13	3600089C92	1249
BUTTON,ROCKER ARM	1827193C1	12	1827195C95	766
BUTTON,ROCKER ARM	1827193C1	12	1872755C91	768
BUTTON,ODOMETR RESET L/SWITCH	2506725C91	16	3604600C91	1462
BUZZER,SPEAKER ALARM-2 LAYER	2509518C91	16	3604600C91	1462
C MEMBER	1660091C2	1	1664559C92	82
C MEMBER	1660091C2	14	1664559C92	1338
C MEMBER	1664557C92	14	07Q7J	1333
C MEMBER	1664557C92	14	1664557C92	1336
C MEMBER	1664559C92	1	0BDC4	81
C MEMBER	1664559C92	1	1664559C92	82
C MEMBER	1664559C92	14	07Q7J	1333
C MEMBER	1664559C92	14	1664559C92	1338
CAB AIR SUSP SS MID HIGH	3540379C96	16	06QSL	1449
CAB AIR SUSP SS MID HIGH	3540379C96	16	3540379C96	1451
CAB,REGULAR COMPLETE (CE5)	3579484C93	16	0H9RV	1390
CAB,REGULAR COMPLETE (CE5)	3579484C93	16	3579484C93	1392
CAB,SHELL EXTND W/V8 OR I6	CAB025	16	0M56Q	1634
CAB,STD TRM EXT I6/V8 TK HY/AR	CAB514	16	0M58J	1637
CABLE	2643302R1	12	3565992C91	1014
CABLE BATTERY AS FOUND IN CABLE	R306B11220	8	0GCJR	371
CABLE LOW TENSION 10 GAUGE VIO	2643811R1	8	3568513C91	433
CABLE LOW TENSION 10 GAUGE WHI	2643788R1	8	3547673C91	380
CABLE LOW TENSION 12 GAUGE GRA	2643783R1	8	3581887C91	426
CABLE LOW TENSION 12 GAUGE VIO	2643810R1	8	3568513C91	433
CABLE LOW TENSION 12 GAUGE WHI	2643787R1	8	3572236F91	528
CABLE LOW TENSION 12 GAUGE WHI	2643787R1	8	3581887C91	426
CABLE LOW TENSION 12GA BROWN *	2643754R1	8	3581900C91	421
CABLE LOW TENSION 14 GAUGE VIO	2643809R1	8	3568513C91	433
CABLE LOW TENSION 18 GAUGE LIG	2643805R1	8	3581887C91	426
CABLE LOW TENSION 18 GAUGE PIN	2643794R1	8	3568528C91	465
CABLE LOW TENSION 18 GAUGE PIN	2643794R1	8	3588674C91	471
CABLE LOW TENSION 18 GAUGE YEL	2643801R1	8	3581887C91	426
CABLE LOW TENSION DARK BLUE 20	2643771R1	16	3549338C92	1579
CABLE LOW TENSION GRAY 20 GAUG	2643763R1	8	3560276C91	449
CABLE LOW TENSION GRAY 20 GAUG	2643763R1	8	3572242F91	521
CABLE LOW TENSION GRAY 20 GAUG	2643763R1	16	3549338C92	1579
CABLE LOW TENSION LIGHT GREEN	2643761R1	8	3560276C91	449
CABLE LOW TENSION LIGHT GREEN	2643761R1	8	3572242F91	521
CABLE LOW TENSION RED 16 GAUGE	2643760R1	8	3572525C91	562
CABLE LOW TENSION RED 18 GAUGE	2643759R1	8	3581887C91	426
CABLE LOW TENSION SINGLE COND	2643673R1	8	3567203C91	614
CABLE LOW TENSION SINGLE COND	2643673R1	8	3568510C91	485
CABLE LOW TENSION SINGLE COND	2643673R1	8	3572240F91	502
CABLE LOW TENSION SINGLE COND	2643673R1	8	3581887C91	426
CABLE LOW TENSION SINGLE COND	2643674R1	8	3581887C91	426
CABLE LOW TENSION SINGLE COND	2643674R1	12	3560343C91	1023
CABLE LOW TENSION SINGLE COND	2643674R1	12	3560346C92	1204
CABLE LOW TENSION SINGLE COND	2643675R1	8	3561092C91	476
CABLE LOW TENSION SINGLE COND	2643675R1	8	3581887C91	426

Part Description Index

Description	Part No.	Group	Figure	Page
CABLE LOW TENSION SINGLE COND	2643678R1	8	3560276C91	449
CABLE LOW TENSION SINGLE COND	2643678R1	12	3560343C91	1023
CABLE LOW TENSION SINGLE COND	2643681R1	8	3545544C92	491
CABLE LOW TENSION SINGLE COND	2643681R1	8	3572525C91	562
CABLE LOW TENSION SINGLE COND	2643682R1	8	3545544C92	491
CABLE LOW TENSION SINGLE COND	2643682R1	8	3561092C91	476
CABLE LOW TENSION SINGLE COND	2643682R1	12	3579843C91	1227
CABLE LOW TENSION SINGLE COND	2643683R1	8	3560277C91	550
CABLE LOW TENSION SINGLE COND	2643688R1	8	3572236F91	528
CABLE LOW TENSION SINGLE COND	2643689R1	8	3572236F91	528
CABLE LOW TENSION SINGLE COND	2643693R1	8	3560280C91	444
CABLE LOW TENSION SINGLE COND	2643693R1	8	3572236F91	528
CABLE LOW TENSION SINGLE COND	2643698R1	8	3547673C91	380
CABLE LOW TENSION SINGLE COND	2643699R1	8	3588674C91	471
CABLE LOW TENSION SINGLE COND	2643718R1	8	3568513C91	433
CABLE LOW TENSION SINGLE COND	2643719R1	8	3568513C91	433
CABLE LOW TENSION SINGLE COND	2643720R1	8	3567203C91	614
CABLE LOW TENSION SINGLE COND	2643720R1	8	3581887C91	426
CABLE LOW TENSION SINGLE CONDU	2643670R1	8	3581887C91	426
CABLE LOW TENSION SINGLE CONDU	2643671R1	8	3560276C91	449
CABLE LOW TENSION SINGLE CONDU	2643671R1	8	3568498C91	453
CABLE LOW TENSION SINGLE CONDU	2643671R1	8	3581887C91	426
CABLE,*"BATT INTERCONN N/SEALE	3548966C91	8	0MRFB	382
CABLE,ASM J1939/15 19 STRD TWS	3572112R1	8	3572525C91	562
CABLE,ASM J1939/15 19 STRD TWS	3572112R1	8	3581917C91	460
CABLE,ASM J1939/15 19 STRD TWS	3572112R1	12	3577574C91	1018
CABLE,ASM WORK LGT,BACK OF CAB	3573089C91	8	0GVJ5	677
CABLE,ASM*BTRY POWER SOURCE FE	3581340C91	8	3581553F91	592
CABLE,ASM*CLEAN PWR FEED, 2900	3547673C91	8	0GCJR	371
CABLE,ASM*CLEAN PWR FEED, 2900	3547673C91	8	3547673C91	380
CABLE,ASM*IP GROUND OVERLAY	3549344C92	8	3581429F91	609
CABLE,ASM, LIGHT TO LIGHT 825M	3601436C91	8	086VD	364
CABLE,BATTERY	K301201230	8	0GCJR	371
CABLE,BATTERY	K301403250	8	0GCJR	371
CABLE,BATTERY	R306611080	8	0GCJR	371
CABLE,BATTERY	R306B11230	8	0GCJR	371
CABLE,BATTERY 0 GA	R106601021	8	0MRFB	382
CABLE,BTRY 360MM,WELDING CABLE	3528839C92	8	0GCJR	371
CABLE,BTRY INTERCONN N/SEALED	3545881C92	8	0MRFB	382
CABLE,HOOD SAFETY & HOOD SAFTE	3567147C2	9	3568420C92	707
CABLE,HOOD SAFETY & HOOD SAFTE	3567147C2	9	3568421C92	709
CABLE,HOOD SAFETY ASSY LH	3568420C92	9	0F4H6	705
CABLE,HOOD SAFETY ASSY LH	3568420C92	9	3568420C92	707
CABLE,HOOD SAFETY ASSY RH	3568421C92	9	0F4H6	705
CABLE,HOOD SAFETY ASSY RH	3568421C92	9	3568421C92	709
CABLE,LOW TENSION BULK 16AWG	2643672R1	8	3581887C91	426
CABLE,LOW TENSION TXL	3510298R1	8	3560276C91	449
CABLE,LOW TENSION TXL	3510310R1	8	3560276C91	449
CABLE,LOW TENSION TXL	3510311R1	8	357990C91	482
CABLE,LOW TENSION TXL	3510311R1	8	3581900C91	421
CABLE,LOW TENSION TXL	3510312R1	8	3545551C92	543
CABLE,LOW TENSION TXL	3510312R1	8	3568510C91	485
CABLE,LOW TENSION TXL	3510318R1	8	3572236F91	528
CABLE,LOW TENSION TXL	3510323R1	12	3579843C91	1227
CABLE,LOW TENSION TXL	3510361R1	8	3572525C91	562
CABLE,LOW TENSION TXL	3510362R1	8	3572236F91	528
CABLE,TANK MTG*ASSY SURGE TANK	3557936C1	4	3576188F92	183
CAGE,ASSY PINION W/CUPS 14GRB	1670483C91	14	1696762C91	1304

Part Description Index

Description	Part No.	Group	Figure	Page
CAGE,BEARING	A3226W1479	13	3600089C92	1249
CAGE,DIFF PIN W/CUPS	2508070C91	2	2507920C91	94
CAGE,INPUT W/CUP	1696386C91	14	2503395C91	1292
CAGE,PINION DRIVE GEAR BRG	1670261C91	14	3609621C91	1288
CAMSHAFT	641003A004	12	641003A004	786
CAMSHAFT ASM	1830613C91	12	641003A004	786
CAMSHAFT,ASSEMBLY	1830613C91	12	1830613C91	788
CAMSHAFT,ASSEMBLY	1830613C91	12	641003A004	786
CAMSHAFT,BRAKE	2210E8585	4	2507869C91	217
CAMSHAFT,BRAKE	2210V7536	4	3548003C91	248
CAMSHAFT,BRAKE	2210V7536	4	3548019C91	250
CAMSHAFT,BRAKE	2210W7537	4	3548002C91	244
CAMSHAFT,BRAKE	2210W7537	4	3548018C91	246
CAMSHAFT,BRAKE	2507876C1	4	2507870C91	219
CAMSHAFT,MACHINING	1824747C1	12	1830613C91	788
CAMSHAFT-(I-308) UNIT	641003A004	12	3540803F92	934
CAMSHAFT-(I-308) UNIT	641003A004	12	641003A004	786
CAP,BRK CHAMBER	1655349C1	4	0GFP7	173
CAP,BRK CHAMBER	1655349C1	12	1822530C92	910
CAP,CUSH ADJUSTER ROD	2502265C1	16	2595024C91	1497
CAP,DUST REFRIG FTG 1/2" MALE	3555226C1	16	3557557C94	1528
CAP,DUST REFRIG FTG 1/2" MALE	3555226C1	16	3557558C91	1526
CAP,FILLER/DIPSTICK P/S RESV	2507059C1	5	3558153C93	258
CAP,FUEL TANK FILLER NON LOCKI	3548102F91	15	0FTK4	1359
CAP,FUEL TANK FILLER NON LOCKI	3548102F91	15	3548102F91	1360
CAP,FUEL TANK FILLER NON LOCKI	3548221C1	15	3548102F91	1360
CAP,KIT BRK CHAMBER	1694171C91	4	3566654C91	223
CAP,MAIN BEARING	1830616C1	12	1830617C92	844
CAP,RAD FILLER	2200182C1	12	07RR2	1195
CAP,RECEPTACLE*9-PIN DATA LINK	3547843C1	8	3578228F91	625
CAP,RERIG FITTING	3544705C1	16	3557558C91	1526
CAP,RERIG FITTING M8	2507540C1	16	3548042C1	1541
CAP,STRG KNUCKLE LWR	1699204C1	2	3599758F91	101
CAP,UPR K/P	2507891C1	2	3599758F91	101
CAP,VALVE TIRE	140255H	17	158120R93	1698
CAPACITOR ASM	ZLNA0310965	8	3610514C91	362
CAPSCREW	S1612A2	13	3600089C92	1249
CAPSCREW	S1712A2	13	3600089C92	1249
CAPSCREW	S2714A2	13	3600089C92	1249
CARRIER, OIL SEAL	1815699C3	12	641007C001	1064
CARRIER, OIL SEAL REAR PTO	1823733C2	12	641007C001	1064
CARRIER, W/REAR PTO	1823733C2	12	641007C001	1064
CARRIER,DIFF W/BRG CAPS	2503473C91	14	2503395C91	1292
CARRIER,DIFF W/BRG CAPS 14GRN	1696822C91	14	1696762C91	1304
CARRIER,DIFF W/CAPS	2508060C91	2	2507920C91	94
CARRIER,OIL SEAL	1815699C3	12	641007C001	1064
CASE,ASSY DIFF 4.33-7.17	1696887C91	14	1696762C91	1304
CASE,ASSY DIFF 4.33-7.17 RATIO	1670488C91	14	2503395C91	1292
CASE,ASSY DIFF W/BOLTS 4.30 DN	2508074C91	2	2507920C91	94
CASE,ASSY DIFF W/BOLTS 4.56 UP	2508075C91	2	2507920C91	94
CASE,DOOR CLUTCH	2506041C1	16	3556202C94	1478
CASE,DOOR CLUTCH	2506041C1	16	3556203C94	1481
CASE,IAD W/GEAR SET (BOLTED)	2503467C91	14	2503395C91	1292
CASE,IAD W/PIN GEARS BOLTED	2503466C91	14	2503395C91	1292
CASE,TRANSFER	2588918C1	13	3600089C92	1249
CASE,TRANSFER CPT W/GEARS, MER	3600089C92	13	07VS1	1245
CASE,TRANSFER CPT W/GEARS, MER	3600089C92	13	3600089C92	1249
CATCH,HOOD LATCH	3544925C2	9	0DS0S	711

Part Description Index

Description	Part No.	Group	Figure	Page
CEC, REAR MOUNTING	641009C014	12	641009C014	809
CHAMBER, BRAKE PIGGYBACK	2505448C91	4	3566654C91	223
CHAMBER, BRAKE TYPE 20	R870020	4	3556963F91	226
CHAMBER, BRAKE*MG M TR3030LP3HD	3566654C91	4	0F12N	221
CHAMBER, BRAKE*MG M TR3030LP3HD	3566654C91	4	3566654C91	223
CHANNEL, C SUPPORT BOTTOM CAC	2507468C91	12	2586041C91	1171
CHANNEL, WIRING HARNESS	1807296C1	12	1889905C91	802
CHANNEL, GLASS RUN FRT DR RR LH	2506021C1	16	3556202C94	1478
CHANNEL, GLASS RUN FRT DR RR RH	2506022C1	16	3556203C94	1481
CHANNEL, GLSS RUN FRT DR FRT LH	2506042C1	16	3556202C94	1478
CHANNEL, GLSS RUN FRT DR FRT RH	2506043C1	16	3556203C94	1481
CHANNEL, XMBR CTR SEC	3565362C2	16	3566415C93	1441
CHECK, DOOR LINK 85 DEG	3551973C1	16	06MT8	1471
CLAMP OIL FILLER	690835C1	12	641006M011	903
CLAMP,	352356C1	15	0H3G3	1342
CLAMP, BOOT REMOTE CONTROL HSG	1693154C1	13	3600089C92	1249
CLAMP, COOLER MTG #24	2022866C1	16	06TJY	1648
CLAMP, COOLER MTG #27	2022867C1	4	06SPT	153
CLAMP, COOLER MTG #27	2022867C1	16	07TDL	1523
CLAMP, CUSHIONED 1-1/2" X 9/32"	299275C91	12	641006M011	903
CLAMP, HOSE TYPE F # 20	311164C91	12	641017L003	893
CLAMP, NO. 48 SST TYPE F HOSE	308387C91	12	06VS3	1026
CLAMP, .250 DIA ZNP COATED MED	299400C1	4	3559112F91	230
CLAMP, .500 CABLE HOLD DOWN	299407C1	7	0HGRZ	342
CLAMP, .688 DIA ZNP COATED MED	299565C1	12	641009A008	795
CLAMP, 34MM DIA X15MM WD, 1" HOSE	3523435C1	12	07PJY	854
CLAMP, 9/16 DIA HOSE	406340C1	15	3548102F91	1360
CLAMP, ASSY TIE ROD 1-1/2 I.D.	267147C91	2	3599758F91	101
CLAMP, BATT HOLD DOWN ANGLE TYP	3553500C1	8	0HL8D	366
CLAMP, BRK CHAMBER	2504812C91	4	3566654C91	223
CLAMP, CABLE	2003460C1	12	641009A008	795
CLAMP, CABLE	430277R91	4	0MT49	238
CLAMP, CABLE CLOSED	446075R91	16	07TDL	1523
CLAMP, CABLE COATED 1.0 ID .406 DIA MTG HOLE	2003460C1	12	641009A008	795
CLAMP, CABLE OR PIPE	981986R91	8	0HDDK	655
CLAMP, CABLE RUBBER CUSHIONED	1684265C1	4	0J0LQ	127
CLAMP, CABLE SGL-COATED 11/16 X .406 MTG G	299565C1	12	641009A008	795
CLAMP, CAC HOSE	2005763C91	12	07PJX	780
CLAMP, EXHAUST PIPE*CLAMP, TURB	3553803C2	7	06X8D	350
CLAMP, EXHAUST PIPE*EXH BRAKE T	3575670C91	7	0HGRZ	342
CLAMP, HEAT EXCHANGER	3557854C1	12	07PJX	780
CLAMP, HEAT EXCHANGER	3557854C1	12	3543959C94	784
CLAMP, HEAT EXCHANGER	3557857C1	12	07PJX	780
CLAMP, HEAT EXCHANGER	3557857C1	12	3543959C94	784
CLAMP, HEAT EXCHANGER	3557858C1	12	3563258C91	782
CLAMP, HEAT EXCHANGER*MUBEA 29	3576742C1	5	0FSWW	269
CLAMP, HEAT EXCHANGER*MUBEA, FO	3523434C1	12	07PJY	854
CLAMP, HEAT EXCHANGER, MUBEA 36	3607027C1	5	0FSWW	269
CLAMP, HOOD SPT HOSE W/LINER (0.625-1.0 0 IN) ID	576166C1	12	641016L002	755
CLAMP, HOSE 3-1/16 IN - 4 IN	3602522C1	16	3602447C91	1534
CLAMP, HOSE HI TORQUE	576177C1	12	3560955C91	753
CLAMP, HOSE HIGH TORQUE	576181C1	12	3560955C91	753
CLAMP, HOSE, HI-TORQUE	576166C1	12	641016L002	755
CLAMP, MIR TUBE CLAMP BLACK (1)	2507274C1	16	3561587C94	1612
CLAMP, MIR TUBE CLAMP BLACK (1)	2507274C1	16	3561588C94	1614

Part Description Index

Description	Part No.	Group	Figure	Page
CLAMP,MUFFLER	2015640C1	7	3579389C1	347
CLAMP,MULTIPLE RUBBER CUSHION	505202C1	8	0GCJR	371
CLAMP,NO.20 TYPE F HOSE	311164C91	12	641017L003	893
CLAMP,OIL FILLER MTG	690835C1	12	641006M011	903
CLAMP,PIPE CUSHIONED SINGLE 3	3579770C1	12	07PJQ	1162
CLAMP,PIPE SINGLE 19 MM	3554883C1	16	07TDL	1523
CLAMP,PIPE TEE ETC*SGL-CUSHION	3564290C1	4	06SPT	153
CLAMP,RAD INLET	3535083R1	12	07PJQ	1162
CLAMP,RAD OUTLET PIPE	3535084R1	12	07PJQ	1162
CLAMP,RUBBER	505211C1	4	0LNNN	162
CLAMP,RUBBER CLIP	299275C91	12	641006M011	903
CLAMP,RUBBER CUSHIONED	299264C91	12	06MYC	1012
CLAMP,RUBBER CUSHIONED	299269C91	16	07TDL	1523
CLAMP,RUBBER CV	449603R91	4	06SPT	153
CLAMP,SINGLE COATED	1671432C1	5	0FSWW	269
CLAMP,T-BOLT HEAT EXCHANGER	3546551C1	12	07PJX	780
CLAMP,TIE ROD END	2598782C91	2	2601612C91	103
CLAMP,TIE ROD END	2598783C91	2	2601612C91	103
CLEANER,ASSY AIR DRY TYPE 13"	3562349C91	12	07TXX	749
CLEANER,ASSY AIR DRY TYPE 13"	3562349C91	12	3562349C91	750
CLEVIS,ROD END*	3588752C1	9	3568420C92	707
CLEVIS,ROD END*	3588752C1	9	3568421C92	709
CLEVIS,ROD WELD ETC FRT CAB MO	3574682C1	16	3574671C91	1438
CLEVIS,ROD WELD ETC FRT CAB MO	3574682C1	16	3589599C91	1436
CLEVIS,SLACK ADJ STR 5/8	A1245P1030	4	3556963F91	226
CLEVIS,SLACK ADJ STRAIGHT 5/8	R801713	4	3556963F91	226
CLIP, HARNESS MTG.	1837148C1	12	1833443C95	804
CLIP, MOUNTING ENGINE HARNESS	1807336C1	12	641009A008	795
CLIP, PUSH -ON FASTNER	3557139C1	9	3610431C91	701
CLIP,BATTERY CABLE SADDLE	3573047C1	8	3616579F91	396
CLIP,DCDL SENSOR SWITCH	2501792C1	13	3600089C92	1249
CLIP,DOOR ROD GUIDE	2506037C1	16	3556202C94	1478
CLIP,DOOR ROD GUIDE	2506037C1	16	3556203C94	1481
CLIP,GRILLE MOULDING MTG	3558816C1	9	3610433C91	703
CLIP,HARNESS	1807336C1	12	1833443C95	804
CLIP,HARNESS	1807336C1	12	641009A008	795
CLIP,HARNESS RETAINER	1822897C1	12	1807455C92	806
CLIP,HARNESS RETAINER	1822897C1	12	1833443C95	804
CLIP,HARNESS RETAINER	1822897C1	12	1889905C91	802
CLIP,HOSE 1/4"	3555769C1	16	0FVYN	1491
CLIP,HOSE SEPARATOR	1674230C3	16	07TDL	1523
CLIP,HOSE WASHER VENT HOSE	3581068C1	16	06TJY	1648
CLIP,INSTR CLSTR CL0SEOUT TRM	2507003C1	16	3511042F93	1563
CLIP,INSTR CLSTR CL0SEOUT TRM	2507003C1	16	3511056F93	1573
CLIP,INSTR CLSTR CL0SEOUT TRM	2507003C1	16	3547254C1	1592
CLIP,INSTR PNL CTR PNL TRM BZL	2508859C1	16	3544344C2	1545
CLIP,MEDIUM	314249C91	8	06VZJ	411
CLIP,OPEN RUBBER DIPPED	2587187C1	12	3592631F91	747
CLIP,RETAINING DR WNDW HNDL	2507659C1	16	3508990C4	1484
CLIP,SPG RETAINER BEZEL	2585801C1	16	3546500C95	1521
CLIP,SPG RETAINER LARGE	2505338C1	16	3546500C95	1521
CLIP,SPRING TYPE	2024771C1	4	0F12N	221
CLIP,SPRING TYPE	2024771C1	4	3556963F91	226
CLIP,SPRING TYPE	2024772C1	4	0F12N	221
CLIP,SPRING TYPE	2024772C1	4	3556963F91	226
CLIP,SUN VISOR ROD LH	3565232C1	16	3546500C95	1521
CLIP,SUN VISOR ROD RH	3565233C1	16	3546500C95	1521
CLIP.ABS SENSOR	2589457C1	2	3599758F91	101

Part Description Index

Description	Part No.	Group	Figure	Page
CLUTCH,ASM 14" SAS 1.75 SPLINE	3584629C91	11	06MG9	730
CLUTCH,TRANS MASHFT SLIDING	FUL4304550	13	2507860C91	1261
COIL,COMPR PULLY CLUCH W/ACSY	2505911C91	16	3547916C1	1387
COLLAR, HUCK 5/8 DIA.	1518213C1	1	0BDC4	81
COLLAR, HUCK 5/8 DIA.	1518213C1	3	07W2Z	114
COLLAR, HUCK 5/8 DIA.	1518213C1	8	0HL8B	369
COLLAR, HUCK 5/8 DIA.	1518213C1	14	07Q7J	1333
COLLAR, HUCK 5/8 DIA.	1518213C1	14	07QT9	1319
COLLAR, HUCK 5/8 DIA.	1518213C1	14	07RTP	1311
COLLAR, HUCK 5/8 DIA.	1518213C1	15	0FV9D	1382
COLLAR, HUCK 5/8 DIA.	1518213C1	16	0GB2V	1433
COLLAR,CLUTCH	2508270C1	13	3600089C92	1249
COLLAR,HUCK BOLT	591545C1	7	3579388C91	348
COLLAR,I.A.D. CLUTCH	2503468C1	13	3600089C92	1249
COLLAR,I.A.D. CLUTCH	2503468C1	14	2503395C91	1292
COLLAR,SHIFT CLUTCH	1685253C1	14	1696762C91	1304
COLLAR,SHIFT CLUTCH	1685253C1	14	2503395C91	1292
COMPRESSOR, AIR	641016L002	12	641016L002	755
COMPRESSOR,AIR AIR BENDIX TU-FLO 550	2003252C97	12	641016L002	755
COMPRESSOR,AIR COND	3547916C1	16	06PSZ	1386
COMPRESSOR,AIR COND	3547916C1	16	3547916C1	1387
COMPRESSOR,ASM AIR BW TF550	2008344F91	12	0FB8Z	754
COMPRESSOR,ASM AIR BW TF550	2008344F91	12	2008344F91	757
COMPRESSOR,ASM AIR TU-FLO 550	2003252C97	12	641016L002	755
CONDENSER,AIR COND	2507482C91	12	2586041C91	1171
CONDENSER,AIR COND	2507482C91	12	3551081F92	828
CONDENSER,AIR COND PF CONDENS	3551081F92	12	07RRZ	827
CONDENSER,AIR COND PF CONDENS	3551081F92	12	3551081F92	828
CONDUIT, CONV.	1822645C1	12	641011E002	948
CONDUIT, CONV.	1822646C1	12	641011E002	948
CONDUIT,CABLE ELEC 1-1/4	584067C1	16	07TDL	1523
CONDUIT,CABLE ELECTRICAL 1"ID	450017C1	5	0FSWW	269
CONDUIT,HOSE PROTECTIVE	4305602R1	12	641016L002	755
CONN,BODY DT 6-WY FEMAL E-SEAL	3572900C1	8	3572525C91	562
CONNECTING ROD(I-308) UNIT	641004A002	12	3540803F92	934
CONNECTING ROD(I-308) UNIT	641004A002	12	641004A002	917
CONNECTOR, METRI-PACK 150 SERS	2031871C1	16	3549338C92	1579
CONNECTOR,1/4 NPTF 3/8 OD	606819C1	12	1830622C92	821
CONNECTOR,1/4 NPTF 3/8 OD	606819C1	12	1836287C91	901
CONNECTOR,1/4 NPTF 3/8 OD	606819C1	12	641011L019	899
CONNECTOR,1/4MPT X 3/8QC STRGT	2017484C1	4	0LNNN	162
CONNECTOR,1/4MPT X 3/8QC STRGT	2017484C1	4	0MT69	140
CONNECTOR,1/8 NPT X 3/8 TUBE	1819772C1	12	641011L019	899
CONNECTOR,3/8MPT X 3/8QC STRGT	2017487C1	4	0MT69	140
CONNECTOR,ADAPTER PIPE TO HOSE	3532627C1	13	0M6Q2	1255
CONNECTOR,BODY 38-WAY FEMALE G	3535306C1	8	3545551C92	543
CONNECTOR,BODY 38-WAY FEMALE G	3535306C1	8	3557990C91	482
CONNECTOR,BODY 38-WAY FEMALE G	3535306C1	8	3568510C91	485
CONNECTOR,BODY 38-WAY FEMALE G	3535306C1	8	3581887C91	426
CONNECTOR,BODY METRI-PACK 6-WY	2011340C1	8	3568498C91	453
CONNECTOR,BODY*	1678137C1	8	3572242F91	521
CONNECTOR,BODY* 480 SEALED	2031520C1	8	3547673C91	380
CONNECTOR,BODY** FEMALE 8-WAY(3525874C1	12	3579843C91	1227
CONNECTOR,BODY** MALE 8-WAY(15	3525872C1	8	3561092C91	476
CONNECTOR,BODY*2-WAY MICRO-PAK	3535379C1	8	3560276C91	449
CONNECTOR,BODY*60 WAY	3541979C1	12	3560346C92	1204
CONNECTOR,BODY*60 WAY	3541979C1	12	3577574C91	1018
CONNECTOR,BODY*60 WAY	3541979C1	12	3579843C91	1227

Part Description Index

Description	Part No.	Group	Figure	Page
CONNECTOR,BODY*8 WAY BLUE PACK	3548933C1	8	3560276C91	449
CONNECTOR,BODY*8 WAY BROWN PAC	3548934C1	8	3560280C91	444
CONNECTOR,BODY*9 PIN DIAG CONN	3544066C1	8	3567203C91	614
CONNECTOR,BODY*AMP JR-PWR-TIME	3558022C1	8	3572236F91	528
CONNECTOR,BODY*AMP JR-PWR-TIME	3558022C1	8	3572240F91	502
CONNECTOR,BODY*AMP JR-PWR-TIME	3558022C1	8	3572242F91	521
CONNECTOR,BODY*AMP JR-PWR-TIME	3558022C1	12	3560343C91	1023
CONNECTOR,BODY*AMP JR-PWR-TIME	3558022C1	12	3560346C92	1204
CONNECTOR,BODY*AMP JR-PWR-TIME	3558022C1	12	3577574C91	1018
CONNECTOR,BODY*AMP JR-PWR-TIME	3558026C1	8	3560276C91	449
CONNECTOR,BODY*AMP JR-PWR-TIME	3558026C1	8	3560277C91	550
CONNECTOR,BODY*AMP JR-PWR-TIME	3558026C1	8	3560280C91	444
CONNECTOR,BODY*AMP JR-PWR-TIME	3558026C1	8	3568513C91	433
CONNECTOR,BODY*AMP JR-PWR-TIME	3558026C1	8	3581887C91	426
CONNECTOR,BODY*AMP JR-PWR-TIME	3558026C1	8	3588674C91	471
CONNECTOR,BODY*CABLE-18 WAY CI	3554088C1	8	3581887C91	426
CONNECTOR,BODY*CABLE-30 WAY CI	3554087C1	8	3581887C91	426
CONNECTOR,BODY*CABLE-30 WAY CI	3554087C1	8	3581917C91	460
CONNECTOR,BODY*CNTR STRAIN REL	3533832C1	8	3557990C91	482
CONNECTOR,BODY*CNTR STRAIN REL	3533832C1	8	3560276C91	449
CONNECTOR,BODY*CNTR STRAIN REL	3533832C1	8	3572525C91	562
CONNECTOR,BODY*CNTR STRAIN REL	3533832C1	8	3581900C91	421
CONNECTOR,BODY*CNTR STRAIN REL	3533832C1	16	3549338C92	1579
CONNECTOR,BODY*CONNECTOR, PIN	3566554C91	8	3568498C91	453
CONNECTOR,BODY*CONNECTOR, PIN	3566554C91	8	3568510C91	485
CONNECTOR,BODY*CONNECTOR, PIN	3566554C91	8	3568513C91	433
CONNECTOR,BODY*CONNECTOR, PIN	3566554C91	8	3568528C91	465
CONNECTOR,BODY*CONNECTOR, PIN	3566554C91	8	3581917C91	460
CONNECTOR,BODY*CONNECTOR, SOCK	3566553C1	8	3567203C91	614
CONNECTOR,BODY*FUSE/CIRCUIT BR	3545599C91	8	3545551C92	543
CONNECTOR,BODY*FUSE/CIRCUIT BR	3545599C91	8	3560277C91	550
CONNECTOR,BODY*FUSE/CIRCUIT BR	3545599C91	8	3561092C91	476
CONNECTOR,BODY*FUSE/CIRCUIT BR	3545599C91	8	3568510C91	485
CONNECTOR,BODY*FUSE/CIRCUIT BR	3545599C91	8	3568513C91	433
CONNECTOR,BODY*FUSE/CIRCUIT BR	3545599C91	8	3572525C91	562
CONNECTOR,BODY*FUSE/CIRCUIT BR	3545599C91	8	3581887C91	426
CONNECTOR,BODY*FUSE/CIRCUIT BR	3545599C91	8	3581900C91	421
CONNECTOR,BODY*RELAY BLOCKS FO	3545600C91	8	3568513C91	433
CONNECTOR,BODY*RELAY BLOCKS FO	3545600C91	8	3568528C91	465
CONNECTOR,BODY*RELAY BLOCKS FO	3545600C91	8	3581900C91	421
CONNECTOR,BODY*RELAY BLOCKS FO	3545600C91	8	3588674C91	471
CONNECTOR,BODY,2-WAY F P480 M	3599253C1	16	3545211C93	1536
CONNECTOR,BUS BAR*BUS BAR* 150	3543729C1	12	3560343C91	1023
CONNECTOR,BUS BAR*BUS BAR* 150	3543730C1	8	3560276C91	449
CONNECTOR,BUS BAR*BUS BAR* 150	3543733C1	8	3560276C91	449
CONNECTOR,BUS BAR*BUS BAR* 150	3543733C1	8	3561092C91	476
CONNECTOR,BUS BAR*BUS BAR* 150	3543733C1	8	3581887C91	426
CONNECTOR,CABLE 2-WAY PLUG	1684261C1	8	3572240F91	502
CONNECTOR,CABLE 3-WAY MALE	1686834C1	8	3572240F91	502
CONNECTOR,CABLE 8M M/P 280	2005836C1	16	3545211C93	1536
CONNECTOR,CABLE FEMALE 630	1667732C1	8	3568513C91	433
CONNECTOR,CABLE FEMALE 630	1667732C1	8	3588674C91	471
CONNECTOR,CABLE SEE 19 FOR 4 A	3551896C1	8	3572236F91	528
CONNECTOR,COMP TUBE	298608C11	12	06VS3	1026
CONNECTOR,FLARED PIPE 5/8 45D	116487	4	0LNNN	162
CONNECTOR,INJECTOR CYLINDER	1815924C2	12	1807455C92	806
CONNECTOR,INJECTOR CYLINDER	1815924C2	12	1889905C91	802
CONNECTOR,IPR	1807322C1	12	1833443C95	804

Part Description Index

Description	Part No.	Group	Figure	Page
CONNECTOR,MALE 3-WY,150 METRIP	1667741C1	12	3577574C91	1018
CONNECTOR,PTC 1/2MPT X 3/4QC	2017493C1	4	0MT69	140
CONNECTOR,PUSH TO CONNECT*	2017481C1	7	0HGRZ	342
CONNECTOR,PUSH TO CONNECT*	2017481C1	12	07SL0	1040
CONNECTOR,PUSH TO CONNECT*	2017483C1	13	07VRS	1254
CONNECTOR,PUSH TO CONNECT*	2017491C1	4	0H75S	134
CONNECTOR,QC PMT ADAPTER	3606280C1	16	0G9F8	1388
CONNECTOR,RECTIFIER 480SEALED	2031522C1	8	3547673C91	380
CONNECTOR,UNION 1/4PLN 45D FLA	425364R1	7	0HGRZ	342
CONNECTOR,WASHER HOSE 5/32	3557100C1	16	3550838C95	1675
CONTAINER,PULL CUP	2505201C1	16	3533752C94	1432
CONTAINER,PULL CUP	2505201C1	16	3558221C92	1553
CONTROL,COMPUTER ABS EC-30	3572462C1	4	0J3JB	231
CONTROL,ELECTRONIC CEC HARDWAR	3534677F91	12	0FBJH	790
CONTROL,ELECTRONIC CEC HARDWAR	3534677F91	12	3534677F91	793
CONTROL,ELECTRONIC*ESC2, W/BOO	3579251C3	8	3579251C3	618
CONTROL,ELECTRONIC*ESC2, W/BOO	3579251C3	8	3579360F93	619
CONTROL,HEATER AND AC	3545543C3	16	3545543C3	1597
CONTROL,HEATER AND AC	3545543C3	16	3545546F93	1598
CONTROL,SOLENOID	2598046C91	12	3610516C91	1193
CONVERTER,POWER, 12/24V BATTER	3616009C91	8	3613280C92	398
COOLER, OIL	641013C002	12	641013C002	819
COOLER,AIR BRAKE OR DRYER	1621397C91	4	0MSR4	158
COOLER,AIR BRAKE OR DRYER	1621397C91	4	1621397C91	160
COOLER,ASM OIL	1830622C92	12	1830622C92	821
COOLER,ASM OIL	1830622C92	12	641013C002	819
COOLER,ASM OIL	1841739C91	12	1833359C94	825
COOLER,ASM OIL	1841739C91	12	1841739C91	823
COOLER,CHARGE AIR	2507372C1	12	2586041C91	1171
COOLER,OIL	1815904C2	12	1830622C92	821
COOLER,OIL	1815904C2	12	1841739C91	823
COOLER,OIL PWR STRG/TRANS	2021064C1	13	0M5GN	1258
CORE,ASM HEATER	3542604C3	16	3530971C96	1539
CORE,ASSY VLV A/C CHRNG M8	2507537C1	16	3548042C1	1541
CORE,VALVE A/C HOSE	2503677C1	16	3557557C94	1528
CORE,VALVE ASSY A/C CHARGING V	3544706C1	16	3557558C91	1526
COUPLING,PTC 3/8 QC	2017507C1	4	0J0LQ	127
COUPLING,PUSH TO CONNECT*	2017506C1	16	0FVYN	1491
COUPLING,PUSH TO CONNECT*	3522524C1	4	0J0LQ	127
COVER ASM, FRONT CRANKCASE (REAR HALF)	1826335C91	12	641006B009	832
COVER ASSEMBLY, VALVE	1828262C92	12	1828262C92	841
COVER ASSEMBLY, VALVE	1828262C92	12	641008D013	839
COVER ASSY,T/S LGT BULB SOCKET	2586076C91	8	3610437C91	510
COVER ASSY,T/S LGT BULB SOCKET	2586076C91	8	3610438C91	516
COVER ASSY.,FRONT (REAR HALF)	1826335C91	12	1826335C91	834
COVER ASSY.,FRONT (REAR HALF)	1826335C91	12	641006B009	832
COVER PROTECTIVE	435654C2	16	3593358C2	1624
COVER, CHASSIS HARNESS	1833424C1	12	641009A008	795
COVER, CLOSEOUT COWL/DASH PANE	3550841C5	16	3550838C95	1675
COVER, COOLANT FILTER	1830305C1	12	641005M005	831
COVER, COOLANT FILTER	641005M005	12	641005M005	831
COVER, CRANKCASE	1820465C4	12	641006B009	832
COVER, ENGINE HARNESS	1833423C1	12	1833443C95	804
COVER, FRONT (FRONT HALF)	1820465C4	12	641006B009	832
COVER, FRONT (I-308)	641006B009	12	641006B009	832
COVER, VALVE	1828262C92	12	641008D013	839
COVER, VALVE	641008D013	12	641008D013	839

Part Description Index

Description	Part No.	Group	Figure	Page
COVER,*	3539681C2	8	0HL8D	366
COVER,A-PILLAR TRIM LH	3545399C3	16	0D92B	1547
COVER,A-PILLAR TRIM RH	3543556C3	16	0D92B	1547
COVER,AIR CLEANER	3546422C1	12	3562349C91	750
COVER,AIR GOV	321739R1	4	410986C92	151
COVER,ASSY ENG I6	3508281C93	16	0JT53	1512
COVER,ASSY ENG I6	3508281C93	16	3508281C93	1513
COVER,CAB EXHAUSTER	3615832C1	16	0LV7L	1530
COVER,COOLANT FILTER	1830305C1	12	641005M005	831
COVER,CTSHFT REAR BRG	FUL4301607	13	3568551F91	1263
COVER,DR PIN GEAR BRG CAGE	1670299C1	14	2503395C91	1292
COVER,ELEC CONT PANEL*POW	3554608C1	8	3554606C91	441
COVER,ENGINE I6 ENGINE	3508276C2	16	3508281C93	1513
COVER,FRONT (REAR HALF)	1826315C1	12	1826335C91	834
COVER,GAUGE HOLE*BLANK - INSTR	3533906C1	16	3536055F91	1565
COVER,INSTRU PNL OPENING	3534054C2	8	3594373F91	623
COVER,INSTRU PNL OPENING	3534054C2	8	3598054F91	590
COVER,INSTRUMENT PANEL CTR	3544344C2	16	06RNB	1544
COVER,INSTRUMENT PANEL CTR	3544344C2	16	3544344C2	1545
COVER,MOTOR BLOWER LPM	3576604C1	16	3530971C96	1539
COVER,PTO OPENING PAD	FUL201398	13	3568551F91	1263
COVER,STEER COL HSNL LWR-TC7	2505868C1	5	2505690C91	280
COVER,STEER COL HSNL TOP-TC7	2505867C1	5	2505690C91	280
COVER,TRANS BELL HSG	FUL23380	13	3549043F91	1234
COVER,TRANSFER CASE	2589031C1	13	3600089C92	1249
COVER,TRIM HEATER	3542607C2	16	3530971C96	1539
COVER,VALVE	1827895C2	12	1828262C92	841
COVER,XMSN OPENING	3558328C93	16	0G4M9	1643
CRANKCASE	1830279C1	12	1830617C92	844
CRANKCASE	641006A005	12	641006A005	842
CRANKCASE (I-308) UNIT	641006A005	12	3540803F92	934
CRANKCASE (I-308) UNIT	641006A005	12	641006A005	842
CRANKCASE ASM	1830617C92	12	641006A005	842
CRANKCASE ASSEMBLY	1830617C92	12	1830617C92	844
CRANKCASE ASSEMBLY	1830617C92	12	641006A005	842
CRANKSHAFT	1830620C1	12	1830596C91	848
CRANKSHAFT	641007A004	12	641007A004	846
CRANKSHAFT ASM	1830596C91	12	641007A004	846
CRANKSHAFT ASSEMBLY	1830596C91	12	1830596C91	848
CRANKSHAFT ASSEMBLY	1830596C91	12	641007A004	846
CRANKSHAFT UNIT (I-308)	641007A004	12	3540803F92	934
CRANKSHAFT UNIT (I-308)	641007A004	12	641007A004	846
CREGULATOR W/LEADS	ZLNR2401034	8	3610514C91	362
CROSSMEMBER	1664609C3	14	1664557C92	1336
CROSSMEMBER, BOGIE	3594746C1	14	07Q7J	1333
CROSSMEMBER,*FRT TOW LOOP	3540856C4	1	3540856C4	78
CROSSMEMBER,*FRT TOW LOOP	3540856C4	1	3616541C1	79
CROSSMEMBER,*PIPE	3590924C1	1	3540856C4	78
CROSSMEMBER,CAB REAR SUPT	3566415C93	16	0GB2V	1433
CROSSMEMBER,CAB REAR SUPT	3566415C93	16	3566415C93	1441
CROSSMEMBER,CAB REAR SUPT*ASSY	3558573C6	16	0GB2V	1433
CROSSMEMBER,CAB REAR SUPT*ASSY	3558573C6	16	3558573C6	1443
CROSSMEMBER,CAB REAR SUSP	2586469C1	16	3540379C96	1451
CROSSMEMBER,ENGINE MTG FRONT	1664732C4	12	3538857C93	861
CROSSMEMBER,ENGINE MTG REMOVEA	3538857C93	12	07NDS	859
CROSSMEMBER,ENGINE MTG REMOVEA	3538857C93	12	3538857C93	861
CROSSMEMBER,RAD SUPT*XMBER FOR	3566349C2	1	3567132C93	74
CROSSMEMBER,RAD SUPT*XMBER FOR	3567132C93	1	0M7YB	72

Part Description Index

Description	Part No.	Group	Figure	Page
CROSSMEMBER,RAD SUPT*XMBER FOR	3567132C93	1	3567132C93	74
CROSSMEMBER,TOWING EYE, ASSY	3616541C1	1	07VQC	76
CROSSMEMBER,TOWING EYE, ASSY	3616541C1	1	3616541C1	79
CUP,SYNCHRONIZER	FUL4301466	13	2507860C91	1261
CUP,SYNCHRONIZER	FUL4301467	13	2507860C91	1261
CUP-TAPER-BRG	HM813810	13	3600089C92	1249
CUSHION,BACK HI 1/3 VINYL FXD	2509756C91	16	3575748C93	1618
CUSHION,BACK HI GRAY VINYL	2585487C91	16	3558491C92	1507
CUSHION,SEAT GRAY VINYL	2505891C91	16	3558491C92	1507
CUSHION,SEAT W/CVR	2507654C91	16	3575748C93	1618
CYLINDER HEAD UNIT (I-308/530)	641008A009	12	3553584F91	870
CYLINDER HEAD UNIT (I-308/530)	641008A009	12	641008A009	875
CYLINDER,AIR SHIFT	2508284C1	13	3600089C92	1249
CYLINDER,I.A.D.SHIFT	1696962C91	14	2503395C91	1292
CYLINDER,IAD AIR SHIFT D/L	1696245C91	14	1696762C91	1304
CYLINDER,IAD AIR SHIFT D/L	1696245C91	14	2503395C91	1292
CYLINDER,SHIFT	3261A1067	14	2503395C91	1292
DAMPER	1830736C91	12	641007B006	850
DAMPER ASSEMBLY	1830736C91	12	1830736C91	852
DAMPER ASSEMBLY	1830736C91	12	641007B006	850
DAMPER, VIBRATION	641007B006	12	641007B006	850
DAMPER,VIBRATION EMD-1701	1820856C2	12	1830736C91	852
DEFLECTOR,ROAD SPLASH	3610869C1	9	0DDTF	716
DIAPHRAGM,BRK CHAMBER TYPE 30	2501628C1	4	3566654C91	223
DIFFERENTIAL,F/R 6.14 814GTJ	2503395C91	14	2503395C91	1292
DIFFERENTIAL,F/R 6.14 814GTJ	2503395C91	14	3609621C91	1288
DIFFERENTIAL,FD 6.14 02ESA,B,C	2507920C91	2	2507920C91	94
DIFFERENTIAL,FD 6.14 02ESA,B,C	2507920C91	2	3556990F91	97
DIFFERENTIAL,FD 6.14 FC#9	3556990F91	2	0FWS7	92
DIFFERENTIAL,FD 6.14 FC#9	3556990F91	2	3556990F91	97
DIFFERENTIAL,R/R 6.14 14GRN	1696762C91	14	1696762C91	1304
DIFFERENTIAL,R/R 6.14 14GRN	1696762C91	14	3602600C91	1300
DISC, TIMING SENSOR	1824723C1	12	641003A004	786
DISC,TIMING SENSOR	1824723C1	12	641003A004	786
DOOR ASSY HDWE MANUAL LH	3556202C94	16	06MT8	1471
DOOR ASSY HDWE MANUAL LH	3556202C94	16	3556202C94	1478
DOOR ASSY HDWE MANUAL RH	3556203C94	16	06MT8	1471
DOOR ASSY HDWE MANUAL RH	3556203C94	16	3556203C94	1481
DOOR,*POWER DISTRIBUTION CENTE	3554609C1	8	3554606C91	441
DOOR,A/C FRESH/RECIRC AIR	3542574C2	16	3602447C91	1534
DOOR,CAB LT ASSY WELDED	3560064C94	16	0H9RV	1390
DOOR,CAB LT ASSY WELDED	3560064C94	16	3560064C94	1394
DOOR,CAB LT ASSY WELDED	3560064C94	16	3579484C93	1392
DOOR,CAB LT INNER ASSY	3560062C94	16	3560062C94	1395
DOOR,CAB LT INNER ASSY	3560062C94	16	3560064C94	1394
DOOR,CAB LT OUTER ASSY	3555091C91	16	3560064C94	1394
DOOR,CAB RT ASSY WELDED	3560065C94	16	0H9RV	1390
DOOR,CAB RT ASSY WELDED	3560065C94	16	3560065C94	1397
DOOR,CAB RT ASSY WELDED	3560065C94	16	3579484C93	1392
DOOR,CAB RT INNER ASSY	3560063C94	16	3560063C94	1398
DOOR,CAB RT INNER ASSY	3560063C94	16	3560065C94	1397
DOOR,CAB RT OUTER ASSY	3555092C91	16	3560065C94	1397
DRIVE ASSY	LNP852957	12	3610516C91	1193
DRIVE,FAN & MTG ASM	3545365C91	12	07SHT	1041
DRUM,BRAKE FRT 16.5X6 BALANCED	2501597C1	17	3556968F91	1687
DRUM-BRAKE 16.5X7 BAL 1PC	ZBR3600AX	17	2003838C94	1692
DRUM-BRAKE 16.5X7 BAL 1PC	ZBR3600AX	17	2014885C93	1694
DRVR CONT TLT COLM W/TC-7	3562717F92	5	06BMC	275

Part Description Index

Description	Part No.	Group	Figure	Page
DRVR CONT TLT COLM W/TC-7	3562717F92	5	3562717F92	276
DUCT,AIR COND LT HOUSING	3542570C3	16	3602447C91	1534
DUCT,AIR COND RT HOUSING	3542571C3	16	3602447C91	1534
DUCT,CAB EXAUSTER	3544247C1	16	0LV7L	1530
DUCT,FLOOR DRIVER LHD	3542600C1	16	0LV7L	1530
ELBOW	299466C11	12	06VS3	1026
ELBOW	299466C11	12	299466C11	1030
ELBOW ASSY.,37-DEG O-RING BOSS	1825563C91	12	1825563C91	933
ELBOW ASSY.,37-DEG O-RING BOSS	1825563C91	12	641011E002	948
ELBOW COMP TUBE S	299466C1	12	299466C11	1030
ELBOW ELBOW,90 DEG-37 DEG FLARED TUBE 9/16-18	9410976	12	641011E002	948
ELBOW, 1/2-14 PLN AUTO 90D PIP	444044	13	0M6Q2	1255
ELBOW, 1/4 PLN 45D FLARED TUBE	118753	7	0HGRZ	342
ELBOW, 1/4 PLN 45D FLARED TUBE	118753	12	641016L002	755
ELBOW, 1/8 PLN BALL SLEEVE TUB	140303	12	299466C11	1030
ELBOW, 3/4-14 PLN AUTO 90D PIP	444046	12	07PJY	854
ELBOW, 3/8-18 PLN AUTO 90D PIP	444042	4	0MT49	238
ELBOW, 3/8-18 PLN AUTO 90D PIP	444042	15	0H3G3	1342
ELBOW, 5/8 PLN 45D FLARED TUBE	144283	13	0M6Q2	1255
ELBOW, 90 DEG STREET	2588920C1	13	3600089C92	1249
ELBOW, HOSE CONNECTOR 90 DEG.	571156C1	16	3558491C92	1507
ELBOW, QUALITY CONNECT*SPECIAL	3566174C1	14	0GNXX	1307
ELBOW, QUALITY CONNECT*SPECIAL	3566174C1	14	0GRRS	1282
ELBOW, QUALITY CONNECT*SPECIAL	3566949C1	4	0GBMF	122
ELBOW, WATER INLET	641005P005	12	641005P005	858
ELBOW,3/8QC X 3/8-18NPTF 90DEG	3581727C1	4	0MT69	140
ELBOW,45 DEGREE	9411105	5	3590829C91	271
ELBOW,90 1/4 TB 1/8M-NPT DOT	2502510C1	16	3540379C96	1451
ELBOW,90 DEGREE PLASTIC	NS18002753	16	3558491C92	1507
ELBOW,90DEG 1/2MPT X 1/2 HOSE	864457R1	12	641016L002	755
ELBOW,90DEG 9/16 SWIVEL	9410280	13	0M6Q2	1255
ELBOW,COMP TUBE 5/8X1/2P	59390R1	4	06SPT	153
ELBOW,FLARED TUBE	3590829C91	5	0FSWW	269
ELBOW,FLARED TUBE	3590829C91	5	3590829C91	271
ELBOW,HOSE	413729C1	12	07PJY	854
ELBOW,HOSE 3/4 X 1/2	864459R1	4	06SPT	153
ELBOW,HOSE CAC 4" COLD SIDE 45	3561905C1	12	3563258C91	782
ELBOW,HOSE GIVE SIZE	864450R1	16	07TDL	1523
ELBOW,HOSE*45 DEG 3/4-20 X 1/2	3576353C1	4	0MT69	140
ELBOW,HOSE*90 DEG 3/4-20 X 3/8	3576352C1	4	0MT69	140
ELBOW,HOSE-PUSH-ON*90 DEGREE 3	3535160C1	5	3593050C91	273
ELBOW,PIPE 1/2 TUBE 3/4-16	9410977	5	3590828C91	274
ELBOW,PIPE 45 DEG	2040534C2	5	3590827C91	272
ELBOW,PIPE 90-37D FL TB .56-18	9410976	12	1825563C91	933
ELBOW,PIPE 90-37D FL TB .56-18	9410976	12	641011E002	948
ELBOW,PIPE 90D 1/8MPTX1/8FPT	9409931	12	07SL0	1040
ELBOW,PIPE*45 DEG W/O-RING SEA	3590827C91	5	0FSWW	269
ELBOW,PIPE*45 DEG W/O-RING SEA	3590827C91	5	3590827C91	272
ELBOW,PIPE*90 DEG 1/2 MPT X 3/	3571905C1	4	0H75S	134
ELBOW,PIPE*90DEG ELBOW, 3/4" H	3593050C91	5	0FSWW	269
ELBOW,PIPE*90DEG ELBOW, 3/4" H	3593050C91	5	3593050C91	273
ELBOW,PIPE*ELBOW,90 DEG 3/4-16	3590828C91	5	0FSWW	269
ELBOW,PIPE*ELBOW,90 DEG 3/4-16	3590828C91	5	3590828C91	274
ELBOW,PTC 1/2 X 1/2	2024448C1	4	0J0LQ	127
ELBOW,PTC*1/2M X 1/2F	2506194C1	4	3540368F94	197
ELBOW,PTC*3/8M X 3/8F	2506193C1	4	3540368F94	197
ELBOW,PUSH TO CONNECT*	2024445C1	12	07V15	763

Part Description Index

Description	Part No.	Group	Figure	Page
ELBOW,PUSH/CON 3/8 90D SWVL	BX5013664	4	3596757C91	147
ELBOW,PUSH/CON 3/8" 90D	BX5010948	4	3596757C91	147
ELBOW,QC 90D 1/4NPT X 1/4QC	2017510C1	7	0HGRZ	342
ELBOW,QC 90D 1/4NPT X 1/4QC	2017510C1	13	07VRS	1254
ELBOW,QC 90D 1/8NPT X 1/4QC	2017508C1	12	07SL0	1040
ELBOW,QC*90D 1/2MPT X 3/4 TUBE	2017520C1	4	3571402F94	169
ELBOW,QC*90D 1/2MPT X 5/8 TUBE	2017519C1	4	0LNNN	162
ELBOW,QC*90D 1/2MPT X 5/8 TUBE	2017519C1	4	0MT69	140
ELBOW,QC*90D 1/2MPT X 5/8 TUBE	2017519C1	4	3571402F94	169
ELBOW,QC*90D 1/2MPT X 5/8 TUBE	2017519C1	4	3588790F92	171
ELBOW,QC*90D 3/8TUBE X 3/8STEM	2024446C1	4	0J0LQ	127
ELBOW,QC*90D 3/8TUBE X 3/8STEM	2024446C1	4	3588790F92	171
ELBOW,REDUCING 90DEG*1/4MX3/8F	3564894C1	14	0GNXX	1307
ELBOW,REDUCING 90DEG*1/4MX3/8F	3564894C1	14	0GRRV	1314
ELBOW,SNAP TO CONNECT 45 DEG	3520250C1	4	06SPT	153
ELBOW,SNAP TO CONNECT 5/8X 1/2	3507269C1	4	0MT69	140
ELCTRCAL IP KEY SW & LK SET	3552933F91	8	06SV1	594
ELCTRCAL IP KEY SW & LK SET	3552933F91	8	3552933F91	595
ELEC CTR CHAS, 7/14 PK DLNK	3554005F93	8	0JF84	570
ELEC CTR CHAS, 7/14 PK DLNK	3554005F93	8	3554005F93	571
ELEC CTR CHAS, AIR ABS +3000M	3555967F92	8	0FCS1	408
ELEC CTR CHAS, AIR ABS +3000M	3555967F92	8	3555967F92	409
ELEC CTR CHAS, BASE +3000MM	3555956F92	8	0FCS0	402
ELEC CTR CHAS, BASE +3000MM	3555956F92	8	3555956F92	403
ELEC CTR CHAS, L FUEL	3553996F91	8	0JF60	404
ELEC CTR CHAS, L FUEL	3553996F91	8	3553996F91	405
ELEC CTR CHAS, LEFT SD	3566360F91	8	0FCS8	568
ELEC CTR CHAS, LEFT SD	3566360F91	8	3566360F91	569
ELEC CTR CHAS,*REAR & R	3556086F92	8	0FCS6	573
ELEC CTR CHAS,*REAR & R	3556086F92	8	3556086F92	574
ELEC CTR CHAS,*SS/RH WA	3558533F91	8	0JFCK	578
ELEC CTR CHAS,*SS/RH WA	3558533F91	8	3558533F91	579
ELEC CTR CHAS,*WORK LIG	3553986F92	8	0FCS5	406
ELEC CTR CHAS,*WORK LIG	3553986F92	8	3553986F92	407
ELEC CTR CHS-BOD BLD BOC	3592077F91	8	0JFJC	572
ELEC DASH HARN NCRNK INHIB	3588570F91	8	0FZG3	463
ELEC DASH HARN NCRNK INHIB	3588570F91	8	3588570F91	464
ELEC DASH HARN XFER CS WARN	3588130F91	8	0FZG9	479
ELEC DASH HARN XFER CS WARN	3588130F91	8	3588130F91	480
ELEC DASH HARN,ABS DATALINK	3581915F91	8	0CSCCL	458
ELEC DASH HARN,ABS DATALINK	3581915F91	8	3581915F91	459
ELEC DASH,AIR ABS N/ATC	3581889F91	8	0CS7M	424
ELEC DASH,AIR ABS N/ATC	3581889F91	8	3581889F91	425
ELEC DASH,FUEL HTR/SEPARATR	3582042F91	8	0CSCB	558
ELEC DASH,FUEL HTR/SEPARATR	3582042F91	8	3582042F91	559
ELEC DCM*CLOCKSPRING	3545990F91	8	0DCJY	494
ELEC DCM*CLOCKSPRING	3545990F91	8	3545990F91	495
ELEC DUAL HORN W/M-NGV-SS	3572697F91	8	0G1PT	526
ELEC FUEL/WTR SEP N/TMP SN	3572250F91	8	0FVJ9	525
ELEC FWD CHAS BASE	3572236F91	8	0F64M	527
ELEC FWD CHAS BASE	3572236F91	8	3572236F91	528
ELEC FWD CHAS BNDX AIR ABS	3572240F91	8	0F650	501
ELEC FWD CHAS BNDX AIR ABS	3572240F91	8	3572240F91	502
ELEC FWD CHAS ETHER ST SS	3572244F91	8	0F659	524
ELEC INTL I6 ENG*ETHE	3550557F92	12	0F10F	1032
ELEC INTL I6 ENG*ETHE	3550557F92	12	3550557F92	1033
ELEC INTL I6 ENG*FREO	3550553F93	12	0F10C	1021
ELEC INTL I6 ENG*FREO	3550553F93	12	3550553F93	1022

Part Description Index

Description	Part No.	Group	Figure	Page
ELEC INTL I6 ENG*N/	3550558F93	12	0F10G	1202
ELEC INTL I6 ENG*N/	3550558F93	12	3550558F93	1203
ELEC INTL I6,J1939 W/MANUAL	3577524F91	12	0HQCG	1016
ELEC INTL I6,J1939 W/MANUAL	3577524F91	12	3577524F91	1017
ELEC INTL I6,MANL XMSN,STD	3579827F91	12	0HQ6Z	1225
ELEC INTL I6,MANL XMSN,STD	3579827F91	12	3579827F91	1226
ELEC INTL I6,W/AUX XMSN EFF	3579832F91	12	0J18X	1190
ELEC INTL I6,W/AUX XMSN EFF	3579832F91	12	3579832F91	1191
ELEC IP,3 SW HDLGT MOD-2LYR	3581699F91	16	0J7JK	1569
ELEC IP,3 SW HDLGT MOD-2LYR	3581699F91	16	3581699F91	1570
ELEC IP,DRV R CTRL LK DIF DB	3588124F91	8	0DC3W	628
ELEC IP,DRV R CTRL LK DIF DB	3588124F91	8	3588124F91	629
ELEC IP,ETHR STRT WRG&W/BRK	3581516F91	16	0DBW0	1581
ELEC IP,ETHR STRT WRG&W/BRK	3581516F91	16	3581516F91	1582
ELEC IP,EXH BRAKE ON/OFF SW	3578728F91	8	0DC6X	641
ELEC IP,EXH BRAKE ON/OFF SW	3578728F91	8	3578728F91	642
ELEC IP,FTR CAT#95 MISC EFF	3578228F91	8	0G1KJ	624
ELEC IP,FTR CAT#95 MISC EFF	3578228F91	8	3578228F91	625
ELEC IP,J1708/J1939 N/OPTNS	3582056F91	8	0MT13	611
ELEC IP,J1708/J1939 N/OPTNS	3582056F91	8	3582056F91	612
ELEC IP,MISC WRG-OPT PNL LT	3581429F91	8	0JV T2	608
ELEC IP,MISC WRG-OPT PNL LT	3581429F91	8	3581429F91	609
ELEC IP,MRKR LTS,FUSED,N/PW	3581426F91	16	0LFV4	1577
ELEC IP,MRKR LTS,FUSED,N/PW	3581426F91	16	3581426F91	1578
ELEC IP,OPT FB 3&4 W/2-WY R	3581517F91	8	0JKCD	605
ELEC IP,OPT FB 3&4 W/2-WY R	3581517F91	8	3581517F91	606
ELEC IP,OPT WARN W/XFER CAS	3588131F91	16	06P5C	1566
ELEC IP,OPT WARN W/XFER CAS	3588131F91	16	3588131F91	1567
ELEC IP,PDL IN/OUT SWITCH	3578747F91	8	0DC3X	636
ELEC IP,PDL IN/OUT SWITCH	3578747F91	8	3578747F91	637
ELEC IP,W/CIG LTR & W/BRKR	3581553F91	8	0DBN1	591
ELEC IP,W/CIG LTR & W/BRKR	3581553F91	8	3581553F91	592
ELEC IP,WARN LIGHT IGN ADAP	3588120F91	16	0FG0C	1605
ELEC IP,WARN LIGHT IGN ADAP	3588120F91	16	3588120F91	1606
ELEC IP; CENTER PANEL	3553759F91	8	0FBCV	410
ELEC IP; CLUSTER HOUSI	3554390F91	16	0LK4R	1599
ELEC IP; CLUSTER HOUSI	3554390F91	16	3554390F91	1600
ELEC IP; CLUSTER MOUNT	3554789F91	16	0DBW8	1594
ELEC IP; DOME & COURTESY LIGHT	3549471F92	16	0DC0X	1575
ELEC IP; DOME & COURTESY LIGHT	3549471F92	16	3549471F92	1576
ELEC IP; FUSE PANEL PR	3550655F91	8	06TDF	597
ELEC IP; FUSE PANEL PR	3550655F91	8	3550655F91	598
ELEC IP; GAUGES, CLUST	3547873F91	16	0DBW1	1583
ELEC IP; GAUGES, CLUST	3547873F91	16	3547873F91	1584
ELEC IP; LCD N/EATON A	3554423F91	16	0FFCK	1601
ELEC IP; LCD N/EATON A	3554423F91	16	3554423F91	1602
ELEC IP; PANEL, ELEC	3545804F92	8	0DBN3	603
ELEC IP; PANEL, ELEC	3545804F92	8	3545804F92	604
ELEC IP; W/AIR HORN SWITCH	3554184F91	8	0DCZL	626
ELEC IP; W/AIR HORN SWITCH	3554184F91	8	3554184F91	627
ELEC RR CHAS, BENDIX AIR ABS	3571023F92	8	0FBTY	583
ELEC RR CHAS, DIFF LK WRN LT	3571047F91	8	0FBV2	585
ELEC*W/R TRUCK BOX (S	3559964F92	8	0LSFK	385
ELEC*W/R TRUCK BOX (S	3559964F92	8	3559964F92	386
ELEC,BATT BOX STEPS-832MM	3576163F92	16	0J2LZ	1638
ELEC,BATT BOX STEPS-832MM	3576163F92	16	3576163F92	1639
ELECT DASH HARN,AIR SOL 7PK	3572597F91	8	0CSBW	566
ELECT DASH HARN,AIR SOL 7PK	3572597F91	8	3572597F91	567

Part Description Index

Description		Part No.	Group	Figure	Page
ELECT DASH HARNESS*HOSE FOR		3544531F92	8	0DVN0	587
ELECT DASH HARNESS*HOSE FOR		3544531F92	8	3544531F92	588
ELECT INTL I6 ENG 2 GA CHG		3550545F93	12	0F107	863
ELECT INTL I6 ENG 2 GA CHG		3550545F93	12	3550545F93	864
ELECT INTL I6 ENG EXH BRAKE		3576010F92	12	0F10D	1004
ELECT INTL I6 ENG EXH BRAKE		3576010F92	12	3576010F92	1005
ELECT INTL I6 ENG*HORTON FA		3550550F93	12	0F10B	1006
ELECT INTL I6 ENG*HORTON FA		3550550F93	12	3550550F93	1007
ELECT IP*ESC2 ASM, W/BOOT L		3579360F93	8	06SHZ	617
ELECT IP*ESC2 ASM, W/BOOT L		3579360F93	8	3579360F93	619
ELECT. CTR CHASSIS*TRANSFER		3561069F92	8	0JFFD	576
ELECT. CTR CHASSIS*TRANSFER		3561069F92	8	3561069F92	577
ELECTRIC,WIRING REAR CEC	U	641009A008	12	3534677F91	793
ELECTRIC,WIRING REAR CEC	U	641009A008	12	641009A008	795
ELECTRICAL DASH HARNESS*MAN		3561130F91	8	0CS9Y	474
ELECTRICAL DASH HARNESS*MAN		3561130F91	8	3561130F91	475
ELECTRICAL DCM*W/AIR BRAKES		3554195F93	8	06QS5	669
ELECTRICAL DCM*W/AIR BRAKES		3554195F93	8	3554195F93	670
ELECTRICAL IP*TRANSFER CASE		3578719F92	8	0DC3Y	631
ELECTRICAL IP*TRANSFER CASE		3578719F92	8	3578719F92	632
ELECTRONIC SENSORS-NGV	U	641009B005	12	3534677F91	793
ELECTRONIC SENSORS-NGV	U	641009B005	12	641009B005	798
ELEMENT,AIR CLEANER PRIMARY		3532801C1	12	3562349C91	750
ELEMENT,AIR CLEANER SECONDARY		3532800C1	12	3562349C91	750
ELEMENT,BREATHER		1825688C1	12	1828262C92	841
ELEMENT,CIGAR LIGHTER W/KNOB		3549468C92	8	3581553F91	592
ELEMENT,FUEL FILTER		1677004C91	15	1618386C93	1380
ELEMENT,OIL FILTER		1685141C1	14	2503395C91	1292
END ASSY TIE ROD LH		1681457C91	2	2599240C91	105
END ASSY TIE ROD LH		1681457C91	2	3599758F91	101
END ASSY TIE ROD RT		1681456C91	2	2599240C91	105
END ASSY TIE ROD RT		1681456C91	2	3599758F91	101
END,ASM TIE ROD LT		R230068	2	2601612C91	103
END,ASM TIE ROD RH		R230069	2	2601612C91	103
END,SPLINED STUB SPL-140		2504888C1	6	414STHXXXX	296
END,SPLINED STUB SPL-170		2500660C1	6	417LTPXXXX	314
ENG COOL*30 IN FAN SHROUD W		3588828F91	12	07RKC	1043
ENG, ACCESS*ACCEL PEDAL N/C		3592631F91	12	06LPB	746
ENG, ACCESS*ACCEL PEDAL N/C		3592631F91	12	3592631F91	747
ENGINE MOUNT, FRONT		641010M001	12	641010M001	1011
ENGINE,*PERF RAT,12NMX,DT530E,		3540803F92	12	0FB85	911
ENGINE,*PERF RAT,12NMX,DT530E,		3540803F92	12	3540803F92	934
EPI [SUPERCEDED] ITEM		1	16	0G7XT	1515
EVAPORATOR,AIR COND		3542576C2	16	3602447C91	1534
EXHAUST MANIFOLD UNIT		641014B001	12	3540803F92	934
EXHAUST MANIFOLD UNIT		641014B001	12	641014B001	936
EXTENSION CLIP		1673778C1	4	0J0LQ	127
EXTENSION CLIP		2002176C1	12	641009A008	795
EXTENSION, CLIP		1823920C1	12	641011L019	899
EXTENSION, CLIP		185816R1	8	0GCJR	371
EXTENSION,ASST FRT RNDR SFA RH		3571823C4	9	0JCH6	680
EXTENSION,CLIP		1823920C1	12	641011L019	899
EXTENSION,CLIP		2002176C1	12	641009A008	795
EXTENSION,CLIP		2034206C1	4	0G5H4	189
EXTENSION,CLIP		2034206C1	4	0GBMF	122
EXTENSION,CLIP		2034206C1	4	0H75S	134
EXTENSION,CLIP		2034206C1	4	0J0LQ	127
EXTENSION,CLIP		2034206C1	4	0LNNN	162

Part Description Index

Description	Part No.	Group	Figure	Page
EXTENSION, CLIP	2034206C1	4	OMT69	140
EXTENSION, CLIP	2034206C1	8	0HDJP	666
EXTENSION, CLIP	2034206C1	13	0M6Q2	1255
EXTENSION, CLIP	2034208C1	8	0CS5P	437
EXTENSION, CLIP	300788C1	4	06SPT	153
EXTENSION, CLIP	315850C1	4	0H75S	134
EXTENSION, CLIP	315850C1	4	0J0LQ	127
EXTENSION, CLIP	318721C1	8	0GCJR	371
EXTENSION, CLIP	3517469C1	4	0H75S	134
EXTENSION, CLIP	3517469C1	4	0J0LQ	127
EXTENSION, CLIP	3517469C1	8	0HQHQ	645
EXTENSION, CLIP	3541009C1	15	0H3G3	1342
EXTENSION, CLIP	3570615C1	4	0J0LQ	127
EXTENSION, CLIP	3570615C1	8	0HQHQ	645
EXTENSION, CLIP	439971C2	15	0H3G3	1342
EXTENSION, CLIP	530188C1	4	0LNNN	162
EXTENSION, CLIP	579891C1	4	0LNNN	162
EXTENSION, CLIP "Z"	3557543C1	16	07TDL	1523
EXTENSION, CLIP ASSY "L" STYLE	3566132C2	16	07TDL	1523
EXTENSION, CLIP ASSY "Z" STYLE	3538199C3	16	07TDL	1523
EXTENSION, CLIP ASSY "Z" STYLE	3546118C1	16	07TDL	1523
EXTENSION, CLIP FLAT	3553851C1	8	06PWH	360
EXTENSION, CLIP L TYPE	211088R1	16	06TJY	1648
EXTENSION, CLIP L TYPE	864340R1	8	0GCJR	371
EXTENSION, CLIP*	3551020C3	12	07PJQ	1162
EXTENSION, CLIP*	3551192C1	4	0H75S	134
EXTENSION, CLIP*	3551192C1	4	0J0LQ	127
EXTENSION, CLIP*90 DEG TWIST	3535174C1	8	0GCJR	371
EXTENSION, CLIP*SLOTTED LADDER-	3567391C1	4	0J0LQ	127
EXTENSION, EXH PIPE BRKT	3530796C1	15	0H3G3	1342
EXTENSION, FRT FNDR SFA LH	3571822C4	9	0JCH6	680
EYE, LIFTING	1833385C1	12	641008F002	882
EYE, LIFTING	641008F002	12	641008F002	882
EYE, LIFTING REAR	1820215C1	12	641008F002	882
EYE, REAR ENGINE LIFTING	1820215C1	12	641008F002	882
EYE, TOWING	431630C1	1	3540856C4	78
FAN, ENG COOLING 30" DIA 2.56"	3563602C1	12	07SHT	1041
FAN-CLOCKWISE	ZLNA0411029	8	3610514C91	362
FASTENER TRIM (BLACK)	1677377C1	9	0DDTF	716
FASTENER, ENGINE COVER CLIP	3541216C1	16	3508281C93	1513
FASTENER, SPECIAL*KNOB O-RING	1831376C1	12	1831415C92	808
FASTENER, TIE DOWN XTREMEMOUNT	3553405C1	8	06S2V	532
FASTENER, TRIM NYLON GROMMET	3548695C1	16	06NKY	1633
FASTENER, TRIM NYLON GROMMET	3548695C1	16	06QG0	1552
FASTENER, TRIM NYLON GROMMET	3548695C1	16	0D927	1518
FASTENER, TRIM NYLON GROMMET	3548695C1	16	0G7XT	1515
FASTENER, TRIM NYLON GROMMET	3548695C1	16	0JC0G	1431
FASTENER, TRIM NYLON GROMMET	3548695C1	16	0LV7L	1530
FASTENER, TRIM XMAS TREE 6.45 X	3584262C1	16	06NKY	1633
FASTENER, TRIM XMAS TREE GRAY	3548696C2	16	06SH8	1554
FASTENER, TRIM XMAS TREE GRAY	3548696C2	16	06SH9	1548
FASTENER, TRM 2-STG RVT SMK GRY	3511058C2	16	06NKM	1557
FASTENER, TRM 2-STG RVT SMK GRY	3511058C2	16	06QG0	1552
FASTENER, TRM 2-STG RVT SMK GRY	3511058C2	16	0JC0G	1431
FERRULE, SEAL ANTENNA TO COWL	3555650C1	16	3550838C95	1675
FILLER, BATTERY BOX *	3539603C1	8	3539604C2	394
FILLER, BATTERY BOX*	3539604C2	8	3539604C2	394
FILLER, BATTERY BOX*	3539604C2	8	3576152F93	388

Part Description Index

Description	Part No.	Group	Figure	Page
FILLER,BATTERY BOX*	3539765C2	8	3539604C2	394
FILTER ASSY, SHORT OIL	1842816C2	12	641013B003	963
FILTER, EXTENDED LIFE OIL	1833121C1	12	641013B002	964
FILTER, FUEL	1822588C1	12	1836287C91	901
FILTER, FUEL	641011L019	12	641011L019	899
FILTER, OIL	641013B002	12	641013B002	964
FILTER, OIL EXTENDED LIFE	1833121C1	12	641013B002	964
FILTER,DRIER AIR COND	3542577C2	16	3602447C91	1534
FILTER,EDGE,HI PRESS OIL PUMP	1825238C1	12	1830192C2	982
FILTER,FUEL	1618386C93	15	0FTZD	1379
FILTER,FUEL	1618386C93	15	1618386C93	1380
FILTER,MICRON FRESH AIR	3548705C1	16	0LV7L	1530
FILTER,OIL P/S RESERVOIR	2503221C1	5	3558153C93	258
FILTER,WATER*W/CAP AND LESS CO	3554348F91	12	0FB9F	1008
FILTER,WATER*W/CAP AND LESS CO	3554348F91	12	3554348F91	1009
FITTING 1/8" NPT X 3/8" TUBE	1819772C1	12	641011L019	899
FITTING TURBO OIL	1845826C92	12	1845826C92	1134
FITTING TURBO OIL	1845826C92	12	641015D001	1132
FITTING, 1/8 PTF X/SHORT LUB	109461	4	0DR90	240
FITTING, 1/8 PTF X/SHORT LUB	109461	6	270DYA1XXX	330
FITTING, ADAPTER FUEL RETURN	3552482C1	12	641011L019	899
FITTING, BANJO	1809797C1	12	641011L019	899
FITTING, CONNECTOR	118748	12	641016L002	755
FITTING, ELBOW "O" RING BOSS	1825563C91	12	641011E002	948
FITTING, ELBOW 45 DEGREE FLARED TUBE 1 /4"	118753	12	641016L002	755
FITTING, ELBOW 90 DEGREE 1/2" MPT X 1/ 2"	864457R1	12	641016L002	755
FITTING, FLEX TUBE 1/4" NPTF 3/8" O.D.	606819C1	12	641011L019	899
FITTING, NIPPLE	864439R1	12	641016L002	755
FITTING, PLUG 1/8" NPT	444613	12	641009B005	798
FITTING, SOCKET HEAD PLUG 1/2" NPT	445751	12	641009B005	798
FITTING,1/4 LUB	109454	5	3552002C91	268
FITTING,37 DEG FLARED HP HOSE	1842004C91	12	1830192C2	982
FITTING,37 DEG FLARED HP HOSE	1842004C91	12	1842004C91	938
FITTING,CONNECTOR	2588915C1	13	3600089C92	1249
FITTING,ELBOW	2588964C1	13	3600089C92	1249
FITTING,FUEL OUTLET*90 DEG VOS	3533425C2	15	3563483C92	1353
FITTING,FUEL OUTLET*90 DEG VOS	3533425C2	15	3572003C92	1354
FITTING,FUEL OUTLET*90 DEG VOS	3533425C2	15	3577848C91	1356
FITTING,FUEL OUTLET*90 DEG VOS	3533425C3	15	3533425C3	1351
FITTING,FUEL OUTLET*90 DEG VOS	3533425C3	15	3563483C92	1353
FITTING,FUEL OUTLET*90 DEG VOS	3533425C3	15	3572003C92	1354
FITTING,FUEL OUTLET*90 DEG VOS	3533425C3	15	3577848C91	1356
FITTING,FUEL OUTLET*STRAIGHT V	3533426C2	15	3572003C92	1354
FITTING,FUEL OUTLET*STRAIGHT V	3533426C3	15	3533426C3	1352
FITTING,FUEL OUTLET*STRAIGHT V	3533426C3	15	3572003C92	1354
FITTING,FUEL RETURN*I6 RETURN	3552482C1	12	641011L019	899
FITTING,HOLLOW-FLEX	1825467C1	12	641011L019	899
FITTING,HOSE	2005805C1	4	B000000000	164
FITTING,HOSE 1/4" AIR	592942C91	12	641016L002	755
FITTING,HOSE 5/8" AIR	592945C91	4	B000000000	164
FITTING,LUBRICATOR	1199T2854	4	2507869C91	217
FITTING,LUBRICATOR	1199T2854	4	2507870C91	219
FITTING,LUBRICATOR*9/16-18 JIC	3532691C1	13	3605404C91	1257
FITTING,MANIFOLD*1/4 QCK CNCT	2505849C1	4	2505674C91	234
FITTING,MANIFOLD*3/8 QCK CNCT	2505846C1	4	2505674C91	234

Part Description Index

Description	Part No.	Group	Figure	Page
FITTING, QC CARTRIDGE*3/8"	3562399C1	4	3557764C92	187
FITTING, SPECIAL	FUL4300301	13	3549043F91	1234
FITTING, SPECIAL TUBE	1809797C1	12	641011L019	899
FITTING, SPECIAL*3/8PT X 3/4ST	3572104C1	4	OMT69	140
FITTING, SPECIAL*3/8PT X 3/4ST	3572104C1	14	0GNXX	1307
FITTING, SPL TEE 1/4 TB 1/8	2507386C1	16	3540379C96	1451
FITTING, TUBE ADAPTER	A2206U1347	13	3600089C92	1249
FITTING, TURBO OIL SUPPLY	1845825C1	12	1845826C92	1134
FLANGE TRUNNION 1710	1657283C1	6	0JD6L	338
FLANGE, TURBO OIL DRAIN	1825667C1	12	641015D001	1132
FLANGE, AXLE DR	2507899C1	2	3556980F91	90
FLANGE, TRUN BRG SPL140	3558402C91	6	3571921F91	287
FLANGE, TRUN SPL140 ABR FC#10	3571921F91	6	0FWS8	286
FLANGE, TRUN SPL140 ABR FC#10	3571921F91	6	3571921F91	287
FLUID, GEAR LUB 85W-140	2643454R1	12	06WYK	1103
FLUID, GEAR LUB 85W-140	2643454R1	17	0KTH8	1682
FLUID, GEAR LUB SAE 50 SYNTHETI	2644030R1	12	0FL0N	1105
FLUID, LUB OIL	2297G7287	13	3600089C92	1249
FLYWHEEL ASM	1821915C91	12	641007L001	1055
FLYWHEEL HOUSING UNIT	U 641010L001	12	2008329F91	1062
FLYWHEEL HOUSING UNIT	U 641010L001	12	641010L001	1053
FLYWHEEL UNIT	U 641007L001	12	2008329F91	1062
FLYWHEEL UNIT	U 641007L001	12	641007L001	1055
FLYWHEEL, MANUAL TRANSMISSION FLAT 14" CLUTCH	641007L001	12	641007L001	1055
FLYWHEEL, ENG	1821916C1	12	1821915C91	1056
FLYWHEEL, MAN	1821915C91	12	1821915C91	1056
FLYWHEEL, MAN	1821915C91	12	641007L001	1055
FORK ASSY, 3RD & 4TH	FULA6139	13	3568552F91	1242
FORK SHIFT ASSY IAD	1670490C91	13	3600089C92	1249
FORK SHIFT ASSY IAD	1670490C91	14	2503395C91	1292
FORK, CLUTCH RELEASE	697924R6	11	06VL5	743
FORK, SHIFT	FUL3315772	13	3568552F91	1242
FORK, SHIFT DIFF LOCK	1696594C1	14	1696762C91	1304
FORK, SHIFT DIFF LOCK	1696594C1	14	2503395C91	1292
FORK, SHIFT REV SPEED	FUL3315897	13	3568552F91	1242
FRAME, DR ASSY FRT LH T/C & EXT	3535208C3	16	3535208C3	1400
FRAME, DR ASSY FRT LH T/C & EXT	3535208C3	16	3548076C3	1413
FRAME, DR ASSY FRT RH T/C & EXT	3535209C3	16	3535209C3	1401
FRAME, DR ASSY FRT RH T/C & EXT	3535209C3	16	3548077C3	1415
FRAME, DR OPNG FRT LH T/C & EXT	3532658C3	16	3532658C3	1402
FRAME, DR OPNG FRT LH T/C & EXT	3532658C3	16	3535208C3	1400
FRAME, DR OPNG FRT LH T/C & EXT	3546446C4	16	3532658C3	1402
FRAME, DR OPNG FRT RH T/C & EXT	3532659C3	16	3532659C3	1404
FRAME, DR OPNG FRT RH T/C & EXT	3532659C3	16	3535209C3	1401
FRAME, DR OPNG FRT RH T/C & EXT	3546447C4	16	3532659C3	1404
FRAME, SEAT (BUCKET BACK CUSH)	2505725C1	16	3575748C93	1618
FRAME, SEAT (BUCKET SEAT CUSH)	2505724C1	16	3575748C93	1618
FRAME, SEAT BACK HI	2585486C1	16	3558491C92	1507
FRAME, SEAT LOWER	2505826C1	16	3558491C92	1507
FRONT COVER (I308) UNIT	641006B009	12	3540803F92	934
FRONT COVER (I308) UNIT	641006B009	12	641006B009	832
FRONT ENGINE MOUNTS UNIT	641010M001	12	3554346F91	1116
FRONT ENGINE MOUNTS UNIT	641010M001	12	641010M001	1011
FRT HOUSING SPACR, BEARING RET	ZLNA1410346	8	3610514C91	362
FUEL FILTER	641011L019	12	3540904F91	905
FUEL FILTER	641011L019	12	641011L019	899
FUEL INJECTOR UNIT (I-308,530)	641011C054	12	3540803F92	934

Part Description Index

Description	Part No.	Group	Figure	Page
FUEL INJECTOR UNIT (I-308,530)	641011C054	12	641011C054	941
FUEL SYSTEM, HYDRAULIC	641011E002	12	641011E002	948
FUEL TANK*LSM 19" DEEP TANK	3548110F95	15	0FTPV	1367
FUEL TANK*LSM 19" DEEP TANK	3548110F95	15	3548110F95	1368
FUEL TANK, 70 GAL D-STYLE,	3546877F93	15	0FTGW	1365
FUEL TANK, 70 GAL D-STYLE,	3546877F93	15	3546877F93	1366
FUEL TK*70 GAL "D" STYLE, L	3573570F92	15	0FTH3	1376
FUEL TK*70 GAL "D" STYLE, L	3573570F92	15	3573570F92	1377
FUEL TK*70 GAL D-STYLE, N/S	3586670F92	15	0FTH5	1373
FUEL TK*70 GAL D-STYLE, N/S	3586670F92	15	3586670F92	1374
FUSE, 100AMP "MEGA FUSE"	3500131C2	8	06VZJ	411
FUSE,*FUSE - 20AMP MAXI	3534200C1	8	3610838F91	581
FUSE,*FUSE - 40AMP MAXI	3534204C1	8	3610835F91	438
FUSE,*FUSE, 5AMP MINI	3534208C1	8	3544520F95	556
FUSE,*FUSE, 5AMP MINI	3534208C1	8	3568454F91	431
FUSE,*FUSE, 5AMP MINI	3534208C1	8	3572558F91	565
FUSE,*FUSE, 5AMP MINI	3534208C1	8	3581429F91	609
FUSE,*FUSE, 5AMP MINI	3534208C1	8	3581517F91	606
FUSE,*FUSE, 5AMP MINI	3534208C1	8	3588143F92	601
FUSE,*FUSE, 5AMP MINI	3534208C1	16	3588120F91	1606
FUSE,*FUSE, 10AMP MINI	3534209C1	8	3544500F93	549
FUSE,*FUSE, 10AMP MINI	3534209C1	8	3561130F91	475
FUSE,*FUSE, 10AMP MINI	3534209C1	8	3568484F92	488
FUSE,*FUSE, 10AMP MINI	3534209C1	8	3610835F91	438
FUSE,*FUSE, 15AMP MINI	3534210C1	8	3610837F91	419
FUSE,*FUSE, 20AMP MINI	3534211C1	8	3544510F92	542
FUSE,*FUSE, 20AMP MINI	3534211C1	8	3582042F91	559
FUSE,*FUSE, 20AMP MINI	3534211C1	8	3610837F91	419
FUSE,*FUSE, 30AMP MINI	3534213C1	8	3581889F91	425
FUSE,*FUSE, 30AMP MINI	3534213C1	8	3610837F91	419
FUSE,40 AMP AUTOFUSE BLADE TYP	3504540C1	8	0MRFB	382
GASKET AIR COMPRESSOR MOUNTING	1818727C1	12	641016L002	755
GASKET CYLINDER HEAD	1830189C2	12	641008A009	875
GASKET EXHAUST MANIFOLD	1825436C1	12	641014B003	1106
GASKET FRONT COVER	1842909C1	12	641006B009	832
GASKET FRONT COVER TO CRANKCASE	1842910C1	12	641006B009	832
GASKET HOLLOW SCREW	691273C1	12	641011L019	899
GASKET MANIFOLD	1822577C1	12	641008A009	875
GASKET OIL FILLER HEADER	1817849C3	12	1833359C94	825
GASKET OIL FILLER HEADER	1817849C3	12	641013C002	819
GASKET OIL FILTER HEADER	1817849C3	12	641013C002	819
GASKET OIL INLET FLANGE	253660R2	12	641015D001	1132
GASKET OIL PAN	1826587C1	12	641006L001	1122
GASKET OIL SUCTION	1816722C2	12	641006L001	1122
GASKET OIL SUCTION	1818716C5	12	641006B009	832
GASKET PRESSURE REGULATION	1841622C1	12	641011L019	899
GASKET PUMP P/S	591597C2	12	641016M014	1142
GASKET REAR SEAL CARRIER	1824911C1	12	641007C001	1064
GASKET SET, FRONT COVER	1824984C95	12	641006B009	832
GASKET TURBO ADAPTER	1822120C1	12	641015A067	1213
GASKET TURBO OIL DRAIN	1820936C1	12	641015D001	1132
GASKET VALVE COVER	1820909C1	12	641008D013	839
GASKET WATER INLET	1817974C1	12	641005P005	858
GASKET,	367155C1	13	06RJY	1278
GASKET, MANIFOLD	1822577C1	12	641008A009	875
GASKET, MOUNTING POWER STEERING PUMP	591597C2	12	641016M014	1142
GASKET, SHIFT LEVER HSG	FUL4301958	13	3568551F91	1263
GASKET, VALVE COVER	1820909C1	12	641008D013	839

Part Description Index

Description	Part No.	Group	Figure	Page
GASKET, VALVE COVER	1820909C2	12	641008D013	839
GASKET, WATER INLET ELBOW	1817974C1	12	1824984C95	835
GASKET, WATER INLET ELBOW	1817974C1	12	641005P005	858
GASKET,ADAPTER PLATE FTG GRAB	3552442C1	4	0KTMY	228
GASKET,AIR GOV COVER	166562R2	4	086M2	149
GASKET,AIR HOSE BRKT	2505853C1	4	2505683C91	204
GASKET,AIR HOSE BRKT	2505853C1	4	2505684C91	202
GASKET,AIR HOSE BRKT	2505853C1	4	2506078C91	208
GASKET,AXLE SHAFT FLG 200 WE	3566160C1	14	0DMPJ	1318
GASKET,BRK VALVE	2505852C1	4	2505683C91	204
GASKET,BRK VALVE	2505852C1	4	2505684C91	202
GASKET,BRK VALVE	2505852C1	4	2506078C91	208
GASKET,CAMSHAFT BRG PLATE	1816722C2	12	1824984C95	835
GASKET,CAMSHAFT BRG PLATE	1816722C2	12	641006L001	1122
GASKET,COVER RECEPACLE*48-WAY	3566556C1	16	06TRV	1543
GASKET,EXHAUST MANIFOLD	1825436C1	12	641014B001	936
GASKET,FC OIL SUCTION	1818716C5	12	1824984C95	835
GASKET,FC OIL SUCTION	1818716C5	12	641006B009	832
GASKET,FILL NECK 2" CAP	2599087C1	15	3548102F91	1360
GASKET,FITTING	691273C1	12	641011L019	899
GASKET,FRONT COVER	1842909C1	12	1824984C95	835
GASKET,FRONT COVER	1842909C1	12	641006B009	832
GASKET,FRONT COVER,C"CASE	1842910C1	12	1824984C95	835
GASKET,FRONT COVER,C"CASE	1842910C1	12	641006B009	832
GASKET,FUEL PUMP	1824755C1	12	1830177C92	980
GASKET,FUEL TANK CAP*FUEL SEND	3591600C1	15	3548110F95	1368
GASKET,HAND PRIMER	1823029C1	12	1836287C91	901
GASKET,INJECTOR	1830317C1	12	1830692C92	952
GASKET,INJECTOR	1830317C1	12	1830742C92	956
GASKET,MAIN DRIVE GEAR BRG RET	FUL3315659	13	3568555F91	1273
GASKET,MARKER LIGHT MTG	2504138C1	16	3524553C94	1465
GASKET,MODULE PLATE*DCM	2505774C1	16	3544868F93	1467
GASKET,OIL PAN	1826587C1	12	641006L001	1122
GASKET,PRESSURE REGULATION	1841622C1	12	641011L019	899
GASKET,REAR SEAL CARRIER	1824911C1	12	641007C001	1064
GASKET,RESERVOIR CAP/CANISTER	2507061C1	5	3558153C93	258
GASKET,SHIFT BAR HSG	FUL4300854	13	3568551F91	1263
GASKET,STEERING COLUMN	2505773C1	5	2505661C91	278
GASKET,STEERING COLUMN	2505773C1	16	3544868F93	1467
GASKET,TURN SIGNAL LIGHT	1669482C1	8	3557672C92	518
GASKET,TURN SIGNAL LIGHT	1669582C1	8	1661281C91	663
GASKET-CYLINDER HEAD	1830189C2	12	641008A009	875
GAUGE FILTER LIFE	556779C91	8	3545804F92	604
GAUGE OIL LEVEL	1836473C1	12	641006M011	903
GAUGE, OIL LEVEL	1836473C1	12	641006M011	903
GAUGE, OIL LEVEL NGV RACOR	641006M011	12	641006M011	903
GAUGE,ELTRNC*AIR 1 (METRIC)	3533892C1	16	3533892C1	1585
GAUGE,ELTRNC*AIR 1 (METRIC)	3533892C1	16	3547873F91	1584
GAUGE,ELTRNC*AIR 2 (METRIC)	3533893C1	16	3533893C1	1587
GAUGE,ELTRNC*AIR 2 (METRIC)	3533893C1	16	3547873F91	1584
GAUGE,ELTRNC*BLANK - COVER QTY	3536055F91	16	0DBVZ	1564
GAUGE,ELTRNC*BLANK - COVER QTY	3536055F91	16	3536055F91	1565
GAUGE,FLUID LEVEL SENSOR	2506101C1	16	3561152C94	1665
GAUGE,FUEL SENDER*SENDER, FUEL	3591594C1	15	3548110F95	1368
GAUGE,OIL LEVEL	1836473C2	12	641006M011	903
GAUGE,SENSOR BAROMETRIC AIR	1807253C1	8	3554195F93	670
GEAR ASSY,CAMSHAFT	1823944C92	12	1830613C91	788
GEAR ASSY,LOWER	1822101C95	12	1822101C95	943

Part Description Index

Description	Part No.	Group	Figure	Page
GEAR ASSY,LOWER	1822101C95	12	641003D002	950
GEAR ASSY.,UPPER	1822102C95	12	1822102C95	945
GEAR ASSY.,UPPER	1822102C95	12	641003D002	950
GEAR HELICAL DRIVEN	1670531C1	14	1694543C91	1298
GEAR HELICAL DRIVEN	1670531C1	14	2503395C91	1292
GEAR RING EMD 1208	1815440C1	12	1821915C91	1056
GEAR SET DIFF R & P 6.14	1670372C91	14	2503395C91	1292
GEAR SET,DIFF R&P 6.14 14GRB,C	1694201C91	14	1696762C91	1304
GEAR SET,DIFF R&P 6.14 RS15120	1694449C91	2	2507920C91	94
GEAR SET,DIFF SIDE & PIN	1670538C91	14	2503395C91	1292
GEAR SET,DIFF SIDE & PIN	1696416C91	14	1696762C91	1304
GEAR SET,DIFF SIDE & PIN	1696416C91	14	2503395C91	1292
GEAR SET,DIFF SIDE RS15120	2508077C91	2	2507920C91	94
GEAR SET,I.A.D.SIDE&PIN 14GRB	2502023C91	14	2502023C91	1296
GEAR SET,I.A.D.SIDE&PIN 14GRB	2502023C91	14	2503395C91	1292
GEAR, AIR COMPRESSOR DRIVE W/O KEYWAY	1830070C1	12	641016L002	755
GEAR, COMPRESSOR DRIVE W/ KEYWAY	1820296C2	12	641016L002	755
GEAR, IDLER	641003D002	12	641003D002	950
GEAR, IDLER LOWER	1822101C95	12	641003D002	950
GEAR, IDLER UPPER	1822102C95	12	641003D002	950
GEAR,AIR COMPR W/O KEYWAY	1830070C1	12	641016L002	755
GEAR,ASM STEERING	3602517C91	5	0MFX6	263
GEAR,ASM STEERING	3602517C91	5	3602517C91	266
GEAR,CAMSHAFT	1821997C3	12	1830613C91	788
GEAR,COMPR DRIVE W/KEYWAY	1820296C2	12	641016L002	755
GEAR,CRANKSHAFT	1820299C1	12	1830596C91	848
GEAR,CTSHFT 3RD	FUL4304056	13	3568551F91	1263
GEAR,CTSHFT 4TH	FUL4304097	13	3568551F91	1263
GEAR,DIFF PINION	2508081C1	2	2507920C91	94
GEAR,DIFF SIDE 1.95 X 38 SPL	2508079C1	2	2507920C91	94
GEAR,DRIVE HELICAL	2508291C1	13	3600089C92	1249
GEAR,DRIVEN HELICAL	2508281C1	13	3600089C92	1249
GEAR,DRIVEN HELICAL	2508282C1	13	3600089C92	1249
GEAR,HELICAL DR T-CASE	2508273C1	13	3600089C92	1249
GEAR,IAD SIDE FRT	1670523C1	14	2502023C91	1296
GEAR,IAD SIDE FRT	1670523C1	14	2503395C91	1292
GEAR,IDLER	2508279C1	13	3600089C92	1249
GEAR,IDLER LOWER (HEUI)	1824636C1	12	1822101C95	943
GEAR,IDLER TIMING	675364C1	12	1830596C91	848
GEAR,IDLER UPPER (HEUI)	1824635C1	12	1822102C95	945
GEAR,INTEGRAL SPUR & BEVEL	1670532C1	14	2503395C91	1292
GEAR,MASHFT	FUL4304543	13	2507860C91	1261
GEAR,MASHFT 1ST SPEED	FUL4304545	13	2507860C91	1261
GEAR,MASHFT 2ND SPEED	FUL4304544	13	2507860C91	1261
GEAR,MASHFT 3RD SPEED	FUL4304057	13	2507860C91	1261
GEAR,MASHFT 4TH SPEED	FUL4304098	13	2507860C91	1261
GEAR,MASHFT REVERSE	FUL4304547	13	2507860C91	1261
GEAR,PUMP	1820967C2	12	1830177C92	980
GEAR,REV IDLER	FUL4301491	13	3568551F91	1263
GEAR,TRANS CTSHFT DRIVE	FUL4304541	13	3568551F91	1263
GEAR,TRANS CTSHFT DRIVE	FUL4304542	13	3568551F91	1263
GENERATOR,28V, 200A, L-N, 4740	3610514C91	8	0MQ7P	361
GENERATOR,28V, 200A, L-N, 4740	3610514C91	8	3610514C91	362
GLASS,ASSY MIR CNVX BLACK HEAD	2505815C1	16	3561587C94	1612
GLASS,ASSY MIR CNVX BLACK HEAD	2505815C1	16	3561588C94	1614
GLASS,ASSY MIR STD FLT	2505813C1	16	3561587C94	1612
GLASS,ASSY MIR STD FLT	2505813C1	16	3561588C94	1614
GLASS,DOOR DROP FRT LH	3546062C1	16	06MT8	1471

Part Description Index

Description	Part No.	Group	Figure	Page
GLASS,DOOR DROP FRT RH	3546063C1	16	06MT8	1471
GLASS,WINDOW REAR SIDE	3553452C3	16	3562174C94	1646
GLASS,WNDW RR PRIVAGUARD TINT	3575695C1	16	06MXP	1632
GOVERNOR,ASSY D-2	410986C92	4	086M2	149
GOVERNOR,ASSY D-2	410986C92	4	410986C92	151
GRILLE*AIR INTAKE	3556259C2	9	0L4SH	704
GRILLE,ASSY PRIMED FXD W/SCRN	3610431C91	9	0FVDZ	695
GRILLE,ASSY PRIMED FXD W/SCRN	3610431C91	9	3610431C91	701
GRILLE,BARS PRIMED FIXED	3610432C1	9	3610431C91	701
GRILLE,SURROUND ASSY, PRIMED,	3610433C91	9	0FVDZ	695
GRILLE,SURROUND ASSY, PRIMED,	3610433C91	9	3610433C91	703
GRILLE,SURROUND PRIMED FIXED	3610434C1	9	3610433C91	703
GROMMET ASSY,WASHER & GROMMET	1830110C1	12	1830110C1	801
GROMMET ASSY,WASHER & GROMMET	1830110C1	12	641009C014	809
GROMMET VIBRATION ISOLATOR	1825945C1	12	641009C014	809
GROMMET W/ WASHER	1830110C1	12	641009C014	809
GROMMET, 1/4 X 1 X 3/8 D/C RUB	117971	16	0JDY4	1680
GROMMET, 5/16 X 1-3/8 X 1/4 D/	117973	16	06V2B	1464
GROMMET,RUBBER PIPE CABLE ETC	3565125C1	14	0GGDZ	1315
GROMMET,RUBBER PUMP	2506100C1	16	3561152C94	1665
GROMMET,SPECIAL AXL FLG SNSR	3541353C1	4	0H9Q1	123
GROMMET,VIBRATION ISOLATOR	1825945C1	12	1829953C92	791
GROMMET,VIBRATION ISOLATOR	1825945C1	12	641009C014	809
GROMMET,W/WASHER HOSE TO COWL	3527130C1	16	3550838C95	1675
GUARD,FRT FNDR 19.68" X 21.45"	3542036C1	9	0F448	715
GUARD,MUD FLAP	3601692C1	10	3601764F91	722
GUIDE VALVE LIFTER	1813892C1	12	641003C002	993
GUIDE,BRK HOSE & CABLE	3545771C1	12	06MYC	1012
GUIDE,BRK HOSE & CABLE	3601280C1	8	06VZJ	411
GUIDE,BRK HOSE & CABLE*2-WAY	3553742C1	8	0GCJR	371
GUIDE,BRK HOSE & CABLE*GUIDE S	3536111C1	4	0G5H4	189
GUIDE,BRK HOSE & CABLE*GUIDE S	3536111C1	8	06S2V	532
GUIDE,BRK HOSE & CABLE*GUIDE S	3536111C1	8	0DDS3	506
GUIDE,BRK HOSE & CABLE*GUIDE S	3536111C1	16	0G9F8	1388
GUIDE,BRK HOSE & CABLE*SADDLE	3551710C2	12	07PJY	854
GUIDE,BRK HOSE & CABLE*SWIVEL	3554554C1	8	0GCJR	371
GUIDE,BRK HOSE & CABLE*SWIVEL	3554554C1	16	06TJY	1648
GUIDE,HOOD PLATE LH	3548631C1	9	3556250C3	687
GUIDE,HOOD PLATE RH	3548632C1	9	3556251C2	691
GUIDE,PISTON	2505854C91	4	2505683C91	204
GUIDE,PISTON	2505854C91	4	2506078C91	208
GUIDE,ROLLER TAPPET	1813892C1	12	641003C002	993
GUIDE,TUBE*PASSTHRU GLAND UP	2505840C1	4	2506190C91	199
GUIDE,VALVE (SERVICE)	1824647C1	12	1830345C93	879
GUSSET,, LOWER BOGIE LH	3594750C2	14	07Q7J	1333
GUSSET,, LOWER BOGIE RH	3594751C2	14	07Q7J	1333
GUSSET,FRAME XMBR COMMON TO LT	3554849C3	16	3554851C3	1440
GUSSET,FRAME XMBR COMMON TO LT	3554850C1	16	3554851C3	1440
GUSSET,LEVER BRKT OR SPT T-CAS	3545093C3	13	3545097C5	1248
GUSSET,RAD SUPT*	3566354C2	1	0M7YB	72
GUSSET,UPPER BOGIE	3594748C1	14	07Q7J	1333
HANDLE,DOOR INSIDE LH	2505424C1	16	3556202C94	1478
HANDLE,DOOR INSIDE RH	2505425C1	16	3556203C94	1481
HANDLE,DOOR OUTSIDE LH	2587515C1	16	3556202C94	1478
HANDLE,DOOR OUTSIDE RH	2505423C1	16	3556203C94	1481
HANDLE,GRAB A-PILLAR	3543557C1	16	06STC	1517
HANDLE,GRAB B-PILLAR	3542428C1	16	06STC	1517
HANDLE,HAND CONTROL VALVE	1698622C91	4	2014415C91	212

Part Description Index

Description	Part No.	Group	Figure	Page
HANDLE,RIM WRENCH	459840C1	10	0G1P6	720
HANDLE,WINDOW REGULATOR MANUAL	3508990C4	16	06MT8	1471
HANDLE,WINDOW REGULATOR MANUAL	3508990C4	16	3508990C4	1484
HANDLE-FRT CSH PULL-GREY PLS	NS22754605	16	2595024C91	1497
HARDWARE KIT-4800IN S	ZLNK2121047	8	3610514C91	362
HARN CAB O/L XFER CASE WARN LI	3588125C91	8	3578719F92	632
HARN CAB,O/L DIFFLK WARN LIGHT	3588118C91	8	3588124F91	629
HARN DASH XFER CASE WARN LIGHT	3588128C91	8	3588130F91	480
HARN,12/24V EQUALIZER TO BATTR	3612039C92	8	3613280C92	398
HARN,BASE,INTL I6,24V STARTER	3612457F91	12	0F105	775
HARN,BASE,INTL I6,24V STARTER	3612457F91	12	3612457F91	776
HARN,BODY ACCESS,MRKR LGTS-CAB	3581285C91	16	3581426F91	1578
HARN,CAB OVERLAY WARN LT IGN A	3588115C91	16	3588120F91	1606
HARN,CAB RADIO 16 WAY CONN	3596958C91	8	3598054F91	590
HARN,CAB,PLAFORM BASE,LH DRV.	3587947C92	8	3588143F92	601
HARN,CTR CHAS-SVC ASM,3500,AIR	2506256C91	8	0M51L	498
HARN,CTR CHS,TRLR SCKT/BB+3000	3592059F93	8	0G1R6	575
HARN,DASH WRG,BB DLINK,PWR&GND	3572525C91	8	3572525C91	562
HARN,DASH WRG,BB DLINK,PWR&GND	3572525C91	8	3572558F91	565
HARN,DASH WRG,SMRT SOL PK(7/14	3574372C91	8	3572597F91	567
HARN,DASH,2-WAY RADIO,W/FUSE	3610838F91	8	0FSY5	580
HARN,DASH,2-WAY RADIO,W/FUSE	3610838F91	8	3610838F91	581
HARN,DASH,24V TRAILER SOCKET	3615636C91	8	3610837F91	419
HARN,DASH,BASE,W/O STRTR COIL	3610836C91	8	3610835F91	438
HARN,DASH,CAB,2-WAY RADIO,24V	3610839C91	8	3610838F91	581
HARN,DASH,PDC BATT,W/24V MFUSE	3610495C91	8	3610496F91	457
HARN,DASH,STRT EFF,W/INTL ENGN	3610840F91	8	0FZBS	468
HARN,DASH,STRT EFF,W/INTL ENGN	3610840F91	8	3610840F91	469
HARN,DASH,TRLR SCKT,BDBL,W/ABS	3610837F91	8	0MTVC	418
HARN,DASH,TRLR SCKT,BDBL,W/ABS	3610837F91	8	3610837F91	419
HARN,DLINK,CAB,J1939 W/AIR ABS	3581917C91	8	3581915F91	459
HARN,DLINK,CAB,J1939 W/AIR ABS	3581917C91	8	3581917C91	460
HARN,ELEC,J1939 O/L W/ALLSN&I6	3577574C91	12	3577524F91	1017
HARN,ELEC,J1939 O/L W/ALLSN&I6	3577574C91	12	3577574C91	1018
HARN,ENGINE-SVC ASM W/I6,MANL	2509257C91	12	0M4ZM	1188
HARN,EXT DASH-SVC ASM,W/I6,AIR	2507945C92	8	0M514	499
HARN,FUEL/WTR SEP WRG,WIF LGT	3582040C91	8	3582042F91	559
HARN,INTL I6,BASE,24V STARTER	3612452C91	12	3612457F91	776
HARN,IP,F1-F4,W/BREAKERS - MRD	3588143F92	8	0HQHZ	600
HARN,IP,F1-F4,W/BREAKERS - MRD	3588143F92	8	3588143F92	601
HARN,JMPR,MEGAFUSE TO PWR STUD	3612510C91	8	0GCJR	371
HARN,PDC BATTERY,W/24V MX FUSE	3610496F91	8	0FZBX	456
HARN,PDC BATTERY,W/24V MX FUSE	3610496F91	8	3610496F91	457
HARN,REAR CHSS,BDY BLDR,+1000M	3576561F92	8	0FBTZ	586
HARN,START,N/PUSH BTN W/FB 1-4	3582045C91	8	3582056F91	612
HARN,XFER CASE,AUX XMSN SPEEDO	3579980C91	12	3579832F91	1191
HARNESS ASM, INJECTOR	1889905C91	12	641009A008	795
HARNESS ASSY, INJECTOR	1889905C91	12	1889905C91	802
HARNESS ASSY, INJECTOR	1889905C91	12	641009A008	795
HARNESS ASSY,ENGINE I6 HEUI	1833443C95	12	1833443C95	804
HARNESS ASSY,ENGINE I6 HEUI	1833443C95	12	641009A008	795
HARNESS ASSY,ENGINE I6 HEUI	1889514C91	12	641009A008	795
HARNESS, ELECTRICAL I6 HEUI ENGINES	1833443C95	12	641009A008	795
HARNESS, ELECTRICAL INTERNAL WIRING	1807455C91	12	641009A008	795
HARNESS, ELECTRICAL INTERNAL WIRING	1807455C92	12	641009A008	795
HARNESS,2-WAY RADIO, CAB*FLOOR	3581328C91	8	3581517F91	606
HARNESS,AIR TUBE*TRACTOR HAND	2506190C91	4	2506190C91	199
HARNESS,AIR TUBE*TRACTOR HAND	2506190C91	4	3540368F94	197

Part Description Index

Description	Part No.	Group	Figure	Page
HARNESS, BASE, DASH, W/FUSES	3610835F91	8	0CS5P	437
HARNESS, BASE, DASH, W/FUSES	3610835F91	8	3610835F91	438
HARNESS, CAB OVERLAY*ACCELERATO	3581312C91	8	3588143F92	601
HARNESS, CAB OVERLAY*BTRY F1, F2	3581301C91	8	3588143F92	601
HARNESS, CAB OVERLAY*IP PANEL L	3581298C91	8	3581429F91	609
HARNESS, CAB OVERLAY*W/AIR HORN	3554117C91	8	3554184F91	627
HARNESS, CAB OVERLAY*ZERO REFER	3554116C91	8	3581429F91	609
HARNESS, CAB WRG, ETHER START*EL	3581316C91	16	3581516F91	1582
HARNESS, CAB/PLATFORM WIRING BA	3545211C93	16	3530971C96	1539
HARNESS, CAB/PLATFORM WIRING BA	3545211C93	16	3545211C93	1536
HARNESS, CHASSIS BENDIX AIR ABS	3560434C91	8	3555967F92	409
HARNESS, CHASSIS WIRING*SS LT H	3566576C91	8	3610435C91	512
HARNESS, CHASSIS WIRING*SS RT H	3566577C91	8	3610436C91	514
HARNESS, CHASSIS WIRING*WASHER	3557990C91	8	3557990C91	482
HARNESS, CHASSIS WIRING*WASHER	3557990C91	8	3568484F92	488
HARNESS, CHASSIS WIRING*WASHER	3558524C91	8	3558533F91	579
HARNESS, CHASSIS WIRING*WASHER	3558525C91	8	3558533F91	579
HARNESS, CHASSIS WIRING*WASHER	3568510C91	8	3568484F92	488
HARNESS, CHASSIS WIRING*WASHER	3568510C91	8	3568510C91	485
HARNESS, CHASSIS*WORK LIGHT BOC	3554056C92	8	3553986F92	407
HARNESS, DASH ELEC; A/C	3568464F91	8	0CSB9	447
HARNESS, DASH ELEC; A/C	3568464F91	8	3568464F91	448
HARNESS, DASH ELEC; AIR	3544500F93	8	0CSBJ	548
HARNESS, DASH ELEC; AIR	3544500F93	8	3544500F93	549
HARNESS, DASH ELEC; AIR	3544510F92	8	0CSC2	541
HARNESS, DASH ELEC; AIR	3544510F92	8	3544510F92	542
HARNESS, DASH ELEC; CEC	3568454F91	8	0CS9S	430
HARNESS, DASH ELEC; CEC	3568454F91	8	3568454F91	431
HARNESS, DASH ELEC; DIF	3568466F91	8	0CSBR	546
HARNESS, DASH ELEC; DIF	3568466F91	8	3568466F91	547
HARNESS, DASH ELEC; ETH	3568469F91	8	0CSCF	553
HARNESS, DASH ELEC; ETH	3568469F91	8	3568469F91	554
HARNESS, DASH ELEC; EXH	3544520F95	8	0CSCJ	555
HARNESS, DASH ELEC; EXH	3544520F95	8	3544520F95	556
HARNESS, DASH ELEC; RR MODULE	3572558F91	8	0CSB6	561
HARNESS, DASH ELEC; RR MODULE	3572558F91	8	3572558F91	565
HARNESS, DASH ELEC; STD	3552509F92	8	0CSBZ	442
HARNESS, DASH ELEC; STD	3552509F92	8	3552509F92	443
HARNESS, DASH ELEC; WAS	3568484F92	8	0FDBH	481
HARNESS, DASH ELEC; WAS	3568484F92	8	3568484F92	488
HARNESS, DASH ELEC; WOR	3544502F92	8	0CSBS	489
HARNESS, DASH ELEC; WOR	3544502F92	8	3544502F92	490
HARNESS, DASH START W/ INTL ENG	3588674C91	8	3588674C91	471
HARNESS, DASH START W/ INTL ENG	3588674C91	8	3610840F91	469
HARNESS, DASH W/TRLR OR BB CONN	3581900C91	8	3581900C91	421
HARNESS, DASH W/TRLR OR BB CONN	3581900C91	8	3610837F91	419
HARNESS, DASH WRG, AIR ABS N/ATC	3581887C91	8	3581887C91	426
HARNESS, DASH WRG, AIR ABS N/ATC	3581887C91	8	3581889F91	425
HARNESS, DASH-W/TRLR SOCKET	3592119C91	8	3610837F91	419
HARNESS, DOME & COURTESY LT WRG	3549470C91	16	3549471F92	1576
HARNESS, DOME & COURTESY LT WRG	3549470C92	16	3549471F92	1576
HARNESS, ELEC A/C COMPR	3560343C91	12	3550553F93	1022
HARNESS, ELEC A/C COMPR	3560343C91	12	3560343C91	1023
HARNESS, ELEC I6 ENG 2GA CHG	3550322C93	12	3550545F93	864
HARNESS, ELEC; 7/14 PK DATALINK	3554069C93	8	3554005F93	571
HARNESS, ELEC; AIR DRYER	3545551C92	8	3544510F92	542
HARNESS, ELEC; AIR DRYER	3545551C92	8	3545551C92	543
HARNESS, ELEC; AIR DRYER	3566358C91	8	3566360F91	569

Part Description Index

Description	Part No.	Group	Figure	Page
HARNESS,ELEC; CHAS WI	3560276C91	8	3560276C91	449
HARNESS,ELEC; CHAS WI	3560276C91	8	3568464F91	448
HARNESS,ELEC; CHAS WI	3560440C91	8	3556086F92	574
HARNESS,ELEC; DIFF LOCK SENDER	3568499C91	8	3568466F91	547
HARNESS,ELEC; DOME/MAP L	3554613C92	16	3546500C95	1521
HARNESS,ELEC; ENG BLOCK GRD	3565992C91	12	06MYC	1012
HARNESS,ELEC; ENG BLOCK GRD	3565992C91	12	3565992C91	1014
HARNESS,ELEC; ENGINE	3560341C91	12	3550550F93	1007
HARNESS,ELEC; ENGINE	3560345C91	12	3550557F92	1033
HARNESS,ELEC; ENGINE	3560346C92	12	3550558F93	1203
HARNESS,ELEC; ENGINE	3560346C92	12	3560346C92	1204
HARNESS,ELEC; FUEL TANK	3554063C91	8	3553996F91	405
HARNESS,ELEC; HEATER RECIRC	3568498C91	8	3568464F91	448
HARNESS,ELEC; HEATER RECIRC	3568498C91	8	3568498C91	453
HARNESS,ELEC; SECOND DIFF LOCK	3568500C91	8	3568466F91	547
HARNESS,ELEC; TRANSFER C	3561060C91	8	3561069F92	577
HARNESS,ELEC; XMSN WIRIN	3561092C91	8	3561092C91	476
HARNESS,ELEC; XMSN WIRIN	3561092C91	8	3561130F91	475
HARNESS,ELEC; XMSN WIRIN	3568528C91	8	3568528C91	465
HARNESS,ELEC; XMSN WIRIN	3568528C91	8	3588570F91	464
HARNESS,ELECT, BASE CAB, HARNE	3554122C92	8	3554195F93	670
HARNESS,ELECTRICAL ENGINE HARN	3576008C92	12	3576010F92	1005
HARNESS,ELECTRICAL, XMSN WIRIN	3585236C91	8	3610840F91	469
HARNESS,ENGINE FAN WIRING ENGI	3560277C91	8	3544500F93	549
HARNESS,ENGINE FAN WIRING ENGI	3560277C91	8	3560277C91	550
HARNESS,ENGINE*CEC I6 ENGINE	3568513C91	8	3568454F91	431
HARNESS,ENGINE*CEC I6 ENGINE	3568513C91	8	3568513C91	433
HARNESS,ETHER START*ETHER STAR	3568519C91	8	3568469F91	554
HARNESS,EXHAUST BRK*EXHAUST BR	3560285C91	8	3544520F95	556
HARNESS,FLOOD LIGHT WIRING*WOR	3545544C92	8	3544502F92	490
HARNESS,FLOOD LIGHT WIRING*WOR	3545544C92	8	3545544C92	491
HARNESS,FWD CHAS-SVC ASM W/AIR	2508848C91	8	0M4ZH	500
HARNESS,GAUGE JUMPER 5"-100/PK	2506798C1	16	3533892C1	1585
HARNESS,GAUGE JUMPER 5"-100/PK	2506798C1	16	3533893C1	1587
HARNESS,HEAD LIGHT WIRING *HEA	3560280C91	8	3552509F92	443
HARNESS,HEAD LIGHT WIRING *HEA	3560280C91	8	3560280C91	444
HARNESS,INTERNAL WIRING	1807455C91	12	641009A008	795
HARNESS,INTERNAL WIRING	1807455C92	12	1807455C92	806
HARNESS,INTERNAL WIRING	1807455C92	12	641009A008	795
HARNESS,INTERNAL WIRING	1890310C91	12	1889905C91	802
HARNESS,JUMPER*SS LOLLIPOP LIG	3562654C92	8	0DDS3	506
HARNESS,LGT WRG,STOP,TAIL&TURN	3560433C91	8	3555956F92	403
HARNESS,MANUAL XMSN,STANDARD	3579843C91	12	3579827F91	1226
HARNESS,MANUAL XMSN,STANDARD	3579843C91	12	3579843C91	1227
HARNESS,NYLON TUBE ASSY	3581370C92	4	0J0LQ	127
HARNESS,NYLON TUBE ASSY	3581370C92	4	3581370C92	132
HARNESS,POWER TRAIN D-LINK WRG	3549338C92	16	3549338C92	1579
HARNESS,POWER TRAIN D-LINK WRG	3549338C92	16	3581426F91	1578
HARNESS,POWER TRAIN D-LINK WRG	3567203C91	8	3567203C91	614
HARNESS,POWER TRAIN D-LINK WRG	3567203C91	8	3582056F91	612
HARNESS,POWER TRAIN D-LINK WRG	3567205C91	8	3582056F91	612
HARNESS,REAR CHSS,BASE +100MM	3571016F93	8	0FBTX	584
HARNESS,ROOF WRG,EXTENDED CAB	3582404C91	16	0JDY4	1680
HARNESS,STEERING WHEEL*4 WIRE	2506329C1	5	3546229C91	283
HARNESS,TRAILER SOCKET*TRAILER	3545762C92	8	3610837F91	419
HARNESS,TRAILER SOCKET*TRAILER	3551751C92	8	3610837F91	419
HARNESS,W/SWITCH D/L IND	2026065C91	13	3600089C92	1249
HARNESS,W/SWITCH D/L IND	2026065C91	14	1696762C91	1304

Part Description Index

Description	Part No.	Group	Figure	Page
HARNASS,W/SWITCH D/L IND	2026065C91	14	2503395C91	1292
HEAD ASSY,CYLINDER,W/VALVES	1830346C95	12	1830346C95	877
HEAD ASSY,CYLINDER,W/VALVES	1830346C95	12	641008A009	875
HEAD ASSY.,CYLINDER	1830345C93	12	1830345C93	879
HEAD ASSY.,CYLINDER	1830345C93	12	1830346C95	877
HEAD, CYLINDER	1830346C95	12	641008A009	875
HEAD, CYLINDER	641008A009	12	641008A009	875
HEAD,CYLINDER	1827113C2	12	1830345C93	879
HEAD,FUEL FILTER	1677003C1	15	1618386C93	1380
HEAD,MIRR HD 405 FLAT	2505280C1	16	3561587C94	1612
HEAD,MIRR HD 405 FLAT	2505280C1	16	3561588C94	1614
HEAD,MIRROR CNVX 406 MNL BLCK	2505281C1	16	3561587C94	1612
HEAD,MIRROR CNVX 406 MNL BLCK	2505281C1	16	3561588C94	1614
HEADER ASSY,FUEL FILTER	1836287C91	12	1836287C91	901
HEADER ASSY,FUEL FILTER	1836287C91	12	641011L019	899
HEADER, FUEL FILTER	1836287C91	12	641011L019	899
HEADER, FUEL FILTER	1836409C1	12	1836287C91	901
HEADER, OIL COOLER FLTR	1817574C1	12	1830622C92	821
HEADER,OIL COOLER FRONT	1830623C1	12	1830622C92	821
HEADER,OIL COOLER FRONT	1830623C1	12	1841739C91	823
HEADER,OIL COOLER OR FILTER	1905439R92	12	1841739C91	823
HEADER,OIL COOLER OR FILTER	1905439R93	12	1841739C91	823
HEADER,OIL COOLER OR FILTER	1905439R94	12	1841739C91	823
HEATER	1811495C91	15	1618386C93	1380
HEATER, FUEL	1809439C1	15	1618386C93	1380
HEATER,ASSY FRESH AIR LHD CONV	3530971C96	16	0LV7L	1530
HEATER,ASSY FRESH AIR LHD CONV	3530971C96	16	3530971C96	1539
HINGE,ASSY HOOD CTR ROD TYPE	3593647C1	9	3612369C91	684
HINGE,ASSY HOOD SUPPORT	3593649C1	9	0FSZ5	682
HINGE,ASSY HOOD SUPPORT	3593649C1	9	3593649C1	683
HINGE,DOOR CAB 2-PC FRT DOOR	3549259C1	16	0H9RV	1390
HINGE,DOOR CAB 2-PC FRT DOOR	3549259C1	16	3579484C93	1392
HINGE,WING WINDOW VENT, LH ASM	3546656C4	16	06MT8	1471
HINGE,WING WINDOW VENT, RH ASM	3546657C4	16	06MT8	1471
HINGE,WING WINDOW VENT, RH ASM	3546657C4	16	3546657C4	1486
HINGE,WING WINDOW VENT, STRAP,	3549705C4	16	3546657C4	1486
HOLDER,CUP 2-CUP W/ ASHTRAY	3553479C2	16	06RNB	1544
HOLDER,CUP 2-CUP W/ ASHTRAY	3553479C2	16	3553479C2	1546
HOOD,ASSY SFA W/O ACCESS HATCH	3612369C91	9	0FSZ5	682
HOOD,ASSY SFA W/O ACCESS HATCH	3612369C91	9	3612369C91	684
HOOK,HOOD	494307C1	8	3576152F93	388
HOOK-TOW	3540837C1	1	07X7R	80
HORN,ASSY AIR SINGLE	1670115C1	16	0G9F8	1388
HORN,BACK UP ALARM*B/UP ALARM	3582510C1	8	086VD	364
HORN,ELEC W/BRKTS HI-NOTE	3558466C91	8	06S2V	532
HORN,ELEC W/BRKTS LO-NOTE	3523179C91	8	06S2V	532
HORN,PAD STRG WHL W/DMND ROAD	3541530C1	5	0GPCT	282
HORN,PAD STRG WHL W/DMND ROAD	3541530C1	5	3546229C91	283
HOSE ASSY.,HIGH PRESSURE	1829802C1	12	641011E002	948
HOSE, AC ASSY COMP TO COND	3557558C91	16	07TDL	1523
HOSE, AC ASSY COMP TO COND	3557558C91	16	3557558C91	1526
HOSE, AIR COMP	1821023C1	12	641016L002	755
HOSE, ASSEMBLY COMPONENTS	B000000000	4	0LNNN	162
HOSE, ASSEMBLY COMPONENTS	B000000000	4	B000000000	164
HOSE, BREATHER	1841142C1	12	641017L003	893
HOSE, HEATER	L2643505	12	641016L002	755
HOSE, HIGH PRESSURE	1829802C1	12	641011E002	948
HOSE, OIL AIR COMPRESSOR SUPPLY	1821023C1	12	641016L002	755

Part Description Index

Description	Part No.	Group	Figure	Page
HOSE,, TRANSFER CASE AIR TO OI	3605404C91	13	0M6Q2	1255
HOSE,, TRANSFER CASE AIR TO OI	3605404C91	13	3605404C91	1257
HOSE,1/2"X50' HEATER	L2643505	12	641016L002	755
HOSE,A/C ASSY COND TO EVAP	3557557C94	16	07TDL	1523
HOSE,A/C ASSY COND TO EVAP	3557557C94	16	3557557C94	1528
HOSE,AIR CLEANER	3540427C1	12	3560955C91	753
HOSE,AIR CLEANER FOR SS107MB/F	3560955C91	12	07V12	752
HOSE,AIR CLEANER FOR SS107MB/F	3560955C91	12	3560955C91	753
HOSE,AIR COMPRESSOR	4305621R1	12	641016L002	755
HOSE,AIR TRAILER CONNECTING	473255C1	14	0GRRS	1282
HOSE,AIR(.500 ID)BLK 5/8" TUBE	375055C2	4	B000000000	164
HOSE,ASSY ACCUM TO COMPR	3557559C93	16	07TDL	1523
HOSE,ASSY REH	B100640000	4	0LNNN	162
HOSE,BLK(.406ID) 1/2 TUBE	375054C2	13	3605404C91	1257
HOSE,BREATHER	1841142C1	12	641017L003	893
HOSE,FLEX AIR FILTER MINDER	3547779C1	8	3545804F92	604
HOSE,FLEX AIR*1/2ID X 7/8OD 43	3576385C1	4	0MT49	238
HOSE,FLEX AIR*1/2ID X 7/8OD 54	3576391C1	4	0MT49	238
HOSE,FLEX AIR*1/2ID X 7/8OD 69	3576395C1	4	0MT49	238
HOSE,FLEX AIR*AIR 1/2 ID X 7/8	3571901C1	4	0H75R	232
HOSE,FLEX AIR*AIR 1/2 ID X 7/8	3572292C1	14	0GNXX	1307
HOSE,FLEX AIR*AIR 1/2 ID X 7/8	3572295C1	4	0MT49	238
HOSE,FLEXIBLE AIR	3541592C1	12	3543959C94	784
HOSE,FLEXIBLE AIR	3541593C2	12	3543959C94	784
HOSE,FLEXIBLE AIR CAC COLD SID	3543544C1	12	3563258C91	782
HOSE,FLEXIBLE GREASE	586529C1	11	06MG9	730
HOSE,FUEL & OIL 5/16	2643544R1	15	3548102F91	1360
HOSE,HEATER BULK 3/8" ID	2643504R1	12	07PJY	854
HOSE,HEATER PREMIUM 3/4 ID	2643486R1	4	06SPT	153
HOSE,HEATER PREMIUM 3/4 ID	2643486R1	16	07TDL	1523
HOSE,HEATER PREMIUM*1"ID	2643493R1	12	07PJY	854
HOSE,POWER STRG HOSE ONLY*	3557241C1	5	0FSWW	269
HOSE,PWR STRG,1/2ID X 44",3/4-	497367C2	5	0FSWW	269
HOSE,RAD OUTLET	584832C1	12	07PJQ	1162
HOSE,RAD OUTLET LOWER RADIATOR	3579553C3	12	07PJQ	1162
HOSE,RAD*PREMIUM -178MM ID X 2	3550792C2	12	07PJQ	1162
HOSE,STRG 3/4" ID X 1.06" OD	2643655R1	5	0FSWW	269
HOSE,W/S WSHR .156 IDX.06 WALL	990016C1	16	3550838C95	1675
HOUSING, FLYWHEEL	1820338C2	12	641010L001	1053
HOUSING, PUMP	1821290C1	12	1821232C92	984
HOUSING, TRANS BELL	FULA5634	13	3549043F91	1234
HOUSING, WATER PUMP	1890235C1	12	1830607C5	986
HOUSING,CONTROL LEVER*GEAR SHI	3576698C1	13	3576514C91	1268
HOUSING,CONTROL W/LEVER*CONTRO	3576514C91	13	0G4JT	1266
HOUSING,CONTROL W/LEVER*CONTRO	3576514C91	13	3576514C91	1268
HOUSING,CONTROL*POWER DISTRIBU	3554606C91	8	3554606C91	441
HOUSING,CONTROL*POWER DISTRIBU	3554606C91	8	3610835F91	438
HOUSING,F/R AXLE 14GRU,W,Z HEN	2502528C1	14	3609621C91	1288
HOUSING, FLYWHEEL	2008329F91	12	0FB8Y	1057
HOUSING, FLYWHEEL	2008329F91	12	2008329F91	1062
HOUSING, FLYWHEEL SAE#2	1820338C2	12	641010L001	1053
HOUSING,FRT DR 02ESA,B,C,RX	2507877C91	2	3556927F91	87
HOUSING,FRT L/DIFF 02ESA FC#1	3556927F91	2	0FWRZ	86
HOUSING,FRT L/DIFF 02ESA FC#1	3556927F91	2	3556927F91	87
HOUSING,HEATER BLOWER MAIN	3548040C3	16	3530971C96	1539
HOUSING,HTR BLWR SCROL W/DOOR	3548041C1	16	3530971C96	1539
HOUSING,INSTR CLUSTER*HOUSING	3554430C91	16	3554390F91	1600
HOUSING,LIGHTER	415837C91	8	3581553F91	592

Part Description Index

Description	Part No.	Group	Figure	Page
HOUSING,LUBE OIL PUMP	1827396C2	12	1827395C92	947
HOUSING,OIL PUMP	1827395C92	12	1827395C92	947
HOUSING,OIL PUMP	1827395C92	12	1833357C92	968
HOUSING,OIL PUMP	1827395C92	12	641013A003	978
HOUSING,R/R AXLE 14GRU,W,Z HEN	2502531C1	14	3602600C91	1300
HOUSING,REAR AXLE,14GRZ/UR/UU	3609626C1	14	3609633C91	1290
HOUSING,REAR AXLE,14GRZ/UR/UU/	3609637C1	14	3609644C91	1302
HOUSING,SHIFT BAR	FULA6974	13	3568552F91	1242
HOUSING,SHIFT BAR*STD SHIFT CN	3568552F91	13	0FKN4	1241
HOUSING,SHIFT BAR*STD SHIFT CN	3568552F91	13	3568552F91	1242
HOUSING,STEER COL*TILT	2505845C91	5	2505661C91	278
HOUSING,SW ASSY,2/3 PK (2 LYR)	3582062C1	16	3581699F91	1570
HOUSING,SWITCH*6 PACK DIN MULT	3549776C4	8	3549776C4	621
HOUSING,SWITCH*6 PACK DIN MULT	3549776C4	8	3594373F91	623
HOUSING,VALVE	1833234C1	12	1833386C1	837
HOUSING,XMSH BELL ALSO FOR CLU	3549043F91	13	0FKP3	1233
HOUSING,XMSH BELL ALSO FOR CLU	3549043F91	13	3549043F91	1234
HUB, FAN & PULLEY	1822091C2	12	1830607C5	986
HUB,ASSY BRK 16.5 X 6	1699658C91	17	1699658C91	1686
HUB,ASSY BRK 16.5 X 6	1699658C91	17	3556968F91	1687
HUB,CLUTCH 3RD/4TH	FUL4301475	13	2507860C91	1261
HUB,CLUTCH 5TH/6TH	FUL4301476	13	2507860C91	1261
HUB,CLUTCH REVERSE	FUL4301474	13	2507860C91	1261
HUB,FRT WHL W/DRUM 16.5X FC#7	3556968F91	17	0FWS5	1685
HUB,FRT WHL W/DRUM 16.5X FC#7	3556968F91	17	3556968F91	1687
HUB,REAR WHEEL W/DRUM*CAST	2003838C94	17	06LVQ	1691
HUB,REAR WHEEL W/DRUM*CAST	2003838C94	17	2003838C94	1692
HUB,REAR WHEEL W/DRUM*CAST	2014885C93	17	06LVQ	1691
HUB,REAR WHEEL W/DRUM*CAST	2014885C93	17	2014885C93	1694
HUB,REAR WHL W/CUPS & STUDS	2586994C91	17	2003838C94	1692
HUB,REAR WHL W/CUPS & STUDS	2586994C91	17	2014885C93	1694
HYDRAULIC FUEL SYSTEM UNIT	641011E002	12	3540803F92	934
HYDRAULIC FUEL SYSTEM UNIT	641011E002	12	641011E002	948
IDLER GEAR UNIT	641003D002	12	3540803F92	934
IDLER GEAR UNIT	641003D002	12	641003D002	950
IMPELLER,WATER PUMP	1821931C1	12	1830607C5	986
INJECTOR ASSY,W/SEALS	1830692C92	12	1830692C92	952
INJECTOR ASSY,W/SEALS	1830692C92	12	641011C054	941
INJECTOR ASSY.	1830691C1	12	1830692C92	952
INJECTOR, FUEL	641011C054	12	641011C054	941
INJECTOR, W/ SEALS	1830692C92	12	641011C054	941
INLET, WATER	3527258C1	12	641005P005	858
INLET,WATER ENGINE	3527258C1	12	641005P005	858
INSERT,EXH	1830712C1	12	1830345C93	879
INSERT,EXH	1830713C1	12	1830345C93	879
INSERT,EXHAUST VALVE	1830711C1	12	1830345C93	879
INSERT,INT SEAT,.002 OVERSIZE	1830310C2	12	1830345C93	879
INSERT,INT SEAT,.015 OVERSIZE	1830311C2	12	1830345C93	879
INSERT,INTAKE VALVE SEAT,STD	1827121C2	12	1830345C93	879
INSERT,MOLDED RBR PKG OF 25	2592963C1	16	2507655C91	1608
INSERT,MOLDED RBR PKG OF 25	2592963C1	16	2507656C91	1610
INSERT,THREADED FLANGED	3551976C1	16	3550838C95	1675
INSERT,THREADED M6 OPEN END	3510918C1	9	0JCH6	680
INSERT,THREADED M6 OPEN END	3510918C1	16	06MT8	1471
INSERT,THREADED M6 OPEN END	3510918C1	16	06MXR	1644
INSERT,THREADED M6 OPEN END	3510918C1	16	06NKM	1557
INSERT,THREADED M6 OPEN END	3510918C1	16	06STC	1517
INSERT,THREADED M6 OPEN END	3510918C1	16	0G4M9	1643

Part Description Index

Description	Part No.	Group	Figure	Page
INSERT,THREADED M6 OPEN END	3510918C1	16	0JT53	1512
INSERT,THREADED NUT RUBBER 6M	3578343C1	9	0FVDZ	695
INSERT,THREADED NUT RUBBER 6M	3578343C1	9	3610431C91	701
INST PANEL HTR-A/C CONT	3545546F93	16	06M0N	1596
INST PANEL HTR-A/C CONT	3545546F93	16	3545546F93	1598
INST PANEL MAIN CARRIER LHD	3511018F93	16	06JTX	1559
INST PANEL MAIN CARRIER LHD	3511018F93	16	3511018F93	1560
INST PNL CLSTR CLSOUT LHD	3511042F93	16	06JV1	1562
INST PNL CLSTR CLSOUT LHD	3511042F93	16	3511042F93	1563
INST PNL FLT CTR ASSY LHD	3511044F93	16	06JV9	1589
INST PNL FLT CTR ASSY LHD	3511044F93	16	3511044F93	1590
INST PNL PASS CLSOUT LHD	3511056F93	16	06JV5	1572
INST PNL PASS CLSOUT LHD	3511056F93	16	3511056F93	1573
INSTRUCTION SHT	1171742R1	12	1833096C92	965
INSULATOR, HOSE 1.25 X 1.5"	2038725C3	8	3581553F91	592
INSULATOR,AUX TRANS MTG	80445R1	13	07VS1	1245
INSULATOR,C.E.C. SHIPPING	1830974C1	12	641009C014	809
INSULATOR,CAB ENG COVER I6 ENG	3508277C1	16	3508281C93	1513
INSULATOR,ENG FRT MTG	1664723C3	12	07NDS	859
INSULATOR,ENG REAR MTG	3549169C1	12	07NDS	859
INSULATOR,FOAM	1831251C1	12	1833443C95	804
INSULATOR,HOOD MTG	3588616C1	9	3612369C91	684
INSULATOR,RAD MTG	3560217C1	12	07RTJ	830
INSULATOR,SNUBBER ENG MTG	1664726C2	12	07NDS	859
INSULATOR,SNUBBER I6	3532955C1	12	07NDS	859
INSULATOR,SPG LNR .108X3.9X7.9	2505375C1	3	3540967C91	119
INSULATOR,TERMINAL	577313C1	8	0LSFK	385
IP, PREMIUM CAB TRIM & COUR	3598054F91	8	06QK9	589
IP, PREMIUM CAB TRIM & COUR	3598054F91	8	3598054F91	590
IP,CLUSTER,LEFT WARNING LIGHTS	3604603F91	16	0FFCL	1603
IP,CLUSTER,LEFT WARNING LIGHTS	3604603F91	16	3604603F91	1604
IP,CNTR MOD-METRC,GUAGES-ENGLS	3604608F91	16	0HT25	1460
IP,CNTR MOD-METRC,GUAGES-ENGLS	3604608F91	16	3604608F91	1461
IP,FUSE PANEL GRAPHIC,ENGLISH	3588092F96	8	06TDF	597
IP,FUSE PANEL GRAPHIC,ENGLISH	3588092F96	8	3588092F96	599
IP-1 SWITCH BLANK PLUG	3595677F91	8	0L5BD	639
IP-1 SWITCH BLANK PLUG	3595677F91	8	3595677F91	640
IP-FULL SW PK W/CVR,POCKET	3594373F91	8	0L4GS	620
IP-FULL SW PK W/CVR,POCKET	3594373F91	8	3594373F91	623
JET,ATOMIZER ETHER START	2041689C1	12	06VS3	1026
JOINT,BALL*LH FEMALE THREAD W/	3532860C1	11	3544412C91	728
JOINT,BALL*W/ MALE ROD END	3544399C1	11	3544412C91	728
KEY, 1/4 X 1 SAE 15 WOODRUFF	124553	11	06VKP	726
KEY, 1/4 X 3/4 SAE 91 WOODRUFF	218211	12	1830613C91	788
KEY, VIBRATION DAMPER	691044C1	12	641007B006	850
KEY,ALL WOODRUFF SPECIAL	FUL230292	13	3568551F91	1263
KEY,IGNITION LOCK*RANDOM CUT	3546595C1	8	3552933F91	595
KEY,MANIF HEAT CONT LEVER	1824644C1	12	1830346C95	877
KEY,WOODRUFF	691044C1	12	641007B006	850
KIT DIFF BRG & SEAL	1676480C91	2	1676480C91	98
KIT DIFF BRG & SEAL	1676480C91	2	2507920C91	94
KIT, BREATHER TUBE	1830188C91	12	641017L003	893
KIT, DUST CAP	1662161C1	6	270DYA1XXX	330
KIT, FRONT OIL SEAL DT530/570	1833096C92	12	641013A003	978
KIT, HARDWARE SURGE TANK	2507470C91	12	2586041C91	1171
KIT, HARDWARE SURGE TANK	2507470C91	12	3551079F94	1196
KIT, INJECTOR PRESSURE REGULATOR	1841217C91	12	641011E002	948
KIT, INJECTOR SEAL	1830742C92	12	641011C054	941

Part Description Index

Description	Part No.	Group	Figure	Page
KIT, OIL COOLER	1833359C94	12	641013C002	819
KIT, OIL PUMP OIL	1833357C92	12	641013A003	978
KIT, PISTON & SLEEVE	1830709C92	12	641004B021	973
KIT, PISTON RING	1830723C92	12	641004B021	973
KIT, REAR MAIN BEARING	1830726C91	12	641007A004	846
KIT, SEAT SHAFT ASSY W/BUSH	1660393C91	16	1660393C91	1495
KIT, SEAT SHAFT ASSY W/BUSH	1660393C91	16	3558491C92	1507
KIT,1/3 BUCKET TRACK	2505726C91	16	3575748C93	1618
KIT,ABS BRACKET	2505660C91	4	2505660C91	201
KIT,ABS BRACKET	2505660C91	4	3540368F94	197
KIT,ACCEL PEDAL ASSY	2586242C91	12	2586242C91	748
KIT,ACCEL PEDAL ASSY	2586242C91	12	3592631F91	747
KIT,ACCEL SENSOR	2586248C91	12	2586242C91	748
KIT,AIR BRAKE MANIFOLD 4 PORT	2505674C91	4	2505674C91	234
KIT,AIR BRAKE MANIFOLD 4 PORT	2505674C91	4	3550595F91	236
KIT,AIR BRK*SOLENOID COVER PLT	2507597C91	8	2507597C91	355
KIT,AIR BRK*SOLENOID COVER PLT	2507597C91	8	3553323F94	353
KIT,AIR SPRING	1696990C91	16	3558491C92	1507
KIT,BEAM END BUSHING W/SHIM	1685931C91	14	3516037C92	1328
KIT,BOLT & NUT 140,141,145	1692759C91	14	1696762C91	1304
KIT,BOLT & NUT 140,141,145	1692759C91	14	2503395C91	1292
KIT,BRAKE PEDAL W/ COVER ASSY	2505839C92	4	3540368F94	197
KIT,BRAKE SHOES W/ HARDWARE	KSR2124707Q	4	3548002C91	244
KIT,BRAKE SHOES W/ HARDWARE	KSR2124707Q	4	3548003C91	248
KIT,BRAKE SHOES W/ HARDWARE	KSR2124707Q	4	3548018C91	246
KIT,BRAKE SHOES W/ HARDWARE	KSR2124707Q	4	3548019C91	250
KIT,BRAKE SHOES W/ HARDWARE	KSR2124707Q	4	KSR2124707Q	252
KIT,BRAKE SHOES W/HARDWARE	KSR3014720Q	4	2507869C91	217
KIT,BRAKE SHOES W/HARDWARE	KSR3014720Q	4	2507870C91	219
KIT,BREATHER TUBE	1830188C91	12	1830188C91	881
KIT,BREATHER TUBE	1830188C91	12	641017L003	893
KIT,BUSHING*TILT LEVER	2586763C91	5	3562717F92	276
KIT,CAB AIR SUSP PIVOT BALL	2502516C91	16	3540379C96	1451
KIT,CAC MTG W/ISOLATORS	2507458C91	12	2586041C91	1171
KIT,CAMSHFT BEARING,I308	680117C3	12	1830617C92	844
KIT,CAPS(2)	2507479C91	12	2586041C91	1171
KIT,CAPS(2)	2507479C91	12	3551079F94	1196
KIT,CLUTCH PEDAL	2506172C92	11	2506172C92	733
KIT,CLUTCH PEDAL	2506172C92	11	3546983F91	735
KIT,DCDL SWITCH AND CLIP	2502117C91	14	2503395C91	1292
KIT,DIFF BRG & SEAL F/R 814GTJ	1698252C91	14	2503395C91	1292
KIT,DOOR LOCK (Z-001)	3547899C91	8	3552933F91	595
KIT,DRAG LINK RETAINER	2502063C91	5	3602517C91	266
KIT,END YOKE SLIP	2506822C91	5	3549807C92	261
KIT,END YOKE TIGHT	2506821C91	5	3549807C92	261
KIT,FLIP-OUT ARM LH	2507655C91	16	2507655C91	1608
KIT,FLIP-OUT ARM LH	2507655C91	16	3561587C94	1612
KIT,FLIP-OUT ARM RH	2507656C91	16	2507656C91	1610
KIT,FLIP-OUT ARM RH	2507656C91	16	3561588C94	1614
KIT,FRONT COVER GASKET	1824984C95	12	1824984C95	835
KIT,FRONT COVER GASKET	1824984C95	12	641006B009	832
KIT,FRT SEAT CUSH ADJ REPAIR	2595024C91	16	2595024C91	1497
KIT,FRT SEAT CUSH ADJ REPAIR	2595024C91	16	3558491C92	1507
KIT,GASKET & SEAL	1677006C91	15	1618386C93	1380
KIT,GASKET & SEAL END CAP M110	2585858C91	5	3602517C91	266
KIT,GASKET & SEAL INPUT SHAFT	2585853C91	5	3602517C91	266
KIT,GASKET & SEAL M110	2586319C91	5	3602517C91	266
KIT,GOVERNOR MAINT D-2	631626C91	4	410986C92	151

Part Description Index

Description	Part No.	Group	Figure	Page
KIT,HARDWARE CAC	2507461C91	12	2586041C91	1171
KIT,HELICAL GEAR RT34/40145	1694543C91	14	1694543C91	1298
KIT,HELICAL GEAR RT34/40145	1694543C91	14	2503395C91	1292
KIT,HOUSING*TILT STRG COL	2505661C91	5	2505661C91	278
KIT,HOUSING*TILT STRG COL	2505661C91	5	3562717F92	276
KIT,INJECTOR SEALS	1830742C92	12	1830742C92	956
KIT,INJECTOR SEALS	1830742C92	12	641011C054	941
KIT,INTR TRM PCKT SMK GRY LH	2505202C91	16	3533752C94	1432
KIT,INTR TRM PCKT SMK GRY RH	2506369C91	16	3558221C92	1553
KIT,LOOKDOWN MIRROR FASTENER	2506235C91	16	3561587C94	1612
KIT,LOOKDOWN MIRROR FASTENER	2506235C91	16	3561588C94	1614
KIT,MINOR MAINTENANCE	BX287368	4	2505684C91	202
KIT,MIR UPR HLDR LH W/O CB GRD	2509068C91	16	3561587C94	1612
KIT,MIR UPR HLDR RH W/O CB GRD	2509069C91	16	3561588C94	1614
KIT,MIR UPR TUBE CONNECTOR	2589247C91	16	3561587C94	1612
KIT,MIR UPR TUBE CONNECTOR	2589247C91	16	3561588C94	1614
KIT,MIRROR GROMMET	2588788C91	16	3561587C94	1612
KIT,MIRROR GROMMET	2588788C91	16	3561588C94	1614
KIT,OIL COOLER I-308	1833359C94	12	1833359C94	825
KIT,OIL COOLER I-308	1833359C94	12	641013C002	819
KIT,OUTPUT SHAFT NUT	FULK3411	13	3568551F91	1263
KIT,PISTON RING,466,230-270BHP	1830723C92	12	1830723C92	960
KIT,PISTON RING,466,230-270BHP	1830723C92	12	641004B021	973
KIT,PURGE VALVE AD9 12V W/HTR	1685513C91	4	1621397C91	160
KIT,RAD SPT LH FRT SIDE FRAME	2507460C91	12	2586041C91	1171
KIT,RAD SPT LH RR SIDE FRAME	2507459C91	12	2586041C91	1171
KIT,RAD SPT RH FRT SIDE FRAME	2507463C91	12	2586041C91	1171
KIT,RAD SPT RH RR SIDE FRAME	2507462C91	12	2586041C91	1171
KIT,RAD SUP BOT FRM ASS W/ISOL	2507465C91	12	2586041C91	1171
KIT,RAD TOP FRAME ASSY W/ ISOL	2507464C91	12	2586041C91	1171
KIT,REAR BRG COVER	FULK7045	13	3549040F91	1239
KIT,RECIRC HARDWARE	2507476C91	12	2507472C92	760
KIT,RECIRC HARDWARE	2507476C91	12	2507476C91	759
KIT,RECIRC HARDWARE	2507476C91	12	3551081F92	828
KIT,RECIRC MNTG BRKT	2507469C91	12	2586041C91	1171
KIT,RELEASE BOLT*BRK CHAMBER	ZAJ9007003	4	3566654C91	223
KIT,RELIEF VALVE SPRING	2588031C91	5	3602517C91	266
KIT,REPAIR BOOT & RET SPL140	2504890C91	6	414STHXXX	296
KIT,REPAIR BOOT & RETAINER	2500684C91	6	417LTPXXX	314
KIT,REPAIR BRAKE VLV - MINOR	2505684C91	4	2505684C91	202
KIT,REPAIR BRAKE VLV - MINOR	2505684C91	4	3540368F94	197
KIT,REPAIR BRK VALVE - MAJOR	2505683C91	4	2505683C91	204
KIT,REPAIR BRK VALVE - MAJOR	2505683C91	4	3540368F94	197
KIT,REPAIR CHECK VALVE SEALS	1685514C91	4	1621397C91	160
KIT,REPAIR DESICCANT CARTRIDGE	1685515C91	4	1621397C91	160
KIT,REPAIR HAND CONT VALVE	573185C91	4	2014415C91	212
KIT,REPAIR HAND CONT-SHUTTLE	ZAC5002742	4	2506188C91	210
KIT,REPAIR HND CNT VLV MV3	ZAC5002741	4	2506188C91	210
KIT,REPAIR MAJ BRAKE VALVE	501777C91	4	2505683C91	204
KIT,REPAIR TRACTOR PROT VLV	ZAC289061	4	2506192C91	214
KIT,RUBBER BOLSTER (PAIR)HN462	2506180C91	14	3563253C92	1320
KIT,SEAL SECTOR SHAFT	2585854C91	5	3602517C91	266
KIT,SEAT ADJ HANDLE	2505728C91	16	3575748C93	1618
KIT,SEAT BACK RECLINE KNOB GRY	2505360C91	16	3558491C92	1507
KIT,SEAT BASE CVR & SHRD GREY	2587344C91	16	3558491C92	1507
KIT,SEAT BCK FRM TO LWR FRM	2505361C91	16	2505361C91	1499
KIT,SEAT BCK FRM TO LWR FRM	2505361C91	16	3558491C92	1507
KIT,SEAT CHUGGER	1698197C91	16	1698197C91	1501

Part Description Index

Description	Part No.	Group	Figure	Page
KIT,SEAT CHUGGER	1698197C91	16	3558491C92	1507
KIT,SEAT CHUGGER LOCKOUT	2505379C91	16	2505379C91	1503
KIT,SEAT CHUGGER LOCKOUT	2505379C91	16	3558491C92	1507
KIT,SHIM TRANSMISSION ASSY	FULK2183	13	3568551F91	1263
KIT,SHROUD & BLWS FOR NS2000	2505472C91	16	3558491C92	1507
KIT,SPL BOLT M8 X 50 BAG OF 20	3542584C1	16	3602447C91	1534
KIT,STEERING*COL COVER TC7	2505690C91	5	2505690C91	280
KIT,STEERING*COL COVER TC7	2505690C91	5	3562717F92	276
KIT,STOP LIGHT SWITCH	2505670C91	4	2505670C91	192
KIT,STOP LIGHT SWITCH	2505670C91	4	3548796F91	194
KIT,STRAP&BOLT 1710,1760,1810	2035774C91	6	0JD6L	338
KIT,STRAP&BOLT 1710,1760,1810	2035774C91	6	2035774C91	339
KIT,TILT LEVER ROD & LOCKNUT	2507661C91	5	3562717F92	276
KIT,TRACK SEAT ADJ	2505886C91	16	2505886C91	1505
KIT,TRACK SEAT ADJ	2505886C91	16	3558491C92	1507
KIT,U JOINT STRG GEAR	447797C91	5	3549807C92	261
KIT,U-JOINT SPL-140	2500677C91	6	414STHXXXX	296
KIT,U-JOINT SPL-170	2500678C91	6	417LTPXXXX	314
KIT,U-JT BOLT/RETAINER SPL-140	2500673C91	6	414STHXXXX	296
KIT,U-JT PLATE & BOLT (SPL)	2502658C91	6	417LTPXXXX	314
KIT,U-JT STRAP & BOLT SPL170	3513127C91	6	045PC	291
KIT,U-JT STRAP & BOLT SPL170	3513127C91	6	0F9YZ	293
KIT,U-JT STRAP & BOLT SPL170	3513127C91	6	3513127C91	292
KIT,W/S WPR ARM NOZZLE	2504705C91	16	3535049C2	1673
KIT,W/S WPR ARM NOZZLE	2504705C91	16	3535050C3	1674
KIT,WATER SENSOR PROBE	1811490C91	15	1618386C93	1380
KIT,WSHR CL PDL SHFT BRKT 50PC	BX5004654	11	3546983F91	735
KIT-AC STUD	ZLNA1161014	8	3610514C91	362
KIT-CENTER HOLE SHIELD	ZAJ9065002	4	3566654C91	223
KIT-CLAMP BOLT / NUTS-3/8	ZAJ9003001	4	3566654C91	223
KIT-NUT & WASHER 5/8NC	ZAJ9002001	4	3566654C91	223
KNOB HAND BRK CONT HANDLE	1663738C1	4	2014415C91	212
KNOB,ASSY,CEC HARNESS(95)	1831415C92	12	1831415C92	808
KNOB,ASSY,CEC HARNESS(95)	1831415C92	12	1833443C95	804
KNOB,BRAKE VALVE*RED-OCTG TRLR	BX298817N	4	2506188C91	210
KNOB,BRAKE VALVE*YLW-PRK BRAKE	BX298818N	4	2506188C91	210
KNOB,CEC HARNESS	1827157C2	12	1831415C92	808
KNOB,HEATER-A/C KNOB	2587970C1	16	3545543C3	1597
KNOB,MANUAL SHIFT CONTROL*KNOB	3584119C1	13	3576511C92	1270
KNOB,SEAT TRACK	2505380C1	16	2505886C91	1505
KNOB,SEAT TRACK	2505380C1	16	3558491C92	1507
KNUCKLE,STRG W/BUSH LT	2586940C91	2	3599758F91	101
KNUCKLE,STRG W/BUSH RT	2586941C91	2	3599758F91	101
LABEL, GREASE INSTRUCTION	1831746C1	12	641009C014	809
LABEL,GREASE INSTRUCTION	1831746C1	12	641009C014	809
LAMP	9417866	8	1661281C91	663
LAMP	9417867	8	1661281C91	663
LAMP,HALOGEN SEALED BEAM	GEH5054	8	3610437C91	510
LAMP,HALOGEN SEALED BEAM	GEH5054	8	3610438C91	516
LAMP,INCANDESCENT	2506796C1	16	3533892C1	1585
LAMP,INCANDESCENT	2506796C1	16	3533893C1	1587
LAMP,INCANDESCENT 12V	GE1156	8	3582407C91	665
LAMP,INCANDESCENT 12V	GE1157	8	3582407C91	665
LAMP,INCANDESCENT 12V	GE193	16	3524553C94	1465
LAMP,INCANDESCENT 12V	GE2122	16	3609781C1	1520
LAMP,INCANDESCENT 12V WEDGE BA	1664233C1	8	3557672C92	518
LAMP,TURN SIG INCANDESCENT 12V	GE3157NAKR	8	3610437C91	510
LAMP,TURN SIG INCANDESCENT 12V	GE3157NAKR	8	3610438C91	516

Part Description Index

Description	Part No.	Group	Figure	Page
LATCH,DOOR MANUAL LH FRT	2505412C1	16	3556202C94	1478
LATCH,DOOR MANUAL RH FRT	2505413C1	16	3556203C94	1481
LATCH,HOOD STRAP	3544924C1	9	0DS0S	711
LATCH,SEAT BACK ADJ LOCK	1685459C1	16	2505379C91	1503
LATCH,VENT WINDOW LH	2505426C1	16	3567240C92	1487
LATCH,VENT WINDOW RH	2505427C1	16	3567241C92	1489
LATCH,W/O BUTTON VENT WINDOW	2507098C1	16	3562174C94	1646
LATCH,W/O BUTTON VENT WINDOW	2507098C2	16	3562174C94	1646
LEADFRAME-NEG KIT	ZLNA0511047	8	3610514C91	362
LENS,CLEARANCE LIGHT	1669480C1	8	3557672C92	518
LENS,DOME LIGHT	2508816C1	16	3609781C1	1520
LENS,INSTR CLUSTER*FR AXLE ENG	3588116C1	16	3588131F91	1567
LENS,INSTR CLUSTER*FWD AXLE DI	3550731C2	16	3588131F91	1567
LENS,INSTR CLUSTER*RR AXLE DIF	3550732C2	16	3588131F91	1567
LENS,INSTR CLUSTER*SNOW VALVE	3550733C1	16	3588131F91	1567
LENS,INSTR CLUSTER, IDLE SHUTD	3604595C1	16	3604603F91	1604
LENS,TURN SIGNAL & STOP	1669581C1	8	1661281C91	663
LEVER,BELLCRANK CLUTCH CONT*CL	3532907C91	11	06VKH	737
LEVER,BELLCRANK CLUTCH CONT*CL	3532907C91	11	3532907C91	739
LEVER,CLUTCH RELEASE FORK SHAF	3532867C1	11	06VKP	726
LEVER,S/A KEY CYLINDER	2506024C1	16	3556202C94	1478
LEVER,S/A KEY CYLINDER	2506024C1	16	3556203C94	1481
LEVER,XMSN*SHIFT, LOWER	3576513C1	13	3576514C91	1268
LEVER,XMSN*SHIFTER LEVER	3576510C1	13	3576511C92	1270
LEVER,XMSN*SHIFTER LEVER ASSY	3576511C92	13	0G4JT	1266
LEVER,XMSN*SHIFTER LEVER ASSY	3576511C92	13	3576511C92	1270
LIFTER, VALVE	1809570C2	12	641003C002	993
LIFTER, VALVE	1850160C1	12	641003C002	993
LIFTING EYE UNIT	U 641008F002	12	353584F91	870
LIFTING EYE UNIT	U 641008F002	12	641008F002	882
LIGHT,*INCANDESCENT AMBER	3524553C94	16	06V2B	1464
LIGHT,*INCANDESCENT AMBER	3524553C94	16	3524553C94	1465
LIGHT,ASSY STOP TAIL WITH LICE	1661281C91	8	0HDDK	655
LIGHT,ASSY STOP TAIL WITH LICE	1661281C91	8	1661281C91	663
LIGHT,DOME DRAWBRIDGE GRAY	3609781C1	16	3546500C95	1521
LIGHT,DOME DRAWBRIDGE GRAY	3609781C1	16	3609781C1	1520
LIGHT,HEAD,LH,SEALED,PRIMED BZ	3610437C91	8	3610435C91	512
LIGHT,HEAD,LH,SEALED,PRIMED BZ	3610437C91	8	3610437C91	510
LIGHT,HEAD,LNG LIFE,PRIMED,LH	3610435C91	8	0DDS3	506
LIGHT,HEAD,LNG LIFE,PRIMED,LH	3610435C91	8	3610435C91	512
LIGHT,HEAD,LONG LIFE,PRIMED,RH	3610436C91	8	0DDS3	506
LIGHT,HEAD,LONG LIFE,PRIMED,RH	3610436C91	8	3610436C91	514
LIGHT,HEAD,RH,SEALED,PRIMED BZ	3610438C91	8	3610436C91	514
LIGHT,HEAD,RH,SEALED,PRIMED BZ	3610438C91	8	3610438C91	516
LIGHT,IND*INSTR PNL WRN 100/PK	3550743C91	16	3588131F91	1567
LIGHT,IND,LED AMBER BKLGT	3533928C1	8	3578719F92	632
LIGHT,IND,LED AMBER BKLGT	3533928C1	8	3578728F91	642
LIGHT,IND,LED AMBER BKLGT	3533928C1	8	3578747F91	637
LIGHT,IND,LED AMBER BKLGT	3533928C1	8	3588124F91	629
LIGHT,IND,LED AMBER BKLGT	3533928C1	16	3581699F91	1570
LIGHT,IND,LED ON-GREEN,BRIGHT	3578733C1	8	3578719F92	632
LIGHT,IND,LED ON-GREEN,BRIGHT	3578733C1	8	3578728F91	642
LIGHT,IND,LED ON-GREEN,BRIGHT	3578733C1	8	3578747F91	637
LIGHT,IND,LED ON-GREEN,BRIGHT	3578733C1	8	3588124F91	629
LIGHT,IND,LED ON-GREEN,BRIGHT	3578733C1	16	3581699F91	1570
LIGHT,RIGHT STT FOR BKUP ALARM	3582407C91	8	0HDDK	655
LIGHT,RIGHT STT FOR BKUP ALARM	3582407C91	8	3582407C91	665
LIGHT,TURN SIGNAL LH	2588411C91	8	3610437C91	510

Part Description Index

Description	Part No.	Group	Figure	Page
LIGHT,TURN SIGNAL RH	2588412C91	8	3610438C91	516
LIGHT,TURN SIGNAL*	3557672C92	8	0DDS3	506
LIGHT,TURN SIGNAL*	3557672C92	8	3557672C92	518
LINING,FUEL TANK STRAP OR SUPT	2643614R1	15	3586670F92	1374
LINING,HEAD ROOF TRIM EXTENDED	3562027C1	16	06SH8	1554
LINK,ASSY CAB AIR SUSP VALVE	1699069C1	16	3540379C96	1451
LINK,CLUTCH CONTROL*	3544407C1	11	3544408C91	741
LINK,STEERING DRAG*16K FDA	3552002C91	5	0MFX6	263
LINK,STEERING DRAG*16K FDA	3552002C91	5	3552002C91	268
LOCK CONNECTOR BODY	1667734C1	8	3588674C91	471
LOCK,CAB DOOR	3545628C1	8	3552933F91	595
LOCK,CONNECTOR BODY	1661874C1	12	3579843C91	1227
LOCK,CONNECTOR BODY	2039342C1	8	3582042F91	559
LOCK,CONNECTOR BODY SEC	2011364C1	8	3568498C91	453
LOCK,CONNECTOR BODY** 8-WAY(15	3525875C1	12	3579843C91	1227
LOCK,CONNECTOR BODY*AMP JR-PWR	3558056C1	8	3572240F91	502
LOCK,CONNECTOR BODY*AMP JR-PWR	3558056C1	8	3572242F91	521
LOCK,CONNECTOR BODY*AMP JR-PWR	3558056C1	8	3581887C91	426
LOCK,CONNECTOR BODY*AMP JR-PWR	3558056C1	8	3581917C91	460
LOCK,CONNECTOR BODY*AMP JR-PWR	3558056C1	8	3588674C91	471
LOCK,DIFF BRG ADJUSTER	1653951C1	2	2507920C91	94
LOCK,WHL BRG ADJ NUT	491655C1	2	3556927F91	87
LOOM, CONVOLUTED	1822645C1	12	641011E002	948
LOOM,CABLE	2643669R1	4	0J0LQ	127
LOOM,CABLE 1/2"	375047C1	13	3605404C91	1257
LOOM,CABLE 5/8"	375048C1	4	B000000000	164
LOOM,HOSE INSLTR 1.25" X 12"	2000310C1	16	07TDL	1523
LUBR	ZAC291126	4	2505683C91	204
LUBR	ZAC291126	4	2505684C91	202
LUBR	ZAC291126	4	2506078C91	208
LUBRICATOR DIELECTRIC GREASE	1831729C1	12	641002C001	1189
LUBRICATOR DIELECTRIC GREASE	1831729C1	12	641009C014	809
LUBRICATOR DIELECTRIC GREASE	1831730C1	12	641009C014	809
LUBRICATOR, 1/8 PTF SHORT 45D	126152	11	06VL5	743
LUBRICATOR, 1/8 PTF SHORT 65D	127743	2	3577157F91	110
LUBRICATOR, 1/8 PTF SHORT 65D	127743	2	3599758F91	101
LUBRICATOR, DIELECTRIC GREASE 4 OZ TUB	1831731C1	12	641009C014	809
E				
LUBRICATOR,GREASE 1/4 OZ TUBE	1831730C1	12	641009C014	809
LUBRICATOR,GREASE 4 OZ TUBE	1831731C1	12	641009C014	809
LUBRICATOR,GREASE DUAL HEAD	2501497C1	6	414STHXXX	296
LUBRICATOR,GREASE,DIELECTRIC	1831729C1	12	3540803F92	934
LUBRICATOR,GREASE,DIELECTRIC	1831729C1	12	641009C014	809
MAGNET,ASSY	2588916C1	13	3600089C92	1249
MAGNET,ASSY	2588916C1	14	3602600C91	1300
MAGNET,ASSY	2588916C1	14	3609621C91	1288
MANIFOLD	1829825C92	12	641008A009	875
MANIFOLD ASSY., OIL & FUEL	1829825C92	12	1829825C92	884
MANIFOLD ASSY., OIL & FUEL	1829825C92	12	641008A009	875
MANIFOLD, CENTER EXHAUST	1818561C3	12	641014B003	1106
MANIFOLD, EXHAUST	641014B003	12	641014B003	1106
MANIFOLD, EXHAUST - CENTER	1818561C3	12	641014B001	936
MANIFOLD, EXHAUST FRT/RR	1814149C2	12	641014B001	936
MANIFOLD, FRONT & REAR EXHAUST	1814149C2	12	641014B003	1106
MANIFOLD,AIR QUALITY CONNECT*Y	3588341C1	4	3588790F92	171
MANIFOLD,AIR SOLENOID 7PK GOLD	2505595C3	8	3553323F94	353
MANIFOLD,AIR*2W 3/8 & 1/4	2505848C91	4	2505674C91	234
MANIFOLD,AIR*BLOCK, W/ 2 X 1/4	3550595F91	4	06QBL	233

Part Description Index

Description	Part No.	Group	Figure	Page
MANIFOLD,AIR*BLOCK, W/ 2 X 1/4	3550595F91	4	3550595F91	236
MANIFOLD,ASSY SEAT 2 BUTTON	2505829C1	16	3558491C92	1507
MANIFOLD,FLEX TUBE NON METALS*	3571907C1	4	0H75S	134
MANIFOLD,OIL/FUEL	1826313C1	12	1829825C92	884
MANUAL, OPERATORS	1087474R1	13	0JG9D	1275
MANUAL,INST CLSTR INST & RPLMT	2506422R1	16	3588131F91	1567
MANUAL,INST ELCTR SYS CNTRLR	2508483R1	8	3579251C3	618
MANUAL,INST GAGE INST & RPLMNT	2506420R1	16	3533892C1	1585
MANUAL,INST GAGE INST & RPLMNT	2506420R1	16	3533893C1	1587
MANUAL,INST, INSTRUCTION	1087486R1	15	0FTZD	1379
MANUAL,INST,TECH SERVICE AID	3566915R1	14	0H71N	1316
MANUAL,INTL 530E OPER 2004	1171755R4	12	0JGVB	1127
MANUAL,OWNERS/OPERATORS,ENGLIS	3595348R2	10	0GYJ2	723
MANUAL,SWITCH INSTL SW HSG	2506670R2	8	3549776C4	621
MANUAL,SWITCH INSTL SW HSG	2506670R2	8	3563069C1	634
MANUAL,SWITCH INSTL SW HSG	2506670R2	8	3578719F92	632
MANUAL,SWITCH INSTL SW HSG	2506670R2	8	3578728F91	642
MANUAL,SWITCH INSTL SW HSG	2506670R2	8	3578747F91	637
MANUAL,SWITCH INSTL SW HSG	2506670R2	8	3588124F91	629
MANUAL,SWITCH INSTL SW HSG	2506670R2	16	3581699F91	1570
MAT,CUTOUT-STD,EXT CAB & T'CRE	3536117M1	16	0G7XT	1515
MAT,CUTOUT-STD,EXT CAB & T'CRE	3536118M1	16	0G7XT	1515
MAT,CUTOUT-STD,EXT CAB & T'CRE	3548992M1	16	0G7XT	1515
MAT,CUTOUT-STD,EXT CAB & T'CRE	3548993M1	16	0G7XT	1515
MAT,CUTOUT-STD,EXT CAB & T'CRE	3548994M1	16	0G7XT	1515
MAT,CUTOUT-STD,EXT CAB & T'CRE	3549001M1	16	0G7XT	1515
MAT,CUTOUT-STD,EXT CAB & T'CRE	3549004M1	16	0G7XT	1515
MAT,CUTOUT-STD,EXT CAB & T'CRE	3565665M1	16	0G7XT	1515
MAT,FLOOR EXT CAB REAR MAT ONL	3550673M1	16	0G7XT	1515
MAT,FLOOR EXT CAB REAR MAT ONL	3572963M1	16	0G7XT	1515
MAT,FLOOR PRECUT CONV EXT CAB	3565132C2	16	0G7XT	1515
MAT,FLOOR PRECUT*CONV CAB W/ I	3565131C1	16	0G7XT	1515
MEMBER,FRAME SIDE LEFT 11.0 TH	3593439C1	1	0FTQ0	70
MEMBER,FRAME SIDE RT 11.0 THK,	3593440C1	1	0FTQ0	70
METER,ODOMETER*LCD N/EATON AUT	3554433C1	16	3554423F91	1602
MIRROR,RR VW LH FLT & CNVX BLK	3561587C94	16	0M72R	1607
MIRROR,RR VW LH FLT & CNVX BLK	3561587C94	16	3561587C94	1612
MIRROR,RR VW RH FLT & CNVX BLK	3561588C94	16	0M72R	1607
MIRROR,RR VW RH FLT & CNVX BLK	3561588C94	16	3561588C94	1614
MODULE,12/24V BATTERY EQUALI	3613280C92	8	0MSPY	397
MODULE,12/24V BATTERY EQUALI	3613280C92	8	3613280C92	398
MODULE,A/C PRESS TRANSDUCER	3572242F91	8	0F655	520
MODULE,A/C PRESS TRANSDUCER	3572242F91	8	3572242F91	521
MODULE,ELECT CONTROL 12V-CEC	1833341C1	12	641009C014	809
MOTOR,A/C DOOR CONTROL	3542575C1	16	3602447C91	1534
MOTOR,CNTRL MODE DR ACTUATORSR	3542606C1	16	3530971C96	1539
MOTOR,START 24V, L/N N/MAG SW	3610516C91	12	06S2T	1192
MOTOR,START 24V, L/N N/MAG SW	3610516C91	12	3610516C91	1193
MOTOR,W/S WIPER ELECT 12V	2588670C1	16	3554255C93	1679
MOULDING,CAB TRIM 26"	586400C1	8	3576152F93	388
MUFFLER,ASM EXHAUST* MUFFLER A	3579392C91	7	07HVV	344
MUFFLER,ASM EXHAUST* MUFFLER A	3579392C91	7	3579392C91	345
MUFFLER,ASM EXHAUST*H-H UTILIT	3579389C1	7	3579389C1	347
MUFFLER,ASM EXHAUST*H-H UTILIT	3579389C1	7	3579392C91	345
MUFFLER,W/T PIPE BEV BODY MTD	3539084C1	7	3579389C1	347
NET, RESTRAINT	2504526C1	16	3546500C95	1521
NIPPLE, VALVE COMPUCHECK	1823306C1	12	1822530C92	910
NIPPLE,HOSE	293344C1	12	07PJY	854

Part Description Index

Description	Part No.	Group	Figure	Page
NIPPLE,HOSE	864439R1	12	641016L002	755
NIPPLE,HOSE 45 DEG 3/4 MPT	864453R1	16	07TDL	1523
NIPPLE,HOSE*3/4"X3/4"X2"	3576134R1	16	07TDL	1523
NIPPLE,PIPE FITTING	1655350C1	4	3557764C92	187
NUT M10 X 1.50	31083R1	12	641009L011	777
NUT&WASHER	NS17706049	16	3558491C92	1507
NUT&WASHER	NS22815201	16	3558491C92	1507
NUT, 1/2-NF PHC JAM TYPE 8	25922R1	13	3549040F91	1239
NUT, 1/4 JAM TYPE 5	124818	4	410986C92	151
NUT, 1/8 PLN BALL SLEEVE TUBE	121220	12	299466C11	1030
NUT, 3/8-NF JAM TYPE 5	124925	4	3576188F92	183
NUT, 3/8-NF TYPE 5	120369	12	07SHT	1041
NUT, 7/16-NF PHC P/T LOCK TYPE	273896	5	06SPX	259
NUT, 7/16-NF PHC P/T LOCK TYPE	273896	14	3563253C92	1320
NUT, FERRULE FLARED TUBE FITTING 3/8"	265205R1	12	641011L019	899
NUT, FLANGE HEAD SPIRALOCK THREAD M10 X 1.25	1841574C2	12	641015A067	1213
NUT, FLG HD LK 1/2-20	414087C1	1	1664559C92	82
NUT, FLG HD LK 1/2-20	414087C1	13	07VS1	1245
NUT, FLG HD LK 1/2-20	414087C1	14	1664557C92	1336
NUT, FLG HD LK 1/2-20	414087C1	14	1664559C92	1338
NUT, FLG HD LK 5/8 NF	414089C1	14	07RTF	1330
NUT, HEX FLANGED	40050R1	12	641005A004	1002
NUT, HEX FLANGED	40050R1	12	641006B009	832
NUT, HEX FLANGED	40050R1	12	641009A008	795
NUT, HEX FLANGED	40050R1	12	641009L011	777
NUT, HEX GRADE 10 M6 X 1 MM	40049R1	12	641006M011	903
NUT, HEX GRADE 10 M6 X 1 MM	40049R1	12	641009A008	795
NUT, LOWER IDLER SHAFT	1820301C1	12	1822101C95	943
NUT, M10 PHC CLASS 10	30168R1	11	06VKP	726
NUT, M10 PHC CLASS 10	30168R1	11	3544408C91	741
NUT, M10 PHC CLASS 10	30168R1	11	3544412C91	728
NUT, M10 PHC CLASS 10	30168R1	12	07PJQ	1162
NUT, M10 X 1.50 6H FN	31083R1	12	641009L011	777
NUT, M6 X 1.0 HEX FLANGE	40049R1	12	641006M011	903
NUT, M6 X 1.0 HEX FLANGE	40049R1	12	641009A008	795
NUT, M8 - HF LOCK	40066R1	4	0HKJF	166
NUT, M8 - HF LOCK	40066R1	4	0LNNN	162
NUT, M8 - HF LOCK	40066R1	4	0MT69	140
NUT, M8 - HF LOCK	40066R1	5	0FSWW	269
NUT, M8 - HF LOCK	40066R1	8	06VZJ	411
NUT, M8 - HF LOCK	40066R1	13	0M5GN	1258
NUT, M8 - HF LOCK	40066R1	15	3573570F92	1377
NUT, M8 CLASS 8	934310R1	8	3588143F92	601
NUT, SPACER	1826626C1	12	641009C014	809
NUT, (IPR)	1824978C1	12	1825249C91	996
NUT,1/4 NC TYPE 8	25519R1	4	0MT49	238
NUT,1/4 NC TYPE 8	25519R1	8	0GCJR	371
NUT,1/4 NC TYPE 8	25519R1	8	0HQHQ	645
NUT,1/4 NC TYPE 8	25519R1	8	0JGYR	400
NUT,3/8 FLEX TUBE	265205R1	12	1825520C91	908
NUT,3/8 FLEX TUBE	265205R1	12	1825521C93	909
NUT,3/8 FLEX TUBE	265205R1	12	1829801C91	907
NUT,3/8 FLEX TUBE	265205R1	12	641011L019	899
NUT,3/8-16NC	25522R1	12	07PJQ	1162
NUT,5/8 SPHERICAL SLEEVE	55897R1	4	06SPT	153
NUT,5/8 SPHERICAL SLEEVE	55897R1	4	0LNNN	162
NUT,5/8-18NF PHC JAM TYPE 8	25950R1	14	3609621C91	1288

Part Description Index

Description	Part No.	Group	Figure	Page
NUT,7/8-NF CAD P/T LOCK TYPE	144425H	3	07W2Z	114
NUT,8MM FLANGE	2505842C1	4	2505660C91	201
NUT,8MM FLANGE	2505842C1	4	2505683C91	204
NUT,8MM FLANGE	2505842C1	4	2505684C91	202
NUT,8MM FLANGE	2505842C1	4	2506078C91	208
NUT,8MM FLANGE	2505842C1	5	2505661C91	278
NUT,BATT TERMINAL	476074C1	8	0MRFB	382
NUT,BATT TERMINAL BOLT	522639C1	8	0MRFB	382
NUT,COMP TUBE	298610C1	12	299466C11	1030
NUT,ENG MTG BOLT*CLINCH, M12 X	3570140C1	16	3558573C6	1443
NUT,GLASS VENT WNDW LATCH MTG	2591745C1	16	3567240C92	1487
NUT,GLASS VENT WNDW LATCH MTG	2591745C1	16	3567241C92	1489
NUT,HEAD CLUTCH MAS CYL	581873R1	11	06MG9	730
NUT,HEX	9413992	8	0HDDK	655
NUT,HEX 3/4 NC LOCK	9413983	14	07R21	1326
NUT,HEX 9/16 NC TYPE 8	25758R1	2	3556956F91	108
NUT,HEX AXLE SHAFT 3/4NF	2003027C1	14	0DMPJ	1318
NUT,HEX FLG M8 METRIC	3544379C1	4	0H75S	134
NUT,HEX FLG M8 METRIC	3544379C1	4	0J0LQ	127
NUT,HEX FLG M8 METRIC	3544379C1	4	0MT69	140
NUT,HEX FLG M8 METRIC	3544379C1	8	3576152F93	388
NUT,HEX FLG M8 METRIC	3544379C1	9	0FSZ5	682
NUT,HEX FLG M8 METRIC	3544379C1	16	07TDL	1523
NUT,HEX FLG METRIC*M6,CLASS 10	40233R1	8	0DDS3	506
NUT,HEX FLG METRIC*M6,CLASS 10	40233R1	15	0H3G3	1342
NUT,HEX FLG METRIC-M10 ZND FI	30727R1	11	06VKP	726
NUT,HEX FLG METRIC-M10 ZND FI	30727R1	12	06MYC	1012
NUT,HEX JAM*1/2-13 UNC, PHC, G	3575912C1	13	3576511C92	1270
NUT,HEX LK 5/16NC	9413977	13	0G4JT	1266
NUT,HEX LK CTR BOLT 1/2NF	3549211C1	3	3540967C91	119
NUT,HEX LK DR GR BOLT	2508072C1	2	2507920C91	94
NUT,HEX LK METRIC M16	1691622C1	14	1696762C91	1304
NUT,HEX LK METRIC M16	1691622C1	14	2503395C91	1292
NUT,HEX LK PINION	1685173C1	13	3600089C92	1249
NUT,HEX LK PINION	1685173C1	14	2503395C91	1292
NUT,HEX LOCK 1"-8 NC	9413986	3	07W2Z	114
NUT,HEX LOCK 1"-8 NC	9413986	14	07R21	1326
NUT,HEX LOCK 1/2 NC	9412230	3	07W2Z	114
NUT,HEX LOCK 1/2 NC	9412230	8	06PWH	360
NUT,HEX LOCK 5/8 NC	9412231	2	3599758F91	101
NUT,HEX LOCK 5/8 NC	9412231	4	0F12N	221
NUT,HEX LOCK 5/8 NC	9412231	4	3556963F91	226
NUT,HEX LOCK 5/8 NF	9411658	4	0DR90	240
NUT,HEX M12 FLANGED	30755R1	1	0M7YB	72
NUT,HEX M12 FLANGED	30755R1	3	07W2Z	114
NUT,HEX M12 FLANGED	30755R1	8	0GCJR	371
NUT,HEX M12 FLANGED	30755R1	9	0DDTF	716
NUT,HEX M12 FLANGED	30755R1	12	07NDS	859
NUT,HEX M12 FLANGED	30755R1	12	07RTJ	830
NUT,HEX M12 FLANGED	30755R1	12	07RYM	1166
NUT,HEX M12 FLANGED	30755R1	12	3538857C93	861
NUT,HEX M12 FLANGED	30755R1	15	3586670F92	1374
NUT,HEX M12 FLANGED	30755R1	16	06QSL	1449
NUT,HEX M12 FLANGED	30755R1	16	3574671C91	1438
NUT,HEX M12 FLANGED	30755R1	16	3589599C91	1436
NUT,HEX M16 PRVTRQ	30756R1	1	07VHX	68
NUT,HEX M16 PRVTRQ	30756R1	1	07VQC	76
NUT,HEX M16 PRVTRQ	30756R1	1	07X7R	80

Part Description Index

Description	Part No.	Group	Figure	Page
NUT,HEX M16 PRVTRQ	30756R1	1	0M7YB	72
NUT,HEX M16 PRVTRQ	30756R1	3	07W2Z	114
NUT,HEX M16 PRVTRQ	30756R1	4	0G5H4	189
NUT,HEX M16 PRVTRQ	30756R1	12	07NDS	859
NUT,HEX M16 PRVTRQ	30756R1	12	07RYM	1166
NUT,HEX M16 PRVTRQ	30756R1	13	07VS1	1245
NUT,HEX M16 PRVTRQ	30756R1	14	07Q7J	1333
NUT,HEX M16 PRVTRQ	30756R1	14	07RTC	1331
NUT,HEX M16 PRVTRQ	30756R1	14	07RTF	1330
NUT,HEX M16 PRVTRQ	30756R1	16	0GB2V	1433
NUT,HEX M16 PRVTRQ	30756R1	16	3566415C93	1441
NUT,HEX M8X1.25	479720C1	16	0H9RV	1390
NUT,HEX M8X1.25	479720C1	16	3579484C93	1392
NUT,HEX METRIC PREV. (SPR)	40204R1	5	0MFX6	263
NUT,HEX METRIC PREV. (SPR)	40204R1	14	07Q7J	1333
NUT,HEX METRIC PREV. TORQ*M10	3535556C1	4	0H75S	134
NUT,HEX METRIC PREV. TORQ*M10	3535556C1	4	0J0LQ	127
NUT,HEX METRIC PREV. TORQ*M10	3535556C1	4	0LNNN	162
NUT,HEX METRIC PREV. TORQ*M10	3535556C1	4	0MSR4	158
NUT,HEX METRIC PREV. TORQ*M10	3535556C1	4	0MT69	140
NUT,HEX METRIC PREV. TORQ*M10	3535556C1	7	3579392C91	345
NUT,HEX METRIC PREV. TORQ*M10	3535556C1	8	0HDDK	655
NUT,HEX METRIC PREV. TORQ*M10	3535556C1	8	3576152F93	388
NUT,HEX METRIC PREV. TORQ*M10	3535556C1	9	0FSZ5	682
NUT,HEX METRIC PREV. TORQ*M10	3535556C1	16	3576163F92	1639
NUT,HEX METRIC PREV. TORQ*M12	3535859C1	1	0F9CX	71
NUT,HEX METRIC PREV. TORQ*M12	3535859C1	1	3567132C93	74
NUT,HEX METRIC PREV. TORQ*M12	3535859C1	4	0J0LQ	127
NUT,HEX METRIC PREV. TORQ*M12	3535859C1	7	07HVV	344
NUT,HEX METRIC PREV. TORQ*M12	3535859C1	8	0MSPY	397
NUT,HEX METRIC PREV. TORQ*M16	3535554C1	1	0M7YB	72
NUT,HEX METRIC PREV. TORQ*M16	3535554C1	4	0J0LQ	127
NUT,HEX METRIC PREV. TORQ*M16	3535554C1	4	0LNNN	162
NUT,HEX METRIC PREV. TORQ*M16	3535554C1	4	0MSR4	158
NUT,HEX METRIC PREV. TORQ*M16	3535554C1	13	0M5GN	1258
NUT,HEX METRIC PREV. TORQ*M16	3535554C1	15	0FV9D	1382
NUT,HEX METRIC PREV. TORQ*M16	3535554C1	16	0LLJR	1444
NUT,HEX METRIC PREV. TORQ*M6 H	3544378C1	4	06SPT	153
NUT,HEX METRIC PREV. TORQ*M6 H	3544378C1	4	0H75S	134
NUT,HEX METRIC PREV. TORQ*M6 H	3544378C1	4	0J0LQ	127
NUT,HEX METRIC PREV. TORQ*M6 H	3544378C1	4	0LNNN	162
NUT,HEX METRIC PREV. TORQ*M6 H	3544378C1	7	0HGRZ	342
NUT,HEX METRIC PREV. TORQ*M6 H	3544378C1	8	086VD	364
NUT,HEX METRIC PREV. TORQ*M6 H	3544378C1	16	07TDL	1523
NUT,HEX METRIC PREV. TORQ*M6 H	3544378C1	16	0G9F8	1388
NUT,HEX METRIC PREV. TORQ*M6 X	3535410C1	16	06MT8	1471
NUT,HEX METRIC PREV. TORQ*M6 X	3535410C1	16	06MXR	1644
NUT,HEX METRIC PREV. TORQ*M6 X	3535410C1	16	06TRV	1543
NUT,HEX METRIC PREV. TORQ*M8	353592C1	8	0DDS3	506
NUT,HEX METRIC PREV. TORQ*M8	353592C1	8	0HL8D	366
NUT,HEX METRIC PREV. TORQ*M8 X	3535162C1	8	06VZJ	411
NUT,HEX METRIC PREV. TORQ*M8 X	3535162C1	9	0JCH6	680
NUT,HEX METRIC PREV. TORQ*M8 X	3535162C1	12	07SL0	1040
NUT,HEX METRIC PREV. TORQ*M8 X	3535162C1	12	07TXX	749
NUT,HEX METRIC PREV. TORQ*M8 X	3535162C1	16	06MT8	1471
NUT,HEX METRIC PREV. TORQ*M8 X	3535162C1	16	06QS3	1469
NUT,HEX METRIC PREV. TORQ*M8 X	3535162C1	16	06SLV	1667
NUT,HEX METRIC PREV. TORQ*M8 X	3535162C1	16	06TRV	1543

Part Description Index

Description	Part No.	Group	Figure	Page
NUT,HEX METRIC REG.*M8-1.25 SS	40081R1	9	0F448	715
NUT,HEX SLOTTED 7/8 NF TYPE 8	26963R1	2	2601612C91	103
NUT,HEX SLOTTED 7/8 NF TYPE 8	26963R1	2	3599758F91	101
NUT,HEX SLOTTED 7/8 NF TYPE 8	26963R1	5	3552002C91	268
NUT,HEX*M8 X 1.25 W/ CAPTURE	3557057C1	16	0FVYN	1491
NUT,HEX*M8 X 1.25 W/ CAPTURE	3557057C1	16	0GWJ7	1616
NUT,HEX*M8 X 1.25 W/CAPTURE WA	3534873C2	8	06VZJ	411
NUT,HEX*M8 X 1.25 W/CAPTURE WA	3534873C2	8	0CS5P	437
NUT,HEX*M8 X 1.25 W/CAPTURE WA	3534873C2	16	06NKM	1557
NUT,HEX*M8 X 1.25 W/CAPTURE WA	3534873C2	16	07TDL	1523
NUT,HEX*M8 X 1.25 W/CAPTURE WA	3534873C2	16	0LV7L	1530
NUT,HEX*M8 X 1.25 W/CAPTURE WA	3534873C2	16	3602447C91	1534
NUT,HEX*M8 ZND	30910R1	8	06VZJ	411
NUT,LOCK CLUTCH ADJ *LEFT HAND	3532841C1	11	3544412C91	728
NUT,LOCK CLUTCH ADJ *M10X1.5 Z	3532853C1	11	3544408C91	741
NUT,LOCK CLUTCH ADJ *M10X1.5 Z	3532853C1	11	3544412C91	728
NUT,LOCK INPUT/OUTPUT SHAFT	2000231C1	14	1696762C91	1304
NUT,LOCK INPUT/OUTPUT SHAFT	2000231C1	14	3609621C91	1288
NUT,LOCK OR HEX SPECIAL*PREVAI	30754R1	4	0MT69	140
NUT,LOCK OR HEX SPECIAL*PREVAI	30754R1	8	0HQHQ	645
NUT,LOCK OR HEX SPECIAL*PREVAI	30754R1	15	0H3G3	1342
NUT,M5 CLASS 5	934871R1	8	0HL8D	366
NUT,M6 PREV TORX HF	40209R1	12	06MYC	1012
NUT,M8 CLASS 8 H/FLG	30986R1	12	07PJQ	1162
NUT,M8 PHC CLASS 10	30167R1	8	06VZJ	411
NUT,M8 PHC CLASS 10	30167R1	12	07PJQ	1162
NUT,M8 X 1.25 HEX FLG,PHC GR10	40050R1	12	641005A004	1002
NUT,M8 X 1.25 HEX FLG,PHC GR10	40050R1	12	641006B009	832
NUT,M8 X 1.25 HEX FLG,PHC GR10	40050R1	12	641009A008	795
NUT,M8 X 1.25 HEX FLG,PHC GR10	40050R1	12	641009L011	777
NUT,M8X1.25 CLASS 8 PHC FLG	31082R1	15	0H3G3	1342
NUT,PD SHIFTER SHAFT	1696227C1	14	2503395C91	1292
NUT,PUSH VISOR MTG	2587009C1	16	3546500C95	1521
NUT,RR WHL BRG ADJ (AXILOK)	2032055C1	17	06M1J	1696
NUT,SPACER	1826626C1	12	641009C014	809
NUT,SPCL HX 3/8-16 ZINC PLTD	433972C1	8	0GCJR	371
NUT,SPECIAL LOCK	1697451C1	14	3563253C92	1320
NUT,SPECIAL M6 FLANGE	2506032C1	16	3556202C94	1478
NUT,SPECIAL M6 FLANGE	2506032C1	16	3556203C94	1481
NUT,SPECIAL M6,MULTI-THREAD. ,	3569643C1	9	3612369C91	684
NUT,SPECIAL THRUST SCREW	1696804C1	2	2507920C91	94
NUT,SPECIAL*16 MILLIMETER CLEN	3535172C1	8	3539597C7	390
NUT,SPECIAL*16 MILLIMETER CLEN	3535172C1	8	3539598C7	392
NUT,SPECIAL*48-WAY ITT CANNON	3566557C1	16	06TRV	1543
NUT,SPECIAL*M8 X 1.25 U-NUT (L	3541323C1	15	0H3G3	1342
NUT,SPECIAL*M8 X 1.25 U-NUT (L	3541323C1	15	3570012F91	1371
NUT,SPECIAL*M8 X 1.25 U-NUT (L	3541323C1	16	3576163F92	1639
NUT,SPECIAL, M8	3606527C1	8	06VZJ	411
NUT,SPEED	3510210C1	16	06TJY	1648
NUT,SPEED M6 X 1 U-NUT LCKNG	3544343C1	16	06RNB	1544
NUT,SPEED M8X1.25 U-NUT	3551059C1	9	0DDTF	716
NUT,SPEED STANDARD PART M6X1 U	30592R1	9	0FVDZ	695
NUT,SPEED STANDARD PART M6X1 U	30592R1	16	06SLV	1667
NUT,SWITCH MTG 1"-32 THREAD	3550643C1	8	3552933F91	595
NUT,THIN SPECIAL	181372R1	4	0H75S	134
NUT,UNIV JOINT	1689588C1	2	2507920C91	94
NUT,UPPER IDLER SHAFT	1820278C1	12	1822102C95	945
NUT,VALVE ADJ SCREW	1820923C2	12	1827195C95	766

Part Description Index

Description	Part No.	Group	Figure	Page
NUT,VALVE ADJUSTING SCREW	1841734C1	12	1872755C91	768
NUT,WELD FLANGE M8 X 1.25	3532732C1	8	3539604C2	394
NUT,WELD FLANGE M8 X 1.25	3532732C1	16	3509593C1	1424
NUT,WELD FLANGED GRIPCO M12 WE	3532734C1	16	3550779C2	1421
NUT,WELD FLANGED M8 X 1.25	3548808C1	10	3601764F91	722
NUT,WELD FLANGED M8 X 1.25	3548808C1	16	3550779C2	1421
NUT,WELD FLNG M6 X 10 6G/6H	3534518C1	8	3539597C7	390
NUT,WELD FLNG M6 X 10 6G/6H	3534518C1	8	3539598C7	392
NUT,WELD FLNG M6 X 10 6G/6H	3534518C1	16	3509593C1	1424
NUT,WELD FLNG M6 X 10 6G/6H	3534518C1	16	3509593C2	1426
NUT,WELD FLNG M6 X 10 6G/6H	3534518C1	16	3550779C2	1421
NUT,WHEEL HUB BOLT M22 X 1.5	1649492C2	17	0MTH4	1684
NUT,WHEEL HUB BOLT M22 X 1.5	1649492C2	17	0MVFK	1683
NUT,WHL BRG ADJ INNER	491653C1	2	3556927F91	87
NUT,WHL BRG ADJ OUTER	491654C1	2	3556927F91	87
O-RING	5X1290	13	3600089C92	1249
OIL COOLER UNIT (I-308)	641013C002	12	3540803F92	934
OIL COOLER UNIT (I-308)	641013C002	12	641013C002	819
OIL FILTER	641013B003	12	3540803F92	934
OIL FILTER	641013B003	12	641013B003	963
OIL FILTER UNIT	641013B002	12	3540803F92	934
OIL FILTER UNIT	641013B002	12	641013B002	964
OIL LEVEL GAUGE, NGV, RACOR UNIT	U 641006M011	12	3540904F91	905
OIL LEVEL GAUGE, NGV, RACOR UNIT	U 641006M011	12	641006M011	903
OIL PAN UNIT	U2 641006L001	12	3554354F91	1126
5				
OIL PAN UNIT	U2 641006L001	12	641006L001	1122
5				
ORING	5X1291	13	3600089C92	1249
ORING	5X1292	13	3600089C92	1249
ORING	5X1326	13	3600089C92	1249
ORING	5X1327	13	3600089C92	1249
OUTLET,DEFROSTER SIDE WINDOW	3547247C1	16	3511018F93	1560
OUTLET,DEFROSTER WINDSHIELD	3547246C1	16	3511018F93	1560
OUTLET,FUEL TANK*FUEL TANK OUT	3555278C1	15	3548119F92	1363
OUTLET,LOUVER AIR COND	3547244C1	16	3511018F93	1560
OUTLET,LOUVER AIR COND	3547244C1	16	3547254C1	1592
OVERHAUL KIT-4800IN S	ZLNK1831047	8	3610514C91	362
PACKAGE FRONT OIL SEAL 530/570	1833096C92	12	1833096C92	965
PACKAGE FRONT OIL SEAL 530/570	1833096C92	12	641013A003	978
PACKAGE, CRANKSHAFT BEARINGS FRONT	1830725C91	12	641007A004	846
PACKAGE,ATTRIBUTE*MDL EFF-SS W	3554346F91	12	0FB8T	1112
PACKAGE,ATTRIBUTE*MDL EFF-SS W	3554346F91	12	3554346F91	1116
PACKAGE,ATTRIBUTE*N/BLOCK HTR	3540904F91	12	0FBX3	898
PACKAGE,ATTRIBUTE*N/BLOCK HTR	3540904F91	12	3540904F91	905
PACKAGE,C"SHAFT BRGS FRONT	1830725C91	12	641007A004	846
PACKAGE,CYL SLEEVE RING	1822322C92	12	1822322C92	967
PACKAGE,CYL SLEEVE RING	1822322C92	12	1830709C92	970
PACKAGE,MAIN BRG REAR STD	1830726C91	12	641007A004	846
PACKAGE,OIL PUMP	1833357C92	12	1833357C92	968
PACKAGE,OIL PUMP	1833357C92	12	641013A003	978
PACKAGE,PISTON & SLEEVE	1830709C92	12	1830709C92	970
PACKAGE,PISTON & SLEEVE	1830709C92	12	641004B021	973
PACKAGE,POLY BAG	1078152R2	10	0GYJ2	723
PACKAGE-INJ PRESSURE REGULATOR	1841217C91	12	1841217C91	972
PACKAGE-INJ PRESSURE REGULATOR	1841217C91	12	641011E002	948
PAD MTG TURN SIGNAL LIGHT	1667672C1	8	3557672C92	518
PAD,PEDAL*COVER	2505695C1	4	2506176C91	206

Part Description Index

Description	Part No.	Group	Figure	Page
PAD, PEDAL*COVER	2505695C1	11	3546983F91	735
PAINT PRIMER ADHESIVE	2643716R1	13	06WTQ	1236
PAINT UNIT (NGD BLUE)	641002C001	12	3540803F92	934
PAINT, SPEC BLUE	1822510C1	12	3540803F92	934
PAINT, SPEC BLUE	1822510C1	12	641002C001	1189
PAN ASSEMBLY, OIL	1823278C92	12	1823278C92	1124
PAN ASSEMBLY, OIL	1823278C92	12	641006L001	1122
PAN, OIL	1823278C92	12	641006L001	1122
PAN, OIL	641006L001	12	641006L001	1122
PAN, OIL (24 QTS)	1823277C1	12	1823278C92	1124
PAN, OIL*SS SF ALLWHLDRV W/SHAL	3554354F91	12	0FBQB	1121
PAN, OIL*SS SF ALLWHLDRV W/SHAL	3554354F91	12	3554354F91	1126
PANEL*LH HOOD SIDE FENDER	3556244C3	9	3612369C91	684
PANEL, ASM ROOF WLDD EXTD AERO	3572685C91	16	0H9RV	1390
PANEL, ASM ROOF WLDD EXTD AERO	3572685C91	16	3572685C91	1406
PANEL, ASM ROOF WLDD EXTD AERO	3572685C91	16	3579484C93	1392
PANEL, ASSY BCK OTR WLDD TRCTR	3540844C95	16	0H9RV	1390
PANEL, ASSY BCK OTR WLDD TRCTR	3540844C95	16	3540844C95	1407
PANEL, ASSY BCK OTR WLDD TRCTR	3540844C95	16	3579484C93	1392
PANEL, ASSY DASH LHD CONV V8-I6	3572158C92	16	0H9RV	1390
PANEL, ASSY DASH LHD CONV V8-I6	3572158C92	16	3572158C92	1409
PANEL, ASSY DASH LHD CONV V8-I6	3572158C92	16	3579484C93	1392
PANEL, ASSY ROOF WLDD EXT CV/LF	3511402C92	16	3511402C92	1411
PANEL, ASSY ROOF WLDD EXT CV/LF	3511402C92	16	3572685C91	1406
PANEL, B-PILLR CORNR RH CORNR	3579410C1	16	3579436C91	1418
PANEL, B-PILLR CRNR LH XTND CNV	3579409C1	16	3579435C91	1417
PANEL, BACK CAB OTR	3540843C1	16	3540844C95	1407
PANEL, CAB BCK TRM LWR STD/CREW	3512588C7	16	06SH9	1548
PANEL, COWL TRIM LH	3544791C3	16	06NKM	1557
PANEL, COWL TRIM RH	3544792C3	16	06NKM	1557
PANEL, DASH NGV CONV LHD	3572101C1	16	3572158C92	1409
PANEL, DOOR LH CONV	3560088C2	16	3560062C94	1395
PANEL, DOOR RH CONV	3560089C2	16	3560063C94	1398
PANEL, DOOR TRIM RH CONV FRONT	3558221C92	16	06QG0	1552
PANEL, DOOR TRIM RH CONV FRONT	3558221C92	16	3558221C92	1553
PANEL, DOOR TRM LH FRT STD MAN	3533752C94	16	0JCOG	1431
PANEL, DOOR TRM LH FRT STD MAN	3533752C94	16	3533752C94	1432
PANEL, DR TRM LH STD	2505200C91	16	3533752C94	1432
PANEL, DR TRM RH STD SMOKE GRAY	2506370C91	16	3558221C92	1553
PANEL, FLOOR CAB CE REAR	3539282C1	16	3543973C95	1427
PANEL, FLOOR CE & CT FRONT I6	3512565C2	16	3543973C95	1427
PANEL, FRONT FENDER SPLASH LH	3553801C1	9	0DDTF	716
PANEL, FRT FNDR SD LH HDLT VLNC	3546268C2	9	3612369C91	684
PANEL, FRT FNDR SD RH HDLT VLNC	3546269C2	9	3612369C91	684
PANEL, FRT FNDR SPLASH RH	3553802C4	9	0DDTF	716
PANEL, HEADER REAR	3510093C2	16	3511402C92	1411
PANEL, HOOD*TOP	3556243C2	9	3612369C91	684
PANEL, INST-SVC ASM-PER LINESET	2506263C91	16	0M3VZ	1636
PANEL, INSTR CNTR FLAT COVR LHD	3547254C1	16	3511044F93	1590
PANEL, INSTR CNTR FLAT COVR LHD	3547254C1	16	3547254C1	1592
PANEL, INSTR CNTR MNT PLATE LHD	3547255C1	16	3511044F93	1590
PANEL, INSTR CNTR TRIM PLATE	3547256C1	16	3511044F93	1590
PANEL, INSTRUMENT CLSTR CLOSEOU	3547251C1	16	3511042F93	1563
PANEL, INSTRUMENT DUCT LHD	3547243C1	16	3511018F93	1560
PANEL, INSTRUMENT FUSE ACCESS	3547253C1	16	3511056F93	1573
PANEL, INSTRUMENT STORAGE BIN	3534056C2	8	3594373F91	623
PANEL, INSTRUMENT TIEBAR LHD	3547249C1	16	3511018F93	1560
PANEL, INSTRUMENT UPR PAS PNL	3547252C1	16	3511056F93	1573

Part Description Index

Description	Part No.	Group	Figure	Page
PANEL, INSTRUMENT-SERV ASSY*STD	2507678C91	16	0M3VZ	1636
PANEL, OVERHEAD CONSOLE	3604881C1	16	3546500C95	1521
PANEL, OVRHD CNSL STD	3546500C95	16	0D927	1518
PANEL, OVRHD CNSL STD	3546500C95	16	3546500C95	1521
PANEL, PILLAR BODY SD REINF LH	3548080C1	16	3548076C3	1413
PANEL, PILLAR BODY SD REINF RH	3548081C1	16	3548077C3	1415
PANEL, RH HOOD SIDE FENDER	3556245C2	9	3612369C91	684
PANEL, ROOF CAB INNER	3508452C3	16	3511402C92	1411
PANEL, ROOF CAB OTR EXT	3510066C1	16	3511402C92	1411
PANEL, SIDE BODY COWL LH	3544951C1	16	3543973C95	1427
PANEL, SIDE BODY COWL RH ASSY.	3544952C1	16	3543973C95	1427
PANEL, SIDE BODY SUB ASSY LH	3548076C3	16	3548076C3	1413
PANEL, SIDE BODY SUB ASSY LH	3548076C3	16	3579435C91	1417
PANEL, SIDE BODY SUB ASSY RH	3548077C3	16	3548077C3	1415
PANEL, SIDE BODY SUB ASSY RH	3548077C3	16	3579436C91	1418
PANEL, SIDE BODY*ASSY WELDED, N	3579435C91	16	0H9RV	1390
PANEL, SIDE BODY*ASSY WELDED, N	3579435C91	16	3579435C91	1417
PANEL, SIDE BODY*ASSY WELDED, N	3579435C91	16	3579484C93	1392
PANEL, SIDE BODY*ASSY WELDED, N	3579436C91	16	0H9RV	1390
PANEL, SIDE BODY*ASSY WELDED, N	3579436C91	16	3579436C91	1418
PANEL, SIDE BODY*ASSY WELDED, N	3579436C91	16	3579484C93	1392
PANEL, SIDE TRIM INTERIOR LH	3545410C2	16	06SH9	1548
PANEL, SIDE TRIM INTERIOR RH	3545411C2	16	06SH9	1548
PANEL, TOE BOARD LEFT SIDE LHD	3508373C1	16	3572158C92	1409
PANEL, TOE BOARD RIGHT SIDE LHD	3508375C2	16	3572158C92	1409
PEDAL, BRAKE	2506176C91	4	2506176C91	206
PEDAL, BRAKE	2506176C91	4	3540368F94	197
PEDAL, CLUTCH	2505805C1	11	2506172C92	733
PEDAL, CLUTCH	2505805C1	11	3546983F91	735
PEDAL, CLUTCH*W/LHD	3546983F91	11	06LQ5	732
PEDAL, CLUTCH*W/LHD	3546983F91	11	3546983F91	735
PEDESTAL, SEAT	2505907C91	16	3558491C92	1507
PILLAR, & INR PNL ASSY A-PLR LH	3549782C1	16	3535208C3	1400
PILLAR, & INR PNL ASSY A-PLR RH	3549783C1	16	3535209C3	1401
PIN, 1/4 X .500 PLN HDN DOWEL	19841R1	12	1830613C91	788
PIN, 1/8 X 2 PLN COTTER	103389	2	3599758F91	101
PIN, 5/32 X 5/16 PLN SLT-SPR	17135R1	12	1830596C91	848
PIN, COTTER 1/8 X 1-3/4	137214	5	0MFX6	263
PIN, DOWEL AXLE HSG TUBE	890634R1	2	3556927F91	87
PIN, HOLLOW DOWEL	1822086C1	12	641010L001	1053
PIN, PISTON	1830060C1	12	641004B021	973
PIN, SHIFT, INNER LOCK	FUL201044	13	3568552F91	1242
PIN, 1/4 X 1.500 HD TYPE 1	22910R1	8	3576152F93	388
PIN, 1/8 X 3/4 COTTER	177923	8	3576152F93	388
PIN, 3/32 X 1/4 PLN COTTER	103375	15	3586670F92	1374
PIN, ACTUATOR PIVOT	FULK3104	13	3568552F91	1242
PIN, BRK SHOE ANCHOR	577653C1	4	2507869C91	217
PIN, BRK SHOE ANCHOR	577653C1	4	2507870C91	219
PIN, BRK SHOE ANCHOR	577653C1	4	3548002C91	244
PIN, BRK SHOE ANCHOR	577653C1	4	3548003C91	248
PIN, BRK SHOE ANCHOR	577653C1	4	3548018C91	246
PIN, BRK SHOE ANCHOR	577653C1	4	3548019C91	250
PIN, BRK SHOE ANCHOR	983622R1	4	2507869C91	217
PIN, BRK SHOE ANCHOR	983622R1	4	2507870C91	219
PIN, BRK SHOE ANCHOR	983622R1	4	3548002C91	244
PIN, BRK SHOE ANCHOR	983622R1	4	3548003C91	248
PIN, BRK SHOE ANCHOR	983622R1	4	3548018C91	246
PIN, BRK SHOE ANCHOR	983622R1	4	3548019C91	250

Part Description Index

Description	Part No.	Group	Figure	Page
PIN,CLEVIS*1/2" DIA.	ZAC200982	4	3540368F94	197
PIN,COTTER DIFF BRG ADJ LK	683774R1	2	2507920C91	94
PIN,COTTER DIFF BRG ADJ LK	683774R1	14	1696762C91	1304
PIN,COTTER DIFF BRG ADJ LK	683774R1	14	2503395C91	1292
PIN,DOWEL CRKSHFT FLYWHEEL	680482C1	12	1827395C92	947
PIN,DOWEL SPECIAL	1670274C1	14	1696762C91	1304
PIN,DOWEL SPECIAL	1670274C1	14	2503395C91	1292
PIN,DOWEL T-CASE	1246T1190	13	3600089C92	1249
PIN,FUEL TANK STRAP*LOCATING P	3586802C1	15	3586670F92	1374
PIN,GEAR SHIFT LEVER	496641C1	13	3576514C91	1268
PIN,HAIR COTTER*1/8" DIA.	ZAC203019	4	3540368F94	197
PIN,HINGE LWR VENT WINDOW	2586424C1	16	3567240C92	1487
PIN,HINGE LWR VENT WINDOW	2586424C1	16	3567241C92	1489
PIN,HINGE UPR LH VENT WINDOW	2586426C1	16	3567240C92	1487
PIN,HINGE UPR RH VENT WINDOW	2586427C1	16	3567241C92	1489
PIN,HOOD CATCH COTTER	3531907C2	9	0F4H6	705
PIN,HUCK BOLT MAGNA GRIP	1666978C1	7	3579388C91	348
PIN,LATCH STRICKER	3509094C1	16	06MT8	1471
PIN,PISTON STD	1830060C1	12	1830709C92	970
PIN,PISTON STD	1830060C1	12	641004B021	973
PIN,QUICK RELEASE 6.3 X 25 MM	3565528C1	9	0F4H6	705
PIN,REAR FRT COVER DOWEL	1820813C1	12	1826335C91	834
PIN,ROLL 1/4" X 1.125" = 30PCS	2505697C1	4	3540368F94	197
PIN,ROLL 1/4" X 1.125" = 30PCS	2505697C1	11	2506172C92	733
PIN,ROLL 1/4" X 1.125" = 30PCS	2505697C1	11	3546983F91	735
PIN,ROLL*SPECIAL,M8,DOOR CHECK	3552184C2	16	06MT8	1471
PIN,ROLLER TAPPET	1844180C2	12	1850160C2	995
PIN,SHIFT BAR INTERLOCK	FUL1JM3528	13	3568552F91	1242
PIN,SHIFT BAR INTERLOCK	FUL1JM6028	13	3568552F91	1242
PIN,SLACK ADJ 1/2" X 1.75"	1689441C1	4	3556963F91	226
PIN,SLACK ADJUSTER	1689440C1	4	0F12N	221
PIN,SLACK ADJUSTER	1689440C1	4	3556963F91	226
PIN,STRAIGHT*VENT WINDOW HINGE	3549642C2	16	3546657C4	1486
PIN,YOKE 1/2 X 1.500 PLN	21853H	4	0F12N	221
PIPE,AIR COLD SIDE	3563257C91	12	3563258C91	782
PIPE,AIR COLD SIDE	3563258C91	12	07PJX	780
PIPE,AIR COLD SIDE	3563258C91	12	3563258C91	782
PIPE,AIR*PIPE, AIR CAC INLET	3543958C3	12	3543959C94	784
PIPE,AIR*PIPE, AIR CAC INLET A	3543959C94	12	07PJX	780
PIPE,AIR*PIPE, AIR CAC INLET A	3543959C94	12	3543959C94	784
PIPE,RADIATOR* UPPER RADIATOR	3551019C2	12	07PJQ	1162
PIPE,TAIL	3539083C1	7	3579389C1	347
PIPE,TURBO*	3583688C1	7	06X8D	350
PIPING, TURBO	641015D001	12	641015D001	1132
PISTON	1830532C2	12	641004B021	973
PISTON (530)	1830532C2	12	1830709C92	970
PISTON (530)	1830532C2	12	641004B021	973
PISTON UNIT (I-308,530MRD)	641004B021	12	3540803F92	934
PISTON UNIT (I-308,530MRD)	641004B021	12	641004B021	973
PISTON,AIR GOV	321743R91	4	410986C92	151
PISTON,SHIFT CYL	2230T1190	13	3600089C92	1249
PISTON,T-CASE INNER	2508298C1	13	3600089C92	1249
PISTON,T-CASE OUTER	2587149C1	13	3600089C92	1249
PISTONS (I-308, 530)	641004B021	12	641004B021	973
PIVOT,STUD TWIST LOCK LH DOOR	2506038C1	16	3556202C94	1478
PIVOT,STUD TWIST LOCK RH DOOR	2506039C1	16	3556203C94	1481
PLATE, COVER CAMSHAFT BEARING	686702C1	12	641010L001	1053
PLATE, DAMPER RETAINER	675412C1	12	641007B006	850

Part Description Index

Description	Part No.	Group	Figure	Page
PLATE, OIL PUMP HOUSING	1827400C1	12	641013A003	978
PLATE,AIR CLEANER MTG SUPT	1813820C1	12	1821232C92	984
PLATE,AUX SPG MTG	2506191C1	14	3563253C92	1320
PLATE,CAB MTG OR BODY XMBR	3558572C5	16	3558573C6	1443
PLATE,CAB MTG XMBR	3558571C3	16	3558573C6	1443
PLATE,CAMSHAFT THRUST FLANGE	1817545C1	12	1830613C91	788
PLATE,CAMSHFT BRG COVER	675412C1	12	641007B006	850
PLATE,COVER	686702C1	12	641010L001	1053
PLATE,DCM BASE ASSEMBLY	2505776C91	16	2505776C91	1468
PLATE,DCM BASE ASSEMBLY	2505776C91	16	3544868F93	1467
PLATE,FLG COVER	2507901C1	2	3556980F91	90
PLATE,HSG SPRING (WELDED PART)	2507880C1	2	3556927F91	87
PLATE,MOUNTING	2503998C1	14	3563253C92	1320
PLATE,MOUNTING STUD ASSY	3533843C1	16	3572158C92	1409
PLATE,OIL PUMP HOUSING	1827400C1	12	1833357C92	968
PLATE,OIL PUMP HOUSING	1827400C1	12	641013A003	978
PLATE,REBOUND STRAP MTG	ZAK2296220	14	3563253C92	1320
PLATE,REINF HINGE SUPPORT	3580070C1	9	3593649C1	683
PLATE,REINF*	3580059C1	9	3612369C91	684
PLATE,SCUFF LH BLACK	3544789C4	16	06NKY	1633
PLATE,SCUFF RH BLACK	3544790C4	16	06NKY	1633
PLATE,SEAT BELT ANCHOR	3531041C1	16	3533672C1	1419
PLATE,SEAT BELT ANCHOR	3531041C1	16	3533673C1	1420
PLATE,SEAT BELT ANCHOR LH	3533672C1	16	3533672C1	1419
PLATE,SEAT BELT ANCHOR LH	3533672C1	16	3543973C95	1427
PLATE,SEAT BELT ANCHOR RH	3533673C1	16	3533673C1	1420
PLATE,SEAT BELT ANCHOR RH	3533673C1	16	3543973C95	1427
PLATE,SEAT ISOLATOR LOCK	1685460C1	16	2505379C91	1503
PLATE,TAPPING	3530081C1	8	0DDS3	506
PLATE,TAPPING	3531330C1	16	3531028C1	1423
PLATE,TAPPING ASSY REAR SPKR	3533582C2	16	3532658C3	1402
PLATE,TAPPING ASSY REAR SPKR	3533582C2	16	3532659C3	1404
PLATE,TAPPING ASSY, HOOD STOP	3550610C1	9	3556252C3	689
PLATE,TAPPING ASSY, HOOD STOP	3550611C1	9	3556253C2	693
PLATE,TAPPING B-PLR GRB HNDL	3543560C2	16	3532658C3	1402
PLATE,TAPPING B-PLR GRB HNDL	3543560C2	16	3532659C3	1404
PLATE,TAPPING HOOD LATCH ASSY	3551012C1	9	3556251C2	691
PLATE,TAPPING LATCH	3575216C1	9	3556250C3	687
PLATE,TAPPING LATCH	3575216C1	9	3556251C2	691
PLATE,TAPPING LATCH	3575216C1	9	3556252C3	689
PLATE,TAPPING LATCH	3575216C1	9	3556253C2	693
PLATE,TAPPING SPLASH PANEL	3545926C1	9	3556250C3	687
PLATE,TAPPING STRIKER MOUNT	3511206C1	16	06MT8	1471
PLATE,TAPPING*	3580058C1	9	3556252C3	689
PLATE,TAPPING*	3580058C1	9	3556253C2	693
PLATE,TAPPING*ASSY	3580091C1	9	3556252C3	689
PLATE,TAPPING*ASSY	3580091C1	9	3556253C2	693
PLATE,TRANS CASE REAR	FUL57000	13	3568551F91	1263
PLATE,V BRKT MTG	2504343C1	14	3563253C92	1320
PLATE,WELD NUT	3531057C1	16	3550779C2	1421
PLATE,WELD NUT ASSY M12	3539297C1	16	3531028C1	1423
PLATE,WELD NUT B-PILLAR LWR	3531042C1	16	3533672C1	1419
PLATE,WELD NUT B-PILLAR LWR	3531042C1	16	3533673C1	1420
PLATE,WELD STUD	3543337C3	16	3560062C94	1395
PLATE,WELD STUD	3543337C3	16	3560063C94	1398
PLATE,XMBR FRT TOW LOOP	3540857C3	1	3540856C4	78
PLUG ASSY,CONSTRUCTION	1842002C91	12	1830192C2	982
PLUG ASSY,CONSTRUCTION	1842002C91	12	1842002C91	975

Part Description Index

Description	Part No.	Group	Figure	Page
PLUG ASSY,OIL FERRY	1842003C91	12	1830192C2	982
PLUG ASSY,OIL FERRY	1842003C91	12	1842003C91	976
PLUG PIPE 3/4 MAGD	FULX121207	13	3568551F91	1263
PLUG SEALING (GREEN)WIRE REPLA	1675451C1	8	3568513C91	433
PLUG, 1-1/4 CUP	23623R1	12	1830345C93	879
PLUG, 1-1/4 CUP	23623R1	12	1830617C92	844
PLUG, 1/2-14 PLN H/HD PIPE	444632	4	0MT69	140
PLUG, 1/2-14 PLN H/HD PIPE	444632	4	3571402F94	169
PLUG, 1/2-14 PLN H/HD PIPE	444632	4	3588790F92	171
PLUG, 1/2-14 PLN H/HD PIPE	444632	15	3548119F92	1363
PLUG, 1/2-14 PLN HEX/SKT AUTO	444705	15	3548119F92	1363
PLUG, 1/4-18 PLN H/HD AUTO PIP	444618	12	1830617C92	844
PLUG, 1/4-18 PLN H/HD AUTO PIP	444618	12	1830622C92	821
PLUG, 1/4-18 PLN H/HD AUTO PIP	444618	12	1841739C91	823
PLUG, 1/8-27 PLN H/HD AUTO PIP	444612	12	1830346C95	877
PLUG, 1/8-27 PLN H/HD AUTO PIP	444612	12	641014B001	936
PLUG, 1/8-27 ZNP H/HD AUTO PIP	444613	12	641009B005	798
PLUG, 1/8-27 ZNP HEX/SKT AUTO	444688	4	06SPT	153
PLUG, 1/8-27 ZNP HEX/SKT AUTO	444688	4	410986C92	151
PLUG, 13/16 CUP	327412R1	12	1830592C91	770
PLUG, 3/4-14 C-Z SQ/HD FILLER	16845R1	2	3556927F91	87
PLUG, 3/8-18 PLN H/HD PIPE	20990R1	4	0MT69	140
PLUG, 3/8-18 PLN HEX/SKT AUTO	444697	12	1829825C92	884
PLUG, 5/8 CUP	347822R1	12	1830345C93	879
PLUG, 5/8 CUP	347822R1	12	1830607C5	986
PLUG,1/2-14 PLN SQ/SKT AUTO P	445751	12	1830346C95	877
PLUG,1/2-14 PLN SQ/SKT AUTO P	445751	12	641009B005	798
PLUG,3/8-18 PLN H/HD AUTO PIP	444624	4	0GBMF	122
PLUG,BUTTON 18MM DIA PLASTIC	3565069C1	8	0G219	644
PLUG,BUTTON 18MM DIA PLASTIC	3565069C1	16	0F26J	1453
PLUG,BUTTON 2 1/2"	3562171C1	16	06SLV	1667
PLUG,BUTTON BUTTTON -5/8" DIA	3558722C1	16	0F26J	1453
PLUG,CAVITY	587579C1	8	3582042F91	559
PLUG,EXP K/P	2507878C1	2	3556927F91	87
PLUG,EXPANSION	FUL235052	13	3568552F91	1242
PLUG,FAST CONNECT 1/4 TUBE	2020342C1	8	3553365F93	674
PLUG,FILLER*CAVITY BLOCK FOR M	3555642C1	8	3544520F95	556
PLUG,FILLER*CAVITY BLOCK FOR M	3555642C1	8	3582042F91	559
PLUG,FILLER*CAVITY BLOCK FOR M	3555642C1	8	3610837F91	419
PLUG,FILLER*SWITCH	3533950C1	8	3549776C4	621
PLUG,FILLER*SWITCH	3533950C1	8	3595677F91	640
PLUG,FLANGED HEX HEAD	1825504C1	12	1823278C92	1124
PLUG,FUEL REG	1820919C1	12	1836287C91	901
PLUG,INJ PUMP	1813822C1	12	1821232C92	984
PLUG,INJ PUMP	40005R1	12	1830617C92	844
PLUG,MAGNETIC DRAIN 3/4NF	586049C1	2	3556927F91	87
PLUG,MAGNETIC DRAIN 3/4NF	586049C1	13	3600089C92	1249
PLUG,MAGNETIC DRAIN 3/4NF	586049C1	14	06WX8	1317
PLUG,MAGNETIC DRAIN 3/4NF	586049C1	14	3602600C91	1300
PLUG,MAGNETIC DRAIN 3/4NF	586049C1	14	3609621C91	1288
PLUG,OIL RAIL END	1827515C1	12	1829825C92	884
PLUG,PIPE 1/8 NPTF	1826342C1	12	1830617C92	844
PLUG,PIPE 3/4 NPT	9409949	12	1830346C95	877
PLUG,PIPE 3/4 NPT	9409949	13	3600089C92	1249
PLUG,PLASTIC 38MM	3548936C1	16	0J4WM	1641
PLUG,PLASTIC 62 X 40 OVAL	3548935C2	16	0J4WM	1641
PLUG,PUSH TO CONNECT.3/8	2020343C1	4	0GFP7	173
PLUG,SEALER	1652325C1	8	3572236F91	528

Part Description Index

Description	Part No.	Group	Figure	Page
PLUG,SEALER	1652325C1	8	3572240F91	502
PLUG,SEALER	1652325C1	12	3560343C91	1023
PLUG,SEALER LOOSE PIECE	589390C1	8	3572236F91	528
PLUG,SEALER, LOOSE PIECE	589391C1	8	3572236F91	528
PLUG,SEALING	453133C1	8	3572525C91	562
PLUG,SEALING (PLUG END SEAL)	1671603C1	8	3568513C91	433
PLUG,SEALING 480 SERIES	2025432C1	8	3547673C91	380
PLUG,SEALING*AMP CONNECTOR PLU	3532129C1	8	3560276C91	449
PLUG,SEALING*CABLE SEAL METRI-	3568570C1	12	3577574C91	1018
PLUG,SEALING*CABLE SEAL METRI-	3568570C1	12	3579843C91	1227
PLUG,SEALING*CABLE TERMINAL SE	3535423C1	8	3560276C91	449
PLUG,SEALING*CABLE TERMINAL SE	3535424C1	8	3545551C92	543
PLUG,SEALING*CABLE TERMINAL SE	3535424C1	8	3557990C91	482
PLUG,SEALING*CABLE TERMINAL SE	3535424C1	8	3560276C91	449
PLUG,SEALING*CABLE TERMINAL SE	3535424C1	8	3561092C91	476
PLUG,SEALING*CABLE TERMINAL SE	3535424C1	8	3568510C91	485
PLUG,SEALING*CABLE TERMINAL SE	3535424C1	8	3581887C91	426
PLUG,SEALING*CABLE TERMINAL SE	3535424C1	12	3560343C91	1023
PLUG,SEALING, 150 SERIES	2025431C1	8	3561092C91	476
PLUG,SEALING, 150 SERIES	2025431C1	12	3579843C91	1227
PLUG,SPECIAL 1/2-14 NPTF	586048C1	14	06WX8	1317
PLUG,SPECIAL 3/4-14 NPTF	586045C1	14	06WX8	1317
PLUG,SPECIAL TRANS HOLES PIPE	FUL3315679	13	3568551F91	1263
PLUG,SPECIAL TRANS HOLES PIPE	FULX121209	13	3568551F91	1263
PLUG,SPECIAL TRANS HOLES PIPE	FULX12405	13	3568551F91	1263
PLUG,SPL HEX RECESS 1/4-18NPT	2508276C1	13	3600089C92	1249
PLUNGER	FUL3316296	13	3568552F91	1242
PLUNGER, PUMP	1819005C1	12	1821232C92	984
PLUNGER,W/O-RING PWR STRG VALV	2502491C1	5	3602517C91	266
POSITIVE STUD-BOLT	ZLNZ1151026	8	3610514C91	362
POWER STEERING PUMP COLLECTOR	U 641016M014	12	3556348F91	1144
POWER STEERING PUMP COLLECTOR	U 641016M014	12	641016M014	1142
POWER TAKE OFF,ASM*THRU-SHAFT	3569708F91	13	0FKP1	1276
POWER TAKE OFF,ASM*THRU-SHAFT	3569708F91	13	3569708F91	1277
PROD GRAPH,IP,FUSE PNL,ENGLISH	3588090C6	8	3588092F96	599
PROD GRAPH,LABEL CAUTION,MERTR	3566911C1	14	0H71N	1316
PROD.GRAPH.WARN.LABEL	1807428C1	12	1833443C95	804
PRODUCT GRAPHIC,PL IDENT*CAB S	3527240R1	10	0GYJ2	723
PRODUCT GRAPHIC-NO STEP	1660937C1	9	0JCH6	680
PRODUCT GRAPHICS(INTERNATIONAL	3550918C2	16	0LV42	1620
PRODUCT GRAPHICS,*BLANK LABEL	3518910C2	16	3591764C1	1631
PRODUCT GRAPHICS,*BLANK LABEL	3518910C2	16	3593358C2	1624
PRODUCT GRAPHICS,7400/DT530	3550939C2	16	0LV42	1620
PRODUCT GRAPHICS,AUTO FAN CLU	1656690C1	12	07S0Z	1146
PRODUCT GRAPHICS,DECAL ANTI FR	3528274C3	12	08XXF	857
PRODUCT GRAPHICS,ESCUTCHEON*TH	3557499C1	16	0FDGN	1625
PRODUCT GRAPHICS,FRAME WELDING	1255458R2	10	0KD5K	724
PRODUCT GRAPHICS,LABEL FUSE ID	3550653C1	8	3550655F91	598
PRODUCT GRAPHICS,LABEL INFO*EN	3519749C2	12	08XWZ	1145
PRODUCT GRAPHICS,LABEL SW-ALL*	3554632C1	8	3559964F92	386
PRODUCT GRAPHICS,NOISE EMISSIO	3593358C2	16	07M4J	1621
PRODUCT GRAPHICS,NOISE EMISSIO	3593358C2	16	3593358C2	1624
PRODUCT GRAPHICS,ORNAMENT HOOD	3550901C1	9	3610433C91	703
PRODUCT GRAPHICS,PATENT*ALL MO	3585327C1	16	07M4J	1621
PRODUCT GRAPHICS,SAFETY COMPLI	3566693R1	8	086VD	364
PRODUCT GRAPHICS,SAFETY*WARNIN	3588769C1	16	0FDGN	1625
PRODUCT GRAPHICS,VEHICLE ID NO	3591764C1	16	0FDGN	1625
PRODUCT GRAPHICS,VEHICLE ID NO	3591764C1	16	3591764C1	1631

Part Description Index

Description	Part No.	Group	Figure	Page
PROGRAPH,PROD PDC FUSE LABEL	3548663C3	8	3610835F91	438
PROP SHAFT	270DYA1128	6	01XNV	322
PROP SHAFT	414STH1600	6	0FW9L	295
PROP SHAFT	414STH1615	6	0FW9M	304
PROP SHAFT	417LTP0590	6	0KCGJ	313
PROPSHAFT,1710 SOLID	270DYA1XXX	6	270DYA1128	323
PROPSHAFT,1710 SOLID	270DYA1XXX	6	270DYA1XXX	330
PULLEY, WATER PUMP	1817629C1	12	641005A004	1002
PULLEY,*GENERATOR	3539916C1	8	06PWH	360
PULLEY,DRIVE A/C COMPR	3535042C1	16	3547916C1	1387
PULLEY,WATER PUMP	1817629C1	12	641005A004	1002
PUMP ASSEMBLY,WATER	1830606C94	12	641005A004	1002
PUMP ASSEMBLY,WATER	1830606C95	12	1830606C95	977
PUMP ASSEMBLY,WATER	1830606C95	12	641005A004	1002
PUMP ASSY, WATER	1830606C93	12	641005A004	1002
PUMP, OIL	641013A003	12	641013A003	978
PUMP, OIL UNIT I308 530	641013A003	12	3540803F92	934
PUMP, OIL UNIT I308 530	641013A003	12	641013A003	978
PUMP, POWER STEERING	641016M014	12	641016M014	1142
PUMP, POWER STEERING LF73C	3542059C91	12	641016M014	1142
PUMP, WATER	1830606C93	12	641005A004	1002
PUMP, WATER	1830606C94	12	641005A004	1002
PUMP, WATER	641005A004	12	641005A004	1002
PUMP,ELEC W/S WPR W/O GROMMET	2506099C1	16	3561152C94	1665
PUMP,HAND PRIMER	1824946C1	12	1836287C91	901
PUMP,HIGH PRESSURE OIL	1830177C92	12	1830177C92	980
PUMP,HIGH PRESSURE OIL	1830177C92	12	641011E002	948
PUMP,HIGH PRESSURE OIL	1830192C2	12	1830177C92	980
PUMP,HIGH PRESSURE OIL	1830192C2	12	1830192C2	982
PUMP,LOW PRESSURE FUEL SUPPLY	1821232C92	12	1821232C92	984
PUMP,LOW PRESSURE FUEL SUPPLY	1821232C92	12	1830177C92	980
PUMP,OIL	2586860C1	13	3600089C92	1249
PUMP,POWER STRG	3542059C91	12	3542059C91	1143
PUMP,POWER STRG	3542059C91	12	641016M014	1142
PUMP,POWER STRG*LUK LF73C	3556348F91	12	0FBJ9	1141
PUMP,POWER STRG*LUK LF73C	3556348F91	12	3556348F91	1144
PUMP,SUB-ASSEMBLY,WATER	1830607C5	12	1830606C95	977
PUMP,SUB-ASSEMBLY,WATER	1830607C5	12	1830607C5	986
RADIATOR,ALUM RAD ASSY	2586042C91	12	2586041C91	1171
RADIATOR,ALUM W/CAC,FRAME	2586041C91	12	2586041C91	1171
RADIATOR,ALUM W/CAC,FRAME	2586041C91	12	3588619F92	1173
RADIATOR,ASM*AL 2 ROW RAD/CAC	3588619F92	12	07RF1	1169
RADIATOR,ASM*AL 2 ROW RAD/CAC	3588619F92	12	3588619F92	1173
RAIL,BODY SIDE A-PILLAR LH	3532263C1	16	3532658C3	1402
RAIL,BODY SIDE A-PILLAR RH	3532264C1	16	3532659C3	1404
RAIL,BODY SIDE DRIP LH	3510035C1	16	3532658C3	1402
RAIL,BODY SIDE DRIP RH	3510036C1	16	3532659C3	1404
REAR COVER	ZLNA0381013	8	3610514C91	362
REAR HSNG ASM	ZLNA0111050	8	3610514C91	362
REAR MTG CEC-NGV	U 641009C014	12	3534677F91	793
REAR MTG CEC-NGV	U 641009C014	12	641009C014	809
REAR OIL SEALS UNIT	641007C001	12	2008329F91	1062
REAR OIL SEALS UNIT	641007C001	12	641007C001	1064
REGULATOR, INJ PRESS	1836412C91	12	641011E002	948
REGULATOR,DOOR GLASS MNL LH	2505433C1	16	3556202C94	1478
REGULATOR,DOOR GLASS MNL RH	2505434C1	16	3556203C94	1481
REINFORCEMENT,ASSY HOOD LH RR	3556250C3	9	3556250C3	687
REINFORCEMENT,ASSY HOOD LH RR	3556250C3	9	3612369C91	684

Part Description Index

Description	Part No.	Group	Figure	Page
REINFORCEMENT,CAB BACK PANEL	3510051C3	16	3540844C95	1407
REINFORCEMENT,CAB BACK PANEL	3534377C2	16	3540844C95	1407
REINFORCEMENT,CAB BACK PANEL	3593268C1	16	3540844C95	1407
REINFORCEMENT,CAB MTG LH SILL	3550719C1	16	3550779C2	1421
REINFORCEMENT,CAB MTG RH SILL	3550720C1	16	3550779C2	1421
REINFORCEMENT,DASH PANEL	3509468C2	16	3550779C2	1421
REINFORCEMENT,DASH PANEL ASSY	3550779C2	16	3550779C2	1421
REINFORCEMENT,DASH PANEL ASSY	3550779C2	16	3572158C92	1409
REINFORCEMENT,DOOR PANEL	3558798C1	16	3560062C94	1395
REINFORCEMENT,DOOR PANEL	3558798C1	16	3560063C94	1398
REINFORCEMENT,DR HNG FRT LH	3560054C1	16	3560062C94	1395
REINFORCEMENT,DR HNG FRT RH	3560055C1	16	3560063C94	1398
REINFORCEMENT,DR IND PNL RH	3511954C1	16	3560063C94	1398
REINFORCEMENT,DR INR PNL LH	3511953C1	16	3560062C94	1395
REINFORCEMENT,FLOOR PNL	3572053C1	16	3543973C95	1427
REINFORCEMENT,FLOOR PNL CENTER	3550725C1	16	3550779C2	1421
REINFORCEMENT,FLOOR PNL LH	3539292C2	16	3543973C95	1427
REINFORCEMENT,FLOOR PNL RH	3539293C2	16	3543973C95	1427
REINFORCEMENT,FLOOR PNL SEAT	3510121C1	16	3531028C1	1423
REINFORCEMENT,FLOOR PNL SEAT	3510121C1	16	3543973C95	1427
REINFORCEMENT,FLR PNL FRT SEAT	3539286C2	16	3543973C95	1427
REINFORCEMENT,FLR PNL SEAT MTG	3539277C2	16	3543973C95	1427
REINFORCEMENT,FLR PNL SEAT TET	3539284C1	16	3543973C95	1427
REINFORCEMENT,FLR PNL SIDE	3531028C1	16	3531028C1	1423
REINFORCEMENT,FLR PNL SIDE	3531028C1	16	3543973C95	1427
REINFORCEMENT,HGE PLR ASSY LH	3546326C2	16	3532658C3	1402
REINFORCEMENT,HGE PLR ASSY RH	3546327C2	16	3532659C3	1404
REINFORCEMENT,HOOD ASSY LH	3556252C3	9	3556252C3	689
REINFORCEMENT,HOOD ASSY LH	3556252C3	9	3612369C91	684
REINFORCEMENT,HOOD ASSY RH	3556251C2	9	3556251C2	691
REINFORCEMENT,HOOD ASSY RH	3556251C2	9	3612369C91	684
REINFORCEMENT,HOOD FRONT CENT	3552450C1	9	3612369C91	684
REINFORCEMENT,HOOD LH FRONT	3552448C3	9	3556252C3	689
REINFORCEMENT,HOOD LH REAR	3552425C3	9	3556250C3	687
REINFORCEMENT,HOOD RH FRONT	3552449C3	9	3556253C2	693
REINFORCEMENT,HOOD RH FRONT AS	3556253C2	9	3556253C2	693
REINFORCEMENT,HOOD RH FRONT AS	3556253C2	9	3612369C91	684
REINFORCEMENT,HOOD RH REAR	3552426C2	9	3556251C2	691
REINFORCEMENT,LIGHT*MTG - TURN	3566907C1	8	0DDS3	506
REINFORCEMENT,LIGHT*MTG - TURN	3566908C1	8	0DDS3	506
REINFORCEMENT,MIR BRC INR LH	3560060C1	16	3560062C94	1395
REINFORCEMENT,MIR BRC INR RH	3560061C1	16	3560063C94	1398
REINFORCEMENT,MIRROR BRACE LH	3555103C1	16	3560062C94	1395
REINFORCEMENT,MIRROR BRACE RH	3555104C1	16	3560063C94	1398
REINFORCEMENT,ROOF BOW	3510129C1	16	3511402C92	1411
REINFORCEMENT,SILL OR SUB SILL	3543719C1	16	3509593C1	1424
REINFORCEMENT,SILL OR SUB SILL	3543719C1	16	3509593C2	1426
REINFORCEMENT,STEP	3569874C1	15	3570012F91	1371
REINFORCEMENT,STEP*	3580261C1	16	3576163F92	1639
RELAY,12V LONG LIFE,24V CONTCT	3610910C1	8	3610835F91	438
RELAY,12V LONG LIFE,24V CONTCT	3610910C1	8	3610837F91	419
RELAY,12V LONG LIFE,24V CONTCT	3610910C1	8	3610840F91	469
RELAY,ELECT-HORN ETC, 12V/24V	3610911C1	8	3610837F91	419
RELAY,GEN CONTROL	2012557C1	8	3568454F91	431
RELAY,GEN CONTROL	2012557C1	8	3610835F91	438
RELAY,GEN CONTROL	2012557C1	8	3610837F91	419
RELAY,GEN CONTROL, GEN CONTROL	3607384C1	8	3568454F91	431
RELAY,MICRO SPDT	3519350C1	8	3544520F95	556

Part Description Index

Description	Part No.	Group	Figure	Page
RELAY,MICRO SPDT	3519350C1	8	3581517F91	606
RELAY,MICRO SPDT	3519350C1	8	3582042F91	559
RELAY,MICRO SPDT	3519350C1	8	3588143F92	601
RESERVOIR,POWER STRG PUMP,1.5L	3558153C93	5	0L4J0	256
RESERVOIR,POWER STRG PUMP,1.5L	3558153C93	5	3558153C93	258
RESISTOR,ELEC FOR HTR OR A/C	3562102C1	16	3530971C96	1539
RESISTOR,ELECT*TERMINATING RES	3559775C1	4	0HKJF	166
RESISTOR,ELECT*TERMINATING RES	3559775C1	8	3572558F91	565
REST,ARM SEAT LH GRY VN	2505893C1	16	3558491C92	1507
REST,ARM SEAT RH GRY VN	2505894C1	16	3558491C92	1507
RETAINER, BALL, REV SWITCH	FUL4301719	13	3568552F91	1242
RETAINER, PIN	1818702C1	12	641004B021	973
RETAINER, SHIFT BAR	FUL4301279	13	3568552F91	1242
RETAINER,AIR SPRING SEAT.	1685464C1	16	3558491C92	1507
RETAINER,BRK ROLLER	577652C1	4	2507869C91	217
RETAINER,BRK ROLLER	577652C1	4	2507870C91	219
RETAINER,BRK ROLLER	577652C1	4	3548002C91	244
RETAINER,BRK ROLLER	577652C1	4	3548003C91	248
RETAINER,BRK ROLLER	577652C1	4	3548018C91	246
RETAINER,BRK ROLLER	577652C1	4	3548019C91	250
RETAINER,DOOR LATCH LH	2506028C1	16	3556202C94	1478
RETAINER,DOOR LATCH RH	2506029C1	16	3556203C94	1481
RETAINER,DOOR RODS PLASTIC	2595198C1	16	3556202C94	1478
RETAINER,DOOR RODS PLASTIC	2595198C1	16	3556203C94	1481
RETAINER,DR OUTSIDE HNDL LH	2506030C1	16	3556202C94	1478
RETAINER,DR OUTSIDE HNDL RH	2506031C1	16	3556203C94	1481
RETAINER,FLOOR MAT EXTNDD CAB	3549621C2	16	0G7XT	1515
RETAINER,FSTNR RR CAB MNT BLT	3539317C1	13	07VS1	1245
RETAINER,FSTNR RR CAB MNT BLT	3539317C1	16	06QSL	1449
RETAINER,MAIN DRIVE GEAR BRG	FUL4302356	13	3568555F91	1273
RETAINER,MASHFT REAR BRG*	3549040F91	13	0FKNR	1238
RETAINER,MASHFT REAR BRG*	3549040F91	13	3549040F91	1239
RETAINER,PIPE BRKT	1661880C1	7	3579388C91	348
RETAINER,RUBBER HOOK BTRY CVR	777937C1	8	0HL8D	366
RETAINER,SEAT CUSHION ADJUSTER	1685444C1	16	2595024C91	1497
RETAINER,SHIFT BAR PLUNGER SPG	FUL3315757	13	3568552F91	1242
RETAINER,SPRING WHL SPD SENSOR	2502205C1	2	3556927F91	87
RETAINER,TAPPING PLATE STRIKER	3510043C1	16	3532658C3	1402
RETAINER,TAPPING PLATE STRIKER	3510043C1	16	3532659C3	1404
RETAINER,TRUNNION BRG ROLLER**	3524823C91	6	0L82T	289
RETAINER,TRUNNION BRG ROLLER**	3524823C91	6	3524823C91	290
RETAINER,U-JT BEARING SPL-170	3513118C1	6	3513127C91	292
RETAINER,U-JT BEARING SPL140	3524814C1	6	3524823C91	290
RETAINER,U-JT BEARING SPL140	3524814C1	6	414STHXXXX	296
RETAINER,VALVE	1834335C1	12	1833386C1	837
RETAINER,WHL SPEED SNSR WS-24	3591877C1	4	0H9Q1	123
REGULATOR- INJ. PRESS	1841086C91	12	1841217C91	972
RING	544968R1	16	1660393C91	1495
RING	544968R1	16	3558491C92	1507
RING O CYL SLEEVE	1817633C2	12	1822322C92	967
RING SNAP .176 IN THK	496305C1	14	3609621C91	1288
RING SNAP OUTPUT BRG SPACER	1670500C1	14	3609621C91	1288
RING, "O"	1820951C1	12	641005B001	1119
RING, "O"	1821098C2	12	641013C002	819
RING, "O"	1824948C1	12	641009B005	798
RING, "O" #012 .364" X .434"	1839026C1	12	1845826C92	1134
RING, "O" #111 .424" X .527"	1820878C2	12	641006B009	832
RING, "O" #118 .862" X .965"	1820907C2	12	641006B009	832

Part Description Index

Description	Part No.	Group	Figure	Page
RING, "O" #118 .862" X .965"	1820907C2	12	641013C002	819
RING, "O" #210 .734" X .873"	1818402C2	12	641015D001	1132
RING, "O" #906 .468" X .546"	1823790C1	12	641011E002	948
RING, "O" #908 .644" X .731"	1815980C1	12	1845826C92	1134
RING, "O" BREATHER TUBE #214	1822135C1	12	641017L003	893
RING, "O" FILTER	1820353C1	12	641005M005	831
RING, 1.156 EXT RET	152450R1	4	3556963F91	226
RING, 1.660 INT RET	160094R1	4	410986C92	151
RING, 2ND COMPRESSION	1817587C1	12	1830723C92	960
RING, 2ND COMPRESSION	1817587C1	12	641004B021	973
RING, CAMSHAFT REAR SEAL	682444C1	12	641006A005	842
RING, CMSFT SEAL-REAR	682444C1	12	641006A005	842
RING, CUSHION	1817074C1	12	1830692C92	952
RING, CUSHION	1817074C1	12	1830742C92	956
RING, FILTER O	1820353C1	12	641005M005	831
RING, O 5/8 X 3/4 CLASS 5	379181R1	12	1836287C91	901
RING, O SEAL	1824735C1	12	1830622C92	821
RING, O SEAL	1824735C1	12	1841739C91	823
RING, O-SEAL	1824736C1	12	1830622C92	821
RING, O-SEAL	1824736C1	12	1841739C91	823
RING, SEAL CREVICE	1817000C2	12	641006A005	842
RING, SNAP 1.041 EXT RET	454319R1	12	1830593C94	771
RING, SNAP 1.041 EXT RET	454319R1	12	1872757C91	773
RING, SNAP SHIFT BLOCK	FUL21736	13	3568552F91	1242
RING, TOP COMPRESSION	1817586C1	12	1830723C92	960
RING, TOP COMPRESSION	1817586C1	12	641004B021	973
RING, UPPER BACKUP	1817073C2	12	1830692C92	952
RING, UPPER BACKUP	1817073C2	12	1830742C92	956
RING, BRAKE EXCITER*STAMPED	3585986C1	17	2003838C94	1692
RING, BRAKE EXCITER*STAMPED	3585986C1	17	2014885C93	1694
RING, CAMSHAFT SEAL REAR	682444C2	12	641006A005	842
RING, CAMSHAFT SEAL-REAR	682444C2	12	641006A005	842
RING, CAMSHAFT SEAL-REAR	682444C3	12	641006A005	842
RING, CREVICE SEAL	1817000C2	12	1822322C92	967
RING, CREVICE SEAL	1817000C2	12	641006A005	842
RING, EXCITER ABS	2502203C1	17	3556968F91	1687
RING, O	1670307C1	14	2503395C91	1292
RING, O	1811052C1	15	1618386C93	1380
RING, O	1811053C1	15	1618386C93	1380
RING, O	1812691C1	12	1821232C92	984
RING, O	1813823C1	12	1821232C92	984
RING, O	1813824C1	12	1821232C92	984
RING, O	1821098C2	12	1833359C94	825
RING, O	1821098C2	12	641013C002	819
RING, O	1822998C1	12	1821232C92	984
RING, O	1823010C1	12	1821232C92	984
RING, O	1824948C1	12	641009B005	798
RING, O	1824979C1	12	1825249C91	996
RING, O #118	1820907C2	12	1824984C95	835
RING, O #118	1820907C2	12	641006B009	832
RING, O #118	1820907C2	12	641013C002	819
RING, O 2 1/8 I.D.	1836075C1	12	1830256C93	1118
RING, O #111	1820878C2	12	1824984C95	835
RING, O #111	1820878C2	12	641006B009	832
RING, O #905	1815874C1	12	1830669C91	811
RING, O SIZE 222 (1.484 ID)	1818400C1	12	1830622C92	821
RING, O SIZE 222 (1.484 ID)	1818400C1	12	1841739C91	823
RING, O #018	1824980C1	12	1825249C91	996

Part Description Index

Description	Part No.	Group	Figure	Page
RING,O #214	1822135C1	12	1830188C91	881
RING,O #214	1822135C1	12	641017L003	893
RING,O #217 OIL PAN	1825610C1	12	1823278C92	1124
RING,O #903	1842011C1	12	1842002C91	975
RING,O #903	1842011C1	12	1842003C91	976
RING,O #906	1823790C1	12	1825563C91	933
RING,O #906	1823790C1	12	1842004C91	938
RING,O #906	1823790C1	12	641011E002	948
RING,O 1 X 1-3/16 CLASS 5	382137R1	4	410986C92	151
RING,O 1-1/16-12 *STD	876108C1	5	3590827C91	272
RING,O 1/2 OD TUBE CLASS 8	876106C1	5	3590828C91	274
RING,O 1/2 OD TUBE CLASS 8	876106C1	5	3590829C91	271
RING,O 1/2 OD TUBE CLASS 8	876106C1	5	3593050C91	273
RING,O 16 PASS-THRU CONNECTOR	1807323C1	12	641009A008	795
RING,O 3.15 X 34.54 ID	1816000C1	12	1830692C92	952
RING,O 3.15 X 34.54 ID	1816000C1	12	1830742C92	956
RING,O 7/16 X 5/8 CLASS 3	875522C1	12	07NDS	859
RING,O 7/32 X 11/32 CLASS 5	3046105R1	4	410986C92	151
RING,O A/C HNBR (W/134A) #6	1693968C1	16	3557557C94	1528
RING,O AIR CYL	1696234C1	14	1696762C91	1304
RING,O AIR CYL	1696234C1	14	2503395C91	1292
RING,O BRAKE SPIDER	1693181C1	4	3548002C91	244
RING,O BRAKE SPIDER	1693181C1	4	3548003C91	248
RING,O BRAKE SPIDER	1693181C1	4	3548018C91	246
RING,O BRAKE SPIDER	1693181C1	4	3548019C91	250
RING,O FUEL LINE FITTING	2506277C1	15	3533425C3	1351
RING,O FUEL LINE FITTING	2506277C1	15	3533426C3	1352
RING,O SEAL 10.78 X 2.62 (TAN)	3543727C1	16	3557557C94	1528
RING,O SEAL 10.78 X 2.62 (TAN)	3543727C1	16	3557558C91	1526
RING,O SEAL 15.54 X 2.62	3543728C1	16	3548042C1	1541
RING,O SIZE 124	1824908C1	12	1807455C92	806
RING,O SIZE 124	1824908C1	12	1889905C91	802
RING,O STRAINER	1818518C1	12	1836287C91	901
RING,OIL CONTROL	1830595C1	12	1830723C92	960
RING,OIL CONTROL	1830595C1	12	641004B021	973
RING,PISTON PIN RETAINER	1818702C1	12	1830709C92	970
RING,PISTON PIN RETAINER	1818702C1	12	641004B021	973
RING,PISTON PIN RETAINING	FUL3315725	13	2507860C91	1261
RING,PISTON PIN RETAINING	FUL3315751	13	3568551F91	1263
RING,RETAINER 3/4	2501307C1	16	3540379C96	1451
RING,RETAINER SLD BEAM LH	2509567C1	8	3610437C91	510
RING,RETAINER SLD BEAM RH	2509566C1	8	3610438C91	516
RING,RTNG EXTERNAL*STD	934424R1	11	3532907C91	739
RING,SNAP	1662650C1	2	2507920C91	94
RING,SNAP	1670527C1	14	2502023C91	1296
RING,SNAP	1670527C1	14	2503395C91	1292
RING,SNAP	1695757C1	4	2507869C91	217
RING,SNAP	1695757C1	4	2507870C91	219
RING,SNAP	2588925C1	13	3600089C92	1249
RING,SNAP	586797C1	4	3548002C91	244
RING,SNAP	586797C1	4	3548003C91	248
RING,SNAP	586797C1	4	3548018C91	246
RING,SNAP	586797C1	4	3548019C91	250
RING,SNAP	FUL3315686	13	3568551F91	1263
RING,SNAP	FUL3315717	13	2507860C91	1261
RING,SNAP	FUL3315728	13	2507860C91	1261
RING,SNAP	FUL4302070	13	3568552F91	1242
RING,SNAP (MULTI-PACK 2)	FUL4302079	13	3568552F91	1242

Part Description Index

Description	Part No.	Group	Figure	Page
RING,SNAP .155 IN THK	496298C1	14	3609621C91	1288
RING,SNAP .158 IN THK	496299C1	14	3609621C91	1288
RING,SNAP .161 IN THK	496300C1	14	3609621C91	1288
RING,SNAP .164 IN THK	496301C1	14	3609621C91	1288
RING,SNAP .167 IN THK	496302C1	14	3609621C91	1288
RING,SNAP .170 IN THK	496303C1	14	3609621C91	1288
RING,SNAP .173 IN THK	496304C1	14	3609621C91	1288
RING,SNAP .179 IN THK	496306C1	14	3609621C91	1288
RING,SNAP .182 IN THK	496307C1	14	3609621C91	1288
RING,SNAP AXLE SHAFT	2507900C1	2	3556980F91	90
RING,SNAP HYDV HYD CYL CON .83	55163R1	12	1833386C1	837
RING,SNAP PINION GEAR BRG	91081R2	14	1696762C91	1304
RING,SNAP*RETAINING	3562398C1	4	3557764C92	187
RING,SNAP*RETAINING	3562398C1	4	3557766C93	185
RING,THERMOSTAT	1820951C1	12	641005B001	1119
RINGSNAP	1229U4857	13	3600089C92	1249
RISER,ASSY SEAT	2505727C1	16	3575748C93	1618
RIVET BLIND (MONOBOLT 1/4 SST)	1660515C1	9	3610431C91	701
RIVET,4.8 X 11.5MM BREAK MAND	769578C1	9	3556250C3	687
RIVET,4.8 X 11.5MM BREAK MAND	769578C1	9	3556251C2	691
RIVET,4.8 X 11.5MM BREAK MAND	769578C1	9	3556252C3	689
RIVET,4.8 X 11.5MM BREAK MAND	769578C1	9	3556253C2	693
RIVET,BK SHOE LINING	262365C1	4	2507869C91	217
RIVET,BK SHOE LINING	262365C1	4	2507870C91	219
RIVET,BK SHOE LINING	262365C1	4	3548002C91	244
RIVET,BK SHOE LINING	262365C1	4	3548003C91	248
RIVET,BK SHOE LINING	262365C1	4	3548018C91	246
RIVET,BK SHOE LINING	262365C1	4	3548019C91	250
RIVET,BLIND	493414C1	9	3556250C3	687
RIVET,BLIND	493414C1	9	3556251C2	691
RIVET,BLIND 3/16" SST	3575086C2	9	3610431C91	701
RIVET,BLIND* 3/16 STL .214-.43	2040956C1	8	06VZJ	411
RIVET,MNDRLL,PRTRD HD.196X.479	3602979C1	16	06MT8	1471
ROCKER ARM UNIT(I-308)	641008C003	12	3553584F91	870
ROCKER ARM UNIT(I-308)	641008C003	12	641008C003	764
ROD & CAP, CONNECTING	1830152C1	12	1830153C91	990
ROD & CAP, CONNECTING	1841534C1	12	1841615C91	988
ROD & CAP, CONNECTING	1841534C1	12	1841634C91	989
ROD & CAP, CONNECTING	1873876C2	12	1873875C95	991
ROD ASM, CONNECTING	1841615C91	12	641004A002	917
ROD ASM, CONNECTING	1872746C1	12	641003C002	993
ROD ASM, CONNECTING	1873875C91	12	641004A002	917
ROD ASM, CONNECTING	1873875C92	12	641004A002	917
ROD ASSEMBLY,CONNECTING	1841615C91	12	1841615C91	988
ROD ASSEMBLY,CONNECTING	1841615C91	12	641004A002	917
ROD ASSY TORQUE 29" LG	1661935C91	14	0FVR5	1324
ROD ASSY, CONNECTING	1841634C91	12	1841634C91	989
ROD ASSY, CONNECTING	1841634C91	12	641004A002	917
ROD ASSY,PUSH	1872746C2	12	641003C002	993
ROD ASSY,TIE W/ENDS	2601612C91	2	2601612C91	103
ROD ASSY,TIE W/ENDS	2601612C91	2	3599758F91	101
ROD PUSH ASSEMBLY	1821962C2	12	641003C002	993
ROD, CONNECTING	1830153C91	12	641004A002	917
ROD, CONNECTING	1841634C91	12	641004A002	917
ROD, CONNECTING	641004A002	12	641004A002	917
ROD, PUSH	1821962C2	12	641003C002	993
ROD, PUSH	1850010C1	12	641003C002	993
ROD, TIE W/CLAMPS	1660264C91	2	2599240C91	105

Part Description Index

Description	Part No.	Group	Figure	Page
ROD, TIE W/CLAMPS	1660264C91	2	3599758F91	101
ROD,ASM CONNECTING	1830153C91	12	1830153C91	990
ROD,ASM CONNECTING	1830153C91	12	641004A002	917
ROD,ASM CONNECTING	1873875C91	12	641004A002	917
ROD,ASM CONNECTING	1873875C92	12	641004A002	917
ROD,ASM CONNECTING	1873875C93	12	641004A002	917
ROD,ASM CONNECTING	1873875C94	12	641004A002	917
ROD,ASM CONNECTING	1873875C95	12	1873875C95	991
ROD,ASM CONNECTING	1873875C95	12	641004A002	917
ROD,ASSY TORQUE 2-BOLT 23.5 LG	3554442C91	14	0HJS0	1323
ROD,CAB LATERAL CONTROL	2586470C1	16	3540379C96	1451
ROD,CLUTCH CONTROL*	3532840C1	11	3544412C91	728
ROD,CLUTCH CONTROL*	3544405C1	11	3544408C91	741
ROD,CLUTCH CONTROL*LOWER ROD A	3544412C91	11	06VKP	726
ROD,CLUTCH CONTROL*LOWER ROD A	3544412C91	11	3544412C91	728
ROD,CLUTCH CONTROL*VERT ROD AS	3544408C91	11	06VKH	737
ROD,CLUTCH CONTROL*VERT ROD AS	3544408C91	11	3544408C91	741
ROD,CUSHION ADJ	1685443C1	16	2595024C91	1497
ROD,DOOR INDIDE HANDLE RH	2506036C1	16	3556203C94	1481
ROD,DOOR INSIDE HANDLE LH	2506035C1	16	3556202C94	1478
ROD,DOOR KEY CYL LH	2506025C1	16	3556202C94	1478
ROD,DOOR KEY CYL RH	2506026C1	16	3556203C94	1481
ROD,DOOR LOCK BUTTON LH	2506033C1	16	3556202C94	1478
ROD,DOOR LOCK BUTTON RH	2506034C1	16	3556203C94	1481
ROD,DOOR OUTSIDE HANDLE	2506027C1	16	3556202C94	1478
ROD,DOOR OUTSIDE HANDLE	2506027C1	16	3556203C94	1481
ROD,PUSH ASSEMBLY	1872746C1	12	641003C002	993
ROD,PUSH ASSY	1850010C1	12	641003C002	993
ROD,PUSH DIFF LOCK OUT	2508283C1	13	3600089C92	1249
ROD,RAD SUPT	3541975C2	12	07RYM	1166
ROD,TIE W/CLAMP 60.75"	466214C91	2	2601612C91	103
ROD,TIE W/CLAMP 60.75"	466214C91	2	3599758F91	101
ROD,TORQUE	491546C91	14	07RTC	1331
ROLLER TAPPET, SHELL	1821144C1	12	1821232C92	984
ROLLER,BRK SHOE	2502427C1	4	2507869C91	217
ROLLER,BRK SHOE	2502427C1	4	2507870C91	219
ROLLER,BRK SHOE	2502427C1	4	3548002C91	244
ROLLER,BRK SHOE	2502427C1	4	3548003C91	248
ROLLER,BRK SHOE	2502427C1	4	3548018C91	246
ROLLER,BRK SHOE	2502427C1	4	3548019C91	250
ROLLER,TAPPET	1844181C3	12	1850160C2	995
ROTATOR, VALVE	1824680C1	12	1830346C95	877
ROTOR	ZLNA0201034	8	3610514C91	362
ROTOR ASSY,OIL PUMP	1827397C91	12	1833357C92	968
ROTOR ASSY,OIL PUMP	1827397C91	12	641013A003	978
ROTOR, OIL PUMP	1827397C91	12	641013A003	978
ROTOR,SPEEDO 16 TEETH	FUL3316160	13	3568551F91	1263
SADDLE,CLAMP CABLE LOCK MT 1/4	2041341C1	4	0H75S	134
SADDLE,CLAMP CABLE LOCK MT 1/4	2041341C1	4	0J0LQ	127
SADDLE,CLAMP CABLE LOCK MT 1/4	2041341C1	8	0GCJR	371
SADDLE,CLAMP CABLE LOCK MT 1/4	2041341C1	8	0HQHQ	645
SADDLE,CLAMP CABLE LOCK MT 1/4	2041341C1	8	0JGYR	400
SADDLE,CLAMP CABLE LOCK MT 1/4	2041341C1	8	3616579F91	396
SADDLE,REAR SPRING & EQUAL BEA	3563253C92	14	07QT9	1319
SADDLE,REAR SPRING & EQUAL BEA	3563253C92	14	3563253C92	1320
SCREEN,AIR INTAKE GRILLE HVAC	3550843C1	16	3550838C95	1675
SCREEN,BUG FIXED GRILLE	3575031C2	9	3610431C91	701
SCREW	177629H1	4	410986C92	151

Part Description Index

Description	Part No.	Group	Figure	Page
SCREW SET,STRG KNUCKLE STOP	491650C1	2	3556956F91	108
SCREW SPL HI-LOW #8-18 X 1/2	473158C1	8	3588143F92	601
SCREW TAPPING	FULX13206	13	3568551F91	1263
SCREW, *K50 X 2.24 X 16MM TORX	3565527C1	9	0L4SH	704
SCREW, CRPNH*M4 X 10	30496R1	16	3550838C95	1675
SCREW, FLAT HEAD M5X12	1825464C1	12	641003A004	786
SCREW, HOLLOW FLEX FITTING	1825467C1	12	641011L019	899
SCREW, M5 X 14 CLASS 4.8 P/HDC	30278R1	8	0HL8D	366
SCREW, MACHINE	1810491C1	12	641011L019	899
SCREW, PLASTITE #8X1/2" P/HEAD	2505847C1	4	2505674C91	234
SCREW, PLASTITE #8X1/2" P/HEAD	2505847C1	8	2505657C91	497
SCREW, PLASTITE #8X1/2" P/HEAD	2505847C1	8	3545990F91	495
SCREW, PLASTITE #8X1/2" P/HEAD	2505847C1	8	3554195F93	670
SCREW,1/4-20 PAN HEAD	ZAC292247	4	3540368F94	197
SCREW,1/4-20 PAN HEAD	ZAC292247	5	2505690C91	280
SCREW,3/8-16 X 1 1/4 (PACK 5)	FULX86110	13	3568552F91	1242
SCREW,5/16-18X1 HEX/TORX GR5	2505844C1	5	2505661C91	278
SCREW,ADJUSTER	1854757C1	12	1872755C91	768
SCREW,ASM HEAD LIGHT ADJ LONG	2587316C91	8	3610437C91	510
SCREW,ASM HEAD LIGHT ADJ LONG	2587316C91	8	3610438C91	516
SCREW,ASM HEAD LIGHT ADJ SHORT	2587315C91	8	3610437C91	510
SCREW,ASM HEAD LIGHT ADJ SHORT	2587315C91	8	3610438C91	516
SCREW,FL HD M5X12	1825464C1	12	641003A004	786
SCREW,HH MACH #10-32 X 1 1/4	3593564C1	15	3548110F95	1368
SCREW,K60 X 2.69 X 20 MM TORX	3549198C2	16	06MT8	1471
SCREW,KNOB STD	40086R1	12	1833443C95	804
SCREW,LAG,5/16 IN DIA,1" LONG	3602579C1	16	3602447C91	1534
SCREW,MACH SPECIAL	1516404C1	4	086M2	149
SCREW,MACH*SCREW M6 X 20MM PAN	31126R1	8	3616579F91	396
SCREW,MACHINE*5/16-18X.75	ZAC291935	4	3540368F94	197
SCREW,MCH*M10-1.5X20MM CAP HEX	3574571C1	8	3576152F93	388
SCREW,ROCKER ARM ADJ	16067DA	12	1827195C95	766
SCREW,SELF DRILLING	3545277C1	16	3511044F93	1590
SCREW,SELF DRILLING	3545277C1	16	3545546F93	1598
SCREW,SPECIAL HI-LOW	473143C1	8	3581517F91	606
SCREW,SPECIAL HI-LOW	473143C1	8	3588143F92	601
SCREW,SPECIAL HI-LOW	473143C1	16	3511056F93	1573
SCREW,SPL HI-LO #11-16 X 3/4	3542582C1	16	3530971C96	1539
SCREW,SPL HI-LO #11-16 X 3/4	3542582C1	16	3602447C91	1534
SCREW,SPL K40-1.79X33MM 20PACK	3576594C1	16	3530971C96	1539
SCREW,SPL PTM 4X20 (20 PER PCK	3579582C1	16	3530971C96	1539
SCREW,SPL VENT WNDW LATCH MTG	2591746C1	16	3567240C92	1487
SCREW,SPL VENT WNDW LATCH MTG	2591746C1	16	3567241C92	1489
SCREW,TAPPING #6-20 X 1/2" PH	3580447C1	16	0J4WM	1641
SCREW,TAPPING 3/8 16X1	1666227C1	13	3568552F91	1242
SCREW,TAPPING M4.2 X 1.4 - 30M	3545857C1	16	06RNB	1544
SCREW,TAPPING M4.2 X 1.4 - 30M	3545857C1	16	0DBW8	1594
SCREW,TAPPING M4.2 X 1.4 - 30M	3545857C1	16	3511044F93	1590
SCREW,TAPPING M4.2 X 1.41-35MM	3552454C1	16	06NKY	1633
SCREW,TAPPING M4.2 X 1.41-35MM	3552454C1	16	06QG0	1552
SCREW,TAPPING M4.2 X 1.41-35MM	3552454C1	16	0D927	1518
SCREW,TAPPING M4.2 X 1.41-35MM	3552454C1	16	0G7XT	1515
SCREW,TAPPING M4.2 X 1.41-35MM	3552454C1	16	0JC0G	1431
SCREW,TAPPING M4.2 X 1.41-35MM	3552454C1	16	0LV7L	1530
SCREW,TAPPING M4.8 X 1.59 -25M	3510975C1	16	06SLV	1667
SCREW,THRUST DIFF	2508068C1	2	2507920C91	94
SCREW,VENT WINDOW LATCH BASE	2505428C1	16	3567240C92	1487
SCREW,VENT WINDOW LATCH BASE	2505428C1	16	3567241C92	1489

Part Description Index

Description	Part No.	Group	Figure	Page
SEAL ASSEMBLY,RADIAL LIP	1817867C92	12	641007C001	1064
SEAL ASSY OIL	573716C91	2	1676480C91	98
SEAL ASSY OIL	573716C91	2	2507920C91	94
SEAL ASSY.,WATER PUMP-LNG LIFE	1891275C1	12	1830607C5	986
SEAL RING,FRONT HEADER	1830362C1	12	1833359C94	825
SEAL RING,FRONT HEADER	1830362C1	12	641013C002	819
SEAL, FRONT OIL COOLER HEADER	1830362C1	12	641013C002	819
SEAL, OIL DIPSTICK TUBE	1812559C1	12	641006M011	903
SEAL, OIL PUMP	1817862C1	12	1824984C95	835
SEAL, OIL PUMP	1817862C1	12	1833357C92	968
SEAL, OIL PUMP	1817862C1	12	641013A003	978
SEAL, OIL PUMP HOUSING	1817862C1	12	641013A003	978
SEAL, OIL REAR	641007C001	12	641007C001	1064
SEAL, PRESS CONNECTOR	1807261C1	12	1833443C95	804
SEAL, PRESSOR SENSOR	1807263C1	12	1841217C91	972
SEAL, PUMP FLANGE	1825685C1	12	641011E002	948
SEAL, RADIAL LIP	1817867C92	12	641007C001	1064
SEAL, RESERVOIR	1820920C3	12	641006B009	832
SEAL, RUBBER GROUND STUD DASH	3559053C1	8	3588143F92	601
SEAL,AIR CLEANER TO HOOD*HOOD	3562354C1	12	3562349C91	750
SEAL,AIR CLOSEOUT TRAY TO HOOD	3550845C1	16	3550838C95	1675
SEAL,AIR COMPRESSOR*O-RING	1818727C1	12	641016L002	755
SEAL,BACK-UP RING	1824981C1	12	1825249C91	996
SEAL,BRAKE CAMSHAFT	56121R3	2	3599758F91	101
SEAL,BRAKE CAMSHAFT	56121R3	4	3548002C91	244
SEAL,BRAKE CAMSHAFT	56121R3	4	3548003C91	248
SEAL,BRAKE CAMSHAFT	56121R3	4	3548018C91	246
SEAL,BRAKE CAMSHAFT	56121R3	4	3548019C91	250
SEAL,C-PLATE 1/2"	3543881C1	16	3557557C94	1528
SEAL,C-PLATE 1/2"	3543881C1	16	3557558C91	1526
SEAL,C-PLATE 3/4"	3543882C1	16	3548042C1	1541
SEAL,CAB	3540481C2	4	0H34N	254
SEAL,CAB	3540481C2	16	06SV4	1430
SEAL,CAB	3540481C2	16	0F26J	1453
SEAL,CAB	3540481C2	16	0FVYN	1491
SEAL,CAB	3540481C2	16	0GWJ7	1616
SEAL,CAB BAFFLE CWL TRAY TO DS	3580971C1	16	3550838C95	1675
SEAL,CABLE TERM 150 LOOSE	1661872C1	8	3545544C92	491
SEAL,CABLE TERM 150 LOOSE	1661872C1	8	3561092C91	476
SEAL,CABLE TERM 150 LOOSE	1661872C1	8	3568498C91	453
SEAL,CABLE TERM 150 LOOSE	1661872C1	12	3579843C91	1227
SEAL,CABLE TERM 630 METRIC	1667735C1	8	3568513C91	433
SEAL,CABLE TERM 630 METRIC	1667735C1	8	3588674C91	471
SEAL,CABLE TERM JR TIMER 12-14	3575783C1	8	3572236F91	528
SEAL,CABLE TERMINAL	3509903C1	8	3560276C91	449
SEAL,CABLE TERMINAL	3509903C1	8	3560277C91	550
SEAL,CABLE TERMINAL	3509903C1	8	3560280C91	444
SEAL,CABLE TERMINAL	3509903C1	8	3568513C91	433
SEAL,CABLE TERMINAL	3509903C1	8	3572236F91	528
SEAL,CABLE TERMINAL	3509903C1	8	3572240F91	502
SEAL,CABLE TERMINAL	3509903C1	8	3581887C91	426
SEAL,CABLE TERMINAL	3509903C1	8	3588674C91	471
SEAL,CABLE TERMINAL	3509903C1	12	3560343C91	1023
SEAL,CABLE TERMINAL	3509903C1	12	3560346C92	1204
SEAL,CABLE TERMINAL 480 SERIES	2025427C1	8	3547673C91	380
SEAL,CABLE TERMINAL*AMP CABLE	3532128C1	8	3560276C91	449
SEAL,CABLE TERMINAL*AMP CABLE	3532128C1	8	3572242F91	521
SEAL,CABLE TERMINAL*AMP CABLE	3532128C1	8	3581917C91	460

Part Description Index

Description	Part No.	Group	Figure	Page
SEAL,CABLE TERMINAL*AMP CABLE	3532128C1	12	3577574C91	1018
SEAL,CABLE TERMINAL*GT 280 SER	3535936C1	8	3545544C92	491
SEAL,CABLE TERMINAL*GT 280 SER	3535936C1	8	3560276C91	449
SEAL,CABLE TERMINAL*GT 280 SER	3535937C1	8	3560280C91	444
SEAL,COOLING RECIRC ASSY	2507472C92	12	2507472C92	760
SEAL,COOLING RECIRC ASSY	2507472C92	12	2586041C91	1171
SEAL,COOLING RECIRC ASSY	2507472C92	12	3551080F94	762
SEAL,COOLING SYSTEM*RECIRC PAN	3551080F94	12	07RSN	758
SEAL,COOLING SYSTEM*RECIRC PAN	3551080F94	12	3551080F94	762
SEAL,DOOR DOME LIGHT SWITCH	2596707C1	16	3579984C1	1642
SEAL,DOOR GLASS INNERBELT FRT	3508968C2	16	06MT8	1471
SEAL,DOOR GLASS RUN CHNNL FRT	3588772C1	16	06MT8	1471
SEAL,DOOR GLSS OTR BELT FRT LH	3557122C2	16	06MT8	1471
SEAL,DOOR GLSS OTR BELT FRT RH	3557123C2	16	06MT8	1471
SEAL,DOOR PRIMARY FRONT	3508972C4	16	06MT8	1471
SEAL,DOOR SECONDARY FRT LH	3508975C5	16	06MT8	1471
SEAL,DOOR SECONDARY FRT RH	3508976C5	16	06MT8	1471
SEAL,DRAG LINK DUST COVER	2594349C1	2	2601612C91	103
SEAL,DUCT AIR COND	3542572C2	16	3602447C91	1534
SEAL,DUCT AIR COND COWL TRAY	3554237C2	16	3602447C91	1534
SEAL,DUST-POSE	1827175C1	12	1827176C91	853
SEAL,ENGINE COVER	3508978C2	16	3508281C93	1513
SEAL,FRONT-RADIAL LIP TYPE	1827177C1	12	1827395C92	947
SEAL,FRONT-RADIAL LIP TYPE	1827177C1	12	1833096C92	965
SEAL,MIDDLE INJECTOR	1834357C1	12	1830692C92	952
SEAL,MIDDLE INJECTOR	1834357C1	12	1830742C92	956
SEAL,MISS SEALING COMPOUND	2643099R1	8	06VZJ	411
SEAL,MISS SEALING COMPOUND	2643099R1	16	06TRV	1543
SEAL,O-RING #213	1814695C1	12	1830692C92	952
SEAL,O-RING #213	1814695C1	12	1830742C92	956
SEAL,OIL DIPSTICK TUBE	1812559C1	12	641006M011	903
SEAL,OIL DRIVE GEAR BRG RET RA	FUL4300121	13	3568555F91	1273
SEAL,OIL FRT WHL BRG INNER	1697853C1	17	3556968F91	1687
SEAL,OIL FWD & REAR OUTPUT	2502761C1	13	3600089C92	1249
SEAL,OIL FWD & REAR OUTPUT	2502761C1	14	2503395C91	1292
SEAL,OIL HSG AXLE SHAFT	2507881C1	2	3556927F91	87
SEAL,OIL MASHFT BRG RET RAWHID	FUL4300119	13	3549040F91	1239
SEAL,OIL OUTPUT R145,160,164	2502762C1	14	2503395C91	1292
SEAL,OIL PINION	596600C91	14	1696762C91	1304
SEAL,OIL PINION 160/161/164	A1205Q2591	13	3600089C92	1249
SEAL,OIL RAIL END PLUG	1831483C1	12	1829825C92	884
SEAL,OIL REAR WHEEL BRG INNER	1695751C1	4	2507869C91	217
SEAL,OIL REAR WHEEL BRG INNER	1695751C1	4	2507870C91	219
SEAL,OIL REAR WHEEL BRG INNER	775698C91	17	06M1J	1696
SEAL,OIL SLEEVE INPUT (FRT)	2589852C1	14	3609621C91	1288
SEAL,OIL SLEEVE OUTPUT (FRT)	2589851C1	14	3609621C91	1288
SEAL,OIL SPINDLE	2507884C1	2	3556927F91	87
SEAL,OIL STRG KNUCKLE	592855C1	2	3577157F91	110
SEAL,OIL STRG KNUCKLE	592855C1	2	3599758F91	101
SEAL,QTR WNDW EXTENDED CAB	3564826C4	16	06MXR	1644
SEAL,RECIRC LH SIDE ASSY	2507474C91	12	2507472C92	760
SEAL,RECIRC RH SIDE ASSY	2507473C91	12	2507472C92	760
SEAL,RECIRC UPPER ASSY	2507475C92	12	2507472C92	760
SEAL,RESERVOIR	1820920C3	12	1824984C95	835
SEAL,RESERVOIR	1820920C3	12	641006B009	832
SEAL,REXROTH PUMP FLANGE	1825685C1	12	641011E002	948
SEAL,SHIFT MOTOR TO CARR	1696235C1	14	1696762C91	1304
SEAL,SHIFT MOTOR TO CARR	1696235C1	14	2503395C91	1292

Part Description Index

Description	Part No.	Group	Figure	Page
SEAL,SIDE LOWER SILL	3575794C1	16	0F26J	1453
SEAL,STEER SHAFT*DUST CAP ASSY	2506823C91	5	3549807C92	261
SEAL,VALVE STEM ASSY.	1823925C1	12	1830346C95	877
SEAL,VENT WINDOW GLASS LH	3508950C4	16	06MT8	1471
SEAL,WATER PUMP	1819099C1	12	1824984C95	835
SEAL,WATER PUMP	1819099C1	12	1830606C95	977
SEALANT, RTV SILICONE 3 OUNCE TUBE	446839C1	12	641006B009	832
SEALANT,ADHESIVE URETHANE,1PA	3566773R1	16	06MXP	1632
SEALANT,ADHESIVE URETHANE,1PA	3566773R1	16	06MXR	1644
SEALANT,RETAINING COMPOUND 609	554210C1	2	1676480C91	98
SEALANT,RETAINING COMPOUND 609	554210C1	14	2503395C91	1292
SEALANT,RTV SILICONE 3 OZ TUBE	446839C1	12	641006B009	832
SEALANT,ULTRA GREY GSKT 3 OZ.	2500098C1	2	1676480C91	98
SEALANT,ULTRA GREY GSKT 3 OZ.	2500098C1	14	2503395C91	1292
SEAT,AIR GOV SPG	321748R1	4	410986C92	151
SEAT,AIR GOV SPRING UPPER	177633H1	4	410986C92	151
SEAT,DRS 1/3 HI BCK VINYL	3575748C93	16	0GWJ7	1616
SEAT,DRS 1/3 HI BCK VINYL	3575748C93	16	3575748C93	1618
SEAT,DRS HI VN AIR LM BR W/AR	3558491C92	16	0FVYN	1491
SEAT,DRS HI VN AIR LM BR W/AR	3558491C92	16	3558491C92	1507
SEAT,U BOLT FRONT SPG FRT DRIV	3553635C1	3	07W2Z	114
SENSOR TEMP	1889511C1	12	641009B005	798
SENSOR, CAMSHAFT POSITION	1807339C92	12	641009B005	798
SENSOR, ENGINE OIL PRESSURE	1807369C2	12	641009B005	798
SENSOR, INJ CONT PRESS (ICP)	1833031C1	12	1830669C91	811
SENSOR, INJECTOR CONTROL PRESSURE	1830669C91	12	641009B005	798
SENSOR, OIL/COOLANT TEMPERATURE	1814320C1	12	641009B005	798
SENSOR, PRESSURE TRANSDUCER CUSTOM ENG INE CONTROL	1840078C1	12	641009B005	798
SENSOR, TEMPERATURE	1814320C1	12	3562349C91	750
SENSOR, TEMPERATURE	1814320C1	12	641009B005	798
SENSOR,CAMSHAFT POS CMP	1807339C92	12	641009B005	798
SENSOR,ENG OIL PRESSURE EOP	1807369C2	12	641009B005	798
SENSOR,FREON THERMISTOR	3548043C2	16	3602447C91	1534
SENSOR,INJ CONT PRES (ICP)	1830669C91	12	1830669C91	811
SENSOR,INJ CONT PRES (ICP)	1830669C91	12	641009B005	798
SENSOR,MANIFOLD ABSOLUTE PRESS	1840078C1	12	641009B005	798
SENSOR,TEMPERATURE	1889511C1	12	641009B005	798
SENSORS, ELECTRONIC NGV	641009B005	12	641009B005	798
SET,BRK LINING 16 1/2X5 R301	2503617C91	4	2507869C91	217
SET,BRK LINING 16 1/2X5 R301	2503617C91	4	2507870C91	219
SET,LINING MA212*16.5 X 7.0	2506365C91	4	3548002C91	244
SET,LINING MA212*16.5 X 7.0	2506365C91	4	3548003C91	248
SET,LINING MA212*16.5 X 7.0	2506365C91	4	3548018C91	246
SET,LINING MA212*16.5 X 7.0	2506365C91	4	3548019C91	250
SET,O RING SEALS	1669456C91	12	3542059C91	1143
SET,SHIM PIN CAGE RS17140	1694582C91	14	1696762C91	1304
SET,SPACER PIN BRG RS21145	1694522C91	14	1696762C91	1304
SET,SPACER PIN BRG RT34145	1694539C91	14	2503395C91	1292
SHACKLE,FRT SPRING 14-20K	3533231C1	3	07W2Z	114
SHAFT ASM, BRACKET AND ROCKER ARM	1872757C91	12	641008C003	764
SHAFT ASSY, BRKT & ROCKER ARM	1830593C93	12	641008C003	764
SHAFT ASSY, ROCKER ARM	1830592C91	12	1830592C91	770
SHAFT ASSY, ROCKER ARM	1830592C91	12	1830593C94	771
SHAFT ASSY, ROCKER ARM	1830592C91	12	1872757C91	773
SHAFT ASSY,BRACKET&ROCKER ARM	1830593C94	12	1830593C94	771
SHAFT ASSY,BRACKET&ROCKER ARM	1830593C94	12	641008C003	764
SHAFT ASSY.,BRKT & ROCKER ARM	1830593C92	12	641008C003	764

Part Description Index

Description	Part No.	Group	Figure	Page
SHAFT W/ BRACKET	1830593C91	12	641008C003	764
SHAFT W/ BRACKET	1830593C92	12	641008C003	764
SHAFT W/ BRACKET	1830593C94	12	641008C003	764
SHAFT, ROCKER ARM W/ BRACKET	1830593C93	12	641008C003	764
SHAFT,ASSY BRACKET& ROCKER ARM	1830593C91	12	641008C003	764
SHAFT,ASSY INR & OTR W/JT LT	2507897C91	2	3556980F91	90
SHAFT,ASSY INR & OTR W/JT RT	2507898C91	2	3556980F91	90
SHAFT,ASSY PROP SPL140 METRIC	414STHXXXX	6	0FW9L	295
SHAFT,ASSY PROP SPL140 METRIC	414STHXXXX	6	0FW9M	304
SHAFT,ASSY PROP SPL140 METRIC	414STHXXXX	6	414STHXXXX	296
SHAFT,ASSY PROP SPL170 METRIC	417LTPXXXX	6	0KCGJ	313
SHAFT,ASSY PROP SPL170 METRIC	417LTPXXXX	6	417LTPXXXX	314
SHAFT,ASSY,BRACKET&ROCKER ARM	1872757C91	12	1872757C91	773
SHAFT,ASSY,BRACKET&ROCKER ARM	1872757C91	12	641008C003	764
SHAFT,AXLE 2.10-41 X 37.18 SHT	1665496C1	14	3602600C91	1300
SHAFT,AXLE 2.10-41 X 37.18 SHT	1665496C1	14	3609621C91	1288
SHAFT,AXLE 2.10-41 X 43.13 LNG	1686034C1	14	3602600C91	1300
SHAFT,AXLE 2.10-41 X 43.13 LNG	1686034C1	14	3609621C91	1288
SHAFT,AXLE W/FLG & JT ABR FC#8	3556980F91	2	0FWS6	89
SHAFT,AXLE W/FLG & JT ABR FC#8	3556980F91	2	3556980F91	90
SHAFT,CLUTCH INPUT*1.75" PULL	3568555F91	13	0FKP5	1272
SHAFT,CLUTCH INPUT*1.75" PULL	3568555F91	13	3568555F91	1273
SHAFT,CLUTCH REL FORK	309129C1	11	06VL5	743
SHAFT,CLUTCH REL FORK*	3532872C1	11	06VL5	743
SHAFT,CLUTCH RELAY LEVER*	3532849C1	11	3532907C91	739
SHAFT,IDLER LOWER	1820294C1	12	1822101C95	943
SHAFT,IDLER UPPER	1820277C1	12	1822102C95	945
SHAFT,INPUT	FUL4304539	13	3568555F91	1273
SHAFT,INPUT IAD W/NUT	1696385C91	14	2503395C91	1292
SHAFT,INPUT OR MAIN T-CASE	2589028C1	13	3600089C92	1249
SHAFT,OUTPUT PD	1670493C91	14	3609621C91	1288
SHAFT,OUTPUT T-CASE	2508280C1	13	3600089C92	1249
SHAFT,OUTPUT T-CASE	2508290C1	13	3600089C92	1249
SHAFT,REVERSE IDLER GEAR	FUL3315672	13	3568551F91	1263
SHAFT,ROCKER ARM	1827168C1	12	1830592C91	770
SHAFT,SHIFT FORK DIFF LOCK	1670295C1	14	2503395C91	1292
SHAFT,SHIFT FORK DIFF LOCK	1696232C1	14	1696762C91	1304
SHAFT,SHIFT FORK DIFF LOCK	1696232C1	14	2503395C91	1292
SHAFT,SHIFTER	2508278C1	13	3600089C92	1249
SHAFT,STEERING	3549807C92	5	06SPX	259
SHAFT,STEERING	3549807C92	5	3549807C92	261
SHAFT,TRANS COUNTER	FUL4303238	13	3569708F91	1277
SHAFT,TRANS MAIN	2507860C91	13	2507860C91	1261
SHAFT,TRANS MAIN	2507860C91	13	3568551F91	1263
SHAFT,TRANS MAIN	FUL4304549	13	2507860C91	1261
SHAFT,YOKE SPL-170	2500662C91	6	417LTPXXXX	314
SHAFT,YOKE SPL140	2504889C91	6	414STHXXXX	296
SHIELD,DUST	2507875C1	4	2507869C91	217
SHIELD,DUST BRK SPIDER	1697910C1	4	2507870C91	219
SHIELD,DUST LT 16.5X7 FOR CAST	579098C1	4	0DR90	240
SHIELD,DUST RT 16.5X7 FOR CAST	579099C1	4	0DR90	240
SHIELD,HEAT*ASSEMBLY	3583417C1	16	0LV7L	1530
SHIELD,IGN SW KEY	2509753C1	16	3547254C1	1592
SHIELD,OIL FILTER (DIFF)	1668809C1	14	2503395C91	1292
SHIELD,SUSP SEAT	3562449C92	16	0FVYN	1491
SHIELD,SUSP SEAT	3562449C92	16	3562449C92	1511
SHIELD,SUSP SEAT	3562450C2	16	3562449C92	1511
SHIELD,WATER INR DR PNL FR LH	3508991C5	16	06MT8	1471

Part Description Index

Description	Part No.	Group	Figure	Page
SHIELD,WATER INR DR PNL FRT RH	3508992C5	16	06MT8	1471
SHIM	2585800C1	13	3600089C92	1249
SHIM INPUT BRG CAGE .010	1670293C1	13	3600089C92	1249
SHIM INPUT BRG CAGE .010	1670293C1	14	2503395C91	1292
SHIM PIN BRG CAGE .005	1670505C1	14	1696762C91	1304
SHIM, .004	FUL3315662	13	3549040F91	1239
SHIM,BRG ADJ T-CASE	2508287C1	13	3600089C92	1249
SHIM,BRG ADJ T-CASE	2508288C1	13	3600089C92	1249
SHIM,BRG ADJ T-CASE	2508289C1	13	3600089C92	1249
SHIM,CROSSMEMBER ENGINE	3573965C1	12	07NDS	859
SHIM,PIN BRG CAGE .003	1670504C1	14	1696762C91	1304
SHIM,PIN BRG CAGE .008	1670506C1	14	1696762C91	1304
SHIM,PIN BRG CAGE .020	1670507C1	14	1696762C91	1304
SHIM,PIN GEAR BRG CAGE	1670291C1	13	3600089C92	1249
SHIM,PIN GEAR BRG CAGE	1670291C1	14	2503395C91	1292
SHIM,PIN GEAR BRG CAGE	1670292C1	13	3600089C92	1249
SHIM,PIN GEAR BRG CAGE	1670292C1	14	2503395C91	1292
SHIM,PIN GEAR BRG SPACER .003	242815R1	14	2503395C91	1292
SHIM,PIN GEAR BRG SPACER .005	242816R1	14	2503395C91	1292
SHIM,PIN GEAR BRG SPACER .010	242817R1	14	2503395C91	1292
SHIM,PINION BRG CAGE .001	2508062C1	2	2507920C91	94
SHIM,PINION BRG CAGE .005	2508063C1	2	2507920C91	94
SHIM,PINION BRG CAGE .006	2508064C1	2	2507920C91	94
SHIM,PINION BRG CAGE .020	2508065C1	2	2507920C91	94
SHIM,STRG KNCKL KING PIN .005	2603227C1	2	3599758F91	101
SHIM,STRG KNCKL KING PIN .015	2603226C1	2	3599758F91	101
SHIM,STRG KNCKL KING PIN .025	2603225C1	2	3599758F91	101
SHOE,BRK W/LINING R301	A43222Z2288	4	2507869C91	217
SHOE,BRK W/LINING R301	A43222Z2288	4	2507870C91	219
SHROUD,FAN FEATURE	2507471C91	12	2586041C91	1171
SIDE VENTING BREATHER - HEUI	641017L003	12	3553584F91	870
SIDE VENTING BREATHER - HEUI	641017L003	12	641017L003	893
SILASTIC	2297Z7098	2	1676480C91	98
SILASTIC	2297Z7098	14	2503395C91	1292
SILL,ASSY REAR	3509307C3	16	3543973C95	1427
SILL,ASSY SLED RUNNER ASSY EX	3509593C1	16	3509593C1	1424
SILL,ASSY SLED RUNNER ASSY EX	3509593C1	16	3543973C95	1427
SILL,ASSY SLED RUNNER EXT-CAB	3509593C2	16	3509593C2	1426
SILL,ASSY SLED RUNNER EXT-CAB	3509593C2	16	3543973C95	1427
SILL,CAB FLOOR OR COWL UNDERBO	3509592C1	16	3509593C1	1424
SILL,CAB FLOOR OR COWL UNDRBDY	3509592C2	16	3509593C2	1426
SILL,CAB SIDE EXT LH	3570285C1	16	3543973C95	1427
SILL,CAB SIDE EXT RH	3570286C1	16	3543973C95	1427
SILL,PANEL OTR LH EXT CAB	3531489C1	16	3548076C3	1413
SILL,PANEL OTR RH EXT CAB	3531490C1	16	3548077C3	1415
SLEEVE HEAT SHRINK	2644000R1	12	1833443C95	804
SLEEVE, 1/8 PLN BALL	121322	12	299466C11	1030
SLEEVE, 3/8 TUBE -FLEX	1812348C1	12	641011L019	899
SLEEVE, COMPRESSION FITTING	265204R1	12	641011L019	899
SLEEVE, COMPRESSION FITTING 3/8"	1812348C1	12	641011L019	899
SLEEVE, CYLINDER	1830706C1	12	641006A005	842
SLEEVE,5/8 SPHERICAL COMP TUB	55896R1	4	06SPT	153
SLEEVE,5/8 SPHERICAL COMP TUB	55896R1	4	0LNNN	162
SLEEVE,ASSY POSE	1827176C91	12	1827176C91	853
SLEEVE,ASSY POSE	1827176C91	12	1830736C91	852
SLEEVE,ASSY POSE	1827176C91	12	1833096C92	965
SLEEVE,ASSY POSE	1827176C91	12	1833357C92	968
SLEEVE,CABLE INSULATING	2644038R1	8	3545544C92	491

Part Description Index

Description	Part No.	Group	Figure	Page
SLEEVE,CABLE INSULATING	2644038R1	12	1833443C95	804
SLEEVE,COMP OR FLEX TUBE	265204R1	12	1825520C91	908
SLEEVE,COMP OR FLEX TUBE	265204R1	12	1825521C93	909
SLEEVE,COMP OR FLEX TUBE	265204R1	12	1829801C91	907
SLEEVE,COMP OR FLEX TUBE	265204R1	12	6410111L019	899
SLEEVE,COMP TUBE	298609C1	12	299466C11	1030
SLEEVE,CYLINDER	1830706C1	12	1830709C92	970
SLEEVE,CYLINDER	1830706C1	12	641006A005	842
SLEEVE,DETENT	FUL4302939	13	3568552F91	1242
SLEEVE,INJ PUMP	1818841C1	12	1821232C92	984
SLEEVE,INJECTOR	1833382C1	12	1830345C93	879
SLEEVE,WEAR	1827174C1	12	1827176C91	853
SLEEVE,WHEEL BRG OIL SEAL	491657C1	2	3556927F91	87
SLINGER,COMP FLG SPL140	2586467C1	6	3571921F91	287
SPACER	1826345C1	12	1825249C91	996
SPACER, AIR COMPRESSOR	1822123C1	12	641016L002	755
SPACER, NUT	1830118C1	12	1829953C92	791
SPACER, SUSPENSION	3595142C1	14	07Q7J	1333
SPACER,AIR COMP SUPT	1822123C1	12	641016L002	755
SPACER,AUX CTSHTF BRG	FUL3315676	13	3568551F91	1263
SPACER,AUX TRANS	326769C1	13	07VS1	1245
SPACER,BRG T-CASE .003"	2508293C1	13	3600089C92	1249
SPACER,BRG T-CASE .009"	2508294C1	13	3600089C92	1249
SPACER,BRG T-CASE .362"	2508292C1	13	3600089C92	1249
SPACER,BRG T-CASE, .015"	2508295C1	13	3600089C92	1249
SPACER,BRG T-CASE, .021"	2508296C1	13	3600089C92	1249
SPACER,FUEL TANK SUPT OR BRKT*	3524667C1	15	3573570F92	1377
SPACER,HELICAL GEAR	1670502C1	14	2503395C91	1292
SPACER,PIN BRG .209	1669540C1	14	2503395C91	1292
SPACER,PIN BRG .210	1669541C1	14	2503395C91	1292
SPACER,PIN BRG .211	1669542C1	14	2503395C91	1292
SPACER,PIN BRG .212	1669543C1	14	2503395C91	1292
SPACER,PIN BRG .213	1669544C1	14	2503395C91	1292
SPACER,PIN BRG .217	1669545C1	14	2503395C91	1292
SPACER,PIN BRG .220	1669546C1	14	2503395C91	1292
SPACER,PIN BRG .224	1669547C1	14	2503395C91	1292
SPACER,PIN BRG .228	1670547C1	14	2503395C91	1292
SPACER,PIN BRG .232	1670548C1	14	2503395C91	1292
SPACER,PIN BRG .236	1670549C1	14	2503395C91	1292
SPACER,PIN BRG .240	1670550C1	14	2503395C91	1292
SPACER,PIN BRG .241	1670551C1	14	2503395C91	1292
SPACER,PIN BRG .242	1670552C1	14	2503395C91	1292
SPACER,PIN BRG .243	1670553C1	14	2503395C91	1292
SPACER,PIN BRG .244	1670554C1	14	2503395C91	1292
SPACER,PIN BRG .344	1670511C1	14	1696762C91	1304
SPACER,PIN BRG .345	1670512C1	14	1696762C91	1304
SPACER,PIN BRG .346	1670513C1	14	1696762C91	1304
SPACER,PIN BRG .347	1670514C1	14	1696762C91	1304
SPACER,PIN BRG .348	1670515C1	14	1696762C91	1304
SPACER,PIN BRG .353	1670516C1	14	1696762C91	1304
SPACER,PIN BRG .358	1670517C1	14	1696762C91	1304
SPACER,PIN BRG .359	1670518C1	14	1696762C91	1304
SPACER,PIN BRG .360	1670519C1	14	1696762C91	1304
SPACER,PIN BRG .361	1670520C1	14	1696762C91	1304
SPACER,PIN BRG .362	1670521C1	14	1696762C91	1304
SPACER,PIN GEAR BRG .234	564283C1	2	2507920C91	94
SPACER,PIN GEAR BRG .235	564284C1	2	2507920C91	94
SPACER,PIN GEAR BRG .236	564285C1	2	2507920C91	94

Part Description Index

Description	Part No.	Group	Figure	Page
SPACER,PIN GEAR BRG .237	564286C1	2	2507920C91	94
SPACER,PIN GEAR BRG .238	564287C1	2	2507920C91	94
SPACER,PIN GEAR BRG .239	564288C1	2	2507920C91	94
SPACER,PIN GEAR BRG .240	564289C1	2	2507920C91	94
SPACER,PIN GEAR BRG .242	2508083C1	2	2507920C91	94
SPACER,PIN GEAR BRG .244	2508084C1	2	2507920C91	94
SPACER,PIN GEAR BRG .246	2508085C1	2	2507920C91	94
SPACER,PIN GEAR BRG .247	564290C1	2	2507920C91	94
SPACER,PIN GEAR BRG .254	564291C1	2	2507920C91	94
SPACER,PIN GEAR BRG .261	564292C1	2	2507920C91	94
SPACER,PIN GEAR BRG .268	564293C1	2	2507920C91	94
SPACER,PIN GEAR BRG .275	505147C1	2	2507920C91	94
SPACER,PIN GEAR BRG .282	505148C1	2	2507920C91	94
SPACER,PIN GEAR BRG .289	505149C1	2	2507920C91	94
SPACER,PIN GEAR BRG .296	2508086C1	2	2507920C91	94
SPDOMTR,&TACH HD ASM,METRC/MET	3604600C91	16	3604600C91	1462
SPDOMTR,&TACH HD ASM,METRC/MET	3604600C91	16	3604608F91	1461
SPECIFICATION, PAINT	641002C001	12	641002C001	1189
SPIDER,BRAKE W/BUSH & SEAL	2500417C91	4	2507869C91	217
SPIDER,BRAKE W/BUSH & SEAL	2500417C91	4	2507870C91	219
SPIDER,DIFF	2508080C1	2	2507920C91	94
SPIDER,W/BUSH & SEAL	1691814C91	4	3548003C91	248
SPIDER,W/BUSH & SEAL	1691825C91	4	3548002C91	244
SPIDER,W/BUSH & SEAL	1699326C91	4	3548018C91	246
SPIDER,W/BUSH & SEAL	1699328C91	4	3548019C91	250
SPINDLE,ASSY W/BUSHING	2507885C91	2	3556927F91	87
SPRING HOOD CABLE	590280C2	9	3568420C92	707
SPRING HOOD CABLE	590280C2	9	3568421C92	709
SPRING,	496626C1	13	3576514C91	1268
SPRING, AXLE SHIFT PUSH ROD	867718R1	13	3600089C92	1249
SPRING, AXLE SHIFT PUSH ROD	867718R1	14	2503395C91	1292
SPRING, COMPRESSION	1821146C1	12	1821232C92	984
SPRING,AIR CAB MTG	2507408C1	16	3540379C96	1451
SPRING,AIR GOV VALVE	321742R1	4	410986C92	151
SPRING,AIR GOV VALVE	321745R1	4	410986C92	151
SPRING,AIR GOV VALVE	321747R1	4	410986C92	151
SPRING,ASSY AUX RUBBER	2506183C1	14	3563253C92	1320
SPRING,BRK CHAMBER PUSH ROD	2505451C1	4	3566654C91	223
SPRING,BRK SHOE RETAIN	1685491C1	4	2507869C91	217
SPRING,BRK SHOE RETAIN	1685491C1	4	2507870C91	219
SPRING,BRK SHOE RETAIN	1685491C1	4	3548002C91	244
SPRING,BRK SHOE RETAIN	1685491C1	4	3548003C91	248
SPRING,BRK SHOE RETAIN	1685491C1	4	3548018C91	246
SPRING,BRK SHOE RETAIN	1685491C1	4	3548019C91	250
SPRING,BRK SHOE RETURN	1693182C1	4	3548002C91	244
SPRING,BRK SHOE RETURN	1693182C1	4	3548003C91	248
SPRING,BRK SHOE RETURN	1693182C1	4	3548018C91	246
SPRING,BRK SHOE RETURN	1693182C1	4	3548019C91	250
SPRING,BRK SHOE RETURN	2500416C1	4	2507869C91	217
SPRING,BRK SHOE RETURN	2500416C1	4	2507870C91	219
SPRING,CHASSIS FRONT 16K TAPER	3540967C91	3	07W2Z	114
SPRING,CHASSIS FRONT 16K TAPER	3540967C91	3	3540967C91	119
SPRING,CLOCK W/CANCEL CAM, KIT	2505657C91	8	2505657C91	497
SPRING,CLOCK W/CANCEL CAM, KIT	2505657C91	8	3545990F91	495
SPRING,CONTACT*CLOCKSPRING, 4	3591409C1	8	2505657C91	497
SPRING,CONTROL LEVER	FUL21723	13	3568552F91	1242
SPRING,CONTROL LEVER	FUL21724	13	3568552F91	1242
SPRING,HOOD CABLE	590279C2	9	3568420C92	707

Part Description Index

Description	Part No.	Group	Figure	Page
SPRING,HOOD CABLE	590279C2	9	3568421C92	709
SPRING,INTAKE VALVE	677349C1	12	1830346C95	877
SPRING,PEDAL RETURN	2505696C1	11	3546983F91	735
SPRING,RELIEF VALVE	1833235C1	12	1833386C1	837
SPRING,ROCKER SHAFT	1827316C1	12	1830593C94	771
SPRING,ROCKER SHAFT	1827316C1	12	1872757C91	773
SPRING,SEAT ADJUSTER ISOL LOCK	1685463C1	16	2505379C91	1503
SPRING,SHIFT BAR PLUNGER OR PO	FUL3315765	13	3568552F91	1242
SPRING,SHIFT FORK	1696233C1	14	1696762C91	1304
SPRING,SHIFT FORK	1696233C1	14	2503395C91	1292
SPRING,THRUST INPUT SHAFT	1670524C1	13	3600089C92	1249
SPRING,VALVE EXHAUST	1825540C1	12	1830346C95	877
STATIONERY,POST CARD FOR EXPOR	1087423R1	16	07M4J	1621
STATOR W TERM	ZLNA0221034	8	3610514C91	362
STEM,GOV EXH VALVE D-2	177627H1	4	410986C92	151
STEP,FUEL TANK*	3569864C1	15	3570012F91	1371
STEP,FUEL TANK*	3573824C1	16	3576163F92	1639
STEP,FUEL TANK*70 GAL D, LH	3570012F91	15	0GLNF	1369
STEP,FUEL TANK*70 GAL D, LH	3570012F91	15	3570012F91	1371
STEP,FUEL TANK*704 MM UPR	3536370C2	15	3570012F91	1371
STEP,FUEL TANK*896 MM X 190 MM	3571061C1	16	3576163F92	1639
STOP,FRONT AXLE 16-20K SUSP	3553638C1	3	07W2Z	114
STOP,GEAR SHIFT LEVER REV	FUL233384	13	3568552F91	1242
STOP,RR AXLE AXLE 5.00	3594994C1	14	07RTP	1311
STOP,RR AXLE AXLE 5.50	3595000C1	14	07RTP	1311
STOP,WHL 42 DEG ABR FC#4	3556956F91	2	0FWS2	107
STOP,WHL 42 DEG ABR FC#4	3556956F91	2	3556956F91	108
STRAINER (300 MICRON)	1817674C1	12	1836287C91	901
STRAP,CABLE LOCK	289862C1	4	0H9Q1	123
STRAP,CABLE LOCK	289862C1	7	0HGRZ	342
STRAP,CABLE LOCK	289862C1	8	06S2V	532
STRAP,CABLE LOCK	289862C1	8	06VZJ	411
STRAP,CABLE LOCK	289862C1	8	0GCJR	371
STRAP,CABLE LOCK	289862C1	8	0HDDK	655
STRAP,CABLE LOCK	289862C1	8	0HDJP	666
STRAP,CABLE LOCK	289862C1	12	06MYC	1012
STRAP,CABLE LOCK	289862C1	16	06MT8	1471
STRAP,CABLE LOCK	291207C1	8	06S2V	532
STRAP,CABLE LOCK	291207C1	8	3581429F91	609
STRAP,CABLE LOCK	291207C1	8	3582056F91	612
STRAP,CABLE LOCK	291207C1	8	3588143F92	601
STRAP,CABLE LOCK	306132C1	4	0G5H4	189
STRAP,CABLE LOCK	306132C1	4	0GBMF	122
STRAP,CABLE LOCK	306132C1	4	0H75S	134
STRAP,CABLE LOCK	306132C1	4	0H9Q1	123
STRAP,CABLE LOCK	306132C1	4	0J0LQ	127
STRAP,CABLE LOCK	306132C1	4	0LNNN	162
STRAP,CABLE LOCK	306132C1	4	0MT69	140
STRAP,CABLE LOCK	306132C1	5	0FSWW	269
STRAP,CABLE LOCK	306132C1	8	06S2V	532
STRAP,CABLE LOCK	306132C1	8	06VZJ	411
STRAP,CABLE LOCK	306132C1	8	0DDS3	506
STRAP,CABLE LOCK	306132C1	8	0GVJ5	677
STRAP,CABLE LOCK	306132C1	8	0HDJP	666
STRAP,CABLE LOCK	306132C1	8	0HQHQ	645
STRAP,CABLE LOCK	306132C1	12	06MYC	1012
STRAP,CABLE LOCK	306132C1	12	06VS3	1026
STRAP,CABLE LOCK	306132C1	13	06RJY	1278

Part Description Index

Description	Part No.	Group	Figure	Page
STRAP,CABLE LOCK	306132C1	13	0M6Q2	1255
STRAP,CABLE LOCK	306132C1	16	06TJY	1648
STRAP,CABLE LOCK	3526024C1	13	07VRS	1254
STRAP,CABLE LOCK	386170C1	4	0H9Q1	123
STRAP,CABLE LOCK	386170C1	8	06VZJ	411
STRAP,CABLE LOCK	869707C1	16	0G9F8	1388
STRAP,CABLE LOCK 1/2" X 20"	3516934C1	8	0GCJR	371
STRAP,CABLE LOCK 1/2" X 20"	3516934C1	8	0JGYR	400
STRAP,CABLE LOCK 1/2" X 20"	3516934C1	16	06TJY	1648
STRAP,CABLE LOCK 1/2" X 20"	3516934C1	16	07TDL	1523
STRAP,CABLE LOCK*382MM BUTTON	3535587C1	8	0HQHQ	645
STRAP,CABLE LOCK*382MM BUTTON	3544557C1	4	0G5H4	189
STRAP,CABLE LOCK*382MM BUTTON	3544557C1	4	0GBMF	122
STRAP,CABLE LOCK*382MM BUTTON	3544557C1	4	0H75S	134
STRAP,CABLE LOCK*382MM BUTTON	3544557C1	8	06S2V	532
STRAP,CABLE LOCK*382MM BUTTON	3544557C1	8	0DDS3	506
STRAP,CABLE LOCK*382MM BUTTON	3544557C1	8	0HDJP	666
STRAP,CABLE LOCK*382MM BUTTON	3544557C1	16	0G9F8	1388
STRAP,CABLE LOCK*BUTTON STRAPL	3530605C1	4	0J0LQ	127
STRAP,CABLE LOCK*BUTTON STRAPL	3530605C1	13	0M6Q2	1255
STRAP,CABLE LOCK*BUTTON STRAPL	3530605C1	14	0GNXX	1307
STRAP,CABLE LOCK*BUTTON STRAPL	3530605C1	14	0GRRS	1282
STRAP,CABLE LOCK*CABLE LOCK 9"	3551709C1	12	07PJY	854
STRAP,CABLE LOCK*HELLERMAN TYT	3551787C91	8	3588143F92	601
STRAP,CABLE LOCK*HELLERMAN TYT	3560710C91	8	06S2V	532
STRAP,CABLE LOCK*HELLERMAN TYT	3560710C91	12	06VS3	1026
STRAP,CABLE LOCK*HELLERMAN TYT	3560710C91	16	06TJY	1648
STRAP,FLEXIBLE	1661878C4	7	3579388C91	348
STRAP,FRAME SUPT PLATE	2506184C1	14	3563253C92	1320
STRAP,FUEL TANK MTG*ASSY OF ST	3586665C2	15	3586670F92	1374
STRAP,TRUN BRG 1710,1760,1810	1657368C1	6	2035774C91	339
STRIP TRIM 5.3" (BLACK)	1661179C1	8	06VZJ	411
STRIP,INTERLEAF LINER	2505376C1	3	3540967C91	119
STRIP,TRIM 65MM	3566722C1	8	3588143F92	601
STRIP,TRIM SPORTS TOP	3562451C1	16	3562449C92	1511
STUD	1819245C1	12	641008D013	839
STUD BOLT,M8X110X19	1823742C1	12	641008D013	839
STUD DRIVE	588760C1	17	2003838C94	1692
STUD DRIVE	588760C1	17	2014885C93	1694
STUD M8 X 1.25	1820921C1	12	641013C002	819
STUD M8 X 1.25MM	1819931C1	12	641013C002	819
STUD M8 X 110	1823742C1	12	641008D013	839
STUD, TURBO ADAPTER	1821642C3	12	641014B001	936
STUD, TURBO ADAPTER	1821642C3	12	641014B003	1106
STUD,AUX TRANS SUPT	1692831C1	14	3609621C91	1288
STUD,BALL PIVOT THREADED	2501304C1	16	3540379C96	1451
STUD,CLUTCH ROD	3586926C1	11	06VKP	726
STUD,SELF CLINCHING M8X1.25X30	3550661C1	16	3550779C2	1421
STUD,SELF CLINCHING*	3541995C1	16	3550779C2	1421
STUD,SELF CLINCHING*	3541996C1	16	3550779C2	1421
STUD,SPECIAL	1689984C1	14	0FTBS	1312
STUD,SPECIAL CLINCH GROOVED	2506020C1	16	3556202C94	1478
STUD,SPECIAL CLINCH GROOVED	2506020C1	16	3556203C94	1481
STUD,SPECIAL*M8 X 1.25 DUAL SI	3551282C2	8	3588143F92	601
STUD,TRANS CASE TO FLYWHEEL HS	FUL239433	13	3549040F91	1239
STUD,VALVE MNTG M10 X 1.5	BX5012610	4	3596757C91	147
STUD,WHL RH	2507896C1	17	3556968F91	1687
SUB-SECT, COOLANT CONDITIONER UNIT U	641005M005	12	3554348F91	1009

Part Description Index

Description	Part No.	Group	Figure	Page
SUB-SECT, COOLANT CONDITIONER UNIT U	641005M005	12	641005M005	831
SUPPORT AIR COMP MTG*	1822067C1	12	641016L002	755
SUPPORT,, 12/24V EQUALIZER	3611065C1	8	3613280C92	398
SUPPORT,, ASSY, TORQUE ROD	3595144C2	14	07Q7J	1333
SUPPORT,, ASSY, TORQUE ROD	3595144C2	14	3595144C2	1340
SUPPORT,, FRAME MOUNTED ROD BR	3557821C2	5	3558303C4	257
SUPPORT,, FRAME MOUNTED ROD BR	3557821C2	12	3558303C4	1168
SUPPORT,, FRAME MOUNTED ROD BR	3557822C2	12	07RYM	1166
SUPPORT,, LEFT	3539595C6	8	3539597C7	390
SUPPORT,, OIL COOLER MTG XMSN-	3605958C1	13	0M5GN	1258
SUPPORT,, SPRING BRAKE QRV	3604271C1	4	0MT69	140
SUPPORT,3/8" TUBE	3603891C1	4	3604563F91	181
SUPPORT,ACCUNULATOR LHD CONV	3602508C1	16	3602447C91	1534
SUPPORT,ASM SEAT AIR LIMBAR	1699520C1	16	3558491C92	1507
SUPPORT,ASSY HOOD BRKT	3548892C3	9	0DS0W	714
SUPPORT,ASSY TORQUE ROD BRKT	3595143C1	14	3595144C2	1340
SUPPORT,CANVAS CLOTH SEAT RT	2593487C1	16	3575748C93	1618
SUPPORT,CHUGGER	NS22972301	16	3558491C92	1507
SUPPORT,DASH HARNESS	3592960C3	8	06VZJ	411
SUPPORT,FLYWHEEL HOUSING BRKT	3532953C1	12	641010N007	779
SUPPORT,FUEL TANK*FOR 70 GAL 1	3589337C1	15	3573570F92	1377
SUPPORT,FUEL TANK*FOR 70 GAL 1	3589338C1	15	3573570F92	1377
SUPPORT,MUFFLER	1660534C1	7	3579388C91	348
SUPPORT,MUFFLER*	3579387C1	7	3579388C91	348
SUPPORT,MUFFLER*HANGER ASSY	3579388C91	7	3579388C91	348
SUPPORT,MUFFLER*HANGER ASSY	3579388C91	7	3579392C91	345
SUPPORT,RIGHT	3539596C6	8	3539598C7	392
SUPPORT,SNGL CHMBR AIR LUMBAR	2505855C1	16	3558491C92	1507
SUPPORT,UVC HARNESS	1827803C2	12	1807455C92	806
SWITCH, PRESSURE - SLS	2505850C1	4	2505670C91	192
SWITCH,A/C PRESS TRANSDUCER	3546241C1	16	3557557C94	1528
SWITCH,BATTERY DISCONNECT*LEVE	3554630C91	8	3559964F92	386
SWITCH,CRUISE CLUTCH	3534031C1	11	3546983F91	735
SWITCH,DOR CNTRL DOME/CRTSY LT	3579984C1	16	0J4WM	1641
SWITCH,DOR CNTRL DOME/CRTSY LT	3579984C1	16	3579984C1	1642
SWITCH,ELEC PANEL LIGHT DIMMER	3563062C1	16	3581699F91	1570
SWITCH,ELECTRN EXHAUST BRAKE	3563065C1	8	3578728F91	642
SWITCH,ELECTRONIC DIFF LOCK	3563074C1	8	3588124F91	629
SWITCH,ELECTRONIC FRONT AXLE	3563069C1	8	3563069C1	634
SWITCH,ELECTRONIC FRONT AXLE	3563069C1	8	3578719F92	632
SWITCH,ELECTRONIC PDL LOCK	3563073C1	8	3578747F91	637
SWITCH,ELECTRONIC WORK LIGHT	3563063C1	16	3581699F91	1570
SWITCH,ELECTRONIC XFER,HI/LOW	3563111C1	8	3578719F92	632
SWITCH,ETHER START	3549930C1	16	3581516F91	1582
SWITCH,HEADLIGHT-3 WAY ROCKER	3563061C1	16	3581699F91	1570
SWITCH,IGNITION*KEYLESS	3548223C1	8	3552933F91	595
SWITCH,LIGHT BACK-UP 9/16-18	2038062C1	13	06RJY	1278
SWITCH,ODMTR RESET W/HARN&BTN	2587206C91	16	3604600C91	1462
SWITCH,PRESSURE PARK BRK	2507927C1	8	3554195F93	670
SWITCH,STOP LIGHT AIR*	3548796F91	4	06PDX	191
SWITCH,STOP LIGHT AIR*	3548796F91	4	3548796F91	194
SWITCH,STR WHL*LH-CRS/THRTL/HR	2506328C1	5	3546229C91	283
SWITCH,STR WHL*RH-SET/CST ACCL	2506326C1	5	3546229C91	283
SWITCH,THERMOSTAT	3534280C91	12	0BHYT	1034
SWITCH,TURN SIGNAL W/WIPE CTRL	2585904C91	8	3554195F93	670
SYNCHRONIZER,TRANS	FULA6136	13	2507860C91	1261
SYNCHRONIZER,TRANS	FULA6608	13	2507860C91	1261
SYNCHRONIZER,TRANS	FULA6932	13	2507860C91	1261

Part Description Index

Description	Part No.	Group	Figure	Page
TAG,IDENT SYN/LUB D/PLUG 3/4"	2037905C1	13	07VS1	1245
TAG,IDENT SYN/LUB D/PLUG 3/4"	2037905C1	13	0GXWZ	1237
TANK,AIR QUALITY CNCT PRIMARY	3562118C2	4	3557766C93	185
TANK,AIR QUALITY CONNECT	3562117C1	4	3557764C92	187
TANK,AIR QUALITY CONNECT ASSY	3557766C93	4	3557766C93	185
TANK,AIR QUALITY CONNECT ASSY	3557766C93	4	3576188F92	183
TANK,AIR QUALITY CONNECT*	3557764C92	4	3557764C92	187
TANK,AIR QUALITY CONNECT*	3557764C92	4	3576188F92	183
TANK,FUEL, 70 GAL D-STYLE LSM	3534400C95	15	3546877F93	1366
TANK,RAD DEAERATION	2507478C2	12	2586041C91	1171
TANK,RAD DEAERATION	2507478C2	12	3551079F94	1196
TANK,RAD SURGE OR COOLANT*	3551079F94	12	07RR2	1195
TANK,RAD SURGE OR COOLANT*	3551079F94	12	3551079F94	1196
TANK,RADIATOR SURGE,OVERFLOW	2507477C2	12	2586041C91	1171
TANK,RADIATOR SURGE,OVERFLOW	2507477C2	12	3551079F94	1196
TAPE,PLASTIC 3/4" WIDE	2643130R1	15	3577849C91	1357
TAPE,PLASTIC ELECTRICAL 3/4"	996205R3	4	3581370C92	132
TAPPET UNIT	641003C002	12	3540803F92	934
TAPPET UNIT	641003C002	12	641003C002	993
TAPPET ASM, ROLLER	1850160C2	12	641003C002	993
TAPPET ASSY,ROLLER	1850160C1	12	641003C002	993
TAPPET ASSY,ROLLER	1850160C2	12	1850160C2	995
TAPPET ASSY,ROLLER	1850160C2	12	641003C002	993
TAPPET ASSY,ROLLER	1850160C3	12	641003C002	993
TAPPET, SLIDING	1821143C1	12	1821232C92	984
TAPPET,ENG VALVE	1809570C2	12	641003C002	993
TAPPETS, VALVE	641003C002	12	641003C002	993
TEE, 1/2-14 PLN INT/INT/EXT AU	444138	4	0MT69	140
TEE, 1/8-27 AUTO PIPE	1830487C1	12	641006A005	842
TEE, AUTO PIPE	1830487C1	12	641006A005	842
TEE,1/4NPT-1/4 QC MALE RUN	2506206C1	4	3548796F91	194
TEE,HOSE W/S WASHER	3552344C1	16	3550838C95	1675
TEE,PUSH TO CONNECT*	2024453C1	14	0GNXX	1307
TEE,QC 3/8FX1/4FX3/8M STEM	2028986C1	4	0J0LQ	127
TEE,QC AIR TUBE 3/8FX3/8F/3/8F	2015727C1	4	2506190C91	199
TEE,QC AIR TUBE 3/8MX3/8FX3/8F	2024456C1	4	2506190C91	199
TENSIONER ASSY,AUTOMATIC	1830033C2	12	641020B002	1038
TENSIONER, AUTO	641020B002	12	641020B002	1038
TENSIONER, AUTOMATIC BELT	1830033C2	12	641020B002	1038
TENSIONER, FAN L/ DRIVE	3516414F91	12	0FBD0	1037
TENSIONER, FAN L/ DRIVE	3516414F91	12	3516414F91	1039
TENSIONER,DRIVE COMPR	3543883C1	16	06PSZ	1386
TERMINAL FEMALE 630 SERIES	1661227C1	8	3568513C91	433
TERMINAL FEMALE 630 SERIES	1661227C1	8	3588674C91	471
TERMINAL FEMALE 630 SERIES	1661228C1	8	3568513C91	433
TERMINAL FEMALE 630 SERIES	1661228C1	8	3581900C91	421
TERMINAL,CABLE	2034788C1	8	3572525C91	562
TERMINAL,CABLE	2041419C1	12	3560346C92	1204
TERMINAL,CABLE	2041419C1	12	3577574C91	1018
TERMINAL,CABLE	2041419C1	12	3579843C91	1227
TERMINAL,CABLE	3509874C1	8	3560276C91	449
TERMINAL,CABLE	3509874C1	8	3568513C91	433
TERMINAL,CABLE	3509874C1	8	3581887C91	426
TERMINAL,CABLE	3509874C1	8	3581917C91	460
TERMINAL,CABLE	3509874C1	8	3588674C91	471
TERMINAL,CABLE	3517243C1	8	3557990C91	482
TERMINAL,CABLE	3517243C1	8	3572525C91	562
TERMINAL,CABLE	3517243C1	8	3581900C91	421

Part Description Index

Description	Part No.	Group	Figure	Page
TERMINAL ,CABLE	3517243C1	16	3549338C92	1579
TERMINAL ,CABLE (FOR 14 GA ONLY	2033816C1	8	3572236F91	528
TERMINAL ,CABLE 150 SEALED MALE	1667742C1	8	3545544C92	491
TERMINAL ,CABLE 150 SEALED MALE	1667742C1	12	3579843C91	1227
TERMINAL ,CABLE 480 SEALED	2031531C1	8	3547673C91	380
TERMINAL ,CABLE 480SERIES MALE	2025423C1	8	3547673C91	380
TERMINAL ,CABLE 630 SERIES MALE	2025424C1	8	3568513C91	433
TERMINAL ,CABLE 630 SERIES MALE	2025425C1	8	3568513C91	433
TERMINAL ,CABLE 630 SERIES MALE	2025425C1	8	3588674C91	471
TERMINAL ,CABLE BAT	475964C1	12	3565992C91	1014
TERMINAL ,CABLE BAT	475965C1	12	3565992C91	1014
TERMINAL ,CABLE EYELET 5/16	2020632C1	8	3572525C91	562
TERMINAL ,CABLE EYELET 5/16	2020632C1	8	3581887C91	426
TERMINAL ,CABLE FEMALE	1651943C1	8	3572242F91	521
TERMINAL ,CABLE FOR 16 GA ONLY	2033819C1	8	3572236F91	528
TERMINAL ,CABLE FOR 16 GA ONLY	2033819C1	8	3572240F91	502
TERMINAL ,CABLE FOR 16 GA ONLY	2033819C1	12	3560343C91	1023
TERMINAL ,CABLE FOR 16 GA ONLY	2033819C1	16	3545211C93	1536
TERMINAL ,CABLE PIN SIZE 16	1680206C1	8	3572525C91	562
TERMINAL ,CABLE PIN SIZE 16	3572626C1	8	3572525C91	562
TERMINAL ,CABLE SOCKET #16	1651968C1	8	3567203C91	614
TERMINAL ,CABLE SOCKET SIZE 16	1680205C1	8	3572240F91	502
TERMINAL ,CABLE*280 SERIES TNGL	3536295C1	8	3545551C92	543
TERMINAL ,CABLE*AMP JUNIOR-POWE	3559035C1	8	3560276C91	449
TERMINAL ,CABLE*AMP JUNIOR-POWE	3559035C1	8	3560277C91	550
TERMINAL ,CABLE*AMP JUNIOR-POWE	3559035C1	8	3560280C91	444
TERMINAL ,CABLE*AMP JUNIOR-POWE	3559035C1	8	3568513C91	433
TERMINAL ,CABLE*AMP JUNIOR-POWE	3559036C1	8	3572240F91	502
TERMINAL ,CABLE*AMP JUNIOR-POWE	3559036C1	8	3572242F91	521
TERMINAL ,CABLE*AMP JUNIOR-POWE	3559036C1	12	3560346C92	1204
TERMINAL ,CABLE*AMP JUNIOR-POWE	3559036C1	12	3577574C91	1018
TERMINAL ,CABLE*AMP JUNIOR-POWE	3559037C1	8	3572236F91	528
TERMINAL ,CABLE*AMP JUNIOR-POWE	3559037C1	12	3560343C91	1023
TERMINAL ,CABLE*CONN TERMINAL	3535302C1	8	3560276C91	449
TERMINAL ,CABLE*CONN TERMINAL	3535303C1	8	3545551C92	543
TERMINAL ,CABLE*CONN TERMINAL	3535303C1	8	3557990C91	482
TERMINAL ,CABLE*CONN TERMINAL	3535303C1	8	3560276C91	449
TERMINAL ,CABLE*CONN TERMINAL	3535303C1	8	3561092C91	476
TERMINAL ,CABLE*CONN TERMINAL	3535303C1	8	3568510C91	485
TERMINAL ,CABLE*CONN TERMINAL	3535303C1	8	3581887C91	426
TERMINAL ,CABLE*CONN TERMINAL	3535303C1	12	3560343C91	1023
TERMINAL ,CABLE*FEMALE METRI-PA	3544254C1	16	3549338C92	1579
TERMINAL ,CABLE*FEMALE TERMINAL	3565443C1	8	3581887C91	426
TERMINAL ,CABLE*FEMALE TERMINAL	3565443C1	8	3581917C91	460
TERMINAL ,CABLE*GT 280 SERIES 5	3535930C1	8	3545544C92	491
TERMINAL ,CABLE*GT 280 SERIES 5	3535930C1	8	3560276C91	449
TERMINAL ,CABLE*GT 280 SERIES 5	3535931C1	8	3560280C91	444
TERMINAL ,CABLE*MALE M/P 280 SE	3534167C1	16	3545211C93	1536
TERMINAL ,CABLE*MICRO-PACK 100W	3533507C1	8	3560276C91	449
TERMINAL ,CABLE*PACKARD 100 MIC	3536590C1	8	3560276C91	449
TERMINAL ,CABLE*PIN 16-20 GA	3566558C1	8	3568498C91	453
TERMINAL ,CABLE*PIN 16-20 GA	3566558C1	8	3568510C91	485
TERMINAL ,CABLE*PIN 16-20 GA	3566558C1	8	3568513C91	433
TERMINAL ,CABLE*PIN 16-20 GA	3566558C1	8	3568528C91	465
TERMINAL ,CABLE*PIN 16-20 GA	3566558C1	8	3581917C91	460
TERMINAL ,CABLE*SOCKET 16-20 GA	3566559C1	8	3567203C91	614
TERMINAL ,CABLE ,280SERIES FEMAL	3573311C1	8	3572525C91	562
TERMINAL ,CABLE ,280SERIES FEMAL	3573311C1	8	3581887C91	426

Part Description Index

Description	Part No.	Group	Figure	Page
TERMINAL,CABLE,280SERIES FEMAL	3573311C1	8	3581900C91	421
TERMINAL,CABLE,280SERIES FEMAL	3573312C1	8	3560277C91	550
TERMINAL,CABLE,280SERIES FEMAL	3573312C1	8	3561092C91	476
TERMINAL,CABLE,280SERIES FEMAL	3573312C1	8	3568510C91	485
TERMINAL,CABLE,280SERIES FEMAL	3573312C1	8	3568513C91	433
TERMINAL,FEMALE	1673747C1	8	3572236F91	528
TERMINAL,FEMALE 150 SEALED	1661875C1	8	3561092C91	476
TERMINAL,FEMALE 150 SEALED	1661875C1	8	3568498C91	453
TERMINAL,FEMALE 150 SEALED	1661875C1	12	3577574C91	1018
TERMINAL,FEMALE 150 SEALED	1661875C1	12	3579843C91	1227
TERMINAL,FEMALE 630 SERIES	1661224C1	8	3568513C91	433
TERMINAL,FEMALE 630 SERIES	1661224C1	8	3568528C91	465
TERMINAL,FEMALE 630 SERIES	1661224C1	8	3581900C91	421
TERMINAL,FEMALE 630 SERIES	1661224C1	8	3588674C91	471
TERMINAL,MALE 280 SERIES	1661212C1	16	3545211C93	1536
TERMINAL,RING	365680C2	8	3545544C92	491
THERMOSTAT	1830120C2	12	1830256C93	1118
THERMOSTAT	1830256C93	12	641005B001	1119
THERMOSTAT ASM, WATER OUTLET	641005B001	12	641005B001	1119
THERMOSTAT ASSEMBLY	1830256C93	12	1830256C93	1118
THERMOSTAT ASSEMBLY	1830256C93	12	641005B001	1119
THERMOSTAT UNIT	641005B001	12	3554346F91	1116
THERMOSTAT UNIT	641005B001	12	641005B001	1119
TIE ROD ASM	2599240C91	2	2599240C91	105
TIE ROD ASM	2599240C91	2	3599758F91	101
TIRE,GOODYR. 12R22.5 UNISTL G	7382150162	17	0HYWQ	1703
TOOL WRENCH WHEEL BOLT	1619951C2	10	0G1P6	720
TRANSDUCER,AIR,KIT	2505669C91	8	2505669C91	672
TRANSDUCER,AIR,KIT	2505669C91	8	3554195F93	670
TRANSMISSION,L/HSG*BASE XMSN A	3568551F91	13	0FKM2	1260
TRANSMISSION,L/HSG*BASE XMSN A	3568551F91	13	3568551F91	1263
TRANSMITTER,ABS SPEED SENSOR	2502925C1	2	3556927F91	87
TRANSMITTER,SPEED SENSOR	2586861C1	13	3600089C92	1249
TRANSMITTER,SPEED SENSOR	2589461C1	2	3599758F91	101
TRANSMITTER,SPEED SENSOR WS-24	3591874C91	4	0H9Q1	123
TRAY,ASH	3547242C1	16	3553479C2	1546
TRAY,BATTERY*	3539599C2	8	3576152F93	388
TUBE ASSEMBLY	A2206A1483	13	3600089C92	1249
TUBE ASSEMBLY,BREATHER	1827224C1	12	1827224C1	895
TUBE ASSEMBLY,BREATHER	1827224C1	12	1830188C91	881
TUBE ASSEMBLY,BREATHER	1827224C1	12	641017L003	893
TUBE ASSY	2588965C1	13	3600089C92	1249
TUBE ASSY., OIL PICK-UP	1834491C1	12	641006L001	1122
TUBE ASSY.,FINAL FILTER OUTLET	1829801C91	12	1829801C91	907
TUBE ASSY.,FINAL FILTER OUTLET	1829801C91	12	641011L019	899
TUBE ASSY.,OIL FILLER	1836472C1	12	641006M011	903
TUBE ASSY.,TRANSFER PUMP IN	1825520C91	12	1825520C91	908
TUBE ASSY.,TRANSFER PUMP IN	1825520C91	12	641011L019	899
TUBE ASSY.,TRNSFR PUMP OUTLET	1825521C93	12	1825521C93	909
TUBE ASSY.,TRNSFR PUMP OUTLET	1825521C93	12	641011L019	899
TUBE, COOLER WATER OUTLET	1830190C1	12	641013C002	819
TUBE, FINAL FILTER OUTLET	1829801C91	12	641011L019	899
TUBE, FORMED - 3/8 GREEN	3603591C1	4	3558645F93	179
TUBE, FORMED - 3/8 ORANGE	3603575C1	4	3604563F91	181
TUBE, OIL FILLER	1836472C1	12	641006M011	903
TUBE, OIL PICK UP	1834491C1	12	641006L001	1122
TUBE, TRANSFER PUMP INLET	1825520C91	12	641011L019	899
TUBE, TRANSFER PUMP OUTLET	1825521C93	12	641011L019	899

Part Description Index

Description	Part No.	Group	Figure	Page
TUBE, TURBO OIL DRAIN	1825669C1	12	641015D001	1132
TUBE, TURBO OIL INLET	1845824C1	12	641015D001	1132
TUBE, VENT	641017L003	12	641017L003	893
TUBE, WATER INLET	1817669C1	12	641013C002	819
TUBE,A/C EVAP TO ACCM W/O VLV	3548042C1	16	3548042C1	1541
TUBE,A/C EVAP TO ACCM W/O VLV	3548042C1	16	3602447C91	1534
TUBE,AIR*AIR CPRSR TO HOSE	3574631C1	4	06SPT	153
TUBE,AIR*AIR CPRSR TO HOSE	3574631C1	4	3574631C1	157
TUBE,BREATHER (SIDE)	1829909C1	12	1827224C1	895
TUBE,CLUTCH CONT LINK*CLUTCH R	3532906C1	11	3532907C91	739
TUBE,CLUTCH RELAY SHAFT	3532848C1	16	3550779C2	1421
TUBE,DRAIN DUCKBILL	3542573C3	16	3602447C91	1534
TUBE,EVAP SUPPLY W/O VALVE	3542578C2	16	3602447C91	1534
TUBE,FINAL FILTER OUTLET	1829832C1	12	1829801C91	907
TUBE,FUEL LINE (PLASTIC OR NYL	3563482C2	15	3563483C92	1353
TUBE,FUEL LINE (PLASTIC OR NYL	3563483C92	15	3563483C92	1353
TUBE,FUEL LINE (PLASTIC OR NYL	3563483C92	15	3577849C91	1357
TUBE,FUEL LINE (PLASTIC OR NYL	3572003C92	15	3572003C92	1354
TUBE,FUEL LINE (PLASTIC OR NYL	3572003C92	15	3577849C91	1357
TUBE,FUEL LINE (PLASTIC OR NYL	3572009C2	15	3572003C92	1354
TUBE,FUEL LINE (PLASTIC OR NYL	3577847C1	15	3577848C91	1356
TUBE,FUEL LINE (PLASTIC OR NYL	3577848C91	15	3577848C91	1356
TUBE,FUEL LINE (PLASTIC OR NYL	3577848C91	15	3577849C91	1357
TUBE,FUEL LINE (PLASTIC OR NYL	3577849C91	15	0H3G3	1342
TUBE,FUEL LINE (PLASTIC OR NYL	3577849C91	15	3577849C91	1357
TUBE,FUEL TANK INLET OR OUTLET	3548119F92	15	0FTQK	1362
TUBE,FUEL TANK INLET OR OUTLET	3548119F92	15	3548119F92	1363
TUBE,NYLON 3/8OD BLACK	417199C2	4	2506190C91	199
TUBE,NYLON BULK 1/2 BLUE	2643447R2	4	0GBMF	122
TUBE,NYLON BULK 1/2 OD BLACK	417200C3	4	3581370C92	132
TUBE,NYLON BULK 1/2 ORANGE	2643446R2	4	0H75S	134
TUBE,NYLON BULK 1/2 ORANGE	2643446R2	4	0J0LQ	127
TUBE,NYLON BULK 1/4 OD BLACK	417196C3	7	0HGRZ	342
TUBE,NYLON BULK 1/4 OD BLACK	417196C3	8	3544531F92	588
TUBE,NYLON BULK 1/4 OD BLACK	417196C3	12	07SL0	1040
TUBE,NYLON BULK 1/4 OD BLACK	417196C3	12	3550550F93	1007
TUBE,NYLON BULK 1/4 OD BLACK	417196C3	16	0FVYN	1491
TUBE,NYLON BULK 1/4 OD BLACK	417196C3	16	0G9F8	1388
TUBE,NYLON BULK 1/4 OD PURPLE	3520528C2	13	07VRS	1254
TUBE,NYLON BULK 1/4 OD TAN	3520529C2	14	0GNXX	1307
TUBE,NYLON BULK 1/4 RED	418691C3	13	07VRS	1254
TUBE,NYLON BULK 1/4 SILVER	2643501R2	14	0GRRS	1282
TUBE,NYLON BULK 1/4 WHITE	418688C3	13	07VRS	1254
TUBE,NYLON BULK 1/8 OD BLACK	417195C3	12	06VS3	1026
TUBE,NYLON BULK 3/4 GREEN	2643575R2	4	0J0LQ	127
TUBE,NYLON BULK 3/4 OD BLACK	417202C3	4	3581370C92	132
TUBE,NYLON BULK 3/8 GREEN	2643440R2	4	0J0LQ	127
TUBE,NYLON BULK 3/8 GREEN	2643440R2	4	0MT69	140
TUBE,NYLON BULK 3/8 OD BLACK	417199C3	4	3581370C92	132
TUBE,NYLON BULK 3/8 ORANGE	2643441R2	4	0J0LQ	127
TUBE,NYLON BULK 3/8 RED	2643439R2	4	0GBMF	122
TUBE,NYLON BULK 3/8 SILVER	3520436C2	4	0LNNN	162
TUBE,NYLON BULK 3/8 YELLOW	2643443R2	4	0J0LQ	127
TUBE,NYLON BULK 3/8 YELLOW	2643443R2	4	0MT69	140
TUBE,NYLON BULK 5/8 GREEN	2643448R2	4	0MT69	140
TUBE,NYLON BULK 5/8 OD BLACK	417201C3	4	0LNNN	162
TUBE,NYLON BULK 5/8 OD BLACK	417201C3	4	3581370C92	132
TUBE,OIL JET	1830360C1	12	1830617C92	844

Part Description Index

Description	Part No.	Group	Figure	Page
TUBE,OIL LEVEL GAUGE	691846C1	12	641006M011	903
TUBE,TRANSFER PUMP INLET	1825613C1	12	1825520C91	908
TUBE,TRANSFER PUMP OUTLET	1829830C1	12	1825521C93	909
TUBE,WATER OUTLET,OIL COOLER	1830190C1	12	641013C002	819
TUBE,WELDED BULK 4.2X.137X100	2500649C1	6	414STHXXXX	296
TUBE,WELDED BULK 4.72X.20X100	2500650C1	6	417LTPXXXX	314
TUBING1F	995509R1	4	3574631C1	157
TURBOCHARGER	1836094C92	12	641015A067	1213
TURBOCHARGER	641015A067	12	641015A067	1213
TURNBUCKLE,CLUTCH CONTROL ROD*	3544397C1	11	3544412C91	728
U-JOINT	A3202H9992	2	3556980F91	90
U-JOINT,W/STRAP & BOLTS,1710	1696915C91	6	270DYA1XXX	330
UNDERBODY,ASSY EXTND I6/V8	3543973C95	16	0H9RV	1390
UNDERBODY,ASSY EXTND I6/V8	3543973C95	16	3543973C95	1427
UNDERBODY,ASSY EXTND I6/V8	3543973C95	16	3579484C93	1392
UNION, 1/4 PLN 45D FLARED	118748	12	641016L002	755
UNION,3/8 QTC*AIR	2506201C1	4	3548796F91	194
VALVE	1833344C1	12	1833386C1	837
VALVE ASM, OIL RELIEF	1833386C1	12	641006B009	832
VALVE ASM,IPR	1825249C91	12	641011E002	948
VALVE ASSY, CHECK	1822530C92	12	1822530C92	910
VALVE ASSY, CHECK	1822530C92	12	1836287C91	901
VALVE ASSY, REGULATOR	1825511C1	12	641011L019	899
VALVE ASSY,IPR	1825249C91	12	1825249C91	996
VALVE ASSY,IPR	1825249C91	12	641011E002	948
VALVE ASSY., OIL RELIEF	1833386C1	12	1833386C1	837
VALVE ASSY., OIL RELIEF	1833386C1	12	641006B009	832
VALVE COVER, SIDE INLET W/O ENG.BRK	641008D013	12	353584F91	870
VALVE COVER, SIDE INLET W/O ENG.BRK	641008D013	12	641008D013	839
VALVE, DRAIN COCK 1/4 NPT	103647	12	07PJQ	1162
VALVE, INJ.PRES. REGULATOR	1825349C1	12	1825249C91	996
VALVE, OIL PRESS, REG.	1815239C3	12	641013C002	819
VALVE, OIL PRESSURE REGULATOR	1815239C3	12	641013C002	819
VALVE, PRIMING	1816216C1	12	1836287C91	901
VALVE, REGULATOR	1825511C1	12	641011L019	899
VALVE, TEMP/PRESSURE	1819418C2	12	1830622C92	821
VALVE, TEMP/PRESSURE	1819418C2	12	1841739C91	823
VALVE,AIR CNTRL AIR HORN SLND	3553365F93	8	0CBZX	673
VALVE,AIR CNTRL AIR HORN SLND	3553365F93	8	3553365F93	674
VALVE,AIR CONTROL	3544769C1	16	3557557C94	1528
VALVE,AIR CONTROL ASSY CHARGIN	3544707C1	16	3557558C91	1526
VALVE,AIR GOVERNOR	321744R1	4	410986C92	151
VALVE,AIR HI PRESS RED HNDL	2505475C1	16	3558491C92	1507
VALVE,AIR L-PRESS GRY HNDL LUM	2505476C1	16	3558491C92	1507
VALVE,ASSY SOLENOID OPER AIR	288905C91	7	0HGRZ	342
VALVE,BASIC	1698750C91	4	2014415C91	212
VALVE,BRAKE*E8P TRACTOR	2506079C91	4	2506078C91	208
VALVE,BRK CONTROL SR-7 SPRING	3596757C91	4	0MT69	140
VALVE,BRK CONTROL SR-7 SPRING	3596757C91	4	3596757C91	147
VALVE,BRK W/MTG HRDW FOR TRCT	2506078C91	4	2506078C91	208
VALVE,BRK W/MTG HRDW FOR TRCT	2506078C91	4	3540368F94	197
VALVE,CHECK 1/2" 90D	BX5013665	4	3596757C91	147
VALVE,CHECK VAC OR AIR	3553320C1	4	3557764C92	187
VALVE,CHECK VAC OR AIR	3553320C1	4	3557766C93	185
VALVE,DRAIN	1671718C91	4	3559112F91	230
VALVE,DRAIN 1/4" NPTF	25450H	4	3559112F91	230
VALVE,EXHAUST	1842912C1	12	1830346C95	877
VALVE,HAND CONTROL*PARK MV-3	2506188C91	4	2506188C91	210

Part Description Index

Description	Part No.	Group	Figure	Page
VALVE,HAND CONTROL*PARK MV-3	2506188C91	4	3540368F94	197
VALVE,HAND CONTROL*TC-7	2014415C91	4	2014415C91	212
VALVE,HAND CONTROL*TC-7	2014415C91	4	3540368F94	197
VALVE,HGHT CNTRL W/O VLV ARM	2508328C1	16	3540379C96	1451
VALVE,INTAKE	1842913C1	12	1830346C95	877
VALVE,MODULATOR AIR M-32	3600213C1	4	OMT69	140
VALVE,MODULATOR AIR*M-30 1/2	3541969C2	4	0H75S	134
VALVE,ORIFICE TUBE	3548044C1	16	3602447C91	1534
VALVE,PURGE REPAIR	1685512C91	4	1621397C91	160
VALVE,QUICK RELEASE	473794C91	4	OMT69	140
VALVE,RELAY*R-14 W/4.0 PSI CR	3570617C91	4	OMT69	140
VALVE,RELIEF 14GRR	1685730C1	13	3600089C92	1249
VALVE,SAFETY AIR	1685516C1	4	1621397C91	160
VALVE,SAFETY AIR	3553322C1	4	3557764C92	187
VALVE,SHUT OFF*PRESSURE PROTEC	3562424C1	4	3557766C93	185
VALVE,SOLENOID AIR COND	3551298C92	12	07SL0	1040
VALVE,SOLENOID*AIR HORN CNTRL	3576679C1	8	3553365F93	674
VALVE,SOLENOID*DCLD CONTROL	3553344F91	8	0CBYL	356
VALVE,SOLENOID*DCLD CONTROL	3553344F91	8	3553344F91	357
VALVE,SOLENOID*N.C. AIR	2505591C1	8	3545735F91	359
VALVE,SOLENOID*N.C. AIR	2505591C1	8	3553344F91	357
VALVE,SOLENOID*N.C. AIR	2505591C1	8	3553350F91	676
VALVE,SOLENOID*NC PDL CONTROL	3553350F91	8	0CBYW	675
VALVE,SOLENOID*NC PDL CONTROL	3553350F91	8	3553350F91	676
VALVE,SOLENOID*TRANSFER CASE	3545735F91	8	0CBZ0	358
VALVE,SOLENOID*TRANSFER CASE	3545735F91	8	3545735F91	359
VALVE,STARTING FUEL	1813818C1	12	1821232C92	984
VALVE,STARTING FUEL STARTING F	3565663C91	12	06VS3	1026
VALVE,TRACTOR PROTECT*TP-5	2506192C91	4	2506192C91	214
VALVE,TRACTOR PROTECT*TP-5	2506192C91	4	3540368F94	197
VALVE,TUBELESS TIRE W/CAP 3.75	158120R93	17	06M1R	1701
VALVE,TUBELESS TIRE W/CAP 3.75	158120R93	17	081GV	1699
VALVE,TUBELESS TIRE W/CAP 3.75	158120R93	17	0LFW1	1697
VALVE,TUBELESS TIRE W/CAP 3.75	158120R93	17	158120R93	1698
VENT,ASSY	2507449C1	12	2586041C91	1171
VENTILATOR,FUEL*FULL FUNCTION	3548222C1	15	3548102F91	1360
VIBRATION DAMPER UNIT	641007B006	12	3540803F92	934
VIBRATION DAMPER UNIT	641007B006	12	641007B006	850
VISOR,SUN LH	3565230C3	16	3546500C95	1521
VISOR,SUN RH	3565231C3	16	3546500C95	1521
WASHER	30175R1	12	641009A008	795
WASHER LOCK 1/2" REG,STL/ZNC	120384	12	06S2T	1192
WASHER LOCK 1/4",REG,STL/ZNC	120380	4	OMT49	238
WASHER LOCK 1/4",REG,STL/ZNC	120380	8	0GCJR	371
WASHER LOCK 1/4",REG,STL/ZNC	120380	8	0HQHQ	645
WASHER LOCK 1/4",REG,STL/ZNC	120380	8	0JGYR	400
WASHER TRANS LEVER RETAINING	1681129C1	13	3576514C91	1268
WASHER, 1.062 X 2.000 X .134 H	390312C1	14	07R21	1326
WASHER, 10.8 X 21 X 2MM	30282R1	12	0BHYT	1034
WASHER, 16MM LOCK	934185R1	11	06VKH	737
WASHER, 17.3 X 30 X 4MM	30329R1	11	06VKH	737
WASHER, 17.3 X 34 X 5MM PHC	30186R1	16	3566415C93	1441
WASHER, 4.3 X 9 X .8MM	30289R1	16	3550838C95	1675
WASHER, 8.8 X 17 X 2MM PHC	30175R1	4	OMT69	140
WASHER, 8.8 X 17 X 2MM PHC	30175R1	9	3612369C91	684
WASHER, 8.8 X 17 X 2MM PHC	30175R1	12	641009A008	795
WASHER, FLAT	1829863C1	12	641009C014	809
WASHER, FLAT*M12,OD 27,SST	3579049C1	1	0F9CX	71

Part Description Index

Description	Part No.	Group	Figure	Page
WASHER, HARDENED	1814757C2	12	641008A009	875
WASHER, HARDENED	1814757C2	12	641008C003	764
WASHER, HARDENED	1814757C2	12	641008F002	882
WASHER, SEAL	687024C1	12	641007B006	850
WASHER, SPRING BRACKET	FUL3316295	13	3568552F91	1242
WASHER,.469 X .922 X .134 PHC	25545R1	5	06SPX	259
WASHER,.531 X 1.250 X .188 HD	28423R1	1	0M7YB	72
WASHER,.531 X 1.750 X .090	21883R1	12	07RTJ	830
WASHER,.812X1.500X.179 H	25712R1	14	07R21	1326
WASHER,13.3 X 24 X 3MM	30328R1	16	0G9F8	1388
WASHER,5MM LOCK STD ZINC	30264R1	8	0HL8D	366
WASHER,6MM LOCK	933833R1	12	06VS3	1026
WASHER,8.8 X 17 X 2MM	30326R1	12	07PJQ	1162
WASHER,8MM HELICAL SPR LOCK	934309R1	8	06VZJ	411
WASHER,8MM HELICAL SPR LOCK	934309R1	8	3588143F92	601
WASHER,AIR GOV SPECIAL FLAT	177622H1	4	410986C92	151
WASHER,BRG CAP BOLT	483361C1	14	2503395C91	1292
WASHER,BRK CMSHFT SPACER	574062C1	4	3548002C91	244
WASHER,BRK CMSHFT SPACER	574062C1	4	3548003C91	248
WASHER,BRK CMSHFT SPACER	574062C1	4	3548018C91	246
WASHER,BRK CMSHFT SPACER	574062C1	4	3548019C91	250
WASHER,BRK CMSHFT SPACER	574062C1	4	3556963F91	226
WASHER,C SPECIAL FLAT REAR AXL	1696020C1	2	2507920C91	94
WASHER,CARR BRG CAP STUD	680457R1	2	3577157F91	110
WASHER,CARR BRG CAP STUD	680457R1	2	3599758F91	101
WASHER,CARR BRG CAP STUD	680457R1	4	3556963F91	226
WASHER,CARRIER TO HSG BOLT	226846R1	2	3556927F91	87
WASHER,CARRIER TO HSG BOLT	226846R1	14	3602600C91	1300
WASHER,CARRIER TO HSG BOLT	226846R1	14	3609621C91	1288
WASHER,CARRIER TO HSG BOLT	449671R1	2	2507920C91	94
WASHER,CARRIER TO HSG BOLT	449671R1	2	3556980F91	90
WASHER,CARRIER TO HSG BOLT	449671R1	4	3556963F91	226
WASHER,CARRIER TO HSG BOLT	449671R1	13	3600089C92	1249
WASHER,CARRIER TO HSG BOLT	449671R1	14	1696762C91	1304
WASHER,CARRIER TO HSG BOLT	449671R1	14	2503395C91	1292
WASHER,CARRIER TO HSG BOLT 7/1	213319R1	13	3600089C92	1249
WASHER,CLUTCH PEDAL SHAFT BRKT	2505808C1	11	3546983F91	735
WASHER,COMP FLANGE NUT	1696377C1	14	2503395C91	1292
WASHER,COMP FLG NUT	452436C1	14	1696762C91	1304
WASHER,COMP FLG NUT	452436C1	14	3609621C91	1288
WASHER,CTSHFT FRT BRG	FUL25E17H	13	3568551F91	1263
WASHER,CTSHFT FRT BRG	FUL3315687	13	3568551F91	1263
WASHER,CVR PLATE	1229K1597P	2	3556980F91	90
WASHER,DR INSIDE WNDW HNDL	2507660C1	16	3508990C4	1484
WASHER,ENG MTG BOLT	3564182C1	12	07NDS	859
WASHER,FENDER MTG LOCK FLAT	3553000C1	9	0F448	715
WASHER,FLAT	3420H	11	06MG9	730
WASHER,FLAT (DIFF)	13611VA	2	3599758F91	101
WASHER,FLAT .030 THICKNESS	2500915C1	4	3548002C91	244
WASHER,FLAT .030 THICKNESS	2500915C1	4	3548003C91	248
WASHER,FLAT .030 THICKNESS	2500915C1	4	3548018C91	246
WASHER,FLAT .030 THICKNESS	2500915C1	4	3548019C91	250
WASHER,FLAT .054 THICKNESS	586796C1	4	3548002C91	244
WASHER,FLAT .054 THICKNESS	586796C1	4	3548003C91	248
WASHER,FLAT .054 THICKNESS	586796C1	4	3548018C91	246
WASHER,FLAT .054 THICKNESS	586796C1	4	3548019C91	250
WASHER,FLAT .110 THICKNESS	2503616C1	4	3548002C91	244
WASHER,FLAT .110 THICKNESS	2503616C1	4	3548003C91	248

Part Description Index

Description	Part No.	Group	Figure	Page
WASHER, FLAT .110 THICKNESS	2503616C1	4	3548018C91	246
WASHER, FLAT .110 THICKNESS	2503616C1	4	3548019C91	250
WASHER, FLAT .656X1.312X.150 H	25711R1	4	0F12N	221
WASHER, FLAT 1/2 (.531X1.062X.1	25710R1	12	07RYM	1166
WASHER, FLAT 1/2" ,STL/ZNC	120390	13	07VS1	1245
WASHER, FLAT 3/8 ID X 1.12	25724R1	8	0GCJR	371
WASHER, FLAT 5/16 (.344X.688X.08	25708R1	8	0HL8D	366
WASHER, FLAT 5/16 (.344X.688X.08	25708R1	8	0JGYR	400
WASHER, FLAT 7/16	25846R1	14	3563253C92	1320
WASHER, FLAT BRG CAP	1670535C1	14	1696762C91	1304
WASHER, FLAT BRG CAP	1670535C1	14	2503395C91	1292
WASHER, FLAT DIFF TO HSG 1/2ID	213524R1	2	2507920C91	94
WASHER, FLAT DIFF TO HSG 1/2ID	213524R1	2	3556927F91	87
WASHER, FLAT DIFF TO HSG 1/2ID	213524R1	13	3600089C92	1249
WASHER, FLAT DIFF TO HSG 1/2ID	213524R1	14	1696762C91	1304
WASHER, FLAT M10	1658423C1	2	3556980F91	90
WASHER, FLAT M10	1658423C1	14	2503395C91	1292
WASHER, FLAT M8	1829863C1	12	1829953C92	791
WASHER, FLAT M8	1829863C1	12	1830110C1	801
WASHER, FLAT M8	1829863C1	12	641009C014	809
WASHER, FLAT METRIC 12MM	1696019C1	2	2507920C91	94
WASHER, FLAT OR SPECIAL	578075C1	3	07W2Z	114
WASHER, FLAT SPECIAL	1676229C1	4	3556963F91	226
WASHER, FLAT SPECIAL	2500101C1	4	3548002C91	244
WASHER, FLAT SPECIAL	2500101C1	4	3548003C91	248
WASHER, FLAT SPECIAL	2500101C1	4	3548018C91	246
WASHER, FLAT SPECIAL	2500101C1	4	3548019C91	250
WASHER, FLAT SPL	2500348C1	14	2503395C91	1292
WASHER, FLAT SPL .531 X 1.062	ZAK2296211	14	3563253C92	1320
WASHER, GRAB HNDL MTG M8	3542142C1	4	0HKJF	166
WASHER, GRAB HNDL MTG M8	3542142C1	4	0KTMY	228
WASHER, GRAB HNDL MTG M8	3542142C1	4	0LNNN	162
WASHER, GRAB HNDL MTG M8	3542142C1	8	0DDS3	506
WASHER, GRAB HNDL MTG M8	3542142C1	8	3588143F92	601
WASHER, GRAB HNDL MTG M8	3542142C1	9	0F448	715
WASHER, HARDENED	1814757C2	12	641008A009	875
WASHER, HARDENED	1814757C2	12	641008C003	764
WASHER, HARDENED	1814757C2	12	641008F002	882
WASHER, HELICAL GEAR TO PIN GEA	1670272C1	14	2503395C91	1292
WASHER, HELICAL GEAR TO PIN GEA	2503262C1	14	2503395C91	1292
WASHER, LOCK .344X.562X.054	21739R1	4	086M2	149
WASHER, LOCK .938 X1.75X .219 P	25549R1	3	07W2Z	114
WASHER, LOCK 1.062 X 2.0 X .134	25540R1	3	07W2Z	114
WASHER, LOCK 10MM	933965R1	4	0GBMF	122
WASHER, LOCK 10MM	933965R1	11	06VKP	726
WASHER, LOCK 10MM	933965R1	12	07PJQ	1162
WASHER, LOCK 10MM	933965R1	12	0BHYT	1034
WASHER, LOCK 10MM	933965R1	14	0GNXX	1307
WASHER, LOCK 10MM	933965R1	14	0GRRS	1282
WASHER, LOCK 20MM	933815R1	13	07VS1	1245
WASHER, LOCK 3/8 ZINC PLATED	120382	8	0GCJR	371
WASHER, LOCK 3/8 ZINC PLATED	120382	11	06MG9	730
WASHER, LOCK 3/8 ZINC PLATED	120382	12	07PJQ	1162
WASHER, LOCK 3/8 ZINC PLATED	120382	12	07SHT	1041
WASHER, LOCK 3/8 ZINC PLATED	120382	15	0FTZD	1379
WASHER, LOCK 5-8	FULX31000	13	3549043F91	1234
WASHER, LOCK 5/16, REG, STL/ZNC	120214	8	06S2V	532
WASHER, LOCK IT 1IN E50	138572	4	0H75S	134

Part Description Index

Description	Part No.	Group	Figure	Page
WASHER,MASHFT GEAR GIVE 4TH OR	FUL3315719	13	2507860C91	1261
WASHER,MASHFT GEAR GIVE 4TH OR	FUL3315727	13	2507860C91	1261
WASHER,MASHFT THRUST	FUL4301492	13	2507860C91	1261
WASHER,NEOPREME LUBERFINER	1824866C1	14	3609621C91	1288
WASHER,PINION SHAFT NUT	264663C1	13	3600089C92	1249
WASHER,PINION SHAFT NUT	264663C1	14	2503395C91	1292
WASHER,REAR BRG RETAINER BOLT	FUL239436	13	3549040F91	1239
WASHER,REV IDLER GEAR THRUST	FUL3315673	13	3568551F91	1263
WASHER,SPECIAL	1676231C1	4	2507869C91	217
WASHER,SPECIAL	1676231C1	4	2507870C91	219
WASHER,SPECIAL	1692843C1	13	3600089C92	1249
WASHER,SPECIAL	3239318R1	2	2507920C91	94
WASHER,SPECIAL	687024C1	12	641007B006	850
WASHER,SPECIAL 5/8	406267C1	4	0DR90	240
WASHER,SPECIAL KEY FOR TRANS	32796VA	11	06VL5	743
WASHER,THRUST DIFF SPIDER GEAR	242834R1	14	2502023C91	1296
WASHER,THRUST DIFF SPIDER GEAR	242834R1	14	2503395C91	1292
WASHER,THRUST DIFF SPIDER GEAR	72335R1	14	1696762C91	1304
WASHER,THRUST DIFF SPIDER GEAR	72335R1	14	2503395C91	1292
WASHER,THRUST HELICAL PINION	2594597C1	14	1694543C91	1298
WASHER,THRUST HELICAL PINION	2594597C1	14	2502023C91	1296
WASHER,THRUST PINION GR	2508082C1	2	2507920C91	94
WASHER,THRUST SIDE GR	1696379C1	14	1696762C91	1304
WASHER,THRUST SIDE GR	1696379C1	14	2503395C91	1292
WASHER,THRUST SIDE GR	2508078C1	2	2507920C91	94
WASHER,TRANS LATCH PLUNGER,	FUL3316298	13	3568552F91	1242
WASHER,WINDSHIELD BOTTLE 700	3561152C94	16	06TJY	1648
WASHER,WINDSHIELD BOTTLE 700	3561152C94	16	3561152C94	1665
WASHER-.406X.812X.089HDN	25709R1	4	3576188F92	183
WASHER-.406X.812X.089HDN	25709R1	12	07SHT	1041
WASHERFL	1229E1669P	13	3600089C92	1249
WATER INLET ELBOW UNIT	641005P005	12	3554346F91	1116
WATER INLET ELBOW UNIT	641005P005	12	641005P005	858
WATER PUMP	641005A004	12	3540803F92	934
WATER PUMP	641005A004	12	641005A004	1002
WHEEL,DISC 22.5X*8.25DC BLACK	3571733C1	17	06M11	1690
WHEEL,DISC 22.5X*8.25DC BLACK	3571733C1	17	07SXT	1689
WHEEL,DISC 22.5X*8.25DC BLACK	3571733C1	17	0LFW1	1697
WHEEL,STEERING 18 IN*W/CRUISE/	3546229C91	5	0GPCT	282
WHEEL,STEERING 18 IN*W/CRUISE/	3546229C91	5	3546229C91	283
WINDOW,ASSY VENT DARK TINT	3562174C94	16	06MXR	1644
WINDOW,ASSY VENT DARK TINT	3562174C94	16	3562174C94	1646
WINDOW,VENT LH	3567240C92	16	06MT8	1471
WINDOW,VENT LH	3567240C92	16	3567240C92	1487
WINDOW,VENT RH	3567241C92	16	06MT8	1471
WINDOW,VENT RH	3567241C92	16	3567241C92	1489
WINDSHIELD,ASM SOLX ENCAPSULAT	3509899C4	16	06MXR	1644
WIPER,W/S ELECT, LH DRIVE	3554255C93	16	06SLV	1667
WIPER,W/S ELECT, LH DRIVE	3554255C93	16	3554255C93	1679
WIRING, ELECTRONIC REAR CEC	641009A008	12	641009A008	795
YOKE,ACTUATOR	FUL4303225	13	3568552F91	1242
YOKE,DEFLECTOR ASSY SPL140	2508303C1	13	3600089C92	1249
YOKE,PROP TUBE WELD SPL-140	2504885C1	6	414STHXXXX	296
YOKE,PROP TUBE WELD SPL-170	2500657C1	6	417LTPXXXX	314
YOKE,SPLINE	3260S1813	13	3600089C92	1249
YOKE,TRANS SHIFT	FULA6969	13	3568552F91	1242
YOKE,TRANS SHIFT 1ST & 2ND	FUL3315770	13	3568552F91	1242

Part Number Index

Part No.	Description	Group	Figure	Page
1	EPI [SUPERCEDED] ITEM	16	0G7XT	1515
103375	PIN,3/32 X 1/4 PLN COTTER	15	3586670F92	1374
103389	PIN, 1/8 X 2 PLN COTTER	2	3599758F91	101
103647	VALVE, DRAIN COCK 1/4 NPT	12	07PJQ	1162
1078152R2	PACKAGE,POLY BAG	10	0GYJ2	723
1087423R1	STATIONERY,POST CARD FOR EXPOR	16	07M4J	1621
1087474R1	MANUAL, OPERATORS	13	0JG9D	1275
1087486R1	MANUAL,INST, INSTRUCTION	15	0FTZD	1379
109454	FITTING,1/4 LUB	5	3552002C91	268
109461	FITTING, 1/8 PTF X/SHORT LUB	4	0DR90	240
109461	FITTING, 1/8 PTF X/SHORT LUB	6	270DYA1XXX	330
1111341C91	BEARING-SPIGOT	14	1696762C91	1304
111140R1	BOLT,SPG CTR 1/2NF X 4 1/2	3	3540967C91	119
116487	CONNECTOR,FLARED PIPE 5/8 45D	4	0LNNN	162
1171742R1	INSTRUCTION SHT	12	1833096C92	965
1171755R4	MANUAL,INTL 530E OPER 2004	12	0JGVB	1127
117971	GROMMET, 1/4 X 1 X 3/8 D/C RUB	16	0JDY4	1680
117973	GROMMET, 5/16 X 1-3/8 X 1/4 D/	16	06V2B	1464
118748	FITTING, CONNECTOR	12	641016L002	755
118748	UNION, 1/4 PLN 45D FLARED	12	641016L002	755
118753	ELBOW, 1/4 PLN 45D FLARED TUBE	7	0HGRZ	342
118753	ELBOW, 1/4 PLN 45D FLARED TUBE	12	641016L002	755
118753	FITTING, ELBOW 45 DEGREE FLARED TUBE 1/4	12	641016L002	755
	"			
1199T2854	FITTING,LUBRICATOR	4	2507869C91	217
1199T2854	FITTING,LUBRICATOR	4	2507870C91	219
120214	WASHER,LOCK 5/16,REG,STL/ZNC	8	06S2V	532
120369	NUT, 3/8-NF TYPE 5	12	07SHT	1041
120380	WASHER LOCK 1/4",REG,STL/ZNC	4	0MT49	238
120380	WASHER LOCK 1/4",REG,STL/ZNC	8	0GCJR	371
120380	WASHER LOCK 1/4",REG,STL/ZNC	8	0HQHQ	645
120380	WASHER LOCK 1/4",REG,STL/ZNC	8	0JGYR	400
120382	WASHER,LOCK 3/8 ZINC PLATED	8	0GCJR	371
120382	WASHER,LOCK 3/8 ZINC PLATED	11	06MG9	730
120382	WASHER,LOCK 3/8 ZINC PLATED	12	07PJQ	1162
120382	WASHER,LOCK 3/8 ZINC PLATED	12	07SHT	1041
120382	WASHER,LOCK 3/8 ZINC PLATED	15	0FTZD	1379
120384	WASHER LOCK 1/2" REG,STL/ZNC	12	06S2T	1192
120390	WASHER,FLAT 1/2",STL/ZNC	13	07VS1	1245
121220	NUT, 1/8 PLN BALL SLEEVE TUBE	12	299466C11	1030
121322	SLEEVE, 1/8 PLN BALL	12	299466C11	1030
1228H580	BEARING,ASSY RR PINION	2	1676480C91	98
1229E1669P	WASHERFL	13	3600089C92	1249
1229K1597P	WASHER,CVR PLATE	2	3556980F91	90
1229U4857	RINGSNAP	13	3600089C92	1249
124553	KEY, 1/4 X 1 SAE 15 WOODRUFF	11	06VKP	726
1246T1190	PIN,DOWEL T-CASE	13	3600089C92	1249
124818	NUT, 1/4 JAM TYPE 5	4	410986C92	151
124925	NUT, 3/8-NF JAM TYPE 5	4	3576188F92	183
1255458R2	PRODUCT GRAPHICS,FRAME WELDING	10	0KD5K	724
126152	LUBRICATOR, 1/8 PTF SHORT 45D	11	06VL5	743
127743	LUBRICATOR, 1/8 PTF SHORT 65D	2	3577157F91	110
127743	LUBRICATOR, 1/8 PTF SHORT 65D	2	3599758F91	101
13611VA	WASHER,FLAT (DIFF)	2	3599758F91	101
137214	PIN, COTTER 1/8 X 1-3/4	5	0MFX6	263
138572	WASHER,LOCK IT 1IN E50	4	0H75S	134
140255H	CAP,VALVE TIRE	17	158120R93	1698
140303	ELBOW, 1/8 PLN BALL SLEEVE TUB	12	299466C11	1030

Part Number Index

Part No.	Description	Group	Figure	Page
144283	ELBOW, 5/8 PLN 45D FLARED TUBE	13	0M6Q2	1255
144425H	NUT, 7/8-NF CAD P/T LOCK TYPE	3	07W2Z	114
1514921C1	BAR, TORQUE ROD BRKT	14	07RTC	1331
1516404C1	SCREW, MACH SPECIAL	4	086M2	149
1518202C1	BOLT, HUCK	12	07NDS	859
1518207C1	BOLT, HUCK	1	1664559C92	82
1518207C1	BOLT, HUCK	12	07NDS	859
1518207C1	BOLT, HUCK	14	1664557C92	1336
1518207C1	BOLT, HUCK	14	1664559C92	1338
1518208C1	BOLT, HUCK 5/8 DIA	1	0BDC4	81
1518208C1	BOLT, HUCK 5/8 DIA	8	0HL8B	369
1518208C1	BOLT, HUCK 5/8 DIA	14	07Q7J	1333
1518208C1	BOLT, HUCK 5/8 DIA	14	07QT9	1319
1518208C1	BOLT, HUCK 5/8 DIA	15	0FV9D	1382
1518208C1	BOLT, HUCK 5/8 DIA	16	0GB2V	1433
1518209C1	BOLT, HUCK 5/8 DIA	3	07W2Z	114
1518213C1	COLLAR, HUCK 5/8 DIA.	1	0BDC4	81
1518213C1	COLLAR, HUCK 5/8 DIA.	3	07W2Z	114
1518213C1	COLLAR, HUCK 5/8 DIA.	8	0HL8B	369
1518213C1	COLLAR, HUCK 5/8 DIA.	14	07Q7J	1333
1518213C1	COLLAR, HUCK 5/8 DIA.	14	07QT9	1319
1518213C1	COLLAR, HUCK 5/8 DIA.	14	07RTP	1311
1518213C1	COLLAR, HUCK 5/8 DIA.	15	0FV9D	1382
1518213C1	COLLAR, HUCK 5/8 DIA.	16	0GB2V	1433
152450R1	RING, 1.156 EXT RET	4	3556963F91	226
158120R93	VALVE, TUBELESS TIRE W/CAP 3.75	17	06M1R	1701
158120R93	VALVE, TUBELESS TIRE W/CAP 3.75	17	081GV	1699
158120R93	VALVE, TUBELESS TIRE W/CAP 3.75	17	0LFW1	1697
158120R93	VALVE, TUBELESS TIRE W/CAP 3.75	17	158120R93	1698
160094R1	RING, 1.660 INT RET	4	410986C92	151
16067DA	SCREW, ROCKER ARM ADJ	12	1827195C95	766
1612149C2	BAR, , LIFTING EYE	1	3616541C1	79
1618386C93	FILTER, FUEL	15	0FTZD	1379
1618386C93	FILTER, FUEL	15	1618386C93	1380
1619951C2	TOOL WRENCH WHEEL BOLT	10	0G1P6	720
1621397C91	COOLER, AIR BRAKE OR DRYER	4	0MSR4	158
1621397C91	COOLER, AIR BRAKE OR DRYER	4	1621397C91	160
1646655C1	BUSHING, PIN GEAR SHIFT	13	0G4JT	1266
1649492C2	NUT, WHEEL HUB BOLT M22 X 1.5	17	0MTH4	1684
1649492C2	NUT, WHEEL HUB BOLT M22 X 1.5	17	0MVFK	1683
1651943C1	TERMINAL, CABLE FEMALE	8	3572242F91	521
1651968C1	TERMINAL, CABLE SOCKET #16	8	3567203C91	614
1652325C1	PLUG, SEALER	8	3572236F91	528
1652325C1	PLUG, SEALER	8	3572240F91	502
1652325C1	PLUG, SEALER	12	3560343C91	1023
1653951C1	LOCK, DIFF BRG ADJUSTER	2	2507920C91	94
1655349C1	CAP, BRK CHAMBER	4	0GFP7	173
1655349C1	CAP, BRK CHAMBER	12	1822530C92	910
1655350C1	NIPPLE, PIPE FITTING	4	3557764C92	187
1656690C1	PRODUCT GRAPHICS, AUTO FAN CLU	12	07S0Z	1146
1656697C1	BUMPER, FRT SPG	3	07W2Z	114
1656945C91	BEARING, CONE OUTER PINION	13	3600089C92	1249
1657283C1	FLANGE TRUNNION 1710	6	0JD6L	338
1657366C1	BOLT 12-POINT	6	2035774C91	339
1657368C1	STRAP, TRUN BRG 1710, 1760, 1810	6	2035774C91	339
1658423C1	WASHER, FLAT M10	2	3556980F91	90
1658423C1	WASHER, FLAT M10	14	2503395C91	1292
1660091C2	C MEMBER	1	1664559C92	82

Part Number Index

Part No.	Description	Group	Figure	Page
1660091C2	C MEMBER	14	1664559C92	1338
1660264C91	ROD, TIE W/CLAMPS	2	2599240C91	105
1660264C91	ROD, TIE W/CLAMPS	2	3599758F91	101
1660393C91	KIT, SEAT SHAFT ASSY W/BUSH	16	1660393C91	1495
1660393C91	KIT, SEAT SHAFT ASSY W/BUSH	16	3558491C92	1507
1660515C1	RIVET BLIND (MONOBOLT 1/4 SST)	9	3610431C91	701
1660534C1	SUPPORT,MUFFLER	7	3579388C91	348
1660937C1	PRODUCT GRAPHIC-NO STEP	9	0JCH6	680
1661179C1	STRIP TRIM 5.3"(BLACK)	8	06VZJ	411
1661212C1	TERMINAL,MALE 280 SERIES	16	3545211C93	1536
1661224C1	TERMINAL,FEMALE 630 SERIES	8	3568513C91	433
1661224C1	TERMINAL,FEMALE 630 SERIES	8	3568528C91	465
1661224C1	TERMINAL,FEMALE 630 SERIES	8	3581900C91	421
1661224C1	TERMINAL,FEMALE 630 SERIES	8	3588674C91	471
1661227C1	TERMINAL FEMALE 630 SERIES	8	3568513C91	433
1661227C1	TERMINAL FEMALE 630 SERIES	8	3588674C91	471
1661228C1	TERMINAL FEMALE 630 SERIES	8	3568513C91	433
1661228C1	TERMINAL FEMALE 630 SERIES	8	3581900C91	421
1661281C91	LIGHT,ASSY STOP TAIL WITH LICE	8	0HDDK	655
1661281C91	LIGHT,ASSY STOP TAIL WITH LICE	8	1661281C91	663
1661375C2	BODY,CONNECTOR	8	3572236F91	528
1661778C1	BODY,CONNECTOR 2 WAY	12	3579843C91	1227
1661872C1	SEAL,CABLE TERM 150 LOOSE	8	3545544C92	491
1661872C1	SEAL,CABLE TERM 150 LOOSE	8	3561092C91	476
1661872C1	SEAL,CABLE TERM 150 LOOSE	8	3568498C91	453
1661872C1	SEAL,CABLE TERM 150 LOOSE	12	3579843C91	1227
1661874C1	LOCK,CONNECTOR BODY	12	3579843C91	1227
1661875C1	TERMINAL,FEMALE 150 SEALED	8	3561092C91	476
1661875C1	TERMINAL,FEMALE 150 SEALED	8	3568498C91	453
1661875C1	TERMINAL,FEMALE 150 SEALED	12	3577574C91	1018
1661875C1	TERMINAL,FEMALE 150 SEALED	12	3579843C91	1227
1661878C4	STRAP,FLEXIBLE	7	3579388C91	348
1661880C1	RETAINER,PIPE BRKT	7	3579388C91	348
1661935C91	ROD ASSY TORQUE 29" LG	14	0FVR5	1324
1662161C1	KIT, DUST CAP	6	270DYA1XXX	330
1662650C1	RING,SNAP	2	2507920C91	94
1663738C1	KNOB HAND BRK CONT HANDLE	4	2014415C91	212
1664233C1	LAMP,INCANDESCENT 12V WEDGE BA	8	3557672C92	518
1664557C92	C MEMBER	14	07Q7J	1333
1664557C92	C MEMBER	14	1664557C92	1336
1664559C92	C MEMBER	1	0BDC4	81
1664559C92	C MEMBER	1	1664559C92	82
1664559C92	C MEMBER	14	07Q7J	1333
1664559C92	C MEMBER	14	1664559C92	1338
1664609C3	CROSSMEMBER	14	1664557C92	1336
1664723C3	INSULATOR,ENG FRT MTG	12	07NDS	859
1664726C2	INSULATOR,SNUBBER ENG MTG	12	07NDS	859
1664732C4	CROSSMEMBER,ENGINE MTG FRONT	12	3538857C93	861
1664749C2	BRACKET, LEFT REAR ENGINE MOUNTING	12	641010L001	1053
1664749C2	BRACKET,ENG MTG REAR LT	12	641010L001	1053
1664750C2	BRACKET, RIGHT REAR ENGINE MOUNTING	12	641010L001	1053
1664750C2	BRACKET,ENG MTG REAR RT	12	641010L001	1053
1665496C1	SHAFT,AXLE 2.10-41 X 37.18 SHT	14	3602600C91	1300
1665496C1	SHAFT,AXLE 2.10-41 X 37.18 SHT	14	3609621C91	1288
166562R2	GASKET,AIR GOV COVER	4	086M2	149
1666227C1	SCREW,TAPPING 3/8 16X1	13	3568552F91	1242
1666978C1	PIN,HUCK BOLT MAGNA GRIP	7	3579388C91	348
1667672C1	PAD MTG TURN SIGNAL LIGHT	8	3557672C92	518

Part Number Index

Part No.	Description	Group	Figure	Page
1667732C1	CONNECTOR,CABLE FEMALE 630	8	3568513C91	433
1667732C1	CONNECTOR,CABLE FEMALE 630	8	3588674C91	471
1667734C1	LOCK CONNECTOR BODY	8	3588674C91	471
1667735C1	SEAL,CABLE TERM 630 METRIC	8	3568513C91	433
1667735C1	SEAL,CABLE TERM 630 METRIC	8	3588674C91	471
1667741C1	CONNECTOR,MALE 3-WY,150 METRIP	12	3577574C91	1018
1667742C1	TERMINAL,CABLE 150 SEALED MALE	8	3545544C92	491
1667742C1	TERMINAL,CABLE 150 SEALED MALE	12	3579843C91	1227
1668809C1	SHIELD,OIL FILTER (DIFF)	14	2503395C91	1292
1669456C91	SET,O RING SEALS	12	3542059C91	1143
1669480C1	LENS,CLEARANCE LIGHT	8	3557672C92	518
1669482C1	GASKET,TURN SIGNAL LIGHT	8	3557672C92	518
1669540C1	SPACER,PIN BRG .209	14	2503395C91	1292
1669541C1	SPACER,PIN BRG .210	14	2503395C91	1292
1669542C1	SPACER,PIN BRG .211	14	2503395C91	1292
1669543C1	SPACER,PIN BRG .212	14	2503395C91	1292
1669544C1	SPACER,PIN BRG .213	14	2503395C91	1292
1669545C1	SPACER,PIN BRG .217	14	2503395C91	1292
1669546C1	SPACER,PIN BRG .220	14	2503395C91	1292
1669547C1	SPACER,PIN BRG .224	14	2503395C91	1292
1669581C1	LENS,TURN SIGNAL & STOP	8	1661281C91	663
1669582C1	GASKET,TURN SIGNAL LIGHT	8	1661281C91	663
1670115C1	HORN,ASSY AIR SINGLE	16	0G9F8	1388
1670261C91	CAGE,PINION DRIVE GEAR BRG	14	3609621C91	1288
1670272C1	WASHER,HELICAL GEAR TO PIN GEA	14	2503395C91	1292
1670274C1	PIN,DOWEL SPECIAL	14	1696762C91	1304
1670274C1	PIN,DOWEL SPECIAL	14	2503395C91	1292
1670291C1	SHIM,PIN GEAR BRG CAGE	13	3600089C92	1249
1670291C1	SHIM,PIN GEAR BRG CAGE	14	2503395C91	1292
1670292C1	SHIM,PIN GEAR BRG CAGE	13	3600089C92	1249
1670292C1	SHIM,PIN GEAR BRG CAGE	14	2503395C91	1292
1670293C1	SHIM INPUT BRG CAGE .010	13	3600089C92	1249
1670293C1	SHIM INPUT BRG CAGE .010	14	2503395C91	1292
1670295C1	SHAFT,SHIFT FORK DIFF LOCK	14	2503395C91	1292
1670298C1	BAFFLE,PIN GEAR BRG	14	2503395C91	1292
1670299C1	COVER,DR PIN GEAR BRG CAGE	14	2503395C91	1292
1670304C1	BOLT,SPECIAL	14	2503395C91	1292
1670307C1	RING,O	14	2503395C91	1292
1670372C91	GEAR SET DIFF R & P 6.14	14	2503395C91	1292
1670483C91	CAGE,ASSY PINION W/CUPS 14GRB	14	1696762C91	1304
1670488C91	CASE,ASSY DIFF 4.33-7.17 RATIO	14	2503395C91	1292
1670490C91	FORK SHIFT ASSY IAD	13	3600089C92	1249
1670490C91	FORK SHIFT ASSY IAD	14	2503395C91	1292
1670493C91	SHAFT,OUTPUT PD	14	3609621C91	1288
1670500C1	RING SNAP OUTPUT BRG SPACER	14	3609621C91	1288
1670502C1	SPACER,HELICAL GEAR	14	2503395C91	1292
1670504C1	SHIM,PIN BRG CAGE .003	14	1696762C91	1304
1670505C1	SHIM PIN BRG CAGE .005	14	1696762C91	1304
1670506C1	SHIM,PIN BRG CAGE .008	14	1696762C91	1304
1670507C1	SHIM,PIN BRG CAGE .020	14	1696762C91	1304
1670511C1	SPACER,PIN BRG .344	14	1696762C91	1304
1670512C1	SPACER,PIN BRG .345	14	1696762C91	1304
1670513C1	SPACER,PIN BRG .346	14	1696762C91	1304
1670514C1	SPACER,PIN BRG .347	14	1696762C91	1304
1670515C1	SPACER,PIN BRG .348	14	1696762C91	1304
1670516C1	SPACER,PIN BRG .353	14	1696762C91	1304
1670517C1	SPACER,PIN BRG .358	14	1696762C91	1304
1670518C1	SPACER,PIN BRG .359	14	1696762C91	1304

Part Number Index

Part No.	Description	Group	Figure	Page
1670519C1	SPACER,PIN BRG .360	14	1696762C91	1304
1670520C1	SPACER,PIN BRG .361	14	1696762C91	1304
1670521C1	SPACER,PIN BRG .362	14	1696762C91	1304
1670522C1	ADJUSTER,DIFF BRG LT & RT	14	1696762C91	1304
1670522C1	ADJUSTER,DIFF BRG LT & RT	14	2503395C91	1292
1670523C1	GEAR,IAD SIDE FRT	14	2502023C91	1296
1670523C1	GEAR,IAD SIDE FRT	14	2503395C91	1292
1670524C1	SPRING,THRUST INPUT SHAFT	13	3600089C92	1249
1670527C1	RING,SNAP	14	2502023C91	1296
1670527C1	RING,SNAP	14	2503395C91	1292
1670531C1	GEAR HELICAL DRIVEN	14	1694543C91	1298
1670531C1	GEAR HELICAL DRIVEN	14	2503395C91	1292
1670532C1	GEAR,INTEGRAL SPUR & BEVEL	14	2503395C91	1292
1670534C1	BOLT,HH DR GR	14	2503395C91	1292
1670535C1	WASHER,FLAT BRG CAP	14	1696762C91	1304
1670535C1	WASHER,FLAT BRG CAP	14	2503395C91	1292
1670538C91	GEAR SET,DIFF SIDE & PIN	14	2503395C91	1292
1670547C1	SPACER,PIN BRG .228	14	2503395C91	1292
1670548C1	SPACER,PIN BRG .232	14	2503395C91	1292
1670549C1	SPACER,PIN BRG .236	14	2503395C91	1292
1670550C1	SPACER,PIN BRG .240	14	2503395C91	1292
1670551C1	SPACER,PIN BRG .241	14	2503395C91	1292
1670552C1	SPACER,PIN BRG .242	14	2503395C91	1292
1670553C1	SPACER,PIN BRG .243	14	2503395C91	1292
1670554C1	SPACER,PIN BRG .244	14	2503395C91	1292
1671432C1	CLAMP,SINGLE COATED	5	0FSWW	269
1671603C1	PLUG,SEALING (PLUG END SEAL)	8	3568513C91	433
1671610C1	BODY,CONNECTOR	12	3560343C91	1023
1671718C91	VALVE,DRAIN	4	3559112F91	230
1673747C1	TERMINAL,FEMALE	8	3572236F91	528
1673778C1	EXTENSION CLIP	4	0J0LQ	127
1674230C3	CLIP,HOSE SEPARATOR	16	07TDL	1523
1675451C1	PLUG SEALING (GREEN)WIRE REPLA	8	3568513C91	433
1676226C1	BUSHING,STRG KNUCKLE	4	2507869C91	217
1676226C1	BUSHING,STRG KNUCKLE	4	2507870C91	219
1676229C1	WASHER,FLAT SPECIAL	4	3556963F91	226
1676231C1	WASHER,SPECIAL	4	2507869C91	217
1676231C1	WASHER,SPECIAL	4	2507870C91	219
1676480C91	KIT DIFF BRG & SEAL	2	1676480C91	98
1676480C91	KIT DIFF BRG & SEAL	2	2507920C91	94
1677003C1	HEAD,FUEL FILTER	15	1618386C93	1380
1677004C91	ELEMENT,FUEL FILTER	15	1618386C93	1380
1677005C91	BOWL,FUEL FILTER	15	1618386C93	1380
1677006C91	KIT,GASKET & SEAL	15	1618386C93	1380
1677377C1	FASTENER TRIM (BLACK)	9	0DDTF	716
1678077C1	BRACKET, FRONT ENGINE MOUNTING	12	641010M001	1011
1678077C1	BRACKET,ENG MTG FRONT GIVE DES	12	641010M001	1011
1678137C1	CONNECTOR,BODY*	8	3572242F91	521
1680205C1	TERMINAL,CABLE SOCKET SIZE 16	8	3572240F91	502
1680206C1	TERMINAL,CABLE PIN SIZE 16	8	3572525C91	562
1681129C1	WASHER TRANS LEVER RETAINING	13	3576514C91	1268
1681456C91	END ASSY TIE ROD RT	2	2599240C91	105
1681456C91	END ASSY TIE ROD RT	2	3599758F91	101
1681457C91	END ASSY TIE ROD LH	2	2599240C91	105
1681457C91	END ASSY TIE ROD LH	2	3599758F91	101
1684261C1	CONNECTOR,CABLE 2-WAY PLUG	8	3572240F91	502
1684265C1	CLAMP,CABLE RUBBER CUSHIONED	4	0J0LQ	127
16845R1	PLUG, 3/4-14 C-Z SQ/HD FILLER	2	3556927F91	87

Part Number Index

Part No.	Description	Group	Figure	Page
1685073C91	BEARING,THRUST LWR K/P 02ERD,E	2	3599758F91	101
1685074C1	BUSHING,K/P UPR & LWR 02ERD,E	2	3556927F91	87
1685141C1	ELEMENT,OIL FILTER	14	2503395C91	1292
1685173C1	NUT,HEX LK PINION	13	3600089C92	1249
1685173C1	NUT,HEX LK PINION	14	2503395C91	1292
1685250C91	BEARING,ROLLER ASM	14	1696762C91	1304
1685250C91	BEARING,ROLLER ASM	14	2503395C91	1292
1685251C1	ADJUSTER,DIFF BRG RT	14	1696762C91	1304
1685251C1	ADJUSTER,DIFF BRG RT	14	2503395C91	1292
1685253C1	COLLAR,SHIFT CLUTCH	14	1696762C91	1304
1685253C1	COLLAR,SHIFT CLUTCH	14	2503395C91	1292
1685257C1	BEARING,CUP	14	1696762C91	1304
1685257C1	BEARING,CUP	14	2503395C91	1292
1685290C1	BOLT,SPECIAL	14	1696762C91	1304
1685290C1	BOLT,SPECIAL	14	2503395C91	1292
1685443C1	ROD,CUSHION ADJ	16	2595024C91	1497
1685444C1	RETAINER,SEAT CUSHION ADJUSTER	16	2595024C91	1497
1685452C1	BOLT,SPECIAL BACKREST ADJU KNO	16	2505361C91	1499
1685452C1	BOLT,SPECIAL BACKREST ADJU KNO	16	3558491C92	1507
1685459C1	LATCH,SEAT BACK ADJ LOCK	16	2505379C91	1503
1685460C1	PLATE,SEAT ISOLATOR LOCK	16	2505379C91	1503
1685463C1	SPRING,SEAT ADJUSTER ISOL LOCK	16	2505379C91	1503
1685464C1	RETAINER,AIR SPRING SEAT.	16	3558491C92	1507
1685465C1	BEARING,ROLLER ASM CHUGGER SEA	16	1698197C91	1501
1685465C1	BEARING,ROLLER ASM CHUGGER SEA	16	3558491C92	1507
1685491C1	SPRING,BRK SHOE RETAIN	4	2507869C91	217
1685491C1	SPRING,BRK SHOE RETAIN	4	2507870C91	219
1685491C1	SPRING,BRK SHOE RETAIN	4	3548002C91	244
1685491C1	SPRING,BRK SHOE RETAIN	4	3548003C91	248
1685491C1	SPRING,BRK SHOE RETAIN	4	3548018C91	246
1685491C1	SPRING,BRK SHOE RETAIN	4	3548019C91	250
1685512C91	VALVE,PURGE REPAIR	4	1621397C91	160
1685513C91	KIT,PURGE VALVE AD9 12V W/HTR	4	1621397C91	160
1685514C91	KIT,REPAIR CHECK VALVE SEALS	4	1621397C91	160
1685515C91	KIT,REPAIR DESICCANT CARTRIDGE	4	1621397C91	160
1685516C1	VALVE,SAFETY AIR	4	1621397C91	160
1685730C1	VALVE,RELIEF 14GRR	13	3600089C92	1249
1685931C91	KIT,BEAM END BUSHING W/SHIM	14	3516037C92	1328
1686034C1	SHAFT,AXLE 2.10-41 X 43.13 LNG	14	3602600C91	1300
1686034C1	SHAFT,AXLE 2.10-41 X 43.13 LNG	14	3609621C91	1288
1686834C1	CONNECTOR,CABLE 3-WAY MALE	8	3572240F91	502
1689136C1	BRACKET,TORQUE ROD TRANSVERSE	14	3609633C91	1290
1689136C1	BRACKET,TORQUE ROD TRANSVERSE	14	3609644C91	1302
1689440C1	PIN,SLACK ADJUSTER	4	0F12N	221
1689440C1	PIN,SLACK ADJUSTER	4	3556963F91	226
1689441C1	PIN,SLACK ADJ 1/2" X 1.75"	4	3556963F91	226
1689588C1	NUT,UNIV JOINT	2	2507920C91	94
1689984C1	STUD,SPECIAL	14	0FTBS	1312
1691529C1	BUSHING,CAMSHAFT BRKT	4	3548002C91	244
1691529C1	BUSHING,CAMSHAFT BRKT	4	3548003C91	248
1691529C1	BUSHING,CAMSHAFT BRKT	4	3548018C91	246
1691529C1	BUSHING,CAMSHAFT BRKT	4	3548019C91	250
1691622C1	NUT,HEX LK METRIC M16	14	1696762C91	1304
1691622C1	NUT,HEX LK METRIC M16	14	2503395C91	1292
1691814C91	SPIDER,W/BUSH & SEAL	4	3548003C91	248
1691825C91	SPIDER,W/BUSH & SEAL	4	3548002C91	244
1692759C91	KIT,BOLT & NUT 140,141,145	14	1696762C91	1304
1692759C91	KIT,BOLT & NUT 140,141,145	14	2503395C91	1292

Part Number Index

Part No.	Description	Group	Figure	Page
1692831C1	STUD,AUX TRANS SUPT	14	3609621C91	1288
1692843C1	WASHER,SPECIAL	13	3600089C92	1249
1693154C1	CLAMP, BOOT REMOTE CONTROL HSG	13	3600089C92	1249
1693181C1	RING,O BRAKE SPIDER	4	3548002C91	244
1693181C1	RING,O BRAKE SPIDER	4	3548003C91	248
1693181C1	RING,O BRAKE SPIDER	4	3548018C91	246
1693181C1	RING,O BRAKE SPIDER	4	3548019C91	250
1693182C1	SPRING,BRK SHOE RETURN	4	3548002C91	244
1693182C1	SPRING,BRK SHOE RETURN	4	3548003C91	248
1693182C1	SPRING,BRK SHOE RETURN	4	3548018C91	246
1693182C1	SPRING,BRK SHOE RETURN	4	3548019C91	250
1693968C1	RING,O A/C HNBR (W/134A) #6	16	3557557C94	1528
1694171C91	CAP,KIT BRK CHAMBER	4	3566654C91	223
1694201C91	GEAR SET,DIFF R&P 6.14 14GRB,C	14	1696762C91	1304
1694330C91	BRACKET,BRK CAMSHAFT & CHAMBER	4	3548002C91	244
1694332C91	BRACKET,BRK CAMSHAFT & CHAMBER	4	3548003C91	248
1694449C91	GEAR SET,DIFF R&P 6.14 RS15120	2	2507920C91	94
1694522C91	SET,SPACER PIN BRG RS21145	14	1696762C91	1304
1694539C91	SET,SPACER PIN BRG RT34145	14	2503395C91	1292
1694543C91	KIT,HELICAL GEAR RT34/40145	14	1694543C91	1298
1694543C91	KIT,HELICAL GEAR RT34/40145	14	2503395C91	1292
1694582C91	SET,SHIM PIN CAGE RS17140	14	1696762C91	1304
1695182C1	BOLT,DIFF CARR TO HSG SHORT	2	3556980F91	90
1695182C1	BOLT,DIFF CARR TO HSG SHORT	14	3602600C91	1300
1695182C1	BOLT,DIFF CARR TO HSG SHORT	14	3609621C91	1288
1695183C1	BOLT,DIFF CARR TO HSG MED	14	3602600C91	1300
1695183C1	BOLT,DIFF CARR TO HSG MED	14	3609621C91	1288
1695751C1	SEAL,OIL REAR WHEEL BRG INNER	4	2507869C91	217
1695751C1	SEAL,OIL REAR WHEEL BRG INNER	4	2507870C91	219
1695757C1	RING,SNAP	4	2507869C91	217
1695757C1	RING,SNAP	4	2507870C91	219
1696018C1	BOLT,CARR 12MM X 45MM L	14	1696762C91	1304
1696018C1	BOLT,CARR 12MM X 45MM L	14	2503395C91	1292
1696019C1	WASHER,FLAT METRIC 12MM	2	2507920C91	94
1696020C1	WASHER,C SPECIAL FLAT REAR AXL	2	2507920C91	94
1696022C1	BOLT,HEX METRIC M16 X 1.5 X 20	13	3600089C92	1249
1696227C1	NUT,PD SHIFTER SHAFT	14	2503395C91	1292
1696228C1	BOLT,HH M8 X 16MM BAFFLE	14	2503395C91	1292
1696229C1	BOLT,HH M10 X 45MM PIN CAGE	14	2503395C91	1292
1696232C1	SHAFT,SHIFT FORK DIFF LOCK	14	1696762C91	1304
1696232C1	SHAFT,SHIFT FORK DIFF LOCK	14	2503395C91	1292
1696233C1	SPRING,SHIFT FORK	14	1696762C91	1304
1696233C1	SPRING,SHIFT FORK	14	2503395C91	1292
1696234C1	RING,O AIR CYL	14	1696762C91	1304
1696234C1	RING,O AIR CYL	14	2503395C91	1292
1696235C1	SEAL,SHIFT MOTOR TO CARR	14	1696762C91	1304
1696235C1	SEAL,SHIFT MOTOR TO CARR	14	2503395C91	1292
1696236C1	BOLT,HEX SHIFT CYL	14	1696762C91	1304
1696236C1	BOLT,HEX SHIFT CYL	14	2503395C91	1292
1696237C1	BOLT,HH M10 X 45MM IAD	14	2503395C91	1292
1696245C91	CYLINDER,IAD AIR SHIFT D/L	14	1696762C91	1304
1696245C91	CYLINDER,IAD AIR SHIFT D/L	14	2503395C91	1292
1696376C1	BOLT,DIFF CARR BRG CAP	14	1696762C91	1304
1696376C1	BOLT,DIFF CARR BRG CAP	14	2503395C91	1292
1696377C1	WASHER,COMP FLANGE NUT	14	2503395C91	1292
1696379C1	WASHER,THRUST SIDE GR	14	1696762C91	1304
1696379C1	WASHER,THRUST SIDE GR	14	2503395C91	1292
1696385C91	SHAFT,INPUT IAD W/NUT	14	2503395C91	1292

Part Number Index

Part No.	Description	Group	Figure	Page
1696386C91	CAGE, INPUT W/CUP	14	2503395C91	1292
1696416C91	GEAR SET, DIFF SIDE & PIN	14	1696762C91	1304
1696416C91	GEAR SET, DIFF SIDE & PIN	14	2503395C91	1292
1696594C1	FORK, SHIFT DIFF LOCK	14	1696762C91	1304
1696594C1	FORK, SHIFT DIFF LOCK	14	2503395C91	1292
1696762C91	DIFFERENTIAL, R/R 6.14 14GRN	14	1696762C91	1304
1696762C91	DIFFERENTIAL, R/R 6.14 14GRN	14	3602600C91	1300
1696804C1	NUT, SPECIAL THRUST SCREW	2	2507920C91	94
1696822C91	CARRIER, DIFF W/BRG CAPS 14GRN	14	1696762C91	1304
1696887C91	CASE, ASSY DIFF 4.33-7.17	14	1696762C91	1304
1696915C91	U-JOINT, W/STRAP & BOLTS, 1710	6	270DYA1XXX	330
1696962C91	CYLINDER, I.A.D. SHIFT	14	2503395C91	1292
1696990C91	KIT, AIR SPRING	16	3558491C92	1507
1697451C1	NUT, SPECIAL LOCK	14	3563253C92	1320
1697853C1	SEAL, OIL FRT WHL BRG INNER	17	3556968F91	1687
1697910C1	SHIELD, DUST BRK SPIDER	4	2507870C91	219
1698197C91	KIT, SEAT CHUGGER	16	1698197C91	1501
1698197C91	KIT, SEAT CHUGGER	16	3558491C92	1507
1698252C91	KIT, DIFF BRG & SEAL F/R 814GTJ	14	2503395C91	1292
1698622C91	HANDLE, HAND CONTROL VALVE	4	2014415C91	212
1698750C91	VALVE, BASIC	4	2014415C91	212
1699069C1	LINK, ASSY CAB AIR SUSP VALVE	16	3540379C96	1451
1699204C1	CAP, STRG KNUCKLE LWR	2	3599758F91	101
1699326C91	SPIDER, W/BUSH & SEAL	4	3548018C91	246
1699327C91	BRACKET, BRK CAMSHAFT & CHAMBER	4	3548018C91	246
1699328C91	SPIDER, W/BUSH & SEAL	4	3548019C91	250
1699329C91	BRACKET, BRK CAMSHAFT & CHAMBER	4	3548019C91	250
1699520C1	SUPPORT, ASM SEAT AIR LIMBAR	16	3558491C92	1507
1699658C91	HUB, ASSY BRK 16.5 X 6	17	1699658C91	1686
1699658C91	HUB, ASSY BRK 16.5 X 6	17	3556968F91	1687
17135R1	PIN, 5/32 X 5/16 PLN SLT-SPR	12	1830596C91	848
177622H1	WASHER, AIR GOV SPECIAL FLAT	4	410986C92	151
177627H1	STEM, GOV EXH VALVE D-2	4	410986C92	151
177629H1	SCREW	4	410986C92	151
177633H1	SEAT, AIR GOV SPRING UPPER	4	410986C92	151
177923	PIN, 1/8 X 3/4 COTTER	8	3576152F93	388
1807253C1	GAUGE, SENSOR BAROMETRIC AIR	8	3554195F93	670
1807261C1	SEAL, PRESS CONNECTOR	12	1833443C95	804
1807263C1	SEAL, PRESSOR SENSOR	12	1841217C91	972
1807296C1	CHANNEL, WIRING HARNESS	12	1889905C91	802
1807322C1	CONNECTOR, IPR	12	1833443C95	804
1807323C1	RING, O 16 PASS-THRU CONNECTOR	12	641009A008	795
1807336C1	CLIP, MOUNTING ENGINE HARNESS	12	641009A008	795
1807336C1	CLIP, HARNESS	12	1833443C95	804
1807336C1	CLIP, HARNESS	12	641009A008	795
1807339C92	SENSOR, CAMSHAFT POSITION	12	641009B005	798
1807339C92	SENSOR, CAMSHAFT POS CMP	12	641009B005	798
1807369C2	SENSOR, ENGINE OIL PRESSURE	12	641009B005	798
1807369C2	SENSOR, ENG OIL PRESSURE EOP	12	641009B005	798
1807428C1	PROD. GRAPH. WARN. LABEL	12	1833443C95	804
1807455C91	HARNESS, ELECTRICAL INTERNAL WIRING	12	641009A008	795
1807455C91	HARNESS, INTERNAL WIRING	12	641009A008	795
1807455C92	HARNESS, ELECTRICAL INTERNAL WIRING	12	641009A008	795
1807455C92	HARNESS, INTERNAL WIRING	12	1807455C92	806
1807455C92	HARNESS, INTERNAL WIRING	12	641009A008	795
1809439C1	HEATER, FUEL	15	1618386C93	1380
1809570C2	LIFTER, VALVE	12	641003C002	993
1809570C2	TAPPET, ENG VALVE	12	641003C002	993

Part Number Index

Part No.	Description	Group	Figure	Page
1809797C1	FITTING, BANJO	12	641011L019	899
1809797C1	FITTING, SPECIAL TUBE	12	641011L019	899
1810491C1	BOLT, BANJO BOLT M14 X 1.5	12	641011L019	899
1810491C1	SCREW, MACHINE	12	641011L019	899
1811052C1	RING, O	15	1618386C93	1380
1811053C1	RING, O	15	1618386C93	1380
1811490C91	KIT, WATER SENSOR PROBE	15	1618386C93	1380
1811495C91	HEATER	15	1618386C93	1380
1812348C1	SLEEVE, 3/8 TUBE -FLEX	12	641011L019	899
1812348C1	SLEEVE, COMPRESSION FITTING 3/8"	12	641011L019	899
1812559C1	SEAL, OIL DIPSTICK TUBE	12	641006M011	903
1812559C1	SEAL, OIL DIPSTICK TUBE	12	641006M011	903
1812691C1	RING, O	12	1821232C92	984
181372R1	NUT, THIN SPECIAL	4	0H75S	134
1813818C1	VALVE, STARTING FUEL	12	1821232C92	984
1813820C1	PLATE, AIR CLEANER MTG SUPT	12	1821232C92	984
1813821C1	BUSHING, ACCEL PEDAL	12	1821232C92	984
1813822C1	PLUG, INJ PUMP	12	1821232C92	984
1813823C1	RING, O	12	1821232C92	984
1813824C1	RING, O	12	1821232C92	984
1813892C1	GUIDE VALVE LIFTER	12	641003C002	993
1813892C1	GUIDE, ROLLER TAPPET	12	641003C002	993
1814149C2	MANIFOLD, EXHAUST FRT/RR	12	641014B001	936
1814149C2	MANIFOLD, FRONT & REAR EXHAUST	12	641014B003	1106
1814320C1	SENSOR, OIL/COOLANT TEMPERATURE	12	641009B005	798
1814320C1	SENSOR, TEMPERATURE	12	3562349C91	750
1814320C1	SENSOR, TEMPERATURE	12	641009B005	798
1814695C1	SEAL, O-RING #213	12	1830692C92	952
1814695C1	SEAL, O-RING #213	12	1830742C92	956
1814757C2	WASHER, HARDENED	12	641008A009	875
1814757C2	WASHER, HARDENED	12	641008C003	764
1814757C2	WASHER, HARDENED	12	641008F002	882
1814757C2	WASHER, HARDENED	12	641008A009	875
1814757C2	WASHER, HARDENED	12	641008C003	764
1814757C2	WASHER, HARDENED	12	641008F002	882
1815239C3	VALVE, OIL PRESS, REG.	12	641013C002	819
1815239C3	VALVE, OIL PRESSURE REGULATOR	12	641013C002	819
1815440C1	GEAR RING EMD 1208	12	1821915C91	1056
1815699C3	CARRIER, OIL SEAL	12	641007C001	1064
1815699C3	CARRIER, OIL SEAL	12	641007C001	1064
1815874C1	RING, O #905	12	1830669C91	811
1815904C2	COOLER, OIL	12	1830622C92	821
1815904C2	COOLER, OIL	12	1841739C91	823
1815924C2	CONNECTOR, INJECTOR CYLINDER	12	1807455C92	806
1815924C2	CONNECTOR, INJECTOR CYLINDER	12	1889905C91	802
1815980C1	RING, "O" #908 .644" X .731"	12	1845826C92	1134
1816000C1	RING, O 3.15 X 34.54 ID	12	1830692C92	952
1816000C1	RING, O 3.15 X 34.54 ID	12	1830742C92	956
1816216C1	VALVE, PRIMING	12	1836287C91	901
1816722C2	GASKET OIL SUCTION	12	641006L001	1122
1816722C2	GASKET, CAMSHAFT BRG PLATE	12	1824984C95	835
1816722C2	GASKET, CAMSHAFT BRG PLATE	12	641006L001	1122
1817000C2	RING, SEAL CREVICE	12	641006A005	842
1817000C2	RING, CREVICE SEAL	12	1822322C92	967
1817000C2	RING, CREVICE SEAL	12	641006A005	842
1817021C1	BEARING CRANKSHAFT INT & LOW	12	641007A004	846
1817073C2	RING, UPPER BACKUP	12	1830692C92	952
1817073C2	RING, UPPER BACKUP	12	1830742C92	956

Part Number Index

Part No.	Description	Group	Figure	Page
1817074C1	RING, CUSHION	12	1830692C92	952
1817074C1	RING, CUSHION	12	1830742C92	956
1817537C1	BOLT,CONN ROD	12	1830153C91	990
1817545C1	PLATE,CAMSHAFT THRUST FLANGE	12	1830613C91	788
1817574C1	HEADER, OIL COOLER FLTR	12	1830622C92	821
1817586C1	RING, TOP COMPRESSION	12	1830723C92	960
1817586C1	RING, TOP COMPRESSION	12	641004B021	973
1817587C1	RING, 2ND COMPRESSION	12	1830723C92	960
1817587C1	RING, 2ND COMPRESSION	12	641004B021	973
1817629C1	PULLEY, WATER PUMP	12	641005A004	1002
1817629C1	PULLEY,WATER PUMP	12	641005A004	1002
1817633C2	RING O CYL SLEEVE	12	1822322C92	967
1817669C1	TUBE, WATER INLET	12	641013C002	819
1817671C1	BRACKET	12	641013C002	819
1817671C1	BRACKET	12	641015D001	1132
1817671C1	BRACKET, OIL COOLER	12	641013C002	819
1817674C1	STRAINER (300 MICRON)	12	1836287C91	901
1817810C1	BOLT M6 X 12	12	641005A004	1002
1817810C1	BOLT,M6 X 1.25 12MM HEX FLANGE	12	641005A004	1002
1817811C1	BOLT M8 X 1.25 60MM HEX FLANGE	12	641005A004	1002
1817811C1	BOLT M8 X 60	12	641005A004	1002
1817812C1	BOLT, FLANGE HEX M8 X 16MM	12	641005B001	1119
1817812C1	BOLT, FLANGE HEX M8 X 16MM	12	641009B005	798
1817812C1	BOLT, FLANGE HEX M8 X 16MM	12	641013C002	819
1817812C1	BOLT, FLANGE HEX M8 X 16MM	12	641015D001	1132
1817812C1	BOLT, M8X16-10.9 HEX FLANGE	12	641005B001	1119
1817812C1	BOLT, M8X16-10.9 HEX FLANGE	12	641009B005	798
1817812C1	BOLT, M8X16-10.9 HEX FLANGE	12	641013C002	819
1817817C1	BOLT,M6-1.0 X 20MM,HEX FLANGE	12	1830177C92	980
1817830C1	BOLT M12 X 1.75MM X 35MM	12	641014B003	1106
1817830C1	BOLT, M12 X 1.75 6Q 35MM	12	641014B001	936
1817849C3	GASKET OIL FILLER HEADER	12	1833359C94	825
1817849C3	GASKET OIL FILLER HEADER	12	641013C002	819
1817849C3	GASKET OIL FILTER HEADER	12	641013C002	819
1817852C1	BOLT, FLANGED M12 X 1.75 MM X40 MM	12	641010N007	779
1817852C1	BOLT,M12X1.75X40MM HEX FLANGE	12	641010N007	779
1817859C1	BOLT M8 X 1.25 60MM	12	641013A003	978
1817859C1	BOLT, M8 X 1.25 6Q 60MM	12	641013A003	978
1817860C1	BOLT M18 X 70MM	12	641010M001	1011
1817860C1	BOLT, M18 X 70MM LONG	12	641010M001	1011
1817862C1	SEAL, OIL PUMP	12	1824984C95	835
1817862C1	SEAL, OIL PUMP	12	1833357C92	968
1817862C1	SEAL, OIL PUMP	12	641013A003	978
1817862C1	SEAL, OIL PUMP HOUSING	12	641013A003	978
1817867C92	SEAL ASSEMBLY,RADIAL LIP	12	641007C001	1064
1817867C92	SEAL, RADIAL LIP	12	641007C001	1064
1817953C1	BOLT, FLANGE M6 X 1 MM X 16 MM	12	641006M011	903
1817953C1	BOLT, FLANGE M6 X 1 MM X 16 MM	12	641009A008	795
1817953C1	BOLT, FLANGE M6 X 1 MM X 16 MM	12	641010L001	1053
1817953C1	BOLT,M6 X 1.0 X 16MM HEX FLANG	12	641006M011	903
1817953C1	BOLT,M6 X 1.0 X 16MM HEX FLANG	12	641009A008	795
1817953C1	BOLT,M6 X 1.0 X 16MM HEX FLANG	12	641010L001	1053
1817956C1	BOLT, FLANGE M8 X 20MM	12	641003A004	786
1817956C1	BOLT, FLANGE M8 X 20MM	12	641009C014	809
1817956C1	BOLT, FLANGE M8 X 20MM	12	641011L019	899
1817956C1	BOLT, FLANGE M8 X 20MM	12	641015D001	1132
1817956C1	BOLT,HEX FLANGE,M8 X 20MM	12	641003A004	786
1817956C1	BOLT,HEX FLANGE,M8 X 20MM	12	641009C014	809

Part Number Index

Part No.	Description	Group	Figure	Page
1817956C1	BOLT,HEX FLANGE,M8 X 20MM	12	641011L019	899
1817957C1	BOLT, FLANGE M8 X 25MM	12	641005M005	831
1817957C1	BOLT, FLANGE M8 X 25MM	12	641006B009	832
1817957C1	BOLT, FLANGE M8 X 25MM	12	641013A003	978
1817957C1	BOLT, M8X25 HEX FLANGE	12	641005M005	831
1817957C1	BOLT, M8X25 HEX FLANGE	12	641006B009	832
1817957C1	BOLT, M8X25 HEX FLANGE	12	641013A003	978
1817958C1	BOLT, FLANGE M8 X 1.25MM X 30MM	12	641005P005	858
1817958C1	BOLT, FLANGE M8 X 1.25MM X 30MM	12	641006B009	832
1817958C1	BOLT, FLANGE M8 X 1.25MM X 30MM	12	641007C001	1064
1817958C1	BOLT, FLANGE M8 X 1.25MM X 30MM	12	641013C002	819
1817958C1	BOLT,CRANKCASE M8X30-10.9 HF	12	641005P005	858
1817958C1	BOLT,CRANKCASE M8X30-10.9 HF	12	641006B009	832
1817958C1	BOLT,CRANKCASE M8X30-10.9 HF	12	641007C001	1064
1817958C1	BOLT,CRANKCASE M8X30-10.9 HF	12	641013C002	819
1817959C1	BOLT M8 X 1.25 X 40MM	12	641006B009	832
1817959C1	BOLT M8 X 1.25 X 40MM	12	641008A009	875
1817959C1	BOLT, M8X40-10.9 HEX FLANGE	12	641006B009	832
1817959C1	BOLT, M8X40-10.9 HEX FLANGE	12	641008A009	875
1817960C1	BOLT, FLANGE M8 X 1.25MM X 45MM	12	641006B009	832
1817960C1	BOLT, FLANGE M8 X 1.25MM X 45MM	12	641006L001	1122
1817960C1	BOLT,M8 X 45MM HEX FLANGE	12	641006B009	832
1817960C1	BOLT,M8 X 45MM HEX FLANGE	12	641006L001	1122
1817961C1	BOLT M8 X 90	12	641008D013	839
1817961C1	BOLT,M8-1.25 X 90MM,HEX FLANGE	12	641008D013	839
1817962C1	BOLT M8 X 100 HEX FLANGE	12	641013C002	819
1817962C1	BOLT M8 X 100 HEX FLANGE	16	06PSZ	1386
1817962C1	BOLT, FLANGE HEX M8 X 100MM	12	641013C002	819
1817965C1	BOLT M10 X 1.5 X 25MM	12	641016L002	755
1817965C1	BOLT,M10X1.5X25MM HEX FLANGE	12	641016L002	755
1817967C1	BOLT M12 X 25	12	641008F002	882
1817967C1	BOLT M12 X 25	12	641016L002	755
1817967C1	BOLT, M12 X 1.75 6Q 25MM	12	641008F002	882
1817967C1	BOLT, M12 X 1.75 6Q 25MM	12	641016L002	755
1817969C1	BOLT, FLANGED HEAD M12 X 1.75-6G X 80 MM	12	641016L002	755
1817969C1	BOLT,M12 X 80MM,HEX FLANGE	12	641016L002	755
1817974C1	GASKET WATER INLET	12	641005P005	858
1817974C1	GASKET, WATER INLET ELBOW	12	1824984C95	835
1817974C1	GASKET, WATER INLET ELBOW	12	641005P005	858
1817978C1	BOLT, FLANGED M8 X 1.25 MM X 35 MM	12	641011L019	899
1817978C1	BOLT, FLANGED M8 X 1.25 MM X 35 MM	12	641015D001	1132
1817978C1	BOLT, M8 X 35-10.9 HEX FLG	12	641011L019	899
1817993C1	BOLT M10 X 1.5-6G X 80 MM LONG	12	641009L011	777
1817993C1	BOLT M10 X 1.5-6G X 80 MM LONG	12	641020B002	1038
1817993C1	BOLT,M10-1.50 X 80MM HEX FLANG	12	641009L011	777
1817993C1	BOLT,M10-1.50 X 80MM HEX FLANG	12	641020B002	1038
1818231C1	BOLT M8 X 80	12	641009C014	809
1818231C1	BOLT, M8 X 80 HEX FLANGE	12	641009C014	809
1818233C1	BOLT M10 X 20	12	641017L003	893
1818233C1	BOLT, M10 X 20 HEX FLGE	12	641017L003	893
1818236C1	BOLT, M12 X 30 HEX FLANGE	12	1830177C92	980
1818281C1	BOLT M10 X 1.5-6G X 35MM	12	641016M014	1142
1818281C1	BOLT, M10 X 35MM HGH	12	641016M014	1142
1818400C1	RING,O SIZE 222 (1.484 ID)	12	1830622C92	821
1818400C1	RING,O SIZE 222 (1.484 ID)	12	1841739C91	823
1818402C2	RING, "O" #210 .734" X .873"	12	641015D001	1132
1818516C1	BOWL,PREScreen	12	1836287C91	901

Part Number Index

Part No.	Description	Group	Figure	Page
1818518C1	RING,O STRAINER	12	1836287C91	901
1818561C3	MANIFOLD, CENTER EXHAUST	12	641014B003	1106
1818561C3	MANIFOLD, EXHAUST - CENTER	12	641014B001	936
1818598C1	BUSHING, CONN ROD	12	1830153C91	990
1818614C91	BEARING, LOWER IDLER GEAR	12	1822101C95	943
1818693C1	BOLT M8 X 110	12	641008D013	839
1818693C1	BOLT, M8 X 110 HEX FLGE	12	641008D013	839
1818702C1	RETAINER, PIN	12	641004B021	973
1818702C1	RING,PISTON PIN RETAINER	12	1830709C92	970
1818702C1	RING,PISTON PIN RETAINER	12	641004B021	973
1818716C5	GASKET OIL SUCTION	12	641006B009	832
1818716C5	GASKET,FC OIL SUCTION	12	1824984C95	835
1818716C5	GASKET,FC OIL SUCTION	12	641006B009	832
1818726C1	BOLT M8 X 70	12	641011E002	948
1818726C1	BOLT, M8 X 70 HEX FLANGE	12	641011E002	948
1818727C1	GASKET AIR COMPRESSOR MOUNTING	12	641016L002	755
1818727C1	SEAL,AIR COMPRESSOR*O-RING	12	641016L002	755
1818841C1	SLEEVE,INJ PUMP	12	1821232C92	984
1819005C1	PLUNGER, PUMP	12	1821232C92	984
1819099C1	SEAL,WATER PUMP	12	1824984C95	835
1819099C1	SEAL,WATER PUMP	12	1830606C95	977
1819195C1	ADAPTER, FINAL FILTER	12	1836287C91	901
1819245C1	BOLT,STUD,M8 X 90 VALVE COVER	12	641008D013	839
1819245C1	STUD	12	641008D013	839
1819418C2	VALVE, TEMP/PRESSURE	12	1830622C92	821
1819418C2	VALVE, TEMP/PRESSURE	12	1841739C91	823
1819496C1	ADAPTER, FILTER ELEMENT	12	1830622C92	821
1819772C1	CONNECTOR,1/8 NPT X 3/8 TUBE	12	641011L019	899
1819772C1	FITTING 1/8" NPT X 3/8" TUBE	12	641011L019	899
1819931C1	BOLT,STUD, M8 X 1.25	12	641013C002	819
1819931C1	STUD M8 X 1.25MM	12	641013C002	819
1820215C1	EYE, LIFTING REAR	12	641008F002	882
1820215C1	EYE, REAR ENGINE LIFTING	12	641008F002	882
1820235C1	BOLT M14X30	12	641008F002	882
1820235C1	BOLT, M14 X 30 HEX FLGE	12	641008F002	882
1820277C1	SHAFT,IDLER UPPER	12	1822102C95	945
1820278C1	NUT,UPPER IDLER SHAFT	12	1822102C95	945
1820287C1	BOLT M16 X 65MM	12	641003D002	950
1820287C1	BOLT, UPPER IDLER GEAR RET	12	641003D002	950
1820294C1	SHAFT,IDLER LOWER	12	1822101C95	943
1820296C2	GEAR, COMPRESSOR DRIVE W/ KEYWAY	12	641016L002	755
1820296C2	GEAR,COMPR DRIVE W/KEYWAY	12	641016L002	755
1820299C1	GEAR,CRANKSHAFT	12	1830596C91	848
1820301C1	NUT, LOWER IDLER SHAFT	12	1822101C95	943
1820338C2	HOUSING, FLYWHEEL	12	641010L001	1053
1820338C2	HOUSING,FLYWHEEL SAE#2	12	641010L001	1053
1820353C1	RING, "O" FILTER	12	641005M005	831
1820353C1	RING, FILTER O	12	641005M005	831
1820383C91	BEARING, IDLER UPPER	12	1822102C95	945
1820392C1	BOLT M18X 100MM	12	641010M001	1011
1820392C1	BOLT, M18 X 100MM LONG	12	641010M001	1011
1820465C4	COVER, CRANKCASE	12	641006B009	832
1820465C4	COVER, FRONT (FRONT HALF)	12	641006B009	832
1820478C1	BALL,CHECK VALVE	12	1836287C91	901
1820590C1	BOLT	12	641009L011	777
1820590C1	BOLT, M10X120 HEX FLANGE	12	641009L011	777
1820606C1	BOLT, FLANGE M12 X 1.75MM X 50MM	12	641010L001	1053
1820606C1	BOLT,M12X1.75X50MM HEX FLANGE	12	641010L001	1053

Part Number Index

Part No.	Description	Group	Figure	Page
1820813C1	PIN,REAR FRT COVER DOWEL	12	1826335C91	834
1820856C2	DAMPER,VIBRATION EMD-1701	12	1830736C91	852
1820878C2	RING, "O" #111 .424" X .527"	12	641006B009	832
1820878C2	RING,O #111	12	1824984C95	835
1820878C2	RING,O #111	12	641006B009	832
1820907C2	RING, "O" #118 .862" X .965"	12	641006B009	832
1820907C2	RING, "O" #118 .862" X .965"	12	641013C002	819
1820907C2	RING,O #118	12	1824984C95	835
1820907C2	RING,O #118	12	641006B009	832
1820907C2	RING,O #118	12	641013C002	819
1820909C1	GASKET VALVE COVER	12	641008D013	839
1820909C1	GASKET, VALVE COVER	12	641008D013	839
1820909C2	GASKET, VALVE COVER	12	641008D013	839
1820912C1	BRACKET, BREATHER TUBE - LOWER	12	1827224C1	895
1820919C1	PLUG,FUEL REG	12	1836287C91	901
1820920C3	SEAL, RESERVOIR	12	641006B009	832
1820920C3	SEAL,RESERVOIR	12	1824984C95	835
1820920C3	SEAL,RESERVOIR	12	641006B009	832
1820921C1	BOLT,HEX FLANGE,STUD, M8 X 30	12	641013C002	819
1820921C1	STUD M8 X 1.25	12	641013C002	819
1820923C2	NUT,VALVE ADJ SCREW	12	1827195C95	766
1820936C1	GASKET TURBO OIL DRAIN	12	641015D001	1132
1820951C1	RING, "O"	12	641005B001	1119
1820951C1	RING,THERMOSTAT	12	641005B001	1119
1820967C2	GEAR,PUMP	12	1830177C92	980
1821013C1	BLOCK, TAPPING-DRAIN PLUG	12	1823278C92	1124
1821023C1	HOSE, AIR COMP	12	641016L002	755
1821023C1	HOSE, OIL AIR COMPRESSOR SUPPLY	12	641016L002	755
1821098C2	RING, "O"	12	641013C002	819
1821098C2	RING,O	12	1833359C94	825
1821098C2	RING,O	12	641013C002	819
1821143C1	TAPPET, SLIDING	12	1821232C92	984
1821144C1	ROLLER TAPPET, SHELL	12	1821232C92	984
1821146C1	SPRING, COMPRESSION	12	1821232C92	984
1821232C92	PUMP,LOW PRESSURE FUEL SUPPLY	12	1821232C92	984
1821232C92	PUMP,LOW PRESSURE FUEL SUPPLY	12	1830177C92	980
1821290C1	HOUSING, PUMP	12	1821232C92	984
1821642C3	STUD, TURBO ADAPTER	12	641014B001	936
1821642C3	STUD, TURBO ADAPTER	12	641014B003	1106
1821915C91	FLYWHEEL ASM	12	641007L001	1055
1821915C91	FLYWHEEL,MAN	12	1821915C91	1056
1821915C91	FLYWHEEL,MAN	12	641007L001	1055
1821916C1	FLYWHEEL,ENG	12	1821915C91	1056
1821931C1	IMPELLER,WATER PUMP	12	1830607C5	986
1821934C5	BEARING,SHAFT,WATER PUMP	12	1830607C5	986
1821962C2	ROD PUSH ASSEMBLY	12	641003C002	993
1821962C2	ROD, PUSH	12	641003C002	993
1821997C3	GEAR,CAMSHAFT	12	1830613C91	788
1822018C1	BOLT M10 X 90 MM	12	641009L011	777
1822018C1	BOLT, M10 X 90MM	12	641009L011	777
1822039C3	BRACKET, ALTERNATOR MOUNTING	12	641009L011	777
1822039C3	BRACKET,ALTERNATOR MOUNTING	12	641009L011	777
1822067C1	BRACKET, AIR COMPRESSOR	12	641016L002	755
1822067C1	SUPPORT AIR COMP MTG*	12	641016L002	755
1822086C1	BUSHING,FLYWHEEL BOLT	12	641010L001	1053
1822086C1	PIN, HOLLOW DOWEL	12	641010L001	1053
1822091C2	HUB, FAN & PULLEY	12	1830607C5	986
1822101C95	GEAR ASSY,LOWER	12	1822101C95	943

Part Number Index

Part No.	Description	Group	Figure	Page
1822101C95	GEAR ASSY, LOWER	12	641003D002	950
1822101C95	GEAR, IDLER LOWER	12	641003D002	950
1822102C95	GEAR ASSY., UPPER	12	1822102C95	945
1822102C95	GEAR ASSY., UPPER	12	641003D002	950
1822102C95	GEAR, IDLER UPPER	12	641003D002	950
1822120C1	GASKET TURBO ADAPTER	12	641015A067	1213
1822121C2	BOLT, FLANGE	12	641006B009	832
1822121C2	BOLT, HF SPCL-M8P	12	641006B009	832
1822123C1	SPACER, AIR COMPRESSOR	12	641016L002	755
1822123C1	SPACER, AIR COMP SUPT	12	641016L002	755
1822135C1	RING, "O" BREATHER TUBE #214	12	641017L003	893
1822135C1	RING, O #214	12	1830188C91	881
1822135C1	RING, O #214	12	641017L003	893
1822322C92	PACKAGE, CYL SLEEVE RING	12	1822322C92	967
1822322C92	PACKAGE, CYL SLEEVE RING	12	1830709C92	970
1822510C1	PAINT, SPEC BLUE	12	3540803F92	934
1822510C1	PAINT, SPEC BLUE	12	641002C001	1189
1822523C1	BAR, OIL PAN MOUNTING	12	641006L001	1122
1822530C92	VALVE ASSY, CHECK	12	1822530C92	910
1822530C92	VALVE ASSY, CHECK	12	1836287C91	901
1822577C1	GASKET MANIFOLD	12	641008A009	875
1822577C1	GASKET, MANIFOLD	12	641008A009	875
1822588C1	FILTER, FUEL	12	1836287C91	901
1822645C1	CONDUIT, CONV.	12	641011E002	948
1822645C1	LOOM, CONVOLUTED	12	641011E002	948
1822646C1	CONDUIT, CONV.	12	641011E002	948
1822888C1	BOLT M8 X 12	12	641009A008	795
1822888C1	BOLT, M8X12 HEX FLANGE	12	641009A008	795
1822897C1	CLIP, HARNESS RETAINER	12	1807455C92	806
1822897C1	CLIP, HARNESS RETAINER	12	1833443C95	804
1822897C1	CLIP, HARNESS RETAINER	12	1889905C91	802
1822998C1	RING, O	12	1821232C92	984
1823010C1	RING, O	12	1821232C92	984
1823029C1	GASKET, HAND PRIMER	12	1836287C91	901
1823275C1	BOLT M8 X 1.25 X 30MM	12	641006L001	1122
1823275C1	BOLT, M8 X 1.25 X 30MM	12	641006L001	1122
1823277C1	PAN, OIL (24 QTS)	12	1823278C92	1124
1823278C92	PAN ASSEMBLY, OIL	12	1823278C92	1124
1823278C92	PAN ASSEMBLY, OIL	12	641006L001	1122
1823278C92	PAN, OIL	12	641006L001	1122
1823281C1	BOLT, FLANGE M8 X 1.25MM X 24MM	12	641006L001	1122
1823281C1	BOLT, M8-1.25 X 24MM HEX FLANGE	12	641006L001	1122
1823306C1	NIPPLE, VALVE COMPUCHECK	12	1822530C92	910
1823733C2	CARRIER, OIL SEAL REAR PTO	12	641007C001	1064
1823733C2	CARRIER, W/REAR PTO	12	641007C001	1064
1823742C1	STUD BOLT, M8X110X19	12	641008D013	839
1823742C1	STUD M8 X 110	12	641008D013	839
1823790C1	RING, "O" #906 .468" X .546"	12	641011E002	948
1823790C1	RING, O #906	12	1825563C91	933
1823790C1	RING, O #906	12	1842004C91	938
1823790C1	RING, O #906	12	641011E002	948
1823809C1	BOLT M8 X 120MM	12	641009L011	777
1823809C1	BOLT, M8X120MM(SPEC LONG THD)	12	641009L011	777
1823920C1	EXTENSION, CLIP	12	641011L019	899
1823920C1	EXTENSION, CLIP	12	641011L019	899
1823925C1	SEAL, VALVE STEM ASSY.	12	1830346C95	877
1823929C1	BOLT M12 X 1.25MM	12	641007B006	850
1823929C1	BOLT M12 X 1.25MM	12	641007L001	1055

Part Number Index

Part No.	Description	Group	Figure	Page
1823929C1	BOLT, M12 X 1.25	12	641007B006	850
1823929C1	BOLT, M12 X 1.25	12	641007L001	1055
1823944C92	GEAR ASSY,CAMSHAFT	12	1830613C91	788
1824635C1	GEAR,IDLER UPPER (HEUI)	12	1822102C95	945
1824636C1	GEAR,IDLER LOWER (HEUI)	12	1822101C95	943
1824644C1	KEY,MANIF HEAT CONT LEVER	12	1830346C95	877
1824647C1	GUIDE,VALVE (SERVICE)	12	1830345C93	879
1824680C1	ROTATOR,VALVE	12	1830346C95	877
1824723C1	DISC, TIMING SENSOR	12	641003A004	786
1824723C1	DISC,TIMING SENSOR	12	641003A004	786
1824735C1	RING, O SEAL	12	1830622C92	821
1824735C1	RING, O SEAL	12	1841739C91	823
1824736C1	RING, O-SEAL	12	1830622C92	821
1824736C1	RING, O-SEAL	12	1841739C91	823
1824747C1	CAMSHAFT,MACHINING	12	1830613C91	788
1824752C1	BOLT, FLANGED M8 X 55	12	641011E002	948
1824752C1	BOLT,M8 X 1.25 X 55MM	12	641011E002	948
1824755C1	GASKET,FUEL PUMP	12	1830177C92	980
1824866C1	WASHER,NEOPREME LUBERFINER	14	3609621C91	1288
1824908C1	RING,O SIZE 124	12	1807455C92	806
1824908C1	RING,O SIZE 124	12	1889905C91	802
1824911C1	GASKET REAR SEAL CARRIER	12	641007C001	1064
1824911C1	GASKET,REAR SEAL CARRIER	12	641007C001	1064
1824946C1	PUMP,HAND PRIMER	12	1836287C91	901
1824948C1	RING, "O"	12	641009B005	798
1824948C1	RING,O	12	641009B005	798
1824954C2	BOLT, CYLINDER HEAD	12	641008A009	875
1824954C2	BOLT,CYLINDER HEAD	12	641008A009	875
1824955C1	BOLT, CYLINDER HEAD	12	641008C003	764
1824955C1	BOLT,CYL HEAD	12	641008C003	764
1824978C1	NUT, (IPR)	12	1825249C91	996
1824979C1	RING,O	12	1825249C91	996
1824980C1	RING,O #018	12	1825249C91	996
1824981C1	SEAL,BACK-UP RING	12	1825249C91	996
1824984C95	GASKET SET, FRONT COVER	12	641006B009	832
1824984C95	KIT,FRONT COVER GASKET	12	1824984C95	835
1824984C95	KIT,FRONT COVER GASKET	12	641006B009	832
1825238C1	FILTER,EDGE,HI PRESS OIL PUMP	12	1830192C2	982
1825249C91	VALVE ASM,IPR	12	641011E002	948
1825249C91	VALVE ASSY,IPR	12	1825249C91	996
1825249C91	VALVE ASSY,IPR	12	641011E002	948
1825349C1	VALVE, INJ.PRES. REGULATOR	12	1825249C91	996
1825436C1	GASKET EXHAUST MANIFOLD	12	641014B003	1106
1825436C1	GASKET,EXHAUST MANIFOLD	12	641014B001	936
1825464C1	SCREW, FLAT HEAD M5X12	12	641003A004	786
1825464C1	SCREW,FL HD M5X12	12	641003A004	786
1825467C1	FITTING,HOLLOW-FLEX	12	641011L019	899
1825467C1	SCREW, HOLLOW FLEX FITTING	12	641011L019	899
1825504C1	PLUG,FLANGED HEX HEAD	12	1823278C92	1124
1825511C1	VALVE ASSY, REGULATOR	12	641011L019	899
1825511C1	VALVE, REGULATOR	12	641011L019	899
1825520C91	TUBE ASSY.,TRANSFER PUMP IN	12	1825520C91	908
1825520C91	TUBE ASSY.,TRANSFER PUMP IN	12	641011L019	899
1825520C91	TUBE, TRANSFER PUMP INLET	12	641011L019	899
1825521C93	TUBE ASSY.,TRNSFR PUMP OUTLET	12	1825521C93	909
1825521C93	TUBE ASSY.,TRNSFR PUMP OUTLET	12	641011L019	899
1825521C93	TUBE, TRANSFER PUMP OUTLET	12	641011L019	899
1825540C1	SPRING,VALVE EXHAUST	12	1830346C95	877

Part Number Index

Part No.	Description	Group	Figure	Page
1825563C91	ELBOW ASSY., 37-DEG O-RING BOSS	12	1825563C91	933
1825563C91	ELBOW ASSY., 37-DEG O-RING BOSS	12	641011E002	948
1825563C91	FITTING, ELBOW "O" RING BOSS	12	641011E002	948
1825610C1	RING, O #217 OIL PAN	12	1823278C92	1124
1825613C1	TUBE, TRANSFER PUMP INLET	12	1825520C91	908
1825667C1	FLANGE, TURBO OIL DRAIN	12	641015D001	1132
1825669C1	TUBE, TURBO OIL DRAIN	12	641015D001	1132
1825685C1	SEAL, PUMP FLANGE	12	641011E002	948
1825685C1	SEAL, REXROTH PUMP FLANGE	12	641011E002	948
1825688C1	ELEMENT, BREATHER	12	1828262C92	841
1825945C1	GROMMET VIBRATION ISOLATOR	12	641009C014	809
1825945C1	GROMMET, VIBRATION ISOLATOR	12	1829953C92	791
1825945C1	GROMMET, VIBRATION ISOLATOR	12	641009C014	809
1826313C1	MANIFOLD, OIL/FUEL	12	1829825C92	884
1826315C1	COVER, FRONT (REAR HALF)	12	1826335C91	834
1826335C91	COVER ASM, FRONT CRANKCASE (REAR HALF)	12	641006B009	832
1826335C91	COVER ASSY., FRONT (REAR HALF)	12	1826335C91	834
1826335C91	COVER ASSY., FRONT (REAR HALF)	12	641006B009	832
1826342C1	PLUG, PIPE 1/8 NPTF	12	1830617C92	844
1826345C1	SPACER	12	1825249C91	996
1826584C1	BOLT, STUD	12	641006B009	832
1826587C1	GASKET OIL PAN	12	641006L001	1122
1826587C1	GASKET, OIL PAN	12	641006L001	1122
1826626C1	NUT, SPACER	12	641009C014	809
1826626C1	NUT, SPACER	12	641009C014	809
1827078C1	BOLT, BEARING CAP	12	1830617C92	844
1827113C2	HEAD, CYLINDER	12	1830345C93	879
1827121C2	INSERT, INTAKE VALVE SEAT, STD	12	1830345C93	879
1827157C2	KNOB, CEC HARNESS	12	1831415C92	808
1827168C1	SHAFT, ROCKER ARM	12	1830592C91	770
1827174C1	SLEEVE, WEAR	12	1827176C91	853
1827175C1	SEAL, DUST-POSE	12	1827176C91	853
1827176C91	SLEEVE, ASSY POSE	12	1827176C91	853
1827176C91	SLEEVE, ASSY POSE	12	1830736C91	852
1827176C91	SLEEVE, ASSY POSE	12	1833096C92	965
1827176C91	SLEEVE, ASSY POSE	12	1833357C92	968
1827177C1	SEAL, FRONT-RADIAL LIP TYPE	12	1827395C92	947
1827177C1	SEAL, FRONT-RADIAL LIP TYPE	12	1833096C92	965
1827193C1	BUTTON, ROCKER ARM	12	1827195C95	766
1827193C1	BUTTON, ROCKER ARM	12	1872755C91	768
1827195C95	ARM ASSY, ROCKER (RATIO 1:66)	12	1827195C95	766
1827195C95	ARM ASSY, ROCKER (RATIO 1:66)	12	1830593C94	771
1827221C1	BRACKET, BREATHER TUBE-UPPER	12	1827224C1	895
1827224C1	TUBE ASSEMBLY, BREATHER	12	1827224C1	895
1827224C1	TUBE ASSEMBLY, BREATHER	12	1830188C91	881
1827224C1	TUBE ASSEMBLY, BREATHER	12	641017L003	893
1827316C1	SPRING, ROCKER SHAFT	12	1830593C94	771
1827316C1	SPRING, ROCKER SHAFT	12	1872757C91	773
1827395C92	HOUSING, OIL PUMP	12	1827395C92	947
1827395C92	HOUSING, OIL PUMP	12	1833357C92	968
1827395C92	HOUSING, OIL PUMP	12	641013A003	978
1827396C2	HOUSING, LUBE OIL PUMP	12	1827395C92	947
1827397C91	ROTOR ASSY, OIL PUMP	12	1833357C92	968
1827397C91	ROTOR ASSY, OIL PUMP	12	641013A003	978
1827397C91	ROTOR, OIL PUMP	12	641013A003	978
1827400C1	PLATE, OIL PUMP HOUSING	12	641013A003	978
1827400C1	PLATE, OIL PUMP HOUSING	12	1833357C92	968
1827400C1	PLATE, OIL PUMP HOUSING	12	641013A003	978

Part Number Index

Part No.	Description	Group	Figure	Page
1827435C1	BRACKET,ROCKET SHAFT	12	1830593C94	771
1827435C1	BRACKET,ROCKET SHAFT	12	1872757C91	773
1827515C1	PLUG,OIL RAIL END	12	1829825C92	884
1827743C4	ARM,ROCKER (RATION 1:66)	12	1827195C95	766
1827803C2	SUPPORT,UVC HARNESS	12	1807455C92	806
1827895C2	COVER,VALVE	12	1828262C92	841
1828262C92	COVER ASSEMBLY, VALVE	12	1828262C92	841
1828262C92	COVER ASSEMBLY, VALVE	12	641008D013	839
1828262C92	COVER, VALVE	12	641008D013	839
1829801C91	TUBE ASSY.,FINAL FILTER OUTLET	12	1829801C91	907
1829801C91	TUBE ASSY.,FINAL FILTER OUTLET	12	641011L019	899
1829801C91	TUBE, FINAL FILTER OUTLET	12	641011L019	899
1829802C1	HOSE ASSY.,HIGH PRESSURE	12	641011E002	948
1829802C1	HOSE, HIGH PRESSURE	12	641011E002	948
1829825C92	MANIFOLD	12	641008A009	875
1829825C92	MANIFOLD ASSY., OIL & FUEL	12	1829825C92	884
1829825C92	MANIFOLD ASSY., OIL & FUEL	12	641008A009	875
1829830C1	TUBE,TRANSFER PUMP OUTLET	12	1825521C93	909
1829832C1	TUBE,FINAL FILTER OUTLET	12	1829801C91	907
1829863C1	WASHER, FLAT	12	641009C014	809
1829863C1	WASHER,FLAT M8	12	1829953C92	791
1829863C1	WASHER,FLAT M8	12	1830110C1	801
1829863C1	WASHER,FLAT M8	12	641009C014	809
1829909C1	TUBE,BREATHER (SIDE)	12	1827224C1	895
1829944C1	BRACKET ASSY,CEC MOD REAR MNT	12	1829953C92	791
1829944C1	BRACKET ASSY,CEC MOD REAR MNT	12	641009C014	809
1829944C1	BRACKET, MOUNTING CEC MODULE REAR	12	641009C014	809
1829953C92	BRACKET ASM.,CEC REAR MOUNT	12	641009C014	809
1829953C92	BRACKET ASSY.,CEC REAR MOUNT	12	1829953C92	791
1829953C92	BRACKET ASSY.,CEC REAR MOUNT	12	641009C014	809
1830033C2	TENSIONER ASSY,AUTOMATIC	12	641020B002	1038
1830033C2	TENSIONER, AUTOMATIC BELT	12	641020B002	1038
1830050C1	BOLT, INJECTOR	12	641011C054	941
1830050C1	BOLT,INJECTOR	12	641011C054	941
1830051C1	BOLT, SHOULDER	12	641011C054	941
1830051C1	BOLT,SHOULDER	12	641011C054	941
1830059C1	BEARING,CAMSHAFT,REAR	12	1830617C92	844
1830060C1	PIN, PISTON	12	641004B021	973
1830060C1	PIN,PISTON STD	12	1830709C92	970
1830060C1	PIN,PISTON STD	12	641004B021	973
1830070C1	GEAR, AIR COMPRESSOR DRIVE W/O KEYWAY	12	641016L002	755
1830070C1	GEAR,AIR COMPR W/O KEYWAY	12	641016L002	755
1830110C1	GROMMET ASSY,WASHER & GROMMET	12	1830110C1	801
1830110C1	GROMMET ASSY,WASHER & GROMMET	12	641009C014	809
1830110C1	GROMMET W/ WASHER	12	641009C014	809
1830118C1	SPACER, NUT	12	1829953C92	791
1830120C2	THERMOSTAT	12	1830256C93	1118
1830149C1	BEARING,CONN ROD	12	641004A002	917
1830152C1	ROD & CAP, CONNECTING	12	1830153C91	990
1830153C91	ROD, CONNECTING	12	641004A002	917
1830153C91	ROD,ASM CONNECTING	12	1830153C91	990
1830153C91	ROD,ASM CONNECTING	12	641004A002	917
1830177C92	PUMP,HIGH PRESSURE OIL	12	1830177C92	980
1830177C92	PUMP,HIGH PRESSURE OIL	12	641011E002	948
1830188C91	KIT, BREATHER TUBE	12	641017L003	893
1830188C91	KIT,BREATHER TUBE	12	1830188C91	881
1830188C91	KIT,BREATHER TUBE	12	641017L003	893
1830189C2	GASKET CYLINDER HEAD	12	641008A009	875

Part Number Index

Part No.	Description	Group	Figure	Page
1830189C2	GASKET-CYLINDER HEAD	12	641008A009	875
1830190C1	TUBE, COOLER WATER OUTLET	12	641013C002	819
1830190C1	TUBE,WATER OUTLET,OIL COOLER	12	641013C002	819
1830192C2	PUMP,HIGH PRESSURE OIL	12	1830177C92	980
1830192C2	PUMP,HIGH PRESSURE OIL	12	1830192C2	982
1830256C93	THERMOSTAT	12	641005B001	1119
1830256C93	THERMOSTAT ASSEMBLY	12	1830256C93	1118
1830256C93	THERMOSTAT ASSEMBLY	12	641005B001	1119
1830269C1	BEARING, C'SHAFT REAR LOWER	12	641007A004	846
1830279C1	CRANKCASE	12	1830617C92	844
1830305C1	COVER, COOLANT FILTER	12	641005M005	831
1830305C1	COVER,COOLANT FILTER	12	641005M005	831
1830310C2	INSERT,INT SEAT,.002 OVERSIZE	12	1830345C93	879
1830311C2	INSERT,INT SEAT,.015 OVERSIZE	12	1830345C93	879
1830317C1	GASKET,INJECTOR	12	1830692C92	952
1830317C1	GASKET,INJECTOR	12	1830742C92	956
1830345C93	HEAD ASSY.,CYLINDER	12	1830345C93	879
1830345C93	HEAD ASSY.,CYLINDER	12	1830346C95	877
1830346C95	HEAD ASSY,CYLINDER,W/VALVES	12	1830346C95	877
1830346C95	HEAD ASSY,CYLINDER,W/VALVES	12	641008A009	875
1830346C95	HEAD, CYLINDER	12	641008A009	875
1830360C1	TUBE,OIL JET	12	1830617C92	844
1830362C1	SEAL RING,FRONT HEADER	12	1833359C94	825
1830362C1	SEAL RING,FRONT HEADER	12	641013C002	819
1830362C1	SEAL, FRONT OIL COOLER HEADER	12	641013C002	819
1830487C1	TEE, 1/8-27 AUTO PIPE	12	641006A005	842
1830487C1	TEE, AUTO PIPE	12	641006A005	842
1830505C1	BEARING,C'SHAFT REAR UPPER	12	641007A004	846
1830506C1	BEARING,C'SHAFT FRONT UPPER	12	641007A004	846
1830532C2	PISTON	12	641004B021	973
1830532C2	PISTON (530)	12	1830709C92	970
1830532C2	PISTON (530)	12	641004B021	973
1830592C91	SHAFT ASSY, ROCKER ARM	12	1830592C91	770
1830592C91	SHAFT ASSY, ROCKER ARM	12	1830593C94	771
1830592C91	SHAFT ASSY, ROCKER ARM	12	1872757C91	773
1830593C91	SHAFT W/ BRACKET	12	641008C003	764
1830593C91	SHAFT,ASSY BRACKET& ROCKER ARM	12	641008C003	764
1830593C92	SHAFT ASSY.,BRKT & ROCKER ARM	12	641008C003	764
1830593C92	SHAFT W/ BRACKET	12	641008C003	764
1830593C93	SHAFT ASSY, BRKT & ROCKER ARM	12	641008C003	764
1830593C93	SHAFT, ROCKER ARM W/ BRACKET	12	641008C003	764
1830593C94	SHAFT ASSY,BRACKET&ROCKER ARM	12	1830593C94	771
1830593C94	SHAFT ASSY,BRACKET&ROCKER ARM	12	641008C003	764
1830593C94	SHAFT W/ BRACKET	12	641008C003	764
1830595C1	RING,OIL CONTROL	12	1830723C92	960
1830595C1	RING,OIL CONTROL	12	641004B021	973
1830596C91	CRANKSHAFT ASM	12	641007A004	846
1830596C91	CRANKSHAFT ASSEMBLY	12	1830596C91	848
1830596C91	CRANKSHAFT ASSEMBLY	12	641007A004	846
1830606C93	PUMP ASSY, WATER	12	641005A004	1002
1830606C93	PUMP, WATER	12	641005A004	1002
1830606C94	PUMP ASSEMBLY,WATER	12	641005A004	1002
1830606C94	PUMP, WATER	12	641005A004	1002
1830606C95	PUMP ASSEMBLY,WATER	12	1830606C95	977
1830606C95	PUMP ASSEMBLY,WATER	12	641005A004	1002
1830607C5	PUMP,SUB-ASSEMBLY,WATER	12	1830606C95	977
1830607C5	PUMP,SUB-ASSEMBLY,WATER	12	1830607C5	986
1830613C91	CAMSHAFT ASM	12	641003A004	786

Part Number Index

Part No.	Description	Group	Figure	Page
1830613C91	CAMSHAFT,ASSEMBLY	12	1830613C91	788
1830613C91	CAMSHAFT,ASSEMBLY	12	641003A004	786
1830616C1	CAP,MAIN BEARING	12	1830617C92	844
1830617C92	CRANKCASE ASM	12	641006A005	842
1830617C92	CRANKCASE ASSEMBLY	12	1830617C92	844
1830617C92	CRANKCASE ASSEMBLY	12	641006A005	842
1830620C1	CRANKSHAFT	12	1830596C91	848
1830622C92	COOLER,ASM OIL	12	1830622C92	821
1830622C92	COOLER,ASM OIL	12	641013C002	819
1830623C1	HEADER,OIL COOLER FRONT	12	1830622C92	821
1830623C1	HEADER,OIL COOLER FRONT	12	1841739C91	823
1830669C91	SENSOR, INJECTOR CONTROL PRESSURE	12	641009B005	798
1830669C91	SENSOR,INJ CONT PRES (ICP)	12	1830669C91	811
1830669C91	SENSOR,INJ CONT PRES (ICP)	12	641009B005	798
1830691C1	INJECTOR ASSY.	12	1830692C92	952
1830692C92	INJECTOR ASSY,W/SEALS	12	1830692C92	952
1830692C92	INJECTOR ASSY,W/SEALS	12	641011C054	941
1830692C92	INJECTOR, W/ SEALS	12	641011C054	941
1830706C1	SLEEVE, CYLINDER	12	641006A005	842
1830706C1	SLEEVE,CYLINDER	12	1830709C92	970
1830706C1	SLEEVE,CYLINDER	12	641006A005	842
1830709C92	KIT, PISTON & SLEEVE	12	641004B021	973
1830709C92	PACKAGE,PISTON & SLEEVE	12	1830709C92	970
1830709C92	PACKAGE,PISTON & SLEEVE	12	641004B021	973
1830711C1	INSERT,EXHAUST VALVE	12	1830345C93	879
1830712C1	INSERT,EXH	12	1830345C93	879
1830713C1	INSERT,EXH	12	1830345C93	879
1830723C92	KIT, PISTON RING	12	641004B021	973
1830723C92	KIT,PISTON RING,466,230-270BHP	12	1830723C92	960
1830723C92	KIT,PISTON RING,466,230-270BHP	12	641004B021	973
1830725C91	PACKAGE, CRANKSHAFT BEARINGS FRONT	12	641007A004	846
1830725C91	PACKAGE,C"SHAFT BRGS FRONT	12	641007A004	846
1830726C91	KIT, REAR MAIN BEARING	12	641007A004	846
1830726C91	PACKAGE,MAIN BRG REAR STD	12	641007A004	846
1830736C91	DAMPER	12	641007B006	850
1830736C91	DAMPER ASSEMBLY	12	1830736C91	852
1830736C91	DAMPER ASSEMBLY	12	641007B006	850
1830742C92	KIT, INJECTOR SEAL	12	641011C054	941
1830742C92	KIT,INJECTOR SEALS	12	1830742C92	956
1830742C92	KIT,INJECTOR SEALS	12	641011C054	941
1830974C1	INSULATOR,C.E.C. SHIPPING	12	641009C014	809
1831251C1	INSULATOR,FOAM	12	1833443C95	804
1831376C1	FASTENER,SPECIAL*KNOB O-RING	12	1831415C92	808
1831415C92	KNOB,ASSY,CEC HARNESS(95)	12	1831415C92	808
1831415C92	KNOB,ASSY,CEC HARNESS(95)	12	1833443C95	804
1831483C1	SEAL,OIL RAIL END PLUG	12	1829825C92	884
1831729C1	LUBRICATOR DIELECTRIC GREASE	12	641002C001	1189
1831729C1	LUBRICATOR DIELECTRIC GREASE	12	641009C014	809
1831729C1	LUBRICATOR,GREASE,DIELECTRIC	12	3540803F92	934
1831729C1	LUBRICATOR,GREASE,DIELECTRIC	12	641009C014	809
1831730C1	LUBRICATOR DIELECTRIC GREASE	12	641009C014	809
1831730C1	LUBRICATOR,GREASE 1/4 OZ TUBE	12	641009C014	809
1831731C1	LUBRICATOR, DIELECTRIC GREASE 4 OZ TUBE	12	641009C014	809
1831731C1	LUBRICATOR,GREASE 4 OZ TUBE	12	641009C014	809
1831746C1	LABEL, GREASE INSTRUCTION	12	641009C014	809
1831746C1	LABEL,GREASE INSTRUCTION	12	641009C014	809
1833031C1	SENSOR, INJ CONT PRESS (ICP)	12	1830669C91	811
1833096C92	KIT, FRONT OIL SEAL DT530/570	12	641013A003	978

Part Number Index

Part No.	Description	Group	Figure	Page
1833096C92	PACKAGE FRONT OIL SEAL 530/570	12	1833096C92	965
1833096C92	PACKAGE FRONT OIL SEAL 530/570	12	641013A003	978
1833121C1	FILTER, EXTENDED LIFE OIL	12	641013B002	964
1833121C1	FILTER, OIL EXTENDED LIFE	12	641013B002	964
1833234C1	HOUSING, VALVE	12	1833386C1	837
1833235C1	SPRING, RELIEF VALVE	12	1833386C1	837
1833341C1	MODULE, ELECT CONTROL 12V-CEC	12	641009C014	809
1833344C1	VALVE	12	1833386C1	837
1833357C92	KIT, OIL PUMP OIL	12	641013A003	978
1833357C92	PACKAGE, OIL PUMP	12	1833357C92	968
1833357C92	PACKAGE, OIL PUMP	12	641013A003	978
1833359C94	KIT, OIL COOLER	12	641013C002	819
1833359C94	KIT, OIL COOLER I-308	12	1833359C94	825
1833359C94	KIT, OIL COOLER I-308	12	641013C002	819
1833382C1	SLEEVE, INJECTOR	12	1830345C93	879
1833385C1	EYE, LIFTING	12	641008F002	882
1833386C1	VALVE ASM, OIL RELIEF	12	641006B009	832
1833386C1	VALVE ASSY., OIL RELIEF	12	1833386C1	837
1833386C1	VALVE ASSY., OIL RELIEF	12	641006B009	832
1833417C2	BRACKET, EXTENSION	12	641009A008	795
1833419C2	BRACKET, EXTENSION	12	641009A008	795
1833423C1	COVER, ENGINE HARNESS	12	1833443C95	804
1833424C1	COVER, CHASSIS HARNESS	12	641009A008	795
1833443C95	HARNESS ASSY, ENGINE I6 HEUI	12	1833443C95	804
1833443C95	HARNESS ASSY, ENGINE I6 HEUI	12	641009A008	795
1833443C95	HARNESS, ELECTRICAL I6 HEUI ENGINES	12	641009A008	795
1834335C1	RETAINER, VALVE	12	1833386C1	837
1834357C1	SEAL, MIDDLE INJECTOR	12	1830692C92	952
1834357C1	SEAL, MIDDLE INJECTOR	12	1830742C92	956
1834491C1	TUBE ASSY., OIL PICK-UP	12	641006L001	1122
1834491C1	TUBE, OIL PICK UP	12	641006L001	1122
1834579C3	BRACKET, COMPR MTG AIR COND	16	06PSZ	1386
1835385C1	BOLT M8 X 80MM	12	641006L001	1122
1835385C1	BOLT, HEAVY HX FLG-M8 X 80MM	12	641006L001	1122
1836075C1	RING, O 2 1/8 I.D.	12	1830256C93	1118
1836094C92	TURBOCHARGER	12	641015A067	1213
1836287C91	HEADER ASSY, FUEL FILTER	12	1836287C91	901
1836287C91	HEADER ASSY, FUEL FILTER	12	641011L019	899
1836287C91	HEADER, FUEL FILTER	12	641011L019	899
1836409C1	HEADER, FUEL FILTER	12	1836287C91	901
1836412C91	REGULATOR, INJ PRESS	12	641011E002	948
1836472C1	TUBE ASSY., OIL FILLER	12	641006M011	903
1836472C1	TUBE, OIL FILLER	12	641006M011	903
1836473C1	GAUGE OIL LEVEL	12	641006M011	903
1836473C1	GAUGE, OIL LEVEL	12	641006M011	903
1836473C2	GAUGE, OIL LEVEL	12	641006M011	903
1837148C1	CLIP, HARNESS MTG.	12	1833443C95	804
1838845C1	BOLT, STUD (METRIC)	12	1830617C92	844
1839026C1	RING, "O" #012 .364" X .434"	12	1845826C92	1134
1840078C1	SENSOR, PRESSURE TRANSDUCER CUSTOM ENGIN E CONTROL	12	641009B005	798
1840078C1	SENSOR, MANIFOLD ABSOLUTE PRESS	12	641009B005	798
1840363C1	BOLT, CONNECTING ROD	12	1841615C91	988
1840363C1	BOLT, CONNECTING ROD	12	1841634C91	989
1840592C1	BUSHING, CONNECTING ROD	12	1841634C91	989
1841027C1	BOLT	12	641006M011	903
1841027C1	BOLT, M6 X 1 6GX40MM, HEX FLANGE	12	641006M011	903
1841086C91	REGULATOR- INJ. PRESS	12	1841217C91	972

Part Number Index

Part No.	Description	Group	Figure	Page
1841142C1	HOSE, BREATHER	12	641017L003	893
1841142C1	HOSE, BREATHER	12	641017L003	893
1841217C91	KIT, INJECTOR PRESSURE REGULATOR	12	641011E002	948
1841217C91	PACKAGE-INJ PRESSURE REGULATOR	12	1841217C91	972
1841217C91	PACKAGE-INJ PRESSURE REGULATOR	12	641011E002	948
1841496C1	BUSHING, CONNECTING ROD	12	1841615C91	988
1841534C1	ROD & CAP, CONNECTING	12	1841615C91	988
1841534C1	ROD & CAP, CONNECTING	12	1841634C91	989
1841558C1	BELT, 8PK. 75.60	8	06PWH	360
1841563C1	BELT, 6PK. 45.70	16	06PSZ	1386
1841574C2	NUT, FLANGE HEAD SPIRALOCK THREAD M10 X 1.25	12	641015A067	1213
1841615C91	ROD ASM, CONNECTING	12	641004A002	917
1841615C91	ROD ASSEMBLY, CONNECTING	12	1841615C91	988
1841615C91	ROD ASSEMBLY, CONNECTING	12	641004A002	917
1841622C1	GASKET PRESSURE REGULATION	12	641011L019	899
1841622C1	GASKET, PRESSURE REGULATION	12	641011L019	899
1841634C91	ROD ASSY, CONNECTING	12	1841634C91	989
1841634C91	ROD ASSY, CONNECTING	12	641004A002	917
1841634C91	ROD, CONNECTING	12	641004A002	917
1841734C1	NUT, VALVE ADJUSTING SCREW	12	1872755C91	768
1841739C91	COOLER, ASM OIL	12	1833359C94	825
1841739C91	COOLER, ASM OIL	12	1841739C91	823
1841931C1	BEARING, CONNECTING ROD	12	641004A002	917
1842002C91	PLUG ASSY, CONSTRUCTION	12	1830192C2	982
1842002C91	PLUG ASSY, CONSTRUCTION	12	1842002C91	975
1842003C91	PLUG ASSY, OIL FERRY	12	1830192C2	982
1842003C91	PLUG ASSY, OIL FERRY	12	1842003C91	976
1842004C91	FITTING, 37 DEG FLARED HP HOSE	12	1830192C2	982
1842004C91	FITTING, 37 DEG FLARED HP HOSE	12	1842004C91	938
1842011C1	RING, O #903	12	1842002C91	975
1842011C1	RING, O #903	12	1842003C91	976
1842816C2	FILTER ASSY, SHORT OIL	12	641013B003	963
1842909C1	GASKET FRONT COVER	12	641006B009	832
1842909C1	GASKET, FRONT COVER	12	1824984C95	835
1842909C1	GASKET, FRONT COVER	12	641006B009	832
1842910C1	GASKET FRONT COVER TO CRANKCASE	12	641006B009	832
1842910C1	GASKET, FRONT COVER, C"CASE	12	1824984C95	835
1842910C1	GASKET, FRONT COVER, C"CASE	12	641006B009	832
1842912C1	VALVE, EXHAUST	12	1830346C95	877
1842913C1	VALVE, INTAKE	12	1830346C95	877
1844180C2	PIN, ROLLER TAPPET	12	1850160C2	995
1844181C3	ROLLER, TAPPET	12	1850160C2	995
1845824C1	TUBE, TURBO OIL INLET	12	641015D001	1132
1845825C1	FITTING, TURBO OIL SUPPLY	12	1845826C92	1134
1845826C92	FITTING TURBO OIL	12	1845826C92	1134
1845826C92	FITTING TURBO OIL	12	641015D001	1132
1850010C1	ROD, PUSH	12	641003C002	993
1850010C1	ROD, PUSH ASSY	12	641003C002	993
1850160C1	LIFTER, VALVE	12	641003C002	993
1850160C1	TAPPET ASSY, ROLLER	12	641003C002	993
1850160C2	TAPPET ASM, ROLLER	12	641003C002	993
1850160C2	TAPPET ASSY, ROLLER	12	1850160C2	995
1850160C2	TAPPET ASSY, ROLLER	12	641003C002	993
1850160C3	TAPPET ASSY, ROLLER	12	641003C002	993
1854755C2	BODY, TAPPET ROLLER	12	1850160C2	995
1854757C1	SCREW, ADJUSTER	12	1872755C91	768
185816R1	EXTENSION, CLIP	8	0GCJR	371

Part Number Index

Part No.	Description	Group	Figure	Page
1872514C1	ARM,VALVE ROCKER	12	1872755C91	768
1872733C2	BUSHING, ROD CONNECTING	12	641004A002	917
1872733C2	BUSHING,CONNECTING ROD	12	641004A002	917
1872746C1	ROD ASM, CONNECTING	12	641003C002	993
1872746C1	ROD,PUSH ASSEMBLY	12	641003C002	993
1872746C2	ROD ASSY,PUSH	12	641003C002	993
1872755C91	ARM,VALVE ROCKER ASSY	12	1872755C91	768
1872755C91	ARM,VALVE ROCKER ASSY	12	1872757C91	773
1872757C91	SHAFT ASM, BRACKET AND ROCKER ARM	12	641008C003	764
1872757C91	SHAFT,ASSY,BRACKET&ROCKER ARM	12	1872757C91	773
1872757C91	SHAFT,ASSY,BRACKET&ROCKER ARM	12	641008C003	764
1873875C91	ROD ASM, CONNECTING	12	641004A002	917
1873875C91	ROD,ASM CONNECTING	12	641004A002	917
1873875C92	ROD ASM, CONNECTING	12	641004A002	917
1873875C92	ROD,ASM CONNECTING	12	641004A002	917
1873875C93	ROD,ASM CONNECTING	12	641004A002	917
1873875C94	ROD,ASM CONNECTING	12	641004A002	917
1873875C95	ROD,ASM CONNECTING	12	1873875C95	991
1873875C95	ROD,ASM CONNECTING	12	641004A002	917
1873876C2	ROD & CAP, CONNECTING	12	1873875C95	991
1873884C2	BOLT,CONNECTING ROD	12	1873875C95	991
1878248C1	BUSHING,CONNECTING ROD	12	1873875C95	991
1889511C1	SENSOR TEMP	12	641009B005	798
1889511C1	SENSOR,TEMPERATURE	12	641009B005	798
1889514C91	HARNES ASSY,ENGINE I6 HEUI	12	641009A008	795
1889905C91	HARNES ASM, INJECTOR	12	641009A008	795
1889905C91	HARNES ASSY, INJECTOR	12	1889905C91	802
1889905C91	HARNES ASSY, INJECTOR	12	641009A008	795
1890235C1	HOUSING, WATER PUMP	12	1830607C5	986
1890310C91	HARNES,INTERNAL WIRING	12	1889905C91	802
1891275C1	SEAL ASSY.,WATER PUMP-LNG LIFE	12	1830607C5	986
1905439R92	HEADER,OIL COOLER OR FILTER	12	1841739C91	823
1905439R93	HEADER,OIL COOLER OR FILTER	12	1841739C91	823
1905439R94	HEADER,OIL COOLER OR FILTER	12	1841739C91	823
19841R1	PIN, 1/4 X .500 PLN HDN DOWEL	12	1830613C91	788
2000231C1	NUT,LOCK INPUT/OUTPUT SHAFT	14	1696762C91	1304
2000231C1	NUT,LOCK INPUT/OUTPUT SHAFT	14	3609621C91	1288
2000310C1	LOOM,HOSE INSLTR 1.25" X 12"	16	07TDL	1523
2002176C1	EXTENSION CLIP	12	641009A008	795
2002176C1	EXTENSION,CLIP	12	641009A008	795
2003027C1	NUT,HEX AXLE SHAFT 3/4NF	14	0DMPJ	1318
2003252C97	COMPRESSOR,AIR AIR BENDIX TU-FLO 550	12	641016L002	755
2003252C97	COMPRESSOR,ASM AIR TU-FLO 550	12	641016L002	755
2003460C1	CLAMP,CABLE	12	641009A008	795
2003460C1	CLAMP,CABLE COATED 1.0 ID .406 DIA MTG H OLE	12	641009A008	795
2003838C94	HUB,REAR WHEEL W/DRUM*CAST	17	06LVQ	1691
2003838C94	HUB,REAR WHEEL W/DRUM*CAST	17	2003838C94	1692
2005763C91	CLAMP,CAC HOSE	12	07PJX	780
2005805C1	FITTING,HOSE	4	B000000000	164
2005836C1	CONNECTOR,CABLE 8M M/P 280	16	3545211C93	1536
2007175C2	BOLT,WHL HUB RHD M22 X 3.5"LG	17	2003838C94	1692
2007175C2	BOLT,WHL HUB RHD M22 X 3.5"LG	17	2014885C93	1694
2007418C1	BRACKET,ETHER START	12	06VS3	1026
2008329F91	HOUSING,FLYWHEEL	12	0FB8Y	1057
2008329F91	HOUSING,FLYWHEEL	12	2008329F91	1062
2008344F91	COMPRESSOR,ASM AIR BW TF550	12	0FB8Z	754
2008344F91	COMPRESSOR,ASM AIR BW TF550	12	2008344F91	757

Part Number Index

Part No.	Description	Group	Figure	Page
2011340C1	CONNECTOR,BODY METRI-PACK 6-WY	8	3568498C91	453
2011364C1	LOCK,CONNECTOR BODY SEC	8	3568498C91	453
2012557C1	RELAY,GEN CONTROL	8	3568454F91	431
2012557C1	RELAY,GEN CONTROL	8	3610835F91	438
2012557C1	RELAY,GEN CONTROL	8	3610837F91	419
2014415C91	VALVE,HAND CONTROL*TC-7	4	2014415C91	212
2014415C91	VALVE,HAND CONTROL*TC-7	4	3540368F94	197
2014885C93	HUB,REAR WHEEL W/DRUM*CAST	17	06LVQ	1691
2014885C93	HUB,REAR WHEEL W/DRUM*CAST	17	2014885C93	1694
2015640C1	CLAMP,MUFFLER	7	3579389C1	347
2015727C1	TEE,QC AIR TUBE 3/8FX3/8F/3/8F	4	2506190C91	199
2017187C1	BOLT,AXLE SHAFT FLG*3/4NC-2.0	14	0DMPJ	1318
2017187C1	BOLT,AXLE SHAFT FLG*3/4NC-2.0	17	2003838C94	1692
2017187C1	BOLT,AXLE SHAFT FLG*3/4NC-2.0	17	2014885C93	1694
2017481C1	CONNECTOR,PUSH TO CONNECT*	7	0HGRZ	342
2017481C1	CONNECTOR,PUSH TO CONNECT*	12	07SL0	1040
2017483C1	CONNECTOR,PUSH TO CONNECT*	13	07VRS	1254
2017484C1	CONNECTOR,1/4MPT X 3/8QC STRGT	4	0LNNN	162
2017484C1	CONNECTOR,1/4MPT X 3/8QC STRGT	4	0MT69	140
2017487C1	CONNECTOR,3/8MPT X 3/8QC STRGT	4	0MT69	140
2017491C1	CONNECTOR,PUSH TO CONNECT*	4	0H75S	134
2017493C1	CONNECTOR,PTC 1/2MPT X 3/4QC	4	0MT69	140
2017506C1	COUPLING,PUSH TO CONNECT*	16	0FVYN	1491
2017507C1	COUPLING,PTC 3/8 QC	4	0J0LQ	127
2017508C1	ELBOW,QC 90D 1/8NPT X 1/4QC	12	07SL0	1040
2017510C1	ELBOW,QC 90D 1/4NPT X 1/4QC	7	0HGRZ	342
2017510C1	ELBOW,QC 90D 1/4NPT X 1/4QC	13	07VRS	1254
2017519C1	ELBOW,QC*90D 1/2MPT X 5/8 TUBE	4	0LNNN	162
2017519C1	ELBOW,QC*90D 1/2MPT X 5/8 TUBE	4	0MT69	140
2017519C1	ELBOW,QC*90D 1/2MPT X 5/8 TUBE	4	3571402F94	169
2017519C1	ELBOW,QC*90D 1/2MPT X 5/8 TUBE	4	3588790F92	171
2017520C1	ELBOW,QC*90D 1/2MPT X 3/4 TUBE	4	3571402F94	169
2020342C1	PLUG,FAST CONNECT 1/4 TUBE	8	3553365F93	674
2020343C1	PLUG,PUSH TO CONNECT.3/8	4	0GFP7	173
2020632C1	TERMINAL,CABLE EYELET 5/16	8	3572525C91	562
2020632C1	TERMINAL,CABLE EYELET 5/16	8	3581887C91	426
2021064C1	COOLER,OIL PWR STRG/TRANS	13	0M5GN	1258
2022866C1	CLAMP, COOLER MTG #24	16	06TJY	1648
2022867C1	CLAMP, COOLER MTG #27	4	06SPT	153
2022867C1	CLAMP, COOLER MTG #27	16	07TDL	1523
2024445C1	ELBOW,PUSH TO CONNECT*	12	07V15	763
2024446C1	ELBOW,QC*90D 3/8TUBE X 3/8STEM	4	0J0LQ	127
2024446C1	ELBOW,QC*90D 3/8TUBE X 3/8STEM	4	3588790F92	171
2024448C1	ELBOW,PTC 1/2 X 1/2	4	0J0LQ	127
2024453C1	TEE,PUSH TO CONNECT*	14	0GNXX	1307
2024456C1	TEE,QC AIR TUBE 3/8MX3/8FX3/8F	4	2506190C91	199
2024708C1	BRACKET,CONT VLV COMP BRK	7	0HGRZ	342
2024771C1	CLIP,SPRING TYPE	4	0F12N	221
2024771C1	CLIP,SPRING TYPE	4	3556963F91	226
2024772C1	CLIP,SPRING TYPE	4	0F12N	221
2024772C1	CLIP,SPRING TYPE	4	3556963F91	226
2024992C4	BRACKET, FILL TUBE	12	641010N007	779
2024992C4	BRACKET,FILL TUBE*XMSN	12	641010N007	779
2025423C1	TERMINAL,CABLE 480SERIES MALE	8	3547673C91	380
2025424C1	TERMINAL,CABLE 630 SERIES MALE	8	3568513C91	433
2025425C1	TERMINAL,CABLE 630 SERIES MALE	8	3568513C91	433
2025425C1	TERMINAL,CABLE 630 SERIES MALE	8	3588674C91	471
2025427C1	SEAL,CABLE TERMINAL 480 SERIES	8	3547673C91	380

Part Number Index

Part No.	Description	Group	Figure	Page
2025431C1	PLUG,SEALING, 150 SERIES	8	3561092C91	476
2025431C1	PLUG,SEALING, 150 SERIES	12	3579843C91	1227
2025432C1	PLUG,SEALING 480 SERIES	8	3547673C91	380
2026065C91	HARNESS,W/SWITCH D/L IND	13	3600089C92	1249
2026065C91	HARNESS,W/SWITCH D/L IND	14	1696762C91	1304
2026065C91	HARNESS,W/SWITCH D/L IND	14	2503395C91	1292
2028986C1	TEE,QC 3/8FX1/4FX3/8M STEM	4	0J0LQ	127
2029308C3	BRACKET, SUPPORT OIL FILLER PIPE	12	641006M011	903
2029308C3	BRACKET,OIL FILLER PIPE	12	641006M011	903
2031520C1	CONNECTOR,BODY* 480 SEALED	8	3547673C91	380
2031522C1	CONNECTOR,RECTIFIER 480SEALED	8	3547673C91	380
2031531C1	TERMINAL,CABLE 480 SEALED	8	3547673C91	380
2031871C1	CONNECTOR, METRI-PACK 150 SERS	16	3549338C92	1579
2032055C1	NUT,RR WHL BRG ADJ (AXILOK)	17	06M1J	1696
2033816C1	TERMINAL,CABLE (FOR 14 GA ONLY	8	3572236F91	528
2033819C1	TERMINAL,CABLE FOR 16 GA ONLY	8	3572236F91	528
2033819C1	TERMINAL,CABLE FOR 16 GA ONLY	8	3572240F91	502
2033819C1	TERMINAL,CABLE FOR 16 GA ONLY	12	3560343C91	1023
2033819C1	TERMINAL,CABLE FOR 16 GA ONLY	16	3545211C93	1536
2034206C1	EXTENSION,CLIP	4	0G5H4	189
2034206C1	EXTENSION,CLIP	4	0GBMF	122
2034206C1	EXTENSION,CLIP	4	0H75S	134
2034206C1	EXTENSION,CLIP	4	0J0LQ	127
2034206C1	EXTENSION,CLIP	4	0LNNN	162
2034206C1	EXTENSION,CLIP	4	0MT69	140
2034206C1	EXTENSION,CLIP	8	0HDJP	666
2034206C1	EXTENSION,CLIP	13	0M6Q2	1255
2034208C1	EXTENSION,CLIP	8	0CS5P	437
2034718C1	BOLT, SHOULDER	13	0G4JT	1266
2034788C1	TERMINAL,CABLE	8	3572525C91	562
2035165C1	BRACKET,OIL COOLER MTG	13	0M5GN	1258
2035774C91	KIT,STRAP&BOLT 1710,1760,1810	6	0JD6L	338
2035774C91	KIT,STRAP&BOLT 1710,1760,1810	6	2035774C91	339
2037905C1	TAG,IDENT SYN/LUB D/PLUG 3/4"	13	07VS1	1245
2037905C1	TAG,IDENT SYN/LUB D/PLUG 3/4"	13	0GXWZ	1237
2038062C1	SWITCH,LIGHT BACK-UP 9/16-18	13	06RJY	1278
2038725C3	INSULATOR, HOSE 1.25 X 1.5"	8	3581553F91	592
2039342C1	LOCK,CONNECTOR BODY	8	3582042F91	559
2040506F91	BRACKET,ALT MTG LEECE NEVILLE	12	0FBCJ	1108
2040534C2	ELBOW,PIPE 45 DEG	5	3590827C91	272
2040956C1	RIVET,BLIND* 3/16 STL .214-.43	8	06VZJ	411
2041341C1	SADDLE,CLAMP CABLE LOCK MT 1/4	4	0H75S	134
2041341C1	SADDLE,CLAMP CABLE LOCK MT 1/4	4	0J0LQ	127
2041341C1	SADDLE,CLAMP CABLE LOCK MT 1/4	8	0GCJR	371
2041341C1	SADDLE,CLAMP CABLE LOCK MT 1/4	8	0HQHQ	645
2041341C1	SADDLE,CLAMP CABLE LOCK MT 1/4	8	0JGYR	400
2041341C1	SADDLE,CLAMP CABLE LOCK MT 1/4	8	3616579F91	396
2041419C1	TERMINAL,CABLE	12	3560346C92	1204
2041419C1	TERMINAL,CABLE	12	3577574C91	1018
2041419C1	TERMINAL,CABLE	12	3579843C91	1227
2041689C1	JET,ATOMIZER ETHER START	12	06VS3	1026
20990R1	PLUG, 3/8-18 PLN H/HD PIPE	4	0MT69	140
211088R1	EXTENSION,CLIP L TYPE	16	06TJY	1648
213319R1	WASHER,CARRIER TO HSG BOLT 7/1	13	3600089C92	1249
213524R1	WASHER,FLAT DIFF TO HSG 1/2ID	2	2507920C91	94
213524R1	WASHER,FLAT DIFF TO HSG 1/2ID	2	3556927F91	87
213524R1	WASHER,FLAT DIFF TO HSG 1/2ID	13	3600089C92	1249
213524R1	WASHER,FLAT DIFF TO HSG 1/2ID	14	1696762C91	1304

Part Number Index

Part No.	Description	Group	Figure	Page
21739R1	WASHER, LOCK .344X.562X.054	4	086M2	149
218211	KEY, 1/4 X 3/4 SAE 91 WOODRUFF	12	1830613C91	788
21853H	PIN, YOKE 1/2 X 1.500 PLN	4	0F12N	221
21883R1	WASHER, .531 X 1.750 X .090	12	07RTJ	830
2200182C1	CAP, RAD FILLER	12	07RR2	1195
2210E8585	CAMSHAFT, BRAKE	4	2507869C91	217
2210V7536	CAMSHAFT, BRAKE	4	3548003C91	248
2210V7536	CAMSHAFT, BRAKE	4	3548019C91	250
2210W7537	CAMSHAFT, BRAKE	4	3548002C91	244
2210W7537	CAMSHAFT, BRAKE	4	3548018C91	246
2230T1190	PISTON, SHIFT CYL	13	3600089C92	1249
226846R1	WASHER, CARRIER TO HSG BOLT	2	3556927F91	87
226846R1	WASHER, CARRIER TO HSG BOLT	14	3602600C91	1300
226846R1	WASHER, CARRIER TO HSG BOLT	14	3609621C91	1288
22910R1	PIN, 1/4 X 1.500 HD TYPE 1	8	3576152F93	388
2297G7287	FLUID, LUB OIL	13	3600089C92	1249
2297T4180	ADHESIVE LOCKTITE	2	1676480C91	98
2297T4180	ADHESIVE LOCKTITE	14	2503395C91	1292
2297Z7098	SILASTIC	2	1676480C91	98
2297Z7098	SILASTIC	14	2503395C91	1292
23623R1	PLUG, 1-1/4 CUP	12	1830345C93	879
23623R1	PLUG, 1-1/4 CUP	12	1830617C92	844
242815R1	SHIM, PIN GEAR BRG SPACER .003	14	2503395C91	1292
242816R1	SHIM, PIN GEAR BRG SPACER .005	14	2503395C91	1292
242817R1	SHIM, PIN GEAR BRG SPACER .010	14	2503395C91	1292
242834R1	WASHER, THRUST DIFF SPIDER GEAR	14	2502023C91	1296
242834R1	WASHER, THRUST DIFF SPIDER GEAR	14	2503395C91	1292
24621R1	BOLT, 3/8 X 2-1/4 PHC TYPE 8	11	06MG9	730
24838R1	BOLT, 3/8 X 1/2 PHC TYPE 8	4	2507869C91	217
24838R1	BOLT, 3/8 X 1/2 PHC TYPE 8	4	2507870C91	219
24840R1	BOLT, 3/8 X 1 PHC TYPE 8	2	3556980F91	90
24840R1	BOLT, 3/8 X 1 PHC TYPE 8	15	0FTZD	1379
24861R1	BOLT, 1/2 1-1/4 PHC TYPE 8	4	3548002C91	244
24861R1	BOLT, 1/2 1-1/4 PHC TYPE 8	4	3548003C91	248
24861R1	BOLT, 1/2 1-1/4 PHC TYPE 8	4	3548018C91	246
24861R1	BOLT, 1/2 1-1/4 PHC TYPE 8	4	3548019C91	250
24863R1	BOLT, 1/2 X 1-3/4 PHC TYPE 8	12	06S2T	1192
24869R1	BOLT, HEX 1/2 X 4-1/2 PHC TYPE 8	8	06PWH	360
24879R1	BOLT, HH 5/8NC X 3 PHC GRADE 8	2	3599758F91	101
24888R1	BOLT, 3/4 X 2 PHC TYPE 8	14	07R21	1326
2500098C1	SEALANT, ULTRA GREY GSKT 3 OZ.	2	1676480C91	98
2500098C1	SEALANT, ULTRA GREY GSKT 3 OZ.	14	2503395C91	1292
2500101C1	WASHER, FLAT SPECIAL	4	3548002C91	244
2500101C1	WASHER, FLAT SPECIAL	4	3548003C91	248
2500101C1	WASHER, FLAT SPECIAL	4	3548018C91	246
2500101C1	WASHER, FLAT SPECIAL	4	3548019C91	250
2500348C1	WASHER, FLAT SPL	14	2503395C91	1292
2500416C1	SPRING, BRK SHOE RETURN	4	2507869C91	217
2500416C1	SPRING, BRK SHOE RETURN	4	2507870C91	219
2500417C91	SPIDER, BRAKE W/BUSH & SEAL	4	2507869C91	217
2500417C91	SPIDER, BRAKE W/BUSH & SEAL	4	2507870C91	219
2500649C1	TUBE, WELDED BULK 4.2X.137X100	6	414STHXXXX	296
2500650C1	TUBE, WELDED BULK 4.72X.20X100	6	417LTPXXXX	314
2500657C1	YOKE, PROP TUBE WELD SPL-170	6	417LTPXXXX	314
2500660C1	END, SPLINED STUB SPL-170	6	417LTPXXXX	314
2500662C91	SHAFT, YOKE SPL-170	6	417LTPXXXX	314
2500670C1	BOLT, SPECIAL HEX HD 12 PT HD	6	414STHXXXX	296
2500673C91	KIT, U-JT BOLT/RETAINER SPL-140	6	414STHXXXX	296

Part Number Index

Part No.	Description	Group	Figure	Page
2500677C91	KIT,U-JOINT SPL-140	6	414STHXXXX	296
2500678C91	KIT,U-JOINT SPL-170	6	417LTPXXXX	314
2500684C91	KIT,REPAIR BOOT & RETAINER	6	417LTPXXXX	314
2500915C1	WASHER,FLAT .030 THICKNESS	4	3548002C91	244
2500915C1	WASHER,FLAT .030 THICKNESS	4	3548003C91	248
2500915C1	WASHER,FLAT .030 THICKNESS	4	3548018C91	246
2500915C1	WASHER,FLAT .030 THICKNESS	4	3548019C91	250
2501303C1	BUMPER,CAB AIR SUSP RUBBER	16	3540379C96	1451
2501304C1	STUD,BALL PIVOT THREADED	16	3540379C96	1451
2501307C1	RING,RETAINER 3/4	16	3540379C96	1451
2501497C1	LUBRICATOR,GREASE DUAL HEAD	6	414STHXXXX	296
2501597C1	DRUM,BRAKE FRT 16.5X6 BALANCED	17	3556968F91	1687
2501628C1	DIAPHRAGM,BRK CHAMBER TYPE 30	4	3566654C91	223
2501792C1	CLIP,DCDL SENSOR SWITCH	13	3600089C92	1249
2502023C91	GEAR SET,I.A.D.SIDE&PIN 14GRB	14	2502023C91	1296
2502023C91	GEAR SET,I.A.D.SIDE&PIN 14GRB	14	2503395C91	1292
2502060C91	ARM,ASSY LWR W/BUSHINGS	16	3558491C92	1507
2502063C91	KIT,DRAG LINK RETAINER	5	3602517C91	266
2502117C91	KIT,DCDL SWITCH AND CLIP	14	2503395C91	1292
2502201C1	BUSHING,FRT AXLE WHL KNCKL ABS	2	3556927F91	87
2502203C1	RING,EXCITER ABS	17	3556968F91	1687
2502205C1	RETAINER,SPRING WHL SPD SENSOR	2	3556927F91	87
2502265C1	CAP,CUSH ADJUSTER ROD	16	2595024C91	1497
2502303C1	BOLT,SPL SQ NECK TRACK STUD	16	1698197C91	1501
2502303C1	BOLT,SPL SQ NECK TRACK STUD	16	3558491C92	1507
2502427C1	ROLLER,BRK SHOE	4	2507869C91	217
2502427C1	ROLLER,BRK SHOE	4	2507870C91	219
2502427C1	ROLLER,BRK SHOE	4	3548002C91	244
2502427C1	ROLLER,BRK SHOE	4	3548003C91	248
2502427C1	ROLLER,BRK SHOE	4	3548018C91	246
2502427C1	ROLLER,BRK SHOE	4	3548019C91	250
2502491C1	PLUNGER,W/O-RING PWR STRG VALV	5	3602517C91	266
2502510C1	ELBOW,90 1/4 TB 1/8M-NPT DOT	16	3540379C96	1451
2502516C91	KIT,CAB AIR SUSP PIVOT BALL	16	3540379C96	1451
2502528C1	HOUSING,F/R AXLE 14GRU,W,Z HEN	14	3609621C91	1288
2502531C1	HOUSING,R/R AXLE 14GRU,W,Z HEN	14	3602600C91	1300
2502658C91	KIT,U-JT PLATE & BOLT (SPL)	6	417LTPXXXX	314
2502739C1	BOLT,HH M12X1.75X40	2	2507920C91	94
2502761C1	SEAL,OIL FWD & REAR OUTPUT	13	3600089C92	1249
2502761C1	SEAL,OIL FWD & REAR OUTPUT	14	2503395C91	1292
2502762C1	SEAL,OIL OUTPUT R145,160,164	14	2503395C91	1292
2502925C1	TRANSMITTER,ABS SPEED SENSOR	2	3556927F91	87
2503221C1	FILTER,OIL P/S RESERVOIR	5	3558153C93	258
2503262C1	WASHER,HELICAL GEAR TO PIN GEA	14	2503395C91	1292
2503395C91	DIFFERENTIAL,F/R 6.14 814GTJ	14	2503395C91	1292
2503395C91	DIFFERENTIAL,F/R 6.14 814GTJ	14	3609621C91	1288
2503466C91	CASE,IAD W/PIN GEARS BOLTED	14	2503395C91	1292
2503467C91	CASE,IAD W/GEAR SET (BOLTED)	14	2503395C91	1292
2503468C1	COLLAR,I.A.D. CLUTCH	13	3600089C92	1249
2503468C1	COLLAR,I.A.D. CLUTCH	14	2503395C91	1292
2503473C91	CARRIER,DIFF W/BRG CAPS	14	2503395C91	1292
2503547C1	ARM,CAB SUSP	16	3540379C96	1451
2503616C1	WASHER,FLAT .110 THICKNESS	4	3548002C91	244
2503616C1	WASHER,FLAT .110 THICKNESS	4	3548003C91	248
2503616C1	WASHER,FLAT .110 THICKNESS	4	3548018C91	246
2503616C1	WASHER,FLAT .110 THICKNESS	4	3548019C91	250
2503617C91	SET,BRK LINING 16 1/2X5 R301	4	2507869C91	217
2503617C91	SET,BRK LINING 16 1/2X5 R301	4	2507870C91	219

Part Number Index

Part No.	Description	Group	Figure	Page
2503677C1	CORE, VALVE A/C HOSE	16	3557557C94	1528
2503998C1	PLATE, MOUNTING	14	3563253C92	1320
2504138C1	GASKET, MARKER LIGHT MTG	16	3524553C94	1465
2504343C1	PLATE, V BRKT MTG	14	3563253C92	1320
2504526C1	NET, RESTRAINT	16	3546500C95	1521
2504705C91	KIT, W/S WPR ARM NOZZLE	16	3535049C2	1673
2504705C91	KIT, W/S WPR ARM NOZZLE	16	3535050C3	1674
2504812C91	CLAMP, BRK CHAMBER	4	3566654C91	223
2504885C1	YOKE, PROP TUBE WELD SPL-140	6	414STHXXXX	296
2504888C1	END, SPLINED STUB SPL-140	6	414STHXXXX	296
2504889C91	SHAFT, YOKE SPL140	6	414STHXXXX	296
2504890C91	KIT, REPAIR BOOT & RET SPL140	6	414STHXXXX	296
2505006C1	BRACKET, SEAT RECLINE LIMITING	16	2505361C91	1499
2505006C1	BRACKET, SEAT RECLINE LIMITING	16	3558491C92	1507
25051R1	BOLT, 5/8-NF X 2 PHC TYPE 8	4	0DR90	240
2505200C91	PANEL, DR TRM LH STD	16	3533752C94	1432
2505201C1	CONTAINER, PULL CUP	16	3533752C94	1432
2505201C1	CONTAINER, PULL CUP	16	3558221C92	1553
2505202C91	KIT, INTR TRM PCKT SMK GRY LH	16	3533752C94	1432
2505274C2	BRACKET, ASSY LH BLK	16	3561587C94	1612
2505275C2	BRACKET, ASSY RH BLK	16	3561588C94	1614
2505280C1	HEAD, MIRR HD 405 FLAT	16	3561587C94	1612
2505280C1	HEAD, MIRR HD 405 FLAT	16	3561588C94	1614
2505281C1	HEAD, MIRROR CNVX 406 MNL BLCK	16	3561587C94	1612
2505281C1	HEAD, MIRROR CNVX 406 MNL BLCK	16	3561588C94	1614
2505338C1	CLIP, SPG RETAINER LARGE	16	3546500C95	1521
2505360C91	KIT, SEAT BACK RECLINE KNOB GRY	16	3558491C92	1507
2505361C91	KIT, SEAT BCK FRM TO LWR FRM	16	2505361C91	1499
2505361C91	KIT, SEAT BCK FRM TO LWR FRM	16	3558491C92	1507
2505375C1	INSULATOR, SPG LNR .108X3.9X7.9	3	3540967C91	119
2505376C1	STRIP, INTERLEAF LINER	3	3540967C91	119
2505379C91	KIT, SEAT CHUGGER LOCKOUT	16	2505379C91	1503
2505379C91	KIT, SEAT CHUGGER LOCKOUT	16	3558491C92	1507
2505380C1	KNOB, SEAT TRACK	16	2505886C91	1505
2505380C1	KNOB, SEAT TRACK	16	3558491C92	1507
2505383C1	BASE, SEAT MTG UPPER	16	3558491C92	1507
2505384C1	BUMPER, SEAT STOP (STD)	16	3558491C92	1507
2505385C1	ARM, ASSY UPPER W/BUSHINGS	16	3558491C92	1507
2505386C91	ARM, ASSY LWR F/LTD UP-STOP	16	3558491C92	1507
2505412C1	LATCH, DOOR MANUAL LH FRT	16	3556202C94	1478
2505413C1	LATCH, DOOR MANUAL RH FRT	16	3556203C94	1481
2505423C1	HANDLE, DOOR OUTSIDE RH	16	3556203C94	1481
2505424C1	HANDLE, DOOR INSIDE LH	16	3556202C94	1478
2505425C1	HANDLE, DOOR INSIDE RH	16	3556203C94	1481
2505426C1	LATCH, VENT WINDOW LH	16	3567240C92	1487
2505427C1	LATCH, VENT WINDOW RH	16	3567241C92	1489
2505428C1	SCREW, VENT WINDOW LATCH BASE	16	3567240C92	1487
2505428C1	SCREW, VENT WINDOW LATCH BASE	16	3567241C92	1489
2505433C1	REGULATOR, DOOR GLASS MNL LH	16	3556202C94	1478
2505434C1	REGULATOR, DOOR GLASS MNL RH	16	3556203C94	1481
2505448C91	CHAMBER, BRAKE PIGGYBACK	4	3566654C91	223
2505451C1	SPRING, BRK CHAMBER PUSH ROD	4	3566654C91	223
2505470C1	BUSHING, SEAT ARM SPACER	16	3558491C92	1507
2505472C91	KIT, SHROUD & BLWS FOR NS2000	16	3558491C92	1507
2505475C1	VALVE, AIR HI PRESS RED HNDL	16	3558491C92	1507
2505476C1	VALVE, AIR L-PRESS GRY HNDL LUM	16	3558491C92	1507
2505480C2	BLADE, REFILL WPR 22" EXTRUDED	16	3535051C1	1677
2505591C1	VALVE, SOLENOID*N.C. AIR	8	3545735F91	359

Part Number Index

Part No.	Description	Group	Figure	Page
2505591C1	VALVE,SOLENOID*N.C. AIR	8	3553344F91	357
2505591C1	VALVE,SOLENOID*N.C. AIR	8	3553350F91	676
2505595C3	MANIFOLD,AIR SOLENOID 7PK GOLD	8	3553323F94	353
2505657C91	SPRING,CLOCK W/CANCEL CAM, KIT	8	2505657C91	497
2505657C91	SPRING,CLOCK W/CANCEL CAM, KIT	8	3545990F91	495
2505660C91	KIT,ABS BRACKET	4	2505660C91	201
2505660C91	KIT,ABS BRACKET	4	3540368F94	197
2505661C91	KIT,HOUSING*TILT STRG COL	5	2505661C91	278
2505661C91	KIT,HOUSING*TILT STRG COL	5	3562717F92	276
2505669C91	TRANSDUCER,AIR,KIT	8	2505669C91	672
2505669C91	TRANSDUCER,AIR,KIT	8	3554195F93	670
2505670C91	KIT,STOP LIGHT SWITCH	4	2505670C91	192
2505670C91	KIT,STOP LIGHT SWITCH	4	3548796F91	194
2505674C91	KIT,AIR BRAKE MANIFOLD 4 PORT	4	2505674C91	234
2505674C91	KIT,AIR BRAKE MANIFOLD 4 PORT	4	3550595F91	236
2505683C91	KIT,REPAIR BRK VALVE - MAJOR	4	2505683C91	204
2505683C91	KIT,REPAIR BRK VALVE - MAJOR	4	3540368F94	197
2505684C91	KIT,REPAIR BRAKE VLV - MINOR	4	2505684C91	202
2505684C91	KIT,REPAIR BRAKE VLV - MINOR	4	3540368F94	197
2505690C91	KIT,STEERING*COL COVER TC7	5	2505690C91	280
2505690C91	KIT,STEERING*COL COVER TC7	5	3562717F92	276
2505694C1	BUMPER,PEDAL STOP	11	3546983F91	735
2505695C1	PAD,PEDAL*COVER	4	2506176C91	206
2505695C1	PAD,PEDAL*COVER	11	3546983F91	735
2505696C1	SPRING,PEDAL RETURN	11	3546983F91	735
2505697C1	PIN,ROLL 1/4" X 1.125" = 30PCS	4	3540368F94	197
2505697C1	PIN,ROLL 1/4" X 1.125" = 30PCS	11	2506172C92	733
2505697C1	PIN,ROLL 1/4" X 1.125" = 30PCS	11	3546983F91	735
2505724C1	FRAME,SEAT (BUCKET SEAT CUSH)	16	3575748C93	1618
2505725C1	FRAME,SEAT (BUCKET BACK CUSH)	16	3575748C93	1618
2505726C91	KIT,1/3 BUCKET TRACK	16	3575748C93	1618
2505727C1	RISER,ASSY SEAT	16	3575748C93	1618
2505728C91	KIT,SEAT ADJ HANDLE	16	3575748C93	1618
2505767C93	BRAKE-SVC DCM W/TRCT BRK,MN	16	0M3VN	1635
2505773C1	GASKET,STEERING COLUMN	5	2505661C91	278
2505773C1	GASKET,STEERING COLUMN	16	3544868F93	1467
2505774C1	GASKET,MODULE PLATE*DCM	16	3544868F93	1467
2505775C1	BUSHING,CLUTCH PEDAL SHAFT BRK	16	2505776C91	1468
2505776C91	PLATE,DCM BASE ASSEMBLY	16	2505776C91	1468
2505776C91	PLATE,DCM BASE ASSEMBLY	16	3544868F93	1467
2505805C1	PEDAL,CLUTCH	11	2506172C92	733
2505805C1	PEDAL,CLUTCH	11	3546983F91	735
2505806C1	BRACKET,CLUTCH RELAY SHAFT OR	11	3546983F91	735
2505808C1	WASHER,CLUTCH PEDAL SHAFT BRKT	11	3546983F91	735
2505813C1	GLASS,ASSY MIR STD FLT	16	3561587C94	1612
2505813C1	GLASS,ASSY MIR STD FLT	16	3561588C94	1614
2505815C1	GLASS,ASSY MIR CNVX BLACK HEAD	16	3561587C94	1612
2505815C1	GLASS,ASSY MIR CNVX BLACK HEAD	16	3561588C94	1614
2505826C1	FRAME,SEAT LOWER	16	3558491C92	1507
2505829C1	MANIFOLD,ASSY SEAT 2 BUTTON	16	3558491C92	1507
2505839C92	KIT,BRAKE PEDAL W/ COVER ASSY	4	3540368F94	197
2505840C1	GUIDE,TUBE*PASSTHRU GLAND UP	4	2506190C91	199
2505842C1	NUT,8MM FLANGE	4	2505660C91	201
2505842C1	NUT,8MM FLANGE	4	2505683C91	204
2505842C1	NUT,8MM FLANGE	4	2505684C91	202
2505842C1	NUT,8MM FLANGE	4	2506078C91	208
2505842C1	NUT,8MM FLANGE	5	2505661C91	278
2505843C91	BRACKET,AIR BRK VALVE MTG	4	2505660C91	201

Part Number Index

Part No.	Description	Group	Figure	Page
2505844C1	SCREW,5/16-18X1 HEX/TORX GR5	5	2505661C91	278
2505845C91	HOUSING,STEER COL*TILT	5	2505661C91	278
2505846C1	FITTING,MANIFOLD*3/8 QCK CNCT	4	2505674C91	234
2505847C1	SCREW, PLASTITE #8X1/2" P/HEAD	4	2505674C91	234
2505847C1	SCREW, PLASTITE #8X1/2" P/HEAD	8	2505657C91	497
2505847C1	SCREW, PLASTITE #8X1/2" P/HEAD	8	3545990F91	495
2505847C1	SCREW, PLASTITE #8X1/2" P/HEAD	8	354195F93	670
2505848C91	MANIFOLD,AIR*2W 3/8 & 1/4	4	2505674C91	234
2505849C1	FITTING,MANIFOLD*1/4 QCK CNCT	4	2505674C91	234
2505850C1	SWITCH, PRESSURE - SLS	4	2505670C91	192
2505852C1	GASKET,BRK VALVE	4	2505683C91	204
2505852C1	GASKET,BRK VALVE	4	2505684C91	202
2505852C1	GASKET,BRK VALVE	4	2506078C91	208
2505853C1	GASKET,AIR HOSE BRKT	4	2505683C91	204
2505853C1	GASKET,AIR HOSE BRKT	4	2505684C91	202
2505853C1	GASKET,AIR HOSE BRKT	4	2506078C91	208
2505854C91	GUIDE,PISTON	4	2505683C91	204
2505854C91	GUIDE,PISTON	4	2506078C91	208
2505855C1	SUPPORT,SNGL CHMBR AIR LUMBAR	16	3558491C92	1507
2505867C1	COVER,STEER COL HSNG TOP-TC7	5	2505690C91	280
2505868C1	COVER,STEER COL HSNG LWR-TC7	5	2505690C91	280
2505886C91	KIT,TRACK SEAT ADJ	16	2505886C91	1505
2505886C91	KIT,TRACK SEAT ADJ	16	3558491C92	1507
2505888C1	BRACKET,SEAT BELT MOUNTING	16	3558491C92	1507
2505891C91	CUSHION,SEAT GRAY VINYL	16	3558491C92	1507
2505893C1	REST,ARM SEAT LH GRY VN	16	3558491C92	1507
2505894C1	REST,ARM SEAT RH GRY VN	16	3558491C92	1507
2505907C91	PEDESTAL,SEAT	16	3558491C92	1507
2505911C91	COIL,COMPR PULLY CLUCH W/ACSY	16	3547916C1	1387
2506020C1	STUD,SPECIAL CLINCH GROOVED	16	3556202C94	1478
2506020C1	STUD,SPECIAL CLINCH GROOVED	16	3556203C94	1481
2506021C1	CHANNEL,GLASS RUN FRT DR RR LH	16	3556202C94	1478
2506022C1	CHANNEL,GLASS RUN FRT DR RR RH	16	3556203C94	1481
2506023C1	BOLT,SPL M6 X 1 TORX HD	16	3556202C94	1478
2506023C1	BOLT,SPL M6 X 1 TORX HD	16	3556203C94	1481
2506024C1	LEVER,S/A KEY CYLINDER	16	3556202C94	1478
2506024C1	LEVER,S/A KEY CYLINDER	16	3556203C94	1481
2506025C1	ROD,DOOR KEY CYL LH	16	3556202C94	1478
2506026C1	ROD,DOOR KEY CYL RH	16	3556203C94	1481
2506027C1	ROD,DOOR OUTSIDE HANDLE	16	3556202C94	1478
2506027C1	ROD,DOOR OUTSIDE HANDLE	16	3556203C94	1481
2506028C1	RETAINER,DOOR LATCH LH	16	3556202C94	1478
2506029C1	RETAINER,DOOR LATCH RH	16	3556203C94	1481
2506030C1	RETAINER,DR OUTSIDE HNDL LH	16	3556202C94	1478
2506031C1	RETAINER,DR OUTSIDE HNDL RH	16	3556203C94	1481
2506032C1	NUT,SPECIAL M6 FLANGE	16	3556202C94	1478
2506032C1	NUT,SPECIAL M6 FLANGE	16	3556203C94	1481
2506033C1	ROD,DOOR LOCK BUTTON LH	16	3556202C94	1478
2506034C1	ROD,DOOR LOCK BUTTON RH	16	3556203C94	1481
2506035C1	ROD,DOOR INSIDE HANDLE LH	16	3556202C94	1478
2506036C1	ROD,DOOR INDIDE HANDLE RH	16	3556203C94	1481
2506037C1	CLIP,DOOR ROD GUIDE	16	3556202C94	1478
2506037C1	CLIP,DOOR ROD GUIDE	16	3556203C94	1481
2506038C1	PIVOT,STUD TWIST LOCK LH DOOR	16	3556202C94	1478
2506039C1	PIVOT,STUD TWIST LOCK RH DOOR	16	3556203C94	1481
2506040C1	BUSHING,SPL DOOR PINION	16	3556202C94	1478
2506040C1	BUSHING,SPL DOOR PINION	16	3556203C94	1481
2506041C1	CASE,DOOR CLUTCH	16	3556202C94	1478

Part Number Index

Part No.	Description	Group	Figure	Page
2506041C1	CASE, DOOR CLUTCH	16	3556203C94	1481
2506042C1	CHANNEL, GLSS RUN FRT DR FRT LH	16	3556202C94	1478
2506043C1	CHANNEL, GLSS RUN FRT DR FRT RH	16	3556203C94	1481
2506044C1	BEAM, STRUCTURAL DOOR LH	16	3556202C94	1478
2506045C1	BEAM, STRUCTURAL DOOR RH	16	3556203C94	1481
2506078C91	VALVE, BRK W/MTG HRDW FOR TRCT	4	2506078C91	208
2506078C91	VALVE, BRK W/MTG HRDW FOR TRCT	4	3540368F94	197
2506079C91	VALVE, BRAKE*E8P TRACTOR	4	2506078C91	208
2506099C1	PUMP, ELEC W/S WPR W/O GROMMET	16	3561152C94	1665
2506100C1	GROMMET, RUBBER PUMP	16	3561152C94	1665
2506101C1	GAUGE, FLUID LEVEL SENSOR	16	3561152C94	1665
2506172C92	KIT, CLUTCH PEDAL	11	2506172C92	733
2506172C92	KIT, CLUTCH PEDAL	11	3546983F91	735
2506175C1	ARM, BRAKE PEDAL WELDMENT	4	2506176C91	206
2506176C91	PEDAL, BRAKE	4	2506176C91	206
2506176C91	PEDAL, BRAKE	4	3540368F94	197
2506180C91	KIT, RUBBER BOLSTER (PAIR)HN462	14	3563253C92	1320
2506183C1	SPRING, ASSY AUX RUBBER	14	3563253C92	1320
2506184C1	STRAP, FRAME SUPT PLATE	14	3563253C92	1320
2506187C1	ASSY, SHIM SPRING MOUNTING	14	3563253C92	1320
2506188C91	VALVE, HAND CONTROL*PARK MV-3	4	2506188C91	210
2506188C91	VALVE, HAND CONTROL*PARK MV-3	4	3540368F94	197
2506190C91	HARNESS, AIR TUBE*TRACTOR HAND	4	2506190C91	199
2506190C91	HARNESS, AIR TUBE*TRACTOR HAND	4	3540368F94	197
2506191C1	PLATE, AUX SPG MTG	14	3563253C92	1320
2506192C91	VALVE, TRACTOR PROTECT*TP-5	4	2506192C91	214
2506192C91	VALVE, TRACTOR PROTECT*TP-5	4	3540368F94	197
2506193C1	ELBOW, PTC*3/8M X 3/8F	4	3540368F94	197
2506194C1	ELBOW, PTC*1/2M X 1/2F	4	3540368F94	197
2506201C1	UNION, 3/8 QTC*AIR	4	3548796F91	194
2506206C1	TEE, 1/4NPT-1/4 QC MALE RUN	4	3548796F91	194
2506235C91	KIT, LOOKDOWN MIRROR FASTENER	16	3561587C94	1612
2506235C91	KIT, LOOKDOWN MIRROR FASTENER	16	3561588C94	1614
2506256C91	HARN, CTR CHAS-SVC ASM, 3500, AIR	8	0M51L	498
2506263C91	PANEL, INST-SVC ASM-PER LINESET	16	0M3VZ	1636
2506277C1	RING, O FUEL LINE FITTING	15	3533425C3	1351
2506277C1	RING, O FUEL LINE FITTING	15	3533426C3	1352
2506326C1	SWITCH, STR WHL*RH-SET/CST ACCL	5	3546229C91	283
2506328C1	SWITCH, STR WHL*LH-CRS/THRTL/HR	5	3546229C91	283
2506329C1	HARNESS, STEERING WHEEL*4 WIRE	5	3546229C91	283
2506365C91	SET, LINING MA212*16.5 X 7.0	4	3548002C91	244
2506365C91	SET, LINING MA212*16.5 X 7.0	4	3548003C91	248
2506365C91	SET, LINING MA212*16.5 X 7.0	4	3548018C91	246
2506365C91	SET, LINING MA212*16.5 X 7.0	4	3548019C91	250
2506369C91	KIT, INTR TRM PKKT SMK GRY RH	16	3558221C92	1553
2506370C91	PANEL, DR TRM RH STD SMOKE GRAY	16	3558221C92	1553
2506420R1	MANUAL, INST GAGE INST & RPLMNT	16	3533892C1	1585
2506420R1	MANUAL, INST GAGE INST & RPLMNT	16	3533893C1	1587
2506422R1	MANUAL, INST CLSTR INST & RPLMT	16	3588131F91	1567
2506670R2	MANUAL, SWITCH INSTL SW HSG	8	3549776C4	621
2506670R2	MANUAL, SWITCH INSTL SW HSG	8	3563069C1	634
2506670R2	MANUAL, SWITCH INSTL SW HSG	8	3578719F92	632
2506670R2	MANUAL, SWITCH INSTL SW HSG	8	3578728F91	642
2506670R2	MANUAL, SWITCH INSTL SW HSG	8	3578747F91	637
2506670R2	MANUAL, SWITCH INSTL SW HSG	8	3588124F91	629
2506670R2	MANUAL, SWITCH INSTL SW HSG	16	3581699F91	1570
2506725C91	BUTTON, ODOMETR RESET L/SWITCH	16	3604600C91	1462
2506796C1	LAMP, INCANDESCENT	16	3533892C1	1585

Part Number Index

Part No.	Description	Group	Figure	Page
2506796C1	LAMP, INCANDESCENT	16	3533893C1	1587
2506798C1	HARNESS, GAUGE JUMPER 5"-100/PK	16	3533892C1	1585
2506798C1	HARNESS, GAUGE JUMPER 5"-100/PK	16	3533893C1	1587
2506821C91	KIT, END YOKE TIGHT	5	3549807C92	261
2506822C91	KIT, END YOKE SLIP	5	3549807C92	261
2506823C91	SEAL, STEER SHAFT*DUST CAP ASSY	5	3549807C92	261
2507003C1	CLIP, INSTR CLSTR CLOSEOUT TRM	16	3511042F93	1563
2507003C1	CLIP, INSTR CLSTR CLOSEOUT TRM	16	3511056F93	1573
2507003C1	CLIP, INSTR CLSTR CLOSEOUT TRM	16	3547254C1	1592
2507059C1	CAP, FILLER/DIPSTICK P/S RESV	5	3558153C93	258
2507061C1	GASKET, RESERVOIR CAP/CANISTER	5	3558153C93	258
2507098C1	LATCH, W/O BUTTON VENT WINDOW	16	3562174C94	1646
2507098C2	LATCH, W/O BUTTON VENT WINDOW	16	3562174C94	1646
2507274C1	CLAMP, MIR TUBE CLAMP BLACK (1)	16	3561587C94	1612
2507274C1	CLAMP, MIR TUBE CLAMP BLACK (1)	16	3561588C94	1614
2507372C1	COOLER, CHARGE AIR	12	2586041C91	1171
2507386C1	FITTING, SPL TEE 1/4 TB 1/8	16	3540379C96	1451
2507408C1	SPRING, AIR CAB MTG	16	3540379C96	1451
2507449C1	VENT, ASSY	12	2586041C91	1171
2507458C91	KIT, CAC MTG W/ISOLATORS	12	2586041C91	1171
2507459C91	KIT, RAD SPT LH RR SIDE FRAME	12	2586041C91	1171
2507460C91	KIT, RAD SPT LH FRT SIDE FRAME	12	2586041C91	1171
2507461C91	KIT, HARDWARE CAC	12	2586041C91	1171
2507462C91	KIT, RAD SPT RH RR SIDE FRAME	12	2586041C91	1171
2507463C91	KIT, RAD SPT RH FRT SIDE FRAME	12	2586041C91	1171
2507464C91	KIT, RAD TOP FRAME ASSY W/ ISOL	12	2586041C91	1171
2507465C91	KIT, RAD SUP BOT FRM ASS W/ISOL	12	2586041C91	1171
2507468C91	CHANNEL, C SUPPORT BOTTOM CAC	12	2586041C91	1171
2507469C91	KIT, RECIRC MNTG BRKT	12	2586041C91	1171
2507470C91	KIT, HARDWARE SURGE TANK	12	2586041C91	1171
2507470C91	KIT, HARDWARE SURGE TANK	12	3551079F94	1196
2507471C91	SHROUD, FAN FEATURE	12	2586041C91	1171
2507472C92	SEAL, COOLING RECIRC ASSY	12	2507472C92	760
2507472C92	SEAL, COOLING RECIRC ASSY	12	2586041C91	1171
2507472C92	SEAL, COOLING RECIRC ASSY	12	3551080F94	762
2507473C91	SEAL, RECIRC RH SIDE ASSY	12	2507472C92	760
2507474C91	SEAL, RECIRC LH SIDE ASSY	12	2507472C92	760
2507475C92	SEAL, RECIRC UPPER ASSY	12	2507472C92	760
2507476C91	KIT, RECIRC HARDWARE	12	2507472C92	760
2507476C91	KIT, RECIRC HARDWARE	12	2507476C91	759
2507476C91	KIT, RECIRC HARDWARE	12	3551081F92	828
2507477C2	TANK, RADIATOR SURGE, OVERFLOW	12	2586041C91	1171
2507477C2	TANK, RADIATOR SURGE, OVERFLOW	12	3551079F94	1196
2507478C2	TANK, RAD DEAERATION	12	2586041C91	1171
2507478C2	TANK, RAD DEAERATION	12	3551079F94	1196
2507479C91	KIT, CAPS(2)	12	2586041C91	1171
2507479C91	KIT, CAPS(2)	12	3551079F94	1196
2507482C91	CONDENSER, AIR COND	12	2586041C91	1171
2507482C91	CONDENSER, AIR COND	12	3551081F92	828
2507483C91	BRACKET, CONDENSER MTG ASSY	12	2586041C91	1171
2507483C91	BRACKET, CONDENSER MTG ASSY	12	3551081F92	828
2507537C1	CORE, ASSY VLV A/C CHRNG M8	16	3548042C1	1541
2507540C1	CAP, RERIG FITTING M8	16	3548042C1	1541
2507597C91	KIT, AIR BRK*SOLENOID COVER PLT	8	2507597C91	355
2507597C91	KIT, AIR BRK*SOLENOID COVER PLT	8	3553323F94	353
2507654C91	CUSHION, SEAT W/CVR	16	3575748C93	1618
2507655C91	KIT, FLIP-OUT ARM LH	16	2507655C91	1608
2507655C91	KIT, FLIP-OUT ARM LH	16	3561587C94	1612

Part Number Index

Part No.	Description	Group	Figure	Page
2507656C91	KIT,FLIP-OUT ARM RH	16	2507656C91	1610
2507656C91	KIT,FLIP-OUT ARM RH	16	3561588C94	1614
2507659C1	CLIP,RETAINING DR WNDW HNDL	16	3508990C4	1484
2507660C1	WASHER,DR INSIDE WNDW HNDL	16	3508990C4	1484
2507661C91	KIT,TILT LEVER ROD & LOCKNUT	5	3562717F92	276
2507678C91	PANEL,INSTRUMENT-SERV ASSY*STD	16	0M3VZ	1636
2507860C91	SHAFT,TRANS MAIN	13	2507860C91	1261
2507860C91	SHAFT,TRANS MAIN	13	3568551F91	1263
2507869C91	BRAKE,GROUP FRT LT 16.5X5 Q+	4	2507869C91	217
2507869C91	BRAKE,GROUP FRT LT 16.5X5 Q+	4	3556961F91	216
2507870C91	BRAKE,GROUP FRT RT 16.5X5 Q+	4	2507870C91	219
2507870C91	BRAKE,GROUP FRT RT 16.5X5 Q+	4	3556961F91	216
2507875C1	SHIELD,DUST	4	2507869C91	217
2507876C1	CAMSHAFT,BRAKE	4	2507870C91	219
2507877C91	HOUSING,FRT DR 02ESA,B,C,RX	2	3556927F91	87
2507878C1	PLUG,EXP K/P	2	3556927F91	87
2507879C1	BUSHING,HSG AXLE SHAFT	2	3556927F91	87
2507880C1	PLATE,HSG SPRING (WELDED PART)	2	3556927F91	87
2507881C1	SEAL,OIL HSG AXLE SHAFT	2	3556927F91	87
2507882C1	BOLT,HH DIFF TO HSG SHORT	2	3556927F91	87
2507883C1	BOLT,HH DIFF TO HSG LONG	2	3556927F91	87
2507884C1	SEAL,OIL SPINDLE	2	3556927F91	87
2507885C91	SPINDLE,ASSY W/BUSHING	2	3556927F91	87
2507890C1	BUSHING, KNUCKLE	2	3599758F91	101
2507891C1	CAP,UPR K/P	2	3599758F91	101
2507892C1	BOLT,HH K/P CAP 7/8NCX3	2	3577157F91	110
2507892C1	BOLT,HH K/P CAP 7/8NCX3	2	3599758F91	101
2507892C1	BOLT,HH K/P CAP 7/8NCX3	4	3556963F91	226
2507893C1	BOLT,HH K/P CAP 3/4NCX1-3/4	2	3599758F91	101
2507894C1	BRACKET,BRK CHAMBER LT	4	3556963F91	226
2507895C1	BRACKET,BRK CHAMBER RT	4	3556963F91	226
2507896C1	STUD,WHL RH	17	3556968F91	1687
2507897C91	SHAFT,ASSY INR & OTR W/JT LT	2	3556980F91	90
2507898C91	SHAFT,ASSY INR & OTR W/JT RT	2	3556980F91	90
2507899C1	FLANGE,AXLE DR	2	3556980F91	90
2507900C1	RING,SNAP AXLE SHAFT	2	3556980F91	90
2507901C1	PLATE,FLG COVER	2	3556980F91	90
2507920C91	DIFFERENTIAL,FD 6.14 02ESA,B,C	2	2507920C91	94
2507920C91	DIFFERENTIAL,FD 6.14 02ESA,B,C	2	3556990F91	97
2507927C1	SWITCH,PRESSURE PARK BRK	8	3554195F93	670
2507945C92	HARN,EXT DASH-SVC ASM,W/I6,AIR	8	0M514	499
2508060C91	CARRIER,DIFF W/CAPS	2	2507920C91	94
2508061C1	BOLT,HH M90X2X90	2	2507920C91	94
2508062C1	SHIM,PINION BRG CAGE .001	2	2507920C91	94
2508063C1	SHIM,PINION BRG CAGE .005	2	2507920C91	94
2508064C1	SHIM,PINION BRG CAGE .006	2	2507920C91	94
2508065C1	SHIM,PINION BRG CAGE .020	2	2507920C91	94
2508066C1	ADJUSTER,DIFF BRG LT	2	2507920C91	94
2508067C1	ADJUSTER,DIFF BRG RT	2	2507920C91	94
2508068C1	SCREW,THRUST DIFF	2	2507920C91	94
2508069C1	BOLT,HH M8X1.25X20	2	2507920C91	94
2508070C91	CAGE,DIFF PIN W/CUPS	2	2507920C91	94
2508071C1	BOLT,HH DR GR TO CASE	2	2507920C91	94
2508072C1	NUT,HEX LK DR GR BOLT	2	2507920C91	94
2508074C91	CASE,ASSY DIFF W/BOLTS 4.30 DN	2	2507920C91	94
2508075C91	CASE,ASSY DIFF W/BOLTS 4.56 UP	2	2507920C91	94
2508076C1	BOLT,HH DIFF CASE	2	2507920C91	94
2508077C91	GEAR SET,DIFF SIDE RS15120	2	2507920C91	94

Part Number Index

Part No.	Description	Group	Figure	Page
2508078C1	WASHER,THRUST SIDE GR	2	2507920C91	94
2508079C1	GEAR,DIFF SIDE 1.95 X 38 SPL	2	2507920C91	94
2508080C1	SPIDER,DIFF	2	2507920C91	94
2508081C1	GEAR,DIFF PINION	2	2507920C91	94
2508082C1	WASHER,THRUST PINION GR	2	2507920C91	94
2508083C1	SPACER,PIN GEAR BRG .242	2	2507920C91	94
2508084C1	SPACER,PIN GEAR BRG .244	2	2507920C91	94
2508085C1	SPACER,PIN GEAR BRG .246	2	2507920C91	94
2508086C1	SPACER,PIN GEAR BRG .296	2	2507920C91	94
2508123C91	BEARING,ASSY RR PINION	2	2507920C91	94
2508270C1	COLLAR,CLUTCH	13	3600089C92	1249
2508273C1	GEAR,HELICAL DR T-CASE	13	3600089C92	1249
2508275C1	BEARING, CONE	13	3600089C92	1249
2508276C1	PLUG,SPL HEX RECESS 1/4-18NPT	13	3600089C92	1249
2508277C1	BOLT,CAPSCREW	13	3600089C92	1249
2508278C1	SHAFT,SHIFTER	13	3600089C92	1249
2508279C1	GEAR, IDLER	13	3600089C92	1249
2508280C1	SHAFT,OUTPUT T-CASE	13	3600089C92	1249
2508281C1	GEAR,DRIVEN HELICAL	13	3600089C92	1249
2508282C1	GEAR,DRIVEN HELICAL	13	3600089C92	1249
2508283C1	ROD,PUSH DIFF LOCK OUT	13	3600089C92	1249
2508284C1	CYLINDER,AIR SHIFT	13	3600089C92	1249
2508287C1	SHIM,BRG ADJ T-CASE	13	3600089C92	1249
2508288C1	SHIM,BRG ADJ T-CASE	13	3600089C92	1249
2508289C1	SHIM,BRG ADJ T-CASE	13	3600089C92	1249
2508290C1	SHAFT,OUTPUT T-CASE	13	3600089C92	1249
2508291C1	GEAR,DRIVE HELICAL	13	3600089C92	1249
2508292C1	SPACER,BRG T-CASE .362"	13	3600089C92	1249
2508293C1	SPACER,BRG T-CASE .003"	13	3600089C92	1249
2508294C1	SPACER,BRG T-CASE .009"	13	3600089C92	1249
2508295C1	SPACER,BRG T-CASE, .015"	13	3600089C92	1249
2508296C1	SPACER,BRG T-CASE, .021"	13	3600089C92	1249
2508298C1	PISTON,T-CASE INNER	13	3600089C92	1249
2508303C1	YOKE,DEFLECTOR ASSY SPL140	13	3600089C92	1249
2508328C1	VALVE,HGHT CNTRL W/O VLV ARM	16	3540379C96	1451
2508483R1	MANUAL,INST ELCTR N SYS CNTRLR	8	3579251C3	618
2508816C1	LENS, DOME LIGHT	16	3609781C1	1520
2508829C1	ARM,STRG SGL LT 10-16K	2	3577157F91	110
2508848C91	HARNASS,FWD CHAS-SVC ASM W/AIR	8	0M4ZH	500
2508859C1	CLIP, INSTR PNL CTR PNL TRM BZL	16	3544344C2	1545
2509068C91	KIT,MIR UPR HLDR LH W/O CB GRD	16	3561587C94	1612
2509069C91	KIT,MIR UPR HLDR RH W/O CB GRD	16	3561588C94	1614
2509223C91	ABSORBER,SHOCK CAB AIR SUSP	16	3540379C96	1451
2509257C91	HARN,ENGINE-SVC ASM W/I6,MANL	12	0M4ZM	1188
2509518C91	BUZZER,SPEAKER ALARM-2 LAYER	16	3604600C91	1462
2509566C1	RING,RETAINER SLD BEAM RH	8	3610438C91	516
2509567C1	RING,RETAINER SLD BEAM LH	8	3610437C91	510
2509753C1	SHIELD,IGN SW KEY	16	3547254C1	1592
2509756C91	CUSHION,BACK HI 1/3 VINYL FXD	16	3575748C93	1618
2509979C1	BEZEL,BLACK SPOT CONVEX R450	16	3561587C94	1612
2509979C1	BEZEL,BLACK SPOT CONVEX R450	16	3561588C94	1614
2509980C1	BEZEL,FLAT MAIN BLACK	16	3561587C94	1612
2509980C1	BEZEL,FLAT MAIN BLACK	16	3561588C94	1614
25222R1	BOLT,HH 1/4-20 X 3/4 PHC TYP 8	8	0GCJR	371
25222R1	BOLT,HH 1/4-20 X 3/4 PHC TYP 8	8	0HQHQ	645
25222R1	BOLT,HH 1/4-20 X 3/4 PHC TYP 8	8	0JGYR	400
253660R2	GASKET OIL INLET FLANGE	12	641015D001	1132
25450H	VALVE,DRAIN 1/4" NPTF	4	3559112F91	230

Part Number Index

Part No.	Description	Group	Figure	Page
25483R1	BOLT, 1/4 X 1 PHC TYPE 8	4	OMT49	238
25483R1	BOLT, 1/4 X 1 PHC TYPE 8	8	OGCJR	371
25493R1	BOLT,HH 5/16X1 PHC TYP 8	8	06S2V	532
25519R1	NUT,1/4 NC TYPE 8	4	OMT49	238
25519R1	NUT,1/4 NC TYPE 8	8	OGCJR	371
25519R1	NUT,1/4 NC TYPE 8	8	0HQHQ	645
25519R1	NUT,1/4 NC TYPE 8	8	0JGYR	400
25522R1	NUT,3/8-16NC	12	07PJQ	1162
25540R1	WASHER,LOCK 1.062 X 2.0 X .134	3	07W2Z	114
25545R1	WASHER,.469 X .922 X .134 PHC	5	06SPX	259
25549R1	WASHER,LOCK .938 X1.75X .219 P	3	07W2Z	114
25687R1	BOLT, 1/2 X 6 PHC TYPE 8	8	06PWH	360
25708R1	WASHER,FLAT 5/16(.344X.688X.08	8	0HL8D	366
25708R1	WASHER,FLAT 5/16(.344X.688X.08	8	0JGYR	400
25709R1	WASHER-.406X.812X.089HDN	4	3576188F92	183
25709R1	WASHER-.406X.812X.089HDN	12	07SHT	1041
25710R1	WASHER,FLAT 1/2 (.531X1.062X.1	12	07RYM	1166
25711R1	WASHER,FLAT .656X1.312X.150 H	4	0F12N	221
25712R1	WASHER,.812X1.500X.179 H	14	07R21	1326
25724R1	WASHER,FLAT 3/8 ID X 1.12	8	OGCJR	371
25758R1	NUT,HEX 9/16 NC TYPE 8	2	3556956F91	108
25846R1	WASHER,FLAT 7/16	14	3563253C92	1320
2585486C1	FRAME,SEAT BACK HI	16	3558491C92	1507
2585487C91	CUSHION,BACK HI GRAY VINYL	16	3558491C92	1507
2585583C1	BREATHER,TRANSFER CASE	13	3600089C92	1249
2585584C1	BUSHING,TRANSFER CASE	13	3600089C92	1249
2585800C1	SHIM	13	3600089C92	1249
2585801C1	CLIP,SPG RETAINER BEZEL	16	3546500C95	1521
2585853C91	KIT,GASKET & SEAL INPUT SHAFT	5	3602517C91	266
2585854C91	KIT,SEAL SECTOR SHAFT	5	3602517C91	266
2585858C91	KIT,GASKET & SEAL END CAP M110	5	3602517C91	266
2585904C91	SWITCH,TURN SIGNAL W/WIPE CTRL	8	3554195F93	670
2586041C91	RADIATOR,ALUM W/CAC,FRAME	12	2586041C91	1171
2586041C91	RADIATOR,ALUM W/CAC,FRAME	12	3588619F92	1173
2586042C91	RADIATOR,ALUM RAD ASSY	12	2586041C91	1171
2586076C91	COVER ASSY,T/S LGT BULB SOCKET	8	3610437C91	510
2586076C91	COVER ASSY,T/S LGT BULB SOCKET	8	3610438C91	516
2586242C91	KIT,ACCEL PEDAL ASSY	12	2586242C91	748
2586242C91	KIT,ACCEL PEDAL ASSY	12	3592631F91	747
2586248C91	KIT,ACCEL SENSOR	12	2586242C91	748
2586319C91	KIT,GASKET & SEAL M110	5	3602517C91	266
2586424C1	PIN,HINGE LWR VENT WINDOW	16	3567240C92	1487
2586424C1	PIN,HINGE LWR VENT WINDOW	16	3567241C92	1489
2586426C1	PIN,HINGE UPR LH VENT WINDOW	16	3567240C92	1487
2586427C1	PIN,HINGE UPR RH VENT WINDOW	16	3567241C92	1489
2586467C1	SLINGER,COMP FLG SPL140	6	3571921F91	287
2586468C1	BRACKET,CAB REAR MTG	16	3540379C96	1451
2586469C1	CROSSMEMBER,CAB REAR SUSP	16	3540379C96	1451
2586470C1	ROD,CAB LATERAL CONTROL	16	3540379C96	1451
2586763C91	KIT,BUSHING*TILT LEVER	5	3562717F92	276
2586860C1	PUMP,OIL	13	3600089C92	1249
2586861C1	TRANSMITTER,SPEED SENSOR	13	3600089C92	1249
2586940C91	KNUCKLE,STRG W/BUSH LT	2	3599758F91	101
2586941C91	KNUCKLE,STRG W/BUSH RT	2	3599758F91	101
2586994C91	HUB,REAR WHL W/CUPS & STUDS	17	2003838C94	1692
2586994C91	HUB,REAR WHL W/CUPS & STUDS	17	2014885C93	1694
2587009C1	NUT,PUSH VISOR MTG	16	3546500C95	1521
2587149C1	PISTON,T-CASE OUTER	13	3600089C92	1249

Part Number Index

Part No.	Description	Group	Figure	Page
2587187C1	CLIP, OPEN RUBBER DIPPED	12	3592631F91	747
2587206C91	SWITCH, ODMTR RESET W/HARN&BTN	16	3604600C91	1462
2587315C91	SCREW, ASM HEAD LIGHT ADJ SHORT	8	3610437C91	510
2587315C91	SCREW, ASM HEAD LIGHT ADJ SHORT	8	3610438C91	516
2587316C91	SCREW, ASM HEAD LIGHT ADJ LONG	8	3610437C91	510
2587316C91	SCREW, ASM HEAD LIGHT ADJ LONG	8	3610438C91	516
2587344C91	KIT, SEAT BASE CVR & SHRD GREY	16	3558491C92	1507
2587515C1	HANDLE, DOOR OUTSIDE LH	16	3556202C94	1478
2587518C1	BEARING, CUP	13	3600089C92	1249
2587970C1	KNOB, HEATER-A/C KNOB	16	3545543C3	1597
2588031C91	KIT, RELIEF VALVE SPRING	5	3602517C91	266
2588411C91	LIGHT, TURN SIGNAL LH	8	3610437C91	510
2588412C91	LIGHT, TURN SIGNAL RH	8	3610438C91	516
2588413C1	BRACKET, RETAINER RING LH	8	3610437C91	510
2588414C1	BRACKET, RETAINER RING RH	8	3610438C91	516
25885R1	BOLT, 1 X 7 PHC TYPE 8	3	07W2Z	114
2588669C1	ARM, W/S REGULATOR LHD	16	3554255C93	1679
2588670C1	MOTOR, W/S WIPER ELECT 12V	16	3554255C93	1679
2588788C91	KIT, MIRROR GROMMET	16	3561587C94	1612
2588788C91	KIT, MIRROR GROMMET	16	3561588C94	1614
2588915C1	FITTING, CONNECTOR	13	3600089C92	1249
2588916C1	MAGNET, ASSY	13	3600089C92	1249
2588916C1	MAGNET, ASSY	14	3602600C91	1300
2588916C1	MAGNET, ASSY	14	3609621C91	1288
2588918C1	CASE, TRANSFER	13	3600089C92	1249
2588920C1	ELBOW, 90 DEG STREET	13	3600089C92	1249
2588925C1	RING, SNAP	13	3600089C92	1249
2588964C1	FITTING, ELBOW	13	3600089C92	1249
2588965C1	TUBE ASSY	13	3600089C92	1249
2589028C1	SHAFT, INPUT OR MAIN T-CASE	13	3600089C92	1249
2589031C1	COVER, TRANSFER CASE	13	3600089C92	1249
2589247C91	KIT, MIR UPR TUBE CONNECTOR	16	3561587C94	1612
2589247C91	KIT, MIR UPR TUBE CONNECTOR	16	3561588C94	1614
2589457C1	CLIP, ABS SENSOR	2	3599758F91	101
2589461C1	TRANSMITTER, SPEED SENSOR	2	3599758F91	101
2589851C1	SEAL, OIL SLEEVE OUTPUT (FRT)	14	3609621C91	1288
2589852C1	SEAL, OIL SLEEVE INPUT (FRT)	14	3609621C91	1288
2590271C91	BEZEL, HD LIGHT PRMD LH W/NUTS	8	3610437C91	510
2590272C91	BEZEL, HD LIGHT PRMD RH W/NUTS	8	3610438C91	516
2590579C91	BRACKET, SEAT RCLN LMTNG 6-23LH	16	3558491C92	1507
2590794C1	BOLT, 3/8X7/8 UNC SOC FLT CSK H	16	3540379C96	1451
2591745C1	NUT, GLASS VENT WNDW LATCH MTG	16	3567240C92	1487
2591745C1	NUT, GLASS VENT WNDW LATCH MTG	16	3567241C92	1489
2591746C1	SCREW, SPL VENT WNDW LATCH MTG	16	3567240C92	1487
2591746C1	SCREW, SPL VENT WNDW LATCH MTG	16	3567241C92	1489
25922R1	NUT, 1/2-NF PHC JAM TYPE 8	13	3549040F91	1239
2592624C1	BASE, SEAT MTG LOWER	16	3558491C92	1507
2592963C1	INSERT, MOLDED RBR PKG OF 25	16	2507655C91	1608
2592963C1	INSERT, MOLDED RBR PKG OF 25	16	2507656C91	1610
2593487C1	SUPPORT, CANVAS CLOTH SEAT RT	16	3575748C93	1618
2594349C1	SEAL, DRAG LINK DUST COVER	2	2601612C91	103
2594597C1	WASHER, THRUST HELICAL PINION	14	1694543C91	1298
2594597C1	WASHER, THRUST HELICAL PINION	14	2502023C91	1296
2595024C91	KIT, FRT SEAT CUSH ADJ REPAIR	16	2595024C91	1497
2595024C91	KIT, FRT SEAT CUSH ADJ REPAIR	16	3558491C92	1507
25950R1	NUT, 5/8-18NF PHC JAM TYPE 8	14	3609621C91	1288
2595198C1	RETAINER, DOOR RODS PLASTIC	16	3556202C94	1478
2595198C1	RETAINER, DOOR RODS PLASTIC	16	3556203C94	1481

Part Number Index

Part No.	Description	Group	Figure	Page
2596707C1	SEAL, DOOR DOME LIGHT SWITCH	16	3579984C1	1642
2598046C91	CONTROL, SOLENOID	12	3610516C91	1193
2598782C91	CLAMP, TIE ROD END	2	2601612C91	103
2598783C91	CLAMP, TIE ROD END	2	2601612C91	103
2599087C1	GASKET, FILL NECK 2" CAP	15	3548102F91	1360
2599240C91	TIE ROD ASM	2	2599240C91	105
2599240C91	TIE ROD ASM	2	3599758F91	101
25996R1	BOLT, 1 X 6 PHC TYPE 8	14	07R21	1326
2601612C91	ROD ASSY, TIE W/ENDS	2	2601612C91	103
2601612C91	ROD ASSY, TIE W/ENDS	2	3599758F91	101
2603225C1	SHIM, STRG KNCKL KING PIN .025	2	3599758F91	101
2603226C1	SHIM, STRG KNCKL KING PIN .015	2	3599758F91	101
2603227C1	SHIM, STRG KNCKL KING PIN .005	2	3599758F91	101
262365C1	RIVET, BK SHOE LINING	4	2507869C91	217
262365C1	RIVET, BK SHOE LINING	4	2507870C91	219
262365C1	RIVET, BK SHOE LINING	4	3548002C91	244
262365C1	RIVET, BK SHOE LINING	4	3548003C91	248
262365C1	RIVET, BK SHOE LINING	4	3548018C91	246
262365C1	RIVET, BK SHOE LINING	4	3548019C91	250
2643099R1	SEAL, MISS SEALING COMPOUND	8	06VZJ	411
2643099R1	SEAL, MISS SEALING COMPOUND	16	06TRV	1543
2643130R1	TAPE, PLASTIC 3/4" WIDE	15	3577849C91	1357
2643302R1	CABLE	12	3565992C91	1014
2643439R2	TUBE, NYLON BULK 3/8 RED	4	0GBMF	122
2643440R2	TUBE, NYLON BULK 3/8 GREEN	4	0J0LQ	127
2643440R2	TUBE, NYLON BULK 3/8 GREEN	4	0MT69	140
2643441R2	TUBE, NYLON BULK 3/8 ORANGE	4	0J0LQ	127
2643443R2	TUBE, NYLON BULK 3/8 YELLOW	4	0J0LQ	127
2643443R2	TUBE, NYLON BULK 3/8 YELLOW	4	0MT69	140
2643446R2	TUBE, NYLON BULK 1/2 ORANGE	4	0H75S	134
2643446R2	TUBE, NYLON BULK 1/2 ORANGE	4	0J0LQ	127
2643447R2	TUBE, NYLON BULK 1/2 BLUE	4	0GBMF	122
2643448R2	TUBE, NYLON BULK 5/8 GREEN	4	0MT69	140
2643454R1	FLUID, GEAR LUB 85W-140	12	06WYK	1103
2643454R1	FLUID, GEAR LUB 85W-140	17	0KTH8	1682
2643486R1	HOSE, HEATER PREMIUM 3/4 ID	4	06SPT	153
2643486R1	HOSE, HEATER PREMIUM 3/4 ID	16	07TDL	1523
2643493R1	HOSE, HEATER PREMIUM*1" ID	12	07PJY	854
2643501R2	TUBE, NYLON BULK 1/4 SILVER	14	0GRRS	1282
2643504R1	HOSE, HEATER BULK 3/8" ID	12	07PJY	854
2643544R1	HOSE, FUEL & OIL 5/16	15	3548102F91	1360
2643575R2	TUBE, NYLON BULK 3/4 GREEN	4	0J0LQ	127
2643614R1	LINING, FUEL TANK STRAP OR SUPT	15	3586670F92	1374
2643655R1	HOSE, STRG 3/4" ID X 1.06" OD	5	0FSWW	269
2643669R1	LOOM, CABLE	4	0J0LQ	127
2643670R1	CABLE LOW TENSION SINGLE CONDU	8	3581887C91	426
2643671R1	CABLE LOW TENSION SINGLE CONDU	8	3560276C91	449
2643671R1	CABLE LOW TENSION SINGLE CONDU	8	3568498C91	453
2643671R1	CABLE LOW TENSION SINGLE CONDU	8	3581887C91	426
2643672R1	CABLE, LOW TENSION BULK 16AWG	8	3581887C91	426
2643673R1	CABLE LOW TENSION SINGLE COND	8	3567203C91	614
2643673R1	CABLE LOW TENSION SINGLE COND	8	3568510C91	485
2643673R1	CABLE LOW TENSION SINGLE COND	8	3572240F91	502
2643673R1	CABLE LOW TENSION SINGLE COND	8	3581887C91	426
2643674R1	CABLE LOW TENSION SINGLE COND	8	3581887C91	426
2643674R1	CABLE LOW TENSION SINGLE COND	12	3560343C91	1023
2643674R1	CABLE LOW TENSION SINGLE COND	12	3560346C92	1204
2643675R1	CABLE LOW TENSION SINGLE COND	8	3561092C91	476

Part Number Index

Part No.	Description	Group	Figure	Page
2643675R1	CABLE LOW TENSION SINGLE COND	8	3581887C91	426
2643678R1	CABLE LOW TENSION SINGLE COND	8	3560276C91	449
2643678R1	CABLE LOW TENSION SINGLE COND	12	3560343C91	1023
2643681R1	CABLE LOW TENSION SINGLE COND	8	3545544C92	491
2643681R1	CABLE LOW TENSION SINGLE COND	8	3572525C91	562
2643682R1	CABLE LOW TENSION SINGLE COND	8	3545544C92	491
2643682R1	CABLE LOW TENSION SINGLE COND	8	3561092C91	476
2643682R1	CABLE LOW TENSION SINGLE COND	12	3579843C91	1227
2643683R1	CABLE LOW TENSION SINGLE COND	8	3560277C91	550
2643688R1	CABLE LOW TENSION SINGLE COND	8	3572236F91	528
2643689R1	CABLE LOW TENSION SINGLE COND	8	3572236F91	528
2643693R1	CABLE LOW TENSION SINGLE COND	8	3560280C91	444
2643693R1	CABLE LOW TENSION SINGLE COND	8	3572236F91	528
2643698R1	CABLE LOW TENSION SINGLE COND	8	3547673C91	380
2643699R1	CABLE LOW TENSION SINGLE COND	8	3588674C91	471
2643716R1	PAINT PRIMER ADHESIVE	13	06WTQ	1236
2643718R1	CABLE LOW TENSION SINGLE COND	8	3568513C91	433
2643719R1	CABLE LOW TENSION SINGLE COND	8	3568513C91	433
2643720R1	CABLE LOW TENSION SINGLE COND	8	3567203C91	614
2643720R1	CABLE LOW TENSION SINGLE COND	8	3581887C91	426
2643754R1	CABLE LOW TENSION 12GA BROWN *	8	3581900C91	421
2643759R1	CABLE LOW TENSION RED 18 GAUGE	8	3581887C91	426
2643760R1	CABLE LOW TENSION RED 16 GAUGE	8	3572525C91	562
2643761R1	CABLE LOW TENSION LIGHT GREEN	8	3560276C91	449
2643761R1	CABLE LOW TENSION LIGHT GREEN	8	3572242F91	521
2643763R1	CABLE LOW TENSION GRAY 20 GAUG	8	3560276C91	449
2643763R1	CABLE LOW TENSION GRAY 20 GAUG	8	3572242F91	521
2643763R1	CABLE LOW TENSION GRAY 20 GAUG	16	3549338C92	1579
2643771R1	CABLE LOW TENSION DARK BLUE 20	16	3549338C92	1579
2643783R1	CABLE LOW TENSION 12 GAUGE GRA	8	3581887C91	426
2643787R1	CABLE LOW TENSION 12 GAUGE WHI	8	3572236F91	528
2643787R1	CABLE LOW TENSION 12 GAUGE WHI	8	3581887C91	426
2643788R1	CABLE LOW TENSION 10 GAUGE WHI	8	3547673C91	380
2643794R1	CABLE LOW TENSION 18 GAUGE PIN	8	3568528C91	465
2643794R1	CABLE LOW TENSION 18 GAUGE PIN	8	3588674C91	471
2643801R1	CABLE LOW TENSION 18 GAUGE YEL	8	3581887C91	426
2643805R1	CABLE LOW TENSION 18 GAUGE LIG	8	3581887C91	426
2643809R1	CABLE LOW TENSION 14 GAUGE VIO	8	3568513C91	433
2643810R1	CABLE LOW TENSION 12 GAUGE VIO	8	3568513C91	433
2643811R1	CABLE LOW TENSION 10 GAUGE VIO	8	3568513C91	433
2644000R1	SLEEVE HEAT SHRINK	12	1833443C95	804
2644030R1	FLUID,GEAR LUB SAE 50 SYNTHETI	12	0FL0N	1105
2644038R1	SLEEVE,CABLE INSULATING	8	3545544C92	491
2644038R1	SLEEVE,CABLE INSULATING	12	1833443C95	804
264663C1	WASHER,PINION SHAFT NUT	13	3600089C92	1249
264663C1	WASHER,PINION SHAFT NUT	14	2503395C91	1292
265204R1	SLEEVE, COMPRESSION FITTING	12	641011L019	899
265204R1	SLEEVE,COMP OR FLEX TUBE	12	1825520C91	908
265204R1	SLEEVE,COMP OR FLEX TUBE	12	1825521C93	909
265204R1	SLEEVE,COMP OR FLEX TUBE	12	1829801C91	907
265204R1	SLEEVE,COMP OR FLEX TUBE	12	641011L019	899
265205R1	NUT, FERRULE FLARED TUBE FITTING 3/8"	12	641011L019	899
265205R1	NUT,3/8 FLEX TUBE	12	1825520C91	908
265205R1	NUT,3/8 FLEX TUBE	12	1825521C93	909
265205R1	NUT,3/8 FLEX TUBE	12	1829801C91	907
265205R1	NUT,3/8 FLEX TUBE	12	641011L019	899
26632R1	BOLT, 1 X 6-1/2 PHC TYPE 8	3	07W2Z	114
267147C91	CLAMP,ASSY TIE ROD 1-1/2 I.D.	2	3599758F91	101

Part Number Index

Part No.	Description	Group	Figure	Page
26963R1	NUT,HEX SLOTTED 7/8 NF TYPE 8	2	2601612C91	103
26963R1	NUT,HEX SLOTTED 7/8 NF TYPE 8	2	3599758F91	101
26963R1	NUT,HEX SLOTTED 7/8 NF TYPE 8	5	3552002C91	268
270DYA1128	PROP SHAFT	6	01XNV	322
270DYA1XXX	PROPSHAFT,1710 SOLID	6	270DYA1128	323
270DYA1XXX	PROPSHAFT,1710 SOLID	6	270DYA1XXX	330
273896	NUT, 7/16-NF PHC P/T LOCK TYPE	5	06SPX	259
273896	NUT, 7/16-NF PHC P/T LOCK TYPE	14	3563253C92	1320
27463R1	BOLT,RD HD SQ NK 1/2 X 3 1/2	14	3563253C92	1320
28423R1	WASHER, .531 X 1.250 X .188 HD	1	0M7YB	72
288905C91	VALVE,ASSY SOLENOID OPER AIR	7	0HGRZ	342
289862C1	STRAP,CABLE LOCK	4	0H9Q1	123
289862C1	STRAP,CABLE LOCK	7	0HGRZ	342
289862C1	STRAP,CABLE LOCK	8	06S2V	532
289862C1	STRAP,CABLE LOCK	8	06VZJ	411
289862C1	STRAP,CABLE LOCK	8	0GCJR	371
289862C1	STRAP,CABLE LOCK	8	0HDDK	655
289862C1	STRAP,CABLE LOCK	8	0HDJP	666
289862C1	STRAP,CABLE LOCK	12	06MYC	1012
289862C1	STRAP,CABLE LOCK	16	06MT8	1471
291207C1	STRAP,CABLE LOCK	8	06S2V	532
291207C1	STRAP,CABLE LOCK	8	3581429F91	609
291207C1	STRAP,CABLE LOCK	8	3582056F91	612
291207C1	STRAP,CABLE LOCK	8	3588143F92	601
293344C1	NIPPLE,HOSE	12	07PJY	854
298608C11	CONNECTOR,COMP TUBE	12	06VS3	1026
298609C1	SLEEVE,COMP TUBE	12	299466C11	1030
298610C1	NUT,COMP TUBE	12	299466C11	1030
299264C91	CLAMP,RUBBER CUSHIONED	12	06MYC	1012
299269C91	CLAMP,RUBBER CUSHIONED	16	07TDL	1523
299275C91	CLAMP, CUSHIONED 1-1/2" X 9/32"	12	641006M011	903
299275C91	CLAMP,RUBBER CLIP	12	641006M011	903
299400C1	CLAMP,.250 DIA ZNP COATED MED	4	3559112F91	230
299407C1	CLAMP,.500 CABLE HOLD DOWN	7	0HGRZ	342
299466C1	ELBOW COMP TUBE S	12	299466C11	1030
299466C11	ELBOW	12	06VS3	1026
299466C11	ELBOW	12	299466C11	1030
299565C1	CLAMP,.688 DIA ZNP COATED MED	12	641009A008	795
299565C1	CLAMP,CABLE SGL-COATED 11/16 X .406 MTG	12	641009A008	795
30019R1	BOLT, M10 X 20 PHC CLASS 10.9	12	0BHYT	1034
30020R1	BOLT, M10 X 25 PHC CLASS 10.9	12	07PJQ	1162
30023R1	BOLT, M10 X 40 PHC CLASS 10.9	11	06VKP	726
300788C1	EXTENSION,CLIP	4	06SPT	153
30081R1	BOLT, M16 X 160 PHC CLASS 10.9	11	06VKH	737
30088R1	BOLT,HH*M20X45	13	07VS1	1245
30167R1	NUT,M8 PHC CLASS 10	8	06VZJ	411
30167R1	NUT,M8 PHC CLASS 10	12	07PJQ	1162
30168R1	NUT, M10 PHC CLASS 10	11	06VKP	726
30168R1	NUT, M10 PHC CLASS 10	11	3544408C91	741
30168R1	NUT, M10 PHC CLASS 10	11	3544412C91	728
30168R1	NUT, M10 PHC CLASS 10	12	07PJQ	1162
30175R1	WASHER	12	641009A008	795
30175R1	WASHER, 8.8 X 17 X 2MM PHC	4	0MT69	140
30175R1	WASHER, 8.8 X 17 X 2MM PHC	9	3612369C91	684
30175R1	WASHER, 8.8 X 17 X 2MM PHC	12	641009A008	795
30186R1	WASHER, 17.3 X 34 X 5MM PHC	16	3566415C93	1441
30195R1	BOLT,M6 X 30 PHC CLASS 10.9	16	07TDL	1523
30197R1	BOLT, M6 X 40 PHC CLASS 10.9	8	3613280C92	398

Part Number Index

Part No.	Description	Group	Figure	Page
30255R1	BOLT,HH*HEX HD M10 X 1.5 X 80.	16	06PSZ	1386
30264R1	WASHER,5MM LOCK STD ZINC	8	0HL8D	366
30278R1	SCREW, M5 X 14 CLASS 4.8 P/HDC	8	0HL8D	366
30282R1	WASHER, 10.8 X 21 X 2MM	12	0BHYT	1034
30289R1	WASHER, 4.3 X 9 X .8MM	16	3550838C95	1675
30298R1	BOLT,HH M16X80 SHOCK MTG	3	07W2Z	114
30326R1	WASHER,8.8 X 17 X 2MM	12	07PJQ	1162
30328R1	WASHER,13.3 X 24 X 3MM	16	0G9F8	1388
30329R1	WASHER, 17.3 X 30 X 4MM	11	06VKH	737
3046105R1	RING,O 7/32 X 11/32 CLASS 5	4	410986C92	151
30496R1	SCREW, CRPNH*M4 X 10	16	3550838C95	1675
30592R1	NUT,SPEED STANDARD PART M6X1 U	9	0FVDZ	695
30592R1	NUT,SPEED STANDARD PART M6X1 U	16	06SLV	1667
306132C1	STRAP,CABLE LOCK	4	0G5H4	189
306132C1	STRAP,CABLE LOCK	4	0GBMF	122
306132C1	STRAP,CABLE LOCK	4	0H75S	134
306132C1	STRAP,CABLE LOCK	4	0H9Q1	123
306132C1	STRAP,CABLE LOCK	4	0J0LQ	127
306132C1	STRAP,CABLE LOCK	4	0LNNN	162
306132C1	STRAP,CABLE LOCK	4	0MT69	140
306132C1	STRAP,CABLE LOCK	5	0FSWW	269
306132C1	STRAP,CABLE LOCK	8	06S2V	532
306132C1	STRAP,CABLE LOCK	8	06VZJ	411
306132C1	STRAP,CABLE LOCK	8	0DDS3	506
306132C1	STRAP,CABLE LOCK	8	0GVJ5	677
306132C1	STRAP,CABLE LOCK	8	0HDJP	666
306132C1	STRAP,CABLE LOCK	8	0HQHQ	645
306132C1	STRAP,CABLE LOCK	12	06MYC	1012
306132C1	STRAP,CABLE LOCK	12	06VS3	1026
306132C1	STRAP,CABLE LOCK	13	06RJY	1278
306132C1	STRAP,CABLE LOCK	13	0M6Q2	1255
306132C1	STRAP,CABLE LOCK	16	06TJY	1648
30664R2	BOLT, M10 X 25MM PHC FLG CLASS	4	0GBMF	122
30665R2	BOLT, M10 X 30MM PHC FLG CLASS	5	0L4J0	256
30665R2	BOLT, M10 X 30MM PHC FLG CLASS	8	0HQHQ	645
30727R1	NUT,HEX FLG METRIC-M10 ZND FI	11	06VKP	726
30727R1	NUT,HEX FLG METRIC-M10 ZND FI	12	06MYC	1012
30744R2	BOLT,HEX HD MET M12X30 PHC FLG	16	06QSL	1449
30745R2	BOLT,M12 X 35 HEX FLG HD	8	0GCJR	371
30745R2	BOLT,M12 X 35 HEX FLG HD	12	3538857C93	861
30748R2	BOLT, M12 X 50MM PHC FLG CLASS	1	0M7YB	72
30748R2	BOLT, M12 X 50MM PHC FLG CLASS	8	0MSPY	397
30748R2	BOLT, M12 X 50MM PHC FLG CLASS	9	0DDTF	716
30748R2	BOLT, M12 X 50MM PHC FLG CLASS	12	07NDS	859
30749R2	BOLT,HEX HD METRIC M12X60 PHC	3	07W2Z	114
30749R2	BOLT,HEX HD METRIC M12X60 PHC	12	07RTJ	830
30750R2	BOLT, M16 X 40MM PHC FLG CLASS	4	0G5H4	189
30750R2	BOLT, M16 X 40MM PHC FLG CLASS	16	0GB2V	1433
30751R2	BOLT,HEX FLG HD METRIC*M16 X 4	16	3566415C93	1441
30752R2	BOLT, M16 X 50MM PHC FLG CLASS	1	0M7YB	72
30752R2	BOLT, M16 X 50MM PHC FLG CLASS	12	07NDS	859
30752R2	BOLT, M16 X 50MM PHC FLG CLASS	12	07RYM	1166
30752R2	BOLT, M16 X 50MM PHC FLG CLASS	13	07VS1	1245
30752R2	BOLT, M16 X 50MM PHC FLG CLASS	16	0GB2V	1433
30753R2	BOLT, M16 X 60MM PHC FLG CLASS	1	07VHX	68
30753R2	BOLT, M16 X 60MM PHC FLG CLASS	1	07X7R	80
30753R2	BOLT, M16 X 60MM PHC FLG CLASS	3	07W2Z	114
30753R2	BOLT, M16 X 60MM PHC FLG CLASS	4	0MSR4	158

Part Number Index

Part No.	Description	Group	Figure	Page
30753R2	BOLT, M16 X 60MM PHC FLG CLASS	16	0GB2V	1433
30754R1	NUT, LOCK OR HEX SPECIAL*PREVAI	4	0MT69	140
30754R1	NUT, LOCK OR HEX SPECIAL*PREVAI	8	0HQHQ	645
30754R1	NUT, LOCK OR HEX SPECIAL*PREVAI	15	0H3G3	1342
30755R1	NUT, HEX M12 FLANGED	1	0M7YB	72
30755R1	NUT, HEX M12 FLANGED	3	07W2Z	114
30755R1	NUT, HEX M12 FLANGED	8	0GCJR	371
30755R1	NUT, HEX M12 FLANGED	9	0DDTF	716
30755R1	NUT, HEX M12 FLANGED	12	07NDS	859
30755R1	NUT, HEX M12 FLANGED	12	07RTJ	830
30755R1	NUT, HEX M12 FLANGED	12	07RYM	1166
30755R1	NUT, HEX M12 FLANGED	12	3538857C93	861
30755R1	NUT, HEX M12 FLANGED	15	3586670F92	1374
30755R1	NUT, HEX M12 FLANGED	16	06QSL	1449
30755R1	NUT, HEX M12 FLANGED	16	3574671C91	1438
30755R1	NUT, HEX M12 FLANGED	16	3589599C91	1436
30756R1	NUT, HEX M16 PRVTRQ	1	07VHX	68
30756R1	NUT, HEX M16 PRVTRQ	1	07VQC	76
30756R1	NUT, HEX M16 PRVTRQ	1	07X7R	80
30756R1	NUT, HEX M16 PRVTRQ	1	0M7YB	72
30756R1	NUT, HEX M16 PRVTRQ	3	07W2Z	114
30756R1	NUT, HEX M16 PRVTRQ	4	0G5H4	189
30756R1	NUT, HEX M16 PRVTRQ	12	07NDS	859
30756R1	NUT, HEX M16 PRVTRQ	12	07RYM	1166
30756R1	NUT, HEX M16 PRVTRQ	13	07VS1	1245
30756R1	NUT, HEX M16 PRVTRQ	14	07Q7J	1333
30756R1	NUT, HEX M16 PRVTRQ	14	07RTC	1331
30756R1	NUT, HEX M16 PRVTRQ	14	07RTF	1330
30756R1	NUT, HEX M16 PRVTRQ	16	0GB2V	1433
30756R1	NUT, HEX M16 PRVTRQ	16	3566415C93	1441
30837R1	BOLT, M8 X 40MM PHC P/T CLASS	9	3612369C91	684
308387C91	CLAMP, NO. 48 SST TYPE F HOSE	12	06VS3	1026
30848R2	BOLT, M10 X 20MM PHC FLG CLASS	7	0HGRZ	342
30849R2	BOLT, HEX FLG HD METRIC	8	0HDDK	655
30849R2	BOLT, HEX FLG HD METRIC	15	0H3G3	1342
30850R2	BOLT, HEX FLG HD METRIC*M10 X 4	4	0MT69	140
30910R1	NUT, HEX*M8 ZND	8	06VZJ	411
309129C1	SHAFT, CLUTCH REL FORK	11	06VL5	743
30986R1	NUT, M8 CLASS 8 H/FLG	12	07PJQ	1162
31046R1	BOLT, M6 X 20 PHC CL 8.8 FLG/H	12	06MYC	1012
31049R1	BOLT, M6 X 40 PHC CL 8.8 FLG/H	8	3613280C92	398
31049R1	BOLT, M6 X 40 PHC CL 8.8 FLG/H	16	0LV7L	1530
31054R1	BOLT, M8 X 20 PHC CL 8.8 FLG/H	8	06VZJ	411
31054R1	BOLT, M8 X 20 PHC CL 8.8 FLG/H	12	06MYC	1012
31054R1	BOLT, M8 X 20 PHC CL 8.8 FLG/H	13	0M5GN	1258
31055R1	BOLT, M8 X 25 PHC CL 8.8 FLG/H	4	0MT69	140
31055R1	BOLT, M8 X 25 PHC CL 8.8 FLG/H	12	07SHT	1041
31055R1	BOLT, M8 X 25 PHC CL 8.8 FLG/H	12	07TXX	749
31055R1	BOLT, M8 X 25 PHC CL 8.8 FLG/H	15	0H3G3	1342
31056R1	BOLT, HEX FLG HD M8 X 30 10.9 P	4	0LNNN	162
31056R1	BOLT, HEX FLG HD M8 X 30 10.9 P	5	0FSWW	269
31057R1	BOLT, M8 X 40 PHC CL 8.8 FLG/H	4	0HKJF	166
31057R1	BOLT, M8 X 40 PHC CL 8.8 FLG/H	16	07TDL	1523
31058R1	BOLT, M8 X 50 PHC CL 8.8 FLG/H	4	0HKJF	166
31069R1	BOLT, M12 X 70 PHC CL 10.9 FLG	12	07RYM	1166
31070R1	BOLT, M12 X 80 PHC CL 10.9 FLG	12	07SHT	1041
31072R1	BOLT, M12 X 120 PHC CL 10.9 FL	16	3574671C91	1438
31072R1	BOLT, M12 X 120 PHC CL 10.9 FL	16	3589599C91	1436

Part Number Index

Part No.	Description	Group	Figure	Page
31075R1	BOLT, M16 X 70 PHC CL 10.9 FLG	1	07VQC	76
31075R1	BOLT, M16 X 70 PHC CL 10.9 FLG	3	07W2Z	114
31077R1	BOLT, M16 X 100 PHC CL 10.9 FL	12	07NDS	859
31077R1	BOLT, M16 X 100 PHC CL 10.9 FL	14	07Q7J	1333
31077R1	BOLT, M16 X 100 PHC CL 10.9 FL	14	07RTF	1330
31078R1	BOLT, M16 X 120 PHC CL 10.9 FL	3	07W2Z	114
31078R1	BOLT, M16 X 120 PHC CL 10.9 FL	14	07RTC	1331
31082R1	NUT, M8X1.25 CLASS 8 PHC FLG	15	0H3G3	1342
31083R1	NUT M10 X 1.50	12	641009L011	777
31083R1	NUT, M10 X 1.50 6H FN	12	641009L011	777
31086R1	BOLT, M20 X 50 PHC CL 10.9 FLG	14	07Q7J	1333
31089R1	BOLT, M20 X 80 PHC CL 10.9 FLG	5	0MFX6	263
311164C91	CLAMP, HOSE TYPE F # 20	12	641017L003	893
311164C91	CLAMP, NO. 20 TYPE F HOSE	12	641017L003	893
31126R1	SCREW, MACH*SCREW M6 X 20MM PAN	8	3616579F91	396
314249C91	CLIP, MEDIUM	8	06VZJ	411
3150A1509	BRACKET, BEAM HANGER LT	14	3602600C91	1300
3150A1509	BRACKET, BEAM HANGER LT	14	3609621C91	1288
3150C1511	BRACKET, BEAM HANGER RT	14	3602600C91	1300
3150C1511	BRACKET, BEAM HANGER RT	14	3609621C91	1288
3150S1631	BRACKET, TORQUE ROD MTG OR RADI	14	3602600C91	1300
3150S1631	BRACKET, TORQUE ROD MTG OR RADI	14	3609621C91	1288
315850C1	EXTENSION, CLIP	4	0H75S	134
315850C1	EXTENSION, CLIP	4	0J0LQ	127
318721C1	EXTENSION, CLIP	8	0GCJR	371
321739R1	COVER, AIR GOV	4	410986C92	151
321742R1	SPRING, AIR GOV VALVE	4	410986C92	151
321743R91	PISTON, AIR GOV	4	410986C92	151
321744R1	VALVE, AIR GOVERNOR	4	410986C92	151
321745R1	SPRING, AIR GOV VALVE	4	410986C92	151
321747R1	SPRING, AIR GOV VALVE	4	410986C92	151
321748R1	SEAT, AIR GOV SPG	4	410986C92	151
3239318R1	WASHER, SPECIAL	2	2507920C91	94
3260S1813	YOKE, SPLINE	13	3600089C92	1249
3261A1067	CYLINDER, SHIFT	14	2503395C91	1292
326769C1	SPACER, AUX TRANS	13	07VS1	1245
327412R1	PLUG, 13/16 CUP	12	1830592C91	770
32796VA	WASHER, SPECIAL KEY FOR TRANS	11	06VL5	743
3420H	WASHER, FLAT	11	06MG9	730
347822R1	PLUG, 5/8 CUP	12	1830345C93	879
347822R1	PLUG, 5/8 CUP	12	1830607C5	986
3500131C2	FUSE, 100AMP "MEGA FUSE"	8	06VZJ	411
3504540C1	FUSE, 40 AMP AUTOFUSE BLADE TYP	8	0MRFB	382
3507269C1	ELBOW, SNAP TO CONNECT 5/8X 1/2	4	0MT69	140
3508276C2	COVER, ENGINE I6 ENGINE	16	3508281C93	1513
3508277C1	INSULATOR, CAB ENG COVER I6 ENG	16	3508281C93	1513
3508281C93	COVER, ASSY ENG I6	16	0JT53	1512
3508281C93	COVER, ASSY ENG I6	16	3508281C93	1513
3508373C1	PANEL, TOE BOARD LEFT SIDE LHD	16	3572158C92	1409
3508375C2	PANEL, TOE BOARD RIGHT SIDE LHD	16	3572158C92	1409
3508419C1	BOLT, HUCK SPIN FASTENER 1/2"D	1	1664559C92	82
3508419C1	BOLT, HUCK SPIN FASTENER 1/2"D	14	1664557C92	1336
3508419C1	BOLT, HUCK SPIN FASTENER 1/2"D	14	1664559C92	1338
3508452C3	PANEL, ROOF CAB INNER	16	3511402C92	1411
3508950C4	SEAL, VENT WINDOW GLASS LH	16	06MT8	1471
3508968C2	SEAL, DOOR GLASS INNERBELT FRT	16	06MT8	1471
3508972C4	SEAL, DOOR PRIMARY FRONT	16	06MT8	1471
3508975C5	SEAL, DOOR SECONDARY FRT LH	16	06MT8	1471

Part Number Index

Part No.	Description	Group	Figure	Page
3508976C5	SEAL, DOOR SECONDARY FRT RH	16	06MT8	1471
3508978C2	SEAL, ENGINE COVER	16	3508281C93	1513
3508990C4	HANDLE, WINDOW REGULATOR MANUAL	16	06MT8	1471
3508990C4	HANDLE, WINDOW REGULATOR MANUAL	16	3508990C4	1484
3508991C5	SHIELD, WATER INR DR PNL FR LH	16	06MT8	1471
3508992C5	SHIELD, WATER INR DR PNL FRT RH	16	06MT8	1471
3509094C1	PIN, LATCH STRICKER	16	06MT8	1471
3509307C3	SILL, ASSY REAR	16	3543973C95	1427
3509468C2	REINFORCEMENT, DASH PANEL	16	3550779C2	1421
3509592C1	SILL, CAB FLOOR OR COWL UNDERBO	16	3509593C1	1424
3509592C2	SILL, CAB FLOOR OR COWL UNDRBDY	16	3509593C2	1426
3509593C1	SILL, ASSY SLED RUNNER ASSY EX	16	3509593C1	1424
3509593C1	SILL, ASSY SLED RUNNER ASSY EX	16	3543973C95	1427
3509593C2	SILL, ASSY SLED RUNNER EXT-CAB	16	3509593C2	1426
3509593C2	SILL, ASSY SLED RUNNER EXT-CAB	16	3543973C95	1427
3509874C1	TERMINAL, CABLE	8	3560276C91	449
3509874C1	TERMINAL, CABLE	8	3568513C91	433
3509874C1	TERMINAL, CABLE	8	3581887C91	426
3509874C1	TERMINAL, CABLE	8	3581917C91	460
3509874C1	TERMINAL, CABLE	8	3588674C91	471
3509899C4	WINDSHIELD, ASM SOLX ENCAPSULAT	16	06MXR	1644
3509903C1	SEAL, CABLE TERMINAL	8	3560276C91	449
3509903C1	SEAL, CABLE TERMINAL	8	3560277C91	550
3509903C1	SEAL, CABLE TERMINAL	8	3560280C91	444
3509903C1	SEAL, CABLE TERMINAL	8	3568513C91	433
3509903C1	SEAL, CABLE TERMINAL	8	3572236F91	528
3509903C1	SEAL, CABLE TERMINAL	8	3572240F91	502
3509903C1	SEAL, CABLE TERMINAL	8	3581887C91	426
3509903C1	SEAL, CABLE TERMINAL	8	3588674C91	471
3509903C1	SEAL, CABLE TERMINAL	12	3560343C91	1023
3509903C1	SEAL, CABLE TERMINAL	12	3560346C92	1204
3509986C2	BRACKET, INSTR PANEL ASSY LH	16	0H9RV	1390
3509986C2	BRACKET, INSTR PANEL ASSY LH	16	3579484C93	1392
3509987C2	BRACKET, INSTR PANEL ASSY RH	16	0H9RV	1390
3509987C2	BRACKET, INSTR PANEL ASSY RH	16	3579484C93	1392
3510035C1	RAIL, BODY SIDE DRIP LH	16	3532658C3	1402
3510036C1	RAIL, BODY SIDE DRIP RH	16	3532659C3	1404
3510043C1	RETAINER, TAPPING PLATE STRIKER	16	3532658C3	1402
3510043C1	RETAINER, TAPPING PLATE STRIKER	16	3532659C3	1404
3510051C3	REINFORCEMENT, CAB BACK PANEL	16	3540844C95	1407
3510066C1	PANEL, ROOF CAB OTR EXT	16	3511402C92	1411
3510093C2	PANEL, HEADER REAR	16	3511402C92	1411
3510121C1	REINFORCEMENT, FLOOR PNL SEAT	16	3531028C1	1423
3510121C1	REINFORCEMENT, FLOOR PNL SEAT	16	3543973C95	1427
3510129C1	REINFORCEMENT, ROOF BOW	16	3511402C92	1411
3510210C1	NUT, SPEED	16	06TJY	1648
3510298R1	CABLE, LOW TENSION TXL	8	3560276C91	449
3510310R1	CABLE, LOW TENSION TXL	8	3560276C91	449
3510311R1	CABLE, LOW TENSION TXL	8	357990C91	482
3510311R1	CABLE, LOW TENSION TXL	8	3581900C91	421
3510312R1	CABLE, LOW TENSION TXL	8	3545551C92	543
3510312R1	CABLE, LOW TENSION TXL	8	3568510C91	485
3510318R1	CABLE, LOW TENSION TXL	8	3572236F91	528
3510323R1	CABLE, LOW TENSION TXL	12	3579843C91	1227
3510361R1	CABLE, LOW TENSION TXL	8	3572525C91	562
3510362R1	CABLE, LOW TENSION TXL	8	3572236F91	528
3510917C1	BOLT, SEMS ALL M6 35MM LONG HEX	16	06MXR	1644
3510917C1	BOLT, SEMS ALL M6 35MM LONG HEX	16	06NKM	1557

Part Number Index

Part No.	Description	Group	Figure	Page
3510917C1	BOLT,SEMS ALL M6 35MM LONG HEX	16	06RNB	1544
3510917C1	BOLT,SEMS ALL M6 35MM LONG HEX	16	06STC	1517
3510917C1	BOLT,SEMS ALL M6 35MM LONG HEX	16	0JT53	1512
3510918C1	INSERT,THREADED M6 OPEN END	9	0JCH6	680
3510918C1	INSERT,THREADED M6 OPEN END	16	06MT8	1471
3510918C1	INSERT,THREADED M6 OPEN END	16	06MXR	1644
3510918C1	INSERT,THREADED M6 OPEN END	16	06NKM	1557
3510918C1	INSERT,THREADED M6 OPEN END	16	06STC	1517
3510918C1	INSERT,THREADED M6 OPEN END	16	0G4M9	1643
3510918C1	INSERT,THREADED M6 OPEN END	16	0JT53	1512
3510975C1	SCREW,TAPPING M4.8 X 1.59 -25M	16	06SLV	1667
3511018F93	INST PANEL MAIN CARRIER LHD	16	06JTX	1559
3511018F93	INST PANEL MAIN CARRIER LHD	16	3511018F93	1560
3511042F93	INST PNL CLSTR CLSOUT LHD	16	06JV1	1562
3511042F93	INST PNL CLSTR CLSOUT LHD	16	3511042F93	1563
3511044F93	INST PNL FLT CTR ASSY LHD	16	06JV9	1589
3511044F93	INST PNL FLT CTR ASSY LHD	16	3511044F93	1590
3511056F93	INST PNL PASS CLSOUT LHD	16	06JV5	1572
3511056F93	INST PNL PASS CLSOUT LHD	16	3511056F93	1573
3511058C2	FASTENER,TRM 2-STG RVT SMK GRY	16	06NKM	1557
3511058C2	FASTENER,TRM 2-STG RVT SMK GRY	16	06QG0	1552
3511058C2	FASTENER,TRM 2-STG RVT SMK GRY	16	0JC0G	1431
3511206C1	PLATE,TAPPING STRIKER MOUNT	16	06MT8	1471
3511402C92	PANEL,ASSY ROOF WLDD EXT CV/LF	16	3511402C92	1411
3511402C92	PANEL,ASSY ROOF WLDD EXT CV/LF	16	3572685C91	1406
3511953C1	REINFORCEMENT,DR INR PNL LH	16	3560062C94	1395
3511954C1	REINFORCEMENT,DR IND PNL RH	16	3560063C94	1398
3512565C2	PANEL,FLOOR CE & CT FRONT I6	16	3543973C95	1427
3512588C7	PANEL,CAB BCK TRM LWR STD/CREW	16	06SH9	1548
3513117C1	BOLT,SPL M12X25-10.9 BRG RET	6	3513127C91	292
3513117C1	BOLT,SPL M12X25-10.9 BRG RET	6	3524823C91	290
3513117C1	BOLT,SPL M12X25-10.9 BRG RET	6	414STHXXXX	296
3513118C1	RETAINER,U-JT BEARING SPL-170	6	3513127C91	292
3513127C91	KIT,U-JT STRAP & BOLT SPL170	6	045PC	291
3513127C91	KIT,U-JT STRAP & BOLT SPL170	6	0F9YZ	293
3513127C91	KIT,U-JT STRAP & BOLT SPL170	6	3513127C91	292
3514273C1	BOLT,SEMS M8 X 1.25-35	9	0DDTF	716
3514273C1	BOLT,SEMS M8 X 1.25-35	16	06RNB	1544
3514273C1	BOLT,SEMS M8 X 1.25-35	16	06TJY	1648
3514273C1	BOLT,SEMS M8 X 1.25-35	16	0H9RV	1390
3514273C1	BOLT,SEMS M8 X 1.25-35	16	3579484C93	1392
3515265C1	ABSORBER,SHOCK LT & RT 1 3/8	14	07R2S	1325
3515503C1	BEZEL,XMSN SHIFT DIAL	13	0GHWX	1244
3516037C92	BEAM,ASSY EQ W/BUSH 54 HN-402	14	07R21	1326
3516037C92	BEAM,ASSY EQ W/BUSH 54 HN-402	14	3516037C92	1328
3516414F91	TENSIONER, FAN L/ DRIVE	12	0FBD0	1037
3516414F91	TENSIONER, FAN L/ DRIVE	12	3516414F91	1039
3516934C1	STRAP,CABLE LOCK 1/2" X 20"	8	0GCJR	371
3516934C1	STRAP,CABLE LOCK 1/2" X 20"	8	0JGYR	400
3516934C1	STRAP,CABLE LOCK 1/2" X 20"	16	06TJY	1648
3516934C1	STRAP,CABLE LOCK 1/2" X 20"	16	07TDL	1523
3517243C1	TERMINAL,CABLE	8	3557990C91	482
3517243C1	TERMINAL,CABLE	8	3572525C91	562
3517243C1	TERMINAL,CABLE	8	3581900C91	421
3517243C1	TERMINAL,CABLE	16	3549338C92	1579
3517267C2	BRACKET,ROOF FAIRING EXTEND LH	16	3572685C91	1406
3517268C2	BRACKET,ROOF FAIRING EXTEND RH	16	3572685C91	1406
3517469C1	EXTENSION,CLIP	4	0H75S	134

Part Number Index

Part No.	Description	Group	Figure	Page
3517469C1	EXTENSION,CLIP	4	0J0LQ	127
3517469C1	EXTENSION,CLIP	8	0HQHQ	645
3518910C2	PRODUCT GRAPHICS,*BLANK LABEL	16	3591764C1	1631
3518910C2	PRODUCT GRAPHICS,*BLANK LABEL	16	3593358C2	1624
3519350C1	RELAY,MICRO SPDT	8	3544520F95	556
3519350C1	RELAY,MICRO SPDT	8	3581517F91	606
3519350C1	RELAY,MICRO SPDT	8	3582042F91	559
3519350C1	RELAY,MICRO SPDT	8	3588143F92	601
3519749C2	PRODUCT GRAPHICS,LABEL INFO*EN	12	08XWZ	1145
3520250C1	ELBOW,SNAP TO CONNECT 45 DEG	4	06SPT	153
3520436C2	TUBE,NYLON BULK 3/8 SILVER	4	0LNNN	162
3520528C2	TUBE,NYLON BULK 1/4 OD PURPLE	13	07VRS	1254
3520529C2	TUBE,NYLON BULK 1/4 OD TAN	14	0GNXX	1307
3520897C1	BRACKET,AIR BRK VALVE MTG LT	4	0MT69	140
3520898C1	BRACKET,AIR BRK VALVE MTG RT	4	0MT69	140
3522524C1	COUPLING,PUSH TO CONNECT*	4	0J0LQ	127
3523179C91	HORN,ELEC W/BRKTS LO-NOTE	8	06S2V	532
3523434C1	CLAMP,HEAT EXCHANGER*MUBEA, FO	12	07PJY	854
3523435C1	CLAMP,34MM DIA X15MM WD,1"HOSE	12	07PJY	854
352356C1	CLAMP,	15	0H3G3	1342
3524553C94	LIGHT,*INCANDESCENT AMBER	16	06V2B	1464
3524553C94	LIGHT,*INCANDESCENT AMBER	16	3524553C94	1465
3524667C1	SPACER,FUEL TANK SUPT OR BRKT*	15	3573570F92	1377
3524814C1	RETAINER,U-JT BEARING SPL140	6	3524823C91	290
3524814C1	RETAINER,U-JT BEARING SPL140	6	414STHXXXX	296
3524823C91	RETAINER,TRUNNION BRG ROLLER**	6	0L82T	289
3524823C91	RETAINER,TRUNNION BRG ROLLER**	6	3524823C91	290
3525872C1	CONNECTOR,BODY** MALE 8-WAY(15	8	3561092C91	476
3525874C1	CONNECTOR,BODY** FEMALE 8-WAY(12	3579843C91	1227
3525875C1	LOCK,CONNECTOR BODY** 8-WAY(15	12	3579843C91	1227
3526024C1	STRAP,CABLE LOCK	13	07VRS	1254
3527130C1	GROMMET,W/WASHER HOSE TO COWL	16	3550838C95	1675
3527240R1	PRODUCT GRAPHIC,PL IDENT*CAB S	10	0GYJ2	723
3527258C1	INLET, WATER	12	641005P005	858
3527258C1	INLET,WATER ENGINE	12	641005P005	858
3528274C3	PRODUCT GRAPHICS,DECAL ANTI FR	12	08XXF	857
3528839C92	CABLE,BTRY 360MM,WELDING CABLE	8	0GCJR	371
3530018C1	BOLT,SEMS ALL M10 X 1.50 35 MM	9	0DS0W	714
3530081C1	PLATE,TAPPING	8	0DDS3	506
3530605C1	STRAP,CABLE LOCK*BUTTON STRAPL	4	0J0LQ	127
3530605C1	STRAP,CABLE LOCK*BUTTON STRAPL	13	0M6Q2	1255
3530605C1	STRAP,CABLE LOCK*BUTTON STRAPL	14	0GNXX	1307
3530605C1	STRAP,CABLE LOCK*BUTTON STRAPL	14	0GRRS	1282
3530796C1	EXTENSION,EXH PIPE BRKT	15	0H3G3	1342
3530971C96	HEATER,ASSY FRESH AIR LHD CONV	16	0LV7L	1530
3530971C96	HEATER,ASSY FRESH AIR LHD CONV	16	3530971C96	1539
3531028C1	REINFORCEMENT,FLR PNL SIDE	16	3531028C1	1423
3531028C1	REINFORCEMENT,FLR PNL SIDE	16	3543973C95	1427
3531041C1	PLATE,SEAT BELT ANCHOR	16	3533672C1	1419
3531041C1	PLATE,SEAT BELT ANCHOR	16	3533673C1	1420
3531042C1	PLATE,WELD NUT B-PILLAR LWR	16	3533672C1	1419
3531042C1	PLATE,WELD NUT B-PILLAR LWR	16	3533673C1	1420
3531057C1	PLATE,WELD NUT	16	3550779C2	1421
3531330C1	PLATE,TAPPING	16	3531028C1	1423
3531489C1	SILL,PANEL OTR LH EXT CAB	16	3548076C3	1413
3531490C1	SILL,PANEL OTR RH EXT CAB	16	3548077C3	1415
3531768C2	BOOT,XMSN GEAR SHIFT LEVER*SHI	13	3576511C92	1270
3531896C3	BRACKET,CAB MTG XMBR REAR	16	3554851C3	1440

Part Number Index

Part No.	Description	Group	Figure	Page
3531907C2	PIN,HOOD CATCH COTTER	9	0F4H6	705
3532083C1	BOLT,LOCK 8 MM W/PATCH	16	06NKM	1557
3532083C1	BOLT,LOCK 8 MM W/PATCH	16	06STC	1517
3532083C1	BOLT,LOCK 8 MM W/PATCH	16	0H9RV	1390
3532083C1	BOLT,LOCK 8 MM W/PATCH	16	3579484C93	1392
3532128C1	SEAL,CABLE TERMINAL*AMP CABLE	8	3560276C91	449
3532128C1	SEAL,CABLE TERMINAL*AMP CABLE	8	3572242F91	521
3532128C1	SEAL,CABLE TERMINAL*AMP CABLE	8	3581917C91	460
3532128C1	SEAL,CABLE TERMINAL*AMP CABLE	12	3577574C91	1018
3532129C1	PLUG,SEALING*AMP CONNECTOR PLU	8	3560276C91	449
3532263C1	RAIL,BODY SIDE A-PILLAR LH	16	3532658C3	1402
3532264C1	RAIL,BODY SIDE A-PILLAR RH	16	3532659C3	1404
3532627C1	CONNECTOR,ADAPTER PIPE TO HOSE	13	0M6Q2	1255
3532658C3	FRAME,DR OPNG FRT LH T/C & EXT	16	3532658C3	1402
3532658C3	FRAME,DR OPNG FRT LH T/C & EXT	16	3535208C3	1400
3532659C3	FRAME,DR OPNG FRT RH T/C & EXT	16	3532659C3	1404
3532659C3	FRAME,DR OPNG FRT RH T/C & EXT	16	3535209C3	1401
3532691C1	FITTING,LUBRICATOR*9/16-18 JIC	13	3605404C91	1257
3532732C1	NUT,WELD FLANGE M8 X 1.25	8	3539604C2	394
3532732C1	NUT,WELD FLANGE M8 X 1.25	16	3509593C1	1424
3532734C1	NUT,WELD FLANGED GRIPCO M12 WE	16	3550779C2	1421
3532800C1	ELEMENT,AIR CLEANER SECONDARY	12	3562349C91	750
3532801C1	ELEMENT,AIR CLEANER PRIMARY	12	3562349C91	750
3532840C1	ROD,CLUTCH CONTROL*	11	3544412C91	728
3532841C1	NUT,LOCK CLUTCH ADJ *LEFT HAND	11	3544412C91	728
3532848C1	TUBE,CLUTCH RELAY SHAFT	16	3550779C2	1421
3532849C1	SHAFT,CLUTCH RELAY LEVER*	11	3532907C91	739
3532850C1	BEARING,BALL*	11	3532907C91	739
3532853C1	NUT,LOCK CLUTCH ADJ *M10X1.5 Z	11	3544408C91	741
3532853C1	NUT,LOCK CLUTCH ADJ *M10X1.5 Z	11	3544412C91	728
3532860C1	JOINT,BALL*LH FEMALE THREAD W/	11	3544412C91	728
3532867C1	LEVER,CLUTCH RELEASE FORK SHAF	11	06VKP	726
3532872C1	SHAFT,CLUTCH REL FORK*	11	06VL5	743
3532906C1	TUBE,CLUTCH CONT LINK*CLUTCH R	11	3532907C91	739
3532907C91	LEVER,BELLCRANK CLUTCH CONT*CL	11	06VKH	737
3532907C91	LEVER,BELLCRANK CLUTCH CONT*CL	11	3532907C91	739
3532953C1	BRACKET, REAR ENGINE MOUNTING	12	641010N007	779
3532953C1	SUPPORT,FLYWHEEL HOUSING BRKT	12	641010N007	779
3532955C1	INSULATOR,SNUBBER I6	12	07NDS	859
3533100C3	ANGLE,FUEL TANK MTG*	15	3573570F92	1377
3533231C1	SHACKLE,FRT SPRING 14-20K	3	07W2Z	114
3533233C1	BUSHING,SPG PIN RUBBER 14-20K	3	3540967C91	119
3533233C1	BUSHING,SPG PIN RUBBER 14-20K	3	3541836C91	117
3533233C1	BUSHING,SPG PIN RUBBER 14-20K	3	3543964C91	118
3533425C2	FITTING,FUEL OUTLET*90 DEG VOS	15	3563483C92	1353
3533425C2	FITTING,FUEL OUTLET*90 DEG VOS	15	3572003C92	1354
3533425C2	FITTING,FUEL OUTLET*90 DEG VOS	15	3577848C91	1356
3533425C3	FITTING,FUEL OUTLET*90 DEG VOS	15	3533425C3	1351
3533425C3	FITTING,FUEL OUTLET*90 DEG VOS	15	3563483C92	1353
3533425C3	FITTING,FUEL OUTLET*90 DEG VOS	15	3572003C92	1354
3533425C3	FITTING,FUEL OUTLET*90 DEG VOS	15	3577848C91	1356
3533426C2	FITTING,FUEL OUTLET*STRAIGHT V	15	3572003C92	1354
3533426C3	FITTING,FUEL OUTLET*STRAIGHT V	15	3533426C3	1352
3533426C3	FITTING,FUEL OUTLET*STRAIGHT V	15	3572003C92	1354
3533507C1	TERMINAL,CABLE*MICRO-PACK 100W	8	3560276C91	449
3533582C2	PLATE,TAPPING ASSY REAR SPKR	16	3532658C3	1402
3533582C2	PLATE,TAPPING ASSY REAR SPKR	16	3532659C3	1404
3533672C1	PLATE,SEAT BELT ANCHOR LH	16	3533672C1	1419

Part Number Index

Part No.	Description	Group	Figure	Page
3533672C1	PLATE,SEAT BELT ANCHOR LH	16	3543973C95	1427
3533673C1	PLATE,SEAT BELT ANCHOR RH	16	3533673C1	1420
3533673C1	PLATE,SEAT BELT ANCHOR RH	16	3543973C95	1427
3533752C94	PANEL,DOOR TRM LH FRT STD MAN	16	0JC0G	1431
3533752C94	PANEL,DOOR TRM LH FRT STD MAN	16	3533752C94	1432
3533832C1	CONNECTOR,BODY*CNTR STRAIN REL	8	3557990C91	482
3533832C1	CONNECTOR,BODY*CNTR STRAIN REL	8	3560276C91	449
3533832C1	CONNECTOR,BODY*CNTR STRAIN REL	8	3572525C91	562
3533832C1	CONNECTOR,BODY*CNTR STRAIN REL	8	3581900C91	421
3533832C1	CONNECTOR,BODY*CNTR STRAIN REL	16	3549338C92	1579
3533843C1	PLATE,MOUNTING STUD ASSY	16	3572158C92	1409
3533892C1	GAUGE,ELTRNC*AIR 1 (METRIC)	16	3533892C1	1585
3533892C1	GAUGE,ELTRNC*AIR 1 (METRIC)	16	3547873F91	1584
3533893C1	GAUGE,ELTRNC*AIR 2 (METRIC)	16	3533893C1	1587
3533893C1	GAUGE,ELTRNC*AIR 2 (METRIC)	16	3547873F91	1584
3533906C1	COVER,GAUGE HOLE*BLANK - INSTR	16	3536055F91	1565
3533928C1	LIGHT,IND,LED AMBER BKLGT	8	3578719F92	632
3533928C1	LIGHT,IND,LED AMBER BKLGT	8	3578728F91	642
3533928C1	LIGHT,IND,LED AMBER BKLGT	8	3578747F91	637
3533928C1	LIGHT,IND,LED AMBER BKLGT	8	3588124F91	629
3533928C1	LIGHT,IND,LED AMBER BKLGT	16	3581699F91	1570
3533950C1	PLUG,FILLER*SWITCH	8	3549776C4	621
3533950C1	PLUG,FILLER*SWITCH	8	3595677F91	640
3534031C1	SWITCH,CRUISE CLUTCH	11	3546983F91	735
3534054C2	COVER,INSTRU PNL OPENING	8	3594373F91	623
3534054C2	COVER,INSTRU PNL OPENING	8	3598054F91	590
3534056C2	PANEL,INSTRUMENT STORAGE BIN	8	3594373F91	623
3534167C1	TERMINAL,CABLE*MALE M/P 280 SE	16	3545211C93	1536
3534200C1	FUSE,*FUSE - 20AMP MAXI	8	3610838F91	581
3534204C1	FUSE,*FUSE - 40AMP MAXI	8	3610835F91	438
3534208C1	FUSE,*FUSE, 5AMP MINI	8	3544520F95	556
3534208C1	FUSE,*FUSE, 5AMP MINI	8	3568454F91	431
3534208C1	FUSE,*FUSE, 5AMP MINI	8	3572558F91	565
3534208C1	FUSE,*FUSE, 5AMP MINI	8	3581429F91	609
3534208C1	FUSE,*FUSE, 5AMP MINI	8	3581517F91	606
3534208C1	FUSE,*FUSE, 5AMP MINI	8	3588143F92	601
3534208C1	FUSE,*FUSE, 5AMP MINI	16	3588120F91	1606
3534209C1	FUSE,*FUSE, 10AMP MINI	8	3544500F93	549
3534209C1	FUSE,*FUSE, 10AMP MINI	8	3561130F91	475
3534209C1	FUSE,*FUSE, 10AMP MINI	8	3568484F92	488
3534209C1	FUSE,*FUSE, 10AMP MINI	8	3610835F91	438
3534210C1	FUSE,*FUSE, 15AMP MINI	8	3610837F91	419
3534211C1	FUSE,*FUSE, 20AMP MINI	8	3544510F92	542
3534211C1	FUSE,*FUSE, 20AMP MINI	8	3582042F91	559
3534211C1	FUSE,*FUSE, 20AMP MINI	8	3610837F91	419
3534213C1	FUSE,*FUSE, 30AMP MINI	8	3581889F91	425
3534213C1	FUSE,*FUSE, 30AMP MINI	8	3610837F91	419
3534280C91	SWITCH,THERMOSTAT	12	0BHYT	1034
3534377C2	REINFORCEMENT,CAB BACK PANEL	16	3540844C95	1407
3534400C95	TANK,FUEL, 70 GAL D-STYLE LSM	15	3546877F93	1366
3534518C1	NUT,WELD FLNG M6 X 10 6G/6H	8	3539597C7	390
3534518C1	NUT,WELD FLNG M6 X 10 6G/6H	8	3539598C7	392
3534518C1	NUT,WELD FLNG M6 X 10 6G/6H	16	3509593C1	1424
3534518C1	NUT,WELD FLNG M6 X 10 6G/6H	16	3509593C2	1426
3534518C1	NUT,WELD FLNG M6 X 10 6G/6H	16	3550779C2	1421
3534677F91	CONTROL,ELECTRONIC CEC HARDWAR	12	0FBJH	790
3534677F91	CONTROL,ELECTRONIC CEC HARDWAR	12	3534677F91	793
3534873C2	NUT,HEX*M8 X 1.25 W/CAPTURE WA	8	06VZJ	411

Part Number Index

Part No.	Description	Group	Figure	Page
3534873C2	NUT,HEX*M8 X 1.25 W/CAPTURE WA	8	0CS5P	437
3534873C2	NUT,HEX*M8 X 1.25 W/CAPTURE WA	16	06NKM	1557
3534873C2	NUT,HEX*M8 X 1.25 W/CAPTURE WA	16	07TDL	1523
3534873C2	NUT,HEX*M8 X 1.25 W/CAPTURE WA	16	0LV7L	1530
3534873C2	NUT,HEX*M8 X 1.25 W/CAPTURE WA	16	3602447C91	1534
3535042C1	PULLEY,DRIVE A/C COMPR	16	3547916C1	1387
3535049C2	ARM,W/S WIPER LHD DRVR SIDE	16	06SLV	1667
3535049C2	ARM,W/S WIPER LHD DRVR SIDE	16	3535049C2	1673
3535050C3	ARM,W/S WIPER PASS, LH DRIVE	16	06SLV	1667
3535050C3	ARM,W/S WIPER PASS, LH DRIVE	16	3535050C3	1674
3535051C1	BLADE,W/S WIPER 22" LHD	16	06SLV	1667
3535051C1	BLADE,W/S WIPER 22" LHD	16	3535051C1	1677
3535083R1	CLAMP,RAD INLET	12	07PJQ	1162
3535084R1	CLAMP,RAD OUTLET PIPE	12	07PJQ	1162
3535160C1	ELBOW,HOSE-PUSH-ON*90 DEGREE 3	5	3593050C91	273
3535162C1	NUT,HEX METRIC PREV. TORQ*M8 X	8	06VZJ	411
3535162C1	NUT,HEX METRIC PREV. TORQ*M8 X	9	0JCH6	680
3535162C1	NUT,HEX METRIC PREV. TORQ*M8 X	12	07SL0	1040
3535162C1	NUT,HEX METRIC PREV. TORQ*M8 X	12	07TXX	749
3535162C1	NUT,HEX METRIC PREV. TORQ*M8 X	16	06MT8	1471
3535162C1	NUT,HEX METRIC PREV. TORQ*M8 X	16	06QS3	1469
3535162C1	NUT,HEX METRIC PREV. TORQ*M8 X	16	06SLV	1667
3535162C1	NUT,HEX METRIC PREV. TORQ*M8 X	16	06TRV	1543
3535172C1	NUT,SPECIAL*16 MILLIMETER CLEN	8	3539597C7	390
3535172C1	NUT,SPECIAL*16 MILLIMETER CLEN	8	3539598C7	392
3535174C1	EXTENSION,CLIP*90 DEG TWIST	8	0GCJR	371
3535185C1	BOLT,SEMS ALL M8 X 1.25 75MM L	16	06QS3	1469
3535208C3	FRAME,DR ASSY FRT LH T/C & EXT	16	3535208C3	1400
3535208C3	FRAME,DR ASSY FRT LH T/C & EXT	16	3548076C3	1413
3535209C3	FRAME,DR ASSY FRT RH T/C & EXT	16	3535209C3	1401
3535209C3	FRAME,DR ASSY FRT RH T/C & EXT	16	3548077C3	1415
3535292C1	BOLT,SEMS ALL 6MM X 15 TORX	16	06QS3	1469
3535302C1	TERMINAL,CABLE*CONN TERMINAL	8	3560276C91	449
3535303C1	TERMINAL,CABLE*CONN TERMINAL	8	3545551C92	543
3535303C1	TERMINAL,CABLE*CONN TERMINAL	8	3557990C91	482
3535303C1	TERMINAL,CABLE*CONN TERMINAL	8	3560276C91	449
3535303C1	TERMINAL,CABLE*CONN TERMINAL	8	3561092C91	476
3535303C1	TERMINAL,CABLE*CONN TERMINAL	8	3568510C91	485
3535303C1	TERMINAL,CABLE*CONN TERMINAL	8	3581887C91	426
3535303C1	TERMINAL,CABLE*CONN TERMINAL	12	3560343C91	1023
3535306C1	CONNECTOR,BODY 38-WAY FEMALE G	8	3545551C92	543
3535306C1	CONNECTOR,BODY 38-WAY FEMALE G	8	3557990C91	482
3535306C1	CONNECTOR,BODY 38-WAY FEMALE G	8	3568510C91	485
3535306C1	CONNECTOR,BODY 38-WAY FEMALE G	8	3581887C91	426
3535316C1	BOLT,LATCH OR CATCH M6X1-20	9	0FVDZ	695
3535316C1	BOLT,LATCH OR CATCH M6X1-20	9	0JCH6	680
3535316C1	BOLT,LATCH OR CATCH M6X1-20	16	06MT8	1471
3535317C1	BOLT,SPL STRIKER M8X1.25-35	16	06MT8	1471
3535318C1	BOLT,SEMS M6X1.0-25 CL9.8	16	06SLV	1667
3535318C1	BOLT,SEMS M6X1.0-25 CL9.8	16	0G4M9	1643
3535371C1	BOLT,CAB MTG REAR	16	06QSL	1449
3535379C1	CONNECTOR,BODY*2-WAY MICRO-PAK	8	3560276C91	449
3535410C1	NUT,HEX METRIC PREV. TORQ*M6 X	16	06MT8	1471
3535410C1	NUT,HEX METRIC PREV. TORQ*M6 X	16	06MXR	1644
3535410C1	NUT,HEX METRIC PREV. TORQ*M6 X	16	06TRV	1543
3535423C1	PLUG,SEALING*CABLE TERMINAL SE	8	3560276C91	449
3535424C1	PLUG,SEALING*CABLE TERMINAL SE	8	3545551C92	543
3535424C1	PLUG,SEALING*CABLE TERMINAL SE	8	3557990C91	482

Part Number Index

Part No.	Description	Group	Figure	Page
3535424C1	PLUG, SEALING*CABLE TERMINAL SE	8	3560276C91	449
3535424C1	PLUG, SEALING*CABLE TERMINAL SE	8	3561092C91	476
3535424C1	PLUG, SEALING*CABLE TERMINAL SE	8	3568510C91	485
3535424C1	PLUG, SEALING*CABLE TERMINAL SE	8	3581887C91	426
3535424C1	PLUG, SEALING*CABLE TERMINAL SE	12	3560343C91	1023
3535554C1	NUT, HEX METRIC PREV. TORQ*M16	1	0M7YB	72
3535554C1	NUT, HEX METRIC PREV. TORQ*M16	4	0J0LQ	127
3535554C1	NUT, HEX METRIC PREV. TORQ*M16	4	0LNNN	162
3535554C1	NUT, HEX METRIC PREV. TORQ*M16	4	0MSR4	158
3535554C1	NUT, HEX METRIC PREV. TORQ*M16	13	0M5GN	1258
3535554C1	NUT, HEX METRIC PREV. TORQ*M16	15	0FV9D	1382
3535554C1	NUT, HEX METRIC PREV. TORQ*M16	16	0LLJR	1444
3535556C1	NUT, HEX METRIC PREV. TORQ*M10	4	0H75S	134
3535556C1	NUT, HEX METRIC PREV. TORQ*M10	4	0J0LQ	127
3535556C1	NUT, HEX METRIC PREV. TORQ*M10	4	0LNNN	162
3535556C1	NUT, HEX METRIC PREV. TORQ*M10	4	0MSR4	158
3535556C1	NUT, HEX METRIC PREV. TORQ*M10	4	0MT69	140
3535556C1	NUT, HEX METRIC PREV. TORQ*M10	7	3579392C91	345
3535556C1	NUT, HEX METRIC PREV. TORQ*M10	8	0HDDK	655
3535556C1	NUT, HEX METRIC PREV. TORQ*M10	8	3576152F93	388
3535556C1	NUT, HEX METRIC PREV. TORQ*M10	9	0FSZ5	682
3535556C1	NUT, HEX METRIC PREV. TORQ*M10	16	3576163F92	1639
3535587C1	STRAP, CABLE LOCK*382MM BUTTON	8	0HQHQ	645
3535854C1	BOLT, SPECIAL*7/16-20 12-PT TOR	5	06SPX	259
3535858C1	BOLT, HEX FLG HD METRIC*M12-1.7	1	3567132C93	74
3535858C1	BOLT, HEX FLG HD METRIC*M12-1.7	4	0J0LQ	127
3535858C1	BOLT, HEX FLG HD METRIC*M12-1.7	7	07HVV	344
3535859C1	NUT, HEX METRIC PREV. TORQ*M12	1	0F9CX	71
3535859C1	NUT, HEX METRIC PREV. TORQ*M12	1	3567132C93	74
3535859C1	NUT, HEX METRIC PREV. TORQ*M12	4	0J0LQ	127
3535859C1	NUT, HEX METRIC PREV. TORQ*M12	7	07HVV	344
3535859C1	NUT, HEX METRIC PREV. TORQ*M12	8	0MSPY	397
3535930C1	TERMINAL, CABLE*GT 280 SERIES 5	8	3545544C92	491
3535930C1	TERMINAL, CABLE*GT 280 SERIES 5	8	3560276C91	449
3535931C1	TERMINAL, CABLE*GT 280 SERIES 5	8	3560280C91	444
3535936C1	SEAL, CABLE TERMINAL*GT 280 SER	8	3545544C92	491
3535936C1	SEAL, CABLE TERMINAL*GT 280 SER	8	3560276C91	449
3535937C1	SEAL, CABLE TERMINAL*GT 280 SER	8	3560280C91	444
3535969C1	ADAPTER, FUEL TANK FLANGE*QUICK	15	0H3G3	1342
3535969C1	ADAPTER, FUEL TANK FLANGE*QUICK	15	3548119F92	1363
3536055F91	GAUGE, ELTRNC*BLANK - COVER QTY	16	0DBVZ	1564
3536055F91	GAUGE, ELTRNC*BLANK - COVER QTY	16	3536055F91	1565
3536111C1	GUIDE, BRK HOSE & CABLE*GUIDE S	4	0G5H4	189
3536111C1	GUIDE, BRK HOSE & CABLE*GUIDE S	8	06S2V	532
3536111C1	GUIDE, BRK HOSE & CABLE*GUIDE S	8	0DDS3	506
3536111C1	GUIDE, BRK HOSE & CABLE*GUIDE S	16	0G9F8	1388
3536117M1	MAT, CUTOUT-STD, EXT CAB & T'CRE	16	0G7XT	1515
3536118M1	MAT, CUTOUT-STD, EXT CAB & T'CRE	16	0G7XT	1515
3536178C1	BREAKER, CIRCUIT*10 AMP, 12 VOL	8	3588143F92	601
3536178C1	BREAKER, CIRCUIT*10 AMP, 12 VOL	16	3581516F91	1582
3536179C1	BREAKER, CIRCUIT*15 AMP, 12 VOL	8	3581553F91	592
3536179C1	BREAKER, CIRCUIT*15 AMP, 12 VOL	8	3588143F92	601
3536182C1	BREAKER, CIRCUIT*30 AMP, 12 VOL	8	3588143F92	601
3536295C1	TERMINAL, CABLE*280 SERIES TNGL	8	3545551C92	543
3536316C91	BOOT, CLUTCH ROD*ASSY	11	3544408C91	741
3536370C2	STEP, FUEL TANK*704 MM UPR	15	3570012F91	1371
3536590C1	TERMINAL, CABLE*PACKARD 100 MIC	8	3560276C91	449
3538199C3	EXTENSION, CLIP ASSY "Z" STYLE	16	07TDL	1523

Part Number Index

Part No.	Description	Group	Figure	Page
3538781C3	BRACKET,ENG FRT LT	12	3538857C93	861
3538782C3	BRACKET,ENG FRT RT	12	3538857C93	861
3538857C93	CROSSMEMBER,ENGINE MTG REMOVEA	12	07NDS	859
3538857C93	CROSSMEMBER,ENGINE MTG REMOVEA	12	3538857C93	861
3539083C1	PIPE,TAIL	7	3579389C1	347
3539084C1	MUFFLER,W/T PIPE BEV BODY MTD	7	3579389C1	347
3539277C2	REINFORCEMENT,FLR PNL SEAT MTG	16	3543973C95	1427
3539282C1	PANEL,FLOOR CAB CE REAR	16	3543973C95	1427
3539284C1	REINFORCEMENT,FLR PNL SEAT TET	16	3543973C95	1427
3539286C2	REINFORCEMENT,FLR PNL FRT SEAT	16	3543973C95	1427
3539292C2	REINFORCEMENT,FLOOR PNL LH	16	3543973C95	1427
3539293C2	REINFORCEMENT,FLOOR PNL RH	16	3543973C95	1427
3539297C1	PLATE,WELD NUT ASSY M12	16	3531028C1	1423
3539317C1	RETAINER,FSTNR RR CAB MNT BLT	13	07VS1	1245
3539317C1	RETAINER,FSTNR RR CAB MNT BLT	16	06QSL	1449
3539595C6	SUPPORT,, LEFT	8	3539597C7	390
3539596C6	SUPPORT,RIGHT	8	3539598C7	392
3539597C7	BRACKET,LEFT BATT BOX SUPPORT	8	3539597C7	390
3539597C7	BRACKET,LEFT BATT BOX SUPPORT	8	3576152F93	388
3539598C7	BRACKET,RIGHT BATT BOS SUPPORT	8	3539598C7	392
3539598C7	BRACKET,RIGHT BATT BOS SUPPORT	8	3576152F93	388
3539599C2	TRAY,BATTERY*	8	3576152F93	388
3539603C1	FILLER,BATTERY BOX *	8	3539604C2	394
3539604C2	FILLER,BATTERY BOX*	8	3539604C2	394
3539604C2	FILLER,BATTERY BOX*	8	3576152F93	388
3539681C2	COVER,*	8	0HL8D	366
3539765C2	FILLER,BATTERY BOX*	8	3539604C2	394
3539916C1	PULLEY,*GENERATOR	8	06PWH	360
3540368F94	BRAKE,DCM*TRACTOR AIR VALVE	4	06LQJ	196
3540368F94	BRAKE,DCM*TRACTOR AIR VALVE	4	3540368F94	197
3540379C96	CAB AIR SUSP SS MID HIGH	16	06QSL	1449
3540379C96	CAB AIR SUSP SS MID HIGH	16	3540379C96	1451
3540418C2	BRACKET,AIR*AIR DRYER MOUNTING	4	0MSR4	158
3540427C1	HOSE,AIR CLEANER	12	3560955C91	753
3540481C2	SEAL,CAB	4	0H34N	254
3540481C2	SEAL,CAB	16	06SV4	1430
3540481C2	SEAL,CAB	16	0F26J	1453
3540481C2	SEAL,CAB	16	0FVYN	1491
3540481C2	SEAL,CAB	16	0GWJ7	1616
3540724C2	BRACKET,FRONT BUMPER SUPT	1	0F9CX	71
3540803F92	ENGINE,*PERF RAT,12NMX,DT530E,	12	0FB85	911
3540803F92	ENGINE,*PERF RAT,12NMX,DT530E,	12	3540803F92	934
3540837C1	HOOK-TOW	1	07X7R	80
3540843C1	PANEL,BACK CAB OTR	16	3540844C95	1407
3540844C95	PANEL,ASSY BCK OTR WLDD TRCTR	16	0H9RV	1390
3540844C95	PANEL,ASSY BCK OTR WLDD TRCTR	16	3540844C95	1407
3540844C95	PANEL,ASSY BCK OTR WLDD TRCTR	16	3579484C93	1392
3540856C4	CROSSMEMBER,*FRT TOW LOOP	1	3540856C4	78
3540856C4	CROSSMEMBER,*FRT TOW LOOP	1	3616541C1	79
3540857C3	PLATE,XMBR FRT TOW LOOP	1	3540856C4	78
3540873C1	BOLT,HEX FLG HD METRIC*M16 X 4	1	0M7YB	72
3540904F91	PACKAGE,ATTRIBUTE*N/BLOCK HTR	12	0FBX3	898
3540904F91	PACKAGE,ATTRIBUTE*N/BLOCK HTR	12	3540904F91	905
3540967C91	SPRING,CHASSIS FRONT 16K TAPER	3	07W2Z	114
3540967C91	SPRING,CHASSIS FRONT 16K TAPER	3	3540967C91	119
3541009C1	EXTENSION,CLIP	15	0H3G3	1342
3541216C1	FASTENER,ENGINE COVER CLIP	16	3508281C93	1513
3541322C1	BOLT,SPECIAL*M8 X 1.25 - 25 MM	15	0H3G3	1342

Part Number Index

Part No.	Description	Group	Figure	Page
3541322C1	BOLT,SPECIAL*M8 X 1.25 - 25 MM	15	3570012F91	1371
3541322C1	BOLT,SPECIAL*M8 X 1.25 - 25 MM	16	3576163F92	1639
3541323C1	NUT,SPECIAL*M8 X 1.25 U-NUT (L	15	0H3G3	1342
3541323C1	NUT,SPECIAL*M8 X 1.25 U-NUT (L	15	3570012F91	1371
3541323C1	NUT,SPECIAL*M8 X 1.25 U-NUT (L	16	3576163F92	1639
3541353C1	GROMMET,SPECIAL AXL FLG SNSR	4	0H9Q1	123
3541454C6	BRACKET,SPT OR MTG T-CASE*BRAC	13	3545097C5	1248
3541530C1	HORN,PAD STRG WHL W/DMND ROAD	5	0GPCT	282
3541530C1	HORN,PAD STRG WHL W/DMND ROAD	5	3546229C91	283
3541592C1	HOSE,FLEXIBLE AIR	12	3543959C94	784
3541593C2	HOSE,FLEXIBLE AIR	12	3543959C94	784
3541648C2	BRACKET,FRONT ABS MTG SHOCK	3	07W2Z	114
3541820C2	BOOT,XMSN GEAR SHIFT LEVER LOW	13	0G4JT	1266
3541823C1	BRACKET,FRT SPG FRT LT	3	07W2Z	114
3541829C1	BRACKET,FRT SPG FRT RT	3	07W2Z	114
3541835C1	BRACKET,FRONT SPRING RR	3	3541836C91	117
3541836C91	BRACKET,FRT SPG RR W/BUSHING	3	07W2Z	114
3541836C91	BRACKET,FRT SPG RR W/BUSHING	3	3541836C91	117
3541969C2	VALVE,MODULATOR AIR*M-30 1/2	4	0H75S	134
3541975C2	ROD,RAD SUPT	12	07RYM	1166
3541979C1	CONNECTOR,BODY*60 WAY	12	3560346C92	1204
3541979C1	CONNECTOR,BODY*60 WAY	12	3577574C91	1018
3541979C1	CONNECTOR,BODY*60 WAY	12	3579843C91	1227
3541995C1	STUD,SELF CLINCHING*	16	3550779C2	1421
3541996C1	STUD,SELF CLINCHING*	16	3550779C2	1421
3542036C1	GUARD,FRT FNDR 19.68" X 21.45"	9	0F448	715
3542059C91	PUMP, POWER STEERING LF73C	12	641016M014	1142
3542059C91	PUMP,POWER STRG	12	3542059C91	1143
3542059C91	PUMP,POWER STRG	12	641016M014	1142
3542142C1	WASHER,GRAB HNDL MTG M8	4	0HKJF	166
3542142C1	WASHER,GRAB HNDL MTG M8	4	0KTMY	228
3542142C1	WASHER,GRAB HNDL MTG M8	4	0LNNN	162
3542142C1	WASHER,GRAB HNDL MTG M8	8	0DDS3	506
3542142C1	WASHER,GRAB HNDL MTG M8	8	3588143F92	601
3542142C1	WASHER,GRAB HNDL MTG M8	9	0F448	715
3542178C1	BOLT,HUCK, 5/8 DIA	3	07W2Z	114
3542418C3	BUMPER,FRONT PAINTED SWEPT	1	0F9CX	71
3542428C1	HANDLE,GRAB B-PILLAR	16	06STC	1517
3542528C1	BRACKET,FUEL FILTER MTG*BRACKE	15	0FTZD	1379
3542570C3	DUCT,AIR COND LT HOUSING	16	3602447C91	1534
3542571C3	DUCT,AIR COND RT HOUSING	16	3602447C91	1534
3542572C2	SEAL,DUCT AIR COND	16	3602447C91	1534
3542573C3	TUBE,DRAIN DUCKBILL	16	3602447C91	1534
3542574C2	DOOR,A/C FRESH/RECIRC AIR	16	3602447C91	1534
3542575C1	MOTOR,A/C DOOR CONTROL	16	3602447C91	1534
3542576C2	EVAPORATOR,AIR COND	16	3602447C91	1534
3542577C2	FILTER,DRIER AIR COND	16	3602447C91	1534
3542578C2	TUBE,EVAP SUPPLY W/O VALVE	16	3602447C91	1534
3542582C1	SCREW,SPL HI-LO #11-16 X 3/4	16	3530971C96	1539
3542582C1	SCREW,SPL HI-LO #11-16 X 3/4	16	3602447C91	1534
3542584C1	KIT,SPL BOLT M8 X 50 BAG OF 20	16	3602447C91	1534
3542600C1	DUCT,FLOOR DRIVER LHD	16	0LV7L	1530
3542604C3	CORE,ASM HEATER	16	3530971C96	1539
3542606C1	MOTOR,CNTRL MODE DR ACTUATORSR	16	3530971C96	1539
3542607C2	COVER,TRIM HEATER	16	3530971C96	1539
3542611C2	BLOWER,HEATER TEMP BLEND	16	3530971C96	1539
3543311C1	BRACKET,*INSIDE RAIL 11.9 MM M	8	0HDDK	655
3543337C3	PLATE,WELD STUD	16	3560062C94	1395

Part Number Index

Part No.	Description	Group	Figure	Page
3543337C3	PLATE,WELD STUD	16	3560063C94	1398
3543544C1	HOSE,FLEXIBLE AIR CAC COLD SID	12	3563258C91	782
3543556C3	COVER,A-PILLAR TRIM RH	16	0D92B	1547
3543557C1	HANDLE,GRAB A-PILLAR	16	06STC	1517
3543560C2	PLATE,TAPPING B-PLR GRB HNDL	16	3532658C3	1402
3543560C2	PLATE,TAPPING B-PLR GRB HNDL	16	3532659C3	1404
3543719C1	REINFORCEMENT,SILL OR SUB SILL	16	3509593C1	1424
3543719C1	REINFORCEMENT,SILL OR SUB SILL	16	3509593C2	1426
3543727C1	RING,O SEAL 10.78 X 2.62 (TAN)	16	3557557C94	1528
3543727C1	RING,O SEAL 10.78 X 2.62 (TAN)	16	3557558C91	1526
3543728C1	RING,O SEAL 15.54 X 2.62	16	3548042C1	1541
3543729C1	CONNECTOR,BUS BAR*BUS BAR* 150	12	3560343C91	1023
3543730C1	CONNECTOR,BUS BAR*BUS BAR* 150	8	3560276C91	449
3543733C1	CONNECTOR,BUS BAR*BUS BAR* 150	8	3560276C91	449
3543733C1	CONNECTOR,BUS BAR*BUS BAR* 150	8	3561092C91	476
3543733C1	CONNECTOR,BUS BAR*BUS BAR* 150	8	3581887C91	426
3543881C1	SEAL,C-PLATE 1/2"	16	3557557C94	1528
3543881C1	SEAL,C-PLATE 1/2"	16	3557558C91	1526
3543882C1	SEAL,C-PLATE 3/4"	16	3548042C1	1541
3543883C1	TENSIONER,DRIVE COMPR	16	06PSZ	1386
3543888C1	BODY,CONNECTOR ELECT FEMALE	8	3545544C92	491
3543958C3	PIPE,AIR*PIPE, AIR CAC INLET	12	3543959C94	784
3543959C94	PIPE,AIR*PIPE, AIR CAC INLET A	12	07PJX	780
3543959C94	PIPE,AIR*PIPE, AIR CAC INLET A	12	3543959C94	784
3543963C1	BRACKET,FRONT SPRING RR	3	3543964C91	118
3543964C91	BRACKET,FRT SPG RR W/BUSHING	3	07W2Z	114
3543964C91	BRACKET,FRT SPG RR W/BUSHING	3	3543964C91	118
3543973C95	UNDERBODY,ASSY EXTND I6/V8	16	0H9RV	1390
3543973C95	UNDERBODY,ASSY EXTND I6/V8	16	3543973C95	1427
3543973C95	UNDERBODY,ASSY EXTND I6/V8	16	3579484C93	1392
3544066C1	CONNECTOR,BODY*9 PIN DIAG CONN	8	3567203C91	614
3544247C1	DUCT,CAB EXAUSTER	16	0LV7L	1530
3544254C1	TERMINAL,CABLE*FEMALE METRI-PA	16	3549338C92	1579
3544343C1	NUT,SPEED M6 X 1 U-NUT LCKNG	16	06RNB	1544
3544344C2	COVER,INSTRUMENT PANEL CTR	16	06RNB	1544
3544344C2	COVER,INSTRUMENT PANEL CTR	16	3544344C2	1545
3544378C1	NUT,HEX METRIC PREV. TORQ*M6 H	4	06SPT	153
3544378C1	NUT,HEX METRIC PREV. TORQ*M6 H	4	0H75S	134
3544378C1	NUT,HEX METRIC PREV. TORQ*M6 H	4	0J0LQ	127
3544378C1	NUT,HEX METRIC PREV. TORQ*M6 H	4	0LNNN	162
3544378C1	NUT,HEX METRIC PREV. TORQ*M6 H	7	0HGRZ	342
3544378C1	NUT,HEX METRIC PREV. TORQ*M6 H	8	086VD	364
3544378C1	NUT,HEX METRIC PREV. TORQ*M6 H	16	07TDL	1523
3544378C1	NUT,HEX METRIC PREV. TORQ*M6 H	16	0G9F8	1388
3544379C1	NUT,HEX FLG M8 METRIC	4	0H75S	134
3544379C1	NUT,HEX FLG M8 METRIC	4	0J0LQ	127
3544379C1	NUT,HEX FLG M8 METRIC	4	0MT69	140
3544379C1	NUT,HEX FLG M8 METRIC	8	3576152F93	388
3544379C1	NUT,HEX FLG M8 METRIC	9	0FSZ5	682
3544379C1	NUT,HEX FLG M8 METRIC	16	07TDL	1523
3544397C1	TURNBUCKLE,CLUTCH CONTROL ROD*	11	3544412C91	728
3544399C1	JOINT,BALL*W/ MALE ROD END	11	3544412C91	728
3544405C1	ROD,CLUTCH CONTROL*	11	3544408C91	741
3544407C1	LINK,CLUTCH CONTROL*	11	3544408C91	741
3544408C91	ROD,CLUTCH CONTROL*VERT ROD AS	11	06VKH	737
3544408C91	ROD,CLUTCH CONTROL*VERT ROD AS	11	3544408C91	741
3544412C91	ROD,CLUTCH CONTROL*LOWER ROD A	11	06VKP	726
3544412C91	ROD,CLUTCH CONTROL*LOWER ROD A	11	3544412C91	728

Part Number Index

Part No.	Description	Group	Figure	Page
3544442C1	BOLT,SEAT MTG STUD	16	0FVYN	1491
3544442C1	BOLT,SEAT MTG STUD	16	0GWJ7	1616
3544466C1	BASE,TURN LIGHT MTG*AUXILLIARY	8	0DDS3	506
3544467C1	BASE,TURN LIGHT MTG*AUXILLIARY	8	0DDS3	506
3544500F93	HARNESS,DASH ELEC; AIR	8	0CSBJ	548
3544500F93	HARNESS,DASH ELEC; AIR	8	3544500F93	549
3544502F92	HARNESS,DASH ELEC; WOR	8	0CSBS	489
3544502F92	HARNESS,DASH ELEC; WOR	8	3544502F92	490
3544510F92	HARNESS,DASH ELEC; AIR	8	0CSC2	541
3544510F92	HARNESS,DASH ELEC; AIR	8	3544510F92	542
3544520F95	HARNESS,DASH ELEC; EXH	8	0CSCJ	555
3544520F95	HARNESS,DASH ELEC; EXH	8	3544520F95	556
3544531F92	ELECT DASH HARNESS*HOSE FOR	8	0DVN0	587
3544531F92	ELECT DASH HARNESS*HOSE FOR	8	3544531F92	588
3544556C3	BRACKET,ETHER START	12	06VS3	1026
3544557C1	STRAP,CABLE LOCK*382MM BUTTON	4	0G5H4	189
3544557C1	STRAP,CABLE LOCK*382MM BUTTON	4	0GBMF	122
3544557C1	STRAP,CABLE LOCK*382MM BUTTON	4	0H75S	134
3544557C1	STRAP,CABLE LOCK*382MM BUTTON	8	06S2V	532
3544557C1	STRAP,CABLE LOCK*382MM BUTTON	8	0DDS3	506
3544557C1	STRAP,CABLE LOCK*382MM BUTTON	8	0HDJP	666
3544557C1	STRAP,CABLE LOCK*382MM BUTTON	16	0G9F8	1388
3544573C2	BRACKET,TERMINAL *JUMP STUD AN	8	3559964F92	386
3544705C1	CAP,RERIG FITTING	16	3557558C91	1526
3544706C1	CORE,VALVE ASSY A/C CHARGING V	16	3557558C91	1526
3544707C1	VALVE,AIR CONTROL ASSY CHARGIN	16	3557558C91	1526
3544769C1	VALVE,AIR CONTROL	16	3557557C94	1528
3544789C4	PLATE,SCUFF LH BLACK	16	06NKY	1633
3544790C4	PLATE,SCUFF RH BLACK	16	06NKY	1633
3544791C3	PANEL,COWL TRIM LH	16	06NKM	1557
3544792C3	PANEL,COWL TRIM RH	16	06NKM	1557
3544868F93	BRAKE, DCM MTG BASE PLATE	16	06LWF	1466
3544868F93	BRAKE, DCM MTG BASE PLATE	16	3544868F93	1467
3544924C1	LATCH,HOOD STRAP	9	0DS0S	711
3544925C2	CATCH,HOOD LATCH	9	0DS0S	711
3544951C1	PANEL,SIDE BODY COWL LH	16	3543973C95	1427
3544952C1	PANEL,SIDE BODY COWL RH ASSY.	16	3543973C95	1427
3545029C1	BELT,TETHER	16	0FVYN	1491
3545093C3	GUSSET,LEVER BRKT OR SPT T-CAS	13	3545097C5	1248
3545096C4	BRACKET,SPT OR MTG T-CASE*FRAM	13	07VS1	1245
3545097C5	BRACKET,SPT OR MTG T-CASE*FRAM	13	07VS1	1245
3545097C5	BRACKET,SPT OR MTG T-CASE*FRAM	13	3545097C5	1248
3545098C3	BRACKET,SPT OR MTG T-CASE*MTG	13	07VS1	1245
3545099C3	BRACKET,SPT OR MTG T-CASE*MTG	13	07VS1	1245
3545158C1	BOLT,XMSN MTG OR AUX XMSN*SEMS	13	0FK2V	1232
3545211C93	HARNESS,CAB/PLATFORM WIRING BA	16	3530971C96	1539
3545211C93	HARNESS,CAB/PLATFORM WIRING BA	16	3545211C93	1536
3545277C1	SCREW,SELF DRILLING	16	3511044F93	1590
3545277C1	SCREW,SELF DRILLING	16	3545546F93	1598
3545365C91	DRIVE,FAN & MTG ASM	12	07SHT	1041
3545399C3	COVER,A-PILLAR TRIM LH	16	0D92B	1547
3545410C2	PANEL,SIDE TRIM INTERIOR LH	16	06SH9	1548
3545411C2	PANEL,SIDE TRIM INTERIOR RH	16	06SH9	1548
3545543C3	CONTROL,HEATER AND AC	16	3545543C3	1597
3545543C3	CONTROL,HEATER AND AC	16	3545546F93	1598
3545544C92	HARNESS,FLOOD LIGHT WIRING*WOR	8	3544502F92	490
3545544C92	HARNESS,FLOOD LIGHT WIRING*WOR	8	3545544C92	491
3545546F93	INST PANEL HTR-A/C CONT	16	06M0N	1596

Part Number Index

Part No.	Description	Group	Figure	Page
3545546F93	INST PANEL HTR-A/C CONT	16	3545546F93	1598
3545551C92	HARNESS,ELEC; AIR DRYER	8	3544510F92	542
3545551C92	HARNESS,ELEC; AIR DRYER	8	3545551C92	543
3545599C91	CONNECTOR,BODY*FUSE/CIRCUIT BR	8	3545551C92	543
3545599C91	CONNECTOR,BODY*FUSE/CIRCUIT BR	8	3560277C91	550
3545599C91	CONNECTOR,BODY*FUSE/CIRCUIT BR	8	3561092C91	476
3545599C91	CONNECTOR,BODY*FUSE/CIRCUIT BR	8	3568510C91	485
3545599C91	CONNECTOR,BODY*FUSE/CIRCUIT BR	8	3568513C91	433
3545599C91	CONNECTOR,BODY*FUSE/CIRCUIT BR	8	3572525C91	562
3545599C91	CONNECTOR,BODY*FUSE/CIRCUIT BR	8	3581887C91	426
3545599C91	CONNECTOR,BODY*FUSE/CIRCUIT BR	8	3581900C91	421
3545600C91	CONNECTOR,BODY*RELAY BLOCKS FO	8	3568513C91	433
3545600C91	CONNECTOR,BODY*RELAY BLOCKS FO	8	3568528C91	465
3545600C91	CONNECTOR,BODY*RELAY BLOCKS FO	8	3581900C91	421
3545600C91	CONNECTOR,BODY*RELAY BLOCKS FO	8	3588674C91	471
3545628C1	LOCK,CAB DOOR	8	3552933F91	595
3545735F91	VALVE,SOLENOID*TRANSFER CASE	8	0CBZ0	358
3545735F91	VALVE,SOLENOID*TRANSFER CASE	8	3545735F91	359
3545762C92	HARNESS,TRAILER SOCKET*TRAILER	8	3610837F91	419
3545771C1	GUIDE,BRK HOSE & CABLE	12	06MYC	1012
3545804F92	ELEC IP; PANEL, ELEC	8	0DBN3	603
3545804F92	ELEC IP; PANEL, ELEC	8	3545804F92	604
3545812C1	BUSHING,CLUTCH RELAY LEVER*18M	11	3544408C91	741
3545813C1	BOLT,SHOULDER*18MM SHLD X 18MM	11	06VKH	737
3545857C1	SCREW,TAPPING M4.2 X 1.4 - 30M	16	06RNB	1544
3545857C1	SCREW,TAPPING M4.2 X 1.4 - 30M	16	0DBW8	1594
3545857C1	SCREW,TAPPING M4.2 X 1.4 - 30M	16	3511044F93	1590
3545881C92	CABLE,BTRY INTERCONN N/SEALED	8	0MRFB	382
3545926C1	PLATE,TAPPING SPLASH PANEL	9	3556250C3	687
3545990F91	ELEC DCM*CLOCKSPRING	8	0DCJY	494
3545990F91	ELEC DCM*CLOCKSPRING	8	3545990F91	495
3546062C1	GLASS,DOOR DROP FRT LH	16	06MT8	1471
3546063C1	GLASS,DOOR DROP FRT RH	16	06MT8	1471
3546118C1	EXTENSION,CLIP ASSY "Z" STYLE	16	07TDL	1523
3546229C91	WHEEL,STEERING 18 IN*W/CRUISE/	5	0GPCT	282
3546229C91	WHEEL,STEERING 18 IN*W/CRUISE/	5	3546229C91	283
3546234C1	ANCHOR,QUALITY CONNECT*EXTER.	4	0GBMF	122
3546235C1	ANCHOR,QUALITY CONNECT*1/2 QC	4	0H75S	134
3546241C1	SWITCH,A/C PRESS TRANSDUCER	16	3557557C94	1528
3546268C2	PANEL,FRT FNDR SD LH HDLT VLNC	9	3612369C91	684
3546269C2	PANEL,FRT FNDR SD RH HDLT VLNC	9	3612369C91	684
3546326C2	REINFORCEMENT,HGE PLR ASSY LH	16	3532658C3	1402
3546327C2	REINFORCEMENT,HGE PLR ASSY RH	16	3532659C3	1404
3546422C1	COVER,AIR CLEANER	12	3562349C91	750
3546446C4	FRAME,DR OPNG FRT LH T/C & EXT	16	3532658C3	1402
3546447C4	FRAME,DR OPNG FRT RH T/C & EXT	16	3532659C3	1404
3546500C95	PANEL,OVHRD CNSL STD	16	0D927	1518
3546500C95	PANEL,OVHRD CNSL STD	16	3546500C95	1521
3546551C1	CLAMP,T-BOLT HEAT EXCHANGER	12	07PJX	780
3546595C1	KEY,IGNITION LOCK*RANDOM CUT	8	3552933F91	595
3546656C4	HINGE,WING WINDOW VENT, LH ASM	16	06MT8	1471
3546657C4	HINGE,WING WINDOW VENT, RH ASM	16	06MT8	1471
3546657C4	HINGE,WING WINDOW VENT, RH ASM	16	3546657C4	1486
3546877F93	FUEL TANK, 70 GAL D-STYLE,	15	0FTGW	1365
3546877F93	FUEL TANK, 70 GAL D-STYLE,	15	3546877F93	1366
3546983F91	PEDAL,CLUTCH*W/LHD	11	06LQ5	732
3546983F91	PEDAL,CLUTCH*W/LHD	11	3546983F91	735
3547242C1	TRAY,ASH	16	3553479C2	1546

Part Number Index

Part No.	Description	Group	Figure	Page
3547243C1	PANEL, INSTRUMENT DUCT LHD	16	3511018F93	1560
3547244C1	OUTLET, LOUVER AIR COND	16	3511018F93	1560
3547244C1	OUTLET, LOUVER AIR COND	16	3547254C1	1592
3547245C1	BUSHING, SPECIAL NYL A/C OUTLET	16	3511018F93	1560
3547245C1	BUSHING, SPECIAL NYL A/C OUTLET	16	3547254C1	1592
3547246C1	OUTLET, DEFROSTER WINDSHIELD	16	3511018F93	1560
3547247C1	OUTLET, DEFROSTER SIDE WINDOW	16	3511018F93	1560
3547249C1	PANEL, INSTRUMENT TIEBAR LHD	16	3511018F93	1560
3547251C1	PANEL, INSTRUMENT CLSTR CLOSEOU	16	3511042F93	1563
3547252C1	PANEL, INSTRUMENT UPR PAS PNL	16	3511056F93	1573
3547253C1	PANEL, INSTRUMENT FUSE ACCESS	16	3511056F93	1573
3547254C1	PANEL, INSTR CNTR FLAT COVR LHD	16	3511044F93	1590
3547254C1	PANEL, INSTR CNTR FLAT COVR LHD	16	3547254C1	1592
3547255C1	PANEL, INSTR CNTR MNT PLATE LHD	16	3511044F93	1590
3547256C1	PANEL, INSTR CNTR TRIM PLATE	16	3511044F93	1590
3547673C91	CABLE, ASM*CLEAN PWR FEED, 2900	8	0GCJR	371
3547673C91	CABLE, ASM*CLEAN PWR FEED, 2900	8	3547673C91	380
3547776C1	BOLT, HEX FLG HD METRIC*M8 X 20	8	3576152F93	388
3547776C1	BOLT, HEX FLG HD METRIC*M8 X 20	15	0H3G3	1342
3547779C1	HOSE, FLEX AIR FILTER MINDER	8	3545804F92	604
3547843C1	CAP, RECEPTACLE*9-PIN DATA LINK	8	3578228F91	625
3547873F91	ELEC IP; GAUGES, CLUST	16	0DBW1	1583
3547873F91	ELEC IP; GAUGES, CLUST	16	3547873F91	1584
3547899C91	KIT, DOOR LOCK (Z-001)	8	3552933F91	595
3547916C1	COMPRESSOR, AIR COND	16	06PSZ	1386
3547916C1	COMPRESSOR, AIR COND	16	3547916C1	1387
3548002C91	BRAKE, GROUP REAR LT*16.5 X 7.0	4	0DR90	240
3548002C91	BRAKE, GROUP REAR LT*16.5 X 7.0	4	3548002C91	244
3548003C91	BRAKE, GROUP REAR RT*16.5 X 7.0	4	0DR90	240
3548003C91	BRAKE, GROUP REAR RT*16.5 X 7.0	4	3548003C91	248
3548018C91	BRAKE, GROUP REAR LT*16.5 X 7.0	4	0DR90	240
3548018C91	BRAKE, GROUP REAR LT*16.5 X 7.0	4	3548018C91	246
3548019C91	BRAKE, GROUP REAR RT*16.5 X 7.0	4	0DR90	240
3548019C91	BRAKE, GROUP REAR RT*16.5 X 7.0	4	3548019C91	250
3548040C3	HOUSING, HEATER BLOWER MAIN	16	3530971C96	1539
3548041C1	HOUSING, HTR BLWR SCROL W/DOOR	16	3530971C96	1539
3548042C1	TUBE, A/C EVAP TO ACCM W/O VLV	16	3548042C1	1541
3548042C1	TUBE, A/C EVAP TO ACCM W/O VLV	16	3602447C91	1534
3548043C2	SENSOR, FREON THERMISTOR	16	3602447C91	1534
3548044C1	VALVE, ORIFICE TUBE	16	3602447C91	1534
3548076C3	PANEL, SIDE BODY SUB ASSY LH	16	3548076C3	1413
3548076C3	PANEL, SIDE BODY SUB ASSY LH	16	3579435C91	1417
3548077C3	PANEL, SIDE BODY SUB ASSY RH	16	3548077C3	1415
3548077C3	PANEL, SIDE BODY SUB ASSY RH	16	3579436C91	1418
3548080C1	PANEL, PILLAR BODY SD REINF LH	16	3548076C3	1413
3548081C1	PANEL, PILLAR BODY SD REINF RH	16	3548077C3	1415
3548102F91	CAP, FUEL TANK FILLER NON LOCKI	15	0FTK4	1359
3548102F91	CAP, FUEL TANK FILLER NON LOCKI	15	3548102F91	1360
3548110F95	FUEL TANK*LSM 19" DEEP TANK	15	0FTPV	1367
3548110F95	FUEL TANK*LSM 19" DEEP TANK	15	3548110F95	1368
3548119F92	TUBE, FUEL TANK INLET OR OUTLET	15	0FTQK	1362
3548119F92	TUBE, FUEL TANK INLET OR OUTLET	15	3548119F92	1363
3548173C2	BRACKET, RELAY VALVE	4	0MT69	140
3548221C1	CAP, FUEL TANK FILLER NON LOCKI	15	3548102F91	1360
3548222C1	VENTILATOR, FUEL*FULL FUNCTION	15	3548102F91	1360
3548223C1	SWITCH, IGNITION*KEYLESS	8	3552933F91	595
3548593C3	BRACKET, LEFT	8	0HL8B	369
3548594C3	BRACKET, RIGHT	8	0HL8B	369

Part Number Index

Part No.	Description	Group	Figure	Page
3548631C1	GUIDE,HOOD PLATE LH	9	3556250C3	687
3548632C1	GUIDE,HOOD PLATE RH	9	3556251C2	691
3548663C3	PROGRAPH,PROD PDC FUSE LABEL	8	3610835F91	438
3548672C3	BRACKET,AIR CLEANER SUPT*ASSY	12	07TXX	749
3548695C1	FASTENER,TRIM NYLON GROMMET	16	06NKY	1633
3548695C1	FASTENER,TRIM NYLON GROMMET	16	06QG0	1552
3548695C1	FASTENER,TRIM NYLON GROMMET	16	0D927	1518
3548695C1	FASTENER,TRIM NYLON GROMMET	16	0G7XT	1515
3548695C1	FASTENER,TRIM NYLON GROMMET	16	0JC0G	1431
3548695C1	FASTENER,TRIM NYLON GROMMET	16	0LV7L	1530
3548696C2	FASTENER,TRIM XMAS TREE GRAY	16	06SH8	1554
3548696C2	FASTENER,TRIM XMAS TREE GRAY	16	06SH9	1548
3548705C1	FILTER,MICRON FRESH AIR	16	0LV7L	1530
3548796F91	SWITCH,STOP LIGHT AIR*	4	06PDX	191
3548796F91	SWITCH,STOP LIGHT AIR*	4	3548796F91	194
3548808C1	NUT,WELD FLANGED M8 X 1.25	10	3601764F91	722
3548808C1	NUT,WELD FLANGED M8 X 1.25	16	3550779C2	1421
3548892C3	SUPPORT,ASSY HOOD BRKT	9	0DS0W	714
3548933C1	CONNECTOR,BODY*8 WAY BLUE PACK	8	3560276C91	449
3548934C1	CONNECTOR,BODY*8 WAY BROWN PAC	8	3560280C91	444
3548935C2	PLUG,PLASTIC 62 X 40 OVAL	16	0J4WM	1641
3548936C1	PLUG,PLASTIC 38MM	16	0J4WM	1641
3548966C91	CABLE,*"BATT INTERCONN N/SEALE	8	0MRFB	382
3548992M1	MAT,CUTOOT-STD,EXT CAB & T'CRE	16	0G7XT	1515
3548993M1	MAT,CUTOOT-STD,EXT CAB & T'CRE	16	0G7XT	1515
3548994M1	MAT,CUTOOT-STD,EXT CAB & T'CRE	16	0G7XT	1515
3549001M1	MAT,CUTOOT-STD,EXT CAB & T'CRE	16	0G7XT	1515
3549004M1	MAT,CUTOOT-STD,EXT CAB & T'CRE	16	0G7XT	1515
3549040F91	RETAINER,MASHFT REAR BRG*	13	0FKNR	1238
3549040F91	RETAINER,MASHFT REAR BRG*	13	3549040F91	1239
3549043F91	HOUSING,XMSH BELL ALSO FOR CLU	13	0FKP3	1233
3549043F91	HOUSING,XMSH BELL ALSO FOR CLU	13	3549043F91	1234
3549169C1	INSULATOR,ENG REAR MTG	12	07NDS	859
3549198C2	SCREW,K60 X 2.69 X 20 MM TORX	16	06MT8	1471
3549211C1	NUT,HEX LK CTR BOLT 1/2NF	3	3540967C91	119
3549259C1	HINGE,DOOR CAB 2-PC FRT DOOR	16	0H9RV	1390
3549259C1	HINGE,DOOR CAB 2-PC FRT DOOR	16	3579484C93	1392
3549305C1	BOLT,HEX FLG HD METRIC*M10 X 3	14	0GNXX	1307
3549305C1	BOLT,HEX FLG HD METRIC*M10 X 3	14	0GRRS	1282
3549305C1	BOLT,HEX FLG HD METRIC*M10 X 3	16	3576163F92	1639
3549338C92	HARNESS,POWER TRAIN D-LINK WRG	16	3549338C92	1579
3549338C92	HARNESS,POWER TRAIN D-LINK WRG	16	3581426F91	1578
3549344C92	CABLE,ASM*IP GROUND OVERLAY	8	3581429F91	609
3549468C92	ELEMENT,CIGAR LIGHTER W/KNOB	8	3581553F91	592
3549470C91	HARNESS,DOME & COURTESY LT WRG	16	3549471F92	1576
3549470C92	HARNESS,DOME & COURTESY LT WRG	16	3549471F92	1576
3549471F92	ELEC IP; DOME & COURTESY LIGHT	16	0DC0X	1575
3549471F92	ELEC IP; DOME & COURTESY LIGHT	16	3549471F92	1576
3549503C4	BELT,SAFETY RETRACTOR	16	0FVYN	1491
3549503C4	BELT,SAFETY RETRACTOR	16	0GWJ7	1616
3549506C2	BELT,BUCKLE STATIC SEAT RH	16	0GWJ7	1616
3549507C92	BELT,SAFETY AIR SEAT W/TETHER	16	0FVYN	1491
3549621C2	RETAINER,FLOOR MAT EXTND CAB	16	0G7XT	1515
3549642C2	PIN,STRAIGHT*VENT WINDOW HINGE	16	3546657C4	1486
3549671C2	BRACKET,SPT OR MTG T-CASE*FRAM	13	3545097C5	1248
3549689C1	BRACKET,FENDER EXT TO SILL ASM	9	0JCH6	680
3549705C4	HINGE,WING WINDOW VENT, STRAP,	16	3546657C4	1486
3549776C4	HOUSING,SWITCH*6 PACK DIN MULT	8	3549776C4	621

Part Number Index

Part No.	Description	Group	Figure	Page
3549776C4	HOUSING, SWITCH*6 PACK DIN MULT	8	3594373F91	623
3549782C1	PILLAR, & INR PNL ASSY A-PLR LH	16	3535208C3	1400
3549783C1	PILLAR, & INR PNL ASSY A-PLR RH	16	3535209C3	1401
3549807C92	SHAFT, STEERING	5	06SPX	259
3549807C92	SHAFT, STEERING	5	3549807C92	261
3549930C1	SWITCH, ETHER START	16	3581516F91	1582
3550322C93	HARNASS, ELEC I6 ENG 2GA CHG	12	3550545F93	864
3550545F93	ELECT INTL I6 ENG 2 GA CHG	12	0F107	863
3550545F93	ELECT INTL I6 ENG 2 GA CHG	12	3550545F93	864
3550550F93	ELECT INTL I6 ENG*HORTON FA	12	0F10B	1006
3550550F93	ELECT INTL I6 ENG*HORTON FA	12	3550550F93	1007
3550553F93	ELEC INTL I6 ENG*FREQ	12	0F10C	1021
3550553F93	ELEC INTL I6 ENG*FREQ	12	3550553F93	1022
3550557F92	ELEC INTL I6 ENG*ETHE	12	0F10F	1032
3550557F92	ELEC INTL I6 ENG*ETHE	12	3550557F92	1033
3550558F93	ELEC INTL I6 ENG*N/	12	0F10G	1202
3550558F93	ELEC INTL I6 ENG*N/	12	3550558F93	1203
3550595F91	MANIFOLD, AIR*BLOCK, W/ 2 X 1/4	4	06QBL	233
3550595F91	MANIFOLD, AIR*BLOCK, W/ 2 X 1/4	4	3550595F91	236
3550610C1	PLATE, TAPPING ASSY, HOOD STOP	9	3556252C3	689
3550611C1	PLATE, TAPPING ASSY, HOOD STOP	9	3556253C2	693
3550643C1	NUT, SWITCH MTG 1"-32 THREAD	8	3552933F91	595
3550653C1	PRODUCT GRAPHICS, LABEL FUSE ID	8	3550655F91	598
3550655F91	ELEC IP; FUSE PANEL PR	8	06TDF	597
3550655F91	ELEC IP; FUSE PANEL PR	8	3550655F91	598
3550661C1	STUD, SELF CLINCHING M8X1.25X30	16	3550779C2	1421
3550673M1	MAT, FLOOR EXT CAB REAR MAT ONL	16	0G7XT	1515
3550719C1	REINFORCEMENT, CAB MTG LH SILL	16	3550779C2	1421
3550720C1	REINFORCEMENT, CAB MTG RH SILL	16	3550779C2	1421
3550725C1	REINFORCEMENT, FLOOR PNL CENTER	16	3550779C2	1421
3550731C2	LENS, INSTR CLUSTER*FWD AXLE DI	16	3588131F91	1567
3550732C2	LENS, INSTR CLUSTER*RR AXLE DIF	16	3588131F91	1567
3550733C1	LENS, INSTR CLUSTER*SNOW VALVE	16	3588131F91	1567
3550743C91	LIGHT, IND*INSTR PNL WRN 100/PK	16	3588131F91	1567
3550779C2	REINFORCEMENT, DASH PANEL ASSY	16	3550779C2	1421
3550779C2	REINFORCEMENT, DASH PANEL ASSY	16	3572158C92	1409
3550792C2	HOSE, RAD*PREMIUM -178MM ID X 2	12	07PJQ	1162
3550838C95	BAFFLE, ASM MOTOR COVER COWL	16	06SLV	1667
3550838C95	BAFFLE, ASM MOTOR COVER COWL	16	3550838C95	1675
3550841C5	COVER, CLOSEOUT COWL/DASH PANE	16	3550838C95	1675
3550843C1	SCREEN, AIR INTAKE GRILLE HVAC	16	3550838C95	1675
3550845C1	SEAL, AIR CLOSEOUT TRAY TO HOOD	16	3550838C95	1675
3550901C1	PRODUCT GRAPHICS, ORNAMENT HOOD	9	3610433C91	703
3550918C2	PRODUCT GRAPHICS (INTERNATIONAL	16	0LV42	1620
3550939C2	PRODUCT GRAPHICS, 7400/DT530	16	0LV42	1620
3551012C1	PLATE, TAPPING HOOD LATCH ASSY	9	3556251C2	691
3551019C2	PIPE, RADIATOR* UPPER RADIATOR	12	07PJQ	1162
3551020C3	EXTENSION, CLIP*	12	07PJQ	1162
3551059C1	NUT, SPEED M8X1.25 U-NUT	9	0DDTF	716
3551079F94	TANK, RAD SURGE OR COOLANT*	12	07RR2	1195
3551079F94	TANK, RAD SURGE OR COOLANT*	12	3551079F94	1196
3551080F94	SEAL, COOLING SYSTEM*RECIRC PAN	12	07RSN	758
3551080F94	SEAL, COOLING SYSTEM*RECIRC PAN	12	3551080F94	762
3551081F92	CONDENSER, AIR COND PF CONDENS	12	07RRZ	827
3551081F92	CONDENSER, AIR COND PF CONDENS	12	3551081F92	828
3551192C1	EXTENSION, CLIP*	4	0H75S	134
3551192C1	EXTENSION, CLIP*	4	0J0LQ	127
3551282C2	STUD, SPECIAL*M8 X 1.25 DUAL SI	8	3588143F92	601

Part Number Index

Part No.	Description	Group	Figure	Page
3551298C92	VALVE,SOLENOID AIR COND	12	07SL0	1040
3551557C1	BRACKET,DOOR CHECK BODY SIDE	16	06MT8	1471
3551568C1	BRACKET,HOOD SAFETY CABLE LH	9	3568420C92	707
3551569C1	BRACKET,HOOD SAFETY CABLE RH	9	3568421C92	709
3551579C1	BOLT,HEX FLG HD METRIC*HVY, M1	4	0H75S	134
3551579C1	BOLT,HEX FLG HD METRIC*HVY, M1	4	0LNNN	162
3551579C1	BOLT,HEX FLG HD METRIC*HVY, M1	4	0MSR4	158
3551579C1	BOLT,HEX FLG HD METRIC*HVY, M1	7	3579392C91	345
3551709C1	STRAP,CABLE LOCK*CABLE LOCK 9"	12	07PJY	854
3551710C2	GUIDE,BRK HOSE & CABLE*SADDLE	12	07PJY	854
3551751C92	HARNESS,TRAILER SOCKET*TRAILER	8	3610837F91	419
3551787C91	STRAP,CABLE LOCK*HELLERMAN TYT	8	3588143F92	601
3551810C2	BRACKET,DASH/COWL CLOSEOUT	16	06SLV	1667
3551896C1	CONNECTOR,CABLE SEE 19 FOR 4 A	8	3572236F91	528
3551973C1	CHECK,DOOR LINK 85 DEG	16	06MT8	1471
3551976C1	INSERT,THREADED FLANGED	16	3550838C95	1675
3552002C91	LINK,STEERING DRAG*16K FDA	5	0MFX6	263
3552002C91	LINK,STEERING DRAG*16K FDA	5	3552002C91	268
3552011C1	BOLT,CAB MTG M12X1.75 37MM	16	3596415C91	1448
3552155C1	BOLT,HEX FLG HD METRIC*M6 X 20	4	06SPT	153
3552155C1	BOLT,HEX FLG HD METRIC*M6 X 20	4	0J0LQ	127
3552155C1	BOLT,HEX FLG HD METRIC*M6 X 20	4	0LNNN	162
3552155C1	BOLT,HEX FLG HD METRIC*M6 X 20	7	0HGRZ	342
3552155C1	BOLT,HEX FLG HD METRIC*M6 X 20	8	086VD	364
3552155C1	BOLT,HEX FLG HD METRIC*M6 X 20	15	0H3G3	1342
3552155C1	BOLT,HEX FLG HD METRIC*M6 X 20	16	0G9F8	1388
3552184C2	PIN,ROLL*SPECIAL,M8,DOOR CHECK	16	06MT8	1471
3552342C1	BOLT,HEX FLG HD METRIC*M8 X 12	4	0H75S	134
3552344C1	TEE,HOSE W/S WASHER	16	3550838C95	1675
3552425C3	REINFORCEMENT,HOOD LH REAR	9	3556250C3	687
3552426C2	REINFORCEMENT,HOOD RH REAR	9	3556251C2	691
3552442C1	GASKET,ADAPTER PLATE FTG GRAB	4	0KTMY	228
3552448C3	REINFORCEMENT,HOOD LH FRONT	9	3556252C3	689
3552449C3	REINFORCEMENT,HOOD RH FRONT	9	3556253C2	693
3552450C1	REINFORCEMENT,HOOD FRONT CENT	9	3612369C91	684
3552454C1	SCREW,TAPPING M4.2 X 1.41-35MM	16	06NKY	1633
3552454C1	SCREW,TAPPING M4.2 X 1.41-35MM	16	06QG0	1552
3552454C1	SCREW,TAPPING M4.2 X 1.41-35MM	16	0D927	1518
3552454C1	SCREW,TAPPING M4.2 X 1.41-35MM	16	0G7XT	1515
3552454C1	SCREW,TAPPING M4.2 X 1.41-35MM	16	0JC0G	1431
3552454C1	SCREW,TAPPING M4.2 X 1.41-35MM	16	0LV7L	1530
3552482C1	FITTING, ADAPTER FUEL RETURN	12	641011L019	899
3552482C1	FITTING,FUEL RETURN*I6 RETURN	12	641011L019	899
3552493C1	BOLT,SEMS M6X1.0-25 SST BLK OX	9	0F4H6	705
3552493C1	BOLT,SEMS M6X1.0-25 SST BLK OX	9	3612369C91	684
3552509F92	HARNESS,DASH ELEC; STD	8	0CSBZ	442
3552509F92	HARNESS,DASH ELEC; STD	8	3552509F92	443
3552653C1	BASE,STRAPLOCK MTG*STRAPLOCK M	8	06VZJ	411
3552933F91	ELCTRCAL IP KEY SW & LK SET	8	06SV1	594
3552933F91	ELCTRCAL IP KEY SW & LK SET	8	3552933F91	595
3553000C1	WASHER,FENDER MTG LOCK FLAT	9	0F448	715
3553320C1	VALVE,CHECK VAC OR AIR	4	3557764C92	187
3553320C1	VALVE,CHECK VAC OR AIR	4	3557766C93	185
3553322C1	VALVE,SAFETY AIR	4	3557764C92	187
3553323F94	BRACKET,SOLENOID 7PK GOLD TRMN	8	0CBKD	352
3553323F94	BRACKET,SOLENOID 7PK GOLD TRMN	8	3553323F94	353
3553344F91	VALVE,SOLENOID*DCLD CONTROL	8	0CBYL	356
3553344F91	VALVE,SOLENOID*DCLD CONTROL	8	3553344F91	357

Part Number Index

Part No.	Description	Group	Figure	Page
3553350F91	VALVE,SOLENOID*NC PDL CONTROL	8	0CBYW	675
3553350F91	VALVE,SOLENOID*NC PDL CONTROL	8	3553350F91	676
3553365F93	VALVE,AIR CNTRL AIR HORN SLND	8	0CBZX	673
3553365F93	VALVE,AIR CNTRL AIR HORN SLND	8	3553365F93	674
3553405C1	FASTENER,TIE DOWN XTREMEMOUNT	8	06S2V	532
3553452C3	GLASS,WINDOW REAR SIDE	16	3562174C94	1646
3553462C1	BOLT,LOCK M8 X 1,25 X 20 MM BO	4	0KTMV	228
3553479C2	HOLDER,CUP 2-CUP W/ ASHTRAY	16	06RNB	1544
3553479C2	HOLDER,CUP 2-CUP W/ ASHTRAY	16	3553479C2	1546
3553500C1	CLAMP,BATT HOLD DOWN ANGLE TYP	8	0HL8D	366
3553501C3	BOLT,BOLT,J M8X266MM,CL.8.8,Z	8	0HL8D	366
3553547C4	BRACE,PWR STRG RESVR BRKT	5	3558303C4	257
3553547C4	BRACE,PWR STRG RESVR BRKT	12	3558303C4	1168
3553584F91	BRAKE,COMPRESSION*FBO ENG FEAT	12	0FB92	865
3553584F91	BRAKE,COMPRESSION*FBO ENG FEAT	12	3553584F91	870
3553592C1	NUT,HEX METRIC PREV. TORQ*M8	8	0DDS3	506
3553592C1	NUT,HEX METRIC PREV. TORQ*M8	8	0HL8D	366
3553635C1	SEAT,U BOLT FRONT SPG FRT DRIV	3	07W2Z	114
3553638C1	STOP,FRONT AXLE 16-20K SUSP	3	07W2Z	114
3553742C1	GUIDE,BRK HOSE & CABLE*2-WAY	8	0GCJR	371
3553759F91	ELEC IP; CENTER PANEL	8	0FBCV	410
3553801C1	PANEL,FRONT FENDER SPLASH LH	9	0DDTF	716
3553802C4	PANEL,FRT FNDR SPLASH RH	9	0DDTF	716
3553803C2	CLAMP,EXHAUST PIPE*CLAMP, TURB	7	06X8D	350
3553851C1	EXTENSION,CLIP FLAT	8	06PWH	360
3553986F92	ELEC CTR CHAS,*WORK LIG	8	0FCS5	406
3553986F92	ELEC CTR CHAS,*WORK LIG	8	3553986F92	407
3553996F91	ELEC CTR CHAS, L FUEL	8	0JF60	404
3553996F91	ELEC CTR CHAS, L FUEL	8	3553996F91	405
3554005F93	ELEC CTR CHAS, 7/14 PK DLNK	8	0JF84	570
3554005F93	ELEC CTR CHAS, 7/14 PK DLNK	8	3554005F93	571
3554056C92	HARNESS,CHASSIS*WORK LIGHT BOC	8	3553986F92	407
3554063C91	HARNESS,ELEC; FUEL TANK	8	3553996F91	405
3554069C93	HARNESS,ELEC; 7/14 PK DATALINK	8	3554005F93	571
3554087C1	CONNECTOR,BODY*CABLE-30 WAY CI	8	3581887C91	426
3554087C1	CONNECTOR,BODY*CABLE-30 WAY CI	8	3581917C91	460
3554088C1	CONNECTOR,BODY*CABLE-18 WAY CI	8	3581887C91	426
3554116C91	HARNESS,CAB OVERLAY*ZERO REFER	8	3581429F91	609
3554117C91	HARNESS,CAB OVERLAY*W/AIR HORN	8	3554184F91	627
3554122C92	HARNESS,ELECT, BASE CAB, HARNE	8	3554195F93	670
3554184F91	ELEC IP; W/AIR HORN SWITCH	8	0DCZL	626
3554184F91	ELEC IP; W/AIR HORN SWITCH	8	3554184F91	627
3554195F93	ELECTRICAL DCM*W/AIR BRAKES	8	06QS5	669
3554195F93	ELECTRICAL DCM*W/AIR BRAKES	8	3554195F93	670
3554198C1	BRACKET,SWITCH IGNITION	16	3511018F93	1560
3554237C2	SEAL,DUCT AIR COND COWL TRAY	16	3602447C91	1534
3554255C93	WIPER,W/S ELECT, LH DRIVE	16	06SLV	1667
3554255C93	WIPER,W/S ELECT, LH DRIVE	16	3554255C93	1679
3554260C3	BRACKET,SPLSH SHLD SPT FRT RH	9	0DDTF	716
3554263C4	BRACKET,SPLASH SHIELD SUPT RH	9	0DDTF	716
3554346F91	PACKAGE,ATTRIBUTE*MDL EFF-SS W	12	0FB8T	1112
3554346F91	PACKAGE,ATTRIBUTE*MDL EFF-SS W	12	3554346F91	1116
3554348F91	FILTER,WATER*W/CAP AND LESS CO	12	0FB9F	1008
3554348F91	FILTER,WATER*W/CAP AND LESS CO	12	3554348F91	1009
3554354F91	PAN,OIL*SS SF ALLWHLDRV W/SHAL	12	0FBQB	1121
3554354F91	PAN,OIL*SS SF ALLWHLDRV W/SHAL	12	3554354F91	1126
3554364C1	BOLT,SPECIAL SEAT BELT ANCHOR	16	0FVYN	1491
3554364C1	BOLT,SPECIAL SEAT BELT ANCHOR	16	0GWJ7	1616

Part Number Index

Part No.	Description	Group	Figure	Page
3554368C1	BOLT,TORX M12X1.7X54 SEAT BELT	16	0GWJ7	1616
3554369C1	BOLT,SPECIAL SEAT BELT ANCHOR	16	0FVYN	1491
3554390F91	ELEC IP; CLUSTER HOUSI	16	0LK4R	1599
3554390F91	ELEC IP; CLUSTER HOUSI	16	3554390F91	1600
3554423F91	ELEC IP; LCD N/EATON A	16	0FFCK	1601
3554423F91	ELEC IP; LCD N/EATON A	16	3554423F91	1602
3554430C91	HOUSING, INSTR CLUSTER*HOUSING	16	3554390F91	1600
3554433C1	METER, ODOMETER*LCD N/EATON AUT	16	3554423F91	1602
3554442C91	ROD, ASSY TORQUE 2-BOLT 23.5 LG	14	0HJS0	1323
3554554C1	GUIDE, BRK HOSE & CABLE*SWIVEL	8	0GCJR	371
3554554C1	GUIDE, BRK HOSE & CABLE*SWIVEL	16	06TJY	1648
3554606C91	HOUSING, CONTROL*POWER DISTRIBU	8	3554606C91	441
3554606C91	HOUSING, CONTROL*POWER DISTRIBU	8	3610835F91	438
3554607C1	BOX, JUNCTION*POWER DISTRIBUTIO	8	3554606C91	441
3554608C1	COVER, ELEC CONT PANEL*POW	8	3554606C91	441
3554609C1	DOOR, *POWER DISTRIBUTION CENTE	8	3554606C91	441
3554613C92	HARNES, ELEC; DOME/MAP L	16	3546500C95	1521
3554630C91	SWITCH, BATTERY DISCONNECT*LEVE	8	3559964F92	386
3554632C1	PRODUCT GRAPHICS, LABEL SW-ALL*	8	3559964F92	386
3554702C1	BOLT, HEX FLG HD METRIC*M12 X 3	1	0M7YB	72
3554703C1	BOLT, HEX FLG HD METRIC*M10 X 4	9	0FSZ5	682
3554789F91	ELEC IP; CLUSTER MOUNT	16	0DBW8	1594
3554849C3	GUSSET, FRAME XMBR COMMON TO LT	16	3554851C3	1440
3554850C1	GUSSET, FRAME XMBR COMMON TO LT	16	3554851C3	1440
3554851C3	BRACKET, CAB MTG XMBR ASSY	16	3554851C3	1440
3554851C3	BRACKET, CAB MTG XMBR ASSY	16	3566415C93	1441
3554883C1	CLAMP, PIPE SINGLE 19 MM	16	07TDL	1523
3555091C91	DOOR, CAB LT OUTER ASSY	16	3560064C94	1394
3555092C91	DOOR, CAB RT OUTER ASSY	16	3560065C94	1397
3555103C1	REINFORCEMENT, MIRROR BRACE LH	16	3560062C94	1395
3555104C1	REINFORCEMENT, MIRROR BRACE RH	16	3560063C94	1398
3555226C1	CAP, DUST REFRIG FTG 1/2" MALE	16	3557557C94	1528
3555226C1	CAP, DUST REFRIG FTG 1/2" MALE	16	3557558C91	1526
3555278C1	OUTLET, FUEL TANK*FUEL TANK OUT	15	3548119F92	1363
3555605C1	BOLT, SEMS ALL M8 X 1.25-30 MM	15	3570012F91	1371
3555605C1	BOLT, SEMS ALL M8 X 1.25-30 MM	16	3576163F92	1639
3555642C1	PLUG, FILLER*CAVITY BLOCK FOR M	8	3544520F95	556
3555642C1	PLUG, FILLER*CAVITY BLOCK FOR M	8	3582042F91	559
3555642C1	PLUG, FILLER*CAVITY BLOCK FOR M	8	3610837F91	419
3555650C1	FERRULE, SEAL ANTENNA TO COWL	16	3550838C95	1675
3555769C1	CLIP, HOSE 1/4"	16	0FVYN	1491
3555956F92	ELEC CTR CHAS, BASE +3000MM	8	0FCS0	402
3555956F92	ELEC CTR CHAS, BASE +3000MM	8	3555956F92	403
3555967F92	ELEC CTR CHAS, AIR ABS +3000M	8	0FCS1	408
3555967F92	ELEC CTR CHAS, AIR ABS +3000M	8	3555967F92	409
3556086F92	ELEC CTR CHAS, *REAR & R	8	0FCS6	573
3556086F92	ELEC CTR CHAS, *REAR & R	8	3556086F92	574
3556202C94	DOOR ASSY HDWE MANUAL LH	16	06MT8	1471
3556202C94	DOOR ASSY HDWE MANUAL LH	16	3556202C94	1478
3556203C94	DOOR ASSY HDWE MANUAL RH	16	06MT8	1471
3556203C94	DOOR ASSY HDWE MANUAL RH	16	3556203C94	1481
3556243C2	PANEL, HOOD*TOP	9	3612369C91	684
3556244C3	PANEL*LH HOOD SIDE FENDER	9	3612369C91	684
3556245C2	PANEL, RH HOOD SIDE FENDER	9	3612369C91	684
3556246C1	BAFFLE, HOOD AIR INTAKE	9	3556250C3	687
3556250C3	REINFORCEMENT, ASSY HOOD LH RR	9	3556250C3	687
3556250C3	REINFORCEMENT, ASSY HOOD LH RR	9	3612369C91	684
3556251C2	REINFORCEMENT, HOOD ASSY RH	9	3556251C2	691

Part Number Index

Part No.	Description	Group	Figure	Page
3556251C2	REINFORCEMENT,HOOD ASSY RH	9	3612369C91	684
3556252C3	REINFORCEMENT,HOOD ASSY LH	9	3556252C3	689
3556252C3	REINFORCEMENT,HOOD ASSY LH	9	3612369C91	684
3556253C2	REINFORCEMENT,HOOD RH FRONT AS	9	3556253C2	693
3556253C2	REINFORCEMENT,HOOD RH FRONT AS	9	3612369C91	684
3556259C2	GRILLE*AIR INTAKE	9	0L4SH	704
3556348F91	PUMP,POWER STRG*LUK LF73C	12	0FBJ9	1141
3556348F91	PUMP,POWER STRG*LUK LF73C	12	3556348F91	1144
3556927F91	HOUSING,FRT L/DIFF 02ESA FC#1	2	0FWRZ	86
3556927F91	HOUSING,FRT L/DIFF 02ESA FC#1	2	3556927F91	87
3556956F91	STOP,WHL 42 DEG ABR FC#4	2	0FWS2	107
3556956F91	STOP,WHL 42 DEG ABR FC#4	2	3556956F91	108
3556961F91	BRAKE,GROUP FRT DR AXLE 16.5X5	4	0FWS3	215
3556961F91	BRAKE,GROUP FRT DR AXLE 16.5X5	4	3556961F91	216
3556963F91	ADJUSTER,BRK SLACK 5.5" FC#6	4	0FWS4	225
3556963F91	ADJUSTER,BRK SLACK 5.5" FC#6	4	3556963F91	226
3556968F91	HUB,FRT WHL W/DRUM 16.5X FC#7	17	0FWS5	1685
3556968F91	HUB,FRT WHL W/DRUM 16.5X FC#7	17	3556968F91	1687
3556980F91	SHAFT,AXLE W/FLG & JT ABR FC#8	2	0FWS6	89
3556980F91	SHAFT,AXLE W/FLG & JT ABR FC#8	2	3556980F91	90
3556990F91	DIFFERENTIAL,FD 6.14 FC#9	2	0FWS7	92
3556990F91	DIFFERENTIAL,FD 6.14 FC#9	2	3556990F91	97
3557057C1	NUT,HEX*M8 X 1.25 W/ CAPTURE	16	0FVYN	1491
3557057C1	NUT,HEX*M8 X 1.25 W/ CAPTURE	16	0GWJ7	1616
3557100C1	CONNECTOR,WASHER HOSE 5/32	16	3550838C95	1675
3557122C2	SEAL,DOOR GLSS OTR BELT FRT LH	16	06MT8	1471
3557123C2	SEAL,DOOR GLSS OTR BELT FRT RH	16	06MT8	1471
3557139C1	CLIP, PUSH -ON FASTNER	9	3610431C91	701
3557241C1	HOSE,POWER STRG HOSE ONLY*	5	0FSWW	269
3557499C1	PRODUCT GRAPHICS,ESCUTCHEON*TH	16	0FDGN	1625
3557543C1	EXTENSION,CLIP "Z"	16	07TDL	1523
3557557C94	HOSE,A/C ASSY COND TO EVAP	16	07TDL	1523
3557557C94	HOSE,A/C ASSY COND TO EVAP	16	3557557C94	1528
3557558C91	HOSE, AC ASSY COMP TO COND	16	07TDL	1523
3557558C91	HOSE, AC ASSY COMP TO COND	16	3557558C91	1526
3557559C93	HOSE,ASSY ACCUM TO COMPR	16	07TDL	1523
3557672C92	LIGHT,TURN SIGNAL*	8	0DDS3	506
3557672C92	LIGHT,TURN SIGNAL*	8	3557672C92	518
3557674C3	BRACE,PDC BRACKET W/WELD NUT	8	06VZJ	411
3557684C2	BRACKET,ETHER START	12	06VS3	1026
3557701C1	BOLT,HEX FLG HD METRIC*M8 X 90	4	0MT69	140
3557717C1	BRACKET,GRILLE MTG SPT UPR RDT	9	0FVDZ	695
3557764C92	TANK,AIR QUALITY CONNECT*	4	3557764C92	187
3557764C92	TANK,AIR QUALITY CONNECT*	4	3576188F92	183
3557766C93	TANK,AIR QUALITY CONNECT ASSY	4	3557766C93	185
3557766C93	TANK,AIR QUALITY CONNECT ASSY	4	3576188F92	183
3557821C2	SUPPORT,, FRAME MOUNTED ROD BR	5	3558303C4	257
3557821C2	SUPPORT,, FRAME MOUNTED ROD BR	12	3558303C4	1168
3557822C2	SUPPORT,, FRAME MOUNTED ROD BR	12	07RYM	1166
3557854C1	CLAMP,HEAT EXCHANGER	12	07PJX	780
3557854C1	CLAMP,HEAT EXCHANGER	12	3543959C94	784
3557857C1	CLAMP,HEAT EXCHANGER	12	07PJX	780
3557857C1	CLAMP,HEAT EXCHANGER	12	3543959C94	784
3557858C1	CLAMP,HEAT EXCHANGER	12	3563258C91	782
3557936C1	CABLE,TANK MTG*ASSY SURGE TANK	4	3576188F92	183
3557983C1	BOLT,HEX FLG HD METRIC M8 X 45	4	0MT69	140
3557990C91	HARNESS,CHASSIS WIRING*WASHER	8	3557990C91	482
3557990C91	HARNESS,CHASSIS WIRING*WASHER	8	3568484F92	488

Part Number Index

Part No.	Description	Group	Figure	Page
3558022C1	CONNECTOR, BODY*AMP JR-PWR-TIME	8	3572236F91	528
3558022C1	CONNECTOR, BODY*AMP JR-PWR-TIME	8	3572240F91	502
3558022C1	CONNECTOR, BODY*AMP JR-PWR-TIME	8	3572242F91	521
3558022C1	CONNECTOR, BODY*AMP JR-PWR-TIME	12	3560343C91	1023
3558022C1	CONNECTOR, BODY*AMP JR-PWR-TIME	12	3560346C92	1204
3558022C1	CONNECTOR, BODY*AMP JR-PWR-TIME	12	3577574C91	1018
3558026C1	CONNECTOR, BODY*AMP JR-PWR-TIME	8	3560276C91	449
3558026C1	CONNECTOR, BODY*AMP JR-PWR-TIME	8	3560277C91	550
3558026C1	CONNECTOR, BODY*AMP JR-PWR-TIME	8	3560280C91	444
3558026C1	CONNECTOR, BODY*AMP JR-PWR-TIME	8	3568513C91	433
3558026C1	CONNECTOR, BODY*AMP JR-PWR-TIME	8	3581887C91	426
3558026C1	CONNECTOR, BODY*AMP JR-PWR-TIME	8	3588674C91	471
3558056C1	LOCK, CONNECTOR BODY*AMP JR-PWR	8	3572240F91	502
3558056C1	LOCK, CONNECTOR BODY*AMP JR-PWR	8	3572242F91	521
3558056C1	LOCK, CONNECTOR BODY*AMP JR-PWR	8	3581887C91	426
3558056C1	LOCK, CONNECTOR BODY*AMP JR-PWR	8	3581917C91	460
3558056C1	LOCK, CONNECTOR BODY*AMP JR-PWR	8	3588674C91	471
3558084C1	BRACKET, BATT BOX CLAMP*BRACKET	8	3576152F93	388
3558153C93	RESERVOIR, POWER STRG PUMP, 1.5L	5	0L4J0	256
3558153C93	RESERVOIR, POWER STRG PUMP, 1.5L	5	3558153C93	258
3558221C92	PANEL, DOOR TRIM RH CONV FRONT	16	06QG0	1552
3558221C92	PANEL, DOOR TRIM RH CONV FRONT	16	3558221C92	1553
3558300C1	BRACKET, MUD FLAP GUARD	15	3573570F92	1377
3558303C4	BRACE, PWR STRG RESVR BRKT	5	0L4J0	256
3558303C4	BRACE, PWR STRG RESVR BRKT	5	3558303C4	257
3558303C4	BRACE, PWR STRG RESVR BRKT	12	07RYM	1166
3558303C4	BRACE, PWR STRG RESVR BRKT	12	3558303C4	1168
3558328C93	COVER, XMSN OPENING	16	0G4M9	1643
3558402C91	FLANGE, TRUN BRG SPL140	6	3571921F91	287
3558466C91	HORN, ELEC W/BRKTS HI-NOTE	8	06S2V	532
3558491C92	SEAT, DRS HI VN AIR LMBR W/AR	16	0FVYN	1491
3558491C92	SEAT, DRS HI VN AIR LMBR W/AR	16	3558491C92	1507
3558524C91	HARNES, CHASSIS WIRING*WASHER	8	3558533F91	579
3558525C91	HARNES, CHASSIS WIRING*WASHER	8	3558533F91	579
3558533F91	ELEC CTR CHAS, *SS/RH WA	8	0JFCK	578
3558533F91	ELEC CTR CHAS, *SS/RH WA	8	3558533F91	579
3558571C3	PLATE, CAB MTG XMBR	16	3558573C6	1443
3558572C5	PLATE, CAB MTG OR BODY XMBR	16	3558573C6	1443
3558573C6	CROSSMEMBER, CAB REAR SUPT*ASSY	16	0GB2V	1433
3558573C6	CROSSMEMBER, CAB REAR SUPT*ASSY	16	3558573C6	1443
3558645F93	BBAT, PRIMARY AIR TANK TUBING	4	0HWF8	178
3558645F93	BBAT, PRIMARY AIR TANK TUBING	4	3558645F93	179
3558722C1	PLUG, BUTTON BUTTTON -5/8" DIA	16	0F26J	1453
3558798C1	REINFORCEMENT, DOOR PANEL	16	3560062C94	1395
3558798C1	REINFORCEMENT, DOOR PANEL	16	3560063C94	1398
3558816C1	CLIP, GRILLE MOULDING MTG	9	3610433C91	703
3559035C1	TERMINAL, CABLE*AMP JUNIOR-POWE	8	3560276C91	449
3559035C1	TERMINAL, CABLE*AMP JUNIOR-POWE	8	3560277C91	550
3559035C1	TERMINAL, CABLE*AMP JUNIOR-POWE	8	3560280C91	444
3559035C1	TERMINAL, CABLE*AMP JUNIOR-POWE	8	3568513C91	433
3559036C1	TERMINAL, CABLE*AMP JUNIOR-POWE	8	3572240F91	502
3559036C1	TERMINAL, CABLE*AMP JUNIOR-POWE	8	3572242F91	521
3559036C1	TERMINAL, CABLE*AMP JUNIOR-POWE	12	3560346C92	1204
3559036C1	TERMINAL, CABLE*AMP JUNIOR-POWE	12	3577574C91	1018
3559037C1	TERMINAL, CABLE*AMP JUNIOR-POWE	8	3572236F91	528
3559037C1	TERMINAL, CABLE*AMP JUNIOR-POWE	12	3560343C91	1023
3559053C1	SEAL, RUBBER GROUND STUD DASH	8	3588143F92	601
3559112F91	BRAKE*DRAIN VALVES, BATTERY	4	0FLMS	229

Part Number Index

Part No.	Description	Group	Figure	Page
3559112F91	BRAKE*DRAIN VALVES, BATTERY	4	3559112F91	230
3559757C1	BOLT,U SPL 7/8UN X 14 STYL 050	3	07W2Z	114
3559775C1	RESISTOR,ELECT*TERMINATING RES	4	0HKJF	166
3559775C1	RESISTOR,ELECT*TERMINATING RES	8	3572558F91	565
3559964F92	ELEC*W/R TRUCK BOX (S	8	0LSFK	385
3559964F92	ELEC*W/R TRUCK BOX (S	8	3559964F92	386
3560054C1	REINFORCEMENT,DR HNG FRT LH	16	3560062C94	1395
3560055C1	REINFORCEMENT,DR HNG FRT RH	16	3560063C94	1398
3560060C1	REINFORCEMENT,MIR BRC INR LH	16	3560062C94	1395
3560061C1	REINFORCEMENT,MIR BRC INR RH	16	3560063C94	1398
3560062C94	DOOR,CAB LT INNER ASSY	16	3560062C94	1395
3560062C94	DOOR,CAB LT INNER ASSY	16	3560064C94	1394
3560063C94	DOOR,CAB RT INNER ASSY	16	3560063C94	1398
3560063C94	DOOR,CAB RT INNER ASSY	16	3560065C94	1397
3560064C94	DOOR,CAB LT ASSY WELDED	16	0H9RV	1390
3560064C94	DOOR,CAB LT ASSY WELDED	16	3560064C94	1394
3560064C94	DOOR,CAB LT ASSY WELDED	16	3579484C93	1392
3560065C94	DOOR,CAB RT ASSY WELDED	16	0H9RV	1390
3560065C94	DOOR,CAB RT ASSY WELDED	16	3560065C94	1397
3560065C94	DOOR,CAB RT ASSY WELDED	16	3579484C93	1392
3560088C2	PANEL,DOOR LH CONV	16	3560062C94	1395
3560089C2	PANEL,DOOR RH CONV	16	3560063C94	1398
3560217C1	INSULATOR,RAD MTG	12	07RTJ	830
3560276C91	HARNESS,ELEC; CHAS WI	8	3560276C91	449
3560276C91	HARNESS,ELEC; CHAS WI	8	3568464F91	448
3560277C91	HARNESS,ENGINE FAN WIRING ENGI	8	3544500F93	549
3560277C91	HARNESS,ENGINE FAN WIRING ENGI	8	3560277C91	550
3560280C91	HARNESS,HEAD LIGHT WIRING *HEA	8	352509F92	443
3560280C91	HARNESS,HEAD LIGHT WIRING *HEA	8	3560280C91	444
3560285C91	HARNESS,EXHAUST BRK*EXHAUST BR	8	3544520F95	556
3560341C91	HARNESS,ELEC; ENGINE	12	3550550F93	1007
3560343C91	HARNESS,ELEC A/C COMPR	12	3550553F93	1022
3560343C91	HARNESS,ELEC A/C COMPR	12	3560343C91	1023
3560345C91	HARNESS,ELEC; ENGINE	12	3550557F92	1033
3560346C92	HARNESS,ELEC; ENGINE	12	3550558F93	1203
3560346C92	HARNESS,ELEC; ENGINE	12	3560346C92	1204
3560433C91	HARNESS,LGT WRG,STOP,TAIL&TURN	8	3555956F92	403
3560434C91	HARNESS,CHASSIS BENDIX AIR ABS	8	3555967F92	409
3560440C91	HARNESS,ELEC; CHAS WI	8	3556086F92	574
3560710C91	STRAP,CABLE LOCK*HELLERMAN TYT	8	06S2V	532
3560710C91	STRAP,CABLE LOCK*HELLERMAN TYT	12	06VS3	1026
3560710C91	STRAP,CABLE LOCK*HELLERMAN TYT	16	06TJY	1648
3560955C91	HOSE,AIR CLEANER FOR SS107MB/F	12	07V12	752
3560955C91	HOSE,AIR CLEANER FOR SS107MB/F	12	3560955C91	753
3561048C1	BOLT,HH FLG HD M8 X 30 METRIC	4	0J0LQ	127
3561060C91	HARNESS,ELEC; TRANSFER C	8	3561069F92	577
3561069F92	ELECT. CTR CHASSIS*TRANSFER	8	0JFFD	576
3561069F92	ELECT. CTR CHASSIS*TRANSFER	8	3561069F92	577
3561092C91	HARNESS,ELEC; XMSN WIRIN	8	3561092C91	476
3561092C91	HARNESS,ELEC; XMSN WIRIN	8	3561130F91	475
3561130F91	ELECTRICAL DASH HARNESS*MAN	8	0CS9Y	474
3561130F91	ELECTRICAL DASH HARNESS*MAN	8	3561130F91	475
3561152C94	WASHER,WINDSHIELD BOTTLE 700	16	06TJY	1648
3561152C94	WASHER,WINDSHIELD BOTTLE 700	16	3561152C94	1665
3561587C94	MIRROR,RR VW LH FLT & CNVX BLK	16	0M72R	1607
3561587C94	MIRROR,RR VW LH FLT & CNVX BLK	16	3561587C94	1612
3561588C94	MIRROR,RR VW RH FLT & CNVX BLK	16	0M72R	1607
3561588C94	MIRROR,RR VW RH FLT & CNVX BLK	16	3561588C94	1614

Part Number Index

Part No.	Description	Group	Figure	Page
3561905C1	ELBOW,HOSE CAC 4" COLD SIDE 45	12	3563258C91	782
3562027C1	LINING,HEAD ROOF TRIM EXTENDED	16	06SH8	1554
3562102C1	RESISTOR,ELEC FOR HTR OR A/C	16	3530971C96	1539
3562117C1	TANK,AIR QUALITY CONNECT	4	3557764C92	187
3562118C2	TANK,AIR QUALITY CNCT PRIMARY	4	3557766C93	185
3562147C2	BRACKET,SEAT BELT FIXED TURNIN	16	0FVYN	1491
3562147C2	BRACKET,SEAT BELT FIXED TURNIN	16	0GWJ7	1616
3562171C1	PLUG,BUTTON 2 1/2"	16	06SLV	1667
3562174C94	WINDOW,ASSY VENT DARK TINT	16	06MXR	1644
3562174C94	WINDOW,ASSY VENT DARK TINT	16	3562174C94	1646
3562349C91	CLEANER,ASSY AIR DRY TYPE 13"	12	07TXX	749
3562349C91	CLEANER,ASSY AIR DRY TYPE 13"	12	3562349C91	750
3562354C1	SEAL,AIR CLEANER TO HOOD*HOOD	12	3562349C91	750
3562398C1	RING,SNAP*RETAINING	4	3557764C92	187
3562398C1	RING,SNAP*RETAINING	4	3557766C93	185
3562399C1	FITTING,QC CARTRIDGE*3/8"	4	3557764C92	187
3562424C1	VALVE,SHUT OFF*PRESSURE PROTEC	4	3557766C93	185
3562449C92	SHIELD,SUSP SEAT	16	0FVYN	1491
3562449C92	SHIELD,SUSP SEAT	16	3562449C92	1511
3562450C2	SHIELD,SUSP SEAT	16	3562449C92	1511
3562451C1	STRIP,TRIM SPORTS TOP	16	3562449C92	1511
3562654C92	HARNESS,JUMPER*SS LOLLIPOP LIG	8	0DDS3	506
3562717F92	DRVR CONT TLT COLM W/TC-7	5	06BMC	275
3562717F92	DRVR CONT TLT COLM W/TC-7	5	3562717F92	276
3563061C1	SWITCH,HEADLIGHT-3 WAY ROCKER	16	3581699F91	1570
3563062C1	SWITCH,ELEC PANEL LIGHT DIMMER	16	3581699F91	1570
3563063C1	SWITCH,ELECTRONIC WORK LIGHT	16	3581699F91	1570
3563065C1	SWITCH,ELECTRN EXHAUST BRAKE	8	3578728F91	642
3563069C1	SWITCH,ELECTRONIC FRONT AXLE	8	3563069C1	634
3563069C1	SWITCH,ELECTRONIC FRONT AXLE	8	3578719F92	632
3563073C1	SWITCH,ELECTRONIC PDL LOCK	8	3578747F91	637
3563074C1	SWITCH,ELECTRONIC DIFF LOCK	8	3588124F91	629
3563111C1	SWITCH,ELECTRONIC XFER,HI/LOW	8	3578719F92	632
3563253C92	SADDLE,REAR SPRING & EQUAL BEA	14	07QT9	1319
3563253C92	SADDLE,REAR SPRING & EQUAL BEA	14	3563253C92	1320
3563257C91	PIPE,AIR COLD SIDE	12	3563258C91	782
3563258C91	PIPE,AIR COLD SIDE	12	07PJX	780
3563258C91	PIPE,AIR COLD SIDE	12	3563258C91	782
3563482C2	TUBE,FUEL LINE (PLASTIC OR NYL	15	3563483C92	1353
3563483C92	TUBE,FUEL LINE (PLASTIC OR NYL	15	3563483C92	1353
3563483C92	TUBE,FUEL LINE (PLASTIC OR NYL	15	3577849C91	1357
3563602C1	FAN,ENG COOLING 30" DIA 2.56"	12	07SHT	1041
3564070C1	BOLT,SEMS M8 X 1.25 - 30 MM HE	9	0JCH6	680
3564182C1	WASHER,ENG MTG BOLT	12	07NDS	859
3564290C1	CLAMP,PIPE TEE ETC*SGL-CUSHION	4	06SPT	153
3564826C4	SEAL,QTR WNDW EXTENDED CAB	16	06MXR	1644
3564894C1	ELBOW,REDUCING 90DEG*1/4MX3/8F	14	0GNXX	1307
3564894C1	ELBOW,REDUCING 90DEG*1/4MX3/8F	14	0GRRV	1314
3565069C1	PLUG,BUTTON 18MM DIA PLASTIC	8	0G219	644
3565069C1	PLUG,BUTTON 18MM DIA PLASTIC	16	0F26J	1453
3565125C1	GROMMET,RUBBER PIPE CABLE ETC	14	0GGDZ	1315
3565131C1	MAT,FLOOR PRECUT*CONV CAB W/ I	16	0G7XT	1515
3565132C2	MAT,FLOOR PRECUT CONV EXT CAB	16	0G7XT	1515
3565230C3	VISOR,SUN LH	16	3546500C95	1521
3565231C3	VISOR,SUN RH	16	3546500C95	1521
3565232C1	CLIP,SUN VISOR ROD LH	16	3546500C95	1521
3565233C1	CLIP,SUN VISOR ROD RH	16	3546500C95	1521
3565362C2	CHANNEL,XMBR CTR SEC	16	3566415C93	1441

Part Number Index

Part No.	Description	Group	Figure	Page
3565364C1	BOLT,XMBR CUSHION MTG	14	07RTP	1311
3565443C1	TERMINAL,CABLE*FEMALE TERMINAL	8	3581887C91	426
3565443C1	TERMINAL,CABLE*FEMALE TERMINAL	8	3581917C91	460
3565527C1	SCREW, *K50 X 2.24 X 16MM TORX	9	0L4SH	704
3565528C1	PIN,QUICK RELEASE 6.3 X 25 MM	9	0F4H6	705
3565663C91	VALVE,STARTING FUEL STARTING F	12	06VS3	1026
3565665M1	MAT,CUTOOT-STD,EXT CAB & T'CRE	16	0G7XT	1515
3565823C2	BRACKET,CAB FRONT MTG OR COWL	16	3596415C91	1448
3565835C2	BOLT,SEMS ALL M6X1.0-25MM SST	9	0FVDZ	695
3565835C2	BOLT,SEMS ALL M6X1.0-25MM SST	9	3610431C91	701
3565992C91	HARNESS,ELEC; ENG BLOCK GRD	12	06MYC	1012
3565992C91	HARNESS,ELEC; ENG BLOCK GRD	12	3565992C91	1014
3566132C2	EXTENSION,CLIP ASSY "L" STYLE	16	07TDL	1523
3566160C1	GASKET,AXLE SHAFT FLG 200 WE	14	0DMPJ	1318
3566174C1	ELBOW, QUALITY CONNECT*SPECIAL	14	0GNXX	1307
3566174C1	ELBOW, QUALITY CONNECT*SPECIAL	14	0GRRS	1282
3566349C2	CROSSMEMBER,RAD SUPT*XMBER FOR	1	3567132C93	74
3566352C2	BRACKET,RAD MTG*LEFT MTG	1	0M7YB	72
3566353C2	BRACKET,RAD MTG*RIGHT MTG	1	0M7YB	72
3566354C2	GUSSET,RAD SUPT*	1	0M7YB	72
3566358C91	HARNESS,ELEC; AIR DRYER	8	3566360F91	569
3566360F91	ELEC CTR CHAS, LEFT SD	8	0FCS8	568
3566360F91	ELEC CTR CHAS, LEFT SD	8	3566360F91	569
3566415C93	CROSSMEMBER,CAB REAR SUPT	16	0GB2V	1433
3566415C93	CROSSMEMBER,CAB REAR SUPT	16	3566415C93	1441
3566553C1	CONNECTOR,BODY*CONNECTOR, SOCK	8	3567203C91	614
3566554C91	CONNECTOR,BODY*CONNECTOR, PIN	8	3568498C91	453
3566554C91	CONNECTOR,BODY*CONNECTOR, PIN	8	3568510C91	485
3566554C91	CONNECTOR,BODY*CONNECTOR, PIN	8	3568513C91	433
3566554C91	CONNECTOR,BODY*CONNECTOR, PIN	8	3568528C91	465
3566554C91	CONNECTOR,BODY*CONNECTOR, PIN	8	3581917C91	460
3566556C1	GASKET,COVER RECEPACLE*48-WAY	16	06TRV	1543
3566557C1	NUT,SPECIAL*48-WAY ITT CANNON	16	06TRV	1543
3566558C1	TERMINAL,CABLE*PIN 16-20 GA	8	3568498C91	453
3566558C1	TERMINAL,CABLE*PIN 16-20 GA	8	3568510C91	485
3566558C1	TERMINAL,CABLE*PIN 16-20 GA	8	3568513C91	433
3566558C1	TERMINAL,CABLE*PIN 16-20 GA	8	3568528C91	465
3566558C1	TERMINAL,CABLE*PIN 16-20 GA	8	3581917C91	460
3566559C1	TERMINAL,CABLE*SOCKET 16-20 GA	8	3567203C91	614
3566576C91	HARNESS,CHASSIS WIRING*SS LT H	8	3610435C91	512
3566577C91	HARNESS,CHASSIS WIRING*SS RT H	8	3610436C91	514
3566654C91	CHAMBER,BRAKE*MGM TR3030LP3HD	4	0F12N	221
3566654C91	CHAMBER,BRAKE*MGM TR3030LP3HD	4	3566654C91	223
3566693R1	PRODUCT GRAPHICS,SAFETY COMPLI	8	086VD	364
3566722C1	STRIP,TRIM 65MM	8	3588143F92	601
3566773R1	SEALANT,ADHESIVE URETHANE,1PA	16	06MXP	1632
3566773R1	SEALANT,ADHESIVE URETHANE,1PA	16	06MXR	1644
3566907C1	REINFORCEMENT,LIGHT*MTG - TURN	8	0DDS3	506
3566908C1	REINFORCEMENT,LIGHT*MTG - TURN	8	0DDS3	506
3566911C1	PROD GRAPH,LABEL CAUTION,MERTR	14	0H71N	1316
3566915R1	MANUAL,INST,TECH SERVICE AID	14	0H71N	1316
3566930C1	BOLT,SEMS ALL M8 X 1.25-35 M	9	0DS0S	711
3566931C1	BOLT,SEMS M8 X 1.25-25 MM HH	9	3612369C91	684
3566949C1	ELBOW, QUALITY CONNECT*SPECIAL	4	0GBMF	122
3567131C2	BRACKET,HOOD HINGE ASSY, CENTE	1	3567132C93	74
3567132C93	CROSSMEMBER,RAD SUPT*XMBER FOR	1	0M7YB	72
3567132C93	CROSSMEMBER,RAD SUPT*XMBER FOR	1	3567132C93	74
3567147C2	CABLE,HOOD SAFETY & HOOD SAFTE	9	3568420C92	707

Part Number Index

Part No.	Description	Group	Figure	Page
3567147C2	CABLE,HOOD SAFETY & HOOD SAFTE	9	3568421C92	709
3567203C91	HARNESS,POWER TRAIN D-LINK WRG	8	3567203C91	614
3567203C91	HARNESS,POWER TRAIN D-LINK WRG	8	3582056F91	612
3567205C91	HARNESS,POWER TRAIN D-LINK WRG	8	3582056F91	612
3567240C92	WINDOW,VENT LH	16	06MT8	1471
3567240C92	WINDOW,VENT LH	16	3567240C92	1487
3567241C92	WINDOW,VENT RH	16	06MT8	1471
3567241C92	WINDOW,VENT RH	16	3567241C92	1489
3567391C1	EXTENSION,CLIP*SLOTTED LADDER-	4	0J0LQ	127
3568420C92	CABLE,HOOD SAFETY ASSY LH	9	0F4H6	705
3568420C92	CABLE,HOOD SAFETY ASSY LH	9	3568420C92	707
3568421C92	CABLE,HOOD SAFETY ASSY RH	9	0F4H6	705
3568421C92	CABLE,HOOD SAFETY ASSY RH	9	3568421C92	709
3568454F91	HARNESS,DASH ELEC; CEC	8	0CS9S	430
3568454F91	HARNESS,DASH ELEC; CEC	8	3568454F91	431
3568464F91	HARNESS,DASH ELEC; A/C	8	0CSB9	447
3568464F91	HARNESS,DASH ELEC; A/C	8	3568464F91	448
3568466F91	HARNESS,DASH ELEC; DIF	8	0CSBR	546
3568466F91	HARNESS,DASH ELEC; DIF	8	3568466F91	547
3568469F91	HARNESS,DASH ELEC; ETH	8	0CSCF	553
3568469F91	HARNESS,DASH ELEC; ETH	8	3568469F91	554
3568484F92	HARNESS,DASH ELEC; WAS	8	0FDBH	481
3568484F92	HARNESS,DASH ELEC; WAS	8	3568484F92	488
3568498C91	HARNESS,ELEC; HEATER RECIRC	8	3568464F91	448
3568498C91	HARNESS,ELEC; HEATER RECIRC	8	3568498C91	453
3568499C91	HARNESS,ELEC; DIFF LOCK SENDER	8	3568466F91	547
3568500C91	HARNESS,ELEC; SECOND DIFF LOCK	8	3568466F91	547
3568510C91	HARNESS,CHASSIS WIRING*WASHER	8	3568484F92	488
3568510C91	HARNESS,CHASSIS WIRING*WASHER	8	3568510C91	485
3568513C91	HARNESS,ENGINE*CEC I6 ENGINE	8	3568454F91	431
3568513C91	HARNESS,ENGINE*CEC I6 ENGINE	8	3568513C91	433
3568519C91	HARNESS,ETHER START*ETHER STAR	8	3568469F91	554
3568528C91	HARNESS,ELEC; XMSN WIRIN	8	3568528C91	465
3568528C91	HARNESS,ELEC; XMSN WIRIN	8	3588570F91	464
3568551F91	TRANSMISSION,L/HSG*BASE XMSN A	13	0FKM2	1260
3568551F91	TRANSMISSION,L/HSG*BASE XMSN A	13	3568551F91	1263
3568552F91	HOUSING,SHIFT BAR*STD SHIFT CN	13	0FKN4	1241
3568552F91	HOUSING,SHIFT BAR*STD SHIFT CN	13	3568552F91	1242
3568555F91	SHAFT,CLUTCH INPUT*1.75" PULL	13	0FKP5	1272
3568555F91	SHAFT,CLUTCH INPUT*1.75" PULL	13	3568555F91	1273
3568570C1	PLUG,SEALING*CABLE SEAL METRI-	12	3577574C91	1018
3568570C1	PLUG,SEALING*CABLE SEAL METRI-	12	3579843C91	1227
3569643C1	NUT,SPECIAL M6,MULTI-THREAD.,	9	3612369C91	684
3569708F91	POWER TAKE OFF,ASM*THRU-SHAFT	13	0FKP1	1276
3569708F91	POWER TAKE OFF,ASM*THRU-SHAFT	13	3569708F91	1277
3569864C1	STEP,FUEL TANK*	15	3570012F91	1371
3569874C1	REINFORCEMENT,STEP	15	3570012F91	1371
3570012F91	STEP,FUEL TANK*70 GAL D, LH	15	0GLNF	1369
3570012F91	STEP,FUEL TANK*70 GAL D, LH	15	3570012F91	1371
3570140C1	NUT,ENG MTG BOLT*CLINCH, M12 X	16	3558573C6	1443
3570199C1	BOLT,SPECIAL M10 X 1.5 X 14MM,	9	0FVDZ	695
3570285C1	SILL,CAB SIDE EXT LH	16	3543973C95	1427
3570286C1	SILL,CAB SIDE EXT RH	16	3543973C95	1427
3570615C1	EXTENSION,CLIP	4	0J0LQ	127
3570615C1	EXTENSION,CLIP	8	0HQHQ	645
3570617C91	VALVE,RELAY*R-14 W/4.0 PSI CR	4	0MT69	140
3571016F93	HARNESS,REAR CHSS,BASE +1000MM	8	0FBTX	584
3571023F92	ELEC RR CHAS, BENDIX AIR ABS	8	0FBTY	583

Part Number Index

Part No.	Description	Group	Figure	Page
3571047F91	ELEC RR CHAS, DIFF LK WRN LT	8	0FBV2	585
3571061C1	STEP,FUEL TANK*896 MM X 190 MM	16	3576163F92	1639
3571282C1	BOLT,SEMS ALL M6 X 1.0 - 19.5M	9	3612369C91	684
3571402F94	BRAKE,PRIMARY AIR TANK FITTNGS	4	0LHN1	168
3571402F94	BRAKE,PRIMARY AIR TANK FITTNGS	4	3571402F94	169
3571500C1	BOLT,SEMS M8 X 1.25 - 30 MM H	9	0JCH6	680
3571733C1	WHEEL,DISC 22.5X*8.25DC BLACK	17	06M11	1690
3571733C1	WHEEL,DISC 22.5X*8.25DC BLACK	17	07SXT	1689
3571733C1	WHEEL,DISC 22.5X*8.25DC BLACK	17	0LFW1	1697
3571822C4	EXTENSION,FRT FNDR SFA LH	9	0JCH6	680
3571823C4	EXTENSION,ASST FRT RNDR SFA RH	9	0JCH6	680
3571887C1	BODY,CONN 7 WAY METRI-PK 280 M	8	3582042F91	559
3571901C1	HOSE,FLEX AIR*AIR 1/2 ID X 7/8	4	0H75R	232
3571905C1	ELBOW,PIPE*90 DEG 1/2 MPT X 3/	4	0H75S	134
3571907C1	MANIFOLD,FLEX TUBE NON METALS*	4	0H75S	134
3571921F91	FLANGE,TRUN SPL140 ABR FC#10	6	0FWS8	286
3571921F91	FLANGE,TRUN SPL140 ABR FC#10	6	3571921F91	287
3572003C92	TUBE,FUEL LINE (PLASTIC OR NYL	15	3572003C92	1354
3572003C92	TUBE,FUEL LINE (PLASTIC OR NYL	15	3577849C91	1357
3572009C2	TUBE,FUEL LINE (PLASTIC OR NYL	15	3572003C92	1354
3572053C1	REINFORCEMENT,FLOOR PNL	16	3543973C95	1427
3572101C1	PANEL,DASH NGV CONV LHD	16	3572158C92	1409
3572104C1	FITTING,SPECIAL*3/8PT X 3/4ST	4	0MT69	140
3572104C1	FITTING,SPECIAL*3/8PT X 3/4ST	14	0GNXX	1307
3572112R1	CABLE,ASM J1939/15 19 STRD TWS	8	3572525C91	562
3572112R1	CABLE,ASM J1939/15 19 STRD TWS	8	3581917C91	460
3572112R1	CABLE,ASM J1939/15 19 STRD TWS	12	3577574C91	1018
3572158C92	PANEL,ASSY DASH LHD CONV V8-I6	16	0H9RV	1390
3572158C92	PANEL,ASSY DASH LHD CONV V8-I6	16	3572158C92	1409
3572158C92	PANEL,ASSY DASH LHD CONV V8-I6	16	3579484C93	1392
3572236F91	ELEC FWD CHAS BASE	8	0F64M	527
3572236F91	ELEC FWD CHAS BASE	8	3572236F91	528
3572240F91	ELEC FWD CHAS BNDX AIR ABS	8	0F650	501
3572240F91	ELEC FWD CHAS BNDX AIR ABS	8	3572240F91	502
3572242F91	MODULE,A/C PRESS TRANSDUCER	8	0F655	520
3572242F91	MODULE,A/C PRESS TRANSDUCER	8	3572242F91	521
3572244F91	ELEC FWD CHAS ETHER ST SS	8	0F659	524
3572250F91	ELEC FUEL/WTR SEP N/TMP SN	8	0FVJ9	525
3572292C1	HOSE,FLEX AIR*AIR 1/2 ID X 7/8	14	0GNXX	1307
3572295C1	HOSE,FLEX AIR*AIR 1/2 ID X 7/8	4	0MT49	238
3572462C1	CONTROL,COMPUTER ABS EC-30	4	0J3JB	231
3572525C91	HARN,DASH WRG,BB DLINK,PWR&GND	8	3572525C91	562
3572525C91	HARN,DASH WRG,BB DLINK,PWR&GND	8	3572558F91	565
3572558F91	HARNESS,DASH ELEC; RR MODULE	8	0CSB6	561
3572558F91	HARNESS,DASH ELEC; RR MODULE	8	3572558F91	565
3572597F91	ELECT DASH HARN,AIR SOL 7PK	8	0CSBW	566
3572597F91	ELECT DASH HARN,AIR SOL 7PK	8	3572597F91	567
3572626C1	TERMINAL,CABLE PIN SIZE 16	8	3572525C91	562
3572685C91	PANEL,ASM ROOF WLDD EXTD AERO	16	0H9RV	1390
3572685C91	PANEL,ASM ROOF WLDD EXTD AERO	16	3572685C91	1406
3572685C91	PANEL,ASM ROOF WLDD EXTD AERO	16	3579484C93	1392
3572697F91	ELEC DUAL HORN W/M-NGV-SS	8	0G1PT	526
3572900C1	CONN,BODY DT 6-WY FEMAL E-SEAL	8	3572525C91	562
3572963M1	MAT,FLOOR EXT CAB REAR MAT ONL	16	0G7XT	1515
3573047C1	CLIP,BATTERY CABLE SADDLE	8	3616579F91	396
3573089C91	CABLE,ASM WORK LGT,BACK OF CAB	8	0GVJ5	677
3573311C1	TERMINAL,CABLE,280SERIES FEMAL	8	3572525C91	562
3573311C1	TERMINAL,CABLE,280SERIES FEMAL	8	3581887C91	426

Part Number Index

Part No.	Description	Group	Figure	Page
3573311C1	TERMINAL,CABLE,280SERIES FEMAL	8	3581900C91	421
3573312C1	TERMINAL,CABLE,280SERIES FEMAL	8	3560277C91	550
3573312C1	TERMINAL,CABLE,280SERIES FEMAL	8	3561092C91	476
3573312C1	TERMINAL,CABLE,280SERIES FEMAL	8	3568510C91	485
3573312C1	TERMINAL,CABLE,280SERIES FEMAL	8	3568513C91	433
3573570F92	FUEL TK*70 GAL "D" STYLE, L	15	0FTH3	1376
3573570F92	FUEL TK*70 GAL "D" STYLE, L	15	3573570F92	1377
3573658C92	BLOCK,FUSE, MEGAFUSE HOLDER	8	06VZJ	411
3573824C1	STEP,FUEL TANK*	16	3576163F92	1639
3573965C1	SHIM,CROSSMEMBER ENGINE	12	07NDS	859
3574372C91	HARN,DASH WRG,SMRT SOL PK(7/14	8	3572597F91	567
3574571C1	SCREW,MCH*M10-1.5X20MM CAP HEX	8	3576152F93	388
3574631C1	TUBE,AIR*AIR CPRSR TO HOSE	4	06SPT	153
3574631C1	TUBE,AIR*AIR CPRSR TO HOSE	4	3574631C1	157
3574671C91	BRACKET,CAB FRT MTG RH	16	0GB2V	1433
3574671C91	BRACKET,CAB FRT MTG RH	16	3574671C91	1438
3574674C1	BRACKET,CAB FRT MTG LH	16	3589599C91	1436
3574675C1	BRACKET,CAB FRT MTG RH	16	3574671C91	1438
3574678C1	BUSHING,SPG SILENT BLOC 6-6-3	16	3574671C91	1438
3574678C1	BUSHING,SPG SILENT BLOC 6-6-3	16	3589599C91	1436
3574682C1	CLEVIS,ROD WELD ETC FRT CAB MO	16	3574671C91	1438
3574682C1	CLEVIS,ROD WELD ETC FRT CAB MO	16	3589599C91	1436
3575031C2	SCREEN,BUG FIXED GRILLE	9	3610431C91	701
3575086C2	RIVET,BLIND 3/16" SST	9	3610431C91	701
3575124C91	BRAKE,COMPRESSION*PACBRAKE EXH	7	0HGRZ	342
3575216C1	PLATE,TAPPING LATCH	9	3556250C3	687
3575216C1	PLATE,TAPPING LATCH	9	3556251C2	691
3575216C1	PLATE,TAPPING LATCH	9	3556252C3	689
3575216C1	PLATE,TAPPING LATCH	9	3556253C2	693
3575670C91	CLAMP,EXHAUST PIPE*EXH BRAKE T	7	0HGRZ	342
3575695C1	GLASS,WNDW RR PRIVAGUARD TINT	16	06MXP	1632
3575748C93	SEAT,DRS 1/3 HI BCK VINYL	16	0GWJ7	1616
3575748C93	SEAT,DRS 1/3 HI BCK VINYL	16	3575748C93	1618
3575783C1	SEAL,CABLE TERM JR TIMER 12-14	8	3572236F91	528
3575794C1	SEAL,SIDE LOWER SILL	16	0F26J	1453
3575912C1	NUT,HEX JAM*1/2-13 UNC, PHC, G	13	3576511C92	1270
3576008C92	HARNNESS,ELECTRICAL ENGINE HARN	12	3576010F92	1005
3576010F92	ELECT INTL I6 ENG EXH BRAKE	12	0F10D	1004
3576010F92	ELECT INTL I6 ENG EXH BRAKE	12	3576010F92	1005
3576134R1	NIPPLE,HOSE*3/4"X3/4"X2"	16	07TDL	1523
3576152F93	BBAT, 33" BTRY BOX ASSY	8	0HL44	387
3576152F93	BBAT, 33" BTRY BOX ASSY	8	3576152F93	388
3576163F92	ELEC,BATT BOX STEPS-832MM	16	0J2LZ	1638
3576163F92	ELEC,BATT BOX STEPS-832MM	16	3576163F92	1639
3576188F92	BBAT, AIR TANKS, 11" STEEL	4	0LFZB	182
3576188F92	BBAT, AIR TANKS, 11" STEEL	4	3576188F92	183
3576214C1	BRACKET,CAB MTG XMBR REAR LH	16	0GB2V	1433
3576215C1	BRACKET,CAB MTG XMBR REAR RH	16	0GB2V	1433
3576216C1	BRACKET,CAB MTG XMBR REAR LH	16	0GB2V	1433
3576217C1	BRACKET,CAB MTG XMBR REAR RH	16	0GB2V	1433
3576352C1	ELBOW,HOSE*90 DEG 3/4-20 X 3/8	4	0MT69	140
3576353C1	ELBOW,HOSE*45 DEG 3/4-20 X 1/2	4	0MT69	140
3576385C1	HOSE,FLEX AIR*1/2ID X 7/8OD 43	4	0MT49	238
3576391C1	HOSE,FLEX AIR*1/2ID X 7/8OD 54	4	0MT49	238
3576395C1	HOSE,FLEX AIR*1/2ID X 7/8OD 69	4	0MT49	238
3576465C1	ABSORBER,SHOCK COMMON	3	07W2Z	114
3576482C1	BEZEL,TRM OTR DOOR HNDL LH	16	06MT8	1471
3576483C1	BEZEL,TRM OTR DOOR HNDL RH	16	06MT8	1471

Part Number Index

Part No.	Description	Group	Figure	Page
3576510C1	LEVER,XMSN*SHIFTER LEVER	13	3576511C92	1270
3576511C92	LEVER,XMSN*SHIFTER LEVER ASSY	13	0G4JT	1266
3576511C92	LEVER,XMSN*SHIFTER LEVER ASSY	13	3576511C92	1270
3576513C1	LEVER,XMSN*SHIFT, LOWER	13	3576514C91	1268
3576514C91	HOUSING,CONTROL W/LEVER*CONTRO	13	0G4JT	1266
3576514C91	HOUSING,CONTROL W/LEVER*CONTRO	13	3576514C91	1268
3576561F92	HARN,REAR CHSS,BDY BLDR,+1000M	8	0FBTZ	586
3576594C1	SCREW,SPL K40-1.79X33MM 20PACK	16	3530971C96	1539
3576604C1	COVER,MOTOR BLOWER LPM	16	3530971C96	1539
3576679C1	VALVE,SOLENOID*AIR HORN CNTRL	8	3553365F93	674
3576698C1	HOUSING,CONTROL LEVER*GEAR SHI	13	3576514C91	1268
3576742C1	CLAMP,HEAT EXCHANGER*MUBEA 29	5	0F5WW	269
3577157F91	ARM,STRG SGL LT 10-16K FC#3ABR	2	0FWS1	109
3577157F91	ARM,STRG SGL LT 10-16K FC#3ABR	2	3577157F91	110
3577524F91	ELEC INTL I6,J1939 W/MANUAL	12	0HQCG	1016
3577524F91	ELEC INTL I6,J1939 W/MANUAL	12	3577524F91	1017
3577574C91	HARN,ELEC,J1939 O/L W/ALLSN&I6	12	3577524F91	1017
3577574C91	HARN,ELEC,J1939 O/L W/ALLSN&I6	12	3577574C91	1018
3577847C1	TUBE,FUEL LINE (PLASTIC OR NYL	15	3577848C91	1356
3577848C91	TUBE,FUEL LINE (PLASTIC OR NYL	15	3577848C91	1356
3577848C91	TUBE,FUEL LINE (PLASTIC OR NYL	15	3577849C91	1357
3577849C91	TUBE,FUEL LINE (PLASTIC OR NYL	15	0H3G3	1342
3577849C91	TUBE,FUEL LINE (PLASTIC OR NYL	15	3577849C91	1357
3578228F91	ELEC IP,FTR CAT#95 MISC EFF	8	0G1KJ	624
3578228F91	ELEC IP,FTR CAT#95 MISC EFF	8	3578228F91	625
3578343C1	INSERT,THREADED NUT RUBBER 6M	9	0FVDZ	695
3578343C1	INSERT,THREADED NUT RUBBER 6M	9	3610431C91	701
3578719F92	ELECTRICAL IP*TRANSFER CASE	8	0DC3Y	631
3578719F92	ELECTRICAL IP*TRANSFER CASE	8	3578719F92	632
3578728F91	ELEC IP,EXH BRAKE ON/OFF SW	8	0DC6X	641
3578728F91	ELEC IP,EXH BRAKE ON/OFF SW	8	3578728F91	642
3578733C1	LIGHT,IND,LED ON-GREEN,BRIGHT	8	3578719F92	632
3578733C1	LIGHT,IND,LED ON-GREEN,BRIGHT	8	3578728F91	642
3578733C1	LIGHT,IND,LED ON-GREEN,BRIGHT	8	3578747F91	637
3578733C1	LIGHT,IND,LED ON-GREEN,BRIGHT	8	3588124F91	629
3578733C1	LIGHT,IND,LED ON-GREEN,BRIGHT	16	3581699F91	1570
3578747F91	ELEC IP,PDL IN/OUT SWITCH	8	0DC3X	636
3578747F91	ELEC IP,PDL IN/OUT SWITCH	8	3578747F91	637
3579029C1	BOLT,HEX FLG HD METRIC*M16X50	16	3574671C91	1438
3579031C1	BOLT,HEX FLG HD METRIC*M16X60	16	3589599C91	1436
3579048C1	BOLT,BUMPER*6 LOBE M12 X 41 S	1	0F9CX	71
3579049C1	WASHER, FLAT*M12,OD 27,SST	1	0F9CX	71
3579251C3	CONTROL,ELECTRONIC*ESC2, W/BOO	8	3579251C3	618
3579251C3	CONTROL,ELECTRONIC*ESC2, W/BOO	8	3579360F93	619
3579360F93	ELECT IP*ESC2 ASM, W/BOOT L	8	06SHZ	617
3579360F93	ELECT IP*ESC2 ASM, W/BOOT L	8	3579360F93	619
3579387C1	SUPPORT,MUFFLER*	7	3579388C91	348
3579388C91	SUPPORT,MUFFLER*HANGER ASSY	7	3579388C91	348
3579388C91	SUPPORT,MUFFLER*HANGER ASSY	7	3579392C91	345
3579389C1	MUFFLER,ASM EXHAUST*H-H UTILIT	7	3579389C1	347
3579389C1	MUFFLER,ASM EXHAUST*H-H UTILIT	7	3579392C91	345
3579392C91	MUFFLER,ASM EXHAUST* MUFFLER A	7	07HVV	344
3579392C91	MUFFLER,ASM EXHAUST* MUFFLER A	7	3579392C91	345
3579409C1	PANEL,B-PILLR CRNR LH XTND CNV	16	3579435C91	1417
3579410C1	PANEL,B-PILLR CORNR RH CORNR	16	3579436C91	1418
3579435C91	PANEL,SIDE BODY*ASSY WELDED, N	16	0H9RV	1390
3579435C91	PANEL,SIDE BODY*ASSY WELDED, N	16	3579435C91	1417
3579435C91	PANEL,SIDE BODY*ASSY WELDED, N	16	3579484C93	1392

Part Number Index

Part No.	Description	Group	Figure	Page
3579436C91	PANEL,SIDE BODY*ASSY WELDED, N	16	0H9RV	1390
3579436C91	PANEL,SIDE BODY*ASSY WELDED, N	16	3579436C91	1418
3579436C91	PANEL,SIDE BODY*ASSY WELDED, N	16	3579484C93	1392
3579484C93	CAB,REGULAR COMPLETE (CE5)	16	0H9RV	1390
3579484C93	CAB,REGULAR COMPLETE (CE5)	16	3579484C93	1392
3579553C3	HOSE,RAD OUTLET LOWER RADIATOR	12	07PJQ	1162
3579582C1	SCREW,SPL PTM 4X20 (20 PER PCK	16	3530971C96	1539
3579764C1	BRACKET,RAD GRILLE MTG LH	9	3610431C91	701
3579765C1	BRACKET,RAD GRILLE MTG RH	9	3610431C91	701
3579766C1	BRACKET,RAD GRILLE MTG CTR	9	3610431C91	701
3579767C1	BRACKET,RAD GRILLE MTG CTR	9	0FVDZ	695
3579770C1	CLAMP,PIPE CUSHIONED SINGLE 3	12	07PJQ	1162
3579827F91	ELEC INTL I6,MANL XMSN,STD	12	0HQ6Z	1225
3579827F91	ELEC INTL I6,MANL XMSN,STD	12	3579827F91	1226
3579832F91	ELEC INTL I6,W/AUX XMSN EFF	12	0J18X	1190
3579832F91	ELEC INTL I6,W/AUX XMSN EFF	12	3579832F91	1191
3579843C91	HARNESS,MANUAL XMSN,STANDARD	12	3579827F91	1226
3579843C91	HARNESS,MANUAL XMSN,STANDARD	12	3579843C91	1227
3579980C91	HARN,XFER CASE,AUX XMSN SPEEDO	12	3579832F91	1191
3579984C1	SWITCH,DOR CNTRL DOME/CRTSY LT	16	0J4WM	1641
3579984C1	SWITCH,DOR CNTRL DOME/CRTSY LT	16	3579984C1	1642
3580051C3	BRACKET,HOOD ASSIST LH	9	0F4H6	705
3580052C3	BRACKET,HOOD ASSIST RH	9	0F4H6	705
3580058C1	PLATE,TAPPING*	9	3556252C3	689
3580058C1	PLATE,TAPPING*	9	3556253C2	693
3580059C1	PLATE,REINF*	9	3612369C91	684
3580060C1	BAR,HOOD PVT TRSN BAR LH MRD	9	0F4H6	705
3580061C1	BAR,HOOD PVT TRSN BAR RH MRD	9	0F4H6	705
3580066C1	BRACKET,HINGE SUPT INNER	9	3593649C1	683
3580067C1	BRACKET,HINGE SUPT OUTER	9	3593649C1	683
3580068C1	BRACKET,HOOD ASSIST MOUNTING	9	3612369C91	684
3580070C1	PLATE,REINF HINGE SUPPORT	9	3593649C1	683
3580091C1	PLATE,TAPPING*ASSY	9	3556252C3	689
3580091C1	PLATE,TAPPING*ASSY	9	3556253C2	693
3580251C1	BRACE,PDC BRACKET	8	06VZJ	411
3580256C1	BRACKET,STEP MTG LH	16	3576163F92	1639
3580257C1	BRACKET,STEP MTG RH	16	3576163F92	1639
3580261C1	REINFORCEMENT,STEP*	16	3576163F92	1639
3580447C1	SCREW,TAPPING #6-20 X 1/2" PH	16	0J4WM	1641
3580971C1	SEAL,CAB BAFFLE CWL TRAY TO DS	16	3550838C95	1675
3581068C1	CLIP,HOSE WASHER VENT HOSE	16	06TJY	1648
3581285C91	HARN,BODY ACCESS,MRKR LGTS-CAB	16	3581426F91	1578
3581298C91	HARNESS,CAB OVERLAY*IP PANEL L	8	3581429F91	609
3581301C91	HARNESS,CAB OVERLAY*BTRY F1,F2	8	3588143F92	601
3581312C91	HARNESS,CAB OVERLAY*ACCELERATO	8	3588143F92	601
3581316C91	HARNESS,CAB WRG,ETHER START*EL	16	3581516F91	1582
3581328C91	HARNESS,2-WAY RADIO, CAB*FLOOR	8	3581517F91	606
3581340C91	CABLE,ASM*BTRY POWER SOURCE FE	8	3581553F91	592
3581370C92	HARNESS,NYLON TUBE ASSY	4	0J0LQ	127
3581370C92	HARNESS,NYLON TUBE ASSY	4	3581370C92	132
3581426F91	ELEC IP,MRKR LTS,FUSED,N/PW	16	0LFV4	1577
3581426F91	ELEC IP,MRKR LTS,FUSED,N/PW	16	3581426F91	1578
3581429F91	ELEC IP,MISC WRG-OPT PNL LT	8	0JVT2	608
3581429F91	ELEC IP,MISC WRG-OPT PNL LT	8	3581429F91	609
3581516F91	ELEC IP,ETHR STRT WRG&W/BRK	16	0DBW0	1581
3581516F91	ELEC IP,ETHR STRT WRG&W/BRK	16	3581516F91	1582
3581517F91	ELEC IP,OPT FB 3&4 W/2-WY R	8	0JKCD	605
3581517F91	ELEC IP,OPT FB 3&4 W/2-WY R	8	3581517F91	606

Part Number Index

Part No.	Description	Group	Figure	Page
3581553F91	ELEC IP,W/CIG LTR & W/BRKR	8	0DBN1	591
3581553F91	ELEC IP,W/CIG LTR & W/BRKR	8	3581553F91	592
3581699F91	ELEC IP,3 SW HDLGT MOD-2LYR	16	0J7JK	1569
3581699F91	ELEC IP,3 SW HDLGT MOD-2LYR	16	3581699F91	1570
3581727C1	ELBOW,3/8QC X 3/8-18NPTF 90DEG	4	0MT69	140
3581887C91	HARNESS,DASH WRG,AIR ABS N/ATC	8	3581887C91	426
3581887C91	HARNESS,DASH WRG,AIR ABS N/ATC	8	3581889F91	425
3581889F91	ELEC DASH,AIR ABS N/ATC	8	0CS7M	424
3581889F91	ELEC DASH,AIR ABS N/ATC	8	3581889F91	425
3581900C91	HARNESS,DASH W/TRLR OR BB CONN	8	3581900C91	421
3581900C91	HARNESS,DASH W/TRLR OR BB CONN	8	3610837F91	419
3581915F91	ELEC DASH HARN,ABS DATALINK	8	0CSCL	458
3581915F91	ELEC DASH HARN,ABS DATALINK	8	3581915F91	459
3581917C91	HARN,DLINK,CAB,J1939 W/AIR ABS	8	3581915F91	459
3581917C91	HARN,DLINK,CAB,J1939 W/AIR ABS	8	3581917C91	460
3582040C91	HARN,FUEL/WTR SEP WRG,WIF LGT	8	3582042F91	559
3582042F91	ELEC DASH,FUEL HTR/SEPARATR	8	0CSCB	558
3582042F91	ELEC DASH,FUEL HTR/SEPARATR	8	3582042F91	559
3582045C91	HARN,START,N/PUSH BTN W/FB 1-4	8	3582056F91	612
3582056F91	ELEC IP,J1708/J1939 N/OPTNS	8	0MT13	611
3582056F91	ELEC IP,J1708/J1939 N/OPTNS	8	3582056F91	612
3582062C1	HOUSING,SW ASSY,2/3 PK (2 LYR)	16	3581699F91	1570
3582404C91	HARNESS,ROOF WRG,EXTENDED CAB	16	0JDY4	1680
3582407C91	LIGHT,RIGHT STT FOR BKUP ALARM	8	0HDDK	655
3582407C91	LIGHT,RIGHT STT FOR BKUP ALARM	8	3582407C91	665
3582510C1	HORN,BACK UP ALARM*B/UP ALARM	8	086VD	364
3583417C1	SHIELD,HEAT*ASSEMBLY	16	0LV7L	1530
3583688C1	PIPE,TURBO*	7	06X8D	350
3584070C1	ARM,STEERING GEAR	5	0MFX6	263
3584119C1	KNOB,MANUAL SHIFT CONTROL*KNOB	13	3576511C92	1270
3584262C1	FASTENER,TRIM XMAS TREE 6.45 X	16	06NKY	1633
3584629C91	CLUTCH,ASM 14" SAS 1.75 SPLINE	11	06MG9	730
3585187C1	BRACKET,GRILLE MTG SUPPORT LWR	9	0FVDZ	695
3585236C91	HARNESS,ELECTRICAL, XMSN WIRIN	8	3610840F91	469
3585327C1	PRODUCT GRAPHICS,PATENT*ALL MO	16	07M4J	1621
3585986C1	RING,BRAKE EXCITER*STAMPED	17	2003838C94	1692
3585986C1	RING,BRAKE EXCITER*STAMPED	17	2014885C93	1694
3586665C2	STRAP,FUEL TANK MTG*ASSY OF ST	15	3586670F92	1374
3586670F92	FUEL TK*70 GAL D-STYLE, N/S	15	0FTH5	1373
3586670F92	FUEL TK*70 GAL D-STYLE, N/S	15	3586670F92	1374
3586802C1	PIN,FUEL TANK STRAP*LOCATING P	15	3586670F92	1374
3586926C1	STUD,CLUTCH ROD	11	06VKP	726
3587947C92	HARN,CAB,PLAFORM BASE,LH DRV.	8	3588143F92	601
3588090C6	PROD GRAPH,IP,FUSE PNL,ENGLISH	8	3588092F96	599
3588092F96	IP,FUSE PANEL GRAPHIC,ENGLISH	8	06TDF	597
3588092F96	IP,FUSE PANEL GRAPHIC,ENGLISH	8	3588092F96	599
3588115C91	HARN,CAB OVERLAY WARN LT IGN A	16	3588120F91	1606
3588116C1	LENS,INSTR CLUSTER*FR AXLE ENG	16	3588131F91	1567
3588118C91	HARN CAB,O/L DIFFLK WARN LIGHT	8	3588124F91	629
3588120F91	ELEC IP,WARN LIGHT IGN ADAP	16	0FG0C	1605
3588120F91	ELEC IP,WARN LIGHT IGN ADAP	16	3588120F91	1606
3588124F91	ELEC IP,DRVR CTRL LK DIF DB	8	0DC3W	628
3588124F91	ELEC IP,DRVR CTRL LK DIF DB	8	3588124F91	629
3588125C91	HARN CAB O/L XFER CASE WARN LI	8	3578719F92	632
3588128C91	HARN DASH XFER CASE WARN LIGHT	8	3588130F91	480
3588130F91	ELEC DASH HARN XFER CS WARN	8	0FZG9	479
3588130F91	ELEC DASH HARN XFER CS WARN	8	3588130F91	480
3588131F91	ELEC IP,OPT WARN W/XFER CAS	16	06P5C	1566

Part Number Index

Part No.	Description	Group	Figure	Page
3588131F91	ELEC IP,OPT WARN W/XFER CAS	16	3588131F91	1567
3588143F92	HARN,IP,F1-F4,W/BREAKERS - MRD	8	0HQHZ	600
3588143F92	HARN,IP,F1-F4,W/BREAKERS - MRD	8	3588143F92	601
3588152C1	BOLT,SPL M8-1.25X30 T-40 SST	9	0F448	715
3588152C1	BOLT,SPL M8-1.25X30 T-40 SST	16	0M72R	1607
3588341C1	MANIFOLD,AIR QUALITY CONNECT*Y	4	3588790F92	171
3588570F91	ELEC DASH HARN NCRNK INHIB	8	0FZG3	463
3588570F91	ELEC DASH HARN NCRNK INHIB	8	3588570F91	464
3588616C1	INSULATOR,HOOD MTG	9	3612369C91	684
3588619F92	RADIATOR,ASM*AL 2 ROW RAD/CAC	12	07RF1	1169
3588619F92	RADIATOR,ASM*AL 2 ROW RAD/CAC	12	3588619F92	1173
3588674C91	HARNESS,DASH START W/ INTL ENG	8	3588674C91	471
3588674C91	HARNESS,DASH START W/ INTL ENG	8	3610840F91	469
3588682C1	BOLT,HOOD HINGE M10 FLG HD & S	9	0FSZ5	682
3588749C1	BRACKET,FUEL TANK MTG (15-8790	15	0FV9D	1382
3588752C1	CLEVIS,ROD END*	9	3568420C92	707
3588752C1	CLEVIS,ROD END*	9	3568421C92	709
3588769C1	PRODUCT GRAPHICS,SAFETY*WARNIN	16	0FDGN	1625
3588772C1	SEAL,DOOR GLASS RUN CHNNL FRT	16	06MT8	1471
3588790F92	BRAKE,WET/2NDRY AIR TNK FTTNGS	4	0LHMY	170
3588790F92	BRAKE,WET/2NDRY AIR TNK FTTNGS	4	3588790F92	171
3588826C1	BRACKET,GRILLE MTG SUPPORT	9	3610431C91	701
3588828F91	ENG COOL*30 IN FAN SHROUD W	12	07RKC	1043
3589337C1	SUPPORT,FUEL TANK*FOR 70 GAL 1	15	3573570F92	1377
3589338C1	SUPPORT,FUEL TANK*FOR 70 GAL 1	15	3573570F92	1377
3589599C91	BRACKET,CAB FRT LH CS/CE CAB	16	0GB2V	1433
3589599C91	BRACKET,CAB FRT LH CS/CE CAB	16	3589599C91	1436
3590827C91	ELBOW,PIPE*45 DEG W/O-RING SEA	5	0FSWW	269
3590827C91	ELBOW,PIPE*45 DEG W/O-RING SEA	5	3590827C91	272
3590828C91	ELBOW,PIPE*ELBOW,90 DEG 3/4-16	5	0FSWW	269
3590828C91	ELBOW,PIPE*ELBOW,90 DEG 3/4-16	5	3590828C91	274
3590829C91	ELBOW,FLARED TUBE	5	0FSWW	269
3590829C91	ELBOW,FLARED TUBE	5	3590829C91	271
3590924C1	CROSSMEMBER,*PIPE	1	3540856C4	78
3591409C1	SPRING,CONTACT*CLOCKSPRING, 4	8	2505657C91	497
3591594C1	GAUGE,FUEL SENDER*SENDER, FUEL	15	3548110F95	1368
3591600C1	GASKET,FUEL TANK CAP*FUEL SEND	15	3548110F95	1368
3591764C1	PRODUCT GRAPHICS,VEHICLE ID NO	16	0FDGN	1625
3591764C1	PRODUCT GRAPHICS,VEHICLE ID NO	16	3591764C1	1631
3591874C91	TRANSMITTER,SPEED SENSOR WS-24	4	0H9Q1	123
3591877C1	RETAINER,WHL SPEED SNSR WS-24	4	0H9Q1	123
3592059F93	HARN,CTR CHS,TRLR SCKT/BB+3000	8	0G1R6	575
3592077F91	ELEC CTR CHS-BOD BLD BOC	8	0JFJC	572
3592119C91	HARNESS,DASH-W/TRLR SOCKET	8	3610837F91	419
3592356C91	BEARING,CONE INR WHL 594A	17	06M1J	1696
3592365C91	BEARING,CONE OTR WHL	17	06M1J	1696
3592631F91	ENG, ACCESS*ACCEL PEDAL N/C	12	06LPB	746
3592631F91	ENG, ACCESS*ACCEL PEDAL N/C	12	3592631F91	747
3592960C3	SUPPORT,DASH HARNESS	8	06VZJ	411
3593050C91	ELBOW,PIPE*90DEG ELBOW, 3/4" H	5	0FSWW	269
3593050C91	ELBOW,PIPE*90DEG ELBOW, 3/4" H	5	3593050C91	273
3593268C1	REINFORCEMENT,CAB BACK PANEL	16	3540844C95	1407
3593358C2	PRODUCT GRAPHICS,NOISE EMISSIO	16	07M4J	1621
3593358C2	PRODUCT GRAPHICS,NOISE EMISSIO	16	3593358C2	1624
3593439C1	MEMBER,FRAME SIDE LEFT 11.0 TH	1	0FTQ0	70
3593440C1	MEMBER,FRAME SIDE RT 11.0 THK,	1	0FTQ0	70
3593564C1	SCREW,HH MACH #10-32 X 1 1/4	15	3548110F95	1368
3593647C1	HINGE,ASSY HOOD CTR ROD TYPE	9	3612369C91	684

Part Number Index

Part No.	Description	Group	Figure	Page
3593649C1	HINGE,ASSY HOOD SUPPORT	9	0FSZ5	682
3593649C1	HINGE,ASSY HOOD SUPPORT	9	3593649C1	683
3594373F91	IP-FULL SW PK W/CVR,POCKET	8	0L4GS	620
3594373F91	IP-FULL SW PK W/CVR,POCKET	8	3594373F91	623
3594746C1	CROSSMEMBER, BOGIE	14	07Q7J	1333
3594748C1	GUSSET,UPPER BOGIE	14	07Q7J	1333
3594750C2	GUSSET,, LOWER BOGIE LH	14	07Q7J	1333
3594751C2	GUSSET,, LOWER BOGIE RH	14	07Q7J	1333
3594994C1	STOP,RR AXLE AXLE 5.00	14	07RTP	1311
3595000C1	STOP,RR AXLE AXLE 5.50	14	07RTP	1311
3595142C1	SPACER, SUSPENSION	14	07Q7J	1333
3595143C1	SUPPORT,ASSY TORQUE ROD BRKT	14	3595144C2	1340
3595144C2	SUPPORT,, ASSY, TORQUE ROD	14	07Q7J	1333
3595144C2	SUPPORT,, ASSY, TORQUE ROD	14	3595144C2	1340
3595149C2	BAR,, SUPPORT ASSY	14	3595144C2	1340
3595156C1	BAR,, SPACER	14	07Q7J	1333
3595348R2	MANUAL,OWNERS/OPERATORS,ENGLIS	10	0GYJ2	723
3595677F91	IP-1 SWITCH BLANK PLUG	8	0L5BD	639
3595677F91	IP-1 SWITCH BLANK PLUG	8	3595677F91	640
3596415C91	BRACKET ASM,CAB FRONT MTG	16	0LLJR	1444
3596415C91	BRACKET ASM,CAB FRONT MTG	16	3596415C91	1448
3596757C91	VALVE,BRK CONTROL SR-7 SPRING	4	0MT69	140
3596757C91	VALVE,BRK CONTROL SR-7 SPRING	4	3596757C91	147
3596958C91	HARN,CAB RADIO 16 WAY CONN	8	3598054F91	590
3598054F91	IP, PREMIUM CAB TRIM & COUR	8	06QK9	589
3598054F91	IP, PREMIUM CAB TRIM & COUR	8	3598054F91	590
3599253C1	CONNECTOR,BODY,2-WAY F P480 M	16	3545211C93	1536
3599758F91	ARM,STRG TIE ROD, KNUCKLE, TIE	2	0FWS0	100
3599758F91	ARM,STRG TIE ROD, KNUCKLE, TIE	2	3599758F91	101
3600089C92	CASE,TRANSFER CPT W/GEARS, MER	13	07VS1	1245
3600089C92	CASE,TRANSFER CPT W/GEARS, MER	13	3600089C92	1249
3600213C1	VALVE,MODULATOR AIR M-32	4	0MT69	140
3601280C1	GUIDE,BRK HOSE & CABLE	8	06VZJ	411
3601436C91	CABLE,ASM, LIGHT TO LIGHT 825M	8	086VD	364
3601692C1	GUARD,MUD FLAP	10	3601764F91	722
3601764F91	BBAT MUD FLAP GUARD	10	0LQ83	721
3601764F91	BBAT MUD FLAP GUARD	10	3601764F91	722
3602447C91	AIR CONDITIONER,ASSY LHD CONV	16	0LV7L	1530
3602447C91	AIR CONDITIONER,ASSY LHD CONV	16	3602447C91	1534
3602508C1	SUPPORT,ACCUNULATOR LHD CONV	16	3602447C91	1534
3602517C91	GEAR,ASM STEERING	5	0MFX6	263
3602517C91	GEAR,ASM STEERING	5	3602517C91	266
3602522C1	CLAMP,HOSE 3-1/16 IN - 4 IN	16	3602447C91	1534
3602579C1	SCREW,LAG,5/16 IN DIA,1" LONG	16	3602447C91	1534
3602600C91	AXLE,ASSY R/R 6.14 14GUR TTRB	14	3602600C91	1300
3602600C91	AXLE,ASSY R/R 6.14 14GUR TTRB	14	3609644C91	1302
3602979C1	RIVET,MNDRLL,PRTRD HD.196X.479	16	06MT8	1471
3603575C1	TUBE, FORMED - 3/8 ORANGE	4	3604563F91	181
3603591C1	TUBE, FORMED - 3/8 GREEN	4	358645F93	179
3603891C1	SUPPORT,3/8" TUBE	4	3604563F91	181
3604271C1	SUPPORT,, SPRING BRAKE QRV	4	0MT69	140
3604563F91	BRAKE,WET/2NDRY AIR TNK TUBING	4	0HWF7	180
3604563F91	BRAKE,WET/2NDRY AIR TNK TUBING	4	3604563F91	181
3604595C1	LENS,INSTR CLUSTER, IDLE SHUTD	16	3604603F91	1604
3604600C91	SPDOMTR,&TACH HD ASM,METRC/MET	16	3604600C91	1462
3604600C91	SPDOMTR,&TACH HD ASM,METRC/MET	16	3604608F91	1461
3604603F91	IP,CLUSTER,LEFT WARNING LIGHTS	16	0FFCL	1603
3604603F91	IP,CLUSTER,LEFT WARNING LIGHTS	16	3604603F91	1604

Part Number Index

Part No.	Description	Group	Figure	Page
3604608F91	IP,CNTR MOD-METRC,GUAGES-ENGLS	16	0HT25	1460
3604608F91	IP,CNTR MOD-METRC,GUAGES-ENGLS	16	3604608F91	1461
3604881C1	PANEL,OVERHEAD CONSOLE	16	3546500C95	1521
3605404C91	HOSE,, TRANSFER CASE AIR TO OI	13	0M6Q2	1255
3605404C91	HOSE,, TRANSFER CASE AIR TO OI	13	3605404C91	1257
3605567C2	BEZEL,TRIM, CENTER	16	3546500C95	1521
3605958C1	SUPPORT,, OIL COOLER MTG XMSN-	13	0M5GN	1258
3606280C1	CONNECTOR,QC PMT ADAPTER	16	0G9F8	1388
3606527C1	NUT,SPECIAL, M8	8	06VZJ	411
3607027C1	CLAMP,HEAT EXCHANGER, MUBEA 36	5	0FSWW	269
3607384C1	RELAY,GEN CONTROL, GEN CONTROL	8	3568454F91	431
3608478C1	BATTERY,12V,650 CCA,STUD,55LB	8	0MTSD	384
3609621C91	AXLE,ASM F/R 14HRT 6.14 TTRB	14	3609621C91	1288
3609621C91	AXLE,ASM F/R 14HRT 6.14 TTRB	14	3609633C91	1290
3609626C1	HOUSING,REAR AXLE,14GRZ/UR/UU	14	3609633C91	1290
3609633C91	AXLE,FWD REAR,14HRT,TTRB, 6.14	14	0MKZ3	1287
3609633C91	AXLE,FWD REAR,14HRT,TTRB, 6.14	14	3609633C91	1290
3609637C1	HOUSING,REAR AXLE,14GRZ/UR/UU/	14	3609644C91	1302
3609644C91	AXLE,RR RR,14GUR/HRT,TTRB,6.14	14	0MKYC	1299
3609644C91	AXLE,RR RR,14GUR/HRT,TTRB,6.14	14	3609644C91	1302
3609781C1	LIGHT,DOVE DRAWBRIDGE GRAY	16	3546500C95	1521
3609781C1	LIGHT,DOVE DRAWBRIDGE GRAY	16	3609781C1	1520
3610431C91	GRILLE,ASSY PRIMED FXD W/SCRN	9	0FVDZ	695
3610431C91	GRILLE,ASSY PRIMED FXD W/SCRN	9	3610431C91	701
3610432C1	GRILLE,BARS PRIMED FIXED	9	3610431C91	701
3610433C91	GRILLE,SURROUND ASSY, PRIMED,	9	0FVDZ	695
3610433C91	GRILLE,SURROUND ASSY, PRIMED,	9	3610433C91	703
3610434C1	GRILLE,SURROUND PRIMED FIXED	9	3610433C91	703
3610435C91	LIGHT,HEAD,LNG LIFE,PRIMED,LH	8	0DDS3	506
3610435C91	LIGHT,HEAD,LNG LIFE,PRIMED,LH	8	3610435C91	512
3610436C91	LIGHT,HEAD,LONG LIFE,PRIMED,RH	8	0DDS3	506
3610436C91	LIGHT,HEAD,LONG LIFE,PRIMED,RH	8	3610436C91	514
3610437C91	LIGHT,HEAD,LH,SEALED,PRIMED BZ	8	3610435C91	512
3610437C91	LIGHT,HEAD,LH,SEALED,PRIMED BZ	8	3610437C91	510
3610438C91	LIGHT,HEAD,RH,SEALED,PRIMED BZ	8	3610436C91	514
3610438C91	LIGHT,HEAD,RH,SEALED,PRIMED BZ	8	3610438C91	516
3610495C91	HARN,DASH,PDC BATT,W/24V MFUSE	8	3610496F91	457
3610496F91	HARN,PDC BATTERY,W/24V MX FUSE	8	0FZBX	456
3610496F91	HARN,PDC BATTERY,W/24V MX FUSE	8	3610496F91	457
3610514C91	GENERATOR,28V, 200A, L-N, 4740	8	0MQ7P	361
3610514C91	GENERATOR,28V, 200A, L-N, 4740	8	3610514C91	362
3610516C91	MOTOR,START 24V, L/N N/MAG SW	12	06S2T	1192
3610516C91	MOTOR,START 24V, L/N N/MAG SW	12	3610516C91	1193
3610835F91	HARNESS,BASE,DASH,W/FUSES	8	0CS5P	437
3610835F91	HARNESS,BASE,DASH,W/FUSES	8	3610835F91	438
3610836C91	HARN,DASH,BASE,W/O STRTR COIL	8	3610835F91	438
3610837F91	HARN,DASH,TRLR SCKT,BDBL,W/ABS	8	0MTVC	418
3610837F91	HARN,DASH,TRLR SCKT,BDBL,W/ABS	8	3610837F91	419
3610838F91	HARN,DASH,2-WAY RADIO,W/FUSE	8	0FSY5	580
3610838F91	HARN,DASH,2-WAY RADIO,W/FUSE	8	3610838F91	581
3610839C91	HARN,DASH,CAB,2-WAY RADIO,24V	8	3610838F91	581
3610840F91	HARN,DASH,STRT EFF,W/INTL ENGN	8	0FZBS	468
3610840F91	HARN,DASH,STRT EFF,W/INTL ENGN	8	3610840F91	469
3610869C1	DEFLECTOR,ROAD SPLASH	9	0DDTF	716
3610910C1	RELAY,12V LONG LIFE,24V CONTCT	8	3610835F91	438
3610910C1	RELAY,12V LONG LIFE,24V CONTCT	8	3610837F91	419
3610910C1	RELAY,12V LONG LIFE,24V CONTCT	8	3610840F91	469
3610911C1	RELAY,ELECT-HORN ETC, 12V/24V	8	3610837F91	419

Part Number Index

Part No.	Description	Group	Figure	Page
3611065C1	SUPPORT,, 12/24V EQUALIZER	8	3613280C92	398
3612039C92	HARN,12/24V EQUALIZER TO BATTR	8	3613280C92	398
3612369C91	HOOD,ASSY SFA W/O ACCESS HATCH	9	0FSZ5	682
3612369C91	HOOD,ASSY SFA W/O ACCESS HATCH	9	3612369C91	684
3612452C91	HARN,INTL I6,BASE,24V STARTER	12	3612457F91	776
3612457F91	HARN,BASE,INTL I6,24V STARTER	12	0F105	775
3612457F91	HARN,BASE,INTL I6,24V STARTER	12	3612457F91	776
3612510C91	HARN,JMPR,MEGAFUSE TO PWR STUD	8	0GCJR	371
3613280C92	MODULE,12/24V BATTERY EQUALI	8	0MSPY	397
3613280C92	MODULE,12/24V BATTERY EQUALI	8	3613280C92	398
3615636C91	HARN,DASH,24V TRAILER SOCKET	8	3610837F91	419
3615832C1	COVER,CAB EXHAUSTER	16	0LV7L	1530
3616009C91	CONVERTER,POWER, 12/24V BATTER	8	3613280C92	398
3616541C1	CROSSMEMBER,TOWING EYE, ASSY	1	07VQC	76
3616541C1	CROSSMEMBER,TOWING EYE, ASSY	1	3616541C1	79
3616579F91	BBAT, W/L TRUCK BOX, DUAL	8	0GCKG	395
3616579F91	BBAT, W/L TRUCK BOX, DUAL	8	3616579F91	396
364463C91	BEARING,COVER/ROLLER	14	3609621C91	1288
365680C2	TERMINAL,RING	8	3545544C92	491
367155C1	GASKET,	13	06RJY	1278
3691088C1	BOLT, HUCK-SPIN 5/8 DIA -16	15	0FV9D	1382
375047C1	LOOM,CABLE 1/2"	13	3605404C91	1257
375048C1	LOOM,CABLE 5/8"	4	B000000000	164
375054C2	HOSE,BLK(.406ID) 1/2 TUBE	13	3605404C91	1257
375055C2	HOSE,AIR(.500 ID)BLK 5/8" TUBE	4	B000000000	164
376463C1	BEARING,CUP	14	3609621C91	1288
3790034C1	BUMPER,CAB DOOR	16	06MT8	1471
379181R1	RING, O 5/8 X 3/4 CLASS 5	12	1836287C91	901
382137R1	RING,O 1 X 1-3/16 CLASS 5	4	410986C92	151
386170C1	STRAP,CABLE LOCK	4	0H9Q1	123
386170C1	STRAP,CABLE LOCK	8	06VZJ	411
390312C1	WASHER, 1.062 X 2.000 X .134 H	14	07R21	1326
40005R1	PLUG,INJ PUMP	12	1830617C92	844
40049R1	NUT, HEX GRADE 10 M6 X 1 MM	12	641006M011	903
40049R1	NUT, HEX GRADE 10 M6 X 1 MM	12	641009A008	795
40049R1	NUT, M6 X 1.0 HEX FLANGE	12	641006M011	903
40049R1	NUT, M6 X 1.0 HEX FLANGE	12	641009A008	795
40050R1	NUT, HEX FLANGED	12	641005A004	1002
40050R1	NUT, HEX FLANGED	12	641006B009	832
40050R1	NUT, HEX FLANGED	12	641009A008	795
40050R1	NUT, HEX FLANGED	12	641009L011	777
40050R1	NUT,M8 X 1.25 HEX FLG,PHC GR10	12	641005A004	1002
40050R1	NUT,M8 X 1.25 HEX FLG,PHC GR10	12	641006B009	832
40050R1	NUT,M8 X 1.25 HEX FLG,PHC GR10	12	641009A008	795
40050R1	NUT,M8 X 1.25 HEX FLG,PHC GR10	12	641009L011	777
40055R1	BOLT M20 X 70 MM	12	641003D002	950
40055R1	BOLT,M20 X 70 12PT	12	641003D002	950
40066R1	NUT, M8 - HF LOCK	4	0HKJF	166
40066R1	NUT, M8 - HF LOCK	4	0LNNN	162
40066R1	NUT, M8 - HF LOCK	4	0MT69	140
40066R1	NUT, M8 - HF LOCK	5	0FSWW	269
40066R1	NUT, M8 - HF LOCK	8	06VZJ	411
40066R1	NUT, M8 - HF LOCK	13	0M5GN	1258
40066R1	NUT, M8 - HF LOCK	15	3573570F92	1377
40081R1	NUT,HEX METRIC REG.*M8-1.25 SS	9	0F448	715
40086R1	SCREW,KNOB STD	12	1833443C95	804
40203R1	BOLT,HEX FLG HD METRIC*M16 X 9	12	07NDS	859
40204R1	NUT,HEX METRIC PREV. (SPR)	5	0MFX6	263

Part Number Index

Part No.	Description	Group	Figure	Page
40204R1	NUT,HEX METRIC PREV. (SPR)	14	07Q7J	1333
40209R1	NUT,M6 PREV TORX HF	12	06MYC	1012
40218R1	BOLT,HEX FLG HD METRIC*M10X25,	4	0J0LQ	127
40218R1	BOLT,HEX FLG HD METRIC*M10X25,	12	06VS3	1026
40220R1	BOLT,HEX FLG HD METRIC*M6 X 50	4	0J3JB	231
40222R1	BOLT,HEX FLG HD METRIC*M16 X 5	13	0M5GN	1258
40233R1	NUT,HEX FLG METRIC*M6,CLASS 10	8	0DDS3	506
40233R1	NUT,HEX FLG METRIC*M6,CLASS 10	15	0H3G3	1342
40236R1	BOLT,HEX FLG HD METRIC*M16 X 4	4	0J0LQ	127
40236R1	BOLT,HEX FLG HD METRIC*M16 X 4	4	0LNNN	162
40236R1	BOLT,HEX FLG HD METRIC*M16 X 4	8	0HL8B	369
40250R1	BOLT,HEX FLG HD METRIC*M16 X 1	15	0FV9D	1382
406267C1	WASHER,SPECIAL 5/8	4	0DR90	240
406340C1	CLAMP,9/16 DIA HOSE	15	3548102F91	1360
410986C92	GOVERNOR,ASSY D-2	4	086M2	149
410986C92	GOVERNOR,ASSY D-2	4	410986C92	151
413729C1	ELBOW,HOSE	12	07PJY	854
414051C1	BOLT,HEX-HD 1/2-20 UNF X 1-1/4	1	1664559C92	82
414051C1	BOLT,HEX-HD 1/2-20 UNF X 1-1/4	14	1664557C92	1336
414051C1	BOLT,HEX-HD 1/2-20 UNF X 1-1/4	14	1664559C92	1338
414087C1	NUT, FLG HD LK 1/2-20	1	1664559C92	82
414087C1	NUT, FLG HD LK 1/2-20	13	07VS1	1245
414087C1	NUT, FLG HD LK 1/2-20	14	1664557C92	1336
414087C1	NUT, FLG HD LK 1/2-20	14	1664559C92	1338
414089C1	NUT, FLG HD LK 5/8 NF	14	07RTF	1330
414STH1600	PROP SHAFT	6	0FW9L	295
414STH1615	PROP SHAFT	6	0FW9M	304
414STHXXXX	SHAFT,ASSY PROP SPL140 METRIC	6	0FW9L	295
414STHXXXX	SHAFT,ASSY PROP SPL140 METRIC	6	0FW9M	304
414STHXXXX	SHAFT,ASSY PROP SPL140 METRIC	6	414STHXXXX	296
415837C91	HOUSING,LIGHTER	8	3581553F91	592
417195C3	TUBE,NYLON BULK 1/8 OD BLACK	12	06VS3	1026
417196C3	TUBE,NYLON BULK 1/4 OD BLACK	7	0HGRZ	342
417196C3	TUBE,NYLON BULK 1/4 OD BLACK	8	3544531F92	588
417196C3	TUBE,NYLON BULK 1/4 OD BLACK	12	07SL0	1040
417196C3	TUBE,NYLON BULK 1/4 OD BLACK	12	3550550F93	1007
417196C3	TUBE,NYLON BULK 1/4 OD BLACK	16	0FVYN	1491
417196C3	TUBE,NYLON BULK 1/4 OD BLACK	16	0G9F8	1388
417199C2	TUBE,NYLON 3/8OD BLACK	4	2506190C91	199
417199C3	TUBE,NYLON BULK 3/8 OD BLACK	4	3581370C92	132
417200C3	TUBE,NYLON BULK 1/2 OD BLACK	4	3581370C92	132
417201C3	TUBE,NYLON BULK 5/8 OD BLACK	4	0LNNN	162
417201C3	TUBE,NYLON BULK 5/8 OD BLACK	4	3581370C92	132
417202C3	TUBE,NYLON BULK 3/4 OD BLACK	4	3581370C92	132
417LTP0590	PROP SHAFT	6	0KCGJ	313
417LTPXXXX	SHAFT,ASSY PROP SPL170 METRIC	6	0KCGJ	313
417LTPXXXX	SHAFT,ASSY PROP SPL170 METRIC	6	417LTPXXXX	314
418688C3	TUBE,NYLON BULK 1/4 WHITE	13	07VRS	1254
418691C3	TUBE,NYLON BULK 1/4 RED	13	07VRS	1254
424536C1	BRACKET,LICENSE PLATE	8	0HDDK	655
425364R1	CONNECTOR,UNION 1/4PLN 45D FLA	7	0HGRZ	342
425878C1	BAR,GUSSET	14	3595144C2	1340
428997C1	BOLT,FLANGED HD -1/2-20	13	07VS1	1245
430277R91	CLAMP,CABLE	4	0MT49	238
4305602R1	CONDUIT,HOSE PROTECTIVE	12	641016L002	755
4305621R1	HOSE,AIR COMPRESSOR	12	641016L002	755
4305626R1	ADHESIVE,LOCTITE 294	12	641006M011	903
431630C1	EYE,TOWING	1	3540856C4	78

Part Number Index

Part No.	Description	Group	Figure	Page
433971C1	BOLT,SPECIAL	8	0GCJR	371
433972C1	NUT,SPCL HX 3/8-16 ZINC PLTD	8	0GCJR	371
435654C2	COVER PROTECTIVE	16	3593358C2	1624
439971C2	EXTENSION,CLIP	15	0H3G3	1342
444034	ADAPTER,AUTO PIPE 1/2 TO 3/8 P	4	0MT69	140
444042	ELBOW, 3/8-18 PLN AUTO 90D PIP	4	0MT49	238
444042	ELBOW, 3/8-18 PLN AUTO 90D PIP	15	0H3G3	1342
444044	ELBOW, 1/2-14 PLN AUTO 90D PIP	13	0M6Q2	1255
444046	ELBOW, 3/4-14 PLN AUTO 90D PIP	12	07PJY	854
444138	TEE, 1/2-14 PLN INT/INT/EXT AU	4	0MT69	140
444612	PLUG, 1/8-27 PLN H/HD AUTO PIP	12	1830346C95	877
444612	PLUG, 1/8-27 PLN H/HD AUTO PIP	12	641014B001	936
444613	FITTING, PLUG 1/8" NPT	12	641009B005	798
444613	PLUG, 1/8-27 ZNP H/HD AUTO PIP	12	641009B005	798
444618	PLUG, 1/4-18 PLN H/HD AUTO PIP	12	1830617C92	844
444618	PLUG, 1/4-18 PLN H/HD AUTO PIP	12	1830622C92	821
444618	PLUG, 1/4-18 PLN H/HD AUTO PIP	12	1841739C91	823
444624	PLUG,3/8-18 PLN H/HD AUTO PIP	4	0GBMF	122
444632	PLUG, 1/2-14 PLN H/HD PIPE	4	0MT69	140
444632	PLUG, 1/2-14 PLN H/HD PIPE	4	3571402F94	169
444632	PLUG, 1/2-14 PLN H/HD PIPE	4	3588790F92	171
444632	PLUG, 1/2-14 PLN H/HD PIPE	15	3548119F92	1363
444688	PLUG, 1/8-27 ZNP HEX/SKT AUTO	4	06SPT	153
444688	PLUG, 1/8-27 ZNP HEX/SKT AUTO	4	410986C92	151
444697	PLUG, 3/8-18 PLN HEX/SKT AUTO	12	1829825C92	884
444705	PLUG, 1/2-14 PLN HEX/SKT AUTO	15	3548119F92	1363
445751	FITTING, SOCKET HEAD PLUG 1/2" NPT	12	641009B005	798
445751	PLUG,1/2-14 PLN SQ/SKT AUTO P	12	1830346C95	877
445751	PLUG,1/2-14 PLN SQ/SKT AUTO P	12	641009B005	798
446075R91	CLAMP,CABLE CLOSED	16	07TDL	1523
446839C1	SEALANT, RTV SILICONE 3 OUNCE TUBE	12	641006B009	832
446839C1	SEALANT,RTV SILICONE 3 OZ TUBE	12	641006B009	832
447797C91	KIT,U JOINT STRG GEAR	5	3549807C92	261
449603R91	CLAMP,RUBBER CV	4	06SPT	153
449671R1	WASHER,CARRIER TO HSG BOLT	2	2507920C91	94
449671R1	WASHER,CARRIER TO HSG BOLT	2	3556980F91	90
449671R1	WASHER,CARRIER TO HSG BOLT	4	3556963F91	226
449671R1	WASHER,CARRIER TO HSG BOLT	13	3600089C92	1249
449671R1	WASHER,CARRIER TO HSG BOLT	14	1696762C91	1304
449671R1	WASHER,CARRIER TO HSG BOLT	14	2503395C91	1292
450017C1	CONDUIT,CABLE ELECTRICAL 1"ID	5	0FSWW	269
452436C1	WASHER,COMP FLG NUT	14	1696762C91	1304
452436C1	WASHER,COMP FLG NUT	14	3609621C91	1288
452992C1	BOLT, U 3/8-16 UNC 2.25 STEEL	12	07PJQ	1162
453133C1	PLUG,SEALING	8	3572525C91	562
453879R91	BEARING,BALL	11	06MG9	730
454319R1	RING, SNAP 1.041 EXT RET	12	1830593C94	771
454319R1	RING, SNAP 1.041 EXT RET	12	1872757C91	773
459840C1	HANDLE,RIM WRENCH	10	0G1P6	720
466214C91	ROD,TIE W/CLAMP 60.75"	2	2601612C91	103
466214C91	ROD,TIE W/CLAMP 60.75"	2	3599758F91	101
470729C2	BOLT,HH 1/2NC X 1.5 (PATCH)	2	3556927F91	87
473143C1	SCREW,SPECIAL HI-LOW	8	3581517F91	606
473143C1	SCREW,SPECIAL HI-LOW	8	3588143F92	601
473143C1	SCREW,SPECIAL HI-LOW	16	3511056F93	1573
473158C1	SCREW SPL HI-LOW #8-18 X 1/2	8	3588143F92	601
473255C1	HOSE,AIR TRAILER CONNECTING	14	0GRRS	1282
473794C91	VALVE,QUICK RELEASE	4	0MT69	140

Part Number Index

Part No.	Description	Group	Figure	Page
475711C1	BOLT,HEX HEAD	13	3568551F91	1263
475964C1	TERMINAL,CABLE BAT	12	3565992C91	1014
475965C1	TERMINAL,CABLE BAT	12	3565992C91	1014
476074C1	NUT,BATT TERMINAL	8	0MRFB	382
479720C1	NUT,HEX M8X1.25	16	0H9RV	1390
479720C1	NUT,HEX M8X1.25	16	3579484C93	1392
483361C1	WASHER,BRG CAP BOLT	14	2503395C91	1292
484697C1	BOLT,SPECIAL 5/8NCX2 1/2 DRYLO	2	3556927F91	87
491546C91	ROD,TORQUE	14	07RTC	1331
491650C1	SCREW SET,STRG KNUCKLE STOP	2	3556956F91	108
491653C1	NUT,WHL BRG ADJ INNER	2	3556927F91	87
491654C1	NUT,WHL BRG ADJ OUTER	2	3556927F91	87
491655C1	LOCK,WHL BRG ADJ NUT	2	3556927F91	87
491657C1	SLEEVE,WHEEL BRG OIL SEAL	2	3556927F91	87
493414C1	RIVET,BLIND	9	3556250C3	687
493414C1	RIVET,BLIND	9	3556251C2	691
494307C1	HOOK,HOOD	8	3576152F93	388
496298C1	RING,SNAP .155 IN THK	14	3609621C91	1288
496299C1	RING,SNAP .158 IN THK	14	3609621C91	1288
496300C1	RING,SNAP .161 IN THK	14	3609621C91	1288
496301C1	RING,SNAP .164 IN THK	14	3609621C91	1288
496302C1	RING,SNAP .167 IN THK	14	3609621C91	1288
496303C1	RING,SNAP .170 IN THK	14	3609621C91	1288
496304C1	RING,SNAP .173 IN THK	14	3609621C91	1288
496305C1	RING SNAP .176 IN THK	14	3609621C91	1288
496306C1	RING,SNAP .179 IN THK	14	3609621C91	1288
496307C1	RING,SNAP .182 IN THK	14	3609621C91	1288
496623C1	BOOT,TRANS GEAR SHIFT LEVER	13	3576514C91	1268
496626C1	SPRING,	13	3576514C91	1268
496641C1	PIN,GEAR SHIFT LEVER	13	3576514C91	1268
497367C2	HOSE,PWR STRG,1/2ID X 44",3/4-	5	0FSWW	269
501777C91	KIT,REPAIR MAJ BRAKE VALVE	4	2505683C91	204
505147C1	SPACER,PIN GEAR BRG .275	2	2507920C91	94
505148C1	SPACER,PIN GEAR BRG .282	2	2507920C91	94
505149C1	SPACER,PIN GEAR BRG .289	2	2507920C91	94
505202C1	CLAMP,MULTIPLE RUBBER CUSHION	8	0GCJR	371
505211C1	CLAMP,RUBBER	4	0LNNN	162
507831C91	ABSORBER, SHOCK H.D. SEAT	16	3558491C92	1507
522639C1	NUT,BATT TERMINAL BOLT	8	0MRFB	382
527567C1	BOLT,SPECIAL*U 7/8-14 UNRF X 1	3	07W2Z	114
530188C1	EXTENSION,CLIP	4	0LNNN	162
544968R1	RING	16	1660393C91	1495
544968R1	RING	16	3558491C92	1507
546561C2	BRACKET,BACK UP ALARM	8	086VD	364
55163R1	RING,SNAP HYDV HYD CYL CON .83	12	1833386C1	837
554210C1	SEALANT,RETAINING COMPOUND 609	2	1676480C91	98
554210C1	SEALANT,RETAINING COMPOUND 609	14	2503395C91	1292
556779C91	GAUGE FILTER LIFE	8	3545804F92	604
55896R1	SLEEVE,5/8 SPHERICAL COMP TUB	4	06SPT	153
55896R1	SLEEVE,5/8 SPHERICAL COMP TUB	4	0LNNN	162
55897R1	NUT,5/8 SPHERICAL SLEEVE	4	06SPT	153
55897R1	NUT,5/8 SPHERICAL SLEEVE	4	0LNNN	162
56121R3	SEAL,BRAKE CAMSHAFT	2	3599758F91	101
56121R3	SEAL,BRAKE CAMSHAFT	4	3548002C91	244
56121R3	SEAL,BRAKE CAMSHAFT	4	3548003C91	248
56121R3	SEAL,BRAKE CAMSHAFT	4	3548018C91	246
56121R3	SEAL,BRAKE CAMSHAFT	4	3548019C91	250
564283C1	SPACER,PIN GEAR BRG .234	2	2507920C91	94

Part Number Index

Part No.	Description	Group	Figure	Page
564284C1	SPACER,PIN GEAR BRG .235	2	2507920C91	94
564285C1	SPACER,PIN GEAR BRG .236	2	2507920C91	94
564286C1	SPACER,PIN GEAR BRG .237	2	2507920C91	94
564287C1	SPACER,PIN GEAR BRG .238	2	2507920C91	94
564288C1	SPACER,PIN GEAR BRG .239	2	2507920C91	94
564289C1	SPACER,PIN GEAR BRG .240	2	2507920C91	94
564290C1	SPACER,PIN GEAR BRG .247	2	2507920C91	94
564291C1	SPACER,PIN GEAR BRG .254	2	2507920C91	94
564292C1	SPACER,PIN GEAR BRG .261	2	2507920C91	94
564293C1	SPACER,PIN GEAR BRG .268	2	2507920C91	94
571156C1	ELBOW, HOSE CONNECTOR 90 DEG.	16	3558491C92	1507
573185C91	KIT,REPAIR HAND CONT VALVE	4	2014415C91	212
573716C91	SEAL ASSY OIL	2	1676480C91	98
573716C91	SEAL ASSY OIL	2	2507920C91	94
574062C1	WASHER,BRK CMSHFT SPACER	4	3548002C91	244
574062C1	WASHER,BRK CMSHFT SPACER	4	3548003C91	248
574062C1	WASHER,BRK CMSHFT SPACER	4	3548018C91	246
574062C1	WASHER,BRK CMSHFT SPACER	4	3548019C91	250
574062C1	WASHER,BRK CMSHFT SPACER	4	3556963F91	226
574906C1	BUSHING, SEAT SHAFT	16	1660393C91	1495
576166C1	CLAMP,HOOD SPT HOSE W/LINER (0.625-1.00 IN)ID	12	641016L002	755
576166C1	CLAMP,HOSE,HI-TORQUE	12	641016L002	755
576177C1	CLAMP,HOSE HI TORQUE	12	3560955C91	753
576181C1	CLAMP,HOSE HIGH TORQUE	12	3560955C91	753
576187C1	BOLT,FLGD HEX HEAD 5/8-18	14	07RTF	1330
577313C1	INSULATOR,TERMINAL	8	0LSFK	385
577650C1	BUSHING,BRK SHOE ANCHOR PIN	4	2507869C91	217
577650C1	BUSHING,BRK SHOE ANCHOR PIN	4	2507870C91	219
577650C1	BUSHING,BRK SHOE ANCHOR PIN	4	3548002C91	244
577650C1	BUSHING,BRK SHOE ANCHOR PIN	4	3548003C91	248
577650C1	BUSHING,BRK SHOE ANCHOR PIN	4	3548018C91	246
577650C1	BUSHING,BRK SHOE ANCHOR PIN	4	3548019C91	250
577652C1	RETAINER,BRK ROLLER	4	2507869C91	217
577652C1	RETAINER,BRK ROLLER	4	2507870C91	219
577652C1	RETAINER,BRK ROLLER	4	3548002C91	244
577652C1	RETAINER,BRK ROLLER	4	3548003C91	248
577652C1	RETAINER,BRK ROLLER	4	3548018C91	246
577652C1	RETAINER,BRK ROLLER	4	3548019C91	250
577653C1	PIN,BRK SHOE ANCHOR	4	2507869C91	217
577653C1	PIN,BRK SHOE ANCHOR	4	2507870C91	219
577653C1	PIN,BRK SHOE ANCHOR	4	3548002C91	244
577653C1	PIN,BRK SHOE ANCHOR	4	3548003C91	248
577653C1	PIN,BRK SHOE ANCHOR	4	3548018C91	246
577653C1	PIN,BRK SHOE ANCHOR	4	3548019C91	250
578075C1	WASHER,FLAT OR SPECIAL	3	07W2Z	114
579098C1	SHIELD,DUST LT 16.5X7 FOR CAST	4	0DR90	240
579099C1	SHIELD,DUST RT 16.5X7 FOR CAST	4	0DR90	240
579891C1	EXTENSION,CLIP	4	0LNNN	162
581873R1	NUT,HEAD CLUTCH MAS CYL	11	06MG9	730
584067C1	CONDUIT,CABLE ELEC 1-1/4	16	07TDL	1523
584832C1	HOSE,RAD OUTLET	12	07PJQ	1162
586045C1	PLUG,SPECIAL 3/4-14 NPTF	14	06WX8	1317
586048C1	PLUG,SPECIAL 1/2-14 NPTF	14	06WX8	1317
586049C1	PLUG,MAGNETIC DRAIN 3/4NF	2	3556927F91	87
586049C1	PLUG,MAGNETIC DRAIN 3/4NF	13	3600089C92	1249
586049C1	PLUG,MAGNETIC DRAIN 3/4NF	14	06WX8	1317
586049C1	PLUG,MAGNETIC DRAIN 3/4NF	14	3602600C91	1300

Part Number Index

Part No.	Description	Group	Figure	Page
586049C1	PLUG,MAGNETIC DRAIN 3/4NF	14	3609621C91	1288
586400C1	MOULDING,CAB TRIM 26"	8	3576152F93	388
586529C1	HOSE,FLEXIBLE GREASE	11	06MG9	730
586796C1	WASHER,FLAT .054 THICKNESS	4	3548002C91	244
586796C1	WASHER,FLAT .054 THICKNESS	4	3548003C91	248
586796C1	WASHER,FLAT .054 THICKNESS	4	3548018C91	246
586796C1	WASHER,FLAT .054 THICKNESS	4	3548019C91	250
586797C1	RING,SNAP	4	3548002C91	244
586797C1	RING,SNAP	4	3548003C91	248
586797C1	RING,SNAP	4	3548018C91	246
586797C1	RING,SNAP	4	3548019C91	250
587566C91	BODY,CONNECTOR	8	3572236F91	528
587579C1	PLUG,CAVITY	8	3582042F91	559
588760C1	STUD DRIVE	17	2003838C94	1692
588760C1	STUD DRIVE	17	2014885C93	1694
589390C1	PLUG,SEALER LOOSE PIECE	8	3572236F91	528
589391C1	PLUG,SEALER, LOOSE PIECE	8	3572236F91	528
590279C2	SPRING,HOOD CABLE	9	3568420C92	707
590279C2	SPRING,HOOD CABLE	9	3568421C92	709
590280C2	SPRING HOOD CABLE	9	3568420C92	707
590280C2	SPRING HOOD CABLE	9	3568421C92	709
591545C1	COLLAR,HUCK BOLT	7	3579388C91	348
591597C2	GASKET PUMP P/S	12	641016M014	1142
591597C2	GASKET, MOUNTING POWER STEERING PUMP	12	641016M014	1142
592855C1	SEAL,OIL STRG KNUCKLE	2	3577157F91	110
592855C1	SEAL,OIL STRG KNUCKLE	2	3599758F91	101
592942C91	FITTING,HOSE 1/4" AIR	12	641016L002	755
592945C91	FITTING,HOSE 5/8" AIR	4	B000000000	164
59390R1	ELBOW,COMP TUBE 5/8X1/2P	4	06SPT	153
596600C91	SEAL,OIL PINION	14	1696762C91	1304
5X1290	O-RING	13	3600089C92	1249
5X1291	ORING	13	3600089C92	1249
5X1292	ORING	13	3600089C92	1249
5X1326	ORING	13	3600089C92	1249
5X1327	ORING	13	3600089C92	1249
606819C1	CONNECTOR,1/4 NPTF 3/8 OD	12	1830622C92	821
606819C1	CONNECTOR,1/4 NPTF 3/8 OD	12	1836287C91	901
606819C1	CONNECTOR,1/4 NPTF 3/8 OD	12	641011L019	899
606819C1	FITTING, FLEX TUBE 1/4" NPTF 3/8" O.D.	12	641011L019	899
631626C91	KIT,GOVERNOR MAINT D-2	4	410986C92	151
641002C001	PAINT UNIT (NGD BLUE)	12	3540803F92	934
641002C001	SPECIFICATION, PAINT	12	641002C001	1189
641003A004	CAMSHAFT	12	641003A004	786
641003A004	CAMSHAFT-(I-308) UNIT	12	3540803F92	934
641003A004	CAMSHAFT-(I-308) UNIT	12	641003A004	786
641003C002	TAPPET UNIT	12	3540803F92	934
641003C002	TAPPET UNIT	12	641003C002	993
641003C002	TAPPETS, VALVE	12	641003C002	993
641003D002	GEAR, IDLER	12	641003D002	950
641003D002	IDLER GEAR UNIT	12	3540803F92	934
641003D002	IDLER GEAR UNIT	12	641003D002	950
641004A002	CONNECTING ROD(I-308) UNIT	12	3540803F92	934
641004A002	CONNECTING ROD(I-308) UNIT	12	641004A002	917
641004A002	ROD, CONNECTING	12	641004A002	917
641004B021	PISTON UNIT (I-308,530MRD)	12	3540803F92	934
641004B021	PISTON UNIT (I-308,530MRD)	12	641004B021	973
641004B021	PISTONS (I-308, 530)	12	641004B021	973
641005A004	PUMP, WATER	12	641005A004	1002

Part Number Index

Part No.	Description		Group	Figure	Page
641005A004	WATER PUMP		12	3540803F92	934
641005A004	WATER PUMP		12	641005A004	1002
641005B001	THERMOSTAT ASM, WATER OUTLET		12	641005B001	1119
641005B001	THERMOSTAT UNIT		12	3554346F91	1116
641005B001	THERMOSTAT UNIT		12	641005B001	1119
641005M005	COVER, COOLANT FILTER		12	641005M005	831
641005M005	SUB-SECT, COOLANT CONDITIONER UNIT	U	12	3554348F91	1009
641005M005	SUB-SECT, COOLANT CONDITIONER UNIT	U	12	641005M005	831
641005P005	ELBOW, WATER INLET		12	641005P005	858
641005P005	WATER INLET ELBOW UNIT		12	3554346F91	1116
641005P005	WATER INLET ELBOW UNIT		12	641005P005	858
641006A005	CRANKCASE		12	641006A005	842
641006A005	CRANKCASE (I-308) UNIT		12	3540803F92	934
641006A005	CRANKCASE (I-308) UNIT		12	641006A005	842
641006B009	COVER, FRONT (I-308)		12	641006B009	832
641006B009	FRONT COVER (I308) UNIT		12	3540803F92	934
641006B009	FRONT COVER (I308) UNIT		12	641006B009	832
641006L001	OIL PAN UNIT	U25	12	3554354F91	1126
641006L001	OIL PAN UNIT	U25	12	641006L001	1122
641006L001	PAN, OIL		12	641006L001	1122
641006M011	GAUGE, OIL LEVEL NGV RACOR		12	641006M011	903
641006M011	OIL LEVEL GAUGE, NGV, RACOR UNIT	U	12	3540904F91	905
641006M011	OIL LEVEL GAUGE, NGV, RACOR UNIT	U	12	641006M011	903
641007A004	CRANKSHAFT		12	641007A004	846
641007A004	CRANKSHAFT UNIT (I-308)		12	3540803F92	934
641007A004	CRANKSHAFT UNIT (I-308)		12	641007A004	846
641007B006	DAMPER, VIBRATION		12	641007B006	850
641007B006	VIBRATION DAMPER UNIT		12	3540803F92	934
641007B006	VIBRATION DAMPER UNIT		12	641007B006	850
641007C001	REAR OIL SEALS UNIT		12	2008329F91	1062
641007C001	REAR OIL SEALS UNIT		12	641007C001	1064
641007C001	SEAL, OIL REAR		12	641007C001	1064
641007L001	FLYWHEEL UNIT	U	12	2008329F91	1062
641007L001	FLYWHEEL UNIT	U	12	641007L001	1055
641007L001	FLYWHEEL, MANUAL TRANSMISSION FLAT 14" C LUTCH		12	641007L001	1055
641008A009	CYLINDER HEAD UNIT (I-308/530)		12	3553584F91	870
641008A009	CYLINDER HEAD UNIT (I-308/530)		12	641008A009	875
641008A009	HEAD, CYLINDER		12	641008A009	875
641008C003	ARM, ROCKER		12	641008C003	764
641008C003	ROCKER ARM UNIT(I-308)		12	3553584F91	870
641008C003	ROCKER ARM UNIT(I-308)		12	641008C003	764
641008D013	COVER, VALVE		12	641008D013	839
641008D013	VALVE COVER, SIDE INLET W/O ENG.BRK		12	3553584F91	870
641008D013	VALVE COVER, SIDE INLET W/O ENG.BRK		12	641008D013	839
641008F002	EYE, LIFTING		12	641008F002	882
641008F002	LIFTING EYE UNIT	U	12	3553584F91	870
641008F002	LIFTING EYE UNIT	U	12	641008F002	882
641009A008	ELECTRIC,WIRING REAR CEC	U	12	3534677F91	793
641009A008	ELECTRIC,WIRING REAR CEC	U	12	641009A008	795
641009A008	WIRING, ELECTRONIC REAR CEC		12	641009A008	795
641009B005	ELECTRONIC SENSORS-NGV	U	12	3534677F91	793
641009B005	ELECTRONIC SENSORS-NGV	U	12	641009B005	798
641009B005	SENSORS, ELECTRONIC NGV		12	641009B005	798
641009C014	CEC, REAR MOUNTING		12	641009C014	809
641009C014	REAR MTG CEC-NGV	U	12	3534677F91	793
641009C014	REAR MTG CEC-NGV	U	12	641009C014	809
641009L011	ALT. BRACKET LEESE-NEVILLE	U	12	0FBCJ	1108

Part Number Index

Part No.	Description	Group	Figure	Page
641009L011	ALT. BRACKET LEESE-NEVILLE	U 12	641009L011	777
641009L011	BRACKET, ALTERNATOR LEECE-NEVILLE	12	641009L011	777
641010L001	FLYWHEEL HOUSING UNIT	U 12	2008329F91	1062
641010L001	FLYWHEEL HOUSING UNIT	U 12	641010L001	1053
641010M001	ENGINE MOUNT, FRONT	12	641010M001	1011
641010M001	FRONT ENGINE MOUNTS UNIT	12	3554346F91	1116
641010M001	FRONT ENGINE MOUNTS UNIT	12	641010M001	1011
641010N007	BRACKET, ENG. MT.REAR W/XMSN	12	3554346F91	1116
641010N007	BRACKET, ENG. MT.REAR W/XMSN	12	641010N007	779
641010N007	BRACKET, REAR MOUNT	12	641010N007	779
641011C054	FUEL INJECTOR UNIT (I-308,530)	12	3540803F92	934
641011C054	FUEL INJECTOR UNIT (I-308,530)	12	641011C054	941
641011C054	INJECTOR, FUEL	12	641011C054	941
641011E002	FUEL SYSTEM, HYDRAULIC	12	641011E002	948
641011E002	HYDRAULIC FUEL SYSTEM UNIT	12	3540803F92	934
641011E002	HYDRAULIC FUEL SYSTEM UNIT	12	641011E002	948
641011L019	FILTER, FUEL	12	641011L019	899
641011L019	FUEL FILTER	12	3540904F91	905
641011L019	FUEL FILTER	12	641011L019	899
641013A003	PUMP, OIL	12	641013A003	978
641013A003	PUMP, OIL UNIT I308 530	12	3540803F92	934
641013A003	PUMP, OIL UNIT I308 530	12	641013A003	978
641013B002	FILTER, OIL	12	641013B002	964
641013B002	OIL FILTER UNIT	12	3540803F92	934
641013B002	OIL FILTER UNIT	12	641013B002	964
641013B003	OIL FILTER	12	3540803F92	934
641013B003	OIL FILTER	12	641013B003	963
641013C002	COOLER, OIL	12	641013C002	819
641013C002	OIL COOLER UNIT (I-308)	12	3540803F92	934
641013C002	OIL COOLER UNIT (I-308)	12	641013C002	819
641014B001	EXHAUST MANIFOLD UNIT	12	3540803F92	934
641014B001	EXHAUST MANIFOLD UNIT	12	641014B001	936
641014B003	MANIFOLD, EXHAUST	12	641014B003	1106
641015A067	TURBOCHARGER	12	641015A067	1213
641015D001	PIPING, TURBO	12	641015D001	1132
641016L002	AIR COMPRESSOR UNIT	U 12	2008344F91	757
641016L002	AIR COMPRESSOR UNIT	U 12	641016L002	755
641016L002	COMPRESSOR, AIR	12	641016L002	755
641016M014	POWER STEERING PUMP COLLECTOR	U 12	3556348F91	1144
641016M014	POWER STEERING PUMP COLLECTOR	U 12	641016M014	1142
641016M014	PUMP, POWER STEERING	12	641016M014	1142
641017L003	SIDE VENTING BREATHER - HEUI	12	3553584F91	870
641017L003	SIDE VENTING BREATHER - HEUI	12	641017L003	893
641017L003	TUBE, VENT	12	641017L003	893
641020B002	AUTO TENSIONER UNIT	U 12	3516414F91	1039
641020B002	AUTO TENSIONER UNIT	U 12	641020B002	1038
641020B002	TENSIONER, AUTO	12	641020B002	1038
675020C2	BEARING	12	1830617C92	844
675021C2	BEARING	12	1830617C92	844
675364C1	GEAR, IDLER TIMING	12	1830596C91	848
675412C1	PLATE, DAMPER RETAINER	12	641007B006	850
675412C1	PLATE, CAMSHFT BRG COVER	12	641007B006	850
675424C1	BEARING, CAM FRONT	12	1830617C92	844
675425C1	BEARING, CAM REAR	12	1830617C92	844
677349C1	SPRING, INTAKE VALVE	12	1830346C95	877
680117C3	KIT, CAMSHFT BEARING, I308	12	1830617C92	844
680457R1	WASHER, CARR BRG CAP STUD	2	3577157F91	110
680457R1	WASHER, CARR BRG CAP STUD	2	3599758F91	101

Part Number Index

Part No.	Description	Group	Figure	Page
680457R1	WASHER,CARR BRG CAP STUD	4	3556963F91	226
680482C1	PIN,DOWEL CRKSHFT FLYWHEEL	12	1827395C92	947
682444C1	RING, CAMSHAFT REAR SEAL	12	641006A005	842
682444C1	RING, CMSFT SEAL-REAR	12	641006A005	842
682444C2	RING,CAMSHAFT SEAL REAR	12	641006A005	842
682444C2	RING,CAMSHAFT SEAL-REAR	12	641006A005	842
682444C3	RING,CAMSHAFT SEAL-REAR	12	641006A005	842
683774R1	PIN,COTTER DIFF BRG ADJ LK	2	2507920C91	94
683774R1	PIN,COTTER DIFF BRG ADJ LK	14	1696762C91	1304
683774R1	PIN,COTTER DIFF BRG ADJ LK	14	2503395C91	1292
684902C1	BUSHING,PISTON PIN	12	1830617C92	844
686702C1	PLATE, COVER CAMSHAFT BEARING	12	641010L001	1053
686702C1	PLATE,COVER	12	641010L001	1053
687024C1	WASHER, SEAL	12	641007B006	850
687024C1	WASHER,SPECIAL	12	641007B006	850
690835C1	CLAMP OIL FILLER	12	641006M011	903
690835C1	CLAMP,OIL FILLER MTG	12	641006M011	903
691044C1	KEY, VIBRATION DAMPER	12	641007B006	850
691044C1	KEY,WOODRUFF	12	641007B006	850
691273C1	GASKET HOLLOW SCREW	12	641011L019	899
691273C1	GASKET,FITTING	12	641011L019	899
691846C1	TUBE,OIL LEVEL GAUGE	12	641006M011	903
69480R91	BOLT,W/LOCK WASHER	4	0DR90	240
697924R6	FORK,CLUTCH RELEASE	11	06VL5	743
698786R1	BOLT,DIFF THRU SHAFT BRG RET	14	3609621C91	1288
70427R1	BOLT,7/16 X 1-1/4 PHC TYPE 8	11	06VL5	743
72335R1	WASHER,THRUST DIFF SPIDER GEAR	14	1696762C91	1304
72335R1	WASHER,THRUST DIFF SPIDER GEAR	14	2503395C91	1292
7382150162	TIRE,GOODYR. 12R22.5 UNISTL G	17	0HYWQ	1703
752999C1	BRACKET,TORQUE ROD FRAME	14	07RTC	1331
752999C1	BRACKET,TORQUE ROD FRAME	14	07RTF	1330
769578C1	RIVET,4.8 X 11.5MM BREAK MAND	9	3556250C3	687
769578C1	RIVET,4.8 X 11.5MM BREAK MAND	9	3556251C2	691
769578C1	RIVET,4.8 X 11.5MM BREAK MAND	9	3556252C3	689
769578C1	RIVET,4.8 X 11.5MM BREAK MAND	9	3556253C2	693
775698C91	SEAL,OIL REAR WHEEL BRG INNER	17	06M1J	1696
777814C1	BRACKET,BATTERY OR BOX MTG OR	8	3576152F93	388
777937C1	RETAINER,RUBBER HOOK BTRY CVR	8	0HL8D	366
80298R1	BOLT, 7/16-NF X 1-1/2 PHC TYPE	14	3563253C92	1320
80445R1	INSULATOR,AUX TRANS MTG	13	07VS1	1245
864340R1	EXTENSION,CLIP L TYPE	8	0GCJR	371
864439R1	FITTING, NIPPLE	12	641016L002	755
864439R1	NIPPLE,HOSE	12	641016L002	755
864450R1	ELBOW,HOSE GIVE SIZE	16	07TDL	1523
864453R1	NIPPLE,HOSE 45 DEG 3/4 MPT	16	07TDL	1523
864457R1	ELBOW,90DEG 1/2MPT X 1/2 HOSE	12	641016L002	755
864457R1	FITTING, ELBOW 90 DEGREE 1/2" MPT X 1/2"	12	641016L002	755
864459R1	ELBOW,HOSE 3/4 X 1/2	4	06SPT	153
867718R1	SPRING, AXLE SHIFT PUSH ROD	13	3600089C92	1249
867718R1	SPRING, AXLE SHIFT PUSH ROD	14	2503395C91	1292
869707C1	STRAP,CABLE LOCK	16	0G9F8	1388
875522C1	RING,O 7/16 X 5/8 CLASS 3	12	07NDS	859
876106C1	RING,O 1/2 OD TUBE CLASS 8	5	3590828C91	274
876106C1	RING,O 1/2 OD TUBE CLASS 8	5	3590829C91	271
876106C1	RING,O 1/2 OD TUBE CLASS 8	5	3593050C91	273
876108C1	RING,O 1-1/16-12 *STD	5	3590827C91	272
890634R1	PIN, DOWEL AXLE HSG TUBE	2	3556927F91	87

Part Number Index

Part No.	Description	Group	Figure	Page
91081R2	RING,SNAP PINION GEAR BRG	14	1696762C91	1304
91916R91	BREATHER,TRANS 3/8 PTF SHORT	2	3556927F91	87
91916R91	BREATHER,TRANS 3/8 PTF SHORT	13	3600089C92	1249
91916R91	BREATHER,TRANS 3/8 PTF SHORT	14	06XKL	1313
931195R1	BOLT,M10 X 25 PHC CLASS 8.8	8	3576152F93	388
931585R1	BOLT,HH, M6-15MM CLASS 10	4	0H75S	134
931585R1	BOLT,HH, M6-15MM CLASS 10	4	0J0LQ	127
933815R1	WASHER,LOCK 20MM	13	07VS1	1245
933833R1	WASHER,6MM LOCK	12	06VS3	1026
933965R1	WASHER,LOCK 10MM	4	0GBMF	122
933965R1	WASHER,LOCK 10MM	11	06VKP	726
933965R1	WASHER,LOCK 10MM	12	07PJQ	1162
933965R1	WASHER,LOCK 10MM	12	0BHYP	1034
933965R1	WASHER,LOCK 10MM	14	0GNXX	1307
933965R1	WASHER,LOCK 10MM	14	0GRRS	1282
934185R1	WASHER, 16MM LOCK	11	06VKH	737
934309R1	WASHER,8MM HELICAL SPR LOCK	8	06VZJ	411
934309R1	WASHER,8MM HELICAL SPR LOCK	8	3588143F92	601
934310R1	NUT, M8 CLASS 8	8	3588143F92	601
934424R1	RING,RTNG EXTERNAL*STD	11	3532907C91	739
934738R1	BOLT, M16 X 60 PHC CLASS 10.9	14	1696762C91	1304
934810R1	BOLT,HH, M6-16MM CLASS 10	12	06VS3	1026
934871R1	NUT,M5 CLASS 5	8	0HL8D	366
9409931	ELBOW,PIPE 90D 1/8MPTX1/8FPT	12	07SL0	1040
9409949	PLUG,PIPE 3/4 NPT	12	1830346C95	877
9409949	PLUG,PIPE 3/4 NPT	13	3600089C92	1249
9410280	ELBOW,90DEG 9/16 SWIVEL	13	0M6Q2	1255
9410976	ELBOW ELBOW,90 DEG-37 DEG FLARED TUBE 9/ 16-18	12	641011E002	948
9410976	ELBOW,PIPE 90-37D FL TB .56-18	12	1825563C91	933
9410976	ELBOW,PIPE 90-37D FL TB .56-18	12	641011E002	948
9410977	ELBOW,PIPE 1/2 TUBE 3/4-16	5	3590828C91	274
9411105	ELBOW,45 DEGREE	5	3590829C91	271
9411658	NUT,HEX LOCK 5/8 NF	4	0DR90	240
9412230	NUT,HEX LOCK 1/2 NC	3	07W2Z	114
9412230	NUT,HEX LOCK 1/2 NC	8	06PWH	360
9412231	NUT,HEX LOCK 5/8 NC	2	3599758F91	101
9412231	NUT,HEX LOCK 5/8 NC	4	0F12N	221
9412231	NUT,HEX LOCK 5/8 NC	4	3556963F91	226
9413977	NUT,HEX LK 5/16NC	13	0G4JT	1266
9413983	NUT,HEX 3/4 NC LOCK	14	07R21	1326
9413986	NUT,HEX LOCK 1"-8 NC	3	07W2Z	114
9413986	NUT,HEX LOCK 1"-8 NC	14	07R21	1326
9413992	NUT,HEX	8	0HDDK	655
9417866	LAMP	8	1661281C91	663
9417867	LAMP	8	1661281C91	663
981986R91	CLAMP,CABLE OR PIPE	8	0HDDK	655
983622R1	PIN,BRK SHOE ANCHOR	4	2507869C91	217
983622R1	PIN,BRK SHOE ANCHOR	4	2507870C91	219
983622R1	PIN,BRK SHOE ANCHOR	4	3548002C91	244
983622R1	PIN,BRK SHOE ANCHOR	4	3548003C91	248
983622R1	PIN,BRK SHOE ANCHOR	4	3548018C91	246
983622R1	PIN,BRK SHOE ANCHOR	4	3548019C91	250
990016C1	HOSE,W/S WSHR .156 IDX.06 WALL	16	3550838C95	1675
995509R1	TUBING1F	4	3574631C1	157
996205R3	TAPE,PLASTIC ELECTRICAL 3/4"	4	3581370C92	132
A1205Q2591	SEAL,OIL PINION 160/161/164	13	3600089C92	1249
A1245P1030	CLEVIS,SLACK ADJ STR 5/8	4	3556963F91	226

Part Number Index

Part No.	Description	Group	Figure	Page
A2206A1483	TUBE ASSEMBLY	13	3600089C92	1249
A2206U1347	FITTING,TUBE ADAPTER	13	3600089C92	1249
A3202H9992	U-JOINT	2	3556980F91	90
A3226W1479	CAGE,BEARING	13	3600089C92	1249
A43222Z2288	SHOE,BRK W/LINING R301	4	2507869C91	217
A43222Z2288	SHOE,BRK W/LINING R301	4	2507870C91	219
B000000000	HOSE, ASSEMBLY COMPONENTS	4	0LNNN	162
B000000000	HOSE, ASSEMBLY COMPONENTS	4	B000000000	164
B100640000	HOSE,ASSY REH	4	0LNNN	162
BX287368	KIT,MINOR MAINTENANCE	4	2505684C91	202
BX298817N	KNOB,BRAKE VALVE*RED-OCTG TRLR	4	2506188C91	210
BX298818N	KNOB,BRAKE VALVE*YLW-PRK BRAKE	4	2506188C91	210
BX5004654	KIT,WSHR CL PDL SHFT BRKT 50PC	11	3546983F91	735
BX5010948	ELBOW,PUSH/CON 3/8" 90D	4	3596757C91	147
BX5012610	STUD,VALVE MNTG M10 X 1.5	4	3596757C91	147
BX5013664	ELBOW,PUSH/CON 3/8 90D SWVL	4	3596757C91	147
BX5013665	VALVE,CHECK 1/2" 90D	4	3596757C91	147
CAB025	CAB,SHELL EXTND W/V8 OR I6	16	0M56Q	1634
CAB514	CAB,STD TRM EXT I6/V8 TK HY/AR	16	0M58J	1637
FP3920	BEARING,CUP	14	2503395C91	1292
FP52400	BEARING,CONE INNER	2	3556927F91	87
FP52618	BEARING,CUP INNER	2	3556927F91	87
FP52618	BEARING,CUP INNER	17	1699658C91	1686
FP55206C	BEARING,CONE PINION OUTER	14	1696762C91	1304
FP55437	BEARING,CUP	14	1696762C91	1304
FP592A	BEARING,CUP INR WHL	17	1699658C91	1686
FP72212C	BEARING,CONE/ROLLERS	14	1696762C91	1304
FP72212C	BEARING,CONE/ROLLERS	14	2503395C91	1292
FP72487	BEARING,CUP	14	1696762C91	1304
FP72487	BEARING,CUP	14	2503395C91	1292
FPH715311	BEARING,CUP	14	2503395C91	1292
FPH715334	BEARING,CONE INR PINION	14	2503395C91	1292
FPJLM710910	BEARING,CUP	14	2503395C91	1292
FPJLM710949	BEARING,CONE/ROLLERS	14	2503395C91	1292
FPJM511945	BEARING,CONE INPUT SHAFT	14	2503395C91	1292
FPJM716610	BEARING,CUP	14	1696762C91	1304
FPJM716610	BEARING,CUP	14	2503395C91	1292
FPJM716649	BEARING,CONE/ROLLERS	14	1696762C91	1304
FPJM716649	BEARING,CONE/ROLLERS	14	2503395C91	1292
FUL10J06	BALL	13	2507860C91	1261
FUL10J06	BALL	13	3568551F91	1263
FUL10J14	BALL	13	3568552F91	1242
FUL12815	BUSHING,CLUTCH RELEASE FORK SH	13	3549043F91	1234
FUL1313645	BEARING,CUP	13	3568551F91	1263
FUL1C620H	BOLT,W/LOCK WASHER	13	3568551F91	1263
FUL1JM3528	PIN,SHIFT BAR INTERLOCK	13	3568552F91	1242
FUL1JM6028	PIN,SHIFT BAR INTERLOCK	13	3568552F91	1242
FUL201044	PIN,SHIFT,INNER LOCK	13	3568552F91	1242
FUL201398	COVER,PTO OPENING PAD	13	3568551F91	1263
FUL21723	SPRING,CONTROL LEVER	13	3568552F91	1242
FUL21724	SPRING,CONTROL LEVER	13	3568552F91	1242
FUL21736	RING,SNAP SHIFT BLOCK	13	3568552F91	1242
FUL227675	BUSHING,TRANS SHIFT FORK	13	3568552F91	1242
FUL230292	KEY,ALL WOODRUFF SPECIAL	13	3568551F91	1263
FUL233384	STOP,GEAR SHIFT LEVER REV	13	3568552F91	1242
FUL23380	COVER,TRANS BELL HSG	13	3549043F91	1234
FUL235052	PLUG,EXPANSION	13	3568552F91	1242
FUL239433	STUD,TRANS CASE TO FLYWHEEL HS	13	3549040F91	1239

Part Number Index

Part No.	Description	Group	Figure	Page
FUL239436	WASHER,REAR BRG RETAINER BOLT	13	3549040F91	1239
FUL239613	BOLT,P.T.O. COVER	13	3568551F91	1263
FUL239614	BOLT,SPECIAL	13	3568555F91	1273
FUL25E17H	WASHER,CTSHFT FRT BRG	13	3568551F91	1263
FUL3315659	GASKET,MAIN DRIVE GEAR BRG RET	13	3568555F91	1273
FUL3315662	SHIM,.004	13	3549040F91	1239
FUL3315672	SHAFT,REVERSE IDLER GEAR	13	3568551F91	1263
FUL3315673	WASHER,REV IDLER GEAR THRUST	13	3568551F91	1263
FUL3315674	BEARING,NEEDLE ASM	13	3568551F91	1263
FUL3315676	SPACER,AUX CTSHFT BRG	13	3568551F91	1263
FUL3315679	PLUG,SPECIAL TRANS HOLES PIPE	13	3568551F91	1263
FUL3315686	RING,SNAP	13	3568551F91	1263
FUL3315687	WASHER,CTSHFT FRT BRG	13	3568551F91	1263
FUL3315703	BEARING,NEEDLE ASM	13	2507860C91	1261
FUL3315717	RING,SNAP	13	2507860C91	1261
FUL3315719	WASHER,MASHFT GEAR GIVE 4TH OR	13	2507860C91	1261
FUL3315722	BEARING,NEEDLE ASM	13	2507860C91	1261
FUL3315725	RING,PISTON PIN RETAINING	13	2507860C91	1261
FUL3315727	WASHER,MASHFT GEAR GIVE 4TH OR	13	2507860C91	1261
FUL3315728	RING,SNAP	13	2507860C91	1261
FUL3315737	BEARING,NEEDLE ASM	13	2507860C91	1261
FUL3315751	RING,PISTON PIN RETAINING	13	3568551F91	1263
FUL3315757	RETAINER,SHIFT BAR PLUNGER SPG	13	3568552F91	1242
FUL3315765	SPRING,SHIFT BAR PLUNGER OR PO	13	3568552F91	1242
FUL3315770	YOKE,TRANS SHIFT 1ST & 2ND	13	3568552F91	1242
FUL3315772	FORK,SHIFT	13	3568552F91	1242
FUL3315778	BLOCK,SHIFT 1ST/2ND SPEED	13	3568552F91	1242
FUL3315897	FORK,SHIFT REV SPEED	13	3568552F91	1242
FUL3316160	ROTOR,SPEEDO 16 TEETH	13	3568551F91	1263
FUL3316295	WASHER, SPRING BRACKET	13	3568552F91	1242
FUL3316296	PLUNGER	13	3568552F91	1242
FUL3316298	WASHER,TRANS LATCH PLUNGER,	13	3568552F91	1242
FUL3316300	BLOCK	13	3568552F91	1242
FUL4124075	BEARING,NEEDLE ASM	13	2507860C91	1261
FUL4300119	SEAL,OIL MASHFT BRG RET RAWHID	13	3549040F91	1239
FUL4300121	SEAL,OIL DRIVE GEAR BRG RET RA	13	3568555F91	1273
FUL4300301	FITTING,SPECIAL	13	3549043F91	1234
FUL4300854	GASKET,SHIFT BAR HSG	13	3568551F91	1263
FUL4301279	RETAINER, SHIFT BAR	13	3568552F91	1242
FUL4301466	CUP,SYNCHRONIZER	13	2507860C91	1261
FUL4301467	CUP,SYNCHRONIZER	13	2507860C91	1261
FUL4301469	BAR,YOKE REVERSE	13	3568552F91	1242
FUL4301471	BAR,YOKE 3RD/4TH	13	3568552F91	1242
FUL4301474	HUB,CLUTCH REVERSE	13	2507860C91	1261
FUL4301475	HUB,CLUTCH 3RD/4TH	13	2507860C91	1261
FUL4301476	HUB,CLUTCH 5TH/6TH	13	2507860C91	1261
FUL4301491	GEAR,REV IDLER	13	3568551F91	1263
FUL4301492	WASHER,MASHFT THRUST	13	2507860C91	1261
FUL4301607	COVER,CTSHFT REAR BRG	13	3568551F91	1263
FUL4301719	RETAINER, BALL, REV SWITCH	13	3568552F91	1242
FUL4301958	GASKET, SHIFT LEVER HSG	13	3568551F91	1263
FUL4302070	RING,SNAP	13	3568552F91	1242
FUL4302079	RING,SNAP (MULTI-PACK 2)	13	3568552F91	1242
FUL4302356	RETAINER,MAIN DRIVE GEAR BRG	13	3568555F91	1273
FUL4302680	BUSHING,TRAN GEAR	13	3568552F91	1242
FUL4302939	SLEEVE,DETENT	13	3568552F91	1242
FUL4303225	YOKE,ACTUATOR	13	3568552F91	1242
FUL4303238	SHAFT,TRANS COUNTER	13	3569708F91	1277

Part Number Index

Part No.	Description	Group	Figure	Page
FUL4304056	GEAR,CTSHFT 3RD	13	3568551F91	1263
FUL4304057	GEAR,MASHFT 3RD SPEED	13	2507860C91	1261
FUL4304097	GEAR,CTSHFT 4TH	13	3568551F91	1263
FUL4304098	GEAR,MASHFT 4TH SPEED	13	2507860C91	1261
FUL4304323	BRACKET	13	3568552F91	1242
FUL4304536	BAR, YOKE	13	3568552F91	1242
FUL4304537	BAR, YOKE	13	3568552F91	1242
FUL4304539	SHAFT, INPUT	13	3568555F91	1273
FUL4304541	GEAR,TRANS CTSHFT DRIVE	13	3568551F91	1263
FUL4304542	GEAR,TRANS CTSHFT DRIVE	13	3568551F91	1263
FUL4304543	GEAR,MASHFT	13	2507860C91	1261
FUL4304544	GEAR,MASHFT 2ND SPEED	13	2507860C91	1261
FUL4304545	GEAR,MASHFT 1ST SPEED	13	2507860C91	1261
FUL4304547	GEAR,MASHFT REVERSE	13	2507860C91	1261
FUL4304549	SHAFT,TRANS MAIN	13	2507860C91	1261
FUL4304550	CLUTCH,TRANS MASHFT SLIDING	13	2507860C91	1261
FUL4304555	BEARING	13	2507860C91	1261
FUL4304561	BAR,SHIFT 1ST/2ND	13	3568552F91	1242
FUL4304627	BLOCK,SHIFT	13	3568552F91	1242
FUL5557003	BEARING, CONE	13	2507860C91	1261
FUL57000	PLATE,TRANS CASE REAR	13	3568551F91	1263
FUL658981	BEARING, CONE/ROLLERS	13	3568551F91	1263
FUL660181	BEARING CUP	13	3568551F91	1263
FUL675250	BEARING, CUP	13	3568555F91	1273
FUL710787	BEARING, CONE/ROLLERS	13	2507860C91	1261
FUL711123	BEARING, CUP	13	3549040F91	1239
FUL742259	BEARING, CONE/ROLLERS	13	3568555F91	1273
FUL791943	BEARING CONE/ROLLER	13	3568551F91	1263
FULA5231	BLOCK,SHIFT 1ST/REV SPEED	13	3568552F91	1242
FULA5634	HOUSING, TRANS BELL	13	3549043F91	1234
FULA6136	SYNCHRONIZER,TRANS	13	2507860C91	1261
FULA6139	FORK ASSY, 3RD & 4TH	13	3568552F91	1242
FULA6608	SYNCHRONIZER,TRANS	13	2507860C91	1261
FULA6932	SYNCHRONIZER,TRANS	13	2507860C91	1261
FULA6969	YOKE,TRANS SHIFT	13	3568552F91	1242
FULA6974	HOUSING,SHIFT BAR	13	3568552F91	1242
FULK2183	KIT,SHIM TRANSMISSION ASSY	13	3568551F91	1263
FULK3104	PIN,ACTUATOR PIVOT	13	3568552F91	1242
FULK3411	KIT,OUTPUT SHAFT NUT	13	3568551F91	1263
FULK7045	KIT,REAR BRG COVER	13	3549040F91	1239
FULX121207	PLUG PIPE 3/4 MAGD	13	3568551F91	1263
FULX121209	PLUG,SPECIAL TRANS HOLES PIPE	13	3568551F91	1263
FULX12405	PLUG,SPECIAL TRANS HOLES PIPE	13	3568551F91	1263
FULX13206	SCREW TAPPING	13	3568551F91	1263
FULX31000	WASHER,LOCK 5-8	13	3549043F91	1234
FULX81011	BOLT	13	3549043F91	1234
FULX86110	SCREW,3/8-16 X 1 1/4 (PACK 5)	13	3568552F91	1242
FULX8688	BOLT,W/LOCK WASHER	13	3568551F91	1263
FULX8L408	BOLT,SPECIAL	13	3549043F91	1234
GE1156	LAMP,INCANDESCENT 12V	8	3582407C91	665
GE1157	LAMP,INCANDESCENT 12V	8	3582407C91	665
GE193	LAMP,INCANDESCENT 12V	16	3524553C94	1465
GE2122	LAMP,INCANDESCENT 12V	16	3609781C1	1520
GE3157NAKR	LAMP,TURN SIG INCANDESCENT 12V	8	3610437C91	510
GE3157NAKR	LAMP,TURN SIG INCANDESCENT 12V	8	3610438C91	516
GEH5054	LAMP,HALOGEN SEALED BEAM	8	3610437C91	510
GEH5054	LAMP,HALOGEN SEALED BEAM	8	3610438C91	516
H60639000	BRACKET-REBOUND STRAP MTN	14	3563253C92	1320

Part Number Index

Part No.	Description	Group	Figure	Page
HM813810	CUP-TAPER-BRG	13	3600089C92	1249
K301201230	CABLE, BATTERY	8	0GCJR	371
K301403250	CABLE, BATTERY	8	0GCJR	371
KSR2124707Q	KIT, BRAKE SHOES W/ HARDWARE	4	3548002C91	244
KSR2124707Q	KIT, BRAKE SHOES W/ HARDWARE	4	3548003C91	248
KSR2124707Q	KIT, BRAKE SHOES W/ HARDWARE	4	3548018C91	246
KSR2124707Q	KIT, BRAKE SHOES W/ HARDWARE	4	3548019C91	250
KSR2124707Q	KIT, BRAKE SHOES W/ HARDWARE	4	KSR2124707Q	252
KSR3014720Q	KIT, BRAKE SHOES W/HARDWARE	4	2507869C91	217
KSR3014720Q	KIT, BRAKE SHOES W/HARDWARE	4	2507870C91	219
L2643505	HOSE, HEATER	12	641016L002	755
L2643505	HOSE, 1/2"X50' HEATER	12	641016L002	755
LNP852957	DRIVE ASSY	12	3610516C91	1193
NS17706049	NUT&WASHER	16	3558491C92	1507
NS18002753	ELBOW, 90 DEGREE PLASTIC	16	3558491C92	1507
NS22754605	HANDLE-FRT CSH PULL-GREY PLS	16	2595024C91	1497
NS22815201	NUT&WASHER	16	3558491C92	1507
NS22972301	SUPPORT, CHUGGER	16	3558491C92	1507
R106601021	CABLE, BATTERY 0 GA	8	0MRFB	382
R230068	END, ASM TIE ROD LT	2	2601612C91	103
R230069	END, ASM TIE ROD RH	2	2601612C91	103
R306611080	CABLE, BATTERY	8	0GCJR	371
R306B11220	CABLE BATTERY AS FOUND IN CABLE	8	0GCJR	371
R306B11230	CABLE, BATTERY	8	0GCJR	371
R801103	ADJUSTER, BRK SLACK 1.25-24	4	3556963F91	226
R801713	CLEVIS, SLACK ADJ STRAIGHT 5/8	4	3556963F91	226
R802446	ADJUSTER, BRAKE SLACK	4	3548002C91	244
R802446	ADJUSTER, BRAKE SLACK	4	3548018C91	246
R802447	ADJUSTER, BRAKE SLACK	4	3548003C91	248
R802447	ADJUSTER, BRAKE SLACK	4	3548019C91	250
R870020	CHAMBER, BRAKE TYPE 20	4	3556963F91	226
S1612A2	CAPSCREW	13	3600089C92	1249
S1712A2	CAPSCREW	13	3600089C92	1249
S2442	BOLT, CAPSCREW	13	3600089C92	1249
S2710A2	BOLT/CAPSCREW	13	3600089C92	1249
S2714A2	CAPSCREW	13	3600089C92	1249
S2814A2	BOLT, HH BRG CAGE	13	3600089C92	1249
TM34306	BEARING, CONE	2	1676480C91	98
TM34306	BEARING, CONE	2	2507920C91	94
TM34478	BEARING, CUP	2	1676480C91	98
TM34478	BEARING, CUP	2	2507920C91	94
TM3920	BEARING, CUP	14	2503395C91	1292
TM3994	BEARING, CONE	2	1676480C91	98
TM3994	BEARING, CONE	2	2507920C91	94
TM52618	BEARING, CUP	17	3556968F91	1687
TM55200C	BEARING, CONE	2	1676480C91	98
TM55200C	BEARING, CONE	2	2507920C91	94
TM55437	BEARING, CUP	2	1676480C91	98
TM55437	BEARING, CUP	2	2507920C91	94
TM572	BEARING, CUP	17	2003838C94	1692
TM572	BEARING, CUP	17	2014885C93	1694
TM592A	BEARING, CUP	2	3556927F91	87
TM592A	BEARING, CUP	17	2003838C94	1692
TM592A	BEARING, CUP	17	2014885C93	1694
TM592A	BEARING, CUP	17	3556968F91	1687
TM594A	BEARING, CONE OUTER	2	3556927F91	87
TM72212C	BEARING, CONE	14	2503395C91	1292
TM72487	BEARING, CUP	14	2503395C91	1292

Part Number Index

Part No.	Description	Group	Figure	Page
TMH715311	BEARING,CUP	14	2503395C91	1292
TMH715334	BEARING, CONE	14	2503395C91	1292
TMHM212011	BEARING-CUP	13	3600089C92	1249
TMHM212049	BEARING-CONE	13	3600089C92	1249
TMHM804810	BEARING,CUP	2	1676480C91	98
TMHM804810	BEARING,CUP	2	2507920C91	94
TMHM804846	BEARING, CONE	2	1676480C91	98
TMHM804846	BEARING, CONE	2	2507920C91	94
TMJLM104910	BEARING,CUP	14	2503395C91	1292
TMJLM710910	BEARING,CUP	14	2503395C91	1292
TMJLM710949	BEARING, CONE	14	2503395C91	1292
TMJM511910	BEARING,CUP	2	1676480C91	98
TMJM511910	BEARING,CUP	2	2507920C91	94
TMJM511945	BEARING, CONE	14	2503395C91	1292
TMJM716610	BEARING,CUP	14	2503395C91	1292
TMJM716649	BEARING, CONE	14	2503395C91	1292
TMLM104949	BEARING, CONE	14	2503395C91	1292
ZAC200982	PIN,CLEVIS*1/2" DIA.	4	3540368F94	197
ZAC203019	PIN,HAIR COTTER*1/8" DIA.	4	3540368F94	197
ZAC212862	BUSHING,REDUCER*3/8 TO 1/4	4	3548796F91	194
ZAC289061	KIT,REPAIR TRACTOR PROT VLV	4	2506192C91	214
ZAC291126	LUBR	4	2505683C91	204
ZAC291126	LUBR	4	2505684C91	202
ZAC291126	LUBR	4	2506078C91	208
ZAC291935	SCREW,MACHINE*5/16-18X.75	4	3540368F94	197
ZAC292247	SCREW,1/4-20 PAN HEAD	4	3540368F94	197
ZAC292247	SCREW,1/4-20 PAN HEAD	5	2505690C91	280
ZAC5002741	KIT,REPAIR HND CNT VLV MV3	4	2506188C91	210
ZAC5002742	KIT,REPAIR HAND CONT-SHUTTLE	4	2506188C91	210
ZAJ9002001	KIT-NUT & WASHER 5/8NC	4	3566654C91	223
ZAJ9003001	KIT-CLAMP BOLT / NUTS-3/8	4	3566654C91	223
ZAJ9007003	KIT,RELEASE BOLT*BRK CHAMBER	4	3566654C91	223
ZAJ9065002	KIT-CENTER HOLE SHIELD	4	3566654C91	223
ZAK2296211	WASHER,FLAT SPL .531 X 1.062	14	3563253C92	1320
ZAK2296220	PLATE,REBOUND STRAP MTG	14	3563253C92	1320
ZBR3600AX	DRUM-BRAKE 16.5X7 BAL 1PC	17	2003838C94	1692
ZBR3600AX	DRUM-BRAKE 16.5X7 BAL 1PC	17	2014885C93	1694
ZLNA0091028	BRUSH HOLDER	8	3610514C91	362
ZLNA0111050	REAR HSNG ASM	8	3610514C91	362
ZLNA0201034	ROTOR	8	3610514C91	362
ZLNA0221034	STATOR W TERM	8	3610514C91	362
ZLNA0310965	CAPACITOR ASM	8	3610514C91	362
ZLNA0381013	REAR COVER	8	3610514C91	362
ZLNA0411029	FAN-CLOCKWISE	8	3610514C91	362
ZLNA0511047	LEADFRAME-NEG KIT	8	3610514C91	362
ZLNA1161014	KIT-AC STUD	8	3610514C91	362
ZLNA1410346	FRT HOUSING SPACR, BEARING RET	8	3610514C91	362
ZLNK1831047	OVERHAUL KIT-4800IN S	8	3610514C91	362
ZLNK2121047	HARDWARE KIT-4800IN S	8	3610514C91	362
ZLNR2401034	CREGULATOR W/LEADS	8	3610514C91	362
ZLNZ1151026	POSITIVE STUD-BOLT	8	3610514C91	362