

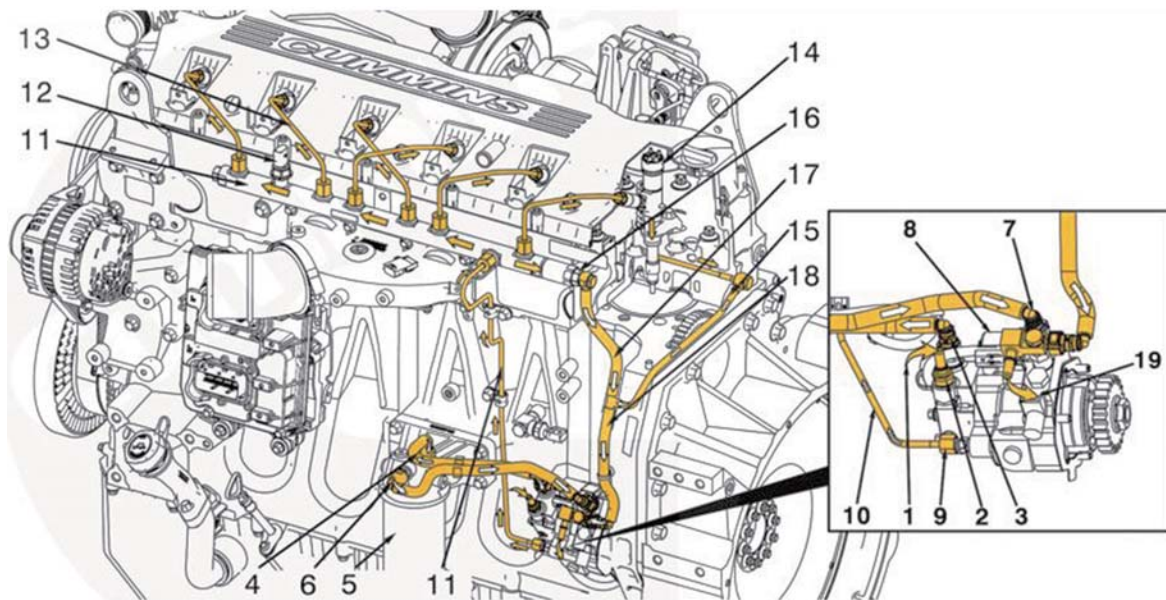
SECTION 2 ENGINE

Group 1 Structure and Function	2-1
Group 2 Engine speed and Stall rpm	2-8

SECTION 2 ENGINE

GROUP 1 STRUCTURE AND FUNCTION

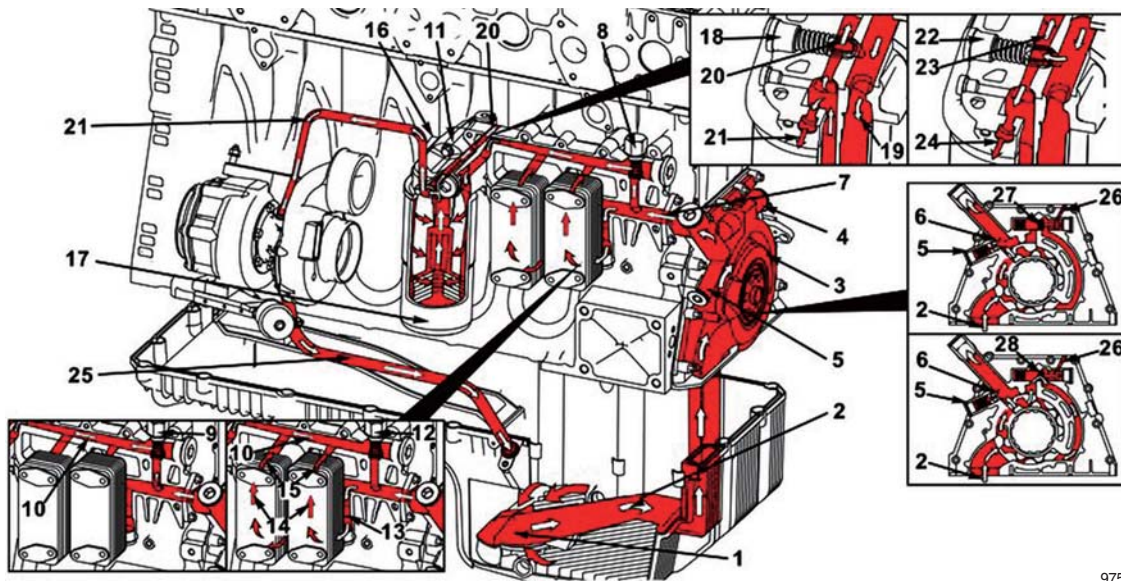
1. FUEL SYSTEM



9752EG03

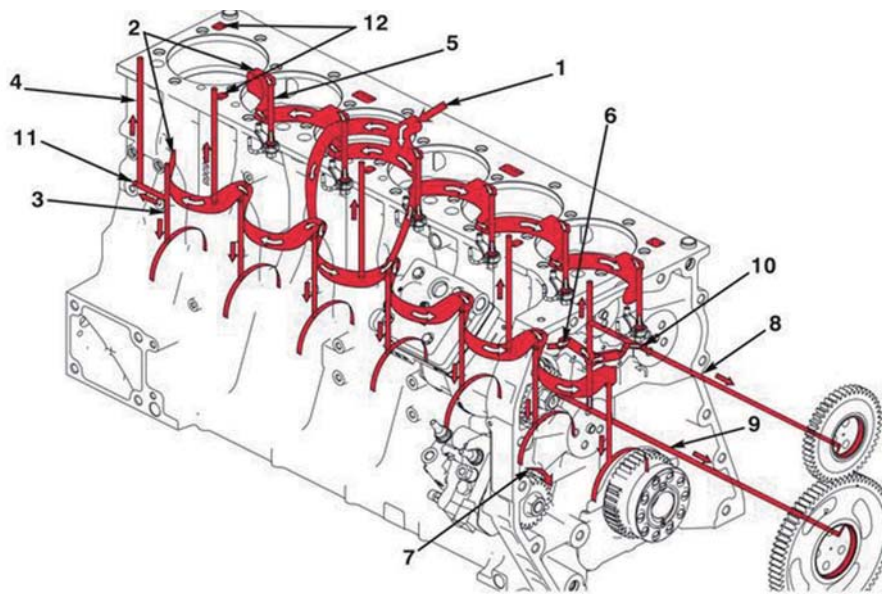
- | | | | |
|----|--|----|----------------------------------|
| 1 | Fuel supply - from suction side filter | 11 | Fuel rail |
| 2 | Fuel pump gear pump inlet | 12 | Fuel rail pressure sensor |
| 3 | Fuel pump gear pump outlet | 13 | Injector supply lines |
| 4 | Pressure side fuel filter inlet | 14 | Injectors |
| 5 | Pressure side fuel filter | 15 | Fuel drain from injectors |
| 6 | Pressure side fuel filter outlet | 16 | Fuel pressure relief valve |
| 7 | High pressure fuel pump inlet | 17 | Fuel pressure relief valve drain |
| 8 | Fuel pump actuator | 18 | Fuel drain line |
| 9 | High pressure fuel pump outlet | 19 | Fuel return to tank. |
| 10 | Fuel rail supply line | | |

2. LUBRICATING OIL SYSTEM



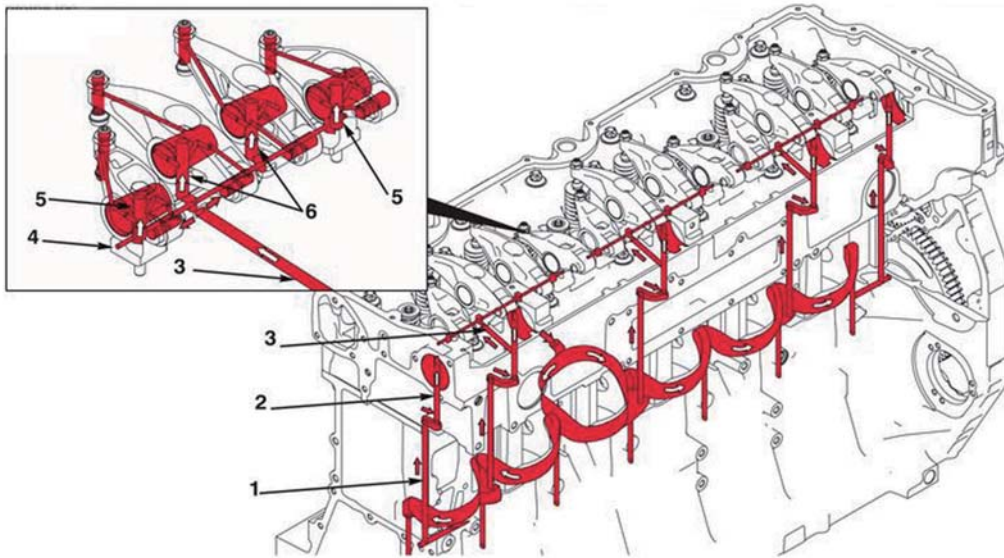
9752EG04

- 1 Flow from oil pan through suction tube
- 2 Flow from suction tube to lubricating oil pump
- 3 Lubricating oil pump
- 4 Lubricating oil pressure regulator valve
- 5 Lubricating oil high-pressure relief valve
- 6 Lubricating oil return to oil pan
- 7 Lubricating oil flow from lubricating oil pump to lubricating oil cooler module
- 8 Lubricating oil thermostat
- 9 Flow with lubricating oil thermostat open
- 10 Lubricating oil flow from lubricating oil cooler module main oil rifle to lubricating oil filter head
- 11 Lubricating oil filter head
- 12 Flow with lubricating oil thermostat closed
- 13 Lubricating oil flow to oil cooler
- 14 Lubricating oil flow through oil cooler elements
- 15 Lubricating oil flow from lubricating oil cooler to lubricating oil cooler main oil rifle
- 16 Lubricating oil filter bypass valve
- 17 Lubricating oil filter
- 18 Flow with lubricating oil filter bypass valve closed
- 19 Lubricating oil flow from filter head to filter
- 20 Filtered lubricating oil flow to engine block main oil rifle
- 21 Filtered lubricating oil flow to turbocharger
- 22 Flow with lubricating oil filter bypass valve open
- 23 Unfiltered lubricating oil flow to engine block main oil rifle
- 24 Unfiltered lubricating oil flow to turbocharger
- 25 Lubricating oil drain from turbocharger
- 26 Block oil rifle pressure sensing channel
- 27 Flow with pressure regulator valve closed
- 28 Flow with pressure regulator valve open



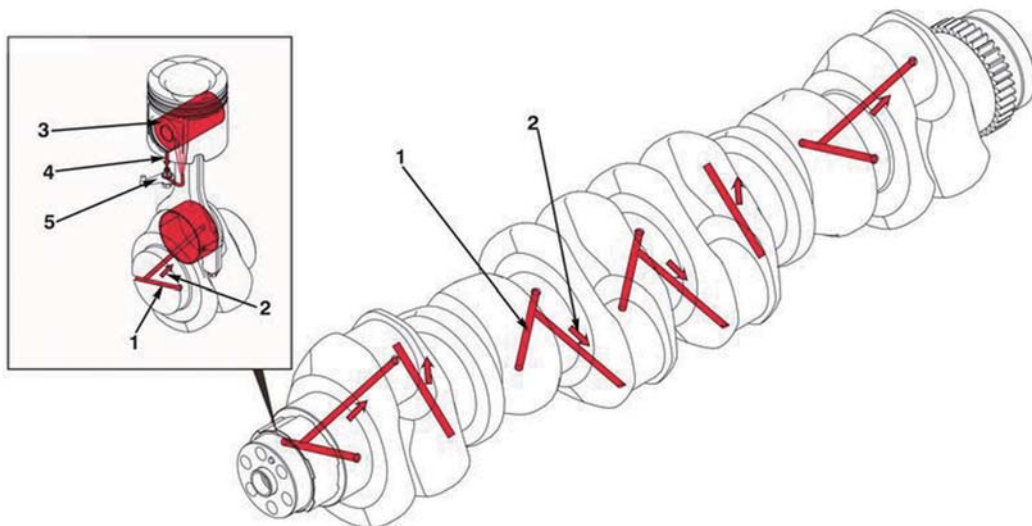
9752EG4-1

- 1 Lubricating oil flow from lubricating oil filter head to engine block main oil rifle
- 2 Main oil rifle
- 3 Flow to main bearings
- 4 Flow to cylinder head
- 5 Flow to piston cooling nozzle
- 6 Flow to air compressor
- 7 Flow to fuel pump
- 8 Flow to camshaft idler gear
- 9 Flow to crankshaft idler gear
- 10 Flow to REPTO idler gear (if applicable)
- 11 Block oil rifle pressure sensing channel
- 12 Oil drain to lubricating oil pan.



9752EG4-2

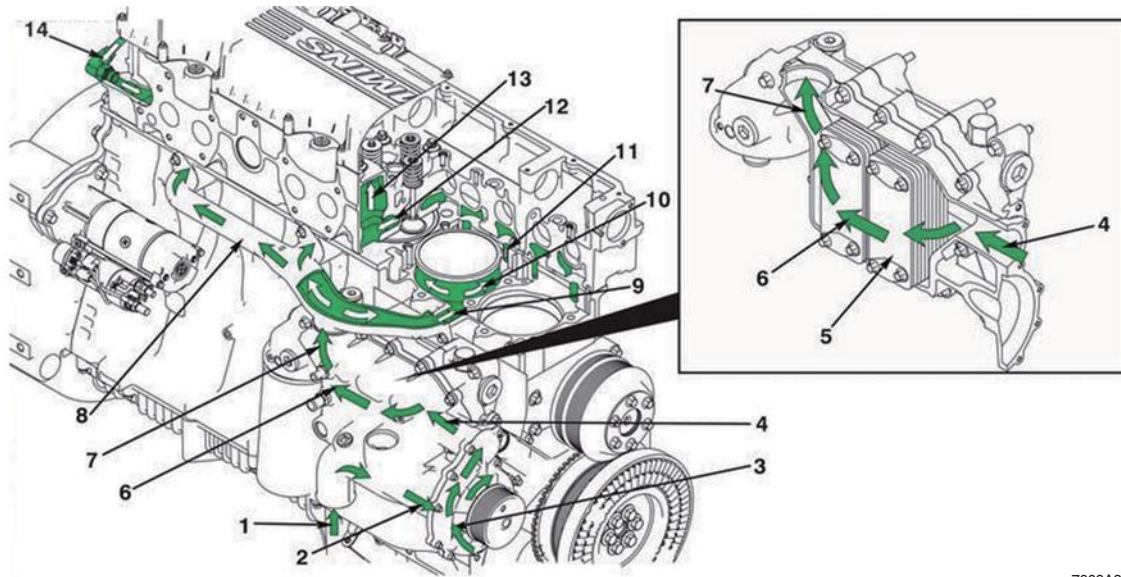
- 1 Flow from cylinder block to cylinder head
- 2 Flow to camshaft bushings
- 3 Flow to rocker lever shafts
- 4 Rocker lever shaft
- 5 Flow from rocker lever shaft to intake rocker levers
- 6 Flow from rocker lever shaft to exhaust rocker levers.



9752EG4-3

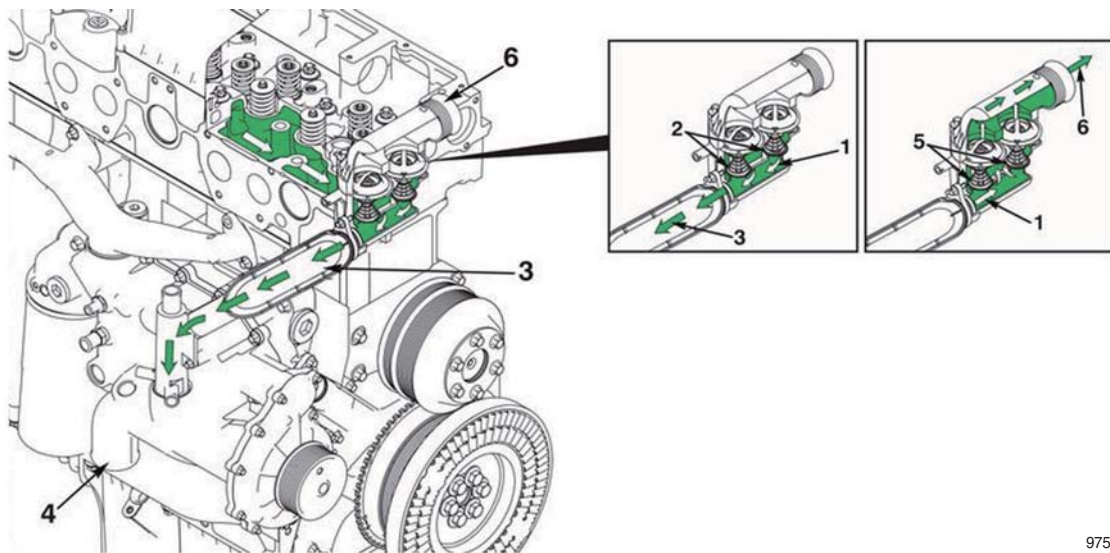
- 1 Main bearing flow from oil rifle
- 2 Flow to crankshaft connecting rod bearing
- 3 Piston pin
- 4 Flow from oil rifle to piston cooling nozzle
- 5 Piston cooling nozzle

3. COOLING SYSTEM



7609A2EG16

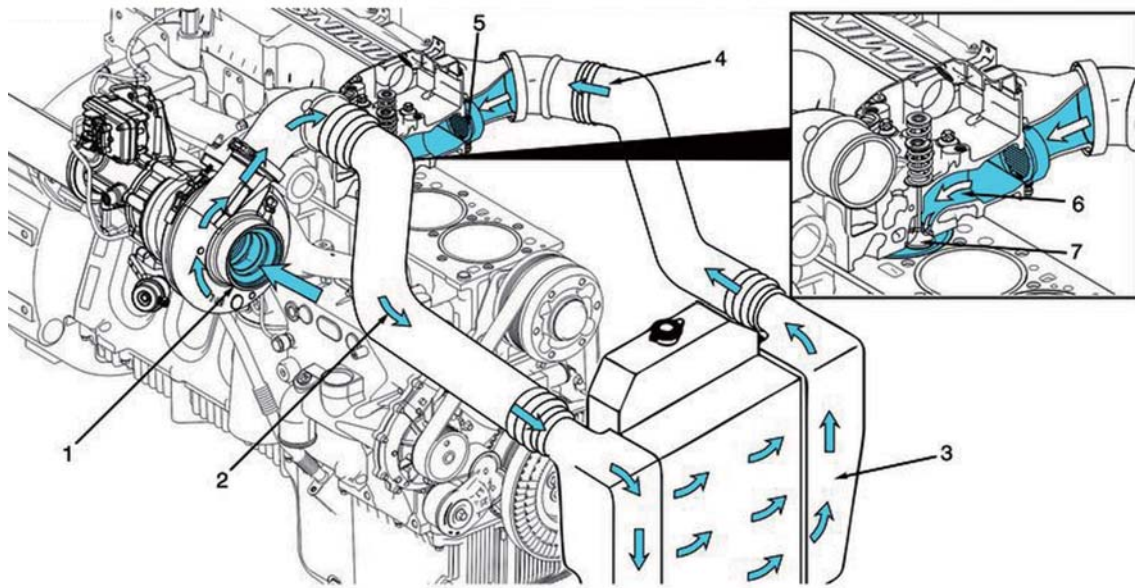
- | | |
|---|--|
| 1 Coolant from radiator | 9 Coolant flow from coolant manifold to cylinder block |
| 2 Coolant flow to water pump | 10 Coolant flow around cylinders |
| 3 Water pump | 11 Coolant flow from cylinder block to lower cylinder head |
| 4 Coolant flow from water pump to oil cooler module | 12 Coolant flow to upper cylinder head |
| 5 Oil cooler element | 13 Coolant flow to rocker lever housing |
| 6 Coolant flow around oil cooler element | 14 Coolant flow from air compressor return line to cylinder head |
| 7 Coolant flow from oil cooler module to coolant manifold | |
| 8 Coolant manifold | |



9752EG5-1

- | | |
|--|----------------------------|
| 1 Coolant flow from rocker lever housing | 4 Coolant inlet connection |
| 2 Thermostat closed | 5 Thermostat open |
| 3 Coolant flow through bypass tube to coolant inlet connection | 6 Coolant flow to radiator |

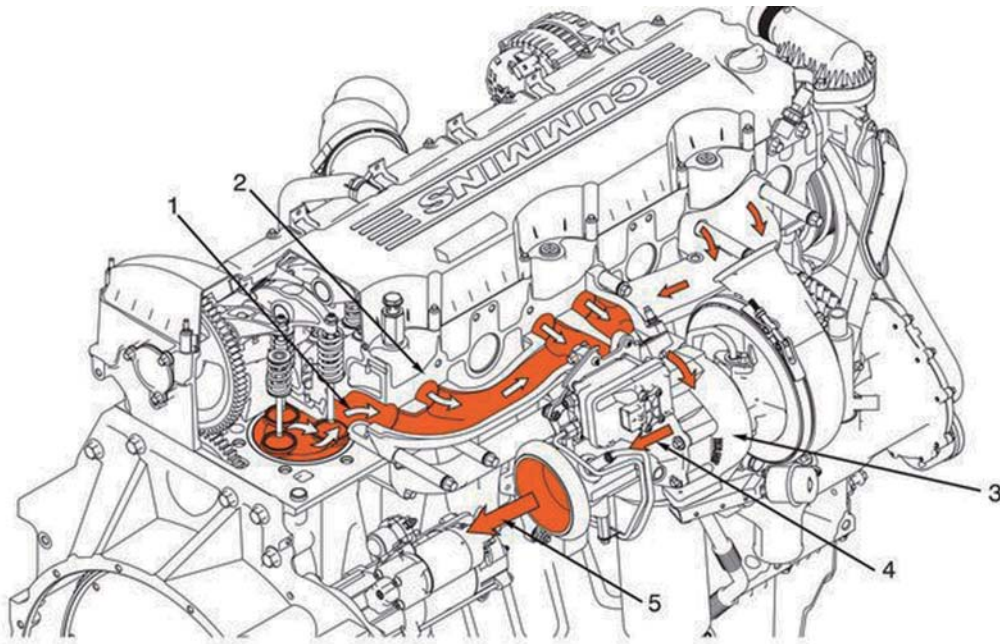
4. AIR INTAKE SYSTEM



9752EG06

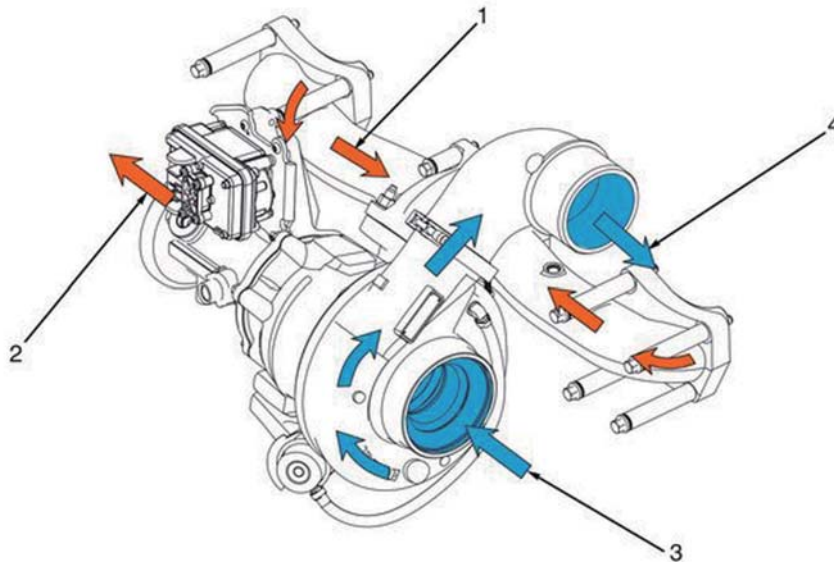
- | | | | |
|---|---|---|-------------------|
| 1 | Intake air inlet to turbocharger | 5 | Cold starting aid |
| 2 | Turbocharger air to charge-air cooler | 6 | Intake port |
| 3 | Charge-air cooler | 7 | Intake valve |
| 4 | From charge-air cooler to intake air connection | | |

5. EXHAUST SYSTEM



9752EG07

- | | | | |
|---|-------------------------------|---|--------------------------------------|
| 1 | Exhaust flow from cylinder | 4 | Exhaust pressure regulator |
| 2 | Exhaust manifold (pulse type) | 5 | Flow from exhaust pressure regulator |
| 3 | Dual-entry turbocharger | | |



9752EG06-1

- | | |
|---|---|
| 1 | Exhaust gas inlet to turbocharger turbine housing |
| 2 | Exhaust gas outlet from exhaust pressure regulator |
| 3 | Intake air inlet to turbocharger compressor housing |
| 4 | Intake air outlet from compressor housing |

GROUP 2 ENGINE SPEED & STALL RPM

1. TEST CONDITION

- 1) Normal temperature of the whole system
 - Coolant : Approx 80°C (176°F)
 - Hydraulic oil : 45 ± 5°C (113 ± 10°F)
 - Transmission oil : 70 ± 5°C (128 ± 10°F)
- 2) Normal operating pressure : See page 6-57.

2. SPECIFICATION

Engine speed (P mode), rpm				Fan motor	Remark
Low idle	Low idle (gear engage)	High idle	Pump stall		
800±25	900±25	1800±50	1780±50	850±50	

3. ENGINE RPM CHECK

Remark : If the checked data is not normal, it indicates that the related system is not working properly. Therefore, it is required to check the related system pressure : See page 6-57.

Pump stall rpm

- Start the engine and raise the bucket approx 45 cm (1.5 ft) as the figure.
- Press the accelerator pedal fully and operate the bucket control lever to the retract position fully.
- Check the engine rpm at the above condition.

