

FIG. 0101 CYLINDER HEAD

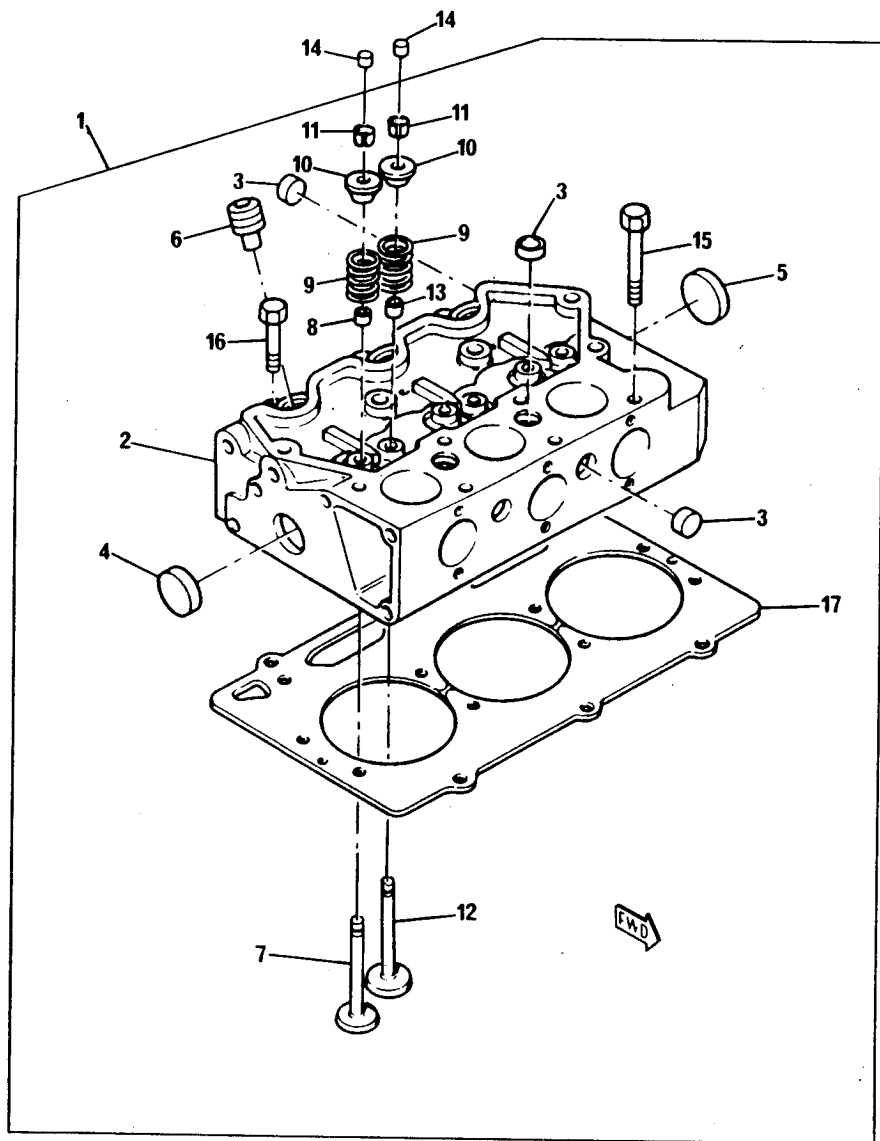


FIG. N°. :0101

INDEX N°.	PART N°.	DESCRIPTION	Q.TY	SERIAL N°. KC80462
—	PK871120102	ENGINE ASSY.	1	J30479T -
1	PK111086010	KIT, CYLINDER HEAD	1	J30479T -
2	PK111086010	CYLINDER HEAD	1	J30479T -
3	PK064200018	PLUG	6	J30479T -
4	PK064200015	PLUG	2	J30479T -
5	PK064200030	PLUG	2	J30479T -
6	PK111316260	INSERT	3	J30479T -
7	PK120166240	VALVE INLET	3	J30479T -
8	PK120406070	SEAL (KIT)	3	J30479T -
9	PK198216700	SPRING	6	J30479T -
10	PK120186080	CAP	6	J30479T -
11	PK120226070	COTTER	12	J30479T -
12	PK120176250	VALVE EXHAUST	3	J30479T -
13	PK120406050	SEAL (KIT)	3	J30479T -
14	PK120216040	CAP	6	J30479T -
15	PK111136230	SCREW	11	J30479T -
16	PK111136240	SCREW	3	J30479T -
17	PK111147240	GASKET (KIT)	1	J30479T -

FIG. 0111 ROCKER SHAFT

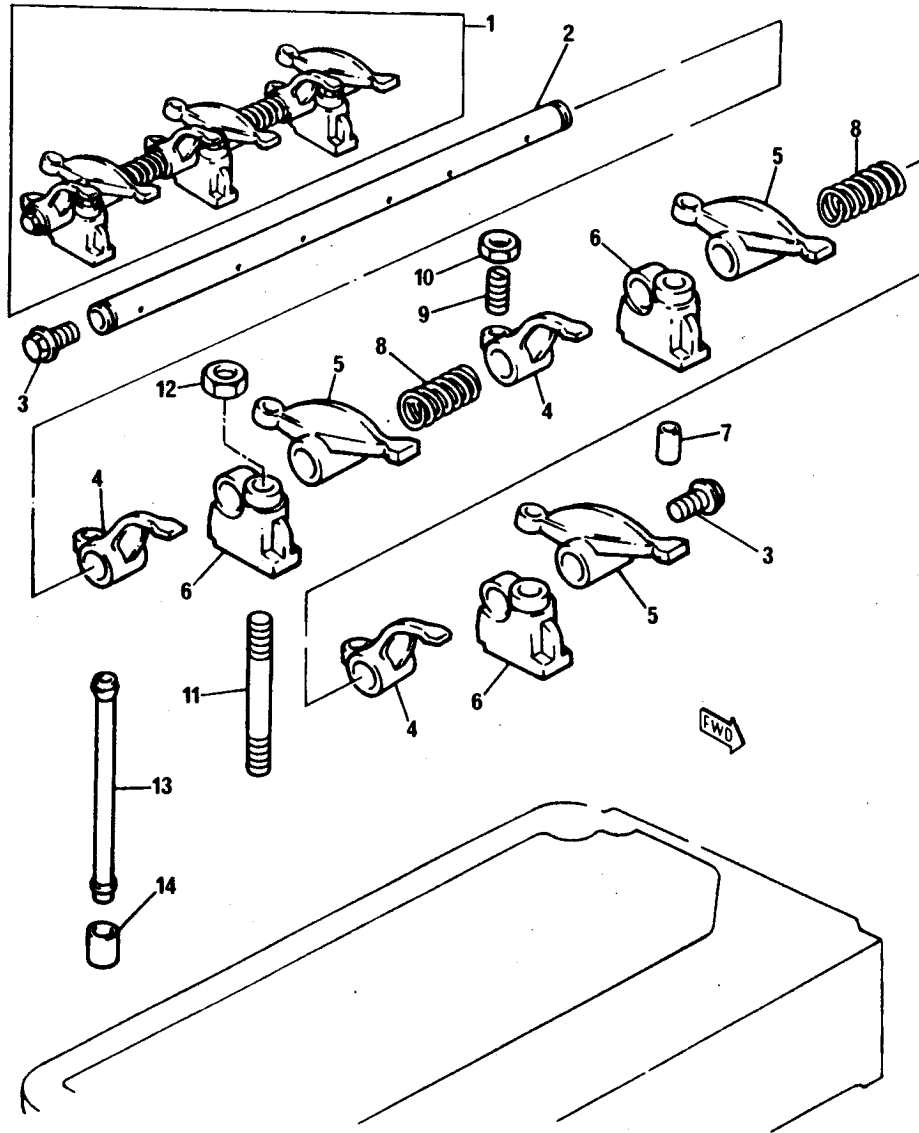


FIG. N° .0111

INDEX N°.	PART N°.	DESCRIPTION	Q.TY	SERIAL N° KC80462
1	PK120336010	ROCKER SHAFT ASSY.	1	J30479T -
2	PK120316171	. ROCKER SHAFT	1	J30479T -
3	PK064609006	. PLUG	2	J30479T -
4	PK120366162	. LEVER	3	J30479T -
5	PK120366152	. LEVER	3	J30479T -
6	PK120346170	. BRACKET	3	J30479T -
7	PK030300325	. PIN	1	J30479T -
8	PK198216780	. SPRING	2	J30479T -
9	PK199486220	. ADJUSTING SCREW	6	J30479T -
10	PK020109076	. NUT	6	J30479T -
11	PK012109177	STUD	3	J30479T -
12	PK023100008	NUT	3	J30479T -
13	PK120456201	ROD	6	J30479T -
14	PK120116100	TAPPET	6	J30479T -

FIG. 0115 LUBRICATING OIL FILLER AND BREATHER

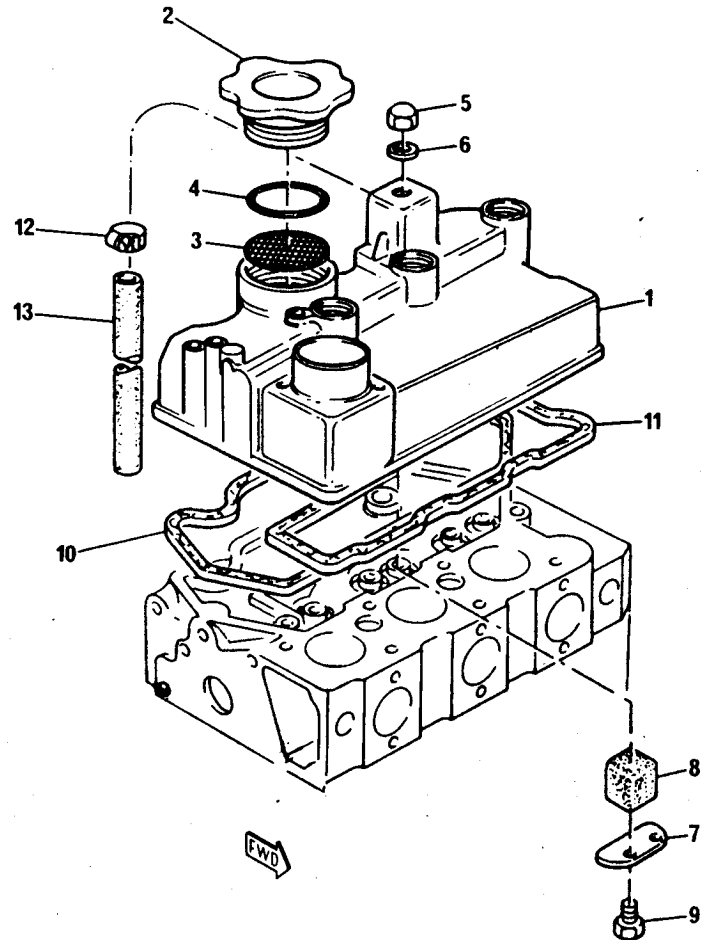


FIG. N° :0115

INDEX N°.	PART N°.	DESCRIPTION	Q.TY	SERIAL N° KC80462
1	PK111026431	COVER	1	J30479T -
2	PK198436010	CAP	1	J30479T -
3	☆	PLATE	1	J30479T -
4	PK052100400	SEAL	1	J30479T -
5	PK024500008	NUT	3	J30479T -
6	PK198996060	WASHER	3	J30479T -
7	PK110666050	PLATE	1	J30479T -
8	PK110666060	GAUZE	1	J30479T -
9	PK011300612	BOLT	2	J30479T -
10	PK052109061	JOINT (KIT)	1	J30479T -
11	PK111996271	JOINT (KIT)	1	J30479T -
12	PK198346090	CLIP	1	J30479T -
13	PK068122560	HOSE	1	J30479T -

FIG. 0120 EXHAUST MANIFOLD

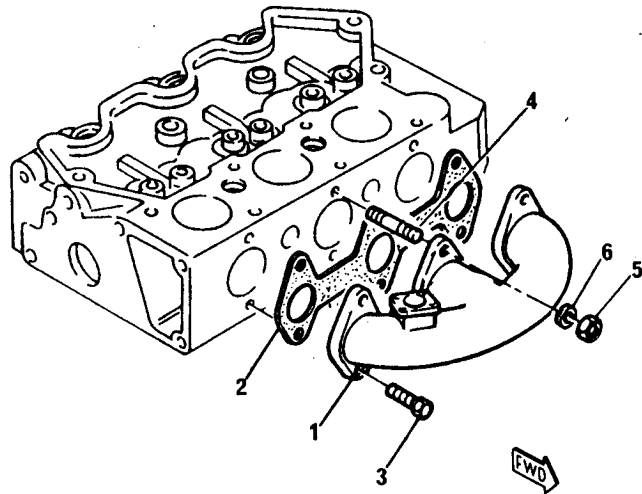


FIG. N° :0120

INDEX N°.	PART N°.	DESCRIPTION	Q.TY	SERIAL N° KC80462
1	PK135616342	EXHAUST MANIFOLD	1	J30479T -
2	PK135996541	JOINT (KIT)	1	J30479T -
3	PK011310625	SCREW	3	J30479T -
4	PK012110625	STUD	3	J30479T -
5	PK020100006	NUT	3	J30479T -
6	PK027100006	WASHER	3	J30479T -

FIG. 0201 CYLINDER BLOCK

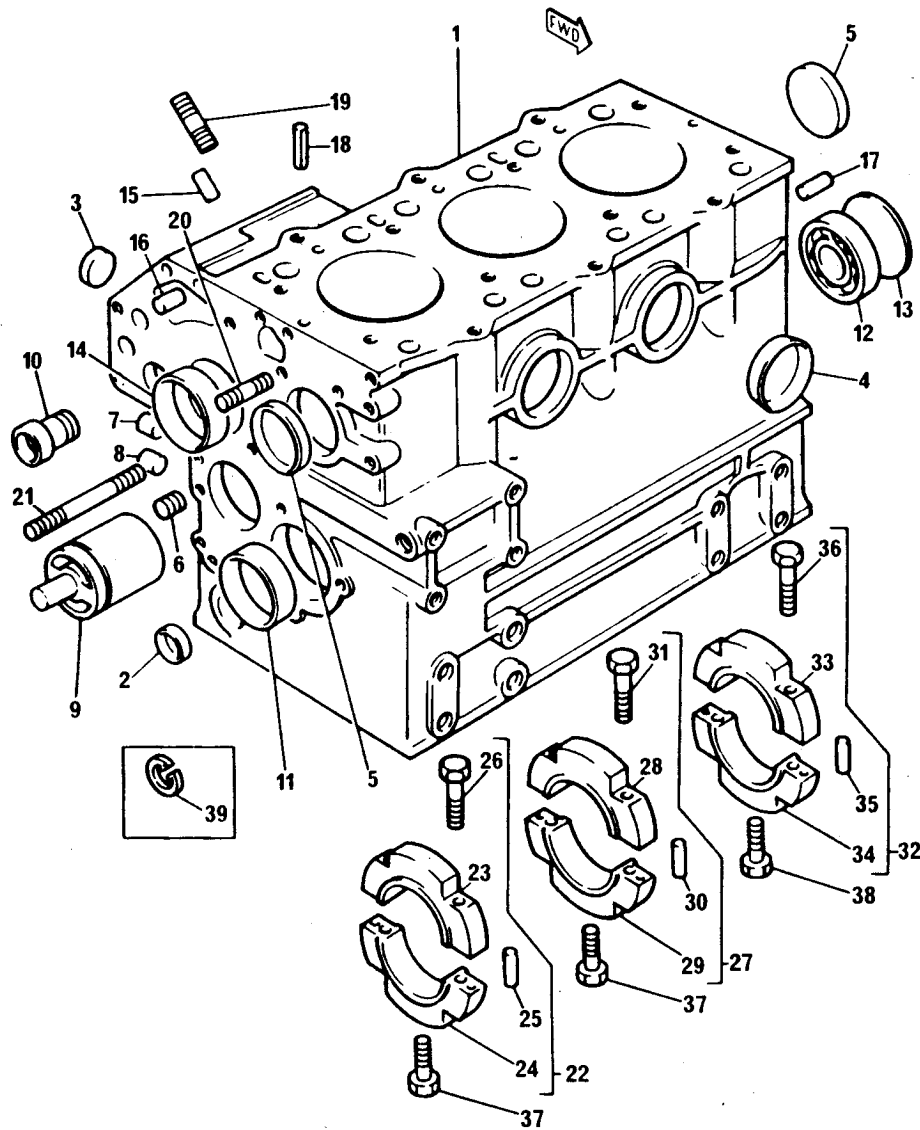


FIG. N° .0201

INDEX N°.	PART N°.	DESCRIPTION	Q.TY	SERIAL N° KC80462
1	PK110186010	KIT, CYLINDER BLOCK	1	J30479T -
2	PK064200015	PLUG	1	J30479T -
3	PK064200025	PLUG	1	J30479T -
4	PK064200035	PLUG	2	J30479T -
5	PK064200040	PLUG	2	J30479T -
6	PK198466050	PLUG	1	J30479T -
7	PK198466030	PLUG	4	J30479T -
8	PK198466010	PLUG	4	J30479T -
9	PK165296140	HUB	1	J30479T -
10	PK198517090	BUSH	1	J30479T -
11	PK198517080	BUSH (→) 0.25 mm	1	J30479T -
	PK198517084	BUSH (→) 0.50 mm	AR	J30479T -
	PK198517087	BUSH	AR	J30479T -
12	PK040106203	BEARING	1	J30479T -
13	PK064100045	PLUG	1	J30479T -
14	PK042303015	BUSH	1	J30479T -
15	PK030500512	DOWEL	2	J30479T -
16	PK030500616	DOWEL	2	J30479T -
17	PK030501025	DOWEL	2	J30479T -
18	PK030309005	PIN	2	J30479T -
19	PK012100620	STUD	2	J30479T -
20	PK012100635	STUD	1	J30479T -
21	PK012100660	STUD	1	J30479T -
22	PK110156111	BEARING CAP	1	J30479T -
23	☆	CAP	1	J30479T -
24	☆	CAP	1	J30479T -
25	PK030500612	DOWEL	2	J30479T -
26	PK010810840	SCREW	2	J30479T -
27	PK110156121	BEARING CAP	1	J30479T -
28	☆	CAP	1	J30479T -
29	☆	CAP	1	J30479T -
30	PK030500612	DOWEL	2	J30479T -
31	PK010810840	SCREW	2	J30479T -
32	PK110156131	BEARING CAP	1	J30479T -
33	☆	CAP	1	J30479T -
34	☆	CAP	1	J30479T -
35	PK030500612	DOWEL	2	J30479T -
36	PK010810840	SCREW	2	J30479T -
37	PK011310850	SCREW	1	J30479T -
38	PK010700845	SCREW	2	J30479T -
39	PK036509005	CIRCLIP	1	J30479T -

FIG. 0207 TIMING GEAR AND CAMSHAFT

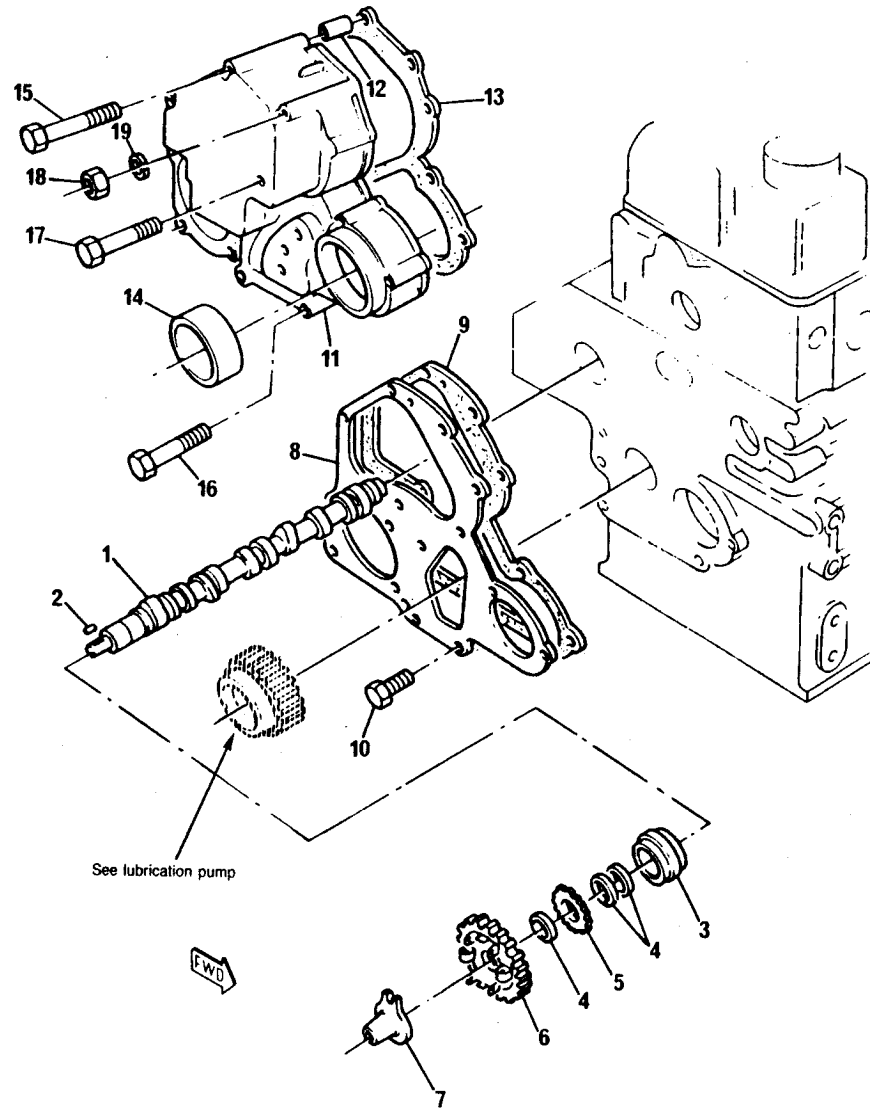
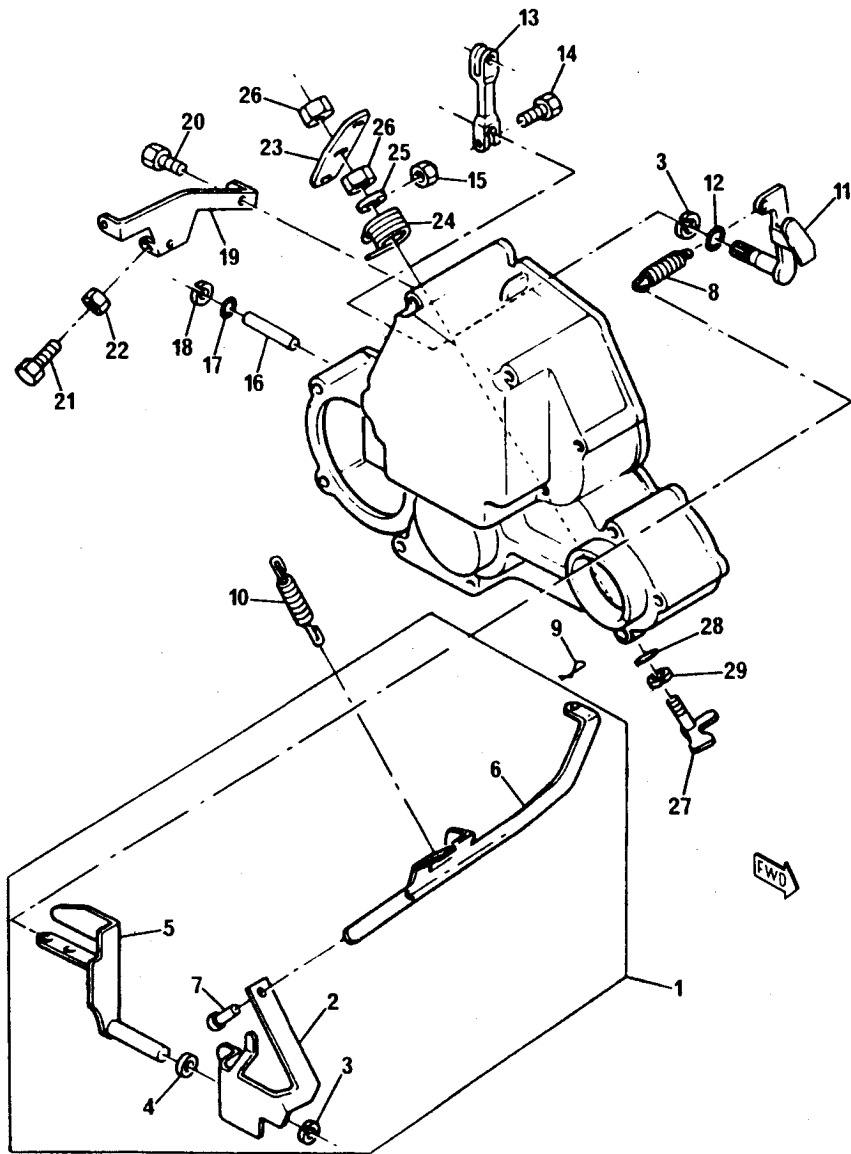


FIG. N° :0207

INDEX N°.	PART N°.	DESCRIPTION	Q.TY	SERIAL N° KC80462
1	PK120026090	CAMSHAFT	1	J30479T -
2	PK034100508	. KEY	1	J30479T -
3	PK040109048	. BEARING	1	J30479T -
4	PK199216230	. SPACER	3	J30479T -
5	PK120736081	. GEAR	1	J30479T -
6	PK120016001	. GEAR	1	J30479T -
7	PK125256120	. TAPPET	1	J30479T -
8	PK165166181	PLATE	1	J30479T -
9	PK165996300	JOINT (KIT)	1	J30479T -
10	PK011140612	SCREW	3	J30479T -
11	PK165106290	CASE	1	J30479T -
12	PK030300414	. PIN	1	J30479T -
13	PK165996310	JOINT (KIT)	1	J30479T -
14	PK198636090	SEAL	1	J30479T -
15	PK011300680	SCREW	2	J30479T -
16	PK011300640	SCREW	5	J30479T -
17	PK011300660	SCREW	4	J30479T -
18	PK020100006	NUT	1	J30479T -
19	PK027100006	WASHER	1	J30479T -

FIG. 0208 TIMING GEAR AND CAMSHAFT

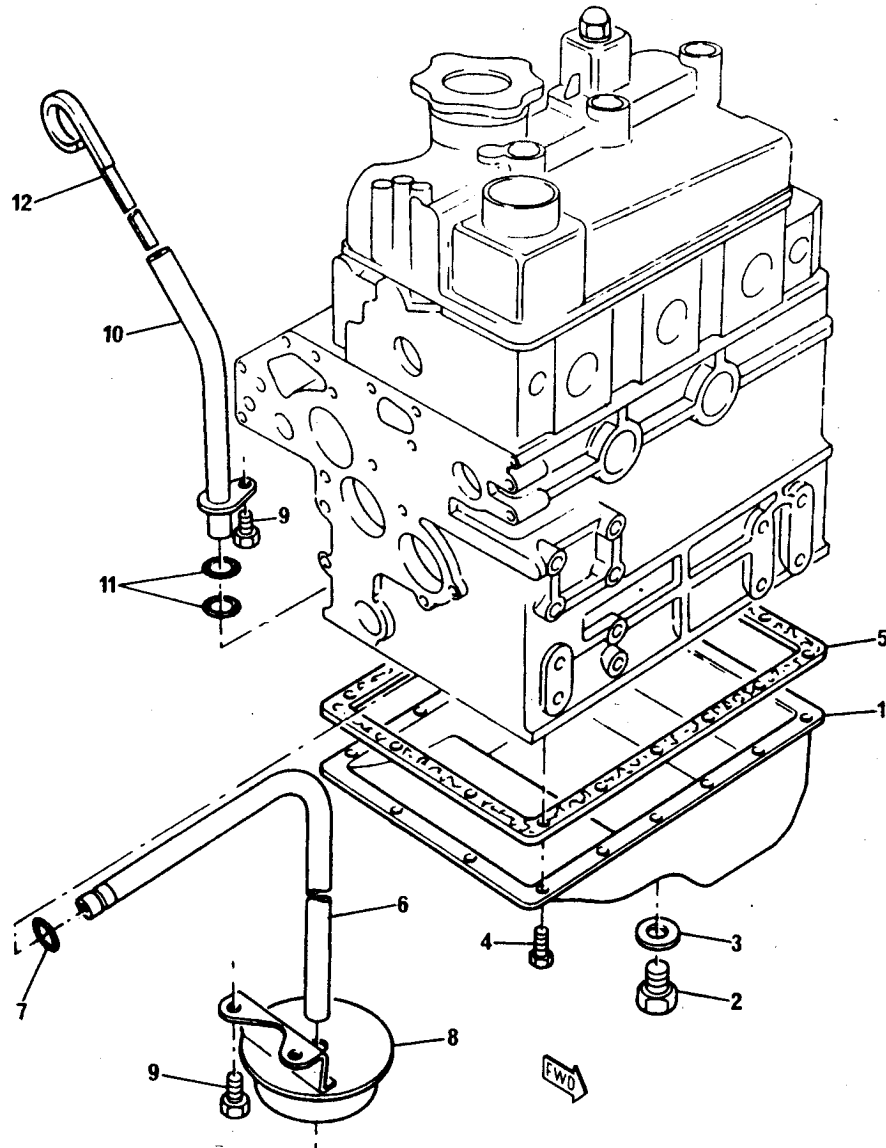
FIG. N°. :0208



INDEX N°.	PART N°.	DESCRIPTION	Q.TY	SERIAL N° KC80462
1	PK125046160	LEVER	1	J30479T -
2	☆	LEVER	1	J30479T -
3	PK036800008	CIRCLIP	2	J30479T -
4	PK026200010	WASHER	1	J30479T -
5	PK125406071	LEVER	1	J30479T -
6	☆	LINK	1	J30479T -
7	☆	PIN	1	J30479T -
8	PK198217200	SPRING	1	J30479T -
9	PK031100004	PIN	1	J30479T -
10	PK198216731	SPRING	1	J30479T -
11	PK125156170	ARM	1	J30479T -
12	PK052100070	O-RING	1	J30479T -
13	PK125416020	LEVER	1	J30479T -
14	PK010110630	SCREW	1	J30479T -
15	PK020100006	NUT	1	J30479T -
16	PK125116130	SHAFT	1	J30479T -
17	PK052100030	O-RING	1	J30479T -
18	PK036800005	CIRCLIP	1	J30479T -
19	PK125976120	STAY	1	J30479T -
20	PK011300616	SCREW	2	J30479T -
21	PK010109264	SCREW	2	J30479T -
22	PK023100006	NUT	2	J30479T -
23	PK125176071	LEVER	1	J30479T -
24	PK198216760	SPRING	1	J30479T -
25	PK026200008	WASHER	1	J30479T -
26	PK020300008	NUT	2	J30479T -
27	PK125156180	ARM	1	J30479T -
28	PK052100050	O-RING	1	J30479T -
29	PK036800006	CIRCLIP	1	J30479T -

FIG. 0212 LUBRICATING OIL SUMP

FIG. N° :0212



INDEX N°.	PART N°.	DESCRIPTION	Q.TY	SERIAL N° KC80462
1	PK110706850	SUMP	1	J30479T -
2	PK010401212	PLUG (EXCEPT TBG)	1	J30479T -
	20M-01-R2071	PLUG (ONLY FOR TBG)	1	J30479T -
3	PK025100012	WASHER	1	J30479T -
4	PK010109235	SCREW	20	J30479T -
5	PK110996491	JOINT (KIT)	1	J30479T -
6	PK140986480	PIPE	1	J30479T -
7	PK052109076	O-RING	1	J30479T -
8	PK140406270	STRAINER	1	J30479T -
9	PK011300612	BOLT	3	J30479T -
10	PK110756201	TUBE	1	J30479T -
11	PK052100100	O-RING	2	J30479T -
12	PK198416371	DIPSTICK	1	J30479T -



FIG. 0221 FLYWHEEL AND STARTER RING

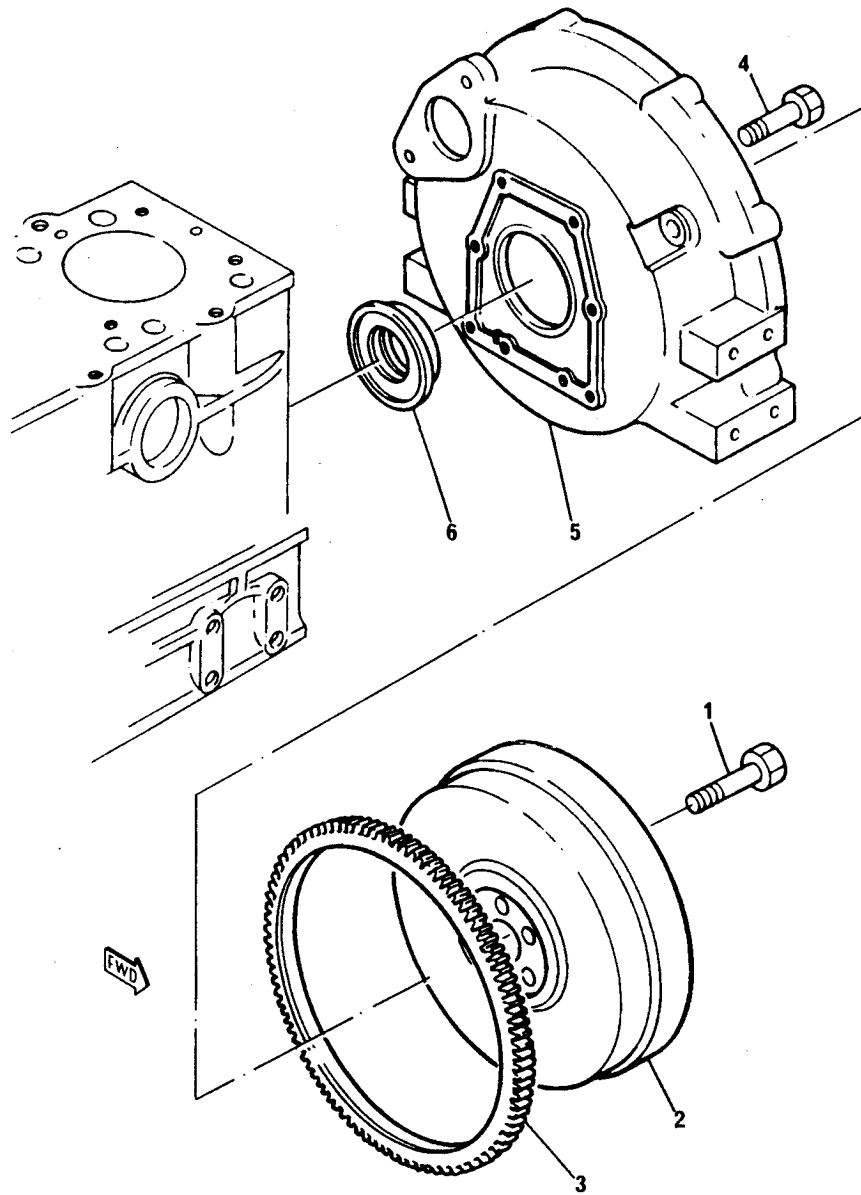


FIG. N° :0221

INDEX N°.	PART N°.	DESCRIPTION	Q.TY	SERIAL N° KC80462
1	PK010109340	SCREW	6	J30479T -
2	PK115357230	FLYWHEEL	1	J30479T -
3	PK115376130	STARTER RING	1	J30479T -
4	PK010111020	SCREW	8	J30479T -
5	PK110446441	FLYWHEEL HOUSING	1	J30479T -
6	PK198636080	SEAL	1	J30479T -

FIG. 0231 CRANKSHAFT

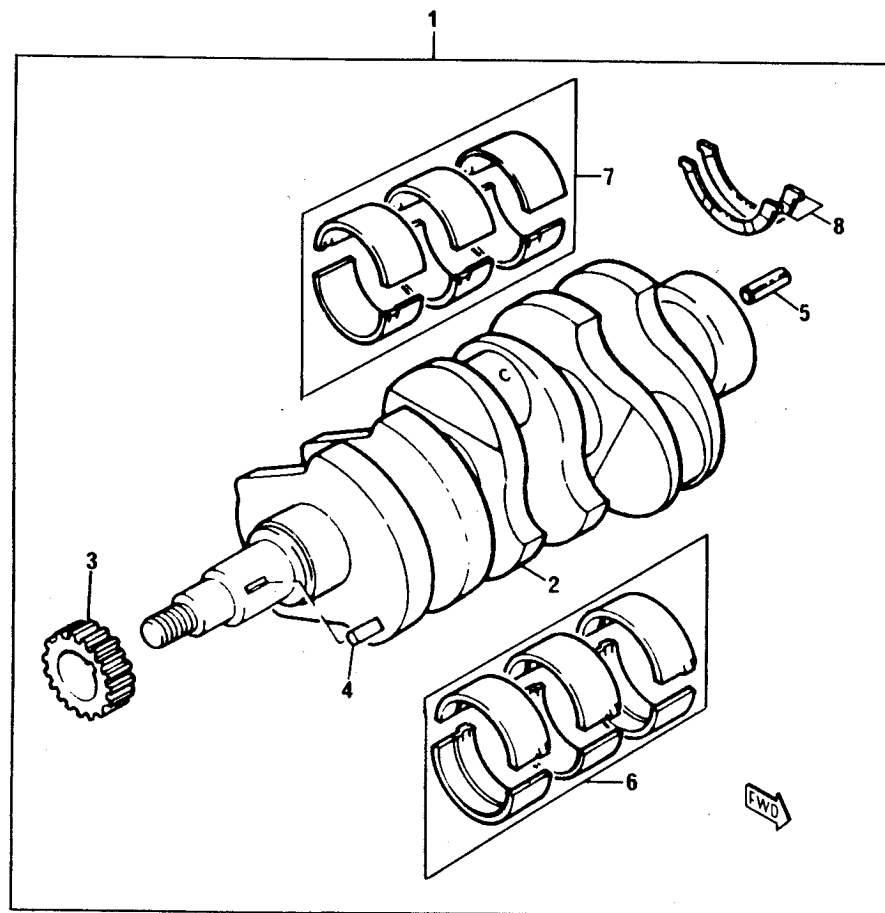


FIG. N°. :0231

INDEX N°.	PART N°.	DESCRIPTION	Q.TY	SERIAL N°. KC80462
1	PK115236010	KIT, CRANKSHAFT	1	J30479T -
2	☆	CRANKSHAFT	1	J30479T -
3	PK115276180	GEAR	1	J30479T -
4	PK030509020	KEY	1	J30479T -
5	PK030300816	PIN	1	J30479T -
6	PK198586010	KIT, BEARING	1	J30479T -
	PK198586014	KIT, BEARING (→) 0.25 mm	AR	J30479T -
	PK198586017	KIT, BEARING (→) 0.50 mm	AR	J30479T -
7	PK198586020	KIT, BEARING	1	J30479T -
	PK198586024	KIT, BEARING (→) 0.25 mm	AR	J30479T -
	PK198586027	KIT, BEARING (→) 0.50 mm	AR	J30479T -
8	PK199266170	WASHER	2	J30479T -

FIG. 0237 CONROD AND PISTON

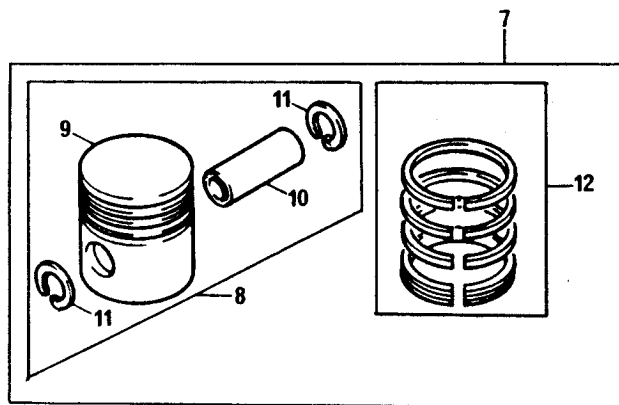
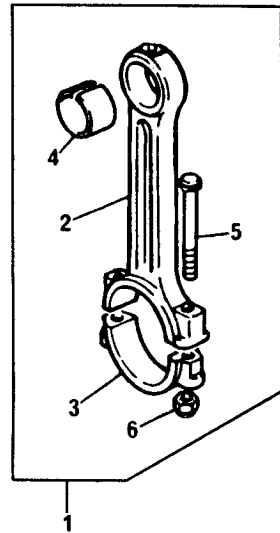


FIG. N° :0237

INDEX N°.	PART N°.	DESCRIPTION	Q.TY	SERIAL N° KC80462
1	PK115026191	KIT, CONROD	3	J30479T -
2	☆	. ROD	1	J30479T -
3	☆	. CAP	1	J30479T -
4	PK198517125	. BUSH	1	J30479T -
5	PK115176150	. SCREW	2	J30479T -
6	PK020109075	. NUT	2	J30479T -
7	PK115016501	KIT, PISTON	3	J30479T -
	PK115016505	KIT, PISTON (+) 0.5 mm	AR	J30479T -
	PK115016508	KIT, PISTON (+) 1.0 mm	AR	J30479T -
8	PK115016750	. KIT, PISTON	1	J30479T -
	PK115016754	. KIT, PISTON (+) 0.5 mm	1	J30479T -
	PK115016757	. KIT, PISTON (+) 1.0 mm	1	J30479T -
9	☆	. PISTON	1	J30479T -
10	PK115326231	. GUDGEON PIN	1	J30479T -
11	PK036500021	. CIRCLIP	2	J30479T -
12	PK115107191	. KIT, PISTON RING	1	J30479T -
	PK115107194	. KIT, PISTON RING (+) 0.5 mm	1	J30479T -
	PK115107196	. KIT, PISTON RING (+) 1.0 mm	1	J30479T -

FIG. 0238 FRONT END DRIVE INPUT

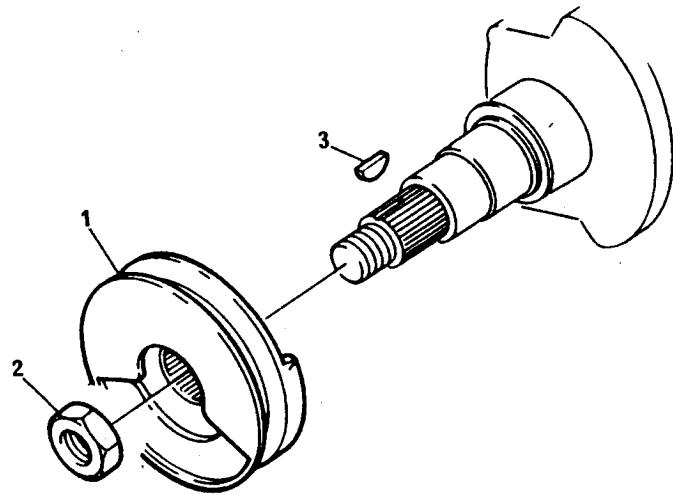


FIG. N° :0238

INDEX N°.	PART N°.	DESCRIPTION	Q.TY	SERIAL N° KC80462
1	PK115396910	PULLEY	1	J30479T -
2	PK020800018	NUT	1	J30479T -
3	PK034100508	KEY	1	J30479T -

FIG. 0239 GEAR DRIVE AUXILIARY DRIVE OPTIONS

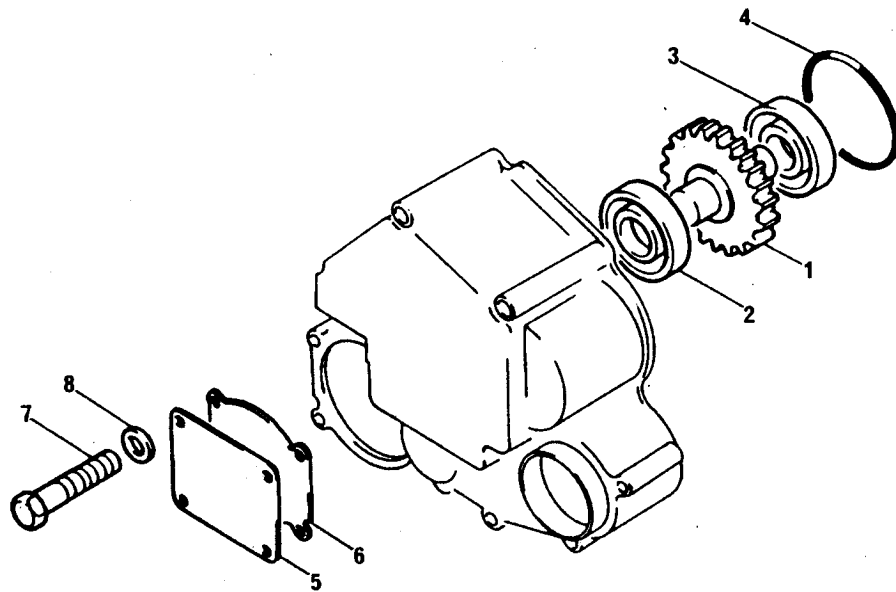


FIG. N° :0239

INDEX N°.	PART N°.	DESCRIPTION	Q.TY	SERIAL N° KC80462
1	PK340460130	GEAR	1	J30479T -
2	PK040106004	BEARING	1	J30479T -
3	PK040136004	BEARING	1	J30479T -
4	PK052300700	O-RING (KIT)	1	J30479T -
5	PK165206010	PLATE	1	J30479T -
6	PK165996110	JOINT (KIT)	1	J30479T -
7	PK011300860	SCREW	4	J30479T -
8	PK023100008	NUT	4	J30479T -

FIG. 0301 LUBRICATING OIL PUMP

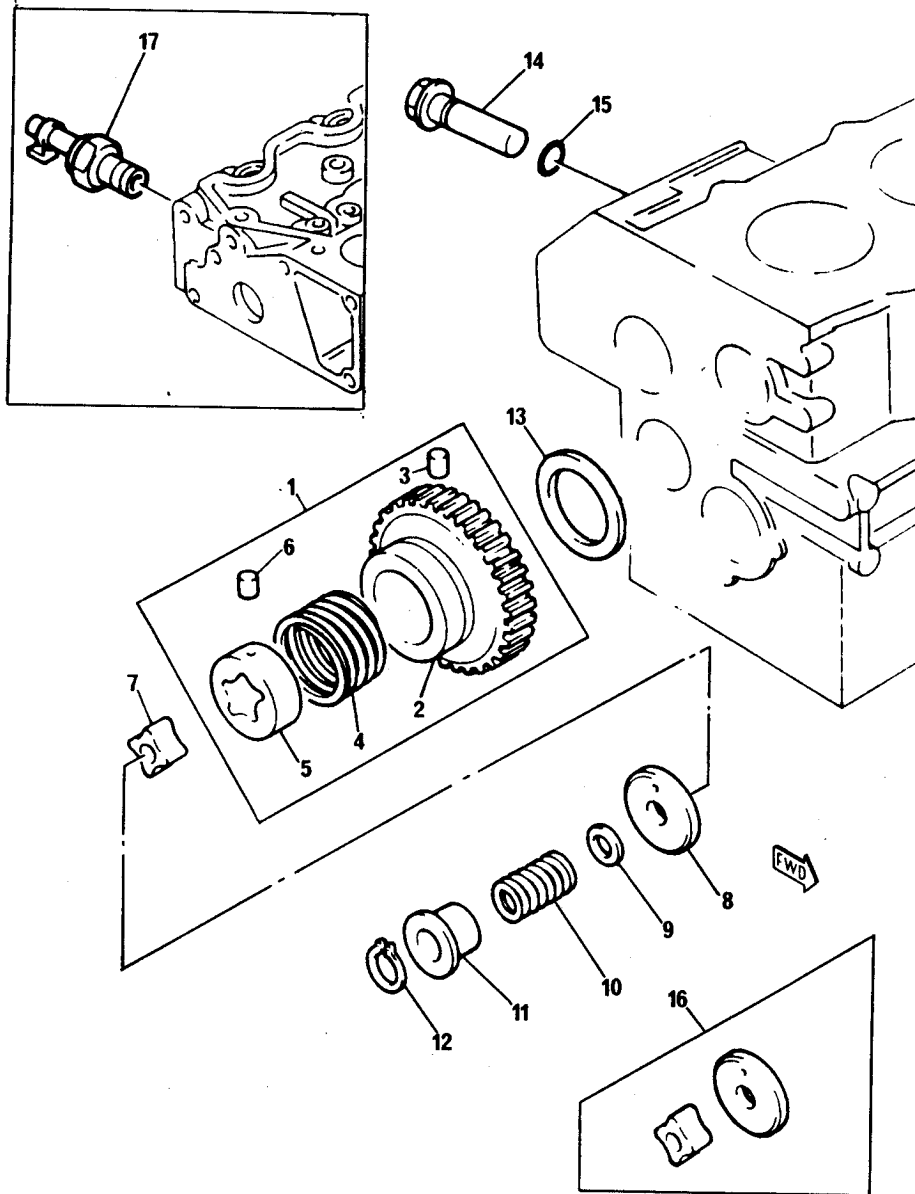


FIG. N°. :0301

INDEX N°.	PART N°.	DESCRIPTION	Q.TY	SERIAL N°. KC80462
1	PK165026100	GEAR	1	J30479T -
2	PK165266180	. GEAR	1	J30479T -
3	PK030509018	. DOWEL	1	J30479T -
4	PK198216821	. SPRING	1	J30479T -
5	PK140166160	. VANE	1	J30479T -
6	PK198517290	. BUSH	1	J30479T -
7	PK140166130	ROTOR	1	J30479T -
8	PK140116140	COVER	1	J30479T -
9	PK199286150	SHIM (+) 0.10 mm	AR	J30479T -
	PK199286160	SHIM (+) 0.15 mm	AR	J30479T -
	PK199286170	SHIM (+) 0.20 mm	AR	J30479T -
	PK199286180	SHIM (+) 0.50 mm	AR	J30479T -
10	PK198216720	SPRING	1	J30479T -
11	PK199236540	COLLAR	1	J30479T -
12	PK036800010	CIRCLIP	1	J30479T -
13	PK199266180	WASHER	1	J30479T -
14	PK140036111	VALVE	1	J30479T -
15	PK052100150	O-RING	1	J30479T -
16	PK140186010	KIT, REPAIR	AR	J30479T -
17	PK185246060	SWITCH	1	J30479T -

FIG. 0310 LUBRICATING OIL FILTER AND INTEGRAL OIL COOLER

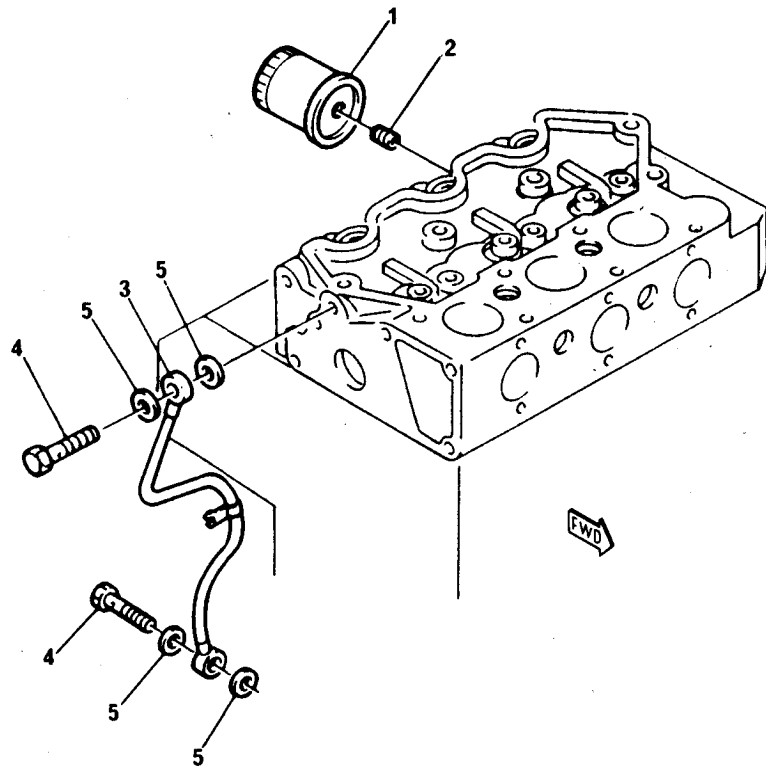


FIG. N° :0310

INDEX N°.	PART N°.	DESCRIPTION	Q.TY	SERIAL N° KC80462
1	PK140516190	OIL FILTER	1	J30479T -
2	PK140546020	CONNNECTION	1	J30479T -
3	PK140606670	PIPE	1	J30479T -
4	PK198486780	BOLT	2	J30479T -
5	PK198996060	WASHER	4	J30479T -

FIG. 0402 FUEL INJECTION EQUIPMENT (DIESEL)

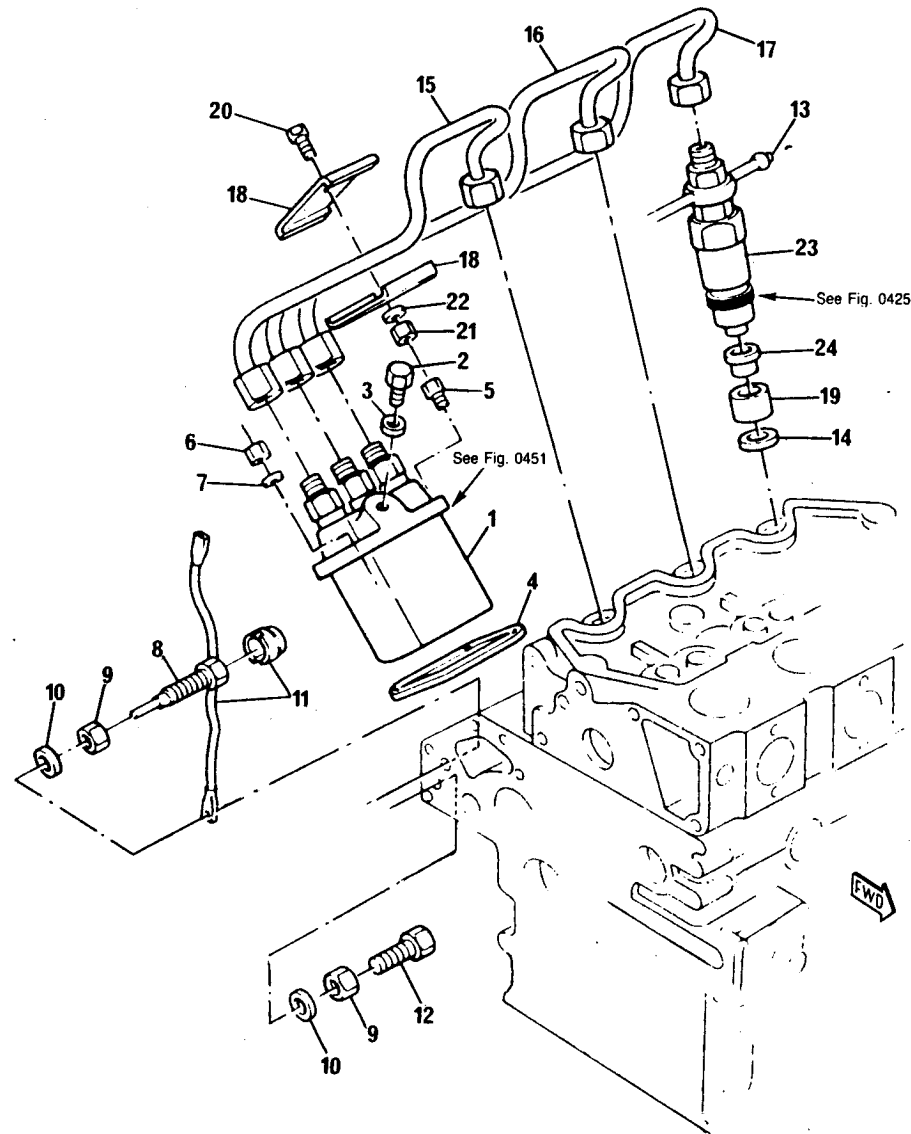


FIG. N° :0402

INDEX N°.	PART N°.	DESCRIPTION	Q.TY	SERIAL N°. KC80462
1	(PK131017310)	INJECTION PUMP (SEE FIG. 0451)	1	J30479T -
2	PK131236201	SCREW	1	J30479T -
3	PK025100006	WASHER	1	J30479T -
4	PK131437310	SHIM	AR	J30479T -
	PK131437320	SHIM	AR	J30479T -
	PK131437330	SHIM	AR	J30479T -
	PK131437340	SHIM	AR	J30479T -
5	PK011300620	SCREW	2	J30479T -
6	PK023100006	NUT	2	J30479T -
7	PK027109010	WASHER	2	J30479T -
8	PK131466060	SCREW	1	J30479T -
9	PK023109002	NUT	2	J30479T -
10	PK025100010	WASHER	2	J30479T -
11	PK198236030	WIRE	1	J30479T -
12	PK010109270	SCREW	1	J30479T -
13	PK131606150	LEAK-OFF PIPE	1	J30479T -
14	PK198996050	SEAL	3	J30479T -
15	PK131506650	INJECTION PIPE	1	J30479T -
16	PK131506660	INJECTION PIPE	1	J30479T -
17	PK131506670	INJECTION PIPE	1	J30479T -
18	PK199106020	DAMPER	4	J30479T -
19	PK111316260	INSERT	3	J30479T -
20	PK010100625	SCREW	2	J30479T -
21	PK020100006	NUT	2	J30479T -
22	PK027100006	WASHER	2	J30479T -
23	(PK131406330)	ATOMISER (SEE FIG. 0425)	3	J30479T -
24	PK111346020	CAP	3	J30479T -



FIG. 0425 ATOMISER

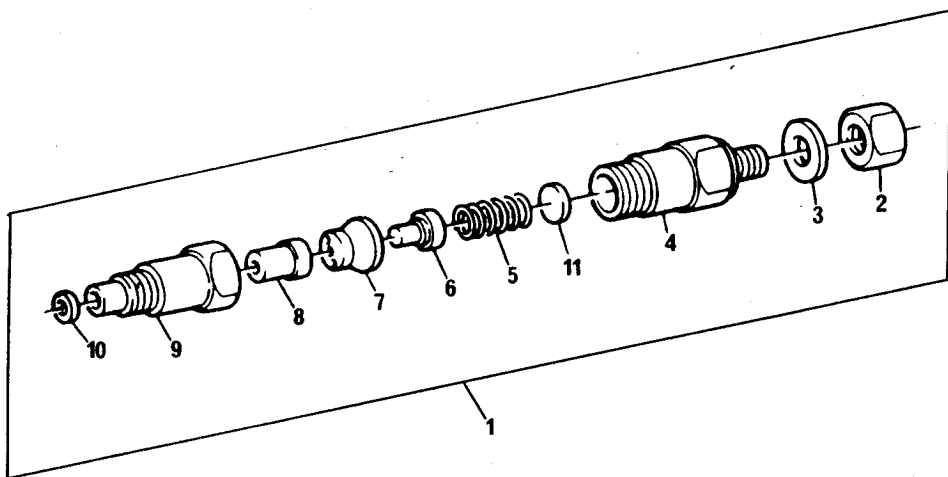


FIG. N° :0425

INDEX N°.	PART N°.	DESCRIPTION	Q.TY	SERIAL N° KC80462
1	PK131406330	ATOMISER ASSY.	1	J30479T -
2	PK131446008	. ECROU	1	J30479T -
3	PK131426120	. WASHER	1	J30479T -
4	PK131446054	. BODY	1	J30479T -
5	PK131446011	. GASKET	1	J30479T -
6	PK131446012	. SPRING	1	J30479T -
7	PK131446013	. PIN	1	J30479T -
8	PK131416140	. SPACER	1	J30479T -
9	PK131446042	. NOZZLE	1	J30479T -
10	PK131426130	. NUT	1	J30479T -
11	PK131436540	WASHER (+) 1.00 mm	AR	J30479T -
	PK131436550	WASHER (+) 1.05 mm	AR	J30479T -
	PK131436560	WASHER (+) 1.10 mm	AR	J30479T -
	PK131436570	WASHER (+) 1.15 mm	AR	J30479T -
	PK131436580	WASHER (+) 1.20 mm	AR	J30479T -
	PK131436590	WASHER (+) 1.25 mm	AR	J30479T -
	PK131436600	WASHER (+) 1.30 mm	AR	J30479T -
	PK131436610	WASHER (+) 1.35 mm	AR	J30479T -
	PK131436620	WASHER (+) 1.40 mm	AR	J30479T -
	PK131436630	WASHER (+) 1.45 mm	AR	J30479T -
	PK131436640	WASHER (+) 1.50 mm	AR	J30479T -
	PK131436650	WASHER (+) 1.55 mm	AR	J30479T -
	PK131436660	WASHER (+) 1.60 mm	AR	J30479T -
	PK131436670	WASHER (+) 1.65 mm	AR	J30479T -
	PK131436680	WASHER (+) 1.70 mm	AR	J30479T -
	PK131436690	WASHER (+) 1.75 mm	AR	J30479T -
	PK131436700	WASHER (+) 1.80 mm	AR	J30479T -
	PK131436710	WASHER (+) 1.85 mm	AR	J30479T -
	PK131436720	WASHER (+) 1.90 mm	AR	J30479T -
	PK131436730	WASHER (+) 1.95 mm	AR	J30479T -

FIG. 0429 LOW PRESSURE FUEL SYSTEM

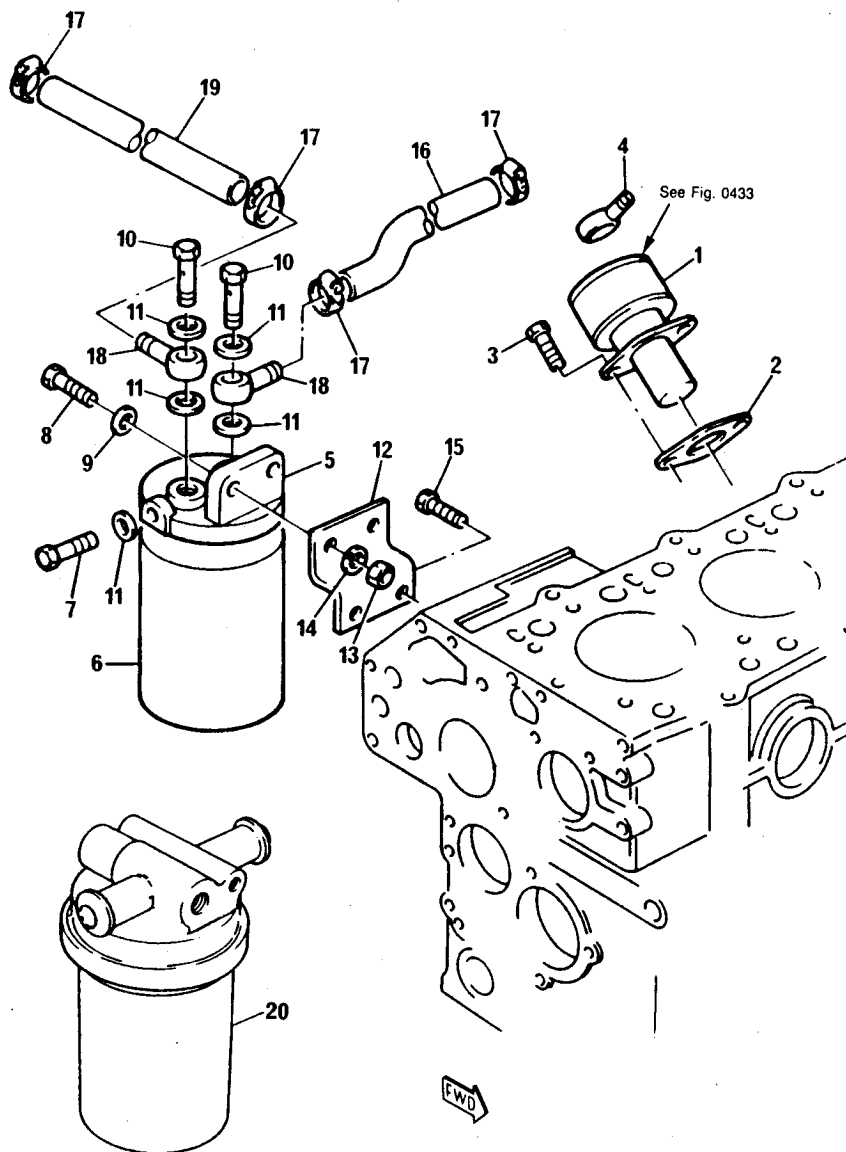


FIG. N° :0429

INDEX N°.	PART N°.	DESCRIPTION	Q.TY	SERIAL N° KC80462
1	(PK130506140)	LIFT PUMP (SEE FIG. 0433)	1	J30479T -
2	PK130996070	JOINT	(KIT) 1	J30479T -
3	PK011300616	SCREW	2	J30479T -
4	PK198486840	CONNECTION	2	J30479T -
5	PK130306021	FILTER	1	J30479T -
6	PK130366020	ELEMENT	1	J30479T -
7	PK130396030	PLUG	1	J30479T -
8	PK010101035	SCREW	2	J30479T -
9	PK026100010	WASHER	2	J30479T -
10	PK130436011	BOLT	2	J30479T -
11	PK130326051	WASHER	5	J30479T -
12	PK130976200	BRACKET	1	J30479T -
13	PK020100010	NUT	2	J30479T -
14	PK027100010	WASHER	2	J30479T -
15	PK011310816	SCREW	2	J30479T -
16	PK068209084	HOSE	1	J30479T -
17	PK067100015	CLIP	4	J30479T -
18	PK131246090	CONNECTION	2	J30479T -
19	PK068209104	PIPE	1	J30479T -
20	PK130306180	WATER SEPARATOR	1	J30479T -

FIG. 0433 LOW PRESSURE FUEL SYSTEM

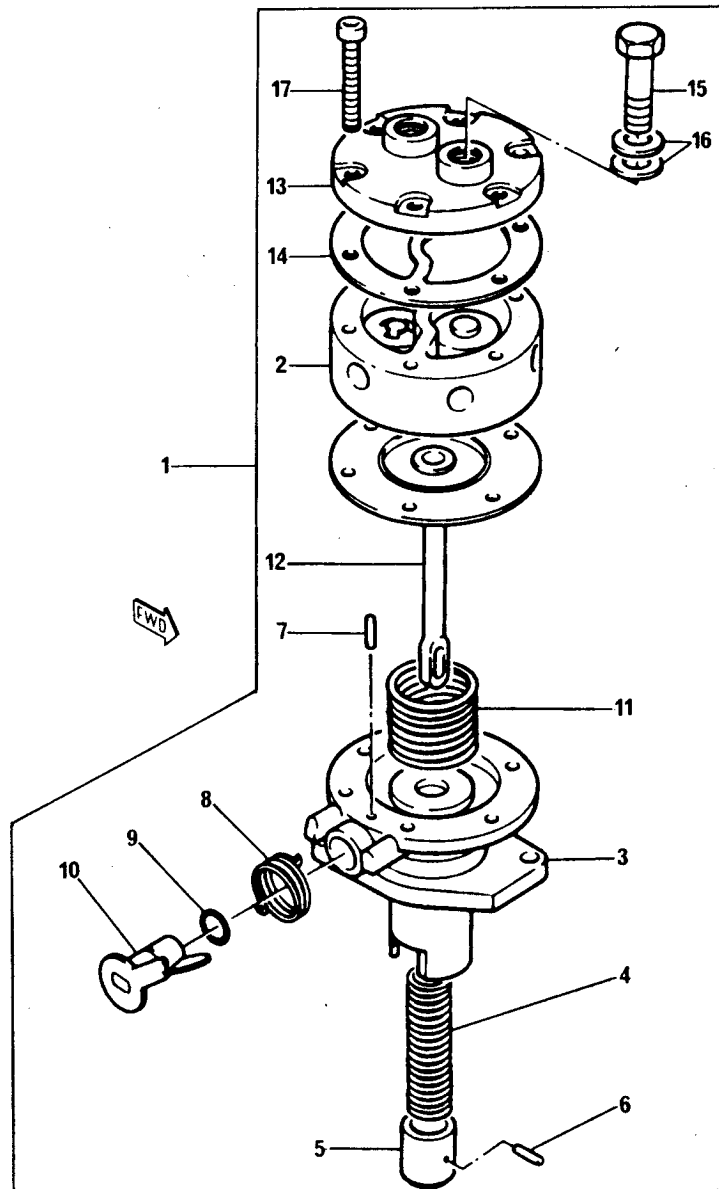


FIG. N° .0433

INDEX N°.	PART N°.	DESCRIPTION	Q.TY	SERIAL N° KC80462
1	PK130506140	LIFT PUMP ASSY.	1	J30479T -
2	PK130516080	BODY	1	J30479T -
3	PK130516080	BODY	1	J30479T -
4	PK130516081	SPRING	1	J30479T -
5	PK130516082	PLUNGER	1	J30479T -
6	PK130516085	PIN	1	J30479T -
7	PK130516088	PIN	1	J30479T -
8	PK130516083	SPRING	1	J30479T -
9	PK131226180	O-RING	1	J30479T -
10	PK130516086	LEVER	1	J30479T -
11	PK130516087	SPRING	1	J30479T -
12	PK130516084	DIAPHRAGM	1	J30479T -
13	PK130516090	CAP	1	J30479T -
14	PK130516089	GASKET	1	J30479T -
15	PK130516092	BOLT	2	J30479T -
16	PK130516069	WASHER	4	J30479T -
17	PK130516091	SCREW	6	J30479T -

FIG. 0451 FUEL INJECTION EQUIPMENT (DIESEL)

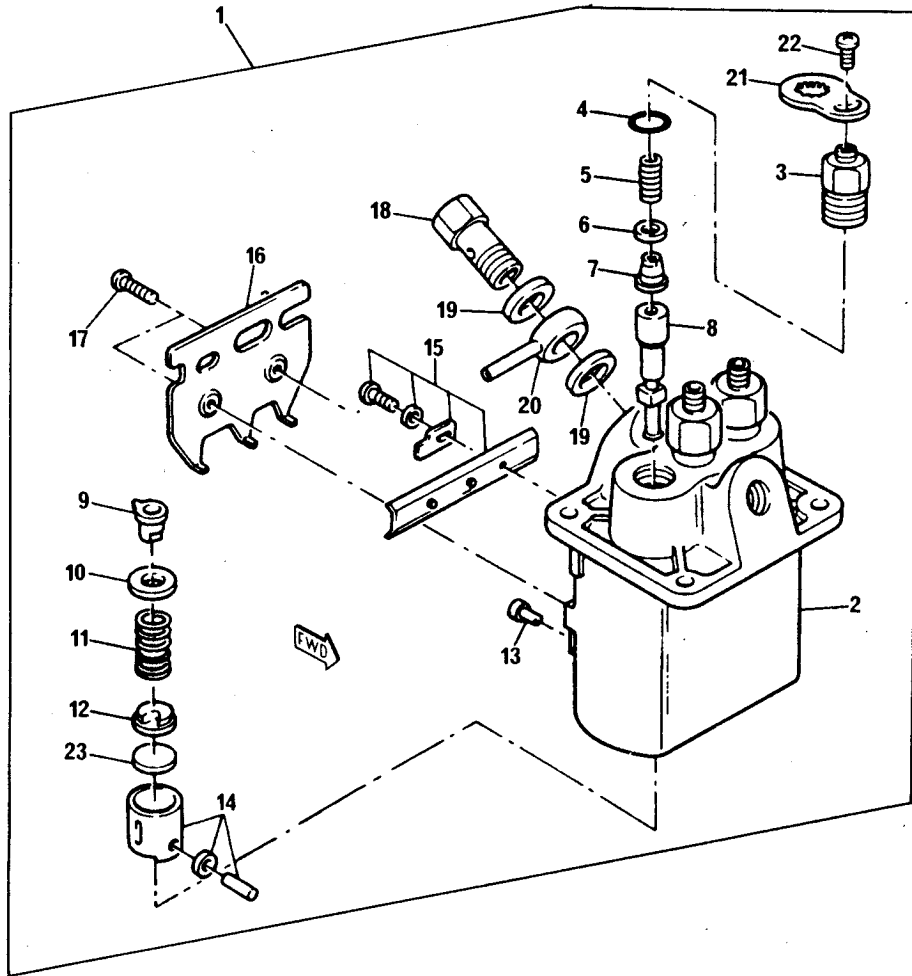


FIG. N° :0451

INDEX N°.	PART N°.	DESCRIPTION	Q.TY	SERIAL N° KC80462
1	PK131017310	INJECTION PUMP ASSY.	1	J30479T -
2	PK131296665	HOUSING	1	J30479T -
3	PK131196120	HOLDER	3	J30479T -
4	PK131226170	O-RING	3	J30479T -
5	PK131176430	SPRING	3	J30479T -
6	PK131186100	GASKET	3	J30479T -
7	PK131156160	VALVE	3	J30479T -
8	PK131116390	ELEMENT	3	J30479T -
9	PK131296638	SLEEVE	3	J30479T -
10	PK131296620	SEAT	3	J30479T -
11	PK131176440	SPRING	3	J30479T -
12	PK131296621	SEAT	3	J30479T -
13	PK131296651	PIN	3	J30479T -
14	PK131256120	TAPPET	3	J30479T -
15	PK131296636	RACK	1	J30479T -
16	PK131296650	BRACKET	1	J30479T -
17	PK131136320	SCREW	2	J30479T -
18	PK131236190	BOLT	1	J30479T -
19	PK131426180	WASHER	2	J30479T -
20	PK131246130	NIPPLE	1	J30479T -
21	PK131296662	PLATE	3	J30479T -
22	PK131136330	SCREW	3	J30479T -
23	PK131296622	PLATE (+) 1.85 mm	AR	J30479T -
	PK131296623	PLATE (+) 1.90 mm	AR	J30479T -
	PK131296624	PLATE (+) 1.95 mm	AR	J30479T -
	PK131296625	PLATE (+) 2.00 mm	AR	J30479T -
	PK131296626	PLATE (+) 2.05 mm	AR	J30479T -
	PK131296627	PLATE (+) 2.10 mm	AR	J30479T -
	PK131296628	PLATE (+) 2.15 mm	AR	J30479T -
	PK131296629	PLATE (+) 2.20 mm	AR	J30479T -
	PK131296630	PLATE (+) 2.25 mm	AR	J30479T -
	PK131296631	PLATE (+) 2.30 mm	AR	J30479T -
	PK131296632	PLATE (+) 2.35 mm	AR	J30479T -
	PK131296633	PLATE (+) 2.40 mm	AR	J30479T -
	PK131296634	PLATE (+) 2.45 mm	AR	J30479T -
	PK131296635	PLATE (+) 2.50 mm	AR	J30479T -

FIG. 0503 WATER PUMP, THERMOSTAT AND HEAT EXCHANGER

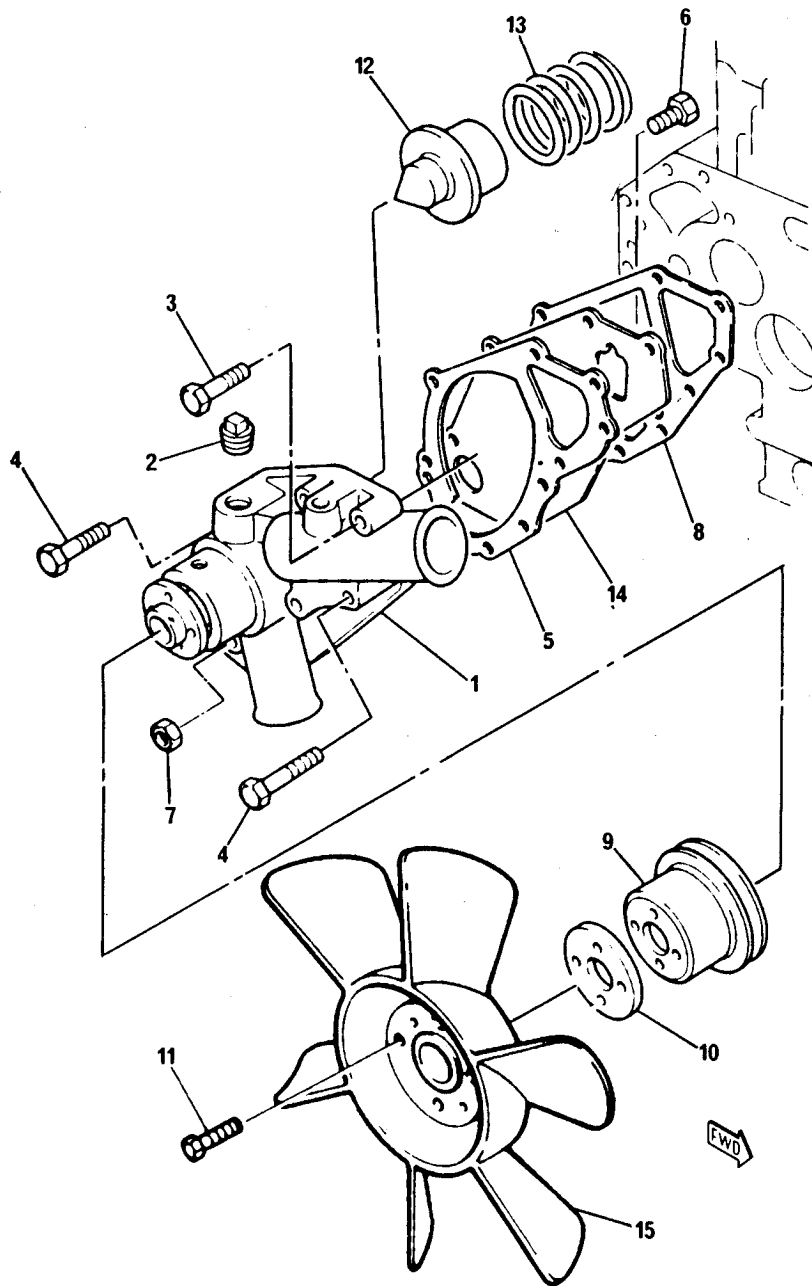


FIG. N°. :0503

INDEX N°.	PART N°.	DESCRIPTION	Q.TY	SERIAL N°. KC80462
1	PK145016471	WATER PUMP ASSY.	1	J30479T -
2	PK064500030	PLUG	2	J30479T -
3	PK011300660	SCREW	1	J30479T -
4	PK011300635	SCREW	4	J30479T -
5	PK145996280	JOINT (KIT)	1	J30479T -
6	PK011300616	SCREW	1	J30479T -
7	PK023100006	NUT	1	J30479T -
8	PK145996270	JOINT (KIT)	1	J30479T -
9	PK145336490	PULLEY	1	J30479T -
10	PK145386520	PLATE	1	J30479T -
11	PK011310614	SCREW	4	J30479T -
12	PK145206021	THERMOSTAT	1	J30479T -
13	PK198216790	SPRING	1	J30479T -
14	PK145146090	PLATE	1	J30479T -
15	PK145306460	FAN	1	J30479T -