

FIG. 0310 LUBRICATING OIL FILTER AND INTEGRAL OIL COOLER

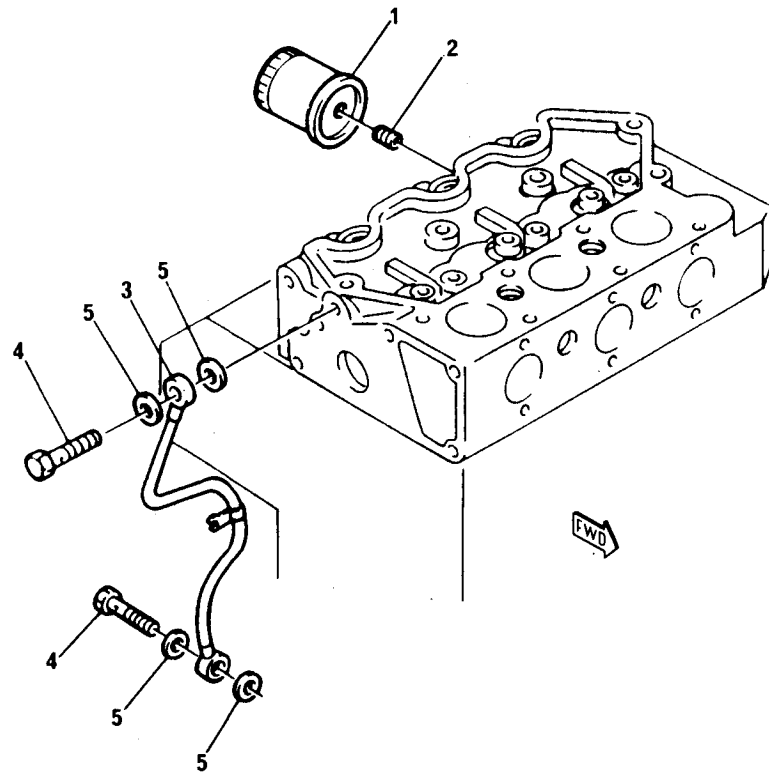


FIG. N° :0310

INDEX N°.	PART N°.	DESCRIPTION	Q.TY	SERIAL N°. KC80462
1	PK140516190	OIL FILTER	1	J30479T -
2	PK140546020	CONNECTION	1	J30479T -
3	PK140606670	PIPE	1	J30479T -
4	PK198486780	BOLT	2	J30479T -
5	PK198996060	WASHER	4	J30479T -

FIG. 0429 LOW PRESSURE FUEL SYSTEM

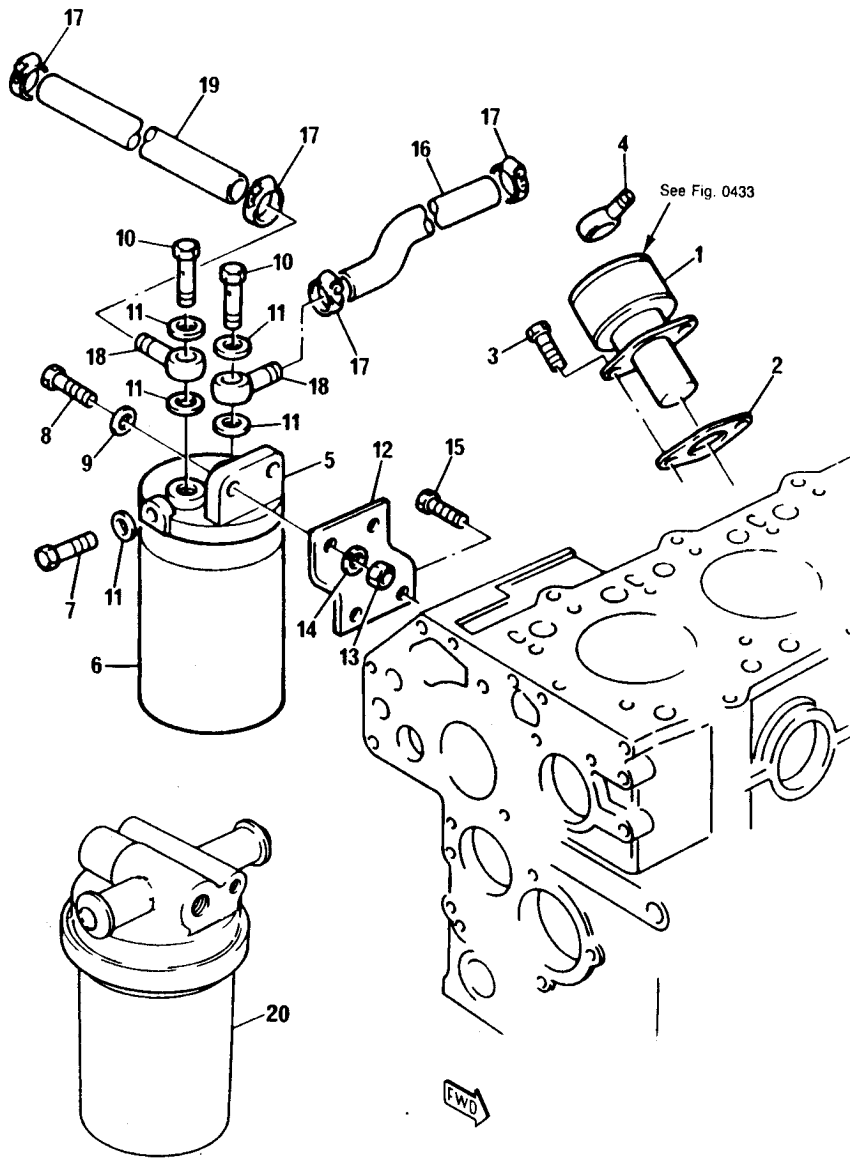
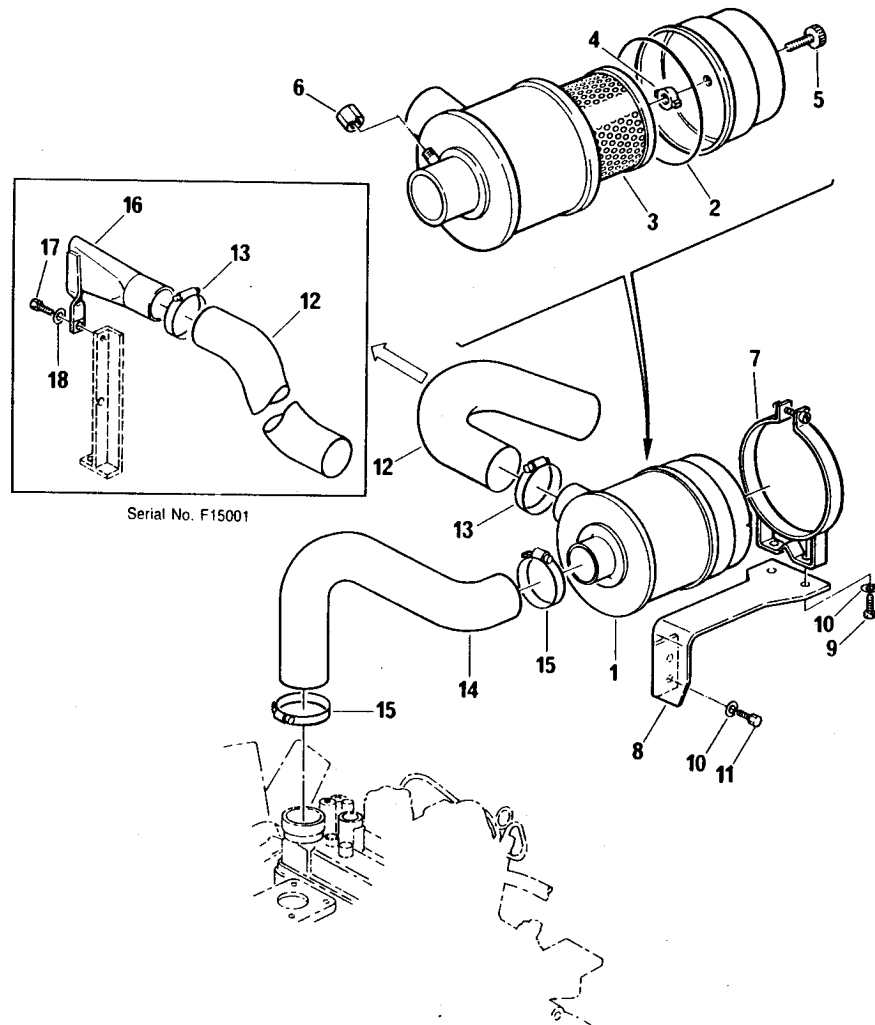


FIG. N° :0429

INDEX N°.	PART N°.	DESCRIPTION	Q.TY	SERIAL N° KC80462
1	(PK130506140)	LIFT PUMP (SEE FIG. 0433)	1	J30479T -
2	PK130996070	JOINT (KIT)	1	J30479T -
3	PK011300616	SCREW	2	J30479T -
4	PK198486840	CONNECTION	2	J30479T -
5	PK130306021	FILTER	1	J30479T -
6	PK130366020	ELEMENT	1	J30479T -
7	PK130396030	PLUG	1	J30479T -
8	PK010101035	SCREW	2	J30479T -
9	PK026100010	WASHER	2	J30479T -
10	PK130436011	BOLT	2	J30479T -
11	PK130326051	WASHER	5	J30479T -
12	PK130976200	BRACKET	1	J30479T -
13	PK020100010	NUT	2	J30479T -
14	PK027100010	WASHER	2	J30479T -
15	PK011310816	SCREW	2	J30479T -
16	PK068209084	HOSE	1	J30479T -
17	PK067100015	CLIP	4	J30479T -
18	PK131246090	CONNECTION	2	J30479T -
19	PK068209104	PIPE	1	J30479T -
20	PK130306180	WATER SEPARATOR	1	J30479T -

FIG. 1105 AIR FILTER



Serial No. F15001

FIG. N° :1105

INDEX N°.	PART N°.	DESCRIPTION	Q.TY	SERIAL N° PC05-6F
1	20M-01-R3111	AIR FILTER ASSY.	1	F10001 -
2	20M-01-R3091	. SEAL	1	F10001 -
3	20M-01-R3061	. ELEMENT	1	F10001 -
4	20M-01-R3081	. NUT	1	F10001 -
5	20M-01-R3071	. BOLT, WING	1	F10001 -
6	20M-01-R3101	. PLUG	1	F10001 -
7	PZF200514067	CLAMP	1	F10001 -
8	20L-02-R3201	BRACKET	1	F10001 -
9	01010-50816	BOLT	2	F10001 -
10	PZF802150508	WASHER, SPRING	4	F10001 -
11	PZF801014066	BOLT	2	F10001 -
12	20M-01-R3021	HOSE	1	F10001 - F10488
	20M-01-R3221	HOSE	1	F15001 -
13	PZF802660176	CLAMP	2	F15001 -
14	20M-01-R3011	HOSE	1	F10001 -
15	PZF802660012	CLAMP	2	F10001 -
16	20M-01-R3211	PIPE	1	F15001 -
17	01010-50825	BOLT	1	F15001 -
18	01643-30823	WASHER	1	F15001 -

FIG. 1302 FUEL TANK AND PIPING

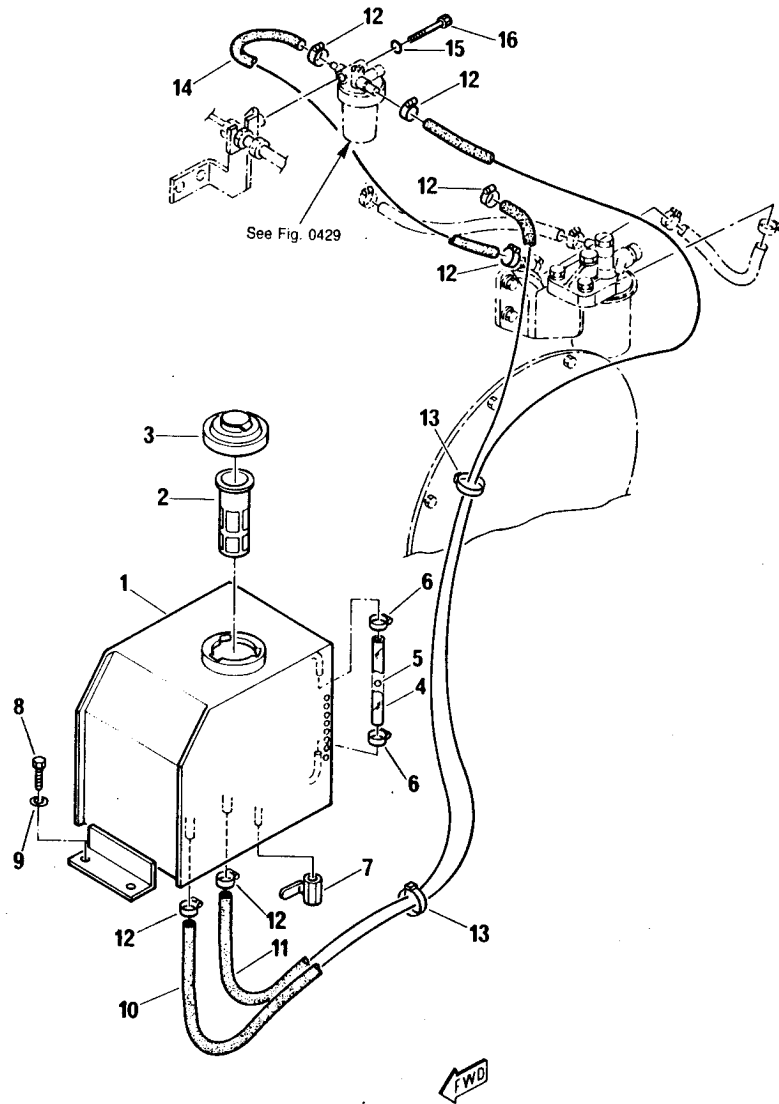


FIG. N° :1302

INDEX N°.	PART N°.	DESCRIPTION	Q.TY	SERIAL N° PC05-6F
1	20W-04-R1001	TANK	1	F10001 -
2	PZF848200022	FILTER	1	F10001 -
3	20Y-04-R1071	PLUG	1	F10001 -
4	PZF852951112	TUBE	1	F10001 -
5	20R-04-21210	BALL	1	F10001 -
6	PZF802660002	CLAMP	2	F10001 -
7	PZF500361465	COCK	1	F10001 -
8	01010-50820	BOLT	4	F10001 -
9	01643-30823	WASHER	4	F10001 -
10	20M-04-R2031	TUBE	1	F10001 -
11	20M-04-R2021	TUBE	1	F10001 -
12	PZF802660002	CLAMP	6	F10001 -
13	PZF885180004	CLAMP	2	F10001 -
14	20W-04-R2061	TUBE	1	F10001 -
15	01643-30823	WASHER	1	F10001 -
16	01010-50860	BOLT	1	F10001 -

FIG. 6001 HYDRAULIC TANK

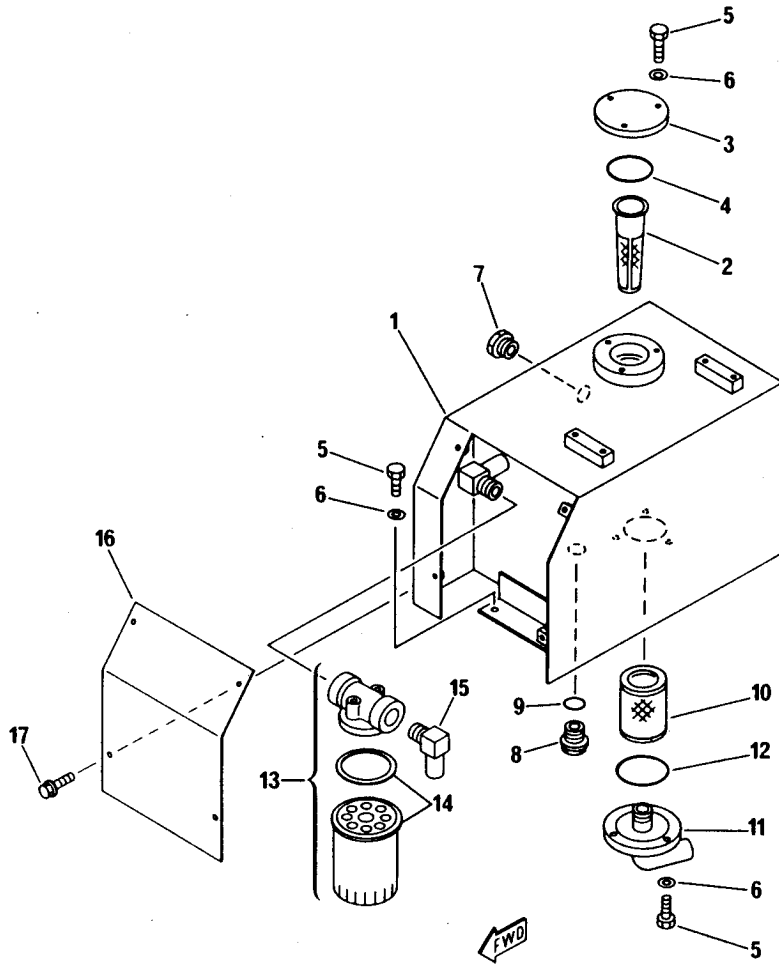


FIG. N° .6001

INDEX N°.	PART N°.	DESCRIPTION	Q.TY	SERIAL N° PC05-6F
1	20M-60-R1001	TANK, HYDRAULIC	1	F10001 -
2	PZF848200023	STRAINER	1	F10001 -
3	20M-60-48120	FLANGE	1	F10001 -
4	PZF855021229	O-RING	1	F10001 -
5	01010-50820	BOLT	10	F10001 -
6	01643-30823	WASHER	10	F10001 -
7	20N-60-R1131	GAUGE	1	F10001 -
8	PZF500366041	PLUG	1	F10001 -
9	PZF855021211	O-RING	1	F10001 -
10	20M-60-R1041	STRAINER	1	F10001 -
11	20M-60-31211	FLANGE	1	F10001 -
12	PZF855021232	O-RING	1	F10001 -
13	20M-60-R1101	OIL FILTER ASSY.	1	F10001 -
14	20M-60-R1151	CARTRIDGE ASSY.	1	F10001 -
15	20M-60-R1051	ELBOW	1	F10001 -
16	20M-60-48130	COVER	1	F10001 -
17	01435-00816	BOLT	4	F10001 -

FIG. 9905 SPARE PARTS

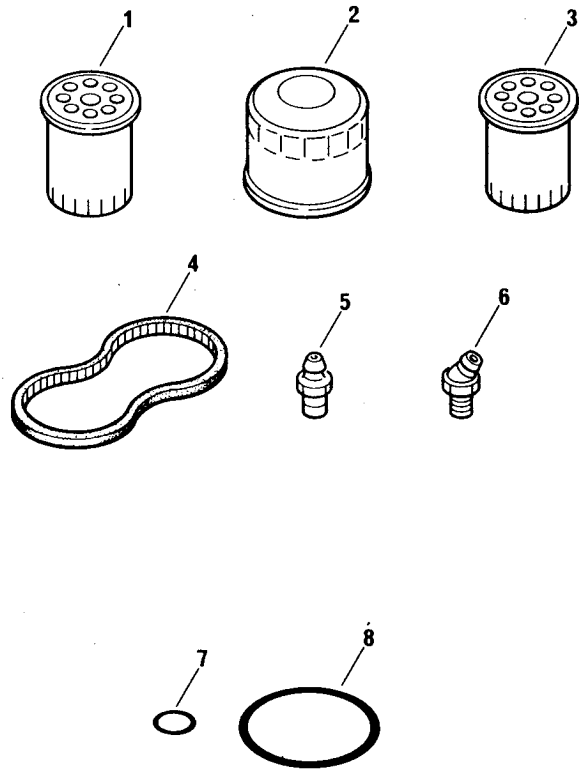


FIG. N° :9905

INDEX N°.	PART N°.	DESCRIPTION	Q.TY	SERIAL N°. PC05-6F
1	20M-60-R1151	CARTRIDGE HYDRAULIC FILTER	1	F10001 -
2	PK140516190	CARTRIDGE ENGINE OIL FILTER	1	F10001 -
3	PK130366020	ENGINE FUEL FILTER	1	F10001 -
4	PK080109049	V-BELT, COOLING FAN	1	F10001 -
5	PZF860010009	FITTING GREASE	4	F10001 -
6	PZF860020005	FITTING GREASE	4	F10001 -
7	PZF855021211	O-RING, HYDRAULIC TANK DRAIN	1	F10001 -
8	PZF855021232	O-RING, HYDRAULIC FILTER	1	F10001 -