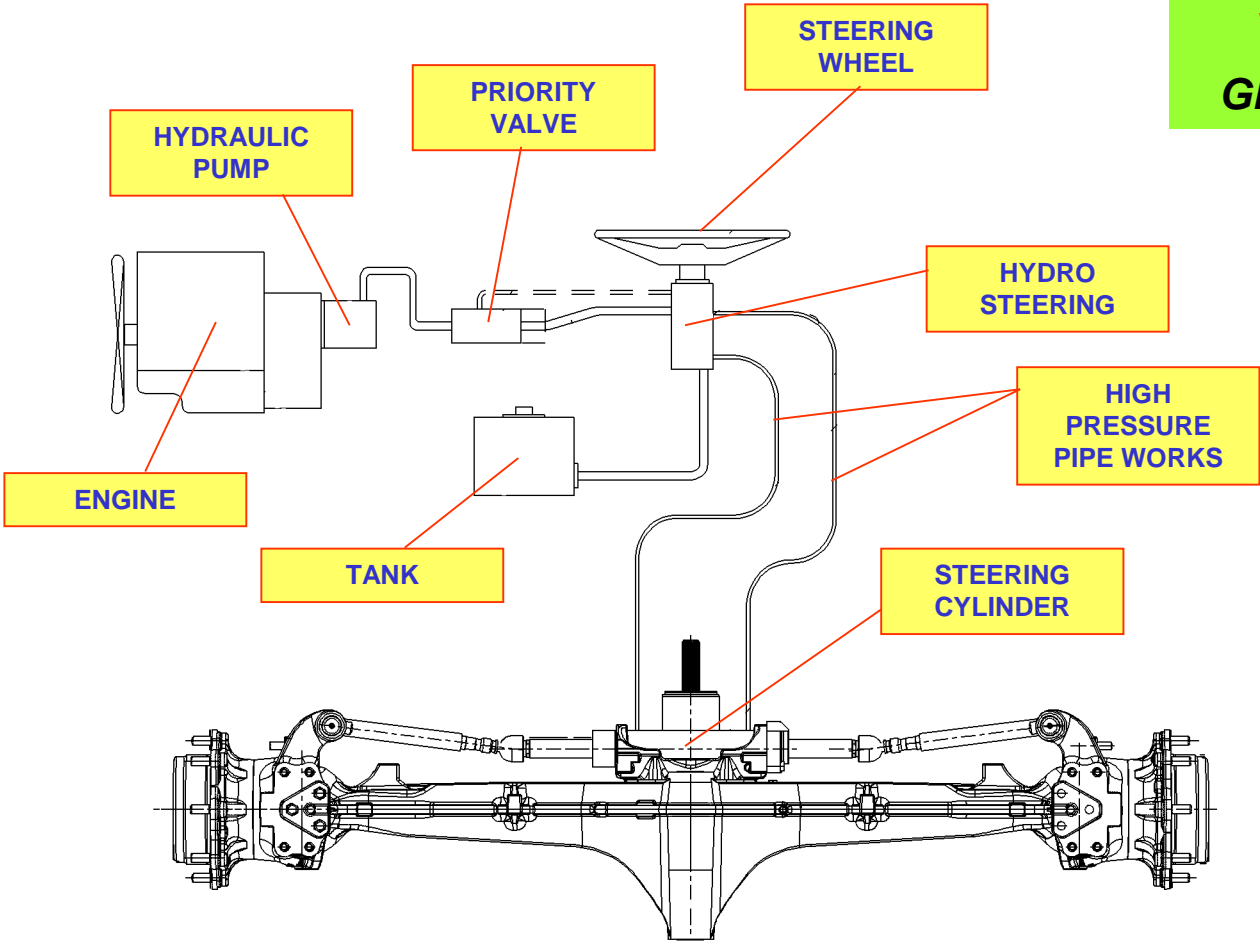


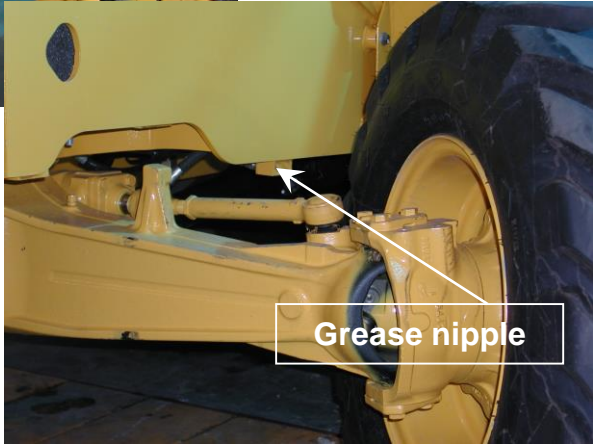
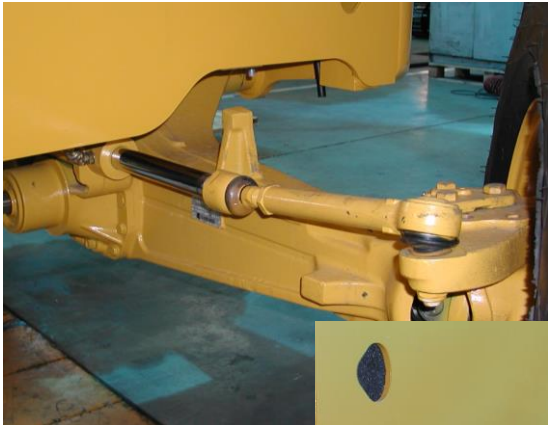
# Steering System

**STEERING**  
**GENERAL SCHEME**



# Steering System : Characteristics

- Load sensing steering system with priority valve
- Double acting steering cylinder
- Cylinder in protected position
- Max steering angle 50°

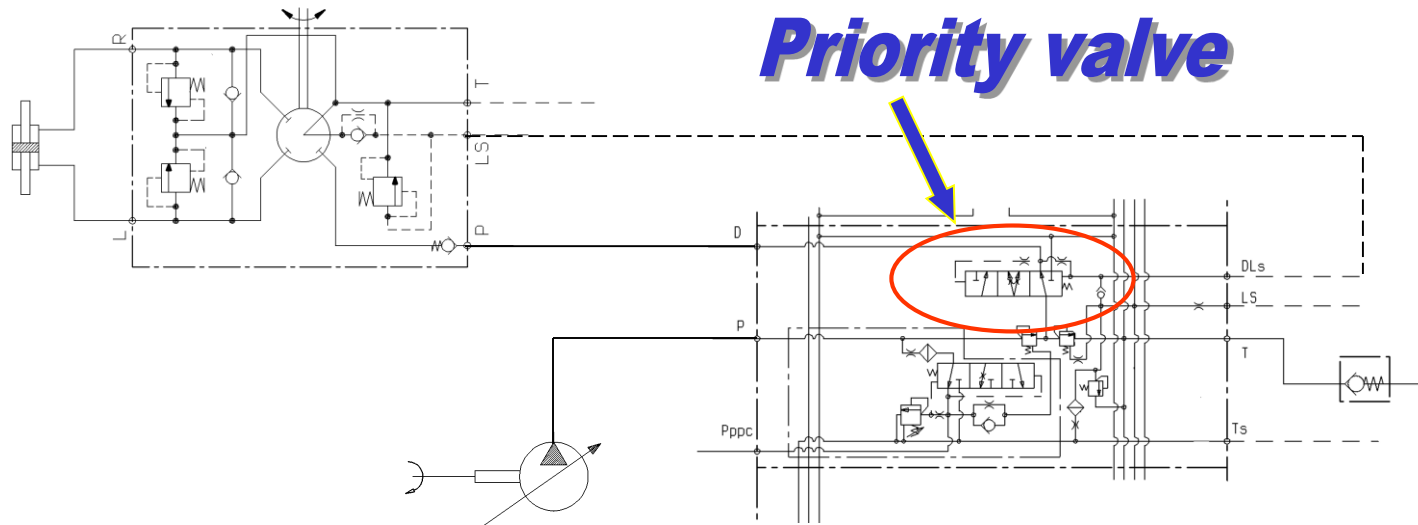


## Steering radius:

	Wheel braked (mm)	Wheel not braked (mm)
Bucket edge	4.950	5.450
Tire edge	3.400	4.000



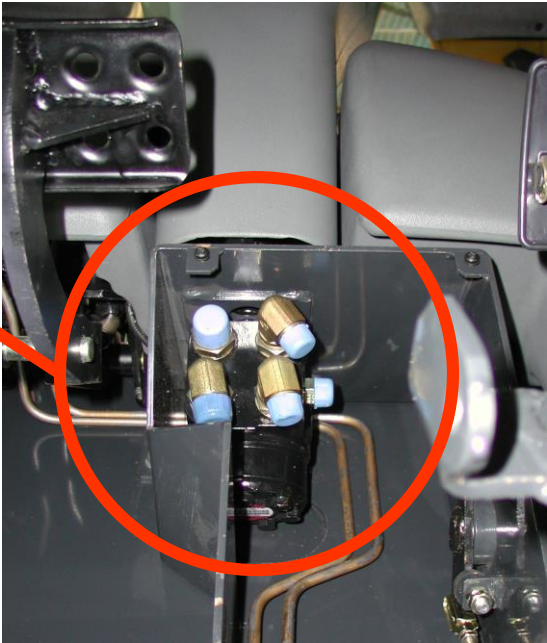
# Power steering



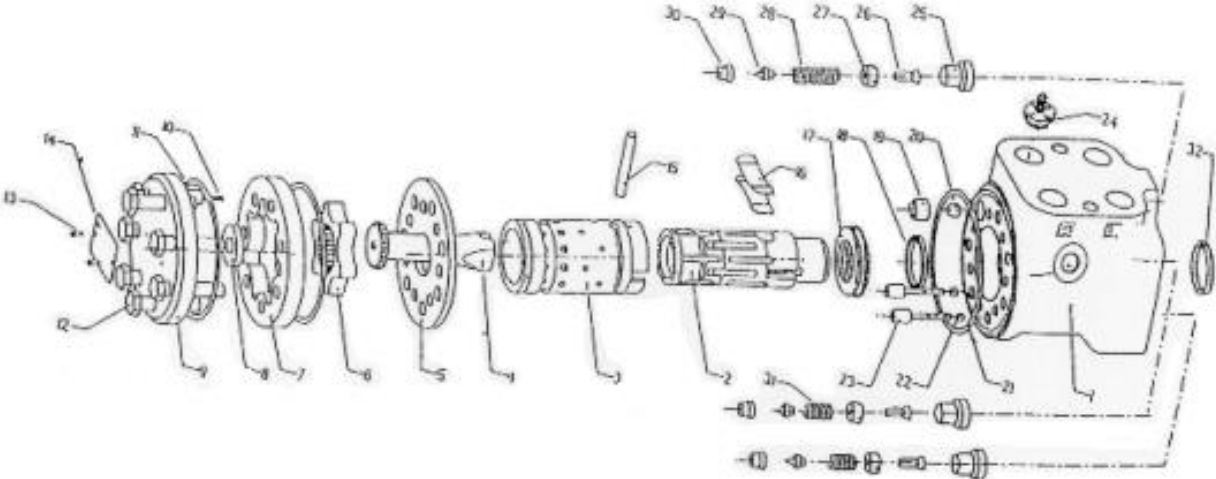
## STEERING UNIT:

- control valve
- rotating oil dispenser (oil volume supplied to the cylinder is proportionate to the angle of rotation of the steering wheel).

# Steering pump



## Exploded of the Steering Pump



Customer Service Department