
ELECTRICAL CIRCUIT DIAGRAM MANUAL

Electrical Circuit Diagram Manual

3200

RXT

DuraStar® - 4100, 4300, 4400

TranStar® Natural Gas (NG)

TranStar® - 8500, 8600

WorkStar® - 7300, 7400, 7500, 7600, 7700

Navistar, Inc.

2701 Navistar Drive, Lisle, IL 60532 USA

TABLE OF CONTENTS

2. INSTRUCTIONS AND CHARTS (CHAPTER 2)	1
2.1. ABBREVIATIONS, P. 1.....	1
2.2. ACRONYMS, P. 2.....	2
2.3. CIRCUIT DIAGRAM INSTRUCTIONS, P. 3.....	3
2.4. CIRCUIT NUMBER IDENTIFICATION AND COLOR, P. 4.....	4
2.5. CIRCUIT NUMBER IDENTIFICATION AND COLOR (CONT.), P. 5.....	5
2.6. CIRCUIT NUMBER IDENTIFICATION AND COLOR (CONT.), P. 6.....	6
2.7. LAMP BULB CHART, P. 7.....	7
2.8. RELAY FUNCTION AND WIRING GUIDE, P. 8.....	8
2.9. SCHEMATIC SYMBOL CHART, P. 9.....	9
2.10. SCHEMATIC SYMBOL CHART (CONT.), P. 10.....	10
2.11. SCHEMATIC SYMBOL CHART (CONT.), P. 11.....	11
2.12. SCHEMATIC SYMBOL CHART (CONT.), P.12.....	12
3. 12 VOLT POWER DISTRIBUTION, GROUNDS, DATA BUS AND ELECTRICAL SYSTEM CONTROLLER (CHAPTER 3)	13
3.1. BATTERY FEED, DUAL, P. 1.....	13
3.2. BATTERY FEED, DUAL WITH 500K BAUD RATE, P. 1A.....	14
3.3. BATTERY FEED, DUAL (CONT.), P. 2.....	15
3.4. BATTERY FEED, DUAL WITH 500K BAUD RATE (CONT.), P. 2A.....	16
3.5. BATTERY FEED, DUAL (CONT.), P. 3.....	17
3.6. BATTERY FEED, DUAL WITH 500K BAUD RATE (CONT.), P. 3A.....	18
3.7. ACCESSORY FEED, P. 4.....	19
3.8. ACCESSORY FEED STANDARD WITH BODY BUILDER WITH 500K BAUD RATE, P. 4A.....	20
3.9. IGNITION FEED – STANDARD, THEFT DETERRENT, REMOTE START / STOP, P. 5.....	21
3.10. IGNITION FEED WITH 500K BAUD RATE, P. 5A.....	22
3.11. IGNITION FEED – RELAY 1, P. 6.....	23
3.12. IGNITION FEED WITH 500K BAUD RATE 1, P. 6A.....	24
3.13. IGNITION FEED – RELAY 2, P. 7.....	25
3.14. IGNITION FEED – RELAY 2 (CONT.), P. 7A.....	26
3.15. IGNITION FEED WITH 500K BAUD RATE 2, P. 7B.....	27
3.16. IGNITION FEED – RELAY 3, P. 8.....	28
3.17. IGNITION FEED – RELAY 3 WITH 500K BAUD RATE, P. 8A.....	29
3.18. J1708 DATA LINK – PUBLIC EFFECTS, P. 9.....	30
3.19. J1708 DATA LINK – PUBLIC EFFECTS (CONT.), P. 10.....	31
3.20. J1708 DATA LINK – PRIVATE WITH POWER WINDOW AND LOCK, P. 11.....	32
3.21. J1939 DATA LINK, P. 12.....	33
3.22. J1939 DATA LINK WITH UTILITY BODY CONNECTIONS, P. 12A.....	34
3.23. J1939 DATA LINK WITH UTILITY BODY CONNECTIONS (CONT.), P. 12B.....	35
3.24. J1939 DATA LINK WITH UTILITY BODY CONNECTIONS (CONT.), P. 12C.....	36
3.25. J1939 DATA LINK WITH OPTIONS, P. 12D.....	37
3.26. J1939 DATA LINK WITH OPTIONS (CONT.), P. 13.....	38
3.27. J1939 DATA LINK WITH OPTIONS (CONT.), P. 13A.....	39
3.28. J1939 DATA LINK WITH OPTIONS (CONT.), P. 13B.....	40
3.29. J1939 DATA LINK WITH OPTIONS (CONT.), P. 14.....	41
3.30. J1939 DATA LINK – I6 ENGINE, P. 15.....	42
3.31. J1939 DATA LINK – IBB ENGINE, P. 16.....	43
3.32. J1939 DATA LINK – IBB ENGINE (CONT.), P. 16A.....	44
3.33. GROUND – IP, P. 17.....	45
3.34. GROUND – IP (CONT.), P. 18.....	46
3.35. GROUND – IP (CONT.), P. 19.....	47

TABLE OF CONTENTS (CONT.)

3.36. GROUND – IP (CONT.), P. 20.....	48
3.37. GROUND – CHASSIS, P. 21.....	49
3.38. GROUND – CHASSIS (CONT.), P. 22.....	50
3.39. GROUND – CHASSIS (CONT.), P. 23.....	51
3.40. GROUND – CHASSIS (CONT.), P. 24.....	52
3.41. GROUND – CHASSIS WITH HEAVY DUTY DIESEL, P. 25.....	53
3.42. ENGINE GROUND – V8 ENGINE, P. 26.....	54
3.43. ENGINE GROUND – IBB ENGINE, P. 27.....	55
3.44. ENGINE GROUND – IBB ENGINE (CONT.), P. 27A.....	56
3.45. ALTERNATOR POWER AND GROUND (IBB ENGINE), P. 27B.....	57
3.46. ALTERNATOR POWER AND GROUND (IBB ENGINE), P. 27C.....	58
3.47. ZERO VOLT REFERENCE, P. 28.....	59
3.48. ZERO VOLT REFERENCE (CONT.), P. 28A.....	60
3.49. ZERO VOLT REFERENCE (CONT.), P. 28B.....	61
3.50. BATTERY FEED, SINGLE, P. 29.....	62
3.51. BATTERY FEED, SINGLE WITH 500K BAUD RATE, P. 29A.....	63
3.52. BATTERY FEED, SINGLE (CONT.), P. 30.....	64
3.53. BATTERY FEED, SINGLE WITH 500K BAUD RATE (CONT.), P. 30A.....	65
3.54. J1939 DATA LINK – V8 ENGINE, P. 31.....	66
3.55. J1939 WITH CUMMINS ISB ENGINE, P. 31A.....	67
3.56. J1939 WITH CUMMINS ISB ENGINE (CONT.), P. 31B.....	68
3.57. J1939 WITH CUMMINS ISB ENGINE (CONT.), P. 31C.....	69
3.58. J1939 WITH 2013 INTERNATIONAL BIG BORE ENGINE, P. 31D.....	70
3.59. GROUND – SEAT AND SEATBELT SENSOR, P. 32.....	71
3.60. LATCHING RELAY, P. 33.....	72
3.61. J1939 DATA LINK I6 ENGINE, P. 34.....	73
3.62. J1939 DATA LINK I6 ENGINE (CONT.), P. 34A.....	74
3.63. J1939 DATA LINK I6 ENGINE (CONT.), P. 34B.....	75
3.64. ENGINE GROUND I6 ENGINE, P. 35.....	76
3.65. ENGINE BLOCK GROUND I6 ENGINE, P. 35A.....	77
3.66. J1939 DATA LINK WITH UTILITY BODY CONNECTIONS, P. 36.....	78
3.67. J1939 DATA LINK – ISL–G ENGINE, P. 37.....	79
3.68. J1939 DATA LINK WITH ISB ENGINE, P. 37A.....	80
3.69. TRAILER SOCKET GROUND, P. 38.....	81
3.70. TRAILER SOCKET GROUND (CONT.), P. 38A.....	82
3.71. SART CLOCK MODULE, P. 39.....	83
3.72. 250K J1939 CAB DATA LINK WITH 500K REGULATORY UPDATE, P. 40.....	84
3.73. 250K J1939 CAB DATA LINK WITH 500K REGULATORY UPDATE (CONT.), P. 40A.....	85
3.74. J1939 DATA LINK WITHOUT ALLISON TRANSMISSION WITH 500K BAUD RATE, P. 41.....	86
3.75. J1939 DATA LINK WITH ALLISON TRANSMISSION WITH 500K BAUD RATE, P. 42.....	87
3.76. J1939 DATA LINK WITH ALLISON TRANSMISSION WITH WINGMAN WITH 500K BAUD RATE, P. 43.....	88
3.77. J1939 DATA LINK WITH ALLISON TRANSMISSION WITH CENTER PANEL WITH 500K BAUD RATE, P. 44.....	89
3.78. J1939 DATA LINK WITHOUT ALLISON TRANSMISSION WITH WINGMAN WITH 500K BAUD RATE, P. 45.....	90
3.79. J1939 DATA LINK WITH HYDRAULIC BRAKES WITH 500K BAUD RATE, P. 46.....	91
3.80. J1939 DATA LINK WITH 500K BAUD RATE WITH TC10 TRANSMISSION WITH IBB ENGINE, P. 47.....	92
3.81. J1939 DATA LINK WITH 500K BAUD RATE WITH ALLISON TRANSMISSION WITH IBB ENGINE, P. 48.....	93

TABLE OF CONTENTS (CONT.)

3.82.	J1939 DATA LINK WITH 500K BAUD RATE WITH ALLISON TRANSMISSION WITH CUMMINS ISB ENGINE WITH WORKSTAR, P. 49.....	94
3.83.	J1939 DATA LINK WITH 500K BAUD RATE WITH 2010 SCR I6 ENGINE, P. 50.....	95
3.84.	J1939 DATA LINK WITH 500K BAUD RATE WITH ALLISON WTEC GEN 4 WITH MID/HIGH CAB WITH CREW CAB WITH 2010 SCR I6 ENGINE, P. 51.....	96
3.85.	J1939 DATA LINK WITH 500K BAUD RATE WITH BACKBONE WITH MID/HIGH CAB WITH 2010 SCR I6 ENGINE, P. 52.....	97
3.86.	J1939 DATA LINK WITH 500K BAUD RATE WITH ALLISON WTEC GEN 4 WITH MID/HIGH CAB WITH CREW CAB WITH 2010 SCR I6 ENGINE, P. 53.....	98
3.87.	J1939 DATA LINK WITH 500K BAUD RATE WITH ALLISON TRANSMISSION WITH CUMMINS ISB ENGINE, P. 54.....	99
3.88.	J1939 DATA LINK WITH 500K BAUD RATE WITH ALLISON TRANSMISSION WITH CUMMINS ISB ENGINE (CONT.), P. 55.....	100
3.89.	J1939 250K / 500K EATON EPS WITH CUMMINS ISB ENGINE, P. 56.....	101
3.90.	J1939 DATA LINK WITH TRANSTAR, P. 57.....	102
4.	CAB ACCESSORIES (CHAPTER 4).....	103
4.1.	CIGAR LIGHTER AND POWER FEED, P. 1.....	103
4.2.	CIGAR LIGHTER AND POWER FEED (CONT.), P. 2.....	104
4.3.	CB POWER RADIO, P. 3.....	105
4.4.	COMPASS DISPLAY, P. 4.....	106
4.5.	FRONT DOOR WINDOWS AND LOCKS (POWER), P. 5.....	107
4.6.	FRONT DOOR WINDOWS AND LOCKS (POWER) FOR CREW, P. 6.....	108
4.7.	HORN, ELECTRIC AND AIR, P. 7.....	109
4.8.	HORN, ELECTRIC AND AIR (CONT.), P. 8.....	110
4.9.	MIRRORS (HEATED, LIGHTED AND POWER), P. 9.....	111
4.10.	MIRRORS (HEATED, LIGHTED AND POWER) (CONT.), P. 10.....	112
4.11.	MIRRORS (HEATED, LIGHTED AND POWER) (CONT.), P. 10A.....	113
4.12.	MIRRORS (HEATED, LIGHTED AND POWER) (CONT.), P. 11.....	114
4.13.	POWER MIRRORS – HEATED AND MOTORIZED WITH WINDSHIELD WITH FPB, P. 11A... ..	115
4.14.	2-WAY RADIO, P. 12.....	116
4.15.	2-WAY RADIO (CONT.), P. 12A.....	117
4.16.	WINDSHIELD WIPER, P. 13.....	118
4.17.	WASHER PUMP, P. 14.....	119
4.18.	SWITCH PACK WITH OPTIONAL GAUGE PACK, P. 15.....	120
4.19.	ROOF AUXILIARY LOAD, P. 16.....	121
4.20.	SATELLITE COMMUNICATION – QUALCOMM IMCT, P. 17.....	122
4.21.	SATELLITE COMMUNICATION – TRIPMASTER, P. 18.....	123
4.22.	COMPUTER PREWIRED – XATA SYSTEM, P. 19.....	124
4.23.	CADEC GPS SYSTEM, P. 20.....	125
4.24.	SATELLITE COMMUNICATION – MOBILEMAX, P. 21.....	126
4.25.	SELF CONTAINED AIR SEAT, P. 22.....	127
4.26.	HEATED SEATS, P. 23.....	128
4.27.	INTENTIONALLY LEFT BLANK, P. 24.....	129
4.28.	INTENTIONALLY LEFT BLANK, P. 25.....	130
4.29.	BACK-UP CAMERA, P. 26.....	131
4.30.	EATON VORAD COLLISION AVOIDANCE SYSTEM VS400, P. 27.....	132
4.31.	EATON VORAD COLLISION AVOIDANCE SYSTEM VS400 (CONT.), P. 27A.....	133
4.32.	EATON VORAD COLLISION AVOIDANCE SYSTEM VS400 (CONT.), P. 27B.....	134
4.33.	COLLISION AVOIDANCE SYSTEM EATON VORAD VS400 (CONT.), P. 27C.....	135
4.34.	BACK-UP CAMERA, P. 28.....	136

TABLE OF CONTENTS (CONT.)

4.35.	SATELLITE COMMUNICATION – QUALCOMM IMCT WITH MVPC KEYBOARD, P. 29.....	137
4.36.	AIR SHIELD LIGHT, P. 30.....	138
4.37.	SATELLITE COMMUNICATION – QUALCOMM OMNIVISION, P. 31.....	139
4.38.	RADIO (ENTERTAINMENT), SPEAKERS – WITH 12 WAY CONNECTOR, P. 32.....	140
4.39.	RADIO (ENTERTAINMENT), SPEAKERS – WITH 16 WAY CONNECTOR, P. 33.....	141
4.40.	RADIO (ENTERTAINMENT), SPEAKERS – WITH 16 WAY CONNECTOR, P. 33A.....	142
4.41.	RADIO (ENTERTAINMENT), SPEAKERS – WITH 16 WAY CONNECTOR, P. 33B.....	143
4.42.	RADIO (ENTERTAINMENT), SPEAKERS – WITH 16 WAY CONNECTOR (CONT.), P. 33C...	144
4.43.	RADIO (ENTERTAINMENT), SPEAKERS – WITH 16 WAY CONNECTOR (CONT.), P. 33D...	145
4.44.	SEATBELT AND SEAT SENSOR, P. 34.....	146
4.45.	SEATBELT AND SEAT SENSOR (CONT.), P. 35.....	147
4.46.	SEATBELT AND SEAT SENSOR (CONT.), P. 36.....	148
4.47.	SEATBELT AND SEAT SENSOR (CONT.), P. 36A.....	149
4.48.	PASS CODE, P. 37.....	150
4.49.	DRIVER DISPLAY – VEHICLE INFORMATION, P. 38.....	151
4.50.	DRIVER DISPLAY – VEHICLE INFORMATION (CONT.), P. 39.....	152
4.51.	DUAL POWER TAKE OFF, P. 40.....	153
4.52.	SATELLITE COMM WITH ANTENNA, CABLE AND TRANSISTOR, P. 41.....	154
4.53.	DATA LINK TRANSLATOR, P. 42.....	155
4.54.	PEOPLETNET COMMUNICATIONS, P. 43.....	156
4.55.	BENDIX WINGMAN SYSTEM, P. 44.....	157
4.56.	EV DISCONNECT SWITCH WITH HIGH & LOW VISIBILITY, WITH MID & LOW CAB, WITH ISB & I6 ENGINE, P. 45.....	158
5.	12V CHARGING AND CRANKING SYSTEM (CHAPTER 5).....	159
5.1.	STARTING AND CRANKING I6 / V8 ENGINES WITH MANUAL TRANSMISSION, P. 1.....	159
5.2.	STARTING AND CRANKING CUMMINS ISB ENGINE WITH MANUAL TRANSMISSION, P. 1A.....	160
5.3.	STARTING AND CRANKING IBB ENGINE WITH MANUAL TRANSMISSION, P. 2.....	161
5.4.	STARTING AND CRANKING I6 AND V8 ENGINE WITH ALLISON TRANSMISSION, P. 3....	162
5.5.	STARTING AND CRANKING CUMMINS ISB ENGINE WITH ALLISON TRANSMISSION, P. 3A.....	163
5.6.	STARTING AND CRANKING CUMMINS ISB ENGINE WITH ALLISON TRANSMISSION (CONT.), P. 3B.....	164
5.7.	STARTING AND CRANKING IBB ENGINE WITH ALLISON TRANSMISSION, P. 4.....	165
5.8.	STARTING AND CRANKING I6 ENGINE WITH AUTOSHIFT, ULTRASHIFT TRANSMISSION AND EATON HYBRID , P. 5.....	166
5.9.	STARTING AND CRANKING IBB ENGINES WITH AUTOSHIFT ULTRASHIFT , P. 6.....	167
5.10.	I6 POWER PACK, P. 7.....	168
5.11.	ROCKER START, P. 8.....	169
5.12.	STARTING AND CRANKING ISL–G ENGINE WITH ALLISON TRANSMISSION, P. 9.....	170
5.13.	STARTER – ALTERNATOR CONNECTIONS, P. 10.....	171
5.14.	ENGINE STARTING AND CRANKING WITH CUMMINS ISB, P. 11.....	172
5.15.	STARTING & CRANKING WITH I6, I-367 ENGINE, P. 12.....	173
5.16.	STARTER CONTROL WITH CUMMINS ISB ENGINE WITH ULTRASHIFT TRANSMISSION, P. 13.....	174
5.17.	STARTER CONTROL WITH ISB ENGINE WITH ALLISON TRANSMISSION WITH UTILITY BODY, P. 14.....	175
5.18.	STARTER CONTROL WITH ISB ENGINE WITH ALLISON TRANSMISSION WITH UTILITY BODY (CONT.), P. 15.....	176

TABLE OF CONTENTS (CONT.)

5.19.	STARTING AND CRANKING WITH MANUAL TRANSMISSION WITH UTILITY BODY WITH 500K BAUD RATE, P. 16.....	177
5.20.	STARTING AND CRANKING WITH ALLISON TRANSMISSION WITH UTILITY BODY WITH 500K BAUD RATE, P. 17.....	178
5.21.	STARTING AND CRANKING WITH EATON PROCISION TRANSMISSION WITH 500K BAUD RATE, P. 18.....	179
6.	FANS AND ENGINE ACCESSORIES (CHAPTER 6).....	180
6.1.	FAN WIRING, I6 / V8 ENGINES, P. 1.....	180
6.2.	SNOW VALVE, P. 2.....	181
6.3.	SNOW VALVE (CONT.), P. 2A.....	182
6.4.	SNOW VALVE (CONT.), P. 2B.....	183
6.5.	SNOW VALVE (CONT.), P. 2C.....	184
6.6.	SNOW VALVE (CONT.), P. 2D.....	185
6.7.	STARTING AID – COLD START ASSIST (IBB ENGINE), P. 3.....	186
6.8.	FAN WIRING – IBB ENGINE, P. 4.....	187
6.9.	FAN WIRING – IBB ENGINE (CONT.), P. 4A.....	188
6.10.	ELECTRIC AIR COMPRESSOR WITH MD, P. 5.....	189
6.11.	FAN WIRING – ISL–G ENGINE, P. 6.....	190
7.	ELECTRONIC ENGINES (CHAPTER 7).....	191
7.1.	ELECTRONIC ENGINE CONTROLS, I6 ENGINES, P. 1.....	191
7.2.	ELECTRONIC ENGINE CONTROLS, I6 ENGINES (CONT.), P. 1A.....	192
7.3.	ELECTRONIC ENGINE CONTROLS, I6 ENGINES (CONT.), P. 2.....	193
7.4.	ELECTRONIC ENGINE CONTROLS, I6 ENGINES (CONT.), P. 3.....	194
7.5.	ELECTRONIC ENGINE CONTROLS, I6 ENGINES (CONT.), P. 4.....	195
7.6.	ELECTRONIC ENGINE CONTROLS, I6 ENGINES (CONT.), P. 5.....	196
7.7.	CRUISE CONTROL, P. 6.....	197
7.8.	ELECTRONIC ENGINE CONTROLS, IBB ENGINES, P. 7.....	198
7.9.	ELECTRONIC ENGINE CONTROLS, IBB ENGINES (CONT.), P. 8.....	199
7.10.	ELECTRONIC ENGINE CONTROLS, IBB ENGINES (CONT.), P. 9.....	200
7.11.	ELECTRONIC ENGINE CONTROLS, IBB ENGINES (CONT.), P. 10.....	201
7.12.	ELECTRONIC ENGINE CONTROLS, IBB ENGINES (CONT.), P. 11.....	202
7.13.	ELECTRONIC ENGINE CONTROLS, V8 ENGINES, P. 12.....	203
7.14.	ELECTRONIC ENGINE CONTROLS, V8 ENGINES (CONT.), P. 13.....	204
7.15.	ELECTRONIC ENGINE CONTROLS, V8 ENGINES (CONT.), P. 14.....	205
7.16.	ELECTRONIC ENGINE CONTROLS, V8 ENGINES (CONT.), P. 15.....	206
7.17.	ENGINE ECM POWER – V8 ENGINE, P. 16.....	207
7.18.	ELECTRONIC ENGINE CONTROLS – I6 ENGINE (CONT.), P. 17.....	208
7.19.	ELECTRONIC ENGINE CONTROLS – I6 ENGINE (CONT.) WITH EXHAUST BRAKE, P. 18.....	209
7.20.	ELECTRONIC ENGINE CONTROLS – I6 ENGINE (CONT.) WITH W.I.F., P. 19.....	210
7.21.	ELECTRONIC ENGINE CONTROLS – I6 ENGINE WITH SCR SYSTEM, P. 20.....	211
7.22.	ELECTRONIC ENGINE CONTROLS – I6 ENGINE WITH SCR SYSTEM (CONT.), P. 21.....	212
7.23.	ELECTRONIC ENGINE CONTROLS – I6 ENGINE WITH SCR SYSTEM (CONT.), P. 22.....	213
7.24.	ELECTRONIC ENGINE CONTROLS (ISL– G ENGINE), P. 23.....	214
7.25.	ELECTRONIC ENGINE CONTROLS (ISL – G ENGINE) (CONT.), P. 24.....	215
7.26.	ELECTRONIC ENGINE CONTROL (2010 SCR 13L ENGINE), P. 25.....	216
7.27.	ELECTRONIC ENGINE CONTROL (2010 SCR 13L ENGINE) (CONT.), P. 26.....	217
7.28.	ELECTRONIC ENGINE CONTROL (2010 SCR 13L ENGINE) (CONT.), P. 27.....	218
7.29.	ELECTRONIC ENGINE CONTROL (2010 SCR 13L ENGINE) (CONT.), P. 28.....	219

TABLE OF CONTENTS (CONT.)

7.30. ELECTRONIC ENGINE CONTROL (2010 SCR 13L ENGINE) (CONT.), P. 29.....	220
7.31. ELECTRONIC ENGINE CONTROL (2010 SCR 13L ENGINE) (CONT.), P. 30.....	221
7.32. ENGINE ECM POWER (2010 SCR 13L ENGINE), P. 31.....	222
7.33. DEF & AFTERTREATMENT (2010 SCR 13L ENGINE), P. 32.....	223
7.34. DEF & AFTERTREATMENT (2010 SCR 13L ENGINE) (CONT.), P. 33.....	224
7.35. DEF & AFTERTREATMENT (2010 SCR 13L ENGINE) (CONT.), P. 33A.....	225
7.36. DEF & AFTERTREATMENT (2010 SCR 13L ENGINE) (CONT.), P. 34.....	226
7.37. CAB J1939 DATA LINK (2010 SCR 13L ENGINE), P. 35.....	227
7.38. INTERNATIONAL BIG BORE ENGINE (IBBE) (2010 SCR 13L ENGINE), P. 36.....	228
7.39. ACCELERATOR – MWM E6 (2010 SCR 13L ENGINE), P. 37.....	229
7.40. EATON VORAD – VS400 (2010 SCR 13L ENGINE), P. 38.....	230
7.41. EATON VORAD – VS400 (2010 SCR 13L ENGINE) (CONT.), P. 39.....	231
7.42. ELECTRONICS ENGINE CONTROL (2013 CUMMINS ISB MD), P. 40.....	232
7.43. ELECTRONICS ENGINE CONTROL (2013 CUMMINS ISB MD) (CONT.), P. 41.....	233
7.44. ELECTRONICS ENGINE CONTROL (2013 CUMMINS ISB MD) (CONT.), P. 42.....	234
7.45. ELECTRONICS ENGINE CONTROL (2013 CUMMINS ISB MD) (CONT.), P. 42A.....	235
7.46. ENGINE BODY BUILDER WITH CUMMINS ISB ENGINE WITH M-NGV-SS, P. 42B.....	236
7.47. ENGINE BODY BUILDER WITH CUMMINS ISB ENGINE WITH M-NGV-SS, P. 42C.....	237
7.48. AMMETER CONNECTIONS, P. 43.....	238
7.49. DEF AND AFTERTREATMENT CONTROL (2013 – CUMMINS ISB MD), P. 44.....	239
7.50. DEF AND AFTERTREATMENT CONTROL (2013 – CUMMINS ISB MD), P. 45.....	240
7.51. DEF AND AFTERTREATMENT CONTROL (2013 – CUMMINS ISB MD) (CONT.), P. 46.....	241
7.52. DEF AND AFTERTREATMENT CONTROL (2013 – CUMMINS ISB MD) (CONT.), P. 46A.....	242
7.53. PDM PRODUCT GRAPHICS WITH CUMMINS ISB ENGINE, P. 46B.....	243
7.54. DEF AND AFTERTREATMENT CONTROL (2013 – CUMMINS ISB MD) (CONT.), P. 47.....	244
7.55. AIR CLEANER LEFT AND RIGHT SIDE WITH I6, I-746 ENGINE, P. 48.....	245
7.56. COMMON CLEAN POWER FEED WITH I6, I-746 ENGINE, P. 49.....	246
7.57. COMMON CLEAN POWER FEED WITH I6, I-746 ENGINE (CONT.), P. 50.....	247
7.58. RIGHT SIDE SURGE TANK WITH I6, I-746 ENGINE, P. 51.....	248
7.59. ENGINE BODY BUILDER – 12 VZA WITH I6, I-746 ENGINE, P. 52.....	249
7.60. I6, I-746 ENGINE DEF AND AFTERTREATMENT WITH SCR, P. 53.....	250
7.61. I6, I-746 ENGINE DEF AND AFTERTREATMENT, P. 54.....	251
7.62. I6, I-746 ENGINE DEF AND AFTERTREATMENT (CONT.), P. 55.....	252
7.63. PDM PRODUCT GRAPHICS WITH 2010 SCR I6 ENGINE, P. 55A.....	253
7.64. I6, I-746 ENGINE DEF AND AFTERTREATMENT (CONT.), P. 56.....	254
7.65. I6, I-746 ENGINE DEF AND AFTERTREATMENT (CONT.), P. 57.....	255
7.66. I6, I-746 ENGINE DEF AND AFTERTREATMENT (CONT.), P. 58.....	256
7.67. I6, I-746 ENGINE DEF AND AFTERTREATMENT (CONT.), P. 59.....	257
7.68. I6, I-746 ENGINE DEF AND AFTERTREATMENT (CONT.) P. 60.....	258
7.69. AAT / AMMETER / TWO WAY RADIO WITH I6 ENGINE WITH SCR, P. 61.....	259
7.70. AAT / AMMETER / TWO WAY RADIO WITH ISB ENGINE, P. 62.....	260
7.71. DRIVER CONTROL UNIT, P. 63.....	261
7.72. DRIVER CONTROL UNIT (CONT), P. 64.....	262
7.73. EATON PROCISION TRANSMISSION, P. 65.....	263
8. GAUGES WITH AND WITHOUT INTERNAL WARNING LIGHT (CHAPTER 8).....	264
8.1. IP / GAUGES, P. 1.....	264
8.2. WARNING LIGHT LIST, P. 2.....	265
8.3. WARNING LIGHTS CONTROLLED BY ENGINE, TRANSMISSION, ABS CONTROLLER, P. 3.....	266

TABLE OF CONTENTS (CONT.)

8.4.	ENGINE OIL PRESSURE AND TEMP, SPEEDOMETER, TACHOMETER, VOLTMETER AND WATER TEMP GAUGE CIRCUITS, P. 4.....	267
8.5.	IP GAUGES AND WARNING LIGHTS — GAUGE CLUSTER, P. 5.....	268
8.6.	AIR PRESSURE INPUT CIRCUIT, P. 6.....	269
8.7.	AXLE TEMPERATURE, GAUGE INPUT CIRCUIT, P. 7.....	270
8.8.	FUEL GAUGE CIRCUITRY (SINGLE TANK AND DUAL TANK), P. 8.....	271
8.9.	FUEL GAUGE CIRCUITRY, P. 8A.....	272
8.10.	DIFFERENTIAL LOCK WARNING LAMPS, P. 9.....	273
8.11.	PARK BRAKE SWITCH HYDRAULIC, P. 10.....	274
8.12.	GAUGES AND WARNING LIGHTS – AMMETER, P. 11.....	275
8.13.	FRONT AXLE ENGAGEMENT WARNING LAMP, P. 12.....	276
8.14.	WARNING LIGHTS – RIGHT BANK – OPTIONAL, P. 13.....	277
8.15.	WARNING LIGHTS – LEFT BANK – OPTIONAL, P. 14.....	278
8.16.	LOAD MONITORING, P. 15.....	279
8.17.	LOAD MONITORING (CONT.), P. 15A.....	280
8.18.	AIR PARK BRAKE AND MANUAL TRANSMISSION OIL TEMP GAUGE, P. 16.....	281
8.19.	FUEL HEATER CONNECTIONS, P. 17.....	282
8.20.	FUEL HEATER CONNECTIONS (CONT.), P. 18.....	283
8.21.	BATTERY WARNING INDICATOR, P. 19.....	284
9.	LIGHTS (CHAPTER 9).....	285
9.1.	BACK-UP LIGHTS WITHOUT ALLISON TRANSMISSION, P. 1.....	285
9.2.	BACK-UP LIGHTS WITH ALLISON TRANSMISSION, P. 2.....	286
9.3.	LIGHT SYSTEMS – CLEARANCE, MARKER, PARK, TAIL, TURN AND STOP LIGHTS, P. 3.....	287
9.4.	LIGHT SYSTEMS – CLEARANCE, MARKER, PARK, TAIL, TURN AND STOP LIGHTS (CONT.), P. 3A.....	288
9.5.	LIGHT SYSTEMS – CLEARANCE, MARKER, PARK, TAIL, TURN AND STOP LIGHTS (CONT.), P. 4.....	289
9.6.	LIGHT SYSTEMS – CLEARANCE, MARKER, PARK, TAIL, TURN AND STOP LIGHTS (CONT.), P. 5.....	290
9.7.	LIGHT SYSTEMS – CLEARANCE, MARKER, PARK, TAIL, TURN AND STOP LIGHTS (CONT.), P. 6.....	291
9.8.	LIGHT SYSTEMS – TURN SIGNAL AND STOP SWITCHES, P. 7.....	292
9.9.	DOME LIGHT, MAP LIGHT, P. 8.....	293
9.10.	DOME LIGHT, MAP LIGHT (CONT.), P. 9.....	294
9.11.	DOME LIGHT, MAP LIGHT (CONT.), P. 10.....	295
9.12.	LIGHT SYSTEM, FOG LIGHT, P. 11.....	296
9.13.	HEADLIGHTS, P. 12.....	297
9.14.	AUXILIARY HEADLIGHTS, SNOW PLOW LIGHTS, P. 13.....	298
9.15.	AUXILIARY HEADLIGHTS, SNOW PLOW LIGHTS (CONT.), P. 14.....	299
9.16.	AUXILIARY HEADLIGHTS, SNOW PLOW LIGHTS (CONT.), P. 14A.....	300
9.17.	PANEL LIGHTS, P. 15.....	301
9.18.	PANEL LIGHTS (CONT.), P. 15A.....	302
9.19.	LIGHT SYSTEM, WORK LIGHT, P. 16.....	303
9.20.	LIGHT SYSTEM, WORK LIGHT (CONT.), P. 16A.....	304
9.21.	CUSTOMER SUPPLIED WORK LIGHT WIRING, P. 17.....	305
9.22.	LIGHT SYSTEM, WORK LIGHT CLEARANCE, MARKER, PARK, TAIL, TURN AND STOP LIGHTS, P. 18.....	306
9.23.	LIGHT SYSTEM – CLEARANCE, MARKER, PARK TAIL, TURN AND STOP LIGHTS (CONT.), P. 19.....	307

TABLE OF CONTENTS (CONT.)

9.24. CUSTOMER SUPPLIED LIGHTS, P. 20.....	308
9.25. BACK UP LIGHT SWITCH WITH I6, I-367 ENGINE, P. 21.....	309
10. CHASSIS ACCESSORIES (CHAPTER 10).....	310
10.1. ABS – BENDIX AIR, P. 1.....	310
10.2. ABS – BENDIX AIR (CONT.), P. 2.....	311
10.3. ABS – BENDIX AIR (CONT.), P. 3.....	312
10.4. ABS – BENDIX AIR (CONT.), P. 3A.....	313
10.5. ABS – WABCO AIR, P. 4.....	314
10.6. ABS – WABCO AIR (CONT.), P. 5.....	315
10.7. WABCO FULL POWER BRAKES, P. 6.....	316
10.8. WABCO FULL POWER BRAKES (CONT.), P. 7.....	317
10.9. WABCO FULL POWER BRAKES (CONT.), P. 8.....	318
10.10. BODY BUILDER AND TRAILER – TURN, MARKERS AND STOP, P. 9.....	319
10.11. BODY BUILDER AND TRAILER – TURN, MARKERS AND STOP (CONT.), P. 10.....	320
10.12. TRAILER SOCKET – BOC AND EOF, P. 11.....	321
10.13. BODY BUILDER AND TRAILER SOCKET – BOC AND EOF, P. 12.....	322
10.14. 12V TRAILER SOCKET, P. 12A.....	323
10.15. BODY BUILDER PRE-WIRING, P. 13.....	324
10.16. BODY BUILDER PRE-WIRING (CONT.), P. 13A.....	325
10.17. BODY BUILDER CONNECTIONS, P. 14.....	326
10.18. UTILITY BODY CONNECTIONS, P. 14A.....	327
10.19. UTILITY BODY CONNECTIONS (CONT.), P. 14B.....	328
10.20. UTILITY BODY CONNECTIONS (CONT.), P. 14C.....	329
10.21. UTILITY BODY CONNECTIONS (CONT.), P. 14D.....	330
10.22. UTILITY BODY CONNECTIONS (CONT.), P. 14E.....	331
10.23. UTILITY BODY CONNECTIONS (CONT.), P. 14F.....	332
10.24. UTILITY BODY CONNECTIONS WITH 500K BAUD RATE, P. 14G.....	333
10.25. AUXILIARY TRAILER CIRCUIT, P. 15.....	334
10.26. SWITCH – AUX TRAILER SEPARATE, P. 15A.....	335
10.27. TWO SPEED AXLE SWITCH, P. 16.....	336
10.28. AIR SOLENOID, P. 17.....	337
10.29. AIR SOLENOID (CONT.), P. 17A.....	338
10.30. AIR SOLENOID (CONT.), P. 17B.....	339
10.31. AIR SOLENOID (CONT.), P. 18.....	340
10.32. REMOTE POWER MODULE – BATTERY BOX MOUNTED, P. 19.....	341
10.33. REMOTE POWER MODULE – CAB MOUNTED, P. 20.....	342
10.34. REMOTE POWER MODULE – CAB MOUNTED (CONT.), P. 20A.....	343
10.35. REMOTE POWER MODULE – CAB MOUNTED (CONT.), P. 20B.....	344
10.36. REMOTE POWER MODULE – END OF FRAME, P. 21.....	345
10.37. REMOTE POWER MODULE END OF FRAME (CONT.), P. 21A.....	346
10.38. FUEL / WATER SEPARATOR, P. 22.....	347
10.39. CUMMINS ISB FUEL / WATER SEPARATOR, P. 22A.....	348
10.40. ELECTRIC TRAILER BRAKE, P. 23.....	349
10.41. LECTRASHIFT ACCOMMODATION, P. 24.....	350
10.42. HOUR METER – PTO, P. 25.....	351
10.43. AUXILIARY INPUTS AND DRIVERS, P. 26.....	352
10.44. FUEL TRANSFER PUMP, P. 27.....	353
10.45. POWER SOURCE, CUSTOMER INSTALLED LIFT GATE, P. 28.....	354
10.46. WHEELCHAIR LIFT INTERLOCK, P. 29.....	355
10.47. WHEELCHAIR LIFT INTERLOCK (CONT.), P. 29A.....	356

TABLE OF CONTENTS (CONT.)

10.48. LIFT AXLE WITH CONTROLS FOR ONE LIFT AXLE, P. 30.....	357
10.49. LIFT AXLE WITH CONTROLS FOR ONE LIFT AXLE (CONT.), P. 30A.....	358
10.50. SPARE WIRING WITH LOAD DISCONNECT, P. 30B.....	359
10.51. SPARE WIRING WITH LOAD DISCONNECT (CONT.), P. 30C.....	360
10.52. LIFT AXLE (NON-STEERABLE), P. 31.....	361
10.53. LIFT AXLE (STEERABLE), P. 32.....	362
10.54. LIFT AXLE, P. 33.....	363
10.55. LIFT AXLE (CONT.), P. 34.....	364
10.56. AIR DRYER AND HEATED DRAIN VALVE, P. 35.....	365
10.57. LIFT AXLE WITH CONTROLS FOR TWO LIFT AXLES, P. 36.....	366
10.58. LIFT AXLES WITH CONTROLS FOR THREE LIFT AXLES, P. 37.....	367
10.59. LIFT AXLES WITH CONTROLS FOR FOUR LIFT AXLES, P. 38.....	368
10.60. ABS ROLL OVER STABILITY, P. 39.....	369
10.61. ABS ROLL OVER STABILITY (CONT.), P. 40.....	370
10.62. ABS – BENDIX AIR, P. 41.....	371
10.63. ABS – BENDIX AIR (CONT.), P. 41A.....	372
10.64. TRANSFER CASE EFFECTS, P. 42.....	373
10.65. TRANSFER CASE EFFECTS (CONT.), P. 43.....	374
10.66. REMOTE START / STOP, P. 44.....	375
10.67. AUXILIARY AND POWER SOURCE, P. 45.....	376
10.68. ABS – BENDIX AIR 6S / 6M, P. 46.....	377
10.69. ABS – BENDIX AIR 6S / 6M (CONT.), P. 46A.....	378
10.70. ABS – BENDIX AIR 6S / 6M (CONT.), P. 47.....	379
10.71. AC CONDENSER EFFECTS, P. 48.....	380
10.72. AC CONDENSER EFFECTS (CONT.), P. 48A.....	381
10.73. PRESSURE SWITCH, P. 49.....	382
10.74. TSS POWER, P. 50.....	383
10.75. TSS SWITCH INPUT, P. 51.....	384
10.76. TSS TURN LIGHT, P. 52.....	385
10.77. TSS STOP, TAIL AND MARKER LIGHT, P. 53.....	386
10.78. ABS – WABCO AIR 6S / 6M (6X4), P. 54.....	387
10.79. ABS – WABCO AIR 6S / 6M (6X4) (CONT.), P. 55.....	388
10.80. ABS – BENDIX AIR 6S / 6M (6X4), P. 56.....	389
10.81. ABS – BENDIX AIR 6S / 6M (6X4) (CONT.), P. 56A.....	390
10.82. ABS – BENDIX AIR 6S / 6M (6X4) (CONT.), P. 57.....	391
10.83. ABS – BENDIX AIR 6S / 6M (6X4) (CONT.), P. 57A.....	392
10.84. SCR SYSTEM, P. 58.....	393
10.85. SCR SYSTEM (CONT.), P. 59.....	394
10.86. SCR SYSTEM (CONT.), P. 60.....	395
10.87. LIFT AXLE – 6X2, P. 61.....	396
10.88. ANTI-THEFT SYSTEM WITH I6 ENGINE (0012NVM), P. 62.....	397
10.89. ANTI-THEFT SYSTEM WITH I6 ENGINE (0012NVM), P. 62A.....	398
10.90. DIAGNOSTIC FLASHER MODULE, P. 63.....	399
10.91. DIAGNOSTIC FLASHER MODULE (CONT.), P. 63A.....	400
10.92. BODY BUILDER AND TRAILER – TURN, MARKERS AND STOP (ISL-G ENGINE), P. 64....	401
10.93. ULTRASHIFT BODYBUILDER WIRING, P. 65.....	402
10.94. TRW ABS BRAKES, P. 66.....	403
10.95. ENGINE BRAKE AND ECM WIRING – WITH EURO 3, P. 67.....	404
10.96. IDLE CONTROL TEMPERATURE SENSOR, P. 68.....	405
10.97. BODY BUILDER (B) RELAYS AND FUSES WITH PDM, P. 69.....	406
10.98. ABS – WABCO 4S / 4M, P. 70.....	407

TABLE OF CONTENTS (CONT.)

10.99. ABS – WABCO 4S / 4M (CONT.), P. 70A.....	408
10.100. HYDRAULIC BRAKES, P. 71.....	409
10.101. NEXT GEN HYDRAULIC BRAKES, P. 72.....	410
10.102. NEXT GEN HYDRAULIC BRAKES (CONT.), P. 73.....	411
10.103. NEXT GEN HYDRAULIC BRAKES (CONT.), P. 74.....	412
10.104. NEXT GEN HYDRAULIC BRAKES (CONT.), P. 75.....	413
10.105. NEXT GEN HYDRAULIC BRAKES (CONT.), P. 76.....	414
10.106. REMOTE START / STOP WITH UTILITY BODY WITH 500K BAUD RATE, P. 77.....	415
11. TRANSMISSIONS (CHAPTER 11).....	416
11.1. ALLISON GEN 4 1/2000 TRANSMISSION WITH I6 AND V8 ENGINE, P. 1.....	416
11.2. ALLISON GEN 4 1/2000 TRANSMISSION WITH I6 AND V8 ENGINES (CONT.), P. 2.....	417
11.3. ALLISON GEN 4 1/2000 TRANSMISSION WITH I6 AND V8 ENGINES (CONT.), P. 3.....	418
11.4. ALLISON GEN 4 1/2000 TRANSMISSION WITH I6 AND V8 ENGINES (CONT.), P. 3A.....	419
11.5. TRANSMISSION, ALLISON MD WITH I6 AND V8 ENGINES, P. 4.....	420
11.6. TRANSMISSION, ALLISON MD 3/4000 WITH I6 AND V8 ENGINES, P. 5.....	421
11.7. TRANSMISSION, ALLISON MD / HD (WTEC) WITH I6 AND V8 ENGINES, P. 6.....	422
11.8. TRANSMISSION, ALLISON MD / HD (WTEC) WITH I6 AND V8 ENGINES (CONT.), P. 7.....	423
11.9. TRANSMISSION, ALLISON MD (WTEC), P. 8.....	424
11.10. TRANSMISSION, ALLISON MD (WTEC) (CONT.), P. 9.....	425
11.11. EATON AUTOSHIFT, P. 10.....	426
11.12. EATON AUTOSHIFT (CONT.), P. 11.....	427
11.13. EATON AUTOSHIFT TRANSMISSION WITH I6 ENGINE, P. 12.....	428
11.14. EATON ULTRASHIFT GEN 3 / MERITOR G MANUAL TRANSMISSION, P. 13.....	429
11.15. EATON HYBRID TRANSMISSION, P. 14.....	430
11.16. EATON HYBRID TRANSMISSION (CONT.), P. 15.....	431
11.17. EATON HYBRID TRANSMISSION (CONT.), P. 16.....	432
11.18. EATON HYBRID TRANSMISSION (CONT.), P. 17.....	433
11.19. EATON HYBRID TRANSMISSION (CONT.), P. 18.....	434
11.20. EATON HYBRID TRANSMISSION (CONT.), P. 19.....	435
11.21. TRANSMISSION ALLISON WITH IBB ENGINE AND ISL-G, P. 20.....	436
11.22. TRANSMISSION ALLISON WITH IBB ENGINE AND ISL-G (CONT.), P. 21.....	437
11.23. TRANSMISSION ALLISON WITH IBB ENGINE AND ISL-G (CONT.), P. 22.....	438
11.24. TRANSMISSION ALLISON WITH IBB ENGINE AND ISL-G (CONT.), P. 23.....	439
11.25. TRANSMISSION RETARDER CONTROLS WIRING WITH MD TRANSMISSION HARD WIRED EFFECTS, P. 24.....	440
11.26. TRANSMISSION RETARDER CONTROLS WIRING WITH MD TRANSMISSION HARD WIRED EFFECTS, P. 24A.....	441
11.27. ALLISON TRANSMISSION 3 / 4000 GEN 4 WITH AUTO NEUTRAL, P. 25.....	442
11.28. ALLISON TRANSMISSION 3 / 4000 GEN 4 WITH AUTO NEUTRAL AND ISB ONLY, P. 25A...	443
11.29. TRANSMISSION WITH ISB WITH AUTO NEUTRAL, P. 25B.....	444
11.30. ALLISON TRANSMISSION WITH AUTO NEUTRAL, P. 25C.....	445
11.31. EATON AUTO AND ULTRASHIFT GEN 3 TRANSMISSION WITH IBB ENGINE, P. 26.....	446
11.32. WTEC TRANSMISSION WITH GEN4 WITH MD WITH I6 ENGINE – IN CAB, P. 27.....	447
11.33. WTEC TRANSMISSION WITH GEN4 WITH MD WITH I6 ENGINE (CONT.), P. 28.....	448
11.34. LCT TRANSMISSION WITH GEN4 WITH MD WITH I6 ENGINE, P. 29.....	449
11.35. LCT TRANSMISSION WITH GEN4 WITH MD WITH I6 ENGINE (CONT.), P. 30.....	450
11.36. LCT AND WTEC TRANSMISSION WITH GEN4 WITH MD WITH I6 ENGINE, P. 31.....	451
11.37. ALLISON GEN 4/5 1/2000 TRANSMISSION WITH IBB ENGINE, P. 32.....	452
11.38. TRANSMISSION ALLISON MD 3/4000 WITH I6 AND V8 ENGINE, P. 33.....	453

TABLE OF CONTENTS (CONT.)

11.39. TRANSMISSION RETARDER CONTROLS WIRING WITH MD TRANSMISSION HARD WIRED EFFECTS, P. 34.....	454
11.40. ALLISON TRANSMISSION 3 / 4000 GEN 4 / 5 WITH AUTO NEUTRAL, P. 35.....	455
11.41. WTEC TRANSMISSION WITH GEN5 WITH MD WITH IBB ENGINE – IN CAB, P. 36.....	456
11.42. WTEC TRANSMISSION WITH GEN5 WITH MD WITH IBB ENGINE – IN CAB (CONT.), P. 37.....	457
11.43. WTEC TRANSMISSION WITH GEN5 WITH MD WITH IBB ENGINE – IN CAB (CONT.), P. 38.....	458
11.44. WTEC TRANSMISSION WITH GEN5 WITH MD WITH IBB ENGINE – IN CAB (CONT.), P. 39.....	459
11.45. MANUAL TRANSMISSION WITH BYPASS SWITCH, P. 40.....	460
11.46. ALLISON TRANSMISSION (2013 CUMMINS ISB MD), P. 41.....	461
11.47. ALLISON TRANSMISSION (2013 CUMMINS ISB MD) (CONT.), P. 42.....	462
11.48. ALLISON TRANSMISSION (2013 CUMMINS ISB MD) (CONT.), P. 43.....	463
11.49. ALLISON TRANSMISSION TC10 TRANSMISSION, P. 44.....	464
11.50. ALLISON GEN 4/5 1/2000 TRANSMISSION WITH I6, I-367 ENGINE, P. 45.....	465
11.51. ALLISON GEN 4/5 1/2000 TRANSMISSION WITH I6, I-367 ENGINE (CONT.), P. 46.....	466
11.52. TRANSMISSION ALLISON MD WITH I6, I-367 ENGINE, P. 47.....	467
11.53. J1939 DATA LINK I6, I-367 ENGINE, P. 48.....	468
11.54. ALLISON 1/2000 TRANSMISSION WITH I6, I-367 ENGINE, P. 49.....	469
11.55. ALLISON 4/5 WTEC TRANSMISSION WITH I6, I-367 ENGINE, P. 50.....	470
11.56. TRANSMISSION MODULE WITH I6, I-367 ENGINE, P. 51.....	471
11.57. TRANSMISSION MODULE WITH I6, I-367 ENGINE (CONT.), P. 52.....	472
11.58. TRANSMISSION MODULE WITH I6, I-367 ENGINE (CONT.), P. 53.....	473
11.59. TRANSMISSION MODULE WITH I6, I-367 ENGINE (CONT.), P. 54.....	474
11.60. TRANSMISSION MODULE WITH I6, I-367 ENGINE (CONT.), P. 55.....	475
11.61. TRANSMISSION MODULE WITH I6, I-367 ENGINE (CONT.), P. 56.....	476
11.62. TRANSMISSION MODULE WITH I6, I-367 ENGINE (CONT.), P. 57.....	477
11.63. TRANSMISSION MODULE WITH I6, I-367 ENGINE (CONT.), P. 58.....	478
11.64. TRANSMISSION MODULE WITH I6, I-367 ENGINE (CONT.), P. 59.....	479
11.65. TRANSMISSION MODULE WITH I6, I-367 ENGINE (CONT.), P. 60.....	480
11.66. TRANSMISSION MODULE WITH I6, I-367 ENGINE (CONT.), P. 61.....	481
11.67. AAT / AMMETER / TWO WAY RADIO WITH ISB ENGINE, P. 62.....	482
11.68. TRANSMISSION MODULE WITH I6, I-367 ENGINE (CONT.), P. 63.....	483
11.69. TRANSMISSION MODULE WITH I6, I-367 ENGINE (CONT.), P. 64.....	484
11.70. TRANSMISSION MODULE WITH I6, I-367 ENGINE (CONT.), P. 65.....	485
11.71. TRANSMISSION MODULE WITH I6, I-367 ENGINE (CONT.), P. 66.....	486
11.72. INTENTIONALLY LEFT BLANK, P. 67.....	487
11.73. J1939 DATA LINK WIRING WITH I6, I-367 ENGINE, P. 68.....	488
11.74. EATON GEN 3 HCM VEHICLE INTERFACE CONNECTION WITH I6, I-367 ENGINE, P. 69...	489
11.75. ALLISON TRANSMISSION (2013 CUMMINS ISB), P. 70.....	490
11.76. ALLISON TRANSMISSION (2013 CUMMINS ISB) WITH BODY BUILDER CONNECTOR, P. 71.....	491
11.77. ALLISON TRANSMISSION (2013 CUMMINS ISB MD) (CONT.), P. 72.....	492
11.78. ALLISON TRANSMISSION (2013 CUMMINS ISB MD) (CONT.), P. 73.....	493
11.79. ALLISON TRANSMISSION WITH GEN5 IN CAB WITH ISB ENGINE, P. 74.....	494
11.80. ALLISON TRANSMISSION WITH GEN5 WITH CUMMINS ISB ENGINE WITH M NGV MD, P. 74A.....	495
11.81. ALLISON TRANSMISSION WITH GEN5 IN CAB WITH ISB ENGINE (CONT.), P. 75.....	496
11.82. ALLISON TRANSMISSION WITH GEN5 IN CAB WITH ISB ENGINE (CONT.), P. 75A.....	497

TABLE OF CONTENTS (CONT.)

11.83. ALLISON TRANSMISSION WITH GEN5 WITH CUMMINS ISB ENGINE WITH M NGV MD, P. 75B.....	498
11.84. ALLISON TRANSMISSION WITH GEN5 IN CAB WITH ISB ENGINE (CONT.), P. 76.....	499
11.85. ALLISON TRANSMISSION WITH GEN5 WITH CUMMINS ISB ENGINE WITH M NGV MD, P. 76A.....	500
11.86. ULTRASHIFT TRANSMISSION WITH ISB ENGINE, P. 77.....	501
11.87. J1939 250K / 500K EATON PROCISION TRANSMISSION, P. 78.....	502
11.88. EATON PROCISION TRANSMISSION WITH PUSH BUTTON, WITH T-HANDLE WITH ISB ENGINE, P. 79.....	503
11.89. EATON PROCISION TRANSMISSION WITH PUSH BUTTON, WITH T-HANDLE WITH ISB ENGINE (CONT.), P. 80.....	504
11.90. EATON PROCISION TRANSMISSION WITH PUSH BUTTON, WITH T-HANDLE WITH ISB ENGINE (CONT.), P. 81.....	505
11.91. TRANSMISSION CONTROL MODULE, P. 82.....	506
11.92. TRANSMISSION CONTROL MODULE (CONT.), P. 83.....	507
11.93. TRANSMISSION CONTROL MODULE (CONT.), P. 84.....	508
11.94. TRANSMISSION CONTROL MODULE (CONT.), P. 85.....	509
11.95. TRANSMISSION CONTROL MODULE (CONT.), P. 86.....	510
11.96. TRANSMISSION CONTROL MODULE (CONT.), P. 87.....	511
12. AIR CONDITIONING (CHAPTER 12).....	512
12.1. AIR CONDITIONING, P. 1.....	512
12.2. AIR CONDITIONING (CONT.), P. 2.....	513
12.3. HVAC SYSTEM, P. 3.....	514
12.4. HVAC SYSTEM (CONT.), P. 4.....	515
12.5. HVAC SYSTEM (CONT.), P. 4A.....	516
12.6. AUTOTHERM SYSTEM, P. 5.....	517
13. CONNECTOR COMPOSITES (CHAPTER 13).....	518
13.1. CONNECTOR COMPOSITES (1), (1A), (2C), P. 1.....	518
13.2. CONNECTOR COMPOSITES (2A), (3A), (4A), (18A), (19A), P. 1A.....	519
13.3. CONNECTOR COMPOSITES (254F), (254M), (304), (317), P. 2.....	520
13.4. CONNECTOR COMPOSITES (400), (411M1), (421), (422), P. 3.....	521
13.5. CONNECTOR COMPOSITES (422F), (423), (424), (425), (500), P. 3A.....	522
13.6. CONNECTOR COMPOSITES (600), (608), (662), (663), P. 3B.....	523
13.7. CONNECTOR COMPOSITES (663R), (664), (670), P. 3C.....	524
13.8. CONNECTOR COMPOSITES (670), (671), P. 3D.....	525
13.9. CONNECTOR COMPOSITES (671), (672), (673), P. 3E.....	526
13.10. CONNECTOR COMPOSITES (674), P. 3F.....	527
13.11. CONNECTOR COMPOSITES (674), (675), (676), (677), (678), P. 3G.....	528
13.12. CONNECTOR COMPOSITES (679), P. 3H.....	529
13.13. CONNECTOR COMPOSITES (679), P. 3I.....	530
13.14. CONNECTOR COMPOSITES (679), P. 3J.....	531
13.15. CONNECTOR COMPOSITES (680), (681), (685), P. 3K.....	532
13.16. CONNECTOR COMPOSITES (685), P. 3L.....	533
13.17. CONNECTOR COMPOSITES (686), P. 3M.....	534
13.18. CONNECTOR COMPOSITES (687), P. 3N.....	535
13.19. CONNECTOR COMPOSITES (687), (687A), (689), P. 3P.....	536
13.20. CONNECTOR COMPOSITES (690), P. 3Q.....	537
13.21. CONNECTOR COMPOSITES (690), (691), (828), P. 3R.....	538
13.22. CONNECTOR COMPOSITES (827), (830M), P. 4.....	539

TABLE OF CONTENTS (CONT.)

13.23. INTENTIONALLY LEFT BLANK, P. 5.....	540
13.24. CONNECTOR COMPOSITES (1004), (1007M), (1008FA), (1009F), P. 6.....	541
13.25. CONNECTOR COMPOSITES (1010), P. 7.....	542
13.26. CONNECTOR COMPOSITES (1010), P. 7A.....	543
13.27. CONNECTOR COMPOSITES (1011), P. 8.....	544
13.28. CONNECTOR COMPOSITES (1012), P. 9.....	545
13.29. CONNECTOR COMPOSITES (1013), P. 10.....	546
13.30. CONNECTOR COMPOSITES (1013), P. 10A.....	547
13.31. CONNECTOR COMPOSITES (1014), P. 11.....	548
13.32. CONNECTOR COMPOSITES (1014), P. 11A.....	549
13.33. CONNECTOR COMPOSITES (1015), P. 12.....	550
13.34. CONNECTOR COMPOSITES (1016), P. 13.....	551
13.35. CONNECTOR COMPOSITES (1016), P. 13A.....	552
13.36. CONNECTOR COMPOSITES (1017), P. 14.....	553
13.37. CONNECTOR COMPOSITES (1017), P. 14A.....	554
13.38. CONNECTOR COMPOSITES (1018), P. 15.....	555
13.39. CONNECTOR COMPOSITES (1018), P. 15A.....	556
13.40. CONNECTOR COMPOSITES (1019), P. 16.....	557
13.41. CONNECTOR COMPOSITES (1019), P. 16A.....	558
13.42. CONNECTOR COMPOSITES (1020), P. 17.....	559
13.43. CONNECTOR COMPOSITES (1023A), (1023B), P. 18.....	560
13.44. CONNECTOR COMPOSITES (1023C), (1023D), P. 19.....	561
13.45. CONNECTOR COMPOSITES (1026), P. 19A.....	562
13.46. CONNECTOR COMPOSITES (1026), (1029), P. 20.....	563
13.47. CONNECTOR COMPOSITES (1100), (1100MA), (1101), (1101A), P. 21.....	564
13.48. CONNECTOR COMPOSITES (1105), (1105A), (1106), P. 22.....	565
13.49. CONNECTOR COMPOSITES (1107), (1108), P. 22A.....	566
13.50. CONNECTOR COMPOSITES (1109), (1109A), (1110), P. 23.....	567
13.51. CONNECTOR COMPOSITES (1112), (1113), (1115), P. 23A.....	568
13.52. CONNECTOR COMPOSITES (1116), (1120), (1200), P. 23B.....	569
13.53. CONNECTOR COMPOSITES (1210), (1220), (1227), P. 24.....	570
13.54. CONNECTOR COMPOSITES (1234), P. 24A.....	571
13.55. CONNECTOR COMPOSITES (1235), (1236), P. 24B.....	572
13.56. CONNECTOR COMPOSITES (1237), P. 24C.....	573
13.57. CONNECTOR COMPOSITES (1240F), (1241F), P. 25.....	574
13.58. CONNECTOR COMPOSITES (1242), (1243), (1300), (1300A), P. 26.....	575
13.59. CONNECTOR COMPOSITES (1301), (1302), P. 26A.....	576
13.60. CONNECTOR COMPOSITES (1303), (1338M), (1378), P. 26B.....	577
13.61. CONNECTOR COMPOSITES (1400), (1401), P. 27.....	578
13.62. CONNECTOR COMPOSITES (1402), P. 27A.....	579
13.63. CONNECTOR COMPOSITES (1403), (1410), P. 28.....	580
13.64. CONNECTOR COMPOSITES (1420), (1421), P. 29.....	581
13.65. CONNECTOR COMPOSITES (1422), (1423), (1500), P. 29A.....	582
13.66. CONNECTOR COMPOSITES (1501), P. 30.....	583
13.67. CONNECTOR COMPOSITES (1502), P. 30A.....	584
13.68. CONNECTOR COMPOSITES (1503), (1510), P. 30B.....	585
13.69. CONNECTOR COMPOSITES (1511), (1512), (1559), P. 30C.....	586
13.70. CONNECTOR COMPOSITES (1600), P. 31.....	587
13.71. CONNECTOR COMPOSITES (1601), P. 32.....	588
13.72. CONNECTOR COMPOSITES (1602), P. 33.....	589
13.73. CONNECTOR COMPOSITES (1603), (1604), (1606), P. 34.....	590

TABLE OF CONTENTS (CONT.)

13.74. CONNECTOR COMPOSITES (1607), (1625), (1626), P. 35.....	591
13.75. CONNECTOR COMPOSITES (1650), (1657), (1657M), P. 35A.....	592
13.76. CONNECTOR COMPOSITES (1658), (1658M), (1660), (1661), P. 36.....	593
13.77. CONNECTOR COMPOSITES (1700), P. 37.....	594
13.78. CONNECTOR COMPOSITES (1700), P. 38.....	595
13.79. CONNECTOR COMPOSITES (1700), P. 38A.....	596
13.80. CONNECTOR COMPOSITES (1700), P. 38B.....	597
13.81. CONNECTOR COMPOSITES (1700), P. 39.....	598
13.82. CONNECTOR COMPOSITES (1700), P. 40.....	599
13.83. CONNECTOR COMPOSITES (1701), P. 41.....	600
13.84. CONNECTOR COMPOSITES (1701), P. 42.....	601
13.85. CONNECTOR COMPOSITES (1701), P. 42A.....	602
13.86. CONNECTOR COMPOSITES (1701F), P. 43.....	603
13.87. CONNECTOR COMPOSITES (1701F), P. 44.....	604
13.88. CONNECTOR COMPOSITES (1702), P. 45.....	605
13.89. CONNECTOR COMPOSITES (1702), P. 46.....	606
13.90. CONNECTOR COMPOSITES (1702), P. 46A.....	607
13.91. CONNECTOR COMPOSITES (1702), P. 46B.....	608
13.92. CONNECTOR COMPOSITES (1702), P. 47.....	609
13.93. CONNECTOR COMPOSITES (1702), (1702B), P. 47A.....	610
13.94. CONNECTOR COMPOSITES (1702B), P. 47B.....	611
13.95. CONNECTOR COMPOSITES (1800), P. 48.....	612
13.96. CONNECTOR COMPOSITES (1800F), P. 48A.....	613
13.97. CONNECTOR COMPOSITES (1804), (1807), (1809), (1810), P. 49.....	614
13.98. CONNECTOR COMPOSITES (1811), (1812), (1813), P. 50.....	615
13.99. CONNECTOR COMPOSITES (1815), P. 50A.....	616
13.100. CONNECTOR COMPOSITES (1820F), (1820M), (1822), P. 51.....	617
13.101. CONNECTOR COMPOSITES (1823), (1824), (1825), P. 52.....	618
13.102. CONNECTOR COMPOSITES (1828), (1829), (1852), (1852A), P. 53.....	619
13.103. CONNECTOR COMPOSITES (1861), (1872), (1873), P. 54.....	620
13.104. CONNECTOR COMPOSITES (1873B), (1873C), (1873D), P. 54A.....	621
13.105. CONNECTOR COMPOSITES (1873E), (1873F), (1873G), P. 54B.....	622
13.106. CONNECTOR COMPOSITES (1873H), (1873J), P. 54C.....	623
13.107. CONNECTOR COMPOSITES (1873W), P. 54D.....	624
13.108. CONNECTOR COMPOSITES (1873X), (1873Y), (1873Z), P. 54E.....	625
13.109. CONNECTOR COMPOSITES (1874), (1874A), (1874B), P. 54F.....	626
13.110. CONNECTOR COMPOSITES (1900), (1901), (1902), (1903), (1910), (1910A), P. 55.....	627
13.111. CONNECTOR COMPOSITES (1911), (1917), (1918), (1918A), P. 55A.....	628
13.112. CONNECTOR COMPOSITES (1919A), (1920), (1927), (1929), P. 56.....	629
13.113. CONNECTOR COMPOSITES (1935), (1936M), (1937N), (1938M), (1939), P. 57.....	630
13.114. CONNECTOR COMPOSITES (1939M), (1941), (1942F), P. 57A.....	631
13.115. CONNECTOR COMPOSITES (1943M), (1946), (1947), P. 57B.....	632
13.116. CONNECTOR COMPOSITES (1948), (1949), (1956), (1957), P. 57C.....	633
13.117. CONNECTOR COMPOSITES (1958), (1959), (1961), (1962), P. 57D.....	634
13.118. CONNECTOR COMPOSITES (1964), P. 57E.....	635
13.119. CONNECTOR COMPOSITES (1965), (1965F), (1971), (1981), P. 57F.....	636
13.120. CONNECTOR COMPOSITES (2000), P. 57G.....	637
13.121. CONNECTOR COMPOSITES (2021), (2200), (2201), (2202), (2203), (2223), P. 58.....	638
13.122. CONNECTOR COMPOSITES (2224), (2225), (2501), (2502), P. 58A.....	639
13.123. CONNECTOR COMPOSITES (2503), (2505), (2600), (2701), (2702), P. 58B.....	640
13.124. CONNECTOR COMPOSITES (3000), (3001), (3002M), (3003), (3004), P. 59.....	641

TABLE OF CONTENTS (CONT.)

13.125.CONNECTOR COMPOSITES (3005), (3100M), (3200), (3200F), P. 59A.....	642
13.126.CONNECTOR COMPOSITES (3201F), (3201M), (3202M), (3203M), (3204), P. 59B.....	643
13.127.CONNECTOR COMPOSITES (3205), (3205M), (3206), (3208F), (3209M), (3210M), P. 59C.....	644
13.128.CONNECTOR COMPOSITES (3211M), (3400), (4004), (4005), (4021), (4021A), (4021B), P. 60.....	645
13.129.CONNECTOR COMPOSITES (4022), (4022A), (4022B), (4031), (4032), P. 60A.....	646
13.130.CONNECTOR COMPOSITES (4033), (4037), (4038), P. 60B.....	647
13.131.CONNECTOR COMPOSITES (4040), (4041), (4042A), (4042B), (4042C), (4042D), P. 61....	648
13.132.CONNECTOR COMPOSITES (4060), P. 61A.....	649
13.133.CONNECTOR COMPOSITES (4060A), (4061), (4070), (4071), P. 61B.....	650
13.134.CONNECTOR COMPOSITES (4087), (4087B), (4111M), (4120), P. 62.....	651
13.135.CONNECTOR COMPOSITES (4320), (4321), (4322), P. 63.....	652
13.136.CONNECTOR COMPOSITES (4323), (4328), (4410D), (4410E), P. 64.....	653
13.137.CONNECTOR COMPOSITES (4410F), (4410G), (4410H), P. 65.....	654
13.138.CONNECTOR COMPOSITES (4410J), (4410K), (4410L), P. 65A.....	655
13.139.CONNECTOR COMPOSITES (4410M), (4411), P. 65B.....	656
13.140.CONNECTOR COMPOSITES (4411A1), (4411A2), (4411A3), (4411A4), (4411A5), (4411A6), (4411A7), (4411A8), P. 66.....	657
13.141.CONNECTOR COMPOSITES (4411A9), (4411F), (4411M), (4411M1), (4411M2), P. 66A.....	658
13.142.CONNECTOR COMPOSITES (4411M4), (4411M5), (4411M6), (4411M7), (4411N), P. 66B....	659
13.143.CONNECTOR COMPOSITES (4411P), (4412A1), (4412A2), (4412F), (4413A1), (4413A2), (4413A3), (4413A4), P. 66C.....	660
13.144.CONNECTOR COMPOSITES (4413F), (4413F1), (4413F2), P. 66D.....	661
13.145.CONNECTOR COMPOSITES (4413F3), (4413F4), (4414), (4450AM), (4450BM), P. 66E....	662
13.146.CONNECTOR COMPOSITES (4450BF), (4450M), (4460AM), P. 66F.....	663
13.147.CONNECTOR COMPOSITES (4460BF), (4460BM), P. 66G.....	664
13.148.CONNECTOR COMPOSITES (4460M), (4500), (4601), P. 67.....	665
13.149.CONNECTOR COMPOSITES (4705), (4706), P. 67A.....	666
13.150.CONNECTOR COMPOSITES (4712F1), (4712F3), P. 67B.....	667
13.151.CONNECTOR COMPOSITES (6000), P. 67C.....	668
13.152.CONNECTOR COMPOSITES (4803), (4810), (4815), (4830), P. 67D.....	669
13.153.CONNECTOR COMPOSITES (4831), (4833A), (4833B), (4833C), P. 67E.....	670
13.154.CONNECTOR COMPOSITES (4840), (4840F), (4841), (4841F), P. 67F.....	671
13.155.CONNECTOR COMPOSITES (4705), (4706), (4905), (4906), P. 68.....	672
13.156.CONNECTOR COMPOSITES (4906C), (4950), (4951), (4952), (4953), P. 68A.....	673
13.157.CONNECTOR COMPOSITES (5117), (5200), (5500A), P. 68B.....	674
13.158.CONNECTOR COMPOSITES (6000), P. 68C.....	675
13.159.CONNECTOR COMPOSITES (6000), (6003), (6004), P. 68D.....	676
13.160.CONNECTOR COMPOSITES (6005), (6007), (6008), (6009), P. 68E.....	677
13.161.CONNECTOR COMPOSITES (6011), P. 69.....	678
13.162.CONNECTOR COMPOSITES (6012), (6013), P. 69A.....	679
13.163.CONNECTOR COMPOSITES (6018), P. 70.....	680
13.164.CONNECTOR COMPOSITES (6019), P. 71.....	681
13.165.CONNECTOR COMPOSITES (6020M), P. 71A.....	682
13.166.CONNECTOR COMPOSITES (6020M), P. 72.....	683
13.167.CONNECTOR COMPOSITES (6020M), P. 72A.....	684
13.168.CONNECTOR COMPOSITES (6020M), P. 72B.....	685
13.169.CONNECTOR COMPOSITES (6022), (6023), (6033), P. 73.....	686
13.170.CONNECTOR COMPOSITES (6060), (6061), (6062), (6063), (6064), (6065), P. 73A.....	687
13.171.CONNECTOR COMPOSITES (6066), (6067), (6068), (6069), (6070), (6071), P. 73B.....	688

TABLE OF CONTENTS (CONT.)

13.172.CONNECTOR COMPOSITES (6100), (6102), (6103), (6200), P. 73C..... 689

13.173.CONNECTOR COMPOSITES (6201), (6201A), (6201B), (6201P), P. 74..... 690

13.174.CONNECTOR COMPOSITES (6260A), (6260F), (6260FP), (6260H), P. 74A..... 691

13.175.CONNECTOR COMPOSITES (6260HL), (6260HR), (6260UC), (6260VH), (6260VL),
(6260VM), P. 74B..... 692

13.176.CONNECTOR COMPOSITES (6260VN), (6261), (6262), (6263), (6316M), P. 75..... 693

13.177.CONNECTOR COMPOSITES (6323), (6332), (6333), (6334), P. 75A..... 694

13.178.CONNECTOR COMPOSITES (6334), (6340), P. 76..... 695

13.179.CONNECTOR COMPOSITES (6341), P. 76A..... 696

13.180.CONNECTOR COMPOSITES (6342), (6343), P. 76B..... 697

13.181.CONNECTOR COMPOSITES (6400), (6401), (6401A), P. 76C..... 698

13.182.CONNECTOR COMPOSITES (6400), (6401), (6401A), P. 76D..... 699

13.183.CONNECTOR COMPOSITES (6401), (6401M), (6401R), (6407), (6406M), (6408),
(6420), P. 77..... 700

13.184.CONNECTOR COMPOSITES (6561), (6566), (6567), P. 77A..... 701

13.185.CONNECTOR COMPOSITES (6568), (6569), P. 77B..... 702

13.186.CONNECTOR COMPOSITES (6702), (6703), (6703A), (6704), P. 78..... 703

13.187.CONNECTOR COMPOSITES (6704M), (6709), (6710), (6712), P. 79..... 704

13.188.CONNECTOR COMPOSITES (6713), (6715), P. 79A..... 705

13.189.CONNECTOR COMPOSITES (6720), (6730), (6747), P. 80..... 706

13.190.CONNECTOR COMPOSITES (6748), (6800), (6801), P. 80A..... 707

13.191.CONNECTOR COMPOSITES (6802), (6803), (6804), (6805), (6811), (6812), (6900), P.
80B..... 708

13.192.CONNECTOR COMPOSITES (6901), (6925), (6969), (7070), P. 81..... 709

13.193.CONNECTOR COMPOSITES (7103M), P. 81A..... 710

13.194.CONNECTOR COMPOSITES (7104B), (7104F), (7105), P. 82..... 711

13.195.CONNECTOR COMPOSITES (7105), (7106), (7107), P. 82A..... 712

13.196.CONNECTOR COMPOSITES (7110), (7110A), (7110B), (7111), (7112), (7113), P. 83..... 713

13.197.CONNECTOR COMPOSITES (7113), (7113A / 7113C / 7113E / 7113G), (7113B / 7113D
/ 7113F), P. 83A..... 714

13.198.CONNECTOR COMPOSITES (7150), (7150F2), (7152), P. 84..... 715

13.199.CONNECTOR COMPOSITES (7150), (7150F2), (7152), P. 84A..... 716

13.200.CONNECTOR COMPOSITES (7150), (7150F2), P. 85..... 717

13.201.CONNECTOR COMPOSITES (7150), P. 85A..... 718

13.202.CONNECTOR COMPOSITES (7150), P. 85B..... 719

13.203.CONNECTOR COMPOSITES (7151), P. 86..... 720

13.204.CONNECTOR COMPOSITES (7205), (7205F), P. 87..... 721

13.205.CONNECTOR COMPOSITES (7206), (7206F), (7207F), (7207M), P. 87A..... 722

13.206.CONNECTOR COMPOSITES (7208M), (7211), (7212), (7213), (7220), P. 88..... 723

13.207.CONNECTOR COMPOSITES (7250), (7250M), (7251M), P. 89..... 724

13.208.CONNECTOR COMPOSITES (7350), P. 89A..... 725

13.209.CONNECTOR COMPOSITES (7500), P. 89B..... 726

13.210.CONNECTOR COMPOSITES (7500M), (7500MA), (7500W), P. 89C..... 727

13.211.CONNECTOR COMPOSITES (7501), (7502), (7502M), (7600), (7600A), P. 90..... 728

13.212.CONNECTOR COMPOSITES (7600A), (7600M), (7601), P. 90A..... 729

13.213.CONNECTOR COMPOSITES (7601), (7601M), (7603), P. 90B..... 730

13.214.CONNECTOR COMPOSITES (7603M), (7603MA), (7604M), (7605), (7605M), (7606M),
(7607M), (7608M), P. 91..... 731

13.215.CONNECTOR COMPOSITES (7609B), (7609M), P. 91A..... 732

13.216.CONNECTOR COMPOSITES (7611), (7615), (7615M), (7621), (7700K), P. 92..... 733

13.217.CONNECTOR COMPOSITES (7700L), (7700M), (7702), (7703), (7750), (7751), P. 92A..... 734

TABLE OF CONTENTS (CONT.)

13.218.CONNECTOR COMPOSITES (7777), (7800F), (7801), (7801A), (7801B), P. 92B.....	735
13.219.CONNECTOR COMPOSITES (7801F), (7801M), (7801M2), (7801R), P. 93.....	736
13.220.CONNECTOR COMPOSITES (7802), (7803), (7803A), (7900), (7901), P. 94.....	737
13.221.CONNECTOR COMPOSITES (7905), (7905A), P. 95.....	738
13.222.CONNECTOR COMPOSITES (7909), P. 95A.....	739
13.223.CONNECTOR COMPOSITES (7910), (7911), P. 96.....	740
13.224.CONNECTOR COMPOSITES (8000), (8000A), (8001), P. 97.....	741
13.225.CONNECTOR COMPOSITES (8001A), (8102A), (8102), (8103), (8103A), (8150A), (8151A), P. 97A.....	742
13.226.CONNECTOR COMPOSITES (8103), (8150), (8151), P. 98.....	743
13.227.CONNECTOR COMPOSITES (8200), (8200X), (8201), (8201X), P. 99.....	744
13.228.CONNECTOR COMPOSITES (8301), (8301A), (8303), (8410), (8500), P. 99A.....	745
13.229.CONNECTOR COMPOSITES (8500), (8501), (8502), (8502A), (8502B), (8503), P. 100.....	746
13.230.CONNECTOR COMPOSITES (8503A), (8503B), (8503C), (8505), (8506), (8506A), (8507), P. 101.....	747
13.231.CONNECTOR COMPOSITES (8507A), (8507B), (8507C), (8508), (8508A), (8509), (8509A), P. 102.....	748
13.232.CONNECTOR COMPOSITES (8520), (8600), (8600A), (8601), (8602), (8700), (8700A), (8700B), (8700C), P. 103.....	749
13.233.CONNECTOR COMPOSITES (8701), (8701A), (8702A), P. 104.....	750
13.234.CONNECTOR COMPOSITES (8701), (8702), (8750), (8800), (8802), (8803), P. 105.....	751
13.235.CONNECTOR COMPOSITES (8804), (8805), (8805A), (8806), P. 106.....	752
13.236.CONNECTOR COMPOSITES (8807), (8809), (8881), (8882), (8883), P. 107.....	753
13.237.CONNECTOR COMPOSITES (8883), (8884), P. 108.....	754
13.238.CONNECTOR COMPOSITES (8884A), P. 109.....	755
13.239.CONNECTOR COMPOSITES (8884B), P. 110.....	756
13.240.CONNECTOR COMPOSITES (8884C), P. 111.....	757
13.241.CONNECTOR COMPOSITES (8885), (8885A), (8887), (8888), P. 112.....	758
13.242.CONNECTOR COMPOSITES (8900), (8901M), (8903), P. 113.....	759
13.243.CONNECTOR COMPOSITES (8993F), (8995), (8996), P. 114.....	760
13.244.CONNECTOR COMPOSITES (8997), (8998), (8999), (9001), (9002), P. 115.....	761
13.245.CONNECTOR COMPOSITES (9001A), (9003), (9003K), (9003L), (9004), (9100), (9100A), P. 116.....	762
13.246.CONNECTOR COMPOSITES (9100B), (9100C), (9101), (9101A), (9102A / 9102), (9102B), (9102C), (9102D / 9102W), (9102E), (9103 / 9102V / 9102X), (9103A), P. 117.....	763
13.247.CONNECTOR COMPOSITES (9108A), (9108B), (9108C), (9108D), (9108E), (9108F), (9108G), P. 118.....	764
13.248.CONNECTOR COMPOSITES (9109), (9120), (9120A), (9250), (9251), (9251A), P. 119.....	765
13.249.CONNECTOR COMPOSITES (9260), (9261), (9263F), (9264F), P. 120.....	766
13.250.CONNECTOR COMPOSITES (9264M), (9265), (9266), (9269), (9270), (9280), P. 121.....	767
13.251.CONNECTOR COMPOSITES (9300), P. 122.....	768
13.252.CONNECTOR COMPOSITES (9300), P. 123.....	769
13.253.CONNECTOR COMPOSITES (9300), P. 124.....	770
13.254.CONNECTOR COMPOSITES (9301), (9303A), (9303D), P. 125.....	771
13.255.CONNECTOR COMPOSITES (9310), (9311), (9315), (9316), (9357), P. 126.....	772
13.256.CONNECTOR COMPOSITES (9501), (9501A), (9502), (9502A), P. 127.....	773
13.257.CONNECTOR COMPOSITES (9503), (9503A), (9504), P. 128.....	774
13.258.CONNECTOR COMPOSITES (9504A), (9505), (9506), P. 129.....	775
13.259.CONNECTOR COMPOSITES (9510), (9510A), (9510B), P. 130.....	776
13.260.CONNECTOR COMPOSITES (9510F), (9510H), (9510M), P. 131.....	777
13.261.CONNECTOR COMPOSITES (9511), P. 132.....	778

TABLE OF CONTENTS (CONT.)

13.262.CONNECTOR COMPOSITES (9511K), P. 133.....	779
13.263.CONNECTOR COMPOSITES (9512), (9512A), (9512C), (9513), (9513A), (9513B), P. 134...	780
13.264.CONNECTOR COMPOSITES (9514), (9514D), (9514F), (9516), (9516M), P. 135.....	781
13.265.CONNECTOR COMPOSITES (9517), (9518), (9519), (9520), (9521), P. 136.....	782
13.266.CONNECTOR COMPOSITES (9522), (9523), (9524), P. 137.....	783
13.267.CONNECTOR COMPOSITES (9524), (9530), P. 138.....	784
13.268.CONNECTOR COMPOSITES (9531F), (9531M), (9532F), P. 139.....	785
13.269.CONNECTOR COMPOSITES (9532M), (9533F), P. 140.....	786
13.270.CONNECTOR COMPOSITES (9559), (9560), (9561), (9562), P. 141.....	787
13.271.CONNECTOR COMPOSITES (9540), (9540A), (9540B), (9541), P. 142.....	788
13.272.CONNECTOR COMPOSITES (9541A), (9541B), (9542), (9542A), (9542C), P. 143.....	789
13.273.CONNECTOR COMPOSITES (9543), (9543A), (9543C), (9544), (9546), (9547), P. 144.....	790
13.274.CONNECTOR COMPOSITES (9548), (9548A), (9549), (9549A), (9549B), P. 145.....	791
13.275.CONNECTOR COMPOSITES (9550), (9550A), P. 146.....	792
13.276.CONNECTOR COMPOSITES (9550A), (9550B), (9551), (9551A), (9552), P. 147.....	793
13.277.CONNECTOR COMPOSITES (9553), (9554), (9555), (9556), (9557), P. 148.....	794
13.278.CONNECTOR COMPOSITES (9558), (9559), (9560), (9561), (9562), P. 149.....	795
13.279.CONNECTOR COMPOSITES (9563), (9565), (9570), (9570F), P. 150.....	796
13.280.CONNECTOR COMPOSITES (9751), (9752), (9753), (9753A), (9754), (9754B), (9754D), P. 151.....	797
13.281.CONNECTOR COMPOSITES (9755), (9755B), (9755D), (9756), (9758), P. 152.....	798
13.282.CONNECTOR COMPOSITES (9759), (9760), P. 153.....	799
13.283.CONNECTOR COMPOSITES (9761F), (9762), (9763) (9764), (9765), (9766), P. 154.....	800
13.284.CONNECTOR COMPOSITES (9767), (9775F), (9776F), (9777), (9777A), (9777E), (9777M), (9778), P. 155.....	801
13.285.CONNECTOR COMPOSITES (9778F), (9778F1), (9779F), P. 156.....	802
13.286.CONNECTOR COMPOSITES (9779F1), (9780M), (9780M1), P. 157.....	803
13.287.CONNECTOR COMPOSITES (9781M), (9782F), (9782M), P. 158.....	804
13.288.CONNECTOR COMPOSITES (9783), (9783F), (9783M), (9784M), P. 159.....	805
13.289.CONNECTOR COMPOSITES (9800), P. 160.....	806
13.290.CONNECTOR COMPOSITES (9800), (9801), (9809), (9810), (9811), (9812), P. 161.....	807
13.291.CONNECTOR COMPOSITES (9814), (9814A), (9815), (9815A), (9820F), (9820M), (9824), P. 162.....	808
13.292.CONNECTOR COMPOSITES (9830), (9832), (9865M), (9865MA), (9900) P. 163.....	809
13.293.CONNECTOR COMPOSITES (9900A), (9900AA), (9900AC), (9900AD), (9900AE), (9900AF), (9900AG), P. 164.....	810
13.294.CONNECTOR COMPOSITES (9900C), (9900C1), (9900D), (9900E), P. 165.....	811
13.295.CONNECTOR COMPOSITES (9900G), (9911), (9913A), (9913B), P. 166.....	812
13.296.CONNECTOR COMPOSITES (9915), (9916), (9920), (9921), P. 167.....	813
13.297.CONNECTOR COMPOSITES (9930), (9965M), (9989), P. 168.....	814
14. CONNECTOR COMPOSITES (CHAPTER 14).....	815
14.1. CONNECTOR COMPOSITES (9200A), (9200B), (9570K), (9715), (9625), (9714F), (9715), P. 1.....	815
14.2. CONNECTOR COMPOSITES (9715F), (9715F1), (9716), P. 2.....	816
14.3. CONNECTOR COMPOSITES (9716M), (9716M1), (9717), P. 3.....	817
14.4. CONNECTOR COMPOSITES (9717D), (9717F), (9717F1), (9718A), P. 4.....	818
14.5. CONNECTOR COMPOSITES (9719M), (9720), (9722), (9726), P. 5.....	819
14.6. CONNECTOR COMPOSITES (9727), (9728), (9729), (9736), P. 6.....	820
14.7. CONNECTOR COMPOSITES (9737), (9738), (9739), (9740), P. 7.....	821
14.8. CONNECTOR COMPOSITES (9740), (9740A), (9740B), P. 8.....	822

TABLE OF CONTENTS (CONT.)

14.9. CONNECTOR COMPOSITES (9740B), (9740C), (9740D), (9745), P. 9.....	823
14.10. CONNECTOR COMPOSITES (9745A), (9746), (9746A), (9747), (9748), (9750), P. 10.....	824
14.11. CONNECTOR COMPOSITES (9750F), (9751), (9752), (9753), P. 11.....	825
14.12. CONNECTOR COMPOSITES (9753A), (9754), (9754B), (9754D), P. 12.....	826
14.13. CONNECTOR COMPOSITES (9755), (9755B), (9755D), (9756), P. 13.....	827
14.14. CONNECTOR COMPOSITES (9758), (9759), (9760), P. 14.....	828
14.15. CONNECTOR COMPOSITES (9761F), (9762), (9763), (9764), P. 15.....	829
14.16. CONNECTOR COMPOSITES (9765), (9766), (9767), (9775F), (9776F), P. 16.....	830
14.17. CONNECTOR COMPOSITES (9777), (9777A), (9777E), (9777M), P. 17.....	831
14.18. CONNECTOR COMPOSITES (9778), (9778F), (9778F1), P. 18.....	832
14.19. CONNECTOR COMPOSITES (9779F), (9779F1), P. 19.....	833
14.20. CONNECTOR COMPOSITES (9780M), (9780M1), P. 20.....	834
14.21. CONNECTOR COMPOSITES (9781M), (9782F), (9782M), P. 21.....	835
14.22. CONNECTOR COMPOSITES (9783), (9783F), (9783M), (9784M), (9785M), P. 22.....	836
14.23. CONNECTOR COMPOSITES (9800), P. 23.....	837
14.24. CONNECTOR COMPOSITES (9800), P. 24.....	838
14.25. CONNECTOR COMPOSITES (9801), (9801A), (9801B), (9803), (9809), P. 24A.....	839
14.26. CONNECTOR COMPOSITES (9810), (9811), (9812), (9814), (9814A), (9815), (9815A), (9820F), (9820M), (9824), P. 25.....	840
14.27. CONNECTOR COMPOSITES (9830), (9832), (9865M), (9865MA), (9900), (9900A), (9900AC), P. 26.....	841
14.28. CONNECTOR COMPOSITES (9900AD), (9900AE), (9900AJ), (9900AP), (9900AQ), (9900AR), P. 27.....	842
14.29. CONNECTOR COMPOSITES (9900C), (9900C1), (9900C2), (9900D), (9900E), P. 28.....	843
14.30. CONNECTOR COMPOSITES (9900G), (9911), (9913B), P. 29.....	844
14.31. CONNECTOR COMPOSITES (9915), (9916), (9917), (9920), (9921), P. 30.....	845
14.32. CONNECTOR COMPOSITES (9930), (9965M), (9989), P. 31.....	846

TABLE OF CONTENTS

INSTRUCTIONS AND CHARTS (CHAPTER 2)

2.1. ABBREVIATIONS, P. 1

INTERNATIONAL TRUCK AND ENGINE CORPORATION				ELECTRICAL CIRCUIT DIAGRAM		CHAPTER 2	
THIS PRINT IS PROVIDED ON A RESTRICTED BASIS AND IS NOT TO BE USED IN ANY WAY DETRIMENTAL TO THE INTEREST OF INTERNATIONAL TRUCK AND ENGINE CORPORATION.				ABBREVIATIONS			
ABBREVIATION	DESCRIPTION	ABBREVIATION	DESCRIPTION	ABBREVIATION	DESCRIPTION	ABBREVIATION	DESCRIPTION
ACCESS	ACCESSORY	CRUS	CRUISE	FWR	POWER		
ACCUM	ACCUMULATOR	CUR	CURRENT	PRESS	PRESSURE		
AC	AIR CONDITIONING	DPNL	DASHBOARD	RAD	RADIO		
AIR CLNR	AIR CLEANER	DEFTR	DEFLECTOR	RR	REAR		
ALT	ALTERNATOR	DFR	DEFROSTER	RLY	RELAY		
ACCEL	ACCELERATOR	DEG	DEGREE	RES	RESISTOR		
AC	ALTERNATING CURRENT	DIAG	DIAGRAM	REGEN	REGENERATE		
AFTTR	AFTERTREATMENT	DSL	DIESEL	R	RIGHT		
AMM	AMMETER	DIFF	DIFFERENTIAL	RTR	ROTOR		
AMP	AMPERE	DIMR	DIMMER	SNSR	SENSOR		
AMP HR	AMPERE HOUR	ELEC	ELECTRICAL	SHLD	SHIELD		
AMPL	AMPLIFIER	ELEX	ELECTRONICS	SHFT	SHIFTER		
ARM	ARMATURE	ENG	ENGINE	SLPR	SLEEPER		
ARSR	ARRESTER	EXH	EXHAUST	SLV	SLEEVE		
ASSY	ASSEMBLY	FL	FLUID	SPKR	SPEAKER		
AUX	AUXILIARY	FWD	FORWARD	SPR	SPRING		
B/U	BACK-UP	FR	FRONT	STD	STANDARD		
BTRY	BATTERY	FREQ	FREQUENCY	STRG	STEERING		
BM	BENCHMARKING	GA	GAUGE	STLITE	SATELLITE		
BLK	BLOCK	GEN	GENERATOR	SUNSH	SUNSHADE		
BOOS	BOOSTER	GND	GROUND	SW	SWITCH		
BOT	BOTTOM	HARN	HARNES	SYS	SYSTEM		
BK	BRAKE	HDLP	HEADLAMP	TACH	TACHOMETER		
BRKR	BREAKER	HTD	HEATED	TEMP	TEMPERATURE		
BRTHR	BREATH	HT TR	HEAT TREAT	TERM	TERMINAL		
BRI	BRIGHT	HTR	HEATER	THROT	THROTTLE		
BUZ	BUZZER	HP	HORSEPOWER	THRU	THROUGH		
CA	CABLE	HYD	HYDRAULIC	TRAC	TRACTION		
CD	CANDELA	ID	IDENTIFICATION	TRLR	TRAILER		
CP	CANDLEPOWER	IGN	IGNITION	XDCR	TRANSDUCER		
CAP	CAPACITOR	ILLUM	ILLUMINATION	XFER	TRANSFER		
CAT	CATERPILLAR	IND	INDICATOR	XFMR	TRANSFORMER		
CHAS	CHASSIS	INST	INSTRUMENT	XSTR	TRANSISTOR		
CH	CHOKE	INT	INTERMITTENT	XMSN	TRANSMISSION		
CIRC	CIRCUIT	L	LEFT	XMTR	TRANSMITTER		
CLK	CLOCK	LT	LIGHT	TRK	TRUCK		
CW	CLOCKWISE	LTR	LIGHTER	UPR	UPPER		
CLSTR	CLUSTER	LWR	LOWER	VLV	VALVE		
CL	CLUTCH	MAG	MAGNET	VERT	VERTICAL		
COL	COLUMN	MOD	MODULATOR	VM	VOLTMETER		
COMM	COMMUTATOR	MDL	MODULE	VOL	VOLUME		
COMPNT	COMPONENT	MOT	MOTOR	WSHR	WASHER		
CPRSSR	COMPRESSOR	MTD	MOUNTED	WHL	WHEEL		
CONN	CONNECTOR	NEG	NEGATIVE	WDO	WINDOW		
CONT	CONTINUED	N/	NOT WITH	WSHLD	WINDSHIELD		
CSL	CONSOLE	NO	NUMBER	WPR	WIPER		
CONT	CONTACT	PASS	PASSENGER	W/	WITH		
CONT	CONTROL	POSN	POSITION	W/O	WITHOUT		
CONV	CONVERTER	POS	POSITIVE				
CLR	COOLER	POT	POTENTIOMETER				
CTSY	COURTESY						

CHK	DATE	CHANGE	REV	REFERENCE	DRWH	NAME	
DLV1	18SEP09	INITIAL RELEASE.	A	61229V	310615	CIRCUIT DIAGRAM, 42/43/44/85/8600 & 73/74/7500	
					RELEASE NO.	DATE	PART NO.
					61229V	18MAX09	AE08058176
							001

Figure 1 Abbreviations

ELECTRICAL CIRCUIT DIAGRAM MANUAL

2.2. ACRONYMS, P. 2

INTERNATIONAL TRUCK AND ENGINE CORPORATION				ELECTRICAL CIRCUIT DIAGRAM CHAPTER 2																																																																																																																																																											
THIS PRINT IS PROVIDED ON A RESTRICTED BASIS AND IS NOT TO BE USED IN ANY WAY DETRIMENTAL TO THE INTEREST OF INTERNATIONAL TRUCK AND ENGINE CORPORATION.				ACRONYMS																																																																																																																																																											
<table border="1" style="width: 100%; border-collapse: collapse;"> <thead> <tr> <th style="width: 80%;">DESCRIPTION</th> <th style="width: 20%;">ACRONYM</th> </tr> </thead> <tbody> <tr><td>ANTILOCK BRAKING SYSTEM</td><td>ABS</td></tr> <tr><td>ANTENNA COMMUNICATION UNIT</td><td>ACU</td></tr> <tr><td>ALTERNATING CURRENT</td><td>AC</td></tr> <tr><td>AXLE TO BACK OF CAB</td><td>AC</td></tr> <tr><td>AXLE TO FRAME</td><td>AF</td></tr> <tr><td>ACCELERATOR PEDAL MODULE</td><td>APM</td></tr> <tr><td>ACCELERATOR POSITION SENSOR</td><td>APS</td></tr> <tr><td>AUXILIARY POWER UNIT</td><td>APU</td></tr> <tr><td>AMERICAN TRUCKING ASSOCIATION</td><td>ATA</td></tr> <tr><td>AUTOMATIC TRACTION CONTROL</td><td>ATC</td></tr> <tr><td>AUDIO VIDEO INTERFACE</td><td>AVI</td></tr> <tr><td>BAROMETRIC ATMOSPHERE PRESSURE</td><td>BAP</td></tr> <tr><td>BRAKE HORSEPOWER</td><td>BHP</td></tr> <tr><td>BACK OF CAB</td><td>BOC</td></tr> <tr><td>CITIZEN BAND</td><td>CB</td></tr> <tr><td>COLD CRANKING AMPERES</td><td>CCA</td></tr> <tr><td>CLEAN POWER ELECTRICAL CONNECTOR</td><td>CEC</td></tr> <tr><td>CENTRAL PROCESSING UNIT</td><td>CEU</td></tr> <tr><td>CAB OVER ENGINE</td><td>COE</td></tr> <tr><td>DIRECT CURRENT</td><td>DC</td></tr> <tr><td>DRIVER CONTROL MODULE</td><td>DCM</td></tr> <tr><td>DIGITAL DATA LINK</td><td>DDL</td></tr> <tr><td>DIESEL OXIDATION CATALYST INLET TEMPERATURE</td><td>DOCT</td></tr> <tr><td>DIESEL PARTICULATE FILTER</td><td>DPF</td></tr> <tr><td>DIESEL PARTICULATE FILTER DELTA PRESSURE</td><td>DPDFP</td></tr> <tr><td>DIESEL PARTICULATE FILTER TEMPERATURE</td><td>DPFT</td></tr> <tr><td>DIESEL TURBOCHARGED</td><td>DT</td></tr> <tr><td>DAY TIME RUNNING LIGHTS</td><td>DTRL</td></tr> <tr><td>ELECTRONIC CONTROL MODULE</td><td>ECM</td></tr> <tr><td>ELECTRONIC CONTROL UNIT</td><td>ECU</td></tr> <tr><td>EXHAUST GAS RECIRCULATION</td><td>EGR</td></tr> <tr><td>EXHAUST GAS TEMPERATURE</td><td>EGT</td></tr> <tr><td>ELECTRO MAGNETIC INTERFERENCE</td><td>EMI</td></tr> <tr><td>END OF FRAME</td><td>EOF</td></tr> <tr><td>ELECTRIC TRAILER BRAKE</td><td>ETB</td></tr> <tr><td>FRONT AXLE</td><td>FA</td></tr> <tr><td>FRONT END</td><td>FE</td></tr> <tr><td>FRONT OF DASH</td><td>FOD</td></tr> <tr><td>FULL POWER BRAKE</td><td>FPB</td></tr> <tr><td>GLOBAL POSITIONING SYSTEM</td><td>GPS</td></tr> <tr><td>HYDRAULIC CONTROL UNIT</td><td>HCU</td></tr> <tr><td>HEAVY DUTY</td><td>HD</td></tr> </tbody> </table>	DESCRIPTION	ACRONYM	ANTILOCK BRAKING SYSTEM	ABS	ANTENNA COMMUNICATION UNIT	ACU	ALTERNATING CURRENT	AC	AXLE TO BACK OF CAB	AC	AXLE TO FRAME	AF	ACCELERATOR PEDAL MODULE	APM	ACCELERATOR POSITION SENSOR	APS	AUXILIARY POWER UNIT	APU	AMERICAN TRUCKING ASSOCIATION	ATA	AUTOMATIC TRACTION CONTROL	ATC	AUDIO VIDEO INTERFACE	AVI	BAROMETRIC ATMOSPHERE PRESSURE	BAP	BRAKE HORSEPOWER	BHP	BACK OF CAB	BOC	CITIZEN BAND	CB	COLD CRANKING AMPERES	CCA	CLEAN POWER ELECTRICAL CONNECTOR	CEC	CENTRAL PROCESSING UNIT	CEU	CAB OVER ENGINE	COE	DIRECT CURRENT	DC	DRIVER CONTROL MODULE	DCM	DIGITAL DATA LINK	DDL	DIESEL OXIDATION CATALYST INLET TEMPERATURE	DOCT	DIESEL PARTICULATE FILTER	DPF	DIESEL PARTICULATE FILTER DELTA PRESSURE	DPDFP	DIESEL PARTICULATE FILTER TEMPERATURE	DPFT	DIESEL TURBOCHARGED	DT	DAY TIME RUNNING LIGHTS	DTRL	ELECTRONIC CONTROL MODULE	ECM	ELECTRONIC CONTROL UNIT	ECU	EXHAUST GAS RECIRCULATION	EGR	EXHAUST GAS TEMPERATURE	EGT	ELECTRO MAGNETIC INTERFERENCE	EMI	END OF FRAME	EOF	ELECTRIC TRAILER BRAKE	ETB	FRONT AXLE	FA	FRONT END	FE	FRONT OF DASH	FOD	FULL POWER BRAKE	FPB	GLOBAL POSITIONING SYSTEM	GPS	HYDRAULIC CONTROL UNIT	HCU	HEAVY DUTY	HD	<table border="1" style="width: 100%; border-collapse: collapse;"> <thead> <tr> <th style="width: 80%;">DESCRIPTION</th> <th style="width: 20%;">ACRONYM</th> </tr> </thead> <tbody> <tr><td>HEAVY DUTY DIESEL</td><td>HDD</td></tr> <tr><td>HIGH PERFORMANCE TRUCK</td><td>HET</td></tr> <tr><td>HEATING, VENTILATION, AND AIR CONDITIONING</td><td>HVAC</td></tr> <tr><td>INJECTOR DRIVE MODULE</td><td>IDM</td></tr> <tr><td>INLET/OUTLET</td><td>I/O</td></tr> <tr><td>INTEGRATED MOBILE COMMUNICATION TERMINAL</td><td>IMCT</td></tr> <tr><td>INSTRUMENT PANEL</td><td>I/P</td></tr> <tr><td>INDEPENDENT POWER TAKE-OFF</td><td>IPTO</td></tr> <tr><td>INTERNATIONAL BIG BORE ENGINE</td><td>IBBE</td></tr> <tr><td>LIGHT COMMERCIAL TRANSMISSION</td><td>LCT</td></tr> <tr><td>LOW PRESSURE MODULE</td><td>LPM</td></tr> <tr><td>MEDIUM DUTY</td><td>MD</td></tr> <tr><td>MAJFUNCTION INDICATION LAMP</td><td>MIL</td></tr> <tr><td>MULTIPLEX SWITCH MODULE</td><td>MSM</td></tr> <tr><td>PYROMETER AMMETER MODULE</td><td>PAM</td></tr> <tr><td>POWER DISTRIBUTION CENTER</td><td>PDC</td></tr> <tr><td>PROGRAMMABLE LOGIC CONTROLLER</td><td>PLC</td></tr> <tr><td>POWER TAKE-OFF</td><td>PTO</td></tr> <tr><td>PULSE WIDTH MODULATION</td><td>PWM</td></tr> <tr><td>REAR AXLE</td><td>RA</td></tr> <tr><td>RADIO FREQUENCY</td><td>RF</td></tr> <tr><td>ROLL STABILITY PROGRAM</td><td>RSP</td></tr> <tr><td>SEVERE SERVICE</td><td>SS</td></tr> <tr><td>TRANSMISSION CONTROL MODULE</td><td>TCM</td></tr> <tr><td>TERRESTRIAL COMMUNICATION UNIT</td><td>TCU</td></tr> <tr><td>TERRESTRIAL MOBILE COMMUNICATION TERMINAL</td><td>TMCT</td></tr> <tr><td>THERMAL OVERCRANK PROTECTION</td><td>TOCP</td></tr> <tr><td>THROTTLE POSITION SENSOR</td><td>TFS</td></tr> <tr><td>WORLD TRANSMISSION ELECTRONIC CONTROLS</td><td>WTEC</td></tr> <tr><td>VEHICLE SPEED OUTPUT</td><td>VSO</td></tr> <tr><td>VEHICLE SPEED SENSOR</td><td>VSS</td></tr> <tr><td>ZERO VOLT REFERENCE</td><td>ZVR</td></tr> <tr><td>VEHICLE SPEED OUTPUT</td><td>VSO</td></tr> <tr><td>VEHICLE SPEED SENSOR</td><td>VSS</td></tr> <tr><td>ZERO VOLT REFERENCE</td><td>ZVR</td></tr> </tbody> </table>	DESCRIPTION	ACRONYM	HEAVY DUTY DIESEL	HDD	HIGH PERFORMANCE TRUCK	HET	HEATING, VENTILATION, AND AIR CONDITIONING	HVAC	INJECTOR DRIVE MODULE	IDM	INLET/OUTLET	I/O	INTEGRATED MOBILE COMMUNICATION TERMINAL	IMCT	INSTRUMENT PANEL	I/P	INDEPENDENT POWER TAKE-OFF	IPTO	INTERNATIONAL BIG BORE ENGINE	IBBE	LIGHT COMMERCIAL TRANSMISSION	LCT	LOW PRESSURE MODULE	LPM	MEDIUM DUTY	MD	MAJFUNCTION INDICATION LAMP	MIL	MULTIPLEX SWITCH MODULE	MSM	PYROMETER AMMETER MODULE	PAM	POWER DISTRIBUTION CENTER	PDC	PROGRAMMABLE LOGIC CONTROLLER	PLC	POWER TAKE-OFF	PTO	PULSE WIDTH MODULATION	PWM	REAR AXLE	RA	RADIO FREQUENCY	RF	ROLL STABILITY PROGRAM	RSP	SEVERE SERVICE	SS	TRANSMISSION CONTROL MODULE	TCM	TERRESTRIAL COMMUNICATION UNIT	TCU	TERRESTRIAL MOBILE COMMUNICATION TERMINAL	TMCT	THERMAL OVERCRANK PROTECTION	TOCP	THROTTLE POSITION SENSOR	TFS	WORLD TRANSMISSION ELECTRONIC CONTROLS	WTEC	VEHICLE SPEED OUTPUT	VSO	VEHICLE SPEED SENSOR	VSS	ZERO VOLT REFERENCE	ZVR	VEHICLE SPEED OUTPUT	VSO	VEHICLE SPEED SENSOR	VSS	ZERO VOLT REFERENCE	ZVR
DESCRIPTION	ACRONYM																																																																																																																																																														
ANTILOCK BRAKING SYSTEM	ABS																																																																																																																																																														
ANTENNA COMMUNICATION UNIT	ACU																																																																																																																																																														
ALTERNATING CURRENT	AC																																																																																																																																																														
AXLE TO BACK OF CAB	AC																																																																																																																																																														
AXLE TO FRAME	AF																																																																																																																																																														
ACCELERATOR PEDAL MODULE	APM																																																																																																																																																														
ACCELERATOR POSITION SENSOR	APS																																																																																																																																																														
AUXILIARY POWER UNIT	APU																																																																																																																																																														
AMERICAN TRUCKING ASSOCIATION	ATA																																																																																																																																																														
AUTOMATIC TRACTION CONTROL	ATC																																																																																																																																																														
AUDIO VIDEO INTERFACE	AVI																																																																																																																																																														
BAROMETRIC ATMOSPHERE PRESSURE	BAP																																																																																																																																																														
BRAKE HORSEPOWER	BHP																																																																																																																																																														
BACK OF CAB	BOC																																																																																																																																																														
CITIZEN BAND	CB																																																																																																																																																														
COLD CRANKING AMPERES	CCA																																																																																																																																																														
CLEAN POWER ELECTRICAL CONNECTOR	CEC																																																																																																																																																														
CENTRAL PROCESSING UNIT	CEU																																																																																																																																																														
CAB OVER ENGINE	COE																																																																																																																																																														
DIRECT CURRENT	DC																																																																																																																																																														
DRIVER CONTROL MODULE	DCM																																																																																																																																																														
DIGITAL DATA LINK	DDL																																																																																																																																																														
DIESEL OXIDATION CATALYST INLET TEMPERATURE	DOCT																																																																																																																																																														
DIESEL PARTICULATE FILTER	DPF																																																																																																																																																														
DIESEL PARTICULATE FILTER DELTA PRESSURE	DPDFP																																																																																																																																																														
DIESEL PARTICULATE FILTER TEMPERATURE	DPFT																																																																																																																																																														
DIESEL TURBOCHARGED	DT																																																																																																																																																														
DAY TIME RUNNING LIGHTS	DTRL																																																																																																																																																														
ELECTRONIC CONTROL MODULE	ECM																																																																																																																																																														
ELECTRONIC CONTROL UNIT	ECU																																																																																																																																																														
EXHAUST GAS RECIRCULATION	EGR																																																																																																																																																														
EXHAUST GAS TEMPERATURE	EGT																																																																																																																																																														
ELECTRO MAGNETIC INTERFERENCE	EMI																																																																																																																																																														
END OF FRAME	EOF																																																																																																																																																														
ELECTRIC TRAILER BRAKE	ETB																																																																																																																																																														
FRONT AXLE	FA																																																																																																																																																														
FRONT END	FE																																																																																																																																																														
FRONT OF DASH	FOD																																																																																																																																																														
FULL POWER BRAKE	FPB																																																																																																																																																														
GLOBAL POSITIONING SYSTEM	GPS																																																																																																																																																														
HYDRAULIC CONTROL UNIT	HCU																																																																																																																																																														
HEAVY DUTY	HD																																																																																																																																																														
DESCRIPTION	ACRONYM																																																																																																																																																														
HEAVY DUTY DIESEL	HDD																																																																																																																																																														
HIGH PERFORMANCE TRUCK	HET																																																																																																																																																														
HEATING, VENTILATION, AND AIR CONDITIONING	HVAC																																																																																																																																																														
INJECTOR DRIVE MODULE	IDM																																																																																																																																																														
INLET/OUTLET	I/O																																																																																																																																																														
INTEGRATED MOBILE COMMUNICATION TERMINAL	IMCT																																																																																																																																																														
INSTRUMENT PANEL	I/P																																																																																																																																																														
INDEPENDENT POWER TAKE-OFF	IPTO																																																																																																																																																														
INTERNATIONAL BIG BORE ENGINE	IBBE																																																																																																																																																														
LIGHT COMMERCIAL TRANSMISSION	LCT																																																																																																																																																														
LOW PRESSURE MODULE	LPM																																																																																																																																																														
MEDIUM DUTY	MD																																																																																																																																																														
MAJFUNCTION INDICATION LAMP	MIL																																																																																																																																																														
MULTIPLEX SWITCH MODULE	MSM																																																																																																																																																														
PYROMETER AMMETER MODULE	PAM																																																																																																																																																														
POWER DISTRIBUTION CENTER	PDC																																																																																																																																																														
PROGRAMMABLE LOGIC CONTROLLER	PLC																																																																																																																																																														
POWER TAKE-OFF	PTO																																																																																																																																																														
PULSE WIDTH MODULATION	PWM																																																																																																																																																														
REAR AXLE	RA																																																																																																																																																														
RADIO FREQUENCY	RF																																																																																																																																																														
ROLL STABILITY PROGRAM	RSP																																																																																																																																																														
SEVERE SERVICE	SS																																																																																																																																																														
TRANSMISSION CONTROL MODULE	TCM																																																																																																																																																														
TERRESTRIAL COMMUNICATION UNIT	TCU																																																																																																																																																														
TERRESTRIAL MOBILE COMMUNICATION TERMINAL	TMCT																																																																																																																																																														
THERMAL OVERCRANK PROTECTION	TOCP																																																																																																																																																														
THROTTLE POSITION SENSOR	TFS																																																																																																																																																														
WORLD TRANSMISSION ELECTRONIC CONTROLS	WTEC																																																																																																																																																														
VEHICLE SPEED OUTPUT	VSO																																																																																																																																																														
VEHICLE SPEED SENSOR	VSS																																																																																																																																																														
ZERO VOLT REFERENCE	ZVR																																																																																																																																																														
VEHICLE SPEED OUTPUT	VSO																																																																																																																																																														
VEHICLE SPEED SENSOR	VSS																																																																																																																																																														
ZERO VOLT REFERENCE	ZVR																																																																																																																																																														
CHK	DATE	CHANGE	REV	REFERENCE	DRAWN	NAME																																																																																																																																																									
DLV1	18SEP09	INITIAL RELEASE.	A	61229V	310615	CIRCUIT DIAGRAM, 42/43/44/85/8600 & 73/74/7500																																																																																																																																																									
					RELEASE NO.	DATE																																																																																																																																																									
					61229V	20AUG09																																																																																																																																																									
						PART NO.																																																																																																																																																									
						AB08058176																																																																																																																																																									
						SHEET																																																																																																																																																									
						002																																																																																																																																																									

Figure 2 Acronyms

2.3. CIRCUIT DIAGRAM INSTRUCTIONS, P. 3

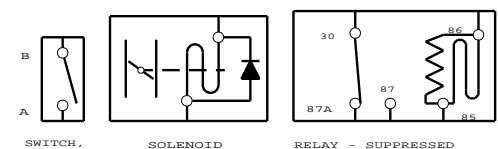
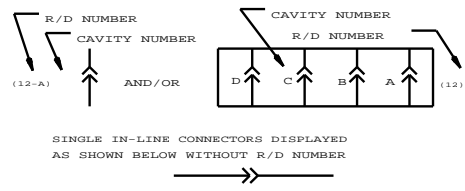
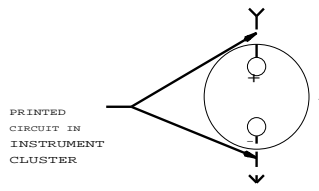
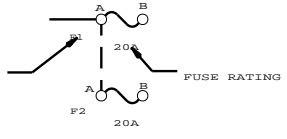
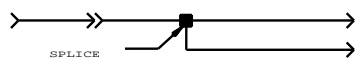
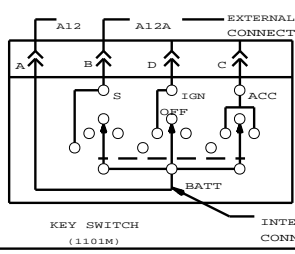
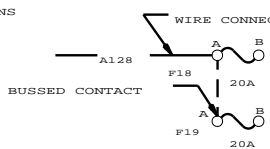
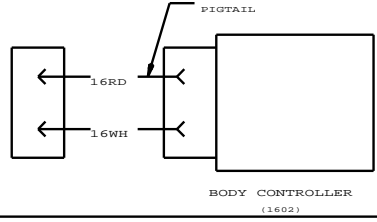
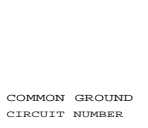
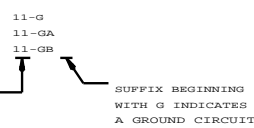
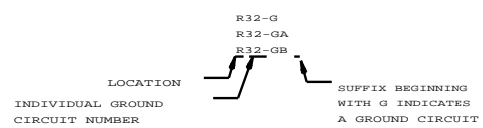
INTERNATIONAL TRUCK AND ENGINE CORPORATION		ELECTRICAL CIRCUIT DIAGRAM		CHAPTER 2	
THIS PRINT IS PROVIDED ON A RESTRICTED BASIS AND IS NOT TO BE USED IN ANY WAY DETRIMENTAL TO THE INTEREST OF INTERNATIONAL TRUCK AND ENGINE CORPORATION.		CIRCUIT DIAGRAM INSTRUCTIONS			
<p>A - SWITCH AND RELAY POSITIONS AS SHOWN ON CIRCUIT DIAGRAMS INDICATE NORMAL POSITION WITH IGNITION OFF UNLESS OTHERWISE NOTED.</p>			<p>B - MULTIPLE CONNECTIONS ARE DISPLAYED ON SCHEMATIC AS SHOWN WITH R/D NUMBER & CAVITY NUMBER. REFER CONNECTOR COMPOSITE FOR MORE INFORMATION</p>		
 <p>SWITCH, MECHANICAL SOLENOID RELAY - SUPPRESSED</p>			 <p>R/D NUMBER CAVITY NUMBER AND/OR CAVITY NUMBER R/D NUMBER</p> <p>SINGLE IN-LINE CONNECTORS DISPLAYED AS SHOWN BELOW WITHOUT R/D NUMBER</p>		
<p>C - PHANTOM LINES INDICATE PRINTED CIRCUITS OR BUSSED CIRCUITS. THESE CIRCUITS EXIST IN THE INSTRUMENT CLUSTER AND FUSE / CIRCUIT BREAKER CONNECTORS.</p>					
 <p>PRINTED CIRCUIT IN INSTRUMENT CLUSTER VOLTMETER</p>		<p>LOCATION / CIRCUIT NUMBER WIRE GAUGE / WIRE COLOR</p>		 <p>LOCATION IN FUSE / CIRCUIT BREAKER CONNECTION FUSE RATING</p>	
<p>D - MULTIPLE CIRCUIT NUMBERS ON A LINE INDICATE ONE CIRCUIT DISTRIBUTING CURRENT TO TWO CIRCUITS.</p>					
 <p>SPLICE</p>					
<p>E - SWITCHES, RELAYS AND COMPONENTS INDICATE EXTERNAL WIRE CONNECTIONS AND / OR INTERNAL CONNECTIONS OR CONTACTS.</p>					
 <p>EXTERNAL WIRE CONNECTIONS KEY SWITCH (1101M) INTERNAL CONNECTION</p>		 <p>WIRE CONNECTION BUSSED CONTACT</p>		 <p>PIGTAIL BODY CONTROLLER (1602)</p>	
<p>F - CIRCUIT "11" DENOTES ANY COMMON GROUND (MORE THAN ONE CIRCUIT). ANY INDIVIDUAL GROUND CIRCUIT IS IDENTIFIED WITH THAT PARTICULAR CIRCUIT NUMBER. (E.G. CIRCUIT 32 CRUISE CONTROL IS IDENTIFIED AS PER EXAMPLE)</p>					
 <p>COMMON GROUND CIRCUIT NUMBER</p>		 <p>SUFFIX BEGINNING WITH G INDICATES A GROUND CIRCUIT</p>		 <p>LOCATION INDIVIDUAL GROUND CIRCUIT NUMBER</p> <p>SUFFIX BEGINNING WITH G INDICATES A GROUND CIRCUIT</p>	
<p>NOTE: FOR CIRCUIT DESCRIPTION OTHER THAN GROUNDS NEITHER THE LETTER "G" NOR THE COLOR WHITE SHALL BE USED</p>					
CHK	DATE	CHANGE	REV	REFERENCE	DRAWN
DLV1	18SEP09	INITIAL RELEASE.	A	61229V	310615
					CIRCUIT DIAGRAM, 42/43/44/85/860 & 73/74/7500
					RELEASE NO. DATE PART NO. SHEET
					61229V 18MAY09 AB08058176 003

Figure 3 Circuit Diagram Instructions

ELECTRICAL CIRCUIT DIAGRAM MANUAL

2.4. CIRCUIT NUMBER IDENTIFICATION AND COLOR, P. 4

CIRCUIT NUMBER	COLOR	DESCRIPTION
1	LTBL	ALTERNATOR-FIELD
2	RD	ALTERNATOR-CHARGE
3	DKBL	SERIAL / DATA COMMUNICATION J1587 / J1708 (+)
	GY	SERIAL / DATA COMMUNICATION J1587 / J1708 (-)
4	DKBL	SERIAL / DATA COMMUNICATION J1922 (+)
	GY	SERIAL / DATA COMMUNICATION J1922 (-)
5	YL	SERIAL / DATA COMMUNICATION J1939/11 / J1939/15 (+)
	GN	SERIAL / DATA COMMUNICATION J1939/11 / J1939/15 (-)
6	GY	LOW VOLTAGE ELECTRONIC FEED (LESS THAN 9 VOLTS)
7	RD	ALTERNATOR-RESISTANCE
8		
9	GY	ZERO VOLT REFERENCE (ZVR)
10	WH	CHASSIS / ENGINE GROUND
11	WH	CAB / SLEEPER GROUND
12	LTBL	ACCESSORY FEED
13	PK	IGNITION FEED
	BK	IGNITION FEED (BODY BUILDER CONNECTOR)
14	RD	BATTERY FEED
15	RD	KEY SWITCH FEED
16		
17	PK	STARTER CONTROL
18	PK	GLOW PLUG / PREHEATER
19	GY	ENGINE SHUTDOWN
20	LTGN	REMOTE POWER MODULE
21	TN	COLD START CONTROLS (ETHER)
22	TN	TIRE PRESSURE MONITORING / CONTROL
23	TN	ENGINE FAN / SHUTTERS
24	GY	ENGINE EXHAUST BRAKE
25	TN	PYROMETER
26	TN	AMMETER
27	TN	VOLTMETER
28	TN	INSTRUMENT & GAUGES
29	TN	ENGINE WATER TEMPERATURE
30	TN	ENGINE OIL TEMPERATURE
31	TN	TRANSMISSION OIL TEMPERATURE
32	TN	AXLE OIL TEMPERATURE
33	TN	ENGINE OIL LEVEL
34	TN	COOLANT LEVEL
35	TN	ENGINE OIL PRESSURE
36	TN	FUEL LEVEL
37	TN	FUEL FUME
38	GY	LIFT AXLE
39	GY	AIR DRYER HEATER
40	GY	LOW AIR PRESSURE WARNING

CHK	DATE	CHANGE	REV	REFERENCE	DIARR	DIAG
DLV1	18SEP09	INITIAL RELEASE.	A	61229V	310615	CIRCUIT DIAGRAM, 42/43/44/85/8600 & 73/74/7500
					RELEASE NO.	DATE
					61229V	18MAY09
						PART NO.
						AB08058176
						004

Figure 4 Circuit Number Identification and Color

2.5. CIRCUIT NUMBER IDENTIFICATION AND COLOR (CONT.), P. 5

INTERNATIONAL TRUCK AND ENGINE CORPORATION		ELECTRICAL CIRCUIT DIAGRAM		CHAPTER 2	
THIS PRINT IS PROVIDED ON A RESTRICTED BASIS AND IS NOT TO BE USED IN ANY WAY DETRIMENTAL TO THE INTEREST OF INTERNATIONAL TRUCK AND ENGINE CORPORATION.			CIRCUIT NUMBER IDENTIFICATION AND COLOR (CONT)		
CIRCUIT NUMBER	COLOR	DESCRIPTION			
41	TN	AIR TEMPERATURE			
42	GY	FRONT AXLE ENGAGED			
43	GY	POWER DIVIDER LOCK (PDL) WARNING			
44	GY	PARK BRAKE WARNING			
45	LTGN	ANTI-THEFT WARNING			
46	GY	POWER TAKEOFF WARNING			
47	GY	SPEEDOMETER			
48	GY	TACHOMETER			
49	GY	DIFFERENTIAL LOCK WARNING			
50	YL	LIGHT SWITCH FEED			
51	YL	DIMMER SWITCH FEED			
52	YL	HEADLIGHT HI - BEAM			
53	YL	HEADLIGHT LO - BEAM			
54	BN	PARKING / MARKER LIGHTS			
55	OR	TURN SIGNAL - FEED			
56	OR	TURN SIGNAL LIGHTS - LEFT			
	YL	TURN SIGNAL LIGHTS - LEFT (BODY BUILDER CONNECTION)			
57	OR	TURN SIGNAL LIGHTS - RIGHT			
	LTGN	TURN SIGNAL LIGHTS - RIGHT (BODY BUILDER CONNECTION)			
58	BN	CLEARANCE / IDENTIFICATION LIGHTS			
59	GY	SOLENOID			
60	OR	HAZARD LIGHTS			
61	GY	AIR SUSPENSION			
62	DKBL	PANEL LIGHTS			
63	DKBL	COURTESY / DOME LIGHTS			
64	YL	FOG / DRIVING LIGHTS			
65	OR	CAB REAR FLOOD LIGHTS			
66	YL	DAYTIME RUNNING LIGHTS			
67	GY	OBSTACLE AVOIDANCE / REMOTE SENSOR			
68	BN	TAIL LIGHTS			
69	BN	LICENSE PLATE LIGHT			
70	OR	STOP LIGHTS			
	RD	STOP LIGHTS (BODY BUILDER CONNECTION)			
71	OR	BACK-UP LIGHTS			
	LTBL	BACK-UP LIGHTS (BODY BUILDER CONNECTION)			
72	OR	TRAILER AUXILIARY FEED - BATTERY			
73	LTGN	PWM			
74	LTGN	HEATER RECIRC MOTOR			
75	LTGN	HEATER BLOWER MOTOR			
76	LTGN	AUXILIARY FAN			
77	LTGN	AIR CONDITIONER			
78	LTGN	MIRRORS - HEATED, MOTORIZED			
79	GY	SEAT BELTS			
80	BK	SLEEPER BOX RELAY - FEED			

CHK	DATE	CHANGE	REV	REFERENCE	DRAWN	NAME
DLV1	18SEP09	INITIAL RELEASE.	A	61229V	310615	CIRCUIT DIAGRAM, 42/43/44/85/8600 & 73/74/7500
					RELEASE NO.	DATE
					61229V	18MAY09
						PART NO.
						AB08058176
						SHEET
						005

Figure 5 Circuit Number Identification and Color (Cont.)

2.6. CIRCUIT NUMBER IDENTIFICATION AND COLOR (CONT.), P. 6

INTERNATIONAL TRUCK AND ENGINE CORPORATION		ELECTRICAL CIRCUIT DIAGRAM		CHAPTER 2	
THIS PRINT IS PROVIDED ON A RESTRICTED BASIS AND IS NOT TO BE USED IN ANY WAY DETRIMENTAL TO THE INTEREST OF INTERNATIONAL TRUCK AND ENGINE CORPORATION.		CIRCUIT NUMBER IDENTIFICATION AND COLOR (CONT)			

CIRCUIT NUMBER	COLOR	DESCRIPTION
81	LTGN	POWER DOOR LOCKS
82	GY	WINDSHIELD WIPER
83	LTGN	POWER WINDOWS
84	LTGN	CIGAR LIGHTER
85	GY	HORN
86	LTGN	RADIO - ENTERTAINMENT / CLOCK
87	GY	WINDSHIELD WASHER
88	LTGN	CLOCK / HOURMETER
89	VT	AIR BAG
90	GY	HYDRAULIC BRAKE PUMP
91	VT	INTERCOMMUNICATION
92	TN	TRANSMISSION CONTROLS - ELECTRONICS
93	TN	AXLE SHIFT CONTROL
94	GY	ANTILOCK BRAKE SYSTEM
95	TN	EXHAUST EMISSION
96	YL	SNOW PLOW LIGHTS / CRUISE CONTROLS
97	VT	ENGINE CONTROLS - ELECTRONIC
98	BK	DATALINK AND DIAGNOSTICS
99	VT	ACCELERATOR POSITION SENSOR (APS)
100	GY	AIR HORN (ELECTRIC SOLENOID ACTUATED)
101	TN	BRAKE APPLICATION AIR
102	YL	FLASH TO PASS
103	LTGN	BODY BUILDER AUXILIARY FEED
104	DKBL	REMOTE START / STOP
105	LTGN	HEATED SEATS
106	OR	HIGH VOLTAGE ALTERNATOR AC CHARGE
107	GY	INTRUMENT CLUSTER ELECTRONIC FEED (5V)
108	GY	BRAKE PAD WEAR SENSOR
109	GY	BRAKE STROKE / SLACK ADJUSTER
110	GY	INTRUMENT CLUSTER ELECTRONIC GROUND
111	TN	FUEL FILTER RESTRICTION TRANSDUCER
112	GY	LIFT GATE

PREFIX	LOCATION
A	CAB - INSTRUMENT PANEL MODULE
B	CAB - DRIVER CONTROL MODULE
C	CAB - HEADER / CLEARANCE LIGHTS
D	CAB - ROOF / REAR PANEL
E	CAB - LEFT DOOR / DOORS
F	CAB - RIGHT DOOR / DOORS
H	CAB - SLEEPER
J	CAB - DASH (OUTSIDE)
K	ENGINE / RADIATOR
L	TRANSMISSION
M	CHASSIS / FRONT END (CAB DASH PANEL FORWARD)
N	CHASSIS / CENTER SECTION (CAB DASH PANEL TO CAB REAR XMBR)
P	CHASSIS / WHEEL BASE SECTION
R	CHASSIS / SUSPENSION / REAR AXLE / AXLES
S	CHASSIS / AF SECTION / STOP / TAIL / TURN LIGHTS
T	TRAVEL DOORS
U	HOOD MTD HEADLIGHTS / MARKER LIGHTS
V	SLEEPER ROOF / BACK PANEL WIRING
W	WARDROBE CABINET WIRING

CHK	DATE	CHANGE	REV	REFERENCE	DRWG	NAME
DLV1	18SEP09	INITIAL RELEASE.	A	61229V	310615	CIRCUIT DIAGRAM, 42/43/44/85/8600 & 73/74/7500
					RELEASE NO.	DATE
					61229V	18MAY09
						PART NO.
						AB08058176
						SHEET
						006

Figure 6 Circuit Number Identification and Color (Cont.)

2.7. LAMP BULB CHART, P. 7

INTERNATIONAL TRUCK AND ENGINE CORPORATION		ELECTRICAL CIRCUIT DIAGRAM		CHAPTER 2																																																																									
THIS PRINT IS PROVIDED ON A RESTRICTED BASIS AND IS NOT TO BE USED IN ANY WAY DETRIMENTAL TO THE INTEREST OF INTERNATIONAL TRUCK AND ENGINE CORPORATION.		LAMP BULB CHART																																																																											
<table border="1" style="width: 100%; border-collapse: collapse;"> <thead> <tr> <th style="text-align: center;">BULB APPLICATION</th> <th style="text-align: center;">CANDLEPOWER OR WATT</th> <th style="text-align: center;">BULB TRADE NUMBER</th> </tr> </thead> <tbody> <tr><td>BACK-UP LIGHTS</td><td style="text-align: center;">32 CP</td><td style="text-align: center;">GE1156</td></tr> <tr><td>CLEARANCE & IDENTIFICATION SMALL</td><td style="text-align: center;">3 CP</td><td style="text-align: center;">GE168</td></tr> <tr><td>COURTESY LIGHT</td><td style="text-align: center;">21 CP</td><td style="text-align: center;">1142</td></tr> <tr><td>DOVE LIGHTS</td><td style="text-align: center;">21 CP</td><td style="text-align: center;">1142</td></tr> <tr><td>FOG LIGHTS</td><td style="text-align: center;">100 WATT</td><td style="text-align: center;">4921 - 1</td></tr> <tr><td>LOW BEAMS</td><td style="text-align: center;">55 WATT</td><td style="text-align: center;">GE9007</td></tr> <tr><td>HIGH BEAMS</td><td style="text-align: center;">60 WATT</td><td style="text-align: center;">GE9007</td></tr> <tr><td>CIGAR LIGHTER</td><td style="text-align: center;">1 CP</td><td style="text-align: center;">1455</td></tr> <tr><td>MAP LIGHT</td><td style="text-align: center;">3 CP</td><td style="text-align: center;">1816</td></tr> <tr><td>SIDE MARKER</td><td></td><td style="text-align: center;">2548</td></tr> <tr><td>STOP & TURN / TAIL & LICENSE PLATE</td><td style="text-align: center;">32 / 3 CP</td><td style="text-align: center;">3157</td></tr> <tr><td>TURN SIGNAL / MARKER (FENDER)</td><td style="text-align: center;">32 / 3 CP</td><td style="text-align: center;">3157</td></tr> <tr><td>TURN SIGNAL & MARKER LIGHT</td><td></td><td style="text-align: center;">2356</td></tr> <tr><td>WORK (TRAILER HOOK)</td><td style="text-align: center;">35 WATT</td><td style="text-align: center;">4411</td></tr> <tr><td>BACK-UP LIGHTS UPPER AND LOWER BUNK READING LIGHT</td><td style="text-align: center;">15 CP</td><td style="text-align: center;">1003</td></tr> <tr><td>CABINET / WARDROBE LIGHT</td><td style="text-align: center;">5W</td><td style="text-align: center;">7575</td></tr> <tr><td>UNDER BUNK LIGHT</td><td style="text-align: center;">21 CP / 2(12 CP)</td><td style="text-align: center;">577 / 211</td></tr> <tr><td>ACCENT LIGHT</td><td style="text-align: center;">2 (12 CP)</td><td style="text-align: center;">211</td></tr> <tr><td>DOVE LIGHT LAMP</td><td style="text-align: center;">15 WATT</td><td style="text-align: center;">F1578 - CW</td></tr> <tr><td>SLEEPER FLOOR LIGHT</td><td style="text-align: center;">4 CP</td><td style="text-align: center;">W5W</td></tr> <tr><td>HEATER AND AIR CONDITIONER CONTROL</td><td style="text-align: center;">3 CP</td><td style="text-align: center;">169</td></tr> <tr><td>LUGGAGE COMPARTMENT LIGHT</td><td style="text-align: center;">6 CP</td><td style="text-align: center;">99</td></tr> <tr><td>READING LIGHT</td><td style="text-align: center;">15 CP</td><td style="text-align: center;">1003</td></tr> </tbody> </table>						BULB APPLICATION	CANDLEPOWER OR WATT	BULB TRADE NUMBER	BACK-UP LIGHTS	32 CP	GE1156	CLEARANCE & IDENTIFICATION SMALL	3 CP	GE168	COURTESY LIGHT	21 CP	1142	DOVE LIGHTS	21 CP	1142	FOG LIGHTS	100 WATT	4921 - 1	LOW BEAMS	55 WATT	GE9007	HIGH BEAMS	60 WATT	GE9007	CIGAR LIGHTER	1 CP	1455	MAP LIGHT	3 CP	1816	SIDE MARKER		2548	STOP & TURN / TAIL & LICENSE PLATE	32 / 3 CP	3157	TURN SIGNAL / MARKER (FENDER)	32 / 3 CP	3157	TURN SIGNAL & MARKER LIGHT		2356	WORK (TRAILER HOOK)	35 WATT	4411	BACK-UP LIGHTS UPPER AND LOWER BUNK READING LIGHT	15 CP	1003	CABINET / WARDROBE LIGHT	5W	7575	UNDER BUNK LIGHT	21 CP / 2(12 CP)	577 / 211	ACCENT LIGHT	2 (12 CP)	211	DOVE LIGHT LAMP	15 WATT	F1578 - CW	SLEEPER FLOOR LIGHT	4 CP	W5W	HEATER AND AIR CONDITIONER CONTROL	3 CP	169	LUGGAGE COMPARTMENT LIGHT	6 CP	99	READING LIGHT	15 CP	1003
BULB APPLICATION	CANDLEPOWER OR WATT	BULB TRADE NUMBER																																																																											
BACK-UP LIGHTS	32 CP	GE1156																																																																											
CLEARANCE & IDENTIFICATION SMALL	3 CP	GE168																																																																											
COURTESY LIGHT	21 CP	1142																																																																											
DOVE LIGHTS	21 CP	1142																																																																											
FOG LIGHTS	100 WATT	4921 - 1																																																																											
LOW BEAMS	55 WATT	GE9007																																																																											
HIGH BEAMS	60 WATT	GE9007																																																																											
CIGAR LIGHTER	1 CP	1455																																																																											
MAP LIGHT	3 CP	1816																																																																											
SIDE MARKER		2548																																																																											
STOP & TURN / TAIL & LICENSE PLATE	32 / 3 CP	3157																																																																											
TURN SIGNAL / MARKER (FENDER)	32 / 3 CP	3157																																																																											
TURN SIGNAL & MARKER LIGHT		2356																																																																											
WORK (TRAILER HOOK)	35 WATT	4411																																																																											
BACK-UP LIGHTS UPPER AND LOWER BUNK READING LIGHT	15 CP	1003																																																																											
CABINET / WARDROBE LIGHT	5W	7575																																																																											
UNDER BUNK LIGHT	21 CP / 2(12 CP)	577 / 211																																																																											
ACCENT LIGHT	2 (12 CP)	211																																																																											
DOVE LIGHT LAMP	15 WATT	F1578 - CW																																																																											
SLEEPER FLOOR LIGHT	4 CP	W5W																																																																											
HEATER AND AIR CONDITIONER CONTROL	3 CP	169																																																																											
LUGGAGE COMPARTMENT LIGHT	6 CP	99																																																																											
READING LIGHT	15 CP	1003																																																																											
CHK	DATE	CHANGE	REV	REFERENCE	DRAWN	NO.																																																																							
DLV1	18SEP09	INITIAL RELEASE.	A	61229V	310615	CIRCUIT DIAGRAM, 42/43/44/85/860 & 73/74/7500																																																																							
					RELEASE NO.	DATE																																																																							
					61229V	18MAY09																																																																							
					PART NO.	SHEET																																																																							
					AB08058176	007																																																																							

Figure 7 Lamp Bulb Chart

2.8. RELAY FUNCTION AND WIRING GUIDE, P. 8

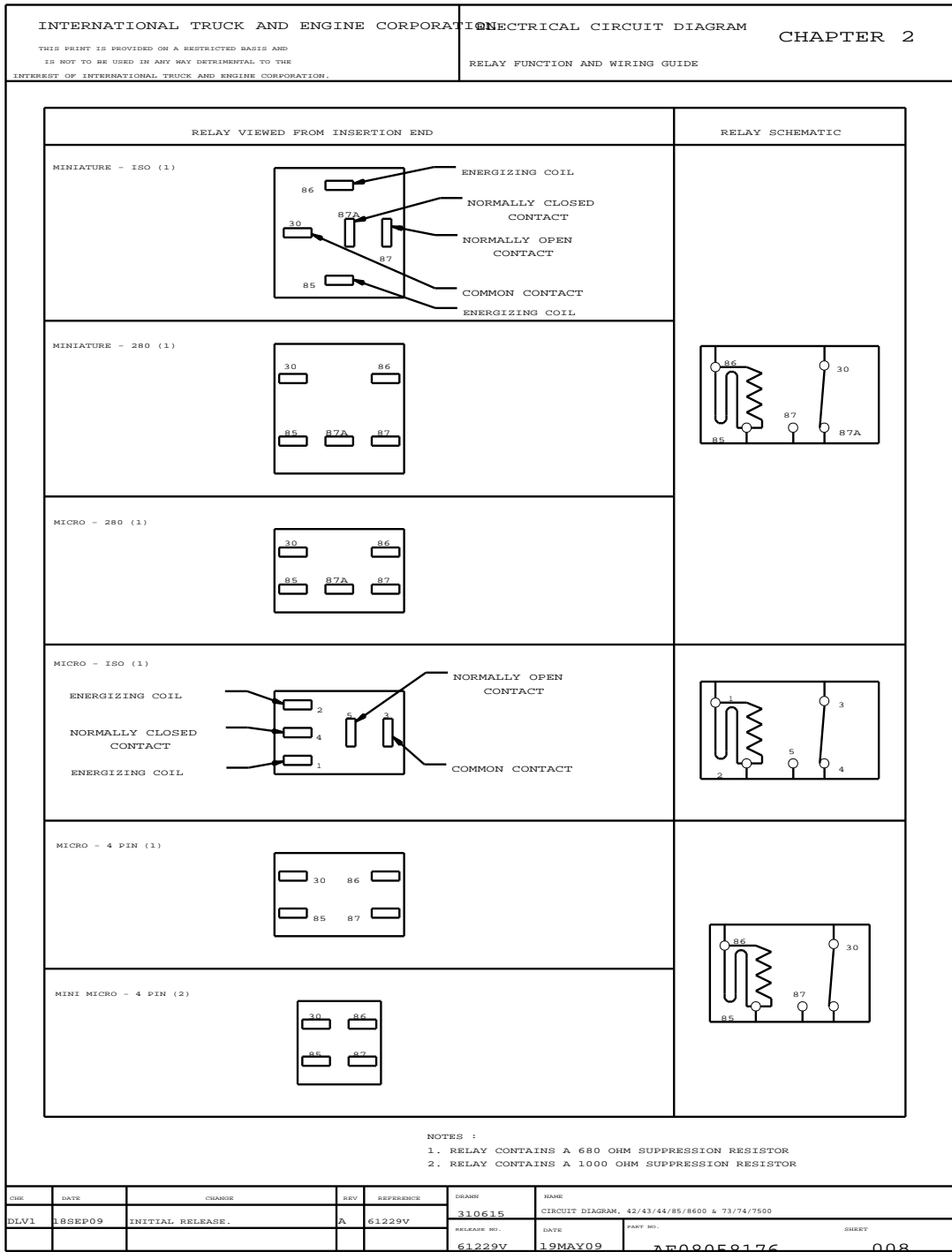


Figure 8 Relay Function and Wiring Guide

2.9. SCHEMATIC SYMBOL CHART, P. 9

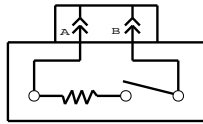
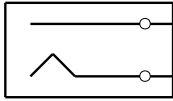
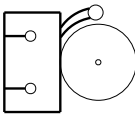

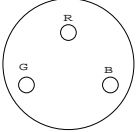



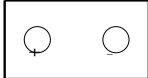
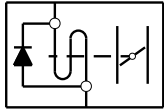
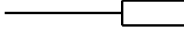
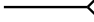
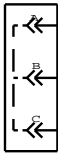

INTERNATIONAL TRUCK AND ENGINE CORPORATION				ELECTRICAL CIRCUIT DIAGRAM CHAPTER 2			
THIS PRINT IS PROVIDED ON A RESTRICTED BASIS AND IS NOT TO BE USED IN ANY WAY DETRIMENTAL TO THE INTEREST OF INTERNATIONAL TRUCK AND ENGINE CORPORATION.				SCHEMATIC SYMBOL CHART			
SYMBOL		DESCRIPTION		SYMBOL		DESCRIPTION	
		AIR DRYER				CIGAR LIGHTER	
		ALARM		TYPE 1 TYPE 2 OR 3 		CIRCUIT BREAKER	
		ALTERNATOR				DIODE	
		AMMETER				DIODE, LIGHT EMITTING	
		BATTERY				FAN SOLENOID	
		BLUNT CUT CIRCUIT				FEMALE TERMINAL	
		BUSBAR				FUSE	
CHK	DATE	CHANGE	REV	REFERENCE	DRAWN	NO.	
DLV1	18SEP09	INITIAL RELEASE.	A	61229V	310615	CIRCUIT DIAGRAM, 42/43/44/85/860 & 73/74/7500	
					RELEASE NO.	DATE	PART NO.
					61229V	19MAY09	AB08058176
							009

Figure 9 Schematic Symbol Chart

2.10. SCHEMATIC SYMBOL CHART (CONT.), P. 10

INTERNATIONAL TRUCK AND ENGINE CORPORATION				ELECTRICAL CIRCUIT DIAGRAM				CHAPTER 2			
THIS PRINT IS PROVIDED ON A RESTRICTED BASIS AND IS NOT TO BE USED IN ANY WAY DETRIMENTAL TO THE INTEREST OF INTERNATIONAL TRUCK AND ENGINE CORPORATION.				SCHEMATIC SYMBOL CHART (CONT)							
SYMBOL		DESCRIPTION		SYMBOL		DESCRIPTION		SYMBOL		DESCRIPTION	
		FUSES W/ BUSBAR				HORN				KEY SWITCH	
		FUSIBLE LINK				GROUND N/ STUD				KEY SWITCH, COMPLEX	
		GROUND W/ STUD				HEATER				LIGHT W/ SWITCH	
		HOLDER, FUSE W/ BUSBAR				LIGHT, DOUBLE FILAMENT				LIGHT, SINGLE FILAMENT	
		BRACE									
CHK	DATE	CHANGE	REV	REFERENCE	DRAWN	NAME					
DLV1	18SEP09	INITIAL RELEASE.	A	61229V	310615	CIRCUIT DIAGRAM, 42/43/44/85/8600 & 73/74/7500					
					RELEASE NO.	DATE	PARTY NO.	SHEET			
					61229V	19MAY09	AE08058176	010			

Figure 10 Schematic Symbol Chart (Cont.)

2.11. SCHEMATIC SYMBOL CHART (CONT.), P. 11

INTERNATIONAL TRUCK AND ENGINE CORPORATION				ELECTRICAL CIRCUIT DIAGRAM				CHAPTER 2			
THIS PRINT IS PROVIDED ON A RESTRICTED BASIS AND IS NOT TO BE USED IN ANY WAY DETRIMENTAL TO THE INTEREST OF INTERNATIONAL TRUCK AND ENGINE CORPORATION.				SCHEMATIC SYMBOL CHART (CONT)							
SYMBOL		DESCRIPTION		SYMBOL		DESCRIPTION		SYMBOL		DESCRIPTION	
		MALE TERMINAL				RESISTOR				SENDER - FUEL, OIL, WATER	
		MOTOR				PASS THRU CONNECTION				SENSOR, PRESSURE. ABS 6	
		PRESSURE SWITCH				RELAY, FIVE TERMINAL				SENSOR, MAGNETIC	
		RELAY, FOUR TERMINAL				SENSOR, YAW				SOLENOID	
		RELAY, LATCHING				SOLENOID W/ DIODE					

CHK	DATE	CHANGE	REV	REFERENCE	DRWG	NAME
DLV1	18SEP09	INITIAL RELEASE.	A	61229V	310615	CIRCUIT DIAGRAM, 42/43/44/85/8600 & 73/74/7500
					RELEASE NO.	DATE
					61229V	19MAY09
					PART NO.	SHEET
					AE08058176	011

Figure 11 Schematic Symbol Chart (Cont.)

2.12. SCHEMATIC SYMBOL CHART (CONT.), P.12

INTERNATIONAL TRUCK AND ENGINE CORPORATION				ELECTRICAL CIRCUIT DIAGRAM				CHAPTER 2			
THIS PRINT IS PROVIDED ON A RESTRICTED BASIS AND IS NOT TO BE USED IN ANY WAY DETRIMENTAL TO THE INTEREST OF INTERNATIONAL TRUCK AND ENGINE CORPORATION.				SCHEMATIC SYMBOL CHART (CONT)							
SYMBOL		DESCRIPTION		SYMBOL		DESCRIPTION		SYMBOL		DESCRIPTION	
		SPEAKER				SWITCH, PUSH BUTTON				TERMINATING RESISTOR	
		SPLICE				THERMOSTAT				VALVE, ETHER BOTTLE	
		STUD				START MOTOR W/ TOCP				VALVE, MODULATOR	
		SWITCH, MECHANICAL (NORMALLY OPEN)				SWITCH, MECHANICAL (NORMALLY CLOSED)				DIODE ASSEMBLY	

CHK	DATE	CHANGE	REV	REFERENCE	DRAWN	NAME
DLV1	18SEP09	INITIAL RELEASE.	A	61229V	310615	CIRCUIT DIAGRAM, 42/43/44/85/8600 & 73/74/7500
					RELEASE NO.	DATE
					61229V	19MAY09
					PART NO.	SHEET
					AE08058176	012

Figure 12 Schematic Symbol Chart (Cont.)

12 VOLT POWER DISTRIBUTION, GROUNDS, DATA BUS AND ELECTRICAL SYSTEM CONTROLLER (CHAPTER 3)

3.1. BATTERY FEED, DUAL, P. 1

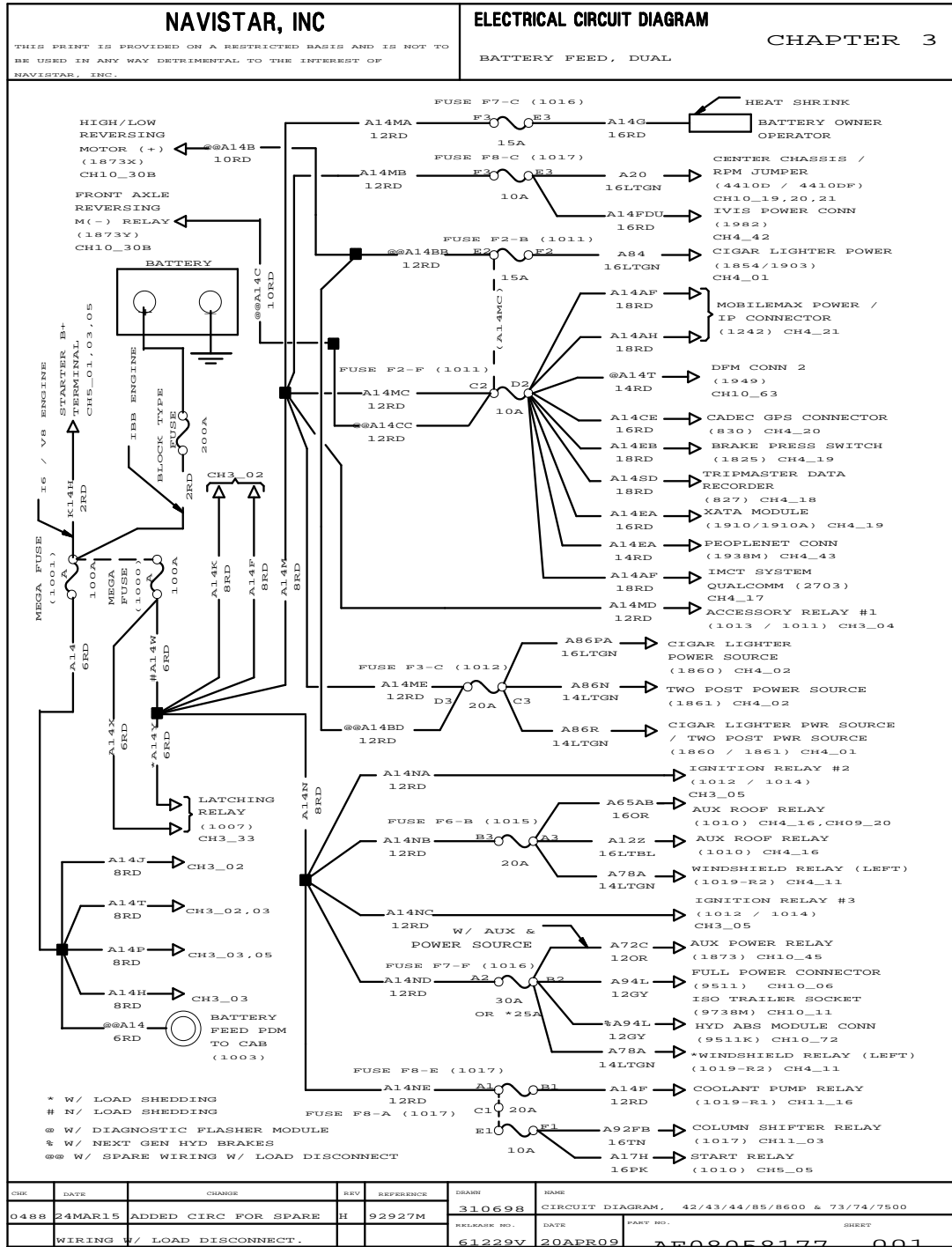


Figure 13 Battery Feed, Dual

3.2. BATTERY FEED, DUAL WITH 500K BAUD RATE, P. 1A

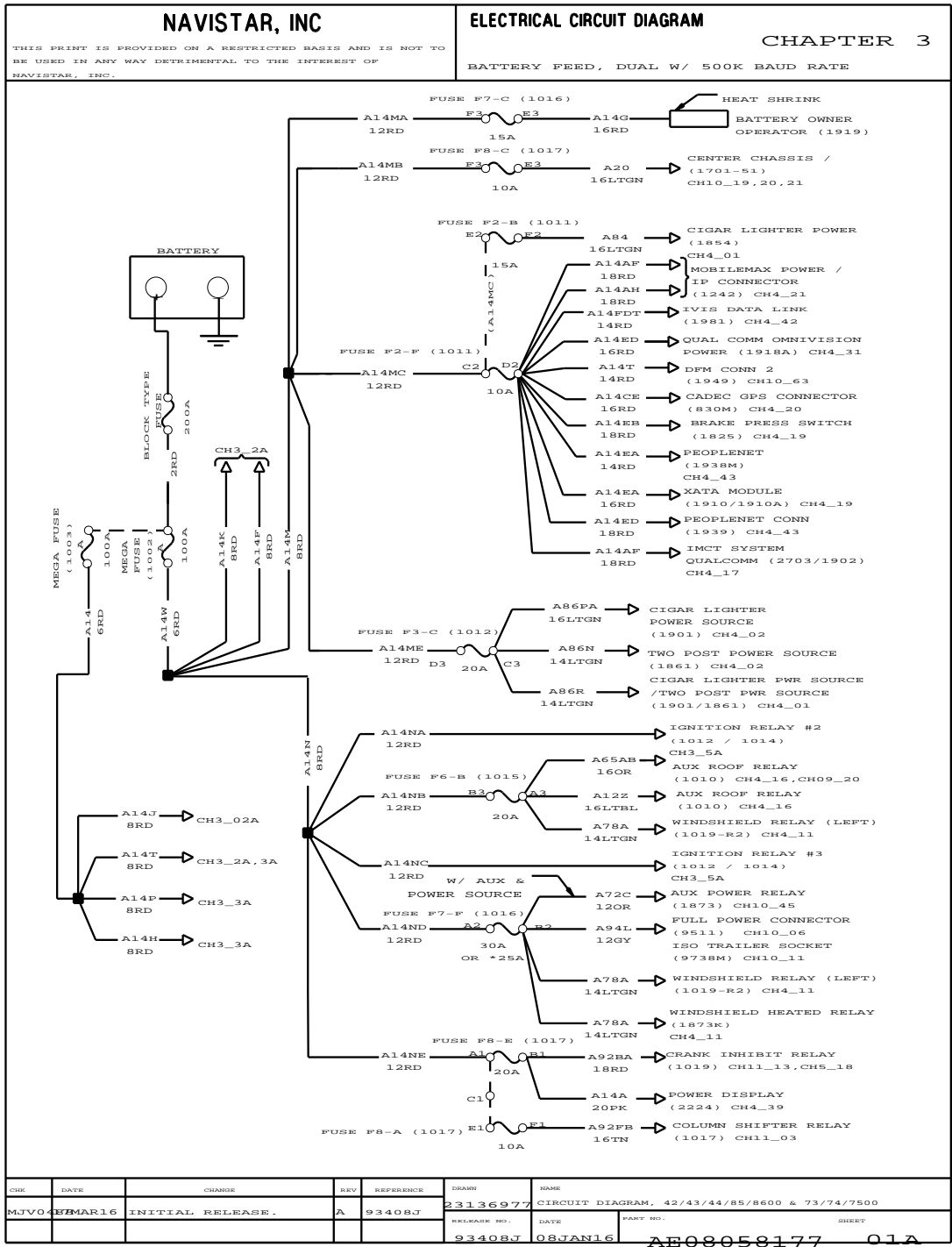


Figure 14 Battery Feed, Dual with 500K Baud Rate

3.3. BATTERY FEED, DUAL (CONT.), P. 2

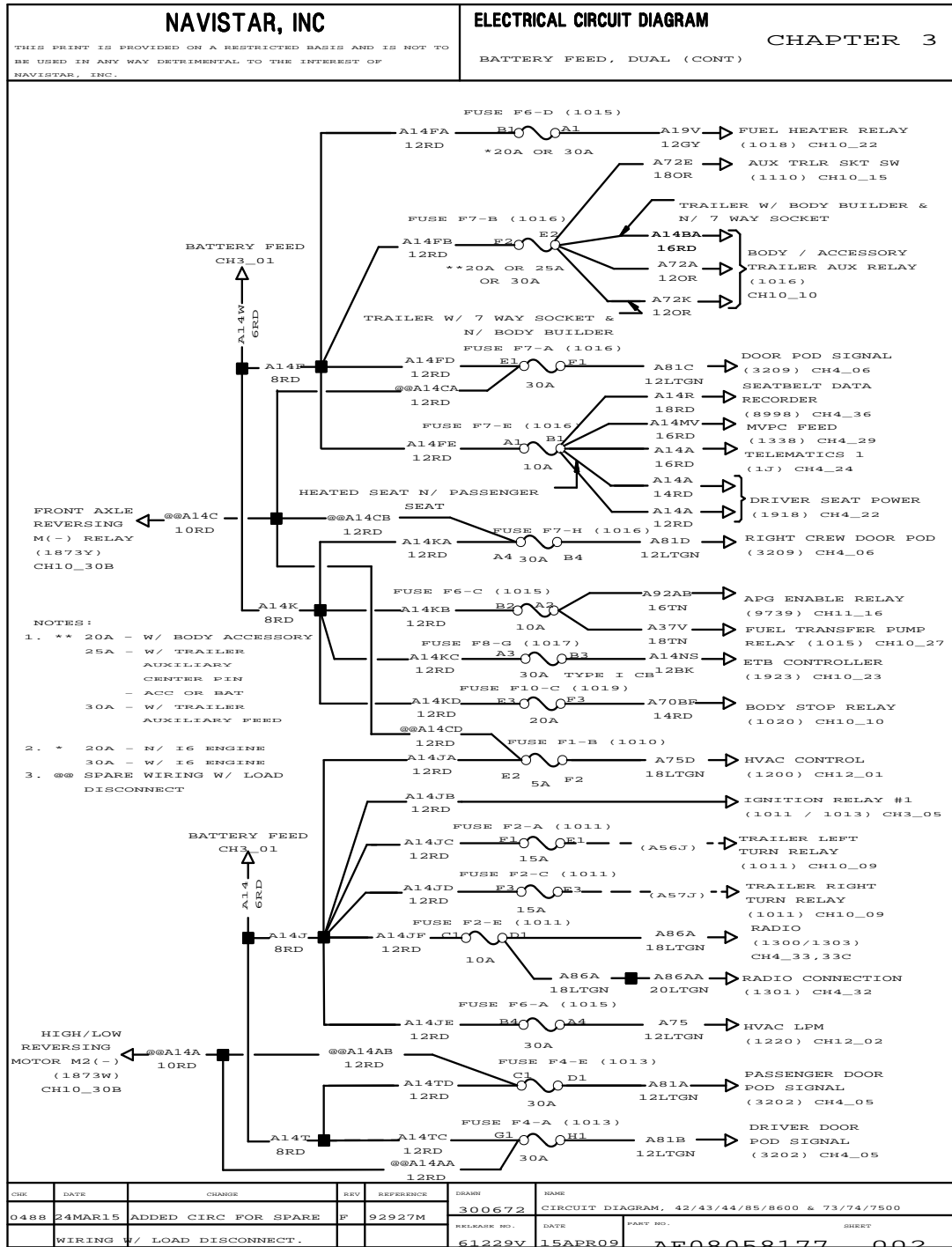


Figure 15 Battery Feed, Dual (Cont.)

3.4. BATTERY FEED, DUAL WITH 500K BAUD RATE (CONT.), P. 2A

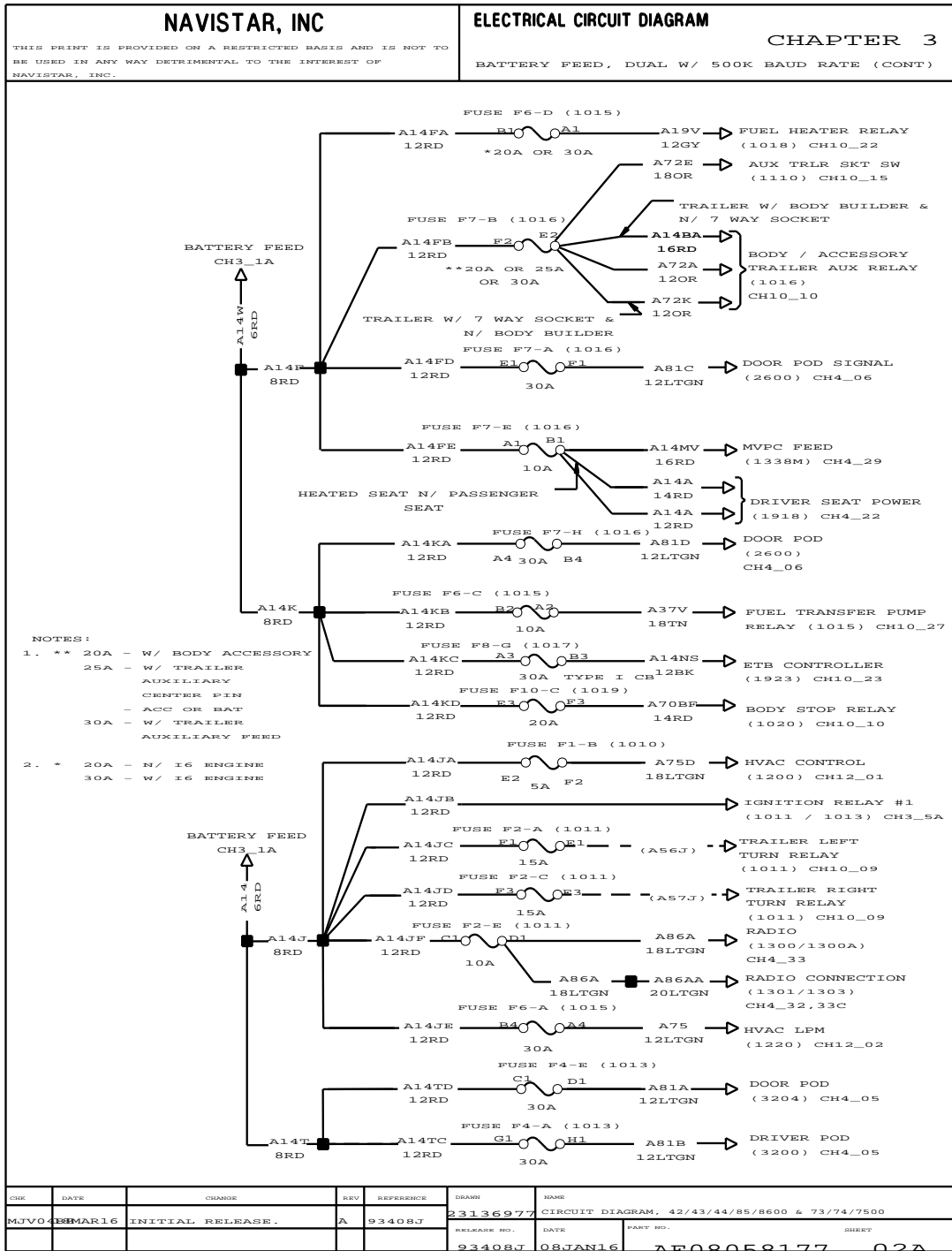


Figure 16 Battery Feed, Dual with 500K Baud Rate (Cont.)

3.5. BATTERY FEED, DUAL (CONT.), P. 3

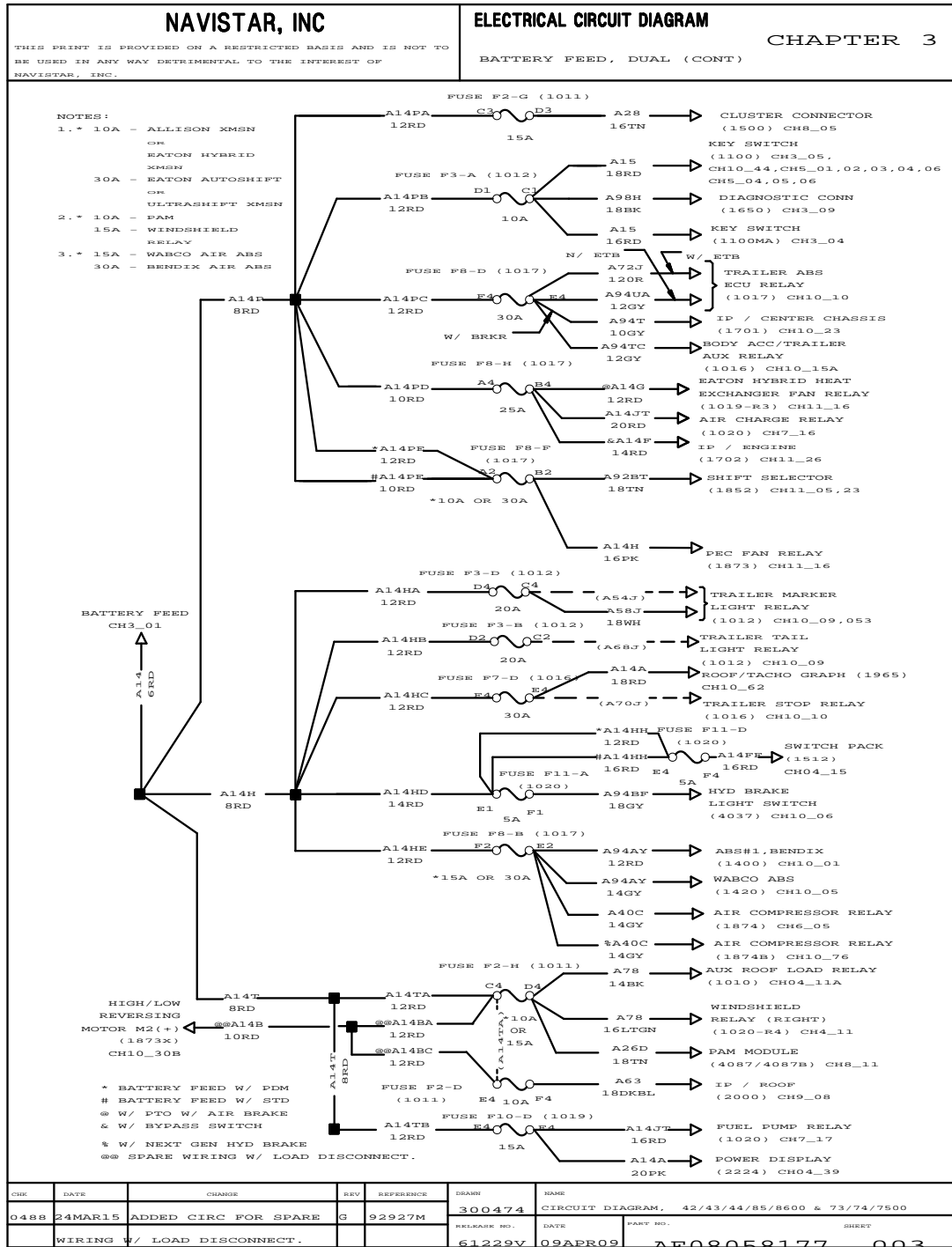


Figure 17 Battery Feed, Dual (Cont.)

3.6. BATTERY FEED, DUAL WITH 500K BAUD RATE (CONT.), P. 3A

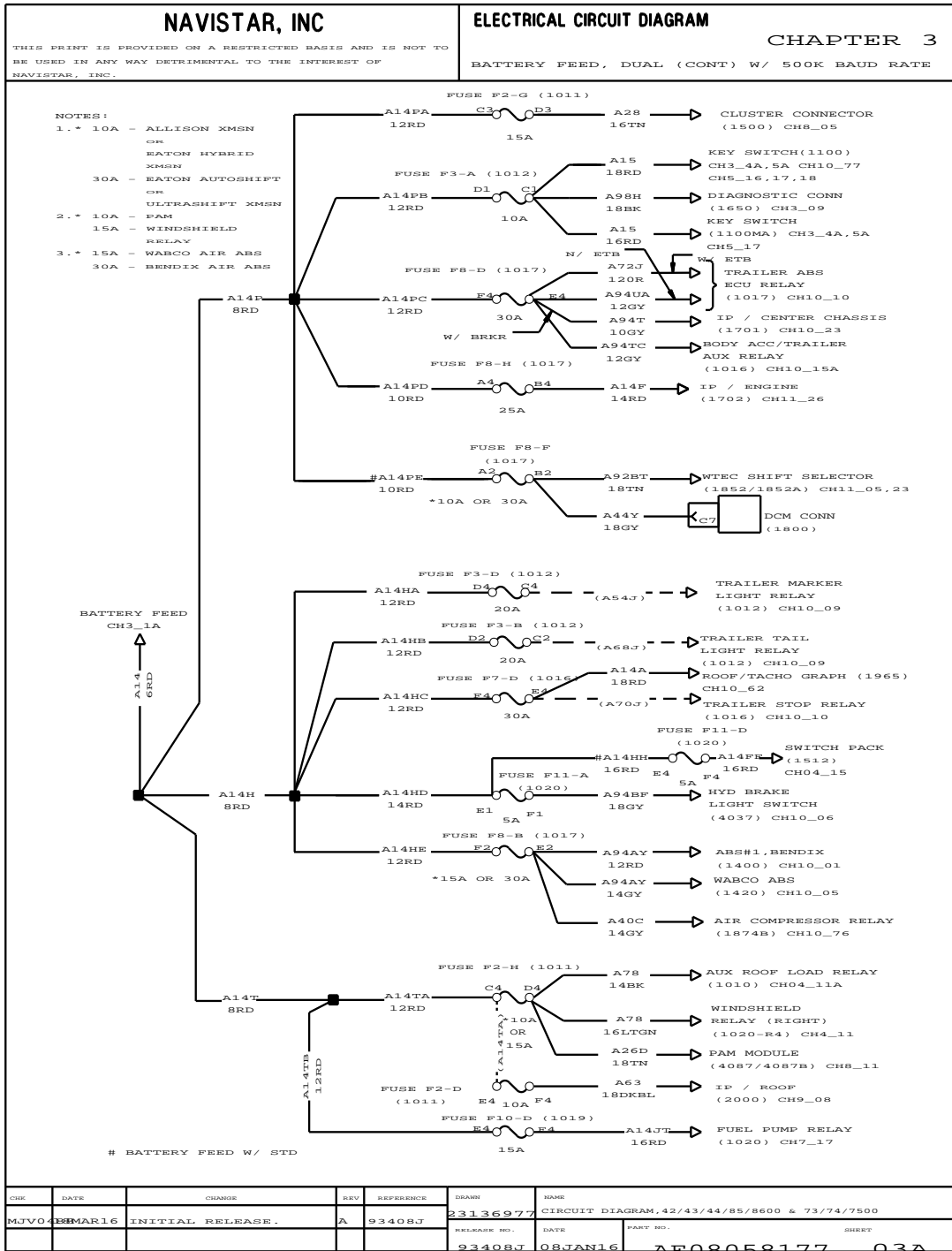


Figure 18 Battery Feed, Dual with 500K Baud Rate (Cont.)

3.7. ACCESSORY FEED, P. 4

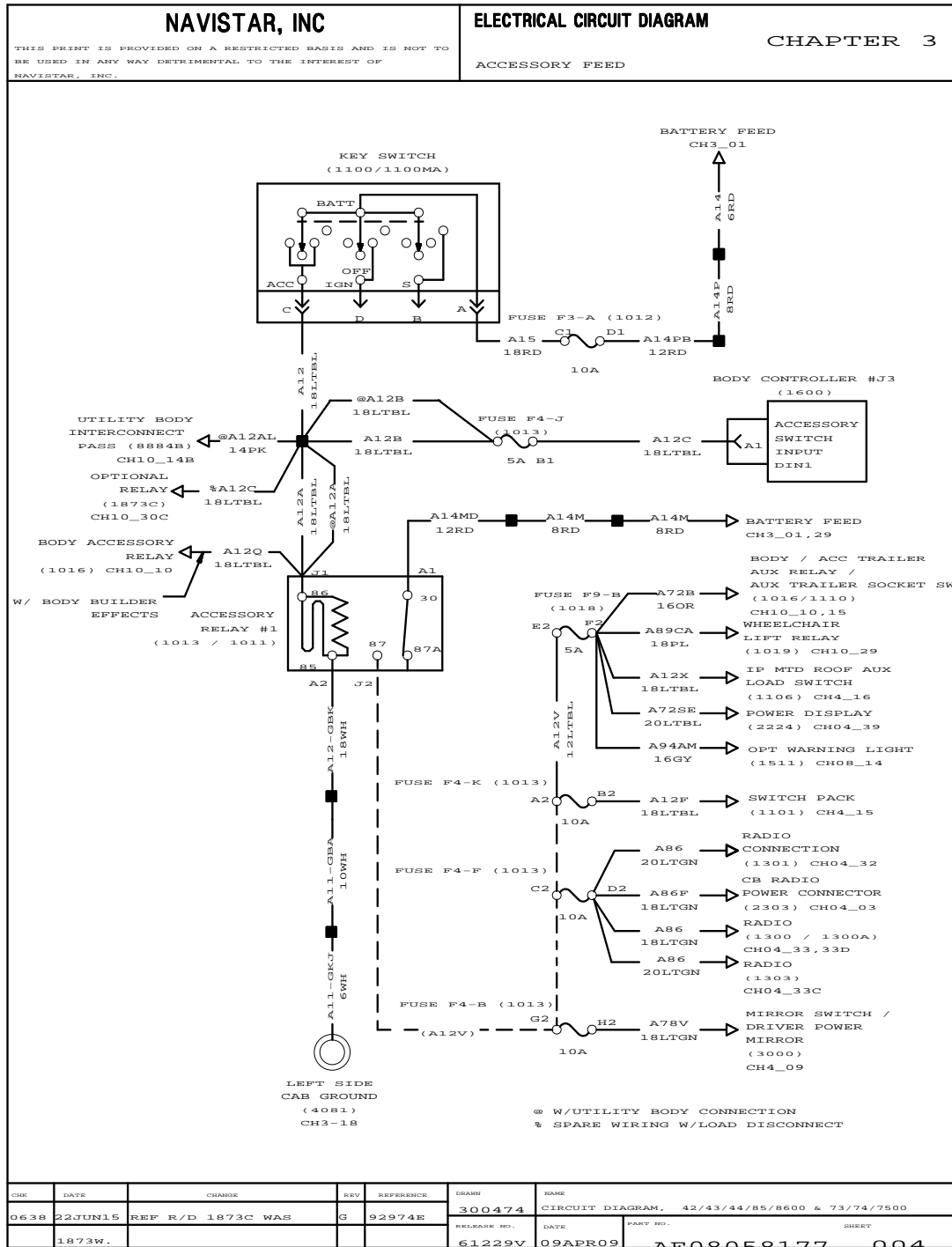


Figure 19 Accessory Feed

3.8. ACCESSORY FEED STANDARD WITH BODY BUILDER WITH 500K BAUD RATE, P. 4A

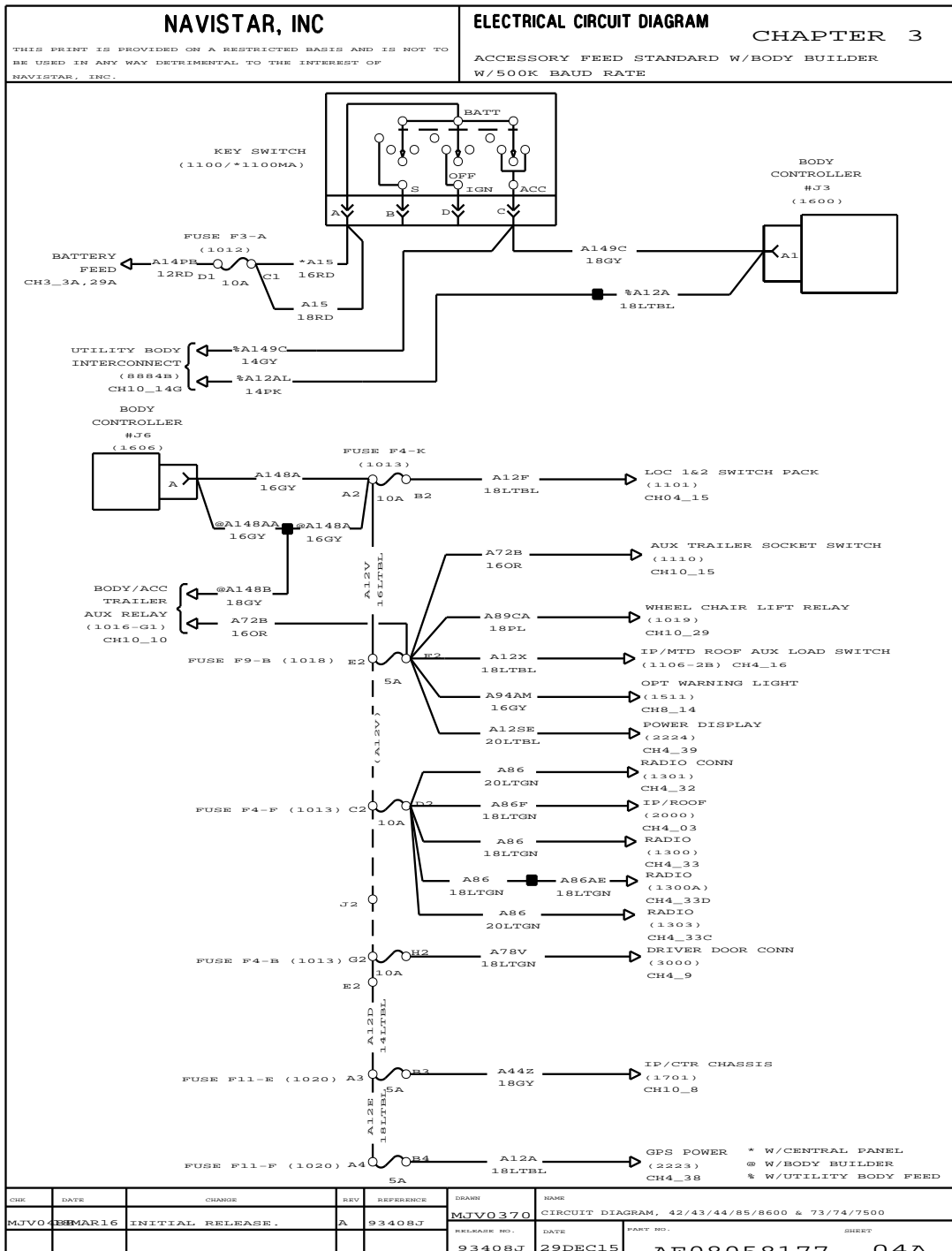


Figure 20 Accessory Feed Standard with Body Builder with 500K Baud Rate

3.10. IGNITION FEED WITH 500K BAUD RATE, P. 5A

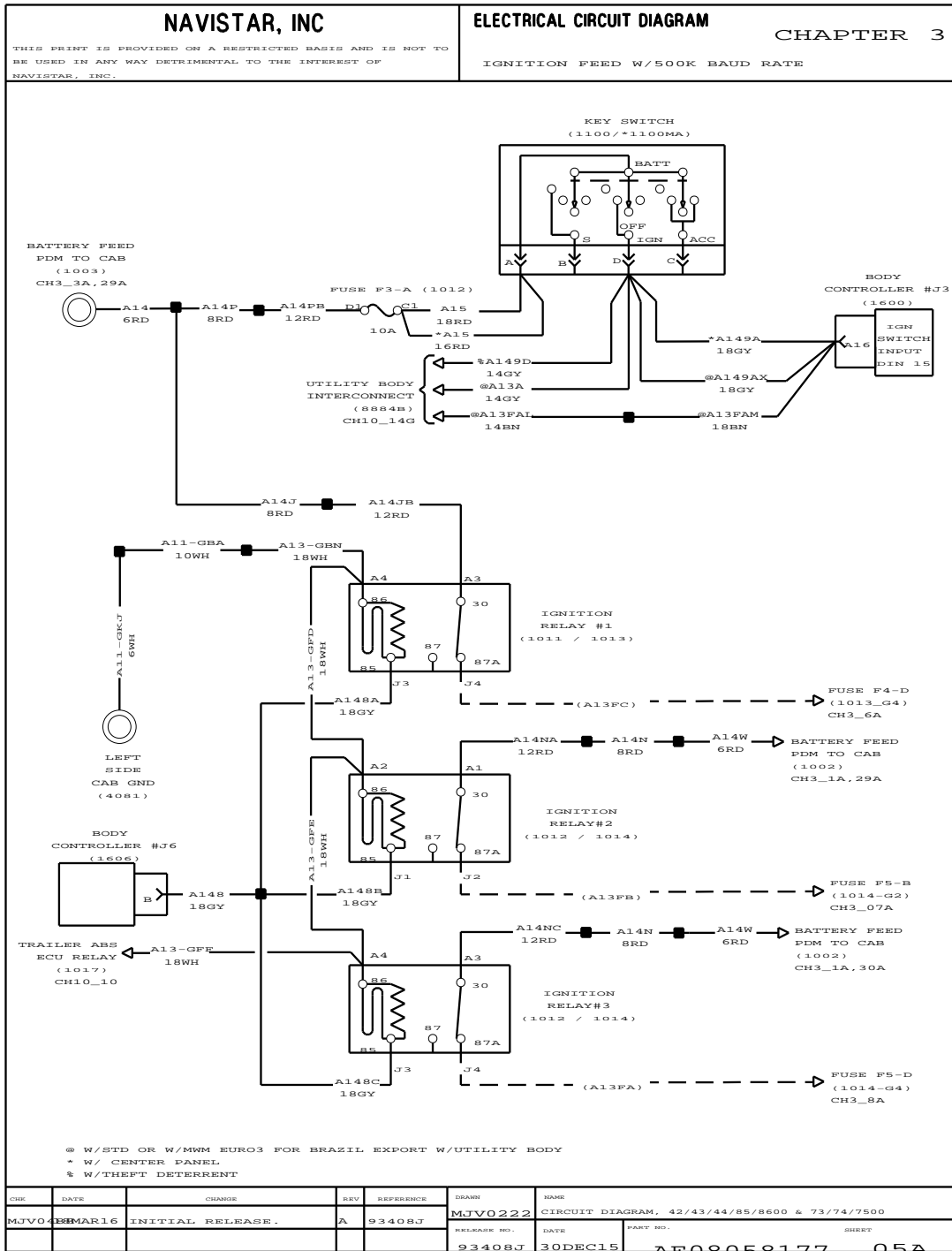


Figure 22 Ignition Feed with 500K Baud Rate

3.11. IGNITION FEED – RELAY 1, P. 6

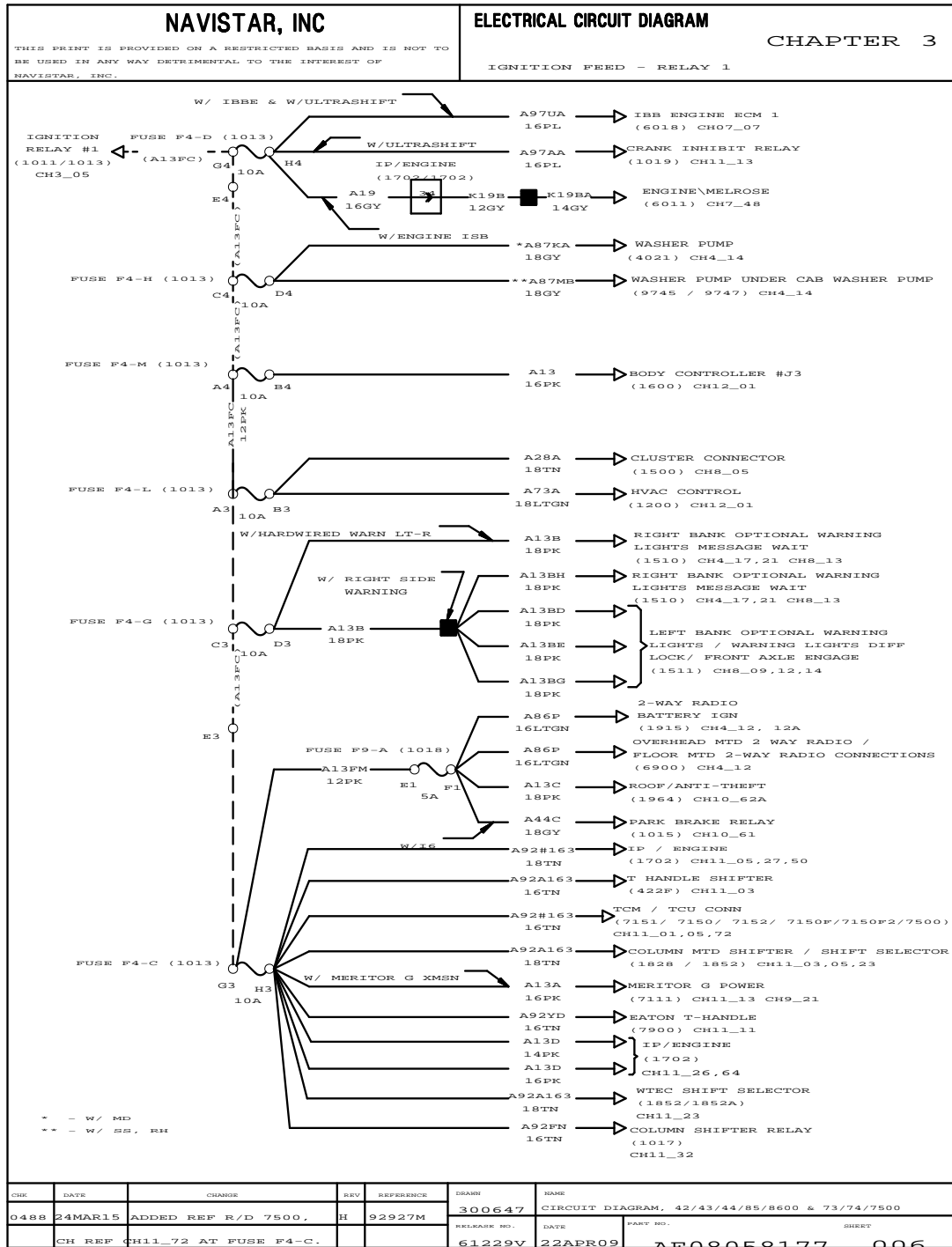


Figure 23 Ignition Feed – Relay 1

3.12. IGNITION FEED WITH 500K BAUD RATE 1, P. 6A

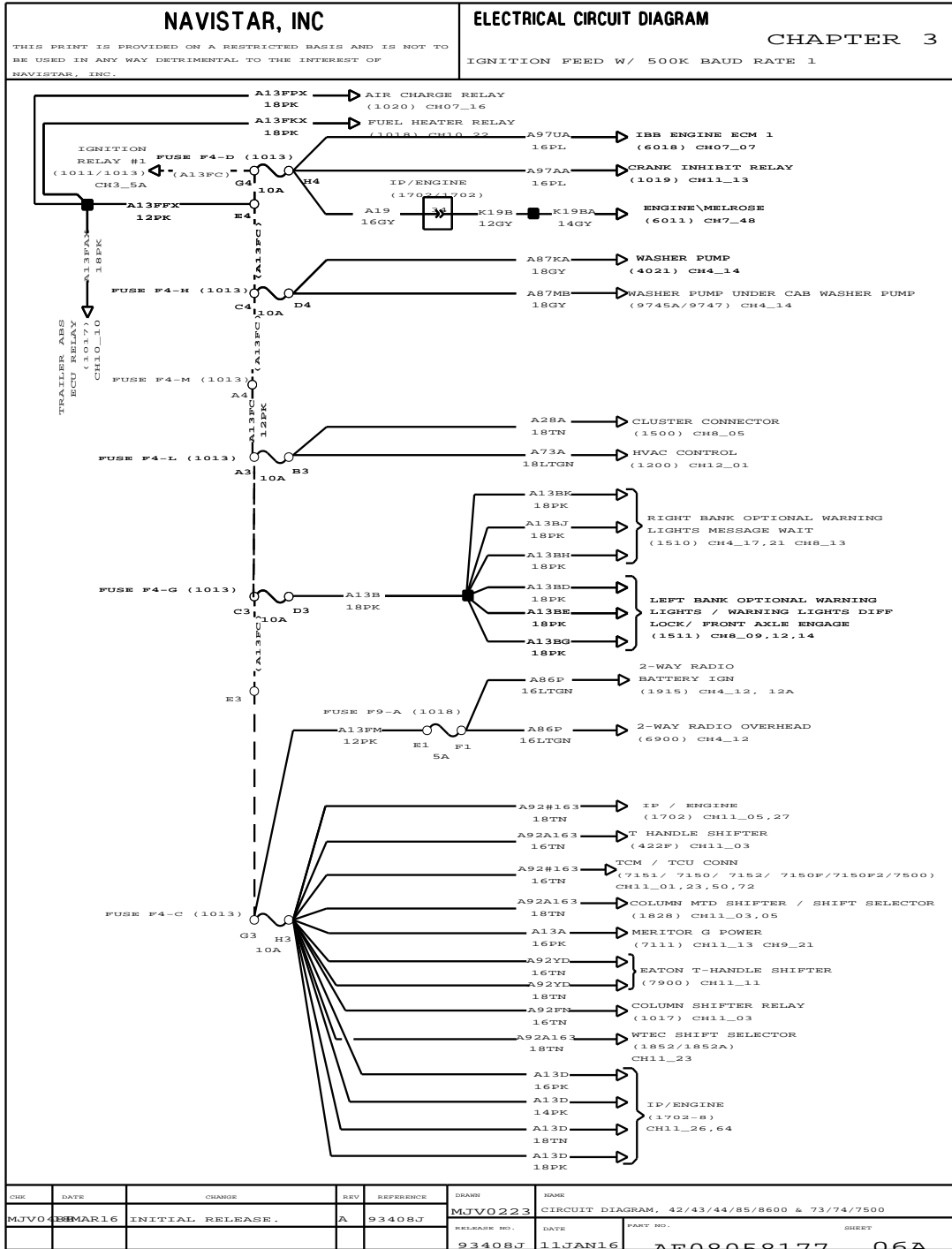


Figure 24 Ignition Feed with 500K Baud Rate 1

3.13. IGNITION FEED – RELAY 2, P. 7

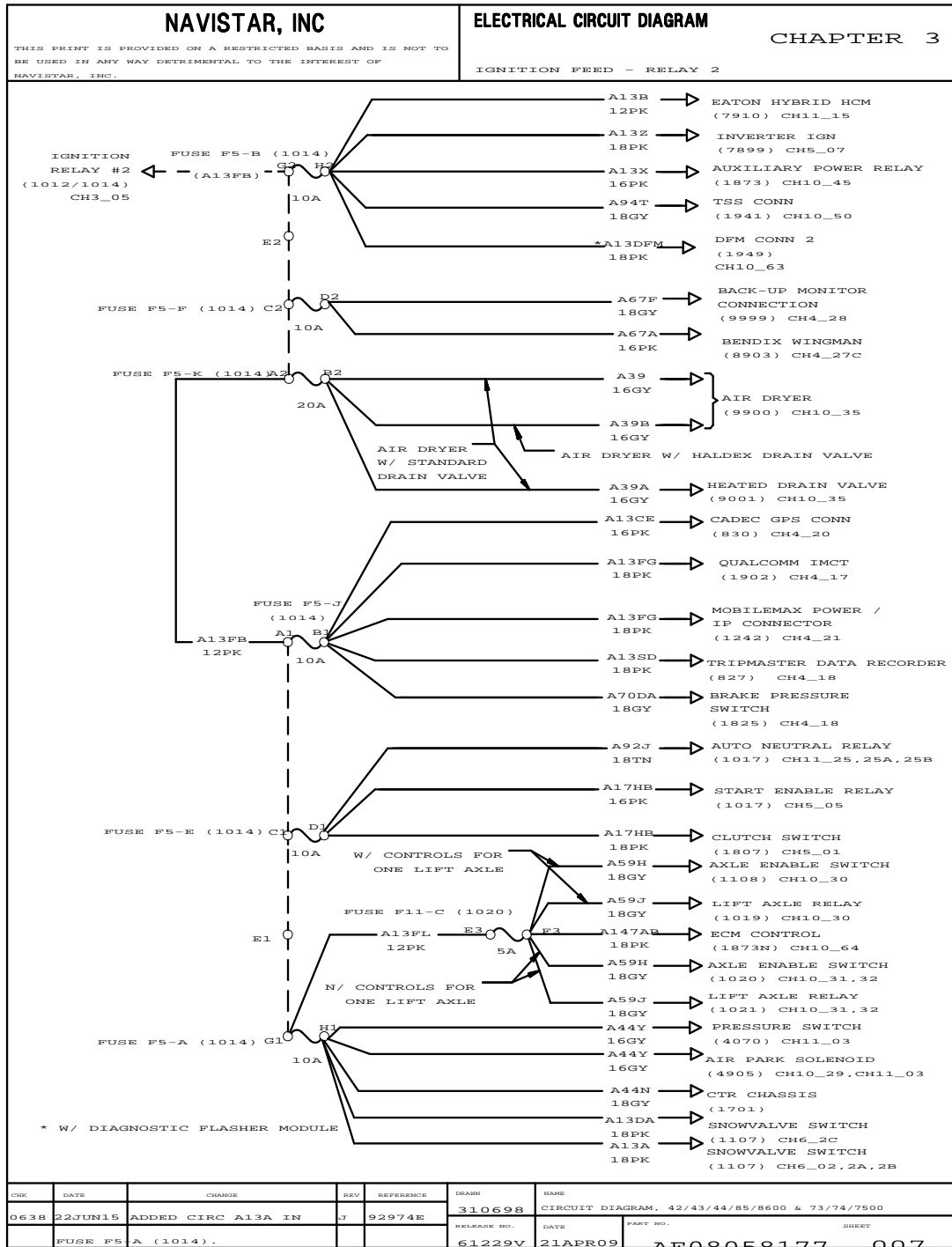


Figure 25 Ignition Feed – Relay 2

3.14. IGNITION FEED – RELAY 2 (CONT.), P. 7A

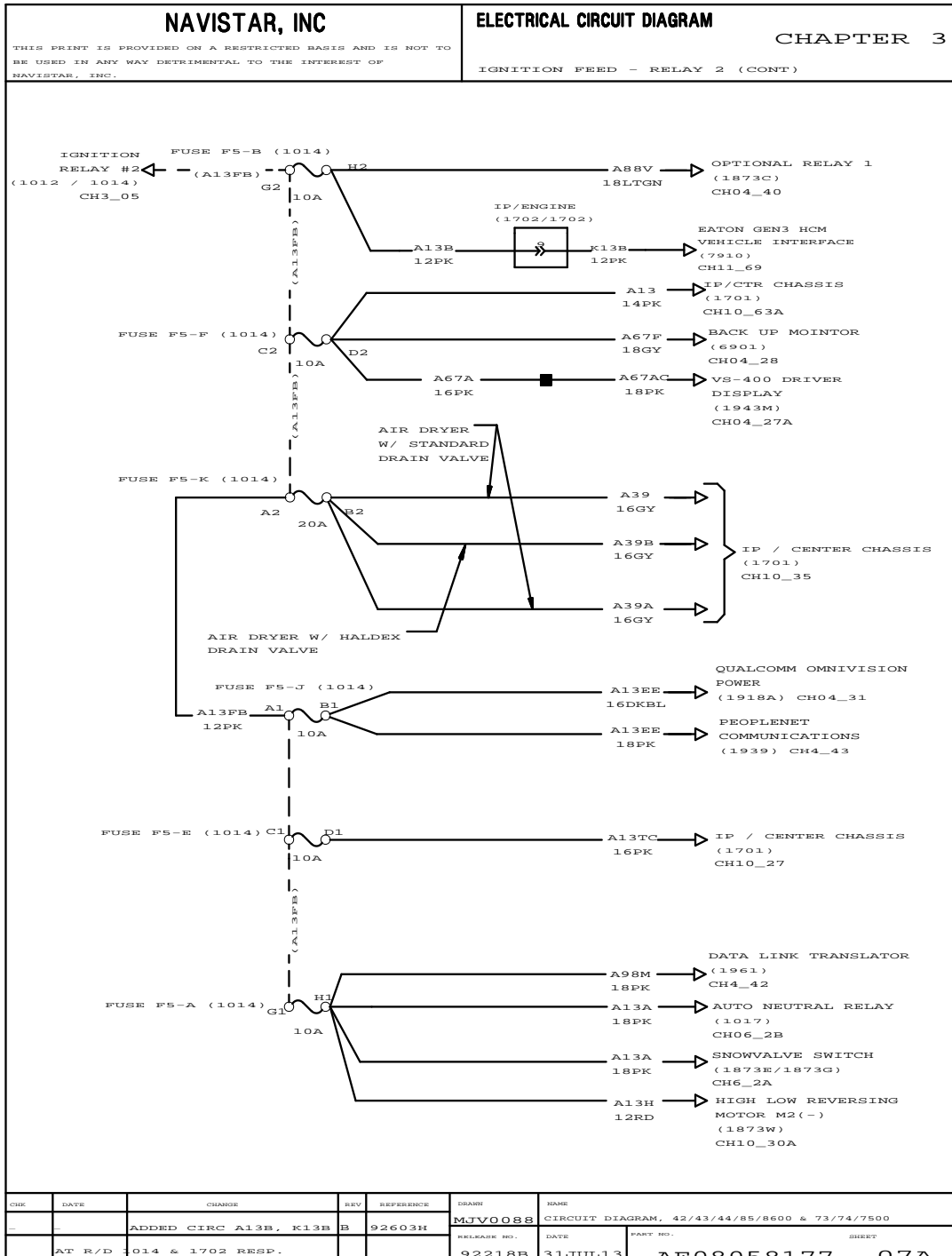


Figure 26 Ignition Feed – Relay 2 (Cont.)

3.15. IGNITION FEED WITH 500K BAUD RATE 2, P. 7B

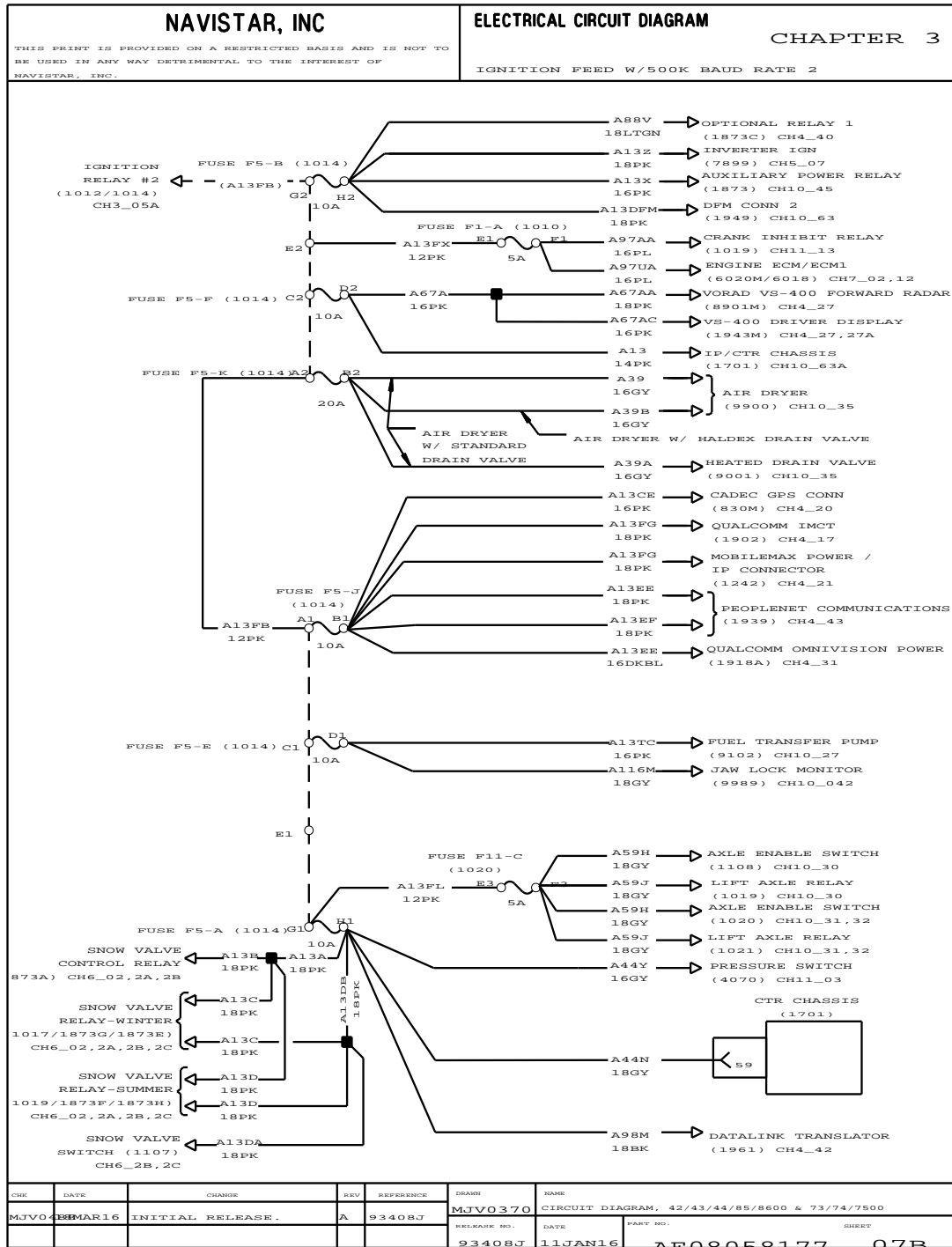


Figure 27 Ignition Feed with 500K Baud Rate 2

3.16. IGNITION FEED – RELAY 3, P. 8

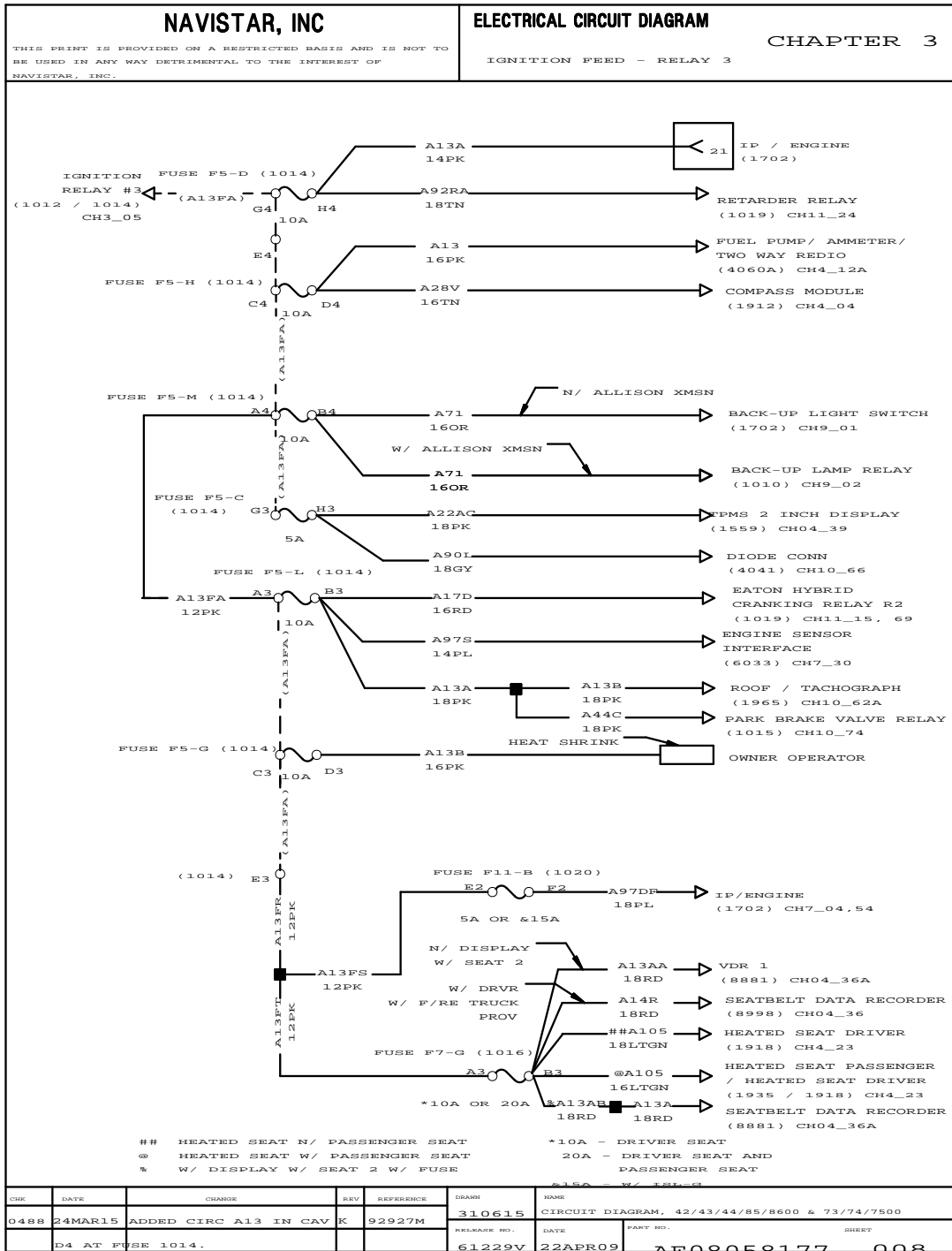


Figure 28 Ignition Feed – Relay 3

3.17. IGNITION FEED – RELAY 3 WITH 500K BAUD RATE, P. 8A

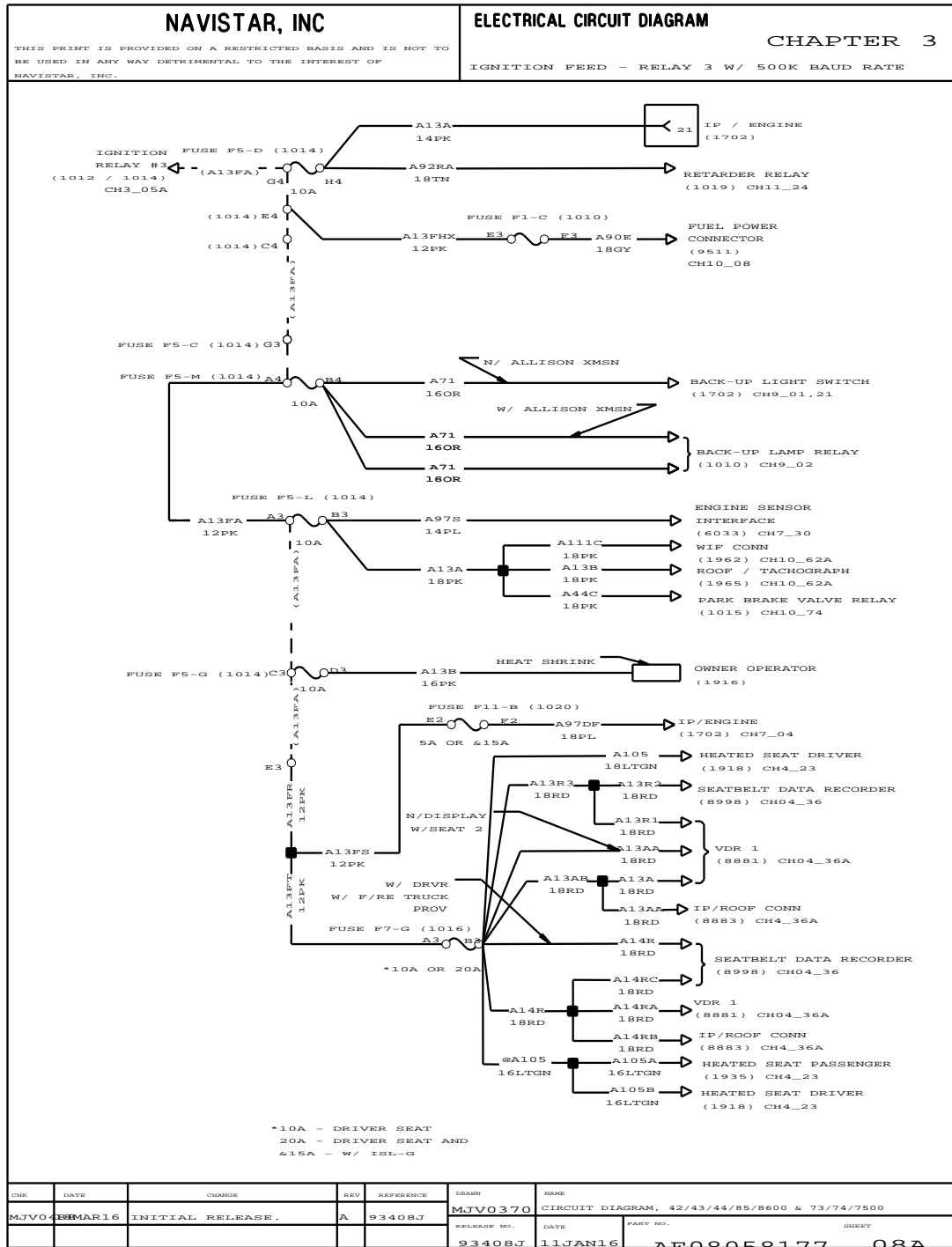


Figure 29 Ignition Feed – Relay 3 with 500K Baud Rate

3.19. J1708 DATA LINK – PUBLIC EFFECTS (CONT.), P. 10

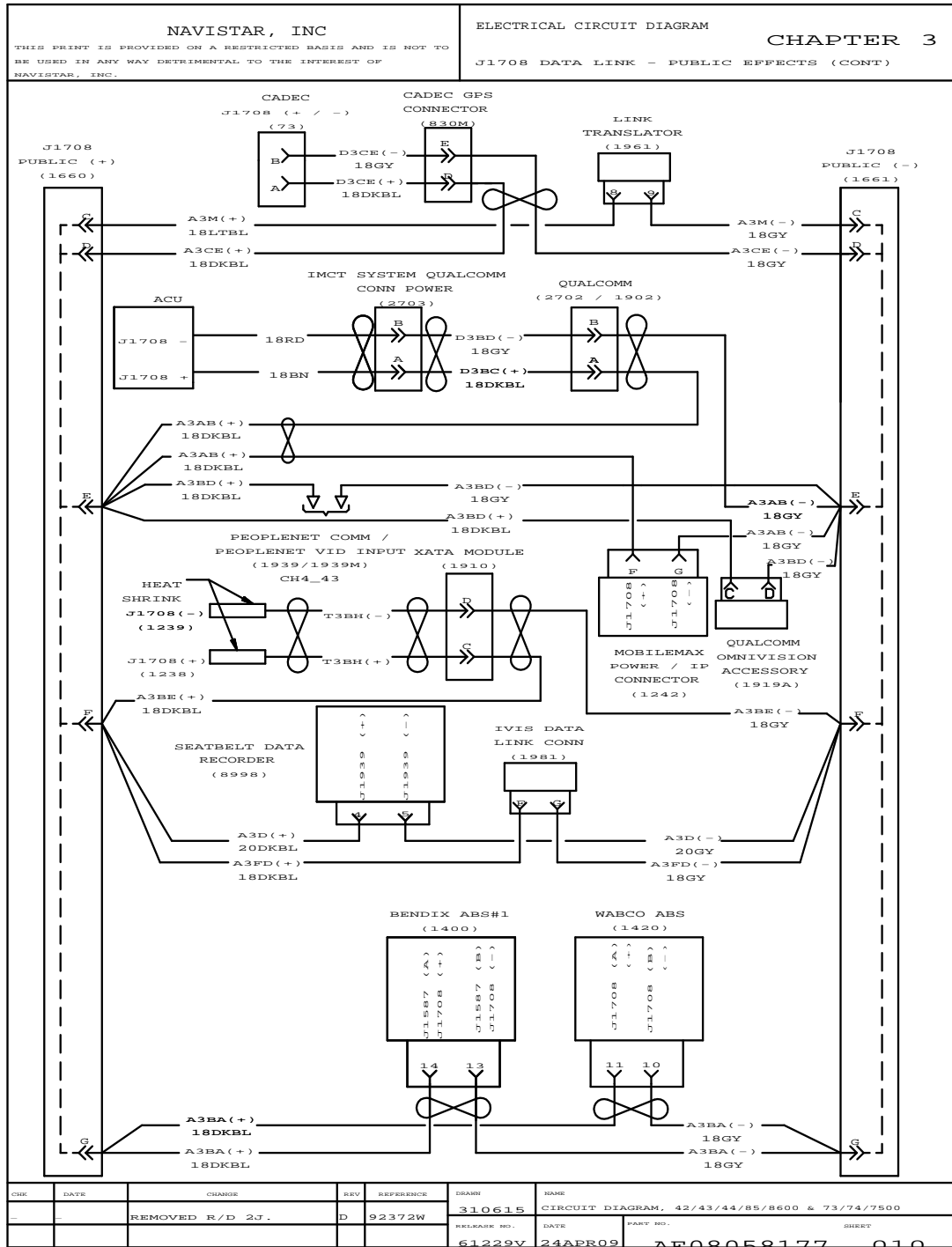


Figure 31 J1708 Data Link – Public Effects (Cont.)

3.20. J1708 DATA LINK – PRIVATE WITH POWER WINDOW AND LOCK, P. 11

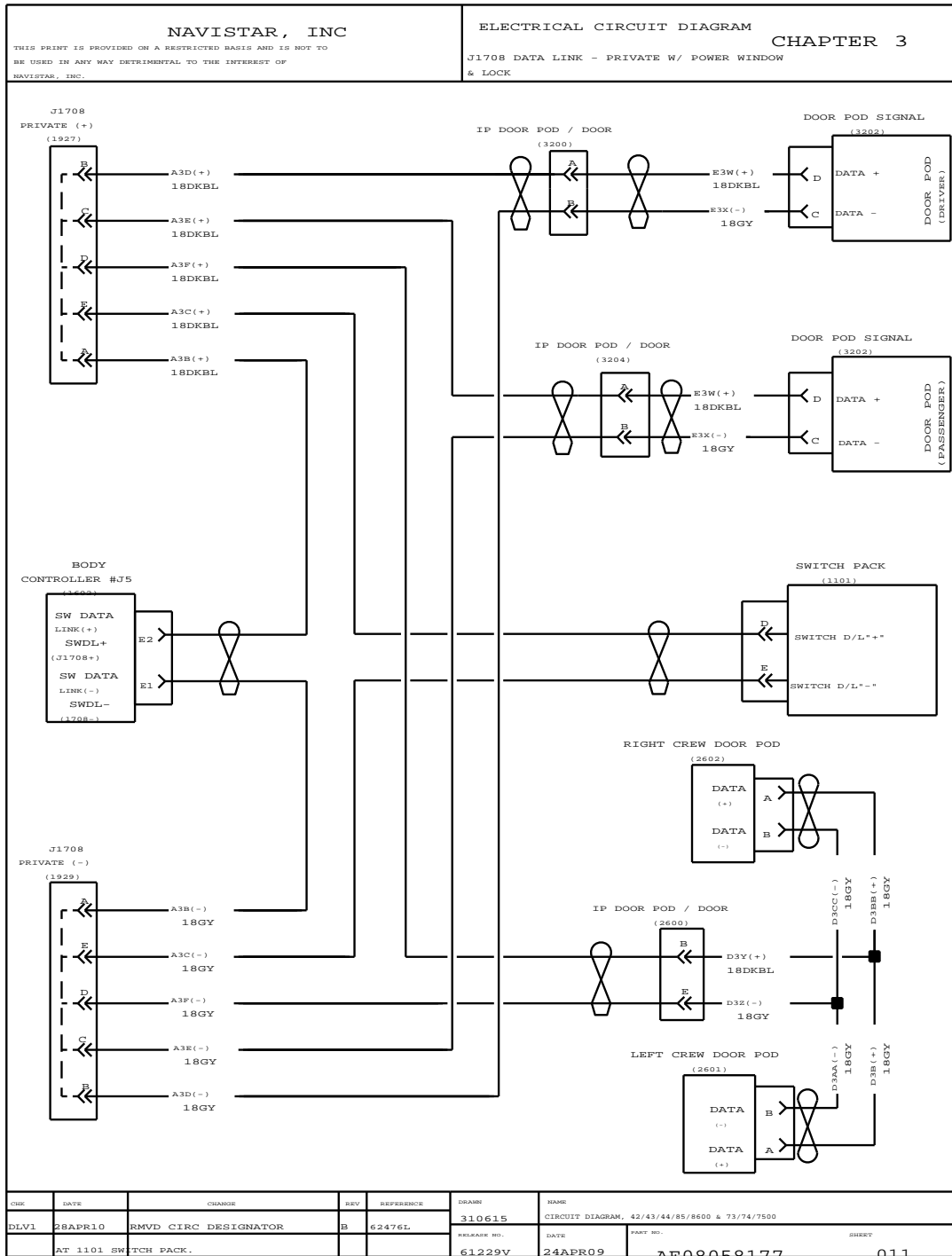


Figure 32 J1708 Data Link – Private with Power Window and Lock

3.21. J1939 DATA LINK, P. 12

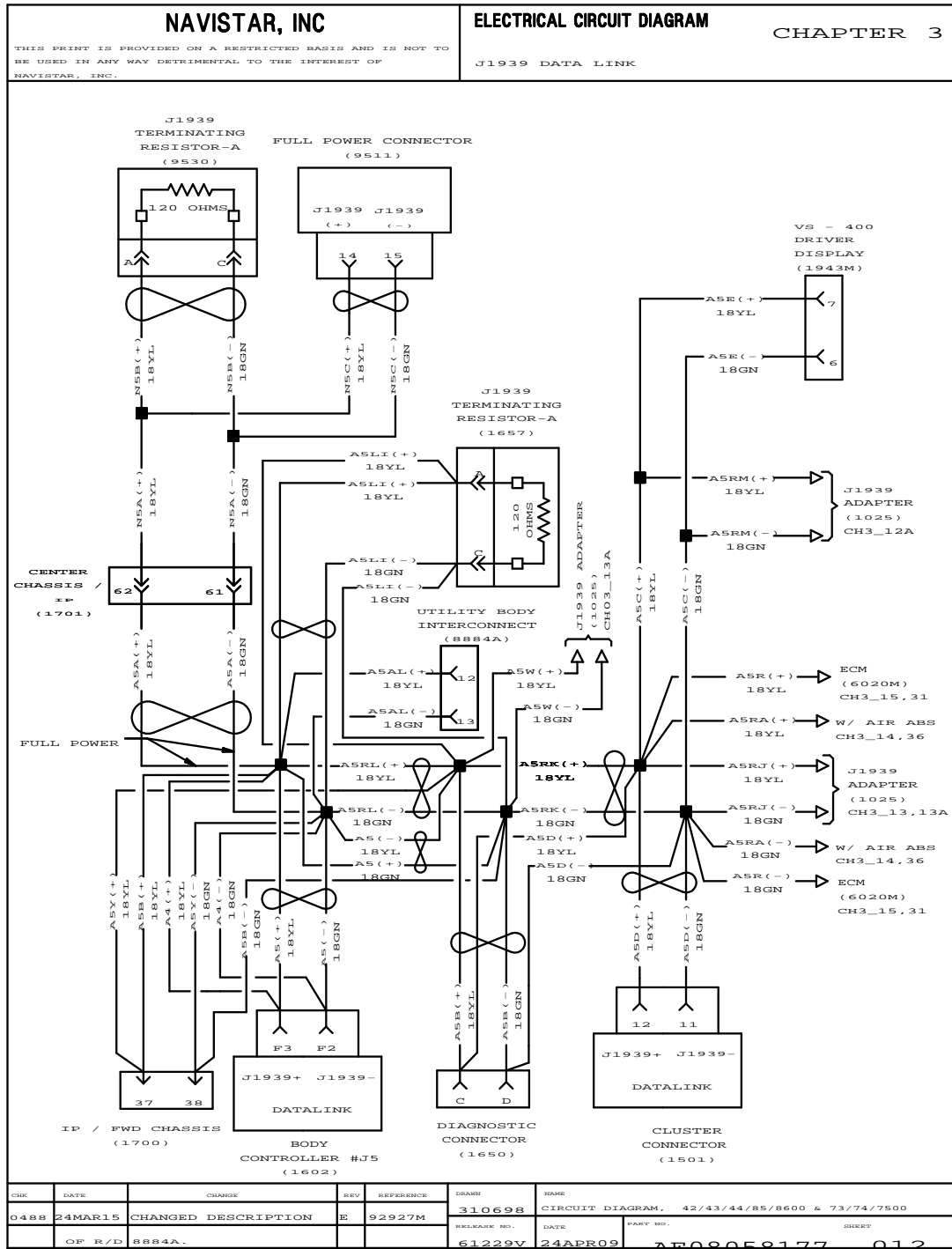


Figure 33 J1939 Data Link

3.22. J1939 DATA LINK WITH UTILITY BODY CONNECTIONS, P. 12A

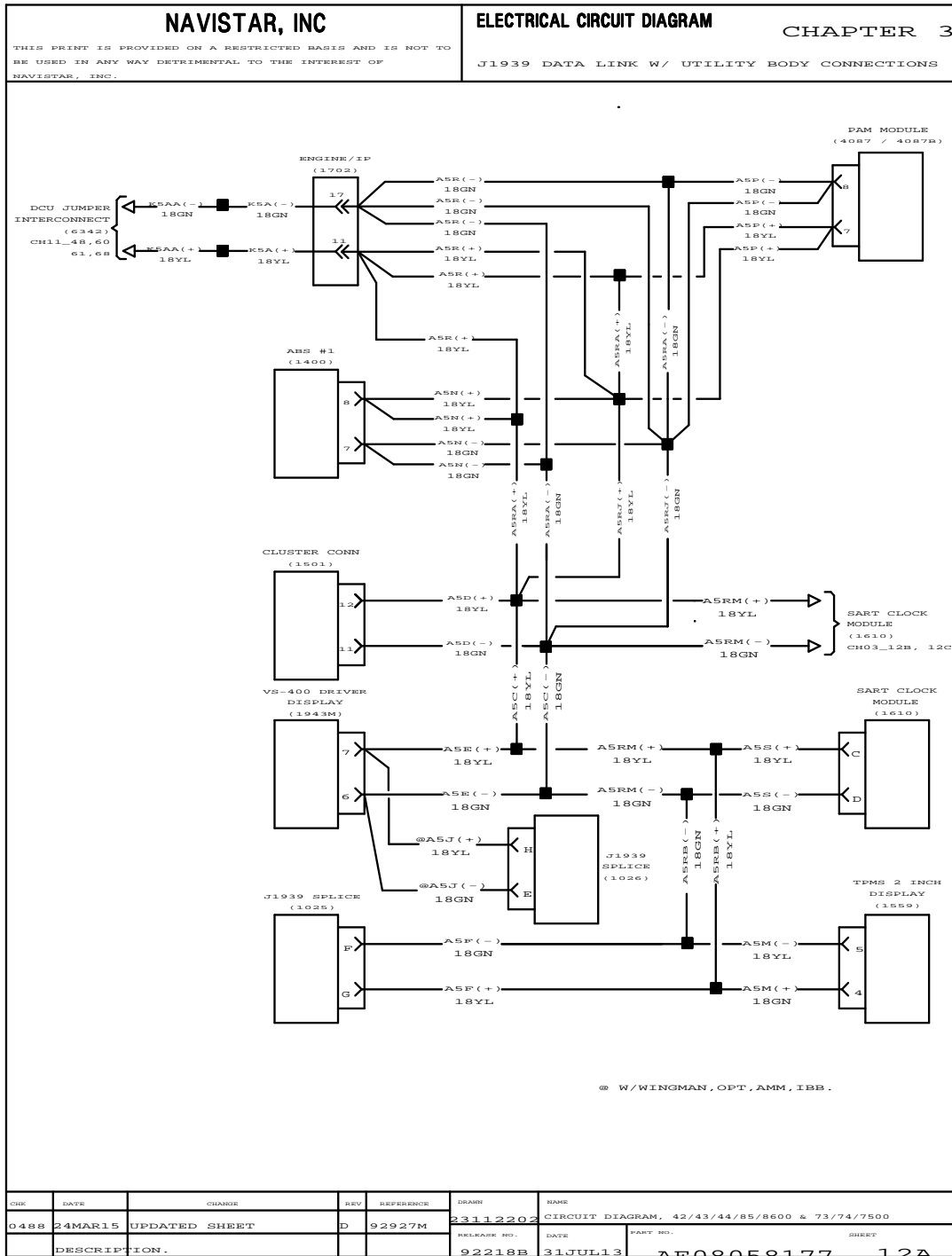


Figure 34 J1939 Data Link with Utility Body Connections

3.26. J1939 DATA LINK WITH OPTIONS (CONT.), P. 13

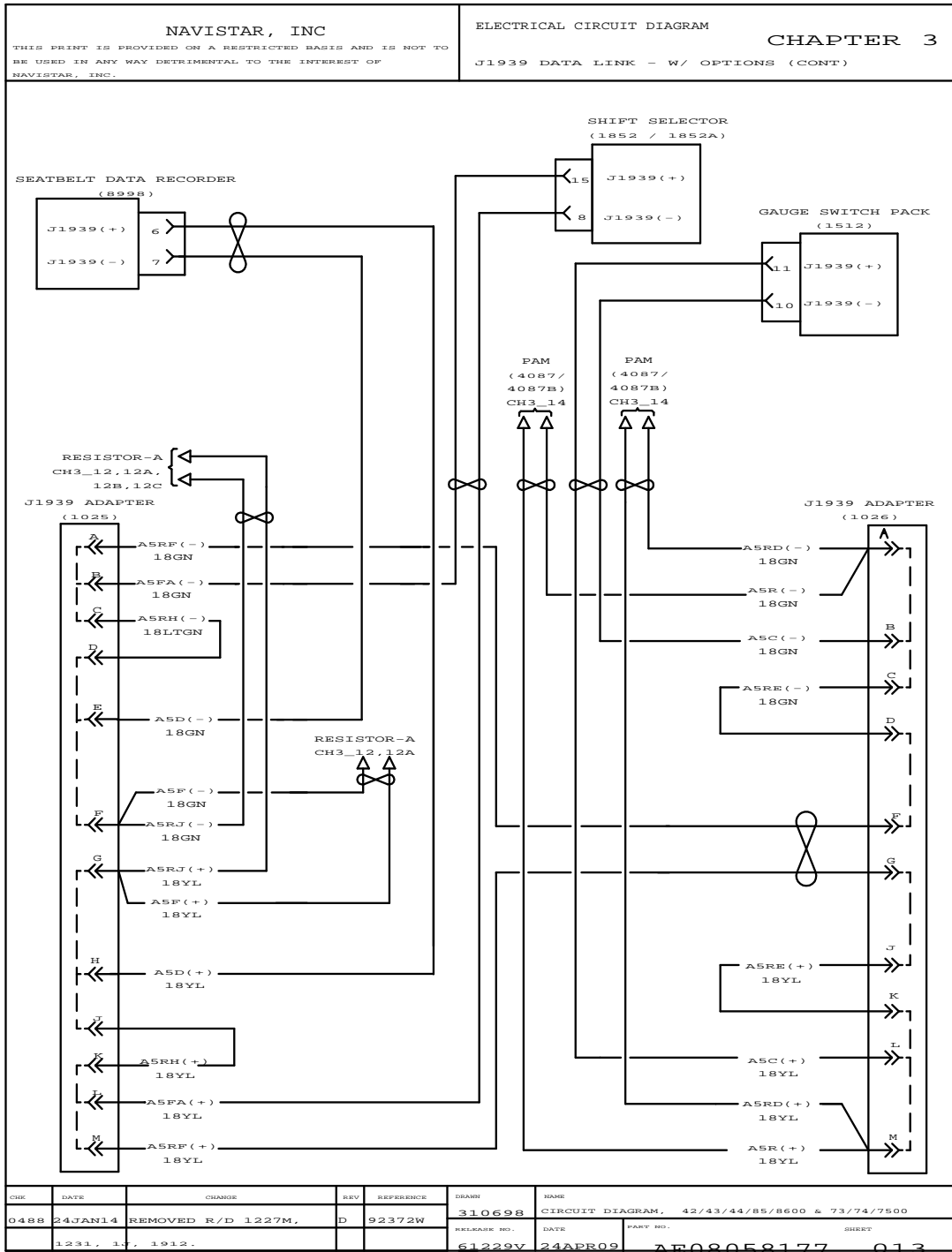


Figure 38 J1939 Data Link with Options (Cont.)

3.27. J1939 DATA LINK WITH OPTIONS (CONT.), P. 13A

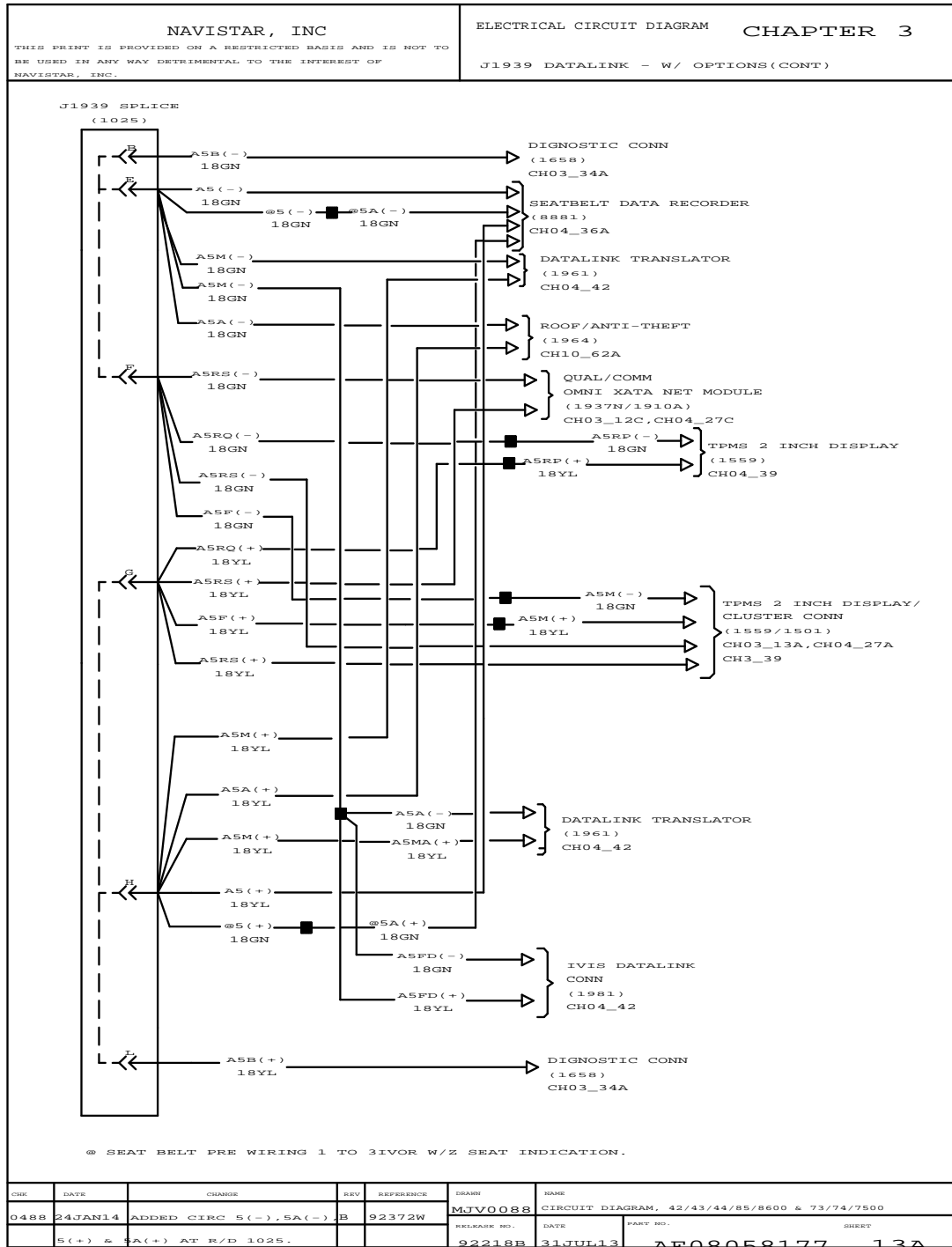


Figure 39 J1939 Data Link with Options (Cont.)

3.28. J1939 DATA LINK WITH OPTIONS (CONT.), P. 13B

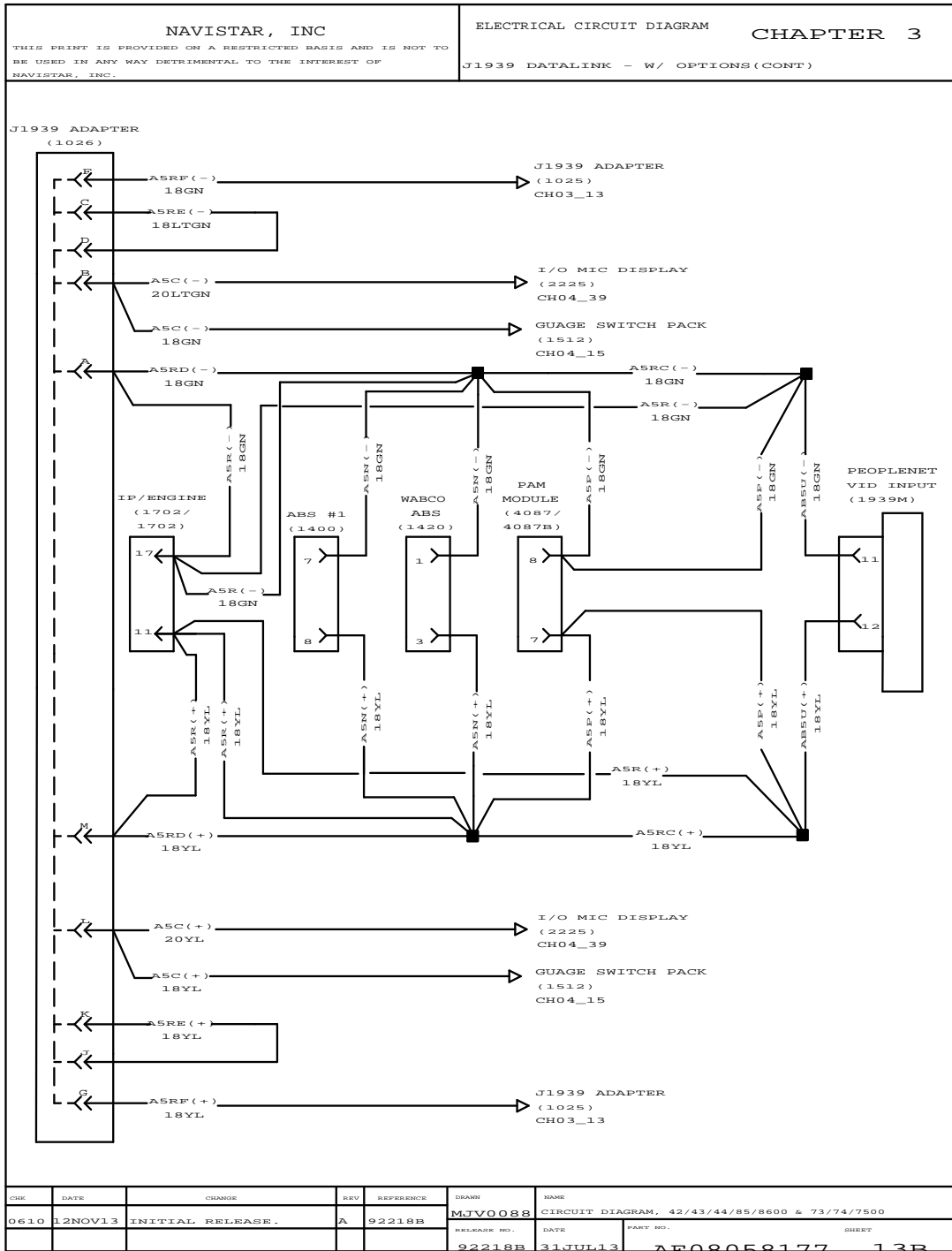


Figure 40 J1939 Data Link with Options (Cont.)

3.29. J1939 DATA LINK WITH OPTIONS (CONT.), P. 14

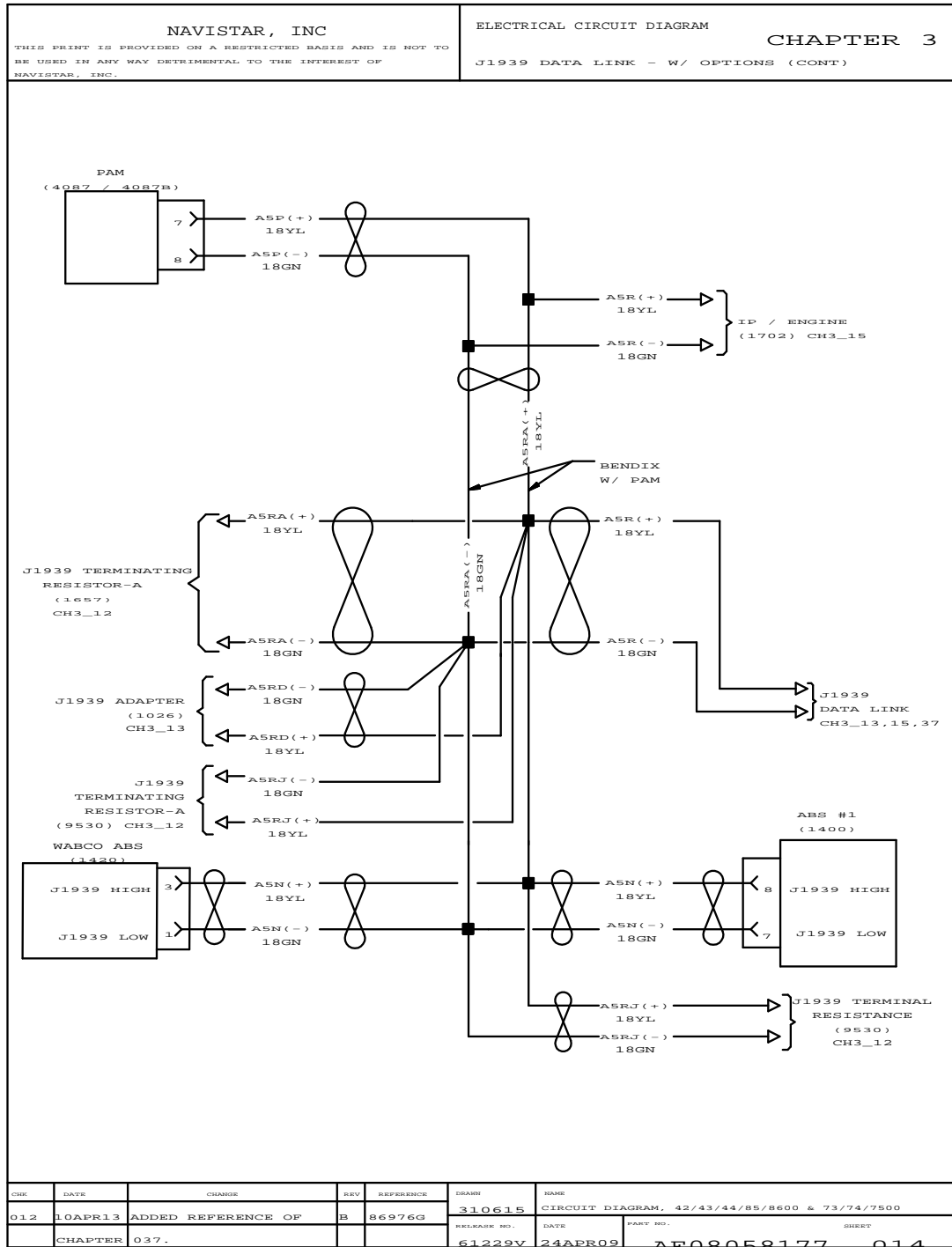


Figure 41 J1939 Data Link with Options (Cont.)

3.31. J1939 DATA LINK – IBB ENGINE, P. 16

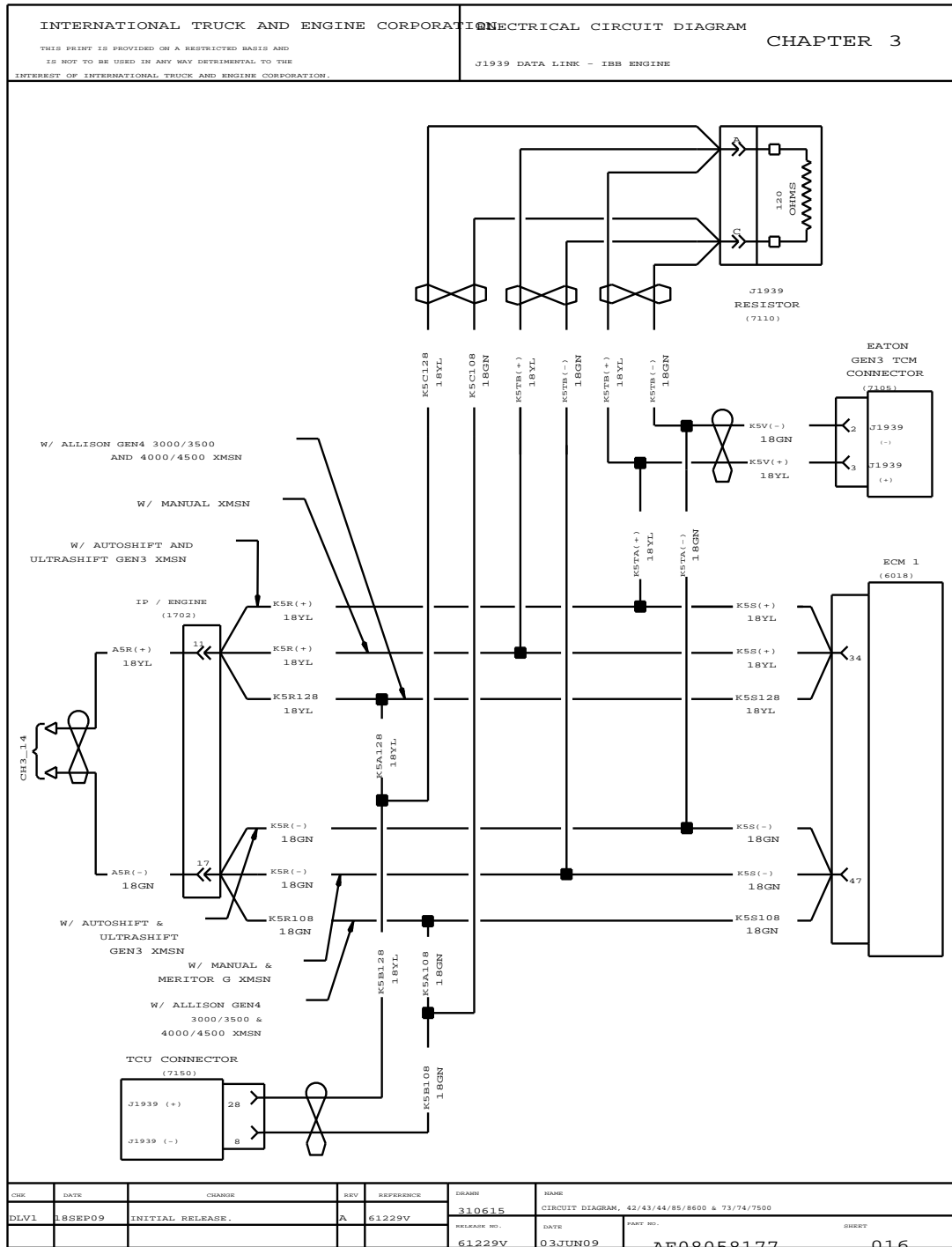


Figure 43 J1939 Data Link – IBB Engine

3.32. J1939 DATA LINK – IBB ENGINE (CONT.), P. 16A

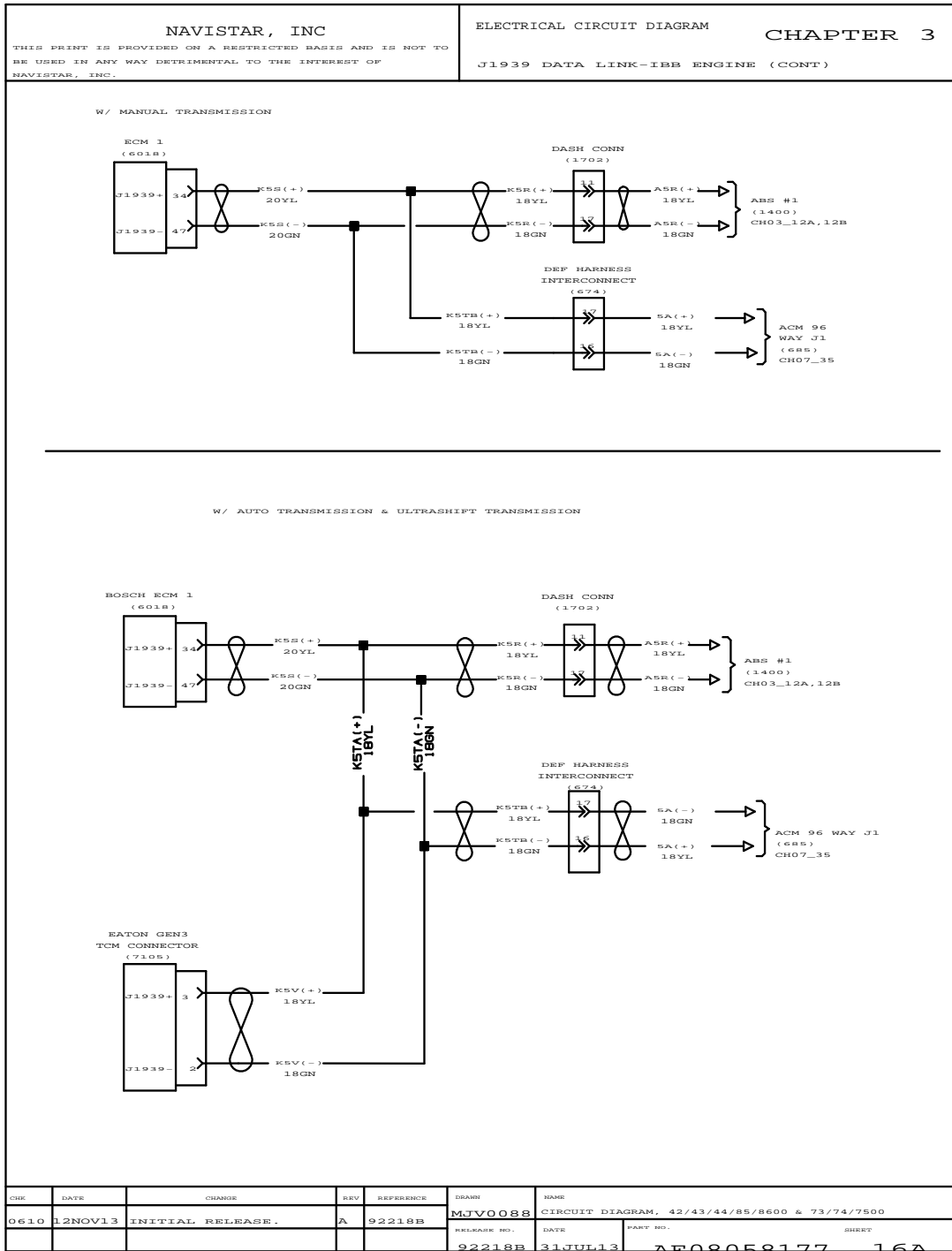


Figure 44 J1939 Data Link – IBB Engine (Cont.)

3.33. GROUND – IP, P. 17

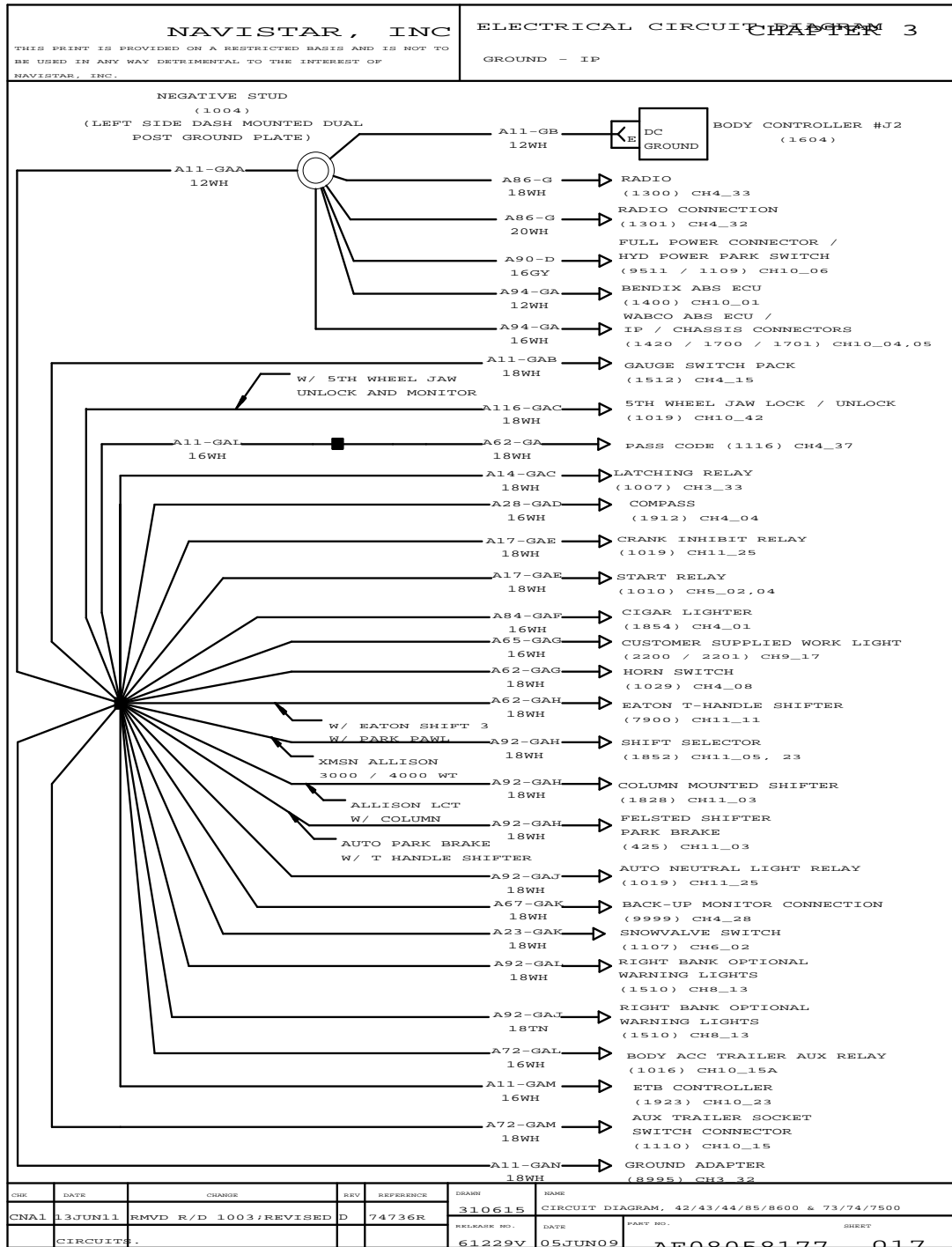


Figure 45 Ground – IP

3.34. GROUND – IP (CONT.), P. 18

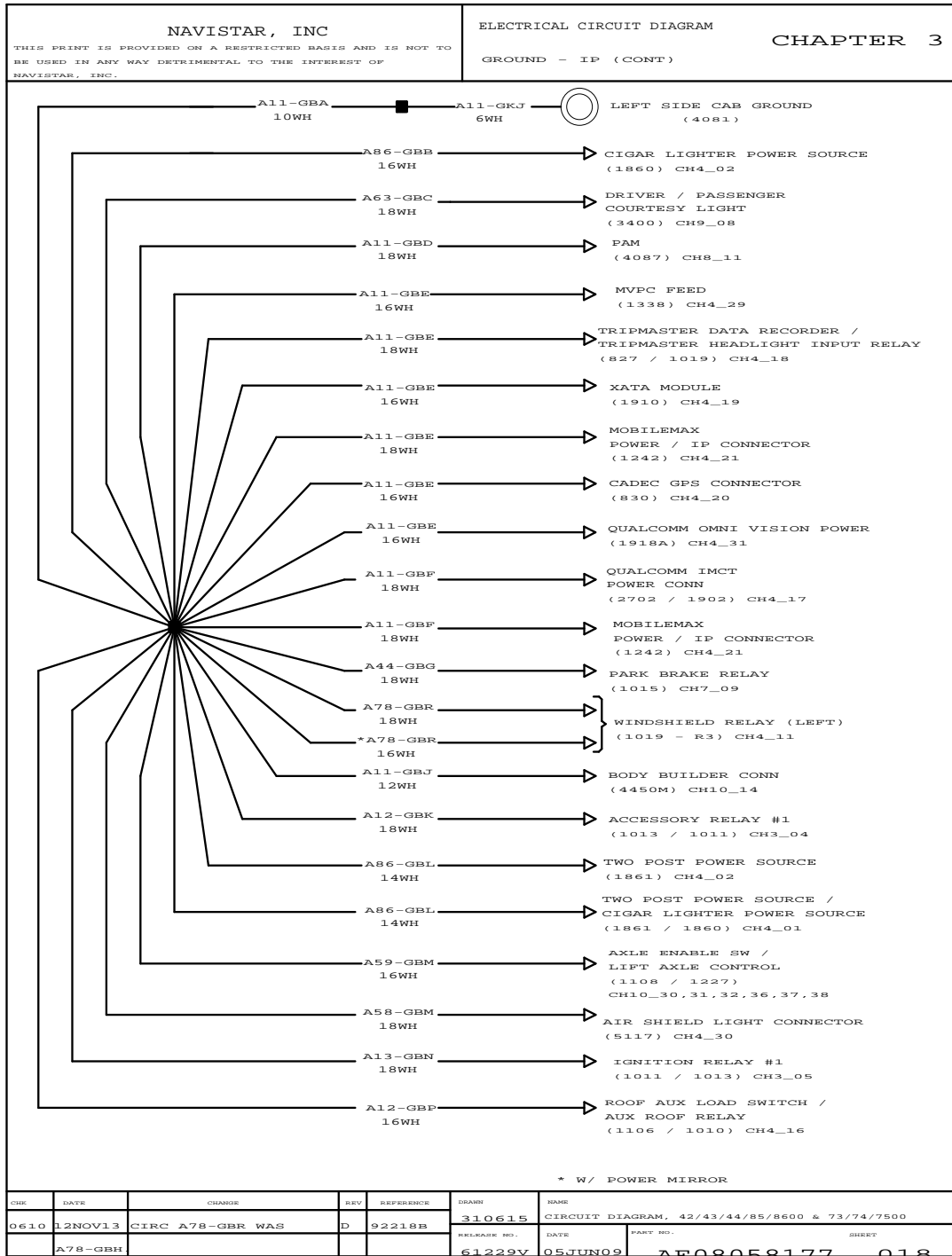


Figure 46 Ground – IP (Cont.)

3.35. GROUND – IP (CONT.), P. 19

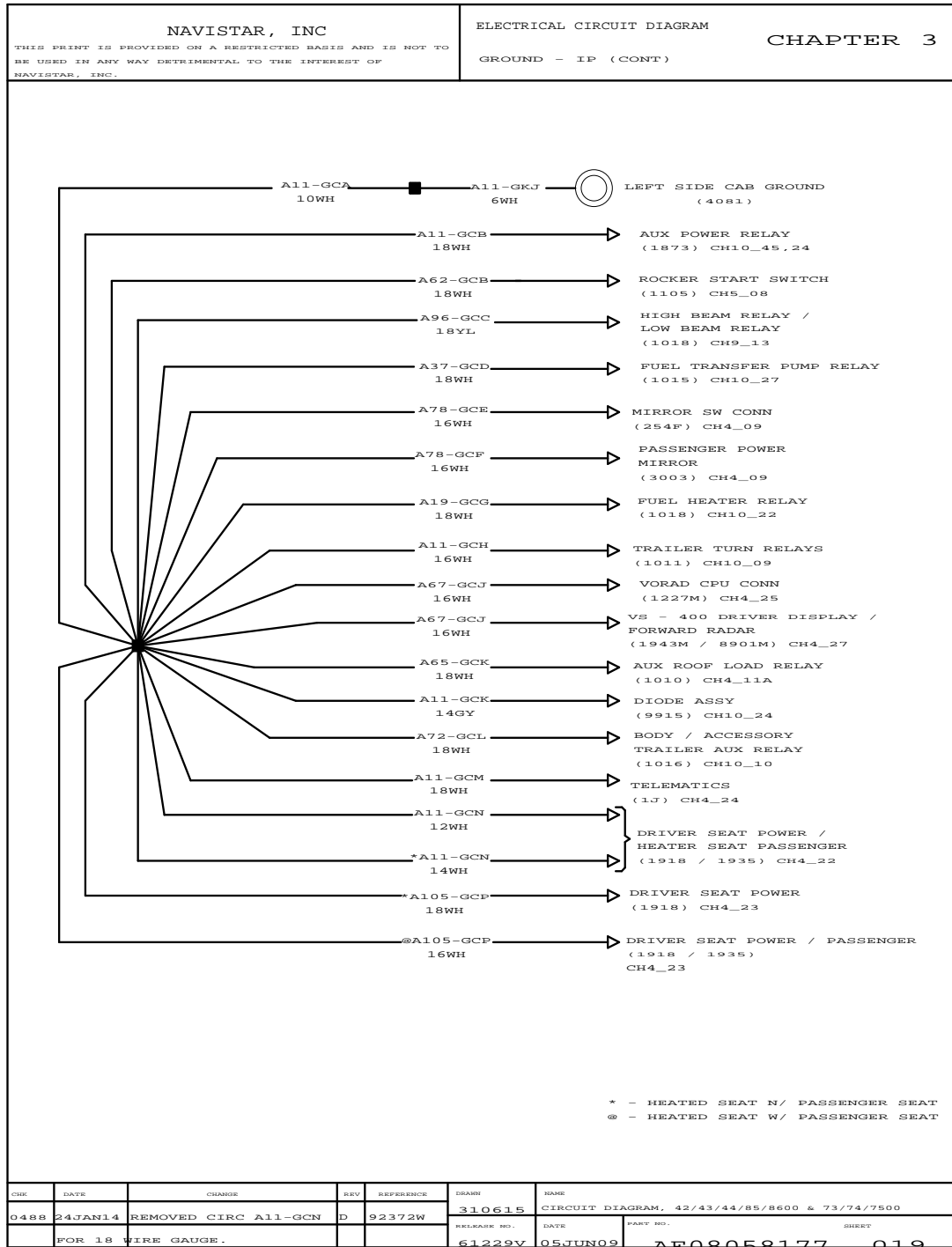


Figure 47 Ground – IP (Cont.)

3.36. GROUND – IP (CONT.), P. 20

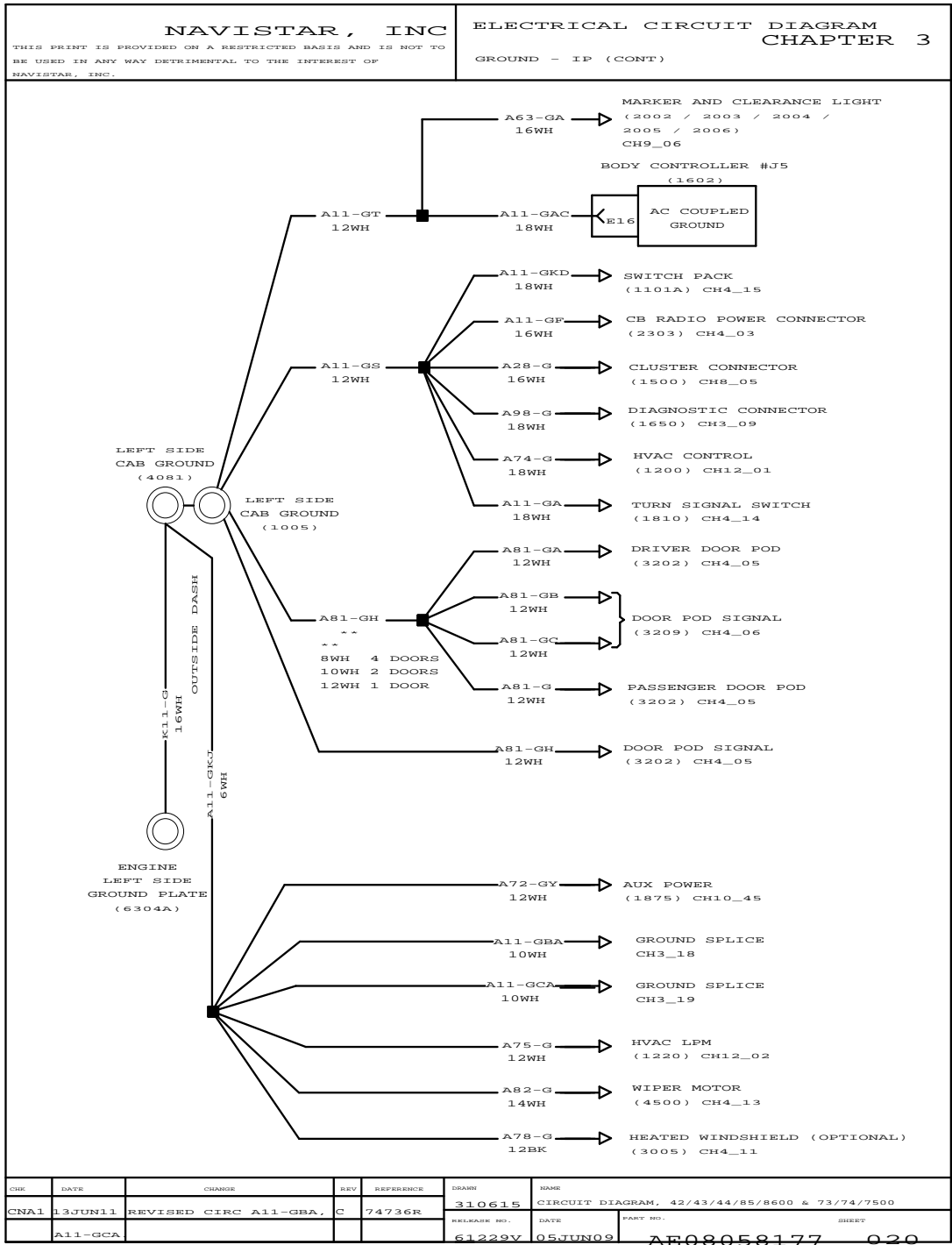


Figure 48 Ground – IP (Cont.)

3.37. GROUND – CHASSIS, P. 21

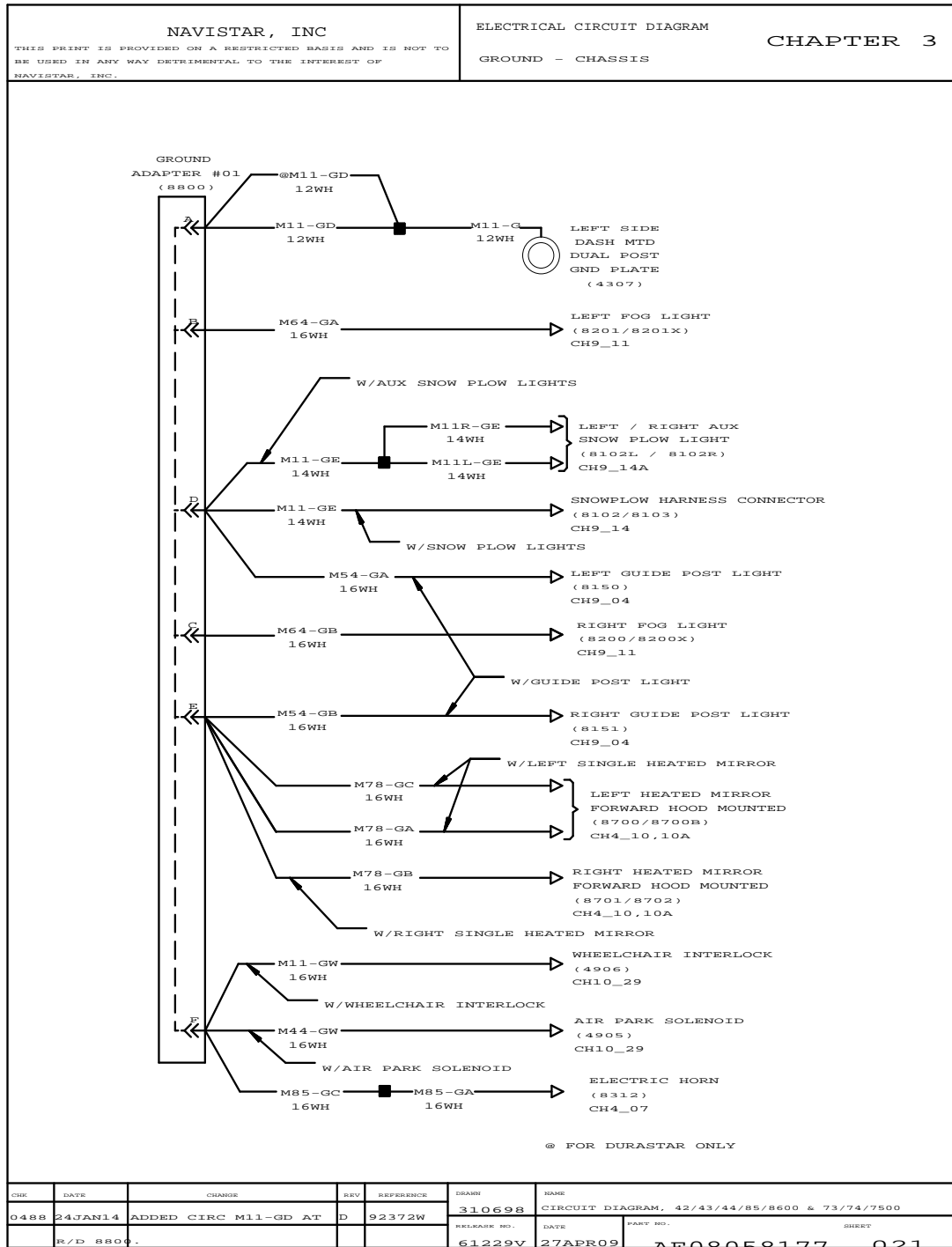


Figure 49 Ground – Chassis

3.38. GROUND – CHASSIS (CONT.), P. 22

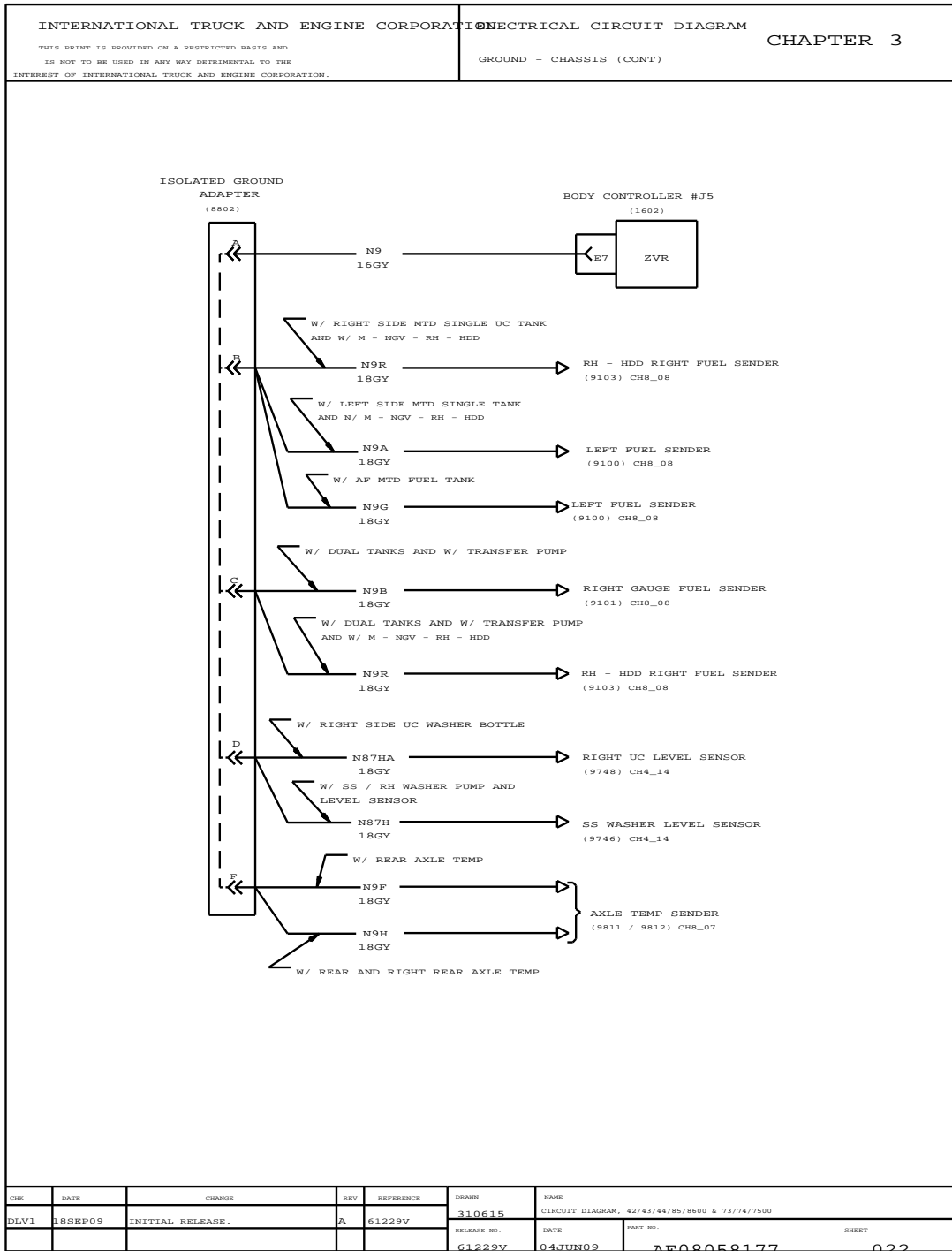


Figure 50 Ground – Chassis (Cont.)

3.39. GROUND – CHASSIS (CONT.), P. 23

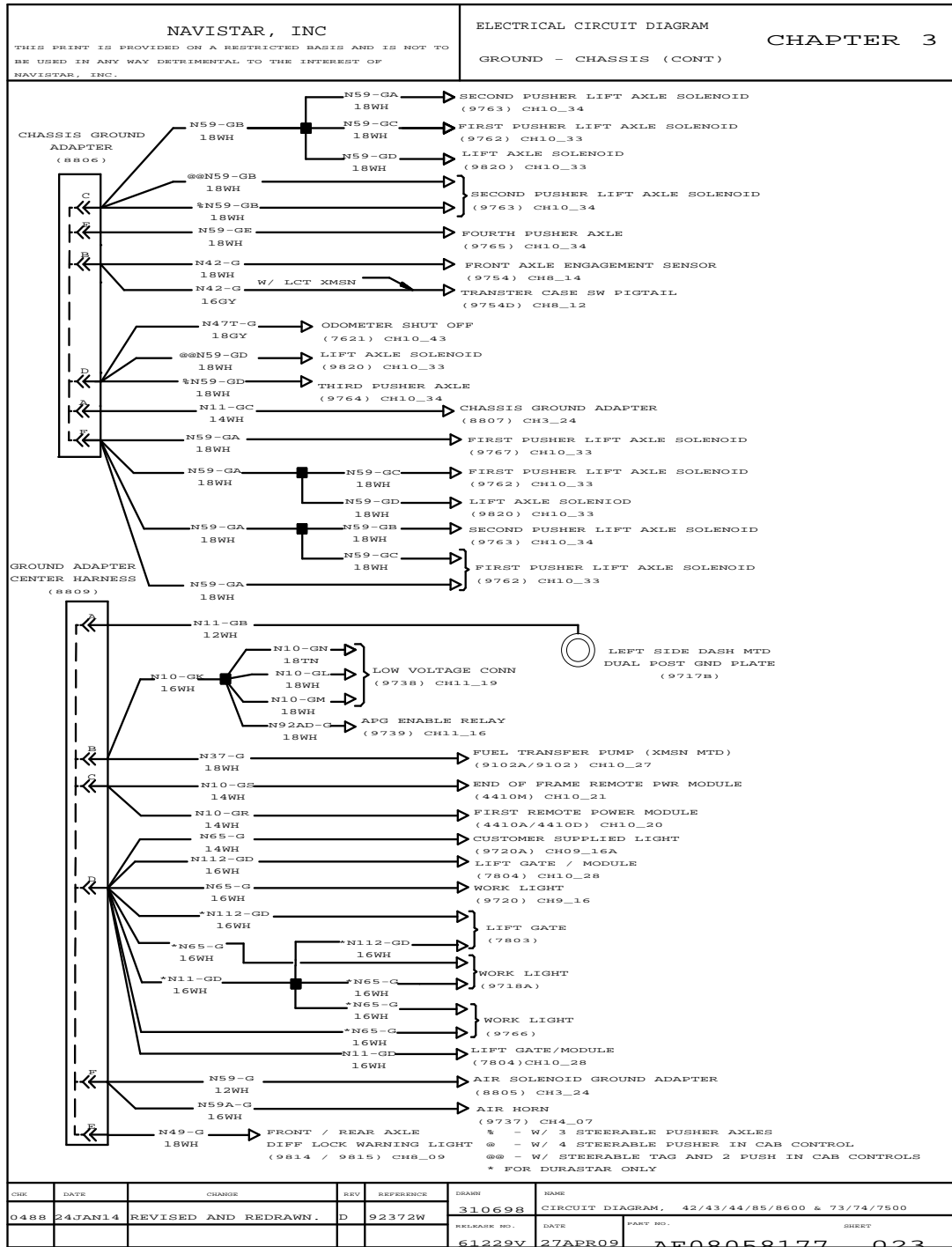


Figure 51 Ground – Chassis (Cont.)

3.40. GROUND – CHASSIS (CONT.), P. 24

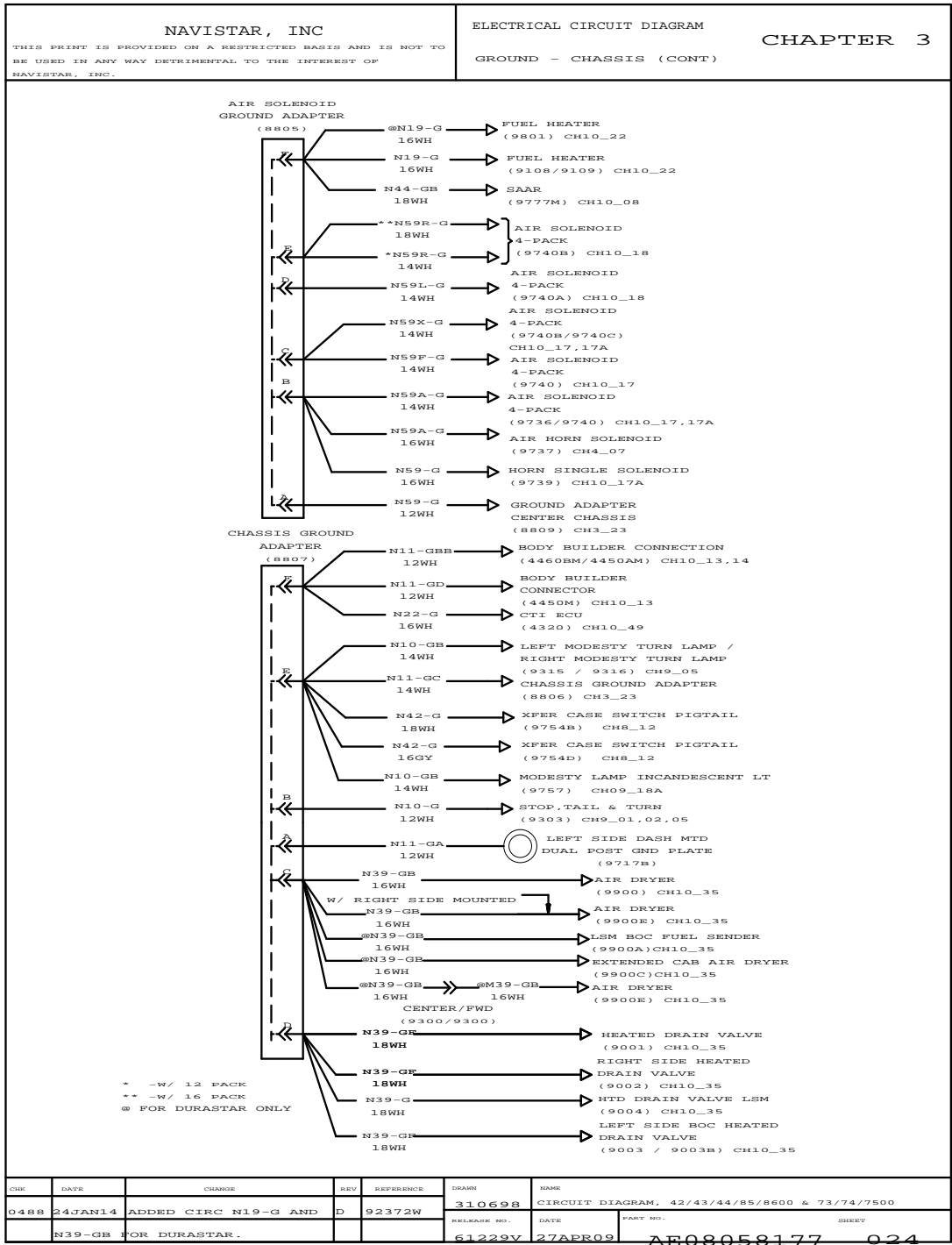


Figure 52 Ground – Chassis (Cont.)

3.41. GROUND – CHASSIS WITH HEAVY DUTY DIESEL, P. 25

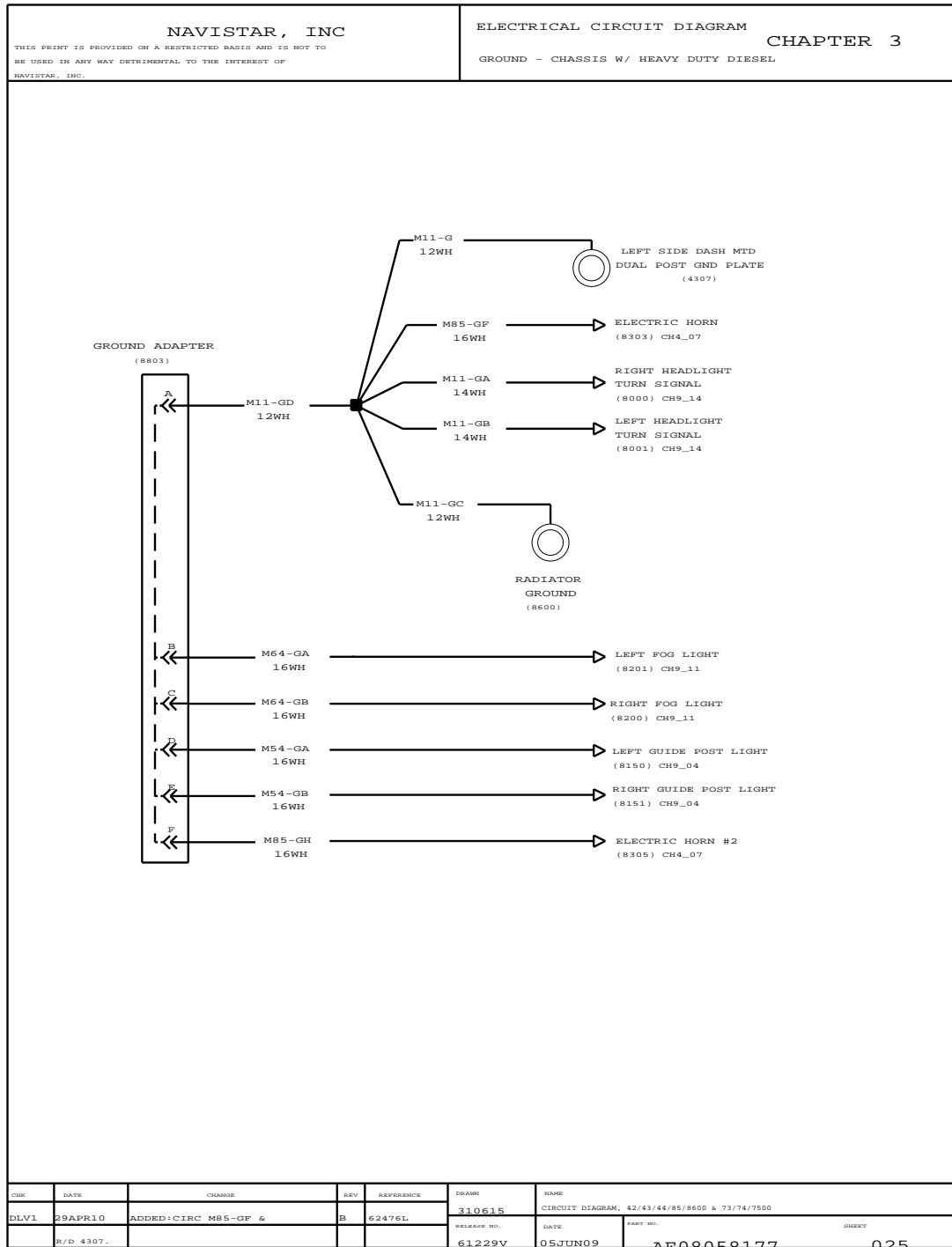


Figure 53 Ground – Chassis with Heavy Duty Diesel

3.42. ENGINE GROUND – V8 ENGINE, P. 26

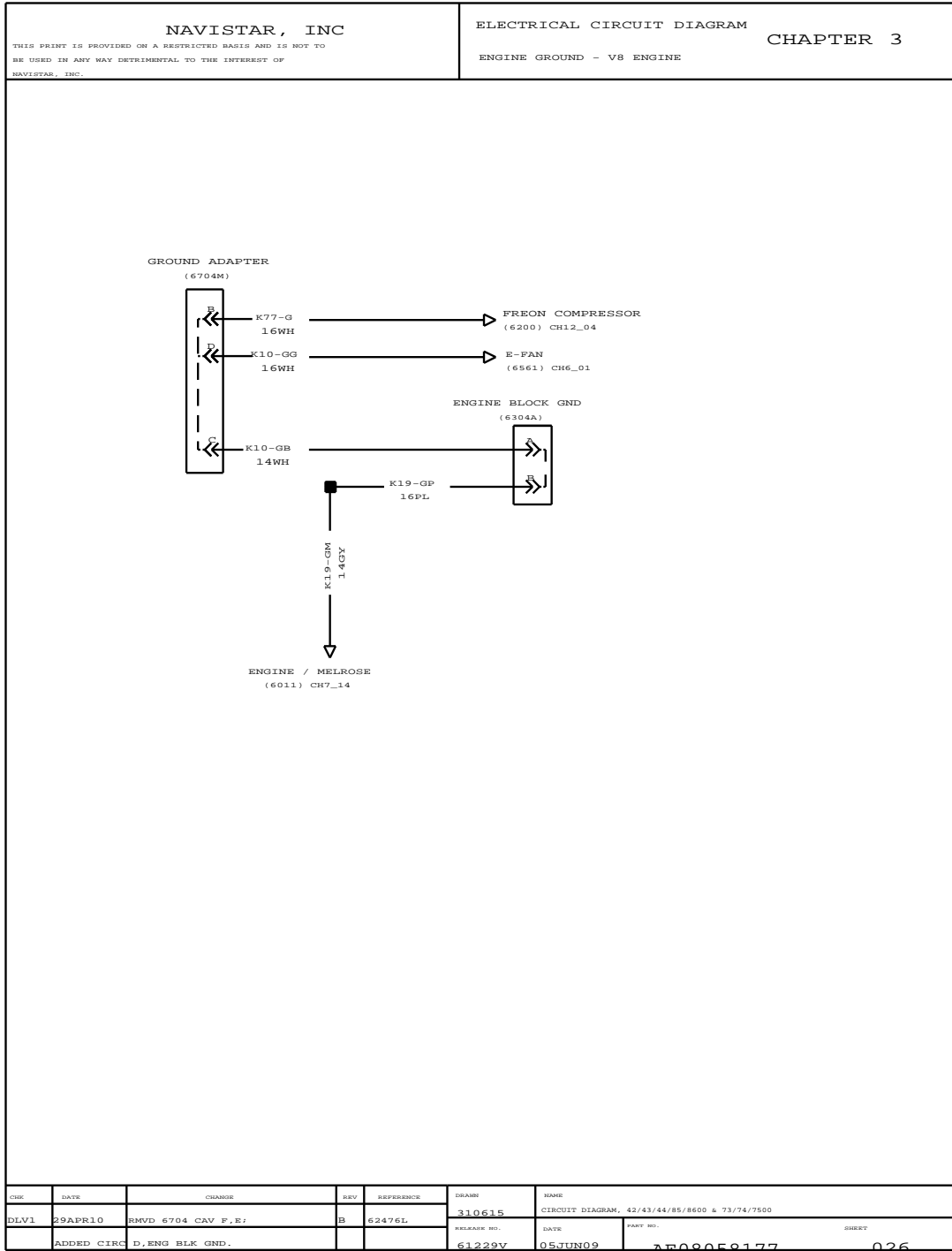


Figure 54 Engine Ground – V8 Engine

3.43. ENGINE GROUND – IBB ENGINE, P. 27

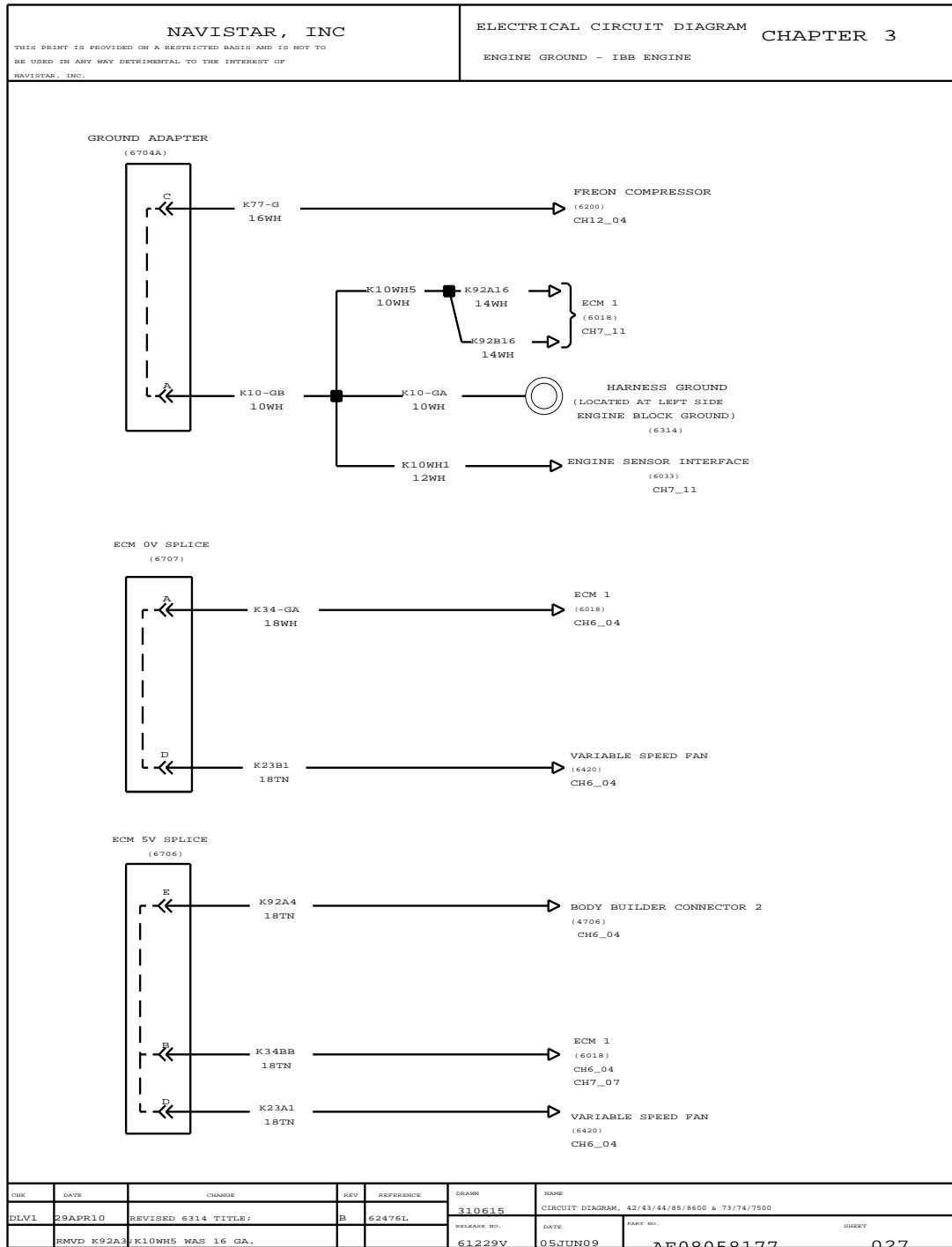


Figure 55 Engine Ground – IBB Engine

3.44. ENGINE GROUND – IBB ENGINE (CONT.), P. 27A

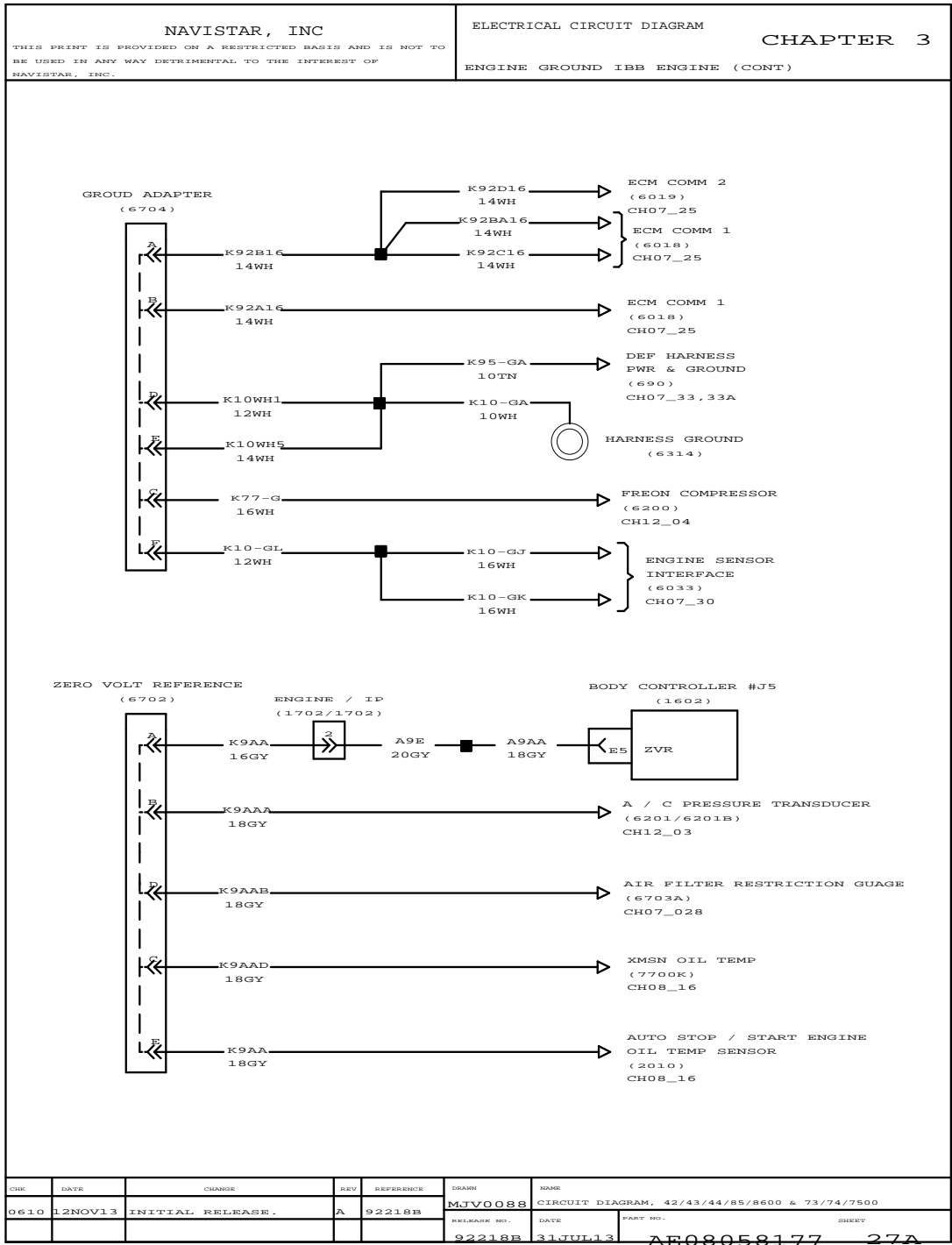


Figure 56 Engine Ground – IBB Engine (Cont.)

3.45. ALTERNATOR POWER AND GROUND (IBB ENGINE), P. 27B

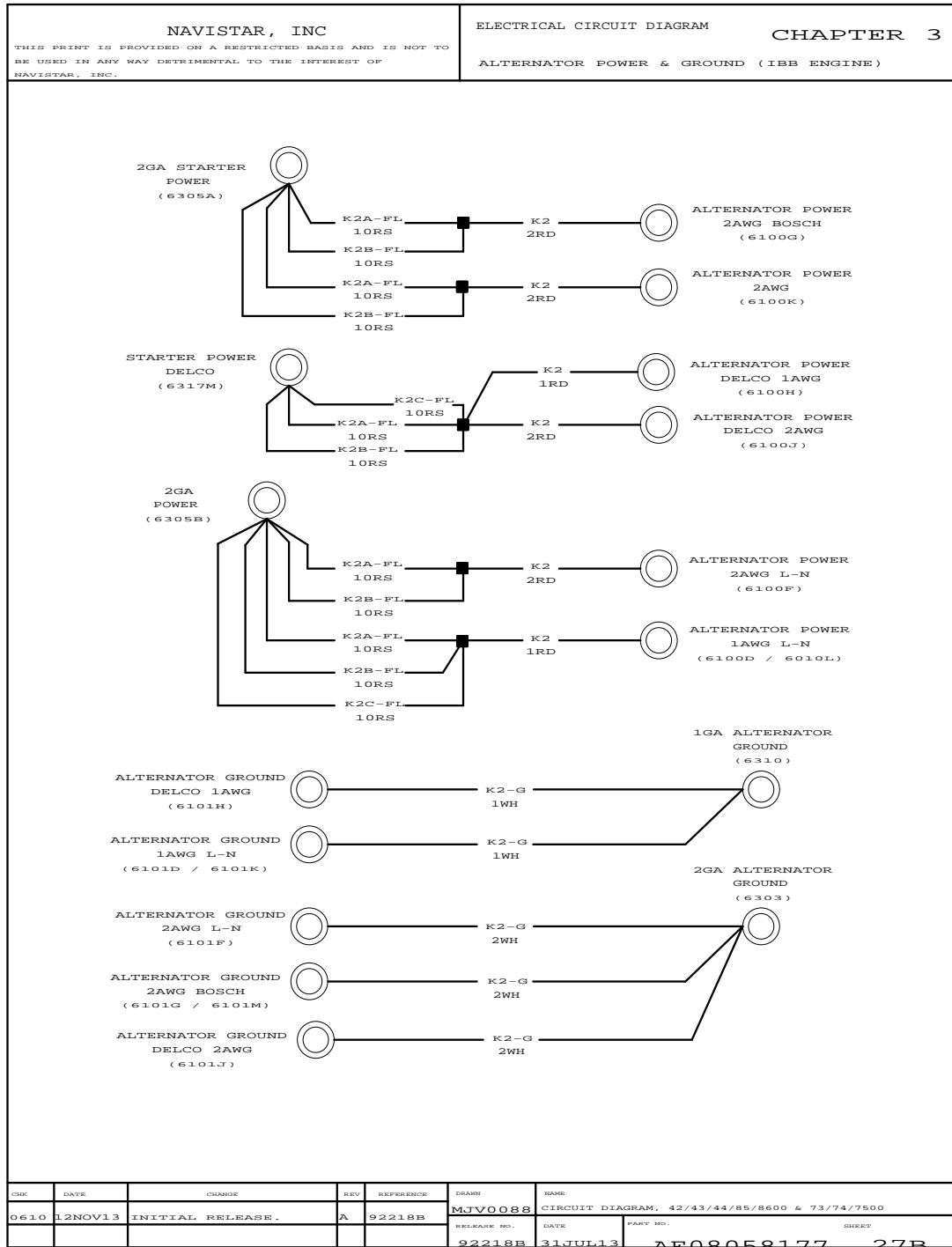


Figure 57 Alternator Power and Ground (IBB Engine)

3.47. ZERO VOLT REFERENCE, P. 28

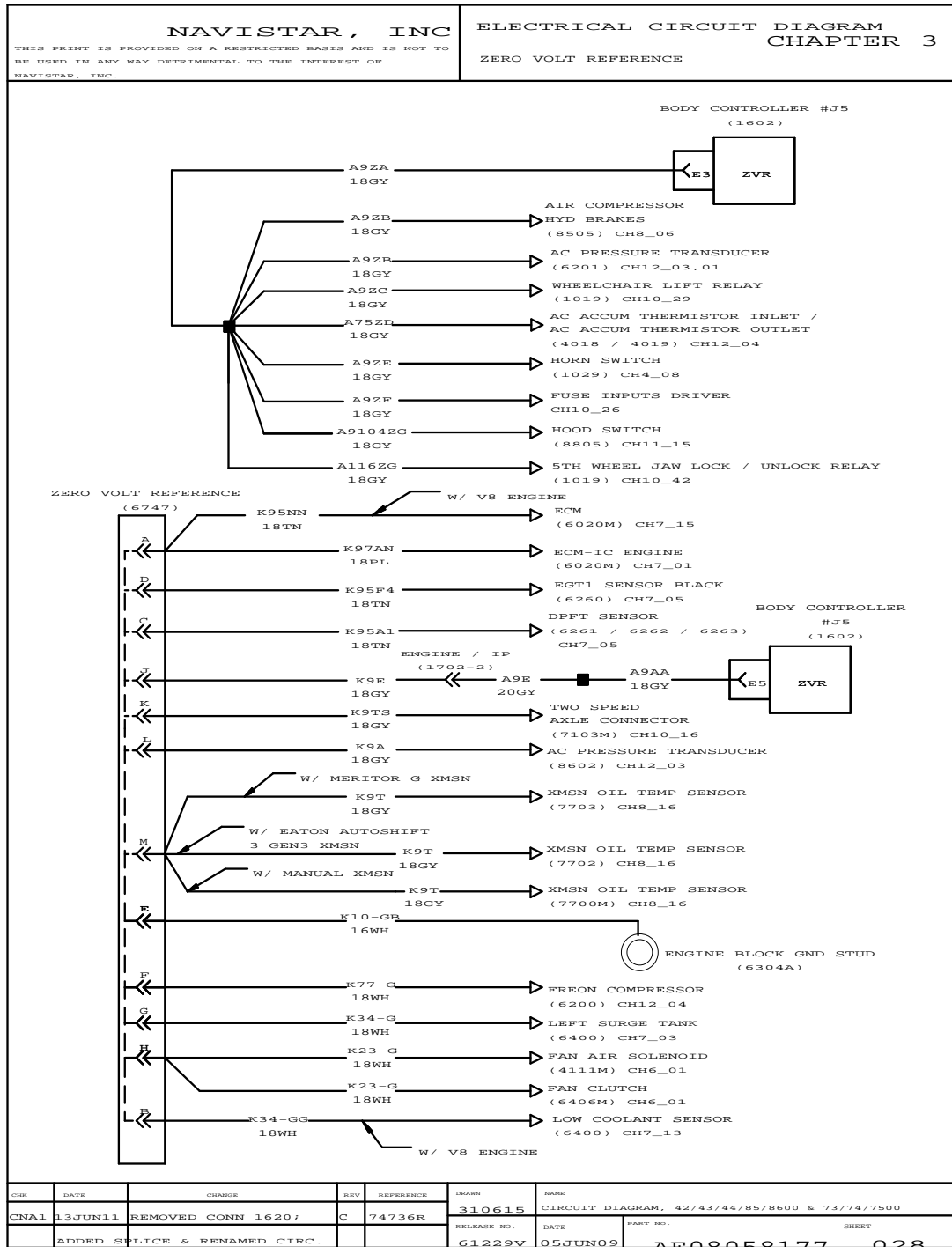


Figure 59 Zero Volt Reference

3.48. ZERO VOLT REFERENCE (CONT.), P. 28A

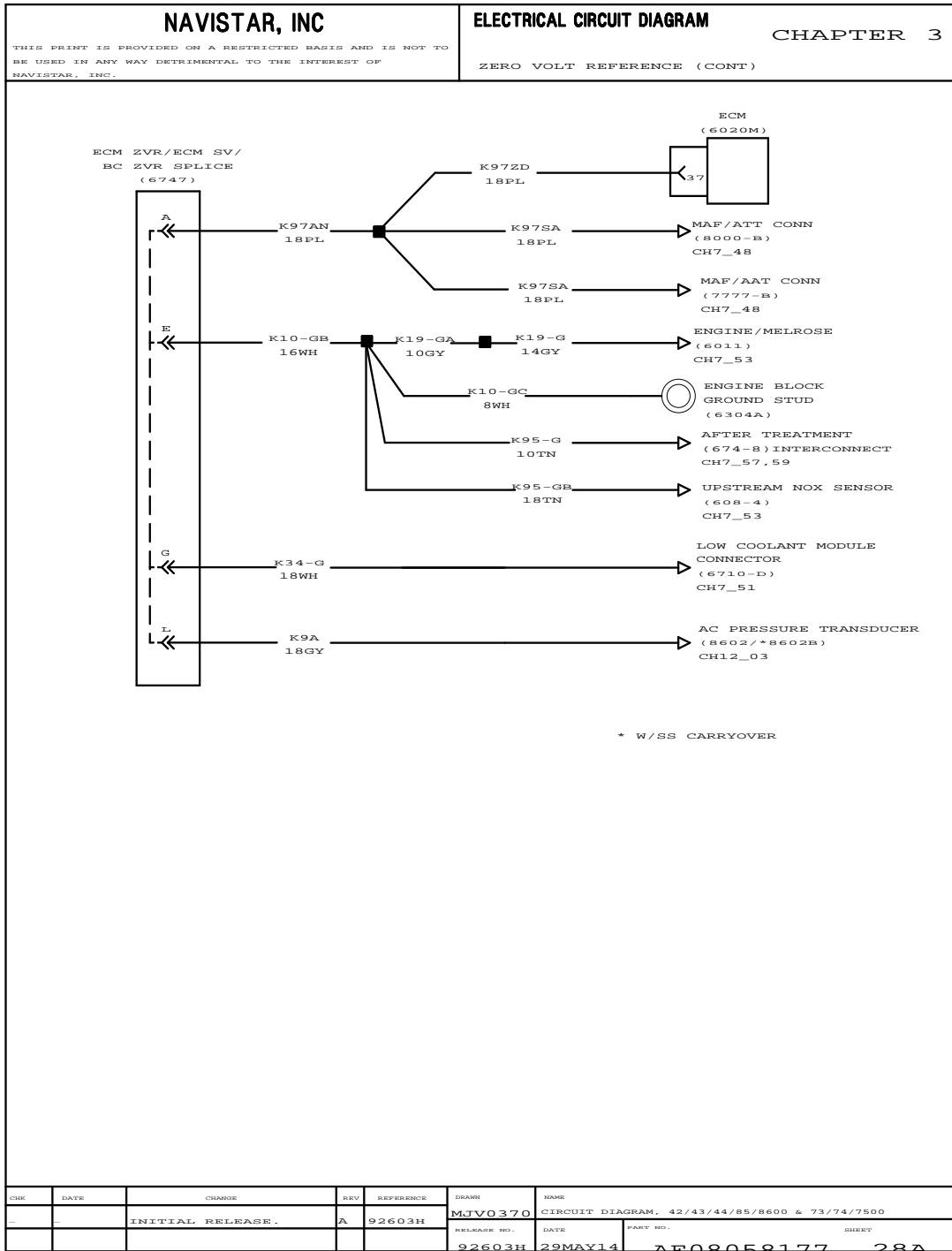


Figure 60 Zero Volt Reference (Cont.)

3.49. ZERO VOLT REFERENCE (CONT.), P. 28B

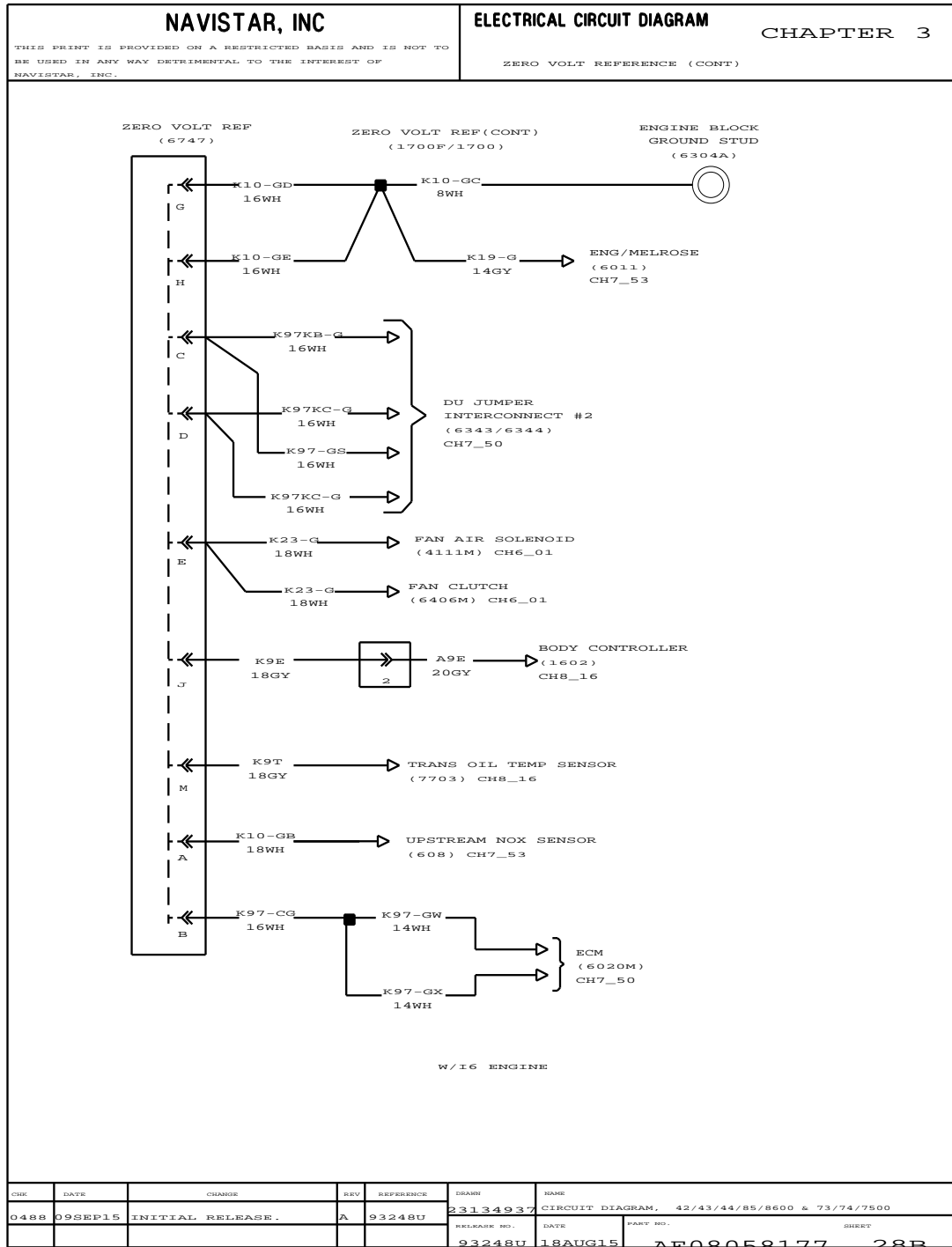


Figure 61 Zero Volt Reference (Cont.)

3.50. BATTERY FEED, SINGLE, P. 29

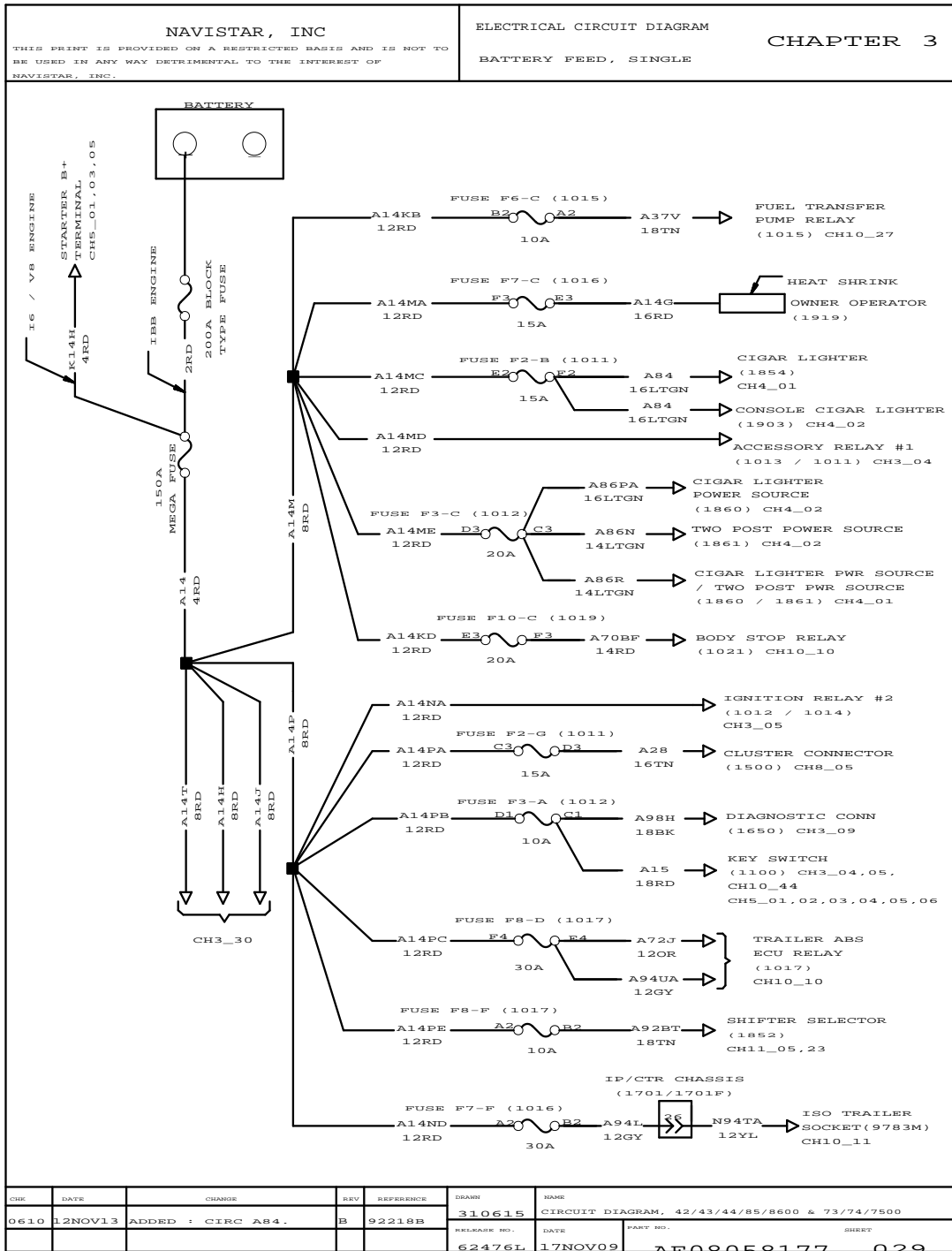


Figure 62 Battery Feed, Single

3.51. BATTERY FEED, SINGLE WITH 500K BAUD RATE, P. 29A

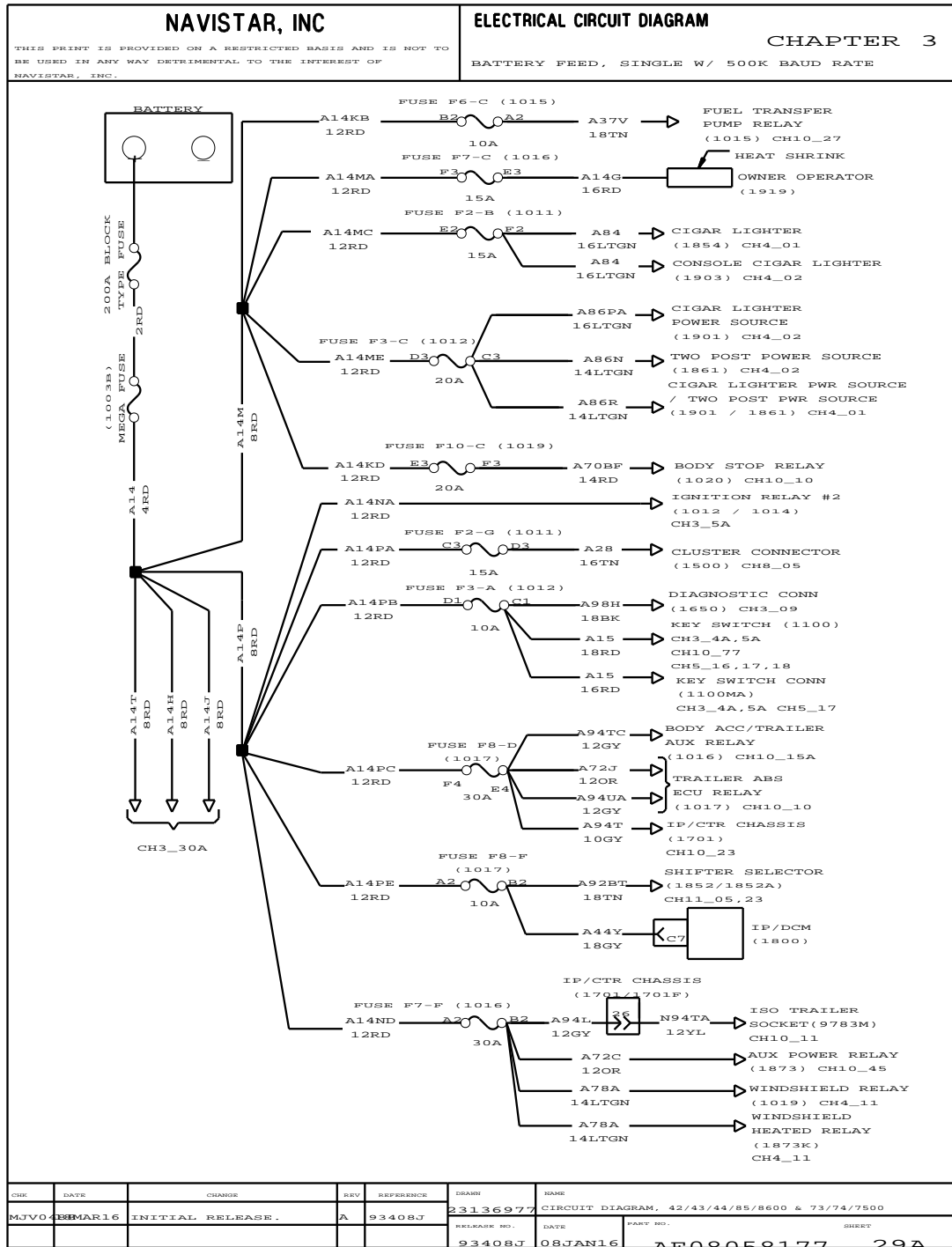


Figure 63 Battery Feed, Single with 500K Baud Rate

3.52. BATTERY FEED, SINGLE (CONT.), P. 30

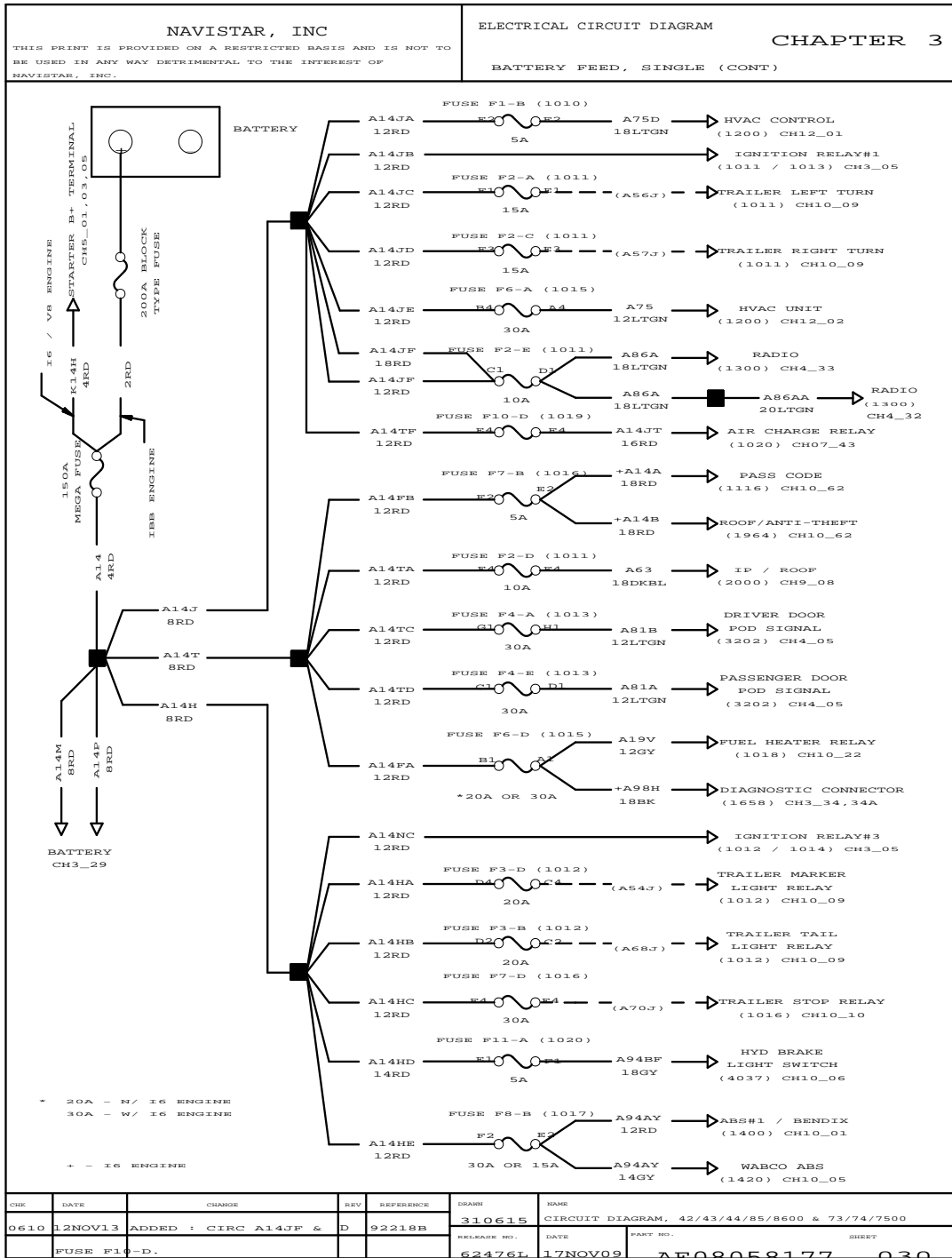


Figure 64 Battery Feed, Single (Cont.)

3.53. BATTERY FEED, SINGLE WITH 500K BAUD RATE (CONT.), P. 30A

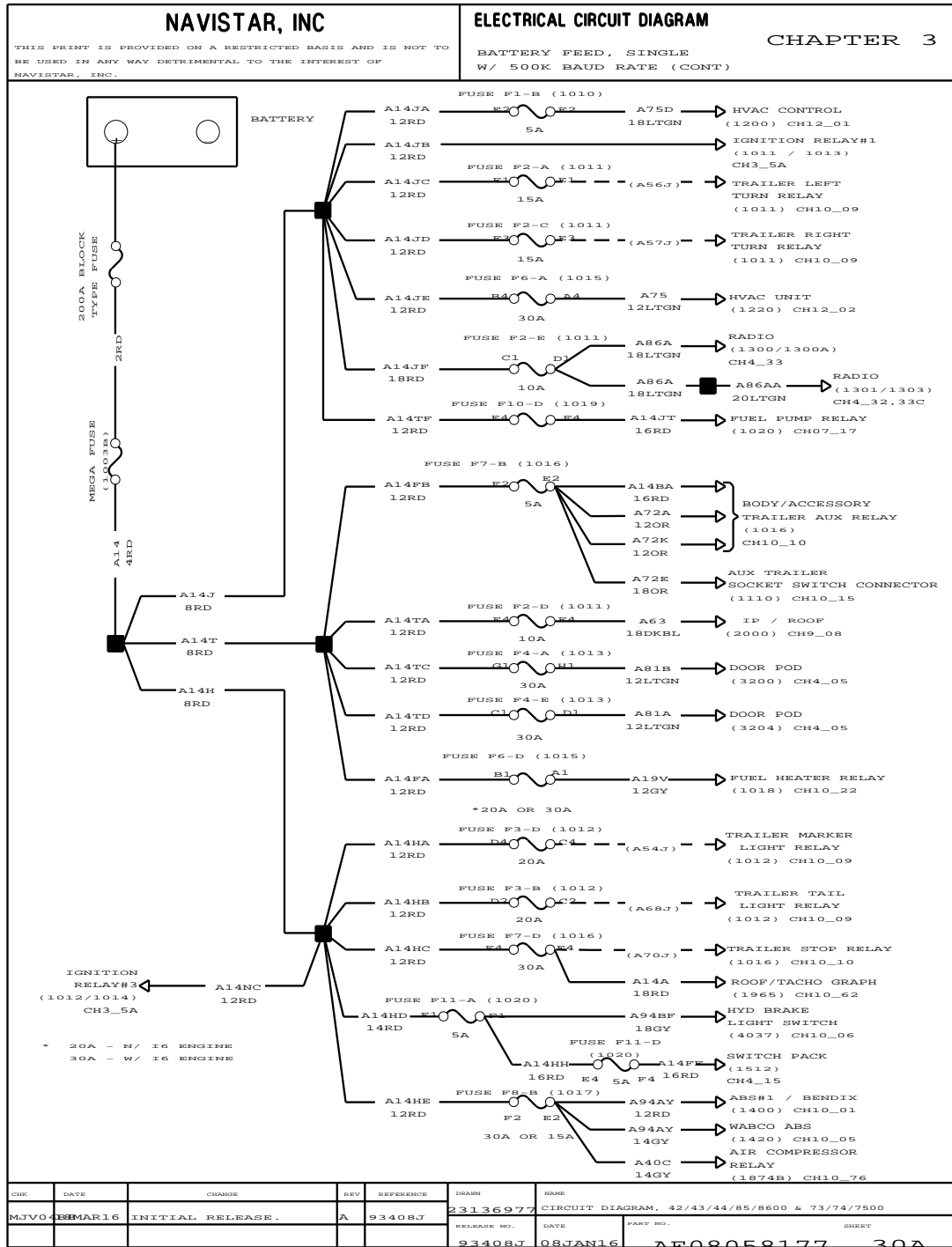


Figure 65 Battery Feed, Single with 500K Baud Rate (Cont.)

3.54. J1939 DATA LINK – V8 ENGINE, P. 31

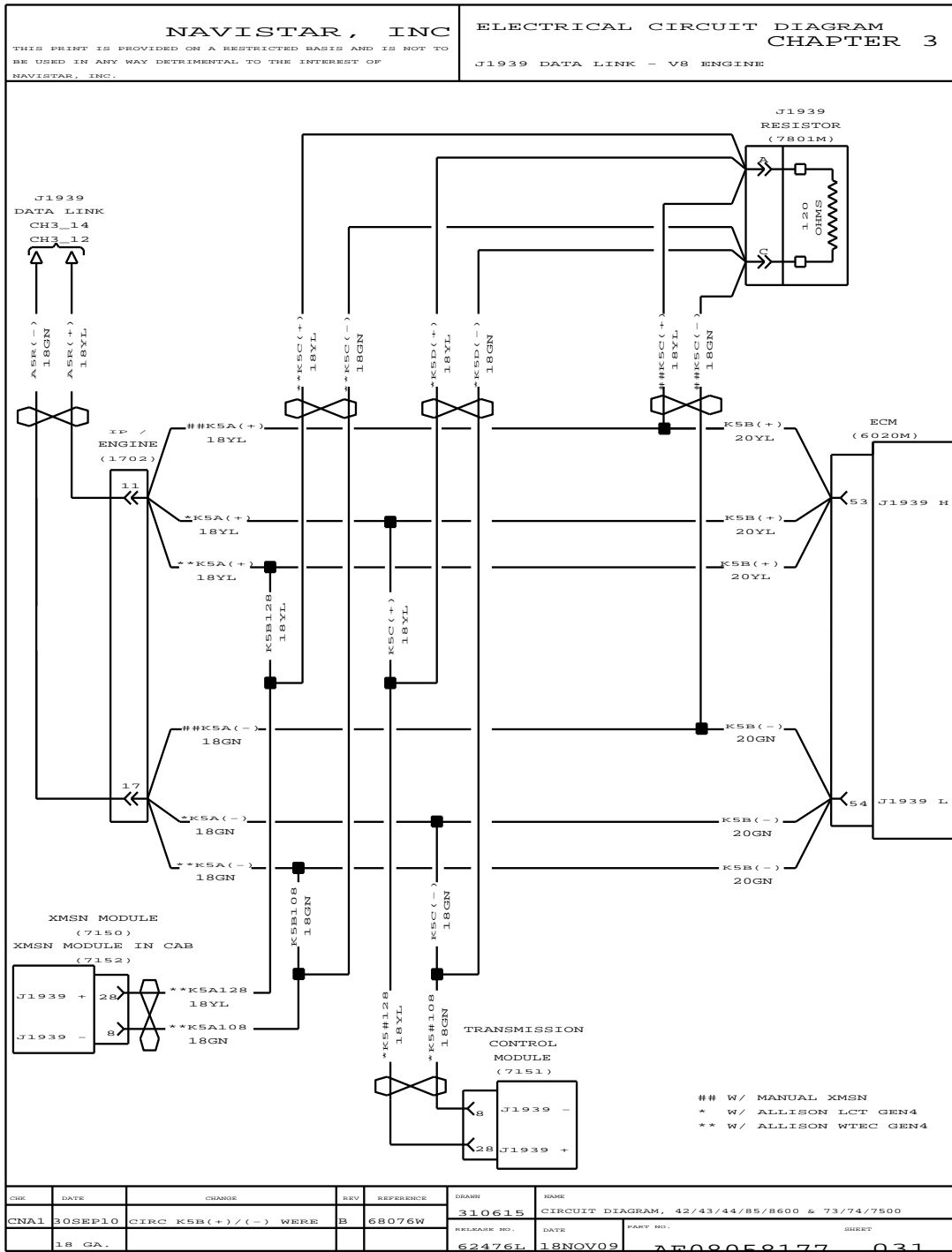


Figure 66 J1939 Data Link – V8 Engine

3.55. J1939 WITH CUMMINS ISB ENGINE, P. 31A

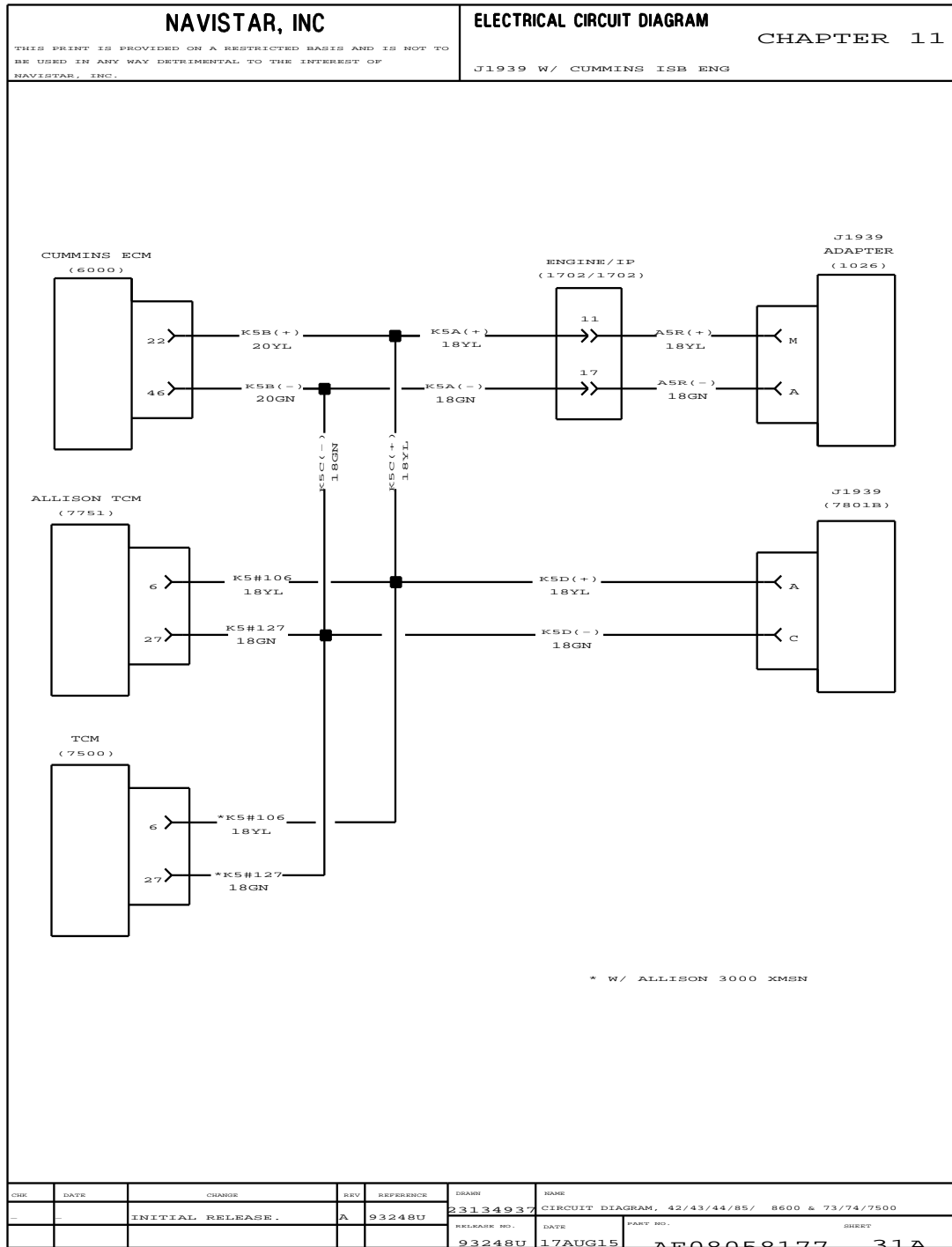


Figure 67 J1939 with Cummins ISB Engine

3.56. J1939 WITH CUMMINS ISB ENGINE (CONT.), P. 31B

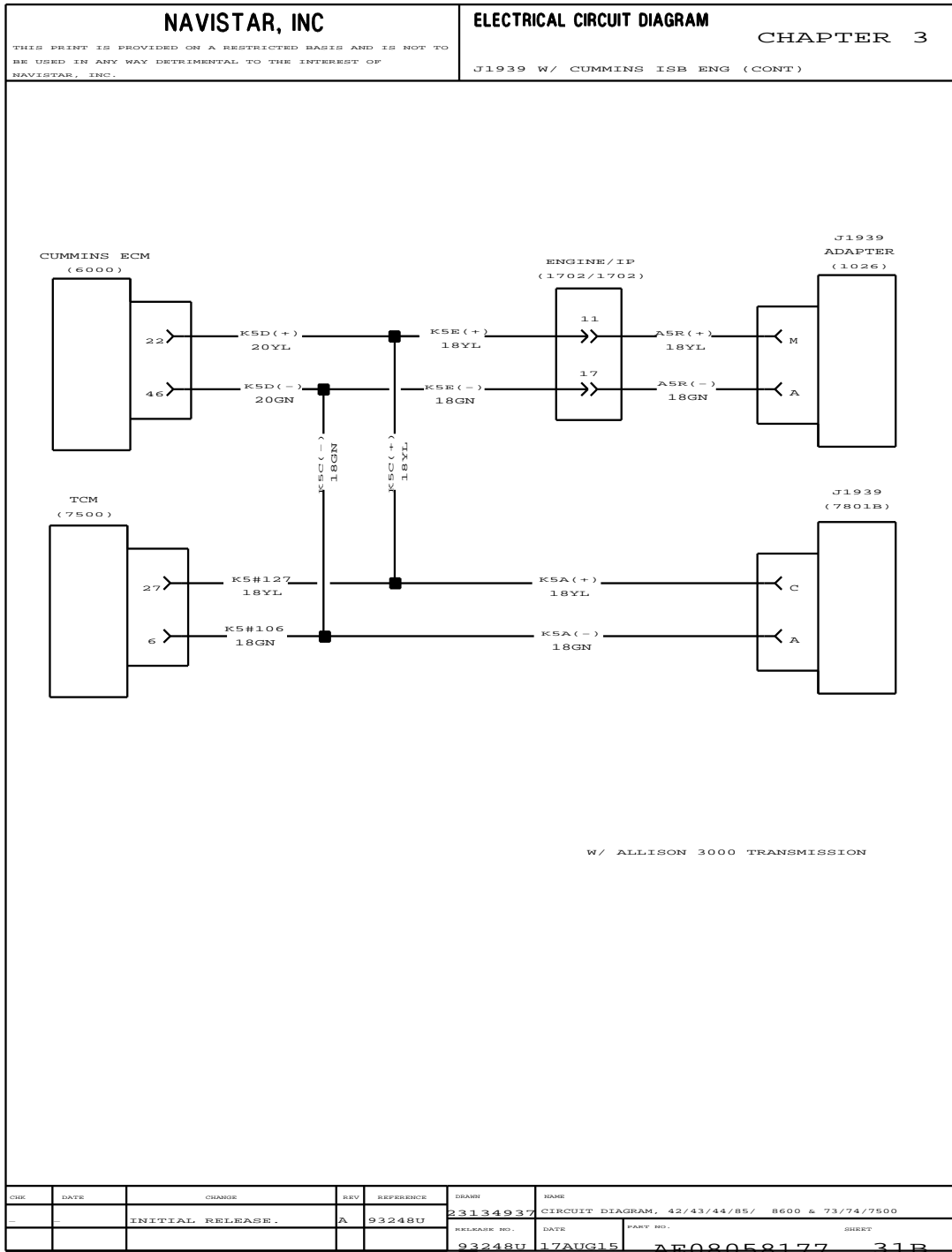


Figure 68 J1939 with Cummins ISB Engine (Cont.)

3.57. J1939 WITH CUMMINS ISB ENGINE (CONT.), P. 31C

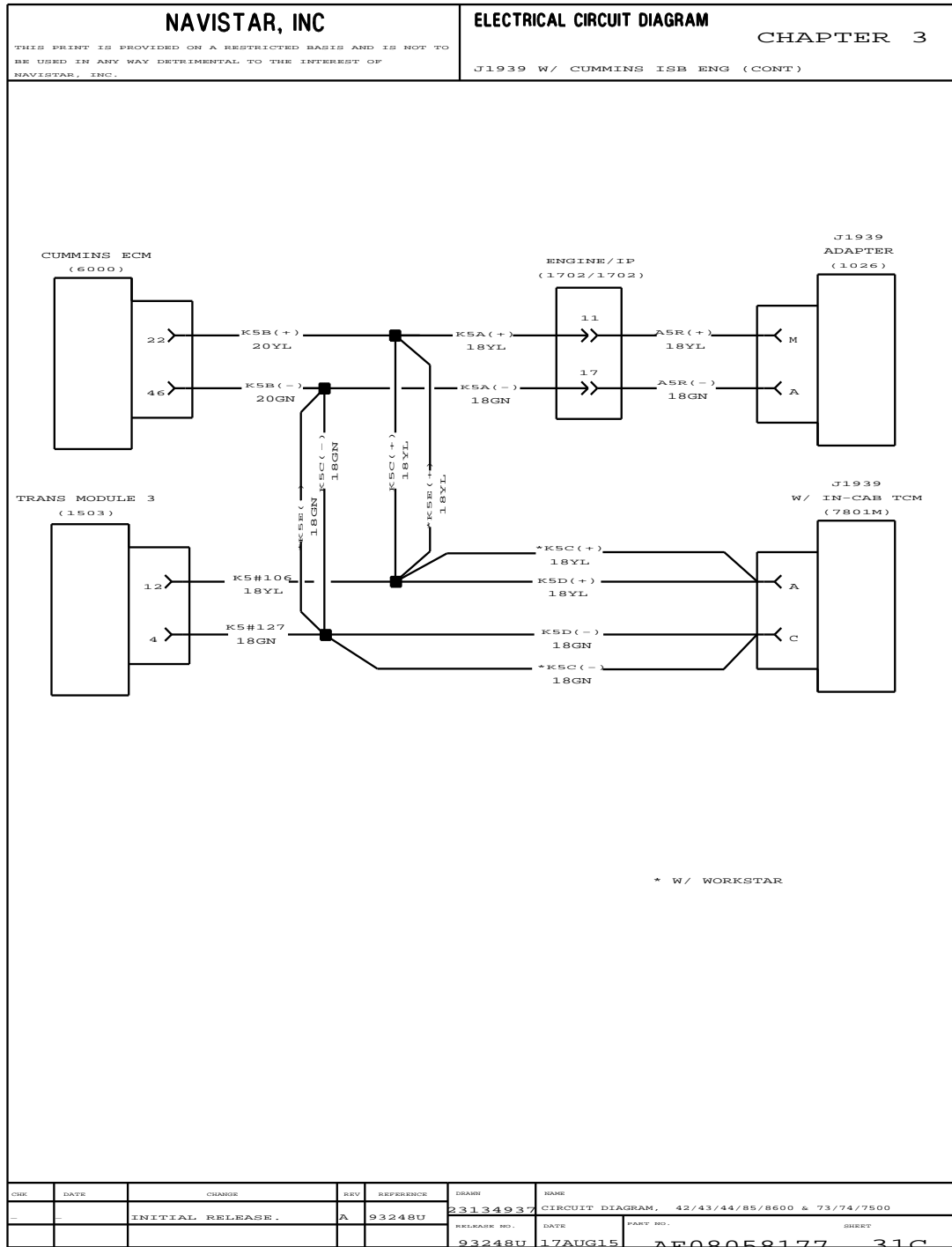


Figure 69 J1939 with Cummins ISB Engine (Cont.)

3.58. J1939 WITH 2013 INTERNATIONAL BIG BORE ENGINE, P. 31D

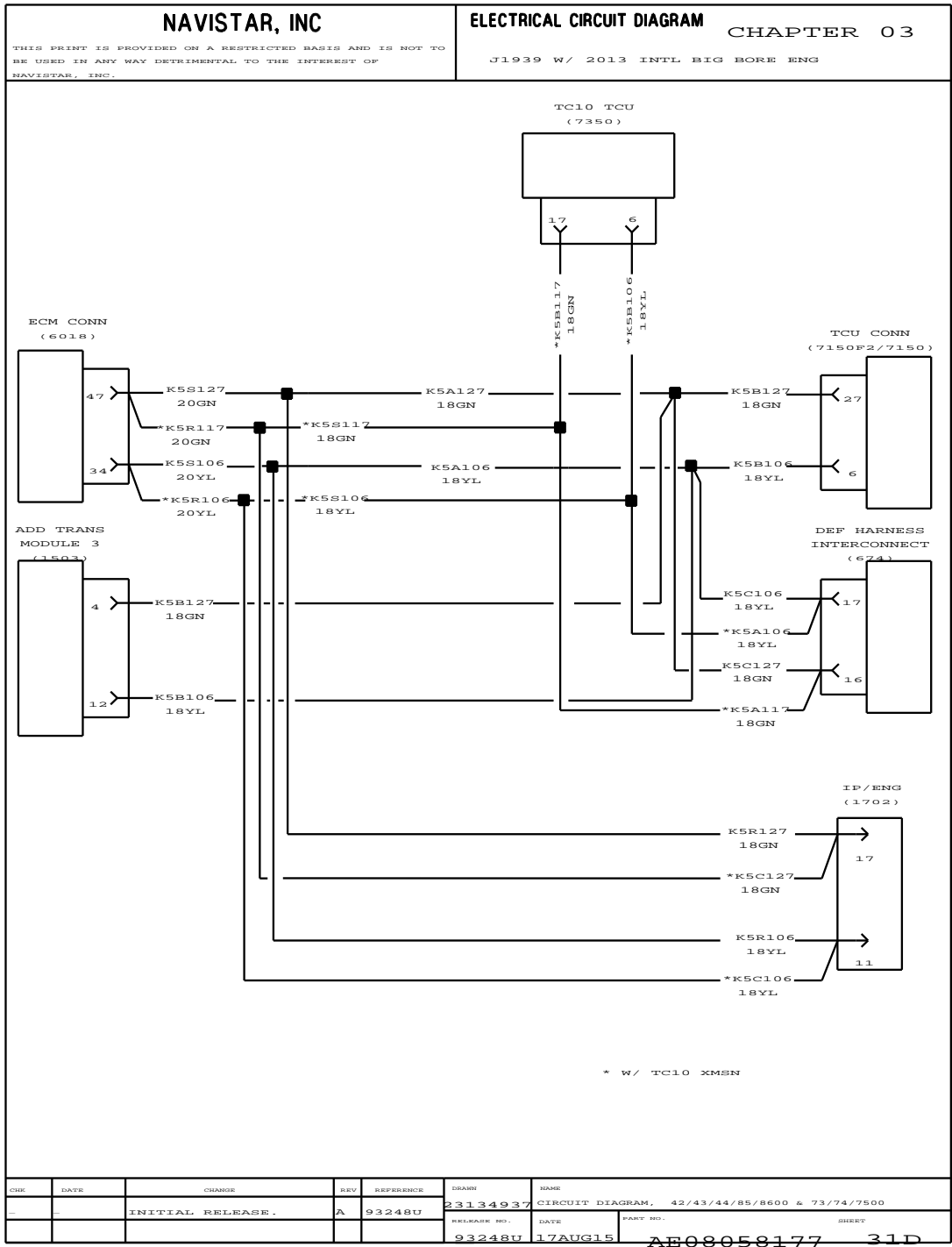


Figure 70 J1939 with 2013 International Big Bore Engine

3.59. GROUND – SEAT AND SEATBELT SENSOR, P. 32

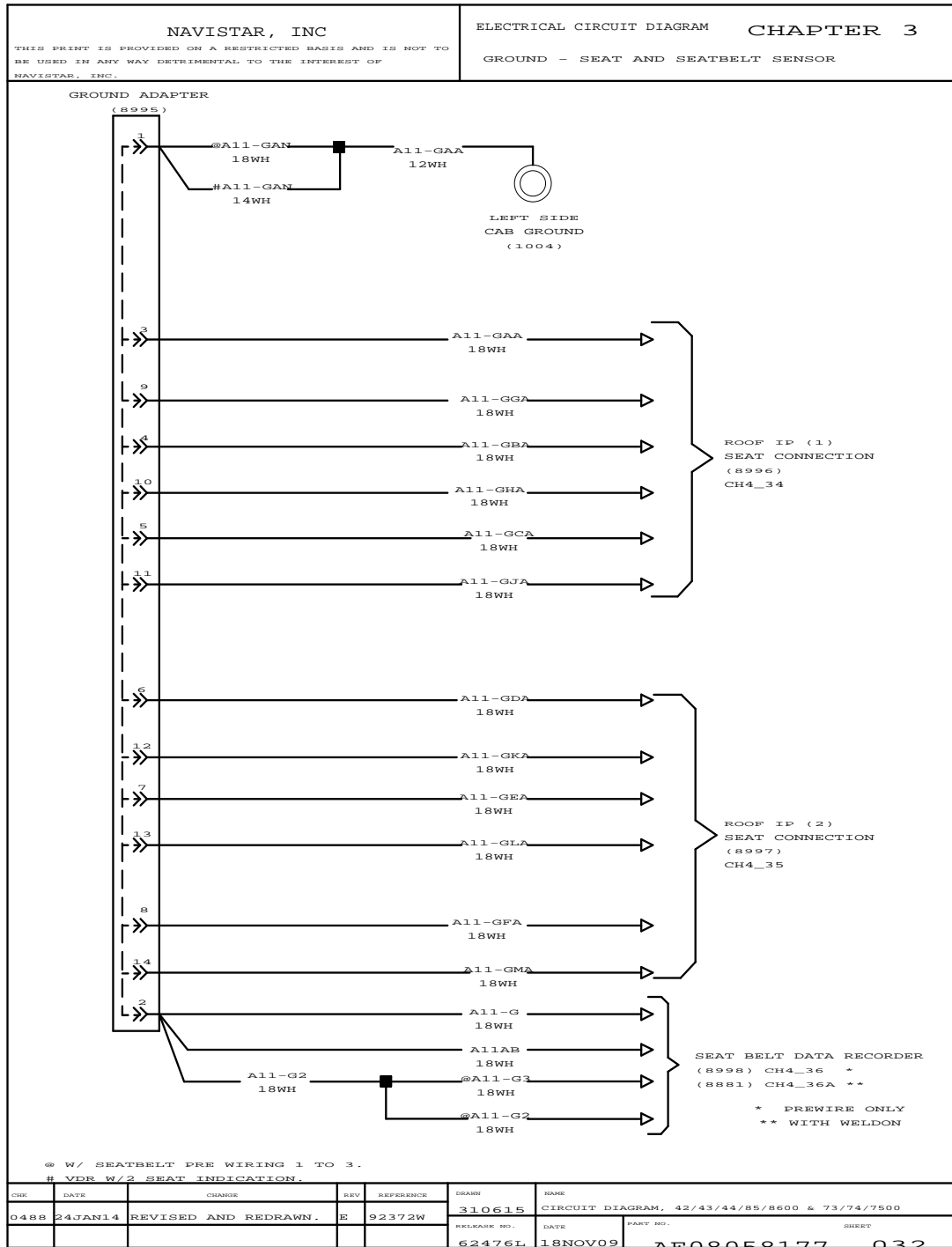


Figure 71 Ground – Seat and Seatbelt Sensor

3.61. J1939 DATA LINK I6 ENGINE, P. 34

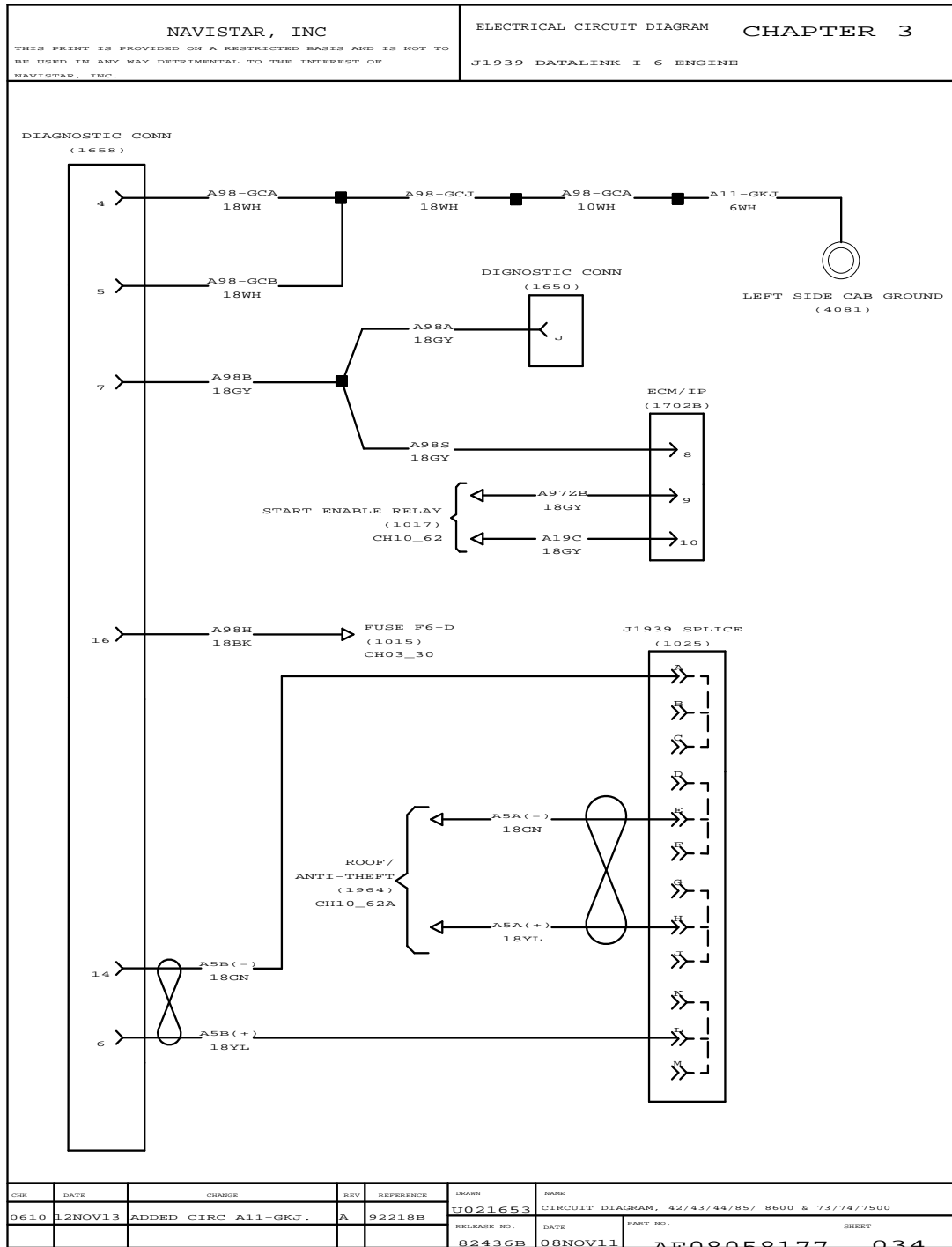


Figure 73 J1939 Data Link I6 Engine

3.62. J1939 DATA LINK I6 ENGINE (CONT.), P. 34A

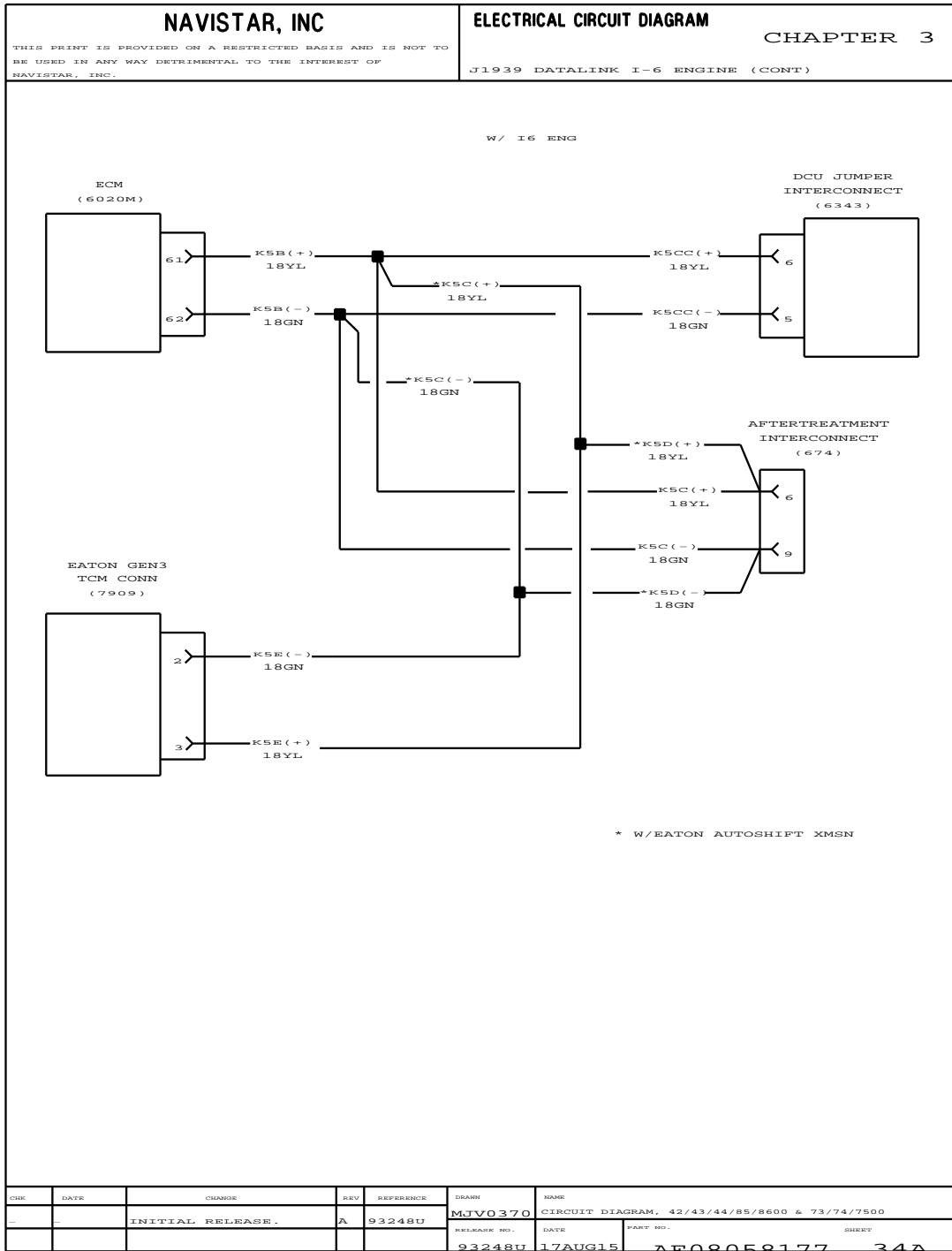


Figure 74 J1939 Data Link I6 Engine (Cont.)

3.63. J1939 DATA LINK I6 ENGINE (CONT.), P. 34B

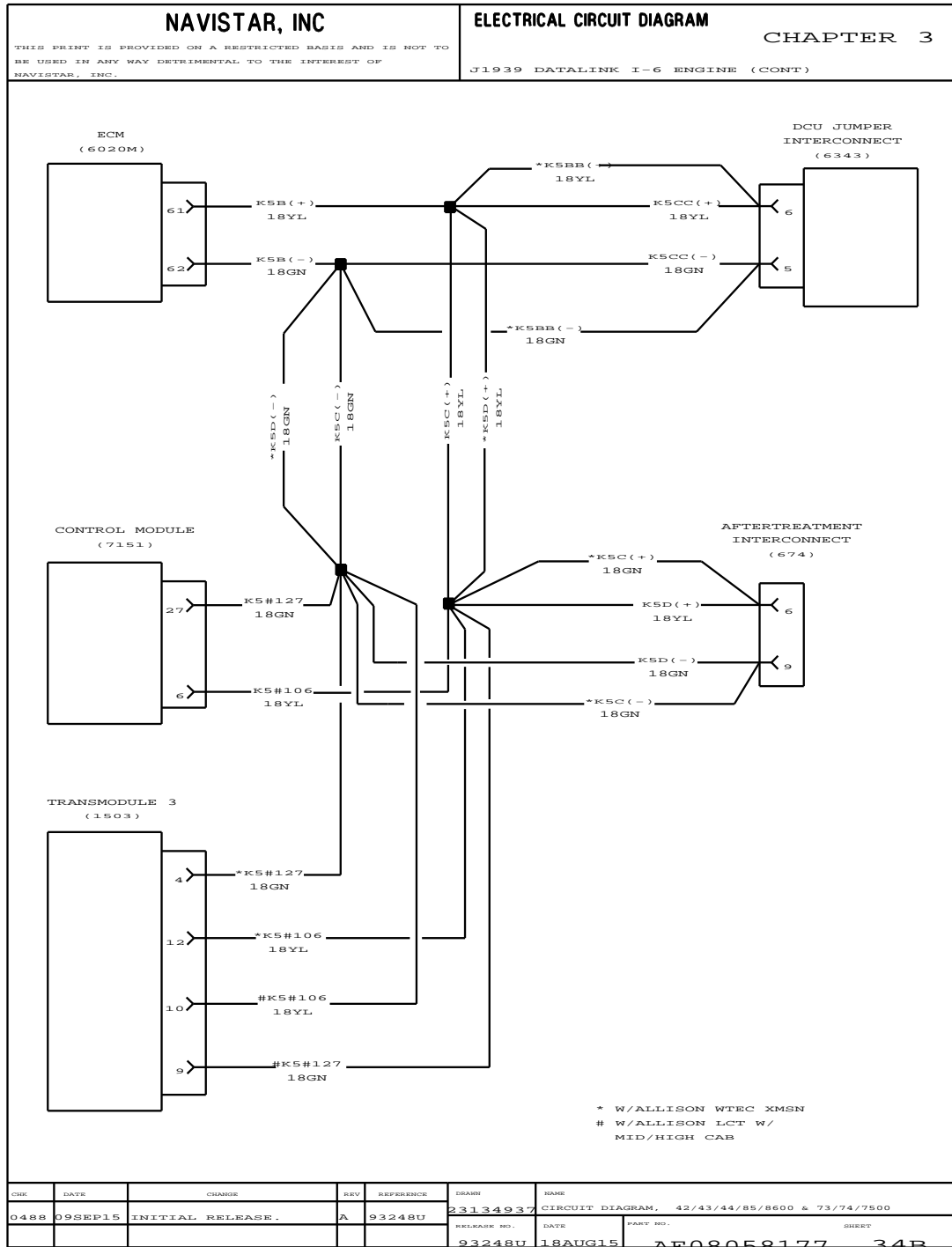


Figure 75 J1939 Data Link I6 Engine (Cont.)

3.64. ENGINE GROUND I6 ENGINE, P. 35

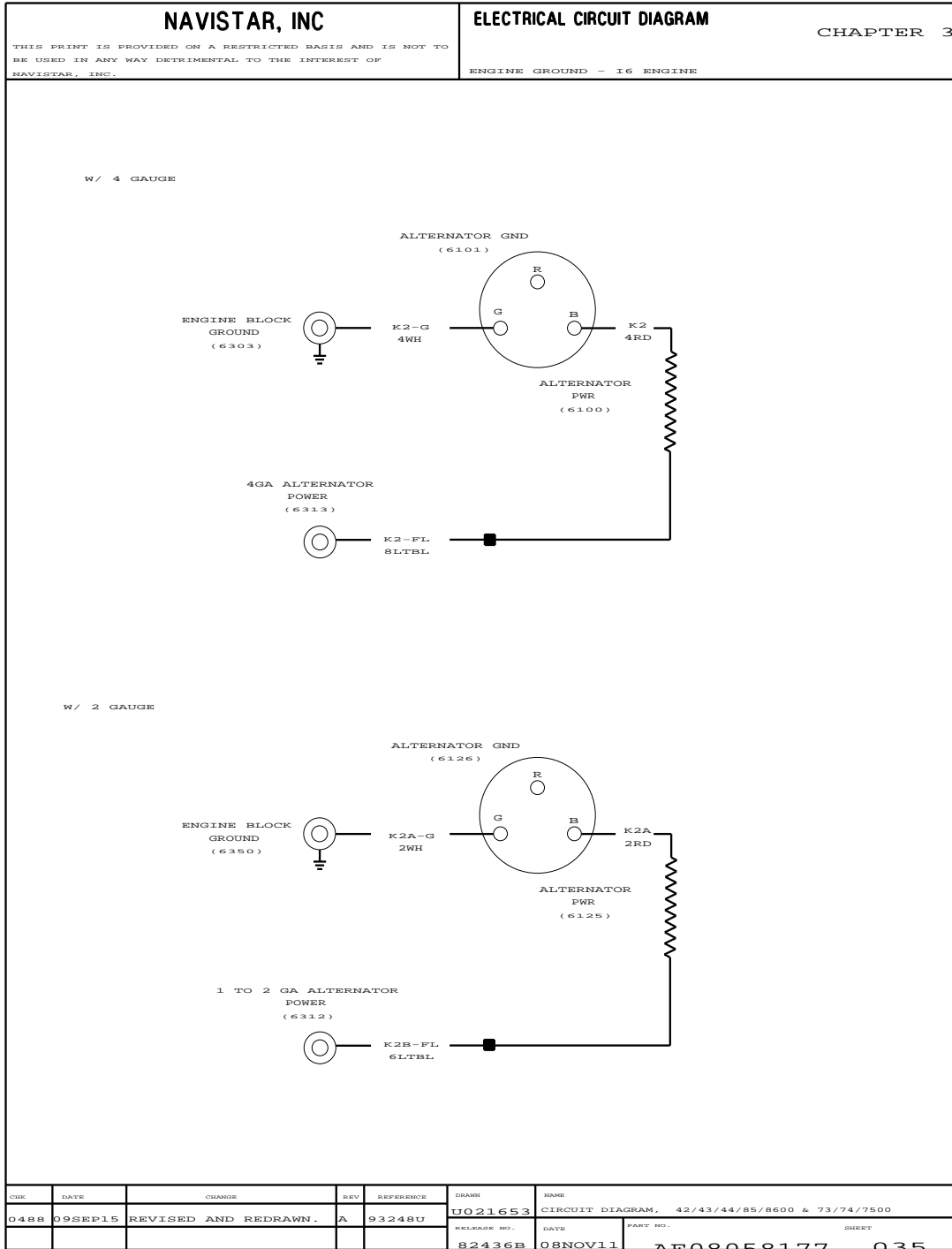


Figure 76 Engine Ground I6 Engine

3.65. ENGINE BLOCK GROUND I6 ENGINE, P. 35A

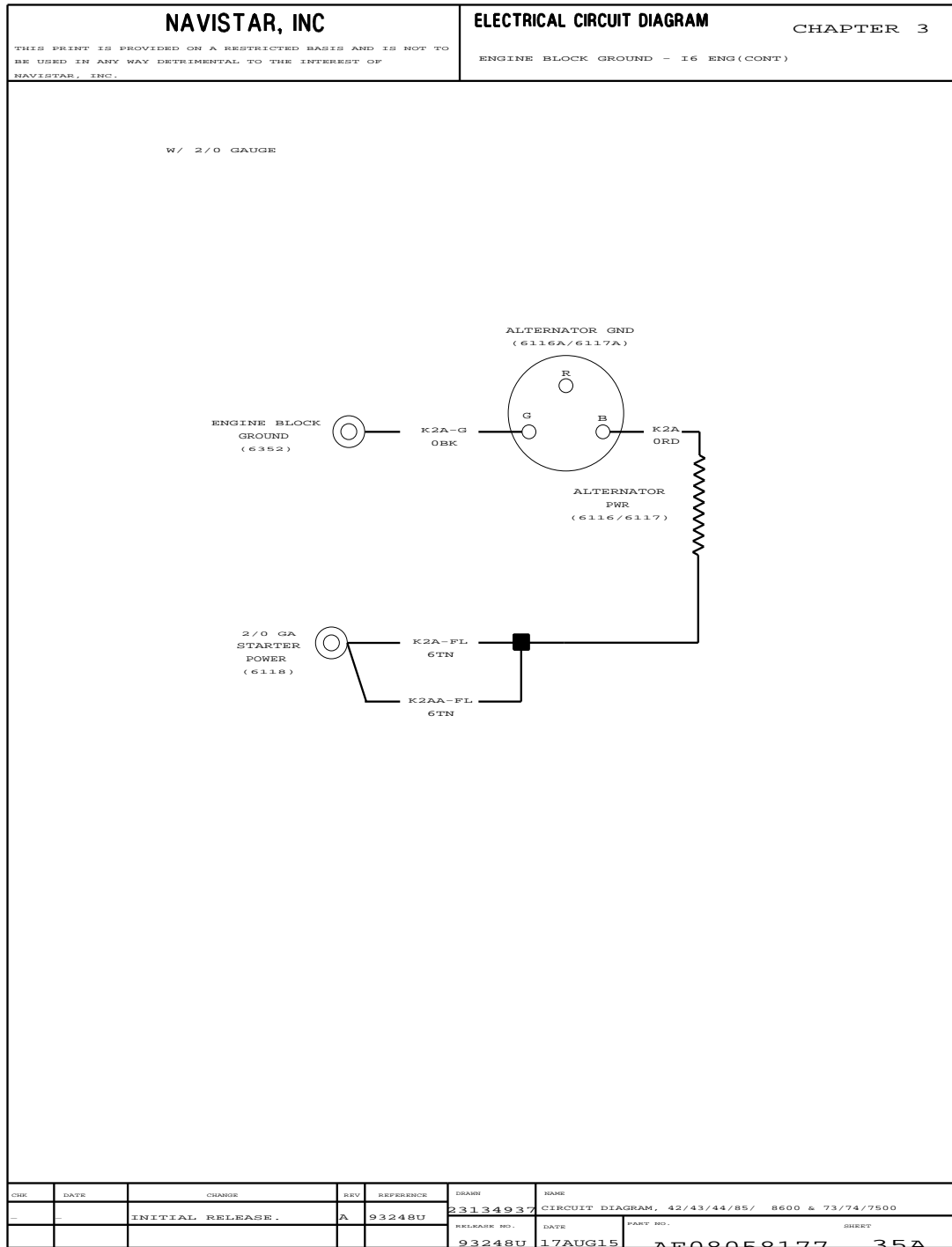
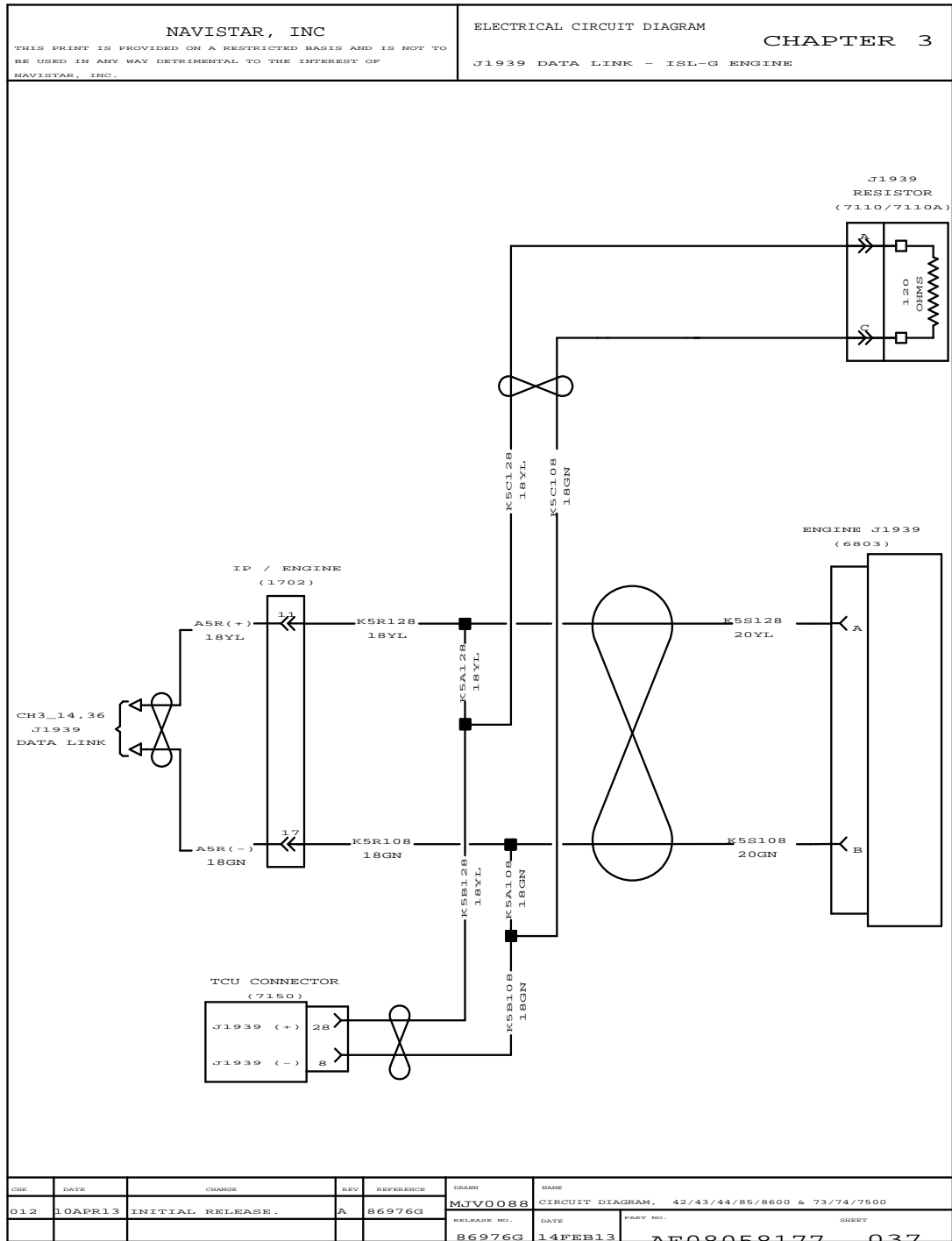


Figure 77 Engine Block Ground I6 Engine

3.67. J1939 DATA LINK – ISL–G ENGINE, P. 37



3.68. J1939 DATA LINK WITH ISB ENGINE, P. 37A

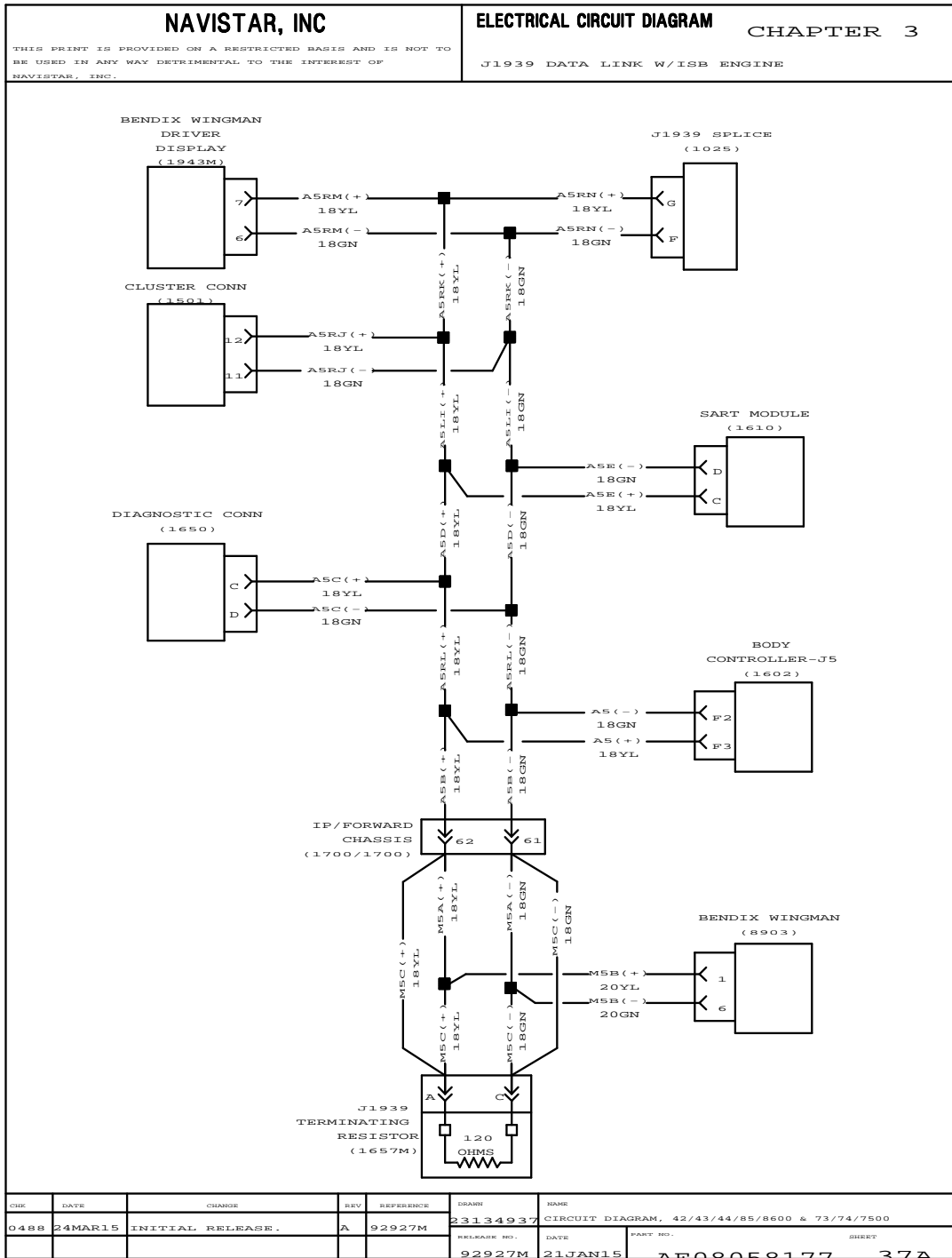


Figure 80 J1939 Data Link with ISB Engine

3.69. TRAILER SOCKET GROUND, P. 38

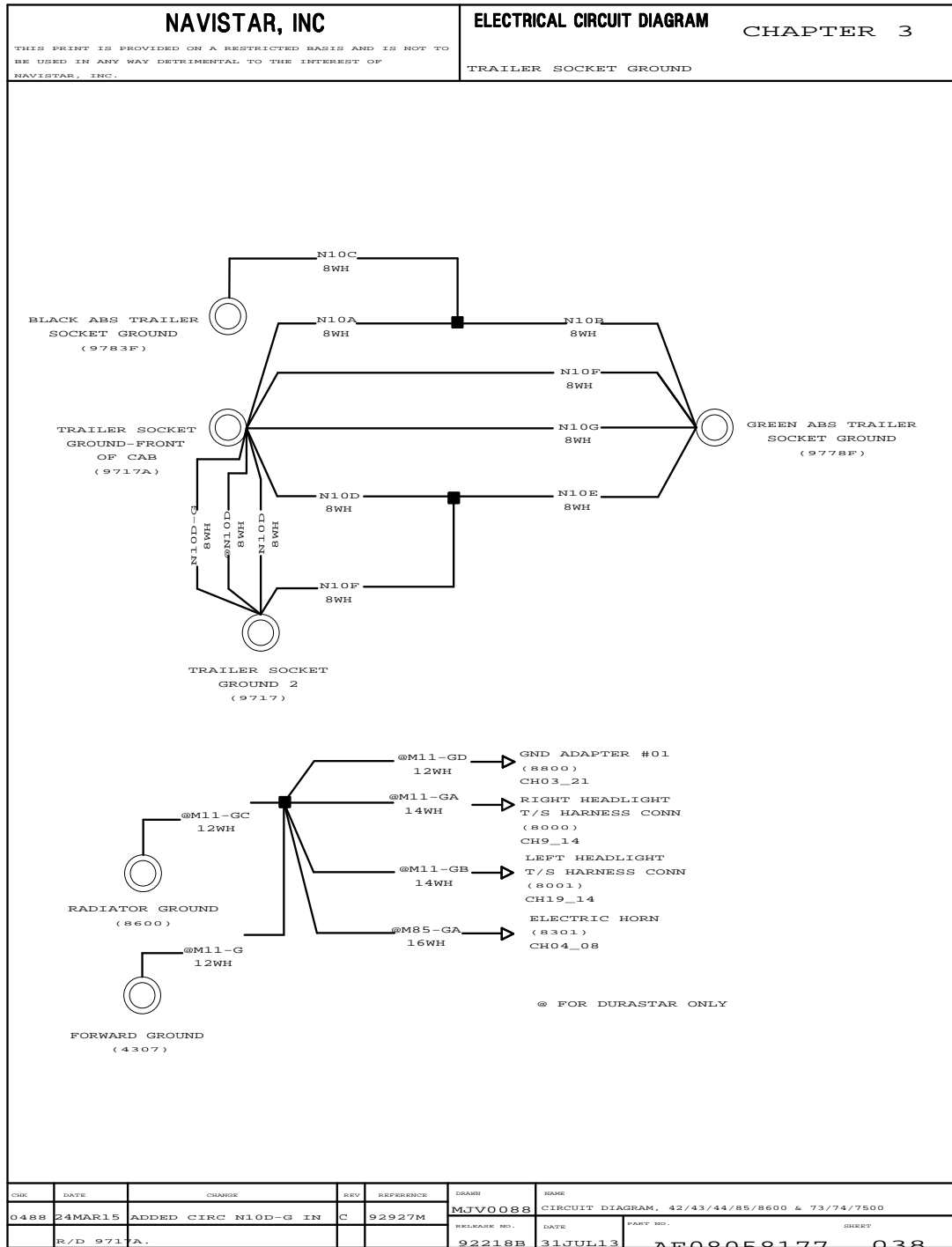


Figure 81 Trailer Socket Ground

3.70. TRAILER SOCKET GROUND (CONT.), P. 38A

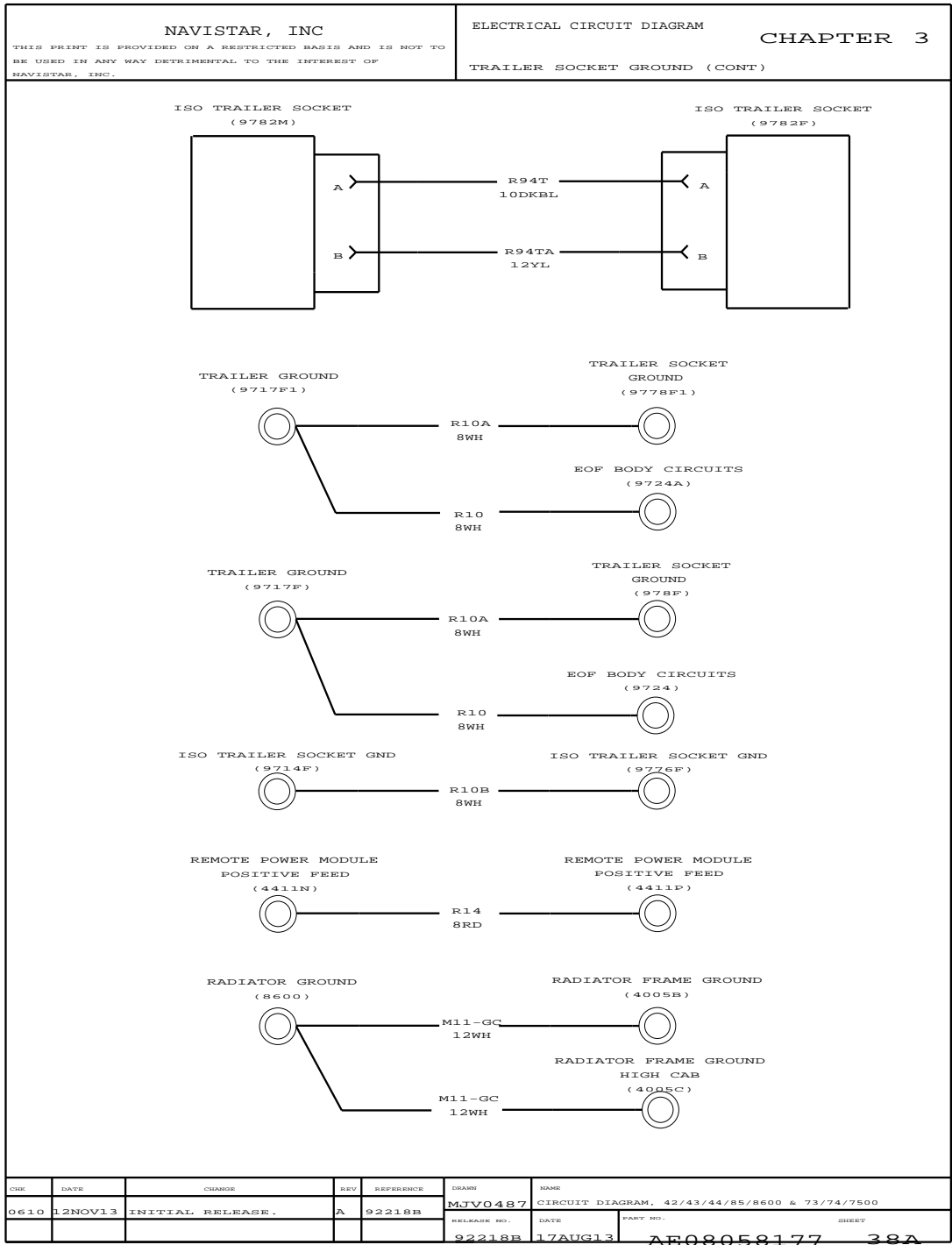


Figure 82 Trailer Socket Ground (Cont.)

3.71. SART CLOCK MODULE, P. 39

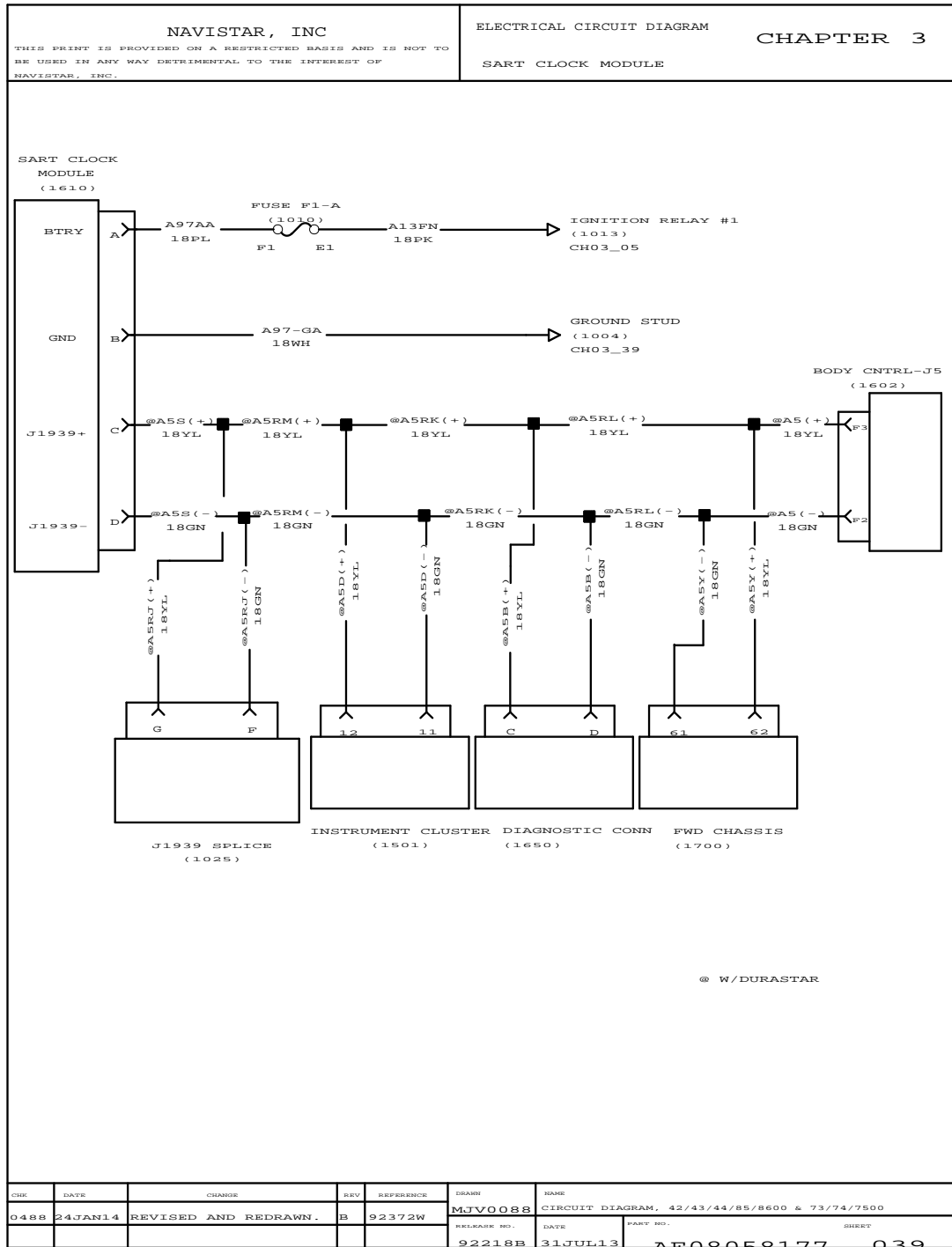


Figure 83 SART Clock Module

3.72. 250K J1939 CAB DATA LINK WITH 500K REGULATORY UPDATE, P. 40

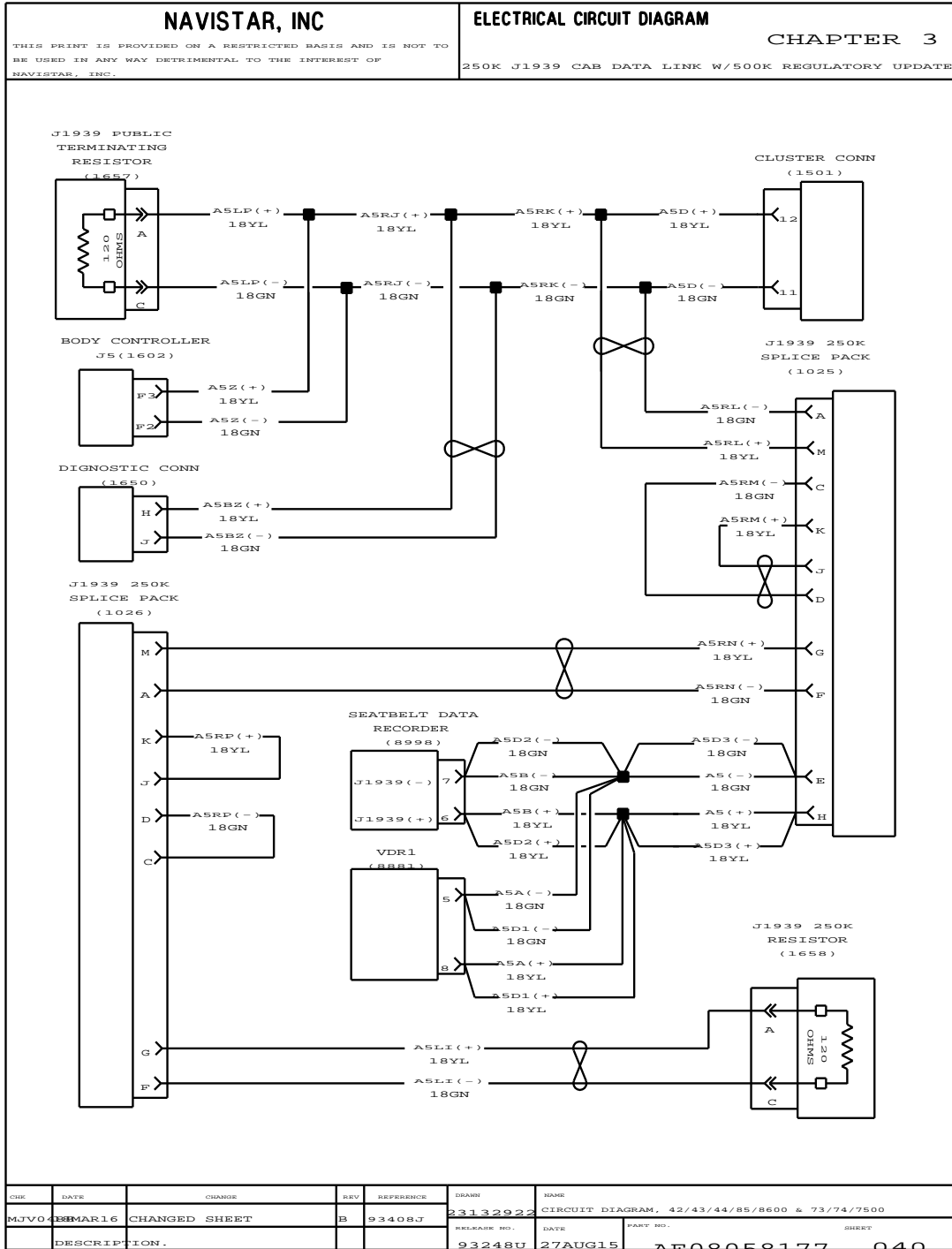


Figure 84 250K J1939 Cab Data Link with 500K Regulatory Update

3.73. 250K J1939 CAB DATA LINK WITH 500K REGULATORY UPDATE (CONT.), P. 40A

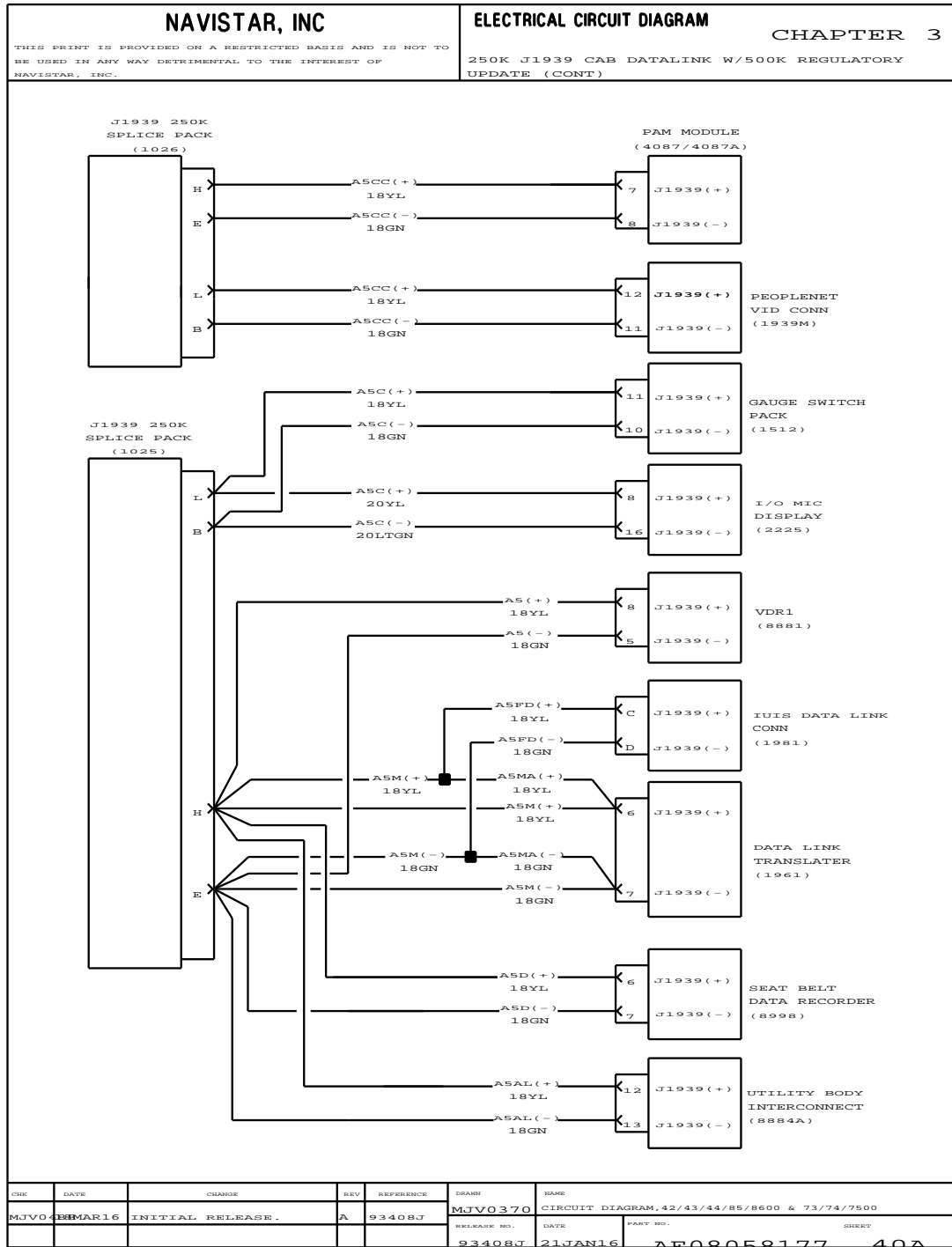


Figure 85 250K J1939 Cab Data Link with 500K Regulatory Update (Cont.)

3.74. J1939 DATA LINK WITHOUT ALLISON TRANSMISSION WITH 500K BAUD RATE, P. 41

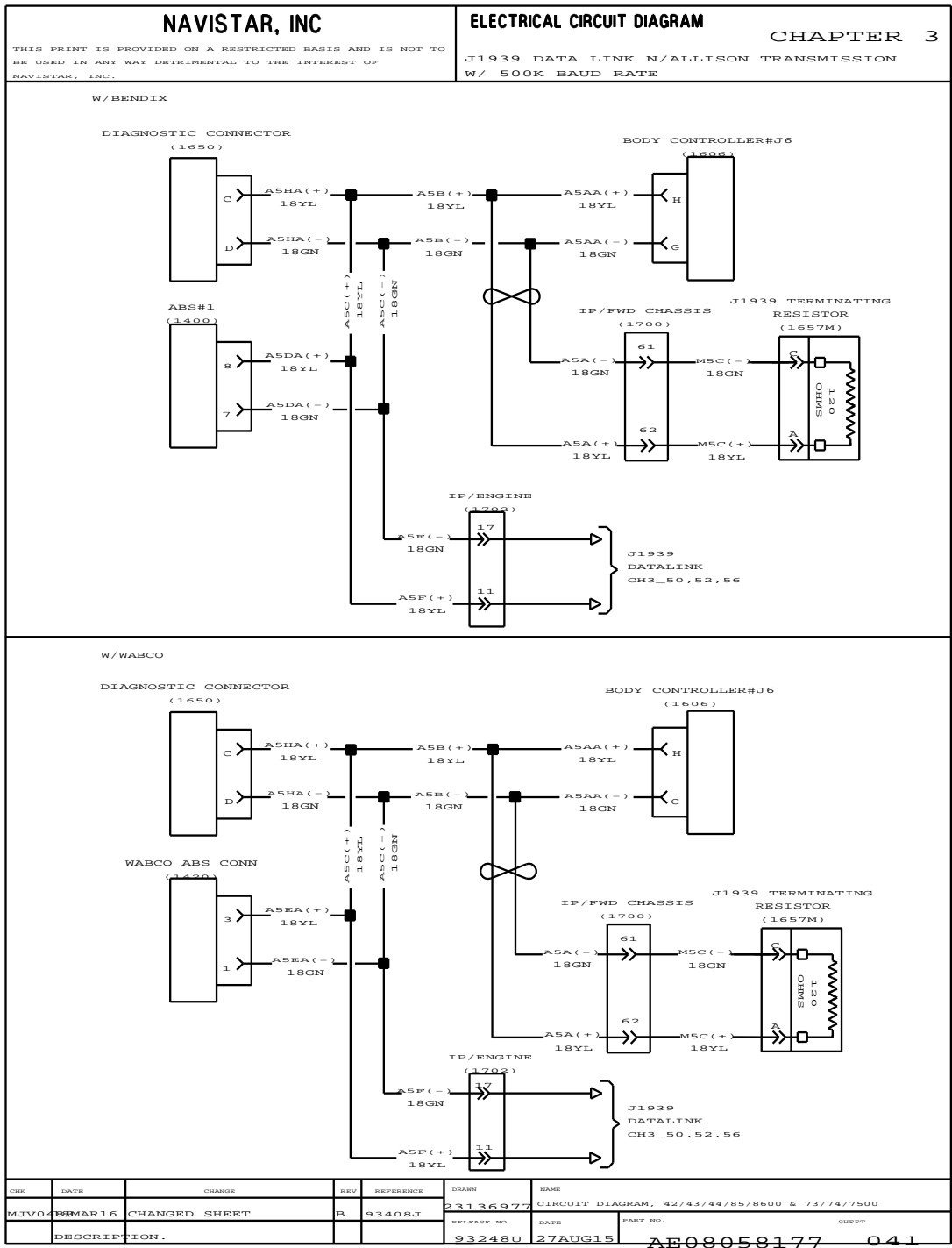


Figure 86 J1939 Data Link without Allison Transmission with 500K Baud Rate

3.75. J1939 DATA LINK WITH ALLISON TRANSMISSION WITH 500K BAUD RATE, P. 42

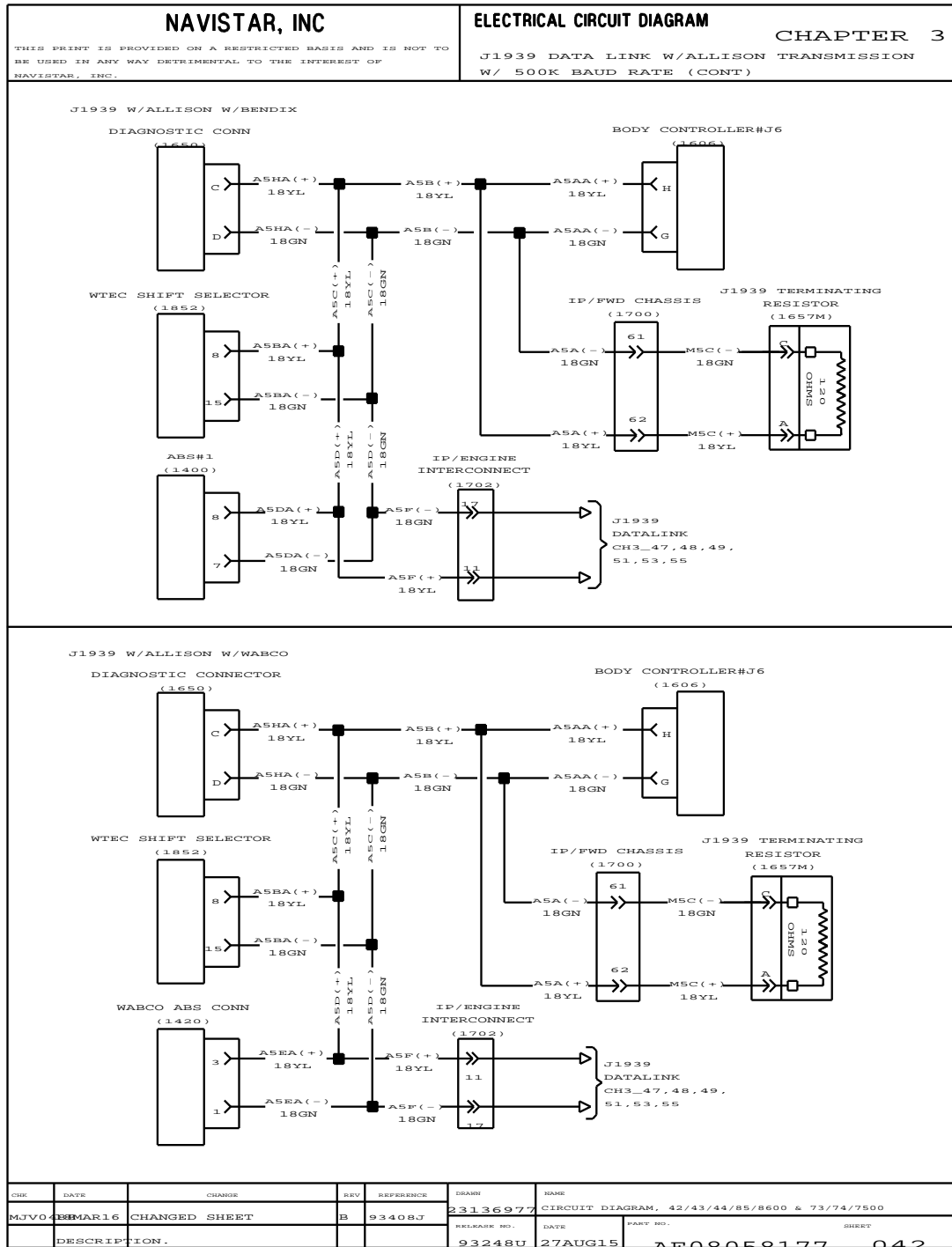


Figure 87 J1939 Data Link with Allison Transmission with 500K Baud Rate

3.76. J1939 DATA LINK WITH ALLISON TRANSMISSION WITH WINGMAN WITH 500K BAUD RATE, P. 43

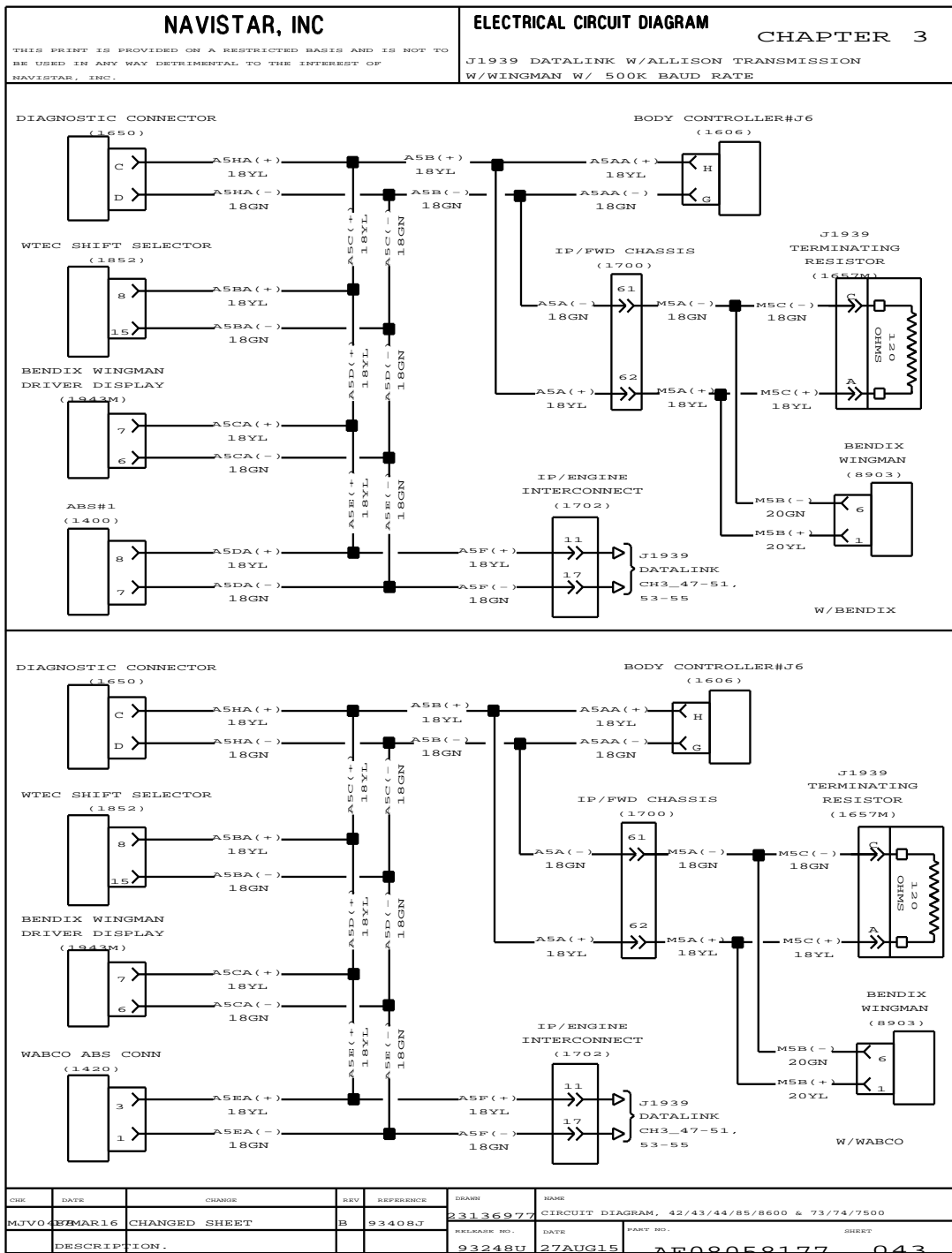


Figure 88 J1939 Data Link with Allison Transmission with Wingman with 500K Baud Rate

3.77. J1939 DATA LINK WITH ALLISON TRANSMISSION WITH CENTER PANEL WITH 500K BAUD RATE, P. 44

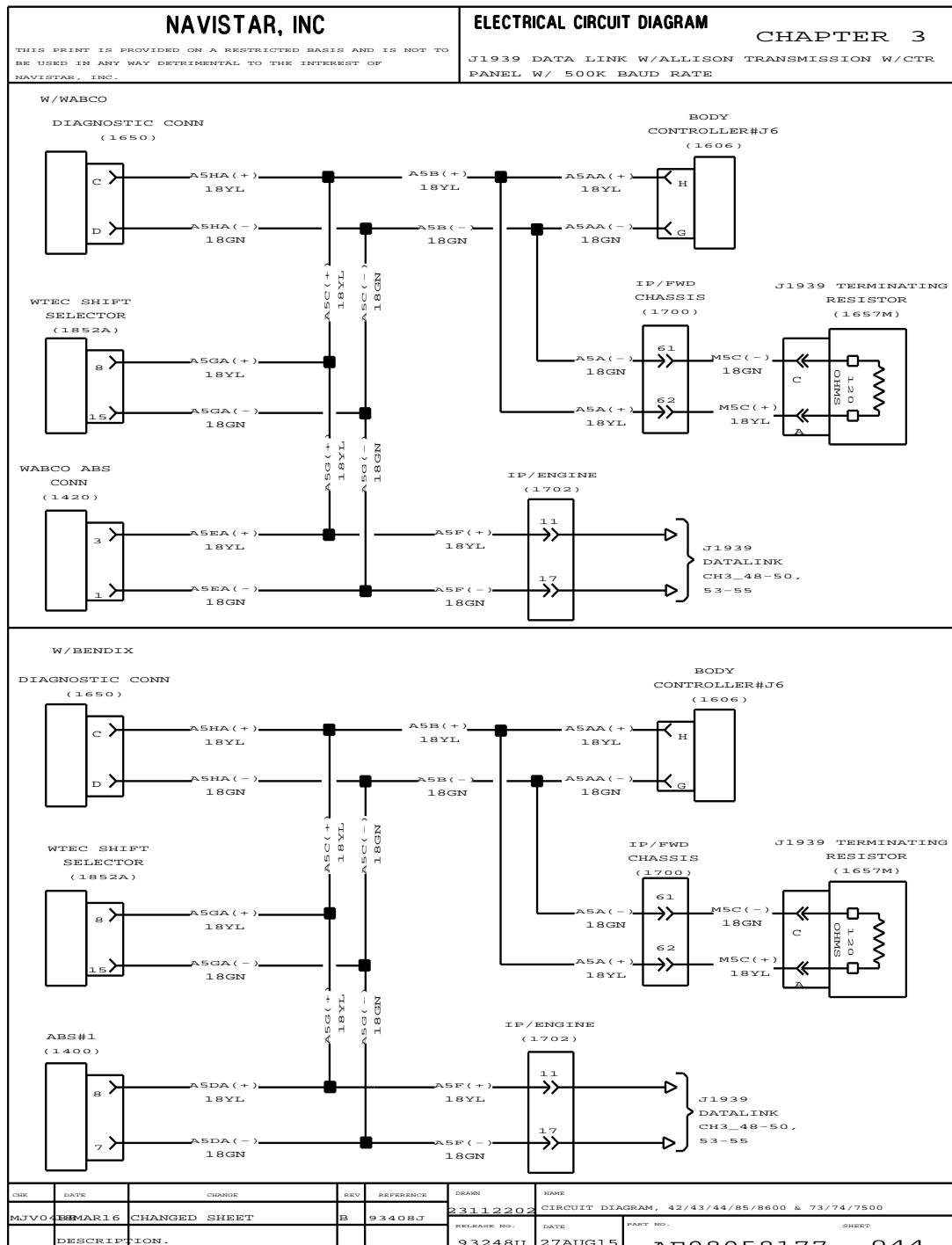


Figure 89 J1939 Data Link with Allison Transmission with Center Panel with 500K Baud Rate

3.78. J1939 DATA LINK WITHOUT ALLISON TRANSMISSION WITH WINGMAN WITH 500K BAUD RATE, P. 45

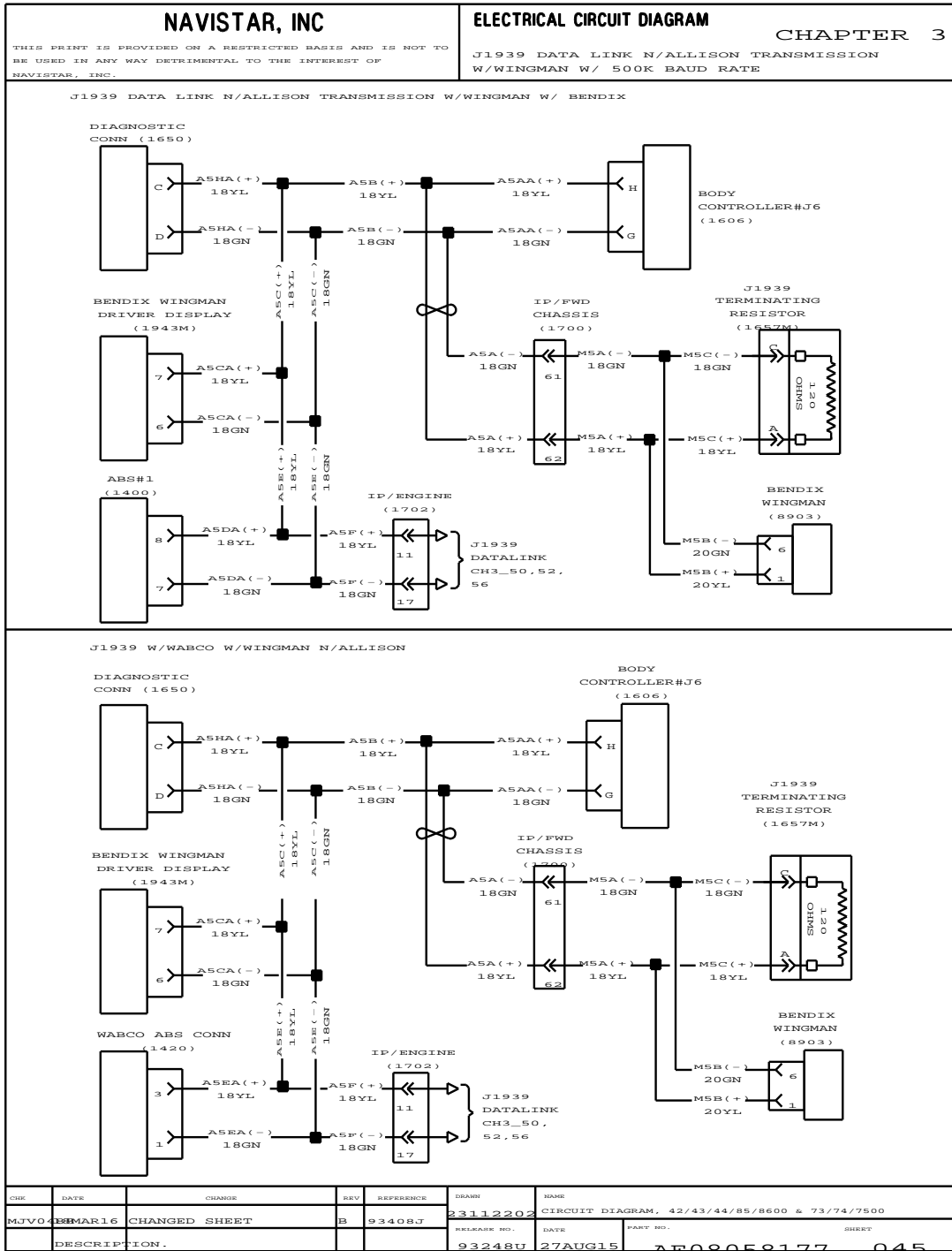


Figure 90 J1939 Data Link without Allison Transmission with Wingman with 500K Baud Rate

3.79. J1939 DATA LINK WITH HYDRAULIC BRAKES WITH 500K BAUD RATE, P. 46

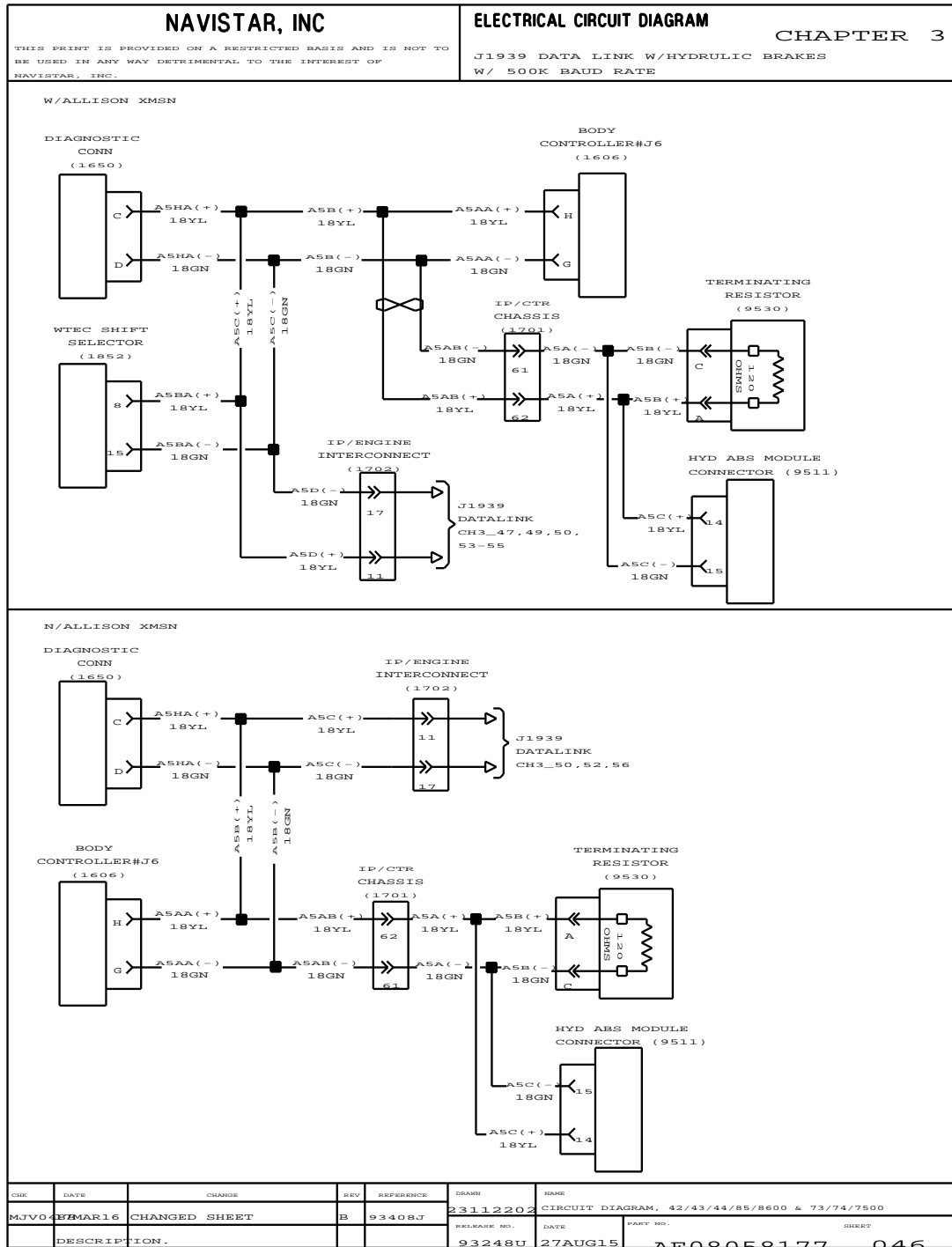


Figure 91 J1939 Data Link with Hydraulic Brakes with 500K Baud Rate

3.80. J1939 DATA LINK WITH 500K BAUD RATE WITH TC10 TRANSMISSION WITH IBB ENGINE, P. 47

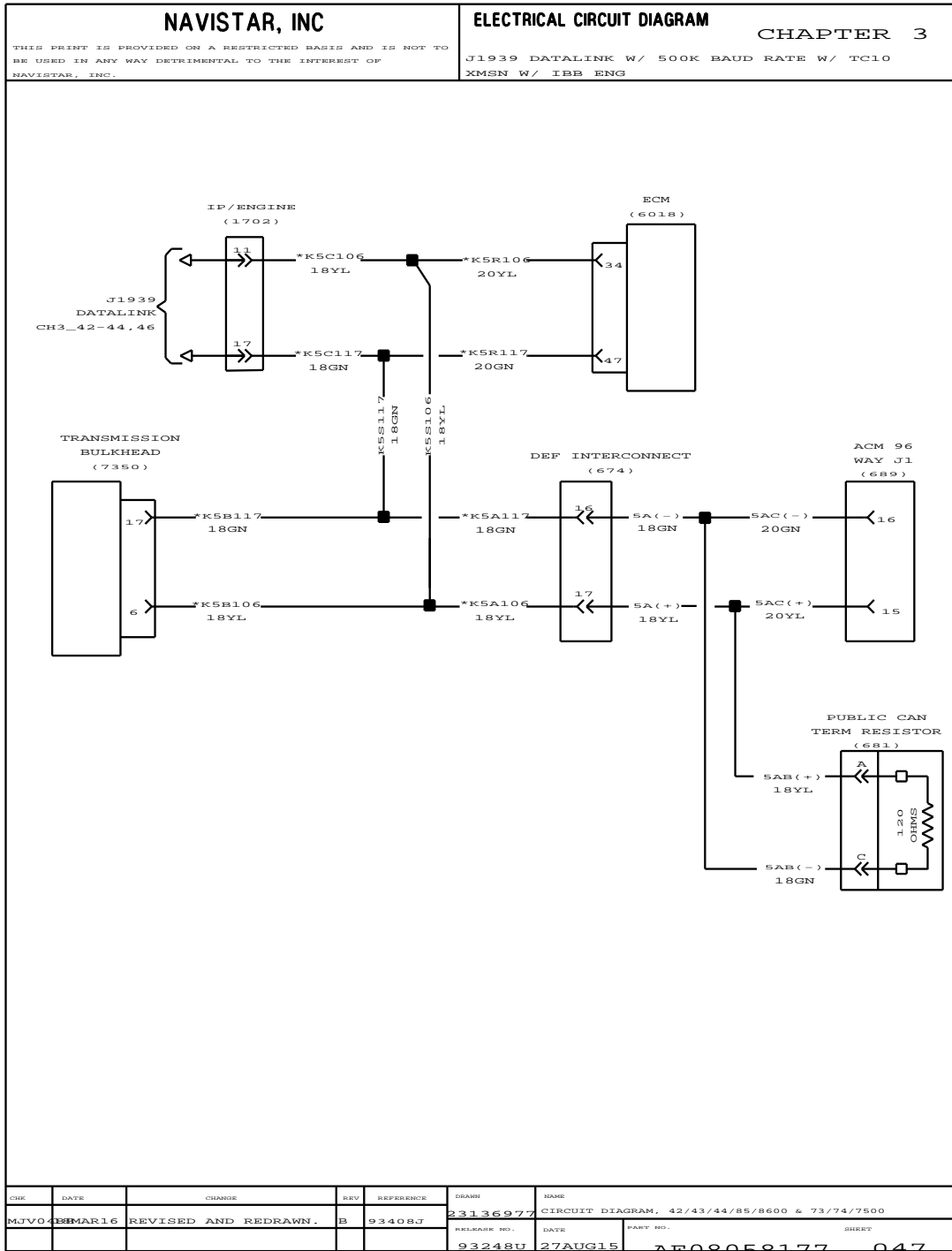


Figure 92 J1939 Data Link with 500K Baud Rate with TC10 Transmission with IBB Engine

3.81. J1939 DATA LINK WITH 500K BAUD RATE WITH ALLISON TRANSMISSION WITH IBB ENGINE, P. 48

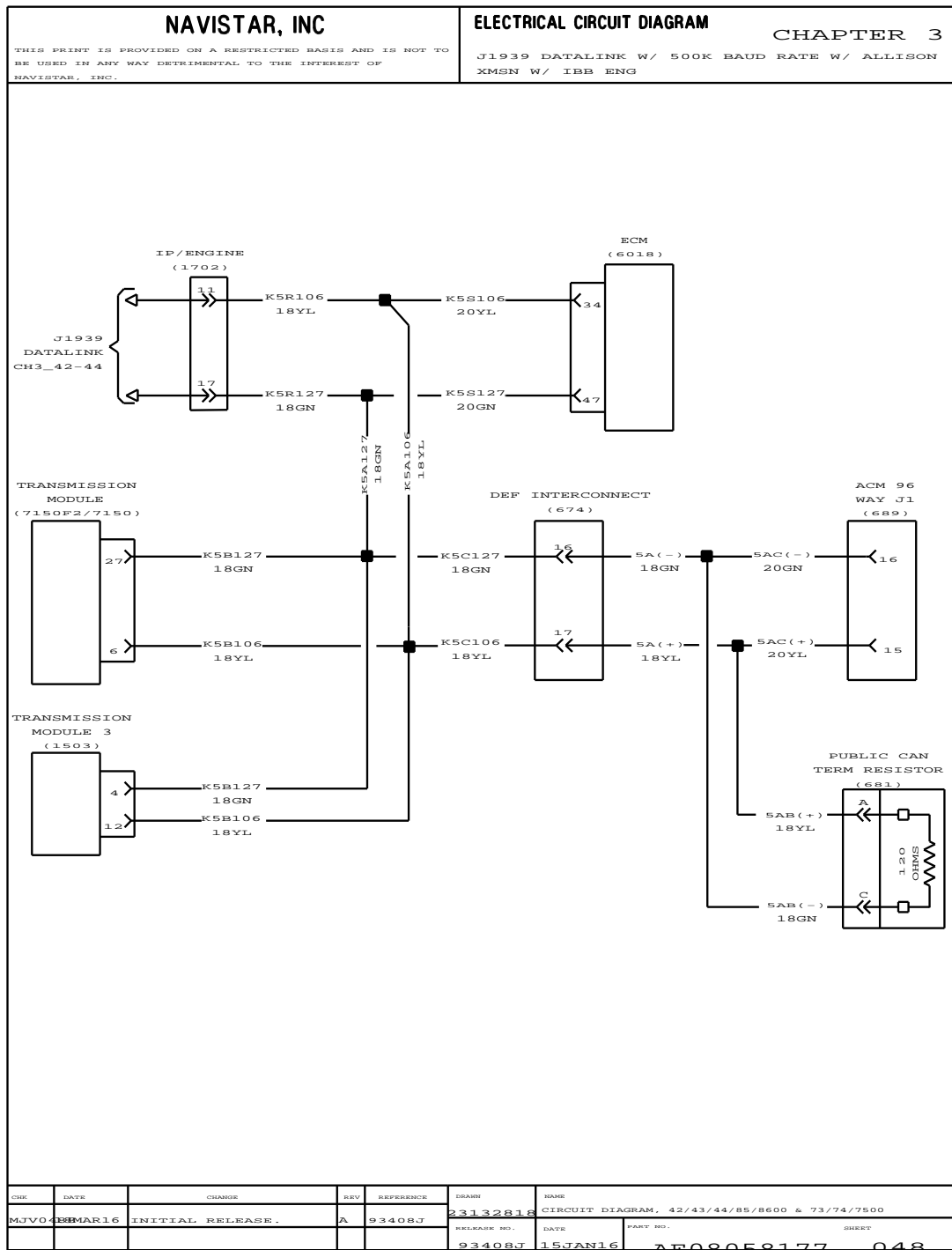


Figure 93 J1939 Data Link with 500K Baud Rate with Allison Transmission with IBB Engine

3.82. J1939 DATA LINK WITH 500K BAUD RATE WITH ALLISON TRANSMISSION WITH CUMMINS ISB ENGINE WITH WORKSTAR, P. 49

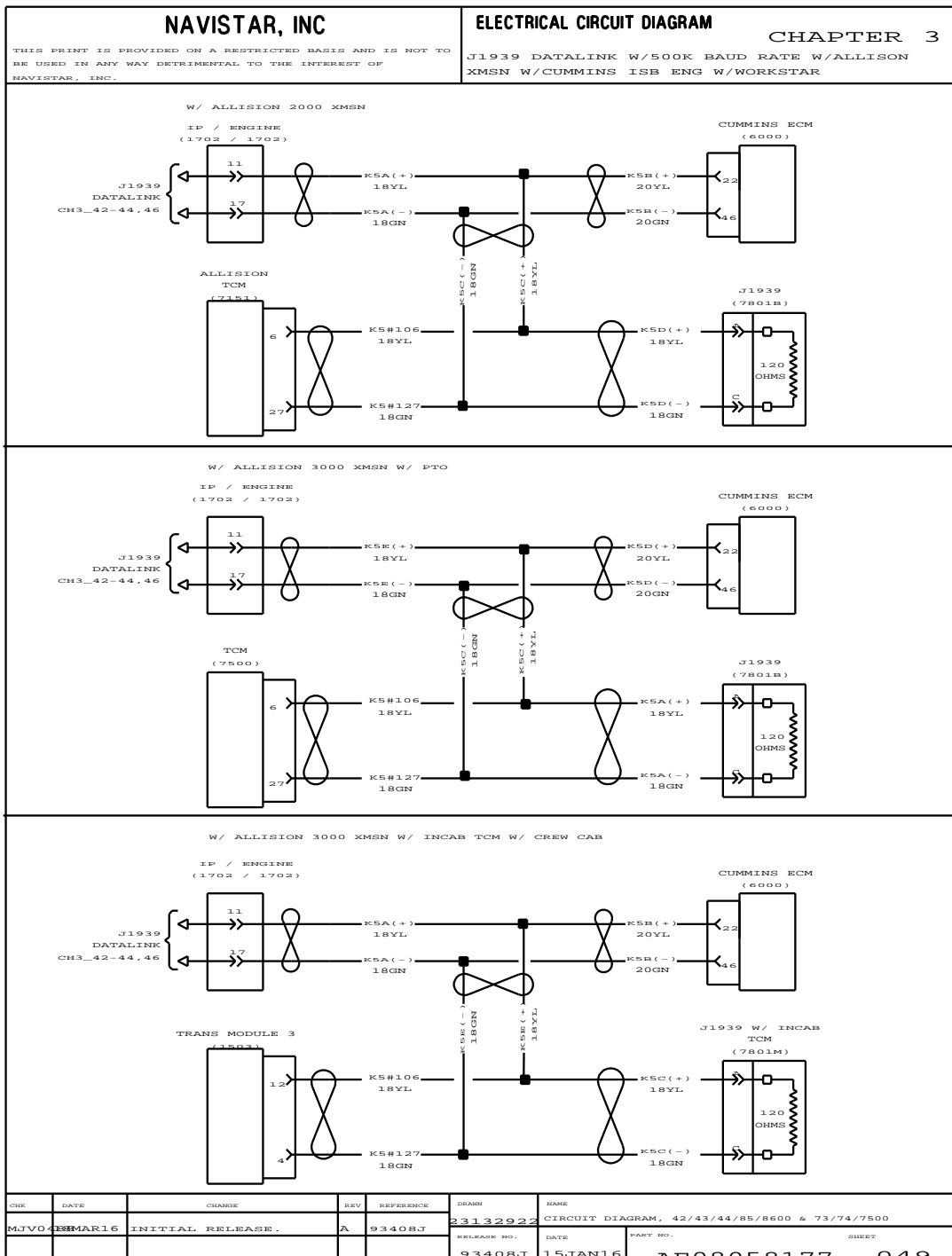


Figure 94 J1939 Data Link with 500K Baud Rate with Allison Transmission with Cummins ISB Engine with WorkStar

3.83. J1939 DATA LINK WITH 500K BAUD RATE WITH 2010 SCR I6 ENGINE, P. 50

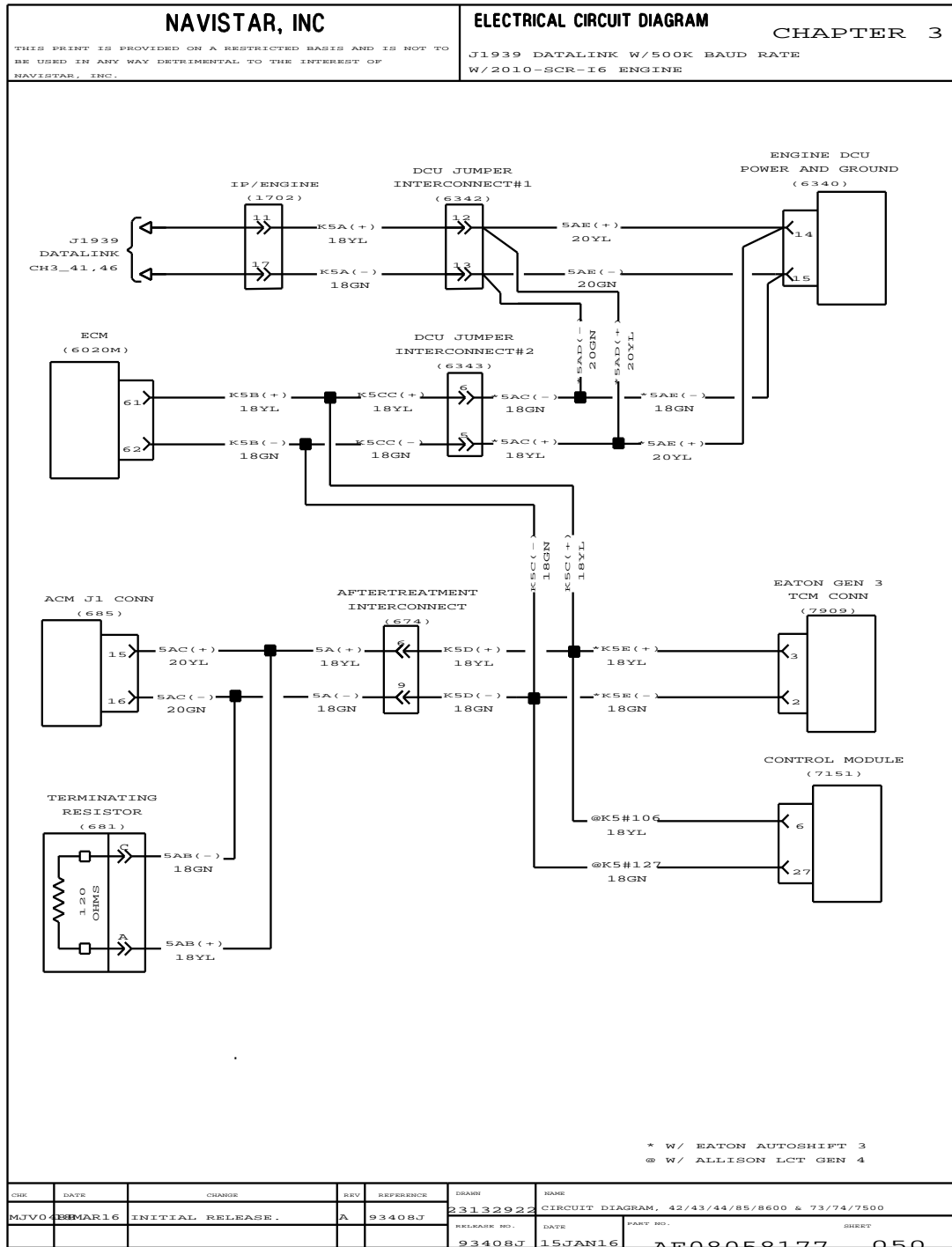


Figure 95 J1939 Data Link with 500K Baud Rate with 2010 SCR I6 Engine

3.84. J1939 DATA LINK WITH 500K BAUD RATE WITH ALLISON WTEC GEN 4 WITH MID/HIGH CAB WITH CREW CAB WITH 2010 SCR I6 ENGINE, P. 51

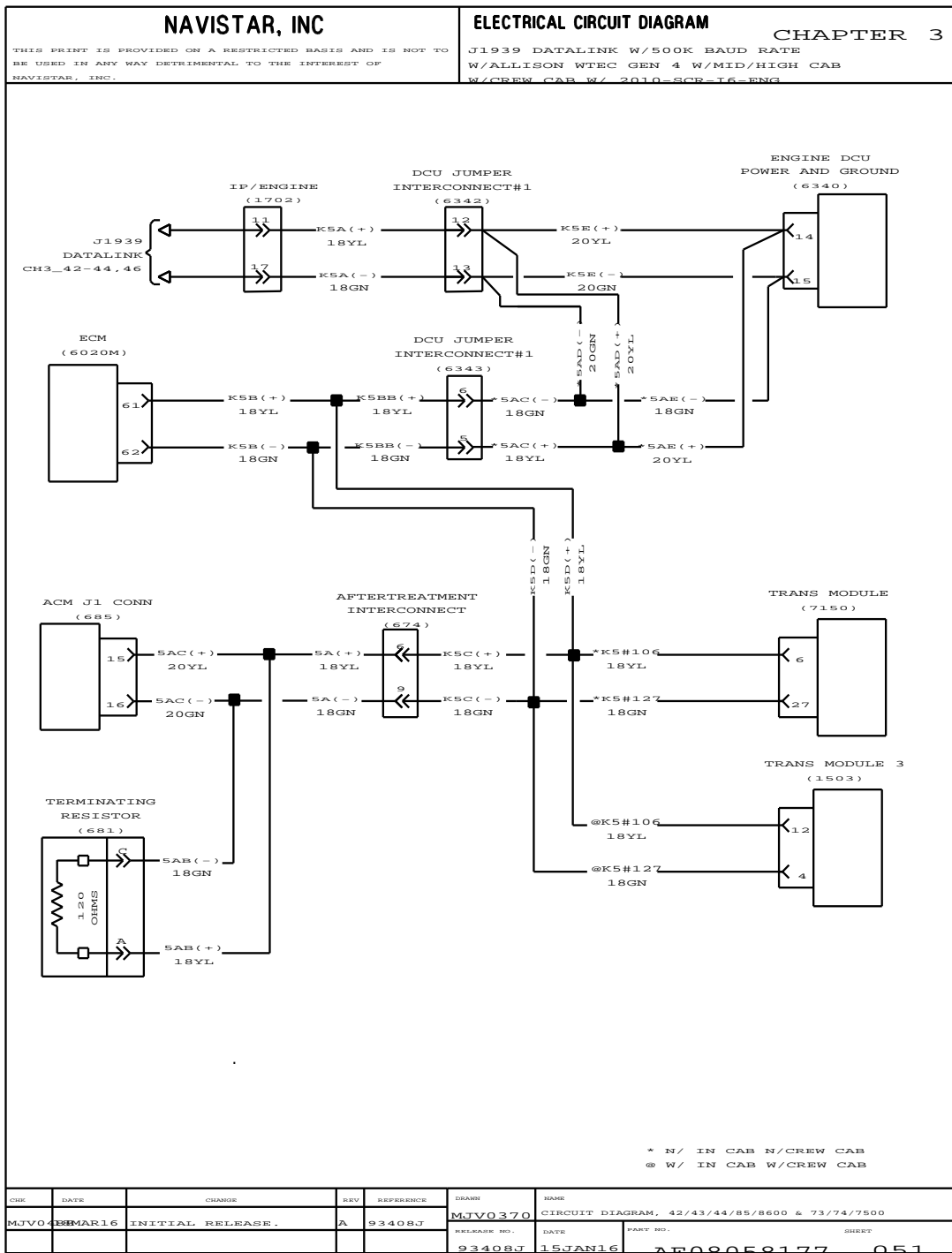


Figure 96 J1939 Data Link with 500K Baud Rate with Allison WTEC Gen 4 with Mid/High Cab with Crew Cab with 2010 SCR I6 Engine

3.85. J1939 DATA LINK WITH 500K BAUD RATE WITH BACKBONE WITH MID/HIGH CAB WITH 2010 SCR I6 ENGINE, P. 52

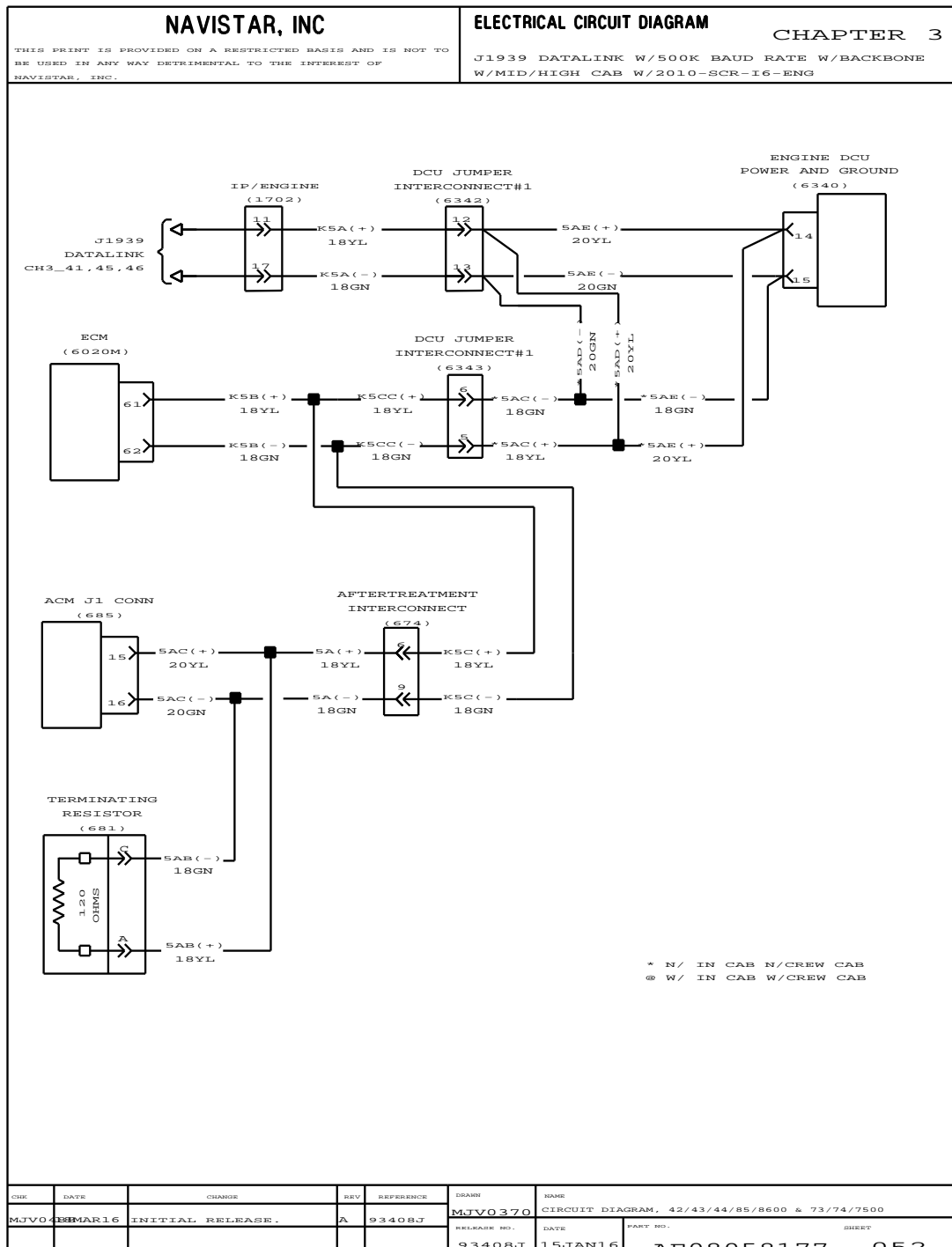


Figure 97 J1939 Data Link with 500K Baud Rate with Backbone with Mid/High Cab with 2010 SCR I6 Engine

3.86. J1939 DATA LINK WITH 500K BAUD RATE WITH ALLISON WTEC GEN 4 WITH MID/HIGH CAB WITH CREW CAB WITH 2010 SCR I6 ENGINE, P. 53

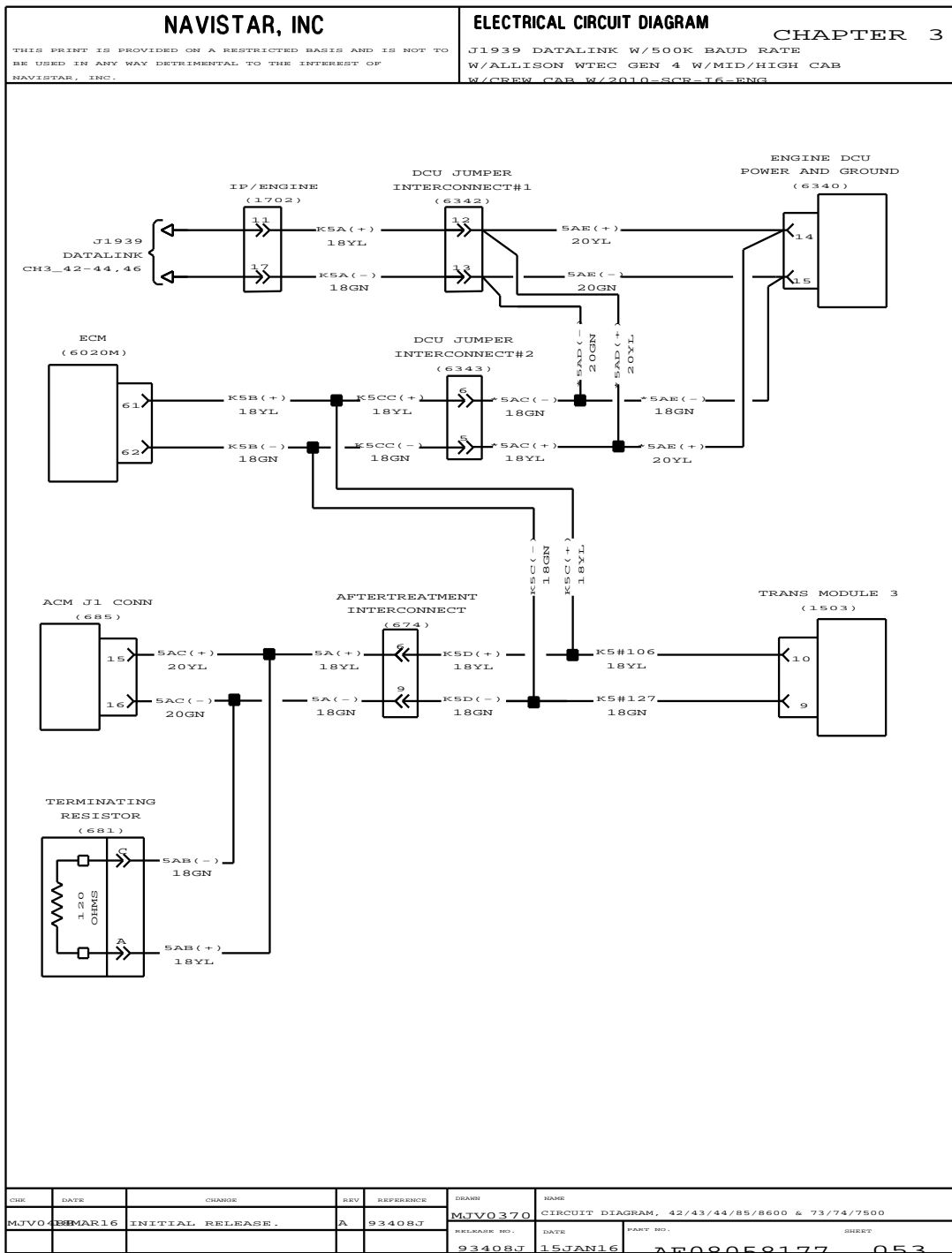


Figure 98 J1939 Data Link with 500K Baud Rate with Allison WTEC Gen 4 with Mid/High Cab with Crew Cab with 2010 SCR I6 Engine

3.87. J1939 DATA LINK WITH 500K BAUD RATE WITH ALLISON TRANSMISSION WITH CUMMINS ISB ENGINE, P. 54

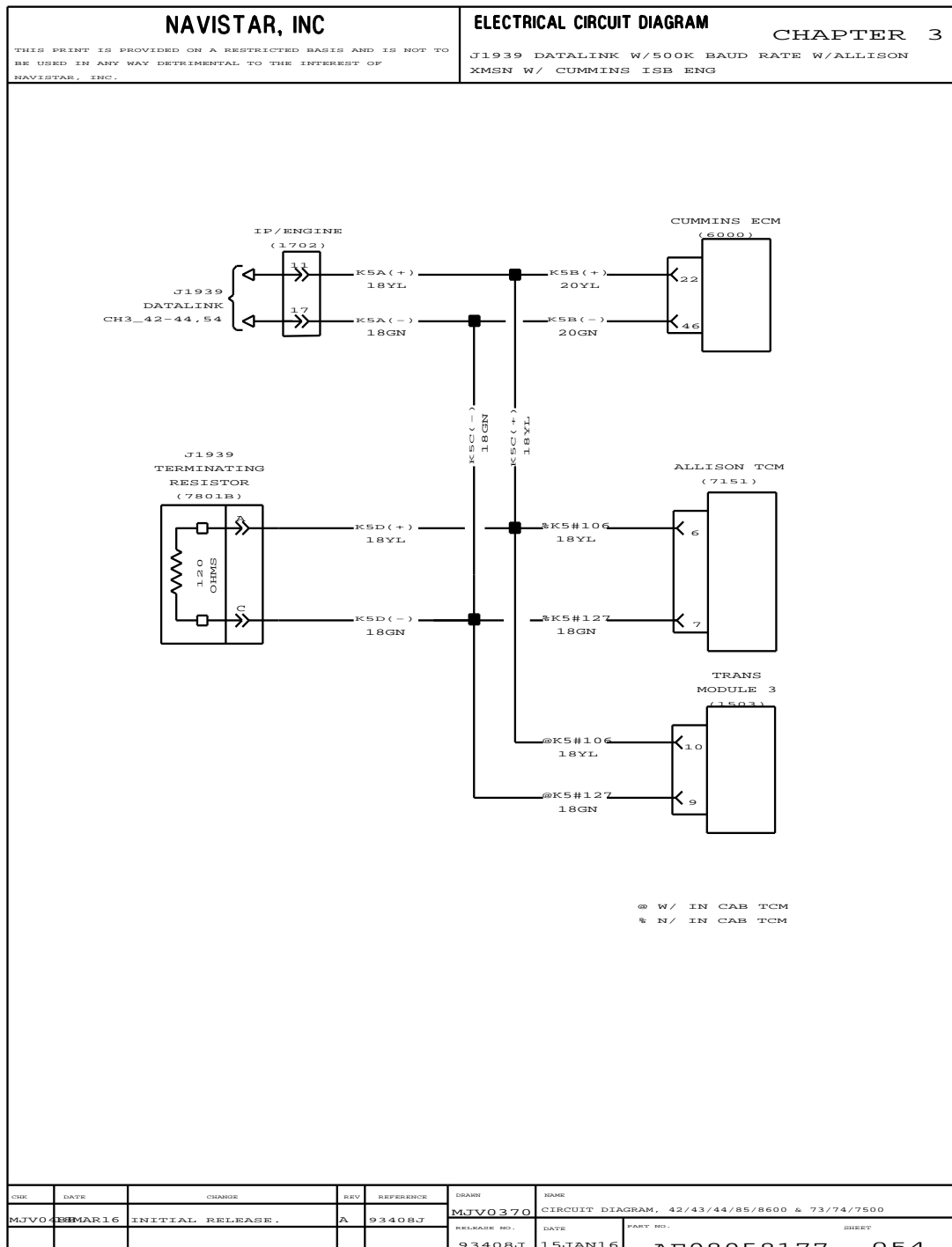


Figure 99 J1939 Data Link with 500K Baud Rate with Allison Transmission with Cummins ISB Engine

3.88. J1939 DATA LINK WITH 500K BAUD RATE WITH ALLISON TRANSMISSION WITH CUMMINS ISB ENGINE (CONT.), P. 55

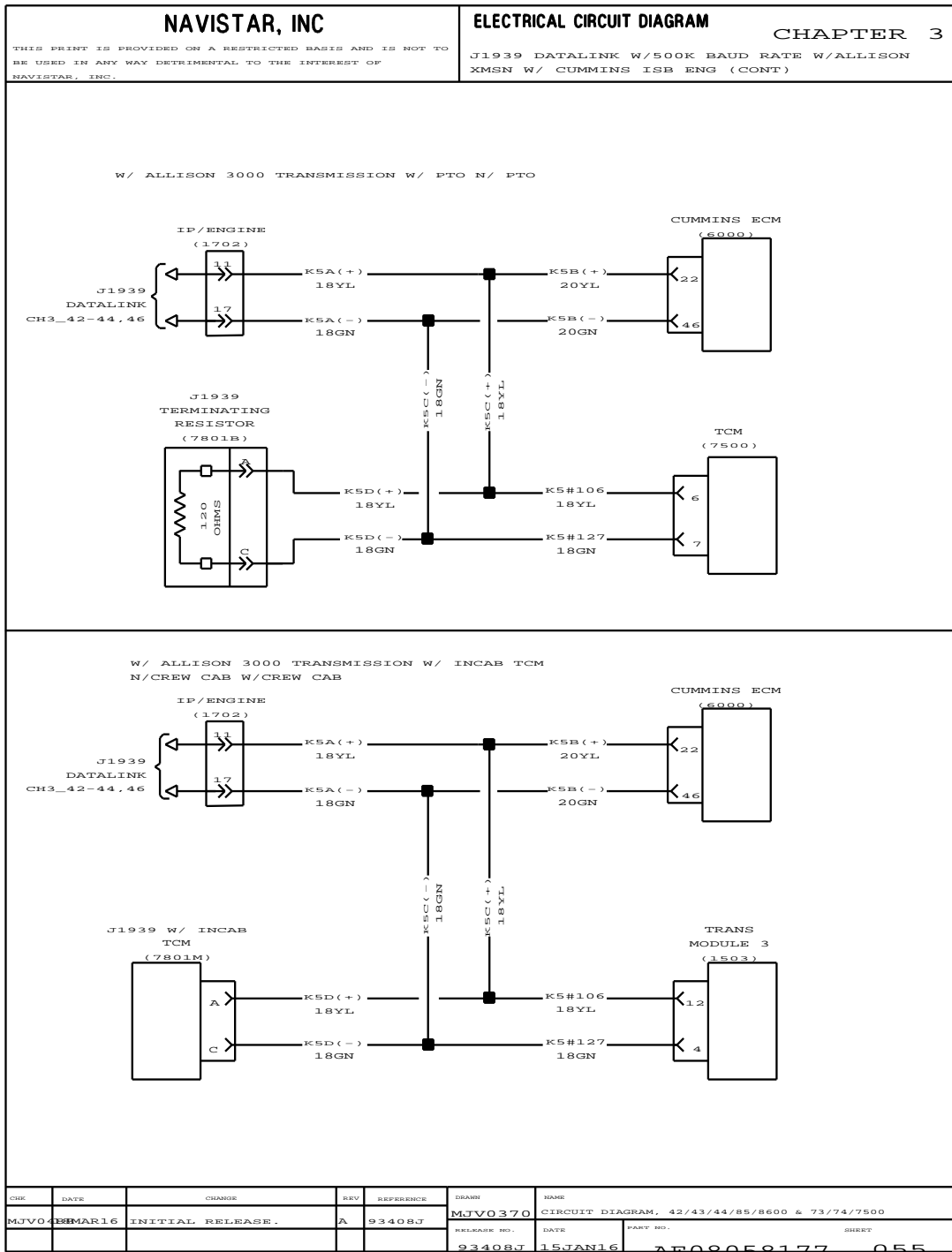


Figure 100 J1939 Data Link with 500K Baud Rate with Allison Transmission with Cummins ISB Engine (Cont.)

3.89. J1939 250K / 500K EATON EPS WITH CUMMINS ISB ENGINE, P. 56

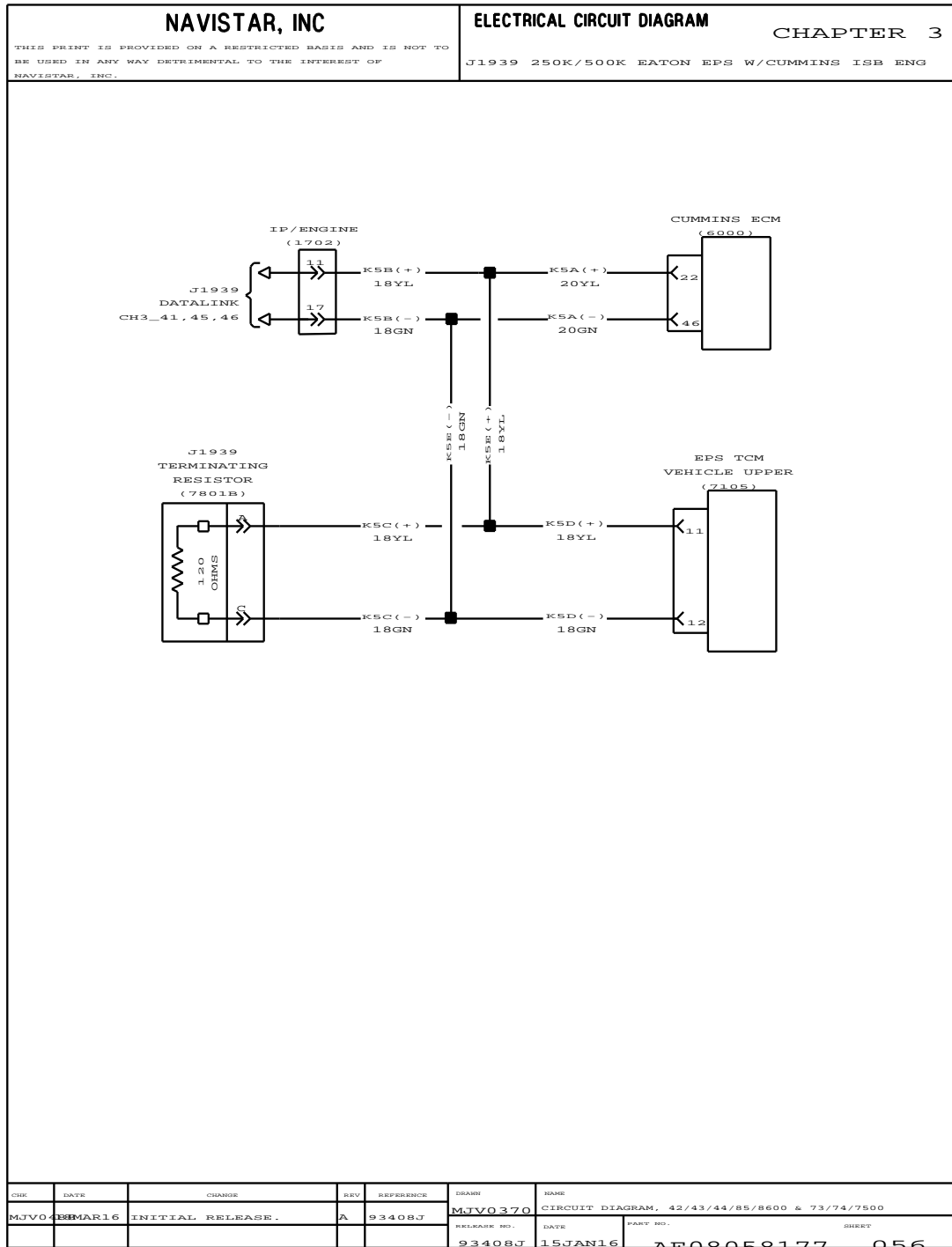


Figure 101 J1939 250K / 500K Eaton EPS with Cummins ISB Engine

3.90. J1939 DATA LINK WITH TRANSTAR, P. 57

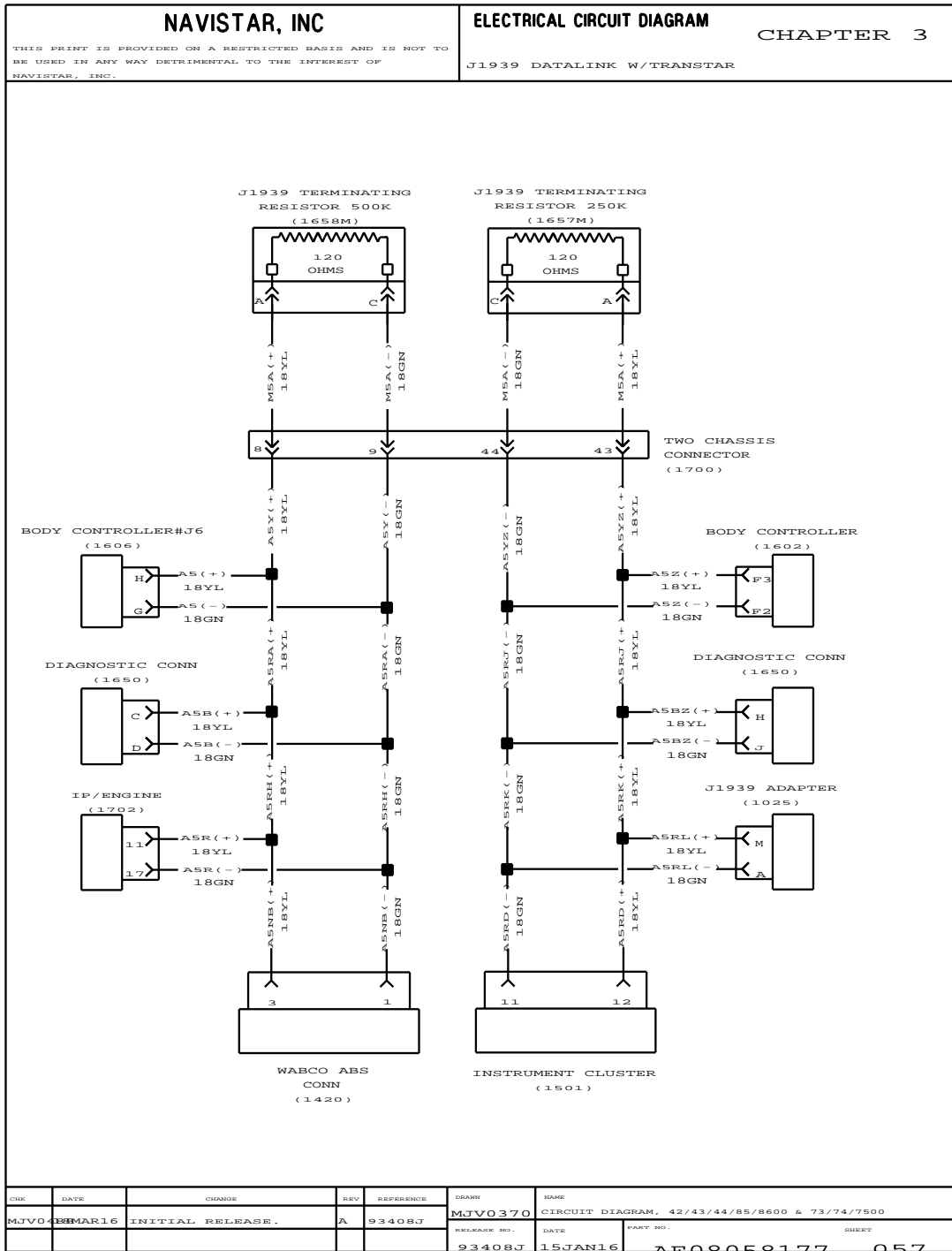


Figure 102 J1939 Data Link with TranStar

CAB ACCESSORIES (CHAPTER 4)

4.1. CIGAR LIGHTER AND POWER FEED, P. 1

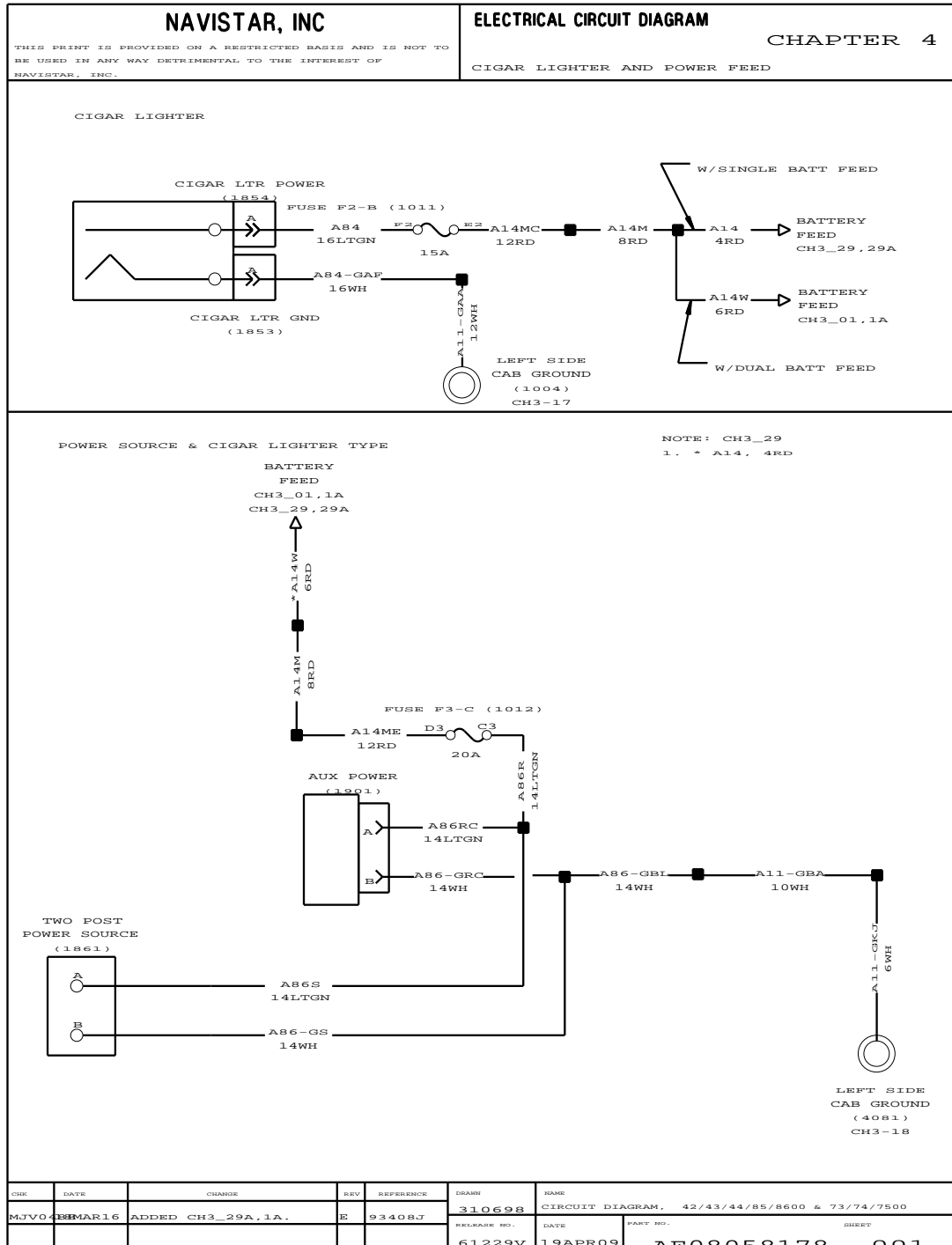


Figure 103 Cigar Lighter and Power Feed

4.2. CIGAR LIGHTER AND POWER FEED (CONT.), P. 2

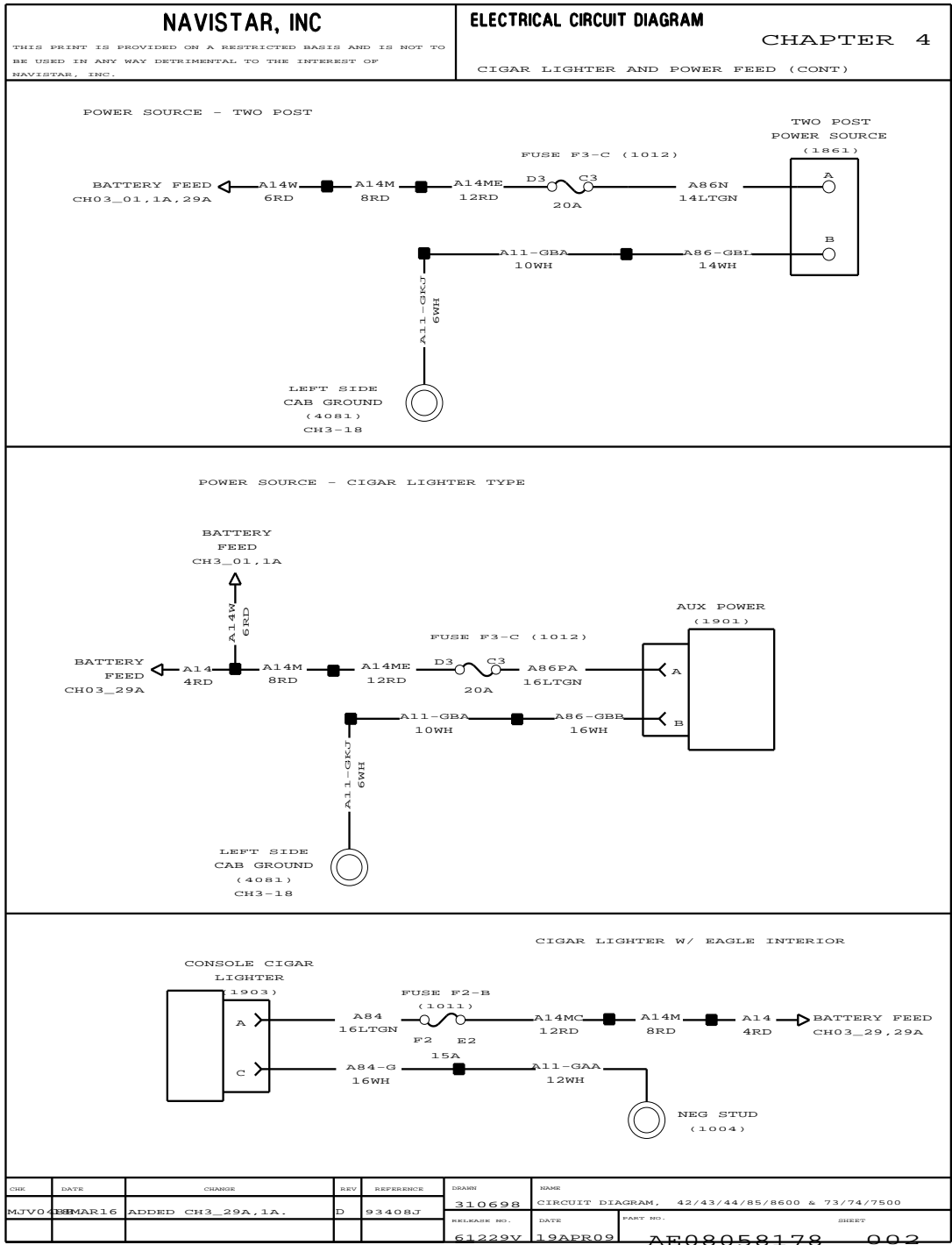


Figure 104 Cigar Lighter and Power Feed (Cont.)

4.3. CB POWER RADIO, P. 3

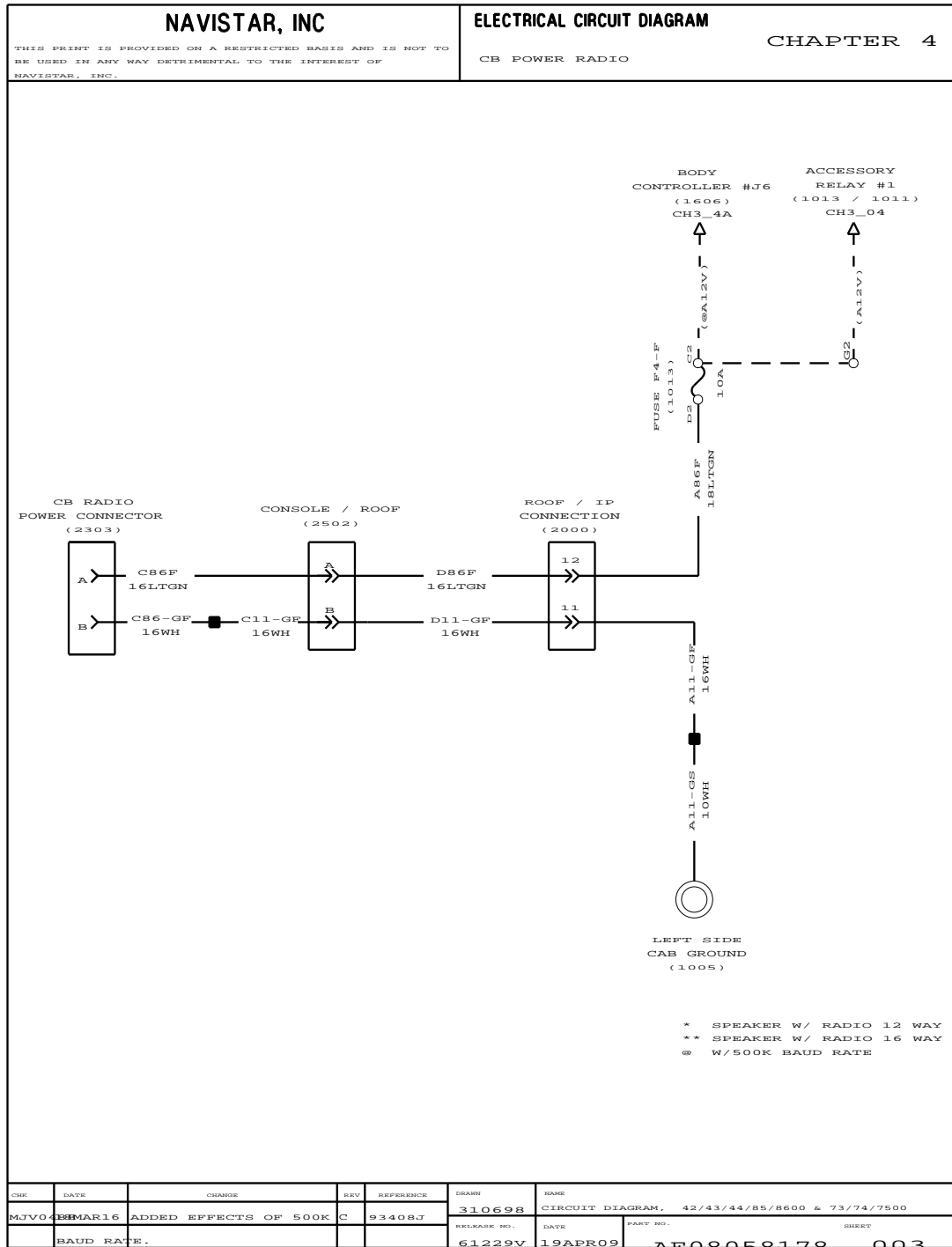


Figure 105 CB Power Radio

4.4. COMPASS DISPLAY, P. 4

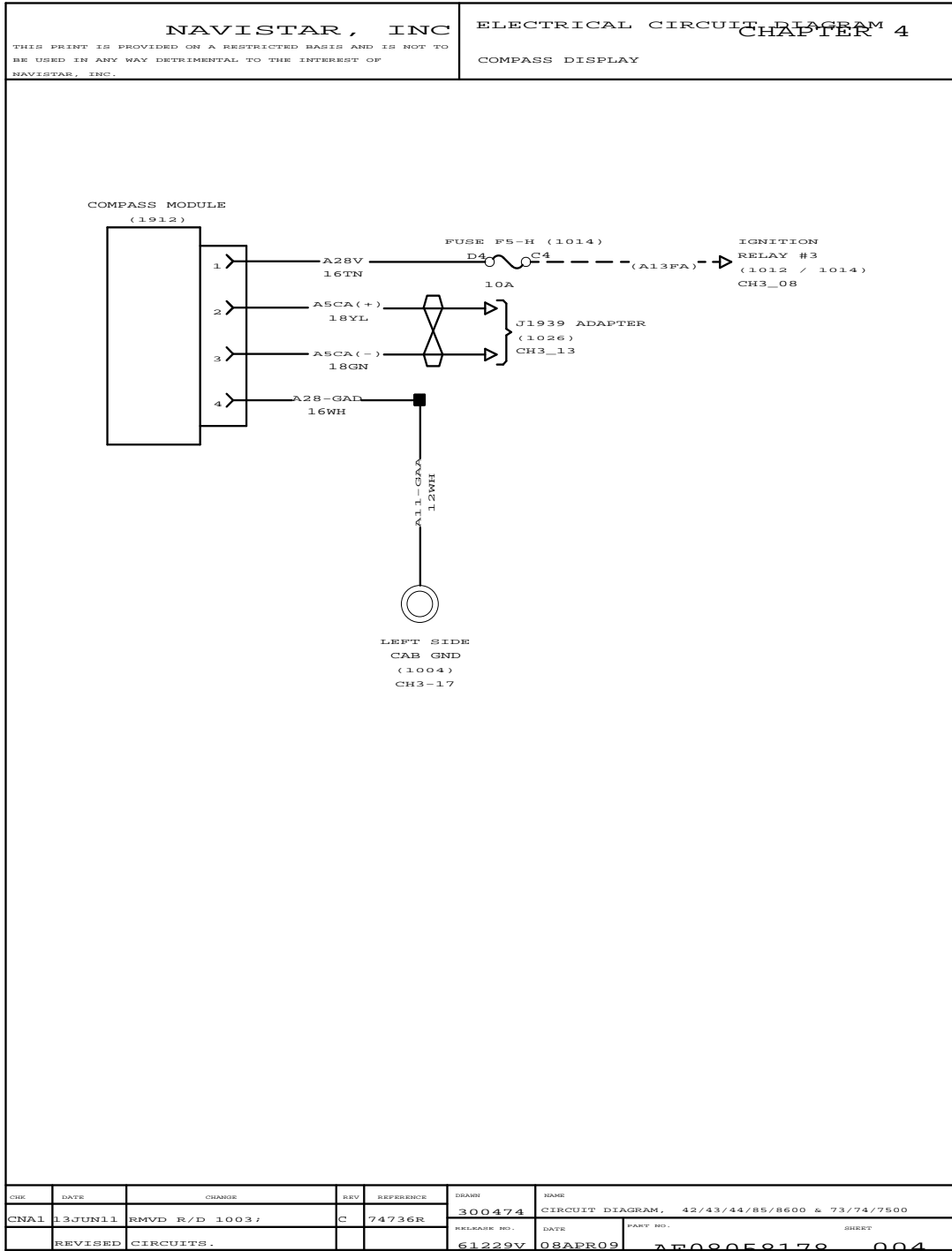


Figure 106 Compass Display

4.5. FRONT DOOR WINDOWS AND LOCKS (POWER), P. 5

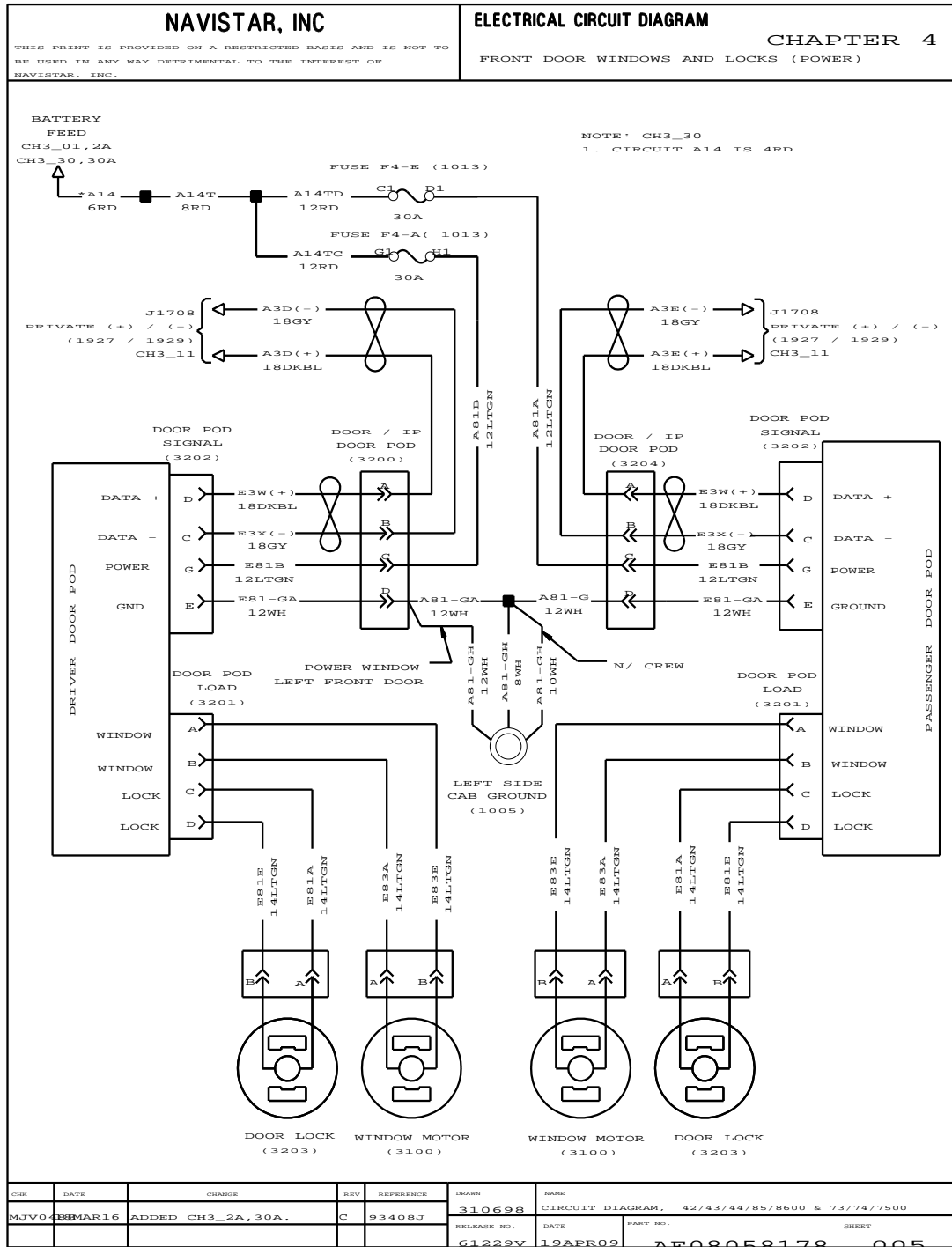


Figure 107 Front Door Windows and Locks (Power)

4.6. FRONT DOOR WINDOWS AND LOCKS (POWER) FOR CREW, P. 6

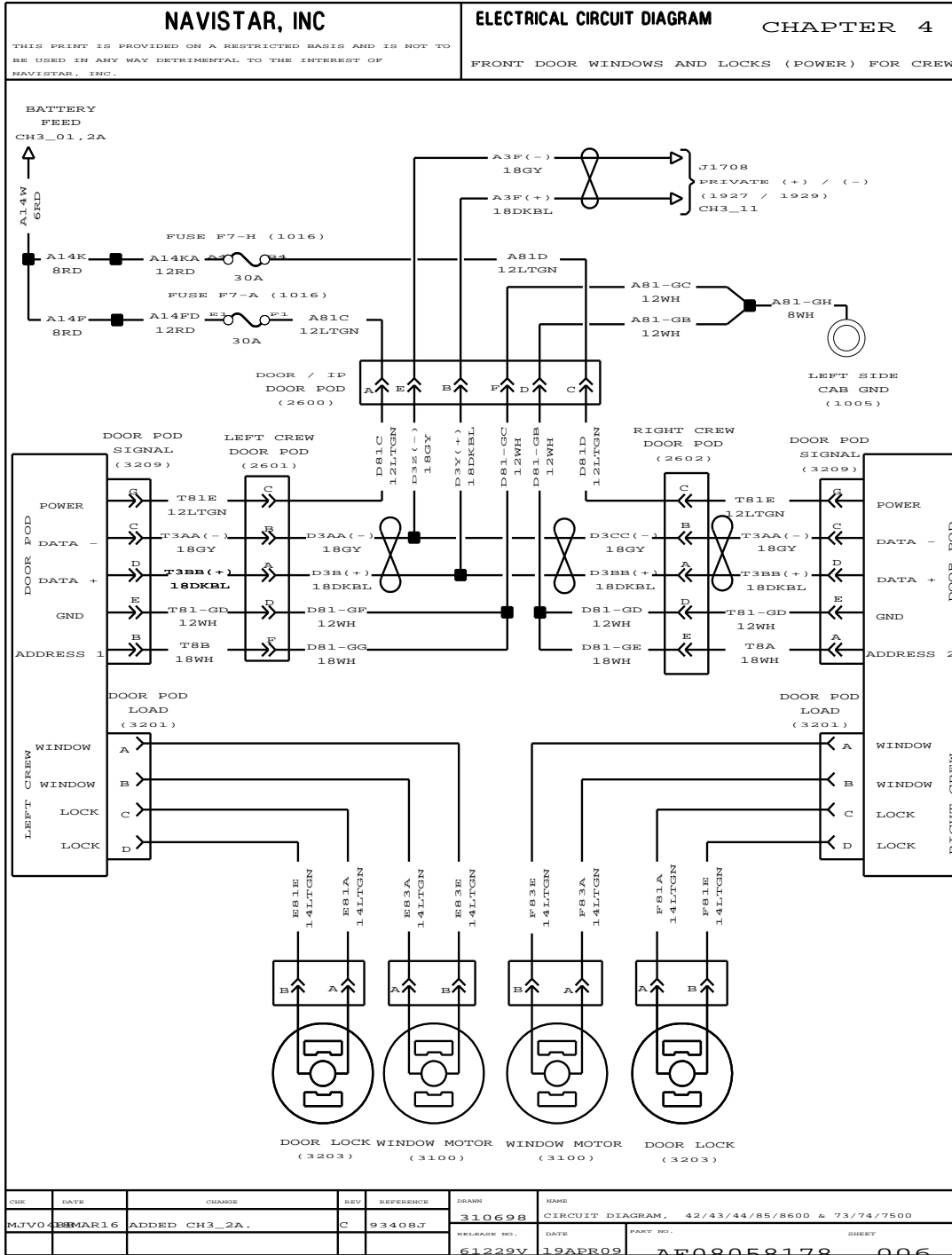


Figure 108 Front Door Windows and Locks (Power) for Crew

4.7. HORN, ELECTRIC AND AIR, P. 7

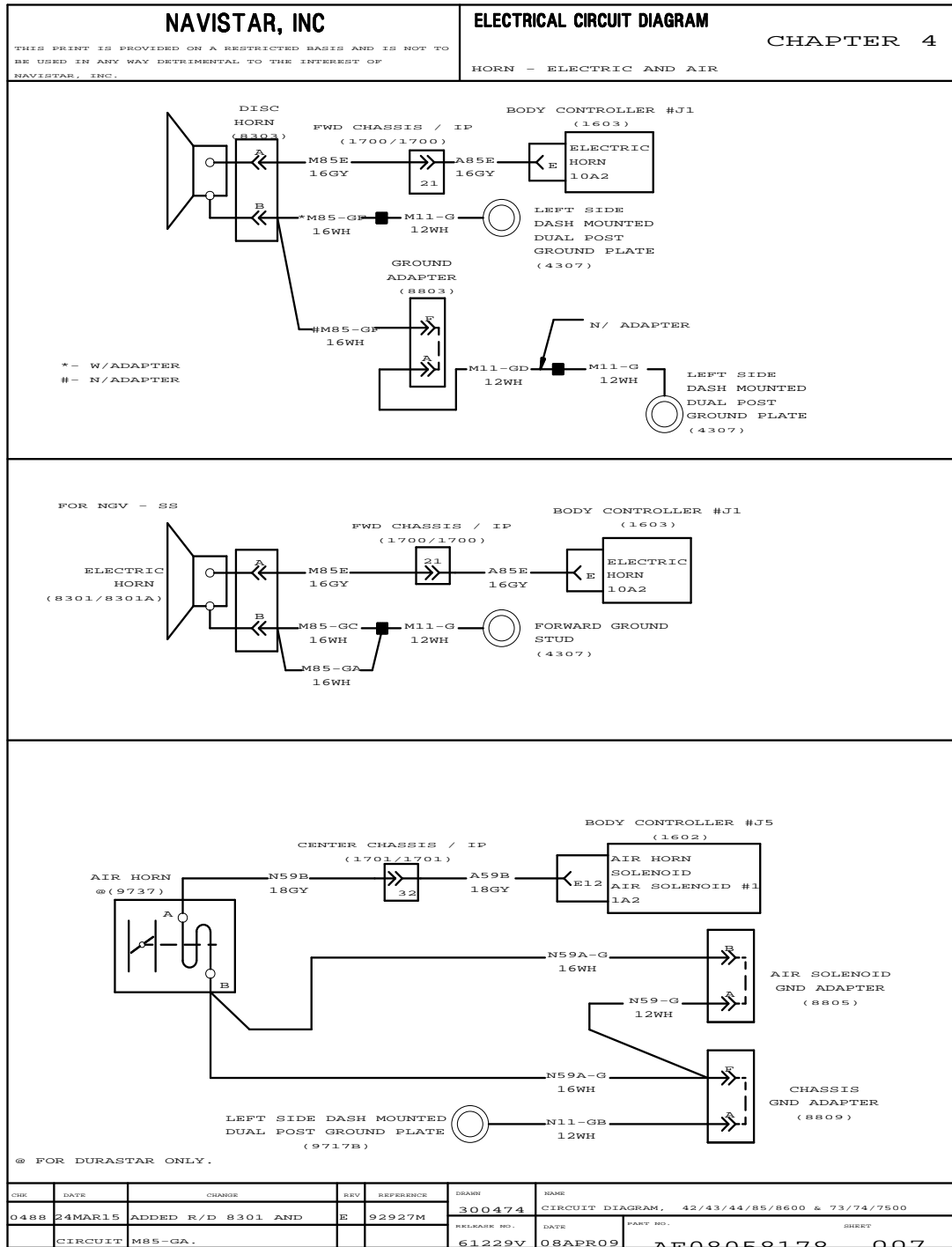


Figure 109 Horn, Electric and Air

4.8. HORN, ELECTRIC AND AIR (CONT.), P. 8

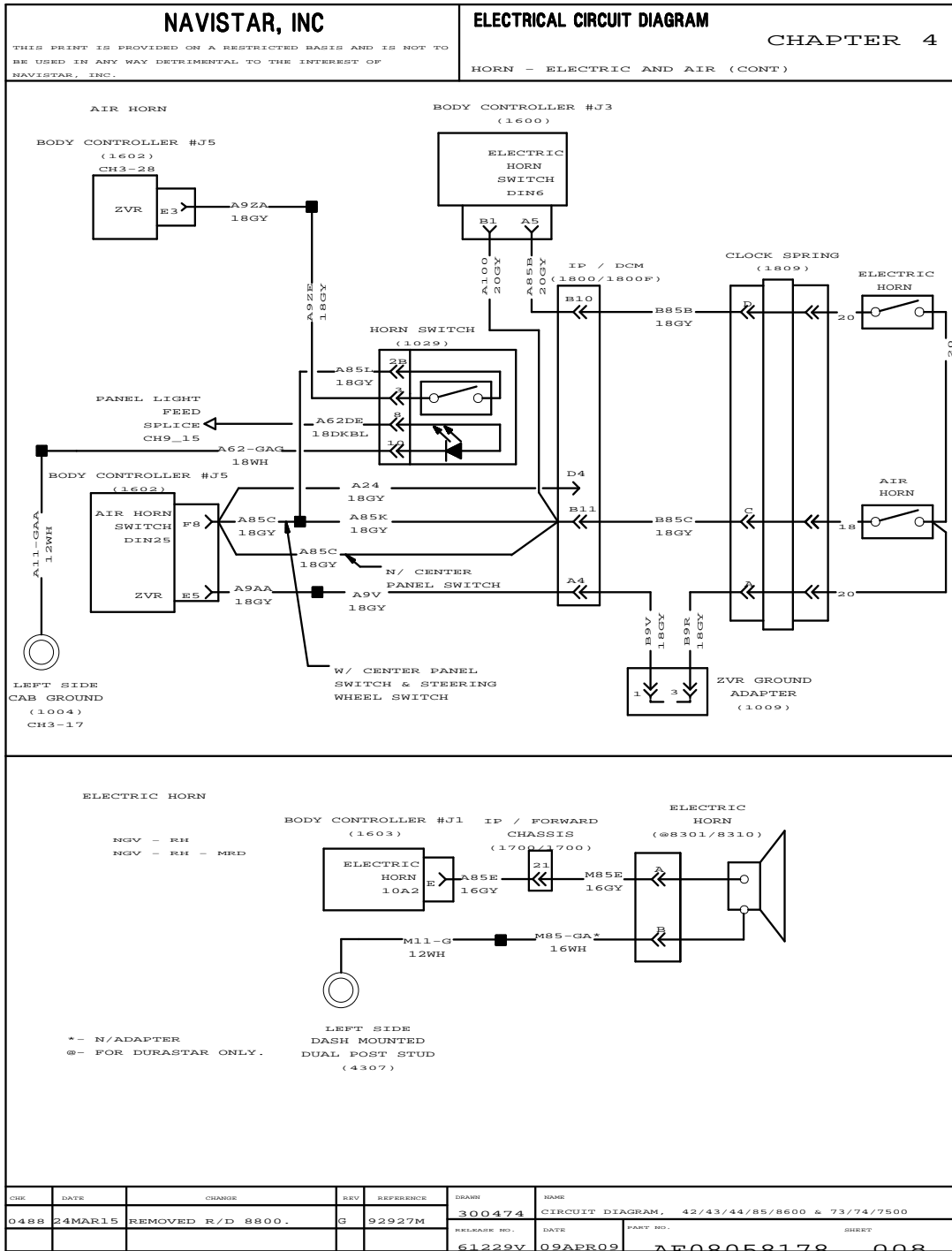


Figure 110 Horn, Electric and Air (Cont.)

4.9. MIRRORS (HEATED, LIGHTED AND POWER), P. 9

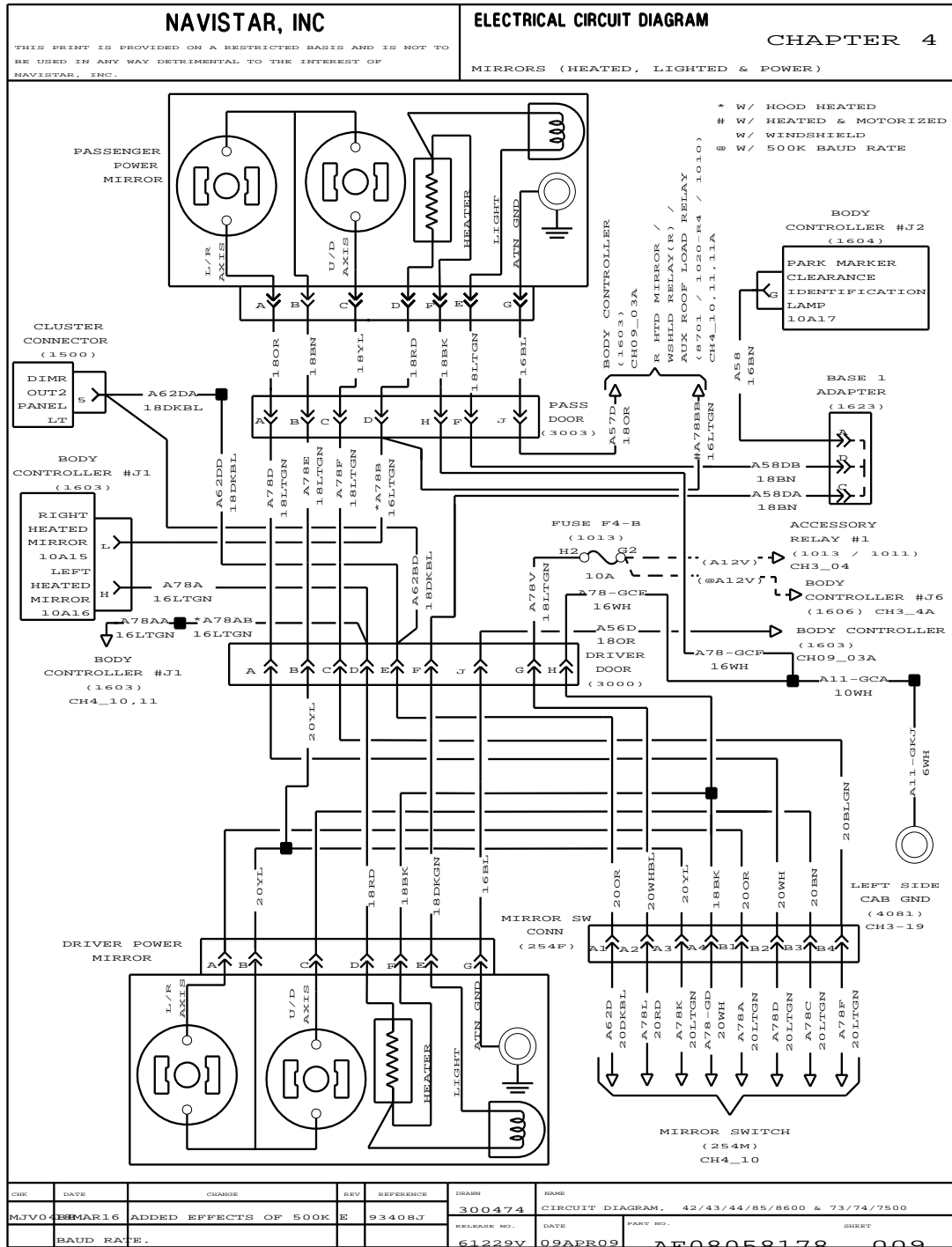


Figure 111 Mirrors (Heated, Lighted and Power)

4.10. MIRRORS (HEATED, LIGHTED AND POWER) (CONT.), P. 10

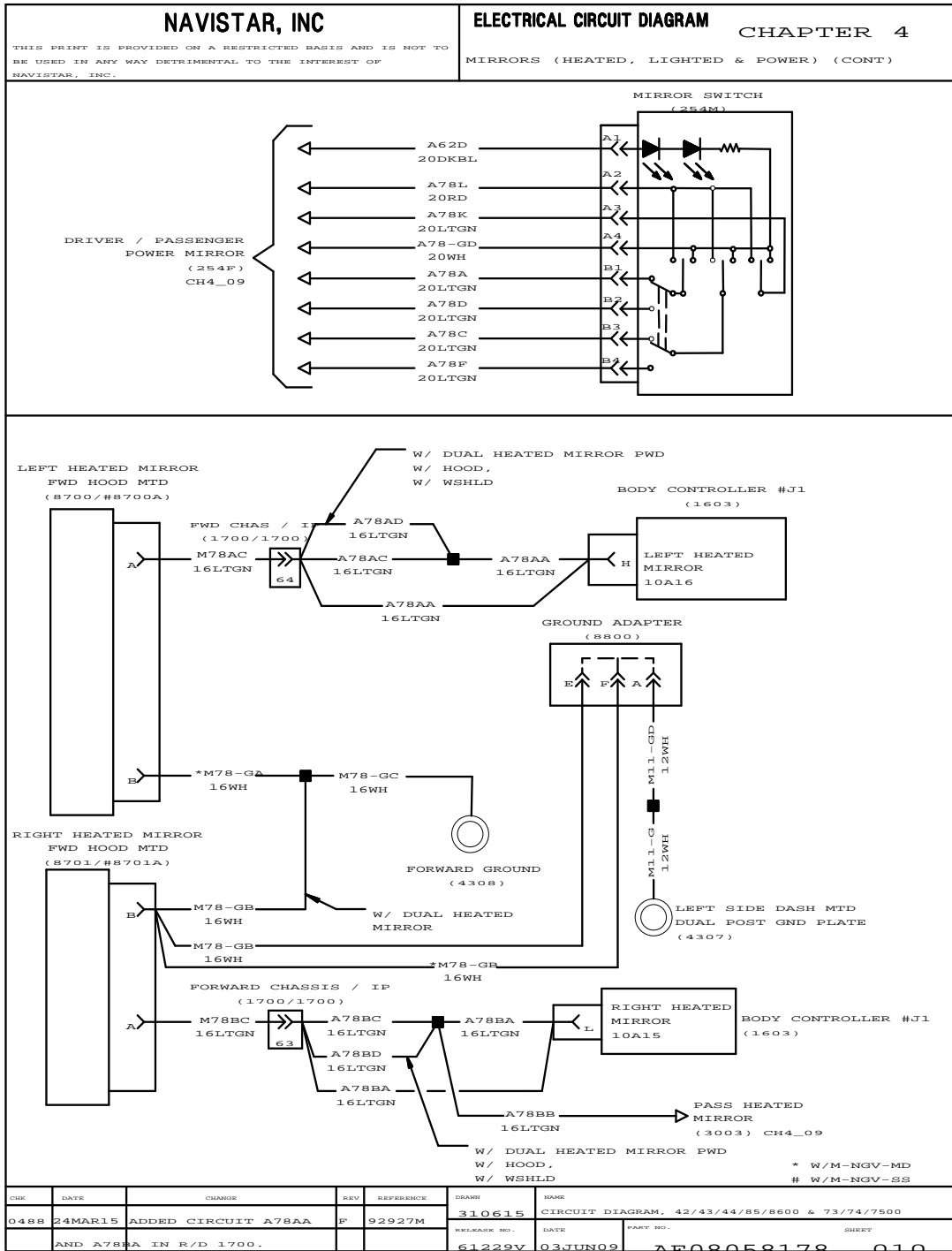


Figure 112 Mirrors (Heated, Lighted and Power) (Cont.)

4.11. MIRRORS (HEATED, LIGHTED AND POWER) (CONT.), P. 10A

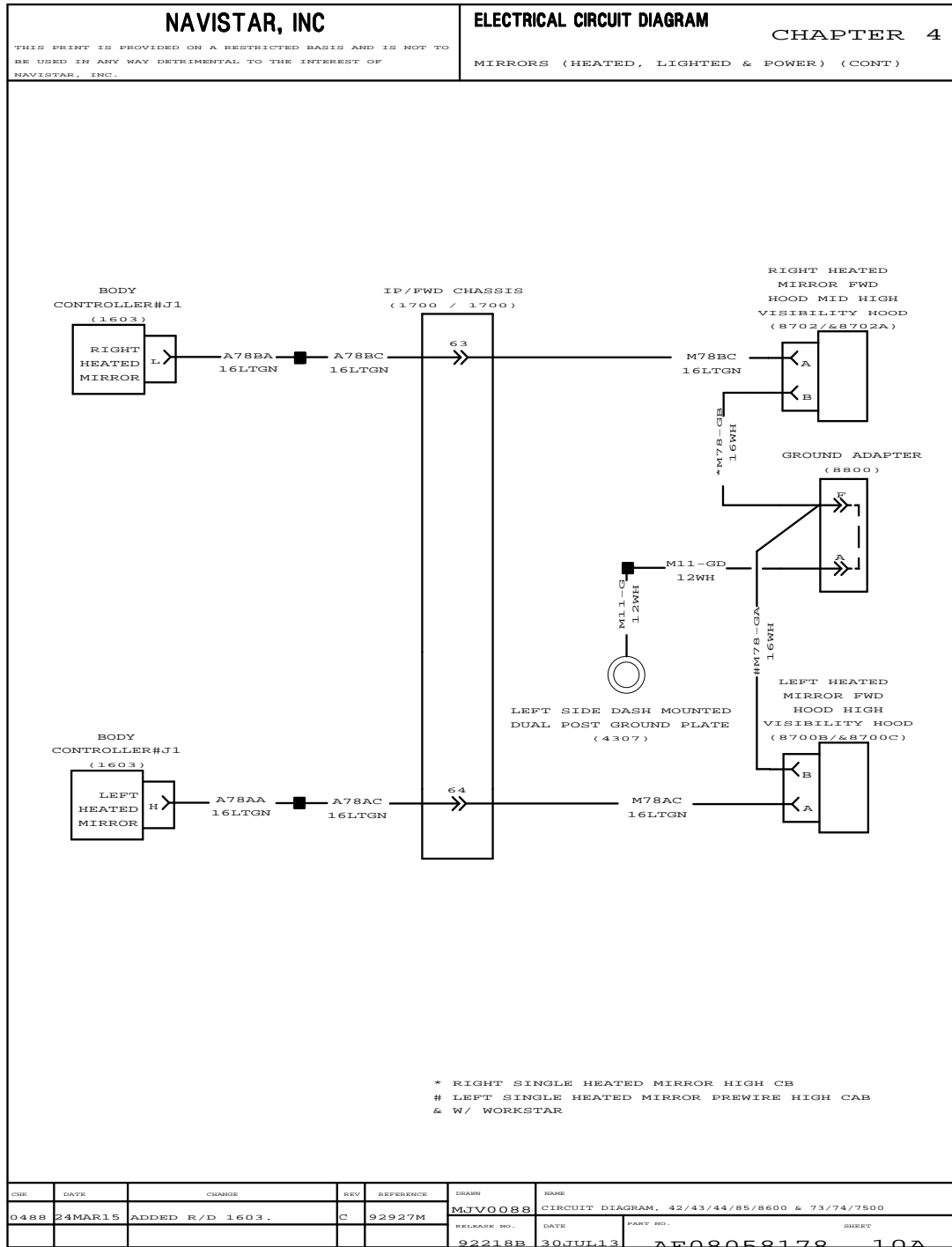


Figure 113 Mirrors (Heated, Lighted and Power) (Cont.)

4.12. MIRRORS (HEATED, LIGHTED AND POWER) (CONT.), P. 11

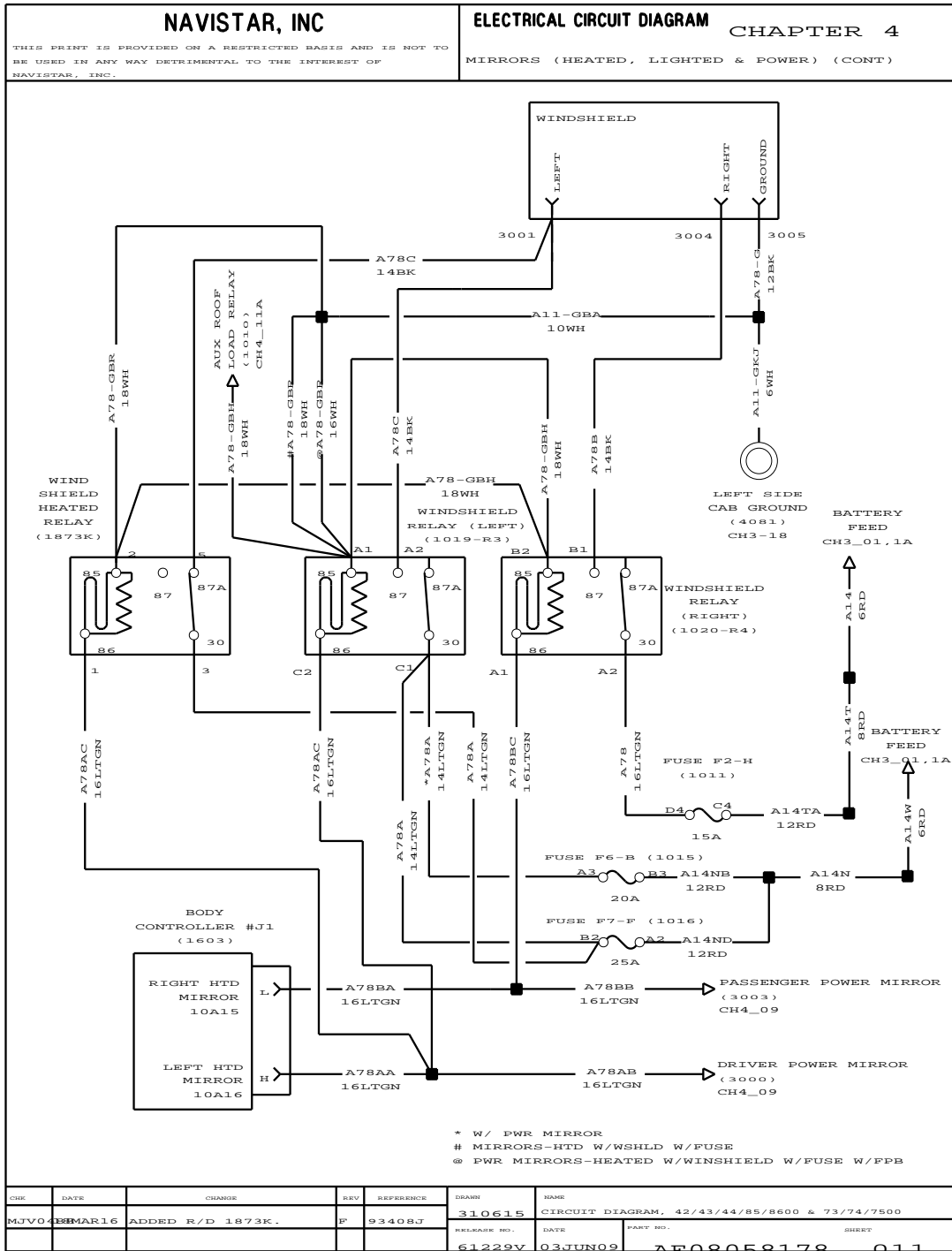


Figure 114 Mirrors (Heated, Lighted and Power) (Cont.)

4.13. POWER MIRRORS – HEATED AND MOTORIZED WITH WINDSHIELD WITH FPB, P. 11A

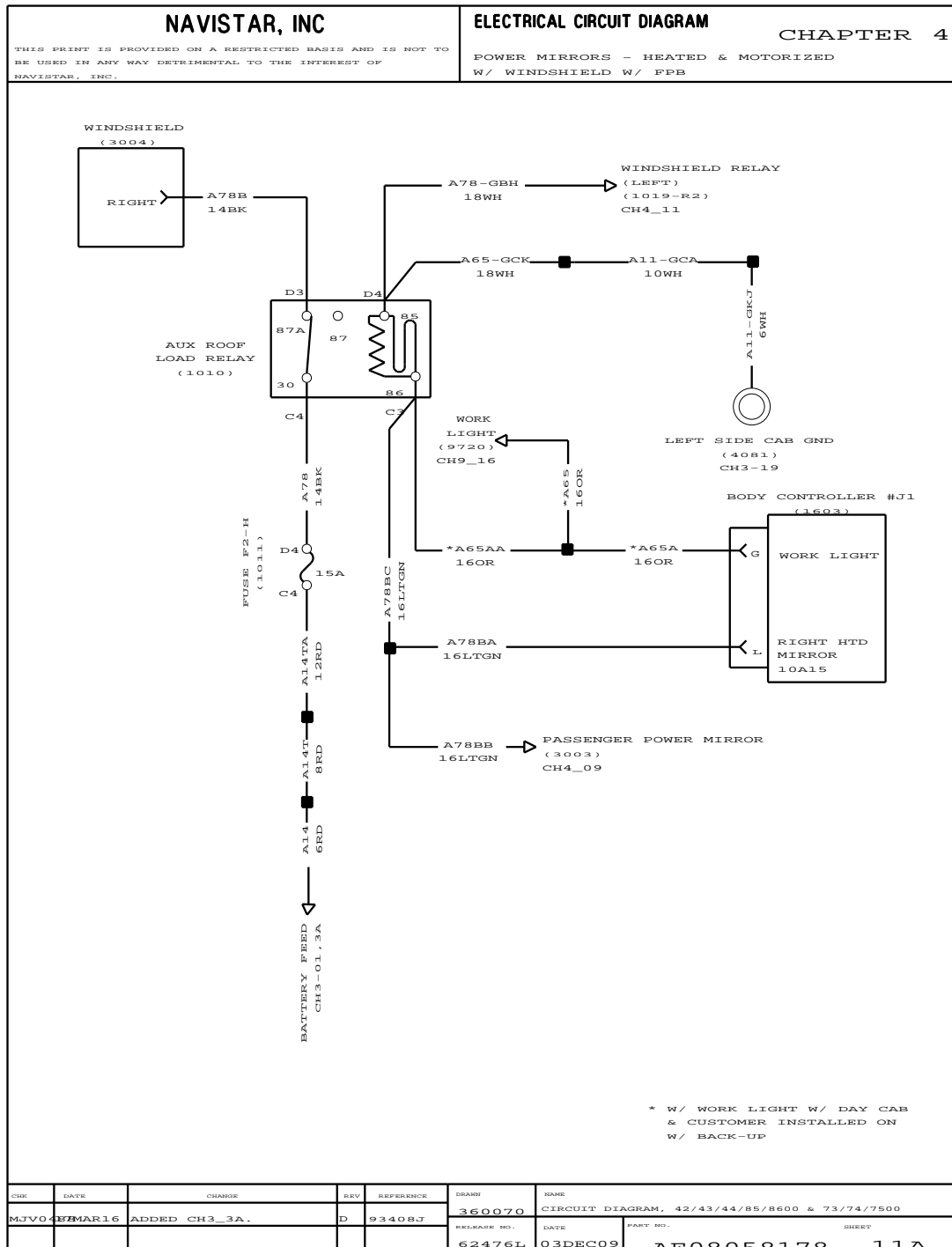


Figure 115 Power Mirrors – Heated and Motorized with Windshield with FPB

4.14. 2-WAY RADIO, P. 12

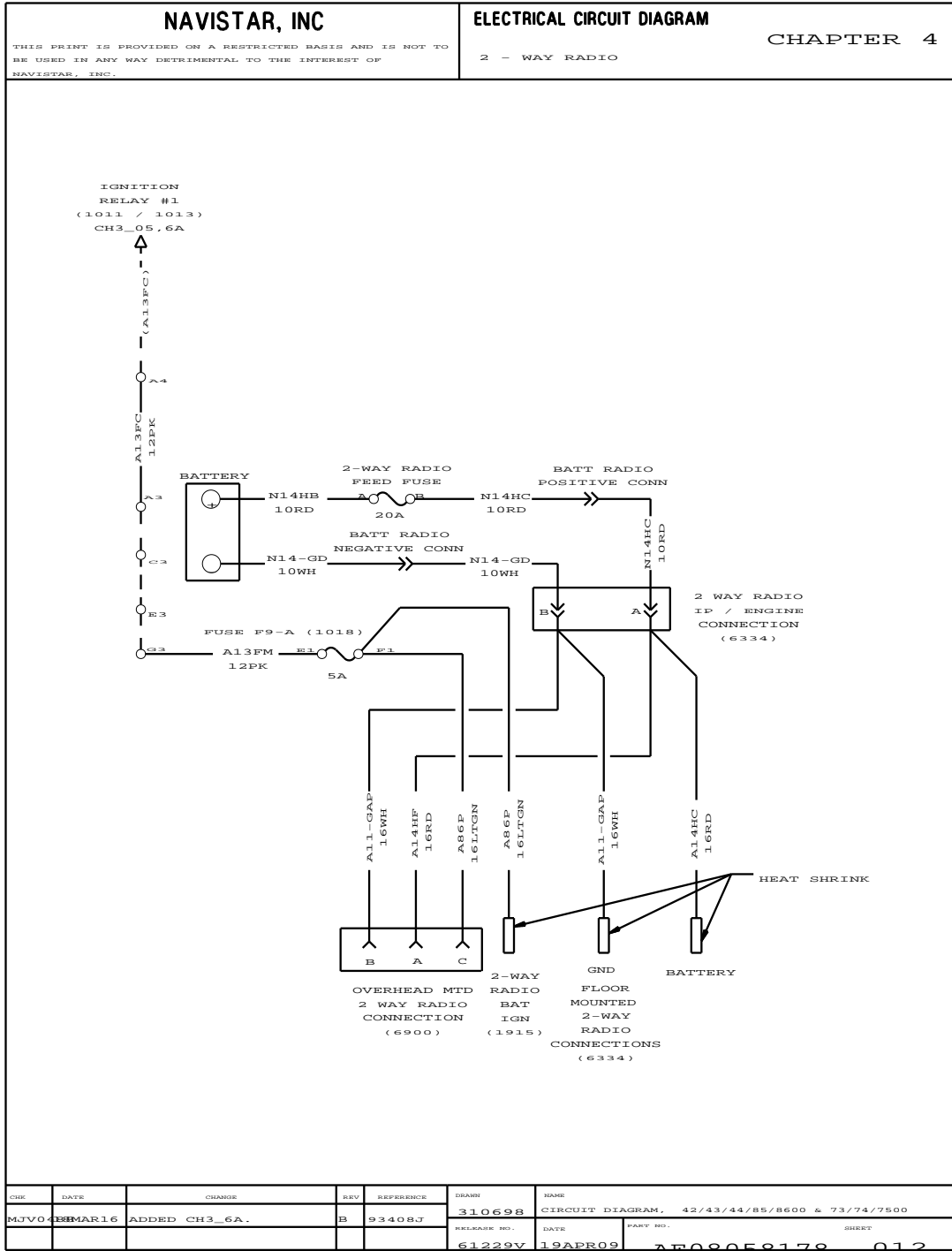


Figure 116 2-Way Radio

4.15. 2-WAY RADIO (CONT.), P. 12A

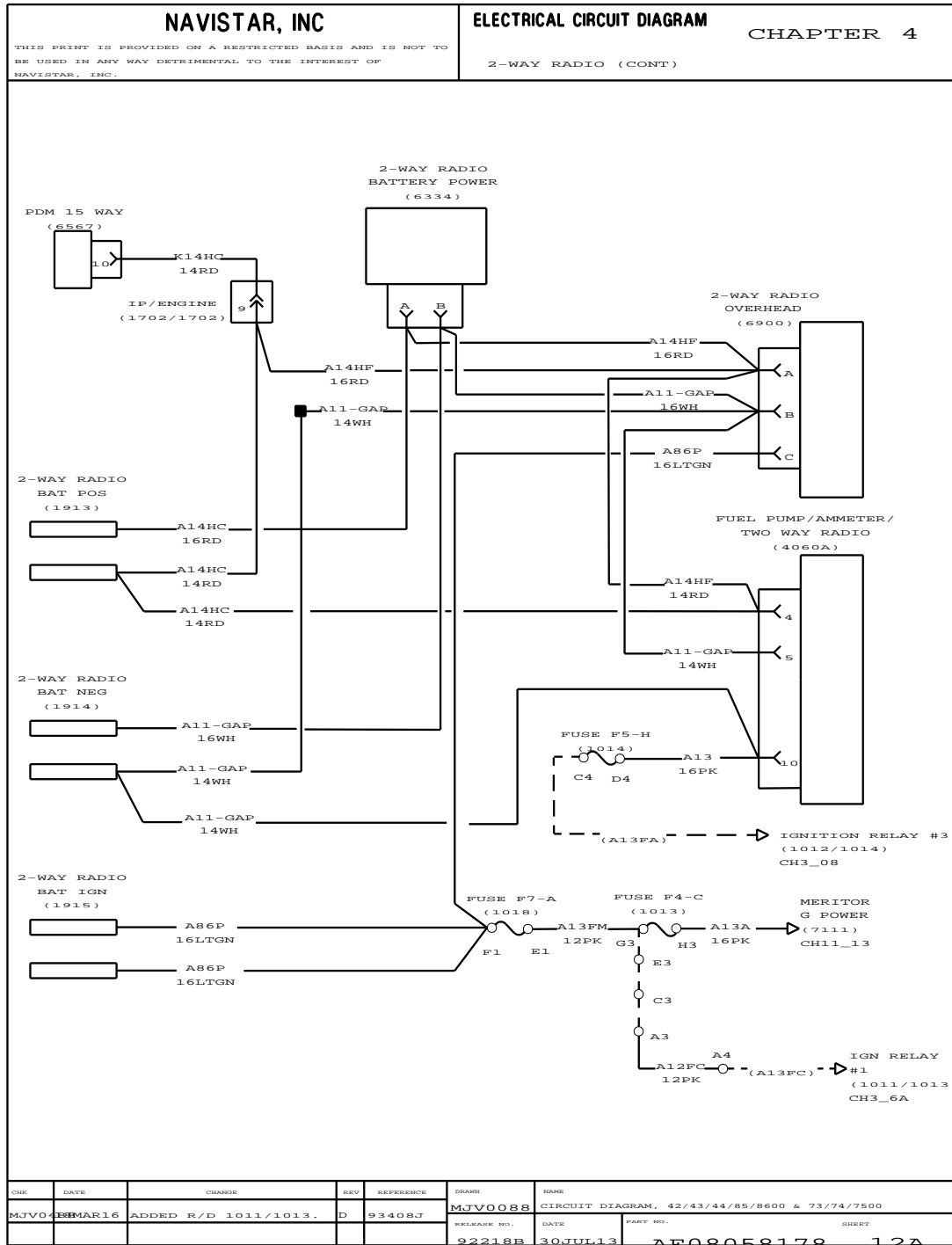


Figure 117 2-Way Radio (Cont.)

4.16. WINDSHIELD WIPER, P. 13

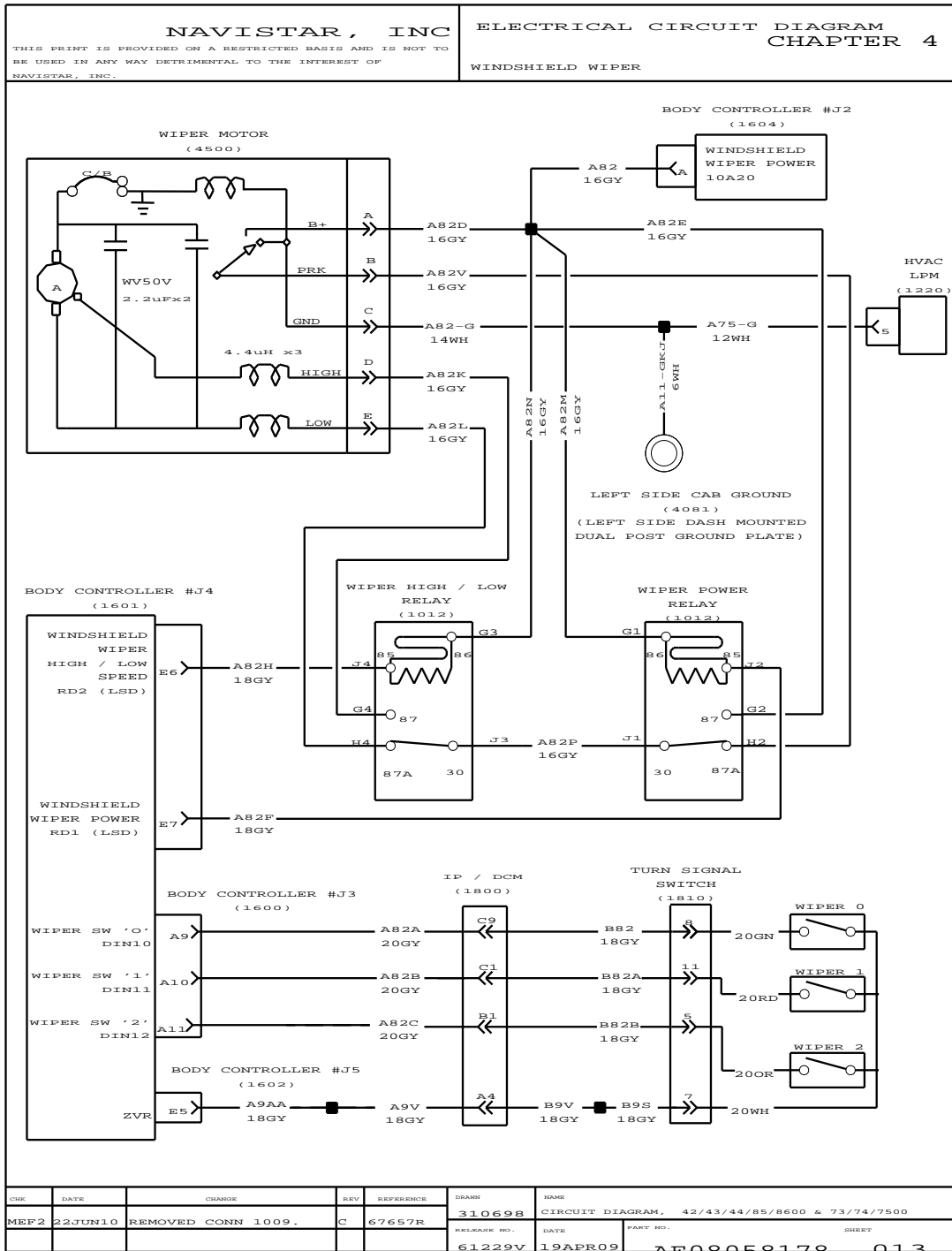


Figure 118 Windshield Wiper

4.17. WASHER PUMP, P. 14

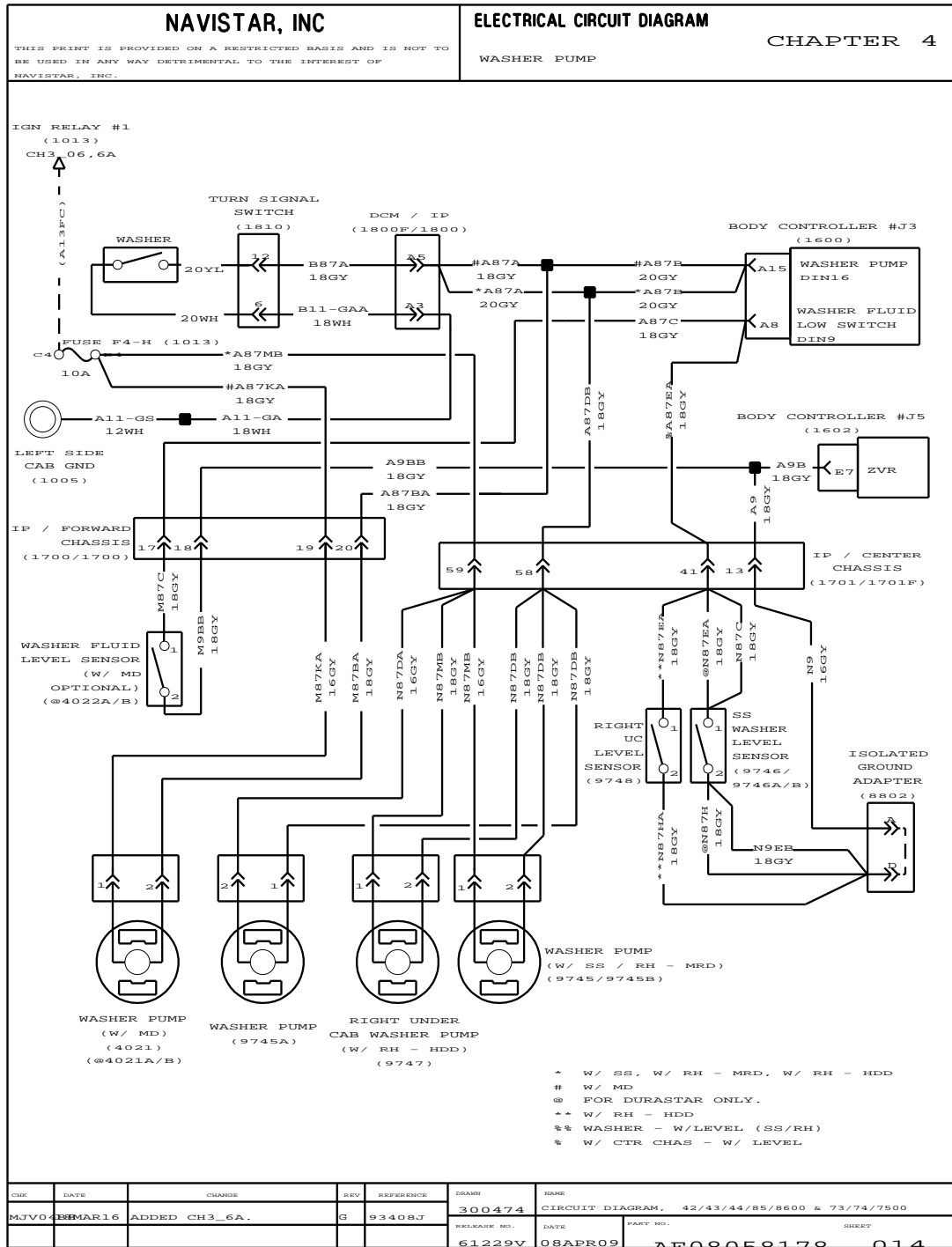


Figure 119 Washer Pump

4.18. SWITCH PACK WITH OPTIONAL GAUGE PACK, P. 15

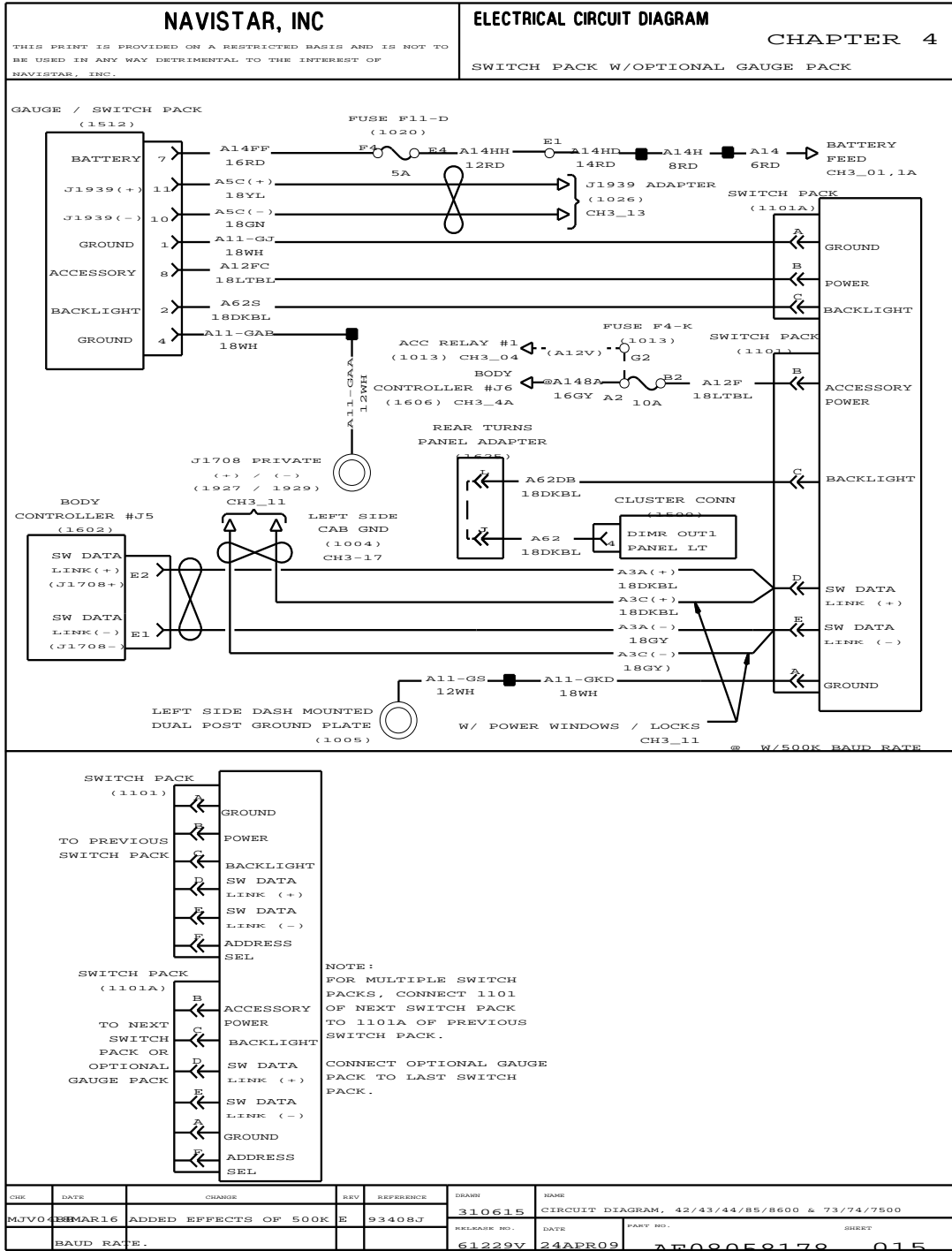
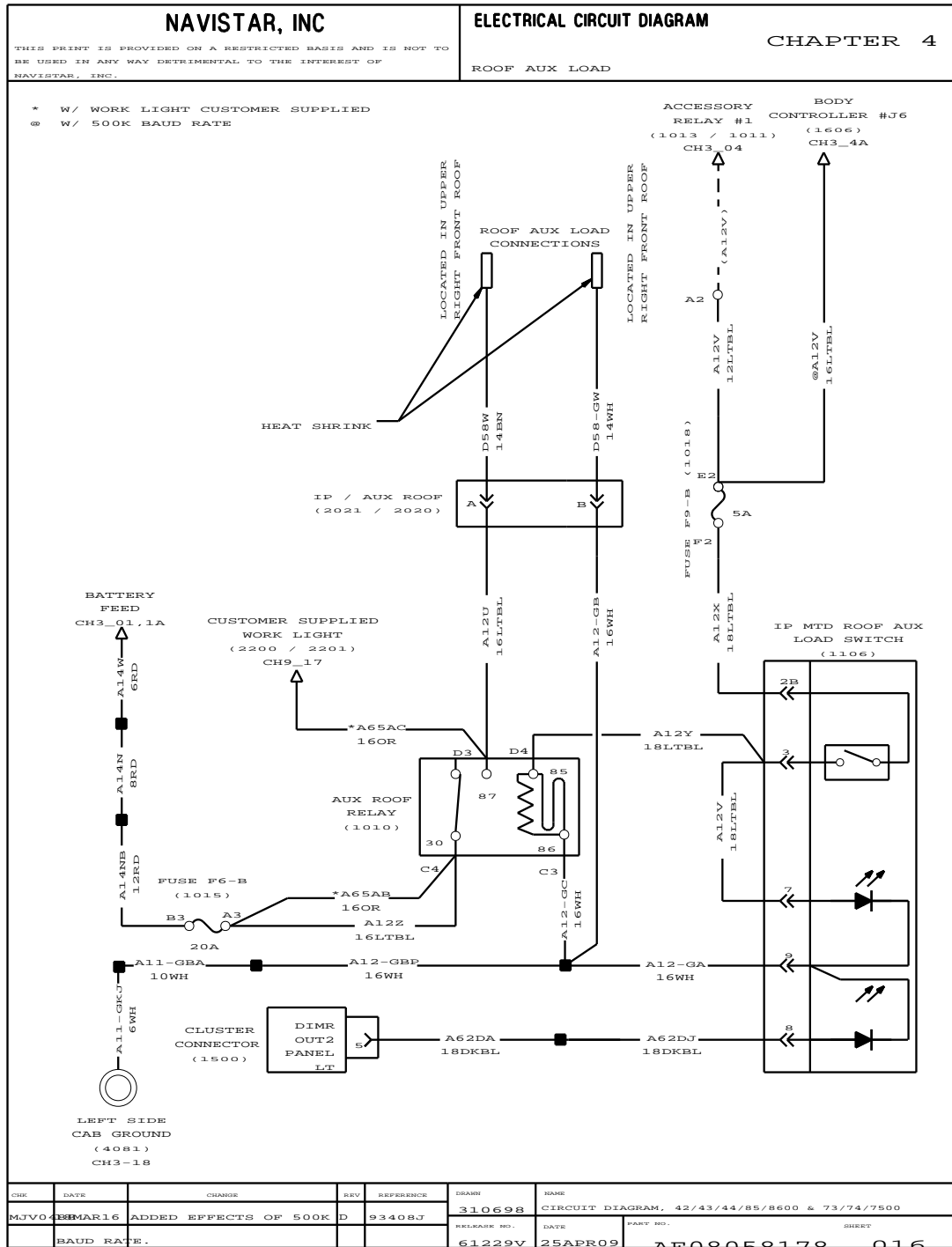


Figure 120 Switch Pack with Optional Gauge Pack

4.19. ROOF AUXILIARY LOAD, P. 16



4.20. SATELLITE COMMUNICATION – QUALCOMM IMCT, P. 17

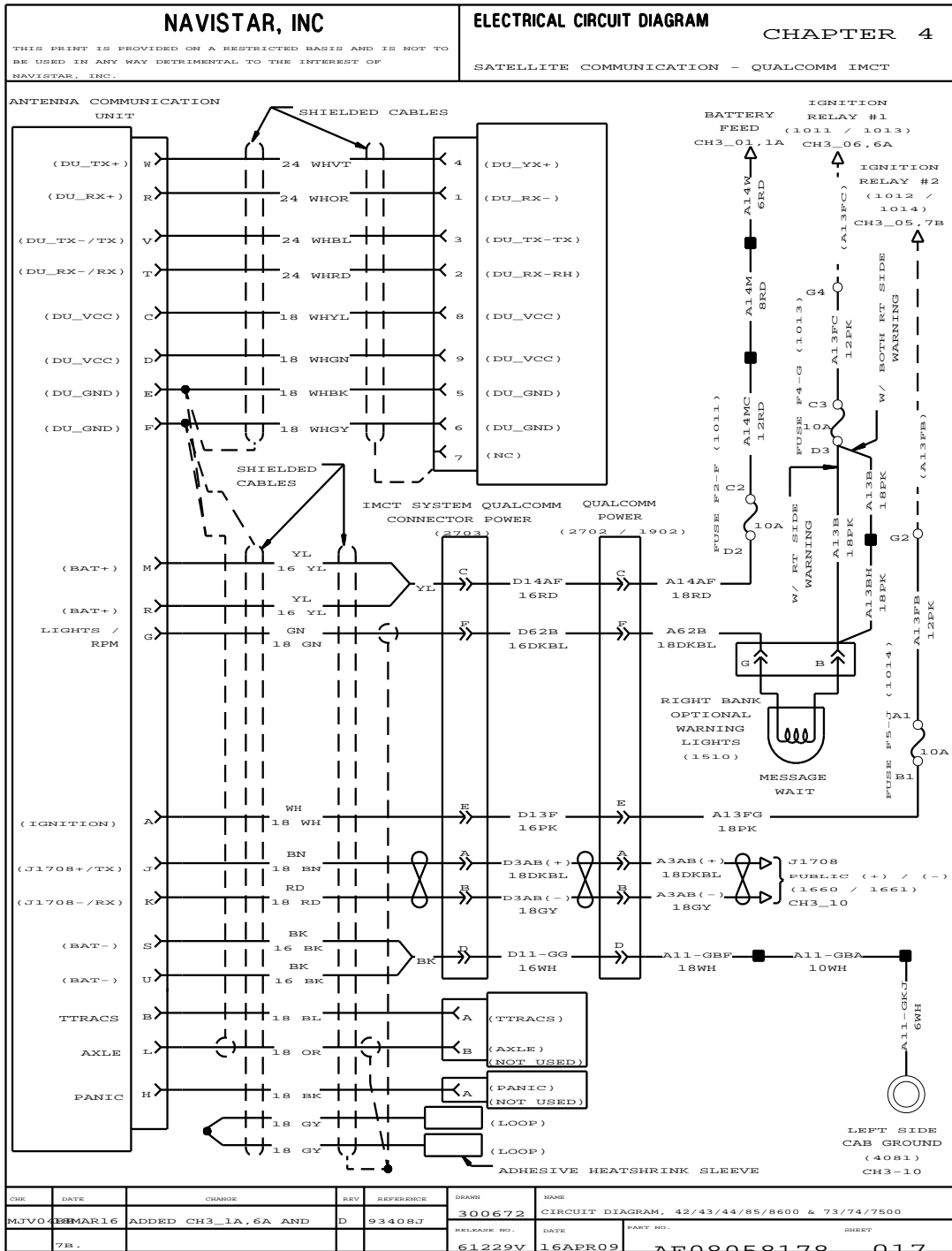


Figure 122 Satellite Communication – QualComm IMCT

4.21. SATELLITE COMMUNICATION – TRIPMASTER, P. 18

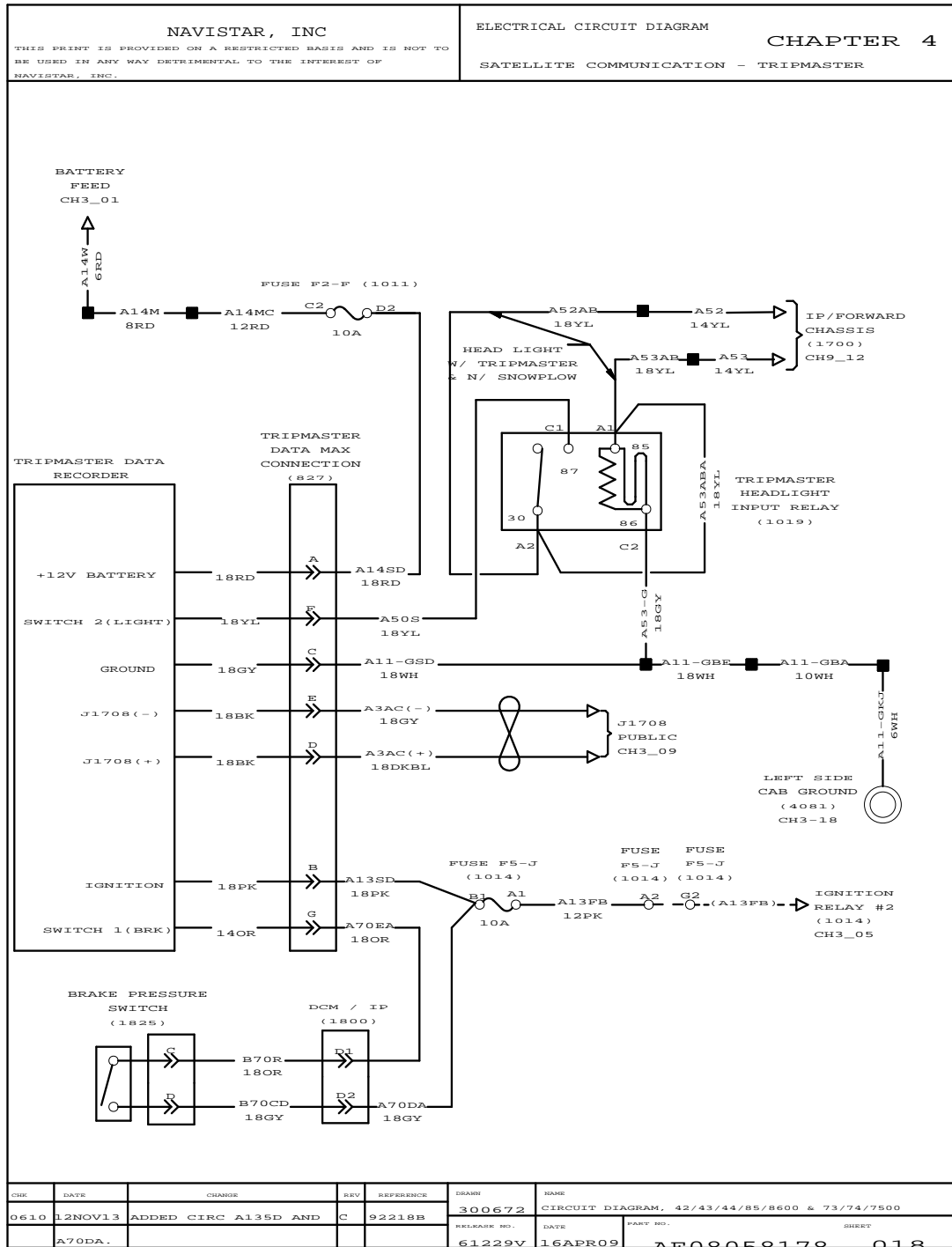


Figure 123 Satellite Communication – Tripmaster

4.22. COMPUTER PREWIRED – XATA SYSTEM, P. 19

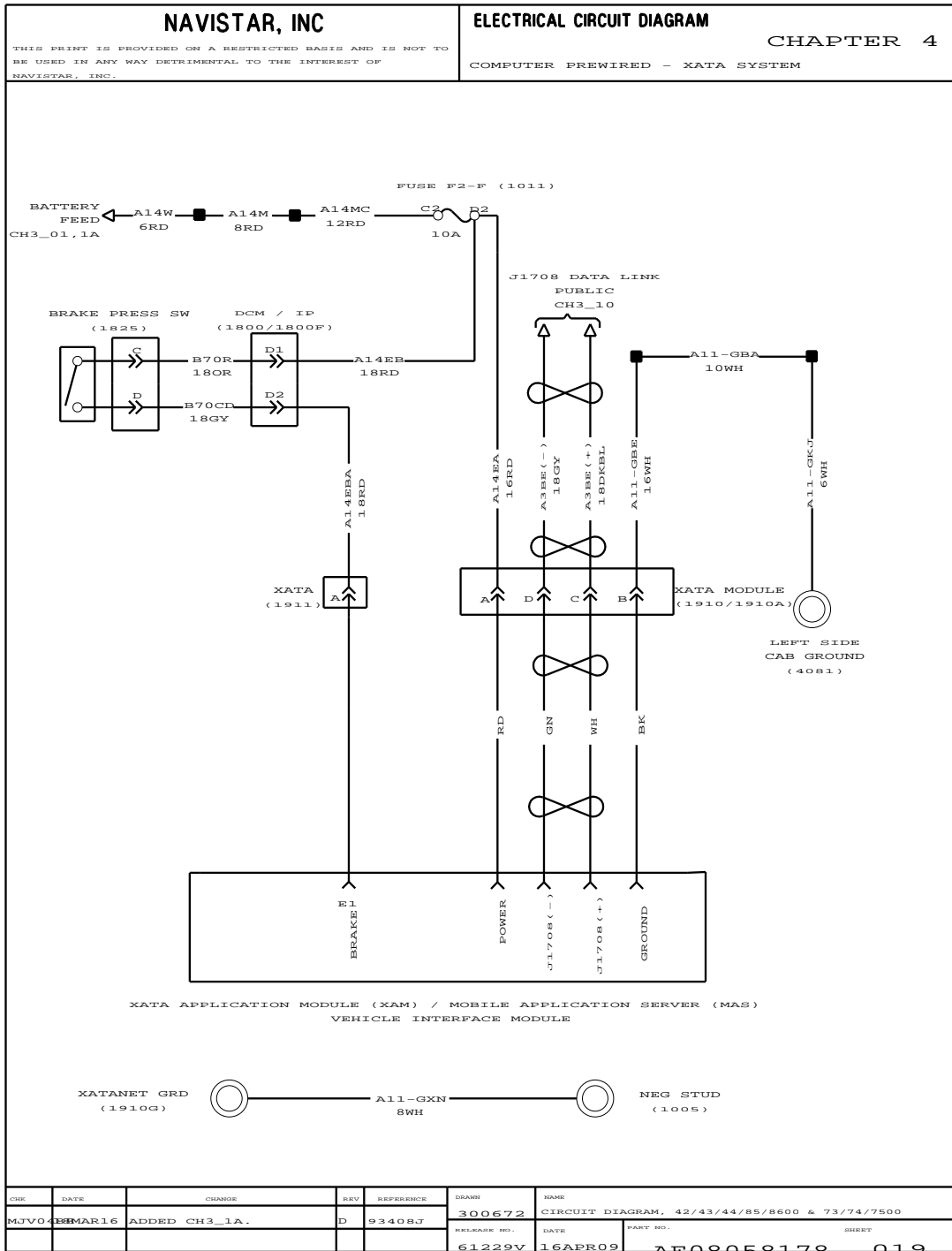


Figure 124 Computer Prewired – XATA System

4.23. CADEC GPS SYSTEM, P. 20

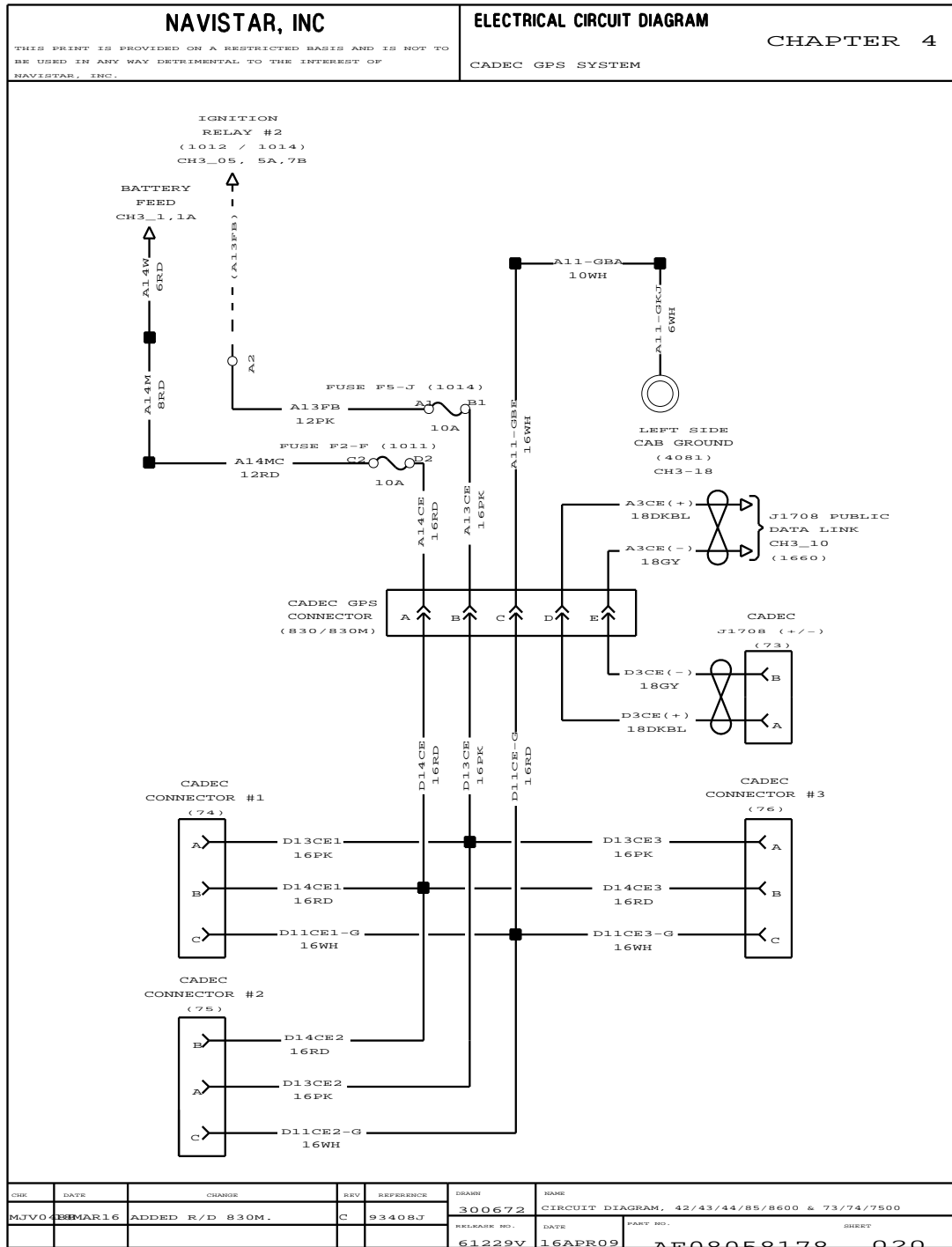


Figure 125 Cadec GPS System

4.24. SATELLITE COMMUNICATION – MOBILEMAX, P. 21

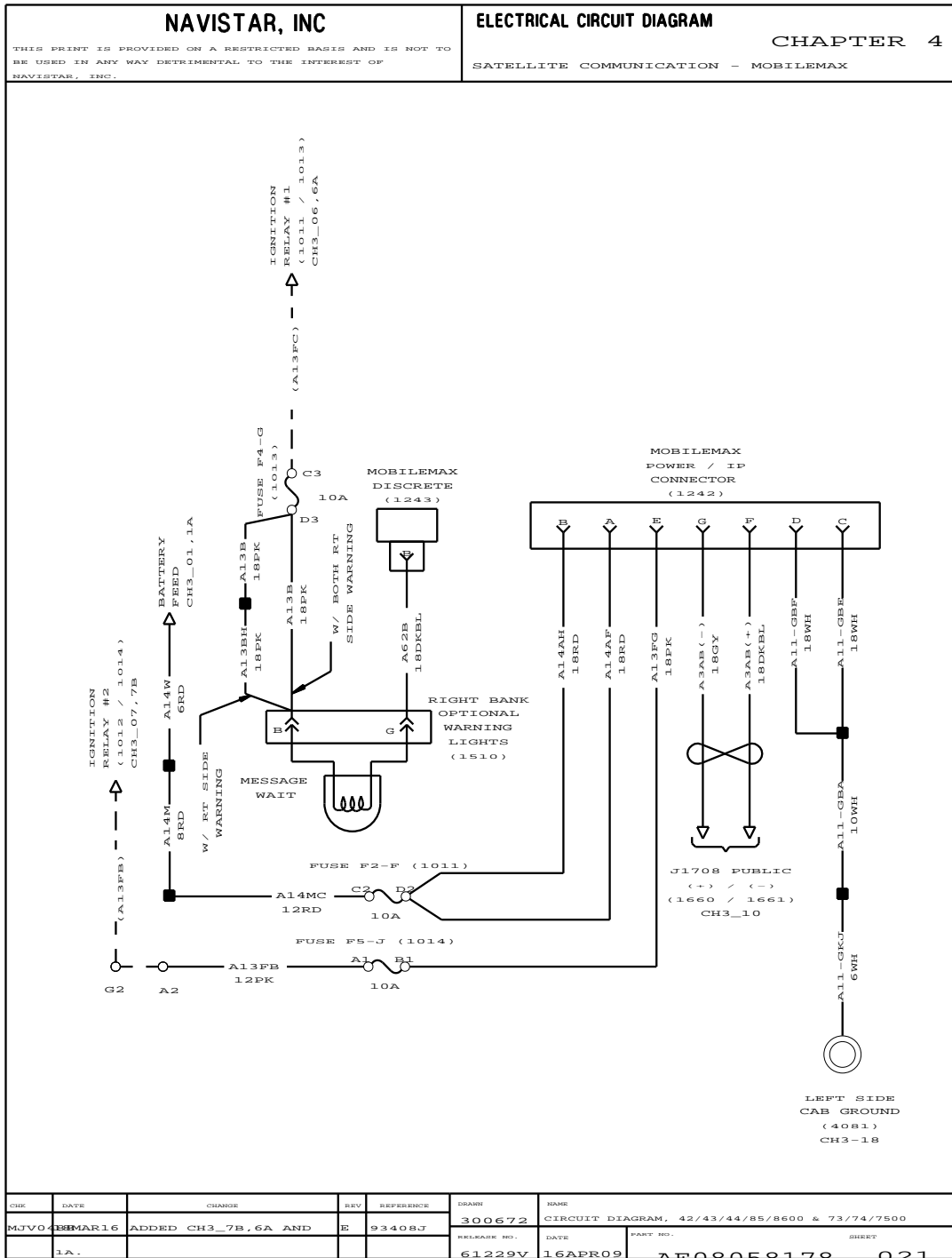


Figure 126 Satellite Communication – MobileMax

4.25. SELF CONTAINED AIR SEAT, P. 22

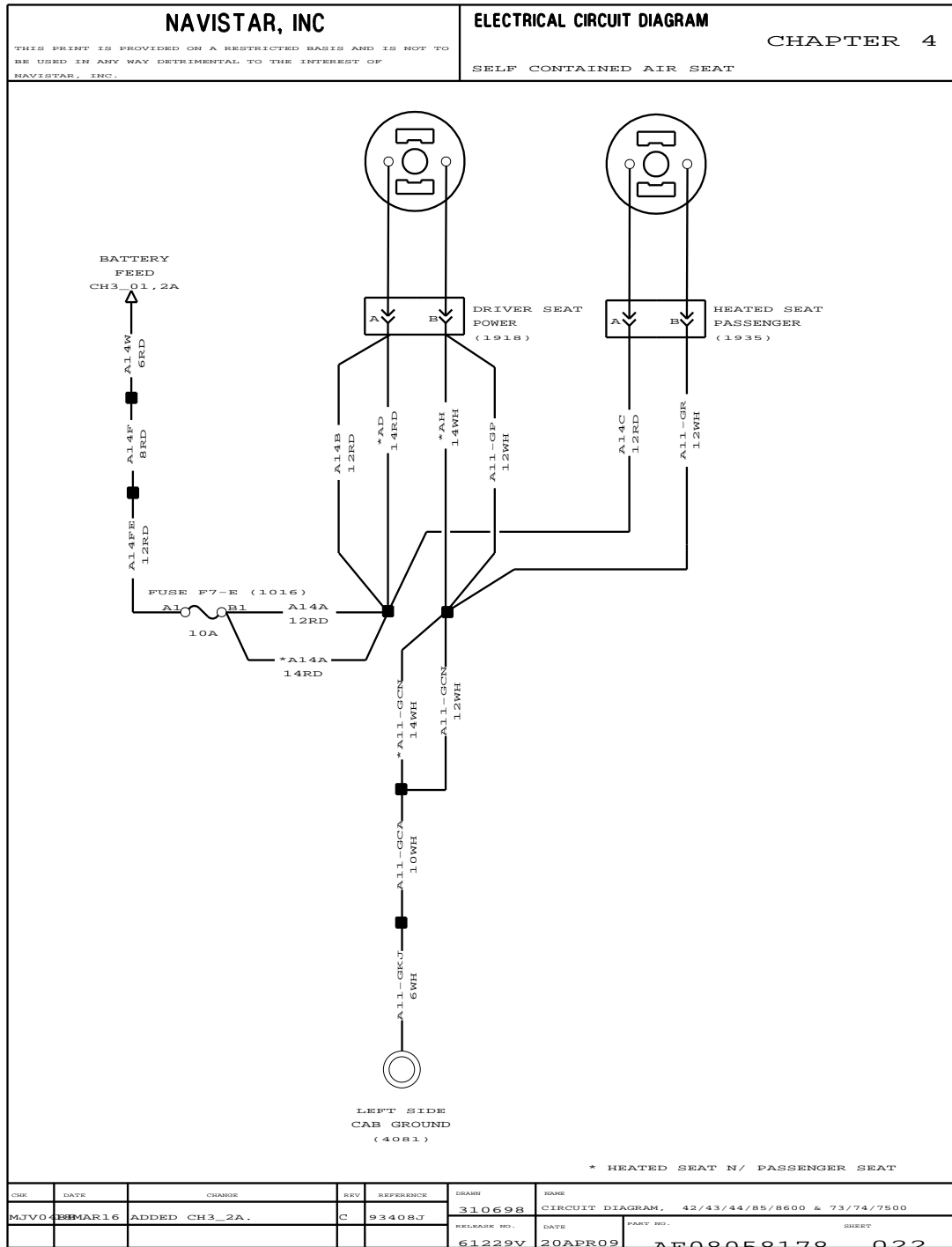


Figure 127 Self Contained Air Seat

4.26. HEATED SEATS, P. 23

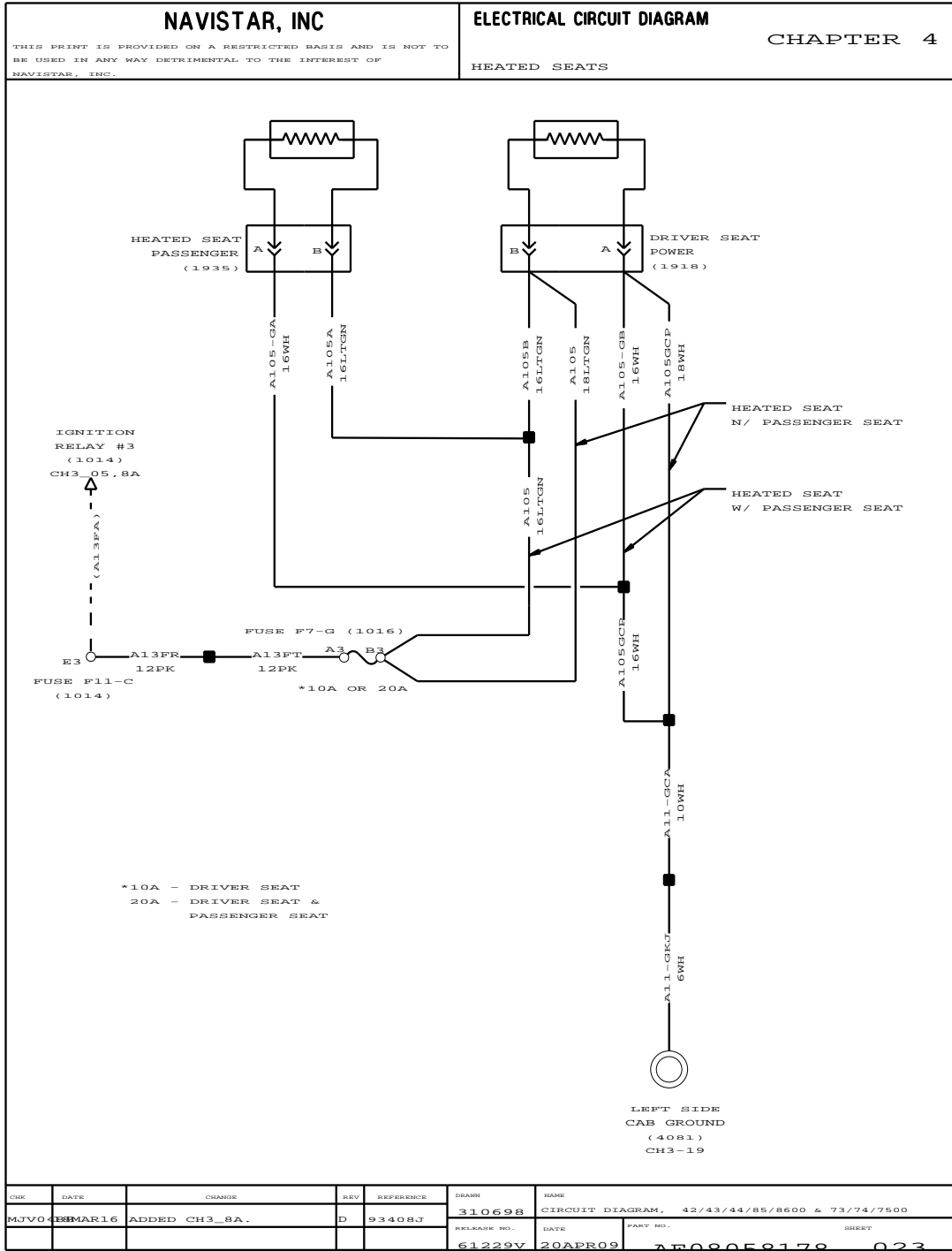


Figure 128 Heated Seats

4.27. INTENTIONALLY LEFT BLANK, P. 24

NAVISTAR, INC <small>THIS PRINT IS PROVIDED ON A RESTRICTED BASIS AND IS NOT TO BE USED IN ANY WAY DETRIMENTAL TO THE INTEREST OF NAVISTAR, INC.</small>				ELECTRICAL CIRCUIT DIAGRAM CHAPTER 4 INTENTIONALLY LEFT BLANK			
<h1 style="margin: 0;">INTENTIONALLY LEFT BLANK</h1>							
CHK	DATE	CHANGE	REV	REFERENCE	DRAWN	NAME	
0488	24JAN14	REMOVED GEOMETRY.	D	92372W	300474	CIRCUIT DIAGRAM, 42/43/44/85/8600 & 73/74/7500	
					RELEASE NO.	DATE	
					61229V	08APR09	
					PART NO. SHEET AE08058178 024		

Figure 129 Intentionally Left Blank

4.28. INTENTIONALLY LEFT BLANK, P. 25

NAVISTAR, INC <small>THIS PRINT IS PROVIDED ON A RESTRICTED BASIS AND IS NOT TO BE USED IN ANY WAY DETRIMENTAL TO THE INTEREST OF NAVISTAR, INC.</small>					ELECTRICAL CIRCUIT DIAGRAM CHAPTER 4 INTENTIONALLY LEFT BLANK				
INTENTIONALLY LEFT BLANK									
<small>CHK</small>	<small>DATE</small>	<small>CHANGE</small>	<small>REV</small>	<small>REFERENCE</small>	<small>DRAWN</small>	<small>NAME</small>			
0610	12NOV13	REMOVED GEOMETRY.	C	92218B	300672	CIRCUIT DIAGRAM, 42/43/44/85/8600 & 73/74/7500			
					<small>RELEASE NO.</small>	<small>DATE</small>	<small>PART NO.</small>	<small>SHEET</small>	
					61229V	15APR09	AE08058178	025	

Figure 130 Intentionally Left Blank

4.29. BACK-UP CAMERA, P. 26

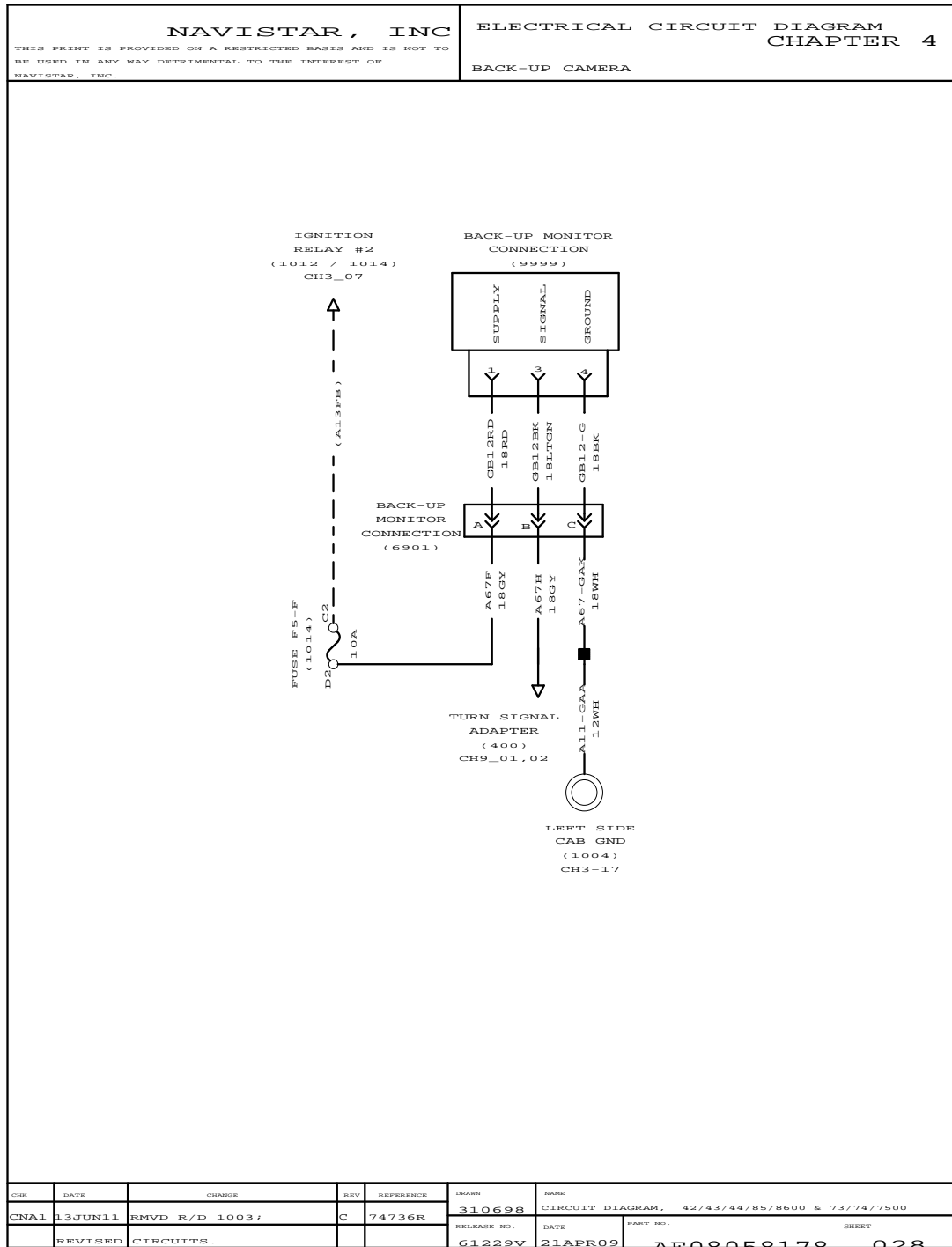


Figure 131 Back-Up Camera

4.30. EATON VORAD COLLISION AVOIDANCE SYSTEM VS400, P. 27

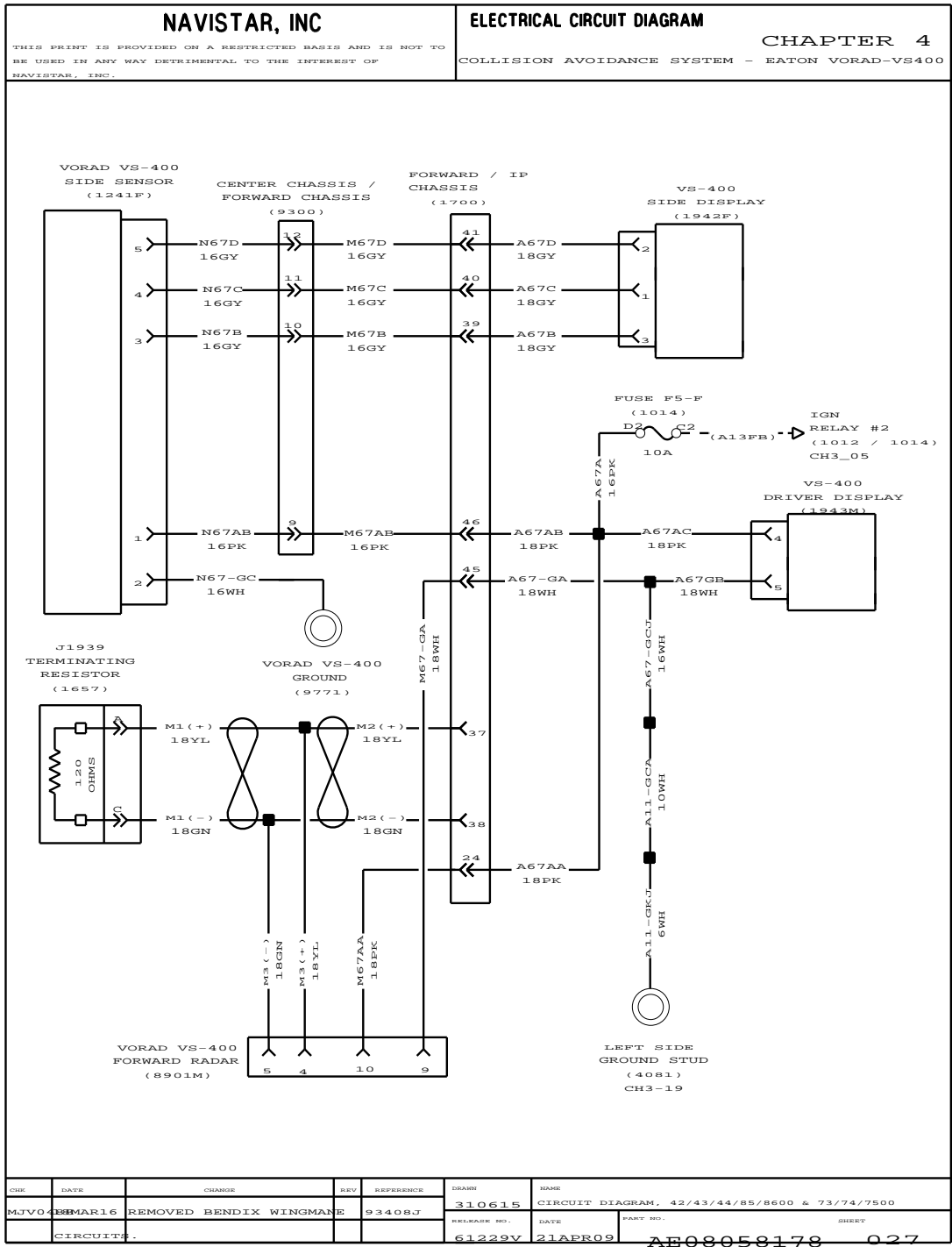
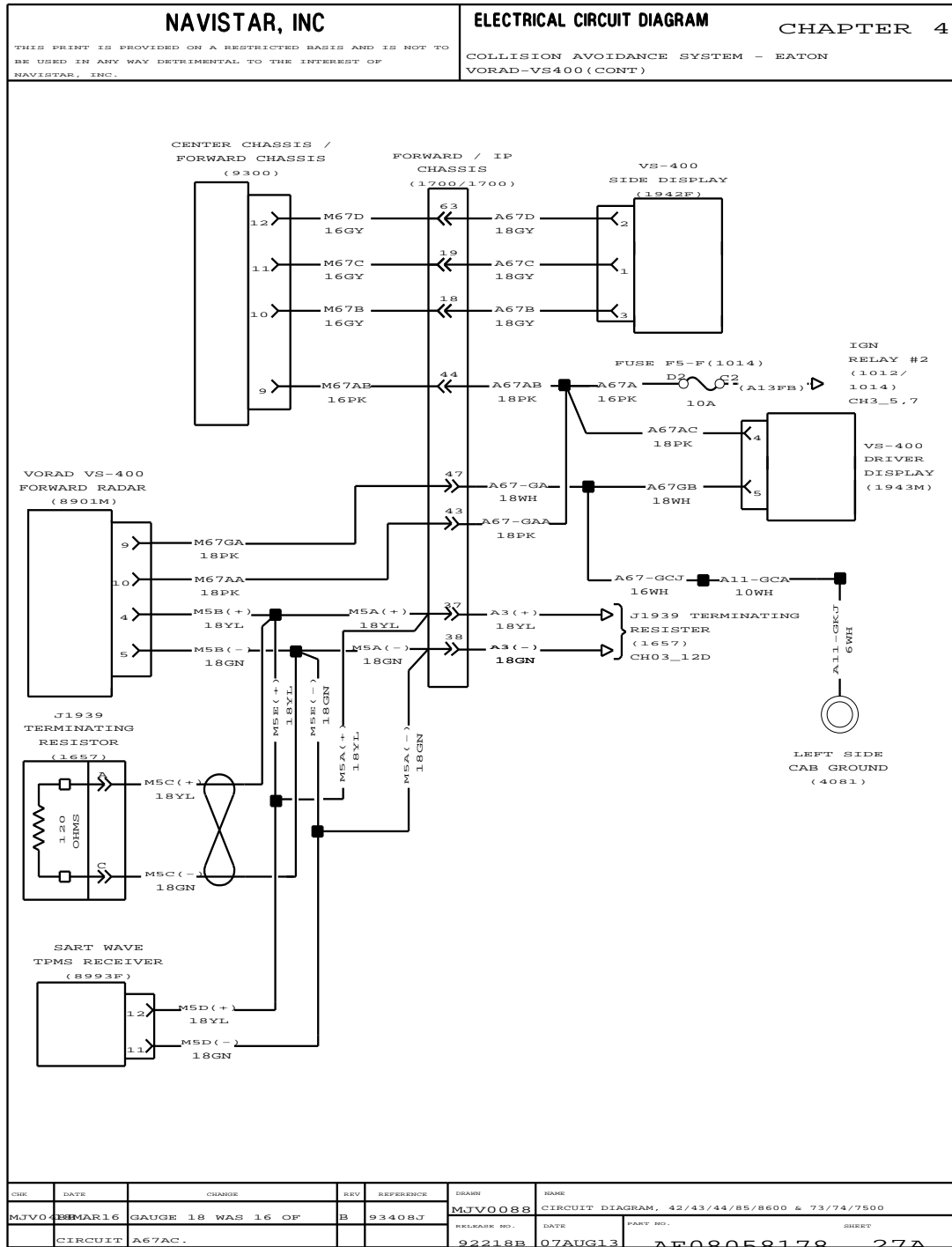


Figure 132 Eaton Vorad Collision Avoidance System VS400

4.31. EATON VORAD COLLISION AVOIDANCE SYSTEM VS400 (CONT.), P. 27A



4.32. EATON VORAD COLLISION AVOIDANCE SYSTEM VS400 (CONT.), P. 27B

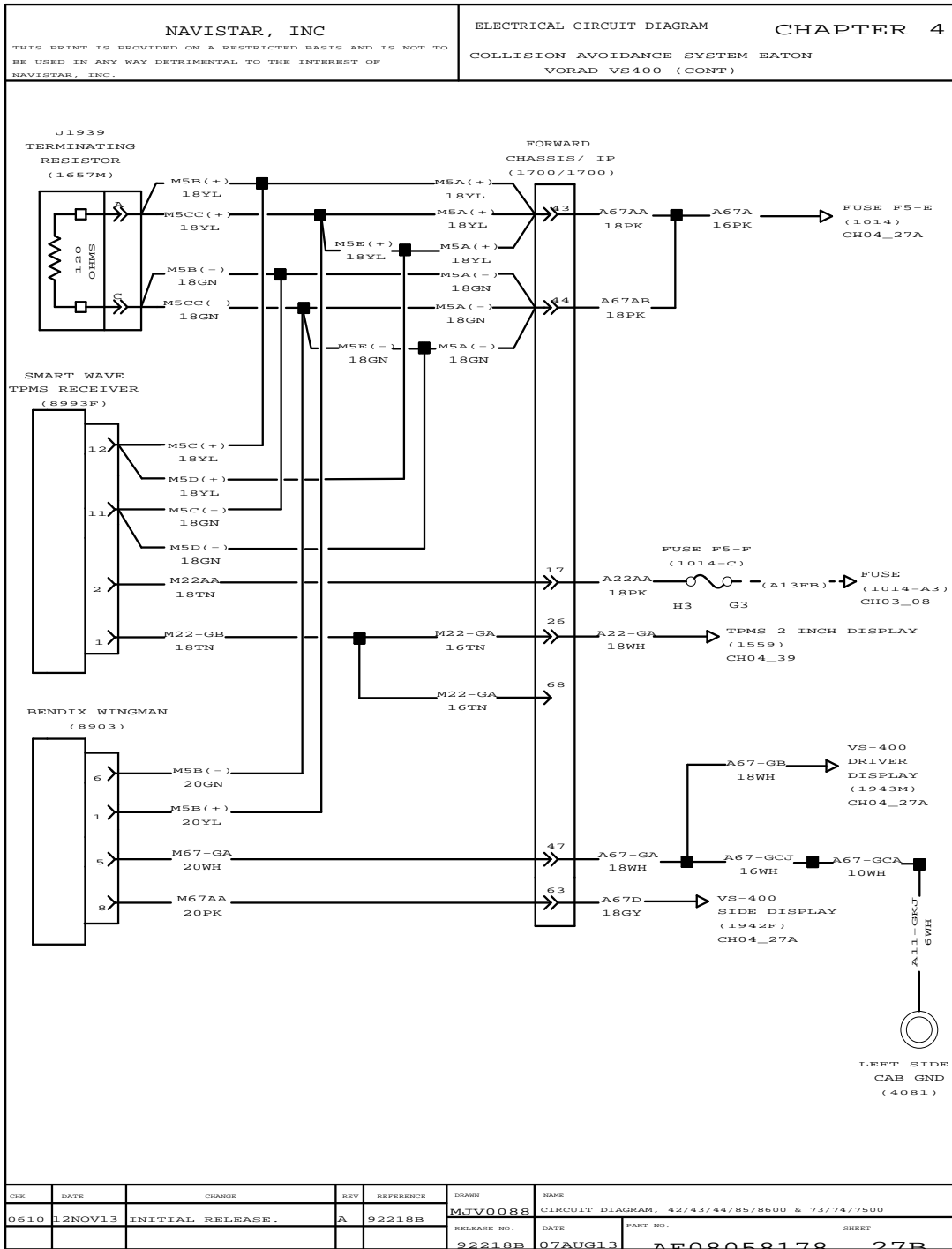


Figure 134 Eaton Vorad Collision Avoidance System VS400 (Cont.)

4.33. COLLISION AVOIDANCE SYSTEM EATON VORAD VS400 (CONT.), P. 27C

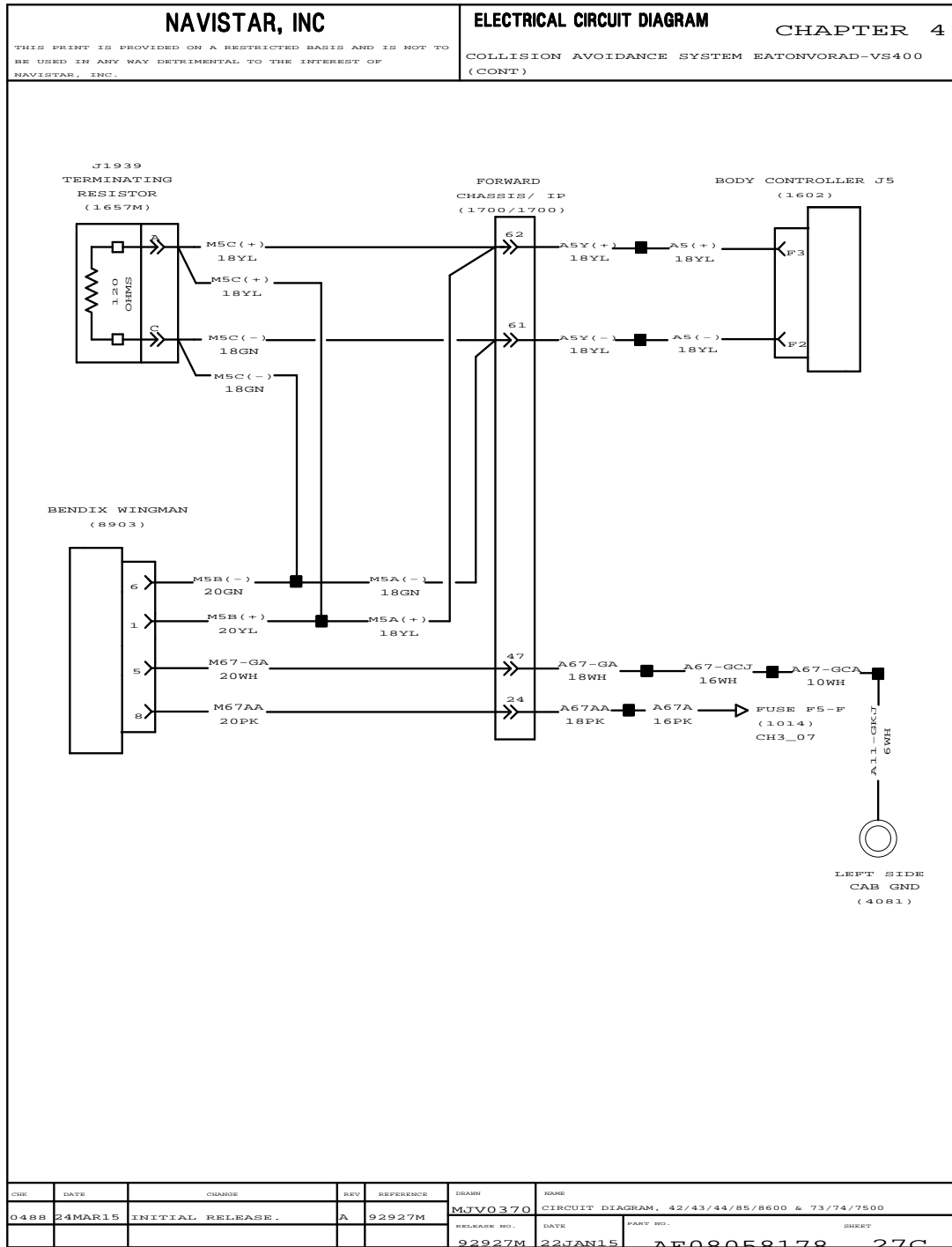


Figure 135 Collision Avoidance System Eaton Vorad VS400 (Cont.)

4.34. BACK-UP CAMERA, P. 28

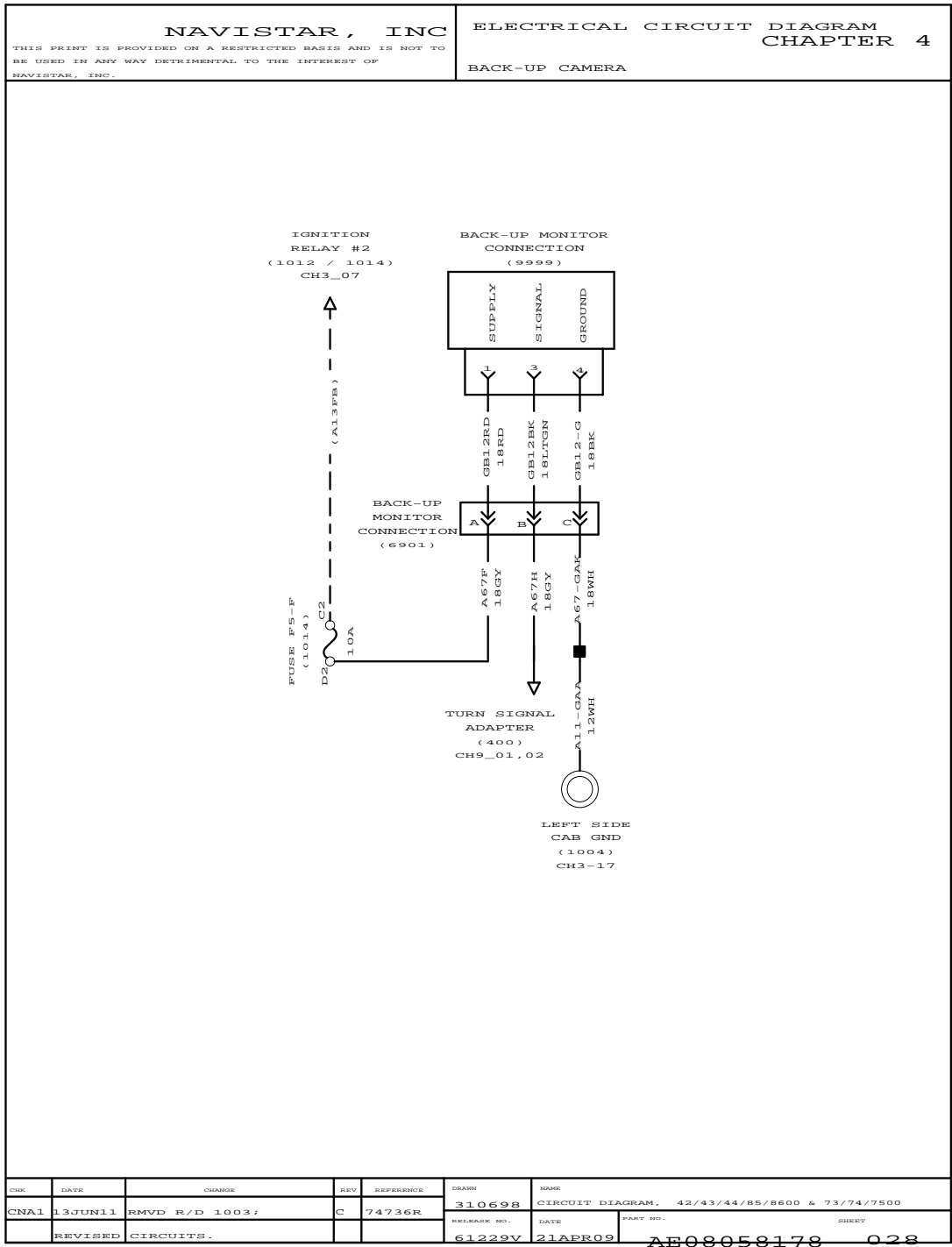


Figure 136 Back-Up Camera

4.35. SATELLITE COMMUNICATION – QUALCOMM IMCT WITH MVPC KEYBOARD,
P. 29

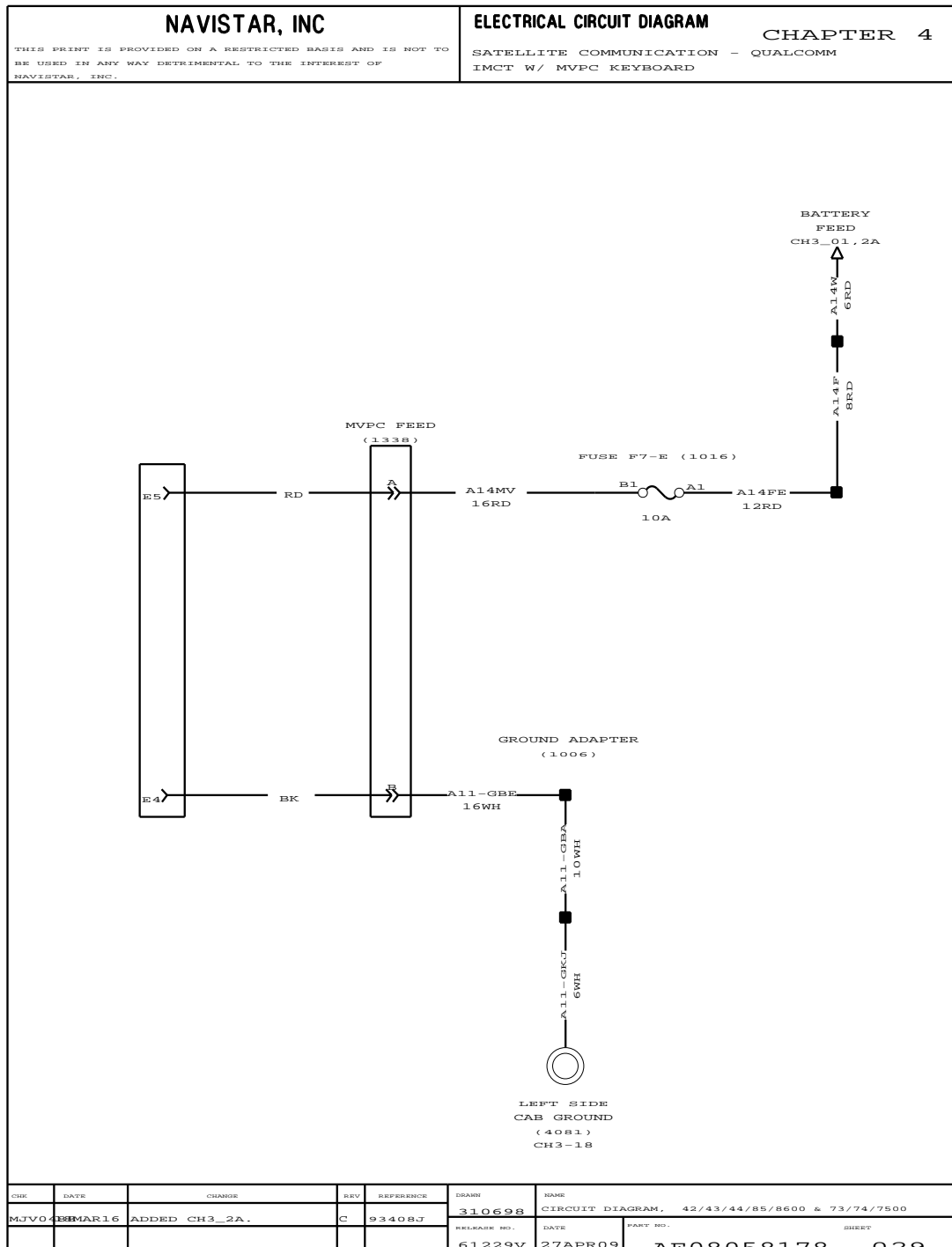


Figure 137 Satellite Communication – Qualcomm IMCT with MVPC Keyboard

4.36. AIR SHIELD LIGHT, P. 30

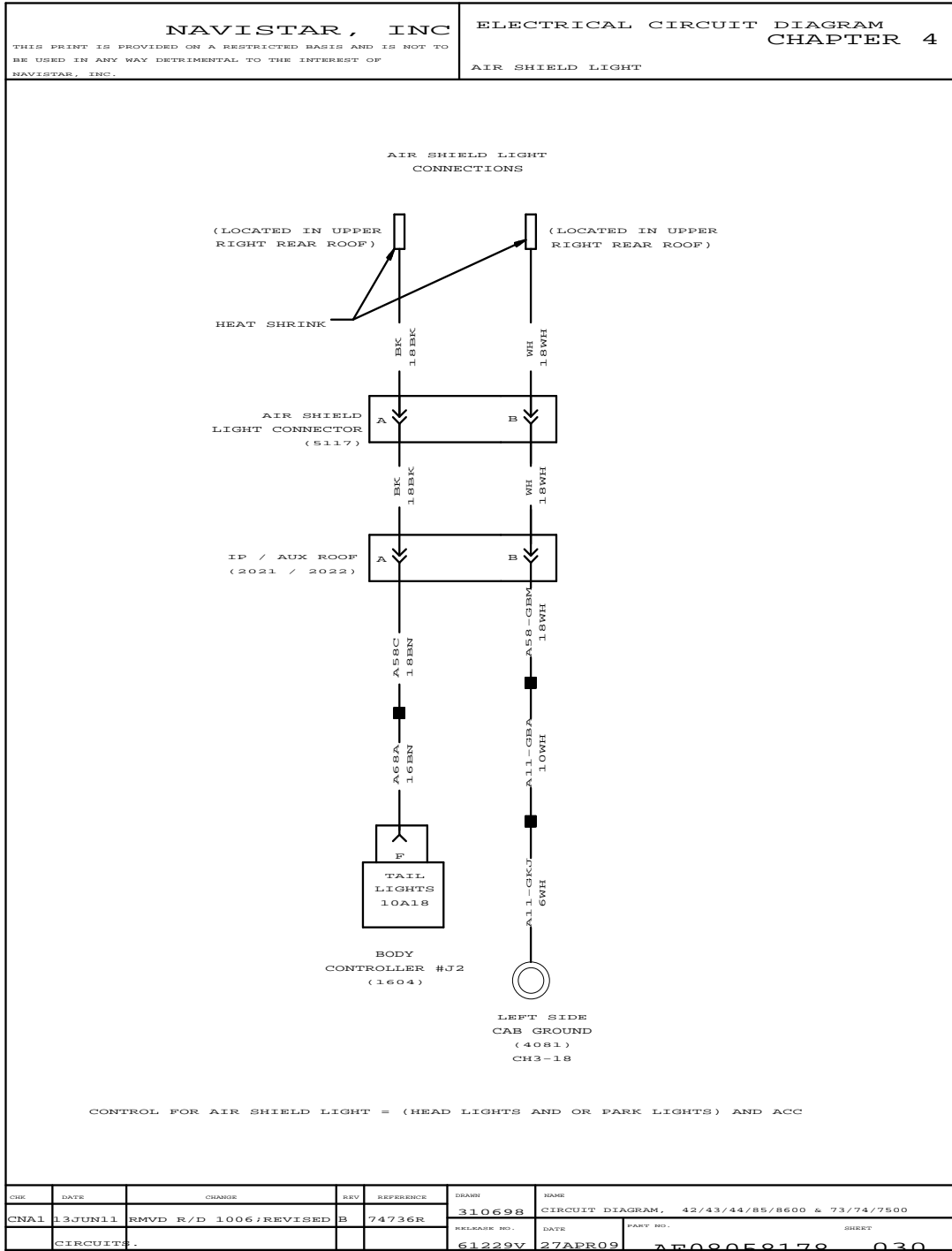


Figure 138 Air Shield Light

4.37. SATELLITE COMMUNICATION – QUALCOMM OMNIVISION, P. 31

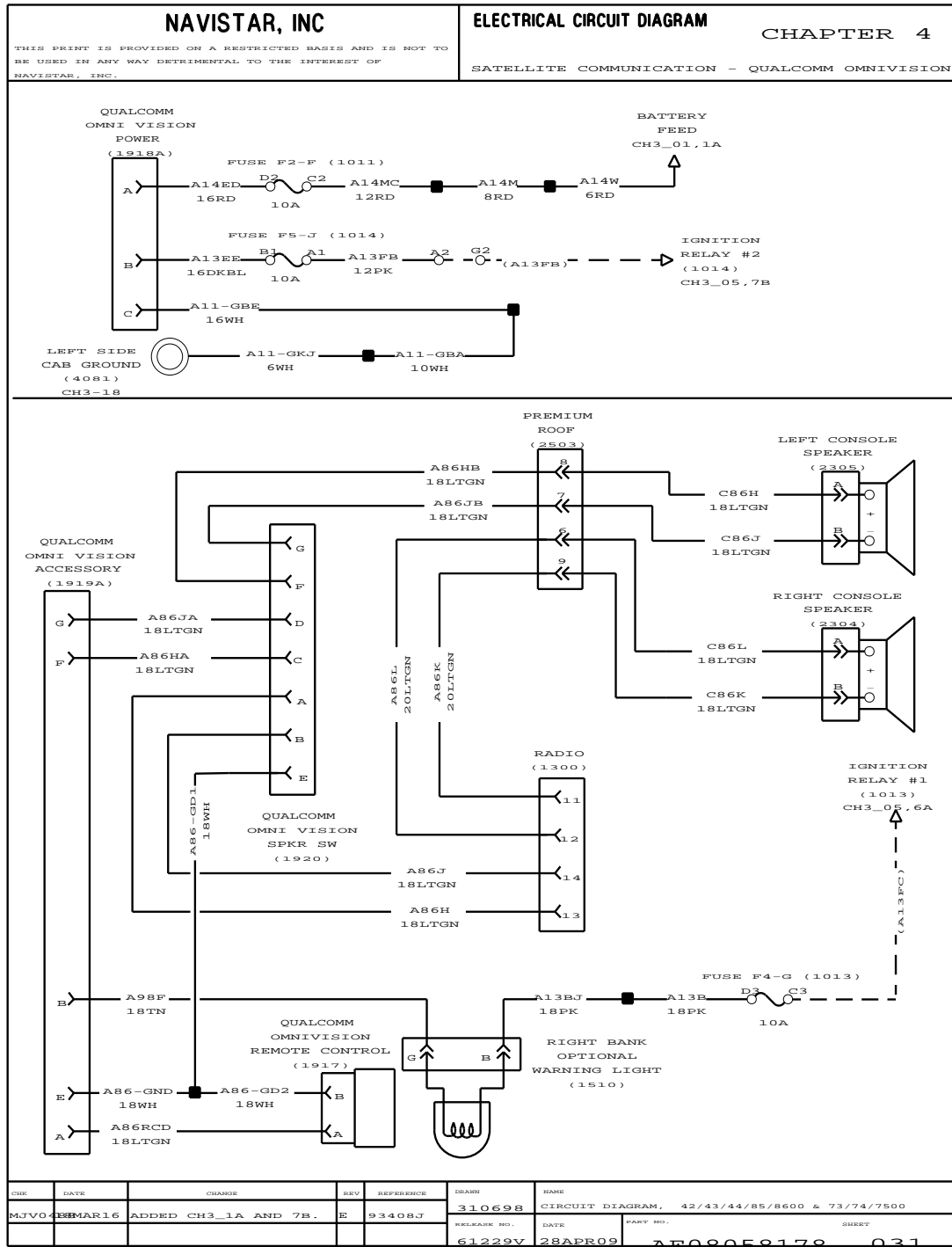


Figure 139 Satellite Communication – Qualcomm Omnivision

4.38. RADIO (ENTERTAINMENT), SPEAKERS – WITH 12 WAY CONNECTOR, P. 32

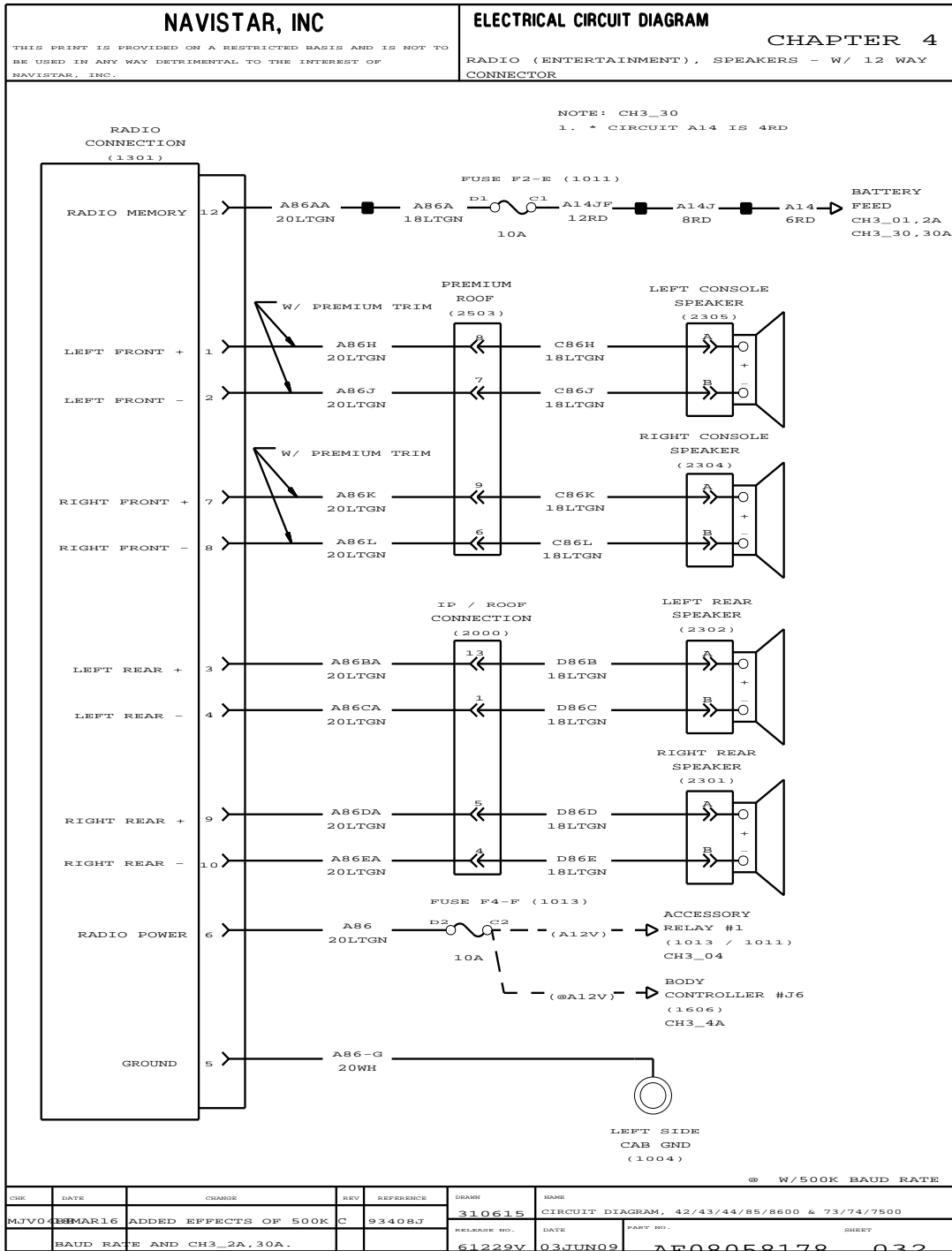


Figure 140 Radio (Entertainment), Speakers – with 12 Way Connector

4.39. RADIO (ENTERTAINMENT), SPEAKERS – WITH 16 WAY CONNECTOR, P. 33

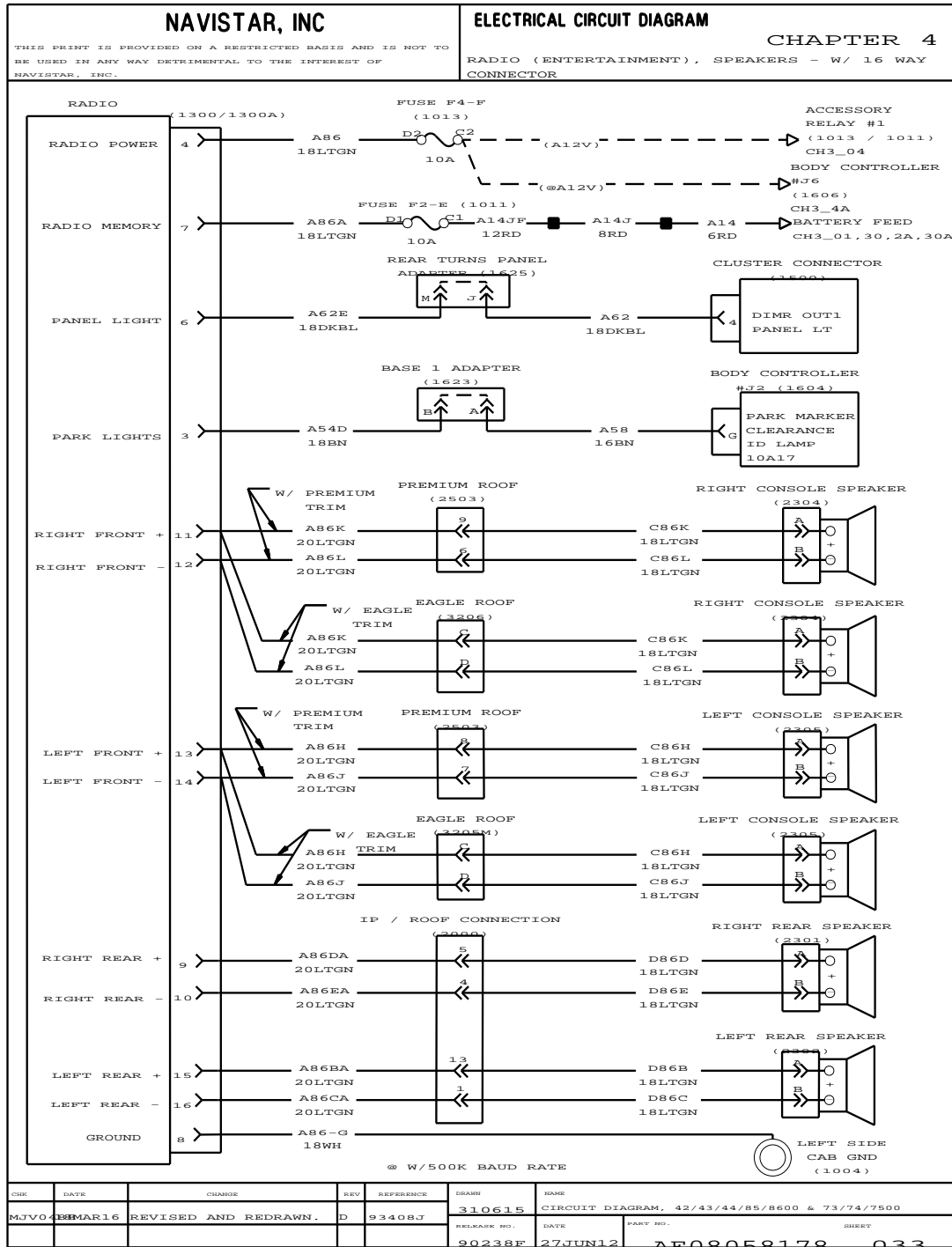


Figure 141 Radio (Entertainment), Speakers – with 16 Way Connector

4.40. RADIO (ENTERTAINMENT), SPEAKERS – WITH 16 WAY CONNECTOR, P. 33A

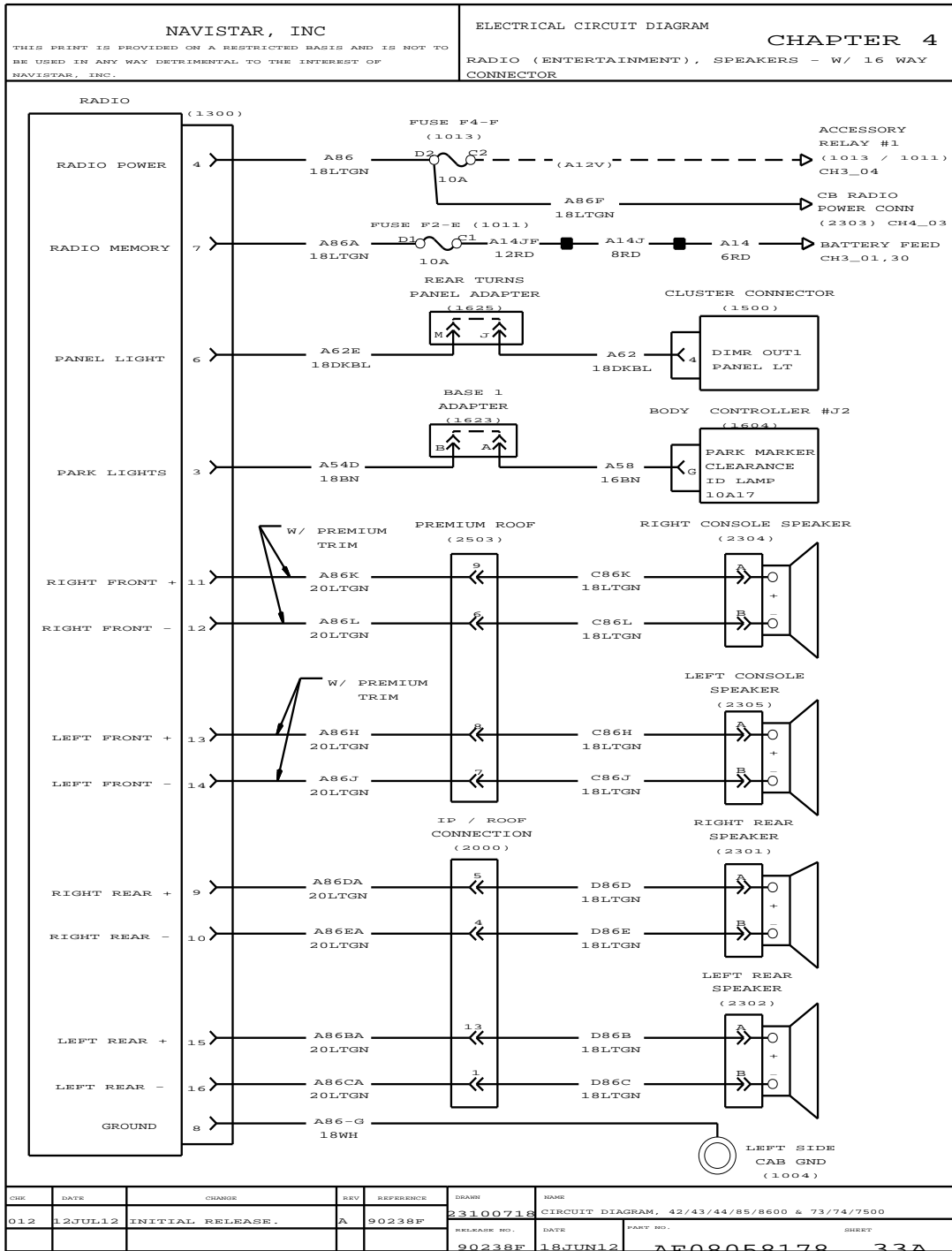


Figure 142 Radio (Entertainment), Speakers – with 16 Way Connector

4.41. RADIO (ENTERTAINMENT), SPEAKERS – WITH 16 WAY CONNECTOR, P. 33B

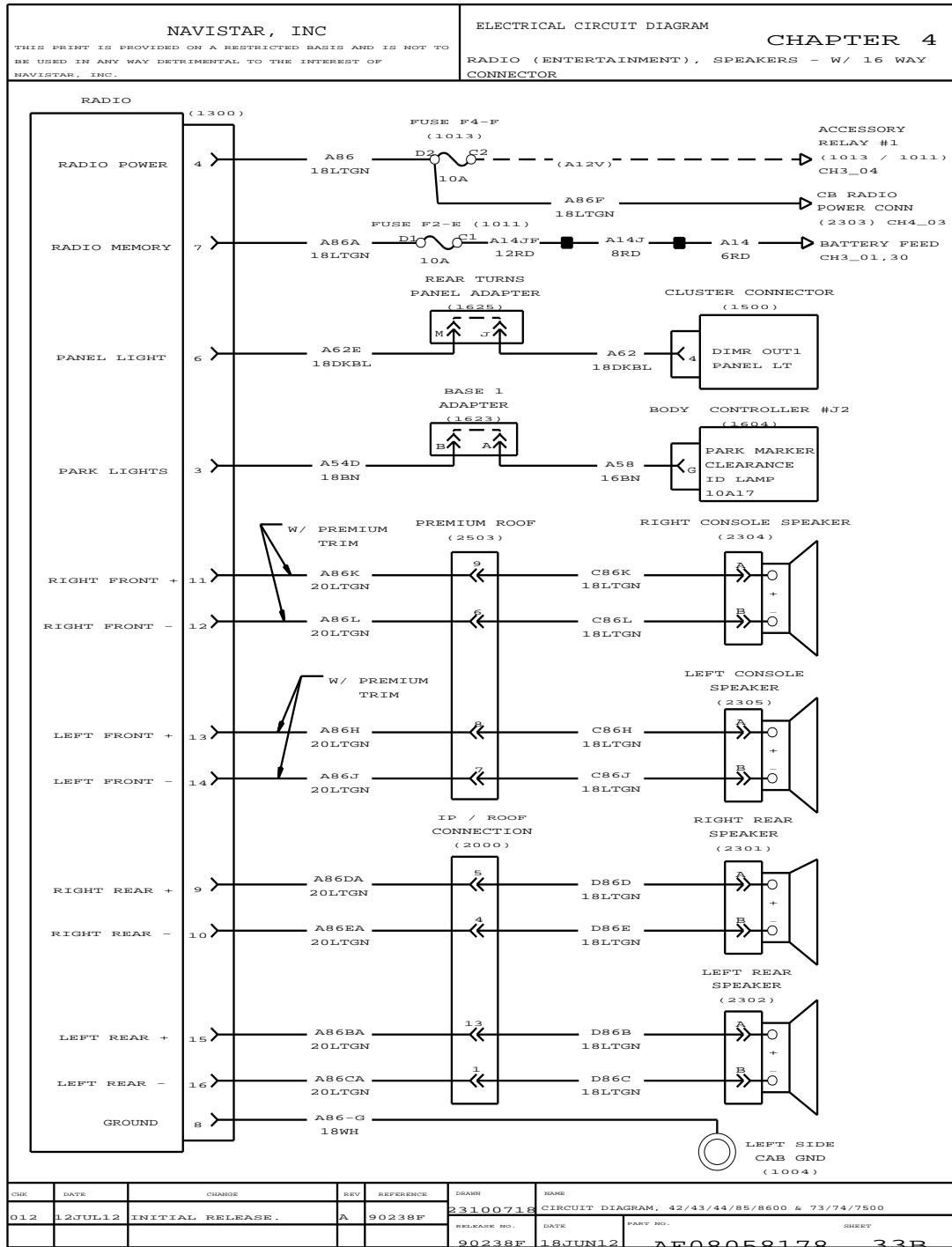


Figure 143 Radio (Entertainment), Speakers – with 16 Way Connector

4.42. RADIO (ENTERTAINMENT), SPEAKERS – WITH 16 WAY CONNECTOR (CONT.), P. 33C

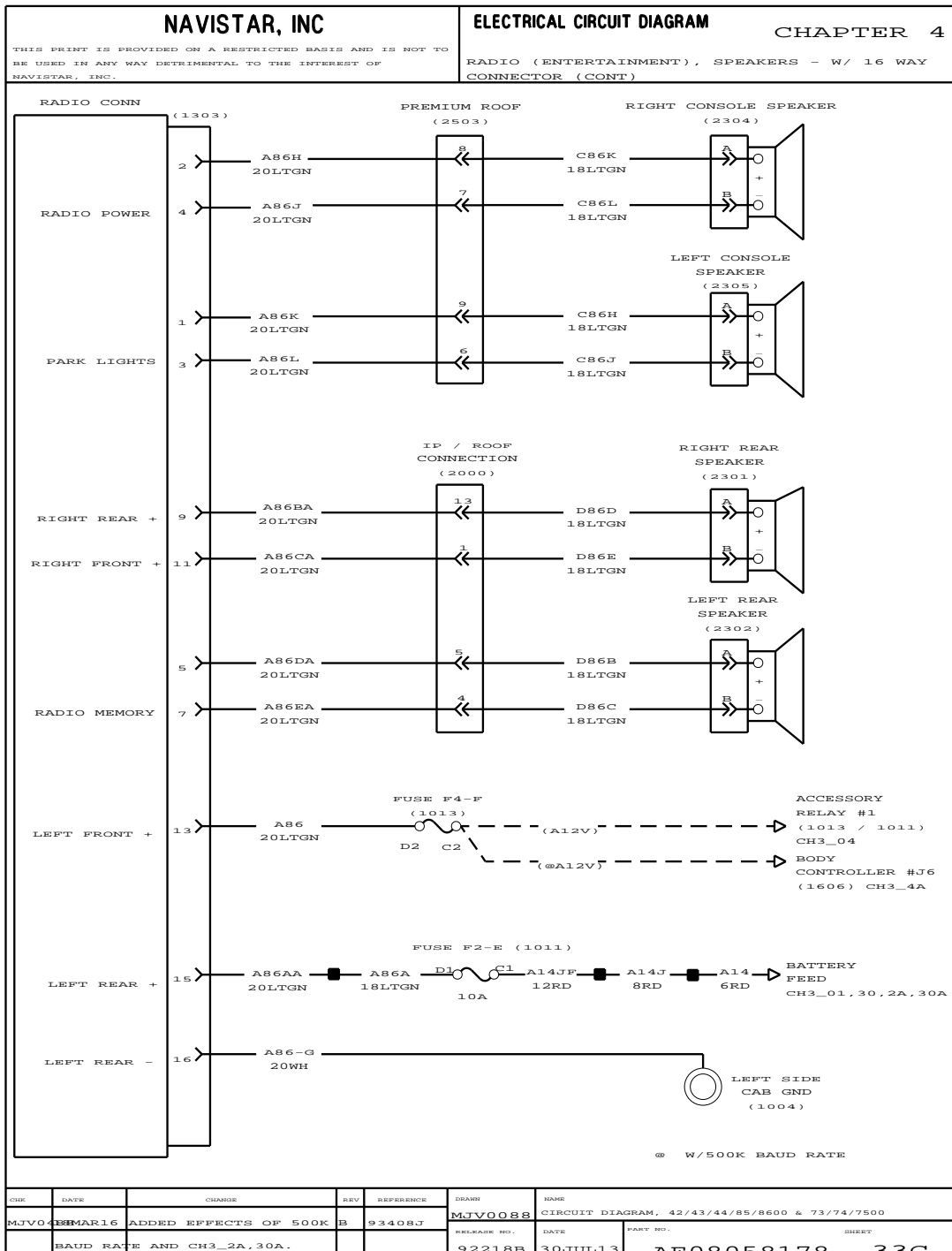


Figure 144 Radio (Entertainment), Speakers – with 16 Way Connector (Cont.)

4.43. RADIO (ENTERTAINMENT), SPEAKERS – WITH 16 WAY CONNECTOR (CONT.), P. 33D

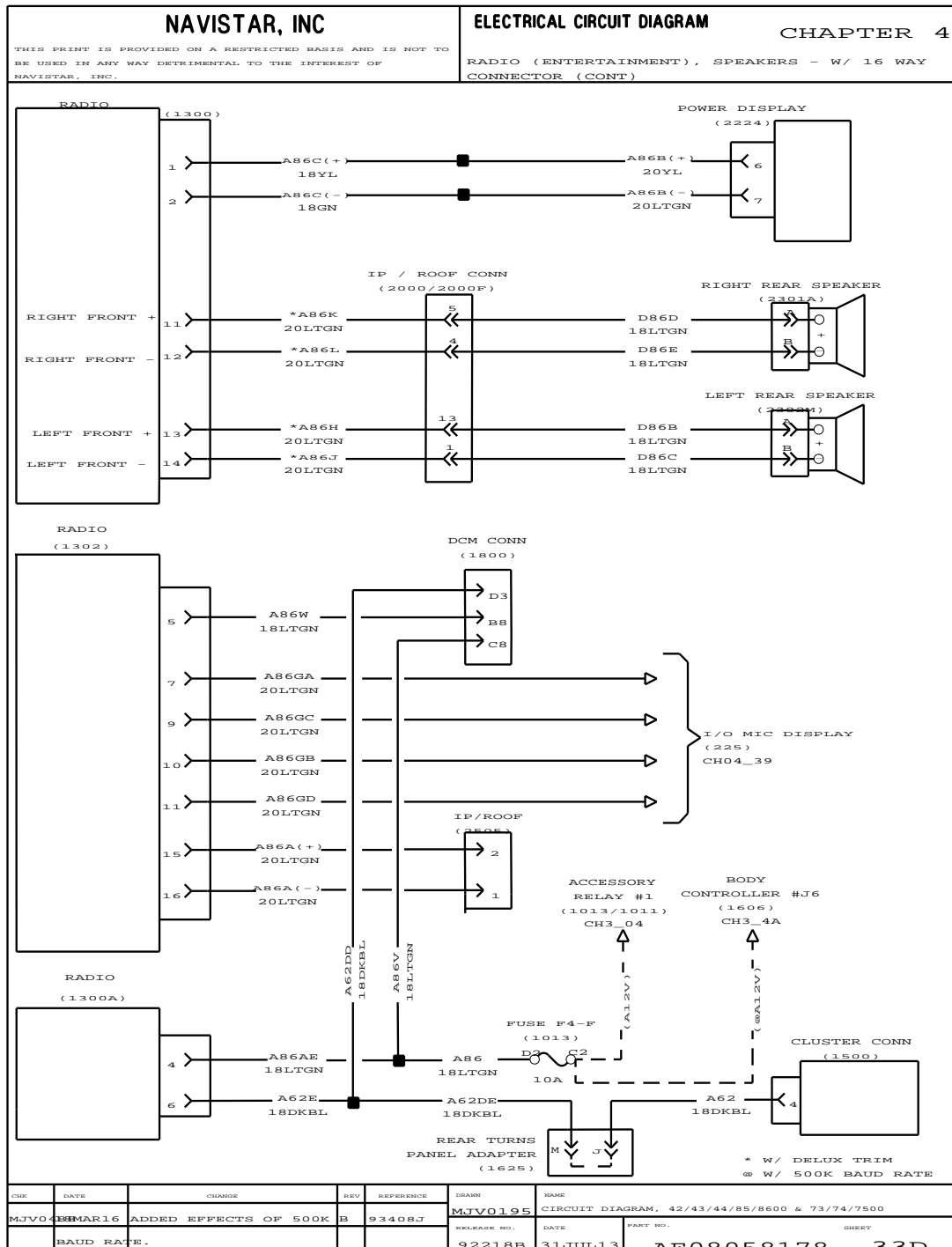


Figure 145 Radio (Entertainment), Speakers – with 16 Way Connector (Cont.)

4.44. SEATBELT AND SEAT SENSOR, P. 34

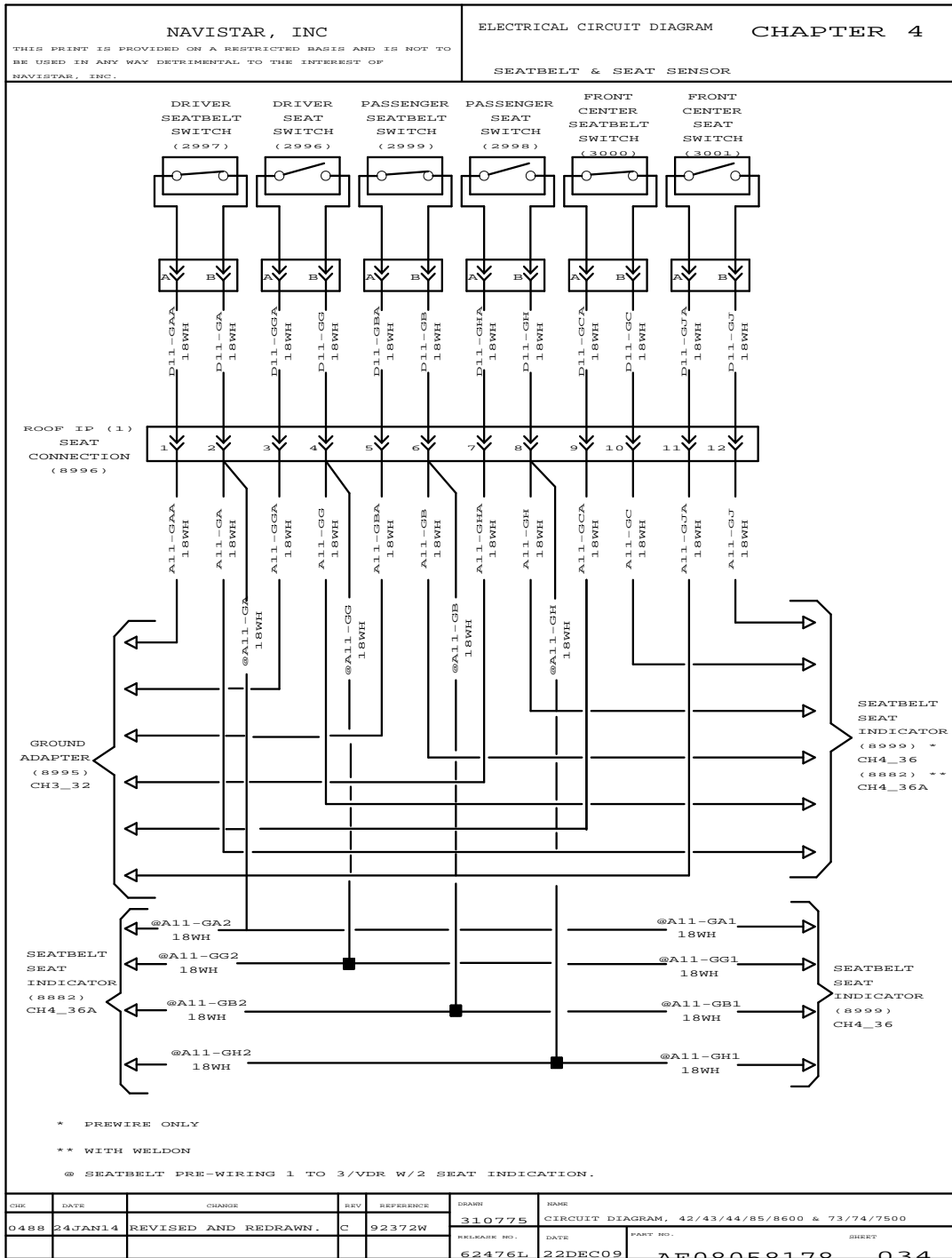


Figure 146 Seatbelt and Seat Sensor

4.45. SEATBELT AND SEAT SENSOR (CONT.), P. 35

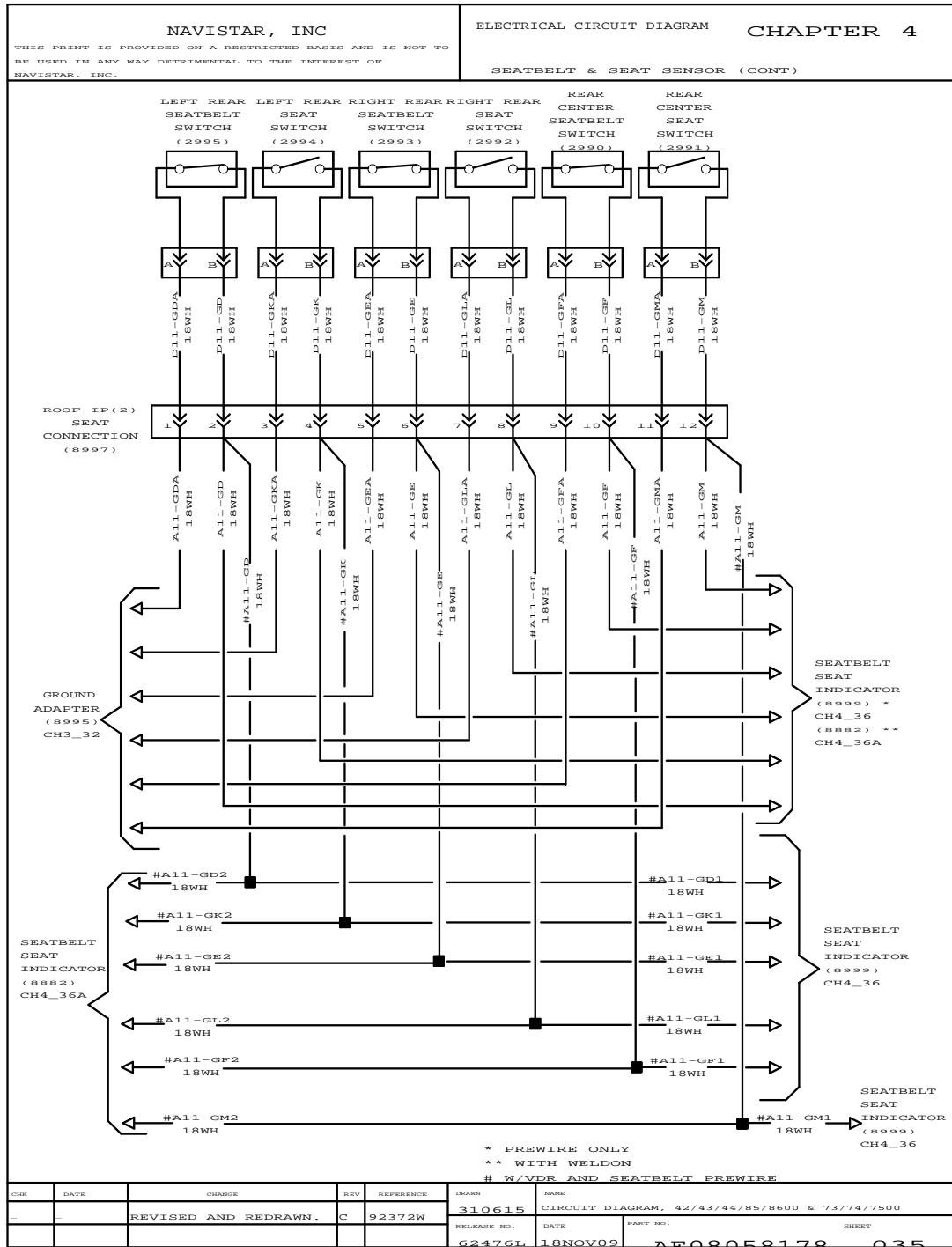


Figure 147 Seatbelt and Seat Sensor (Cont.)

4.46. SEATBELT AND SEAT SENSOR (CONT.), P. 36

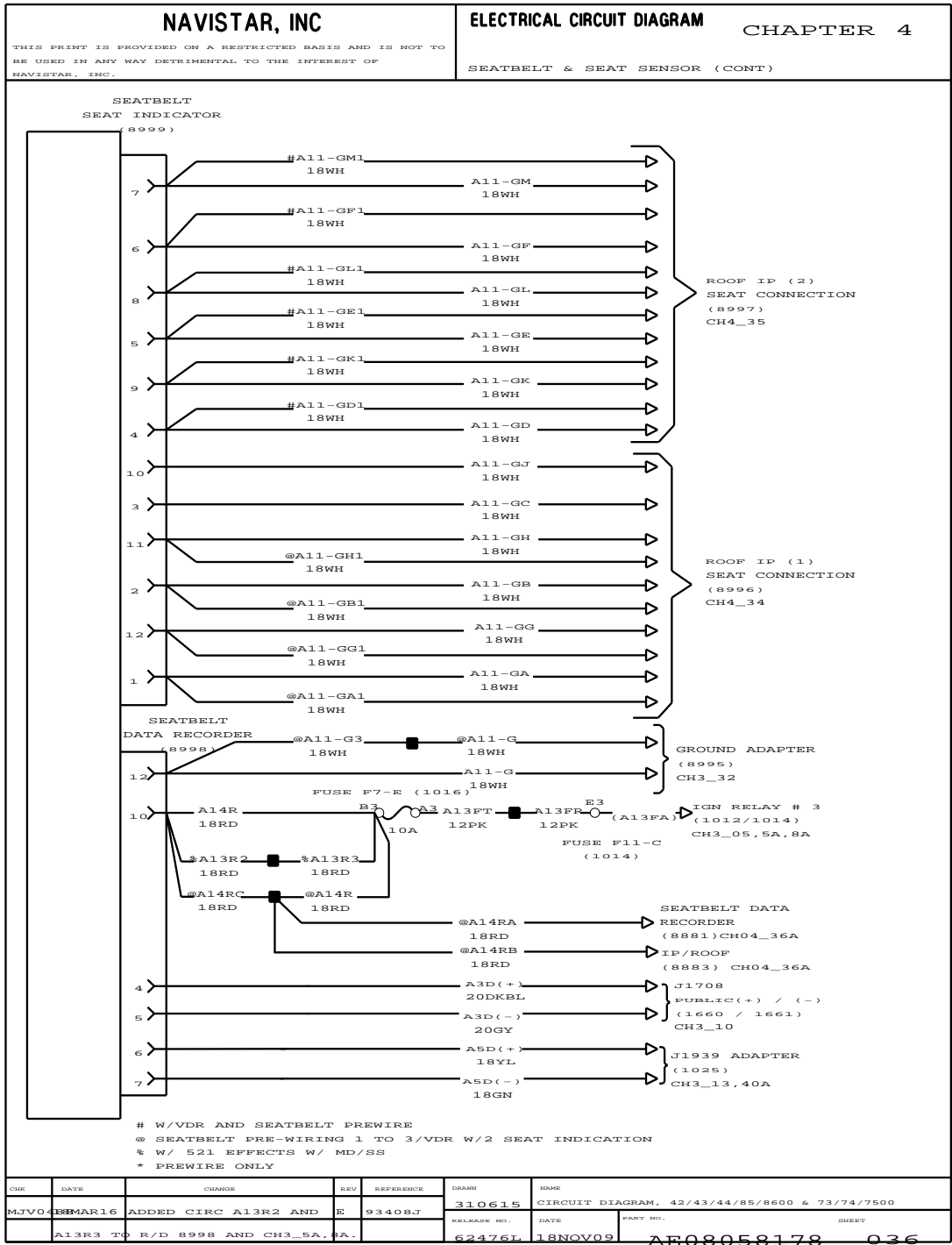


Figure 148 Seatbelt and Seat Sensor (Cont.)

4.47. SEATBELT AND SEAT SENSOR (CONT.), P. 36A

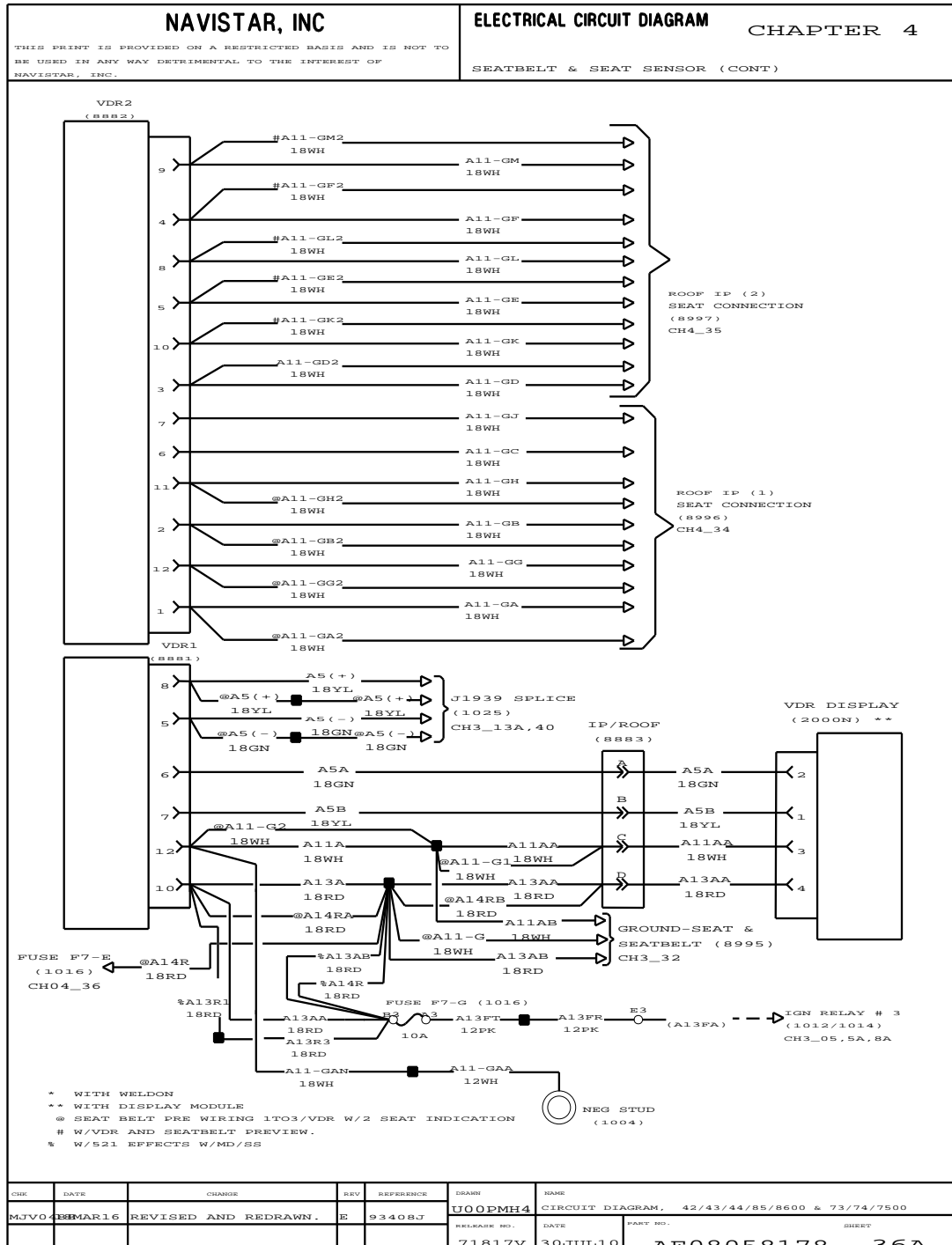
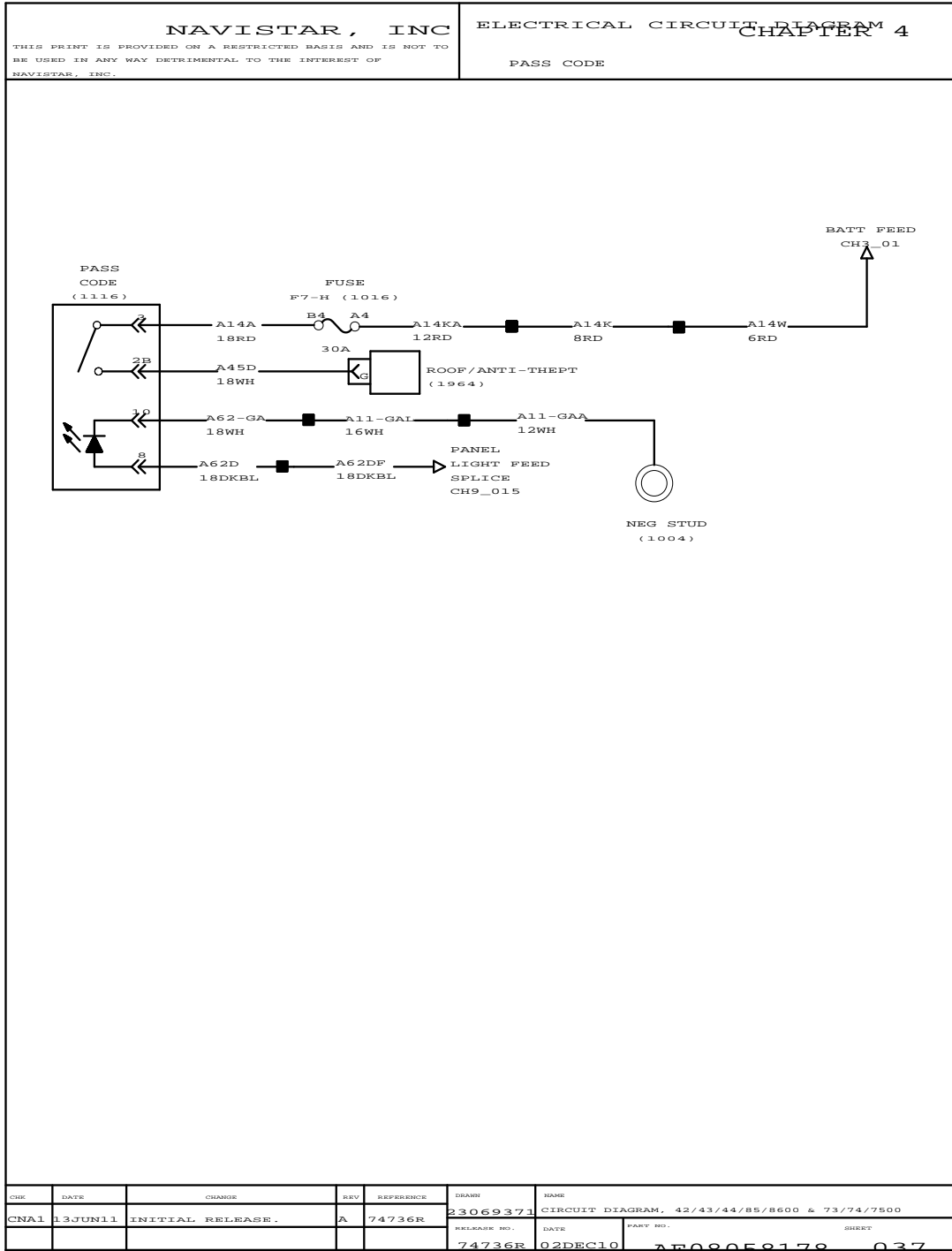


Figure 149 Seatbelt and Seat Sensor (Cont.)

4.48. PASS CODE, P. 37



CHK	DATE	CHANGE	REV	REFERENCE	DRWN	DATE
CNA1	13JUN11	INITIAL RELEASE.	A	74736R	23069371	CIRCUIT DIAGRAM, 42/43/44/85/8600 & 73/74/7500
					RELEASE NO.	DATE
					74736R	02DEC10
						PART NO.
						AE08058178
						SHEET
						037

Figure 150 Pass Code

4.49. DRIVER DISPLAY – VEHICLE INFORMATION, P. 38

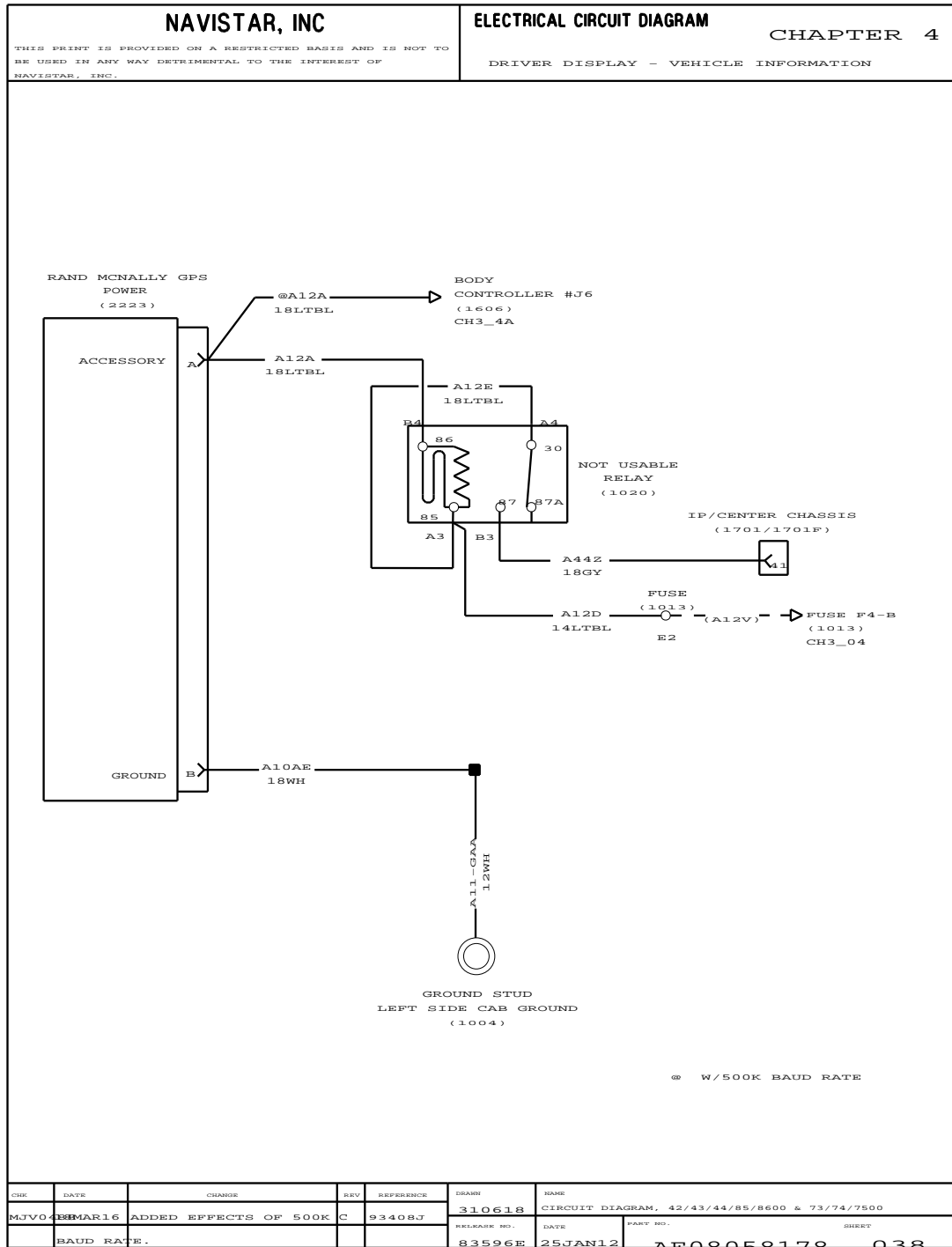


Figure 151 Driver Display – Vehicle Information

4.50. DRIVER DISPLAY – VEHICLE INFORMATION (CONT.), P. 39

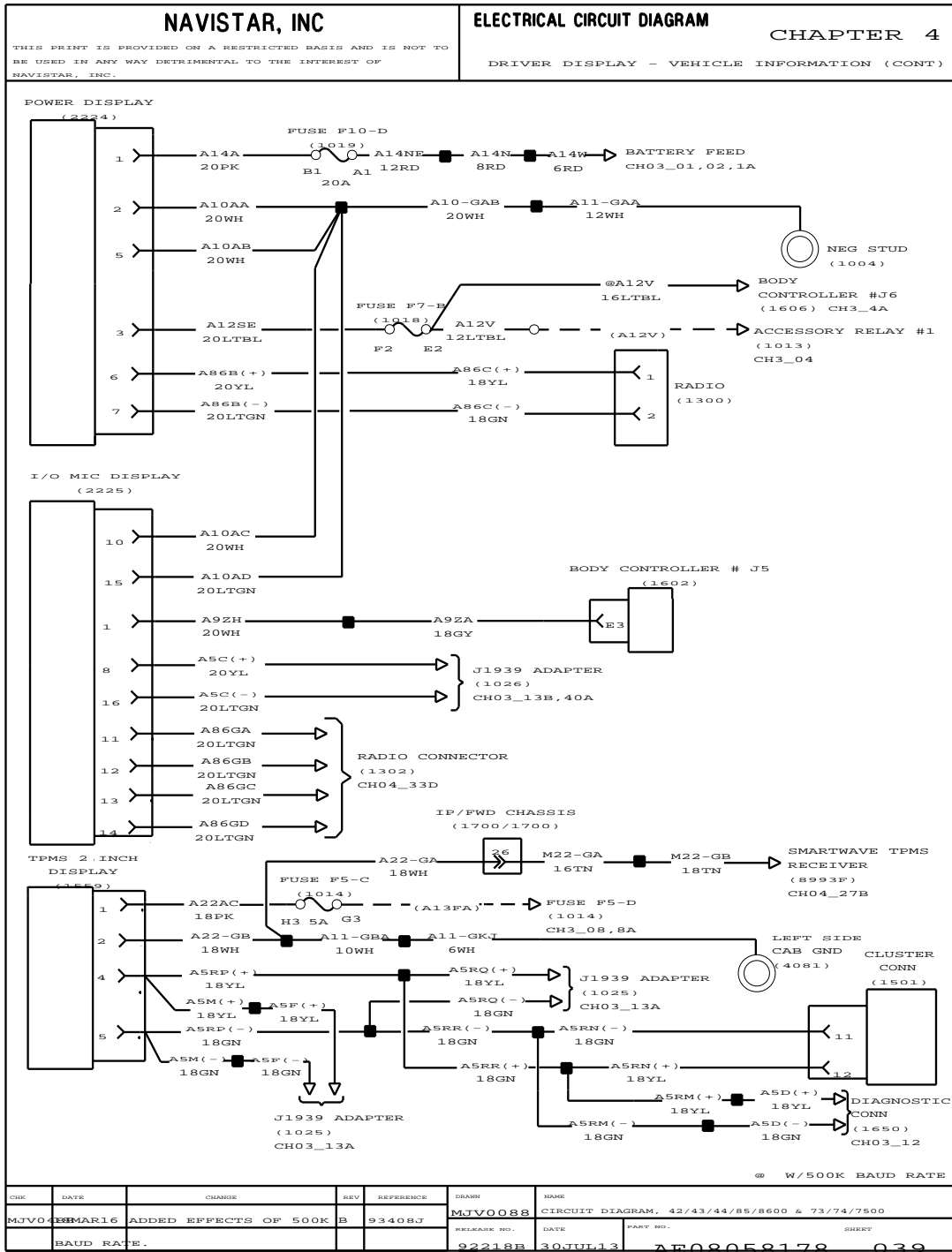


Figure 152 Driver Display – Vehicle Information (Cont.)

4.51. DUAL POWER TAKE OFF, P. 40

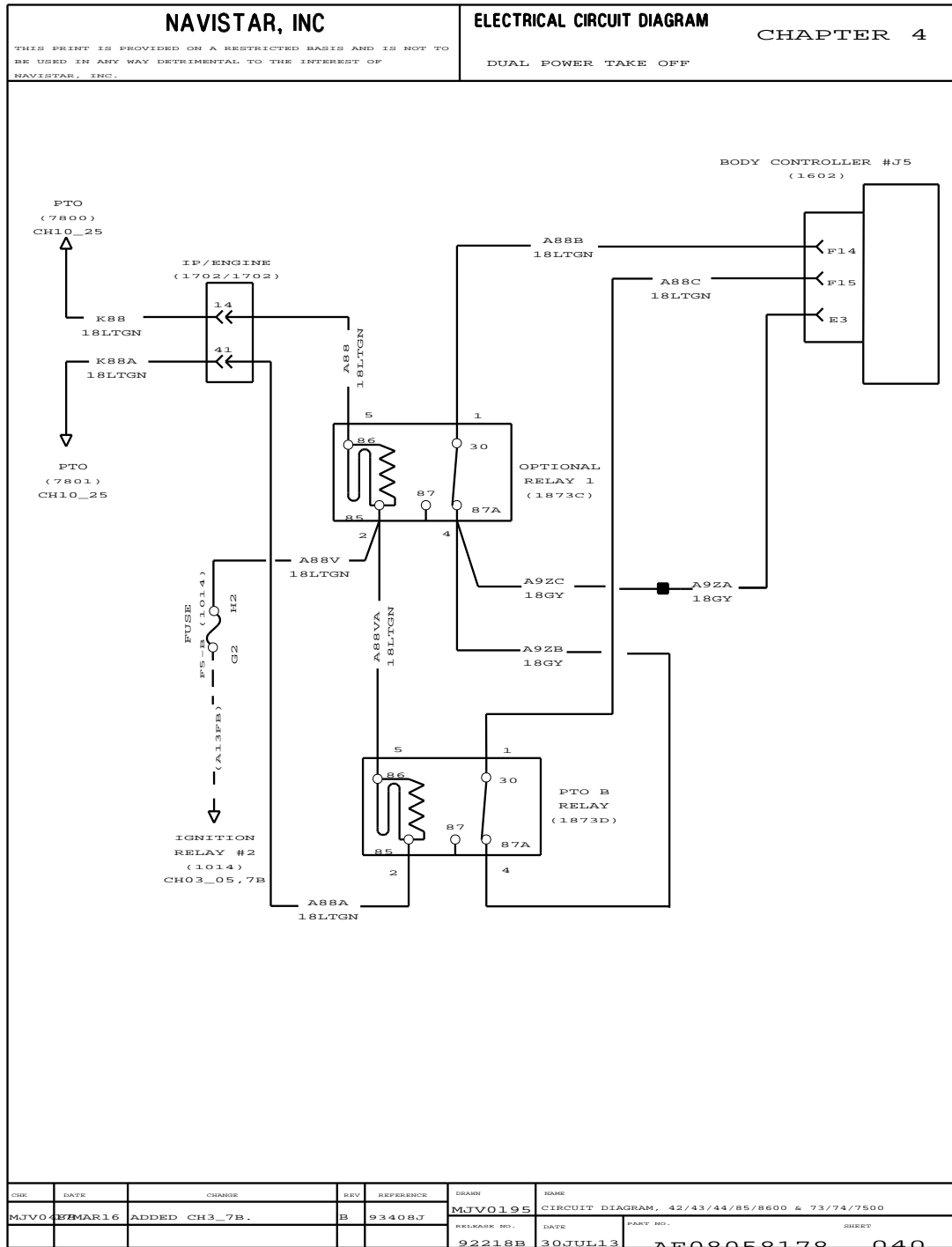


Figure 153 Dual Power Take Off

4.52. SATELLITE COMM WITH ANTENNA, CABLE AND TRANSISTOR, P. 41

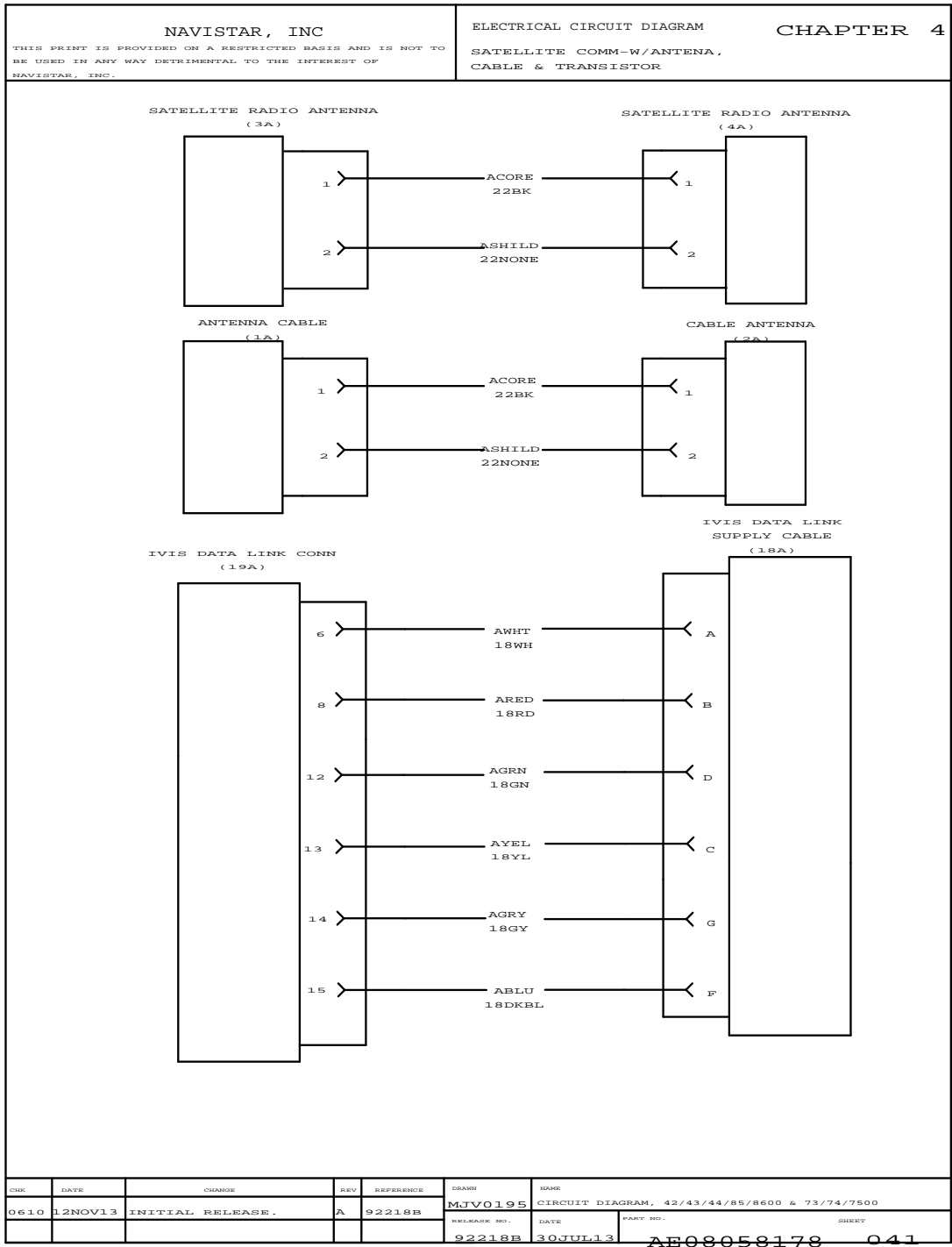


Figure 154 Satellite Comm with Antenna, Cable and Transistor

4.53. DATA LINK TRANSLATOR, P. 42

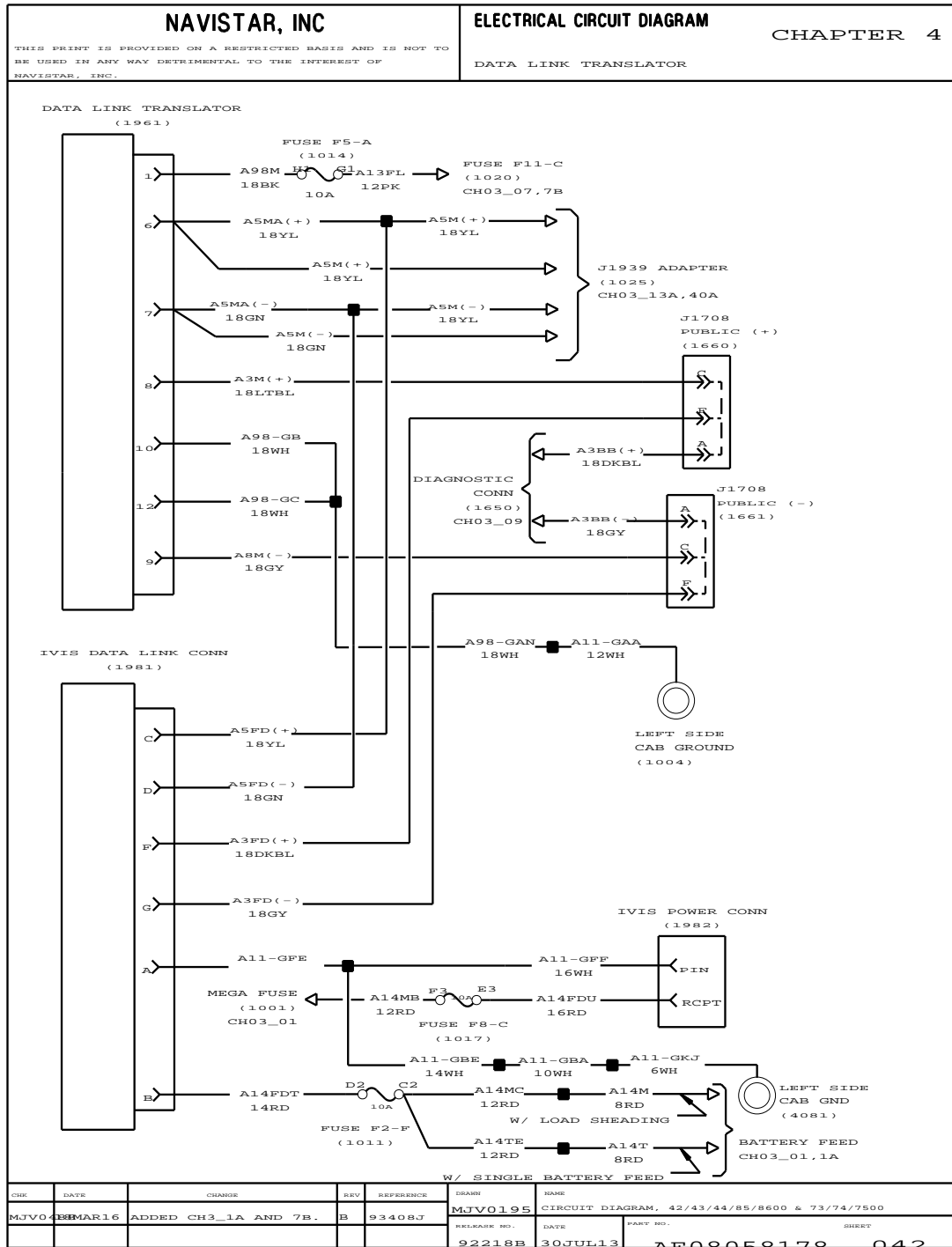


Figure 155 Data Link Translator

4.54. PEOPLETNET COMMUNICATIONS, P. 43

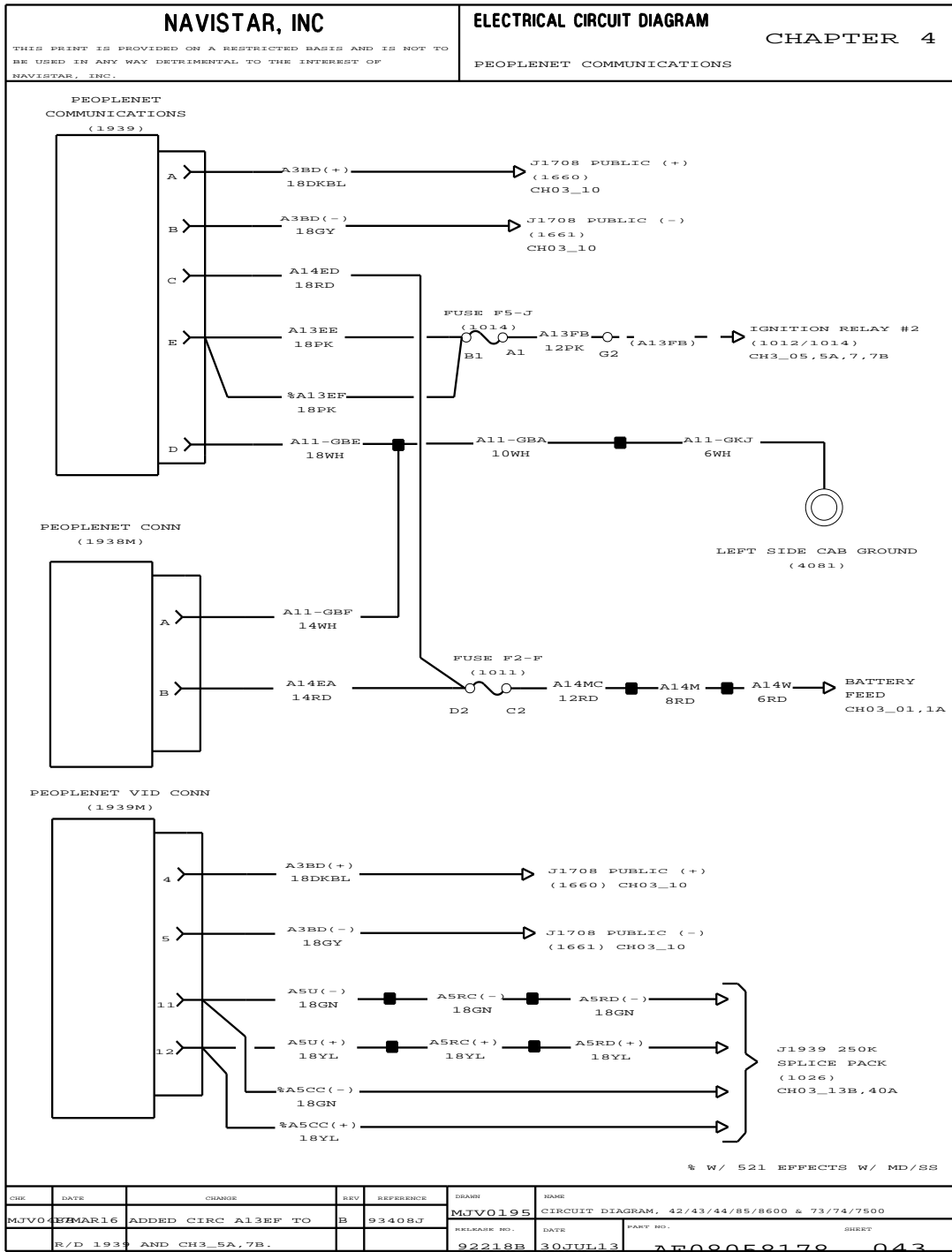


Figure 156 Peopletnet Communications

4.55. BENDIX WINGMAN SYSTEM, P. 44

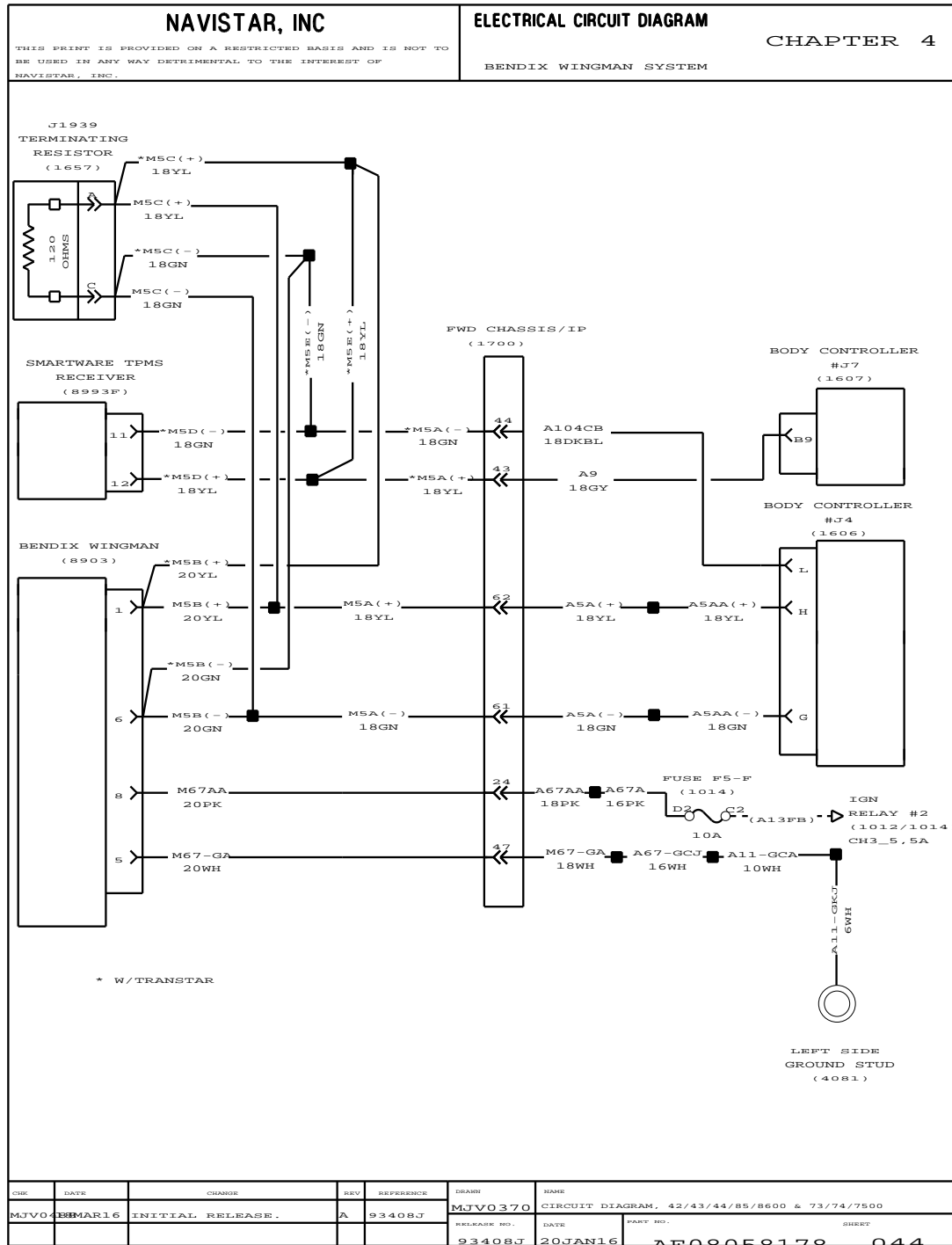


Figure 157 Bendix Wingman System

4.56. EV DISCONNECT SWITCH WITH HIGH & LOW VISIBILITY, WITH MID & LOW CAB, WITH ISB & I6 ENGINE, P. 45

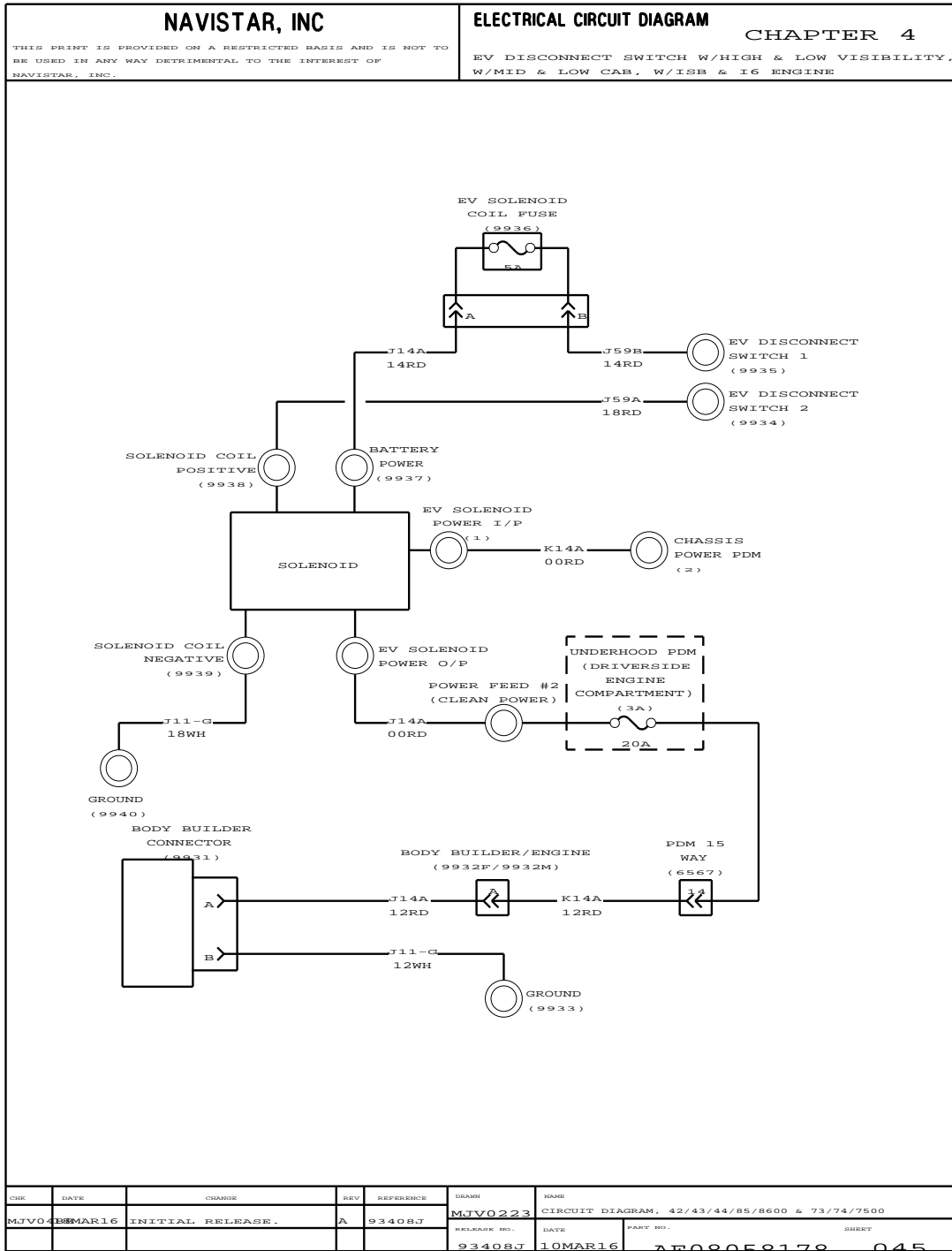


Figure 158 EV Disconnect Switch with High & Low Visibility, with Mid & Low Cab, with ISB & I6 Engine

12V CHARGING AND CRANKING SYSTEM (CHAPTER 5)

5.1. STARTING AND CRANKING I6 / V8 ENGINES WITH MANUAL TRANSMISSION, P. 1

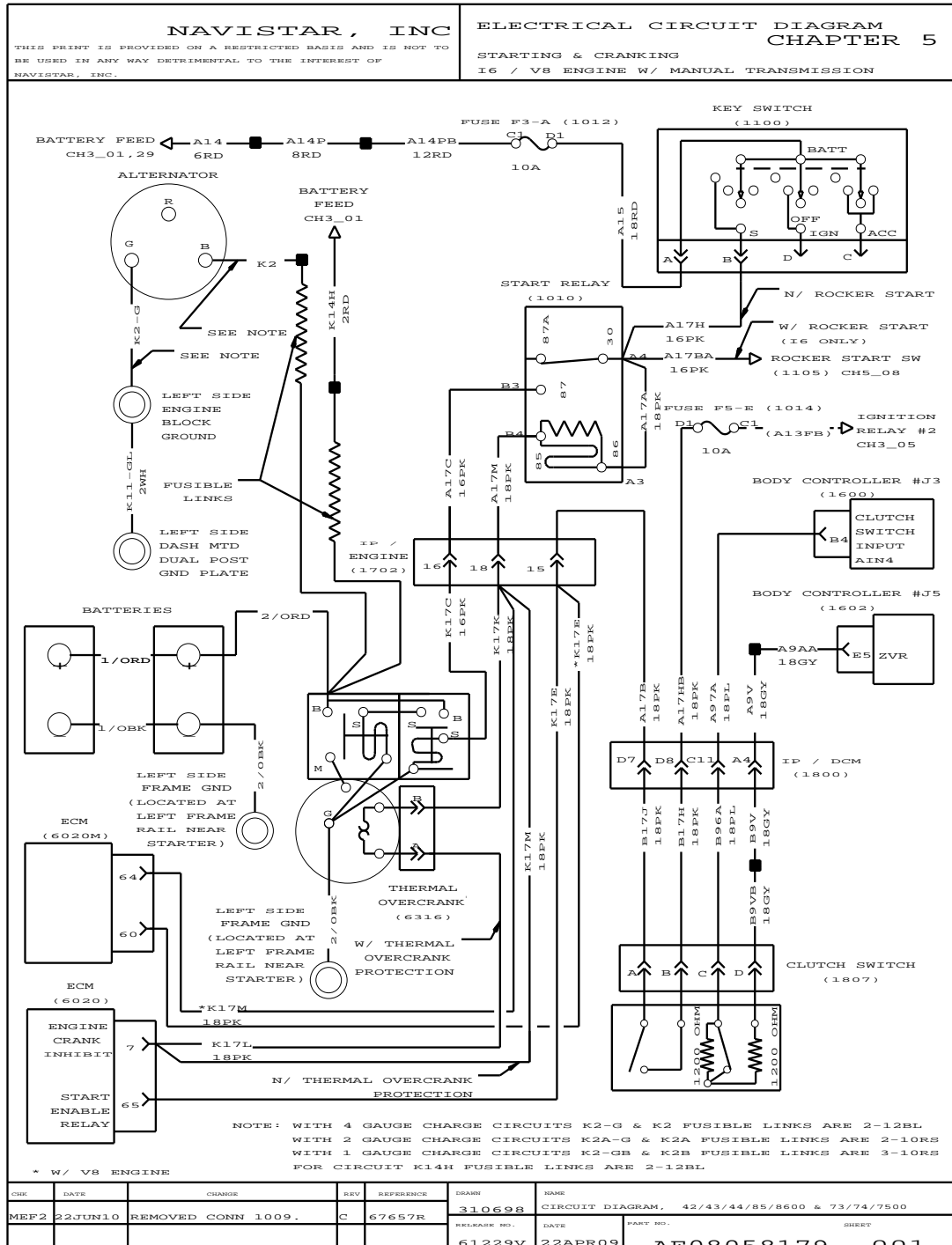


Figure 159 Starting and Cranking I6 / V8 Engines with Manual Transmission

5.2. STARTING AND CRANKING CUMMINS ISB ENGINE WITH MANUAL TRANSMISSION, P. 1A

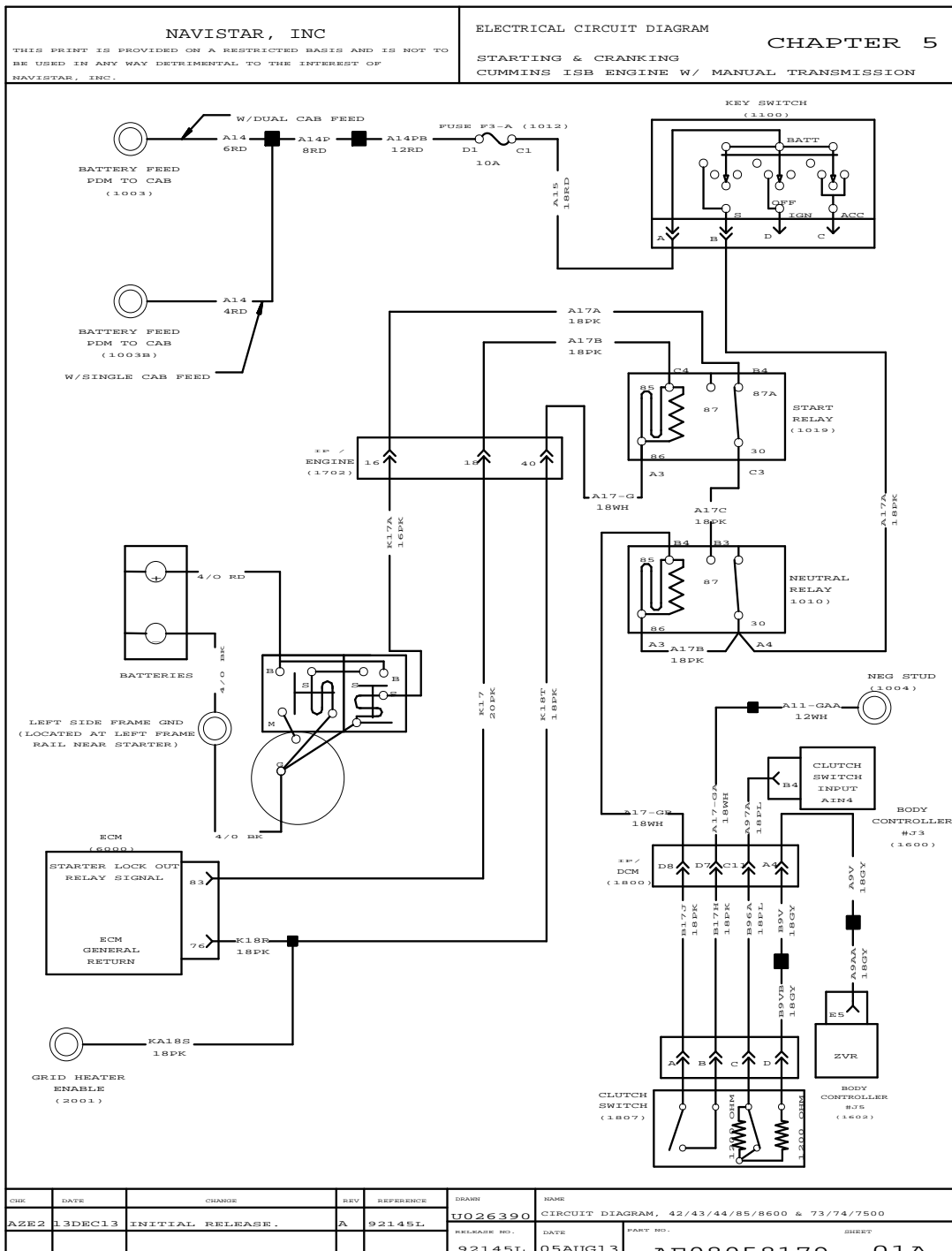


Figure 160 Starting and Cranking Cummins ISB Engine with Manual Transmission

5.3. STARTING AND CRANKING IBB ENGINE WITH MANUAL TRANSMISSION, P. 2

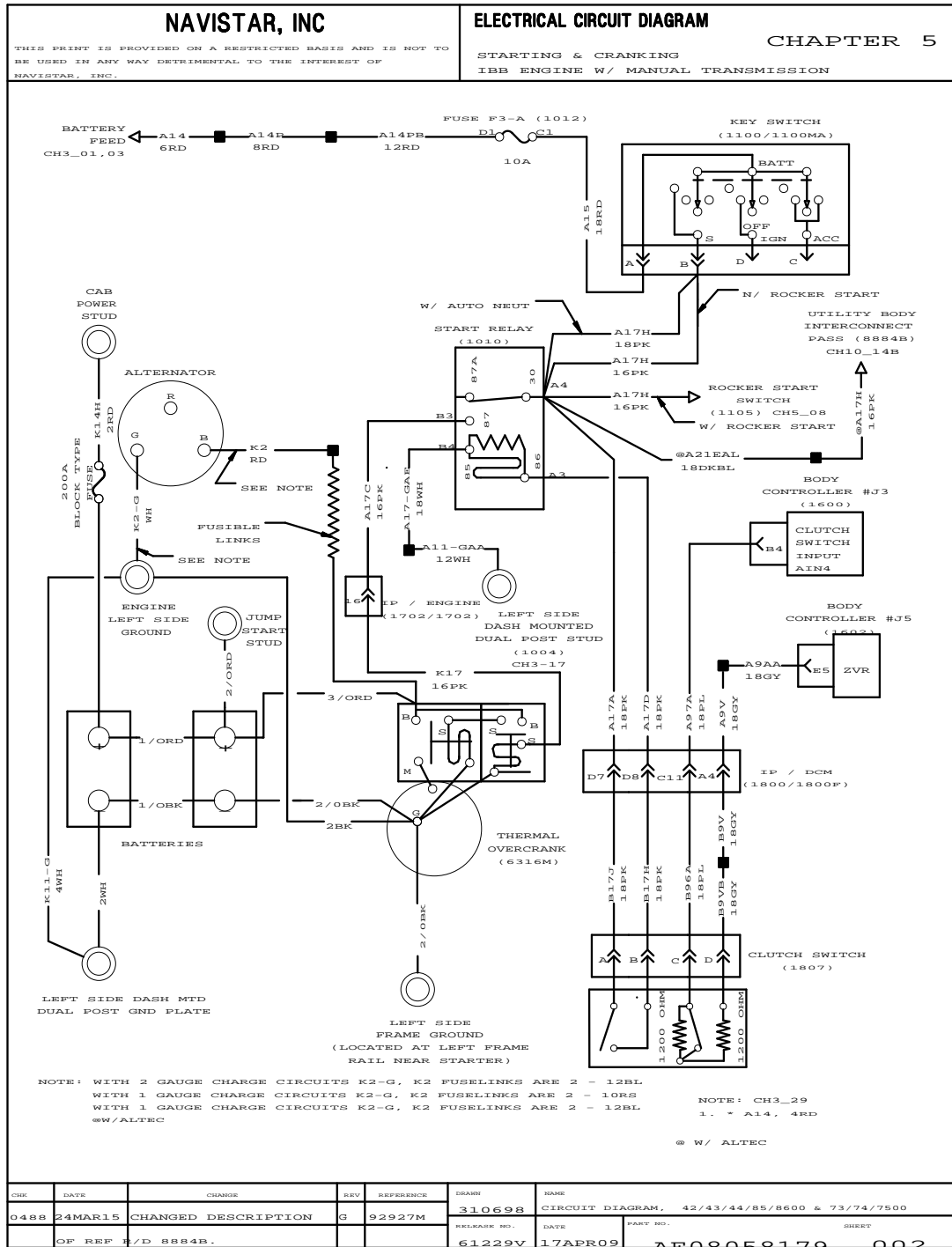


Figure 161 Starting and Cranking IBB Engine with Manual Transmission

5.4. STARTING AND CRANKING I6 AND V8 ENGINE WITH ALLISON TRANSMISSION, P. 3

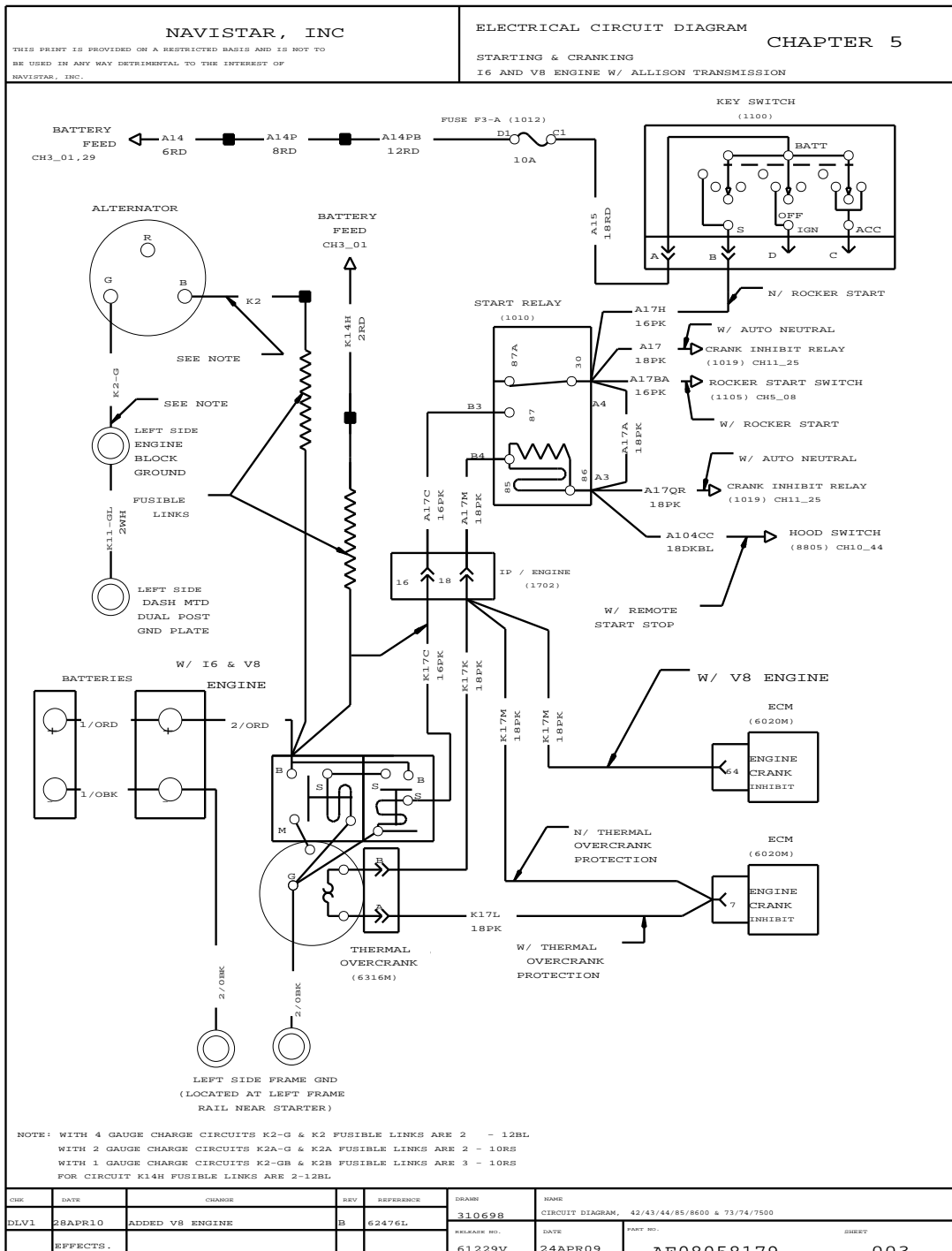


Figure 162 Starting and Cranking I6 and V8 Engine with Allison Transmission

5.5. STARTING AND CRANKING CUMMINS ISB ENGINE WITH ALLISON TRANSMISSION, P. 3A

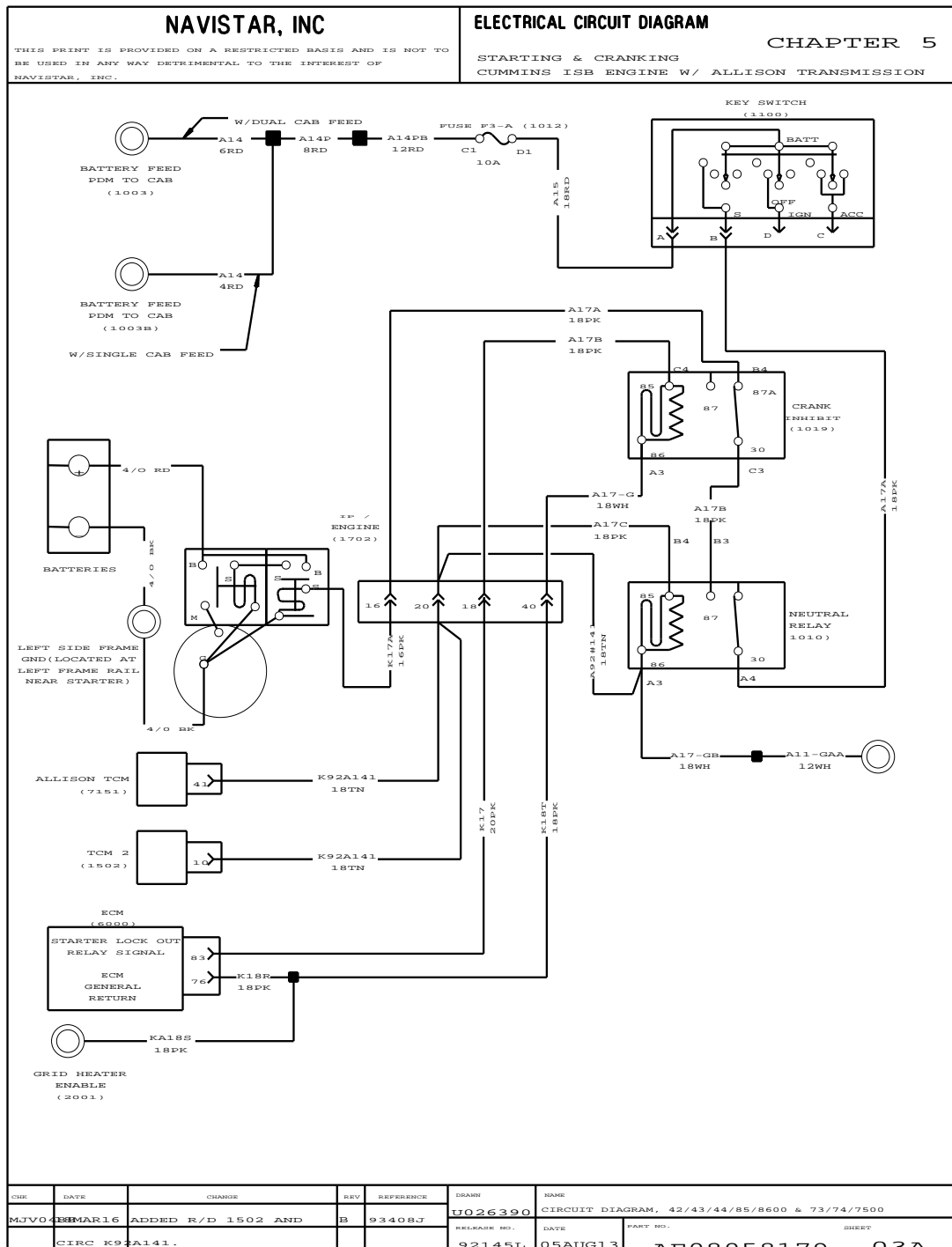


Figure 163 Starting and Cranking Cummins ISB Engine with Allison Transmission

5.6. STARTING AND CRANKING CUMMINS ISB ENGINE WITH ALLISON TRANSMISSION (CONT.), P. 3B

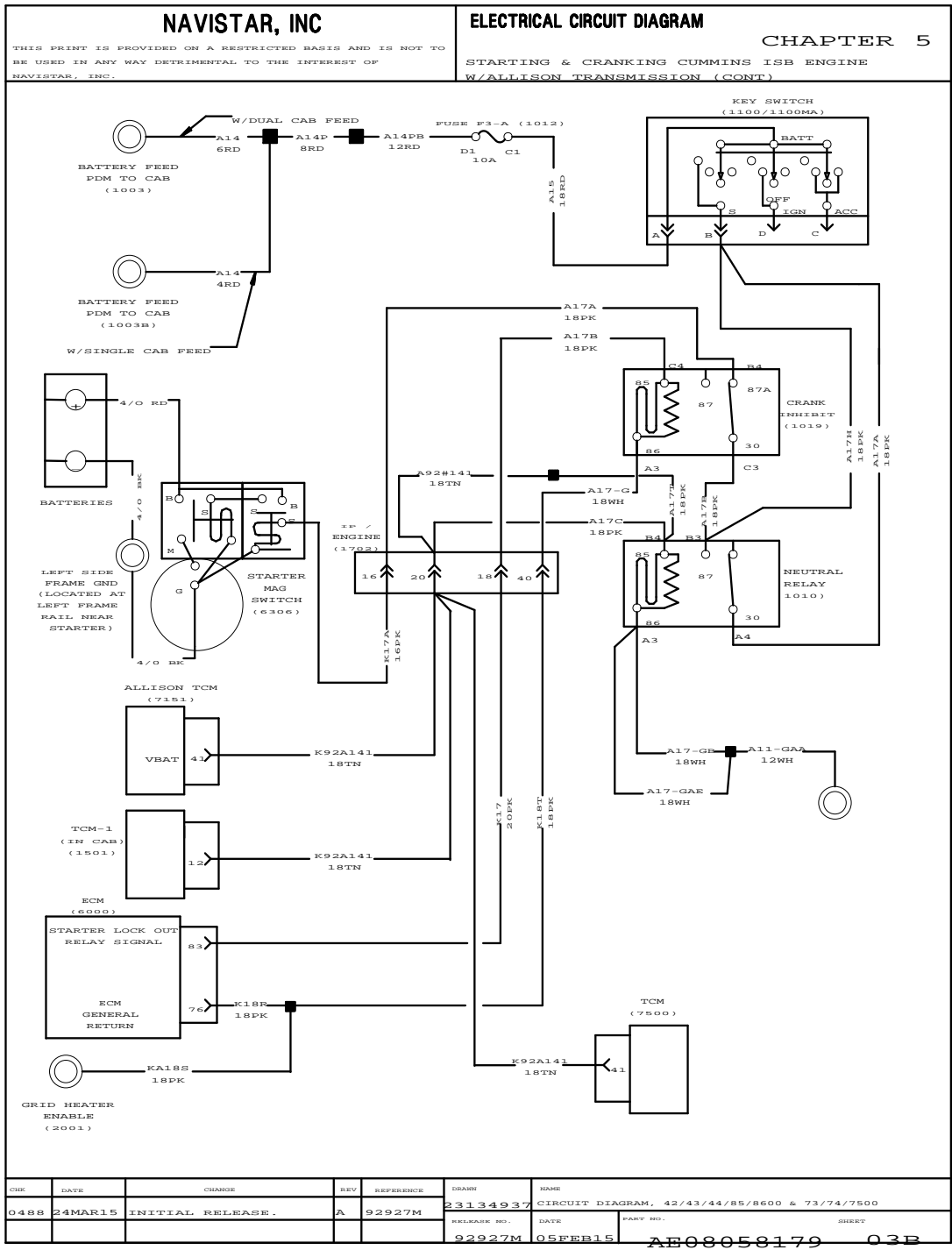


Figure 164 Starting and Cranking Cummins ISB Engine with Allison Transmission (Cont.)

5.7. STARTING AND CRANKING IBB ENGINE WITH ALLISON TRANSMISSION, P. 4

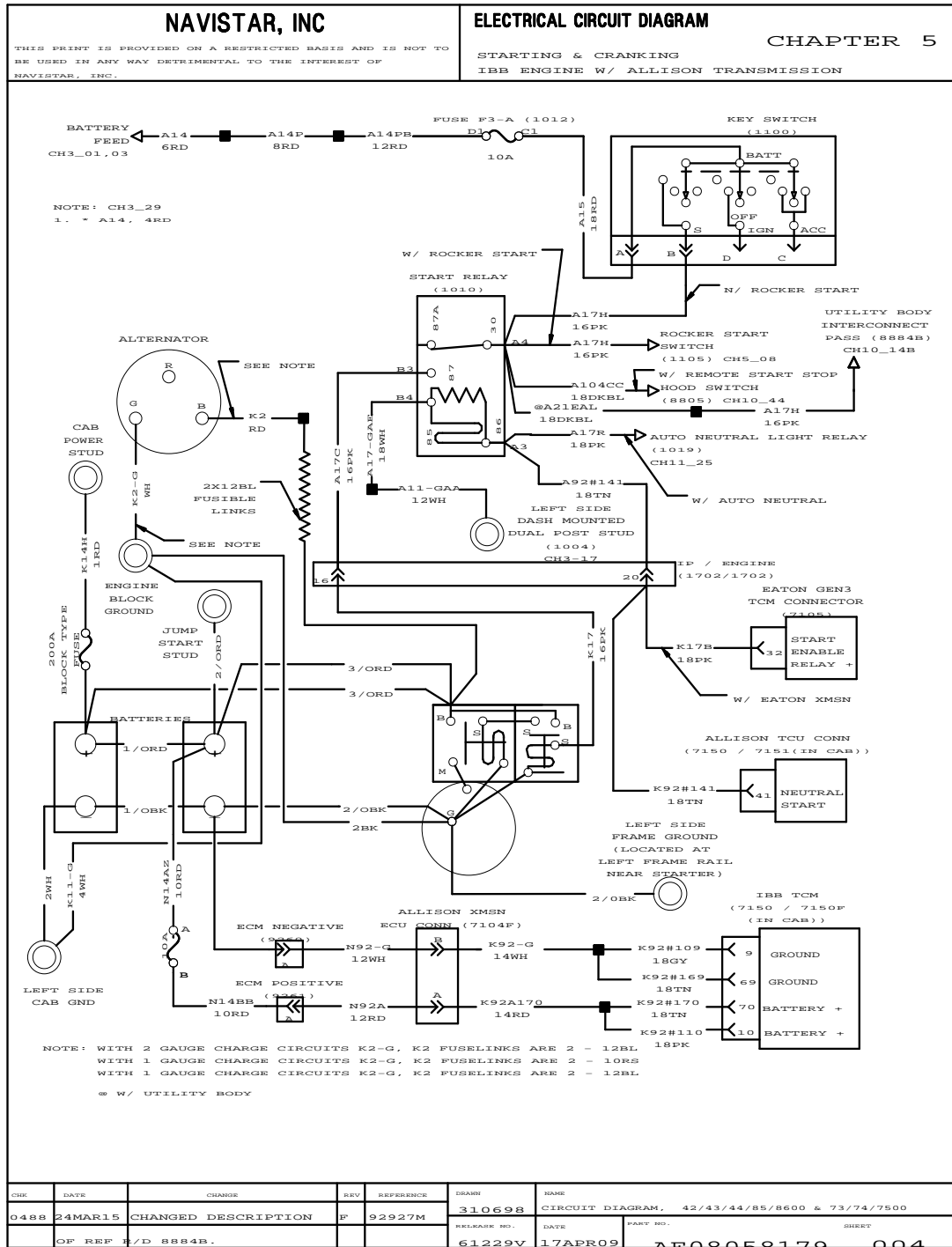


Figure 165 Starting and Cranking IBB Engine with Allison Transmission

5.8. STARTING AND CRANKING I6 ENGINE WITH AUTOSHIFT, ULTRASHIFT TRANSMISSION AND EATON HYBRID , P. 5

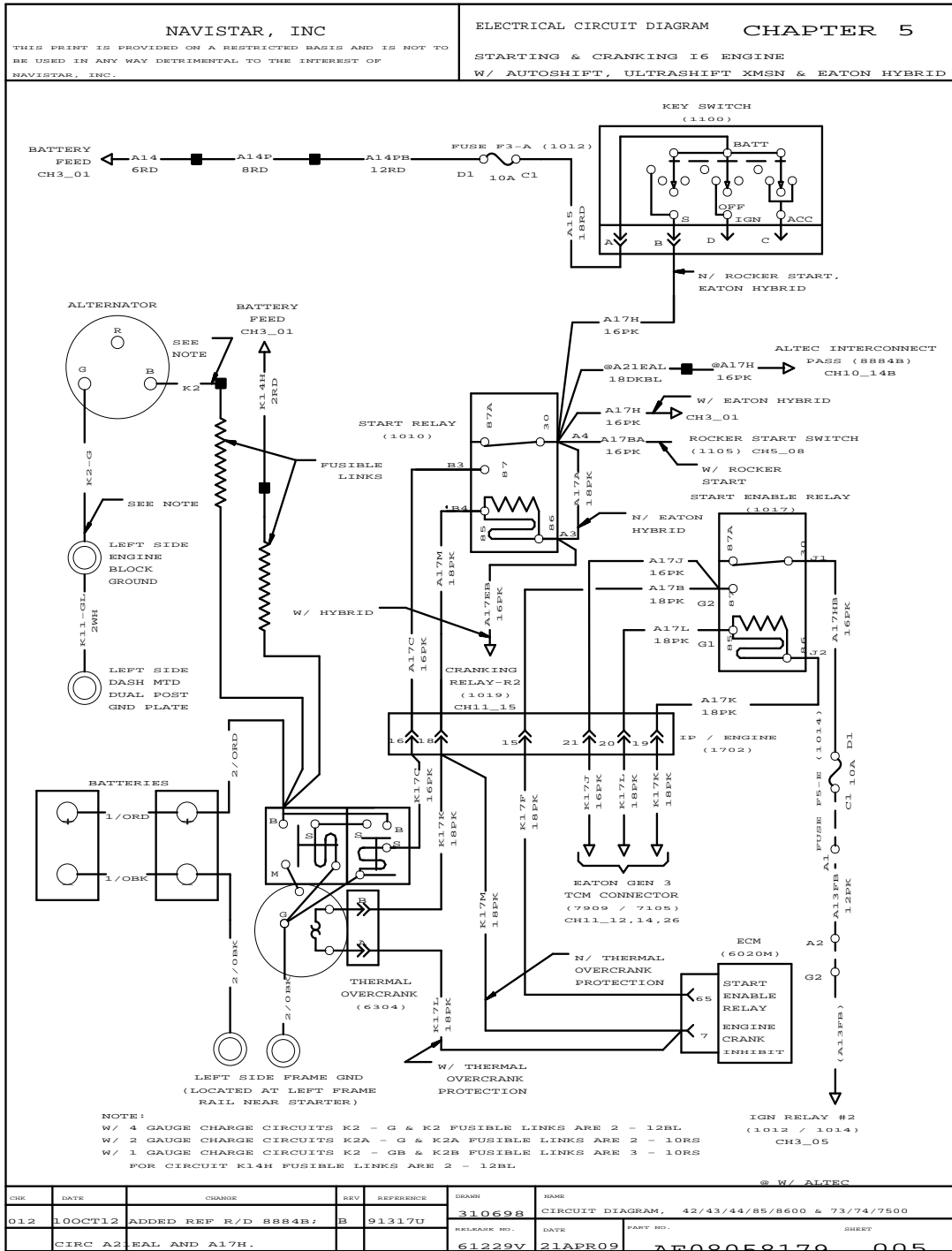


Figure 166 Starting and Cranking I6 Engine with Autoshift, Ultrashift Transmission and Eaton Hybrid

5.9. STARTING AND CRANKING IBB ENGINES WITH AUTOSHIFT ULTRASHIFT , P. 6

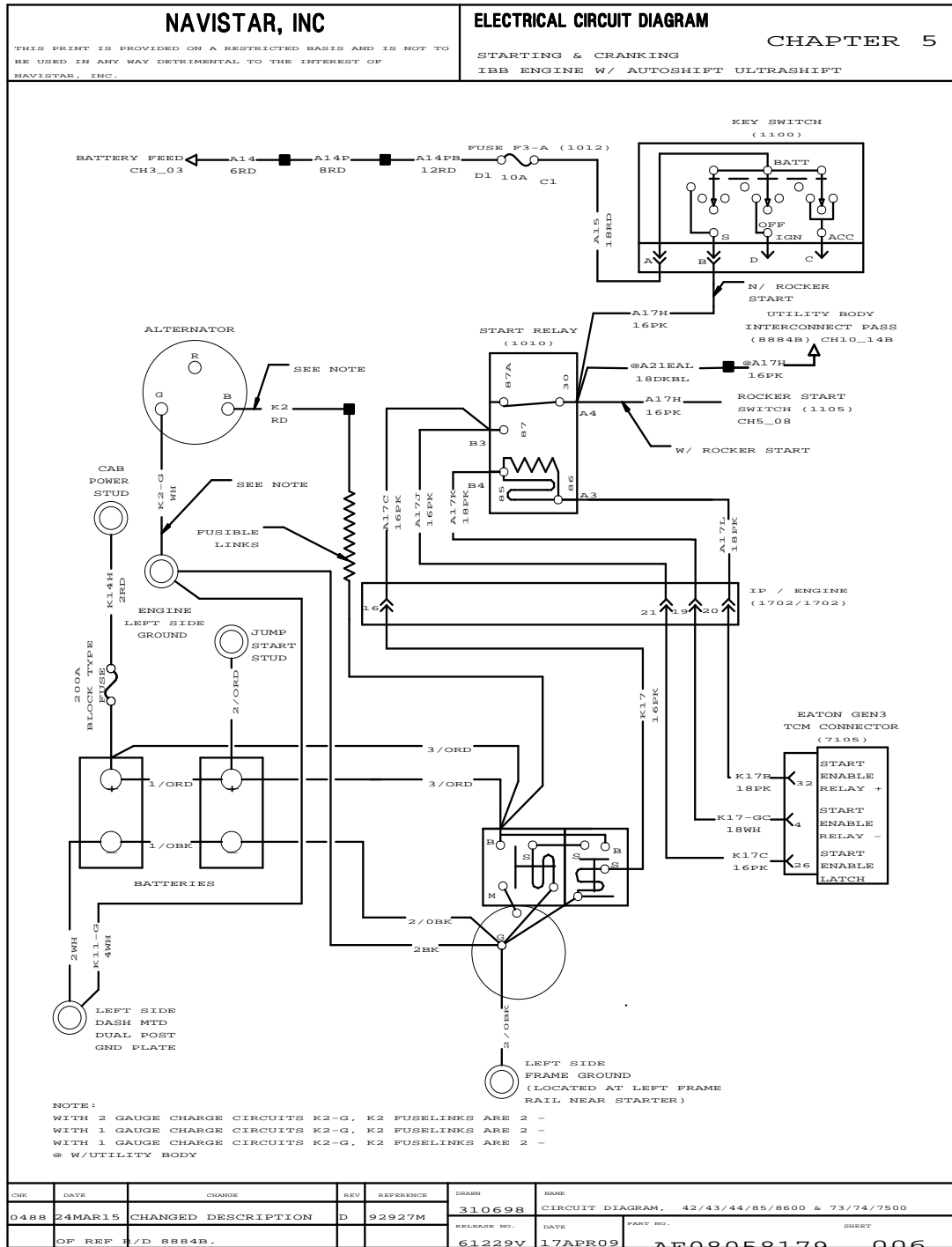


Figure 167 Starting and Cranking IBB Engines with Autoshift Ultrashift

5.10. I6 POWER PACK, P. 7

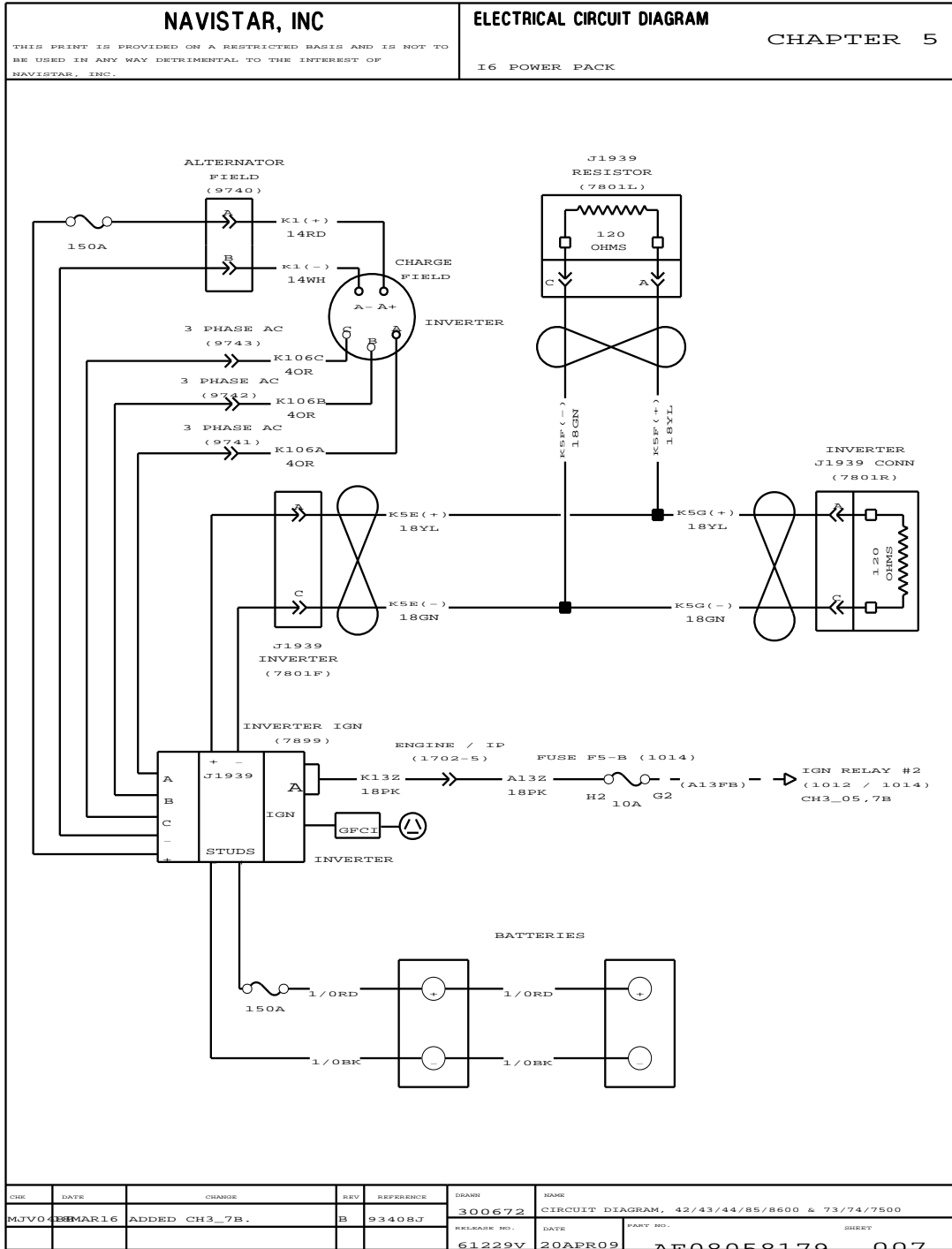


Figure 168 I6 Power Pack

5.11. ROCKER START, P. 8

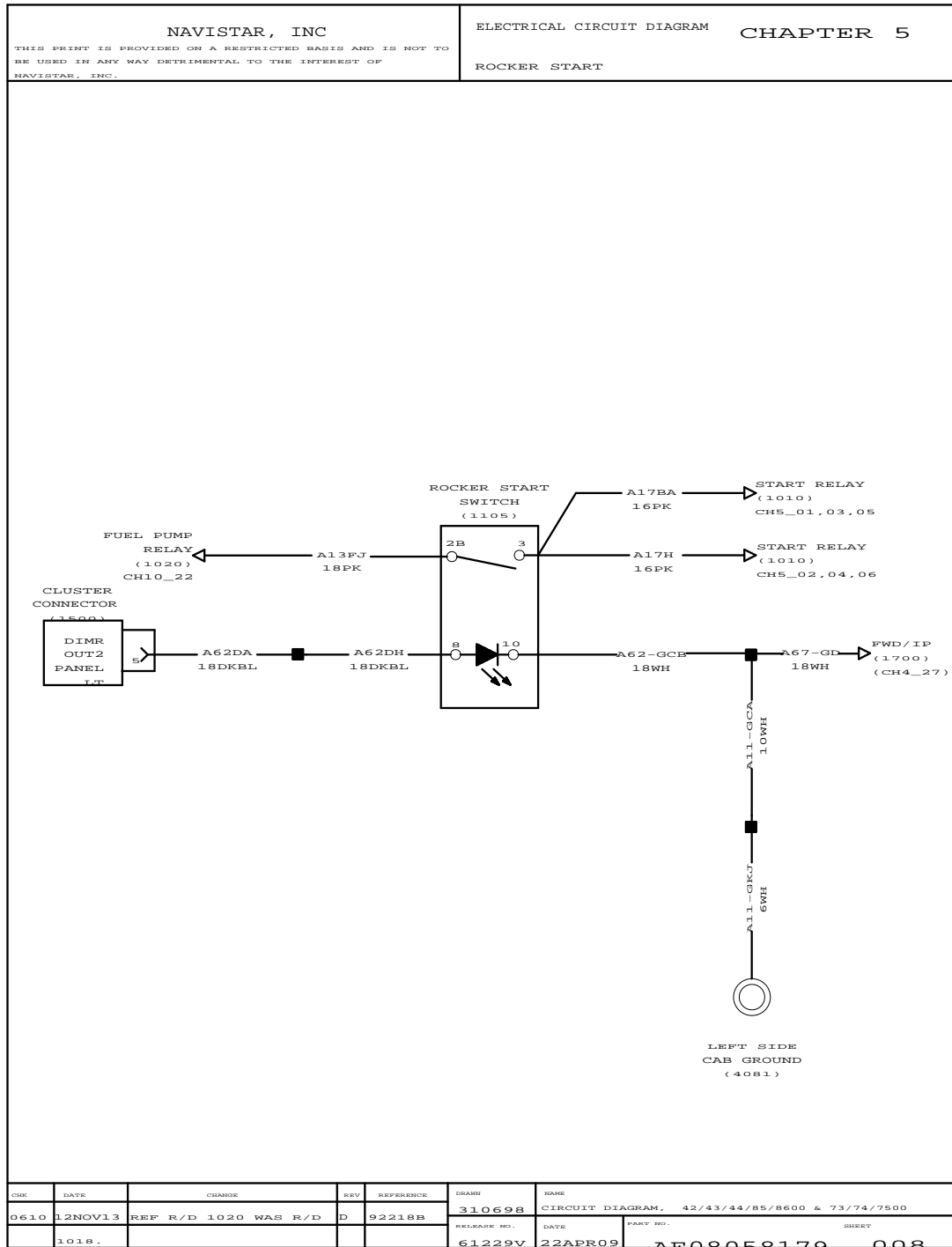


Figure 169 Rocker Start

5.12. STARTING AND CRANKING ISL-G ENGINE WITH ALLISON TRANSMISSION, P. 9

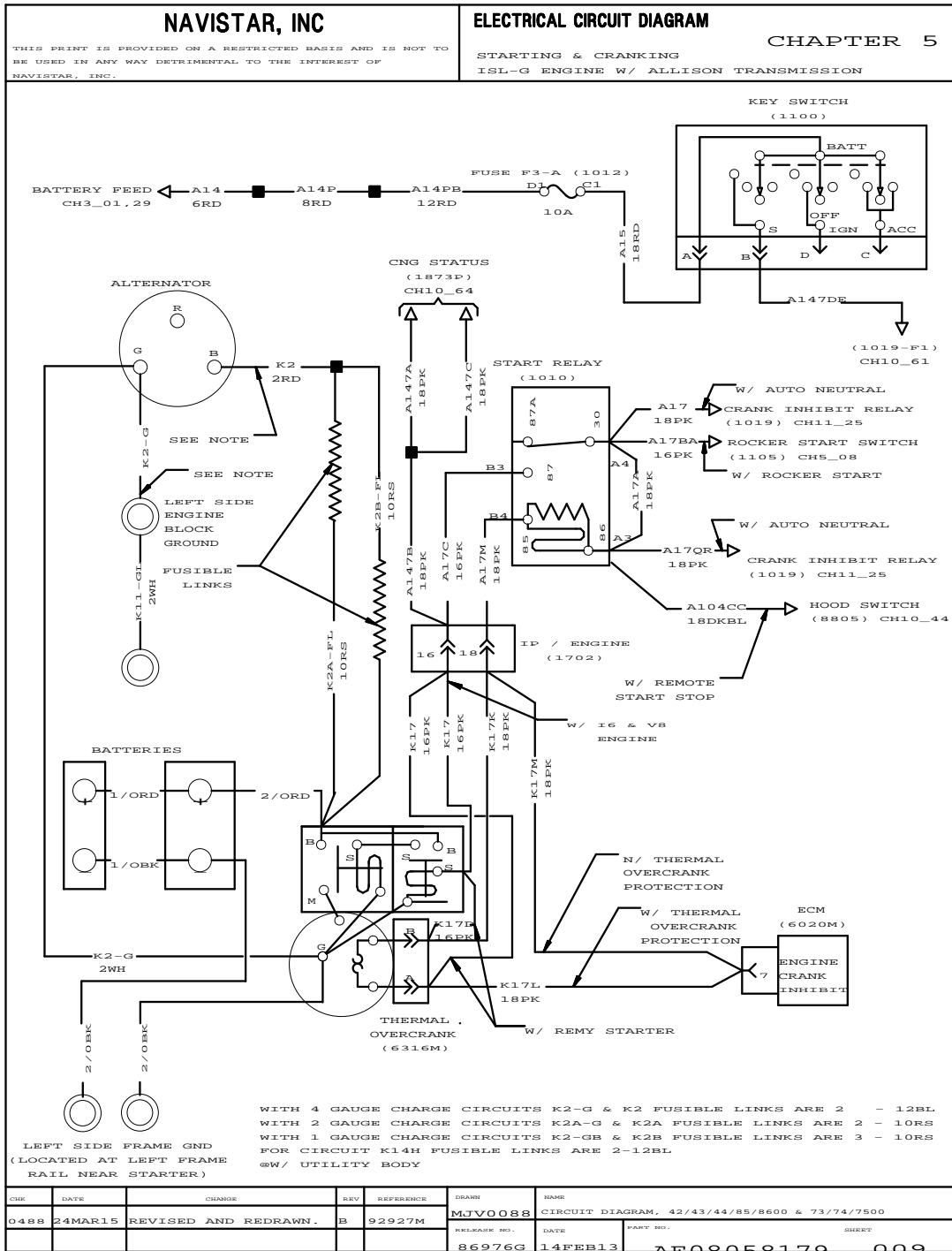


Figure 170 Starting and Cranking ISL-G Engine with Allison Transmission

5.13. STARTER – ALTERNATOR CONNECTIONS, P. 10

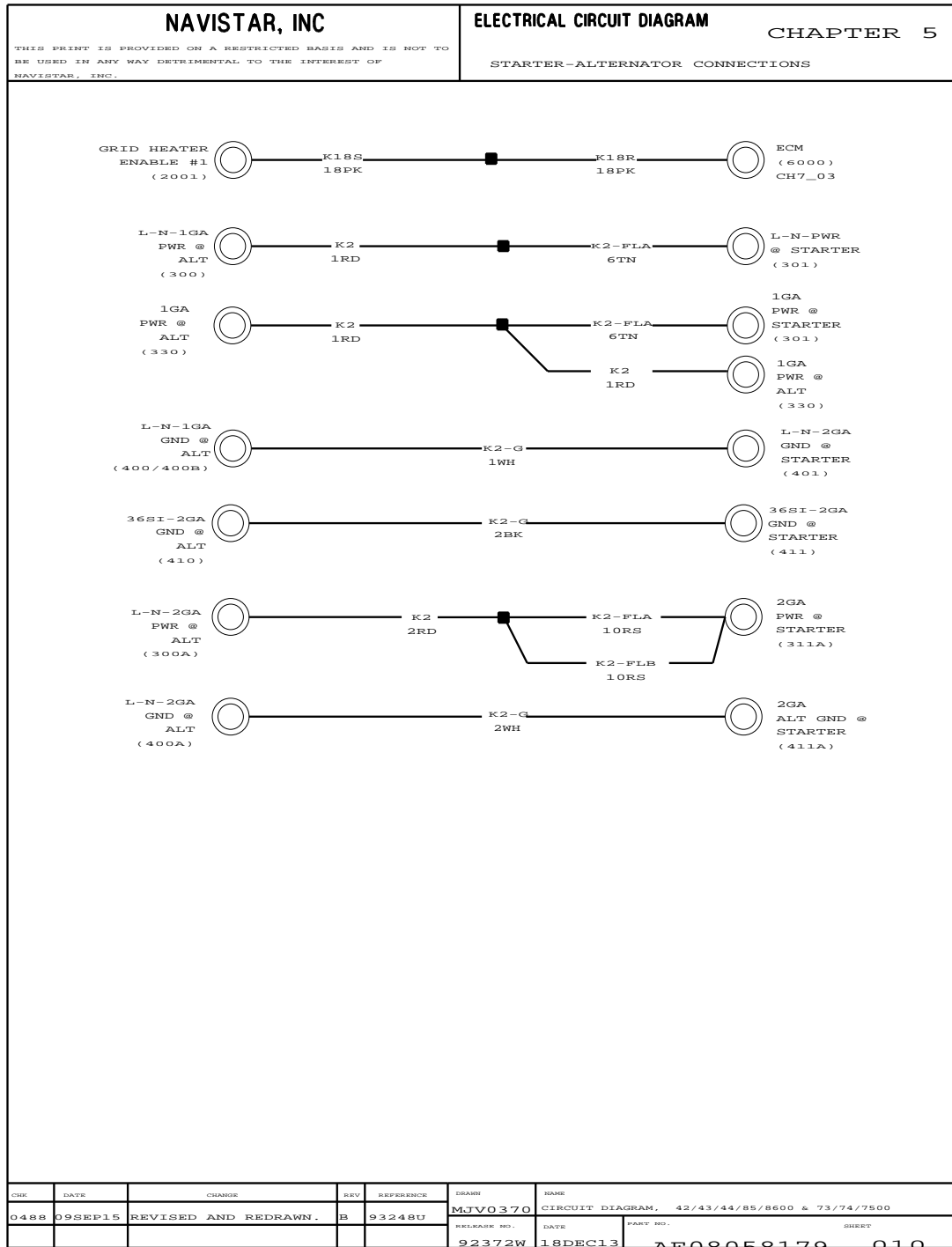


Figure 171 Starter – Alternator Connections

5.14. ENGINE STARTING AND CRANKING WITH CUMMINS ISB, P. 11

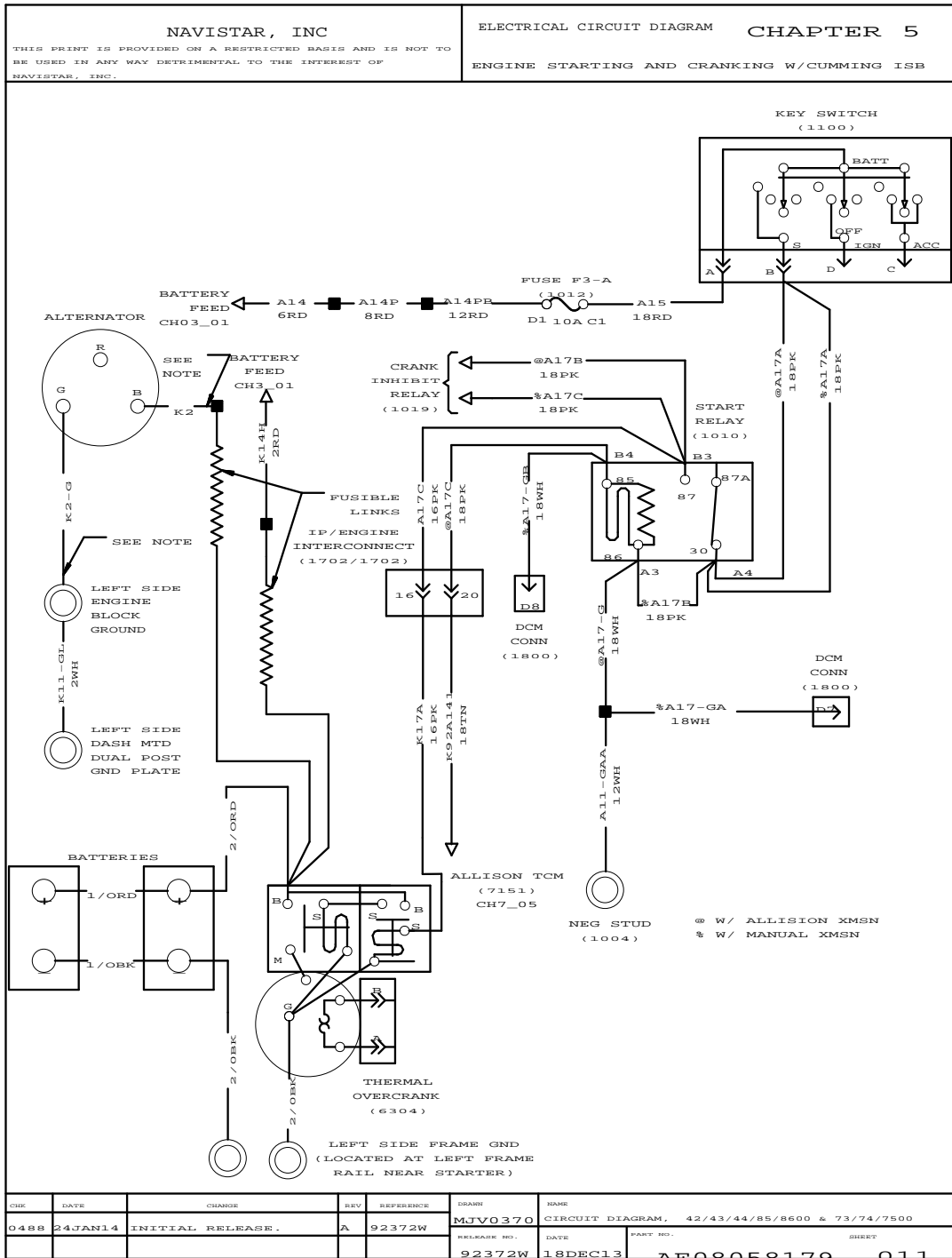


Figure 172 Engine Starting and Cranking with Cummins ISB

5.15. STARTING & CRANKING WITH I6, I-367 ENGINE, P. 12

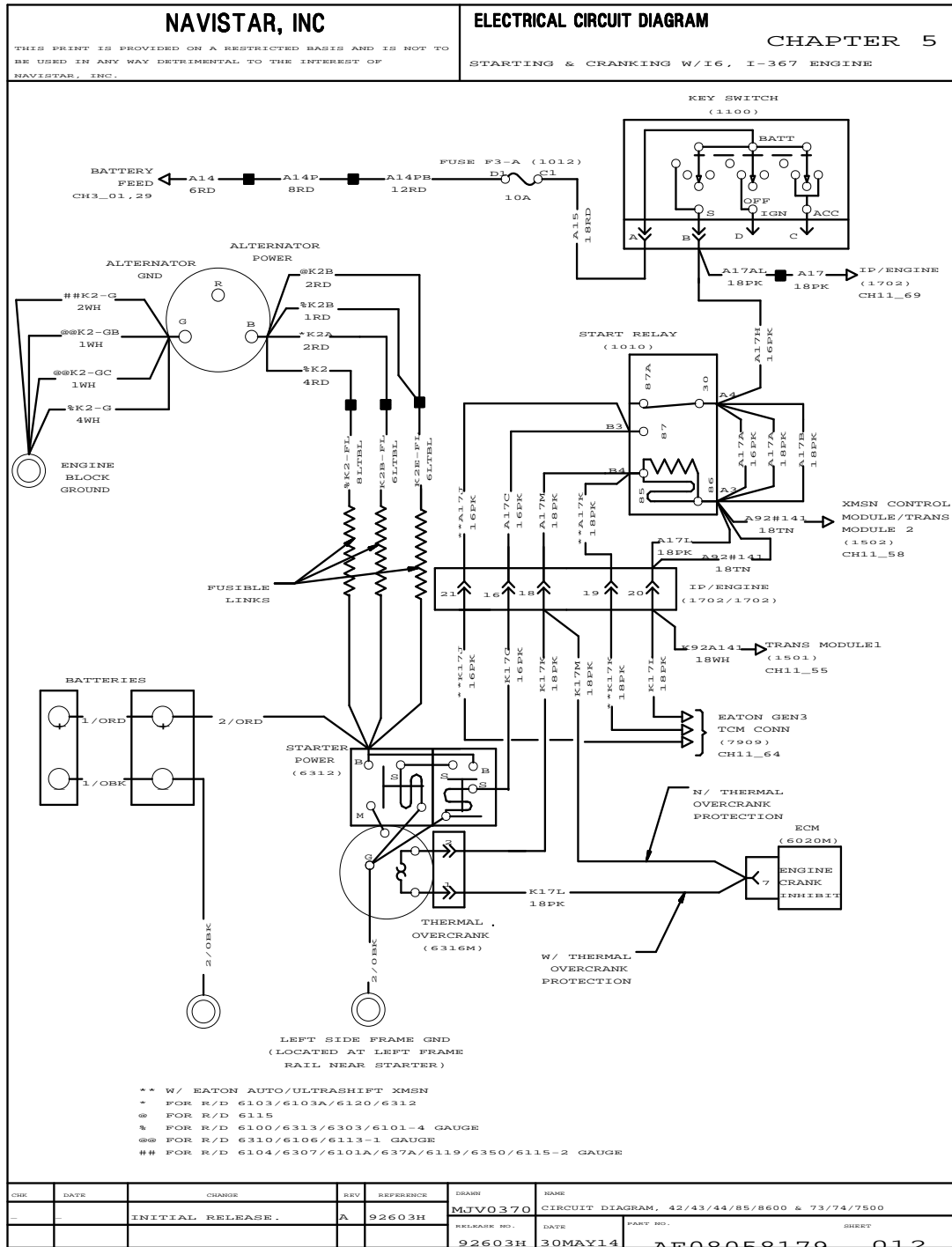


Figure 173 Starting & Cranking With I6, I-367 Engine

5.16. STARTER CONTROL WITH CUMMINS ISB ENGINE WITH ULTRASHIFT TRANSMISSION, P. 13

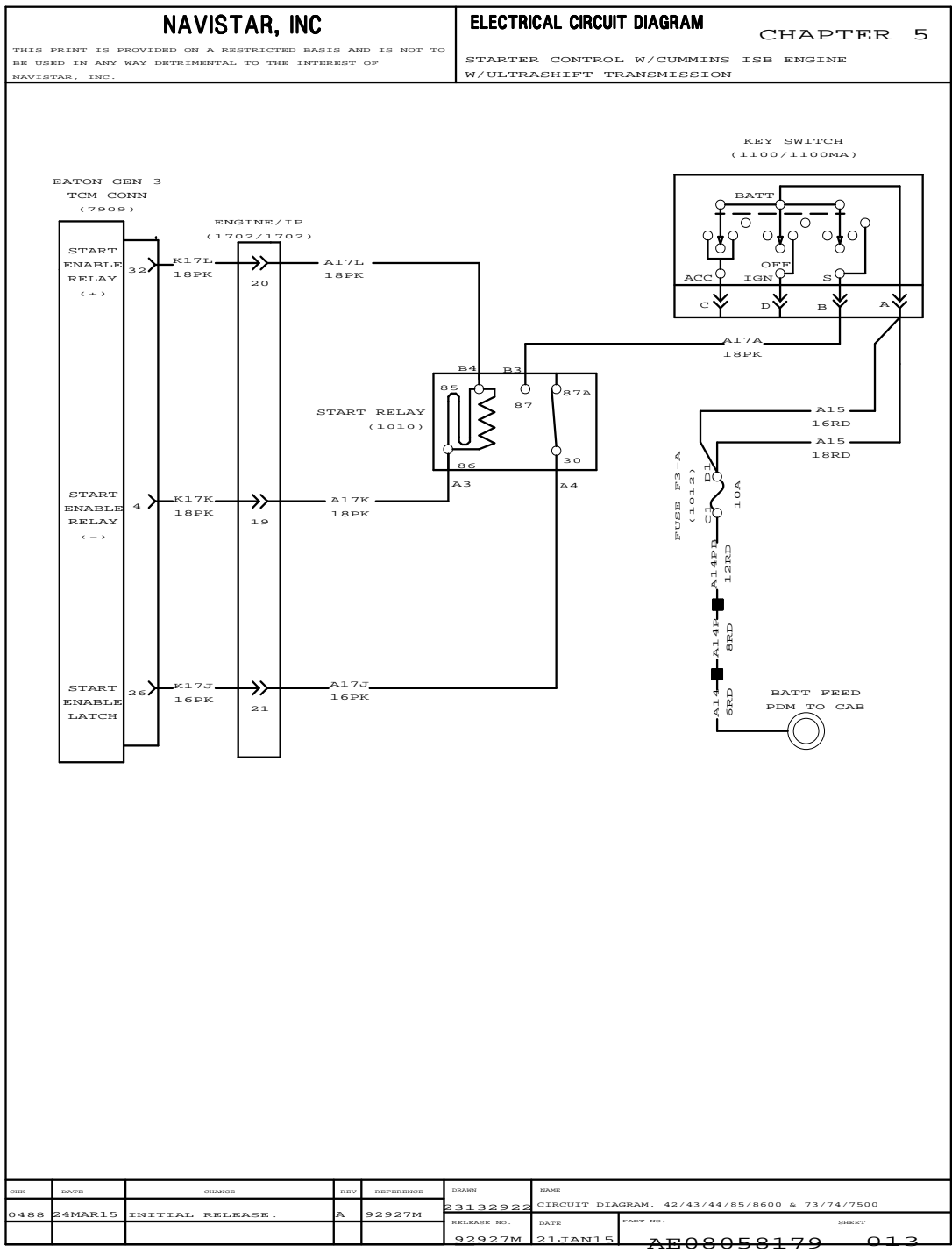


Figure 174 Starter Control with Cummins ISB Engine with Ultrashift Transmission

5.17. STARTER CONTROL WITH ISB ENGINE WITH ALLISON TRANSMISSION WITH UTILITY BODY, P. 14

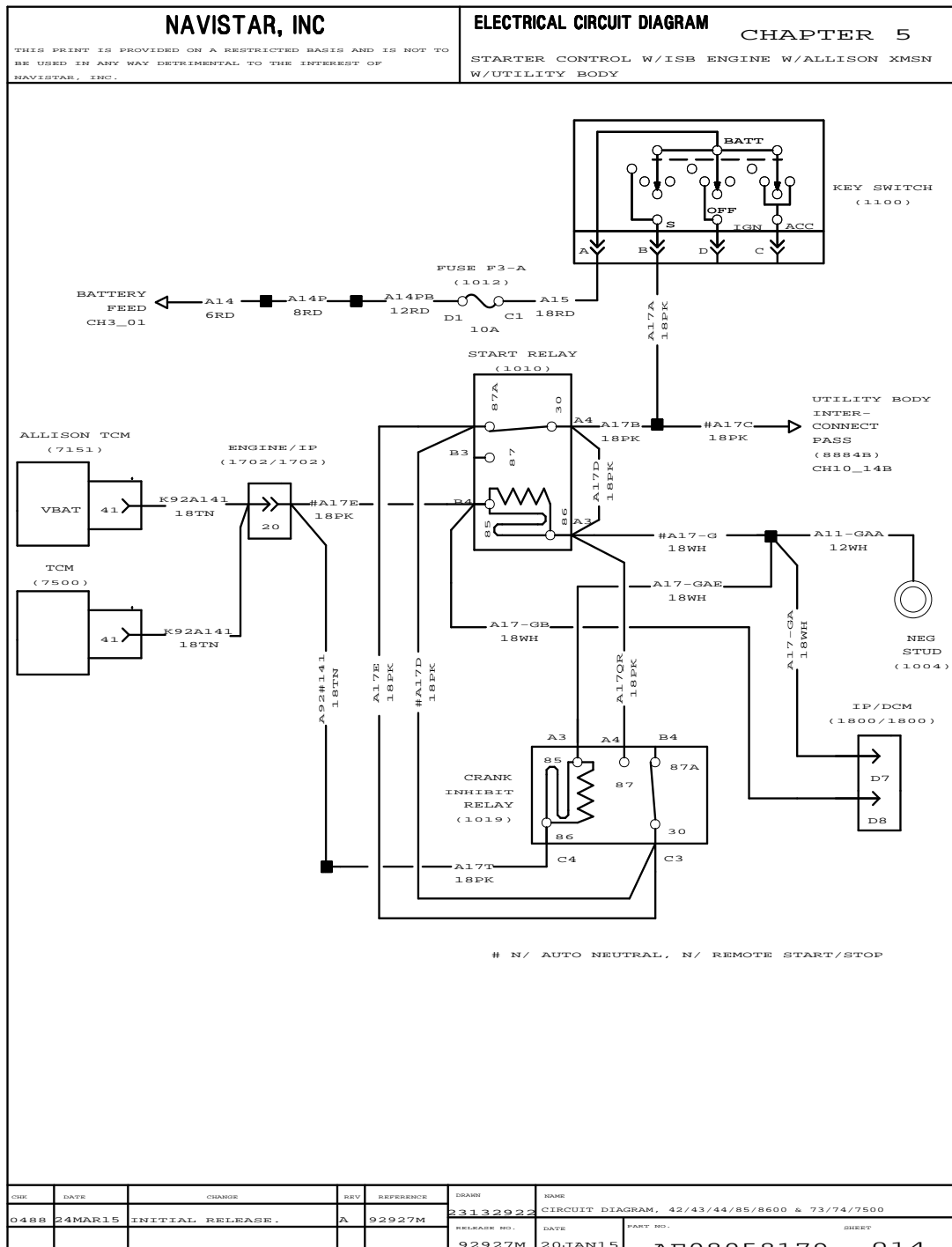


Figure 175 Starter Control with ISB Engine with Allison Transmission with Utility Body

5.18. STARTER CONTROL WITH ISB ENGINE WITH ALLISON TRANSMISSION WITH UTILITY BODY (CONT.), P. 15

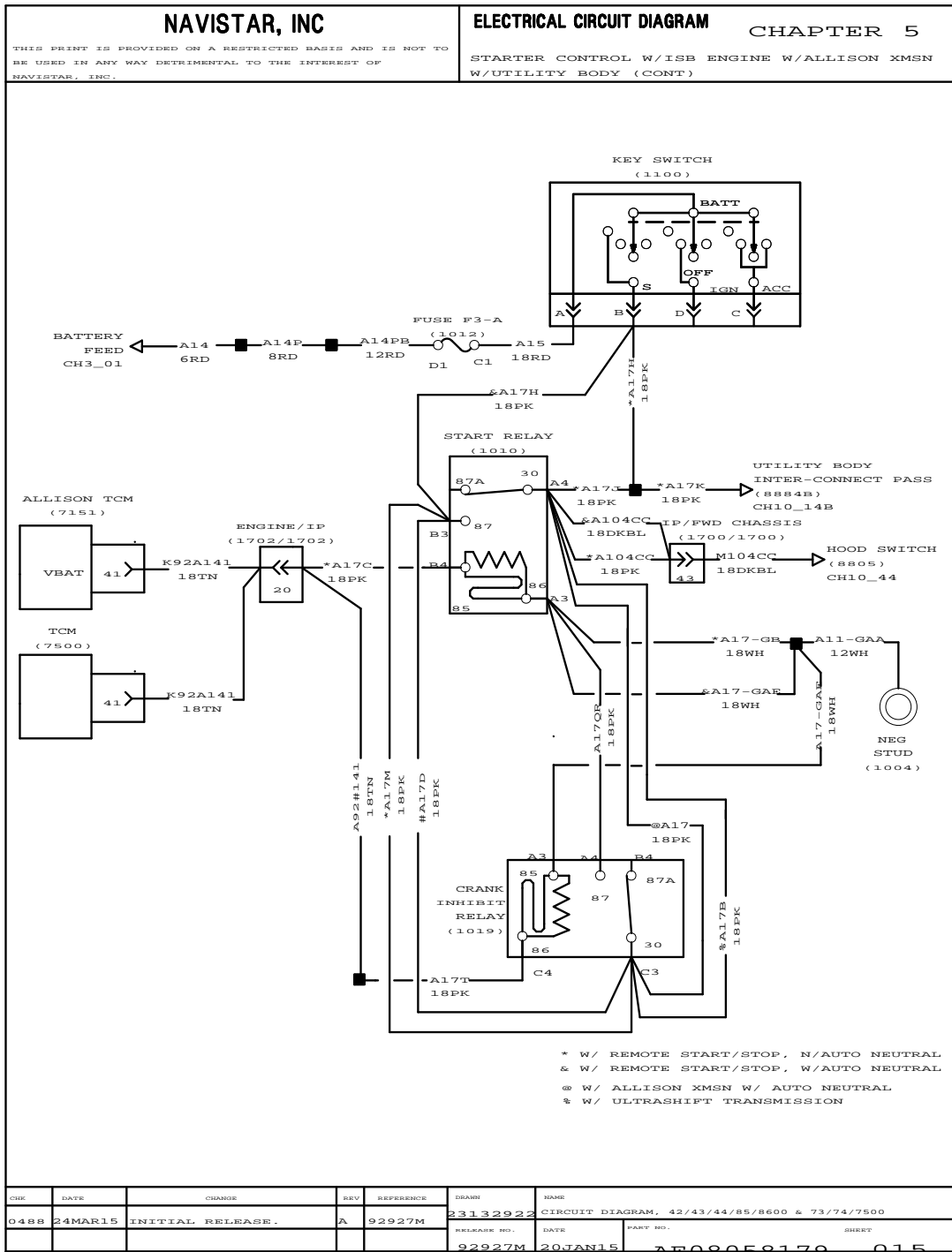


Figure 176 Starter Control with ISB Engine with Allison Transmission with Utility Body (Cont.)

5.19. STARTING AND CRANKING WITH MANUAL TRANSMISSION WITH UTILITY BODY WITH 500K BAUD RATE, P. 16

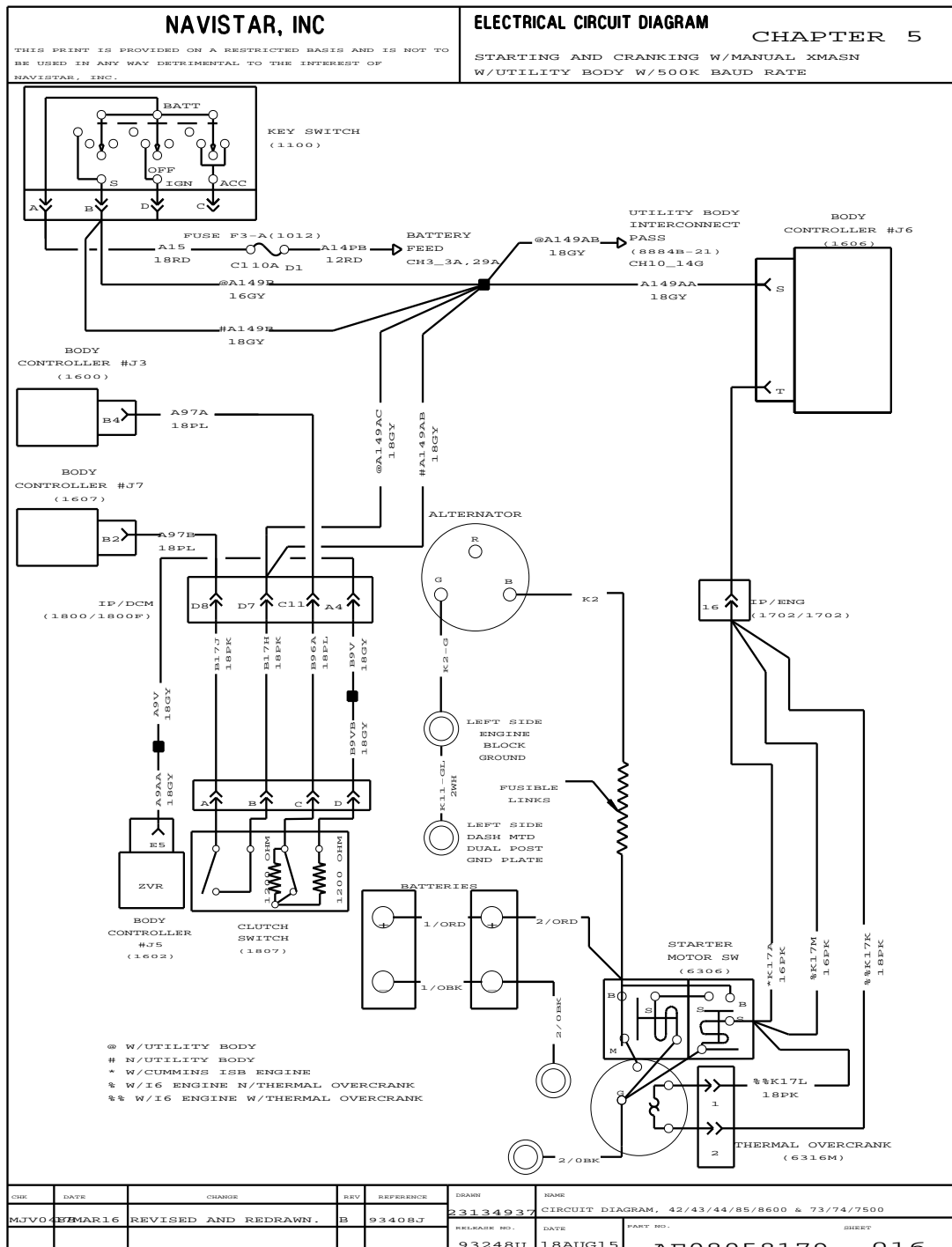


Figure 177 Starting and Cranking with Manual Transmission with Utility Body with 500K Baud Rate

5.20. STARTING AND CRANKING WITH ALLISON TRANSMISSION WITH UTILITY BODY WITH 500K BAUD RATE, P. 17

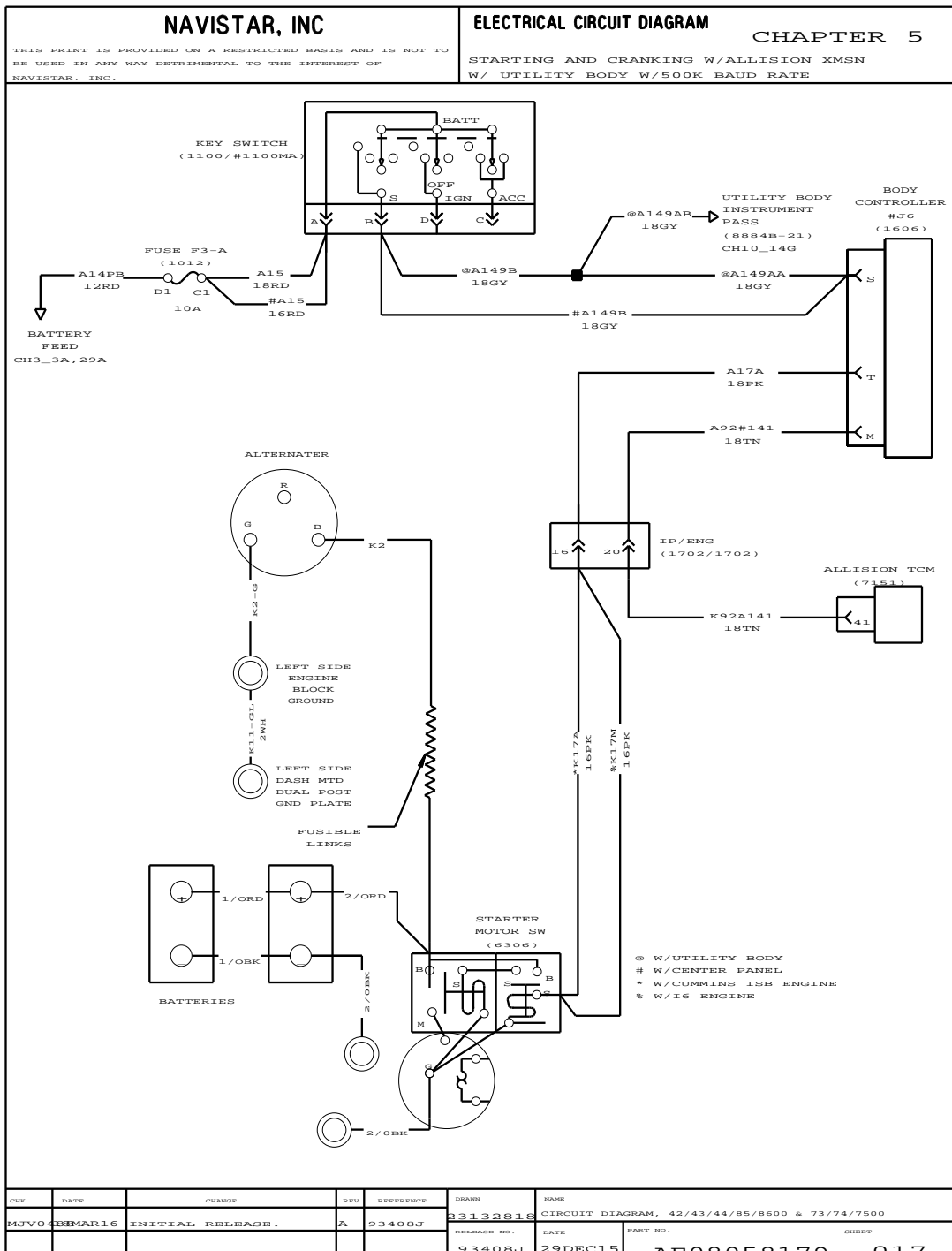


Figure 178 Starting and Cranking with Allison Transmission with Utility Body with 500K Baud Rate

5.21. STARTING AND CRANKING WITH EATON PROCISION TRANSMISSION WITH 500K BAUD RATE, P. 18

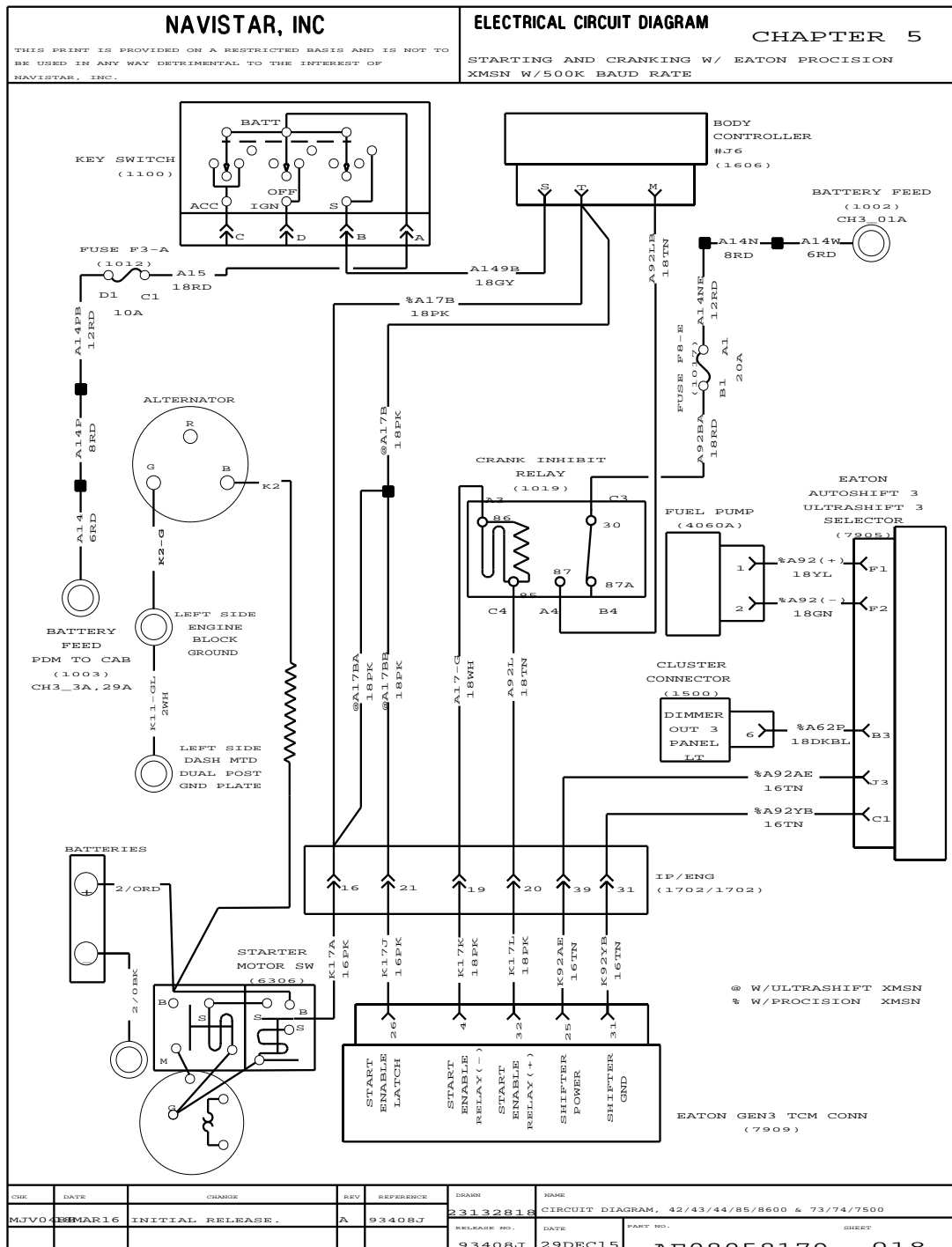


Figure 179 Starting and Cranking with Eaton Procision Transmission with 500K Baud Rate

FANS AND ENGINE ACCESSORIES (CHAPTER 6)

6.1. FAN WIRING, I6 / V8 ENGINES, P. 1

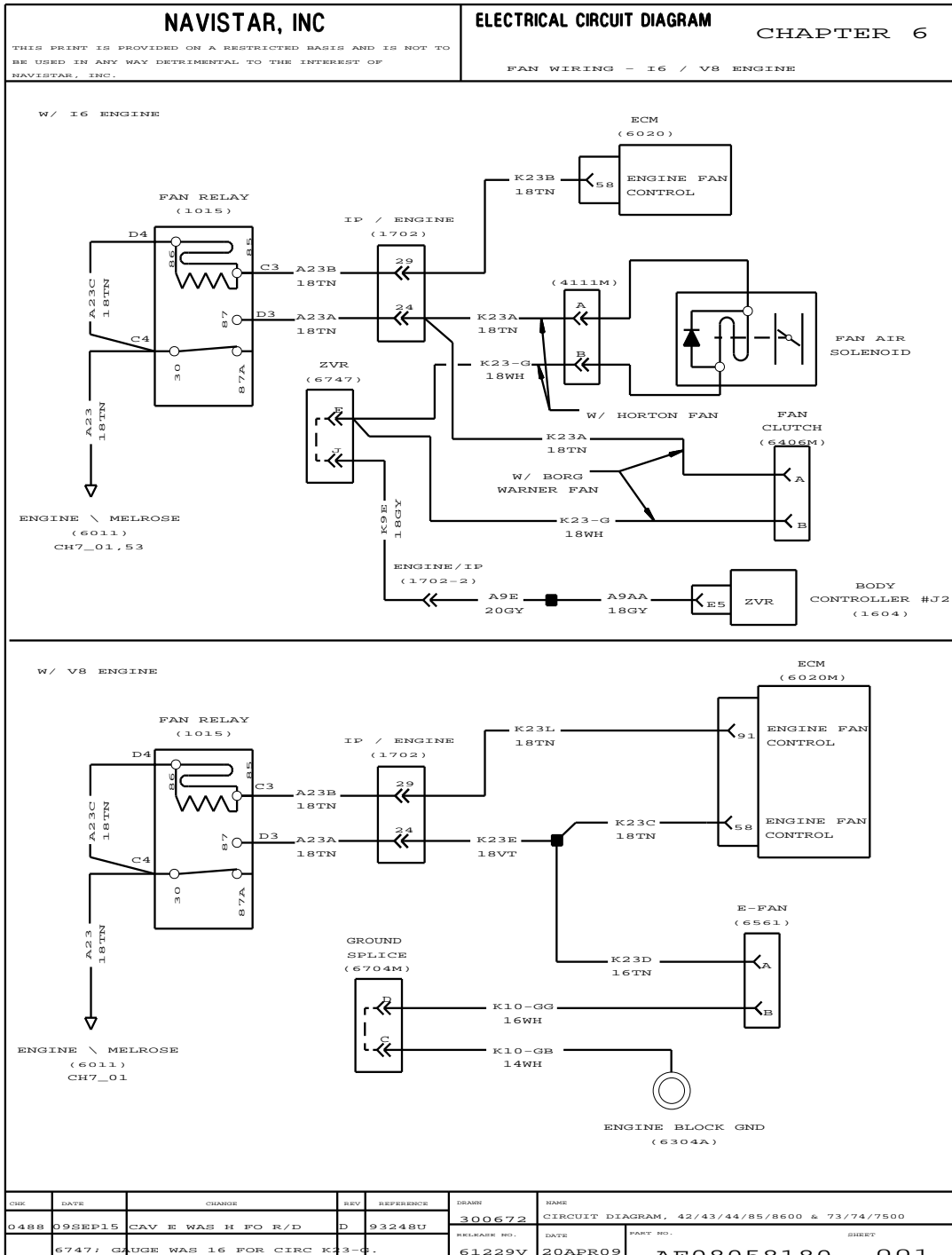


Figure 180 Fan Wiring, I6 / V8 Engines

6.2. SNOW VALVE, P. 2

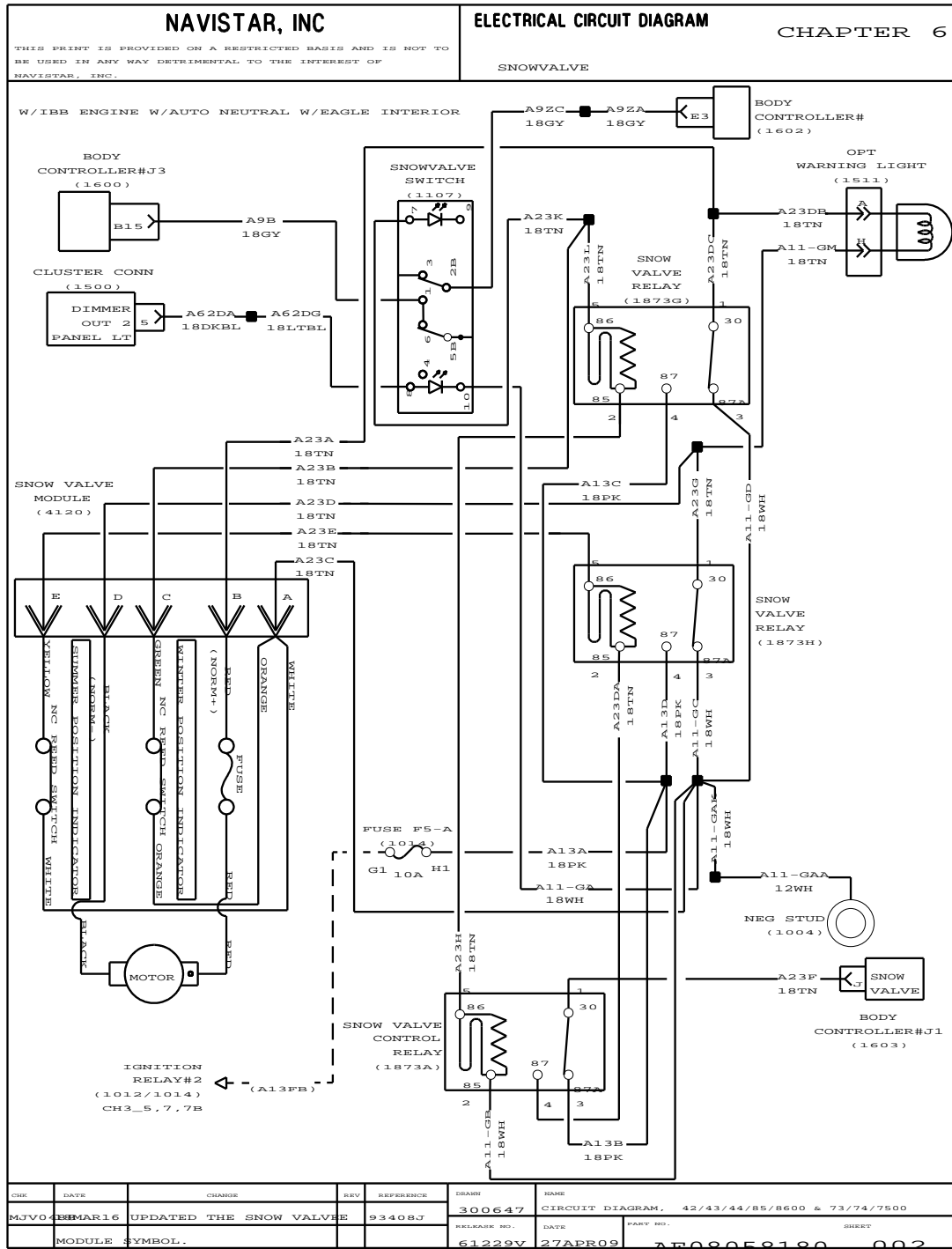


Figure 181 Snow Valve

6.3. SNOW VALVE (CONT.), P. 2A

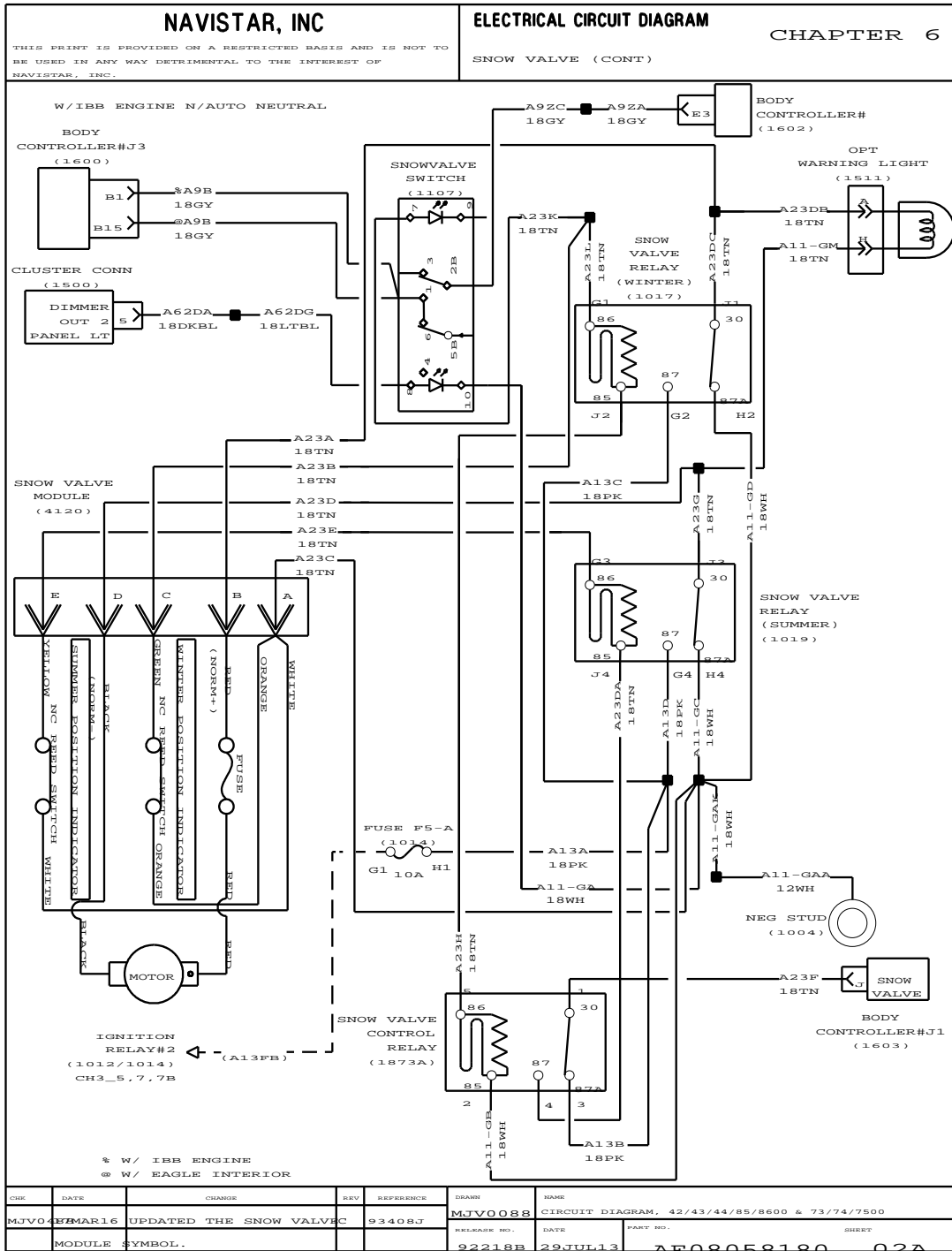


Figure 182 Snow Valve (Cont.)

6.4. SNOW VALVE (CONT.), P. 2B

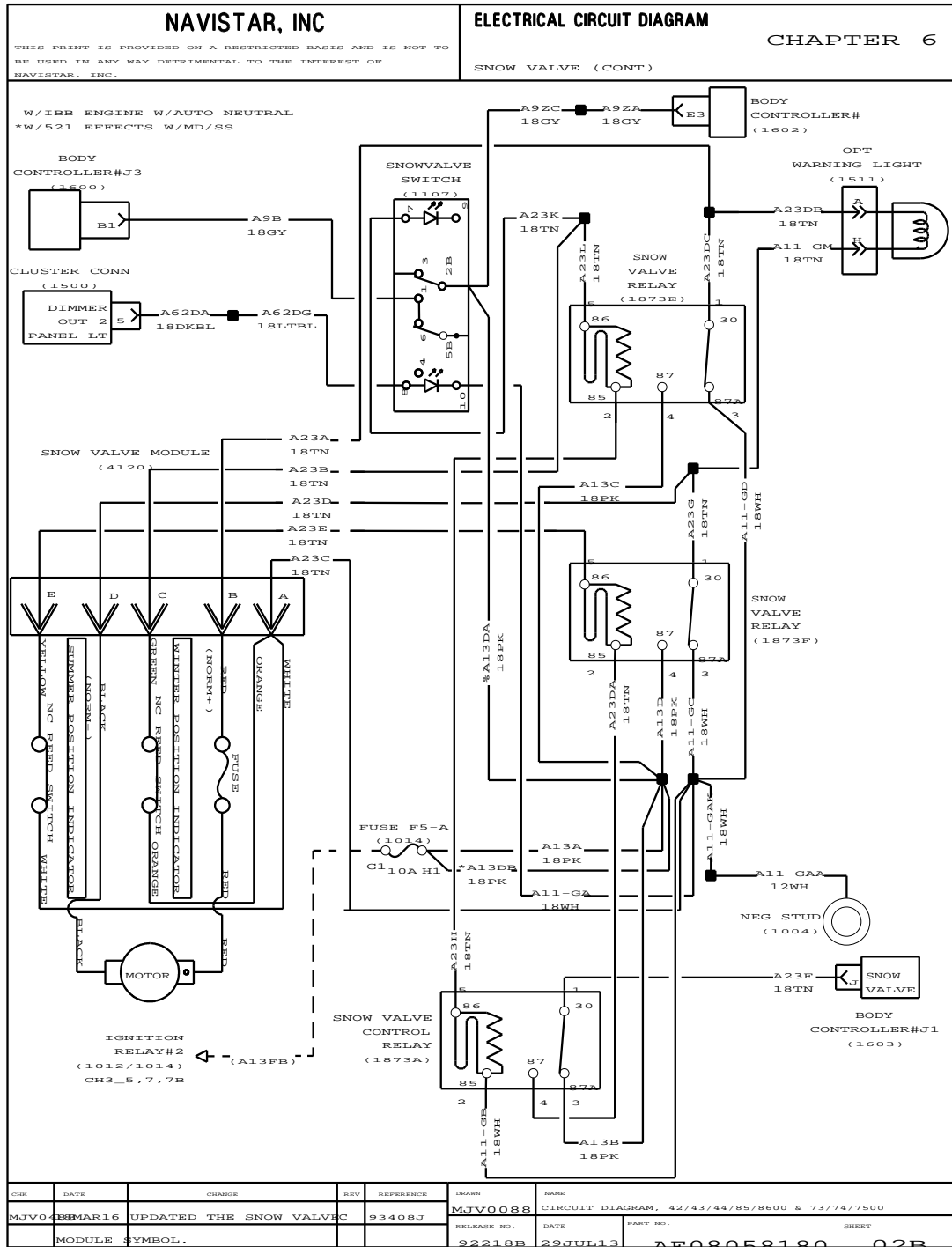


Figure 183 Snow Valve (Cont.)

6.5. SNOW VALVE (CONT.), P. 2C

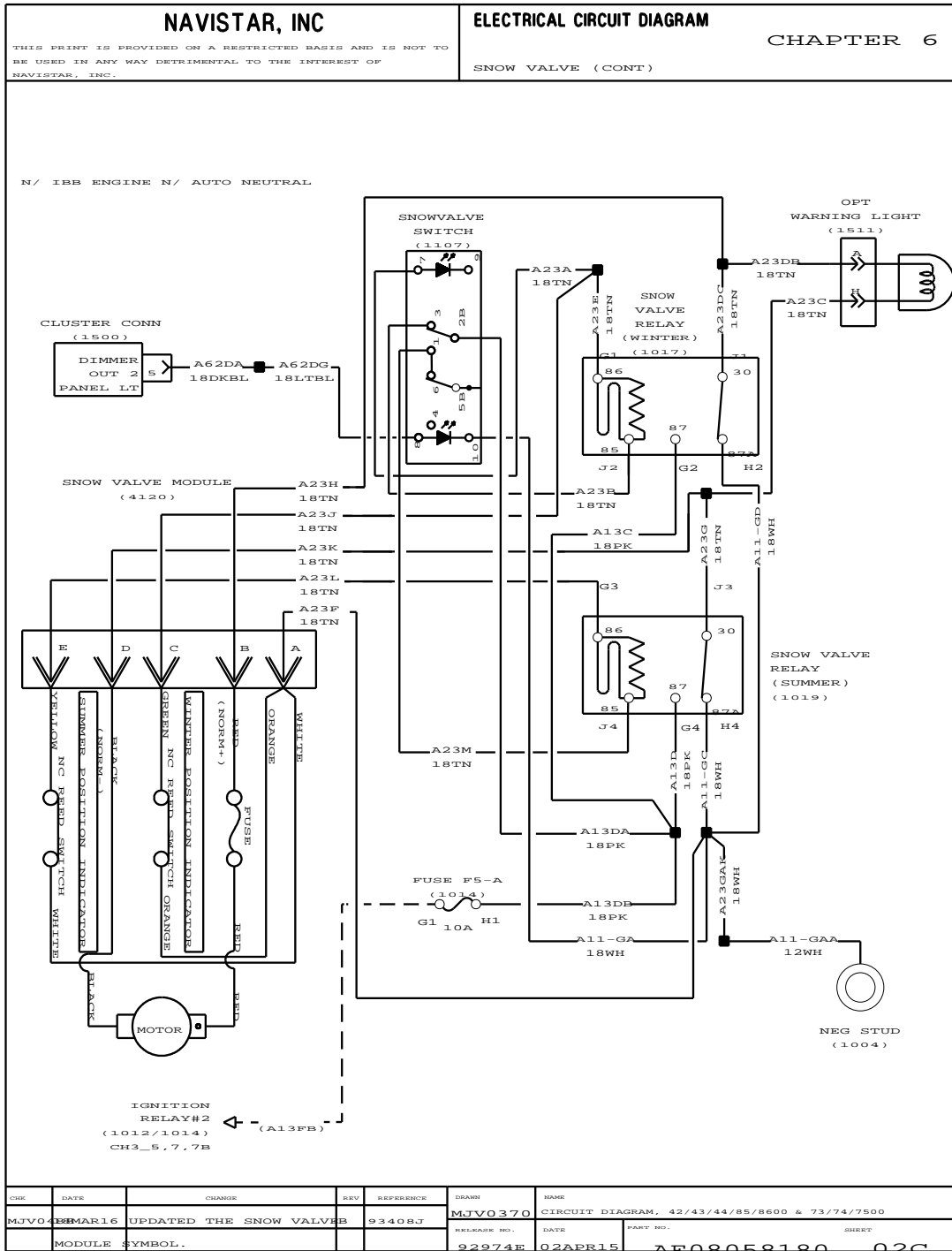


Figure 184 Snow Valve (Cont.)

6.6. SNOW VALVE (CONT.), P. 2D

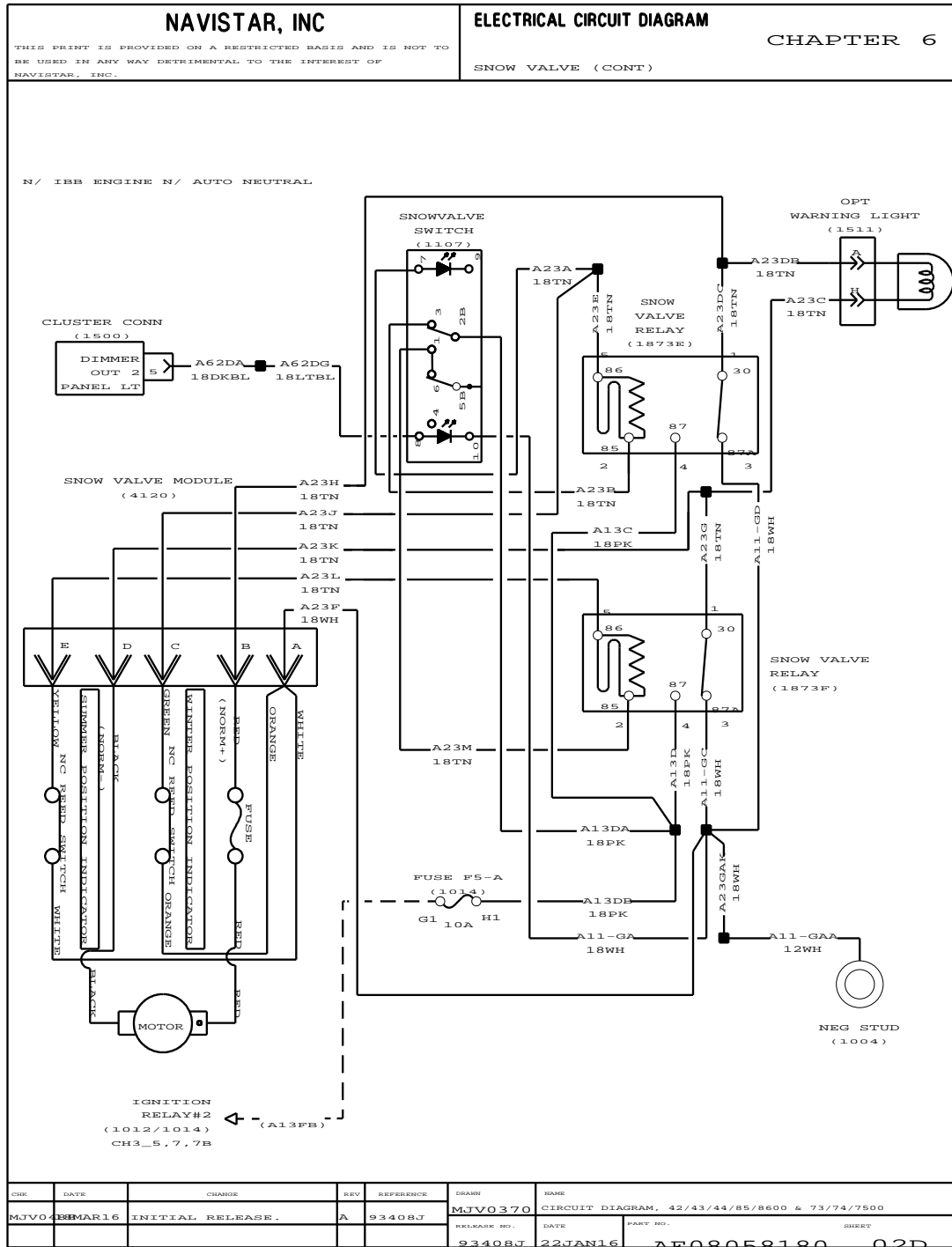


Figure 185 Snow Valve (Cont.)

6.7. STARTING AID – COLD START ASSIST (IBB ENGINE), P. 3

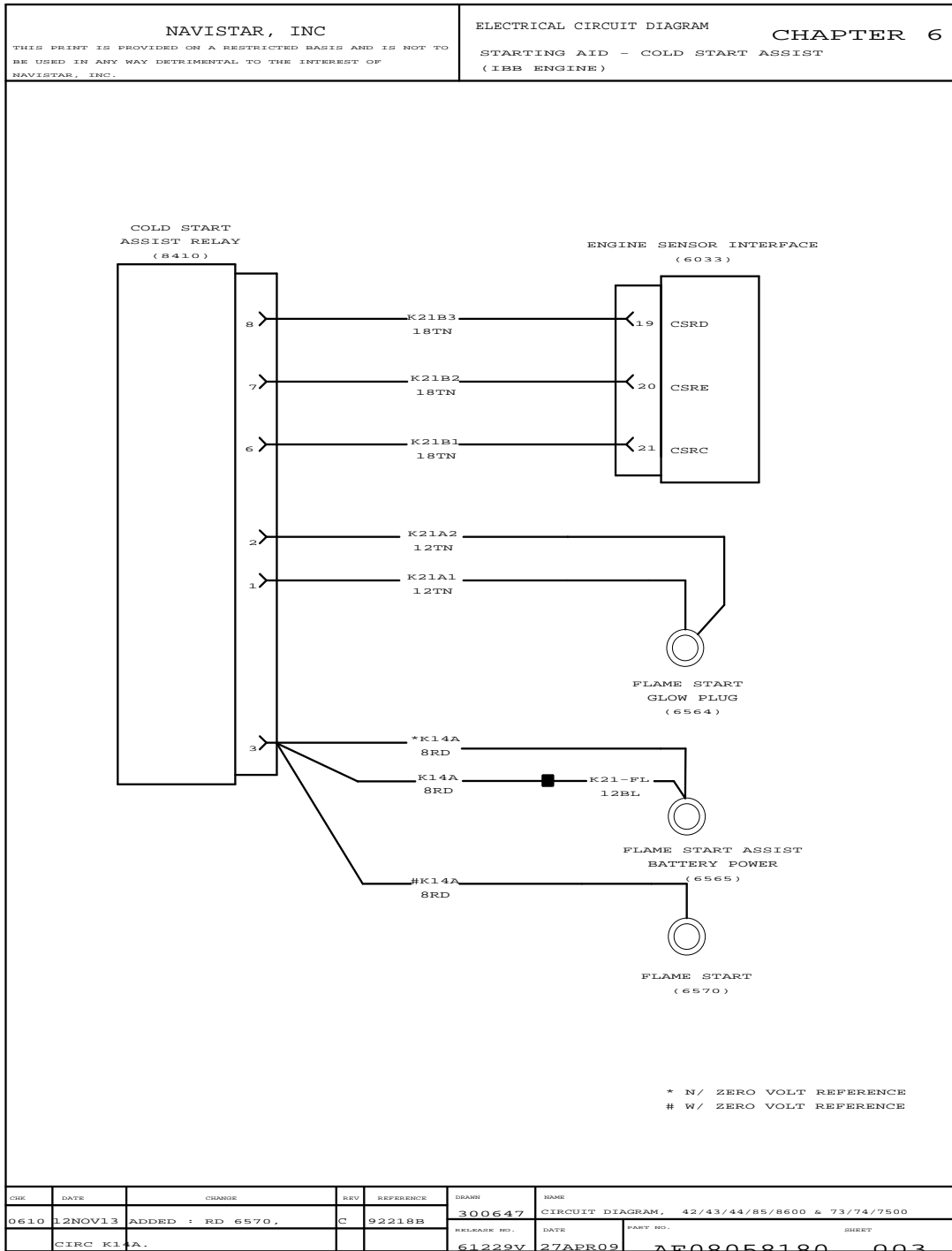


Figure 186 Starting Aid – Cold Start Assist (IBB Engine)

6.8. FAN WIRING – IBB ENGINE, P. 4

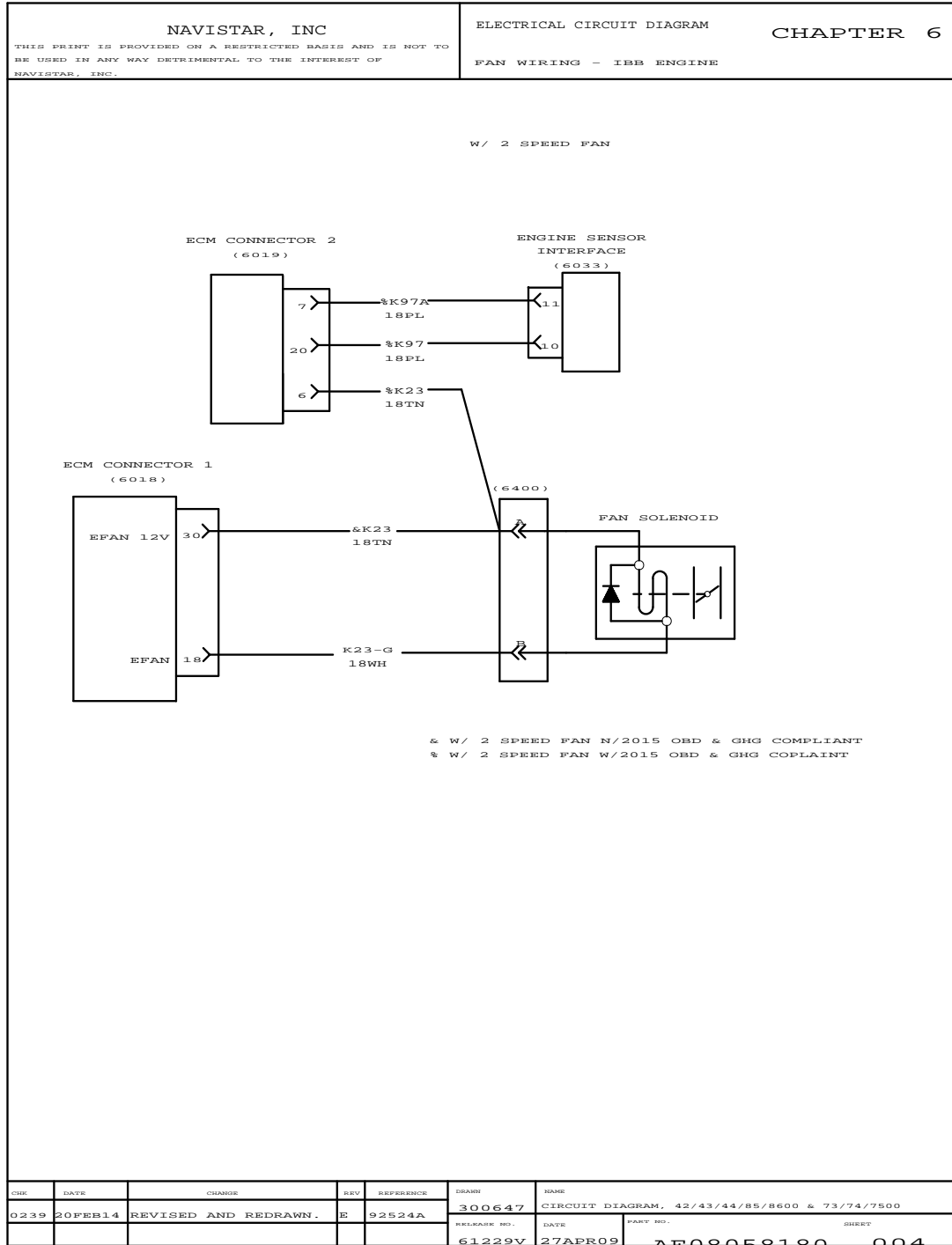


Figure 187 Fan Wiring – IBB Engine

6.9. FAN WIRING – IBB ENGINE (CONT.), P. 4A

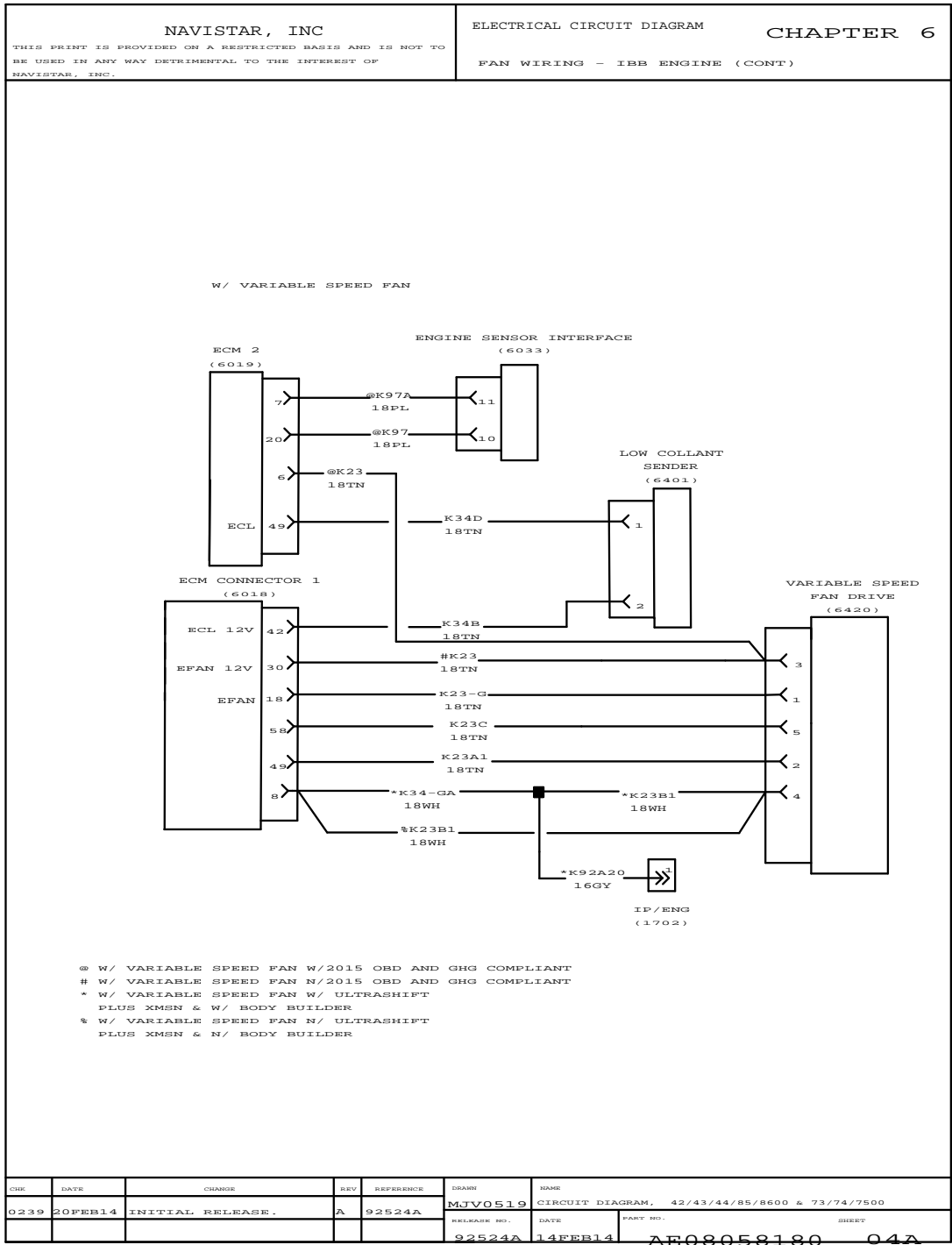


Figure 188 Fan Wiring – IBB Engine (Cont.)

6.10. ELECTRIC AIR COMPRESSOR WITH MD, P. 5

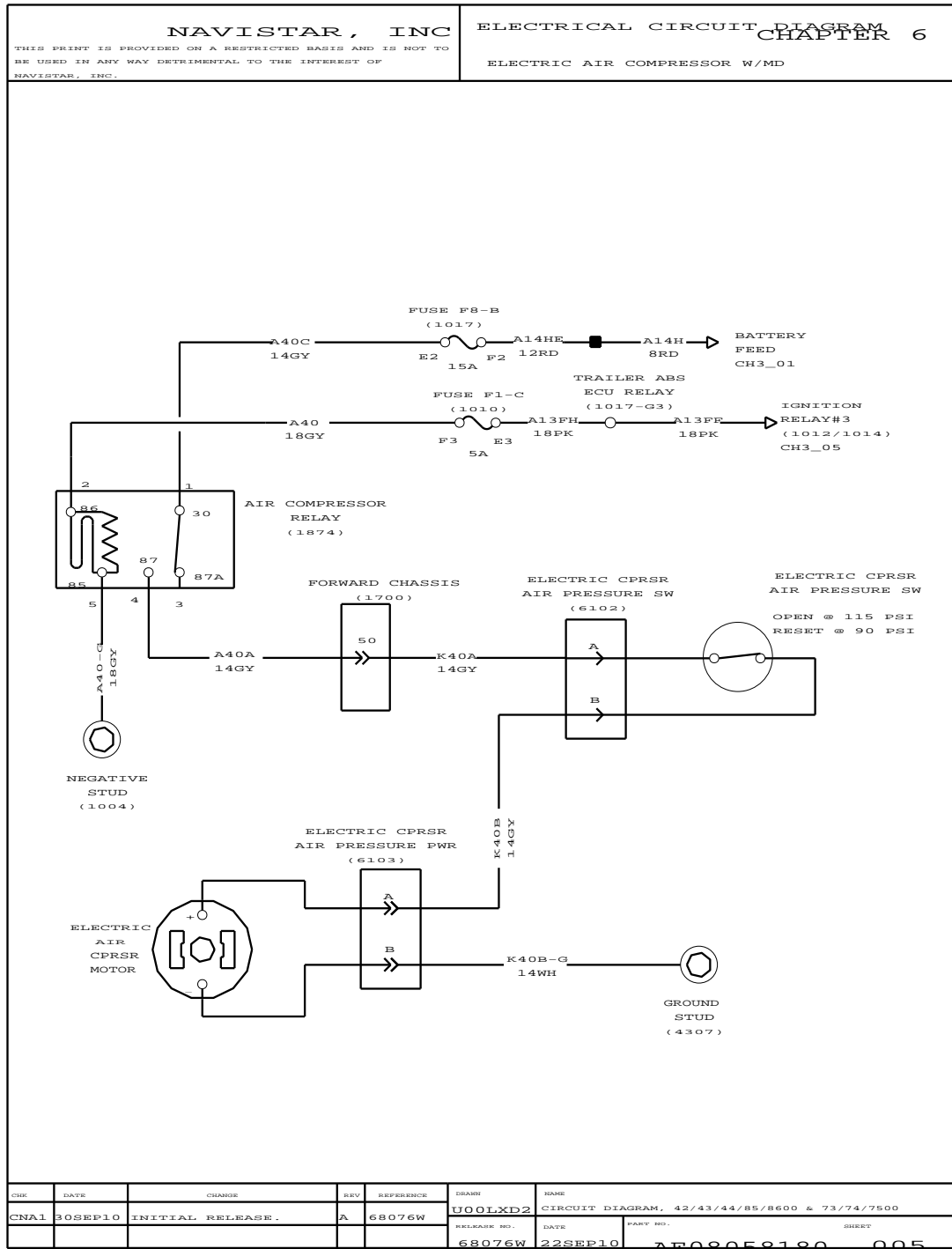


Figure 189 Electric Air Compressor with MD

6.11. FAN WIRING – ISL-G ENGINE, P. 6

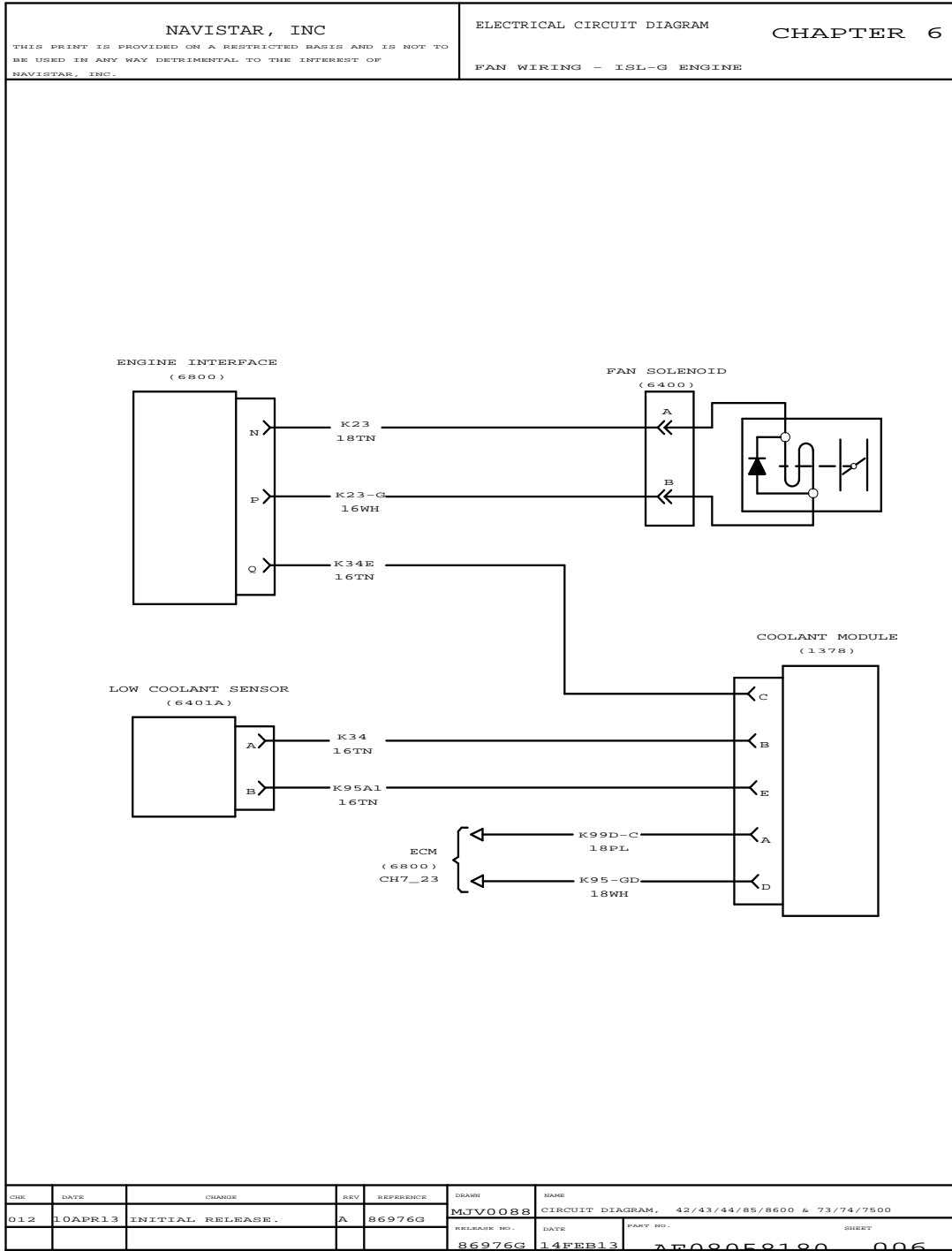


Figure 190 Fan Wiring – ISL-G Engine

ELECTRONIC ENGINES (CHAPTER 7)

7.1. ELECTRONIC ENGINE CONTROLS, I6 ENGINES, P. 1

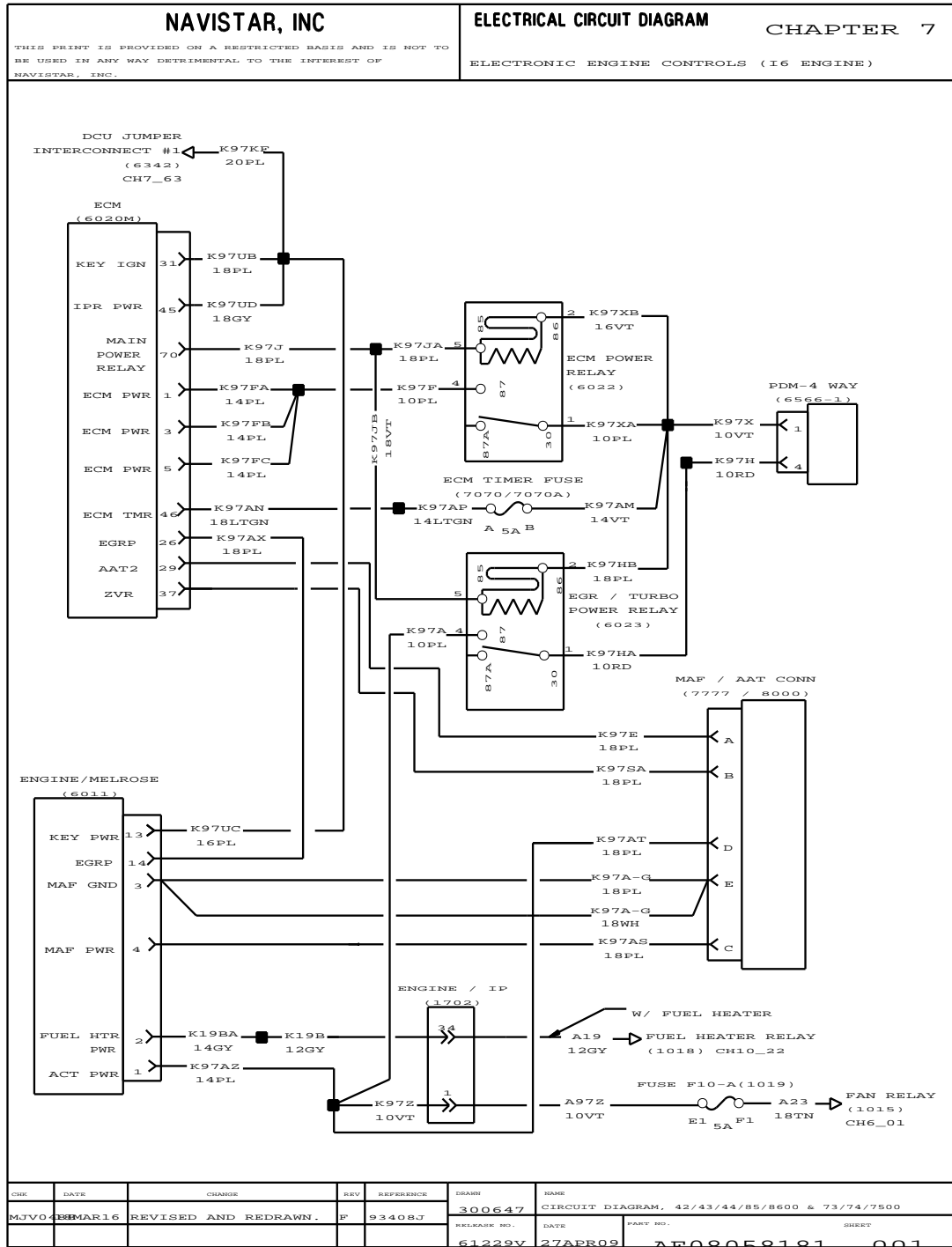


Figure 191 Electronic Engine Controls, I6 Engines

7.2. ELECTRONIC ENGINE CONTROLS, I6 ENGINES (CONT.), P. 1A

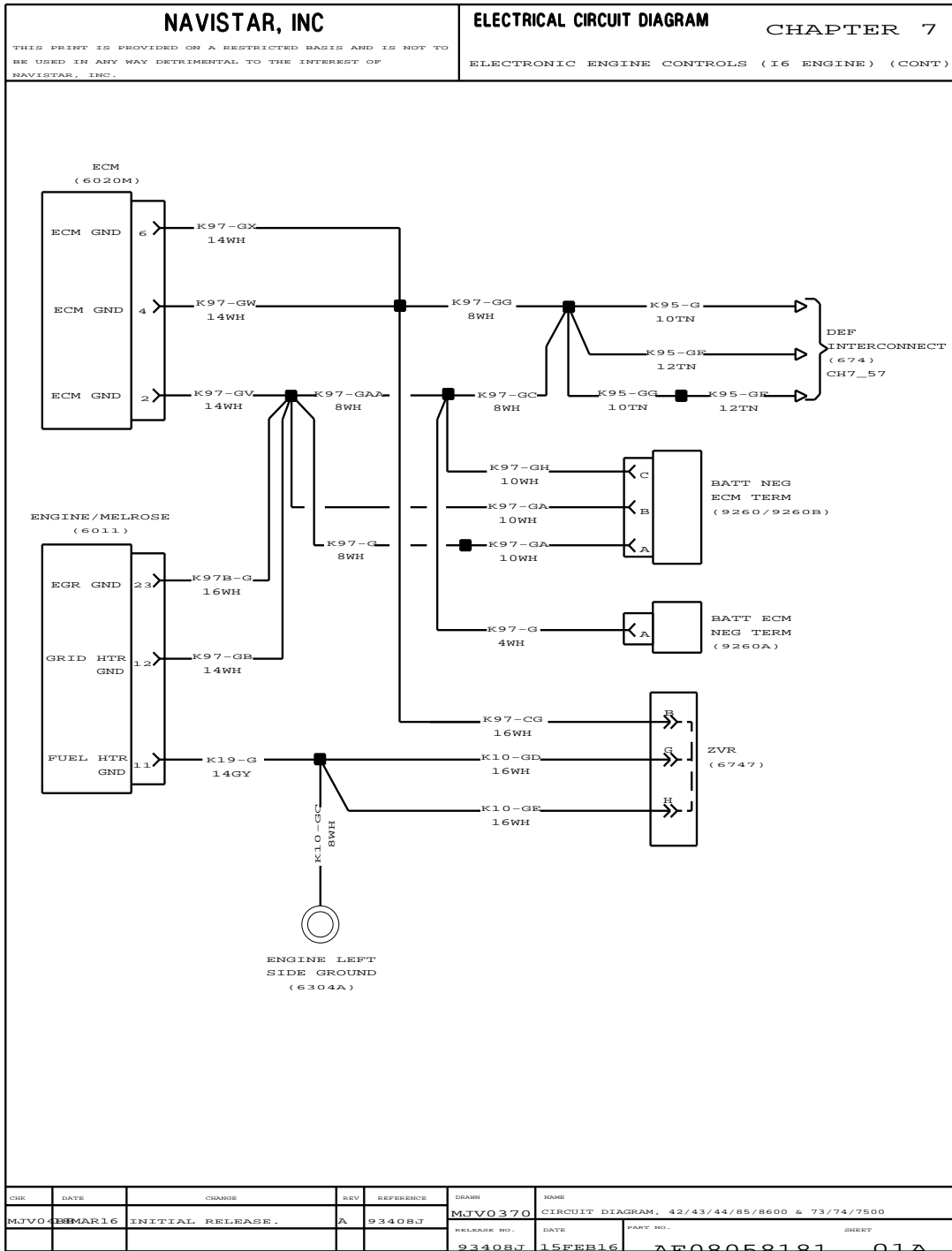


Figure 192 Electronic Engine Controls, I6 Engines (Cont.)

7.3. ELECTRONIC ENGINE CONTROLS, I6 ENGINES (CONT.), P. 2

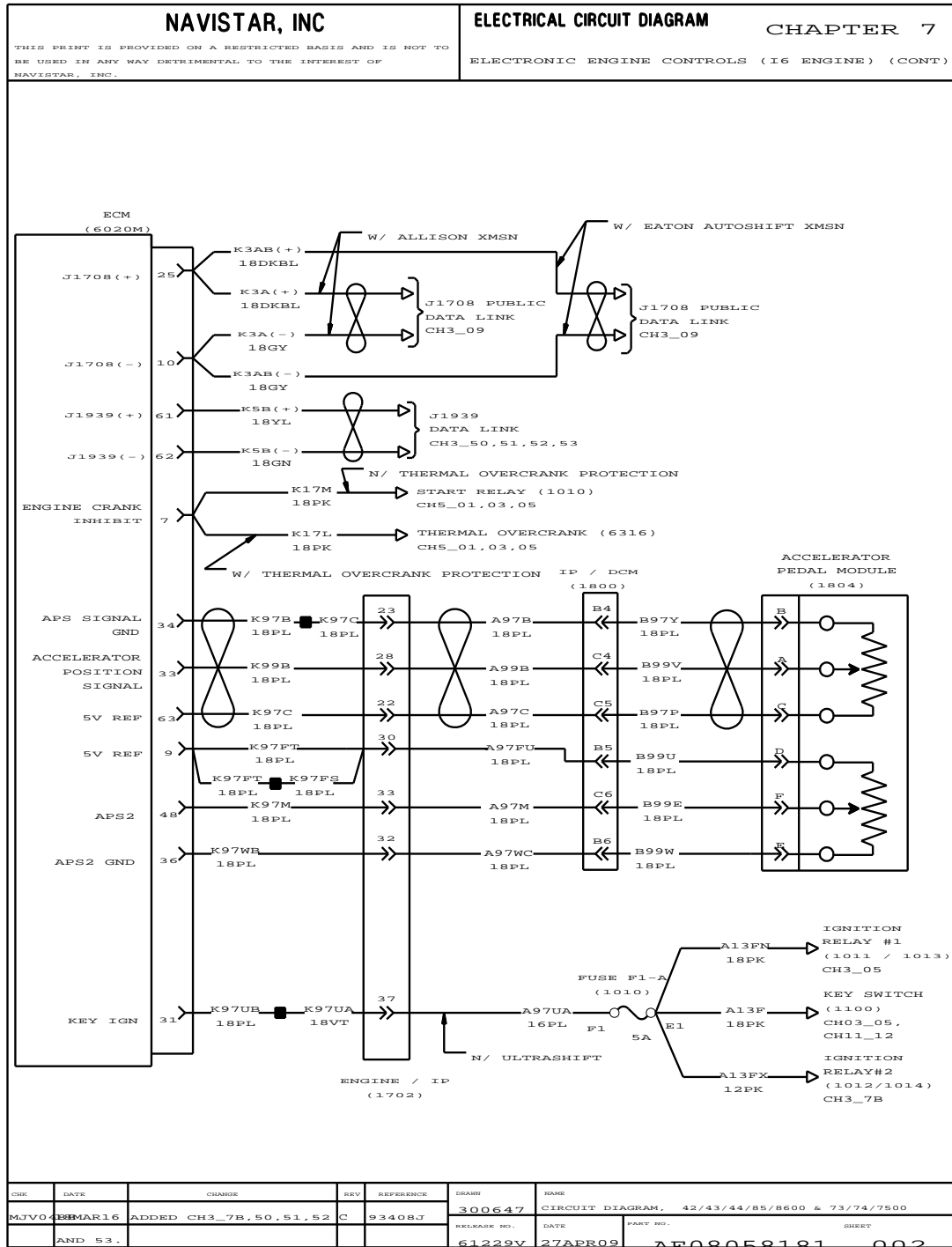


Figure 193 Electronic Engine Controls, I6 Engines (Cont.)

7.4. ELECTRONIC ENGINE CONTROLS, I6 ENGINES (CONT.), P. 3

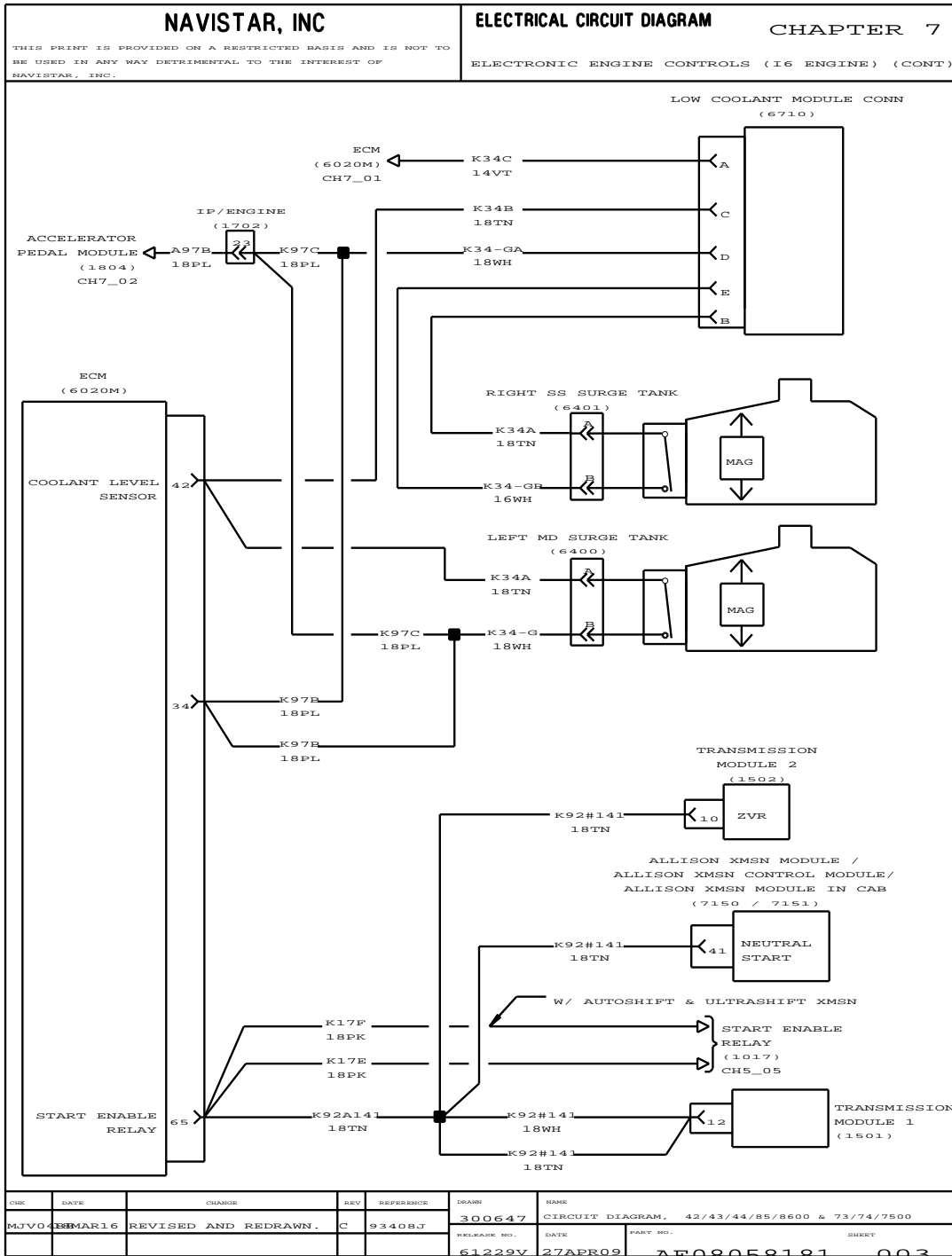


Figure 194 Electronic Engine Controls, I6 Engines (Cont.)

7.5. ELECTRONIC ENGINE CONTROLS, I6 ENGINES (CONT.), P. 4

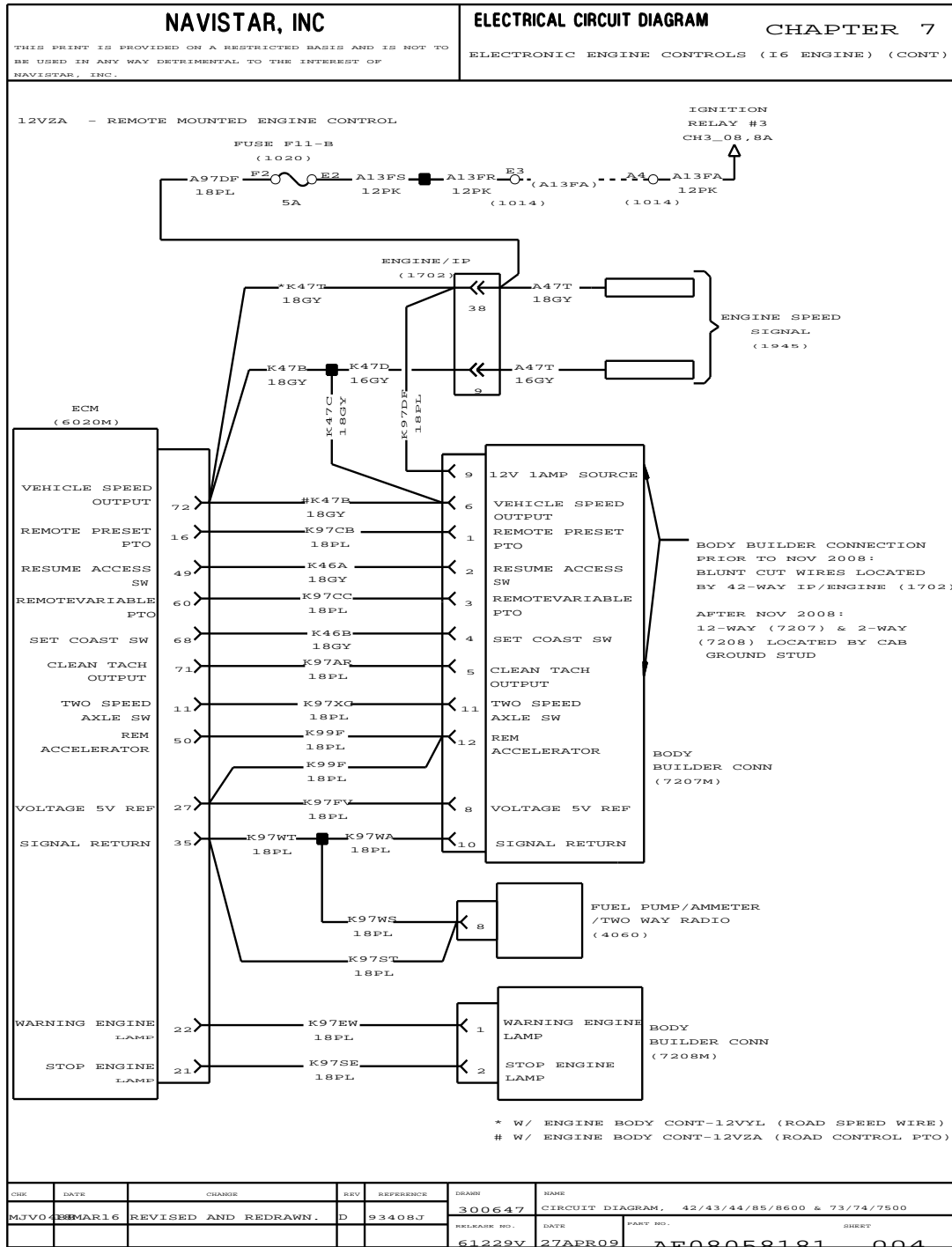


Figure 195 Electronic Engine Controls, I6 Engines (Cont.)

7.6. ELECTRONIC ENGINE CONTROLS, I6 ENGINES (CONT.), P. 5

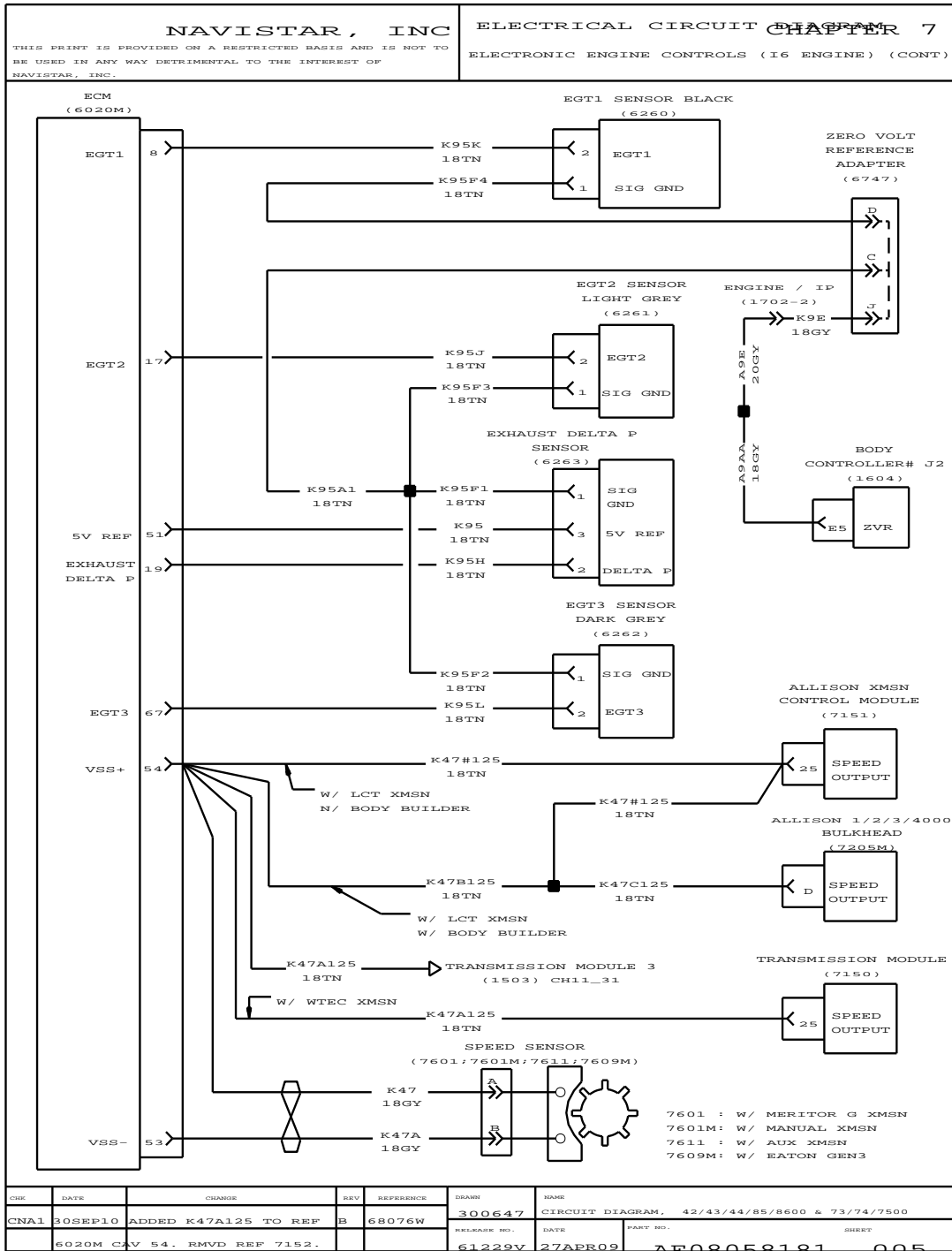


Figure 196 Electronic Engine Controls, I6 Engines (Cont.)

7.7. CRUISE CONTROL, P. 6

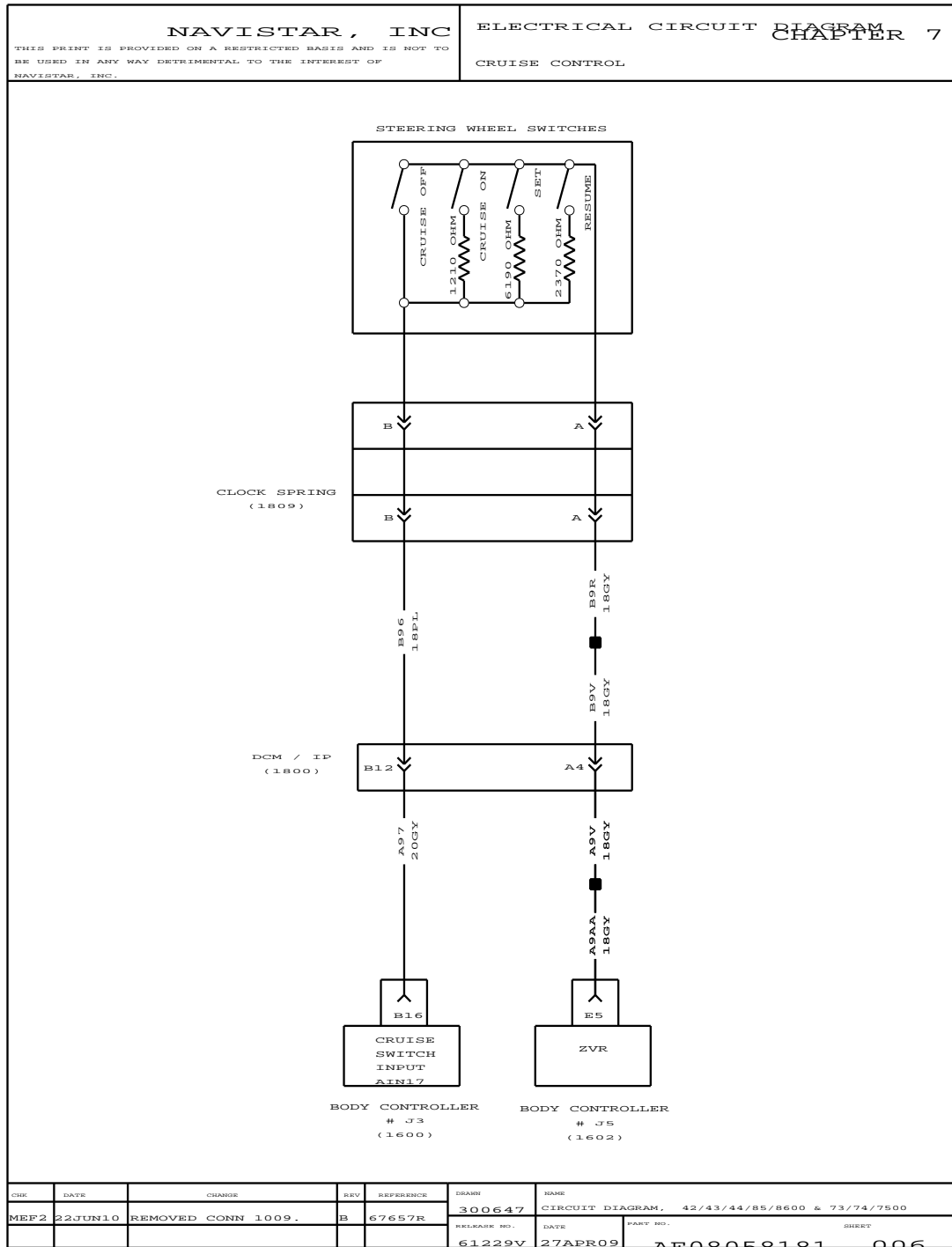


Figure 197 Cruise Control

7.8. ELECTRONIC ENGINE CONTROLS, IBB ENGINES, P. 7

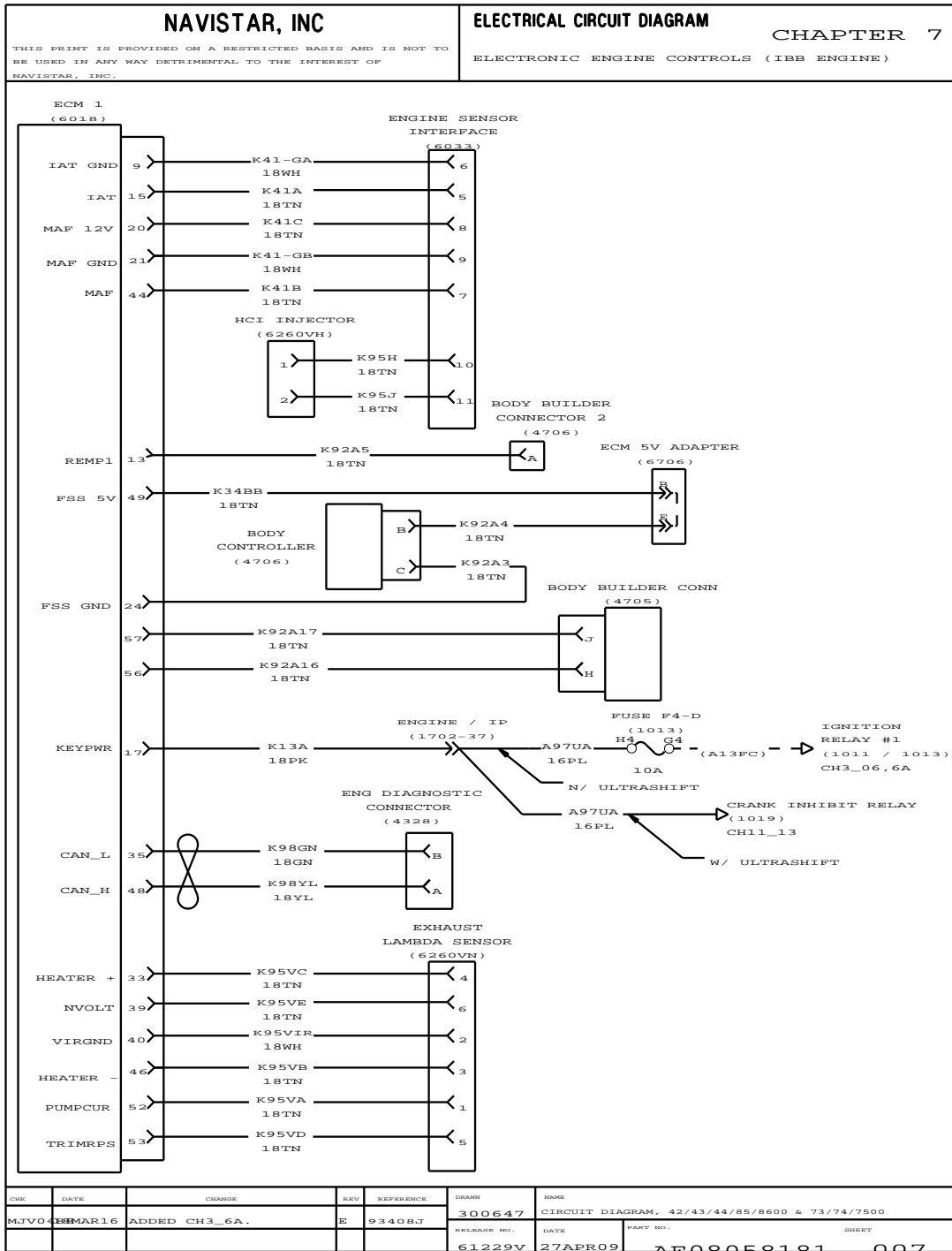


Figure 198 Electronic Engine Controls, IBB Engines

7.9. ELECTRONIC ENGINE CONTROLS, IBB ENGINES (CONT.), P. 8

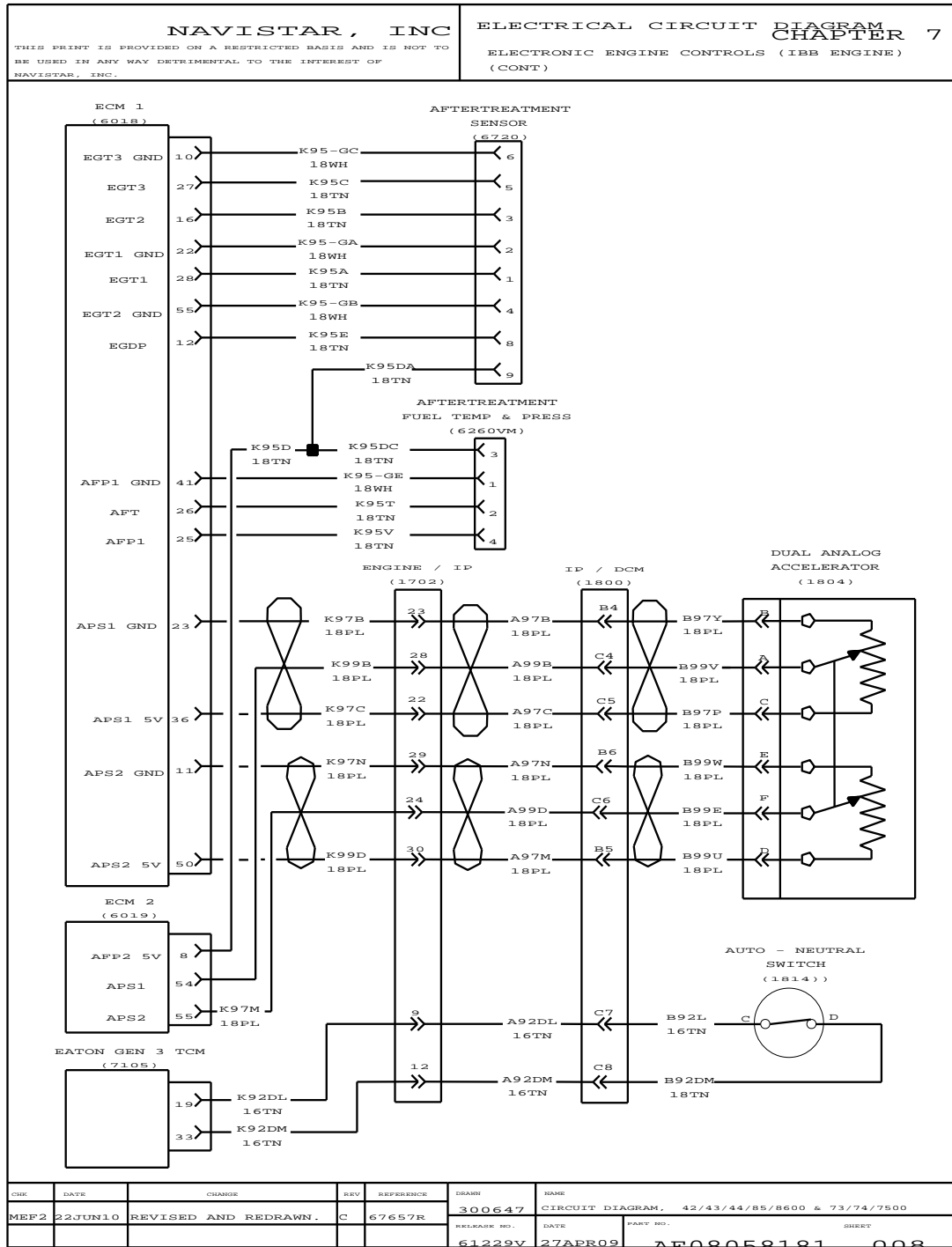


Figure 199 Electronic Engine Controls, IBB Engines (Cont.)

7.10. ELECTRONIC ENGINE CONTROLS, IBB ENGINES (CONT.), P. 9

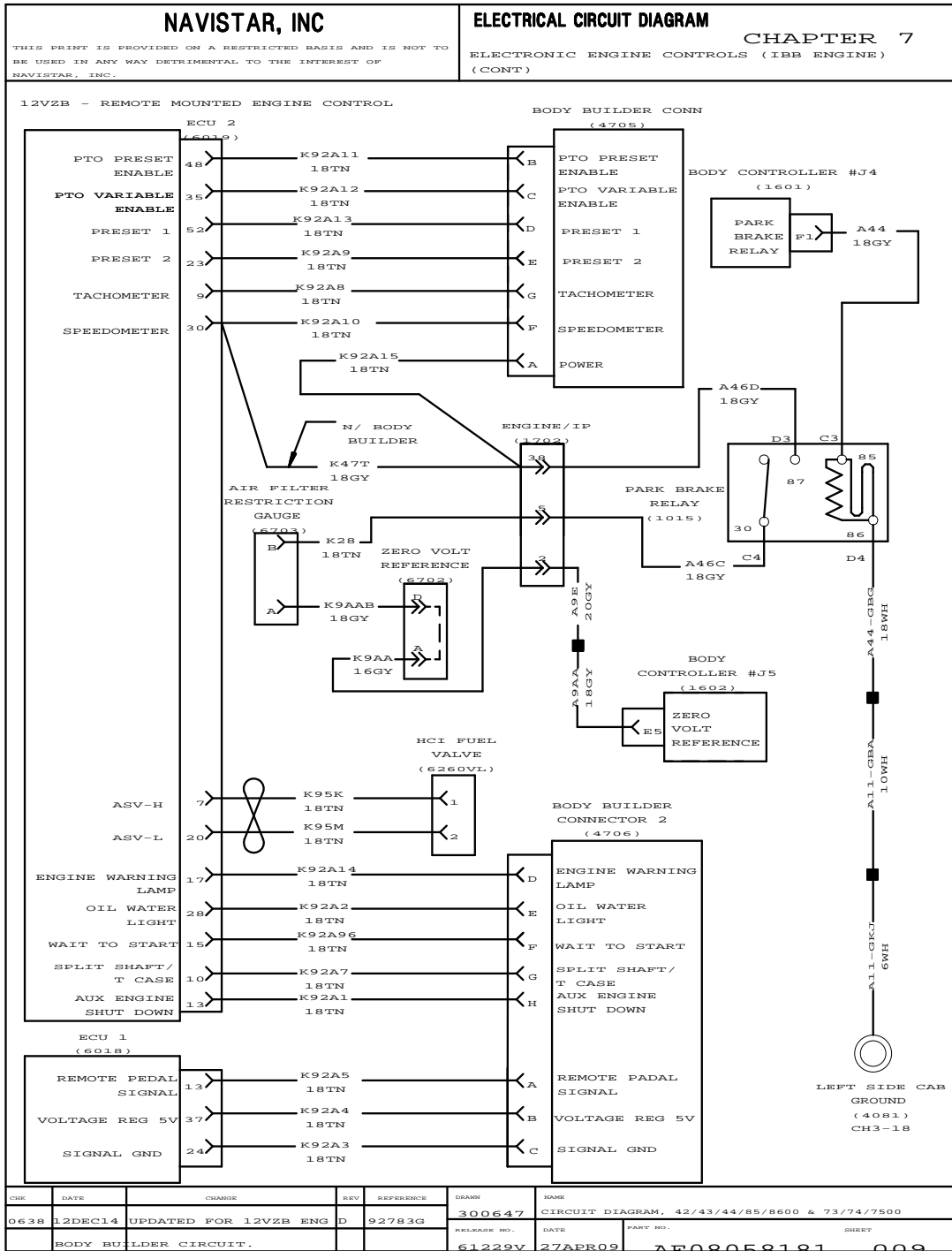


Figure 200 Electronic Engine Controls, IBB Engines (Cont.)

7.11. ELECTRONIC ENGINE CONTROLS, IBB ENGINES (CONT.), P. 10

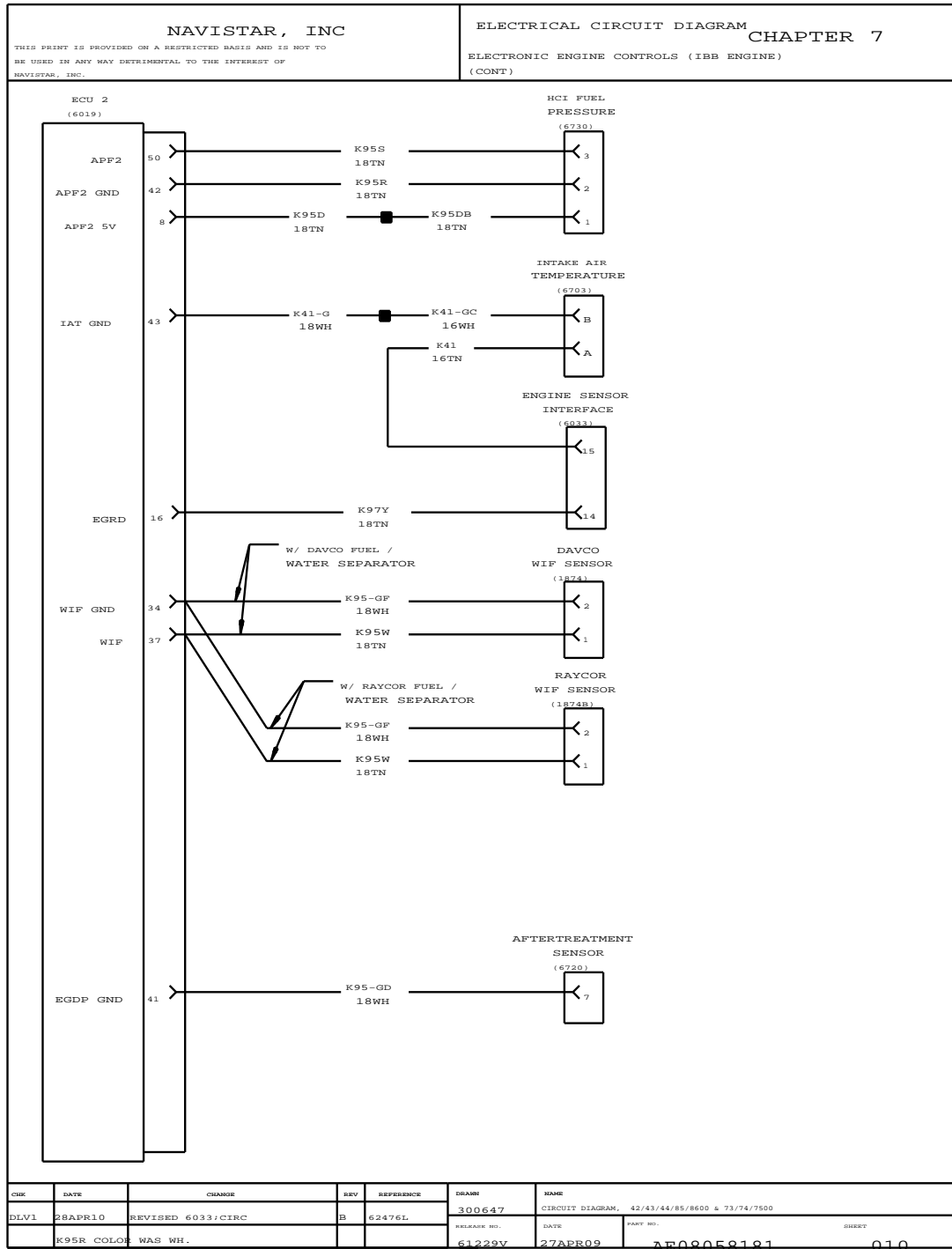


Figure 201 Electronic Engine Controls, IBB Engines (Cont.)

7.12. ELECTRONIC ENGINE CONTROLS, IBB ENGINES (CONT.), P. 11

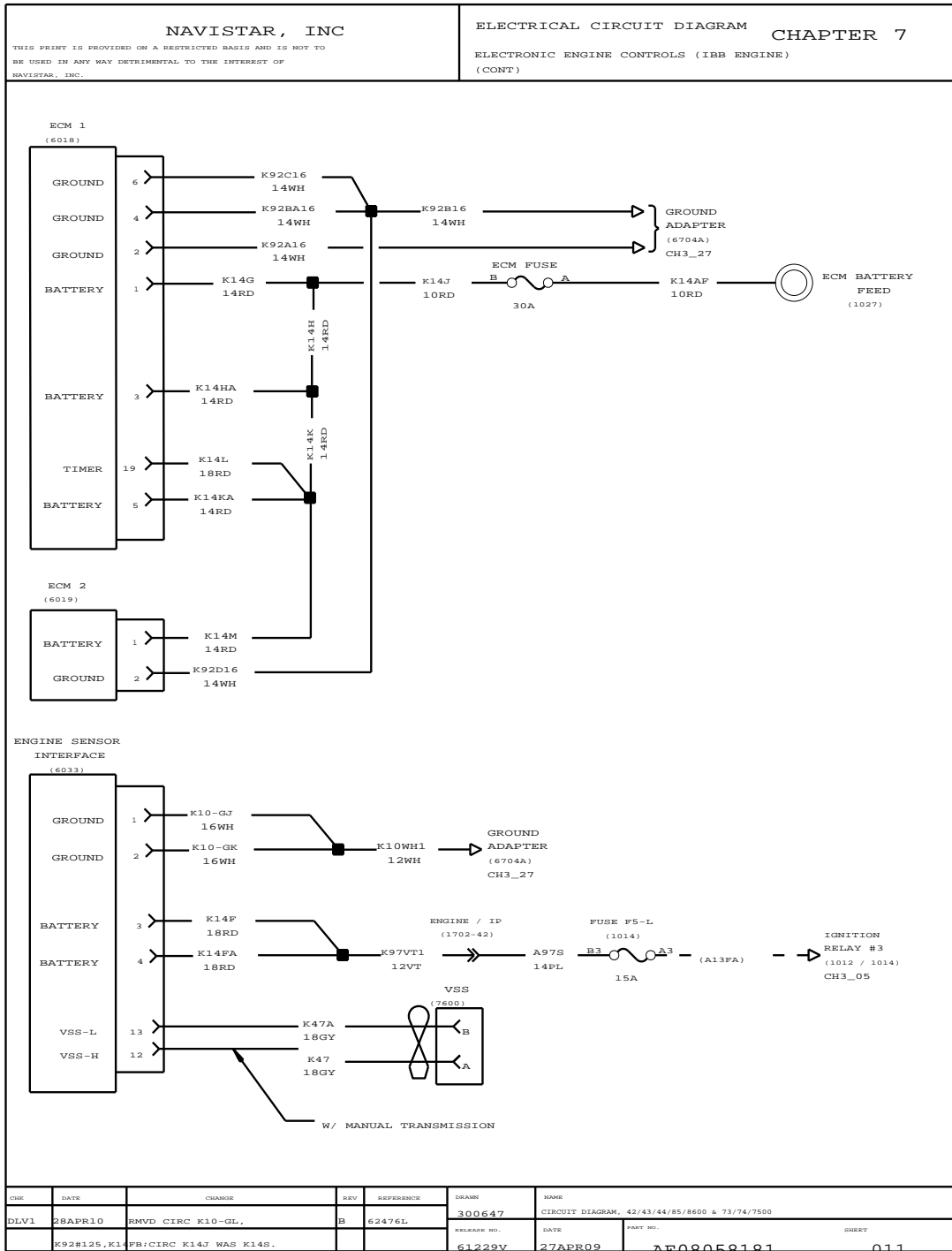


Figure 202 Electronic Engine Controls, IBB Engines (Cont.)

7.13. ELECTRONIC ENGINE CONTROLS, V8 ENGINES, P. 12

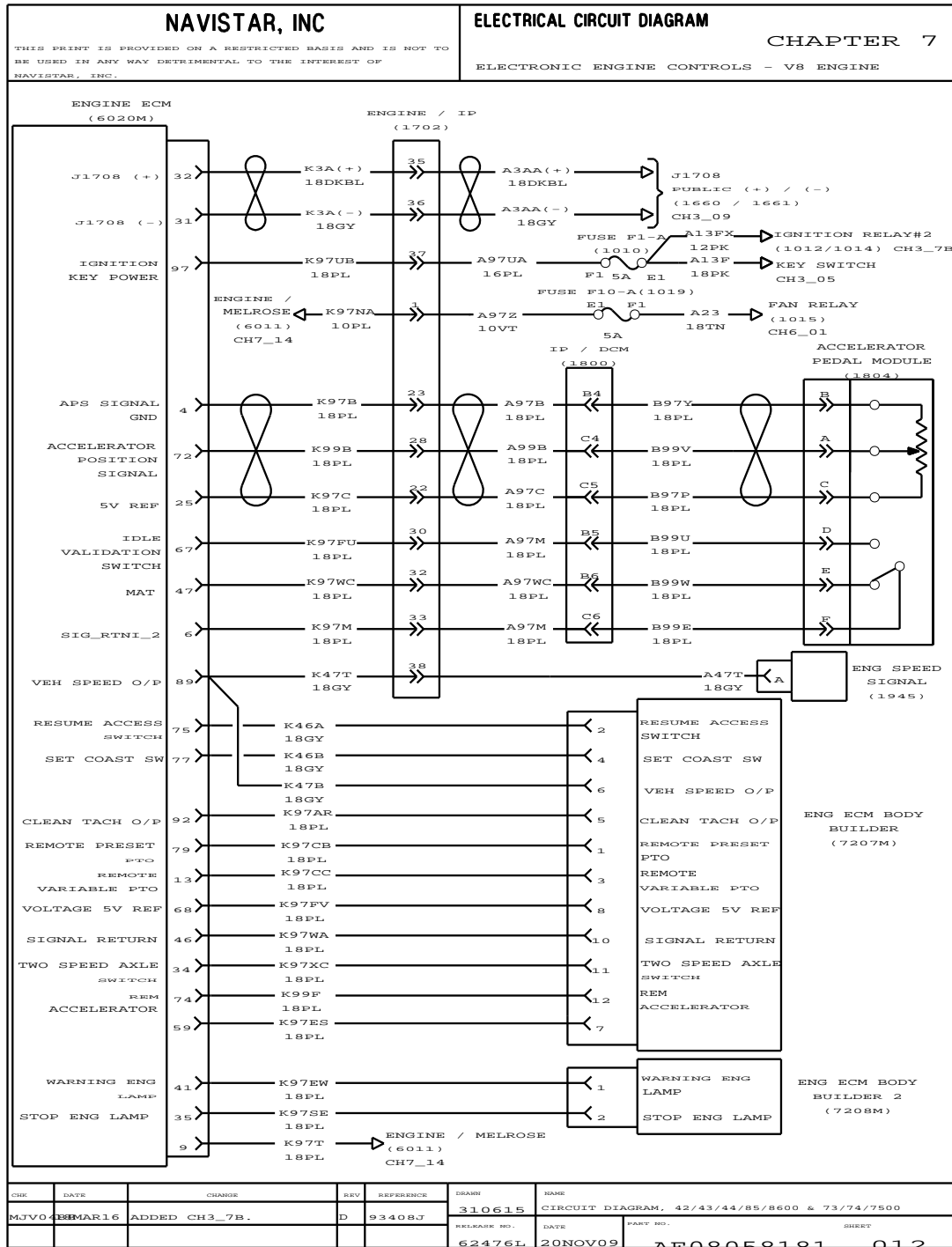


Figure 203 Electronic Engine Controls, V8 Engines

7.14. ELECTRONIC ENGINE CONTROLS, V8 ENGINES (CONT.), P. 13

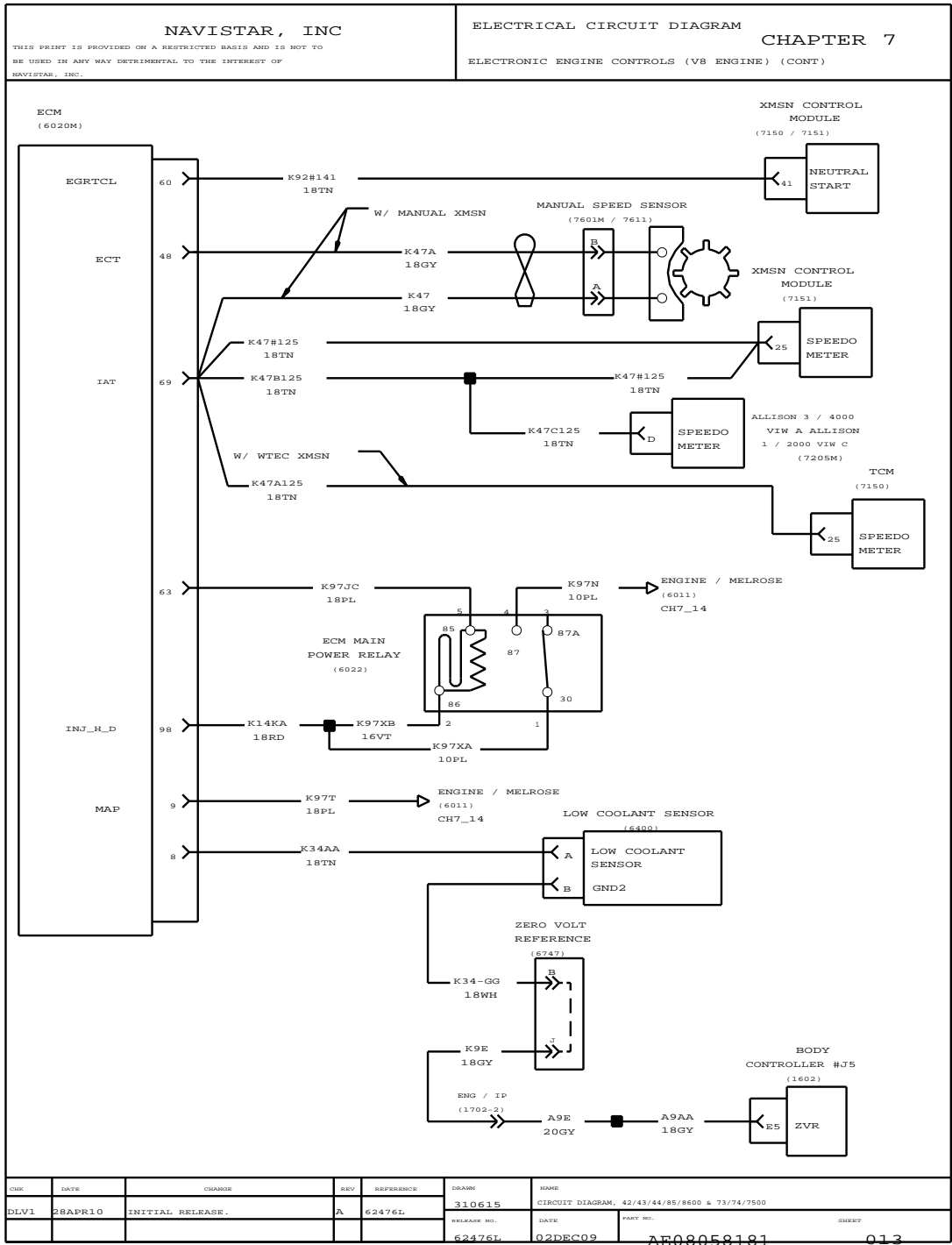


Figure 204 Electronic Engine Controls, V8 Engines (Cont.)

7.15. ELECTRONIC ENGINE CONTROLS, V8 ENGINES (CONT.), P. 14

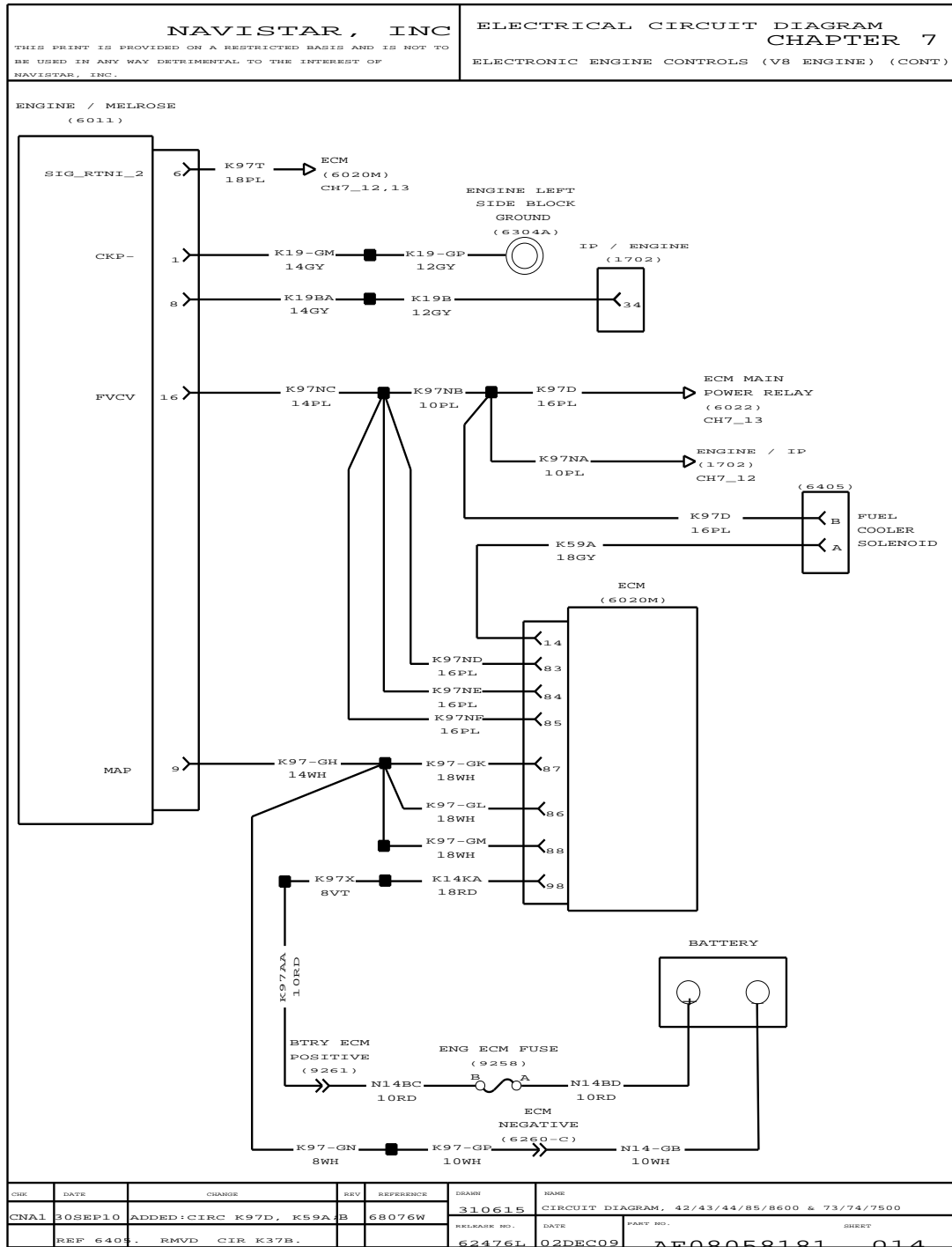


Figure 205 Electronic Engine Controls, V8 Engines (Cont.)

7.16. ELECTRONIC ENGINE CONTROLS, V8 ENGINES (CONT.), P. 15

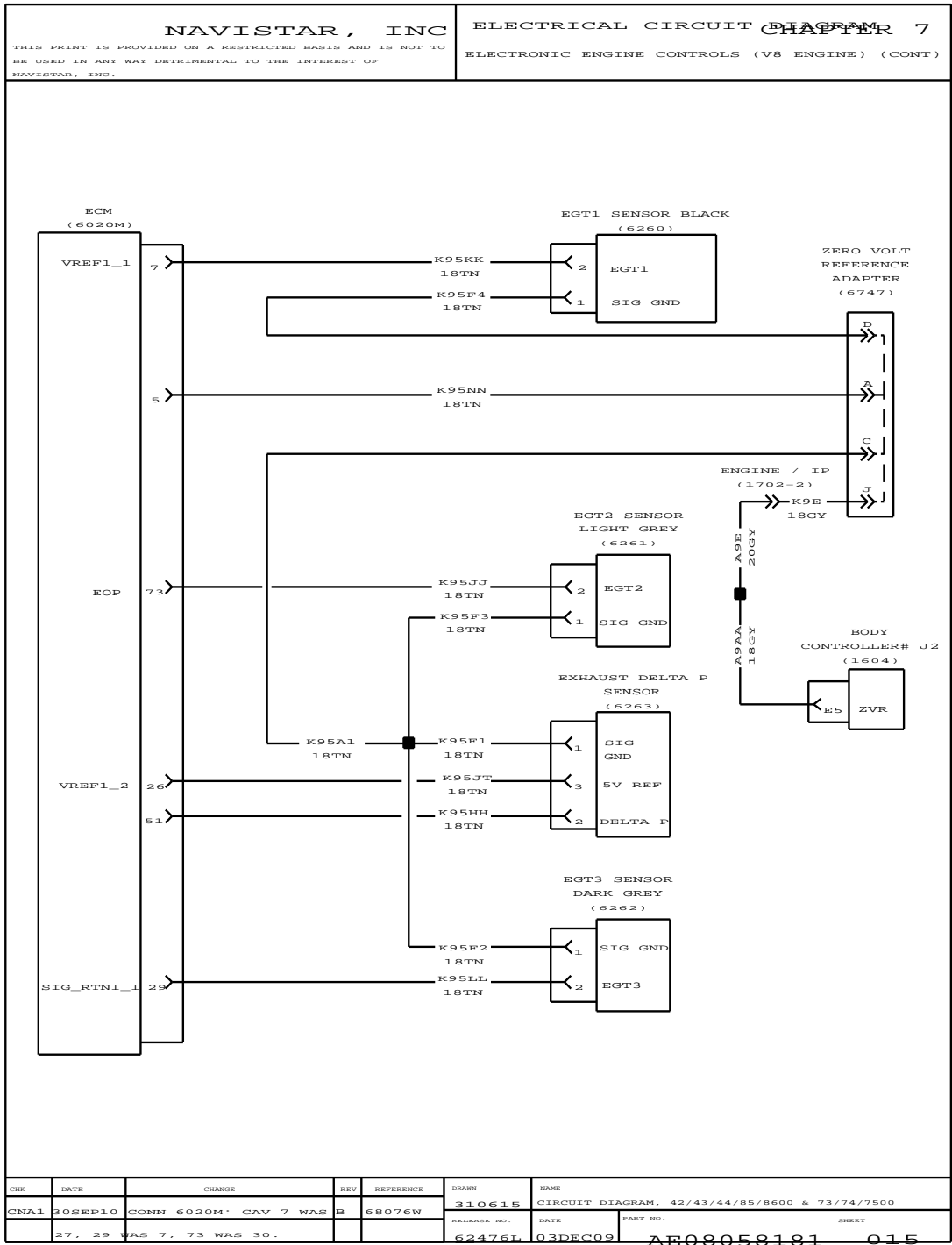


Figure 206 Electronic Engine Controls, V8 Engines (Cont.)

7.17. ENGINE ECM POWER – V8 ENGINE, P. 16

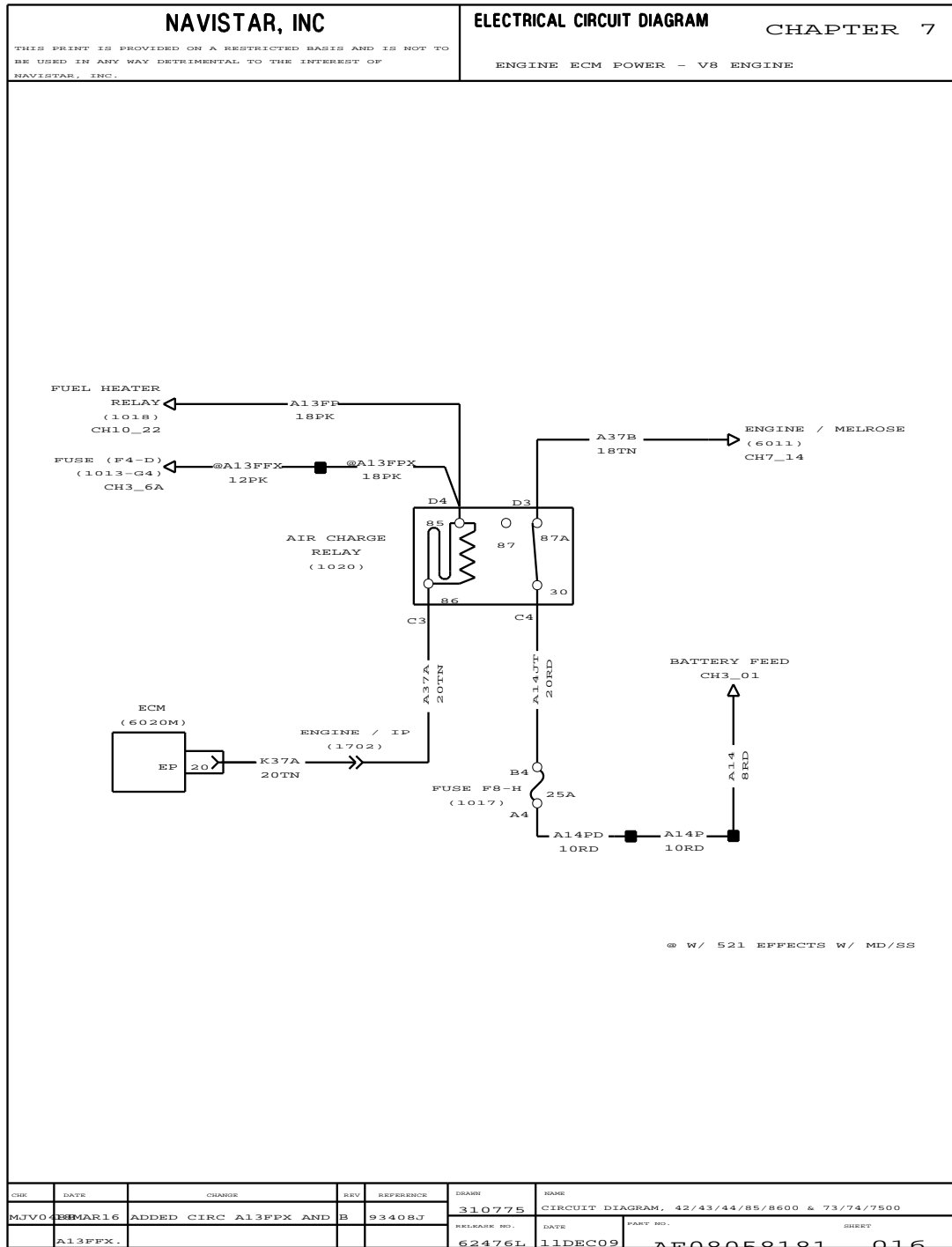


Figure 207 Engine ECM Power – V8 Engine

7.18. ELECTRONIC ENGINE CONTROLS – I6 ENGINE (CONT.), P. 17

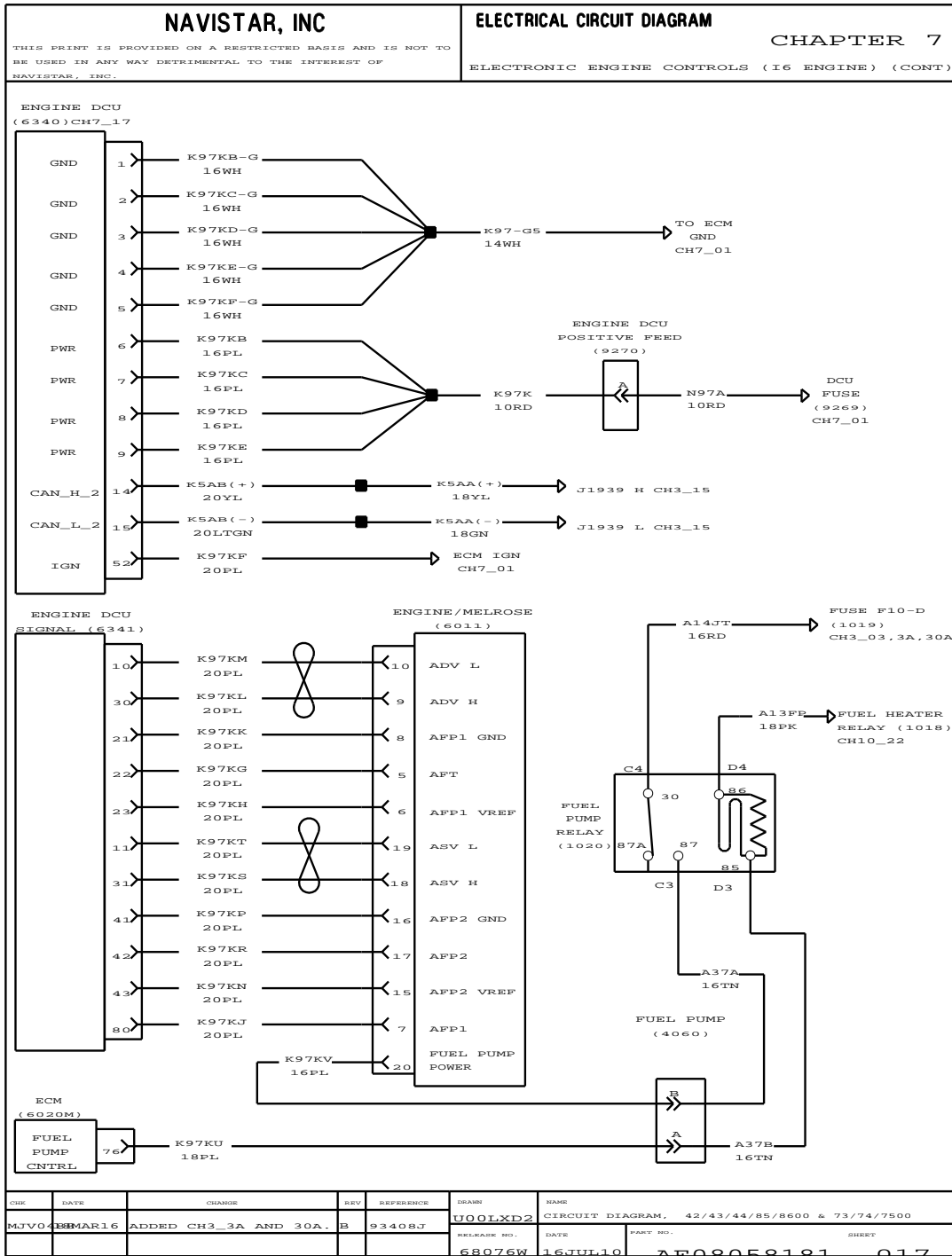


Figure 208 Electronic Engine Controls – I6 Engine (Cont.)

7.19. ELECTRONIC ENGINE CONTROLS – I6 ENGINE (CONT.) WITH EXHAUST BRAKE, P. 18

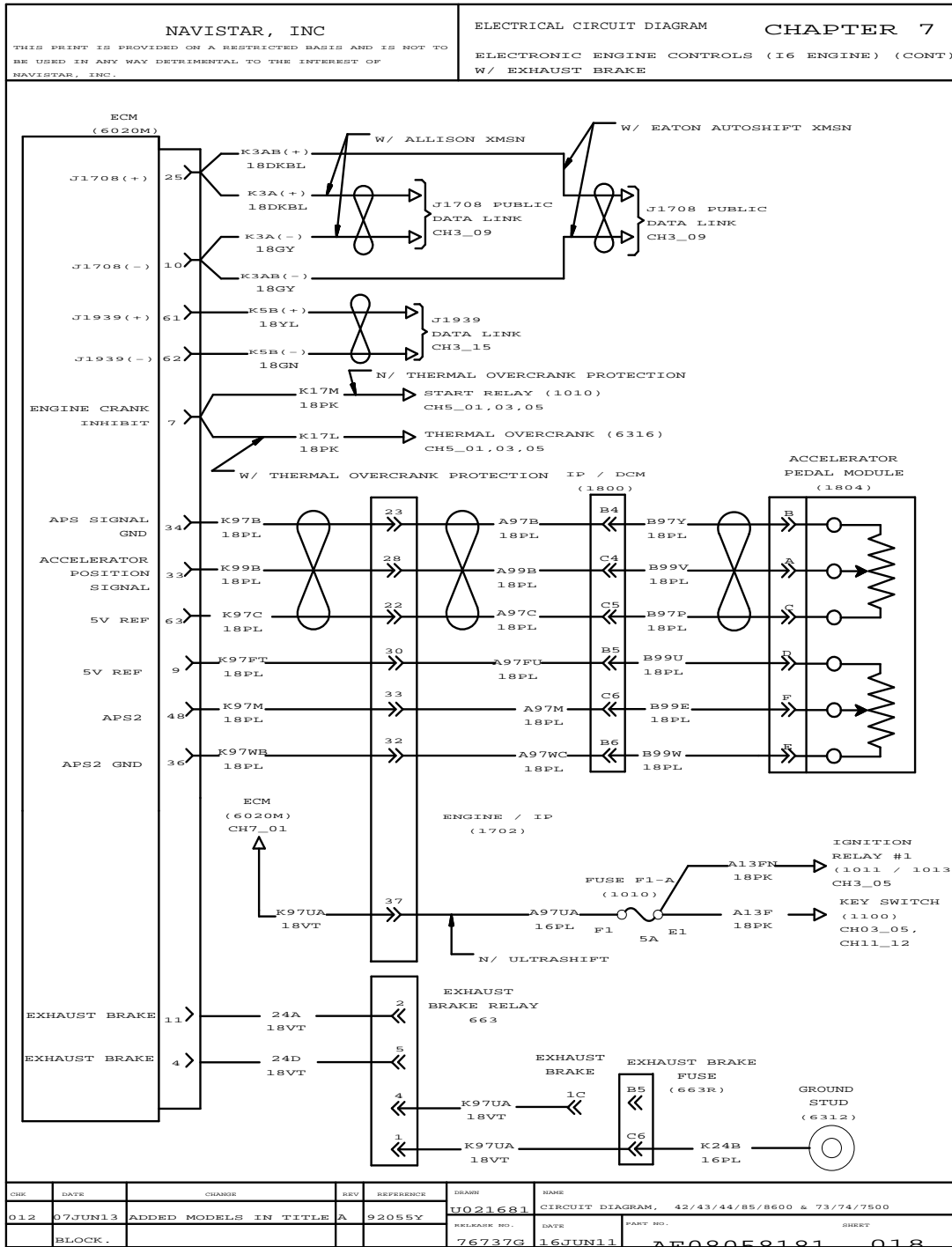


Figure 209 Electronic Engine Controls – I6 Engine (Cont.) with Exhaust Brake

7.20. ELECTRONIC ENGINE CONTROLS – I6 ENGINE (CONT.) WITH W.I.F., P. 19

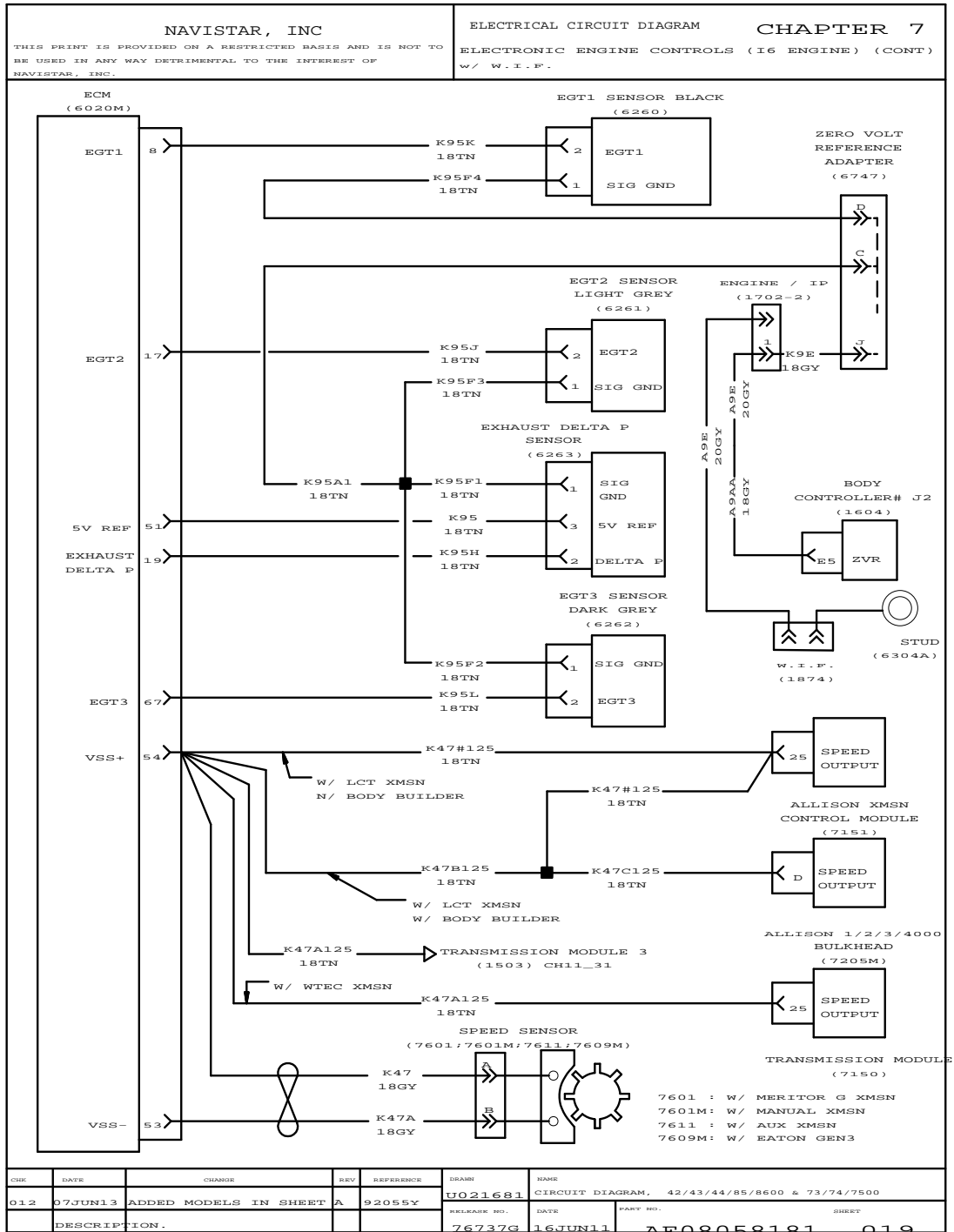


Figure 210 Electronic Engine Controls – I6 Engine (Cont.) with W.I.F.

7.21. ELECTRONIC ENGINE CONTROLS – I6 ENGINE WITH SCR SYSTEM, P. 20

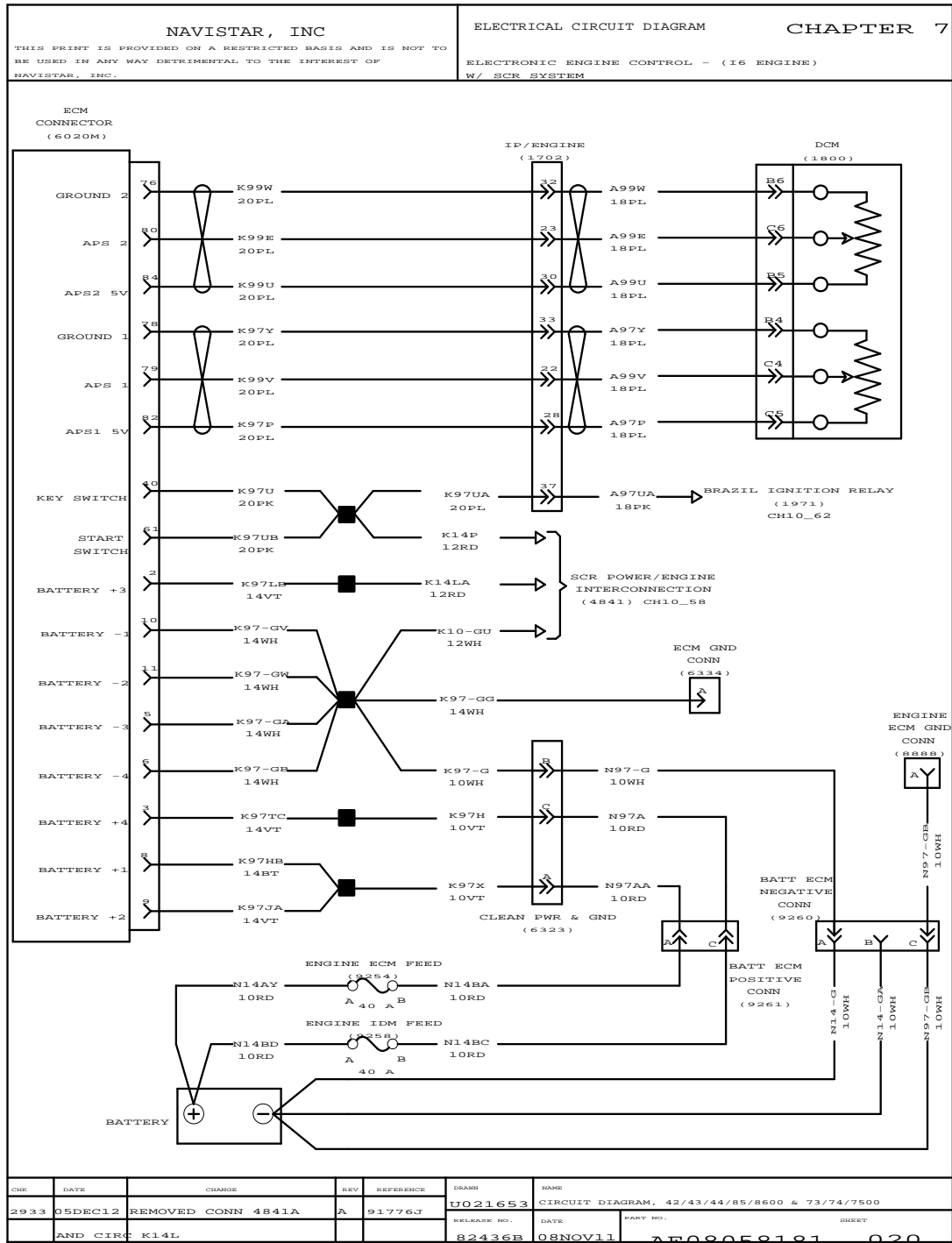


Figure 211 Electronic Engine Controls – I6 Engine with SCR System

7.22. ELECTRONIC ENGINE CONTROLS – I6 ENGINE WITH SCR SYSTEM (CONT.), P. 21

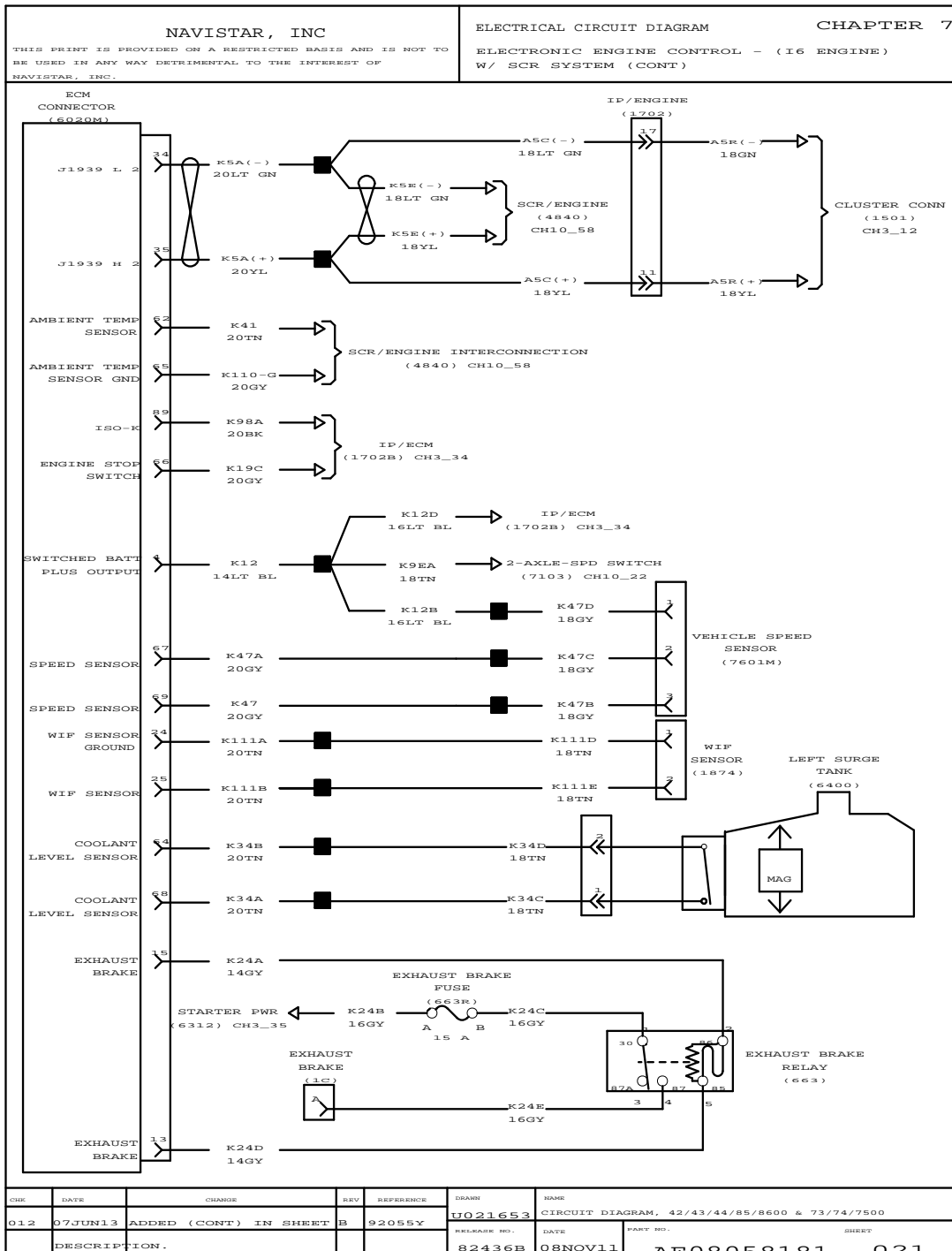


Figure 212 Electronic Engine Controls – I6 Engine with SCR System (Cont.)

7.23. ELECTRONIC ENGINE CONTROLS – I6 ENGINE WITH SCR SYSTEM (CONT.), P. 22

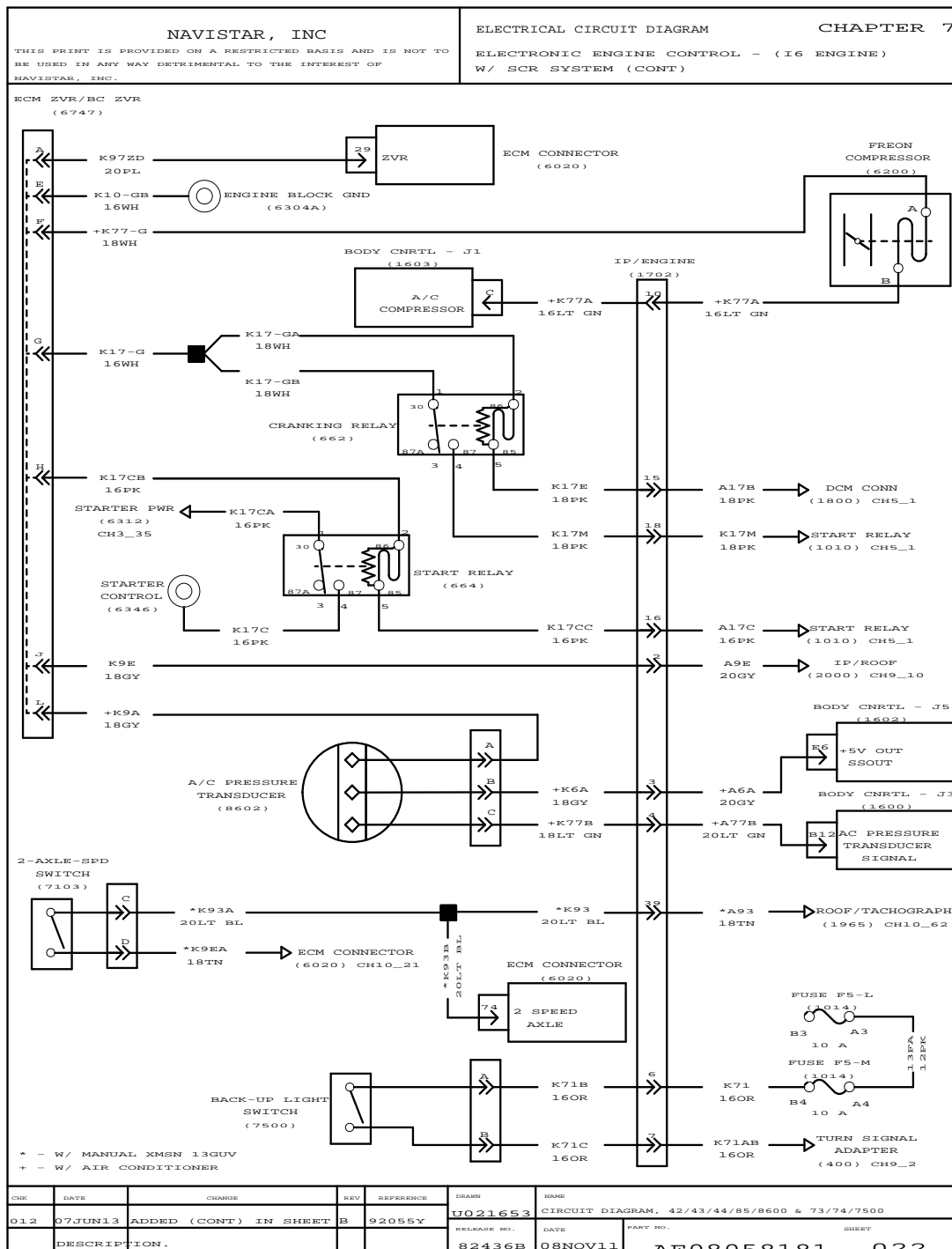


Figure 213 Electronic Engine Controls – I6 Engine with SCR System (Cont.)

7.24. ELECTRONIC ENGINE CONTROLS (ISL- G ENGINE), P. 23

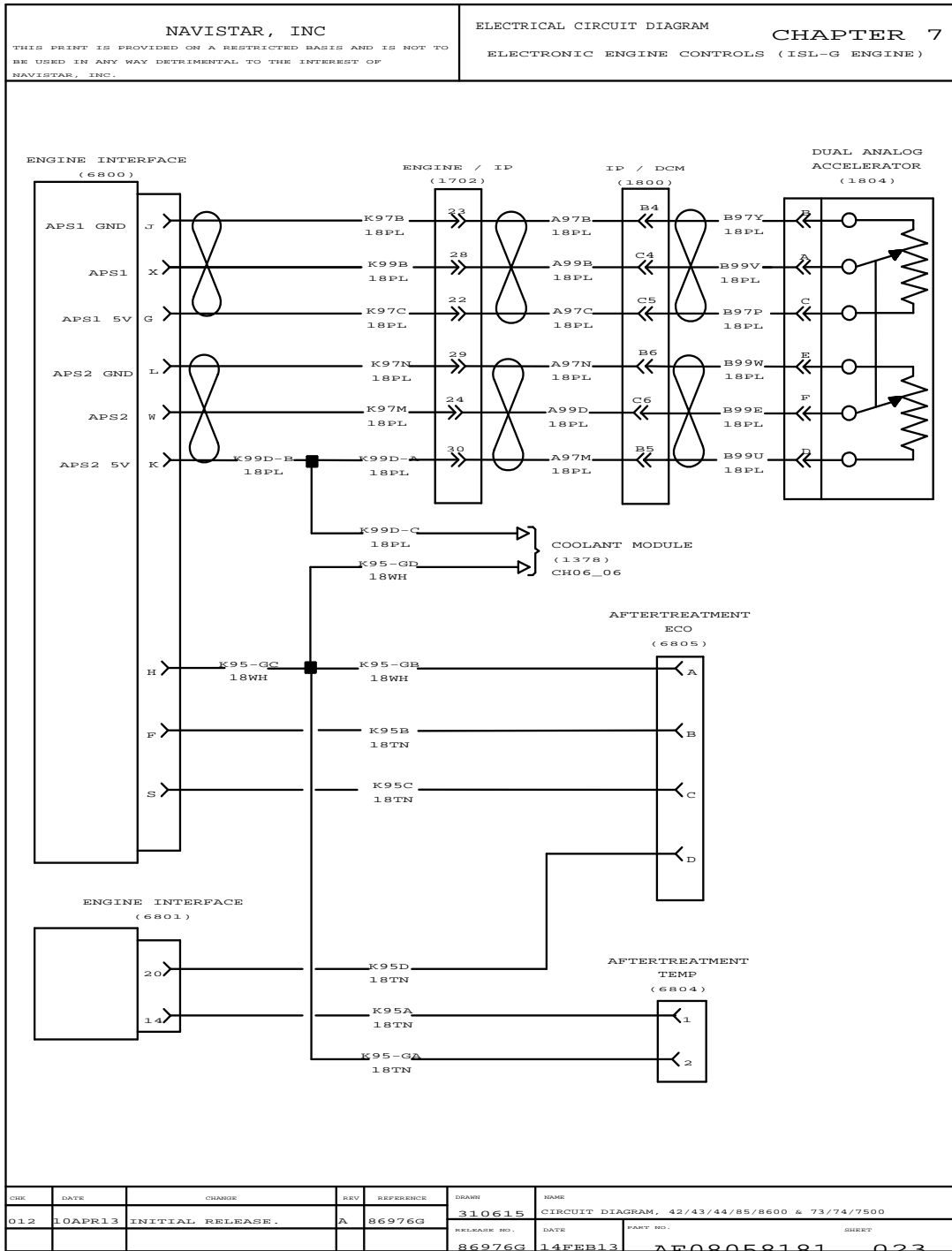


Figure 214 Electronic Engine Controls (ISL- G Engine)

7.25. ELECTRONIC ENGINE CONTROLS (ISL – G ENGINE) (CONT.), P. 24

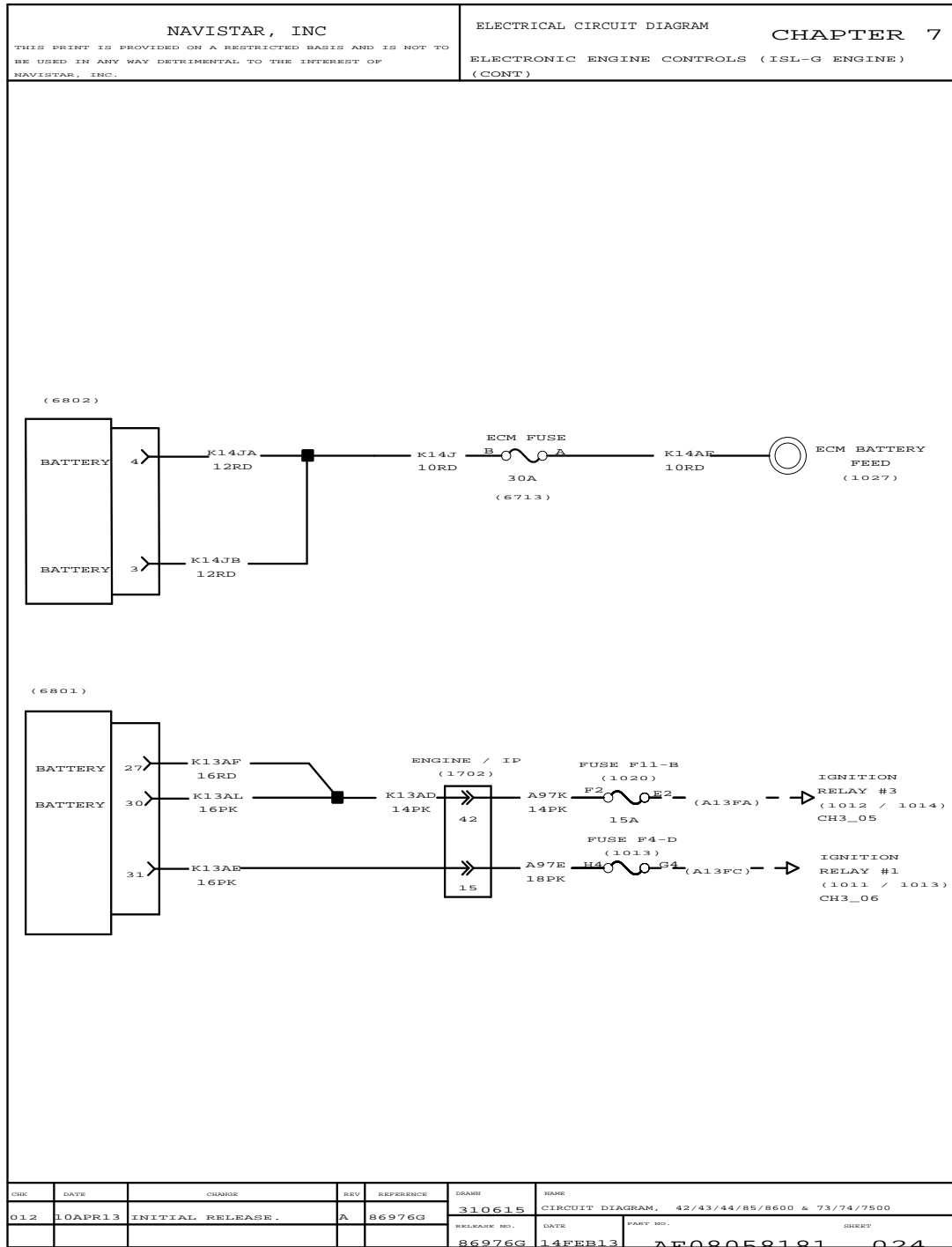


Figure 215 Electronic Engine Controls (ISL – G Engine) (Cont.)

7.26. ELECTRONIC ENGINE CONTROL (2010 SCR 13L ENGINE), P. 25

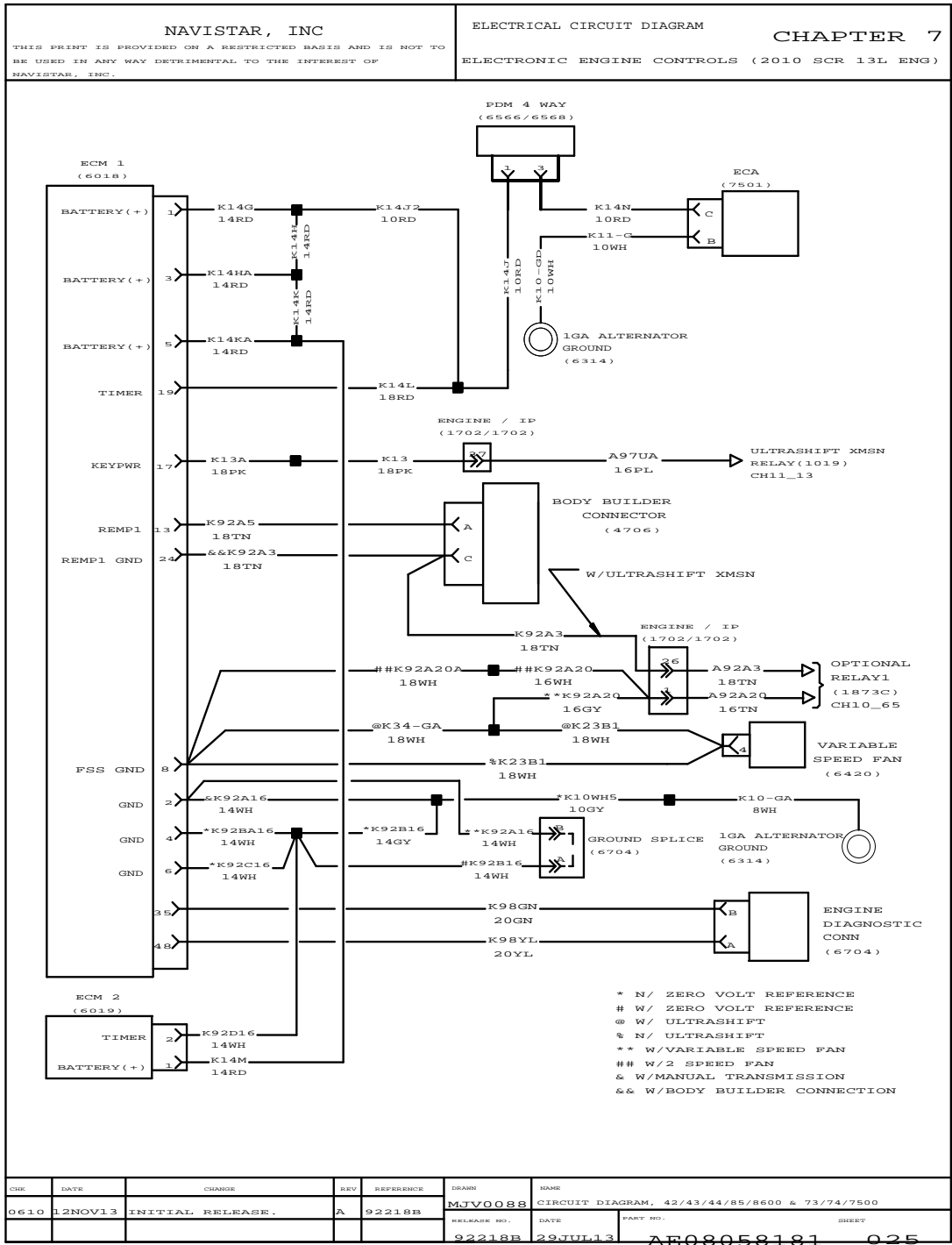


Figure 216 Electronic Engine Control (2010 SCR 13L Engine)

7.27. ELECTRONIC ENGINE CONTROL (2010 SCR 13L ENGINE) (CONT.), P. 26

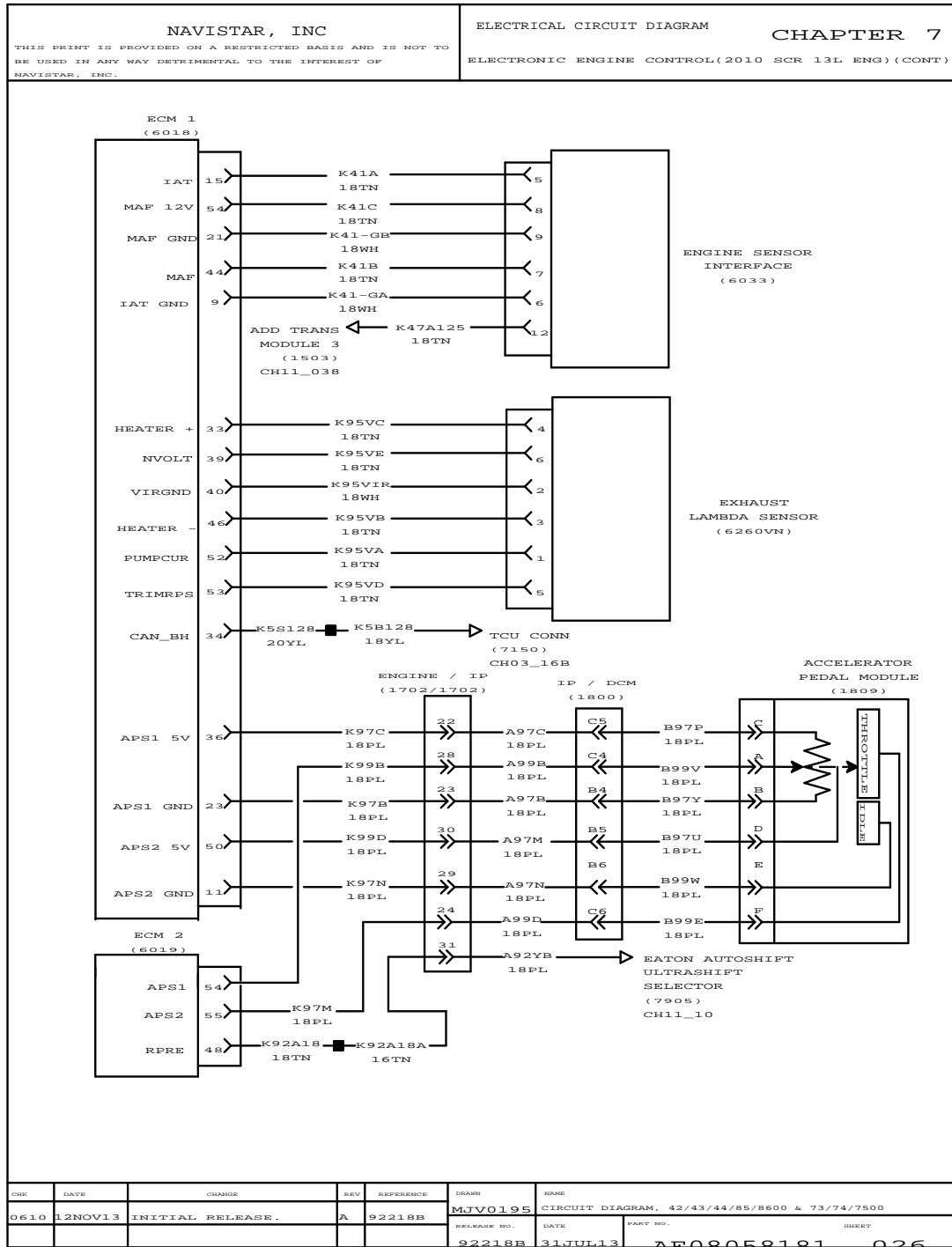


Figure 217 Electronic Engine Control (2010 SCR 13L Engine) (Cont.)

7.28. ELECTRONIC ENGINE CONTROL (2010 SCR 13L ENGINE) (CONT.), P. 27

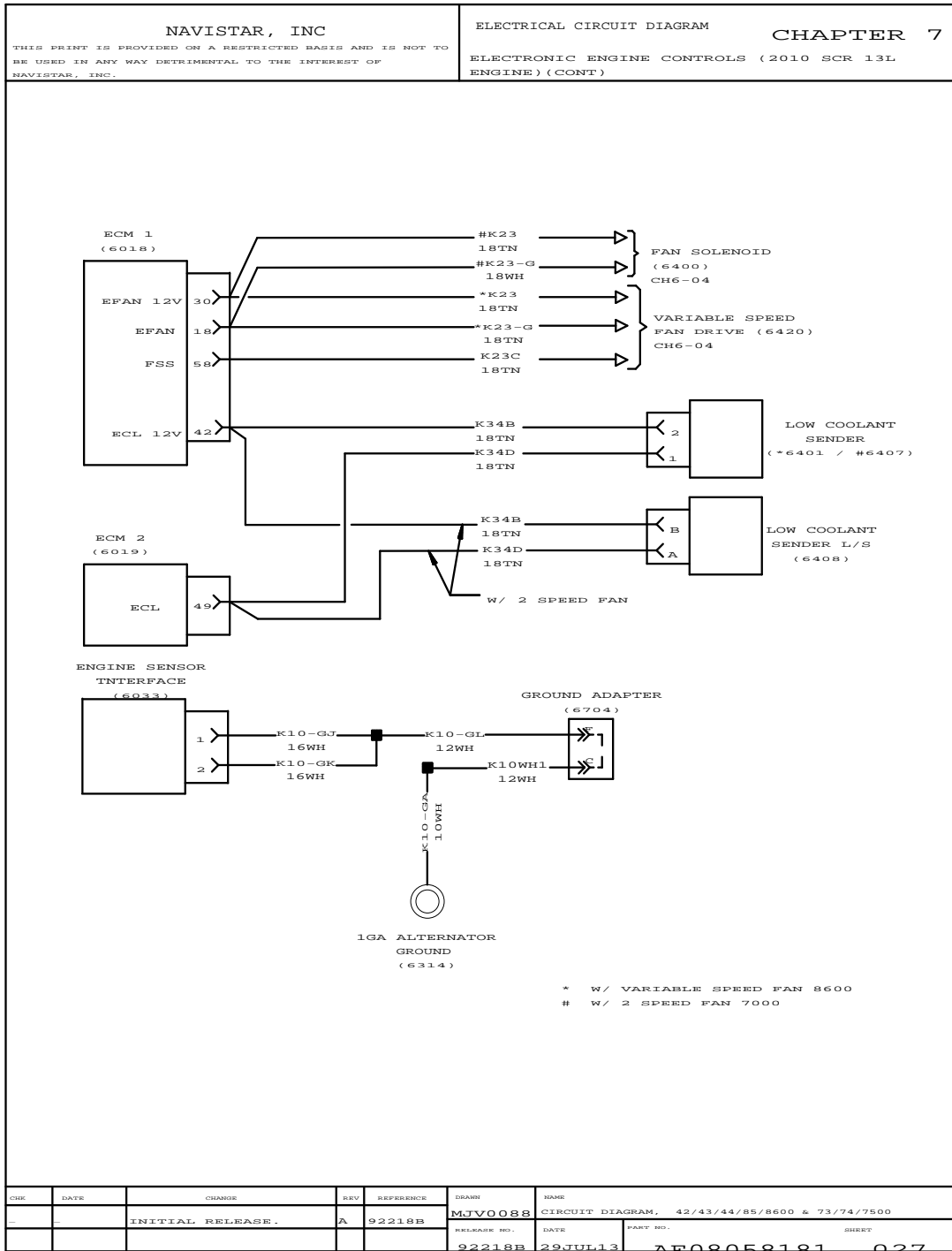


Figure 218 Electronic Engine Control (2010 SCR 13L Engine) (Cont.)

7.29. ELECTRONIC ENGINE CONTROL (2010 SCR 13L ENGINE) (CONT.), P. 28

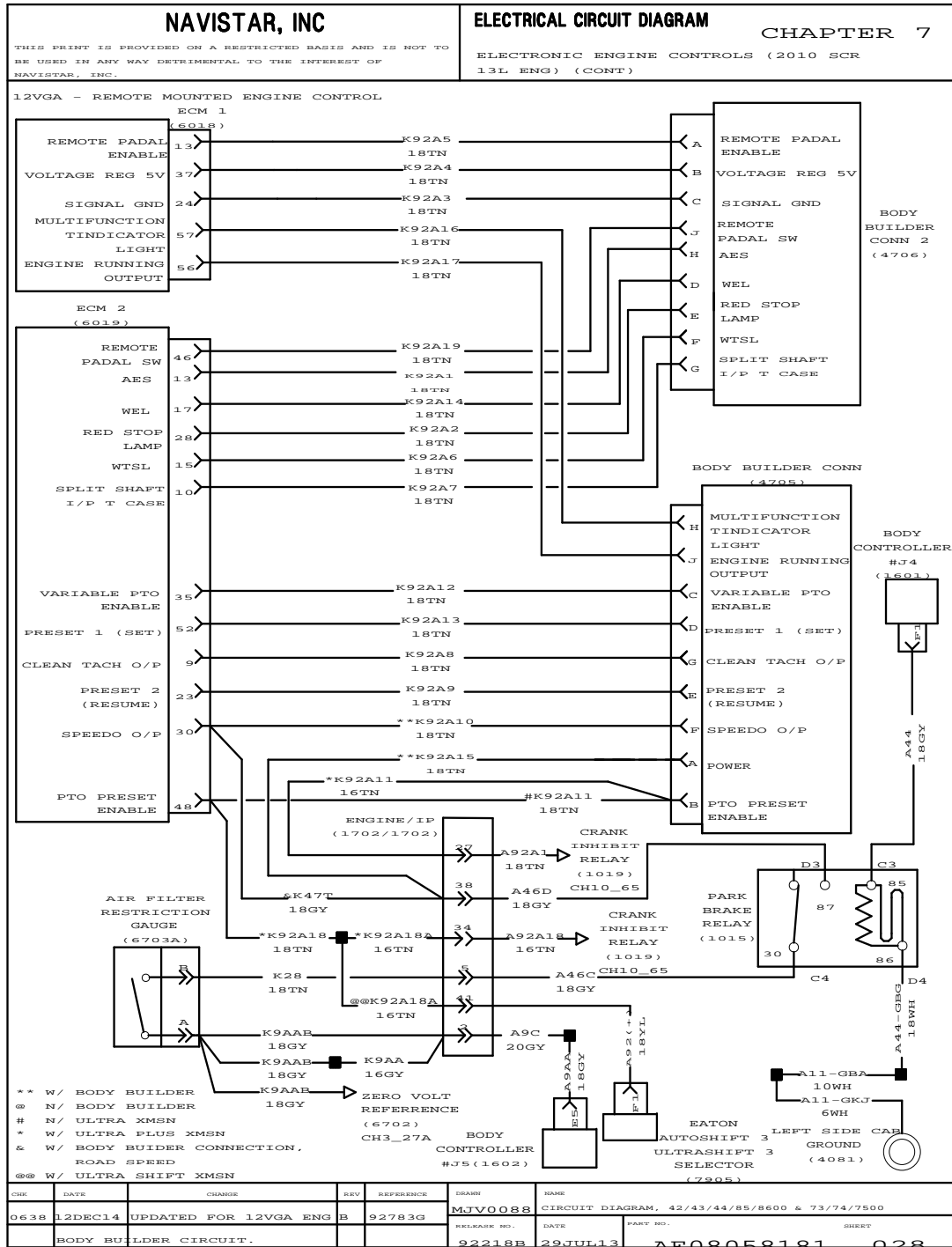


Figure 219 Electronic Engine Control (2010 SCR 13L Engine) (Cont.)

7.30. ELECTRONIC ENGINE CONTROL (2010 SCR 13L ENGINE) (CONT.), P. 29

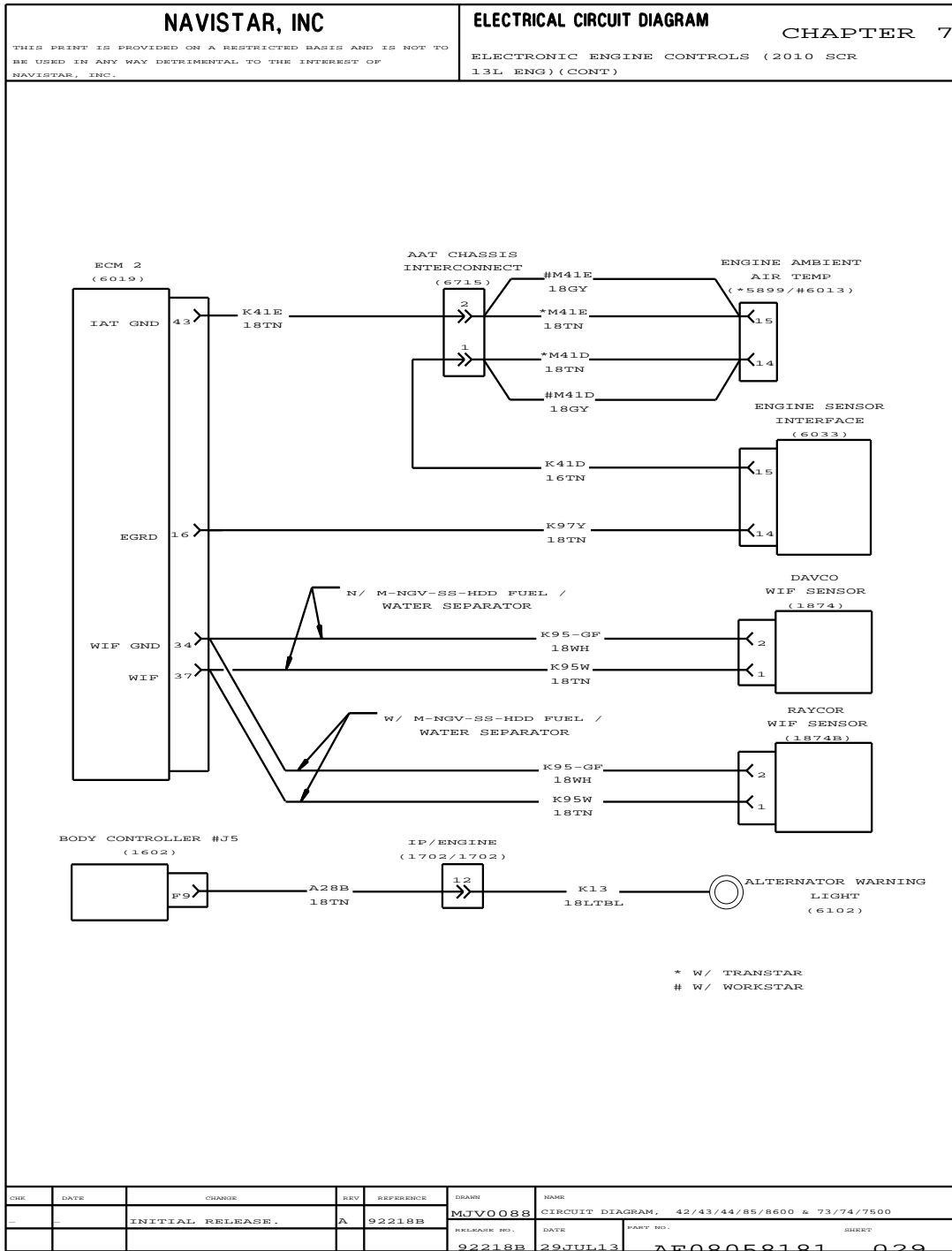


Figure 220 Electronic Engine Control (2010 SCR 13L Engine) (Cont.)

7.31. ELECTRONIC ENGINE CONTROL (2010 SCR 13L ENGINE) (CONT.), P. 30

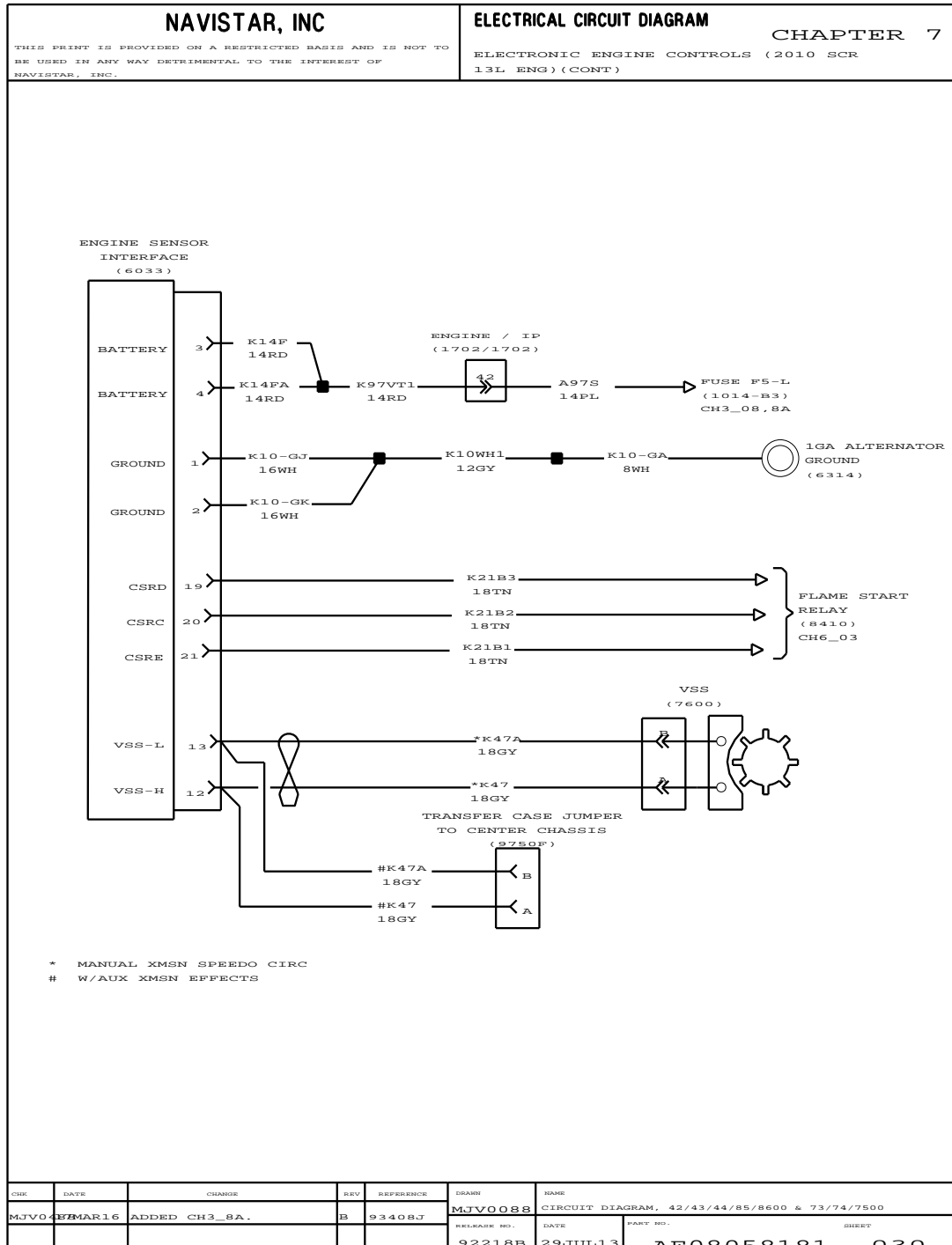


Figure 221 Electronic Engine Control (2010 SCR 13L Engine) (Cont.)

7.32. ENGINE ECM POWER (2010 SCR 13L ENGINE), P. 31

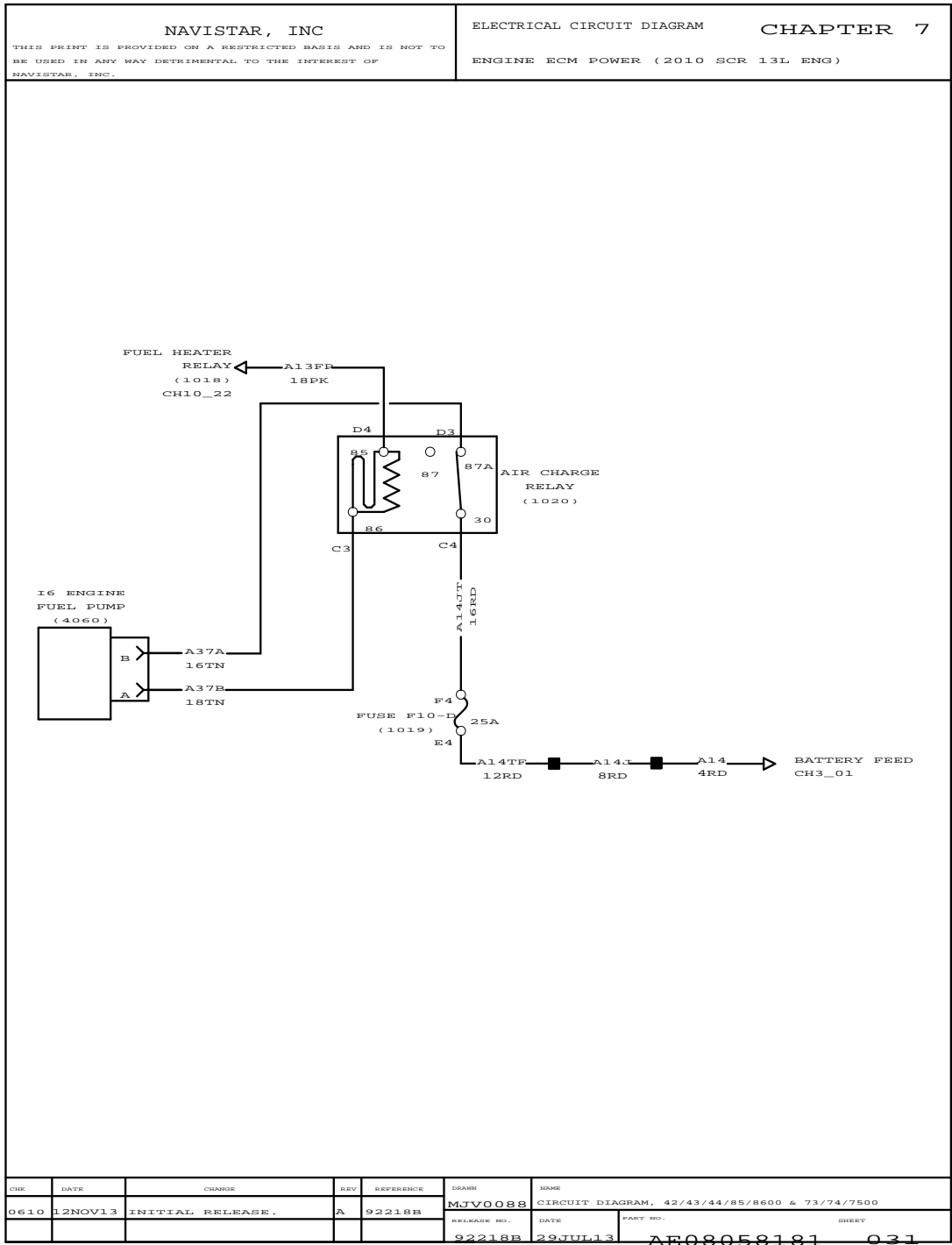


Figure 222 Engine ECM Power (2010 SCR 13L Engine)

7.33. DEF & AFTERTREATMENT (2010 SCR 13L ENGINE), P. 32

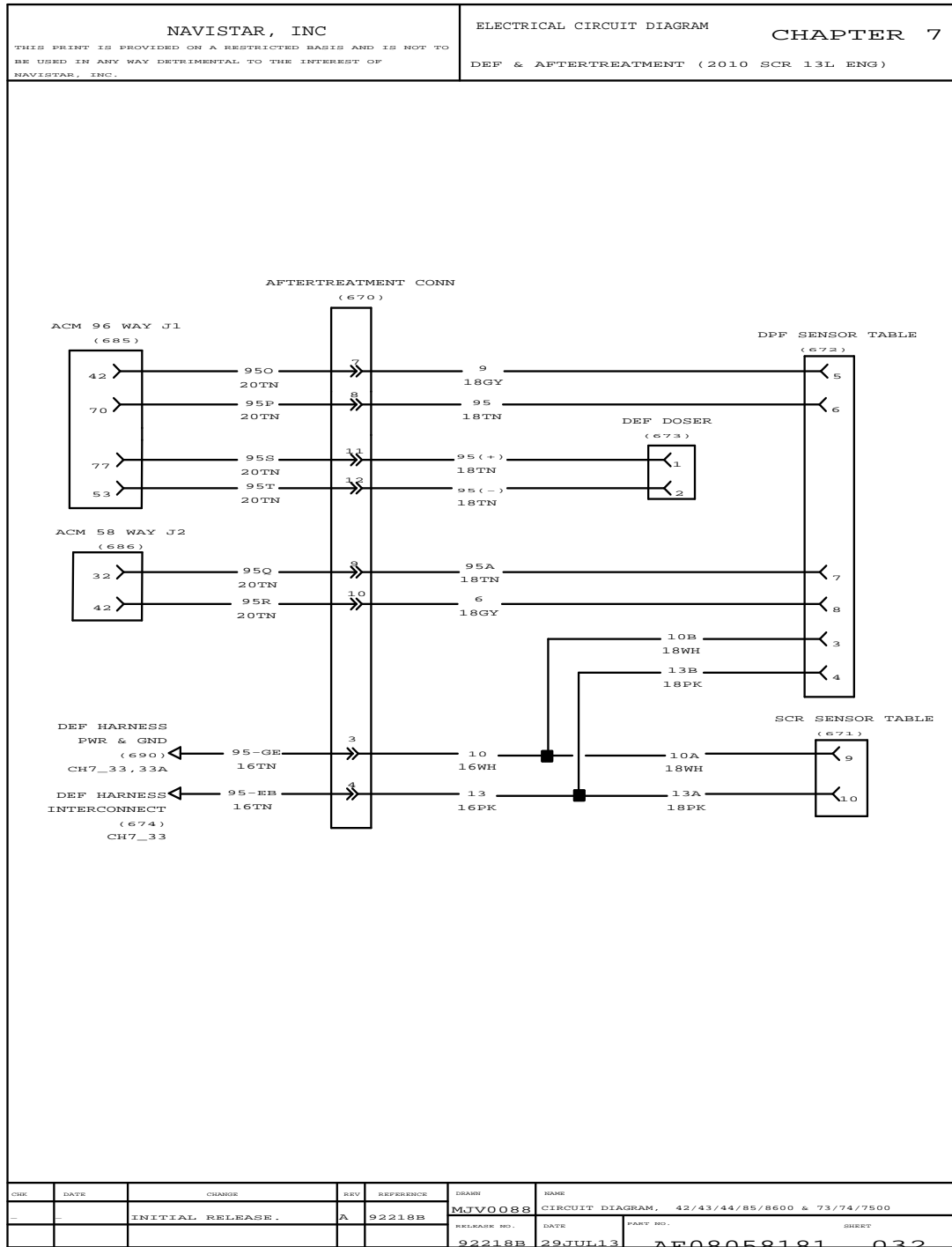


Figure 223 DEF & Aftertreatment (2010 SCR 13L Engine)

7.34. DEF & AFTERTREATMENT (2010 SCR 13L ENGINE) (CONT.), P. 33

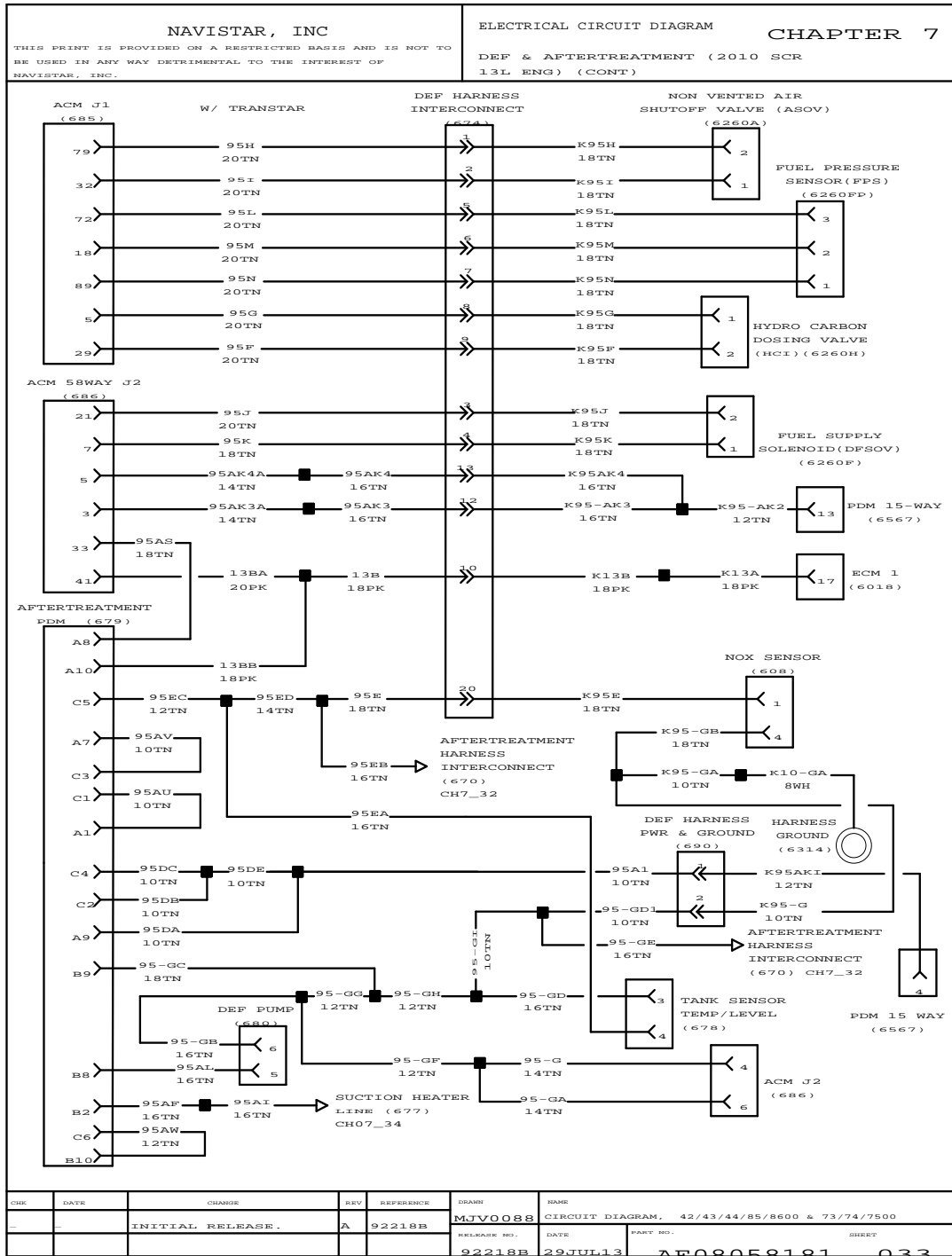


Figure 224 DEF & Aftertreatment (2010 SCR 13L Engine) (Cont.)

7.35. DEF & AFTERTREATMENT (2010 SCR 13L ENGINE) (CONT.), P. 33A

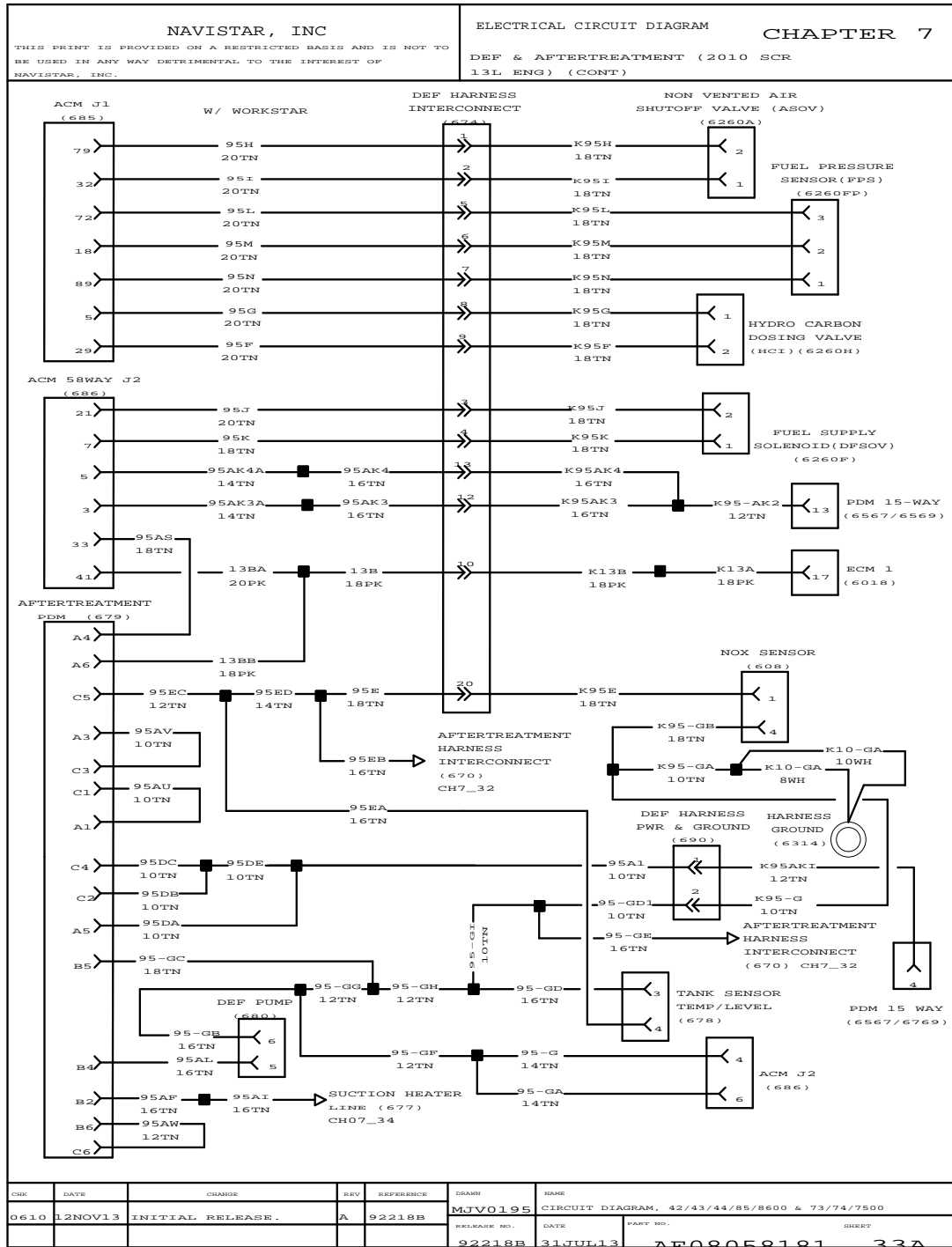


Figure 225 DEF & Aftertreatment (2010 SCR 13L Engine) (Cont.)

7.36. DEF & AFTERTREATMENT (2010 SCR 13L ENGINE) (CONT.), P. 34

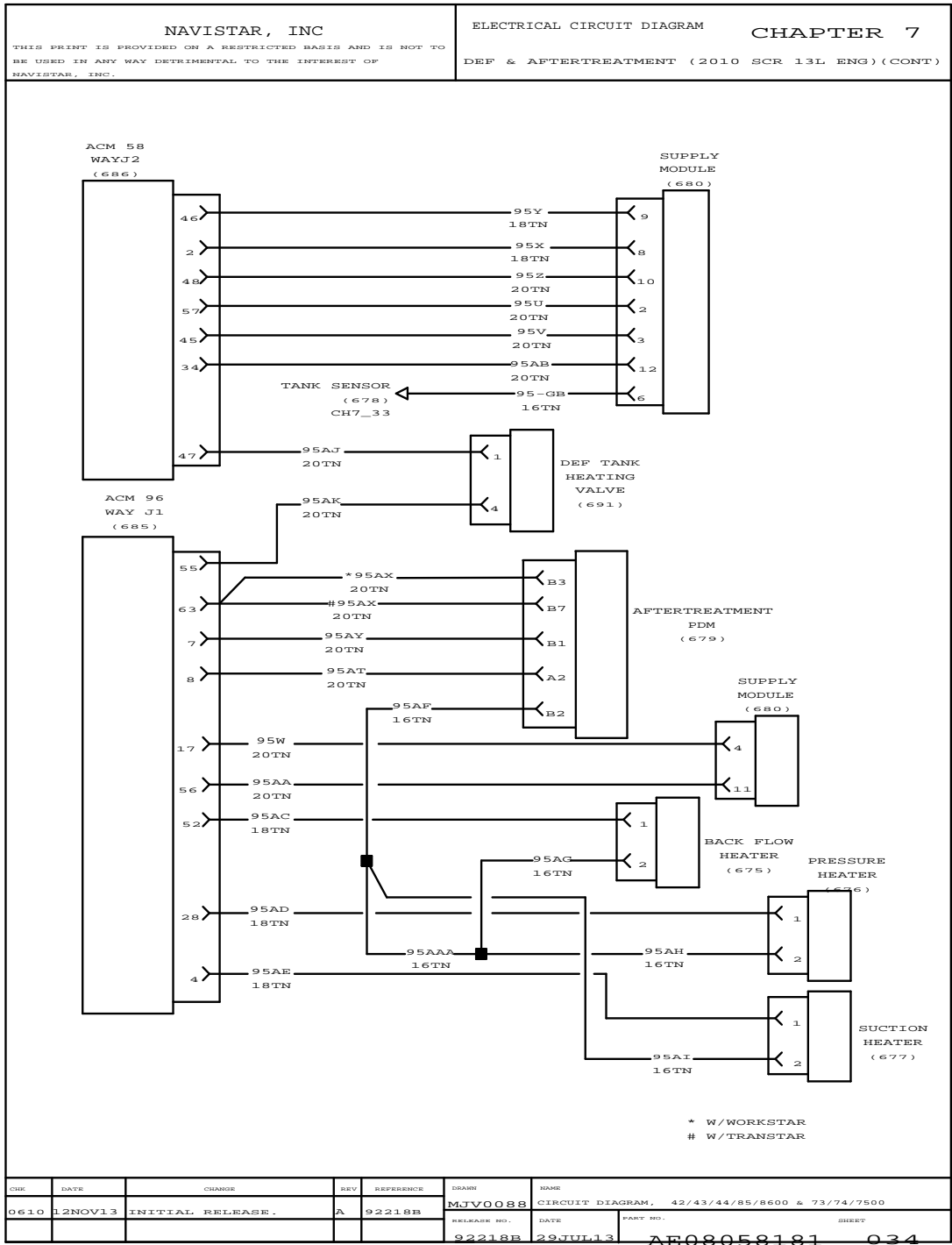


Figure 226 DEF & Aftertreatment (2010 SCR 13L Engine) (Cont.)

7.37. CAB J1939 DATA LINK (2010 SCR 13L ENGINE), P. 35

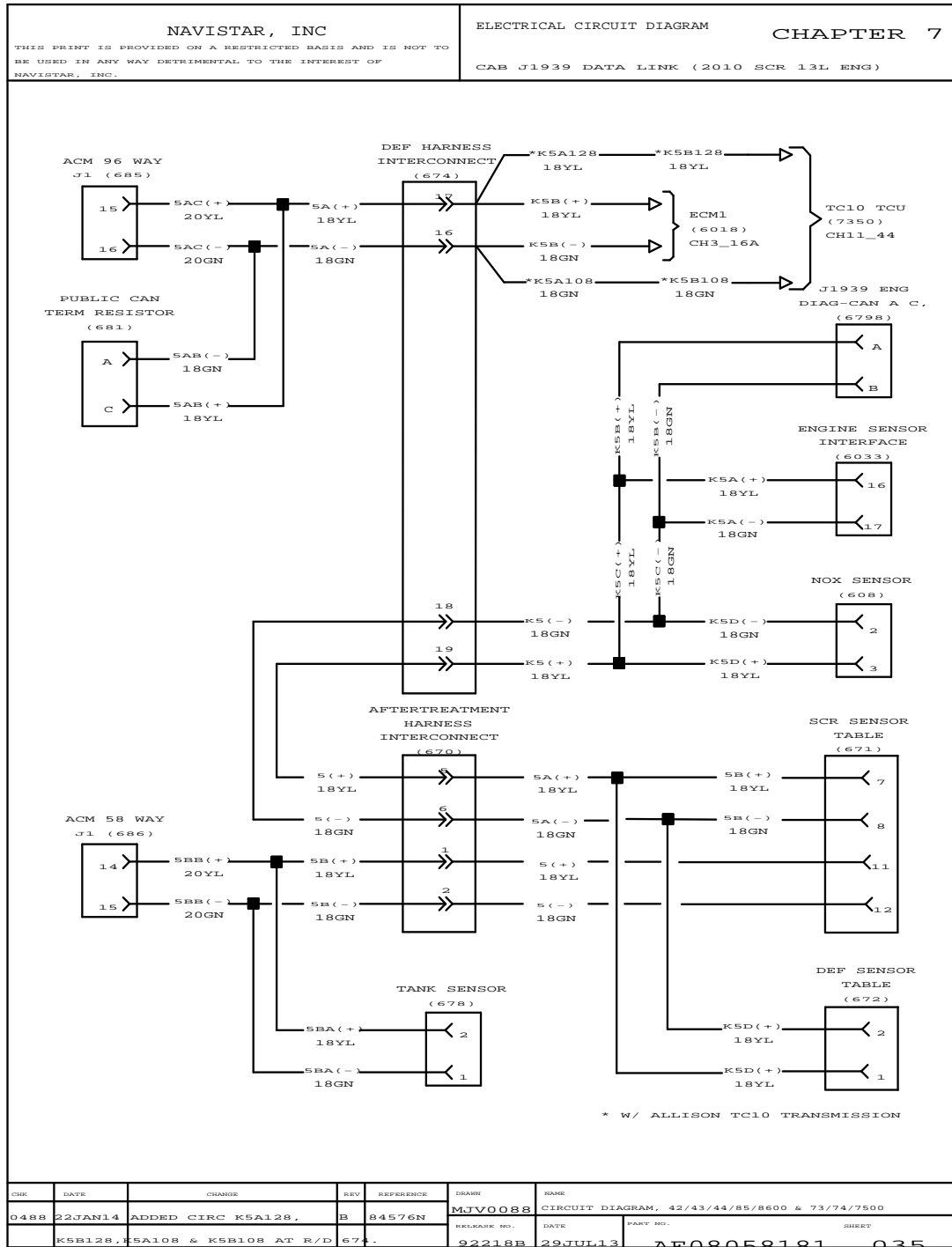


Figure 227 Cab J1939 Data Link (2010 SCR 13L Engine)

7.38. INTERNATIONAL BIG BORE ENGINE (IBBE) (2010 SCR 13L ENGINE), P. 36

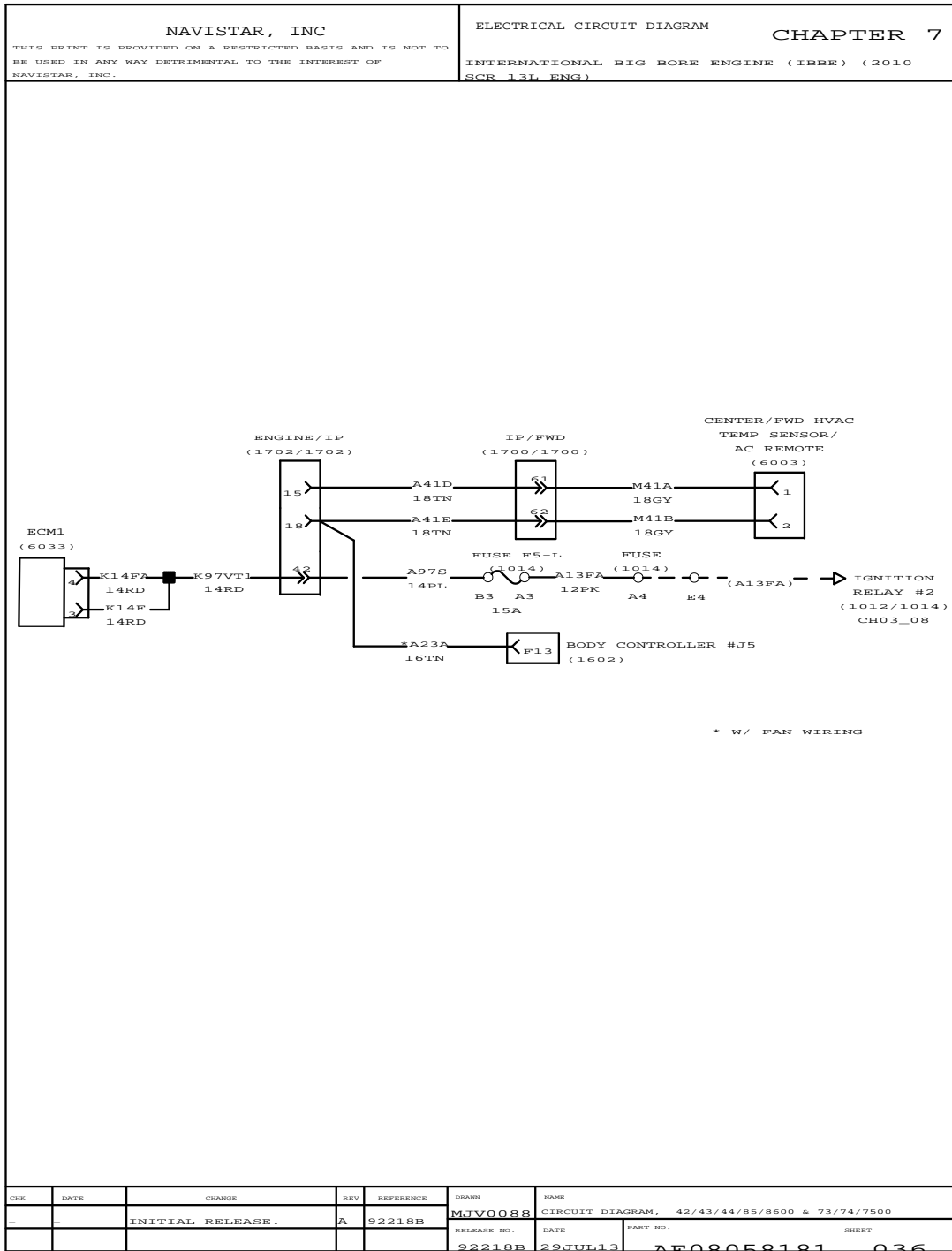


Figure 228 International Big Bore Engine (IBBE) (2010 SCR 13L Engine)

7.39. ACCELERATOR – MWM E6 (2010 SCR 13L ENGINE), P. 37

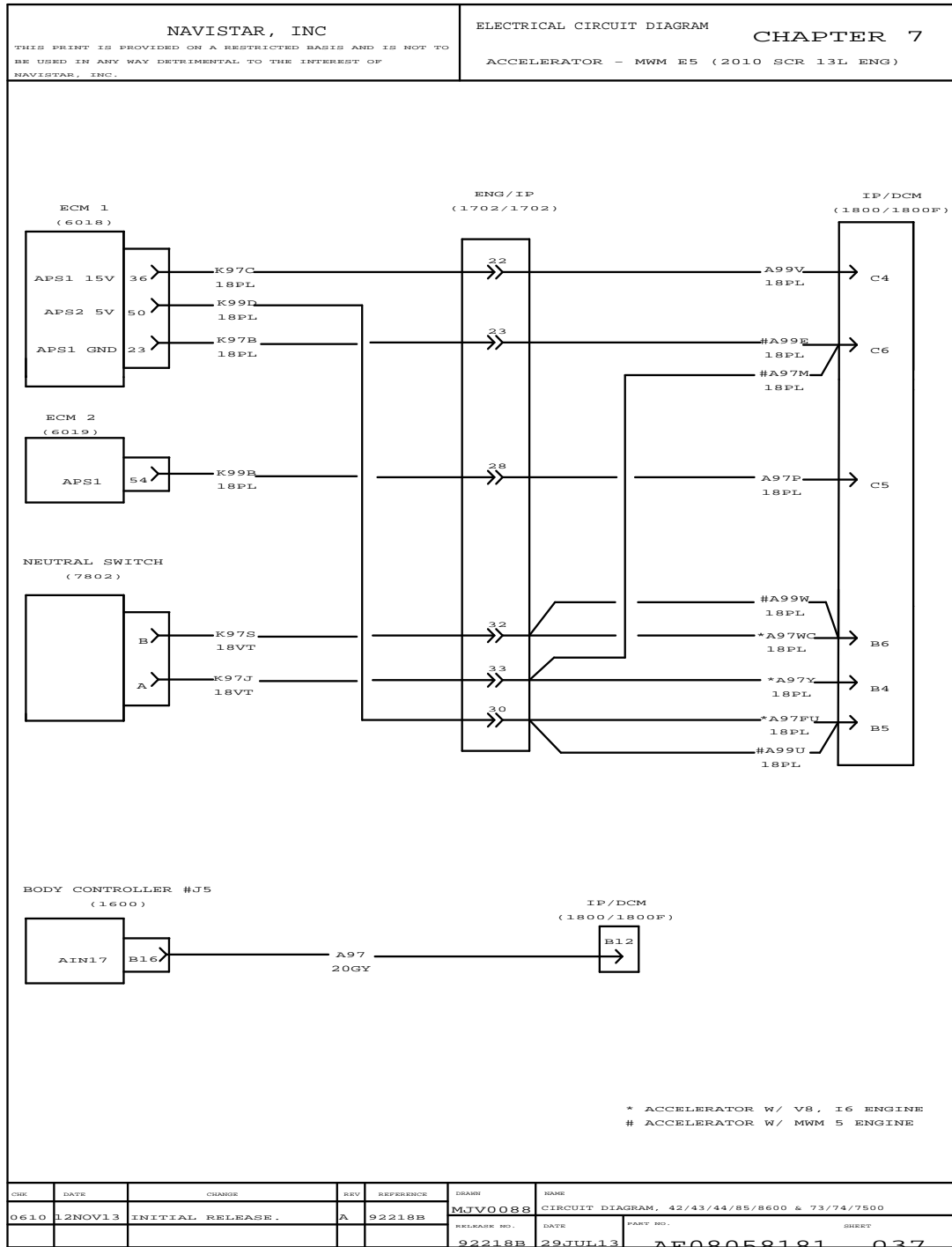


Figure 229 Accelerator – MWM E6 (2010 SCR 13L Engine)

7.40. EATON VORAD – VS400 (2010 SCR 13L ENGINE), P. 38

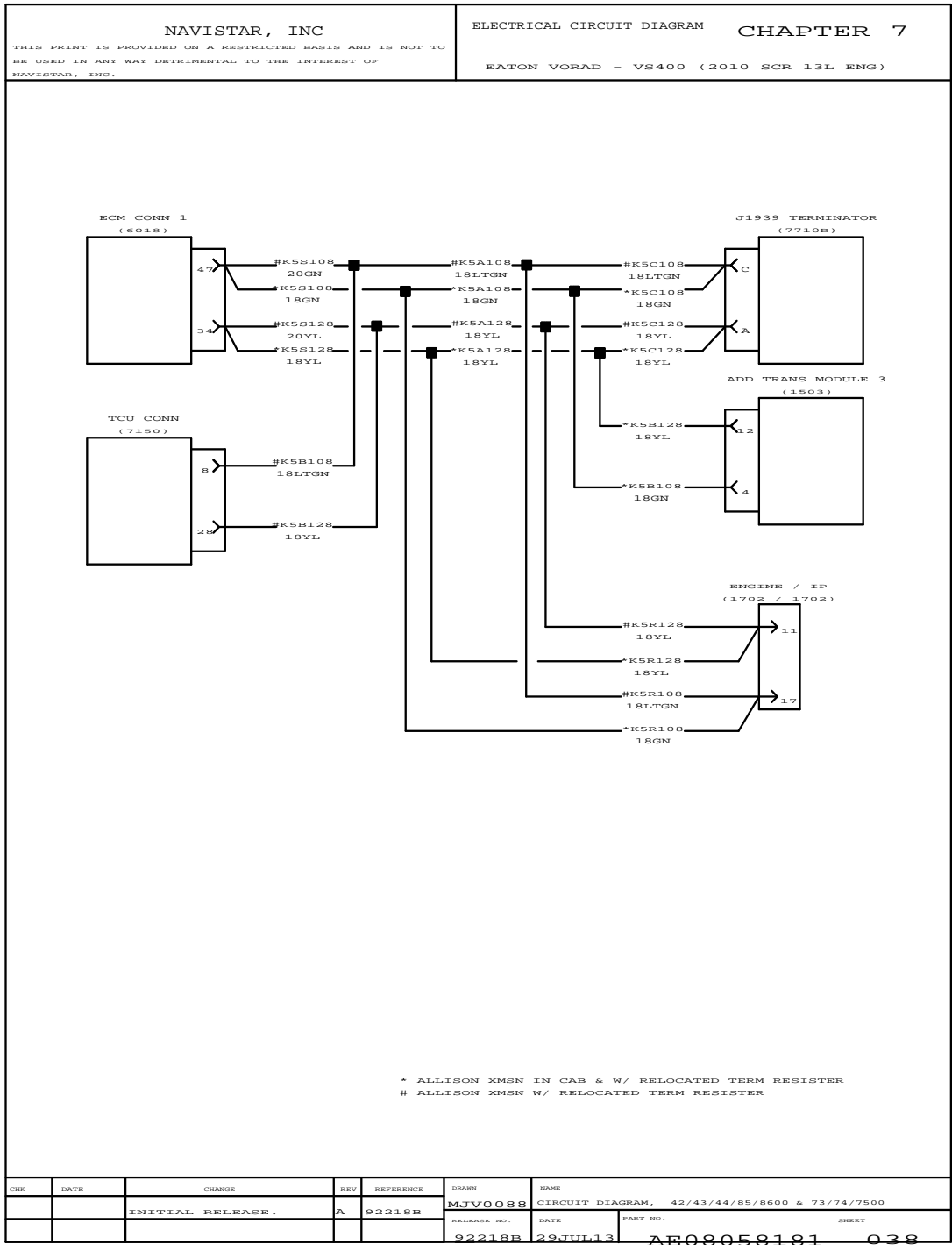


Figure 230 Eaton Vorad – VS400 (2010 SCR 13L Engine)

7.41. EATON VORAD – VS400 (2010 SCR 13L ENGINE) (CONT.), P. 39

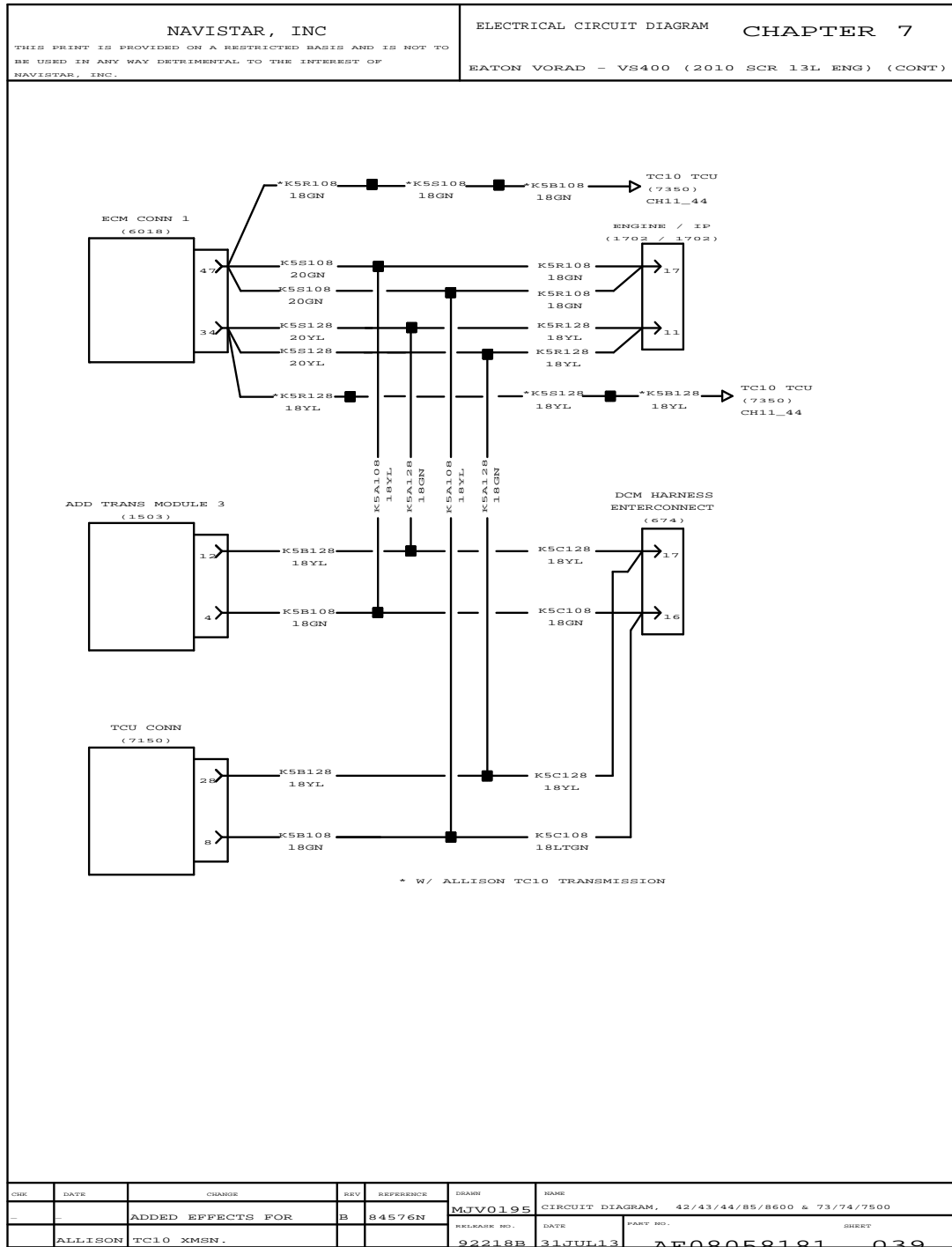


Figure 231 Eaton Vorad – VS400 (2010 SCR 13L Engine) (Cont.)

7.42. ELECTRONICS ENGINE CONTROL (2013 CUMMINS ISB MD), P. 40

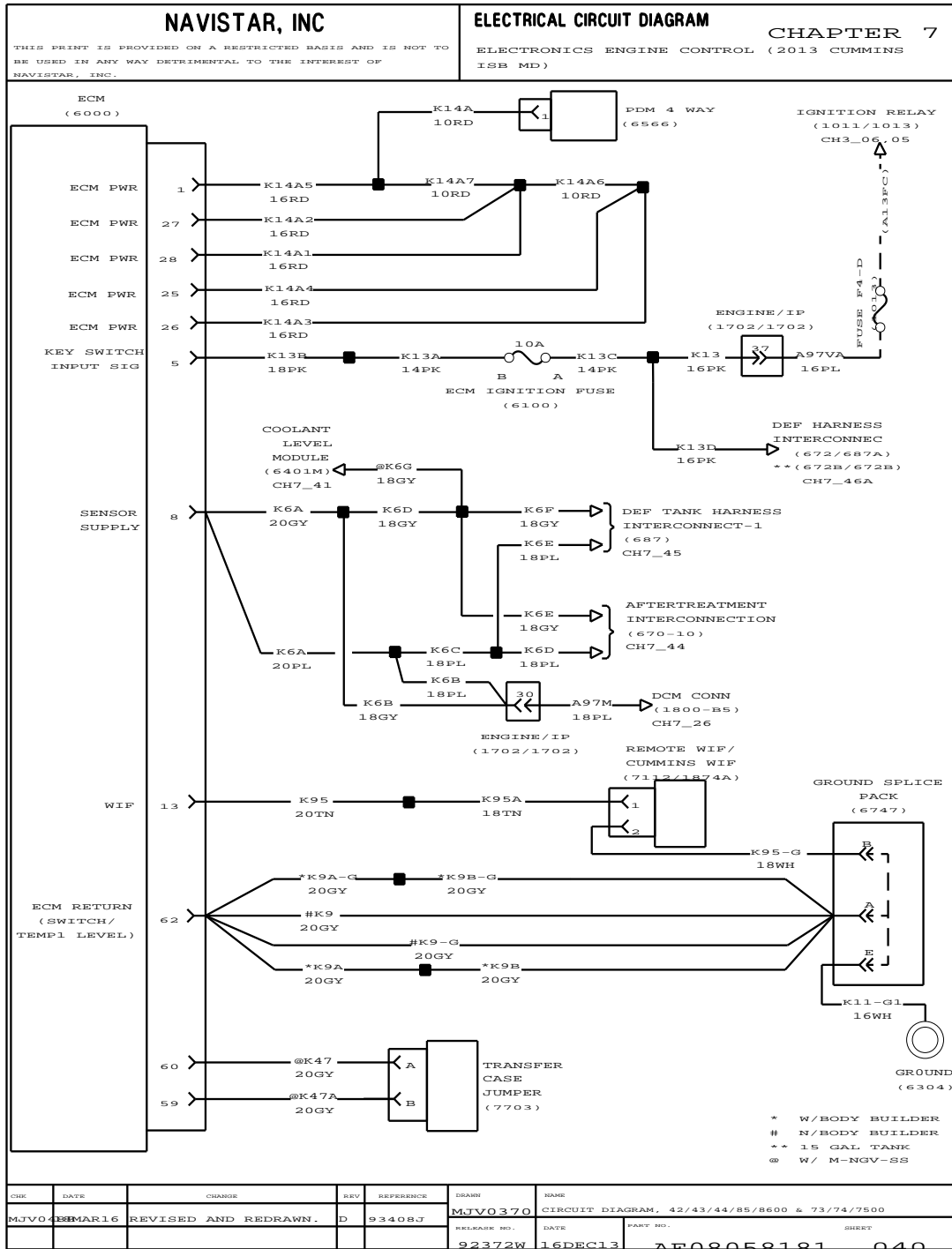


Figure 232 Electronics Engine Control (2013 Cummins ISB MD)

7.43. ELECTRONICS ENGINE CONTROL (2013 CUMMINS ISB MD) (CONT.), P. 41

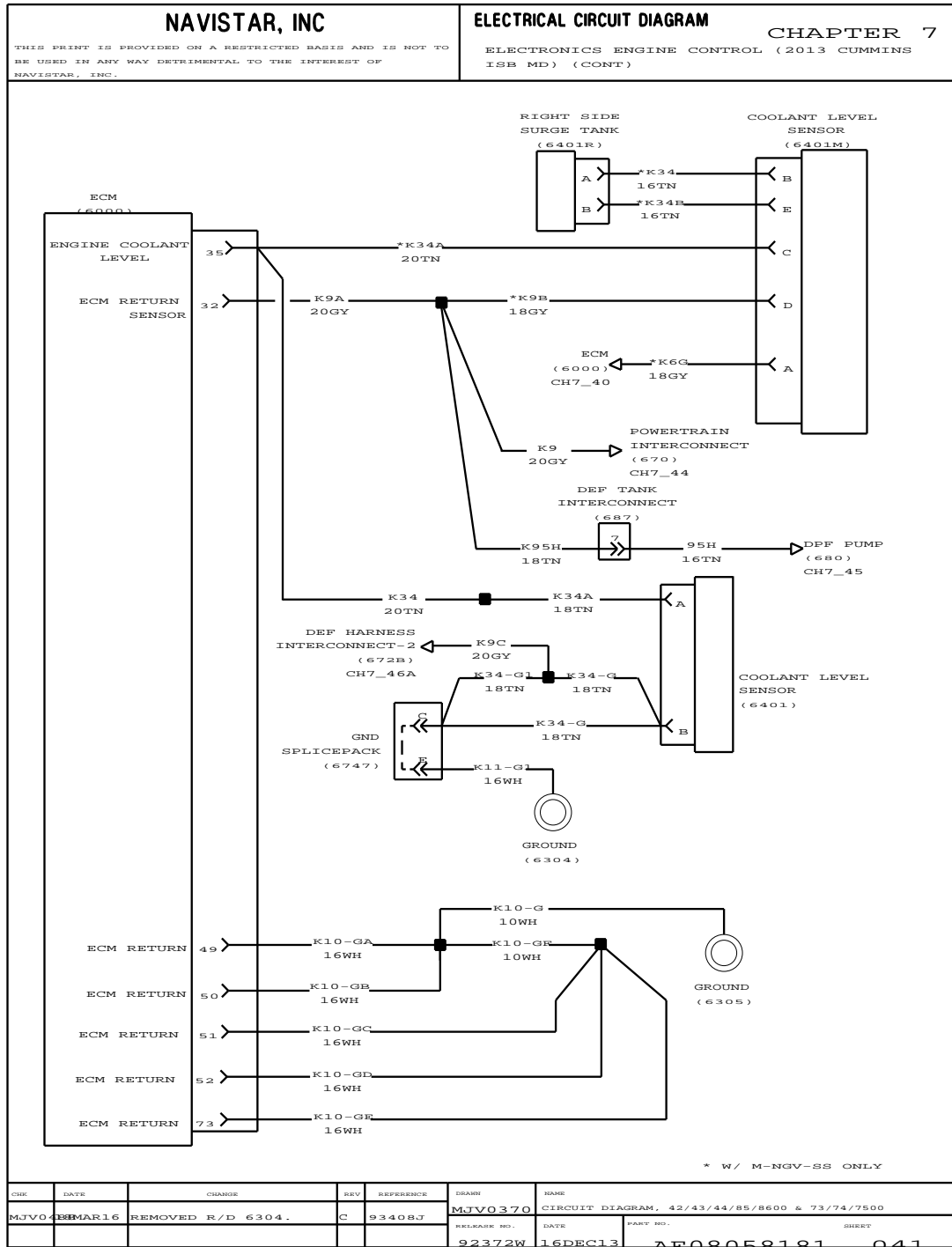


Figure 233 Electronics Engine Control (2013 Cummins ISB MD) (Cont.)

7.44. ELECTRONICS ENGINE CONTROL (2013 CUMMINS ISB MD) (CONT.), P. 42

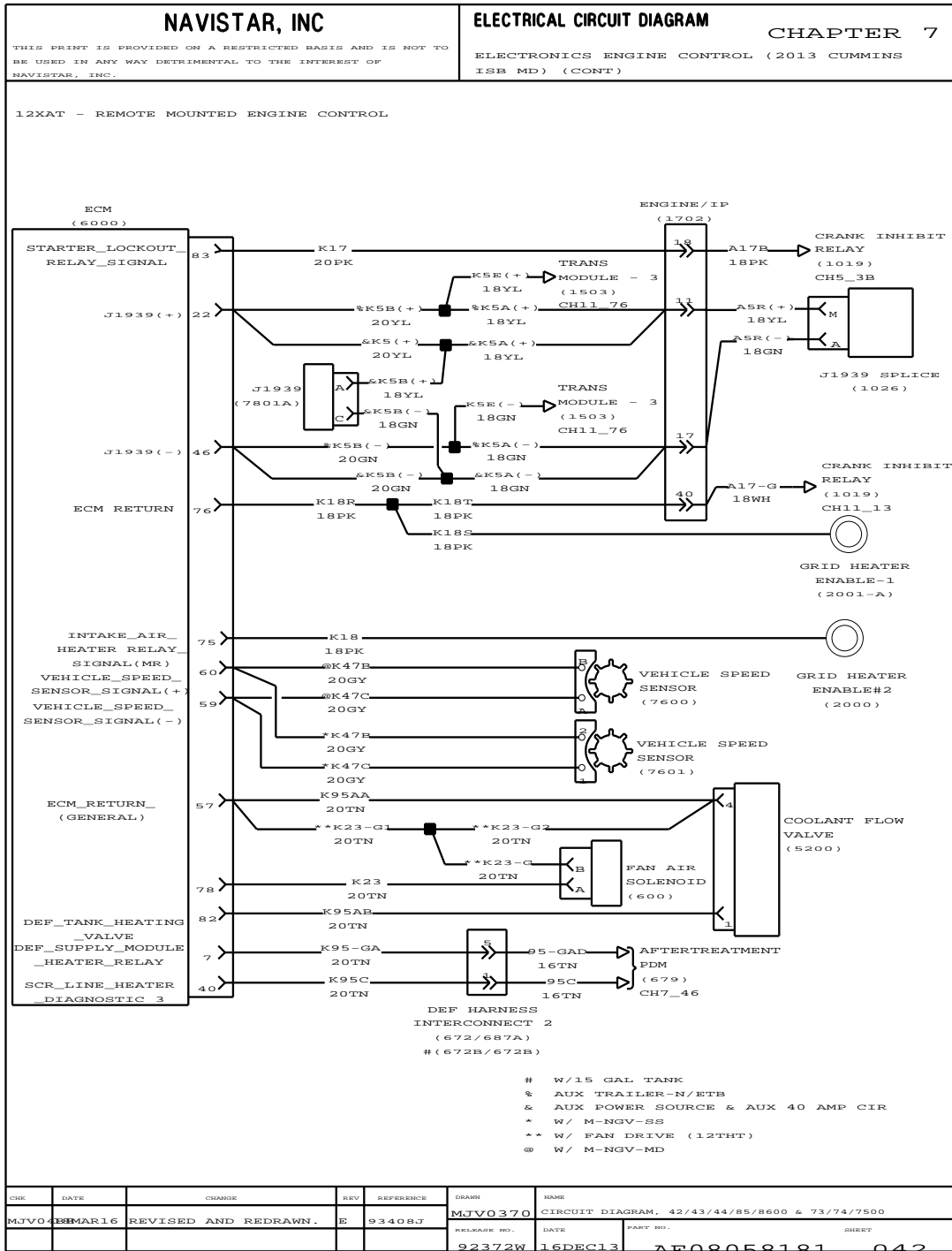


Figure 234 Electronics Engine Control (2013 Cummins ISB MD) (Cont.)

7.45. ELECTRONICS ENGINE CONTROL (2013 CUMMINS ISB MD) (CONT.), P. 42A

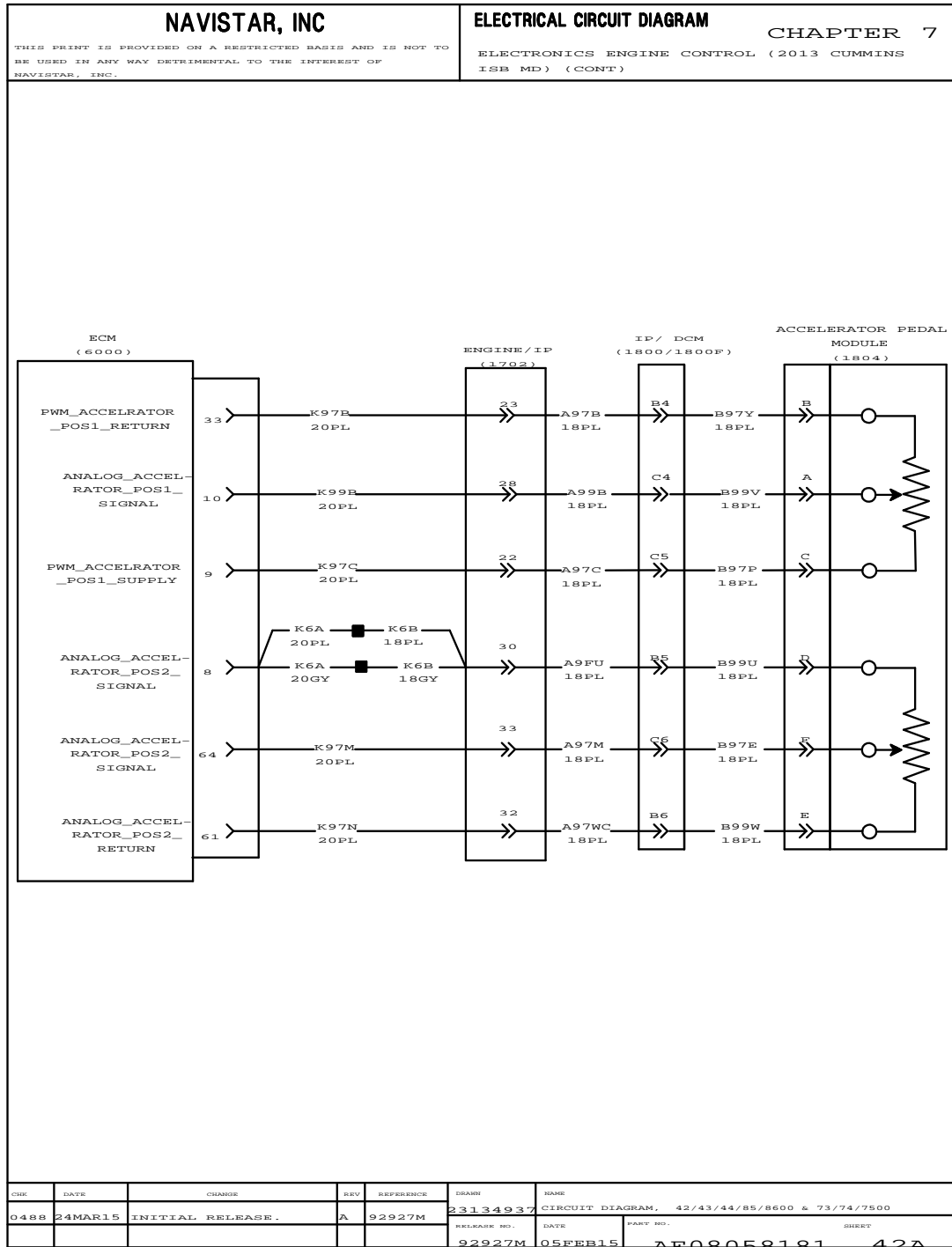


Figure 235 Electronics Engine Control (2013 Cummins ISB MD) (Cont.)

7.46. ENGINE BODY BUILDER WITH CUMMINS ISB ENGINE WITH M-NGV-SS, P. 42B

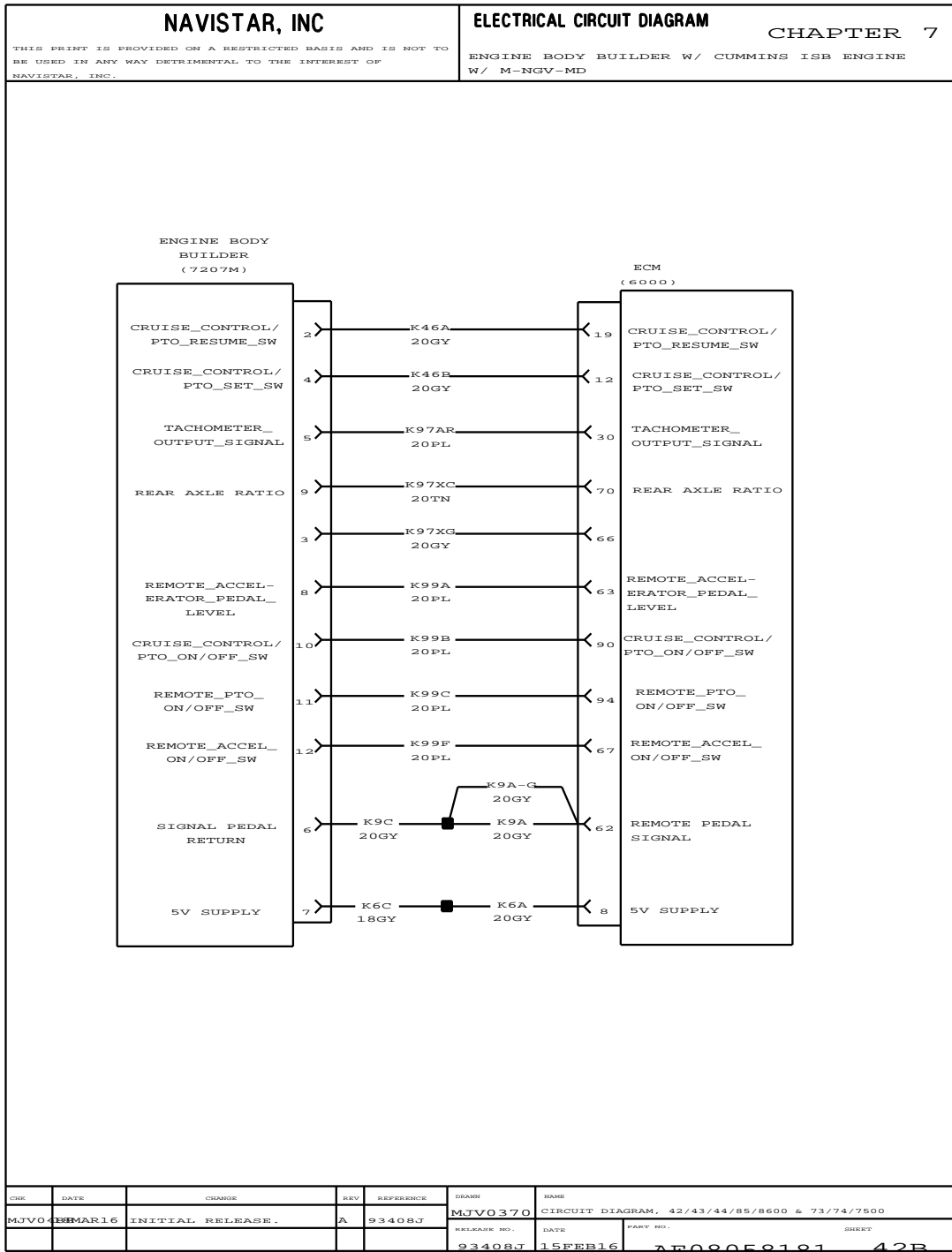


Figure 236 Engine Body Builder with Cummins ISB Engine with M-NGV-SS

7.47. ENGINE BODY BUILDER WITH CUMMINS ISB ENGINE WITH M-NGV-SS, P. 42C

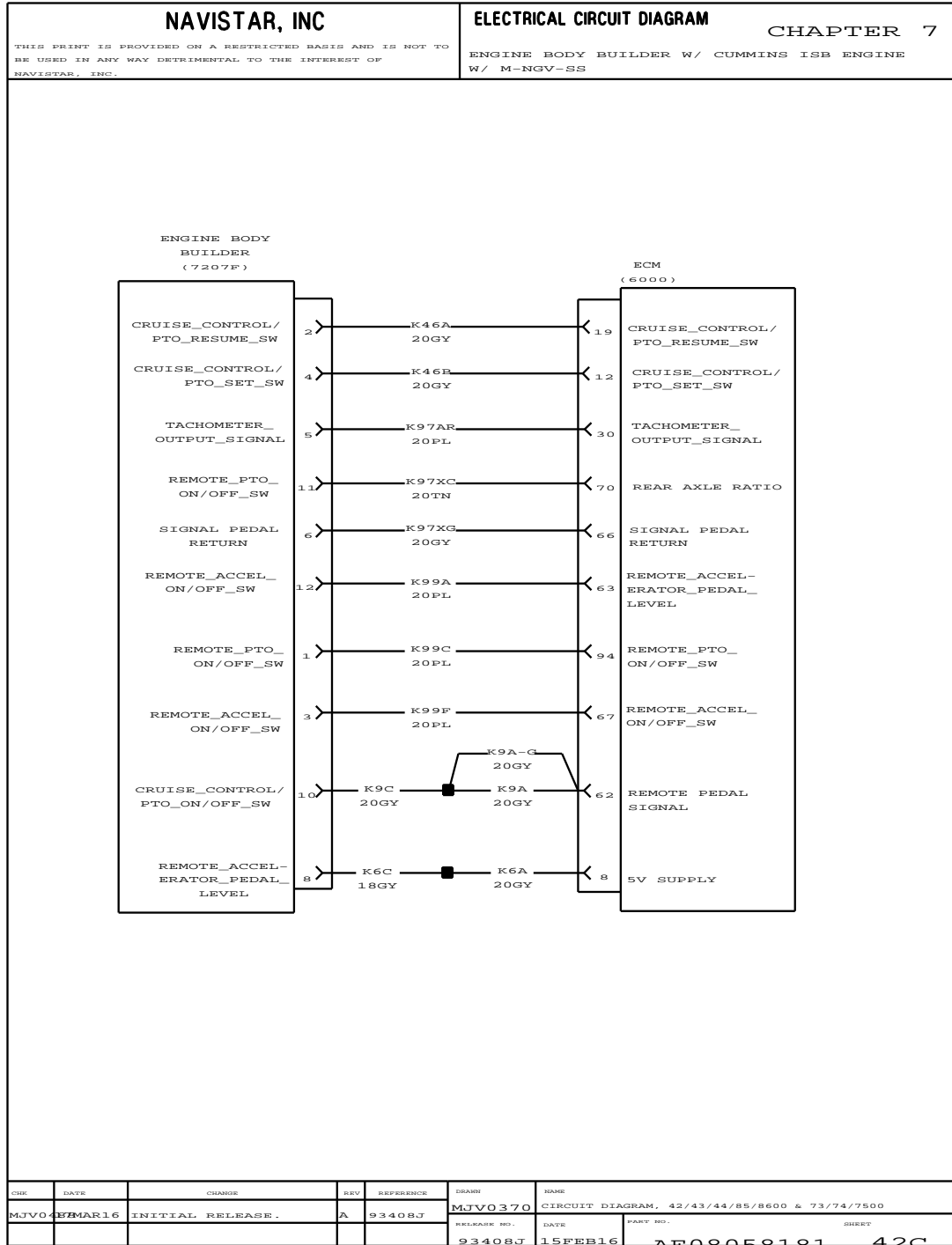


Figure 237 Engine Body Builder with Cummins ISB Engine with M-NGV-SS

7.48. AMMETER CONNECTIONS, P. 43

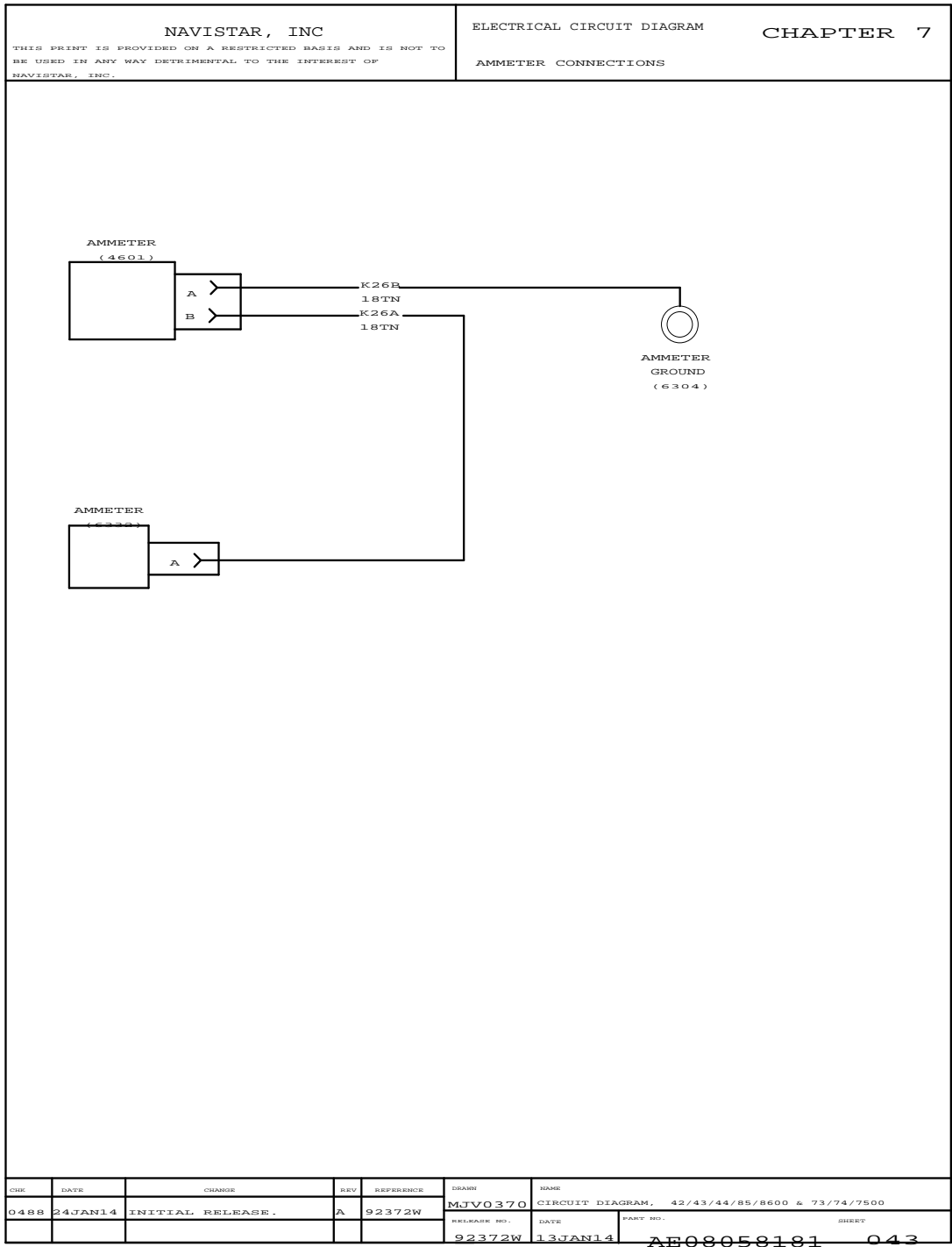


Figure 238 Ammeter Connections

7.49. DEF AND AFTERTREATMENT CONTROL (2013 – CUMMINS ISB MD), P. 44

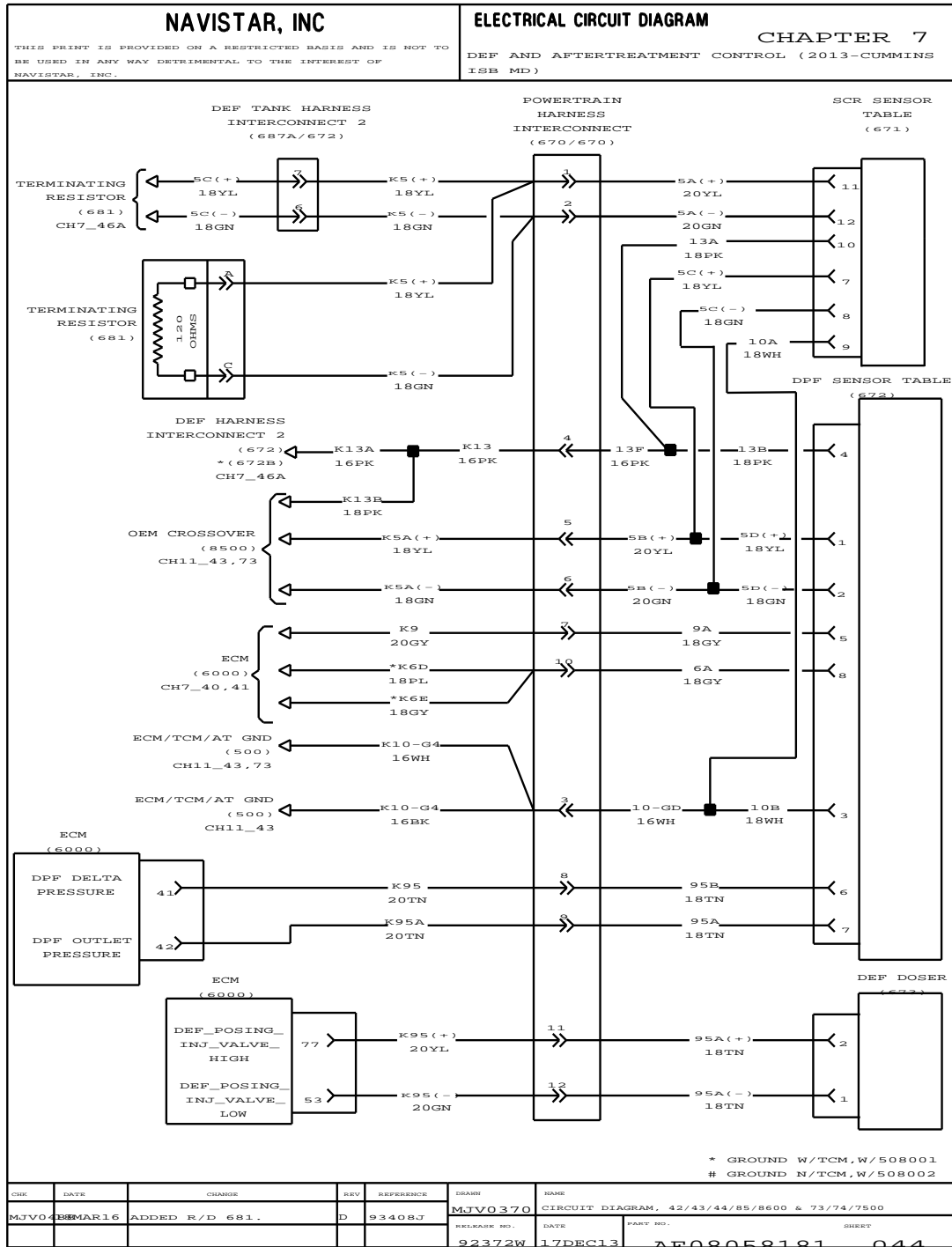


Figure 239 DEF and Aftertreatment Control (2013 – Cummins ISB MD)

7.50. DEF AND AFTERTREATMENT CONTROL (2013 – CUMMINS ISB MD), P. 45

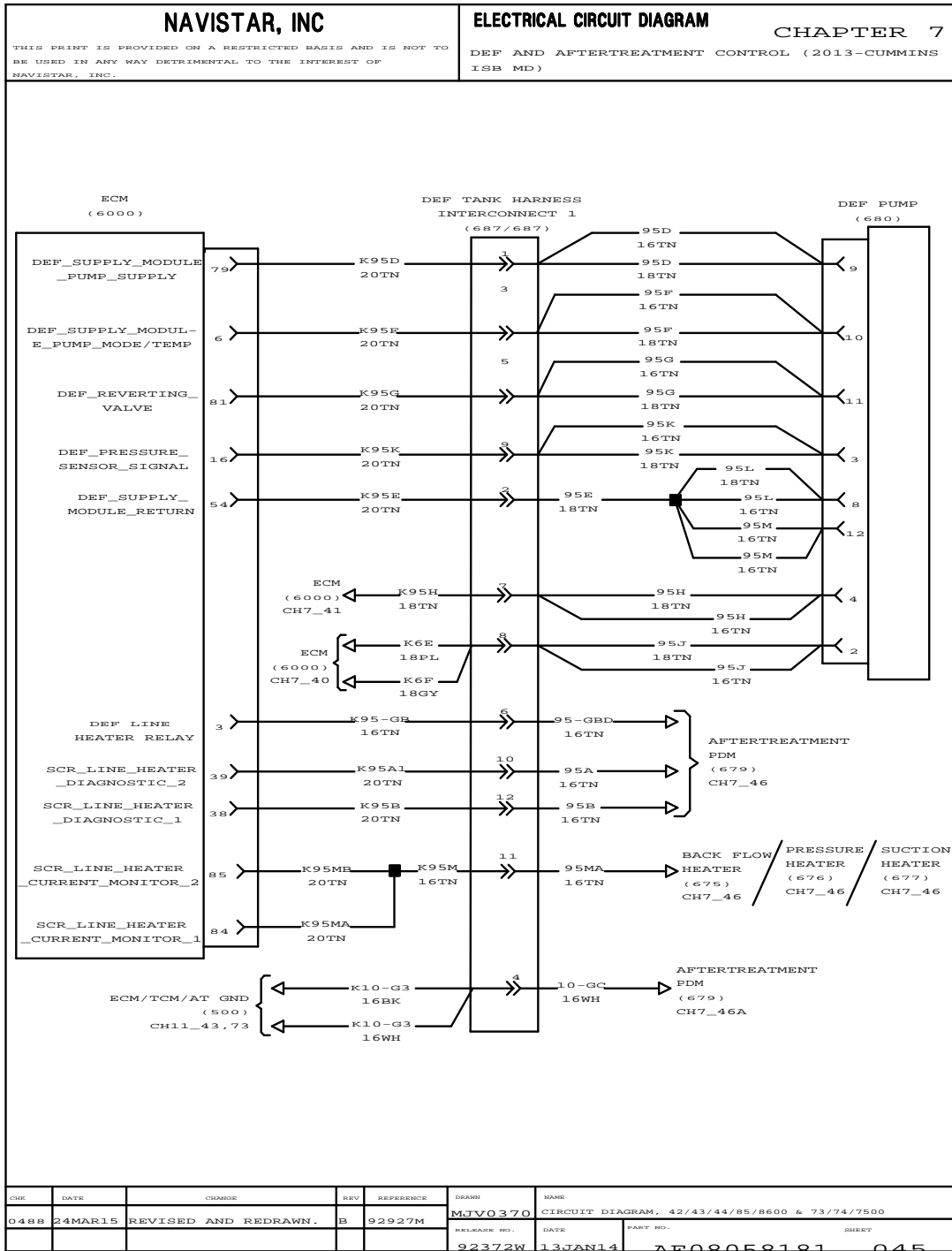


Figure 240 DEF and Aftertreatment Control (2013 – Cummins ISB MD)

7.51. DEF AND AFTERTREATMENT CONTROL (2013 – CUMMINS ISB MD) (CONT.), P. 46

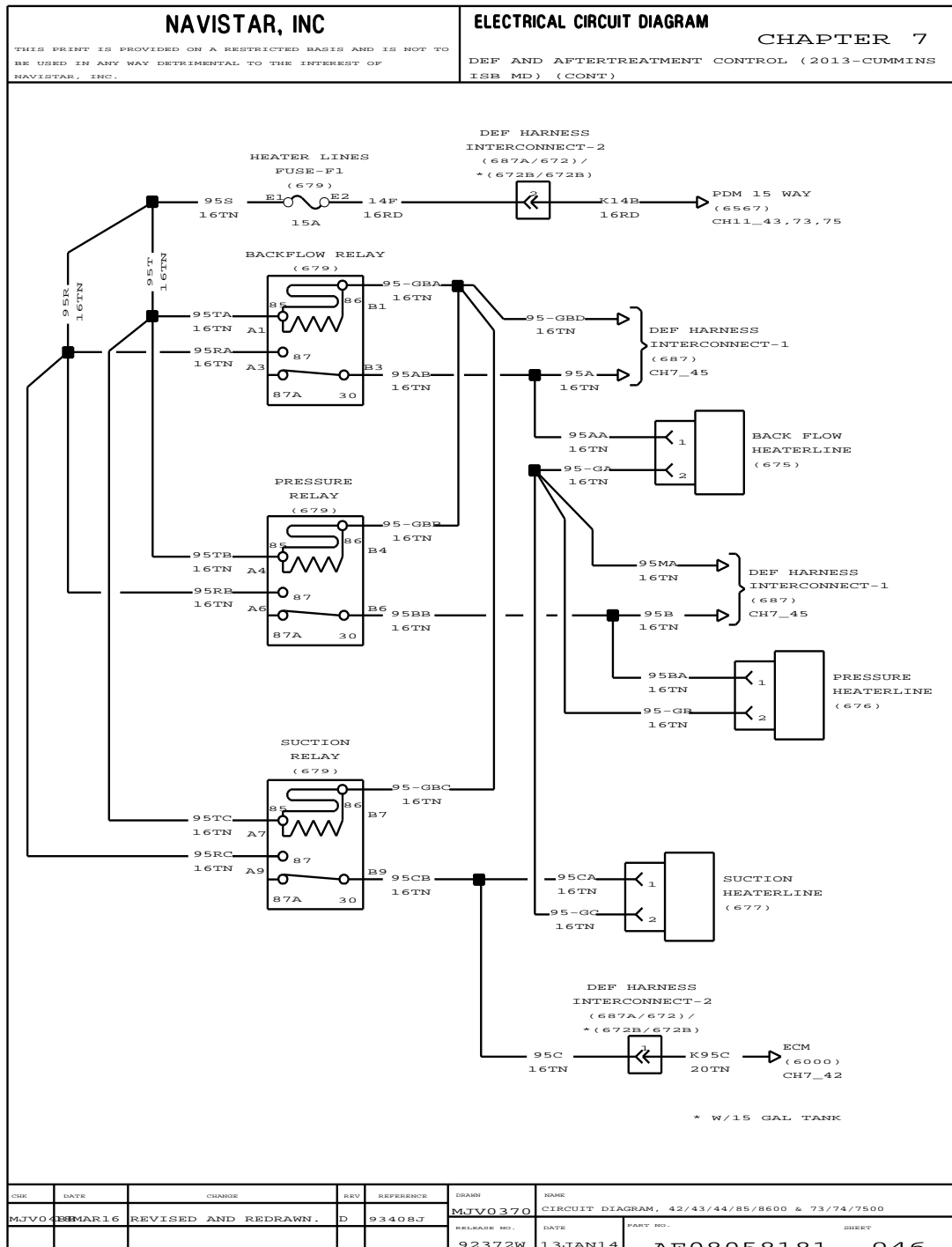


Figure 241 DEF and Aftertreatment Control (2013 – Cummins ISB MD) (Cont.)

7.52. DEF AND AFTERTREATMENT CONTROL (2013 – CUMMINS ISB MD) (CONT.), P. 46A

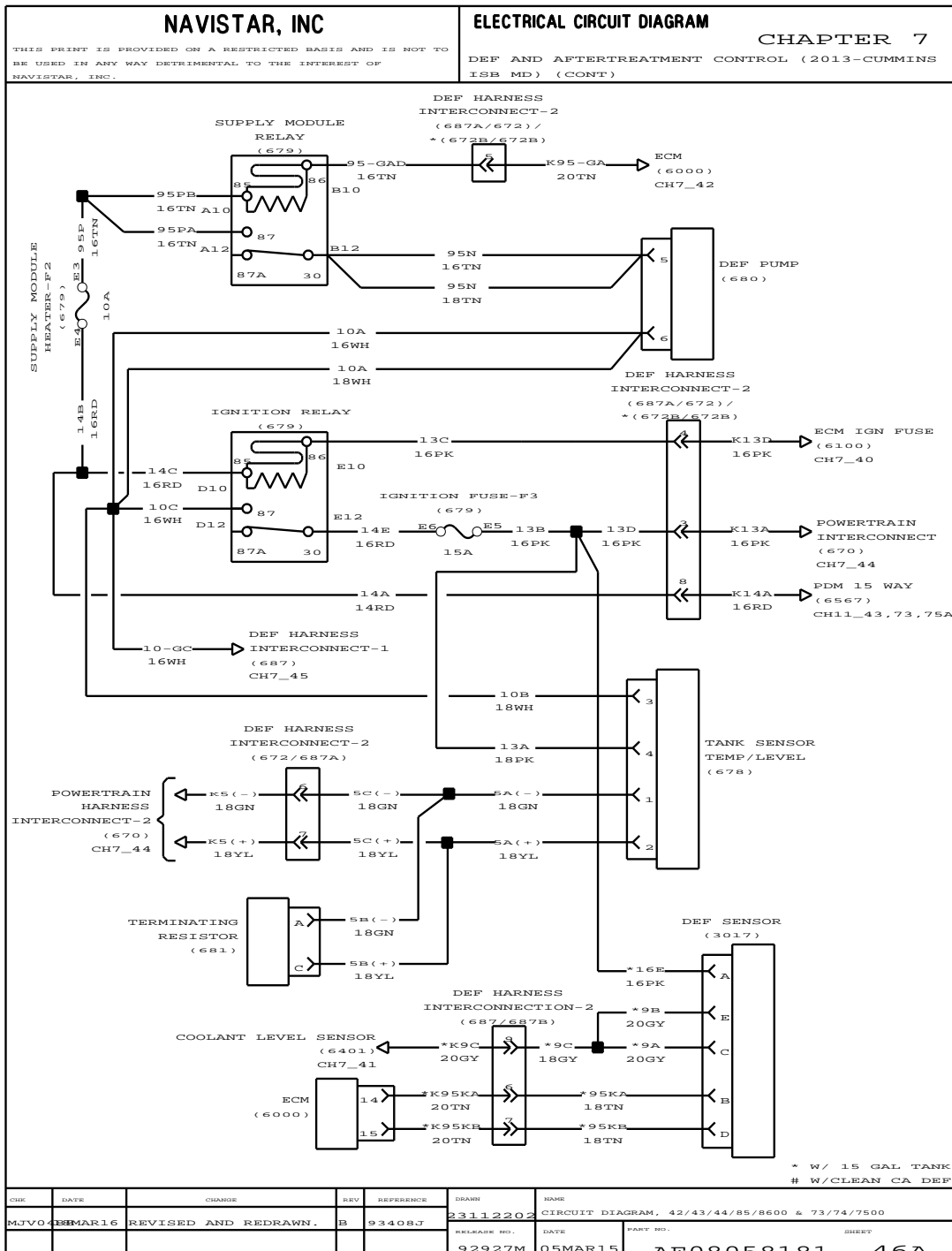


Figure 242 DEF and Aftertreatment Control (2013 – Cummins ISB MD) (Cont.)

7.53. PDM PRODUCT GRAPHICS WITH CUMMINS ISB ENGINE, P. 46B

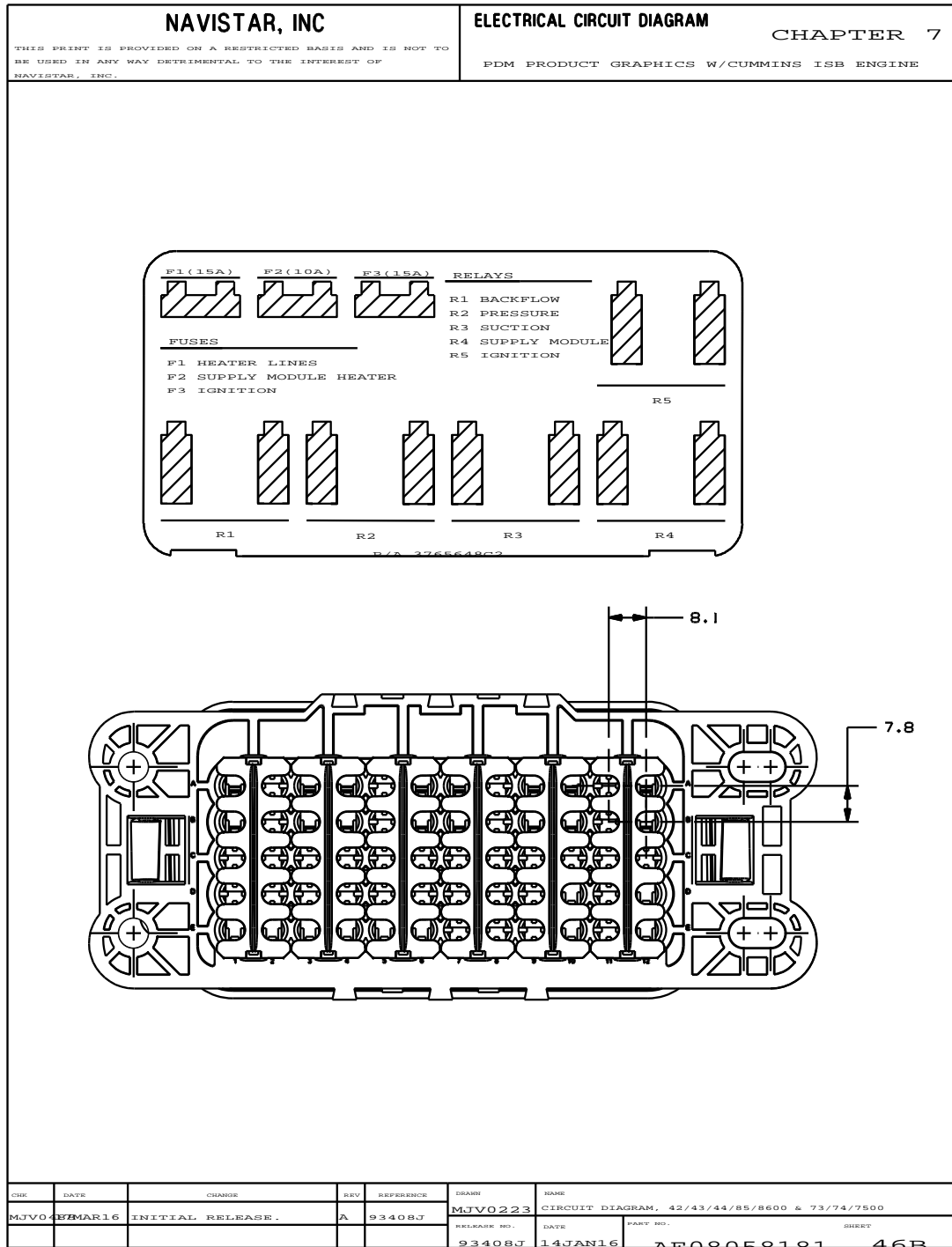


Figure 243 PDM Product Graphics with Cummins ISB Engine

7.54. DEF AND AFTERTREATMENT CONTROL (2013 – CUMMINS ISB MD) (CONT.), P. 47

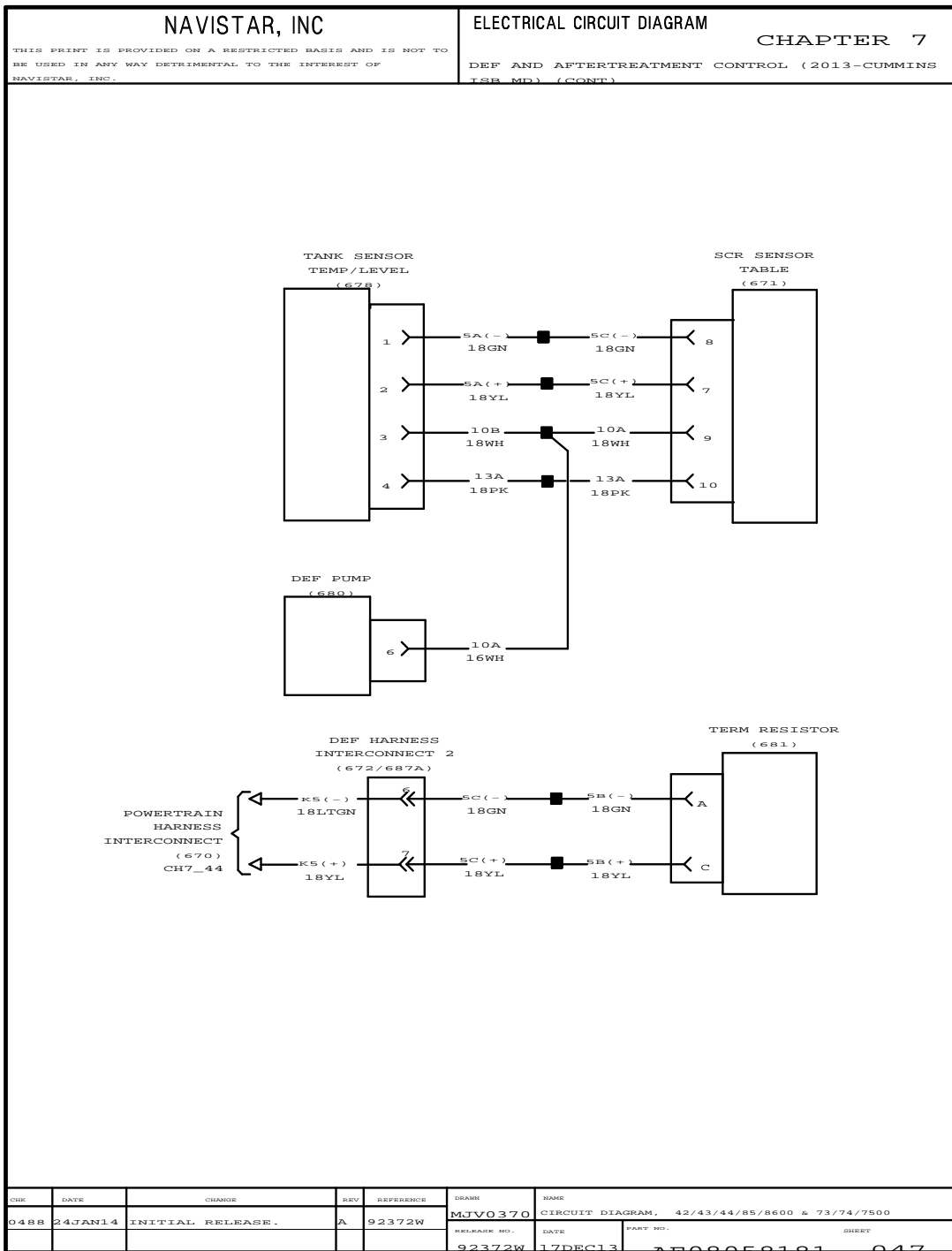


Figure 244 DEF and Aftertreatment Control (2013 – Cummins ISB MD) (Cont.)

7.55. AIR CLEANER LEFT AND RIGHT SIDE WITH I6, I-746 ENGINE, P. 48

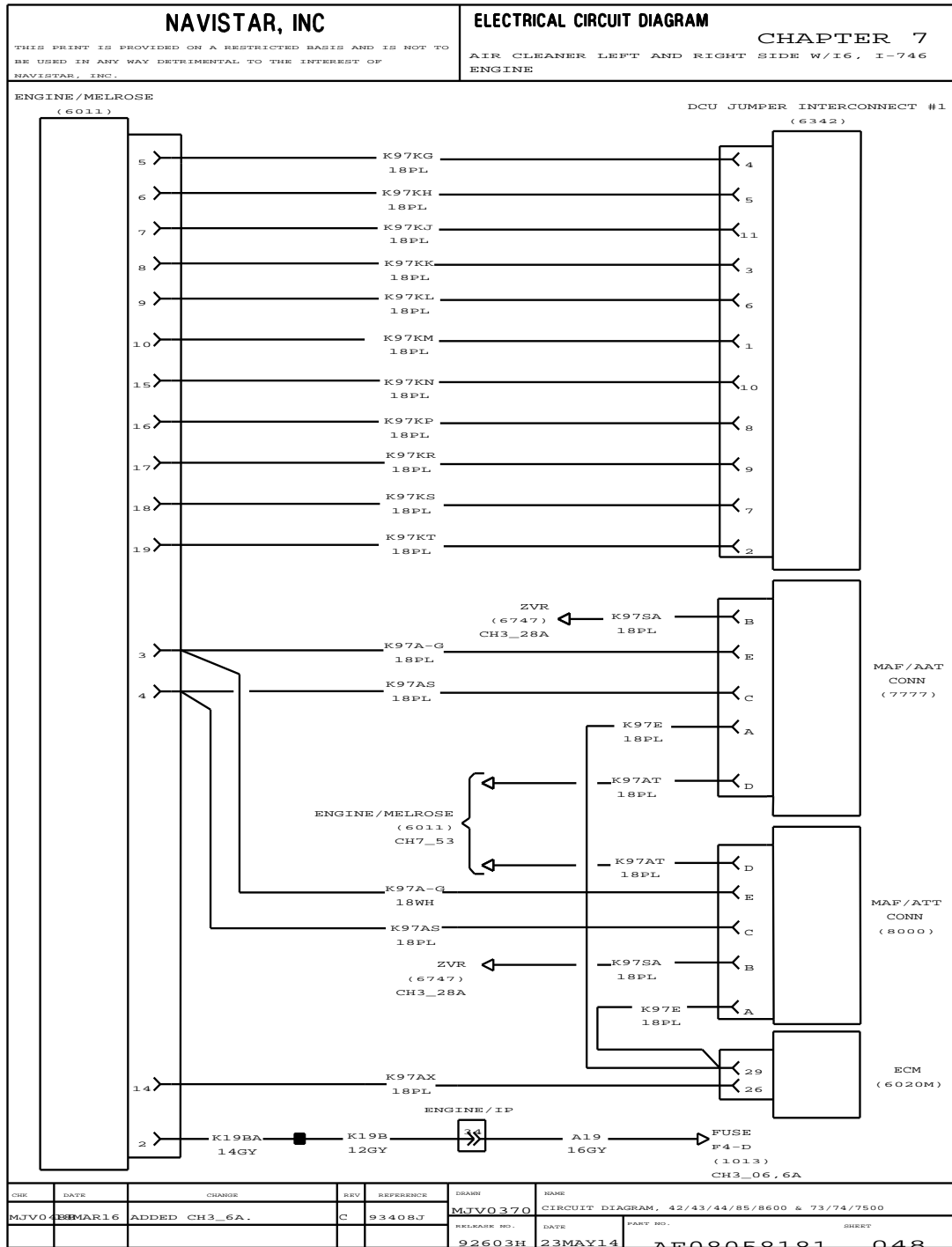


Figure 245 Air Cleaner Left and Right Side with I6, I-746 Engine

7.56. COMMON CLEAN POWER FEED WITH I6, I-746 ENGINE, P. 49

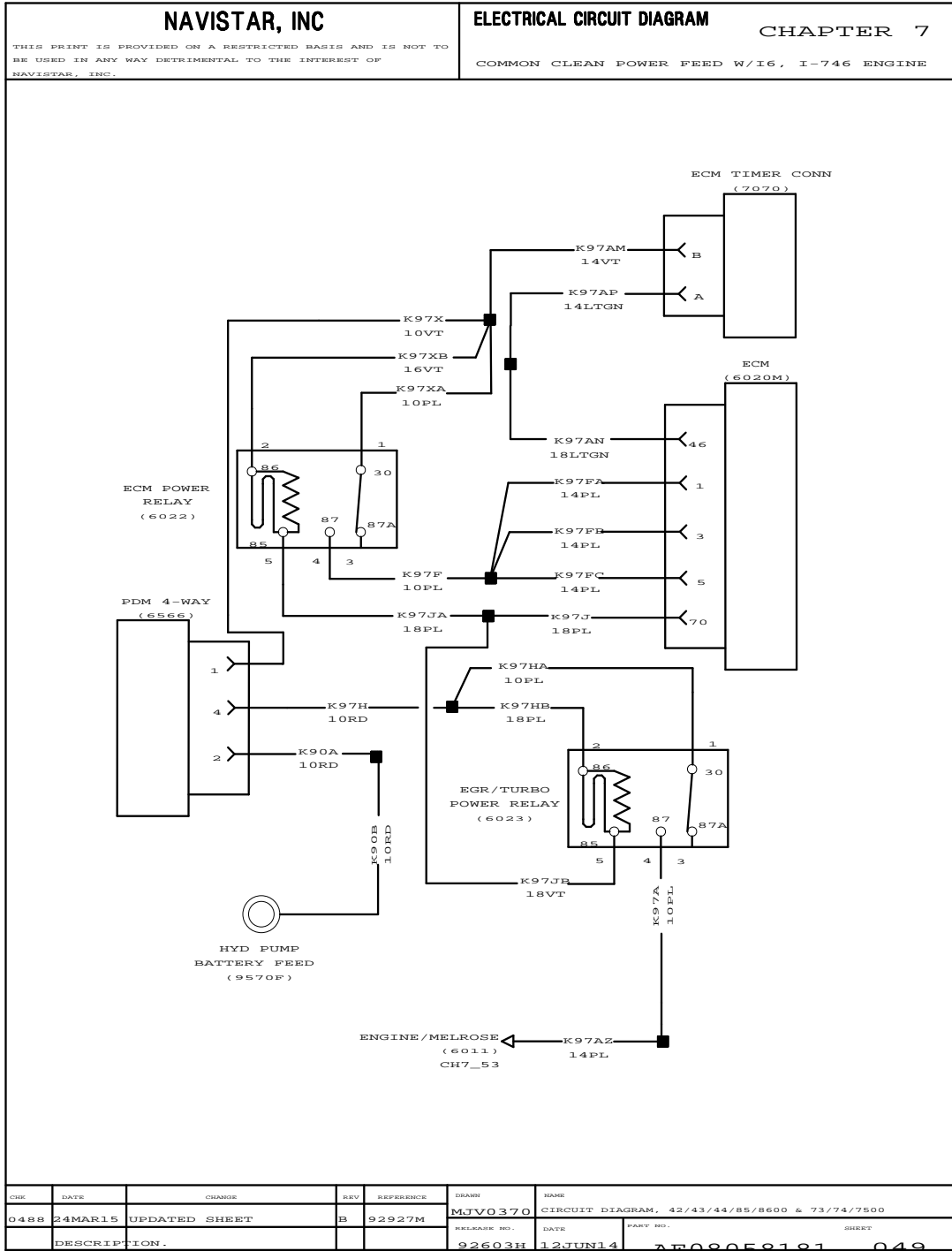


Figure 246 Common Clean Power Feed with I6, I-746 Engine

7.57. COMMON CLEAN POWER FEED WITH I6, I-746 ENGINE (CONT.), P. 50

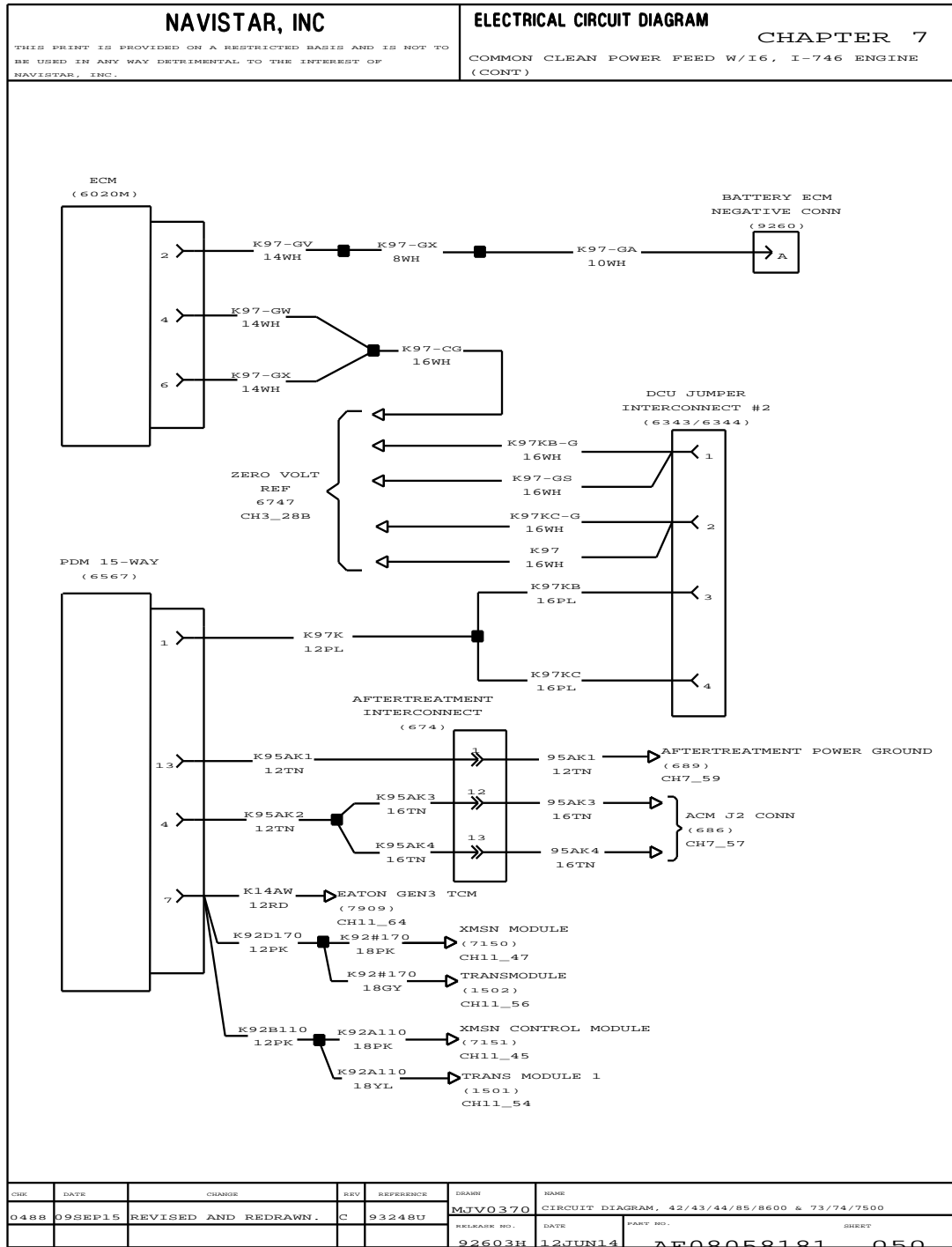


Figure 247 Common Clean Power Feed with I6, I-746 Engine (Cont.)

7.58. RIGHT SIDE SURGE TANK WITH I6, I-746 ENGINE, P. 51

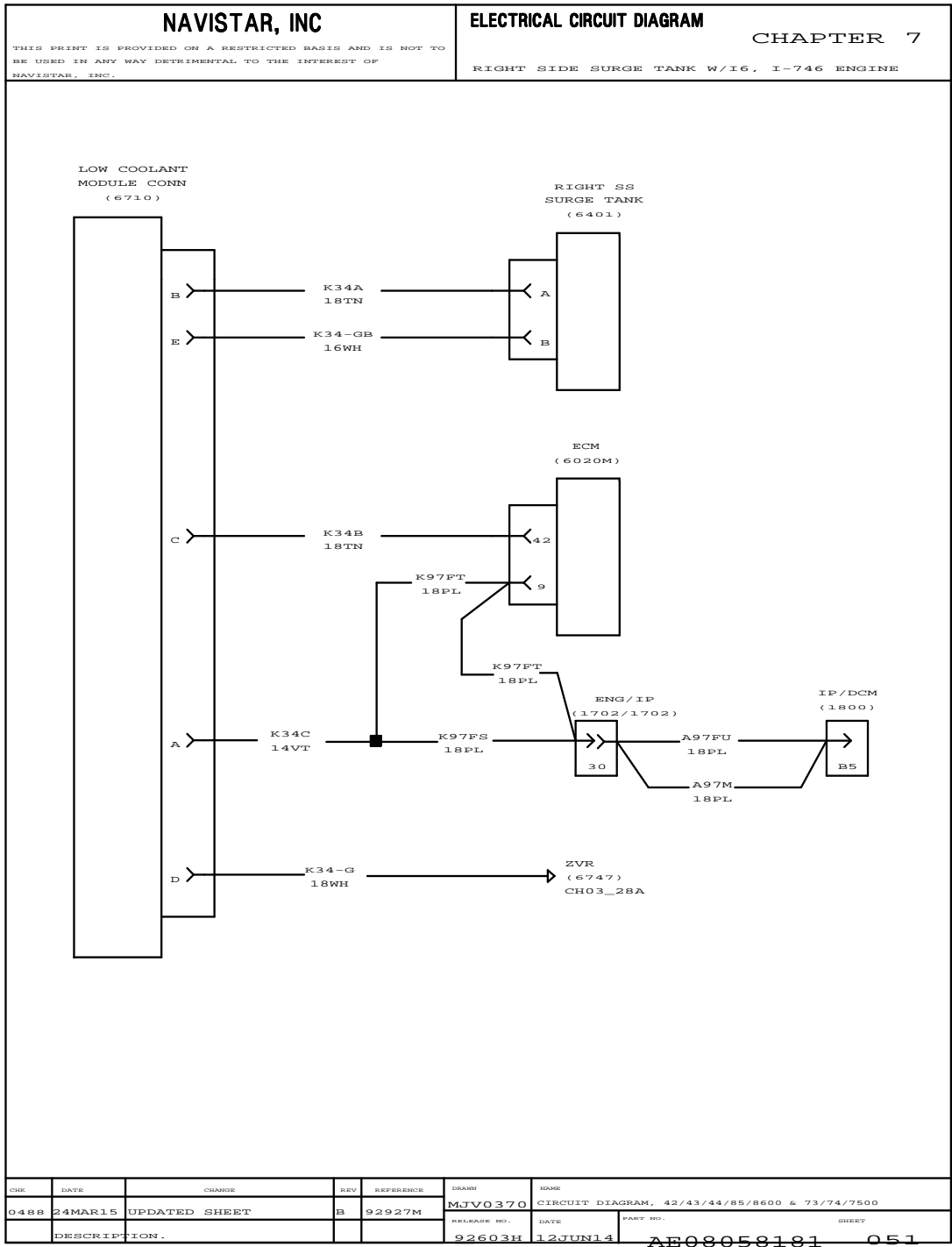


Figure 248 Right Side Surge Tank with I6, I-746 Engine

7.59. ENGINE BODY BUILDER – 12 VZA WITH I6, I-746 ENGINE, P. 52

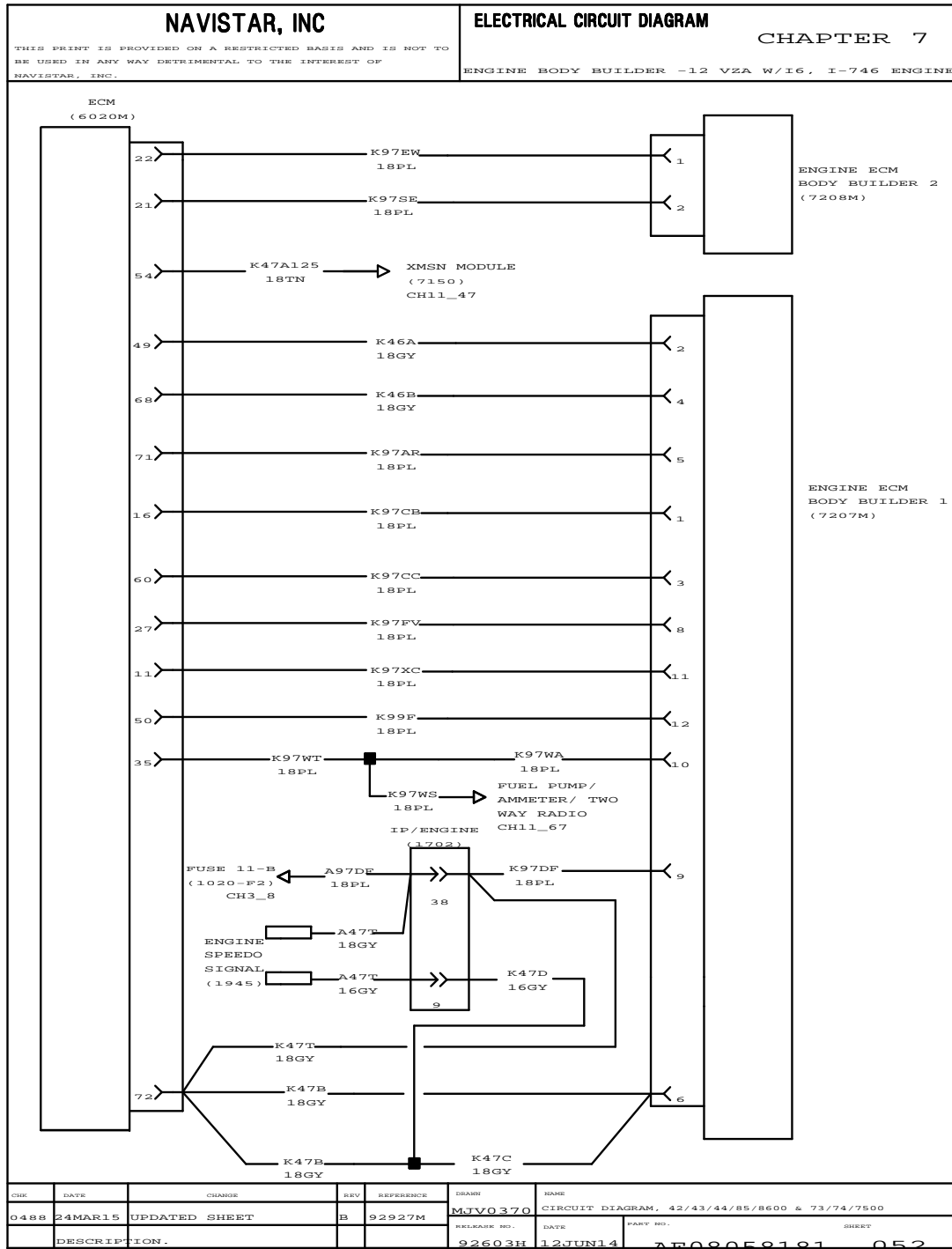


Figure 249 Engine Body Builder – 12 VZA with I6, I-746 Engine

7.60. I6, I-746 ENGINE DEF AND AFTERTREATMENT WITH SCR, P. 53

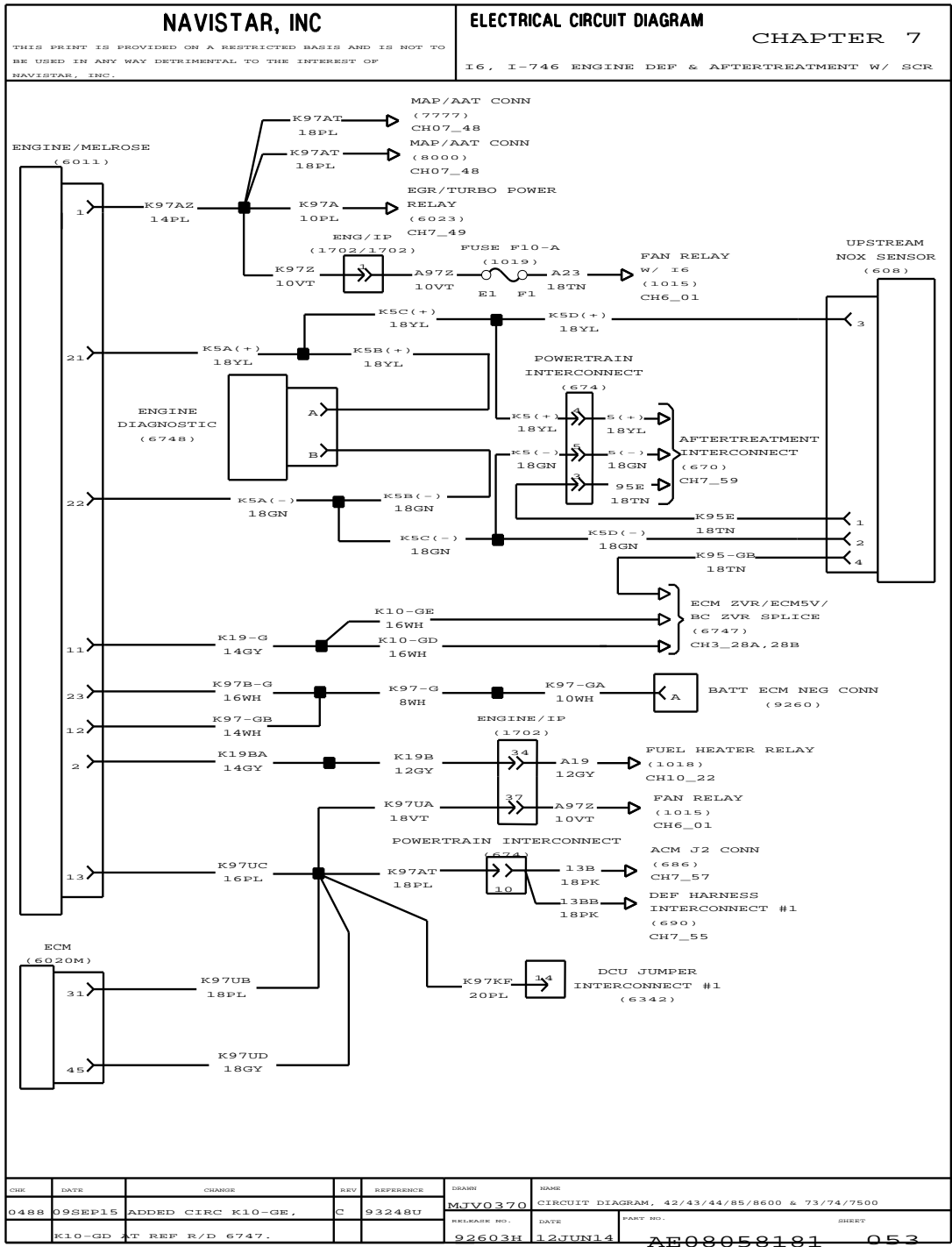


Figure 250 I6, I-746 Engine DEF and Aftertreatment with SCR

7.61. I6, I-746 ENGINE DEF AND AFTERTREATMENT, P. 54

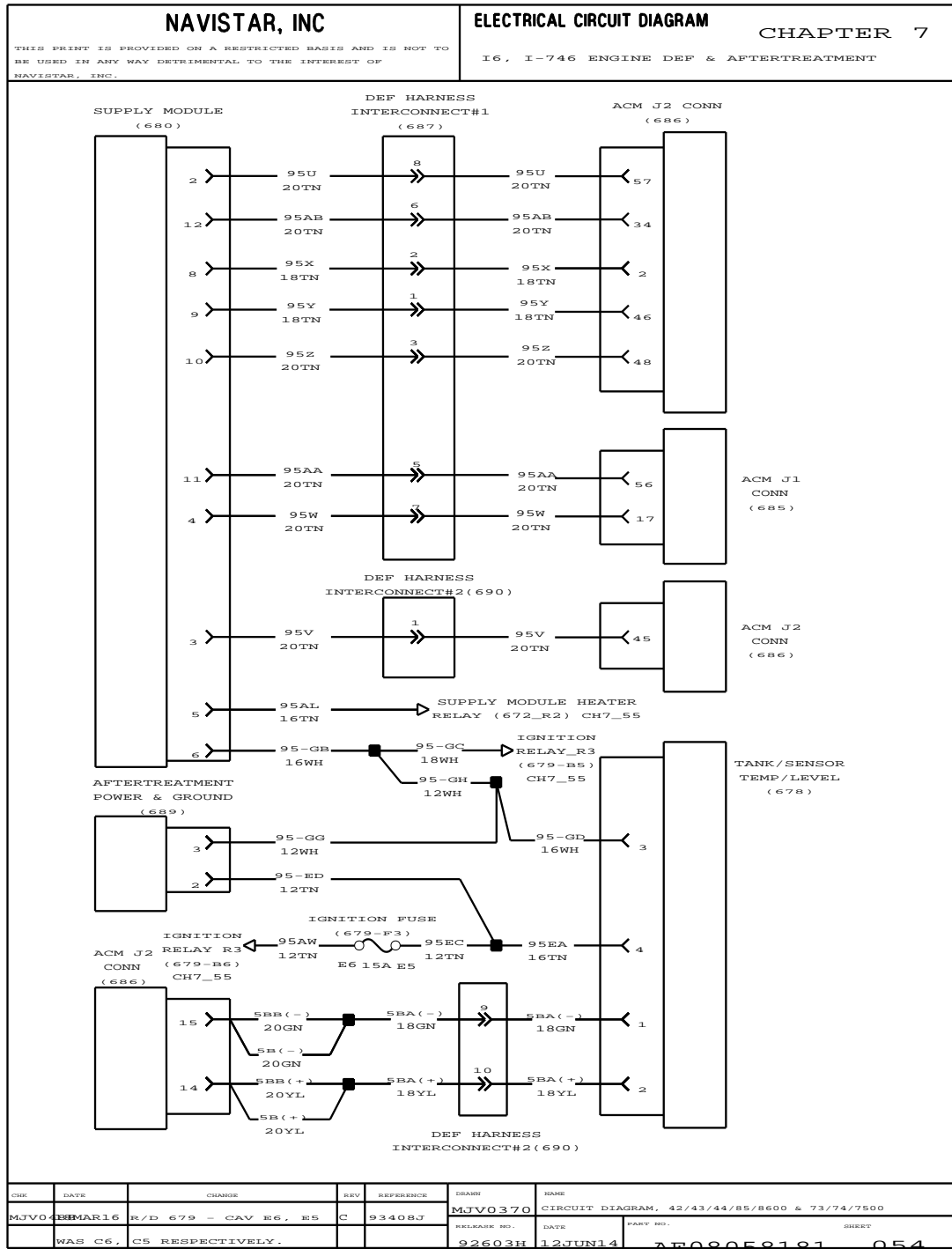


Figure 251 I6, I-746 Engine DEF and Aftertreatment

7.62. I6, I-746 ENGINE DEF AND AFTERTREATMENT (CONT.), P. 55

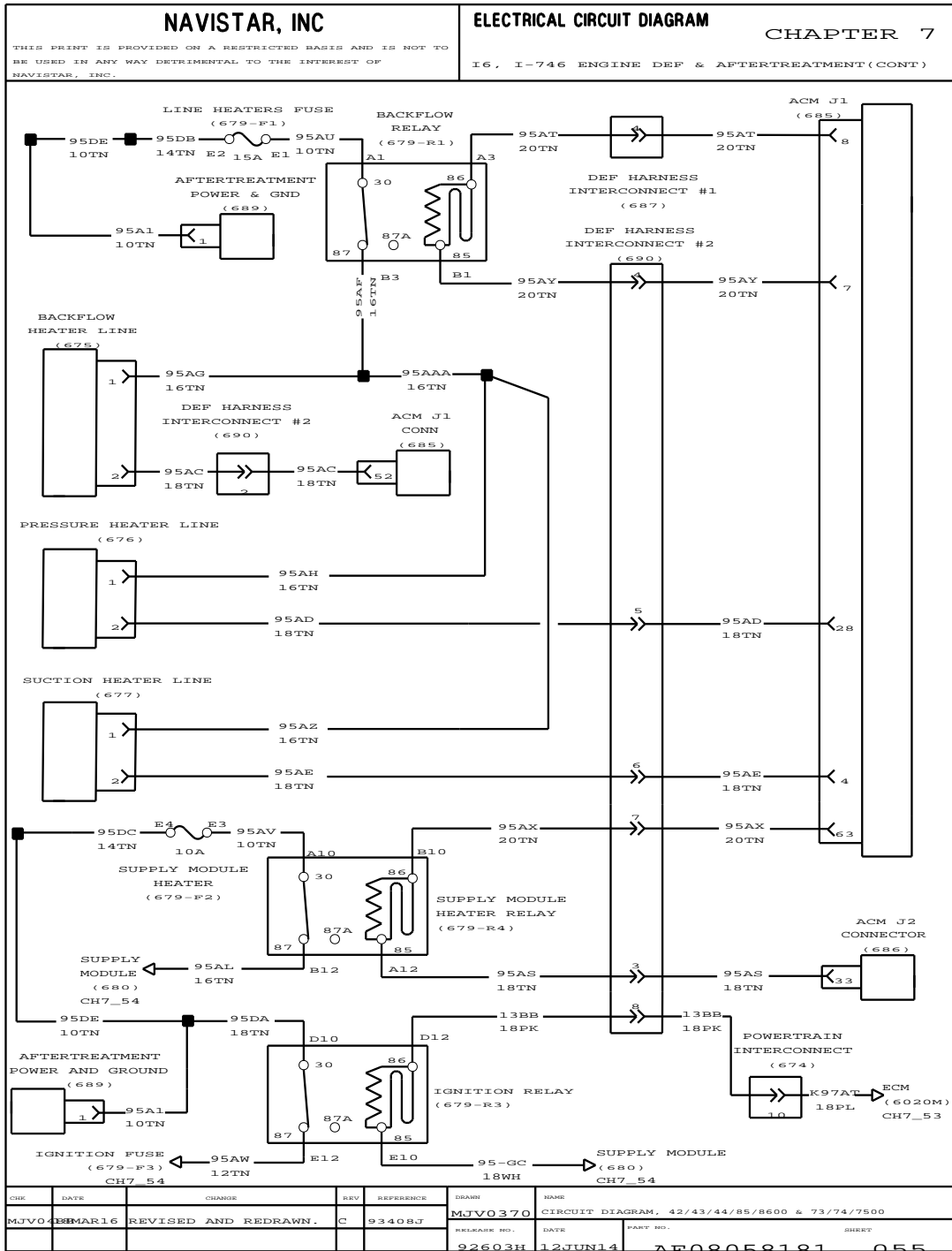


Figure 252 I6, I-746 Engine DEF and Aftertreatment (Cont.)

7.63. PDM PRODUCT GRAPHICS WITH 2010 SCR I6 ENGINE, P. 55A

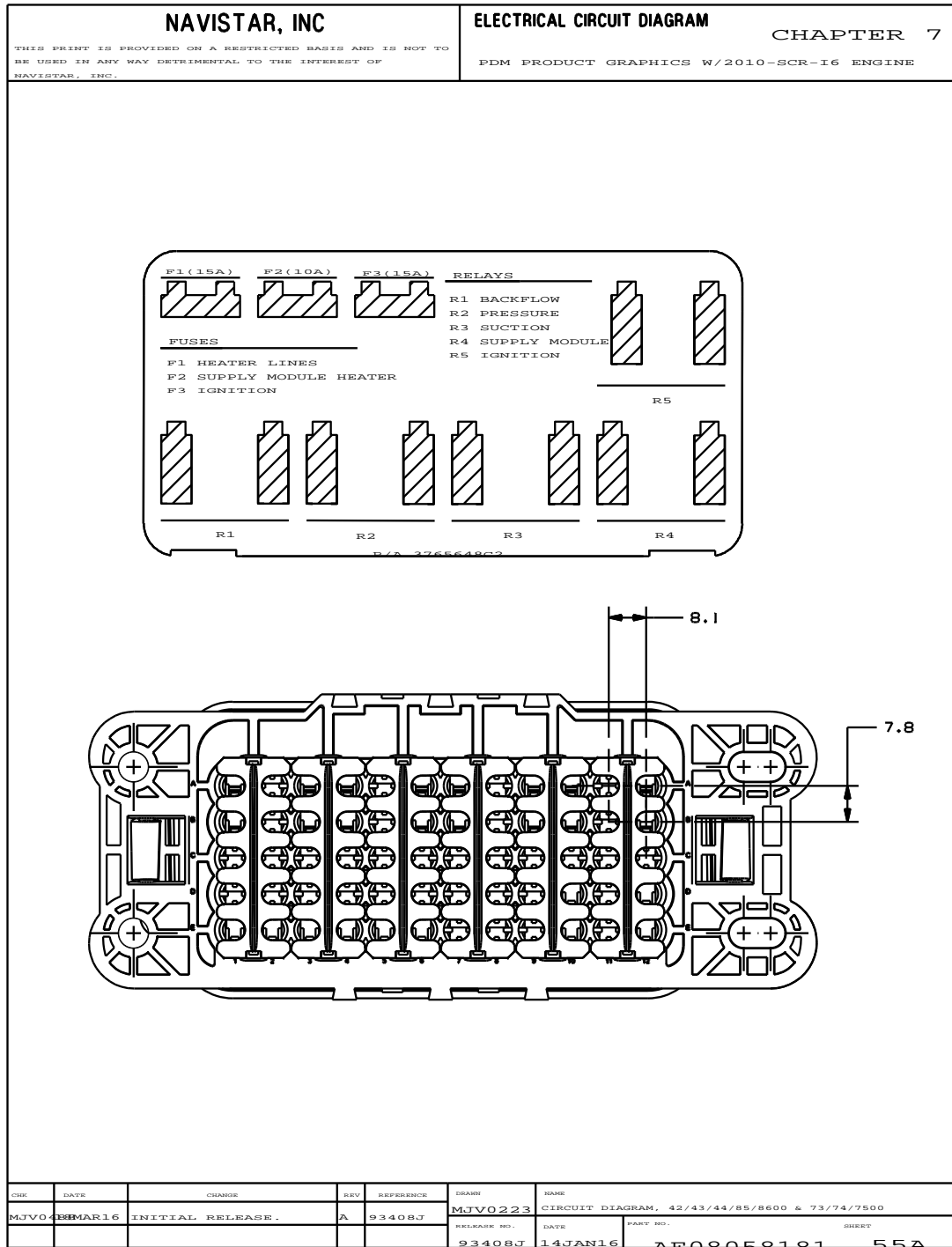


Figure 253 PDM Product Graphics with 2010 SCR I6 Engine

7.64. I6, I-746 ENGINE DEF AND AFTERTREATMENT (CONT.), P. 56

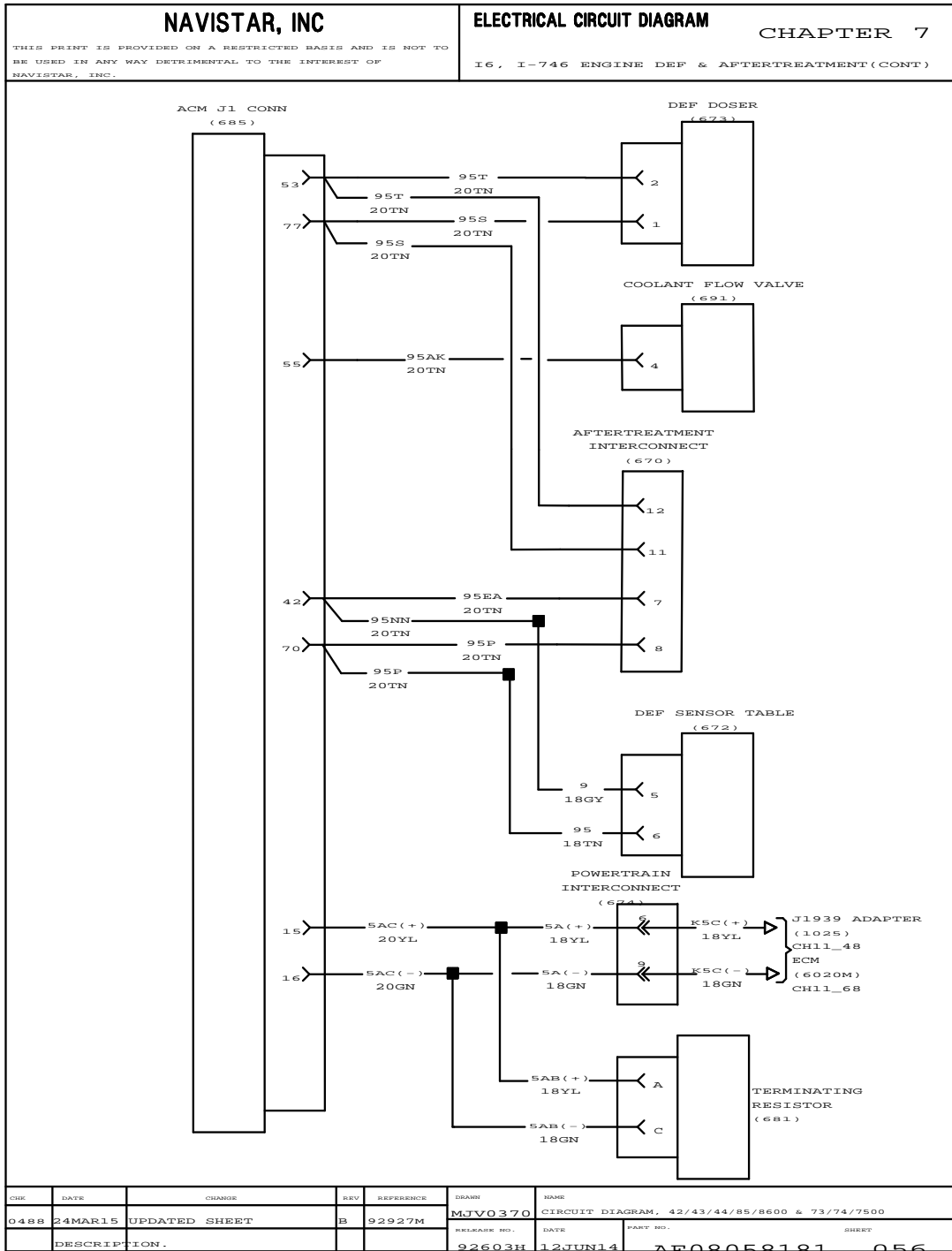


Figure 254 I6, I-746 Engine DEF and Aftertreatment (Cont.)

7.65. I6, I-746 ENGINE DEF AND AFTERTREATMENT (CONT.), P. 57

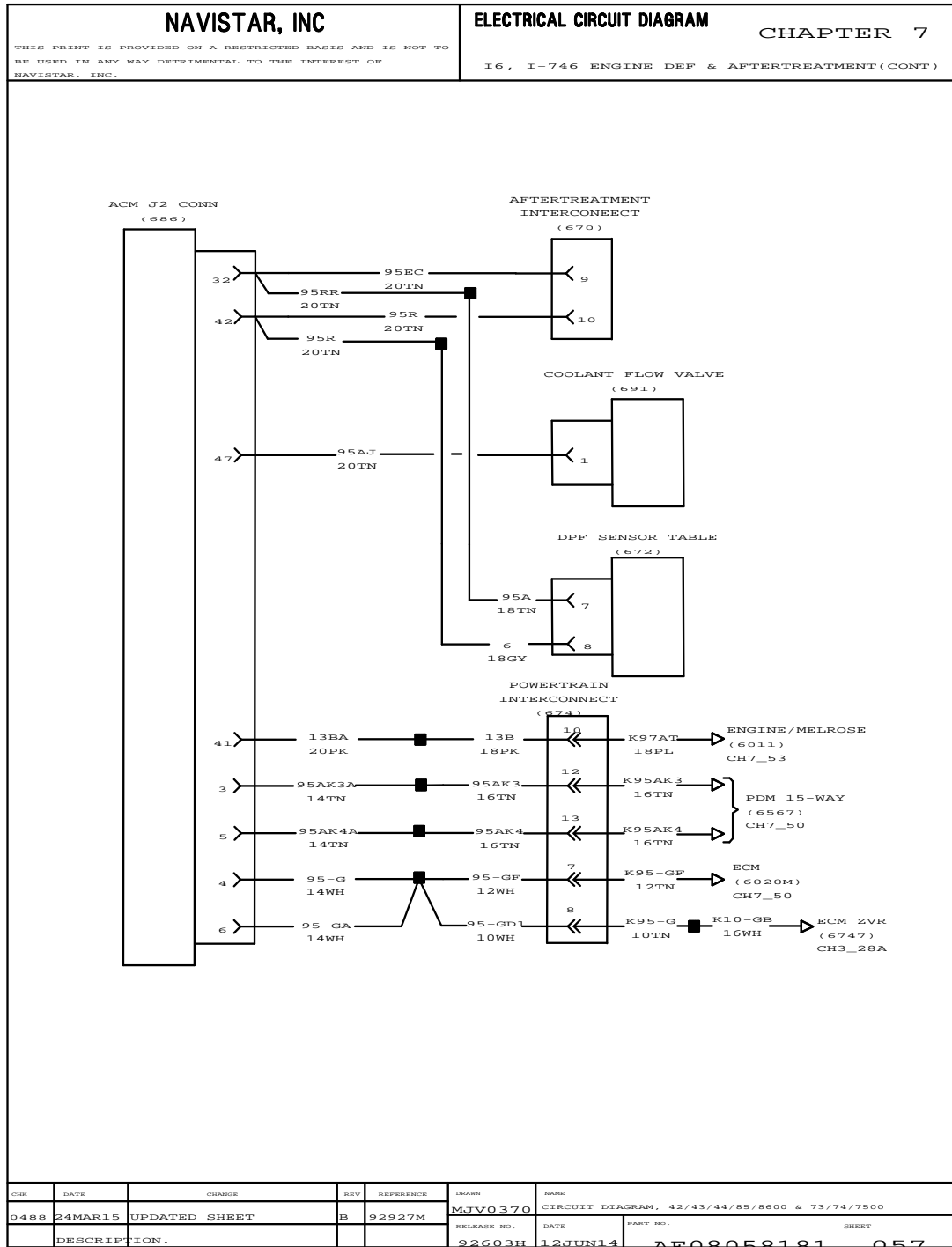


Figure 255 I6, I-746 Engine DEF and Aftertreatment (Cont.)

7.66. I6, I-746 ENGINE DEF AND AFTERTREATMENT (CONT.), P. 58

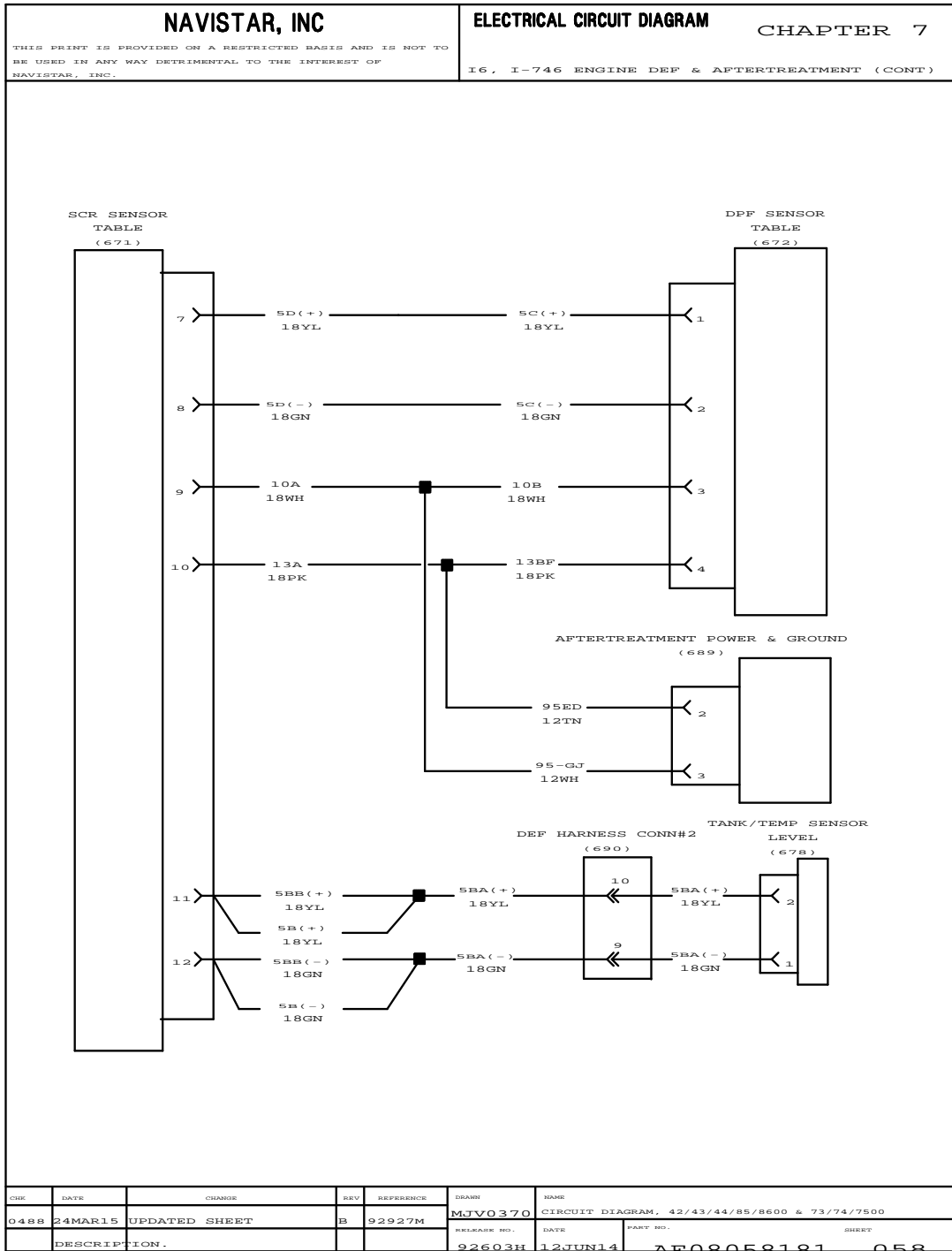


Figure 256 I6, I-746 Engine DEF and Aftertreatment (Cont.)

7.67. I6, I-746 ENGINE DEF AND AFTERTREATMENT (CONT.), P. 59

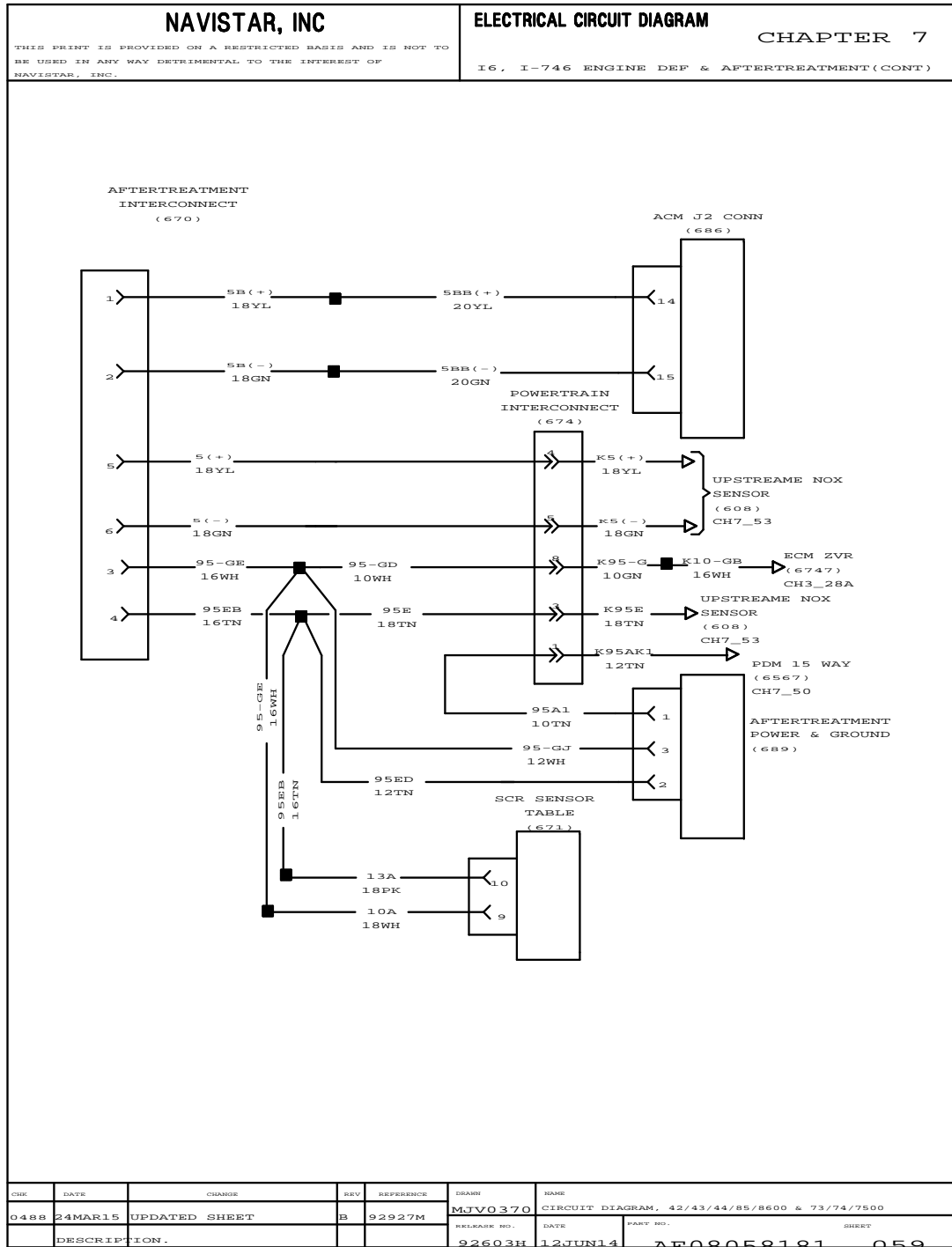


Figure 257 I6, I-746 Engine DEF and Aftertreatment (Cont.)

7.68. I6, I-746 ENGINE DEF AND AFTERTREATMENT (CONT.) P. 60

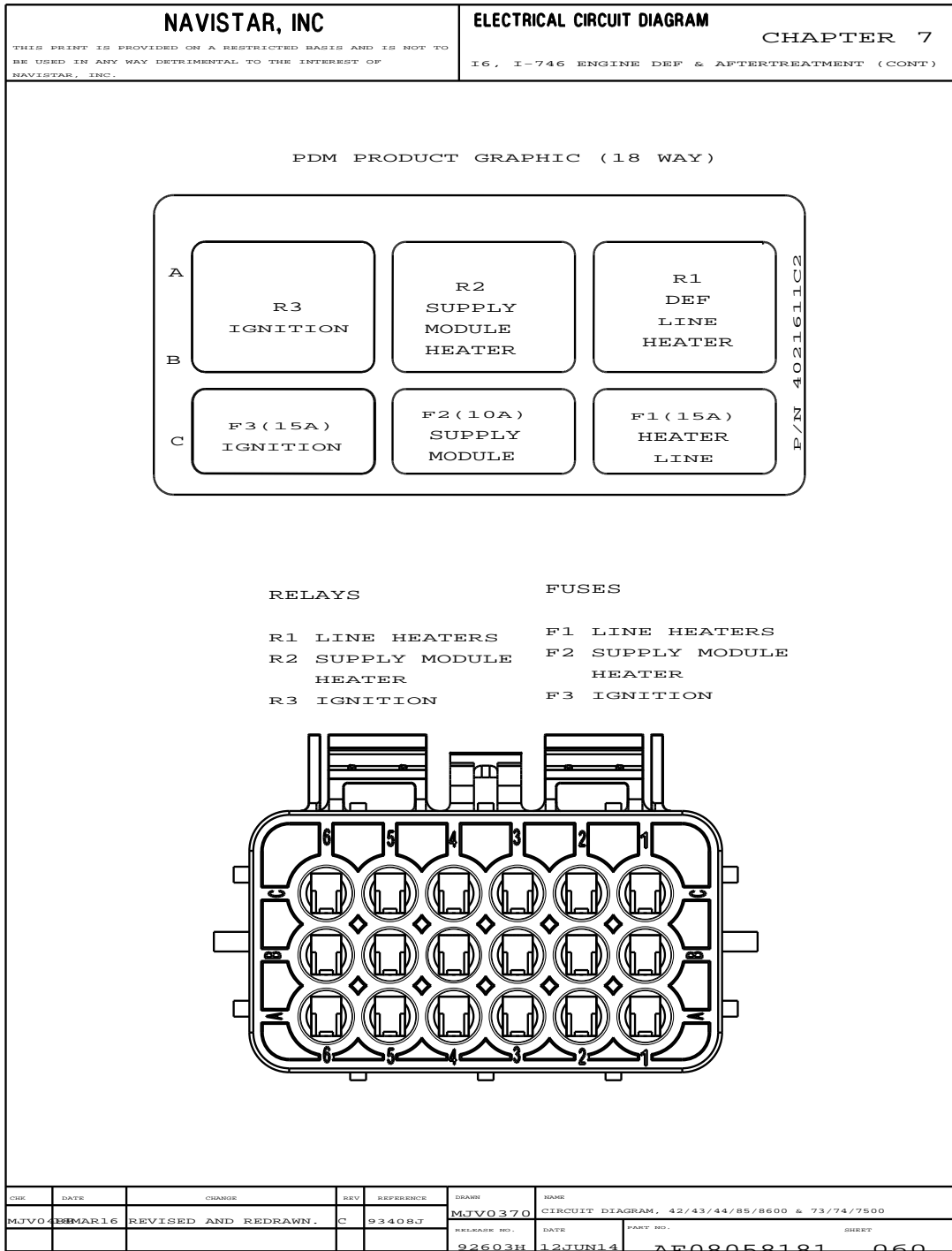


Figure 258 I6, I-746 Engine DEF and Aftertreatment (Cont.)

7.69. AAT / AMMETER / TWO WAY RADIO WITH I6 ENGINE WITH SCR, P. 61

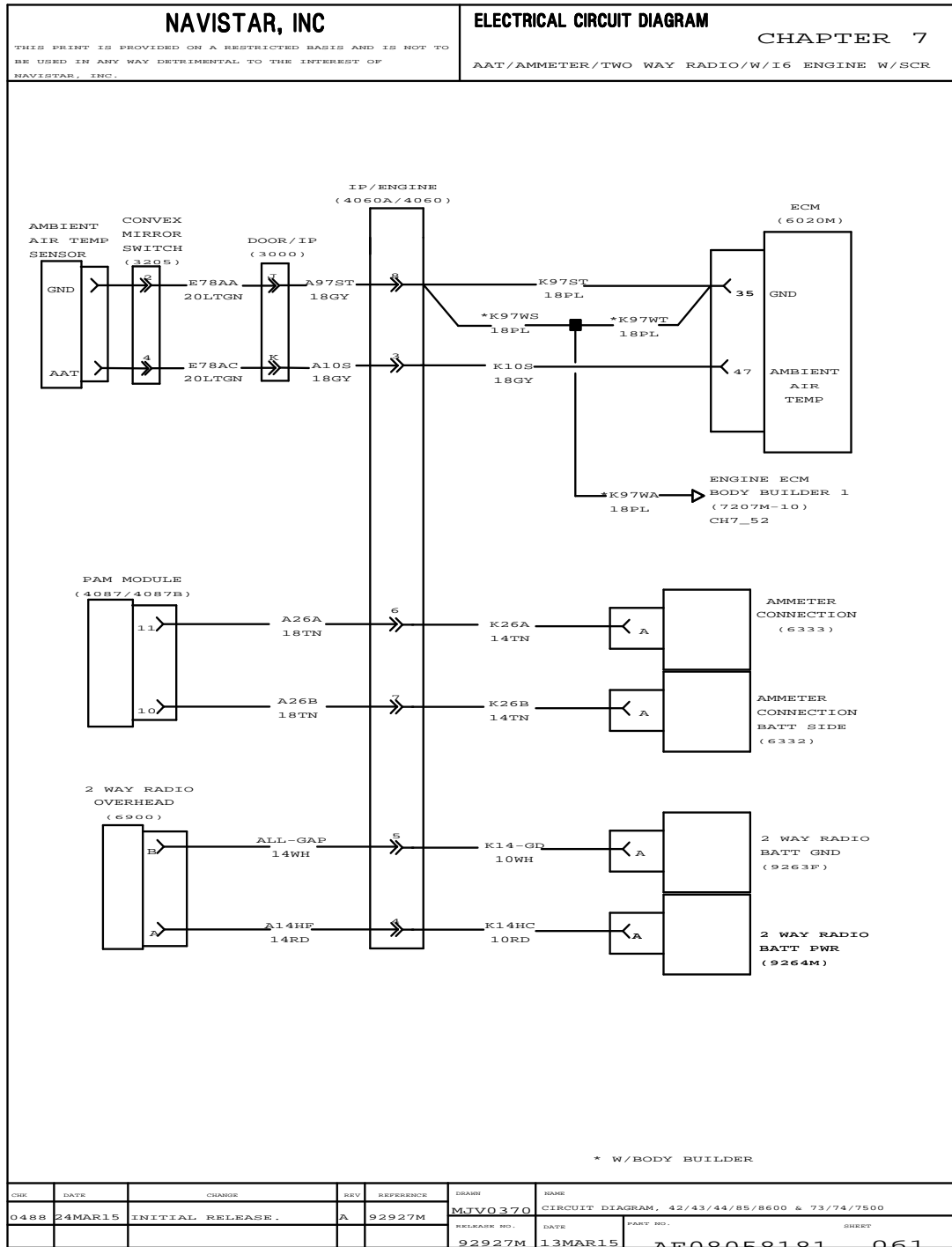


Figure 259 AAT / Ammeter / Two Way Radio with I6 Engine with SCR

7.70. AAT / AMMETER / TWO WAY RADIO WITH ISB ENGINE, P. 62

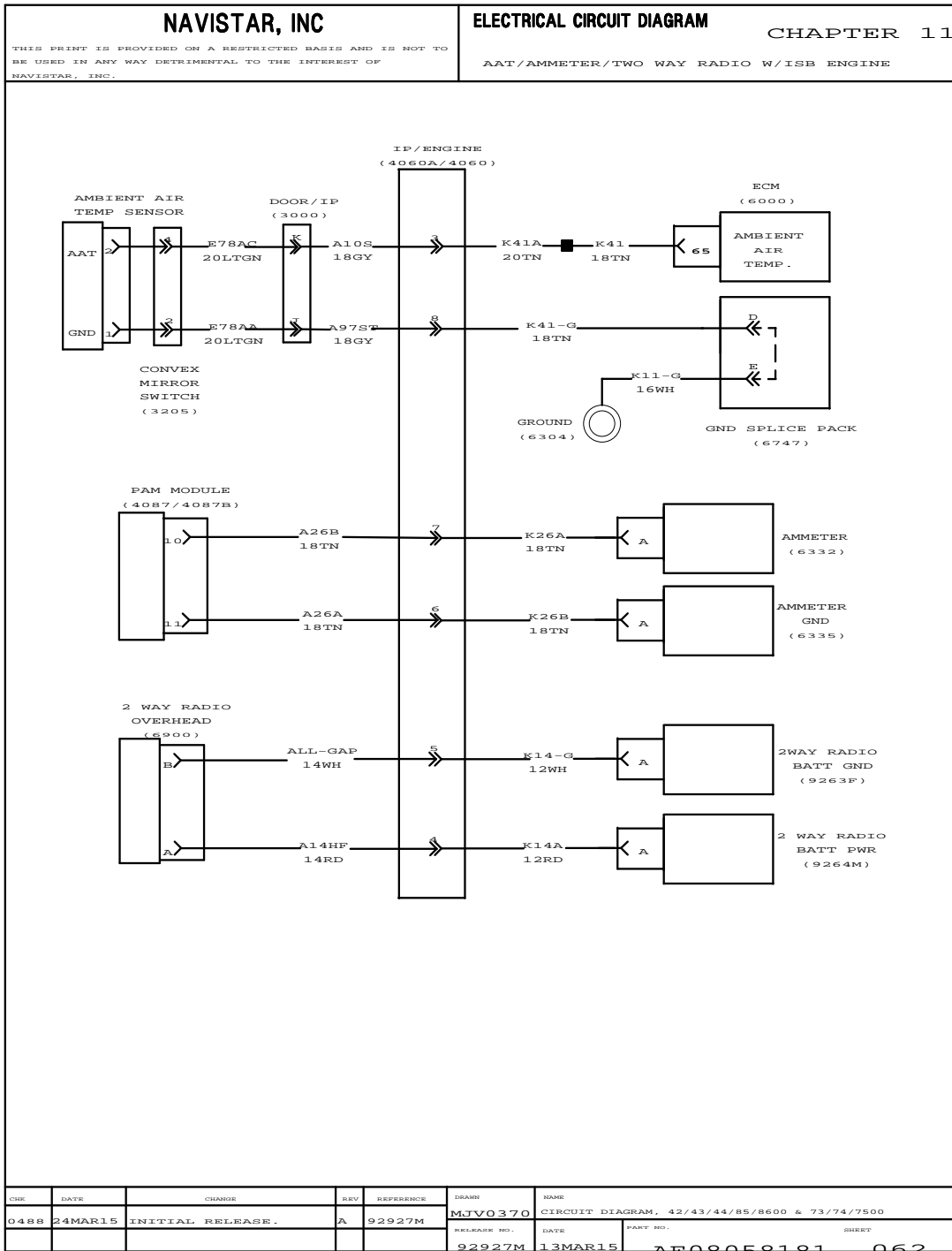


Figure 260 AAT / Ammeter / Two Way Radio with ISB Engine

7.71. DRIVER CONTROL UNIT, P. 63

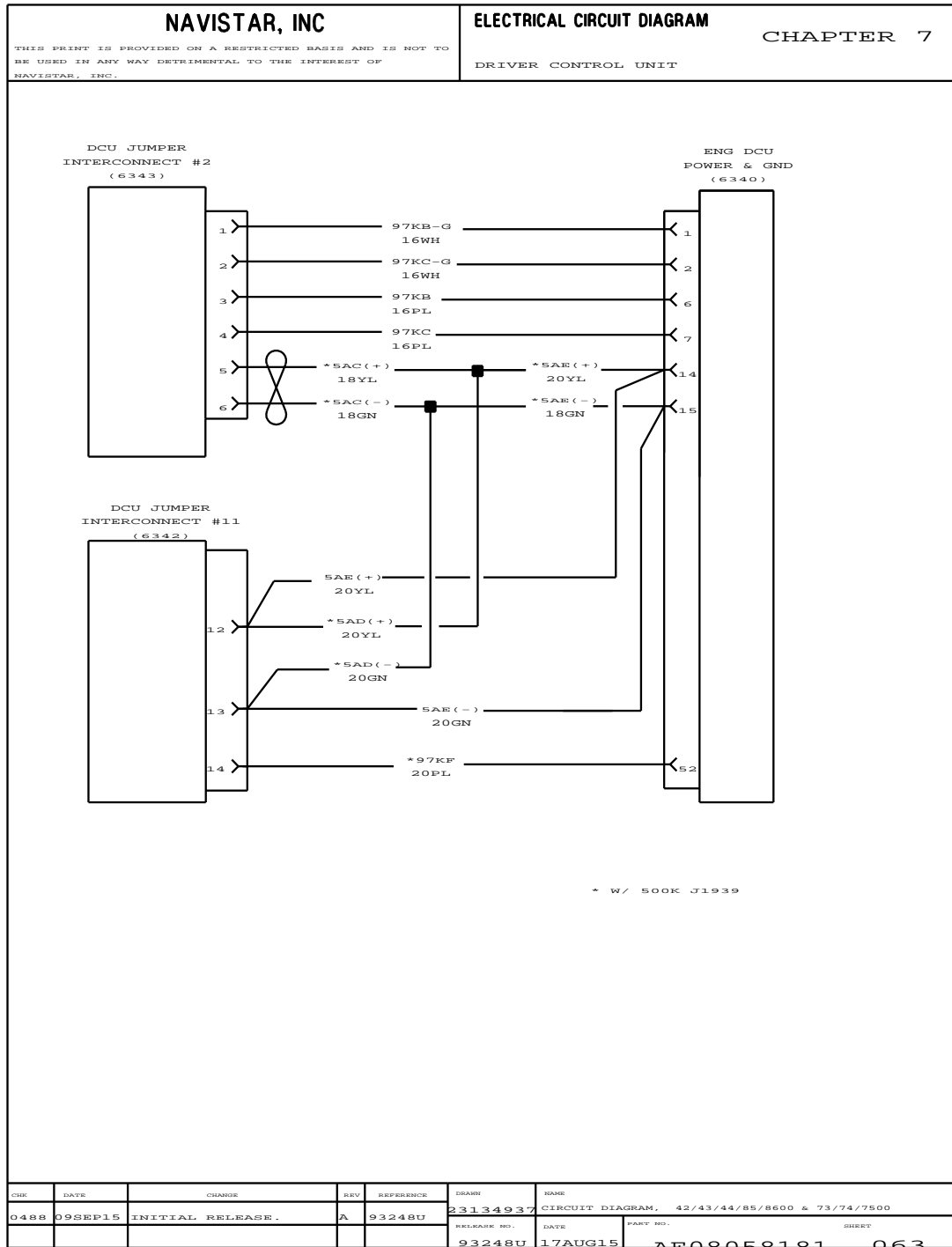


Figure 261 Driver Control Unit

7.72. DRIVER CONTROL UNIT (CONT), P. 64

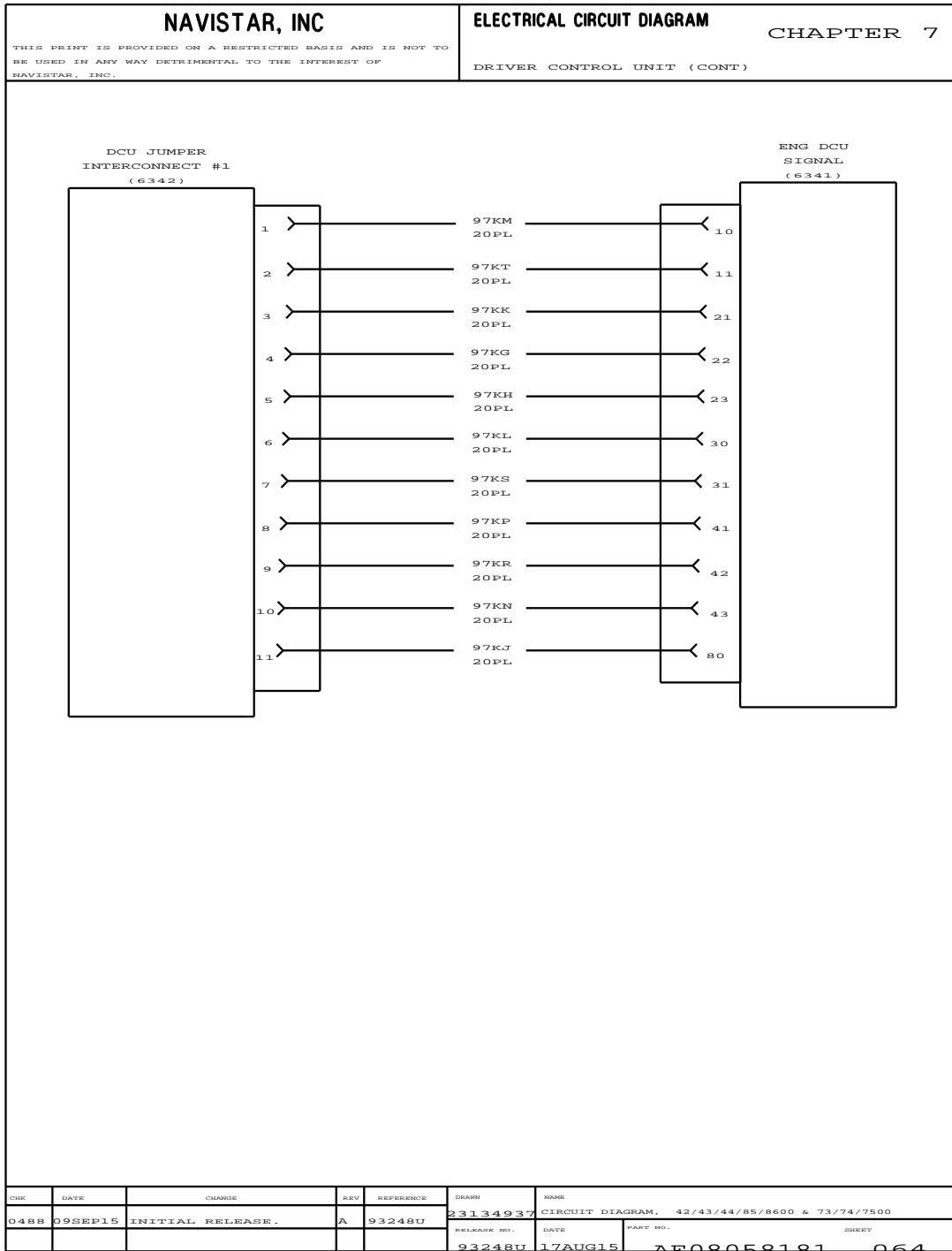


Figure 262 Driver Control Unit (Cont.)

7.73. EATON PROCISION TRANSMISSION, P. 65

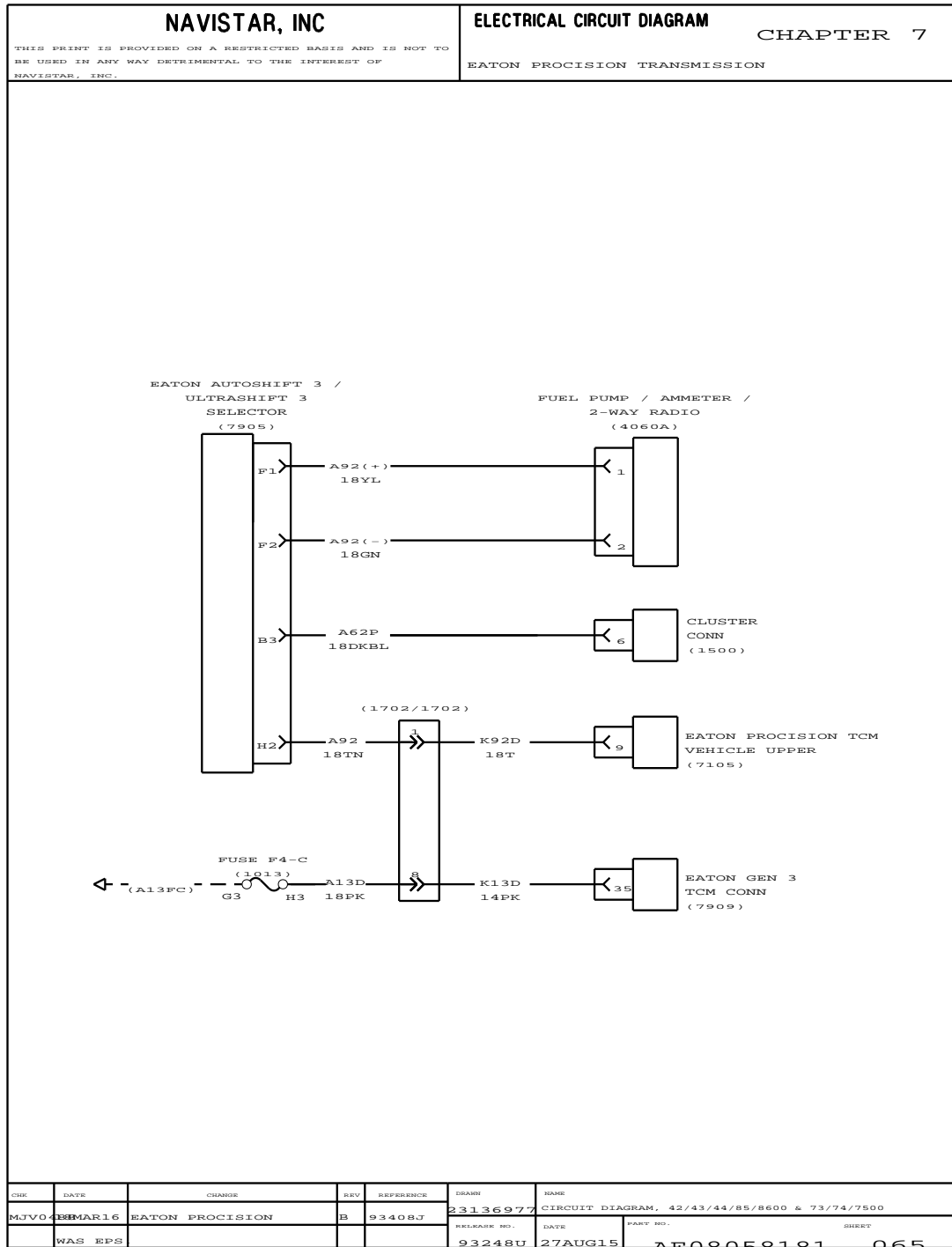


Figure 263 Eaton Procision Transmission

GAUGES WITH AND WITHOUT INTERNAL WARNING LIGHT (CHAPTER 8)

8.1. IP / GAUGES, P. 1

INTERNATIONAL TRUCK AND ENGINE CORPORATION THIS PRINT IS PROVIDED ON A RESTRICTED BASIS AND IS NOT TO BE USED IN ANY WAY DETRIMENTAL TO THE INTEREST OF INTERNATIONAL TRUCK AND ENGINE CORPORATION.		ELECTRICAL CIRCUIT DIAGRAM CHAPTER 8 IP / GAUGES	
INSTRUMENT PANEL GAUGES			
GAUGE	WARN LIGHT	SIGNAL PATH	SENSOR LOCATION
RPM (TACH)	NO	ENGINE CTRLR / DRIVE TRAIN J1939 / CLUSTER	ENGINE
MPH/KPH (SPD)	NO	ENGINE CTRLR / DRIVE TRAIN J1939 / CLUSTER	TRANSMISSION
FUEL	YES	SYSTEM CTRLR / DRIVE TRAIN J1939 / CLUSTER	FUEL TANK
VOLT	YES	SYSTEM CTRLR / DRIVE TRAIN J1939 / CLUSTER	
AIR 1 (PRES)	YES	SYSTEM CTRLR / DRIVE TRAIN J1939 / CLUSTER	INSIDE CAB-DASH PNL
AIR 2 (PRES)	YES	SYSTEM CTRLR / DRIVE TRAIN J1939 / CLUSTER	STEERING COL AREA
WATER (TEMP)	YES	ENGINE CTRLR / DRIVE TRAIN J1939 / CLUSTER	ENGINE
ENG OIL (TEMP)	YES	ENGINE CTRLR / DRIVE TRAIN J1939 / CLUSTER	ENGINE
OIL (PRES)	YES	ENGINE CTRLR / DRIVE TRAIN J1939 / CLUSTER	ENGINE
TRANS (TEMP)	YES	SYSTEM CTRLR / DRIVE TRAIN J1939 / CLUSTER	TRANSMISSION
AIR APPLICATION	NO	SYSTEM CTRLR / DRIVE TRAIN J1939 / CLUSTER	FWD CHASSIS
REAR AXLE TEMP	YES	SYSTEM CTRLR / DRIVE TRAIN J1939 / CLUSTER	AXLE
NOTES: 1. WARNING LIGHTS ARE PART OF THE GAUGES AND ARE LOCATED IN THE GAUGE			
<small>CHK</small>	<small>DATE</small>	<small>CHANGE</small>	<small>REV</small>
DLV1	18SEP09	INITIAL RELEASE.	A
<small>DRWH</small>		<small>NAME</small>	
300647		CIRCUIT DIAGRAM, 42/43/44/85/8600 & 73/74/7500	
<small>RELEASE NO.</small>	<small>DATE</small>	<small>PART NO.</small>	<small>SHEET</small>
61229V	28APR09	AE08058182	001

Figure 264 IP / Gauges

8.2. WARNING LIGHT LIST, P. 2

INTERNATIONAL TRUCK AND ENGINE CORPORATION		ELECTRICAL CIRCUIT DIAGRAM		CHAPTER 8	
THIS PRINT IS PROVIDED ON A RESTRICTED BASIS AND IS NOT TO BE USED IN ANY WAY DETRIMENTAL TO THE INTEREST OF INTERNATIONAL TRUCK AND ENGINE CORPORATION.			WARNING LIGHTS LIST		
IP WARNING LIGHTS					
WARNING LIGHT TITLE	SIGNAL PATH			SENSOR LOCATION	
RANGE INHIBITED	TRANS CTRLR / DRIVE TRAIN J1939 / CLUSTER				
FUEL FILTER	SYSTEM CTRLR / DRIVE TRAIN J1939 / CLUSTER			FUEL FILTER	
ENGINE (YELLOW LED)	ENGINE CTRLR / DRIVE TRAIN J1939 / CLUSTER				
ENGINE (RED LED)	ENGINE CTRLR / DRIVE TRAIN J1939 / CLUSTER				
BRAKE PRESSURE (O)	SYSTEM CTRLR / DRIVE TRAIN J1939 / CLUSTER			SWITCH	
BRAKE FLUID	SYSTEM CTRLR / DRIVE TRAIN J1939 / CLUSTER			BRK RESERVOIR	
TRAC CTRL	TRUCK ABS CTRLR / DRIVE TRAIN J1939 / CLUSTER				
CHECK TRANS	TRANS CTRLR / DRIVE TRAIN J1939 / CLUSTER				
TRAILER ABS	TRAILER ABS CTRLR / DRIVE TRAIN J1939 / CLUSTER				
WASHER FLUID	SYSTEM CTRLR / DRIVE TRAIN J1939 / CLUSTER			WASHER BOTTLE	
(LEFT TURN)	SYSTEM CTRLR / DRIVE TRAIN J1939 / CLUSTER			TURN SIG SW	
AIR BAG	DISCRETE NOT ON DATA BUS				
WATER IN FUEL	SYSTEM CTRLR / DRIVE TRAIN J1939 / CLUSTER			FUEL FILTER	
COOLANT LEVEL	ENGINE CTRLR / DRIVE TRAIN J1939 / CLUSTER			SURGE TANK	
CHECK ELECT SYS	SYSTEM CTRLR / DRIVE TRAIN J1939 / CLUSTER				
PARK (P)	SYSTEM CTRLR / DRIVE TRAIN J1939 / CLUSTER			SWITCH	
CRUISE	SYSTEM CTRLR / DRIVE TRAIN J1939 / CLUSTER				
ABS	TRUCK CTRLR / DRIVE TRAIN J1939 / CLUSTER				
(RIGHT TURN)	SYSTEM CTRLR / DRIVE TRAIN J1939 / CLUSTER				
WAIT TO START	ENGINE CTRLR / DRIVE TRAIN J1939 / CLUSTER				
FASTEN BELTS	SYSTEM CTRLR / DRIVE TRAIN J1939 / CLUSTER				
(HIGH BEAM IND)	SYSTEM CTRLR / DRIVE TRAIN J1939 / CLUSTER				
COLD AMB PROT	SYSTEM CTRLR / DRIVE TRAIN J1939 / CLUSTER				
RETARD OVERHEAT	TRANS CTRLR / DRIVE TRAIN J1939 / CLUSTER			TRANSMISSION	
CHECK AC	SYSTEM CTRLR / DRIVE TRAIN J1939 / CLUSTER				
AUTO NEUTRAL	DISCRETE NOT ON DATA BUS			SWITCH	
ALTERNATOR	DISCRETE NOT ON DATA BUS				
EPO/THROTTLE	SYSTEM CTRLR / DRIVE TRAIN J1939 / CLUSTER				
OPTIMIZED IDLE	DISCRETE NOT ON DATA BUS				
SNOW VALVE	DISCRETE NOT ON DATA BUS			SNOW VALVE	
FR AXLE DIFF LOCK	DISCRETE NOT ON DATA BUS			FWD RR AXLE	
RR AXLE DIFF LOCK	DISCRETE NOT ON DATA BUS			RR RR AXLE	
MESSAGE WAIT	DISCRETE NOT ON DATA BUS				
EPO	DISCRETE NOT ON DATA BUS				
CONVERTER TEMP	DISCRETE NOT ON DATA BUS				
TOUCH LOC RELEASE	DISCRETE NOT ON DATA BUS				
PARK FLUID	SYSTEM CTRLR/DRIVE TRAIN				
FR AXLE ENGAGED	DISCRETE NOT ON DATA BUS			TRANSFER CASE	

CHK	DATE	CHANGE	REV	REFERENCE	DRAWN	NAME
DLV1	18SEP09	INITIAL RELEASE.	A	61229V	300647	CIRCUIT DIAGRAM, 42/43/44/85/8600 & 73/74/7500
					RELEASE NO.	DATE
					61229V	28APR09
					PART NO.	QRETT
					AB08058182 002	

Figure 265 Warning Light List

8.3. WARNING LIGHTS CONTROLLED BY ENGINE, TRANSMISSION, ABS CONTROLLER, P. 3

INTERNATIONAL TRUCK AND ENGINE CORPORATION <small>THIS PRINT IS PROVIDED ON A RESTRICTED BASIS AND IS NOT TO BE USED IN ANY WAY DETRIMENTAL TO THE INTEREST OF INTERNATIONAL TRUCK AND ENGINE CORPORATION.</small>	ELECTRICAL CIRCUIT DIAGRAM CHAPTER 8 WARNING LIGHTS CONTROLLED BY ENGINE, TRANSMISSION, ABS CONTROLLER						
<p>THE FOLLOWING WARNING LIGHTS ARE CONTROLLED BY THE ENGINE, TRANSMISSION, OR ABS CONTROLLER OVER THE DATA BUS AND DO NOT HAVE INDEPENDENT CIRCUITS THAT CAN BE OR NEEDS TO BE SHOWN:</p> <p>DO NOT SHEPT</p> <p>ENGINE (YELLOW LENS)</p> <p>ENGINE (RED LENS)</p> <p>TRAC CTRL</p> <p>CHECK TRANS</p> <p>TRAILER ABS</p> <p>CHECK ELECTR SYS</p> <p>ABS</p> <p>WAIT TO START</p> <p>RETARD OVERHEAT</p> <p>AUTO NEUTRAL</p> <p>OPTIMIZED IDLE</p>							
<small>CHK</small>	<small>DATE</small>	<small>CHANGE</small>	<small>REV</small>	<small>REFERENCE</small>	<small>DRWN</small>	<small>NAME</small>	
DLV1	18SEP09	INITIAL RELEASE.	A	61229V	300647	CIRCUIT DIAGRAM, 42/43/44/85/8600 & 73/74/7500	
					<small>RELEASE NO.</small>	<small>DATE</small>	<small>PART NO.</small>
					61229V	28APR09	AE08058102
							<small>SHEET</small> 003

Figure 266 Warning Lights Controlled by Engine, Transmission, ABS Controller

8.4. ENGINE OIL PRESSURE AND TEMP, SPEEDOMETER, TACHOMETER, VOLTMETER AND WATER TEMP GAUGE CIRCUITS, P. 4

<p>INTERNATIONAL TRUCK AND ENGINE CORPORATION</p> <p>THIS PRINT IS PROVIDED ON A RESTRICTED BASIS AND IS NOT TO BE USED IN ANY WAY DETRIMENTAL TO THE INTEREST OF INTERNATIONAL TRUCK AND ENGINE CORPORATION.</p>	<p>ELECTRICAL CIRCUIT DIAGRAM CHAPTER 8</p> <p>ENG OIL PRESS & TEMP, SPEEDOMETER, TACH, VOLTMETER & WATER TEMP GAUGE CIRCUITS</p>																											
<p>REFER TO CONSOLIDATED ENGINE / VEHICLE CONTROLLER DIAGNOSTICS MANUAL EGES-175 (DT466E), EGES-190 (T444E), FOR CIRCUIT DIAGRAMS SHOWING INPUT CIRCUIT FOR THE FOLLOWING DATALINK DRIVEN SYSTEM:</p> <p>ENGINE OIL PRESSURE GAUGE</p> <p>ENGINE OIL TEMPERATURE GAUGE</p> <p>SPEEDOMETER GAUGE</p> <p>TACHOMETER GAUGE</p> <p>WATER TEMPERATURE GAUGE</p>																												
<table border="1" style="width: 100%; border-collapse: collapse;"> <tr> <th style="width: 10%;">CHK</th> <th style="width: 10%;">DATE</th> <th style="width: 40%;">CHANGE</th> <th style="width: 5%;">REV</th> <th style="width: 15%;">REFERENCE</th> <th style="width: 10%;">DRAWN</th> <th style="width: 10%;">NAME</th> </tr> <tr> <td>DLV1</td> <td>18SEP09</td> <td>INITIAL RELEASE.</td> <td>A</td> <td>61229V</td> <td>300647</td> <td>CIRCUIT DIAGRAM, 42/43/44/85/8600 & 73/74/7500</td> </tr> </table>	CHK	DATE	CHANGE	REV	REFERENCE	DRAWN	NAME	DLV1	18SEP09	INITIAL RELEASE.	A	61229V	300647	CIRCUIT DIAGRAM, 42/43/44/85/8600 & 73/74/7500	<table border="1" style="width: 100%; border-collapse: collapse;"> <tr> <td style="width: 20%;">RELEASE NO.</td> <td style="width: 20%;">DATE</td> <td style="width: 20%;">PART NO.</td> <td style="width: 40%;">SHEET</td> </tr> <tr> <td>61229V</td> <td>28APR09</td> <td>AE08058102</td> <td>004</td> </tr> </table>						RELEASE NO.	DATE	PART NO.	SHEET	61229V	28APR09	AE08058102	004
CHK	DATE	CHANGE	REV	REFERENCE	DRAWN	NAME																						
DLV1	18SEP09	INITIAL RELEASE.	A	61229V	300647	CIRCUIT DIAGRAM, 42/43/44/85/8600 & 73/74/7500																						
RELEASE NO.	DATE	PART NO.	SHEET																									
61229V	28APR09	AE08058102	004																									

Figure 267 Engine Oil Pressure and Temp, Speedometer, Tachometer, Voltmeter and Water Temp Gauge Circuits

8.5. IP GAUGES AND WARNING LIGHTS — GAUGE CLUSTER, P. 5

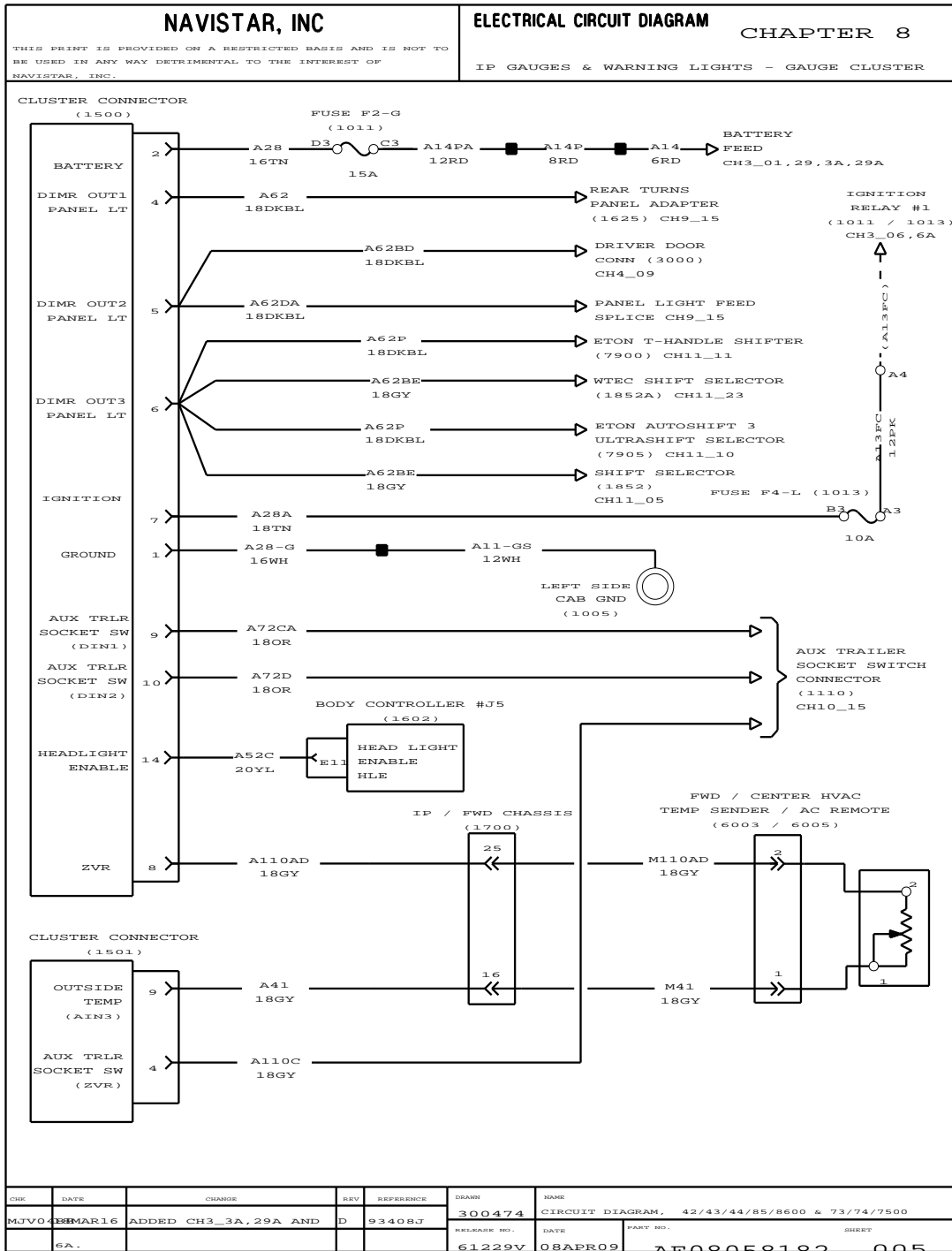


Figure 268 IP Gauges and Warning Lights — Gauge Cluster

8.6. AIR PRESSURE INPUT CIRCUIT, P. 6

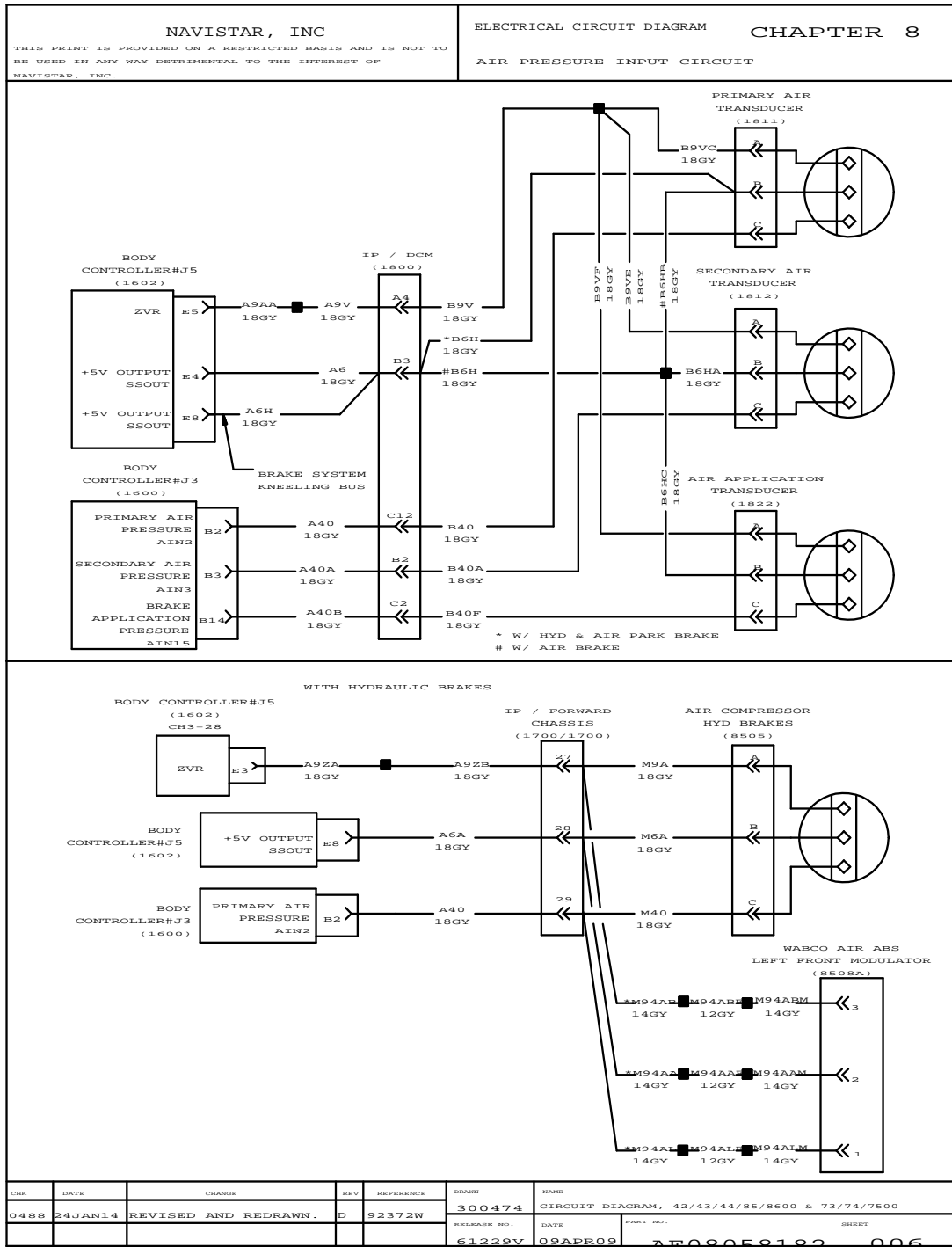


Figure 269 Air Pressure Input Circuit

8.7. AXLE TEMPERATURE, GAUGE INPUT CIRCUIT, P. 7

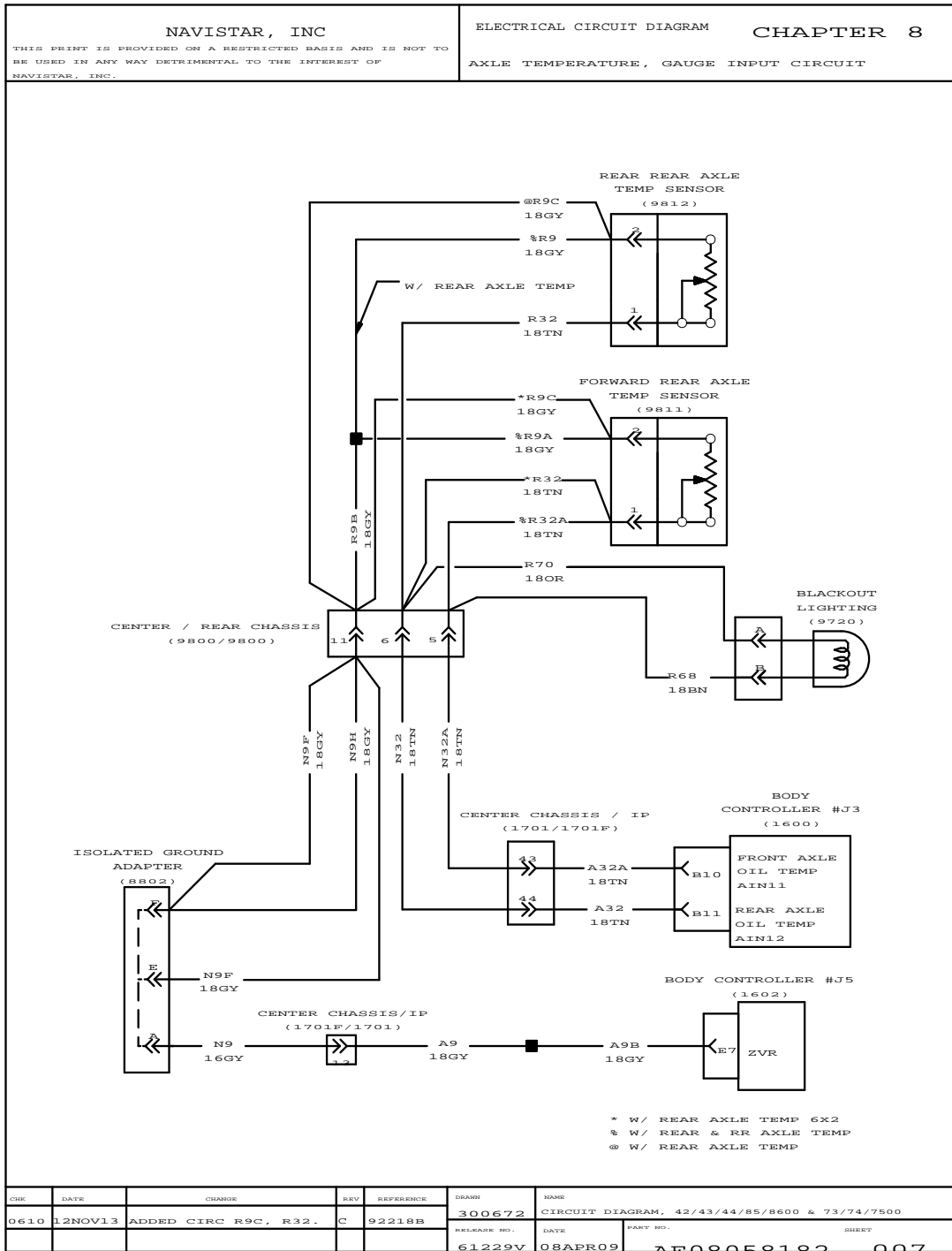


Figure 270 Axle Temperature, Gauge Input Circuit

8.8. FUEL GAUGE CIRCUITRY (SINGLE TANK AND DUAL TANK), P. 8

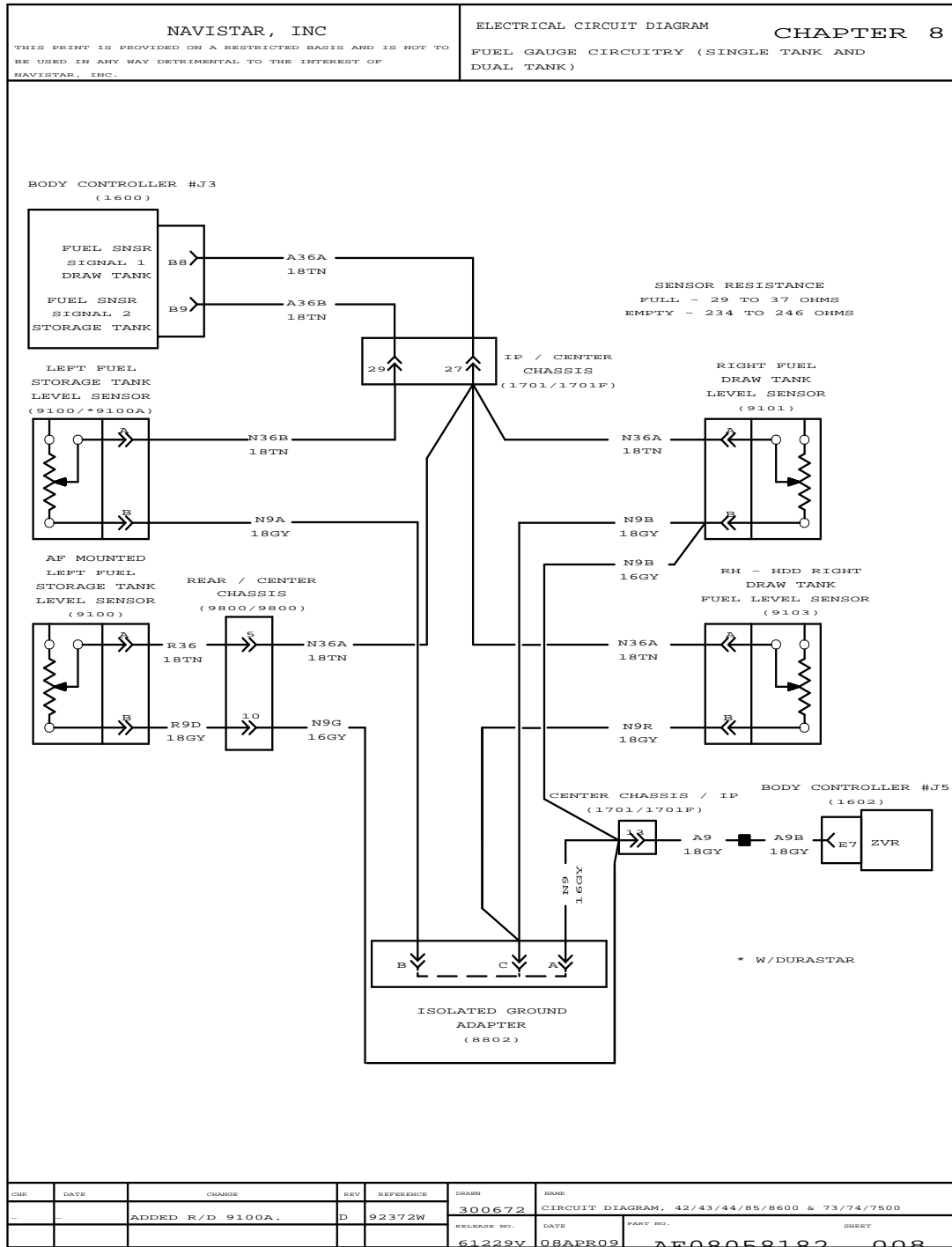


Figure 271 Fuel Gauge Circuitry (Single Tank and Dual Tank)

8.9. FUEL GAUGE CIRCUITRY, P. 8A

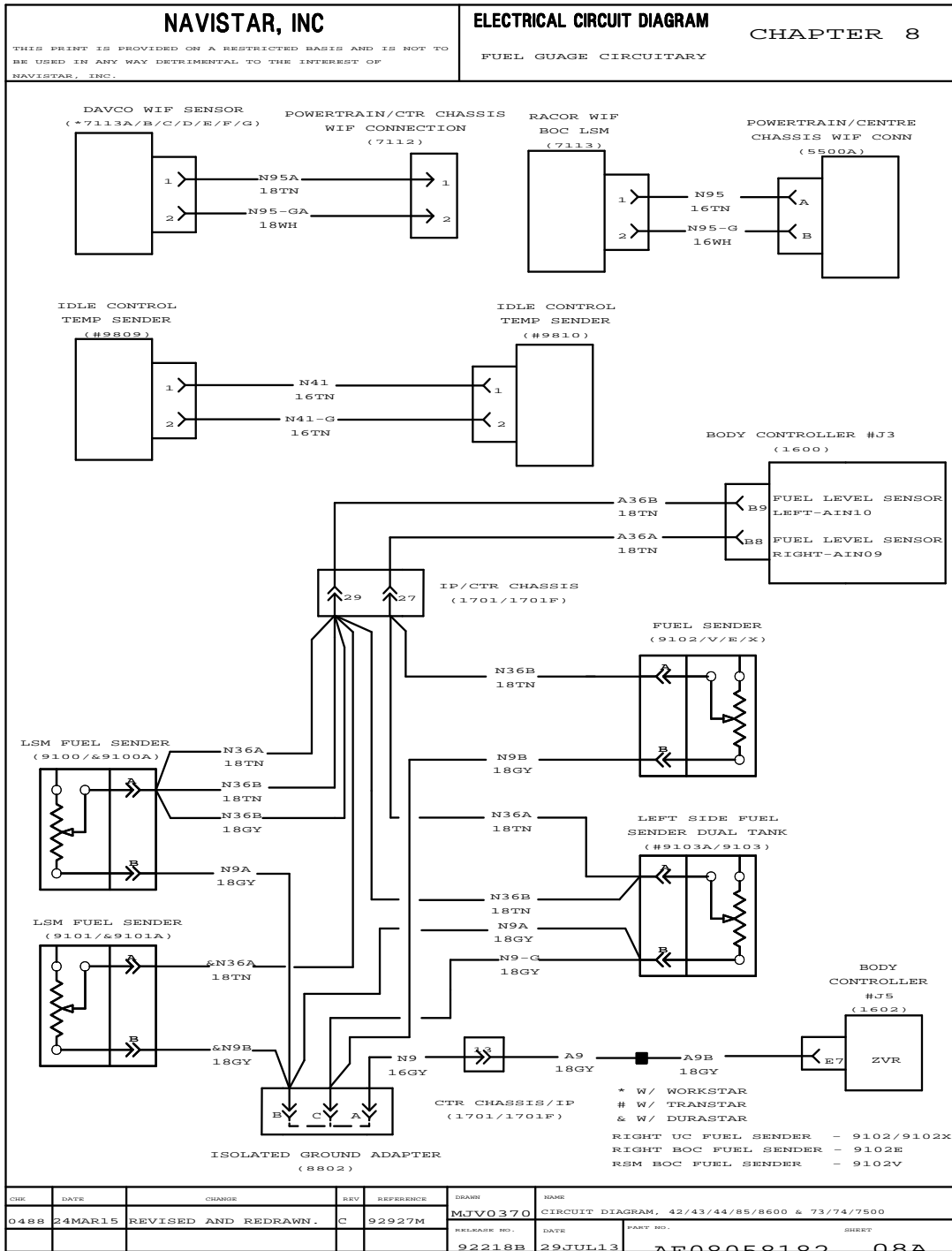


Figure 272 Fuel Gauge Circuitry

8.10. DIFFERENTIAL LOCK WARNING LAMPS, P. 9

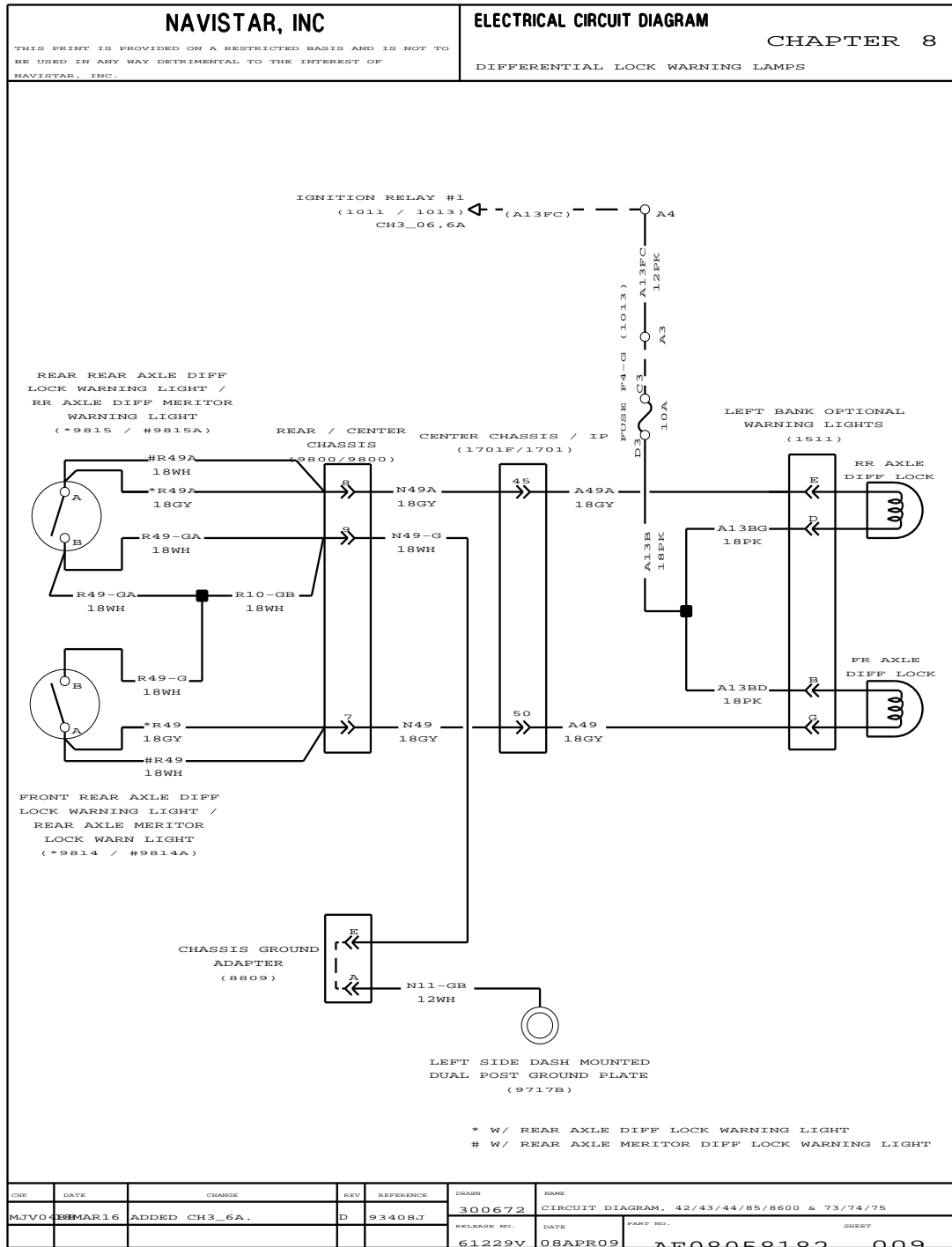


Figure 273 Differential Lock Warning Lamps

8.11. PARK BRAKE SWITCH HYDRAULIC, P. 10

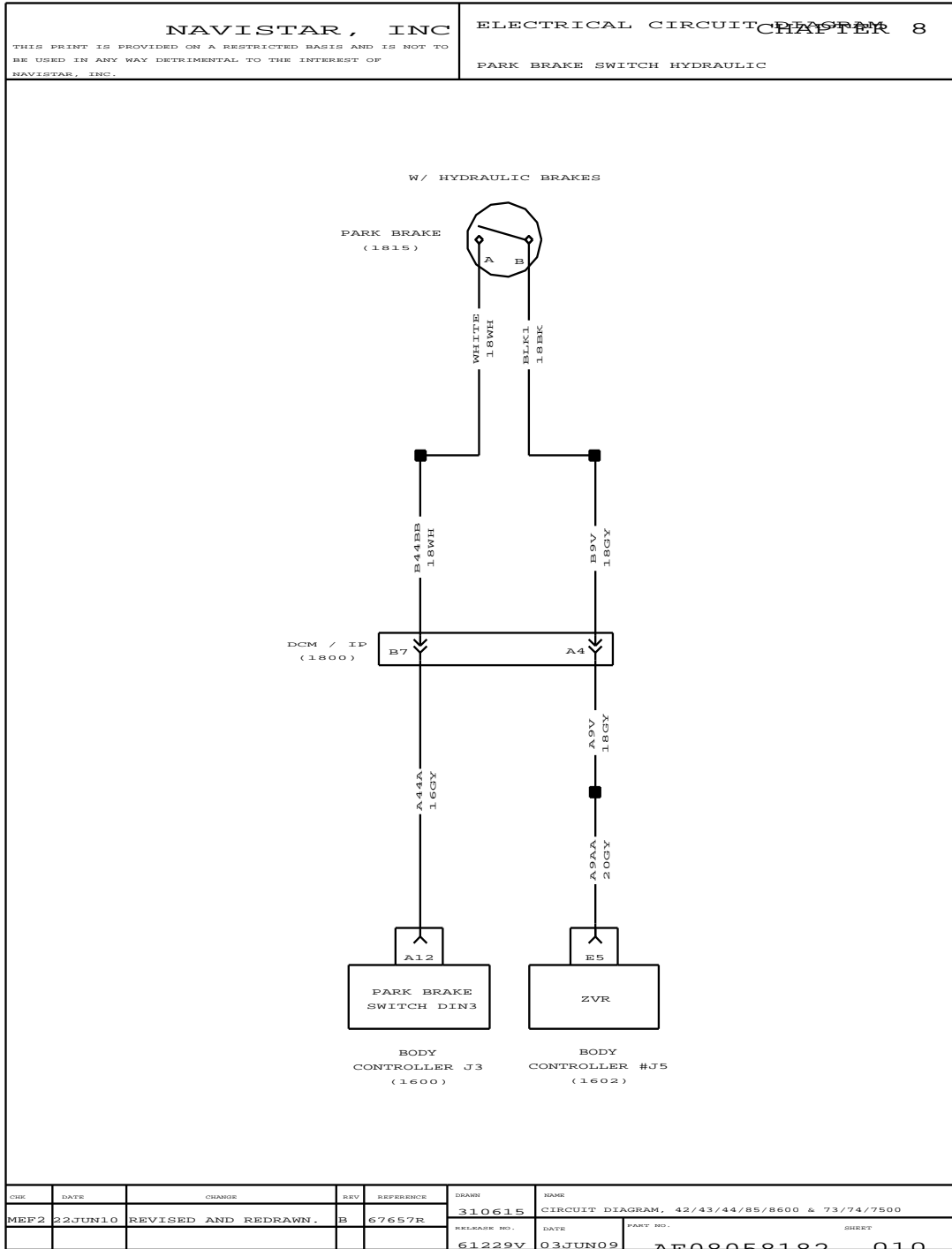


Figure 274 Park Brake Switch Hydraulic

8.12. GAUGES AND WARNING LIGHTS – AMMETER, P. 11

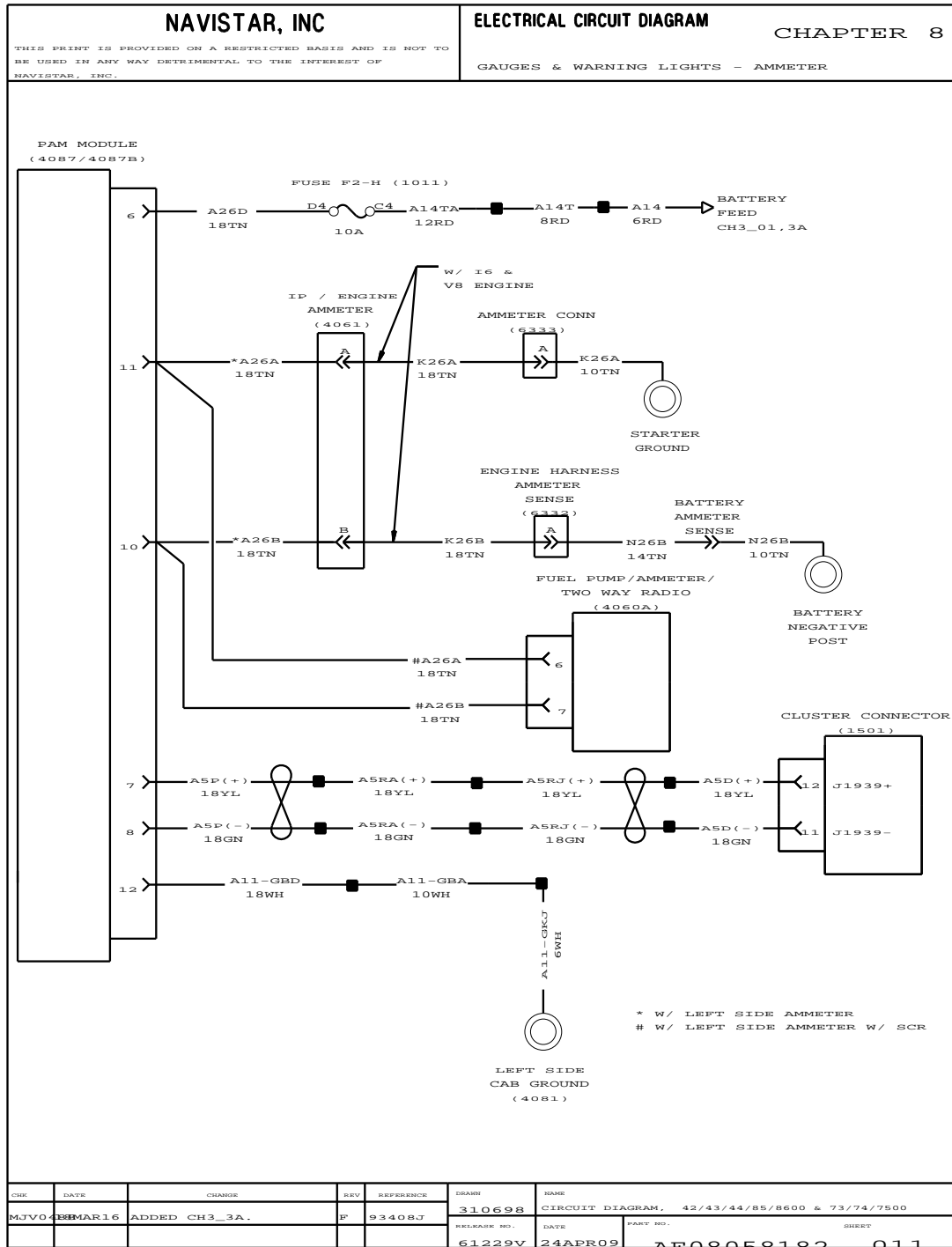


Figure 275 Gauges and Warning Lights – Ammeter

8.13. FRONT AXLE ENGAGEMENT WARNING LAMP, P. 12

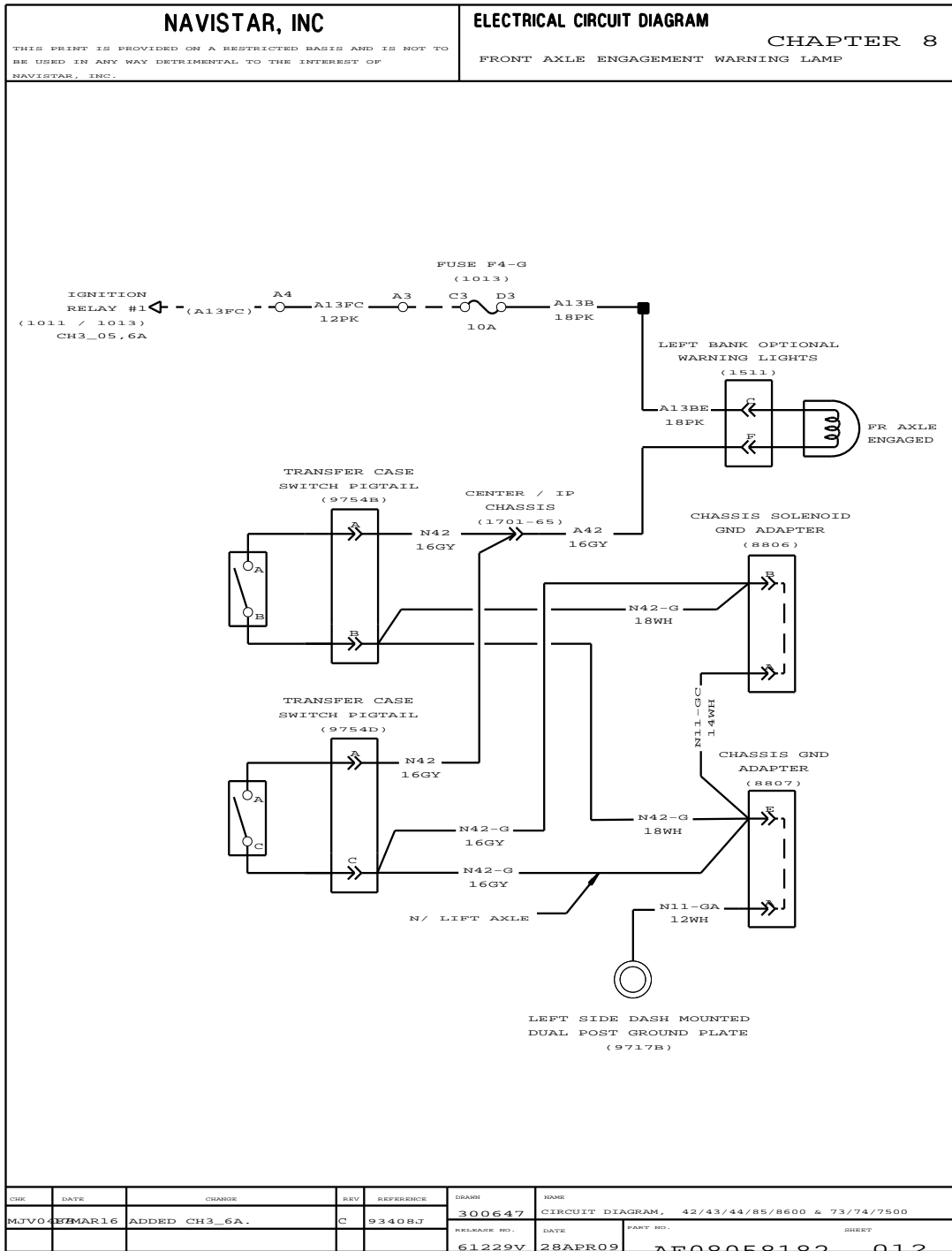


Figure 276 Front Axle Engagement Warning Lamp

8.14. WARNING LIGHTS – RIGHT BANK – OPTIONAL, P. 13

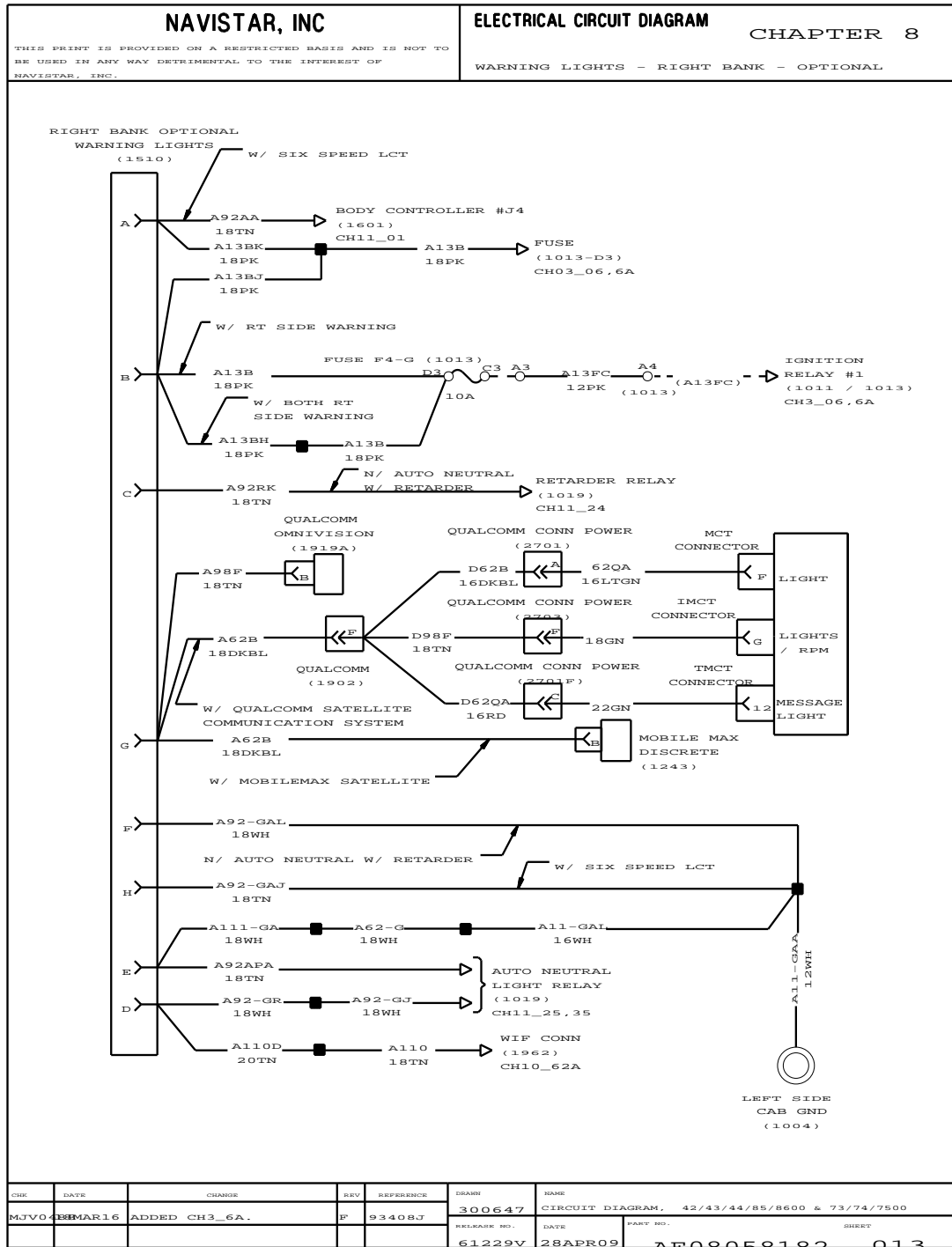


Figure 277 Warning Lights – Right Bank – Optional

8.15. WARNING LIGHTS – LEFT BANK – OPTIONAL, P. 14

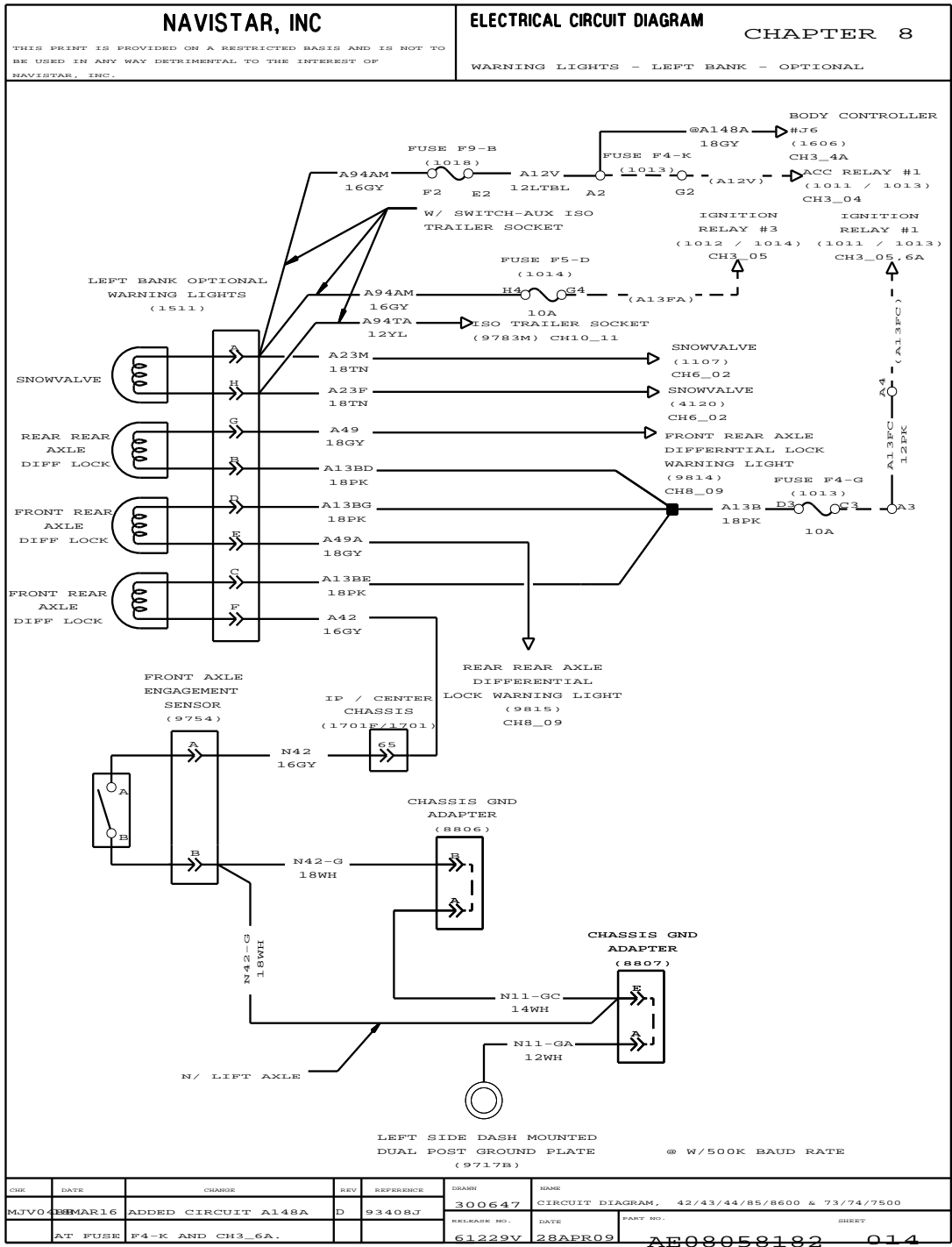


Figure 278 Warning Lights – Left Bank – Optional

8.16. LOAD MONITORING, P. 15

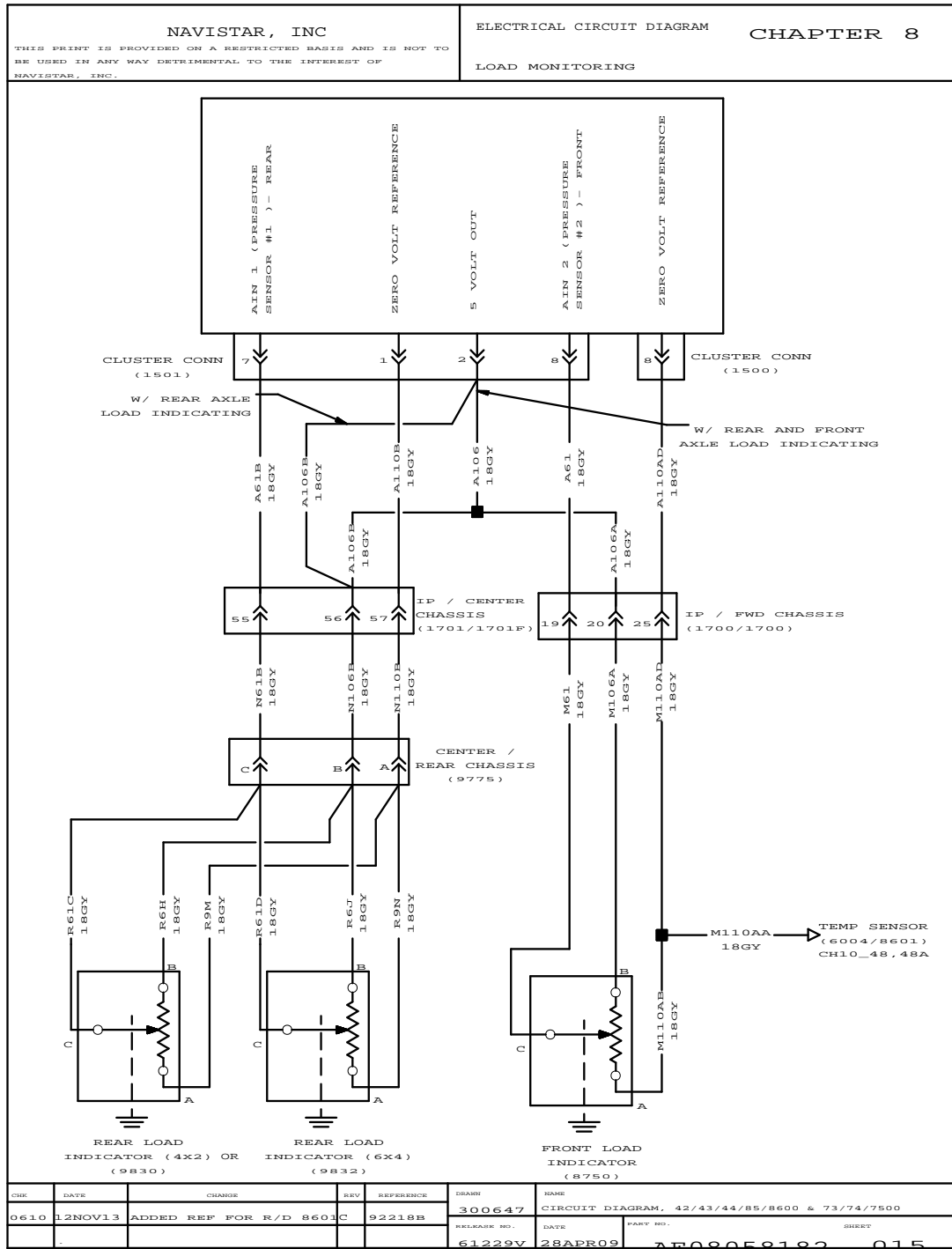


Figure 279 Load Monitoring

8.17. LOAD MONITORING (CONT.), P. 15A

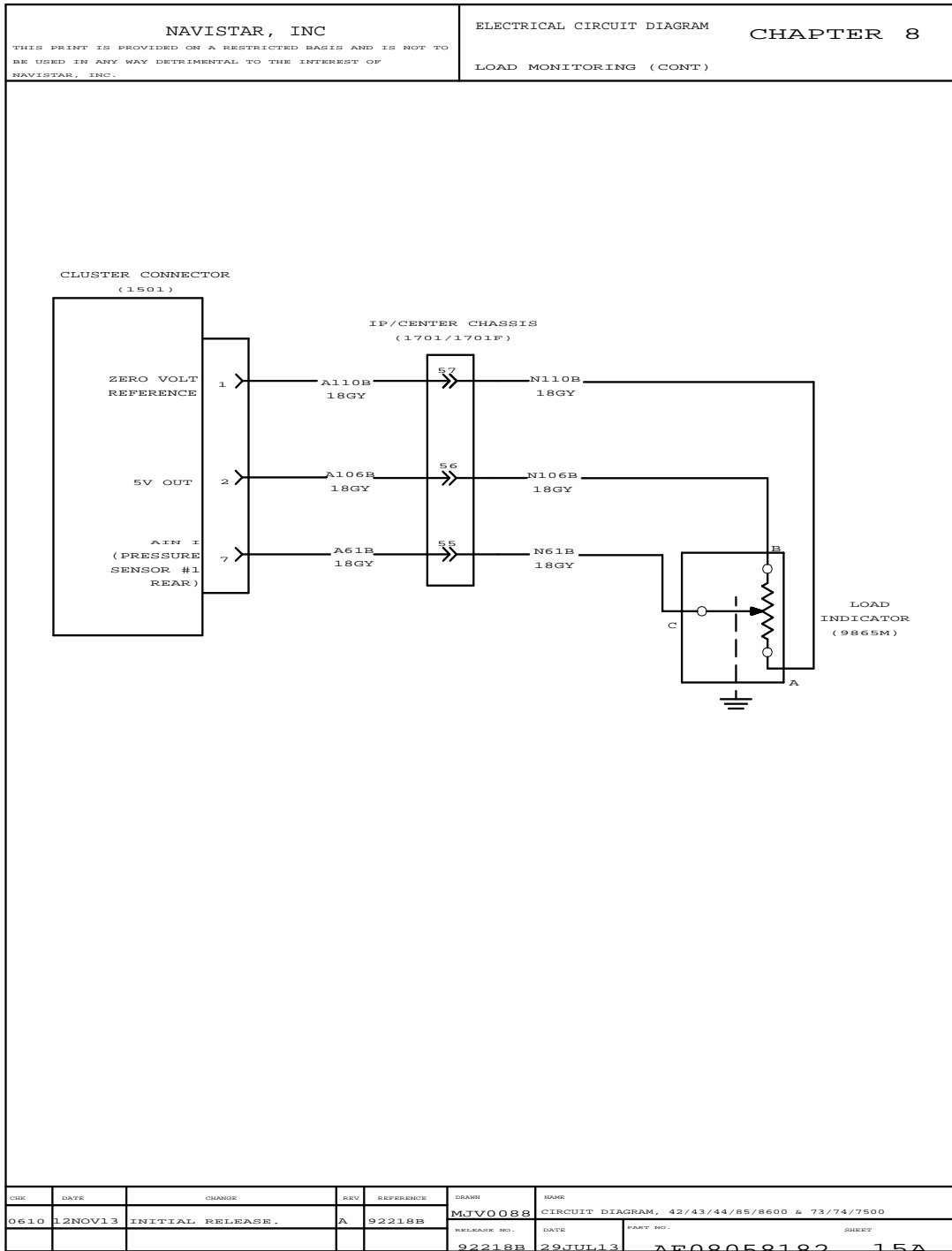


Figure 280 Load Monitoring (Cont.)

8.18. AIR PARK BRAKE AND MANUAL TRANSMISSION OIL TEMP GAUGE, P. 16

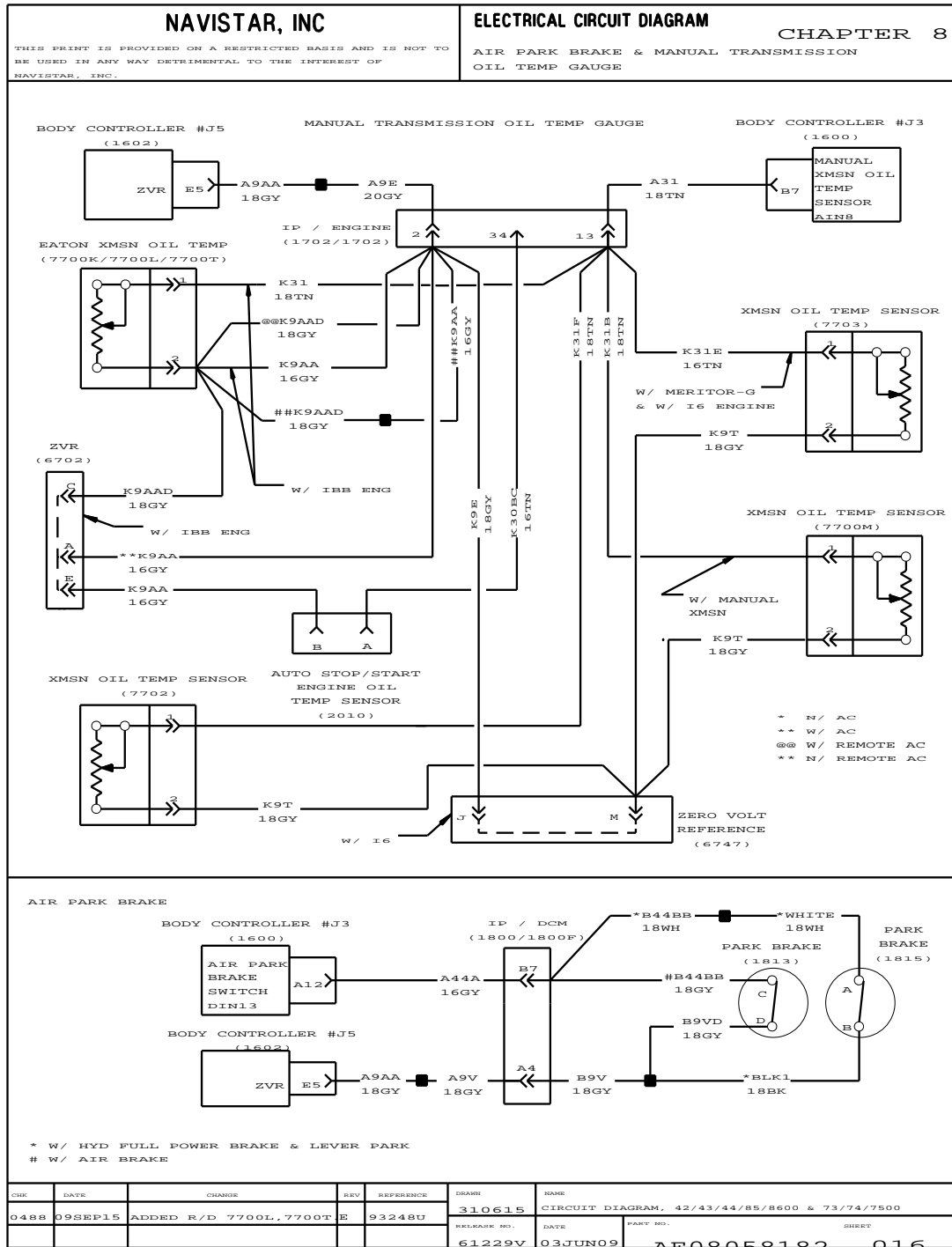


Figure 281 Air Park Brake and Manual Transmission Oil Temp Gauge

8.19. FUEL HEATER CONNECTIONS, P. 17

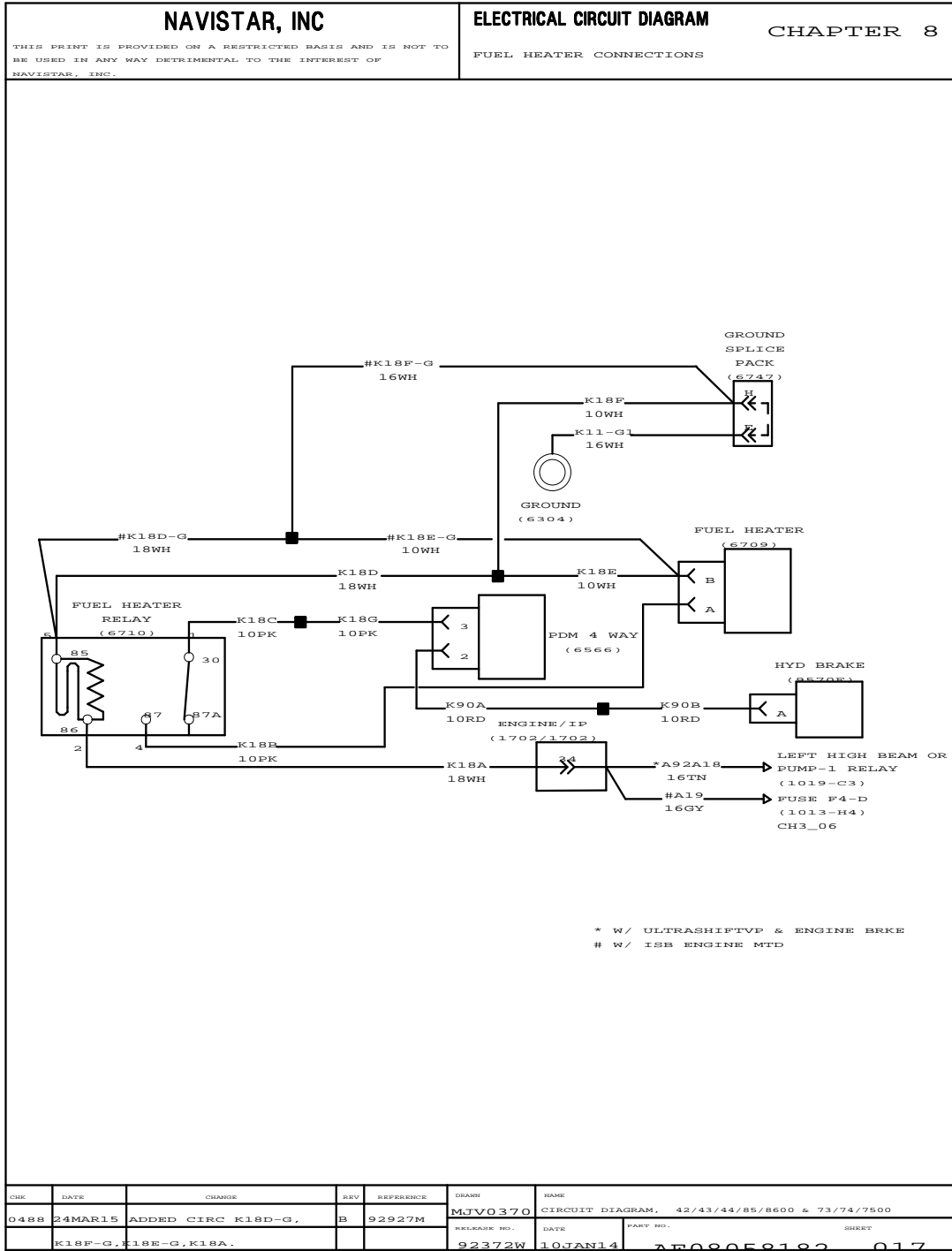


Figure 282 Fuel Heater Connections

8.20. FUEL HEATER CONNECTIONS (CONT.), P. 18

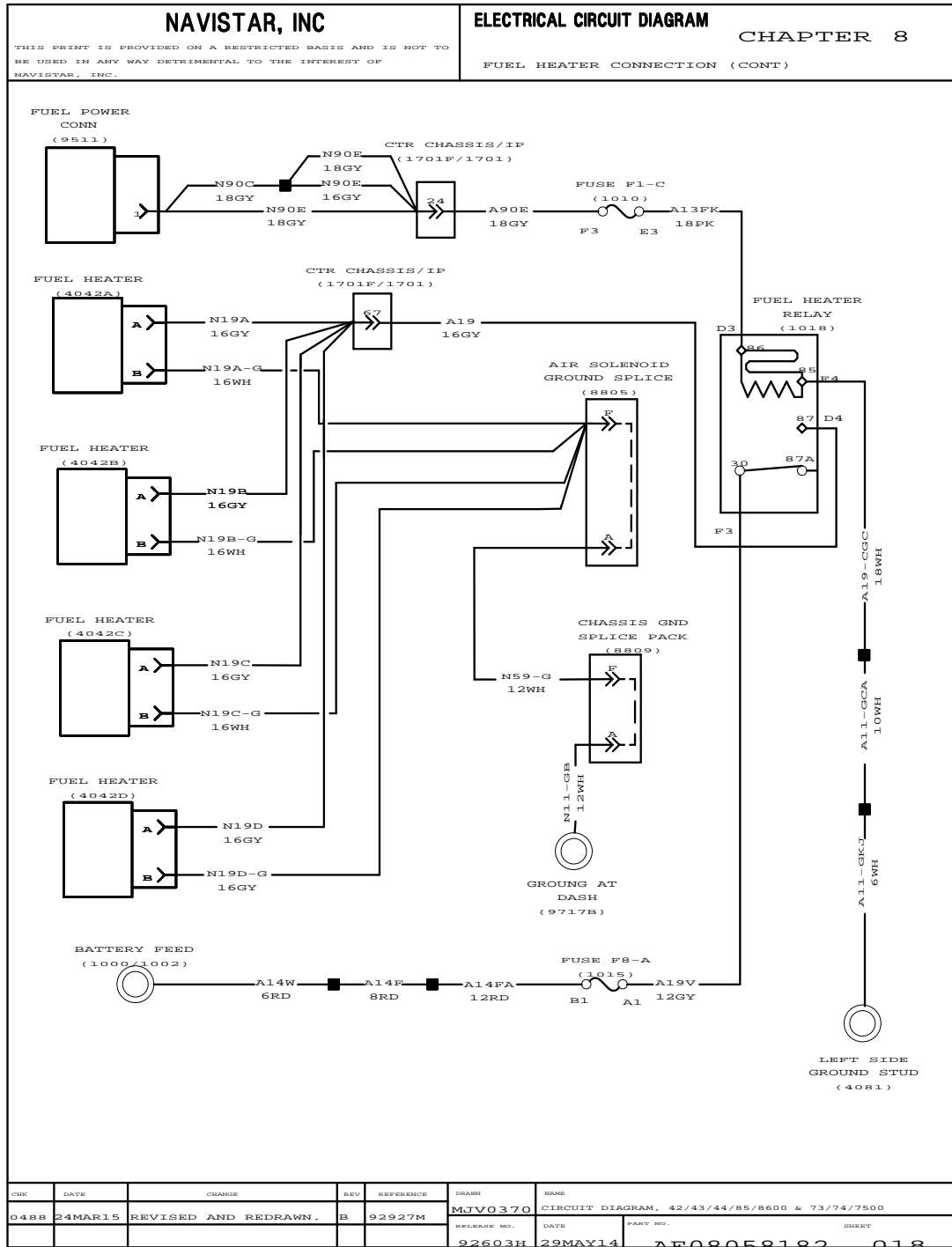


Figure 283 Fuel Heater Connections (Cont.)

8.21. BATTERY WARNING INDICATOR, P. 19

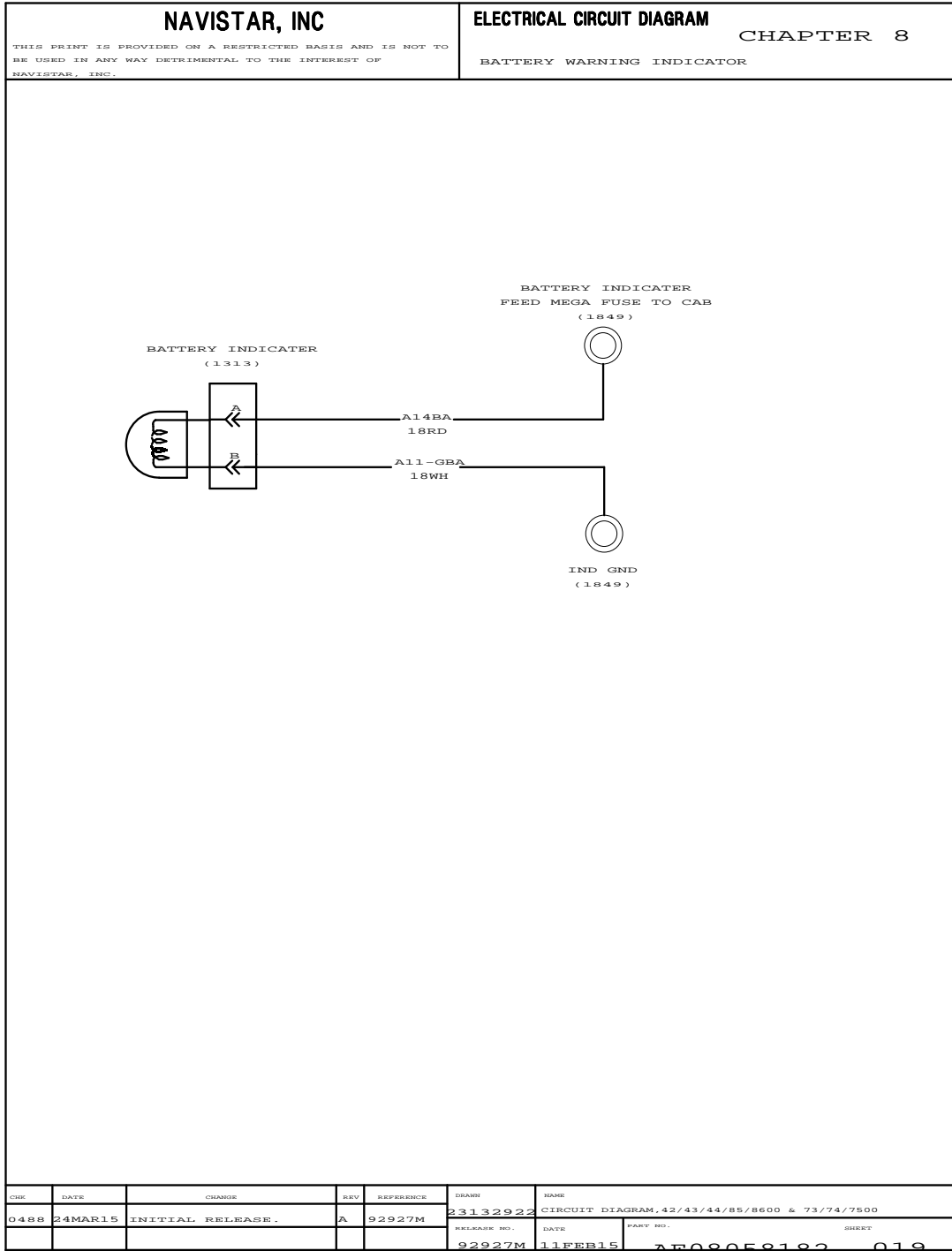


Figure 284 Battery Warning Indicator

LIGHTS (CHAPTER 9)

9.1. BACK-UP LIGHTS WITHOUT ALLISON TRANSMISSION, P. 1

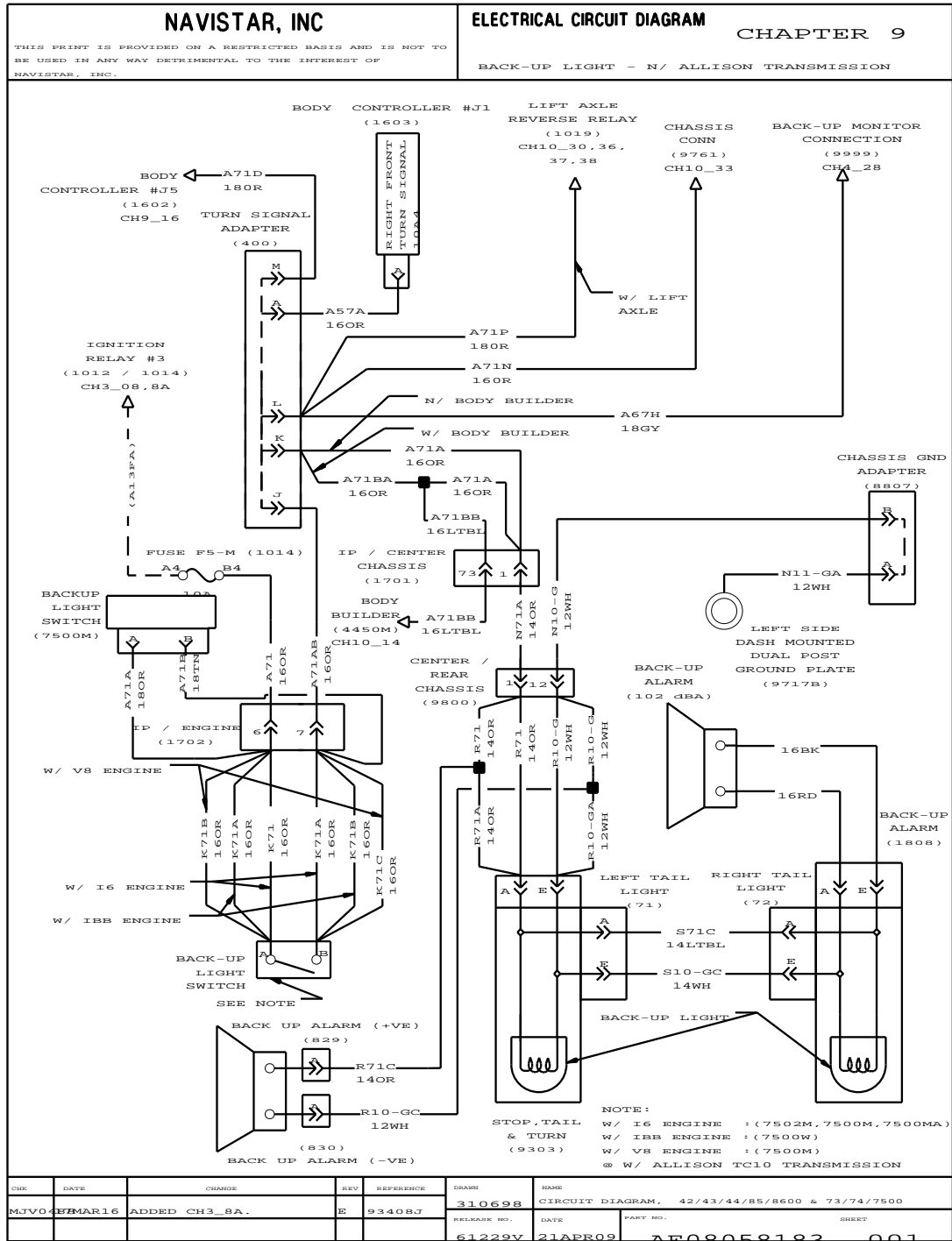


Figure 285 Back-Up Lights without Allison Transmission

9.2. BACK-UP LIGHTS WITH ALLISON TRANSMISSION, P. 2

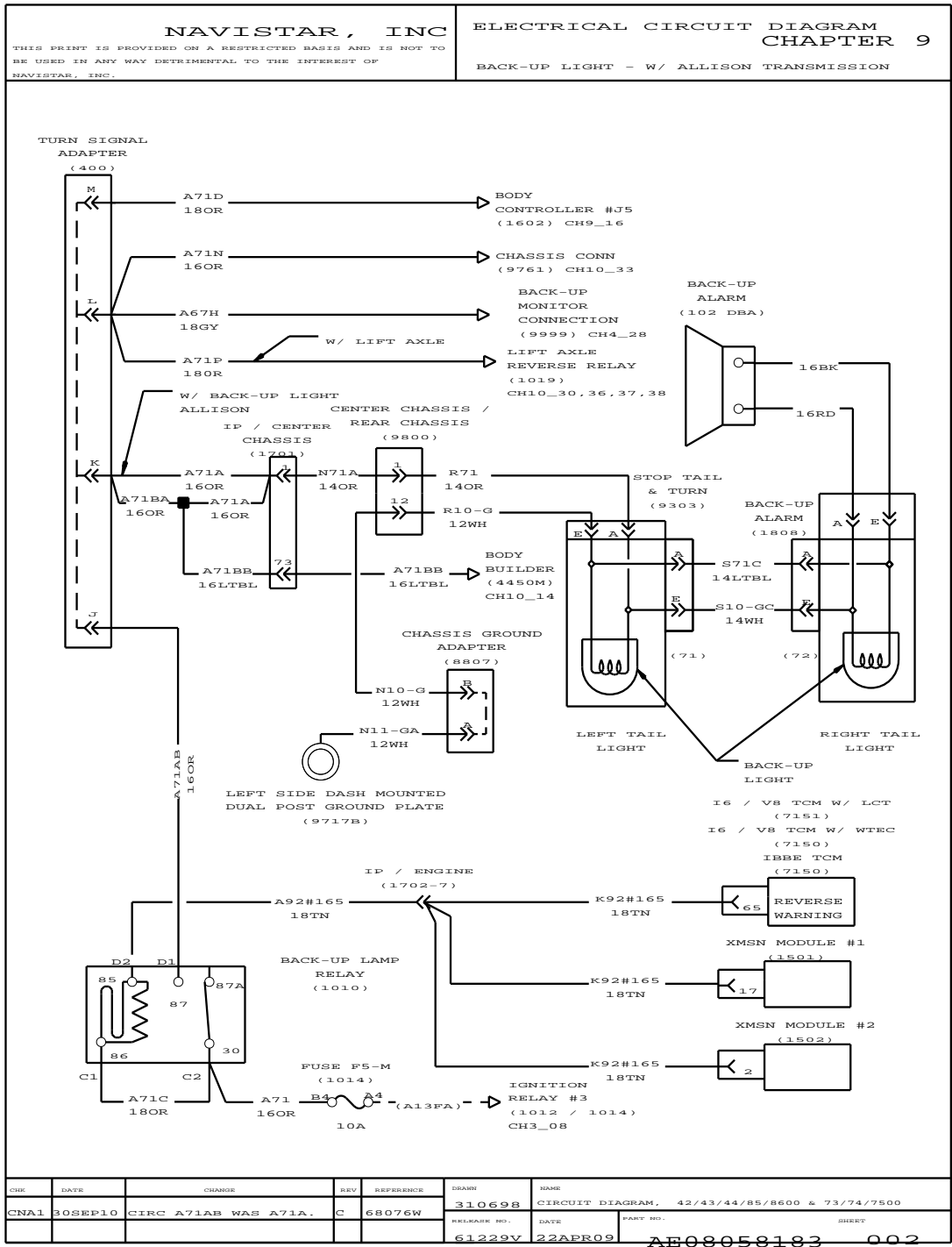


Figure 286 Back-Up Lights with Allison Transmission

9.3. LIGHT SYSTEMS – CLEARANCE, MARKER, PARK, TAIL, TURN AND STOP LIGHTS, P. 3

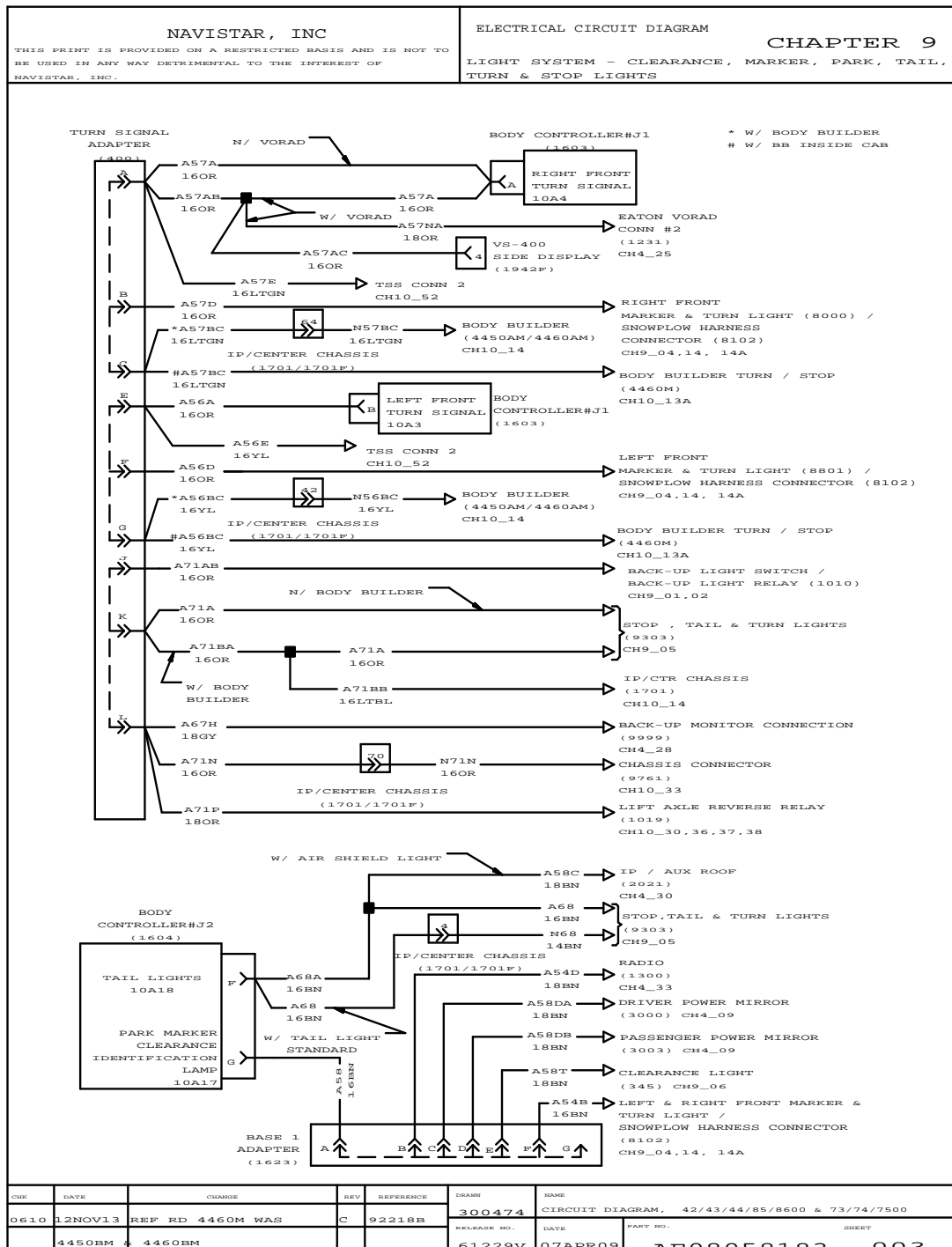


Figure 287 Light Systems – Clearance, Marker, Park, Tail, Turn and Stop Lights

9.4. LIGHT SYSTEMS – CLEARANCE, MARKER, PARK, TAIL, TURN AND STOP LIGHTS (CONT.), P. 3A

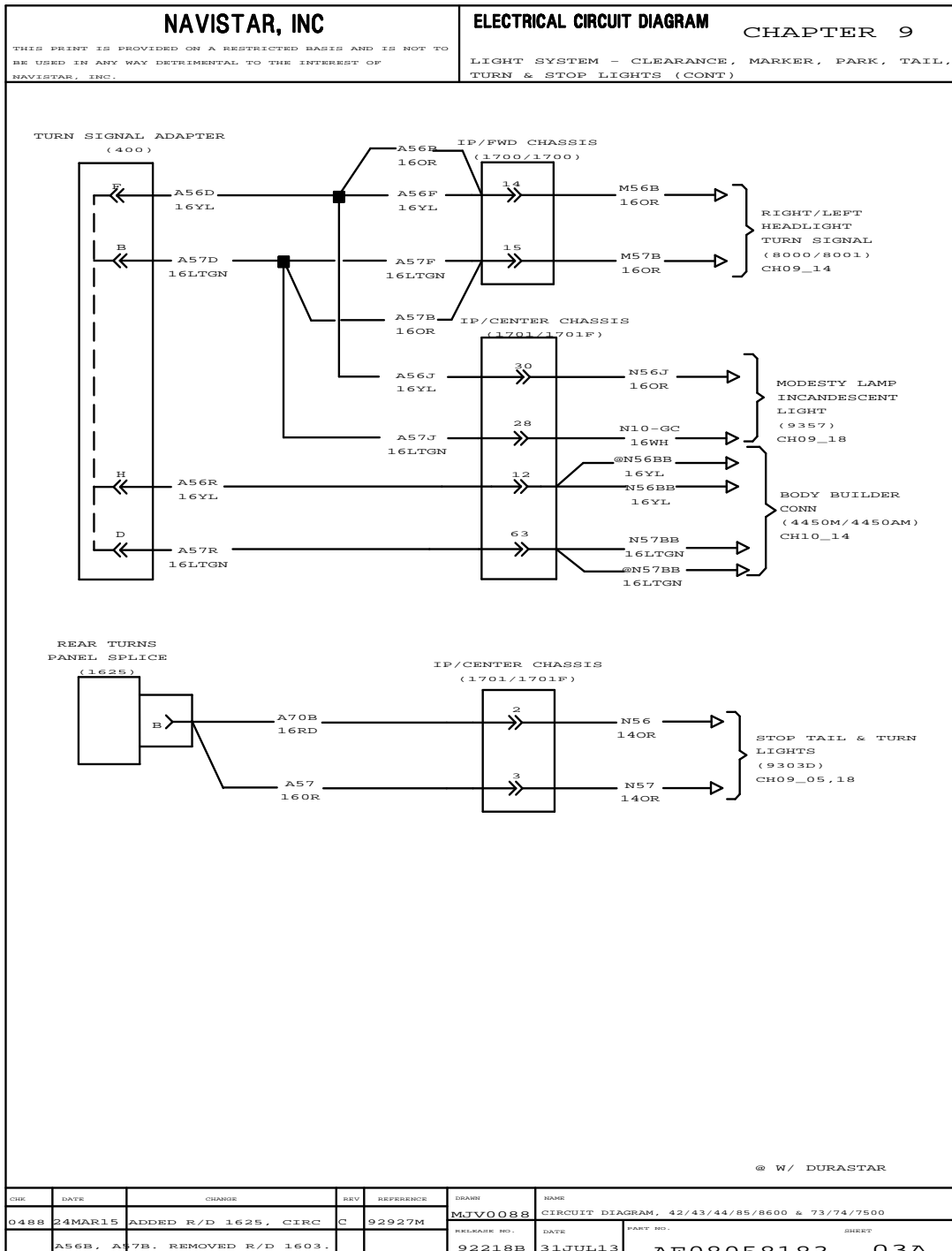


Figure 288 Light Systems – Clearance, Marker, Park, Tail, Turn and Stop Lights (Cont.)

9.5. LIGHT SYSTEMS – CLEARANCE, MARKER, PARK, TAIL, TURN AND STOP LIGHTS (CONT.), P. 4

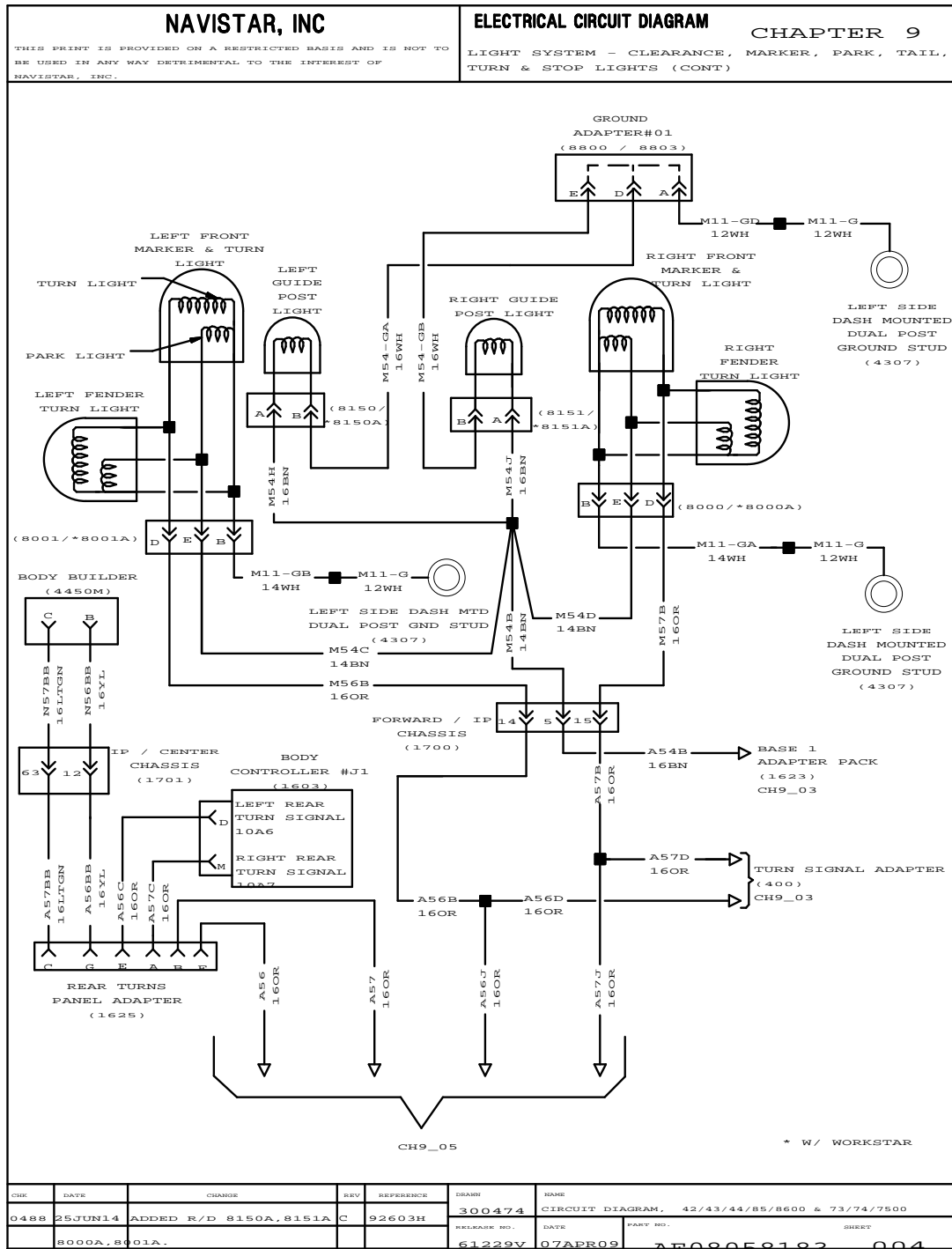


Figure 289 Light Systems – Clearance, Marker, Park, Tail, Turn and Stop Lights (Cont.)

9.6. LIGHT SYSTEMS – CLEARANCE, MARKER, PARK, TAIL, TURN AND STOP LIGHTS (CONT.), P. 5

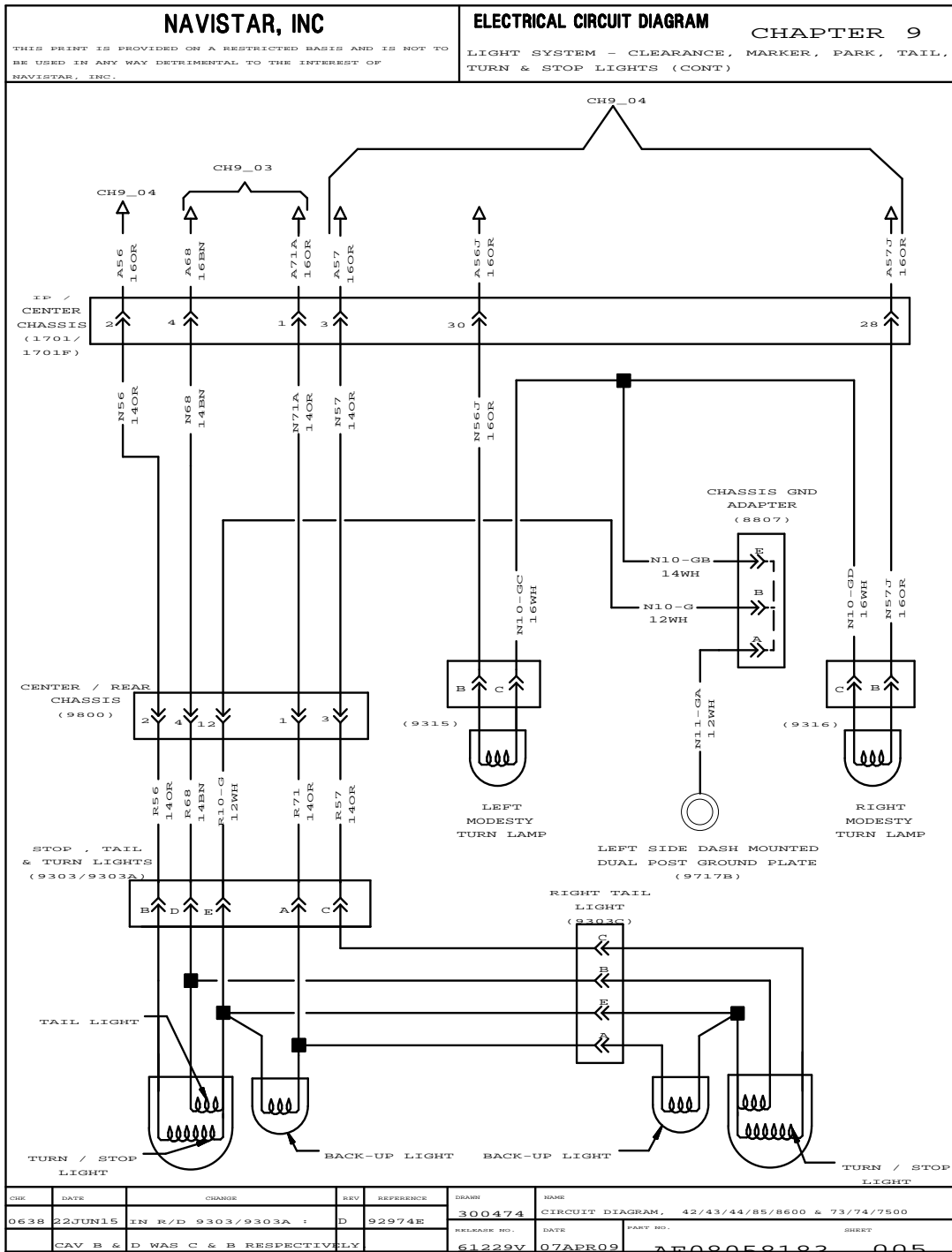


Figure 290 Light Systems – Clearance, Marker, Park, Tail, Turn and Stop Lights (Cont.)

9.7. LIGHT SYSTEMS – CLEARANCE, MARKER, PARK, TAIL, TURN AND STOP LIGHTS (CONT.), P. 6

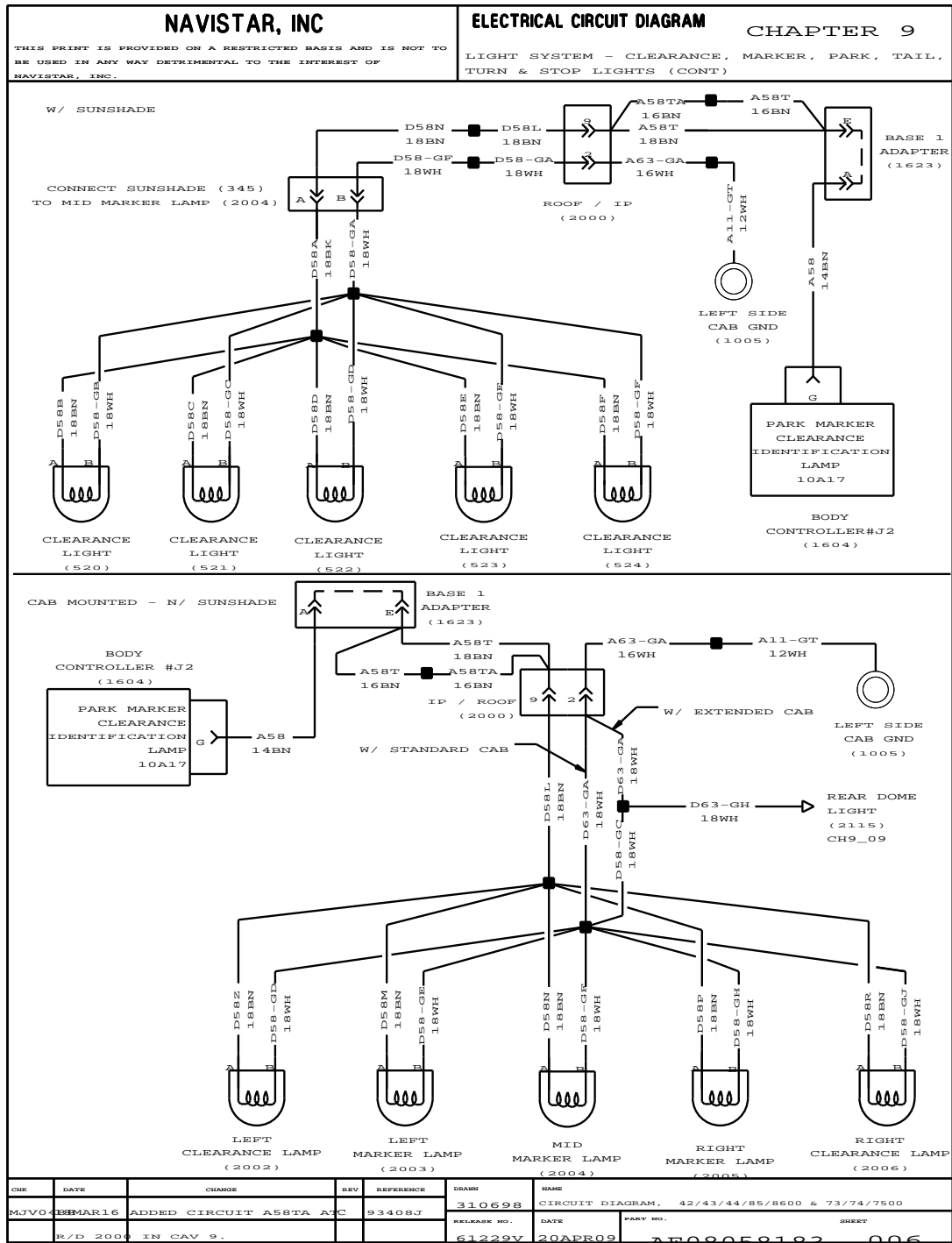


Figure 291 Light Systems – Clearance, Marker, Park, Tail, Turn and Stop Lights (Cont.)

9.8. LIGHT SYSTEMS – TURN SIGNAL AND STOP SWITCHES, P. 7

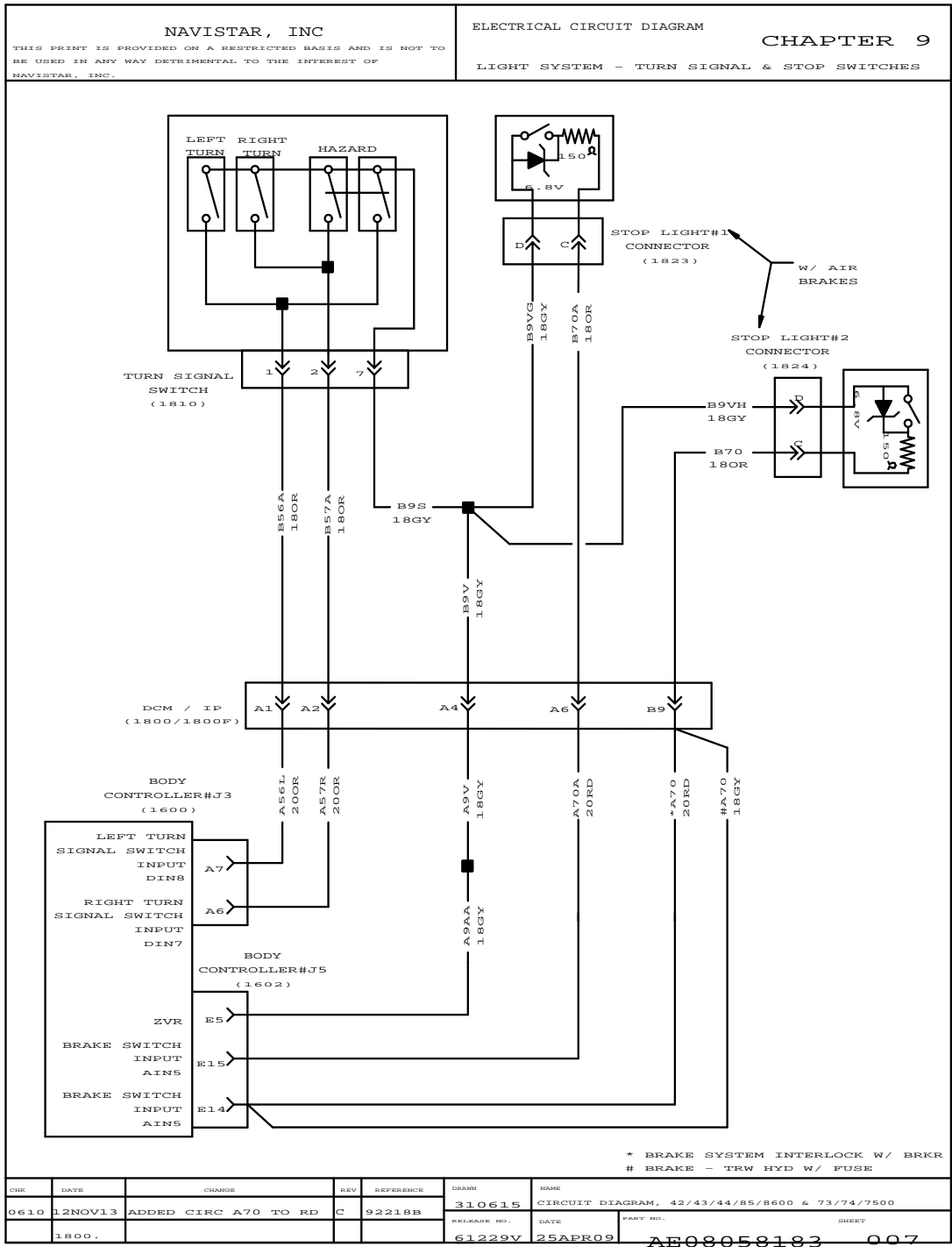


Figure 292 Light Systems – Turn Signal and Stop Switches

9.9. DOME LIGHT, MAP LIGHT, P. 8

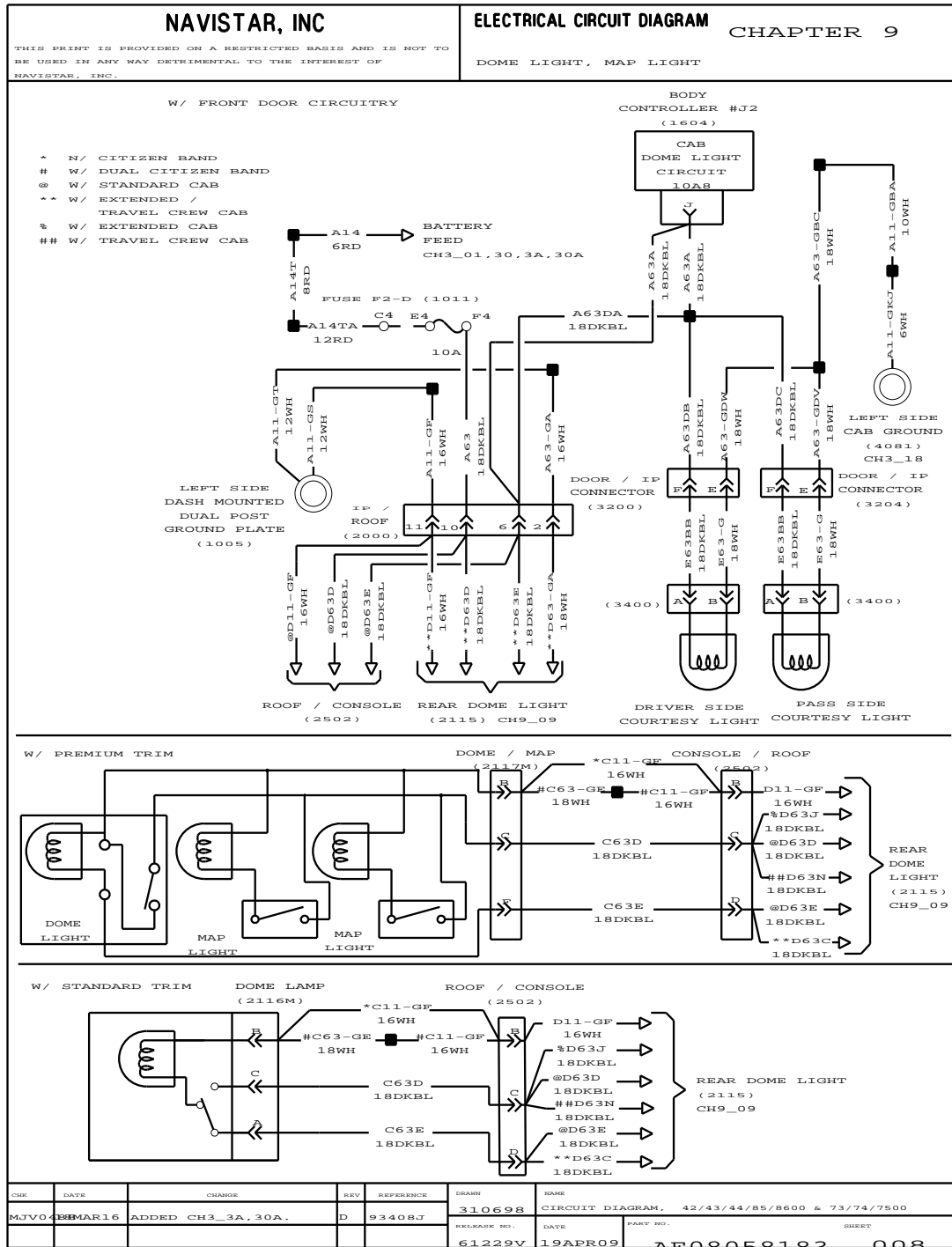


Figure 293 Dome Light, Map Light

9.10. DOME LIGHT, MAP LIGHT (CONT.), P. 9

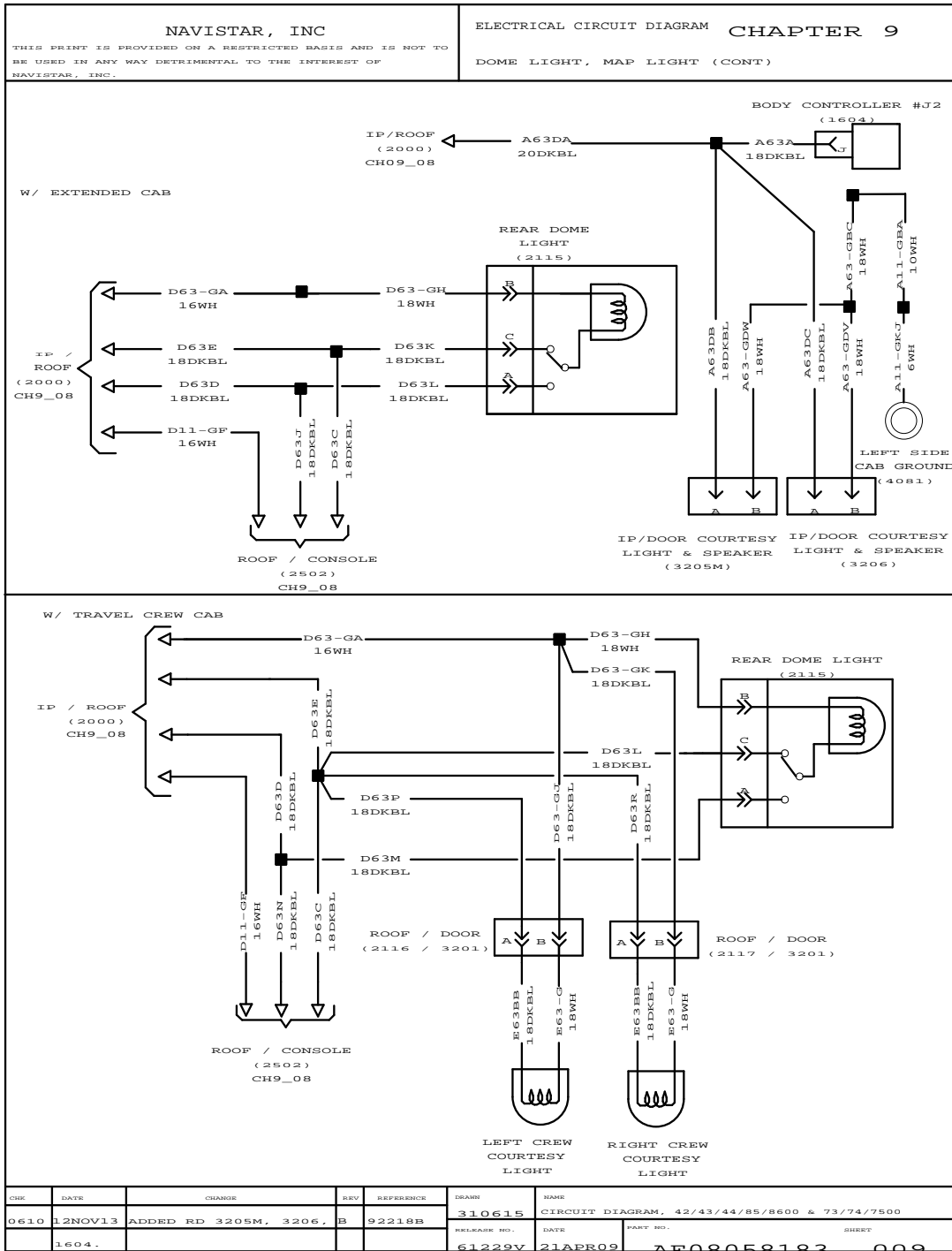


Figure 294 Dome Light, Map Light (Cont.)

9.11. DOME LIGHT, MAP LIGHT (CONT.), P. 10

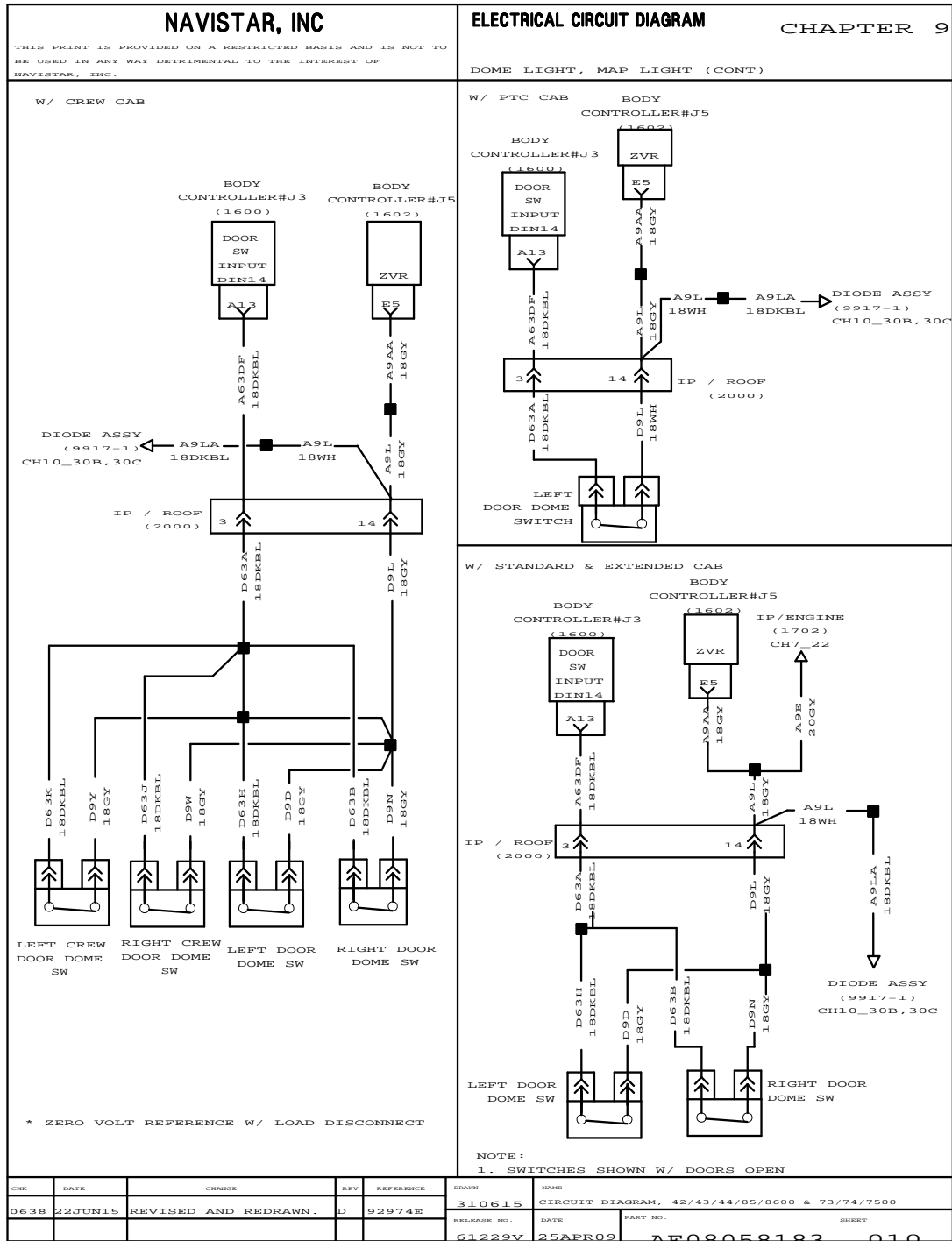


Figure 295 Dome Light, Map Light (Cont.)

9.12. LIGHT SYSTEM, FOG LIGHT, P. 11

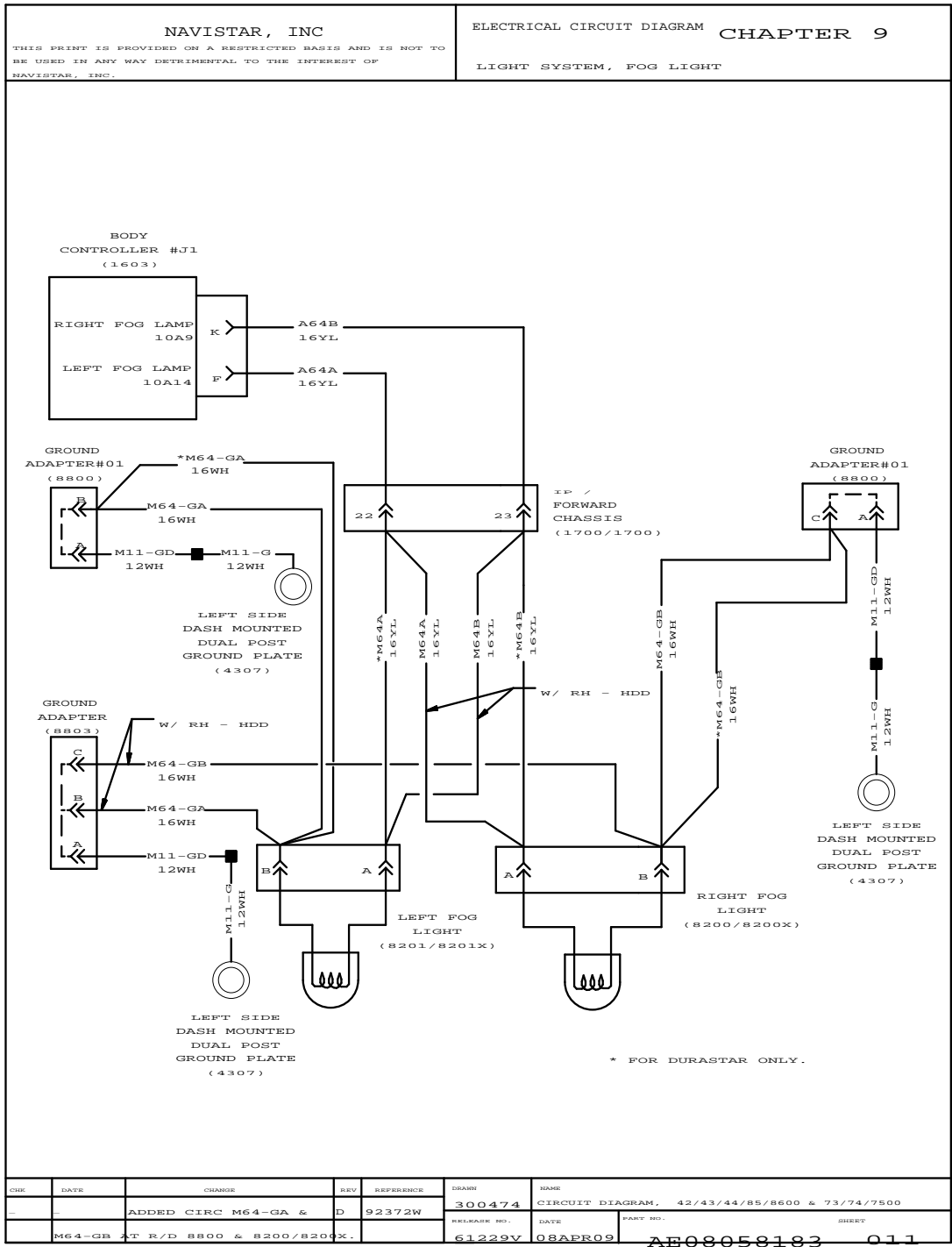


Figure 296 Light System, Fog Light

9.13. HEADLIGHTS, P. 12

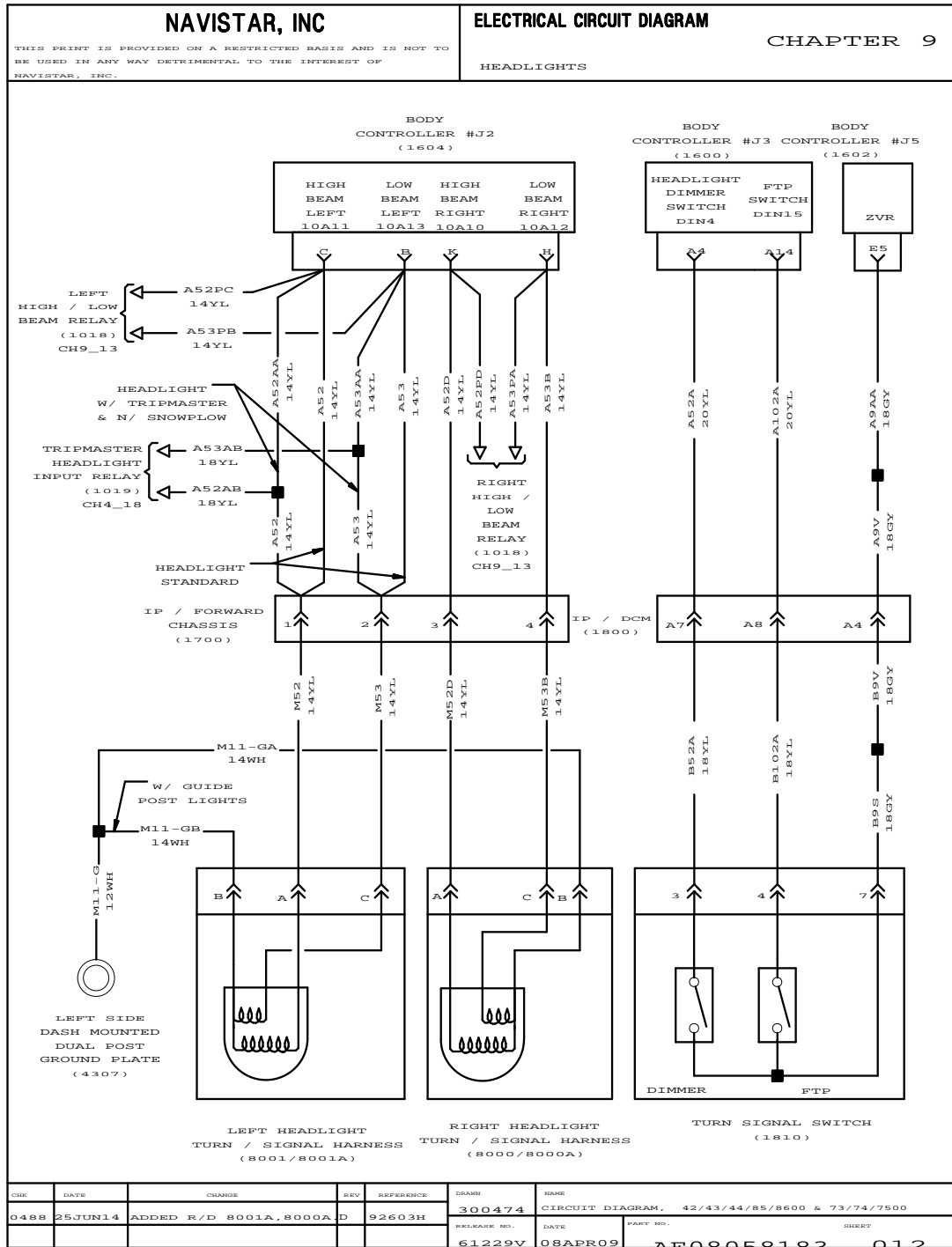
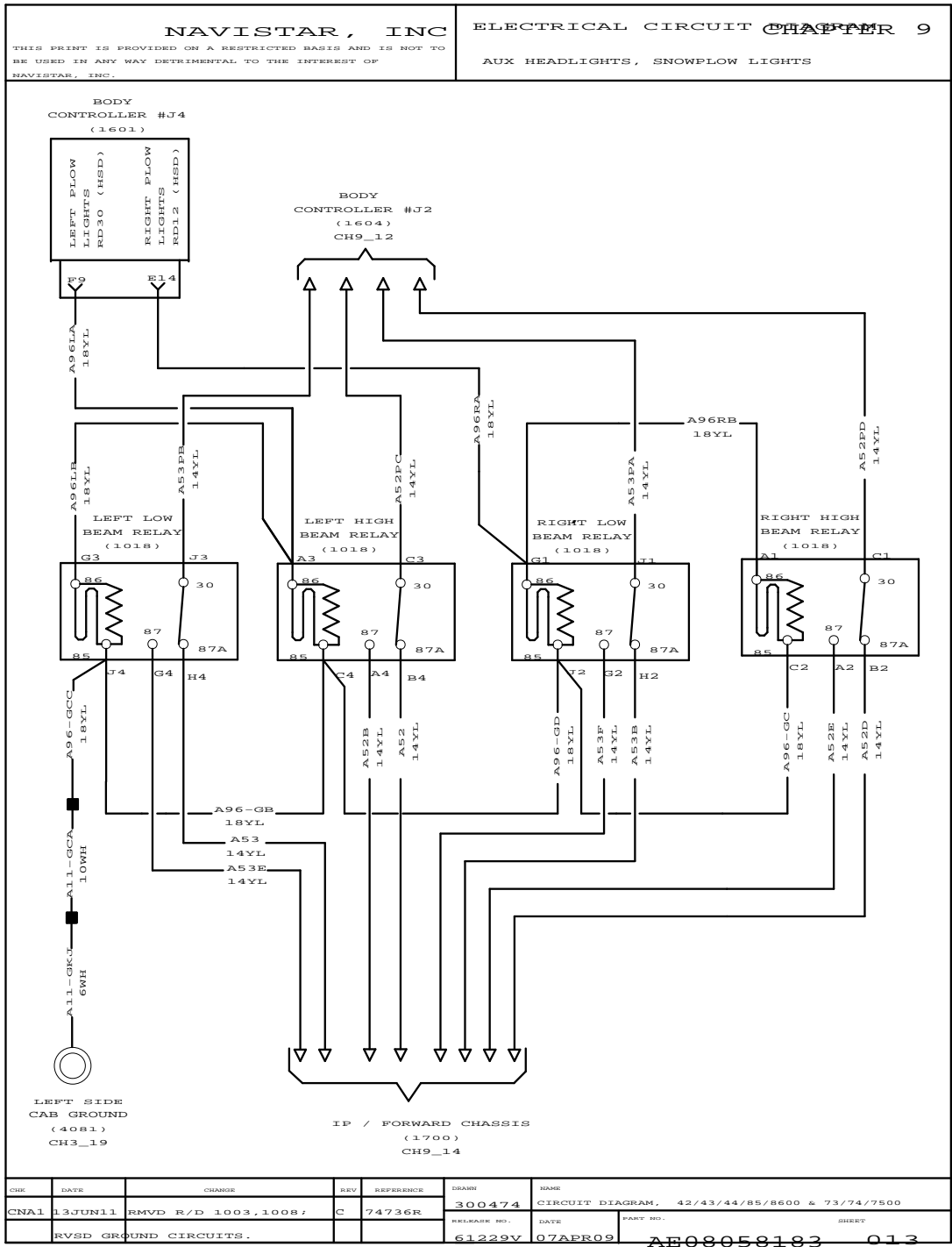


Figure 297 Headlights

9.14. AUXILIARY HEADLIGHTS, SNOW PLOW LIGHTS, P. 13



9.15. AUXILIARY HEADLIGHTS, SNOW PLOW LIGHTS (CONT.), P. 14

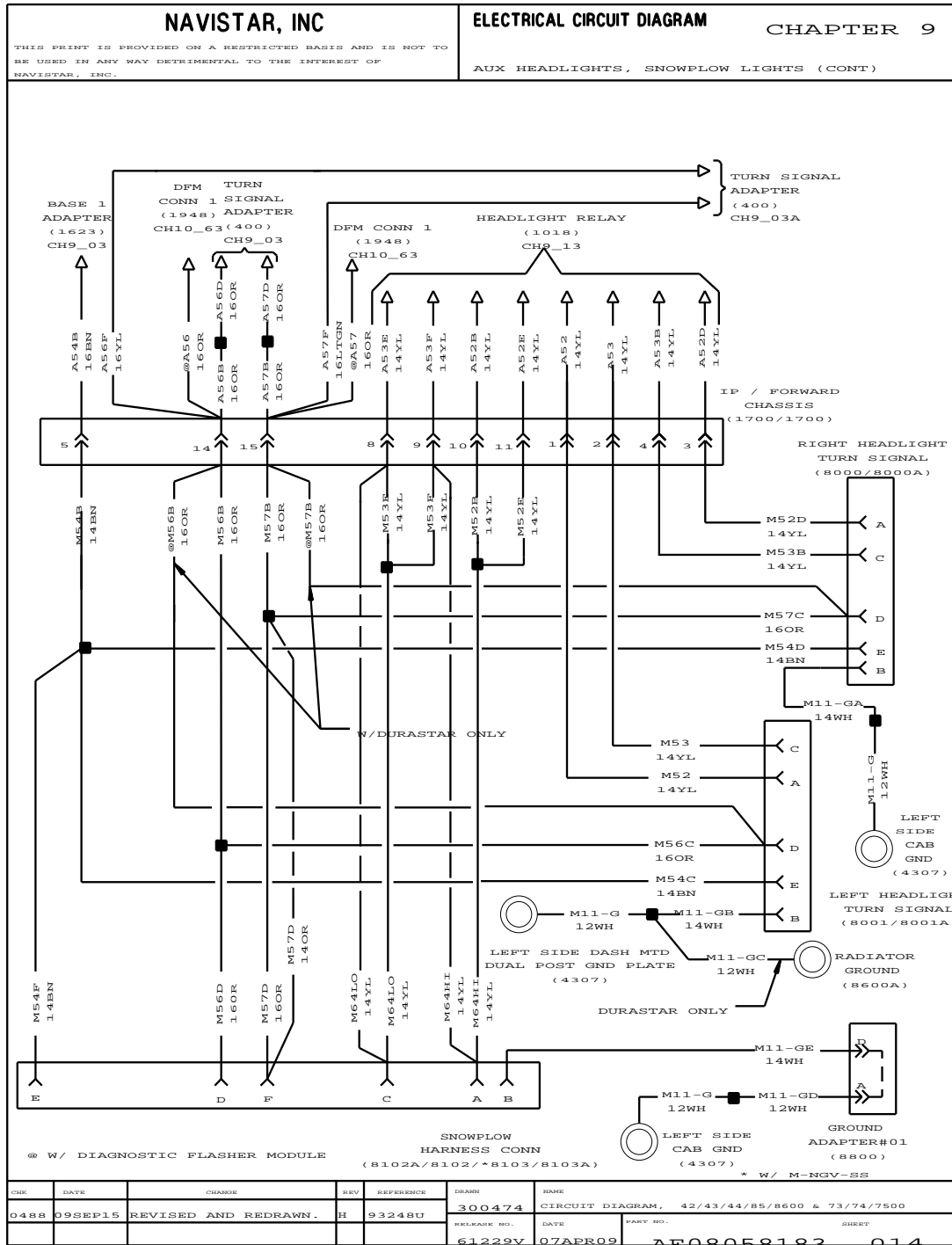


Figure 299 Auxiliary Headlights, Snow Plow Lights (Cont.)

9.16. AUXILIARY HEADLIGHTS, SNOW PLOW LIGHTS (CONT.), P. 14A

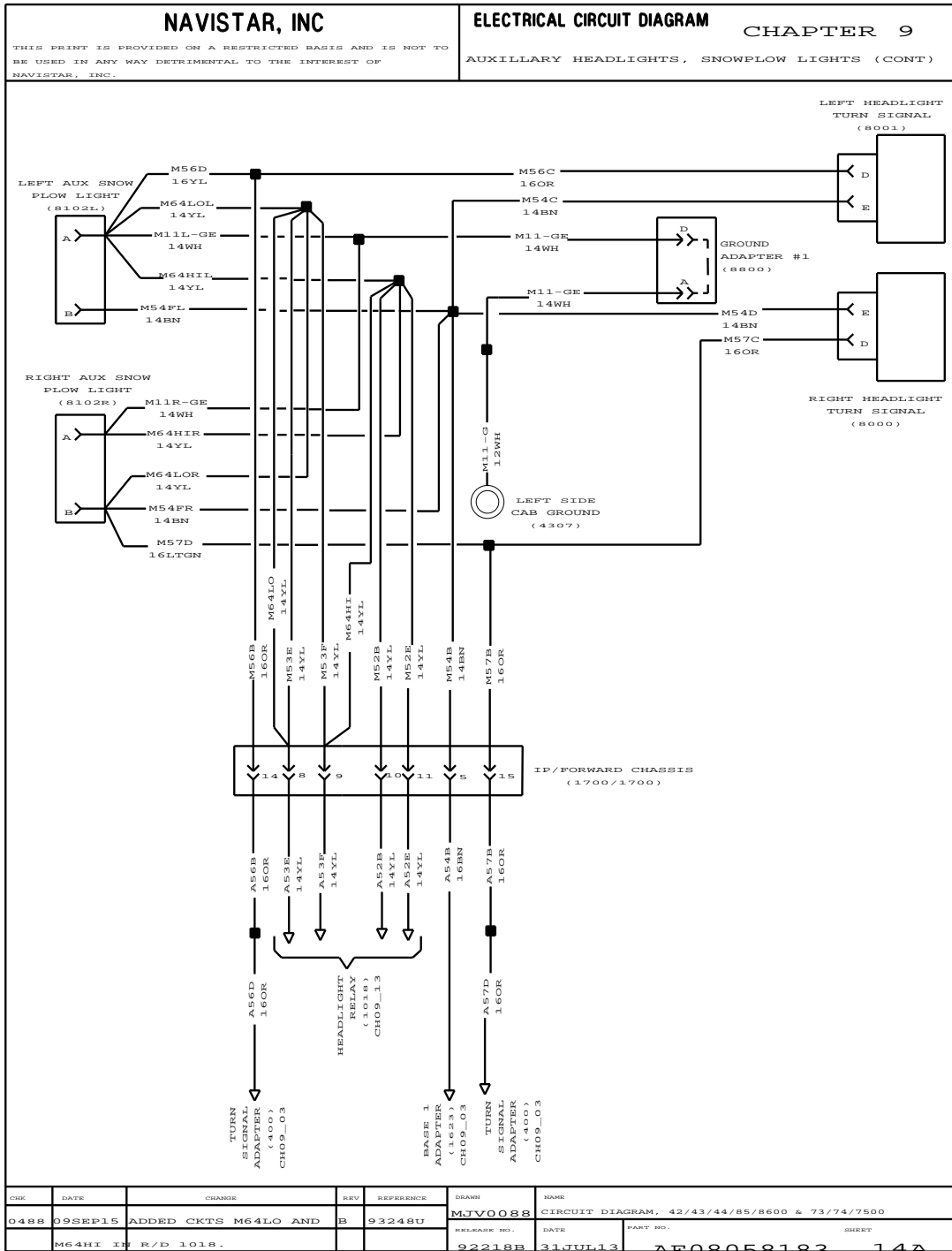


Figure 300 Auxiliary Headlights, Snow Plow Lights (Cont.)

9.17. PANEL LIGHTS, P. 15

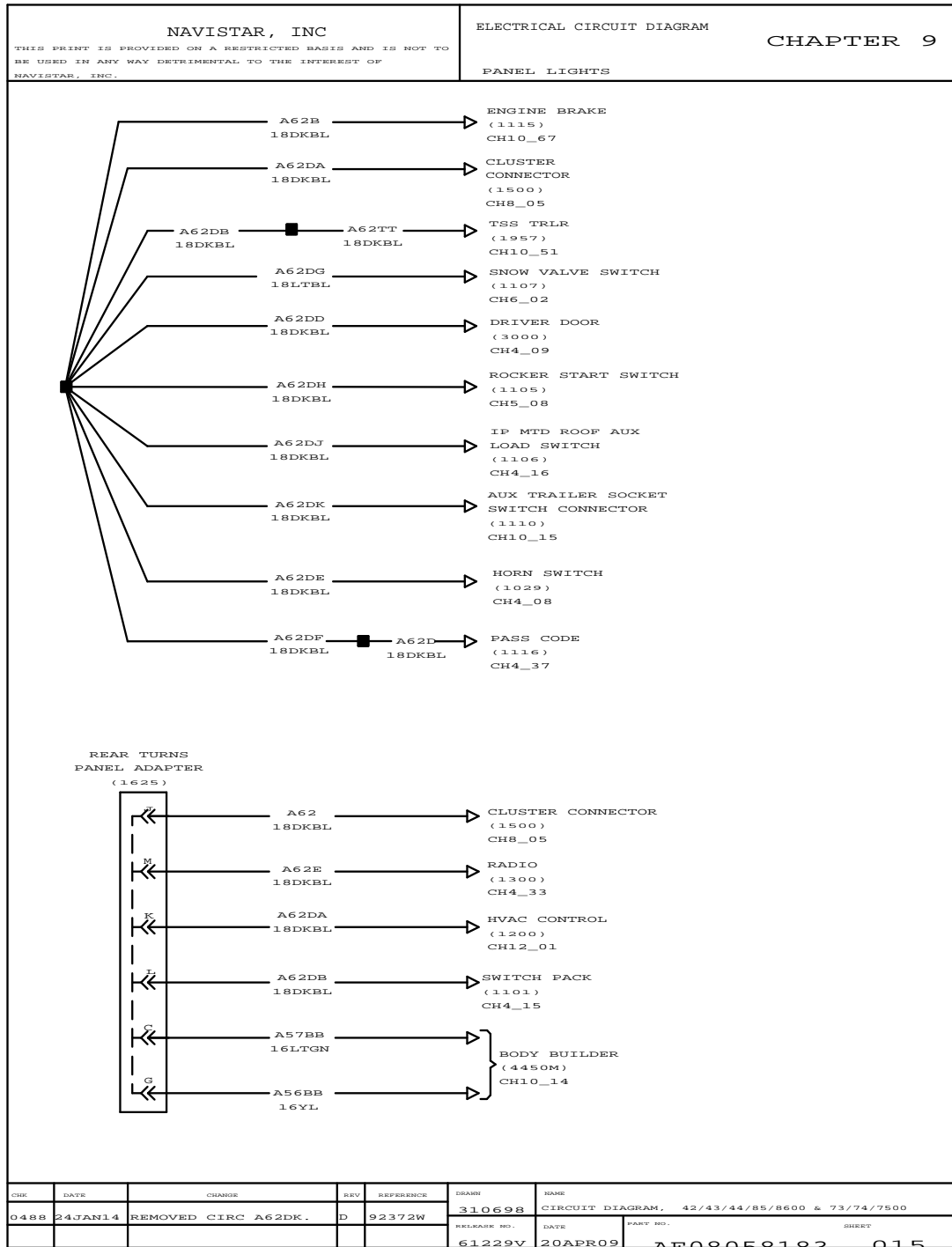


Figure 301 Panel Lights

9.18. PANEL LIGHTS (CONT.), P. 15A

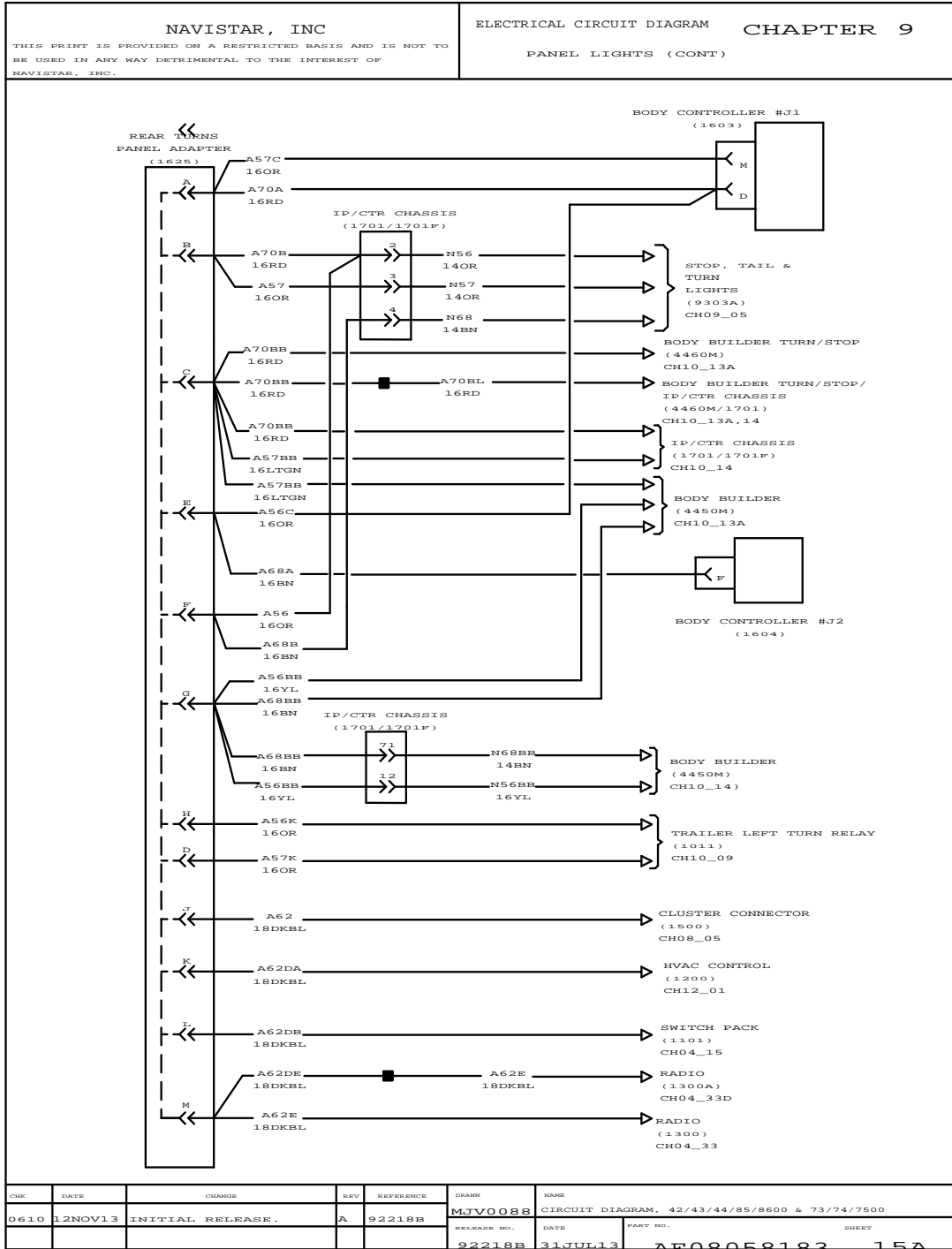
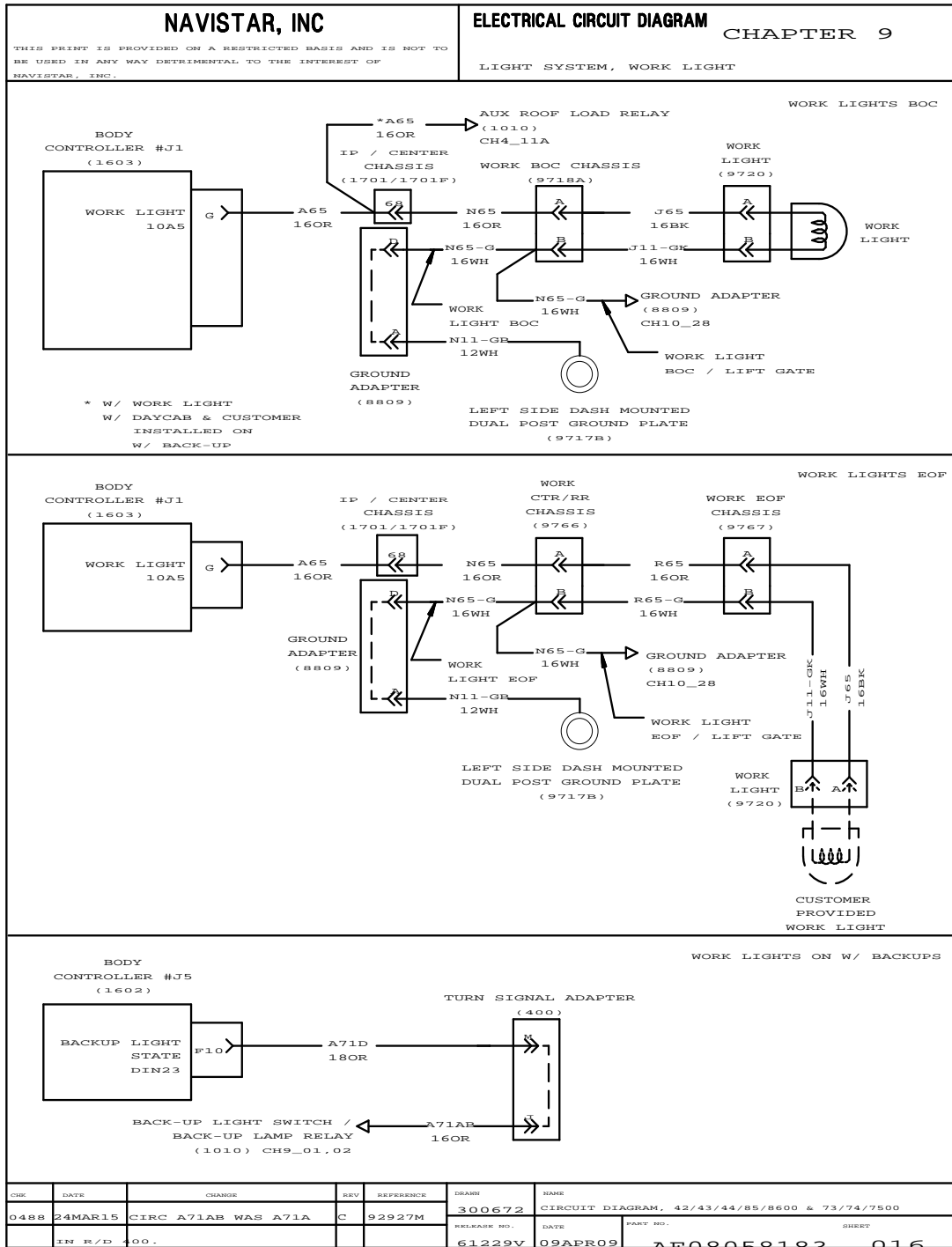


Figure 302 Panel Lights (Cont.)

9.19. LIGHT SYSTEM, WORK LIGHT, P. 16



CHK	DATE	CHANGE	REV	REFERENCE	DRAWN	NAME
0488	24MAR15	CIRC A71AB WAS A71A	C	92927M	300672	CIRCUIT DIAGRAM, 42/43/44/85/8600 & 73/74/7500
	IN R/D	400.			61229V	09APR09
						PARTY NO. SHEET
						AE08058183 016

Figure 303 Light System, Work Light

9.20. LIGHT SYSTEM, WORK LIGHT (CONT.), P. 16A

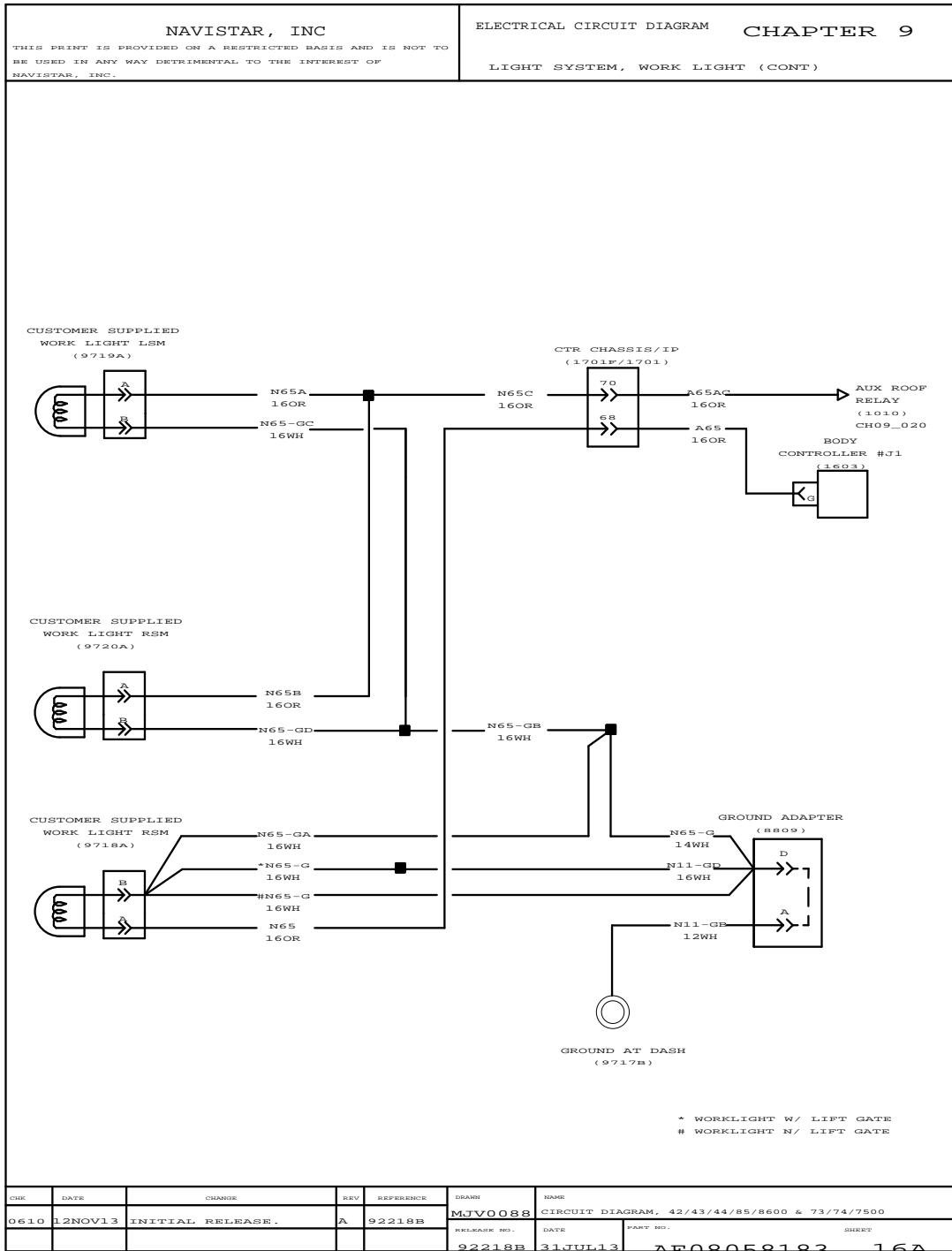


Figure 304 Light System, Work Light (Cont.)

9.21. CUSTOMER SUPPLIED WORK LIGHT WIRING, P. 17

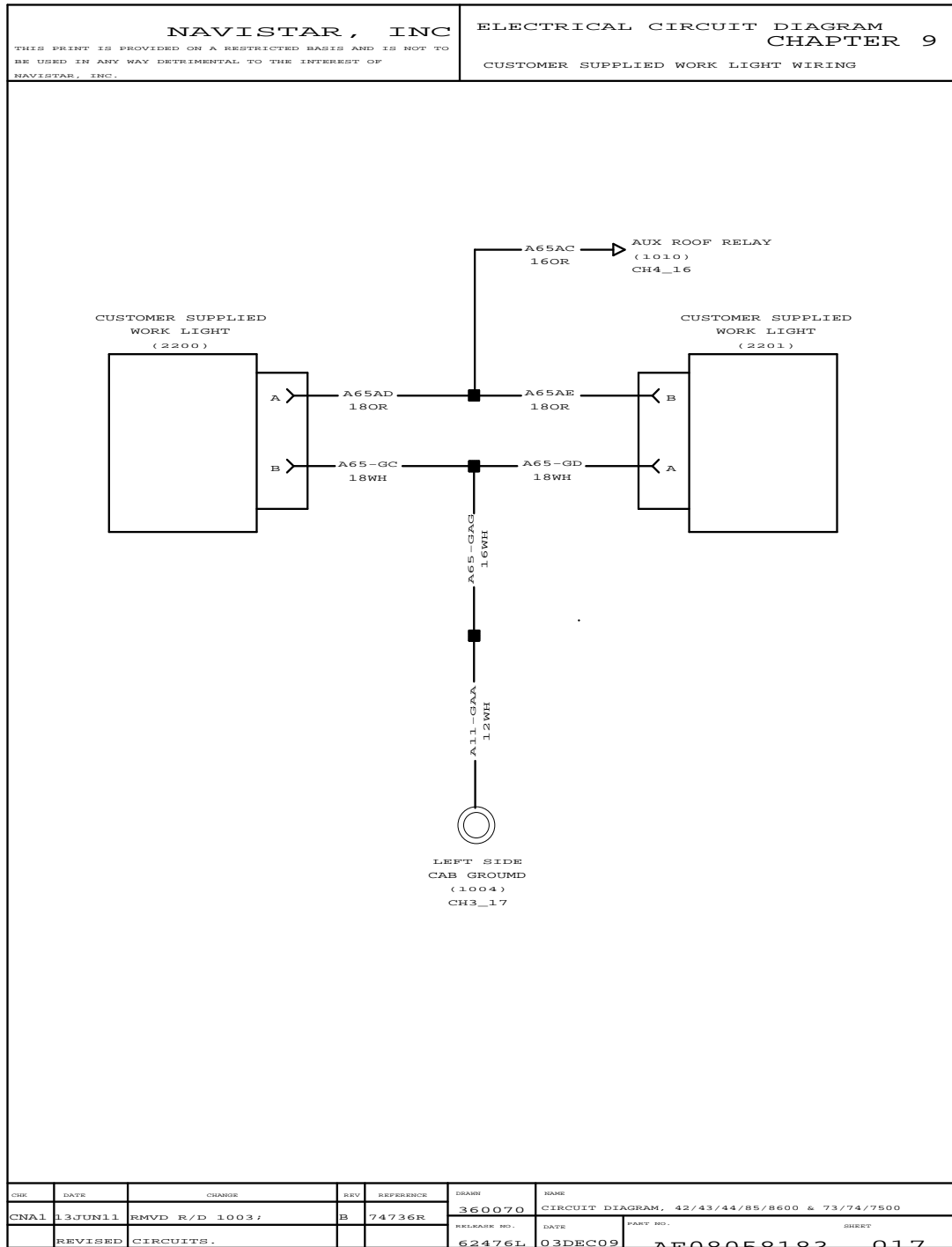


Figure 305 Customer Supplied Work Light Wiring

9.23. LIGHT SYSTEM – CLEARANCE, MARKER, PARK TAIL, TURN AND STOP LIGHTS (CONT.), P. 19

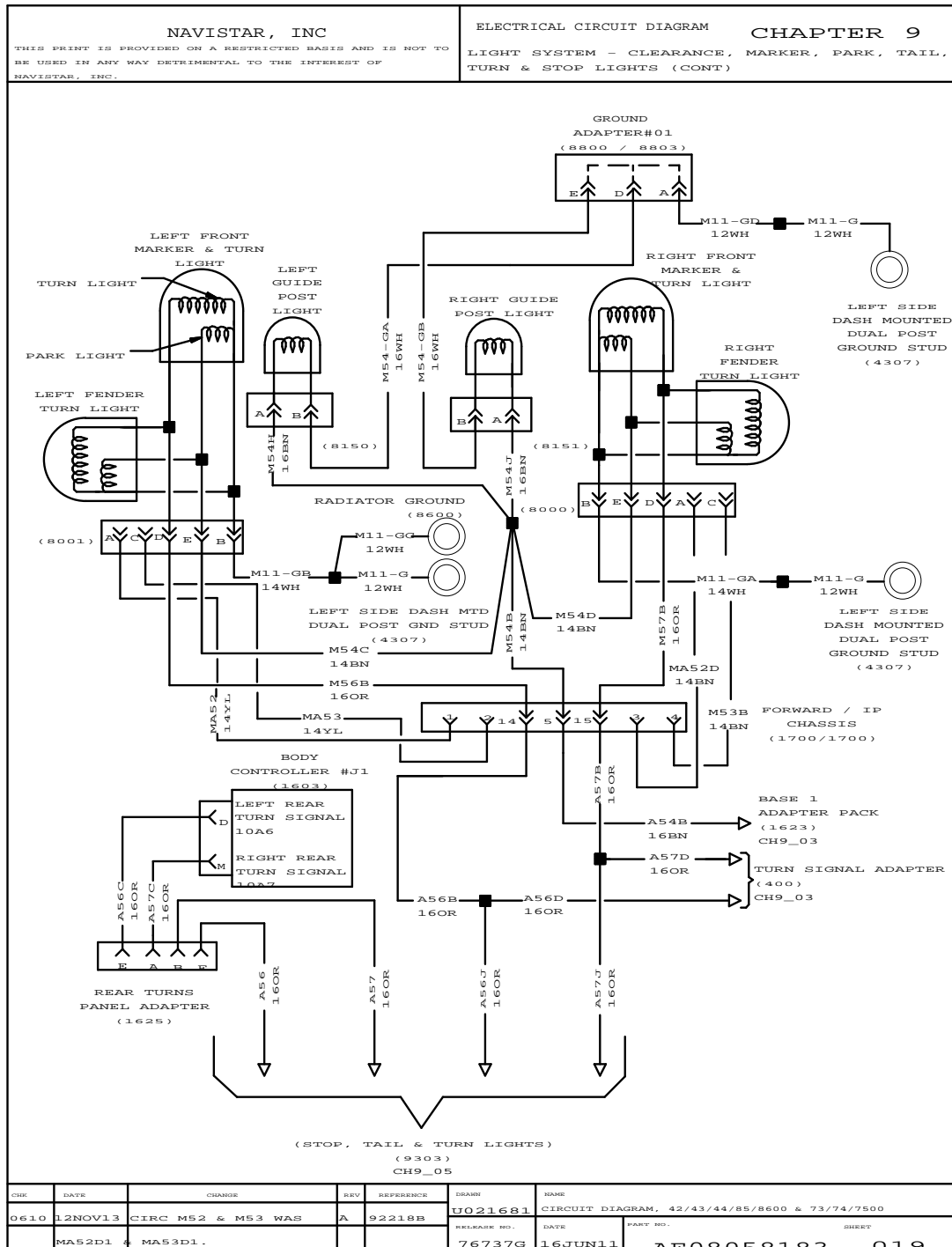


Figure 307 Light System – Clearance, Marker, Park Tail, Turn and Stop Lights (Cont.)

9.24. CUSTOMER SUPPLIED LIGHTS, P. 20

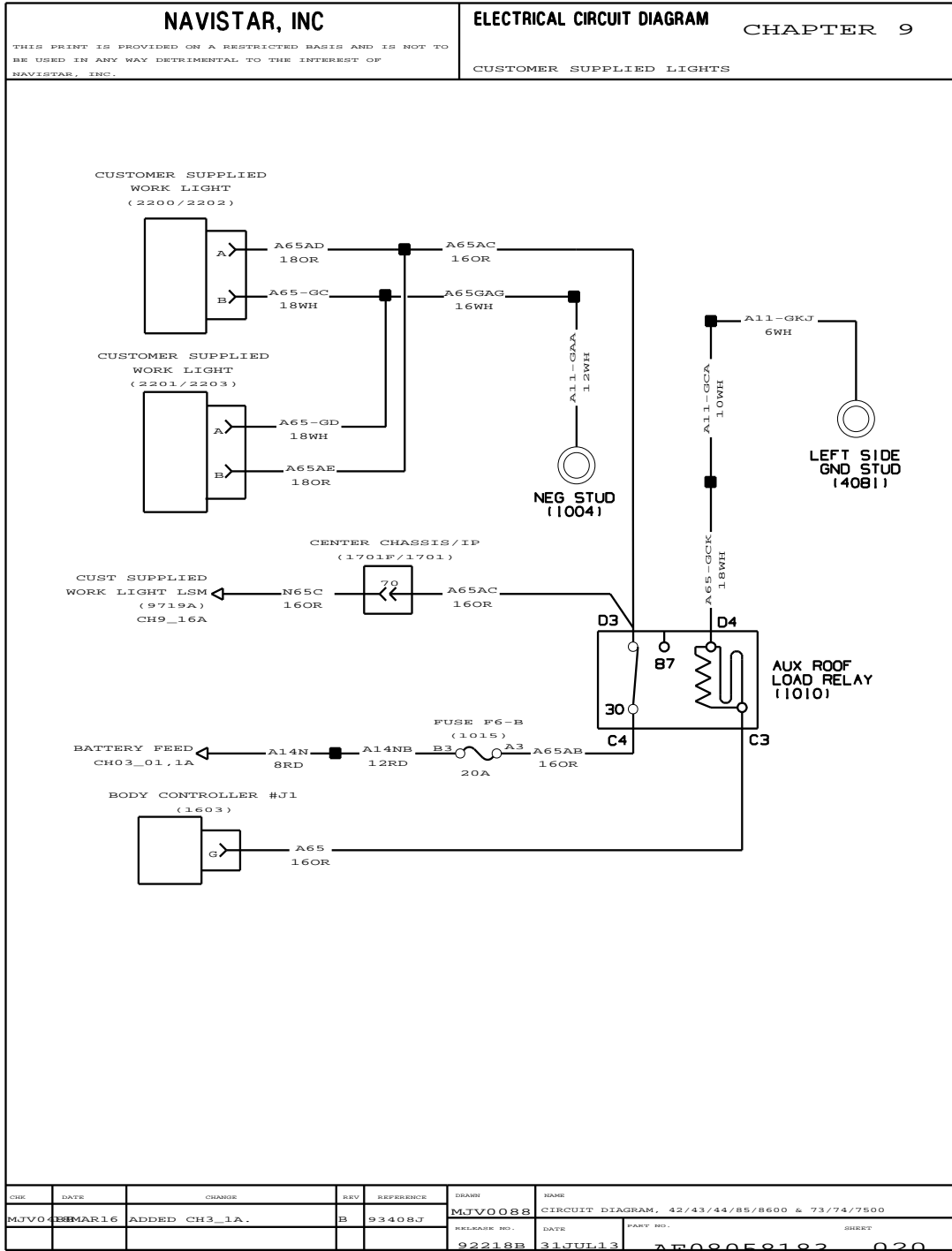


Figure 308 Customer Supplied Lights

9.25. BACK UP LIGHT SWITCH WITH I6, I-367 ENGINE, P. 21

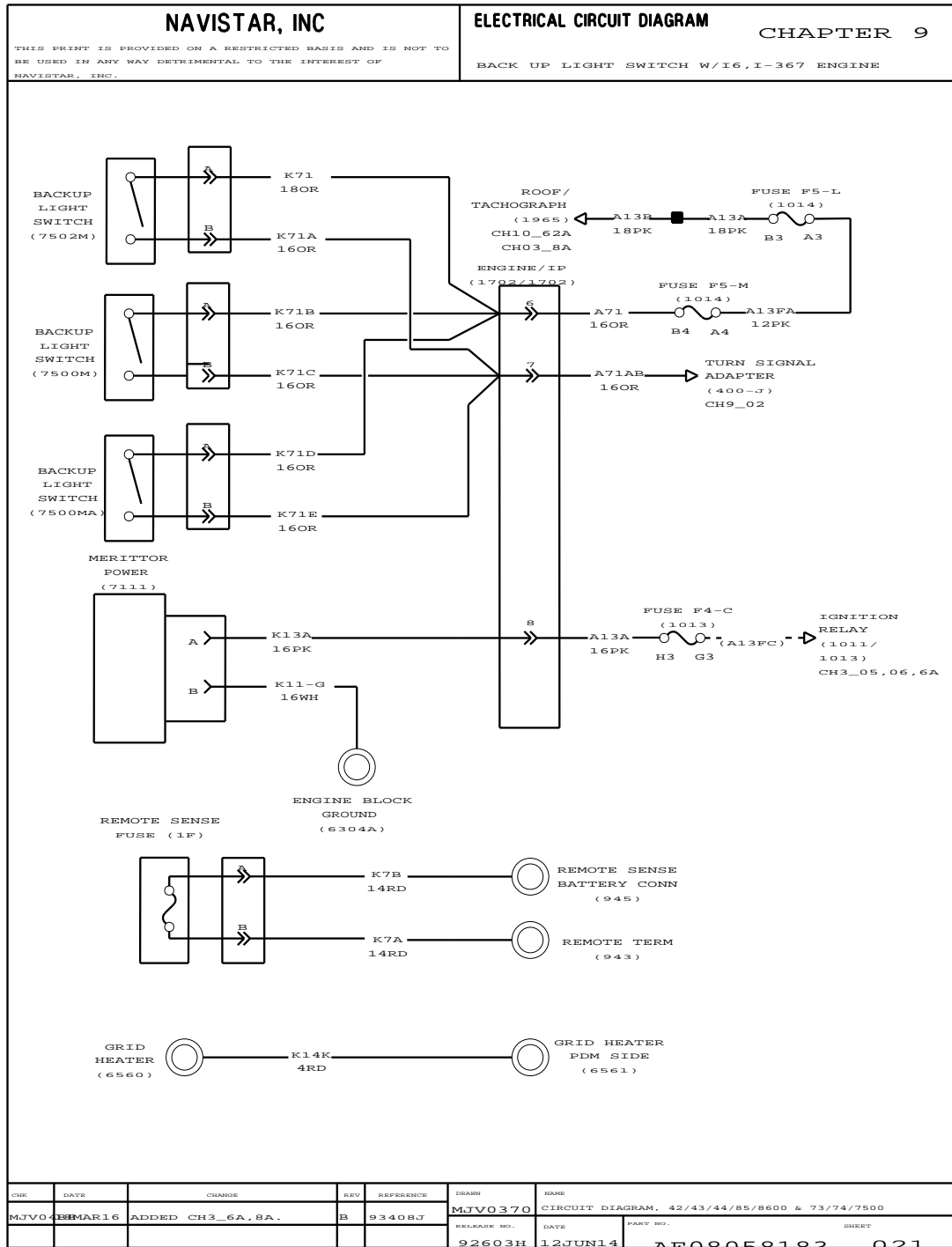


Figure 309 Back Up Light Switch with I6, I-367 Engine

CHASSIS ACCESSORIES (CHAPTER 10)

10.1. ABS – BENDIX AIR, P. 1

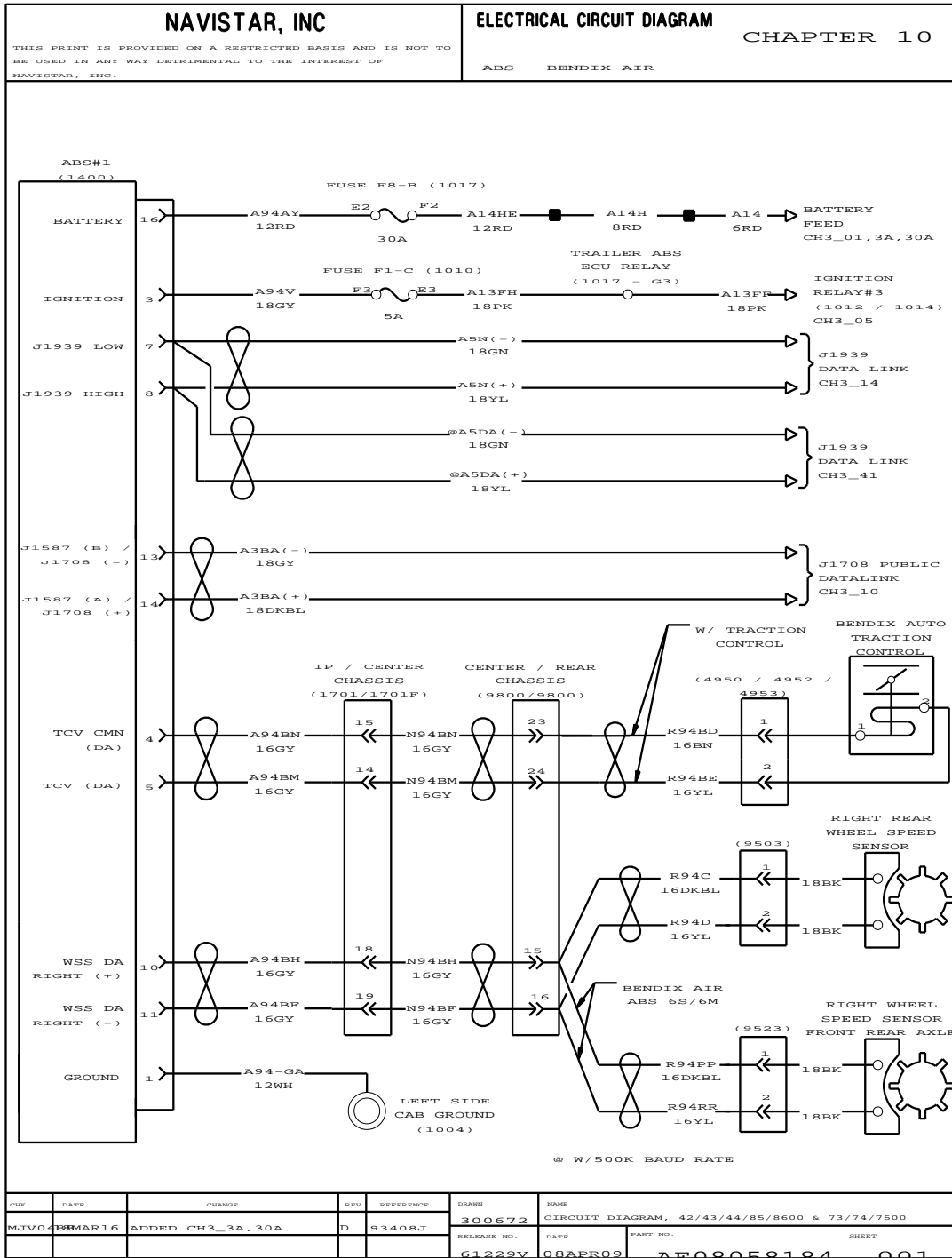


Figure 310 ABS – Bendix Air

10.2. ABS – BENDIX AIR (CONT.), P. 2

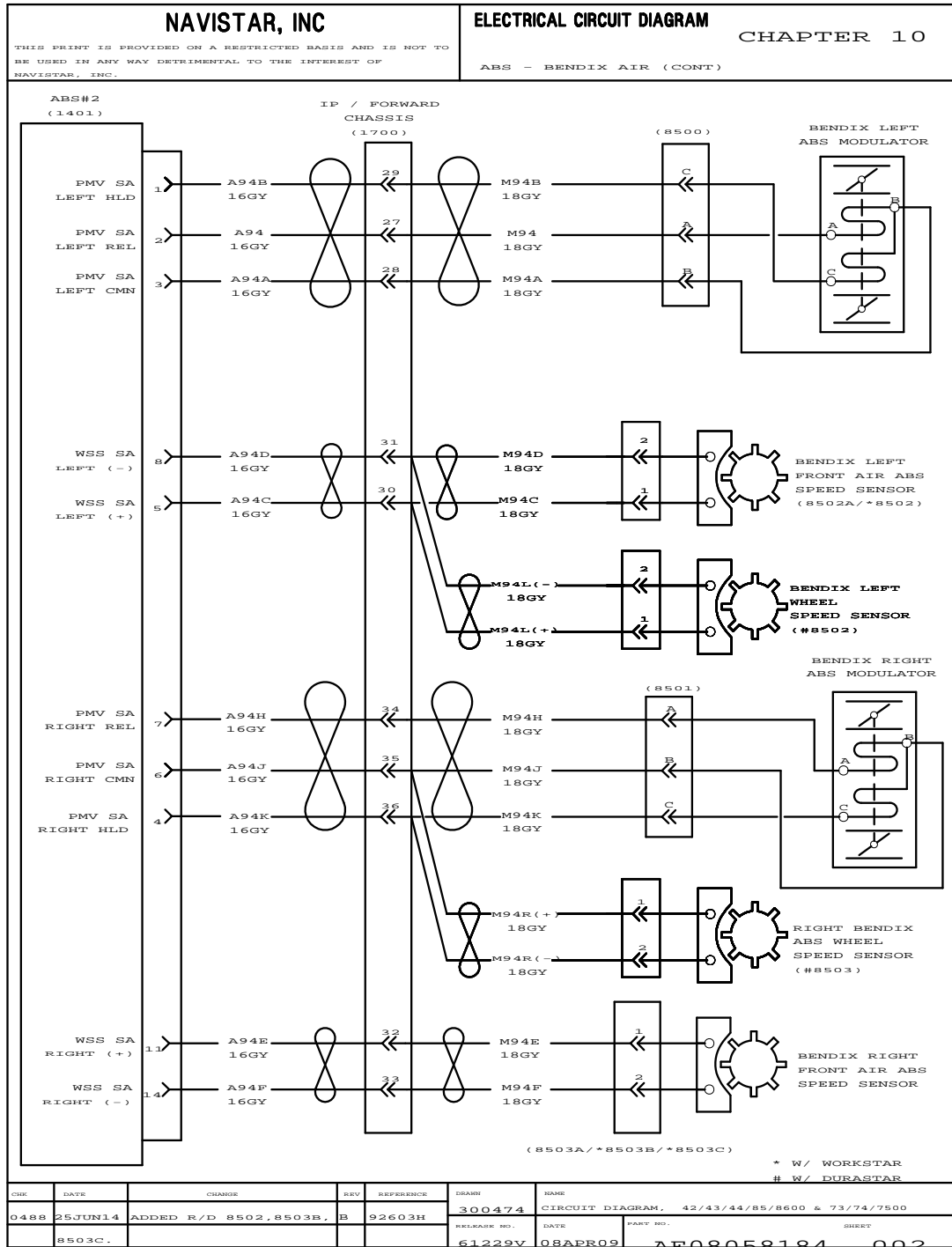


Figure 311 ABS – Bendix Air (Cont.)

10.3. ABS – BENDIX AIR (CONT.), P. 3

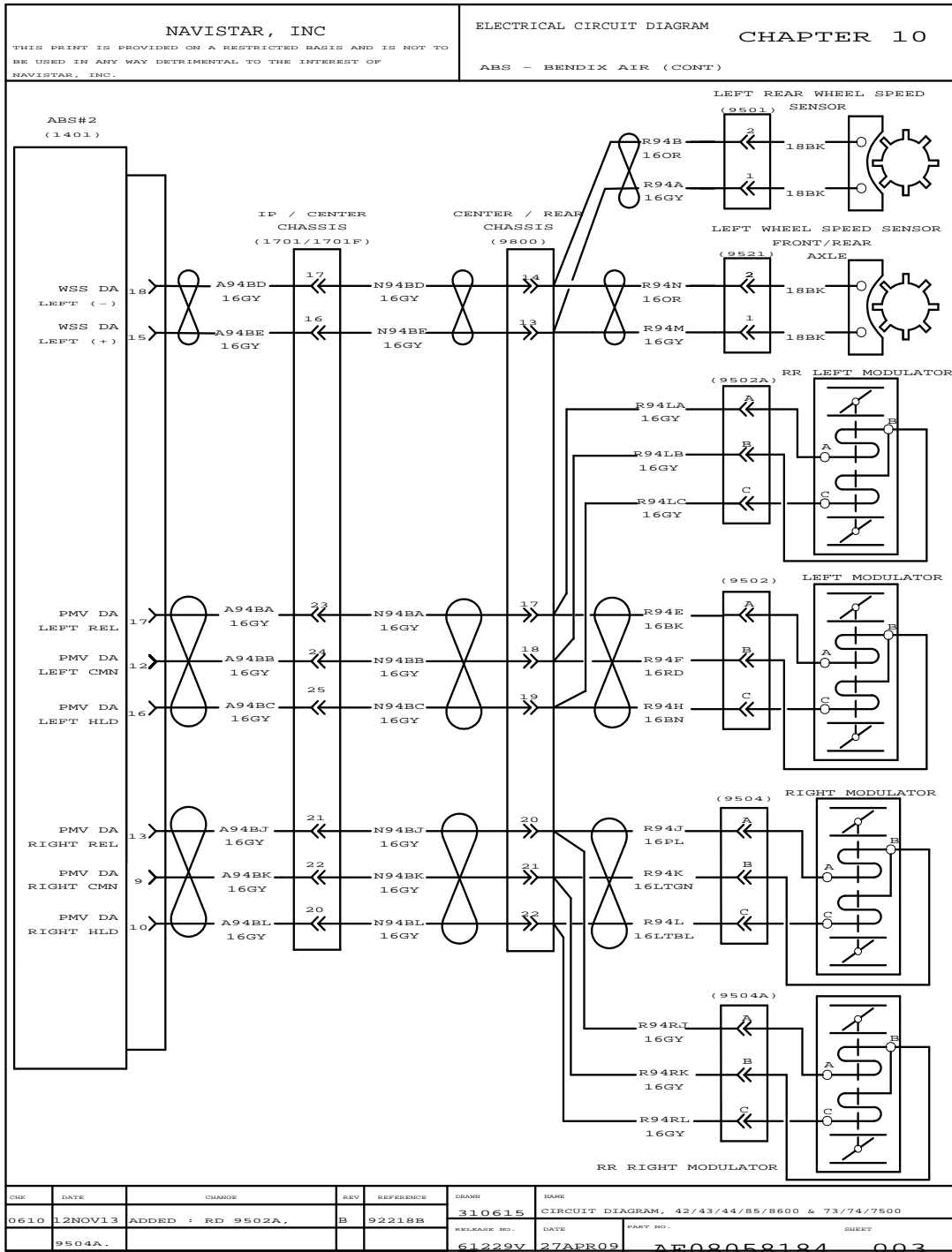


Figure 312 ABS – Bendix Air (Cont.)

10.4. ABS – BENDIX AIR (CONT.), P. 3A

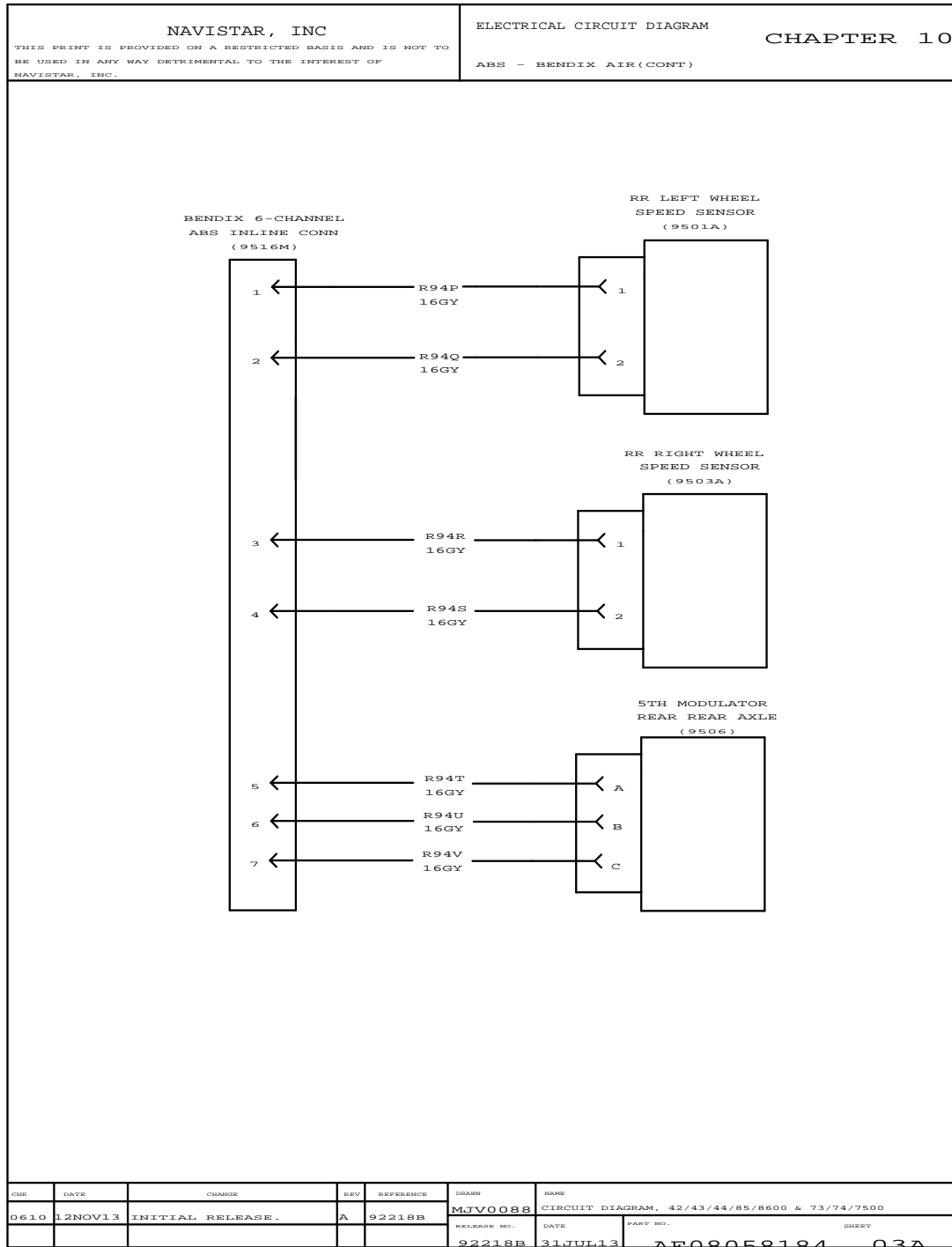


Figure 313 ABS – Bendix Air (Cont.)

10.5. ABS – WABCO AIR, P. 4

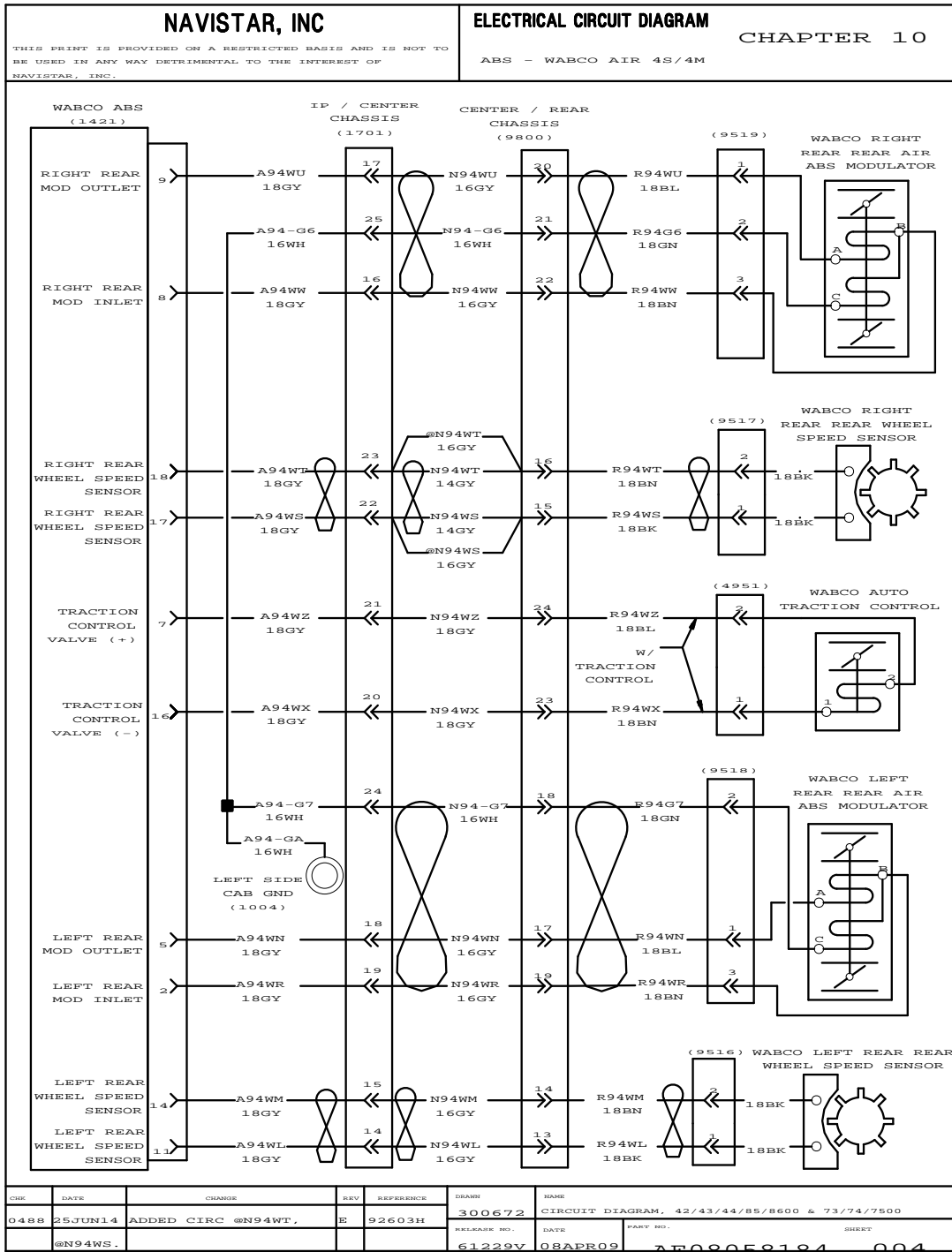


Figure 314 ABS – WABCO Air

10.6. ABS – WABCO AIR (CONT.), P. 5

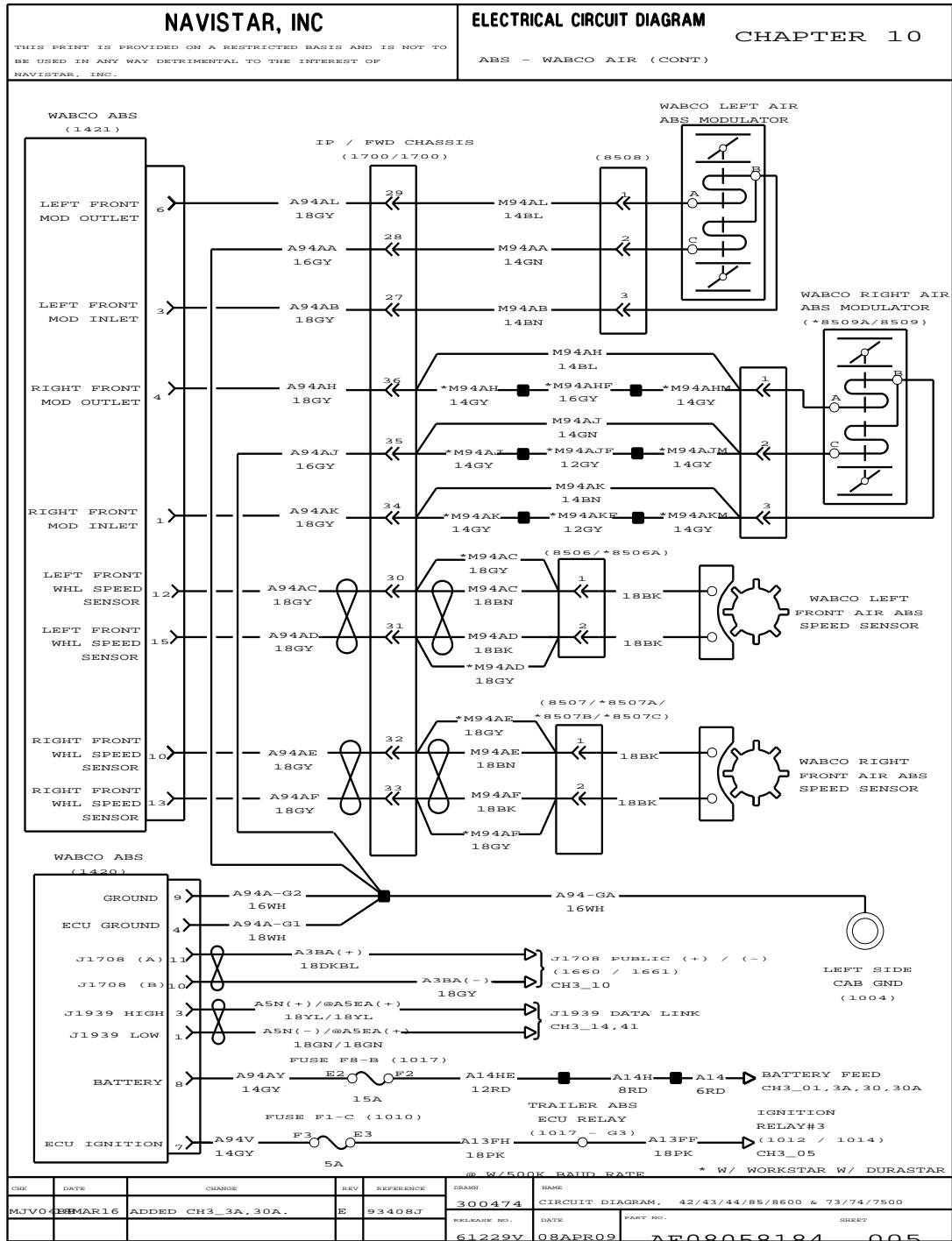


Figure 315 ABS – WABCO Air (Cont.)

10.7. WABCO FULL POWER BRAKES, P. 6

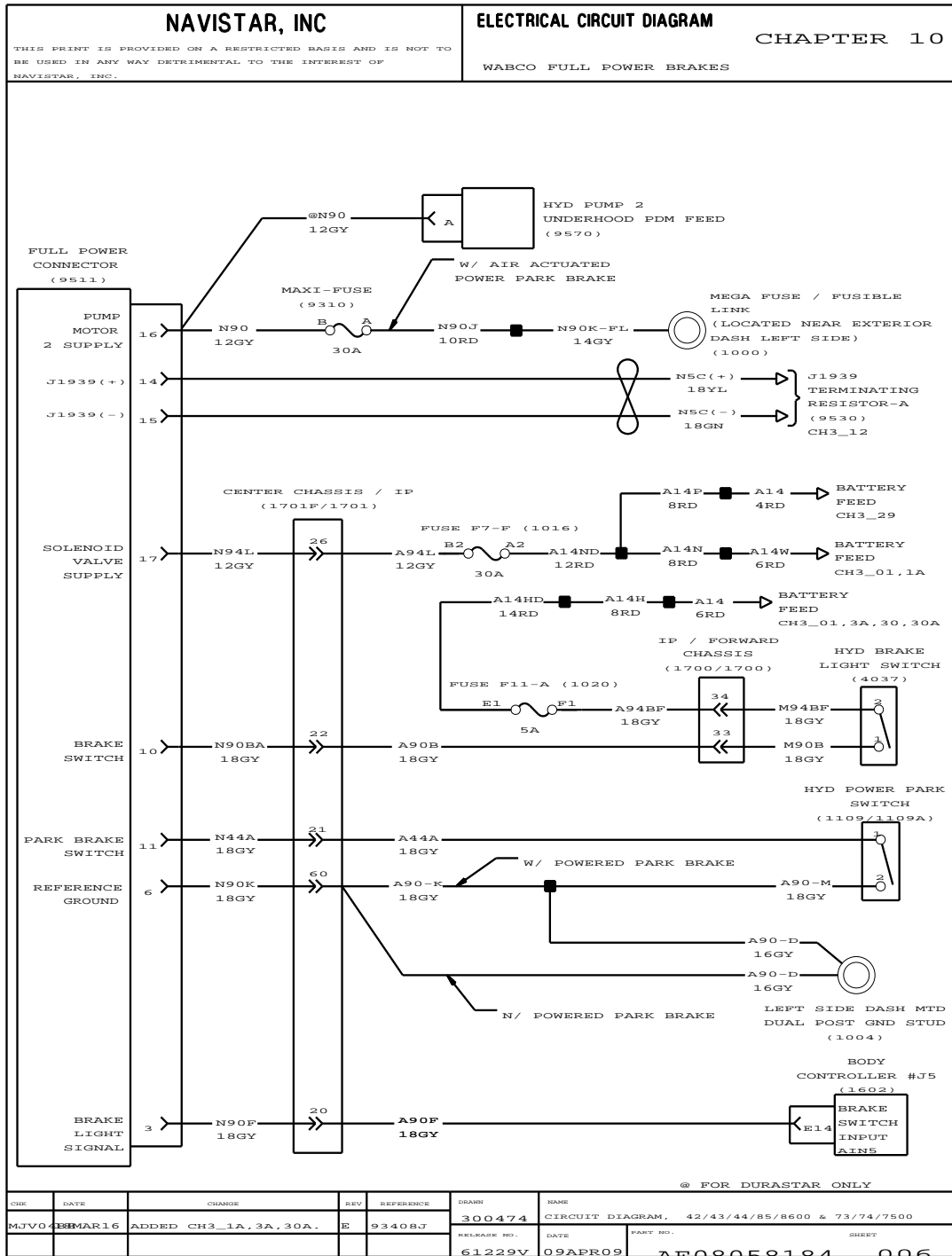


Figure 316 WABCO Full Power Brakes

10.10. BODY BUILDER AND TRAILER – TURN, MARKERS AND STOP, P. 9

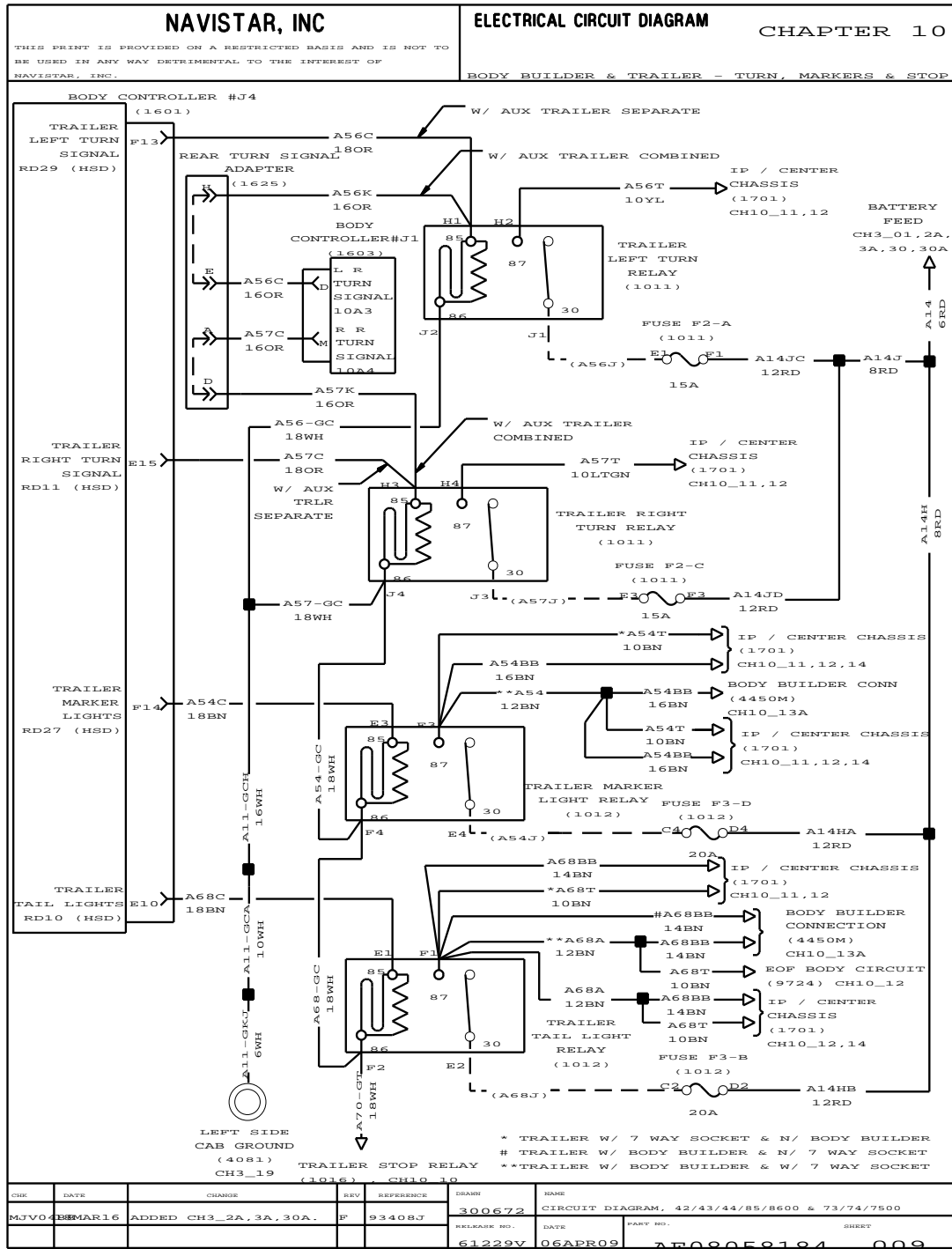


Figure 319 Body Builder and Trailer – Turn, Markers and Stop

10.11. BODY BUILDER AND TRAILER – TURN, MARKERS AND STOP (CONT.), P. 10

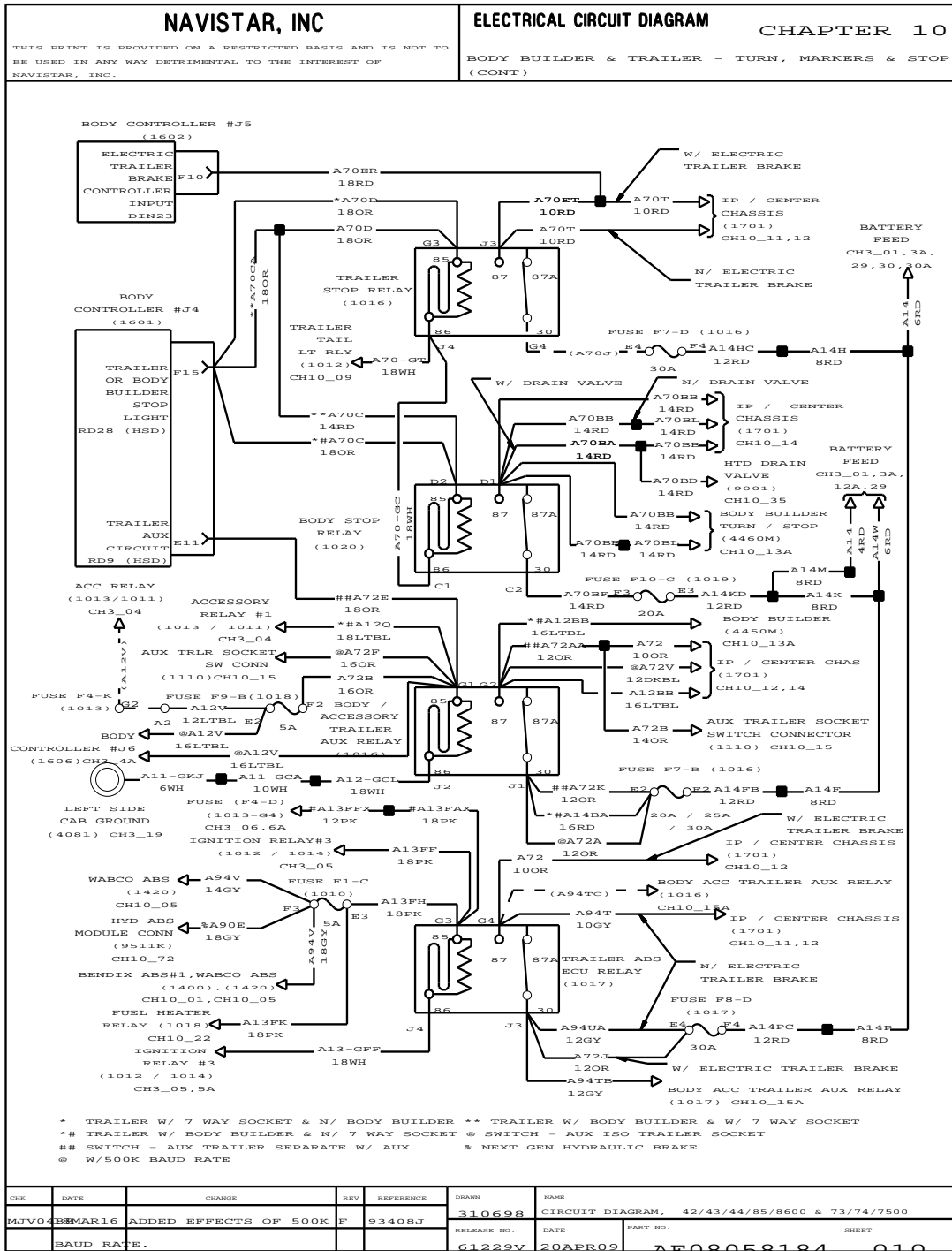


Figure 320 Body Builder and Trailer – Turn, Markers and Stop (Cont.)

10.12. TRAILER SOCKET – BOC AND EOF, P. 11

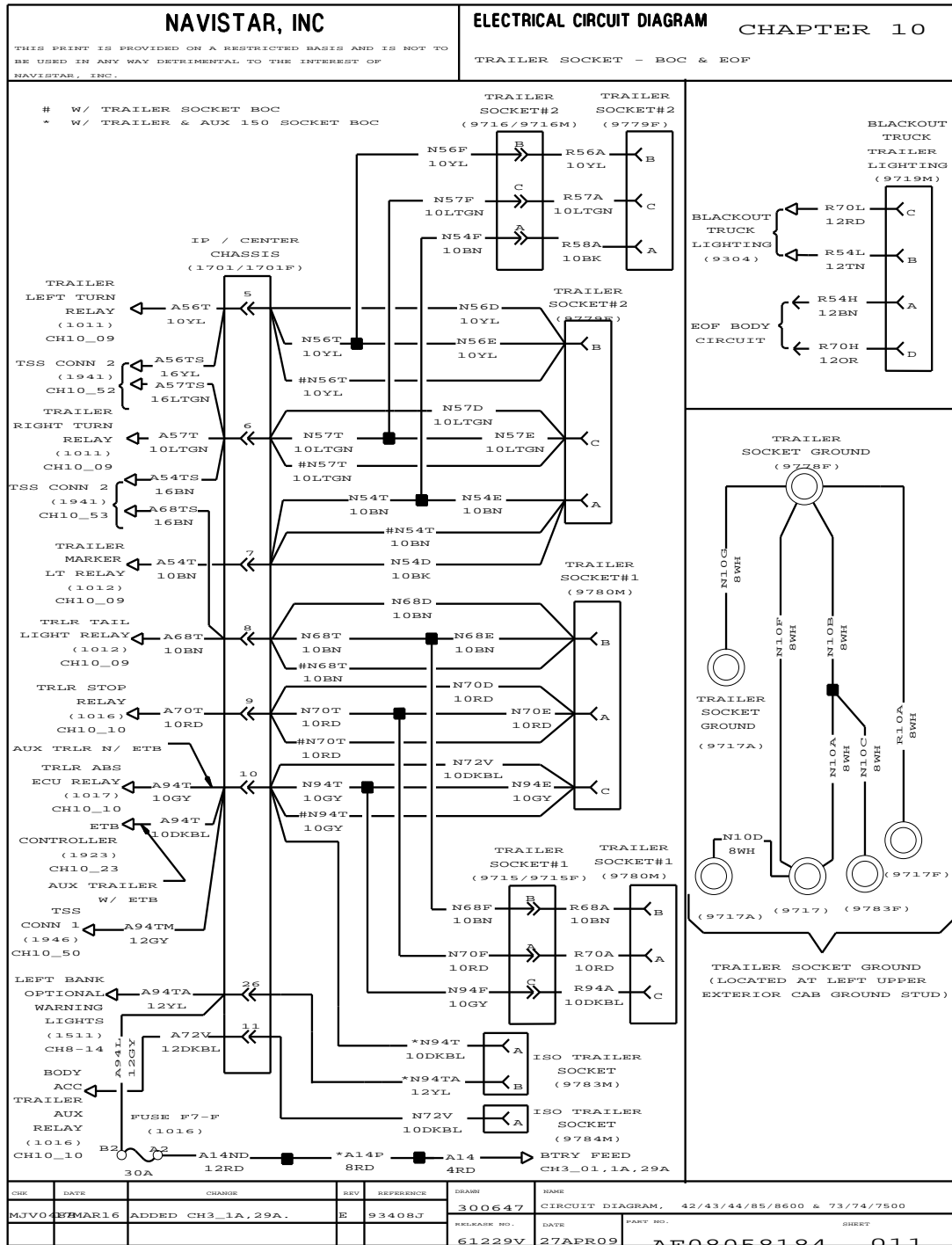


Figure 321 Trailer Socket – BOC and EOF

10.13. BODY BUILDER AND TRAILER SOCKET – BOC AND EOF, P. 12

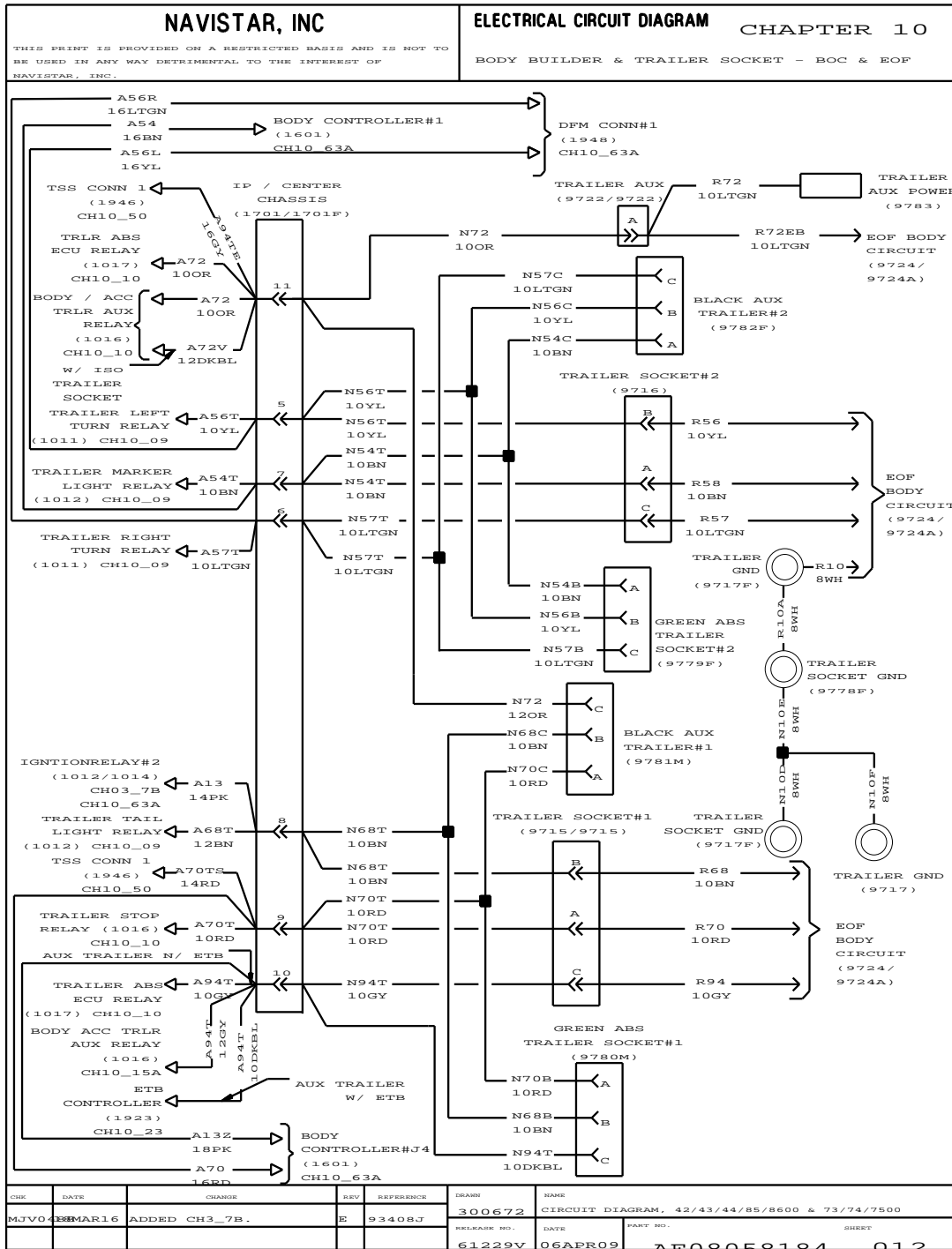


Figure 322 Body Builder and Trailer Socket – BOC and EOF

10.14. 12V TRAILER SOCKET, P. 12A

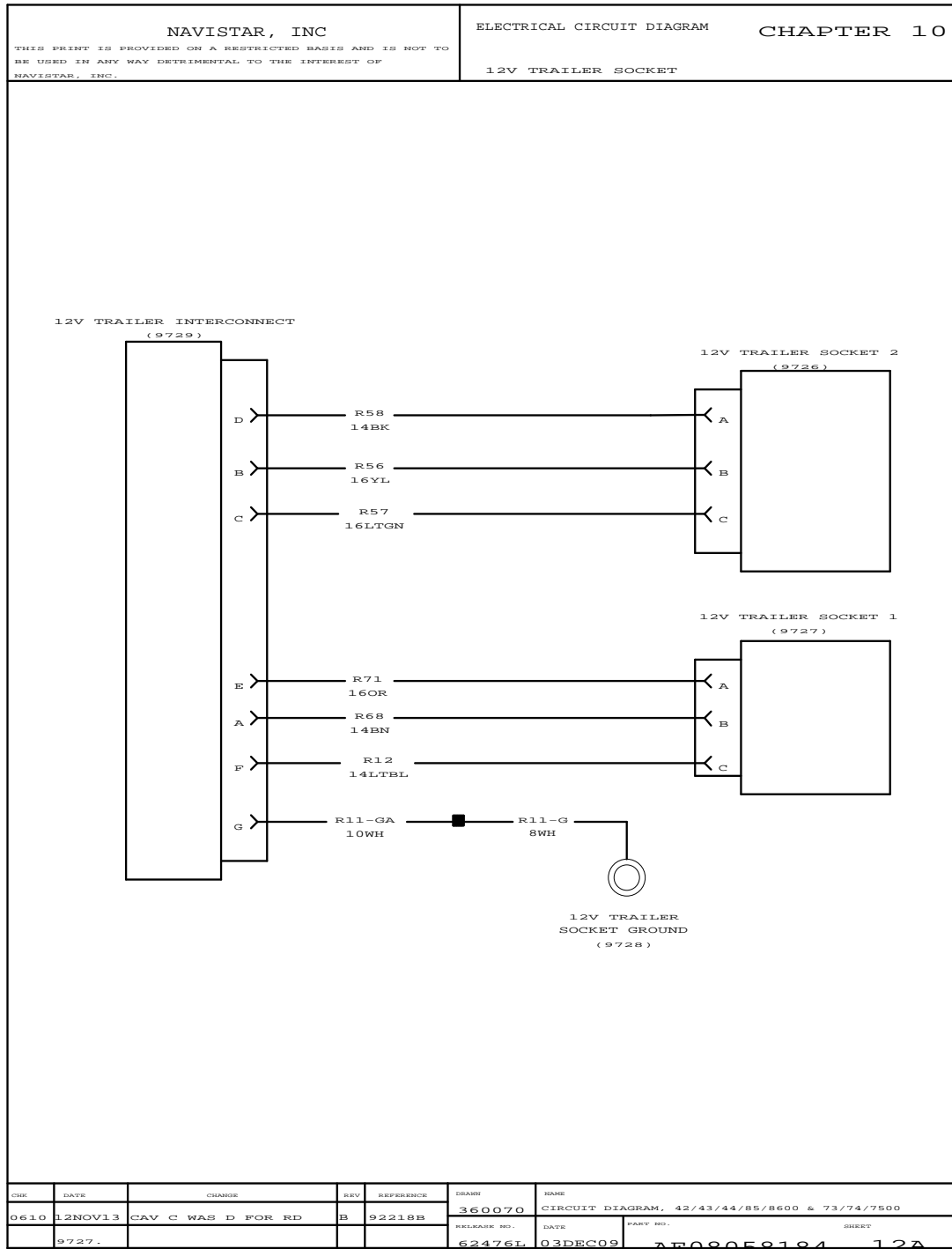


Figure 323 12V Trailer Socket

10.15. BODY BUILDER PRE-WIRING, P. 13

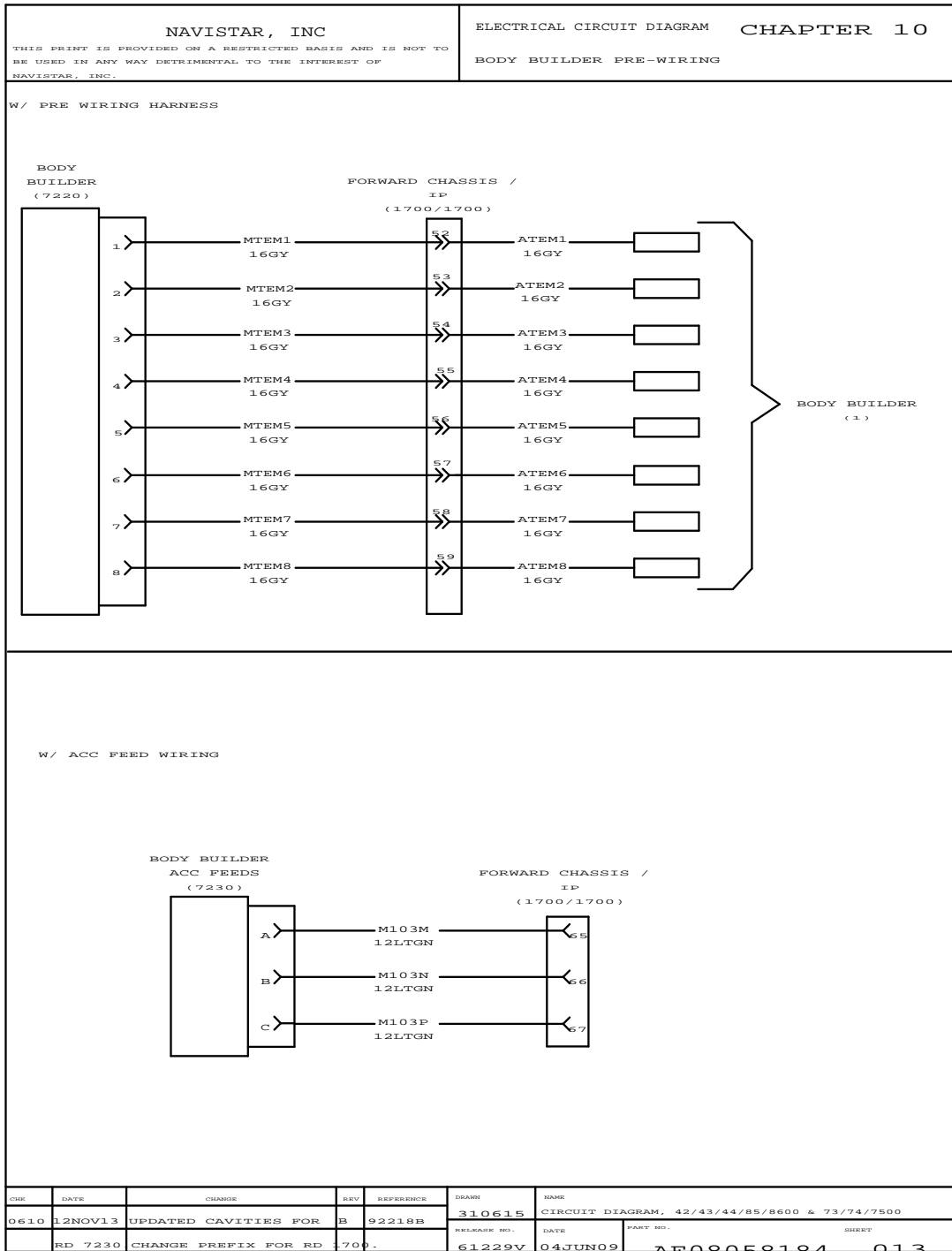


Figure 324 Body Builder Pre-Wiring

10.16. BODY BUILDER PRE-WIRING (CONT.), P. 13A

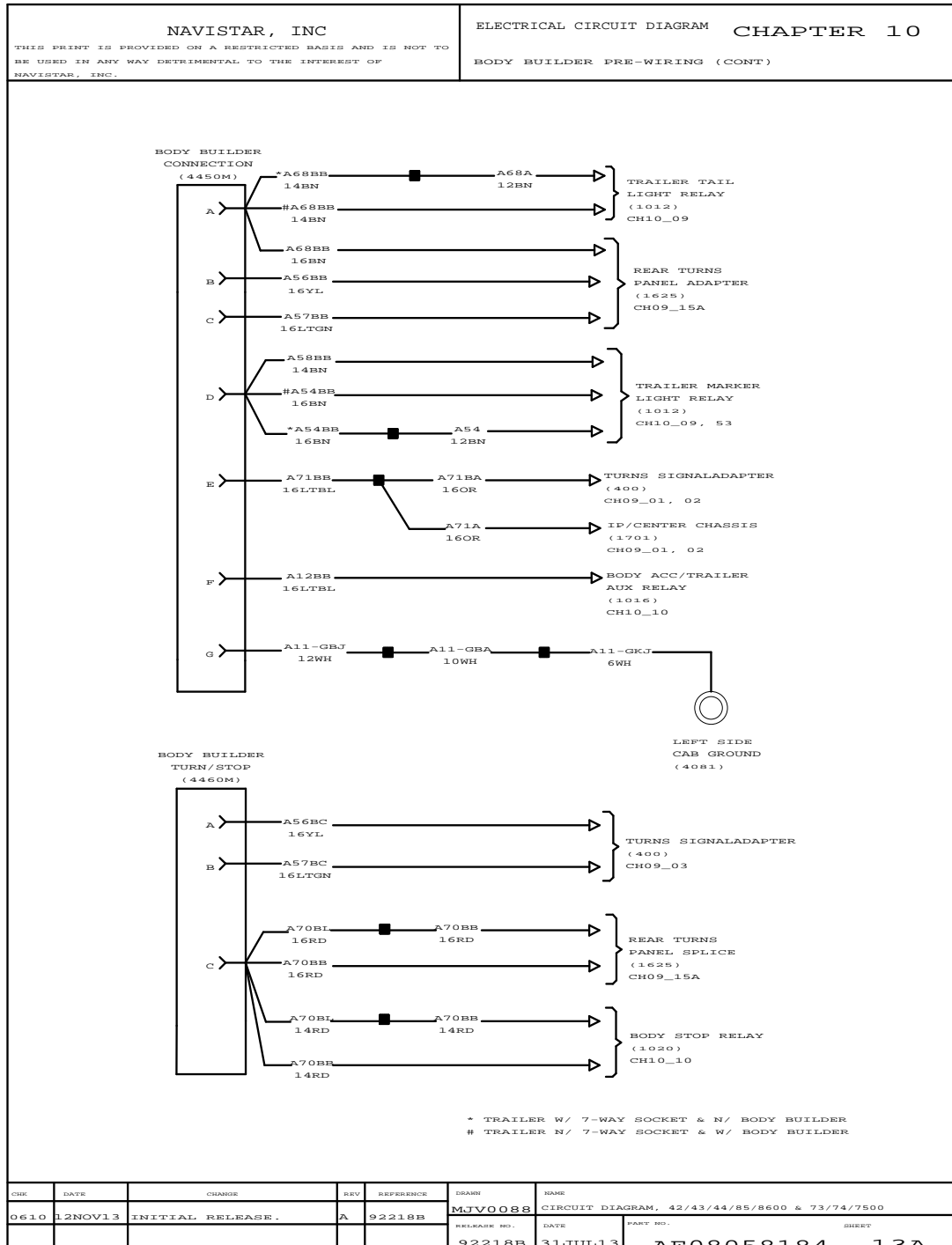


Figure 325 Body Builder Pre-Wiring (Cont.)

10.17. BODY BUILDER CONNECTIONS, P. 14

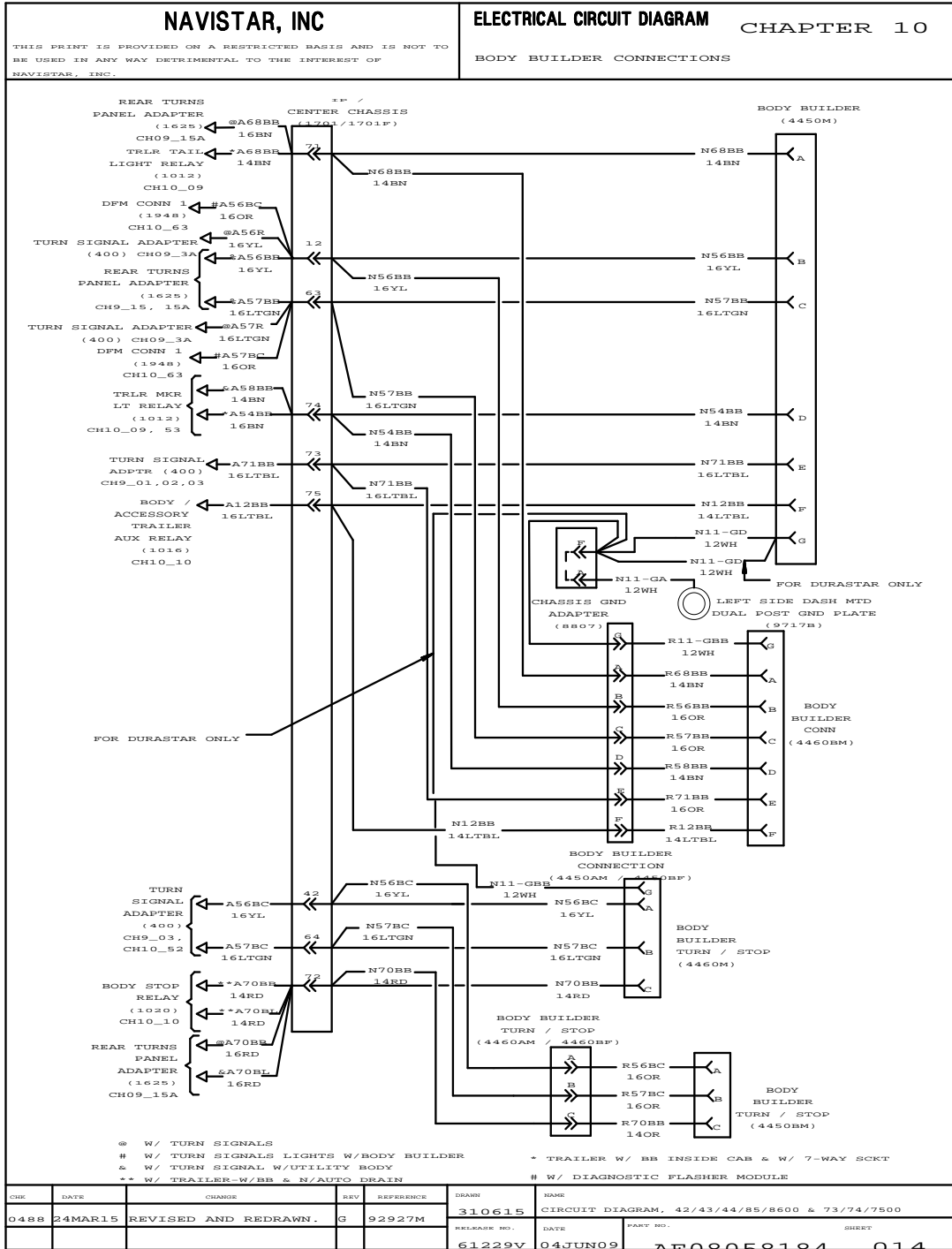


Figure 326 Body Builder Connections

10.18. UTILITY BODY CONNECTIONS, P. 14A

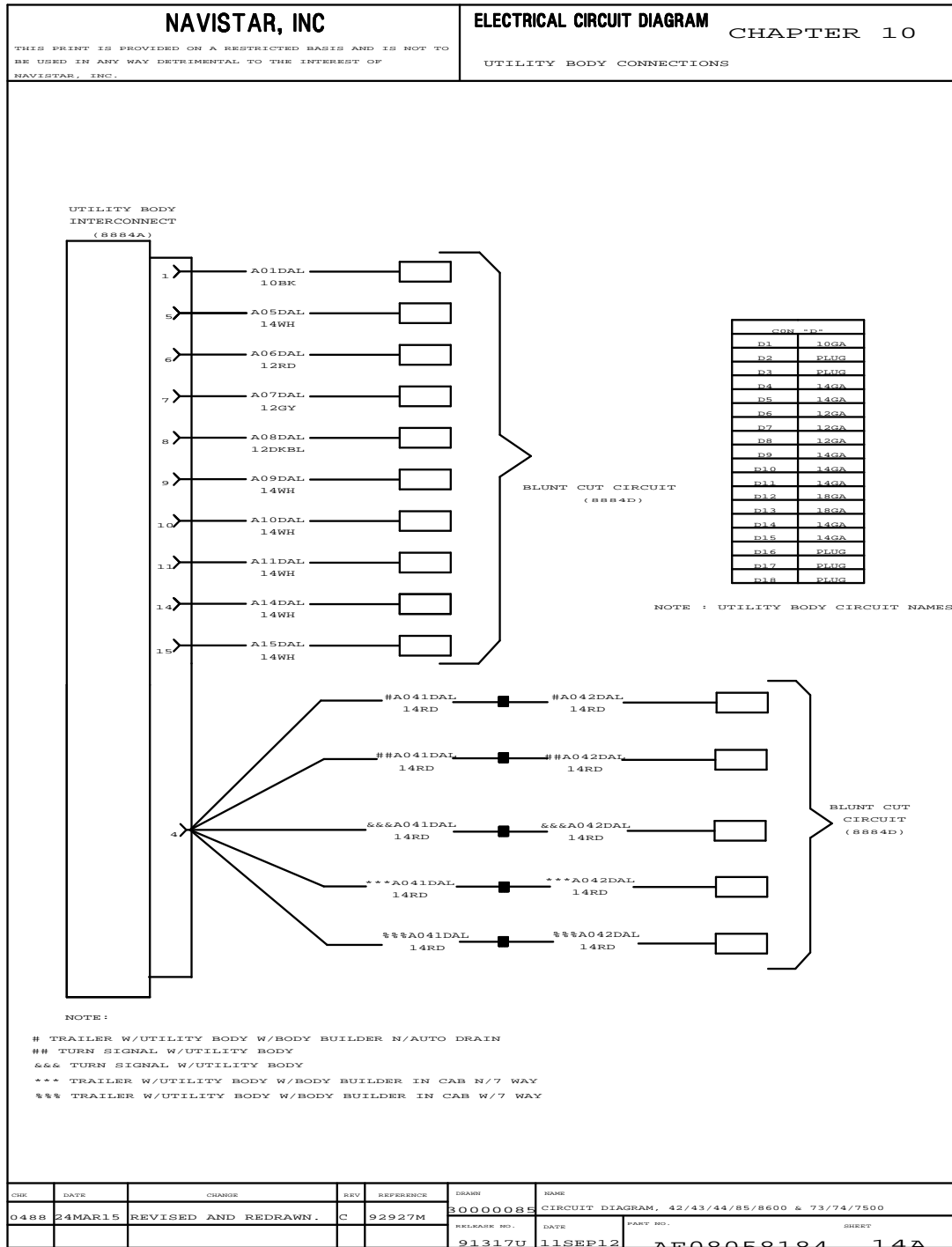


Figure 327 Utility Body Connections

10.19. UTILITY BODY CONNECTIONS (CONT.), P. 14B

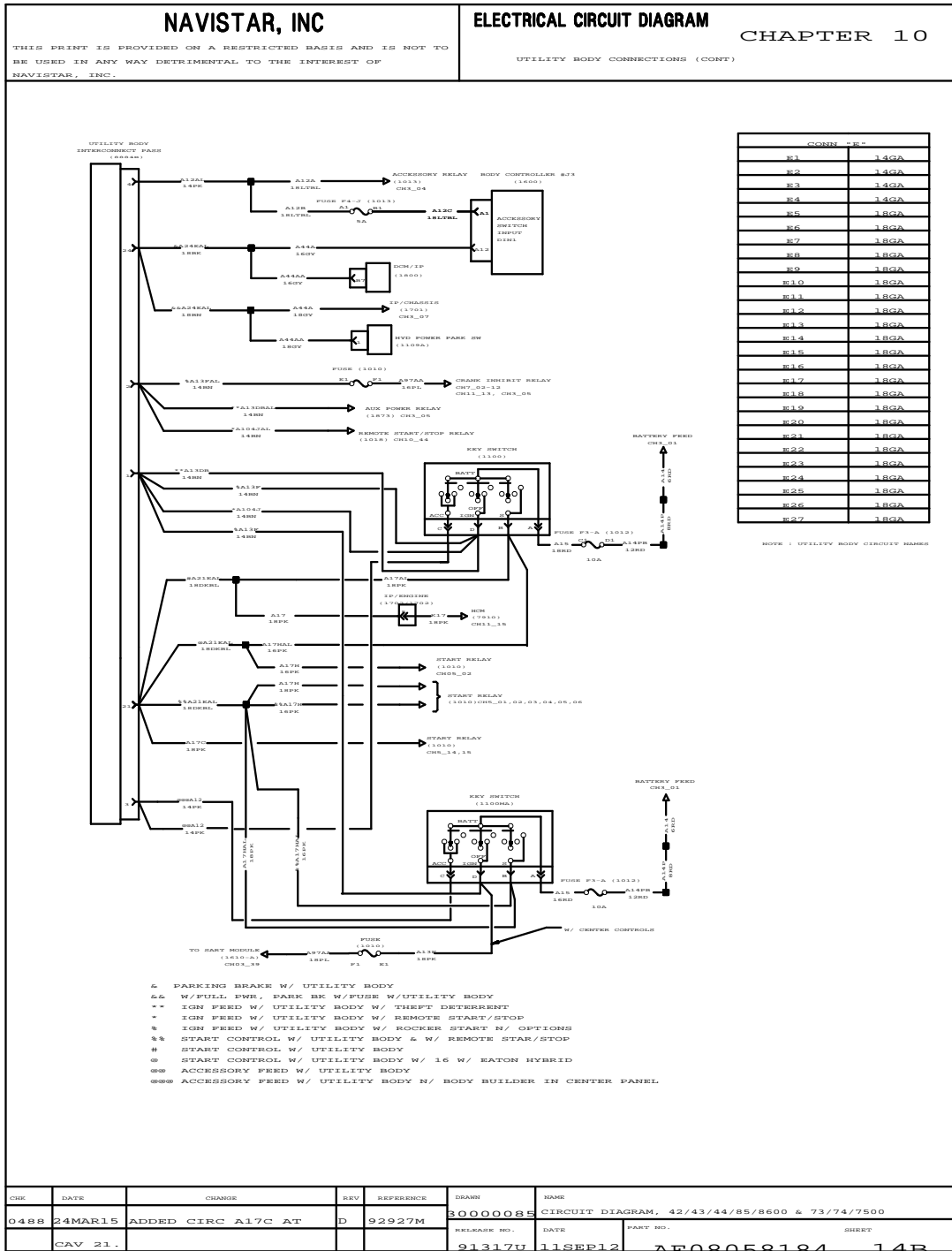


Figure 328 Utility Body Connections (Cont.)

10.20. UTILITY BODY CONNECTIONS (CONT.), P. 14C

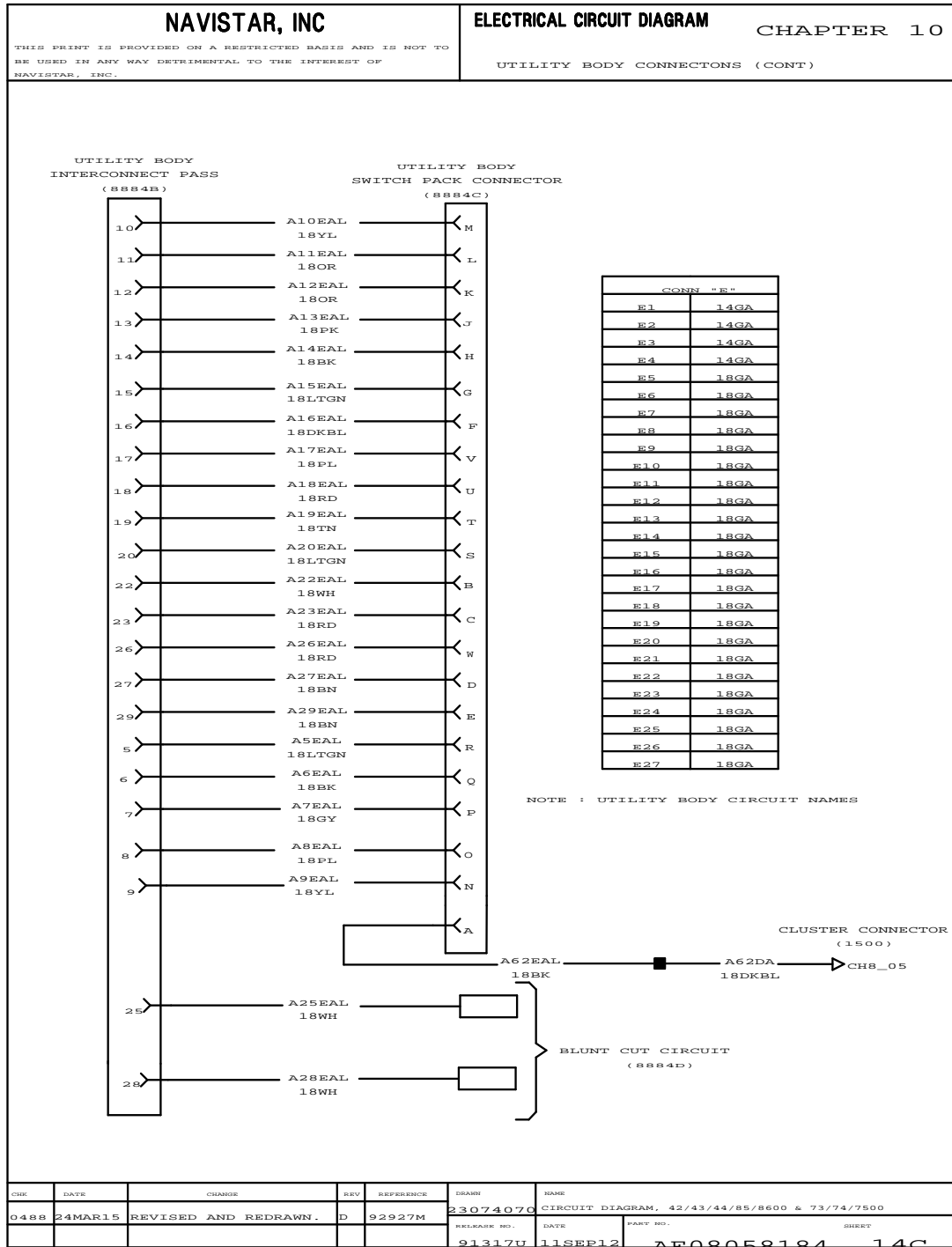


Figure 329 Utility Body Connections (Cont.)

10.21. UTILITY BODY CONNECTIONS (CONT.), P. 14D

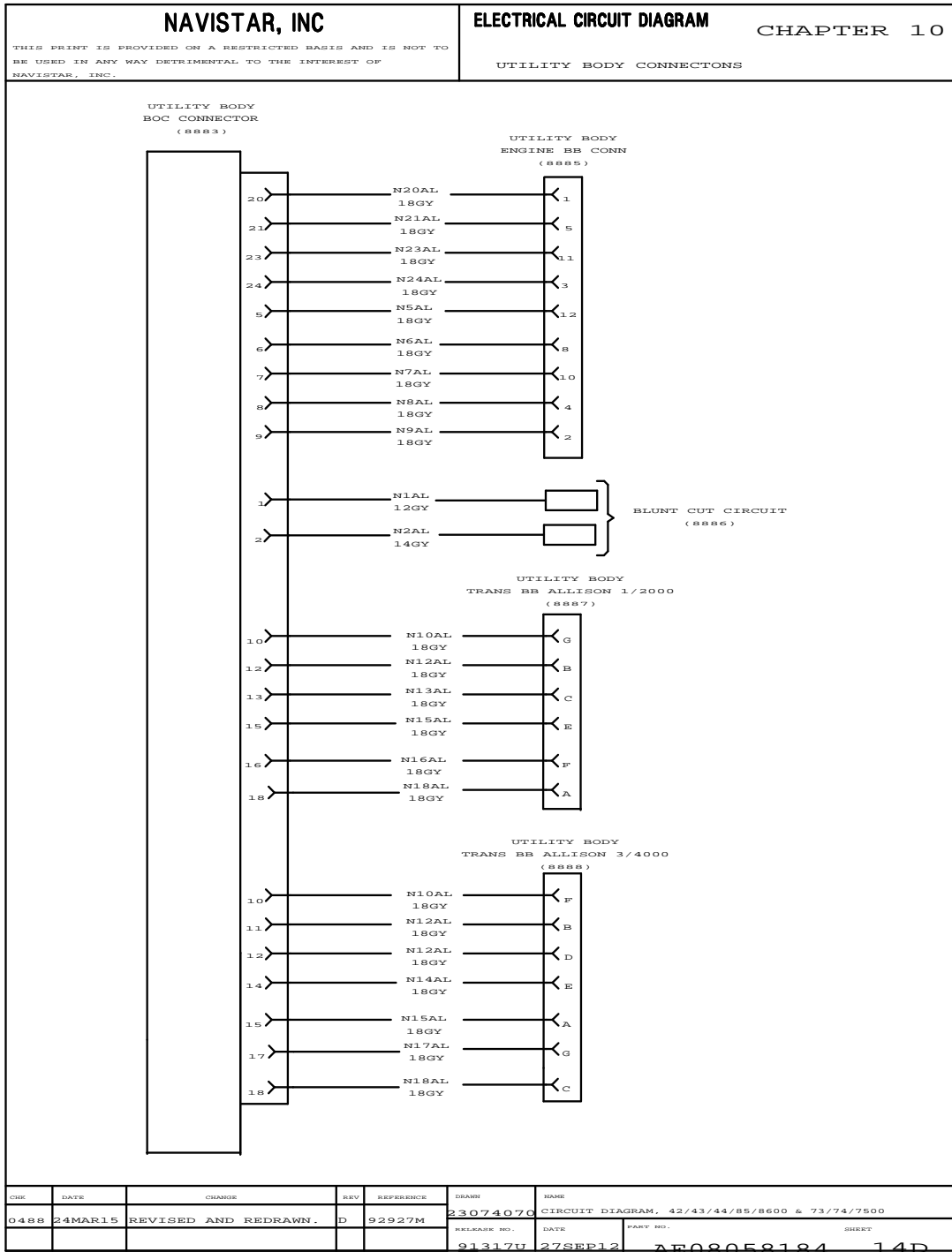


Figure 330 Utility Body Connections (Cont.)

10.22. UTILITY BODY CONNECTIONS (CONT.), P. 14E

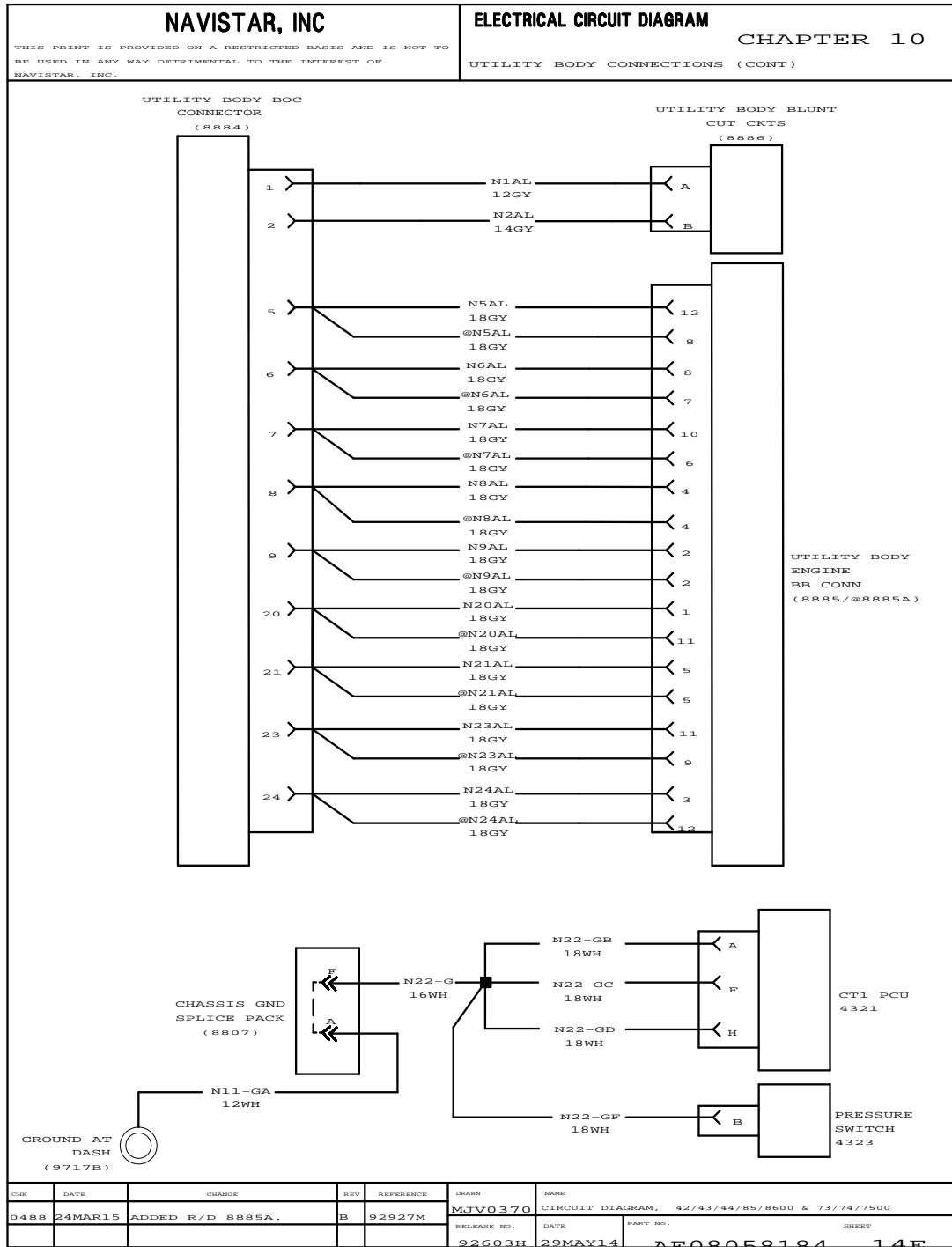


Figure 331 Utility Body Connections (Cont.)

10.23. UTILITY BODY CONNECTIONS (CONT.), P. 14F

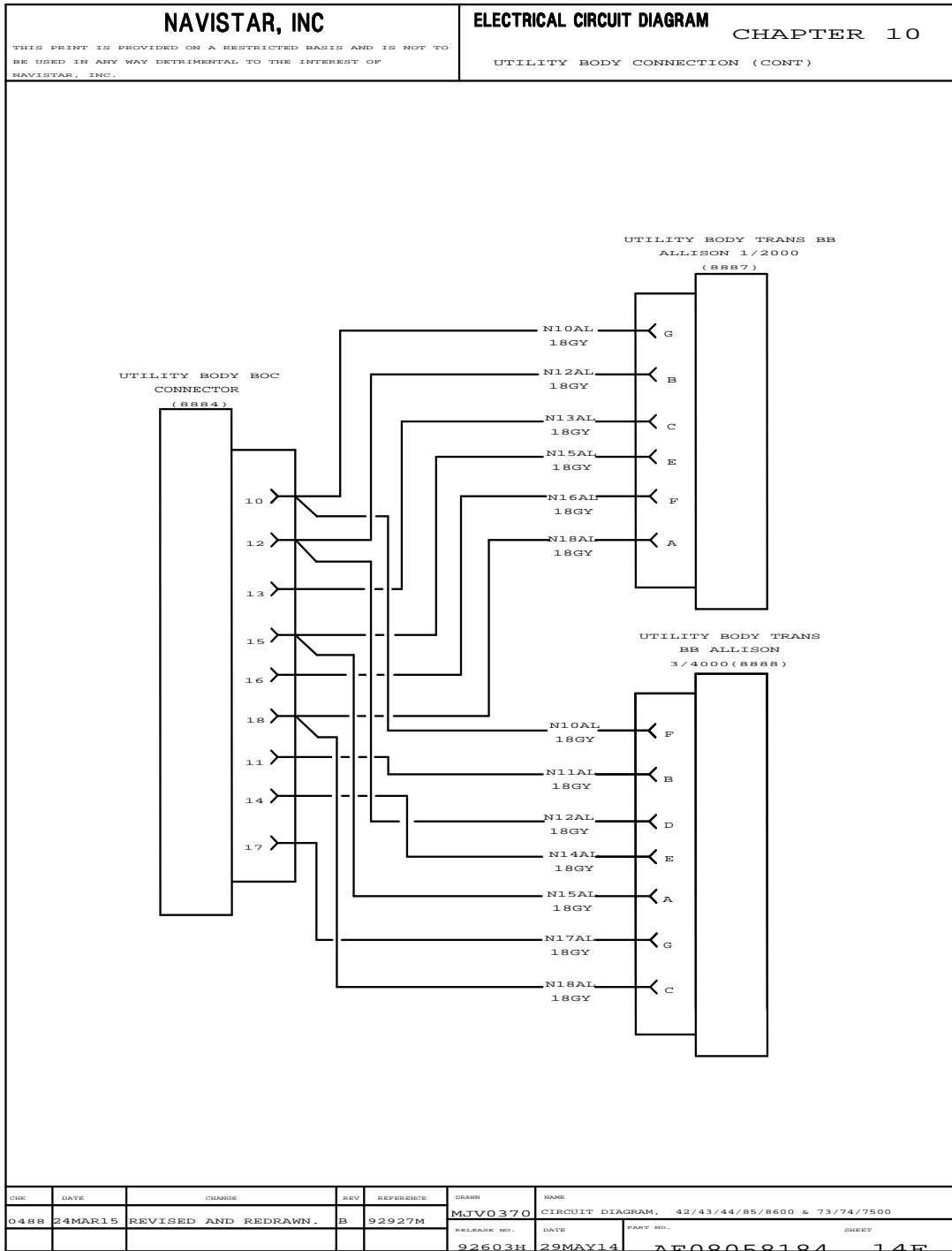


Figure 332 Utility Body Connections (Cont.)

10.24. UTILITY BODY CONNECTIONS WITH 500K BAUD RATE, P. 14G

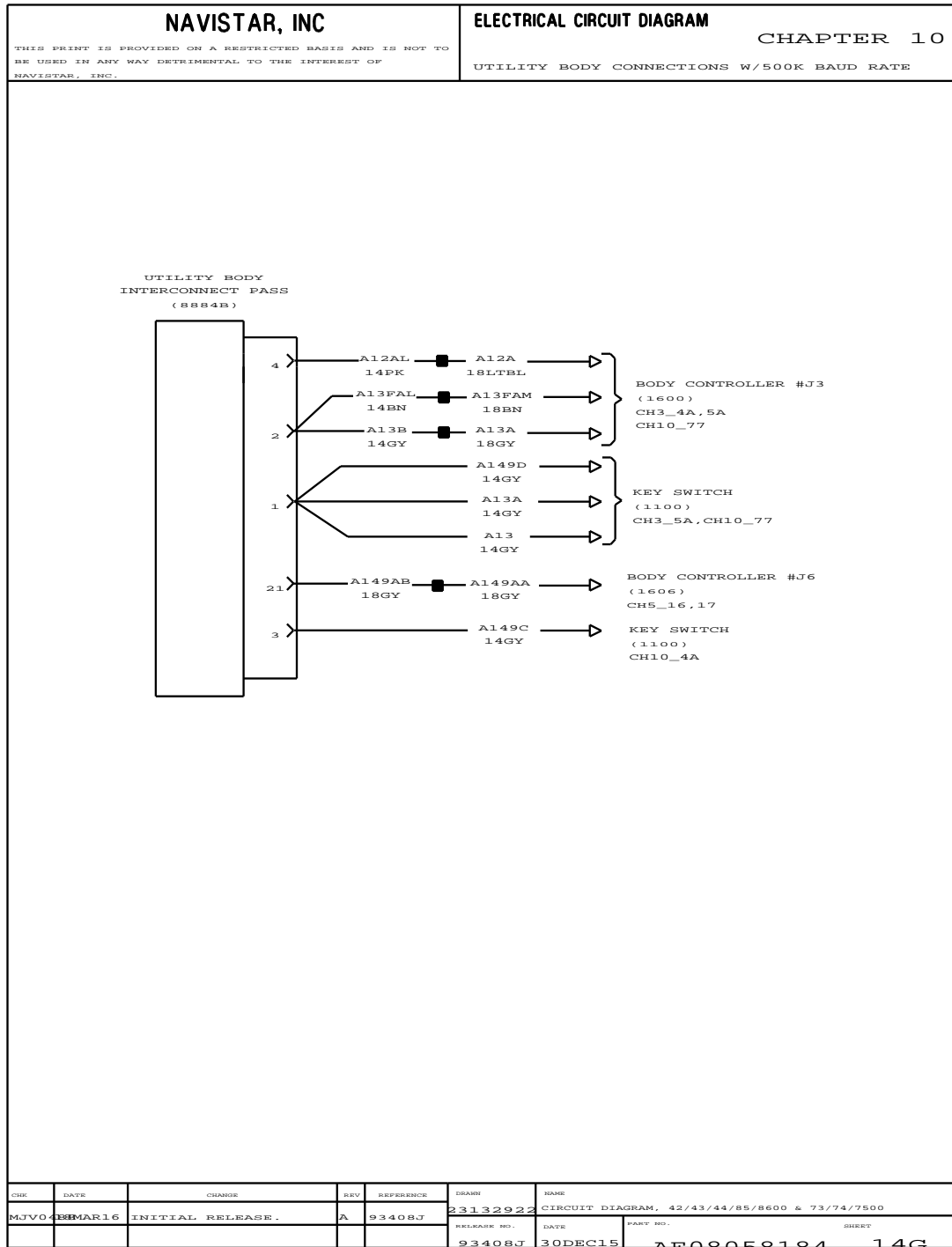


Figure 333 Utility Body Connections with 500K Baud Rate

10.25. AUXILIARY TRAILER CIRCUIT, P. 15

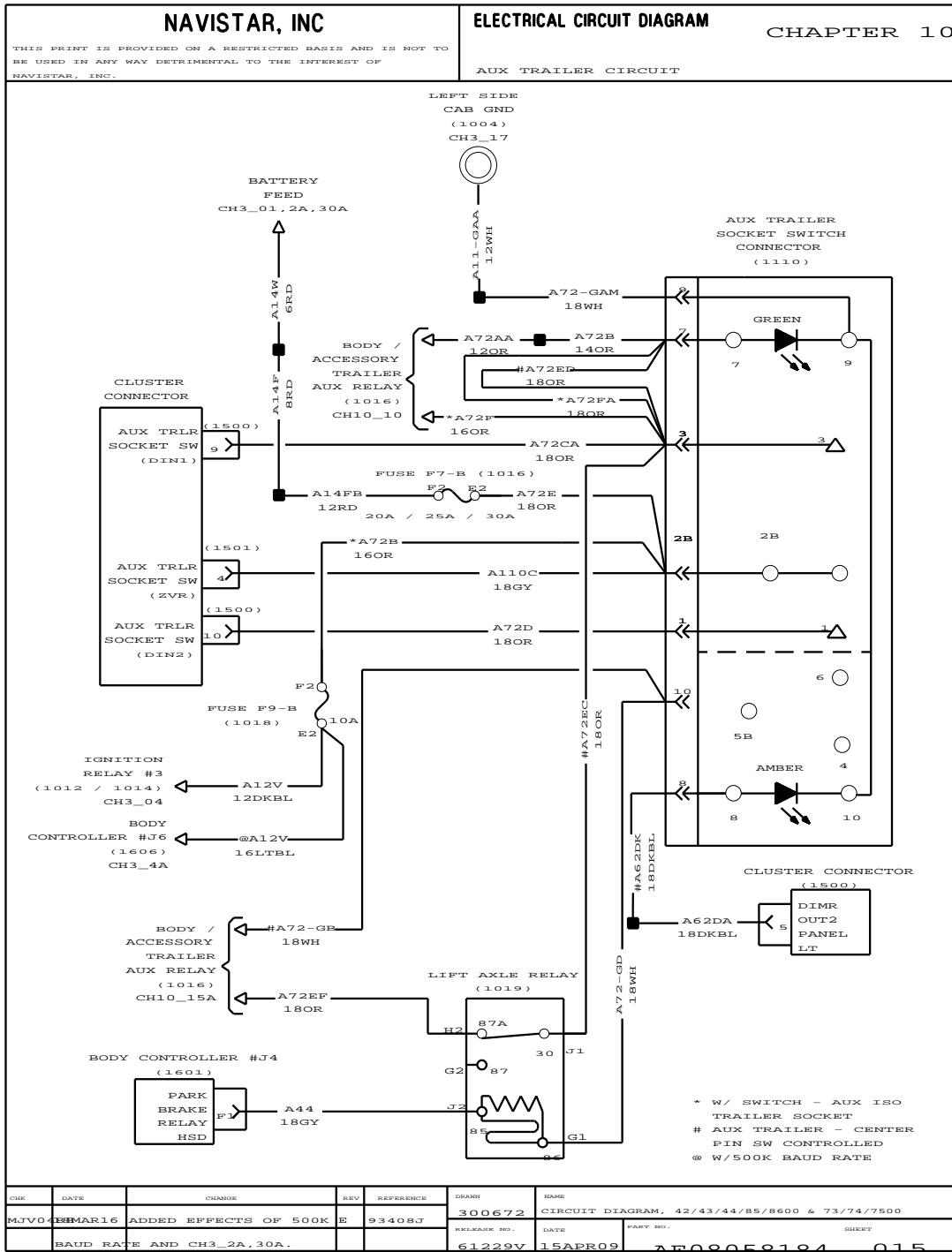


Figure 334 Auxiliary Trailer Circuit

10.26. SWITCH – AUX TRAILER SEPARATE, P. 15A

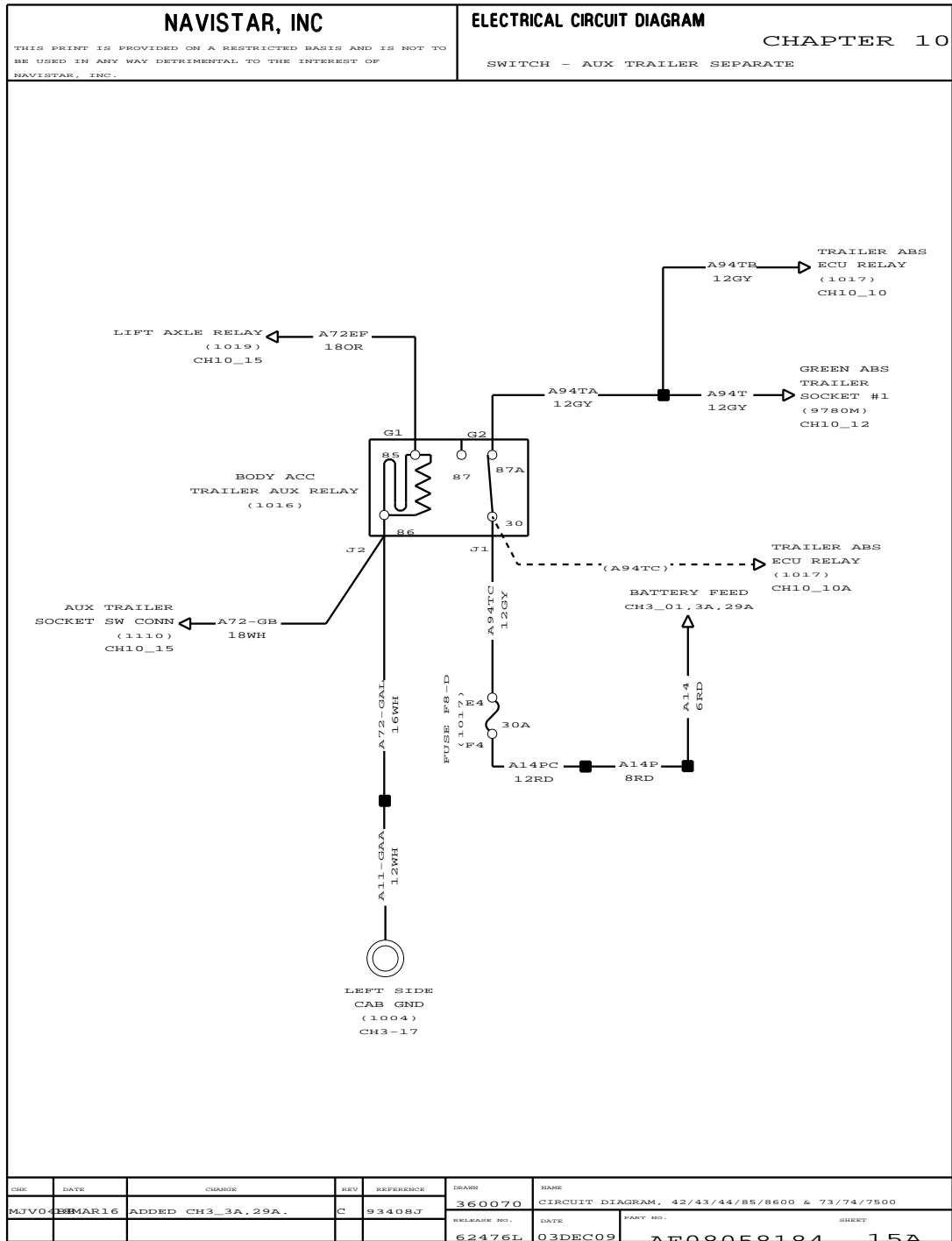


Figure 335 Switch – Aux Trailer Separate

10.27. TWO SPEED AXLE SWITCH, P. 16

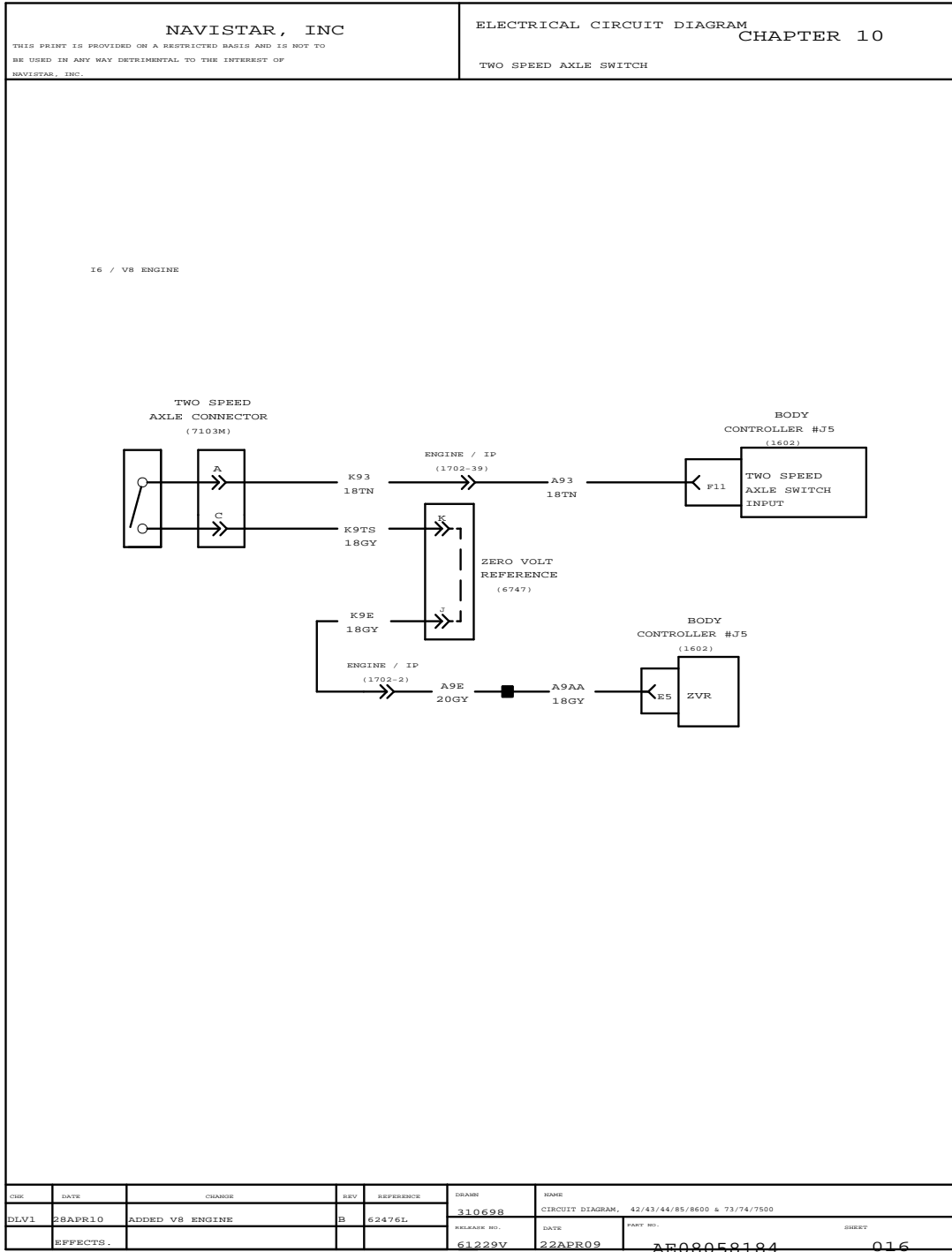


Figure 336 Two Speed Axle Switch

10.28. AIR SOLENOID, P. 17

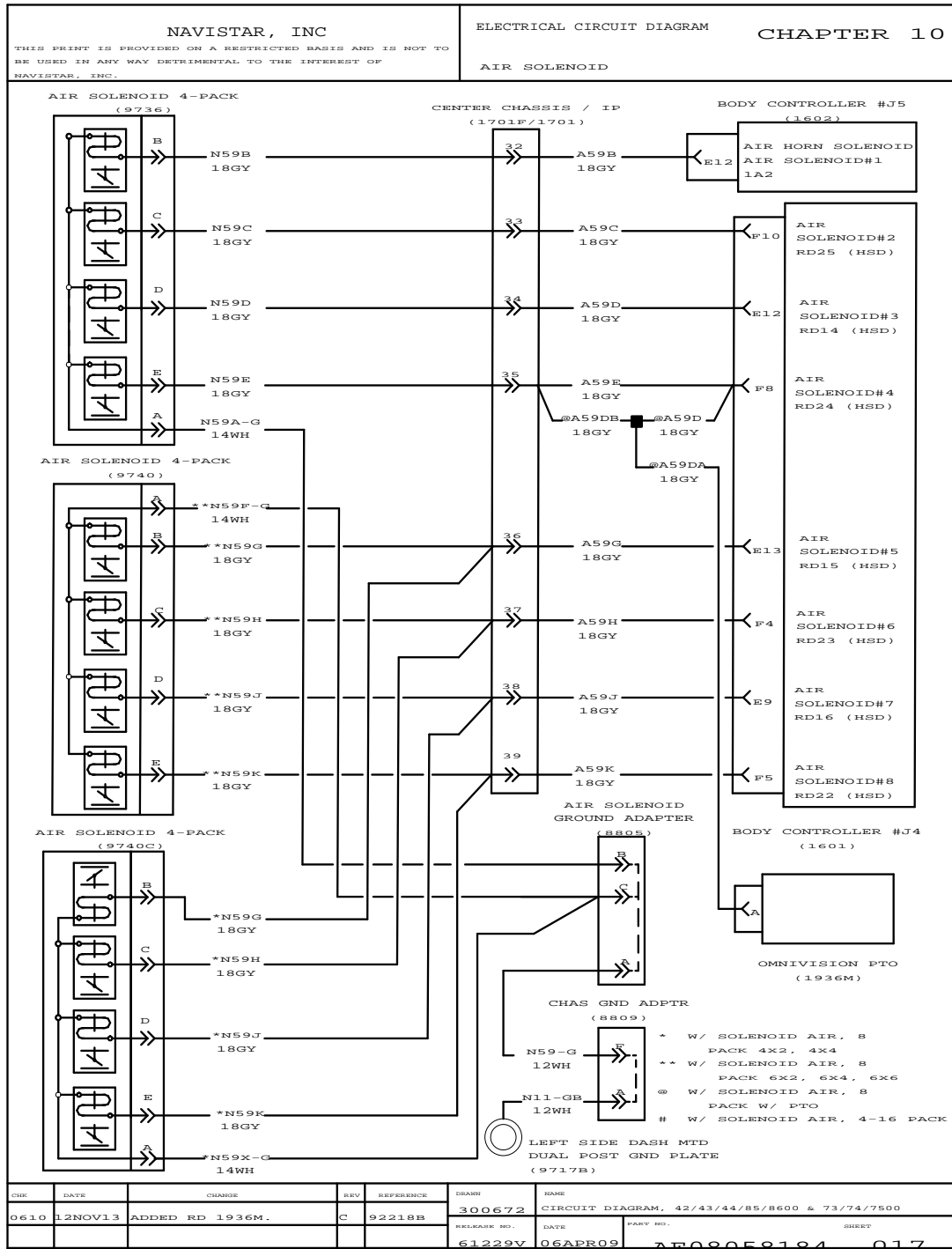


Figure 337 Air Solenoid

10.29. AIR SOLENOID (CONT.), P. 17A

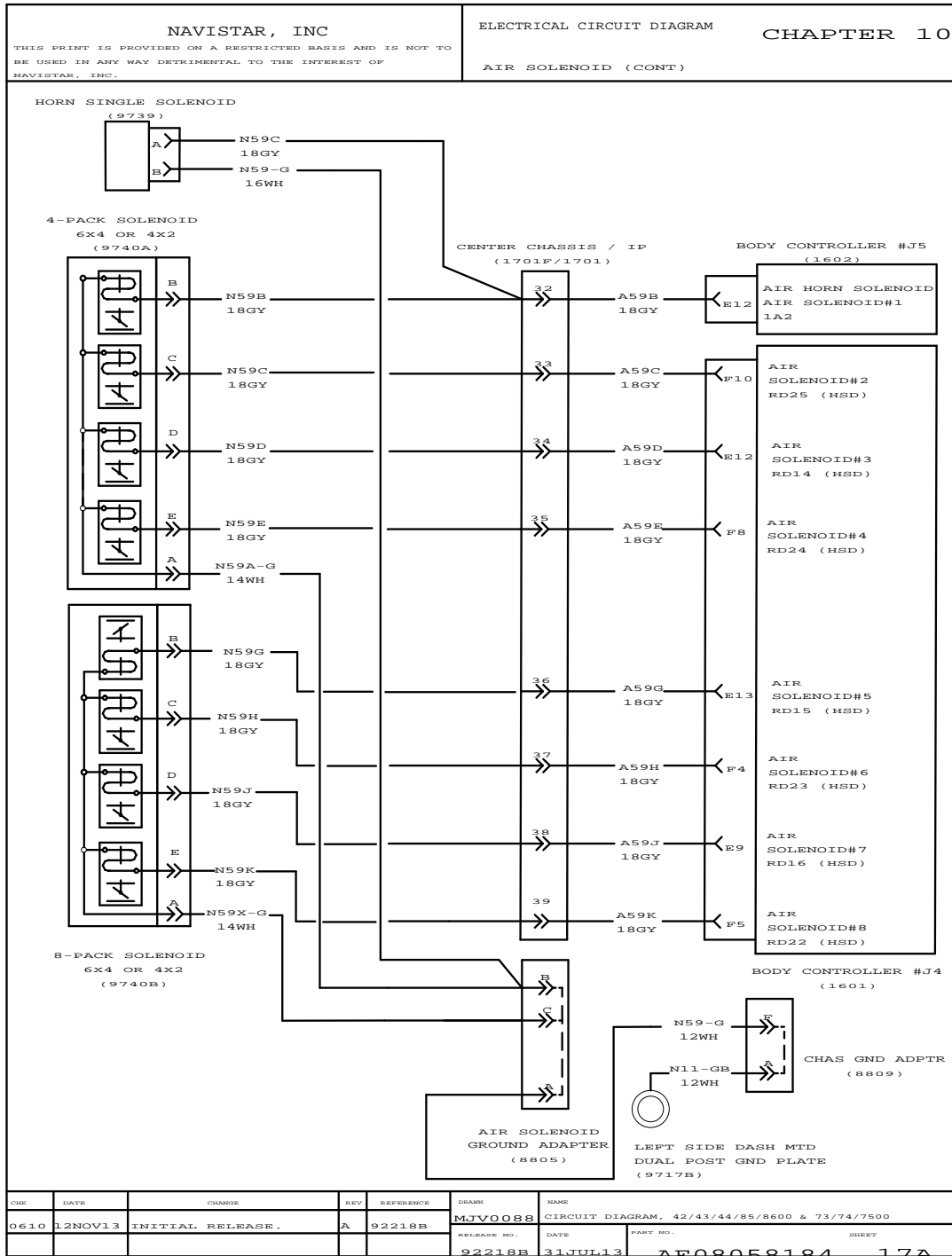


Figure 338 Air Solenoid (Cont.)

10.30. AIR SOLENOID (CONT.), P. 17B

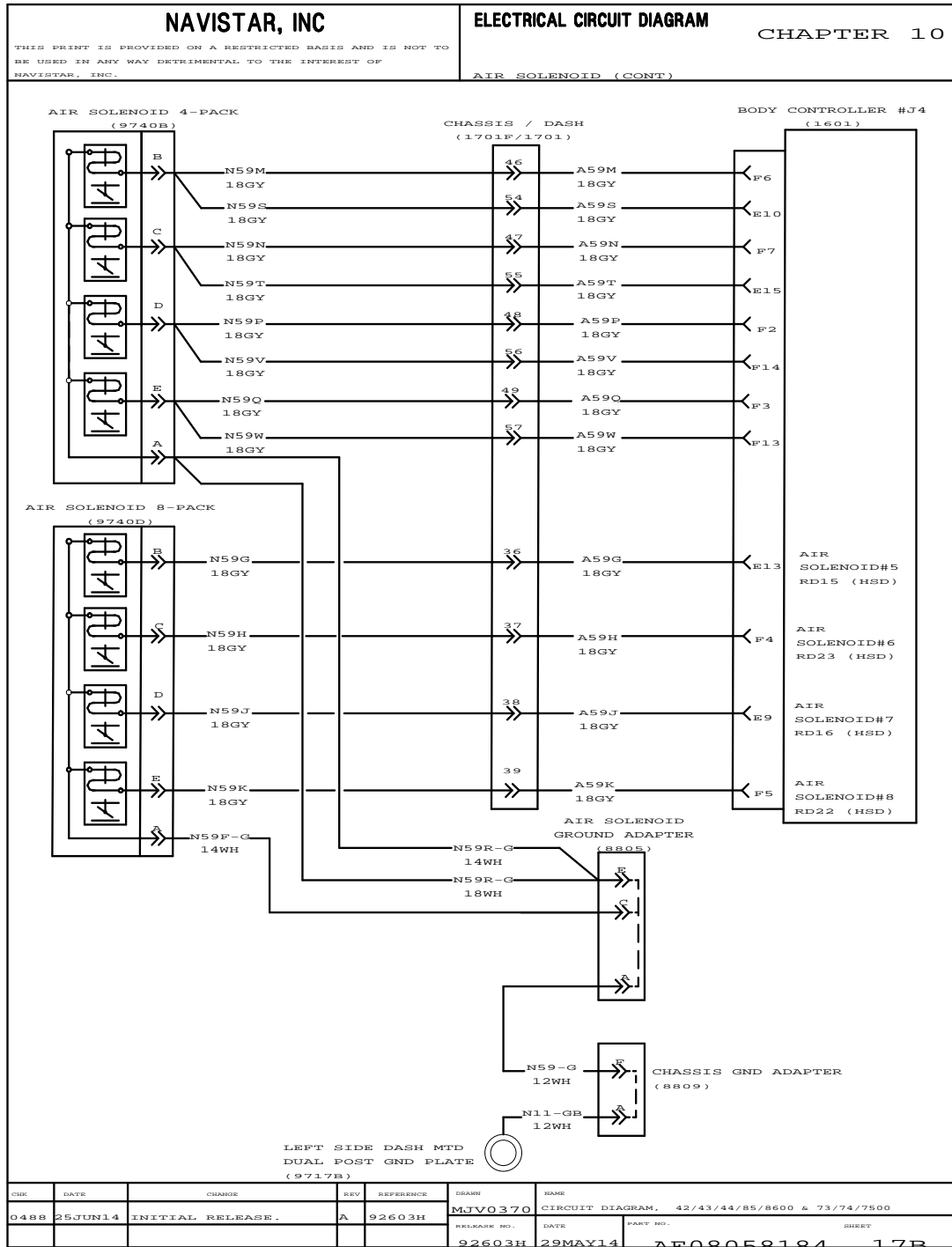


Figure 339 Air Solenoid (Cont.)

10.31. AIR SOLENOID (CONT.), P. 18

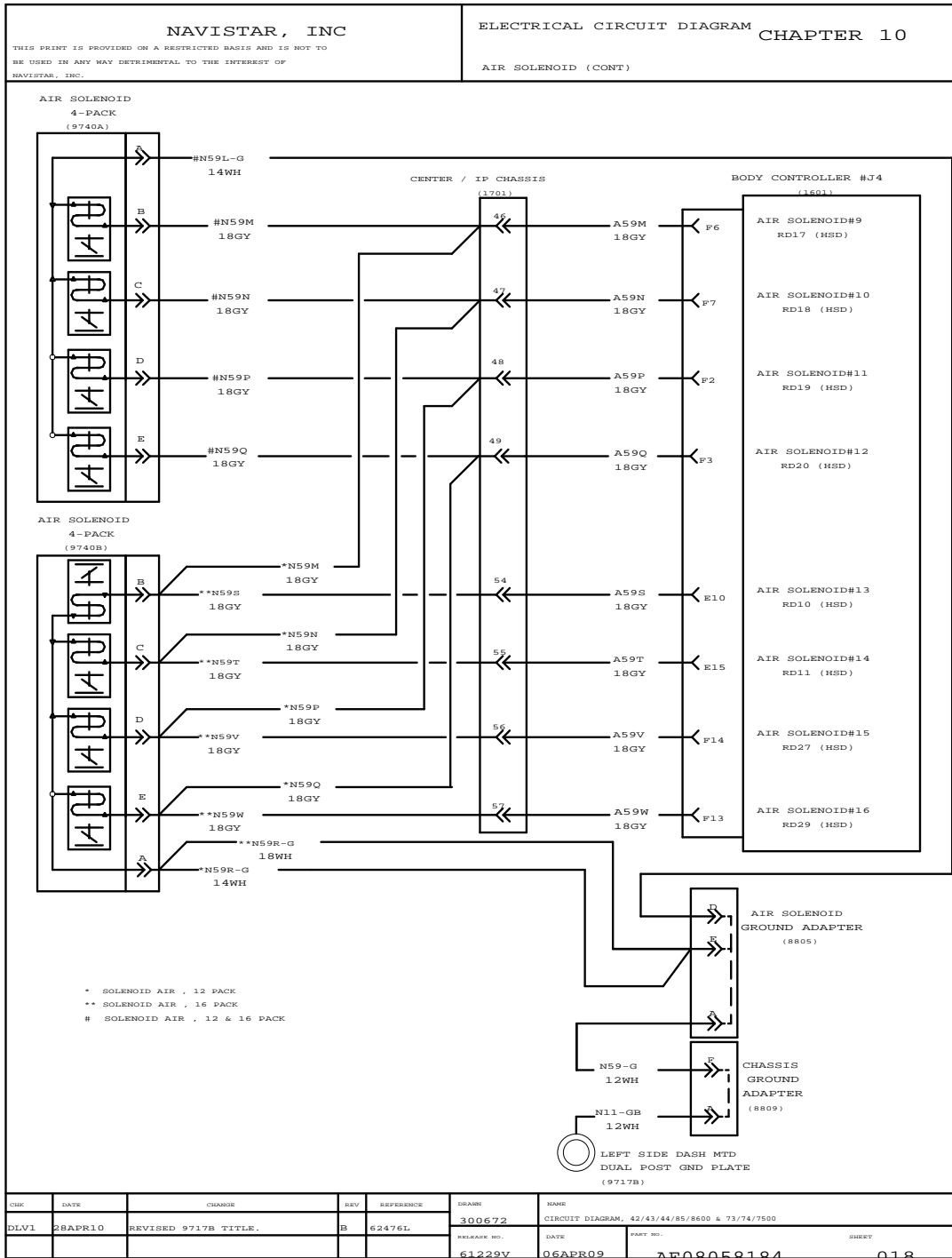


Figure 340 Air Solenoid (Cont.)

10.33. REMOTE POWER MODULE – CAB MOUNTED, P. 20

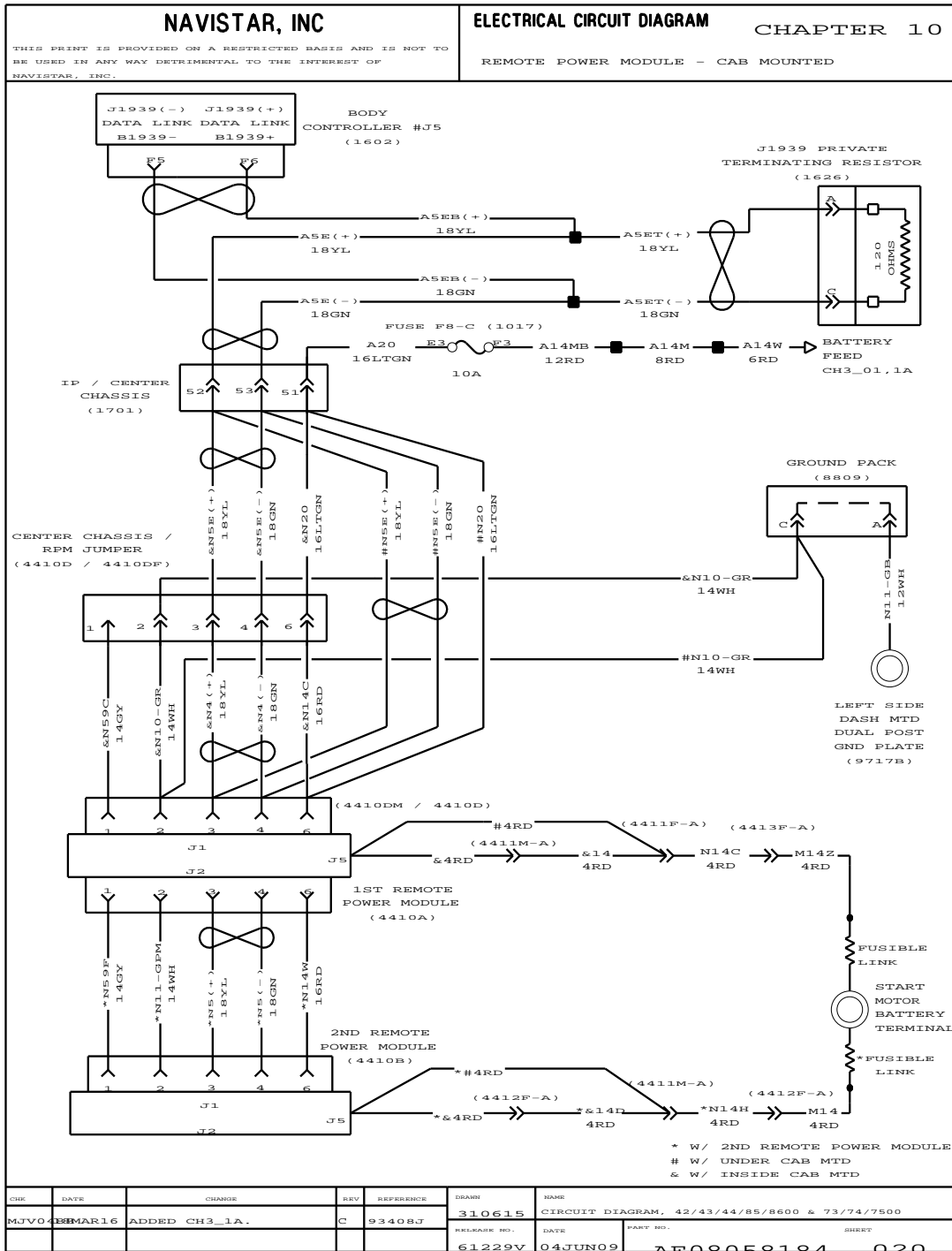


Figure 342 Remote Power Module – Cab Mounted

10.34. REMOTE POWER MODULE – CAB MOUNTED (CONT.), P. 20A

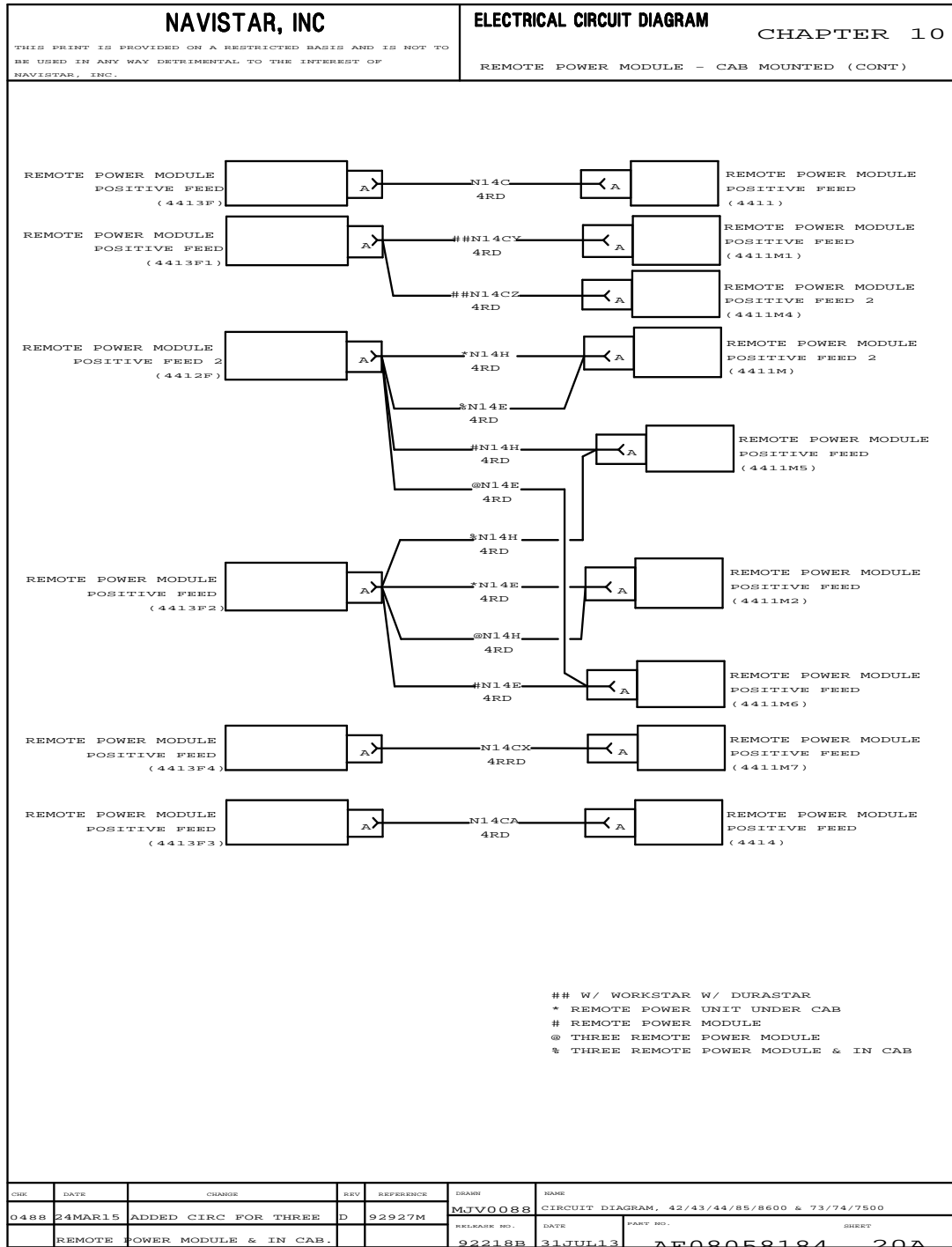


Figure 343 Remote Power Module – Cab Mounted (Cont.)

10.35. REMOTE POWER MODULE – CAB MOUNTED (CONT.), P. 20B

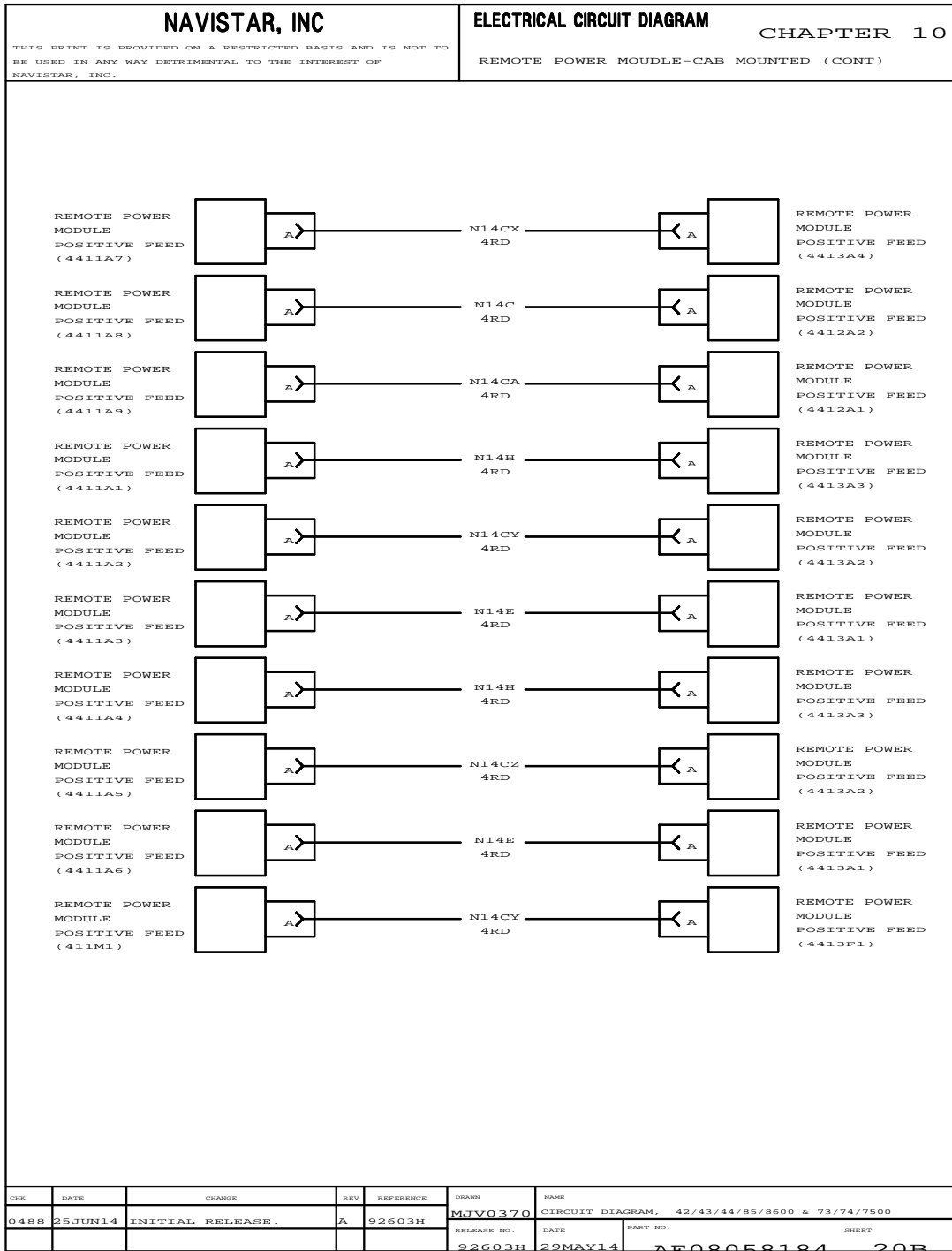


Figure 344 Remote Power Module – Cab Mounted (Cont.)

10.36. REMOTE POWER MODULE – END OF FRAME, P. 21

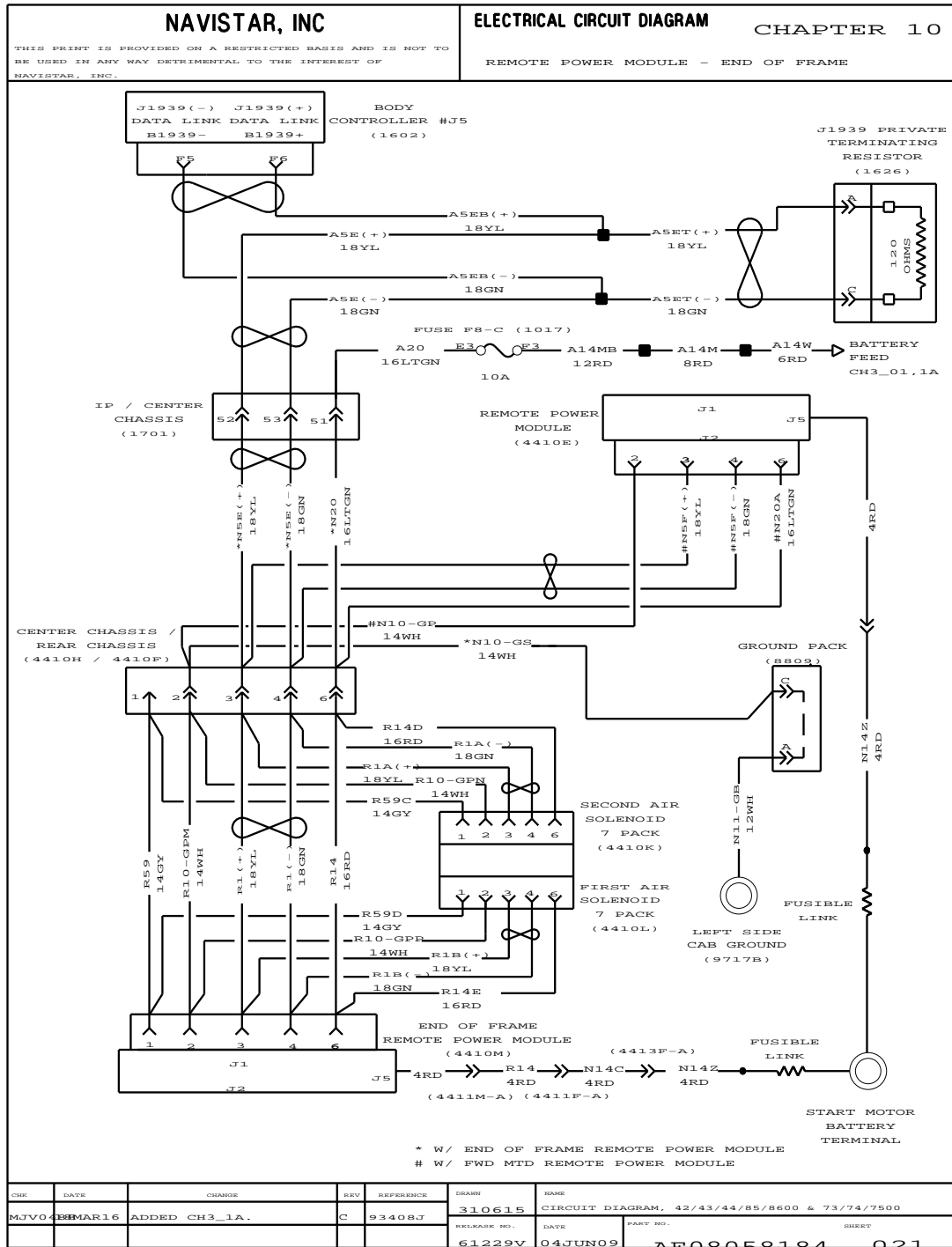


Figure 345 Remote Power Module – End of Frame

10.37. REMOTE POWER MODULE END OF FRAME (CONT.), P. 21A

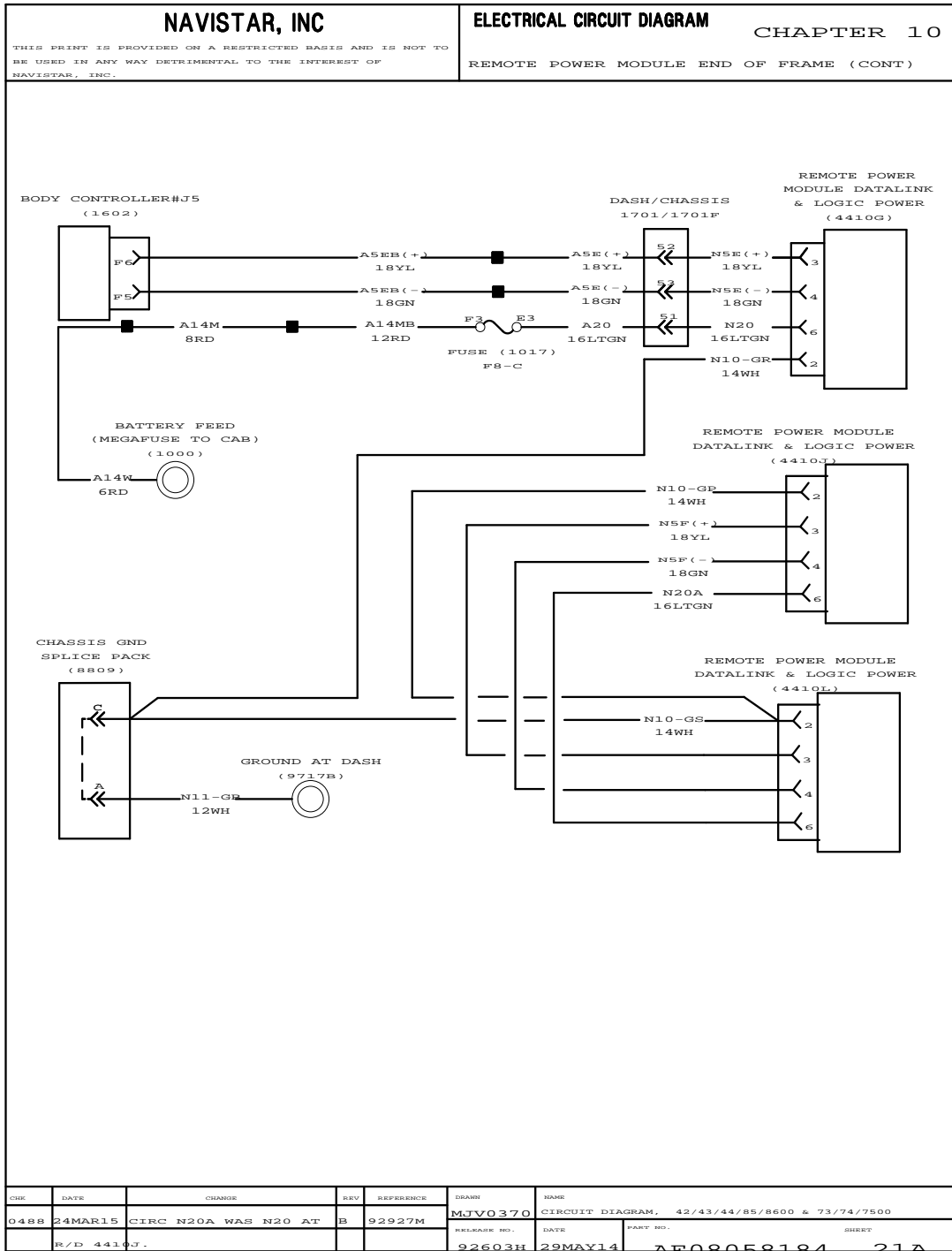


Figure 346 Remote Power Module End of Frame (Cont.)

10.38. FUEL / WATER SEPARATOR, P. 22

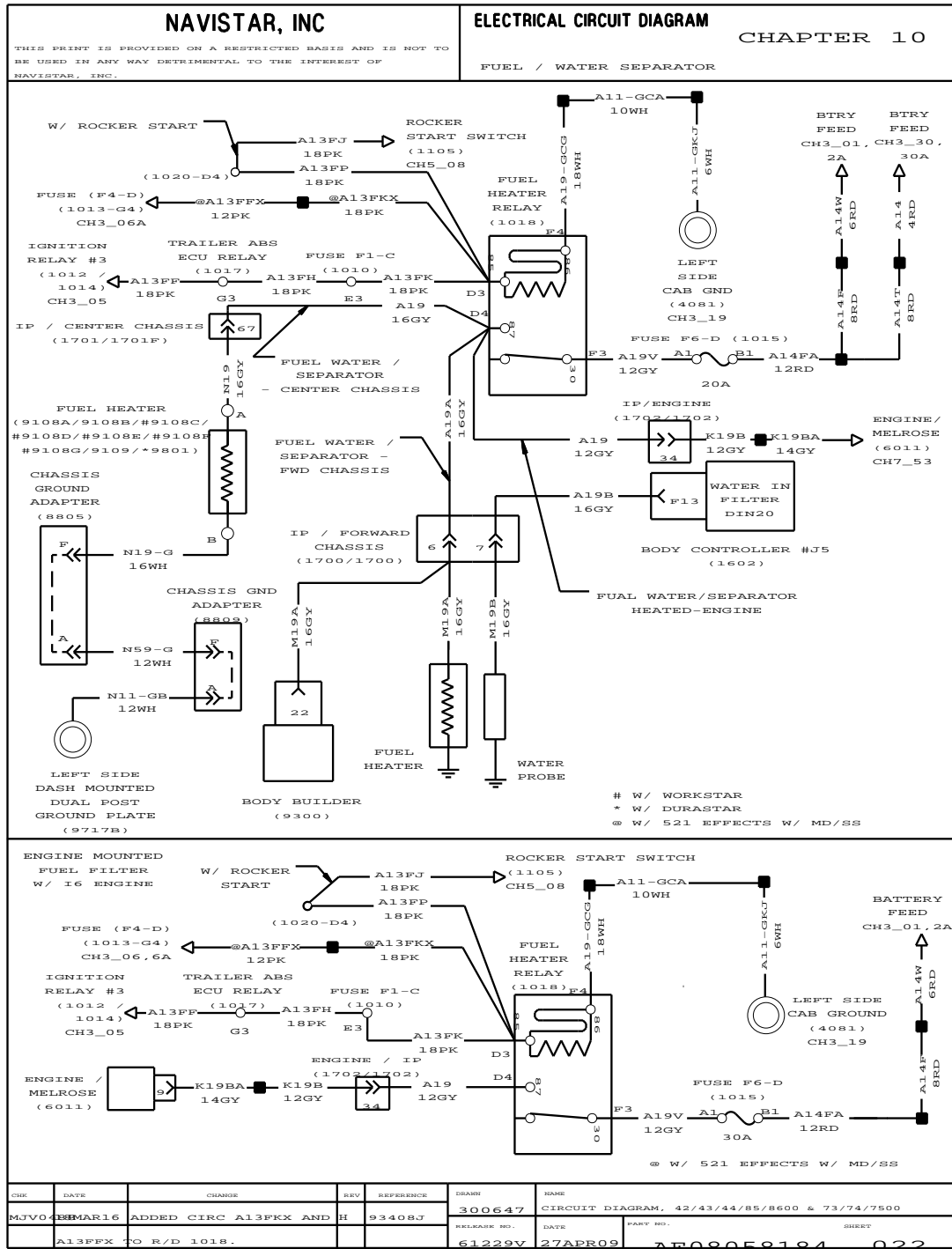


Figure 347 Fuel / Water Separator

10.39. CUMMINS ISB FUEL / WATER SEPARATOR, P. 22A

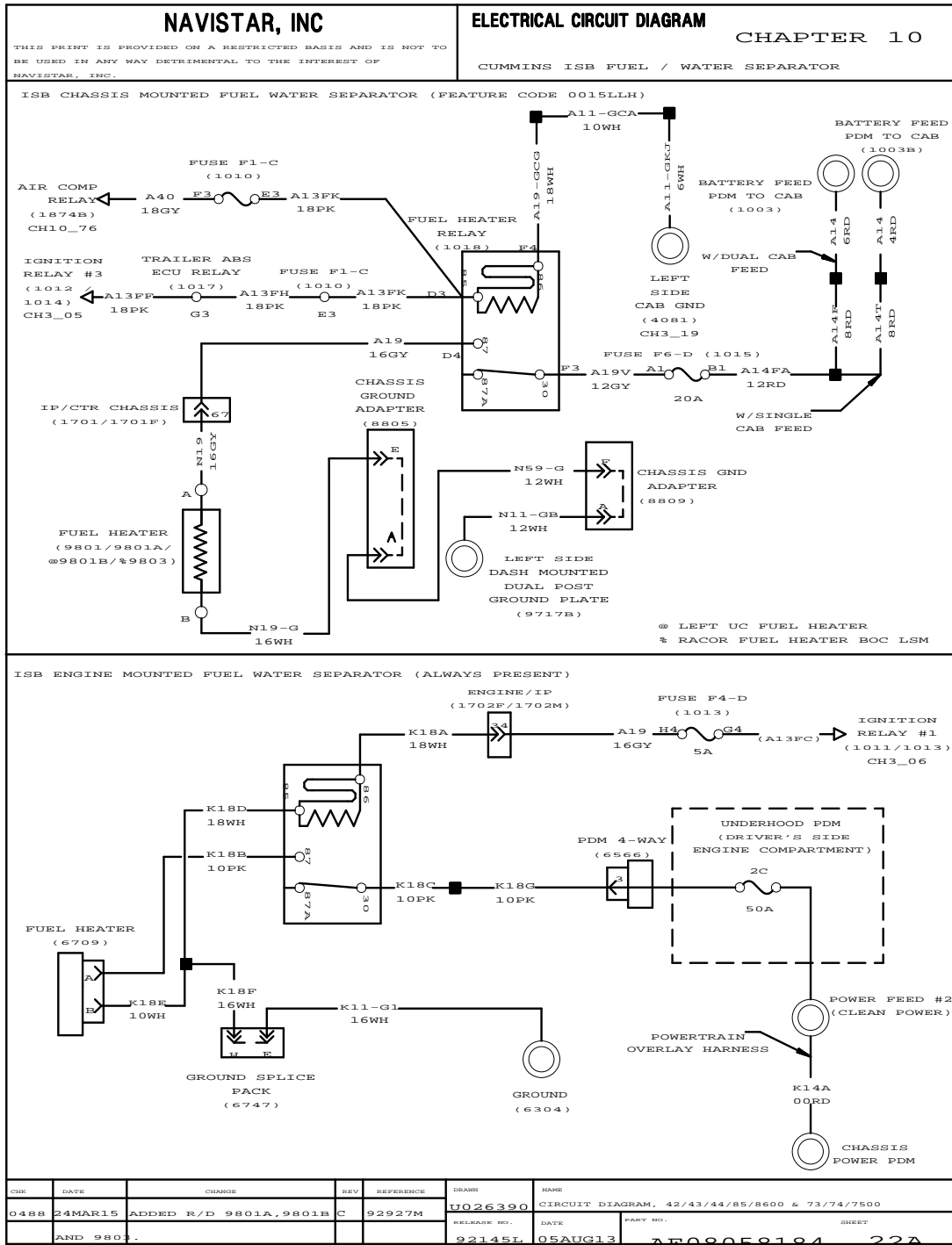


Figure 348 Cummins ISB Fuel / Water Separator

10.40. ELECTRIC TRAILER BRAKE, P. 23

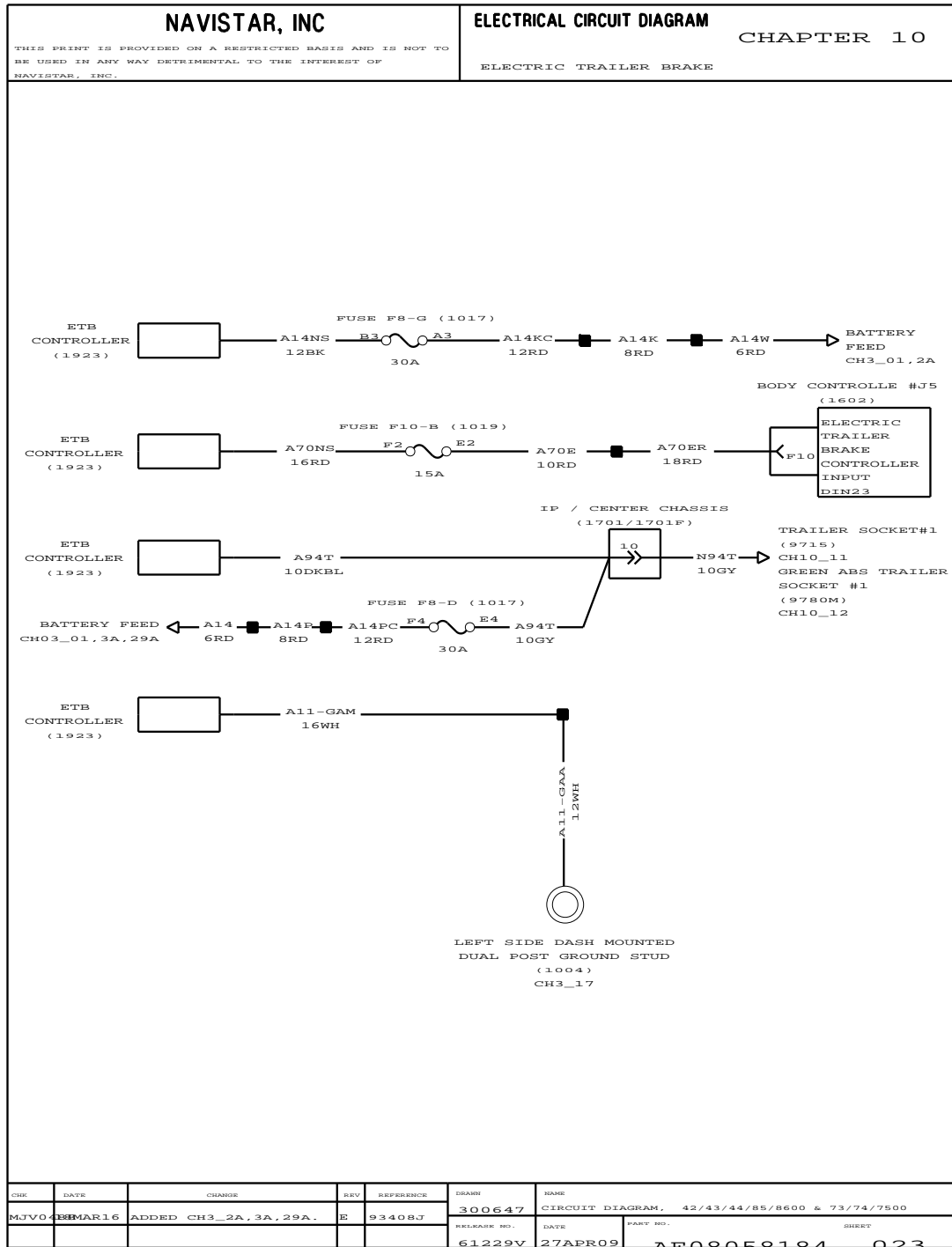


Figure 349 Electric Trailer Brake

10.41. LECTRASHIFT ACCOMMODATION, P. 24

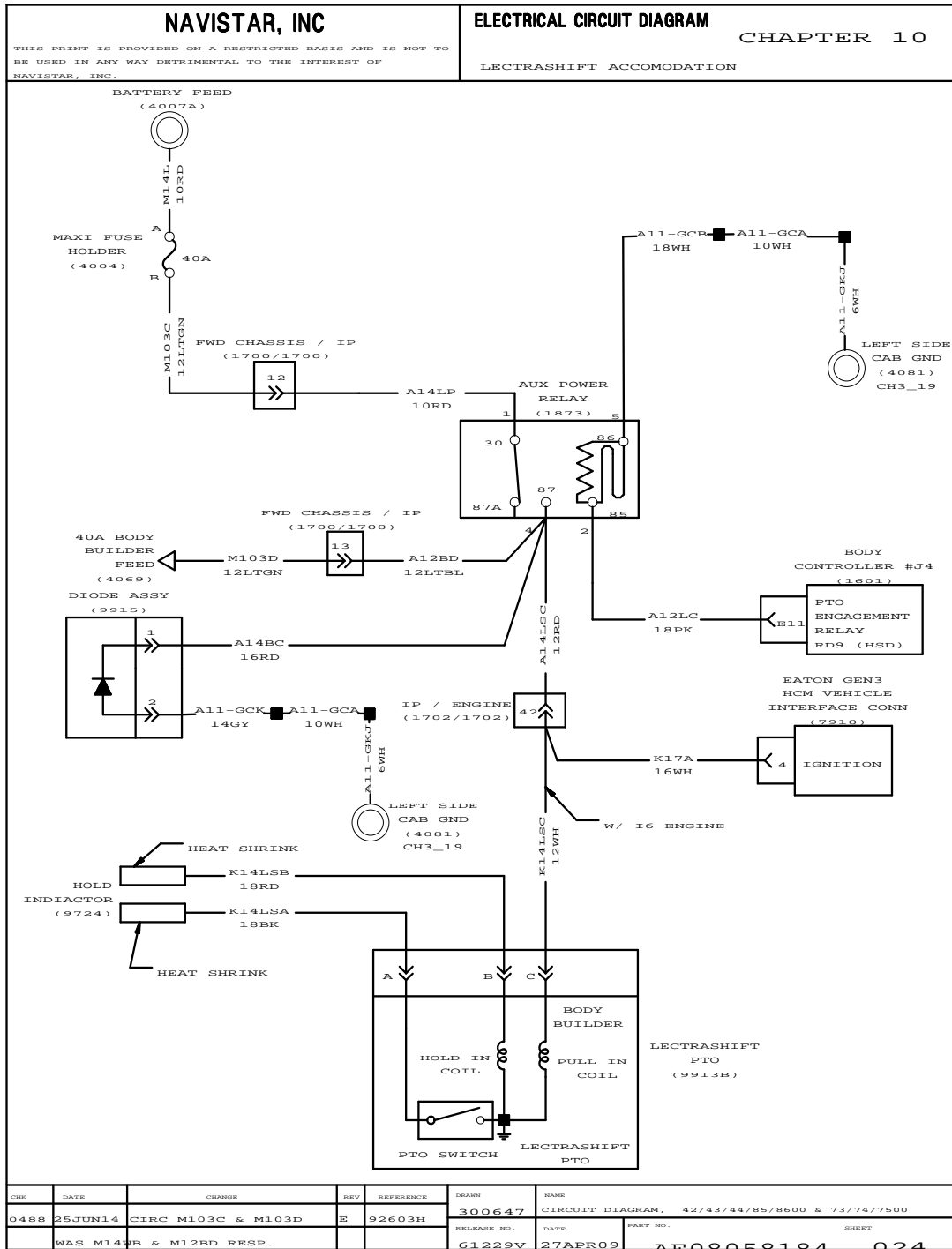


Figure 350 Lectrashift Accommodation

10.42. HOUR METER – PTO, P. 25

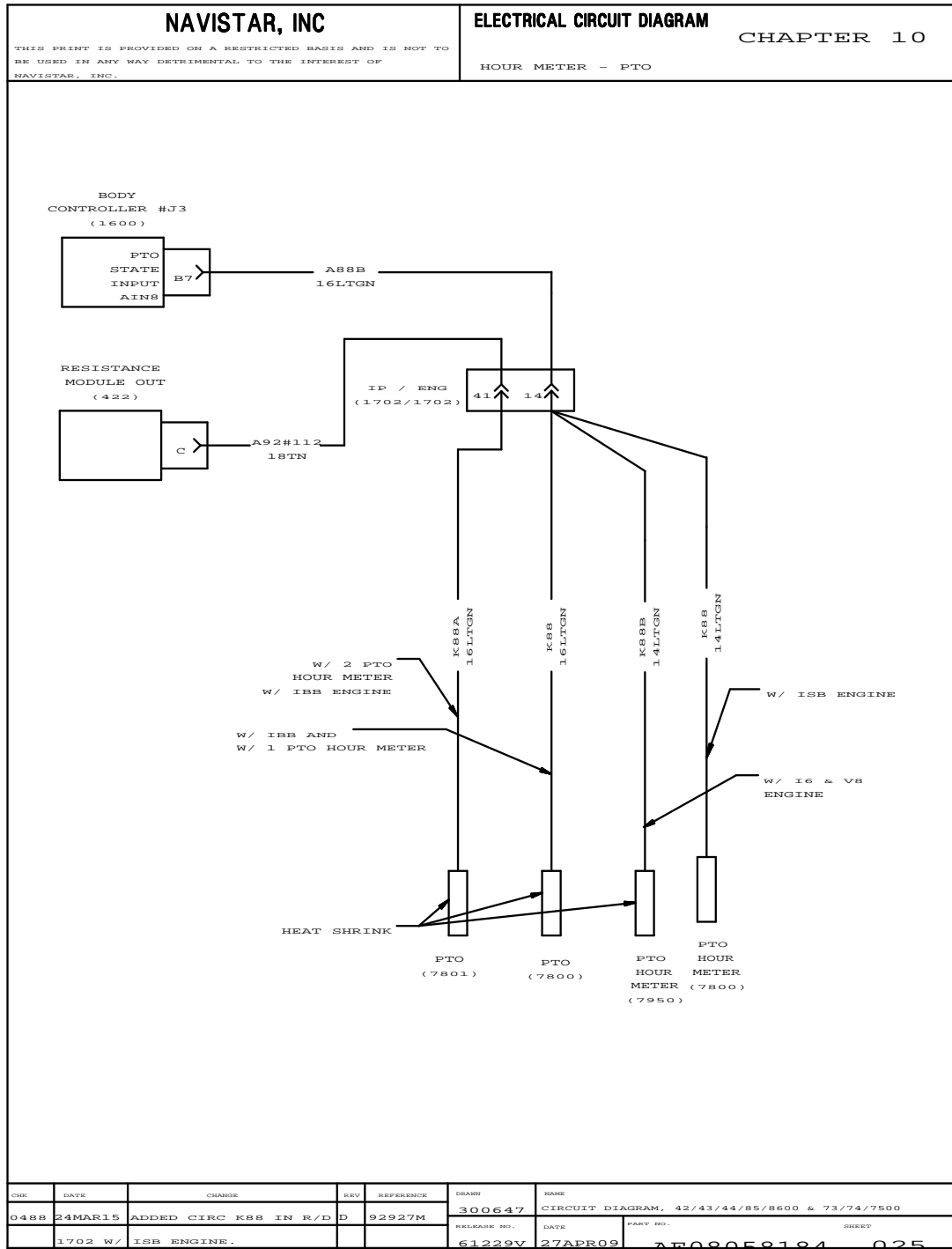


Figure 351 Hour Meter – PTO

10.43. AUXILIARY INPUTS AND DRIVERS, P. 26

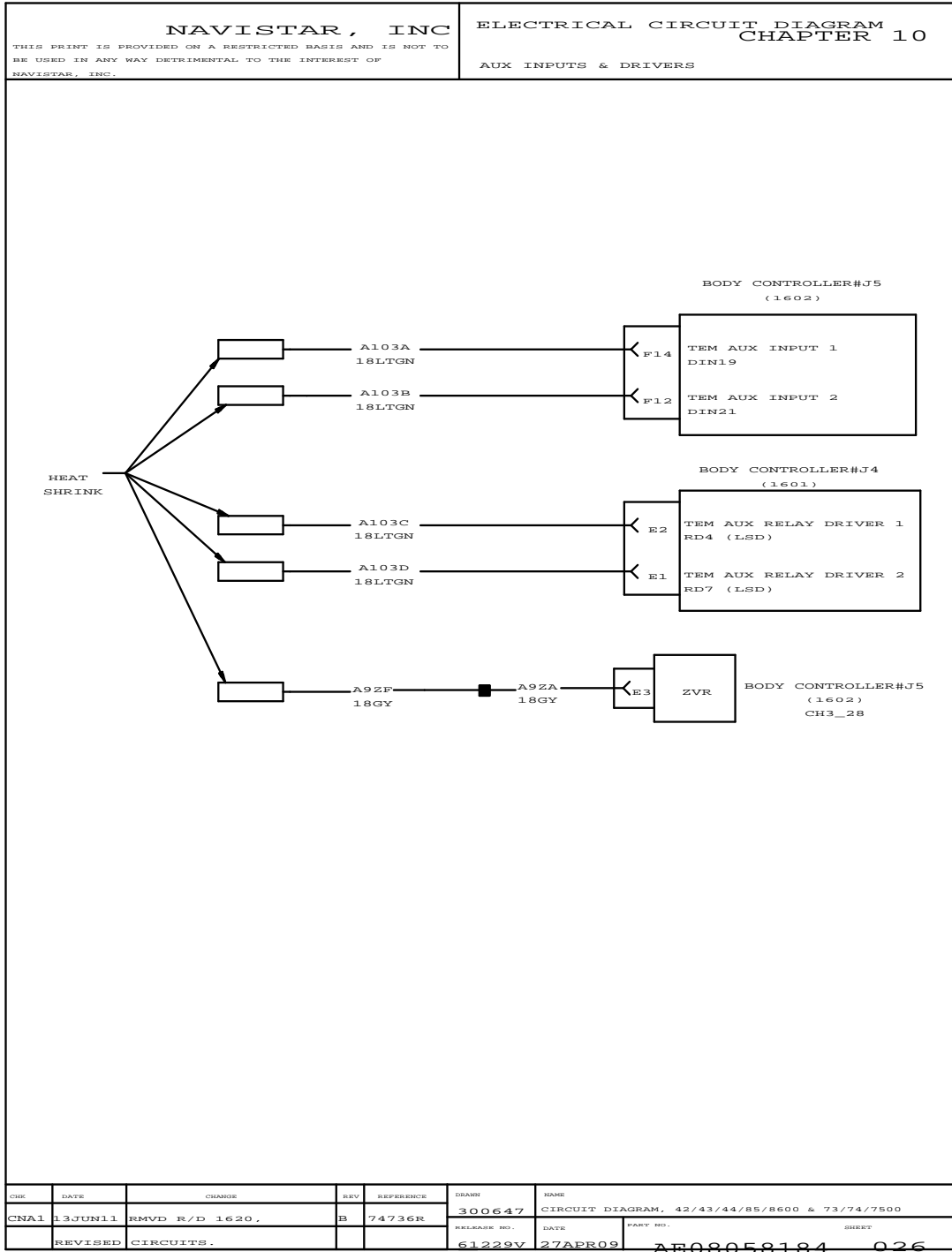


Figure 352 Auxiliary Inputs and Drivers

10.44. FUEL TRANSFER PUMP, P. 27

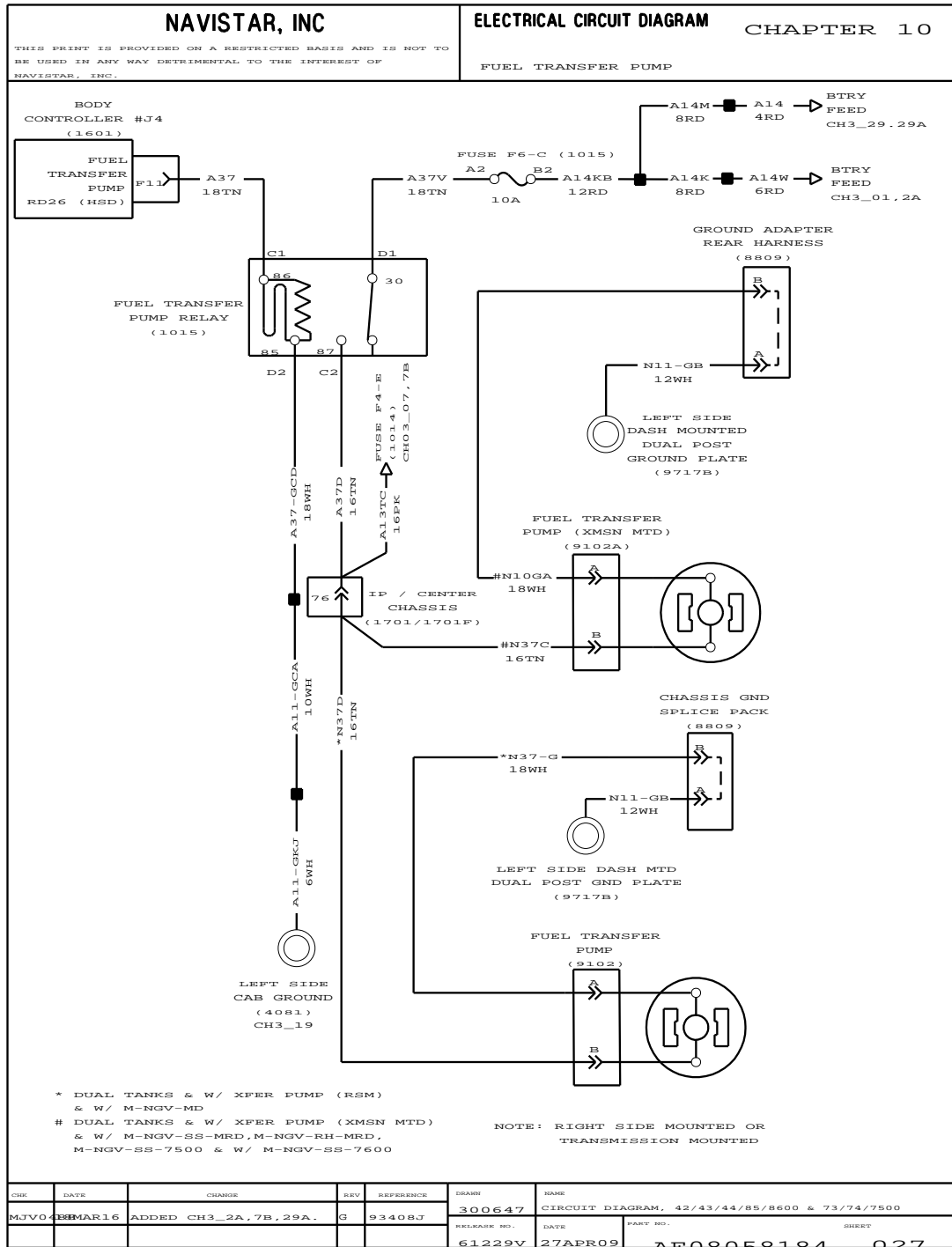


Figure 353 Fuel Transfer Pump

10.45. POWER SOURCE, CUSTOMER INSTALLED LIFT GATE, P. 28

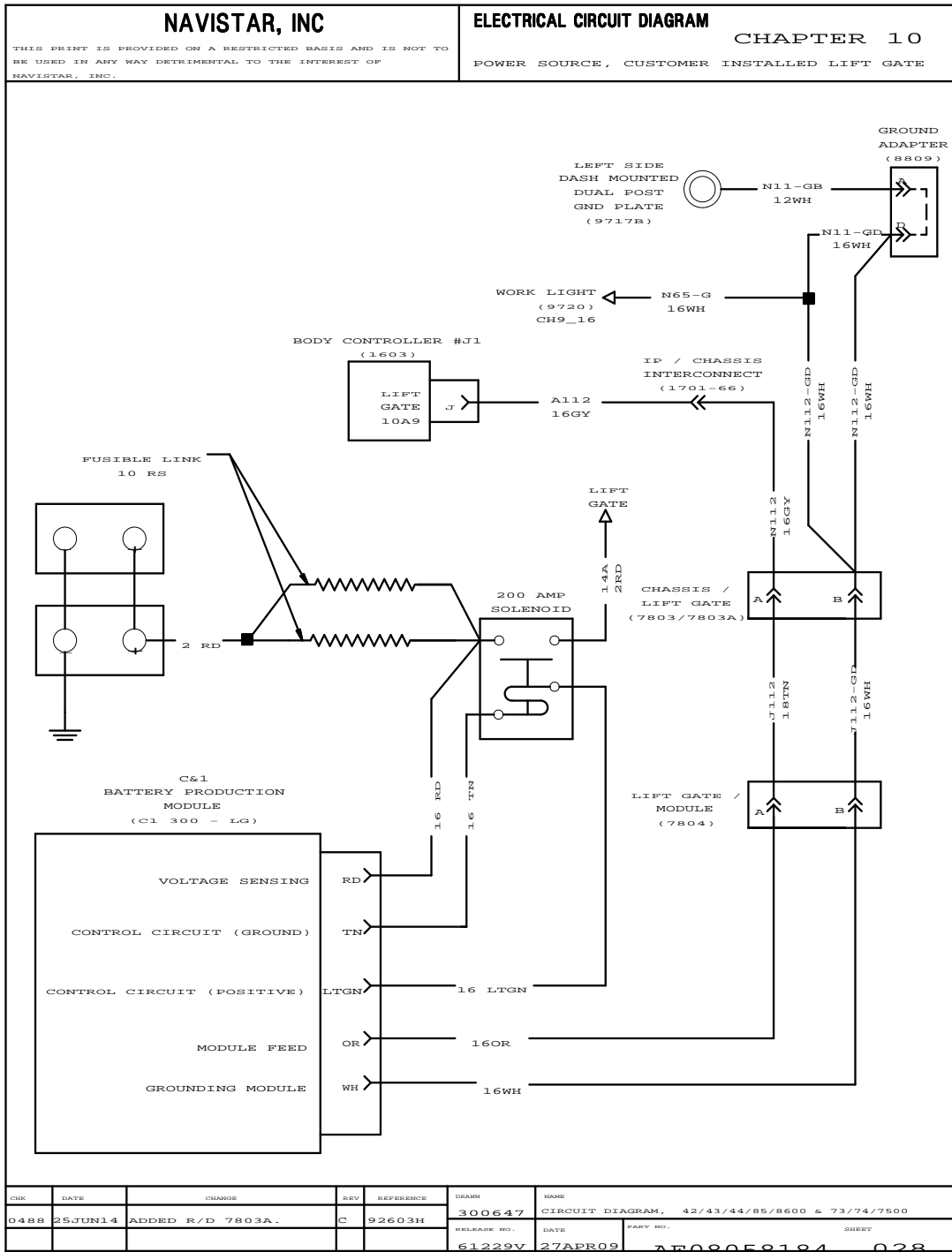


Figure 354 Power Source, Customer Installed Lift Gate

10.46. WHEELCHAIR LIFT INTERLOCK, P. 29

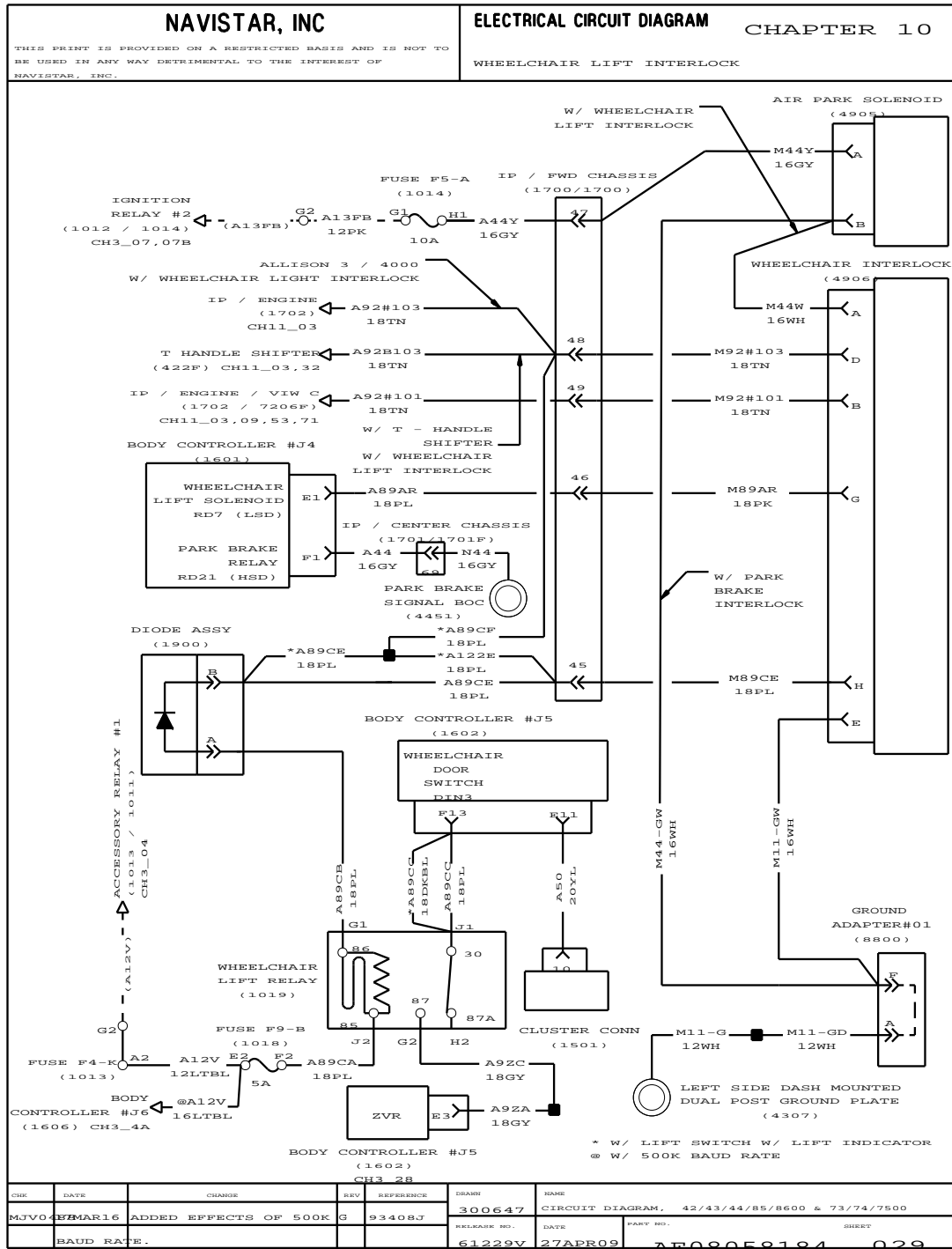


Figure 355 Wheelchair Lift Interlock

10.47. WHEELCHAIR LIFT INTERLOCK (CONT.), P. 29A

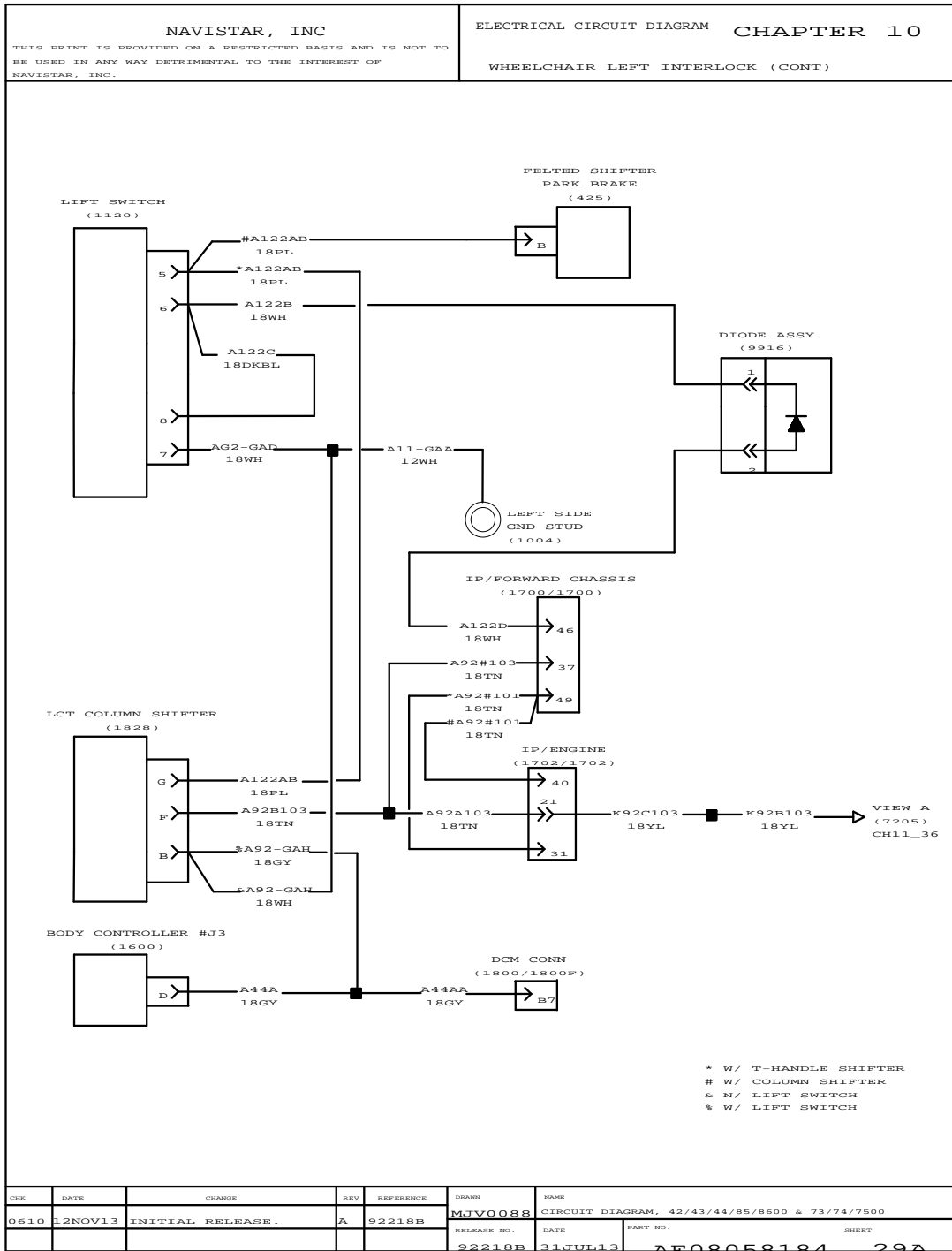


Figure 356 Wheelchair Lift Interlock (Cont.)

10.48. LIFT AXLE WITH CONTROLS FOR ONE LIFT AXLE, P. 30

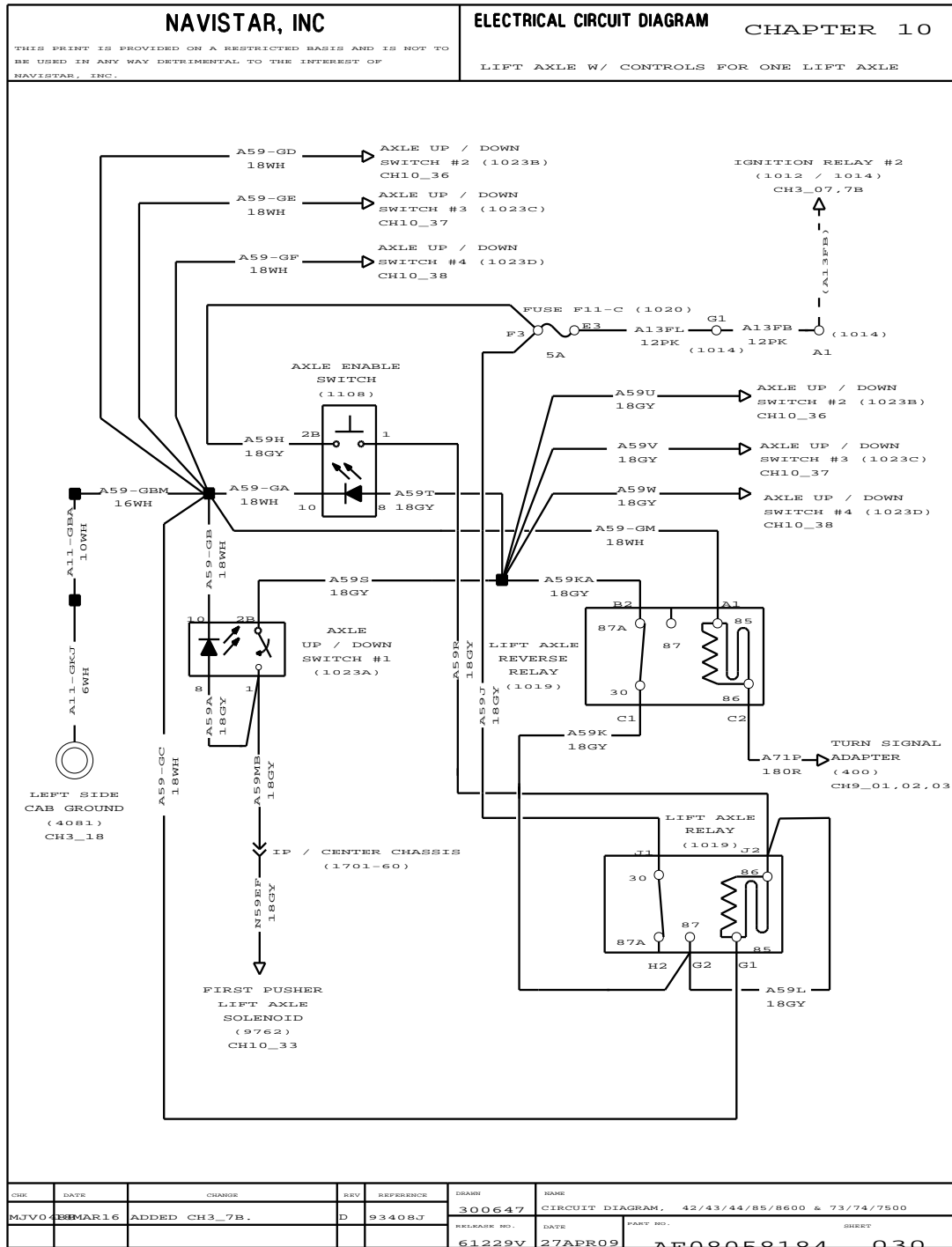


Figure 357 Lift Axle with Controls for One Lift Axle

10.49. LIFT AXLE WITH CONTROLS FOR ONE LIFT AXLE (CONT.), P. 30A

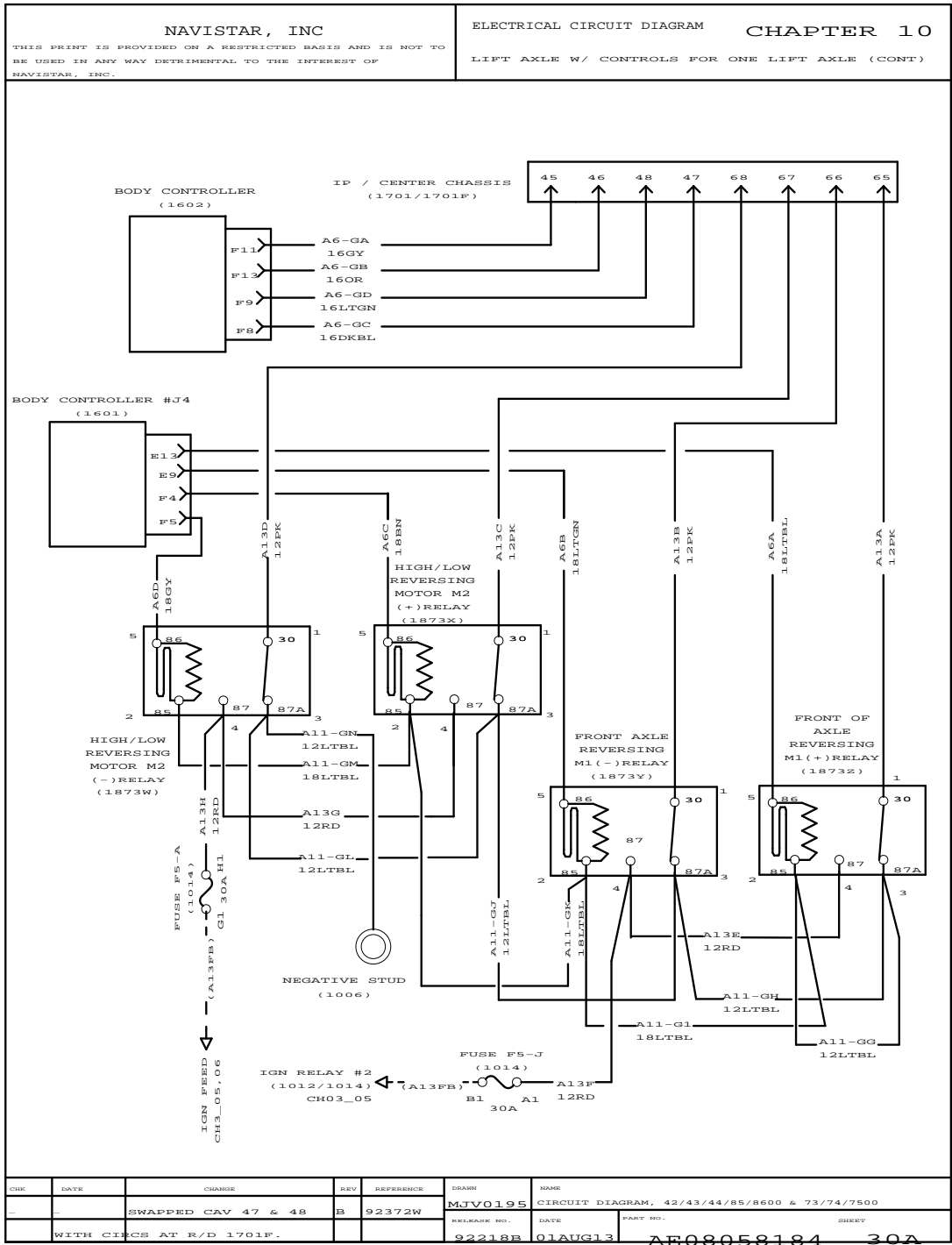


Figure 358 Lift Axle with Controls for One Lift Axle (Cont.)

10.50. SPARE WIRING WITH LOAD DISCONNECT, P. 30B

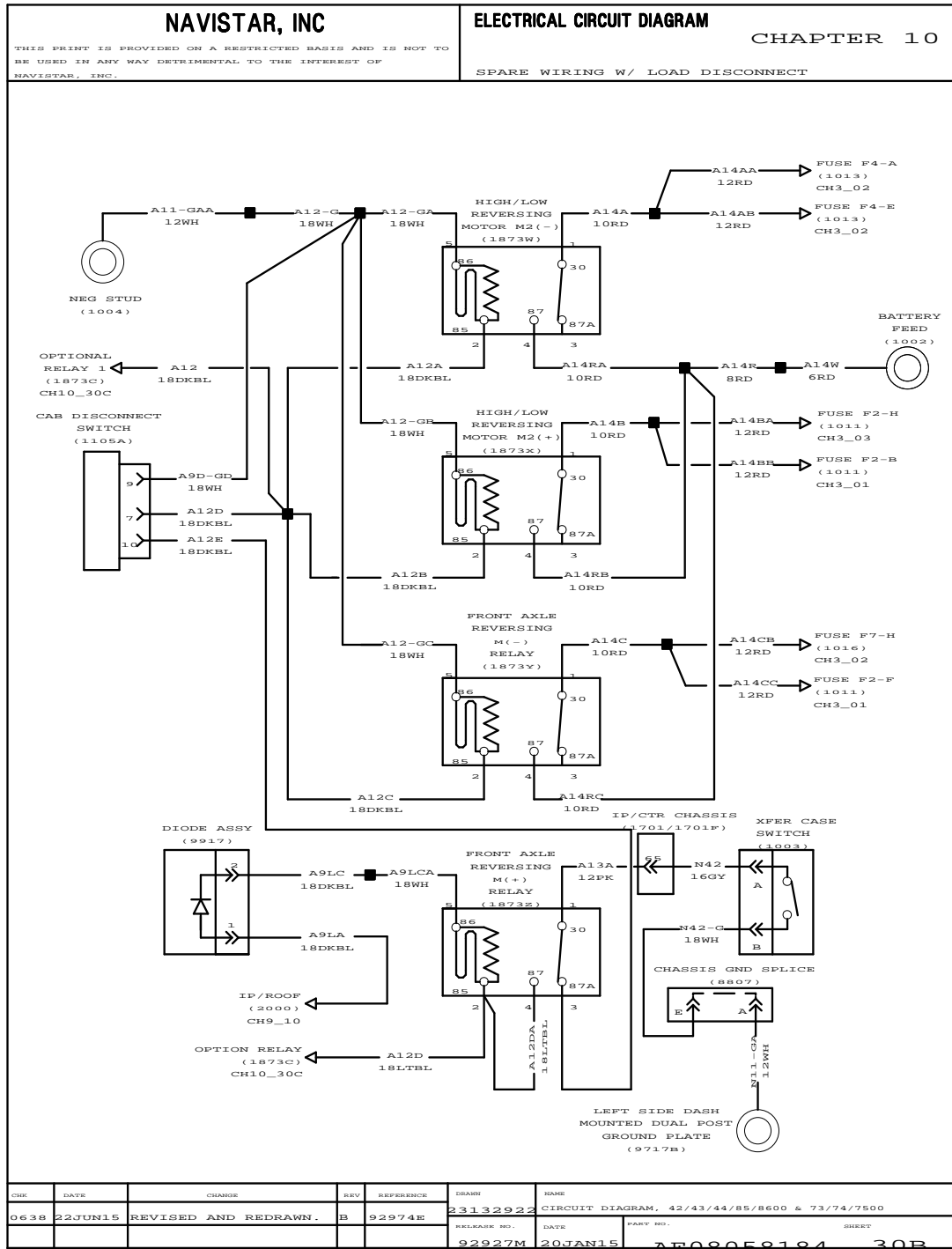


Figure 359 Spare Wiring with Load Disconnect

10.51. SPARE WIRING WITH LOAD DISCONNECT (CONT.), P. 30C

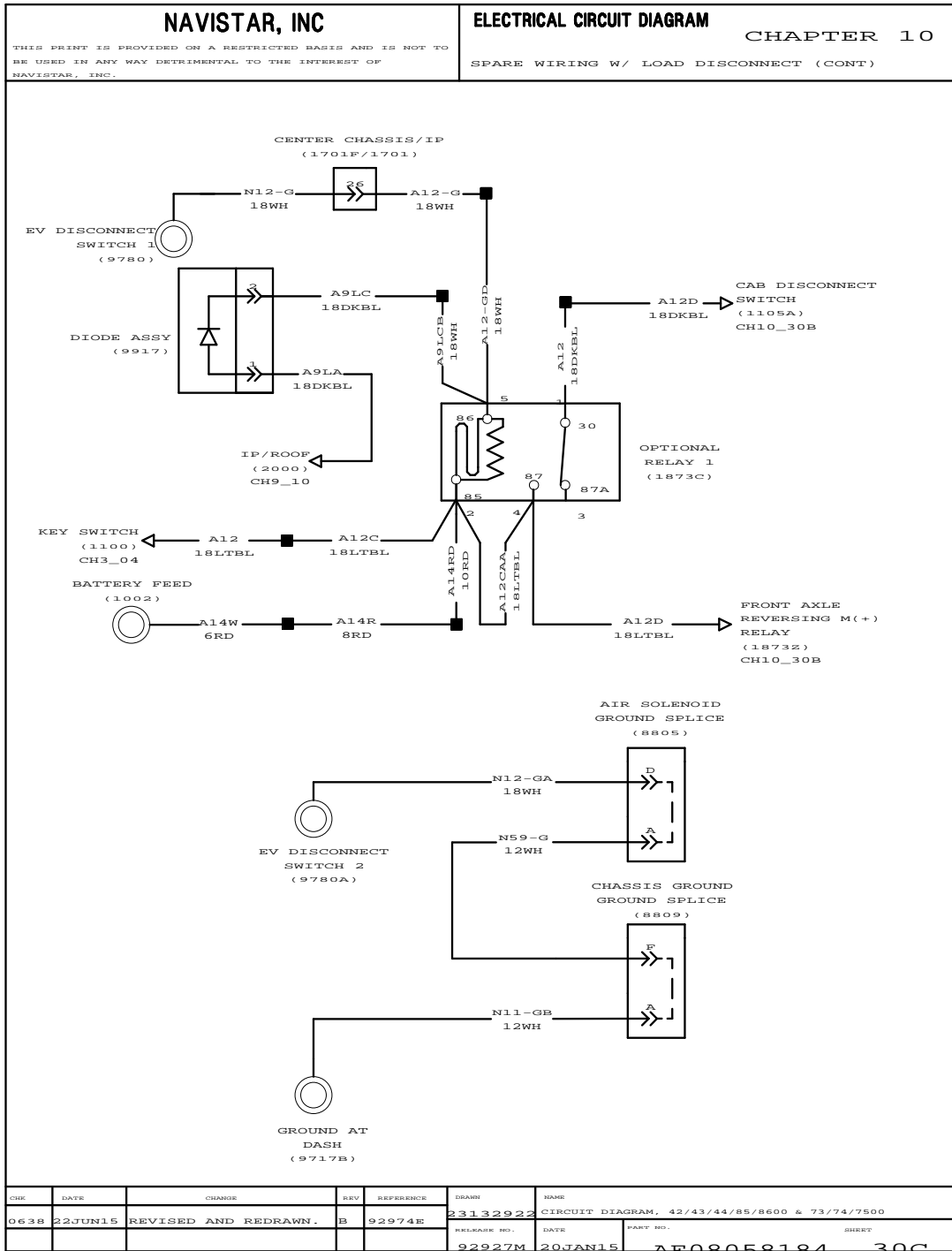


Figure 360 Spare Wiring with Load Disconnect (Cont.)

10.52. LIFT AXLE (NON-STEERABLE), P. 31

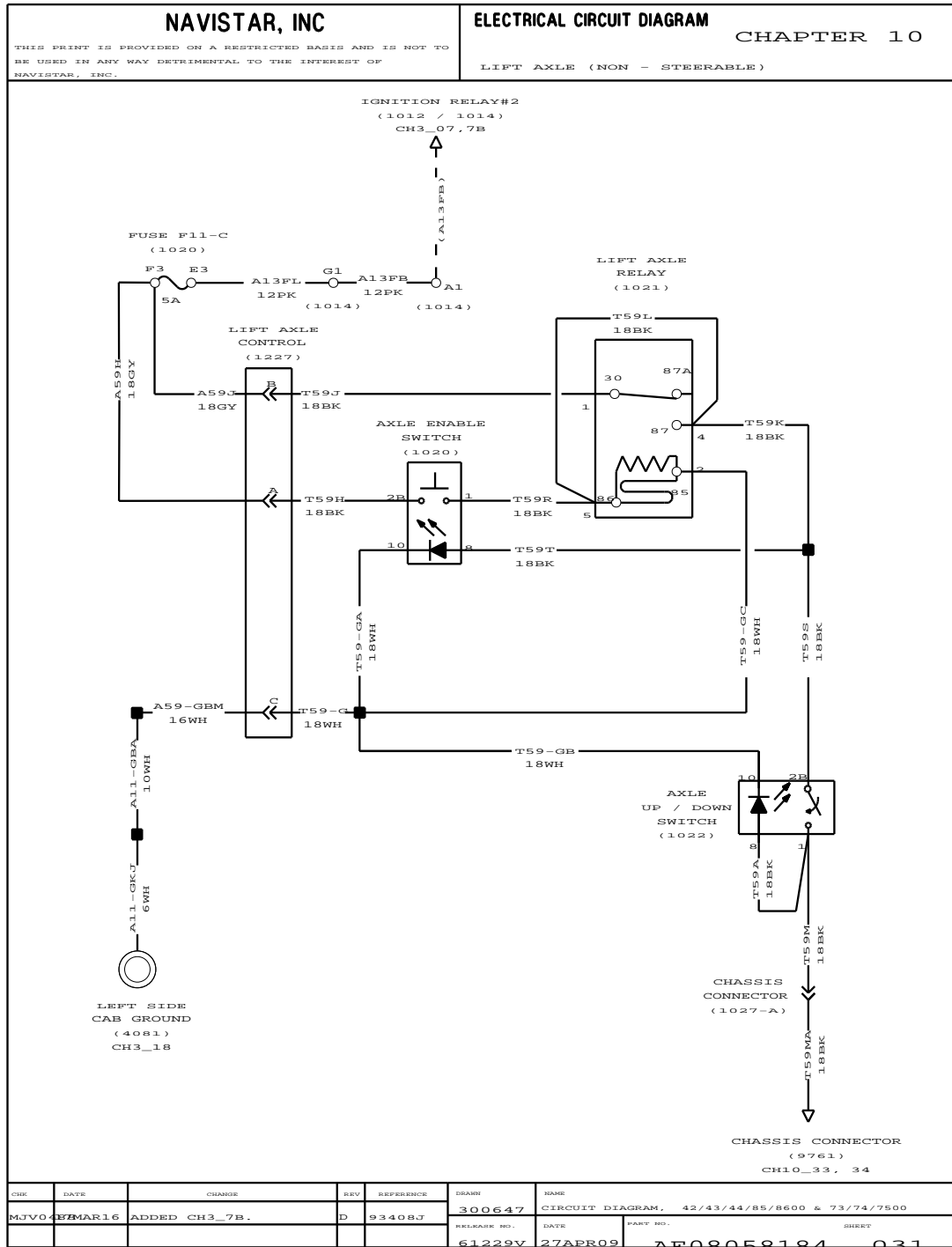


Figure 361 Lift Axle (Non-Steerable)

10.53. LIFT AXLE (STEERABLE), P. 32

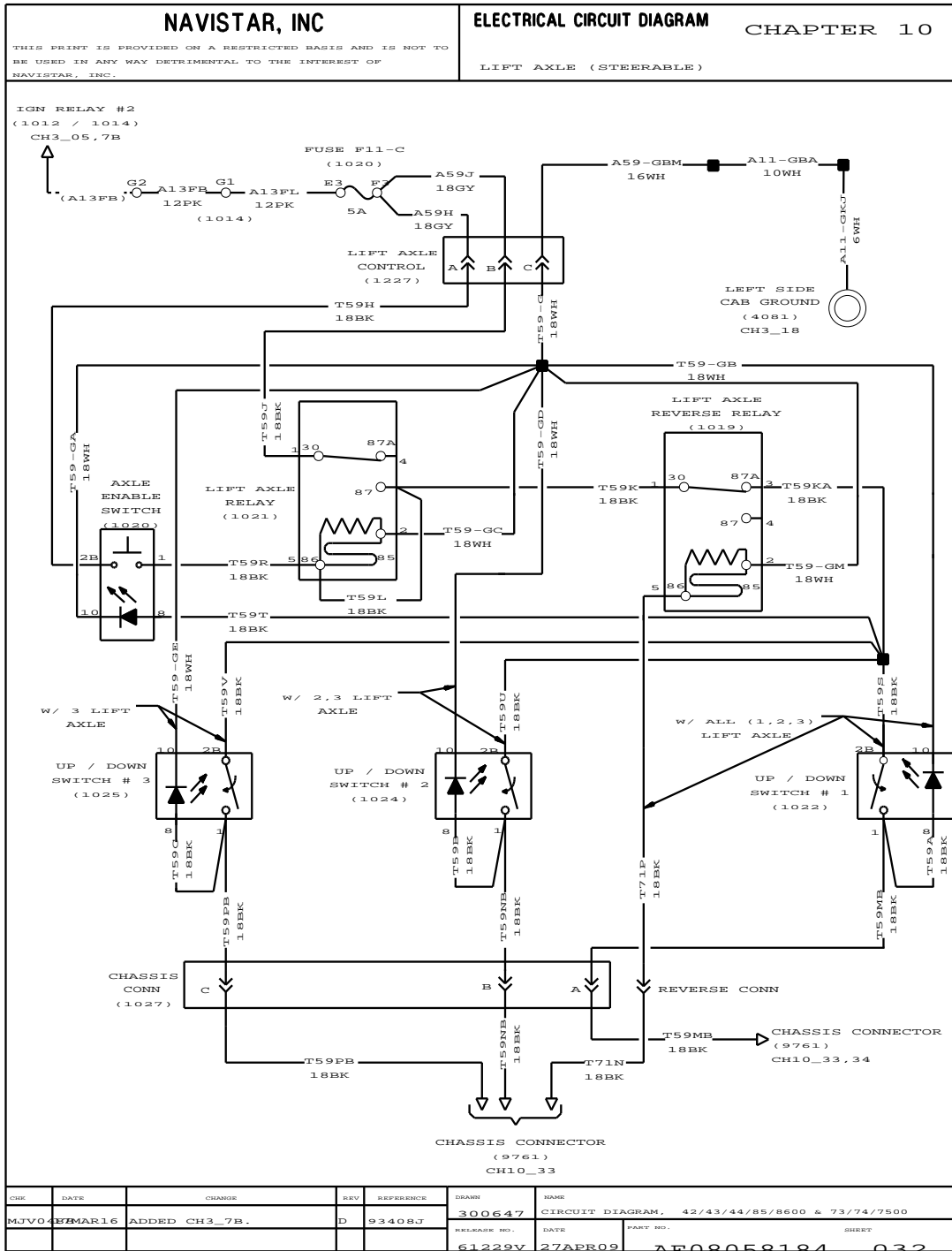


Figure 362 Lift Axle (Steerable)

10.54. LIFT AXLE, P. 33

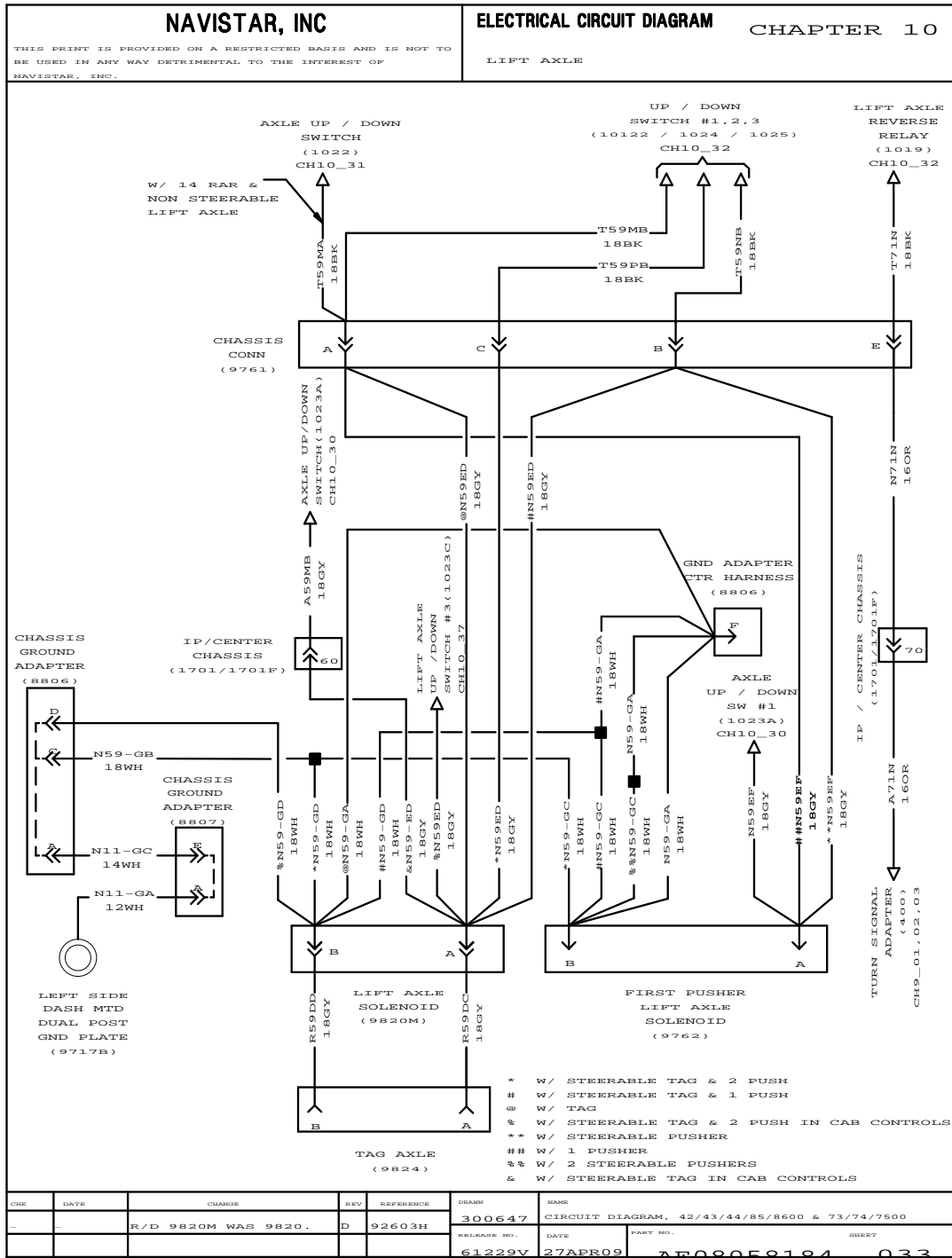


Figure 363 Lift Axle

10.55. LIFT AXLE (CONT.), P. 34

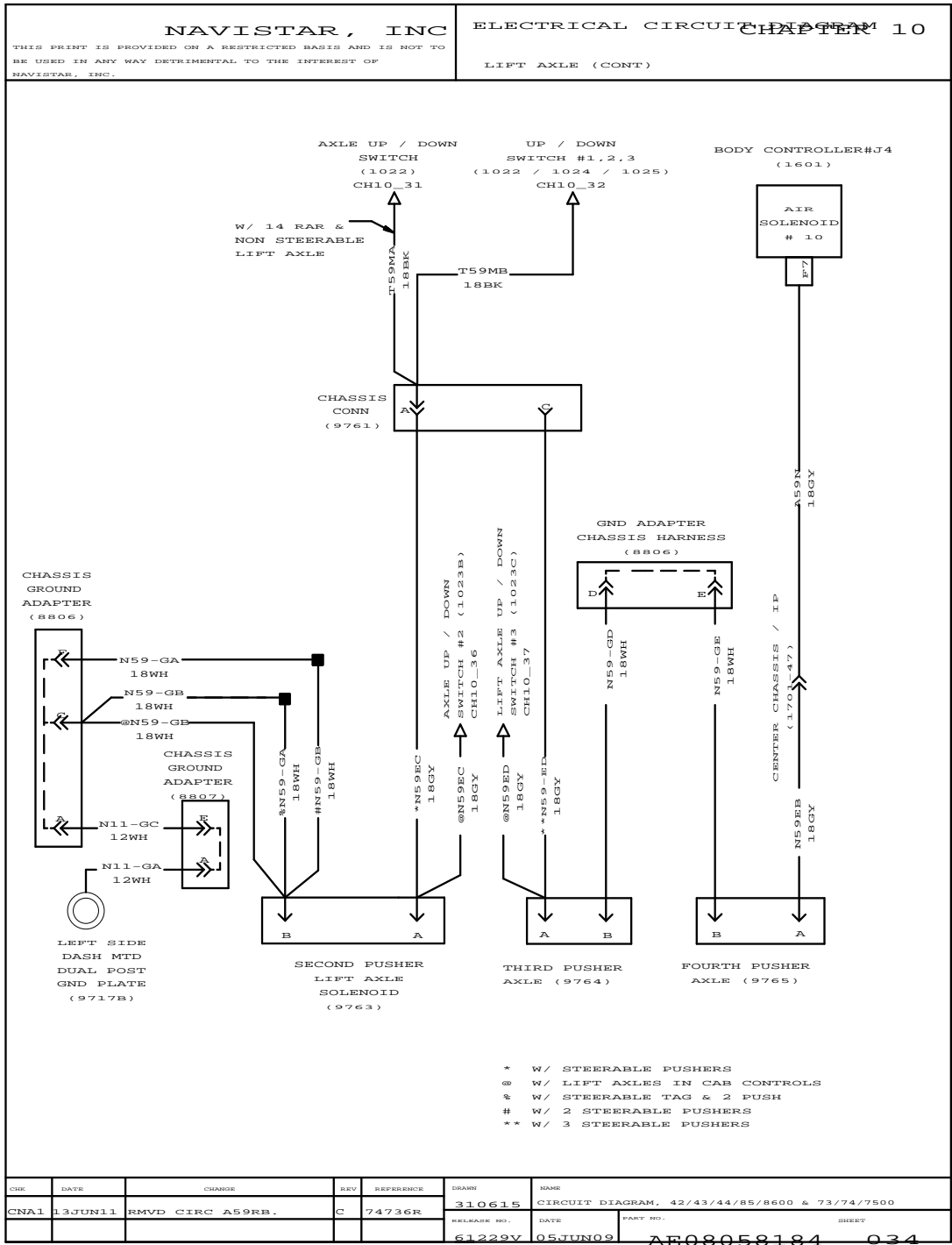


Figure 364 Lift Axle (Cont.)

10.56. AIR DRYER AND HEATED DRAIN VALVE, P. 35

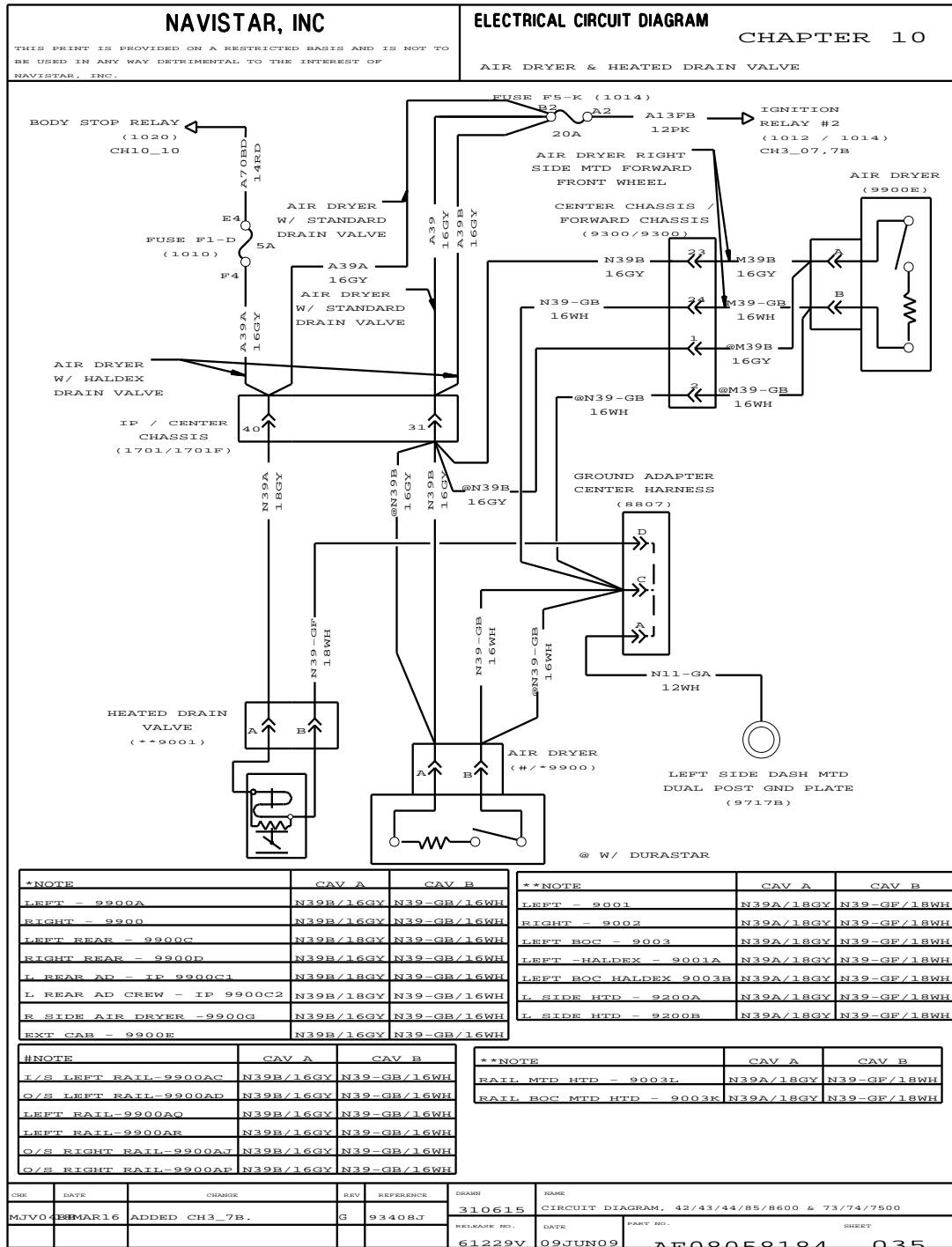


Figure 365 Air Dryer and Heated Drain Valve

10.57. LIFT AXLE WITH CONTROLS FOR TWO LIFT AXLES, P. 36

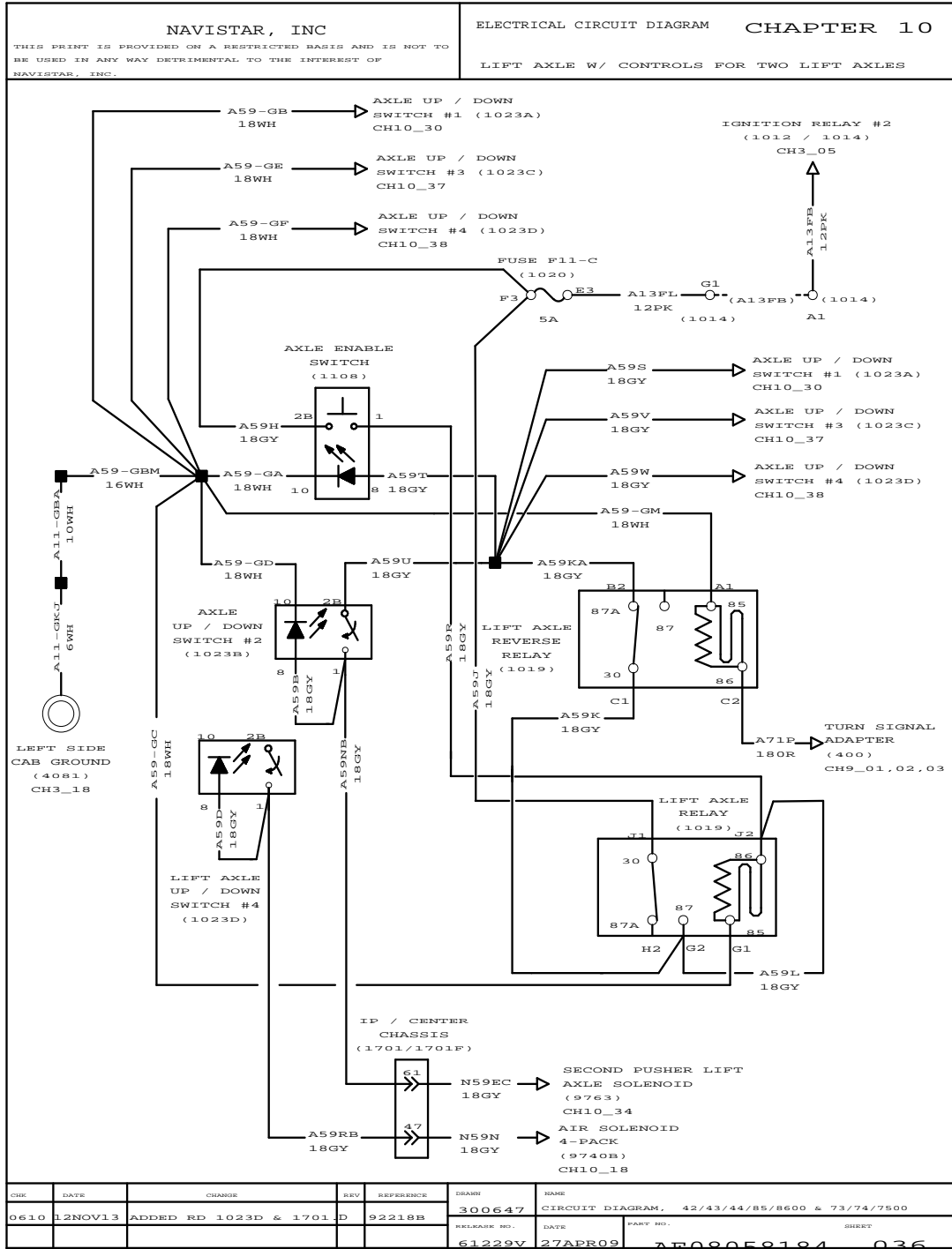


Figure 366 Lift Axle with Controls for Two Lift Axles

10.58. LIFT AXLES WITH CONTROLS FOR THREE LIFT AXLES, P. 37

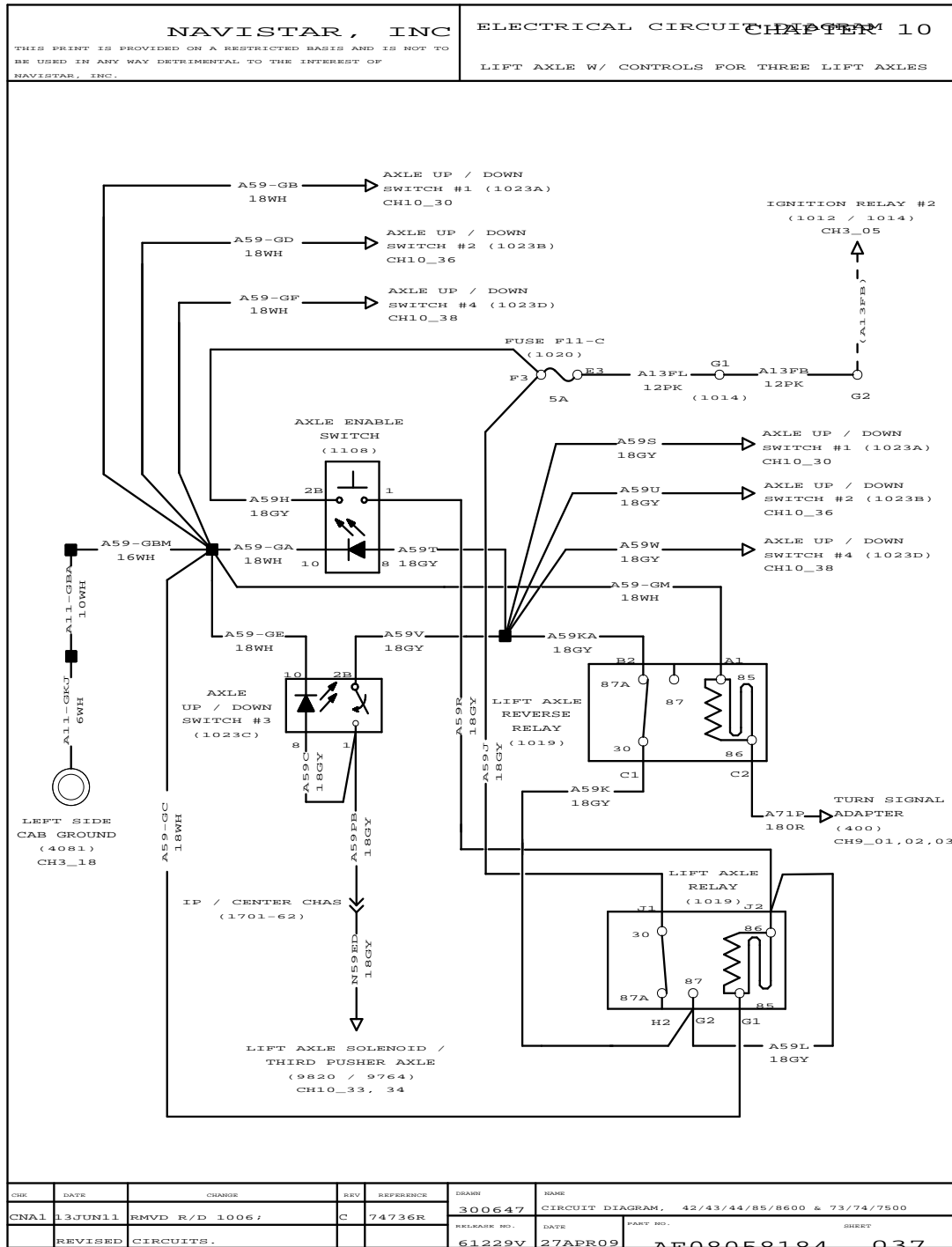


Figure 367 Lift Axles with Controls for Three Lift Axles

10.59. LIFT AXLES WITH CONTROLS FOR FOUR LIFT AXLES, P. 38

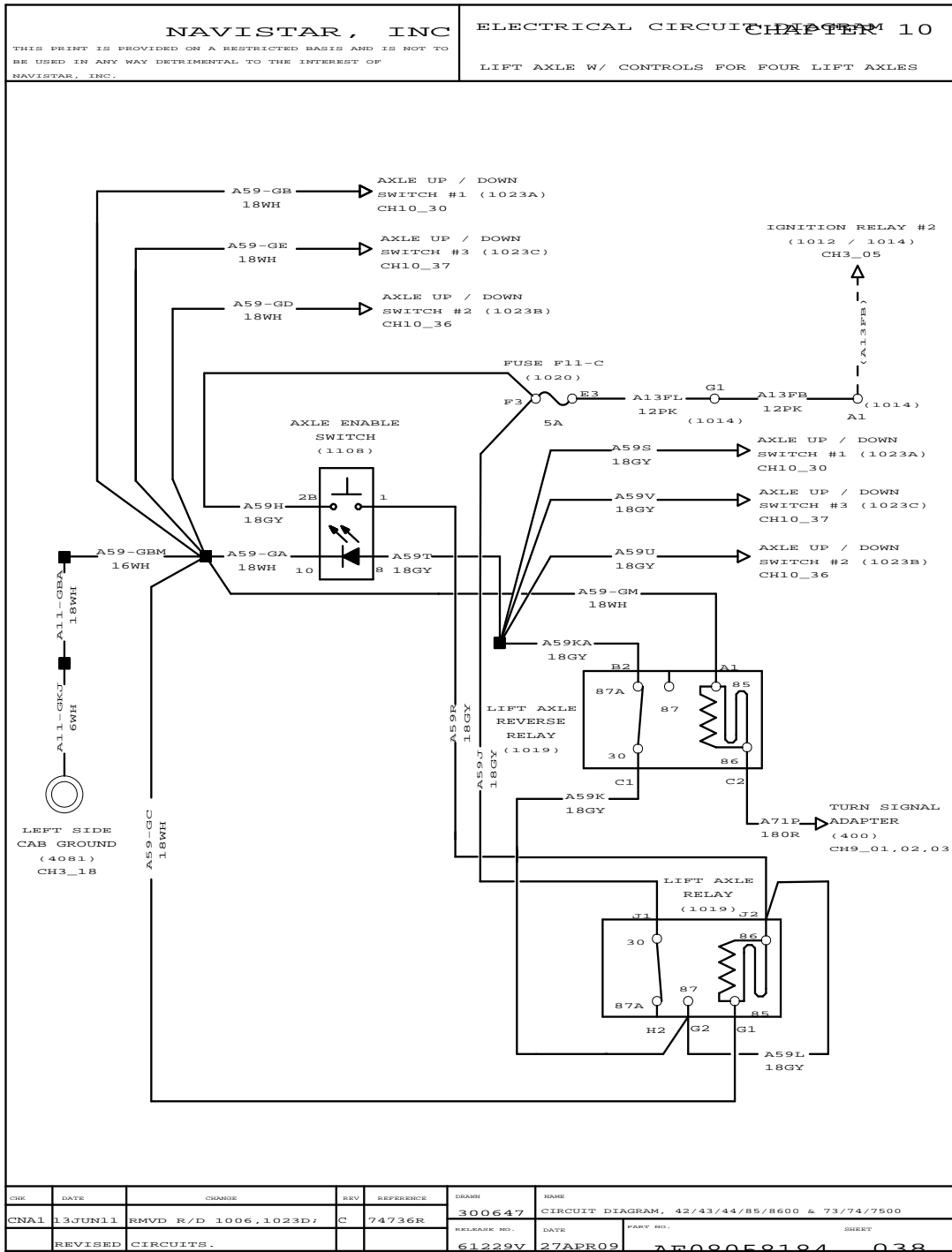


Figure 368 Lift Axles with Controls for Four Lift Axles

10.60. ABS ROLL OVER STABILITY, P. 39

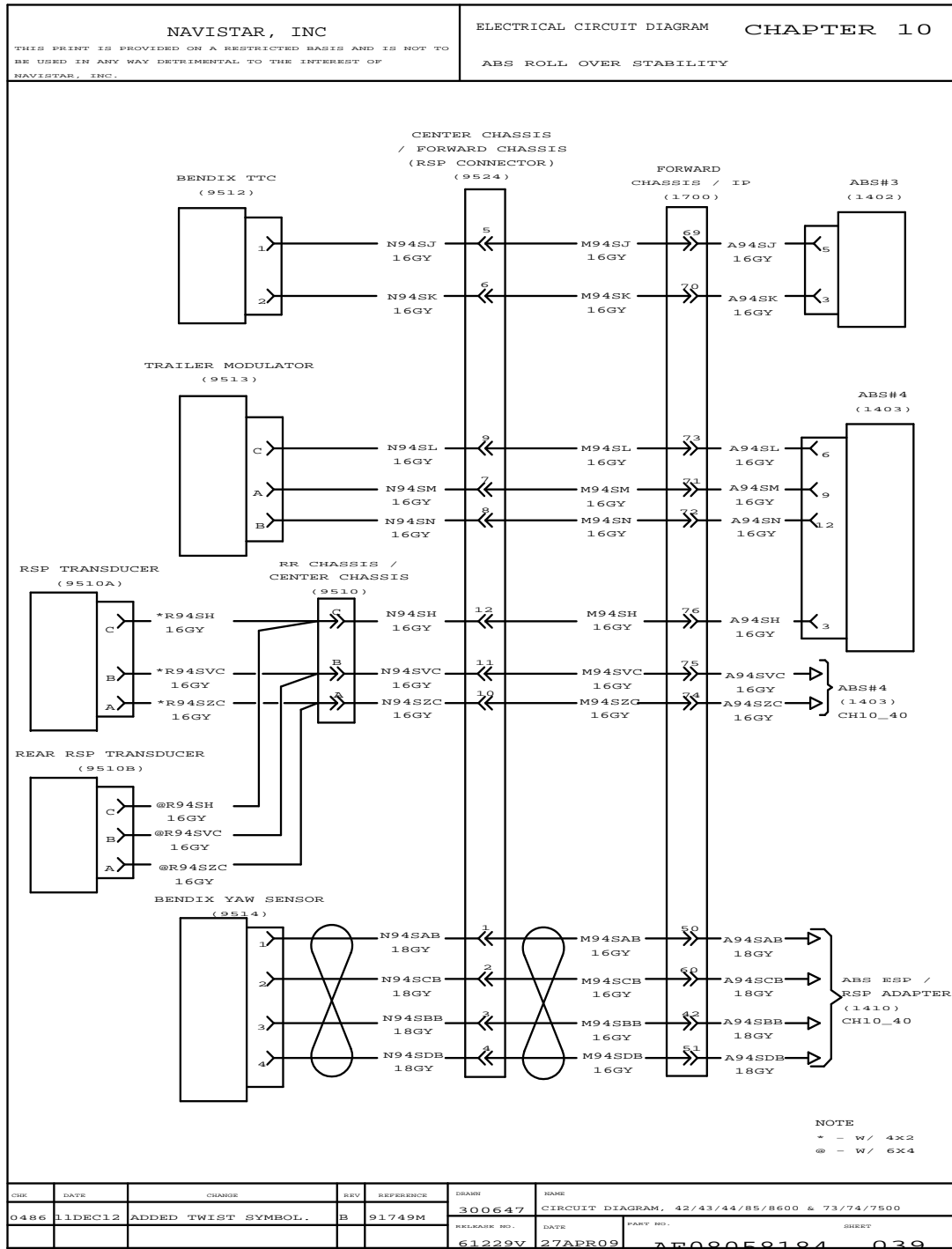


Figure 369 ABS Roll Over Stability

10.61. ABS ROLL OVER STABILITY (CONT.), P. 40

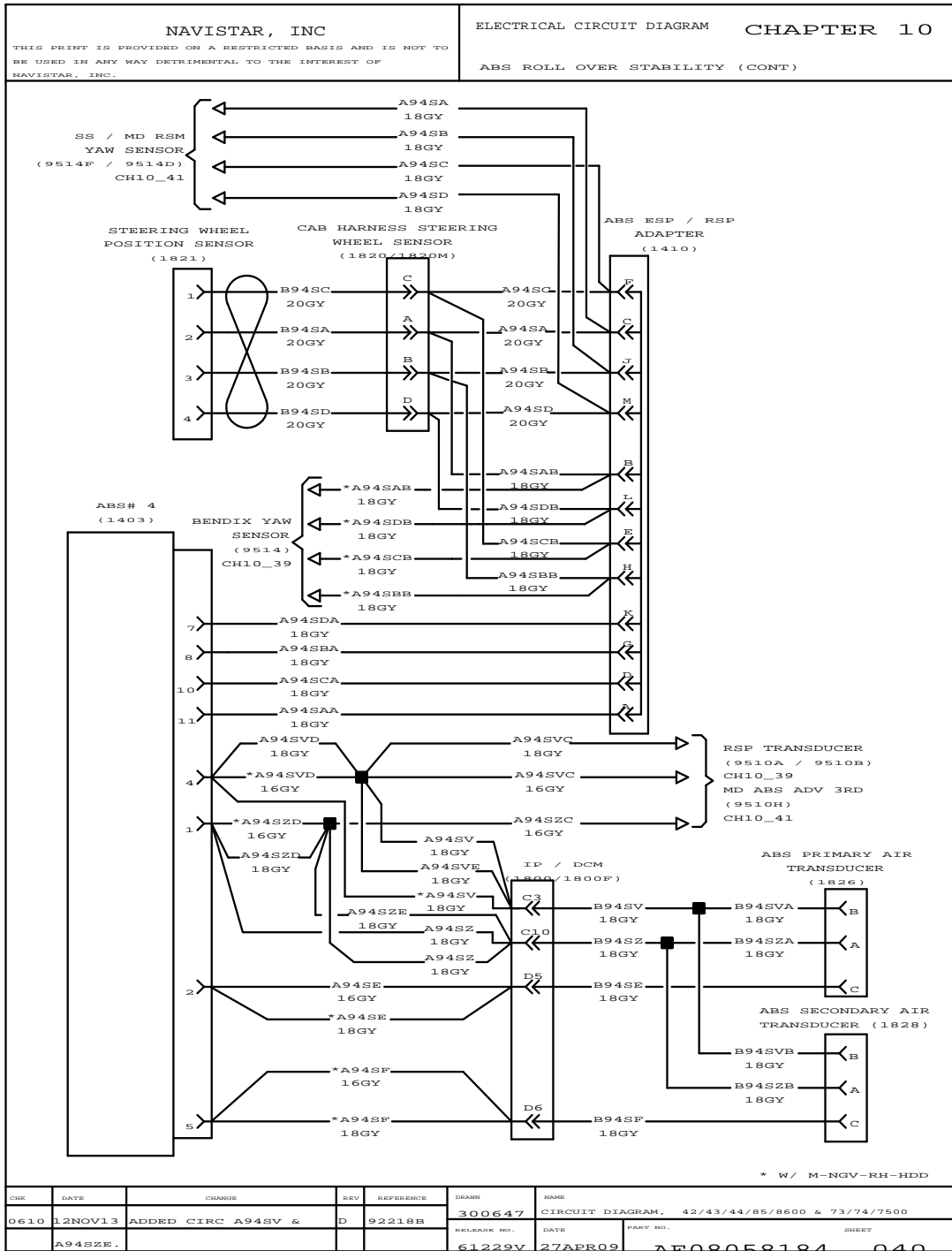


Figure 370 ABS Roll Over Stability (Cont.)

10.62. ABS – BENDIX AIR, P. 41

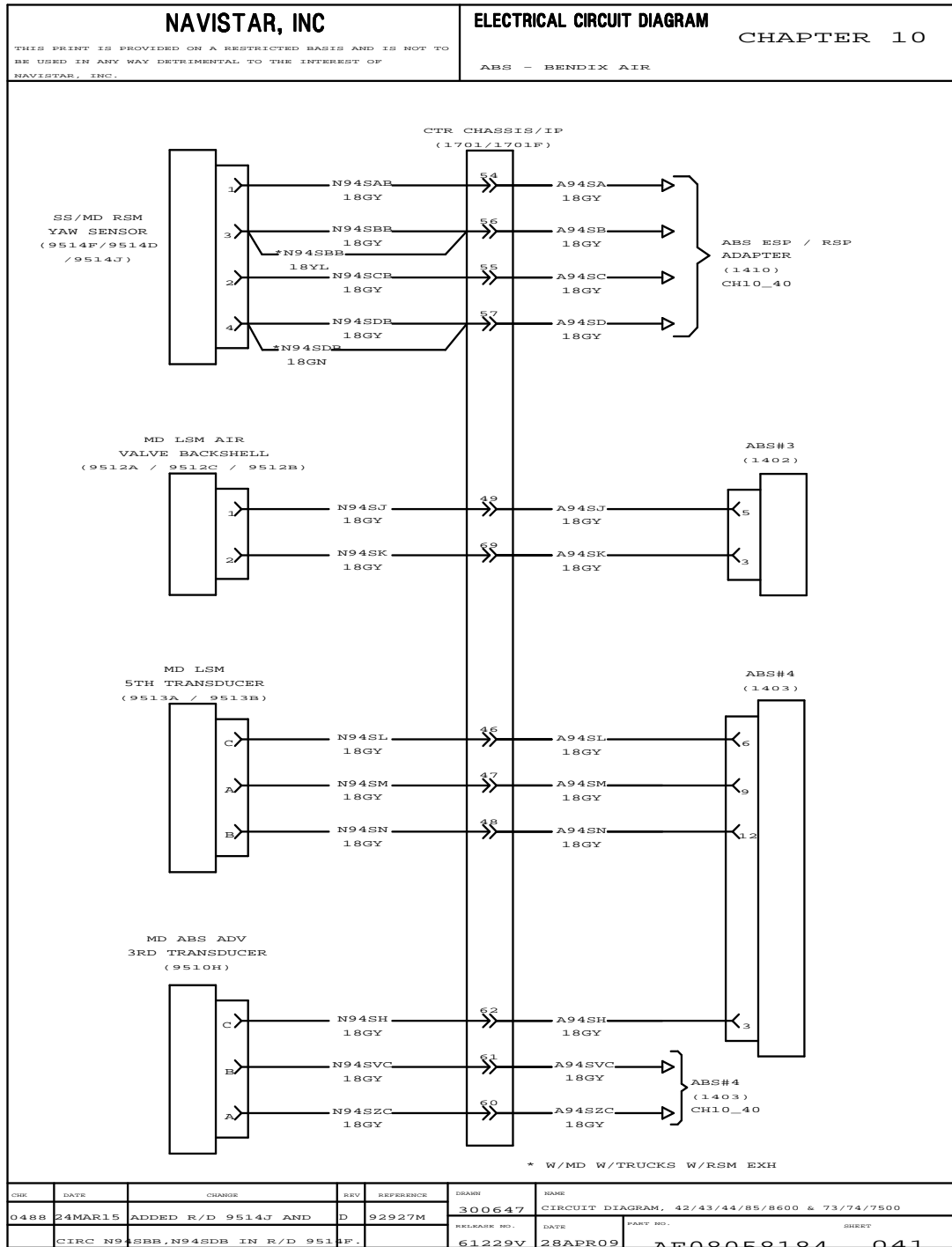


Figure 371 ABS – Bendix Air

10.63. ABS – BENDIX AIR (CONT.), P. 41A

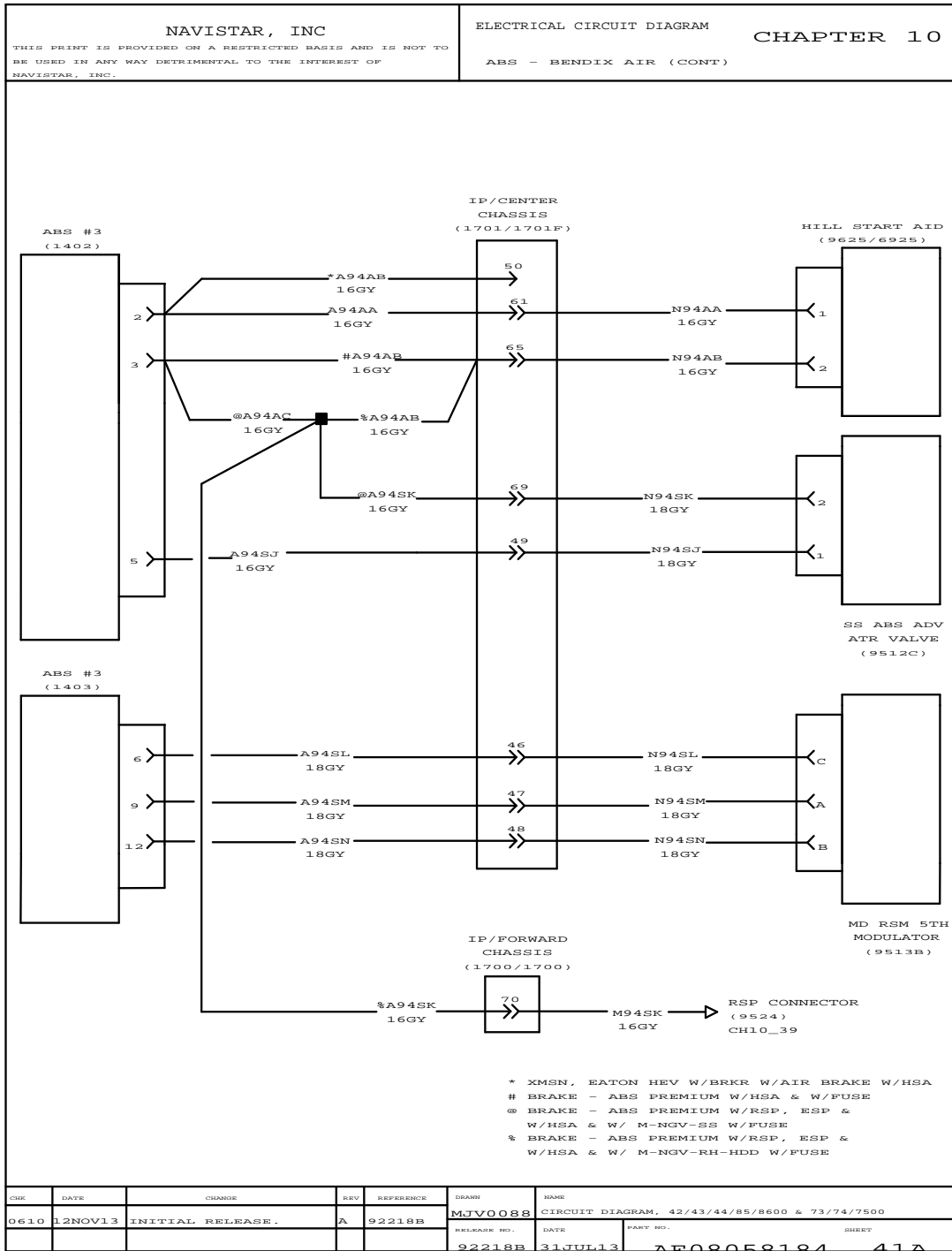


Figure 372 ABS – Bendix Air (Cont.)

10.64. TRANSFER CASE EFFECTS, P. 42

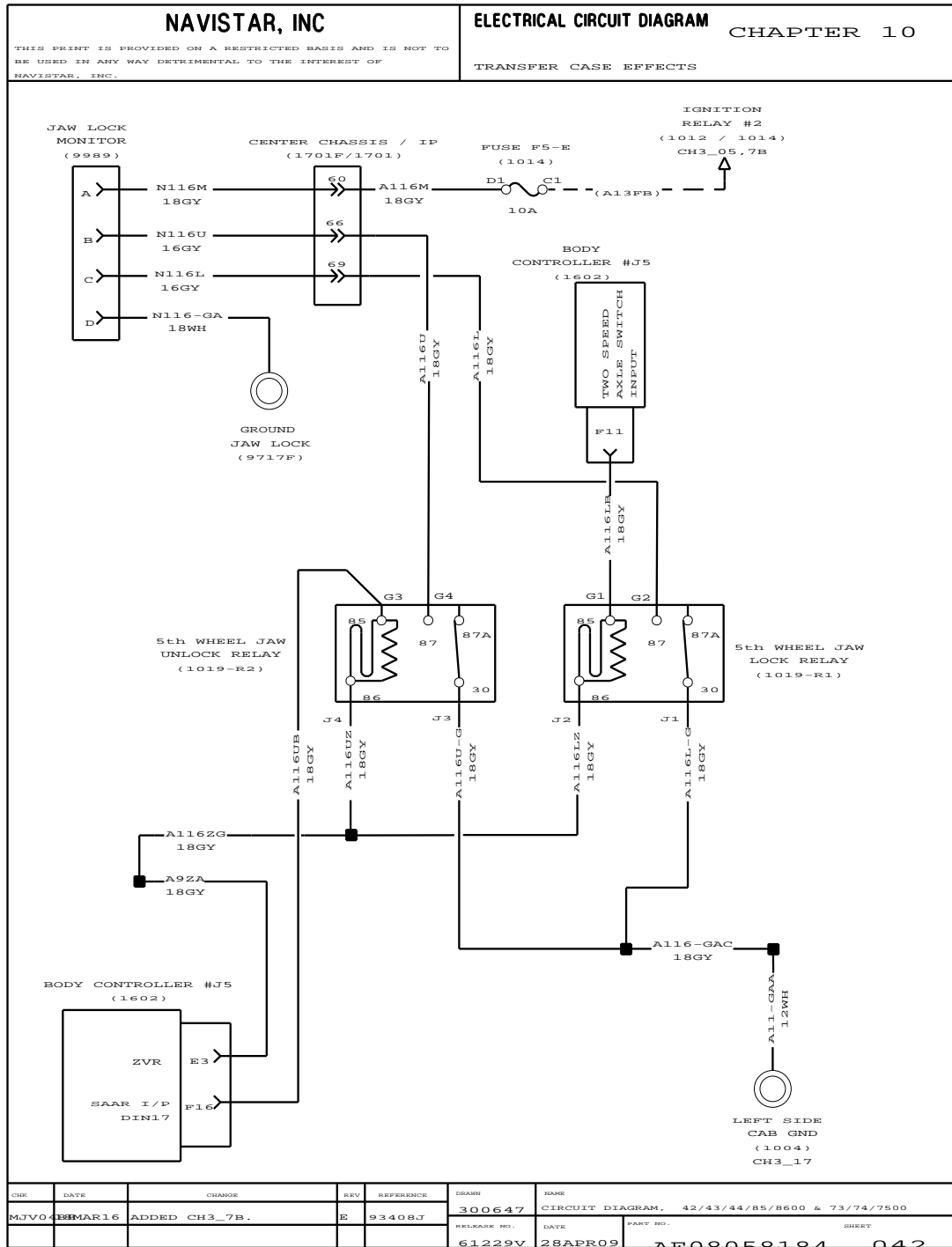


Figure 373 Transfer Case Effects

10.65. TRANSFER CASE EFFECTS (CONT.), P. 43

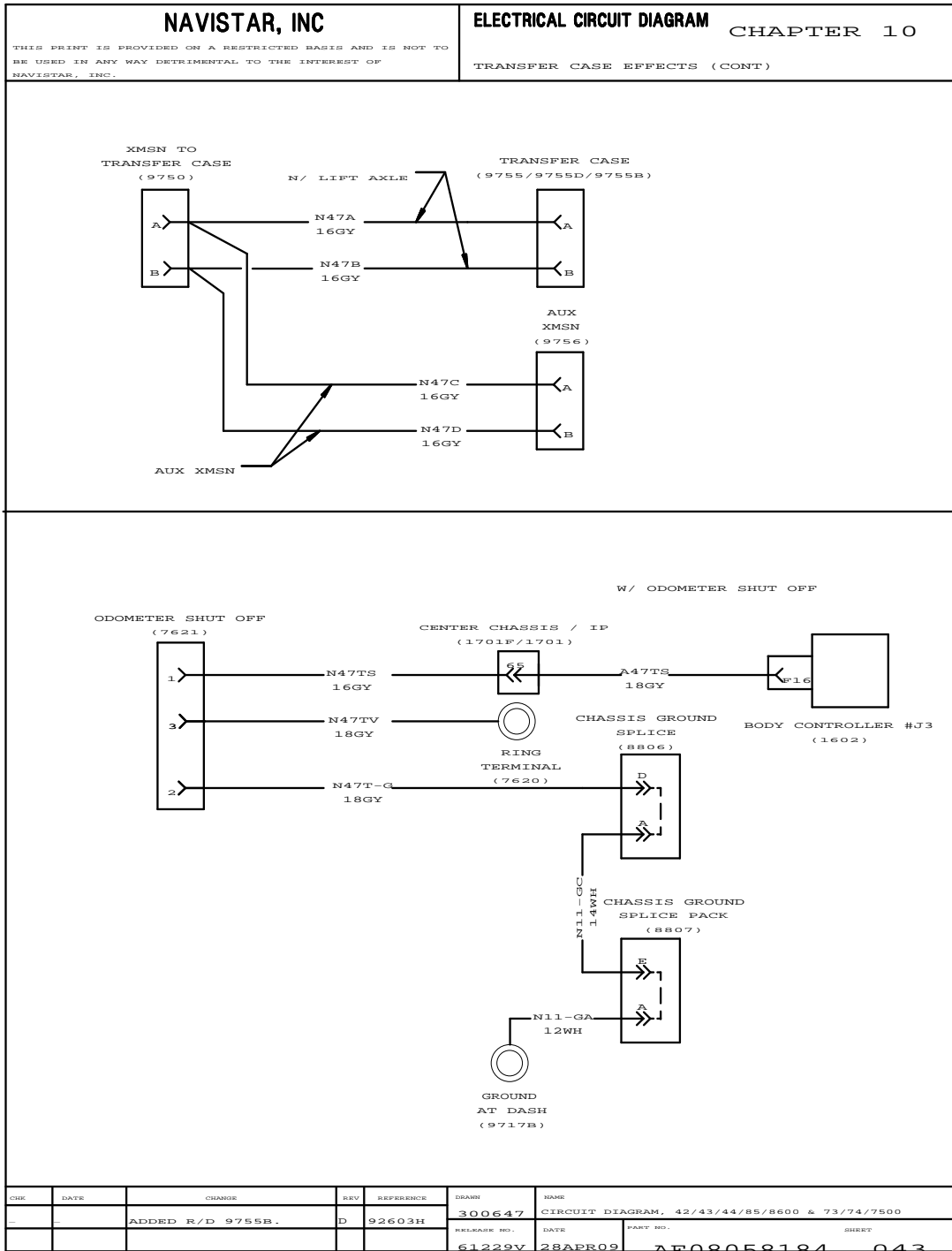


Figure 374 Transfer Case Effects (Cont.)

10.66. REMOTE START / STOP, P. 44

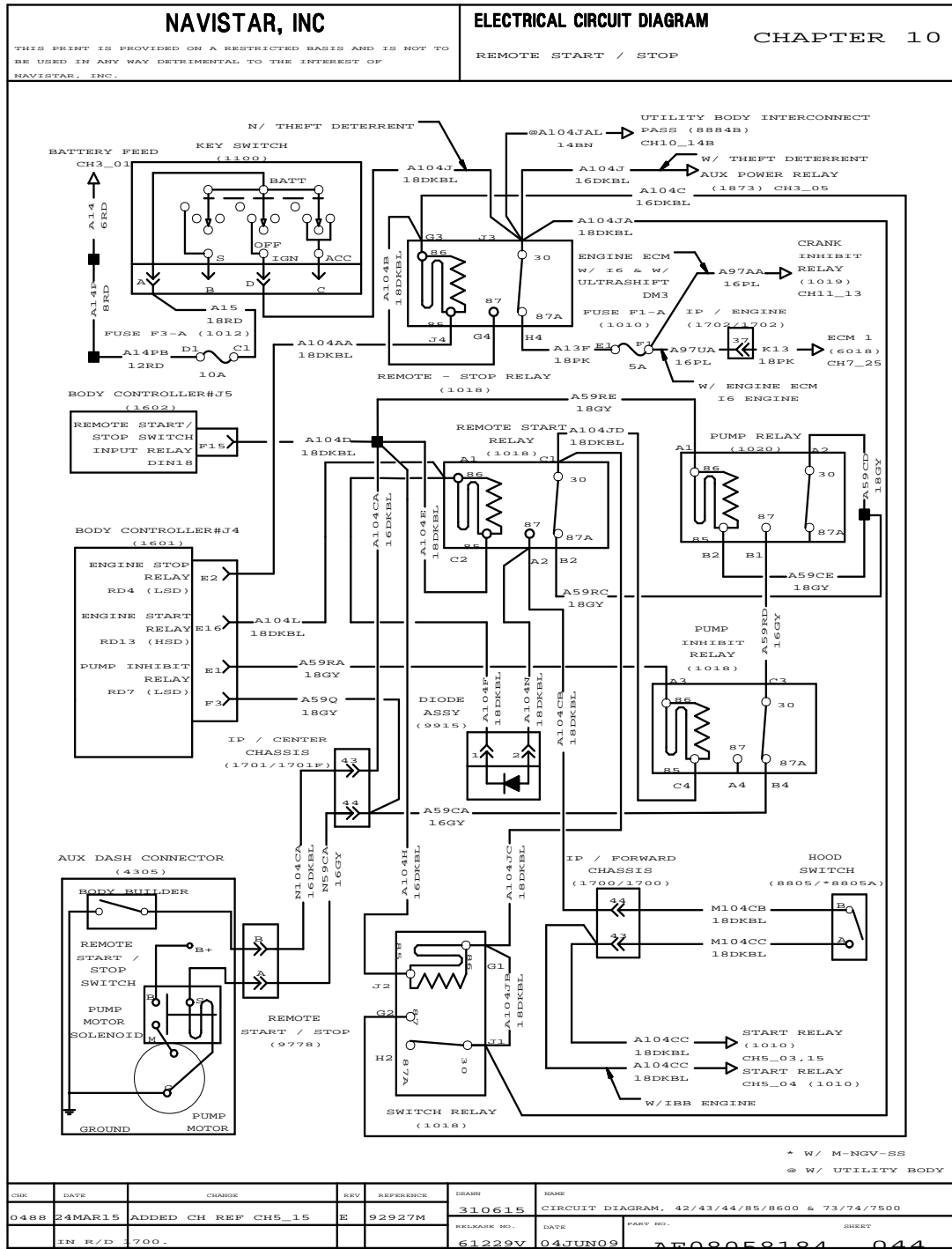


Figure 375 Remote Start / Stop

10.67. AUXILIARY AND POWER SOURCE, P. 45

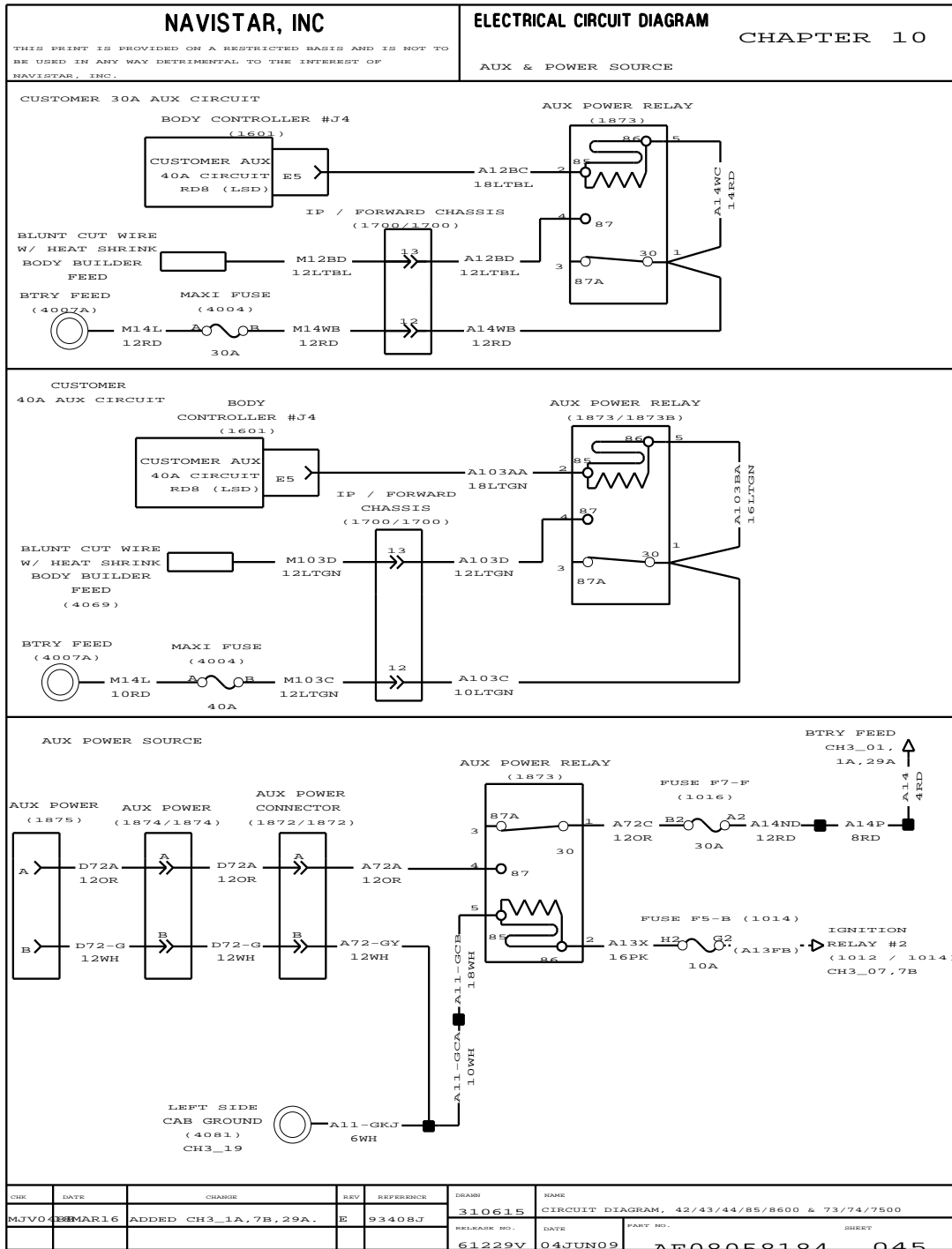


Figure 376 Auxiliary and Power Source

10.68. ABS – BENDIX AIR 6S / 6M, P. 46

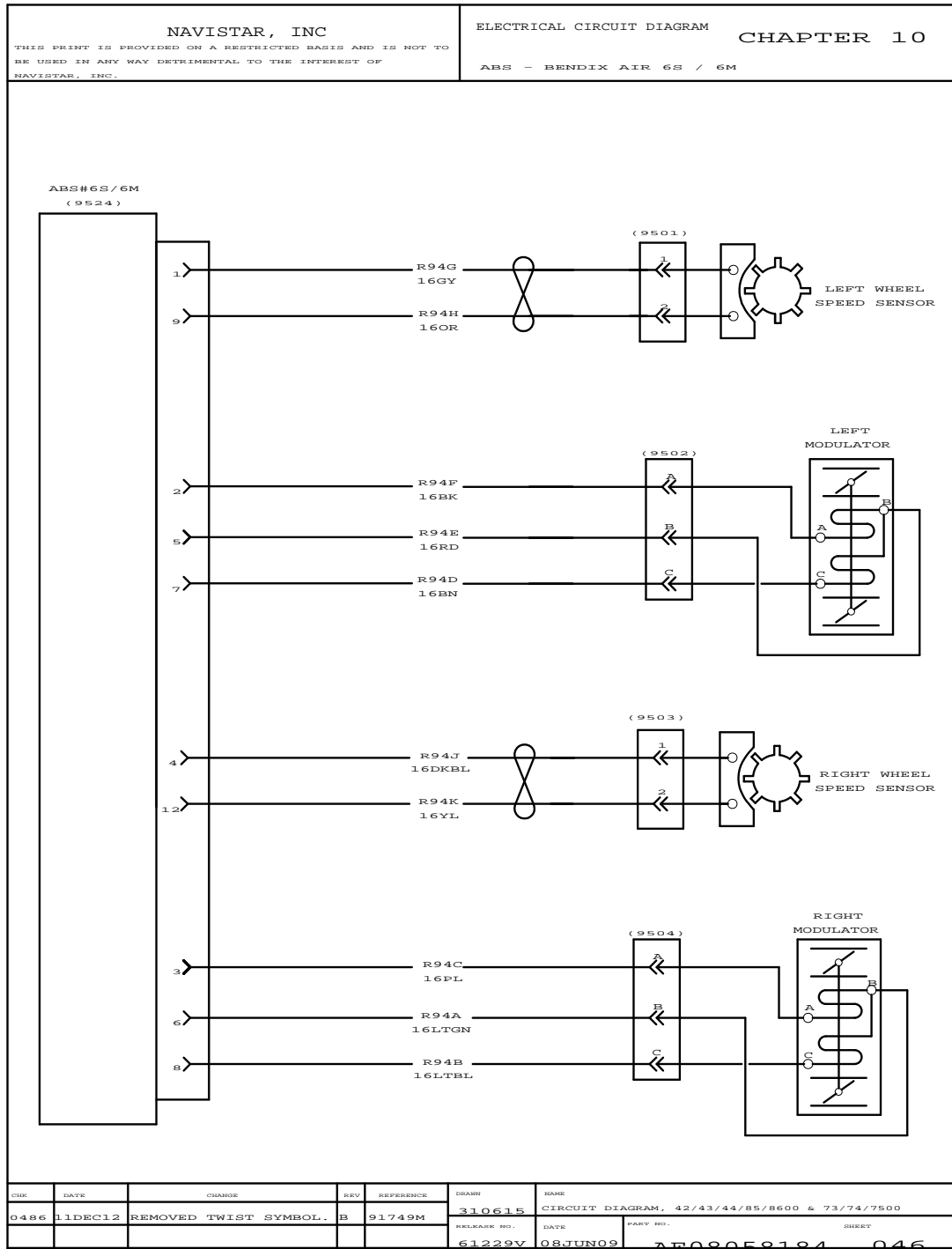


Figure 377 ABS – Bendix Air 6S / 6M

10.69. ABS – BENDIX AIR 6S / 6M (CONT.), P. 46A

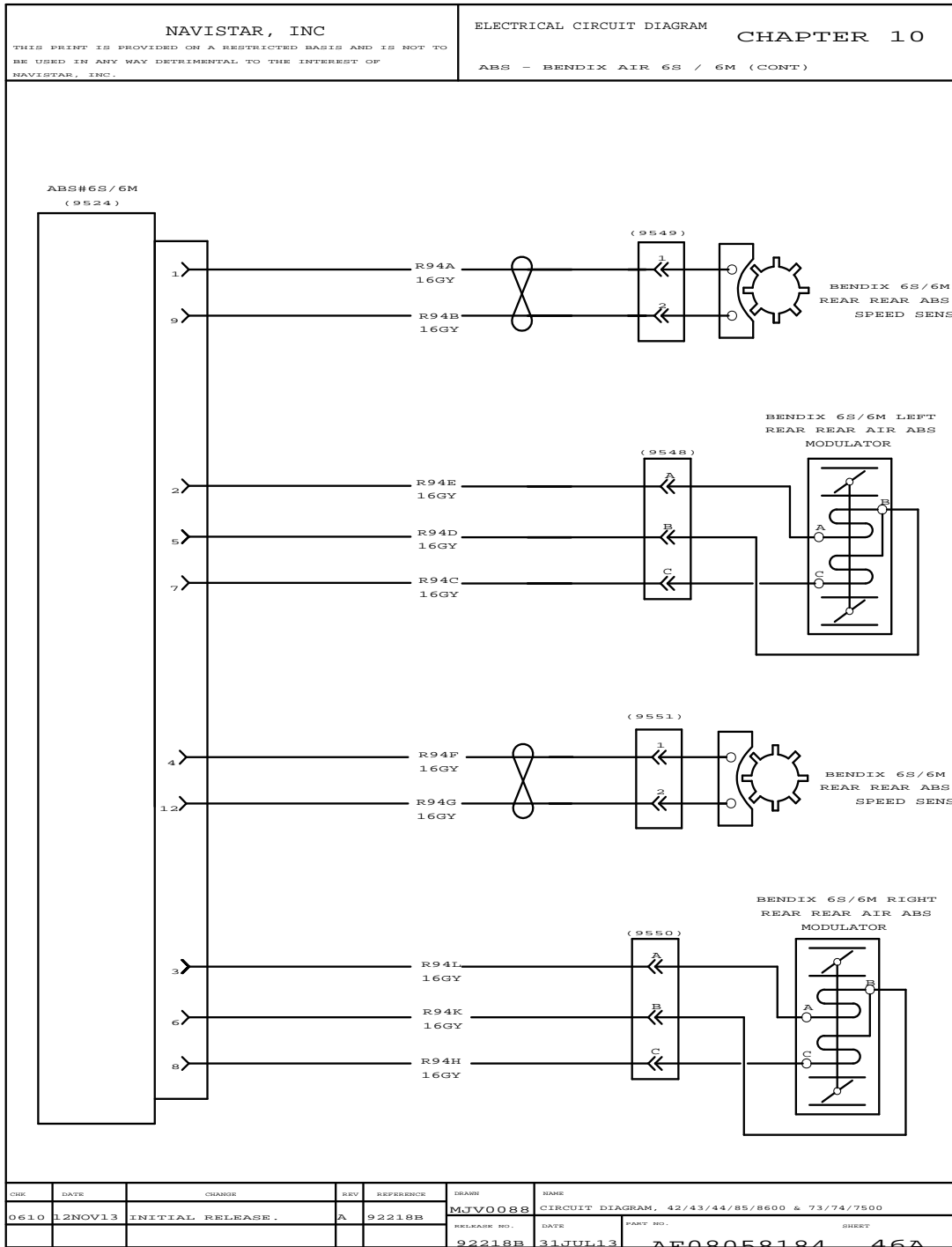


Figure 378 ABS – Bendix Air 6S / 6M (Cont.)

10.70. ABS – BENDIX AIR 6S / 6M (CONT.), P. 47

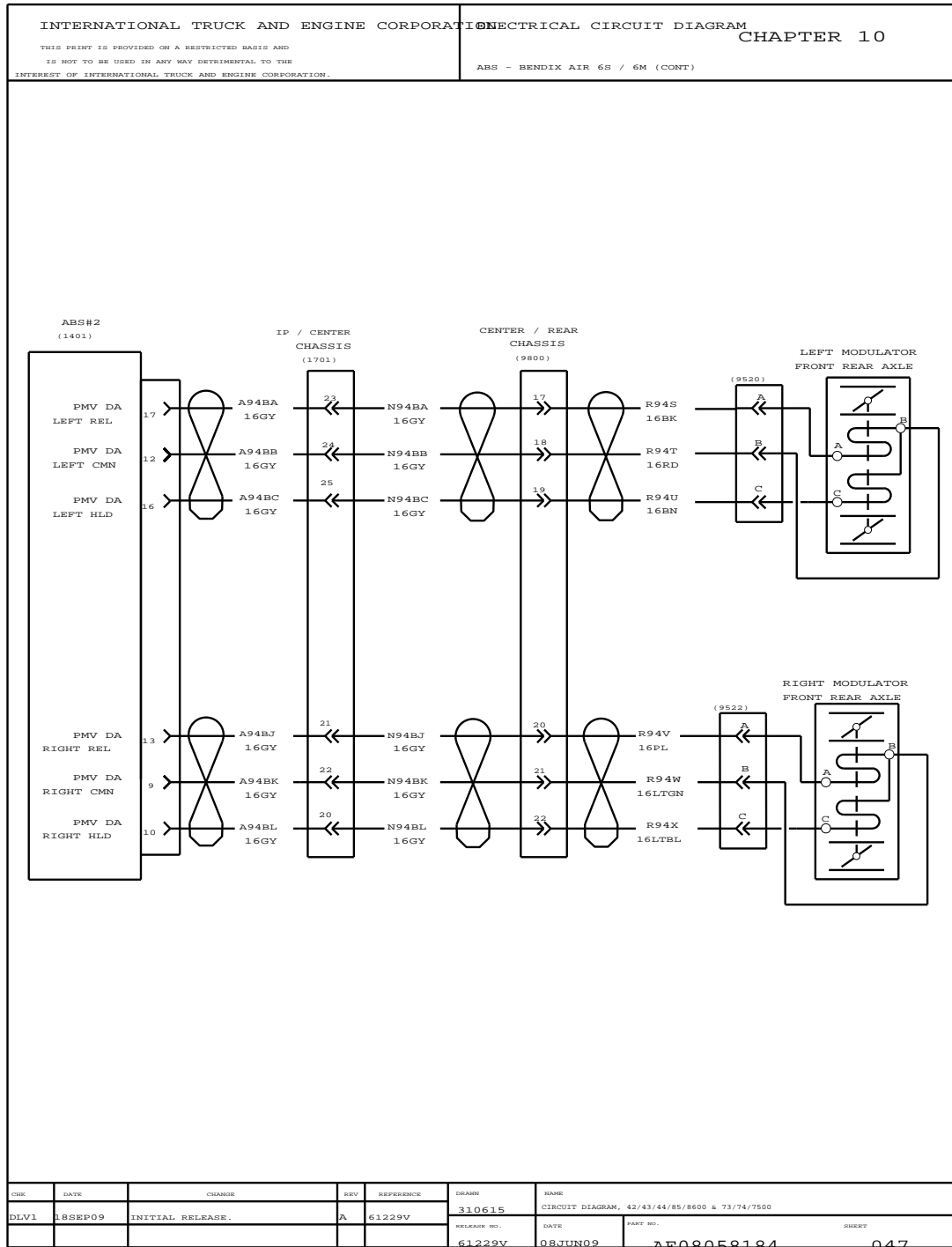


Figure 379 ABS – Bendix Air 6S / 6M (Cont.)

10.71. AC CONDENSER EFFECTS, P. 48

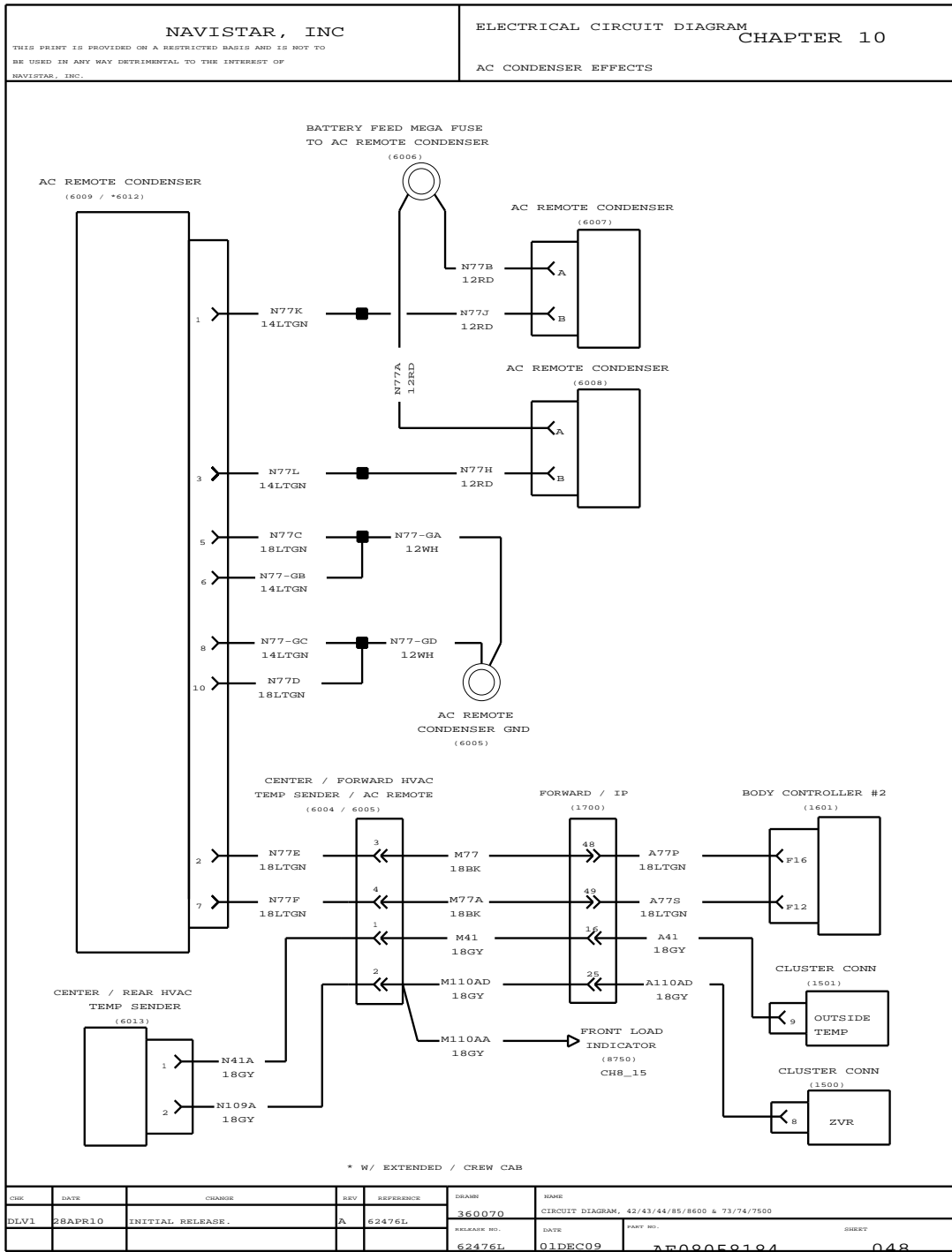


Figure 380 AC Condenser Effects

10.72. AC CONDENSER EFFECTS (CONT.), P. 48A

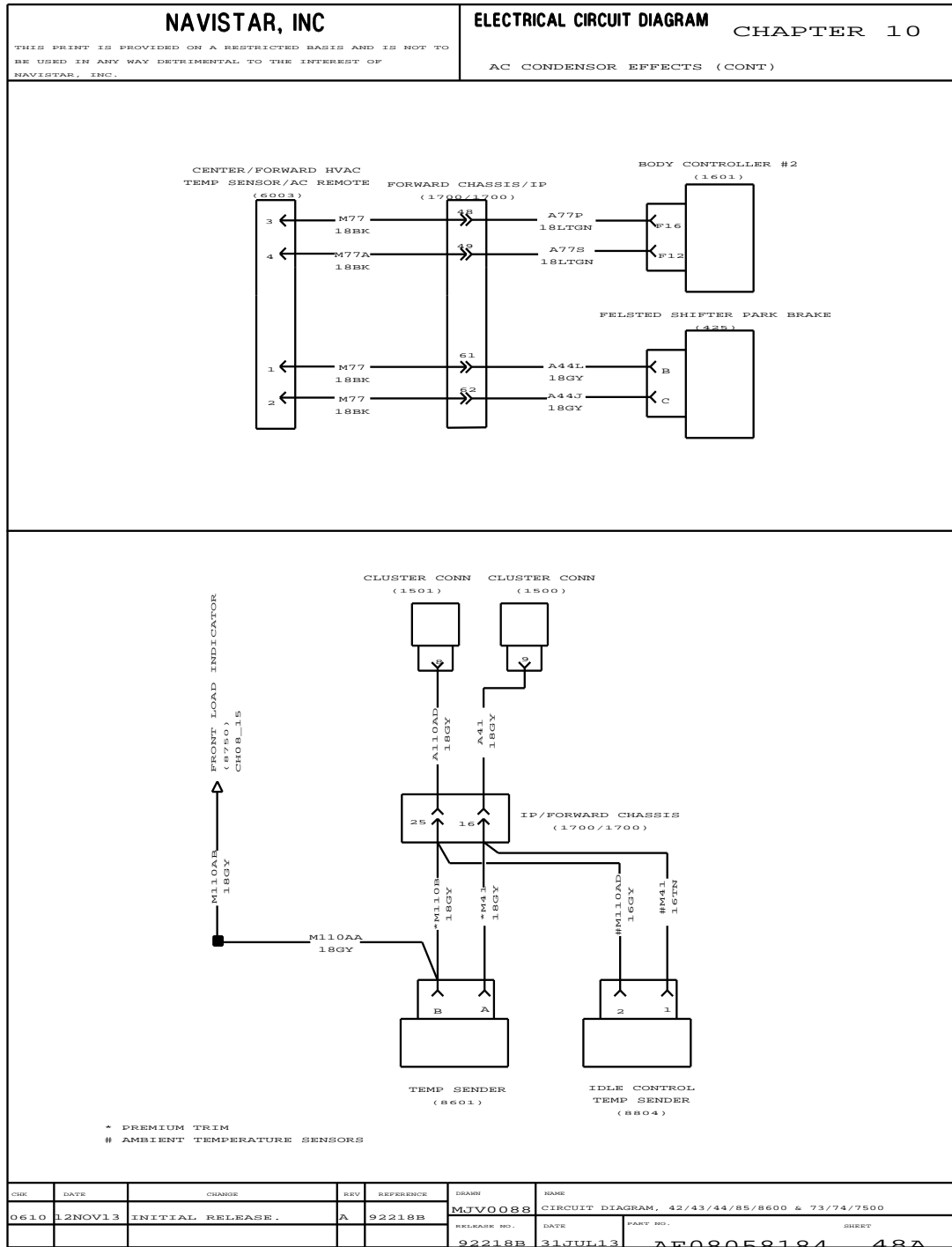


Figure 381 AC Condenser Effects (Cont.)

10.73. PRESSURE SWITCH, P. 49

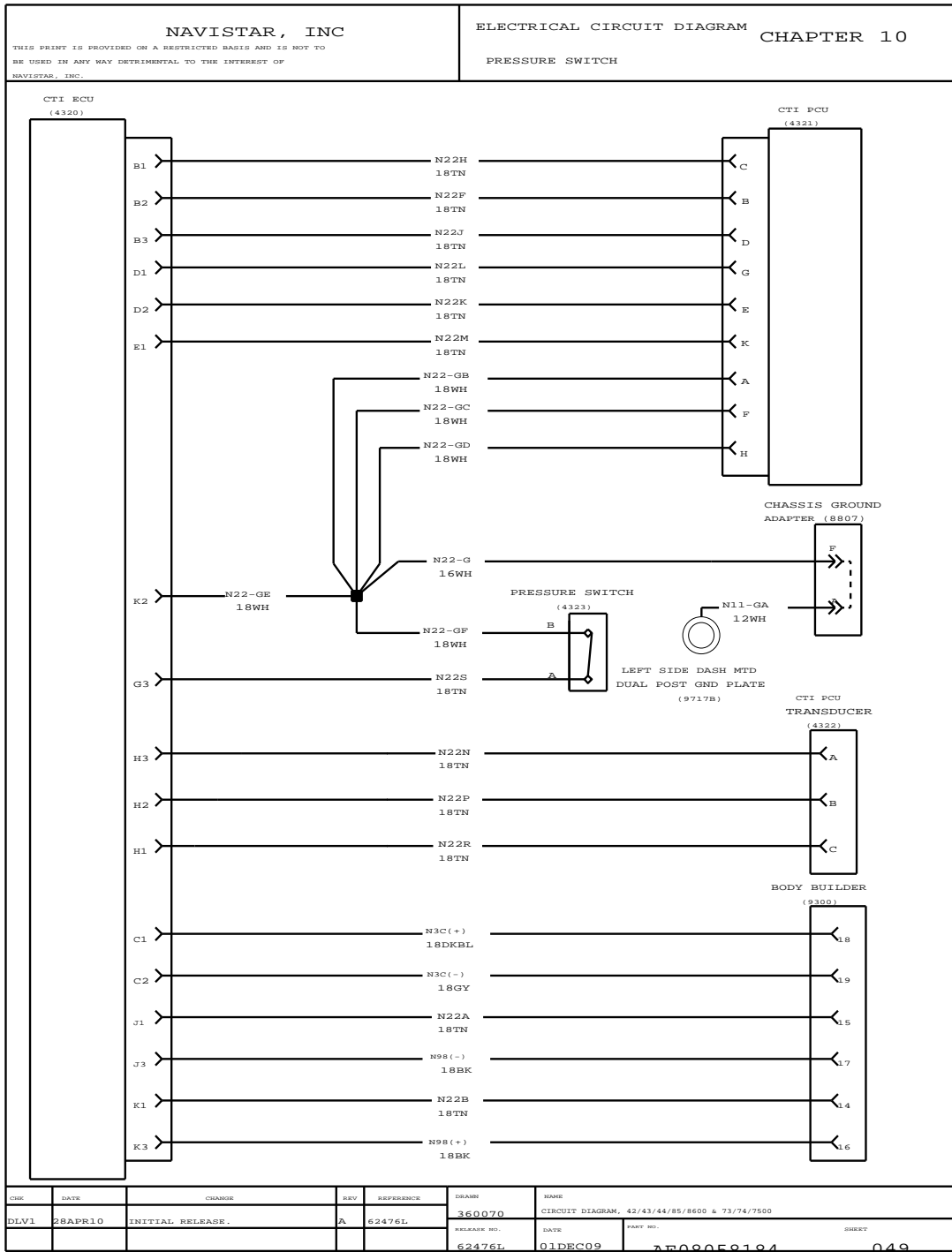


Figure 382 Pressure Switch

10.74. TSS POWER, P. 50

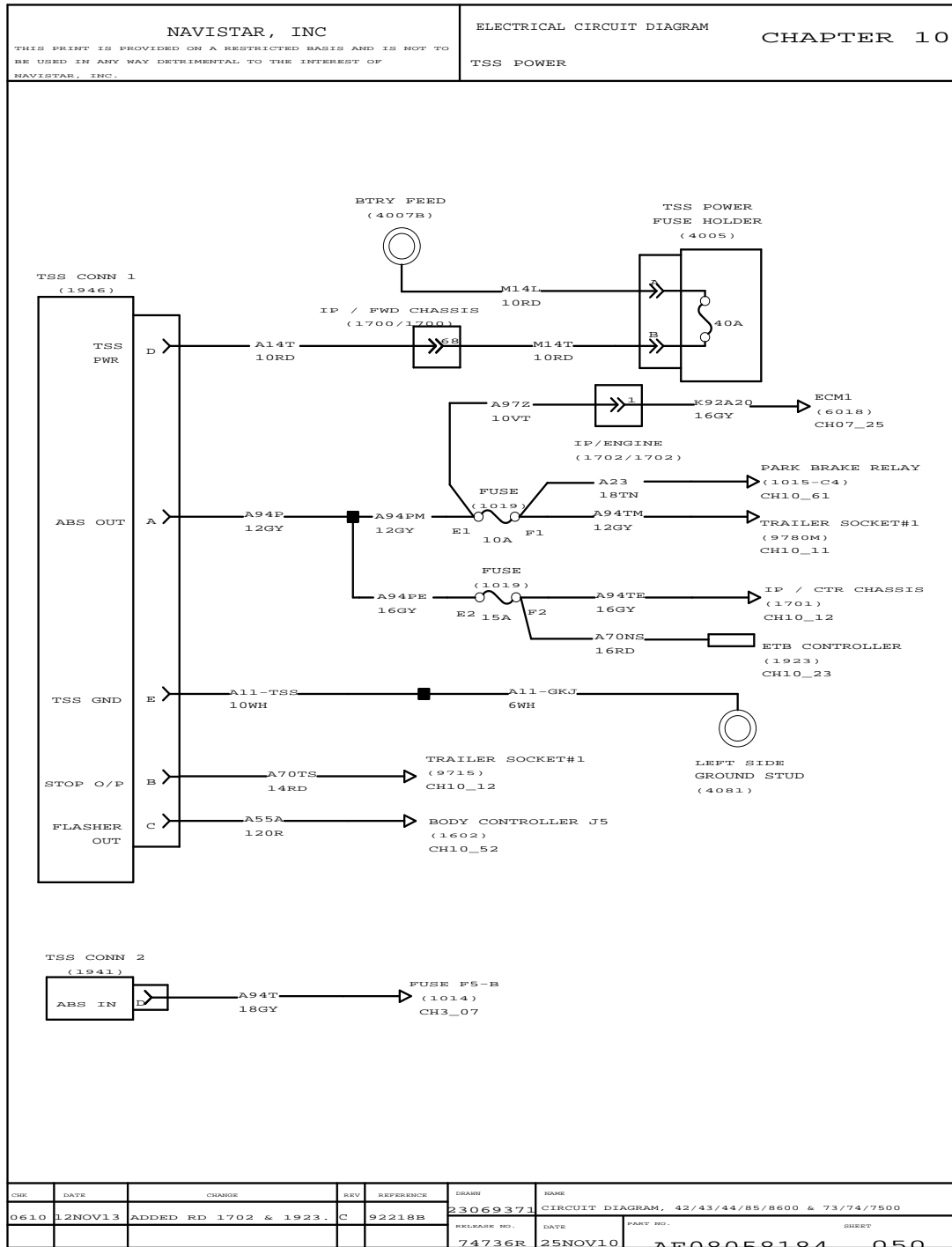


Figure 383 TSS Power

10.75. TSS SWITCH INPUT, P. 51

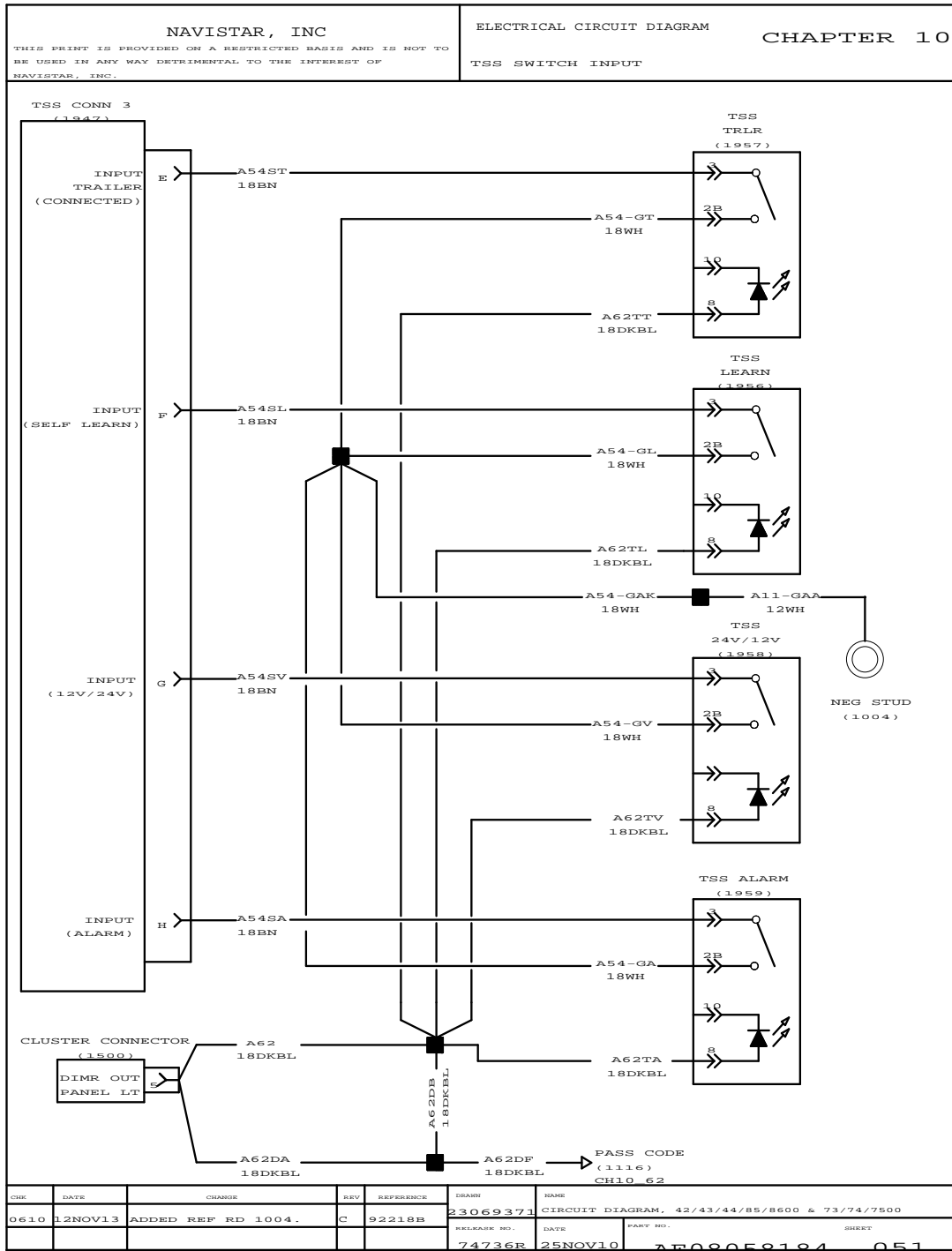


Figure 384 TSS Switch Input

10.76. TSS TURN LIGHT, P. 52

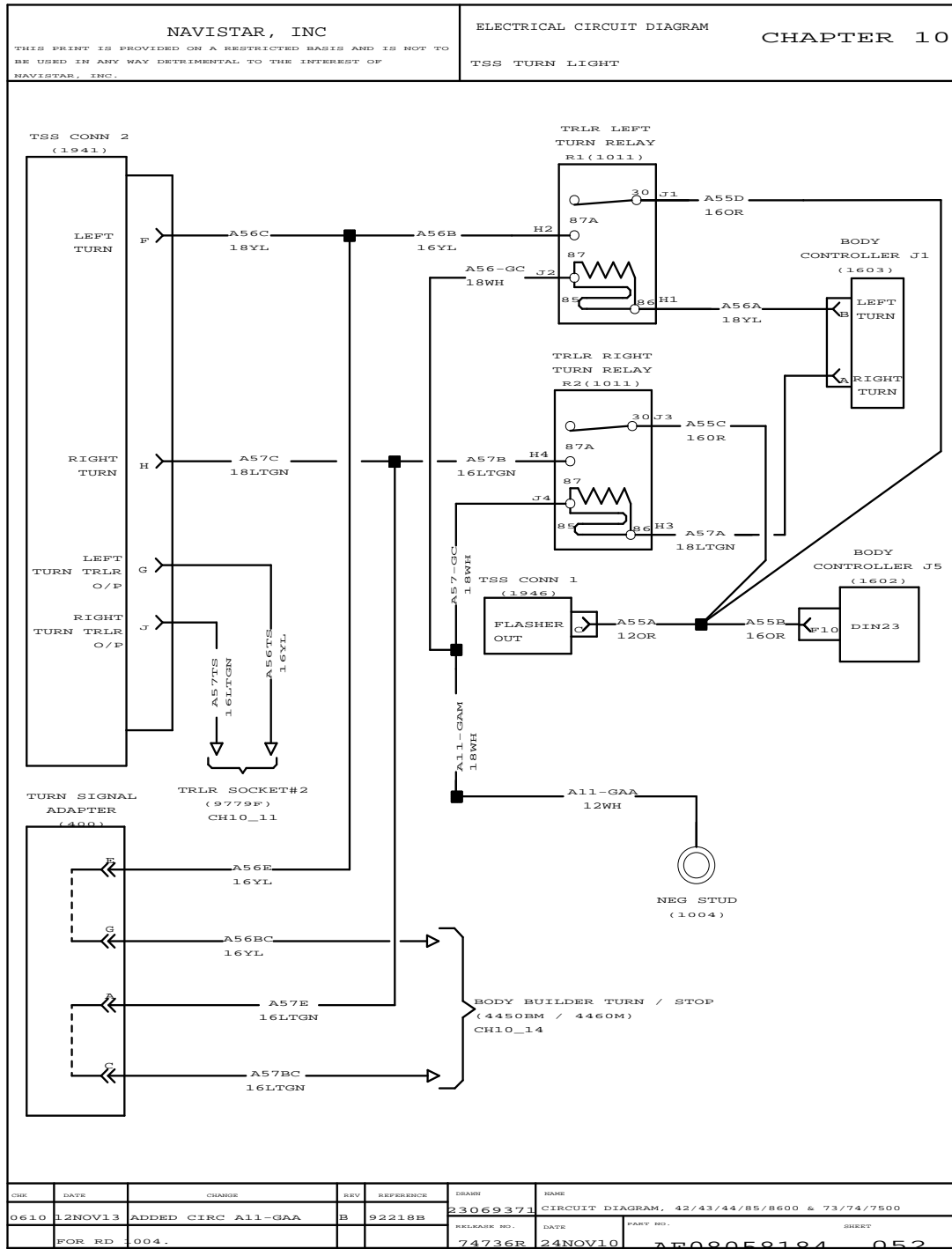


Figure 385 TSS Turn Light

10.77. TSS STOP, TAIL AND MARKER LIGHT, P. 53

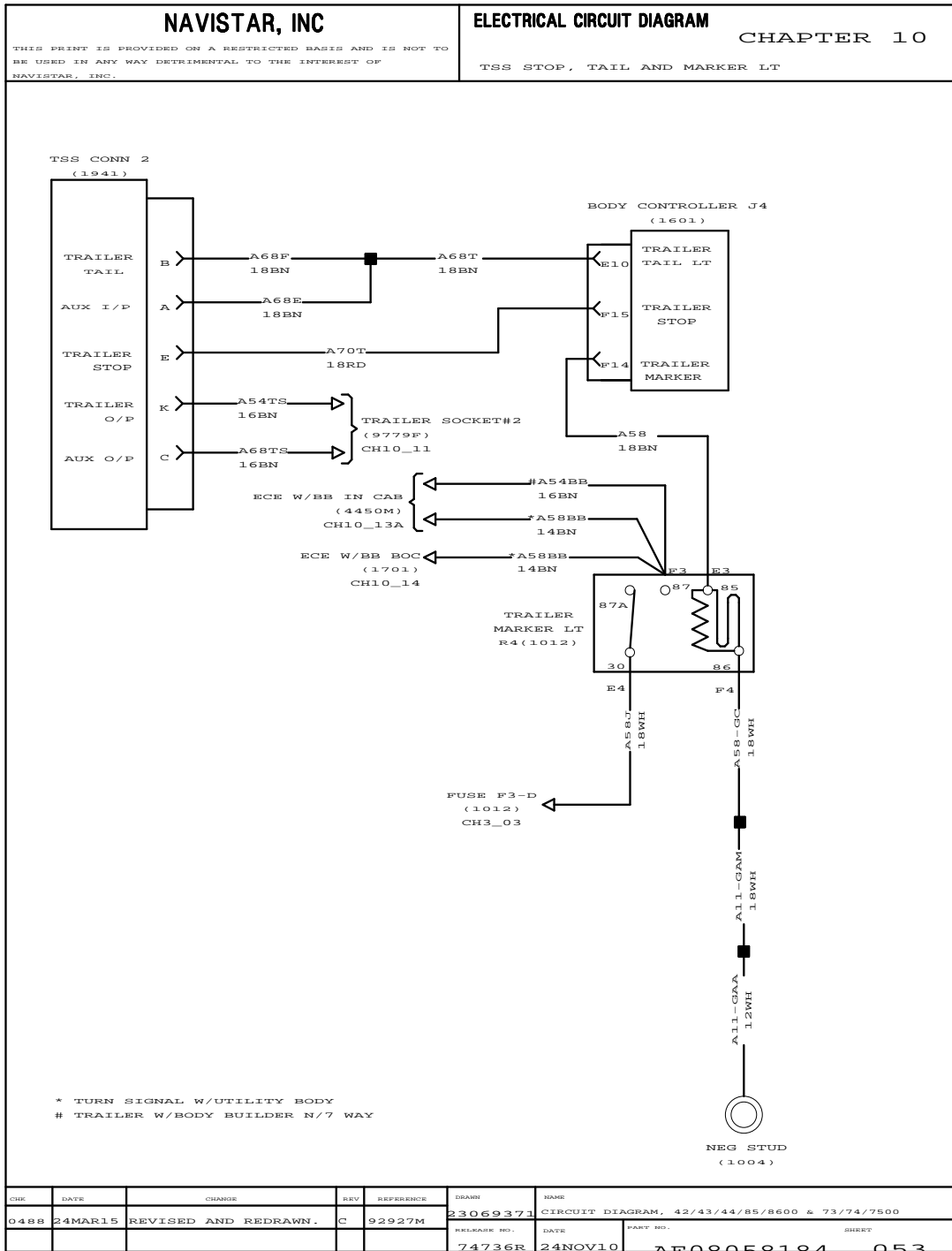


Figure 386 TSS Stop, Tail and Marker Light

10.78. ABS – WABCO AIR 6S / 6M (6X4), P. 54

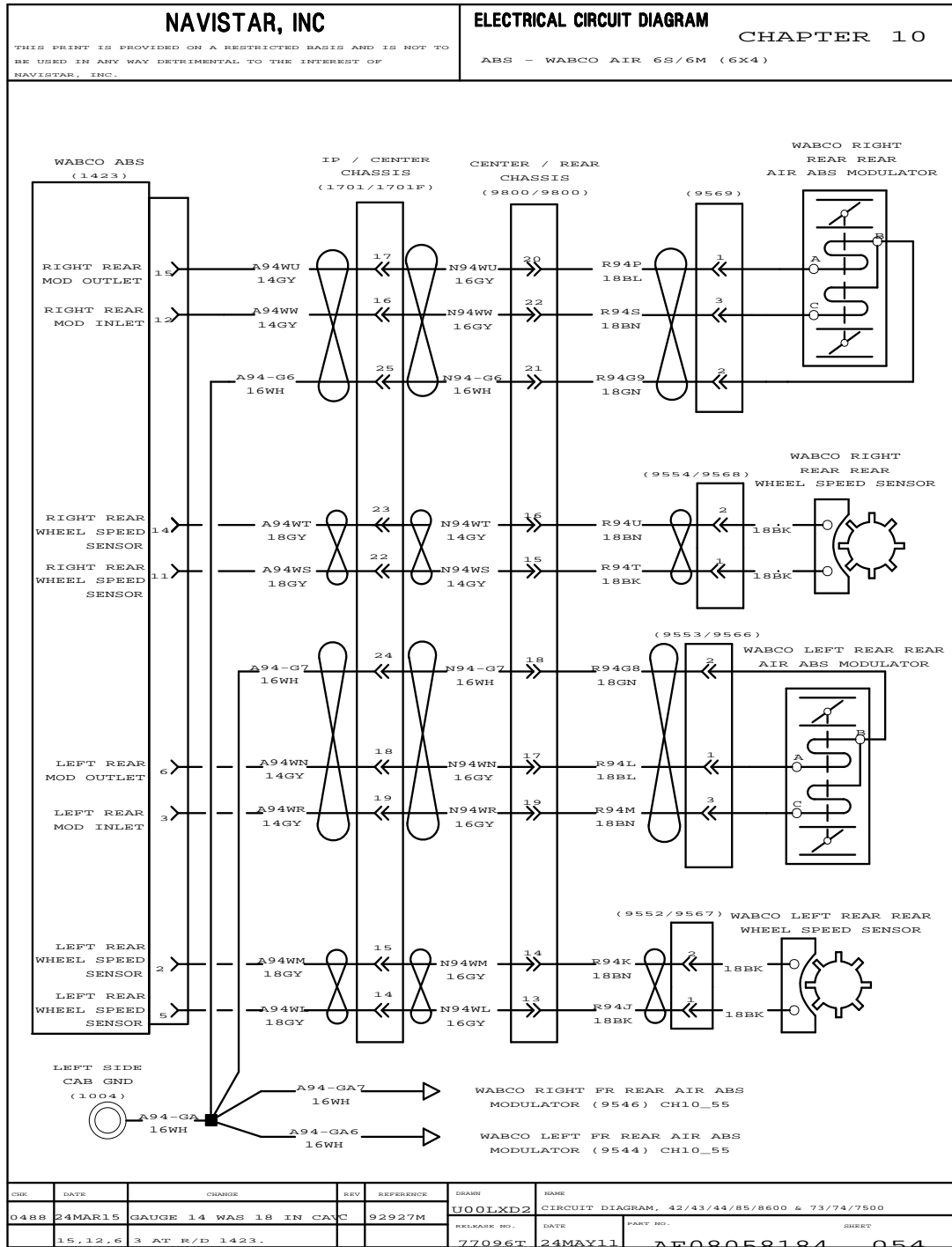


Figure 387 ABS – WABCO Air 6S / 6M (6X4)

10.79. ABS – WABCO AIR 6S / 6M (6X4) (CONT.), P. 55

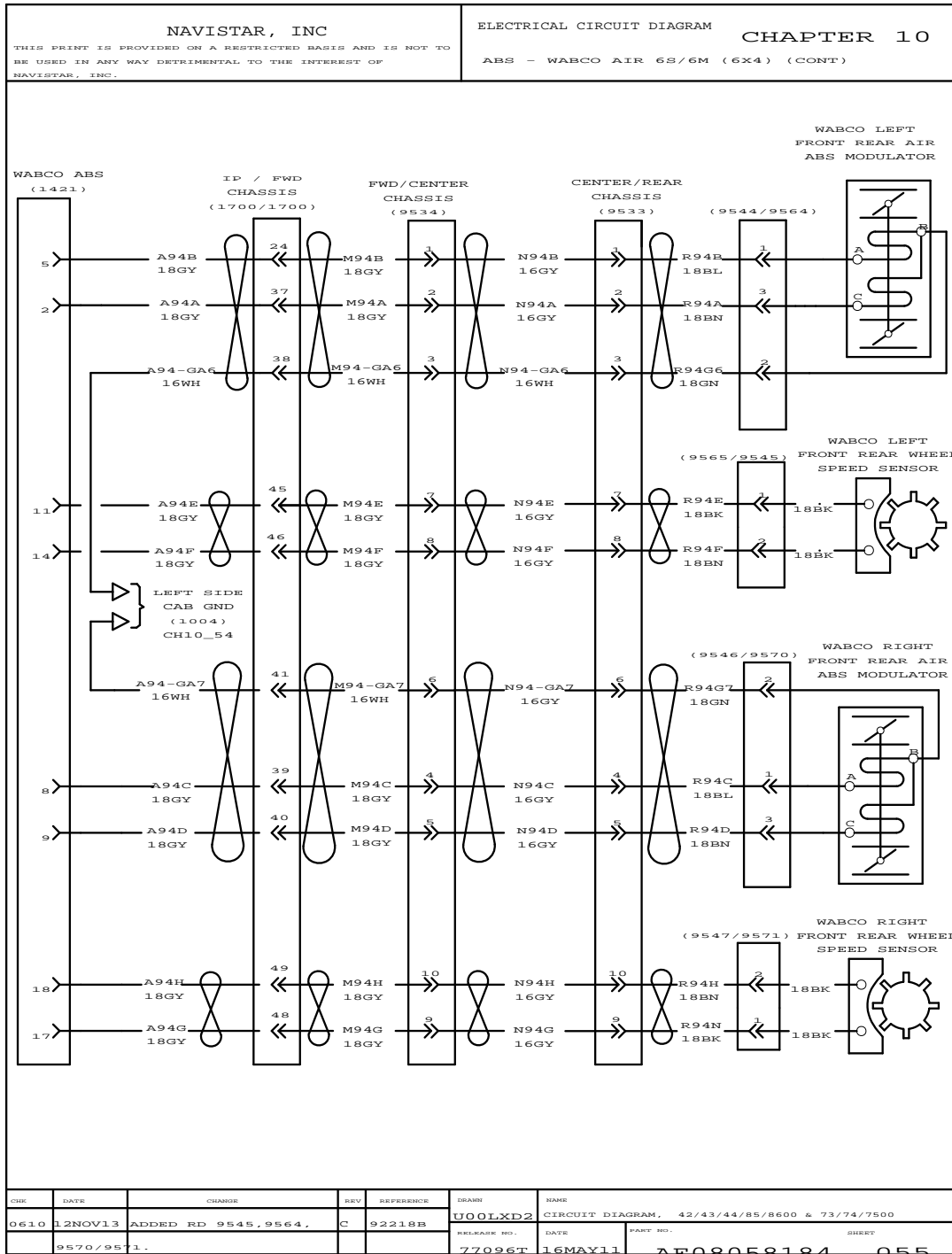


Figure 388 ABS – WABCO Air 6S/6M (6X4) (Cont.)

10.80. ABS – BENDIX AIR 6S / 6M (6X4), P. 56

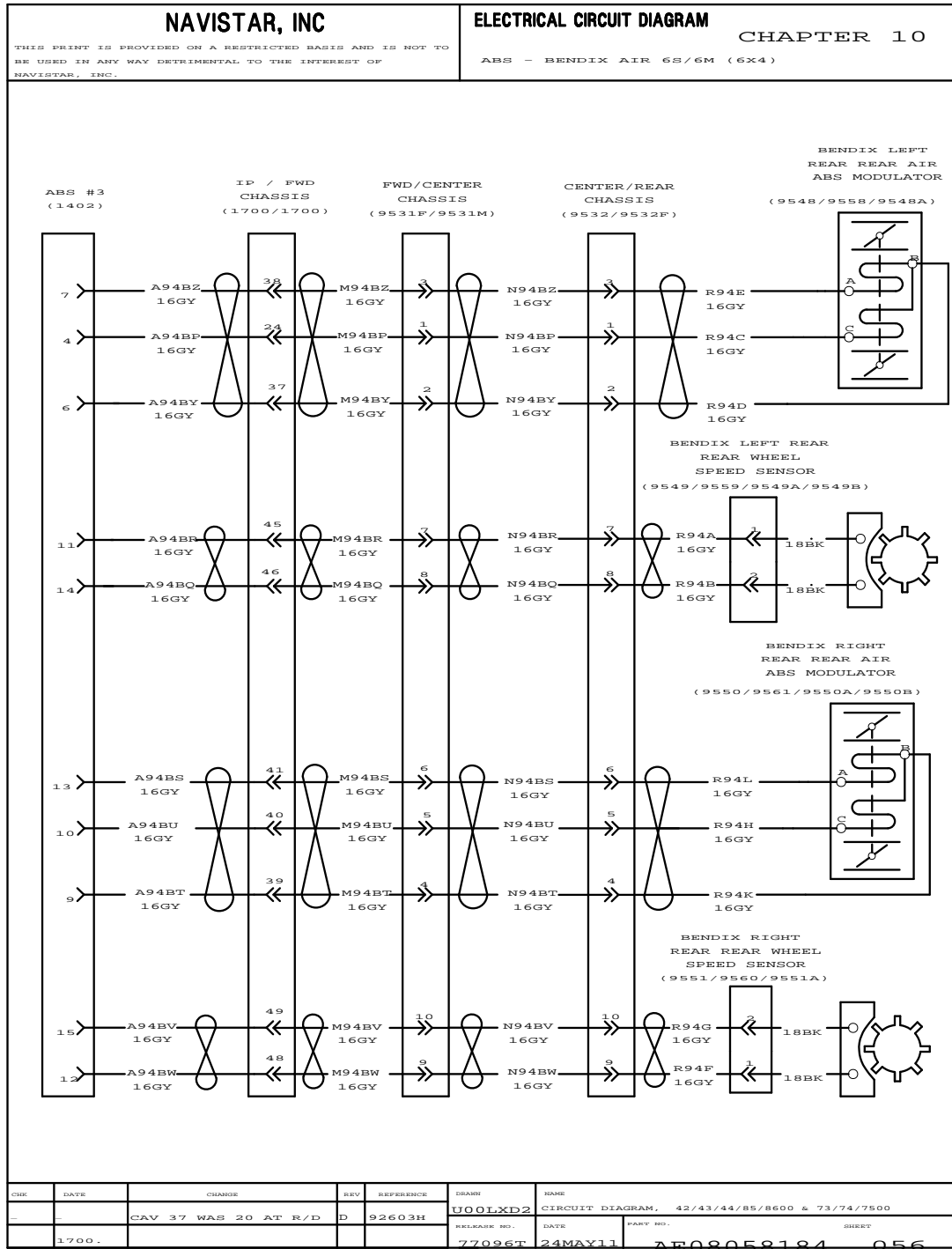


Figure 389 ABS – Bendix Air 6S / 6M (6X4)

10.81. ABS – BENDIX AIR 6S / 6M (6X4) (CONT.), P. 56A

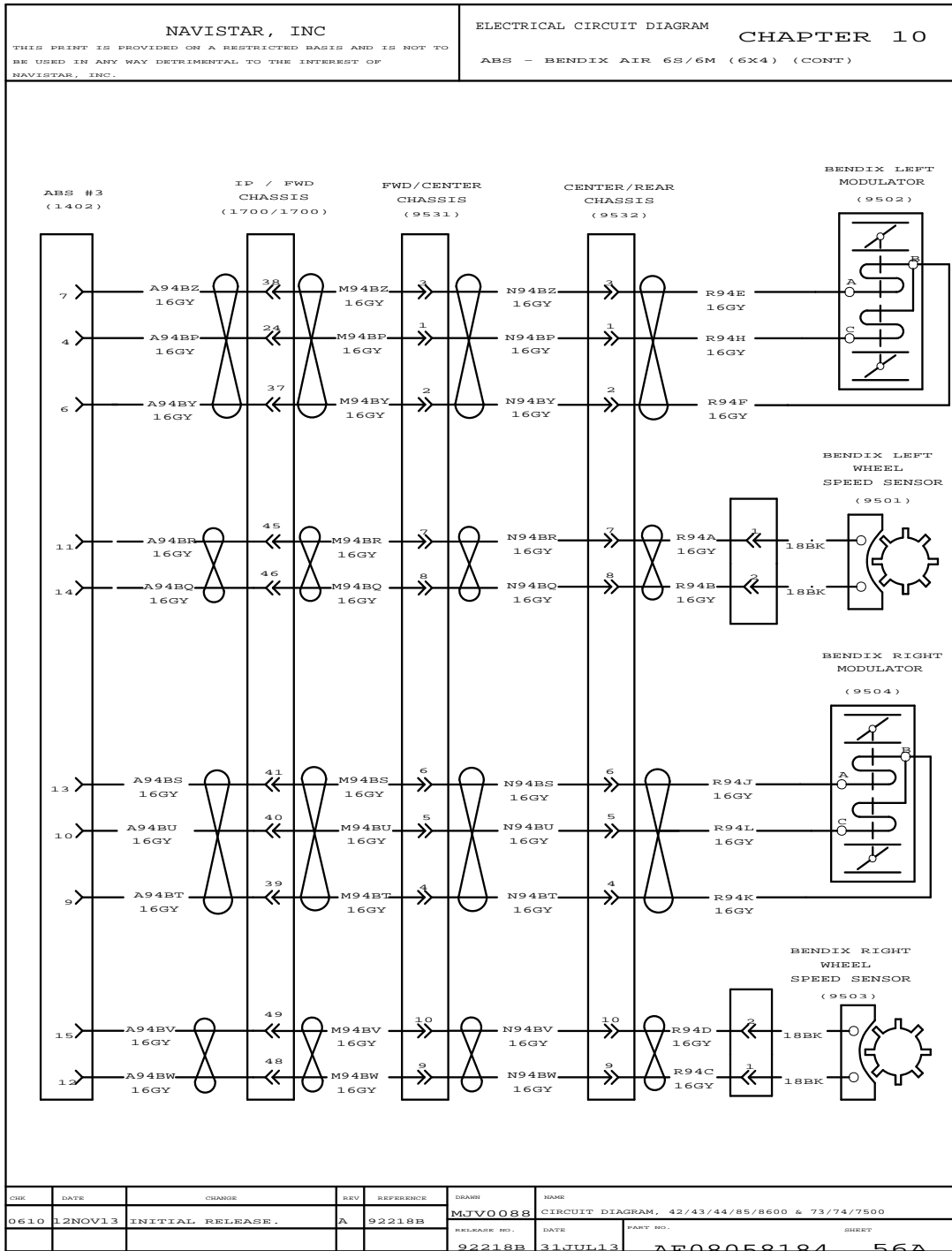


Figure 390 ABS – Bendix Air 6S / 6M (6X4) (Cont.)

10.82. ABS – BENDIX AIR 6S / 6M (6X4) (CONT.), P. 57

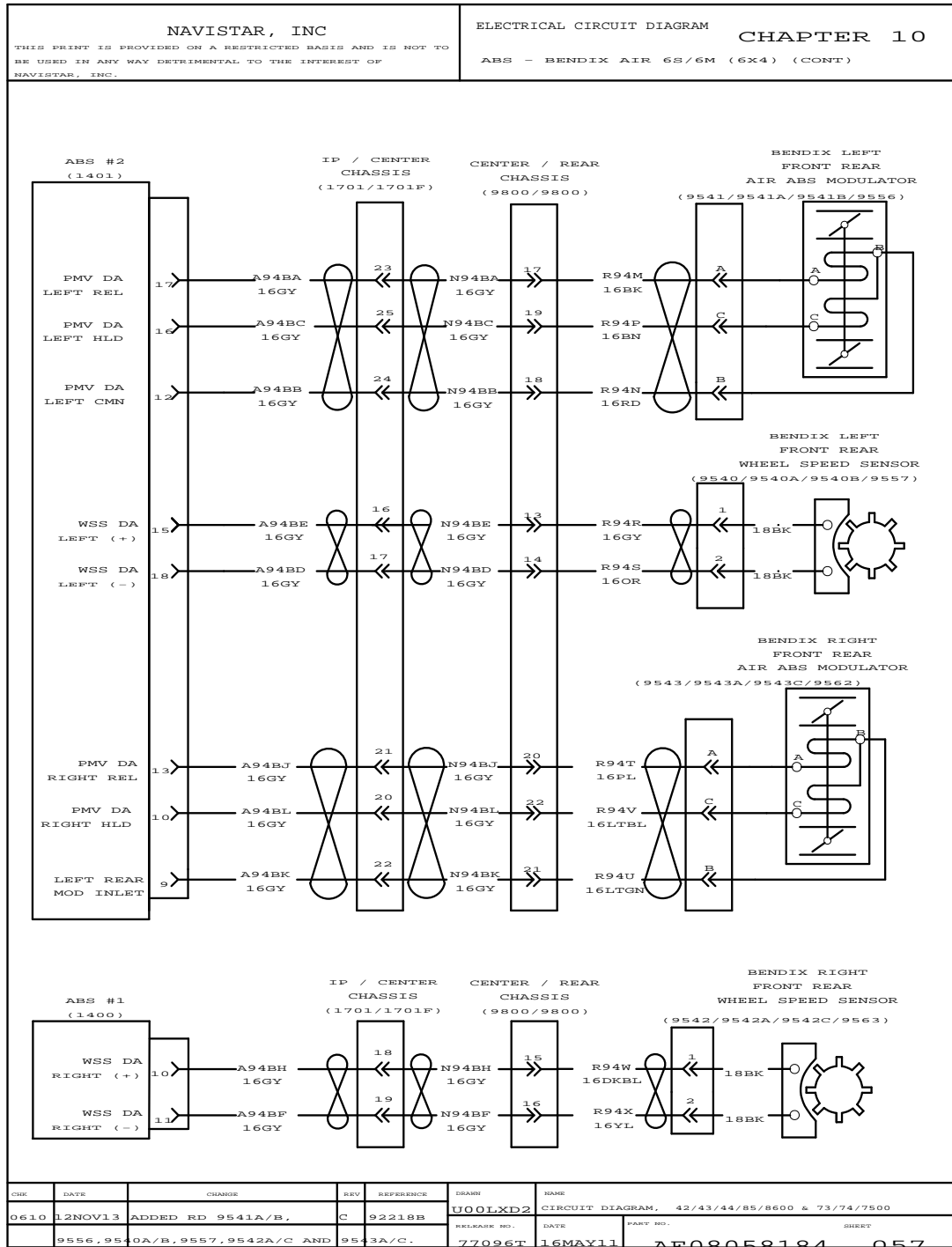


Figure 391 ABS – Bendix Air 6S / 6M (6X4) (Cont.)

10.83. ABS – BENDIX AIR 6S / 6M (6X4) (CONT.), P. 57A

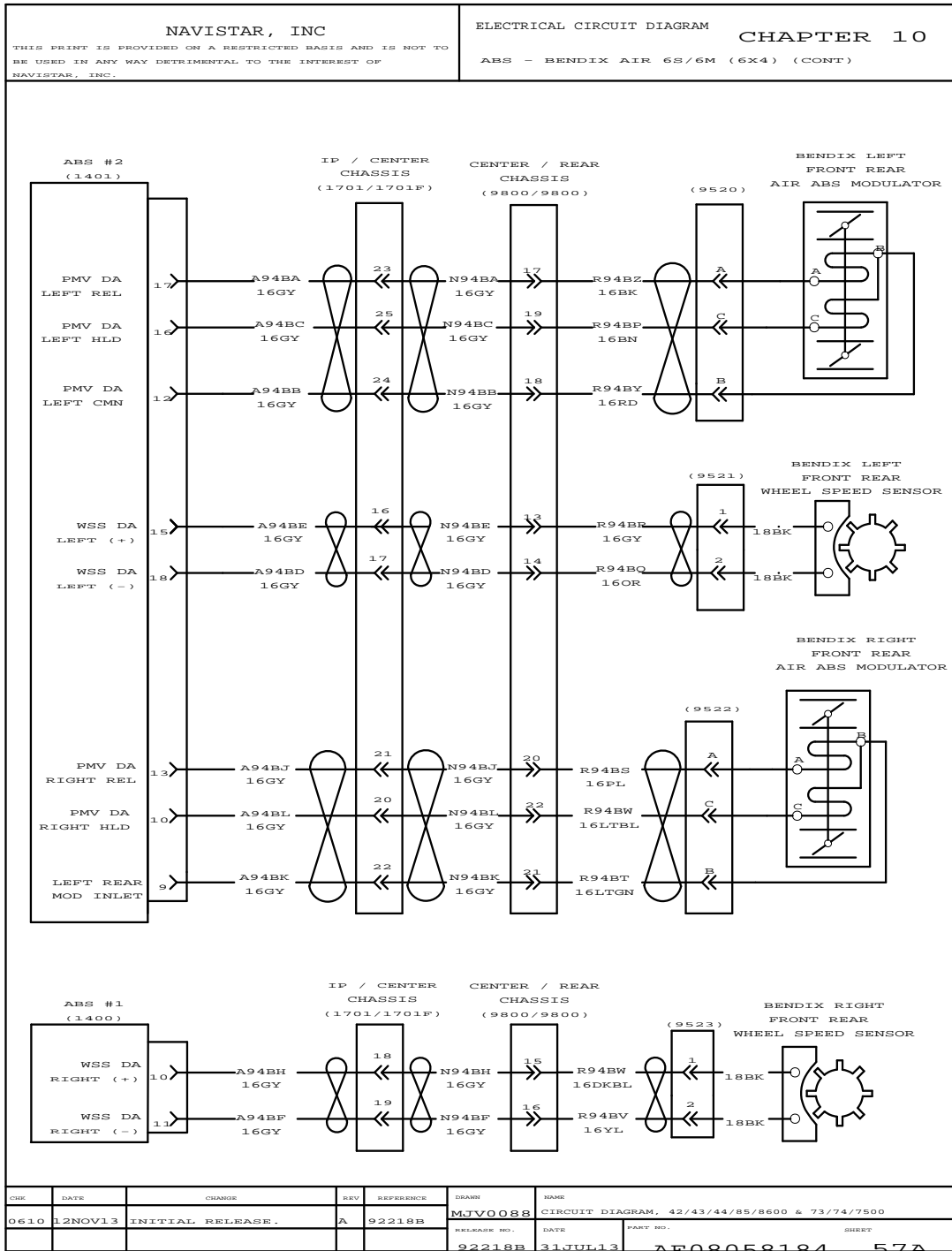


Figure 392 ABS – Bendix Air 6S / 6M (6X4) (Cont.)

10.84. SCR SYSTEM, P. 58

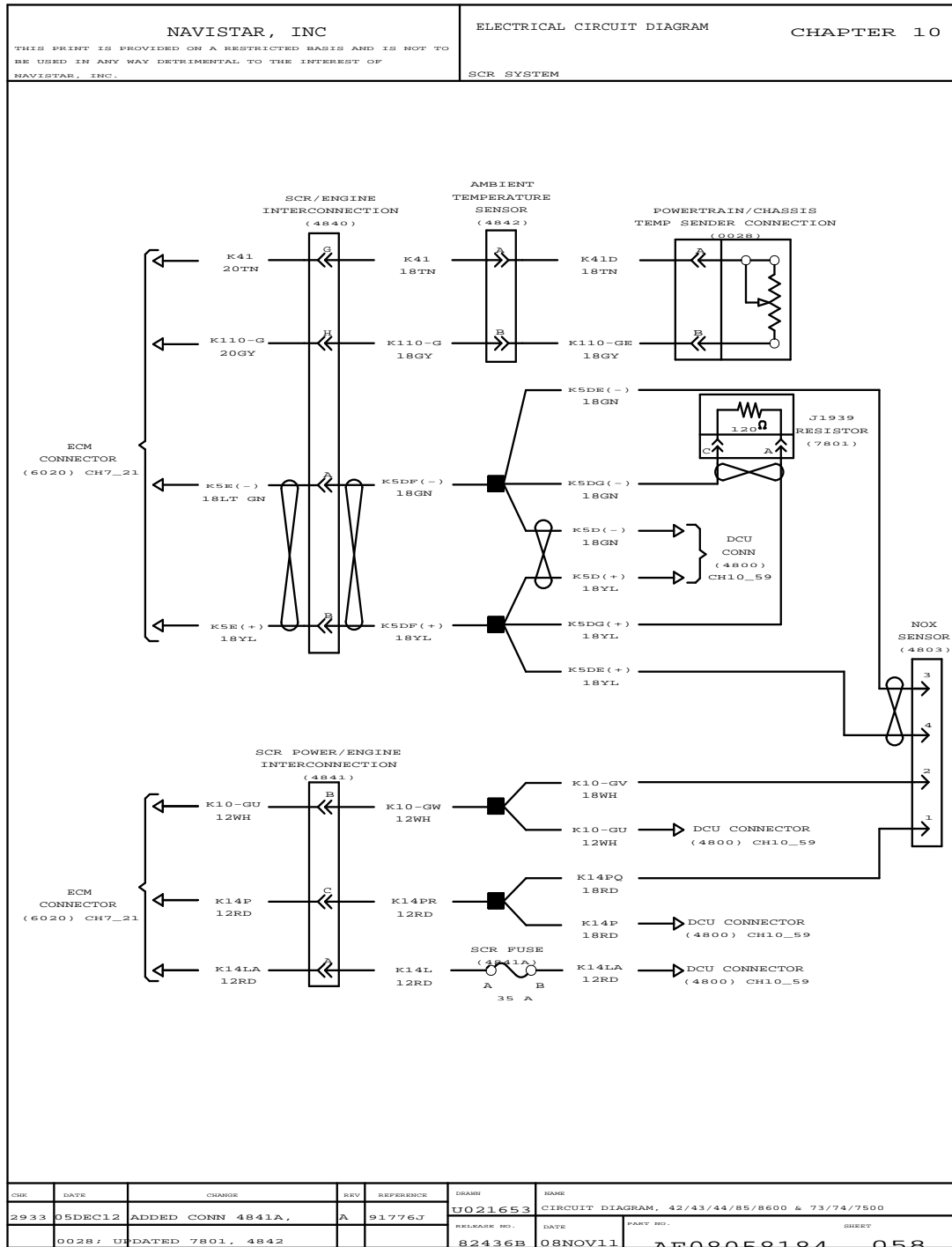


Figure 393 SCR System

10.85. SCR SYSTEM (CONT.), P. 59

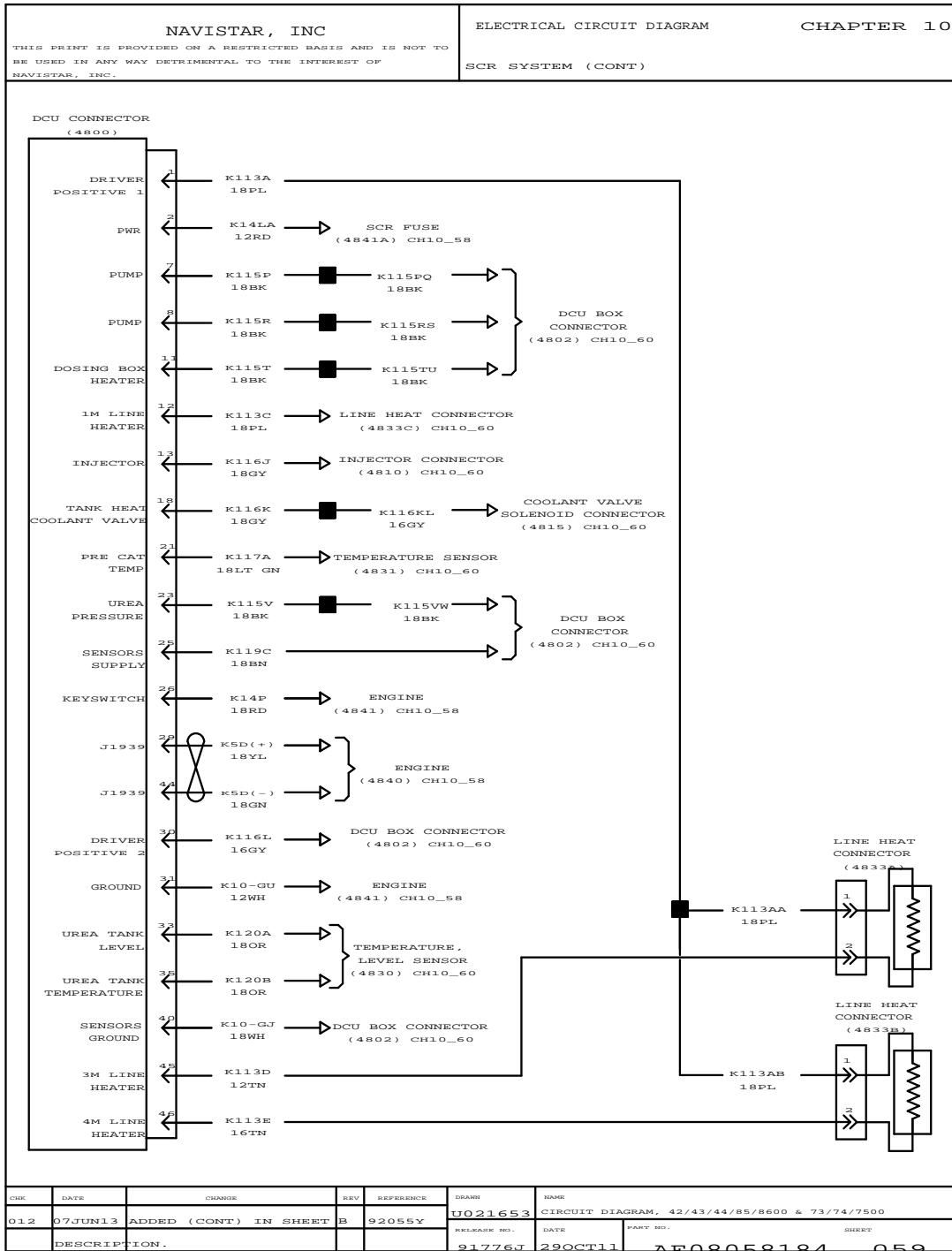


Figure 394 SCR System (Cont.)

10.86. SCR SYSTEM (CONT.), P. 60

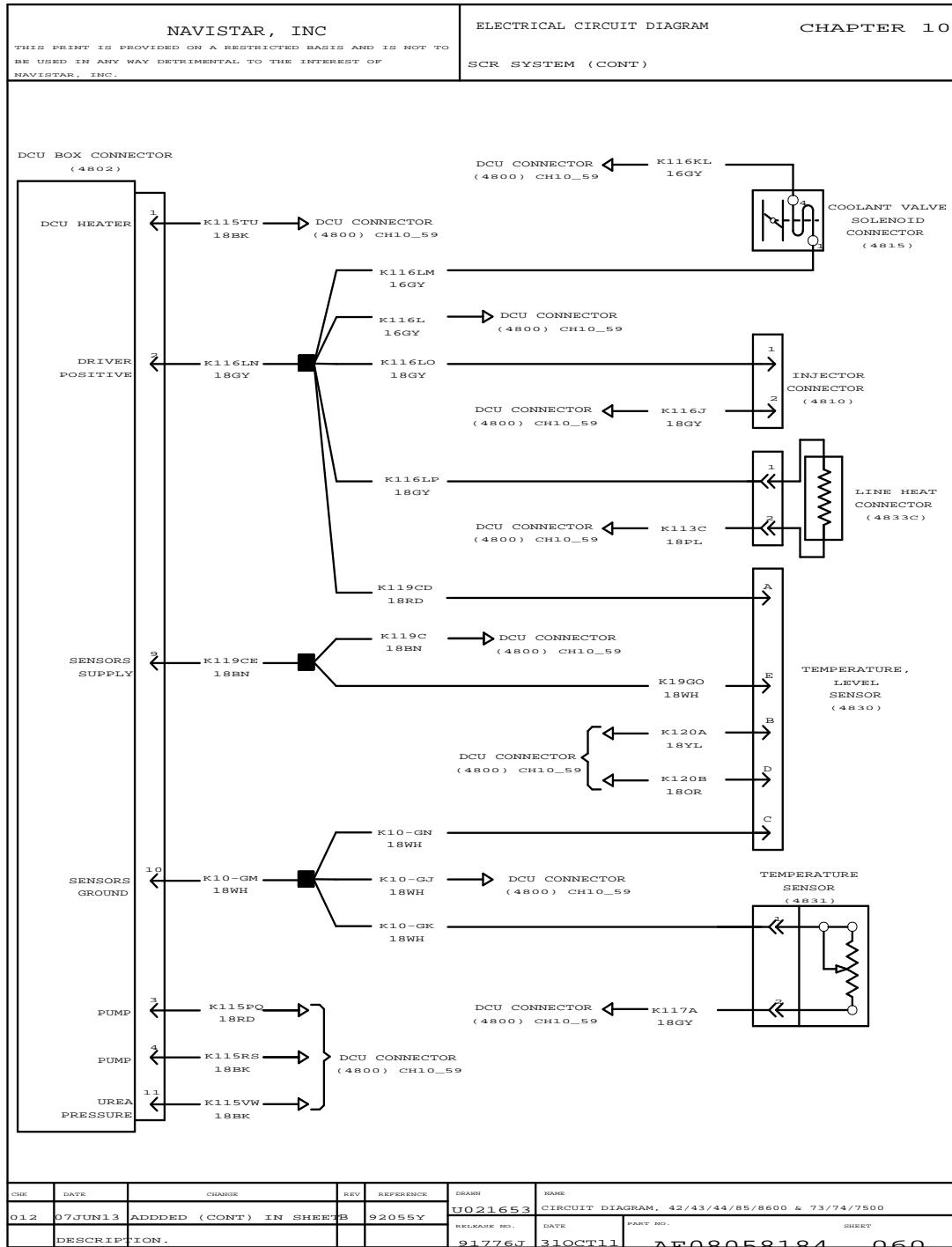


Figure 395 SCR System (Cont.)

10.87. LIFT AXLE - 6X2, P. 61

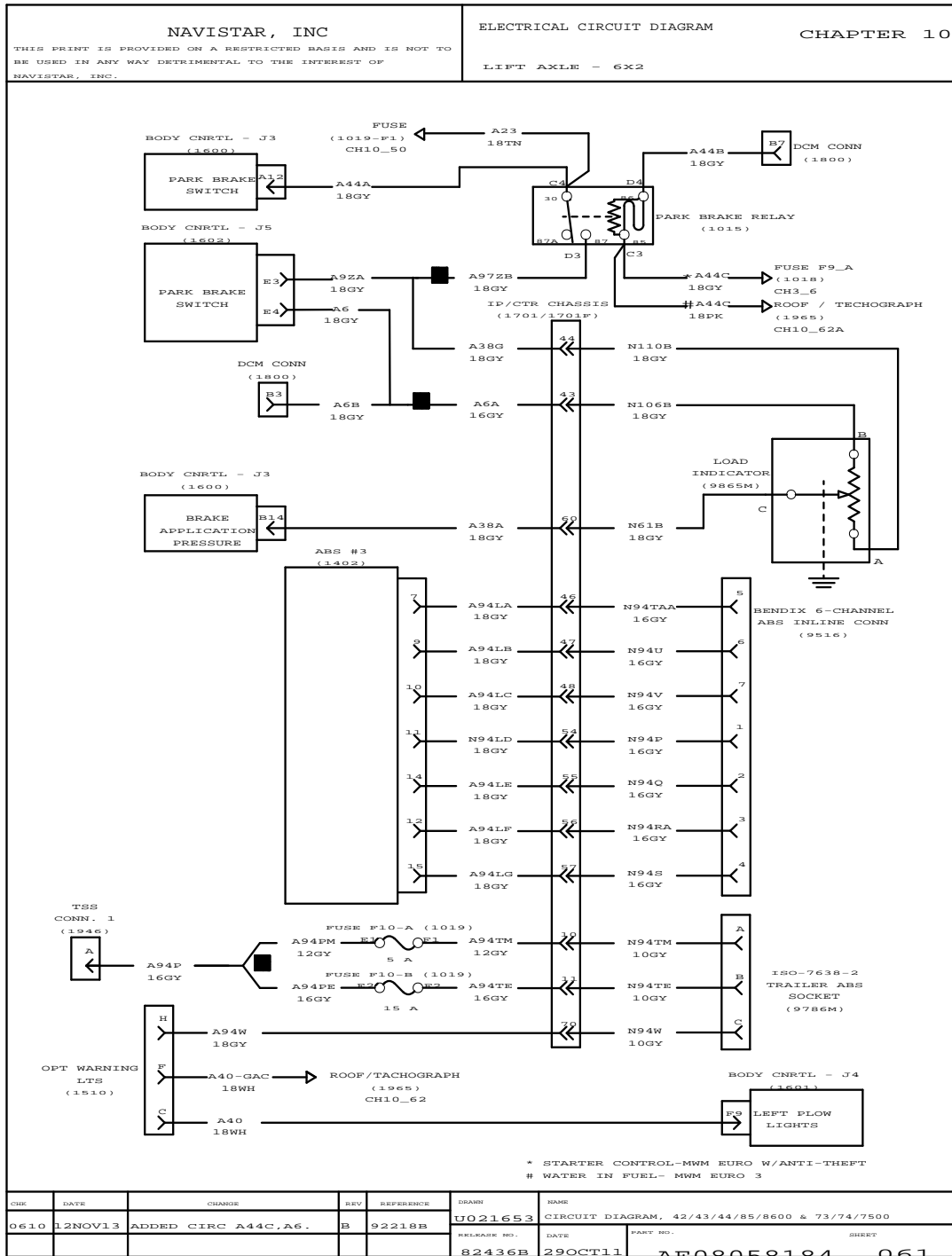


Figure 396 Lift Axle - 6X2

10.88. ANTI-THEFT SYSTEM WITH I6 ENGINE (0012NVM), P. 62

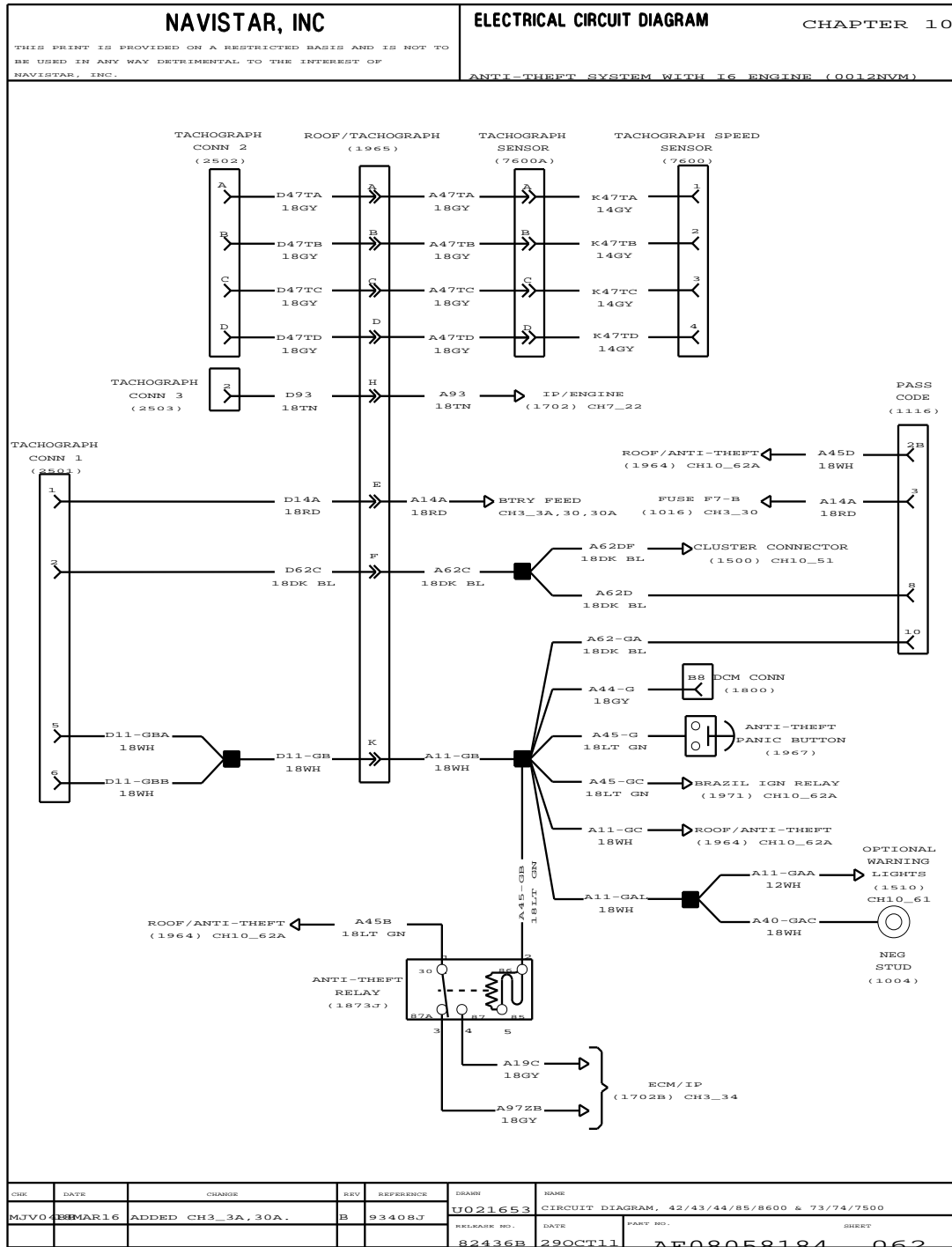


Figure 397 Anti-Theft System with I6 Engine (0012NVM)

10.89. ANTI-THEFT SYSTEM WITH I6 ENGINE (0012NVM), P. 62A

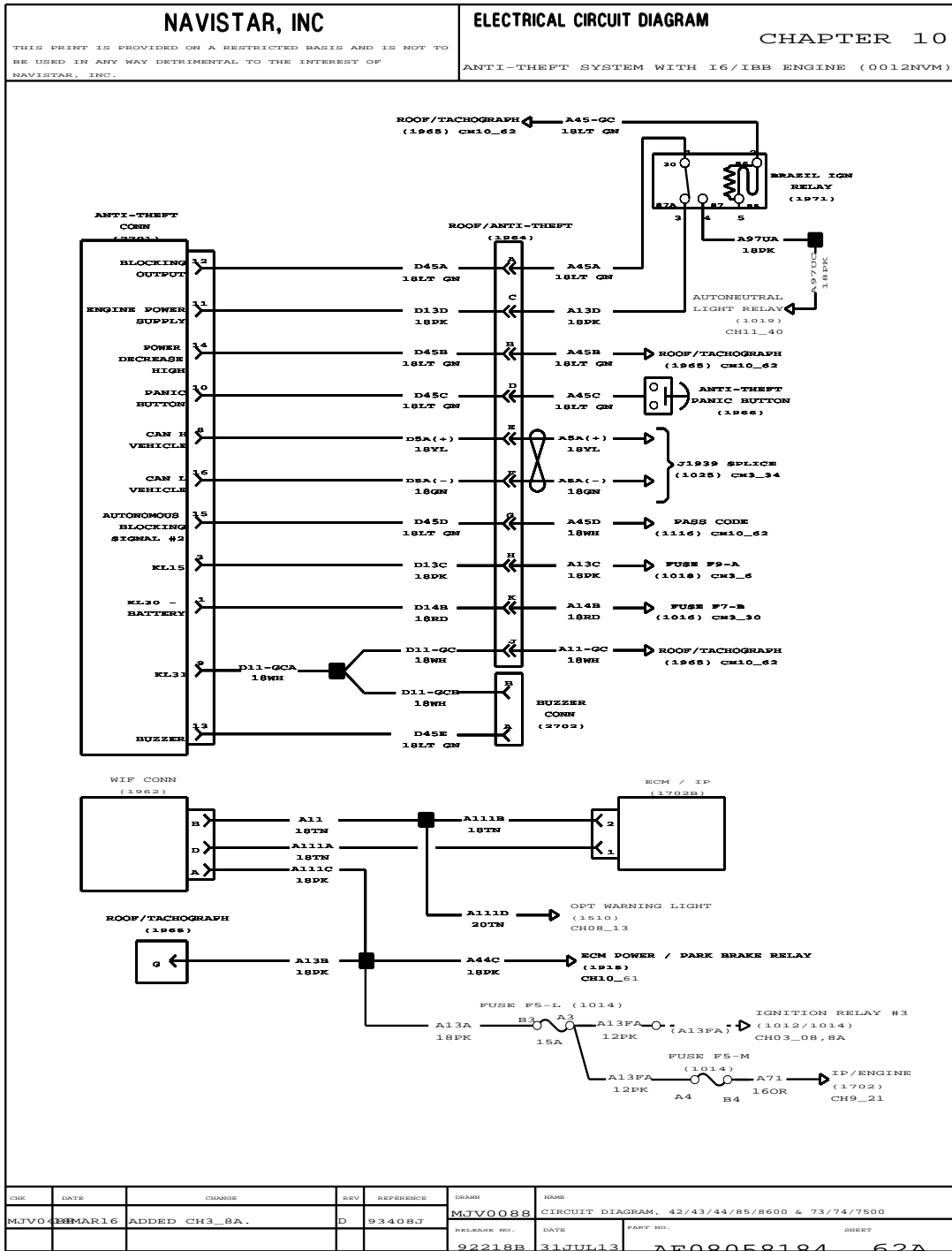


Figure 398 Anti-Theft System with I6 Engine (0012NVM)

10.90. DIAGNOSTIC FLASHER MODULE, P. 63

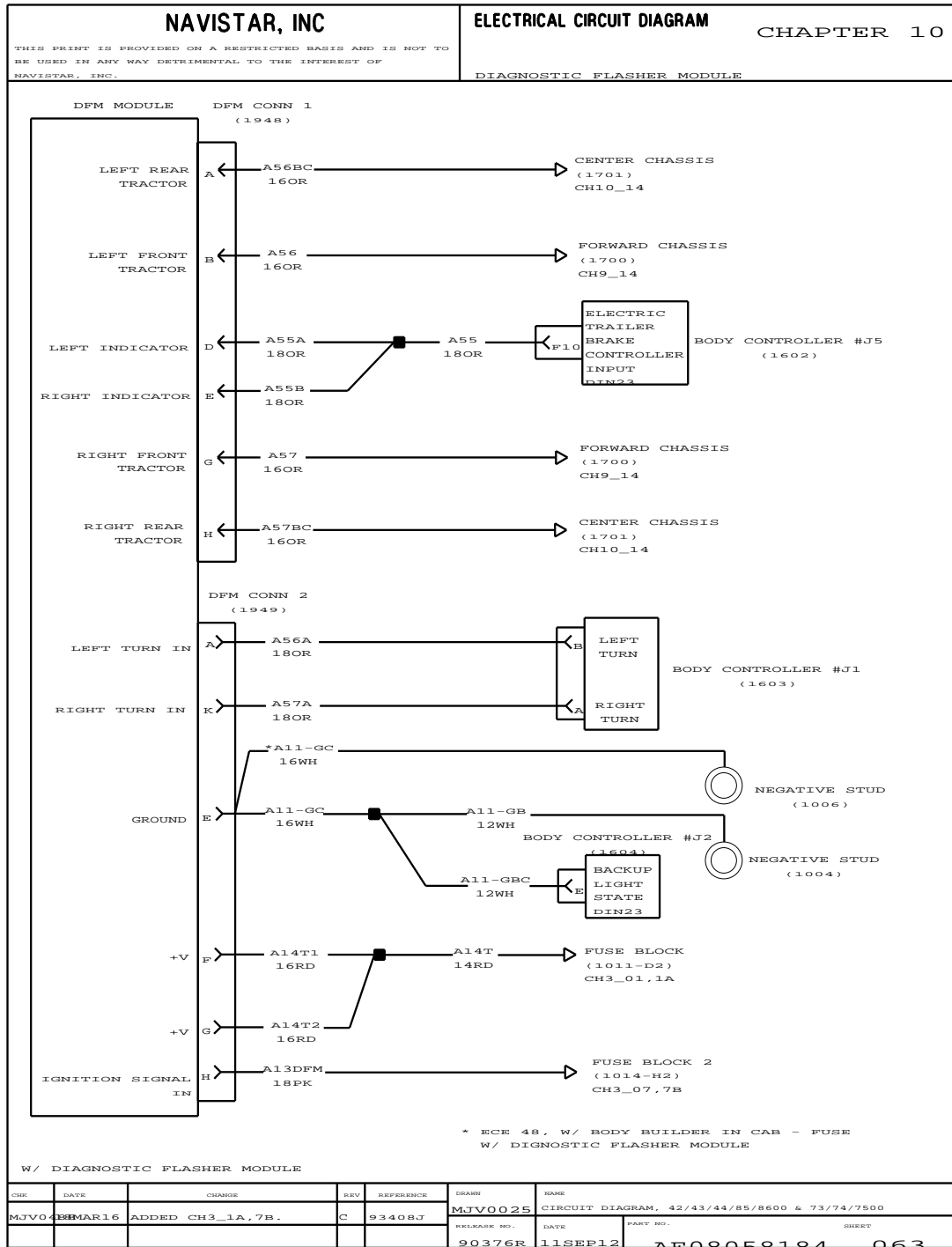


Figure 399 Diagnostic Flasher Module

10.91. DIAGNOSTIC FLASHER MODULE (CONT.), P. 63A

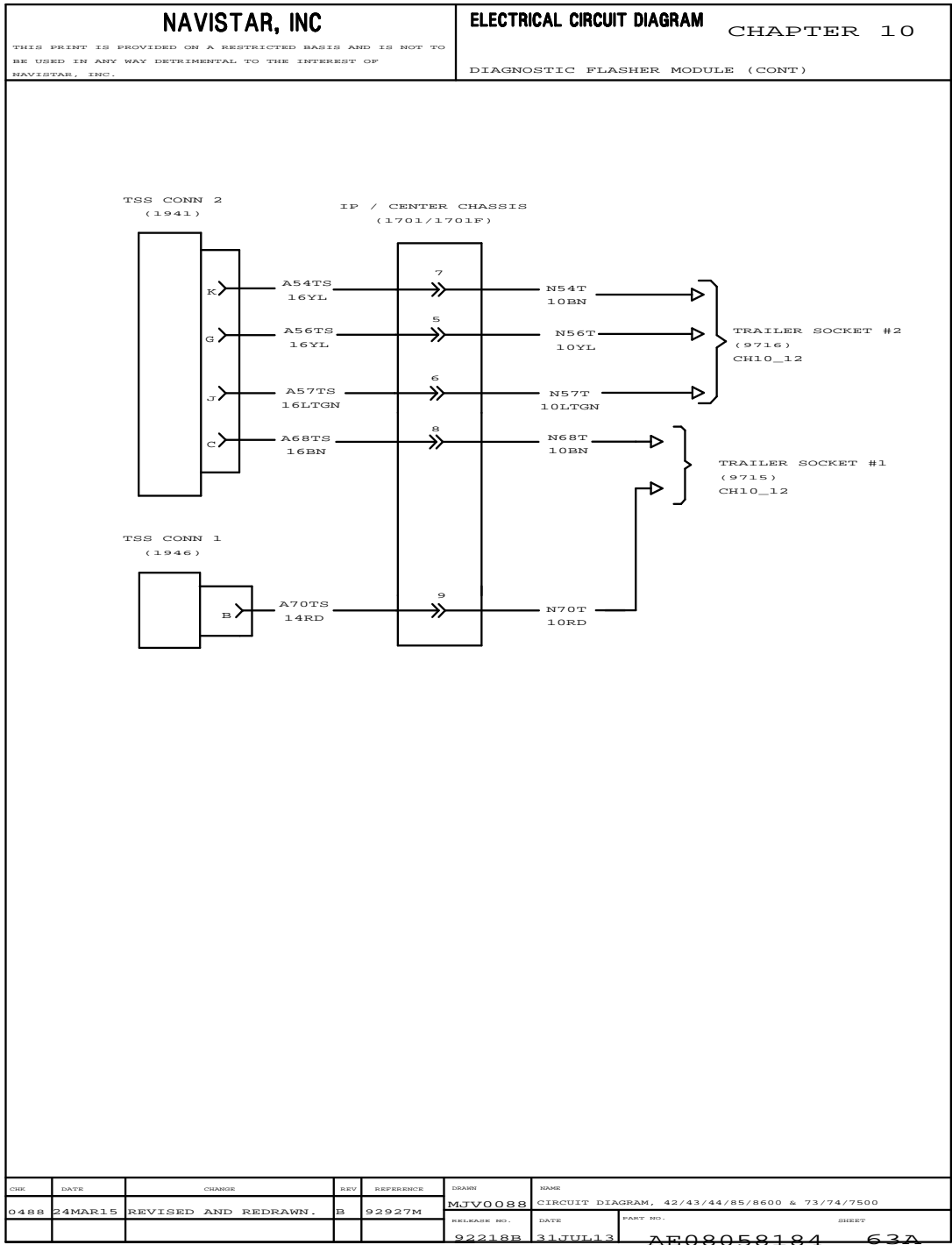


Figure 400 Diagnostic Flasher Module (Cont.)

10.92. BODY BUILDER AND TRAILER – TURN, MARKERS AND STOP (ISL-G ENGINE), P. 64

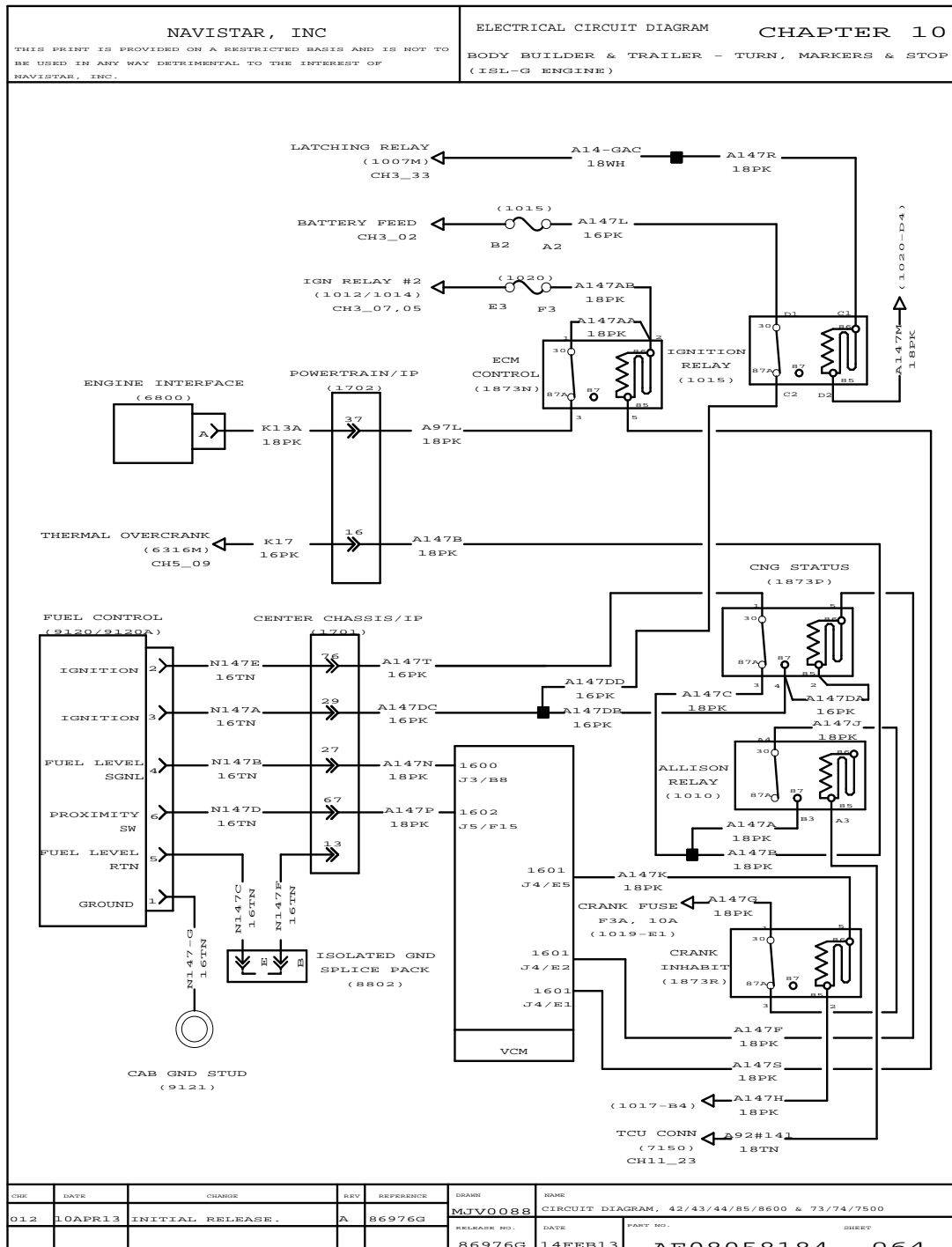


Figure 401 Body Builder and Trailer – Turn, Markers and Stop (ISL-G Engine)

10.94. TRW ABS BRAKES, P. 66

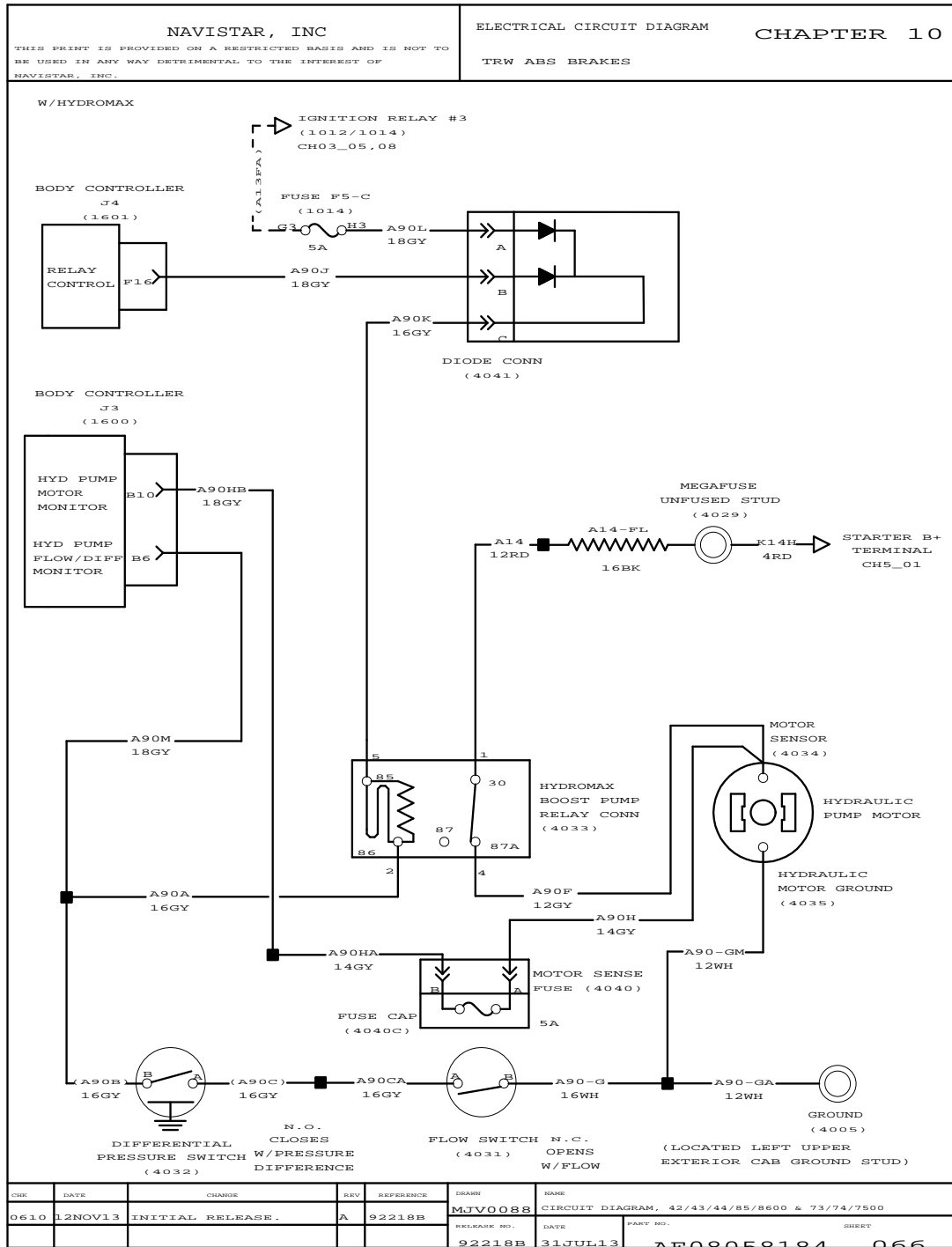


Figure 403 TRW ABS Brakes

10.96. IDLE CONTROL TEMPERATURE SENSOR, P. 68

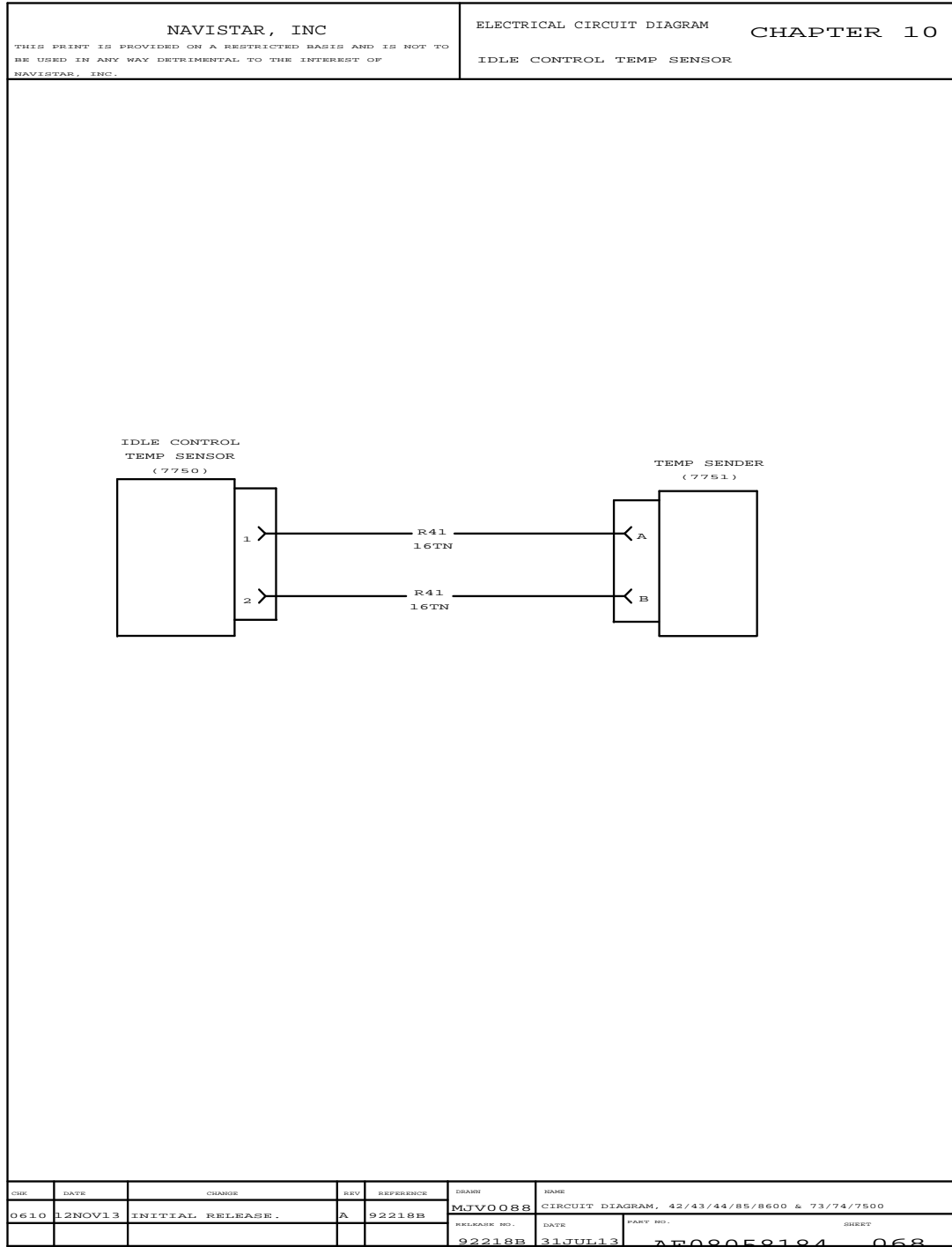


Figure 405 Idle Control Temperature Sensor

10.97. BODY BUILDER (B) RELAYS AND FUSES WITH PDM, P. 69

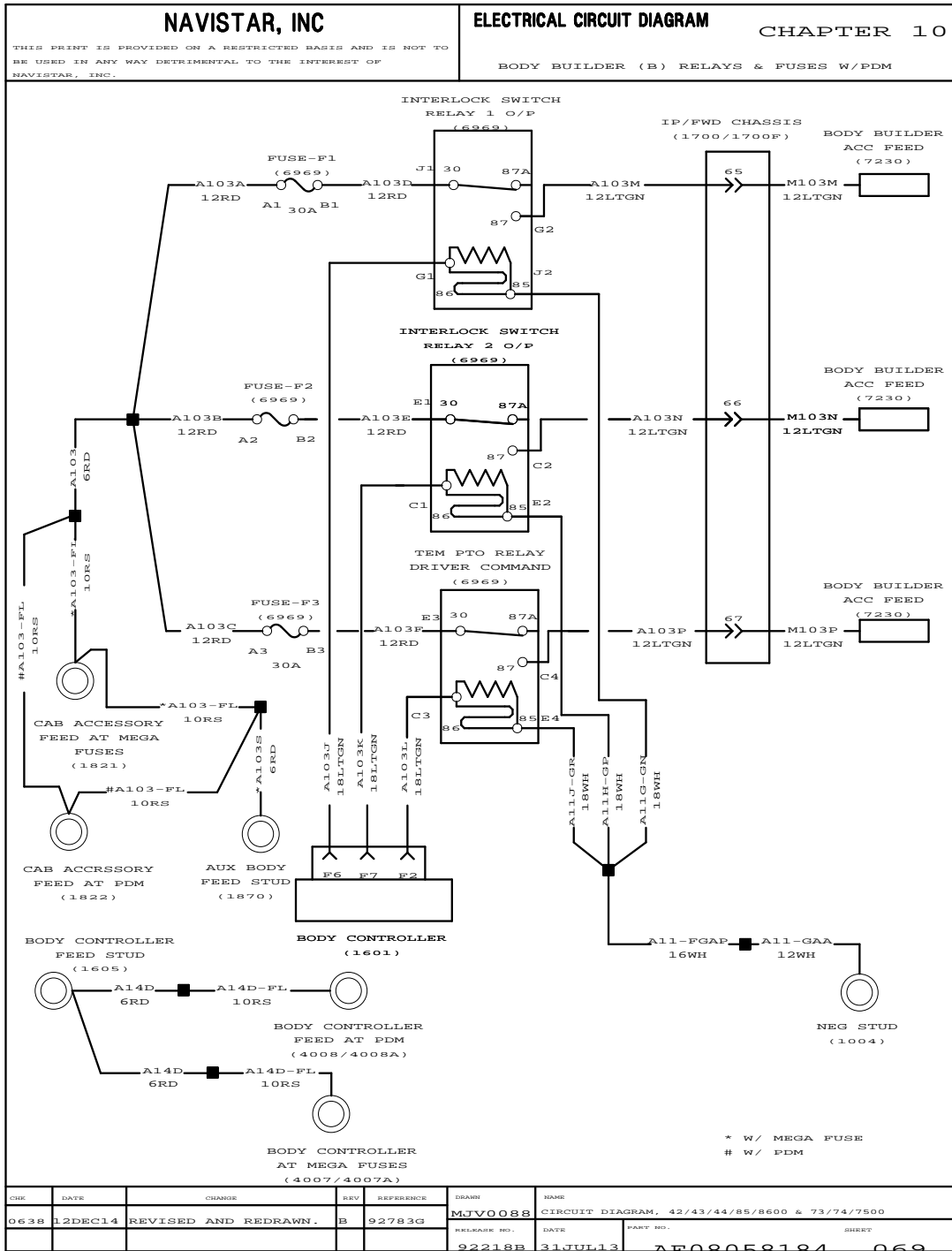


Figure 406 Body Builder (B) Relays and Fuses with PDM

10.98. ABS – WABCO 4S / 4M, P. 70

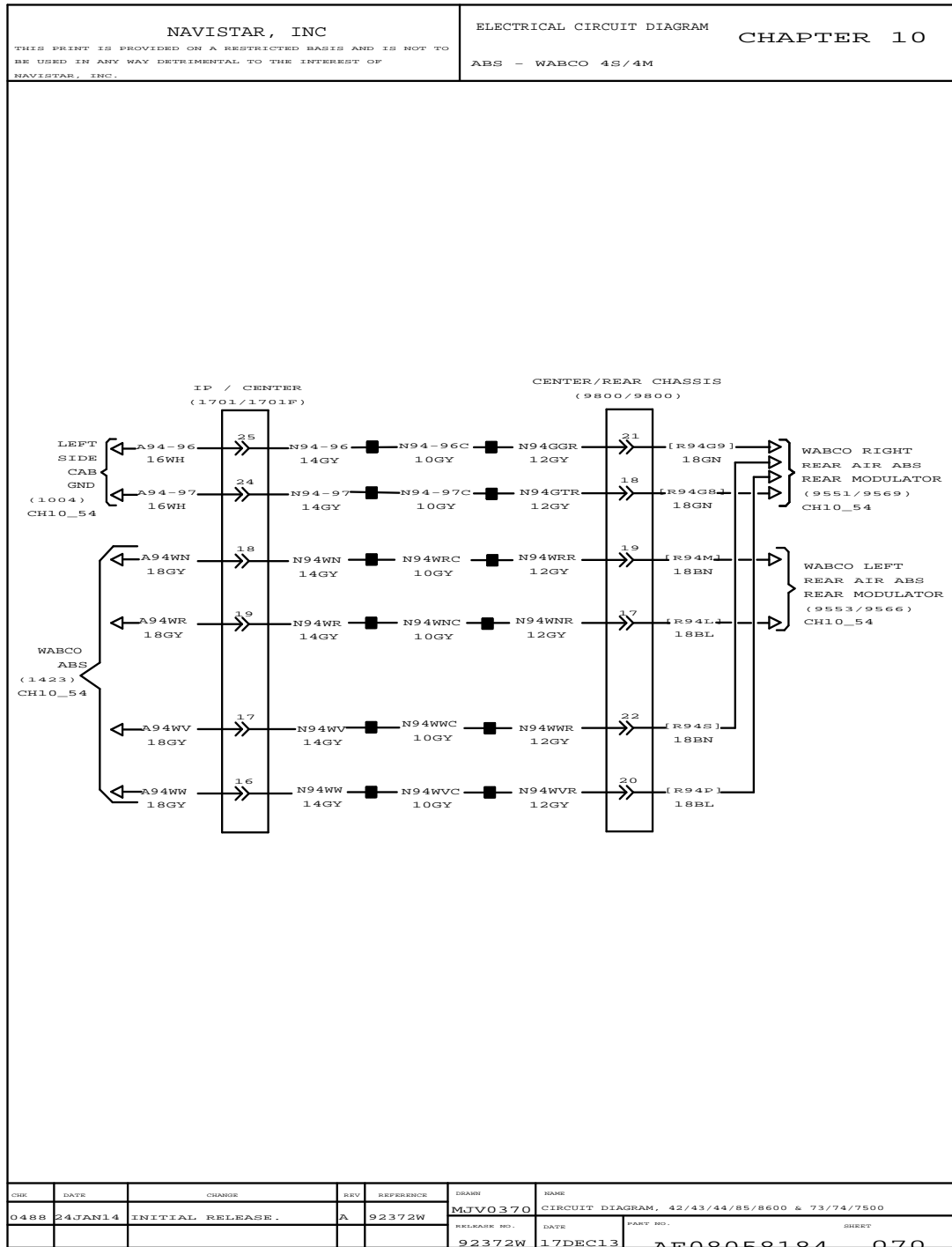


Figure 407 ABS – WABCO 4S / 4M

10.100. HYDRAULIC BRAKES, P. 71

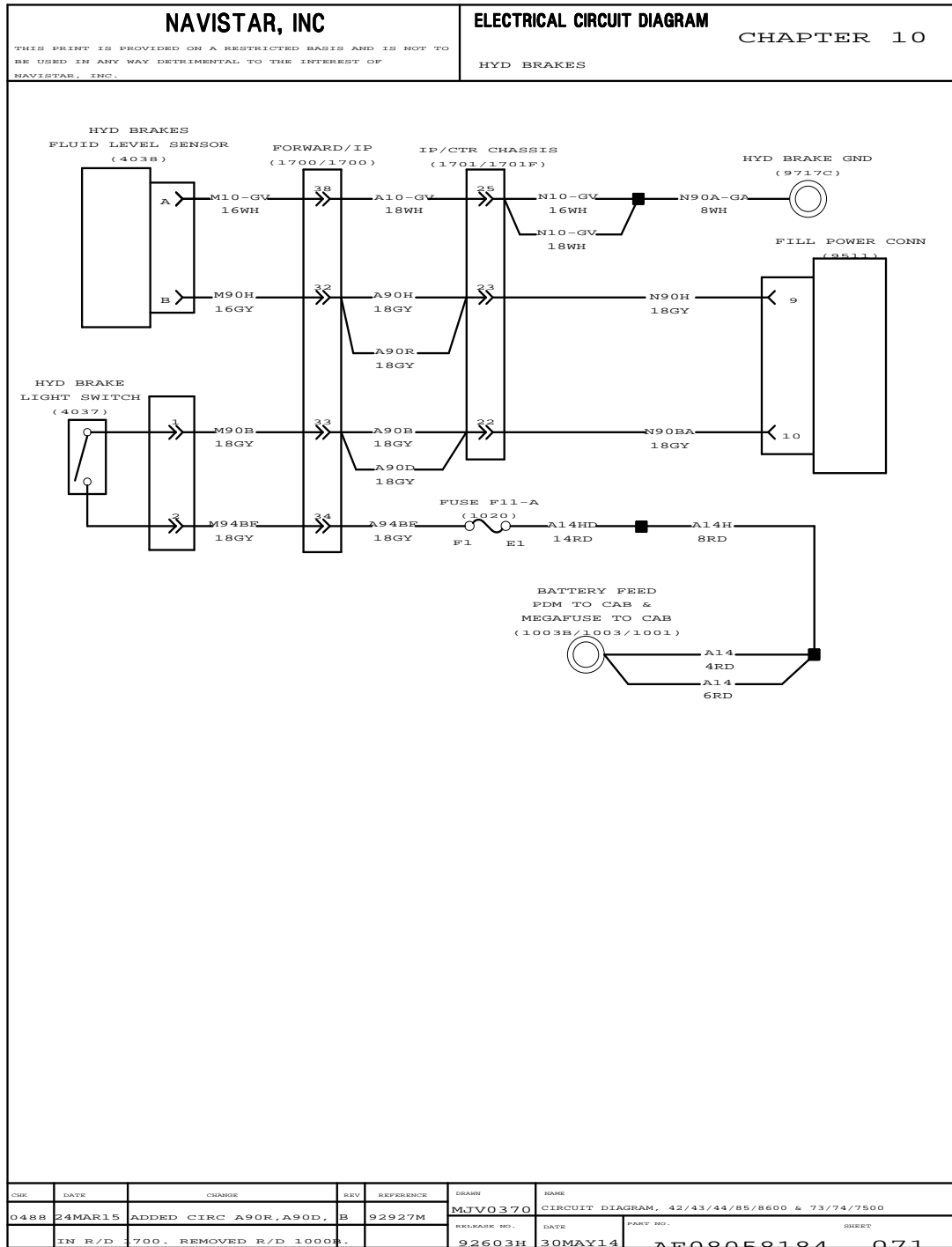


Figure 409 Hydraulic Brakes

10.101. NEXT GEN HYDRAULIC BRAKES, P. 72

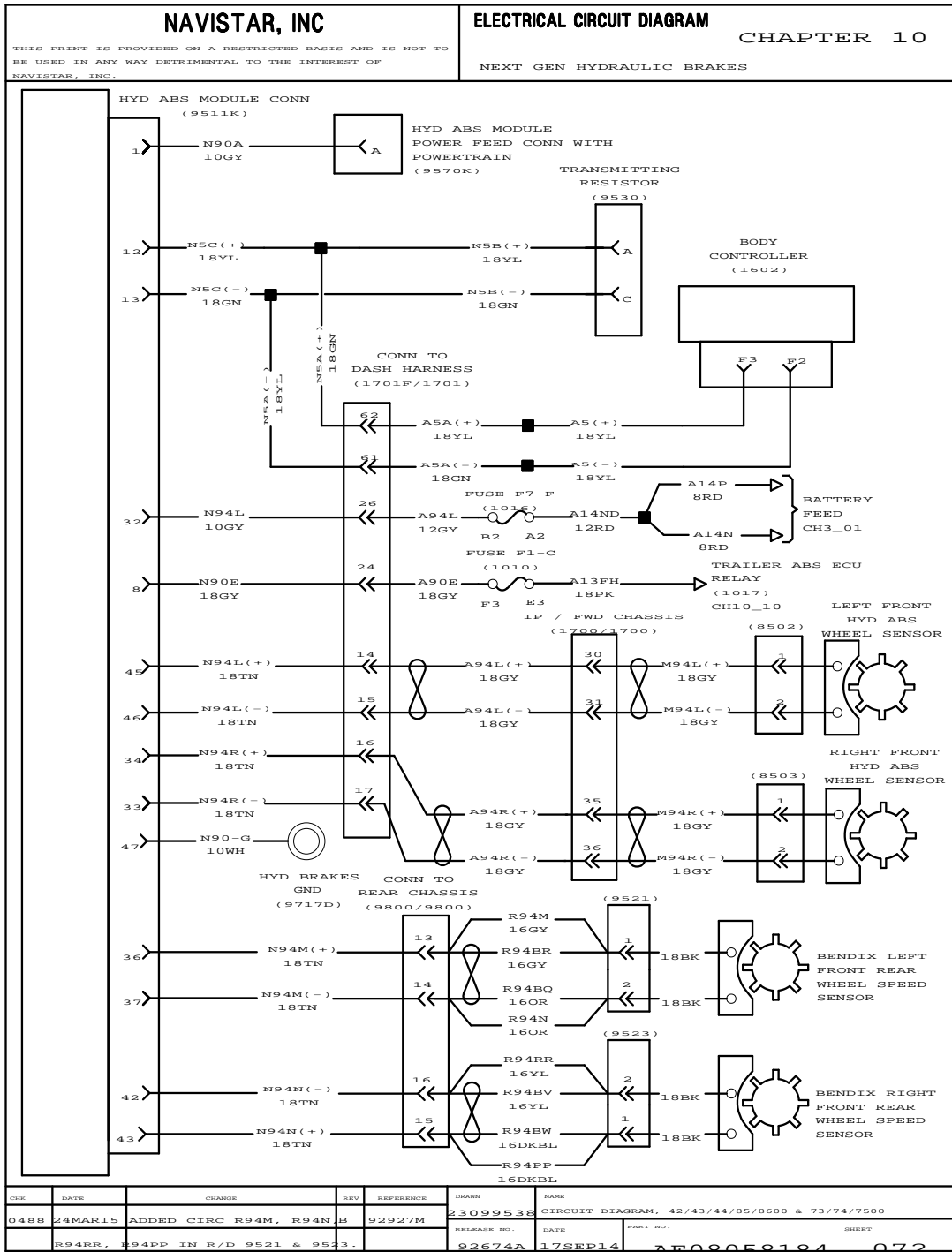


Figure 410 Next Gen Hydraulic Brakes

10.102. NEXT GEN HYDRAULIC BRAKES (CONT.), P. 73

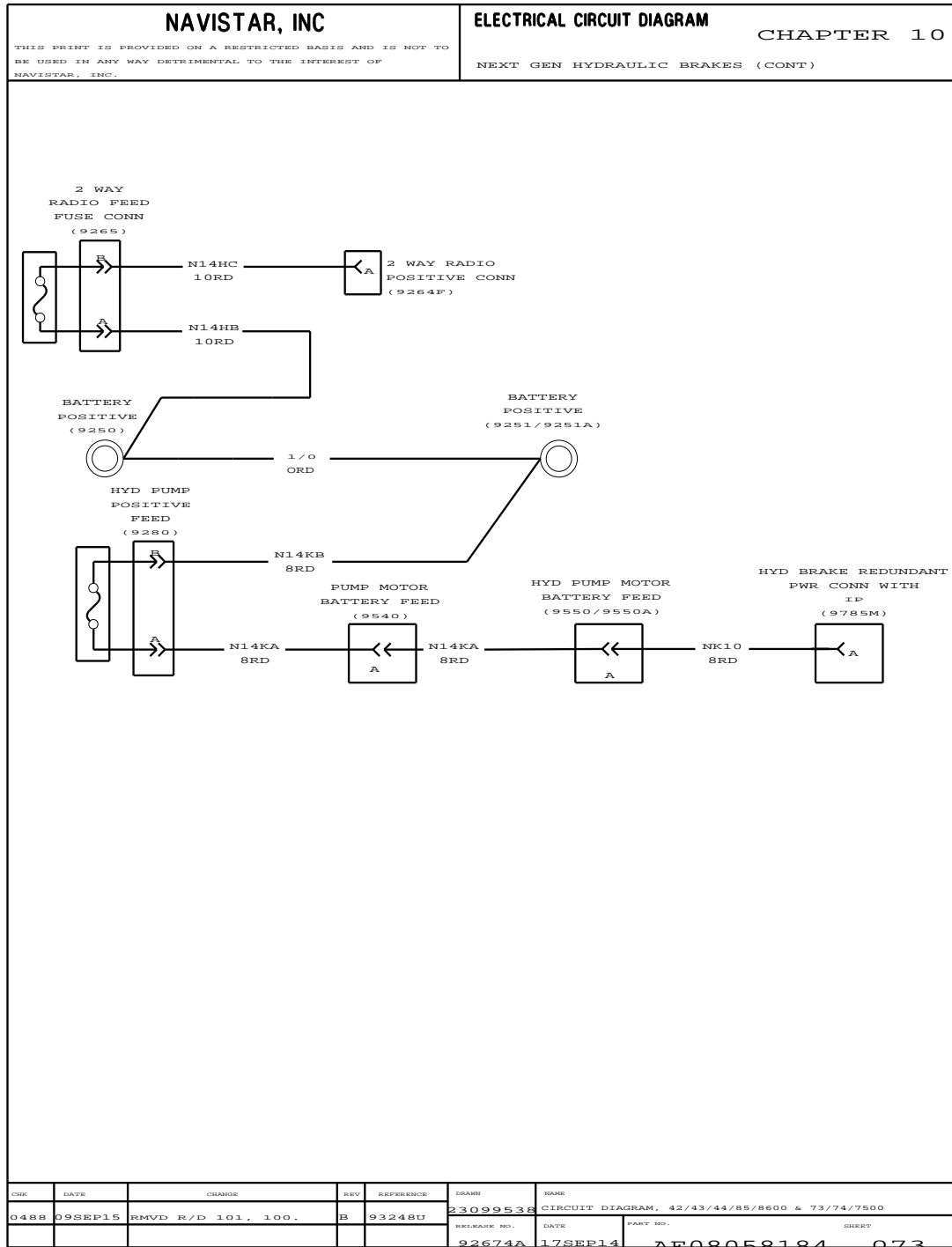


Figure 411 Next Gen Hydraulic Brakes (Cont.)

10.103. NEXT GEN HYDRAULIC BRAKES (CONT.), P. 74

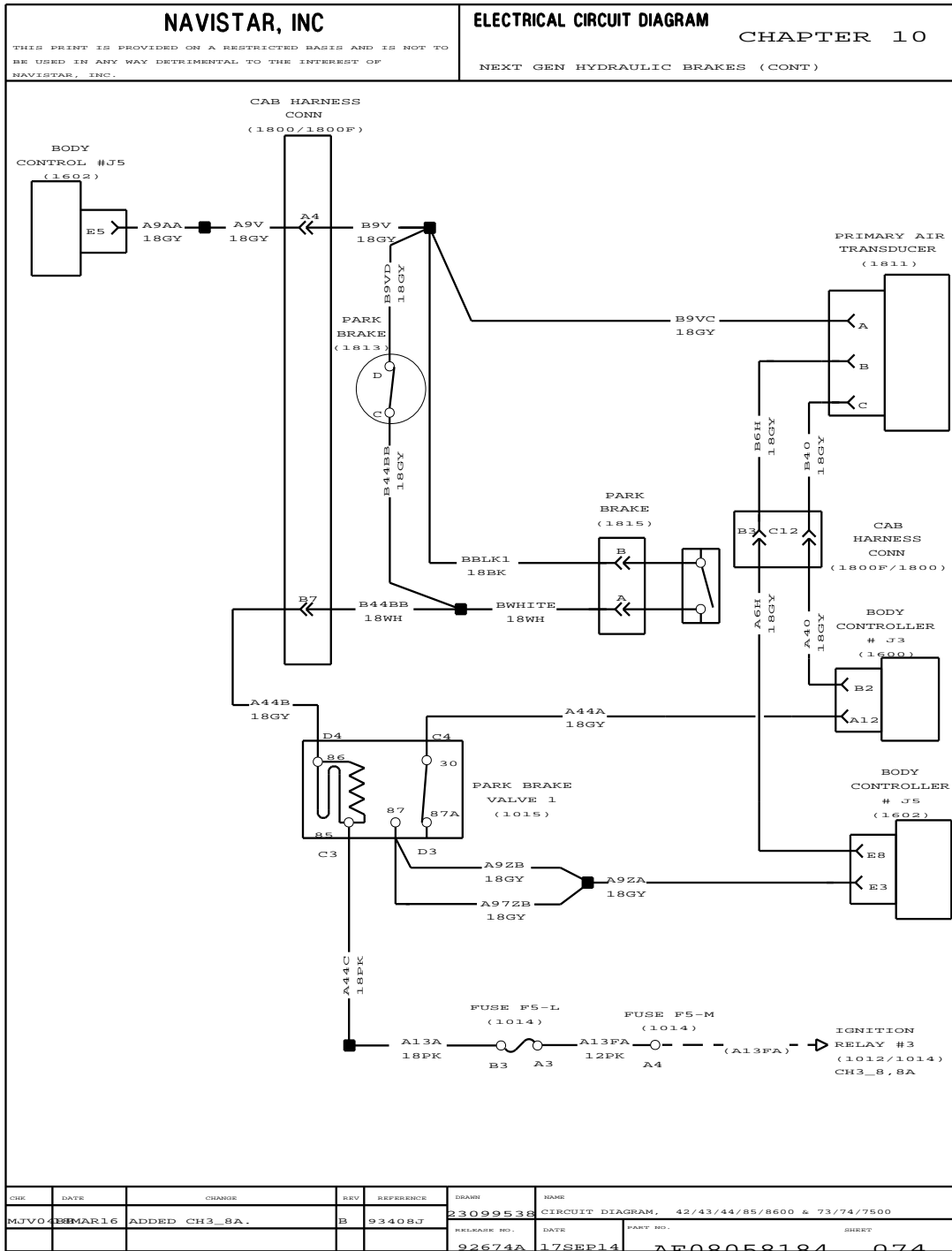


Figure 412 Next Gen Hydraulic Brakes (Cont.)

10.104. NEXT GEN HYDRAULIC BRAKES (CONT.), P. 75

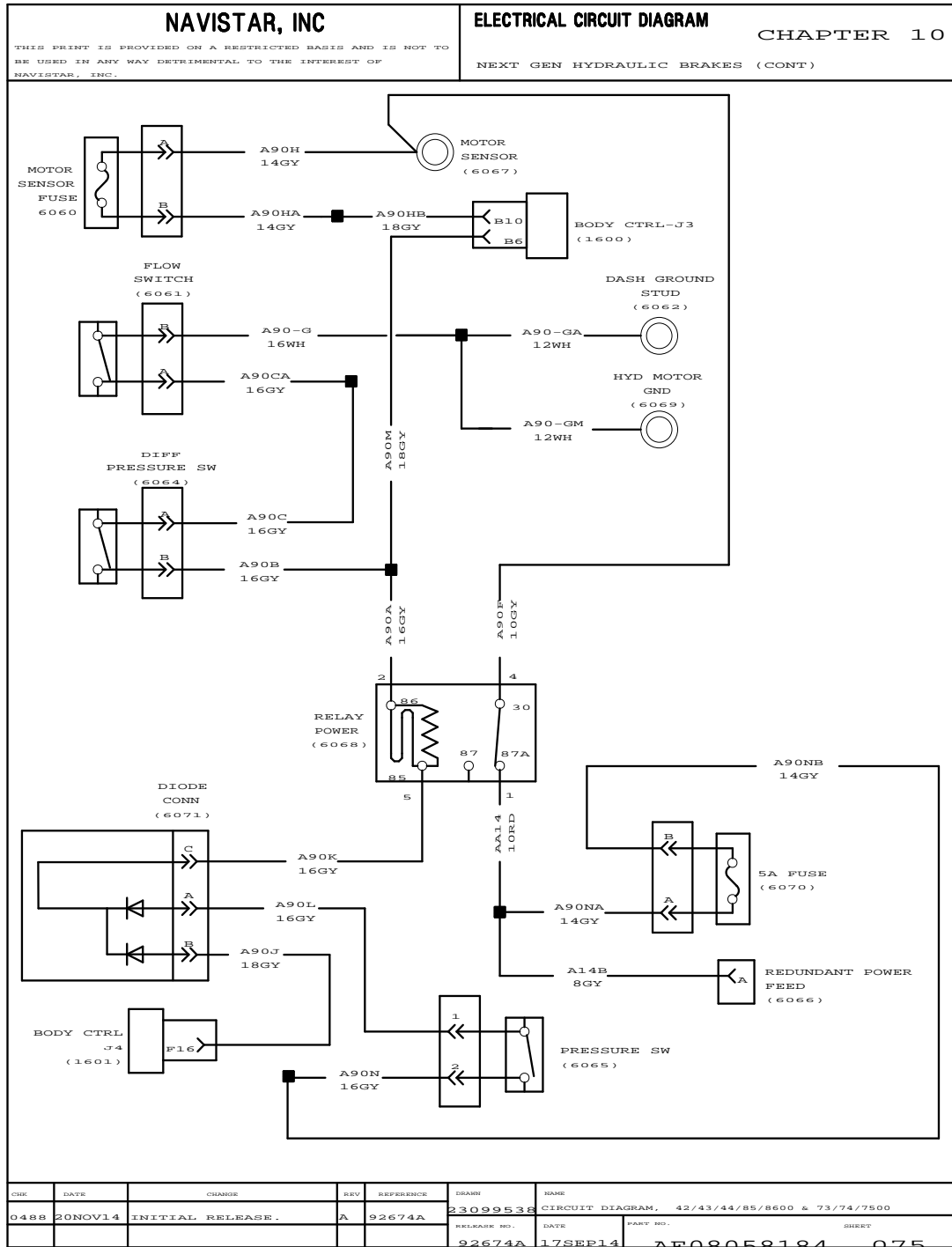


Figure 413 Next Gen Hydraulic Brakes (Cont.)

10.105. NEXT GEN HYDRAULIC BRAKES (CONT.), P. 76

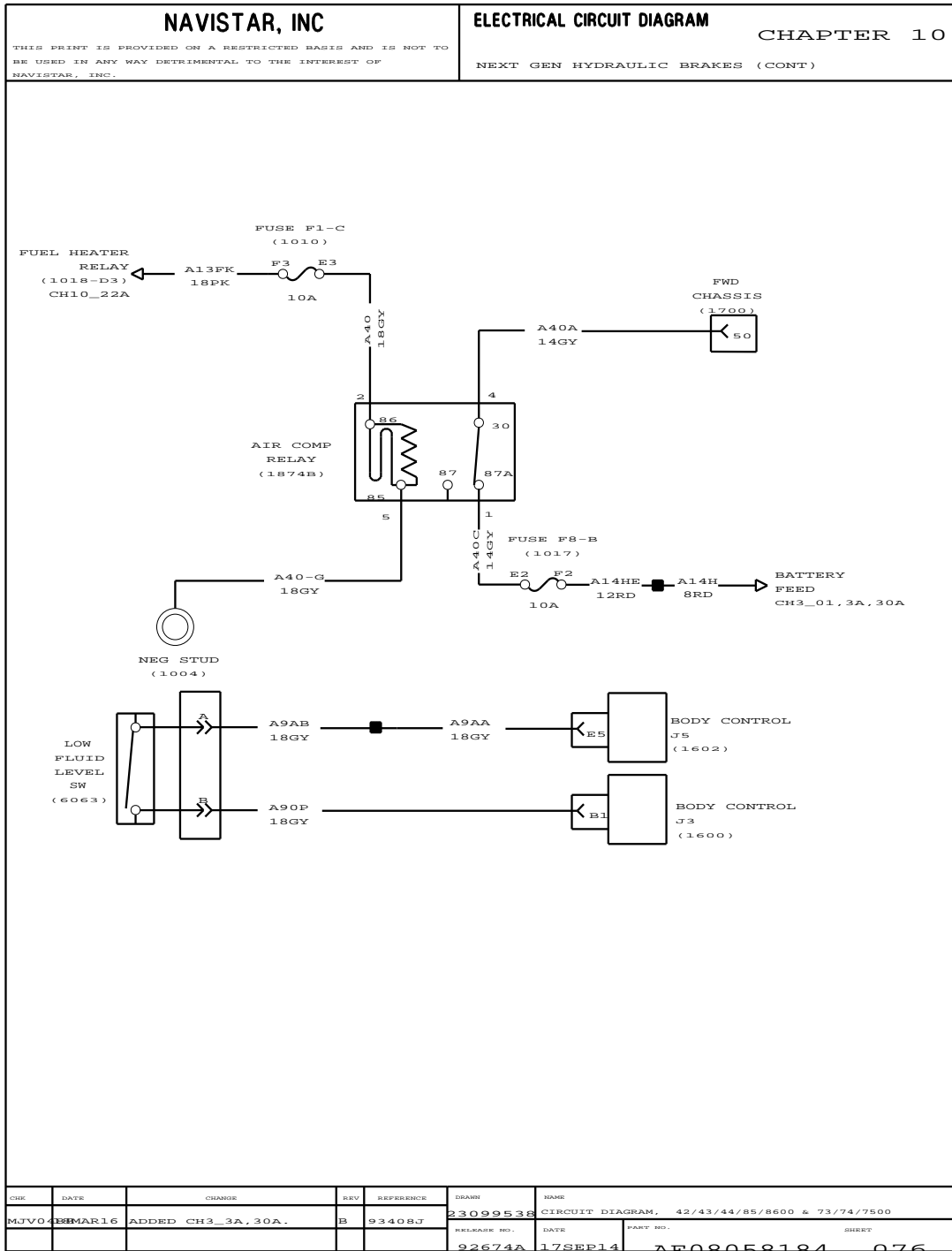


Figure 414 Next Gen Hydraulic Brakes (Cont.)

10.106. REMOTE START / STOP WITH UTILITY BODY WITH 500K BAUD RATE, P. 77

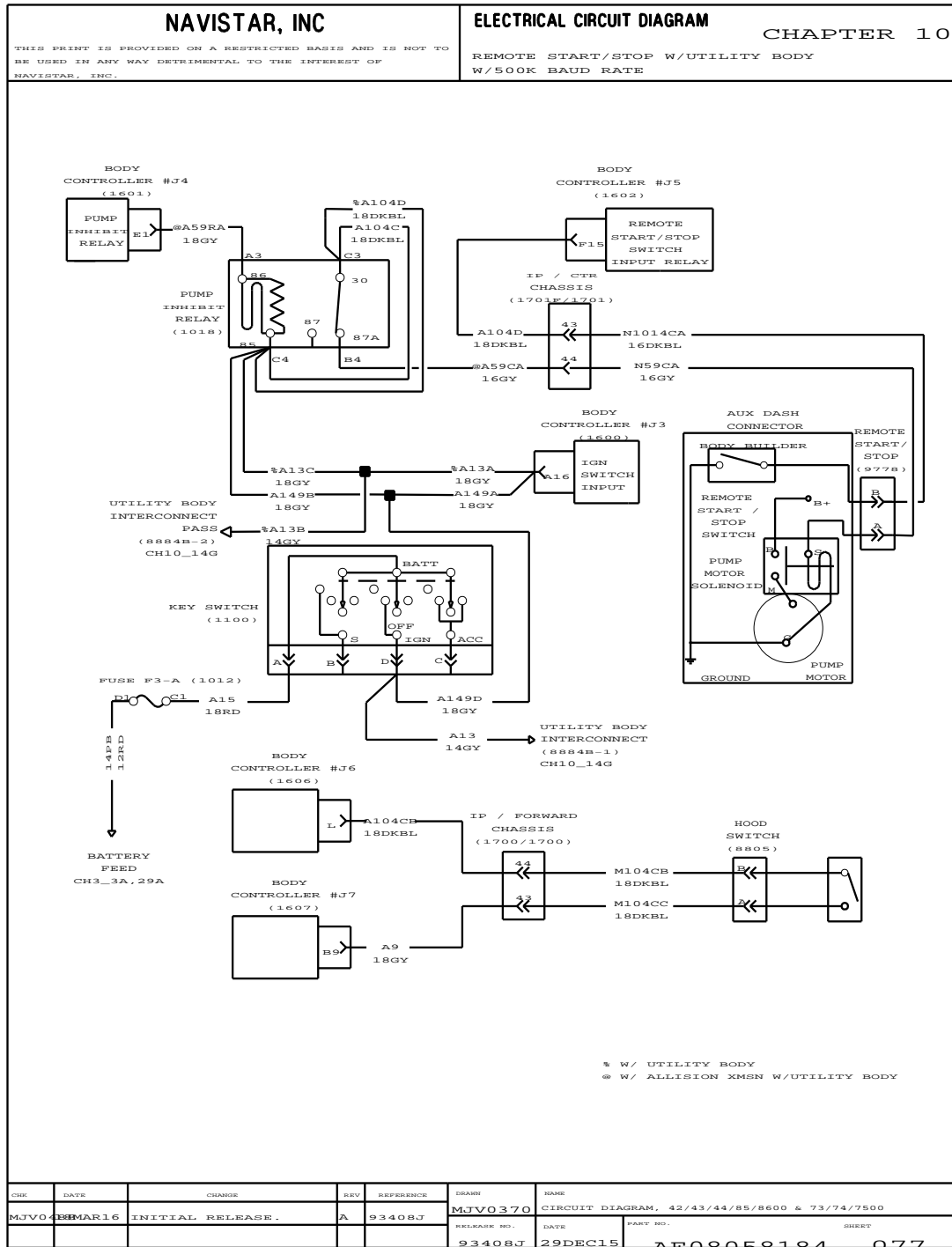


Figure 415 Remote Start / Stop with Utility Body with 500K Baud Rate

TRANSMISSIONS (CHAPTER 11)

11.1. ALLISON GEN 4 1/2000 TRANSMISSION WITH I6 AND V8 ENGINE, P. 1

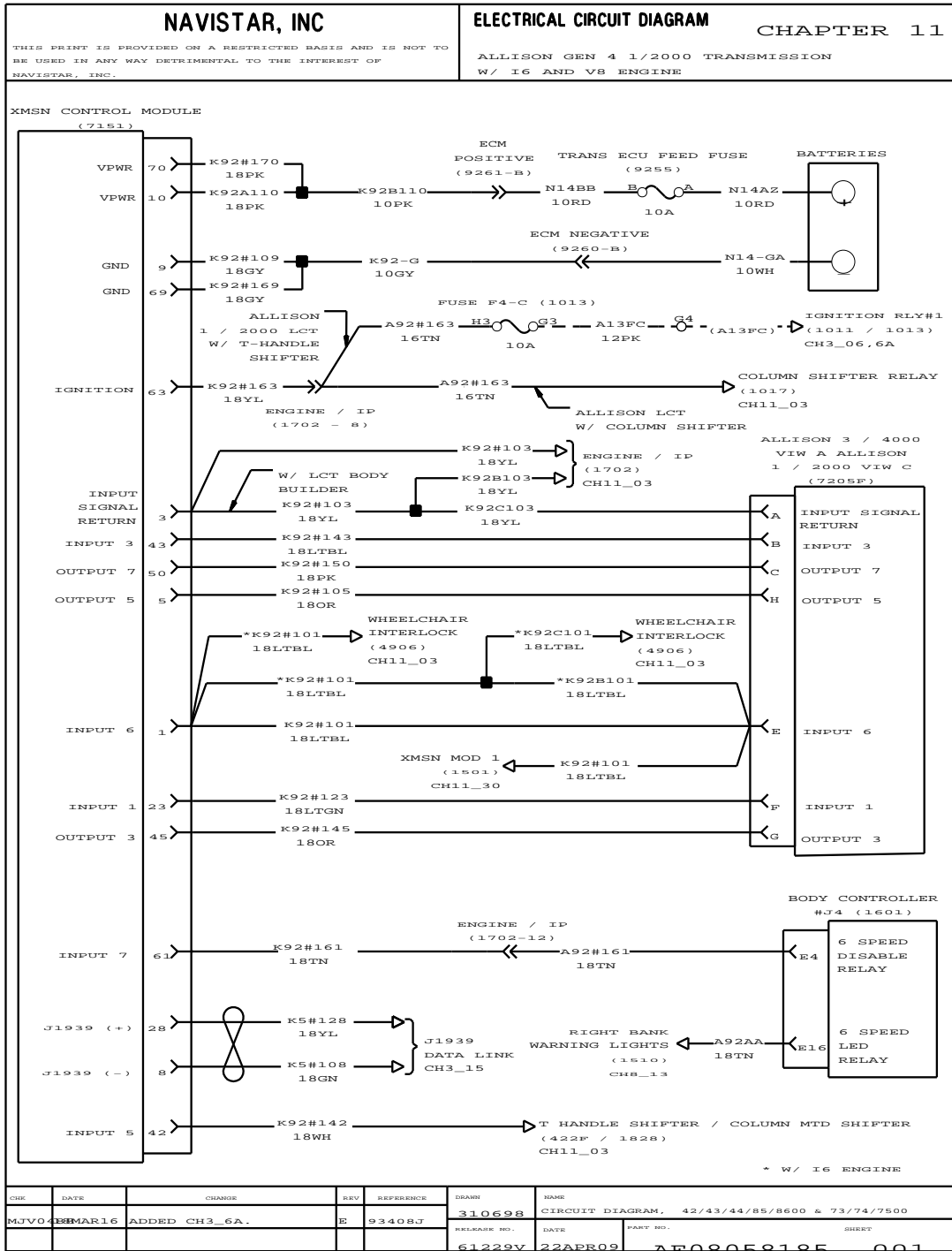


Figure 416 Allison Gen 4 1/2000 Transmission with I6 and V8 Engine

11.2. ALLISON GEN 4 1/2000 TRANSMISSION WITH I6 AND V8 ENGINES (CONT.), P. 2

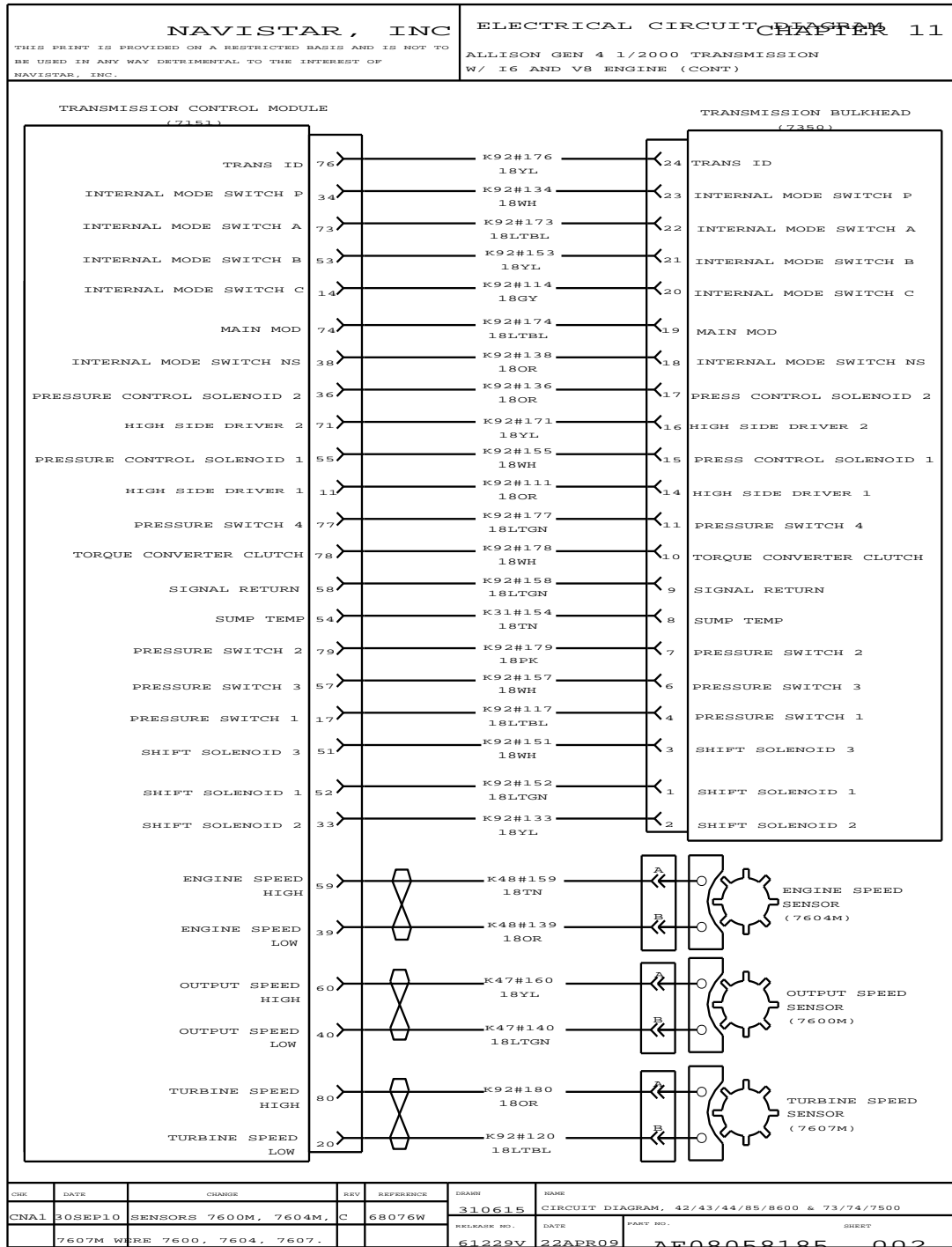


Figure 417 Allison GEN 4 1/2000 Transmission with I6 and V8 Engines (Cont.)

11.3. ALLISON GEN 4 1/2000 TRANSMISSION WITH I6 AND V8 ENGINES (CONT.), P. 3

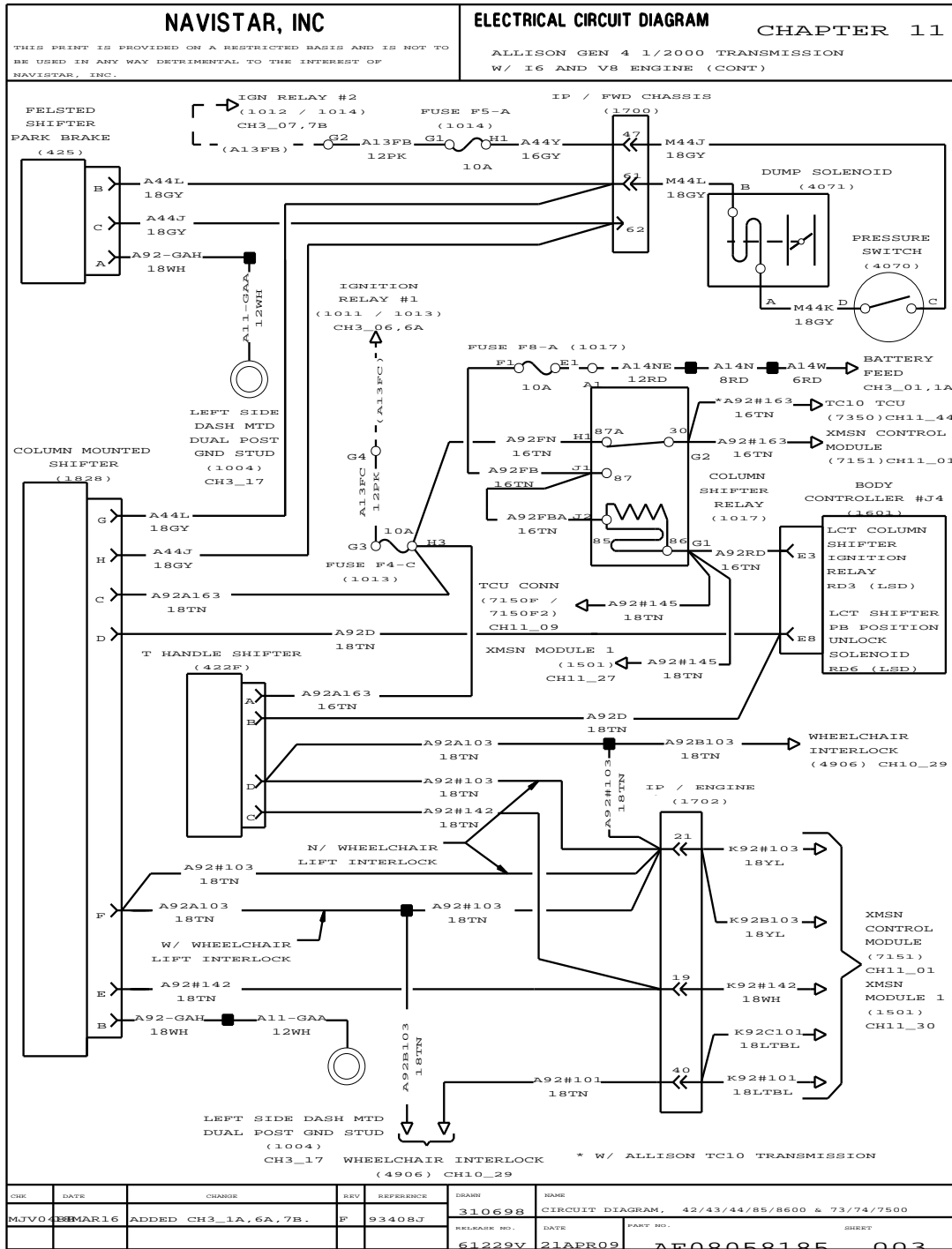


Figure 418 Allison GEN 4 1/2000 Transmission with I6 and V8 Engines (Cont.)

11.4. ALLISON GEN 4 1/2000 TRANSMISSION WITH I6 AND V8 ENGINES (CONT.), P. 3A

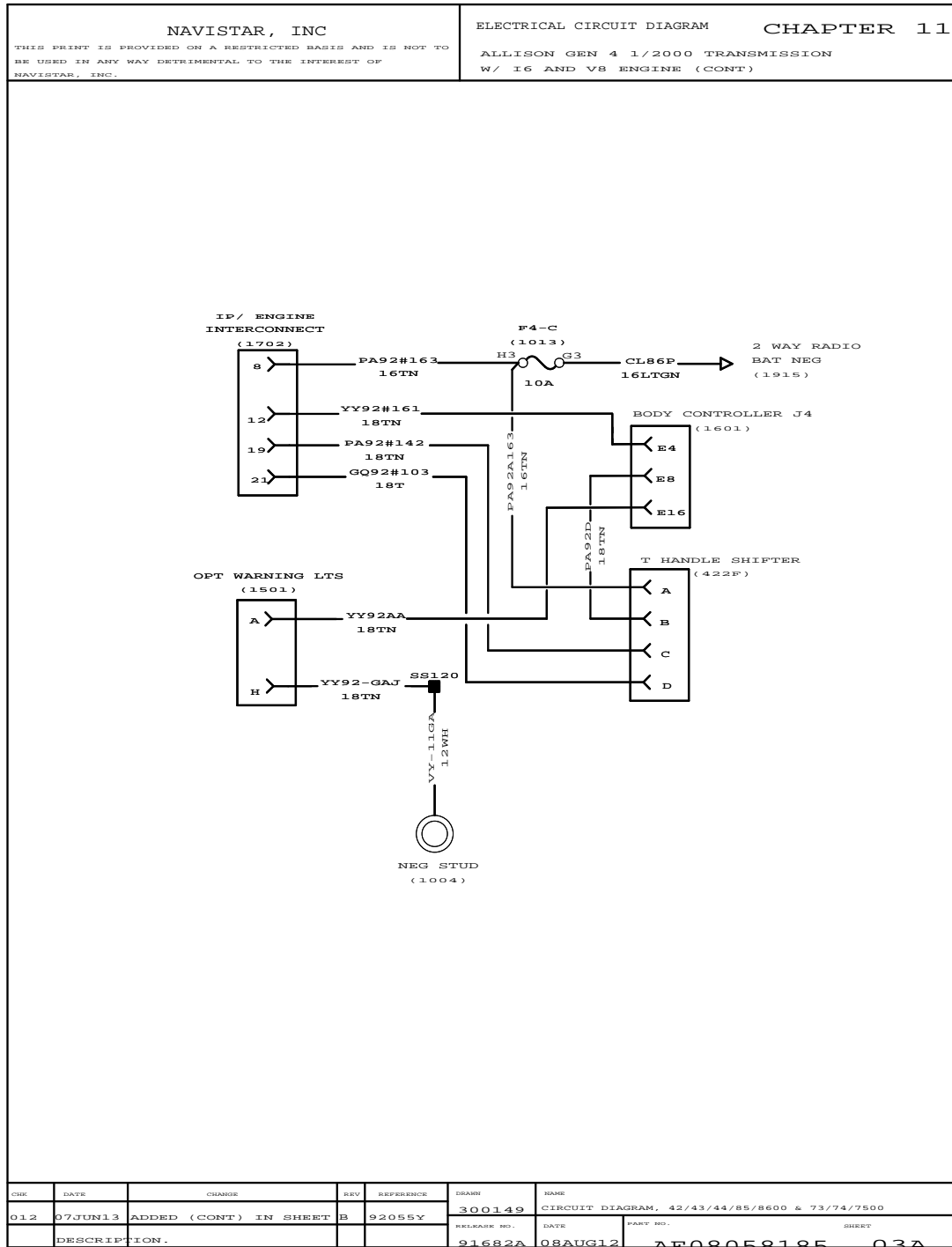


Figure 419 Allison GEN 4 1/2000 Transmission with I6 and V8 Engines (Cont.)

11.5. TRANSMISSION, ALLISON MD WITH I6 AND V8 ENGINES, P. 4

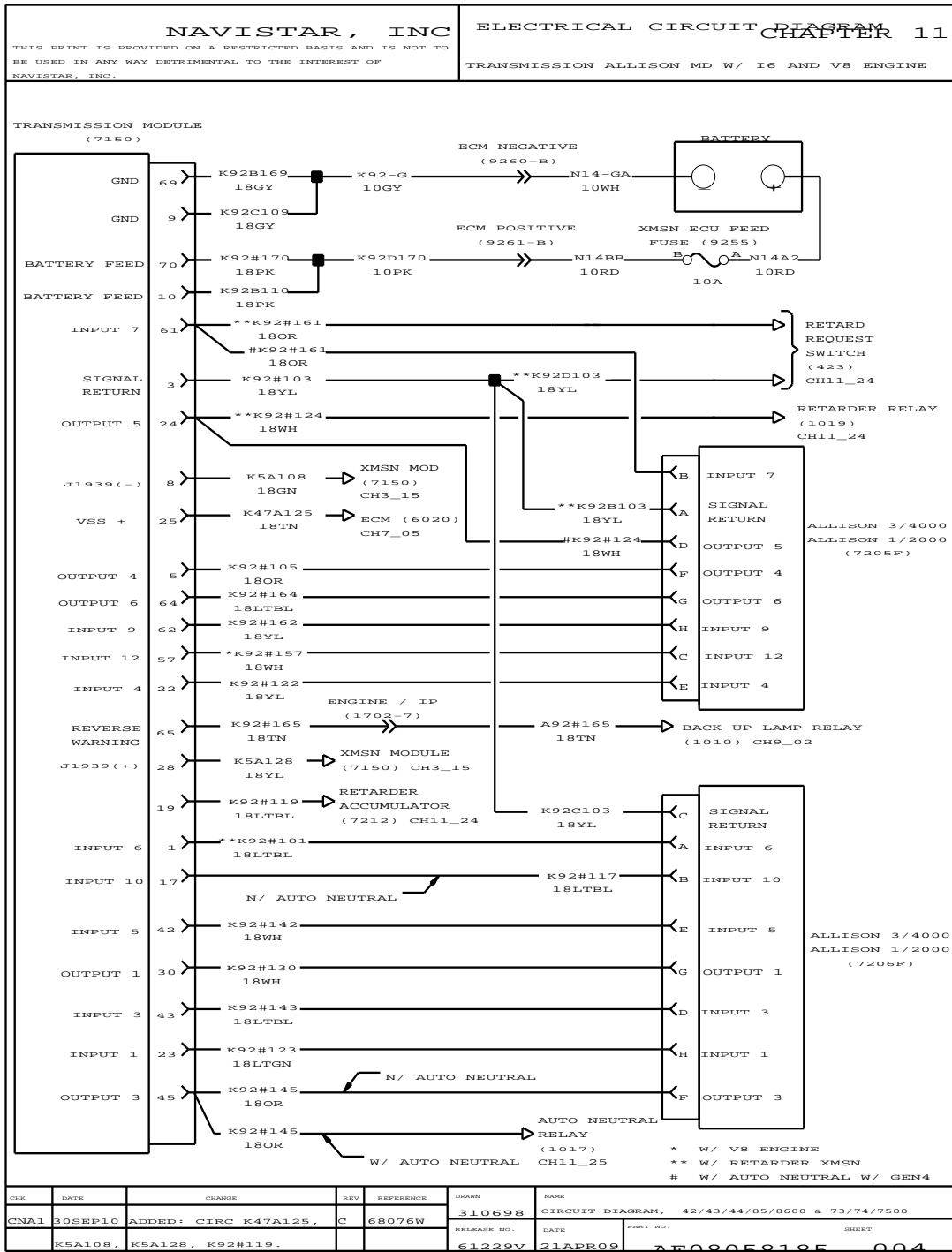


Figure 420 Transmission, Allison MD with I6 and V8 Engines

11.6. TRANSMISSION, ALLISON MD 3/4000 WITH I6 AND V8 ENGINES, P. 5

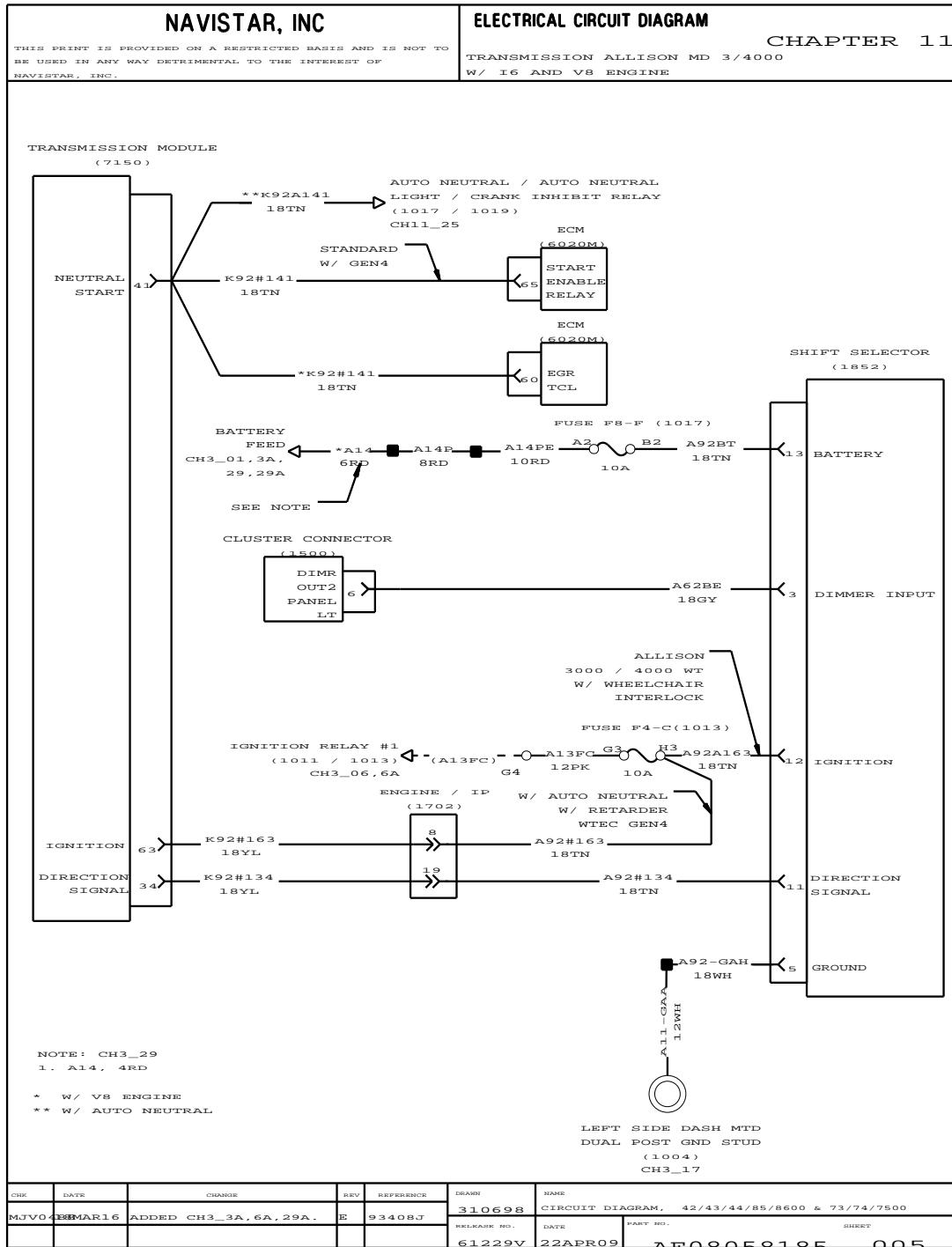


Figure 421 Transmission, Allison MD 3/4000 with I6 and V8 Engines

11.7. TRANSMISSION, ALLISON MD / HD (WTEC) WITH I6 AND V8 ENGINES, P. 6

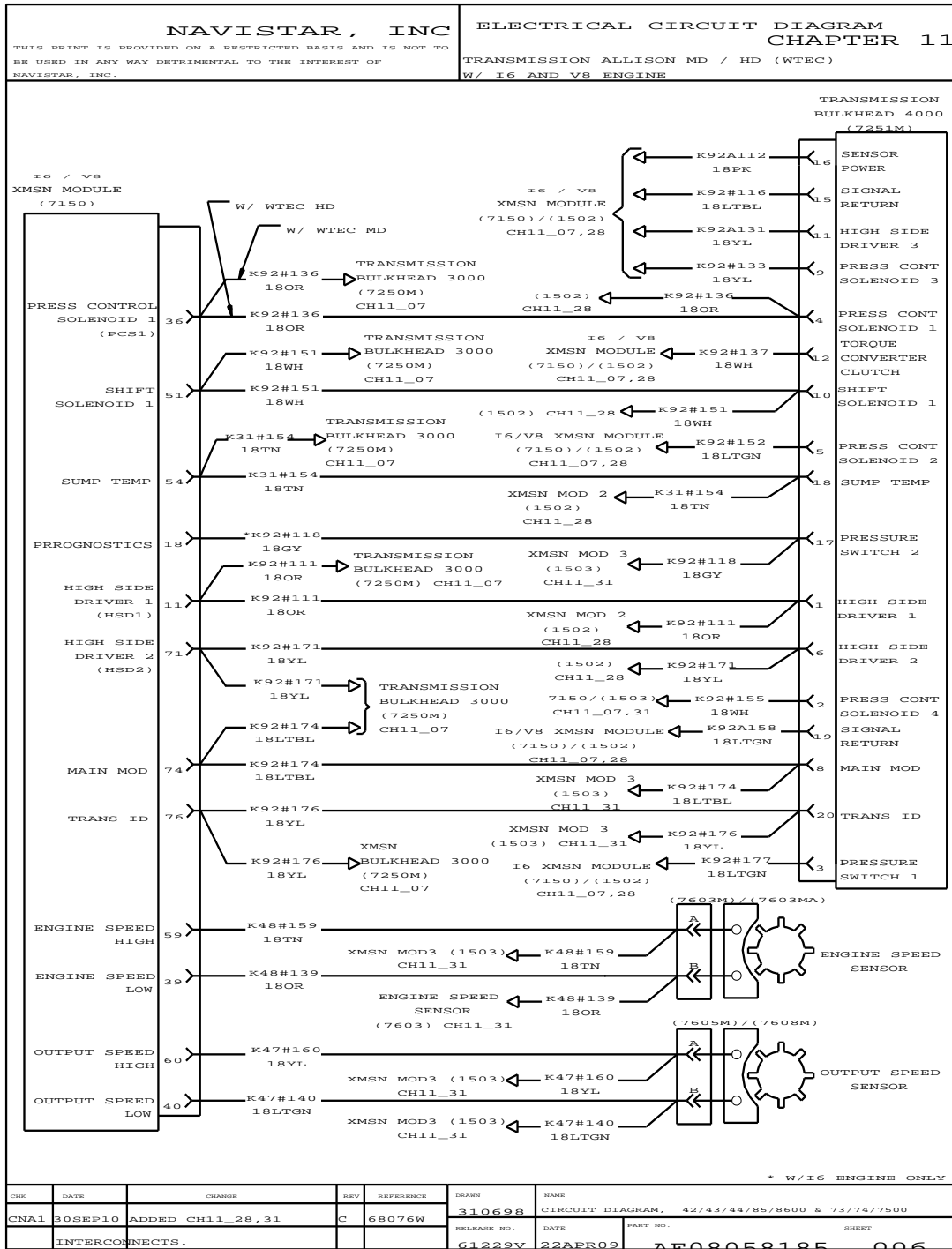


Figure 422 Transmission, Allison MD / HD (WTEC) with I6 and V8 Engines

11.8. TRANSMISSION, ALLISON MD / HD (WTEC) WITH I6 AND V8 ENGINES (CONT.), P. 7

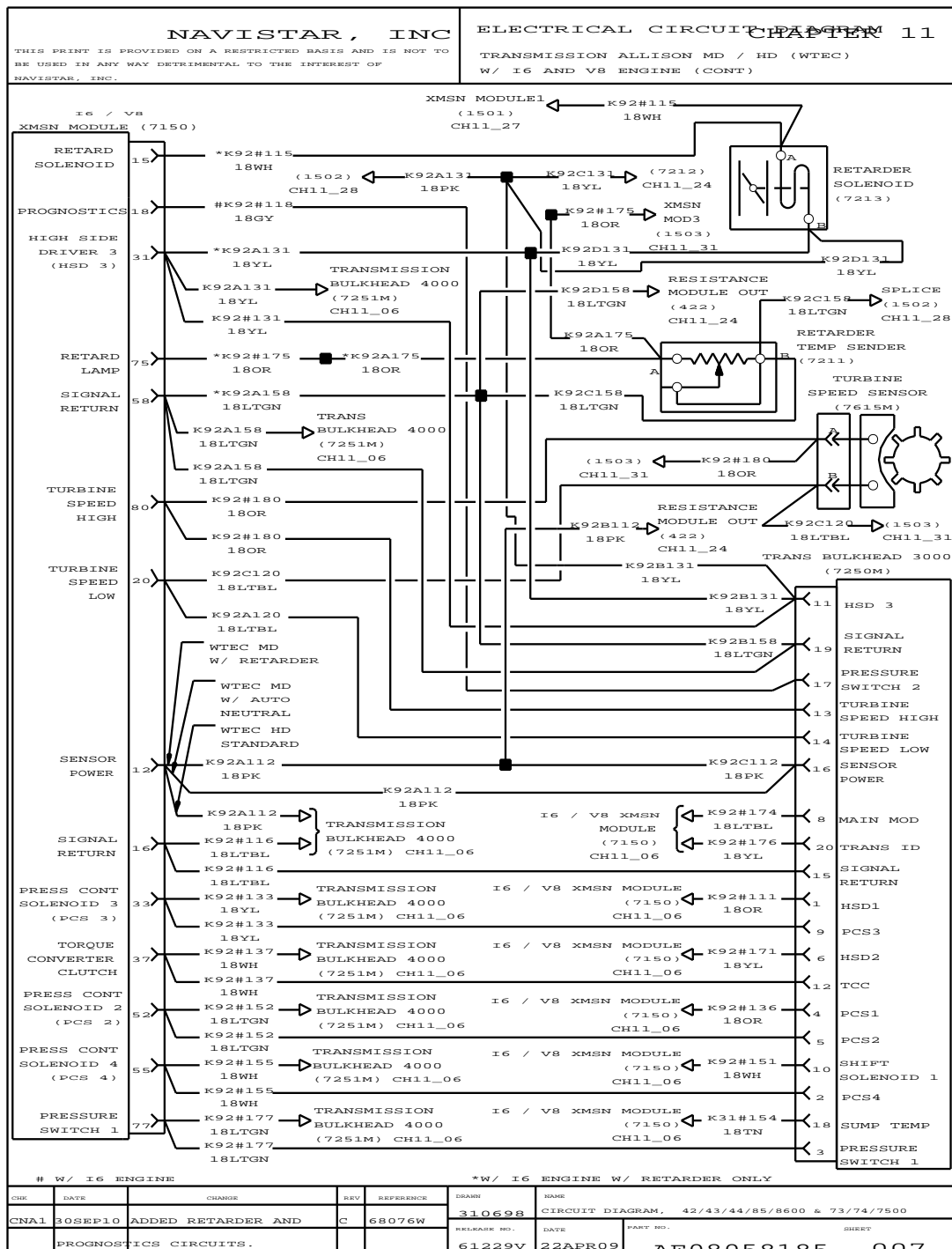


Figure 423 Transmission, Allison MD / HD (WTEC) with I6 and V8 Engines (Cont.)

11.9. TRANSMISSION, ALLISON MD (WTEC), P. 8

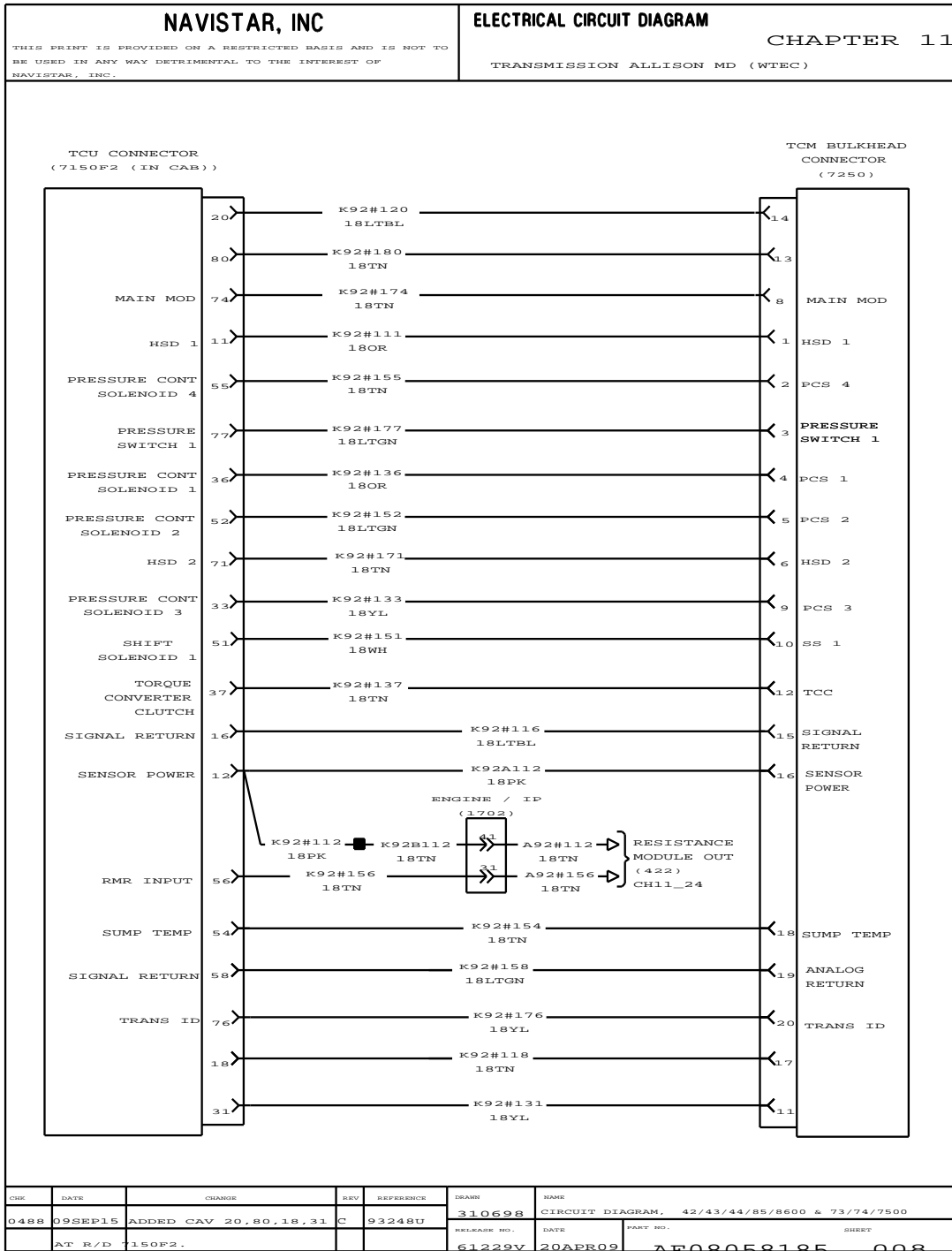


Figure 424 Transmission, Allison MD (WTEC)

11.10. TRANSMISSION, ALLISON MD (WTEC) (CONT.), P. 9

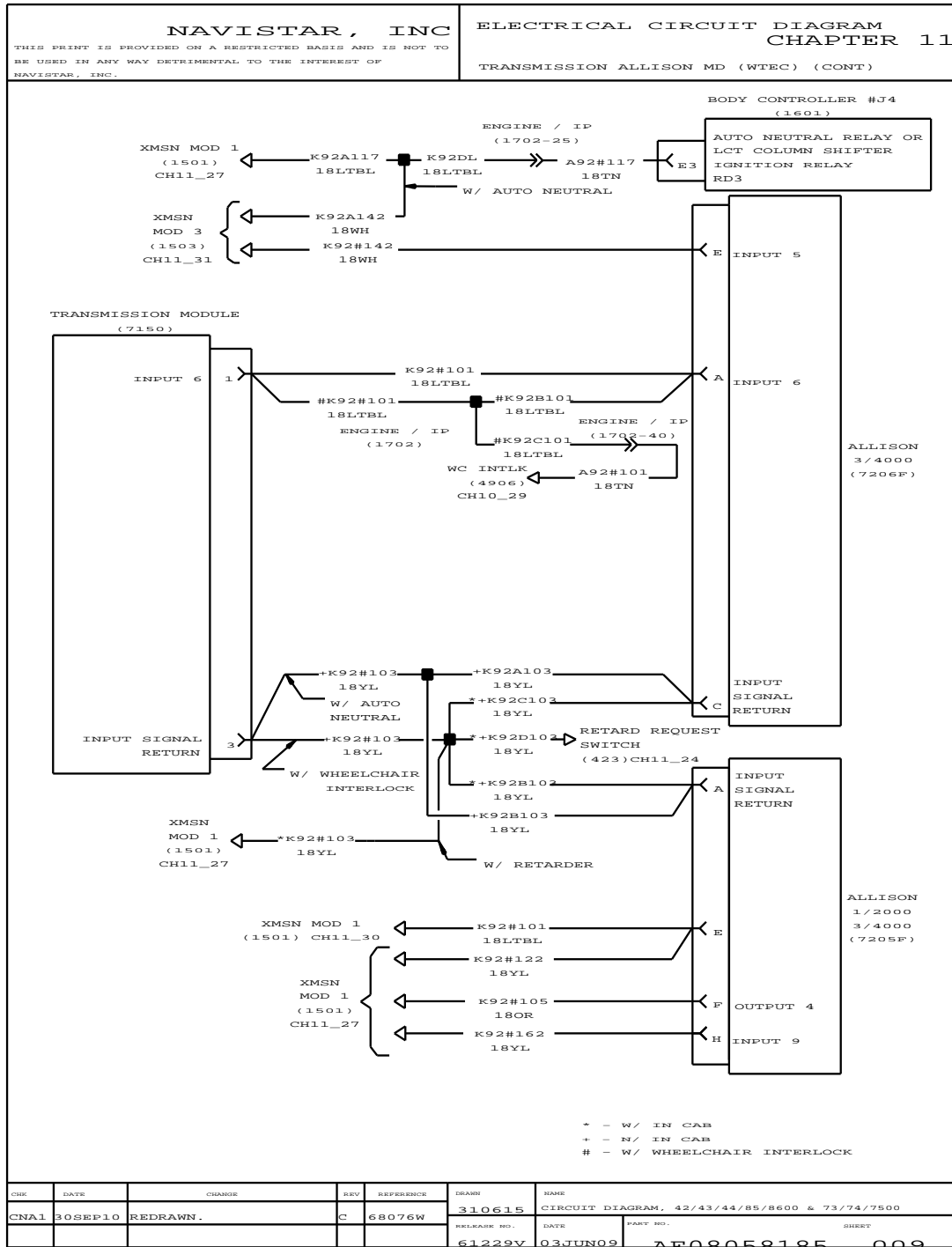


Figure 425 Transmission, Allison MD (WTEC) (Cont.)

11.11. EATON AUTOSHIFT, P. 10

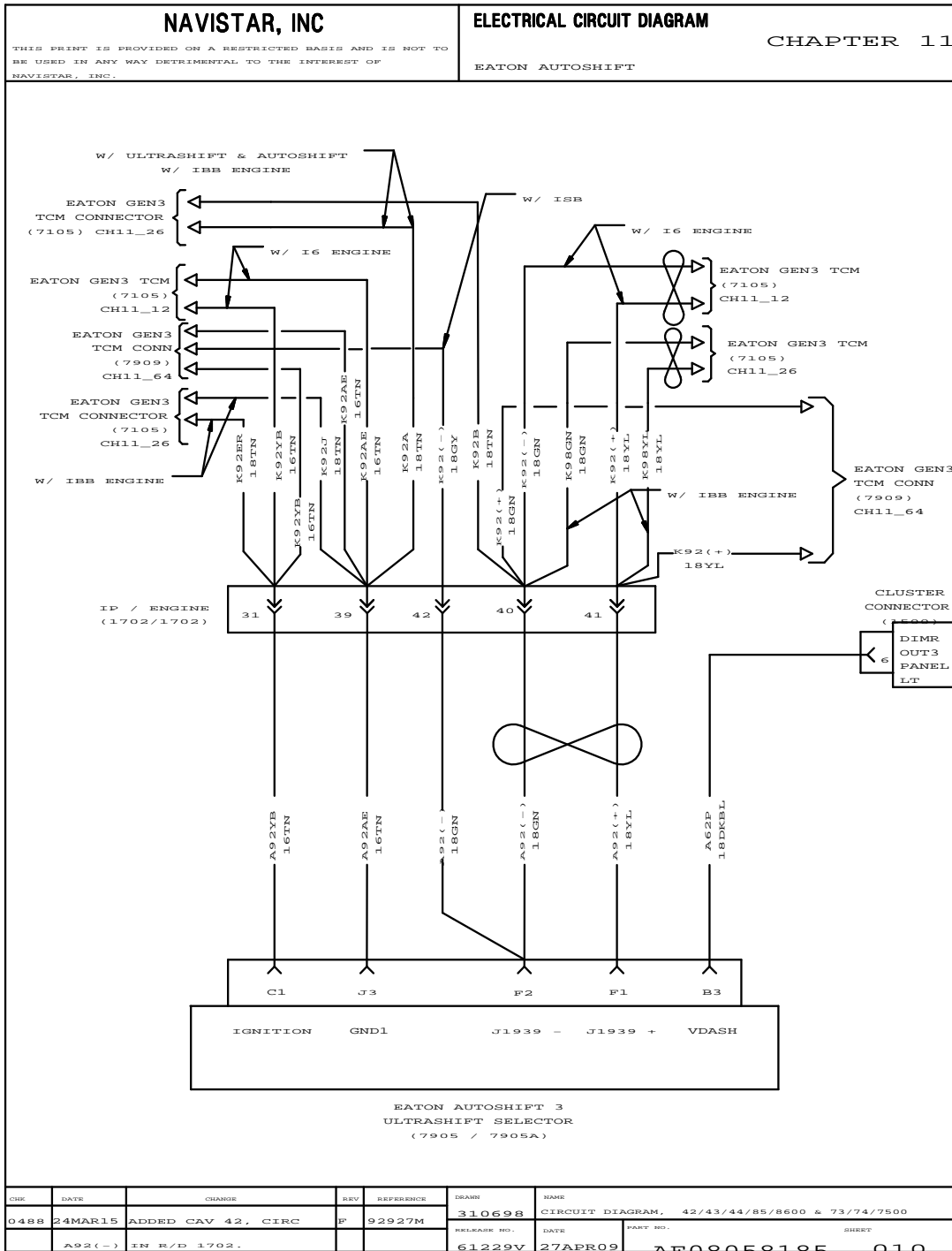


Figure 426 Eaton Autoshift

11.12. EATON AUTOSHIFT (CONT.), P. 11

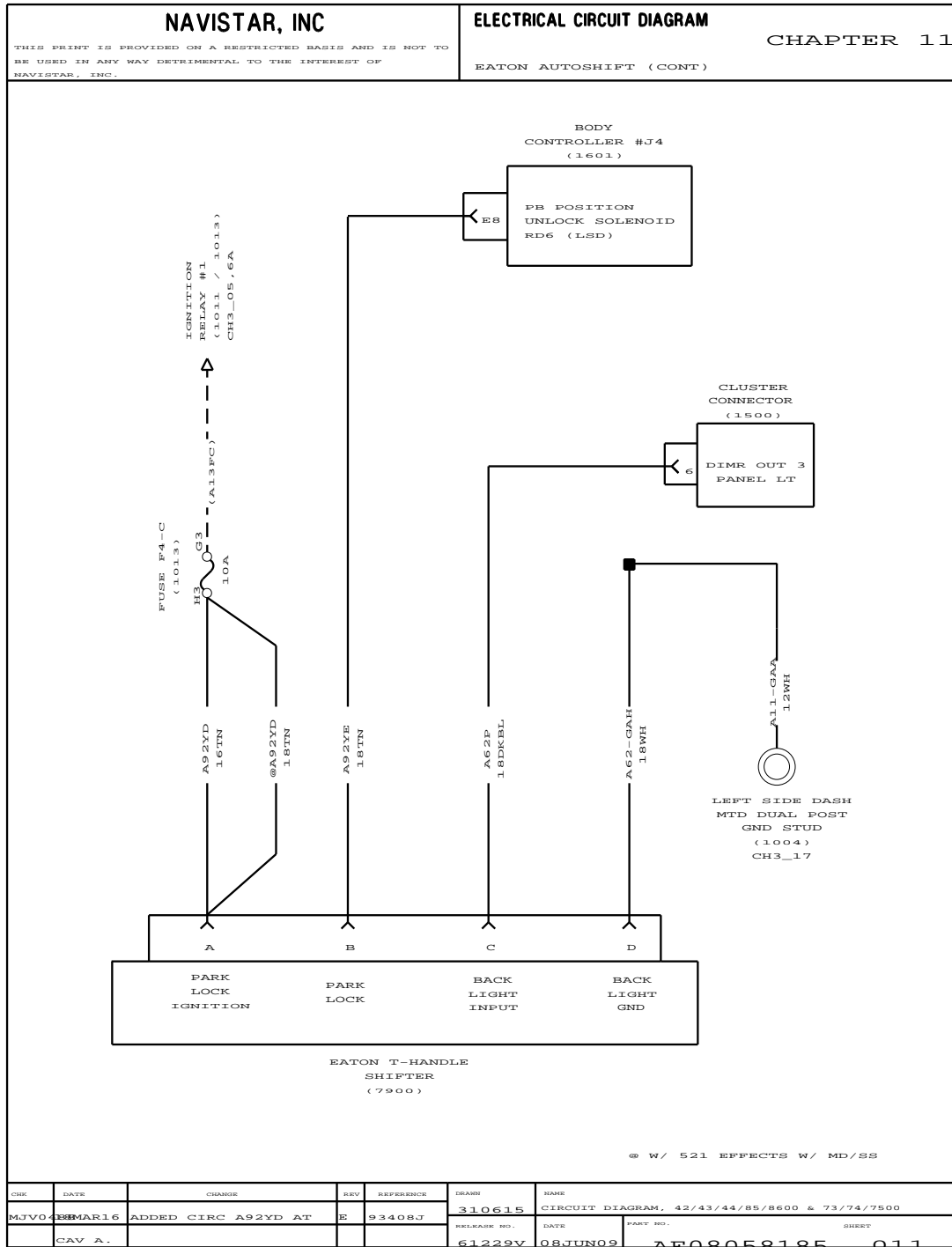


Figure 427 Eaton Autoshift (Cont.)

11.13. EATON AUTOSHIFT TRANSMISSION WITH I6 ENGINE, P. 12

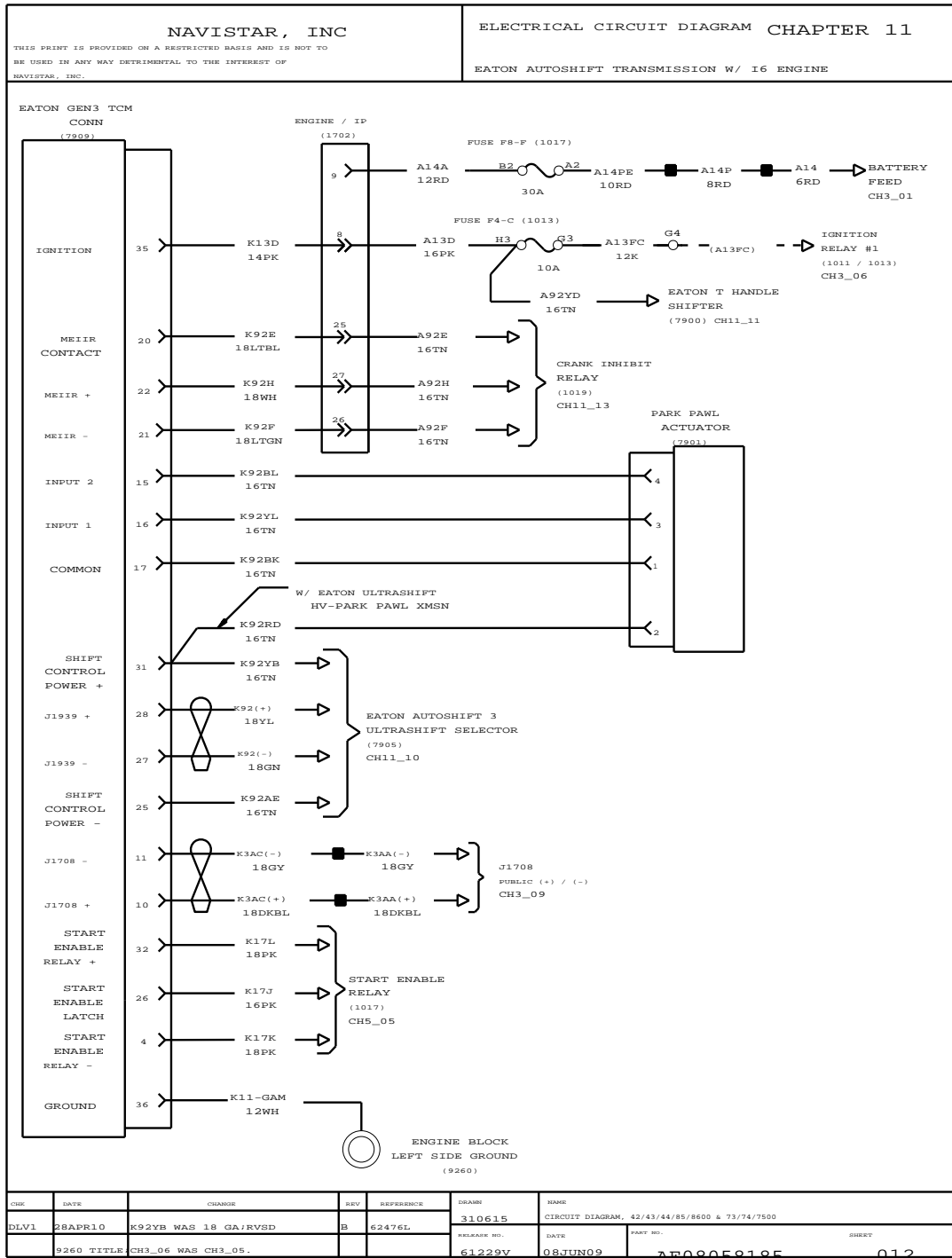


Figure 428 Eaton Autoshift Transmission with I6 Engine

11.14. EATON ULTRASHIFT GEN 3 / MERITOR G MANUAL TRANSMISSION, P. 13

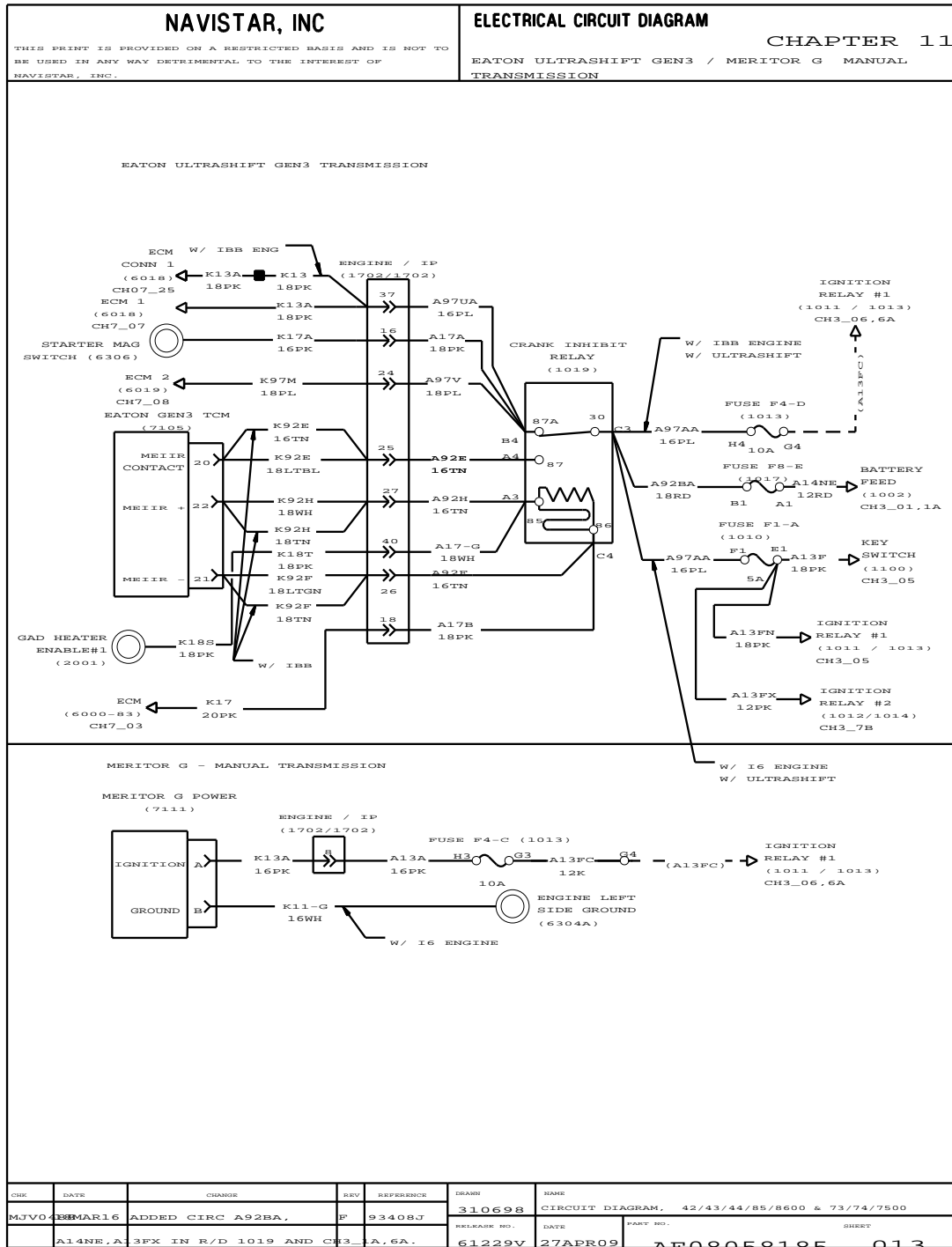


Figure 429 Eaton Ultrashift Gen 3 / Meritor G Manual Transmission

11.15. EATON HYBRID TRANSMISSION, P. 14

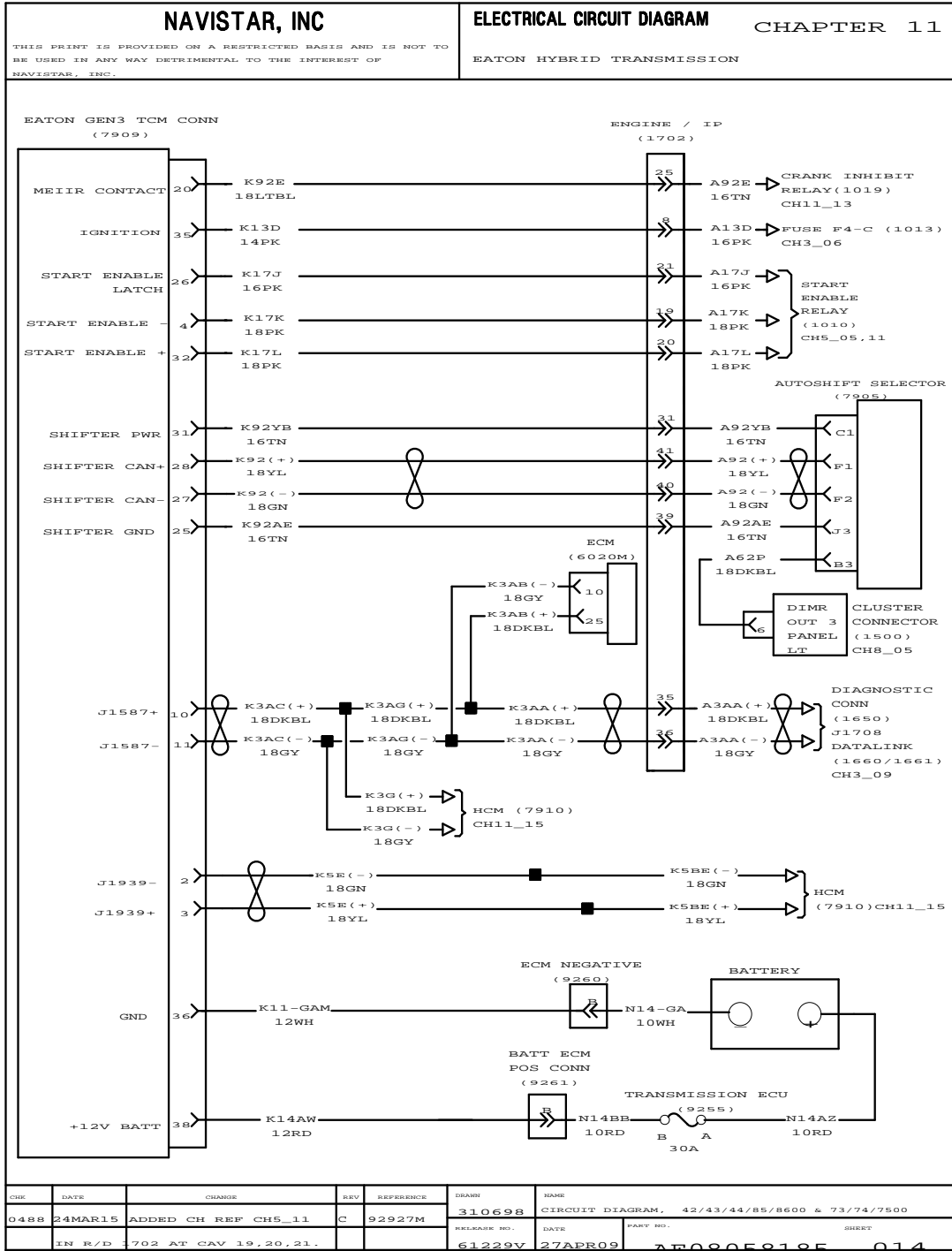


Figure 430 Eaton Hybrid Transmission

11.16. EATON HYBRID TRANSMISSION (CONT.), P. 15

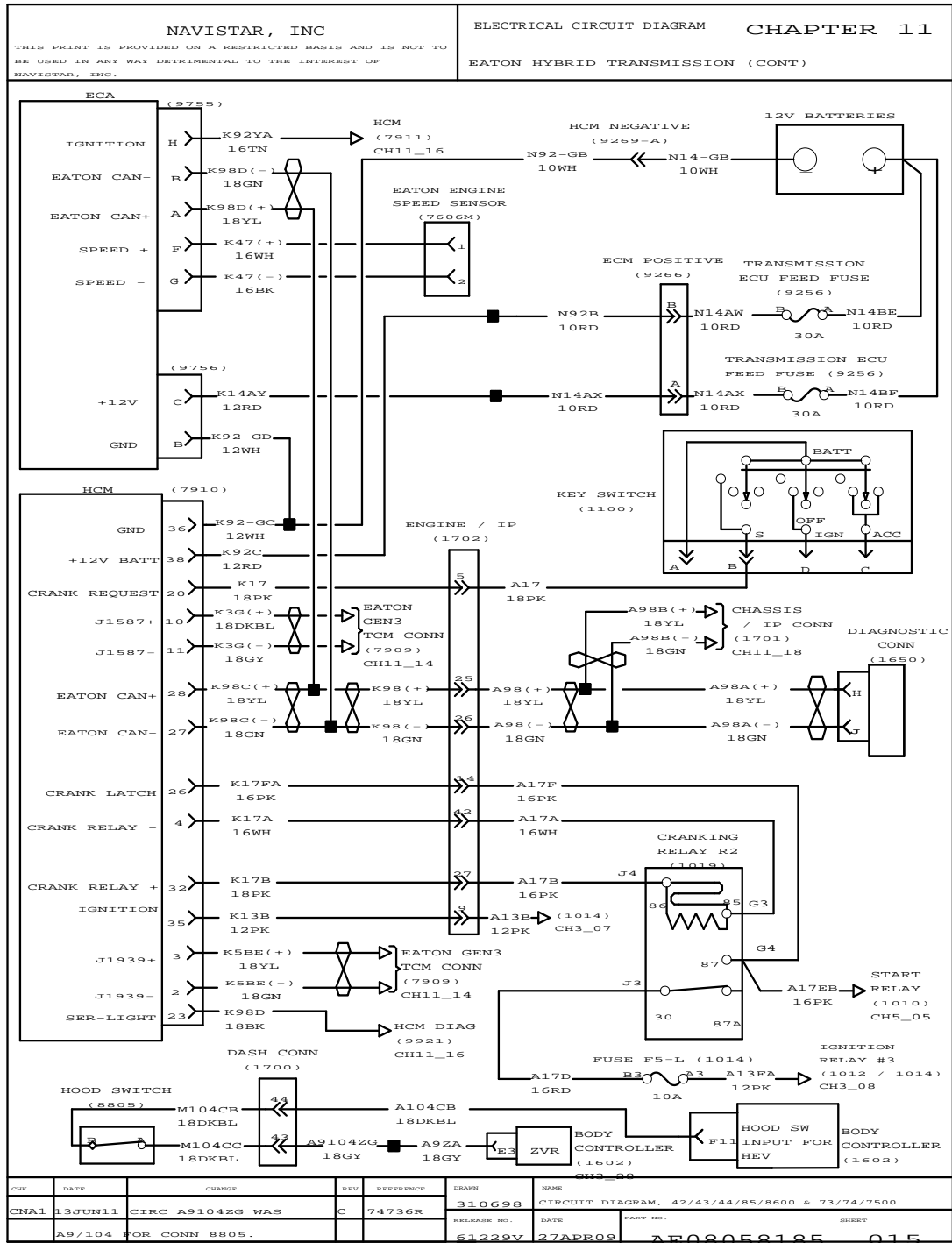


Figure 431 Eaton Hybrid Transmission (Cont.)

11.17. EATON HYBRID TRANSMISSION (CONT.), P. 16

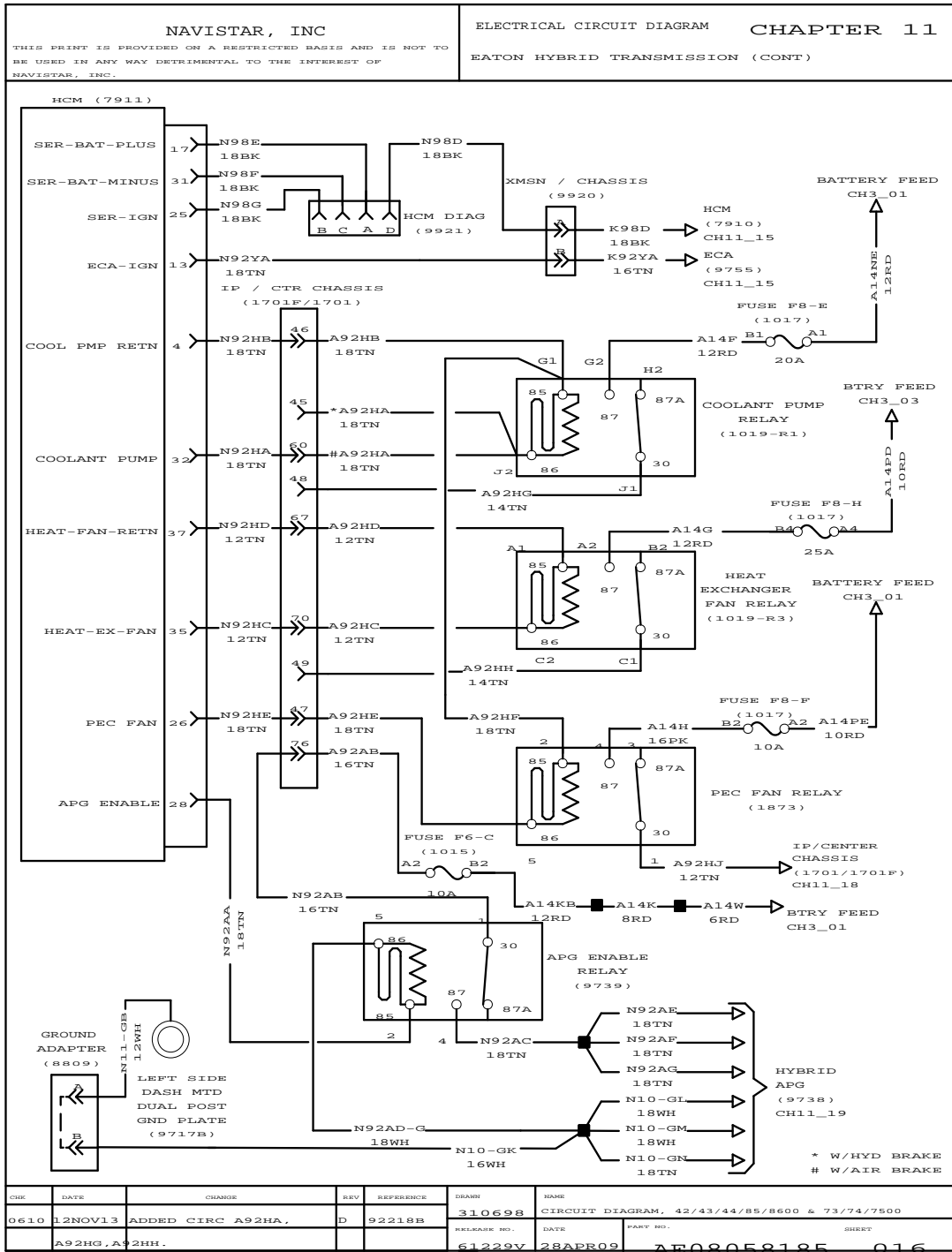


Figure 432 Eaton Hybrid Transmission (Cont.)

11.18. EATON HYBRID TRANSMISSION (CONT.), P. 17

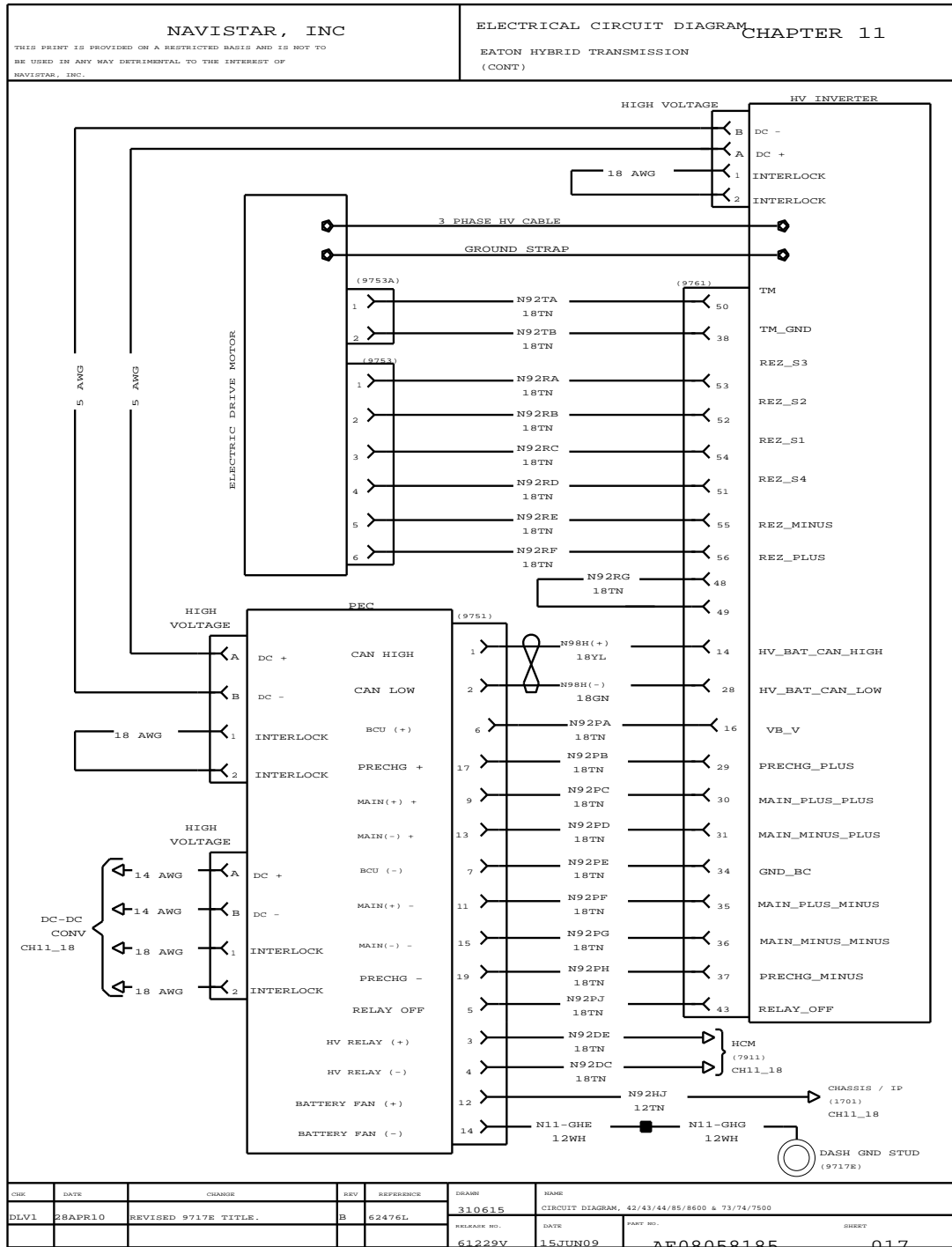


Figure 433 Eaton Hybrid Transmission (Cont.)

11.19. EATON HYBRID TRANSMISSION (CONT.), P. 18

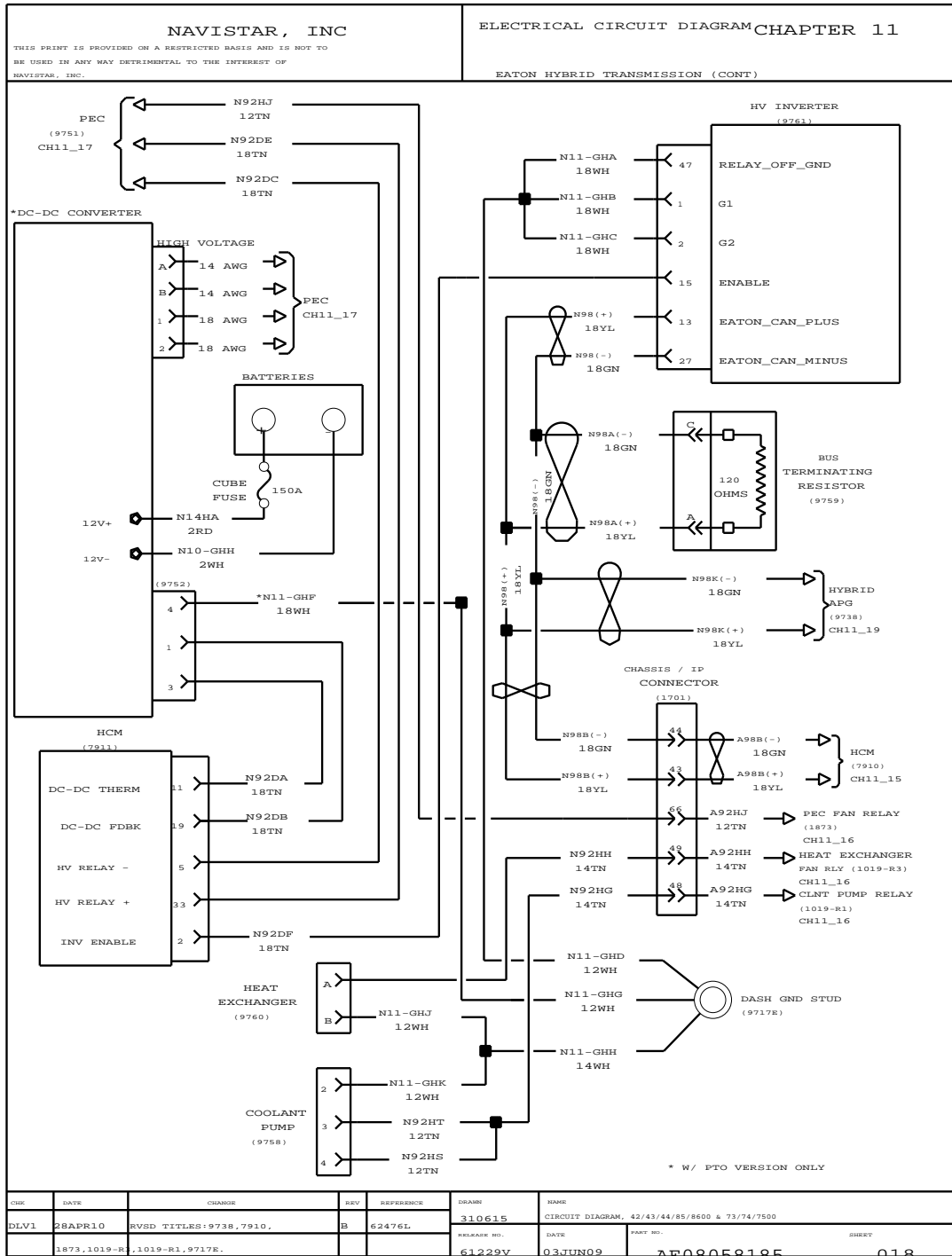


Figure 434 Eaton Hybrid Transmission (Cont.)

11.20. EATON HYBRID TRANSMISSION (CONT.), P. 19

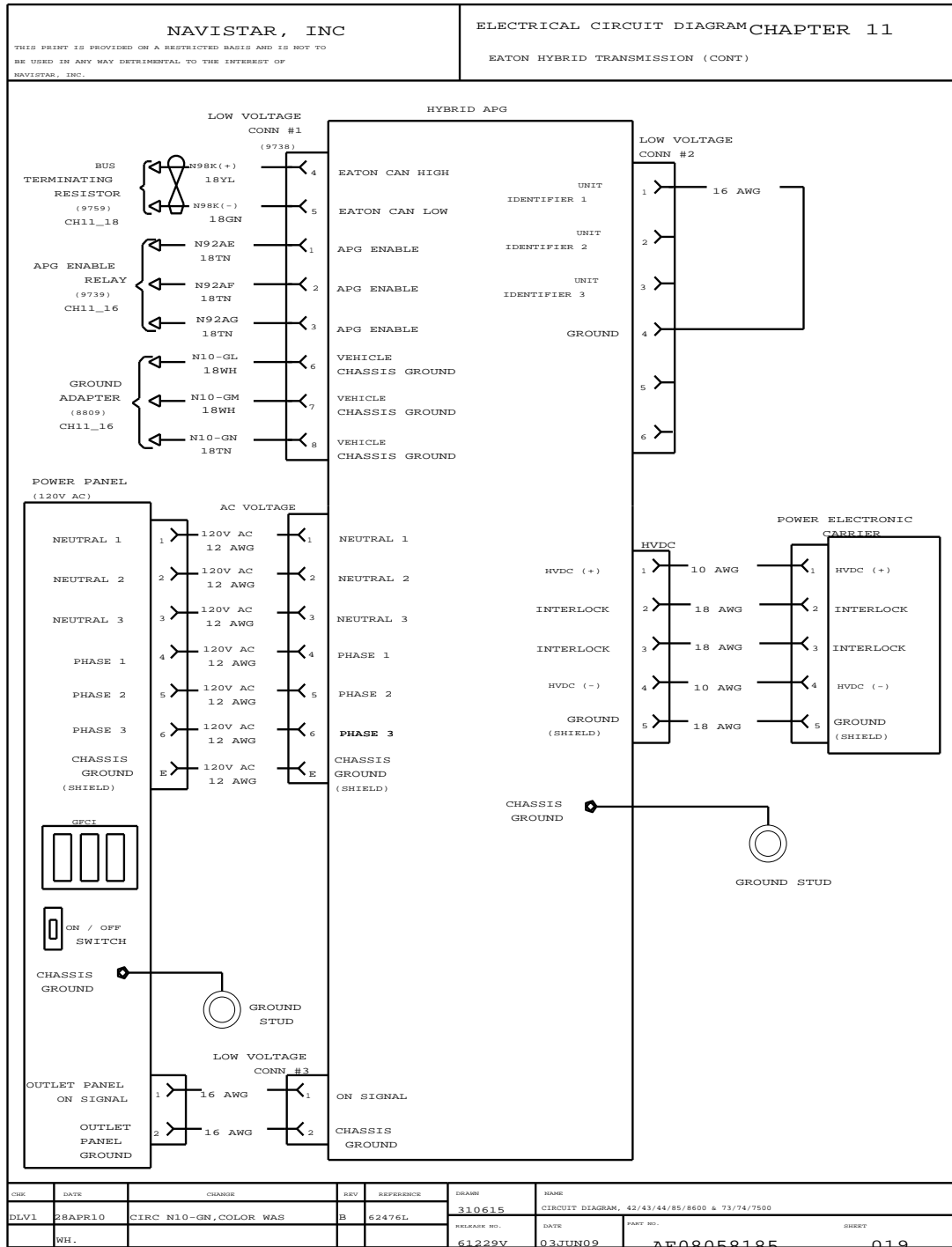


Figure 435 Eaton Hybrid Transmission (Cont.)

11.21. TRANSMISSION ALLISON WITH IBB ENGINE AND ISL-G, P. 20

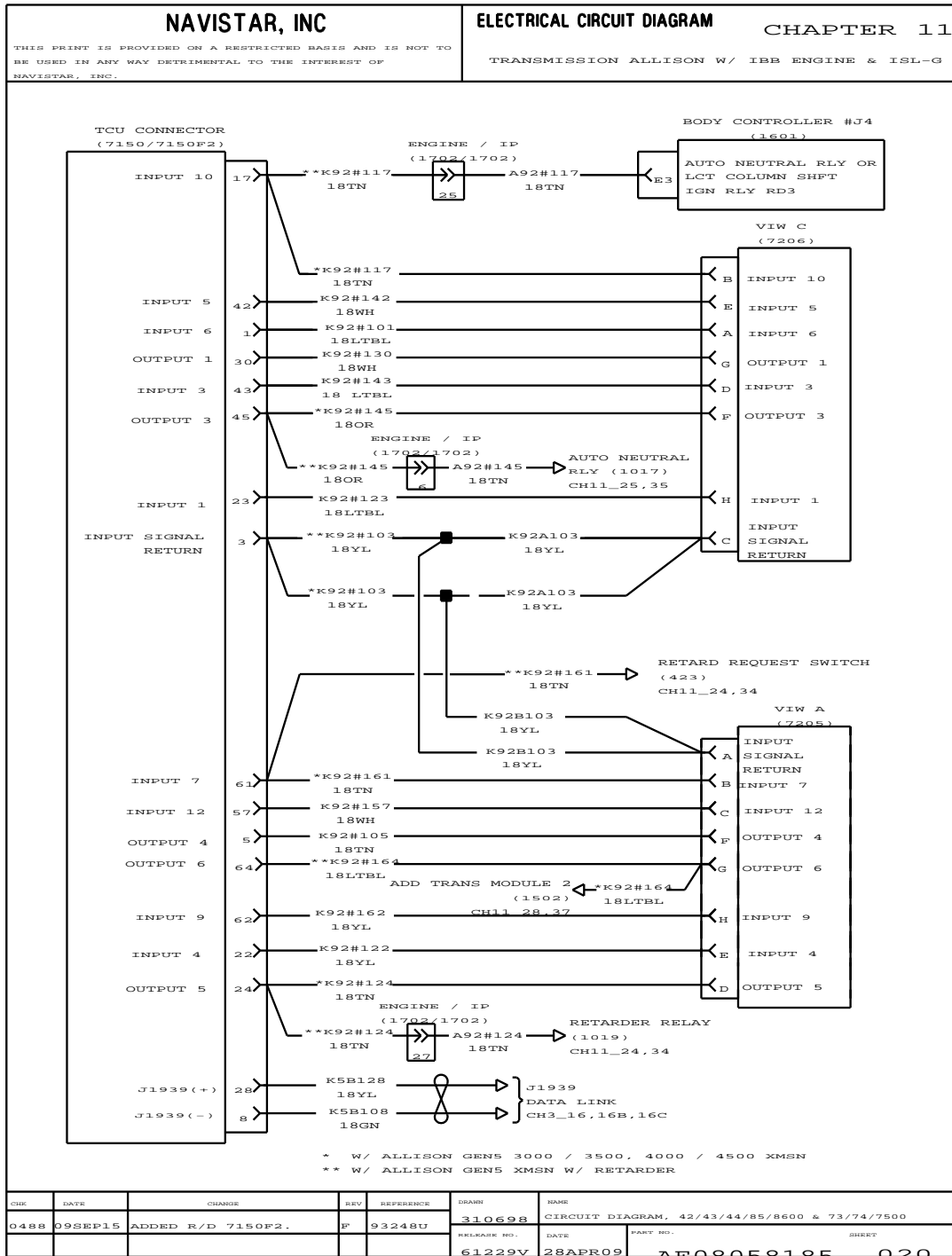


Figure 436 Transmission Allison with IBB Engine and ISL-G

11.22. TRANSMISSION ALLISON WITH IBB ENGINE AND ISL-G (CONT.), P. 21

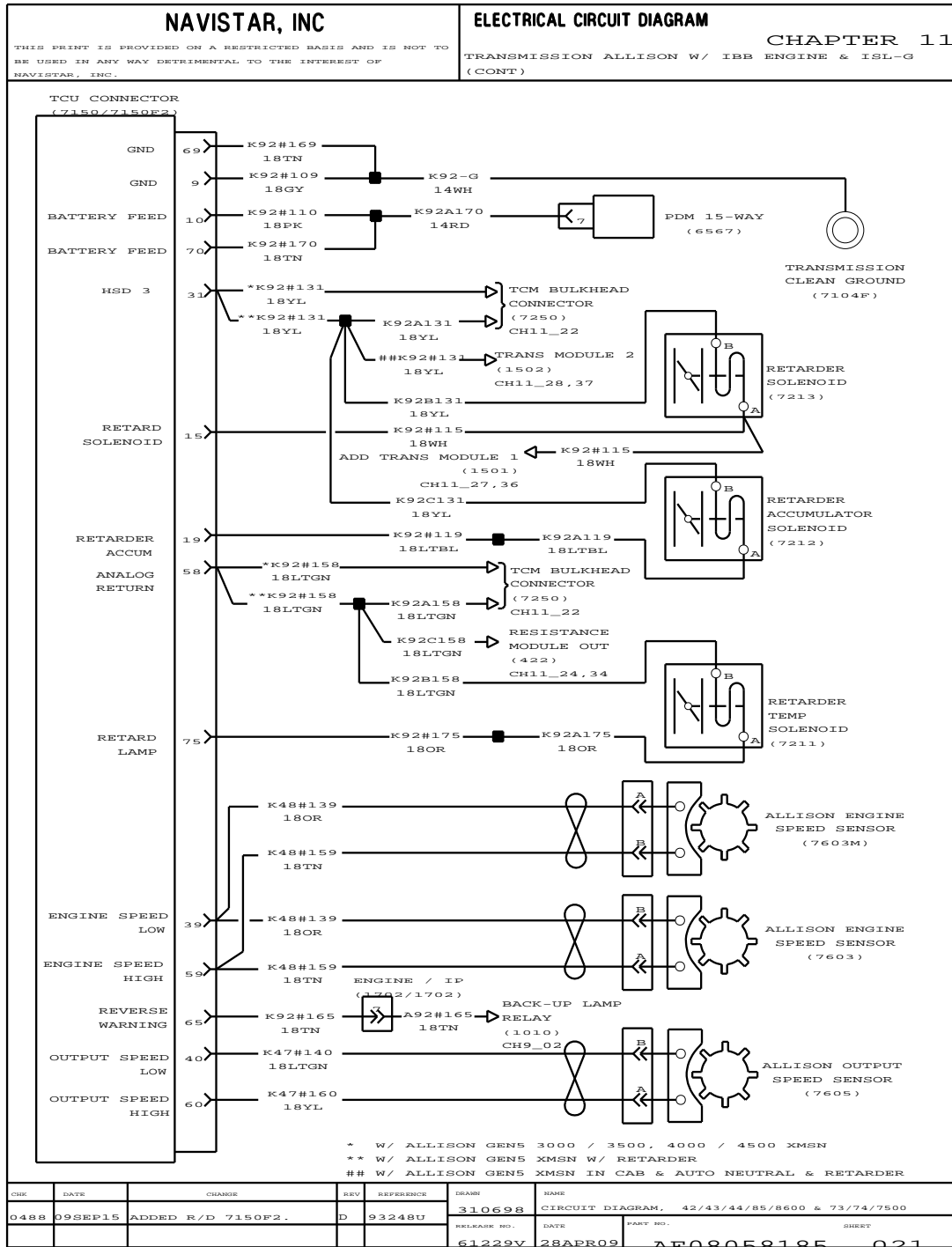


Figure 437 Transmission Allison with IBB Engine and ISL-G (Cont.)

11.23. TRANSMISSION ALLISON WITH IBB ENGINE AND ISL-G (CONT.), P. 22

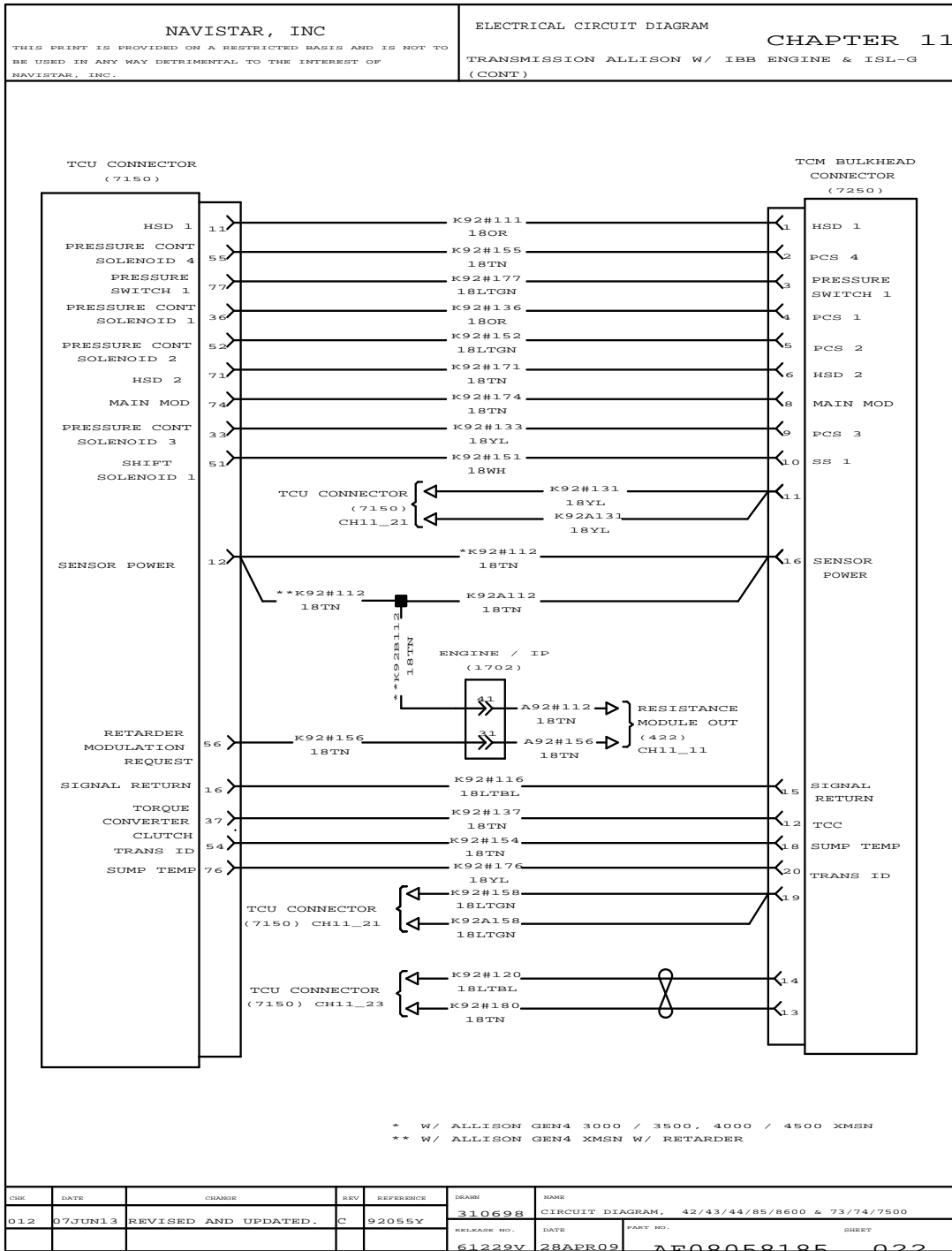


Figure 438 Transmission Allison with IBB Engine and ISL-G (Cont.)

11.24. TRANSMISSION ALLISON WITH IBB ENGINE AND ISL-G (CONT.), P. 23

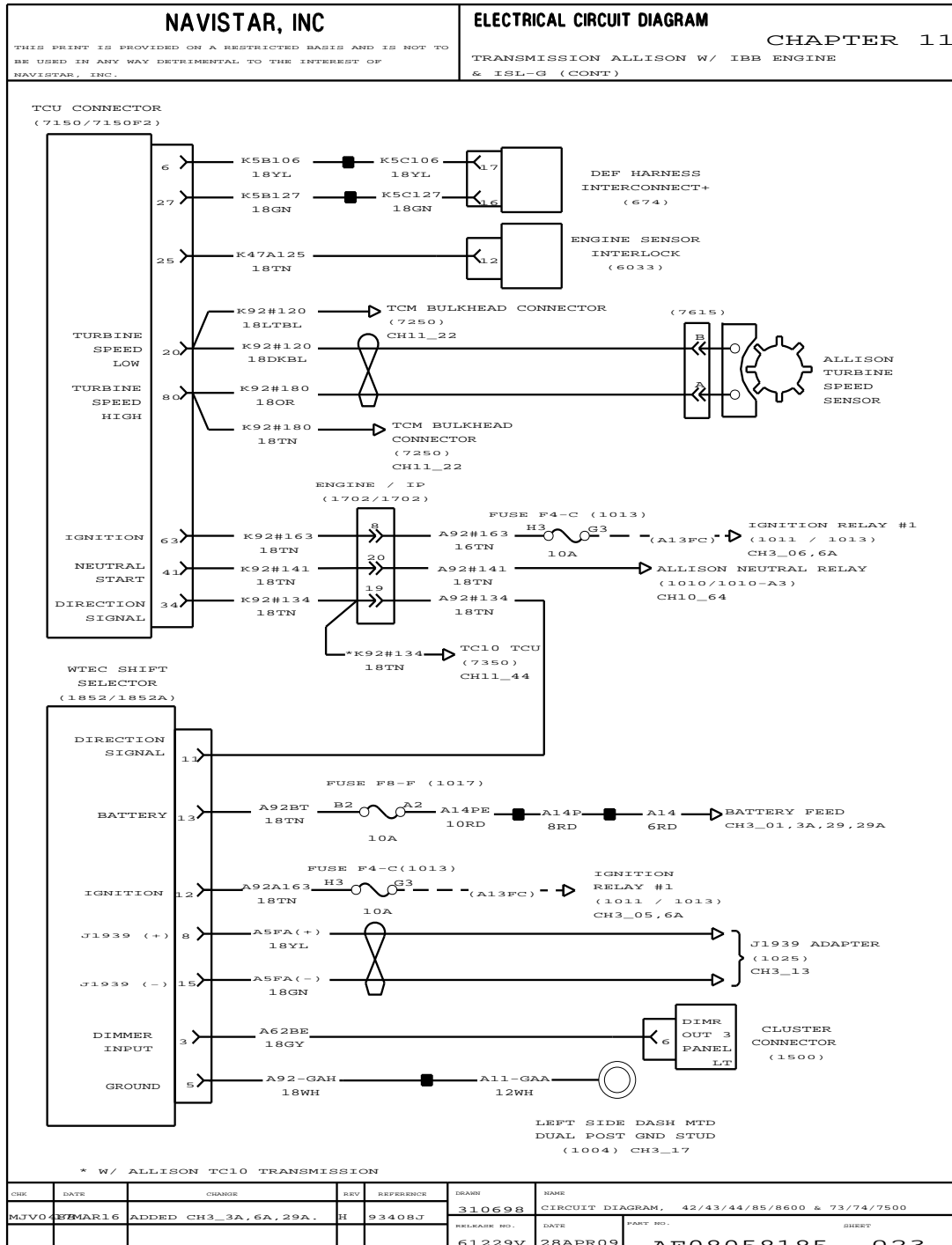


Figure 439 Transmission Allison with IBB Engine and ISL-G (Cont.)

11.25. TRANSMISSION RETARDER CONTROLS WIRING WITH MD TRANSMISSION HARD WIRED EFFECTS, P. 24

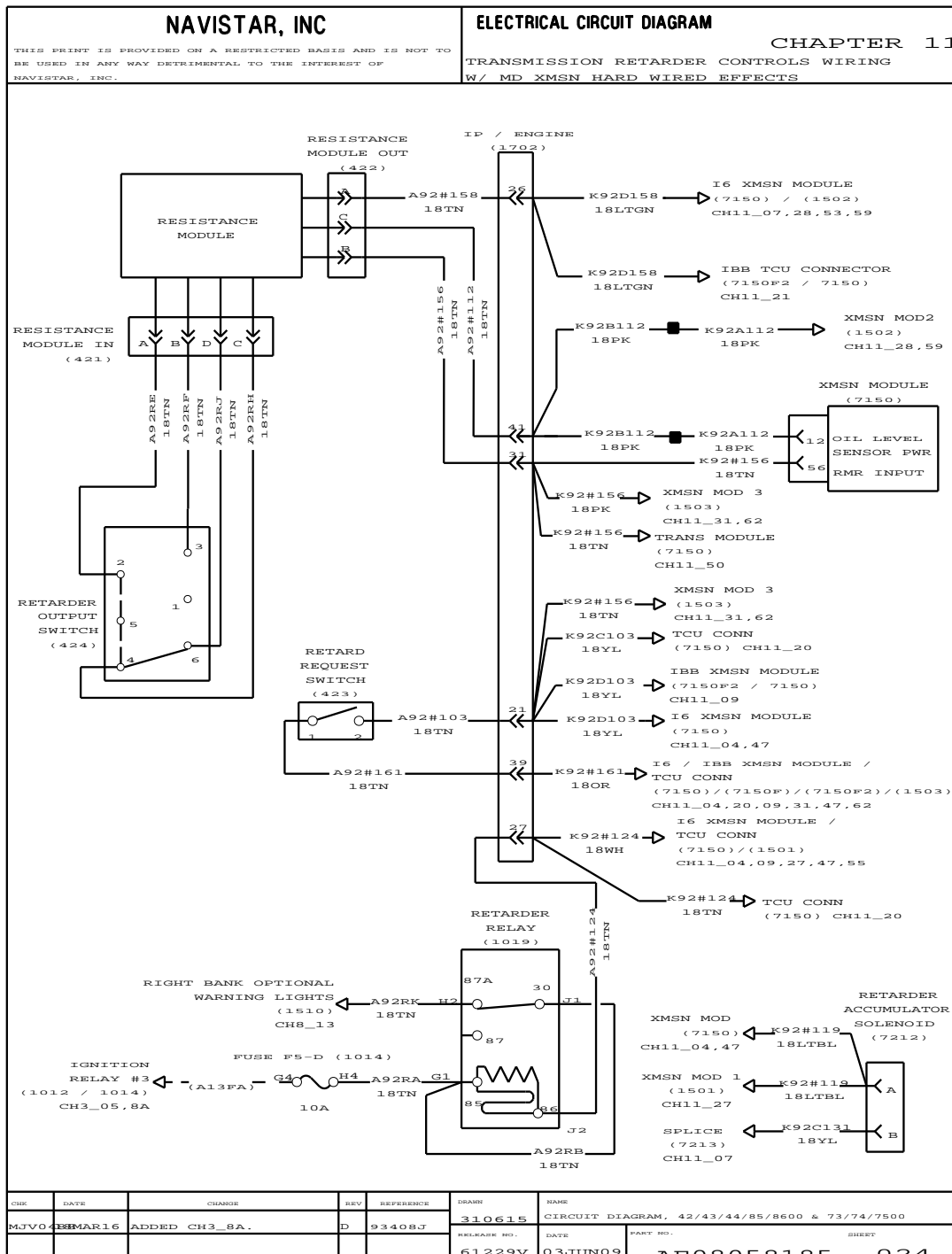


Figure 440 Transmission Retarder Controls Wiring with MD Transmission Hard Wired Effects

11.26. TRANSMISSION RETARDER CONTROLS WIRING WITH MD TRANSMISSION HARD WIRED EFFECTS, P. 24A

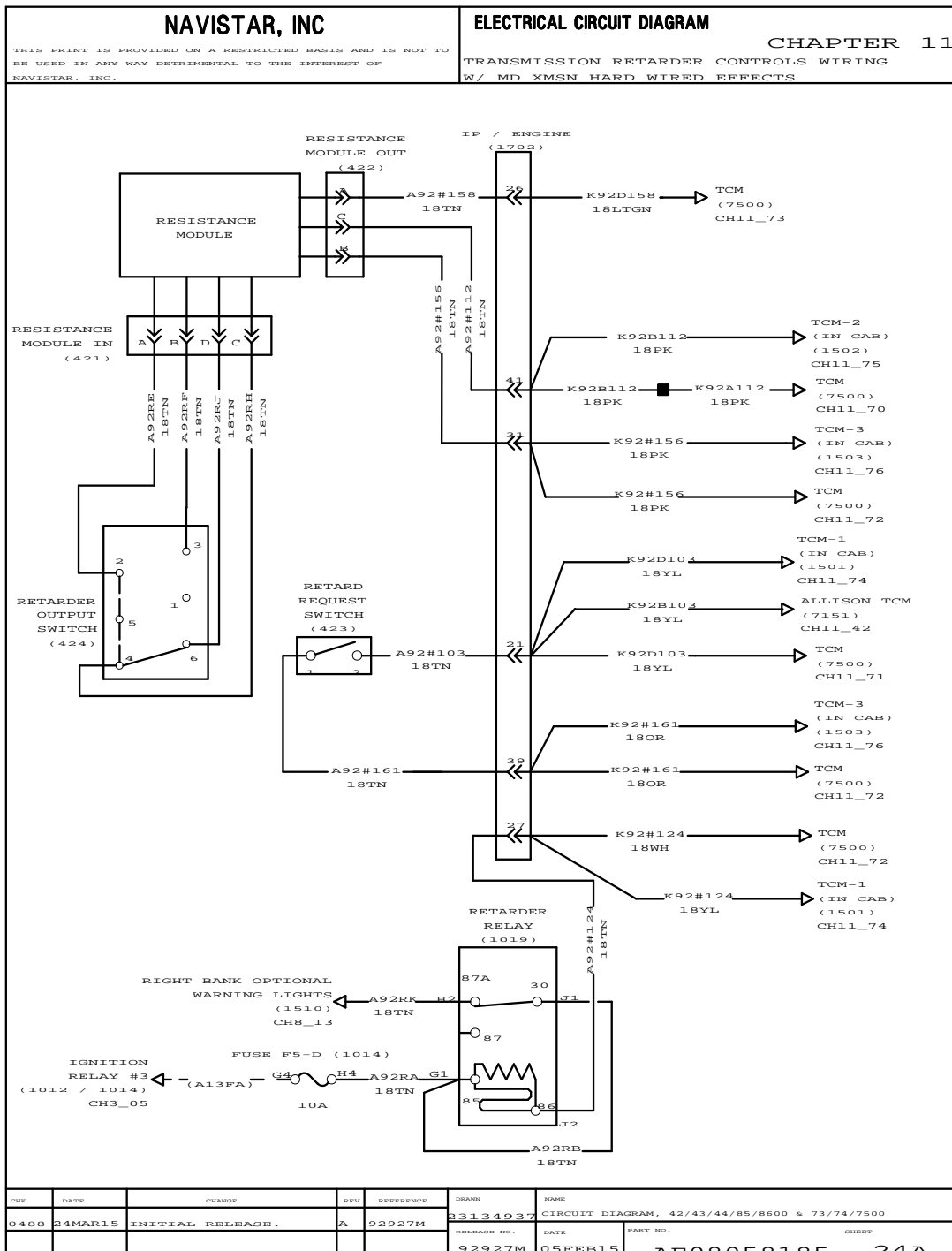


Figure 441 Transmission Retarder Controls Wiring with MD Transmission Hard Wired Effects

11.27. ALLISON TRANSMISSION 3 / 4000 GEN 4 WITH AUTO NEUTRAL, P. 25

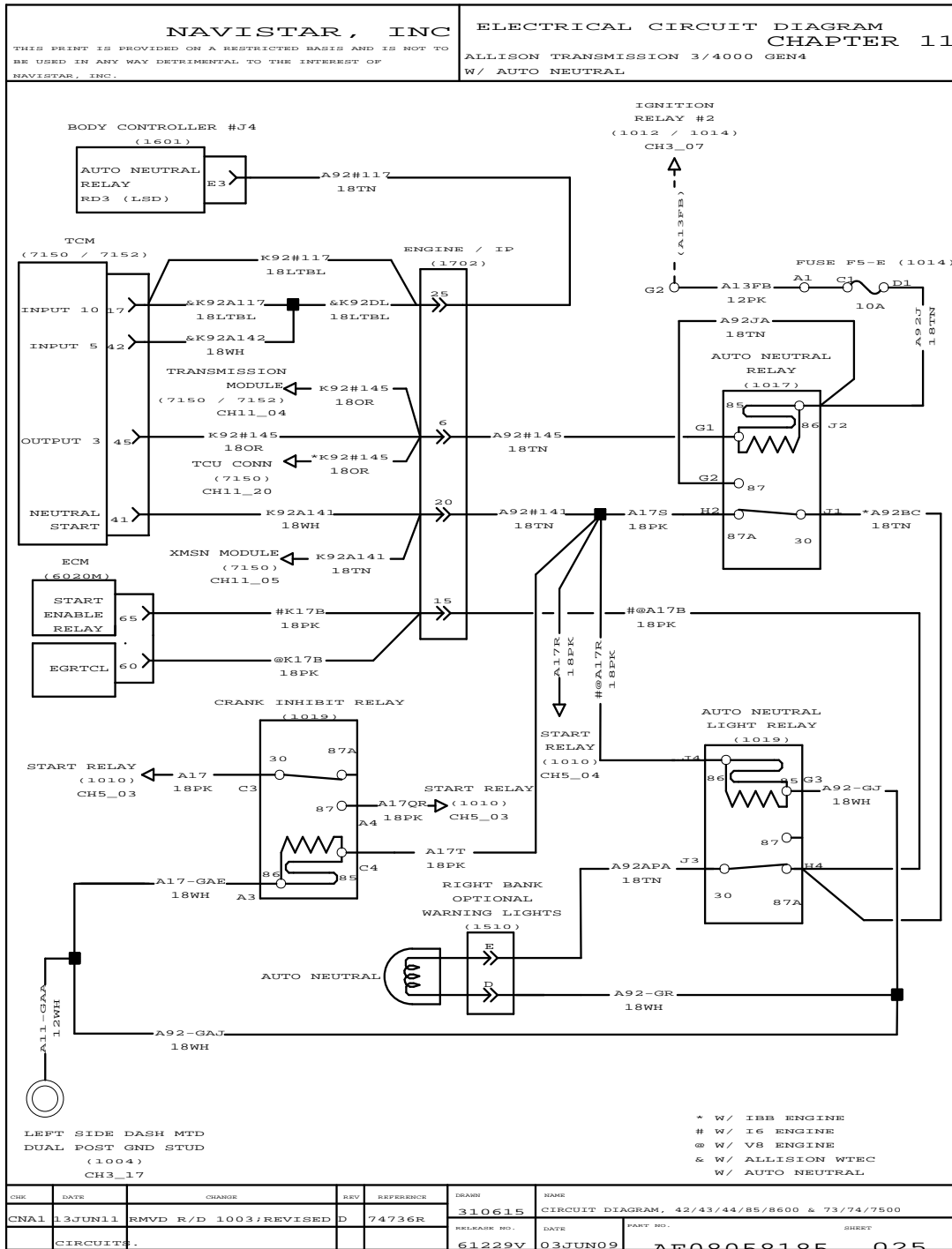


Figure 442 Allison Transmission 3 / 4000 Gen 4 with Auto Neutral

11.28. ALLISON TRANSMISSION 3 / 4000 GEN 4 WITH AUTO NEUTRAL AND ISB ONLY, P. 25A

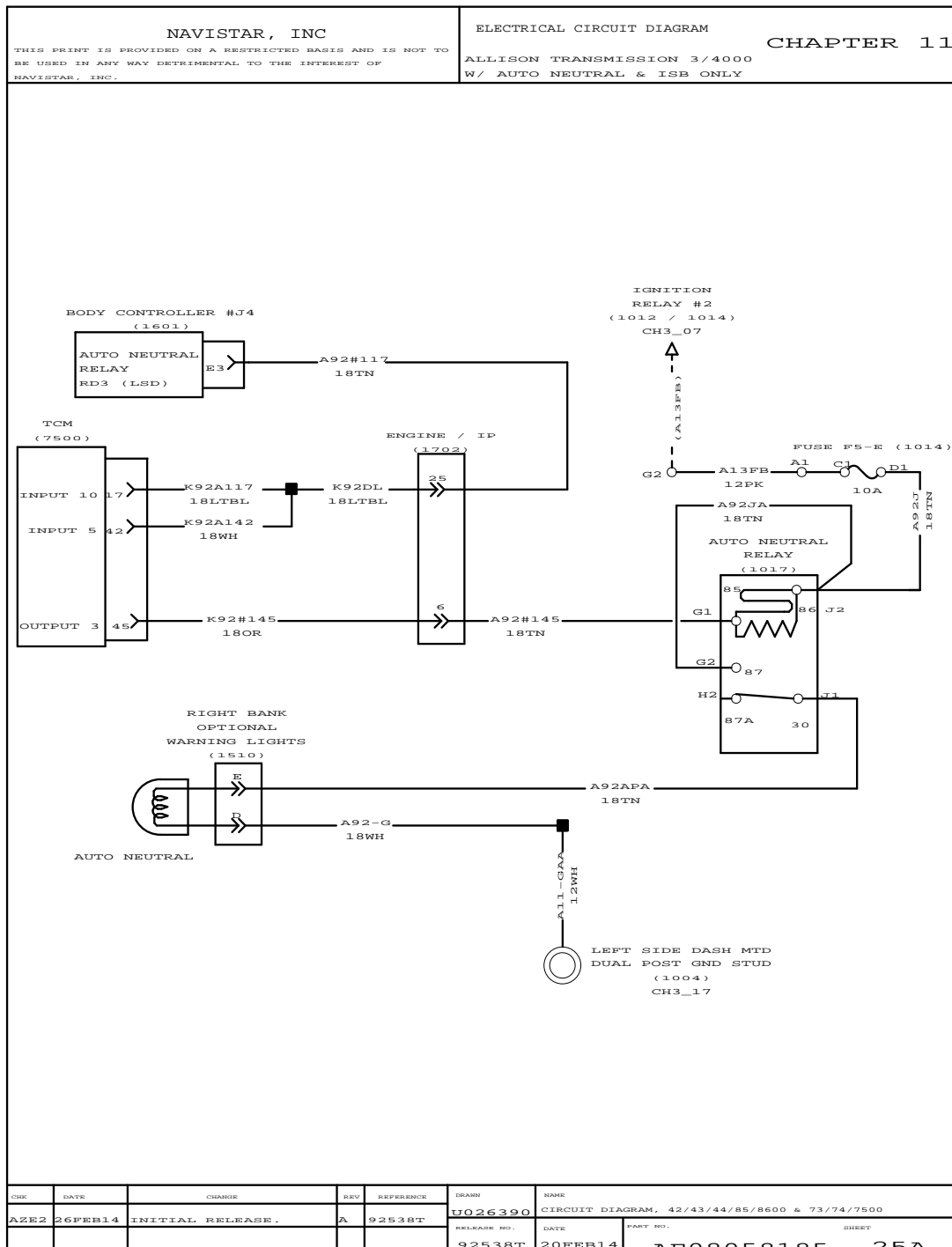


Figure 443 Allison Transmission 3 / 4000 Gen 4 with Auto Neutral and ISB Only

11.29. TRANSMISSION WITH ISB WITH AUTO NEUTRAL, P. 25B

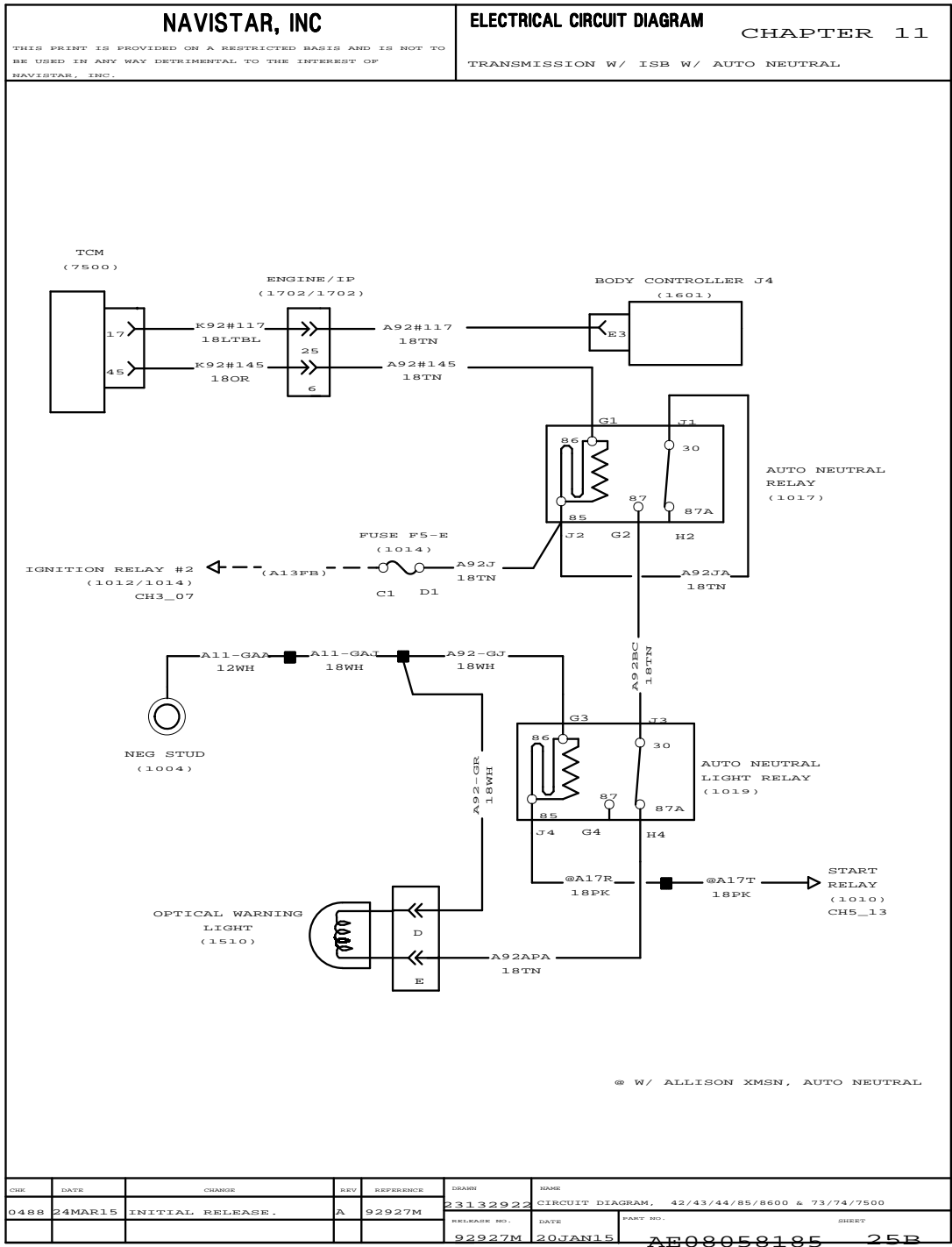


Figure 444 Transmission with ISB with Auto Neutral

11.30. ALLISON TRANSMISSION WITH AUTO NEUTRAL, P. 25C

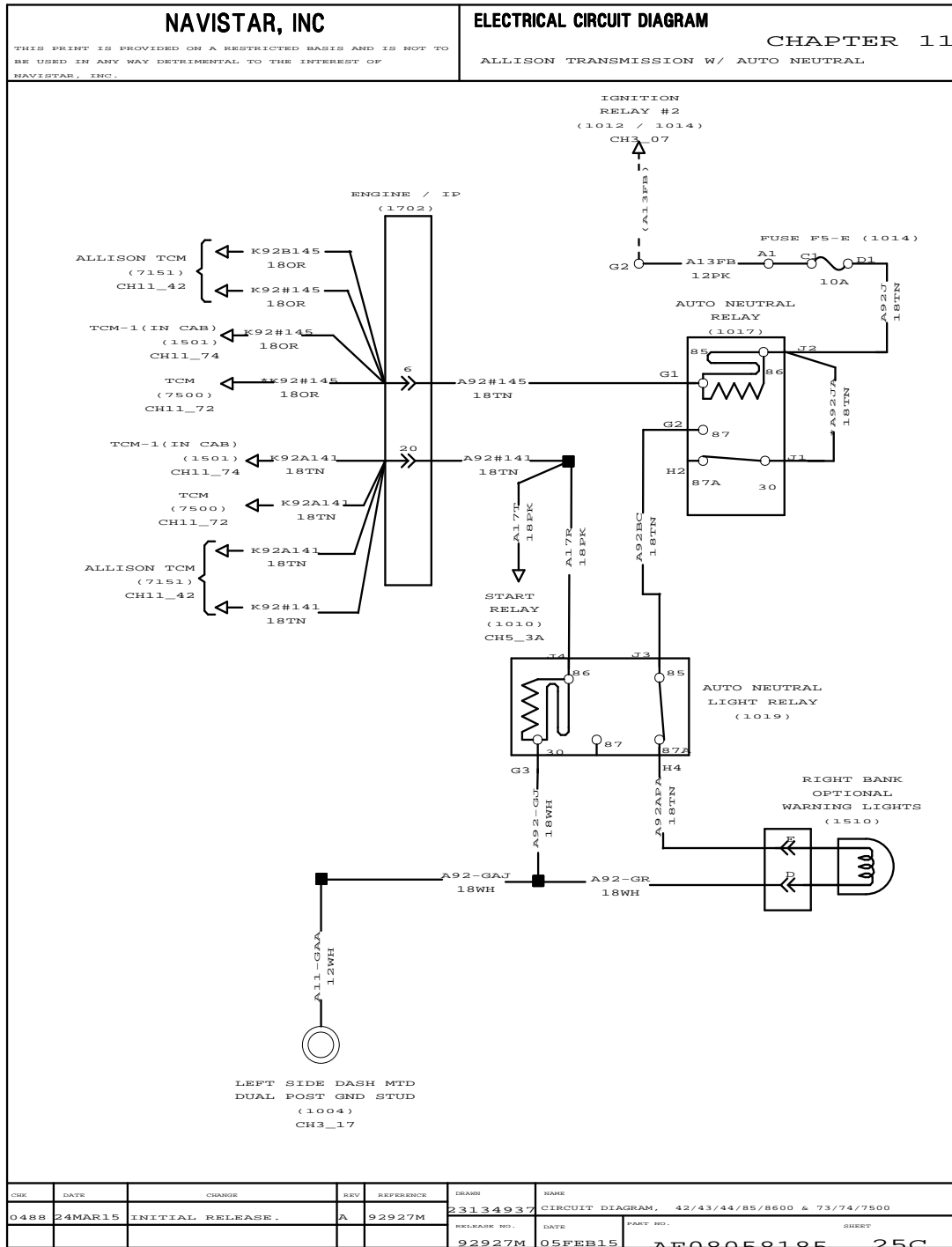


Figure 445 Allison Transmission with Auto Neutral

11.31. EATON AUTO AND ULTRASHIFT GEN 3 TRANSMISSION WITH IBB ENGINE, P. 26

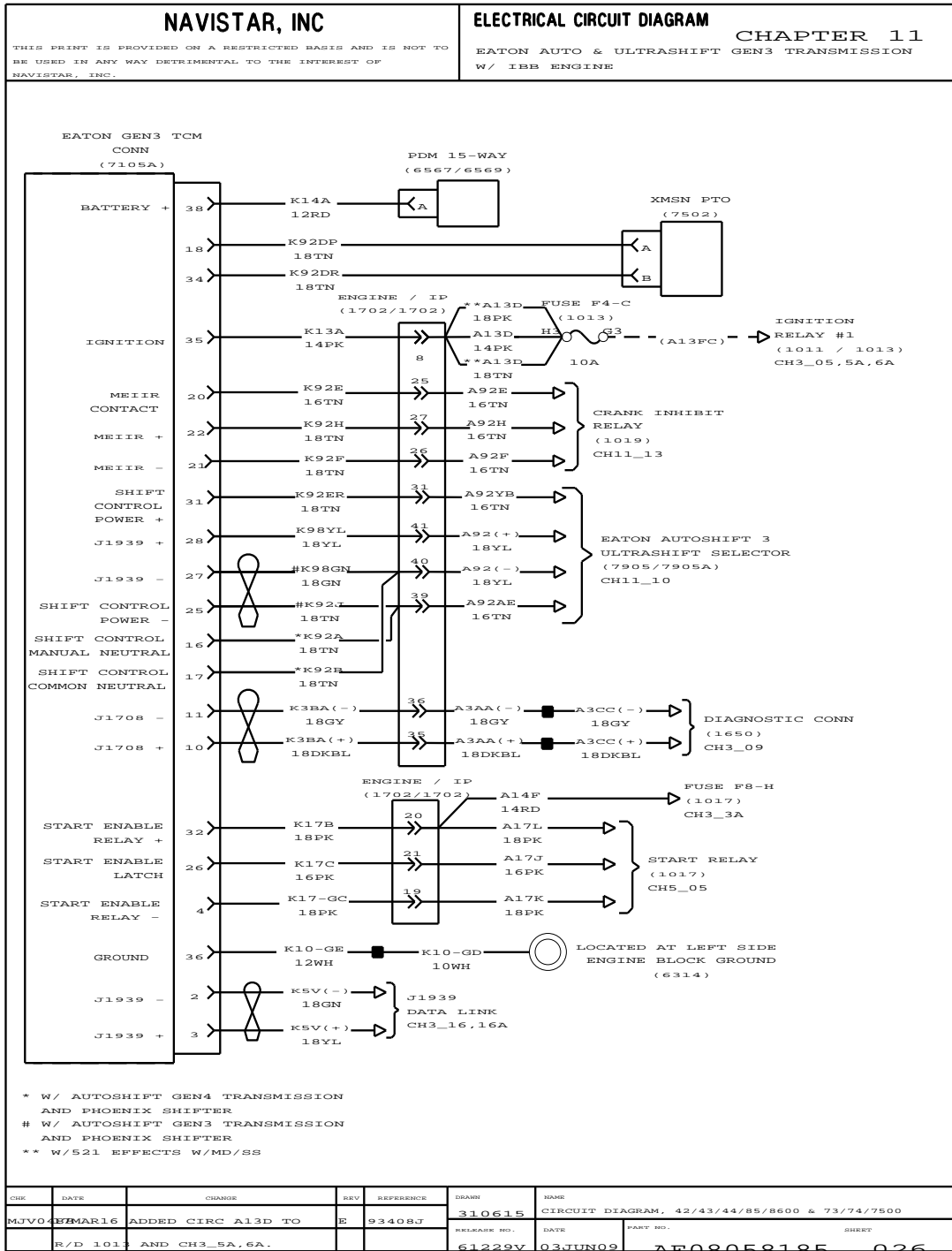


Figure 446 Eaton Auto and Ultrashift Gen 3 Transmission with IBB Engine

11.32. WTEC TRANSMISSION WITH GEN4 WITH MD WITH I6 ENGINE – IN CAB, P. 27

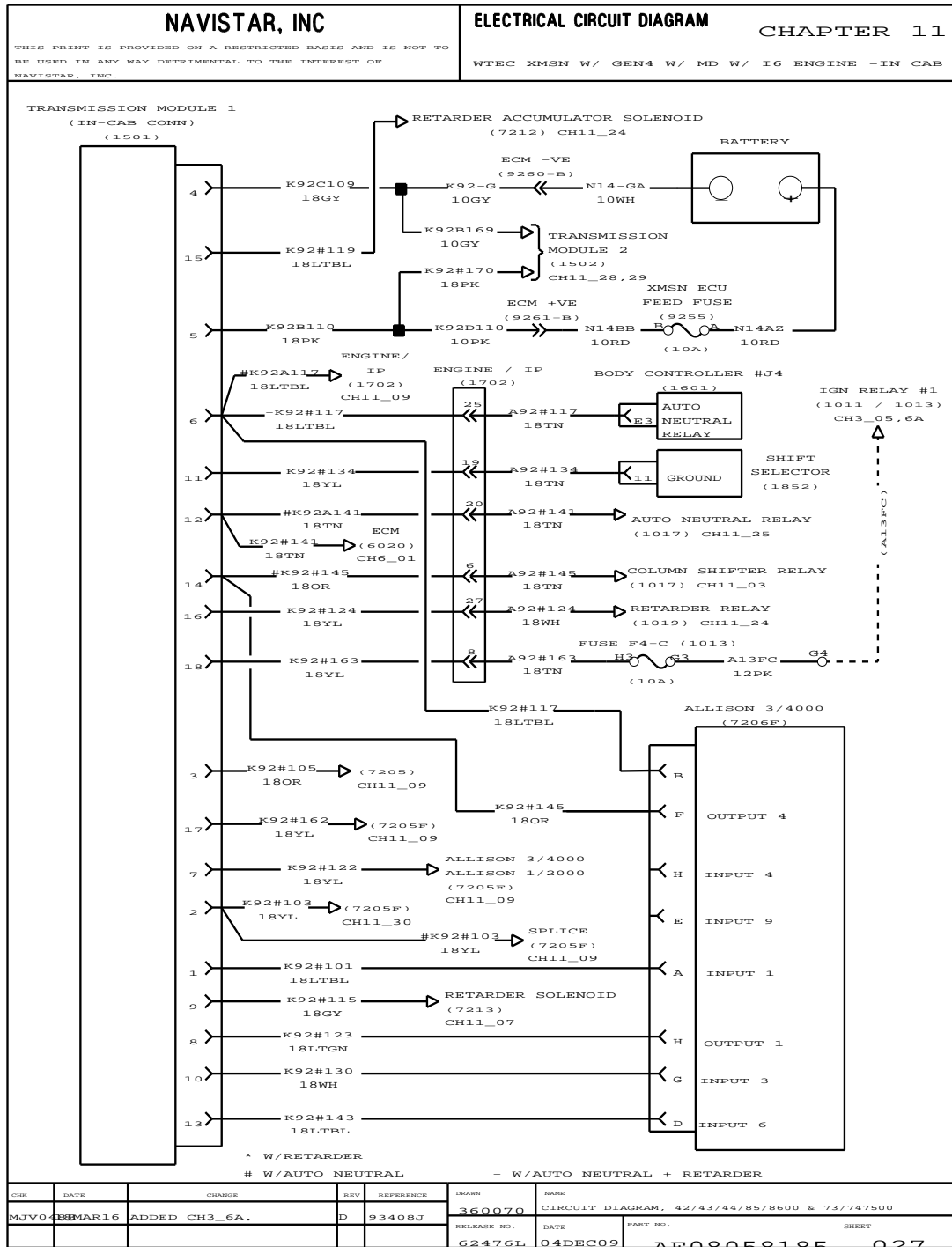


Figure 447 WTEC Transmission with Gen4 with MD with I6 Engine – In Cab

11.33. WTEC TRANSMISSION WITH GEN4 WITH MD WITH I6 ENGINE (CONT.), P. 28

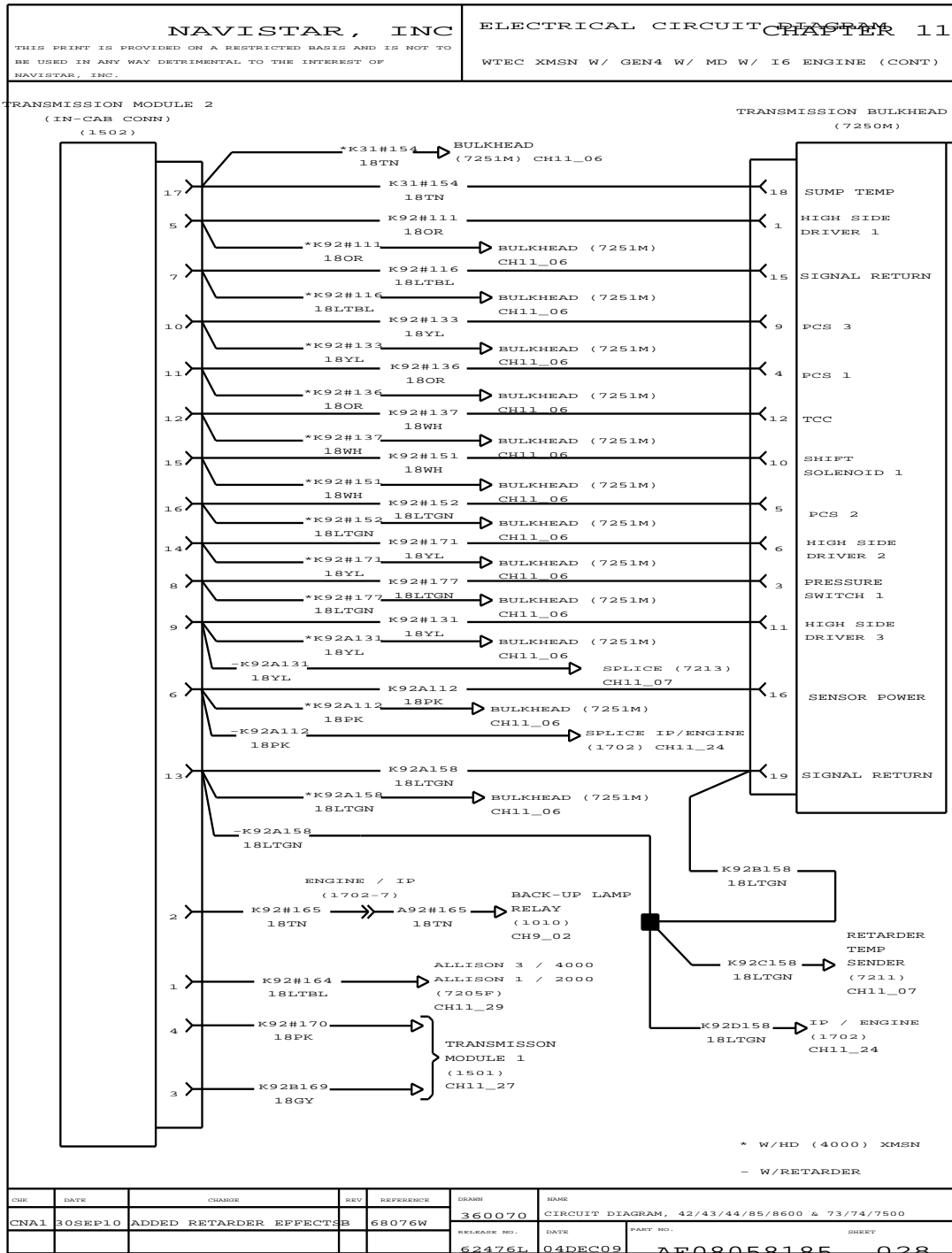


Figure 448 WTEC Transmission with Gen4 with MD with I6 Engine (Cont.)

11.34. LCT TRANSMISSION WITH GEN4 WITH MD WITH I6 ENGINE, P. 29

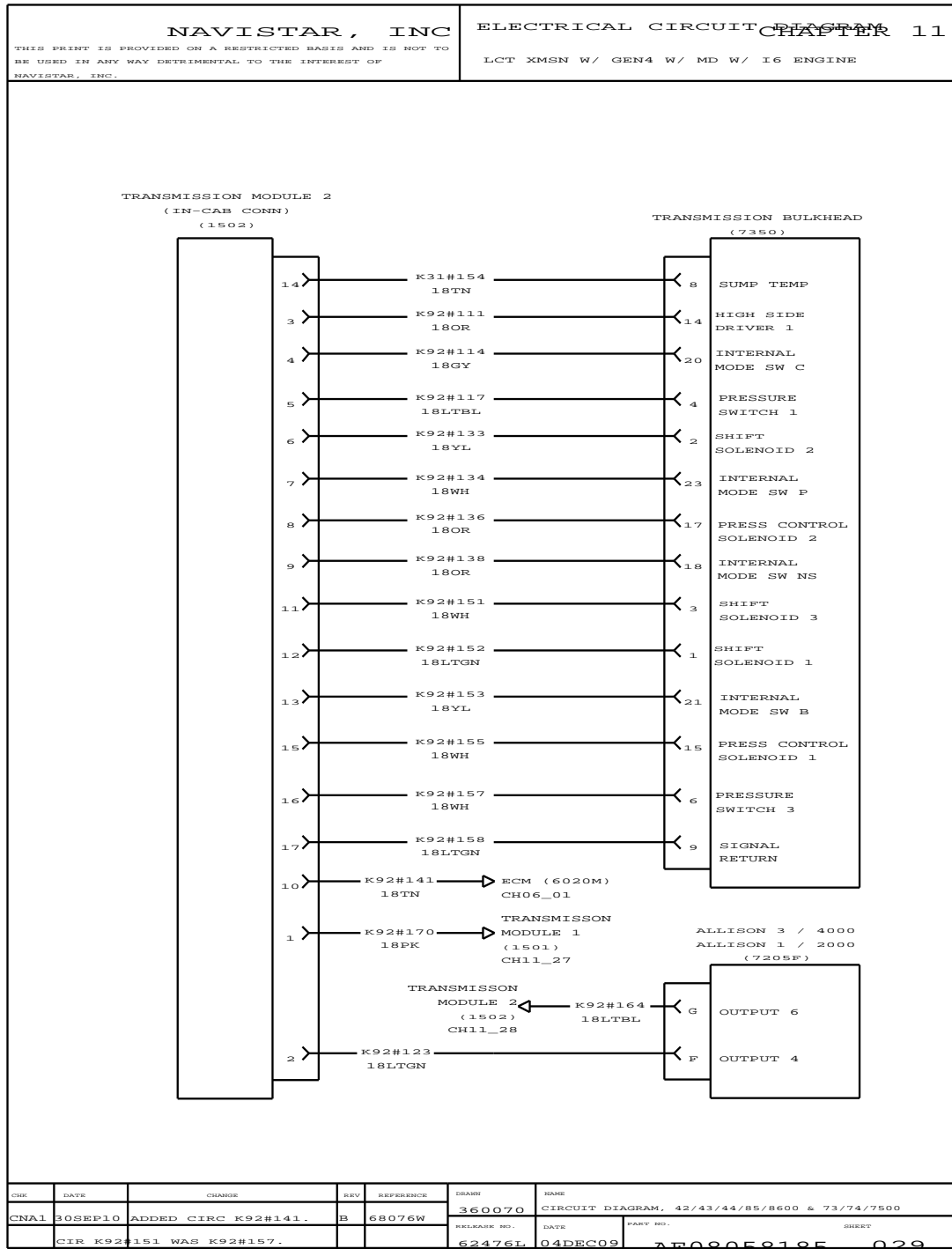


Figure 449 LCT Transmission with Gen4 with MD with I6 Engine

11.35. LCT TRANSMISSION WITH GEN4 WITH MD WITH I6 ENGINE (CONT.), P. 30

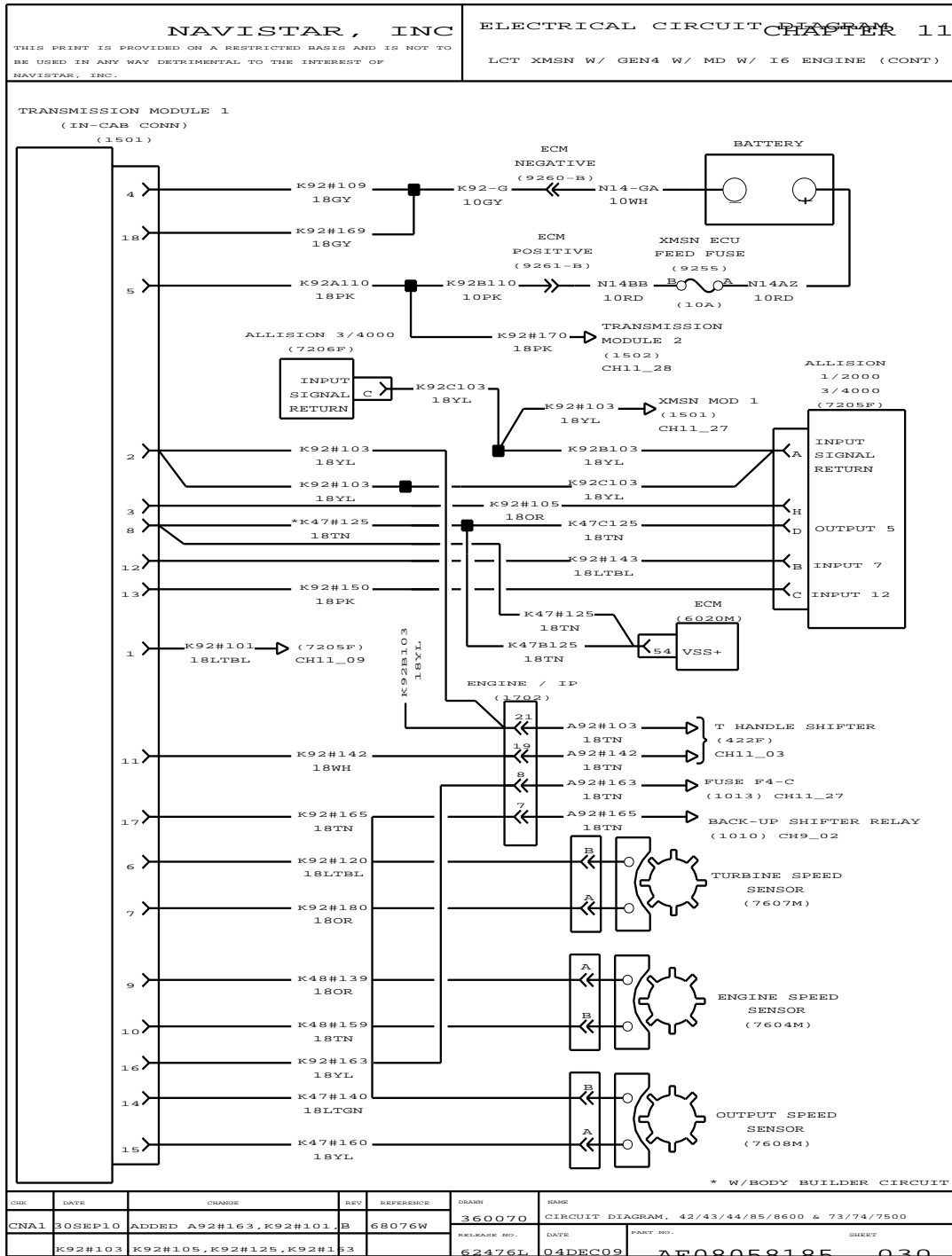


Figure 450 LCT Transmission with Gen4 with MD with I6 Engine (Cont.)

11.36. LCT AND WTEC TRANSMISSION WITH GEN4 WITH MD WITH I6 ENGINE, P. 31

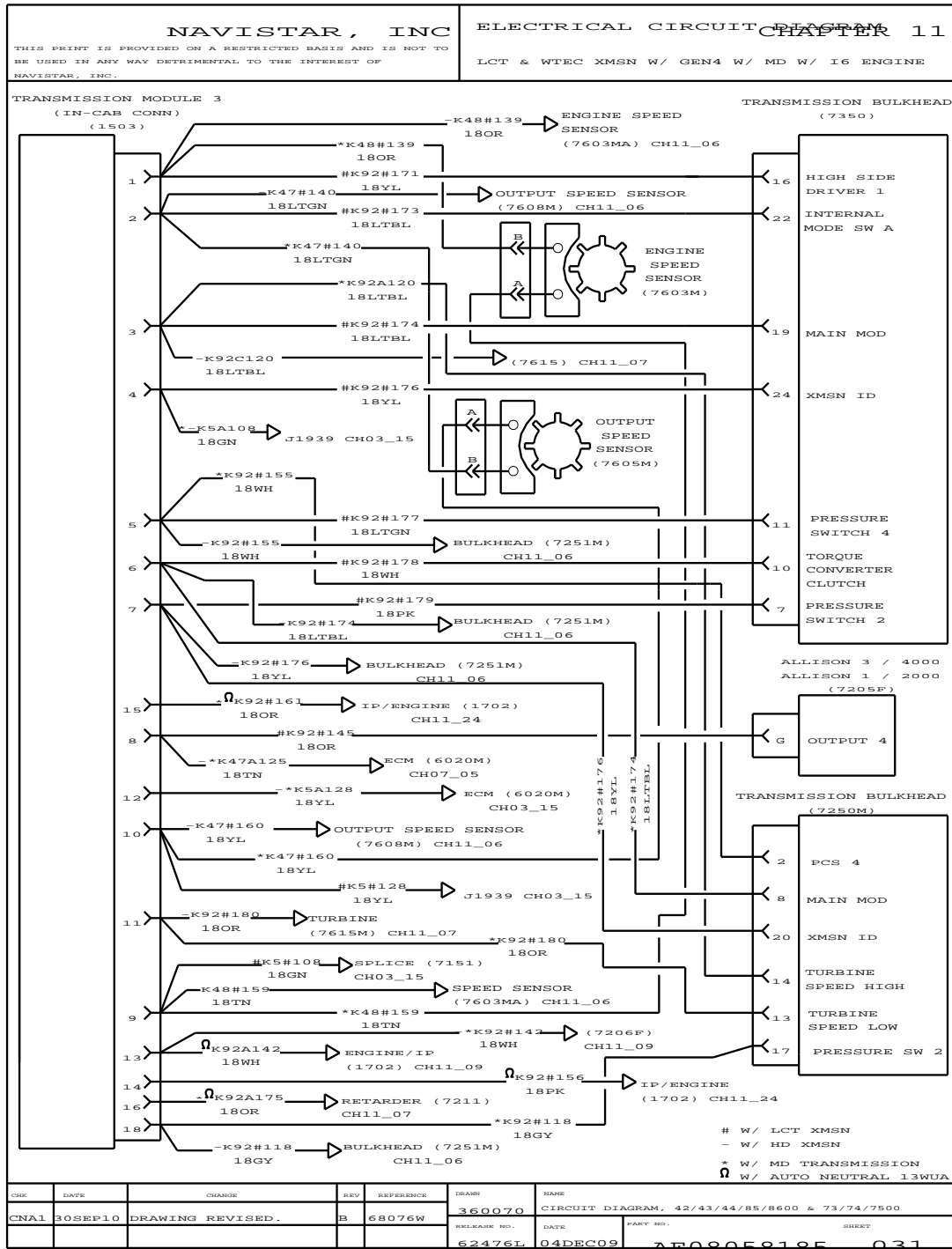


Figure 451 LCT and WTEC Transmission with Gen4 with MD with I6 Engine

11.37. ALLISON GEN 4/5 1/2000 TRANSMISSION WITH IBB ENGINE, P. 32

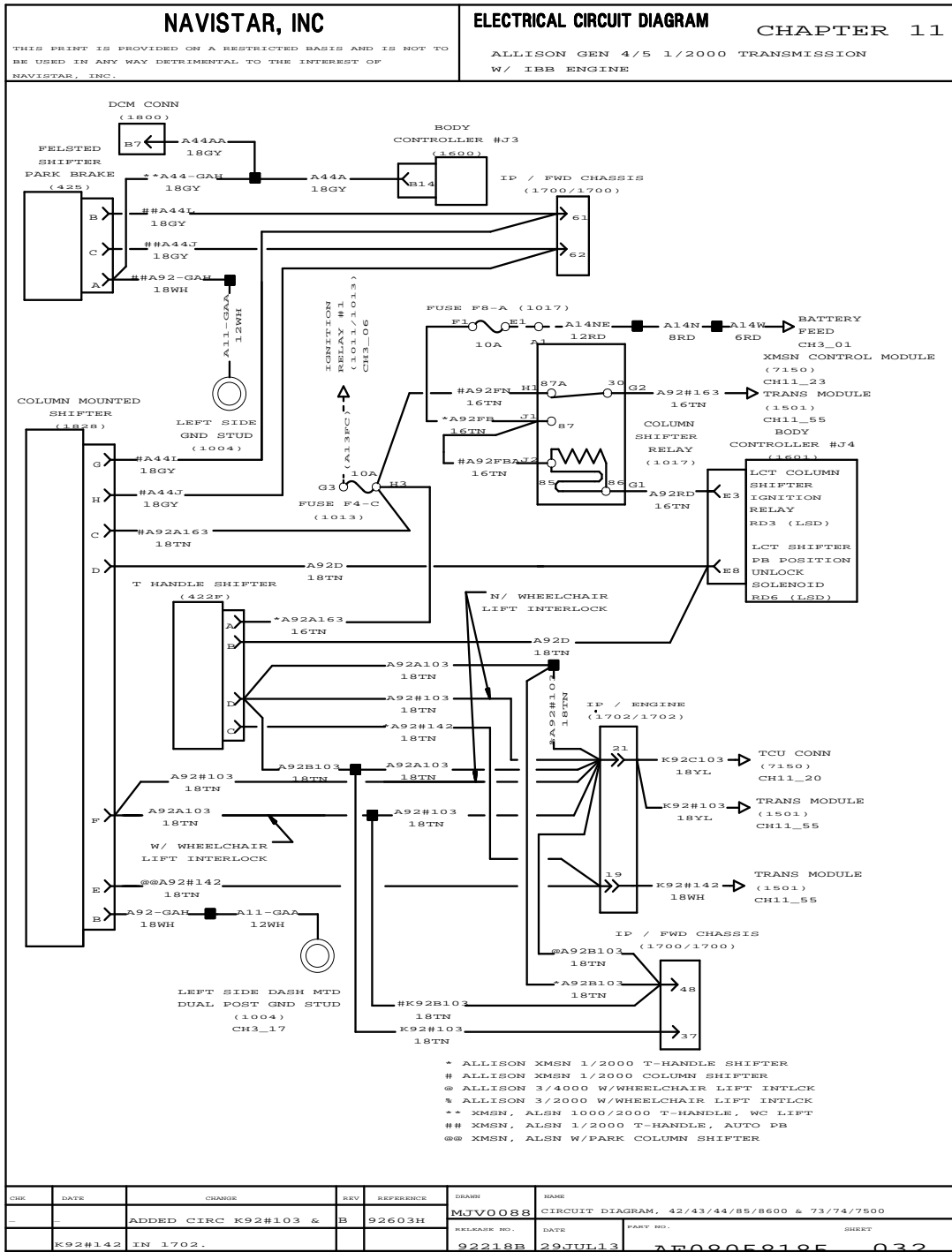


Figure 452 Allison Gen 4/5 1/2000 Transmission with IBB Engine

11.38. TRANSMISSION ALLISON MD 3/4000 WITH I6 AND V8 ENGINE, P. 33

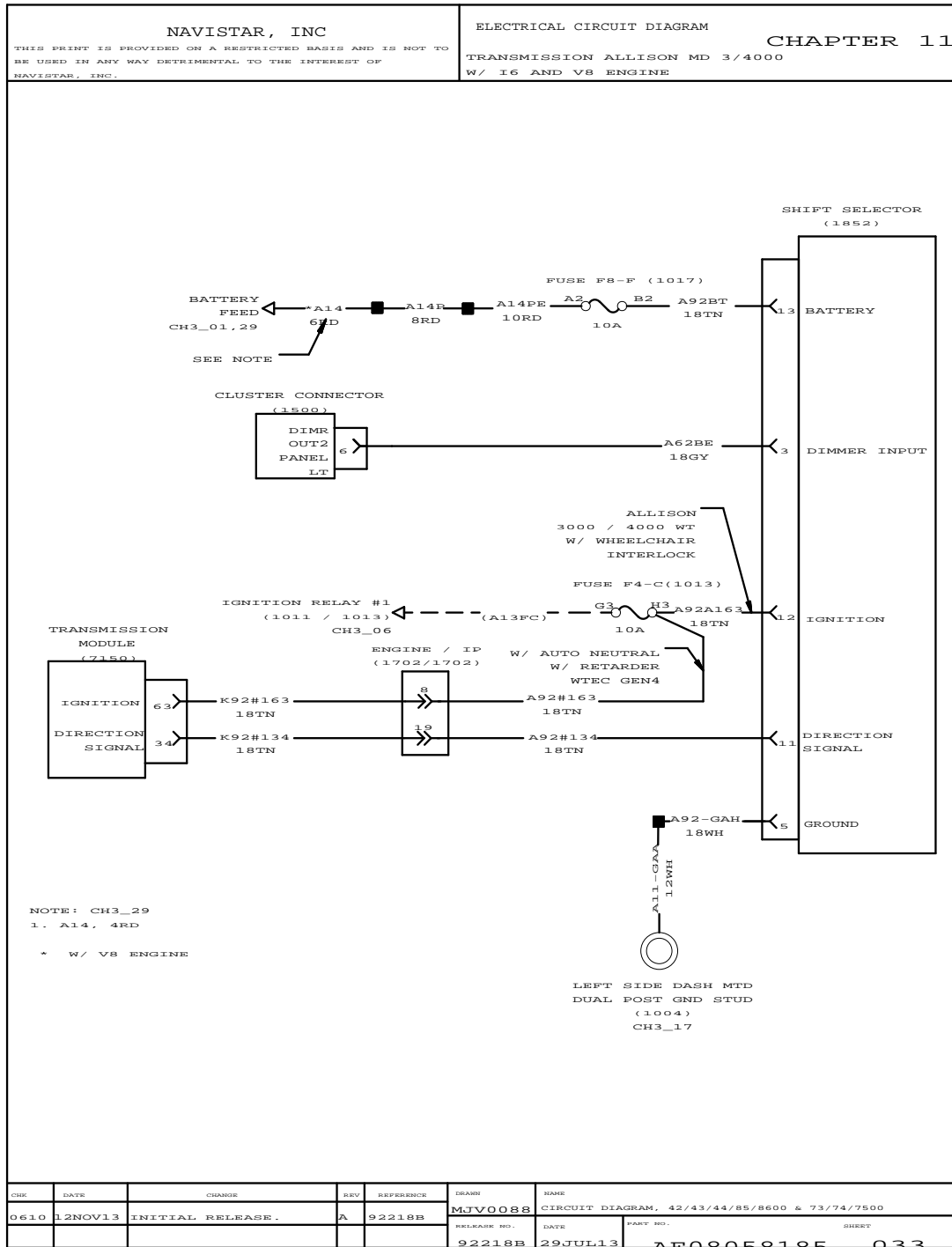


Figure 453 Transmission Allison MD 3/4000 with I6 and V8 Engine

11.39. TRANSMISSION RETARDER CONTROLS WIRING WITH MD TRANSMISSION HARD WIRED EFFECTS, P. 34

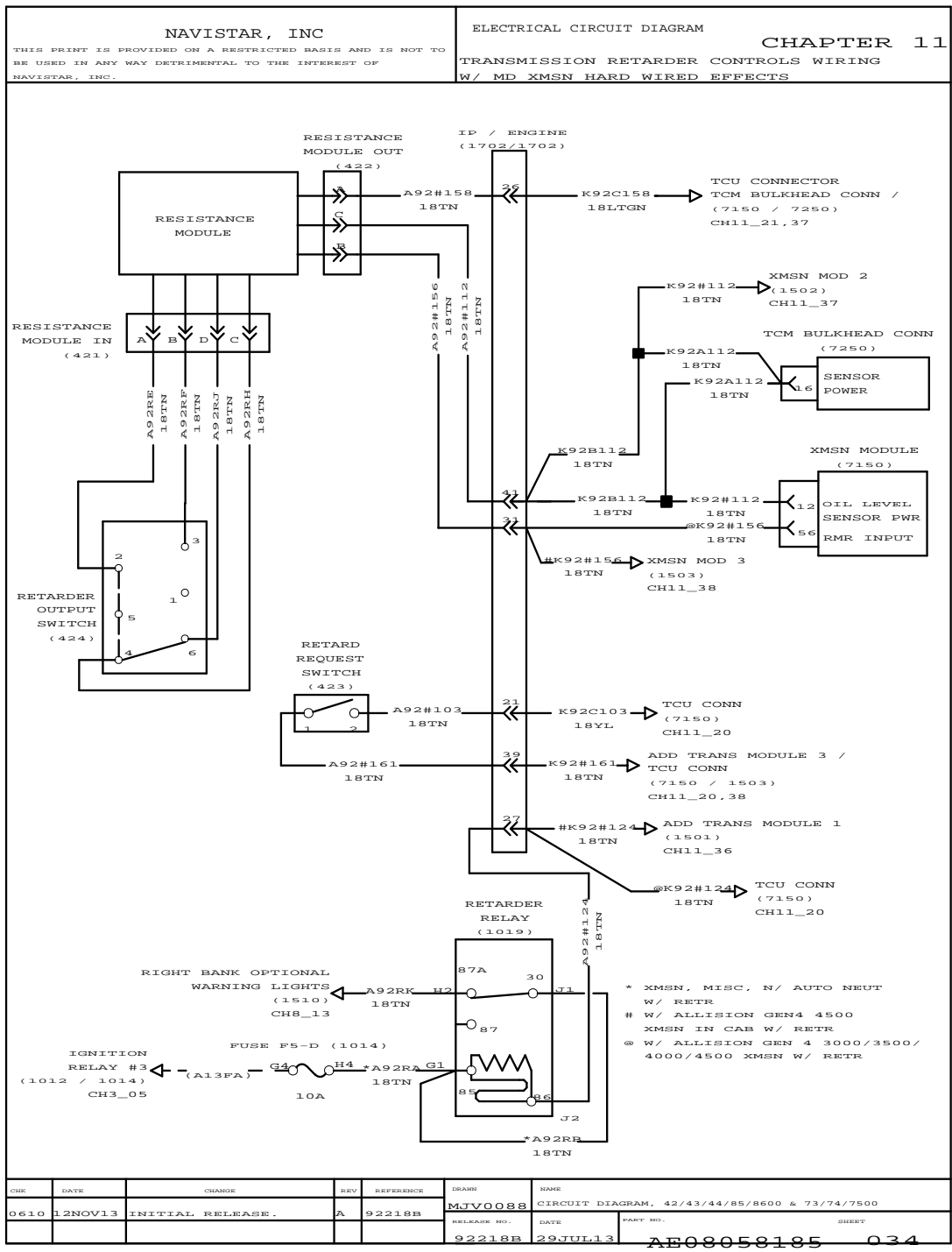


Figure 454 Transmission Retarder Controls Wiring with MD Transmission Hard Wired Effects

11.40. ALLISON TRANSMISSION 3 / 4000 GEN 4 / 5 WITH AUTO NEUTRAL, P. 35

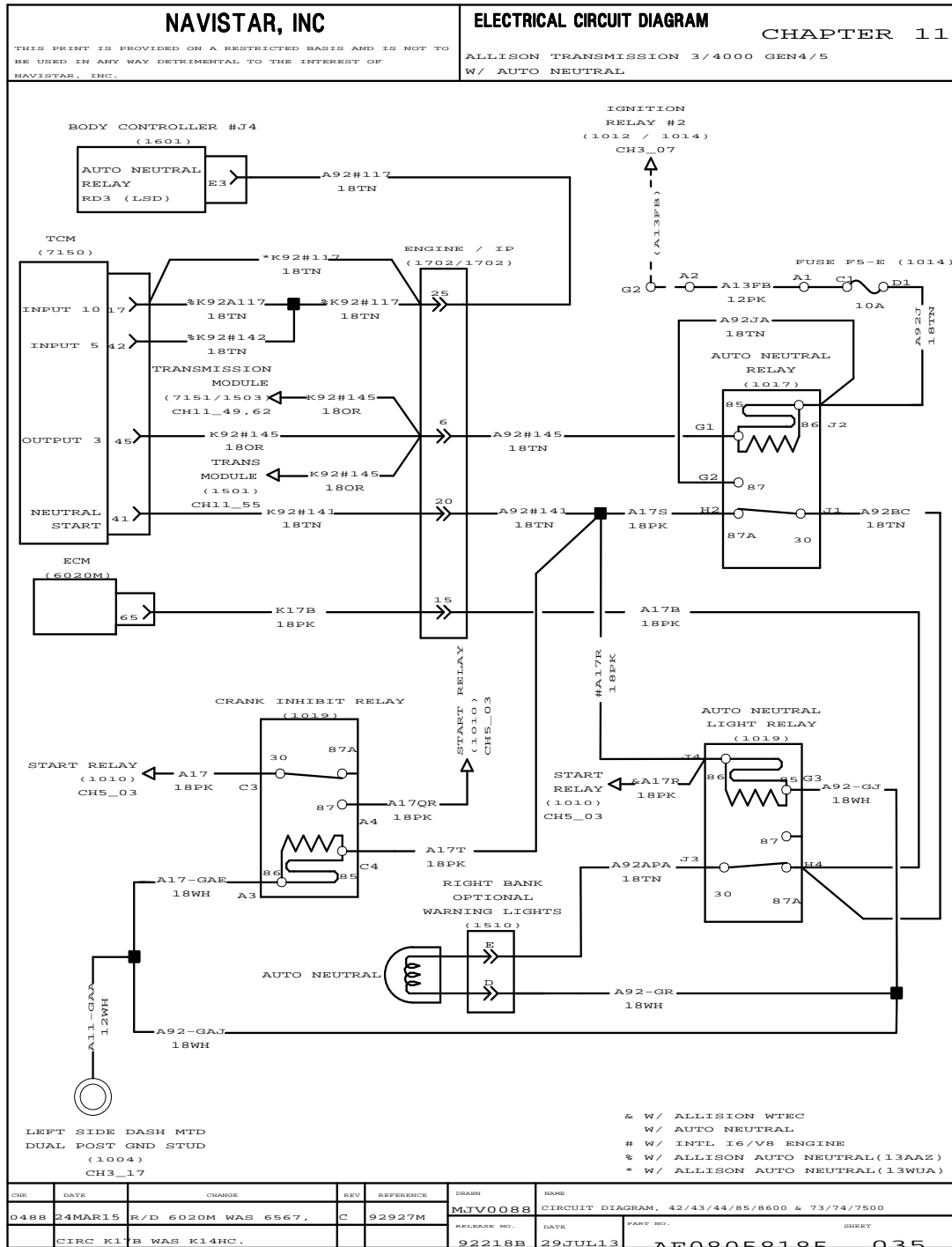


Figure 455 Allison Transmission 3 / 4000 Gen 4 / 5 with Auto Neutral

11.41. WTEC TRANSMISSION WITH GEN5 WITH MD WITH IBB ENGINE – IN CAB, P. 36

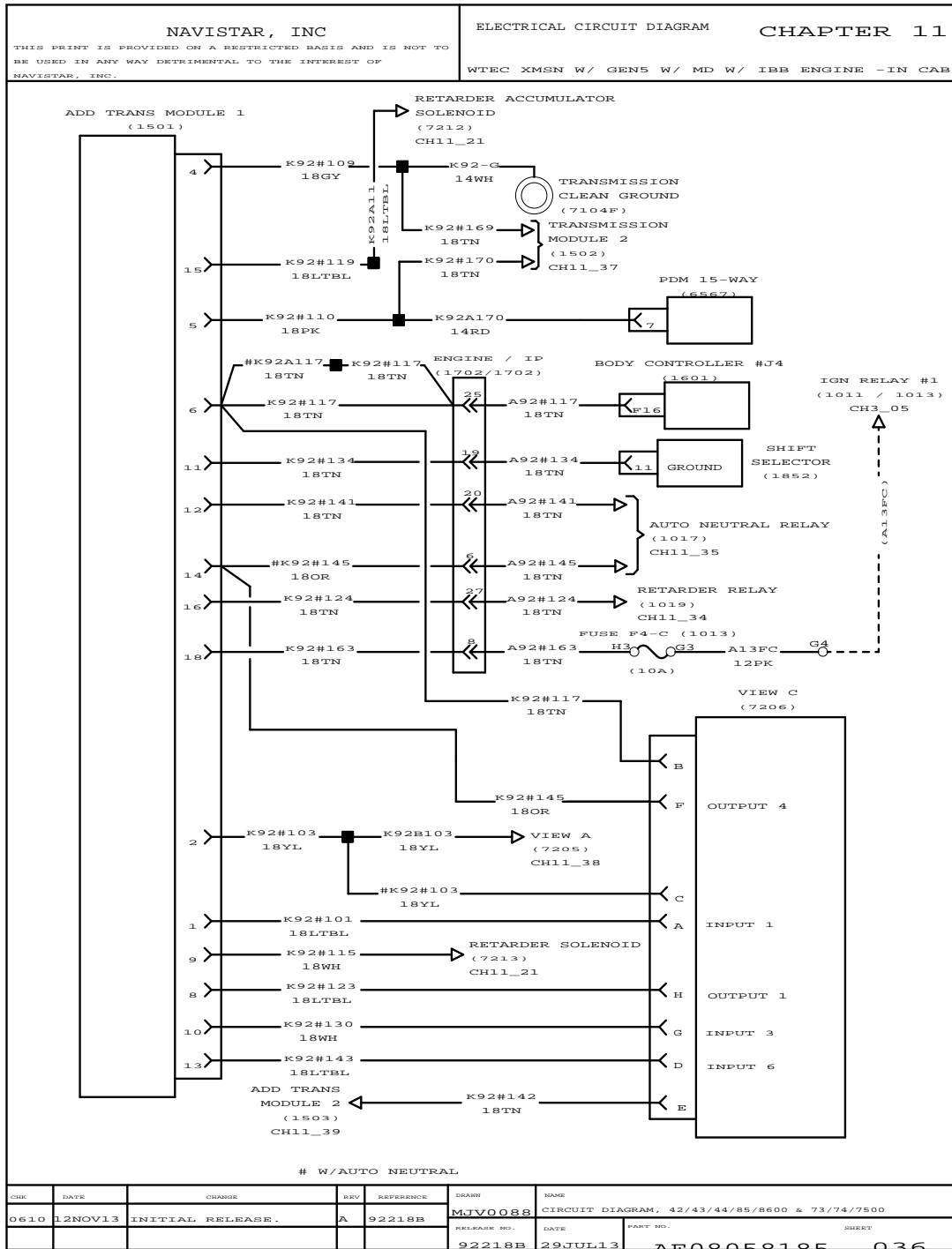


Figure 456 WTEC Transmission with Gen5 with MD with IBB Engine – In Cab

11.42. WTEC TRANSMISSION WITH GEN5 WITH MD WITH IBB ENGINE – IN CAB (CONT.), P. 37

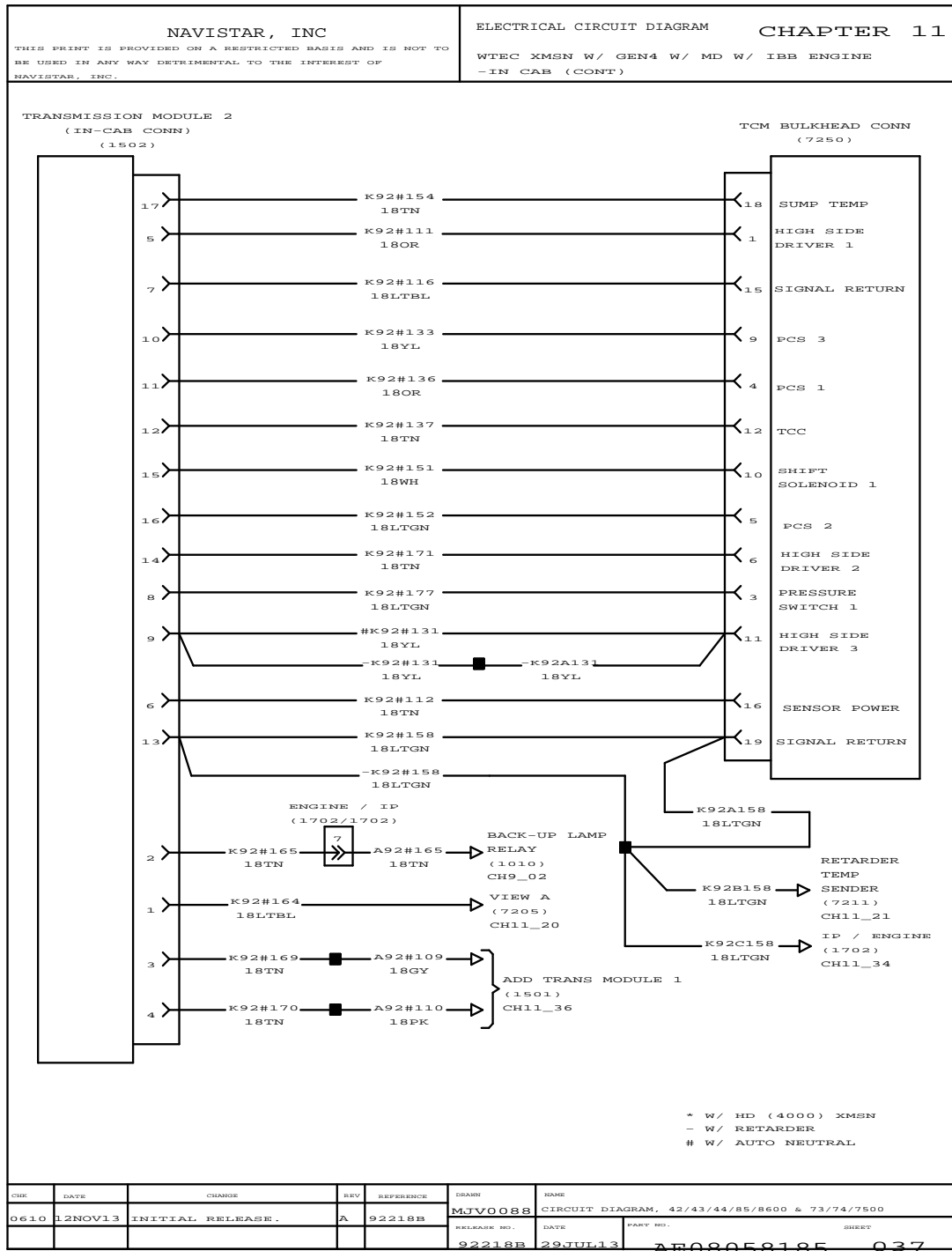


Figure 457 WTEC Transmission with Gen5 with MD with IBB Engine – In Cab (Cont.)

11.43. WTEC TRANSMISSION WITH GEN5 WITH MD WITH IBB ENGINE – IN CAB (CONT.), P. 38

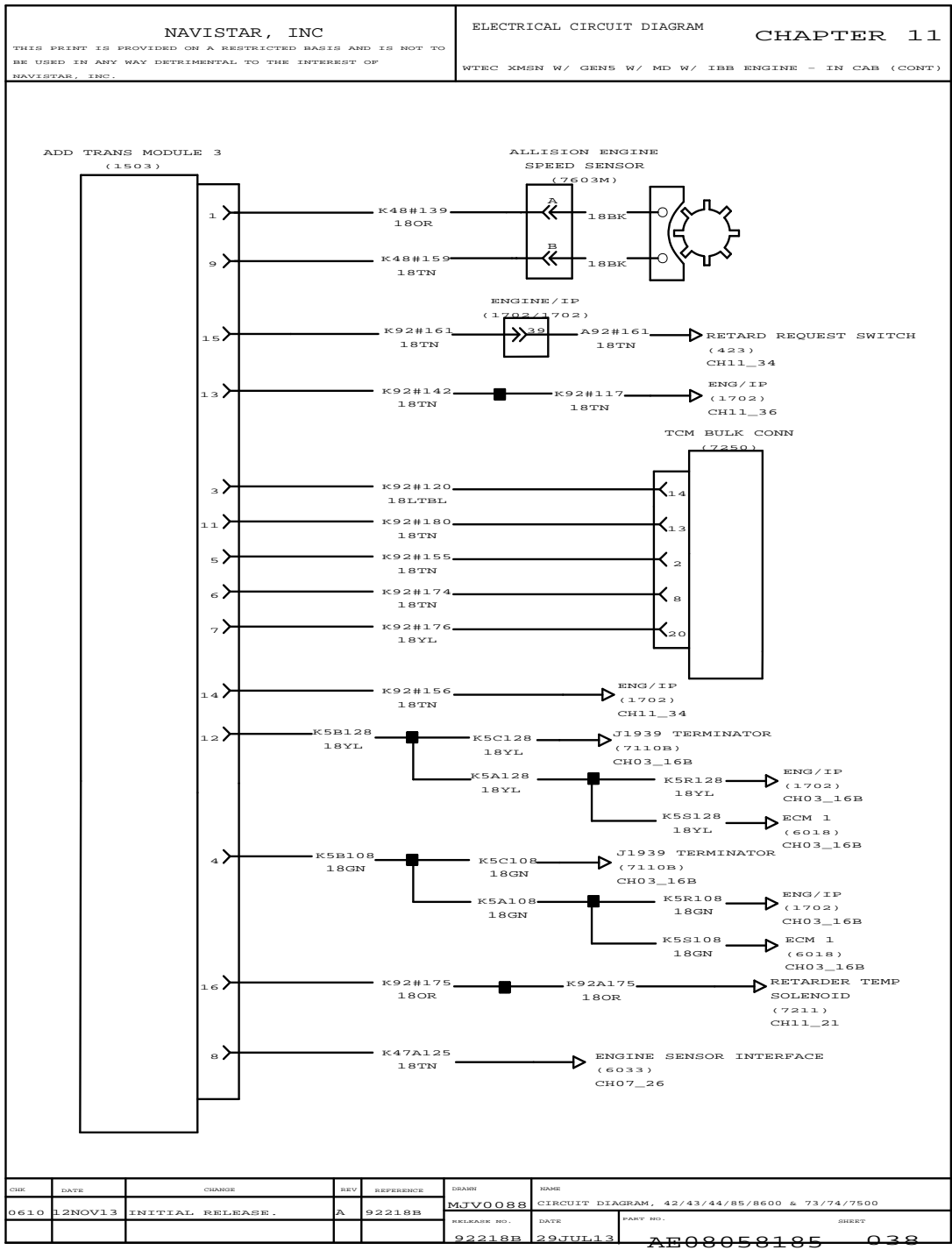


Figure 458 WTEC Transmission with Gen5 with MD with IBB Engine – In Cab (Cont.)

11.44. WTEC TRANSMISSION WITH GEN5 WITH MD WITH IBB ENGINE – IN CAB (CONT.), P. 39

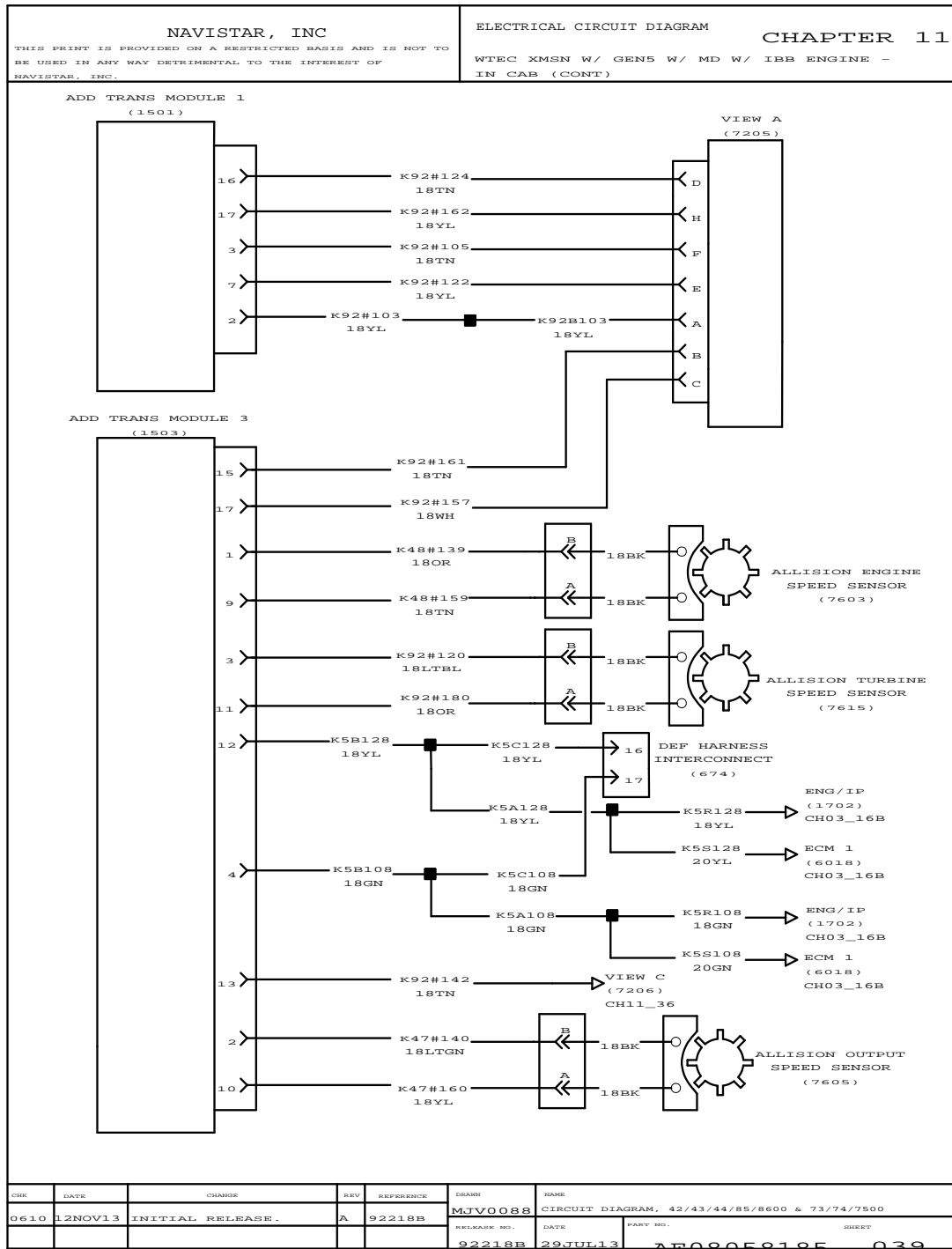


Figure 459 WTEC Transmission with Gen5 with MD with IBB Engine – In Cab (Cont.)

11.45. MANUAL TRANSMISSION WITH BYPASS SWITCH, P. 40

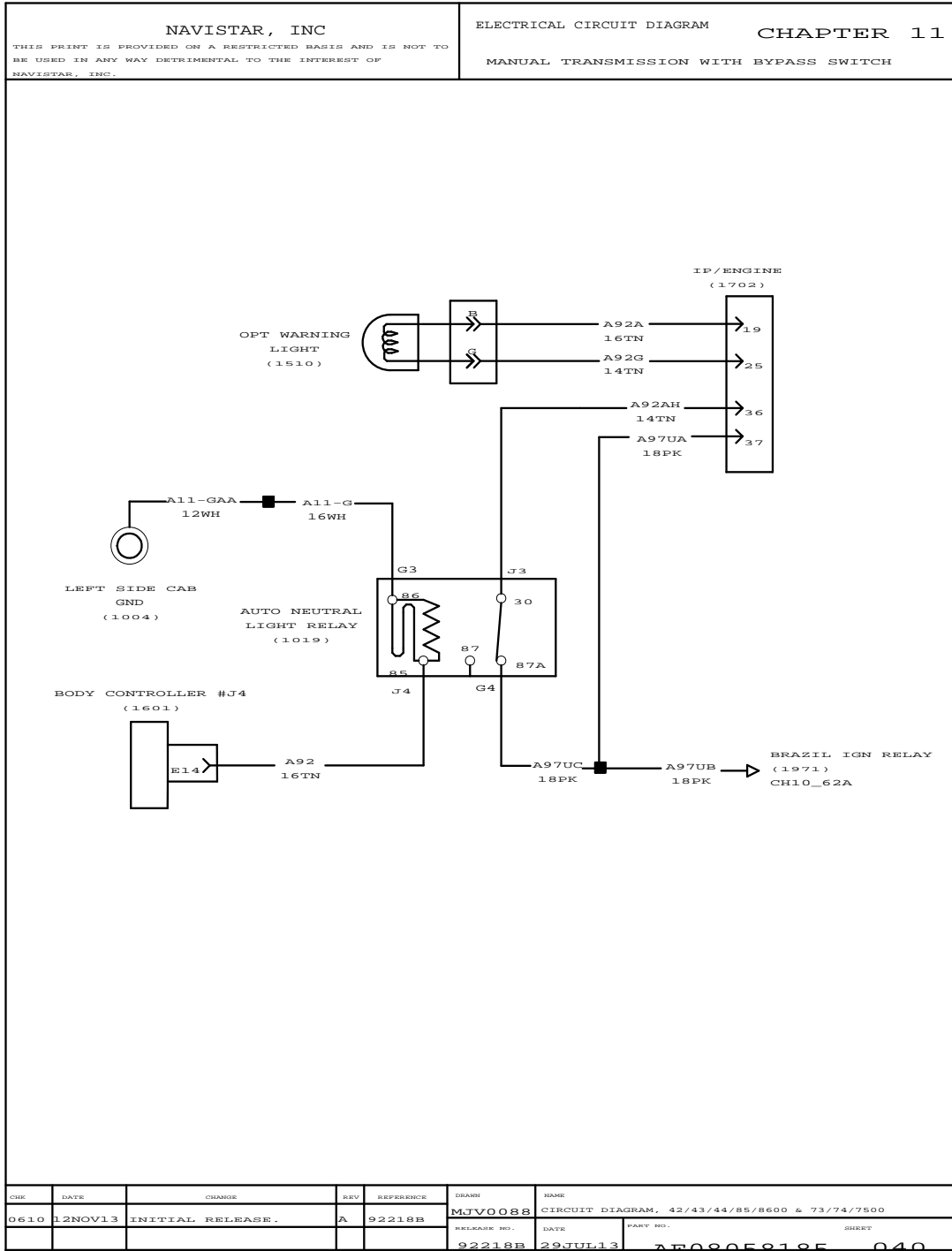


Figure 460 Manual Transmission with Bypass Switch

11.46. ALLISON TRANSMISSION (2013 CUMMINS ISB MD), P. 41

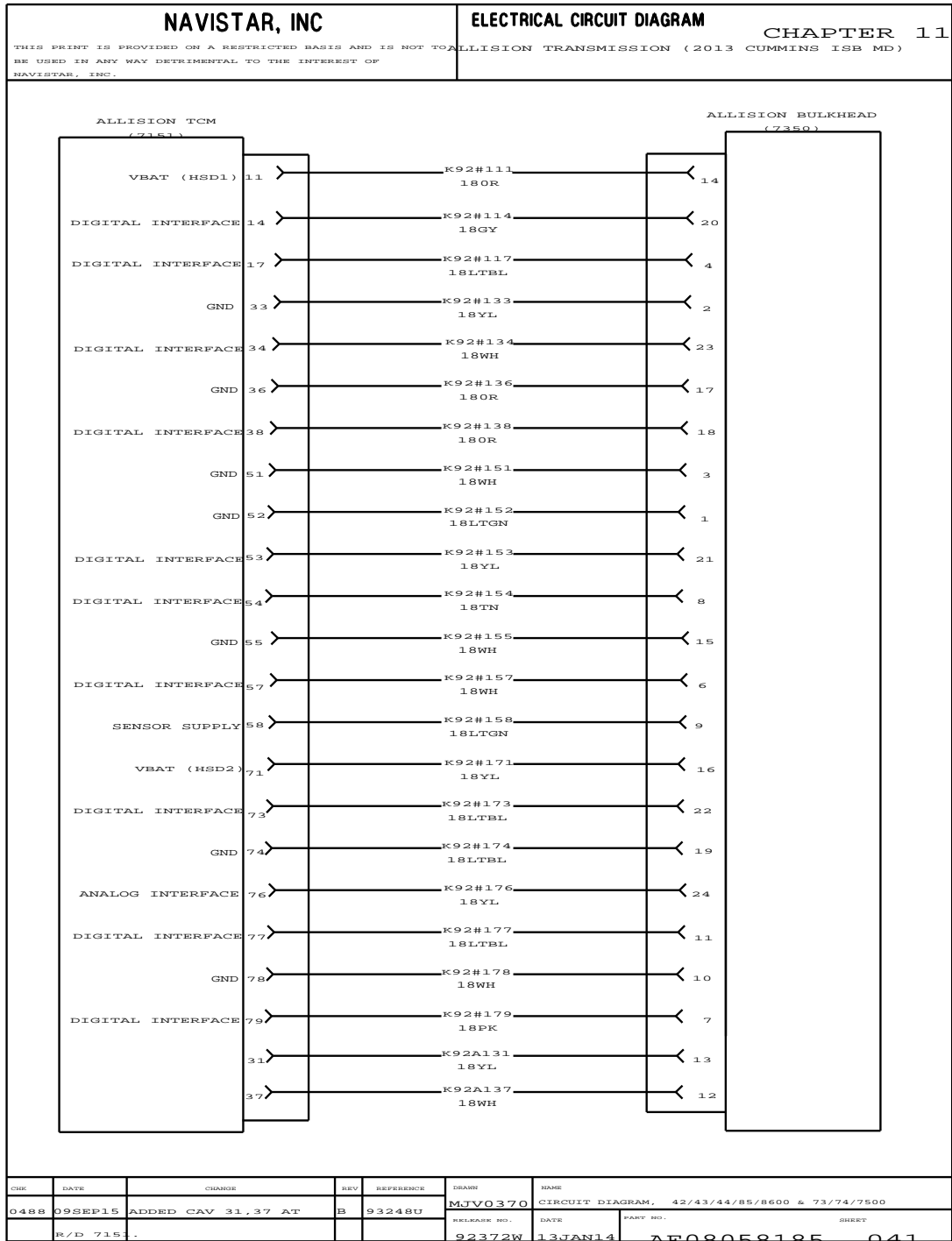


Figure 461 Allison Transmission (2013 Cummins ISB MD)

11.47. ALLISON TRANSMISSION (2013 CUMMINS ISB MD) (CONT.), P. 42

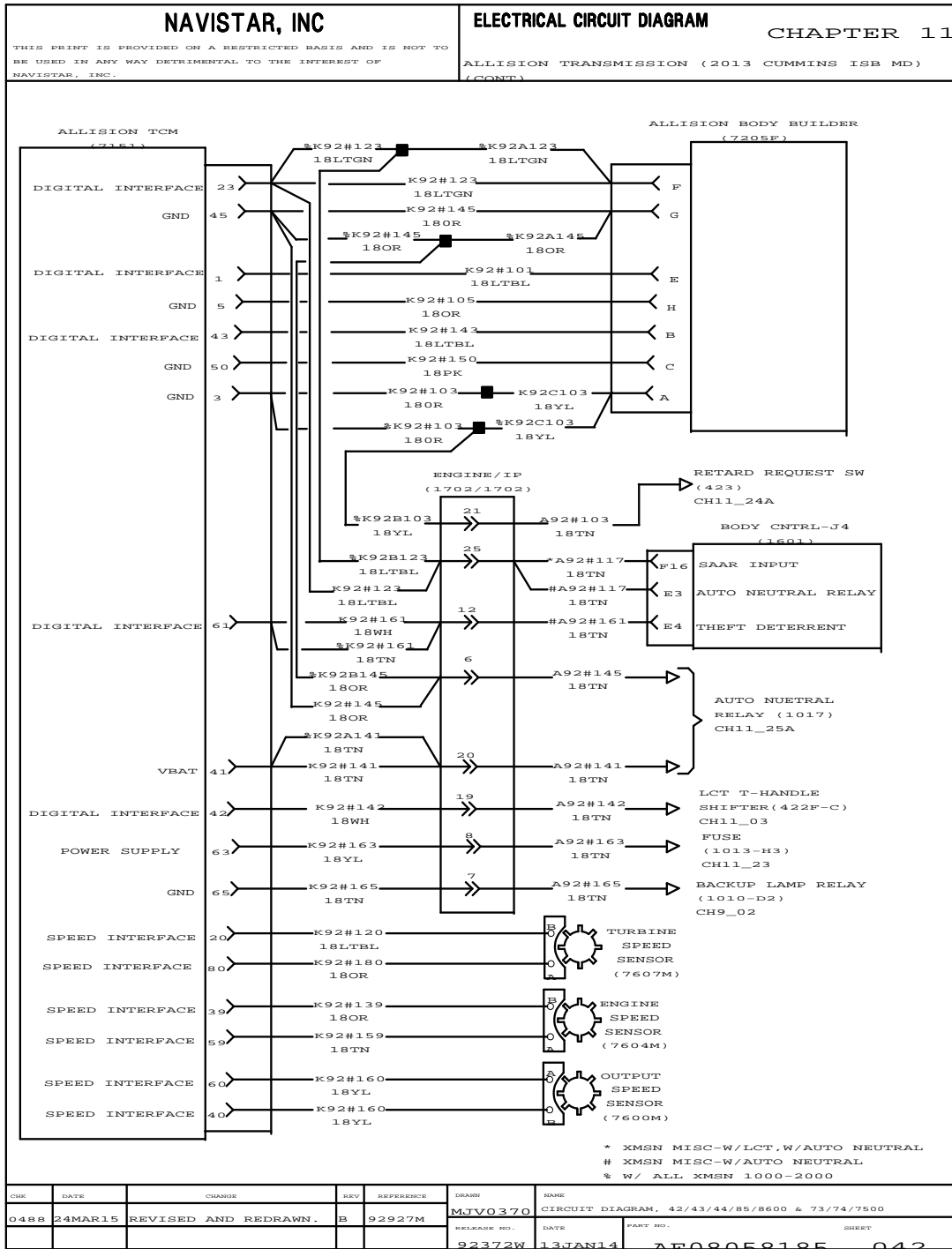


Figure 462 Allison Transmission (2013 Cummins ISB MD) (Cont.)

11.48. ALLISON TRANSMISSION (2013 CUMMINS ISB MD) (CONT.), P. 43

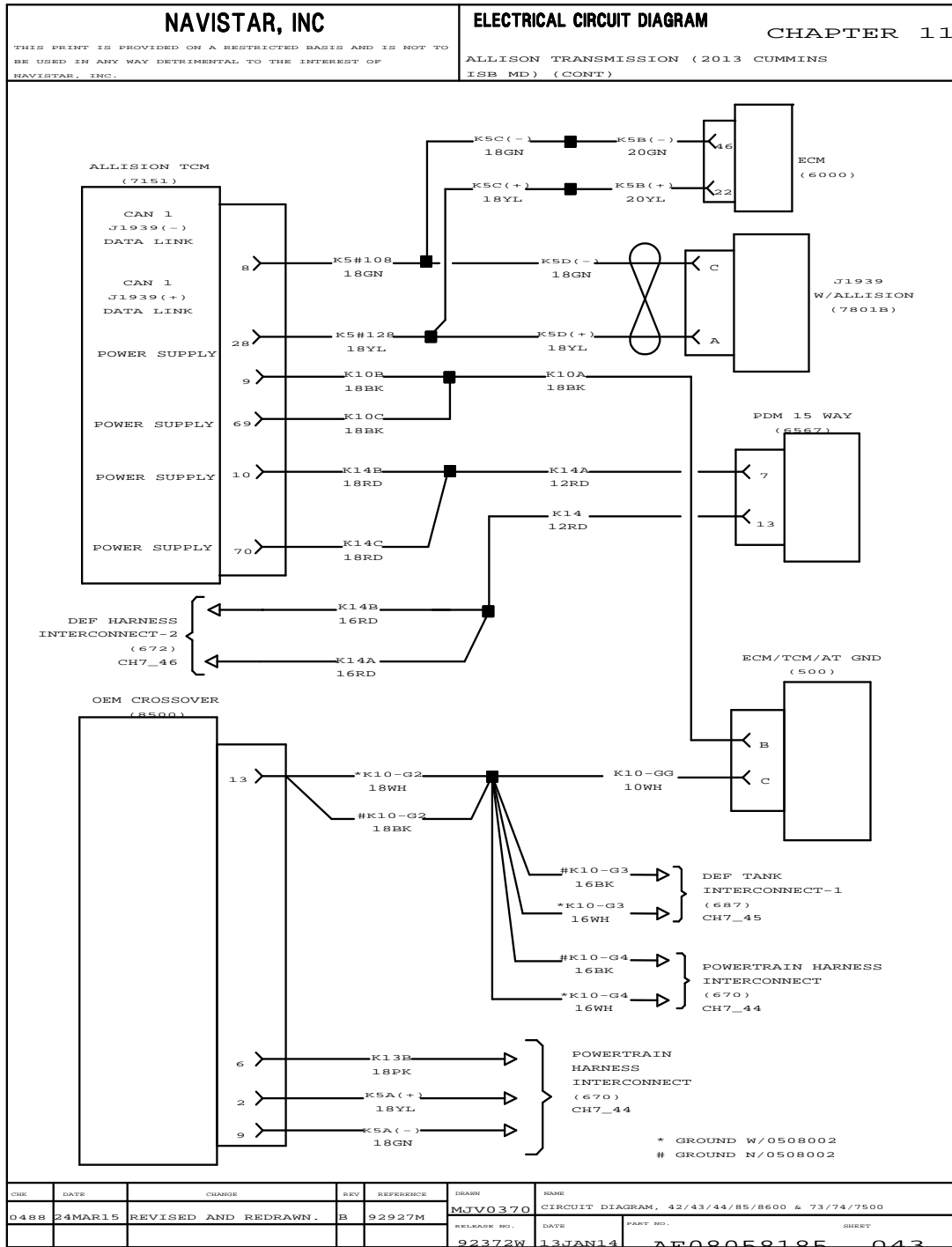


Figure 463 Allison Transmission (2013 Cummins ISB MD) (Cont.)

11.49. ALLISON TRANSMISSION TC10 TRANSMISSION, P. 44

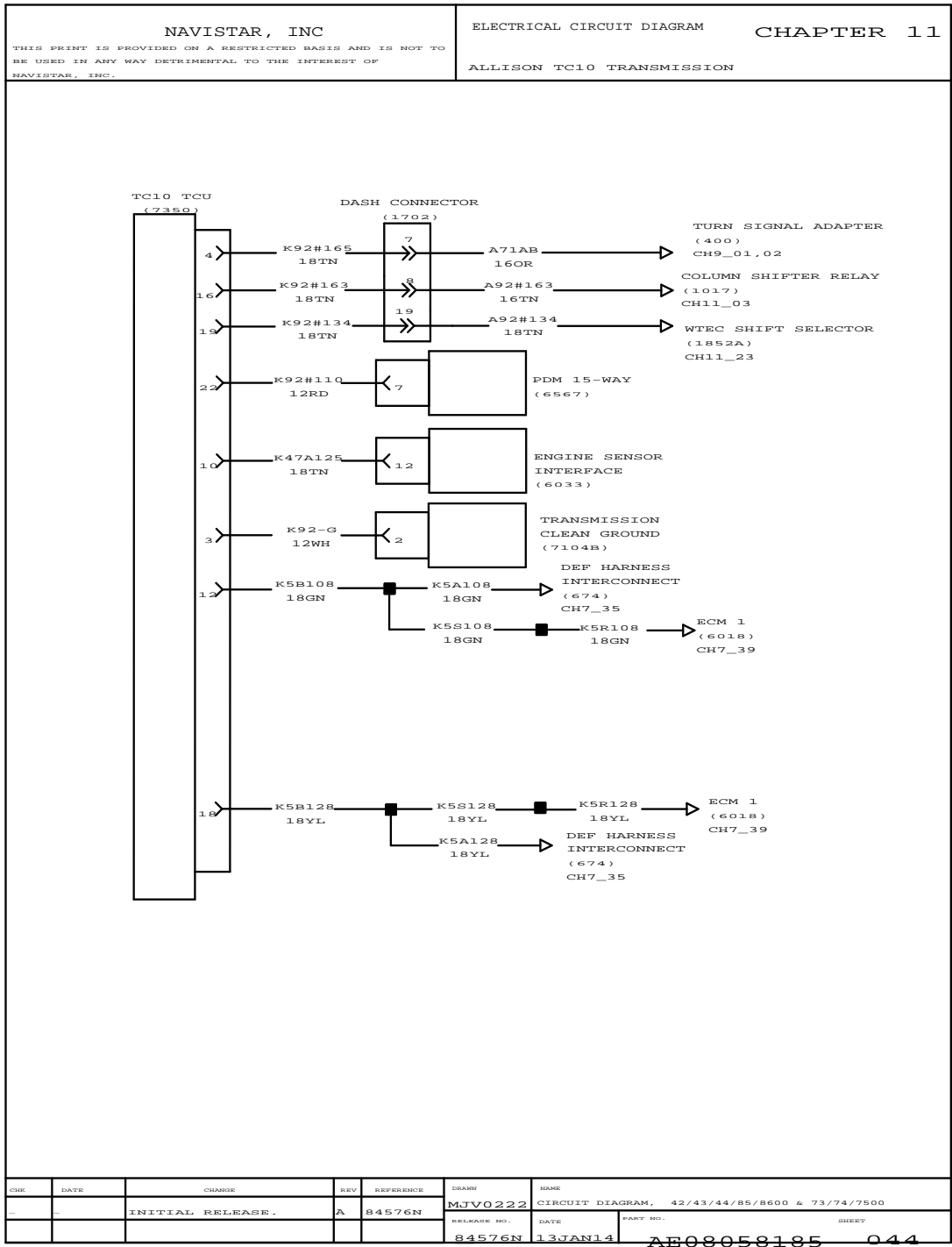


Figure 464 Allison Transmission TC10 Transmission

11.50. ALLISON GEN 4/5 1/2000 TRANSMISSION WITH I6, 1-367 ENGINE, P. 45

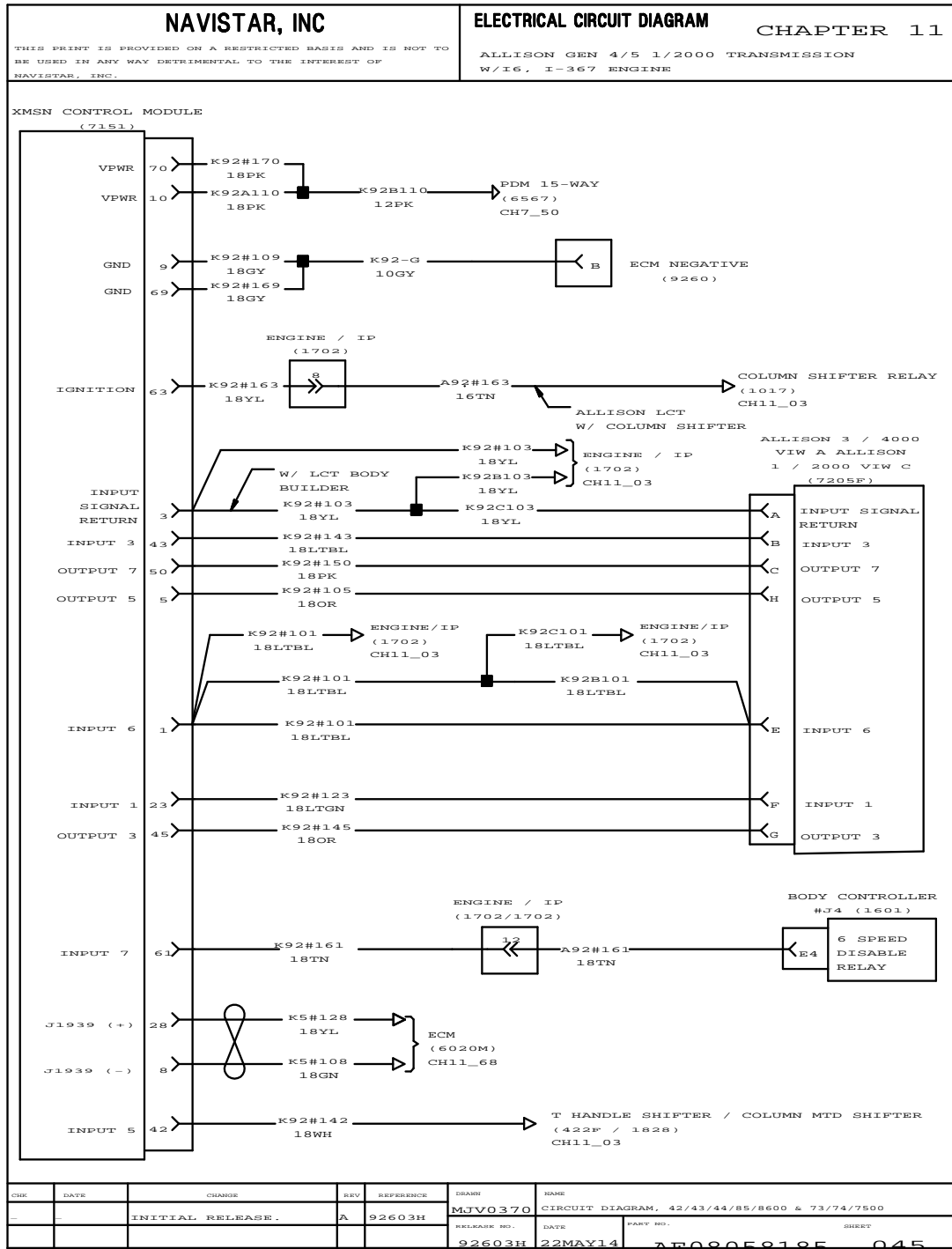


Figure 465 Allison Gen 4/5 1/2000 Transmission with I6, 1-367 Engine

11.51. ALLISON GEN 4/5 1/2000 TRANSMISSION WITH I6, 1-367 ENGINE (CONT.), P. 46

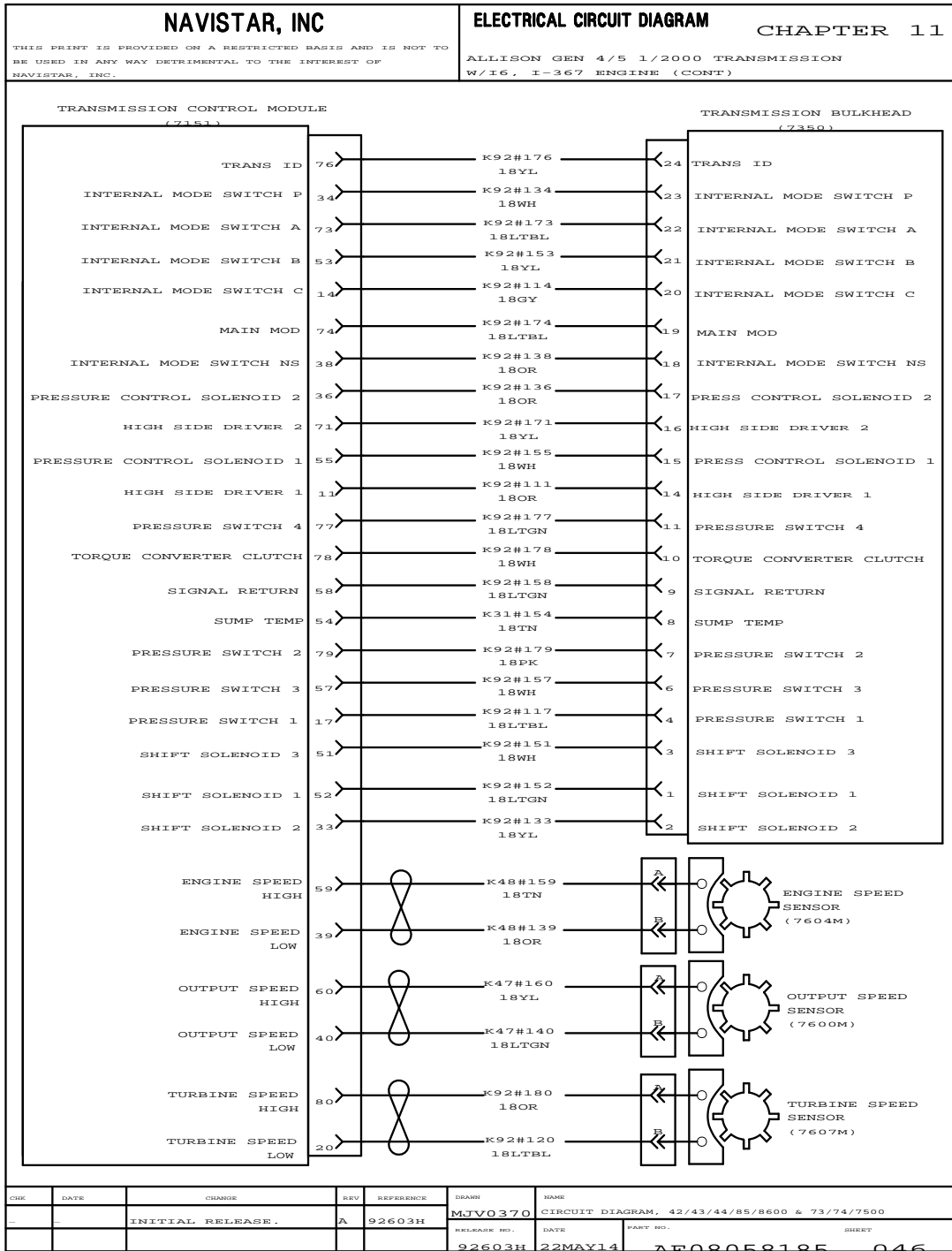


Figure 466 Allison Gen 4/5 1/2000 Transmission with I6, 1-367 Engine (Cont.)

11.52. TRANSMISSION ALLISON MD WITH I6, I-367 ENGINE, P. 47

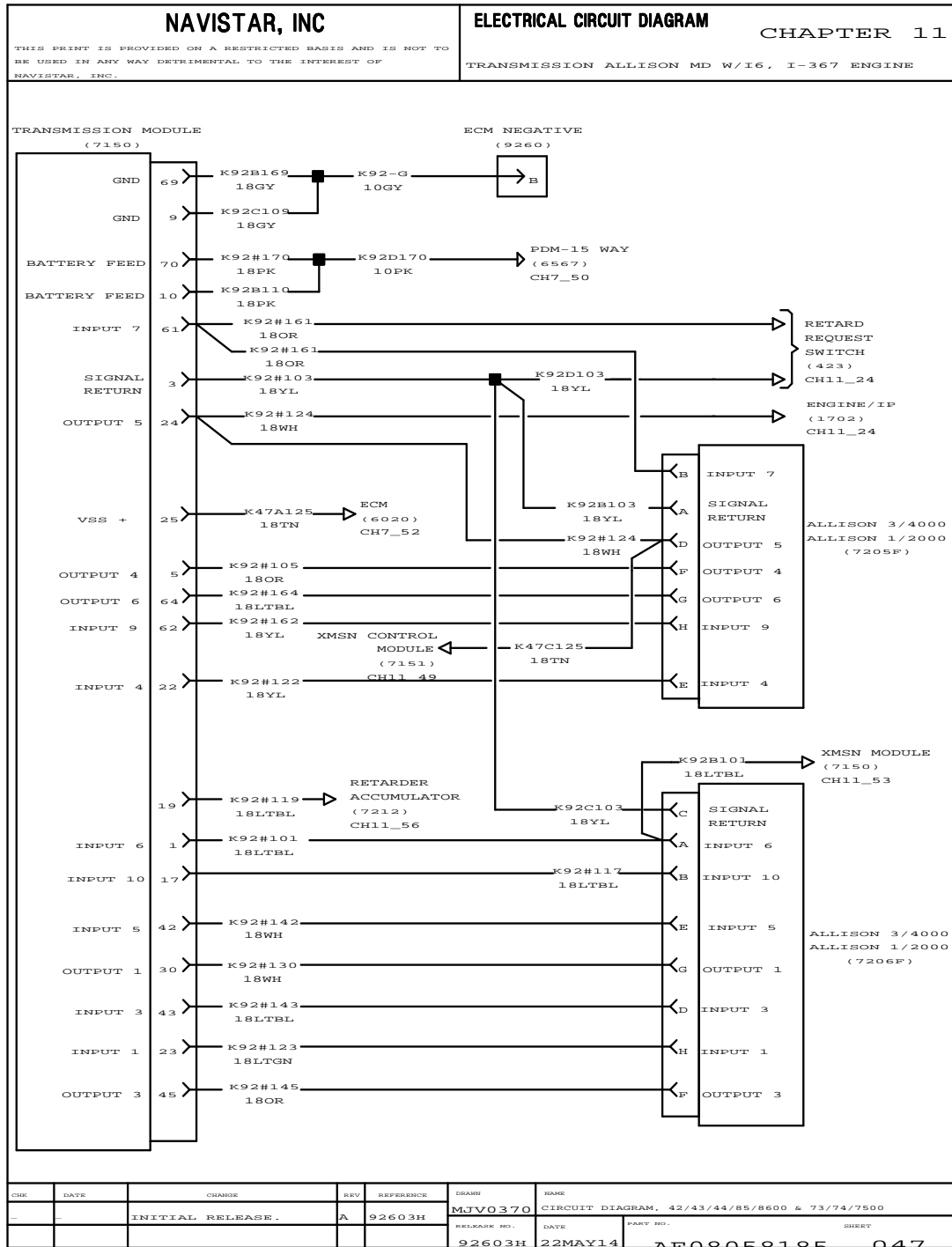


Figure 467 Transmission Allison MD with I6, I-367 Engine

11.53. J1939 DATA LINK I6, I-367 ENGINE, P. 48

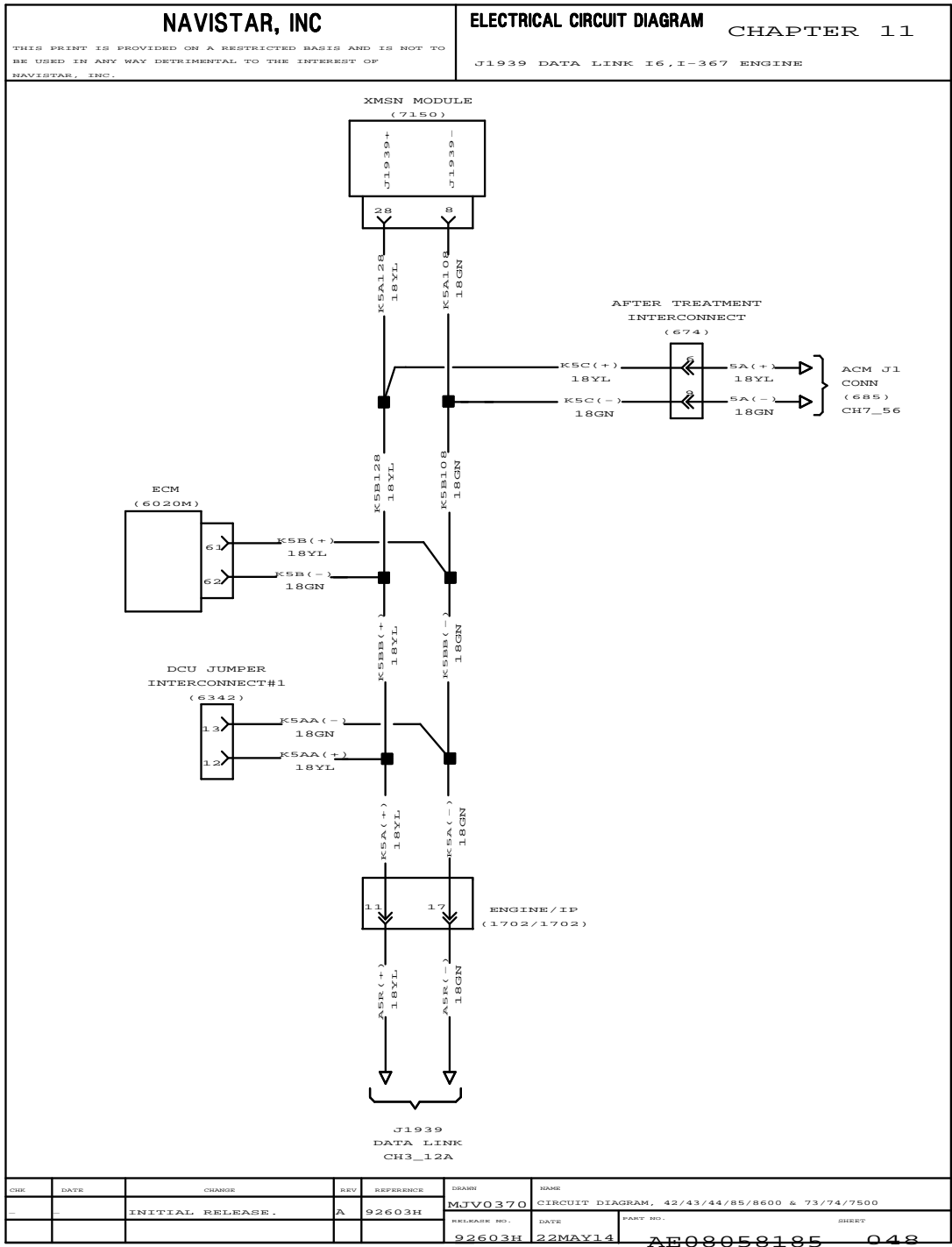


Figure 468 J1939 Data Link I6, I-367 Engine

11.54. ALLISON 1/2000 TRANSMISSION WITH I6, I-367 ENGINE, P. 49

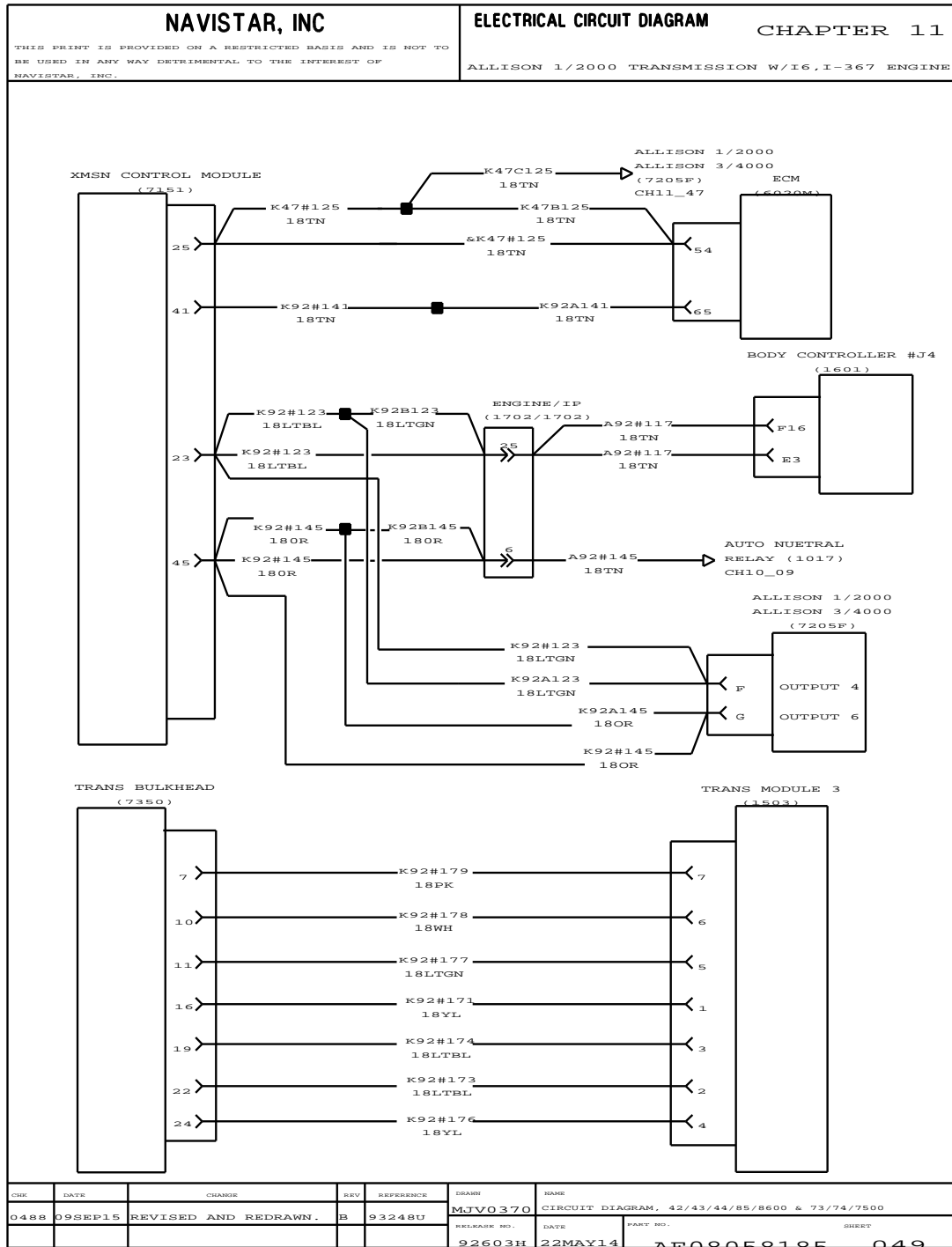


Figure 469 Allison 1/2000 Transmission with I6, I-367 Engine

11.55. ALLISON 4/5 WTEC TRANSMISSION WITH I6, I-367 ENGINE, P. 50

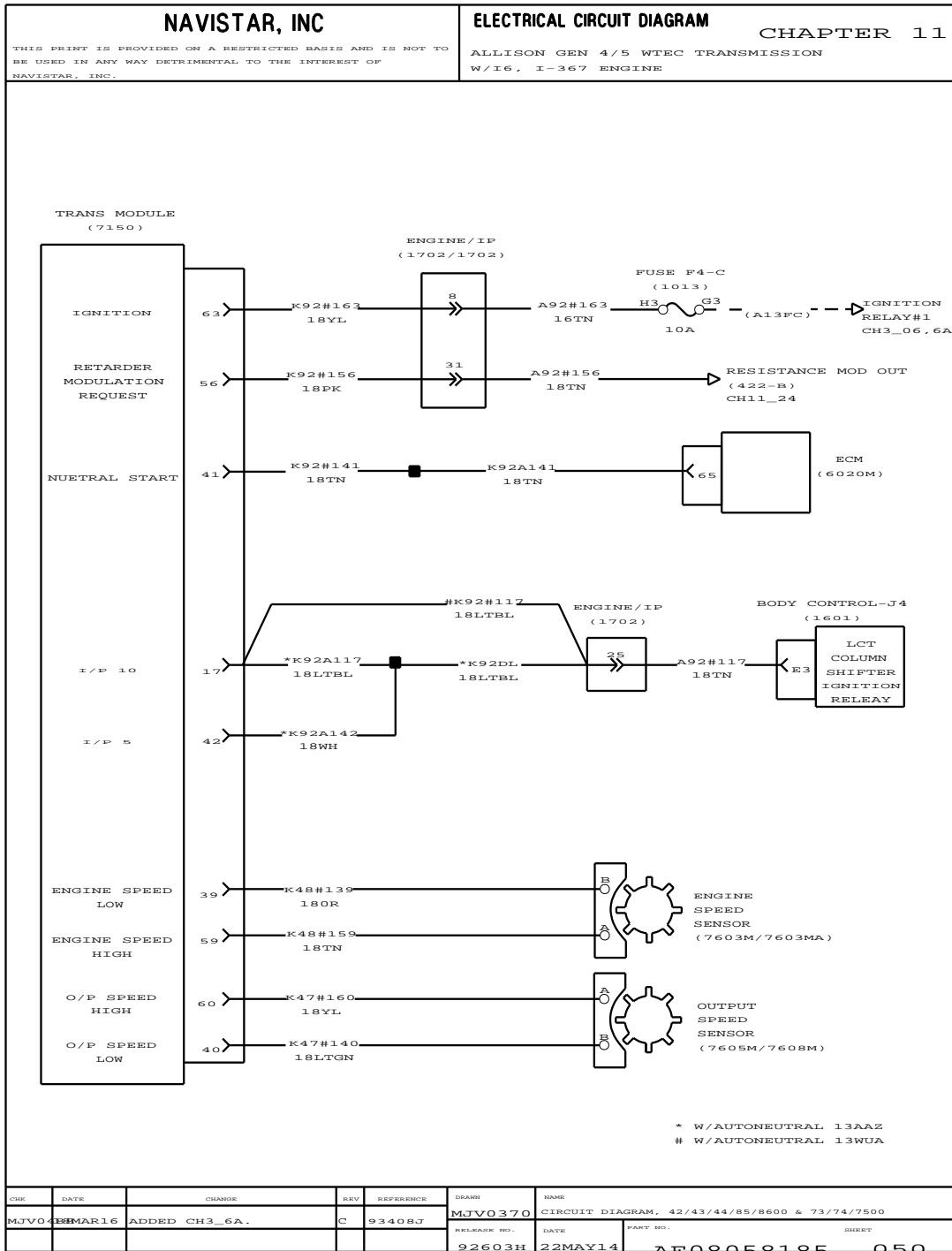


Figure 470 Allison 4/5 WTEC Transmission with I6, I-367 Engine

11.56. TRANSMISSION MODULE WITH I6, I-367 ENGINE, P. 51

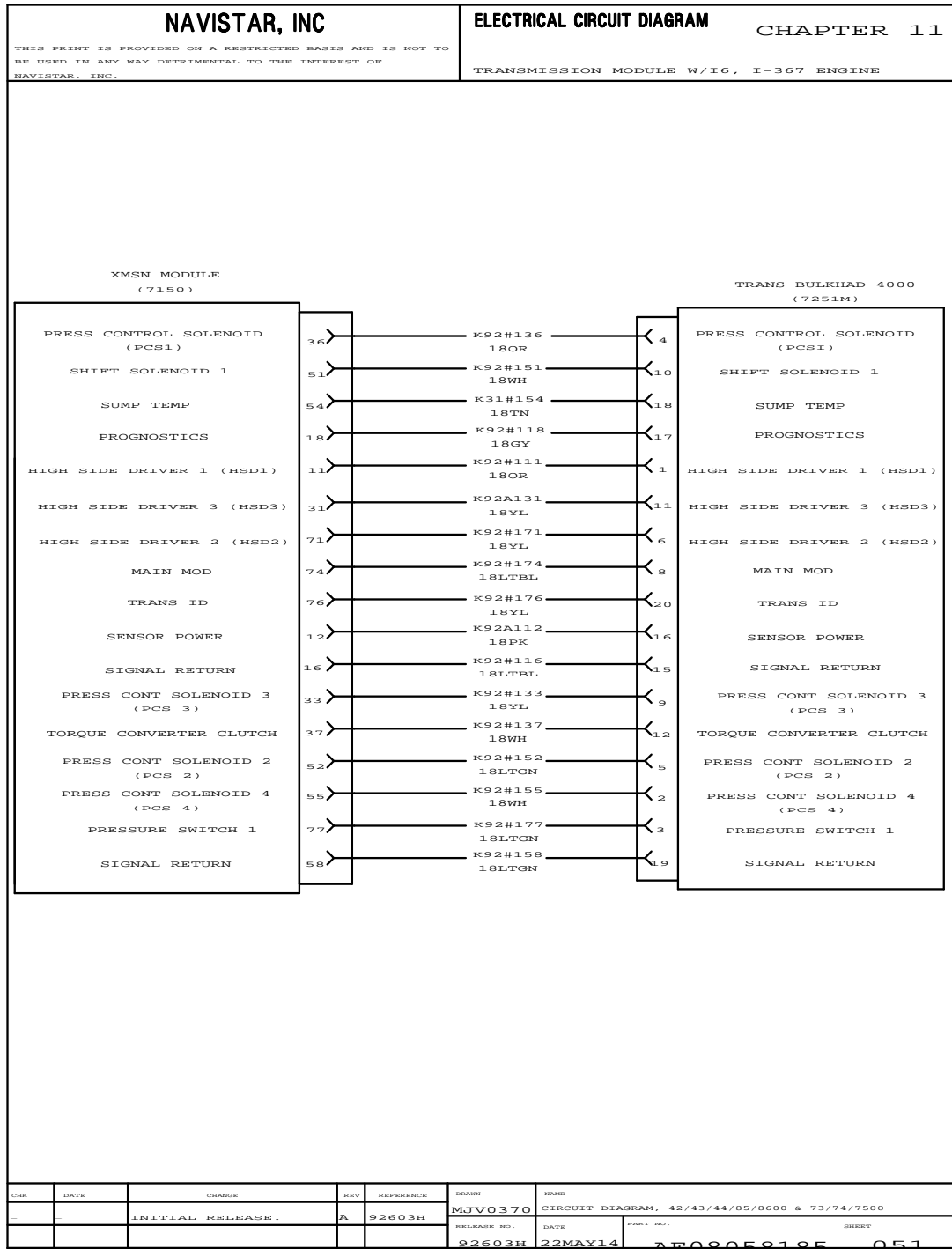


Figure 471 Transmission Module with I6, I-367 Engine

11.57. TRANSMISSION MODULE WITH I6, I-367 ENGINE (CONT.), P. 52

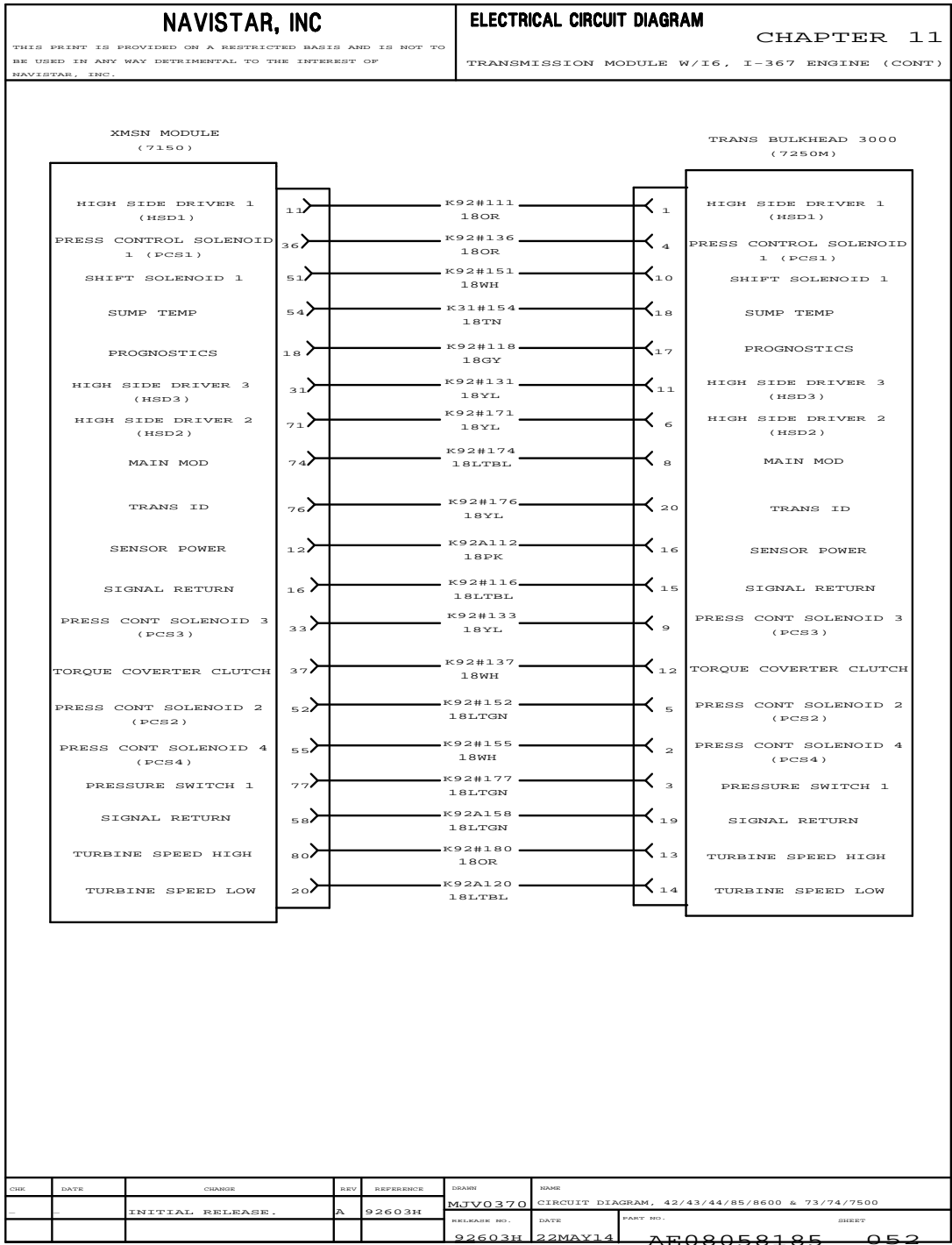


Figure 472 Transmission Module with I6, I-367 Engine (Cont.)

11.58. TRANSMISSION MODULE WITH I6, I-367 ENGINE (CONT.), P. 53

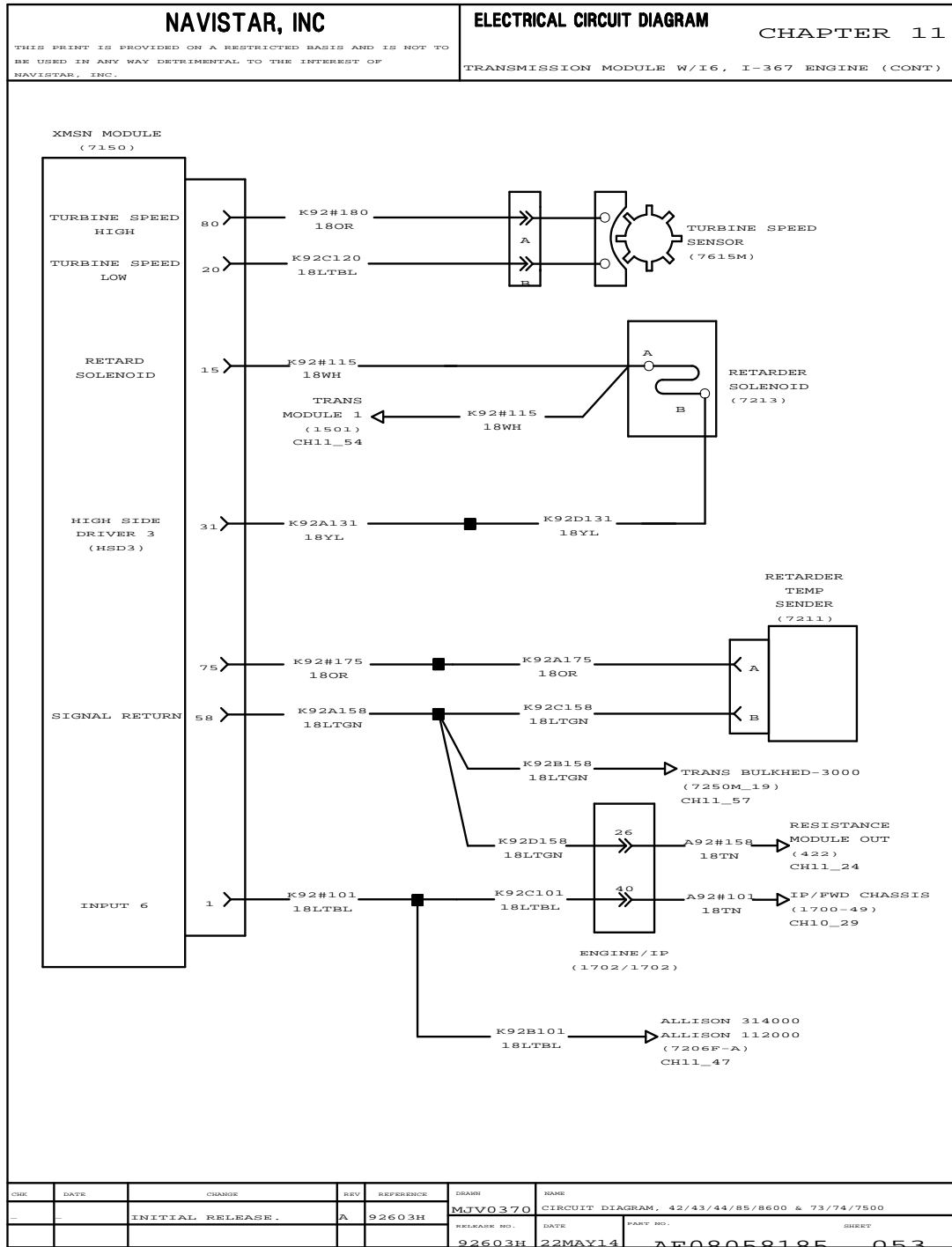


Figure 473 Transmission Module with I6, I-367 Engine (Cont.)

11.59. TRANSMISSION MODULE WITH I6, I-367 ENGINE (CONT.), P. 54

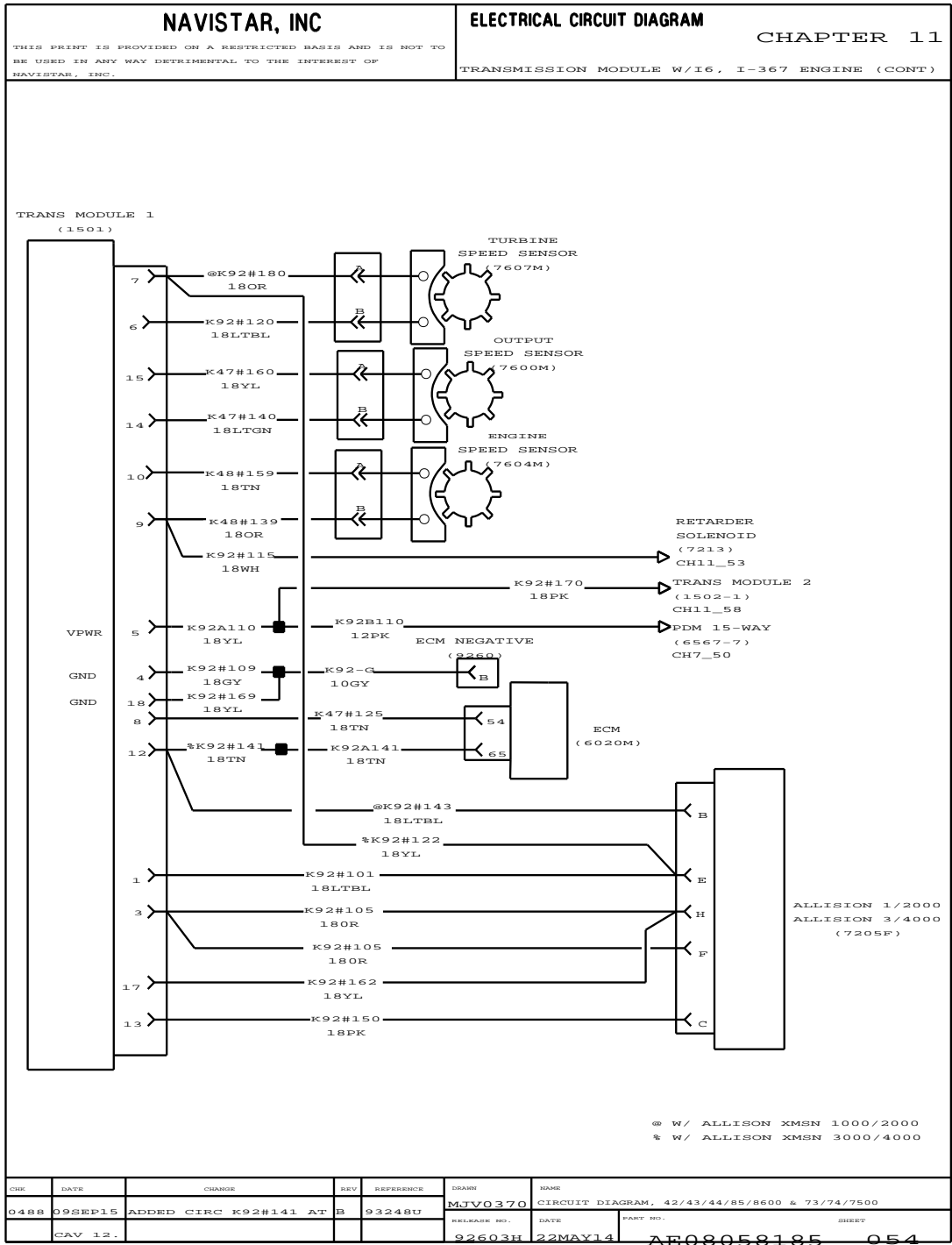


Figure 474 Transmission Module with I6, I-367 Engine (Cont.)

11.60. TRANSMISSION MODULE WITH I6, I-367 ENGINE (CONT.), P. 55

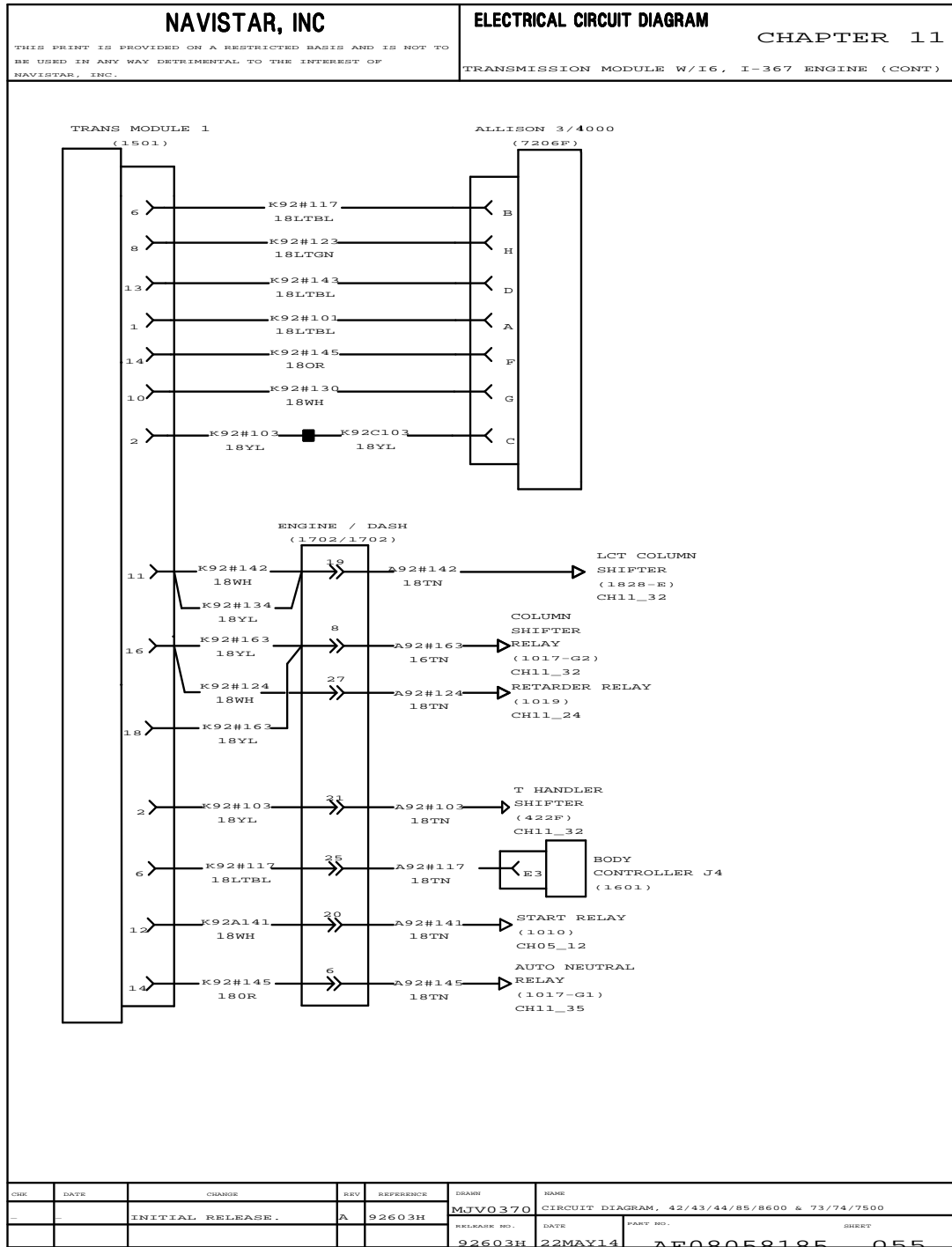


Figure 475 Transmission Module with I6, I-367 Engine (Cont.)

11.61. TRANSMISSION MODULE WITH I6, I-367 ENGINE (CONT.), P. 56

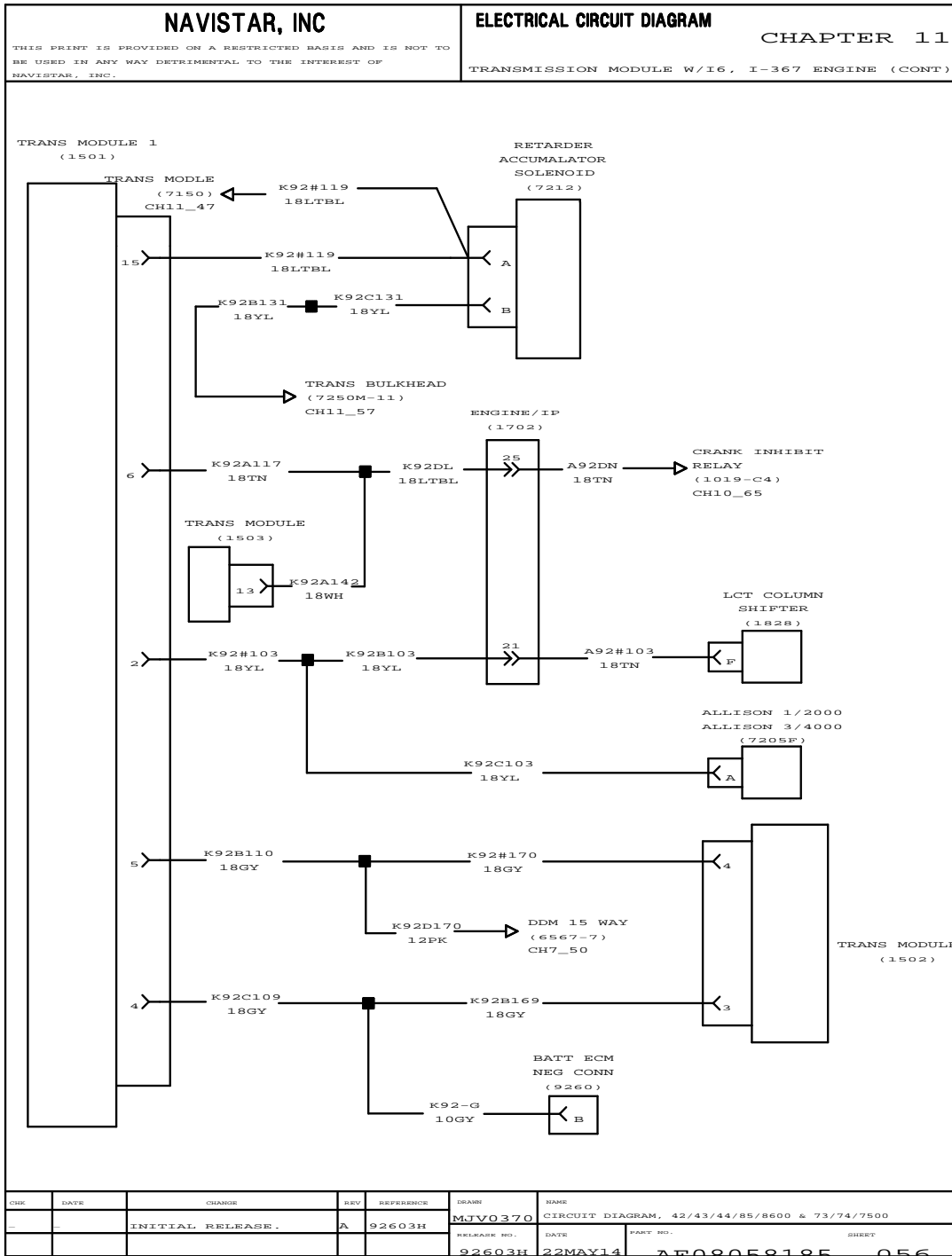


Figure 476 Transmission Module with I6, I-367 Engine (Cont.)

11.62. TRANSMISSION MODULE WITH I6, I-367 ENGINE (CONT.), P. 57

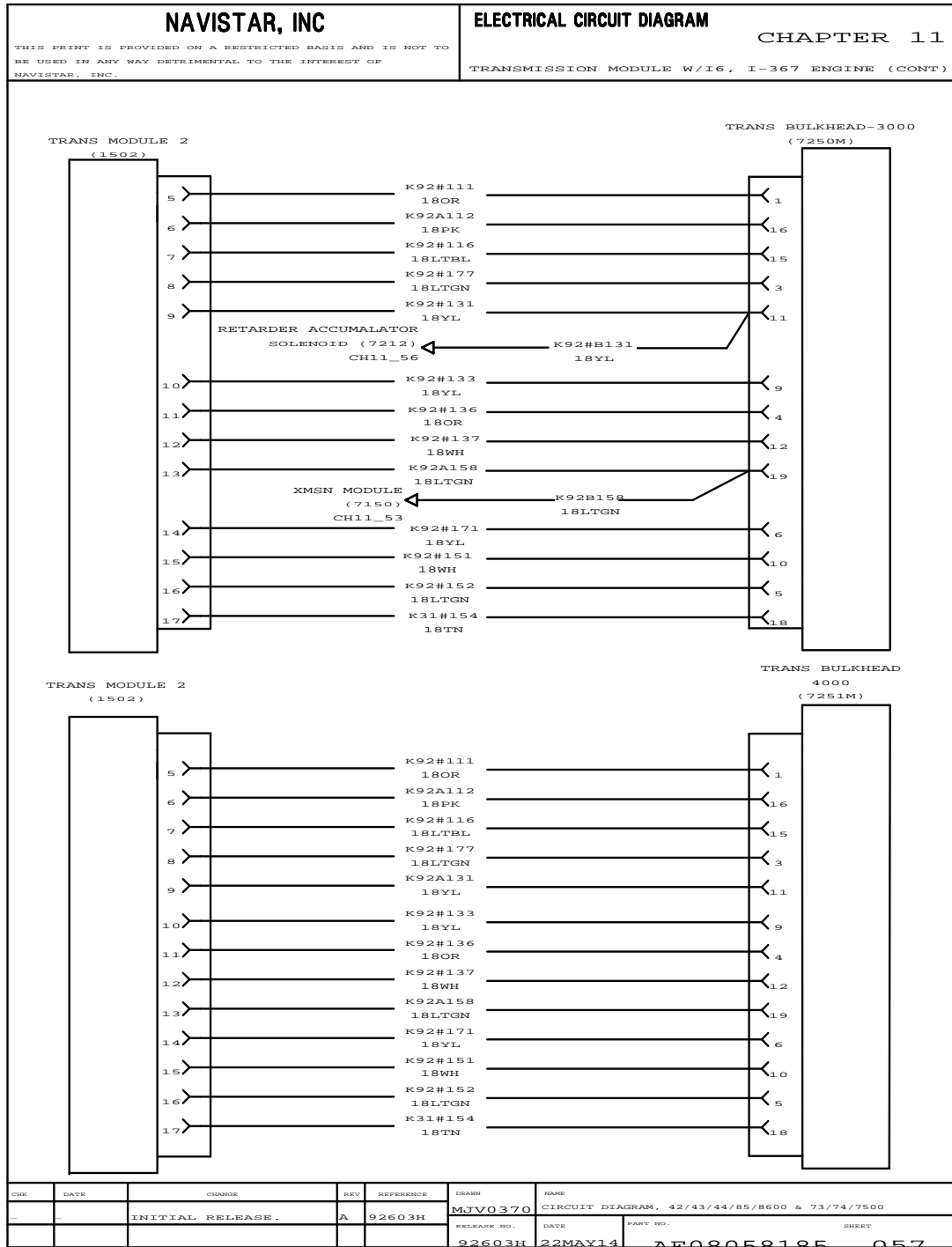


Figure 477 Transmission Module with I6, I-367 Engine (Cont.)

11.63. TRANSMISSION MODULE WITH I6, I-367 ENGINE (CONT.), P. 58

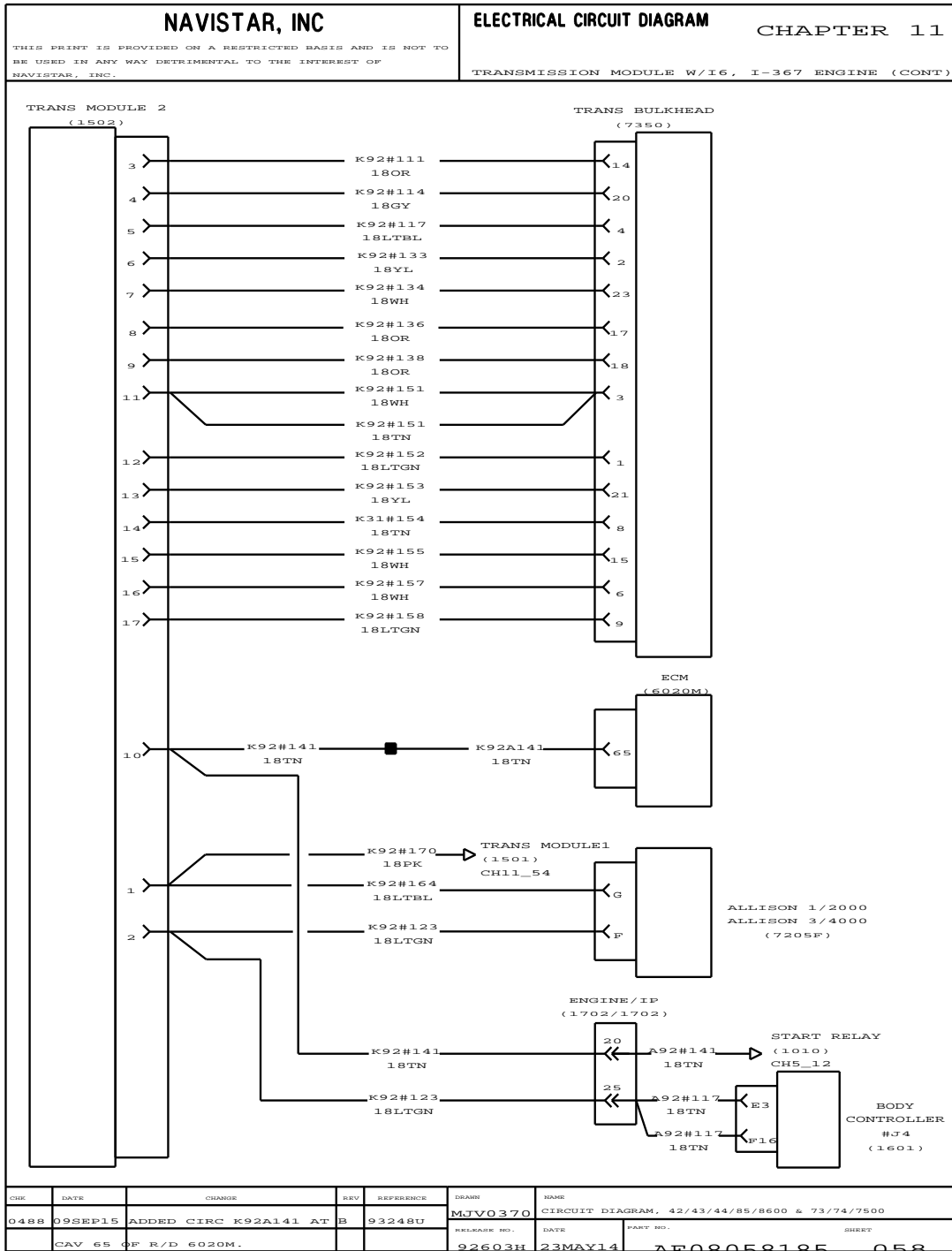


Figure 478 Transmission Module with I6, I-367 Engine (Cont.)

11.64. TRANSMISSION MODULE WITH I6, I-367 ENGINE (CONT.), P. 59

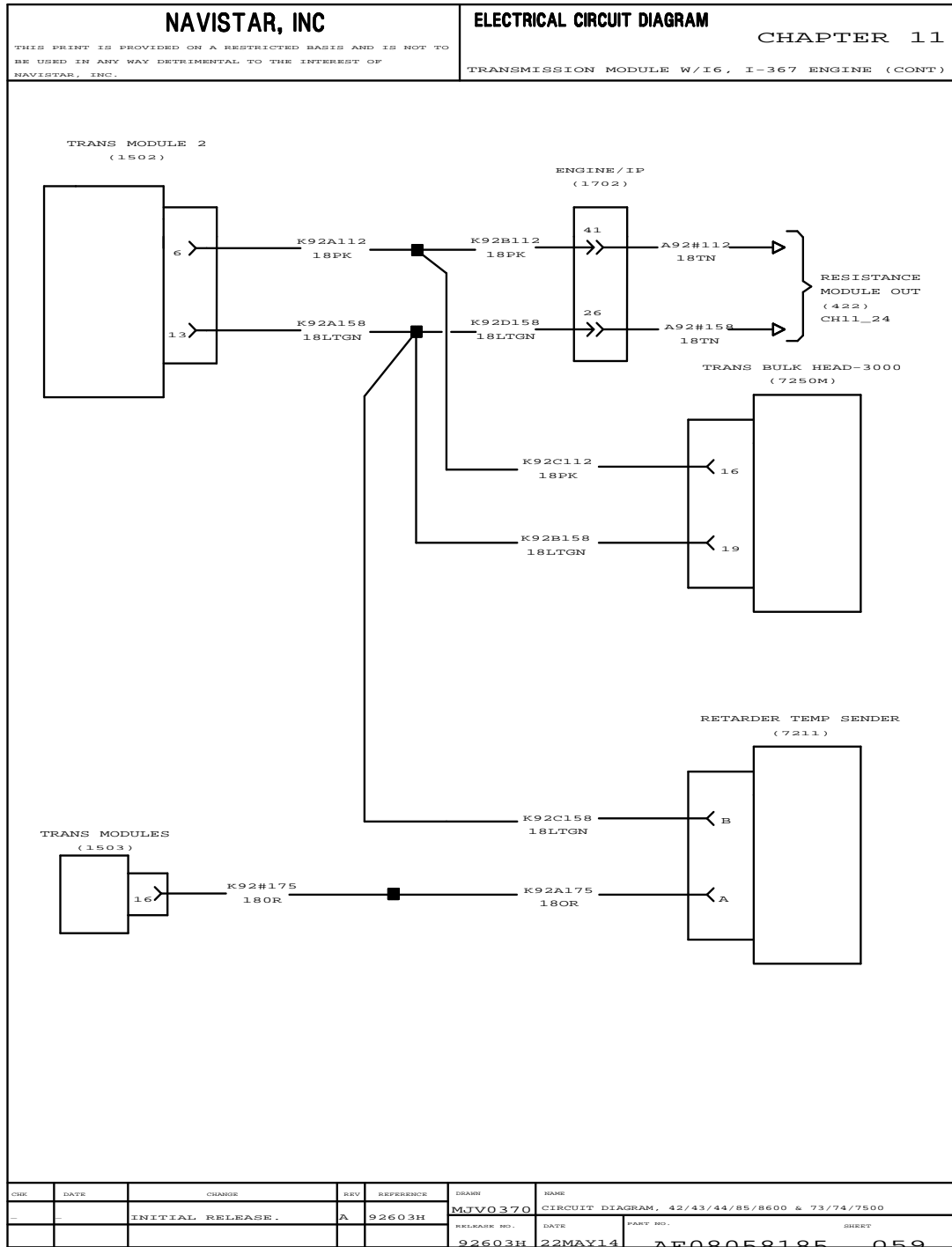


Figure 479 Transmission Module with I6, I-367 Engine (Cont.)

11.65. TRANSMISSION MODULE WITH I6, I-367 ENGINE (CONT.), P. 60

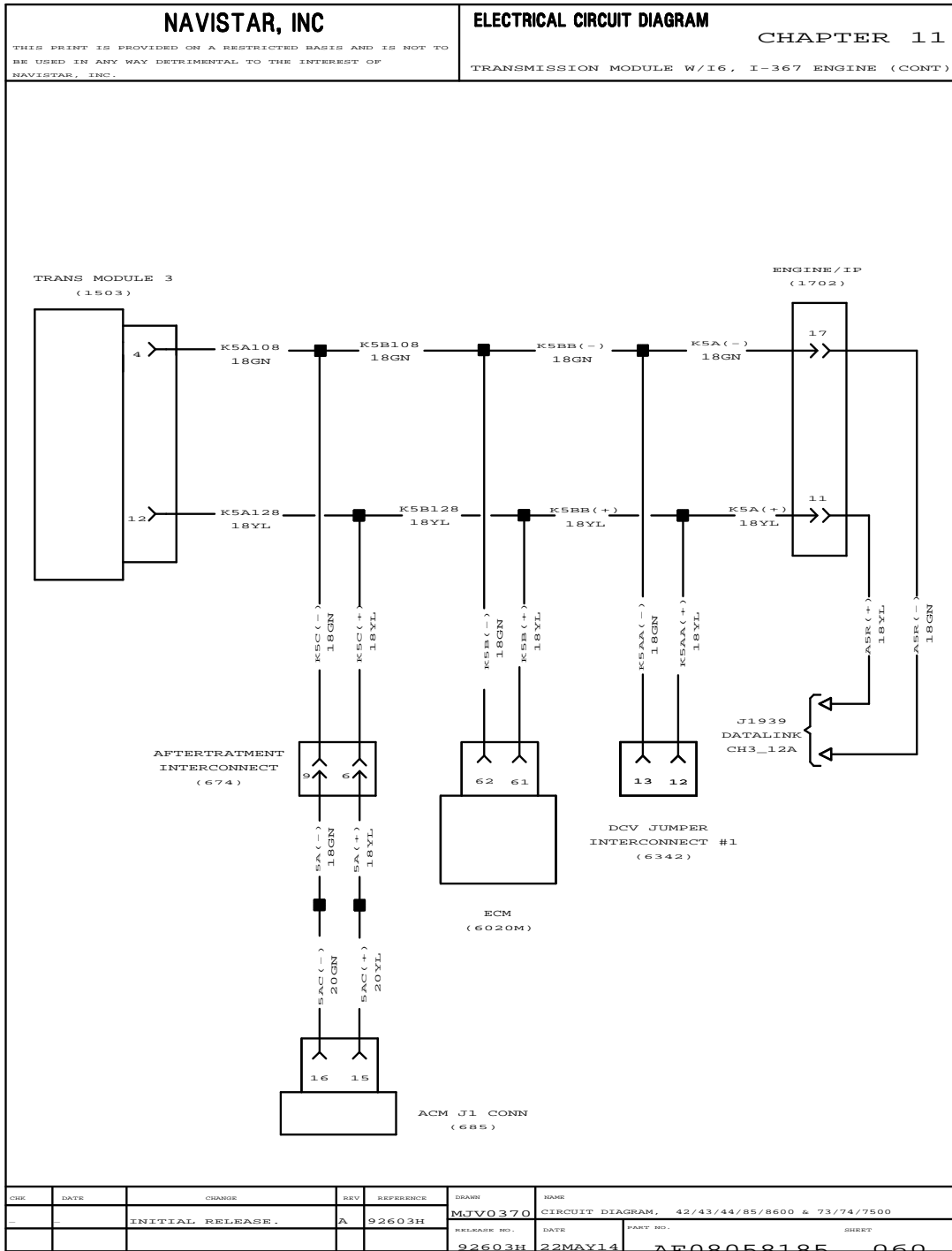


Figure 480 Transmission Module with I6, I-367 Engine (Cont.)

11.66. TRANSMISSION MODULE WITH I6, I-367 ENGINE (CONT.), P. 61

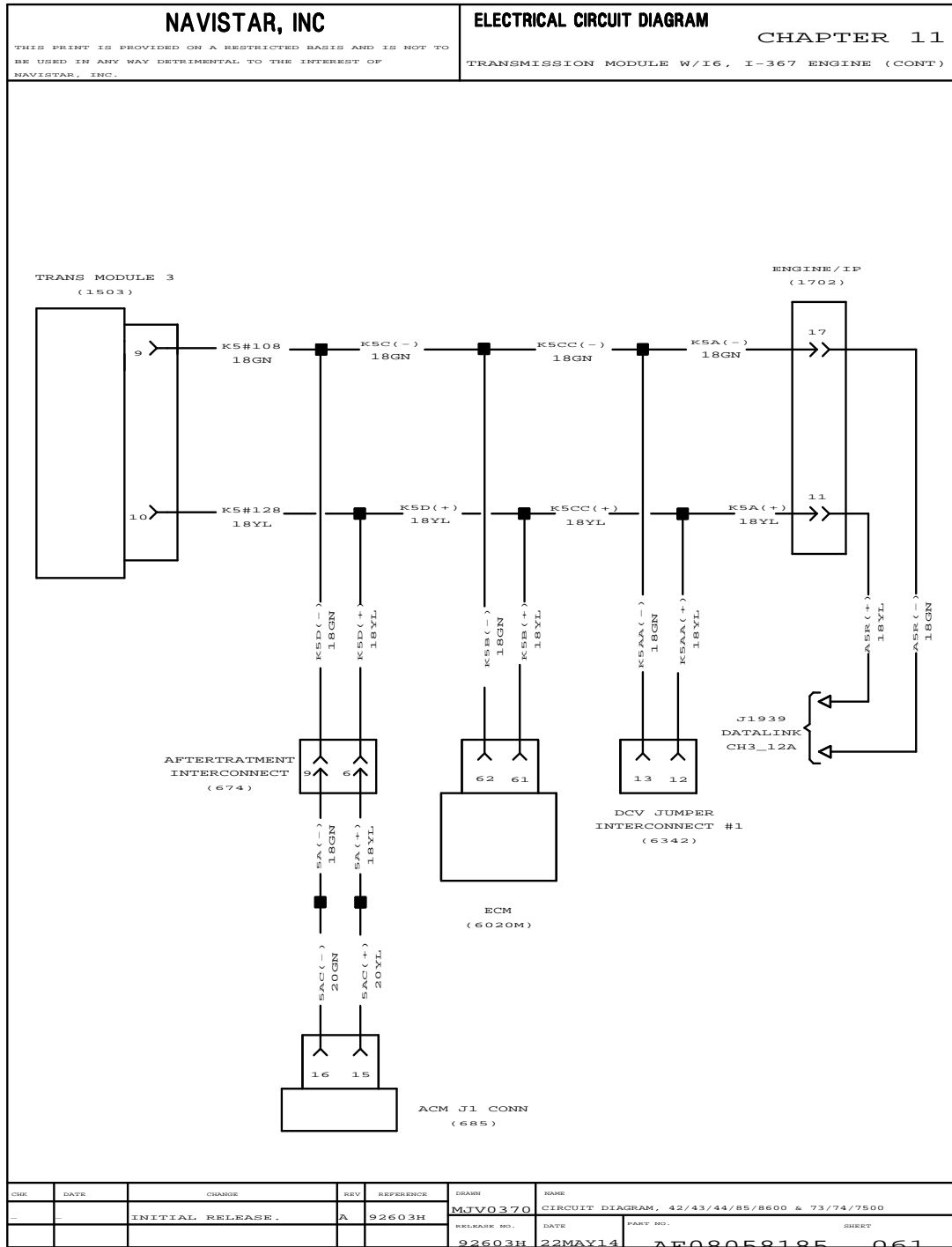


Figure 481 Transmission Module with I6, I-367 Engine (Cont.)

11.67. AAT / AMMETER / TWO WAY RADIO WITH ISB ENGINE, P. 62

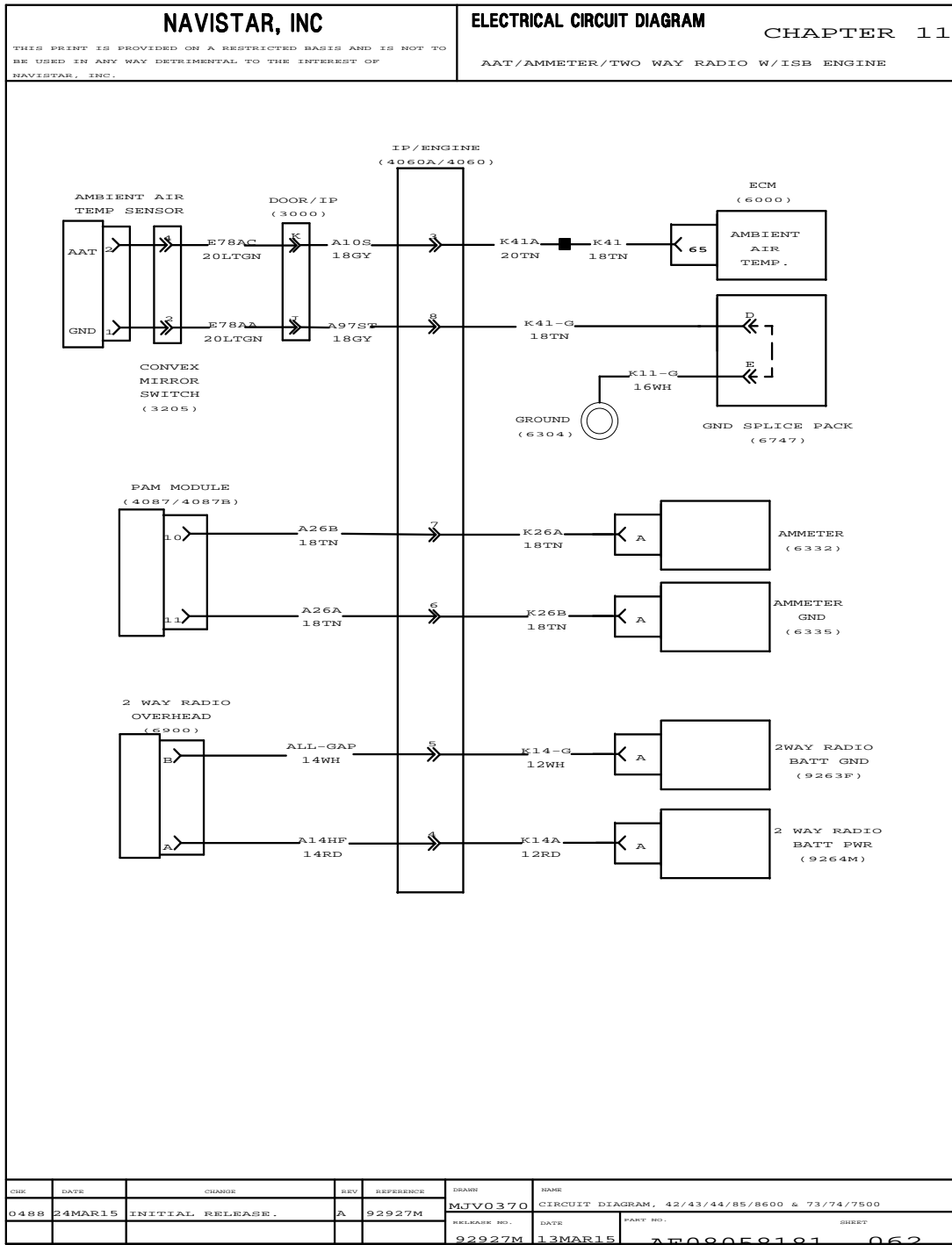


Figure 482 AAT / Ammeter / Two way Radio with ISB Engine

11.68. TRANSMISSION MODULE WITH I6, I-367 ENGINE (CONT.), P. 63

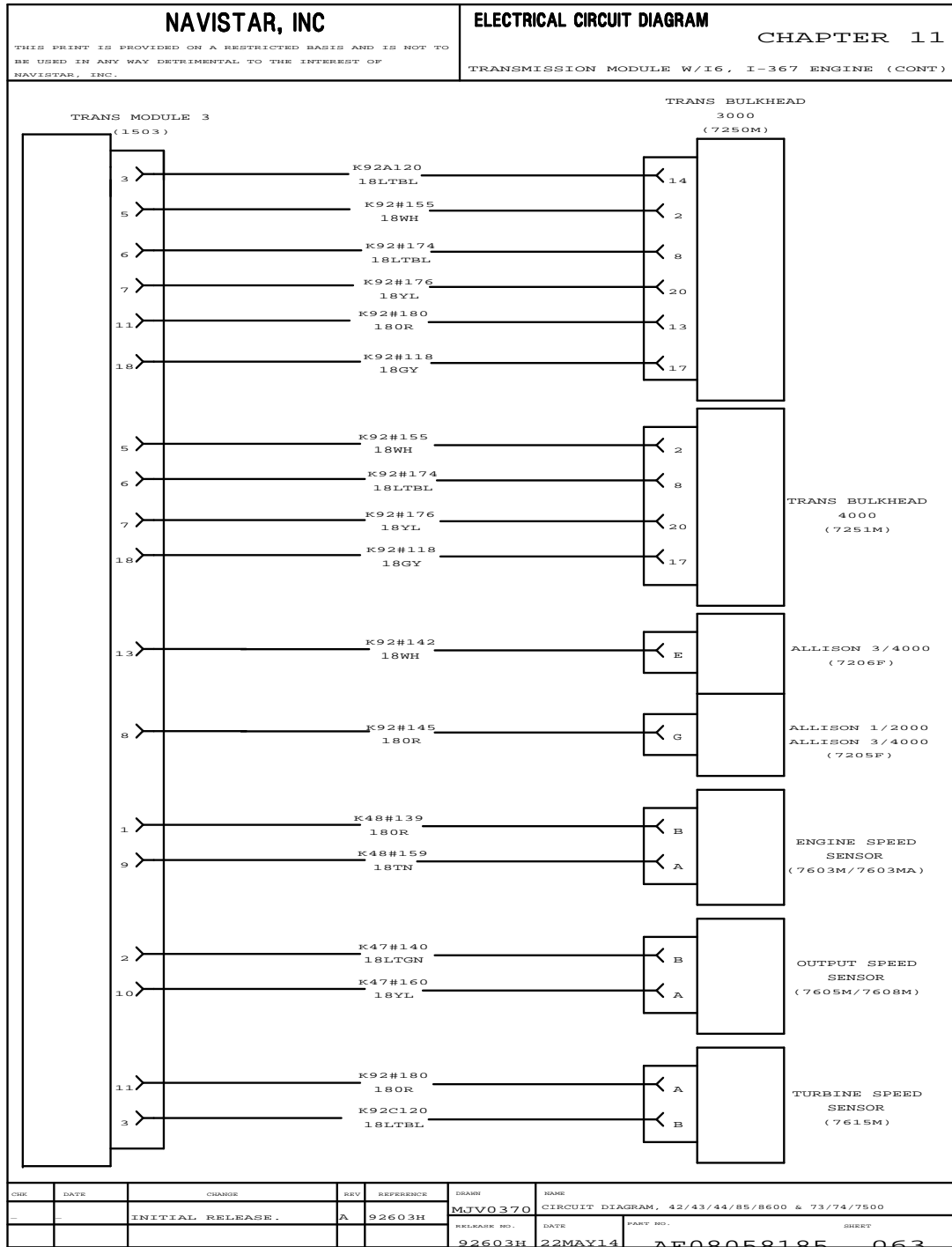


Figure 483 Transmission Module with I6, I-367 Engine (Cont.)

11.69. TRANSMISSION MODULE WITH I6, I-367 ENGINE (CONT.), P. 64

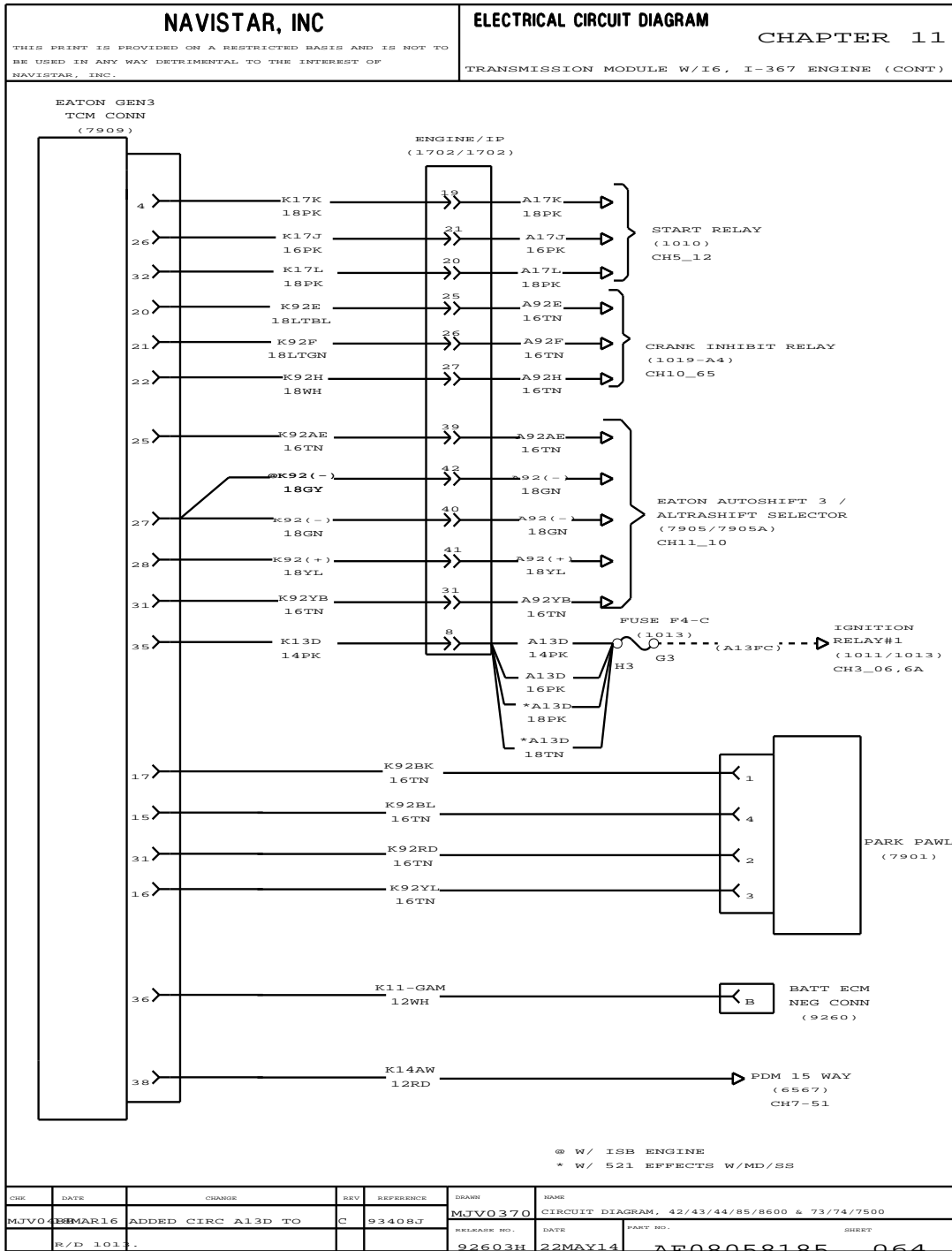


Figure 484 Transmission Module with I6, I-367 Engine (Cont.)

11.70. TRANSMISSION MODULE WITH I6, I-367 ENGINE (CONT.), P. 65

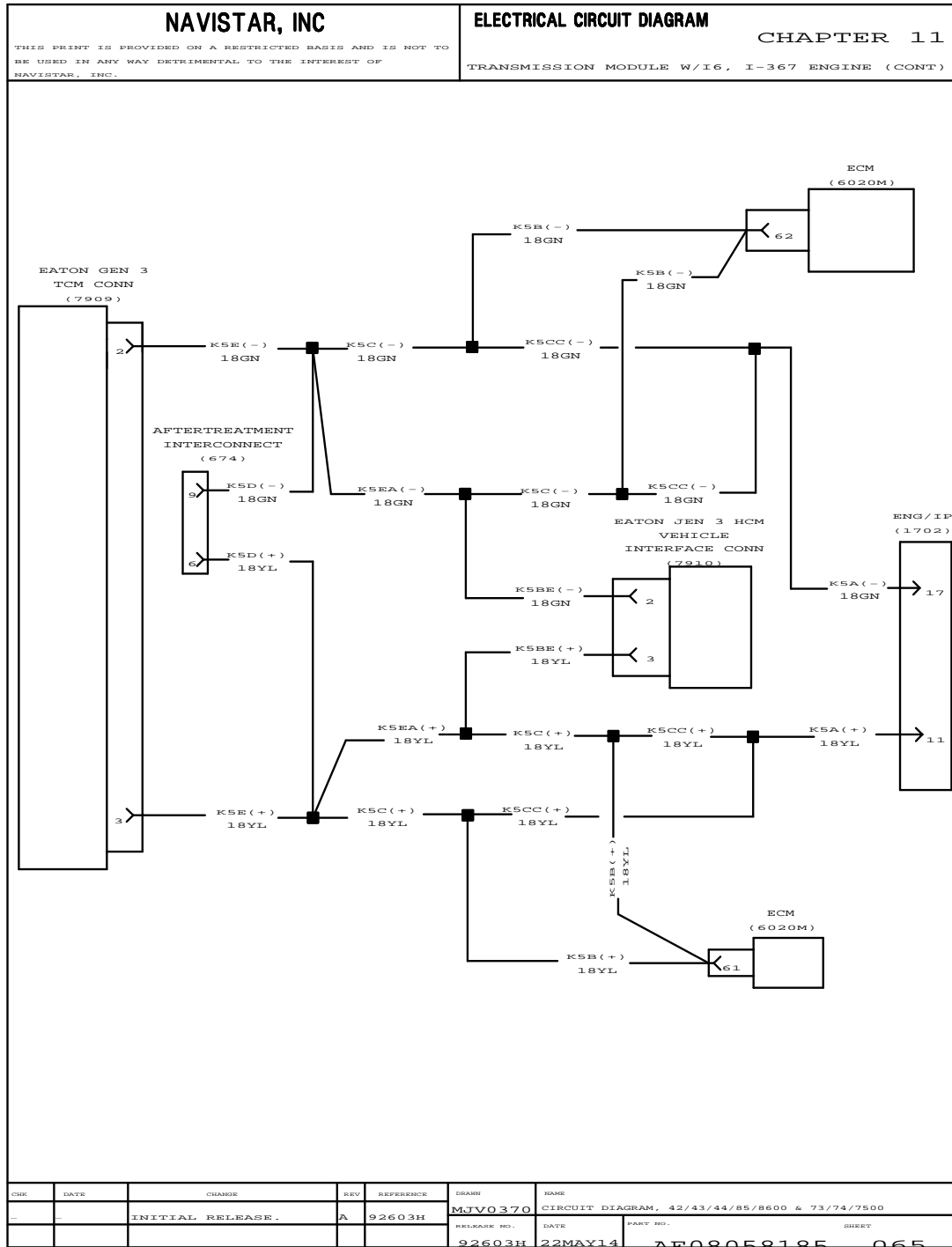


Figure 485 Transmission Module with I6, I-367 Engine (Cont.)

11.71. TRANSMISSION MODULE WITH I6, I-367 ENGINE (CONT.), P. 66

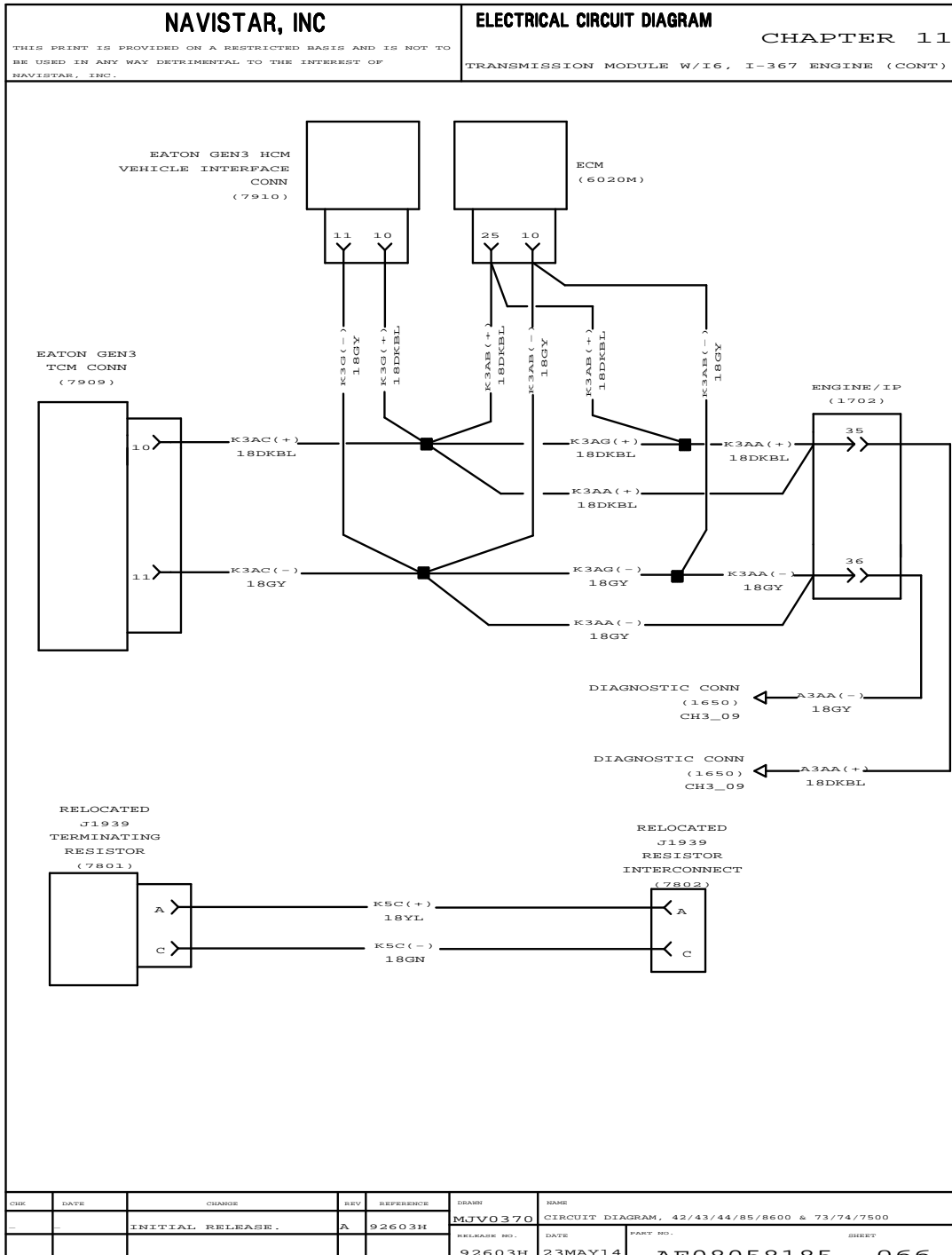


Figure 486 Transmission Module with I6, I-367 Engine (Cont.)

11.72. INTENTIONALLY LEFT BLANK, P. 67

NAVISTAR, INC				ELECTRICAL CIRCUIT DIAGRAM				CHAPTER 11			
THIS PRINT IS PROVIDED ON A RESTRICTED BASIS AND IS NOT TO BE USED IN ANY WAY DETRIMENTAL TO THE INTEREST OF NAVISTAR, INC.								INTENTIONALLY LEFT BLANK			
INTENTIONALLY LEFT BLANK											
CHK	DATE	CHANGE	REV	REFERENCE	DRAWN	NAME					
0488	24MAR15	REMOVED GEOMETRY.	B	92927M	MJVO370	CIRCUIT DIAGRAM, 42/43/44/85/8600 & 73/74/7500					
					RELEASE NO.	DATE	PART NO.	SHEET			
					92603H	22MAY14	AE08058185	067			

Figure 487 Intentionally Left Blank

11.73. J1939 DATA LINK WIRING WITH I6, I-367 ENGINE, P. 68

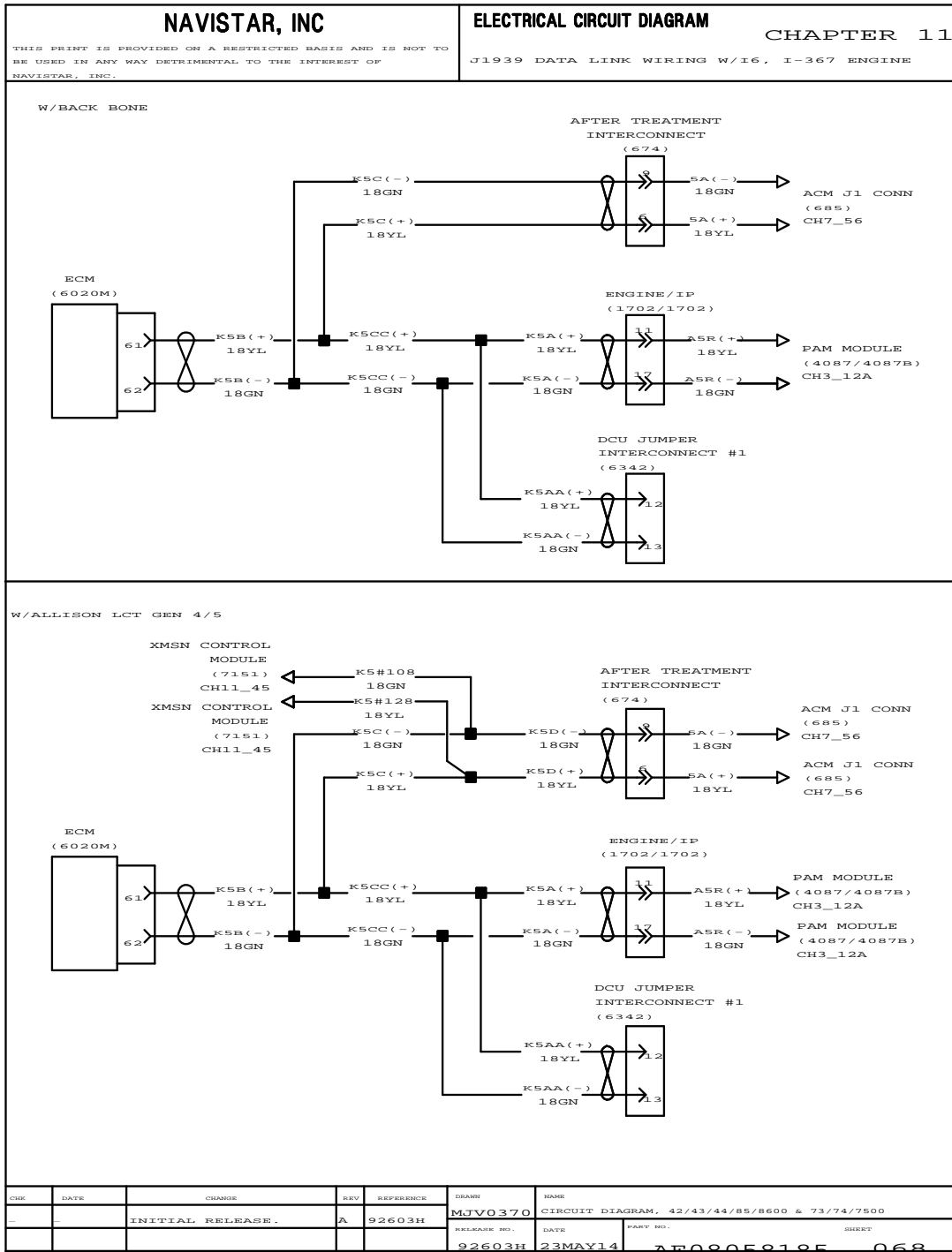


Figure 488 J1939 Data Link Wiring with I6, I-367 Engine

11.74. EATON GEN 3 HCM VEHICLE INTERFACE CONNECTION WITH I6, I-367 ENGINE, P. 69

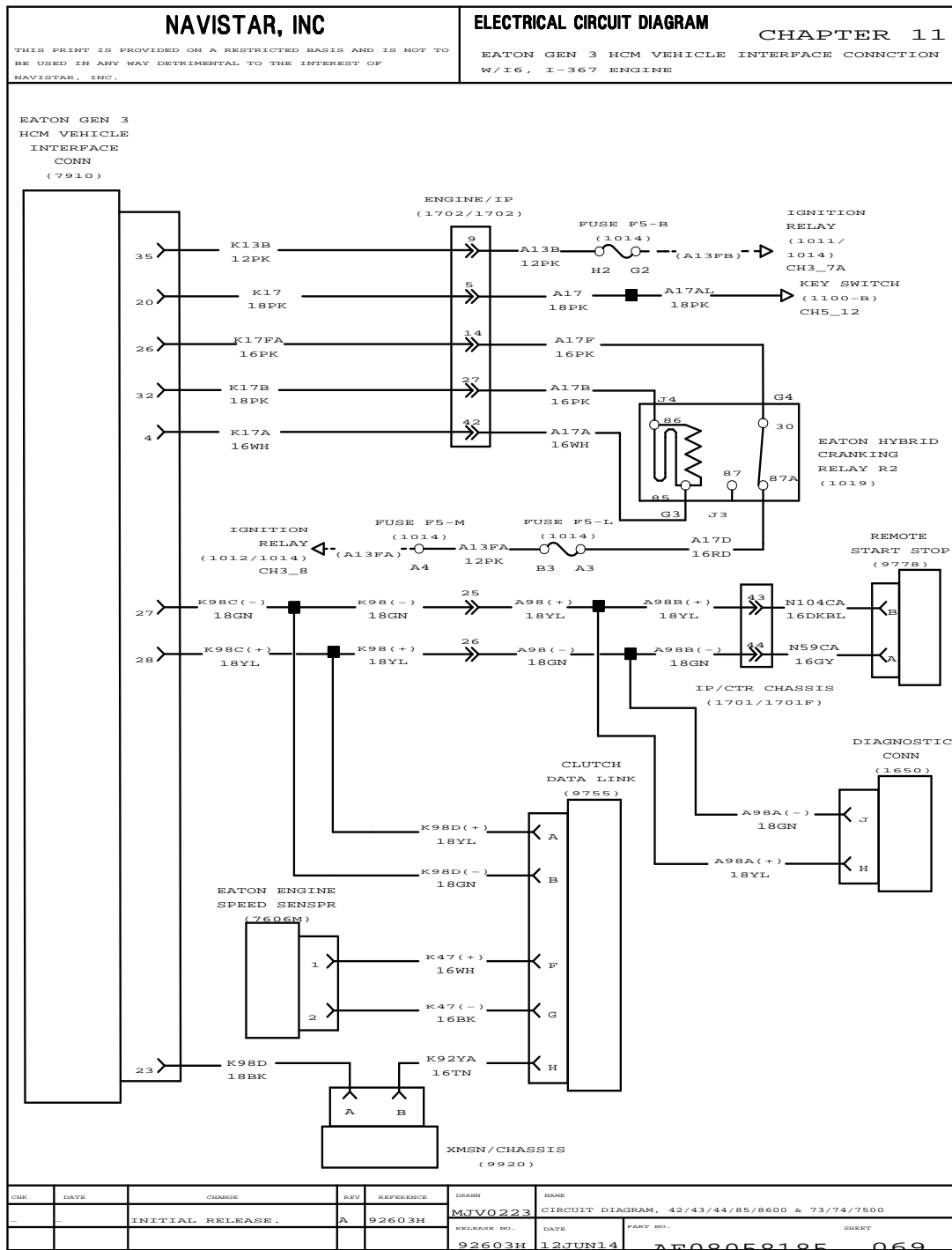


Figure 489 Eaton Gen 3 HCM Vehicle Interface Connection with I6, I-367 Engine

11.75. ALLISON TRANSMISSION (2013 CUMMINS ISB), P. 70

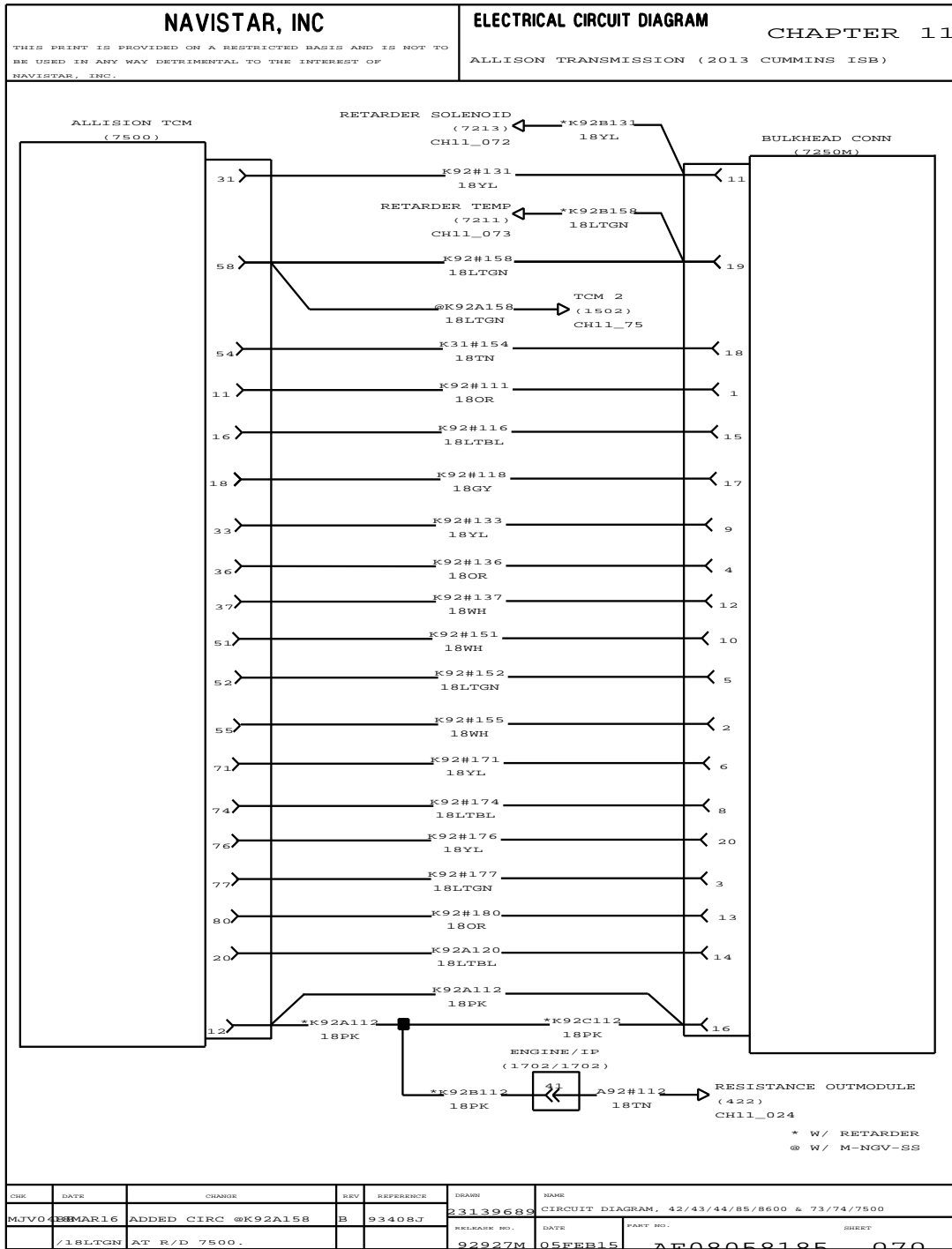


Figure 490 Allison Transmission (2013 Cummins ISB)

11.76. ALLISON TRANSMISSION (2013 CUMMINS ISB) WITH BODY BUILDER CONNECTOR, P. 71

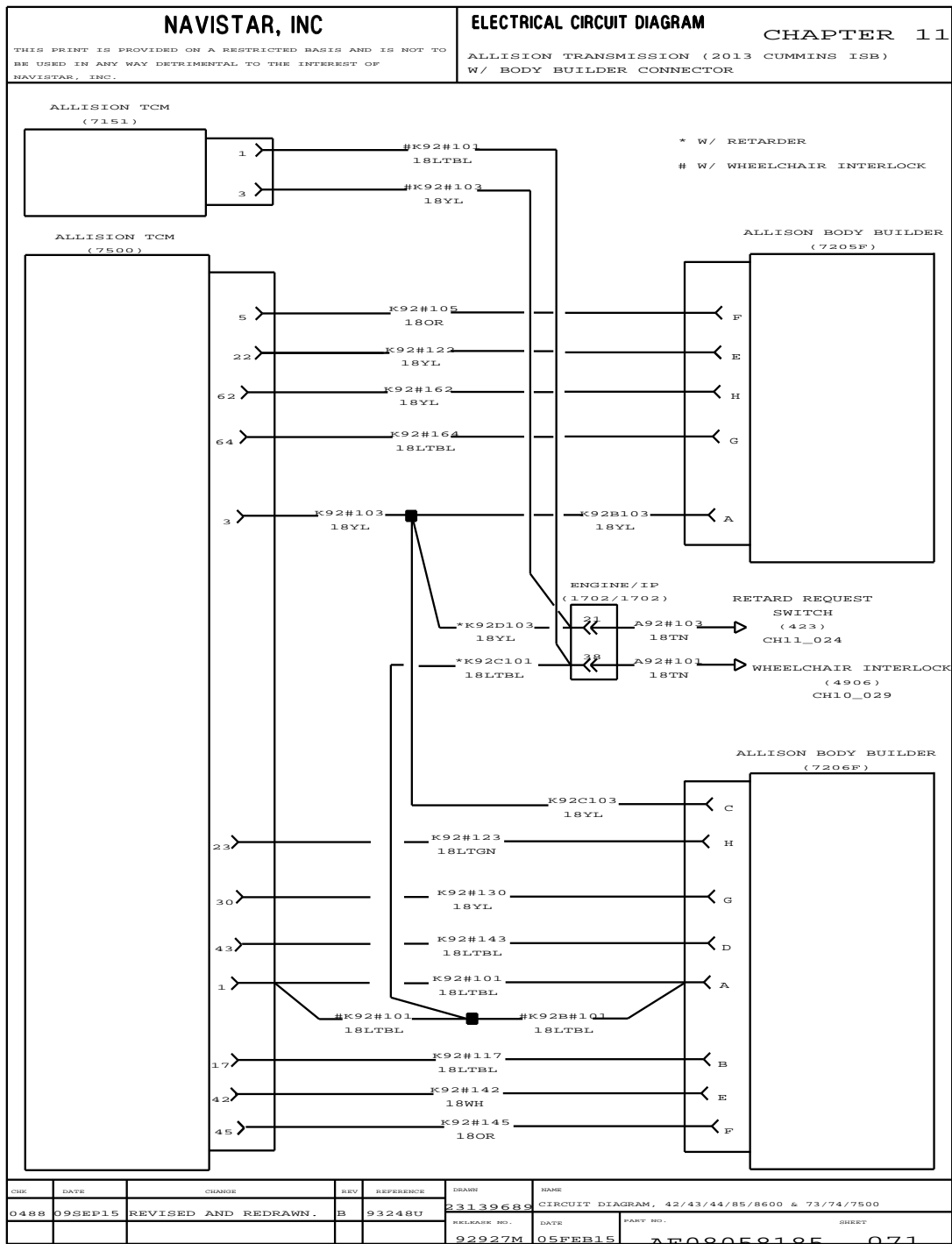


Figure 491 Allison Transmission (2013 Cummins ISB) with Body Builder Connector

11.77. ALLISON TRANSMISSION (2013 CUMMINS ISB MD) (CONT.), P. 72

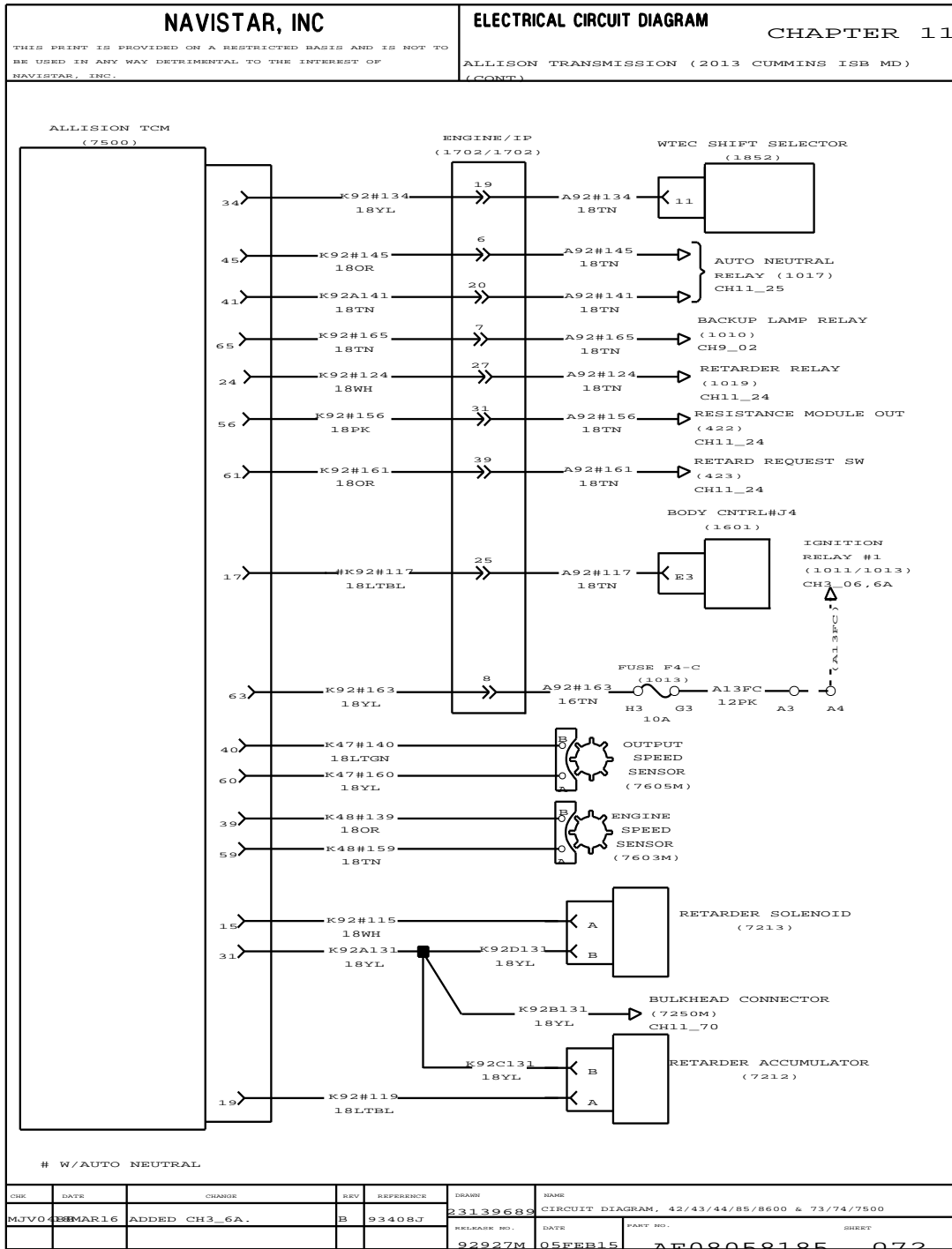


Figure 492 Allison Transmission (2013 Cummins ISB MD) (Cont.),

11.78. ALLISON TRANSMISSION (2013 CUMMINS ISB MD) (CONT.), P. 73

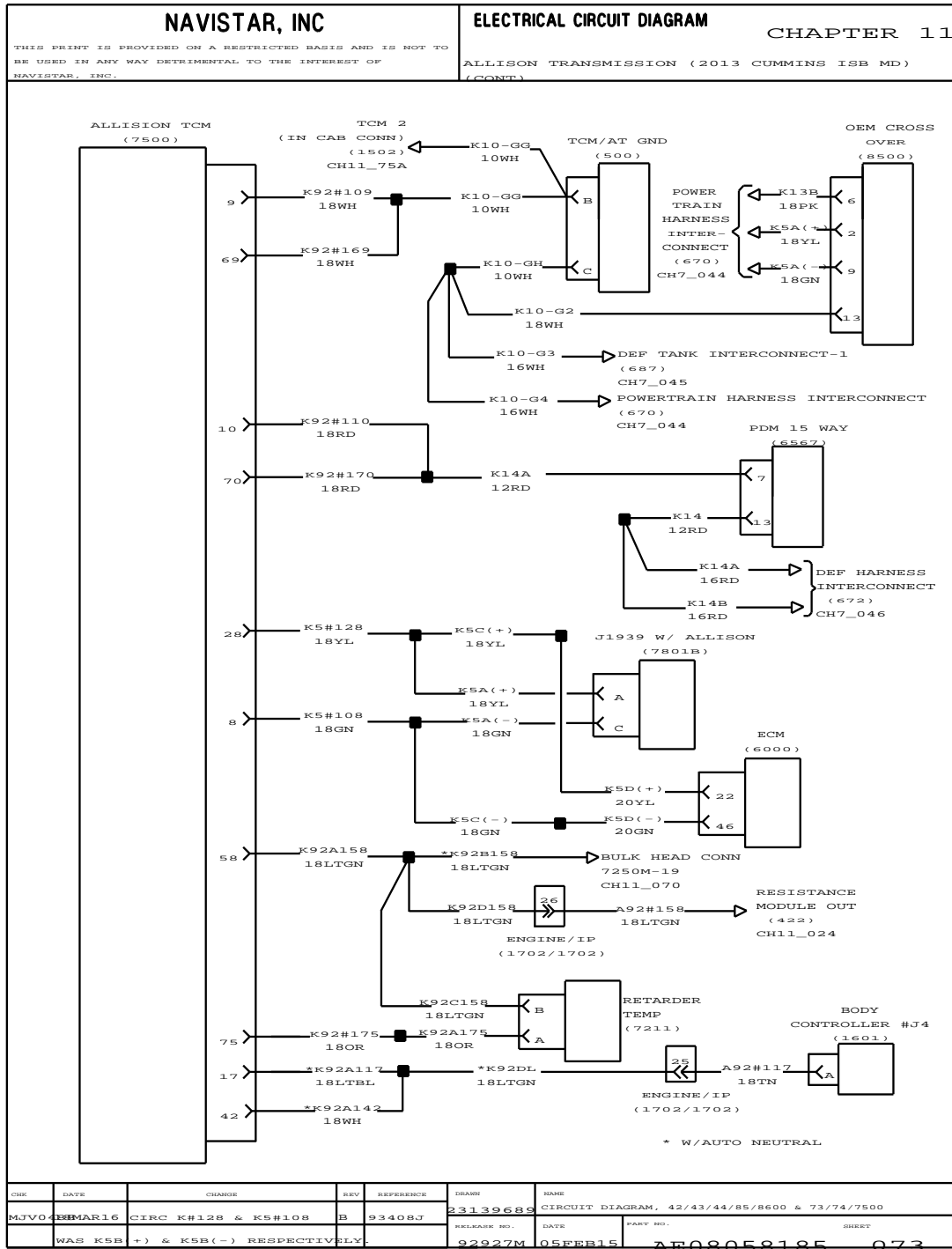


Figure 493 Allison Transmission (2013 Cummins ISB MD) (Cont.)

11.79. ALLISON TRANSMISSION WITH GEN5 IN CAB WITH ISB ENGINE, P. 74

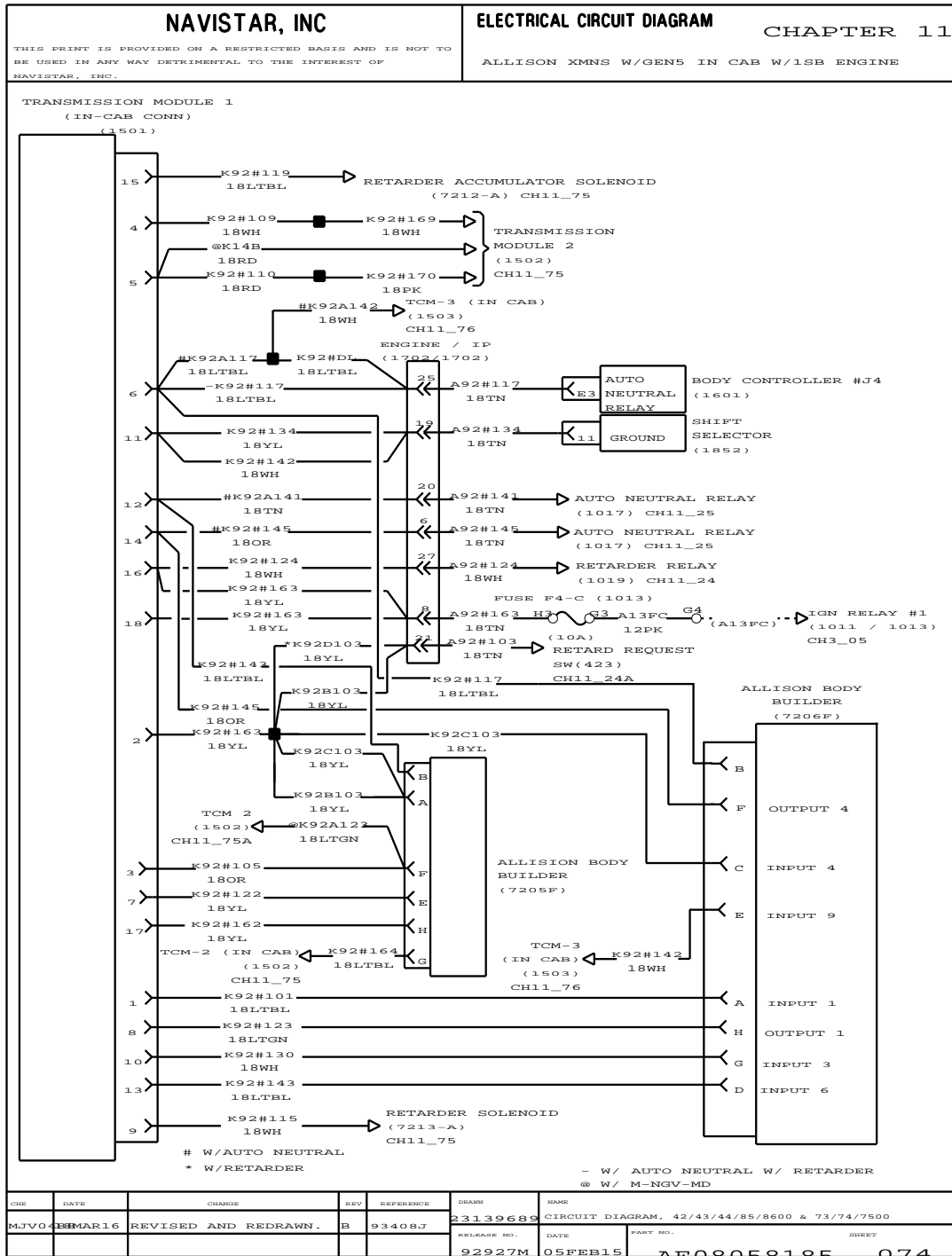


Figure 494 Allison Transmission with GEN5 in Cab with ISB Engine

11.80. ALLISON TRANSMISSION WITH GEN5 WITH CUMMINS ISB ENGINE WITH M NGV MD, P. 74A

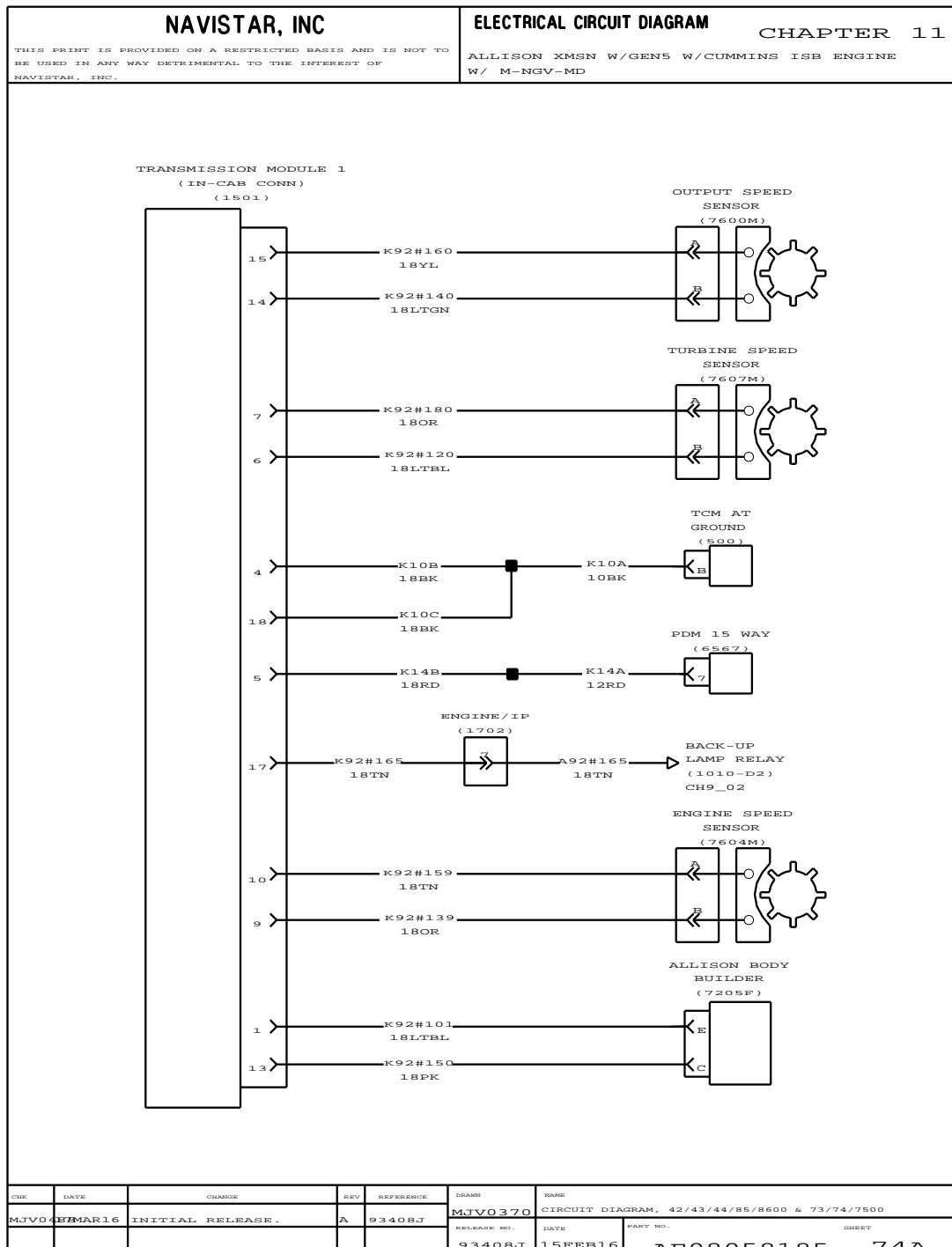


Figure 495 Allison Transmission with GEN5 in Cab with ISB Engine

11.81. ALLISON TRANSMISSION WITH GEN5 IN CAB WITH ISB ENGINE (CONT.), P. 75

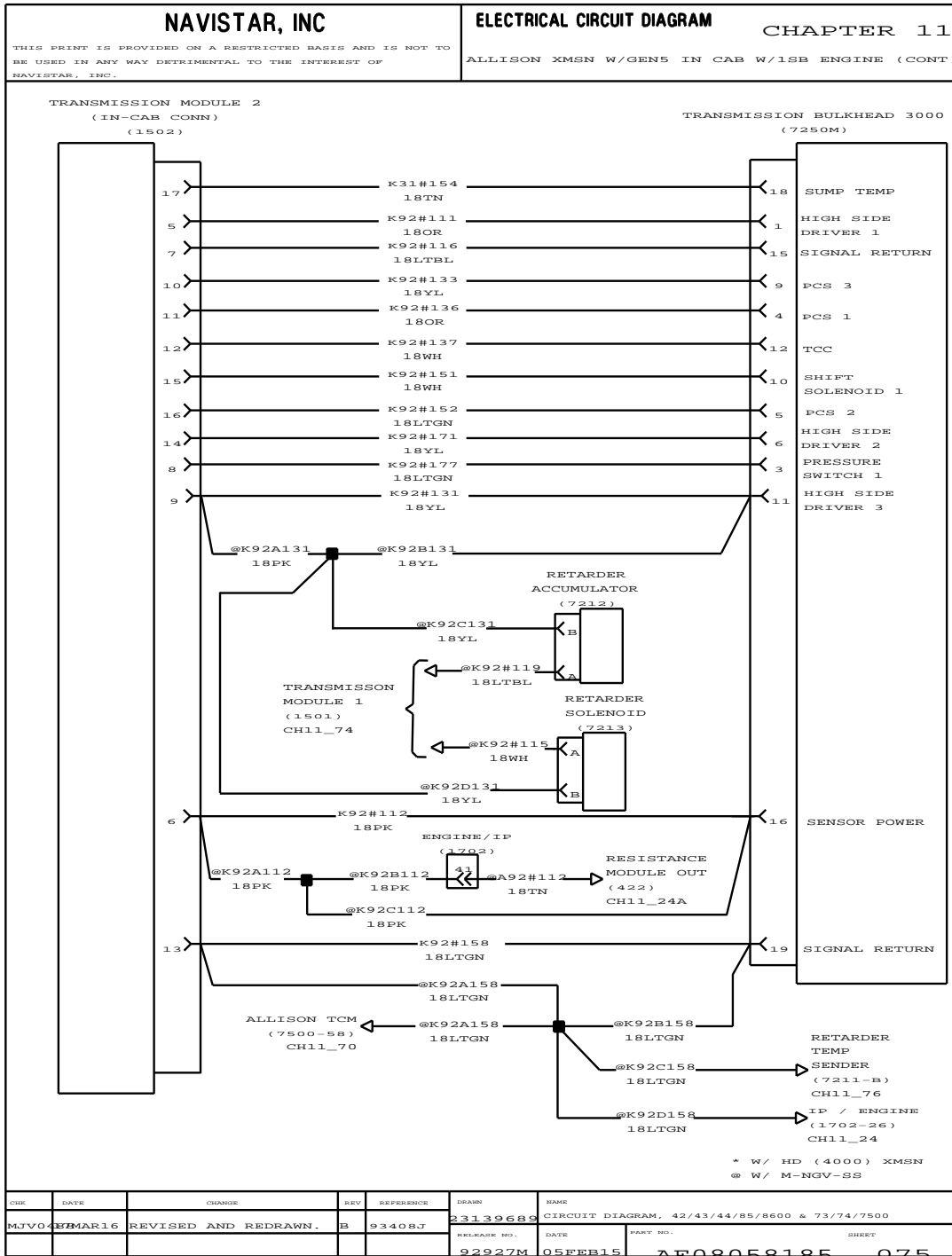


Figure 496 Allison Transmission with GEN5 in Cab with ISB Engine (Cont.)

11.82. ALLISON TRANSMISSION WITH GEN5 IN CAB WITH ISB ENGINE (CONT.), P. 75A

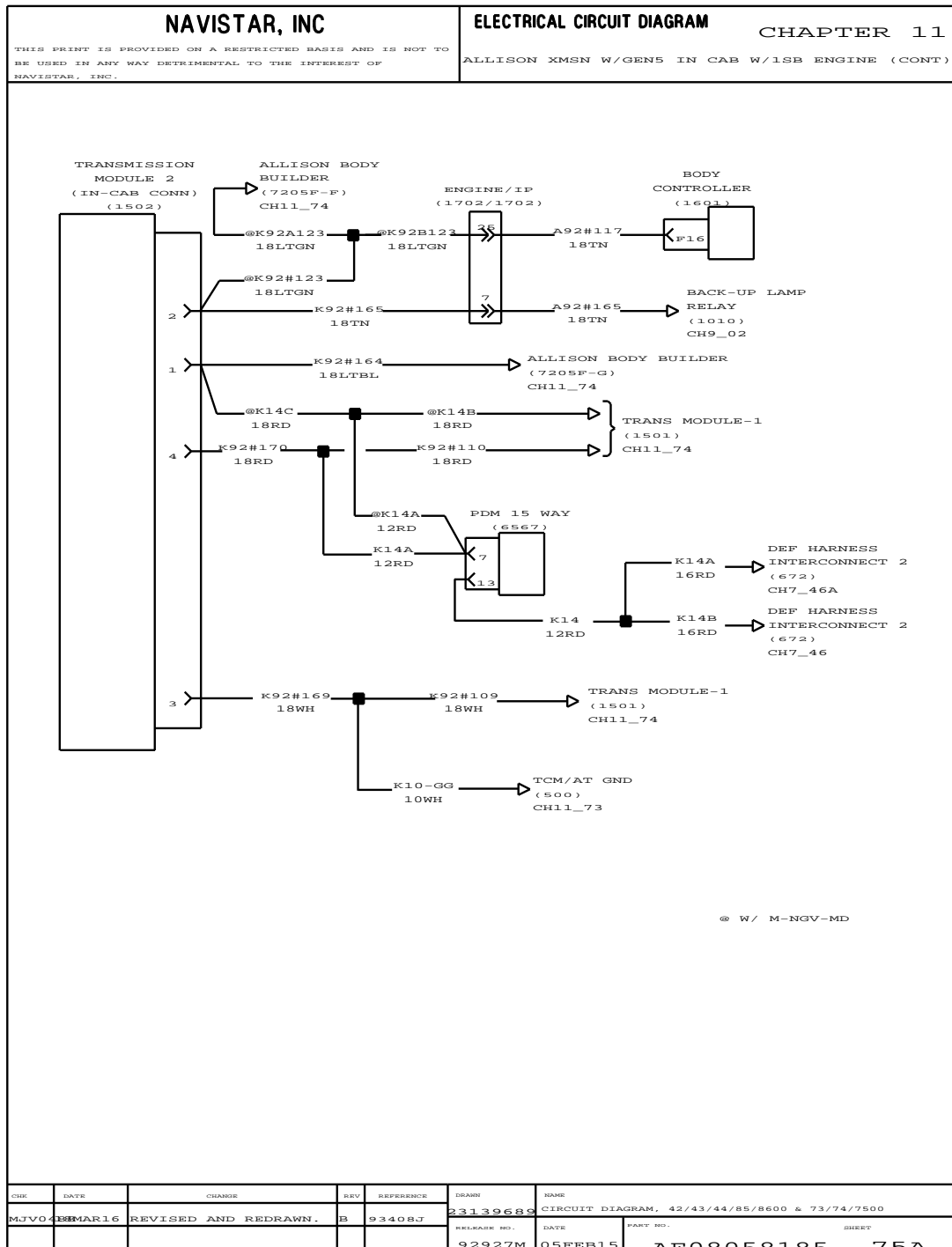


Figure 497 Allison Transmission with GEN5 in Cab with ISB Engine (Cont.)

11.83. ALLISON TRANSMISSION WITH GEN5 WITH CUMMINS ISB ENGINE WITH M NGV MD, P. 75B

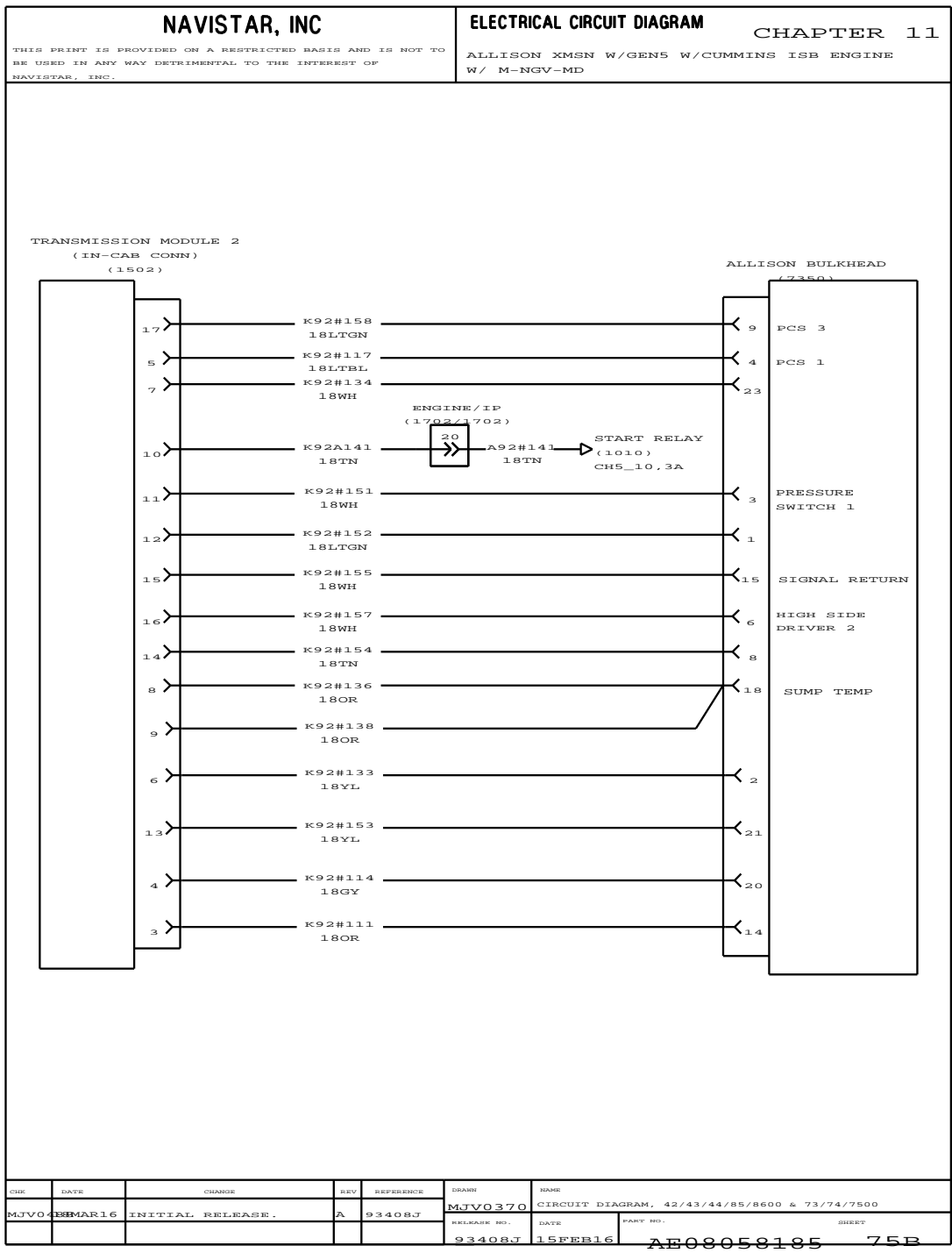


Figure 498 Allison Transmission with Cummins ISB Engine with M NGV MD

11.84. ALLISON TRANSMISSION WITH GEN5 IN CAB WITH ISB ENGINE (CONT.), P. 76

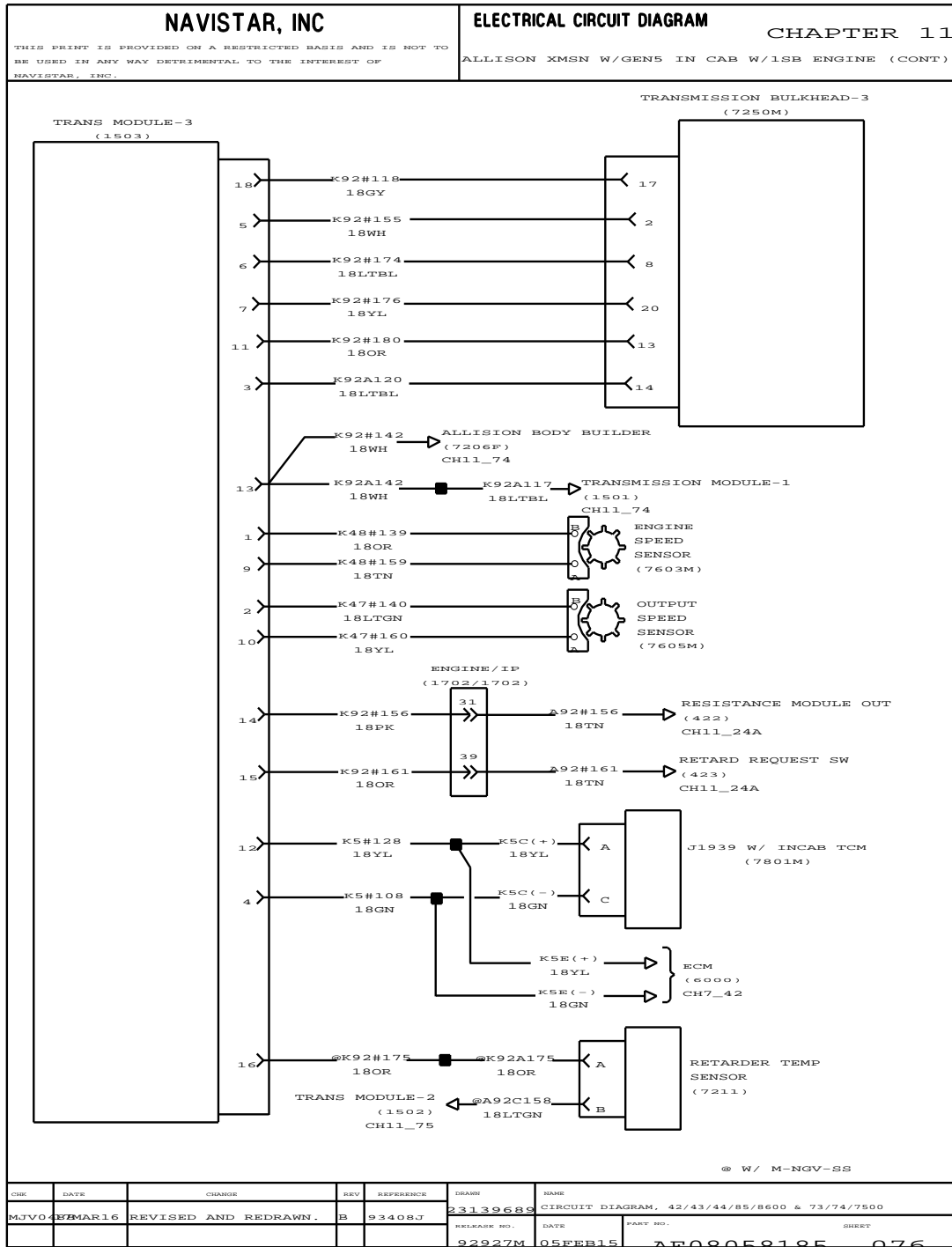


Figure 499 Allison Transmission with GEN5 in Cab with ISB Engine (Cont.)

11.85. ALLISON TRANSMISSION WITH GEN5 WITH CUMMINS ISB ENGINE WITH M NGV MD, P. 76A

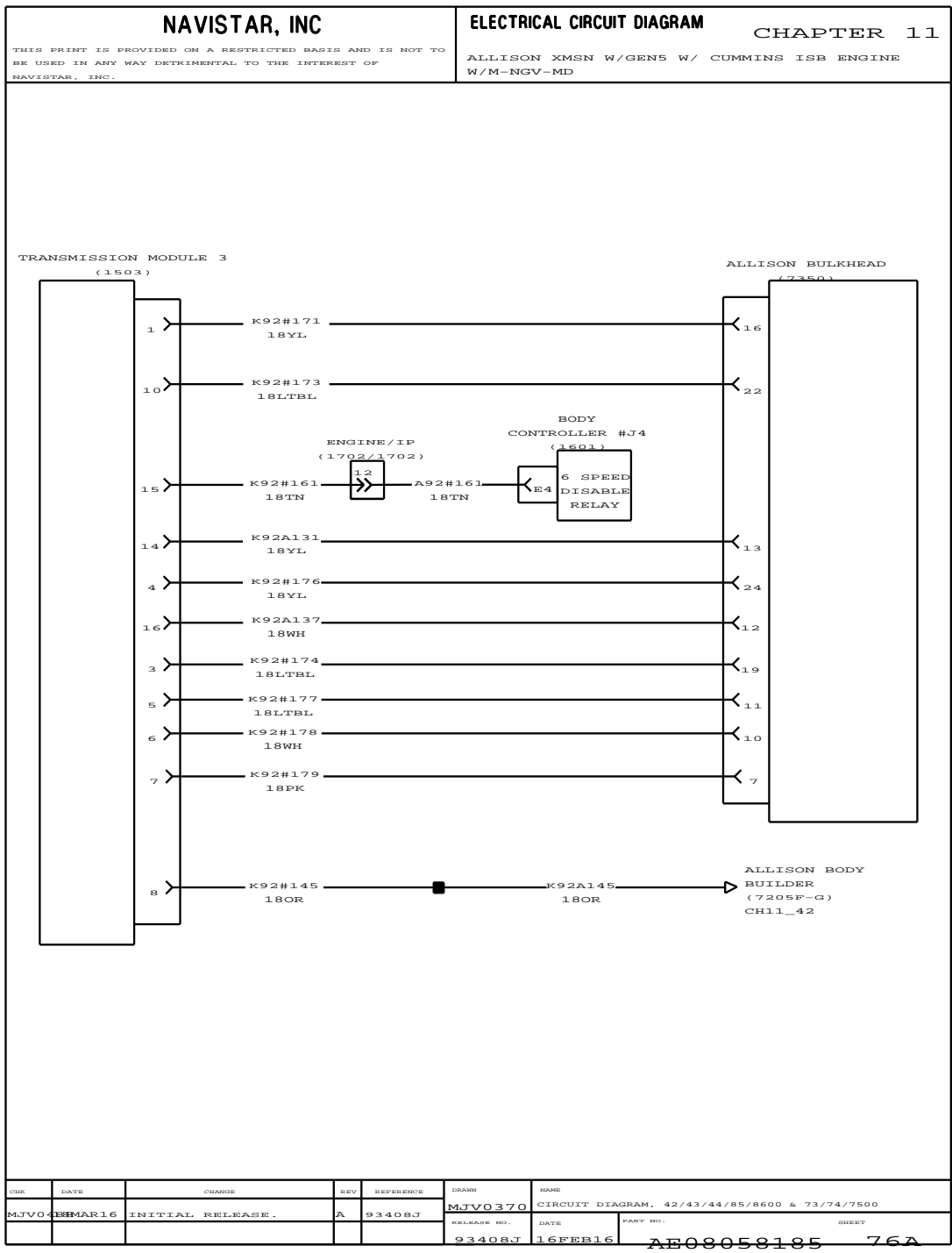


Figure 500 Allison Transmission with Cummins ISB Engine with M NGV MD

11.86. ULTRASHIFT TRANSMISSION WITH ISB ENGINE, P. 77

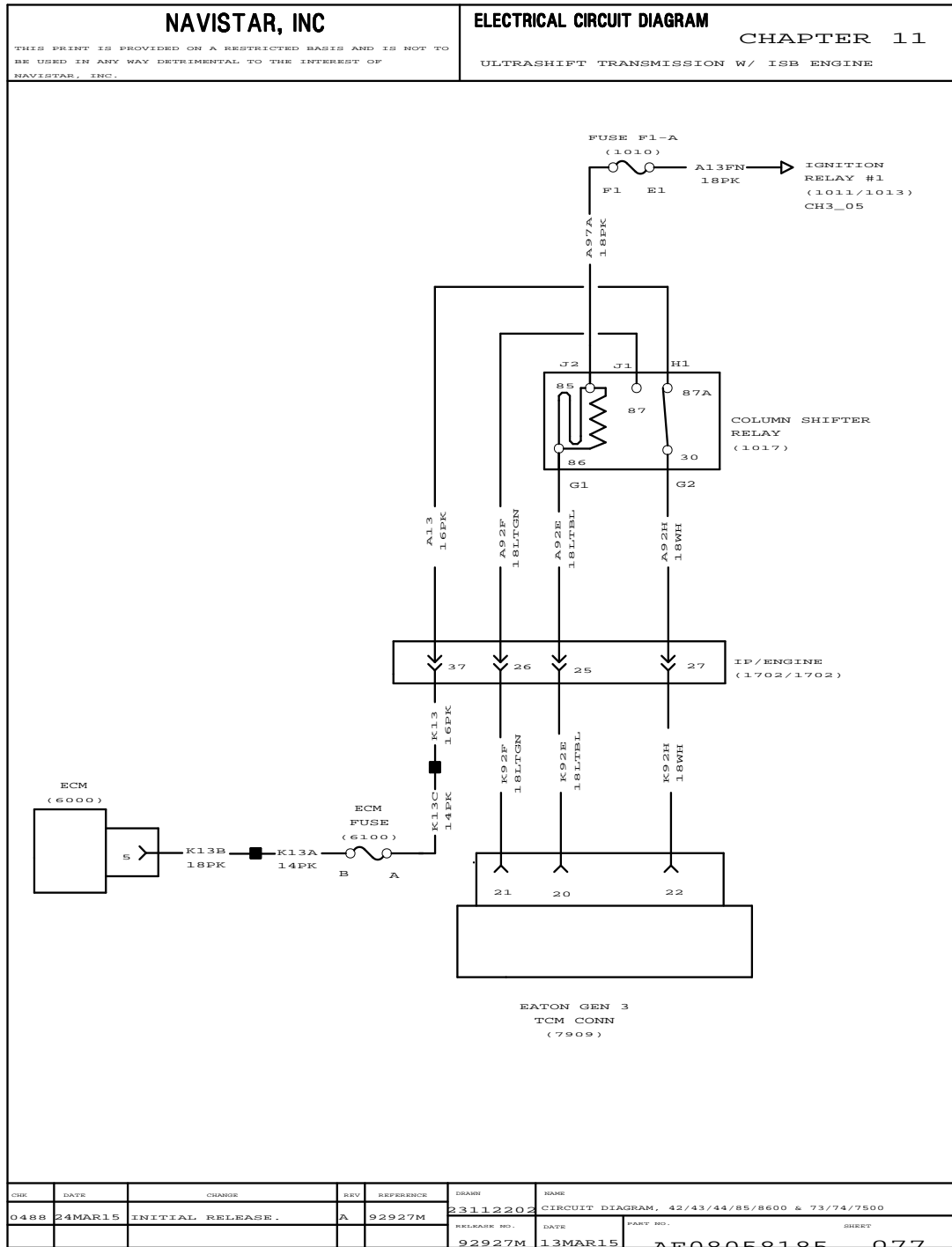


Figure 501 Ultrashift Transmission with ISB Engine

11.87. J1939 250K / 500K EATON PROCISSION TRANSMISSION, P. 78

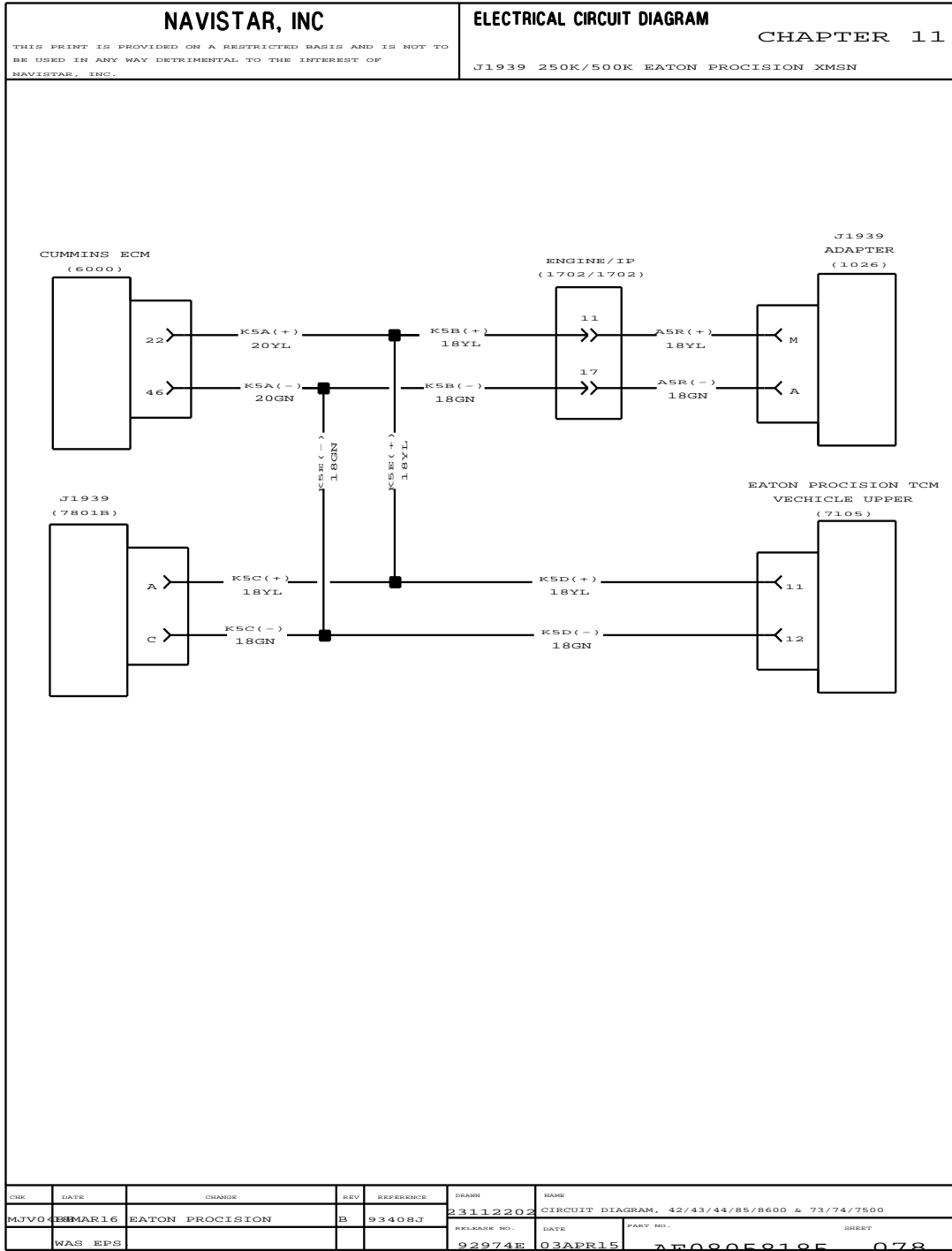


Figure 502 J1939 250K / 500K Eaton ProciSSION Transmission

11.88. EATON PROCISSION TRANSMISSION WITH PUSH BUTTON, WITH T-HANDLE WITH ISB ENGINE, P. 79

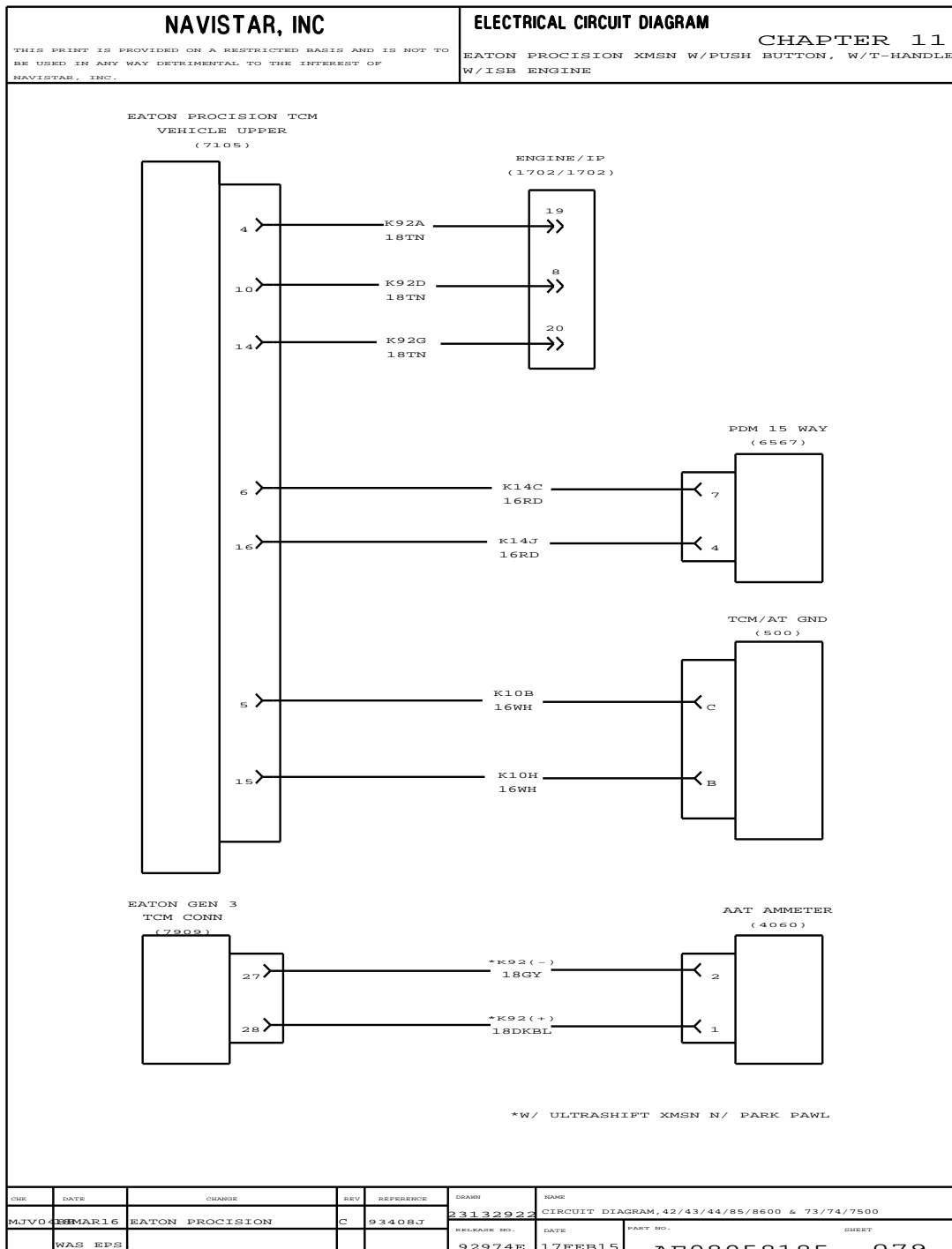


Figure 503 Eaton ProciSSION Transmission with Push Button, with T-Handle with ISB Engine

11.89. EATON PROCISSION TRANSMISSION WITH PUSH BUTTON, WITH T-HANDLE WITH ISB ENGINE (CONT.), P. 80

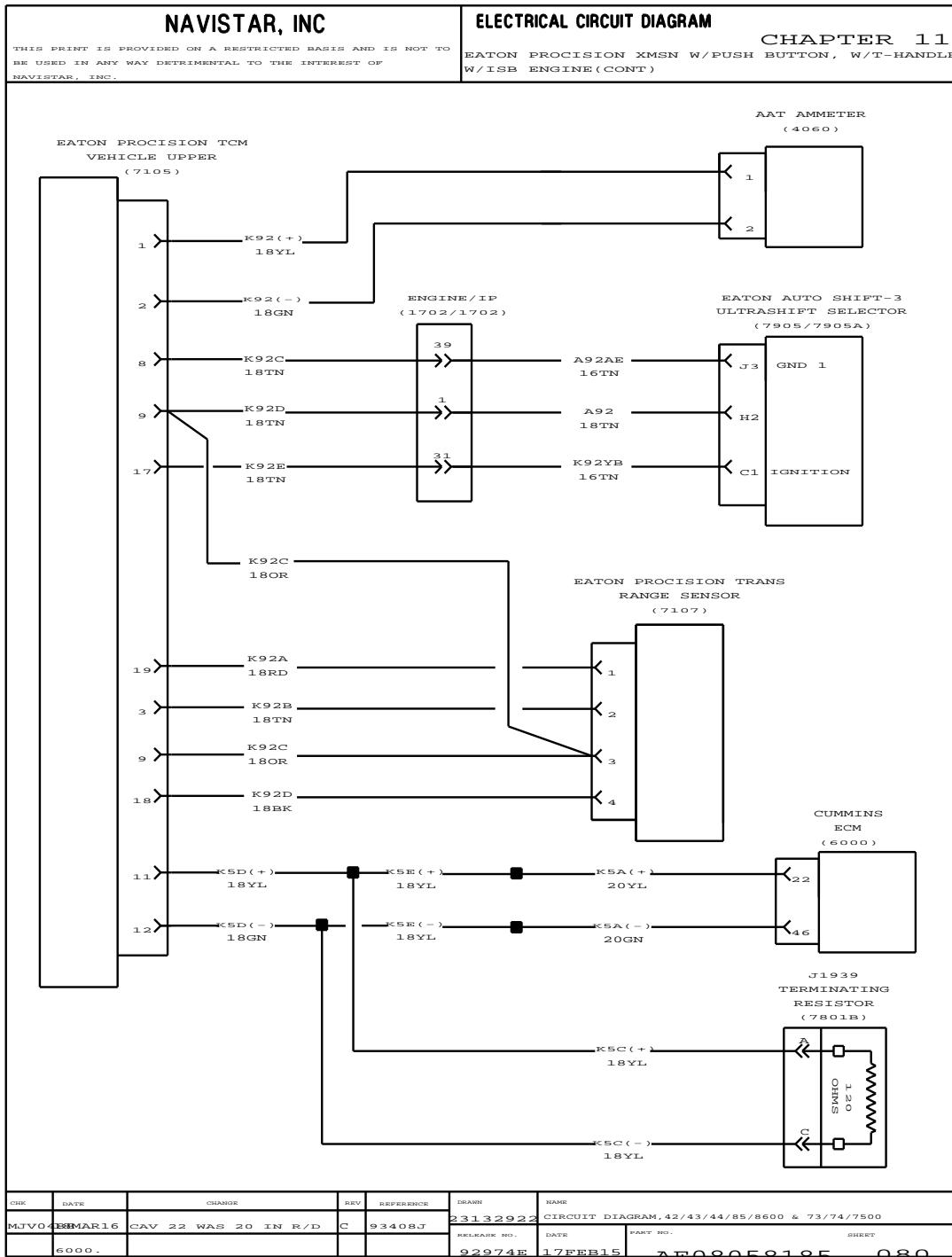


Figure 504 Eaton ProciSSION Transmission with Push Button, with T-Handle with ISB Engine (Cont.)

11.90. EATON PROCISION TRANSMISSION WITH PUSH BUTTON, WITH T-HANDLE WITH ISB ENGINE (CONT.), P. 81

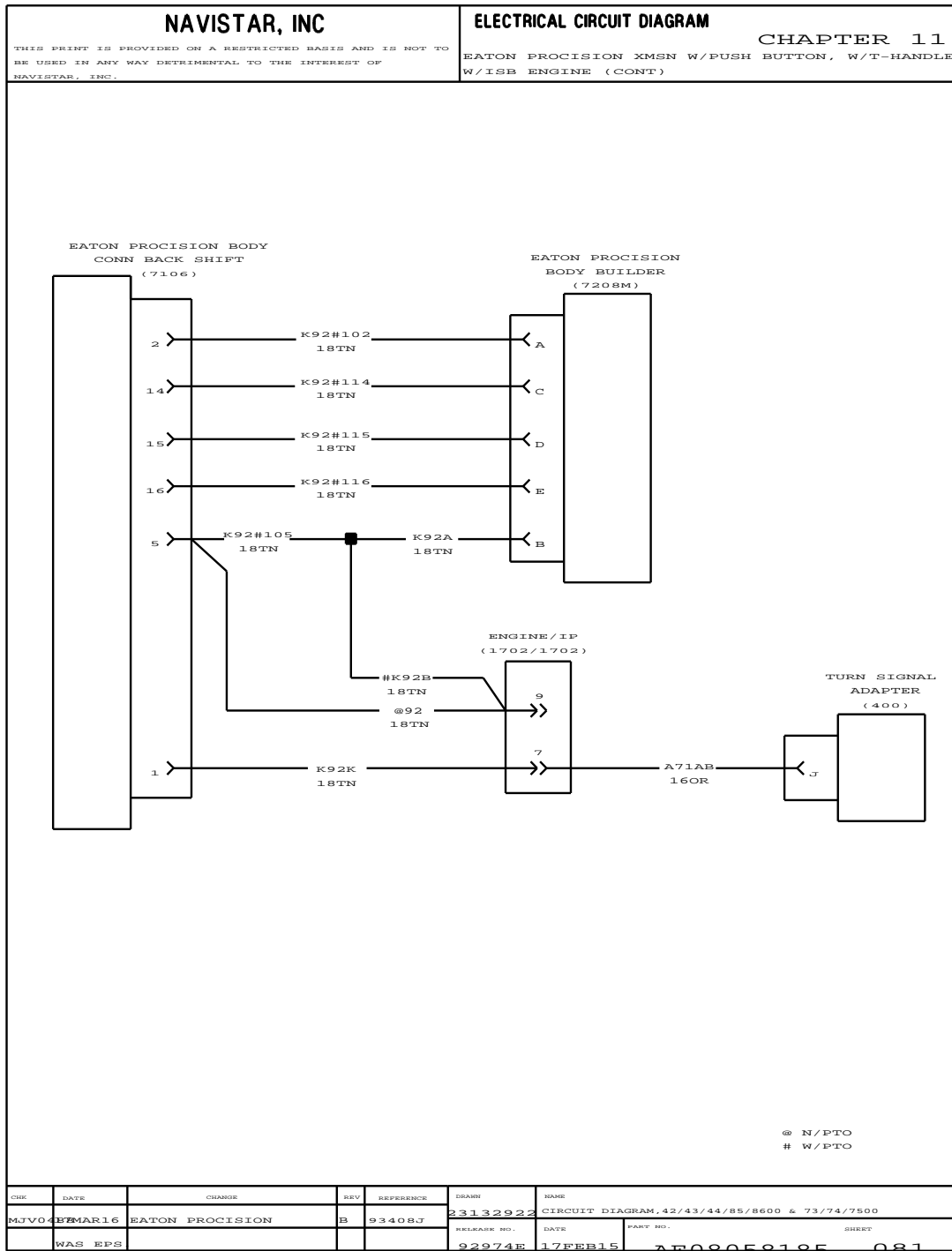


Figure 505 Eaton Procision Transmission with Push Button, with T-Handle with ISB Engine (Cont.)

11.91. TRANSMISSION CONTROL MODULE, P. 82

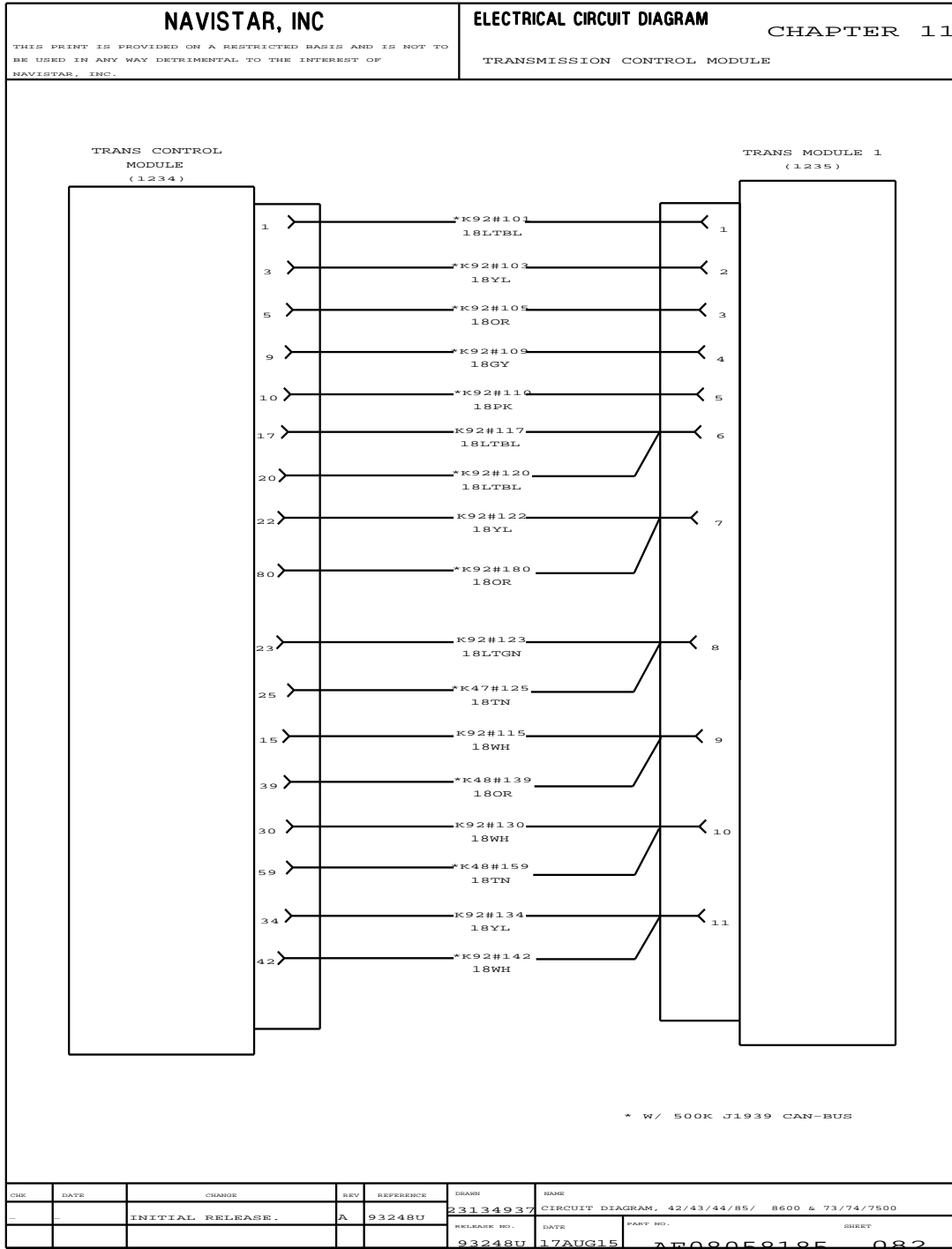


Figure 506 Transmission Control Module

11.92. TRANSMISSION CONTROL MODULE (CONT.), P. 83

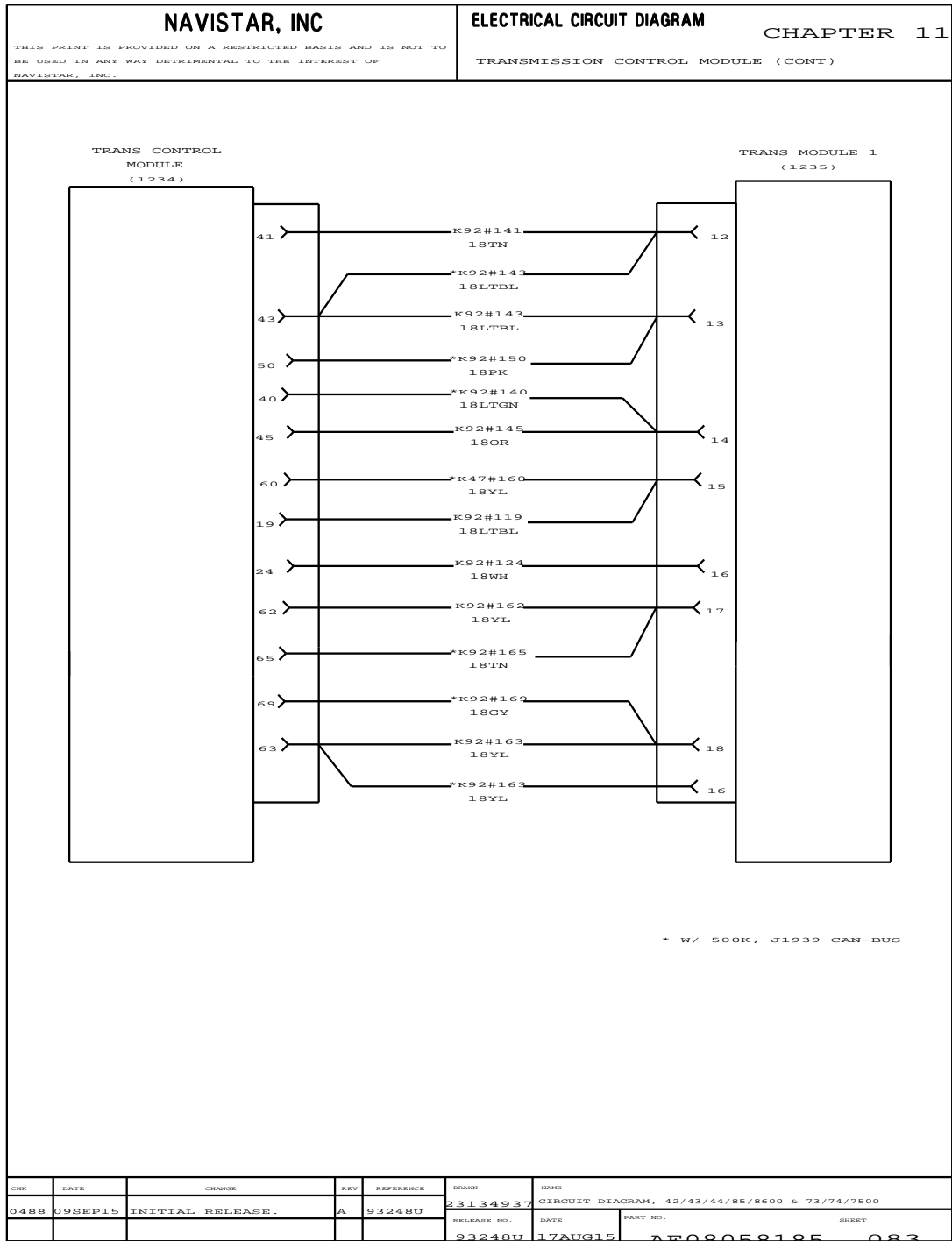


Figure 507 Transmission Control Module (Cont.)

11.93. TRANSMISSION CONTROL MODULE (CONT.), P. 84

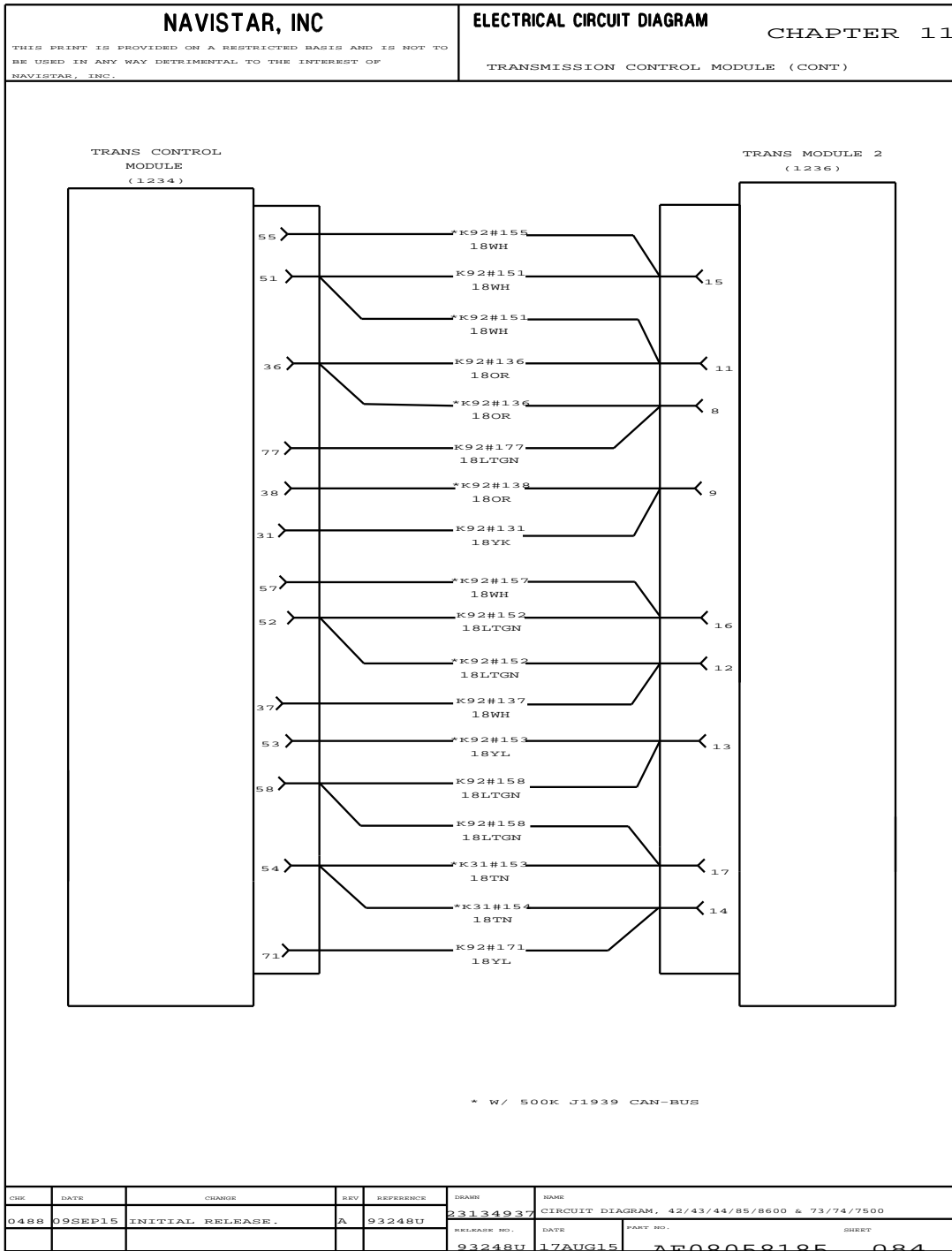


Figure 508 Transmission Control Module (Cont.)

11.94. TRANSMISSION CONTROL MODULE (CONT.), P. 85

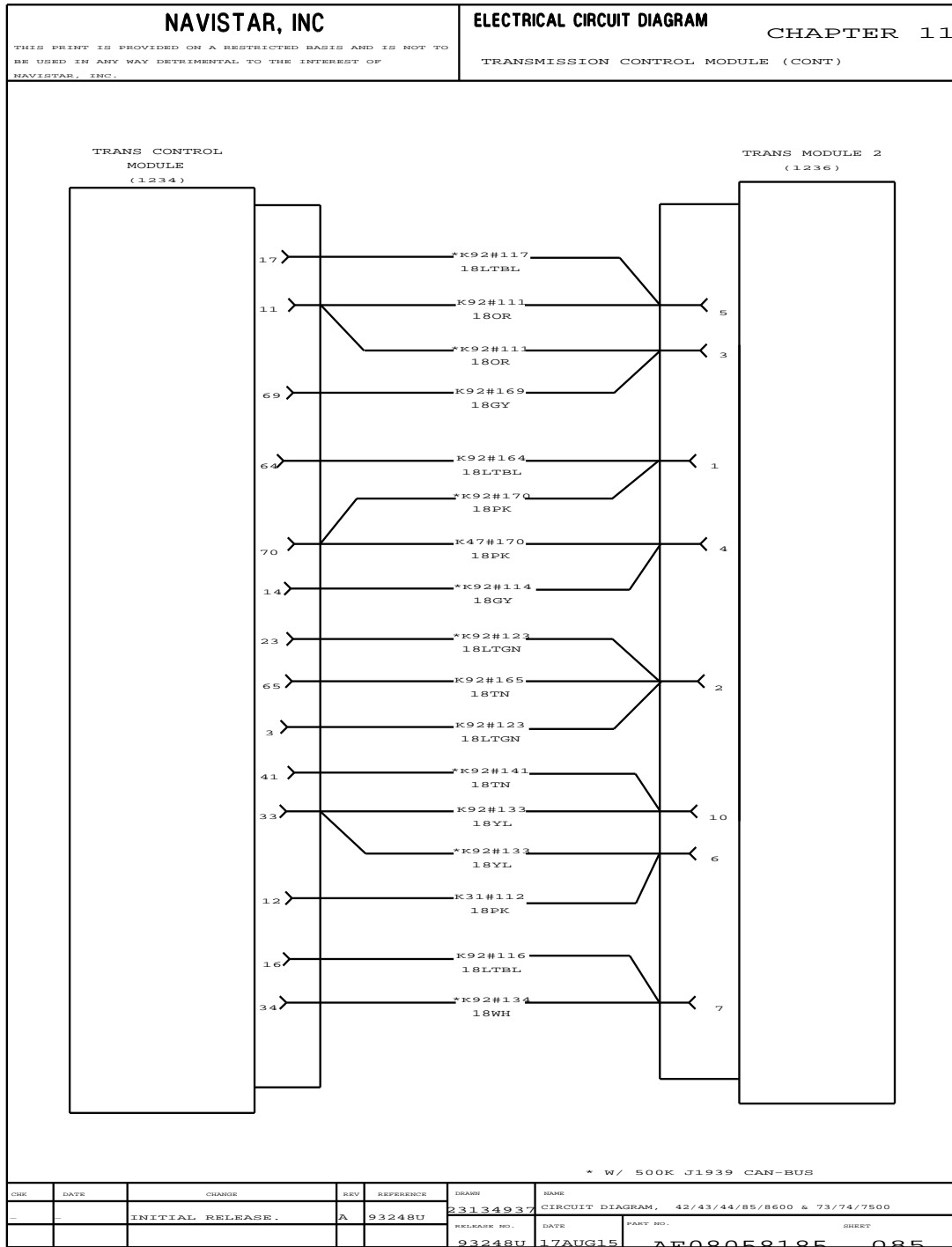


Figure 509 Transmission Control Module (Cont.)

11.95. TRANSMISSION CONTROL MODULE (CONT.), P. 86

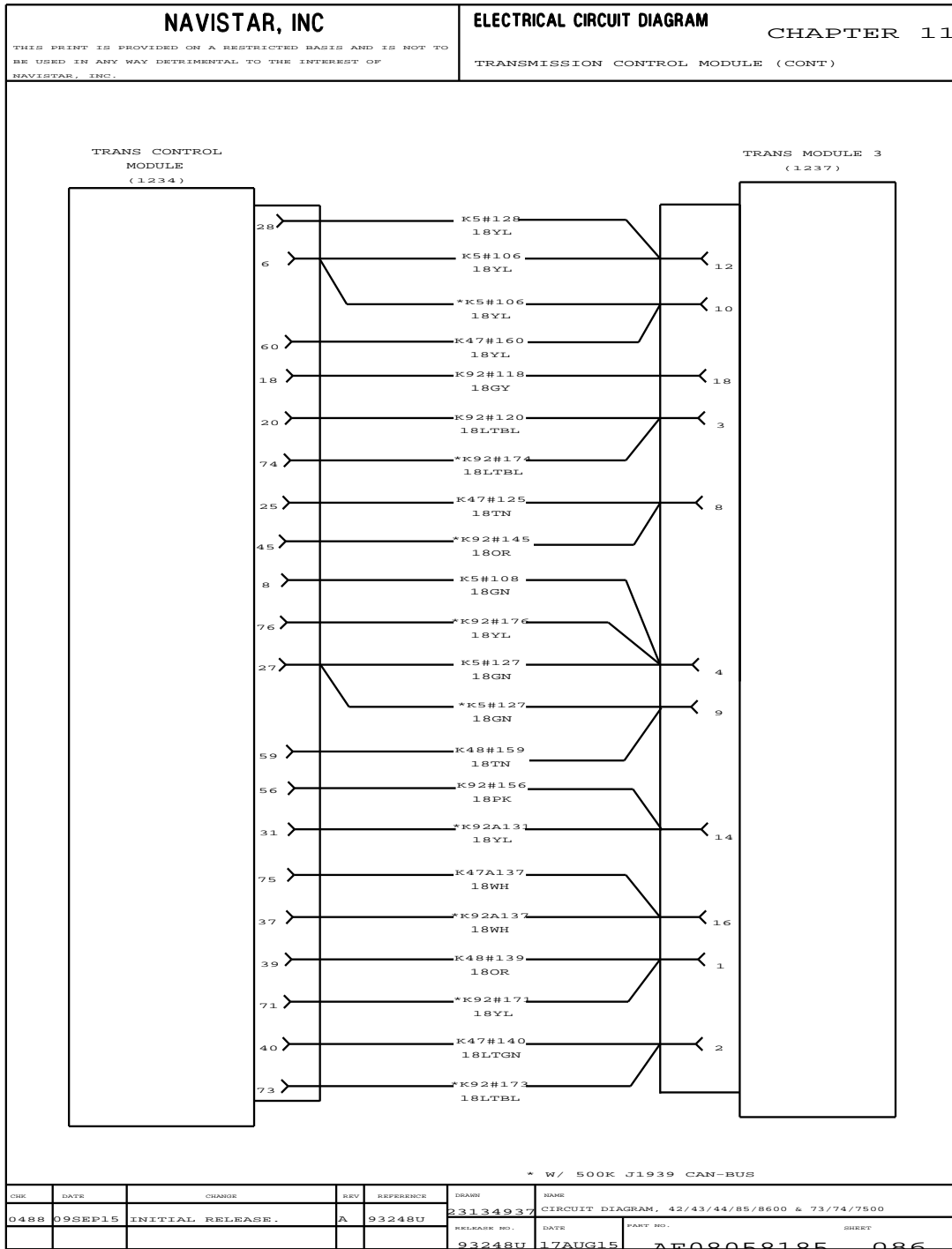


Figure 510 Transmission Control Module (Cont.)

11.96. TRANSMISSION CONTROL MODULE (CONT.), P. 87

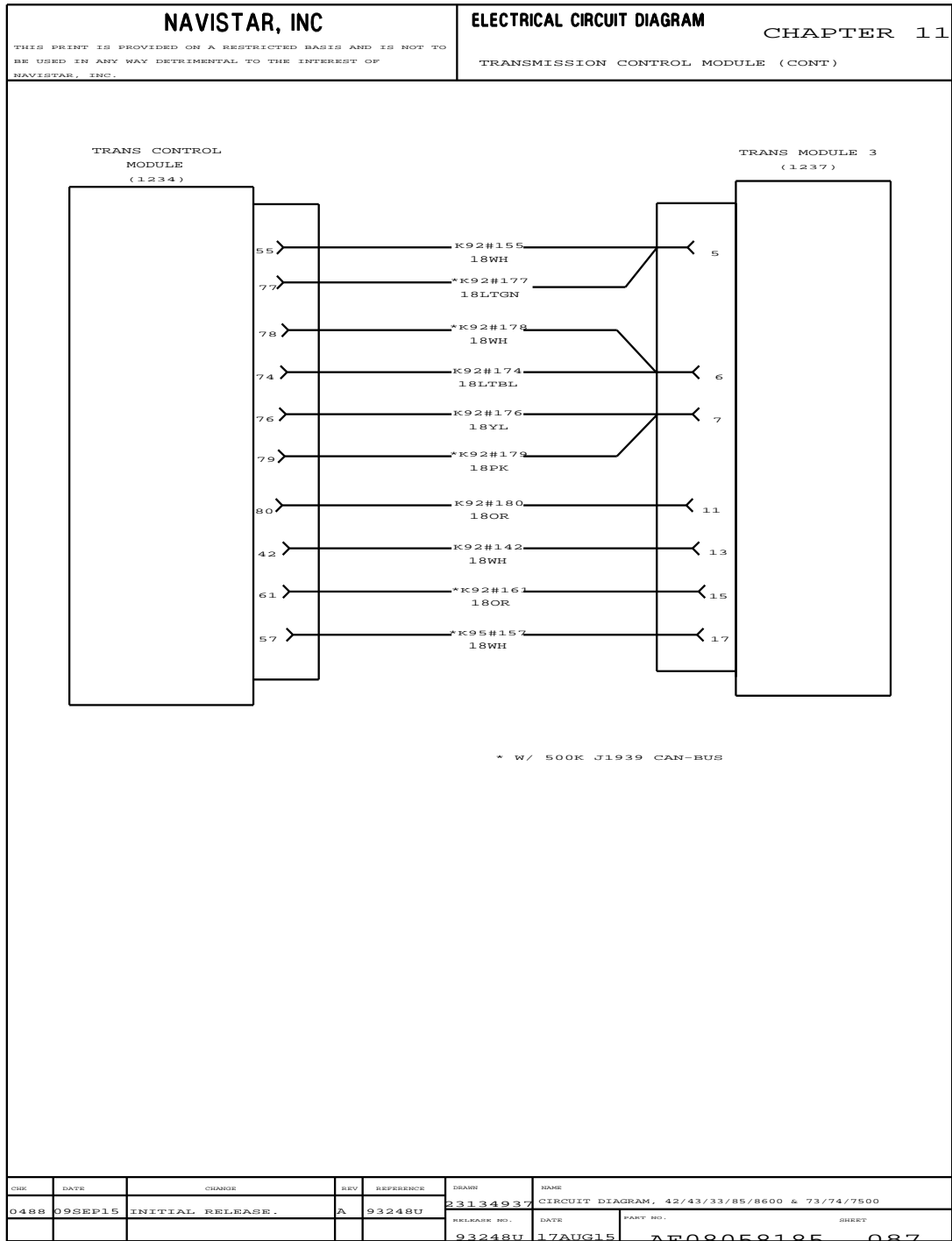


Figure 511 Transmission Control Module (Cont.)

AIR CONDITIONING (CHAPTER 12)

12.1. AIR CONDITIONING, P. 1

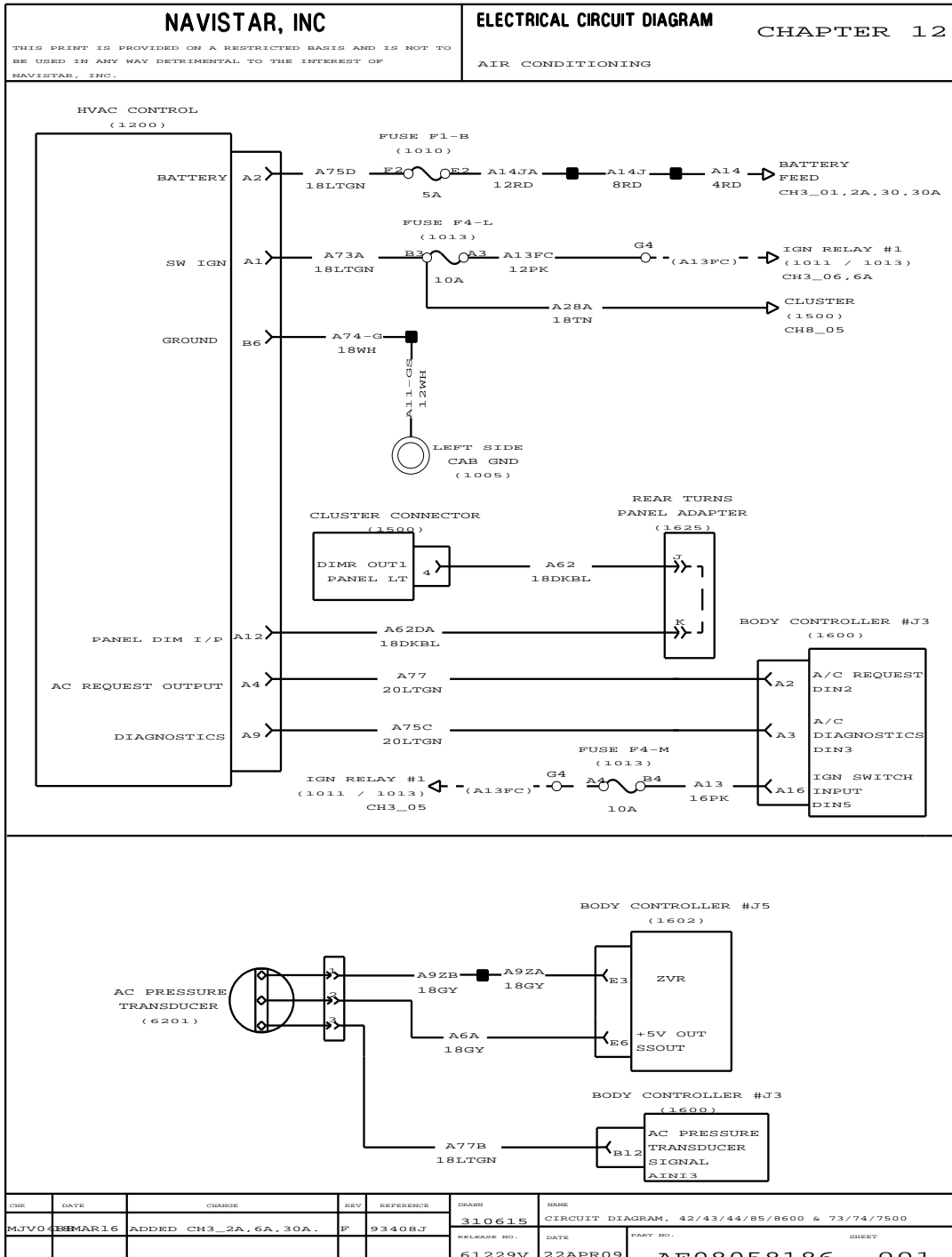


Figure 512 Air Conditioning

12.2. AIR CONDITIONING (CONT.), P. 2

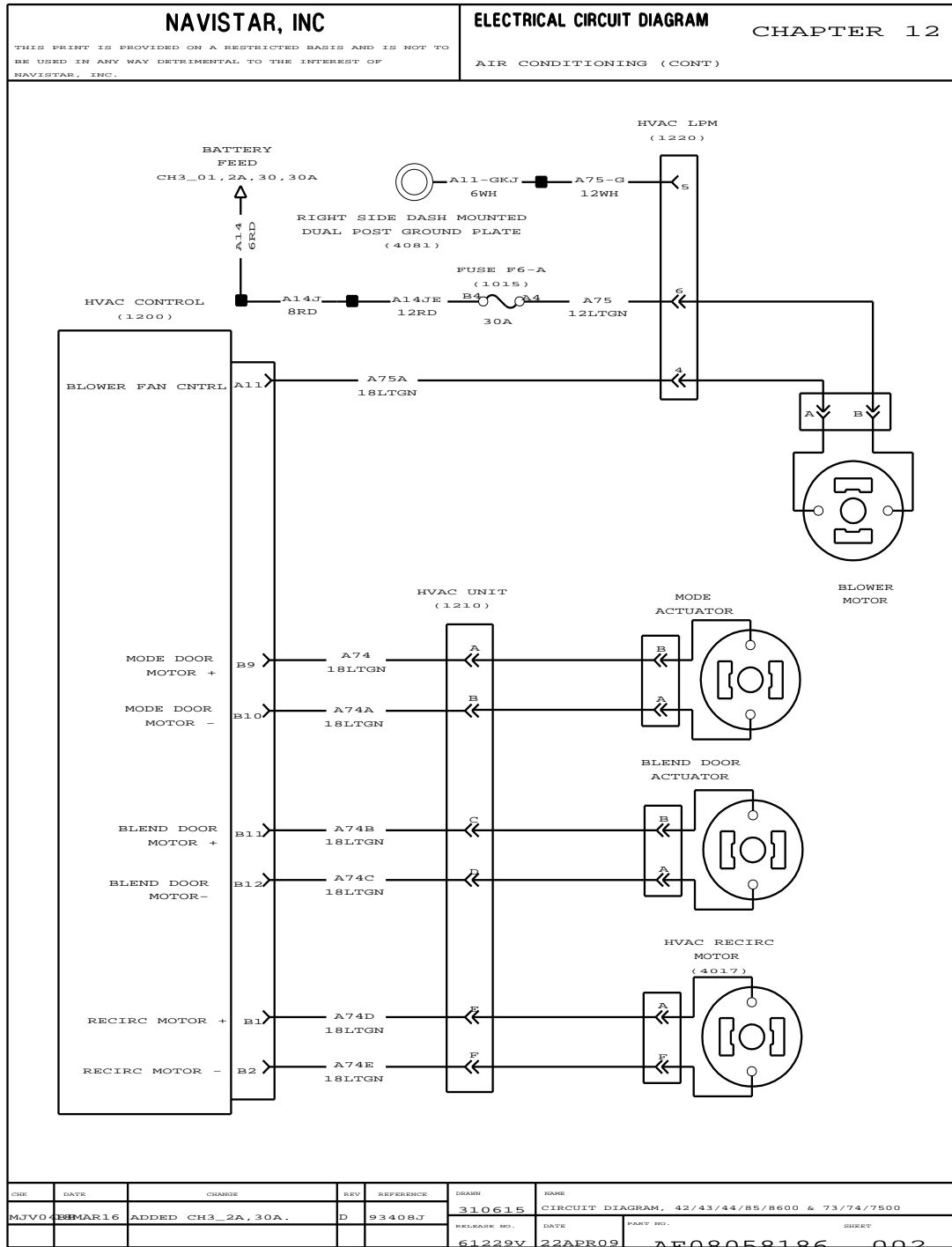


Figure 513 Air Conditioning (Cont.)

12.3. HVAC SYSTEM, P. 3

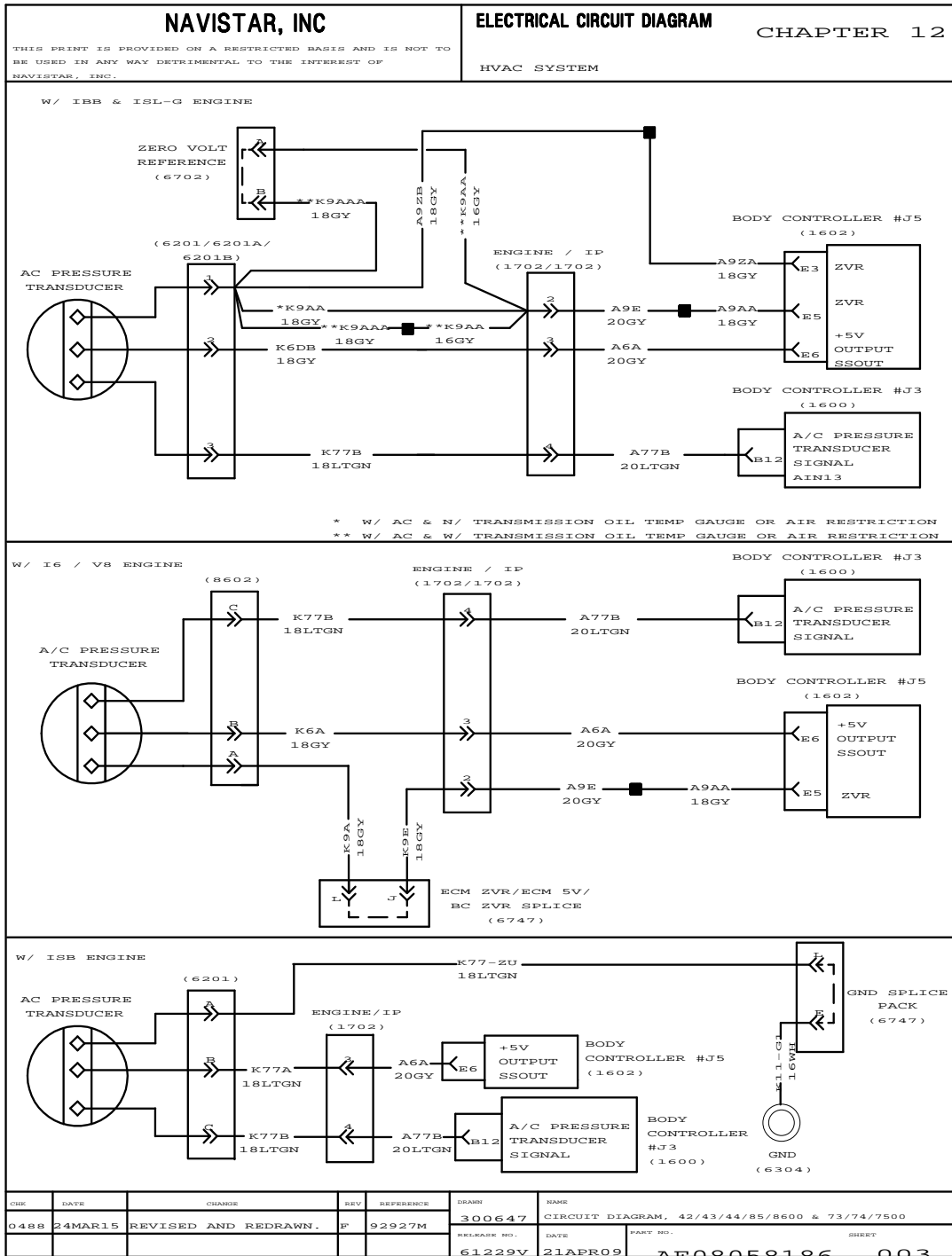


Figure 514 HVAC System

12.4. HVAC SYSTEM (CONT.), P. 4

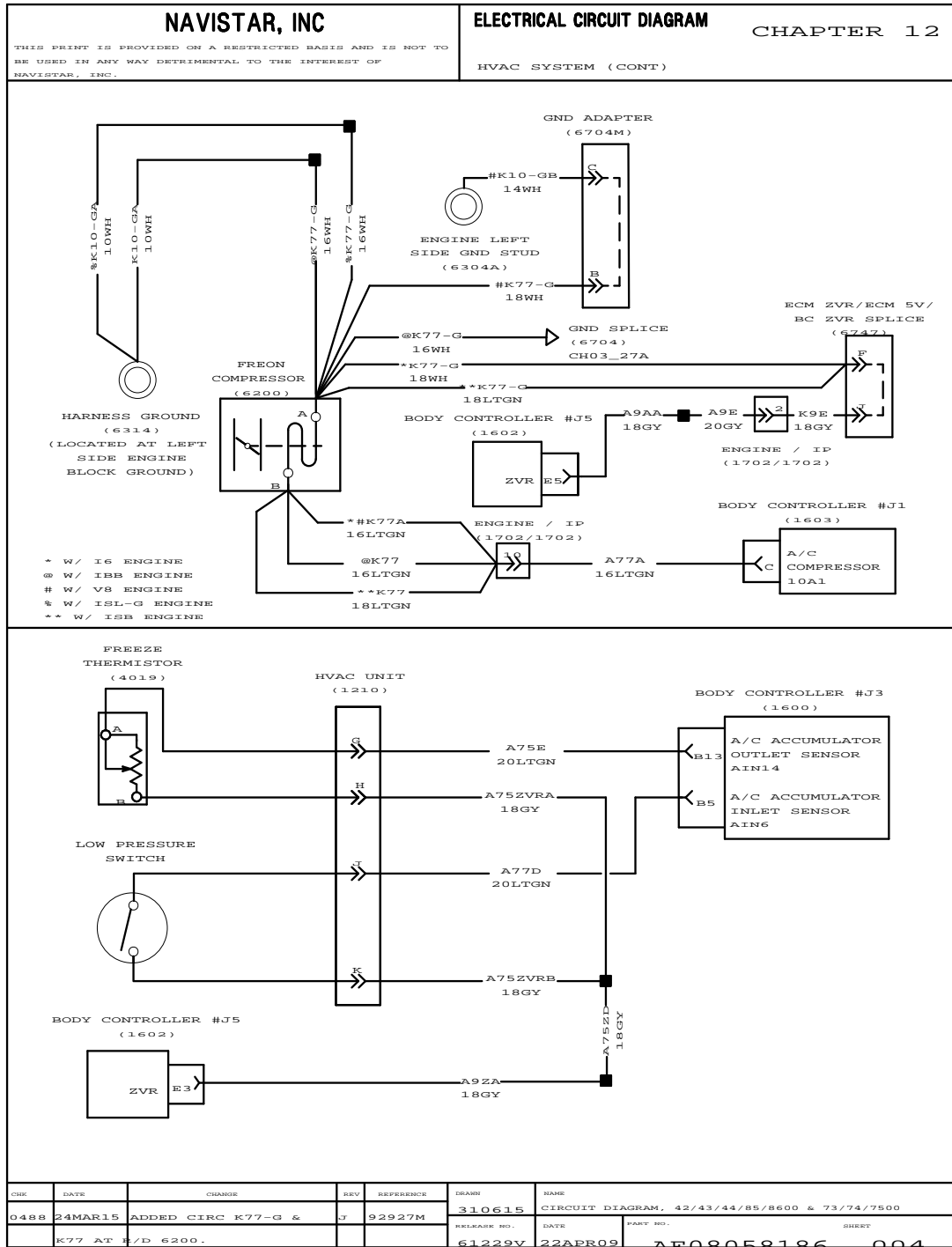


Figure 515 HVAC System (Cont.)

12.5. HVAC SYSTEM (CONT.), P. 4A

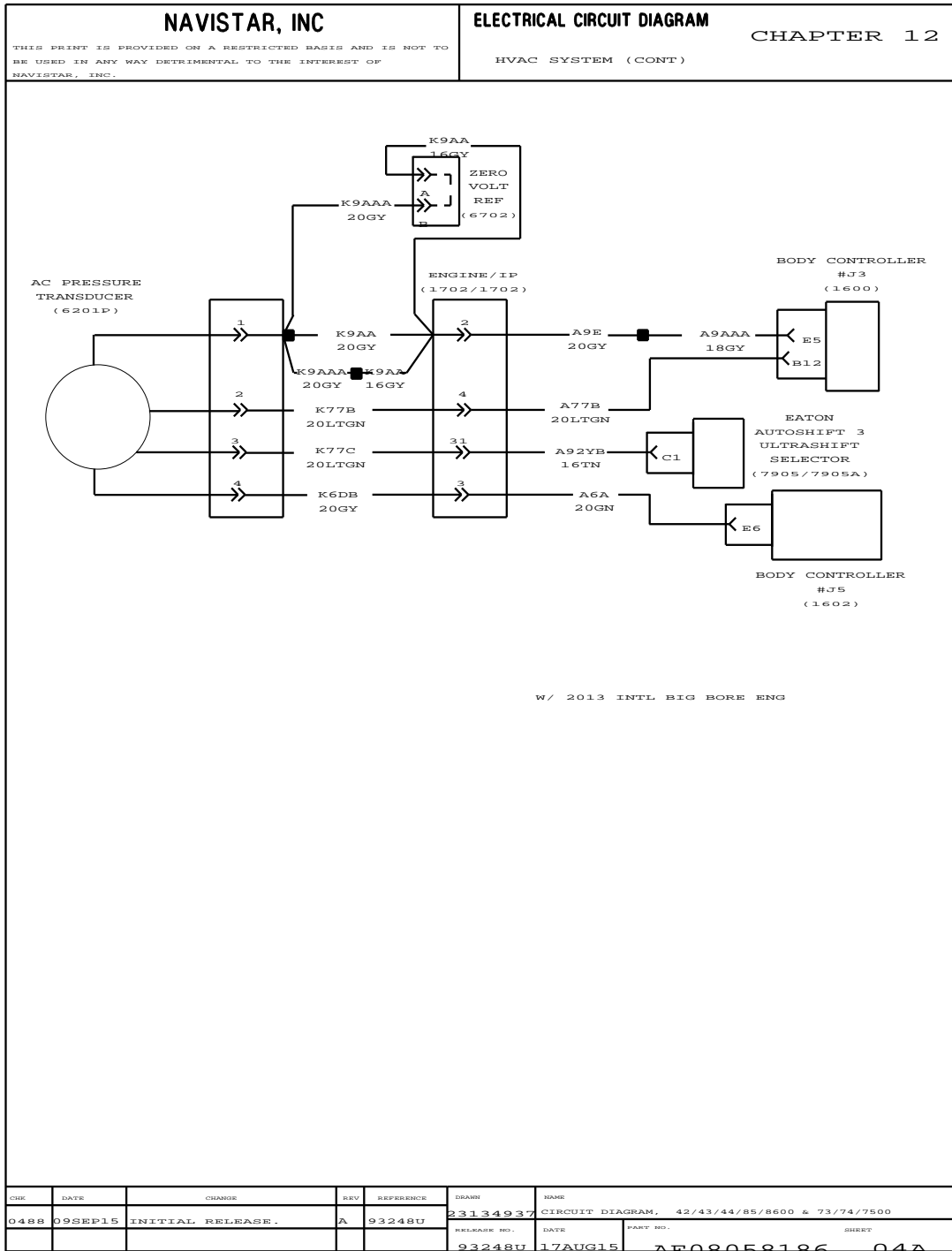


Figure 516 HVAC System (Cont.)

12.6. AUTOTHERM SYSTEM, P. 5

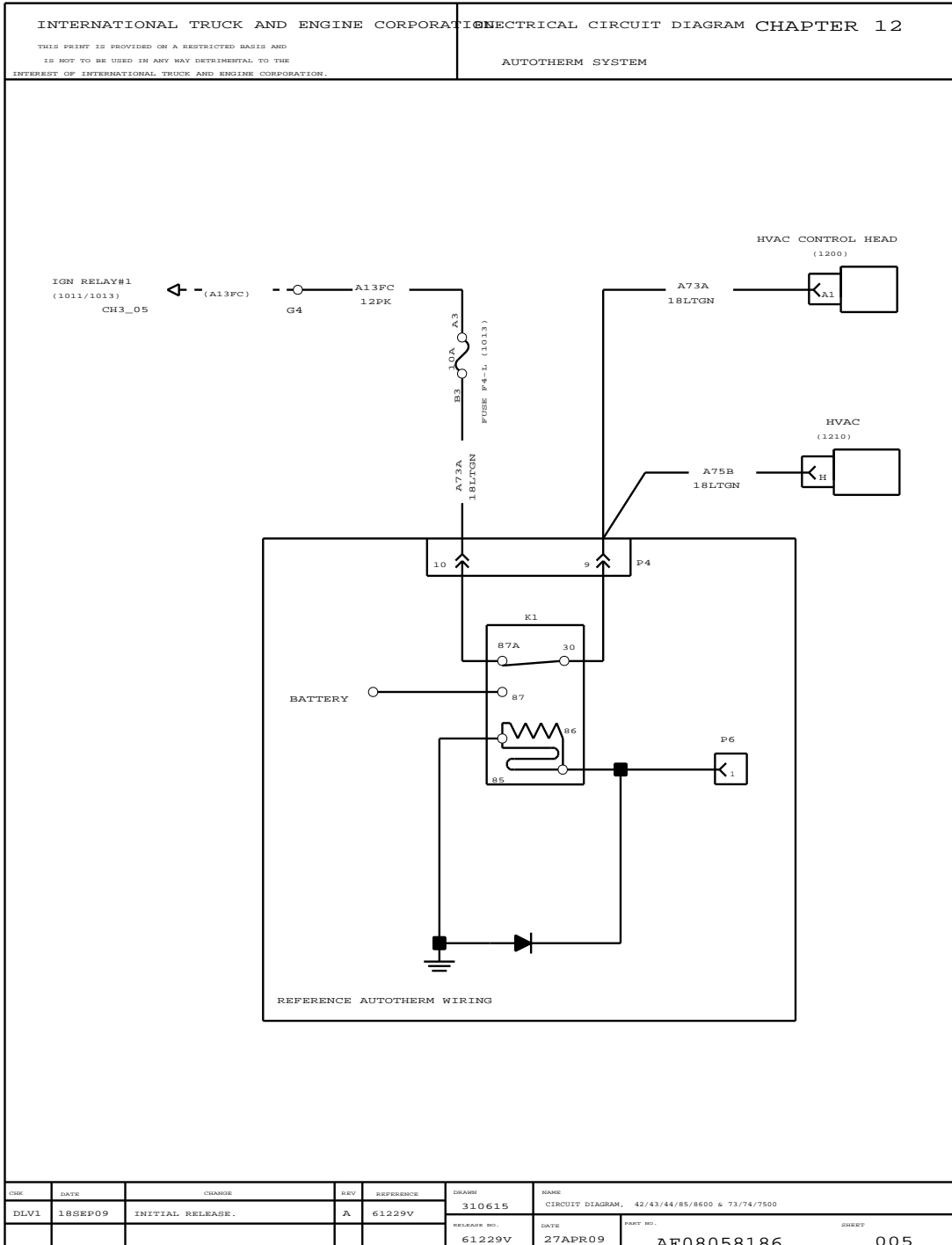


Figure 517 Autotherm System

CONNECTOR COMPOSITES (CHAPTER 13)

13.1. CONNECTOR COMPOSITES (1), (1A), (2C), P. 1

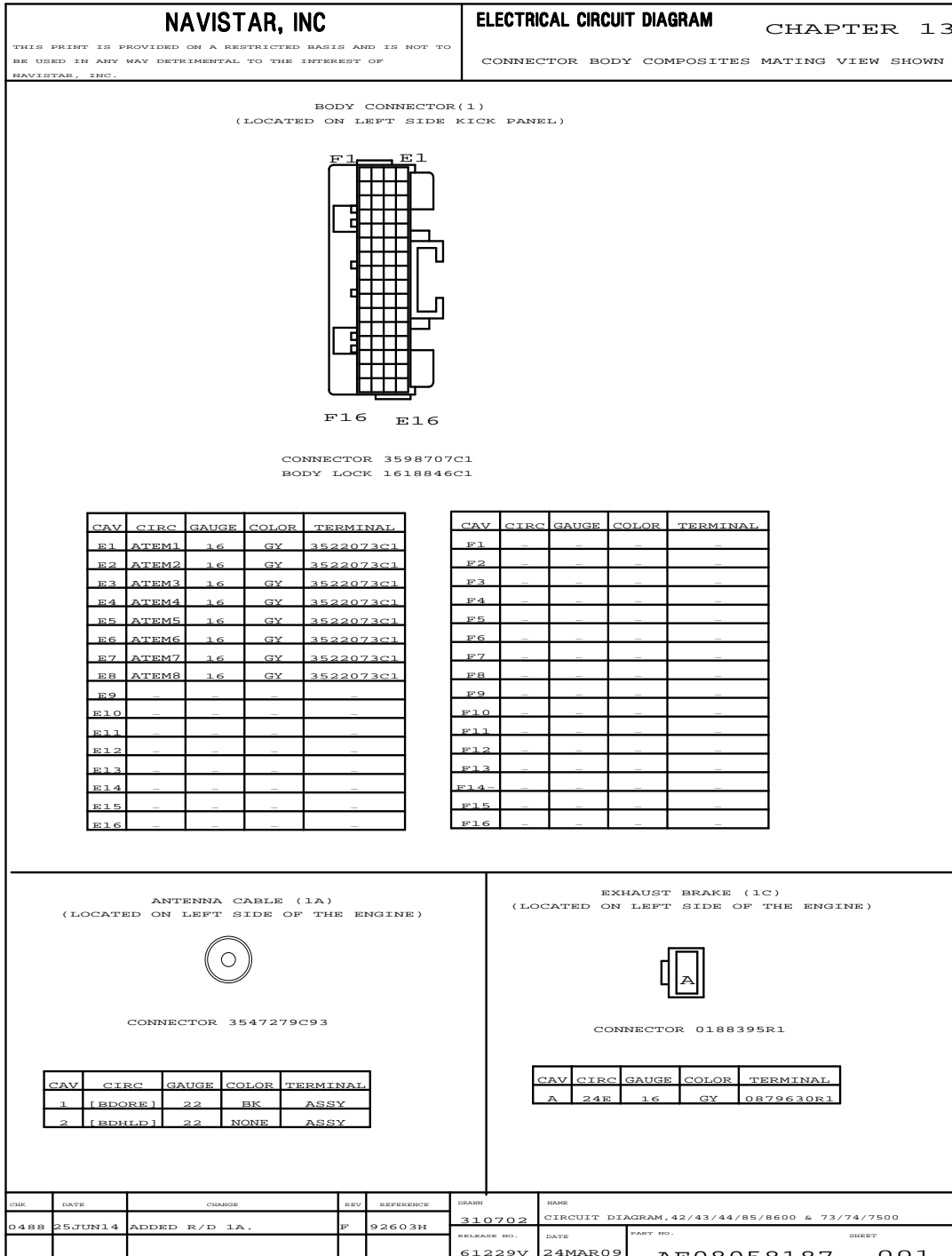


Figure 518 Connector Composites (1), (1A), (2C)

13.2. CONNECTOR COMPOSITES (2A), (3A), (4A), (18A), (19A), P. 1A

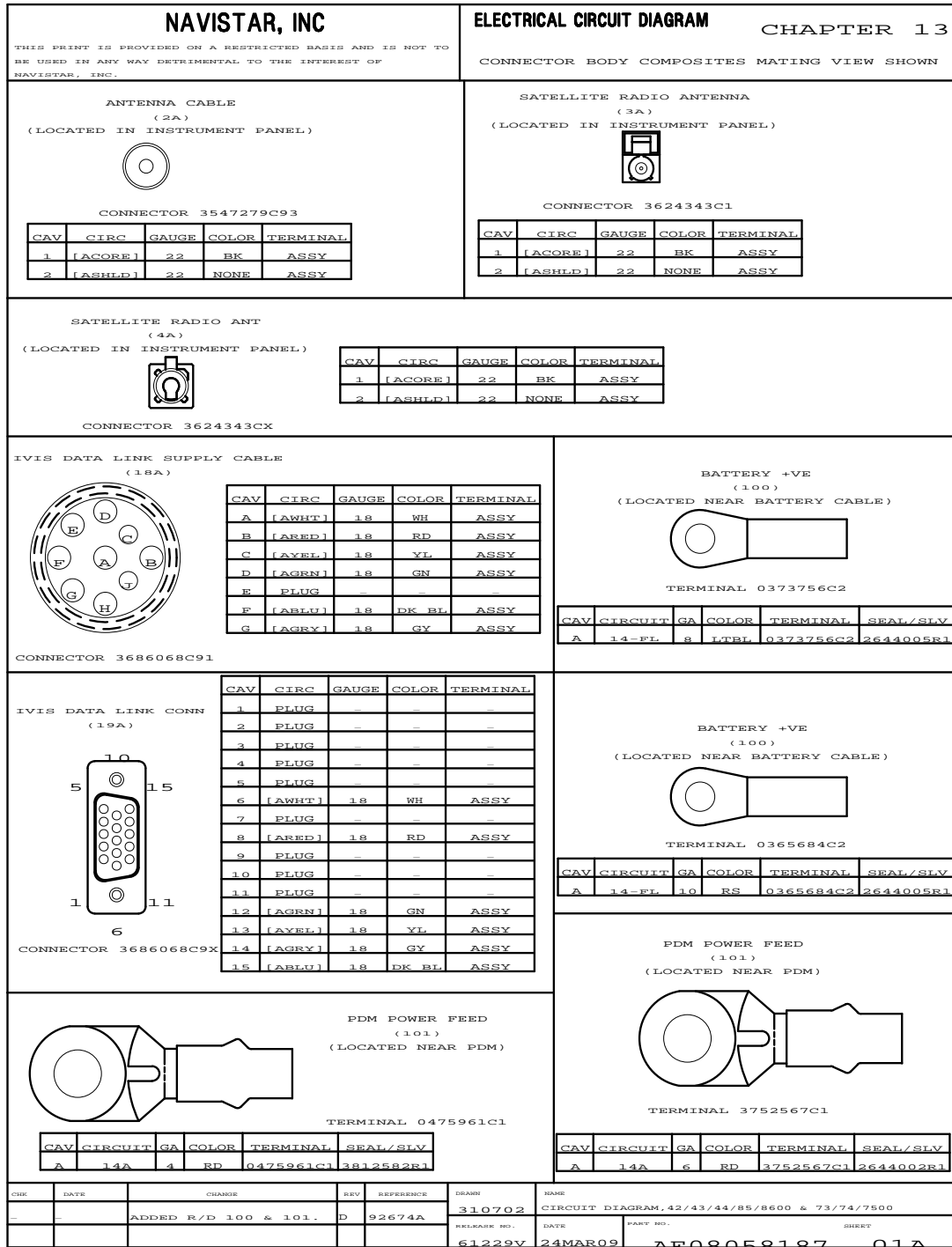


Figure 519 Connector Composites (2A), (3A), (4A), (18A), (19A)

13.3. CONNECTOR COMPOSITES (254F), (254M), (304), (317), P. 2

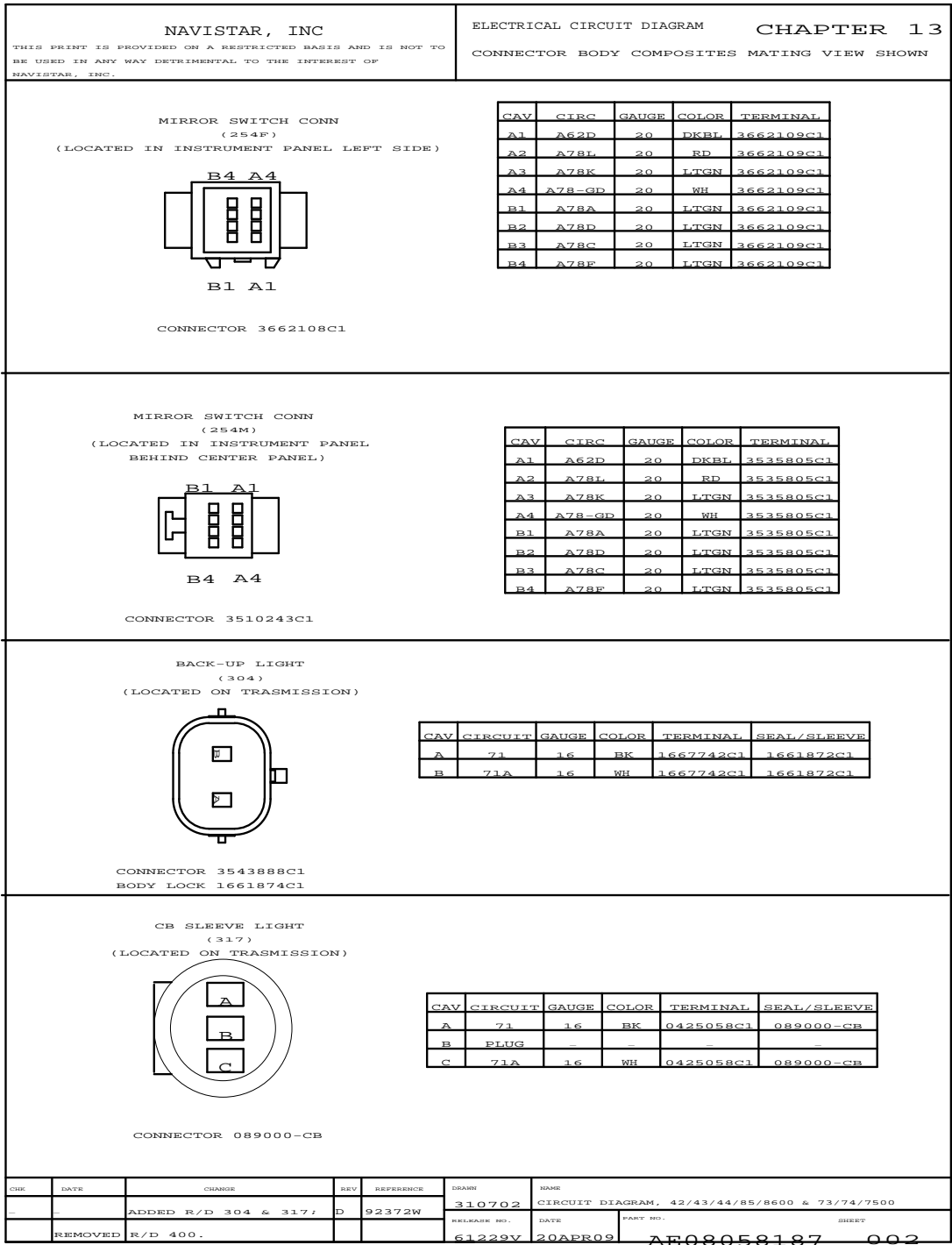


Figure 520 Connector Composites (254F), (254M), (304), (317)

13.4. CONNECTOR COMPOSITES (400), (411M1), (421), (422), P. 3

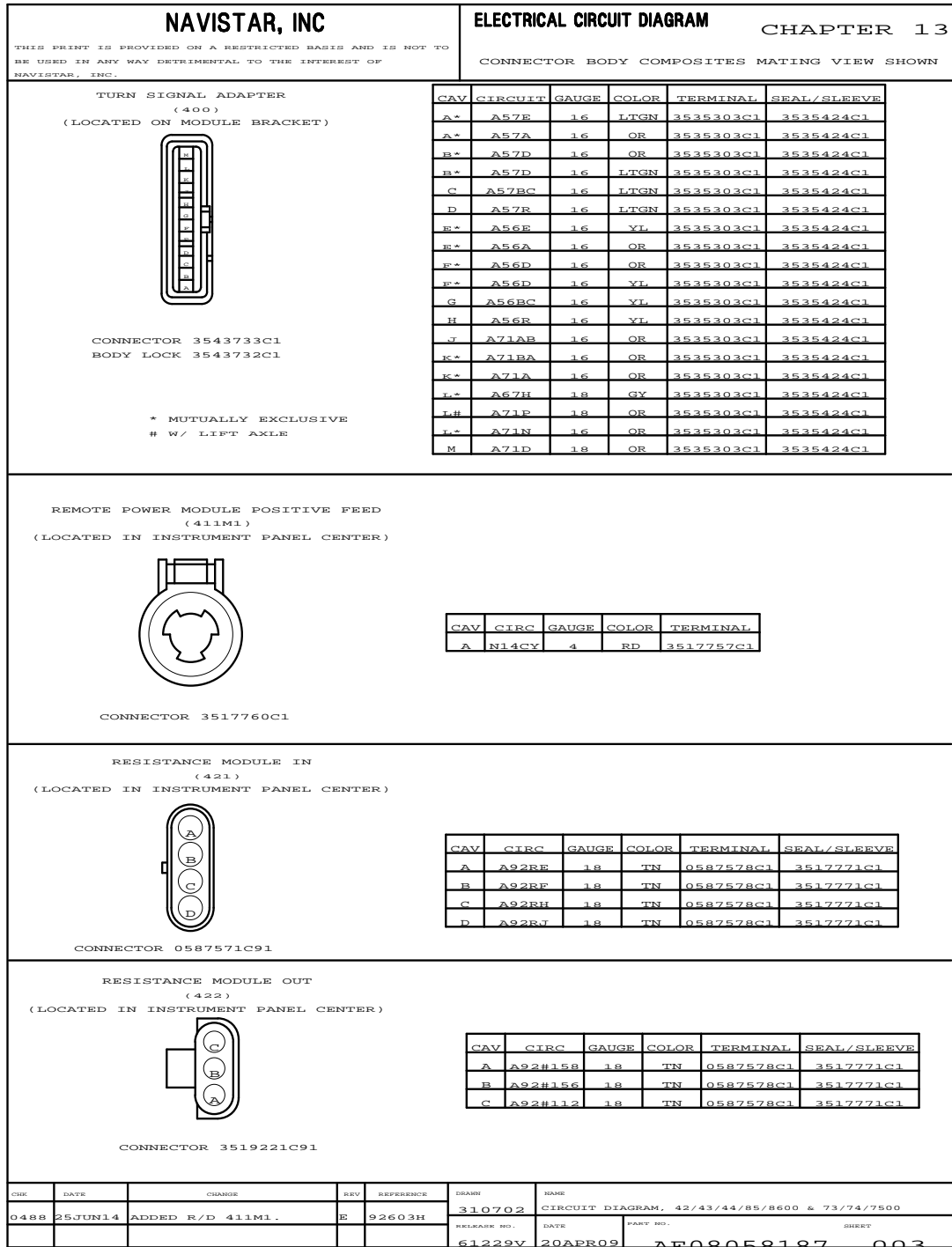


Figure 521 Connector Composites (400), (411M1), (421), (422)

13.5. CONNECTOR COMPOSITES (422F), (423), (424), (425), (500), P. 3A

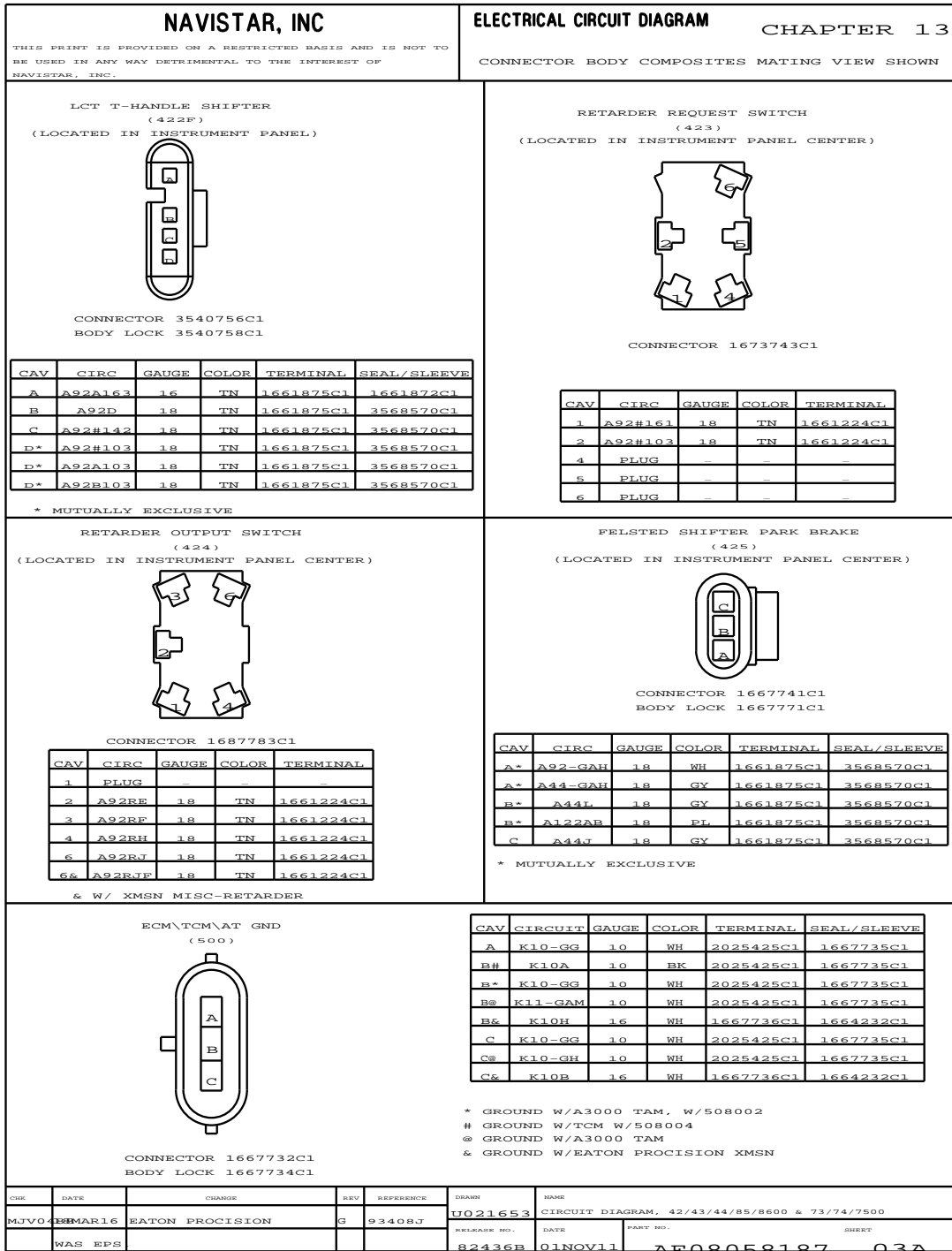


Figure 522 Connector Composites (422F), (423), (424), (425), (500)

13.6. CONNECTOR COMPOSITES (600), (608), (662), (663), P. 3B

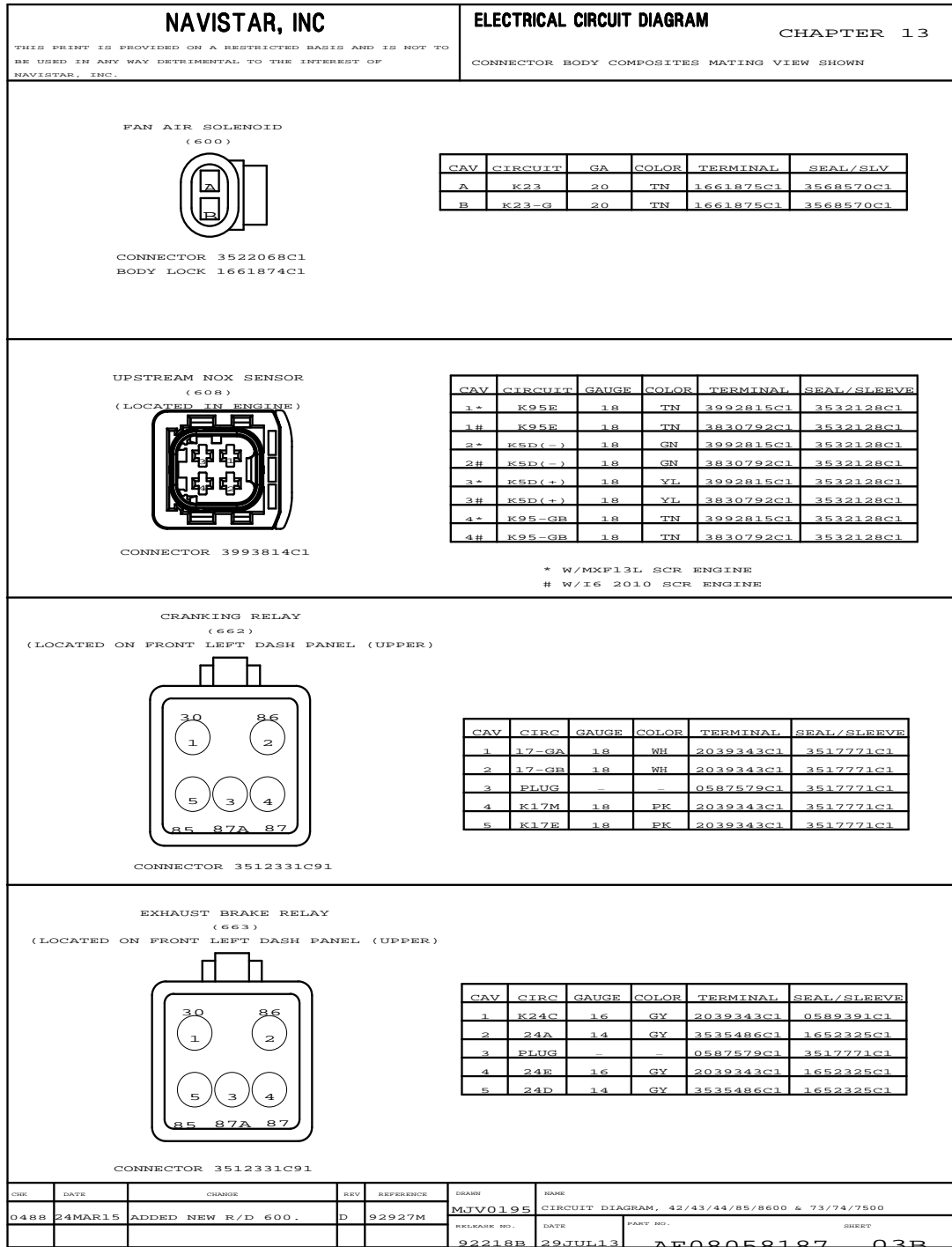


Figure 523 Connector Composites (600), (608), (662), (663)

13.7. CONNECTOR COMPOSITES (663R), (664), (670), P. 3C

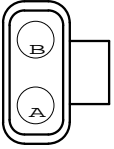
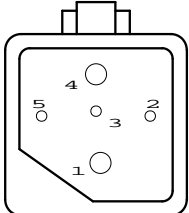
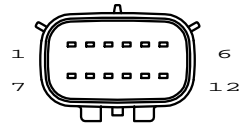
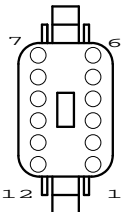
NAVISTAR, INC				ELECTRICAL CIRCUIT DIAGRAM		CHAPTER 13																																																																												
THIS PRINT IS PROVIDED ON A RESTRICTED BASIS AND IS NOT TO BE USED IN ANY WAY DETRIMENTAL TO THE INTEREST OF NAVISTAR, INC.				CONNECTOR BODY COMPOSITES MATING VIEW SHOWN																																																																														
<p>EXHAUST BRAKE FUSE (663R) (LOCATED ON FRONT LEFT DASH PANEL (UPPER))</p>  <p style="text-align: center;">CONNECTOR 1667639C1</p>																																																																																		
<table border="1" style="width: 100%; border-collapse: collapse; font-size: x-small;"> <thead> <tr> <th>CAV</th> <th>CIRC</th> <th>GAUGE</th> <th>COLOR</th> <th>TERMINAL</th> <th>SEAL/SLEEVE</th> </tr> </thead> <tbody> <tr> <td>A</td> <td>K24B</td> <td>16</td> <td>GY</td> <td>1661707C1</td> <td>N/A</td> </tr> <tr> <td>B</td> <td>K24C</td> <td>16</td> <td>GY</td> <td>1661707C1</td> <td>N/A</td> </tr> </tbody> </table>								CAV	CIRC	GAUGE	COLOR	TERMINAL	SEAL/SLEEVE	A	K24B	16	GY	1661707C1	N/A	B	K24C	16	GY	1661707C1	N/A																																																									
CAV	CIRC	GAUGE	COLOR	TERMINAL	SEAL/SLEEVE																																																																													
A	K24B	16	GY	1661707C1	N/A																																																																													
B	K24C	16	GY	1661707C1	N/A																																																																													
<p>START RELAY (664) (LOCATED ON LEFT SIDE OF ENGINE)</p>  <p style="text-align: center;">CONNECTOR 1661747C91</p>																																																																																		
<table border="1" style="width: 100%; border-collapse: collapse; font-size: x-small;"> <thead> <tr> <th>CAV</th> <th>CIRC</th> <th>GAUGE</th> <th>COLOR</th> <th>TERMINAL</th> <th>SEAL/SLEEVE</th> </tr> </thead> <tbody> <tr> <td>1</td> <td>K17CA</td> <td>16</td> <td>PK</td> <td>3895713C1</td> <td>N/A</td> </tr> <tr> <td>2</td> <td>K17CB</td> <td>16</td> <td>PK</td> <td>3895713C1</td> <td>N/A</td> </tr> <tr> <td>3</td> <td>PLUG</td> <td>-</td> <td>-</td> <td>-</td> <td>-</td> </tr> <tr> <td>4</td> <td>K17C</td> <td>16</td> <td>PK</td> <td>1661707C1</td> <td>N/A</td> </tr> <tr> <td>5</td> <td>K17CC</td> <td>16</td> <td>PK</td> <td>3895713C1</td> <td>N/A</td> </tr> </tbody> </table>								CAV	CIRC	GAUGE	COLOR	TERMINAL	SEAL/SLEEVE	1	K17CA	16	PK	3895713C1	N/A	2	K17CB	16	PK	3895713C1	N/A	3	PLUG	-	-	-	-	4	K17C	16	PK	1661707C1	N/A	5	K17CC	16	PK	3895713C1	N/A																																							
CAV	CIRC	GAUGE	COLOR	TERMINAL	SEAL/SLEEVE																																																																													
1	K17CA	16	PK	3895713C1	N/A																																																																													
2	K17CB	16	PK	3895713C1	N/A																																																																													
3	PLUG	-	-	-	-																																																																													
4	K17C	16	PK	1661707C1	N/A																																																																													
5	K17CC	16	PK	3895713C1	N/A																																																																													
<p>AFTERTREATMENT HARNESS INTERCONNECT (670) (LOCATED IN ENGINE)</p>  <p style="text-align: center;">CONNECTOR 3957650C1</p>																																																																																		
<table border="1" style="width: 100%; border-collapse: collapse; font-size: x-small;"> <thead> <tr> <th>CAV</th> <th>CIRCUIT</th> <th>GAUGE</th> <th>COLOR</th> <th>TERMINAL</th> </tr> </thead> <tbody> <tr><td>1</td><td>5(+)</td><td>18</td><td>YL</td><td>3709927C1</td></tr> <tr><td>2</td><td>5(-)</td><td>18</td><td>GN</td><td>3709927C1</td></tr> <tr><td>3</td><td>10</td><td>16</td><td>WH</td><td>3709927C1</td></tr> <tr><td>4</td><td>13</td><td>16</td><td>PK</td><td>3709927C1</td></tr> <tr><td>5</td><td>5A(+)</td><td>18</td><td>YL</td><td>3709927C1</td></tr> <tr><td>6</td><td>5A(-)</td><td>18</td><td>GN</td><td>3709927C1</td></tr> <tr><td>7</td><td>9</td><td>18</td><td>GY</td><td>3709927C1</td></tr> <tr><td>8</td><td>95</td><td>18</td><td>TN</td><td>3709927C1</td></tr> <tr><td>9</td><td>95A</td><td>18</td><td>TN</td><td>3709927C1</td></tr> <tr><td>10</td><td>6</td><td>18</td><td>GY</td><td>3709927C1</td></tr> <tr><td>11</td><td>95(+)</td><td>18</td><td>TN</td><td>3709927C1</td></tr> <tr><td>12</td><td>95(-)</td><td>18</td><td>TN</td><td>3709927C1</td></tr> </tbody> </table>								CAV	CIRCUIT	GAUGE	COLOR	TERMINAL	1	5(+)	18	YL	3709927C1	2	5(-)	18	GN	3709927C1	3	10	16	WH	3709927C1	4	13	16	PK	3709927C1	5	5A(+)	18	YL	3709927C1	6	5A(-)	18	GN	3709927C1	7	9	18	GY	3709927C1	8	95	18	TN	3709927C1	9	95A	18	TN	3709927C1	10	6	18	GY	3709927C1	11	95(+)	18	TN	3709927C1	12	95(-)	18	TN	3709927C1										
CAV	CIRCUIT	GAUGE	COLOR	TERMINAL																																																																														
1	5(+)	18	YL	3709927C1																																																																														
2	5(-)	18	GN	3709927C1																																																																														
3	10	16	WH	3709927C1																																																																														
4	13	16	PK	3709927C1																																																																														
5	5A(+)	18	YL	3709927C1																																																																														
6	5A(-)	18	GN	3709927C1																																																																														
7	9	18	GY	3709927C1																																																																														
8	95	18	TN	3709927C1																																																																														
9	95A	18	TN	3709927C1																																																																														
10	6	18	GY	3709927C1																																																																														
11	95(+)	18	TN	3709927C1																																																																														
12	95(-)	18	TN	3709927C1																																																																														
<p>AFTERTREATMENT HARNESS (670) (LOCATED IN ENGINE)</p>  <p style="text-align: center;">CONNECTOR 3601924C1 BODY LOCK 3601925C1</p>																																																																																		
<table border="1" style="width: 100%; border-collapse: collapse; font-size: x-small;"> <thead> <tr> <th>CAV</th> <th>CIRCUIT</th> <th>GAUGE</th> <th>COLOR</th> <th>TERMINAL</th> </tr> </thead> <tbody> <tr><td>1</td><td>k5(+)</td><td>18</td><td>YL</td><td>3572625C1</td></tr> <tr><td>2</td><td>k5(-)</td><td>18</td><td>GN</td><td>3572625C1</td></tr> <tr><td>3</td><td>k10-G4</td><td>16</td><td>WH</td><td>3572625C1</td></tr> <tr><td>3</td><td>k10-G4</td><td>16</td><td>BK</td><td>3572625C1</td></tr> <tr><td>4</td><td>k13</td><td>16</td><td>PK</td><td>3572625C1</td></tr> <tr><td>5</td><td>k5A(+)</td><td>18</td><td>YL</td><td>3572625C1</td></tr> <tr><td>6</td><td>k5A(-)</td><td>18</td><td>GN</td><td>3572625C1</td></tr> <tr><td>7</td><td>KV9</td><td>20</td><td>GY</td><td>3755839C1</td></tr> <tr><td>8</td><td>k95</td><td>20</td><td>TN</td><td>3755839C1</td></tr> <tr><td>9</td><td>k95A</td><td>20</td><td>TN</td><td>3755839C1</td></tr> <tr><td>10</td><td>k6E</td><td>18</td><td>GY</td><td>3572625C1</td></tr> <tr><td>10</td><td>k6D</td><td>18</td><td>BL</td><td>3572625C1</td></tr> <tr><td>11</td><td>k95(+)</td><td>20</td><td>YL</td><td>3755839C1</td></tr> <tr><td>12</td><td>k95(-)</td><td>20</td><td>GN</td><td>3755839C1</td></tr> </tbody> </table>								CAV	CIRCUIT	GAUGE	COLOR	TERMINAL	1	k5(+)	18	YL	3572625C1	2	k5(-)	18	GN	3572625C1	3	k10-G4	16	WH	3572625C1	3	k10-G4	16	BK	3572625C1	4	k13	16	PK	3572625C1	5	k5A(+)	18	YL	3572625C1	6	k5A(-)	18	GN	3572625C1	7	KV9	20	GY	3755839C1	8	k95	20	TN	3755839C1	9	k95A	20	TN	3755839C1	10	k6E	18	GY	3572625C1	10	k6D	18	BL	3572625C1	11	k95(+)	20	YL	3755839C1	12	k95(-)	20	GN	3755839C1
CAV	CIRCUIT	GAUGE	COLOR	TERMINAL																																																																														
1	k5(+)	18	YL	3572625C1																																																																														
2	k5(-)	18	GN	3572625C1																																																																														
3	k10-G4	16	WH	3572625C1																																																																														
3	k10-G4	16	BK	3572625C1																																																																														
4	k13	16	PK	3572625C1																																																																														
5	k5A(+)	18	YL	3572625C1																																																																														
6	k5A(-)	18	GN	3572625C1																																																																														
7	KV9	20	GY	3755839C1																																																																														
8	k95	20	TN	3755839C1																																																																														
9	k95A	20	TN	3755839C1																																																																														
10	k6E	18	GY	3572625C1																																																																														
10	k6D	18	BL	3572625C1																																																																														
11	k95(+)	20	YL	3755839C1																																																																														
12	k95(-)	20	GN	3755839C1																																																																														
CHG	DATE	CHANGE	REV	REFERENCE	DRAWN	NAME																																																																												
0488	24MAR15	REVISED AND REDRAWN.	D	92927M	MJV0088	CIRCUIT DIAGRAM, 42/43/44/85/8600 & 73/74/7500																																																																												
RELEASE NO.			DATE		PART NO.		SHEET																																																																											
92218B			29JUL13		AE08058187		03C																																																																											

Figure 524 Connector Composites (663R), (664), (670)

13.8. CONNECTOR COMPOSITES (670), (671), P. 3D

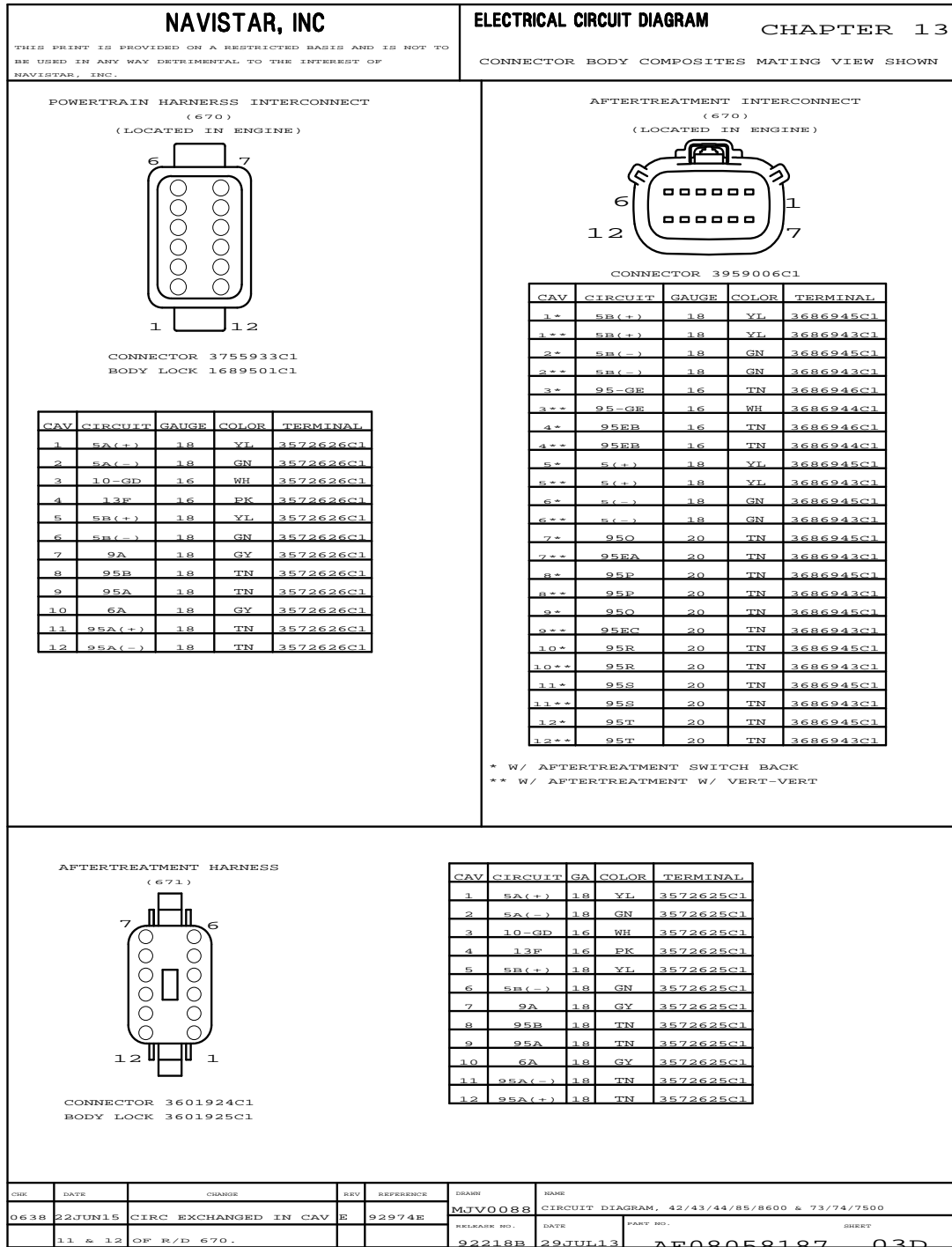


Figure 525 Connector Composites (670), (671)

13.9. CONNECTOR COMPOSITES (671), (672), (673), P. 3E

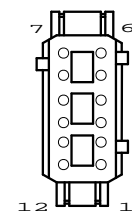
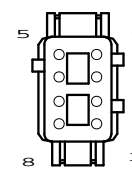
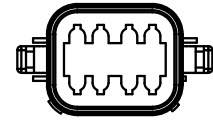

<p>NAVISTAR, INC</p> <p>THIS PRINT IS PROVIDED ON A RESTRICTED BASIS AND IS NOT TO BE USED IN ANY WAY DETRIMENTAL TO THE INTEREST OF NAVISTAR, INC.</p>	<p>ELECTRICAL CIRCUIT DIAGRAM</p> <p>CHAPTER 13</p> <p>CONNECTOR BODY COMPOSITES MATING VIEW SHOWN</p>																																																																																																																			
<p style="text-align: center;">SCR SENSOR TABLE (671) (LOCATED IN ENGINE)</p>  <p style="text-align: center;">CONNECTOR 3989896C1 BODY LOCK 3553460C1</p> <p style="text-align: center;">* W/ TRANSTAR AND W/ WORKSTAR # W/ DURASTAR ** W/WORKSTAR & DURASTAR</p>	<table border="1" style="width:100%; border-collapse: collapse;"> <thead> <tr> <th>CAV</th> <th>CIRCUIT</th> <th>GAUGE</th> <th>COLOR</th> <th>TERMINAL</th> </tr> </thead> <tbody> <tr><td>1</td><td>PLUG</td><td>-</td><td>-</td><td>3527276C1</td></tr> <tr><td>2</td><td>PLUG</td><td>-</td><td>-</td><td>3527276C1</td></tr> <tr><td>3</td><td>PLUG</td><td>-</td><td>-</td><td>3527276C1</td></tr> <tr><td>4</td><td>PLUG</td><td>-</td><td>-</td><td>3527276C1</td></tr> <tr><td>5</td><td>PLUG</td><td>-</td><td>-</td><td>3527276C1</td></tr> <tr><td>6</td><td>PLUG</td><td>-</td><td>-</td><td>3527276C1</td></tr> <tr><td>7*</td><td>5B(+)</td><td>18</td><td>YL</td><td>3989895C1</td></tr> <tr><td>7**</td><td>5D(+)</td><td>18</td><td>YL</td><td>3989895C1</td></tr> <tr><td>7#</td><td>5C(+)</td><td>18</td><td>YL</td><td>3989895C1</td></tr> <tr><td>8*</td><td>5B(-)</td><td>18</td><td>GN</td><td>3989895C1</td></tr> <tr><td>8**</td><td>5D(-)</td><td>18</td><td>GN</td><td>3989895C1</td></tr> <tr><td>8#</td><td>5C(-)</td><td>18</td><td>GN</td><td>3989895C1</td></tr> <tr><td>9</td><td>10A</td><td>18</td><td>WH</td><td>3989895C1</td></tr> <tr><td>10</td><td>13A</td><td>18</td><td>PK</td><td>3989895C1</td></tr> <tr><td>11*</td><td>5(+)</td><td>18</td><td>YL</td><td>3989895C1</td></tr> <tr><td>11**</td><td>5BB(+)</td><td>18</td><td>YL</td><td>3989895C1</td></tr> <tr><td>11**</td><td>5B(+)</td><td>18</td><td>YL</td><td>3989895C1</td></tr> <tr><td>11#</td><td>5A(+)</td><td>20</td><td>YL</td><td>3989895C1</td></tr> <tr><td>12*</td><td>5(-)</td><td>18</td><td>GN</td><td>3989895C1</td></tr> <tr><td>12**</td><td>5BB(-)</td><td>18</td><td>GN</td><td>3989895C1</td></tr> <tr><td>12**</td><td>5B(-)</td><td>18</td><td>GN</td><td>3989895C1</td></tr> <tr><td>12#</td><td>5A(-)</td><td>20</td><td>GN</td><td>3989895C1</td></tr> </tbody> </table>	CAV	CIRCUIT	GAUGE	COLOR	TERMINAL	1	PLUG	-	-	3527276C1	2	PLUG	-	-	3527276C1	3	PLUG	-	-	3527276C1	4	PLUG	-	-	3527276C1	5	PLUG	-	-	3527276C1	6	PLUG	-	-	3527276C1	7*	5B(+)	18	YL	3989895C1	7**	5D(+)	18	YL	3989895C1	7#	5C(+)	18	YL	3989895C1	8*	5B(-)	18	GN	3989895C1	8**	5D(-)	18	GN	3989895C1	8#	5C(-)	18	GN	3989895C1	9	10A	18	WH	3989895C1	10	13A	18	PK	3989895C1	11*	5(+)	18	YL	3989895C1	11**	5BB(+)	18	YL	3989895C1	11**	5B(+)	18	YL	3989895C1	11#	5A(+)	20	YL	3989895C1	12*	5(-)	18	GN	3989895C1	12**	5BB(-)	18	GN	3989895C1	12**	5B(-)	18	GN	3989895C1	12#	5A(-)	20	GN	3989895C1
CAV	CIRCUIT	GAUGE	COLOR	TERMINAL																																																																																																																
1	PLUG	-	-	3527276C1																																																																																																																
2	PLUG	-	-	3527276C1																																																																																																																
3	PLUG	-	-	3527276C1																																																																																																																
4	PLUG	-	-	3527276C1																																																																																																																
5	PLUG	-	-	3527276C1																																																																																																																
6	PLUG	-	-	3527276C1																																																																																																																
7*	5B(+)	18	YL	3989895C1																																																																																																																
7**	5D(+)	18	YL	3989895C1																																																																																																																
7#	5C(+)	18	YL	3989895C1																																																																																																																
8*	5B(-)	18	GN	3989895C1																																																																																																																
8**	5D(-)	18	GN	3989895C1																																																																																																																
8#	5C(-)	18	GN	3989895C1																																																																																																																
9	10A	18	WH	3989895C1																																																																																																																
10	13A	18	PK	3989895C1																																																																																																																
11*	5(+)	18	YL	3989895C1																																																																																																																
11**	5BB(+)	18	YL	3989895C1																																																																																																																
11**	5B(+)	18	YL	3989895C1																																																																																																																
11#	5A(+)	20	YL	3989895C1																																																																																																																
12*	5(-)	18	GN	3989895C1																																																																																																																
12**	5BB(-)	18	GN	3989895C1																																																																																																																
12**	5B(-)	18	GN	3989895C1																																																																																																																
12#	5A(-)	20	GN	3989895C1																																																																																																																
<p style="text-align: center;">DPF SENSOR TABLE (672) (LOCATED IN ENGINE)</p>  <p style="text-align: center;">CONNECTOR 3989894C1 BODY LOCK 3539144C1</p> <p style="text-align: center;">* W/ TRANSTAR AND W/ WORKSTAR # W/ DURASTAR **W/WORKSTAR, DURASTAR.</p>	<table border="1" style="width:100%; border-collapse: collapse;"> <thead> <tr> <th>CAV</th> <th>CIRCUIT</th> <th>GAUGE</th> <th>COLOR</th> <th>TERMINAL</th> </tr> </thead> <tbody> <tr><td>1***</td><td>5C(+)</td><td>18</td><td>YL</td><td>3989895C1</td></tr> <tr><td>1#</td><td>5D(+)</td><td>18</td><td>YL</td><td>3989895C1</td></tr> <tr><td>2***</td><td>5C(-)</td><td>18</td><td>GN</td><td>3989895C1</td></tr> <tr><td>2#</td><td>5D(-)</td><td>18</td><td>GN</td><td>3989895C1</td></tr> <tr><td>3***</td><td>10B</td><td>18</td><td>WH</td><td>3989895C1</td></tr> <tr><td>4</td><td>13B</td><td>18</td><td>PK</td><td>3989895C1</td></tr> <tr><td>4**</td><td>13BF</td><td>18</td><td>PK</td><td>3989895C1</td></tr> <tr><td>5***</td><td>9</td><td>18</td><td>GY</td><td>3989895C1</td></tr> <tr><td>5#</td><td>9A</td><td>18</td><td>GY</td><td>3989895C1</td></tr> <tr><td>6***</td><td>95</td><td>18</td><td>TN</td><td>3989895C1</td></tr> <tr><td>6#</td><td>95B</td><td>18</td><td>TN</td><td>3989895C1</td></tr> <tr><td>7***</td><td>95A</td><td>18</td><td>TN</td><td>3989895C1</td></tr> <tr><td>8***</td><td>6</td><td>18</td><td>GY</td><td>3989895C1</td></tr> <tr><td>8#</td><td>6A</td><td>18</td><td>GY</td><td>3989895C1</td></tr> </tbody> </table>	CAV	CIRCUIT	GAUGE	COLOR	TERMINAL	1***	5C(+)	18	YL	3989895C1	1#	5D(+)	18	YL	3989895C1	2***	5C(-)	18	GN	3989895C1	2#	5D(-)	18	GN	3989895C1	3***	10B	18	WH	3989895C1	4	13B	18	PK	3989895C1	4**	13BF	18	PK	3989895C1	5***	9	18	GY	3989895C1	5#	9A	18	GY	3989895C1	6***	95	18	TN	3989895C1	6#	95B	18	TN	3989895C1	7***	95A	18	TN	3989895C1	8***	6	18	GY	3989895C1	8#	6A	18	GY	3989895C1																																								
CAV	CIRCUIT	GAUGE	COLOR	TERMINAL																																																																																																																
1***	5C(+)	18	YL	3989895C1																																																																																																																
1#	5D(+)	18	YL	3989895C1																																																																																																																
2***	5C(-)	18	GN	3989895C1																																																																																																																
2#	5D(-)	18	GN	3989895C1																																																																																																																
3***	10B	18	WH	3989895C1																																																																																																																
4	13B	18	PK	3989895C1																																																																																																																
4**	13BF	18	PK	3989895C1																																																																																																																
5***	9	18	GY	3989895C1																																																																																																																
5#	9A	18	GY	3989895C1																																																																																																																
6***	95	18	TN	3989895C1																																																																																																																
6#	95B	18	TN	3989895C1																																																																																																																
7***	95A	18	TN	3989895C1																																																																																																																
8***	6	18	GY	3989895C1																																																																																																																
8#	6A	18	GY	3989895C1																																																																																																																
<p style="text-align: center;">DEF TANK HARNESS INTERCONNECT 2 (672) (LOCATED ON ENGINE)</p>  <p style="text-align: center;">CONNECTOR 3755935C1 BODY LOCK 3755937C1</p> <p style="text-align: center;">W/ DURASTAR</p> <table border="1" style="width:100%; border-collapse: collapse;"> <thead> <tr> <th>CAV</th> <th>CIRCUIT</th> <th>GAUGE</th> <th>COLOR</th> <th>TERMINAL</th> </tr> </thead> <tbody> <tr><td>1</td><td>K95C</td><td>20</td><td>TN</td><td>1651988C1</td></tr> <tr><td>2</td><td>K14B</td><td>16</td><td>RD</td><td>1651988C1</td></tr> <tr><td>3</td><td>K13A</td><td>16</td><td>PK</td><td>1651988C1</td></tr> <tr><td>4</td><td>K13D</td><td>16</td><td>PK</td><td>1651988C1</td></tr> <tr><td>5</td><td>K95-GA</td><td>20</td><td>TN</td><td>1651988C1</td></tr> <tr><td>6</td><td>K5(-)</td><td>18</td><td>LTCN</td><td>1651988C1</td></tr> <tr><td>7</td><td>K5(+)</td><td>18</td><td>YL</td><td>1651988C1</td></tr> <tr><td>8</td><td>K14A</td><td>16</td><td>RD</td><td>1651988C1</td></tr> </tbody> </table>	CAV	CIRCUIT	GAUGE	COLOR	TERMINAL	1	K95C	20	TN	1651988C1	2	K14B	16	RD	1651988C1	3	K13A	16	PK	1651988C1	4	K13D	16	PK	1651988C1	5	K95-GA	20	TN	1651988C1	6	K5(-)	18	LTCN	1651988C1	7	K5(+)	18	YL	1651988C1	8	K14A	16	RD	1651988C1	<p style="text-align: center;">DEF DOSER (673) (LOCATED IN ENGINE)</p>  <p style="text-align: center;">CONNECTOR 3690364C</p> <table border="1" style="width:100%; border-collapse: collapse;"> <thead> <tr> <th>CAV</th> <th>CIRCUIT</th> <th>GAUGE</th> <th>COLOR</th> <th>TERMINAL</th> <th>SEAL/SLEEVE</th> </tr> </thead> <tbody> <tr><td>1*</td><td>95(+)</td><td>18</td><td>TN</td><td>3689960C1</td><td>3623615C1</td></tr> <tr><td>1#</td><td>95A(-)</td><td>18</td><td>TN</td><td>3689960C1</td><td>3623615C1</td></tr> <tr><td>1%</td><td>95S</td><td>20</td><td>TN</td><td>3689960C1</td><td>3623615C1</td></tr> <tr><td>2*</td><td>95(-)</td><td>18</td><td>TN</td><td>3689960C1</td><td>3623615C1</td></tr> <tr><td>2#</td><td>95A(+)</td><td>18</td><td>TN</td><td>3689960C1</td><td>3623615C1</td></tr> <tr><td>2%</td><td>95T</td><td>20</td><td>TN</td><td>3689960C1</td><td>3623615C1</td></tr> </tbody> </table> <p style="text-align: center;">* W/ TRANSTAR AND W/ WORKSTAR # W/ DURASTAR % W/WORKSTAR AND DURASTAR; I6 2010 ENGINE.</p>	CAV	CIRCUIT	GAUGE	COLOR	TERMINAL	SEAL/SLEEVE	1*	95(+)	18	TN	3689960C1	3623615C1	1#	95A(-)	18	TN	3689960C1	3623615C1	1%	95S	20	TN	3689960C1	3623615C1	2*	95(-)	18	TN	3689960C1	3623615C1	2#	95A(+)	18	TN	3689960C1	3623615C1	2%	95T	20	TN	3689960C1	3623615C1																												
CAV	CIRCUIT	GAUGE	COLOR	TERMINAL																																																																																																																
1	K95C	20	TN	1651988C1																																																																																																																
2	K14B	16	RD	1651988C1																																																																																																																
3	K13A	16	PK	1651988C1																																																																																																																
4	K13D	16	PK	1651988C1																																																																																																																
5	K95-GA	20	TN	1651988C1																																																																																																																
6	K5(-)	18	LTCN	1651988C1																																																																																																																
7	K5(+)	18	YL	1651988C1																																																																																																																
8	K14A	16	RD	1651988C1																																																																																																																
CAV	CIRCUIT	GAUGE	COLOR	TERMINAL	SEAL/SLEEVE																																																																																																															
1*	95(+)	18	TN	3689960C1	3623615C1																																																																																																															
1#	95A(-)	18	TN	3689960C1	3623615C1																																																																																																															
1%	95S	20	TN	3689960C1	3623615C1																																																																																																															
2*	95(-)	18	TN	3689960C1	3623615C1																																																																																																															
2#	95A(+)	18	TN	3689960C1	3623615C1																																																																																																															
2%	95T	20	TN	3689960C1	3623615C1																																																																																																															
<table border="1" style="width:100%; border-collapse: collapse;"> <thead> <tr> <th>CHK</th> <th>DATE</th> <th>CHANGE</th> <th>REV</th> <th>REFERENCE</th> <th>DRAWN</th> <th>NAME</th> </tr> </thead> <tbody> <tr> <td>0488</td> <td>25JUN14</td> <td>REVISED AND REDRAWN.</td> <td>C</td> <td>92603H</td> <td>MJV0088</td> <td>CIRCUIT DIAGRAM, 42/43/44/85/8600 & 73/74/7500</td> </tr> <tr> <td></td> <td></td> <td></td> <td></td> <td></td> <td>RELEASE NO.</td> <td>DATE</td> </tr> <tr> <td></td> <td></td> <td></td> <td></td> <td></td> <td>92218B</td> <td>29JUL13</td> </tr> <tr> <td></td> <td></td> <td></td> <td></td> <td></td> <td>PART NO.</td> <td>SHEET</td> </tr> <tr> <td></td> <td></td> <td></td> <td></td> <td></td> <td>AE08058187</td> <td>03E</td> </tr> </tbody> </table>	CHK	DATE	CHANGE	REV	REFERENCE	DRAWN	NAME	0488	25JUN14	REVISED AND REDRAWN.	C	92603H	MJV0088	CIRCUIT DIAGRAM, 42/43/44/85/8600 & 73/74/7500						RELEASE NO.	DATE						92218B	29JUL13						PART NO.	SHEET						AE08058187	03E																																																																										
CHK	DATE	CHANGE	REV	REFERENCE	DRAWN	NAME																																																																																																														
0488	25JUN14	REVISED AND REDRAWN.	C	92603H	MJV0088	CIRCUIT DIAGRAM, 42/43/44/85/8600 & 73/74/7500																																																																																																														
					RELEASE NO.	DATE																																																																																																														
					92218B	29JUL13																																																																																																														
					PART NO.	SHEET																																																																																																														
					AE08058187	03E																																																																																																														

Figure 526 Connector Composites (671), (672), (673)

13.10. CONNECTOR COMPOSITES (674), P. 3F

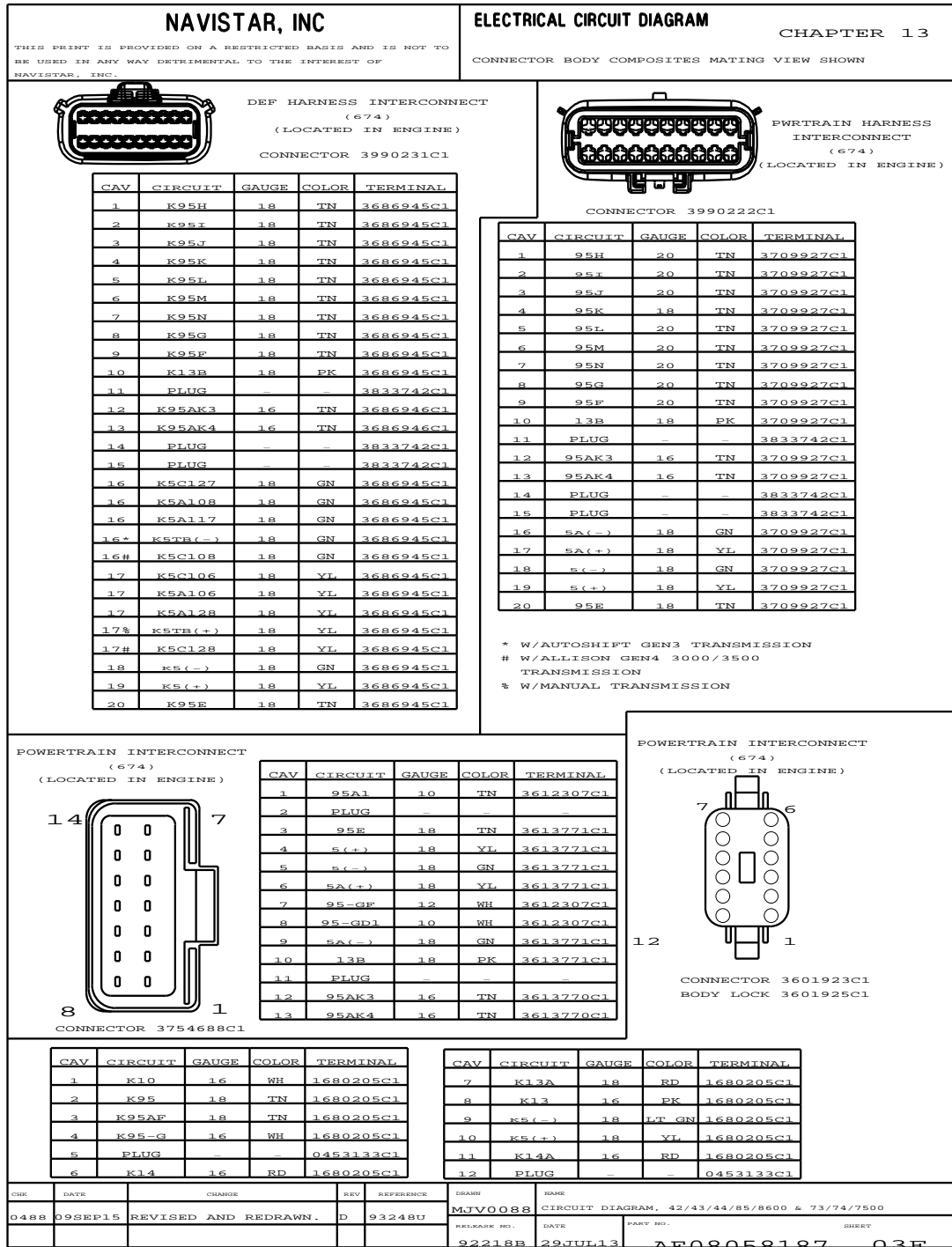


Figure 527 Connector Composites (674)

13.11. CONNECTOR COMPOSITES (674), (675), (676), (677), (678), P. 3G

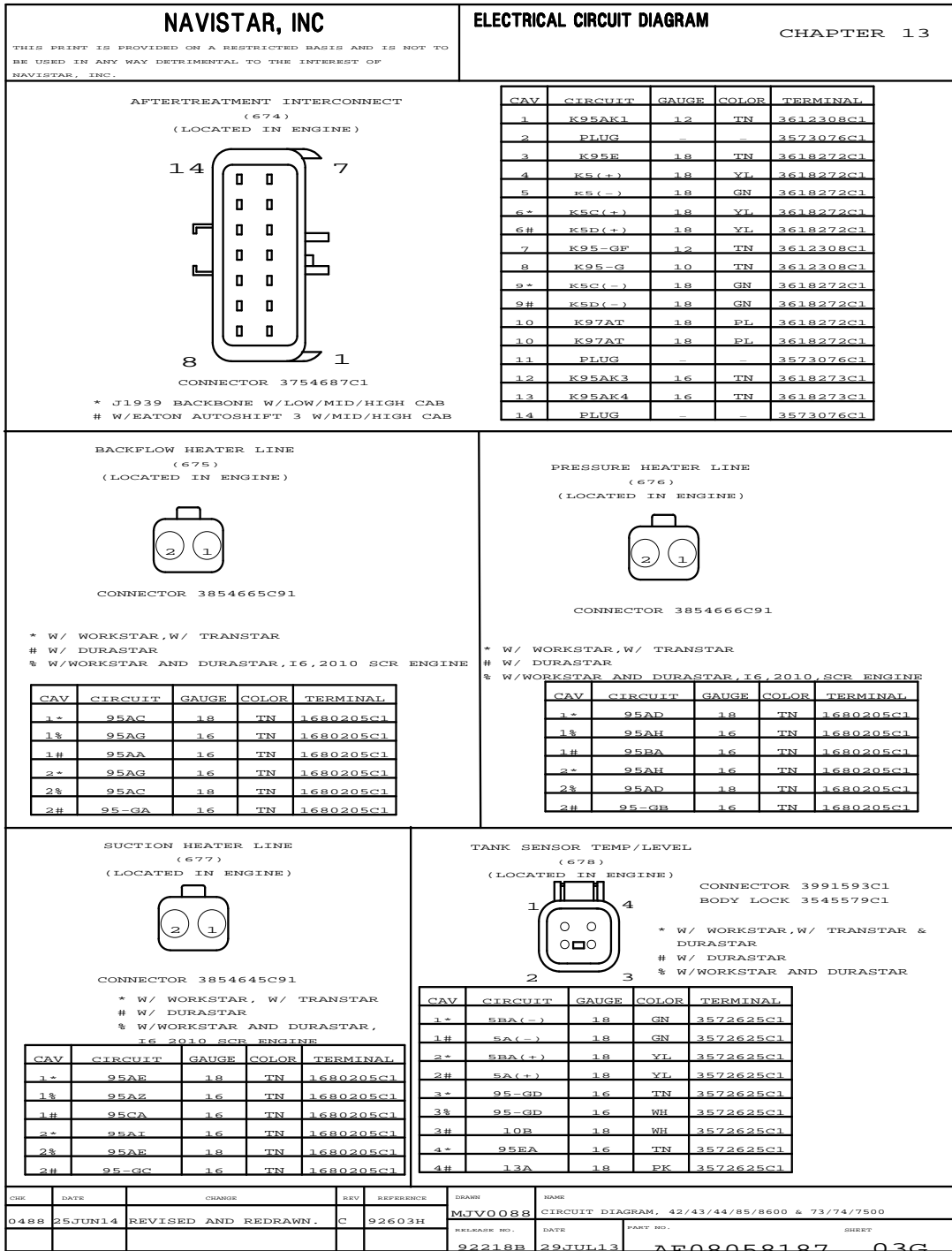


Figure 528 Connector Composites (674), (675), (676), (677), (678)

13.12. CONNECTOR COMPOSITES (679), P. 3H

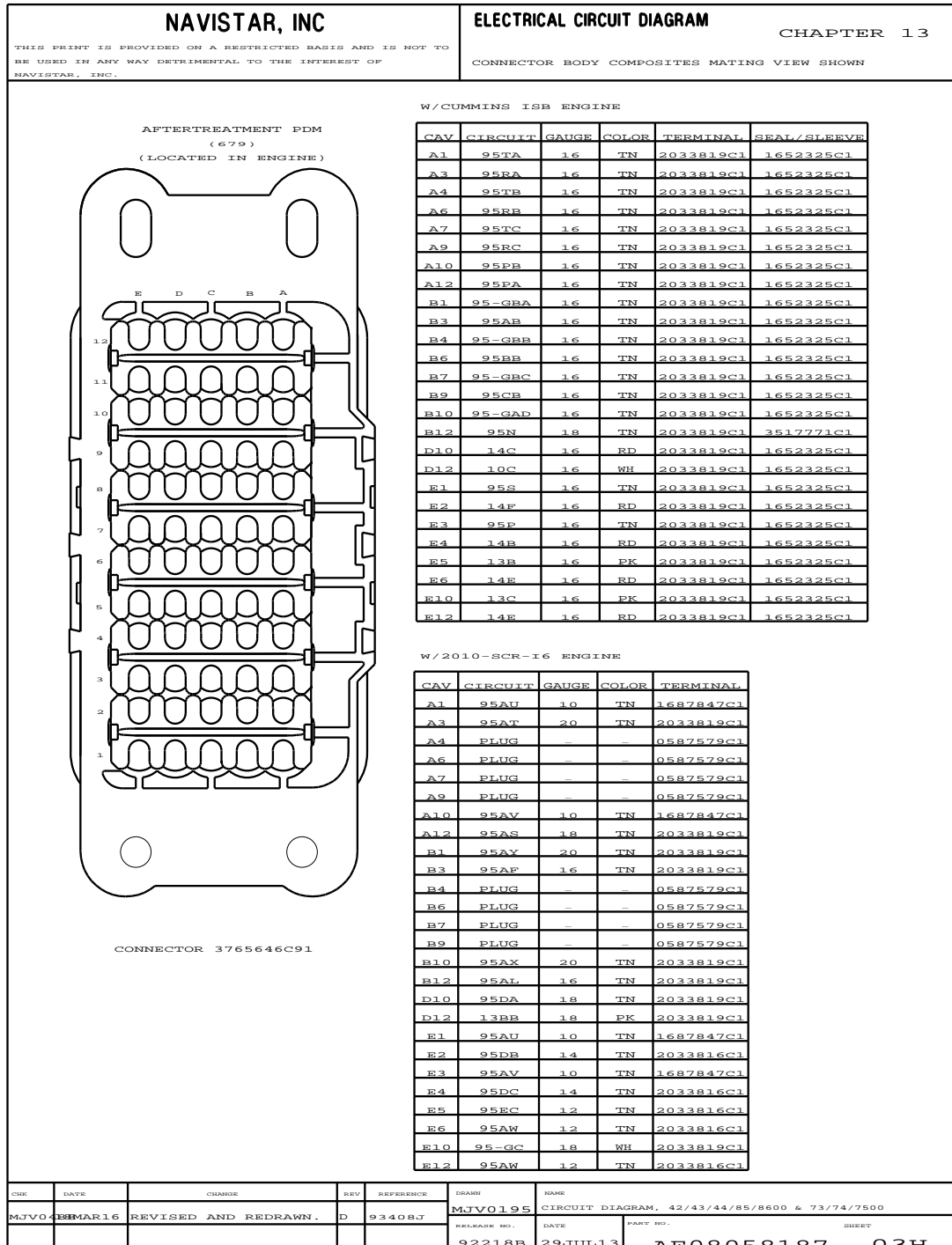


Figure 529 Connector Composites (679)

13.13. CONNECTOR COMPOSITES (679), P. 31

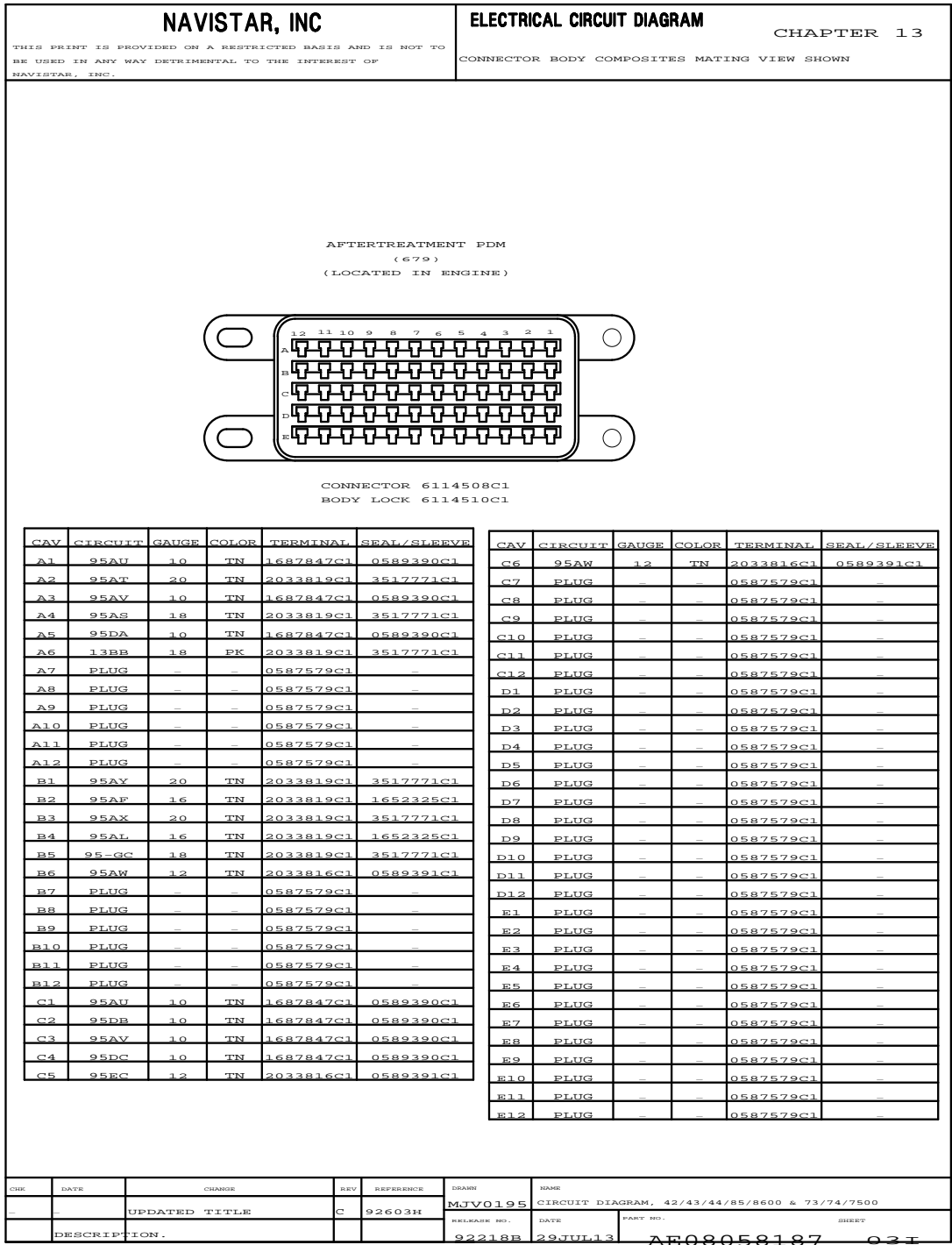


Figure 530 Connector Composites (679)

13.14. CONNECTOR COMPOSITES (679), P. 3J

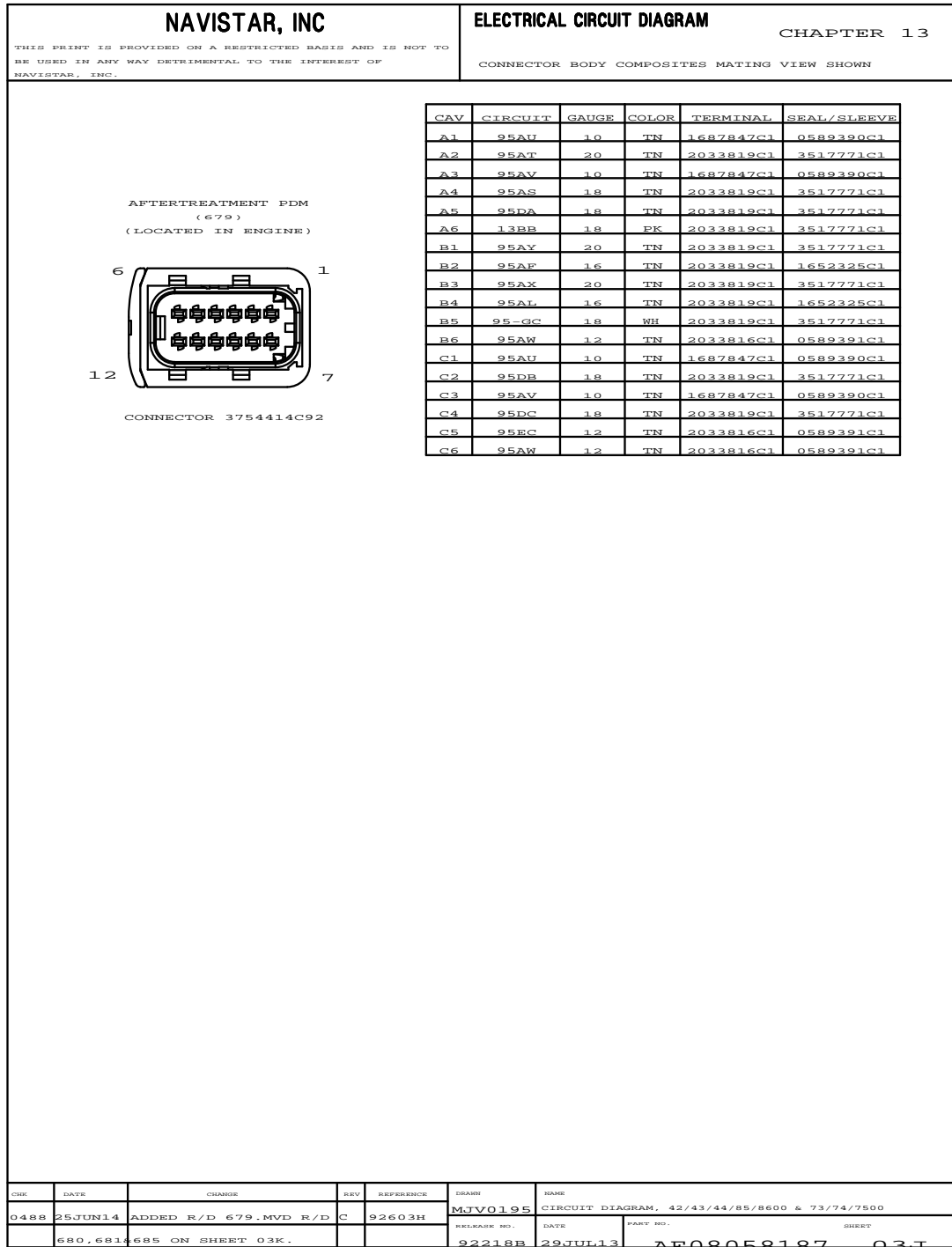


Figure 531 Connector Composites (679)

13.15. CONNECTOR COMPOSITES (680), (681), (685), P. 3K

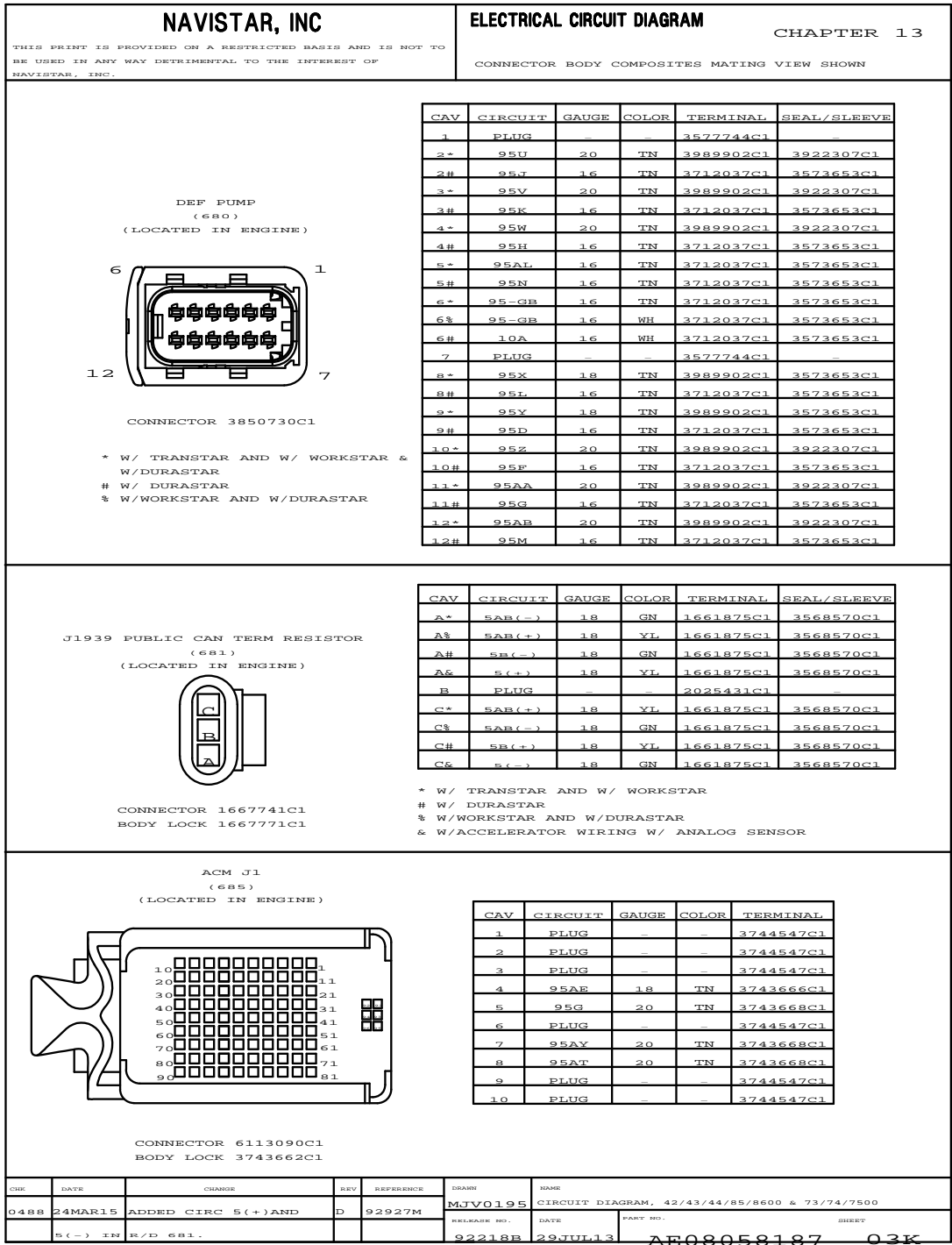


Figure 532 Connector Composites (680), (681), (685)

13.16. CONNECTOR COMPOSITES (685), P. 3L

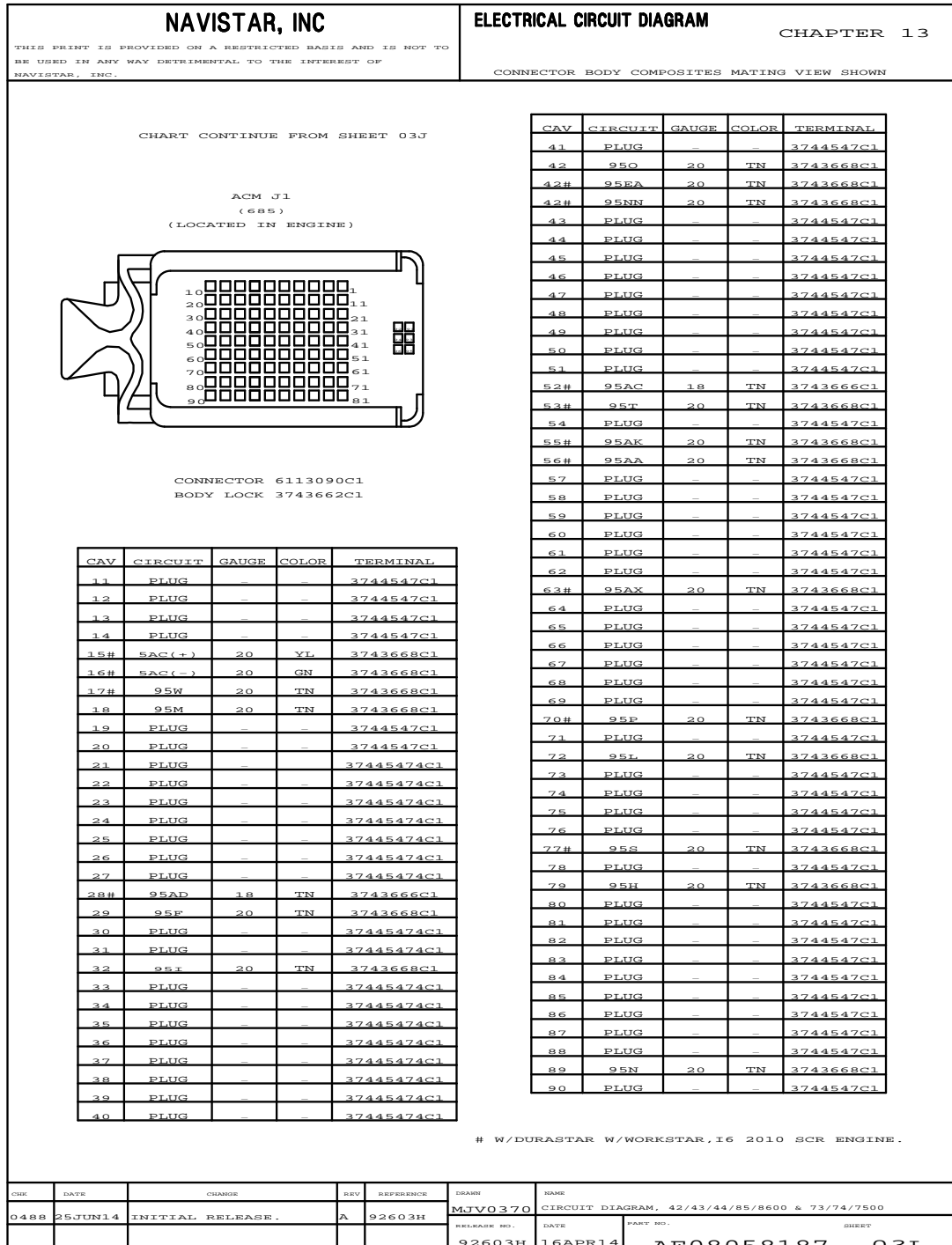


Figure 533 Connector Composites (685)

13.17. CONNECTOR COMPOSITES (686), P. 3M

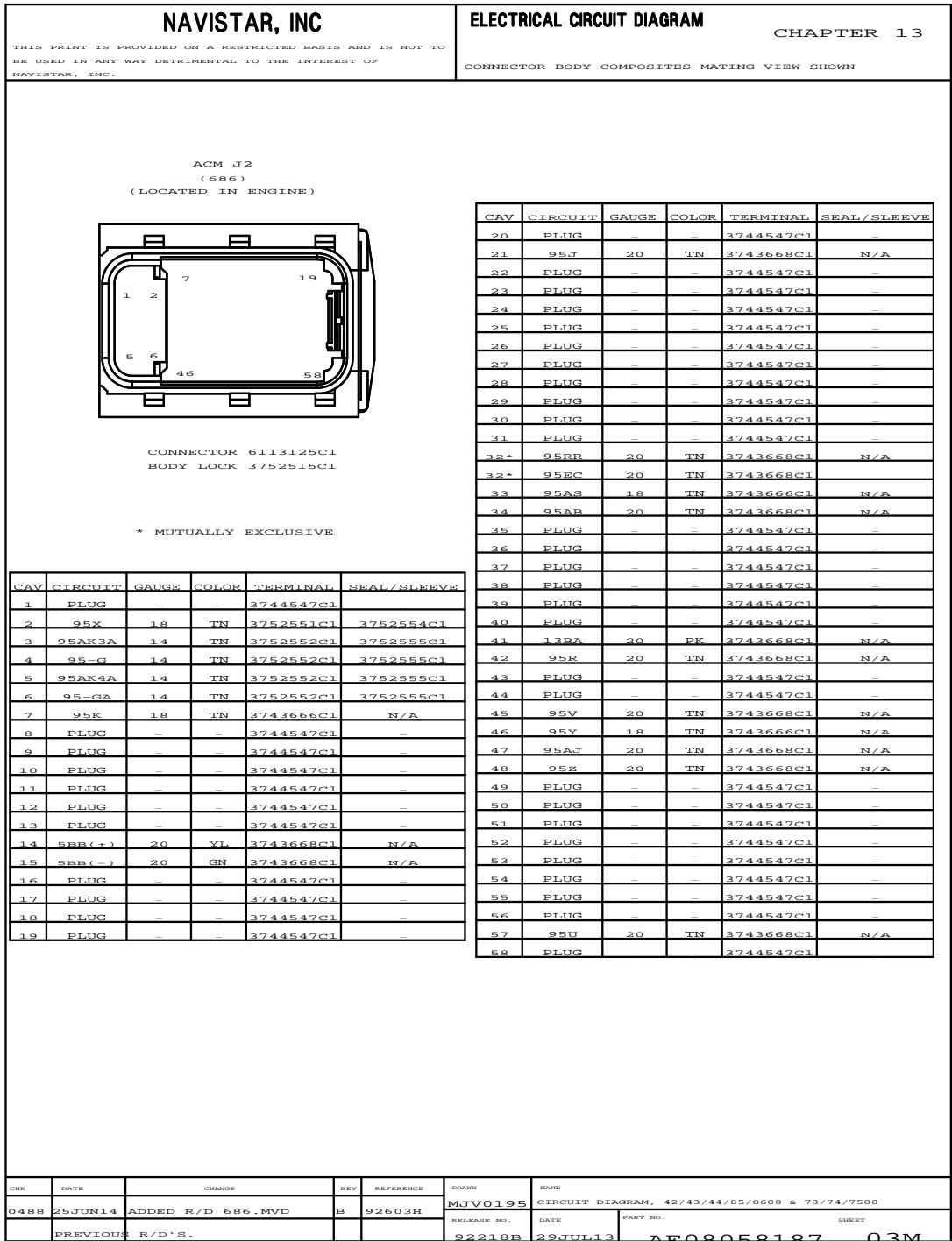


Figure 534 Connector Composites (686)

13.18. CONNECTOR COMPOSITES (687), P. 3N

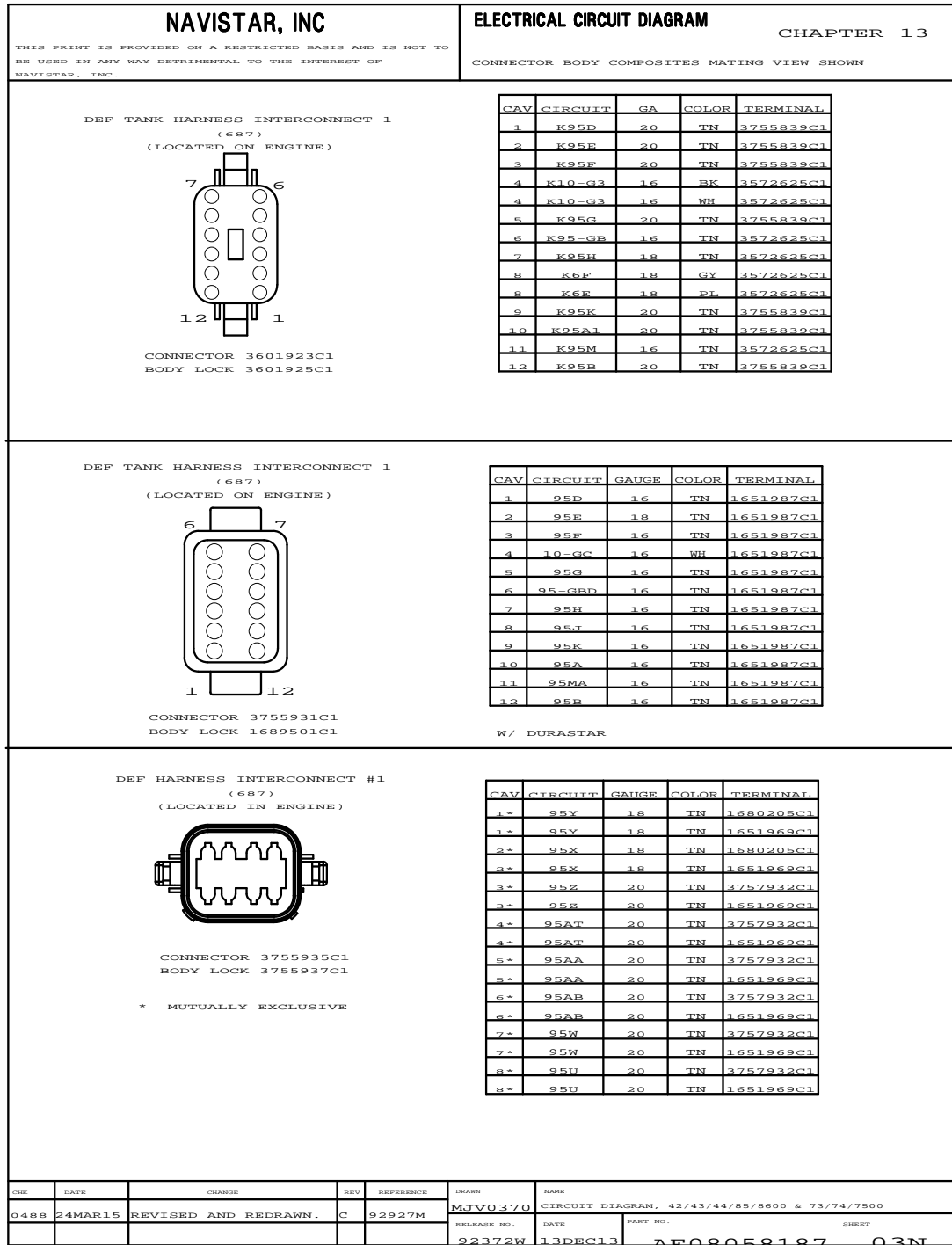


Figure 535 Connector Composites (687)

13.19. CONNECTOR COMPOSITES (687), (687A), (689), P. 3P

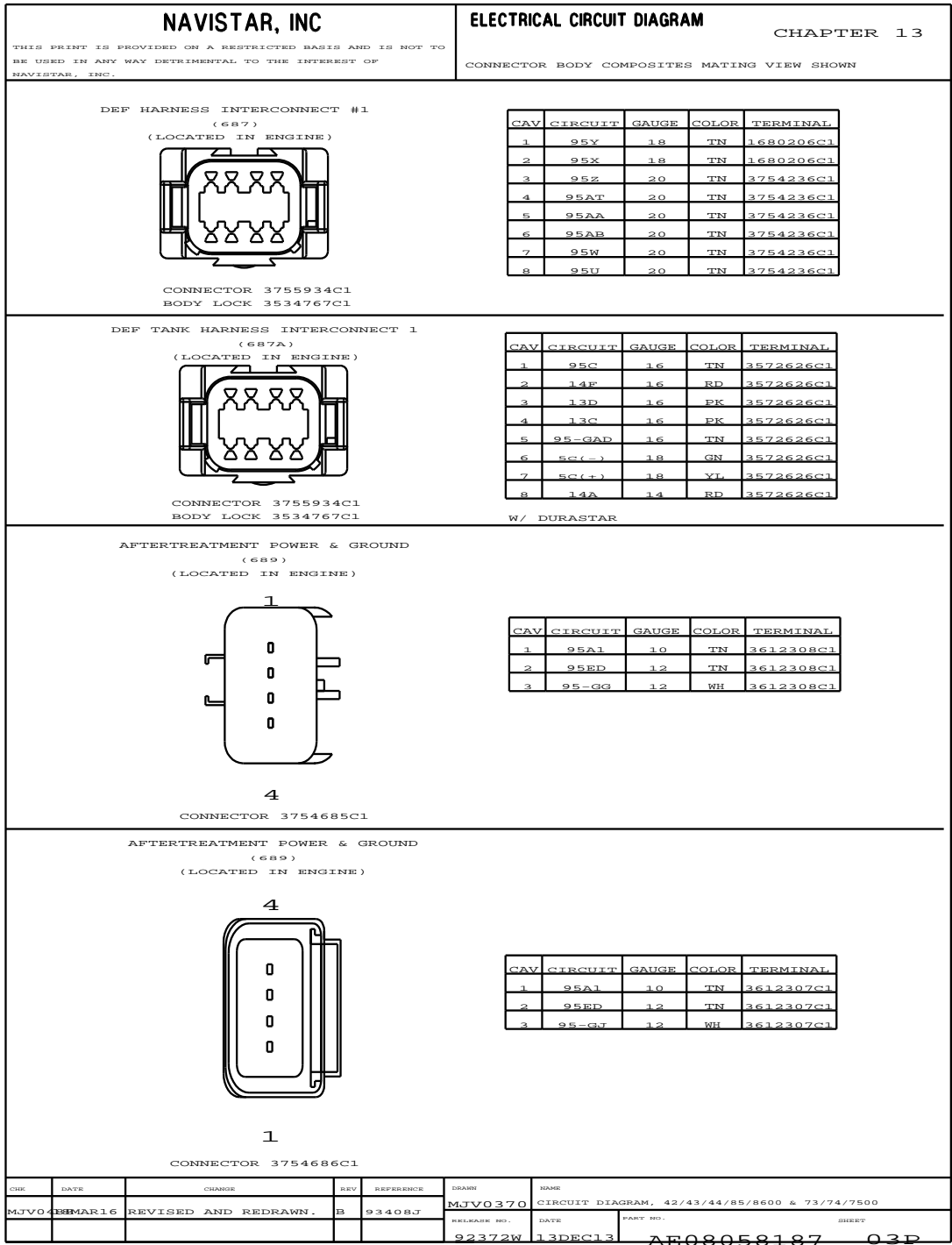


Figure 536 Connector Composites (687), (687A), (689)

13.20. CONNECTOR COMPOSITES (690), P. 3Q

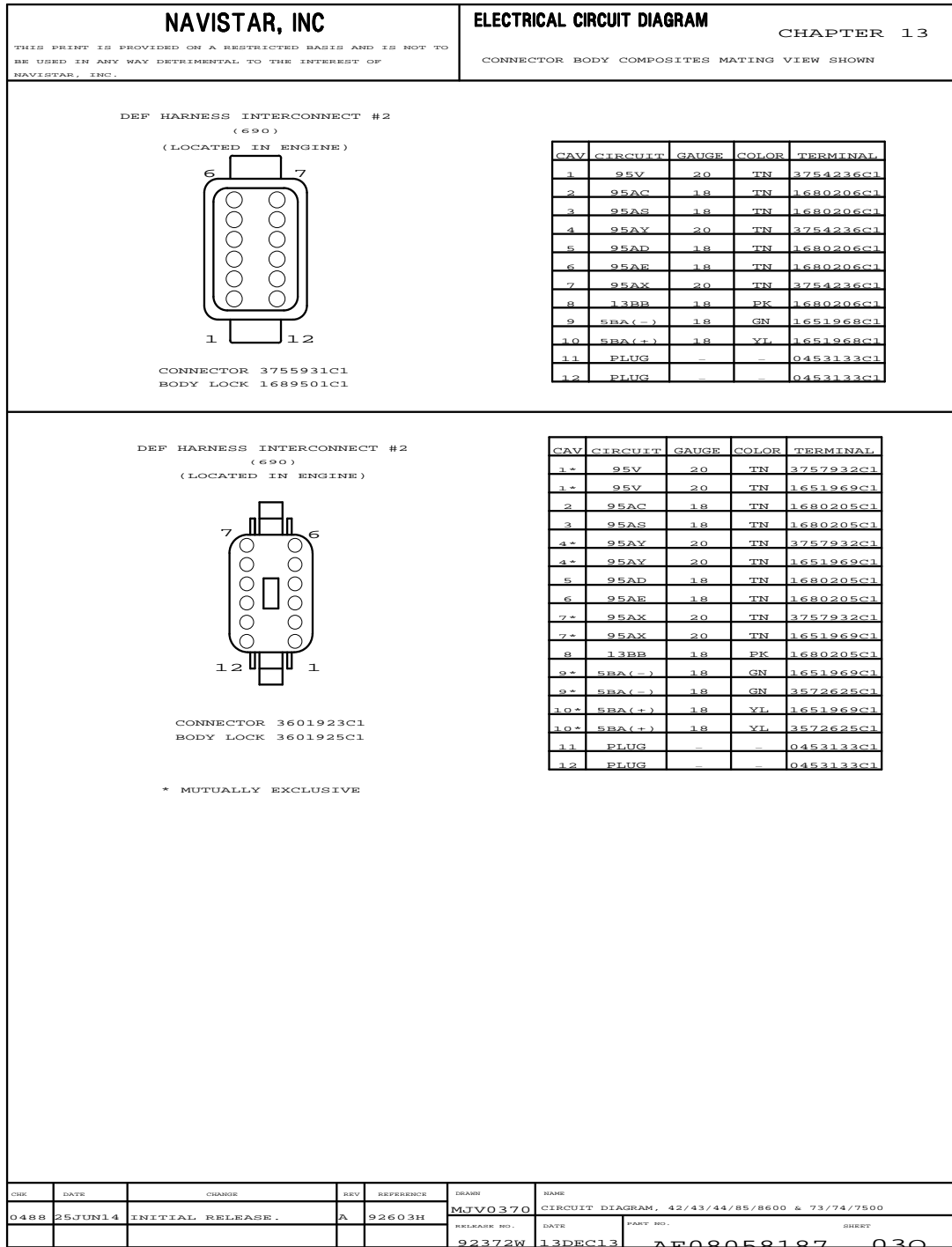


Figure 537 Connector Composites (690)

13.21. CONNECTOR COMPOSITES (690), (691), (828), P. 3R

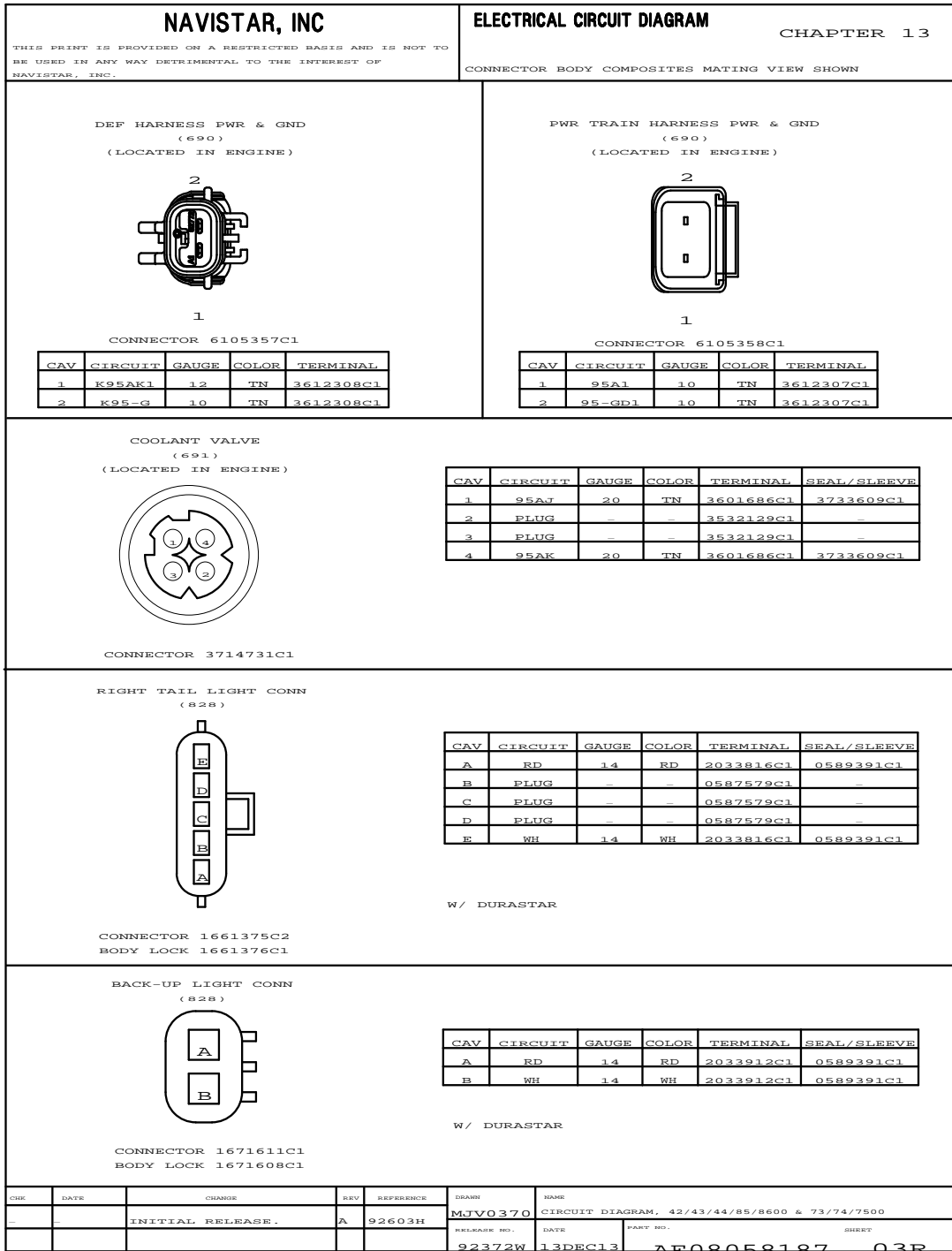


Figure 538 Connector Composites (690), (691), (828)

13.22. CONNECTOR COMPOSITES (827), (830M), P. 4

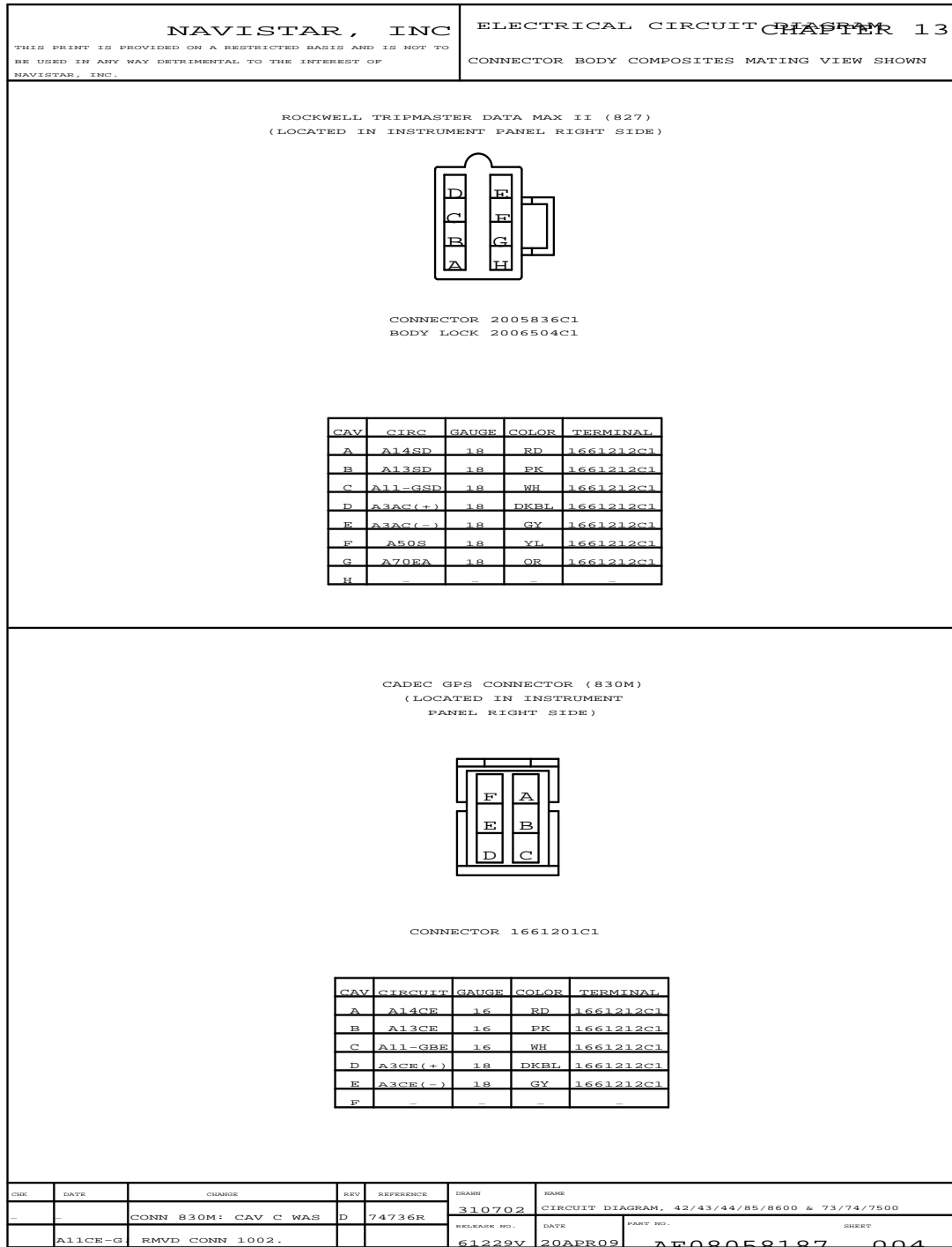


Figure 539 Connector Composites (827), (830M)

13.23. INTENTIONALLY LEFT BLANK, P. 5

<p>NAVISTAR, INC THIS PRINT IS PROVIDED ON A RESTRICTED BASIS AND IS NOT TO BE USED IN ANY WAY DETRIMENTAL TO THE INTEREST OF NAVISTAR, INC.</p>				<p>ELECTRICAL CIRCUIT DIAGRAM CHAPTER 13 CONNECTOR BODY COMPOSITES MATING VIEW SHOWN</p>			
<p>INTENTIONALLY LEFT BLANK</p>							
CHK	DATE	CHANGE	REV	REFERENCE	DRAWN	NAME	
CNA1	13JUN11	REMOVED CONN 1003 &	E	74736R	310702	CIRCUIT DIAGRAM, 42/43/44/85/8600 & 73/74/7500	
	1006.				RELEASE NO.	DATE	PART NO. SHEET
					61229V	20APR09	AE08058187 005

Figure 540 Intentionally Left Blank

13.24. CONNECTOR COMPOSITES (1004), (1007M), (1008FA), (1009F), P. 6

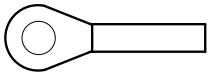
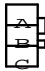

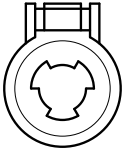
NAVISTAR, INC				ELECTRICAL CIRCUIT DIAGRAM		CHAPTER 13																					
THIS PRINT IS PROVIDED ON A RESTRICTED BASIS AND IS NOT TO BE USED IN ANY WAY DETRIMENTAL TO THE INTEREST OF NAVISTAR, INC.				CONNECTOR BODY COMPOSITES MATING VIEW SHOWN																							
<p>NEG STUD (1004) (LOCATED NEAR INSTRUMENT PANEL)</p>  <p>TERMINAL 3549254C1</p> <table border="1" style="margin-left: auto; margin-right: auto; font-size: x-small;"> <thead> <tr> <th>CAV</th> <th>CIRCUIT</th> <th>GA</th> <th>COLOR</th> <th>TERMINAL</th> <th>SEAL/SLV</th> </tr> </thead> <tbody> <tr> <td>A</td> <td>A40-G</td> <td>18</td> <td>GY</td> <td>3549254C1</td> <td>2644005E1</td> </tr> </tbody> </table>								CAV	CIRCUIT	GA	COLOR	TERMINAL	SEAL/SLV	A	A40-G	18	GY	3549254C1	2644005E1								
CAV	CIRCUIT	GA	COLOR	TERMINAL	SEAL/SLV																						
A	A40-G	18	GY	3549254C1	2644005E1																						
<p>LATCHING RELAY (1007M) (LOCATED AT BELOW DASH BOARD ON ENGINE COVER)</p>  <p>CONNECTOR 1661889C1 BODY LOCK 1661890C1</p> <table border="1" style="margin-left: auto; margin-right: auto; font-size: x-small;"> <thead> <tr> <th>CAV</th> <th>CIRCUIT</th> <th>GAUGE</th> <th>COLOR</th> <th>TERMINAL</th> </tr> </thead> <tbody> <tr> <td>A</td> <td>A14LB</td> <td>18</td> <td>RD</td> <td>1661261C1</td> </tr> <tr> <td>B</td> <td>A14-GAC</td> <td>18</td> <td>WH</td> <td>1661261C1</td> </tr> <tr> <td>C</td> <td>A14LA</td> <td>18</td> <td>RD</td> <td>1661261C1</td> </tr> </tbody> </table>								CAV	CIRCUIT	GAUGE	COLOR	TERMINAL	A	A14LB	18	RD	1661261C1	B	A14-GAC	18	WH	1661261C1	C	A14LA	18	RD	1661261C1
CAV	CIRCUIT	GAUGE	COLOR	TERMINAL																							
A	A14LB	18	RD	1661261C1																							
B	A14-GAC	18	WH	1661261C1																							
C	A14LA	18	RD	1661261C1																							
<p>LOAD SHEDDING B2 STUD (1008FA) (LOCATED NEAR DASH PANEL)</p>  <p>CONNECTOR 2007311C1</p> <table border="1" style="margin-left: auto; margin-right: auto; font-size: x-small;"> <thead> <tr> <th>CAV</th> <th>CIRCUIT</th> <th>GAUGE</th> <th>COLOR</th> <th>TERMINAL</th> </tr> </thead> <tbody> <tr> <td>A</td> <td>A14X</td> <td>6</td> <td>RD</td> <td>1621478C1</td> </tr> </tbody> </table>								CAV	CIRCUIT	GAUGE	COLOR	TERMINAL	A	A14X	6	RD	1621478C1										
CAV	CIRCUIT	GAUGE	COLOR	TERMINAL																							
A	A14X	6	RD	1621478C1																							
<p>LOAD SHEDDING B1 STUD (1009F) (LOCATED NEAR DASH PANEL)</p>  <p>CONNECTOR 2007312C1</p> <table border="1" style="margin-left: auto; margin-right: auto; font-size: x-small;"> <thead> <tr> <th>CAV</th> <th>CIRCUIT</th> <th>GAUGE</th> <th>COLOR</th> <th>TERMINAL</th> </tr> </thead> <tbody> <tr> <td>A</td> <td>A14Y</td> <td>6</td> <td>RD</td> <td>1621479C1</td> </tr> </tbody> </table>								CAV	CIRCUIT	GAUGE	COLOR	TERMINAL	A	A14Y	6	RD	1621479C1										
CAV	CIRCUIT	GAUGE	COLOR	TERMINAL																							
A	A14Y	6	RD	1621479C1																							
CHK	DATE	CHANGE	REV	REFERENCE	DRAWN	NAME																					
0488	20NOV14	ADDED R/D 1004.	S	92674A	310702	CIRCUIT DIAGRAM, 42/42/44/85/8600 & 73/74/7500																					
RELEASE NO.		DATE		PART NO.		SHEET																					
20APR09		61229V		AE08058187		006																					

Figure 541 Connector Composites (1004), (1007M), (1008FA), (1009F)

13.25. CONNECTOR COMPOSITES (1010), P. 7

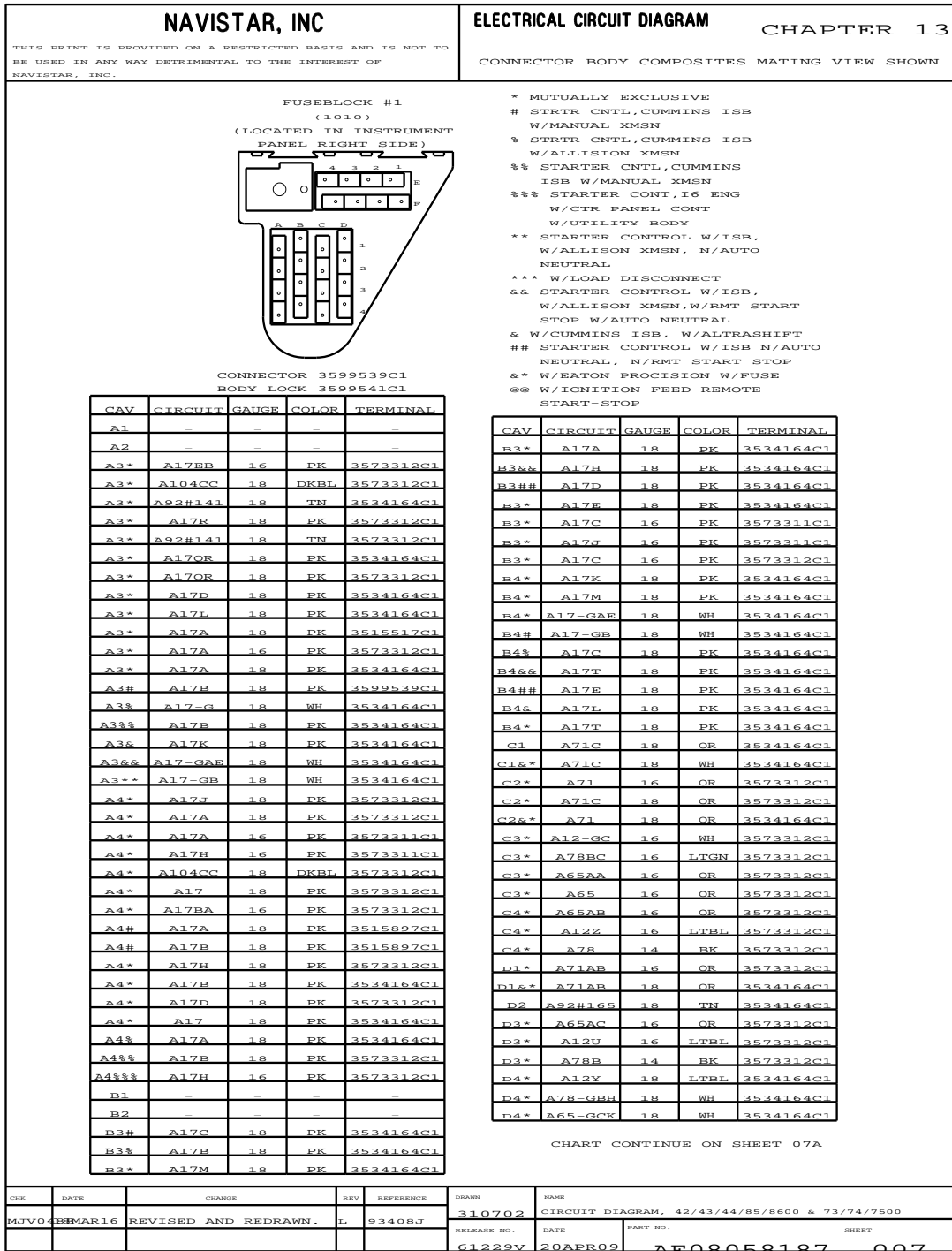


Figure 542 Connector Composites (1010)

13.26. CONNECTOR COMPOSITES (1010), P. 7A

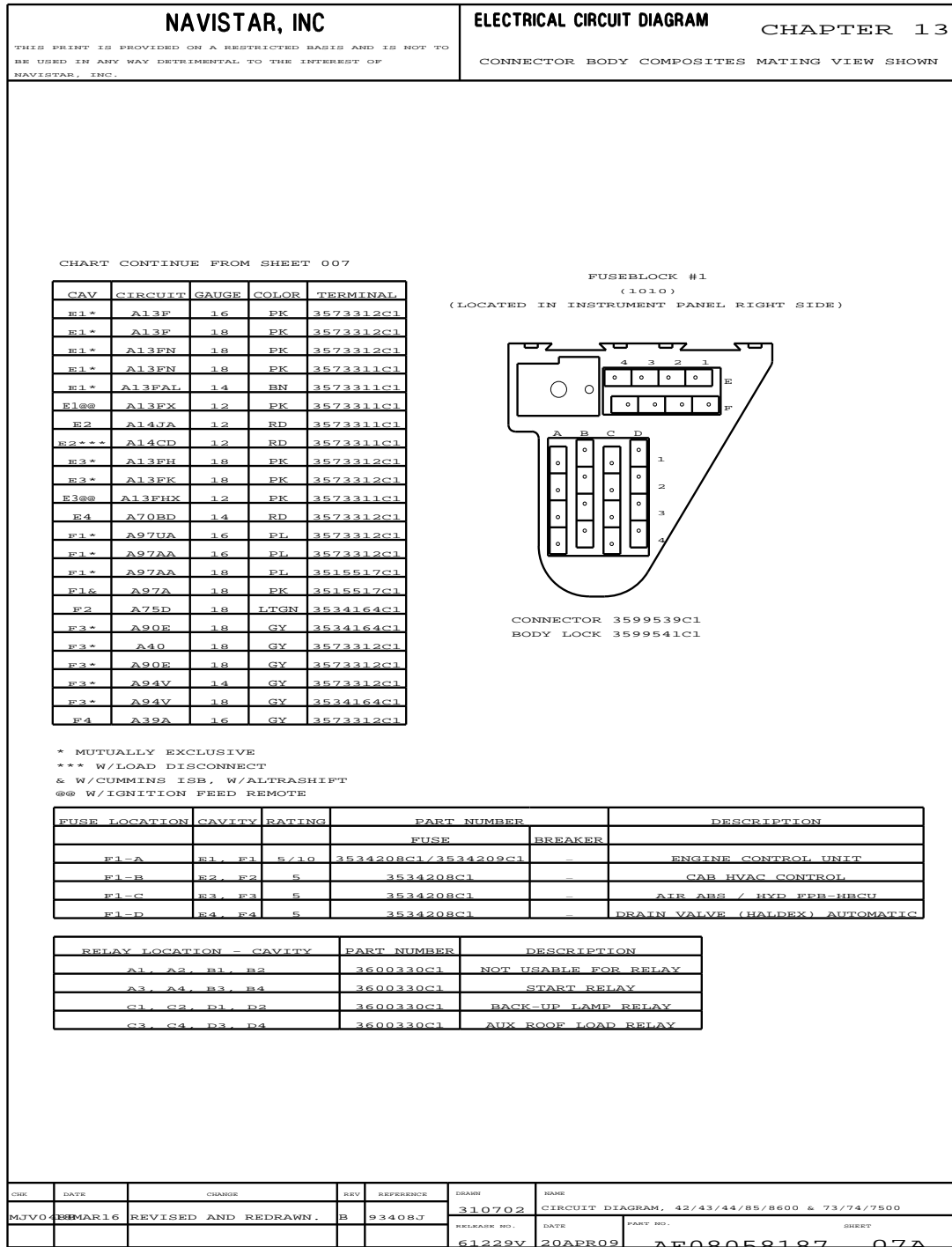


Figure 543 Connector Composites (1010)

13.27. CONNECTOR COMPOSITES (1011), P. 8

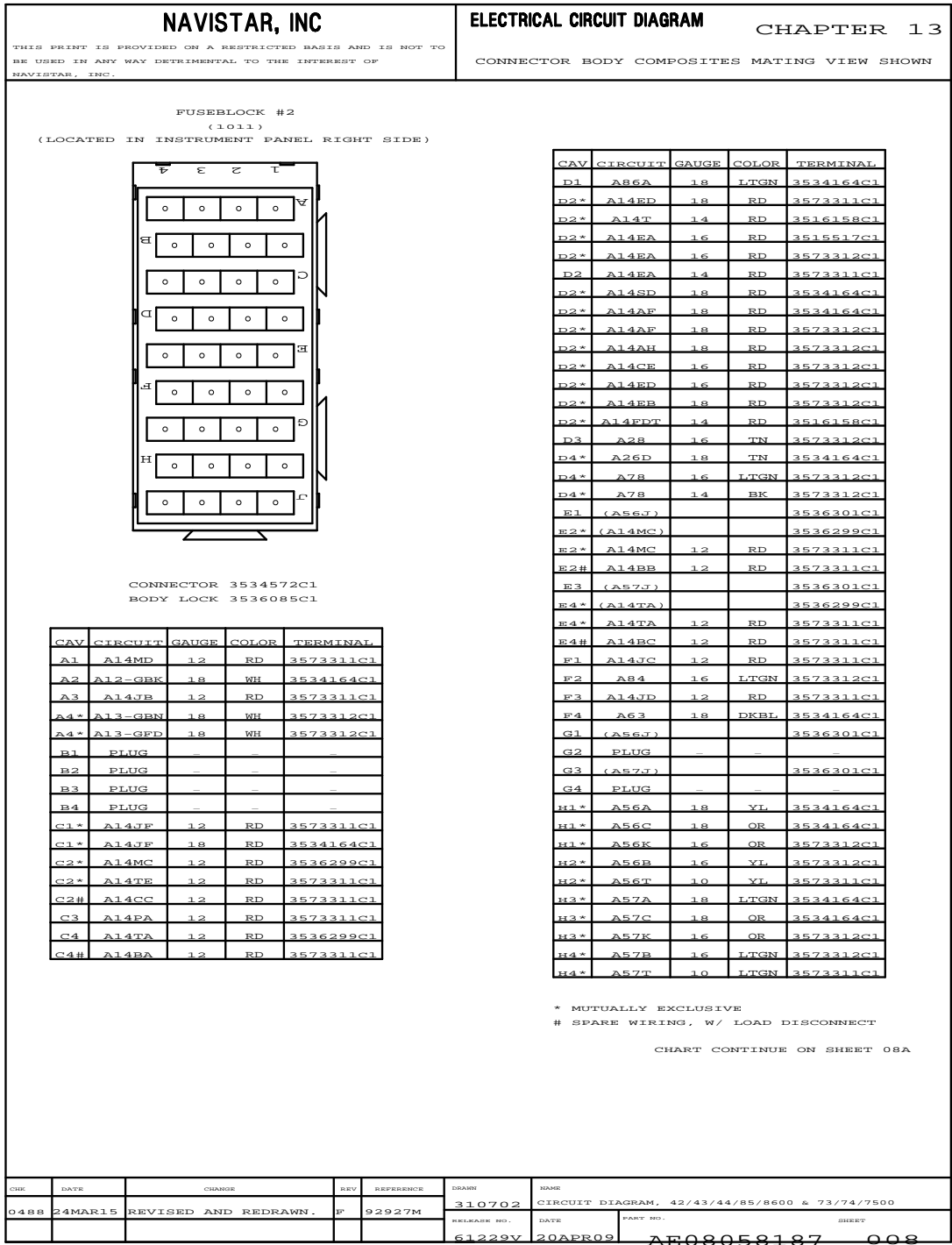


Figure 544 Connector Composites (1011)

13.28. CONNECTOR COMPOSITES (1012), P. 9

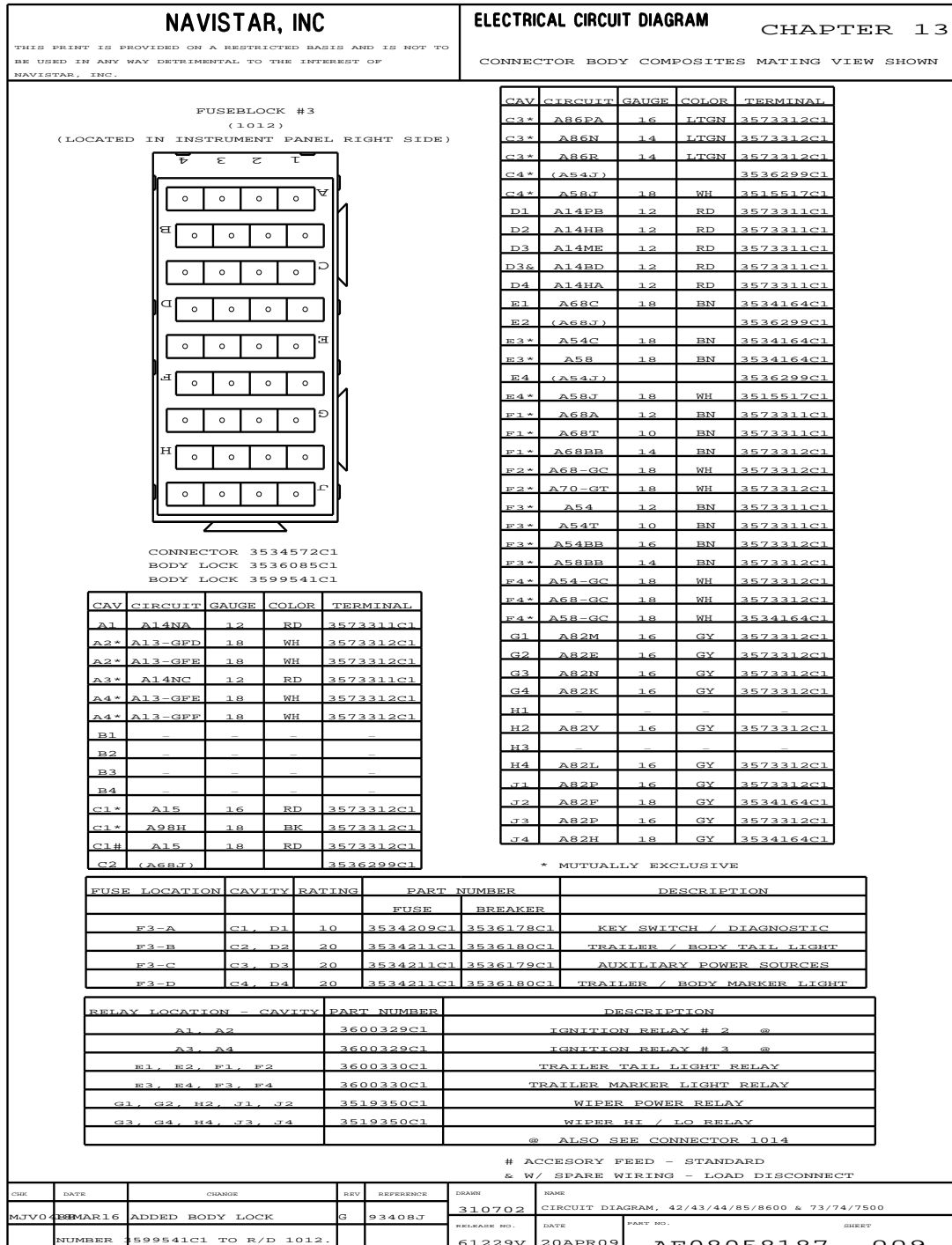


Figure 545 Connector Composites (1012)

13.29. CONNECTOR COMPOSITES (1013), P. 10

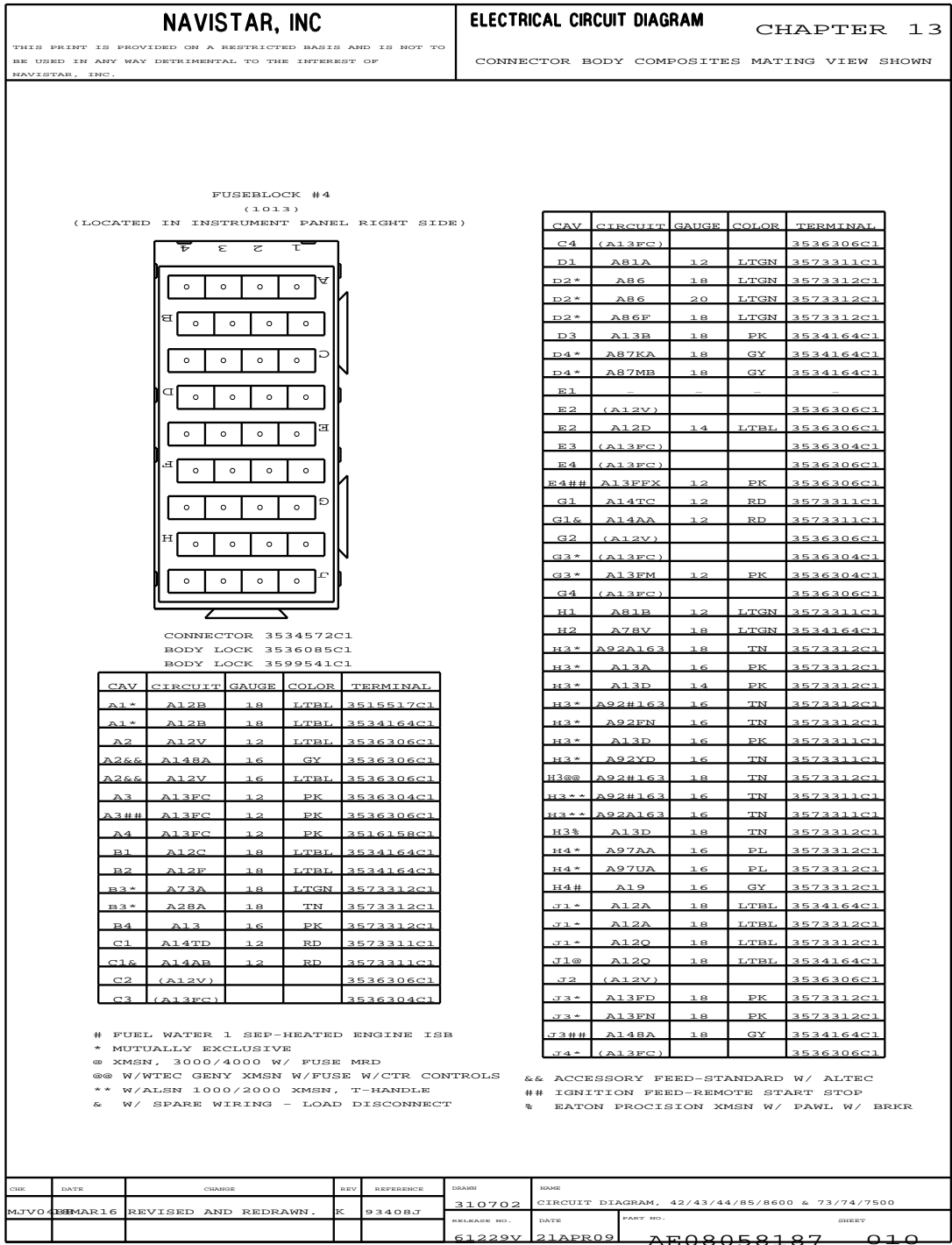


Figure 546 Connector Composites (1013)

13.30. CONNECTOR COMPOSITES (1013), P. 10A

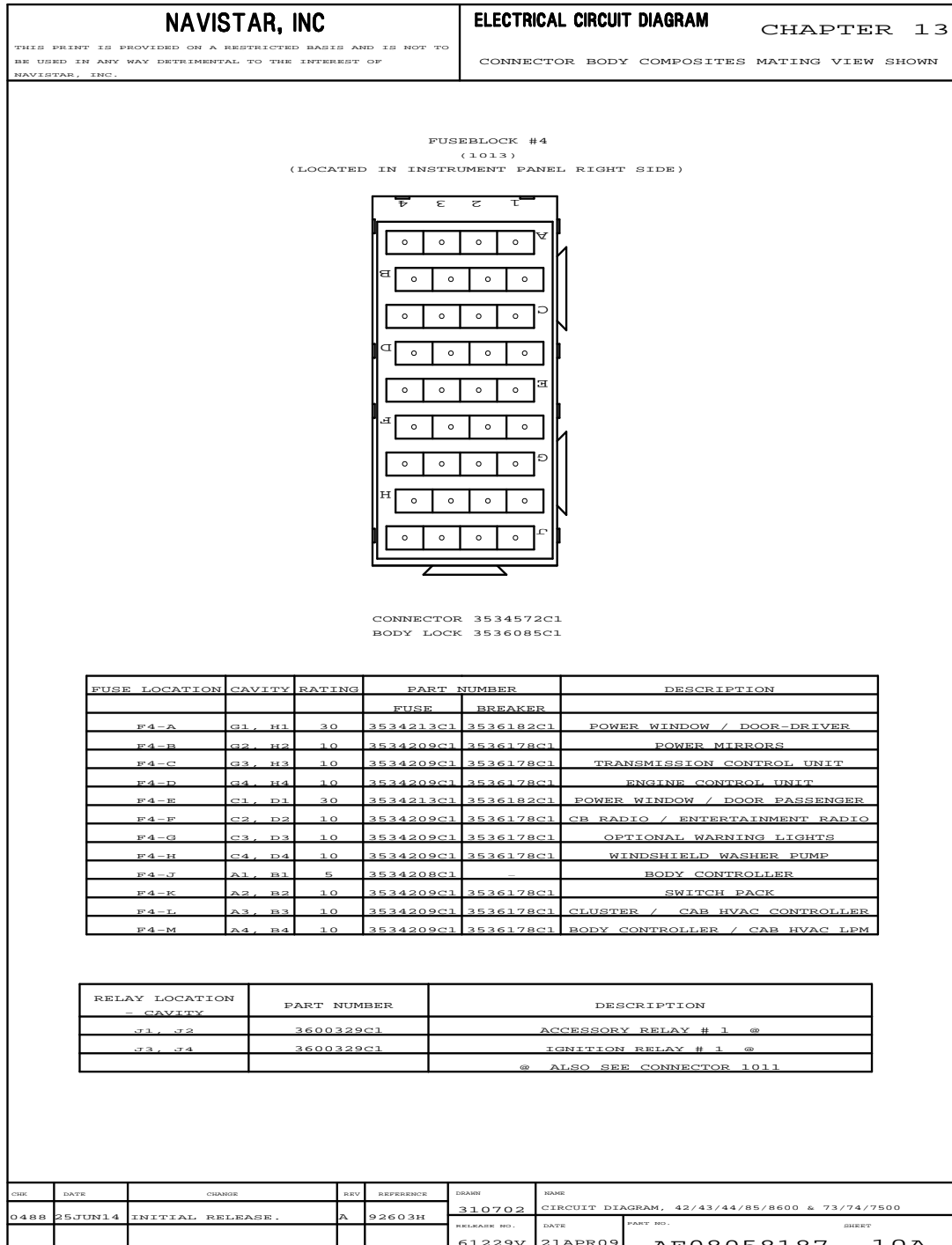


Figure 547 Connector Composites (1013)

13.31. CONNECTOR COMPOSITES (1014), P. 11

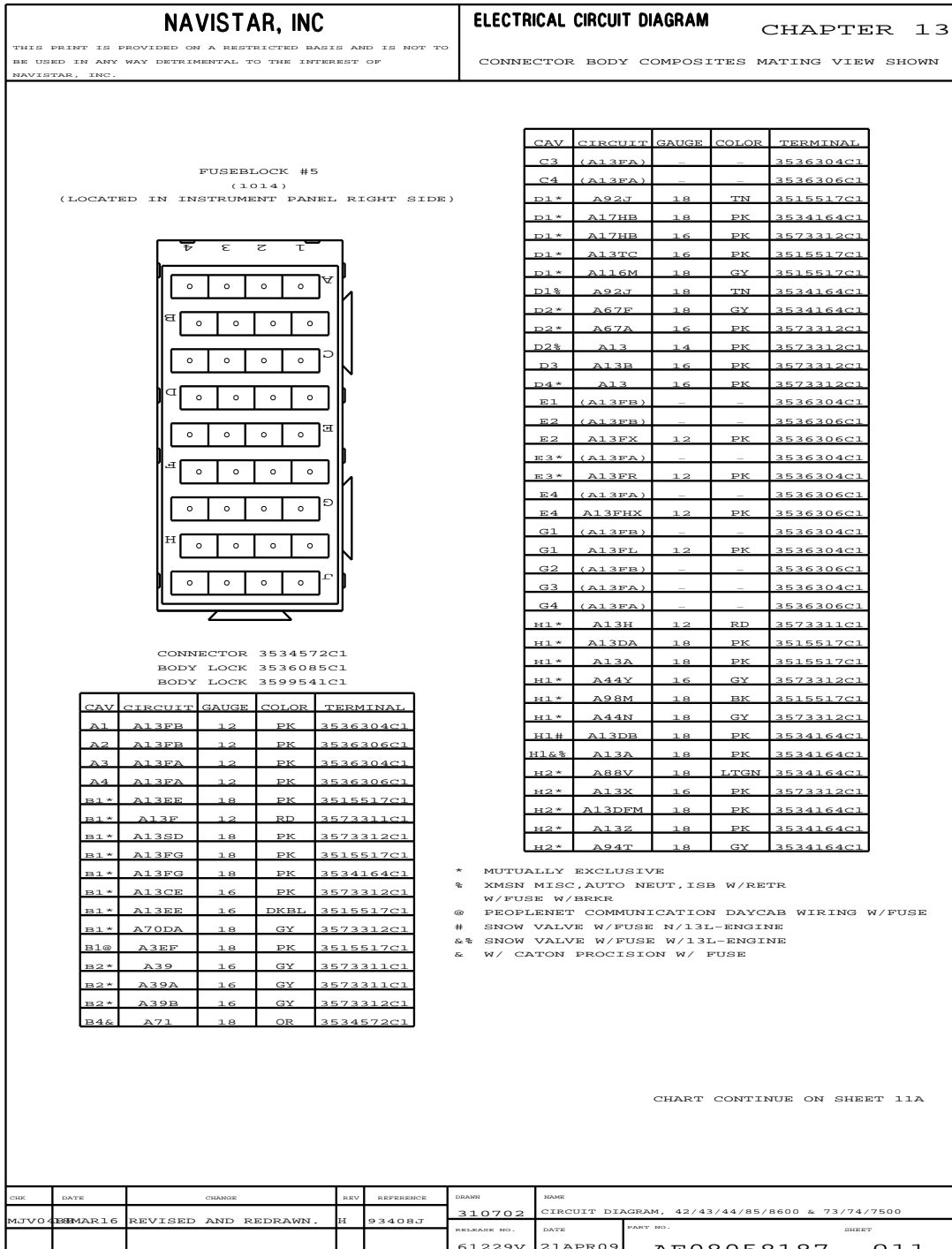


Figure 548 Connector Composites (1014)

13.32. CONNECTOR COMPOSITES (1014), P. 11A

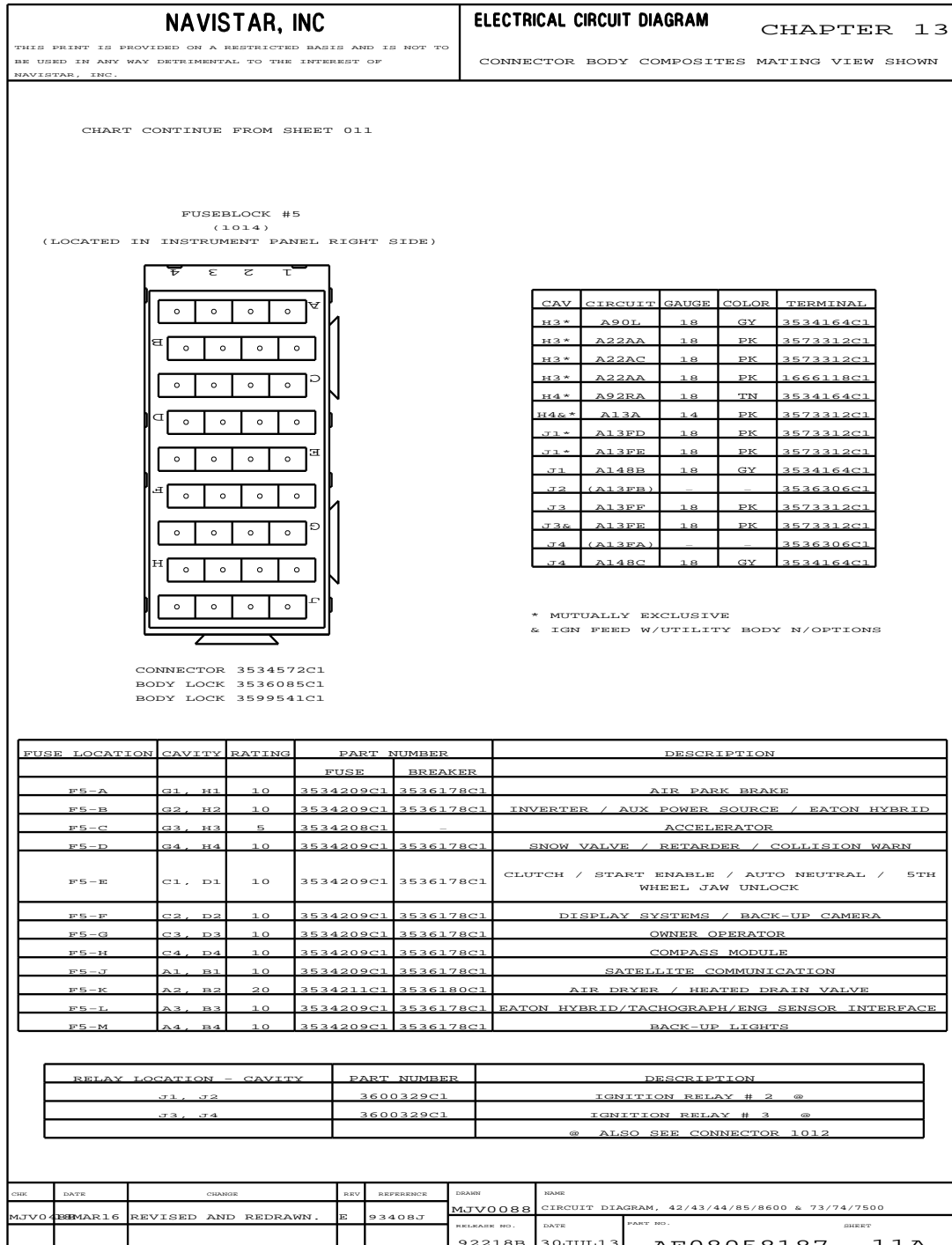


Figure 549 Connector Composites (1014)

13.33. CONNECTOR COMPOSITES (1015), P. 12

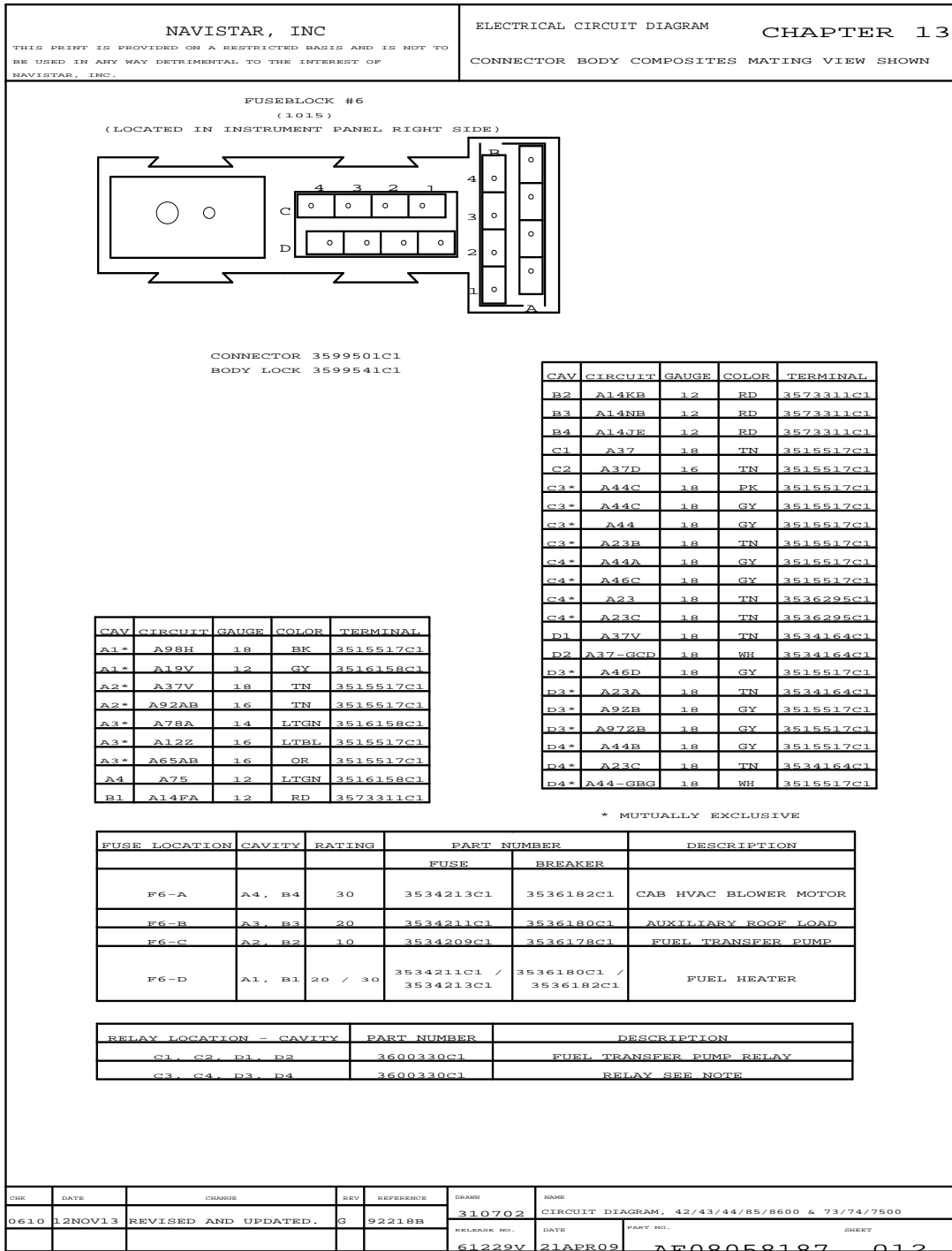


Figure 550 Connector Composites (1015)

13.34. CONNECTOR COMPOSITES (1016), P. 13

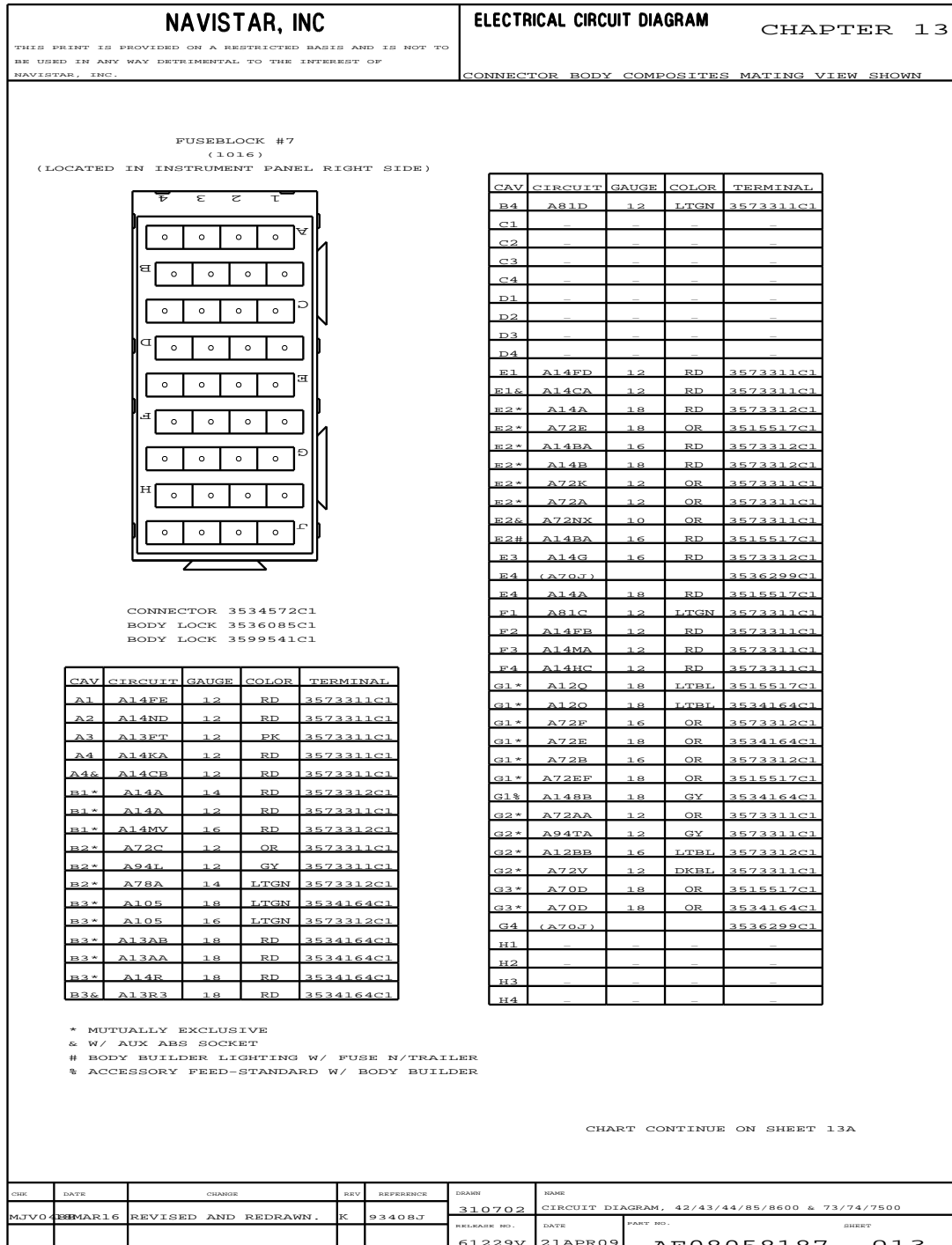


Figure 551 Connector Composites (1016)

13.35. CONNECTOR COMPOSITES (1016), P. 13A

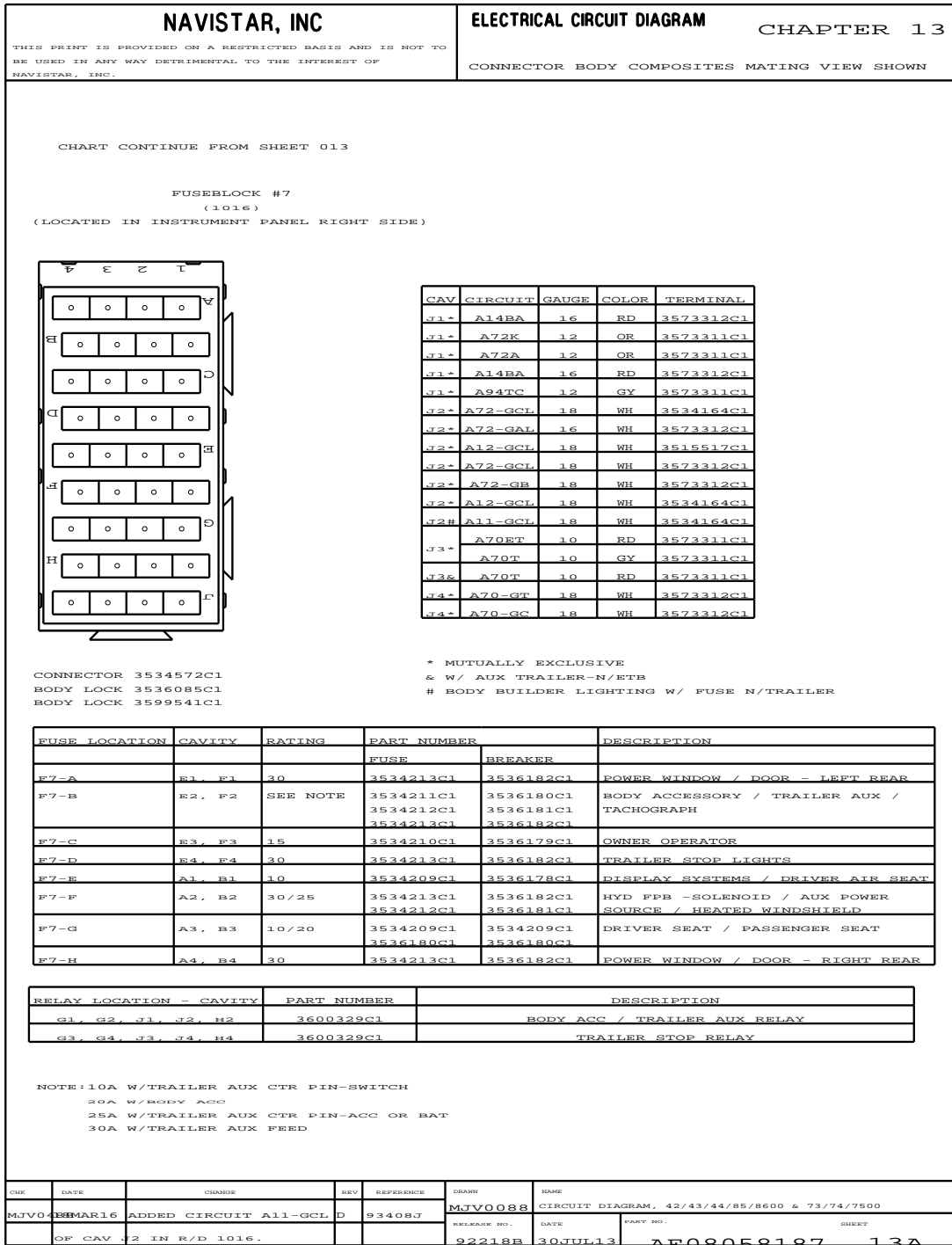


Figure 552 Connector Composites (1016)

13.36. CONNECTOR COMPOSITES (1017), P. 14

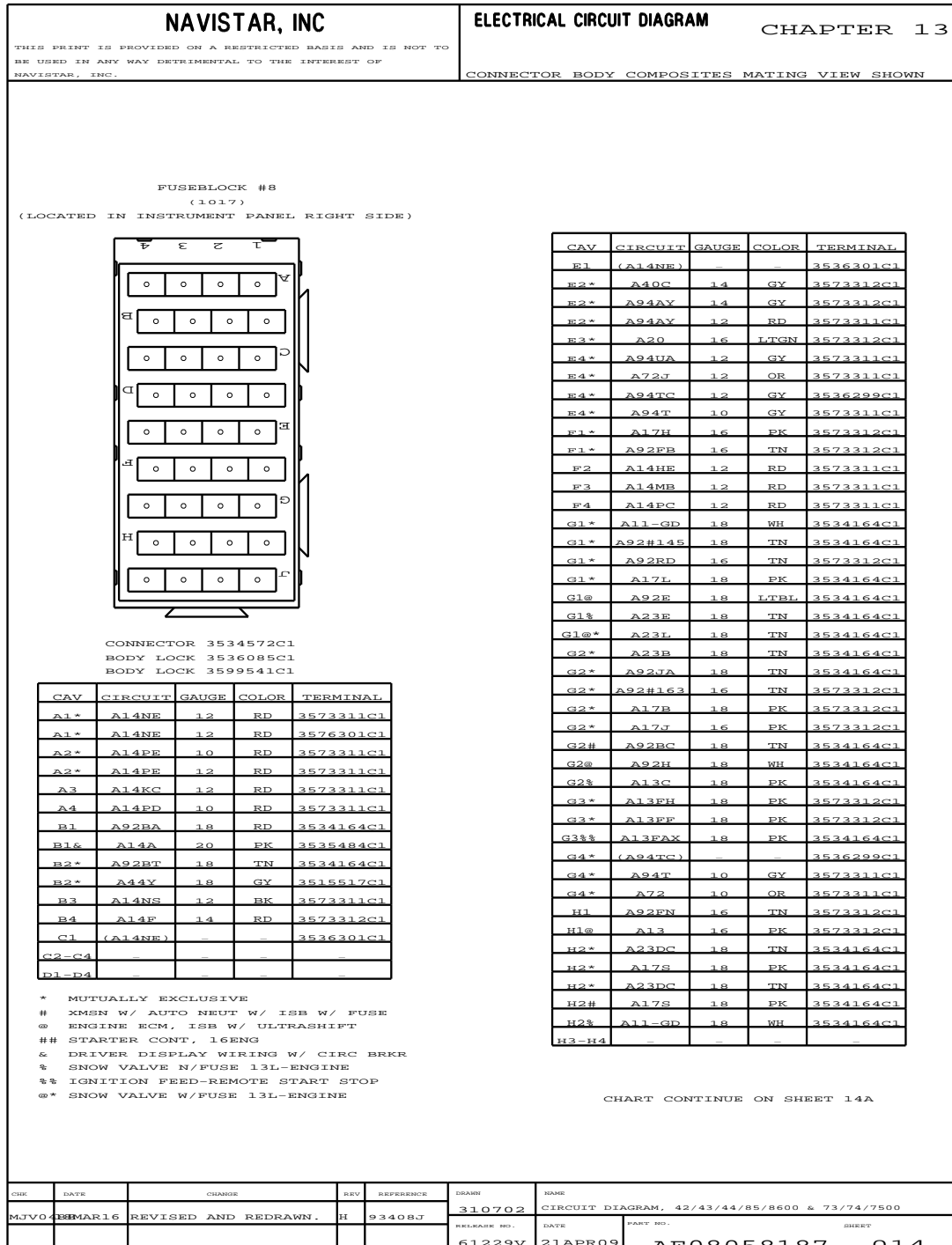


Figure 553 Connector Composites (1017)

13.37. CONNECTOR COMPOSITES (1017), P. 14A

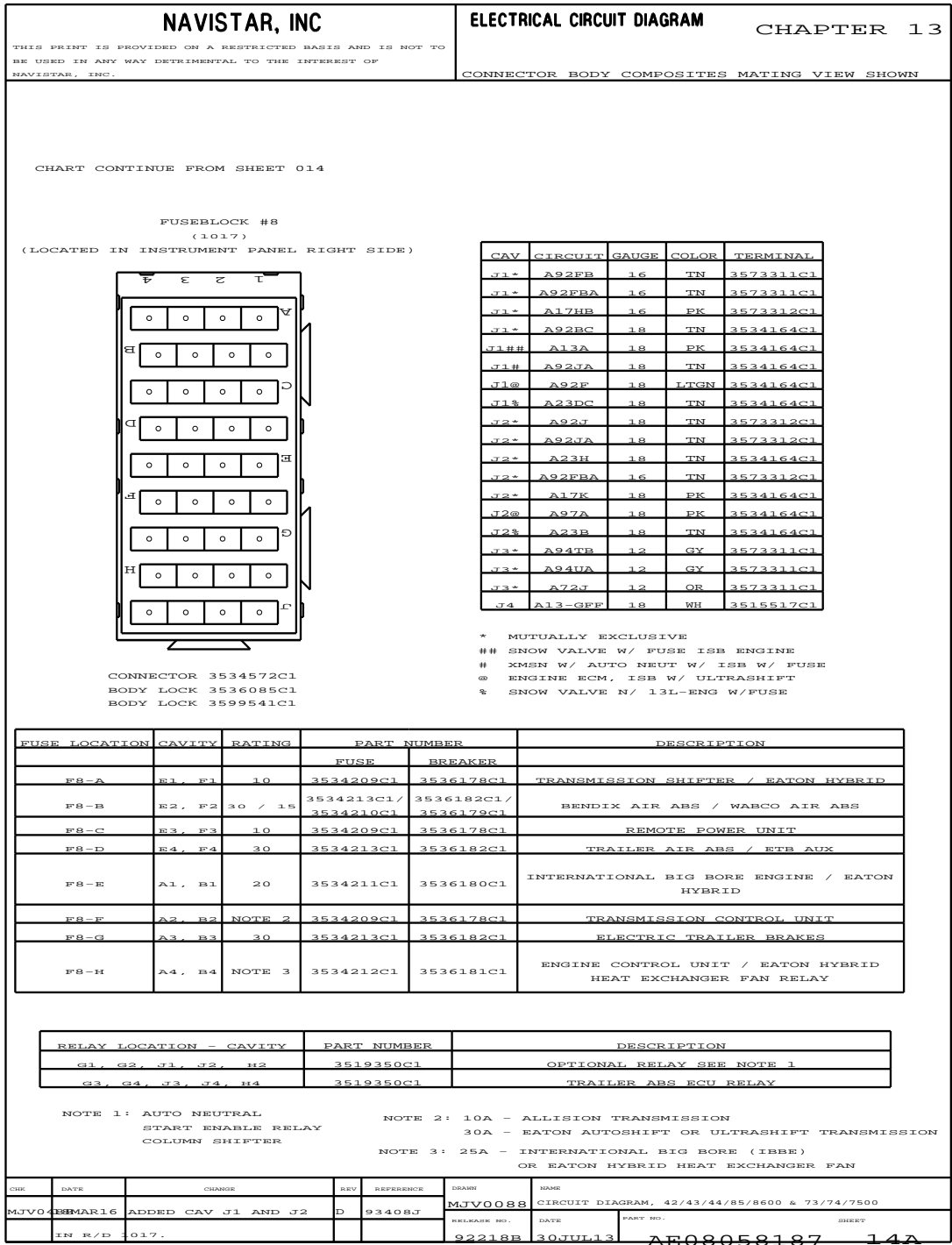


Figure 554 Connector Composites (1017)

13.38. CONNECTOR COMPOSITES (1018), P. 15

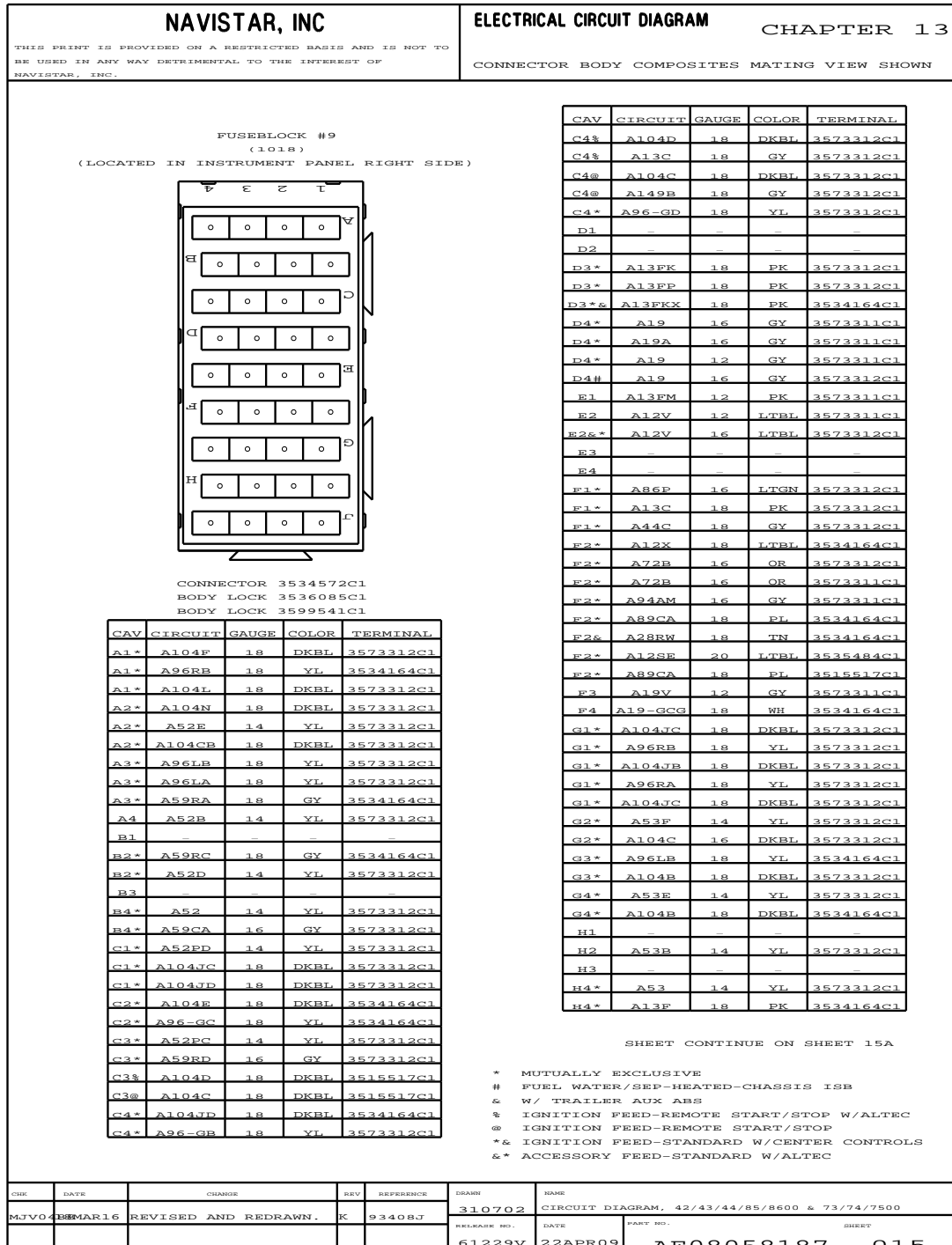


Figure 555 Connector Composites (1018)

13.39. CONNECTOR COMPOSITES (1018), P. 15A

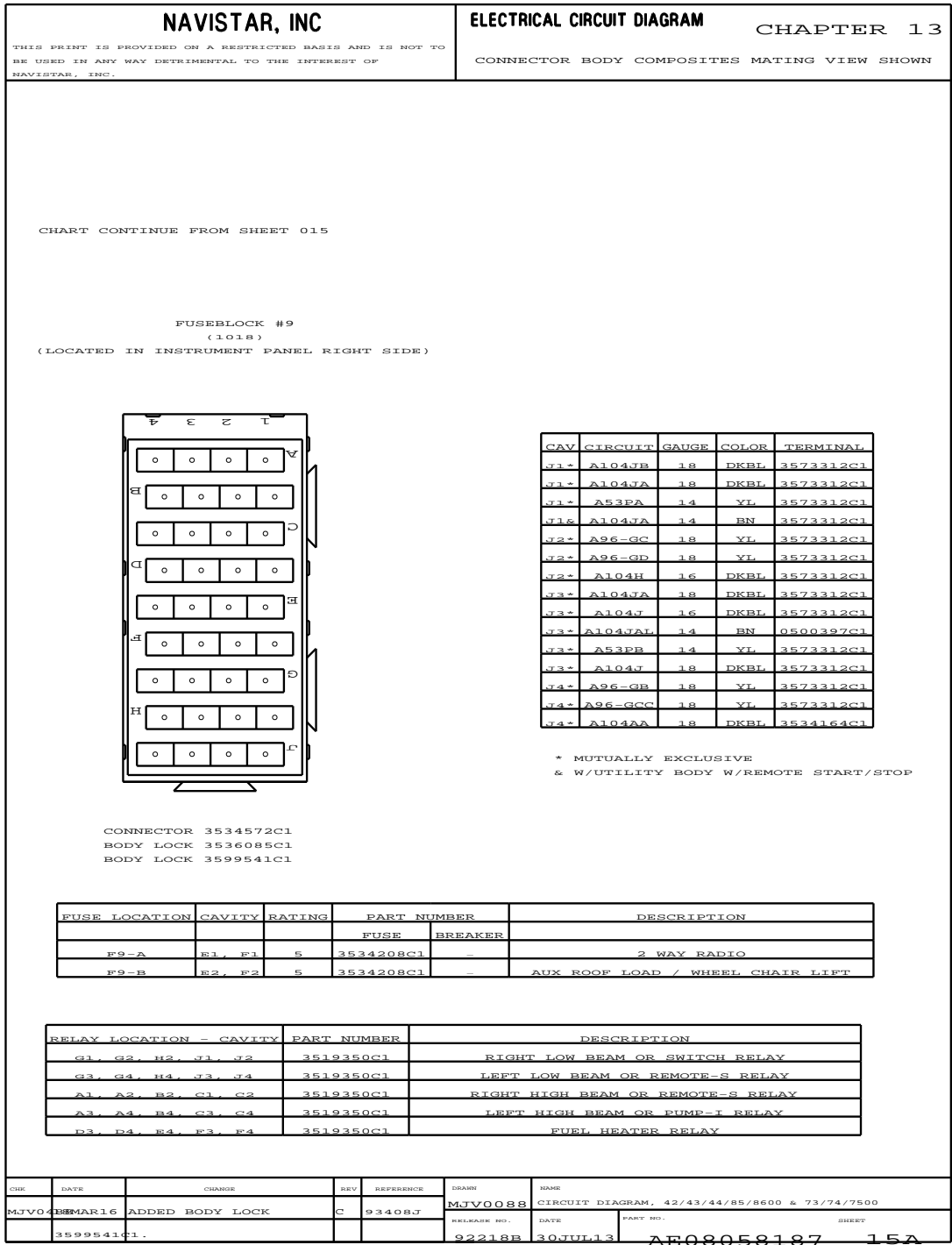


Figure 556 Connector Composites (1018)

13.40. CONNECTOR COMPOSITES (1019), P. 16

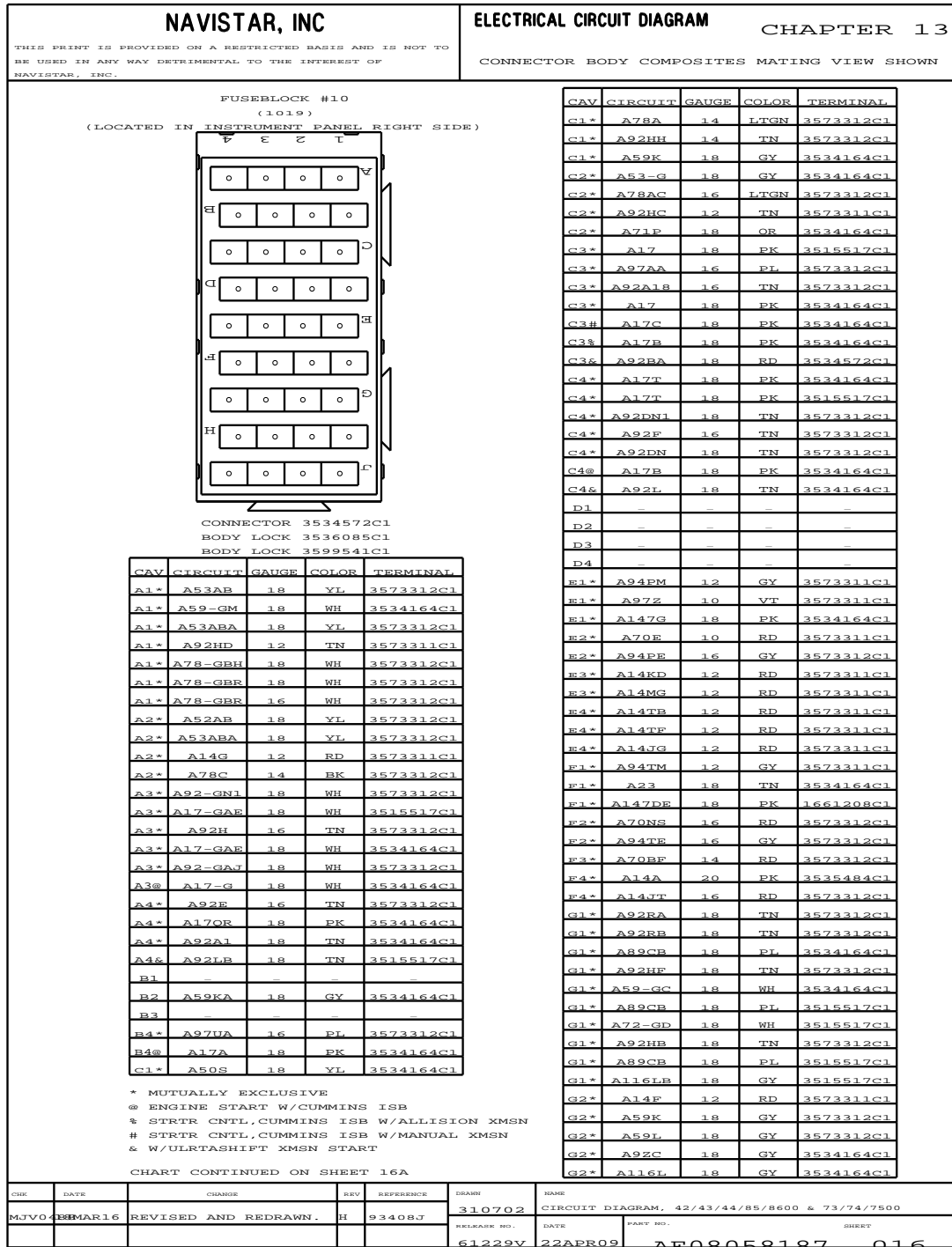


Figure 557 Connector Composites (1019)

13.41. CONNECTOR COMPOSITES (1019), P. 16A

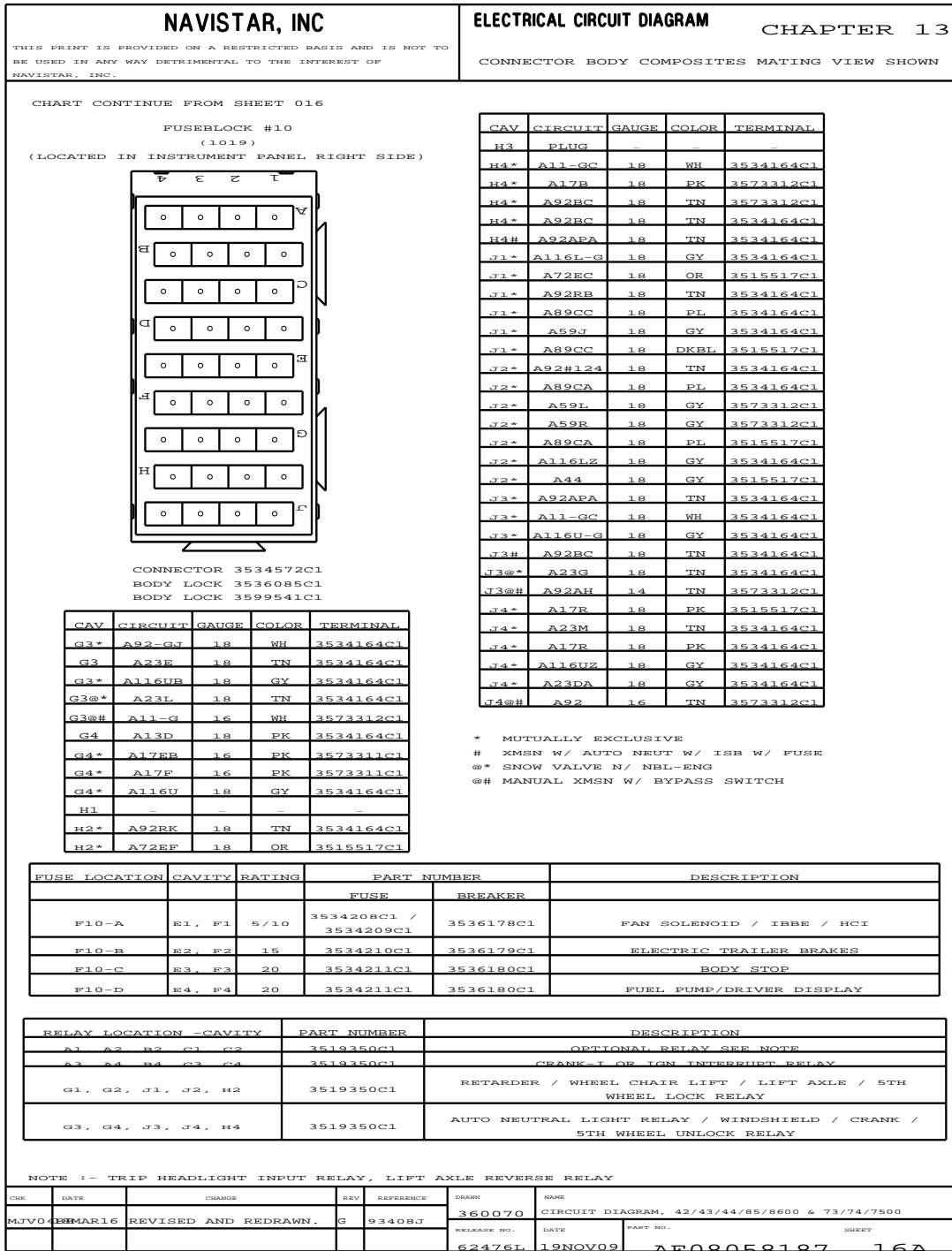


Figure 558 Connector Composites (1019)

13.42. CONNECTOR COMPOSITES (1020), P. 17

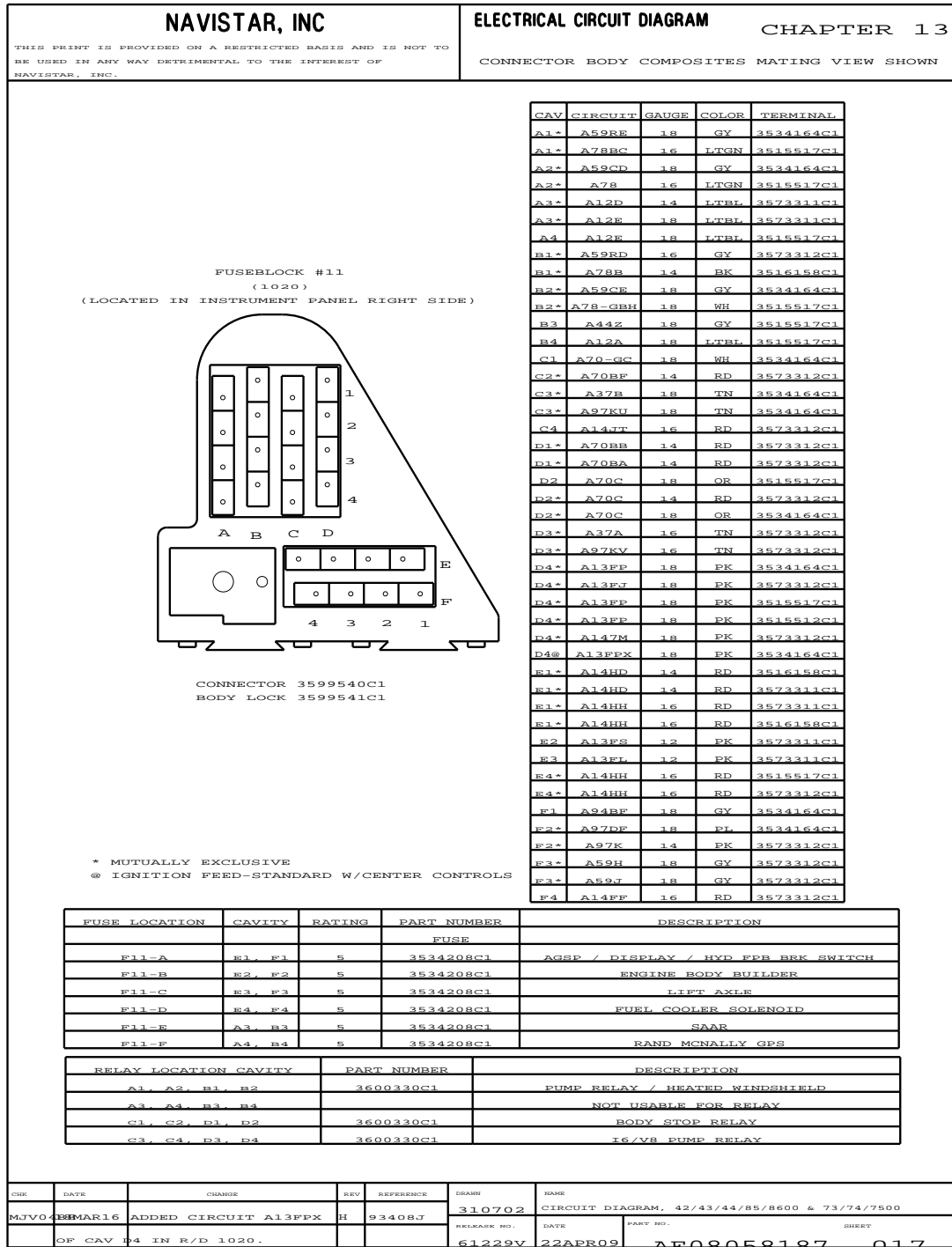


Figure 559 Connector Composites (1020)

13.43. CONNECTOR COMPOSITES (1023A), (1023B), P. 18

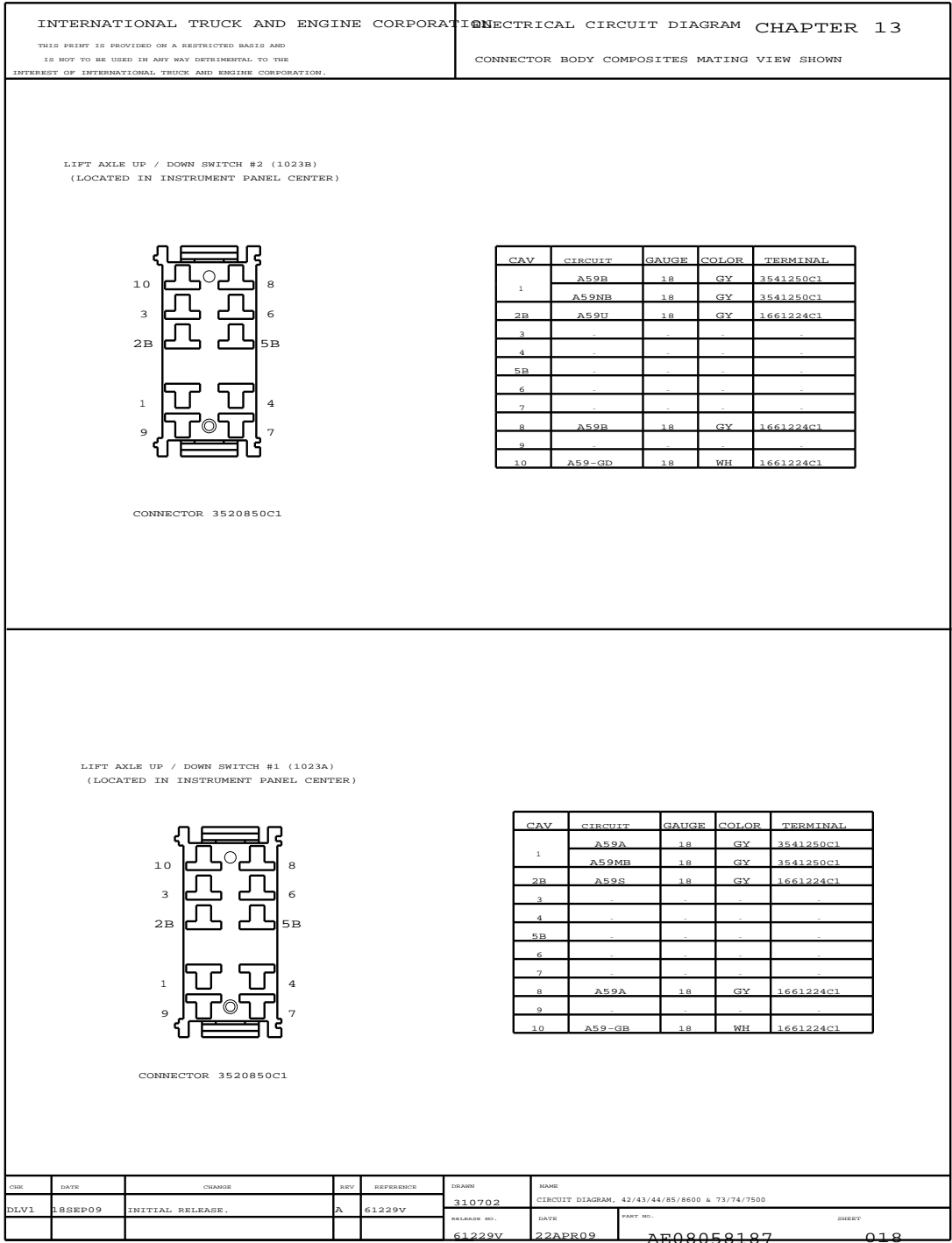


Figure 560 Connector Composites (1023A), (1023B)

13.44. CONNECTOR COMPOSITES (1023C), (1023D), P. 19

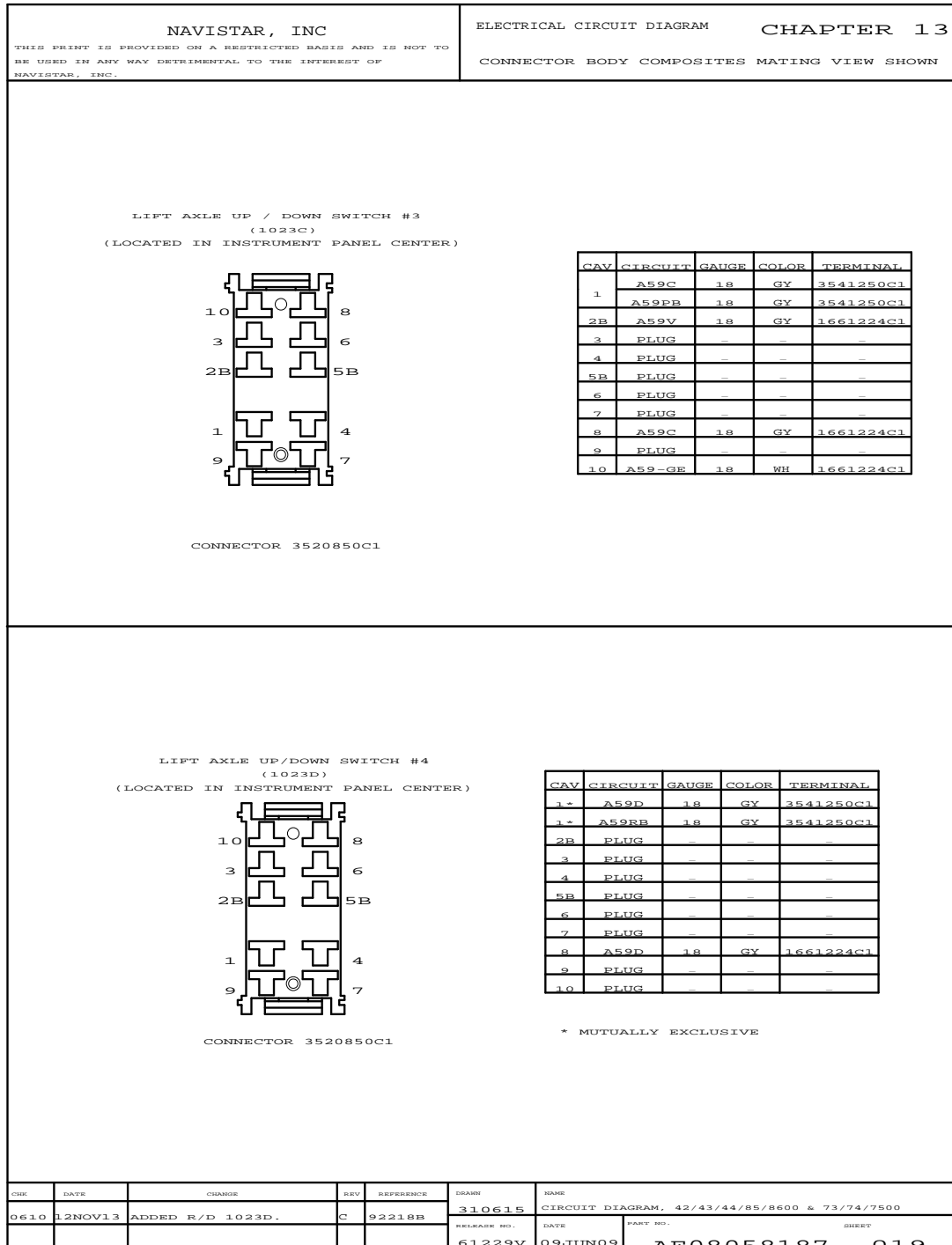


Figure 561 Connector Composites (1023C), (1023D)

13.45. CONNECTOR COMPOSITES (1026), P. 19A

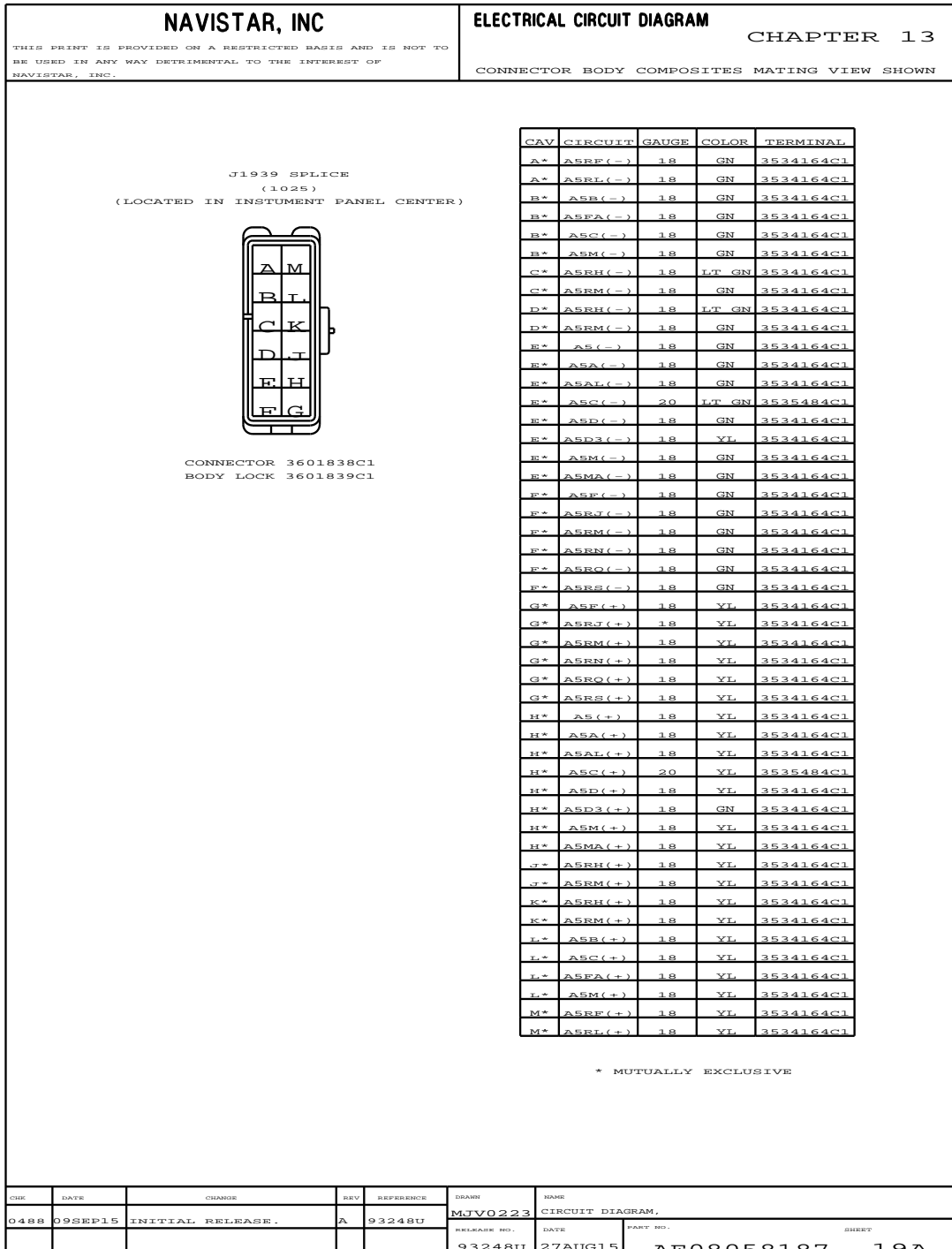


Figure 562 Connector Composites (1026)

13.46. CONNECTOR COMPOSITES (1026), (1029), P. 20

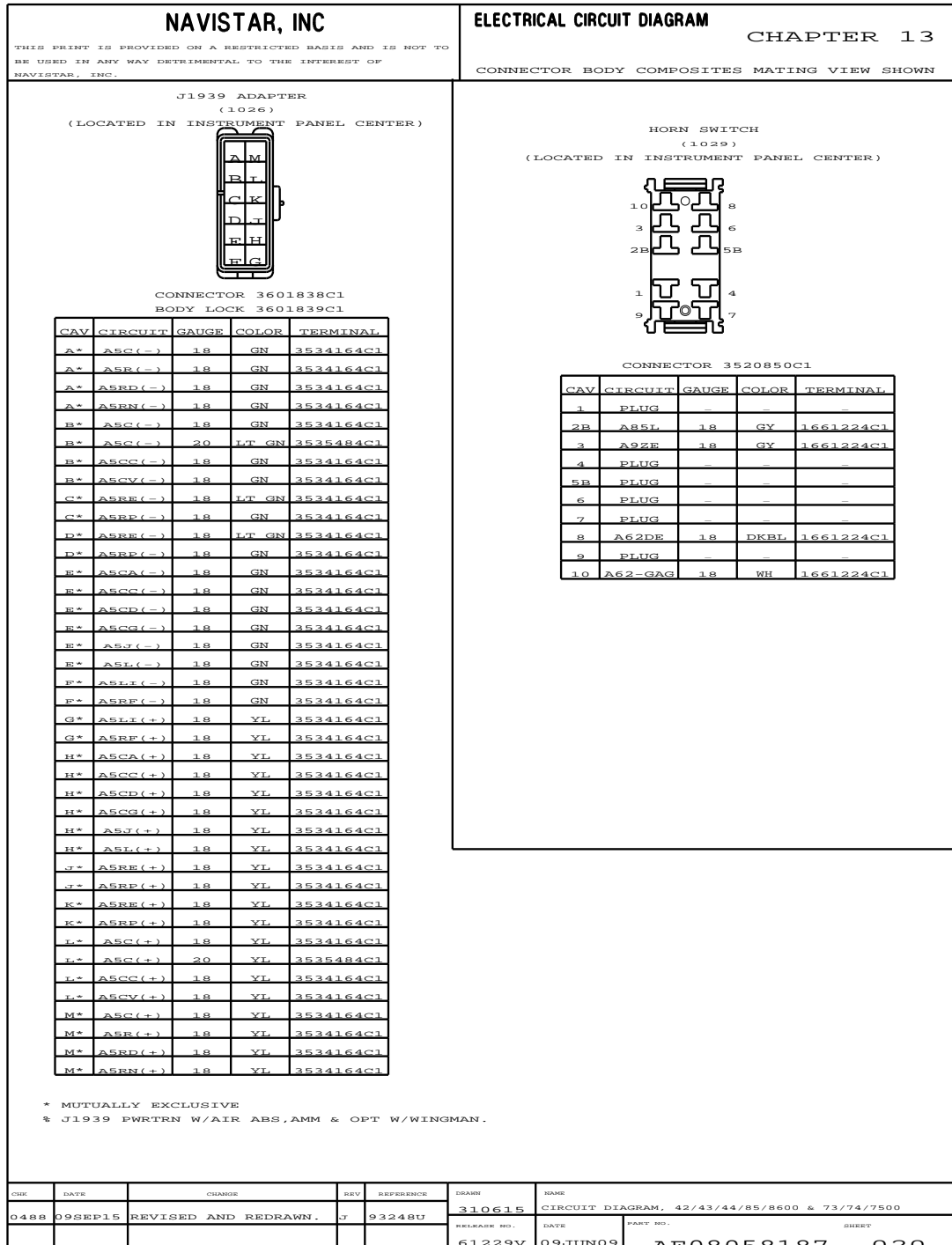


Figure 563 Connector Composites (1026), (1029)

13.47. CONNECTOR COMPOSITES (1100), (1100MA), (1101), (1101A), P. 21

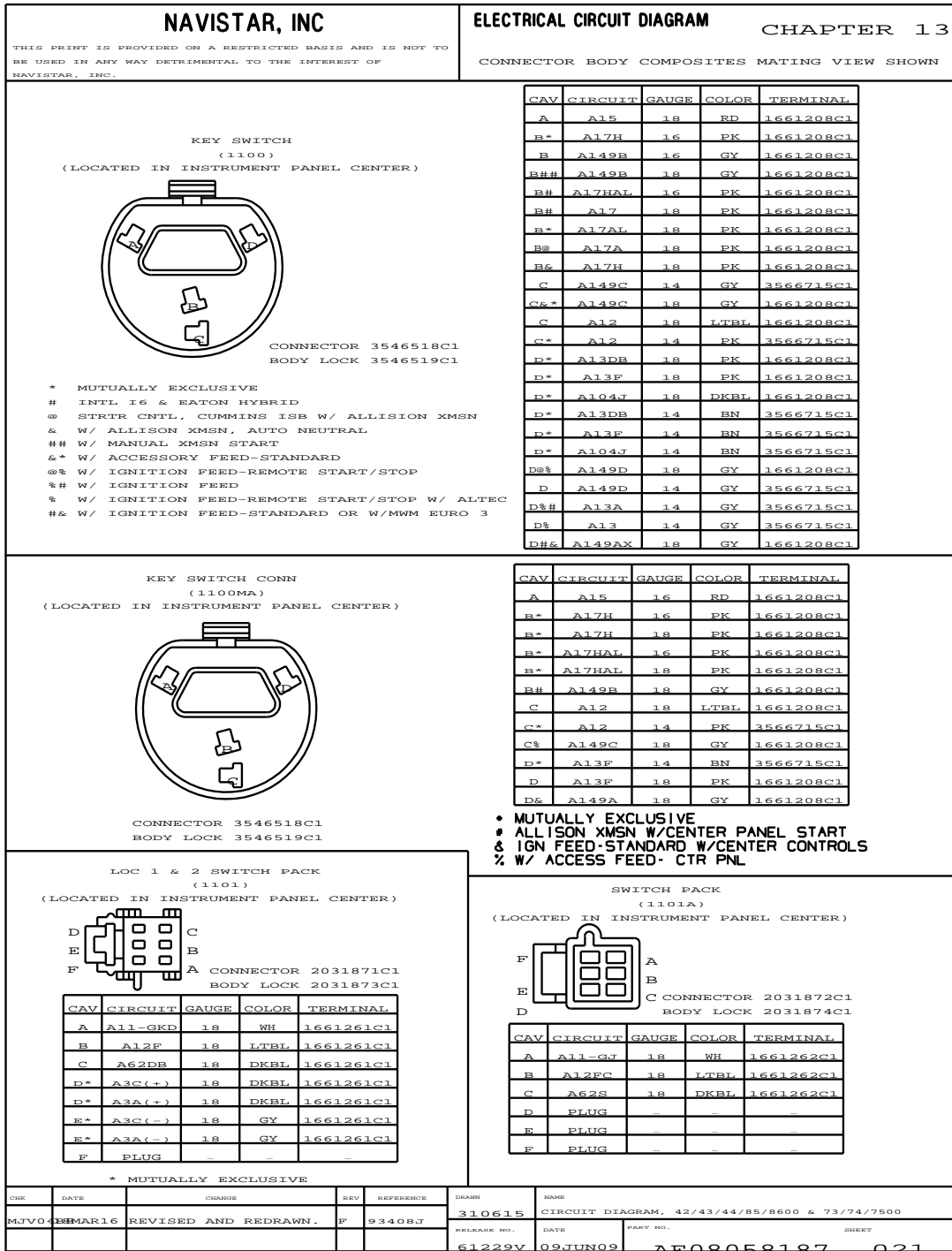


Figure 564 Connector Composites (1100), (1100MA), (1101), (1101A)

13.48. CONNECTOR COMPOSITES (1105), (1105A), (1106), P. 22

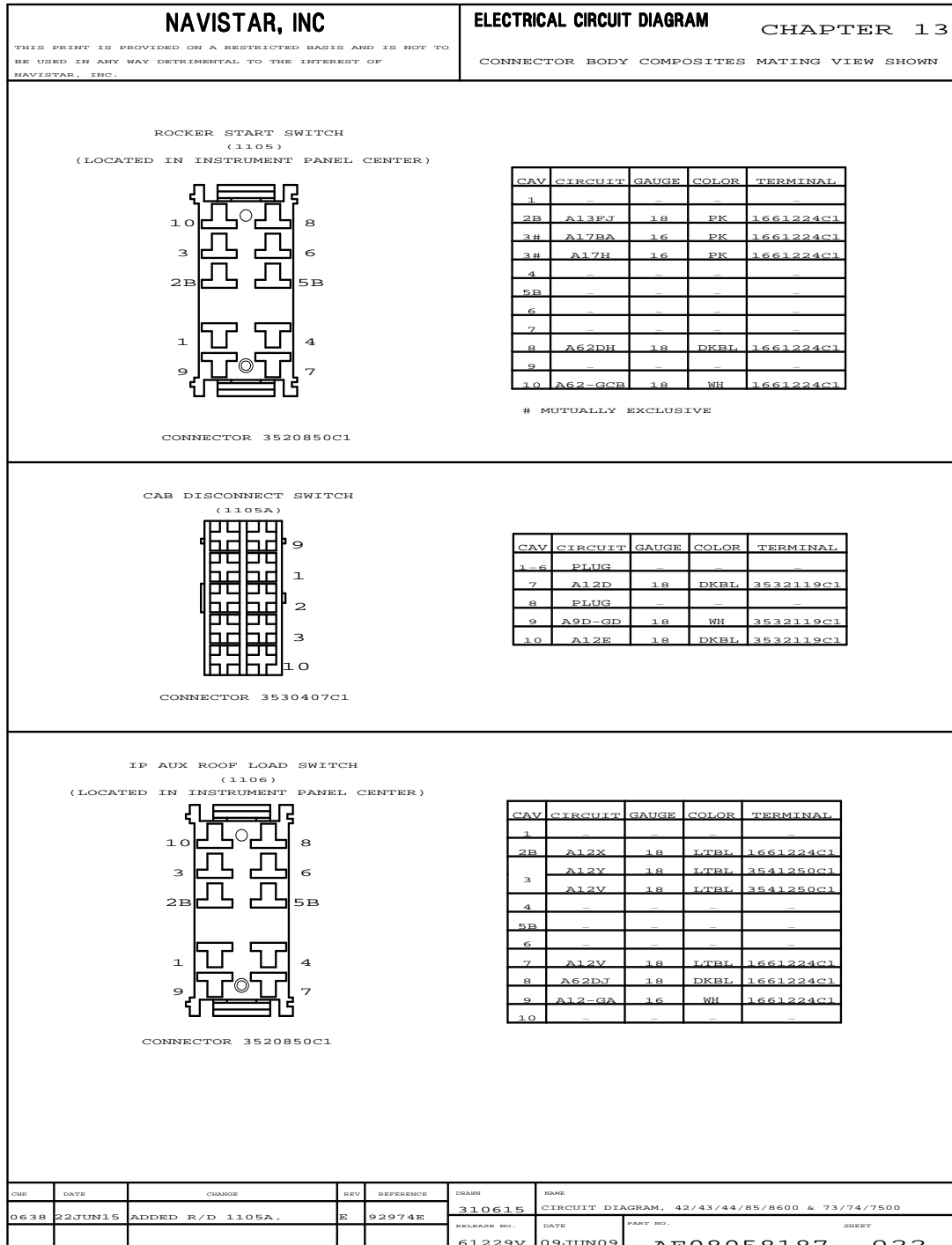


Figure 565 Connector Composites (1105), (1105A), (1106)

13.49. CONNECTOR COMPOSITES (1107), (1108), P. 22A

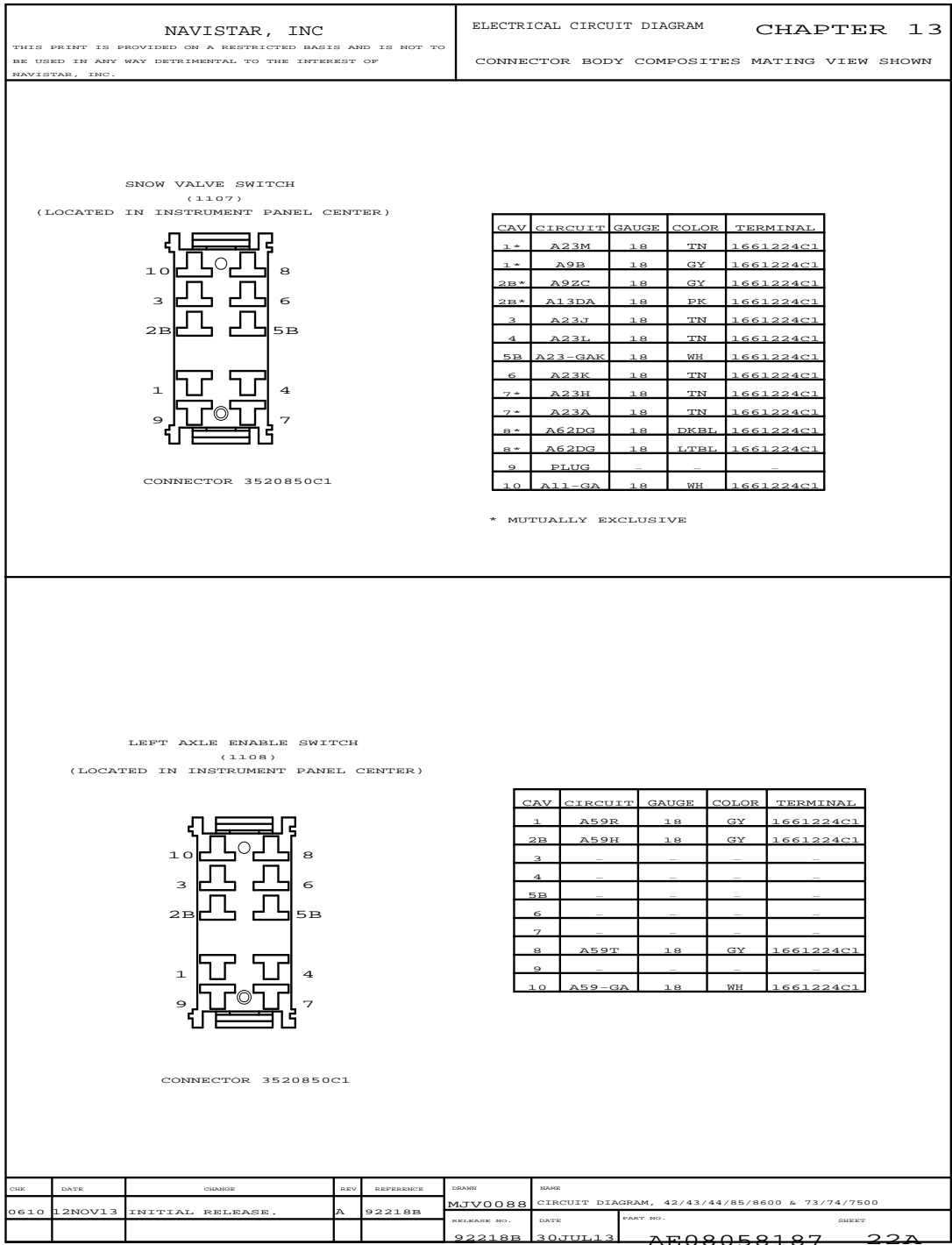


Figure 566 Connector Composites (1107), (1108)

13.50. CONNECTOR COMPOSITES (1109), (1109A), (1110), P. 23

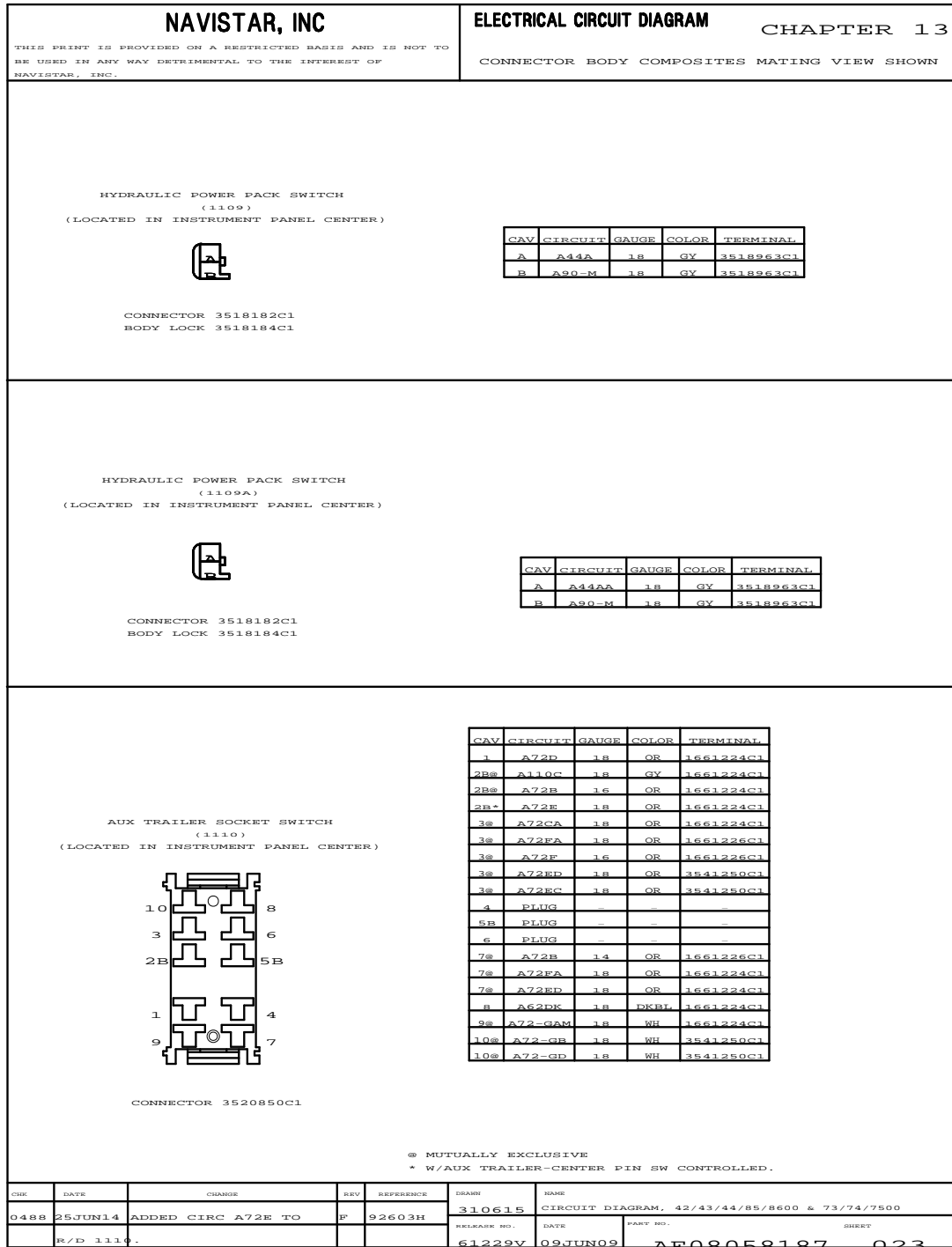


Figure 567 Connector Composites (1109), (1109A), (1110)

13.51. CONNECTOR COMPOSITES (1112), (1113), (1115), P. 23A

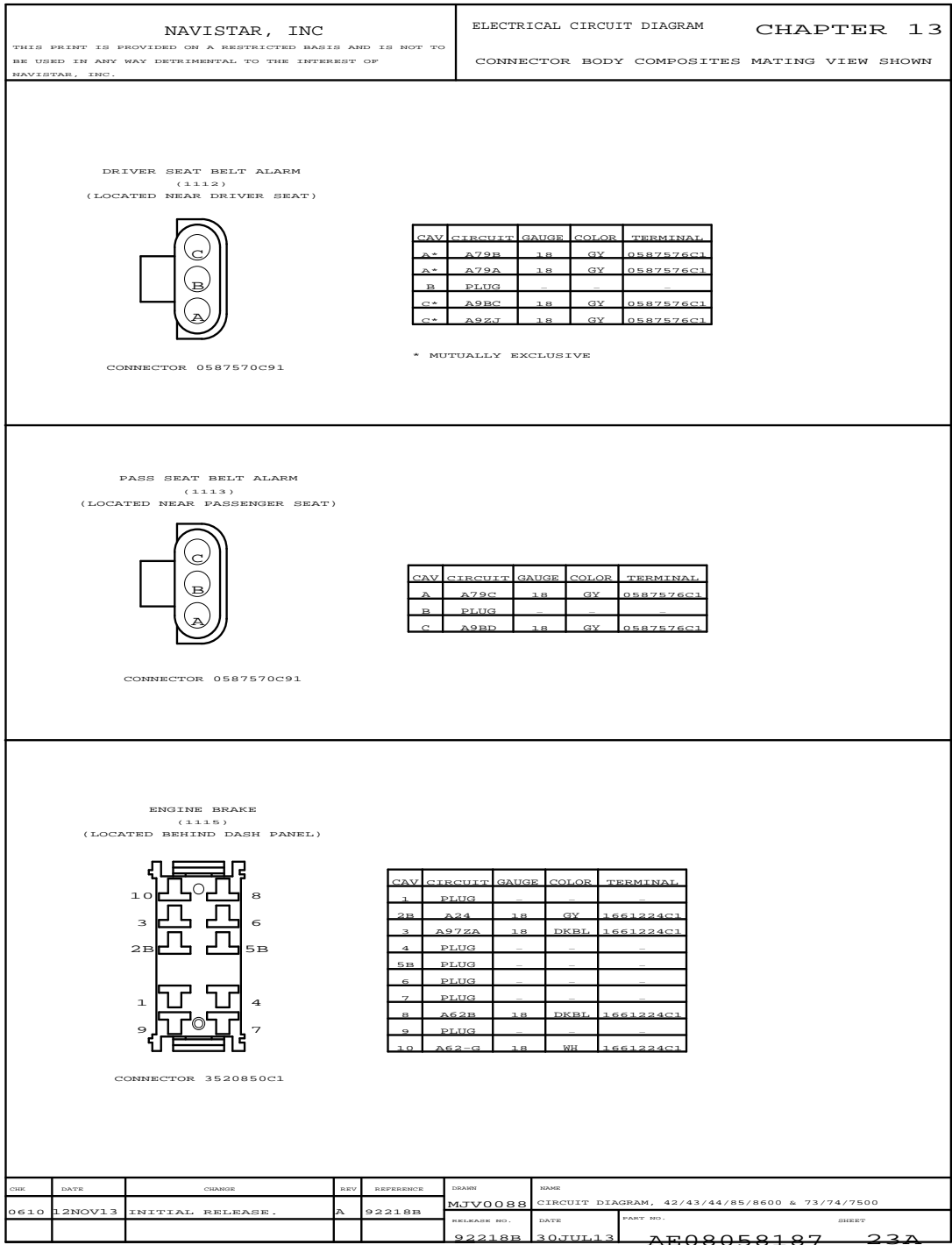


Figure 568 Connector Composites (1112), (1113), (1115)

13.52. CONNECTOR COMPOSITES (1116), (1120), (1200), P. 23B

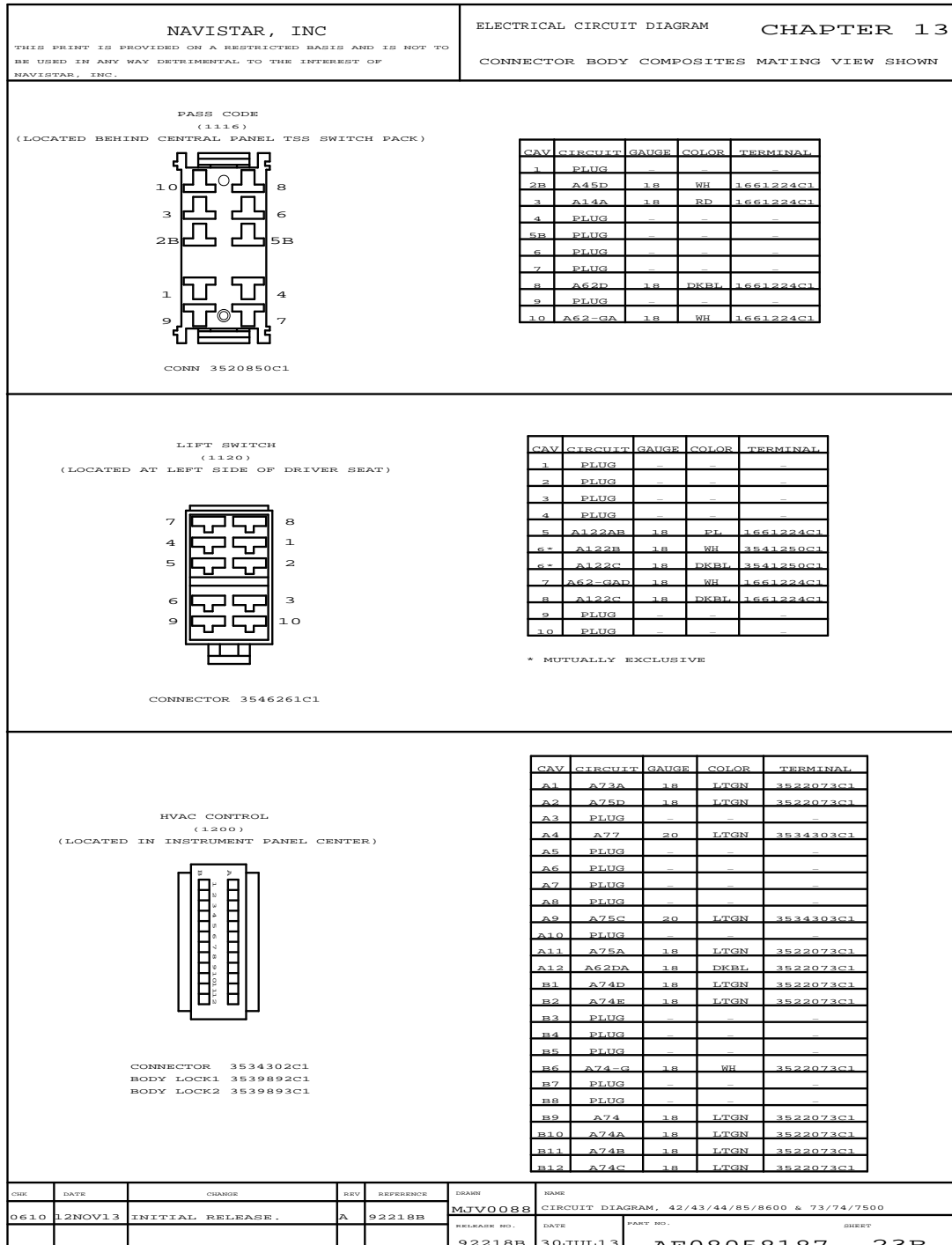


Figure 569 Connector Composites (1116), (1120), (1200)

13.53. CONNECTOR COMPOSITES (1210), (1220), (1227), P. 24

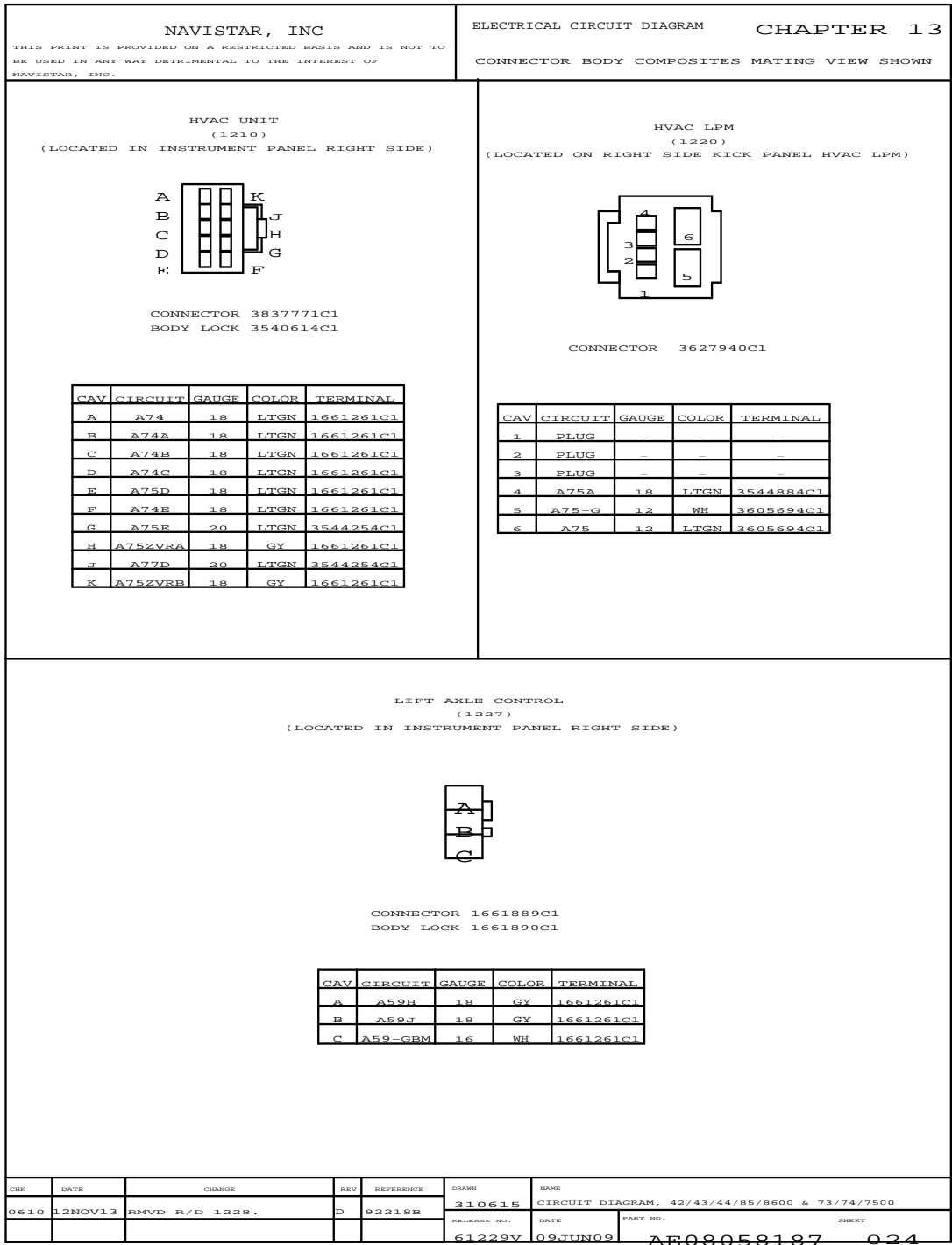


Figure 570 Connector Composites (1210), (1220), (1227)

13.54. CONNECTOR COMPOSITES (1234), P. 24A

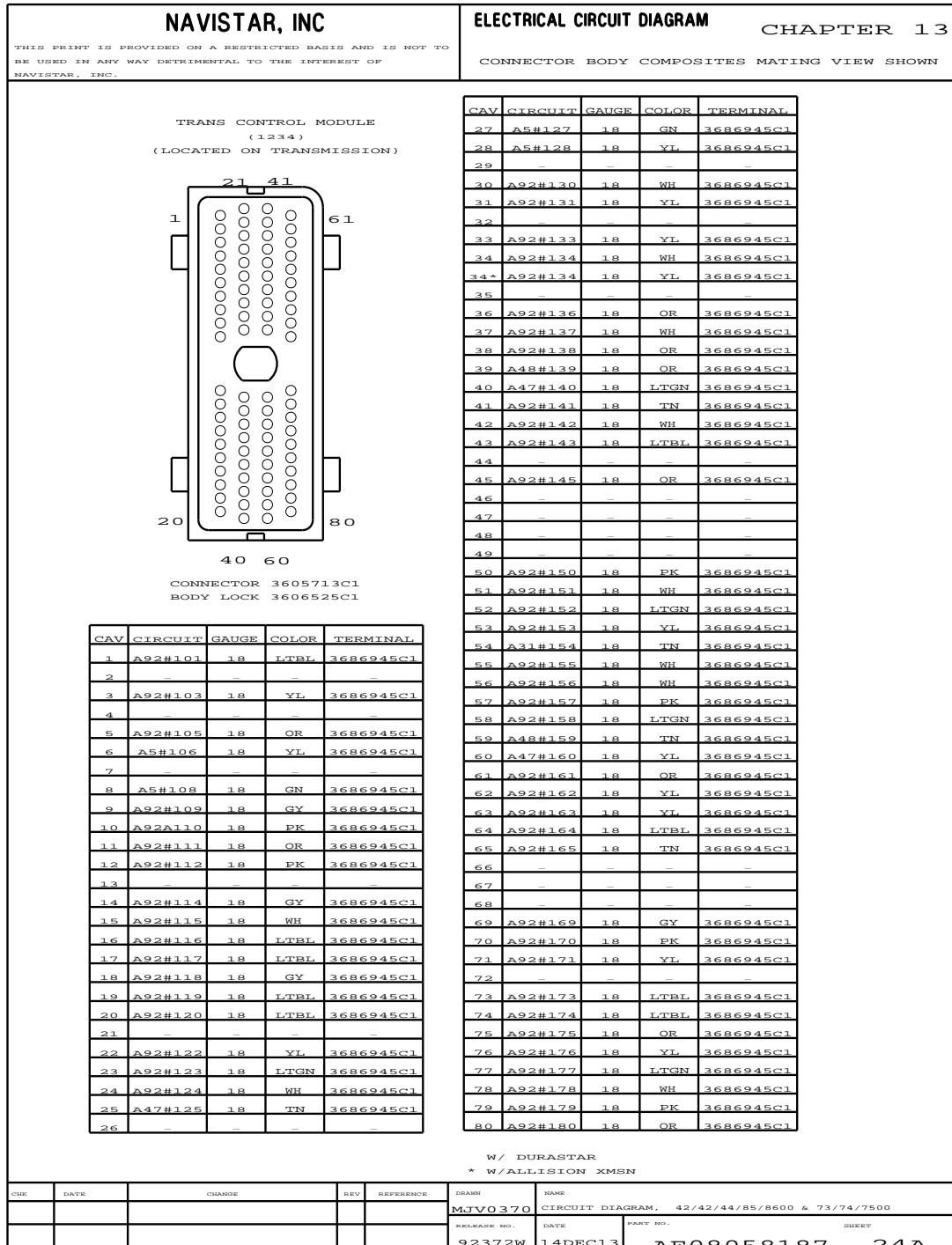


Figure 571 Connector Composites (1234)

13.55. CONNECTOR COMPOSITES (1235), (1236), P. 24B

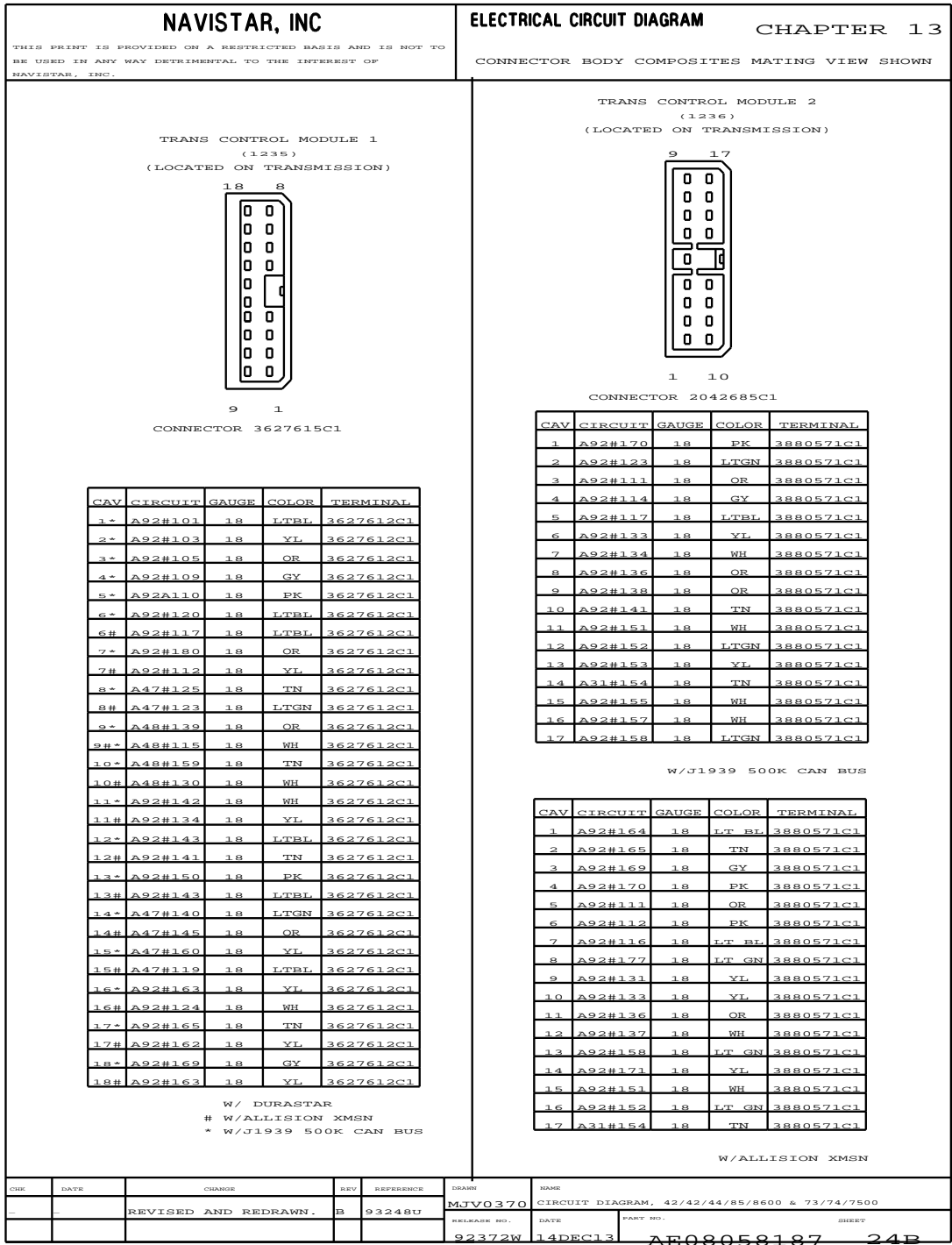


Figure 572 Connector Composites (1235), (1236)

13.56. CONNECTOR COMPOSITES (1237), P. 24C

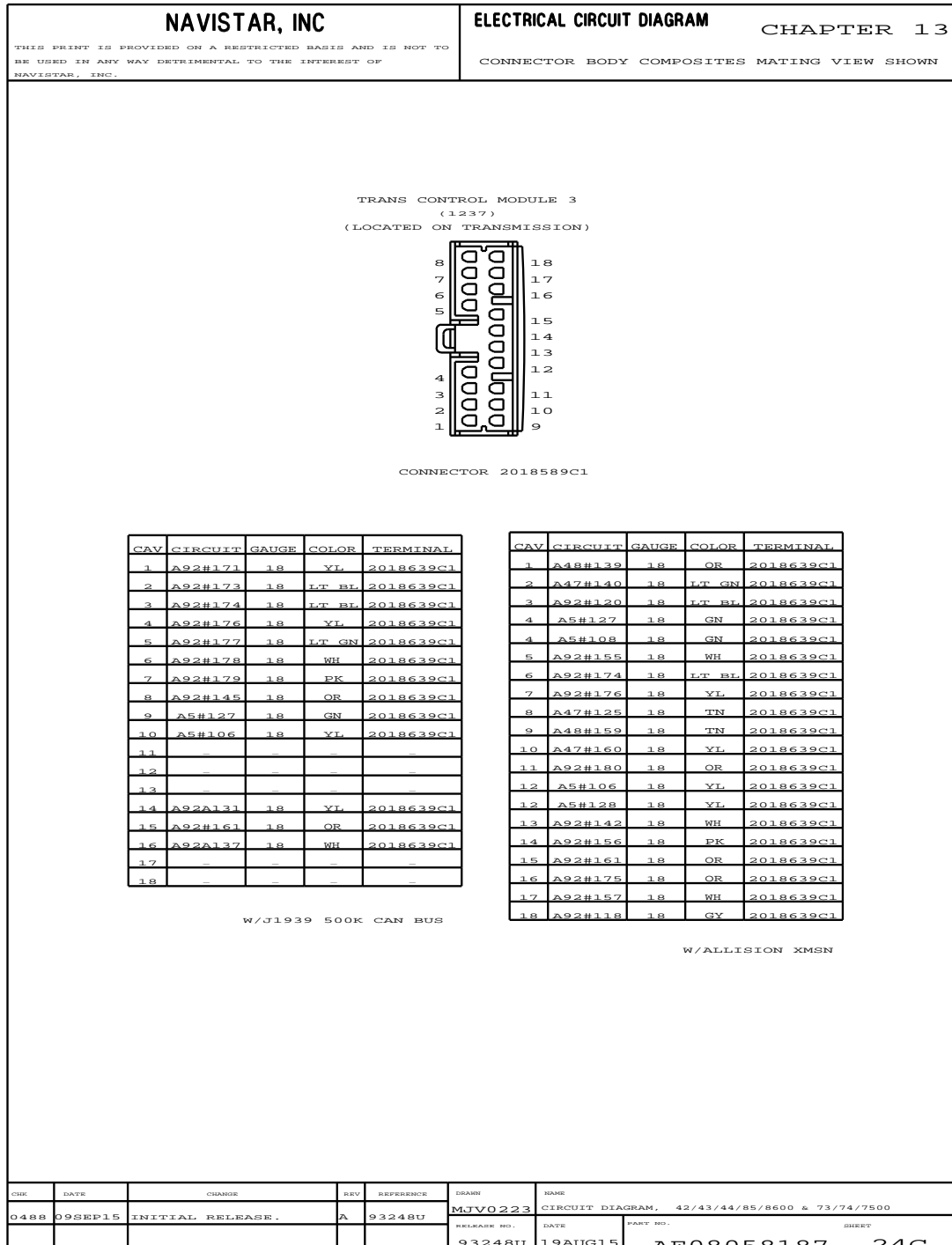


Figure 573 Connector Composites (1237)

13.57. CONNECTOR COMPOSITES (1240F), (1241F), P. 25

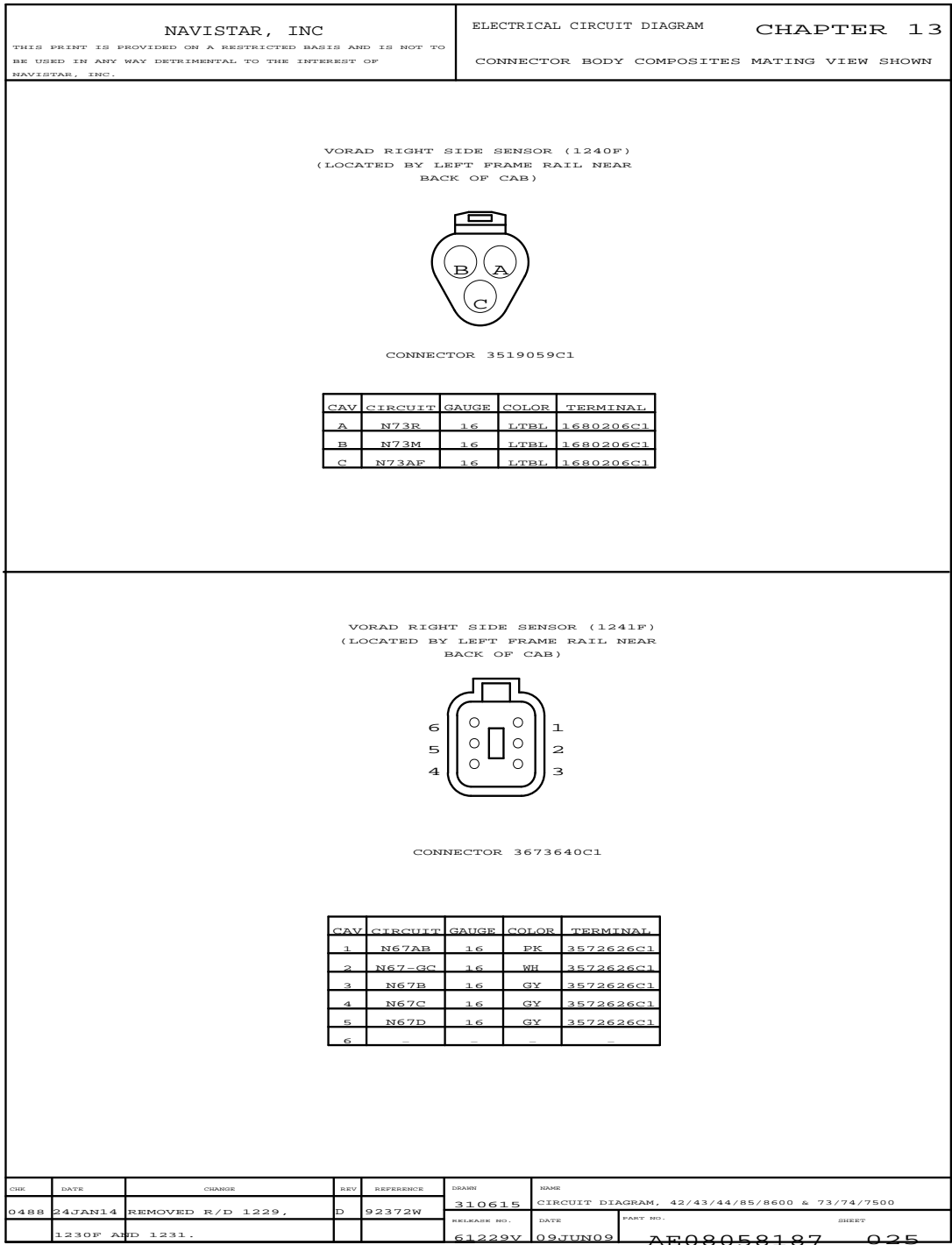


Figure 574 Connector Composites (1240F), (1241F)

13.58. CONNECTOR COMPOSITES (1242), (1243), (1300), (1300A), P. 26

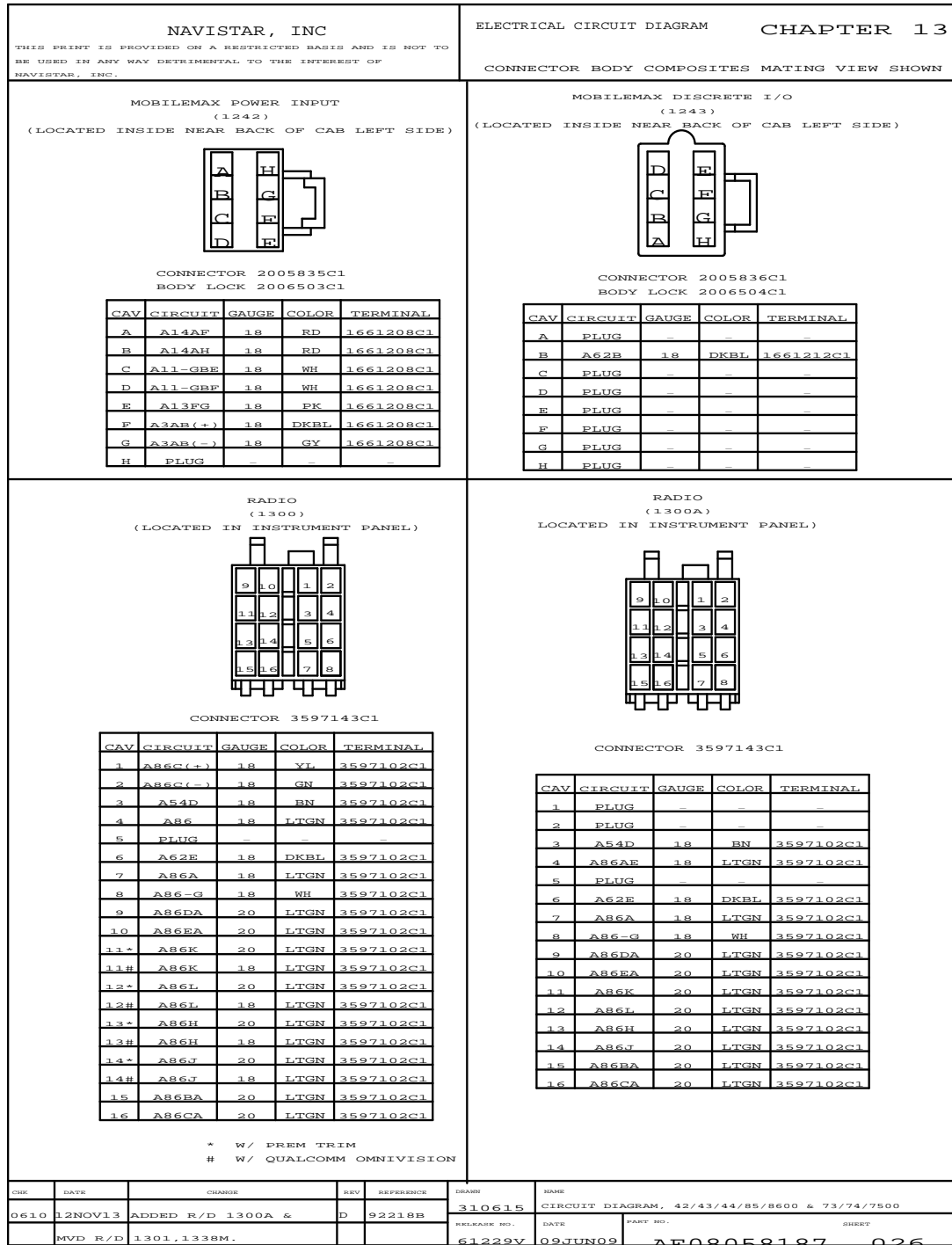


Figure 575 Connector Composites (1242), (1243), (1300), (1300A)

13.59. CONNECTOR COMPOSITES (1301), (1302), P. 26A

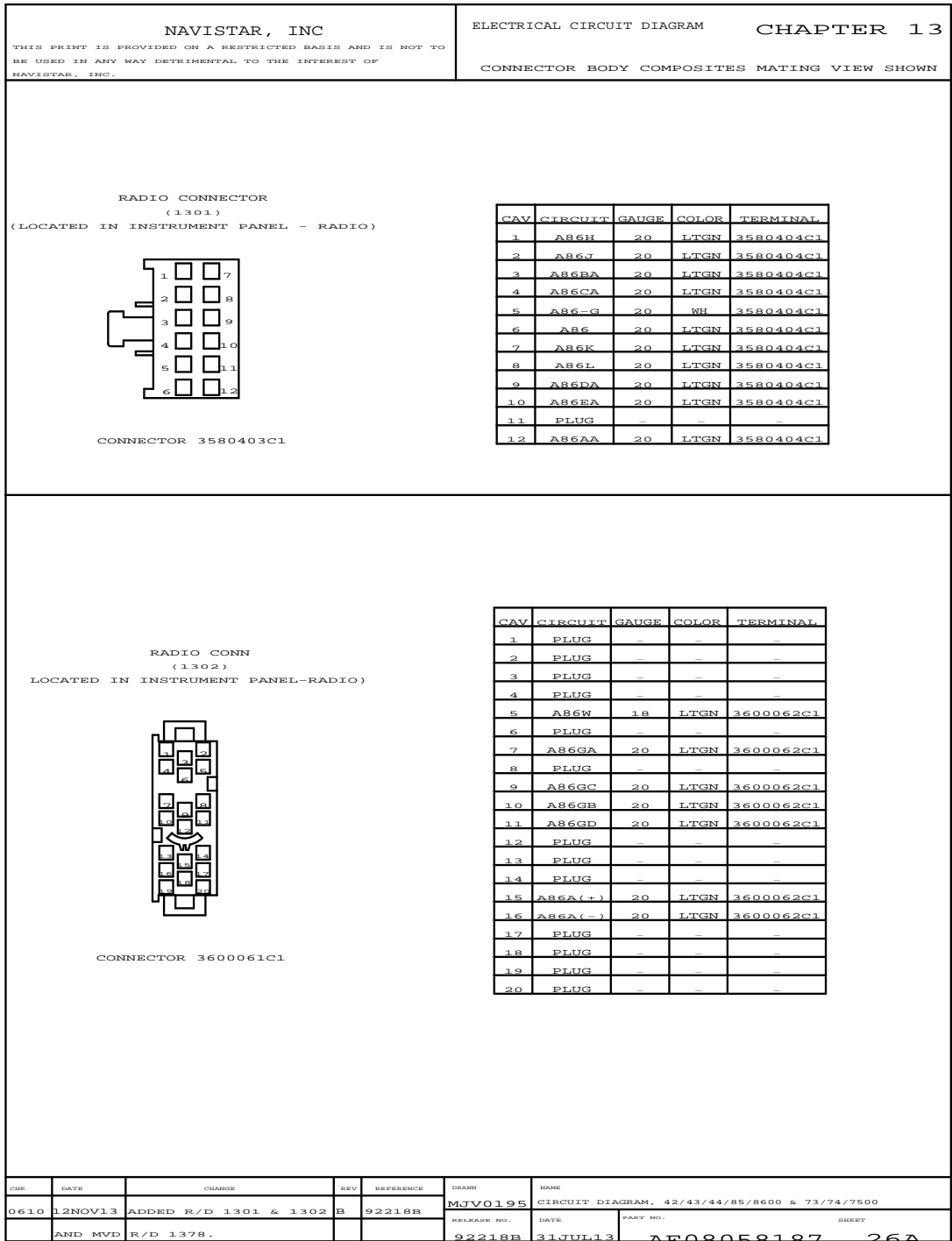


Figure 576 Connector Composites (1301), (1302)

13.60. CONNECTOR COMPOSITES (1303), (1338M), (1378), P. 26B

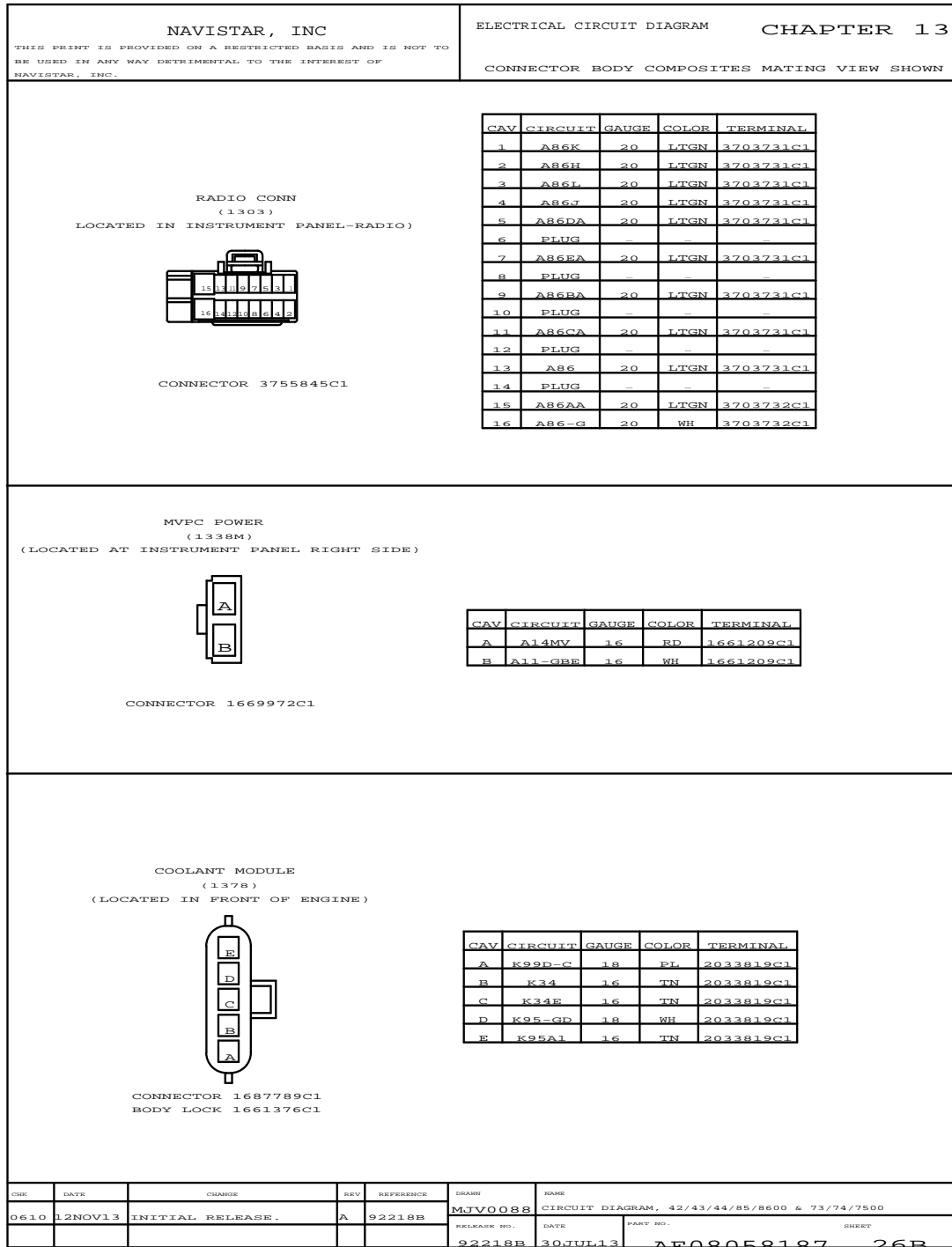


Figure 577 Connector Composites (1303), (1338M), (1378)

13.61. CONNECTOR COMPOSITES (1400), (1401), P. 27

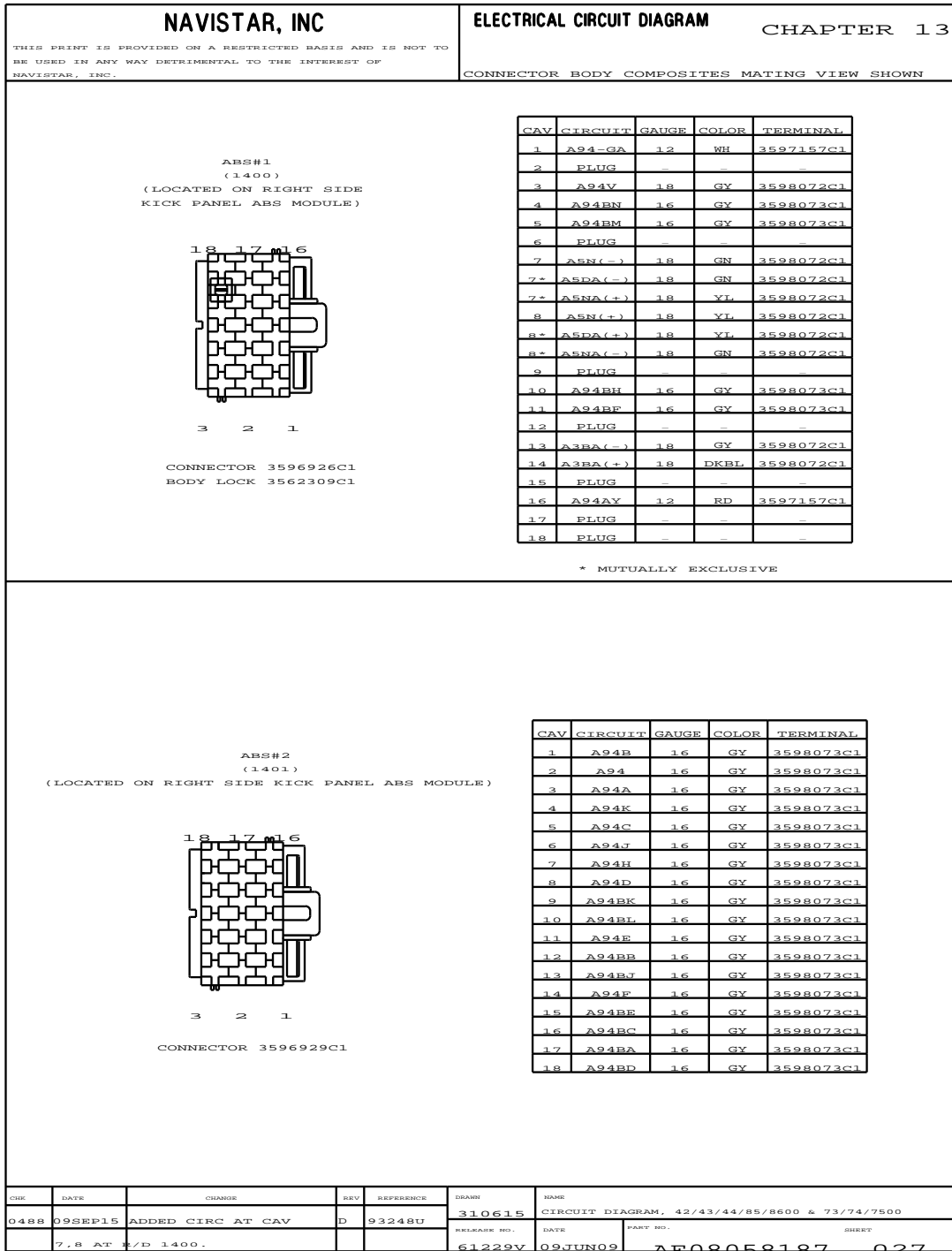


Figure 578 Connector Composites (1400), (1401)

13.62. CONNECTOR COMPOSITES (1402), P. 27A

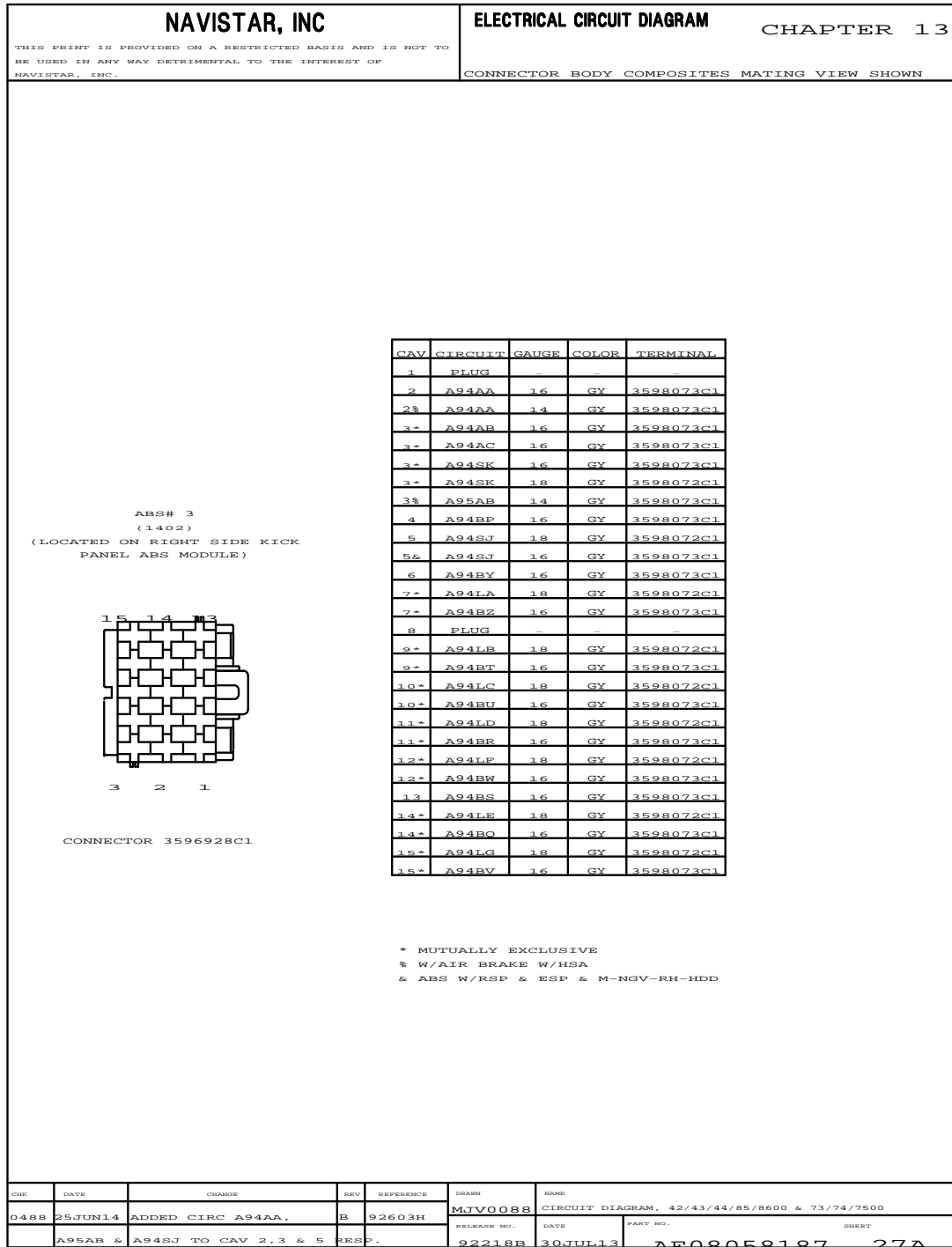


Figure 579 Connector Composites (1402)

13.63. CONNECTOR COMPOSITES (1403), (1410), P. 28

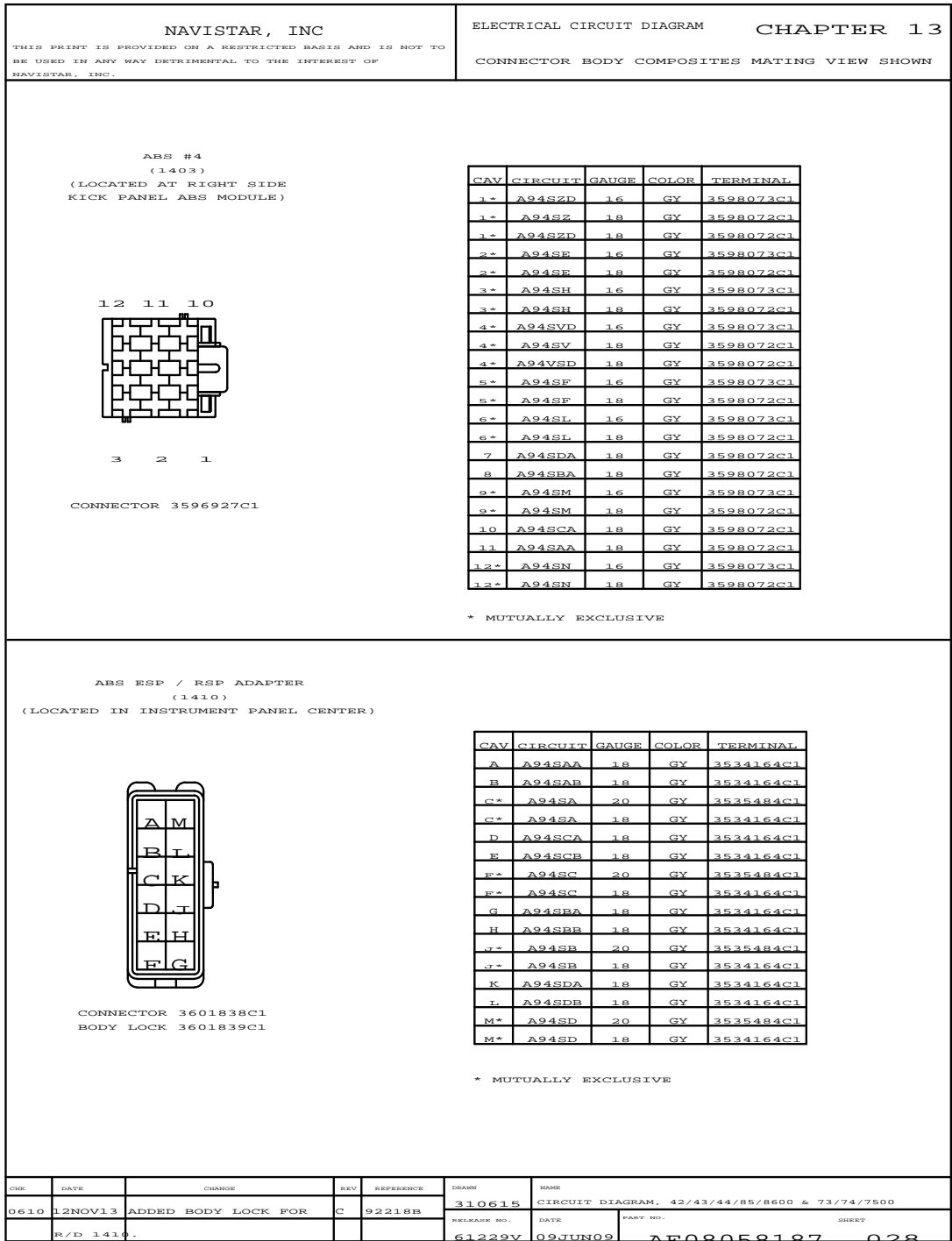


Figure 580 Connector Composites (1403), (1410)

13.64. CONNECTOR COMPOSITES (1420), (1421), P. 29

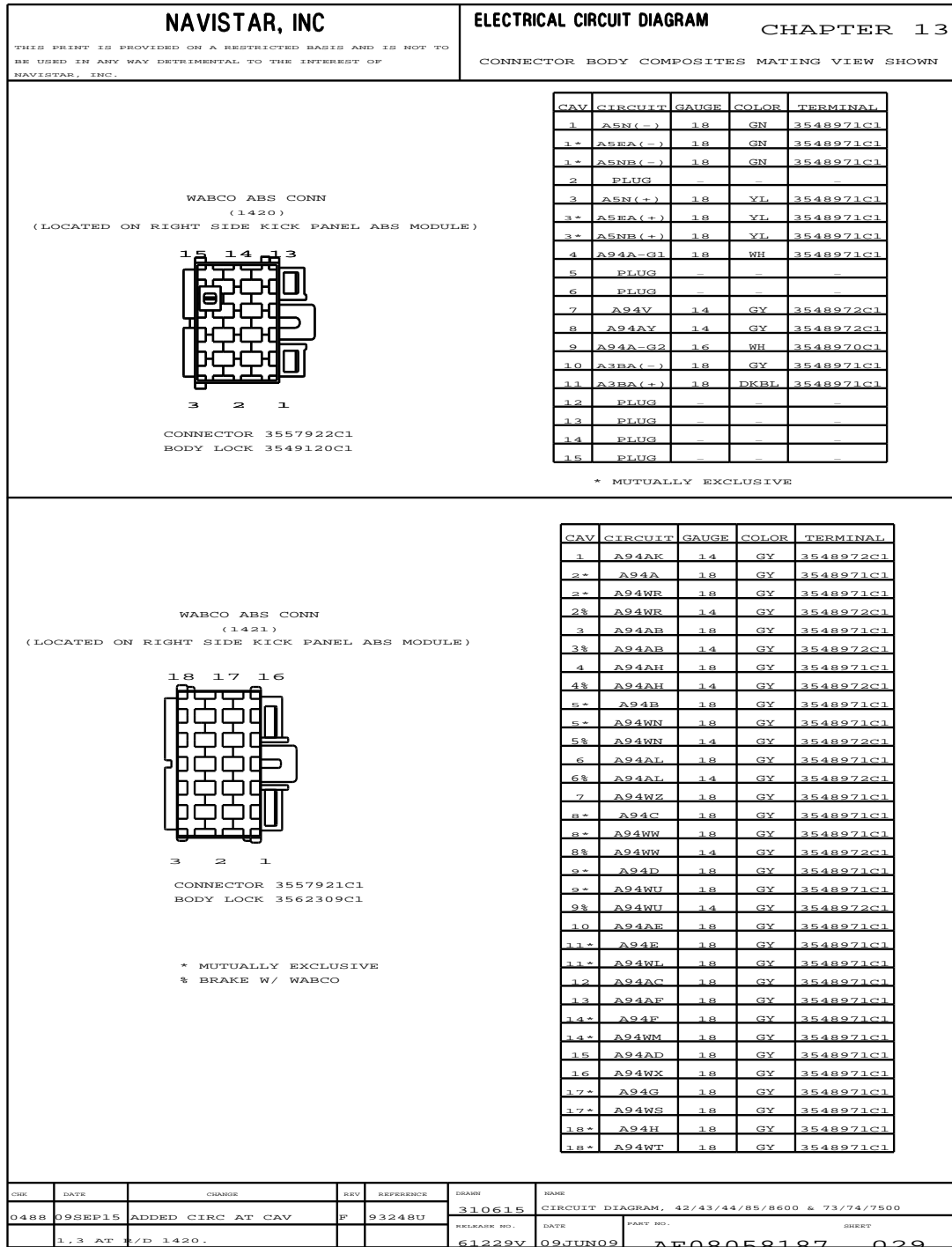


Figure 581 Connector Composites (1420), (1421)

13.65. CONNECTOR COMPOSITES (1422), (1423), (1500), P. 29A

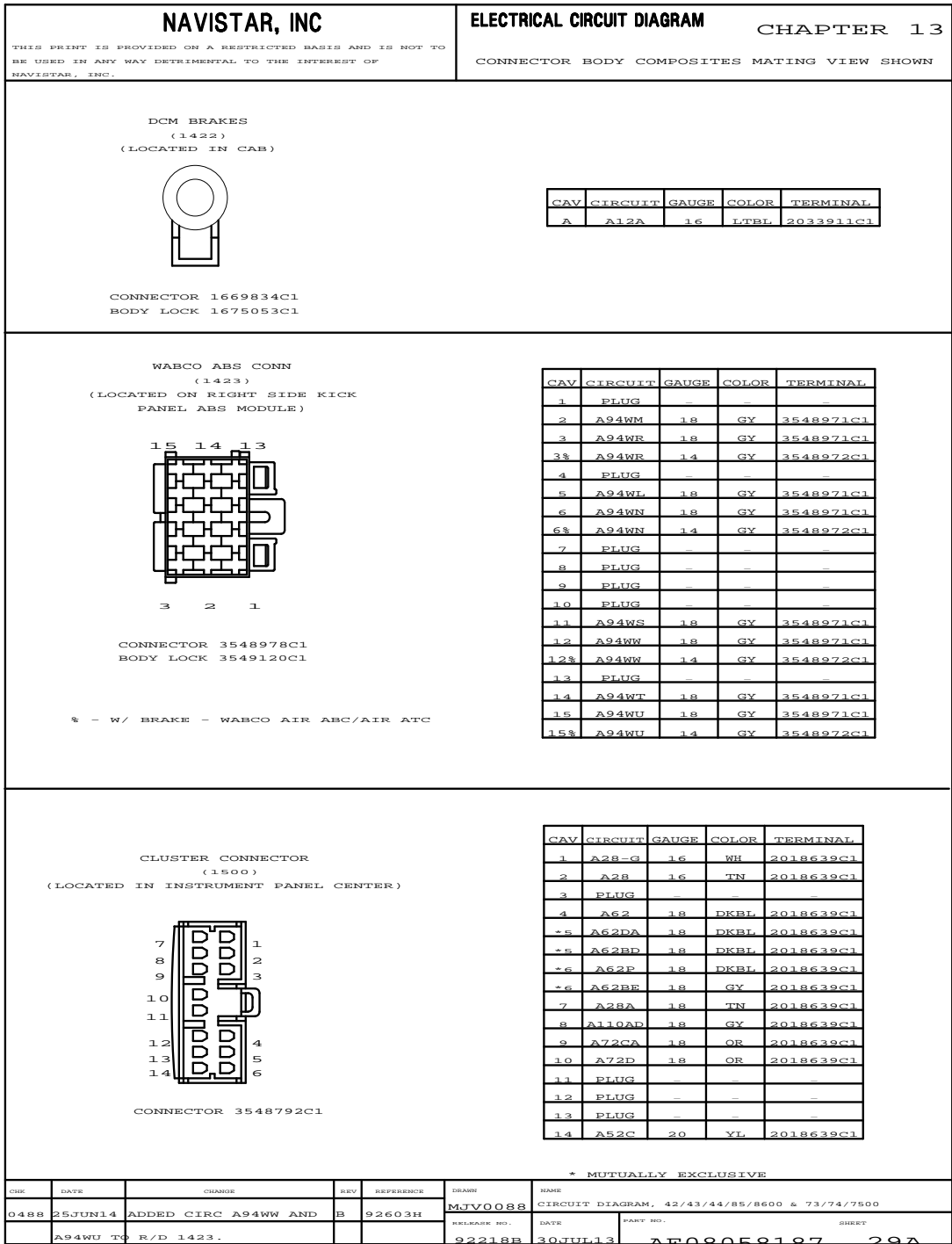


Figure 582 Connector Composites (1422), (1423), (1500)

13.66. CONNECTOR COMPOSITES (1501), P. 30

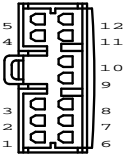
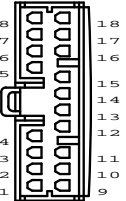
NAVISTAR, INC				ELECTRICAL CIRCUIT DIAGRAM		CHAPTER 13																																																																																																																																																																																																																													
THIS PRINT IS PROVIDED ON A RESTRICTED BASIS AND IS NOT TO BE USED IN ANY WAY DETRIMENTAL TO THE INTEREST OF NAVISTAR, INC.				CONNECTOR BODY COMPOSITES MATING VIEW SHOWN																																																																																																																																																																																																																															
<p>CLUSTER CONNECTOR (1501) (LOCATED IN INSTRUMENT PANEL CENTER)</p>  <p>CONNECTOR 2018590C1</p> <p>* MUTUALLY EXCLUSIVE # W/ ISB ENGINE</p>				<table border="1" style="width: 100%; border-collapse: collapse; font-size: x-small;"> <thead> <tr> <th>CAV</th> <th>CIRCUIT</th> <th>GAUGE</th> <th>COLOR</th> <th>TERMINAL</th> </tr> </thead> <tbody> <tr><td>1</td><td>A10B</td><td>1B</td><td>GY</td><td>2018639C1</td></tr> <tr><td>2*</td><td>A10B</td><td>1B</td><td>GY</td><td>2018639C1</td></tr> <tr><td>2*</td><td>A10B</td><td>1B</td><td>GY</td><td>2018639C1</td></tr> <tr><td>3</td><td>PLUG</td><td>-</td><td>-</td><td>-</td></tr> <tr><td>4</td><td>A110C</td><td>1B</td><td>GY</td><td>2018639C1</td></tr> <tr><td>5</td><td>PLUG</td><td>-</td><td>-</td><td>-</td></tr> <tr><td>6</td><td>PLUG</td><td>-</td><td>-</td><td>-</td></tr> <tr><td>7</td><td>A61B</td><td>1B</td><td>GY</td><td>2018639C1</td></tr> <tr><td>8</td><td>A61</td><td>1B</td><td>GY</td><td>2018639C1</td></tr> <tr><td>9</td><td>A41</td><td>1B</td><td>GY</td><td>2018639C1</td></tr> <tr><td>10</td><td>A50</td><td>20</td><td>YL</td><td>2018639C1</td></tr> <tr><td>11*</td><td>ASEJ(-)</td><td>1B</td><td>GN</td><td>2018639C1</td></tr> <tr><td>11*</td><td>ASEN(-)</td><td>1B</td><td>GN</td><td>2018639C1</td></tr> <tr><td>11#</td><td>ASEJ(-)</td><td>1B</td><td>GN</td><td>2018639C1</td></tr> <tr><td>12*</td><td>ASEN(+)</td><td>1B</td><td>YL</td><td>2018639C1</td></tr> <tr><td>12*</td><td>A5D(+)</td><td>1B</td><td>YL</td><td>2018639C1</td></tr> <tr><td>12#</td><td>ASEJ(+)</td><td>1B</td><td>YL</td><td>2018639C1</td></tr> </tbody> </table>				CAV	CIRCUIT	GAUGE	COLOR	TERMINAL	1	A10B	1B	GY	2018639C1	2*	A10B	1B	GY	2018639C1	2*	A10B	1B	GY	2018639C1	3	PLUG	-	-	-	4	A110C	1B	GY	2018639C1	5	PLUG	-	-	-	6	PLUG	-	-	-	7	A61B	1B	GY	2018639C1	8	A61	1B	GY	2018639C1	9	A41	1B	GY	2018639C1	10	A50	20	YL	2018639C1	11*	ASEJ(-)	1B	GN	2018639C1	11*	ASEN(-)	1B	GN	2018639C1	11#	ASEJ(-)	1B	GN	2018639C1	12*	ASEN(+)	1B	YL	2018639C1	12*	A5D(+)	1B	YL	2018639C1	12#	ASEJ(+)	1B	YL	2018639C1																																																																																																																																		
CAV	CIRCUIT	GAUGE	COLOR	TERMINAL																																																																																																																																																																																																																															
1	A10B	1B	GY	2018639C1																																																																																																																																																																																																																															
2*	A10B	1B	GY	2018639C1																																																																																																																																																																																																																															
2*	A10B	1B	GY	2018639C1																																																																																																																																																																																																																															
3	PLUG	-	-	-																																																																																																																																																																																																																															
4	A110C	1B	GY	2018639C1																																																																																																																																																																																																																															
5	PLUG	-	-	-																																																																																																																																																																																																																															
6	PLUG	-	-	-																																																																																																																																																																																																																															
7	A61B	1B	GY	2018639C1																																																																																																																																																																																																																															
8	A61	1B	GY	2018639C1																																																																																																																																																																																																																															
9	A41	1B	GY	2018639C1																																																																																																																																																																																																																															
10	A50	20	YL	2018639C1																																																																																																																																																																																																																															
11*	ASEJ(-)	1B	GN	2018639C1																																																																																																																																																																																																																															
11*	ASEN(-)	1B	GN	2018639C1																																																																																																																																																																																																																															
11#	ASEJ(-)	1B	GN	2018639C1																																																																																																																																																																																																																															
12*	ASEN(+)	1B	YL	2018639C1																																																																																																																																																																																																																															
12*	A5D(+)	1B	YL	2018639C1																																																																																																																																																																																																																															
12#	ASEJ(+)	1B	YL	2018639C1																																																																																																																																																																																																																															
<p>TRANSMISSION MODULE 1 (1501) (LOCATED ON TRANSMISSION)</p>  <p>CONNECTOR 2018589C1</p> <p>* W/ALLISON GENS 3000/3500 TRANSMISSION IN CAB & AUTO NEUTRAL (13AAZ) # W/ALLISON GENS 3000/3500 TRANSMISSION IN CAB @ W/16 2010 SCR ENGINE % W/MXP13L SCR ENGINE</p>				<table border="1" style="width: 100%; border-collapse: collapse; font-size: x-small;"> <thead> <tr> <th>CAV</th> <th>CIRCUIT</th> <th>GAUGE</th> <th>COLOR</th> <th>TERMINAL</th> </tr> </thead> <tbody> <tr><td>1</td><td>K92#101</td><td>1B</td><td>LTBL</td><td>2018639C1</td></tr> <tr><td>2</td><td>K92#103</td><td>1B</td><td>YL</td><td>2018639C1</td></tr> <tr><td>3#</td><td>K92#105</td><td>1B</td><td>TN</td><td>2018639C1</td></tr> <tr><td>3#</td><td>K92#105</td><td>1B</td><td>OR</td><td>2018639C1</td></tr> <tr><td>4#</td><td>K92#109</td><td>1B</td><td>GY</td><td>2018639C1</td></tr> <tr><td>4#</td><td>K92#109</td><td>1B</td><td>WH</td><td>2018639C1</td></tr> <tr><td>4#</td><td>K92C109</td><td>1B</td><td>GY</td><td>2018639C1</td></tr> <tr><td>5#</td><td>K92#110</td><td>1B</td><td>PK</td><td>2018639C1</td></tr> <tr><td>5#</td><td>K92A110</td><td>1B</td><td>YL</td><td>2018639C1</td></tr> <tr><td>5#</td><td>K92B110</td><td>1B</td><td>GY</td><td>2018639C1</td></tr> <tr><td>5#</td><td>K92#110</td><td>1B</td><td>RD</td><td>2018639C1</td></tr> <tr><td>6*</td><td>K92A117</td><td>1B</td><td>TN</td><td>2018639C1</td></tr> <tr><td>6#</td><td>K92#117</td><td>1B</td><td>TN</td><td>2018639C1</td></tr> <tr><td>6#</td><td>K92#120</td><td>1B</td><td>LTBL</td><td>2018639C1</td></tr> <tr><td>6#</td><td>K92#117</td><td>1B</td><td>LTBL</td><td>2018639C1</td></tr> <tr><td>7#</td><td>K92#122</td><td>1B</td><td>YL</td><td>2018639C1</td></tr> <tr><td>7#</td><td>K92#180</td><td>1B</td><td>YL</td><td>2018639C1</td></tr> <tr><td>8#</td><td>K92#123</td><td>1B</td><td>LTBL</td><td>2018639C1</td></tr> <tr><td>8#</td><td>K92#123</td><td>1B</td><td>LTGN</td><td>2018639C1</td></tr> <tr><td>8#</td><td>K47#125</td><td>1B</td><td>TN</td><td>2018639C1</td></tr> <tr><td>9#</td><td>K92#115</td><td>1B</td><td>WH</td><td>2018639C1</td></tr> <tr><td>9#</td><td>K48#139</td><td>1B</td><td>OR</td><td>2018639C1</td></tr> <tr><td>10#</td><td>K92#130</td><td>1B</td><td>WH</td><td>2018639C1</td></tr> <tr><td>10#</td><td>K48#159</td><td>1B</td><td>TN</td><td>2018639C1</td></tr> <tr><td>11#</td><td>K92#134</td><td>1B</td><td>TN</td><td>2018639C1</td></tr> <tr><td>11#</td><td>K92#142</td><td>1B</td><td>WH</td><td>2018639C1</td></tr> <tr><td>11#</td><td>K92#134</td><td>1B</td><td>YL</td><td>2018639C1</td></tr> <tr><td>12#</td><td>K92#141</td><td>1B</td><td>TN</td><td>2018639C1</td></tr> <tr><td>12#</td><td>K92A141</td><td>1B</td><td>WH</td><td>2018639C1</td></tr> <tr><td>12#</td><td>K92#143</td><td>1B</td><td>LTBL</td><td>2018639C1</td></tr> <tr><td>13#</td><td>K92#143</td><td>1B</td><td>LTBL</td><td>2018639C1</td></tr> <tr><td>13#</td><td>K92#150</td><td>1B</td><td>PK</td><td>2018639C1</td></tr> <tr><td>14#</td><td>K92#145</td><td>1B</td><td>OR</td><td>2018639C1</td></tr> <tr><td>14#</td><td>K47#140</td><td>1B</td><td>LTGN</td><td>2018639C1</td></tr> <tr><td>15#</td><td>K92#119</td><td>1B</td><td>LTBL</td><td>2018639C1</td></tr> <tr><td>15#</td><td>K47#160</td><td>1B</td><td>YL</td><td>2018639C1</td></tr> <tr><td>16#</td><td>K92#124</td><td>1B</td><td>TN</td><td>2018639C1</td></tr> <tr><td>16#</td><td>K92#163</td><td>1B</td><td>YL</td><td>2018639C1</td></tr> <tr><td>16#</td><td>K92#124</td><td>1B</td><td>WH</td><td>2018639C1</td></tr> <tr><td>17#</td><td>K92#162</td><td>1B</td><td>YL</td><td>2018639C1</td></tr> <tr><td>17#</td><td>K92#165</td><td>1B</td><td>TN</td><td>2018639C1</td></tr> <tr><td>18#</td><td>K92#163</td><td>1B</td><td>TN</td><td>2018639C1</td></tr> <tr><td>18#</td><td>K92#169</td><td>1B</td><td>YL</td><td>2018639C1</td></tr> </tbody> </table>				CAV	CIRCUIT	GAUGE	COLOR	TERMINAL	1	K92#101	1B	LTBL	2018639C1	2	K92#103	1B	YL	2018639C1	3#	K92#105	1B	TN	2018639C1	3#	K92#105	1B	OR	2018639C1	4#	K92#109	1B	GY	2018639C1	4#	K92#109	1B	WH	2018639C1	4#	K92C109	1B	GY	2018639C1	5#	K92#110	1B	PK	2018639C1	5#	K92A110	1B	YL	2018639C1	5#	K92B110	1B	GY	2018639C1	5#	K92#110	1B	RD	2018639C1	6*	K92A117	1B	TN	2018639C1	6#	K92#117	1B	TN	2018639C1	6#	K92#120	1B	LTBL	2018639C1	6#	K92#117	1B	LTBL	2018639C1	7#	K92#122	1B	YL	2018639C1	7#	K92#180	1B	YL	2018639C1	8#	K92#123	1B	LTBL	2018639C1	8#	K92#123	1B	LTGN	2018639C1	8#	K47#125	1B	TN	2018639C1	9#	K92#115	1B	WH	2018639C1	9#	K48#139	1B	OR	2018639C1	10#	K92#130	1B	WH	2018639C1	10#	K48#159	1B	TN	2018639C1	11#	K92#134	1B	TN	2018639C1	11#	K92#142	1B	WH	2018639C1	11#	K92#134	1B	YL	2018639C1	12#	K92#141	1B	TN	2018639C1	12#	K92A141	1B	WH	2018639C1	12#	K92#143	1B	LTBL	2018639C1	13#	K92#143	1B	LTBL	2018639C1	13#	K92#150	1B	PK	2018639C1	14#	K92#145	1B	OR	2018639C1	14#	K47#140	1B	LTGN	2018639C1	15#	K92#119	1B	LTBL	2018639C1	15#	K47#160	1B	YL	2018639C1	16#	K92#124	1B	TN	2018639C1	16#	K92#163	1B	YL	2018639C1	16#	K92#124	1B	WH	2018639C1	17#	K92#162	1B	YL	2018639C1	17#	K92#165	1B	TN	2018639C1	18#	K92#163	1B	TN	2018639C1	18#	K92#169	1B	YL	2018639C1
CAV	CIRCUIT	GAUGE	COLOR	TERMINAL																																																																																																																																																																																																																															
1	K92#101	1B	LTBL	2018639C1																																																																																																																																																																																																																															
2	K92#103	1B	YL	2018639C1																																																																																																																																																																																																																															
3#	K92#105	1B	TN	2018639C1																																																																																																																																																																																																																															
3#	K92#105	1B	OR	2018639C1																																																																																																																																																																																																																															
4#	K92#109	1B	GY	2018639C1																																																																																																																																																																																																																															
4#	K92#109	1B	WH	2018639C1																																																																																																																																																																																																																															
4#	K92C109	1B	GY	2018639C1																																																																																																																																																																																																																															
5#	K92#110	1B	PK	2018639C1																																																																																																																																																																																																																															
5#	K92A110	1B	YL	2018639C1																																																																																																																																																																																																																															
5#	K92B110	1B	GY	2018639C1																																																																																																																																																																																																																															
5#	K92#110	1B	RD	2018639C1																																																																																																																																																																																																																															
6*	K92A117	1B	TN	2018639C1																																																																																																																																																																																																																															
6#	K92#117	1B	TN	2018639C1																																																																																																																																																																																																																															
6#	K92#120	1B	LTBL	2018639C1																																																																																																																																																																																																																															
6#	K92#117	1B	LTBL	2018639C1																																																																																																																																																																																																																															
7#	K92#122	1B	YL	2018639C1																																																																																																																																																																																																																															
7#	K92#180	1B	YL	2018639C1																																																																																																																																																																																																																															
8#	K92#123	1B	LTBL	2018639C1																																																																																																																																																																																																																															
8#	K92#123	1B	LTGN	2018639C1																																																																																																																																																																																																																															
8#	K47#125	1B	TN	2018639C1																																																																																																																																																																																																																															
9#	K92#115	1B	WH	2018639C1																																																																																																																																																																																																																															
9#	K48#139	1B	OR	2018639C1																																																																																																																																																																																																																															
10#	K92#130	1B	WH	2018639C1																																																																																																																																																																																																																															
10#	K48#159	1B	TN	2018639C1																																																																																																																																																																																																																															
11#	K92#134	1B	TN	2018639C1																																																																																																																																																																																																																															
11#	K92#142	1B	WH	2018639C1																																																																																																																																																																																																																															
11#	K92#134	1B	YL	2018639C1																																																																																																																																																																																																																															
12#	K92#141	1B	TN	2018639C1																																																																																																																																																																																																																															
12#	K92A141	1B	WH	2018639C1																																																																																																																																																																																																																															
12#	K92#143	1B	LTBL	2018639C1																																																																																																																																																																																																																															
13#	K92#143	1B	LTBL	2018639C1																																																																																																																																																																																																																															
13#	K92#150	1B	PK	2018639C1																																																																																																																																																																																																																															
14#	K92#145	1B	OR	2018639C1																																																																																																																																																																																																																															
14#	K47#140	1B	LTGN	2018639C1																																																																																																																																																																																																																															
15#	K92#119	1B	LTBL	2018639C1																																																																																																																																																																																																																															
15#	K47#160	1B	YL	2018639C1																																																																																																																																																																																																																															
16#	K92#124	1B	TN	2018639C1																																																																																																																																																																																																																															
16#	K92#163	1B	YL	2018639C1																																																																																																																																																																																																																															
16#	K92#124	1B	WH	2018639C1																																																																																																																																																																																																																															
17#	K92#162	1B	YL	2018639C1																																																																																																																																																																																																																															
17#	K92#165	1B	TN	2018639C1																																																																																																																																																																																																																															
18#	K92#163	1B	TN	2018639C1																																																																																																																																																																																																																															
18#	K92#169	1B	YL	2018639C1																																																																																																																																																																																																																															
CHK	DATE	CHANGE	REV	REFERENCE	DRAWN	NAME																																																																																																																																																																																																																													
0488	24MAR15	REVISED AND REDRAWN.	G	92927M	310615	CIRCUIT DIAGRAM, 42/43/44/85/8600 & 73/74/7500																																																																																																																																																																																																																													
RELEASE NO.		DATE		PART NO.		SHEET																																																																																																																																																																																																																													
61229V		09JUN09		AE08058187		030																																																																																																																																																																																																																													

Figure 583 Connector Composites (1501)

13.67. CONNECTOR COMPOSITES (1502), P. 30A

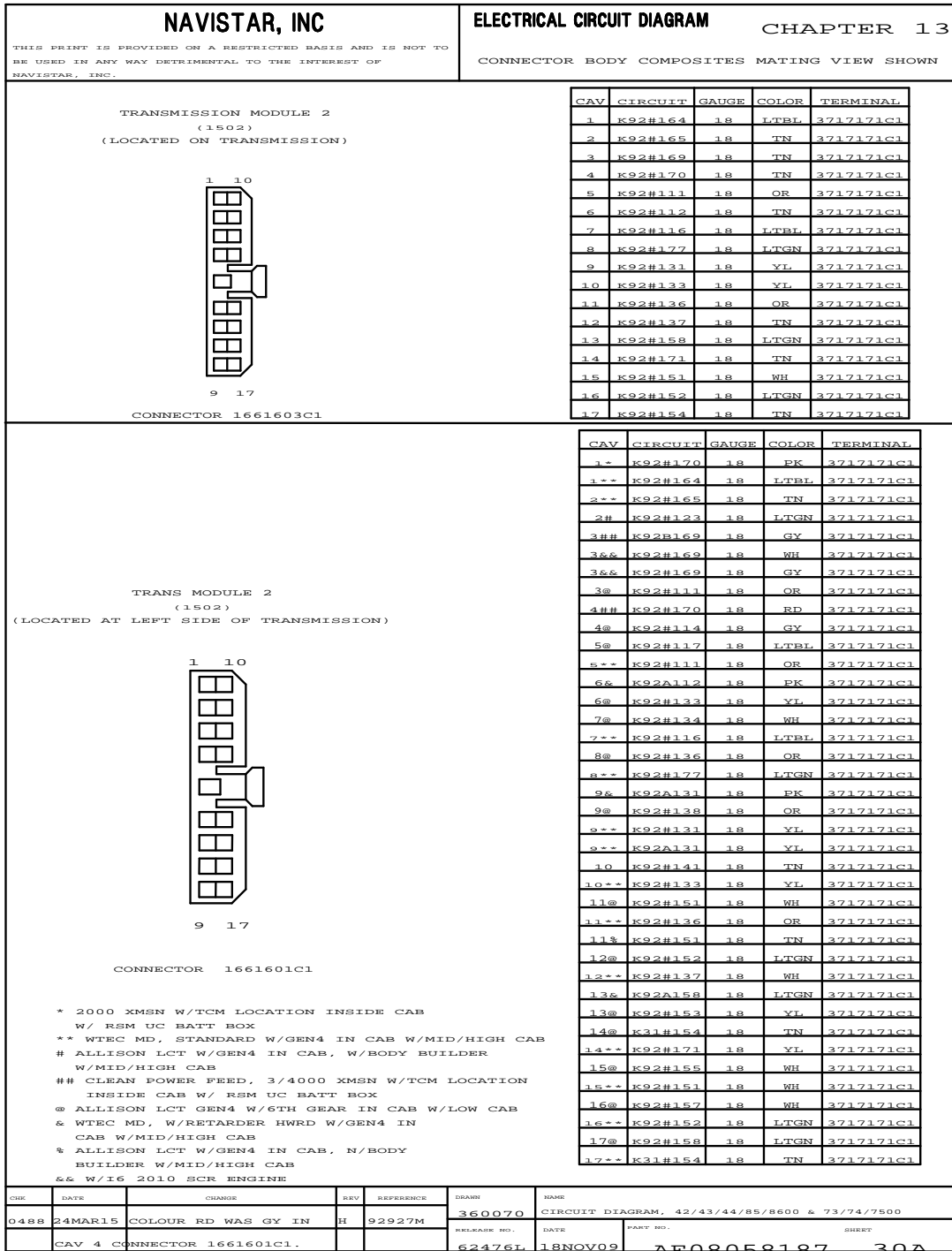


Figure 584 Connector Composites (1502)

13.68. CONNECTOR COMPOSITES (1503), (1510), P. 30B

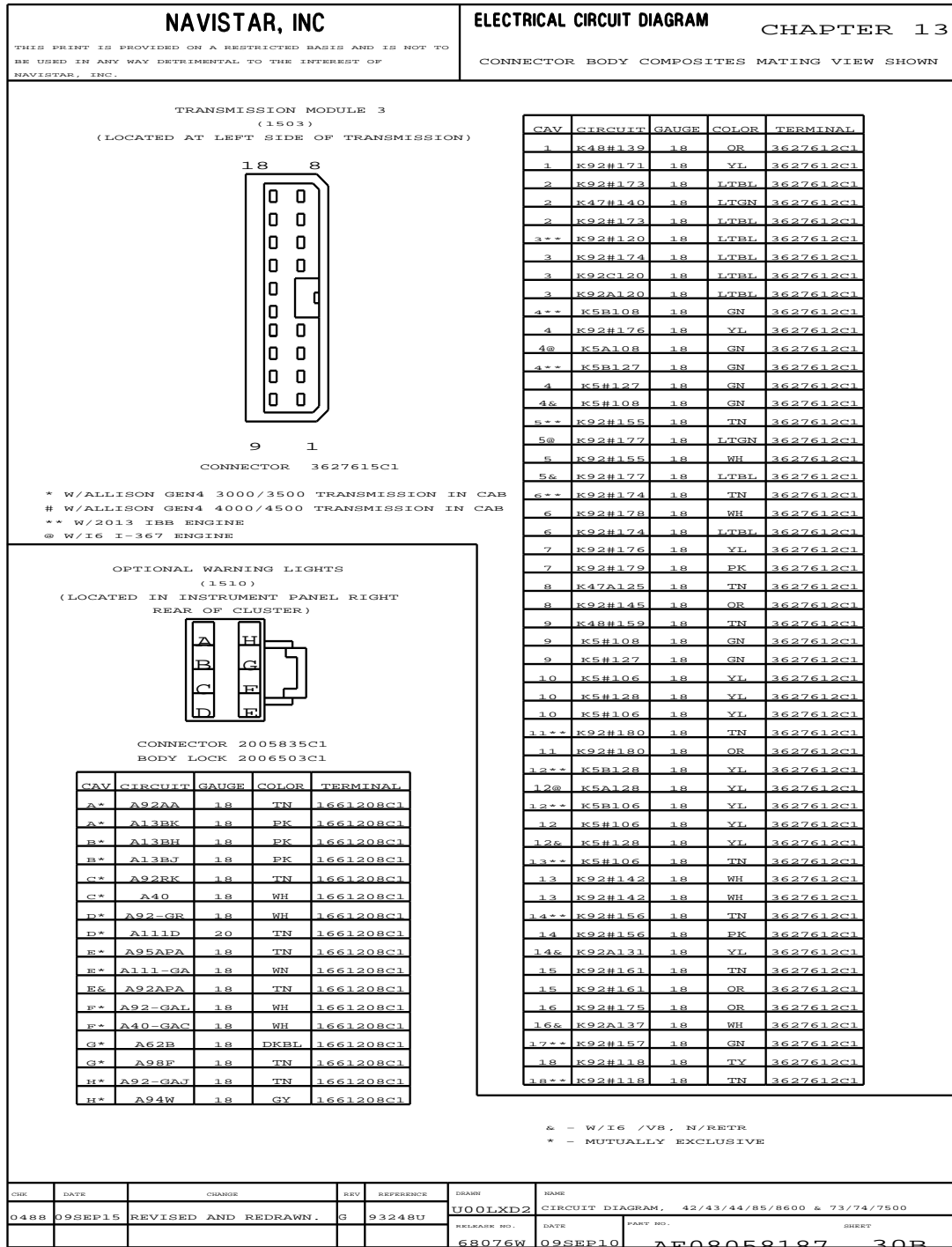


Figure 585 Connector Composites (1503), (1510)

13.69. CONNECTOR COMPOSITES (1511), (1512), (1559), P. 30C

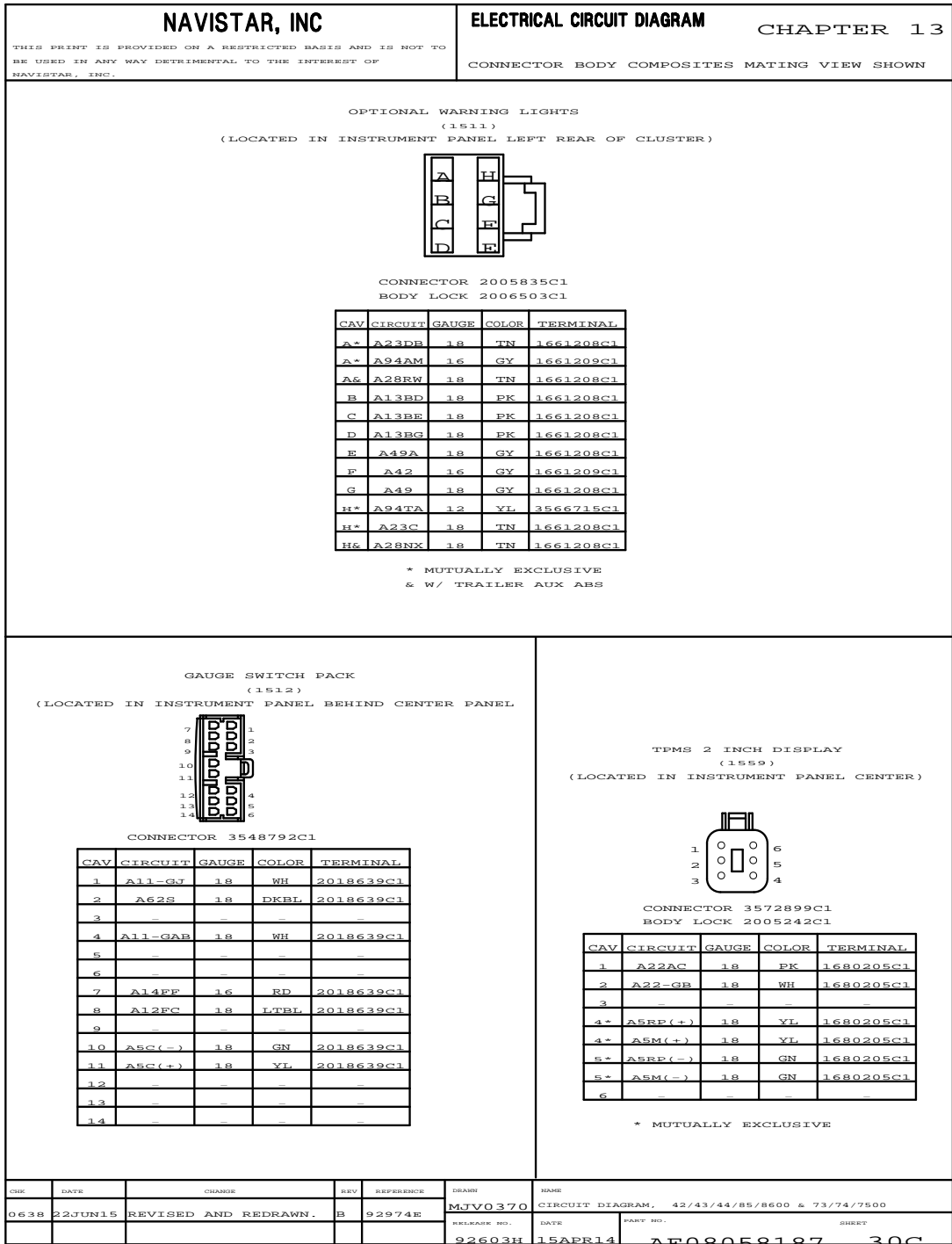


Figure 586 Connector Composites (1511), (1512), (1559)

13.70. CONNECTOR COMPOSITES (1600), P. 31

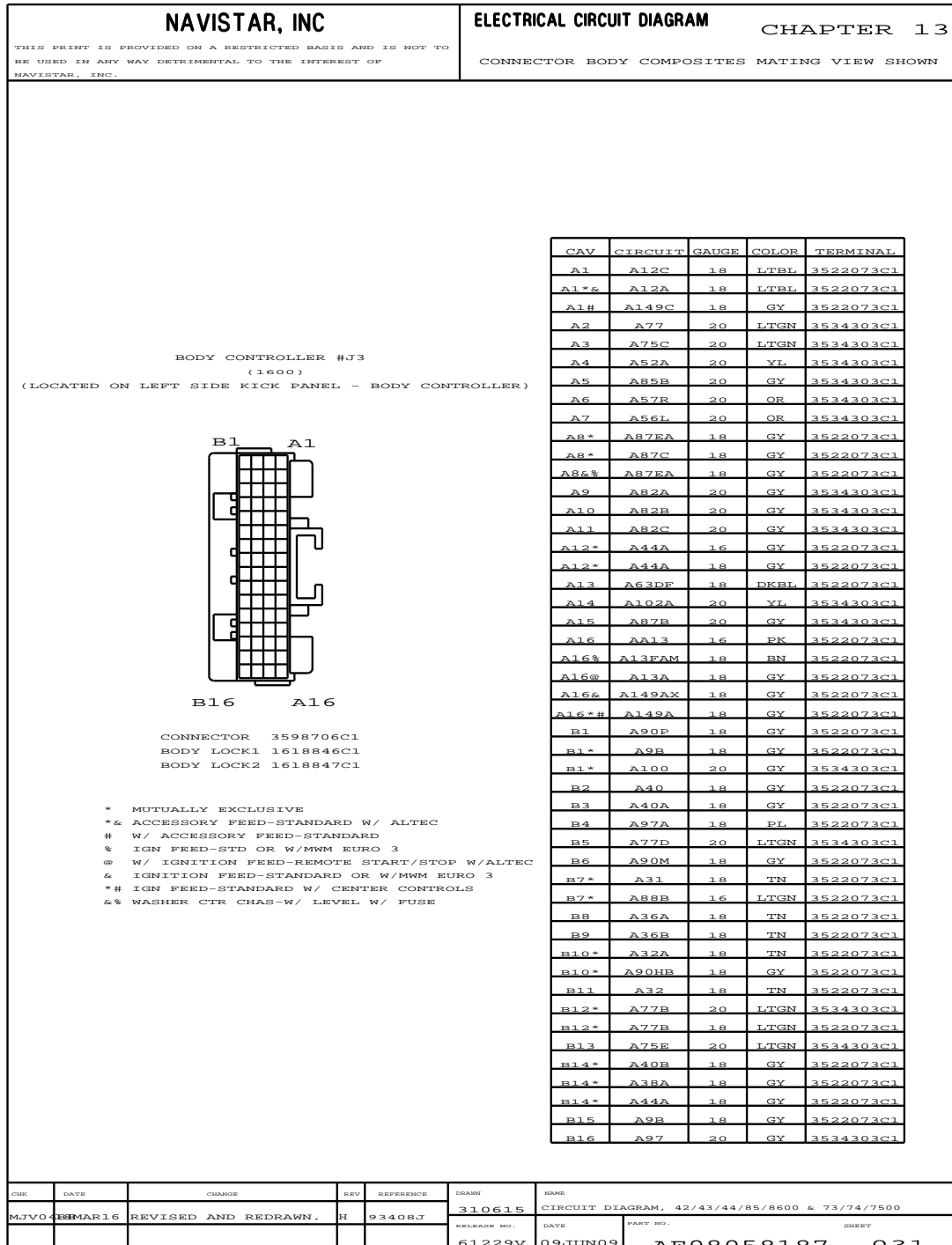


Figure 587 Connector Composites (1600)

13.71. CONNECTOR COMPOSITES (1601), P. 32

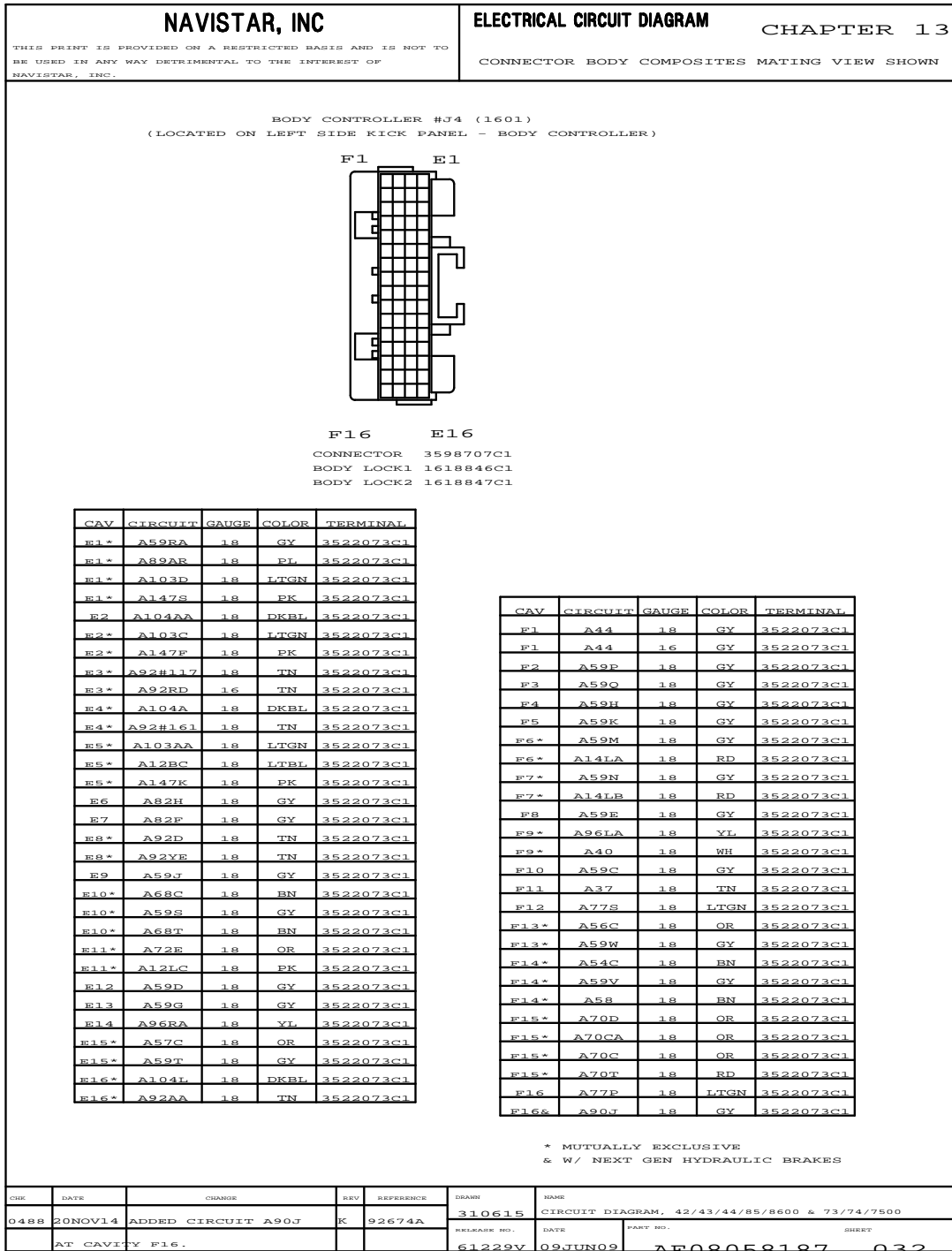


Figure 588 Connector Composites (1601)

13.72. CONNECTOR COMPOSITES (1602), P. 33

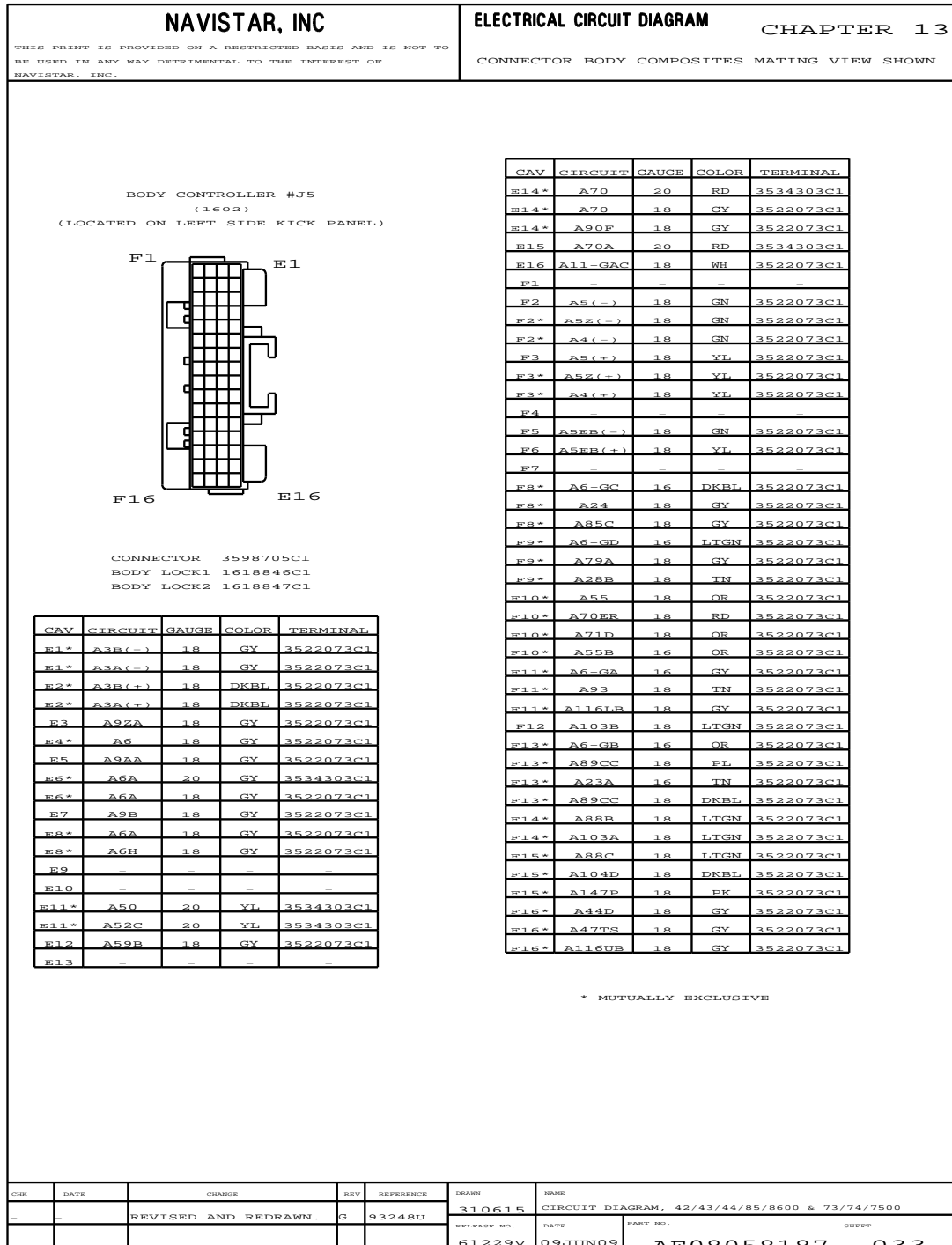


Figure 589 Connector Composites (1602)

13.73. CONNECTOR COMPOSITES (1603), (1604), (1606), P. 34

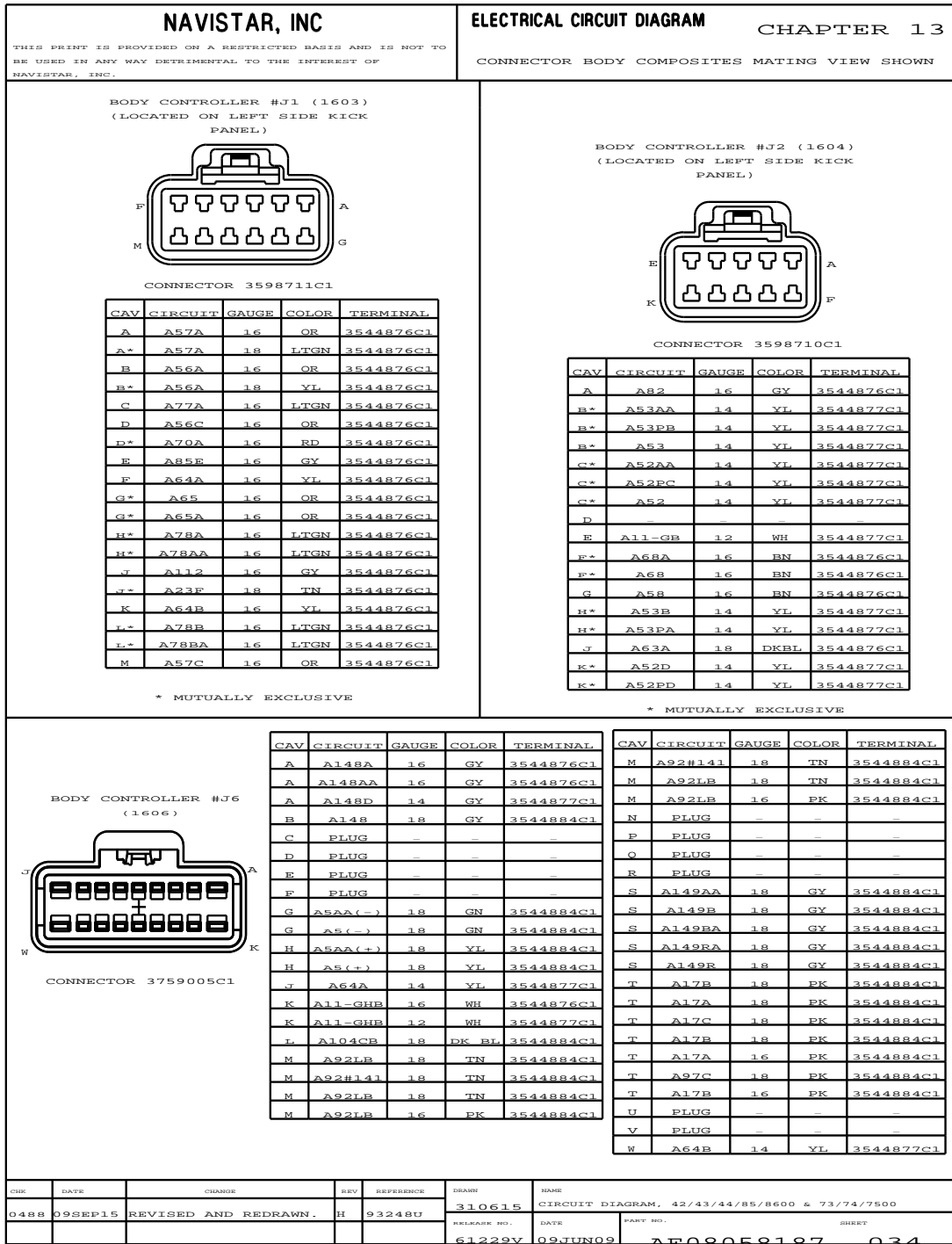


Figure 590 Connector Composites (1603), (1604), (1606)

13.74. CONNECTOR COMPOSITES (1607), (1625), (1626), P. 35

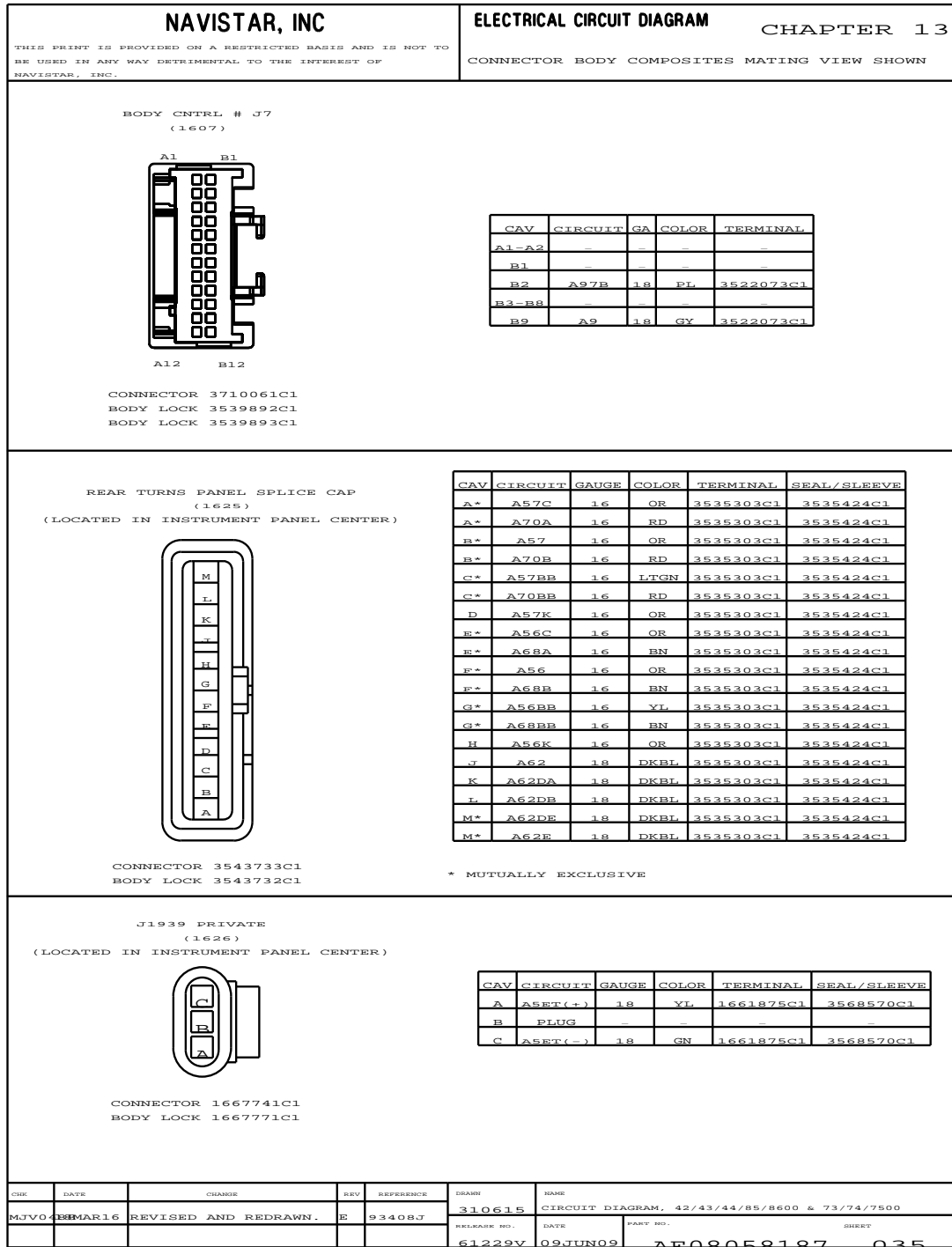


Figure 591 Connector Composites (1607), (1625), (1626)

13.75. CONNECTOR COMPOSITES (1650), (1657), (1657M), P. 35A

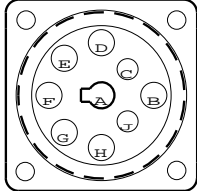
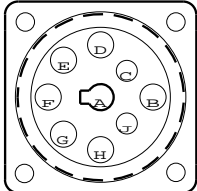

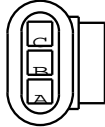
NAVISTAR, INC				ELECTRICAL CIRCUIT DIAGRAM				CHAPTER 13																																																																									
THIS PRINT IS PROVIDED ON A RESTRICTED BASIS AND IS NOT TO BE USED IN ANY WAY DETRIMENTAL TO THE INTEREST OF NAVISTAR, INC.								CONNECTOR BODY COMPOSITES MATING VIEW SHOWN																																																																									
<p>DIAGNOSTIC CONNECTOR (1650) (LOCATED UNDER INSTRUMENT PANEL LEFT OF STEERING COLUMN)</p> 								<table border="1" style="width:100%; border-collapse: collapse; font-size: x-small;"> <thead> <tr> <th>CAV</th> <th>CIRCUIT</th> <th>GAUGE</th> <th>COLOR</th> <th>TERMINAL</th> </tr> </thead> <tbody> <tr><td>A</td><td>A98-G</td><td>18</td><td>WH</td><td>1680206C1</td></tr> <tr><td>B</td><td>A98H</td><td>18</td><td>BK</td><td>1680206C1</td></tr> <tr><td>C*</td><td>A5B(+)</td><td>18</td><td>YL</td><td>1680206C1</td></tr> <tr><td>C*</td><td>A5D(+)</td><td>18</td><td>YL</td><td>1680206C1</td></tr> <tr><td>C#</td><td>A5C(+)</td><td>18</td><td>YL</td><td>1680206C1</td></tr> <tr><td>D*</td><td>A5B(-)</td><td>18</td><td>GN</td><td>1680206C1</td></tr> <tr><td>D*</td><td>A5D(-)</td><td>18</td><td>GN</td><td>1680206C1</td></tr> <tr><td>D#</td><td>A5C(-)</td><td>18</td><td>GN</td><td>1680206C1</td></tr> <tr><td>E</td><td>PLUG</td><td>-</td><td>-</td><td>-</td></tr> <tr><td>F</td><td>A3CC(+)</td><td>18</td><td>DKBL</td><td>1680206C1</td></tr> <tr><td>G</td><td>A3CC(-)</td><td>18</td><td>GY</td><td>1680206C1</td></tr> <tr><td>H</td><td>PLUG</td><td>-</td><td>-</td><td>-</td></tr> <tr><td>J*</td><td>A98A</td><td>18</td><td>GY</td><td>1680206C1</td></tr> </tbody> </table> <p style="font-size: x-small;">* MUTUALLY EXCLUSIVE # W/ ISB ENGINE</p>				CAV	CIRCUIT	GAUGE	COLOR	TERMINAL	A	A98-G	18	WH	1680206C1	B	A98H	18	BK	1680206C1	C*	A5B(+)	18	YL	1680206C1	C*	A5D(+)	18	YL	1680206C1	C#	A5C(+)	18	YL	1680206C1	D*	A5B(-)	18	GN	1680206C1	D*	A5D(-)	18	GN	1680206C1	D#	A5C(-)	18	GN	1680206C1	E	PLUG	-	-	-	F	A3CC(+)	18	DKBL	1680206C1	G	A3CC(-)	18	GY	1680206C1	H	PLUG	-	-	-	J*	A98A	18	GY	1680206C1
CAV	CIRCUIT	GAUGE	COLOR	TERMINAL																																																																													
A	A98-G	18	WH	1680206C1																																																																													
B	A98H	18	BK	1680206C1																																																																													
C*	A5B(+)	18	YL	1680206C1																																																																													
C*	A5D(+)	18	YL	1680206C1																																																																													
C#	A5C(+)	18	YL	1680206C1																																																																													
D*	A5B(-)	18	GN	1680206C1																																																																													
D*	A5D(-)	18	GN	1680206C1																																																																													
D#	A5C(-)	18	GN	1680206C1																																																																													
E	PLUG	-	-	-																																																																													
F	A3CC(+)	18	DKBL	1680206C1																																																																													
G	A3CC(-)	18	GY	1680206C1																																																																													
H	PLUG	-	-	-																																																																													
J*	A98A	18	GY	1680206C1																																																																													
<p>DIAGNOSTIC CONNECTOR (1650) (LOCATED UNDER INSTRUMENT PANEL LEFT OF STEERING COLUMN)</p> 								<table border="1" style="width:100%; border-collapse: collapse; font-size: x-small;"> <thead> <tr> <th>CAV</th> <th>CIRCUIT</th> <th>GAUGE</th> <th>COLOR</th> <th>TERMINAL</th> </tr> </thead> <tbody> <tr><td>A</td><td>A98-G</td><td>18</td><td>WH</td><td>1680206C1</td></tr> <tr><td>B</td><td>A98H</td><td>18</td><td>BK</td><td>1680206C1</td></tr> <tr><td>C</td><td>A5HA(+)</td><td>18</td><td>YL</td><td>1680206C1</td></tr> <tr><td>C*</td><td>A5B(+)</td><td>18</td><td>YL</td><td>1680206C1</td></tr> <tr><td>D</td><td>A5HA(-)</td><td>18</td><td>GN</td><td>1680206C1</td></tr> <tr><td>D*</td><td>A5B(-)</td><td>18</td><td>GN</td><td>1680206C1</td></tr> <tr><td>E</td><td>A3CC(+)</td><td>18</td><td>DK BL</td><td>1680206C1</td></tr> <tr><td>G</td><td>A3CC(-)</td><td>18</td><td>GY</td><td>1680206C1</td></tr> <tr><td>H</td><td>A5B2(+)</td><td>18</td><td>YL</td><td>1680206C1</td></tr> <tr><td>H*</td><td>A5B2(+)</td><td>18</td><td>YL</td><td>3519069C1</td></tr> <tr><td>J</td><td>A5B2(-)</td><td>18</td><td>GN</td><td>1680206C1</td></tr> <tr><td>J*</td><td>A5B2(-)</td><td>18</td><td>GN</td><td>3519069C1</td></tr> <tr><td>J*</td><td>A98A</td><td>18</td><td>GY</td><td>1680206C1</td></tr> </tbody> </table> <p style="font-size: x-small;">* MUTUALLY EXCLUSIVE</p>				CAV	CIRCUIT	GAUGE	COLOR	TERMINAL	A	A98-G	18	WH	1680206C1	B	A98H	18	BK	1680206C1	C	A5HA(+)	18	YL	1680206C1	C*	A5B(+)	18	YL	1680206C1	D	A5HA(-)	18	GN	1680206C1	D*	A5B(-)	18	GN	1680206C1	E	A3CC(+)	18	DK BL	1680206C1	G	A3CC(-)	18	GY	1680206C1	H	A5B2(+)	18	YL	1680206C1	H*	A5B2(+)	18	YL	3519069C1	J	A5B2(-)	18	GN	1680206C1	J*	A5B2(-)	18	GN	3519069C1	J*	A98A	18	GY	1680206C1
CAV	CIRCUIT	GAUGE	COLOR	TERMINAL																																																																													
A	A98-G	18	WH	1680206C1																																																																													
B	A98H	18	BK	1680206C1																																																																													
C	A5HA(+)	18	YL	1680206C1																																																																													
C*	A5B(+)	18	YL	1680206C1																																																																													
D	A5HA(-)	18	GN	1680206C1																																																																													
D*	A5B(-)	18	GN	1680206C1																																																																													
E	A3CC(+)	18	DK BL	1680206C1																																																																													
G	A3CC(-)	18	GY	1680206C1																																																																													
H	A5B2(+)	18	YL	1680206C1																																																																													
H*	A5B2(+)	18	YL	3519069C1																																																																													
J	A5B2(-)	18	GN	1680206C1																																																																													
J*	A5B2(-)	18	GN	3519069C1																																																																													
J*	A98A	18	GY	1680206C1																																																																													
<p>J1939 PUBLIC (1657) (LOCATED IN INSTRUMENT PANEL CENTER)</p>  <p style="font-size: x-small;">CONNECTOR 1667741C1 BODY LOCK 1667771C1</p>								<p>J1939 TERMINATING RESISTOR (1657M) (LOCATED NEAR TPMS)</p>  <p style="font-size: x-small;">CONNECTOR 1667741C1 BODY LOCK 1667771C1</p>																																																																									
<table border="1" style="width:100%; border-collapse: collapse; font-size: x-small;"> <thead> <tr> <th>CAV</th> <th>CIRCUIT</th> <th>GAUGE</th> <th>COLOR</th> <th>TERMINAL</th> <th>SEAL/SLEEVE</th> </tr> </thead> <tbody> <tr><td>A*</td><td>A5L1(+)</td><td>18</td><td>YL</td><td>1661875C1</td><td>3568570C1</td></tr> <tr><td>B</td><td>PLUG</td><td>-</td><td>-</td><td>2025431C1</td><td>-</td></tr> <tr><td>C*</td><td>A5L1(-)</td><td>18</td><td>GN</td><td>1661875C1</td><td>3568570C1</td></tr> </tbody> </table> <p style="font-size: x-small;">* MUTUALLY EXCLUSIVE</p>								CAV	CIRCUIT	GAUGE	COLOR	TERMINAL	SEAL/SLEEVE	A*	A5L1(+)	18	YL	1661875C1	3568570C1	B	PLUG	-	-	2025431C1	-	C*	A5L1(-)	18	GN	1661875C1	3568570C1	<table border="1" style="width:100%; border-collapse: collapse; font-size: x-small;"> <thead> <tr> <th>CAV</th> <th>CIRCUIT</th> <th>GAUGE</th> <th>COLOR</th> <th>TERMINAL</th> <th>SEAL/SLEEVE</th> </tr> </thead> <tbody> <tr><td>A*</td><td>MSC(+)</td><td>18</td><td>YL</td><td>1661875C1</td><td>3568570C1</td></tr> <tr><td>A*</td><td>MSB(+)</td><td>18</td><td>YL</td><td>1661875C1</td><td>3568570C1</td></tr> <tr><td>B</td><td>PLUG</td><td>-</td><td>-</td><td>2025431C1</td><td>-</td></tr> <tr><td>C*</td><td>MSC(-)</td><td>18</td><td>GN</td><td>1661875C1</td><td>3568570C1</td></tr> <tr><td>C*</td><td>MSB(-)</td><td>18</td><td>GN</td><td>1661875C1</td><td>3568570C1</td></tr> </tbody> </table> <p style="font-size: x-small;">* MUTUALLY EXCLUSIVE</p>				CAV	CIRCUIT	GAUGE	COLOR	TERMINAL	SEAL/SLEEVE	A*	MSC(+)	18	YL	1661875C1	3568570C1	A*	MSB(+)	18	YL	1661875C1	3568570C1	B	PLUG	-	-	2025431C1	-	C*	MSC(-)	18	GN	1661875C1	3568570C1	C*	MSB(-)	18	GN	1661875C1	3568570C1										
CAV	CIRCUIT	GAUGE	COLOR	TERMINAL	SEAL/SLEEVE																																																																												
A*	A5L1(+)	18	YL	1661875C1	3568570C1																																																																												
B	PLUG	-	-	2025431C1	-																																																																												
C*	A5L1(-)	18	GN	1661875C1	3568570C1																																																																												
CAV	CIRCUIT	GAUGE	COLOR	TERMINAL	SEAL/SLEEVE																																																																												
A*	MSC(+)	18	YL	1661875C1	3568570C1																																																																												
A*	MSB(+)	18	YL	1661875C1	3568570C1																																																																												
B	PLUG	-	-	2025431C1	-																																																																												
C*	MSC(-)	18	GN	1661875C1	3568570C1																																																																												
C*	MSB(-)	18	GN	1661875C1	3568570C1																																																																												
CHK	DATE	CHANGE	REV	REFERENCE	DRAWN	NAME																																																																											
0488	09SEP15	REVISED AND REDRAWN.	C	93248U	MJVO088	CIRCUIT DIAGRAM, 42/43/44/85/8600 & 73/74/7500																																																																											
RELEASE NO.		DATE		PART NO.		SHEET																																																																											
92218B		30JUL13		AE08058187		35A																																																																											

Figure 592 Connector Composites (1650), (1657), (1657M)

13.76. CONNECTOR COMPOSITES (1658), (1658M), (1660), (1661), P. 36

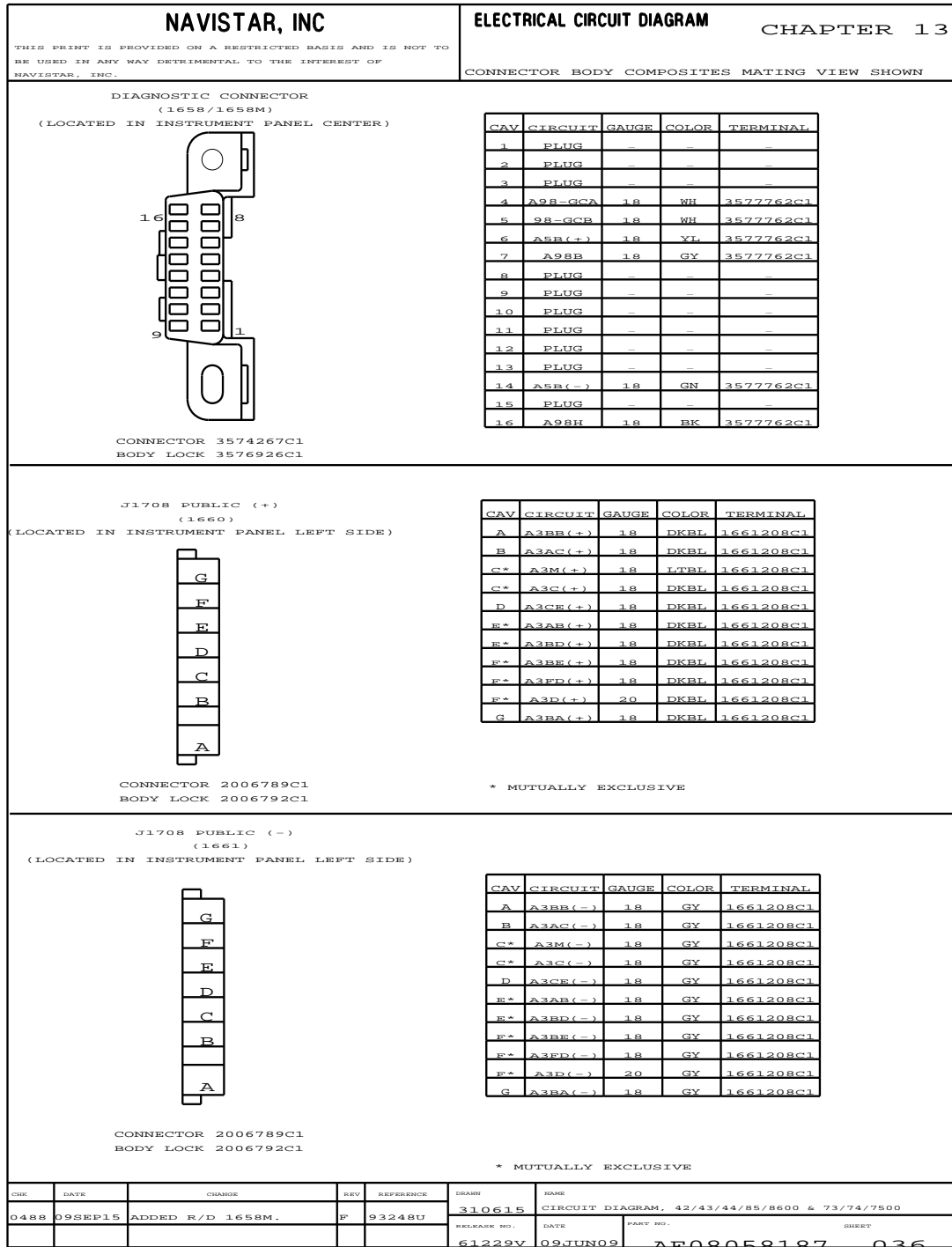


Figure 593 Connector Composites (1658), (1658M), (1660), (1661)

13.77. CONNECTOR COMPOSITES (1700), P. 37

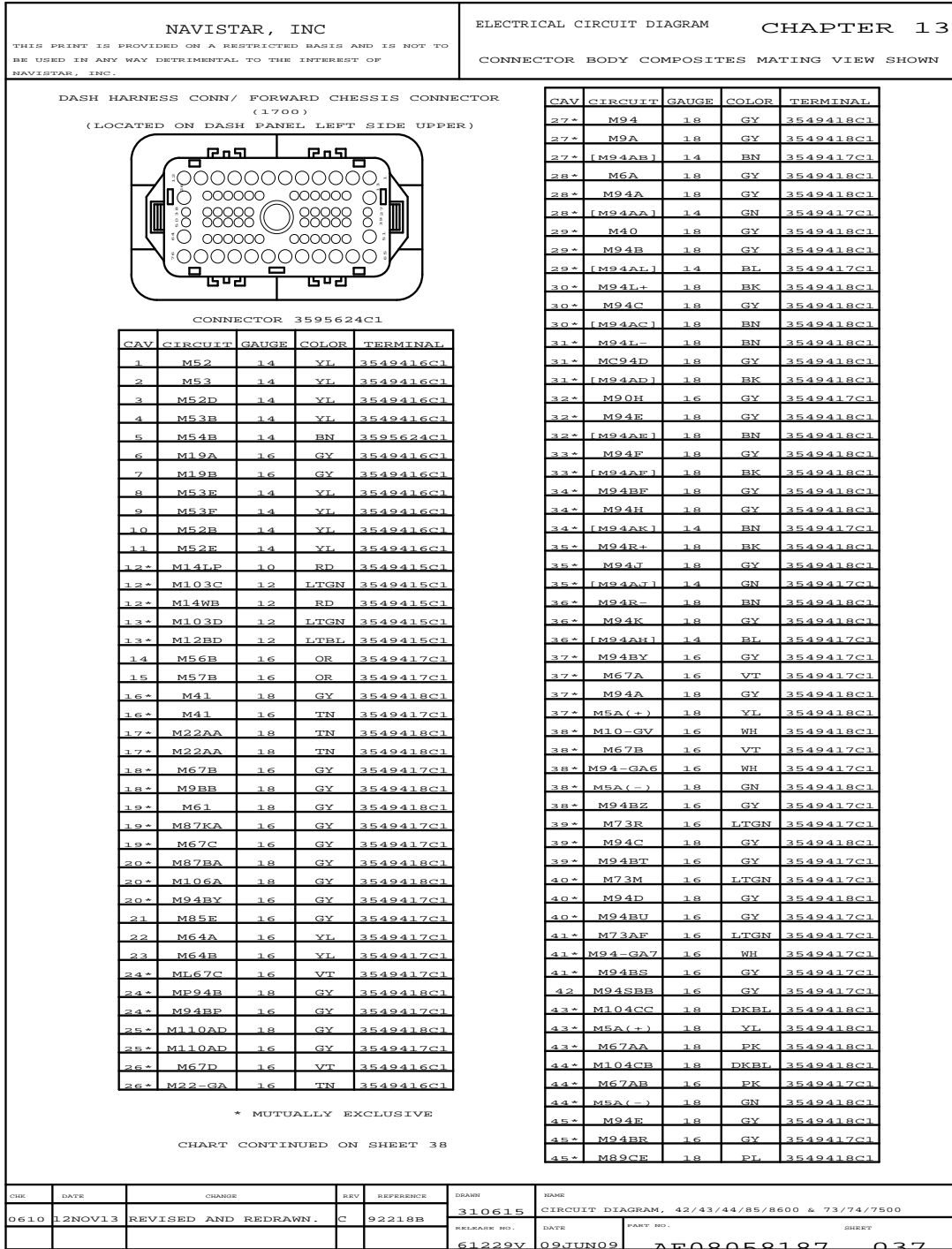


Figure 594 Connector Composites (1700)

13.78. CONNECTOR COMPOSITES (1700), P. 38

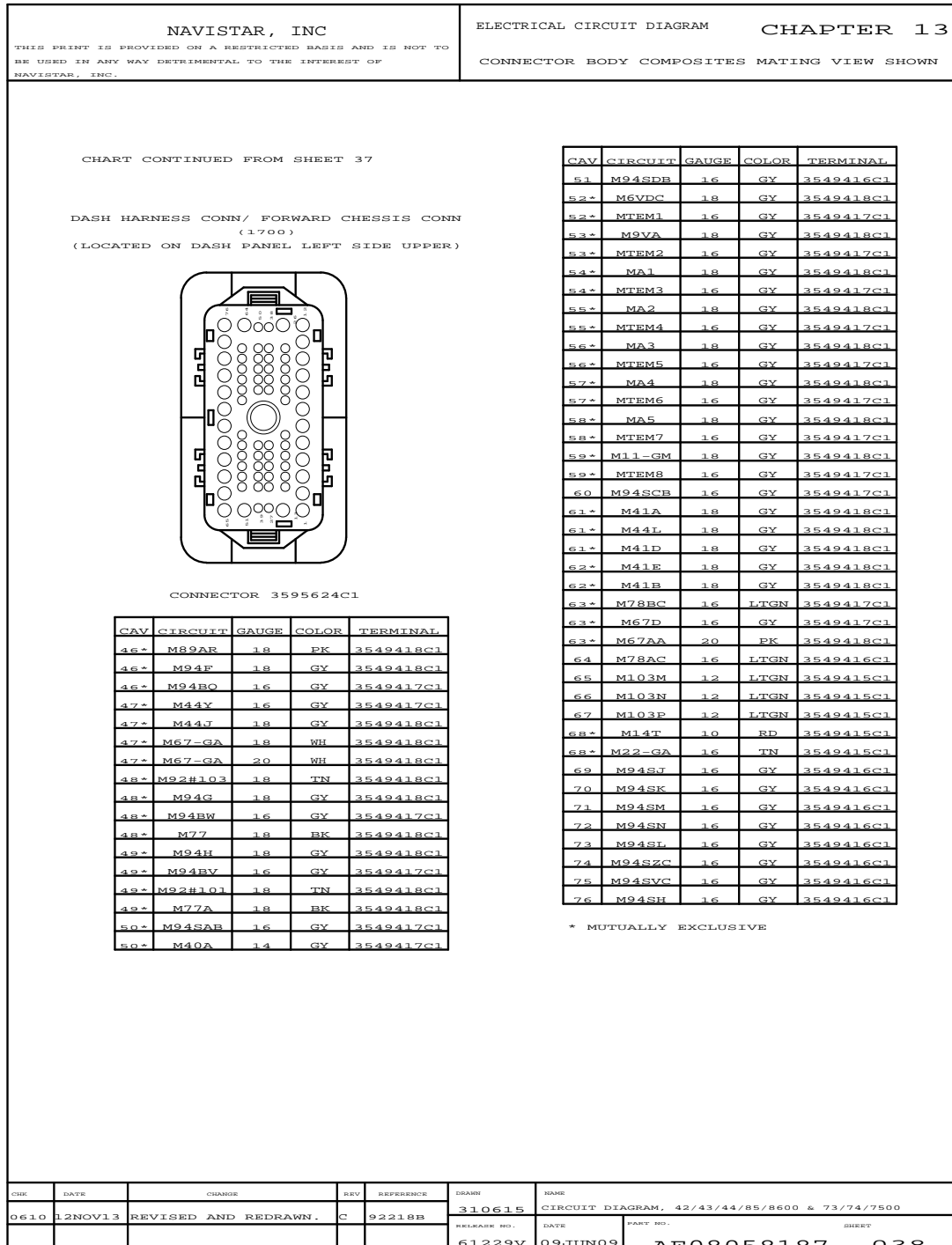


Figure 595 Connector Composites (1700)

13.79. CONNECTOR COMPOSITES (1700), P. 38A

<p>NAVISTAR, INC</p> <p>THIS PRINT IS PROVIDED ON A RESTRICTED BASIS AND IS NOT TO BE USED IN ANY WAY DETRIMENTAL TO THE INTEREST OF NAVISTAR, INC.</p>	<p>ELECTRICAL CIRCUIT DIAGRAM</p> <p>CONNECTOR BODY COMPOSITES MATING VIEW SHOWN</p>	<p>CHAPTER 13</p>			
<p>DASH HARNESS CONNECTOR (1700) (LOCATED IN DASH PANEL LEFT SIDE UPPER)</p>					
<p>CONNECTOR 3595624C1</p>					
CAV	CIRCUIT	GAUGE	COLOR	TERMINAL	
1	M52	14	YL	3549416C1	
2	M53	14	YL	3549416C1	
3	M52D	14	YL	3549416C1	
4	M53B	14	YL	3549416C1	
5	M54B	14	BN	3549416C1	
6*	[N19A]	16	GY	3549416C1	
6#	M19	14	GY	3549416C1	
7	PLUG	-	-	3598921C1	
8	M53E	14	YL	3549416C1	
8^	M64OL	14	YL	3549416C1	
9	M53F	14	YL	3549416C1	
9^	M64HI	14	YL	3549416C1	
10	M52B	14	YL	3549416C1	
11	M52E	14	YL	3549416C1	
12	M103C	12	LTGN	3549415C1	
13	M103D	12	LTGN	3549415C1	
14	M56B	16	OR	3549417C1	
15	M57B	16	OR	3549417C1	
16	PLUG	-	-	3598921C1	
17	M87C	18	GY	3549418C1	
18	M9BB	18	GY	3549418C1	
19	M87KA	16	GY	3549417C1	
20	M87BA	18	GY	3549418C1	
21	M85E	16	GY	3549417C1	
22	M64A	16	YL	3549417C1	
23	M64B	16	YL	3549417C1	
24	M94BF	16	GY	3549417C1	
24^	M67AA	20	EK	3549418C1	
24	M94B	18	GY	3549418C1	
24	M67C	16	VT	3549417C1	
25	PLUG	-	-	3598921C1	
26	PLUG	-	-	3598921C1	
27@	M94	18	GY	3549418C1	
27% M94AB	14	GY	3549417C1		
27& M9A	18	GY	3549418C1		
28@ M94AA	14	GY	3549417C1		
28% M94A	18	GY	3549418C1		
28& M6A	18	GY	3549418C1		
29@ M40	18	GY	3549418C1		
29% M94B	18	GY	3549418C1		
29& M94AL	14	GY	3549417C1		
30@ M94C	18	GY	3549418C1		
30** M94L(+)	18	GY	3549418C1		
30% M94AC	18	GY	3549418C1		
31@ M94D	18	GY	3549418C1		

CAV	CIRCUIT	GAUGE	COLOR	TERMINAL
31**	M94L(-)	18	GY	3549418C1
31%	M94AD	18	GY	3549418C1
32**	M90H	16	GY	3549417C1
32@	M94E	18	GY	3549418C1
32%	M94AE	18	GY	3549418C1
33**	M90B	18	GY	3549418C1
33@	M94F	18	GY	3549418C1
33%	M94AF	18	GY	3549418C1
34@	M94H	18	GY	3549418C1
34**	M94BF	18	GY	3549418C1
34%	M94AK	14	GY	3549417C1
35@	M94J	18	GY	3549418C1
35%	M94AJ	14	GY	3549417C1
35**	M94R(+)	18	GY	3549418C1
36@	M94K	18	GY	3549418C1
36%	M94AH	14	GY	3549417C1
36**	M94R(-)	18	GY	3549418C1
37	M94BY	16	GY	3549417C1
37	M5A(+)	18	YL	3549418C1
37	M94A	18	GY	3549418C1
37	M67A	16	VT	3549417C1
38**	M10-GV	16	WH	3549417C1
38##	M94BZ	16	GY	3549417C1
38	M5A(-)	18	GN	3549418C1
38	M94-GA6	16	WH	3549417C1
38	M67B	16	VT	3549417C1
39	M94BT	16	GY	3549417C1
39	M94C	18	GY	3549418C1
39	M73R	16	LTGN	3549417C1

* DUAL FUEL/WATER SEPARATOR, LOW CAB/MID CAB
 # FUEL/WATER SEPARATOR, MID CAB
 @ BENDIX AIR ABS, LOW CAB
 % WABCO AIR ABS, LOW CAB
 & COMPRESSOR/TANK FOR HYD CHASSIS
 ** WABCO HYD ABS, LOW CAB
 ## BENDIX ABS 6CH N/ADV
 ^ W/SNOW PLOW LIGHTS

CHART CONT ON SHEET 38B

CHK	DATE	CHANGE	REV	REFERENCE	DRAWN	NAME
0488	24MAR15	REVISED AND REDRAWN.	B	92927M	MJVO370	CIRCUIT DIAGRAM, 42/43/44/85/8600 & 73/74/7500
					RELEASE NO.	DATE
					92603H	16APR14
					PART NO.	SHEET
					AE08058187	38A

Figure 596 Connector Composites (1700)

13.80. CONNECTOR COMPOSITES (1700), P. 38B

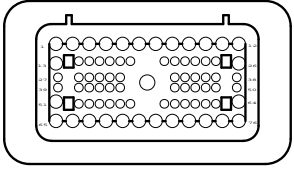
NAVISTAR, INC				ELECTRICAL CIRCUIT DIAGRAM				CHAPTER 13																																																																																																																																																																																																																																																																																																
THIS PRINT IS PROVIDED ON A RESTRICTED BASIS AND IS NOT TO BE USED IN ANY WAY DETRIMENTAL TO THE INTEREST OF NAVISTAR, INC.				CONNECTOR BODY COMPOSITES MATING VIEW SHOWN																																																																																																																																																																																																																																																																																																				
<p>CHART CONT FROM SHEET 38A</p> <p>DASH HARNESS CONNECTOR (1700) (LOCATED IN DASH PANEL LEFT SIDE UPPER)</p>  <p>CONNECTOR 3595624C1</p> <p>@@ WHEELCHAIR LEFT INTERLOCK %% AUTO APPLY PARK BRAKE ^ W/SNOW PLOW LIGHTS *** BENDIX ABS 4CH W/ADV && ELEC COMPRESSOR FOR HYD CHASSIS ## BENDIX ABS 6CH N/ADV * W/COLLISON AVOIDANCE BENDIX WINGMAN & W/J1939 BACKBONE</p>																																																																																																																																																																																																																																																																																																								
<table border="1" style="width:100%; border-collapse: collapse; font-size: x-small;"> <thead> <tr> <th>CAV</th> <th>CIRCUIT</th> <th>GAUGE</th> <th>COLOR</th> <th>TERMINAL</th> </tr> </thead> <tbody> <tr><td>40</td><td>M94BU</td><td>1.6</td><td>GY</td><td>3549417C1</td></tr> <tr><td>40</td><td>M94D</td><td>1.8</td><td>GY</td><td>3549418C1</td></tr> <tr><td>40</td><td>M73M</td><td>1.6</td><td>LTGN</td><td>3549417C1</td></tr> <tr><td>41</td><td>M94BS</td><td>1.6</td><td>GY</td><td>3549417C1</td></tr> <tr><td>41</td><td>M94-GA7</td><td>1.6</td><td>WH</td><td>3549417C1</td></tr> <tr><td>41</td><td>M73AF</td><td>1.6</td><td>LTGN</td><td>3549417C1</td></tr> <tr><td>42</td><td>M94SBB</td><td>1.6</td><td>GY</td><td>3549417C1</td></tr> <tr><td>43</td><td>M104CC</td><td>1.8</td><td>DKBL</td><td>3549418C1</td></tr> <tr><td>44</td><td>M104CB</td><td>1.8</td><td>DKBL</td><td>3549418C1</td></tr> <tr><td>45</td><td>M94BR</td><td>1.6</td><td>GY</td><td>3549417C1</td></tr> <tr><td>45</td><td>M94E</td><td>1.8</td><td>GY</td><td>3549418C1</td></tr> <tr><td>46</td><td>M94F</td><td>1.8</td><td>GY</td><td>3549418C1</td></tr> <tr><td>46</td><td>M94BO</td><td>1.6</td><td>GY</td><td>3549417C1</td></tr> <tr><td>47@@</td><td>M44Y</td><td>1.6</td><td>GY</td><td>3549417C1</td></tr> <tr><td>47%#</td><td>M44J</td><td>1.8</td><td>GY</td><td>3549418C1</td></tr> <tr><td>47^</td><td>M67-GA</td><td>2.0</td><td>WH</td><td>3549418C1</td></tr> <tr><td>47</td><td>M67-GA</td><td>1.8</td><td>WH</td><td>3549418C1</td></tr> <tr><td>48@@</td><td>M92#103</td><td>1.8</td><td>TN</td><td>3549418C1</td></tr> <tr><td>48##</td><td>M94BW</td><td>1.6</td><td>GY</td><td>3549417C1</td></tr> <tr><td>48</td><td>M77</td><td>1.8</td><td>BK</td><td>3549418C1</td></tr> <tr><td>48</td><td>M94G</td><td>1.8</td><td>GY</td><td>3549418C1</td></tr> <tr><td>49@@</td><td>M92#101</td><td>1.8</td><td>TN</td><td>3549418C1</td></tr> <tr><td>49##</td><td>M94BV</td><td>1.6</td><td>GY</td><td>3549417C1</td></tr> <tr><td>49</td><td>M94H</td><td>1.8</td><td>GY</td><td>3549418C1</td></tr> <tr><td>49</td><td>M77A</td><td>1.8</td><td>BK</td><td>3549418C1</td></tr> <tr><td>50&&</td><td>M40A</td><td>1.4</td><td>GY</td><td>3549417C1</td></tr> <tr><td>50***</td><td>M94SAB</td><td>1.6</td><td>GY</td><td>3549417C1</td></tr> <tr><td>51</td><td>M94SDB</td><td>1.6</td><td>GY</td><td>3549416C1</td></tr> <tr><td>52</td><td>MTEM1</td><td>1.6</td><td>GY</td><td>3549417C1</td></tr> <tr><td>53</td><td>MTEM2</td><td>1.6</td><td>GY</td><td>3549417C1</td></tr> <tr><td>54</td><td>MTEM3</td><td>1.6</td><td>GY</td><td>3549417C1</td></tr> <tr><td>55</td><td>MTEM4</td><td>1.6</td><td>GY</td><td>3549417C1</td></tr> <tr><td>56</td><td>MTEM5</td><td>1.6</td><td>GY</td><td>3549417C1</td></tr> <tr><td>57</td><td>MTEM6</td><td>1.6</td><td>GY</td><td>3549417C1</td></tr> <tr><td>58</td><td>MTEM7</td><td>1.6</td><td>GY</td><td>3549417C1</td></tr> <tr><td>59</td><td>MTEMB</td><td>1.6</td><td>GY</td><td>3549417C1</td></tr> <tr><td>60</td><td>M94SCB</td><td>1.6</td><td>GY</td><td>3549417C1</td></tr> <tr><td>61</td><td>M44L</td><td>1.8</td><td>GY</td><td>3549418C1</td></tr> <tr><td>61*</td><td>M5A(-)</td><td>1.8</td><td>GN</td><td>3549418C1</td></tr> <tr><td>61*</td><td>M5C(-)</td><td>1.8</td><td>GN</td><td>3549418C1</td></tr> <tr><td>62*</td><td>M5A(+)</td><td>1.8</td><td>YL</td><td>3549418C1</td></tr> <tr><td>62*</td><td>M5C(+)</td><td>1.8</td><td>YL</td><td>3549418C1</td></tr> <tr><td>63</td><td>M78BC</td><td>1.6</td><td>LTGN</td><td>3549417C1</td></tr> <tr><td>64</td><td>M78AC</td><td>1.6</td><td>LTGN</td><td>3549416C1</td></tr> <tr><td>65</td><td>M103M</td><td>1.2</td><td>LTGN</td><td>3549415C1</td></tr> <tr><td>66</td><td>M103N</td><td>1.2</td><td>LTGN</td><td>3549415C1</td></tr> <tr><td>67</td><td>M103P</td><td>1.2</td><td>LTGN</td><td>3549415C1</td></tr> <tr><td>68</td><td>PLUG</td><td>-</td><td>-</td><td>3598921C1</td></tr> <tr><td>69</td><td>M94SJ</td><td>1.6</td><td>GY</td><td>3549416C1</td></tr> <tr><td>70</td><td>M94SK</td><td>1.6</td><td>GY</td><td>3549416C1</td></tr> <tr><td>71</td><td>M94SM</td><td>1.6</td><td>GY</td><td>3549416C1</td></tr> <tr><td>72</td><td>M94SN</td><td>1.6</td><td>GY</td><td>3549416C1</td></tr> <tr><td>73</td><td>M94SL</td><td>1.6</td><td>GY</td><td>3549416C1</td></tr> <tr><td>74</td><td>M94SZC</td><td>1.6</td><td>GY</td><td>3549416C1</td></tr> <tr><td>75</td><td>M94SVC</td><td>1.6</td><td>GY</td><td>3549416C1</td></tr> <tr><td>76</td><td>M94SH</td><td>1.6</td><td>GY</td><td>3549416C1</td></tr> </tbody> </table>												CAV	CIRCUIT	GAUGE	COLOR	TERMINAL	40	M94BU	1.6	GY	3549417C1	40	M94D	1.8	GY	3549418C1	40	M73M	1.6	LTGN	3549417C1	41	M94BS	1.6	GY	3549417C1	41	M94-GA7	1.6	WH	3549417C1	41	M73AF	1.6	LTGN	3549417C1	42	M94SBB	1.6	GY	3549417C1	43	M104CC	1.8	DKBL	3549418C1	44	M104CB	1.8	DKBL	3549418C1	45	M94BR	1.6	GY	3549417C1	45	M94E	1.8	GY	3549418C1	46	M94F	1.8	GY	3549418C1	46	M94BO	1.6	GY	3549417C1	47@@	M44Y	1.6	GY	3549417C1	47%#	M44J	1.8	GY	3549418C1	47^	M67-GA	2.0	WH	3549418C1	47	M67-GA	1.8	WH	3549418C1	48@@	M92#103	1.8	TN	3549418C1	48##	M94BW	1.6	GY	3549417C1	48	M77	1.8	BK	3549418C1	48	M94G	1.8	GY	3549418C1	49@@	M92#101	1.8	TN	3549418C1	49##	M94BV	1.6	GY	3549417C1	49	M94H	1.8	GY	3549418C1	49	M77A	1.8	BK	3549418C1	50&&	M40A	1.4	GY	3549417C1	50***	M94SAB	1.6	GY	3549417C1	51	M94SDB	1.6	GY	3549416C1	52	MTEM1	1.6	GY	3549417C1	53	MTEM2	1.6	GY	3549417C1	54	MTEM3	1.6	GY	3549417C1	55	MTEM4	1.6	GY	3549417C1	56	MTEM5	1.6	GY	3549417C1	57	MTEM6	1.6	GY	3549417C1	58	MTEM7	1.6	GY	3549417C1	59	MTEMB	1.6	GY	3549417C1	60	M94SCB	1.6	GY	3549417C1	61	M44L	1.8	GY	3549418C1	61*	M5A(-)	1.8	GN	3549418C1	61*	M5C(-)	1.8	GN	3549418C1	62*	M5A(+)	1.8	YL	3549418C1	62*	M5C(+)	1.8	YL	3549418C1	63	M78BC	1.6	LTGN	3549417C1	64	M78AC	1.6	LTGN	3549416C1	65	M103M	1.2	LTGN	3549415C1	66	M103N	1.2	LTGN	3549415C1	67	M103P	1.2	LTGN	3549415C1	68	PLUG	-	-	3598921C1	69	M94SJ	1.6	GY	3549416C1	70	M94SK	1.6	GY	3549416C1	71	M94SM	1.6	GY	3549416C1	72	M94SN	1.6	GY	3549416C1	73	M94SL	1.6	GY	3549416C1	74	M94SZC	1.6	GY	3549416C1	75	M94SVC	1.6	GY	3549416C1	76	M94SH	1.6	GY	3549416C1
CAV	CIRCUIT	GAUGE	COLOR	TERMINAL																																																																																																																																																																																																																																																																																																				
40	M94BU	1.6	GY	3549417C1																																																																																																																																																																																																																																																																																																				
40	M94D	1.8	GY	3549418C1																																																																																																																																																																																																																																																																																																				
40	M73M	1.6	LTGN	3549417C1																																																																																																																																																																																																																																																																																																				
41	M94BS	1.6	GY	3549417C1																																																																																																																																																																																																																																																																																																				
41	M94-GA7	1.6	WH	3549417C1																																																																																																																																																																																																																																																																																																				
41	M73AF	1.6	LTGN	3549417C1																																																																																																																																																																																																																																																																																																				
42	M94SBB	1.6	GY	3549417C1																																																																																																																																																																																																																																																																																																				
43	M104CC	1.8	DKBL	3549418C1																																																																																																																																																																																																																																																																																																				
44	M104CB	1.8	DKBL	3549418C1																																																																																																																																																																																																																																																																																																				
45	M94BR	1.6	GY	3549417C1																																																																																																																																																																																																																																																																																																				
45	M94E	1.8	GY	3549418C1																																																																																																																																																																																																																																																																																																				
46	M94F	1.8	GY	3549418C1																																																																																																																																																																																																																																																																																																				
46	M94BO	1.6	GY	3549417C1																																																																																																																																																																																																																																																																																																				
47@@	M44Y	1.6	GY	3549417C1																																																																																																																																																																																																																																																																																																				
47%#	M44J	1.8	GY	3549418C1																																																																																																																																																																																																																																																																																																				
47^	M67-GA	2.0	WH	3549418C1																																																																																																																																																																																																																																																																																																				
47	M67-GA	1.8	WH	3549418C1																																																																																																																																																																																																																																																																																																				
48@@	M92#103	1.8	TN	3549418C1																																																																																																																																																																																																																																																																																																				
48##	M94BW	1.6	GY	3549417C1																																																																																																																																																																																																																																																																																																				
48	M77	1.8	BK	3549418C1																																																																																																																																																																																																																																																																																																				
48	M94G	1.8	GY	3549418C1																																																																																																																																																																																																																																																																																																				
49@@	M92#101	1.8	TN	3549418C1																																																																																																																																																																																																																																																																																																				
49##	M94BV	1.6	GY	3549417C1																																																																																																																																																																																																																																																																																																				
49	M94H	1.8	GY	3549418C1																																																																																																																																																																																																																																																																																																				
49	M77A	1.8	BK	3549418C1																																																																																																																																																																																																																																																																																																				
50&&	M40A	1.4	GY	3549417C1																																																																																																																																																																																																																																																																																																				
50***	M94SAB	1.6	GY	3549417C1																																																																																																																																																																																																																																																																																																				
51	M94SDB	1.6	GY	3549416C1																																																																																																																																																																																																																																																																																																				
52	MTEM1	1.6	GY	3549417C1																																																																																																																																																																																																																																																																																																				
53	MTEM2	1.6	GY	3549417C1																																																																																																																																																																																																																																																																																																				
54	MTEM3	1.6	GY	3549417C1																																																																																																																																																																																																																																																																																																				
55	MTEM4	1.6	GY	3549417C1																																																																																																																																																																																																																																																																																																				
56	MTEM5	1.6	GY	3549417C1																																																																																																																																																																																																																																																																																																				
57	MTEM6	1.6	GY	3549417C1																																																																																																																																																																																																																																																																																																				
58	MTEM7	1.6	GY	3549417C1																																																																																																																																																																																																																																																																																																				
59	MTEMB	1.6	GY	3549417C1																																																																																																																																																																																																																																																																																																				
60	M94SCB	1.6	GY	3549417C1																																																																																																																																																																																																																																																																																																				
61	M44L	1.8	GY	3549418C1																																																																																																																																																																																																																																																																																																				
61*	M5A(-)	1.8	GN	3549418C1																																																																																																																																																																																																																																																																																																				
61*	M5C(-)	1.8	GN	3549418C1																																																																																																																																																																																																																																																																																																				
62*	M5A(+)	1.8	YL	3549418C1																																																																																																																																																																																																																																																																																																				
62*	M5C(+)	1.8	YL	3549418C1																																																																																																																																																																																																																																																																																																				
63	M78BC	1.6	LTGN	3549417C1																																																																																																																																																																																																																																																																																																				
64	M78AC	1.6	LTGN	3549416C1																																																																																																																																																																																																																																																																																																				
65	M103M	1.2	LTGN	3549415C1																																																																																																																																																																																																																																																																																																				
66	M103N	1.2	LTGN	3549415C1																																																																																																																																																																																																																																																																																																				
67	M103P	1.2	LTGN	3549415C1																																																																																																																																																																																																																																																																																																				
68	PLUG	-	-	3598921C1																																																																																																																																																																																																																																																																																																				
69	M94SJ	1.6	GY	3549416C1																																																																																																																																																																																																																																																																																																				
70	M94SK	1.6	GY	3549416C1																																																																																																																																																																																																																																																																																																				
71	M94SM	1.6	GY	3549416C1																																																																																																																																																																																																																																																																																																				
72	M94SN	1.6	GY	3549416C1																																																																																																																																																																																																																																																																																																				
73	M94SL	1.6	GY	3549416C1																																																																																																																																																																																																																																																																																																				
74	M94SZC	1.6	GY	3549416C1																																																																																																																																																																																																																																																																																																				
75	M94SVC	1.6	GY	3549416C1																																																																																																																																																																																																																																																																																																				
76	M94SH	1.6	GY	3549416C1																																																																																																																																																																																																																																																																																																				
CHK	DATE	CHANGE	REV	REFERENCE	DRAWN	NAME																																																																																																																																																																																																																																																																																																		
0488	24MAR15	ADDED CIRC M5A(+)/(-)	B	92927M	MJVO370	CIRCUIT DIAGRAM, 42/43/44/85/8600 & 73/74/7500																																																																																																																																																																																																																																																																																																		
% M5C(+ /(-) AT CAV 61,62.					RELEASE NO.	DATE	PART NO.	SHEET																																																																																																																																																																																																																																																																																																
					92603H	16APR14	AE08058187	38B																																																																																																																																																																																																																																																																																																

Figure 597 Connector Composites (1700)

13.81. CONNECTOR COMPOSITES (1700), P. 39

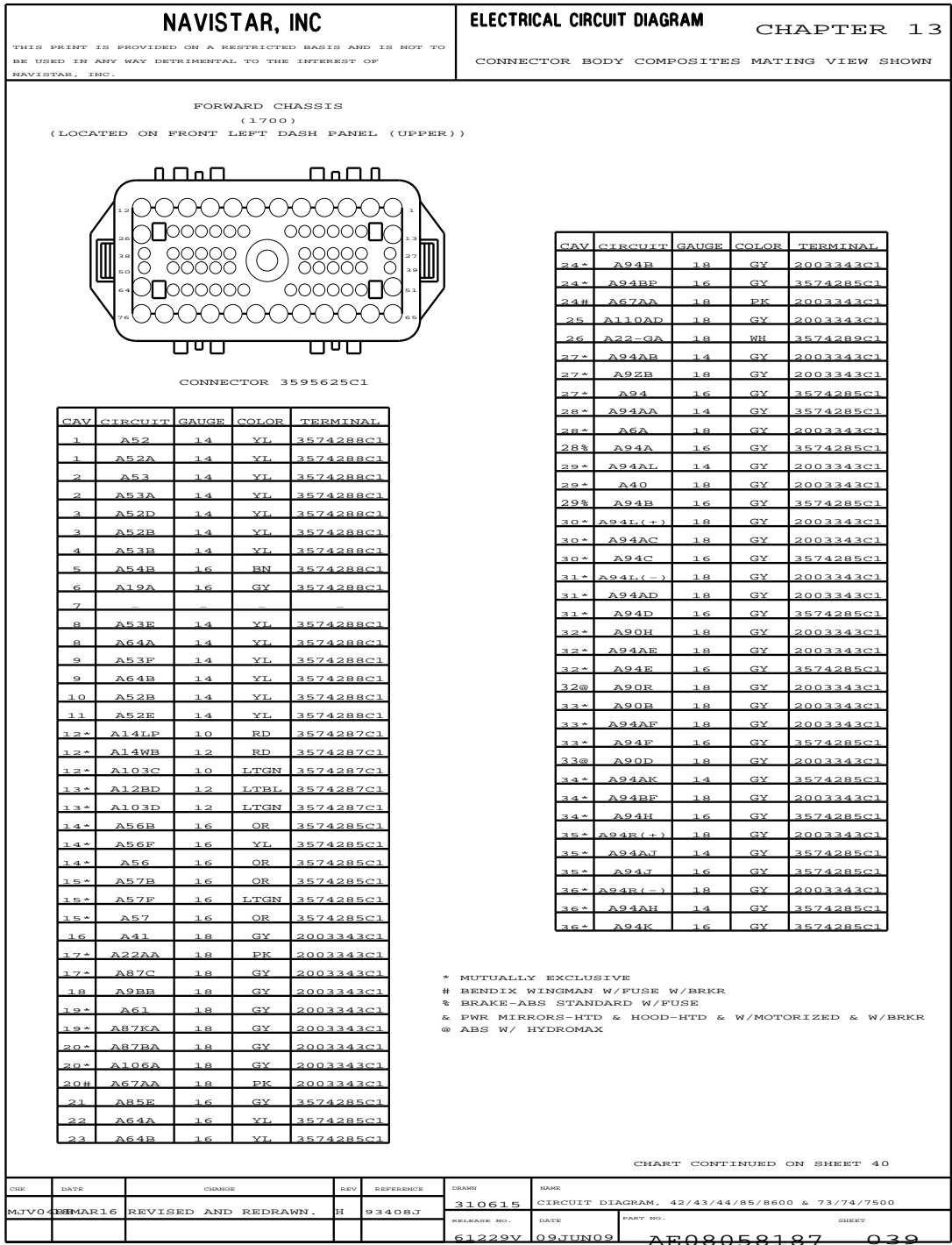


Figure 598 Connector Composites (1700)

13.82. CONNECTOR COMPOSITES (1700), P. 40

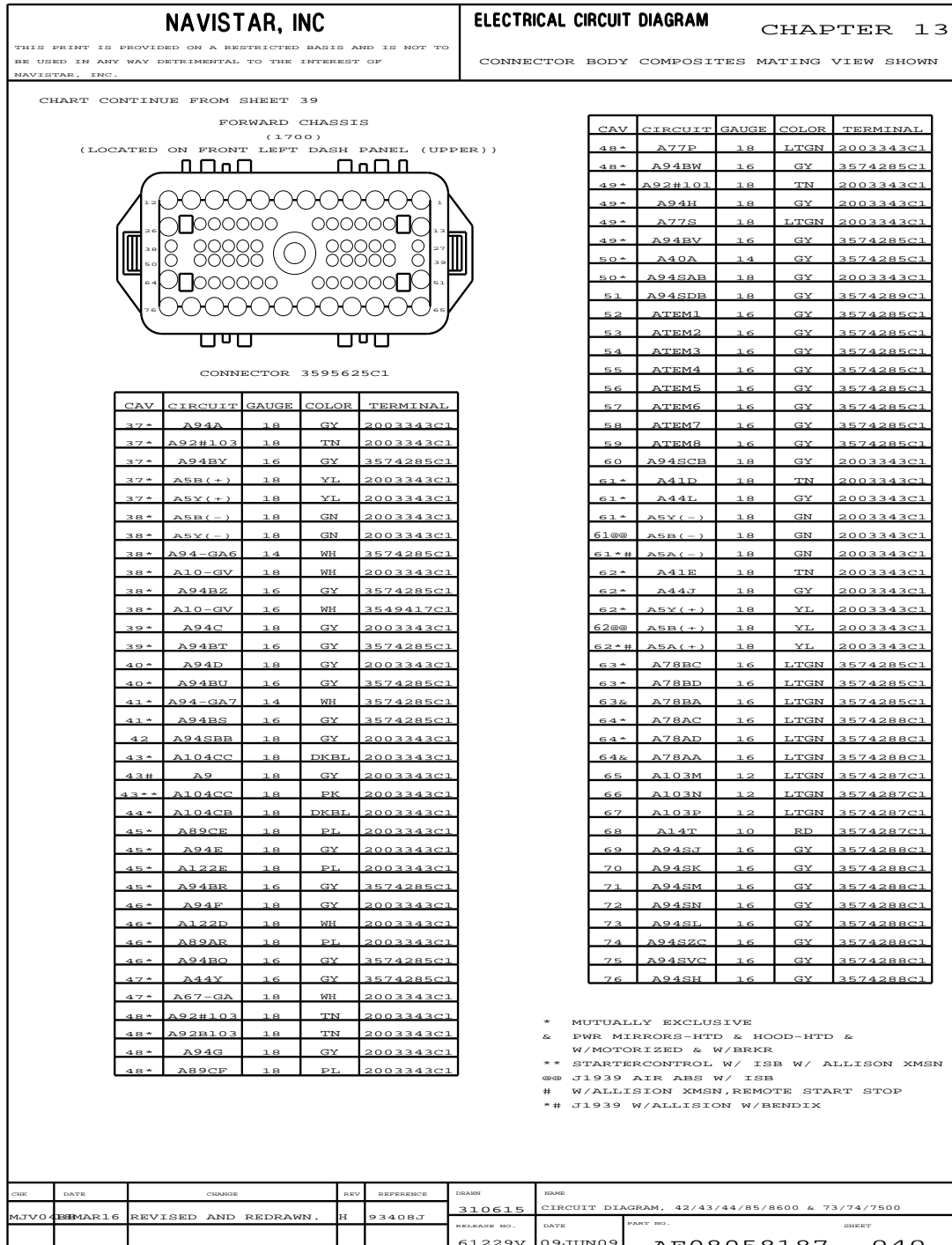


Figure 599 Connector Composites (1700)

13.83. CONNECTOR COMPOSITES (1701), P. 41

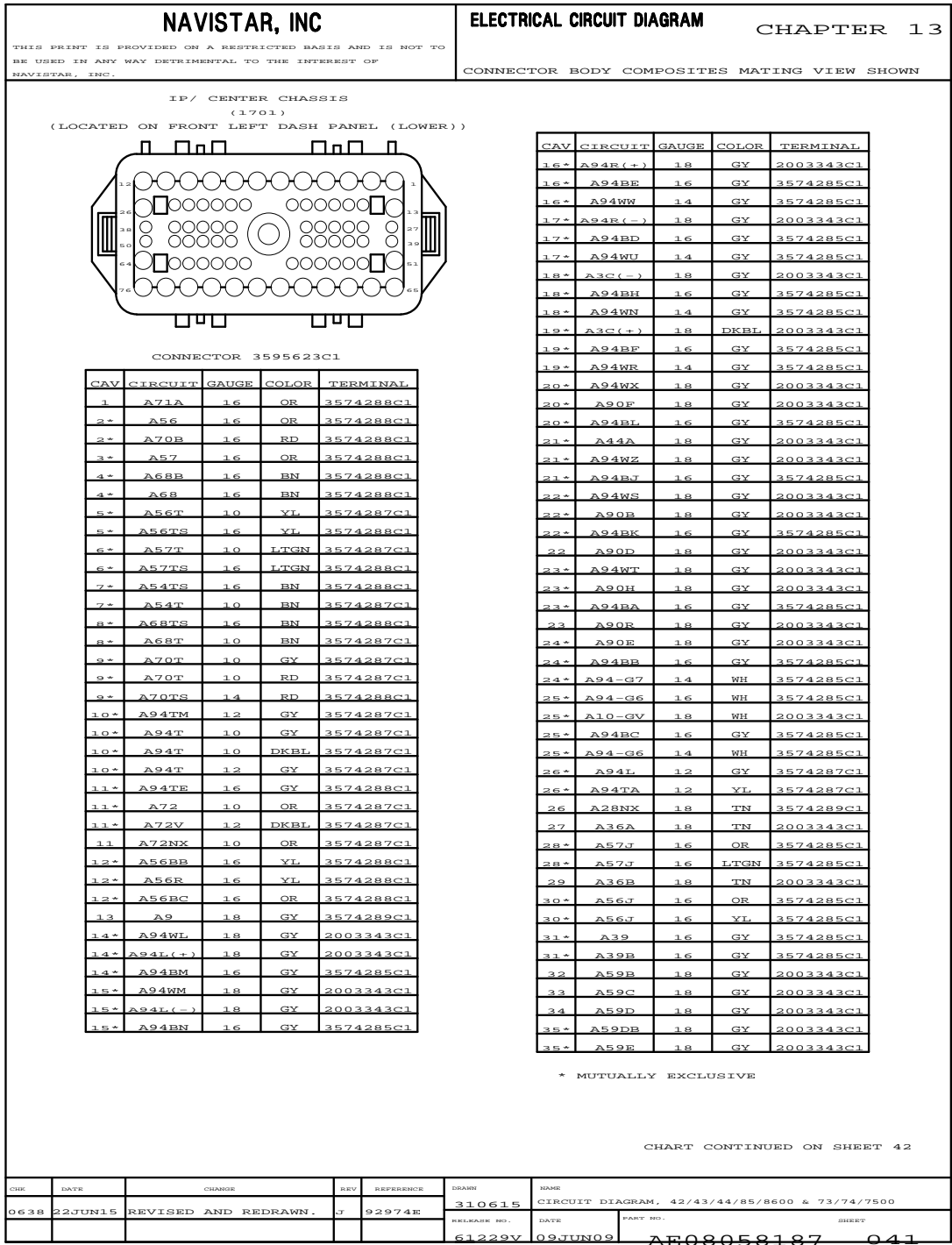


Figure 600 Connector Composites (1701)

13.84. CONNECTOR COMPOSITES (1701), P. 42

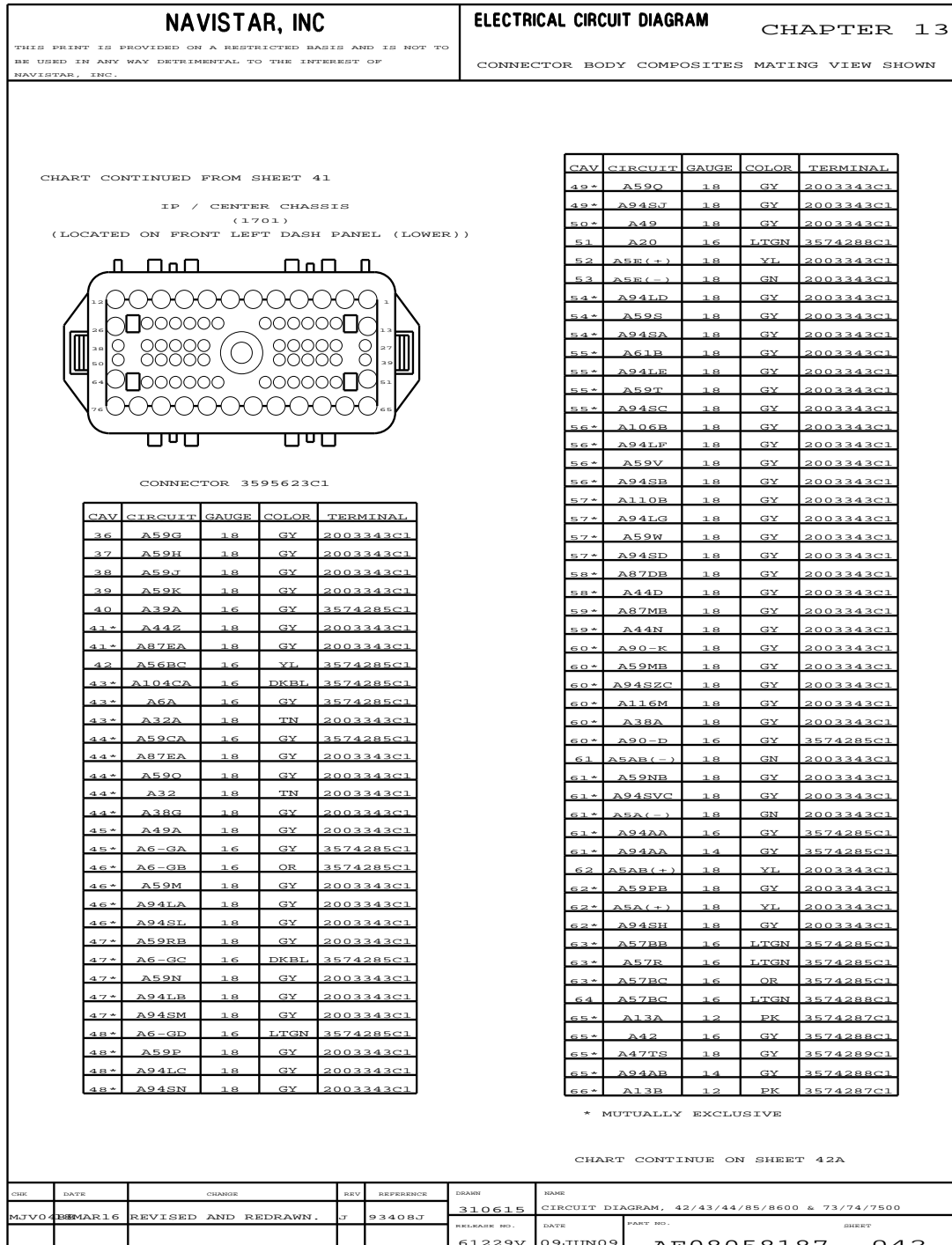


Figure 601 Connector Composites (1701)

13.85. CONNECTOR COMPOSITES (1701), P. 42A

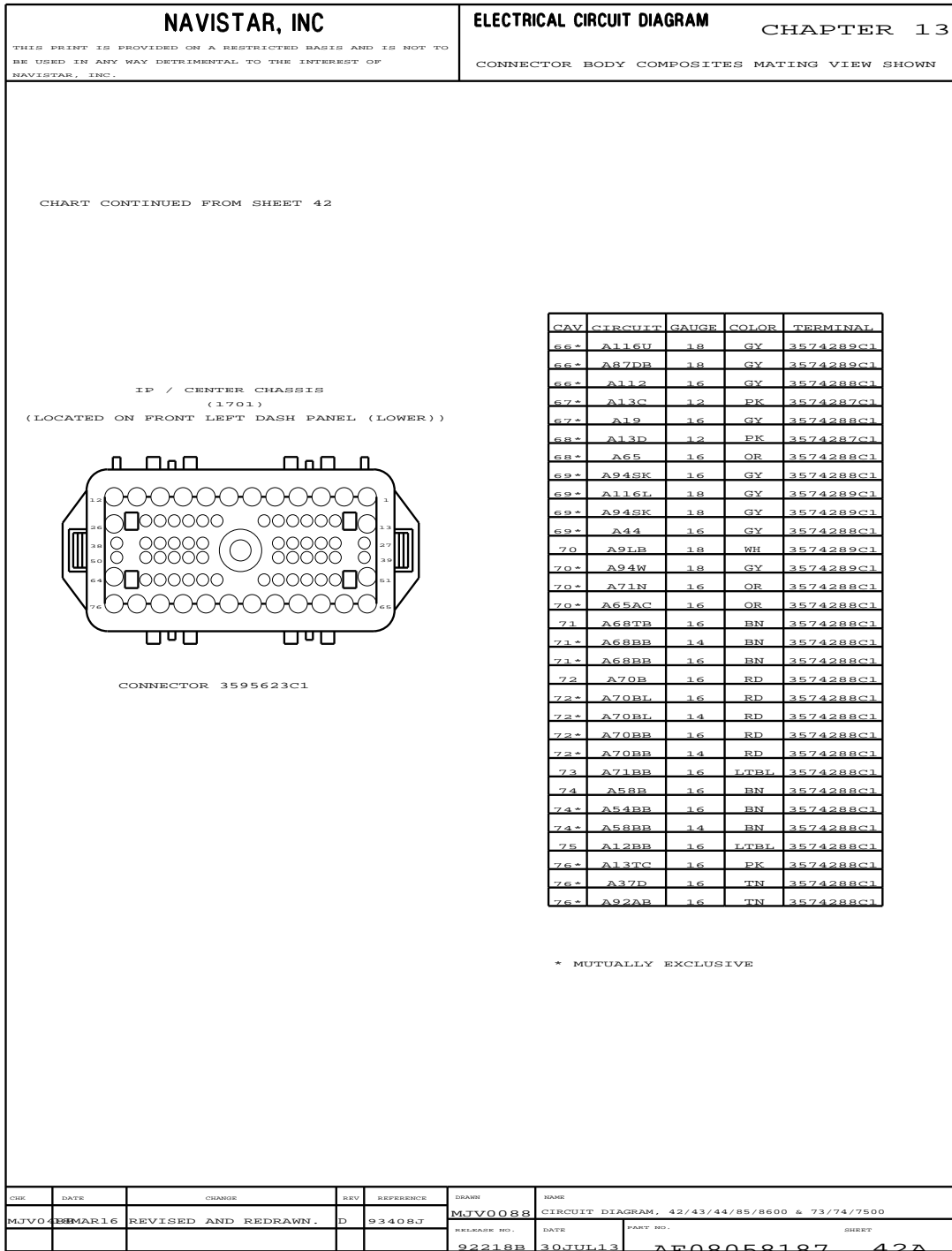


Figure 602 Connector Composites (1701)

13.86. CONNECTOR COMPOSITES (1701F), P. 43

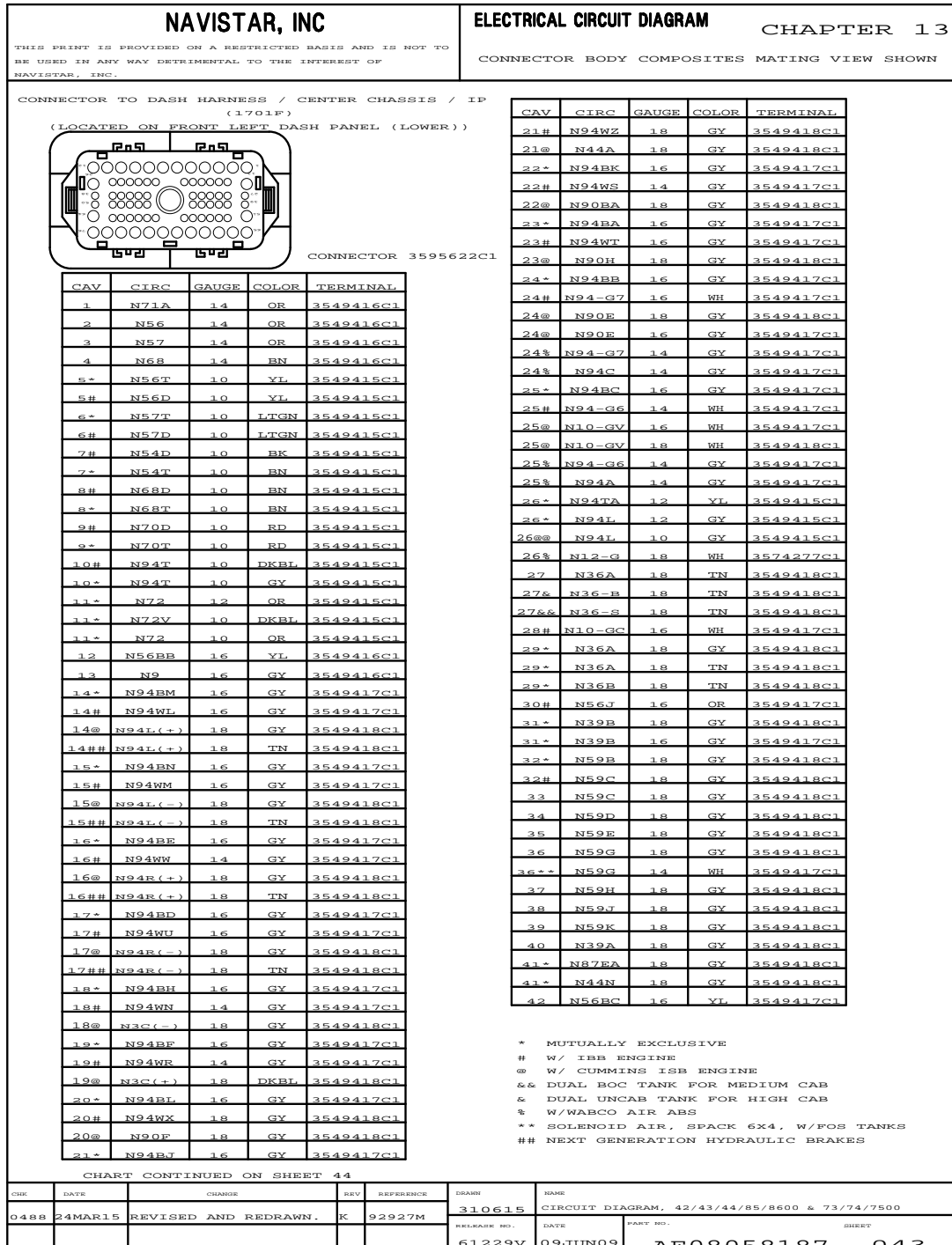


Figure 603 Connector Composites (1701F)

13.87. CONNECTOR COMPOSITES (1701F), P. 44

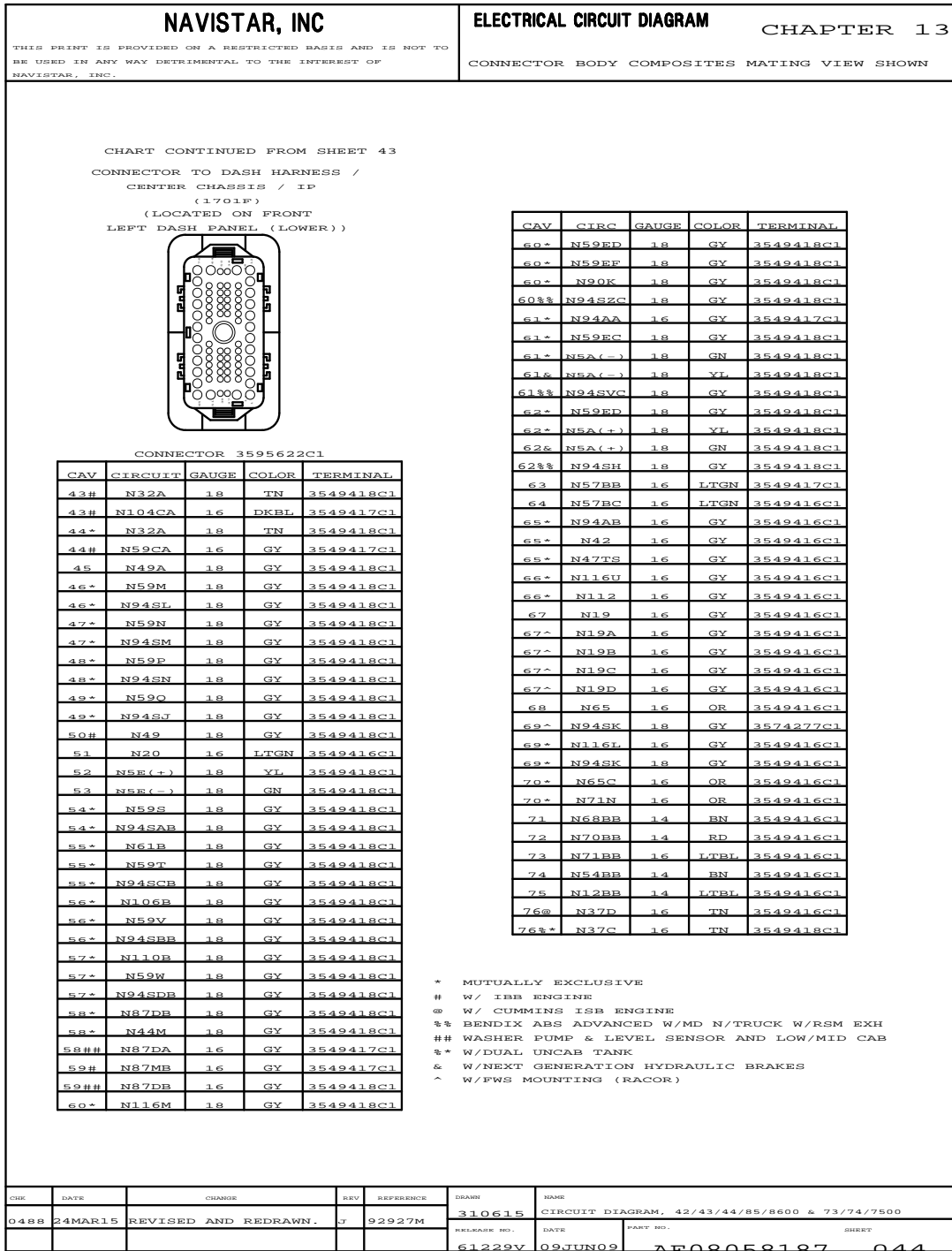


Figure 604 Connector Composites (1701F)

13.88. CONNECTOR COMPOSITES (1702), P. 45

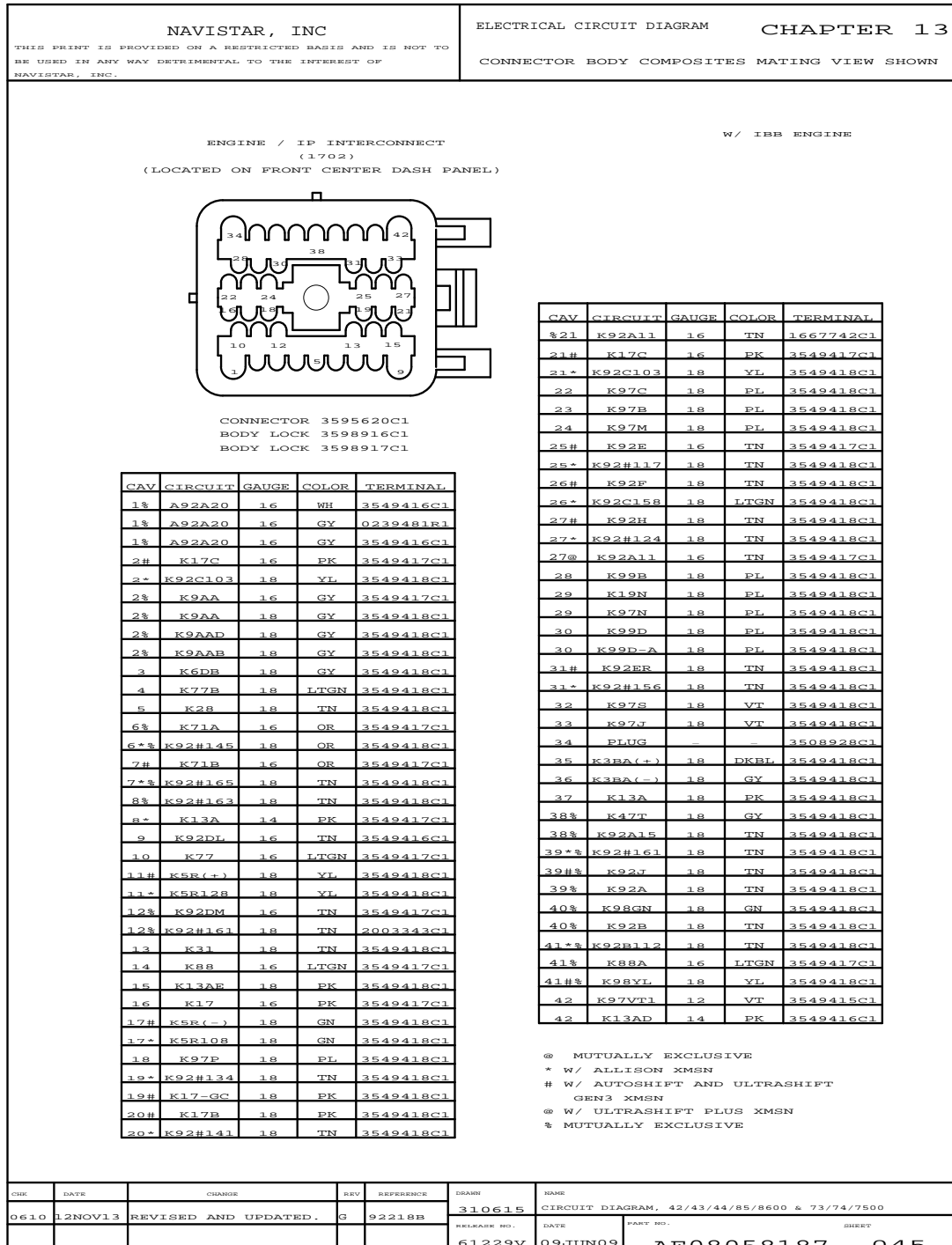


Figure 605 Connector Composites (1702)

13.89. CONNECTOR COMPOSITES (1702), P. 46

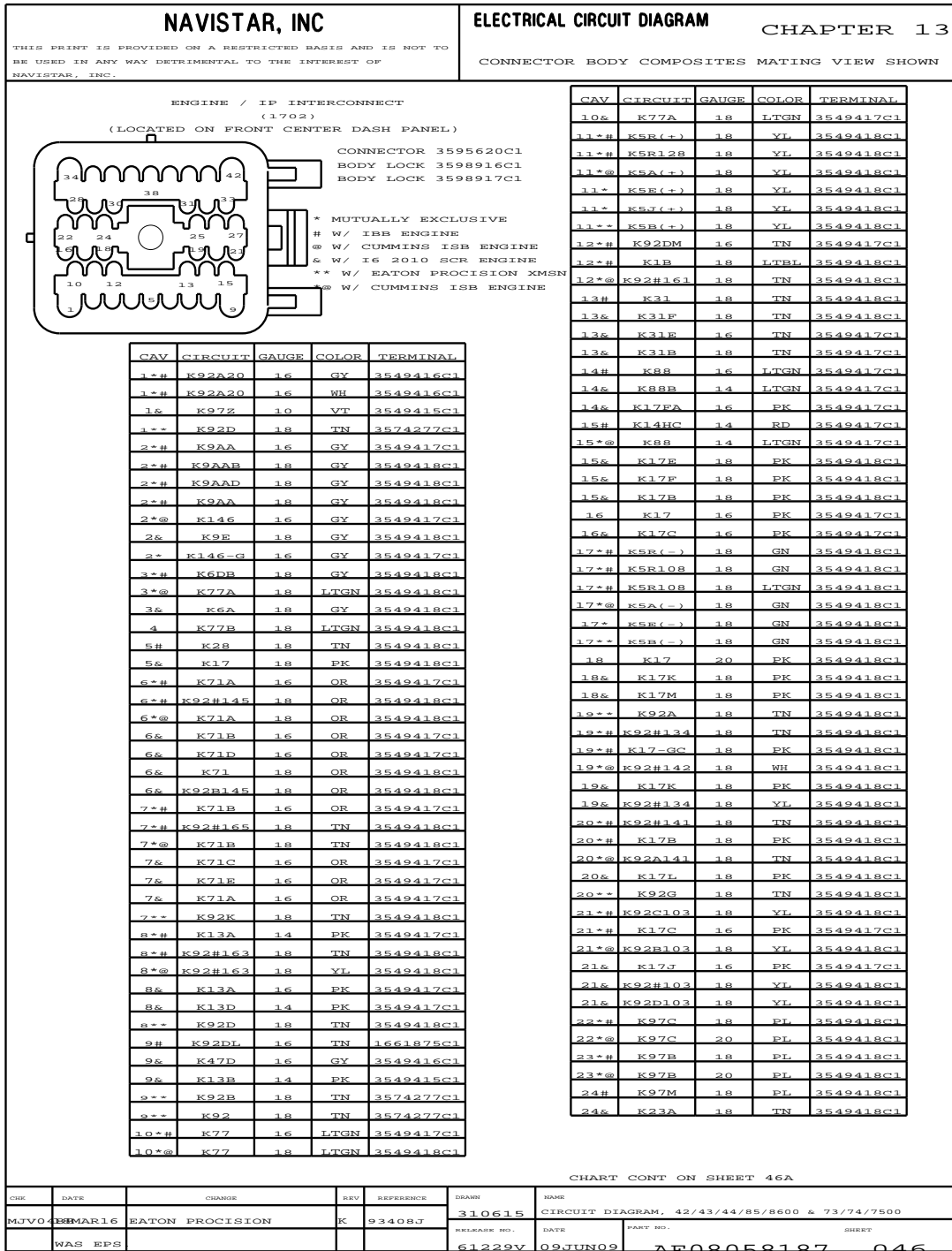


Figure 606 Connector Composites (1702)

13.90. CONNECTOR COMPOSITES (1702), P. 46A

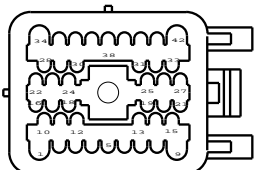
NAVISTAR, INC				ELECTRICAL CIRCUIT DIAGRAM		CHAPTER 13																																																																																																																																																																																																																																																																					
THIS PRINT IS PROVIDED ON A RESTRICTED BASIS AND IS NOT TO BE USED IN ANY WAY DETRIMENTAL TO THE INTEREST OF NAVISTAR, INC.				CONNECTOR BODY COMPOSITES MATING VIEW SHOWN																																																																																																																																																																																																																																																																							
<p>ENGINE / IP INTERCONNECT (1702) (LOCATED ON FRONT CENTER DASH PANEL)</p>  <p>CONNECTOR 3595620C1 BODY LOCK 3598916C1 BODY LOCK 3598917C1</p>				<table border="1" style="width: 100%; border-collapse: collapse; font-size: x-small;"> <thead> <tr> <th>CAV</th><th>CIRCUIT</th><th>GAUGE</th><th>COLOR</th><th>TERMINAL</th></tr> </thead> <tbody> <tr><td>32#</td><td>K97S</td><td>18</td><td>VT</td><td>3549418C1</td></tr> <tr><td>32@</td><td>K97N</td><td>20</td><td>PL</td><td>3549418C1</td></tr> <tr><td>32&</td><td>K97WB</td><td>18</td><td>PL</td><td>3549418C1</td></tr> <tr><td>33#</td><td>K97J</td><td>18</td><td>VT</td><td>3549418C1</td></tr> <tr><td>33@</td><td>K97M</td><td>20</td><td>PL</td><td>3549418C1</td></tr> <tr><td>33&</td><td>K97M</td><td>18</td><td>PL</td><td>3549418C1</td></tr> <tr><td>34#</td><td>K92A18A</td><td>16</td><td>TN</td><td>3549416C1</td></tr> <tr><td>34#</td><td>K30BC</td><td>16</td><td>TN</td><td>3549416C1</td></tr> <tr><td>34@</td><td>K18A</td><td>18</td><td>WH</td><td>3574277C1</td></tr> <tr><td>34&</td><td>K19B</td><td>12</td><td>GY</td><td>3549415C1</td></tr> <tr><td>35*</td><td>K3BA(+)</td><td>18</td><td>DKBL</td><td>3549418C1</td></tr> <tr><td>35&</td><td>K3AA(+)</td><td>18</td><td>DKBL</td><td>3549418C1</td></tr> <tr><td>35&</td><td>K3A(+)</td><td>18</td><td>DKBL</td><td>3549418C1</td></tr> <tr><td>36*</td><td>K3BA(-)</td><td>18</td><td>GY</td><td>3549418C1</td></tr> <tr><td>36&</td><td>K3AA(-)</td><td>18</td><td>GY</td><td>3549418C1</td></tr> <tr><td>36&</td><td>K3A(-)</td><td>18</td><td>GY</td><td>3549418C1</td></tr> <tr><td>37</td><td>K97F</td><td>18</td><td>GY</td><td>3549418C1</td></tr> <tr><td>37#</td><td>K13A</td><td>18</td><td>PK</td><td>3549418C1</td></tr> <tr><td>37@</td><td>K13</td><td>16</td><td>PK</td><td>3549417C1</td></tr> <tr><td>37&</td><td>K97UA</td><td>18</td><td>VT</td><td>3549418C1</td></tr> <tr><td>38#</td><td>K92A15</td><td>18</td><td>TN</td><td>3549418C1</td></tr> <tr><td>38*</td><td>K47T</td><td>18</td><td>GY</td><td>3549418C1</td></tr> <tr><td>38&</td><td>K97DF</td><td>18</td><td>PL</td><td>3549418C1</td></tr> <tr><td>39#</td><td>K92AE</td><td>18</td><td>TN</td><td>3549418C1</td></tr> <tr><td>39#</td><td>K92A</td><td>18</td><td>TN</td><td>3549418C1</td></tr> <tr><td>39#</td><td>K92J</td><td>18</td><td>TN</td><td>3549418C1</td></tr> <tr><td>39#</td><td>K92H161</td><td>18</td><td>TN</td><td>3549418C1</td></tr> <tr><td>39&</td><td>K93</td><td>18</td><td>TN</td><td>3549418C1</td></tr> <tr><td>39*</td><td>K92H161</td><td>18</td><td>OR</td><td>3549418C1</td></tr> <tr><td>39*</td><td>K92AE</td><td>16</td><td>TN</td><td>3549417C1</td></tr> <tr><td>39**</td><td>K92C</td><td>18</td><td>TN</td><td>3549418C1</td></tr> <tr><td>40#</td><td>K92(-)</td><td>18</td><td>LTGN</td><td>3549418C1</td></tr> <tr><td>40#</td><td>K92B</td><td>18</td><td>TN</td><td>3549418C1</td></tr> <tr><td>40#</td><td>K98GN</td><td>18</td><td>GN</td><td>3549418C1</td></tr> <tr><td>40@</td><td>K18T</td><td>18</td><td>PK</td><td>3549418C1</td></tr> <tr><td>40&</td><td>K92C101</td><td>18</td><td>LTBL</td><td>3549418C1</td></tr> <tr><td>40&</td><td>K92H101</td><td>18</td><td>LTBL</td><td>3549418C1</td></tr> <tr><td>40&</td><td>K92(-)</td><td>18</td><td>GN</td><td>3549418C1</td></tr> <tr><td>41#</td><td>K92B112</td><td>18</td><td>TN</td><td>3549418C1</td></tr> <tr><td>41#</td><td>K88A</td><td>16</td><td>LTGN</td><td>3549417C1</td></tr> <tr><td>41#</td><td>K98YL</td><td>18</td><td>YL</td><td>3549418C1</td></tr> <tr><td>41*</td><td>K92B112</td><td>18</td><td>PK</td><td>3549418C1</td></tr> <tr><td>41*</td><td>K92(+)</td><td>16</td><td>YL</td><td>3549418C1</td></tr> <tr><td>41@</td><td>K92(+)</td><td>18</td><td>DKBL</td><td>3549418C1</td></tr> <tr><td>41**</td><td>K92(+)</td><td>18</td><td>YL</td><td>3549418C1</td></tr> <tr><td>42#</td><td>K97VT1</td><td>14</td><td>RD</td><td>3549416C1</td></tr> <tr><td>42&</td><td>K14LSC</td><td>12</td><td>WH</td><td>3549415C1</td></tr> <tr><td>42&</td><td>K17A</td><td>16</td><td>WH</td><td>3549416C1</td></tr> <tr><td>42@</td><td>K92(-)</td><td>18</td><td>GY</td><td>3574277C1</td></tr> <tr><td>42@</td><td>K92(-)</td><td>18</td><td>GN</td><td>3574277C1</td></tr> <tr><td>42**</td><td>K92(-)</td><td>18</td><td>GN</td><td>3574277C1</td></tr> </tbody> </table>				CAV	CIRCUIT	GAUGE	COLOR	TERMINAL	32#	K97S	18	VT	3549418C1	32@	K97N	20	PL	3549418C1	32&	K97WB	18	PL	3549418C1	33#	K97J	18	VT	3549418C1	33@	K97M	20	PL	3549418C1	33&	K97M	18	PL	3549418C1	34#	K92A18A	16	TN	3549416C1	34#	K30BC	16	TN	3549416C1	34@	K18A	18	WH	3574277C1	34&	K19B	12	GY	3549415C1	35*	K3BA(+)	18	DKBL	3549418C1	35&	K3AA(+)	18	DKBL	3549418C1	35&	K3A(+)	18	DKBL	3549418C1	36*	K3BA(-)	18	GY	3549418C1	36&	K3AA(-)	18	GY	3549418C1	36&	K3A(-)	18	GY	3549418C1	37	K97F	18	GY	3549418C1	37#	K13A	18	PK	3549418C1	37@	K13	16	PK	3549417C1	37&	K97UA	18	VT	3549418C1	38#	K92A15	18	TN	3549418C1	38*	K47T	18	GY	3549418C1	38&	K97DF	18	PL	3549418C1	39#	K92AE	18	TN	3549418C1	39#	K92A	18	TN	3549418C1	39#	K92J	18	TN	3549418C1	39#	K92H161	18	TN	3549418C1	39&	K93	18	TN	3549418C1	39*	K92H161	18	OR	3549418C1	39*	K92AE	16	TN	3549417C1	39**	K92C	18	TN	3549418C1	40#	K92(-)	18	LTGN	3549418C1	40#	K92B	18	TN	3549418C1	40#	K98GN	18	GN	3549418C1	40@	K18T	18	PK	3549418C1	40&	K92C101	18	LTBL	3549418C1	40&	K92H101	18	LTBL	3549418C1	40&	K92(-)	18	GN	3549418C1	41#	K92B112	18	TN	3549418C1	41#	K88A	16	LTGN	3549417C1	41#	K98YL	18	YL	3549418C1	41*	K92B112	18	PK	3549418C1	41*	K92(+)	16	YL	3549418C1	41@	K92(+)	18	DKBL	3549418C1	41**	K92(+)	18	YL	3549418C1	42#	K97VT1	14	RD	3549416C1	42&	K14LSC	12	WH	3549415C1	42&	K17A	16	WH	3549416C1	42@	K92(-)	18	GY	3574277C1	42@	K92(-)	18	GN	3574277C1	42**	K92(-)	18	GN	3574277C1
CAV	CIRCUIT	GAUGE	COLOR	TERMINAL																																																																																																																																																																																																																																																																							
32#	K97S	18	VT	3549418C1																																																																																																																																																																																																																																																																							
32@	K97N	20	PL	3549418C1																																																																																																																																																																																																																																																																							
32&	K97WB	18	PL	3549418C1																																																																																																																																																																																																																																																																							
33#	K97J	18	VT	3549418C1																																																																																																																																																																																																																																																																							
33@	K97M	20	PL	3549418C1																																																																																																																																																																																																																																																																							
33&	K97M	18	PL	3549418C1																																																																																																																																																																																																																																																																							
34#	K92A18A	16	TN	3549416C1																																																																																																																																																																																																																																																																							
34#	K30BC	16	TN	3549416C1																																																																																																																																																																																																																																																																							
34@	K18A	18	WH	3574277C1																																																																																																																																																																																																																																																																							
34&	K19B	12	GY	3549415C1																																																																																																																																																																																																																																																																							
35*	K3BA(+)	18	DKBL	3549418C1																																																																																																																																																																																																																																																																							
35&	K3AA(+)	18	DKBL	3549418C1																																																																																																																																																																																																																																																																							
35&	K3A(+)	18	DKBL	3549418C1																																																																																																																																																																																																																																																																							
36*	K3BA(-)	18	GY	3549418C1																																																																																																																																																																																																																																																																							
36&	K3AA(-)	18	GY	3549418C1																																																																																																																																																																																																																																																																							
36&	K3A(-)	18	GY	3549418C1																																																																																																																																																																																																																																																																							
37	K97F	18	GY	3549418C1																																																																																																																																																																																																																																																																							
37#	K13A	18	PK	3549418C1																																																																																																																																																																																																																																																																							
37@	K13	16	PK	3549417C1																																																																																																																																																																																																																																																																							
37&	K97UA	18	VT	3549418C1																																																																																																																																																																																																																																																																							
38#	K92A15	18	TN	3549418C1																																																																																																																																																																																																																																																																							
38*	K47T	18	GY	3549418C1																																																																																																																																																																																																																																																																							
38&	K97DF	18	PL	3549418C1																																																																																																																																																																																																																																																																							
39#	K92AE	18	TN	3549418C1																																																																																																																																																																																																																																																																							
39#	K92A	18	TN	3549418C1																																																																																																																																																																																																																																																																							
39#	K92J	18	TN	3549418C1																																																																																																																																																																																																																																																																							
39#	K92H161	18	TN	3549418C1																																																																																																																																																																																																																																																																							
39&	K93	18	TN	3549418C1																																																																																																																																																																																																																																																																							
39*	K92H161	18	OR	3549418C1																																																																																																																																																																																																																																																																							
39*	K92AE	16	TN	3549417C1																																																																																																																																																																																																																																																																							
39**	K92C	18	TN	3549418C1																																																																																																																																																																																																																																																																							
40#	K92(-)	18	LTGN	3549418C1																																																																																																																																																																																																																																																																							
40#	K92B	18	TN	3549418C1																																																																																																																																																																																																																																																																							
40#	K98GN	18	GN	3549418C1																																																																																																																																																																																																																																																																							
40@	K18T	18	PK	3549418C1																																																																																																																																																																																																																																																																							
40&	K92C101	18	LTBL	3549418C1																																																																																																																																																																																																																																																																							
40&	K92H101	18	LTBL	3549418C1																																																																																																																																																																																																																																																																							
40&	K92(-)	18	GN	3549418C1																																																																																																																																																																																																																																																																							
41#	K92B112	18	TN	3549418C1																																																																																																																																																																																																																																																																							
41#	K88A	16	LTGN	3549417C1																																																																																																																																																																																																																																																																							
41#	K98YL	18	YL	3549418C1																																																																																																																																																																																																																																																																							
41*	K92B112	18	PK	3549418C1																																																																																																																																																																																																																																																																							
41*	K92(+)	16	YL	3549418C1																																																																																																																																																																																																																																																																							
41@	K92(+)	18	DKBL	3549418C1																																																																																																																																																																																																																																																																							
41**	K92(+)	18	YL	3549418C1																																																																																																																																																																																																																																																																							
42#	K97VT1	14	RD	3549416C1																																																																																																																																																																																																																																																																							
42&	K14LSC	12	WH	3549415C1																																																																																																																																																																																																																																																																							
42&	K17A	16	WH	3549416C1																																																																																																																																																																																																																																																																							
42@	K92(-)	18	GY	3574277C1																																																																																																																																																																																																																																																																							
42@	K92(-)	18	GN	3574277C1																																																																																																																																																																																																																																																																							
42**	K92(-)	18	GN	3574277C1																																																																																																																																																																																																																																																																							
<table border="1" style="width: 100%; border-collapse: collapse; font-size: x-small;"> <thead> <tr> <th>CAV</th><th>CIRCUIT</th><th>GAUGE</th><th>COLOR</th><th>TERMINAL</th></tr> </thead> <tbody> <tr><td>25*#</td><td>K92H117</td><td>18</td><td>TN</td><td>3549418C1</td></tr> <tr><td>25*#</td><td>K92E</td><td>16</td><td>TN</td><td>3549417C1</td></tr> <tr><td>25*#</td><td>K92DN</td><td>18</td><td>TN</td><td>3549418C1</td></tr> <tr><td>25*@</td><td>K92H123</td><td>18</td><td>LTBL</td><td>3549418C1</td></tr> <tr><td>25&</td><td>K9B(+)</td><td>18</td><td>YL</td><td>3549418C1</td></tr> <tr><td>25&</td><td>K92E</td><td>18</td><td>LTBL</td><td>3549418C1</td></tr> <tr><td>25&</td><td>K92H123</td><td>18</td><td>LTBL</td><td>3549418C1</td></tr> <tr><td>25&</td><td>K92B123</td><td>18</td><td>LTBL</td><td>3549418C1</td></tr> <tr><td>25&</td><td>K92DL</td><td>18</td><td>LTBL</td><td>3549418C1</td></tr> <tr><td>25&</td><td>K92H117</td><td>18</td><td>LTBL</td><td>3549418C1</td></tr> <tr><td>25&</td><td>K92H123</td><td>18</td><td>LTGN</td><td>3549418C1</td></tr> <tr><td>26*#</td><td>K92A3</td><td>18</td><td>TN</td><td>3549418C1</td></tr> <tr><td>26#</td><td>K92C15B</td><td>18</td><td>LTGN</td><td>3549418C1</td></tr> <tr><td>26*</td><td>K92F</td><td>18</td><td>TN</td><td>3549418C1</td></tr> <tr><td>26&</td><td>K9B(-)</td><td>18</td><td>GN</td><td>3549418C1</td></tr> <tr><td>26*</td><td>K92D15B</td><td>18</td><td>LTGN</td><td>3549418C1</td></tr> <tr><td>26*</td><td>K92F</td><td>18</td><td>LTGN</td><td>3549418C1</td></tr> <tr><td>27#</td><td>K92A11</td><td>16</td><td>TN</td><td>3549417C1</td></tr> <tr><td>27#</td><td>K92H124</td><td>18</td><td>TN</td><td>3549418C1</td></tr> <tr><td>27*</td><td>K92H</td><td>18</td><td>TN</td><td>3549418C1</td></tr> <tr><td>27&</td><td>K17B</td><td>18</td><td>PK</td><td>3549418C1</td></tr> <tr><td>27*</td><td>K92H</td><td>18</td><td>WH</td><td>3549418C1</td></tr> <tr><td>27*</td><td>K92H124</td><td>18</td><td>WH</td><td>3549418C1</td></tr> <tr><td>28#</td><td>K99B</td><td>18</td><td>VT</td><td>3549418C1</td></tr> <tr><td>28&</td><td>K99B</td><td>18</td><td>PL</td><td>3549418C1</td></tr> <tr><td>28*</td><td>K99B</td><td>20</td><td>PL</td><td>3549418C1</td></tr> <tr><td>29#</td><td>K97N</td><td>18</td><td>PL</td><td>3549418C1</td></tr> <tr><td>29#</td><td>K97FB</td><td>18</td><td>WH</td><td>3549418C1</td></tr> <tr><td>29&</td><td>K23B</td><td>18</td><td>TN</td><td>3549418C1</td></tr> <tr><td>30#</td><td>K99D</td><td>18</td><td>PL</td><td>3549418C1</td></tr> <tr><td>30@</td><td>K6B</td><td>18</td><td>GY</td><td>3549418C1</td></tr> <tr><td>30@</td><td>K6B</td><td>18</td><td>PL</td><td>3549418C1</td></tr> <tr><td>30#</td><td>K97PA</td><td>18</td><td>PL</td><td>3549418C1</td></tr> <tr><td>30&</td><td>K97FT</td><td>18</td><td>PL</td><td>3549418C1</td></tr> <tr><td>31#</td><td>K92A18A</td><td>16</td><td>TN</td><td>3549418C1</td></tr> <tr><td>31#</td><td>K92ER</td><td>18</td><td>TN</td><td>3549418C1</td></tr> <tr><td>31#</td><td>K92H156</td><td>18</td><td>TN</td><td>3549418C1</td></tr> <tr><td>31*</td><td>K92H156</td><td>18</td><td>PK</td><td>3549418C1</td></tr> <tr><td>31@</td><td>K92E</td><td>18</td><td>TN</td><td>3549418C1</td></tr> <tr><td>31&</td><td>K92YB</td><td>18</td><td>TN</td><td>3549418C1</td></tr> <tr><td>31&</td><td>K92YB</td><td>16</td><td>TN</td><td>3549417C1</td></tr> <tr><td>31**</td><td>K92E</td><td>18</td><td>TN</td><td>3549418C1</td></tr> </tbody> </table>				CAV	CIRCUIT	GAUGE	COLOR	TERMINAL	25*#	K92H117	18	TN	3549418C1	25*#	K92E	16	TN	3549417C1	25*#	K92DN	18	TN	3549418C1	25*@	K92H123	18	LTBL	3549418C1	25&	K9B(+)	18	YL	3549418C1	25&	K92E	18	LTBL	3549418C1	25&	K92H123	18	LTBL	3549418C1	25&	K92B123	18	LTBL	3549418C1	25&	K92DL	18	LTBL	3549418C1	25&	K92H117	18	LTBL	3549418C1	25&	K92H123	18	LTGN	3549418C1	26*#	K92A3	18	TN	3549418C1	26#	K92C15B	18	LTGN	3549418C1	26*	K92F	18	TN	3549418C1	26&	K9B(-)	18	GN	3549418C1	26*	K92D15B	18	LTGN	3549418C1	26*	K92F	18	LTGN	3549418C1	27#	K92A11	16	TN	3549417C1	27#	K92H124	18	TN	3549418C1	27*	K92H	18	TN	3549418C1	27&	K17B	18	PK	3549418C1	27*	K92H	18	WH	3549418C1	27*	K92H124	18	WH	3549418C1	28#	K99B	18	VT	3549418C1	28&	K99B	18	PL	3549418C1	28*	K99B	20	PL	3549418C1	29#	K97N	18	PL	3549418C1	29#	K97FB	18	WH	3549418C1	29&	K23B	18	TN	3549418C1	30#	K99D	18	PL	3549418C1	30@	K6B	18	GY	3549418C1	30@	K6B	18	PL	3549418C1	30#	K97PA	18	PL	3549418C1	30&	K97FT	18	PL	3549418C1	31#	K92A18A	16	TN	3549418C1	31#	K92ER	18	TN	3549418C1	31#	K92H156	18	TN	3549418C1	31*	K92H156	18	PK	3549418C1	31@	K92E	18	TN	3549418C1	31&	K92YB	18	TN	3549418C1	31&	K92YB	16	TN	3549417C1	31**	K92E	18	TN	3549418C1	<p>* MUTUALLY EXCLUSIVE # W/ IBB ENGINE @ W/ CUMMINS ISB ENGINE & W/ I6 2010 SCR ENGINE % W/ ISM WORKSTAR ** W/ EATON PRECISION XMSN W/ CUMMINS ISB ENGINE</p>																																																
CAV	CIRCUIT	GAUGE	COLOR	TERMINAL																																																																																																																																																																																																																																																																							
25*#	K92H117	18	TN	3549418C1																																																																																																																																																																																																																																																																							
25*#	K92E	16	TN	3549417C1																																																																																																																																																																																																																																																																							
25*#	K92DN	18	TN	3549418C1																																																																																																																																																																																																																																																																							
25*@	K92H123	18	LTBL	3549418C1																																																																																																																																																																																																																																																																							
25&	K9B(+)	18	YL	3549418C1																																																																																																																																																																																																																																																																							
25&	K92E	18	LTBL	3549418C1																																																																																																																																																																																																																																																																							
25&	K92H123	18	LTBL	3549418C1																																																																																																																																																																																																																																																																							
25&	K92B123	18	LTBL	3549418C1																																																																																																																																																																																																																																																																							
25&	K92DL	18	LTBL	3549418C1																																																																																																																																																																																																																																																																							
25&	K92H117	18	LTBL	3549418C1																																																																																																																																																																																																																																																																							
25&	K92H123	18	LTGN	3549418C1																																																																																																																																																																																																																																																																							
26*#	K92A3	18	TN	3549418C1																																																																																																																																																																																																																																																																							
26#	K92C15B	18	LTGN	3549418C1																																																																																																																																																																																																																																																																							
26*	K92F	18	TN	3549418C1																																																																																																																																																																																																																																																																							
26&	K9B(-)	18	GN	3549418C1																																																																																																																																																																																																																																																																							
26*	K92D15B	18	LTGN	3549418C1																																																																																																																																																																																																																																																																							
26*	K92F	18	LTGN	3549418C1																																																																																																																																																																																																																																																																							
27#	K92A11	16	TN	3549417C1																																																																																																																																																																																																																																																																							
27#	K92H124	18	TN	3549418C1																																																																																																																																																																																																																																																																							
27*	K92H	18	TN	3549418C1																																																																																																																																																																																																																																																																							
27&	K17B	18	PK	3549418C1																																																																																																																																																																																																																																																																							
27*	K92H	18	WH	3549418C1																																																																																																																																																																																																																																																																							
27*	K92H124	18	WH	3549418C1																																																																																																																																																																																																																																																																							
28#	K99B	18	VT	3549418C1																																																																																																																																																																																																																																																																							
28&	K99B	18	PL	3549418C1																																																																																																																																																																																																																																																																							
28*	K99B	20	PL	3549418C1																																																																																																																																																																																																																																																																							
29#	K97N	18	PL	3549418C1																																																																																																																																																																																																																																																																							
29#	K97FB	18	WH	3549418C1																																																																																																																																																																																																																																																																							
29&	K23B	18	TN	3549418C1																																																																																																																																																																																																																																																																							
30#	K99D	18	PL	3549418C1																																																																																																																																																																																																																																																																							
30@	K6B	18	GY	3549418C1																																																																																																																																																																																																																																																																							
30@	K6B	18	PL	3549418C1																																																																																																																																																																																																																																																																							
30#	K97PA	18	PL	3549418C1																																																																																																																																																																																																																																																																							
30&	K97FT	18	PL	3549418C1																																																																																																																																																																																																																																																																							
31#	K92A18A	16	TN	3549418C1																																																																																																																																																																																																																																																																							
31#	K92ER	18	TN	3549418C1																																																																																																																																																																																																																																																																							
31#	K92H156	18	TN	3549418C1																																																																																																																																																																																																																																																																							
31*	K92H156	18	PK	3549418C1																																																																																																																																																																																																																																																																							
31@	K92E	18	TN	3549418C1																																																																																																																																																																																																																																																																							
31&	K92YB	18	TN	3549418C1																																																																																																																																																																																																																																																																							
31&	K92YB	16	TN	3549417C1																																																																																																																																																																																																																																																																							
31**	K92E	18	TN	3549418C1																																																																																																																																																																																																																																																																							
CHK	DATE	CHANGE	REV	REFERENCE	DRAWN	NAME																																																																																																																																																																																																																																																																					
MJV0	EBMAR16	EATON PRECISION	D	93408J	310615	CIRCUIT DIAGRAM, 42/43/44/85/8600 & 73/74/7500																																																																																																																																																																																																																																																																					
WAS	EDS				RELEASE NO.	DATE	PART NO.																																																																																																																																																																																																																																																																				
					61229V	09JUN09	AE08058187																																																																																																																																																																																																																																																																				
							46A																																																																																																																																																																																																																																																																				

Figure 607 Connector Composites (1702)

13.91. CONNECTOR COMPOSITES (1702), P. 46B

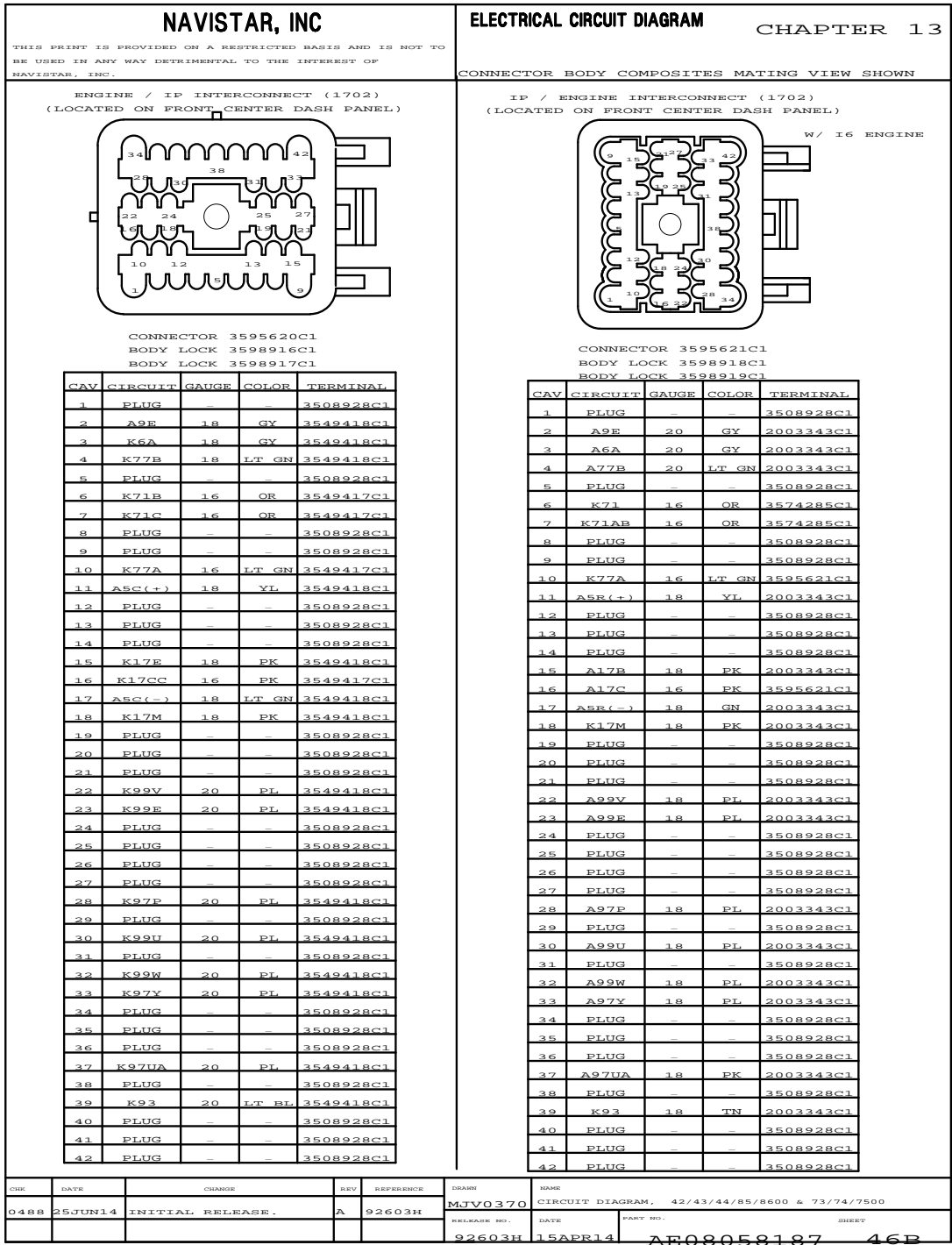


Figure 608 Connector Composites (1702)

13.92. CONNECTOR COMPOSITES (1702), P. 47

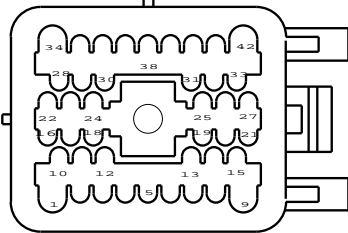
<p>NAVISTAR, INC</p> <p>THIS PRINT IS PROVIDED ON A RESTRICTED BASIS AND IS NOT TO BE USED IN ANY WAY DETRIMENTAL TO THE INTEREST OF NAVISTAR, INC.</p>	<p>ELECTRICAL CIRCUIT DIAGRAM</p> <p>CONNECTOR BODY COMPOSITES MATING VIEW SHOWN</p>	<p>CHAPTER 13</p>																																																																																																																																																																																																																																																																																																																																																																																											
<p>ENGINE / IP INTERCONNECT (1702) (LOCATED ON FRONT CENTER DASH PANEL)</p>  <p>CONNECTOR 3595621C1 BODY LOCK 3598918C1 BODY LOCK 3598919C1</p>																																																																																																																																																																																																																																																																																																																																																																																													
<table border="1" style="width:100%; border-collapse: collapse;"> <thead> <tr> <th>CAV</th> <th>CIRCUIT</th> <th>GAUGE</th> <th>COLOR</th> <th>TERMINAL</th> </tr> </thead> <tbody> <tr><td>1*</td><td>A97Z</td><td>10</td><td>VT</td><td>3574287C1</td></tr> <tr><td>1*</td><td>A92A20</td><td>16</td><td>TN</td><td>3574288C1</td></tr> <tr><td>1@*</td><td>A92</td><td>18</td><td>TN</td><td>3574289C1</td></tr> <tr><td>2</td><td>A9E</td><td>20</td><td>GY</td><td>2003343C1</td></tr> <tr><td>2@@</td><td>A9E</td><td>18</td><td>GY</td><td>2003343C1</td></tr> <tr><td>3</td><td>A6A</td><td>20</td><td>GY</td><td>2003343C1</td></tr> <tr><td>4</td><td>A77B</td><td>20</td><td>LTGN</td><td>2003343C1</td></tr> <tr><td>5*</td><td>A13Z</td><td>18</td><td>EK</td><td>2003343C1</td></tr> <tr><td>5*</td><td>A17</td><td>18</td><td>EK</td><td>2003343C1</td></tr> <tr><td>5*</td><td>A46C</td><td>18</td><td>GY</td><td>2003343C1</td></tr> <tr><td>6*</td><td>A71</td><td>16</td><td>OR</td><td>3574285C1</td></tr> <tr><td>6*</td><td>A92#145</td><td>18</td><td>TN</td><td>2003343C1</td></tr> <tr><td>7*</td><td>A71AB</td><td>16</td><td>OR</td><td>3574285C1</td></tr> <tr><td>7*</td><td>A92#165</td><td>18</td><td>TN</td><td>2003343C1</td></tr> <tr><td>8*</td><td>A13A</td><td>16</td><td>EK</td><td>3574285C1</td></tr> <tr><td>8*</td><td>A92#163</td><td>16</td><td>TN</td><td>3574285C1</td></tr> <tr><td>8*</td><td>A13D</td><td>16</td><td>EK</td><td>3574285C1</td></tr> <tr><td>8&</td><td>A13D</td><td>14</td><td>EK</td><td>3574285C1</td></tr> <tr><td>8&&</td><td>A92#163</td><td>18</td><td>TN</td><td>2003343C1</td></tr> <tr><td>8@*</td><td>A13D</td><td>18</td><td>EK</td><td>2003343C1</td></tr> <tr><td>9**</td><td>A14HF</td><td>14</td><td>RD</td><td>3574288C1</td></tr> <tr><td>9***</td><td>A14HC</td><td>14</td><td>RD</td><td>3574288C1</td></tr> <tr><td>9*</td><td>A47T</td><td>16</td><td>GY</td><td>3574288C1</td></tr> <tr><td>9*@</td><td>A71C</td><td>18</td><td>WH</td><td>3574289C1</td></tr> <tr><td>10</td><td>A77A</td><td>16</td><td>LT GN</td><td>3574285C1</td></tr> </tbody> </table> <p>* MUTUALLY EXCLUSIVE % START CNTL, CUMMINS ISB W/ALLISON XMSN @ ENGINE START W/CUMMINS ISB # FUEL WATER/SEP - HEATED - ENGINE ISB & XMSN, EATON AUTO / ULTRASHIFT3/VP && XMSN, WTEC GEN4 W/ CTR CONTROLES ** 2-WAY RADIO, OVERHEAD MTD W/ WORKSTAR SCR *** 2-WAY RADIO, FLOOR MTD W/ WORKSTAR SCR @@@ ZERO VOLT REF W/ LOAD DISCONNECT ## STARTER CONTROL, ISB, W/ ALLISON W/ ALTEC %% ENGINE ECM, ISB W/ ULTRASHIFT @* EATON PROCISSION XMSN W/FUSE *@ W/ EATON PROCISSION W/FUSE %* J1939 W/ALLISON W/BENDIX @% J1939 W/ HYDRAULIC BRAKES N/ALLISON %# J1939 W/ALLISON W/HYDRAULIC BRAKES</p>	CAV	CIRCUIT	GAUGE	COLOR	TERMINAL	1*	A97Z	10	VT	3574287C1	1*	A92A20	16	TN	3574288C1	1@*	A92	18	TN	3574289C1	2	A9E	20	GY	2003343C1	2@@	A9E	18	GY	2003343C1	3	A6A	20	GY	2003343C1	4	A77B	20	LTGN	2003343C1	5*	A13Z	18	EK	2003343C1	5*	A17	18	EK	2003343C1	5*	A46C	18	GY	2003343C1	6*	A71	16	OR	3574285C1	6*	A92#145	18	TN	2003343C1	7*	A71AB	16	OR	3574285C1	7*	A92#165	18	TN	2003343C1	8*	A13A	16	EK	3574285C1	8*	A92#163	16	TN	3574285C1	8*	A13D	16	EK	3574285C1	8&	A13D	14	EK	3574285C1	8&&	A92#163	18	TN	2003343C1	8@*	A13D	18	EK	2003343C1	9**	A14HF	14	RD	3574288C1	9***	A14HC	14	RD	3574288C1	9*	A47T	16	GY	3574288C1	9*@	A71C	18	WH	3574289C1	10	A77A	16	LT GN	3574285C1	<table border="1" style="width:100%; border-collapse: collapse;"> <thead> <tr> <th>CAV</th> <th>CIRCUIT</th> <th>GAUGE</th> <th>COLOR</th> <th>TERMINAL</th> </tr> </thead> <tbody> <tr><td>11</td><td>A5E(+)</td><td>18</td><td>YL</td><td>2003343C1</td></tr> <tr><td>11%*</td><td>A5E(+)</td><td>18</td><td>YL</td><td>2003343C1</td></tr> <tr><td>11@%</td><td>A5C(+)</td><td>18</td><td>YL</td><td>2003343C1</td></tr> <tr><td>11%#</td><td>A5D(+)</td><td>18</td><td>YL</td><td>2003343C1</td></tr> <tr><td>12*</td><td>A28B</td><td>18</td><td>TN</td><td>2003343C1</td></tr> <tr><td>12*</td><td>A92#161</td><td>18</td><td>TN</td><td>2003343C1</td></tr> <tr><td>13*</td><td>A97A</td><td>18</td><td>RD</td><td>2003343C1</td></tr> <tr><td>13*</td><td>A31</td><td>18</td><td>TN</td><td>2003343C1</td></tr> <tr><td>14*</td><td>A88</td><td>18</td><td>LTGN</td><td>2003343C1</td></tr> <tr><td>14*</td><td>A17F</td><td>16</td><td>EK</td><td>3574285C1</td></tr> <tr><td>14*</td><td>A88B</td><td>16</td><td>LTGN</td><td>3574285C1</td></tr> <tr><td>15*</td><td>A17B</td><td>18</td><td>EK</td><td>2003343C1</td></tr> <tr><td>15*</td><td>A41D</td><td>18</td><td>TN</td><td>2003343C1</td></tr> <tr><td>16*</td><td>A17C</td><td>18</td><td>EK</td><td>3574285C1</td></tr> <tr><td>16@</td><td>A17A</td><td>18</td><td>EK</td><td>2003343C1</td></tr> <tr><td>16\$\$\$</td><td>A17BA</td><td>18</td><td>EK</td><td>2003343C1</td></tr> <tr><td>16@@@</td><td>A17B</td><td>18</td><td>EK</td><td>2003343C1</td></tr> <tr><td>17</td><td>A5E(-)</td><td>18</td><td>GN</td><td>2003343C1</td></tr> <tr><td>17%*</td><td>A5E(-)</td><td>18</td><td>GN</td><td>2003343C1</td></tr> <tr><td>17@%</td><td>A5C(-)</td><td>18</td><td>GN</td><td>2003343C1</td></tr> <tr><td>17%#</td><td>A5D(-)</td><td>18</td><td>GN</td><td>2003343C1</td></tr> <tr><td>18*</td><td>A17M</td><td>18</td><td>EK</td><td>2003343C1</td></tr> <tr><td>18*</td><td>A41E</td><td>18</td><td>TN</td><td>2003343C1</td></tr> <tr><td>18*</td><td>A23A</td><td>16</td><td>TN</td><td>3574285C1</td></tr> <tr><td>18@</td><td>A17B</td><td>18</td><td>EK</td><td>2003343C1</td></tr> <tr><td>19*</td><td>A92#142</td><td>18</td><td>TN</td><td>2003343C1</td></tr> <tr><td>19*</td><td>A17K</td><td>18</td><td>EK</td><td>2003343C1</td></tr> <tr><td>19*</td><td>A92#134</td><td>18</td><td>TN</td><td>2003343C1</td></tr> <tr><td>19%*</td><td>A92A</td><td>16</td><td>TN</td><td>3574285C1</td></tr> <tr><td>19\$\$\$</td><td>A17-G</td><td>18</td><td>WH</td><td>2003343C1</td></tr> <tr><td>20*</td><td>A92#141</td><td>18</td><td>TN</td><td>2003343C1</td></tr> <tr><td>20\$\$\$</td><td>A92L</td><td>18</td><td>TN</td><td>2003343C1</td></tr> <tr><td>20%*</td><td>A14F</td><td>14</td><td>RD</td><td>3574285C1</td></tr> <tr><td>20##</td><td>A17E</td><td>18</td><td>EK</td><td>2003343C1</td></tr> <tr><td>21*</td><td>A92#103</td><td>18</td><td>TN</td><td>2003343C1</td></tr> <tr><td>21*</td><td>A17J</td><td>16</td><td>EK</td><td>3574285C1</td></tr> <tr><td>21%*</td><td>A13A</td><td>14</td><td>EK</td><td>3574285C1</td></tr> <tr><td>21\$\$\$</td><td>A17BB</td><td>18</td><td>EK</td><td>3574285C1</td></tr> <tr><td>21*</td><td>A92A103</td><td>18</td><td>TN</td><td>2003343C1</td></tr> <tr><td>22*</td><td>A97C</td><td>18</td><td>PL</td><td>2003343C1</td></tr> <tr><td>22*</td><td>A99V</td><td>18</td><td>PL</td><td>2003343C1</td></tr> <tr><td>23*</td><td>A97B</td><td>18</td><td>PL</td><td>2003343C1</td></tr> <tr><td>23*</td><td>A99E</td><td>18</td><td>PL</td><td>2003343C1</td></tr> <tr><td>24*</td><td>A99D</td><td>18</td><td>PL</td><td>2003343C1</td></tr> <tr><td>24*</td><td>A23A</td><td>18</td><td>TN</td><td>2003343C1</td></tr> <tr><td>25*</td><td>A92E</td><td>16</td><td>TN</td><td>3574285C1</td></tr> <tr><td>25*</td><td>A97B</td><td>18</td><td>LTGN</td><td>2003343C1</td></tr> <tr><td>25*</td><td>A92DN</td><td>18</td><td>TN</td><td>2003343C1</td></tr> <tr><td>25%\$</td><td>A92E</td><td>18</td><td>LTBL</td><td>2003343C1</td></tr> </tbody> </table> <p>* MANUAL XMSN W/BYPASS SWITCH %%% ULTRASHIFT XMSN START W/FUSE @@@ EATON PROCISSION XMSN START W/FUSE</p>	CAV	CIRCUIT	GAUGE	COLOR	TERMINAL	11	A5E(+)	18	YL	2003343C1	11%*	A5E(+)	18	YL	2003343C1	11@%	A5C(+)	18	YL	2003343C1	11%#	A5D(+)	18	YL	2003343C1	12*	A28B	18	TN	2003343C1	12*	A92#161	18	TN	2003343C1	13*	A97A	18	RD	2003343C1	13*	A31	18	TN	2003343C1	14*	A88	18	LTGN	2003343C1	14*	A17F	16	EK	3574285C1	14*	A88B	16	LTGN	3574285C1	15*	A17B	18	EK	2003343C1	15*	A41D	18	TN	2003343C1	16*	A17C	18	EK	3574285C1	16@	A17A	18	EK	2003343C1	16\$\$\$	A17BA	18	EK	2003343C1	16@@@	A17B	18	EK	2003343C1	17	A5E(-)	18	GN	2003343C1	17%*	A5E(-)	18	GN	2003343C1	17@%	A5C(-)	18	GN	2003343C1	17%#	A5D(-)	18	GN	2003343C1	18*	A17M	18	EK	2003343C1	18*	A41E	18	TN	2003343C1	18*	A23A	16	TN	3574285C1	18@	A17B	18	EK	2003343C1	19*	A92#142	18	TN	2003343C1	19*	A17K	18	EK	2003343C1	19*	A92#134	18	TN	2003343C1	19%*	A92A	16	TN	3574285C1	19\$\$\$	A17-G	18	WH	2003343C1	20*	A92#141	18	TN	2003343C1	20\$\$\$	A92L	18	TN	2003343C1	20%*	A14F	14	RD	3574285C1	20##	A17E	18	EK	2003343C1	21*	A92#103	18	TN	2003343C1	21*	A17J	16	EK	3574285C1	21%*	A13A	14	EK	3574285C1	21\$\$\$	A17BB	18	EK	3574285C1	21*	A92A103	18	TN	2003343C1	22*	A97C	18	PL	2003343C1	22*	A99V	18	PL	2003343C1	23*	A97B	18	PL	2003343C1	23*	A99E	18	PL	2003343C1	24*	A99D	18	PL	2003343C1	24*	A23A	18	TN	2003343C1	25*	A92E	16	TN	3574285C1	25*	A97B	18	LTGN	2003343C1	25*	A92DN	18	TN	2003343C1	25%\$	A92E	18	LTBL	2003343C1
CAV	CIRCUIT	GAUGE	COLOR	TERMINAL																																																																																																																																																																																																																																																																																																																																																																																									
1*	A97Z	10	VT	3574287C1																																																																																																																																																																																																																																																																																																																																																																																									
1*	A92A20	16	TN	3574288C1																																																																																																																																																																																																																																																																																																																																																																																									
1@*	A92	18	TN	3574289C1																																																																																																																																																																																																																																																																																																																																																																																									
2	A9E	20	GY	2003343C1																																																																																																																																																																																																																																																																																																																																																																																									
2@@	A9E	18	GY	2003343C1																																																																																																																																																																																																																																																																																																																																																																																									
3	A6A	20	GY	2003343C1																																																																																																																																																																																																																																																																																																																																																																																									
4	A77B	20	LTGN	2003343C1																																																																																																																																																																																																																																																																																																																																																																																									
5*	A13Z	18	EK	2003343C1																																																																																																																																																																																																																																																																																																																																																																																									
5*	A17	18	EK	2003343C1																																																																																																																																																																																																																																																																																																																																																																																									
5*	A46C	18	GY	2003343C1																																																																																																																																																																																																																																																																																																																																																																																									
6*	A71	16	OR	3574285C1																																																																																																																																																																																																																																																																																																																																																																																									
6*	A92#145	18	TN	2003343C1																																																																																																																																																																																																																																																																																																																																																																																									
7*	A71AB	16	OR	3574285C1																																																																																																																																																																																																																																																																																																																																																																																									
7*	A92#165	18	TN	2003343C1																																																																																																																																																																																																																																																																																																																																																																																									
8*	A13A	16	EK	3574285C1																																																																																																																																																																																																																																																																																																																																																																																									
8*	A92#163	16	TN	3574285C1																																																																																																																																																																																																																																																																																																																																																																																									
8*	A13D	16	EK	3574285C1																																																																																																																																																																																																																																																																																																																																																																																									
8&	A13D	14	EK	3574285C1																																																																																																																																																																																																																																																																																																																																																																																									
8&&	A92#163	18	TN	2003343C1																																																																																																																																																																																																																																																																																																																																																																																									
8@*	A13D	18	EK	2003343C1																																																																																																																																																																																																																																																																																																																																																																																									
9**	A14HF	14	RD	3574288C1																																																																																																																																																																																																																																																																																																																																																																																									
9***	A14HC	14	RD	3574288C1																																																																																																																																																																																																																																																																																																																																																																																									
9*	A47T	16	GY	3574288C1																																																																																																																																																																																																																																																																																																																																																																																									
9*@	A71C	18	WH	3574289C1																																																																																																																																																																																																																																																																																																																																																																																									
10	A77A	16	LT GN	3574285C1																																																																																																																																																																																																																																																																																																																																																																																									
CAV	CIRCUIT	GAUGE	COLOR	TERMINAL																																																																																																																																																																																																																																																																																																																																																																																									
11	A5E(+)	18	YL	2003343C1																																																																																																																																																																																																																																																																																																																																																																																									
11%*	A5E(+)	18	YL	2003343C1																																																																																																																																																																																																																																																																																																																																																																																									
11@%	A5C(+)	18	YL	2003343C1																																																																																																																																																																																																																																																																																																																																																																																									
11%#	A5D(+)	18	YL	2003343C1																																																																																																																																																																																																																																																																																																																																																																																									
12*	A28B	18	TN	2003343C1																																																																																																																																																																																																																																																																																																																																																																																									
12*	A92#161	18	TN	2003343C1																																																																																																																																																																																																																																																																																																																																																																																									
13*	A97A	18	RD	2003343C1																																																																																																																																																																																																																																																																																																																																																																																									
13*	A31	18	TN	2003343C1																																																																																																																																																																																																																																																																																																																																																																																									
14*	A88	18	LTGN	2003343C1																																																																																																																																																																																																																																																																																																																																																																																									
14*	A17F	16	EK	3574285C1																																																																																																																																																																																																																																																																																																																																																																																									
14*	A88B	16	LTGN	3574285C1																																																																																																																																																																																																																																																																																																																																																																																									
15*	A17B	18	EK	2003343C1																																																																																																																																																																																																																																																																																																																																																																																									
15*	A41D	18	TN	2003343C1																																																																																																																																																																																																																																																																																																																																																																																									
16*	A17C	18	EK	3574285C1																																																																																																																																																																																																																																																																																																																																																																																									
16@	A17A	18	EK	2003343C1																																																																																																																																																																																																																																																																																																																																																																																									
16\$\$\$	A17BA	18	EK	2003343C1																																																																																																																																																																																																																																																																																																																																																																																									
16@@@	A17B	18	EK	2003343C1																																																																																																																																																																																																																																																																																																																																																																																									
17	A5E(-)	18	GN	2003343C1																																																																																																																																																																																																																																																																																																																																																																																									
17%*	A5E(-)	18	GN	2003343C1																																																																																																																																																																																																																																																																																																																																																																																									
17@%	A5C(-)	18	GN	2003343C1																																																																																																																																																																																																																																																																																																																																																																																									
17%#	A5D(-)	18	GN	2003343C1																																																																																																																																																																																																																																																																																																																																																																																									
18*	A17M	18	EK	2003343C1																																																																																																																																																																																																																																																																																																																																																																																									
18*	A41E	18	TN	2003343C1																																																																																																																																																																																																																																																																																																																																																																																									
18*	A23A	16	TN	3574285C1																																																																																																																																																																																																																																																																																																																																																																																									
18@	A17B	18	EK	2003343C1																																																																																																																																																																																																																																																																																																																																																																																									
19*	A92#142	18	TN	2003343C1																																																																																																																																																																																																																																																																																																																																																																																									
19*	A17K	18	EK	2003343C1																																																																																																																																																																																																																																																																																																																																																																																									
19*	A92#134	18	TN	2003343C1																																																																																																																																																																																																																																																																																																																																																																																									
19%*	A92A	16	TN	3574285C1																																																																																																																																																																																																																																																																																																																																																																																									
19\$\$\$	A17-G	18	WH	2003343C1																																																																																																																																																																																																																																																																																																																																																																																									
20*	A92#141	18	TN	2003343C1																																																																																																																																																																																																																																																																																																																																																																																									
20\$\$\$	A92L	18	TN	2003343C1																																																																																																																																																																																																																																																																																																																																																																																									
20%*	A14F	14	RD	3574285C1																																																																																																																																																																																																																																																																																																																																																																																									
20##	A17E	18	EK	2003343C1																																																																																																																																																																																																																																																																																																																																																																																									
21*	A92#103	18	TN	2003343C1																																																																																																																																																																																																																																																																																																																																																																																									
21*	A17J	16	EK	3574285C1																																																																																																																																																																																																																																																																																																																																																																																									
21%*	A13A	14	EK	3574285C1																																																																																																																																																																																																																																																																																																																																																																																									
21\$\$\$	A17BB	18	EK	3574285C1																																																																																																																																																																																																																																																																																																																																																																																									
21*	A92A103	18	TN	2003343C1																																																																																																																																																																																																																																																																																																																																																																																									
22*	A97C	18	PL	2003343C1																																																																																																																																																																																																																																																																																																																																																																																									
22*	A99V	18	PL	2003343C1																																																																																																																																																																																																																																																																																																																																																																																									
23*	A97B	18	PL	2003343C1																																																																																																																																																																																																																																																																																																																																																																																									
23*	A99E	18	PL	2003343C1																																																																																																																																																																																																																																																																																																																																																																																									
24*	A99D	18	PL	2003343C1																																																																																																																																																																																																																																																																																																																																																																																									
24*	A23A	18	TN	2003343C1																																																																																																																																																																																																																																																																																																																																																																																									
25*	A92E	16	TN	3574285C1																																																																																																																																																																																																																																																																																																																																																																																									
25*	A97B	18	LTGN	2003343C1																																																																																																																																																																																																																																																																																																																																																																																									
25*	A92DN	18	TN	2003343C1																																																																																																																																																																																																																																																																																																																																																																																									
25%\$	A92E	18	LTBL	2003343C1																																																																																																																																																																																																																																																																																																																																																																																									
<p>CHART CONTINUE ON SHEET 47A</p>																																																																																																																																																																																																																																																																																																																																																																																													
CHK	DATE	CHANGE	REV	REFERENCE	DRAWN	NAME																																																																																																																																																																																																																																																																																																																																																																																							
MJV0	ERRMAR16	REVISED AND REDRAWN.	L	93408J	310615	CIRCUIT DIAGRAM, 42/43/44/85/8600 & 73/74/7500																																																																																																																																																																																																																																																																																																																																																																																							
					RELEASE NO.	DATE																																																																																																																																																																																																																																																																																																																																																																																							
					61229V	09JUN09																																																																																																																																																																																																																																																																																																																																																																																							
						PART NO.																																																																																																																																																																																																																																																																																																																																																																																							
						AE08058187																																																																																																																																																																																																																																																																																																																																																																																							
						SHEET																																																																																																																																																																																																																																																																																																																																																																																							
						047																																																																																																																																																																																																																																																																																																																																																																																							

Figure 609 Connector Composites (1702)

13.93. CONNECTOR COMPOSITES (1702), (1702B), P. 47A

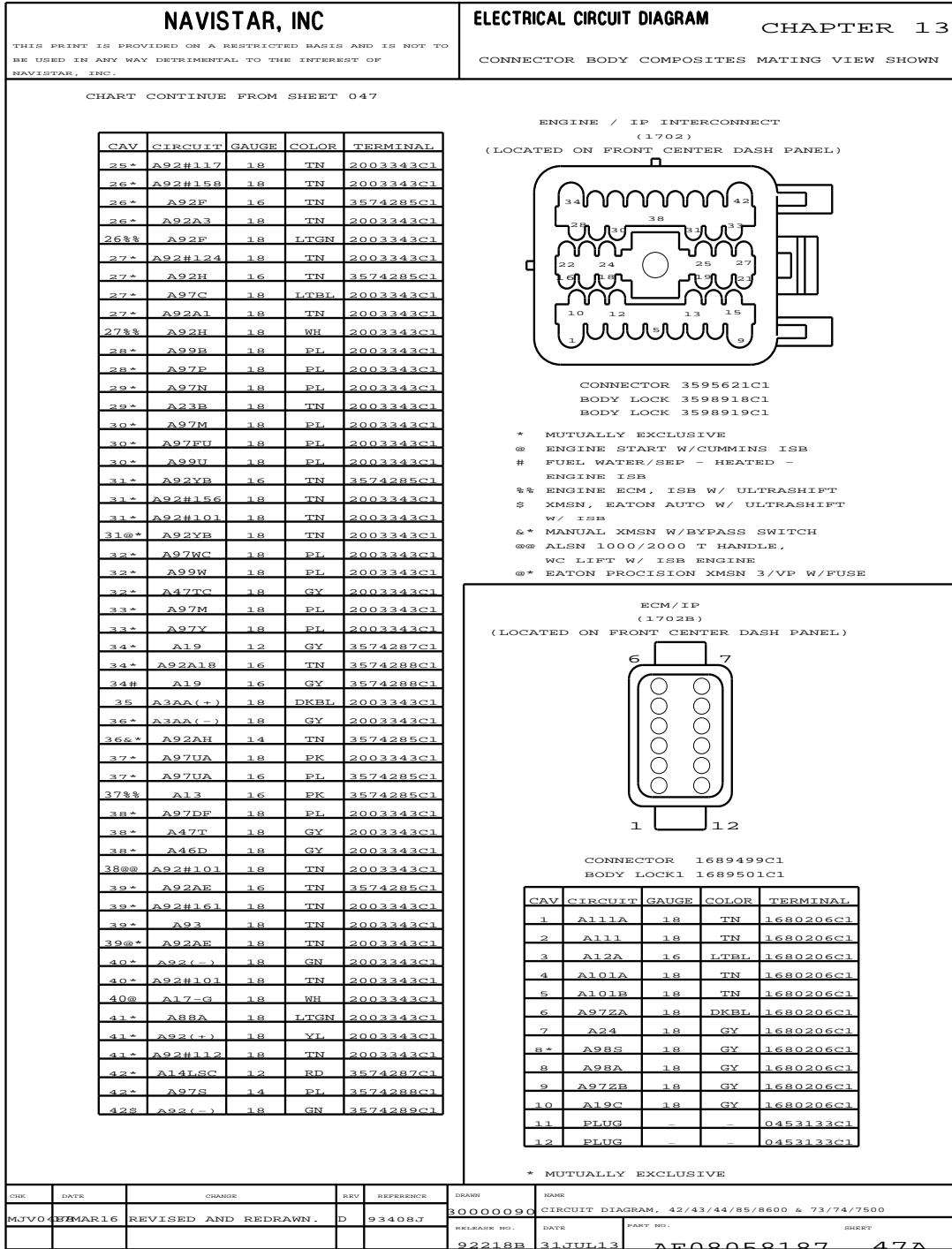


Figure 610 Connector Composites (1702), (1702B)

13.94. CONNECTOR COMPOSITES (1702B), P. 47B

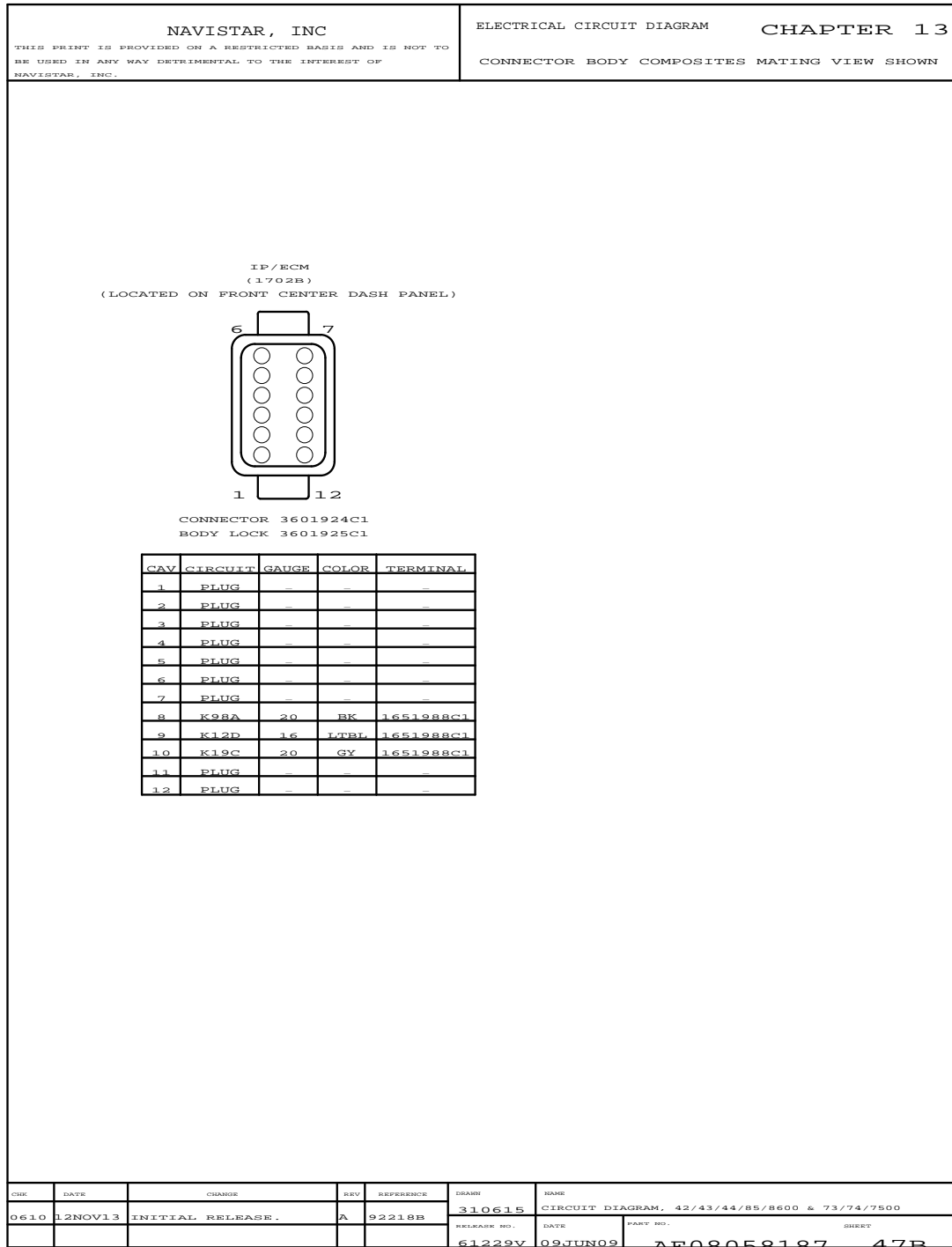


Figure 611 Connector Composites (1702B)

13.95. CONNECTOR COMPOSITES (1800), P. 48

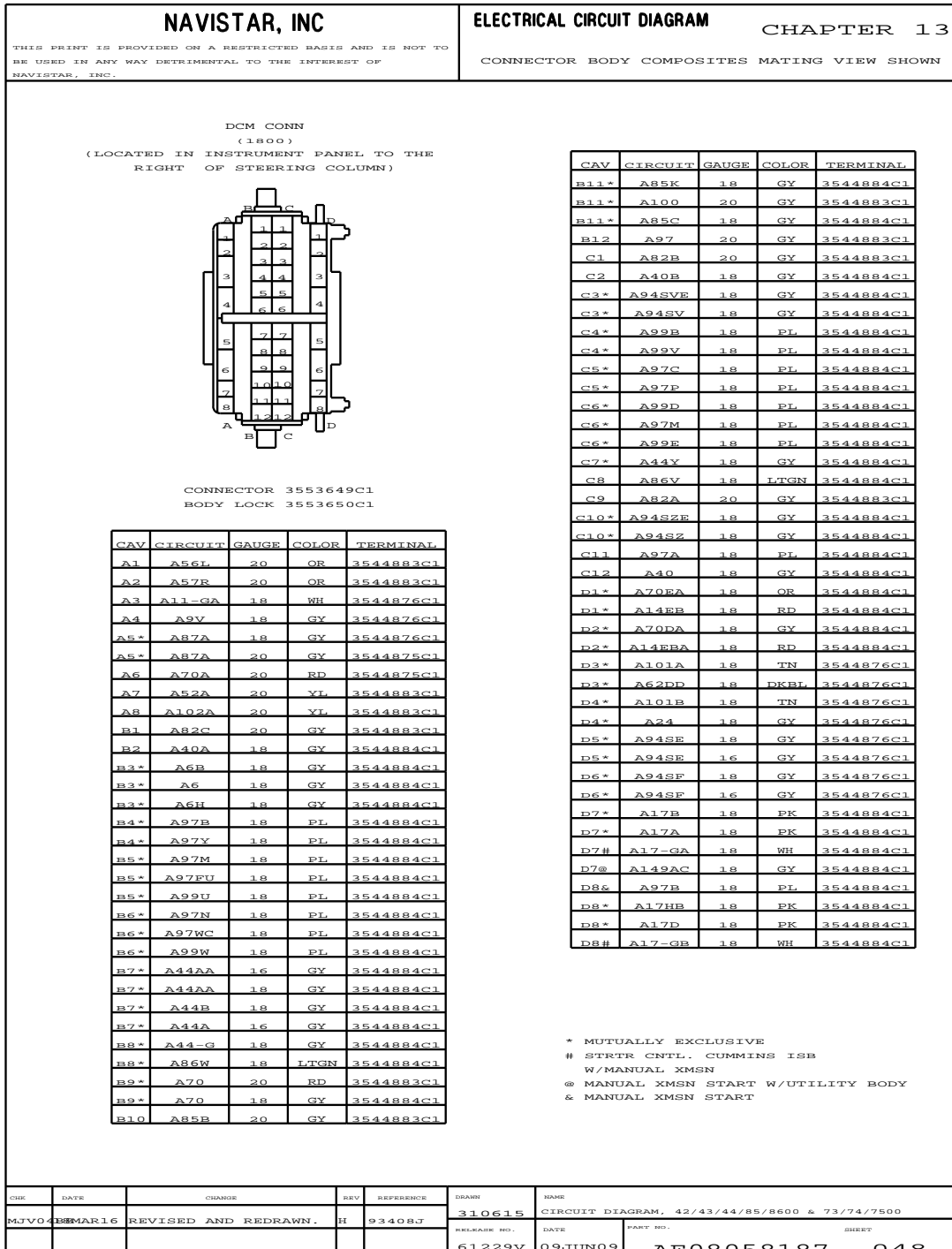


Figure 612 Connector Composites (1800)

13.96. CONNECTOR COMPOSITES (1800F), P. 48A

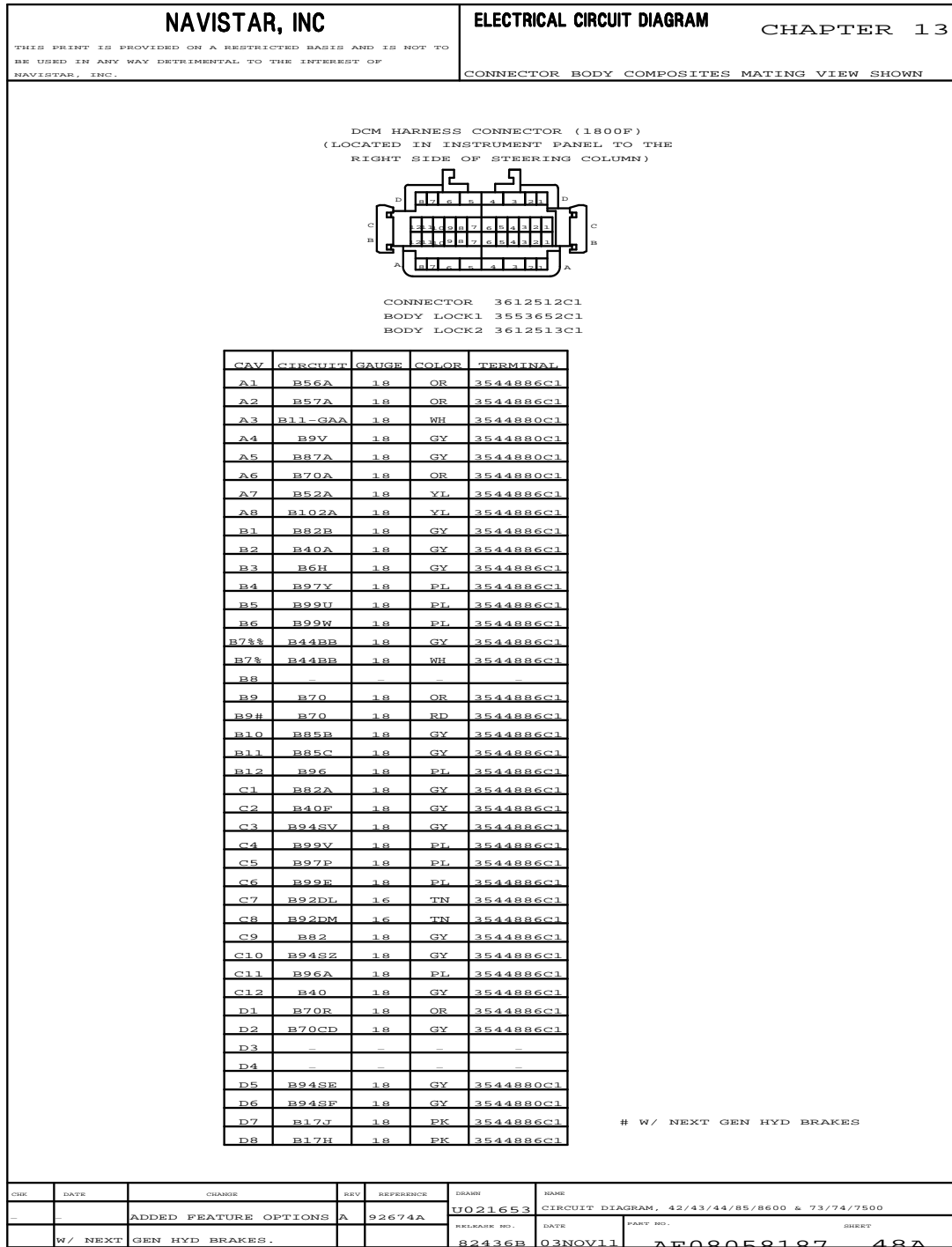


Figure 613 Connector Composites (1800F)

13.97. CONNECTOR COMPOSITES (1804), (1807), (1809), (1810), P. 49

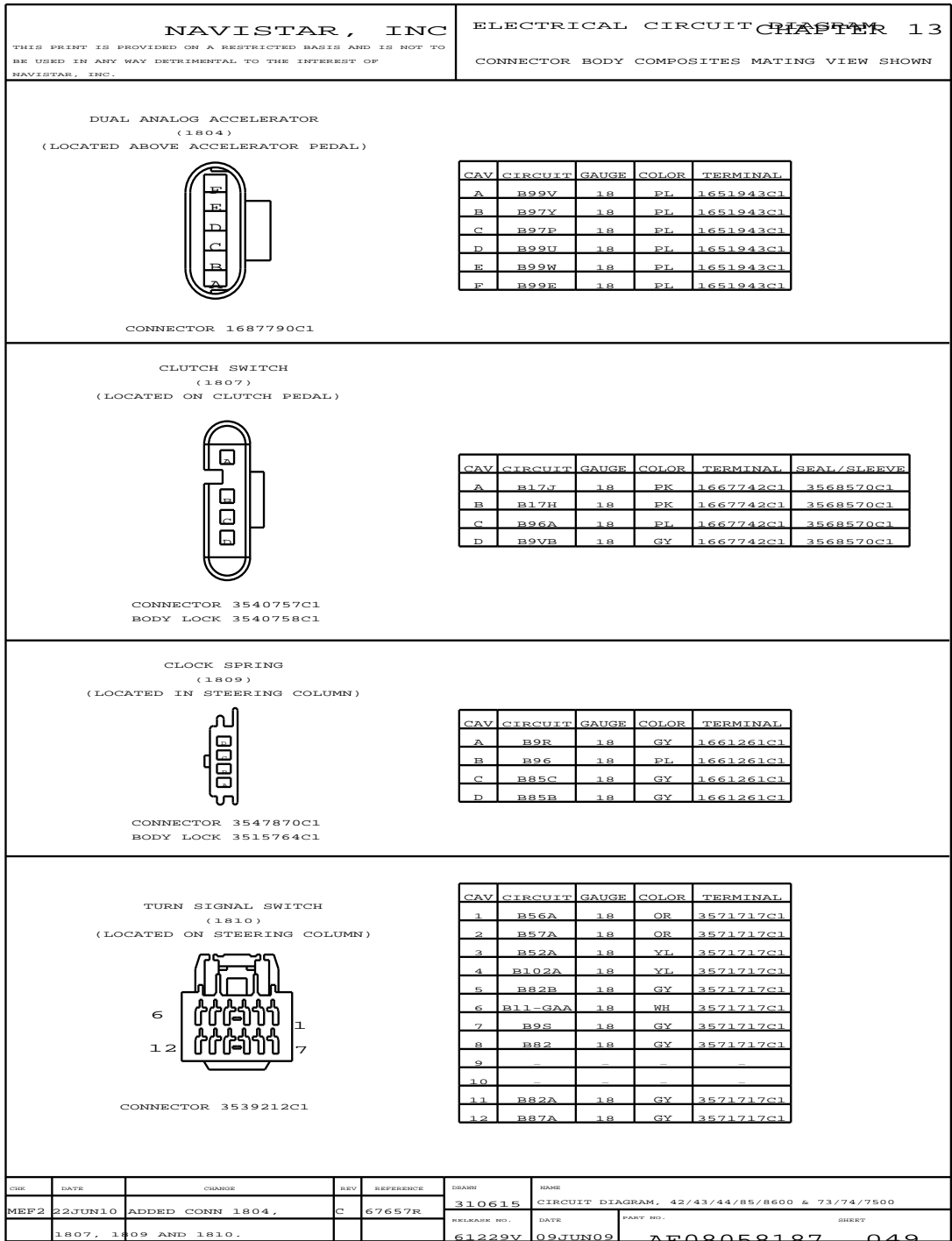


Figure 614 Connector Composites (1804), (1807), (1809), (1810)

13.98. CONNECTOR COMPOSITES (1811), (1812), (1813), P. 50

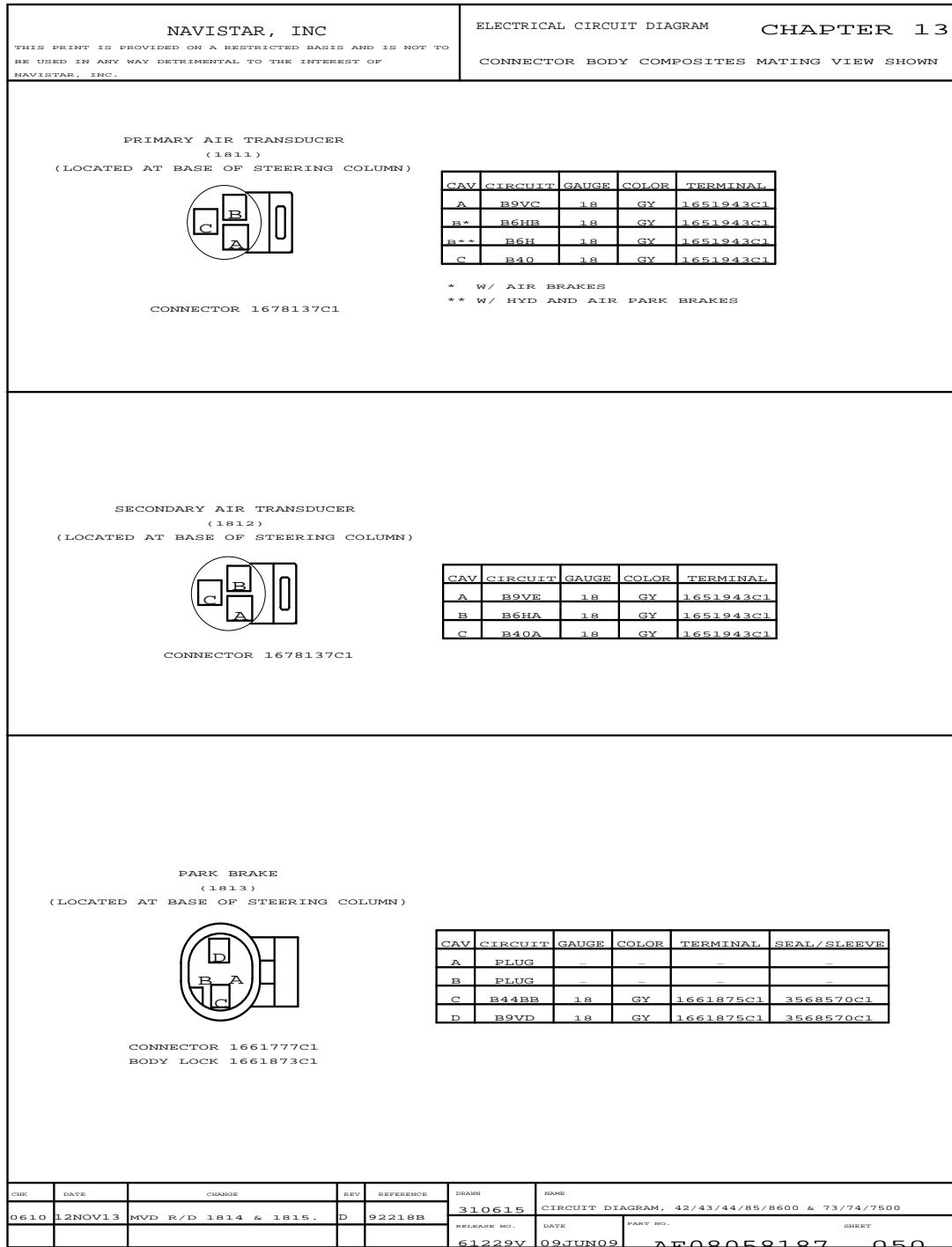


Figure 615 Connector Composites (1811), (1812), (1813)

13.99. CONNECTOR COMPOSITES (1815), P. 50A

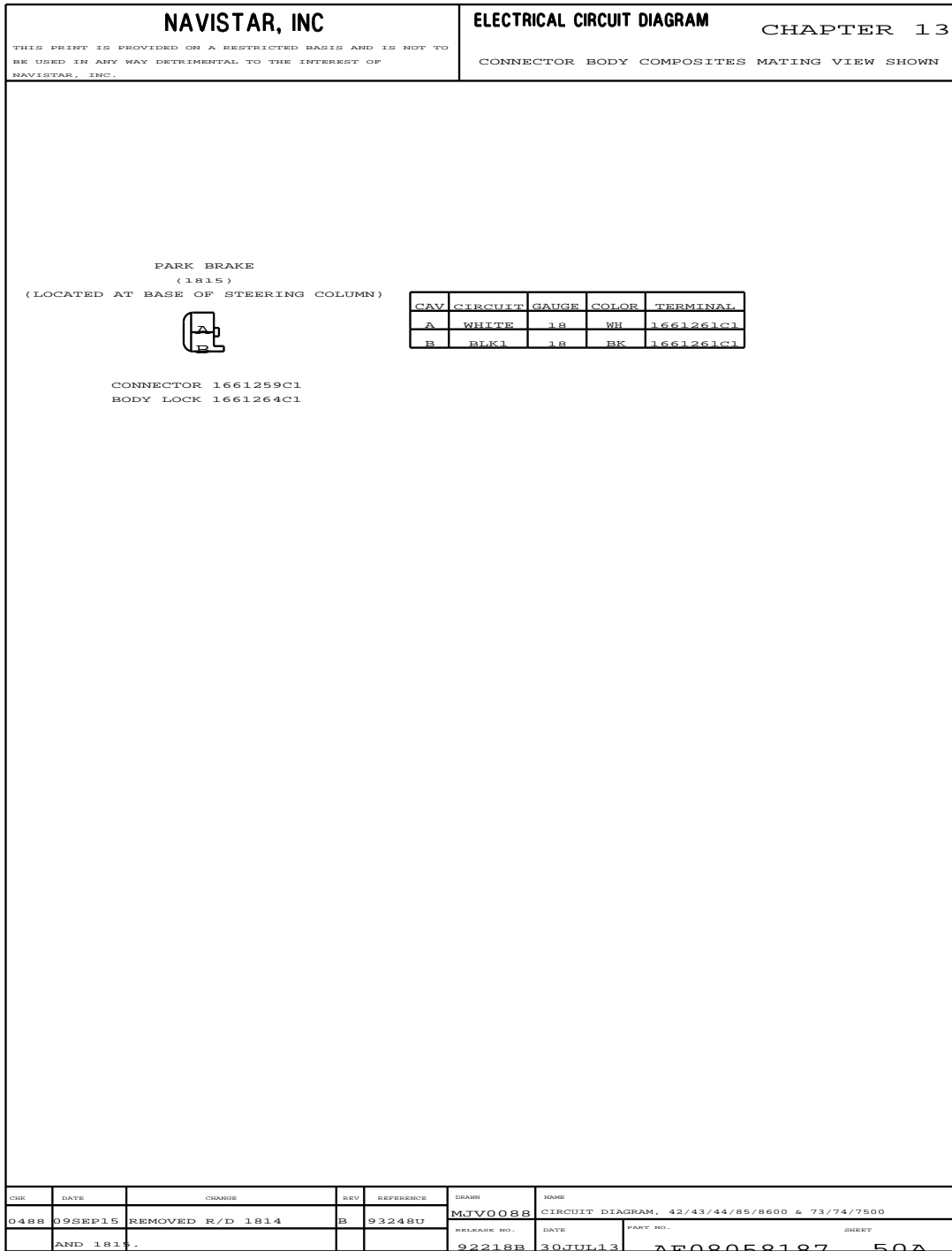


Figure 616 Connector Composites (1815)

13.100. CONNECTOR COMPOSITES (1820F), (1820M), (1822), P. 51

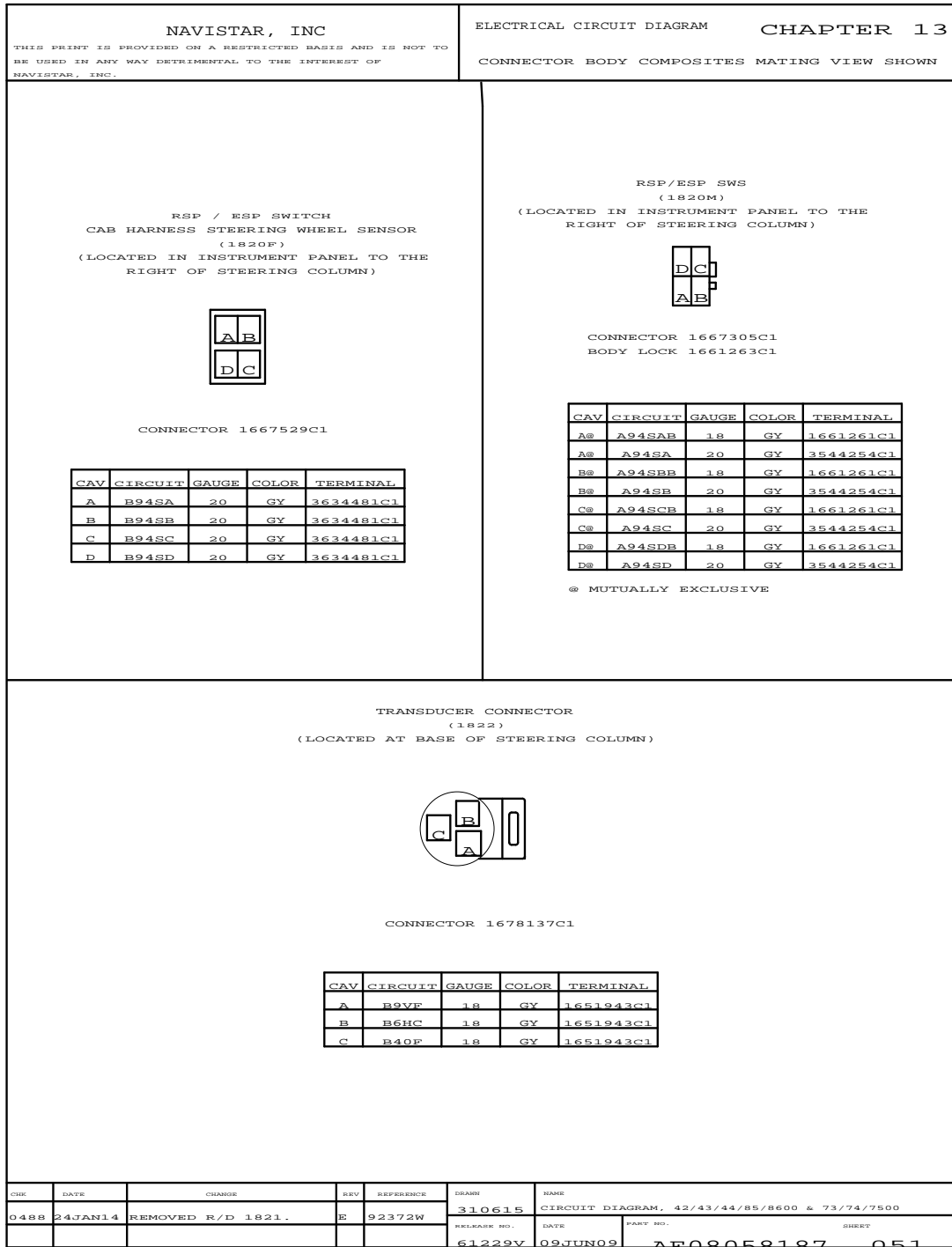


Figure 617 Connector Composites (1820F), (1820M), (1822)

13.101. CONNECTOR COMPOSITES (1823), (1824), (1825), P. 52

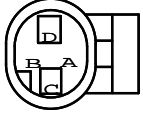
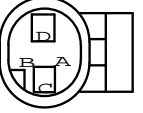
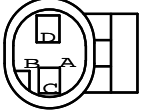
NAVISTAR, INC <small>THIS PRINT IS PROVIDED ON A RESTRICTED BASIS AND IS NOT TO BE USED IN ANY WAY DETRIMENTAL TO THE INTEREST OF NAVISTAR, INC.</small>				ELECTRICAL CIRCUIT DIAGRAM CHAPTER 13 CONNECTOR BODY COMPOSITES MATING VIEW SHOWN																																
<p>STOP LIGHT # 1 (1823) (LOCATED AT BASE OF STEERING COLUMN)</p>  <p>CONNECTOR 1661777C1 BODY LOCK 1661873C1</p> <table border="1" style="float: right; margin-left: 20px;"> <thead> <tr> <th>CAV</th> <th>CIRCUIT</th> <th>GAUGE</th> <th>COLOR</th> <th>TERMINAL</th> <th>SEAL/SLEEVE</th> </tr> </thead> <tbody> <tr> <td>A</td> <td>-</td> <td>-</td> <td>-</td> <td>-</td> <td>-</td> </tr> <tr> <td>B</td> <td>-</td> <td>-</td> <td>-</td> <td>-</td> <td>-</td> </tr> <tr> <td>C</td> <td>B70A</td> <td>18</td> <td>OR</td> <td>1661875C1</td> <td>3568570C1</td> </tr> <tr> <td>D</td> <td>B9VG</td> <td>18</td> <td>GY</td> <td>1661875C1</td> <td>3568570C1</td> </tr> </tbody> </table>							CAV	CIRCUIT	GAUGE	COLOR	TERMINAL	SEAL/SLEEVE	A	-	-	-	-	-	B	-	-	-	-	-	C	B70A	18	OR	1661875C1	3568570C1	D	B9VG	18	GY	1661875C1	3568570C1
CAV	CIRCUIT	GAUGE	COLOR	TERMINAL	SEAL/SLEEVE																															
A	-	-	-	-	-																															
B	-	-	-	-	-																															
C	B70A	18	OR	1661875C1	3568570C1																															
D	B9VG	18	GY	1661875C1	3568570C1																															
<p>STOP LIGHT # 2 (1824) (LOCATED AT BASE OF STEERING COLUMN)</p>  <p>CONNECTOR 1661777C1 BODY LOCK 1661873C1</p> <table border="1" style="float: right; margin-left: 20px;"> <thead> <tr> <th>CAV</th> <th>CIRCUIT</th> <th>GAUGE</th> <th>COLOR</th> <th>TERMINAL</th> <th>SEAL/SLEEVE</th> </tr> </thead> <tbody> <tr> <td>A</td> <td>-</td> <td>-</td> <td>-</td> <td>-</td> <td>-</td> </tr> <tr> <td>B</td> <td>-</td> <td>-</td> <td>-</td> <td>-</td> <td>-</td> </tr> <tr> <td>C</td> <td>B70</td> <td>18</td> <td>OR</td> <td>1661875C1</td> <td>3568570C1</td> </tr> <tr> <td>D</td> <td>B9VH</td> <td>18</td> <td>GY</td> <td>1661875C1</td> <td>3568570C1</td> </tr> </tbody> </table>							CAV	CIRCUIT	GAUGE	COLOR	TERMINAL	SEAL/SLEEVE	A	-	-	-	-	-	B	-	-	-	-	-	C	B70	18	OR	1661875C1	3568570C1	D	B9VH	18	GY	1661875C1	3568570C1
CAV	CIRCUIT	GAUGE	COLOR	TERMINAL	SEAL/SLEEVE																															
A	-	-	-	-	-																															
B	-	-	-	-	-																															
C	B70	18	OR	1661875C1	3568570C1																															
D	B9VH	18	GY	1661875C1	3568570C1																															
<p>BRAKE PRESSURE SWITCH (1825) (LOCATED AT BASE OF STEERING COLUMN)</p>  <p>CONNECTOR 1661777C1 BODY LOCK 1661873C1</p> <table border="1" style="float: right; margin-left: 20px;"> <thead> <tr> <th>CAV</th> <th>CIRCUIT</th> <th>GAUGE</th> <th>COLOR</th> <th>TERMINAL</th> <th>SEAL/SLEEVE</th> </tr> </thead> <tbody> <tr> <td>A</td> <td>-</td> <td>-</td> <td>-</td> <td>-</td> <td>-</td> </tr> <tr> <td>B</td> <td>-</td> <td>-</td> <td>-</td> <td>-</td> <td>-</td> </tr> <tr> <td>C</td> <td>B70R</td> <td>18</td> <td>OR</td> <td>1661875C1</td> <td>3568570C1</td> </tr> <tr> <td>D</td> <td>B70CD</td> <td>18</td> <td>GY</td> <td>1661875C1</td> <td>3568570C1</td> </tr> </tbody> </table>							CAV	CIRCUIT	GAUGE	COLOR	TERMINAL	SEAL/SLEEVE	A	-	-	-	-	-	B	-	-	-	-	-	C	B70R	18	OR	1661875C1	3568570C1	D	B70CD	18	GY	1661875C1	3568570C1
CAV	CIRCUIT	GAUGE	COLOR	TERMINAL	SEAL/SLEEVE																															
A	-	-	-	-	-																															
B	-	-	-	-	-																															
C	B70R	18	OR	1661875C1	3568570C1																															
D	B70CD	18	GY	1661875C1	3568570C1																															
CHK	DATE	CHANGE	REV	REFERENCE	DRAWN	NAME																														
0488	24JAN14	REMOVED R/D 1826.	D	92372W	310615	CIRCUIT DIAGRAM, 42/43/44/85/8600 & 73/74/7500																														
					RELEASE NO.	DATE																														
					61229V	09JUN09																														
					PART NO.	SHEET																														
					AE08058187	052																														

Figure 618 Connector Composites (1823), (1824), (1825)

13.102. CONNECTOR COMPOSITES (1828), (1829), (1852), (1852A), P. 53

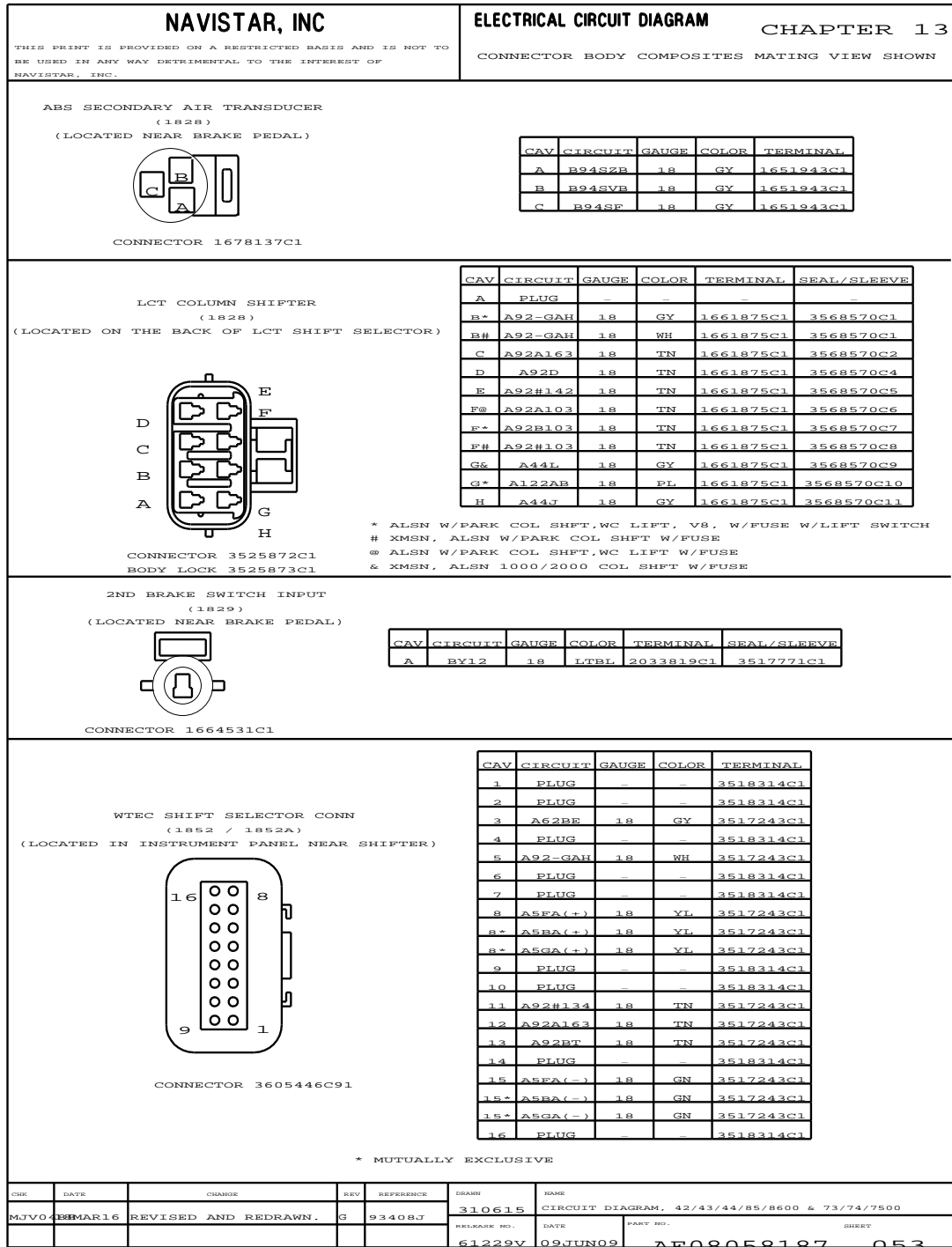


Figure 619 Connector Composites (1828), (1829), (1852), (1852A)

13.103. CONNECTOR COMPOSITES (1861), (1872), (1873), P. 54

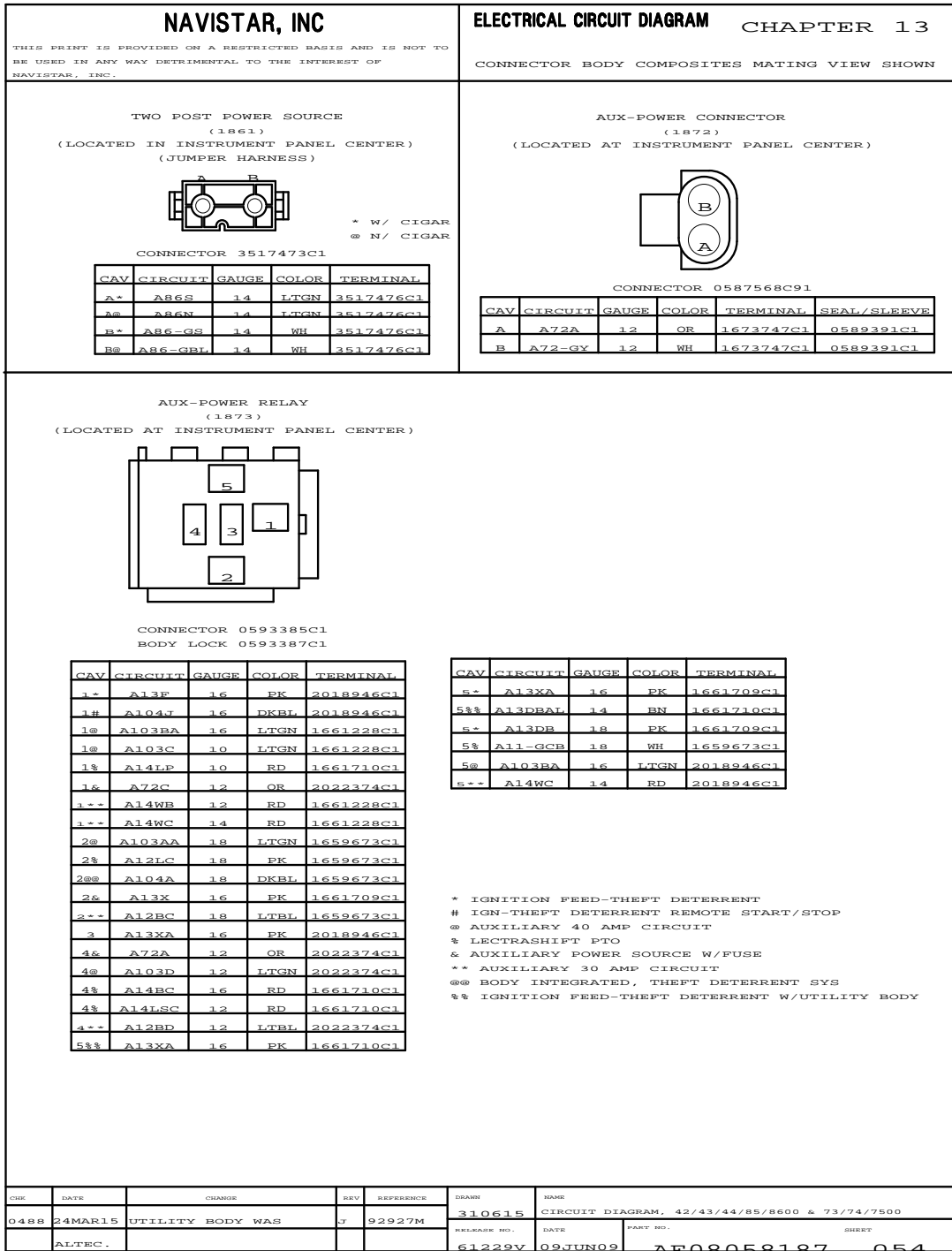


Figure 620 Connector Composites (1861), (1872), (1873)

13.104. CONNECTOR COMPOSITES (1873B), (1873C), (1873D), P. 54A

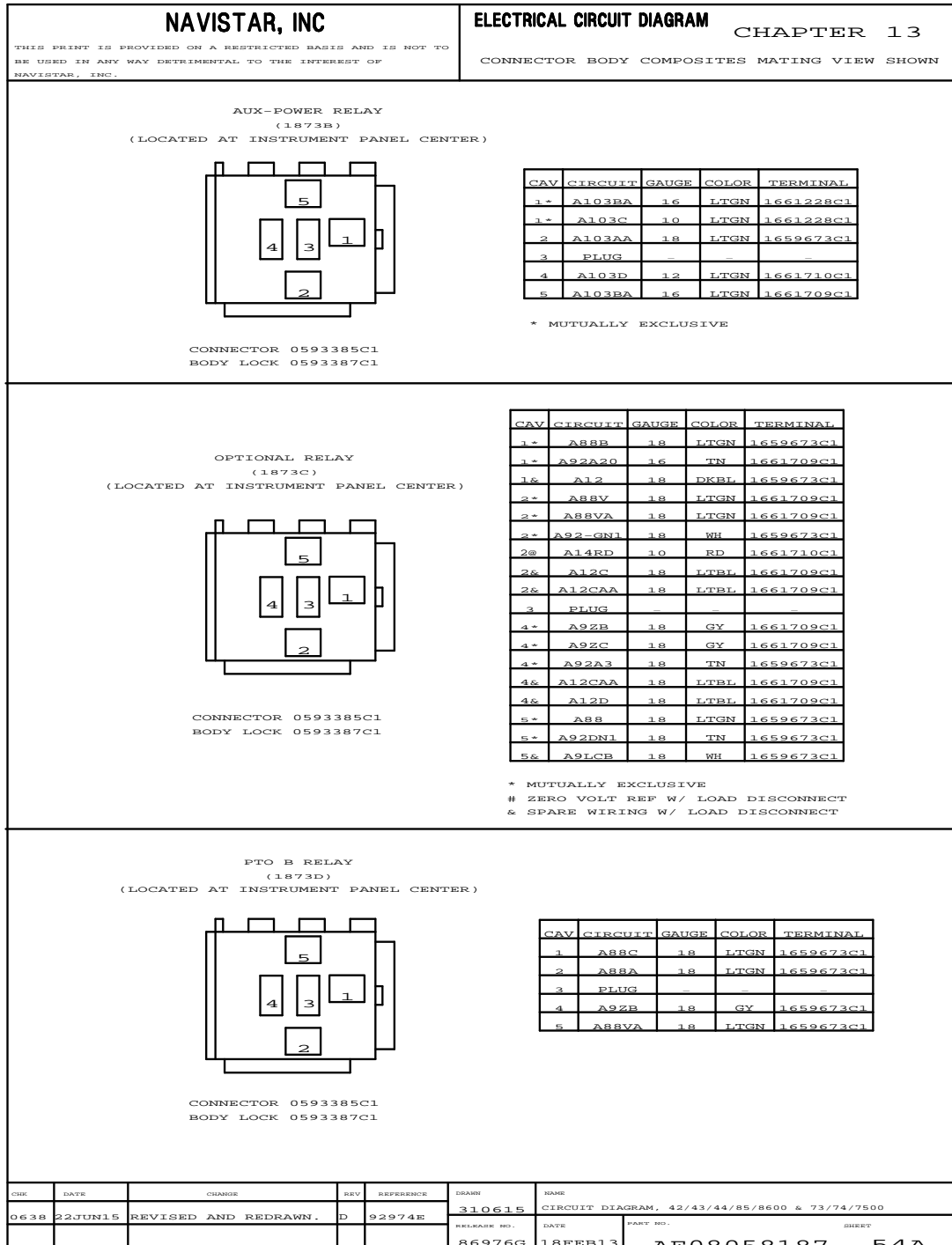


Figure 621 Connector Composites (1873B), (1873C), (1873D)

13.105. CONNECTOR COMPOSITES (1873E), (1873F), (1873G), P. 54B

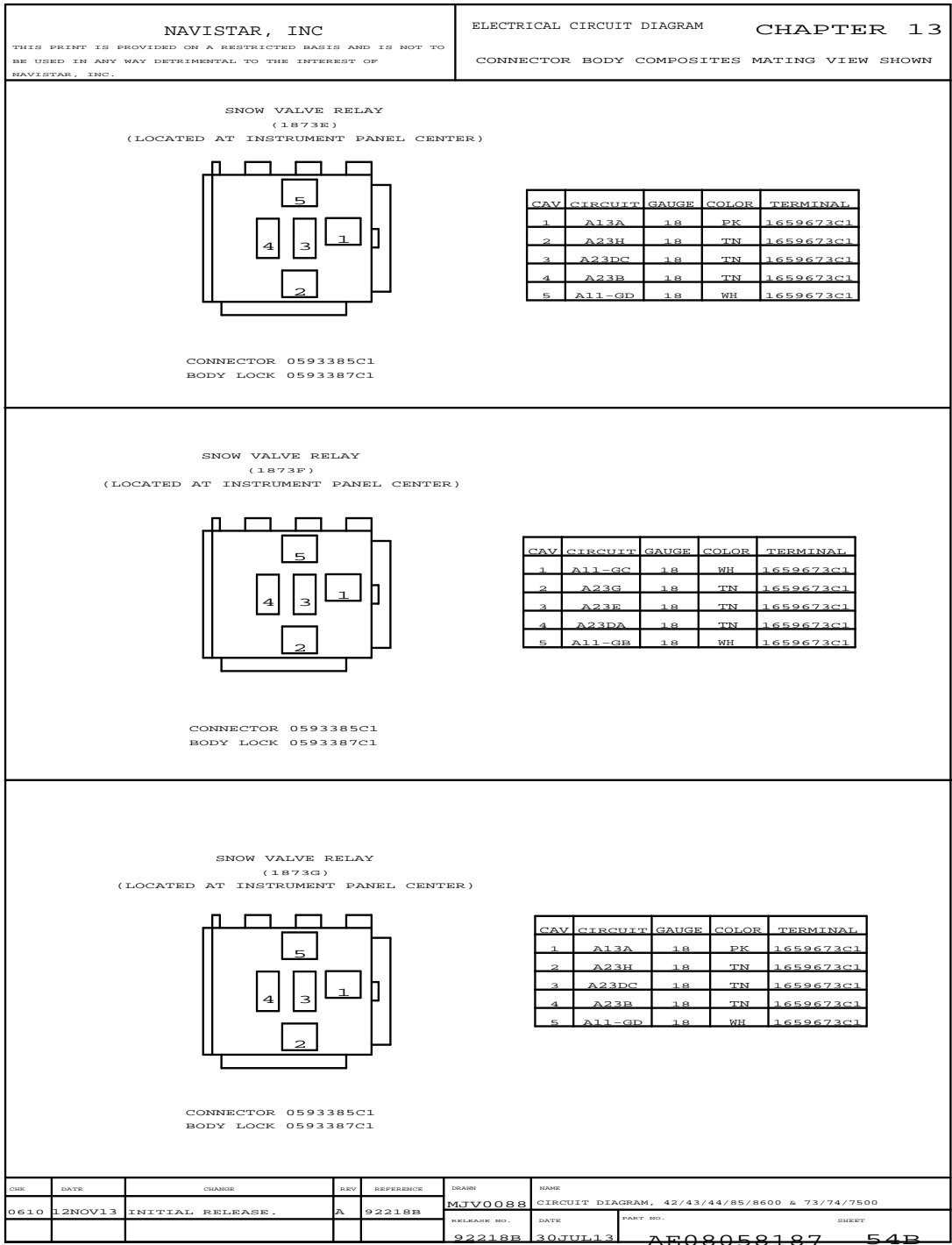


Figure 622 Connector Composites (1873E), (1873F), (1873G)

13.106. CONNECTOR COMPOSITES (1873H), (1873J), P. 54C

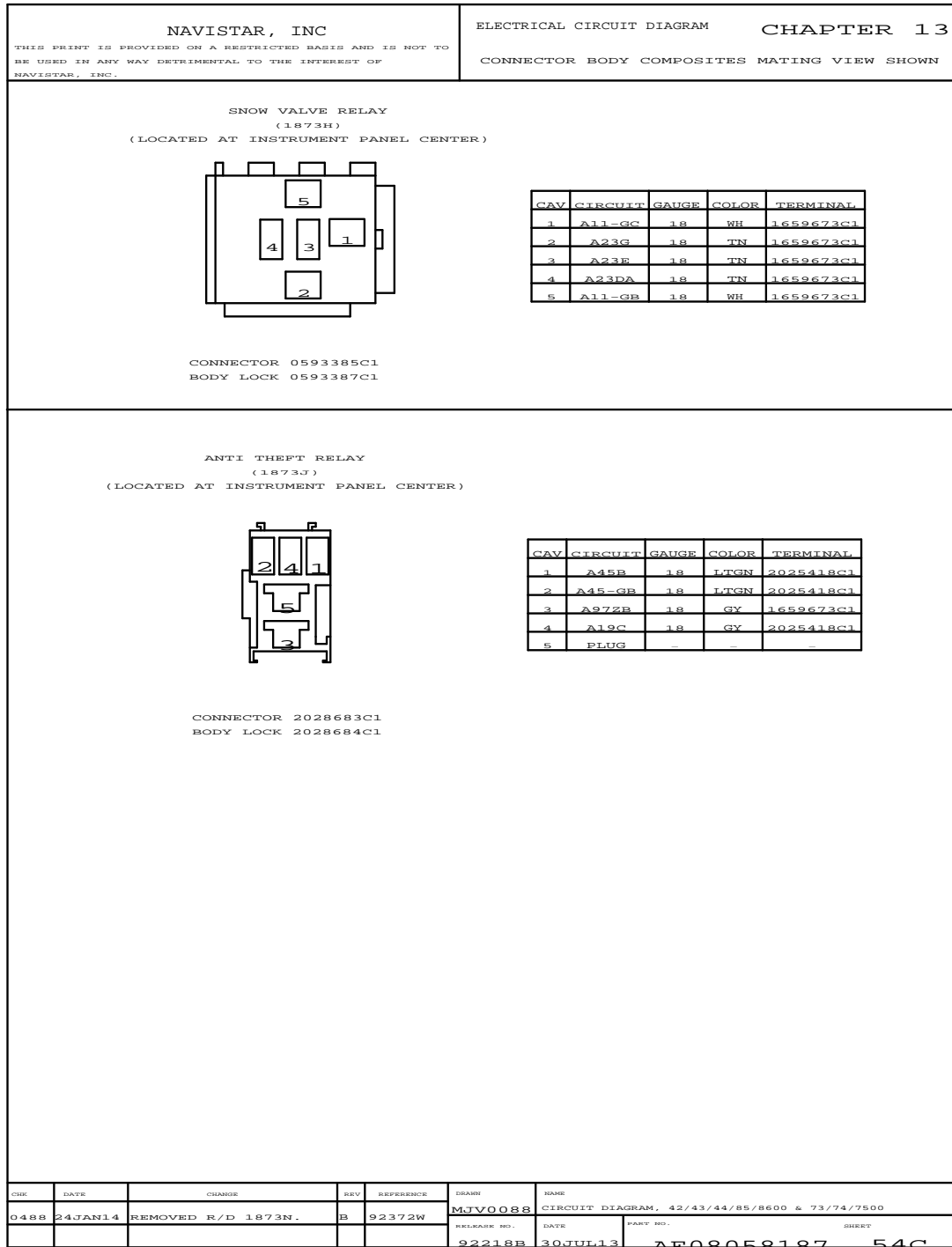


Figure 623 Connector Composites (1873H), (1873J)

13.107. CONNECTOR COMPOSITES (1873W), P. 54D

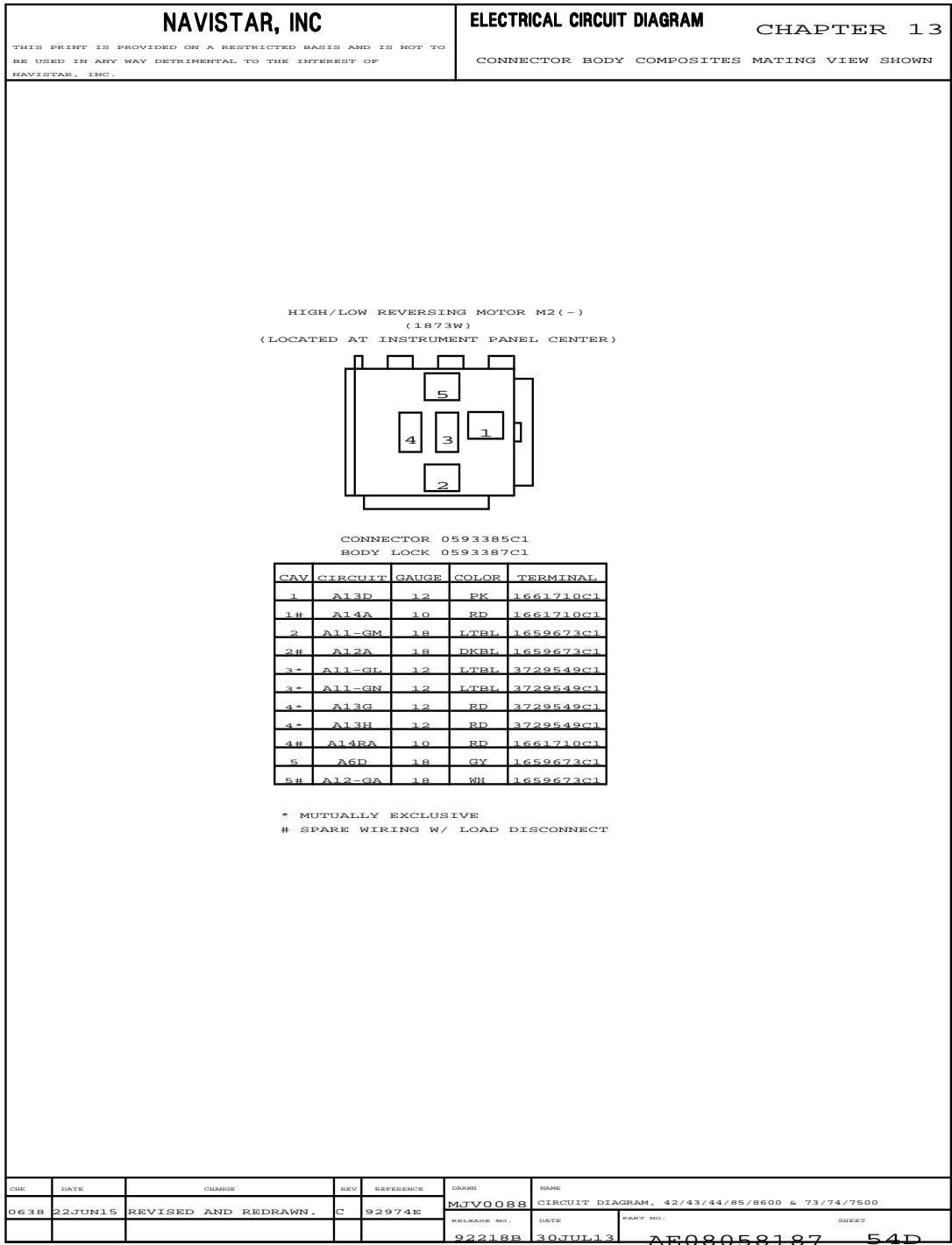


Figure 624 Connector Composites (1873W)

13.108. CONNECTOR COMPOSITES (1873X), (1873Y), (1873Z), P. 54E

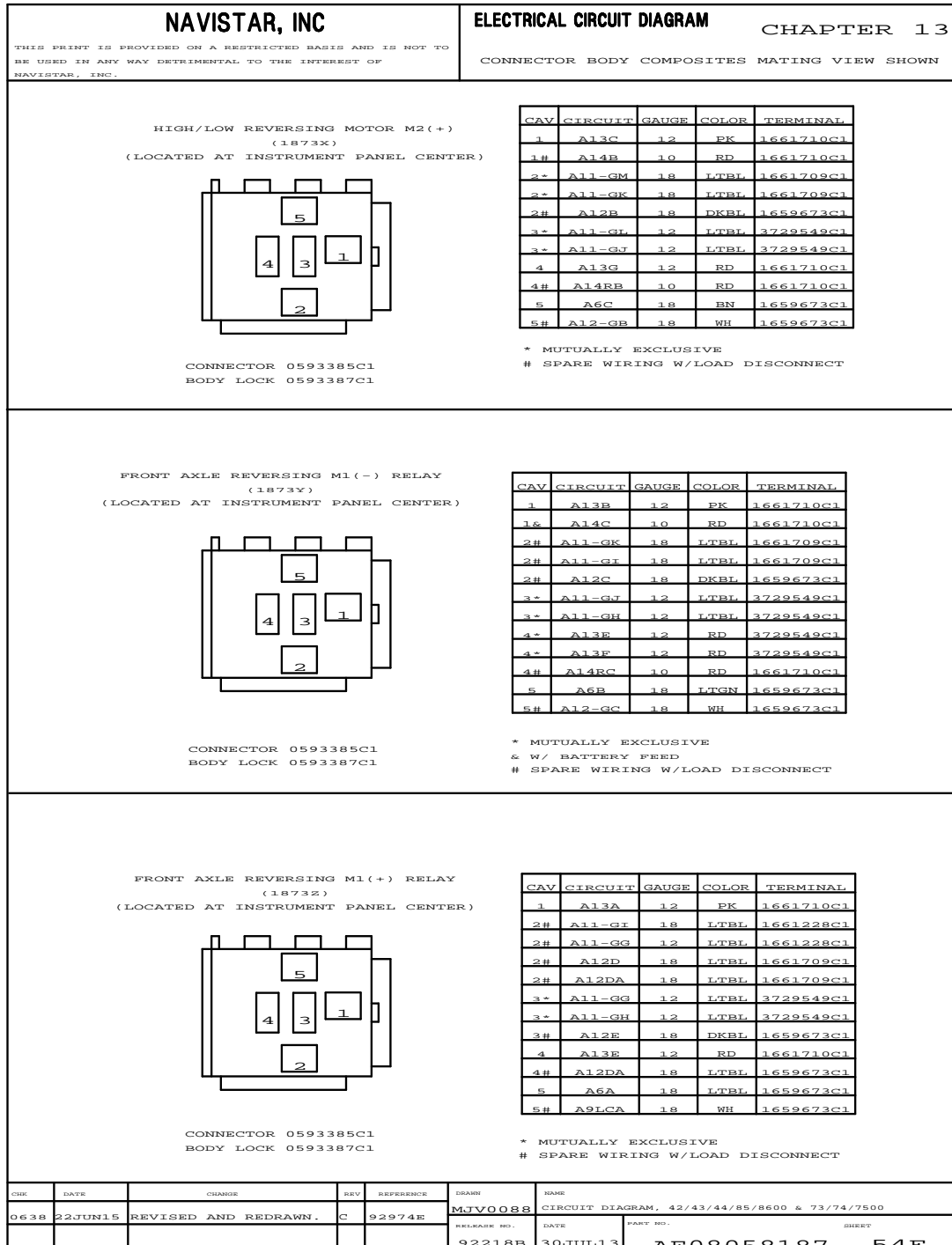


Figure 625 Connector Composites (1873X), (1873Y), (1873Z)

13.109. CONNECTOR COMPOSITES (1874), (1874A), (1874B), P. 54F

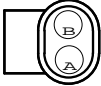
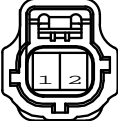
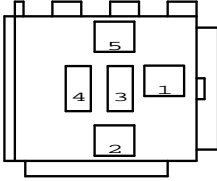

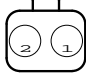
NAVISTAR, INC				ELECTRICAL CIRCUIT DIAGRAM		CHAPTER 13																															
THIS PRINT IS PROVIDED ON A RESTRICTED BASIS AND IS NOT TO BE USED IN ANY WAY DETRIMENTAL TO THE INTEREST OF NAVISTAR, INC.				CONNECTOR BODY COMPOSITES MATING VIEW SHOWN																																	
WATER IN FUEL SENSOR (W.I.F) (1874) (LOCATED AT INSTRUMENT PANEL CENTER)																																					
				<table border="1" style="width: 100%; border-collapse: collapse;"> <thead> <tr> <th>CAV</th> <th>CIRCUIT</th> <th>GAUGE</th> <th>COLOR</th> <th>TERMINAL</th> </tr> </thead> <tbody> <tr> <td>A</td> <td>K111-G</td> <td>16</td> <td>TN</td> <td>2036586C1</td> </tr> <tr> <td>B</td> <td>K111A</td> <td>18</td> <td>TN</td> <td>2036586C1</td> </tr> </tbody> </table>				CAV	CIRCUIT	GAUGE	COLOR	TERMINAL	A	K111-G	16	TN	2036586C1	B	K111A	18	TN	2036586C1															
CAV	CIRCUIT	GAUGE	COLOR	TERMINAL																																	
A	K111-G	16	TN	2036586C1																																	
B	K111A	18	TN	2036586C1																																	
CONNECTOR 2036583C1																																					
WIF SENSOR (1874) (LOCATED AT INSTRUMENT PANEL CENTER)																																					
				<table border="1" style="width: 100%; border-collapse: collapse;"> <thead> <tr> <th>CAV</th> <th>CIRCUIT</th> <th>GAUGE</th> <th>COLOR</th> <th>TERMINAL</th> <th>SEAL/SLEEVE</th> </tr> </thead> <tbody> <tr> <td>1</td> <td>K95W</td> <td>18</td> <td>TN</td> <td>3561584C1</td> <td>3536867C1</td> </tr> <tr> <td>2</td> <td>K95-GE</td> <td>18</td> <td>WH</td> <td>3561584C1</td> <td>3536867C1</td> </tr> </tbody> </table>				CAV	CIRCUIT	GAUGE	COLOR	TERMINAL	SEAL/SLEEVE	1	K95W	18	TN	3561584C1	3536867C1	2	K95-GE	18	WH	3561584C1	3536867C1												
CAV	CIRCUIT	GAUGE	COLOR	TERMINAL	SEAL/SLEEVE																																
1	K95W	18	TN	3561584C1	3536867C1																																
2	K95-GE	18	WH	3561584C1	3536867C1																																
CONNECTOR 3590390C91																																					
AIR COMPRESSOR RELAY (1874) (LOCATED AT INSTRUMENT PANEL CENTER)																																					
				<table border="1" style="width: 100%; border-collapse: collapse;"> <thead> <tr> <th>CAV</th> <th>CIRCUIT</th> <th>GAUGE</th> <th>COLOR</th> <th>TERMINAL</th> </tr> </thead> <tbody> <tr> <td>1</td> <td>A40C</td> <td>14</td> <td>GY</td> <td>1661709C1</td> </tr> <tr> <td>2</td> <td>A40</td> <td>18</td> <td>GY</td> <td>1659673C1</td> </tr> <tr> <td>3</td> <td>PLUG</td> <td>-</td> <td>-</td> <td>-</td> </tr> <tr> <td>4</td> <td>A40A</td> <td>14</td> <td>GY</td> <td>1661709C1</td> </tr> <tr> <td>5</td> <td>A40-G</td> <td>18</td> <td>GY</td> <td>1659673C1</td> </tr> </tbody> </table>				CAV	CIRCUIT	GAUGE	COLOR	TERMINAL	1	A40C	14	GY	1661709C1	2	A40	18	GY	1659673C1	3	PLUG	-	-	-	4	A40A	14	GY	1661709C1	5	A40-G	18	GY	1659673C1
CAV	CIRCUIT	GAUGE	COLOR	TERMINAL																																	
1	A40C	14	GY	1661709C1																																	
2	A40	18	GY	1659673C1																																	
3	PLUG	-	-	-																																	
4	A40A	14	GY	1661709C1																																	
5	A40-G	18	GY	1659673C1																																	
CONNECTOR 0593385C1 BODY LOCK 0593387C1																																					
CUMMINS WIF (1874A)																																					
				<table border="1" style="width: 100%; border-collapse: collapse;"> <thead> <tr> <th>CAV</th> <th>CIRCUIT</th> <th>GAUGE</th> <th>COLOR</th> <th>TERMINAL</th> </tr> </thead> <tbody> <tr> <td>1</td> <td>K95A</td> <td>18</td> <td>TN</td> <td>1651969C1</td> </tr> <tr> <td>2</td> <td>K95-G</td> <td>18</td> <td>WH</td> <td>1651969C1</td> </tr> </tbody> </table>				CAV	CIRCUIT	GAUGE	COLOR	TERMINAL	1	K95A	18	TN	1651969C1	2	K95-G	18	WH	1651969C1															
CAV	CIRCUIT	GAUGE	COLOR	TERMINAL																																	
1	K95A	18	TN	1651969C1																																	
2	K95-G	18	WH	1651969C1																																	
W/DURASTAR CONNECTOR 3850892C1 BODY LOCK 3518184C1																																					
WORKSTAR WIF SENSOR (1874B) (LOCATED AT INSTRUMENT PANEL CENTER)																																					
				<table border="1" style="width: 100%; border-collapse: collapse;"> <thead> <tr> <th>CAV</th> <th>CIRCUIT</th> <th>GAUGE</th> <th>COLOR</th> <th>TERMINAL</th> </tr> </thead> <tbody> <tr> <td>1</td> <td>K95W</td> <td>18</td> <td>TN</td> <td>1680205C1</td> </tr> <tr> <td>2</td> <td>K95-GE</td> <td>18</td> <td>WH</td> <td>1680205C1</td> </tr> </tbody> </table>				CAV	CIRCUIT	GAUGE	COLOR	TERMINAL	1	K95W	18	TN	1680205C1	2	K95-GE	18	WH	1680205C1															
CAV	CIRCUIT	GAUGE	COLOR	TERMINAL																																	
1	K95W	18	TN	1680205C1																																	
2	K95-GE	18	WH	1680205C1																																	
CONNECTOR 3602747C1 BODY LOCK 3539784C1																																					
CHK	DATE	CHANGE	REV	REFERENCE	DRAWN	NAME																															
0488	24JAN14	ADDED R/D 1874A.	B	92372W	MJVO088	CIRCUIT DIAGRAM, 42/43/44/85/8600 & 73/74/7500																															
RELEASE NO.		DATE		PART NO.		SHEET																															
92218B		30JUL13		AE08058187		54F																															

Figure 626 Connector Composites (1874), (1874A), (1874B)

13.110. CONNECTOR COMPOSITES (1900), (1901), (1902), (1903), (1910), (1910A), P. 55

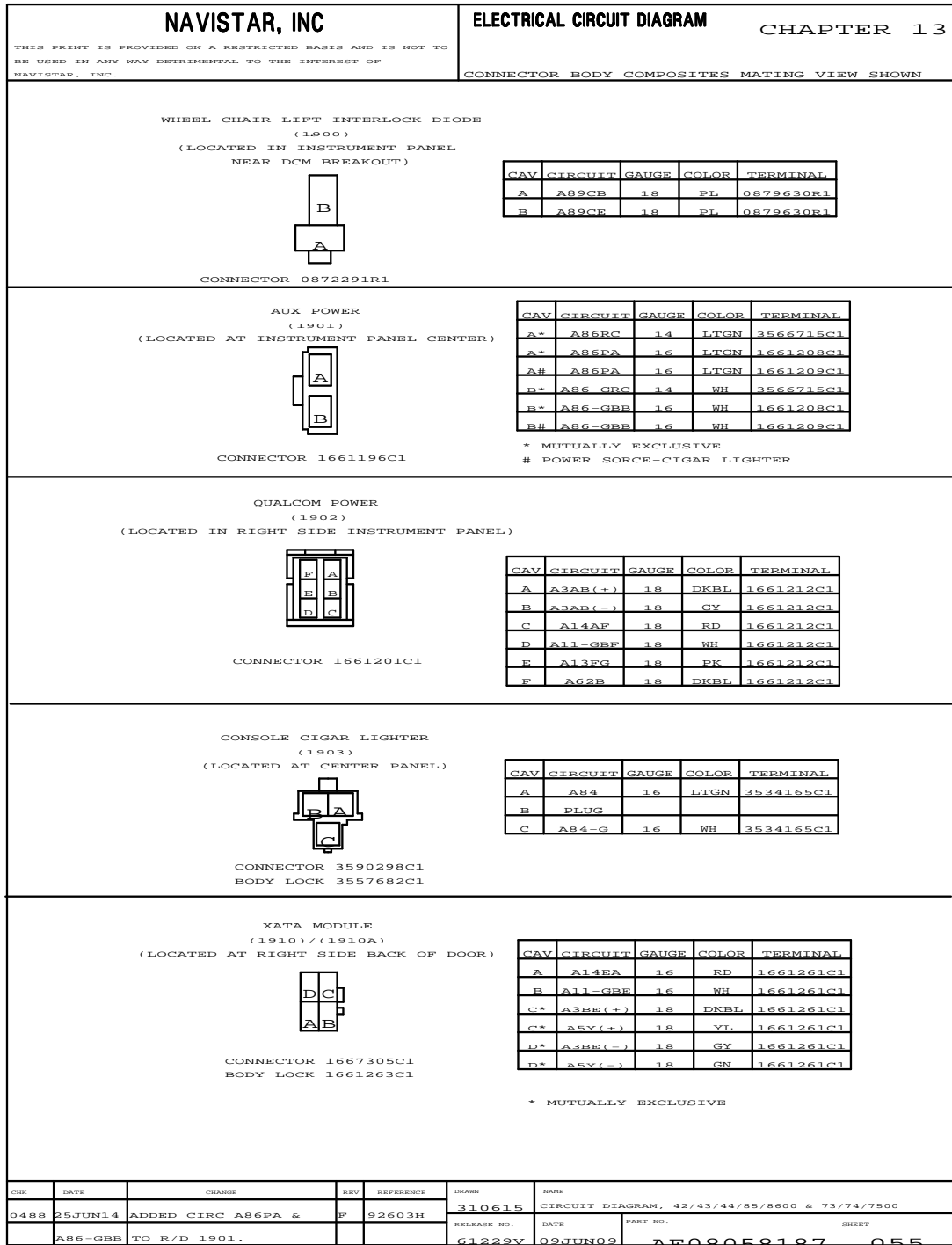


Figure 627 Connector Composites (1900), (1901), (1902), (1903), (1910), (1910A)

13.111. CONNECTOR COMPOSITES (1911), (1917), (1918), (1918A), P. 55A

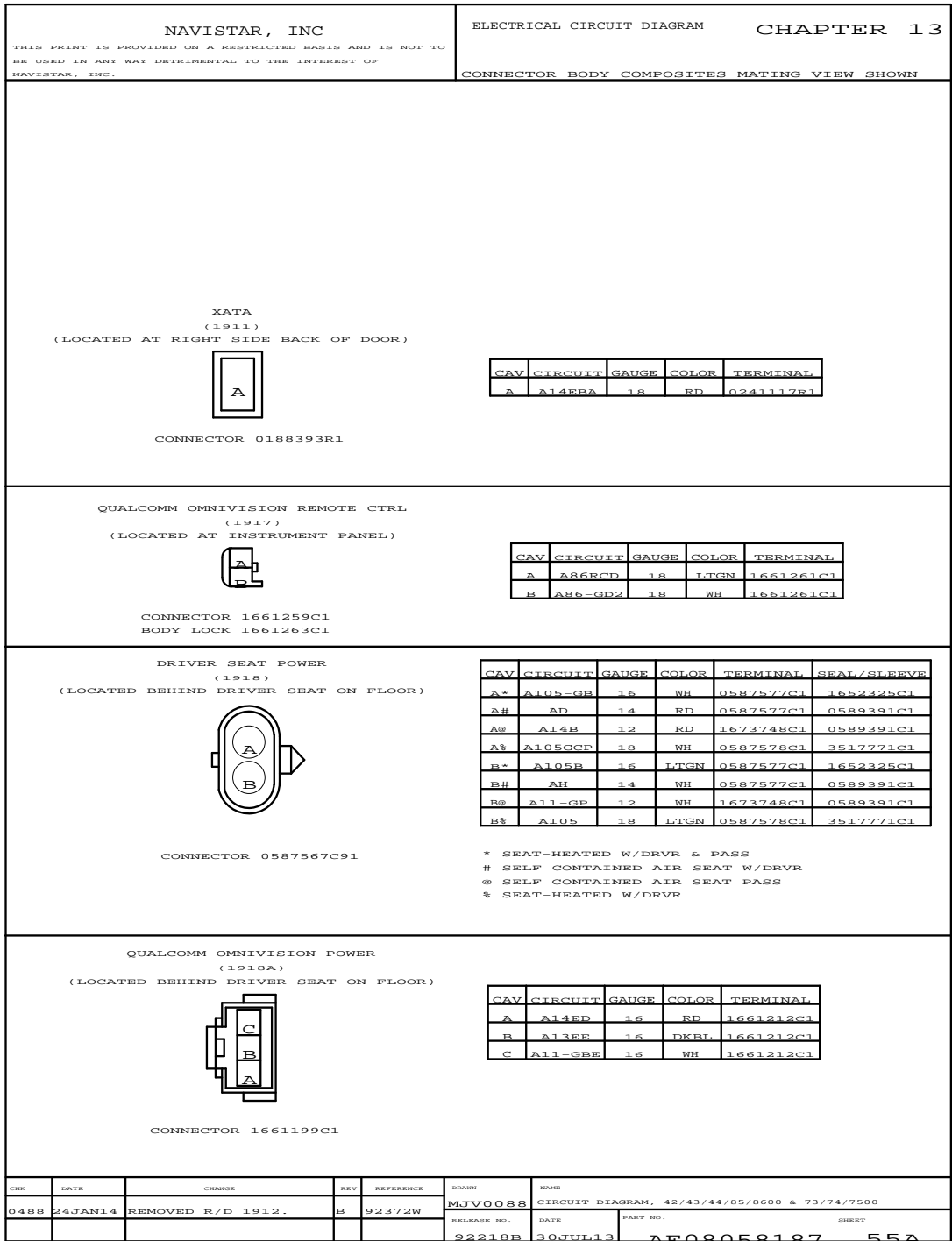


Figure 628 Connector Composites (1911), (1917), (1918), (1918A)

13.112. CONNECTOR COMPOSITES (1919A), (1920), (1927), (1929), P. 56

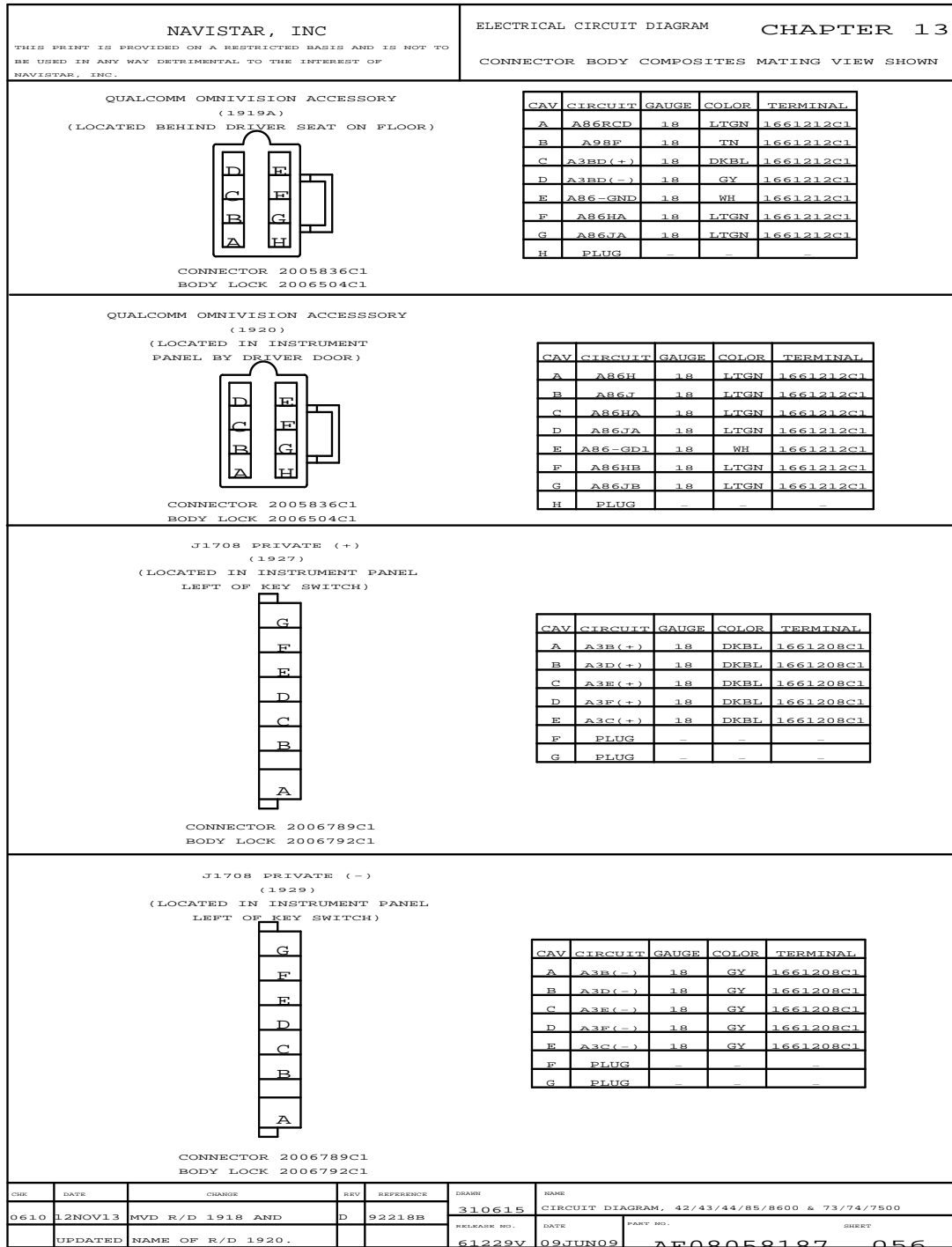


Figure 629 Connector Composites (1919A), (1920), (1927), (1929)

13.113. CONNECTOR COMPOSITES (1935), (1936M), (1937N), (1938M), (1939), P. 57

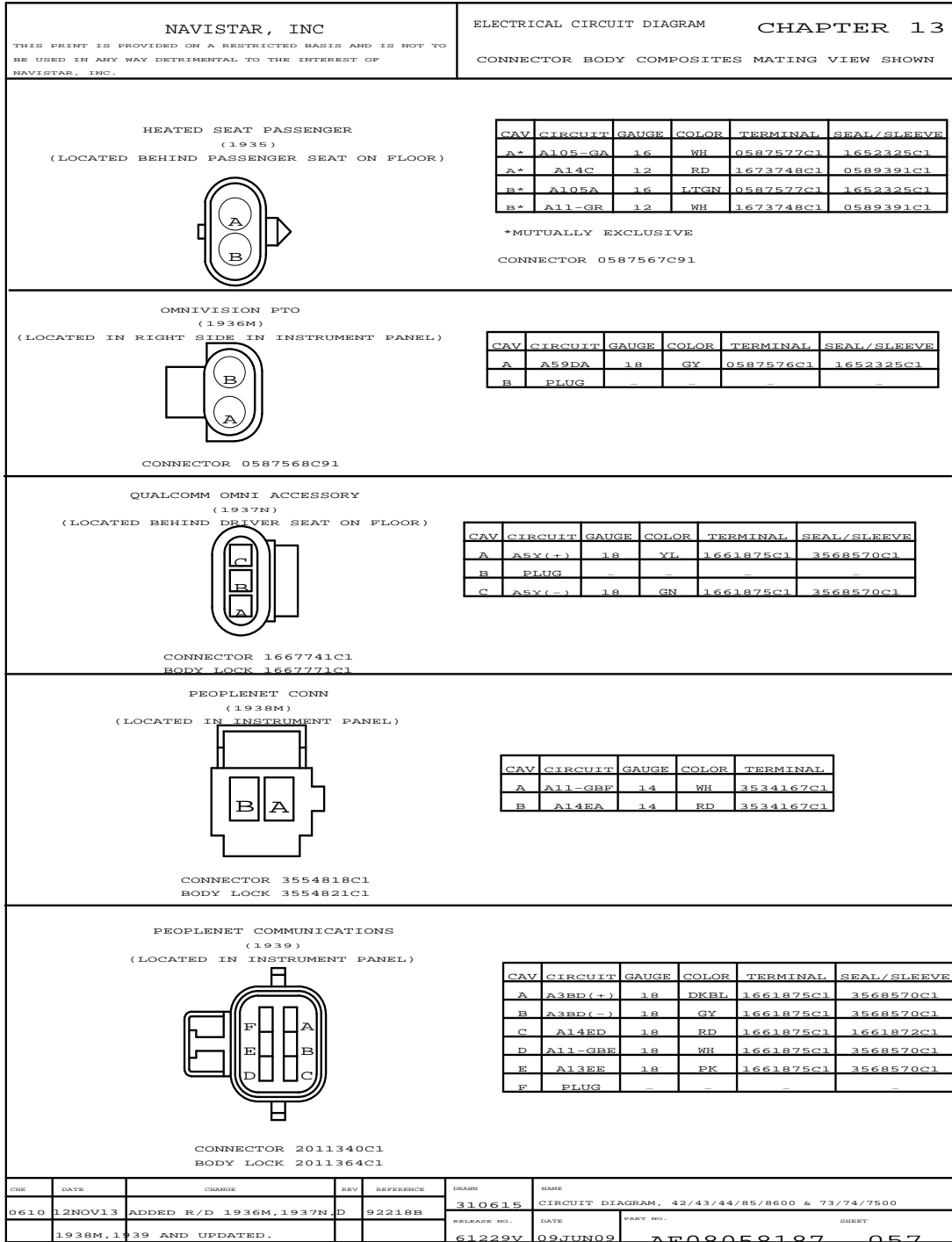


Figure 630 Connector Composites (1935), (1936M), (1937N), (1938M), (1939)

13.114. CONNECTOR COMPOSITES (1939M), (1941), (1942F), P. 57A

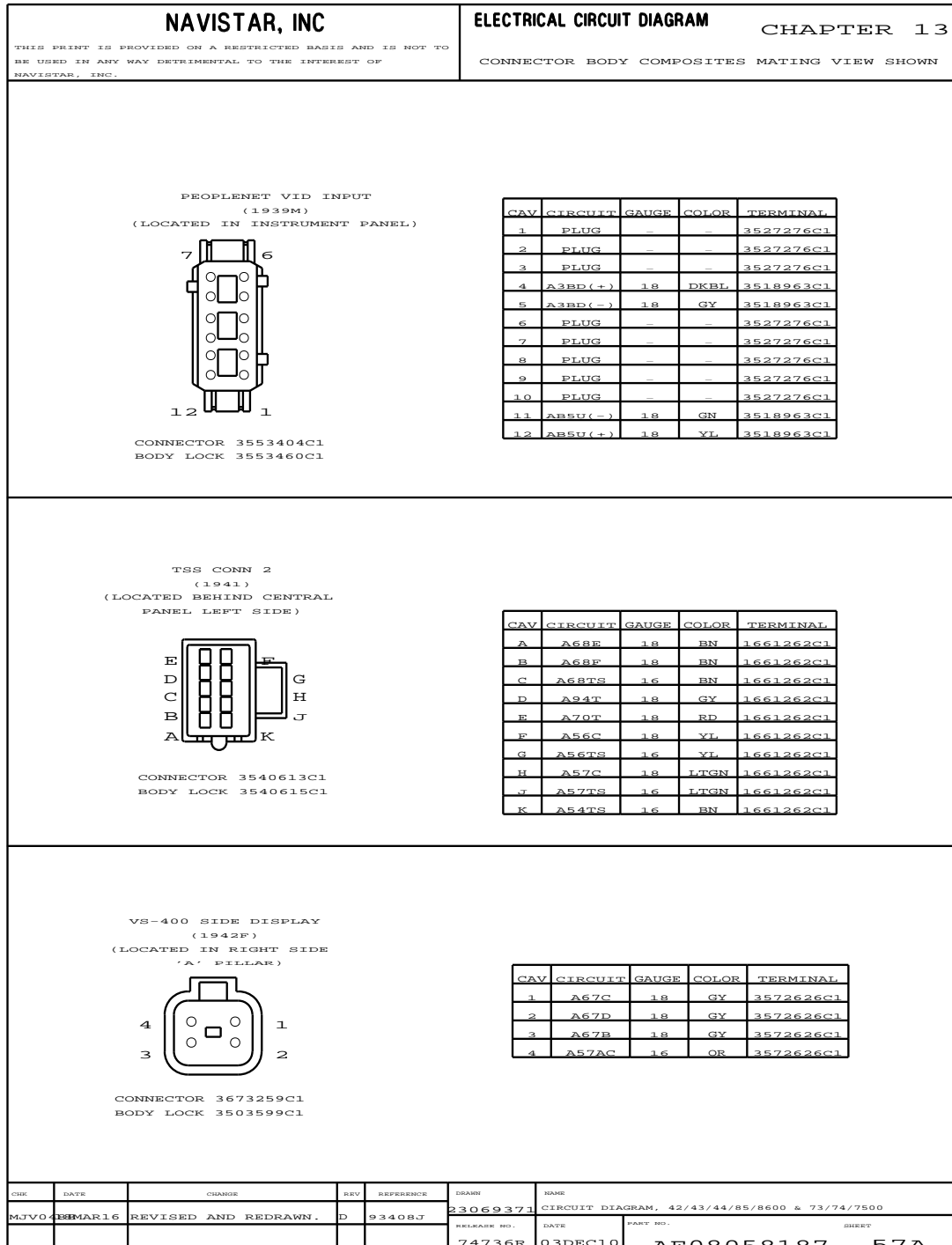


Figure 631 Connector Composites (1939M), (1941), (1942F)

13.115. CONNECTOR COMPOSITES (1943M), (1946), (1947), P. 57B

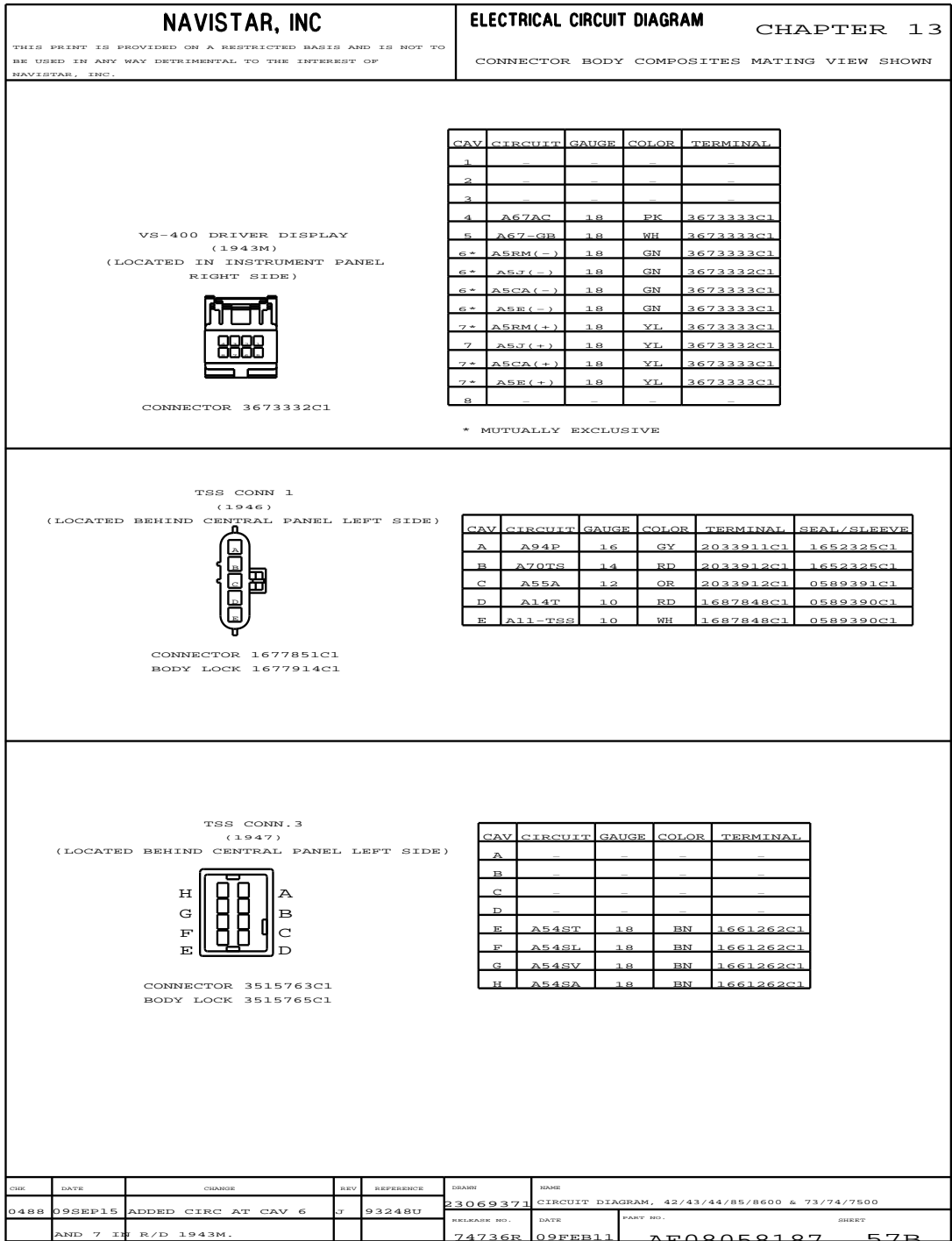


Figure 632 Connector Composites (1943M), (1946), (1947)

13.116. CONNECTOR COMPOSITES (1948), (1949), (1956), (1957), P. 57C

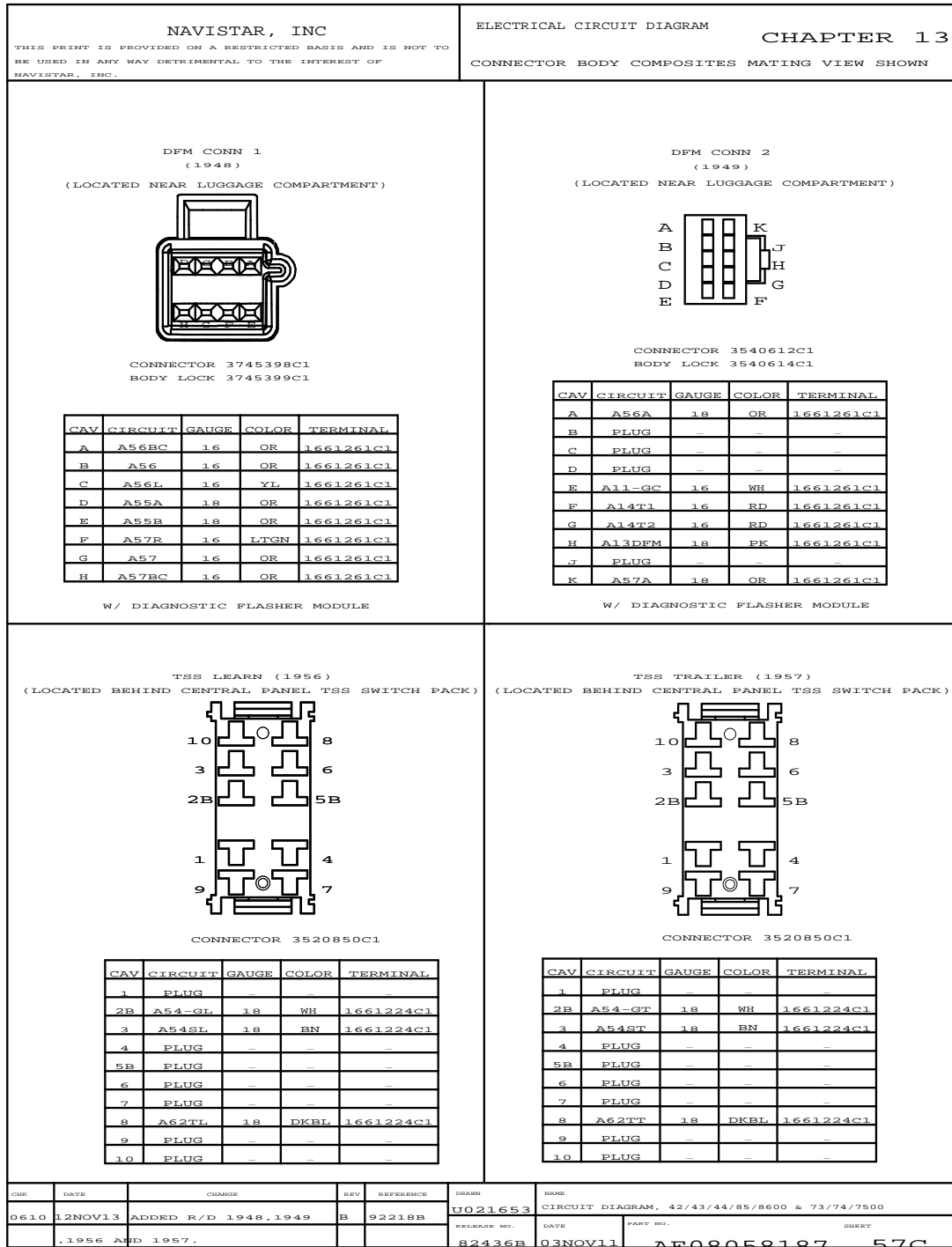


Figure 633 Connector Composites (1948), (1949), (1956), (1957)

13.117. CONNECTOR COMPOSITES (1958), (1959), (1961), (1962), P. 57D

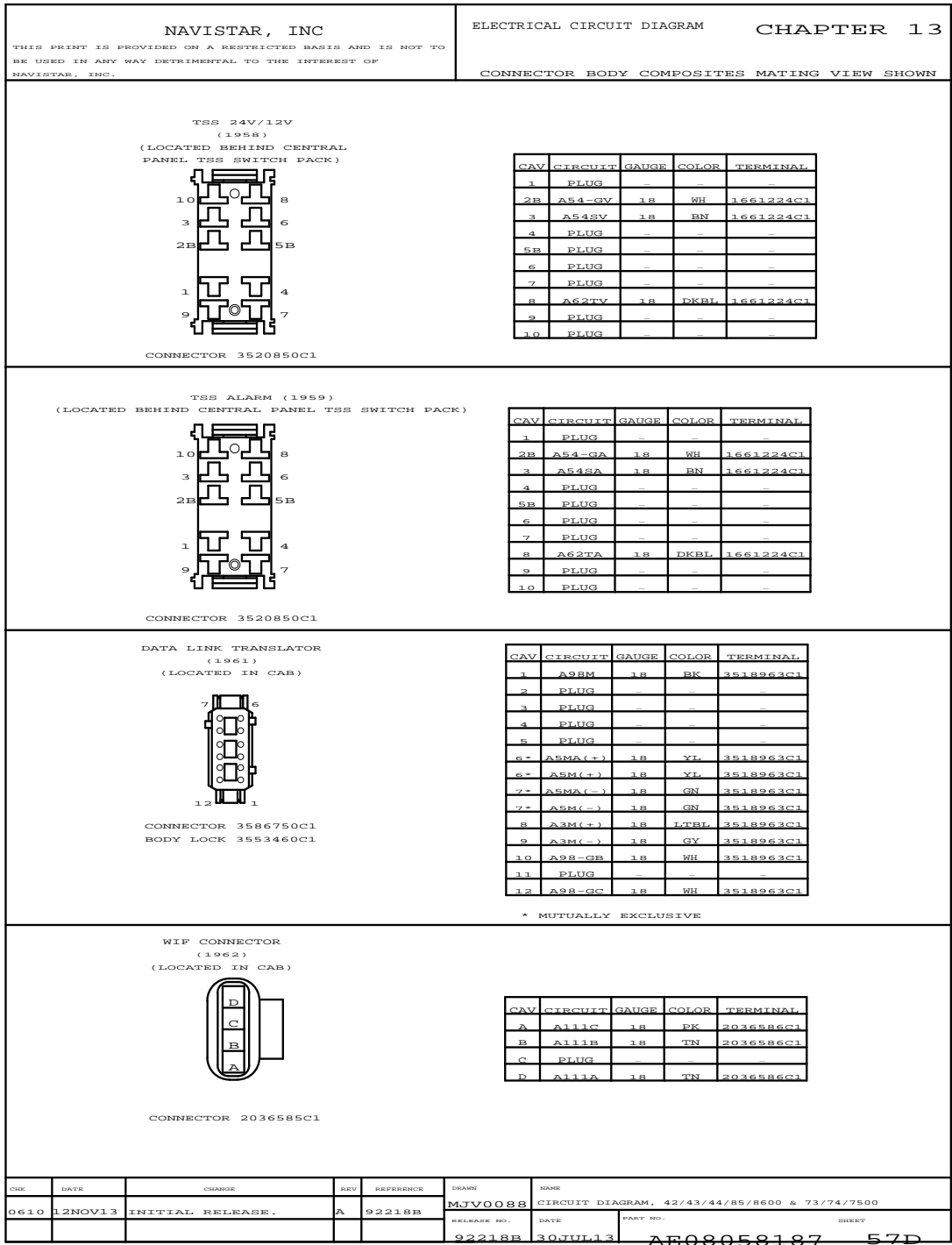


Figure 634 Connector Composites (1958), (1959), (1961), (1962)

13.118. CONNECTOR COMPOSITES (1964), P. 57E

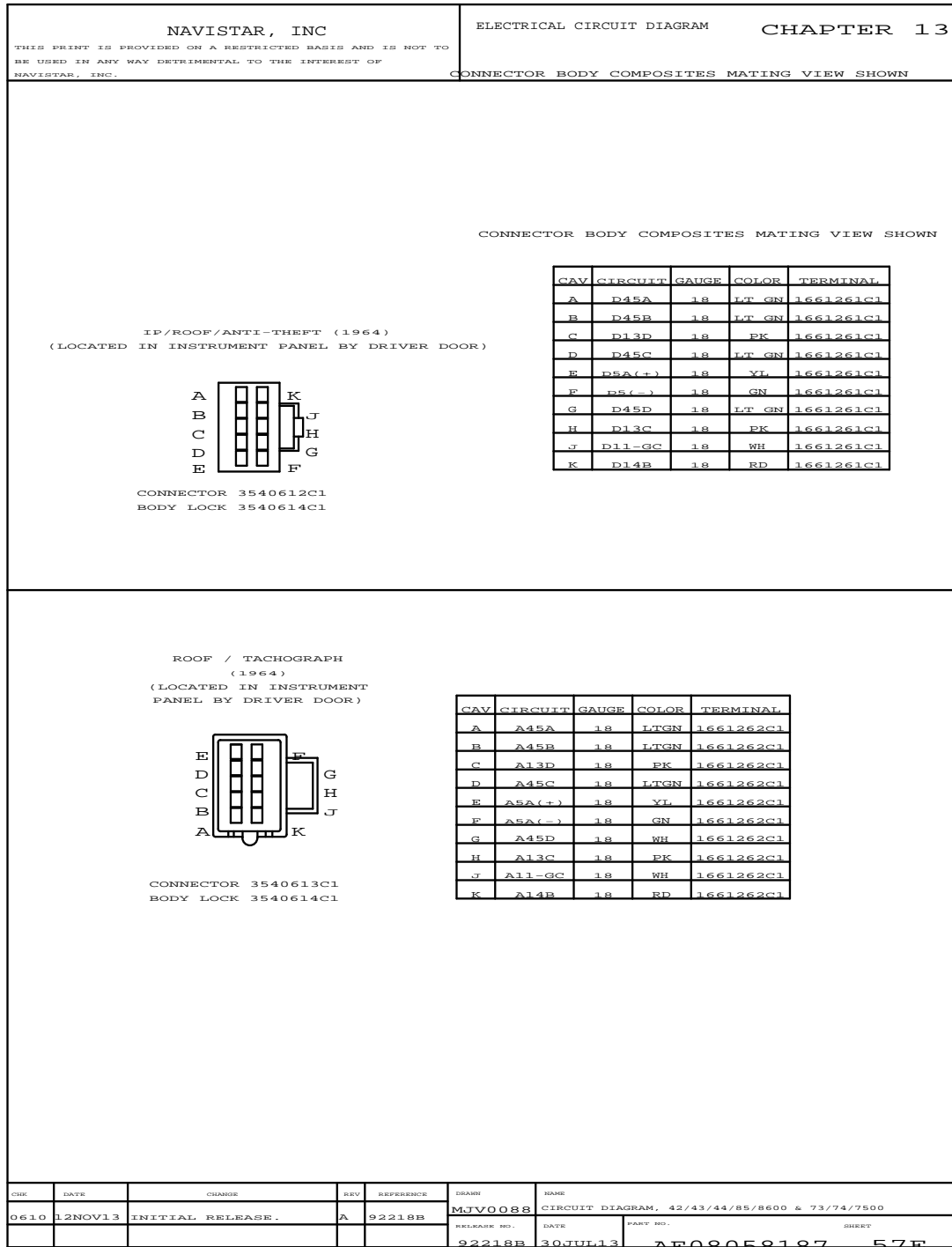


Figure 635 Connector Composites (1964)

13.119. CONNECTOR COMPOSITES (1965), (1965F), (1971), (1981), P. 57F

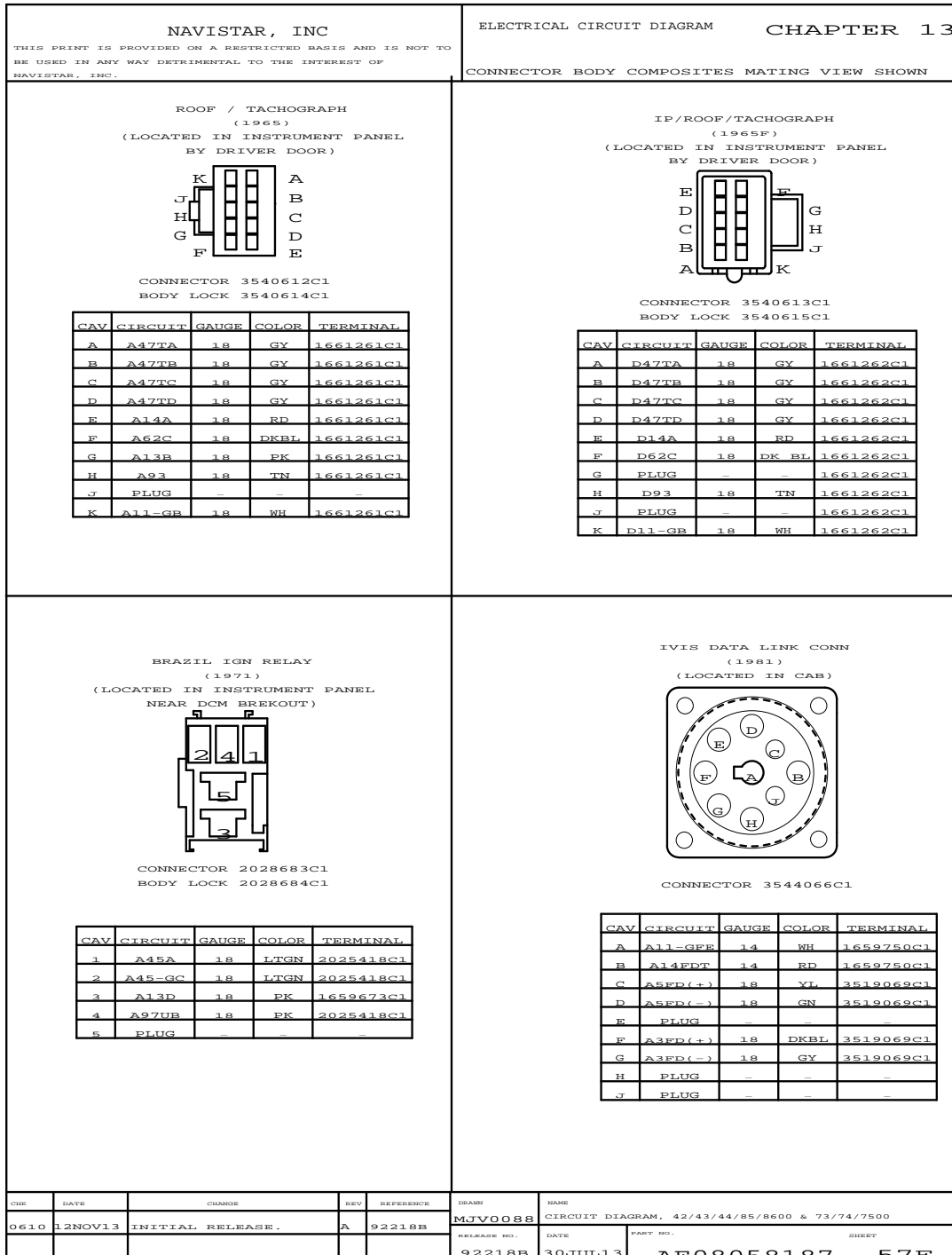


Figure 636 Connector Composites (1965), (1965F), (1971), (1981)

13.120. CONNECTOR COMPOSITES (2000), P. 57G

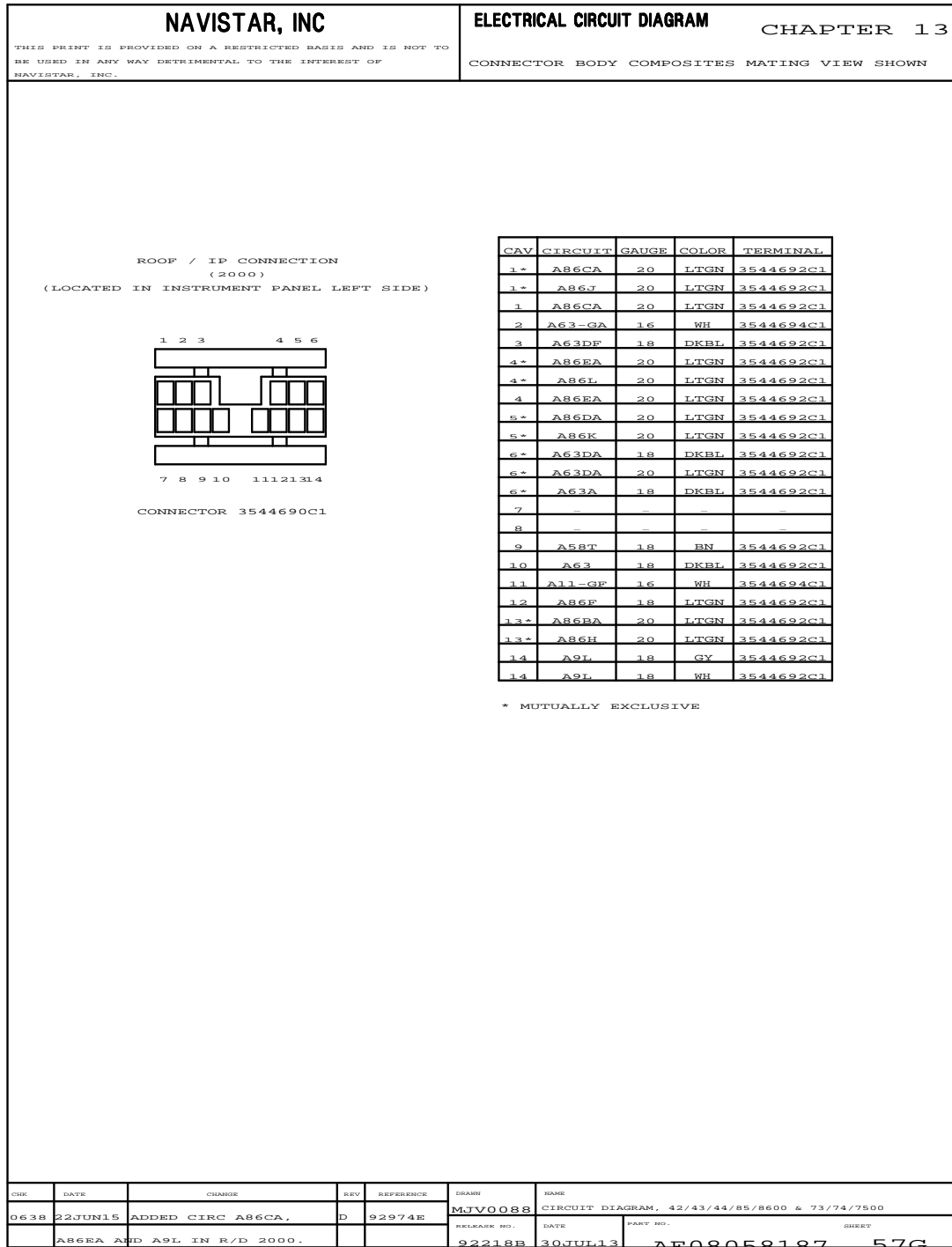


Figure 637 Connector Composites (2000)

13.121. CONNECTOR COMPOSITES (2021), (2200), (2201), (2202), (2203), (2223), P. 58

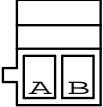





NAVISTAR, INC				ELECTRICAL CIRCUIT DIAGRAM				CHAPTER 13																												
THIS PRINT IS PROVIDED ON A RESTRICTED BASIS AND IS NOT TO BE USED IN ANY WAY DETRIMENTAL TO THE INTEREST OF NAVISTAR, INC.				CONNECTOR BODY COMPOSITE - MATING VIEW SHOWN																																
<p>AUX/IP ROOF (2021) (LOCATED IN INSTRUMENT PANEL LEFT SIDE)</p>  <p>CONNECTOR 3554817C1</p> <table border="1" style="margin-left: auto; margin-right: auto;"> <thead> <tr> <th>CAV</th> <th>CIRCUIT</th> <th>GAUGE</th> <th>COLOR</th> <th>TERMINAL</th> </tr> </thead> <tbody> <tr> <td>A*</td> <td>A58C</td> <td>18</td> <td>BN</td> <td>3534164C1</td> </tr> <tr> <td>A#</td> <td>A12U</td> <td>16</td> <td>LTBL</td> <td>3534165C1</td> </tr> <tr> <td>B#</td> <td>A12-GB</td> <td>16</td> <td>WH</td> <td>3534165C1</td> </tr> <tr> <td>B*</td> <td>A58-GBM</td> <td>18</td> <td>WH</td> <td>3534164C1</td> </tr> </tbody> </table> <p style="font-size: x-small; margin-left: auto; margin-right: auto;">* TAIL LIGHT W/AIR SHIELD # TAIL LIGHT W/ROOF AUXILIARY LOAD</p>												CAV	CIRCUIT	GAUGE	COLOR	TERMINAL	A*	A58C	18	BN	3534164C1	A#	A12U	16	LTBL	3534165C1	B#	A12-GB	16	WH	3534165C1	B*	A58-GBM	18	WH	3534164C1
CAV	CIRCUIT	GAUGE	COLOR	TERMINAL																																
A*	A58C	18	BN	3534164C1																																
A#	A12U	16	LTBL	3534165C1																																
B#	A12-GB	16	WH	3534165C1																																
B*	A58-GBM	18	WH	3534164C1																																
<p>CUSTOMER SUPPLIED WORK LIGHT (2200) (LOCATED IN CAB)</p>  <p>CONNECTOR 1661259C1 BODY LOCK 1661263C1</p> <table border="1" style="margin-left: auto; margin-right: auto;"> <thead> <tr> <th>CAV</th> <th>CIRCUIT</th> <th>GAUGE</th> <th>COLOR</th> <th>TERMINAL</th> </tr> </thead> <tbody> <tr> <td>A</td> <td>A65AD</td> <td>18</td> <td>OR</td> <td>1661261C1</td> </tr> <tr> <td>B</td> <td>A65-GC</td> <td>18</td> <td>WH</td> <td>1661261C1</td> </tr> </tbody> </table>												CAV	CIRCUIT	GAUGE	COLOR	TERMINAL	A	A65AD	18	OR	1661261C1	B	A65-GC	18	WH	1661261C1										
CAV	CIRCUIT	GAUGE	COLOR	TERMINAL																																
A	A65AD	18	OR	1661261C1																																
B	A65-GC	18	WH	1661261C1																																
<p>CUSTOMER SUPPLIED WORK LIGHT (2201) (LOCATED IN CAB)</p>  <p>CONNECTOR 1661259C1 BODY LOCK 1661263C1</p> <table border="1" style="margin-left: auto; margin-right: auto;"> <thead> <tr> <th>CAV</th> <th>CIRCUIT</th> <th>GAUGE</th> <th>COLOR</th> <th>TERMINAL</th> </tr> </thead> <tbody> <tr> <td>A</td> <td>A65-GD</td> <td>18</td> <td>WH</td> <td>1661261C1</td> </tr> <tr> <td>B</td> <td>A65AE</td> <td>18</td> <td>OR</td> <td>1661261C1</td> </tr> </tbody> </table>												CAV	CIRCUIT	GAUGE	COLOR	TERMINAL	A	A65-GD	18	WH	1661261C1	B	A65AE	18	OR	1661261C1										
CAV	CIRCUIT	GAUGE	COLOR	TERMINAL																																
A	A65-GD	18	WH	1661261C1																																
B	A65AE	18	OR	1661261C1																																
<p>CUSTOMER SUPPLIED WORK LIGHT (2202) (LOCATED IN CAB)</p>  <p>CONNECTOR 1661259C1 BODY LOCK 1661263C1</p> <table border="1" style="margin-left: auto; margin-right: auto;"> <thead> <tr> <th>CAV</th> <th>CIRCUIT</th> <th>GAUGE</th> <th>COLOR</th> <th>TERMINAL</th> </tr> </thead> <tbody> <tr> <td>A</td> <td>A65AD</td> <td>18</td> <td>OR</td> <td>1661261C1</td> </tr> <tr> <td>B</td> <td>A65-GC</td> <td>18</td> <td>WH</td> <td>1661261C1</td> </tr> </tbody> </table>												CAV	CIRCUIT	GAUGE	COLOR	TERMINAL	A	A65AD	18	OR	1661261C1	B	A65-GC	18	WH	1661261C1										
CAV	CIRCUIT	GAUGE	COLOR	TERMINAL																																
A	A65AD	18	OR	1661261C1																																
B	A65-GC	18	WH	1661261C1																																
<p>CUSTOMER SUPPLIED WORK LIGHT (2203) (LOCATED IN CAB)</p>  <p>CONNECTOR 1661259C1 BODY LOCK 1661263C1</p> <table border="1" style="margin-left: auto; margin-right: auto;"> <thead> <tr> <th>CAV</th> <th>CIRCUIT</th> <th>GAUGE</th> <th>COLOR</th> <th>TERMINAL</th> </tr> </thead> <tbody> <tr> <td>A</td> <td>A65-GD</td> <td>18</td> <td>WH</td> <td>1661261C1</td> </tr> <tr> <td>B</td> <td>A65AE</td> <td>18</td> <td>OR</td> <td>1661261C1</td> </tr> </tbody> </table>												CAV	CIRCUIT	GAUGE	COLOR	TERMINAL	A	A65-GD	18	WH	1661261C1	B	A65AE	18	OR	1661261C1										
CAV	CIRCUIT	GAUGE	COLOR	TERMINAL																																
A	A65-GD	18	WH	1661261C1																																
B	A65AE	18	OR	1661261C1																																
<p>RAND McNALLY GPS DISPLAY (LOCATED IN INSTRUMENT PANEL-CENTER) (2223)</p>  <p>CONNECTOR 1669972C1</p> <table border="1" style="margin-left: auto; margin-right: auto;"> <thead> <tr> <th>CAV</th> <th>CIRCUIT</th> <th>GAUGE</th> <th>COLOR</th> <th>TERMINAL</th> </tr> </thead> <tbody> <tr> <td>A</td> <td>A12A</td> <td>18</td> <td>LTBL</td> <td>1661208C1</td> </tr> <tr> <td>B</td> <td>A10AE</td> <td>18</td> <td>WH</td> <td>1661208C1</td> </tr> </tbody> </table>												CAV	CIRCUIT	GAUGE	COLOR	TERMINAL	A	A12A	18	LTBL	1661208C1	B	A10AE	18	WH	1661208C1										
CAV	CIRCUIT	GAUGE	COLOR	TERMINAL																																
A	A12A	18	LTBL	1661208C1																																
B	A10AE	18	WH	1661208C1																																
CHK	DATE	CHANGE	REV	REFERENCE	DRAWN	NAME																														
0488	25JUN14	ADDED R/D 2021.	H	92603H	310615	CIRCUIT DIAGRAM, 42/43/44/85/8600 & 73/74/7500																														
					RELEASE NO.	DATE	PART NO.	SHEET																												
					61229V	09JUN09	AE08058187	058																												

Figure 638 Connector Composites (2021), (2200), (2201), (2202), (2203), (2223)

13.122. CONNECTOR COMPOSITES (2224), (2225), (2501), (2502), P. 58A

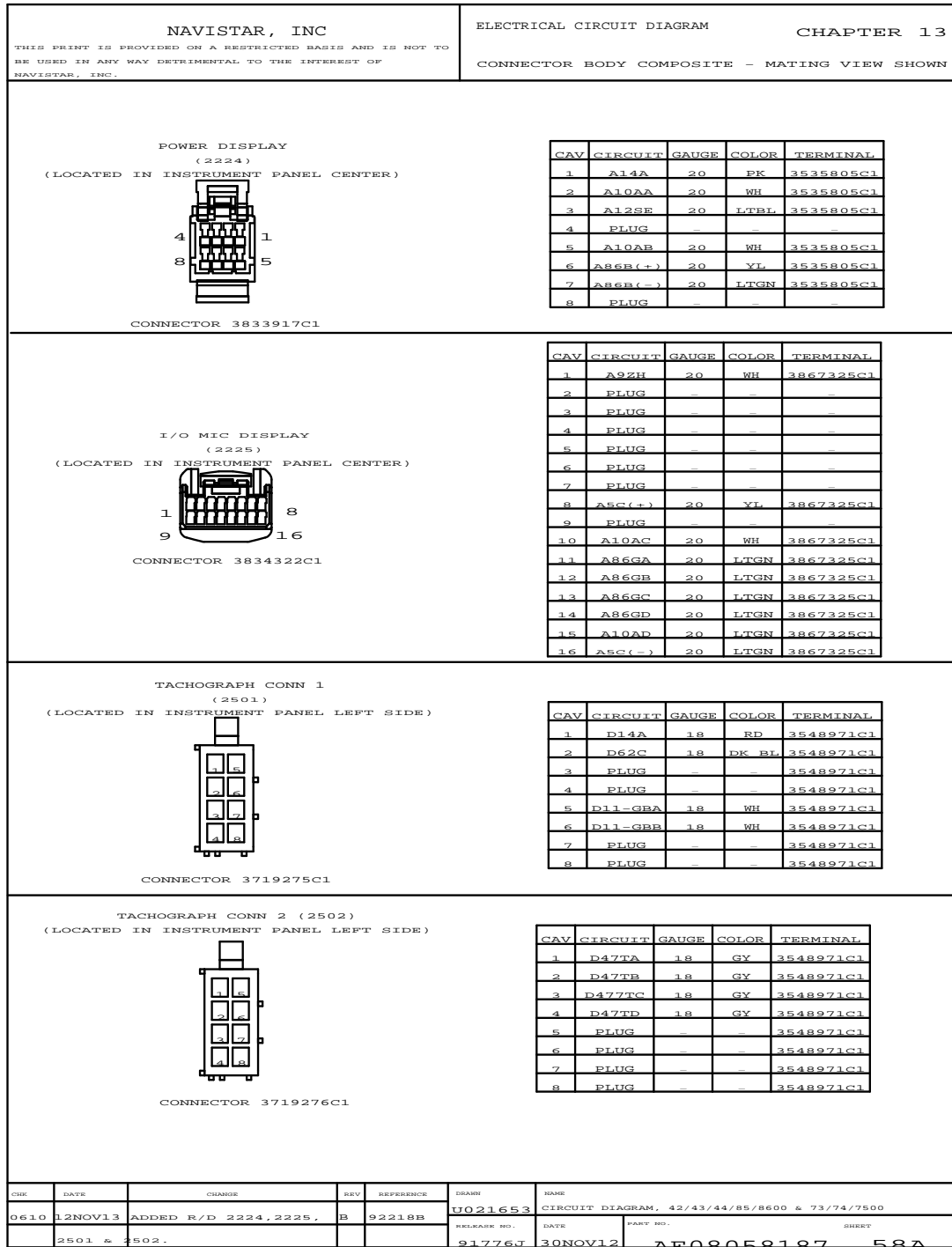


Figure 639 Connector Composites (2224), (2225), (2501), (2502)

13.123. CONNECTOR COMPOSITES (2503), (2505), (2600), (2701), (2702), P. 58B

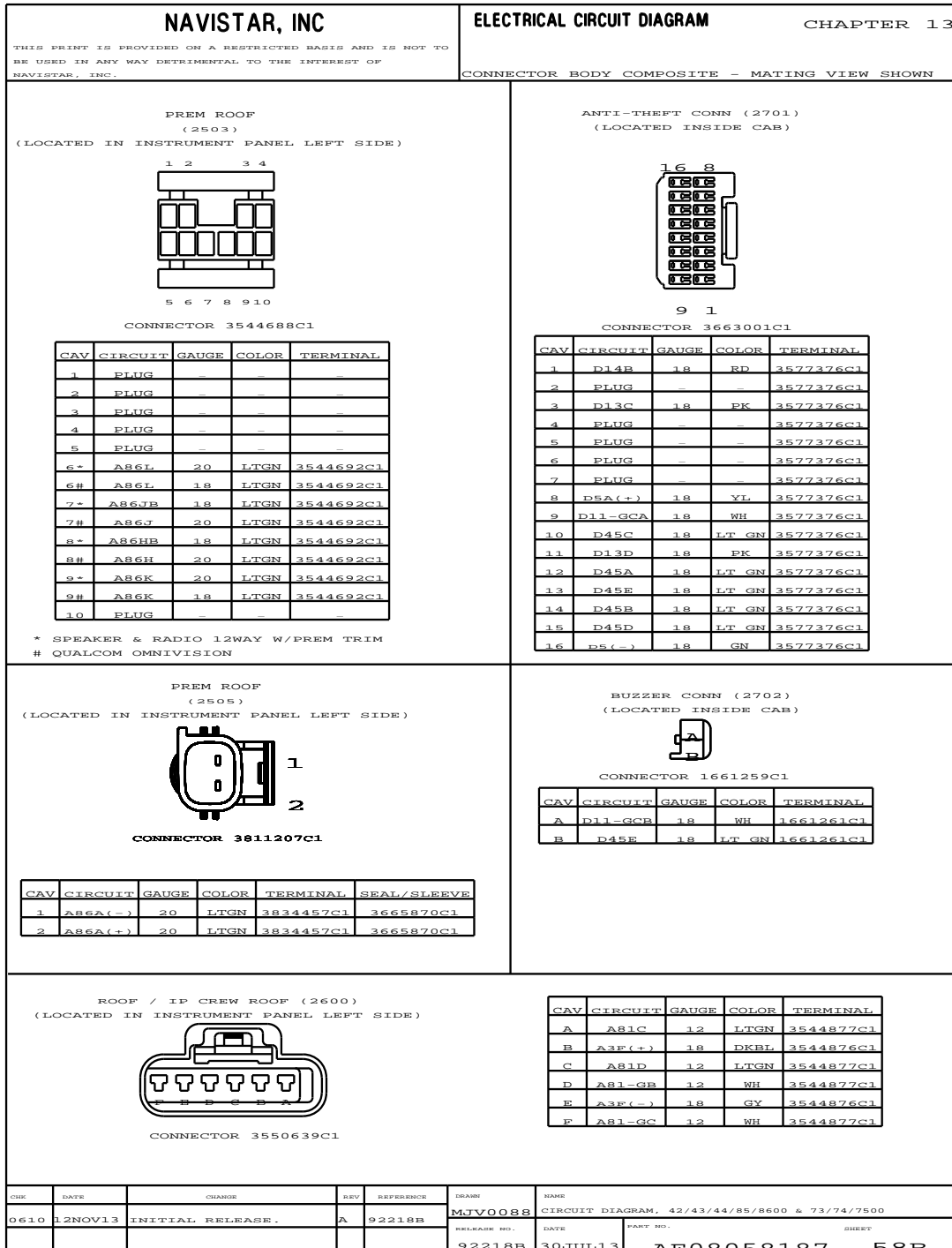


Figure 640 Connector Composites (2503), (2505), (2600), (2701), (2702)

13.124. CONNECTOR COMPOSITES (3000), (3001), (3002M), (3003), (3004), P. 59

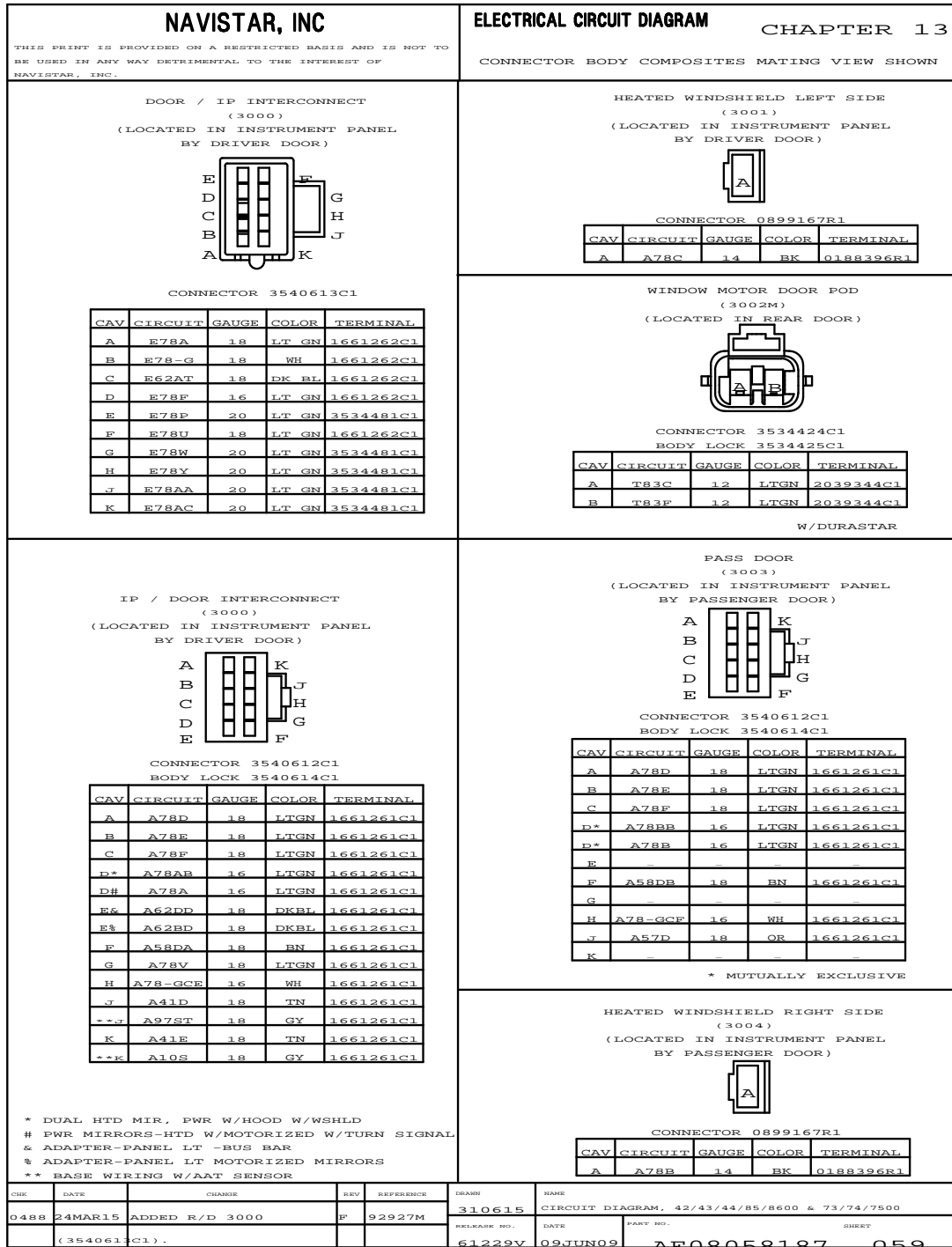


Figure 641 Connector Composites (3000), (3001), (3002M), (3003), (3004)

13.125. CONNECTOR COMPOSITES (3005), (3100M), (3200), (3200F), P. 59A

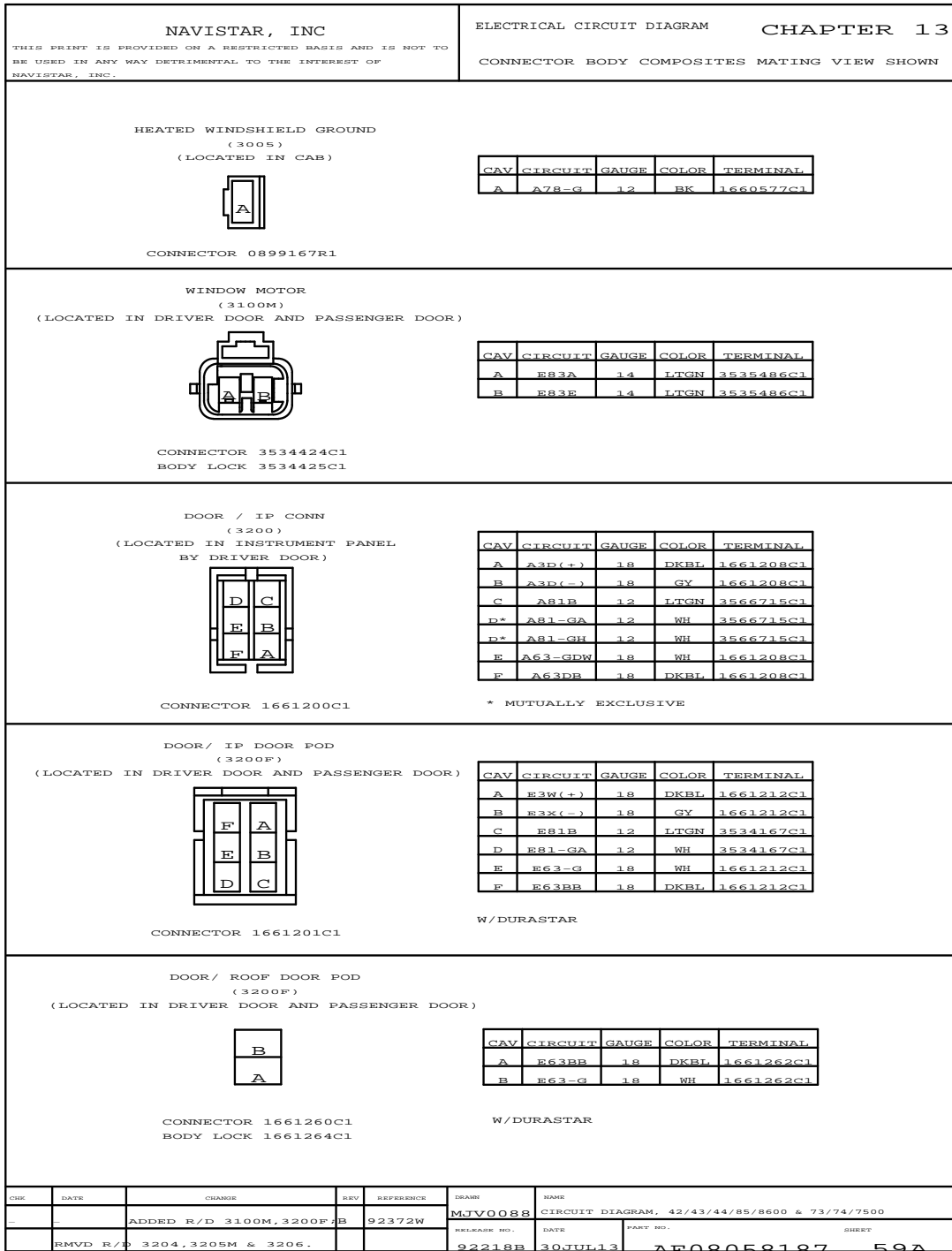


Figure 642 Connector Composites (3005), (3100M), (3200), (3200F)

13.126. CONNECTOR COMPOSITES (3201F), (3201M), (3202M), (3203M), (3204), P. 59B

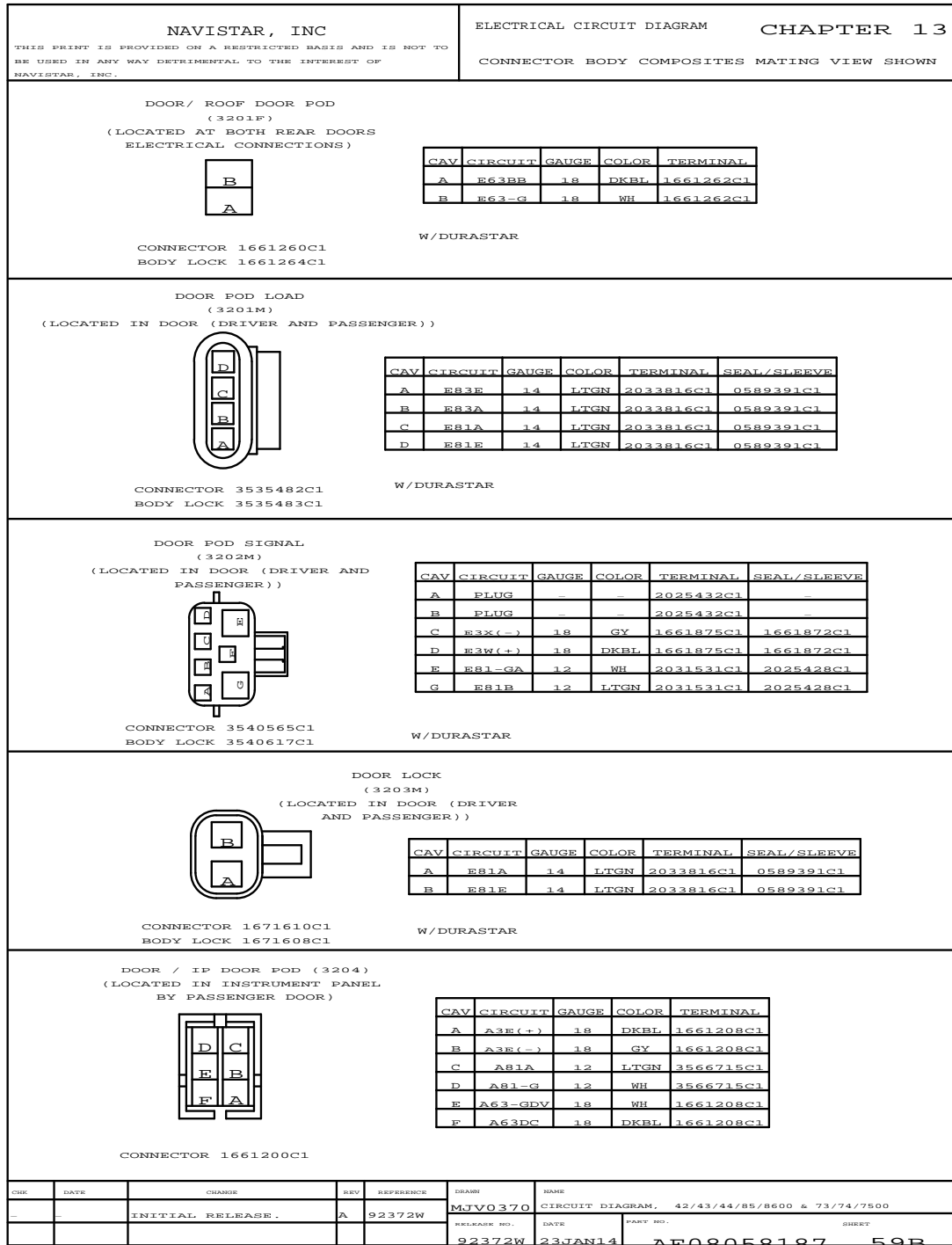


Figure 643 Connector Composites (3201F), (3201M), (3202M), (3203M), (3204)

13.127. CONNECTOR COMPOSITES (3205), (3205M), (3206), (3208F), (3209M), (3210M), P. 59C

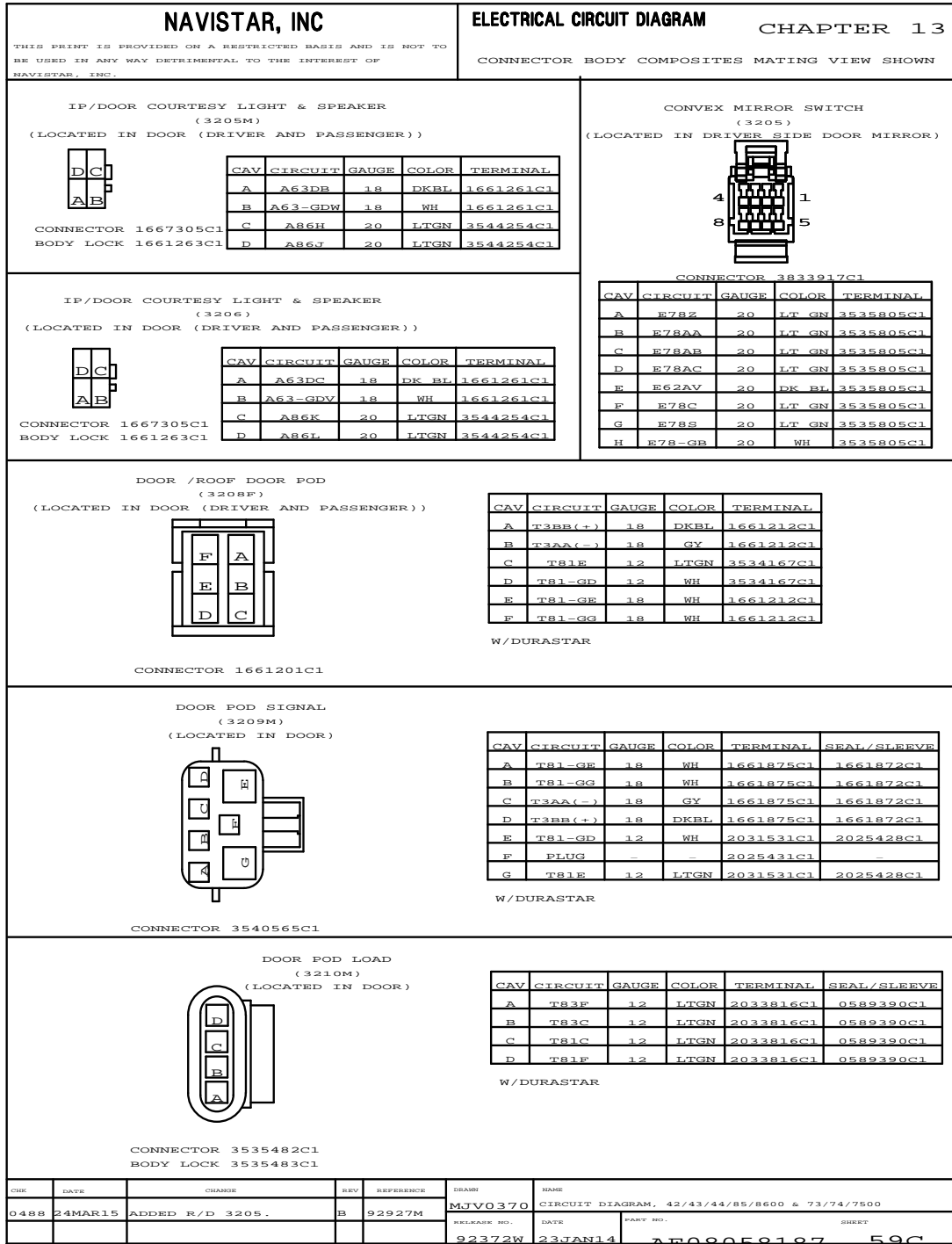


Figure 644 Connector Composites (3205), (3205M), (3206), (3208F), (3209M), (3210M)

13.128. CONNECTOR COMPOSITES (3211M), (3400), (4004), (4005), (4021), (4021A), (4021B), P. 60

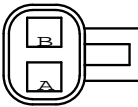

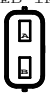




NAVISTAR, INC				ELECTRICAL CIRCUIT DIAGRAM		CHAPTER 13																															
THIS PRINT IS PROVIDED ON A RESTRICTED BASIS AND IS NOT TO BE USED IN ANY WAY DETRIMENTAL TO THE INTEREST OF NAVISTAR, INC.				CONNECTOR BODY COMPOSITES MATING VIEW SHOWN																																	
<p>DOOR LOCK DOOR POD (3211M) (LOCATED IN DOOR)</p>  <p>CONNECTOR 1671610C1 BODY LOCK 1671608C1</p>				<table border="1"> <thead> <tr> <th>CAV</th> <th>CIRCUIT</th> <th>GAUGE</th> <th>COLOR</th> <th>TERMINAL</th> <th>SEAL/SLEEVE</th> </tr> </thead> <tbody> <tr> <td>A</td> <td>T81C</td> <td>12</td> <td>LTGN</td> <td>2033816C1</td> <td>0589390C1</td> </tr> <tr> <td>B</td> <td>T81F</td> <td>12</td> <td>LTGN</td> <td>2033816C1</td> <td>0589390C1</td> </tr> </tbody> </table> <p>W/ DURASTAR</p>				CAV	CIRCUIT	GAUGE	COLOR	TERMINAL	SEAL/SLEEVE	A	T81C	12	LTGN	2033816C1	0589390C1	B	T81F	12	LTGN	2033816C1	0589390C1												
CAV	CIRCUIT	GAUGE	COLOR	TERMINAL	SEAL/SLEEVE																																
A	T81C	12	LTGN	2033816C1	0589390C1																																
B	T81F	12	LTGN	2033816C1	0589390C1																																
<p>COURTESY LIGHT (3400) (LOCATED IN DOOR(DRIVER AND PASSENGER))</p>  <p>CONNECTOR 1661259C1 BODY LOCK 1661263C1</p>				<table border="1"> <thead> <tr> <th>CAV</th> <th>CIRCUIT</th> <th>GAUGE</th> <th>COLOR</th> <th>TERMINAL</th> <th>SEAL/SLEEVE</th> </tr> </thead> <tbody> <tr> <td>A</td> <td>E63BB</td> <td>18</td> <td>DKBL</td> <td>1661261C1</td> <td></td> </tr> <tr> <td>B</td> <td>E63-G</td> <td>18</td> <td>WH</td> <td>1661261C1</td> <td></td> </tr> </tbody> </table> <p>W/ DURASTAR</p>				CAV	CIRCUIT	GAUGE	COLOR	TERMINAL	SEAL/SLEEVE	A	E63BB	18	DKBL	1661261C1		B	E63-G	18	WH	1661261C1													
CAV	CIRCUIT	GAUGE	COLOR	TERMINAL	SEAL/SLEEVE																																
A	E63BB	18	DKBL	1661261C1																																	
B	E63-G	18	WH	1661261C1																																	
<p>MAXI FUSE HOLDER (4004) (LOCATED IN CAB)</p>  <p>CONNECTOR 3525613C1</p>				<table border="1"> <thead> <tr> <th>CAV</th> <th>CIRCUIT</th> <th>GAUGE</th> <th>COLOR</th> <th>TERMINAL</th> <th>SEAL/SLEEVE</th> </tr> </thead> <tbody> <tr> <td>A*</td> <td>M14L</td> <td>10</td> <td>RD</td> <td>3515522C1</td> <td>3515525C1</td> </tr> <tr> <td>A*</td> <td>M14WB</td> <td>12</td> <td>RD</td> <td>3614762C1</td> <td>3541256C1</td> </tr> <tr> <td>B*</td> <td>M103C</td> <td>12</td> <td>LTGN</td> <td>3614762C1</td> <td>3541256C1</td> </tr> <tr> <td>B*</td> <td>M14WB</td> <td>12</td> <td>RD</td> <td>3614762C1</td> <td>3541256C1</td> </tr> </tbody> </table> <p>* MUTUALLY EXCLUSIVE</p>				CAV	CIRCUIT	GAUGE	COLOR	TERMINAL	SEAL/SLEEVE	A*	M14L	10	RD	3515522C1	3515525C1	A*	M14WB	12	RD	3614762C1	3541256C1	B*	M103C	12	LTGN	3614762C1	3541256C1	B*	M14WB	12	RD	3614762C1	3541256C1
CAV	CIRCUIT	GAUGE	COLOR	TERMINAL	SEAL/SLEEVE																																
A*	M14L	10	RD	3515522C1	3515525C1																																
A*	M14WB	12	RD	3614762C1	3541256C1																																
B*	M103C	12	LTGN	3614762C1	3541256C1																																
B*	M14WB	12	RD	3614762C1	3541256C1																																
<p>TSS POWER FUSE HOLDER (4005) (LOCATED IN CAB)</p>  <p>CONNECTOR 3525613C1</p>				<table border="1"> <thead> <tr> <th>CAV</th> <th>CIRCUIT</th> <th>GAUGE</th> <th>COLOR</th> <th>TERMINAL</th> <th>SEAL/SLEEVE</th> </tr> </thead> <tbody> <tr> <td>A</td> <td>M14L</td> <td>10</td> <td>RD</td> <td>3515522C1</td> <td>3515525C1</td> </tr> <tr> <td>B</td> <td>M14T</td> <td>10</td> <td>RD</td> <td>3515522C1</td> <td>3515525C1</td> </tr> </tbody> </table>				CAV	CIRCUIT	GAUGE	COLOR	TERMINAL	SEAL/SLEEVE	A	M14L	10	RD	3515522C1	3515525C1	B	M14T	10	RD	3515522C1	3515525C1												
CAV	CIRCUIT	GAUGE	COLOR	TERMINAL	SEAL/SLEEVE																																
A	M14L	10	RD	3515522C1	3515525C1																																
B	M14T	10	RD	3515522C1	3515525C1																																
<p>WASHER PUMP (4021) (LOCATED ON FRONT SIDE OF WASHER BOTTLE ON LEFT FRAME RAIL)</p>  <p>CONNECTOR 3536864C1</p>				<table border="1"> <thead> <tr> <th>CAV</th> <th>CIRCUIT</th> <th>GAUGE</th> <th>COLOR</th> <th>TERMINAL</th> <th>SEAL/SLEEVE</th> </tr> </thead> <tbody> <tr> <td>1</td> <td>M87KA</td> <td>16</td> <td>GY</td> <td>3561584C1</td> <td>3536868C1</td> </tr> <tr> <td>2</td> <td>M87BA</td> <td>18</td> <td>GY</td> <td>3561584C1</td> <td>3536868C1</td> </tr> </tbody> </table>				CAV	CIRCUIT	GAUGE	COLOR	TERMINAL	SEAL/SLEEVE	1	M87KA	16	GY	3561584C1	3536868C1	2	M87BA	18	GY	3561584C1	3536868C1												
CAV	CIRCUIT	GAUGE	COLOR	TERMINAL	SEAL/SLEEVE																																
1	M87KA	16	GY	3561584C1	3536868C1																																
2	M87BA	18	GY	3561584C1	3536868C1																																
<p>WASHER PUMP (4300 4x2)/ WASHER BOTTLE PUMP, RIGHT SIDE (4021A) (LOCATED ON FRONT SIDE OF WASHER BOTTLE ON LEFT FRAME RAIL)</p>  <p>CONNECTOR 3536864C1</p>				<table border="1"> <thead> <tr> <th>CAV</th> <th>CIRCUIT</th> <th>GAUGE</th> <th>COLOR</th> <th>TERMINAL</th> <th>SEAL/SLEEVE</th> </tr> </thead> <tbody> <tr> <td>1#</td> <td>M87KA</td> <td>16</td> <td>GY</td> <td>3561584C1</td> <td>3536868C1</td> </tr> <tr> <td>1*</td> <td>M87KA</td> <td>16</td> <td>GY</td> <td>3536865C1</td> <td>3536868C1</td> </tr> <tr> <td>2#</td> <td>M87BA</td> <td>18</td> <td>GY</td> <td>3561584C1</td> <td>3536868C1</td> </tr> <tr> <td>2*</td> <td>M87BA</td> <td>18</td> <td>GY</td> <td>3536865C1</td> <td>3536868C1</td> </tr> </tbody> </table> <p>* W/ CUMMINS ISB ENGINE AND W/I6 2010 SCR ENGINE # W/ IBB ENGINE</p>				CAV	CIRCUIT	GAUGE	COLOR	TERMINAL	SEAL/SLEEVE	1#	M87KA	16	GY	3561584C1	3536868C1	1*	M87KA	16	GY	3536865C1	3536868C1	2#	M87BA	18	GY	3561584C1	3536868C1	2*	M87BA	18	GY	3536865C1	3536868C1
CAV	CIRCUIT	GAUGE	COLOR	TERMINAL	SEAL/SLEEVE																																
1#	M87KA	16	GY	3561584C1	3536868C1																																
1*	M87KA	16	GY	3536865C1	3536868C1																																
2#	M87BA	18	GY	3561584C1	3536868C1																																
2*	M87BA	18	GY	3536865C1	3536868C1																																
<p>WASHER BOTTLE PUMP, LEFT SIDE/WASHER PUMP (4021B) (LOCATED ON FRONT SIDE OF WASHER BOTTLE ON LEFT FRAME RAIL)</p>  <p>CONNECTOR 3536864C1</p>				<table border="1"> <thead> <tr> <th>CAV</th> <th>CIRCUIT</th> <th>GAUGE</th> <th>COLOR</th> <th>TERMINAL</th> <th>SEAL/SLEEVE</th> </tr> </thead> <tbody> <tr> <td>1</td> <td>M87KA</td> <td>16</td> <td>GY</td> <td>3561584C1</td> <td>3536868C1</td> </tr> <tr> <td>2</td> <td>M87BA</td> <td>18</td> <td>GY</td> <td>3561584C1</td> <td>3536868C1</td> </tr> </tbody> </table>				CAV	CIRCUIT	GAUGE	COLOR	TERMINAL	SEAL/SLEEVE	1	M87KA	16	GY	3561584C1	3536868C1	2	M87BA	18	GY	3561584C1	3536868C1												
CAV	CIRCUIT	GAUGE	COLOR	TERMINAL	SEAL/SLEEVE																																
1	M87KA	16	GY	3561584C1	3536868C1																																
2	M87BA	18	GY	3561584C1	3536868C1																																
CHK	DATE	CHANGE	REV	REFERENCE	DIAGN	NAME																															
0488	25JUN14	UPDATED R/D NAME	E	92603H	310615	CIRCUIT DIAGRAM, 42/43/44/85/8600 & 73/74/7500																															
	4021A,	4021B.			RELEASE NO.	DATE	PART NO.	SHEET																													
					61229V	09JUN09	AE08058187	060																													

Figure 645 Connector Composites (3211M), (3400), (4004), (4005), (4021), (4021A), (4021B)

13.129. CONNECTOR COMPOSITES (4022), (4022A), (4022B), (4031), (4032), P. 60A

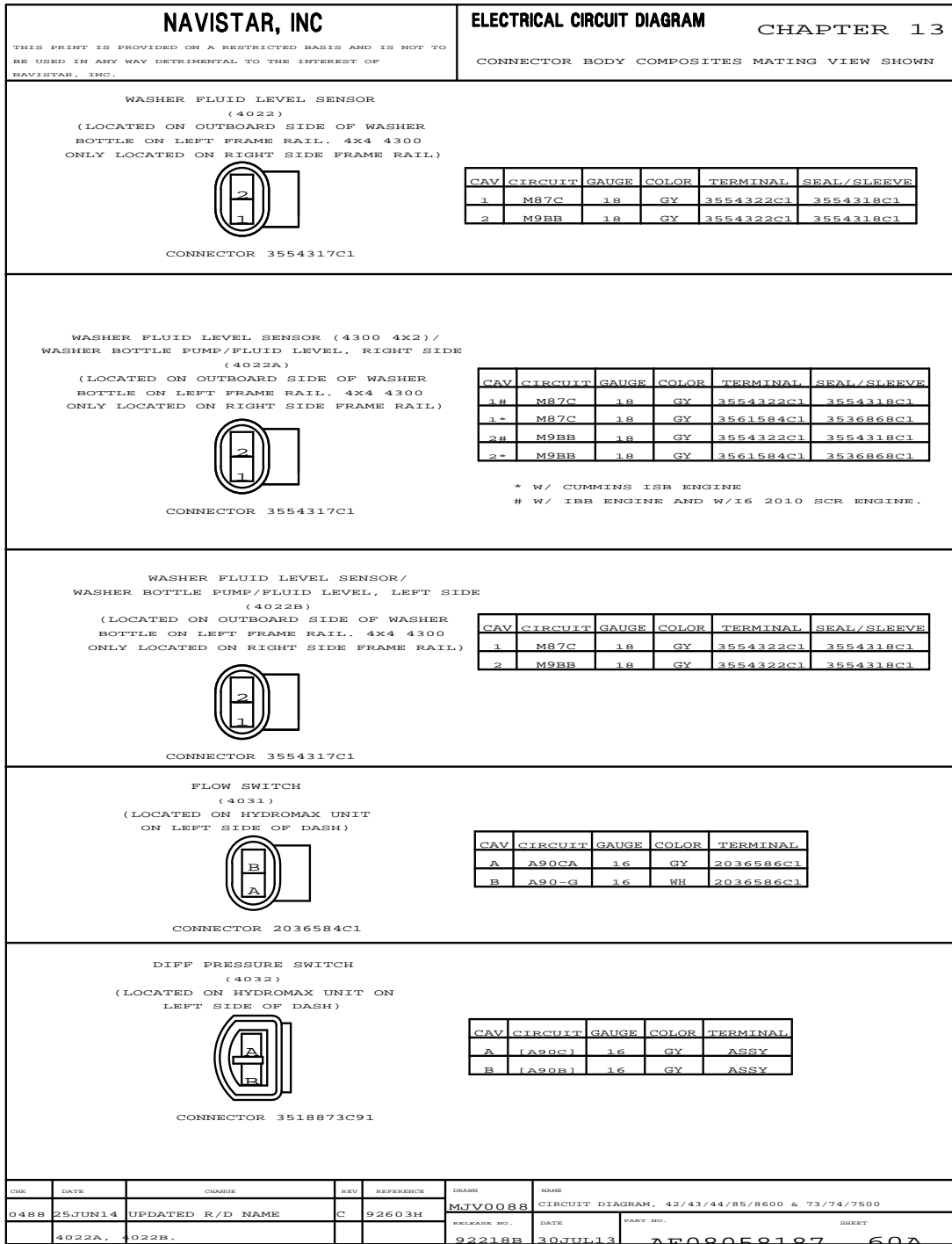


Figure 646 Connector Composites (4022), (4022A), (4022B), (4031), (4032)

13.130. CONNECTOR COMPOSITES (4033), (4037), (4038), P. 60B

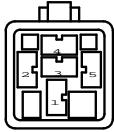
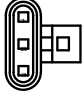
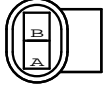
NAVISTAR, INC <small>THIS PRINT IS PROVIDED ON A RESTRICTED BASIS AND IS NOT TO BE USED IN ANY WAY DETRIMENTAL TO THE INTEREST OF NAVISTAR, INC.</small>				ELECTRICAL CIRCUIT DIAGRAM CHAPTER 13 CONNECTOR BODY COMPOSITES MATING VIEW SHOWN																																
<div style="display: flex; justify-content: space-between; align-items: center;"> <div style="width: 45%;"> <p style="text-align: center;"> BOOST PUMP RELAY (4033) (LOCATED ON HYDROMAX UNIT ON LEFT SIDE OF DASH) </p>  <p style="text-align: center;">CONNECTOR 1661747C91</p> </div> <div style="width: 50%;"> <table border="1" style="width: 100%; border-collapse: collapse; text-align: center;"> <thead> <tr> <th>CAV</th> <th>CIRCUIT</th> <th>GAUGE</th> <th>COLOR</th> <th>TERMINAL</th> </tr> </thead> <tbody> <tr> <td>1</td> <td>A14</td> <td>12</td> <td>RD</td> <td>1661708C1</td> </tr> <tr> <td>2</td> <td>A90A</td> <td>16</td> <td>GY</td> <td>3895713C1</td> </tr> <tr> <td>3</td> <td>PLUG</td> <td>-</td> <td>-</td> <td>-</td> </tr> <tr> <td>4</td> <td>A90F</td> <td>12</td> <td>GY</td> <td>1661708C1</td> </tr> <tr> <td>5</td> <td>A90K</td> <td>16</td> <td>GY</td> <td>3895713C1</td> </tr> </tbody> </table> </div> </div>							CAV	CIRCUIT	GAUGE	COLOR	TERMINAL	1	A14	12	RD	1661708C1	2	A90A	16	GY	3895713C1	3	PLUG	-	-	-	4	A90F	12	GY	1661708C1	5	A90K	16	GY	3895713C1
CAV	CIRCUIT	GAUGE	COLOR	TERMINAL																																
1	A14	12	RD	1661708C1																																
2	A90A	16	GY	3895713C1																																
3	PLUG	-	-	-																																
4	A90F	12	GY	1661708C1																																
5	A90K	16	GY	3895713C1																																
<div style="display: flex; justify-content: space-between; align-items: center;"> <div style="width: 45%;"> <p style="text-align: center;"> HYD BRAKE LIGHT SWITCH (4037) (LOCATED ON EXTERIOR DASH NEAR DCM) </p>  <p style="text-align: center;">CONNECTOR 3522187C1</p> </div> <div style="width: 50%;"> <table border="1" style="width: 100%; border-collapse: collapse; text-align: center;"> <thead> <tr> <th>CAV</th> <th>CIRCUIT</th> <th>GAUGE</th> <th>COLOR</th> <th>TERMINAL</th> <th>SEAL/SLEEVE</th> </tr> </thead> <tbody> <tr> <td>1</td> <td>M90B</td> <td>18</td> <td>GY</td> <td>3522190C1</td> <td>3522193C1</td> </tr> <tr> <td>2</td> <td>M94BF</td> <td>18</td> <td>GY</td> <td>3522190C1</td> <td>3522193C1</td> </tr> <tr> <td>3</td> <td>PLUG</td> <td>-</td> <td>-</td> <td>3522197C1</td> <td>-</td> </tr> </tbody> </table> </div> </div>							CAV	CIRCUIT	GAUGE	COLOR	TERMINAL	SEAL/SLEEVE	1	M90B	18	GY	3522190C1	3522193C1	2	M94BF	18	GY	3522190C1	3522193C1	3	PLUG	-	-	3522197C1	-						
CAV	CIRCUIT	GAUGE	COLOR	TERMINAL	SEAL/SLEEVE																															
1	M90B	18	GY	3522190C1	3522193C1																															
2	M94BF	18	GY	3522190C1	3522193C1																															
3	PLUG	-	-	3522197C1	-																															
<div style="display: flex; justify-content: space-between; align-items: center;"> <div style="width: 45%;"> <p style="text-align: center;"> HYD BRAKES FLUID LEVEL SENSOR (4038) (LOCATED ON EXTERIOR DASH NEAR DCM) </p>  <p style="text-align: center;">CONNECTOR 2036583C1</p> </div> <div style="width: 50%;"> <table border="1" style="width: 100%; border-collapse: collapse; text-align: center;"> <thead> <tr> <th>CAV</th> <th>CIRCUIT</th> <th>GAUGE</th> <th>COLOR</th> <th>TERMINAL</th> </tr> </thead> <tbody> <tr> <td>A</td> <td>M10-GV</td> <td>16</td> <td>WH</td> <td>2036586C1</td> </tr> <tr> <td>B</td> <td>M90H</td> <td>16</td> <td>GY</td> <td>2036586C1</td> </tr> </tbody> </table> </div> </div>							CAV	CIRCUIT	GAUGE	COLOR	TERMINAL	A	M10-GV	16	WH	2036586C1	B	M90H	16	GY	2036586C1															
CAV	CIRCUIT	GAUGE	COLOR	TERMINAL																																
A	M10-GV	16	WH	2036586C1																																
B	M90H	16	GY	2036586C1																																
CMC	DATE	CHANGE	REV	REFERENCE	DRAWN	NAME																														
0488	24JAN14	INITIAL RELEASE.	A	92372W	MJVO370	CIRCUIT DIAGRAM, 42/42/44/85/8600 & 73/74/7500																														
					RELEASE NO.	DATE																														
					92372W	14DEC13																														
					PART NO.	SHEET																														
					AE08058187	60B																														

Figure 647 Connector Composites (4033), (4037), (4038)

13.131. CONNECTOR COMPOSITES (4040), (4041), (4042A), (4042B), (4042C), (4042D), P. 61

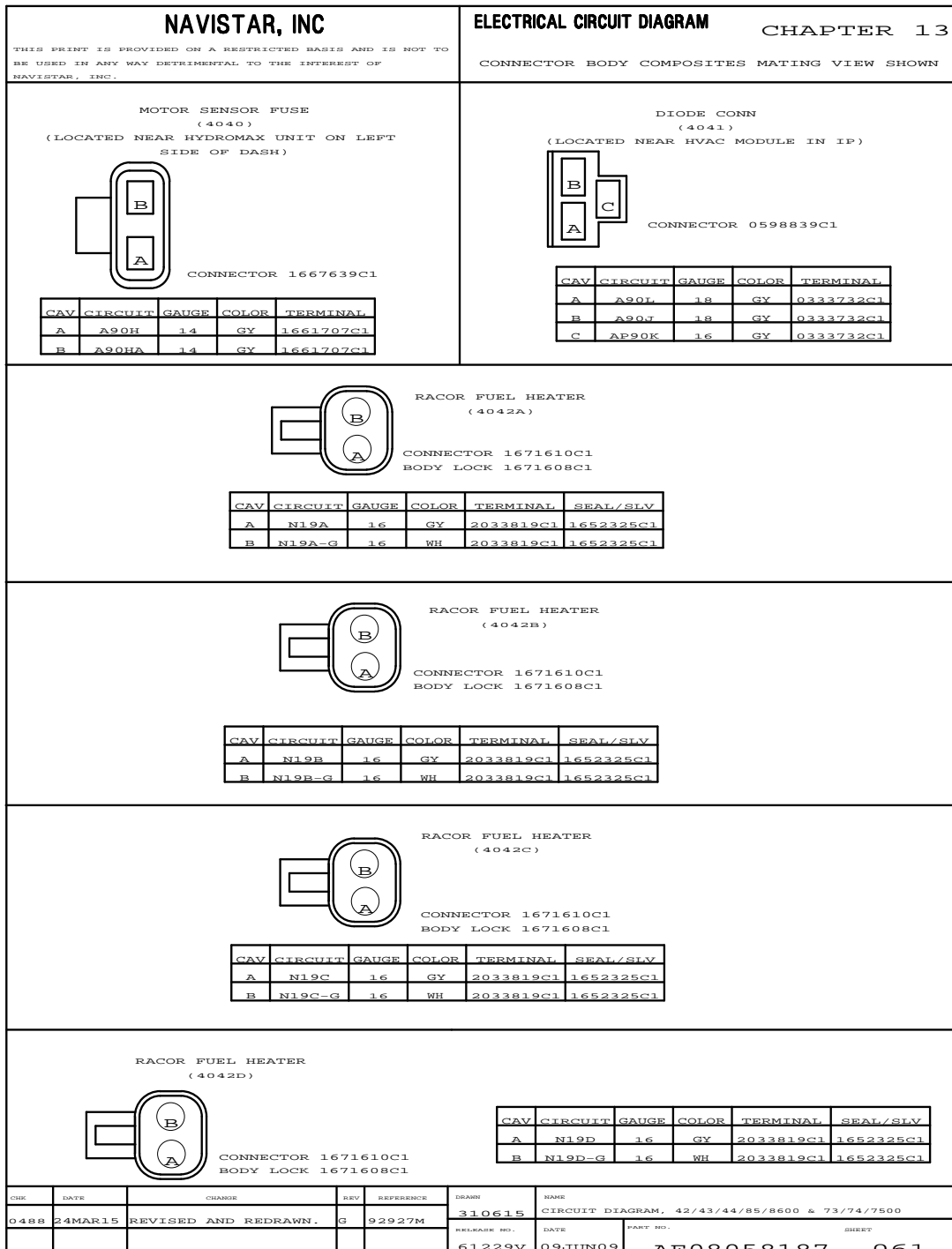


Figure 648 Connector Composites (4040), (4041), (4042A), (4042B), (4042C), (4042D)

13.132. CONNECTOR COMPOSITES (4060), P. 61A

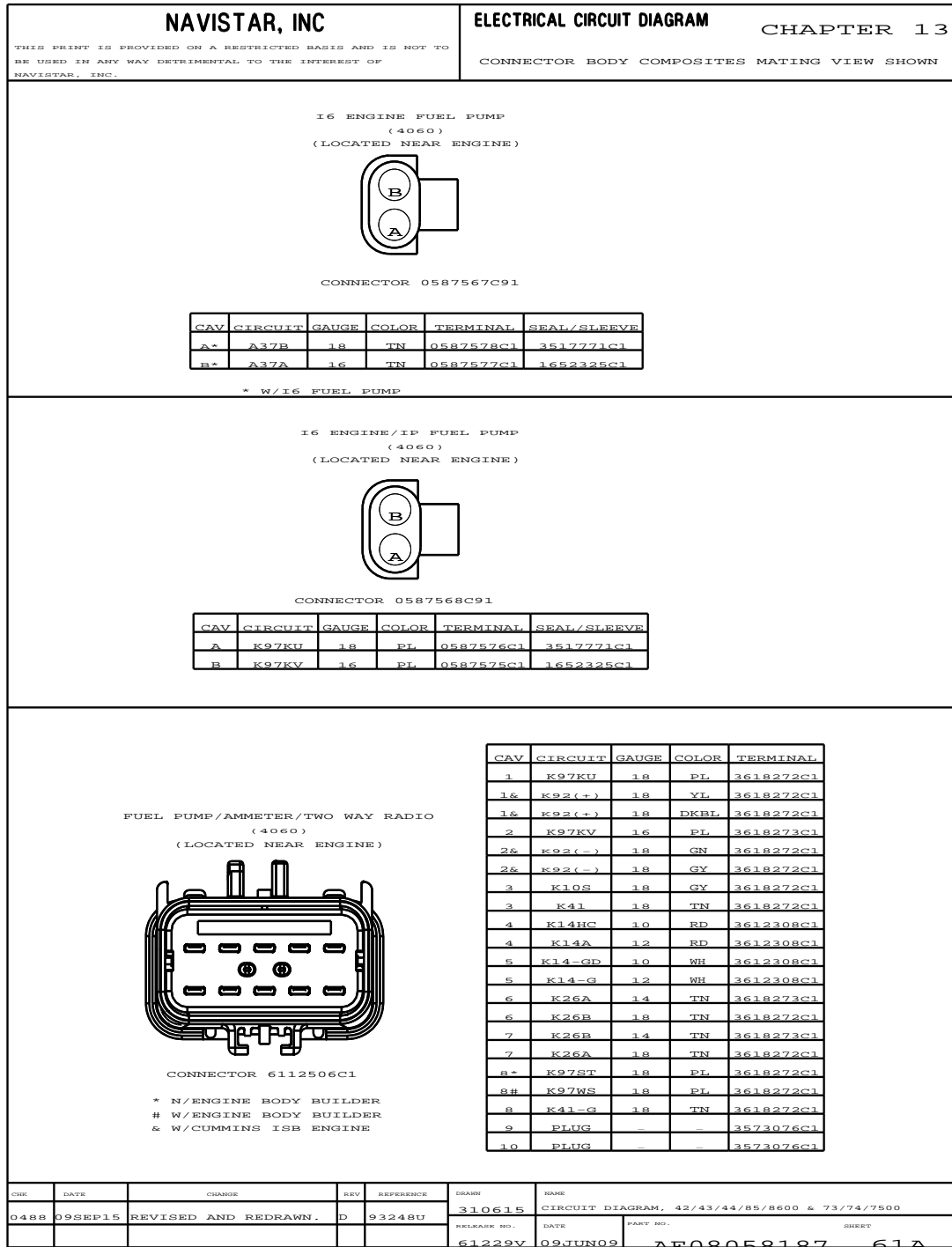


Figure 649 Connector Composites (4060)

13.133. CONNECTOR COMPOSITES (4060A), (4061), (4070), (4071), P. 61B

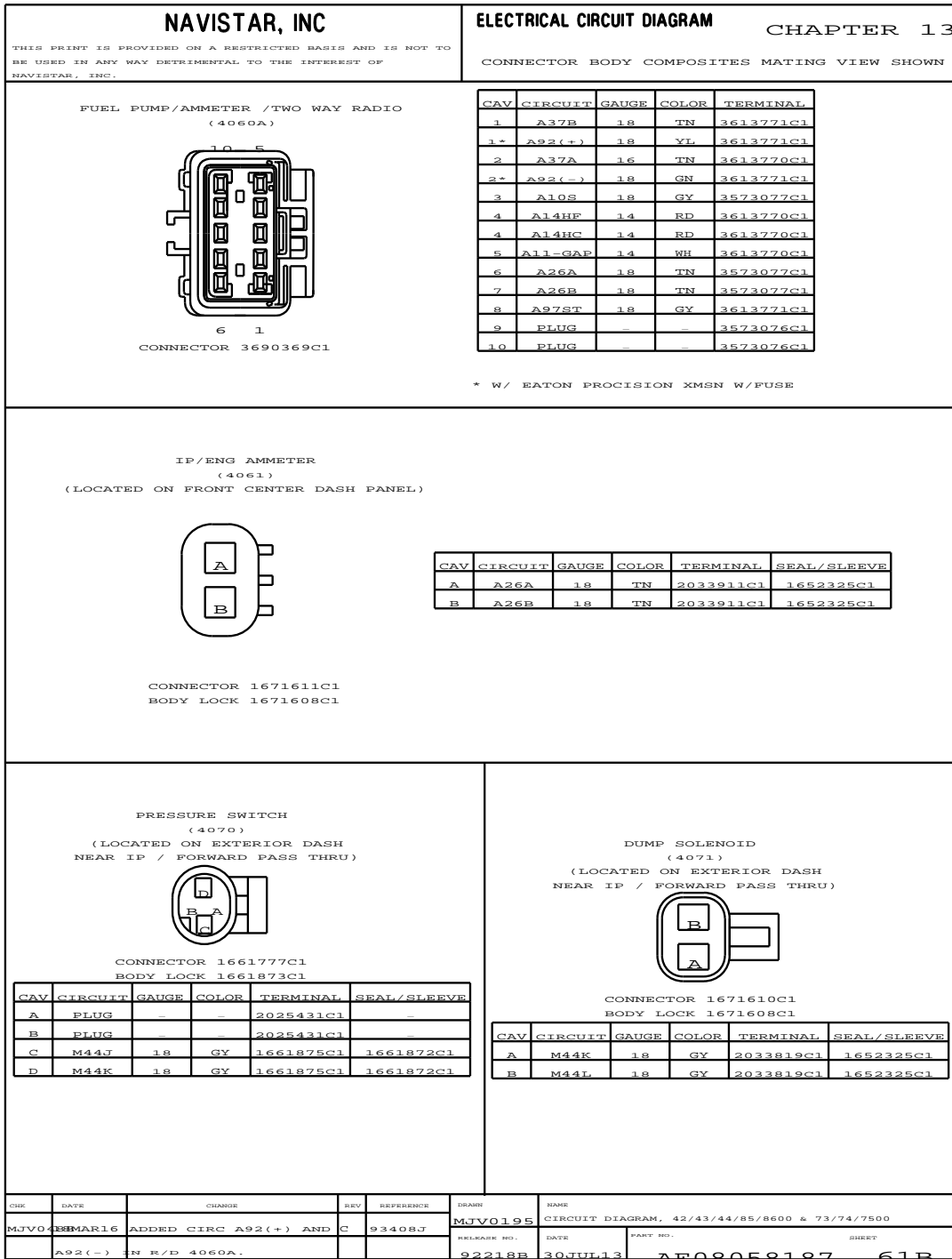


Figure 650 Connector Composites (4060A), (4061), (4070), (4071)

13.134. CONNECTOR COMPOSITES (4087), (4087B), (4111M), (4120), P. 62

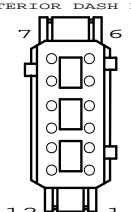
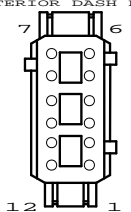

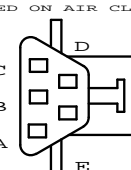
NAVISTAR, INC				ELECTRICAL CIRCUIT DIAGRAM		CHAPTER 13																																																																			
THIS PRINT IS PROVIDED ON A RESTRICTED BASIS AND IS NOT TO BE USED IN ANY WAY DETRIMENTAL TO THE INTEREST OF NAVISTAR, INC.				CONNECTOR BODY COMPOSITES MATING VIEW SHOWN																																																																					
<p>PAM MODULE (4087) (LOCATED ON EXTERIOR DASH NEAR HVAC UNIT)</p>  <p>CONNECTOR 3553404C1 BODY LOCK 3553460C1</p>				<table border="1" style="width: 100%; border-collapse: collapse; font-size: x-small;"> <thead> <tr> <th>CAV</th> <th>CIRCUIT</th> <th>GAUGE</th> <th>COLOR</th> <th>TERMINAL</th> </tr> </thead> <tbody> <tr><td>1</td><td>PLUG</td><td>-</td><td>-</td><td>-</td></tr> <tr><td>2</td><td>PLUG</td><td>-</td><td>-</td><td>-</td></tr> <tr><td>3</td><td>PLUG</td><td>-</td><td>-</td><td>-</td></tr> <tr><td>4</td><td>PLUG</td><td>-</td><td>-</td><td>-</td></tr> <tr><td>5</td><td>PLUG</td><td>-</td><td>-</td><td>-</td></tr> <tr><td>6</td><td>A26D</td><td>18</td><td>TN</td><td>3518963C1</td></tr> <tr><td>7</td><td>ASP(+)</td><td>18</td><td>YL</td><td>3518963C1</td></tr> <tr><td>8</td><td>ASP(-)</td><td>18</td><td>GN</td><td>3518963C1</td></tr> <tr><td>10</td><td>A26B</td><td>18</td><td>TN</td><td>3518963C1</td></tr> <tr><td>11</td><td>A26A</td><td>18</td><td>TN</td><td>3518963C1</td></tr> <tr><td>12</td><td>All-GRD</td><td>18</td><td>WH</td><td>3518963C1</td></tr> </tbody> </table>				CAV	CIRCUIT	GAUGE	COLOR	TERMINAL	1	PLUG	-	-	-	2	PLUG	-	-	-	3	PLUG	-	-	-	4	PLUG	-	-	-	5	PLUG	-	-	-	6	A26D	18	TN	3518963C1	7	ASP(+)	18	YL	3518963C1	8	ASP(-)	18	GN	3518963C1	10	A26B	18	TN	3518963C1	11	A26A	18	TN	3518963C1	12	All-GRD	18	WH	3518963C1						
CAV	CIRCUIT	GAUGE	COLOR	TERMINAL																																																																					
1	PLUG	-	-	-																																																																					
2	PLUG	-	-	-																																																																					
3	PLUG	-	-	-																																																																					
4	PLUG	-	-	-																																																																					
5	PLUG	-	-	-																																																																					
6	A26D	18	TN	3518963C1																																																																					
7	ASP(+)	18	YL	3518963C1																																																																					
8	ASP(-)	18	GN	3518963C1																																																																					
10	A26B	18	TN	3518963C1																																																																					
11	A26A	18	TN	3518963C1																																																																					
12	All-GRD	18	WH	3518963C1																																																																					
<p>LEFT PAM MODULE (4087B) (LOCATED ON EXTERIOR DASH NEAR HVAC UNIT)</p>  <p>CONNECTOR 3553404C1 BODY LOCK 3553460C1</p>				<table border="1" style="width: 100%; border-collapse: collapse; font-size: x-small;"> <thead> <tr> <th>CAV</th> <th>CIRCUIT</th> <th>GAUGE</th> <th>COLOR</th> <th>TERMINAL</th> </tr> </thead> <tbody> <tr><td>1</td><td>PLUG</td><td>-</td><td>-</td><td>-</td></tr> <tr><td>2</td><td>PLUG</td><td>-</td><td>-</td><td>-</td></tr> <tr><td>3</td><td>PLUG</td><td>-</td><td>-</td><td>-</td></tr> <tr><td>4</td><td>PLUG</td><td>-</td><td>-</td><td>-</td></tr> <tr><td>5</td><td>PLUG</td><td>-</td><td>-</td><td>-</td></tr> <tr><td>6</td><td>A26D</td><td>18</td><td>TN</td><td>3518963C1</td></tr> <tr><td>7</td><td>ASP(+)</td><td>18</td><td>YL</td><td>3518963C1</td></tr> <tr><td>8</td><td>ASP(-)</td><td>18</td><td>GN</td><td>3518963C1</td></tr> <tr><td>10</td><td>A26B</td><td>18</td><td>TN</td><td>3518963C1</td></tr> <tr><td>11</td><td>A26A</td><td>18</td><td>TN</td><td>3518963C1</td></tr> <tr><td>12</td><td>All-GRD</td><td>18</td><td>WH</td><td>3518963C1</td></tr> </tbody> </table>				CAV	CIRCUIT	GAUGE	COLOR	TERMINAL	1	PLUG	-	-	-	2	PLUG	-	-	-	3	PLUG	-	-	-	4	PLUG	-	-	-	5	PLUG	-	-	-	6	A26D	18	TN	3518963C1	7	ASP(+)	18	YL	3518963C1	8	ASP(-)	18	GN	3518963C1	10	A26B	18	TN	3518963C1	11	A26A	18	TN	3518963C1	12	All-GRD	18	WH	3518963C1						
CAV	CIRCUIT	GAUGE	COLOR	TERMINAL																																																																					
1	PLUG	-	-	-																																																																					
2	PLUG	-	-	-																																																																					
3	PLUG	-	-	-																																																																					
4	PLUG	-	-	-																																																																					
5	PLUG	-	-	-																																																																					
6	A26D	18	TN	3518963C1																																																																					
7	ASP(+)	18	YL	3518963C1																																																																					
8	ASP(-)	18	GN	3518963C1																																																																					
10	A26B	18	TN	3518963C1																																																																					
11	A26A	18	TN	3518963C1																																																																					
12	All-GRD	18	WH	3518963C1																																																																					
<p>FAN AIR SOLENOID (4111M) (LOCATED NEAR ENGINE FAN DRIVE)</p>  <p>CONNECTOR 3522068C1 BODY LOCK 1661874C1</p>				<table border="1" style="width: 100%; border-collapse: collapse; font-size: x-small;"> <thead> <tr> <th>CAV</th> <th>CIRCUIT</th> <th>GAUGE</th> <th>COLOR</th> <th>TERMINAL</th> <th>SEAL/SLEEVE</th> </tr> </thead> <tbody> <tr><td>A*</td><td>K23A</td><td>18</td><td>TN</td><td>1661875C1</td><td>1661872C1</td></tr> <tr><td>A*</td><td>K23A</td><td>18</td><td>TN</td><td>1661875C1</td><td>1661872C1</td></tr> <tr><td>B*</td><td>K23-G</td><td>18</td><td>WH</td><td>1661875C1</td><td>1661872C1</td></tr> <tr><td>B*</td><td>K23-G</td><td>18</td><td>WH</td><td>1661875C1</td><td>3568570C1</td></tr> </tbody> </table> <p style="font-size: x-small; text-align: center;">& W/ I6 ENGINE * W/ I6 2010 SCR ENGINE</p>				CAV	CIRCUIT	GAUGE	COLOR	TERMINAL	SEAL/SLEEVE	A*	K23A	18	TN	1661875C1	1661872C1	A*	K23A	18	TN	1661875C1	1661872C1	B*	K23-G	18	WH	1661875C1	1661872C1	B*	K23-G	18	WH	1661875C1	3568570C1																																				
CAV	CIRCUIT	GAUGE	COLOR	TERMINAL	SEAL/SLEEVE																																																																				
A*	K23A	18	TN	1661875C1	1661872C1																																																																				
A*	K23A	18	TN	1661875C1	1661872C1																																																																				
B*	K23-G	18	WH	1661875C1	1661872C1																																																																				
B*	K23-G	18	WH	1661875C1	3568570C1																																																																				
<p>SNOW VALVE (4120) (LOCATED ON AIR CLEANER)</p>  <p>CONNECTOR 3522251C1 BODY LOCK 3522253C1</p>				<table border="1" style="width: 100%; border-collapse: collapse; font-size: x-small;"> <thead> <tr> <th>CAV</th> <th>CIRCUIT</th> <th>GAUGE</th> <th>COLOR</th> <th>TERMINAL</th> <th>SEAL/SLEEVE</th> </tr> </thead> <tbody> <tr><td>A*</td><td>A23F</td><td>18</td><td>TN</td><td>1661875C1</td><td>3568570C1</td></tr> <tr><td>A*</td><td>A23C</td><td>18</td><td>TN</td><td>1661875C1</td><td>3568570C1</td></tr> <tr><td>B*</td><td>A23H</td><td>18</td><td>TN</td><td>1661875C1</td><td>3568570C1</td></tr> <tr><td>B*</td><td>A23A</td><td>18</td><td>TN</td><td>1661875C1</td><td>3568570C1</td></tr> <tr><td>C*</td><td>A23J</td><td>18</td><td>TN</td><td>1661875C1</td><td>3568570C1</td></tr> <tr><td>C*</td><td>A23B</td><td>18</td><td>TN</td><td>1661875C1</td><td>3568570C1</td></tr> <tr><td>D*</td><td>A23K</td><td>18</td><td>TN</td><td>1661875C1</td><td>3568570C1</td></tr> <tr><td>D*</td><td>A23D</td><td>18</td><td>TN</td><td>1661875C1</td><td>3568570C1</td></tr> <tr><td>E*</td><td>A23L</td><td>18</td><td>TN</td><td>1661875C1</td><td>3568570C1</td></tr> <tr><td>E*</td><td>A23E</td><td>18</td><td>TN</td><td>1661875C1</td><td>3568570C1</td></tr> </tbody> </table> <p style="font-size: x-small; text-align: center;">* MUTUALLY EXCLUSIVE</p>				CAV	CIRCUIT	GAUGE	COLOR	TERMINAL	SEAL/SLEEVE	A*	A23F	18	TN	1661875C1	3568570C1	A*	A23C	18	TN	1661875C1	3568570C1	B*	A23H	18	TN	1661875C1	3568570C1	B*	A23A	18	TN	1661875C1	3568570C1	C*	A23J	18	TN	1661875C1	3568570C1	C*	A23B	18	TN	1661875C1	3568570C1	D*	A23K	18	TN	1661875C1	3568570C1	D*	A23D	18	TN	1661875C1	3568570C1	E*	A23L	18	TN	1661875C1	3568570C1	E*	A23E	18	TN	1661875C1	3568570C1
CAV	CIRCUIT	GAUGE	COLOR	TERMINAL	SEAL/SLEEVE																																																																				
A*	A23F	18	TN	1661875C1	3568570C1																																																																				
A*	A23C	18	TN	1661875C1	3568570C1																																																																				
B*	A23H	18	TN	1661875C1	3568570C1																																																																				
B*	A23A	18	TN	1661875C1	3568570C1																																																																				
C*	A23J	18	TN	1661875C1	3568570C1																																																																				
C*	A23B	18	TN	1661875C1	3568570C1																																																																				
D*	A23K	18	TN	1661875C1	3568570C1																																																																				
D*	A23D	18	TN	1661875C1	3568570C1																																																																				
E*	A23L	18	TN	1661875C1	3568570C1																																																																				
E*	A23E	18	TN	1661875C1	3568570C1																																																																				
CHK	DATE	CHANGE	REV	REFERENCE	DRAWN	NAME																																																																			
0488	25JUN14	ADDED CIRC K23A &	D	92603H	310615	CIRCUIT DIAGRAM, 42/43/44/85/8600 & 73/74/7500																																																																			
K23-G TO R/D 4111M.					RELEASE NO.	DATE	PART NO.	SHEET																																																																	
					61229V	09JUN09	AE08058187	062																																																																	

Figure 651 Connector Composites (4087), (4087B), (4111M), (4120)

13.135. CONNECTOR COMPOSITES (4320), (4321), (4322), P. 63

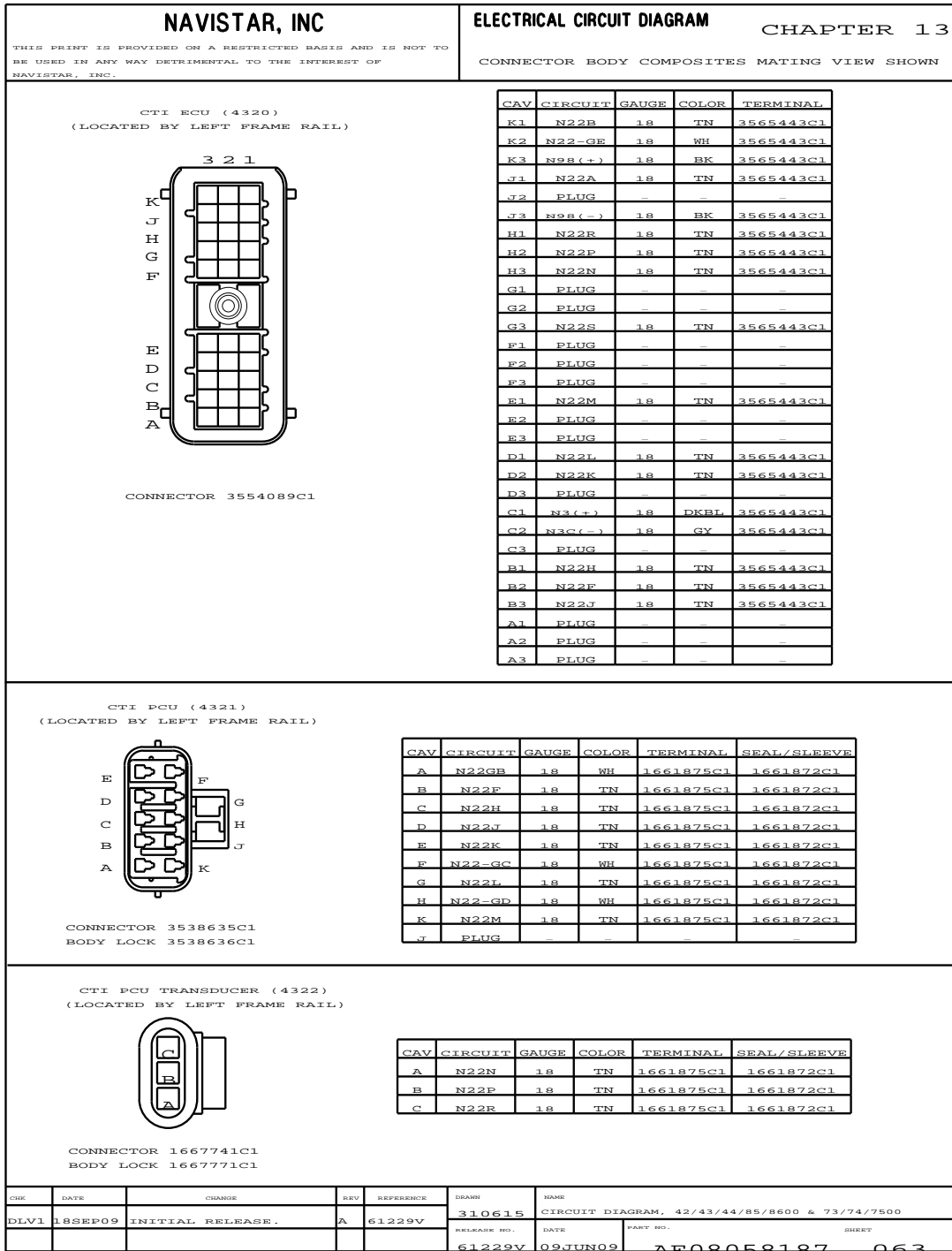


Figure 652 Connector Composites (4320), (4321), (4322)

13.136. CONNECTOR COMPOSITES (4323), (4328), (4410D), (4410E), P. 64

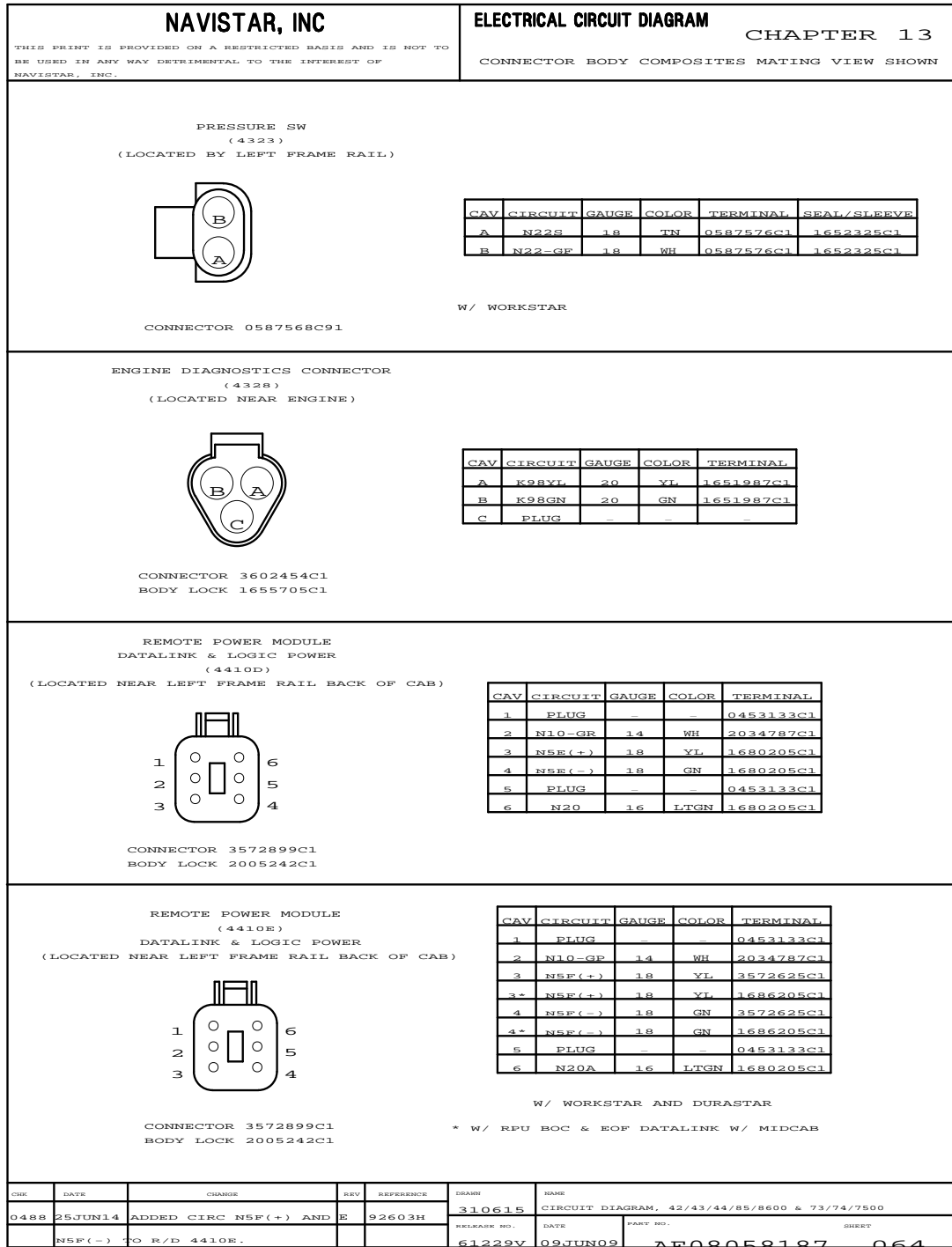


Figure 653 Connector Composites (4323), (4328), (4410D), (4410E)

13.137. CONNECTOR COMPOSITES (4410F), (4410G), (4410H), P. 65

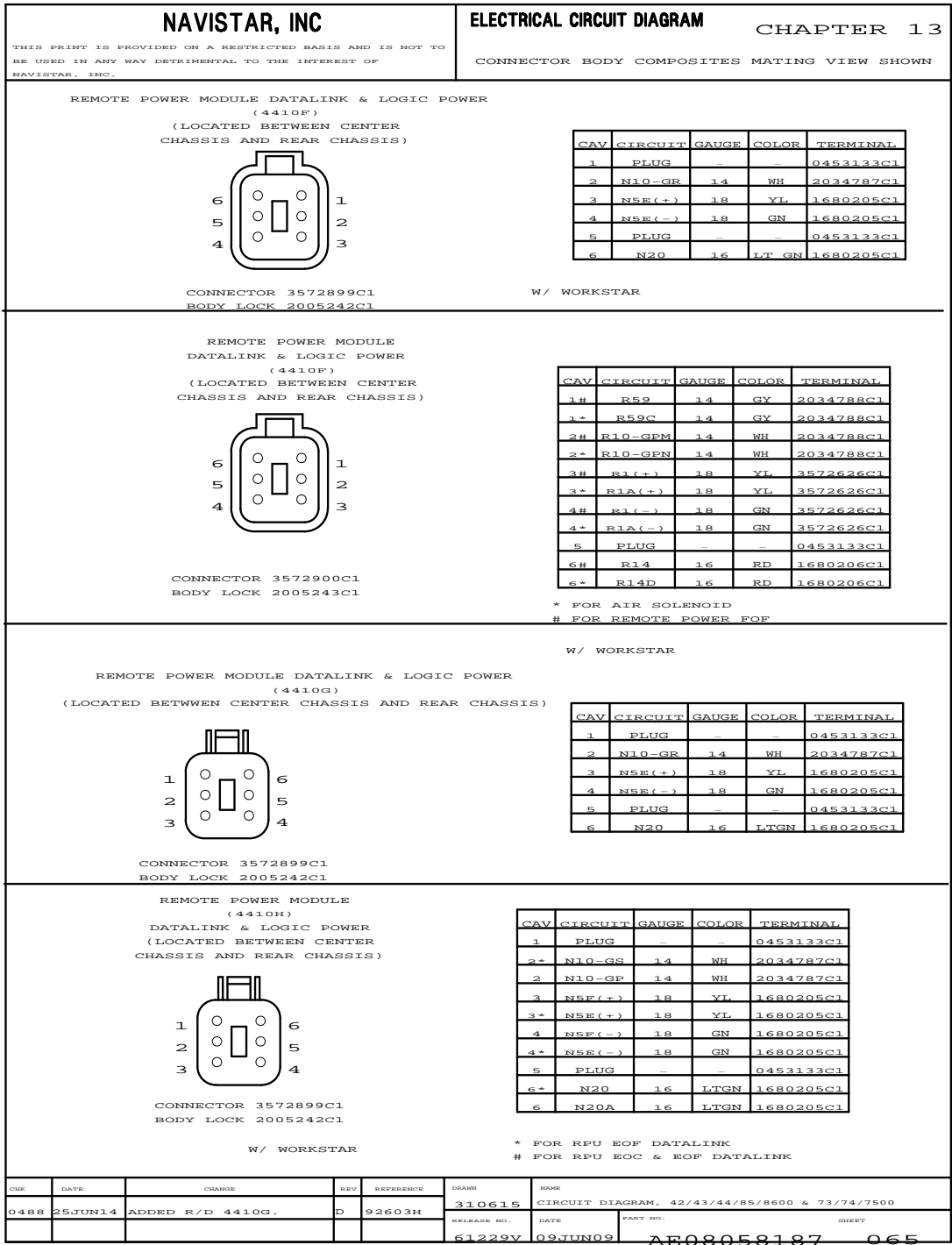


Figure 654 Connector Composites (4410F), (4410G), (4410H)

13.138. CONNECTOR COMPOSITES (4410J), (4410K), (4410L), P. 65A

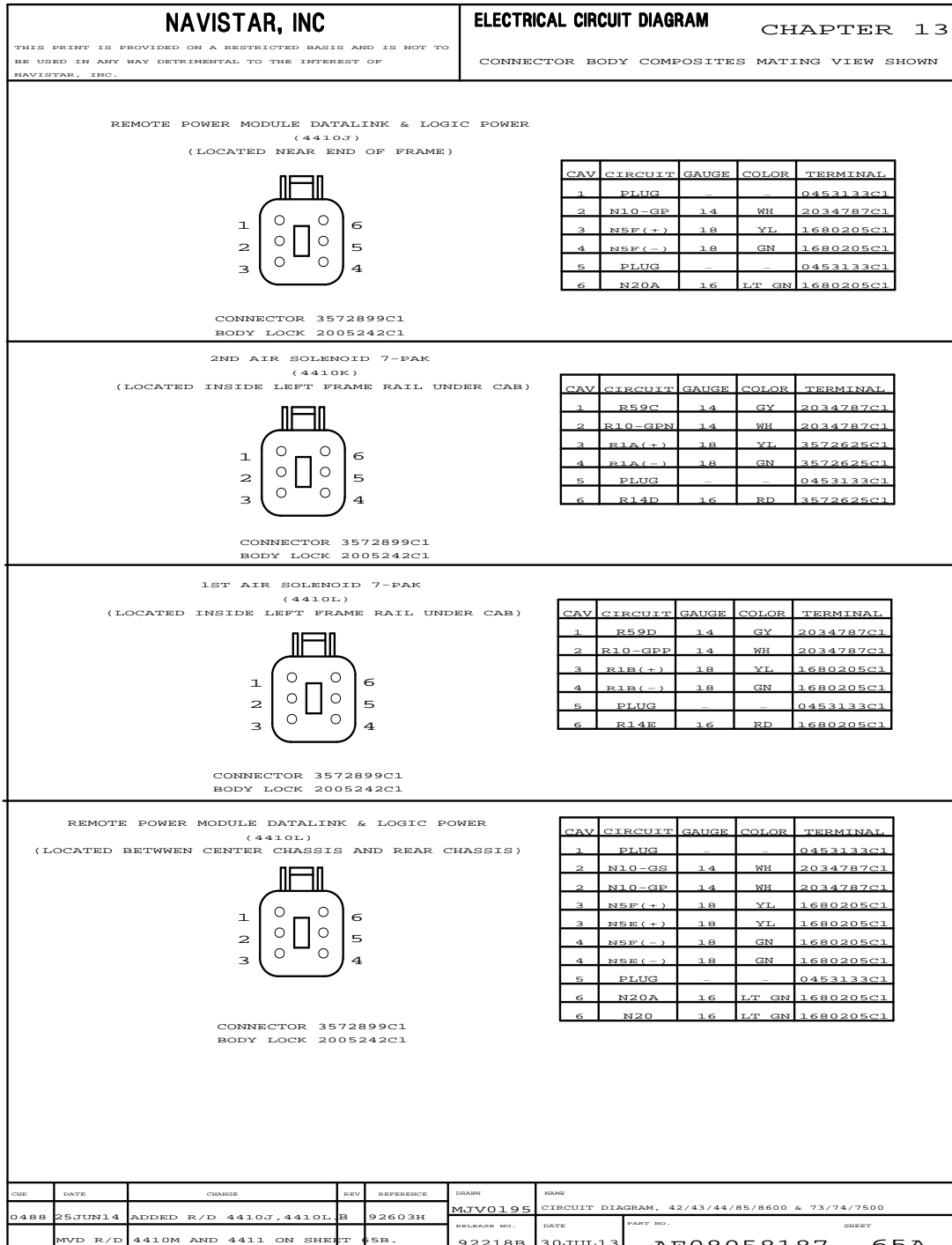


Figure 655 Connector Composites (4410J), (4410K), (4410L)

13.139. CONNECTOR COMPOSITES (4410M), (4411), P. 65B

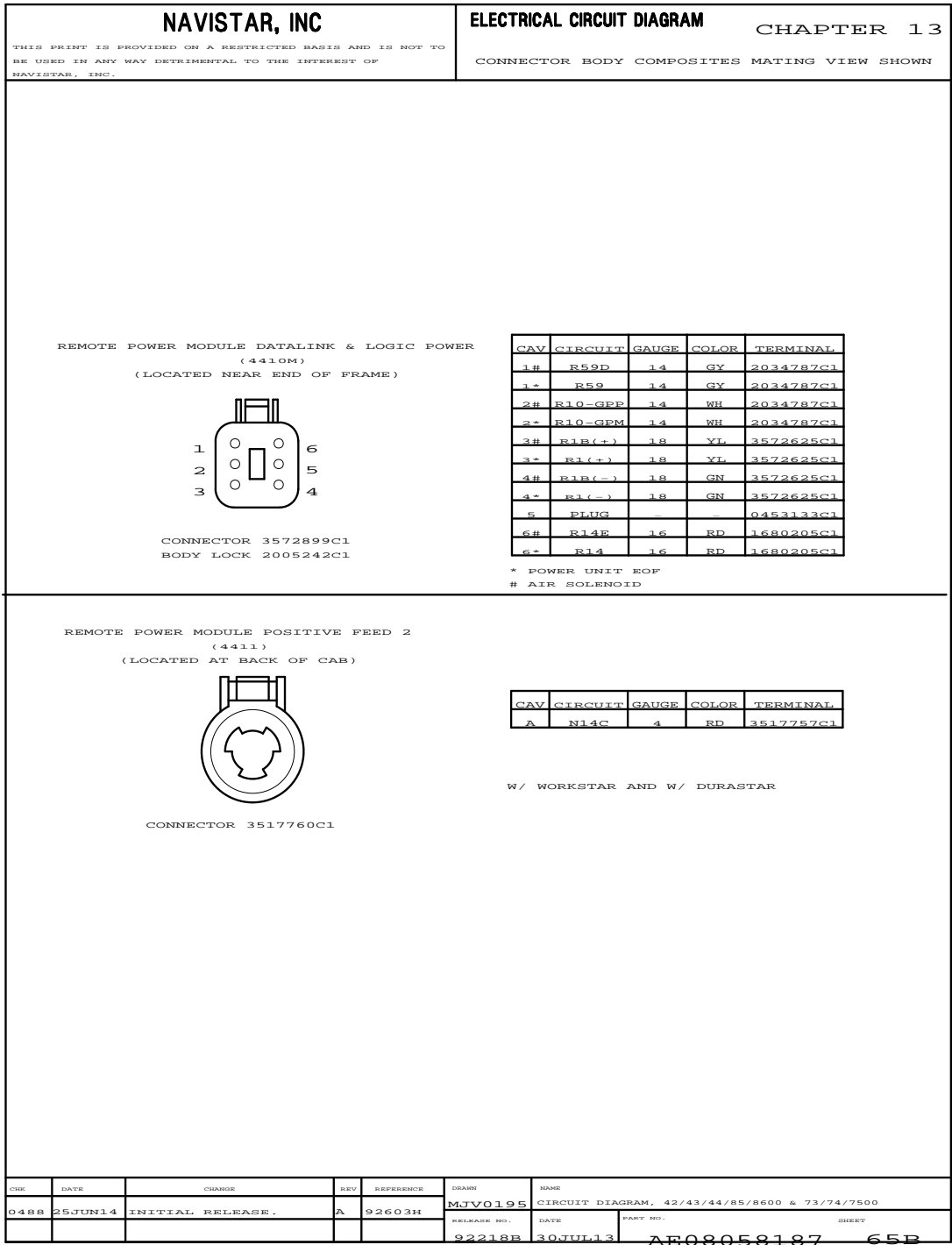


Figure 656 Connector Composites (4410M), (4411)

13.140. CONNECTOR COMPOSITES (4411A1), (4411A2), (4411A3), (4411A4), (4411A5), (4411A6), (4411A7), (4411A8), P. 66

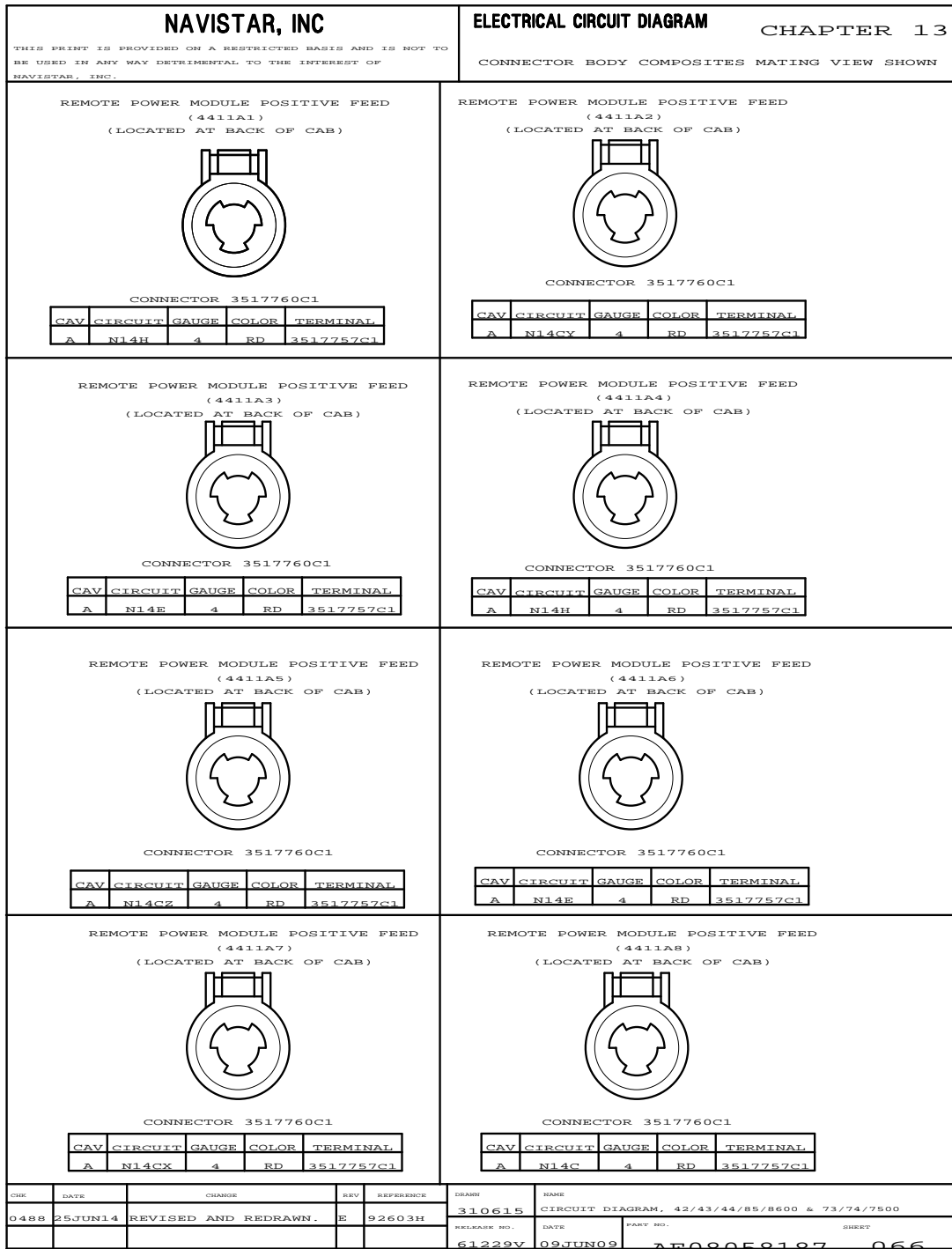


Figure 657 Connector Composites (4411A1), (4411A2), (4411A3), (4411A4), (4411A5), (4411A6), (4411A7), (4411A8)

13.141. CONNECTOR COMPOSITES (4411A9), (4411F), (4411M), (4411M1), (4411M2), P. 66A

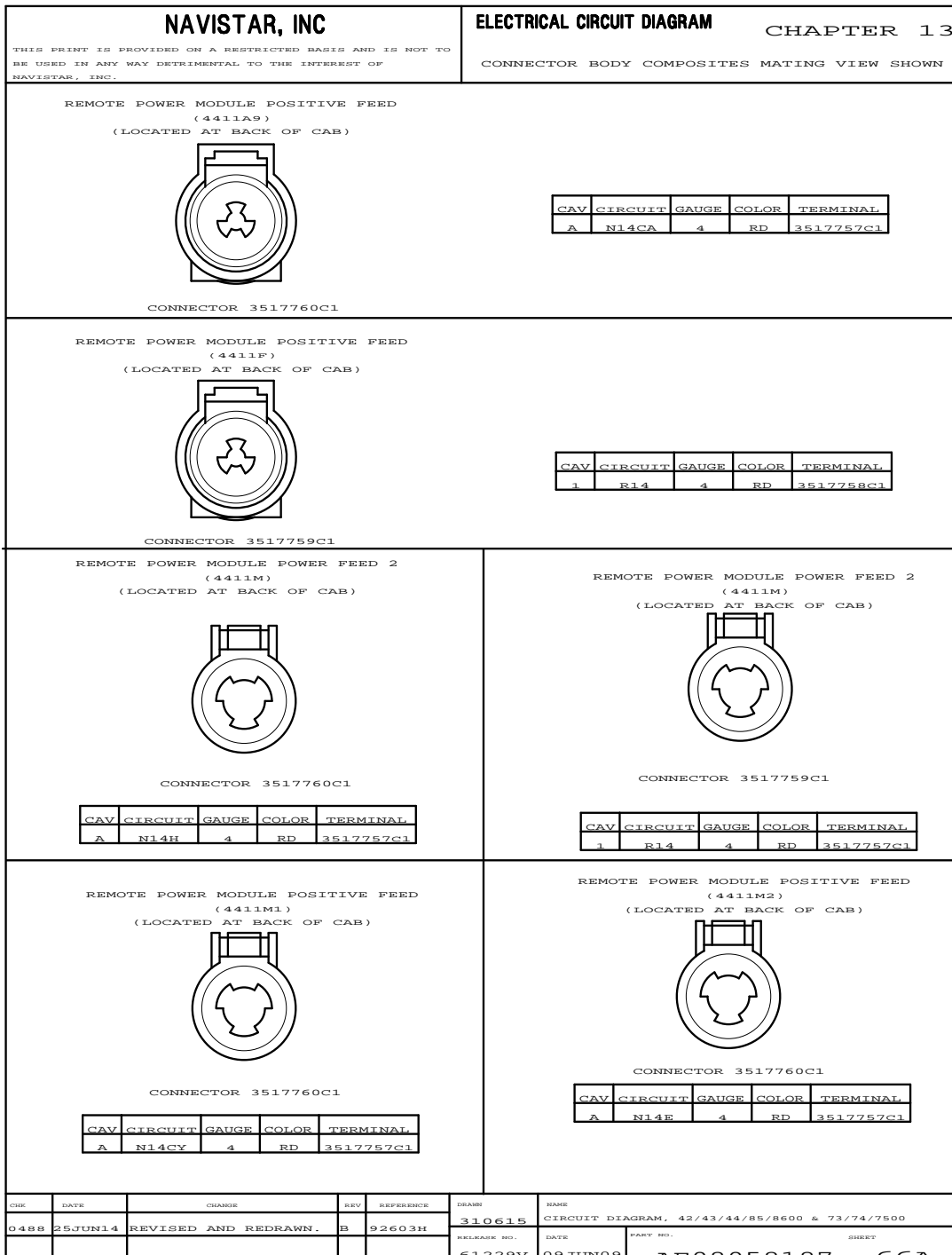


Figure 658 Connector Composites (4411A9), (4411F), (4411M), (4411M1), (4411M2)

13.142. CONNECTOR COMPOSITES (4411M4), (4411M5), (4411M6), (4411M7), (4411N), P. 66B


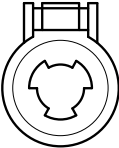
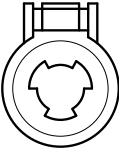
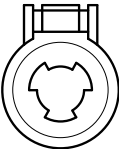

NAVISTAR, INC		ELECTRICAL CIRCUIT DIAGRAM		CHAPTER 13											
THIS PRINT IS PROVIDED ON A RESTRICTED BASIS AND IS NOT TO BE USED IN ANY WAY DETRIMENTAL TO THE INTEREST OF NAVISTAR, INC.		CONNECTOR BODY COMPOSITES MATING VIEW SHOWN													
<p>REMOTE POWER MODULE POSITIVE FEED 2 (4411M4) (LOCATED AT BACK OF CAB)</p>  <table border="1" data-bbox="841 516 1219 562"> <thead> <tr> <th>CAV</th> <th>CIRCUIT</th> <th>GAUGE</th> <th>COLOR</th> <th>TERMINAL</th> </tr> </thead> <tbody> <tr> <td>A</td> <td>N14CZ</td> <td>4</td> <td>RD</td> <td>3517757C1</td> </tr> </tbody> </table> <p>CONNECTOR 3517760C1</p>						CAV	CIRCUIT	GAUGE	COLOR	TERMINAL	A	N14CZ	4	RD	3517757C1
CAV	CIRCUIT	GAUGE	COLOR	TERMINAL											
A	N14CZ	4	RD	3517757C1											
<p>REMOTE POWER MODULE POSITIVE FEED (4411M5) (LOCATED AT BACK OF CAB)</p>  <table border="1" data-bbox="850 732 1229 779"> <thead> <tr> <th>CAV</th> <th>CIRCUIT</th> <th>GAUGE</th> <th>COLOR</th> <th>TERMINAL</th> </tr> </thead> <tbody> <tr> <td>A</td> <td>N14H</td> <td>4</td> <td>RD</td> <td>3517757C1</td> </tr> </tbody> </table> <p>CONNECTOR 3517760C1</p>						CAV	CIRCUIT	GAUGE	COLOR	TERMINAL	A	N14H	4	RD	3517757C1
CAV	CIRCUIT	GAUGE	COLOR	TERMINAL											
A	N14H	4	RD	3517757C1											
<p>REMOTE POWER MODULE POSITIVE FEED (4411M6) (LOCATED AT BACK OF CAB)</p>  <table border="1" data-bbox="844 972 1222 1018"> <thead> <tr> <th>CAV</th> <th>CIRCUIT</th> <th>GAUGE</th> <th>COLOR</th> <th>TERMINAL</th> </tr> </thead> <tbody> <tr> <td>A</td> <td>N14E</td> <td>4</td> <td>RD</td> <td>3517757C1</td> </tr> </tbody> </table> <p>W/ WORKSTAR</p> <p>CONNECTOR 3517760C1</p>						CAV	CIRCUIT	GAUGE	COLOR	TERMINAL	A	N14E	4	RD	3517757C1
CAV	CIRCUIT	GAUGE	COLOR	TERMINAL											
A	N14E	4	RD	3517757C1											
<p>RPM POSITIVE FEED (4411M7) (LOCATED AT BACK OF CAB)</p>  <table border="1" data-bbox="854 1228 1232 1274"> <thead> <tr> <th>CAV</th> <th>CIRCUIT</th> <th>GAUGE</th> <th>COLOR</th> <th>TERMINAL</th> </tr> </thead> <tbody> <tr> <td>A</td> <td>N14CX</td> <td>4</td> <td>RD</td> <td>3517757C1</td> </tr> </tbody> </table> <p>W/ WORKSTAR</p> <p>CONNECTOR 3517760C1</p>						CAV	CIRCUIT	GAUGE	COLOR	TERMINAL	A	N14CX	4	RD	3517757C1
CAV	CIRCUIT	GAUGE	COLOR	TERMINAL											
A	N14CX	4	RD	3517757C1											
<p>REMOTE POWER MODULE POSITIVE FEED (4411N) (LOCATED AT BACK OF CAB)</p>  <table border="1" data-bbox="863 1459 1243 1505"> <thead> <tr> <th>CAV</th> <th>CIRCUIT</th> <th>GAUGE</th> <th>COLOR</th> <th>TERMINAL</th> </tr> </thead> <tbody> <tr> <td>1</td> <td>R14</td> <td>4</td> <td>RD</td> <td>3517758C1</td> </tr> </tbody> </table> <p>CONNECTOR 3517759C1</p>						CAV	CIRCUIT	GAUGE	COLOR	TERMINAL	1	R14	4	RD	3517758C1
CAV	CIRCUIT	GAUGE	COLOR	TERMINAL											
1	R14	4	RD	3517758C1											
CHK	DATE	CHANGE	REV	REFERENCE	DRWN	NAME									
0488	25JUN14	REVISED AND REDRAWN.	B	92603H	MJV0195	CIRCUIT DIAGRAM, 42/43/44/85/8600 & 73/74/7500									
					RELEASE NO.	DATE									
					92218B	30JUL13									
					PART NO.	SHEET									
					AE08058187	66B									

Figure 659 Connector Composites (4411M4), (4411M5), (4411M6), (4411M7), (4411N)

13.143. CONNECTOR COMPOSITES (4411P), (4412A1), (4412A2), (4412F), (4413A1), (4413A2), (4413A3), (4413A4), P. 66C

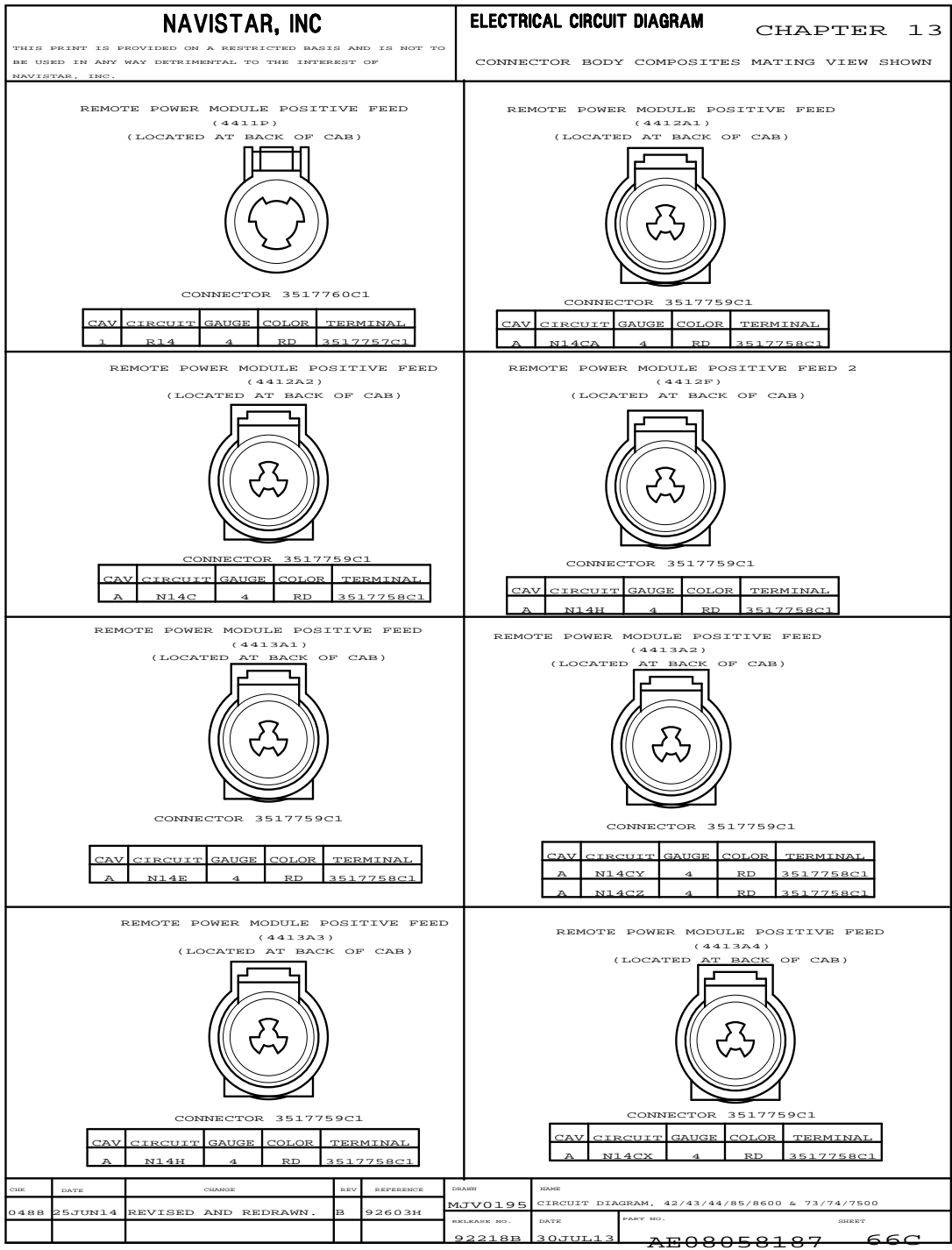


Figure 660 Connector Composites (4411P), (4412A1), (4412A2), (4412F), (4413A1), (4413A2), (4413A3), (4413A4)

13.144. CONNECTOR COMPOSITES (4413F), (4413F1), (4413F2), P. 66D




NAVISTAR, INC					ELECTRICAL CIRCUIT DIAGRAM					CHAPTER 13																			
THIS PRINT IS PROVIDED ON A RESTRICTED BASIS AND IS NOT TO BE USED IN ANY WAY DETRIMENTAL TO THE INTEREST OF NAVISTAR, INC.										CONNECTOR BODY COMPOSITES MATING VIEW SHOWN																			
<p>REMOTE POWER MODULE POSITIVE FEED (4413F) (LOCATED AT BACK OF CAB)</p>  <p>CONNECTOR 3517759C1</p> <table border="1" style="margin-left: auto; margin-right: auto;"> <thead> <tr> <th>CAV</th> <th>CIRCUIT</th> <th>GAUGE</th> <th>COLOR</th> <th>TERMINAL</th> </tr> </thead> <tbody> <tr> <td>A</td> <td>N14C</td> <td>4</td> <td>RD</td> <td>3517758C1</td> </tr> </tbody> </table> <p style="text-align: center; font-size: x-small;">W/ WORKSTAR AND W/ DURASTAR</p>															CAV	CIRCUIT	GAUGE	COLOR	TERMINAL	A	N14C	4	RD	3517758C1					
CAV	CIRCUIT	GAUGE	COLOR	TERMINAL																									
A	N14C	4	RD	3517758C1																									
<p>REMOTE POWER MODULE POSITIVE FEED (4413F1) (LOCATED AT BACK OF CAB)</p>  <p>CONNECTOR 3517759C1</p> <table border="1" style="margin-left: auto; margin-right: auto;"> <thead> <tr> <th>CAV</th> <th>CIRCUIT</th> <th>GAUGE</th> <th>COLOR</th> <th>TERMINAL</th> </tr> </thead> <tbody> <tr> <td>A#</td> <td>N14CY</td> <td>4</td> <td>RD</td> <td>3517758C1</td> </tr> <tr> <td>A*</td> <td>N14CZ</td> <td>4</td> <td>RD</td> <td>3517758C1</td> </tr> </tbody> </table> <p style="text-align: center; font-size: x-small;"># W/ WORKSTAR * W/ DURASTAR</p>															CAV	CIRCUIT	GAUGE	COLOR	TERMINAL	A#	N14CY	4	RD	3517758C1	A*	N14CZ	4	RD	3517758C1
CAV	CIRCUIT	GAUGE	COLOR	TERMINAL																									
A#	N14CY	4	RD	3517758C1																									
A*	N14CZ	4	RD	3517758C1																									
<p>REMOTE POWER MODULE POSITIVE FEED (4413F2) (LOCATED AT BACK OF CAB)</p>  <p>CONNECTOR 3517759C1</p> <table border="1" style="margin-left: auto; margin-right: auto;"> <thead> <tr> <th>CAV</th> <th>CIRCUIT</th> <th>GAUGE</th> <th>COLOR</th> <th>TERMINAL</th> </tr> </thead> <tbody> <tr> <td>1</td> <td>N14E</td> <td>4</td> <td>RD</td> <td>3517758C1</td> </tr> </tbody> </table>															CAV	CIRCUIT	GAUGE	COLOR	TERMINAL	1	N14E	4	RD	3517758C1					
CAV	CIRCUIT	GAUGE	COLOR	TERMINAL																									
1	N14E	4	RD	3517758C1																									
CHK	DATE	CHANGE	REV	REFERENCE	DRAWN	NAME																							
0488	25JUN14	ADDED R/D 4413F, 4413F1, 4413F2	B	92603H	MJV0195	CIRCUIT DIAGRAM, 42/43/44/85/8600 & 73/74/7500																							
					RELEASE NO.	DATE	PART NO.	SHEET																					
					92218B	30JUL13	AE08058187	66D																					

Figure 661 Connector Composites (4413F), (4413F1), (4413F2)

13.145. CONNECTOR COMPOSITES (4413F3), (4413F4), (4414), (4450AM), (4450BM), P. 66E

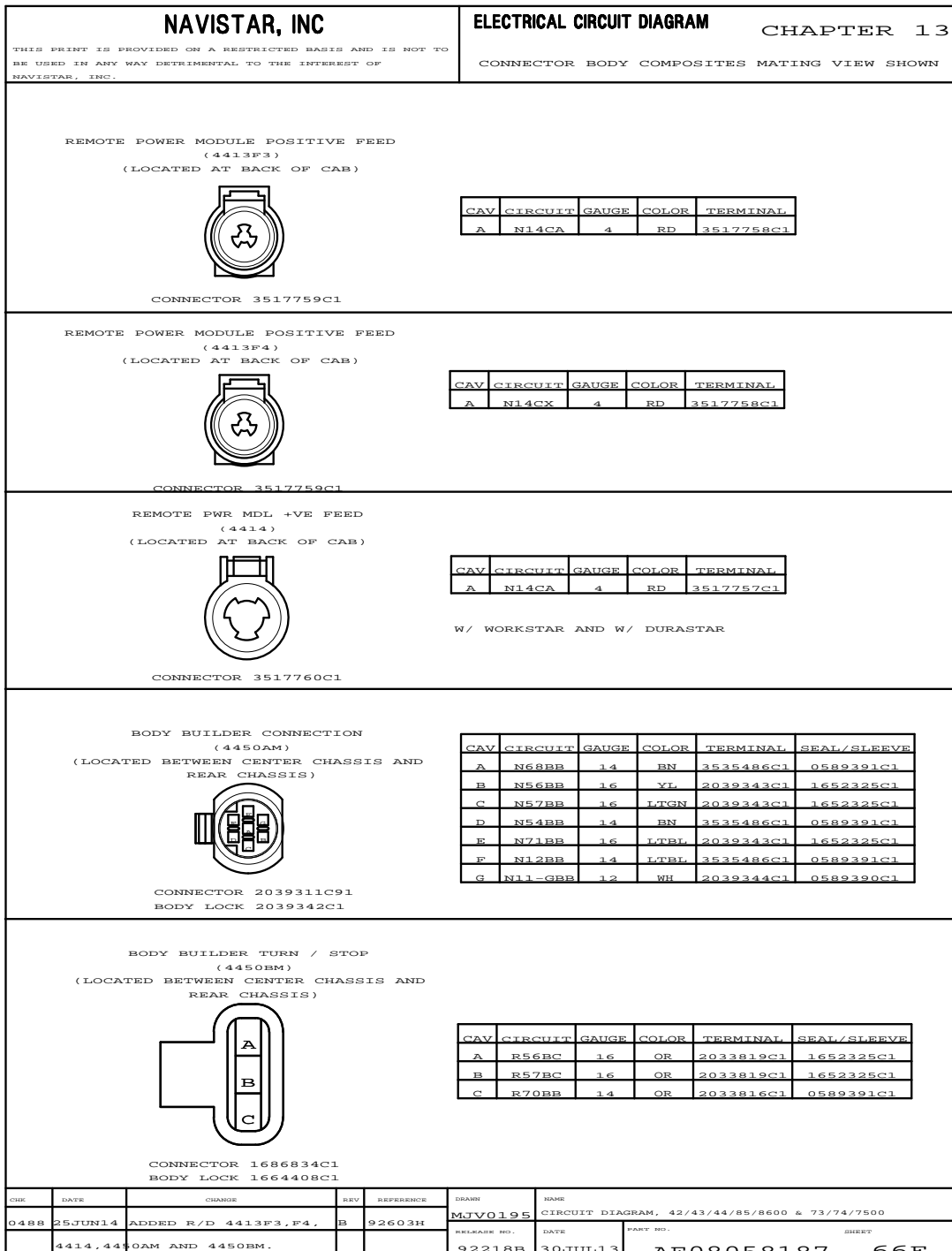


Figure 662 Connector Composites (4413F3), (4413F4), (4414), (4450AM), (4450BM)

13.146. CONNECTOR COMPOSITES (4450BF), (4450M), (4460AM), P. 66F

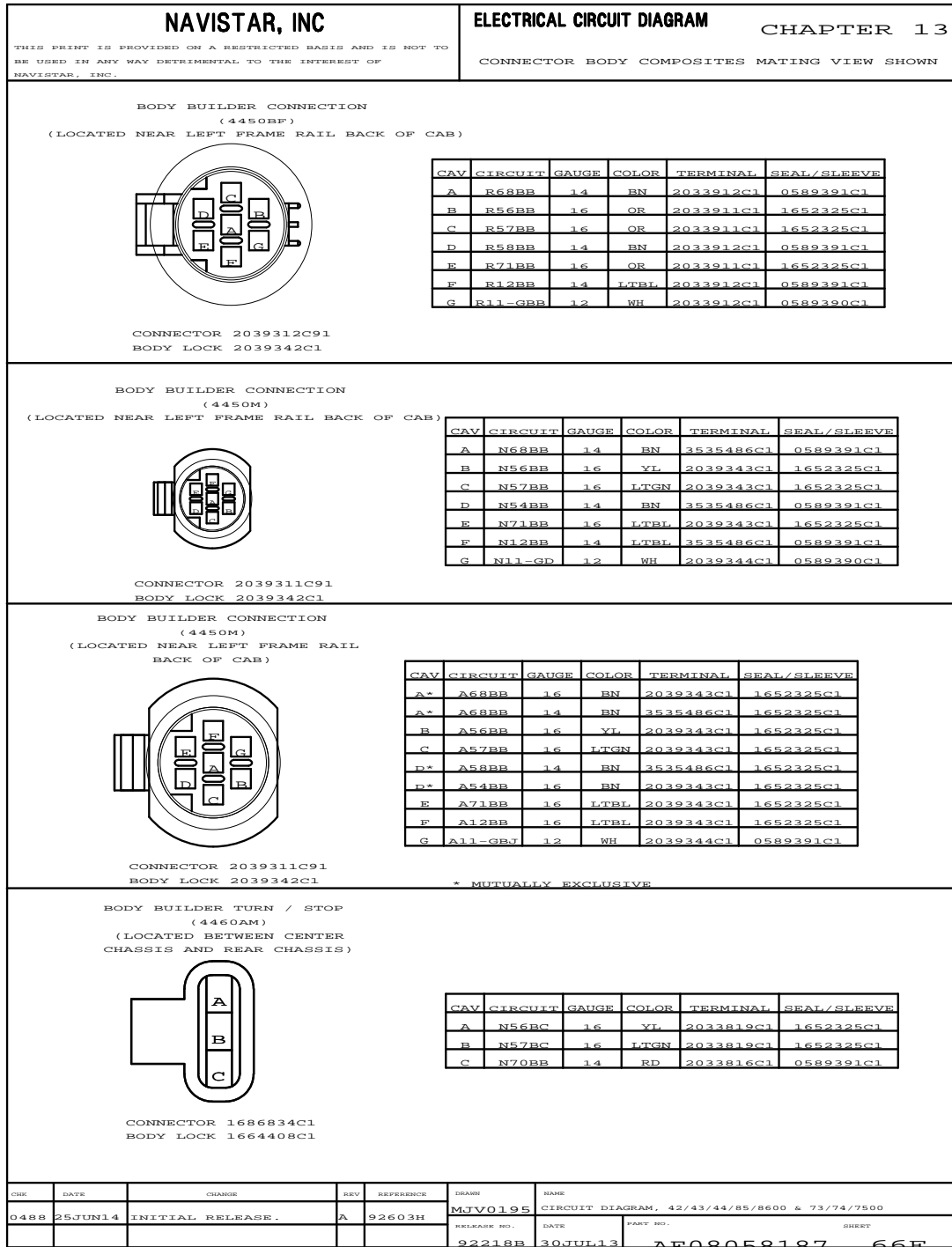


Figure 663 Connector Composites (4450BF), (4450M), (4460AM)

13.147. CONNECTOR COMPOSITES (4460BF), (4460BM), P. 66G

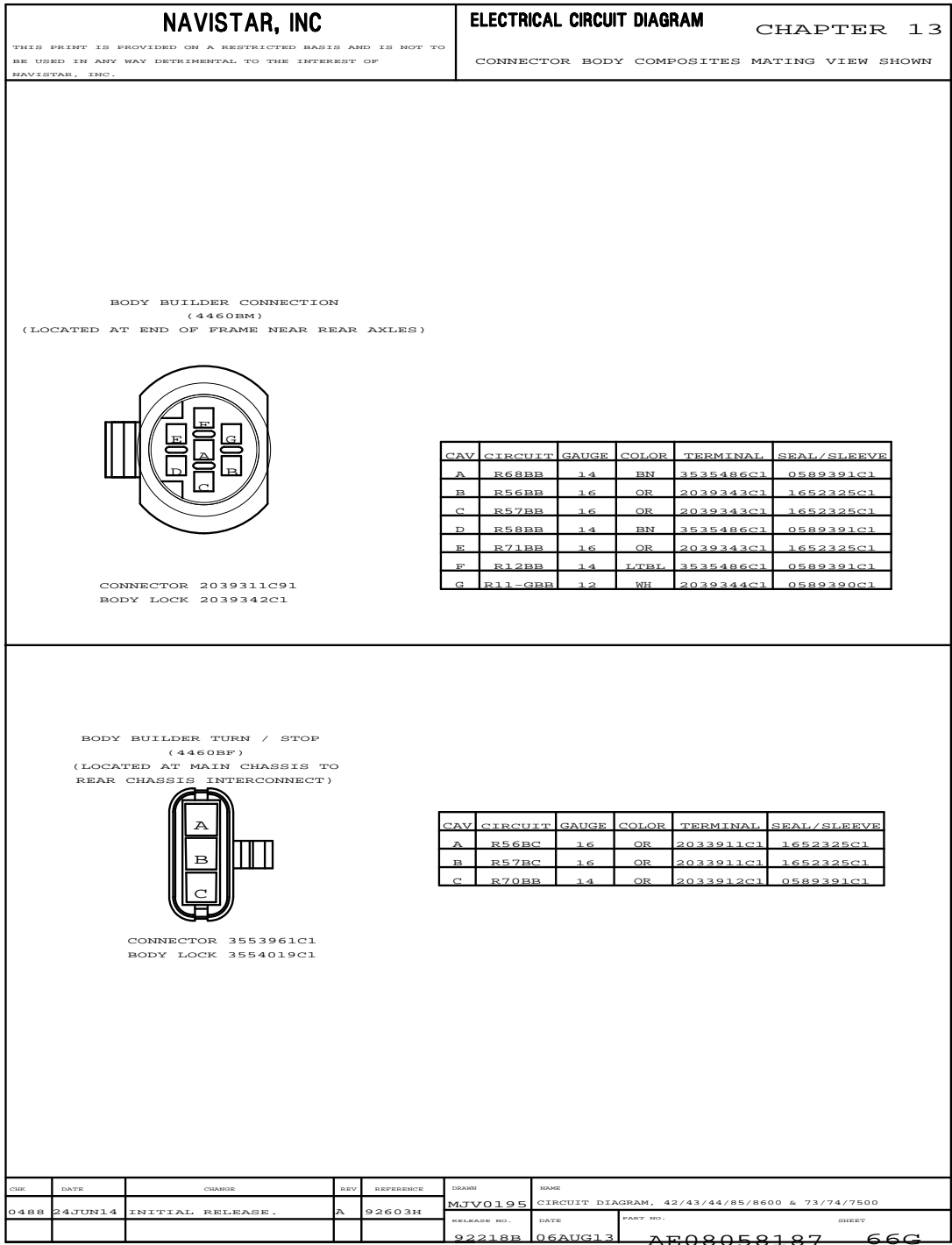


Figure 664 Connector Composites (4460BF), (4460BM)

13.148. CONNECTOR COMPOSITES (4460M), (4500), (4601), P. 67

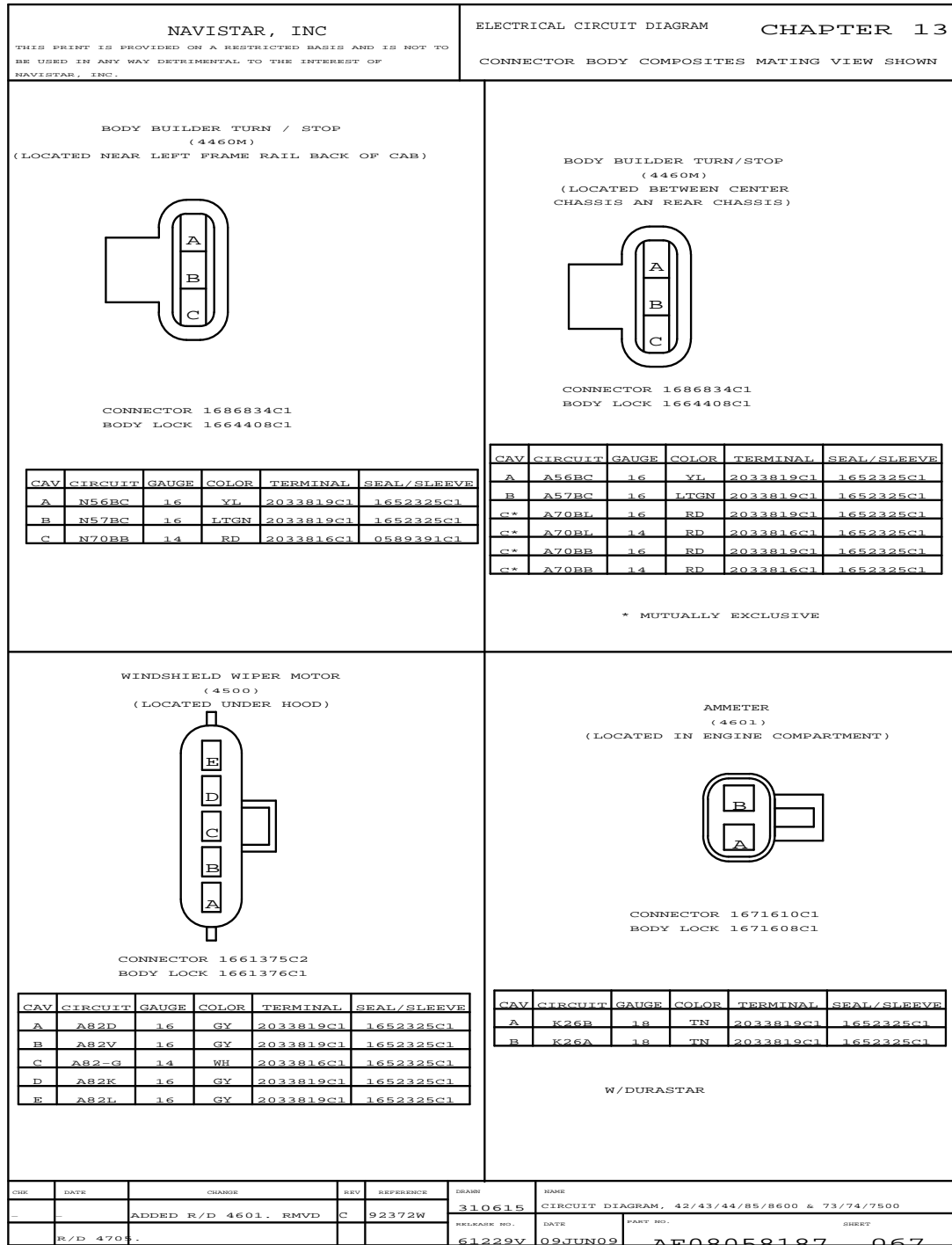


Figure 665 Connector Composites (4460M), (4500), (4601)

13.149. CONNECTOR COMPOSITES (4705), (4706), P. 67A

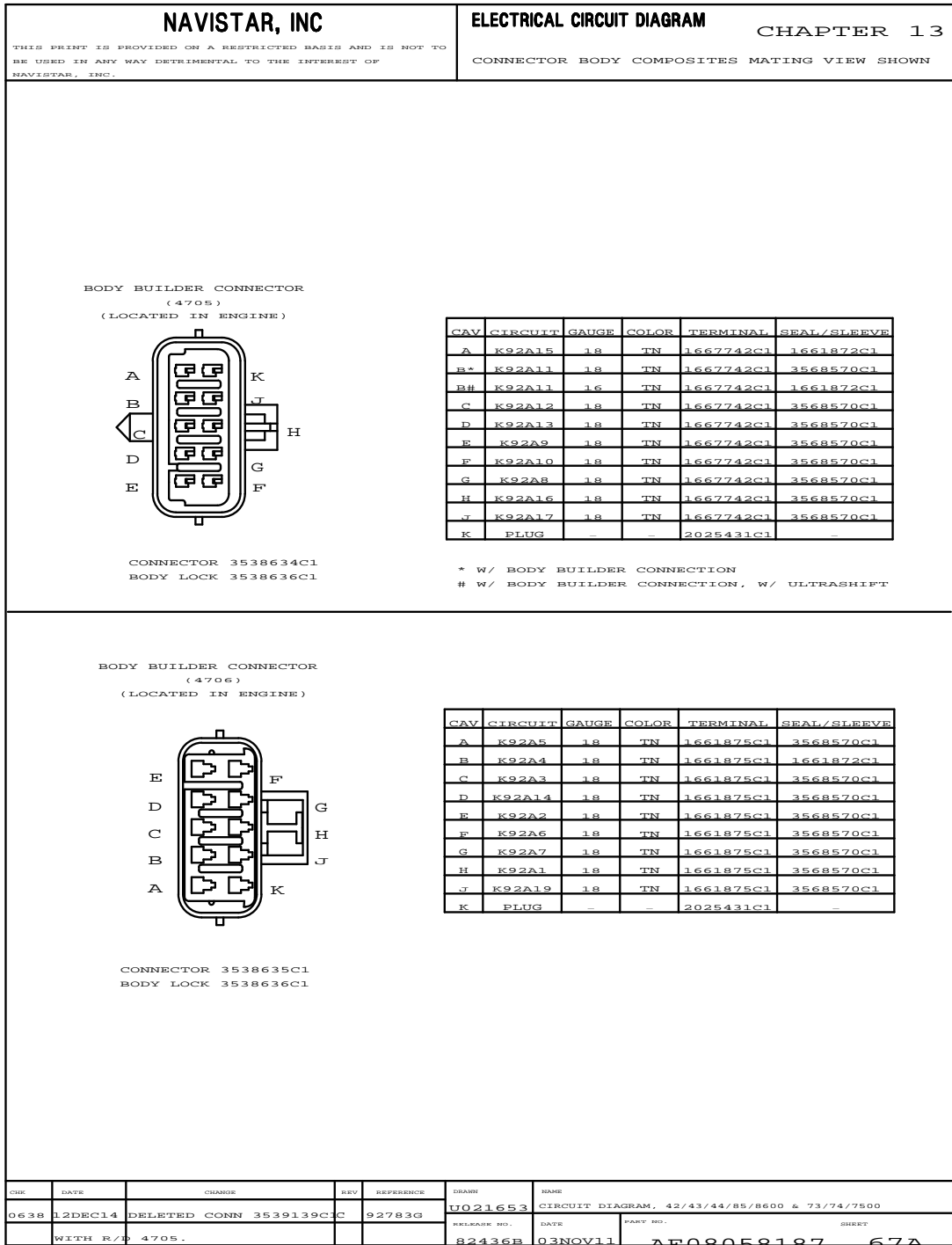


Figure 666 Connector Composites (4705), (4706)

13.150. CONNECTOR COMPOSITES (4712F1), (4712F3), P. 67B

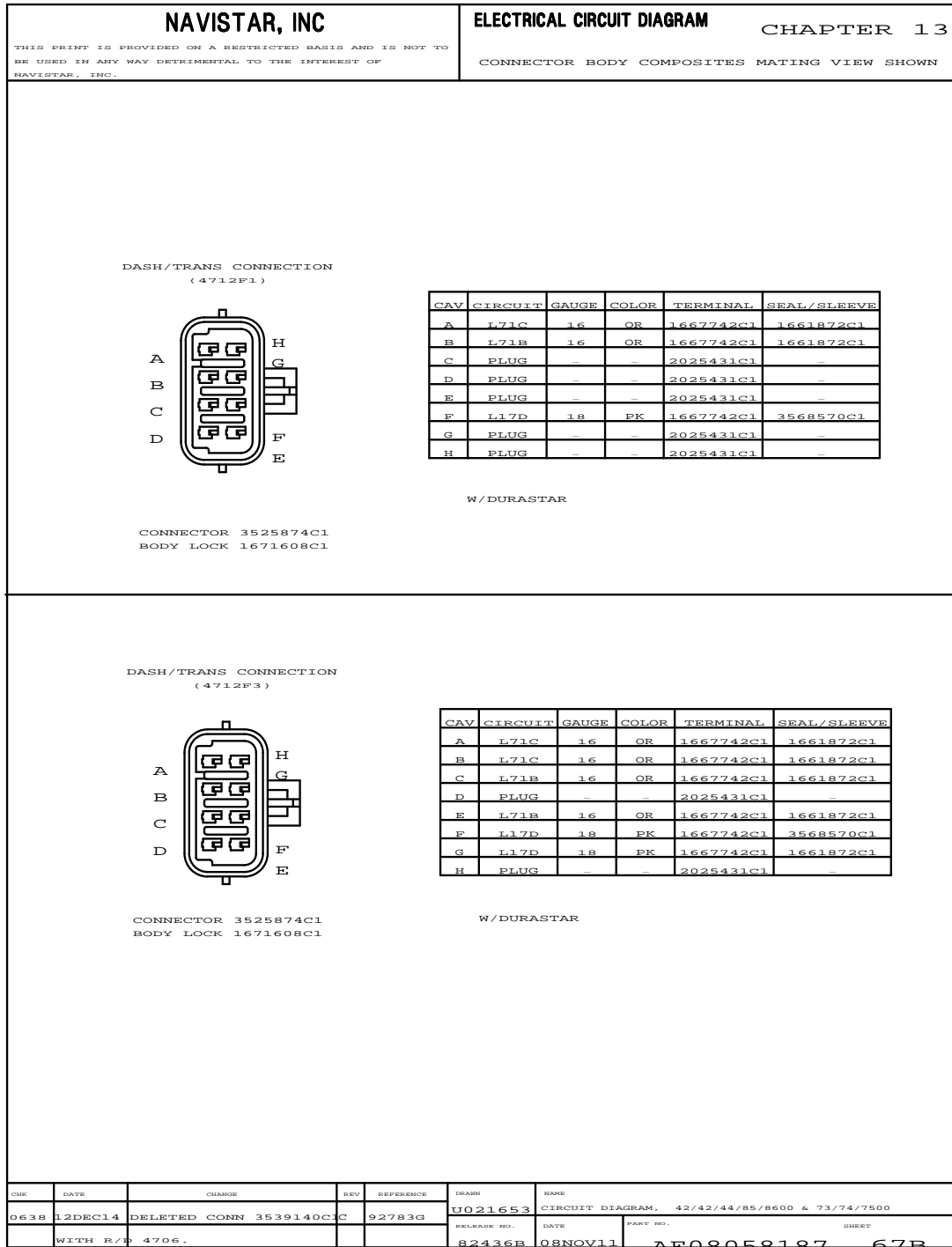


Figure 667 Connector Composites (4712F1), (4712F3)

13.151. CONNECTOR COMPOSITES (6000), P. 67C

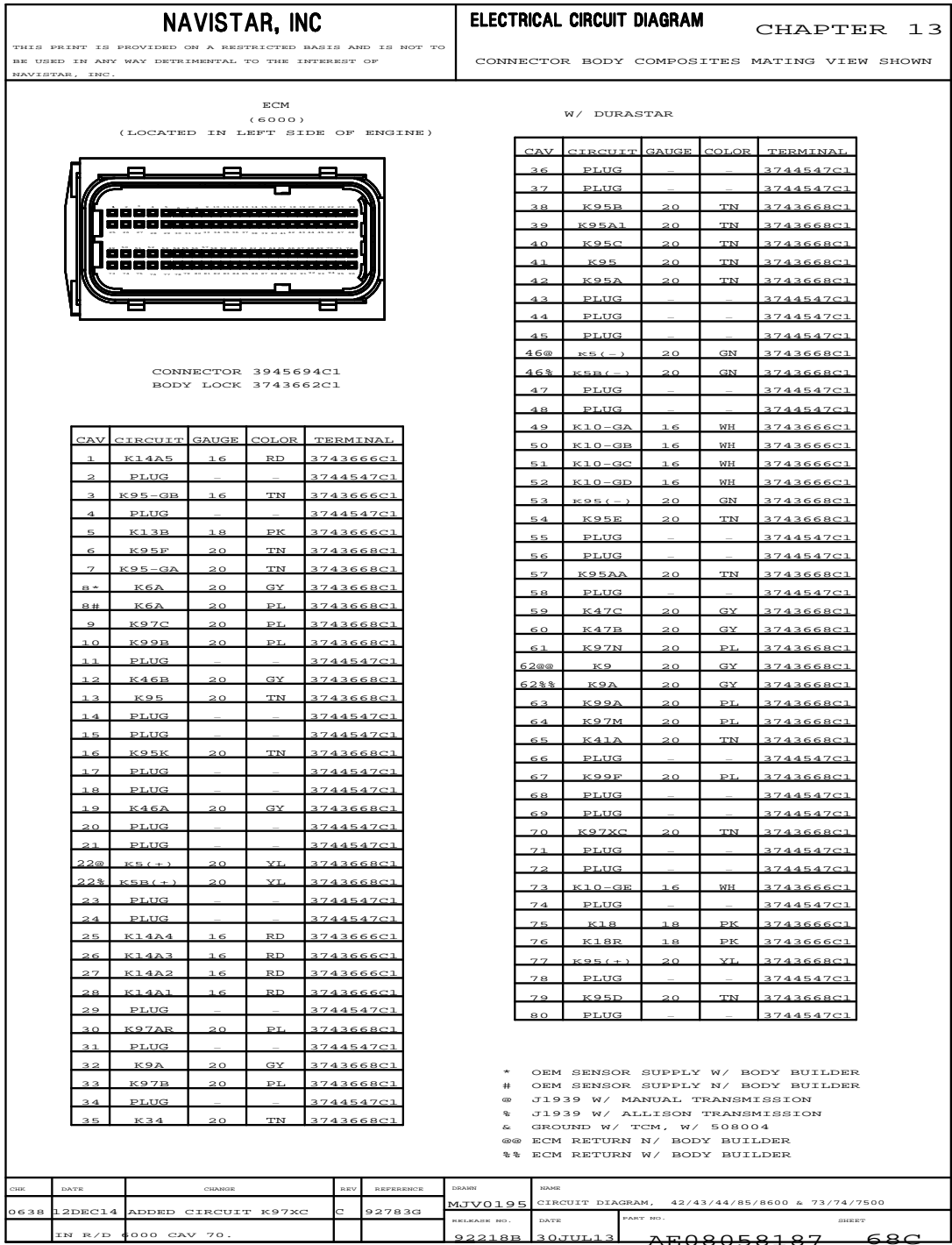


Figure 668 Connector Composites (6000)

13.152. CONNECTOR COMPOSITES (4803), (4810), (4815), (4830), P. 67D

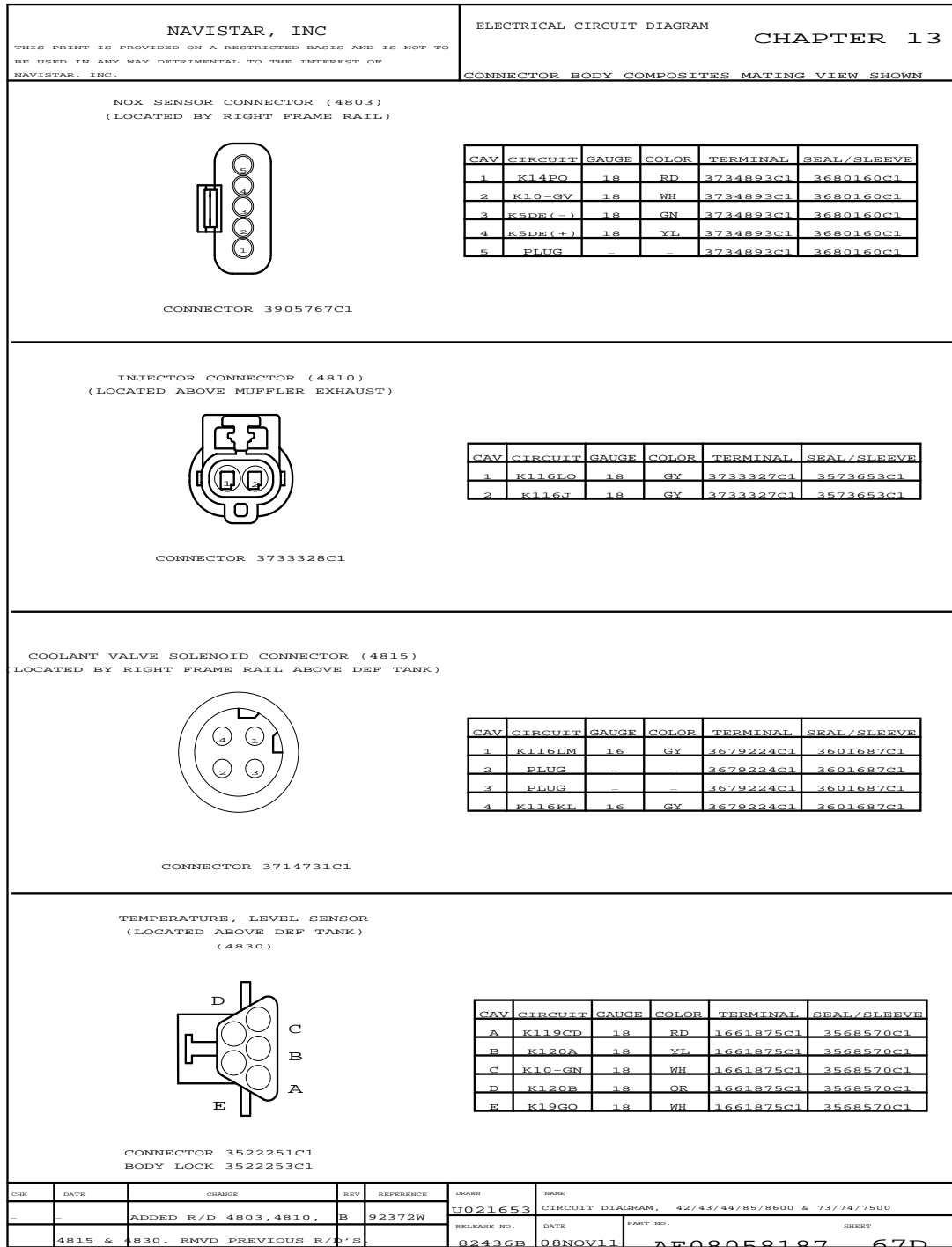


Figure 669 Connector Composites (4803), (4810), (4815), (4830)

13.153. CONNECTOR COMPOSITES (4831), (4833A), (4833B), (4833C), P. 67E

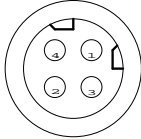
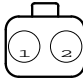
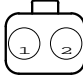
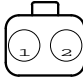
NAVISTAR, INC <small>THIS PRINT IS PROVIDED ON A RESTRICTED BASIS AND IS NOT TO BE USED IN ANY WAY DETRIMENTAL TO THE INTEREST OF NAVISTAR, INC.</small>				ELECTRICAL CIRCUIT DIAGRAM CHAPTER 13 CONNECTOR BODY COMPOSITES MATING VIEW SHOWN																															
TEMPERATURE SENSOR CONNECTOR (4831) (LOCATED ABOVE EXHAUST PIPE)																																			
		<table border="1" style="width: 100%; border-collapse: collapse;"> <thead> <tr> <th>CAV</th> <th>CIRCUIT</th> <th>GAUGE</th> <th>COLOR</th> <th>TERMINAL</th> <th>SEAL/SLEEVE</th> </tr> </thead> <tbody> <tr> <td>1</td> <td>K10-GK</td> <td>18</td> <td>WH</td> <td>3601686C1</td> <td>3733609C1</td> </tr> <tr> <td>2</td> <td>K117A</td> <td>18</td> <td>GY</td> <td>3601686C1</td> <td>3733609C1</td> </tr> <tr> <td>3</td> <td>PLUG</td> <td>-</td> <td>-</td> <td>3601686C1</td> <td>3733609C1</td> </tr> <tr> <td>4</td> <td>PLUG</td> <td>-</td> <td>-</td> <td>3601686C1</td> <td>3733609C1</td> </tr> </tbody> </table>				CAV	CIRCUIT	GAUGE	COLOR	TERMINAL	SEAL/SLEEVE	1	K10-GK	18	WH	3601686C1	3733609C1	2	K117A	18	GY	3601686C1	3733609C1	3	PLUG	-	-	3601686C1	3733609C1	4	PLUG	-	-	3601686C1	3733609C1
CAV	CIRCUIT	GAUGE	COLOR	TERMINAL	SEAL/SLEEVE																														
1	K10-GK	18	WH	3601686C1	3733609C1																														
2	K117A	18	GY	3601686C1	3733609C1																														
3	PLUG	-	-	3601686C1	3733609C1																														
4	PLUG	-	-	3601686C1	3733609C1																														
CONNECTOR 3601685C1																																			
LINE HEAT CONNECTOR (4833A) (LOCATED BEHIND DEF TANK)																																			
		<table border="1" style="width: 100%; border-collapse: collapse;"> <thead> <tr> <th>CAV</th> <th>CIRCUIT</th> <th>GAUGE</th> <th>COLOR</th> <th>TERMINAL</th> </tr> </thead> <tbody> <tr> <td>1</td> <td>K113AA</td> <td>18</td> <td>PL</td> <td>1680205C1</td> </tr> <tr> <td>2</td> <td>K113D</td> <td>12</td> <td>TN</td> <td>1680205C1</td> </tr> </tbody> </table>				CAV	CIRCUIT	GAUGE	COLOR	TERMINAL	1	K113AA	18	PL	1680205C1	2	K113D	12	TN	1680205C1															
CAV	CIRCUIT	GAUGE	COLOR	TERMINAL																															
1	K113AA	18	PL	1680205C1																															
2	K113D	12	TN	1680205C1																															
CONNECTOR 3854665C91 BODY LOCK 3711020C1																																			
LINE HEAT CONNECTOR (4833B) (LOCATED BEHIND DEF TANK)																																			
		<table border="1" style="width: 100%; border-collapse: collapse;"> <thead> <tr> <th>CAV</th> <th>CIRCUIT</th> <th>GAUGE</th> <th>COLOR</th> <th>TERMINAL</th> </tr> </thead> <tbody> <tr> <td>1</td> <td>K113AB</td> <td>18</td> <td>PL</td> <td>1680205C1</td> </tr> <tr> <td>2</td> <td>K113E</td> <td>16</td> <td>TN</td> <td>1680205C1</td> </tr> </tbody> </table>				CAV	CIRCUIT	GAUGE	COLOR	TERMINAL	1	K113AB	18	PL	1680205C1	2	K113E	16	TN	1680205C1															
CAV	CIRCUIT	GAUGE	COLOR	TERMINAL																															
1	K113AB	18	PL	1680205C1																															
2	K113E	16	TN	1680205C1																															
CONNECTOR 3854665C91 BODY LOCK 3711020C1																																			
LINE HEAT CONNECTOR (4833C) (LOCATED ABOVE DEF TANK)																																			
		<table border="1" style="width: 100%; border-collapse: collapse;"> <thead> <tr> <th>CAV</th> <th>CIRCUIT</th> <th>GAUGE</th> <th>COLOR</th> <th>TERMINAL</th> </tr> </thead> <tbody> <tr> <td>1</td> <td>K116LP</td> <td>18</td> <td>GY</td> <td>1680205C1</td> </tr> <tr> <td>2</td> <td>K113C</td> <td>18</td> <td>PL</td> <td>1680205C1</td> </tr> </tbody> </table>				CAV	CIRCUIT	GAUGE	COLOR	TERMINAL	1	K116LP	18	GY	1680205C1	2	K113C	18	PL	1680205C1															
CAV	CIRCUIT	GAUGE	COLOR	TERMINAL																															
1	K116LP	18	GY	1680205C1																															
2	K113C	18	PL	1680205C1																															
CONNECTOR 3854665C91 BODY LOCK 3711020C1																																			
CHK	DATE	CHANGE	REV	REFERENCE	DRAWN	NAME																													
0488	24JAN14	ADDED R/D 4831, 4833A	C	92372W	U021653	CIRCUIT DIAGRAM, 42/43/44/85/8600 & 73/74/7500																													
	4833B/C	RMVD PREVIOUS R/D'S			RELEASE NO.	DATE																													
					82436B	03NOV11																													
					PART NO.	SHEET																													
					AE08058187	67E																													

Figure 670 Connector Composites (4831), (4833A), (4833B), (4833C)

13.154. CONNECTOR COMPOSITES (4840), (4840F), (4841), (4841F), P. 67F

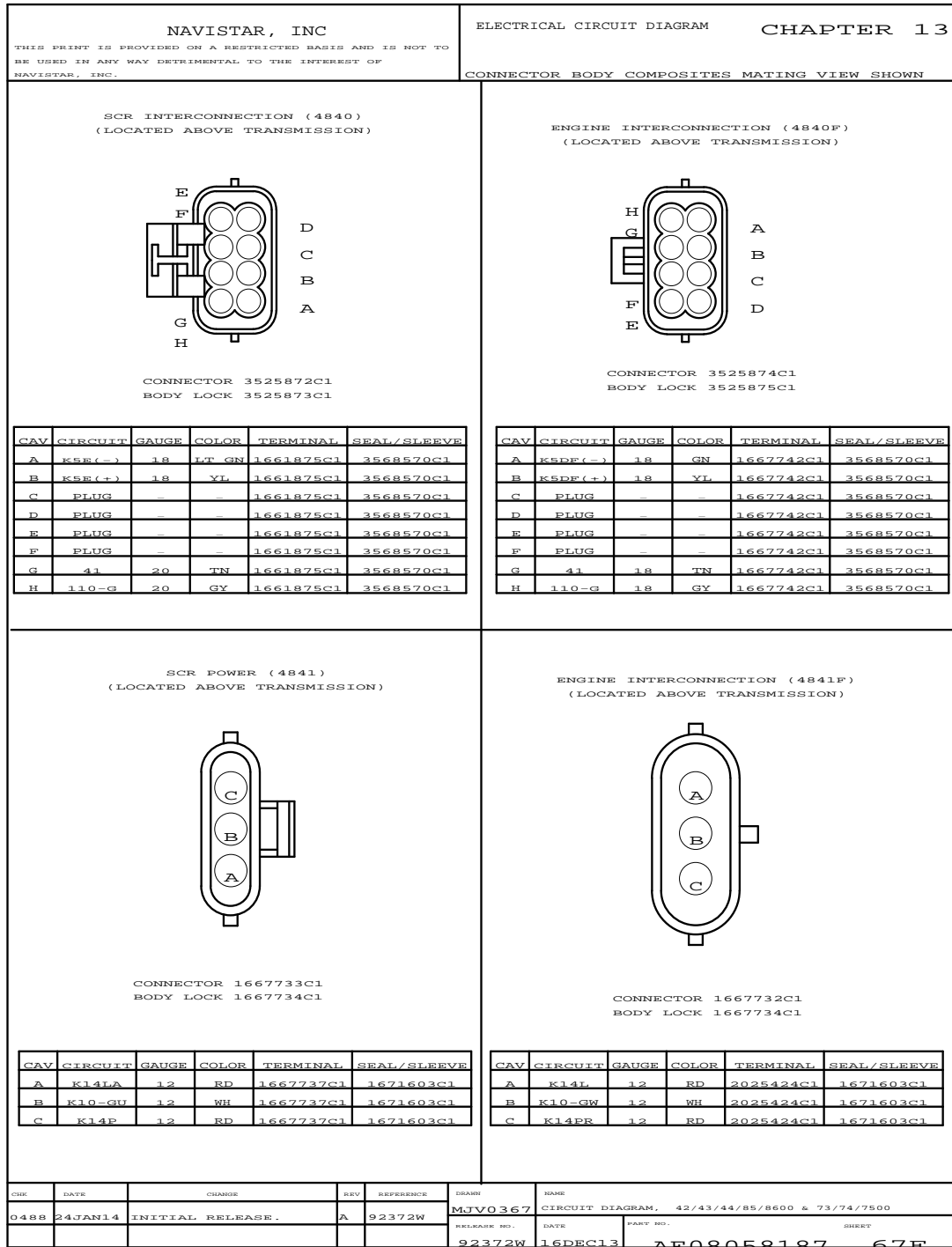


Figure 671 Connector Composites (4840), (4840F), (4841), (4841F)

13.155. CONNECTOR COMPOSITES (4705), (4706), (4905), (4906), P. 68

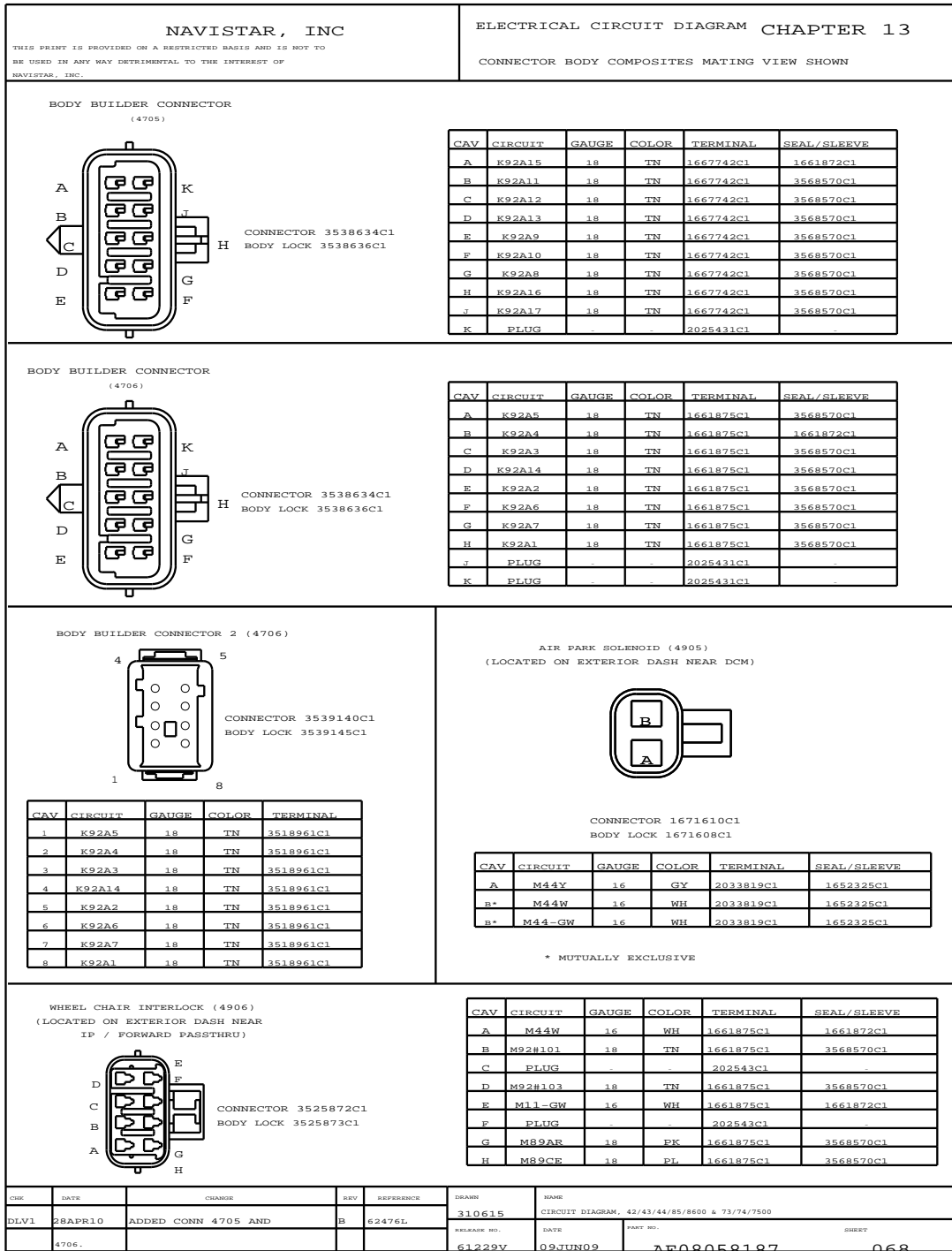


Figure 672 Connector Composites (4705), (4706), (4905), (4906)

13.156. CONNECTOR COMPOSITES (4906C), (4950), (4951), (4952), (4953), P. 68A

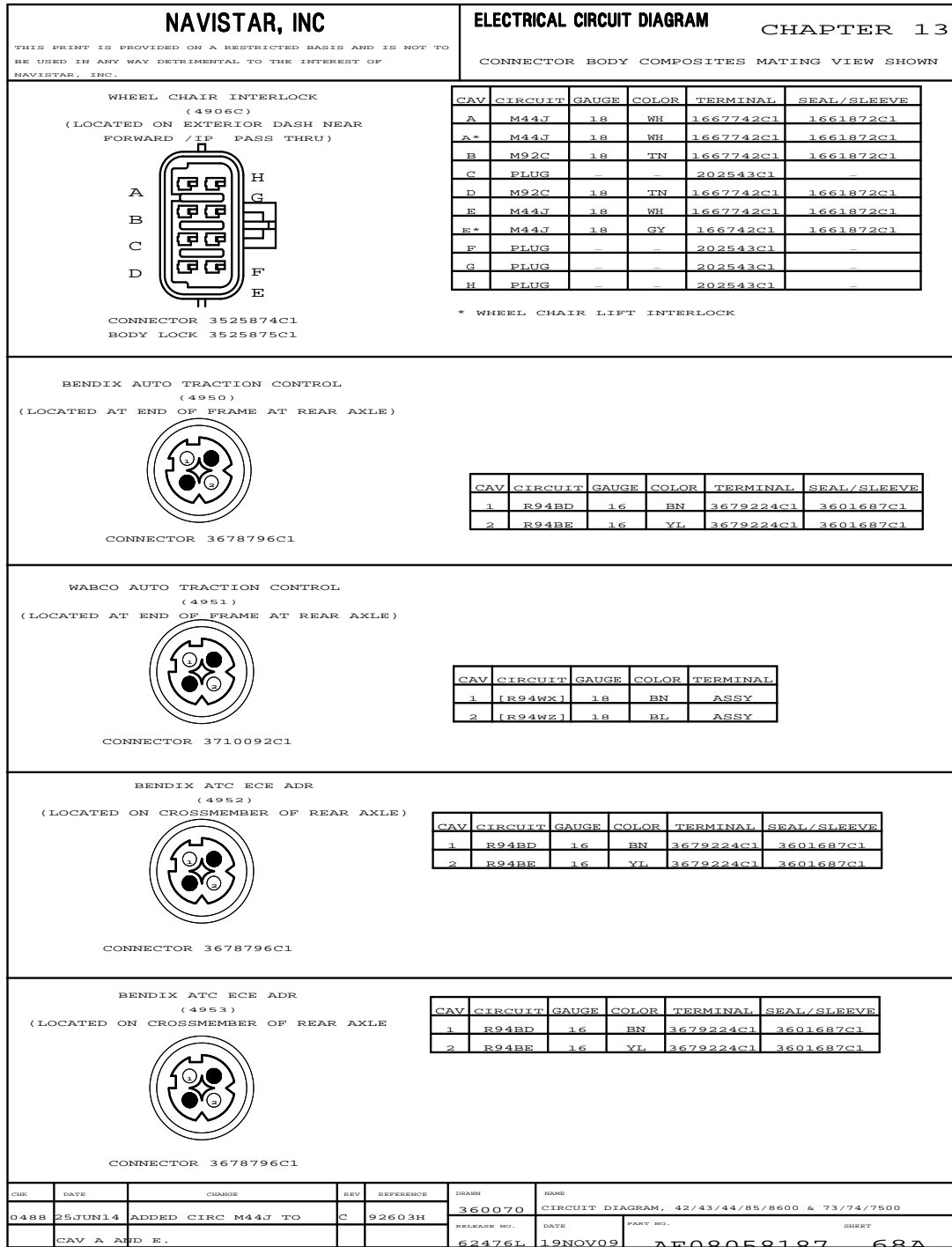


Figure 673 Connector Composites (4906C), (4950), (4951), (4952), (4953)

13.157. CONNECTOR COMPOSITES (5117), (5200), (5500A), P. 68B

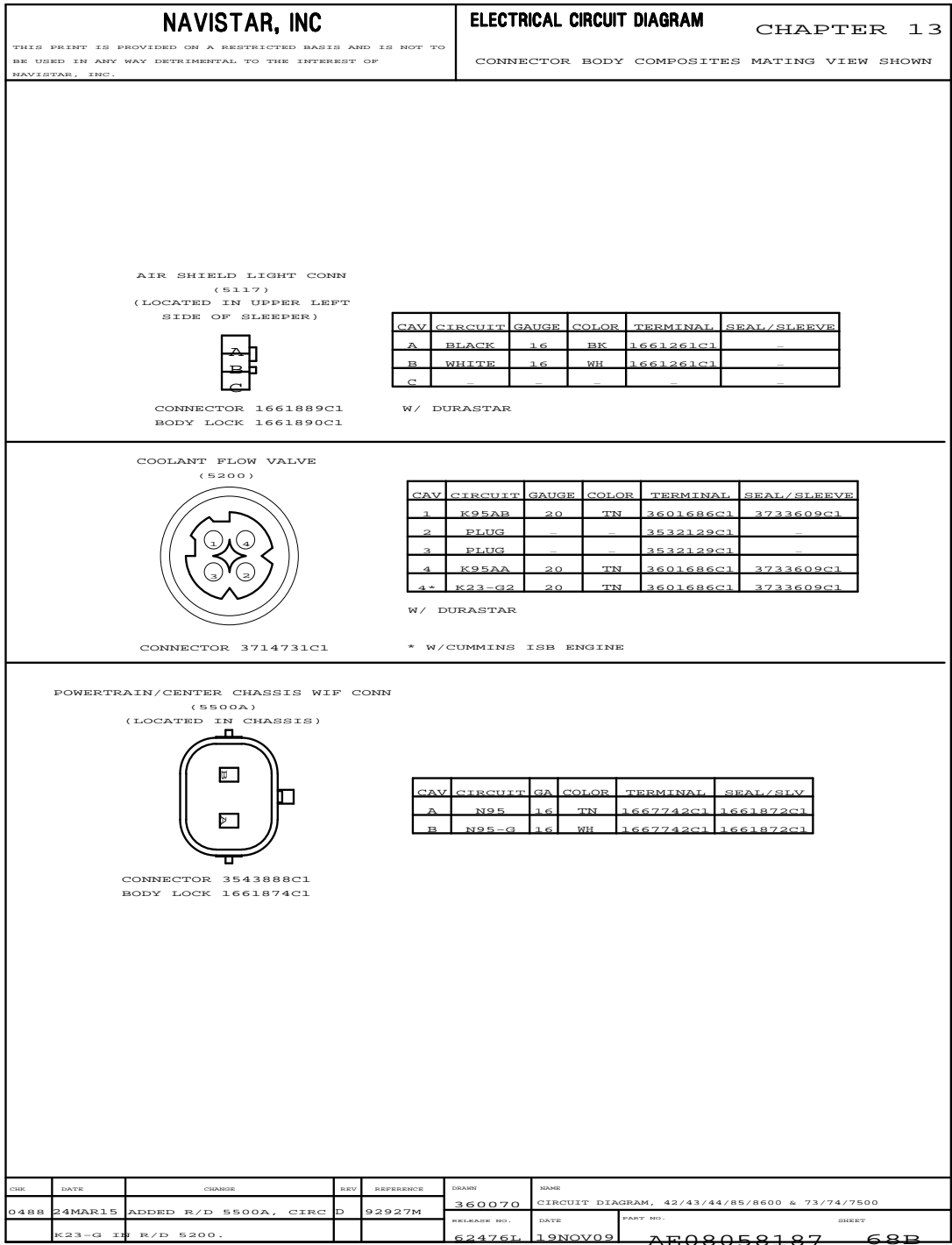
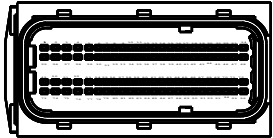


Figure 674 Connector Composites (5117), (5200), (5500A)

13.158. CONNECTOR COMPOSITES (6000), P. 68C

NAVISTAR, INC				ELECTRICAL CIRCUIT DIAGRAM	CHAPTER 13				
THIS PRINT IS PROVIDED ON A RESTRICTED BASIS AND IS NOT TO BE USED IN ANY WAY DETRIMENTAL TO THE INTEREST OF NAVISTAR, INC.				CONNECTOR BODY COMPOSITES MATING VIEW SHOWN					
ECM (6000) (LOCATED IN LEFT SIDE OF ENGINE)									
									
CONNECTOR 3945694C1 BODY LOCK 3743662C1									
CAV	CIRCUIT	GAUGE	COLOR	TERMINAL					
1	K14A5	16	RD	3743666C1	38	K95B	20	TN	3743668C1
2	PLUG	-	-	3744547C1	39	K95A1	20	TN	3743668C1
3	K95-GB	16	TN	3743666C1	40	K95C	20	TN	3743668C1
4	PLUG	-	-	3744547C1	41	K95	20	TN	3743668C1
5	K13B	18	PK	3743666C1	42	K95A	20	TN	3743668C1
6	K95P	20	TN	3743668C1	43	PLUG	-	-	3744547C1
7	K95-GA	20	TN	3743668C1	44	PLUG	-	-	3744547C1
8*	K6A	20	GY	3743668C1	45	PLUG	-	-	3744547C1
8#	K6A	20	PL	3743668C1	46@	K5(-)	20	GN	3743668C1
9	K97C	20	PL	3743668C1	46%#	K5B(-)	20	GN	3743668C1
10	K99B	20	PL	3743668C1	46**	K5D(-)	20	GN	3743668C1
11	PLUG	-	-	3744547C1	46**	K5H(-)	20	GN	3743668C1
12	K46B	20	GY	3743668C1	46##	K5A(-)	20	GN	3743668C1
13	K95	20	TN	3743668C1	47	PLUG	-	-	3744547C1
14**	K95KA	20	TN	3743668C1	48	PLUG	-	-	3744547C1
16**	K95KB	20	TN	3743668C1	49	K10-GA	16	WH	3743666C1
16	K95K	20	TN	3743668C1	50	K10-GB	16	WH	3743666C1
17	PLUG	-	-	3744547C1	51	K10-GC	16	WH	3743666C1
18	PLUG	-	-	3744547C1	52	K10-GD	16	WH	3743666C1
19	K46A	20	GY	3743668C1	53	K95(-)	20	GN	3743668C1
20	PLUG	-	-	3744547C1	54	K95E	20	TN	3743668C1
21	PLUG	-	-	3744547C1	55	PLUG	-	-	3744547C1
22@	K5(+)	20	YL	3743668C1	56	PLUG	-	-	3744547C1
22%#	K5B(+)	20	YL	3743668C1	57	K95AA	20	TN	3743668C1
22**	K5D(+)	20	YL	3743668C1	57**	K23-G1	20	TN	3743668C1
22**	K5H(+)	20	YL	3743668C1	58	PLUG	-	-	3744547C1
22##	K5A(+)	20	YL	3743668C1	59	K47C	20	GY	3743668C1
23	PLUG	-	-	3744547C1	60	K47B	20	GY	3743668C1
24	PLUG	-	-	3744547C1	61	K97N	20	PL	3743668C1
25	K14A4	16	RD	3743666C1	62@@	K9	20	GY	3743668C1
26	K14A3	16	RD	3743666C1	62%#	K9A	20	GY	3743668C1
27	K14A2	16	RD	3743666C1	63	K99A	20	PL	3743668C1
28	K14A1	16	RD	3743666C1	64	K97M	20	PL	3743668C1
29	PLUG	-	-	3744547C1	65	K41A	20	TN	3743668C1
30	K97AR	20	PL	3743668C1	66	K97XG	20	GY	3743668C1
31	PLUG	-	-	3744547C1	67	K99F	20	PL	3743668C1
32	K9A	20	GY	3743668C1	68	PLUG	-	-	3744547C1
33	K97B	20	PL	3743668C1	69	PLUG	-	-	3744547C1
34	PLUG	-	-	3744547C1	70**	K97XC	20	TN	3743668C1
35	K34	20	TN	3743668C1	71	PLUG	-	-	3744547C1
36	PLUG	-	-	3744547C1	72	PLUG	-	-	3744547C1
37	PLUG	-	-	3744547C1	73	K10-GE	16	WH	3743666C1
					74	PLUG	-	-	3744547C1
					75	K1B	18	PK	3743666C1
					76	K1BR	18	PK	3743666C1
					77	K95(+)	20	YL	3743668C1
					78**	K23	20	TN	3743668C1
					79	K95D	20	TN	3743668C1
					80	PLUG	-	-	3744547C1

* OEM SENSOR SUPPLY W/ BODY BUILDER
OEM SENSOR SUPPLY N/ BODY BUILDER
@ J1939 W/ MANUAL TRANSMISSION
% J1939 W/ ALLISON TRANSMISSION
@@ ECM RETURN N/ BODY BUILDER
%% ECM RETURN W/ BODY BUILDER

** W/CUMMINS ISB ENGINE
W/J1939 EATON PRECISION XMSN

CHK	DATE	CHANGE	REV	REFERENCE	DRAWN	NAME
MJV0	88MAR16	EATON PRECISION	F	93408J	MJV0195	CIRCUIT DIAGRAM, 42/43/44/85/8600 & 73/74/7500
WAS	EDS				RELEASE NO.	DATE
					92218B	30JUL13
					PART NO.	SHEET
					AE08058187	68C

Figure 675 Connector Composites (6000)

13.159. CONNECTOR COMPOSITES (6000), (6003), (6004), P. 68D

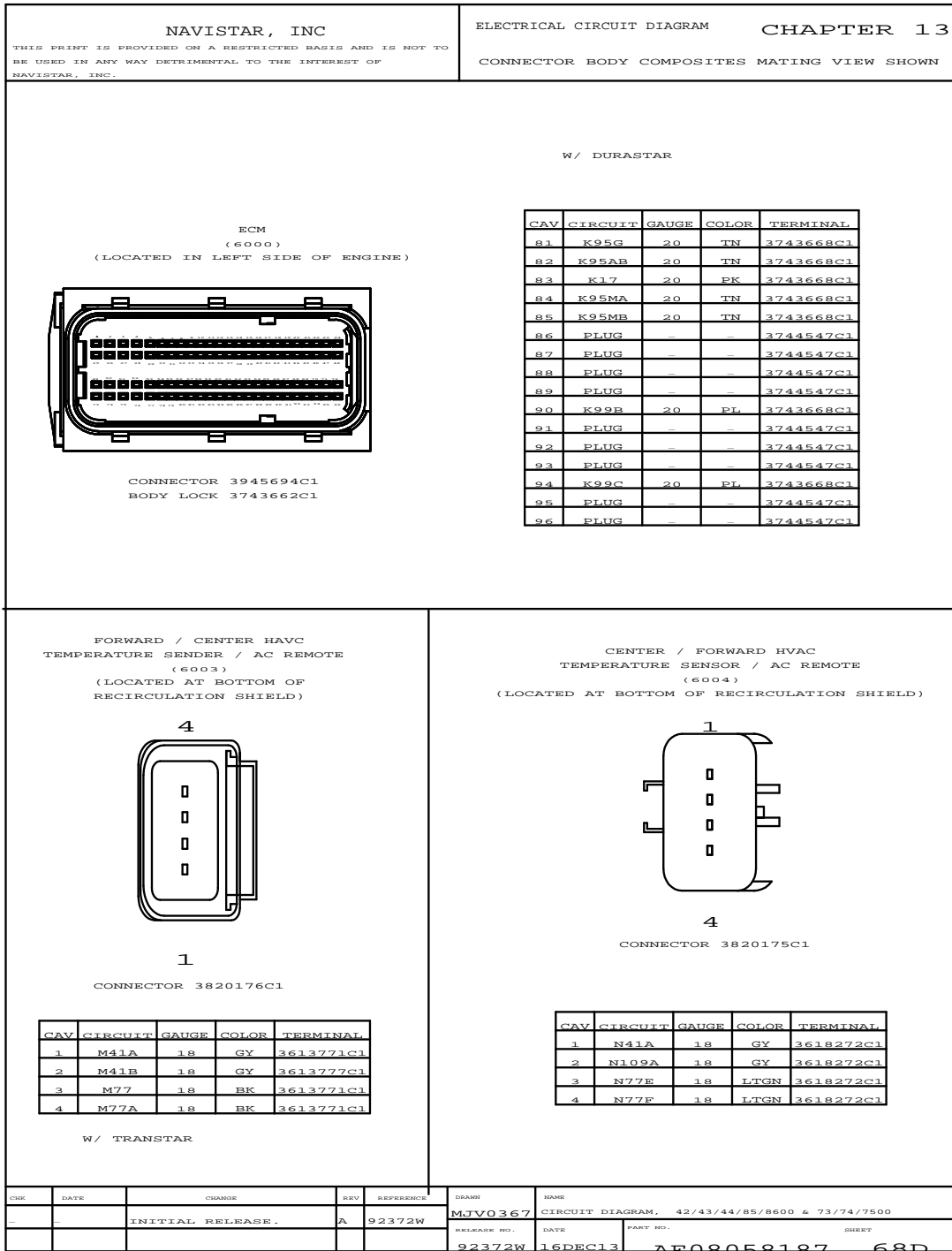


Figure 676 Connector Composites (6000), (6003), (6004)

13.160. CONNECTOR COMPOSITES (6005), (6007), (6008), (6009), P. 68E

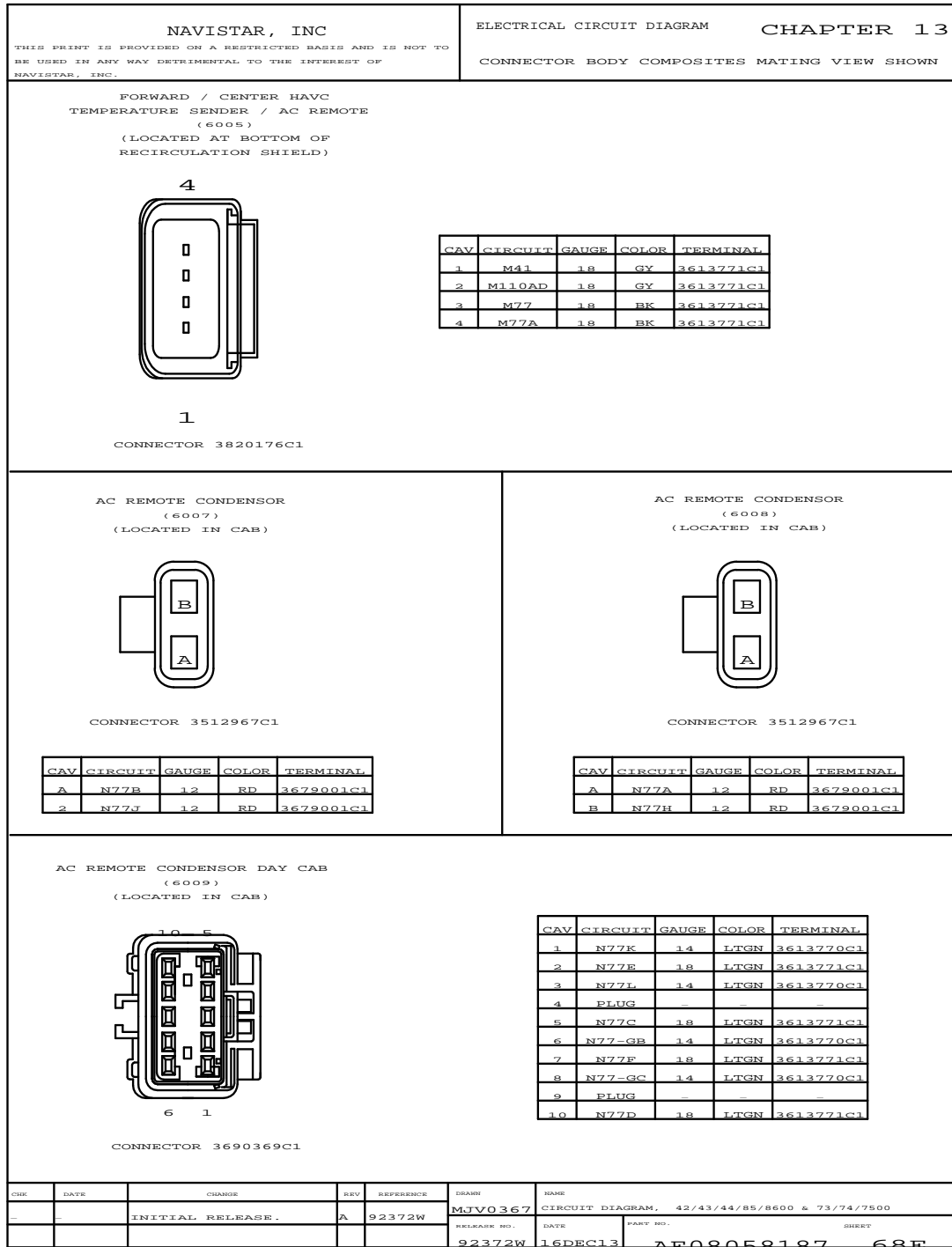


Figure 677 Connector Composites (6005), (6007), (6008), (6009))

13.161. CONNECTOR COMPOSITES (6011), P. 69

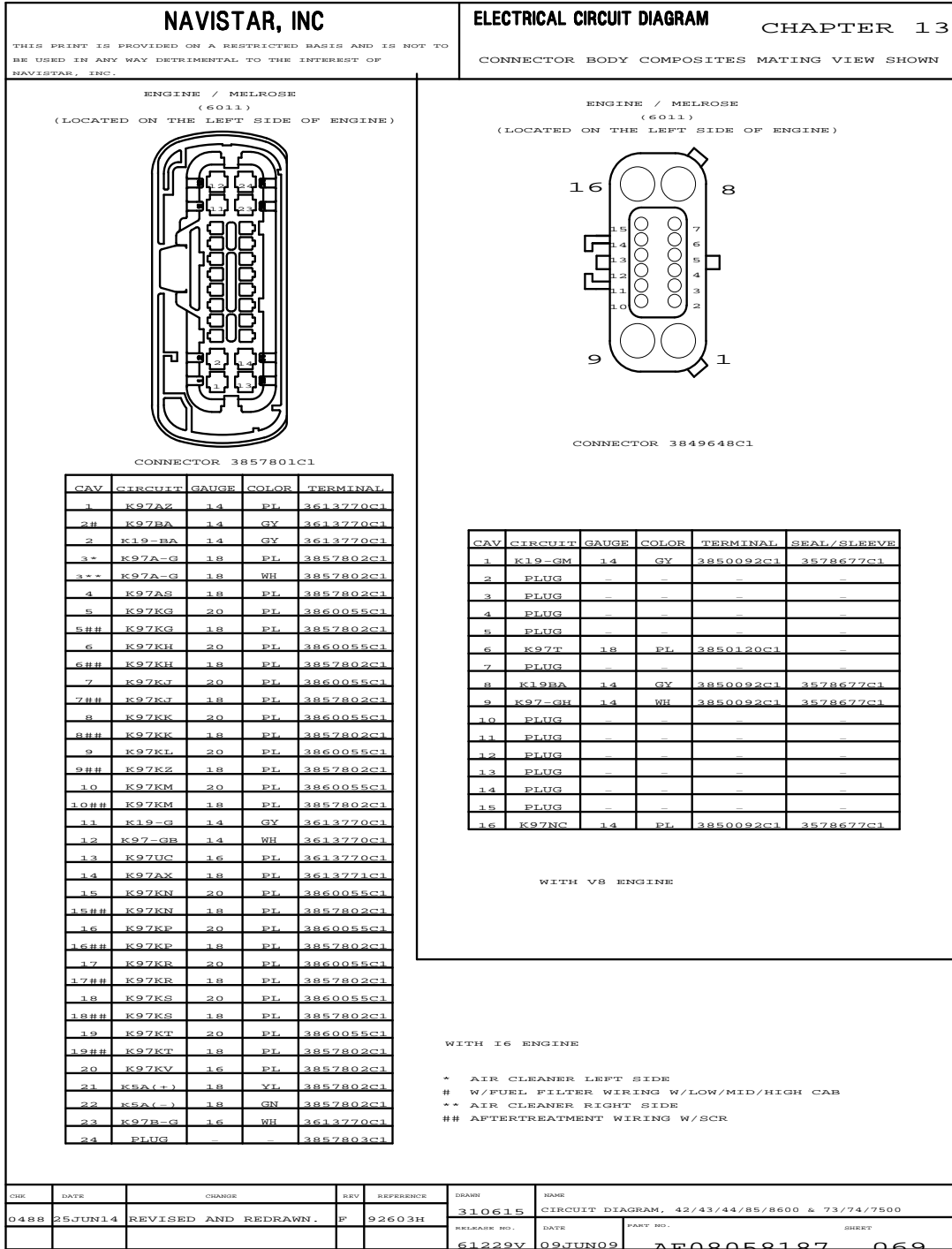


Figure 678 Connector Composites (6011)

13.162. CONNECTOR COMPOSITES (6012), (6013), P. 69A

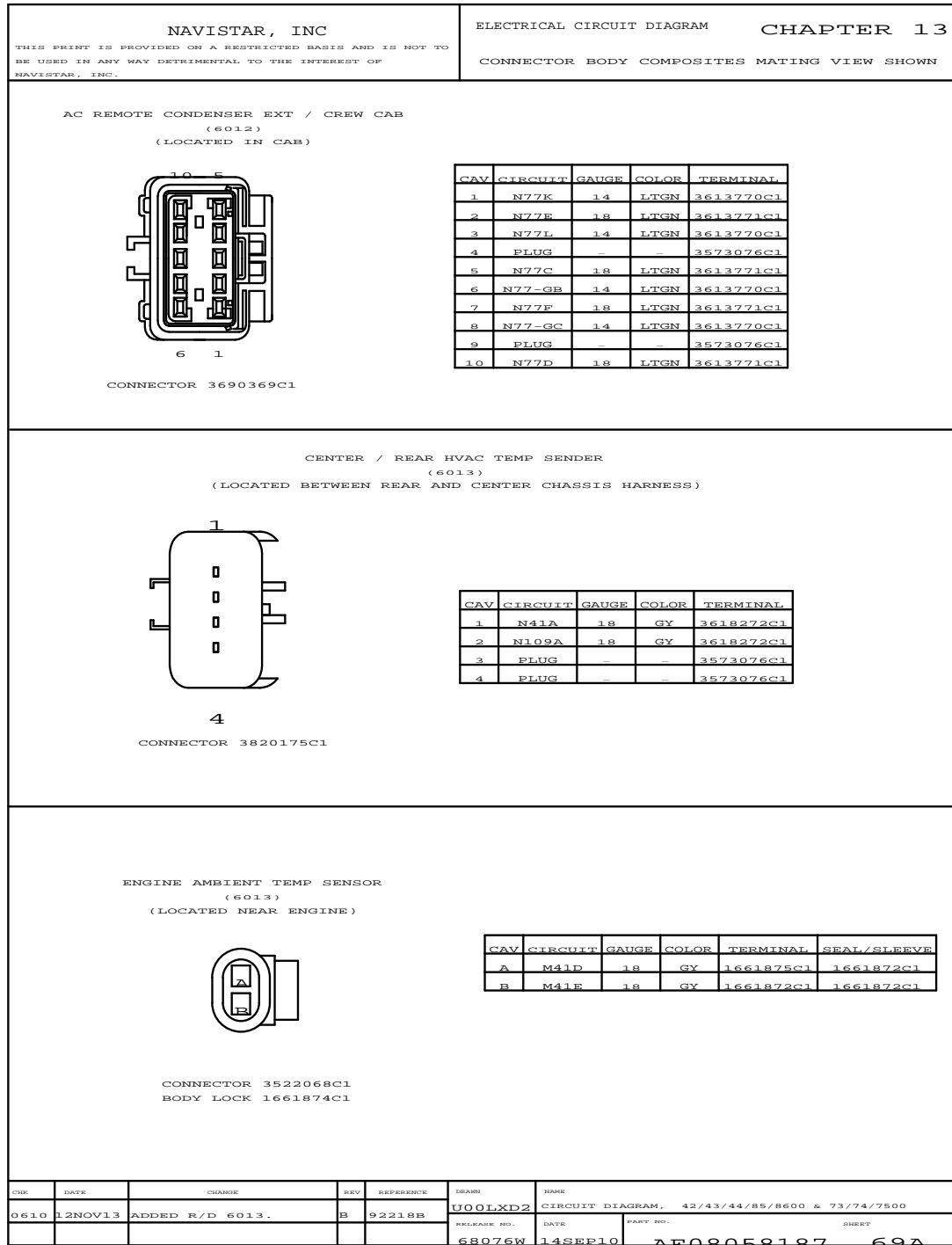


Figure 679 Connector Composites (6012), (6013)

13.163. CONNECTOR COMPOSITES (6018), P. 70

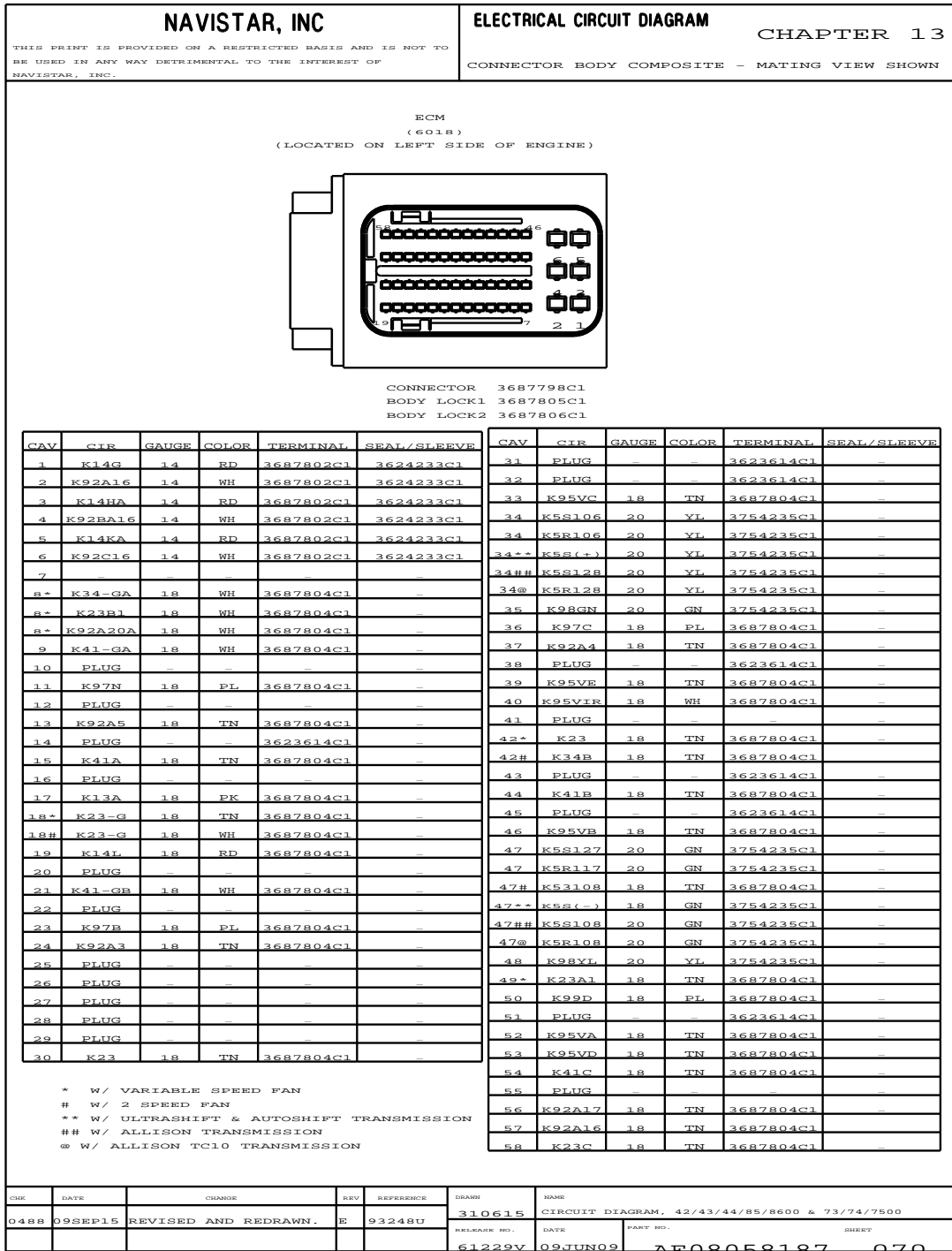


Figure 680 Connector Composites (6018)

13.164. CONNECTOR COMPOSITES (6019), P. 71

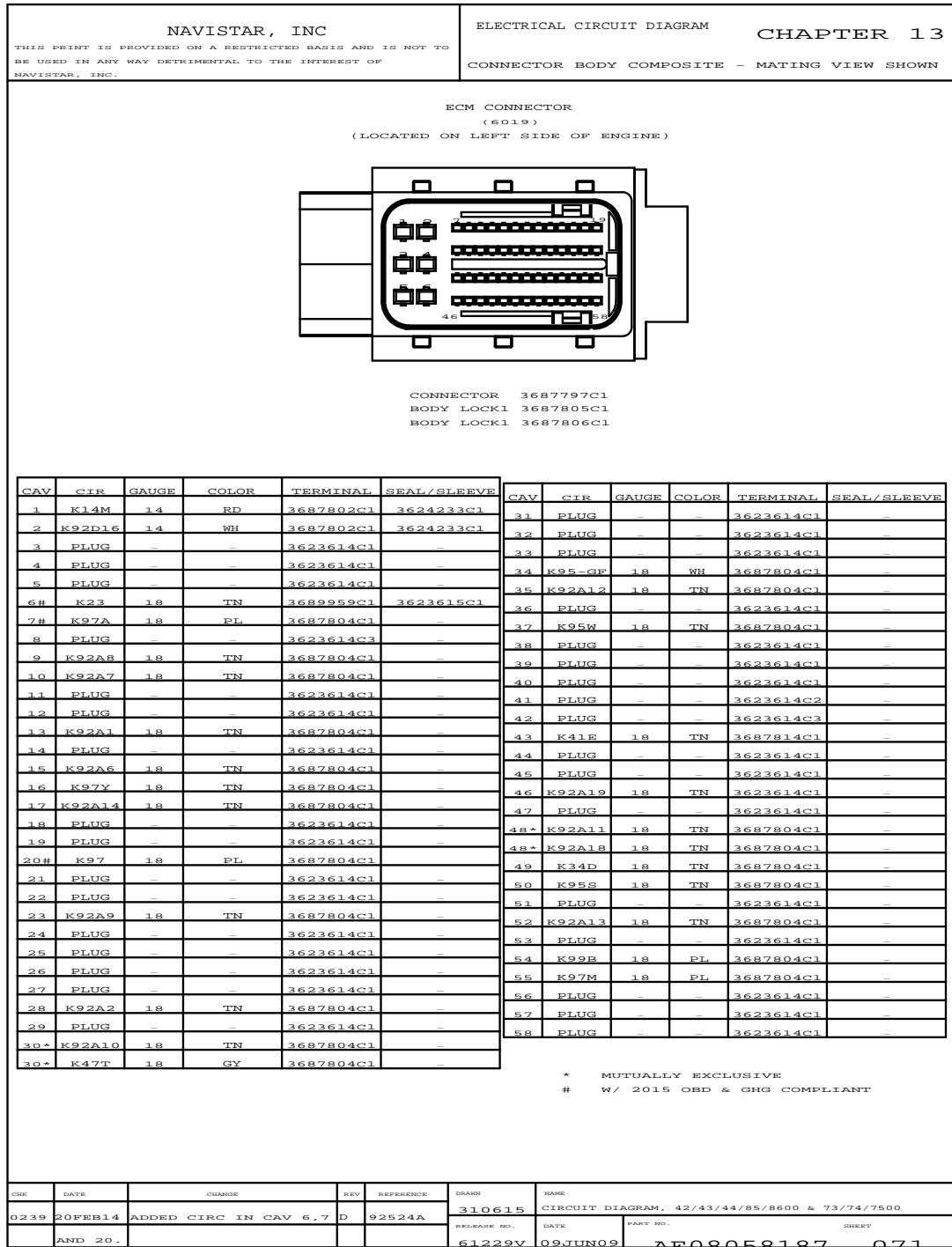


Figure 681 Connector Composites (6019)

13.165. CONNECTOR COMPOSITES (6020M), P. 71A

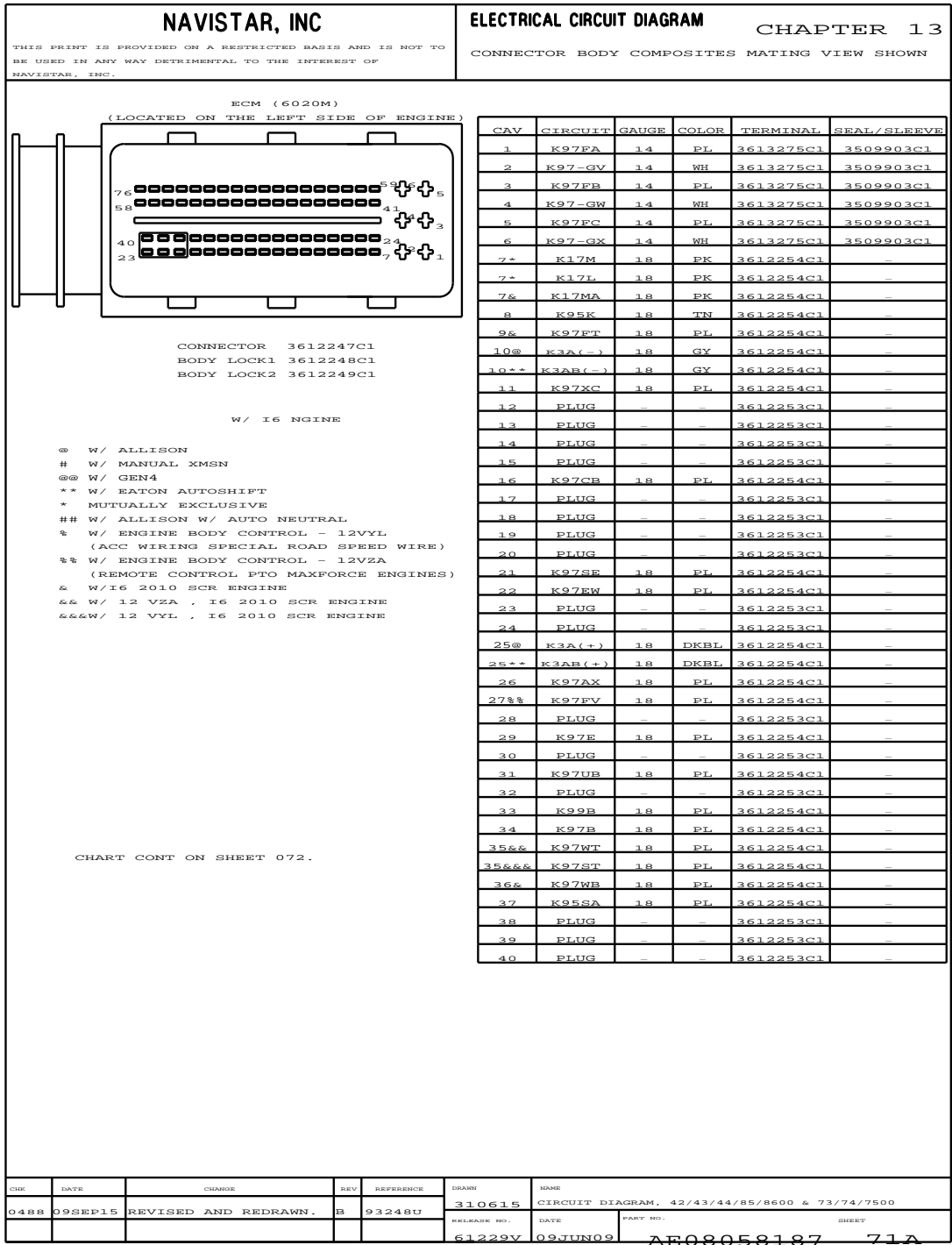


Figure 682 Connector Composites (6020M)

13.166. CONNECTOR COMPOSITES (6020M), P. 72

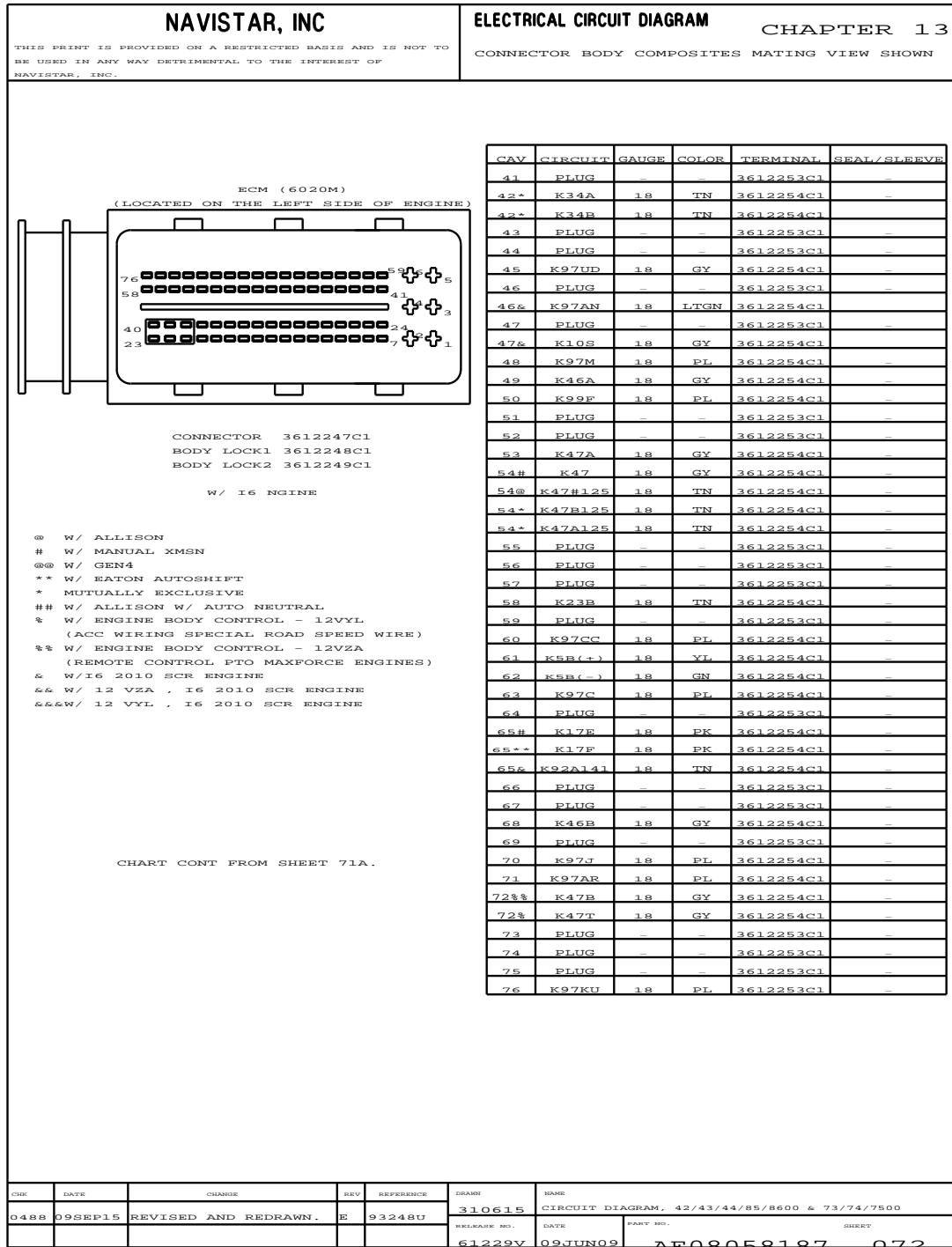


Figure 683 Connector Composites (6020M)

13.167. CONNECTOR COMPOSITES (6020M), P. 72A

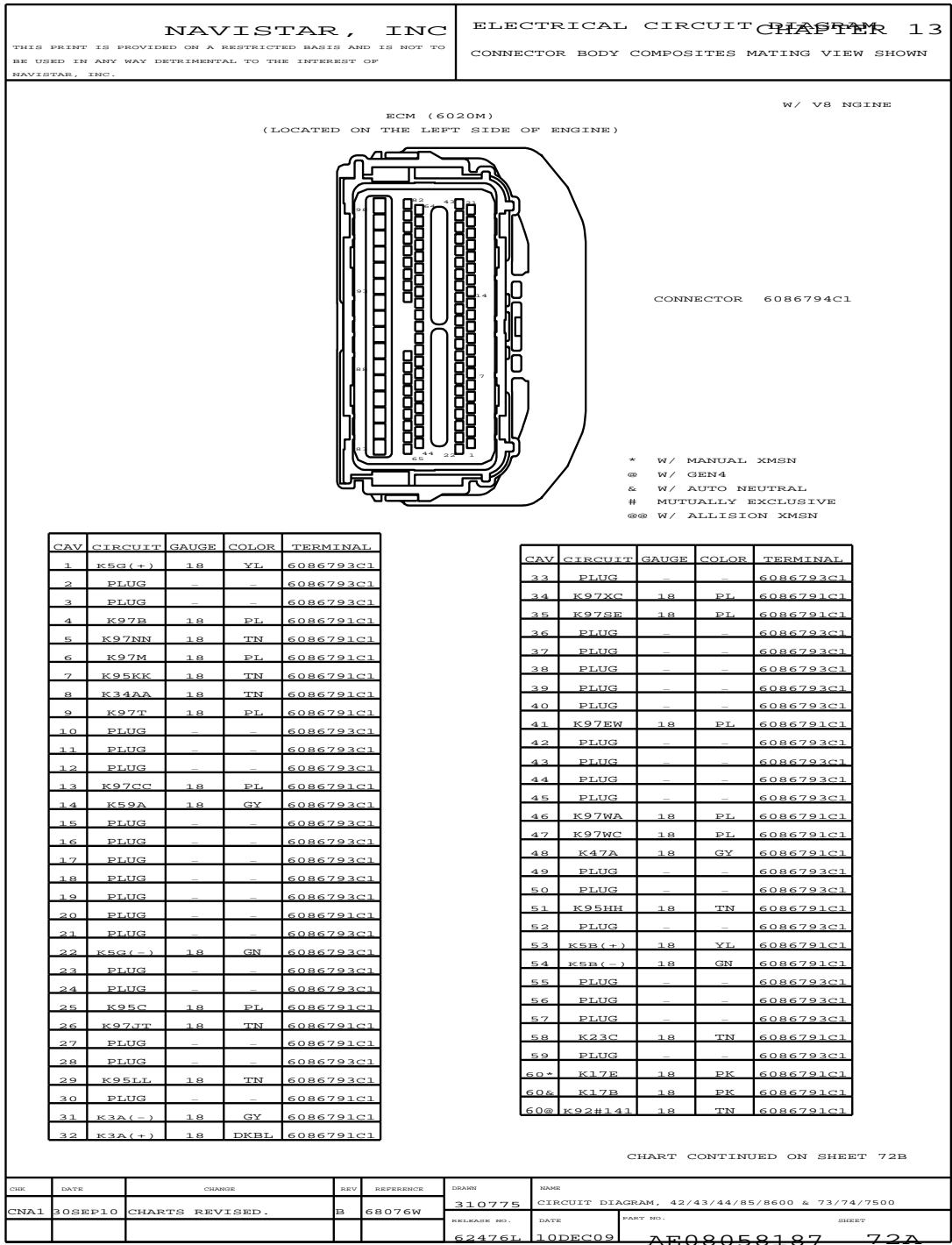


Figure 684 Connector Composites (6020M)

13.168. CONNECTOR COMPOSITES (6020M), P. 72B

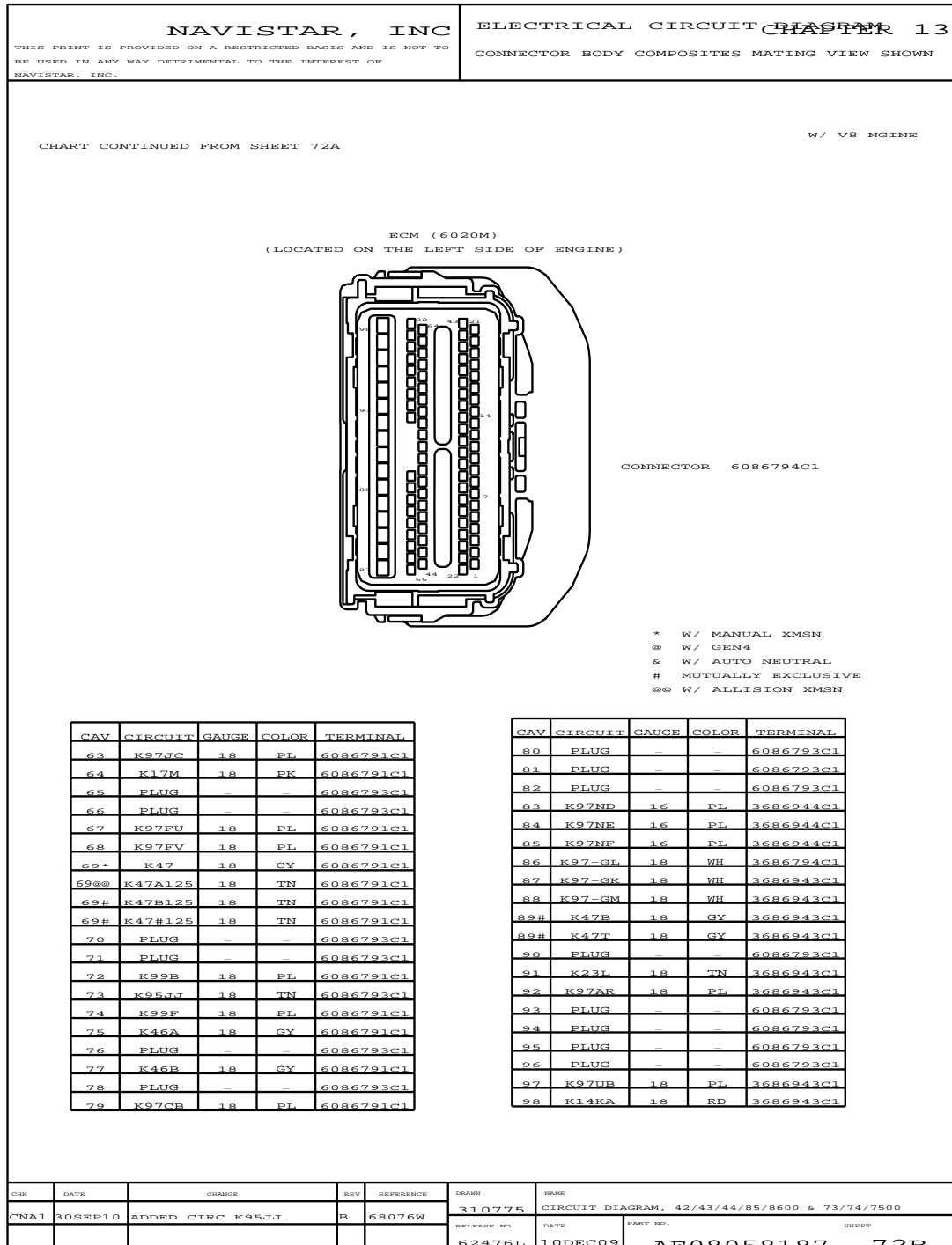


Figure 685 Connector Composites (6020M)

13.169. CONNECTOR COMPOSITES (6022), (6023), (6033), P. 73

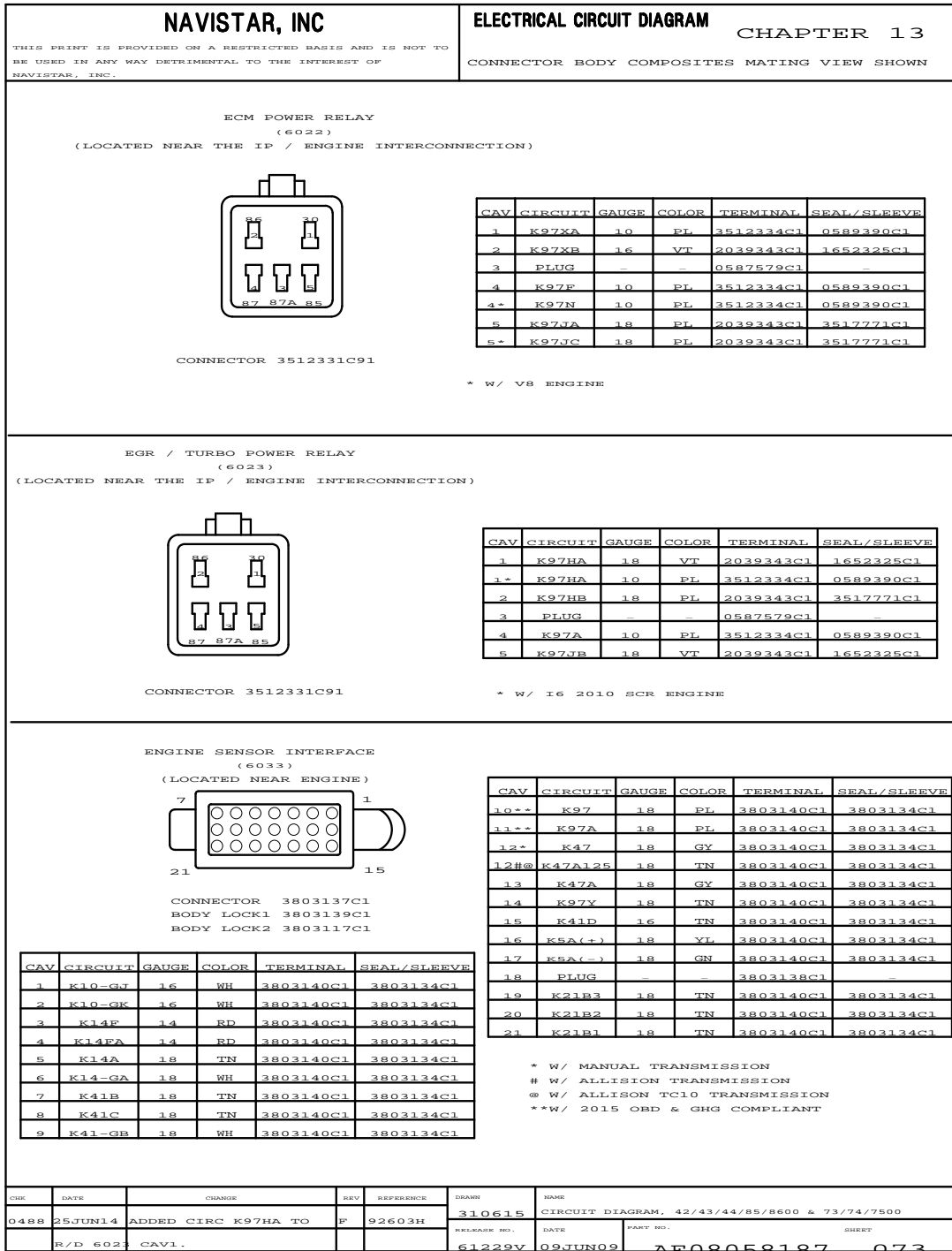


Figure 686 Connector Composites (6022), (6023), (6033)

13.170. CONNECTOR COMPOSITES (6060), (6061), (6062), (6063), (6064), (6065), P. 73A

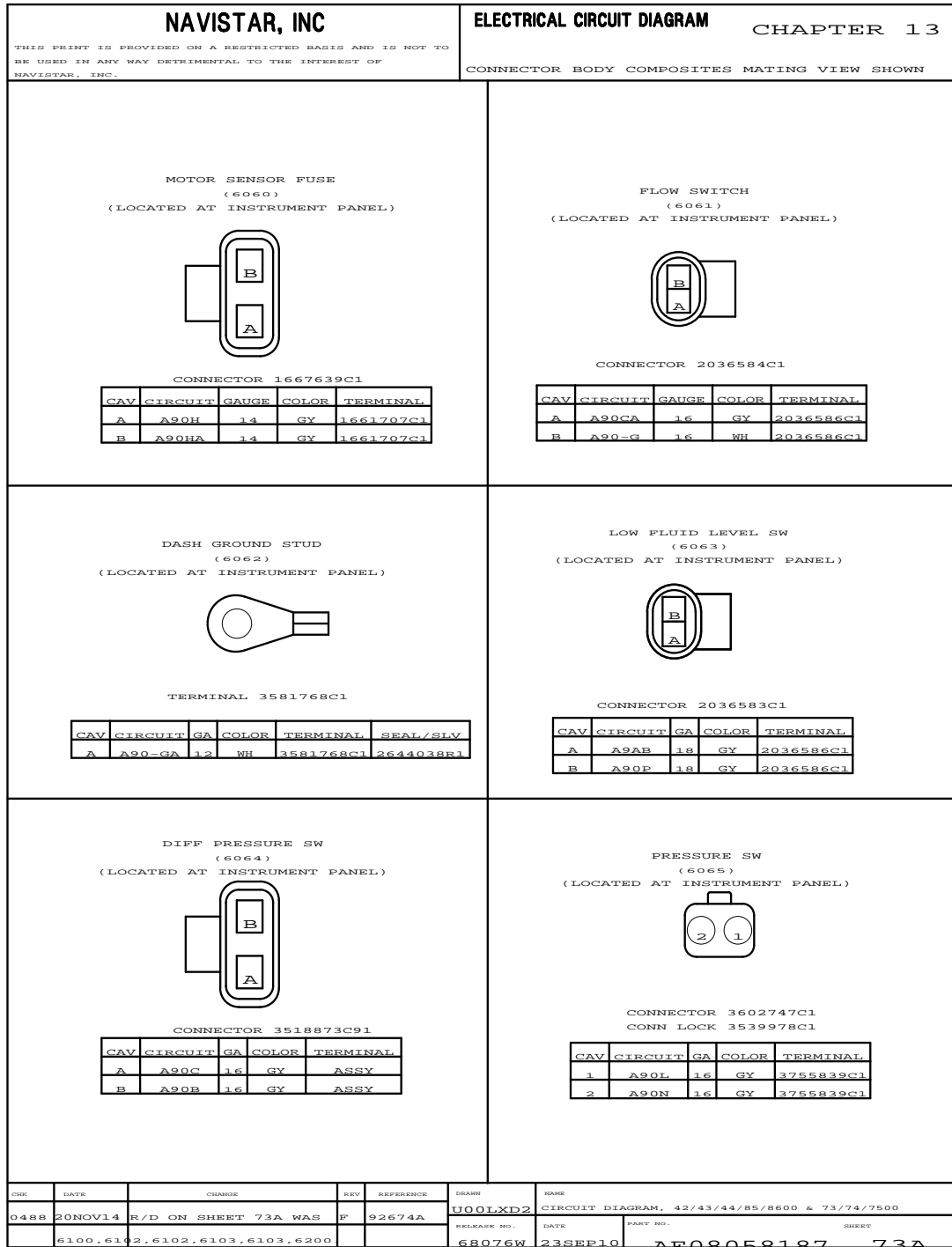


Figure 687 Connector Composites (6060), (6061), (6062), (6063), (6064), (6065)

13.171. CONNECTOR COMPOSITES (6066), (6067), (6068), (6069), (6070), (6071), P. 73B

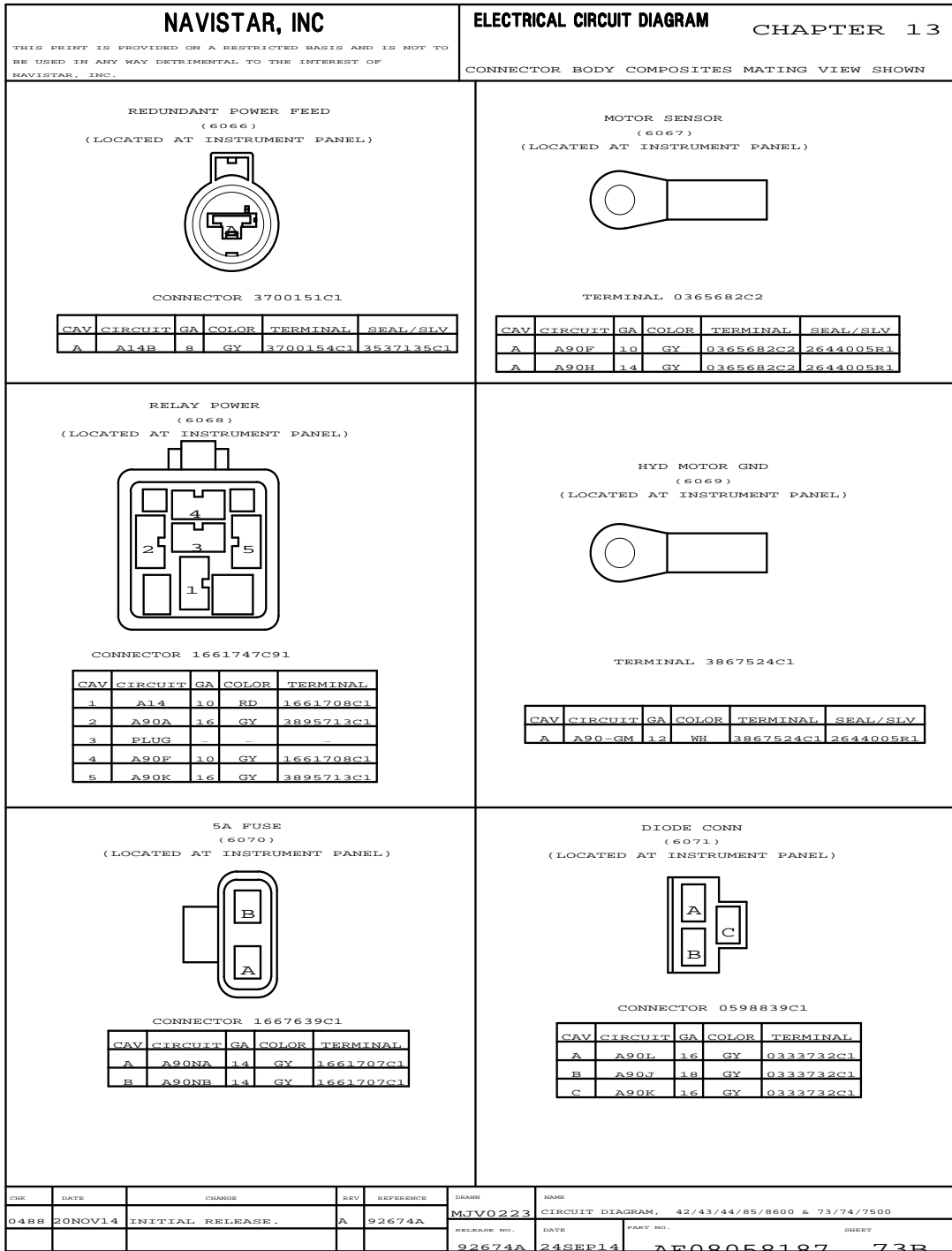


Figure 688 Connector Composites (6066), (6067), (6068), (6069), (6070), (6071)

13.172. CONNECTOR COMPOSITES (6100), (6102), (6103), (6200), P. 73C

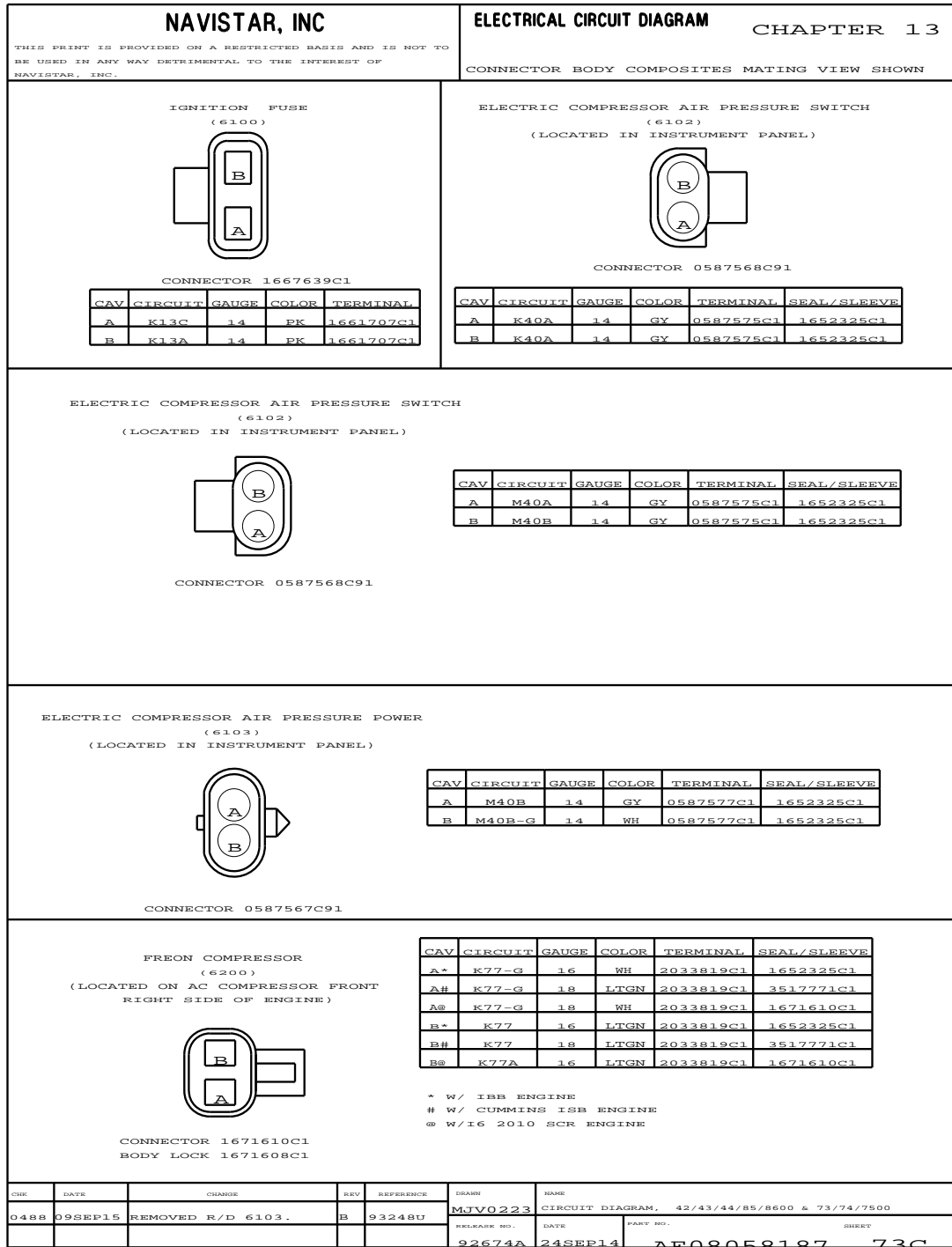


Figure 689 Connector Composites (6100), (6102), (6103), (6200)

13.173. CONNECTOR COMPOSITES (6201), (6201A), (6201B), (6201P), P. 74

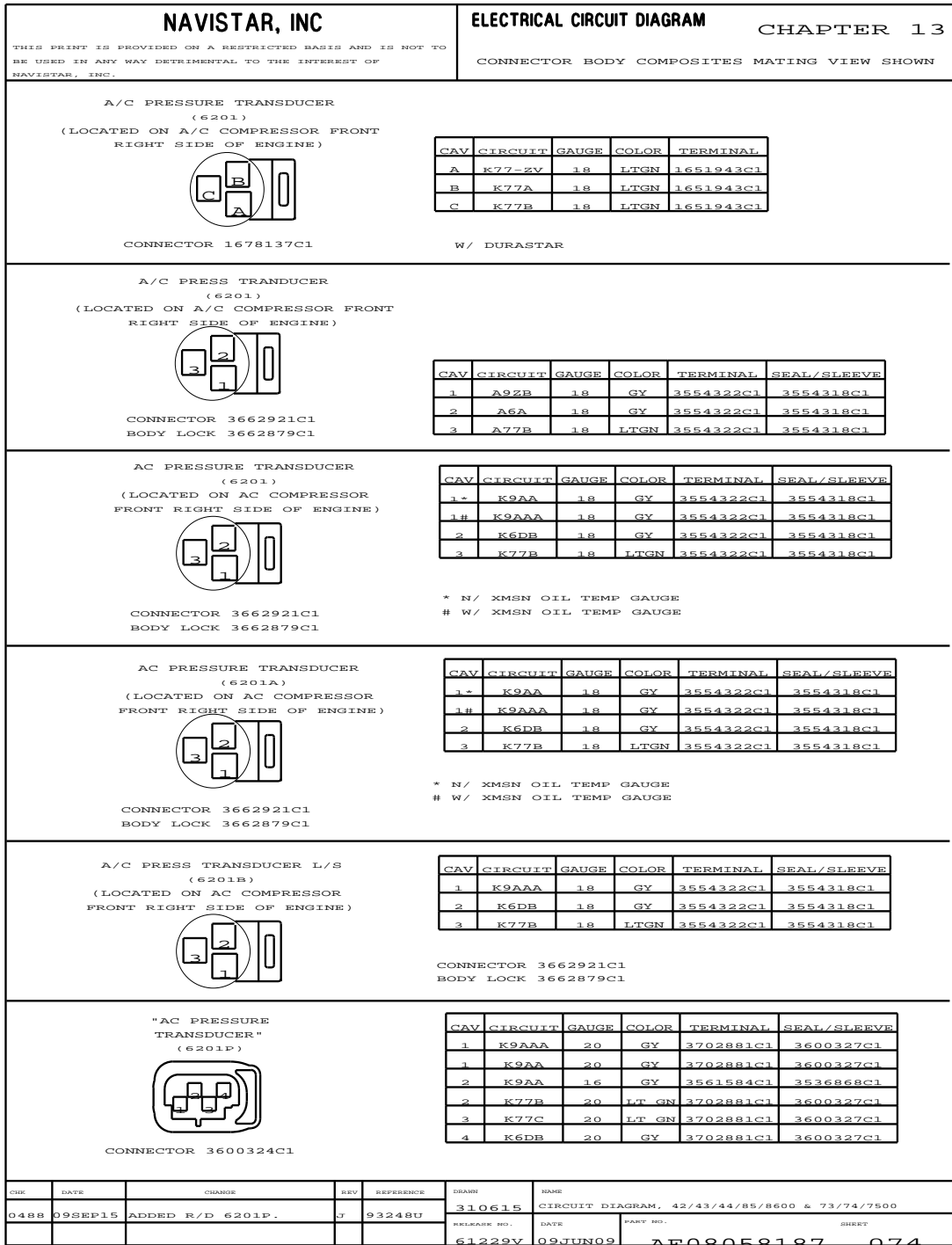


Figure 690 Connector Composites (6201), (6201A), (6201B), (6201P)

13.174. CONNECTOR COMPOSITES (6260A), (6260F), (6260FP), (6260H), P. 74A

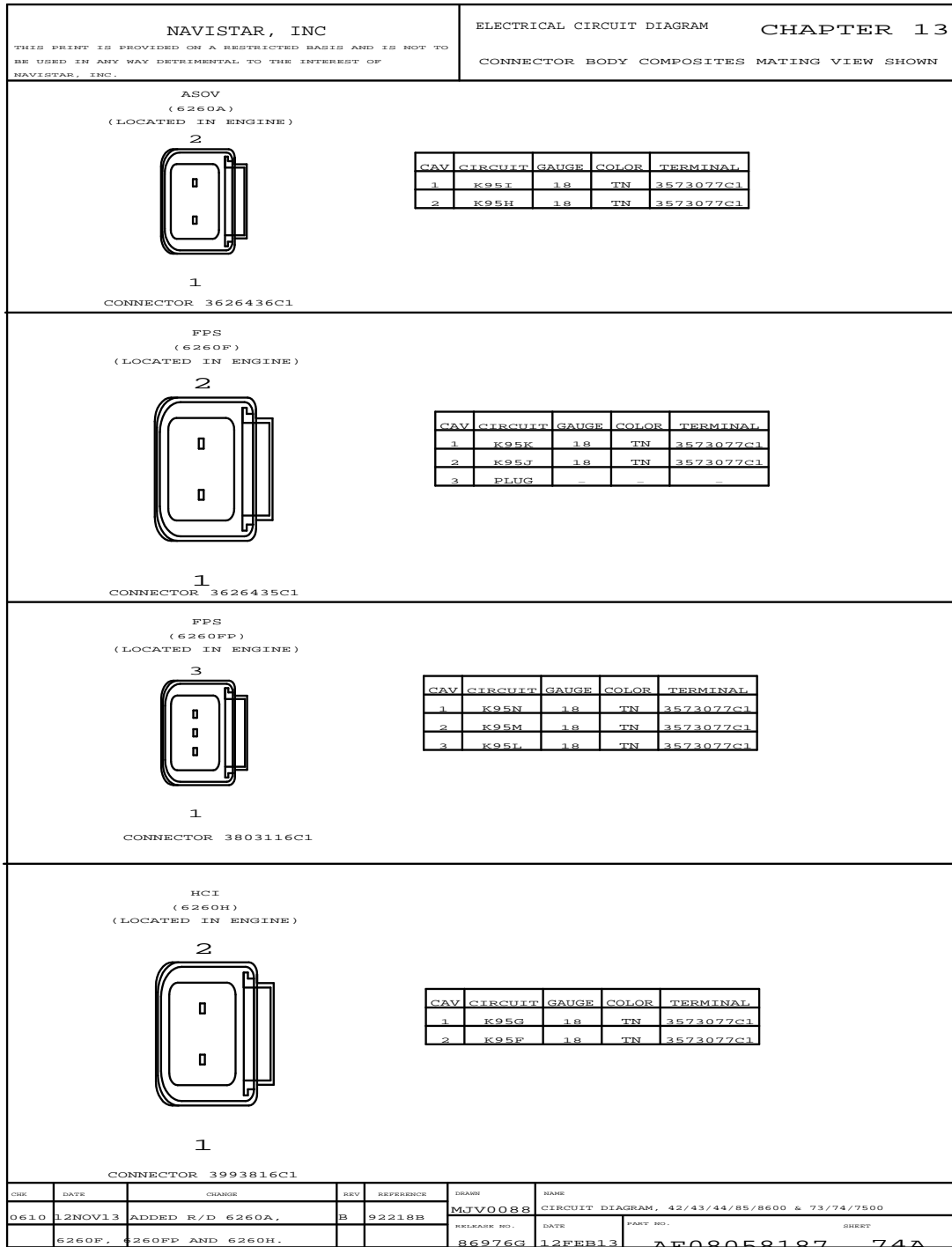


Figure 691 Connector Composites (6260A), (6260F), (6260FP), (6260H)

13.175. CONNECTOR COMPOSITES (6260HL), (6260HR), (6260UC), (6260VH), (6260VL), (6260VM), P. 74B

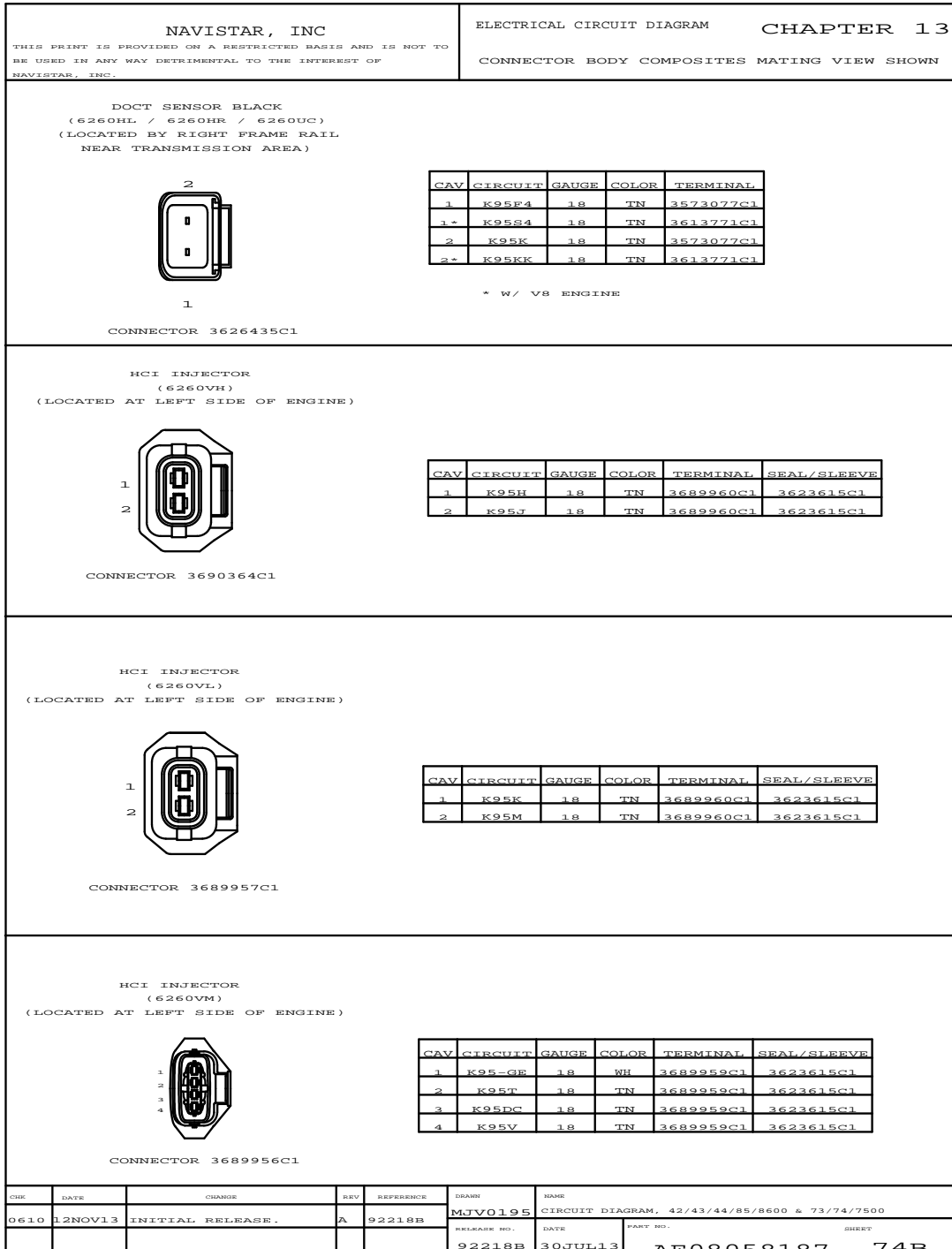


Figure 692 Connector Composites (6260HL), (6260HR), (6260UC), (6260VH), (6260VL), (6260VM)

13.176. CONNECTOR COMPOSITES (6260VN), (6261), (6262), (6263), (6316M), P. 75

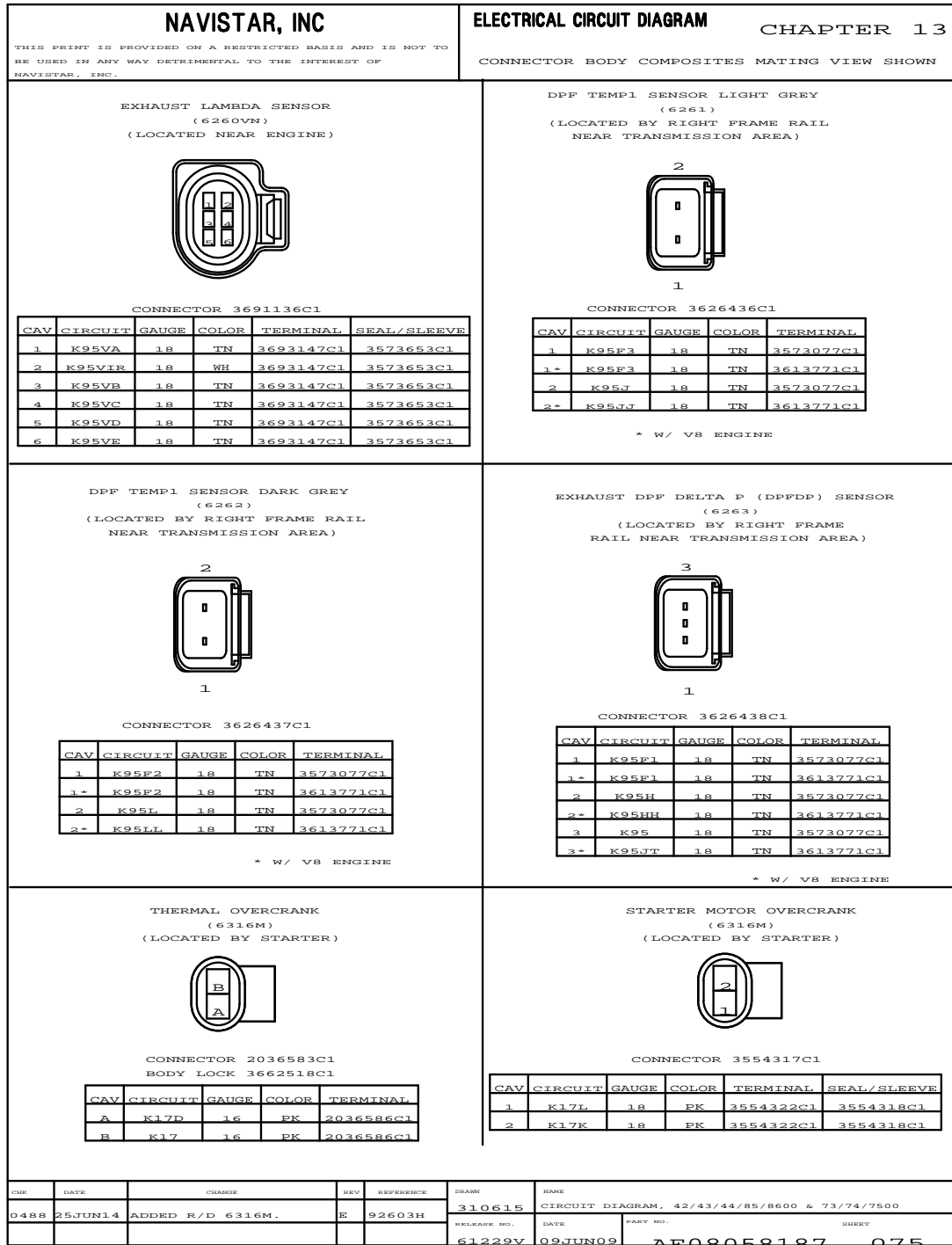


Figure 693 Connector Composites (6260VN), (6261), (6262), (6263), (6316M)

13.177. CONNECTOR COMPOSITES (6323), (6332), (6333), (6334), P. 75A

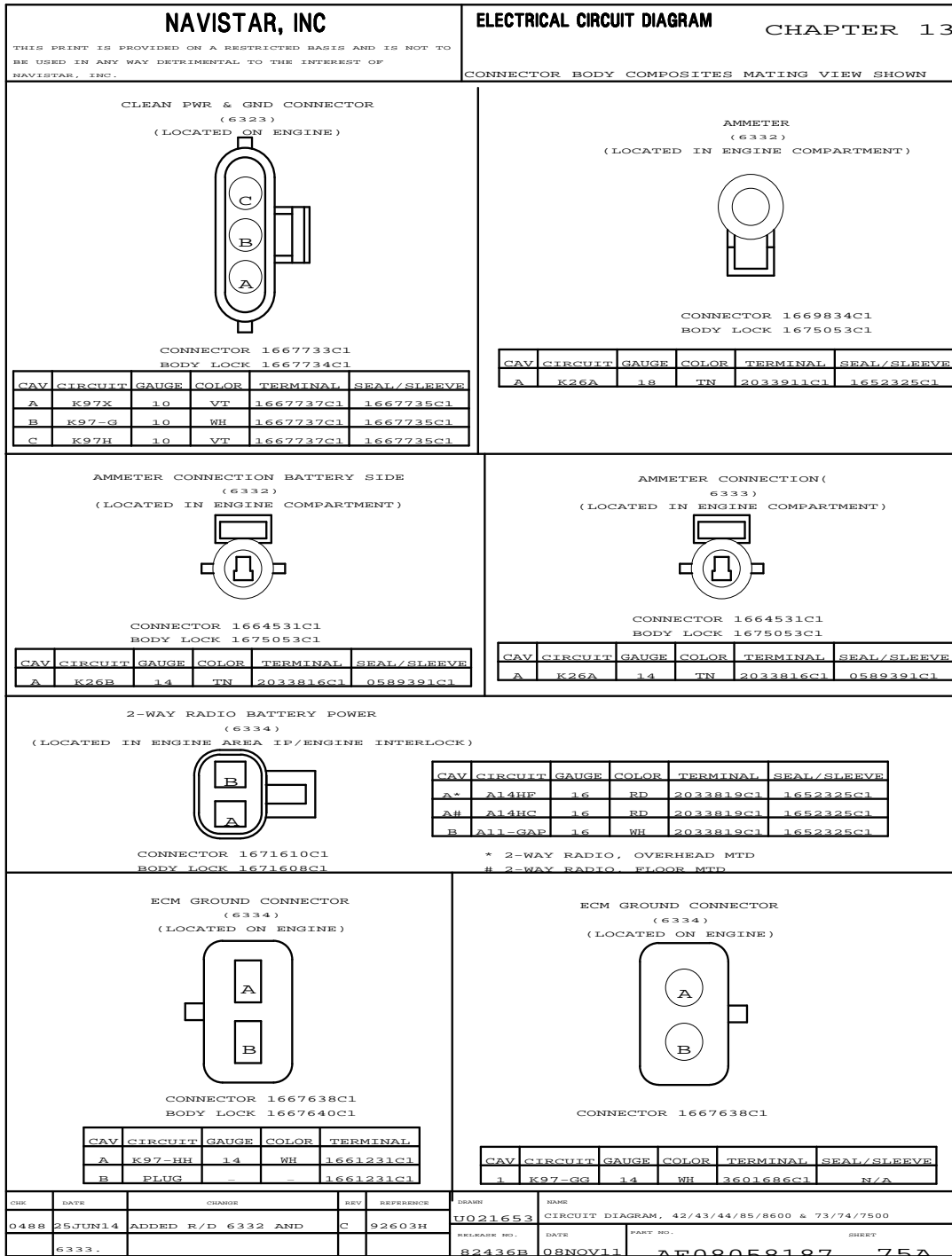


Figure 694 Connector Composites (6323), (6332), (6333), (6334)

13.178. CONNECTOR COMPOSITES (6334), (6340), P. 76

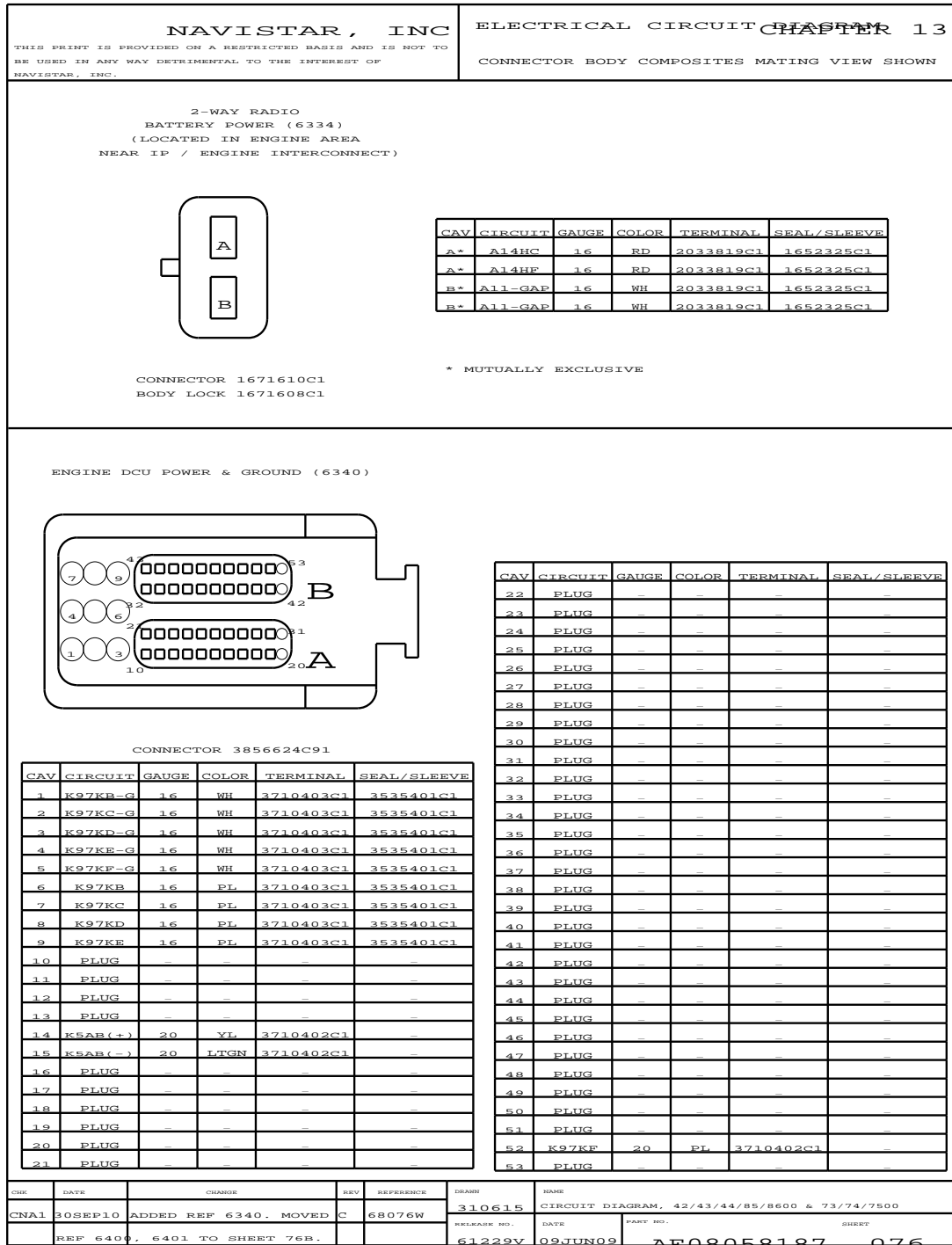


Figure 695 Connector Composites (6334), (6340)

13.179. CONNECTOR COMPOSITES (6341), P. 76A

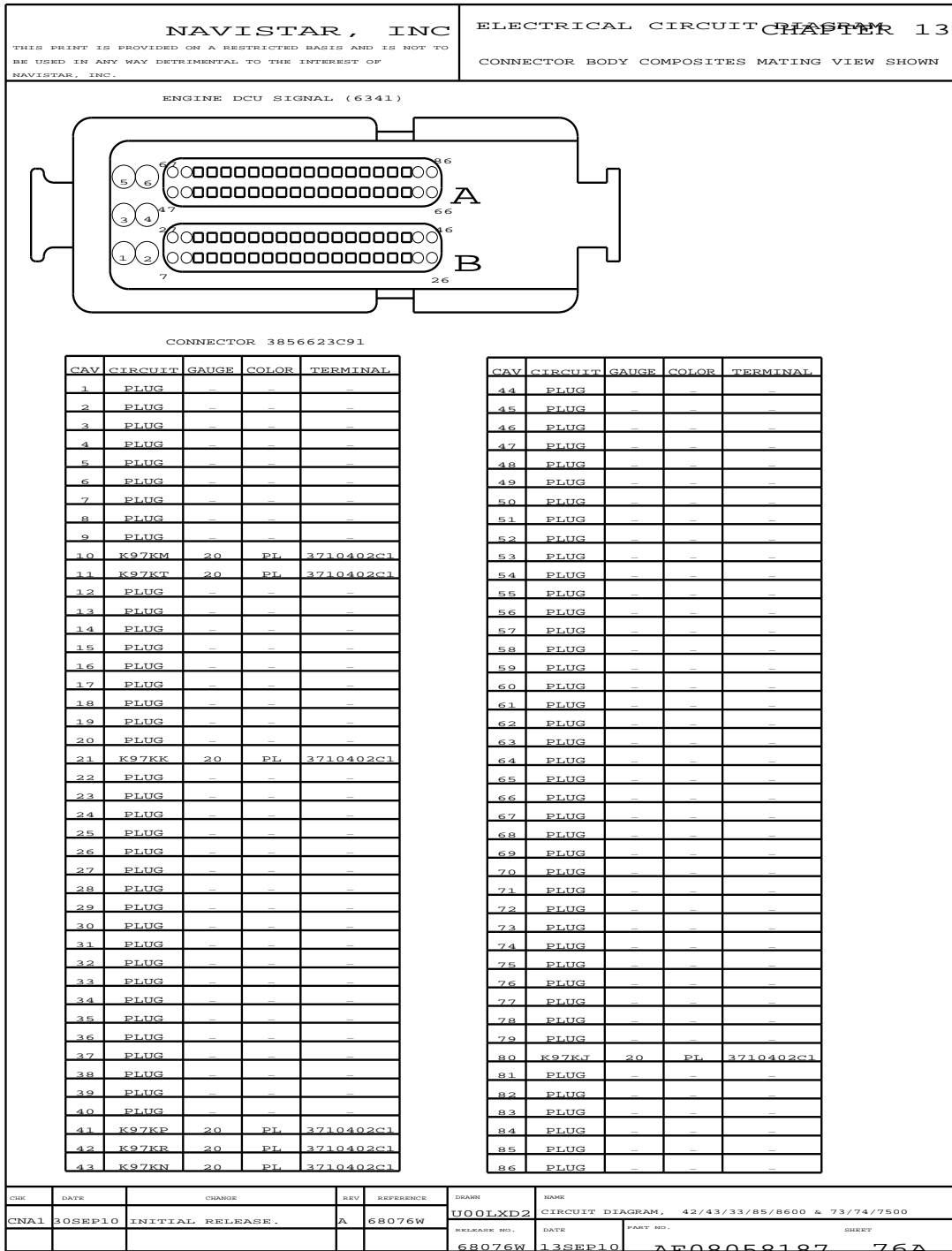


Figure 696 Connector Composites (6341)

13.180. CONNECTOR COMPOSITES (6342), (6343), P. 76B

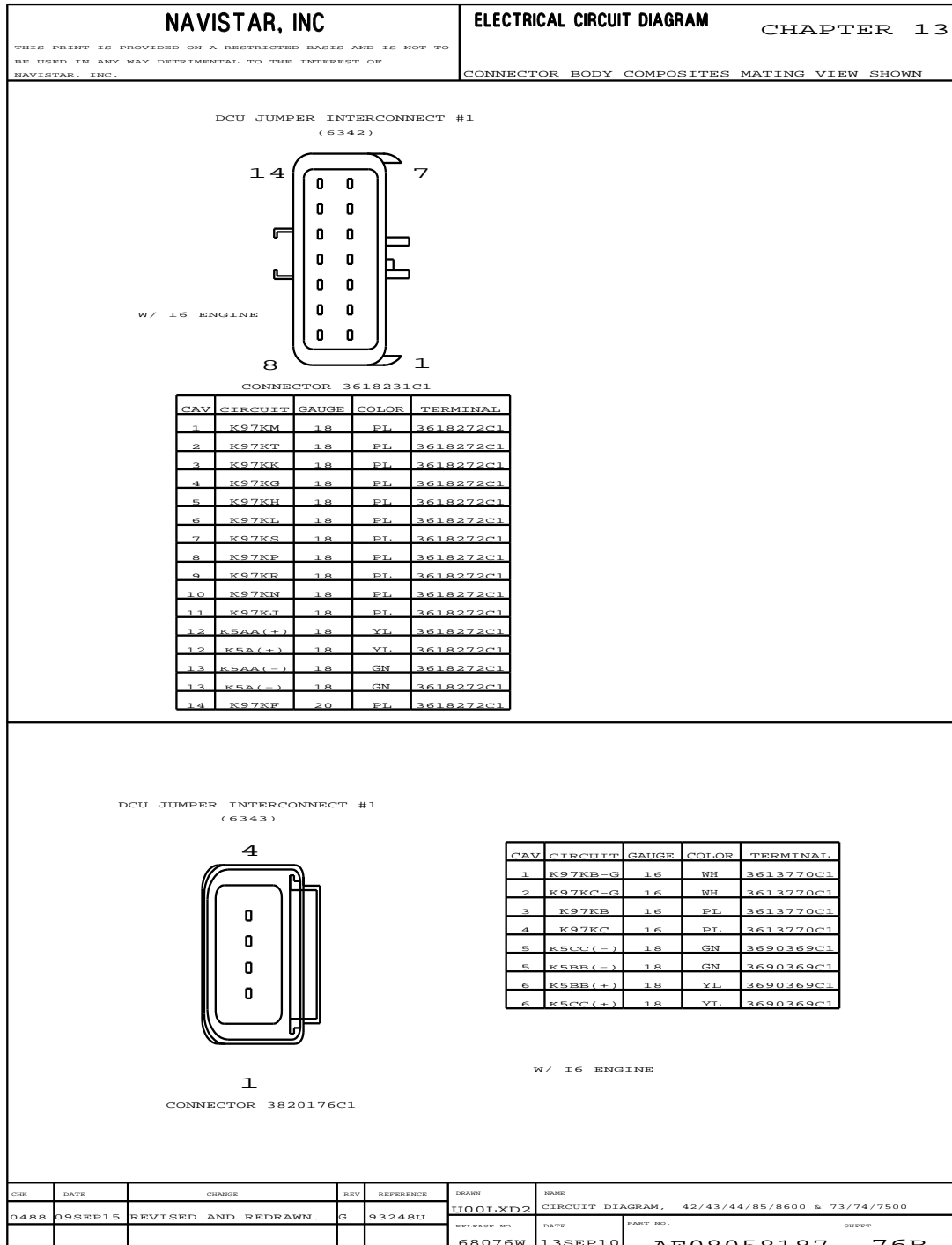


Figure 697 Connector Composites (6342), (6343)

13.181. CONNECTOR COMPOSITES (6400), (6401), (6401A), P. 76C

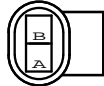
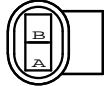
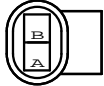


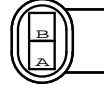
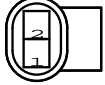
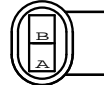
NAVISTAR, INC		ELECTRICAL CIRCUIT DIAGRAM		CHAPTER 13																																					
THIS PRINT IS PROVIDED ON A RESTRICTED BASIS AND IS NOT TO BE USED IN ANY WAY DETRIMENTAL TO THE INTEREST OF NAVISTAR, INC.			CONNECTOR BODY COMPOSITES MATING VIEW SHOWN																																						
<p>LEFT SURGE TANK W/MD (6400) (LOCATED BY LEFT MOUNTED SURGE TANK)</p>  <p>CONNECTOR 3662425C1 BODY LOCK 3662518C1</p> <table border="1" style="width:100%; border-collapse: collapse; font-size: x-small;"> <thead> <tr> <th>CAV</th> <th>CIRCUIT</th> <th>GAUGE</th> <th>COLOR</th> <th>TERMINAL</th> <th>SEAL/SLEEVE</th> </tr> </thead> <tbody> <tr> <td>A</td> <td>K34A</td> <td>18</td> <td>TN</td> <td>3554322C1</td> <td>3554318C1</td> </tr> <tr> <td>B</td> <td>K34-G</td> <td>18</td> <td>WH</td> <td>3554322C1</td> <td>3554318C1</td> </tr> </tbody> </table>						CAV	CIRCUIT	GAUGE	COLOR	TERMINAL	SEAL/SLEEVE	A	K34A	18	TN	3554322C1	3554318C1	B	K34-G	18	WH	3554322C1	3554318C1																		
CAV	CIRCUIT	GAUGE	COLOR	TERMINAL	SEAL/SLEEVE																																				
A	K34A	18	TN	3554322C1	3554318C1																																				
B	K34-G	18	WH	3554322C1	3554318C1																																				
<p>W/ I6 ENGINE</p> <p>LEFT MD SURGE TANK (6400) (LOCATED BY LEFT MOUNTED SURGE TANK)</p>  <p>CONNECTOR 2036583C1</p> <table border="1" style="width:100%; border-collapse: collapse; font-size: x-small;"> <thead> <tr> <th>CAV</th> <th>CIRCUIT</th> <th>GAUGE</th> <th>COLOR</th> <th>TERMINAL</th> <th>SEAL/SLEEVE</th> </tr> </thead> <tbody> <tr> <td>A</td> <td>K34A</td> <td>18</td> <td>TN</td> <td>2036586C1</td> <td></td> </tr> <tr> <td>B</td> <td>K34-G</td> <td>18</td> <td>WH</td> <td>2036586C1</td> <td></td> </tr> </tbody> </table>			CAV	CIRCUIT	GAUGE	COLOR	TERMINAL	SEAL/SLEEVE	A	K34A	18	TN	2036586C1		B	K34-G	18	WH	2036586C1		<p>W/ V8 ENGINE</p> <p>COOLANT LEVEL SENSOR (6400) (LOCATED IN COOLANT RESERVOIR)</p>  <p>CONNECTOR 2036583C1</p> <table border="1" style="width:100%; border-collapse: collapse; font-size: x-small;"> <thead> <tr> <th>CAV</th> <th>CIRCUIT</th> <th>GAUGE</th> <th>COLOR</th> <th>TERMINAL</th> <th>SEAL/SLEEVE</th> </tr> </thead> <tbody> <tr> <td>A</td> <td>K34-GG</td> <td>18</td> <td>WH</td> <td>2036586C1</td> <td></td> </tr> <tr> <td>B</td> <td>K34AA</td> <td>18</td> <td>TN</td> <td>2036586C1</td> <td></td> </tr> </tbody> </table>			CAV	CIRCUIT	GAUGE	COLOR	TERMINAL	SEAL/SLEEVE	A	K34-GG	18	WH	2036586C1		B	K34AA	18	TN	2036586C1	
CAV	CIRCUIT	GAUGE	COLOR	TERMINAL	SEAL/SLEEVE																																				
A	K34A	18	TN	2036586C1																																					
B	K34-G	18	WH	2036586C1																																					
CAV	CIRCUIT	GAUGE	COLOR	TERMINAL	SEAL/SLEEVE																																				
A	K34-GG	18	WH	2036586C1																																					
B	K34AA	18	TN	2036586C1																																					
<p>FAN SOLENOID (6400) (LOCATED IN LEFT REAR OF ENGINE)</p>  <p>CONNECTOR 3522068C1 BODY LOCK 1661874C1</p> <p>W/ IBB ENGINE</p> <table border="1" style="width:100%; border-collapse: collapse; font-size: x-small;"> <thead> <tr> <th>CAV</th> <th>CIRCUIT</th> <th>GAUGE</th> <th>COLOR</th> <th>TERMINAL</th> <th>SEAL/SLEEVE</th> </tr> </thead> <tbody> <tr> <td>A</td> <td>K23</td> <td>18</td> <td>TN</td> <td>1661875C1</td> <td>3568570C1</td> </tr> <tr> <td>B</td> <td>K23-G</td> <td>18</td> <td>WH</td> <td>1661875C1</td> <td>3568570C1</td> </tr> </tbody> </table>			CAV	CIRCUIT	GAUGE	COLOR	TERMINAL	SEAL/SLEEVE	A	K23	18	TN	1661875C1	3568570C1	B	K23-G	18	WH	1661875C1	3568570C1	<p>LEFT SURGE TANK (6400) (LOCATED BY LEFT MOUNTED SURGE TANK)</p>  <p>CONNECTOR 3811181C1</p> <p>W/ I6 ENGINE</p> <table border="1" style="width:100%; border-collapse: collapse; font-size: x-small;"> <thead> <tr> <th>CAV</th> <th>CIRCUIT</th> <th>GAUGE</th> <th>COLOR</th> <th>TERMINAL</th> <th>SEAL/SLEEVE</th> </tr> </thead> <tbody> <tr> <td>A</td> <td>K34C</td> <td>18</td> <td>TN</td> <td>3600050C1</td> <td>3665870C1</td> </tr> <tr> <td>B</td> <td>K34D</td> <td>18</td> <td>TN</td> <td>3600050C1</td> <td>3665870C1</td> </tr> </tbody> </table>			CAV	CIRCUIT	GAUGE	COLOR	TERMINAL	SEAL/SLEEVE	A	K34C	18	TN	3600050C1	3665870C1	B	K34D	18	TN	3600050C1	3665870C1
CAV	CIRCUIT	GAUGE	COLOR	TERMINAL	SEAL/SLEEVE																																				
A	K23	18	TN	1661875C1	3568570C1																																				
B	K23-G	18	WH	1661875C1	3568570C1																																				
CAV	CIRCUIT	GAUGE	COLOR	TERMINAL	SEAL/SLEEVE																																				
A	K34C	18	TN	3600050C1	3665870C1																																				
B	K34D	18	TN	3600050C1	3665870C1																																				
<p>RIGHT SS SURGE TANK (6401) (LOCATED BY RIGHT MOUNTED SURGE TANK)</p>  <p>CONNECTOR 1671610C1</p> <table border="1" style="width:100%; border-collapse: collapse; font-size: x-small;"> <thead> <tr> <th>CAV</th> <th>CIRCUIT</th> <th>GAUGE</th> <th>COLOR</th> <th>TERMINAL</th> <th>SEAL/SLEEVE</th> </tr> </thead> <tbody> <tr> <td>A</td> <td>K34A</td> <td>18</td> <td>TN</td> <td>2033819C1</td> <td>3517771C1</td> </tr> <tr> <td>B</td> <td>K34-GB</td> <td>16</td> <td>WH</td> <td>2033819C1</td> <td>1652325C1</td> </tr> </tbody> </table>			CAV	CIRCUIT	GAUGE	COLOR	TERMINAL	SEAL/SLEEVE	A	K34A	18	TN	2033819C1	3517771C1	B	K34-GB	16	WH	2033819C1	1652325C1	<p>COOLANT LEVEL SENSOR (6401) LOCATED ON SURGE TANK)</p>  <p>W/ DURASTAR</p> <p>CONNECTOR 3554317C1</p> <table border="1" style="width:100%; border-collapse: collapse; font-size: x-small;"> <thead> <tr> <th>CAV</th> <th>CIRCUIT</th> <th>GAUGE</th> <th>COLOR</th> <th>TERMINAL</th> <th>SEAL/SLEEVE</th> </tr> </thead> <tbody> <tr> <td>1</td> <td>K34A</td> <td>18</td> <td>TN</td> <td>3554322C1</td> <td>3554318C1</td> </tr> <tr> <td>2</td> <td>K34-G</td> <td>18</td> <td>TN</td> <td>3554322C1</td> <td>3554318C1</td> </tr> </tbody> </table>			CAV	CIRCUIT	GAUGE	COLOR	TERMINAL	SEAL/SLEEVE	1	K34A	18	TN	3554322C1	3554318C1	2	K34-G	18	TN	3554322C1	3554318C1
CAV	CIRCUIT	GAUGE	COLOR	TERMINAL	SEAL/SLEEVE																																				
A	K34A	18	TN	2033819C1	3517771C1																																				
B	K34-GB	16	WH	2033819C1	1652325C1																																				
CAV	CIRCUIT	GAUGE	COLOR	TERMINAL	SEAL/SLEEVE																																				
1	K34A	18	TN	3554322C1	3554318C1																																				
2	K34-G	18	TN	3554322C1	3554318C1																																				
<p>RIGHT SS SURGE TANK (6401A) (LOCATED BY RIGHT MOUNTED SURGE TANK)</p>  <p>CONNECTOR 1671610C1</p> <table border="1" style="width:100%; border-collapse: collapse; font-size: x-small;"> <thead> <tr> <th>CAV</th> <th>CIRCUIT</th> <th>GAUGE</th> <th>COLOR</th> <th>TERMINAL</th> <th>SEAL/SLEEVE</th> </tr> </thead> <tbody> <tr> <td>A</td> <td>K34</td> <td>16</td> <td>TN</td> <td>2033819C1</td> <td>1652325C1</td> </tr> <tr> <td>B</td> <td>K95A1</td> <td>16</td> <td>TN</td> <td>2033819C1</td> <td>1652325C1</td> </tr> </tbody> </table>						CAV	CIRCUIT	GAUGE	COLOR	TERMINAL	SEAL/SLEEVE	A	K34	16	TN	2033819C1	1652325C1	B	K95A1	16	TN	2033819C1	1652325C1																		
CAV	CIRCUIT	GAUGE	COLOR	TERMINAL	SEAL/SLEEVE																																				
A	K34	16	TN	2033819C1	1652325C1																																				
B	K95A1	16	TN	2033819C1	1652325C1																																				
CHK	DATE	CHANGE	REV	REFERENCE	DRAWN	NAME																																			
0488	25JUN14	INITIAL RELEASE.	A	92603H	UOOLXD2	CIRCUIT DIAGRAM, 42/43/44/85/8600 & 73/74/7500																																			
					RELEASE NO.	DATE																																			
					68076W	13SEP10																																			
					PART NO.	SHEET																																			
					AE08058187	76C																																			

Figure 698 Connector Composites (6400), (6401), (6401A)

13.182. CONNECTOR COMPOSITES (6400), (6401), (6401A), P. 76D

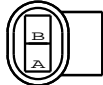
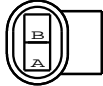
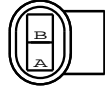
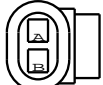

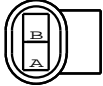
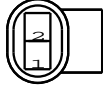
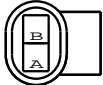
NAVISTAR, INC					ELECTRICAL CIRCUIT DIAGRAM		CHAPTER 13																																					
THIS PRINT IS PROVIDED ON A RESTRICTED BASIS AND IS NOT TO BE USED IN ANY WAY DETRIMENTAL TO THE INTEREST OF NAVISTAR, INC.					CONNECTOR BODY COMPOSITES MATING VIEW SHOWN																																							
<p>LEFT SURGE TANK W/MD (6400) (LOCATED BY LEFT MOUNTED SURGE TANK)</p>  <table border="1" style="margin-left: auto; margin-right: auto; font-size: x-small;"> <thead> <tr><th>CAV</th><th>CIRCUIT</th><th>GAUGE</th><th>COLOR</th><th>TERMINAL</th><th>SEAL/SLEEVE</th></tr> </thead> <tbody> <tr><td>A</td><td>K34A</td><td>18</td><td>TN</td><td>3554322C1</td><td>3554318C1</td></tr> <tr><td>B</td><td>K34-G</td><td>18</td><td>WH</td><td>3554322C1</td><td>3554318C1</td></tr> </tbody> </table> <p style="text-align: center; font-size: x-small;">CONNECTOR 3662425C1 BODY LOCK 3662518C1</p>									CAV	CIRCUIT	GAUGE	COLOR	TERMINAL	SEAL/SLEEVE	A	K34A	18	TN	3554322C1	3554318C1	B	K34-G	18	WH	3554322C1	3554318C1																		
CAV	CIRCUIT	GAUGE	COLOR	TERMINAL	SEAL/SLEEVE																																							
A	K34A	18	TN	3554322C1	3554318C1																																							
B	K34-G	18	WH	3554322C1	3554318C1																																							
<p>W/ I6 ENGINE</p> <p>LEFT MD SURGE TANK (6400) (LOCATED BY LEFT MOUNTED SURGE TANK)</p>  <table border="1" style="margin-left: auto; margin-right: auto; font-size: x-small;"> <thead> <tr><th>CAV</th><th>CIRCUIT</th><th>GAUGE</th><th>COLOR</th><th>TERMINAL</th></tr> </thead> <tbody> <tr><td>A</td><td>K34A</td><td>18</td><td>TN</td><td>2036586C1</td></tr> <tr><td>B</td><td>K34-G</td><td>18</td><td>WH</td><td>2036586C1</td></tr> </tbody> </table> <p style="text-align: center; font-size: x-small;">CONNECTOR 2036583C1</p>					CAV	CIRCUIT	GAUGE	COLOR	TERMINAL	A	K34A	18	TN	2036586C1	B	K34-G	18	WH	2036586C1	<p>W/ V8 ENGINE</p> <p>COOLANT LEVEL SENSOR (6400) (LOCATED IN COOLANT RESERVOIR)</p>  <table border="1" style="margin-left: auto; margin-right: auto; font-size: x-small;"> <thead> <tr><th>CAV</th><th>CIRCUIT</th><th>GAUGE</th><th>COLOR</th><th>TERMINAL</th></tr> </thead> <tbody> <tr><td>A</td><td>K34-GG</td><td>18</td><td>WH</td><td>2036586C1</td></tr> <tr><td>B</td><td>K34AA</td><td>18</td><td>TN</td><td>2036586C1</td></tr> </tbody> </table> <p style="text-align: center; font-size: x-small;">CONNECTOR 2036583C1</p>				CAV	CIRCUIT	GAUGE	COLOR	TERMINAL	A	K34-GG	18	WH	2036586C1	B	K34AA	18	TN	2036586C1						
CAV	CIRCUIT	GAUGE	COLOR	TERMINAL																																								
A	K34A	18	TN	2036586C1																																								
B	K34-G	18	WH	2036586C1																																								
CAV	CIRCUIT	GAUGE	COLOR	TERMINAL																																								
A	K34-GG	18	WH	2036586C1																																								
B	K34AA	18	TN	2036586C1																																								
<p>FAN SOLENOID (6400) (LOCATED IN LEFT REAR OF ENGINE)</p>  <p style="text-align: center; font-size: x-small;">CONNECTOR 3522068C1 BODY LOCK 1661874C1</p> <p style="font-size: x-small;">W/ IBB ENGINE</p> <table border="1" style="margin-left: auto; margin-right: auto; font-size: x-small;"> <thead> <tr><th>CAV</th><th>CIRCUIT</th><th>GAUGE</th><th>COLOR</th><th>TERMINAL</th><th>SEAL/SLEEVE</th></tr> </thead> <tbody> <tr><td>A</td><td>K23</td><td>18</td><td>TN</td><td>1661875C1</td><td>3568570C1</td></tr> <tr><td>B</td><td>K23-G</td><td>18</td><td>WH</td><td>1661875C1</td><td>3568570C1</td></tr> </tbody> </table>					CAV	CIRCUIT	GAUGE	COLOR	TERMINAL	SEAL/SLEEVE	A	K23	18	TN	1661875C1	3568570C1	B	K23-G	18	WH	1661875C1	3568570C1	<p>LEFT SURGE TANK (6400) (LOCATED BY LEFT MOUNTED SURGE TANK)</p>  <p style="text-align: center; font-size: x-small;">CONNECTOR 3811181C1</p> <p style="font-size: x-small;">W/ I6 ENGINE</p> <table border="1" style="margin-left: auto; margin-right: auto; font-size: x-small;"> <thead> <tr><th>CAV</th><th>CIRCUIT</th><th>GAUGE</th><th>COLOR</th><th>TERMINAL</th><th>SEAL/SLEEVE</th></tr> </thead> <tbody> <tr><td>A</td><td>K34C</td><td>18</td><td>TN</td><td>3600050C1</td><td>3665870C1</td></tr> <tr><td>B</td><td>K34D</td><td>18</td><td>TN</td><td>3600050C1</td><td>3665870C1</td></tr> </tbody> </table>				CAV	CIRCUIT	GAUGE	COLOR	TERMINAL	SEAL/SLEEVE	A	K34C	18	TN	3600050C1	3665870C1	B	K34D	18	TN	3600050C1	3665870C1
CAV	CIRCUIT	GAUGE	COLOR	TERMINAL	SEAL/SLEEVE																																							
A	K23	18	TN	1661875C1	3568570C1																																							
B	K23-G	18	WH	1661875C1	3568570C1																																							
CAV	CIRCUIT	GAUGE	COLOR	TERMINAL	SEAL/SLEEVE																																							
A	K34C	18	TN	3600050C1	3665870C1																																							
B	K34D	18	TN	3600050C1	3665870C1																																							
<p>RIGHT SS SURGE TANK (6401) (LOCATED BY RIGHT MOUNTED SURGE TANK)</p>  <p style="text-align: center; font-size: x-small;">CONNECTOR 1671610C1</p> <table border="1" style="margin-left: auto; margin-right: auto; font-size: x-small;"> <thead> <tr><th>CAV</th><th>CIRCUIT</th><th>GAUGE</th><th>COLOR</th><th>TERMINAL</th><th>SEAL/SLEEVE</th></tr> </thead> <tbody> <tr><td>A</td><td>K34A</td><td>18</td><td>TN</td><td>2033819C1</td><td>3517771C1</td></tr> <tr><td>B</td><td>K34-GB</td><td>16</td><td>WH</td><td>2033819C1</td><td>1652325C1</td></tr> </tbody> </table>					CAV	CIRCUIT	GAUGE	COLOR	TERMINAL	SEAL/SLEEVE	A	K34A	18	TN	2033819C1	3517771C1	B	K34-GB	16	WH	2033819C1	1652325C1	<p>COOLANT LEVEL SENSOR (6401) LOCATED ON SURGE TANK)</p>  <p style="text-align: center; font-size: x-small;">W/ DURASTAR CONNECTOR 3554317C1</p> <table border="1" style="margin-left: auto; margin-right: auto; font-size: x-small;"> <thead> <tr><th>CAV</th><th>CIRCUIT</th><th>GAUGE</th><th>COLOR</th><th>TERMINAL</th><th>SEAL/SLEEVE</th></tr> </thead> <tbody> <tr><td>1</td><td>K34A</td><td>18</td><td>TN</td><td>3554322C1</td><td>3554318C1</td></tr> <tr><td>2</td><td>K34-G</td><td>18</td><td>TN</td><td>3554322C1</td><td>3554318C1</td></tr> </tbody> </table>				CAV	CIRCUIT	GAUGE	COLOR	TERMINAL	SEAL/SLEEVE	1	K34A	18	TN	3554322C1	3554318C1	2	K34-G	18	TN	3554322C1	3554318C1
CAV	CIRCUIT	GAUGE	COLOR	TERMINAL	SEAL/SLEEVE																																							
A	K34A	18	TN	2033819C1	3517771C1																																							
B	K34-GB	16	WH	2033819C1	1652325C1																																							
CAV	CIRCUIT	GAUGE	COLOR	TERMINAL	SEAL/SLEEVE																																							
1	K34A	18	TN	3554322C1	3554318C1																																							
2	K34-G	18	TN	3554322C1	3554318C1																																							
<p>RIGHT SS SURGE TANK (6401A) (LOCATED BY RIGHT MOUNTED SURGE TANK)</p>  <table border="1" style="margin-left: auto; margin-right: auto; font-size: x-small;"> <thead> <tr><th>CAV</th><th>CIRCUIT</th><th>GAUGE</th><th>COLOR</th><th>TERMINAL</th><th>SEAL/SLEEVE</th></tr> </thead> <tbody> <tr><td>A</td><td>K34</td><td>16</td><td>TN</td><td>2033819C1</td><td>1652325C1</td></tr> <tr><td>B</td><td>K95A1</td><td>16</td><td>TN</td><td>2033819C1</td><td>1652325C1</td></tr> </tbody> </table> <p style="text-align: center; font-size: x-small;">CONNECTOR 1671610C1</p>									CAV	CIRCUIT	GAUGE	COLOR	TERMINAL	SEAL/SLEEVE	A	K34	16	TN	2033819C1	1652325C1	B	K95A1	16	TN	2033819C1	1652325C1																		
CAV	CIRCUIT	GAUGE	COLOR	TERMINAL	SEAL/SLEEVE																																							
A	K34	16	TN	2033819C1	1652325C1																																							
B	K95A1	16	TN	2033819C1	1652325C1																																							
CHK	DATE	CHANGE	REV	REFERENCE	DRAWN	NAME																																						
0488	09SEP15	INITIAL RELEASE.	A	93248U	MJV0370	CIRCUIT DIAGRAM, 42/43/33/85/8600 & 73/74/7500																																						
RELEASE NO.		DATE		PART NO.		SHEET																																						
93248U		19AUG15		AE08058187		76D																																						

Figure 699 Connector Composites (6400), (6401), (6401A)

13.183. CONNECTOR COMPOSITES (6401), (6401M), (6401R), (6407), (6406M), (6408), (6420), P. 77

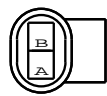
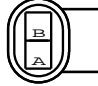
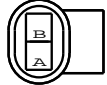
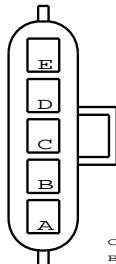
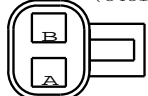
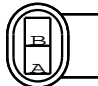

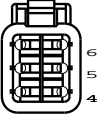

<p style="text-align: center;">NAVISTAR, INC</p> <p style="font-size: small;">THIS PRINT IS PROVIDED ON A RESTRICTED BASIS AND IS NOT TO BE USED IN ANY WAY DETRIMENTAL TO THE INTEREST OF NAVISTAR, INC.</p>	<p style="text-align: center;">ELECTRICAL CIRCUIT DIAGRAM CHAPTER 13</p> <p style="text-align: center;">CONNECTOR BODY COMPOSITES MATING VIEW SHOWN</p>																																																											
<p style="text-align: center;">LOW COOLANT SENSOR (6401/6407) (LOCATED COOLANT RESERVOIR)</p>  <p style="text-align: center;">CONNECTOR 2036583C1</p> <table border="1" style="width:100%; border-collapse: collapse; font-size: x-small;"> <thead> <tr> <th>CAV</th> <th>CIRCUIT</th> <th>GAUGE</th> <th>COLOR</th> <th>TERMINAL</th> </tr> </thead> <tbody> <tr> <td>A</td> <td>K34D</td> <td>18</td> <td>TN</td> <td>2036586C1</td> </tr> <tr> <td>B</td> <td>K34B</td> <td>18</td> <td>TN</td> <td>2036586C1</td> </tr> </tbody> </table>	CAV	CIRCUIT	GAUGE	COLOR	TERMINAL	A	K34D	18	TN	2036586C1	B	K34B	18	TN	2036586C1	<p style="text-align: center;">SENDER/LOW COOLANT SENDER 7000 (6401 / 6407) (LOCATED ON COOLANT RESERVOIR)</p>  <p style="text-align: center;">CONNECTOR 3662425C1 BODY LOCK 3662518C1</p> <p style="text-align: center;">* W/CUMMINS ISB ENGINE</p> <table border="1" style="width:100%; border-collapse: collapse; font-size: x-small;"> <thead> <tr> <th>CAV</th> <th>CIRCUIT</th> <th>GAUGE</th> <th>COLOR</th> <th>TERMINAL</th> <th>SEAL/SLV</th> </tr> </thead> <tbody> <tr> <td>A</td> <td>K34D</td> <td>18</td> <td>TN</td> <td>3554322C1</td> <td>3554318C1</td> </tr> <tr> <td>A*</td> <td>K34A</td> <td>18</td> <td>TN</td> <td>3554322C1</td> <td>3554318C1</td> </tr> <tr> <td>B</td> <td>K34B</td> <td>18</td> <td>TN</td> <td>3554322C1</td> <td>3554318C1</td> </tr> <tr> <td>B*</td> <td>K34-G</td> <td>18</td> <td>TN</td> <td>3554322C1</td> <td>3554318C1</td> </tr> </tbody> </table>	CAV	CIRCUIT	GAUGE	COLOR	TERMINAL	SEAL/SLV	A	K34D	18	TN	3554322C1	3554318C1	A*	K34A	18	TN	3554322C1	3554318C1	B	K34B	18	TN	3554322C1	3554318C1	B*	K34-G	18	TN	3554322C1	3554318C1														
CAV	CIRCUIT	GAUGE	COLOR	TERMINAL																																																								
A	K34D	18	TN	2036586C1																																																								
B	K34B	18	TN	2036586C1																																																								
CAV	CIRCUIT	GAUGE	COLOR	TERMINAL	SEAL/SLV																																																							
A	K34D	18	TN	3554322C1	3554318C1																																																							
A*	K34A	18	TN	3554322C1	3554318C1																																																							
B	K34B	18	TN	3554322C1	3554318C1																																																							
B*	K34-G	18	TN	3554322C1	3554318C1																																																							
<p style="text-align: center;">LOW COOLANT SENDER (6401)</p>  <p style="text-align: center;">CONNECTOR 3662425C1 BODY LOCK 3662518C1</p> <table border="1" style="width:100%; border-collapse: collapse; font-size: x-small;"> <thead> <tr> <th>CAV</th> <th>CIRCUIT</th> <th>GAUGE</th> <th>COLOR</th> <th>TERMINAL</th> <th>SEAL/SLEEVE</th> </tr> </thead> <tbody> <tr> <td>1</td> <td>K34D</td> <td>18</td> <td>TN</td> <td>3554322C1</td> <td>3554318C1</td> </tr> <tr> <td>2</td> <td>K34B</td> <td>18</td> <td>TN</td> <td>3554322C1</td> <td>3554318C1</td> </tr> </tbody> </table>	CAV	CIRCUIT	GAUGE	COLOR	TERMINAL	SEAL/SLEEVE	1	K34D	18	TN	3554322C1	3554318C1	2	K34B	18	TN	3554322C1	3554318C1	<p style="text-align: center;">COOLANT LEVEL MODULE (6401M)</p>  <p style="text-align: center;">CONNECTOR 1687789C1 BODY LOCK 1661376C1</p> <table border="1" style="width:100%; border-collapse: collapse; font-size: x-small;"> <thead> <tr> <th>CAV</th> <th>CIRCUIT</th> <th>GAUGE</th> <th>COLOR</th> <th>TERMINAL</th> <th>SEAL/SLV</th> </tr> </thead> <tbody> <tr> <td>A</td> <td>K6G</td> <td>18</td> <td>GY</td> <td>2033819C1</td> <td>3517771C1</td> </tr> <tr> <td>B</td> <td>K34</td> <td>16</td> <td>TN</td> <td>2033819C1</td> <td>1652325C1</td> </tr> <tr> <td>C</td> <td>K34A</td> <td>20</td> <td>TN</td> <td>2033819C1</td> <td>3517771C1</td> </tr> <tr> <td>D</td> <td>K9B</td> <td>18</td> <td>GY</td> <td>2033819C1</td> <td>3517771C1</td> </tr> <tr> <td>E</td> <td>K34B</td> <td>16</td> <td>TN</td> <td>2033819C1</td> <td>1652325C1</td> </tr> </tbody> </table>	CAV	CIRCUIT	GAUGE	COLOR	TERMINAL	SEAL/SLV	A	K6G	18	GY	2033819C1	3517771C1	B	K34	16	TN	2033819C1	1652325C1	C	K34A	20	TN	2033819C1	3517771C1	D	K9B	18	GY	2033819C1	3517771C1	E	K34B	16	TN	2033819C1	1652325C1					
CAV	CIRCUIT	GAUGE	COLOR	TERMINAL	SEAL/SLEEVE																																																							
1	K34D	18	TN	3554322C1	3554318C1																																																							
2	K34B	18	TN	3554322C1	3554318C1																																																							
CAV	CIRCUIT	GAUGE	COLOR	TERMINAL	SEAL/SLV																																																							
A	K6G	18	GY	2033819C1	3517771C1																																																							
B	K34	16	TN	2033819C1	1652325C1																																																							
C	K34A	20	TN	2033819C1	3517771C1																																																							
D	K9B	18	GY	2033819C1	3517771C1																																																							
E	K34B	16	TN	2033819C1	1652325C1																																																							
<p style="text-align: center;">RIGHT SIDE SURGE TANK (6401R)</p>  <p style="text-align: center;">CONNECTOR 1671610C1 BODY LOCK 1671608C1</p> <table border="1" style="width:100%; border-collapse: collapse; font-size: x-small;"> <thead> <tr> <th>CAV</th> <th>CIRCUIT</th> <th>GAUGE</th> <th>COLOR</th> <th>TERMINAL</th> <th>SEAL/SLEEVE</th> </tr> </thead> <tbody> <tr> <td>A</td> <td>K34</td> <td>16</td> <td>TN</td> <td>2033819C1</td> <td>1671610C1</td> </tr> <tr> <td>B</td> <td>K34B</td> <td>16</td> <td>TN</td> <td>2033819C1</td> <td>1671610C1</td> </tr> </tbody> </table>	CAV	CIRCUIT	GAUGE	COLOR	TERMINAL	SEAL/SLEEVE	A	K34	16	TN	2033819C1	1671610C1	B	K34B	16	TN	2033819C1	1671610C1	<p style="text-align: center;">LOW COOLANT SENDER L/S (6408) (LOCATED IN ENGINE)</p>  <p style="text-align: center;">CONNECTOR 3662425C1 BODY LOCK 3662518C1</p> <table border="1" style="width:100%; border-collapse: collapse; font-size: x-small;"> <thead> <tr> <th>CAV</th> <th>CIRCUIT</th> <th>GAUGE</th> <th>COLOR</th> <th>TERMINAL</th> <th>SEAL/SLV</th> </tr> </thead> <tbody> <tr> <td>A</td> <td>K34D</td> <td>18</td> <td>TN</td> <td>3554322C1</td> <td>3554318C1</td> </tr> <tr> <td>B</td> <td>K34B</td> <td>18</td> <td>TN</td> <td>3554322C1</td> <td>3554318C1</td> </tr> </tbody> </table>	CAV	CIRCUIT	GAUGE	COLOR	TERMINAL	SEAL/SLV	A	K34D	18	TN	3554322C1	3554318C1	B	K34B	18	TN	3554322C1	3554318C1																							
CAV	CIRCUIT	GAUGE	COLOR	TERMINAL	SEAL/SLEEVE																																																							
A	K34	16	TN	2033819C1	1671610C1																																																							
B	K34B	16	TN	2033819C1	1671610C1																																																							
CAV	CIRCUIT	GAUGE	COLOR	TERMINAL	SEAL/SLV																																																							
A	K34D	18	TN	3554322C1	3554318C1																																																							
B	K34B	18	TN	3554322C1	3554318C1																																																							
<p style="text-align: center;">AC CLUTCH 1 (6406M) (LOCATED NEAR TOP RIGHT FORWARD CORNER OF ENGINE)</p>  <p style="text-align: center;">CONNECTOR 3522068C1 BODY LOCK 1661874C1</p> <table border="1" style="width:100%; border-collapse: collapse; font-size: x-small;"> <thead> <tr> <th>CAV</th> <th>CIRCUIT</th> <th>GAUGE</th> <th>COLOR</th> <th>TERMINAL</th> <th>SEAL/SLEEVE</th> </tr> </thead> <tbody> <tr> <td>A</td> <td>K23A</td> <td>18</td> <td>TN</td> <td>1661875C1</td> <td>1661872C1</td> </tr> <tr> <td>B</td> <td>K23G</td> <td>18</td> <td>WH</td> <td>1661875C1</td> <td>1661872C1</td> </tr> <tr> <td>B*</td> <td>K23-G</td> <td>18</td> <td>WH</td> <td>1661875C1</td> <td>3568570C1</td> </tr> </tbody> </table> <p style="text-align: center;">* W/ I6 2010 SCR ENGINE</p>	CAV	CIRCUIT	GAUGE	COLOR	TERMINAL	SEAL/SLEEVE	A	K23A	18	TN	1661875C1	1661872C1	B	K23G	18	WH	1661875C1	1661872C1	B*	K23-G	18	WH	1661875C1	3568570C1	<p style="text-align: center;">VARIABLE SPEED FAN (6420) (LOCATED IN CAB)</p>  <p style="text-align: center;">CONNECTOR 3579124C1 BODY LOCK 3579126C1</p> <p style="text-align: center;">W/ IBB ENGINE</p> <table border="1" style="width:100%; border-collapse: collapse; font-size: x-small;"> <thead> <tr> <th>CAV</th> <th>CIRCUIT</th> <th>GAUGE</th> <th>COLOR</th> <th>TERMINAL</th> </tr> </thead> <tbody> <tr> <td>1</td> <td>K23-G</td> <td>18</td> <td>TN</td> <td>3518963C1</td> </tr> <tr> <td>2</td> <td>K23A1</td> <td>18</td> <td>TN</td> <td>3518963C1</td> </tr> <tr> <td>3</td> <td>K23</td> <td>18</td> <td>TN</td> <td>3518963C1</td> </tr> <tr> <td>4</td> <td>K23B1</td> <td>18</td> <td>TN</td> <td>3518963C1</td> </tr> <tr> <td>5</td> <td>K23C</td> <td>18</td> <td>TN</td> <td>3518963C1</td> </tr> <tr> <td>6</td> <td>PLUG</td> <td>-</td> <td>-</td> <td>3527276C1</td> </tr> </tbody> </table>	CAV	CIRCUIT	GAUGE	COLOR	TERMINAL	1	K23-G	18	TN	3518963C1	2	K23A1	18	TN	3518963C1	3	K23	18	TN	3518963C1	4	K23B1	18	TN	3518963C1	5	K23C	18	TN	3518963C1	6	PLUG	-	-	3527276C1
CAV	CIRCUIT	GAUGE	COLOR	TERMINAL	SEAL/SLEEVE																																																							
A	K23A	18	TN	1661875C1	1661872C1																																																							
B	K23G	18	WH	1661875C1	1661872C1																																																							
B*	K23-G	18	WH	1661875C1	3568570C1																																																							
CAV	CIRCUIT	GAUGE	COLOR	TERMINAL																																																								
1	K23-G	18	TN	3518963C1																																																								
2	K23A1	18	TN	3518963C1																																																								
3	K23	18	TN	3518963C1																																																								
4	K23B1	18	TN	3518963C1																																																								
5	K23C	18	TN	3518963C1																																																								
6	PLUG	-	-	3527276C1																																																								
<table border="1" style="width:100%; border-collapse: collapse; font-size: x-small;"> <thead> <tr> <th>CHK</th> <th>DATE</th> <th>CHANGE</th> <th>REV</th> <th>REFERENCE</th> <th>DRWN</th> <th>NAME</th> </tr> </thead> <tbody> <tr> <td>0488</td> <td>09SEP15</td> <td>ADDED R/D 6401.</td> <td>F</td> <td>93248U</td> <td>31061S</td> <td></td> </tr> </tbody> </table>	CHK	DATE	CHANGE	REV	REFERENCE	DRWN	NAME	0488	09SEP15	ADDED R/D 6401.	F	93248U	31061S		<table border="1" style="width:100%; border-collapse: collapse; font-size: x-small;"> <thead> <tr> <th>RELEASE NO.</th> <th>DATE</th> <th>PART NO.</th> <th>SHEET</th> </tr> </thead> <tbody> <tr> <td>61229V</td> <td>09JUN09</td> <td>AE08058187</td> <td>077</td> </tr> </tbody> </table>	RELEASE NO.	DATE	PART NO.	SHEET	61229V	09JUN09	AE08058187	077																																					
CHK	DATE	CHANGE	REV	REFERENCE	DRWN	NAME																																																						
0488	09SEP15	ADDED R/D 6401.	F	93248U	31061S																																																							
RELEASE NO.	DATE	PART NO.	SHEET																																																									
61229V	09JUN09	AE08058187	077																																																									

Figure 700 Connector Composites (6401), (6401M), (6401R), (6407), (6406M), (6408), (6420)

13.184. CONNECTOR COMPOSITES (6561), (6566), (6567), P. 77A

NAVISTAR, INC				ELECTRICAL CIRCUIT DIAGRAM		CHAPTER 13	
THIS PRINT IS PROVIDED ON A RESTRICTED BASIS AND IS NOT TO BE USED IN ANY WAY DETRIMENTAL TO THE INTEREST OF NAVISTAR, INC.				CONNECTOR BODY COMPOSITES MATING VIEW SHOWN			

E-FAN
(6561)
(LOCATED IN ENGINE)

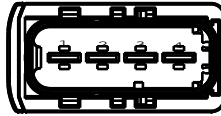


CONNECTOR 3522068C1
BODY LOCK 1661874C1

CAV	CIRCUIT	GAUGE	COLOR	TERMINAL	SEAL/SLEEVE
A	K23D	16	TN	1661875C1	1661872C1
B	K10-GG	16	WH	1661875C1	1661872C1

W/ V8 ENGINE

PDM 4-WAY
(6566)
(LOCATED IN ENGINE)

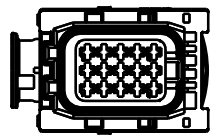


CONNECTOR 6113338C1

CAV	CIRCUIT	GAUGE	COLOR	TERMINAL	SEAL/SLEEVE
1*	K14J	10	RD	3752553C1	6113347C1
1#	K14A	10	RD	3752553C1	6113347C1
1&	K97X	10	VT	3752553C1	6113347C1
2#&	K90A	10	RD	3752553C1	6113347C1
3*	K14N	10	RD	3752553C1	6113347C1
3#	K18G	10	PK	3752553C1	6113347C1
4&	K97H	10	RD	3752553C1	6113347C1

* W/ IBB ENGINE
W/ CUMMINS ISB ENGINE
& W/ I6 2010 SCR ENGINE

PDM 15-WAY
(6567)
(LOCATED IN ENGINE)



CONNECTOR 6113341C1

CAV	CIRCUIT	GAUGE	COLOR	TERMINAL	SEAL/SLEEVE
1	PLUG	-	-	6113350C1	-
1@	K97K	12	DL	3830799C1	3575783C1
2	PLUG	-	-	6113350C1	-
3	PLUG	-	-	6113350C1	-
4	K95AK2	12	TN	3830799C1	3575783C1
4&	K147	16	RD	3830792C1	3509903C1
5	PLUG	-	-	6113350C1	-
6	PLUG	-	-	6113350C1	-
7*	K14A	12	RD	3830799C1	3575783C1
7*	K92A170	14	RD	3830798C1	3575783C1
7*	K14AW	12	RD	3830799C1	3575783C1
7*	K92D170	12	PK	3830799C1	3575783C1
7#	K14C	16	RD	3830792C1	3509903C1
7&	K92H110	12	RD	3830799C1	3575783C1
7&	K92B110	12	PK	3830799C1	3575783C1
8	PLUG	-	-	6113350C1	-
9	PLUG	-	-	6113350C1	-
10&	K14HC	14	RD	3830798C1	3509903C1
11	PLUG	-	-	6113350C1	-
12	PLUG	-	-	6113350C1	-
13#	K14	12	RD	3830799C1	3575783C1
13@	K95AK1	12	TN	3830799C1	3575783C1
14#	K14A	12	RD	3830799C1	3575783C1
15	PLUG	-	-	6113350C1	-

* MUTUALLY EXCLUSIVE
W/ CUMMINS ISB ENGINE
@ W/ I6 2010 SCR ENGINE
& W/ 2013 IBB ENGINE

CHK	DATE	CHANGE	REV	REFERENCE	DRWN	NAME
0488	09SEP15	REVISED AND REDRAWN.	E	93248U	310615	CIRCUIT DIAGRAM, 42/43/44/85/8600 & 73/74/7500
					RELEASE NO.	DATE
					92218B	30JUL13
					PART NO.	SHEET
					AE08058187	77A

Figure 701 Connector Composites (6561), (6566), (6567)

13.185. CONNECTOR COMPOSITES (6568), (6569), P. 77B


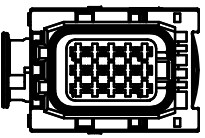
NAVISTAR, INC <small>THIS PRINT IS PROVIDED ON A RESTRICTED BASIS AND IS NOT TO BE USED IN ANY WAY DETRIMENTAL TO THE INTEREST OF NAVISTAR, INC.</small>				ELECTRICAL CIRCUIT DIAGRAM CHAPTER 13 CONNECTOR BODY COMPOSITES MATING VIEW SHOWN																																																																																																	
<p>PDM 4-WAY (6568) (LOCATED IN ENGINE)</p>  <p>CONNECTOR 6113338C1</p> <table border="1" style="margin-left: auto; margin-right: auto;"> <thead> <tr> <th>CAV</th> <th>CIRCUIT</th> <th>GAUGE</th> <th>COLOR</th> <th>TERMINAL</th> <th>SEAL/SLEEVE</th> </tr> </thead> <tbody> <tr> <td>1</td> <td>K14W</td> <td>10</td> <td>RD</td> <td>3752553C1</td> <td>6113347C1</td> </tr> <tr> <td>2</td> <td>PLUG</td> <td>-</td> <td>-</td> <td>-</td> <td>-</td> </tr> <tr> <td>3</td> <td>K14N</td> <td>10</td> <td>RD</td> <td>3752553C1</td> <td>6113347C1</td> </tr> <tr> <td>4</td> <td>PLUG</td> <td>-</td> <td>-</td> <td>-</td> <td>-</td> </tr> </tbody> </table>						CAV	CIRCUIT	GAUGE	COLOR	TERMINAL	SEAL/SLEEVE	1	K14W	10	RD	3752553C1	6113347C1	2	PLUG	-	-	-	-	3	K14N	10	RD	3752553C1	6113347C1	4	PLUG	-	-	-	-																																																																		
CAV	CIRCUIT	GAUGE	COLOR	TERMINAL	SEAL/SLEEVE																																																																																																
1	K14W	10	RD	3752553C1	6113347C1																																																																																																
2	PLUG	-	-	-	-																																																																																																
3	K14N	10	RD	3752553C1	6113347C1																																																																																																
4	PLUG	-	-	-	-																																																																																																
<p>PDM 15-WAY (6569) (LOCATED IN ENGINE)</p>  <p>CONNECTOR 6113341C1</p> <table border="1" style="margin-left: auto; margin-right: auto;"> <thead> <tr> <th>CAV</th> <th>CIRCUIT</th> <th>GAUGE</th> <th>COLOR</th> <th>TERMINAL</th> <th>SEAL/SLEEVE</th> </tr> </thead> <tbody> <tr><td>1</td><td>PLUG</td><td>-</td><td>-</td><td>-</td><td>-</td></tr> <tr><td>2</td><td>PLUG</td><td>-</td><td>-</td><td>-</td><td>-</td></tr> <tr><td>3</td><td>PLUG</td><td>-</td><td>-</td><td>-</td><td>-</td></tr> <tr><td>4</td><td>K95AK1</td><td>12</td><td>TN</td><td>3830799C1</td><td>3575783C1</td></tr> <tr><td>5</td><td>PLUG</td><td>-</td><td>-</td><td>-</td><td>-</td></tr> <tr><td>6</td><td>PLUG</td><td>-</td><td>-</td><td>-</td><td>-</td></tr> <tr><td>7</td><td>K14A</td><td>12</td><td>RD</td><td>3830799C1</td><td>3575783C1</td></tr> <tr><td>8</td><td>PLUG</td><td>-</td><td>-</td><td>-</td><td>-</td></tr> <tr><td>9</td><td>PLUG</td><td>-</td><td>-</td><td>-</td><td>-</td></tr> <tr><td>10</td><td>PLUG</td><td>-</td><td>-</td><td>-</td><td>-</td></tr> <tr><td>11</td><td>PLUG</td><td>-</td><td>-</td><td>-</td><td>-</td></tr> <tr><td>12</td><td>PLUG</td><td>-</td><td>-</td><td>-</td><td>-</td></tr> <tr><td>13</td><td>K95AK2</td><td>12</td><td>RD</td><td>3830799C1</td><td>3575783C1</td></tr> <tr><td>14</td><td>PLUG</td><td>-</td><td>-</td><td>-</td><td>-</td></tr> <tr><td>15</td><td>PLUG</td><td>-</td><td>-</td><td>-</td><td>-</td></tr> </tbody> </table>						CAV	CIRCUIT	GAUGE	COLOR	TERMINAL	SEAL/SLEEVE	1	PLUG	-	-	-	-	2	PLUG	-	-	-	-	3	PLUG	-	-	-	-	4	K95AK1	12	TN	3830799C1	3575783C1	5	PLUG	-	-	-	-	6	PLUG	-	-	-	-	7	K14A	12	RD	3830799C1	3575783C1	8	PLUG	-	-	-	-	9	PLUG	-	-	-	-	10	PLUG	-	-	-	-	11	PLUG	-	-	-	-	12	PLUG	-	-	-	-	13	K95AK2	12	RD	3830799C1	3575783C1	14	PLUG	-	-	-	-	15	PLUG	-	-	-	-
CAV	CIRCUIT	GAUGE	COLOR	TERMINAL	SEAL/SLEEVE																																																																																																
1	PLUG	-	-	-	-																																																																																																
2	PLUG	-	-	-	-																																																																																																
3	PLUG	-	-	-	-																																																																																																
4	K95AK1	12	TN	3830799C1	3575783C1																																																																																																
5	PLUG	-	-	-	-																																																																																																
6	PLUG	-	-	-	-																																																																																																
7	K14A	12	RD	3830799C1	3575783C1																																																																																																
8	PLUG	-	-	-	-																																																																																																
9	PLUG	-	-	-	-																																																																																																
10	PLUG	-	-	-	-																																																																																																
11	PLUG	-	-	-	-																																																																																																
12	PLUG	-	-	-	-																																																																																																
13	K95AK2	12	RD	3830799C1	3575783C1																																																																																																
14	PLUG	-	-	-	-																																																																																																
15	PLUG	-	-	-	-																																																																																																
CHK	DATE	CHANGE	REV	REFERENCE	DRAWN	NAME																																																																																															
0610	12NOV13	INITIAL RELEASE.	A	92218B	MJV0195	CIRCUIT DIAGRAM, 42/43/44/85/8600 & 73/74/7500																																																																																															
					RELEASE NO.	DATE																																																																																															
					92218B	30JUL13																																																																																															
					PART NO.	SHEET																																																																																															
					AE08058187	77B																																																																																															

Figure 702 Connector Composites (6568), (6569)

13.186. CONNECTOR COMPOSITES (6702), (6703), (6703A), (6704), P. 78

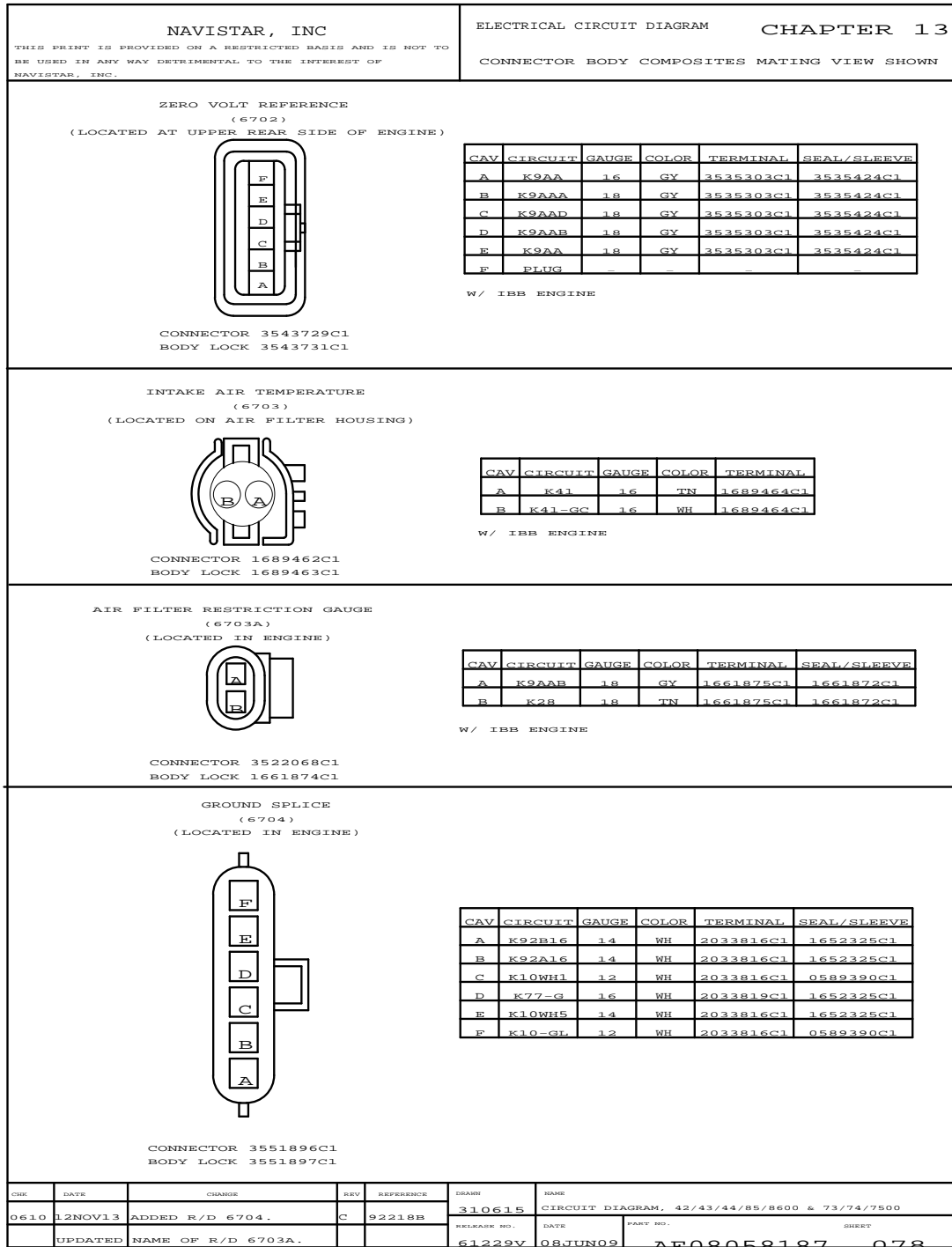


Figure 703 Connector Composites (6702), (6703), (6703A), (6704)

13.187. CONNECTOR COMPOSITES (6704M), (6709), (6710), (6712), P. 79

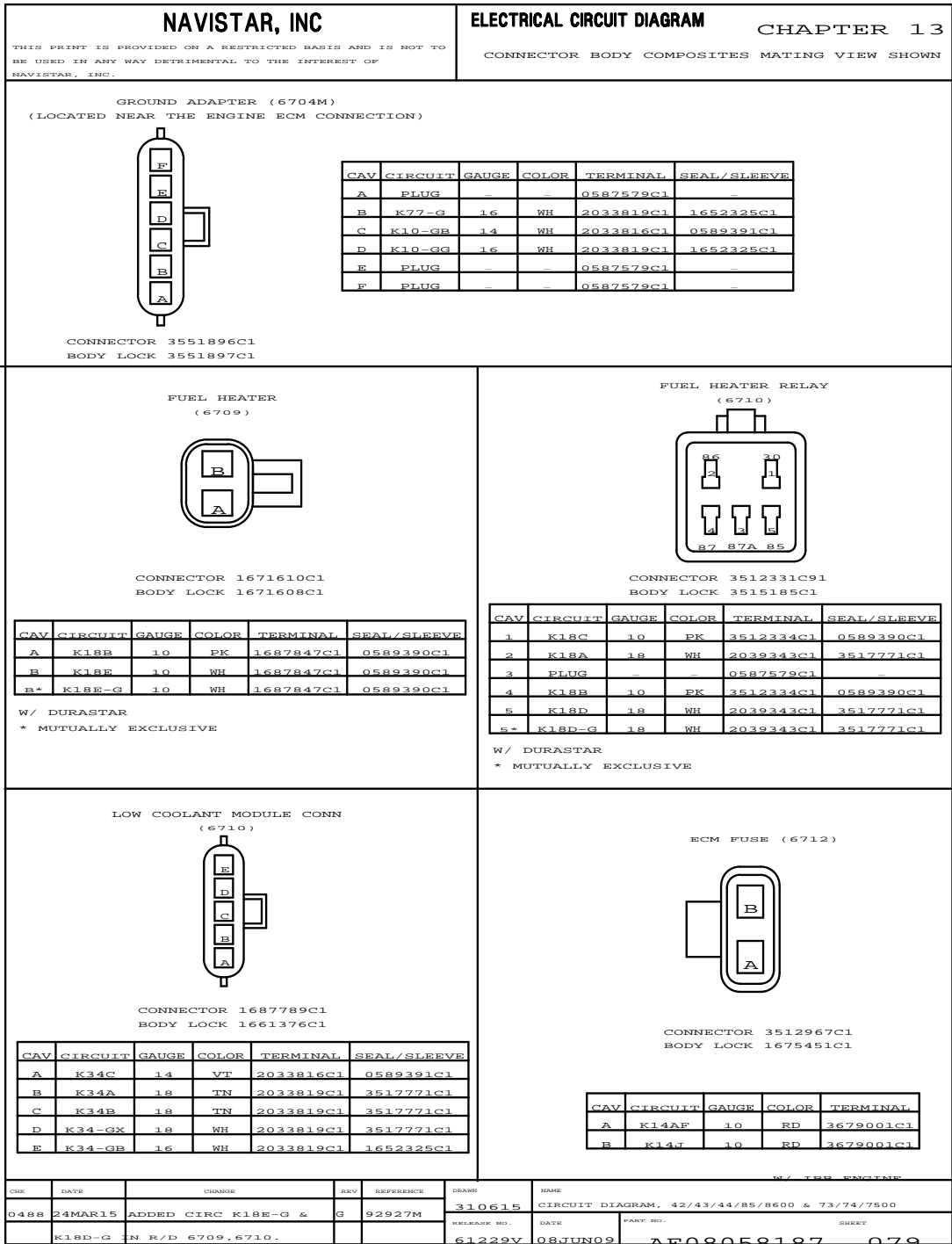


Figure 704 Connector Composites (6704M), (6709), (6710), (6712)

13.188. CONNECTOR COMPOSITES (6713), (6715), P. 79A

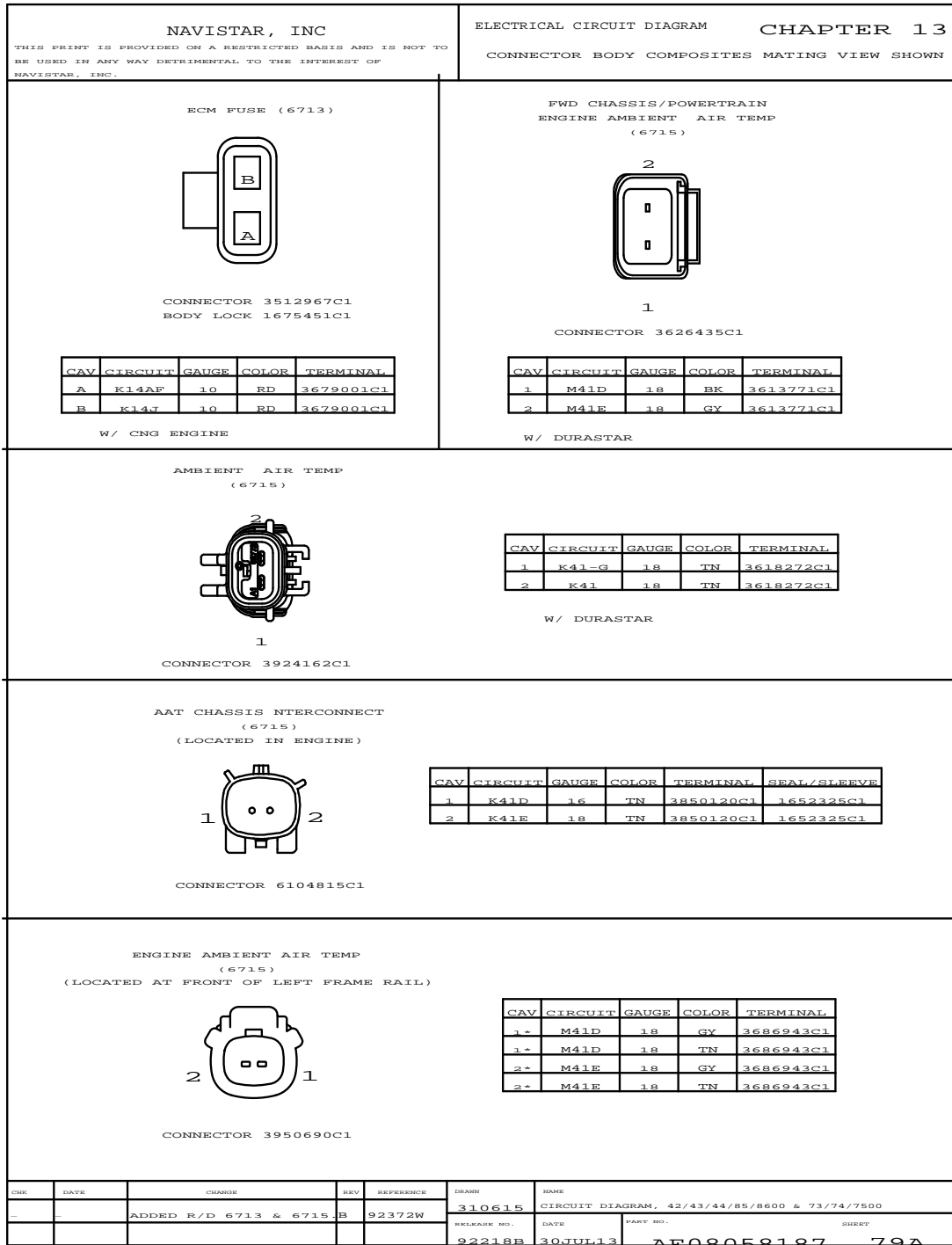


Figure 705 Connector Composites (6713), (6715)

13.189. CONNECTOR COMPOSITES (6720), (6730), (6747), P. 80

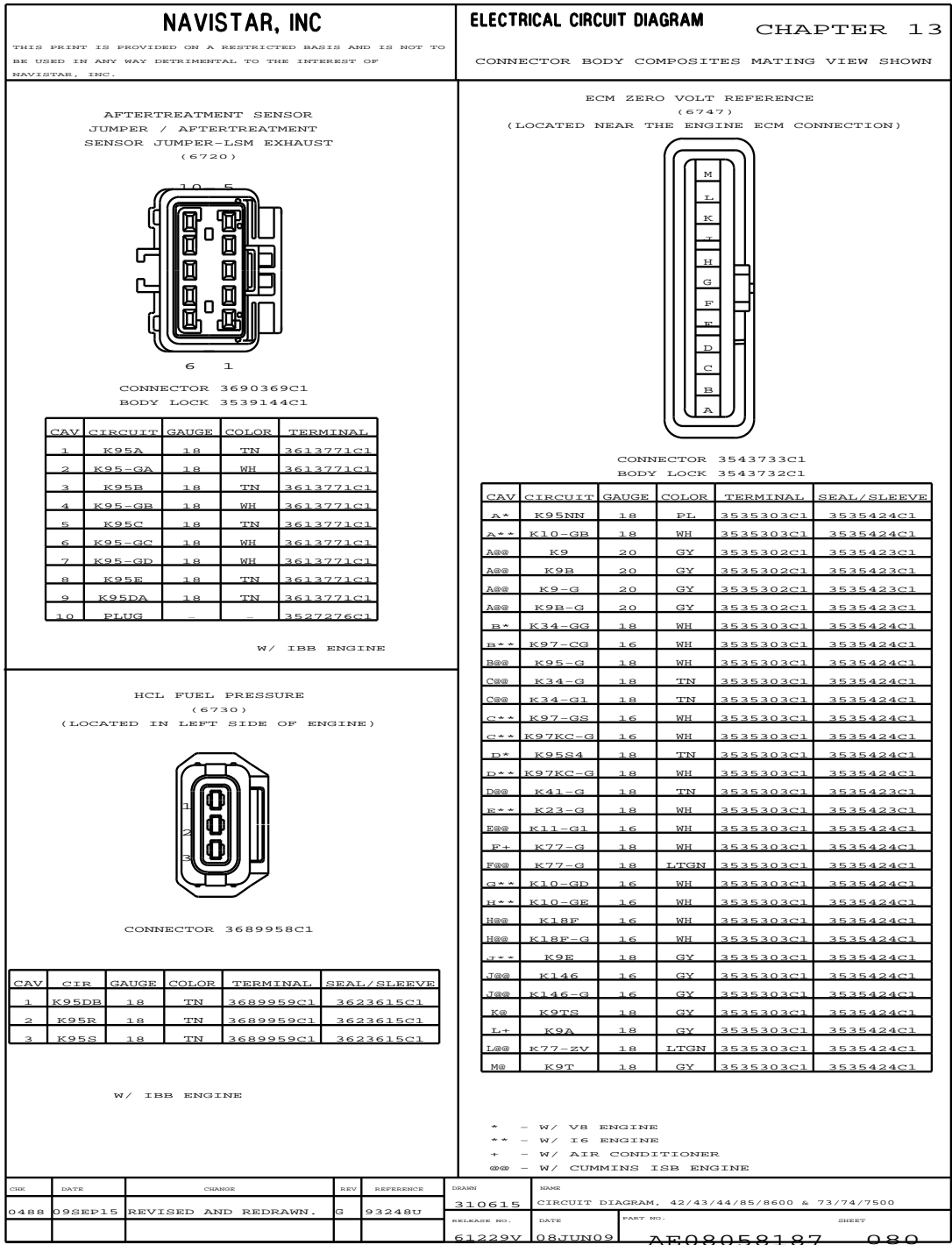


Figure 706 Connector Composites (6720), (6730), (6747)

13.190. CONNECTOR COMPOSITES (6748), (6800), (6801), P. 80A

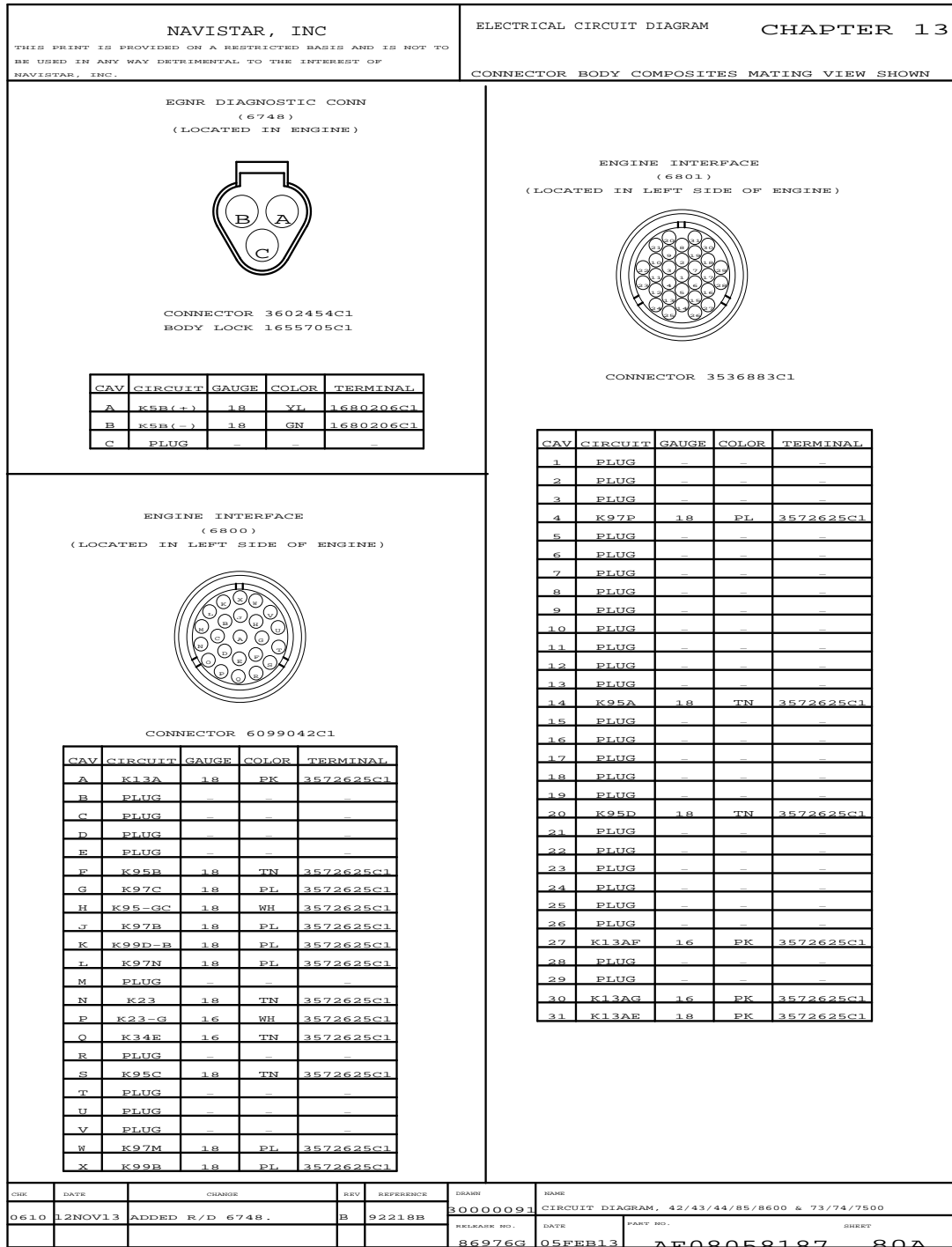


Figure 707 Connector Composites (6748), (6800), (6801)

13.191. CONNECTOR COMPOSITES (6802), (6803), (6804), (6805), (6811), (6812), (6900), P. 80B

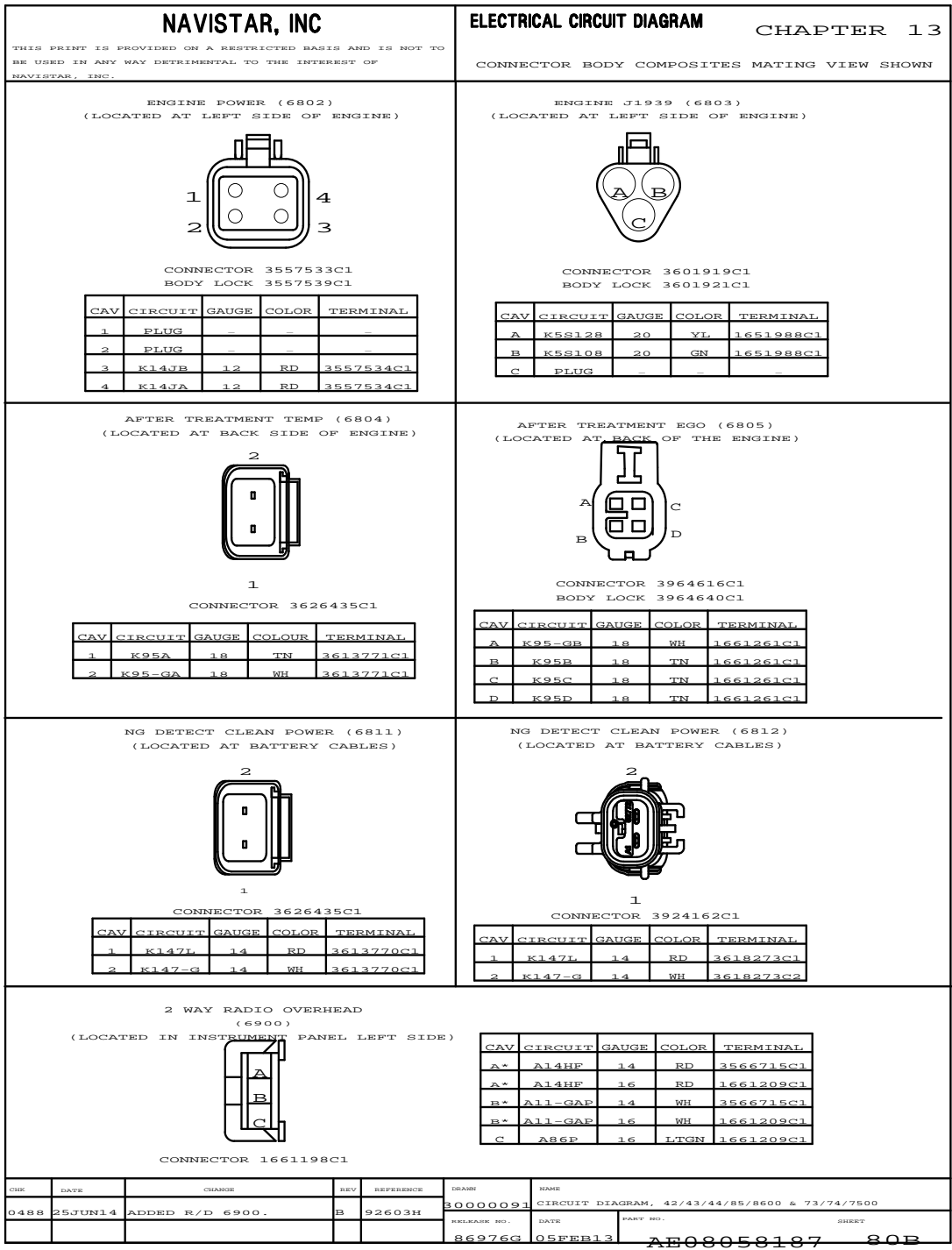


Figure 708 Connector Composites (6802), (6803), (6804), (6805), (6811), (6812), (6900)

13.192. CONNECTOR COMPOSITES (6901), (6925), (6969), (7070), P. 81

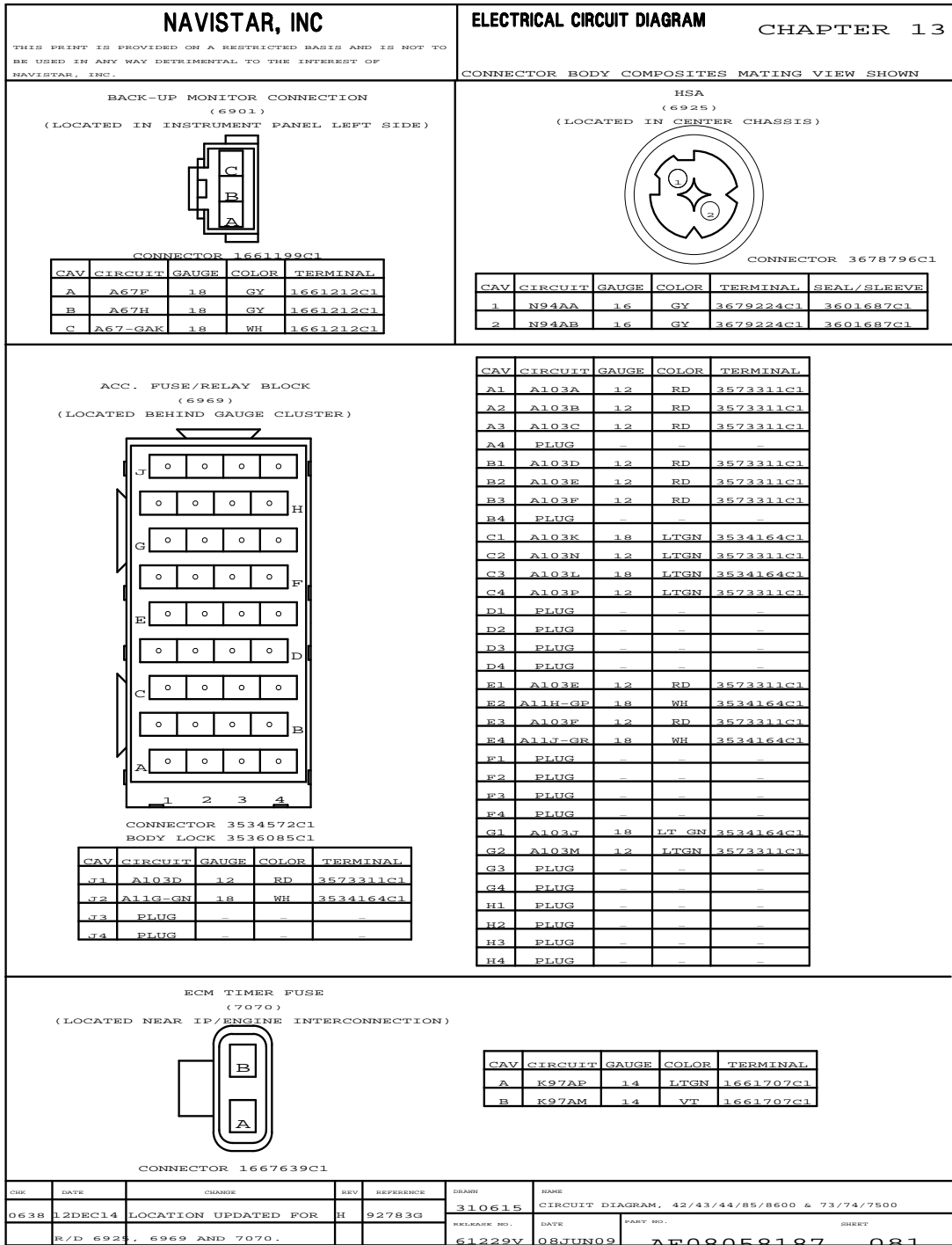


Figure 709 Connector Composites (6901), (6925), (6969), (7070)

13.193. CONNECTOR COMPOSITES (7103M), P. 81A



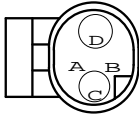
NAVISTAR, INC <small>THIS PRINT IS PROVIDED ON A RESTRICTED BASIS AND IS NOT TO BE USED IN ANY WAY DETRIMENTAL TO THE INTEREST OF NAVISTAR, INC.</small>				ELECTRICAL CIRCUIT DIAGRAM CHAPTER 13 CONNECTOR BODY COMPOSITES MATING VIEW SHOWN																																
<p>TWO SPEED AXLE BOOT CONNECTOR (7103M) (LOCATED NEAR TRANSMISSION SHIFT TOWER)</p> <div style="display: flex; justify-content: space-around; align-items: center;">  <table border="1" style="border-collapse: collapse; text-align: center;"> <thead> <tr> <th>CAV</th> <th>CIRCUIT</th> <th>GAUGE</th> <th>COLOR</th> <th>TERMINAL</th> </tr> </thead> <tbody> <tr> <td>A</td> <td>K93</td> <td>18</td> <td>TN</td> <td>1661208C1</td> </tr> <tr> <td>B</td> <td>PLUG</td> <td>-</td> <td>-</td> <td>-</td> </tr> <tr> <td>C</td> <td>K9TS</td> <td>18</td> <td>GY</td> <td>1661208C1</td> </tr> </tbody> </table> </div> <p style="text-align: center;">CONNECTOR 1661198C1</p>							CAV	CIRCUIT	GAUGE	COLOR	TERMINAL	A	K93	18	TN	1661208C1	B	PLUG	-	-	-	C	K9TS	18	GY	1661208C1										
CAV	CIRCUIT	GAUGE	COLOR	TERMINAL																																
A	K93	18	TN	1661208C1																																
B	PLUG	-	-	-																																
C	K9TS	18	GY	1661208C1																																
<p>TWO SPEED AXLE BOOT CONNECTOR (7103M) (LOCATED NEAR TRANSMISSION SHIFT TOWER)</p> <div style="display: flex; justify-content: space-around; align-items: center;">  <table border="1" style="border-collapse: collapse; text-align: center;"> <thead> <tr> <th>CAV</th> <th>CIRCUIT</th> <th>GAUGE</th> <th>COLOR</th> <th>TERMINAL</th> </tr> </thead> <tbody> <tr> <td>A</td> <td>L93</td> <td>18</td> <td>TN</td> <td>1661208C1</td> </tr> <tr> <td>B</td> <td>PLUG</td> <td>-</td> <td>-</td> <td>-</td> </tr> <tr> <td>C</td> <td>L93G</td> <td>18</td> <td>TN</td> <td>1661208C1</td> </tr> </tbody> </table> </div> <p style="text-align: center;">W/ DURASTAR</p> <p style="text-align: center;">CONNECTOR 1661198C1</p>							CAV	CIRCUIT	GAUGE	COLOR	TERMINAL	A	L93	18	TN	1661208C1	B	PLUG	-	-	-	C	L93G	18	TN	1661208C1										
CAV	CIRCUIT	GAUGE	COLOR	TERMINAL																																
A	L93	18	TN	1661208C1																																
B	PLUG	-	-	-																																
C	L93G	18	TN	1661208C1																																
<p>2-AXLE SPEED SWITCH CONNECTOR (7103M) *W/16 ENGINE (LOCATED NEAR TRANSMISSION SHIFT TOWER)</p> <div style="display: flex; justify-content: space-around; align-items: center;">  <table border="1" style="border-collapse: collapse; text-align: center;"> <thead> <tr> <th>CAV</th> <th>CIRCUIT</th> <th>GAUGE</th> <th>COLOR</th> <th>TERMINAL</th> <th>SEAL/SLEEVE</th> </tr> </thead> <tbody> <tr> <td>A</td> <td>PLUG</td> <td>-</td> <td>-</td> <td>1661875C1</td> <td>N/A</td> </tr> <tr> <td>B</td> <td>PLUG</td> <td>-</td> <td>-</td> <td>1661875C1</td> <td>N/A</td> </tr> <tr> <td>C*</td> <td>K93A</td> <td>20</td> <td>LT BL</td> <td>1661875C1</td> <td>3568570C1</td> </tr> <tr> <td>D*</td> <td>K9EA</td> <td>18</td> <td>TN</td> <td>1661875C1</td> <td>3568570C1</td> </tr> </tbody> </table> </div> <p style="text-align: center;">CONNECTOR 1661777C1</p>							CAV	CIRCUIT	GAUGE	COLOR	TERMINAL	SEAL/SLEEVE	A	PLUG	-	-	1661875C1	N/A	B	PLUG	-	-	1661875C1	N/A	C*	K93A	20	LT BL	1661875C1	3568570C1	D*	K9EA	18	TN	1661875C1	3568570C1
CAV	CIRCUIT	GAUGE	COLOR	TERMINAL	SEAL/SLEEVE																															
A	PLUG	-	-	1661875C1	N/A																															
B	PLUG	-	-	1661875C1	N/A																															
C*	K93A	20	LT BL	1661875C1	3568570C1																															
D*	K9EA	18	TN	1661875C1	3568570C1																															
CHK	DATE	CHANGE	REV	REFERENCE	DRAWN	NAME																														
-	-	ADDED R/D 7103M.	B	92372W	MJV0195	CIRCUIT DIAGRAM, 42/43/44/85/8600 & 73/74/7500																														
					RELEASE NO.	DATE																														
					92218B	30JUL13																														
						PART NO.																														
						AE08058187																														
						SHEET																														
						81A																														

Figure 710 Connector Composites (7103M)

13.194. CONNECTOR COMPOSITES (7104B), (7104F), (7105), P. 82

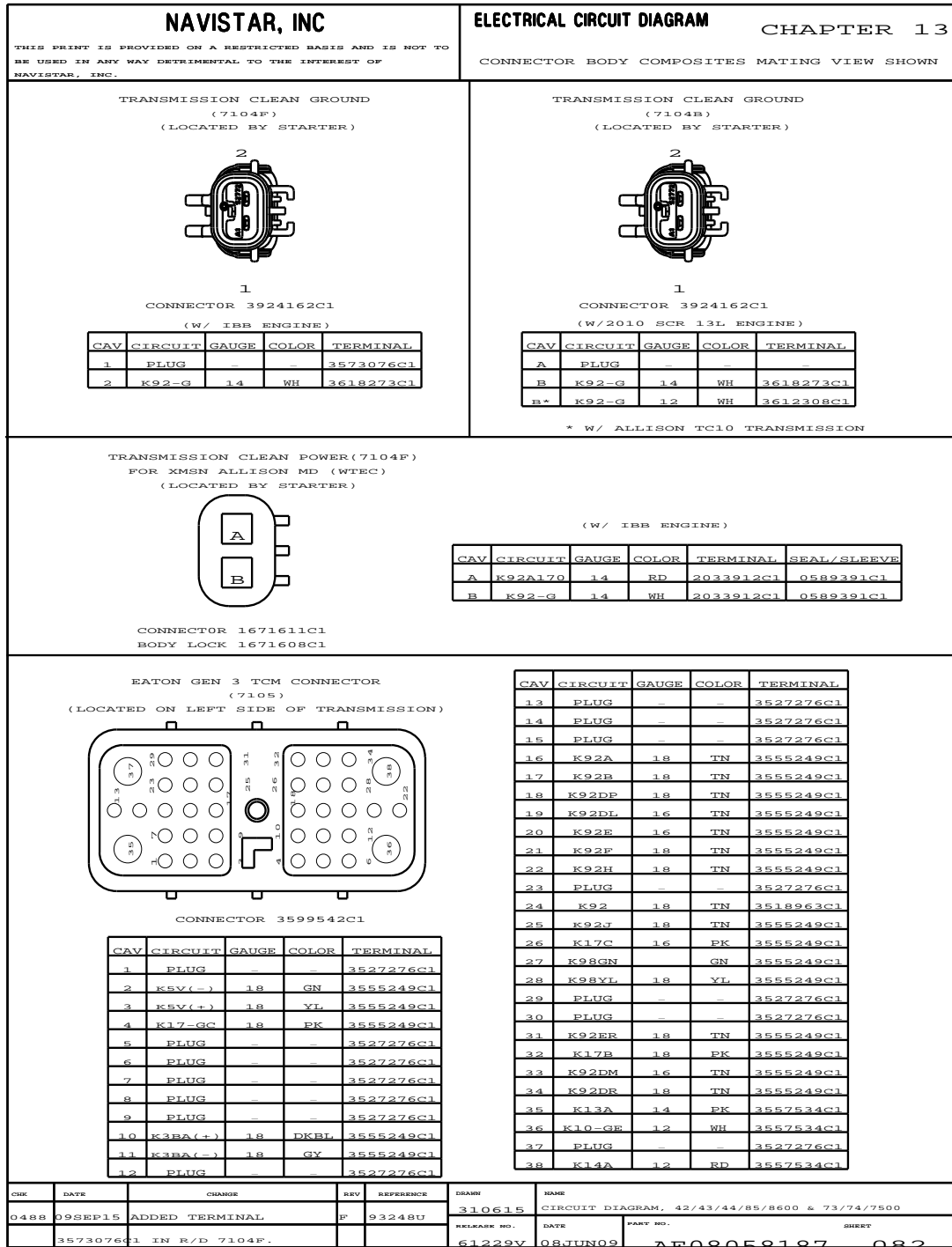


Figure 711 Connector Composites (7104B), (7104F), (7105)

13.195. CONNECTOR COMPOSITES (7105), (7106), (7107), P. 82A

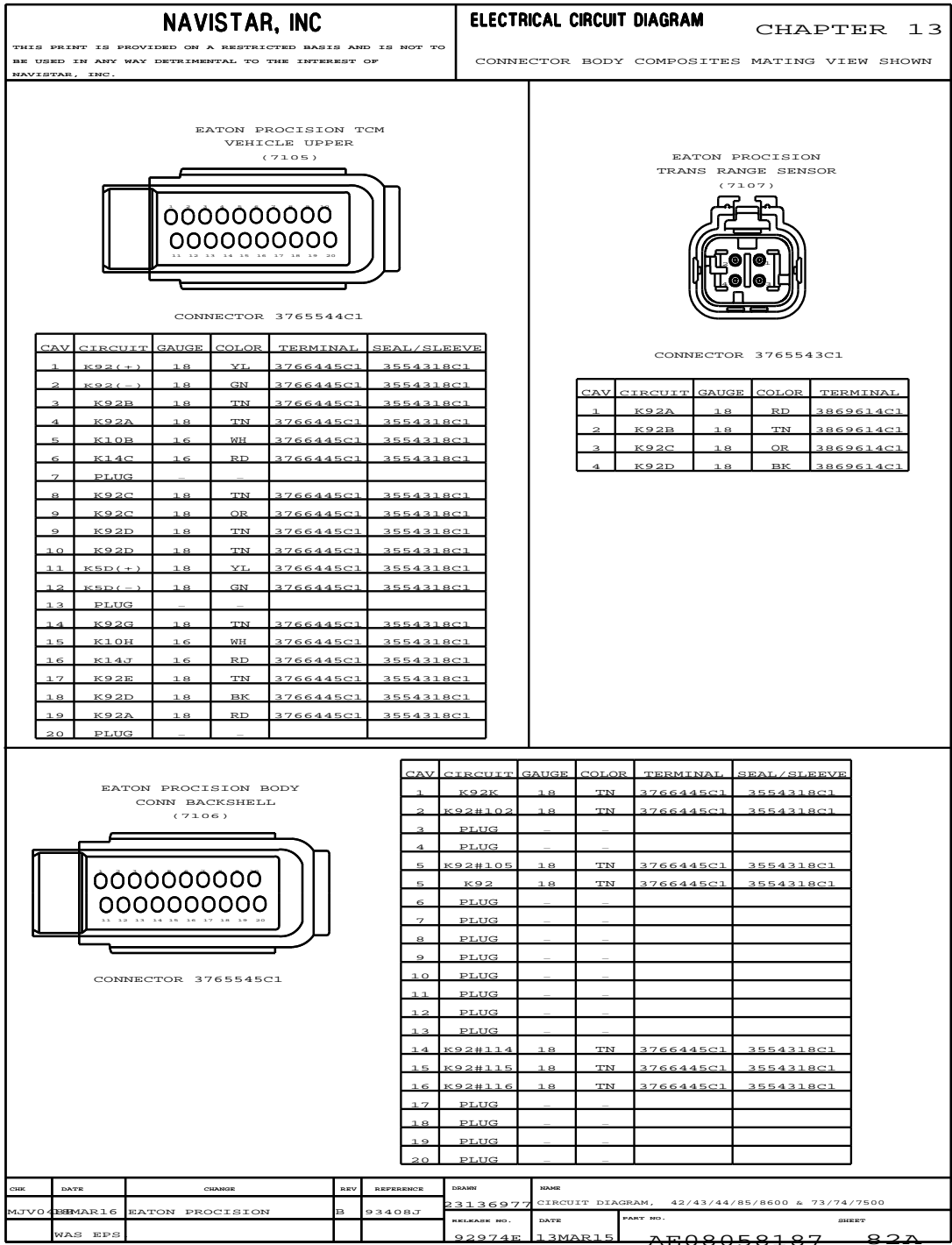


Figure 712 Connector Composites (7105), (7106), (7107)

13.196. CONNECTOR COMPOSITES (7110), (7110A), (7110B), (7111), (7112), (7113), P. 83

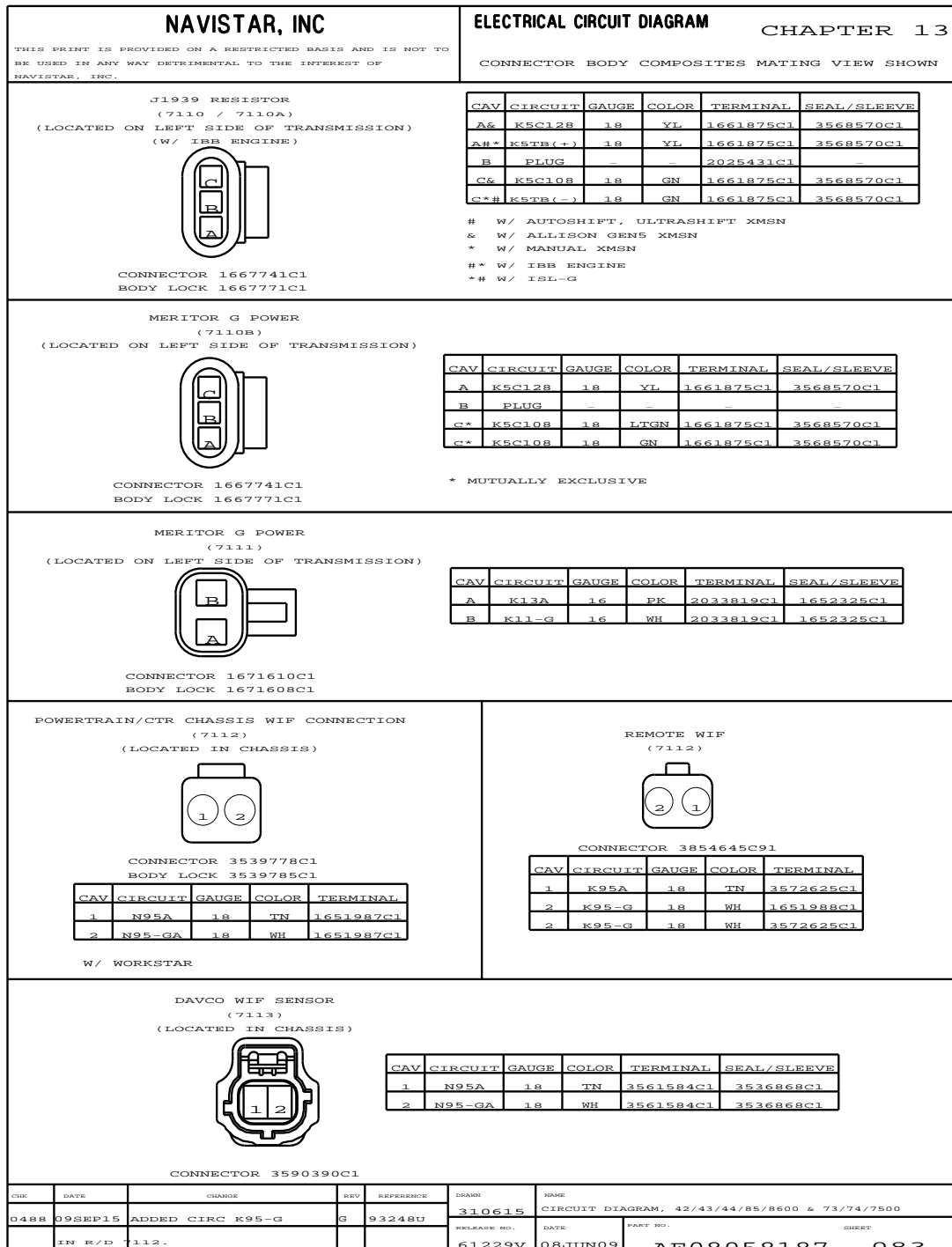


Figure 713 Connector Composites (7110), (7110A), (7110B), (7111), (7112), (7113)

13.197. CONNECTOR COMPOSITES (7113), (7113A / 7113C / 7113E / 7113G), (7113B / 7113D / 7113F), P. 83A

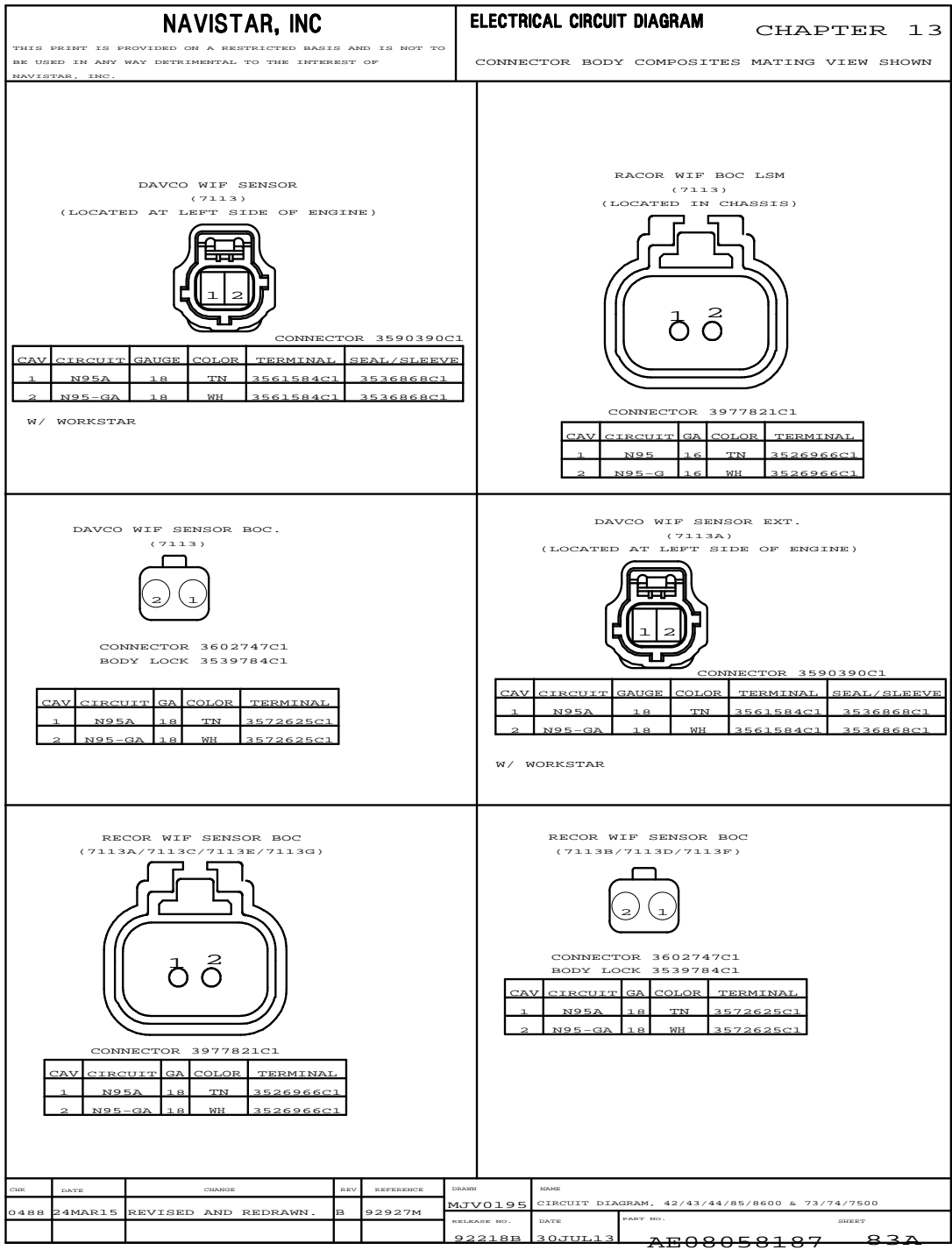


Figure 714 Connector Composites (7113), (7113A / 7113C / 7113E / 7113G), (7113B / 7113D / 7113F)

13.198. CONNECTOR COMPOSITES (7150), (7150F2), (7152), P. 84

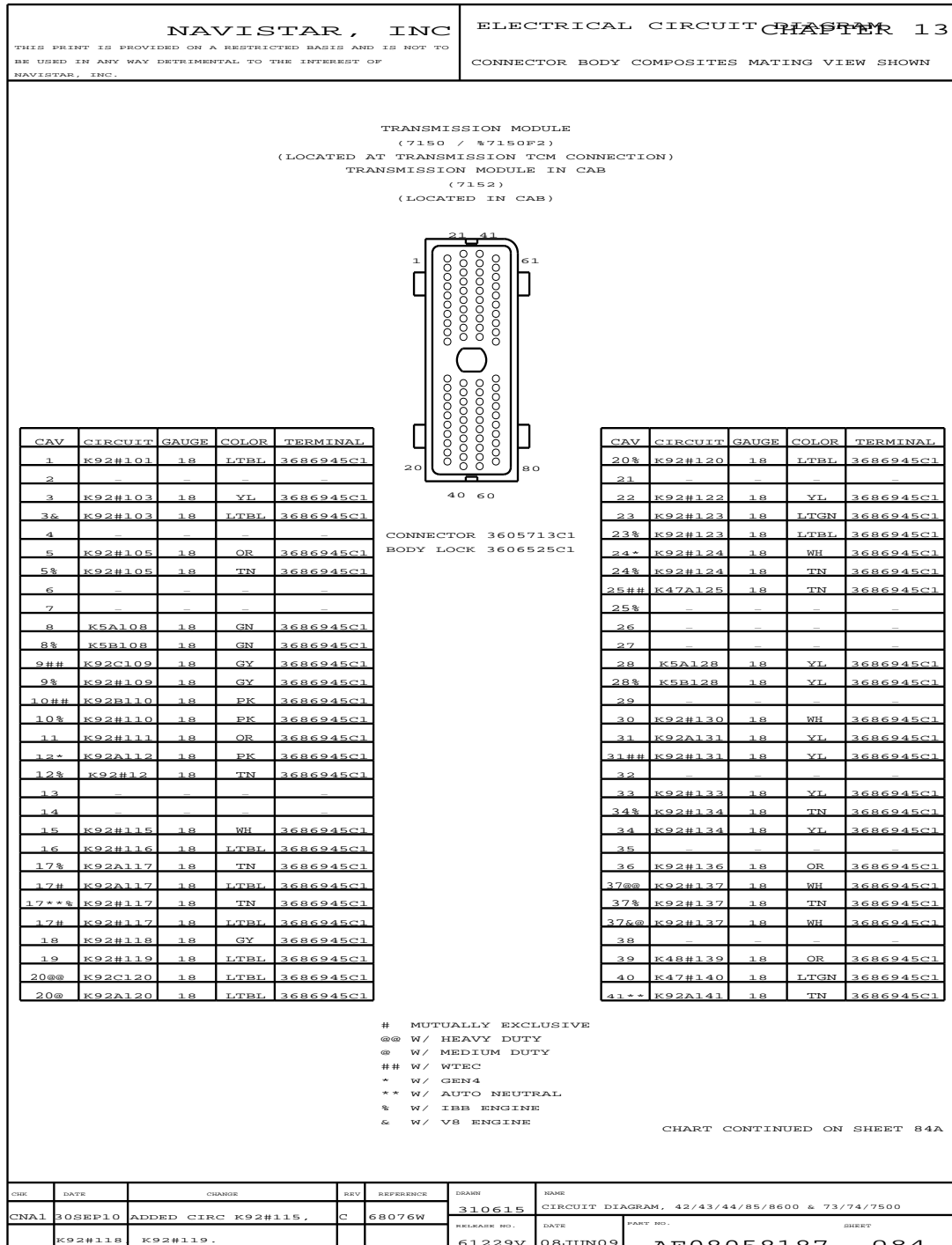


Figure 715 Connector Composites (7150), (7150F2), (7152)

13.199. CONNECTOR COMPOSITES (7150), (7150F2), (7152), P. 84A

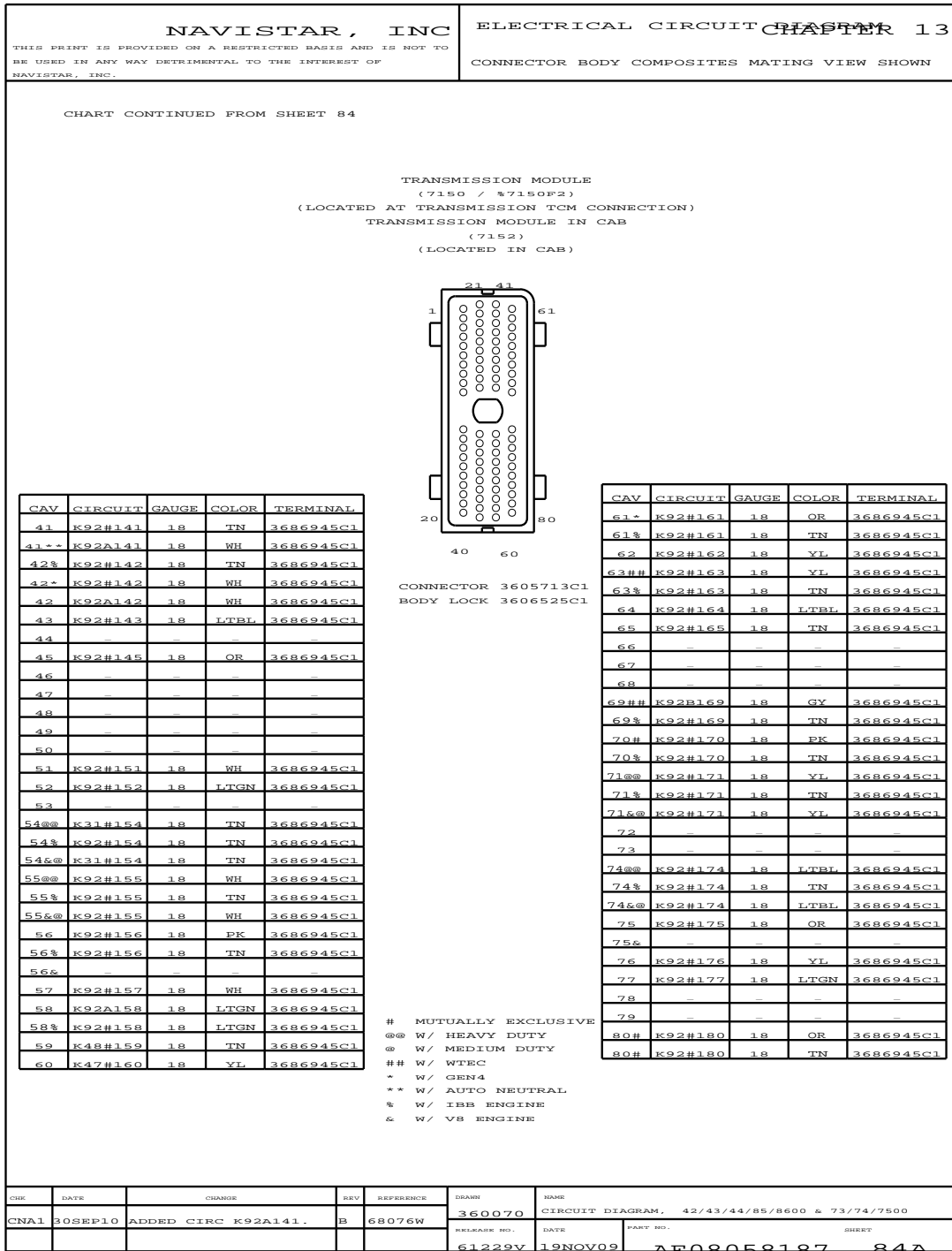


Figure 716 Connector Composites (7150), (7150F2), (7152)

13.200. CONNECTOR COMPOSITES (7150), (7150F2), P. 85

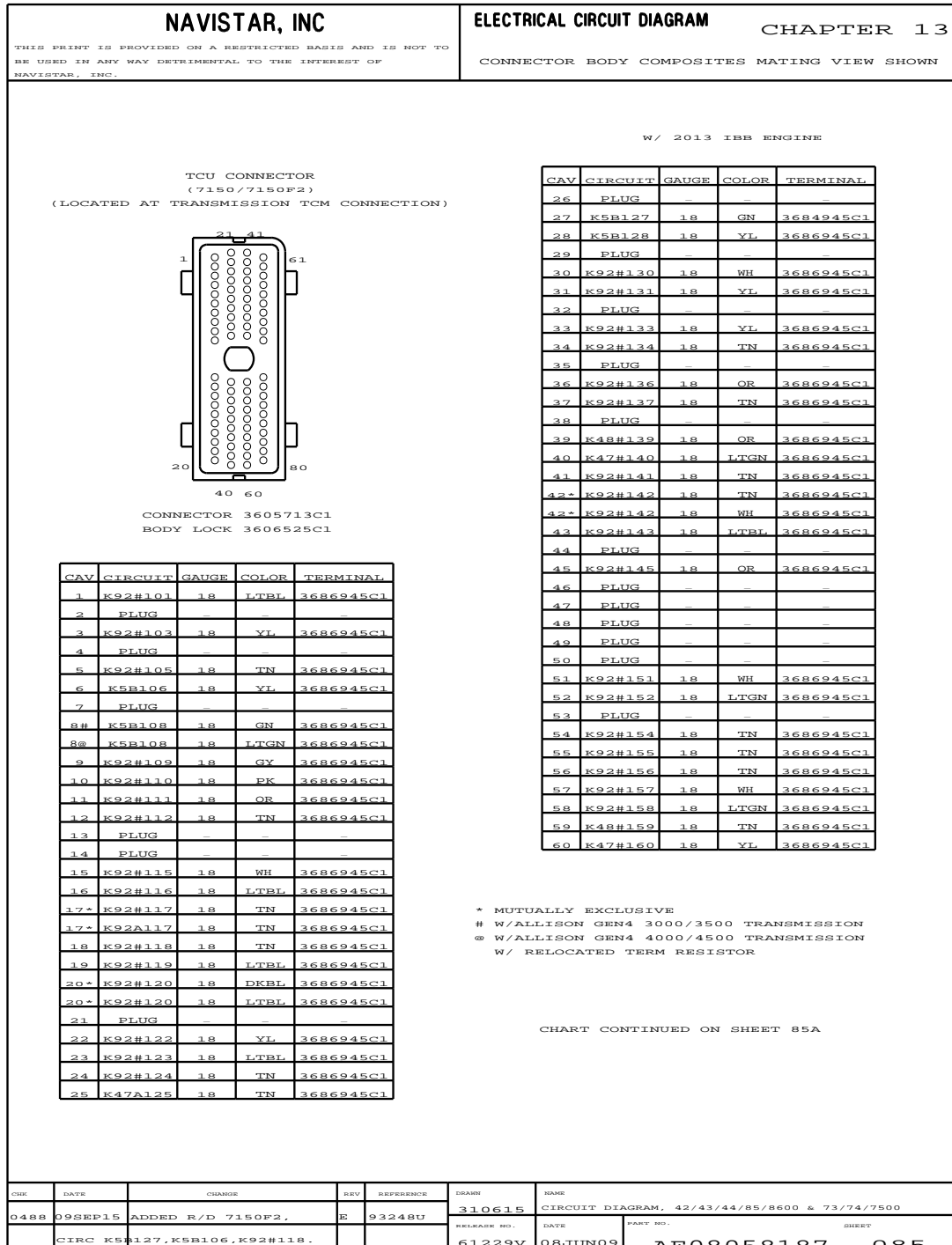


Figure 717 Connector Composites (7150), (7150F2)

13.201. CONNECTOR COMPOSITES (7150), P. 85A

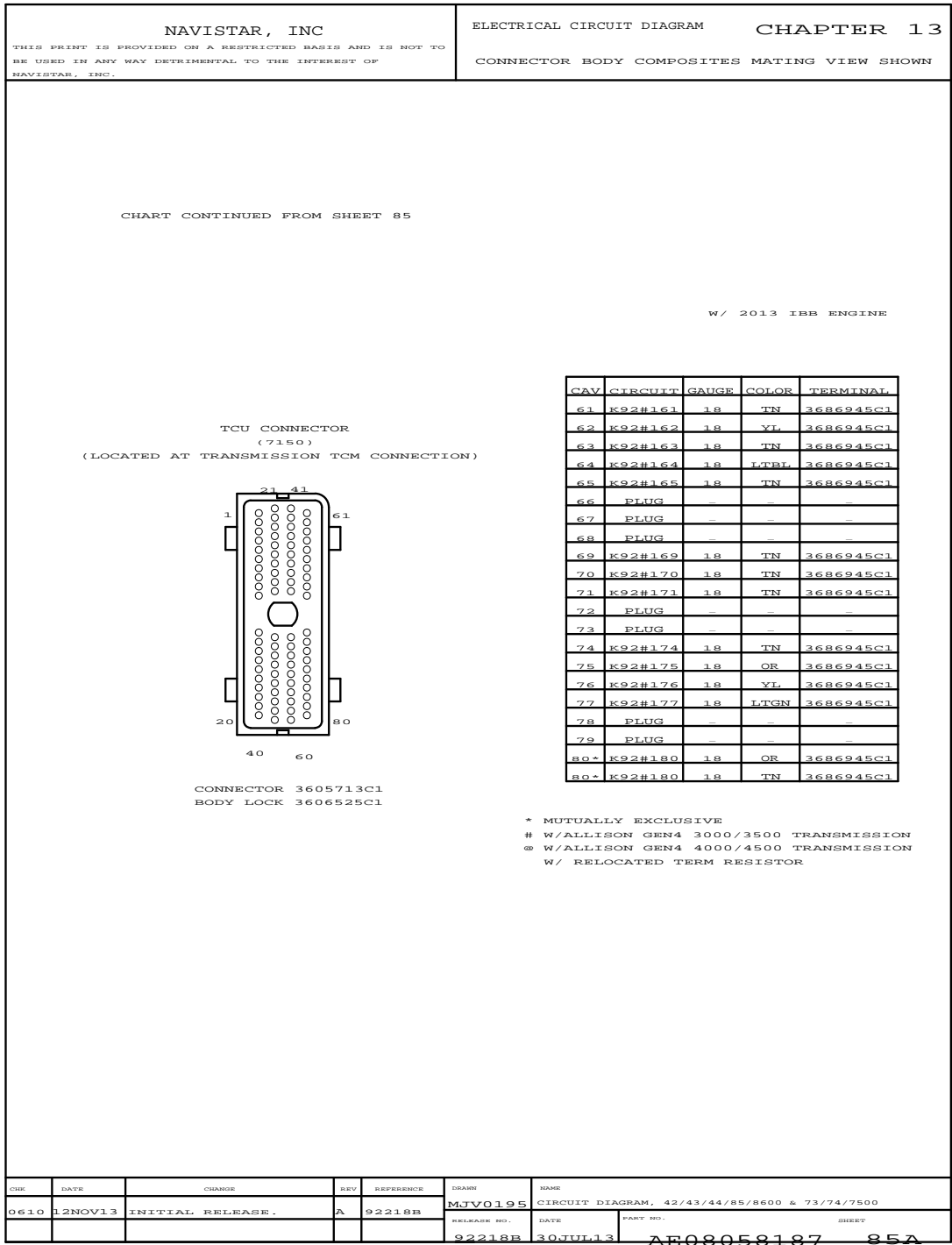


Figure 718 Connector Composites (7150)

13.202. CONNECTOR COMPOSITES (7150), P. 85B

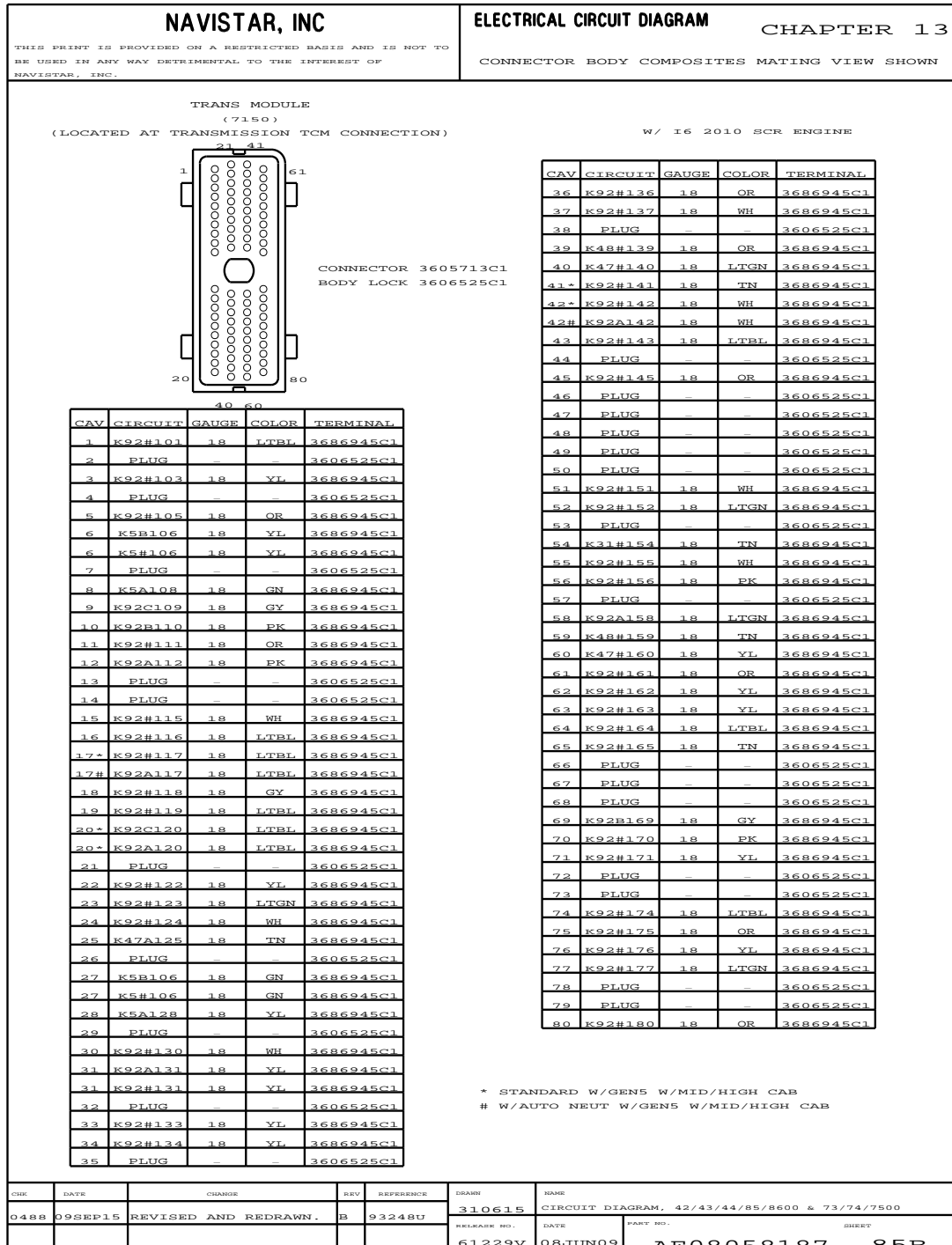


Figure 719 Connector Composites (7150)

13.203. CONNECTOR COMPOSITES (7151), P. 86

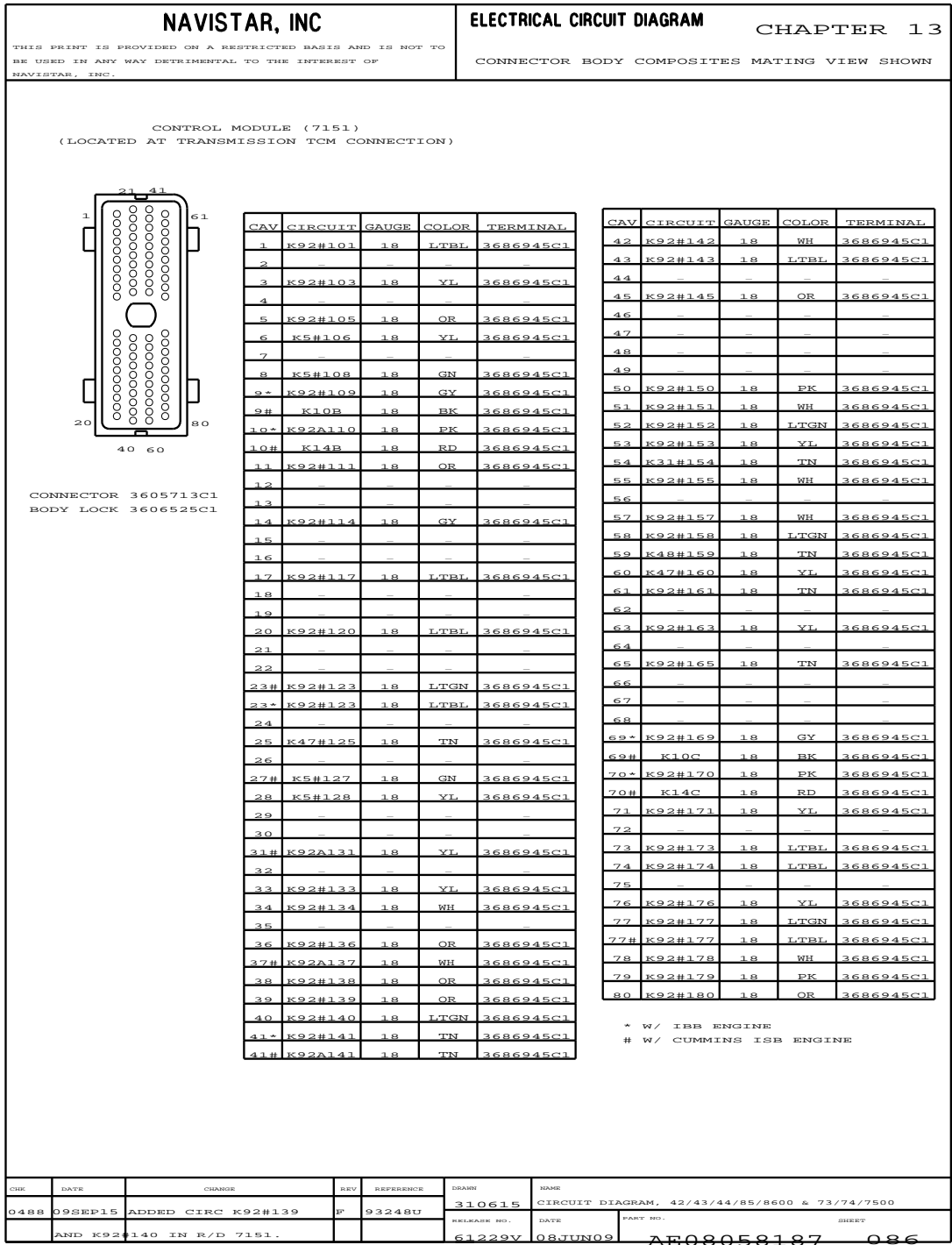


Figure 720 Connector Composites (7151)

13.204. CONNECTOR COMPOSITES (7205), (7205F), P. 87

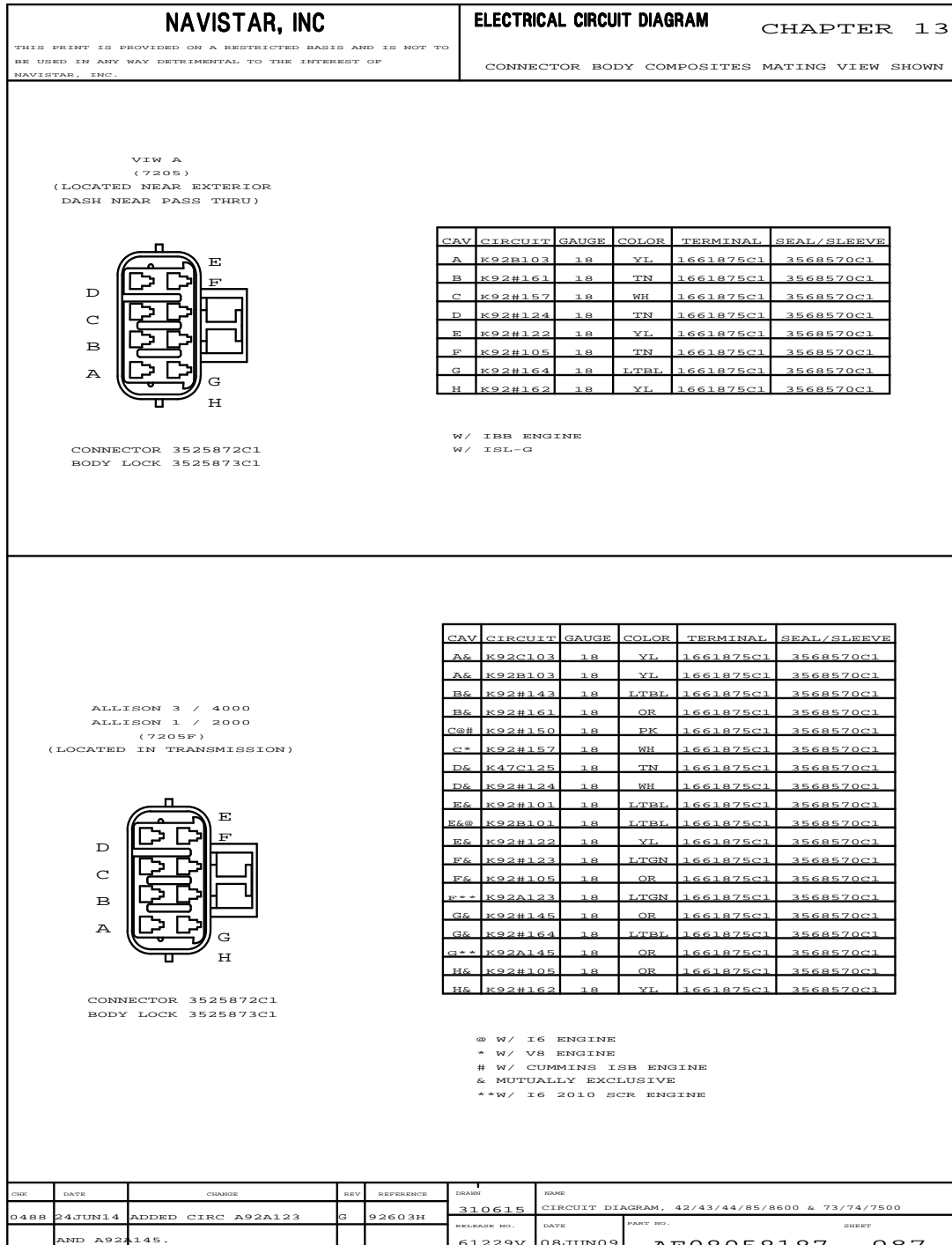


Figure 721 Connector Composites (7205), (7205F)

13.205. CONNECTOR COMPOSITES (7206), (7206F), (7207F), (7207M), P. 87A

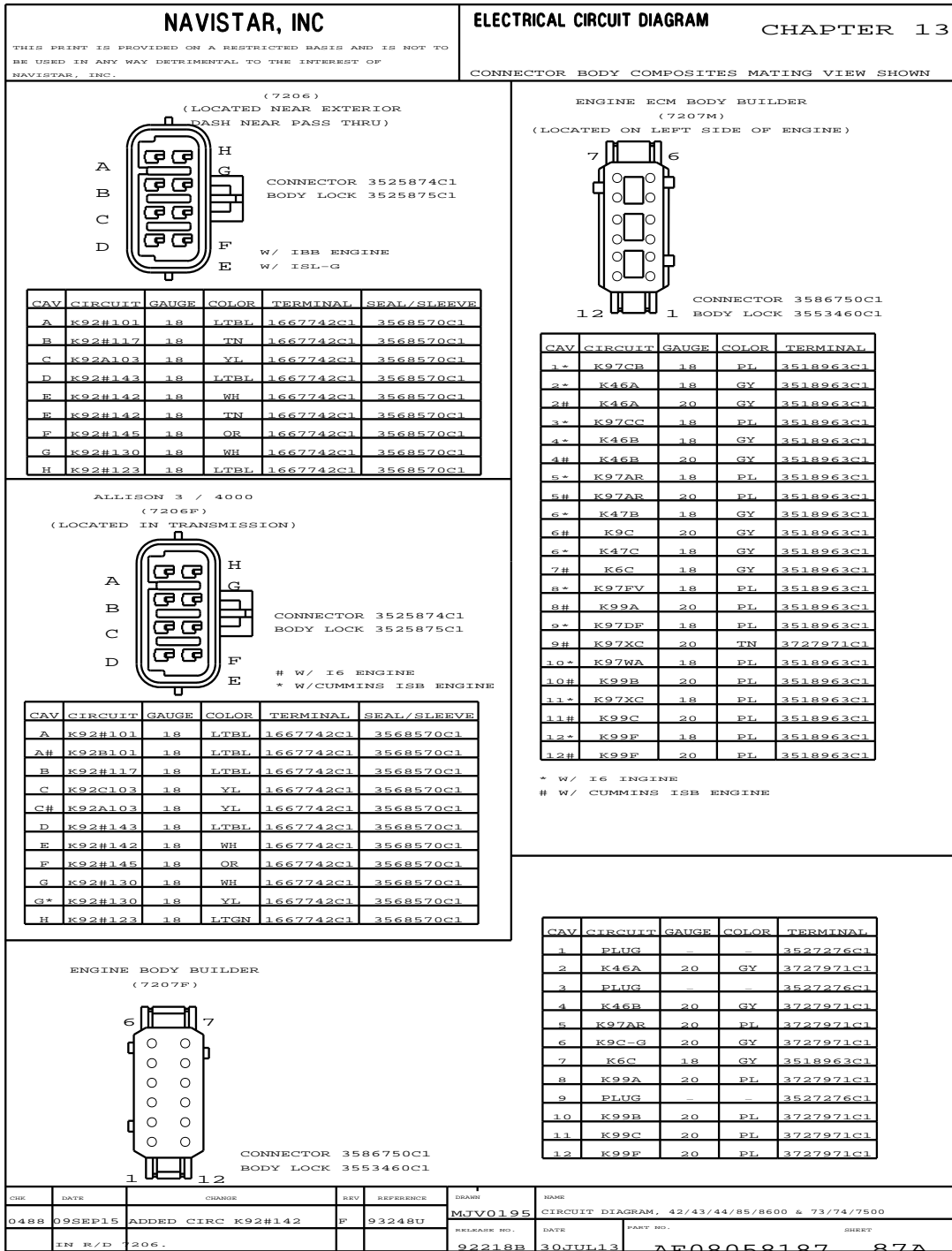


Figure 722 Connector Composites (7206), (7206F), (7207F), (7207M)

13.206. CONNECTOR COMPOSITES (7208M), (7211), (7212), (7213), (7220), P. 88

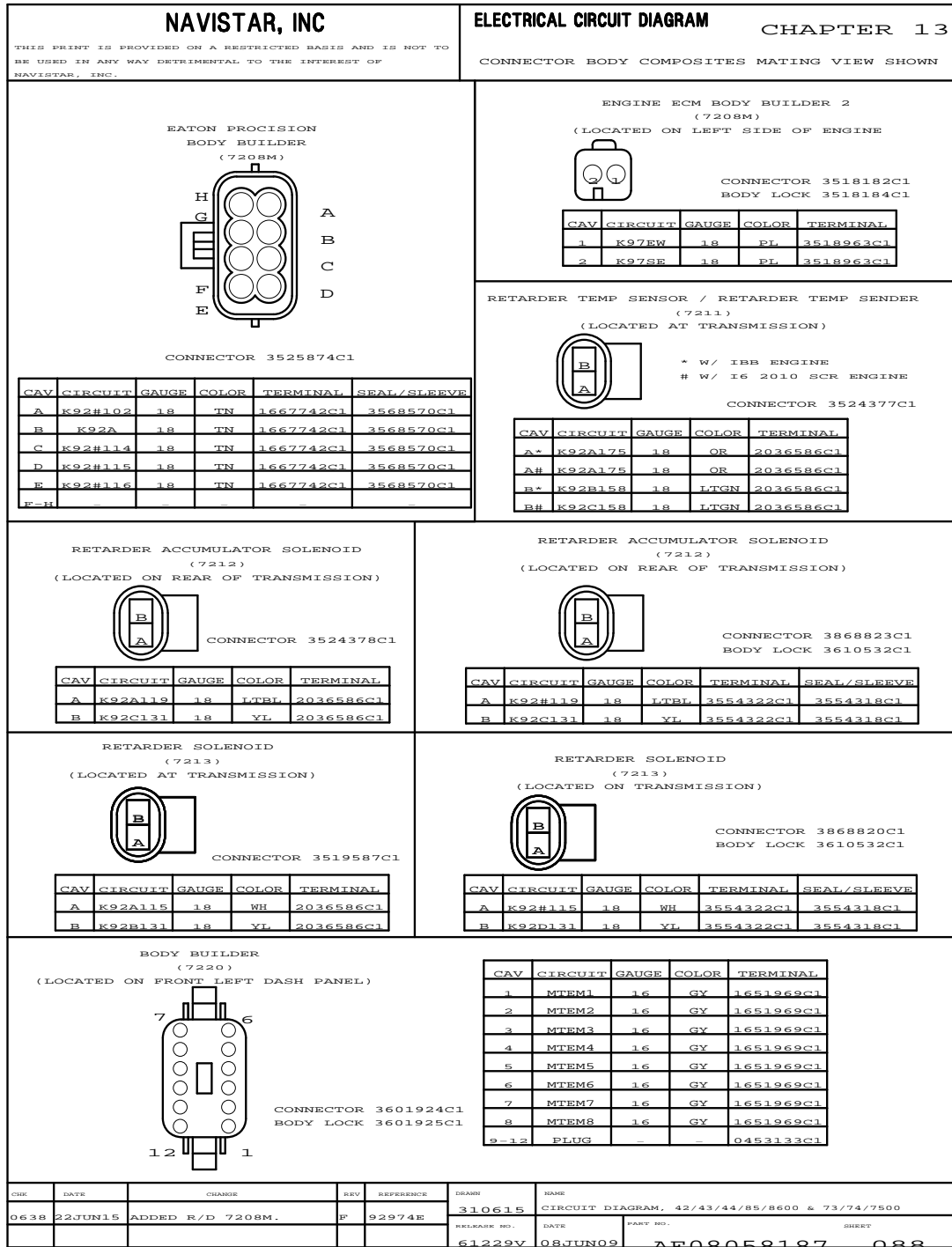


Figure 723 Connector Composites (7208M), (7211), (7212), (7213), (7220)

13.207. CONNECTOR COMPOSITES (7250), (7250M), (7251M), P. 89

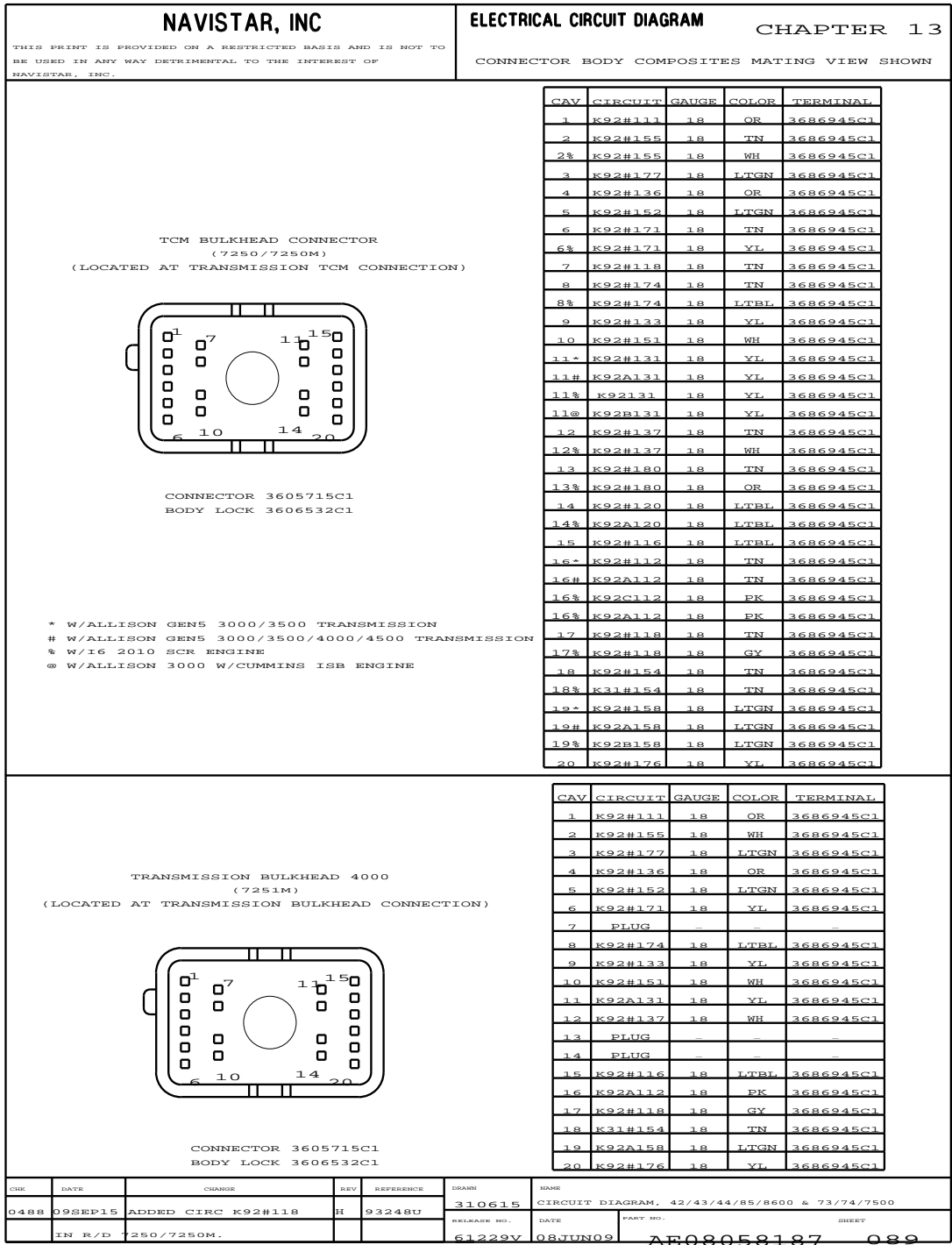


Figure 724 Connector Composites (7250), (7250M), (7251M)

13.208. CONNECTOR COMPOSITES (7350), P. 89A

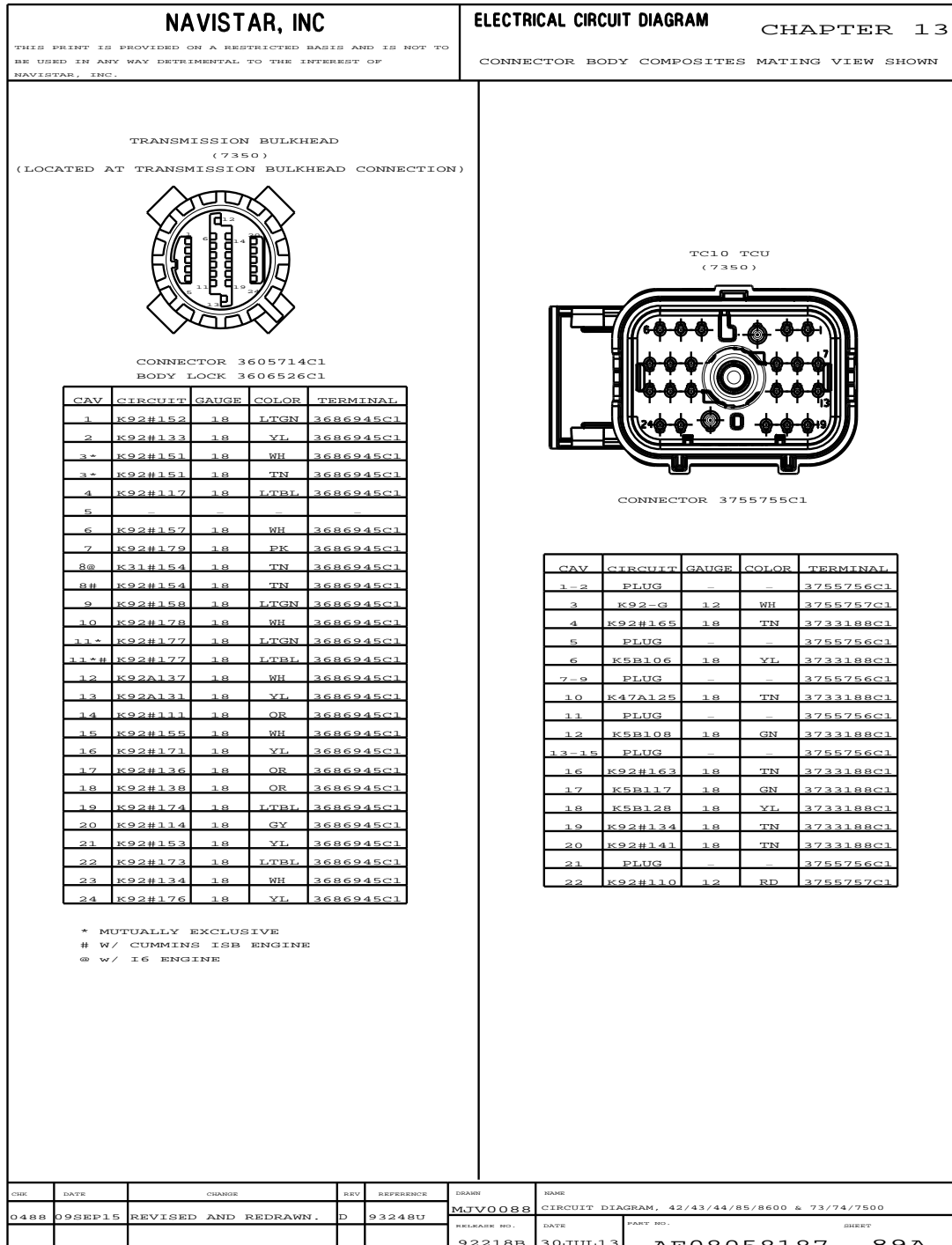


Figure 725 Connector Composites (7350)

13.209. CONNECTOR COMPOSITES (7500), P. 89B

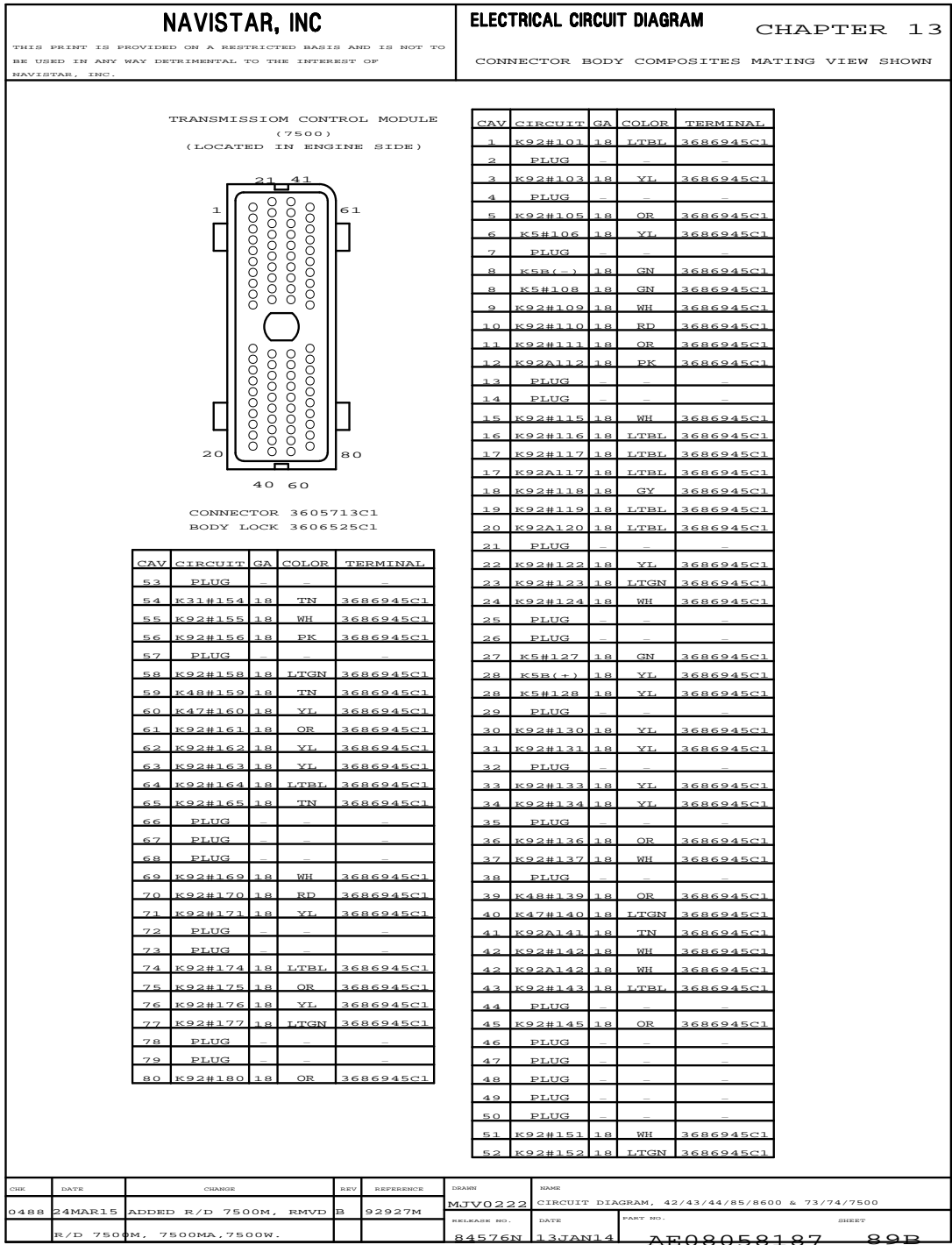


Figure 726 Connector Composites (7500)

13.210. CONNECTOR COMPOSITES (7500M), (7500MA), (7500W), P. 89C

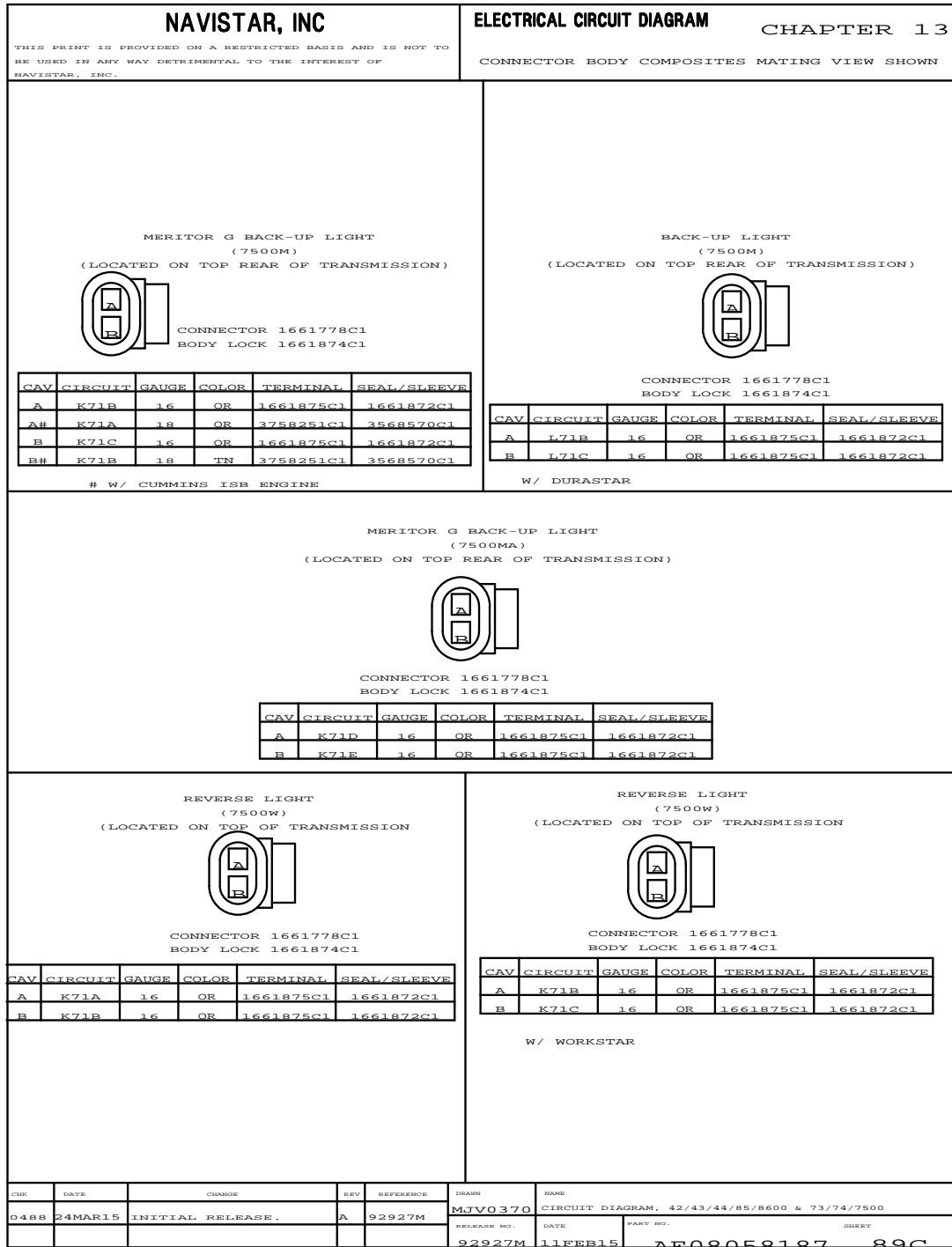


Figure 727 Connector Composites (7500M), (7500MA), (7500W)

13.211. CONNECTOR COMPOSITES (7501), (7502), (7502M), (7600), (7600A), P. 90

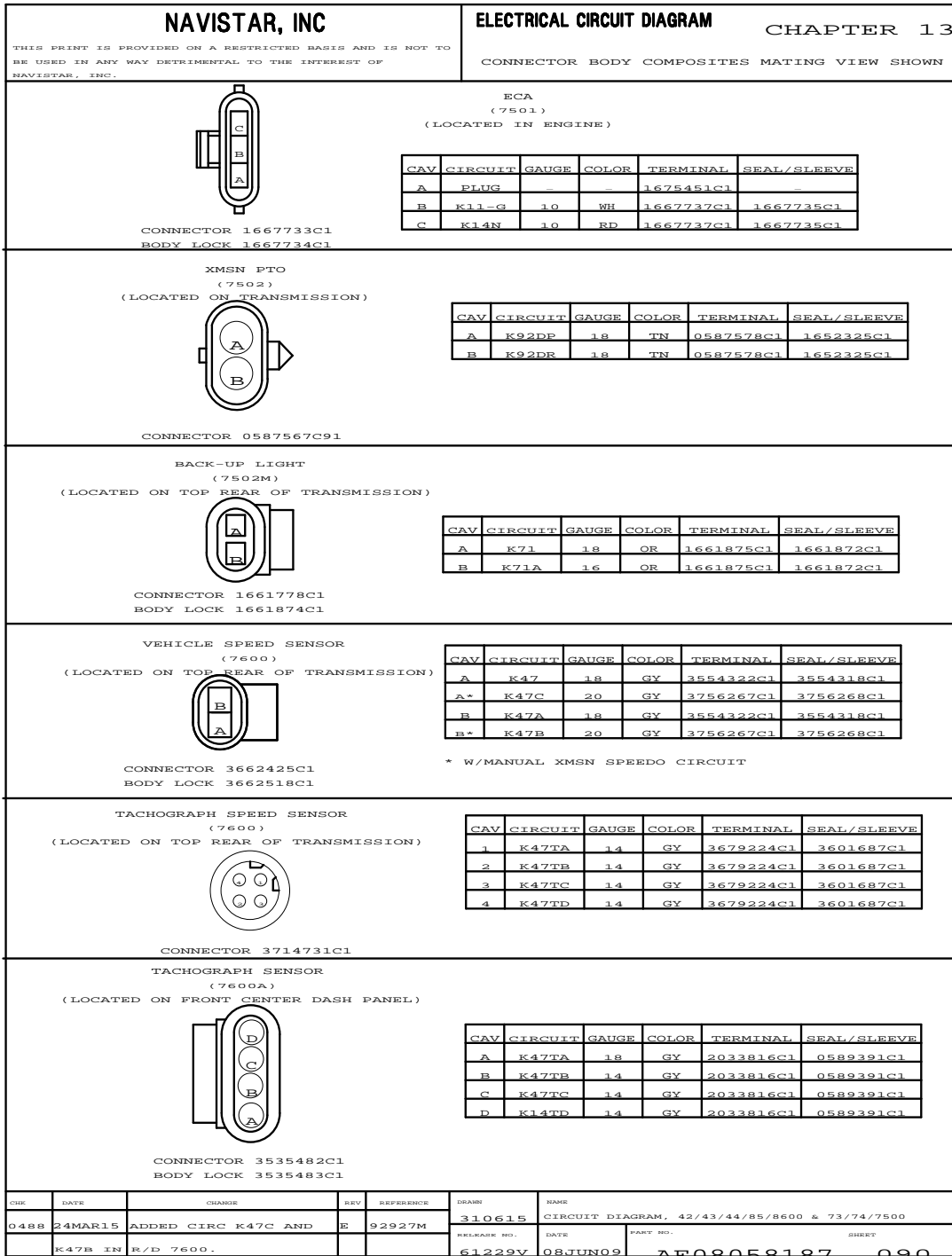


Figure 728 Connector Composites (7501), (7502), (7502M), (7600), (7600A)

13.212. CONNECTOR COMPOSITES (7600A), (7600M), (7601), P. 90A

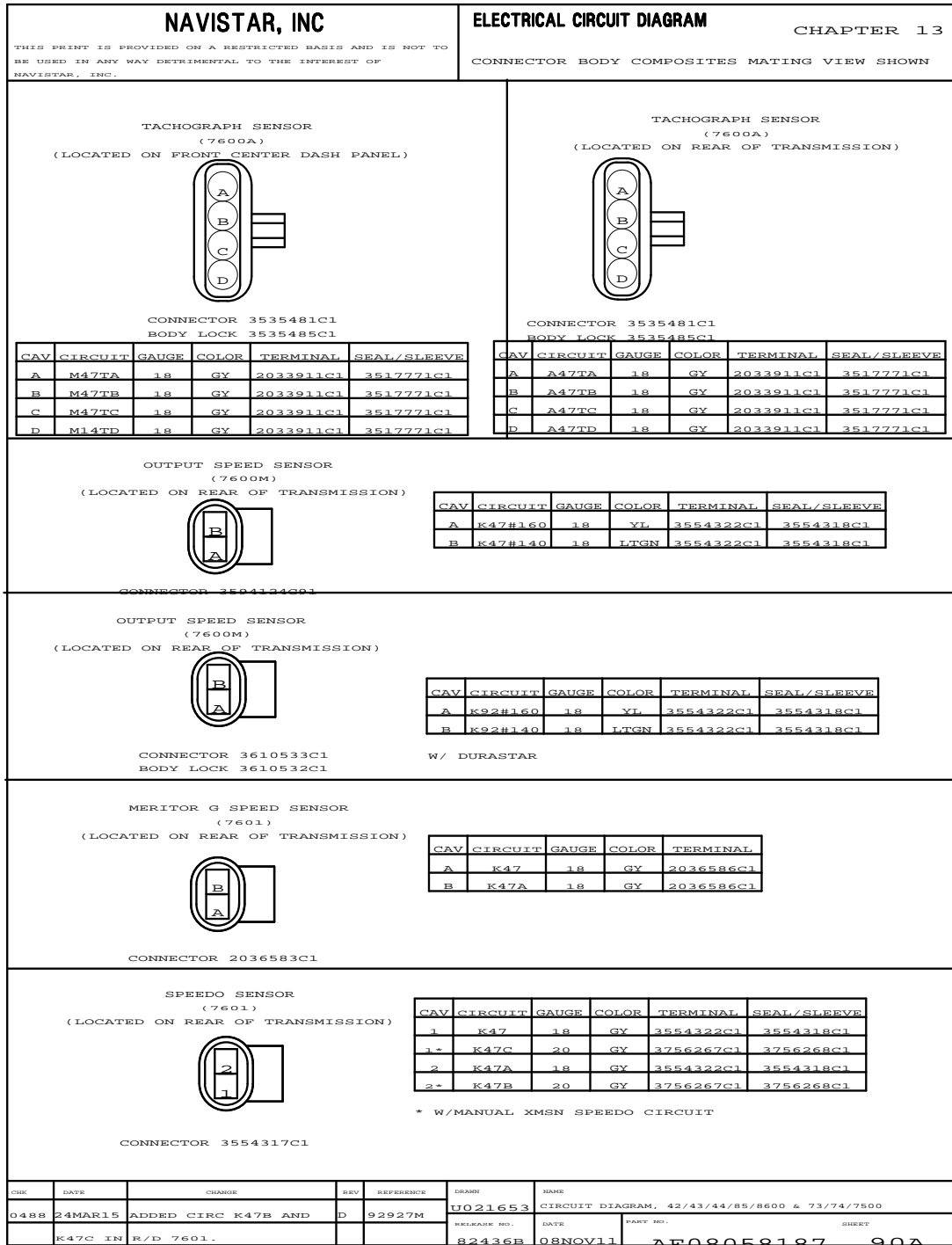


Figure 729 Connector Composites (7600A), (7600M), (7601)

13.213. CONNECTOR COMPOSITES (7601), (7601M), (7603), P. 90B

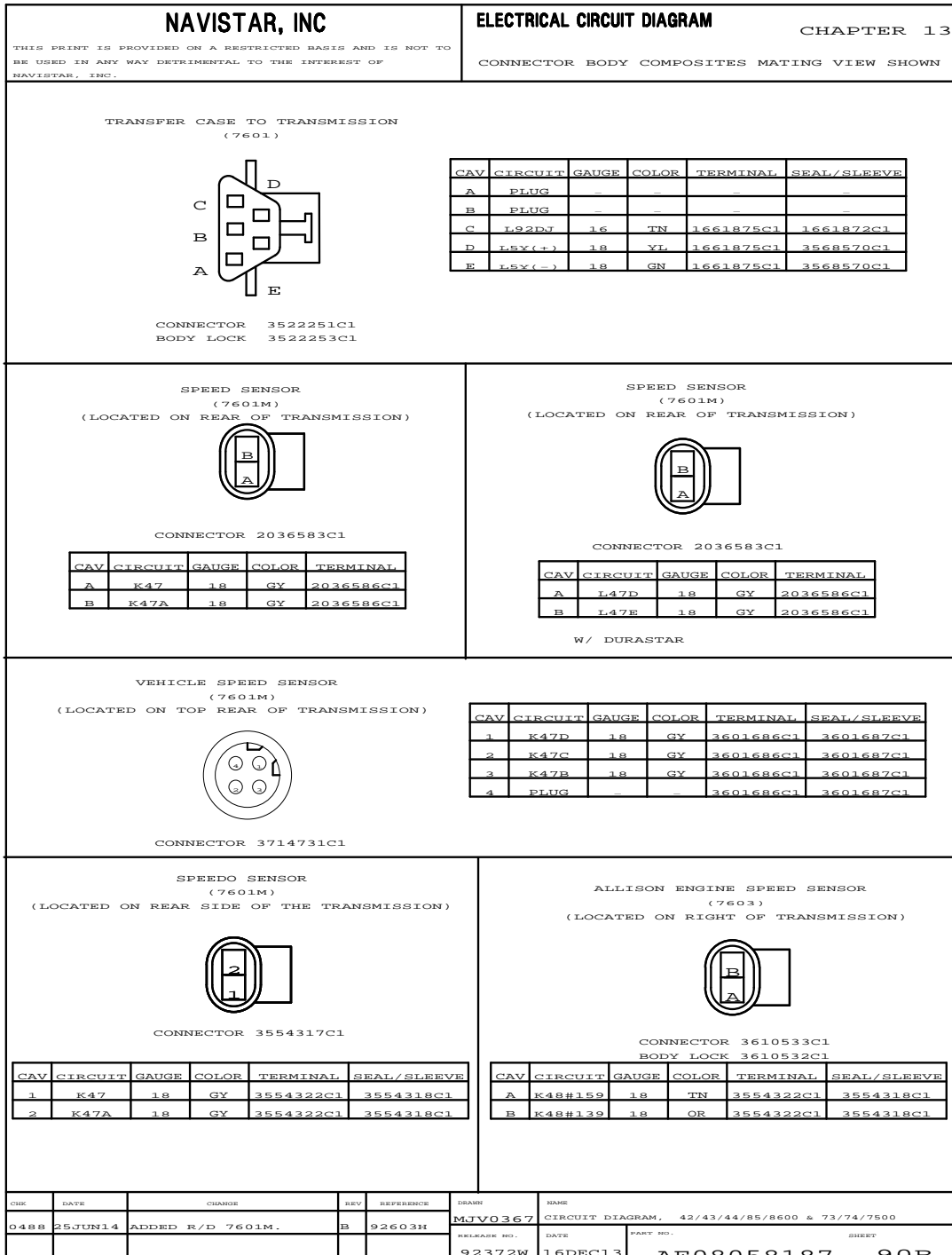


Figure 730 Connector Composites (7601), (7601M), (7603)

13.214. CONNECTOR COMPOSITES (7603M), (7603MA), (7604M), (7605), (7605M), (7606M), (7607M), (7608M), P. 91

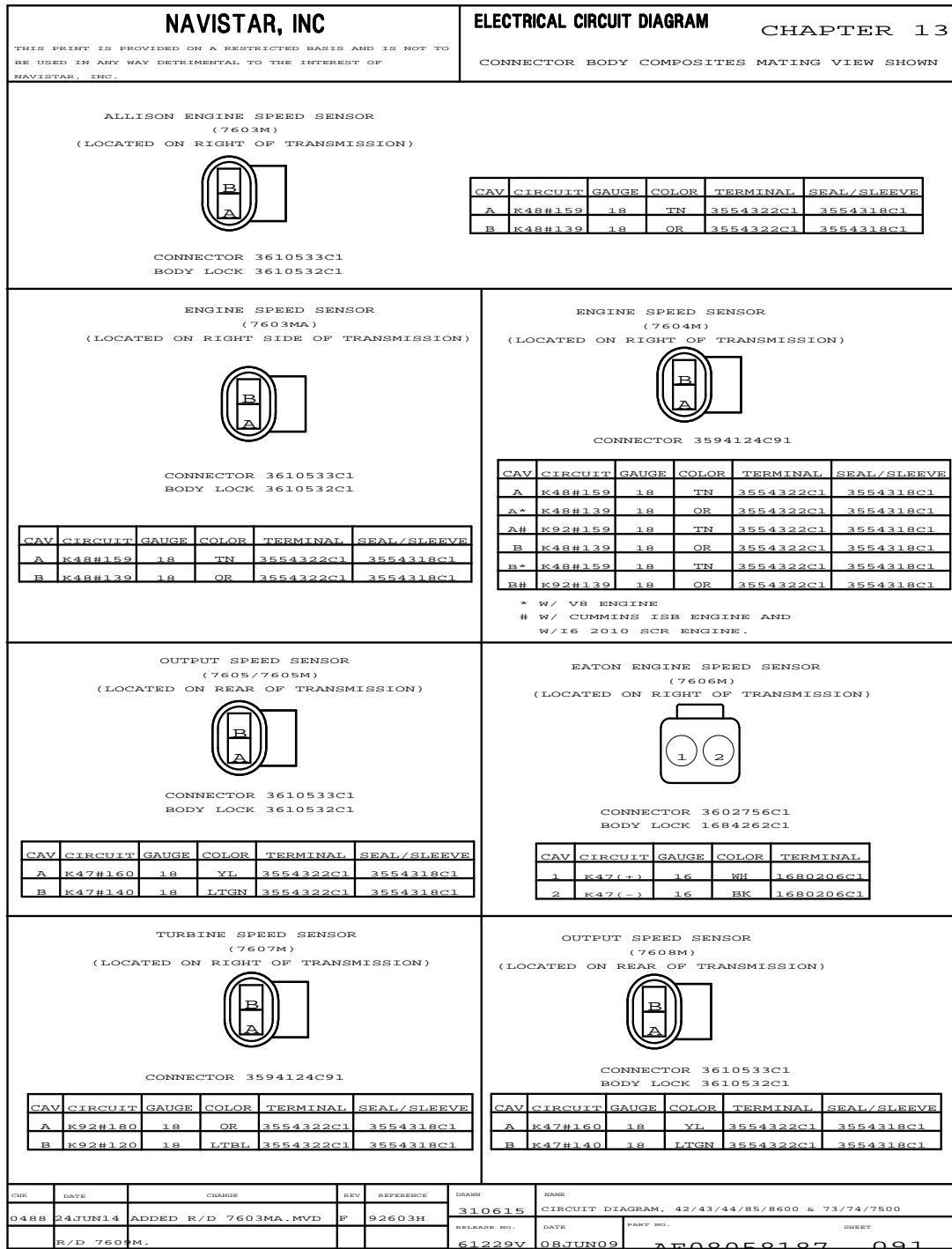


Figure 731 Connector Composites (7603M), (7603MA), (7604M), (7605), (7605M), (7606M), (7607M), (7608M)

13.215. CONNECTOR COMPOSITES (7609B), (7609M), P. 91A

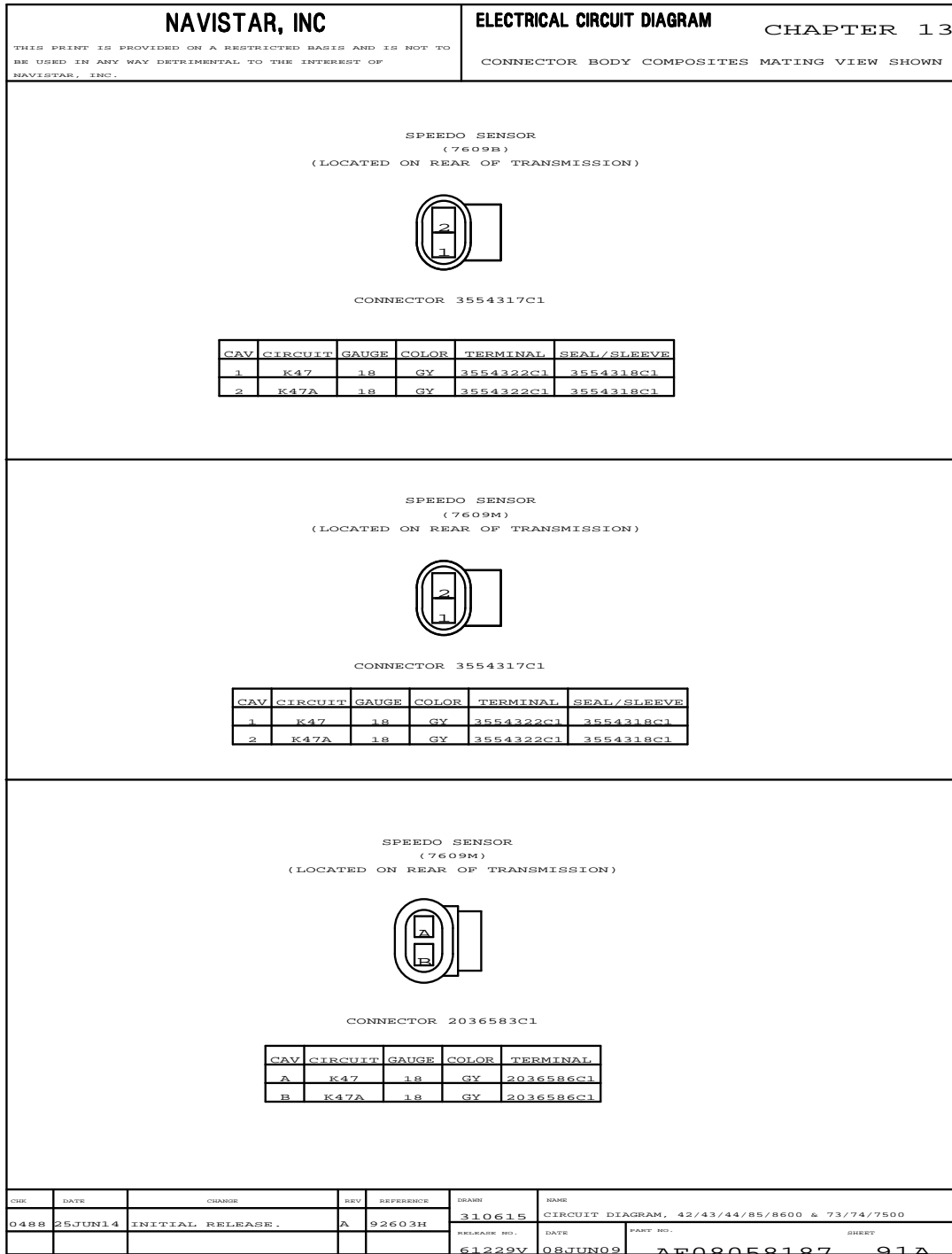


Figure 732 Connector Composites (7609B), (7609M)

13.216. CONNECTOR COMPOSITES (7611), (7615), (7615M), (7621), (7700K), P. 92

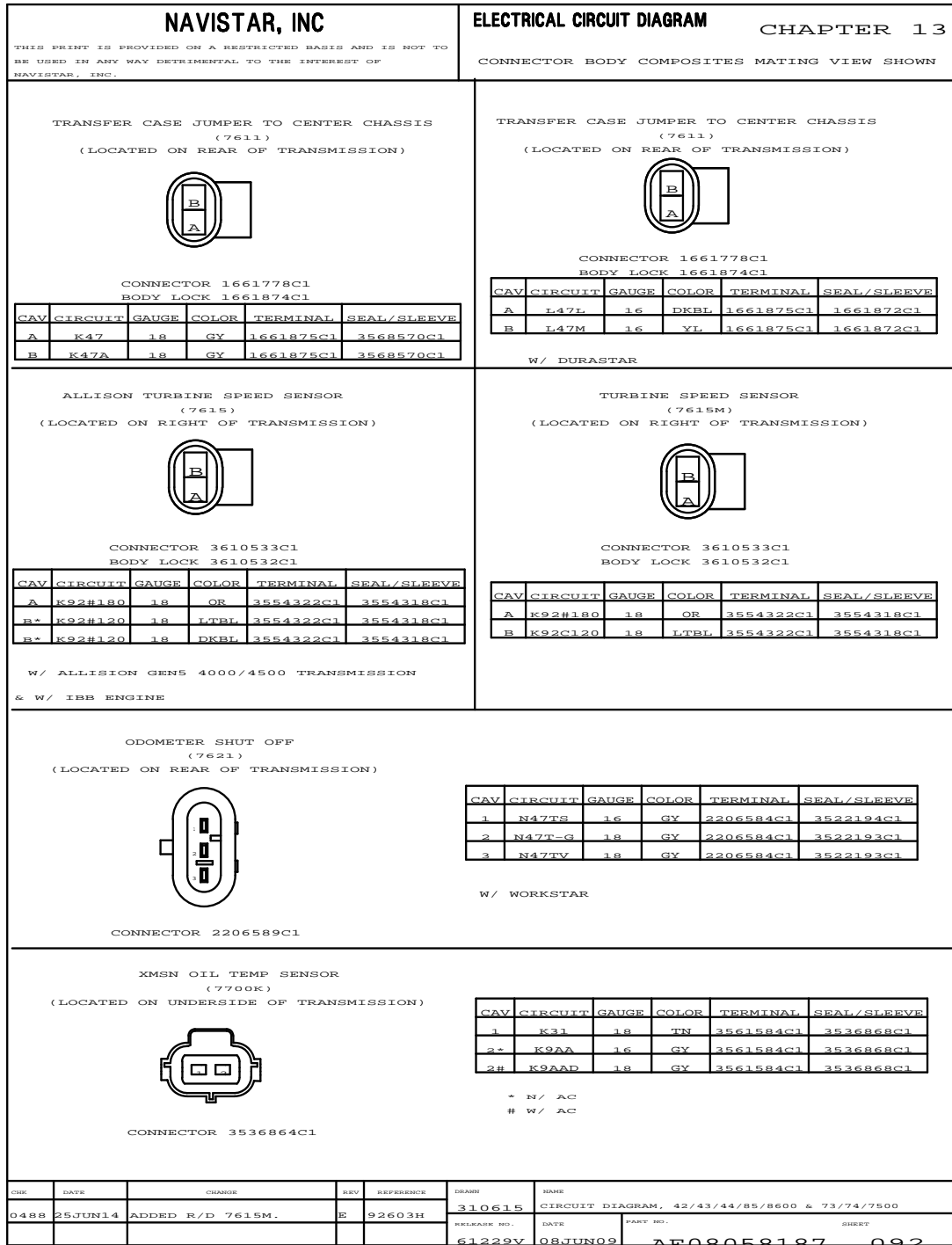


Figure 733 Connector Composites (7611), (7615), (7615M), (7621), (7700K)

13.217. CONNECTOR COMPOSITES ((7700L), ((7700M), ((7702), ((7703), ((7750), ((7751), P. 92A

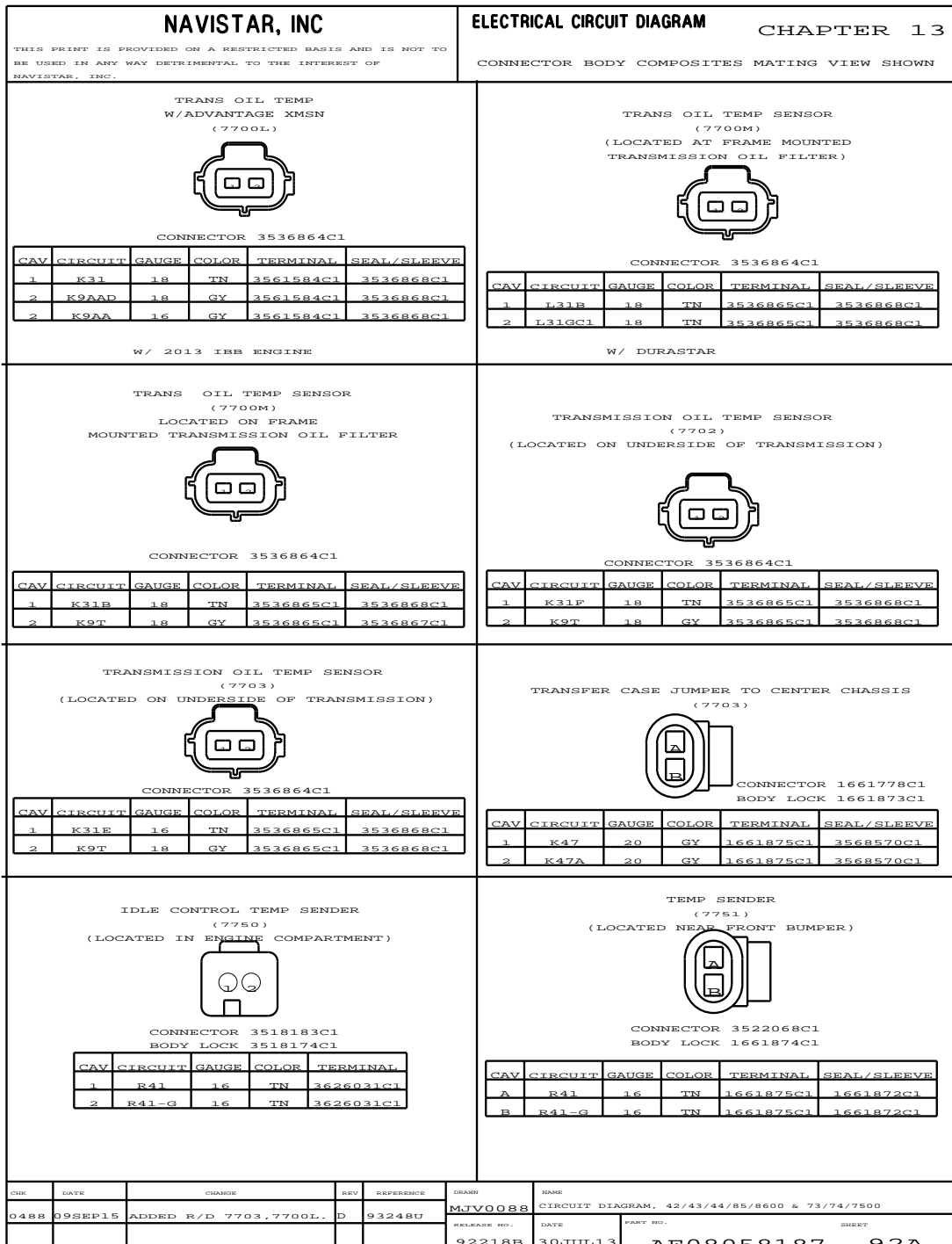


Figure 734 Connector Composites ((7700L), ((7700M), ((7702), ((7703), ((7750), ((7751)

13.218. CONNECTOR COMPOSITES (7777), (7800F), (7801), (7801A), (7801B), P. 92B

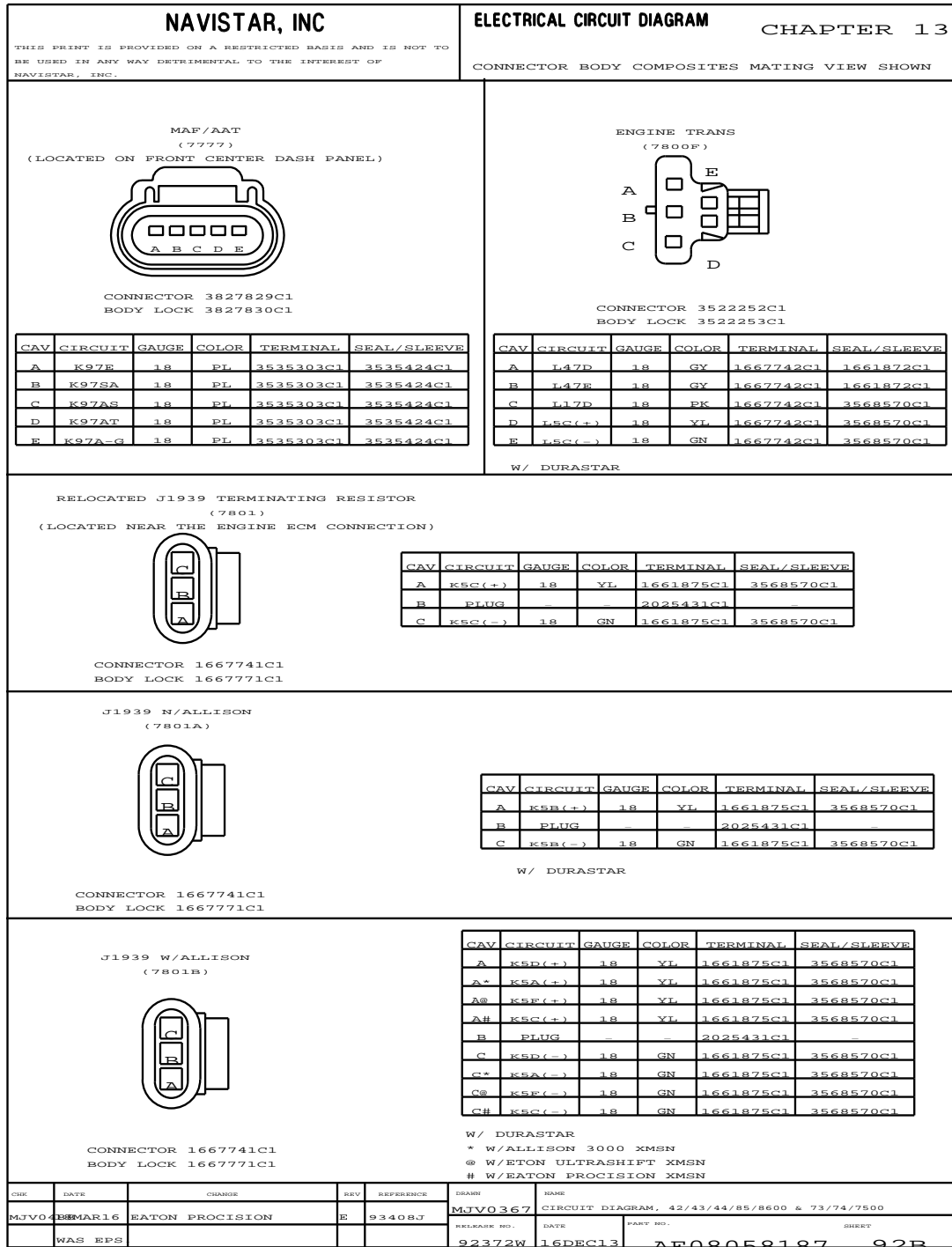


Figure 735 Connector Composites (7777), (7800F), (7801), (7801A), (7801B)

13.219. CONNECTOR COMPOSITES (7801F), (7801M), (7801M2), (7801R), P. 93

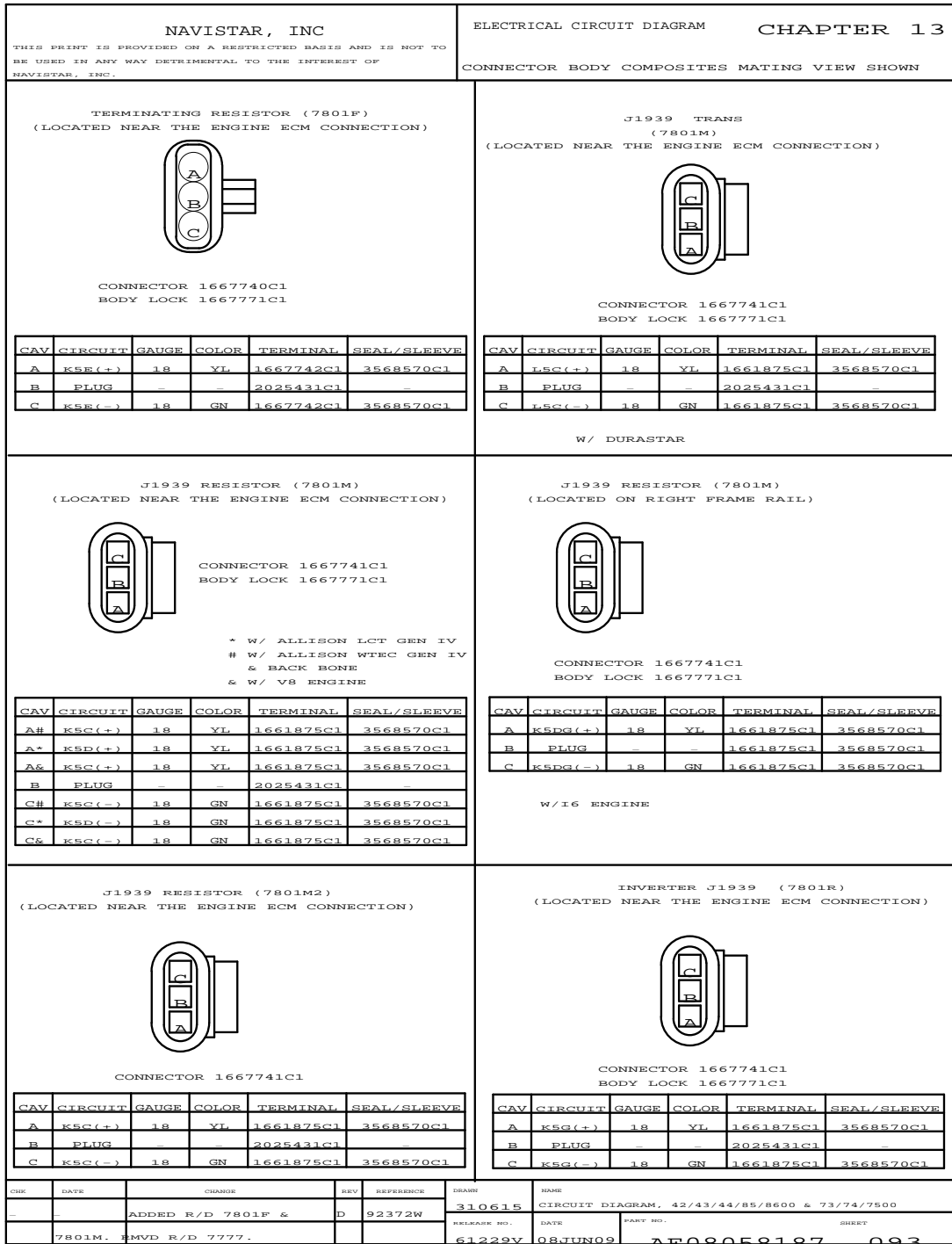


Figure 736 Connector Composites (7801F), (7801M), (7801M2), (7801R)

13.220. CONNECTOR COMPOSITES (7802), (7803), (7803A), (7900), (7901), P. 94

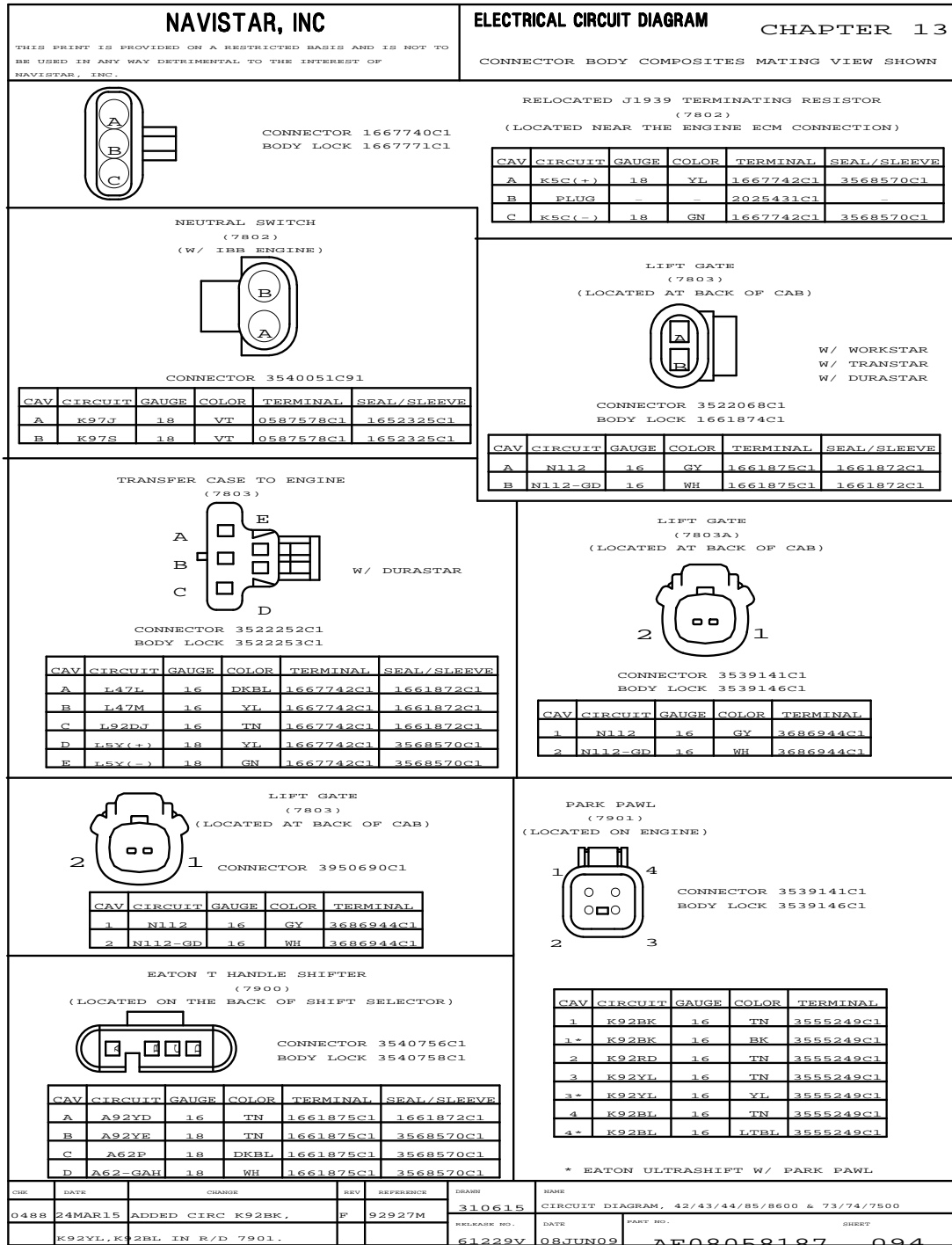


Figure 737 Connector Composites (7802), (7803), (7803A), (7900), (7901)

13.221. CONNECTOR COMPOSITES (7905), (7905A), P. 95

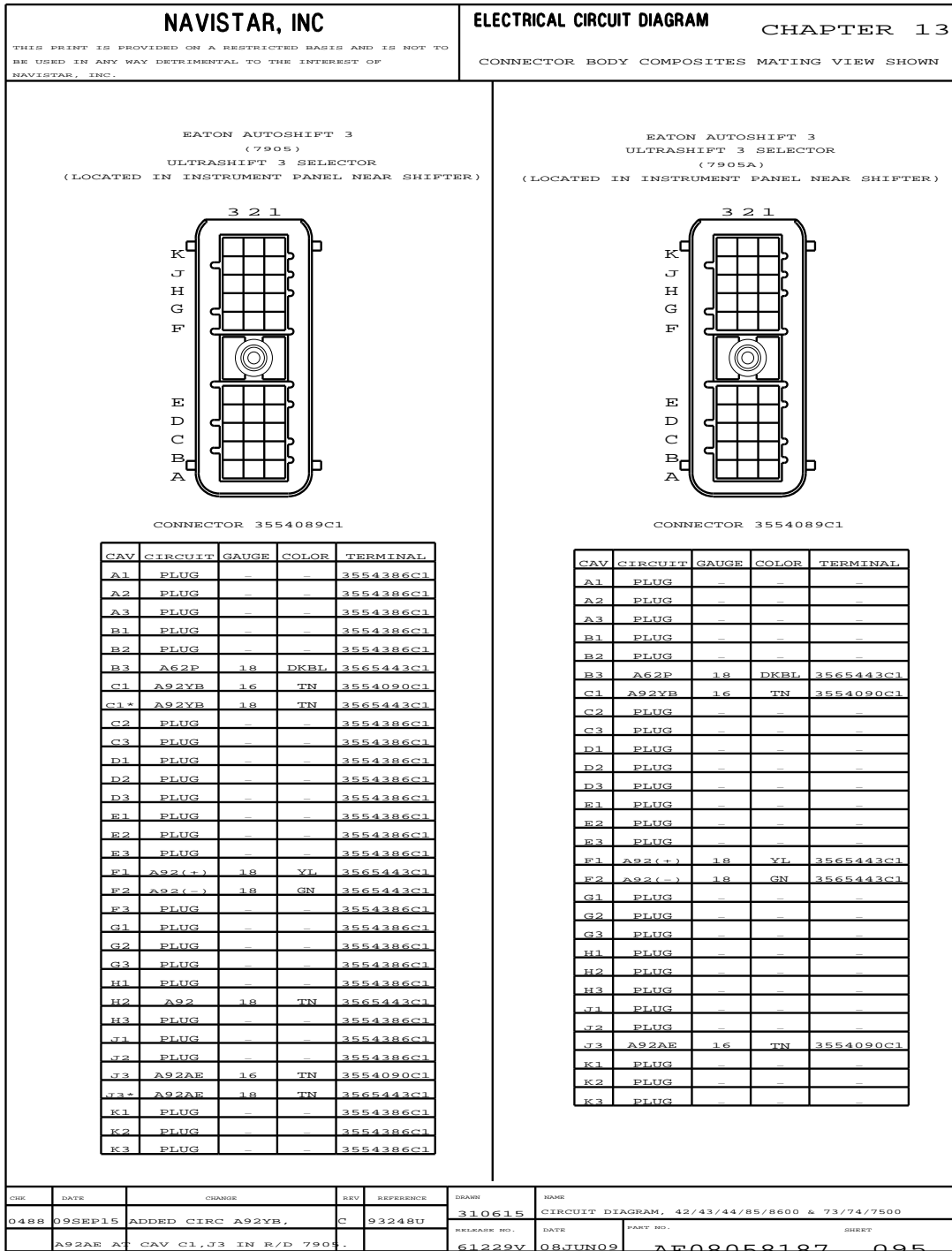


Figure 738 Connector Composites (7905), (7905A)

13.222. CONNECTOR COMPOSITES (7909), P. 95A

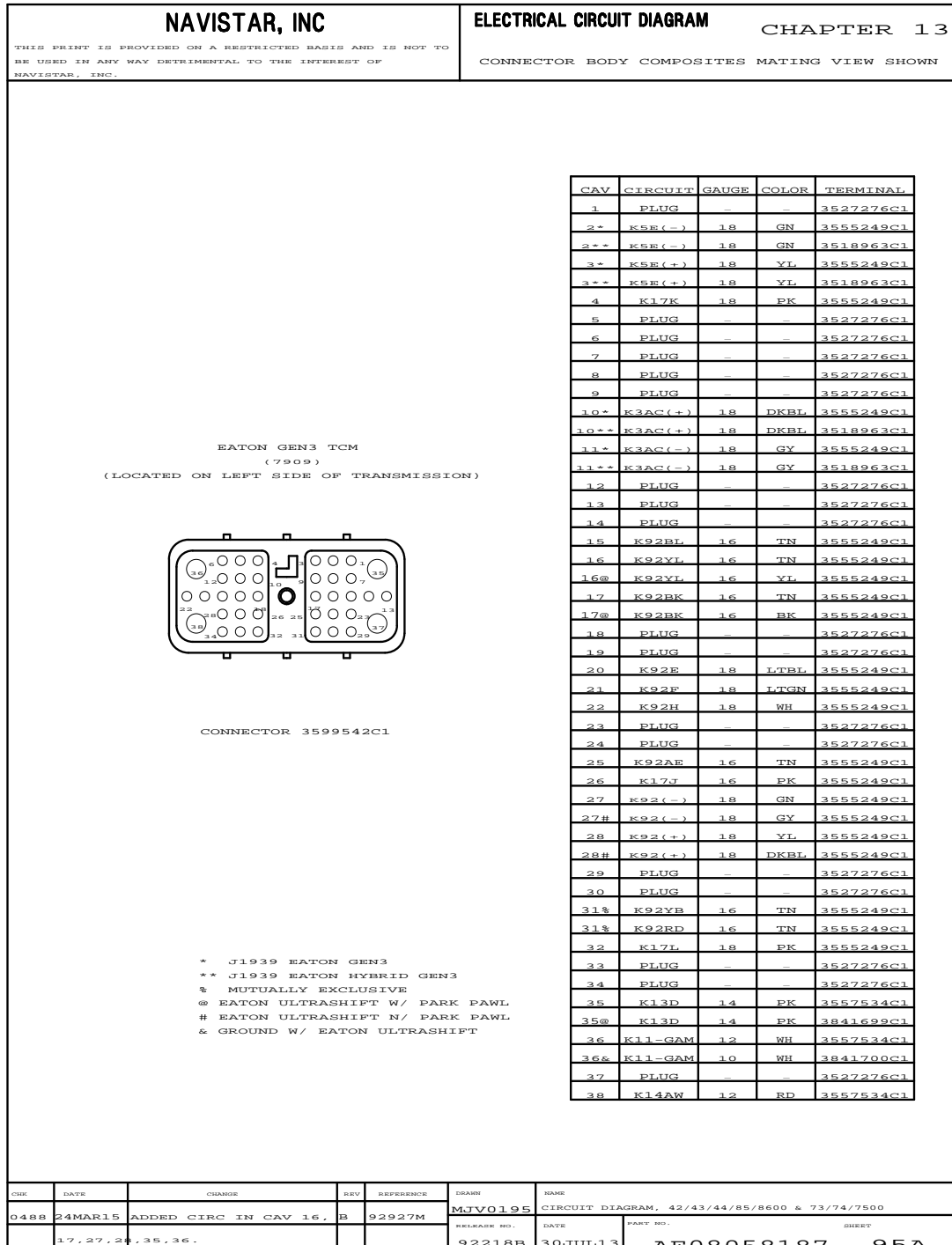


Figure 739 Connector Composites (7909)

13.223. CONNECTOR COMPOSITES (7910), (7911), P. 96

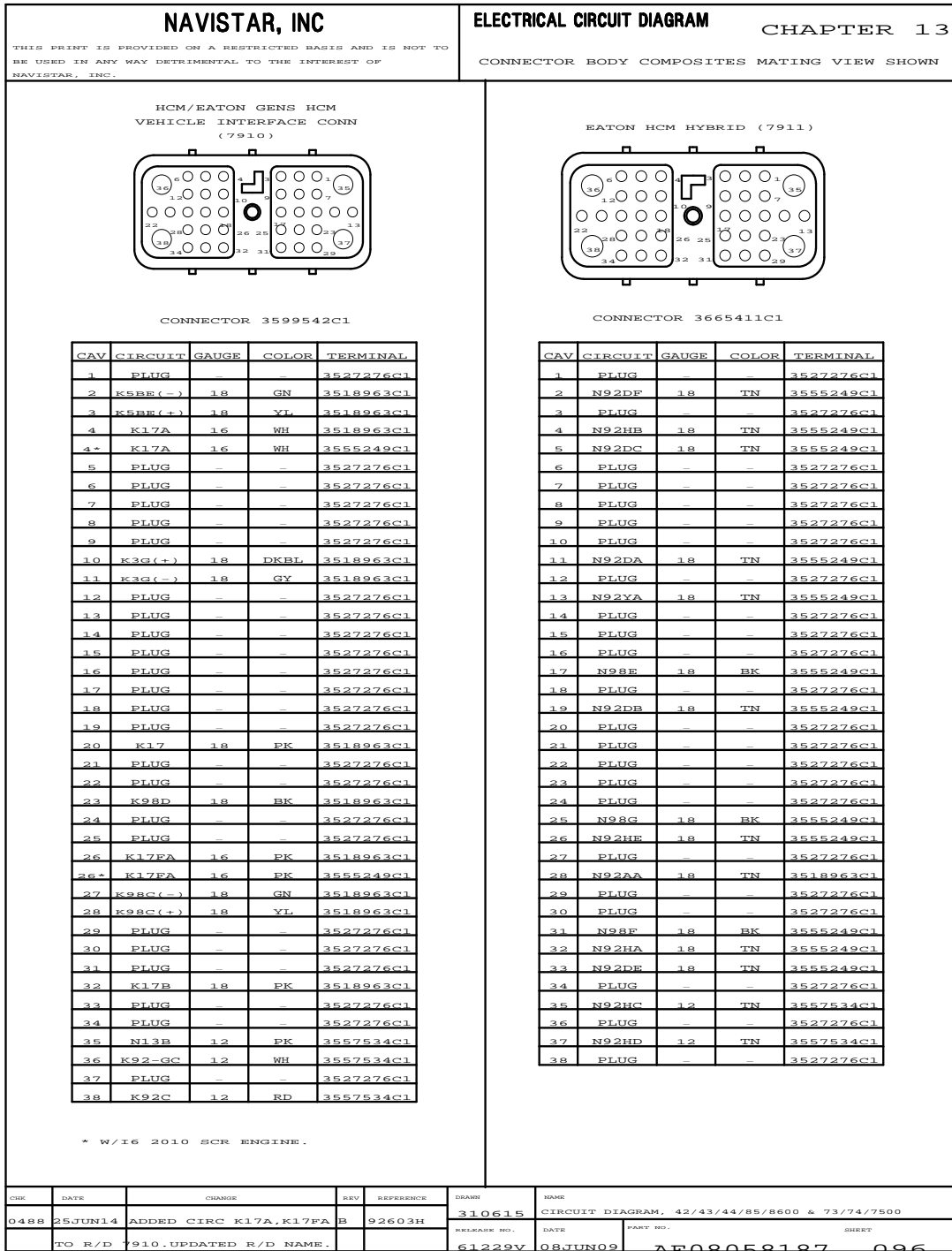


Figure 740 Connector Composites (7910), (7911)

13.224. CONNECTOR COMPOSITES (8000), (8000A), (8001), P. 97

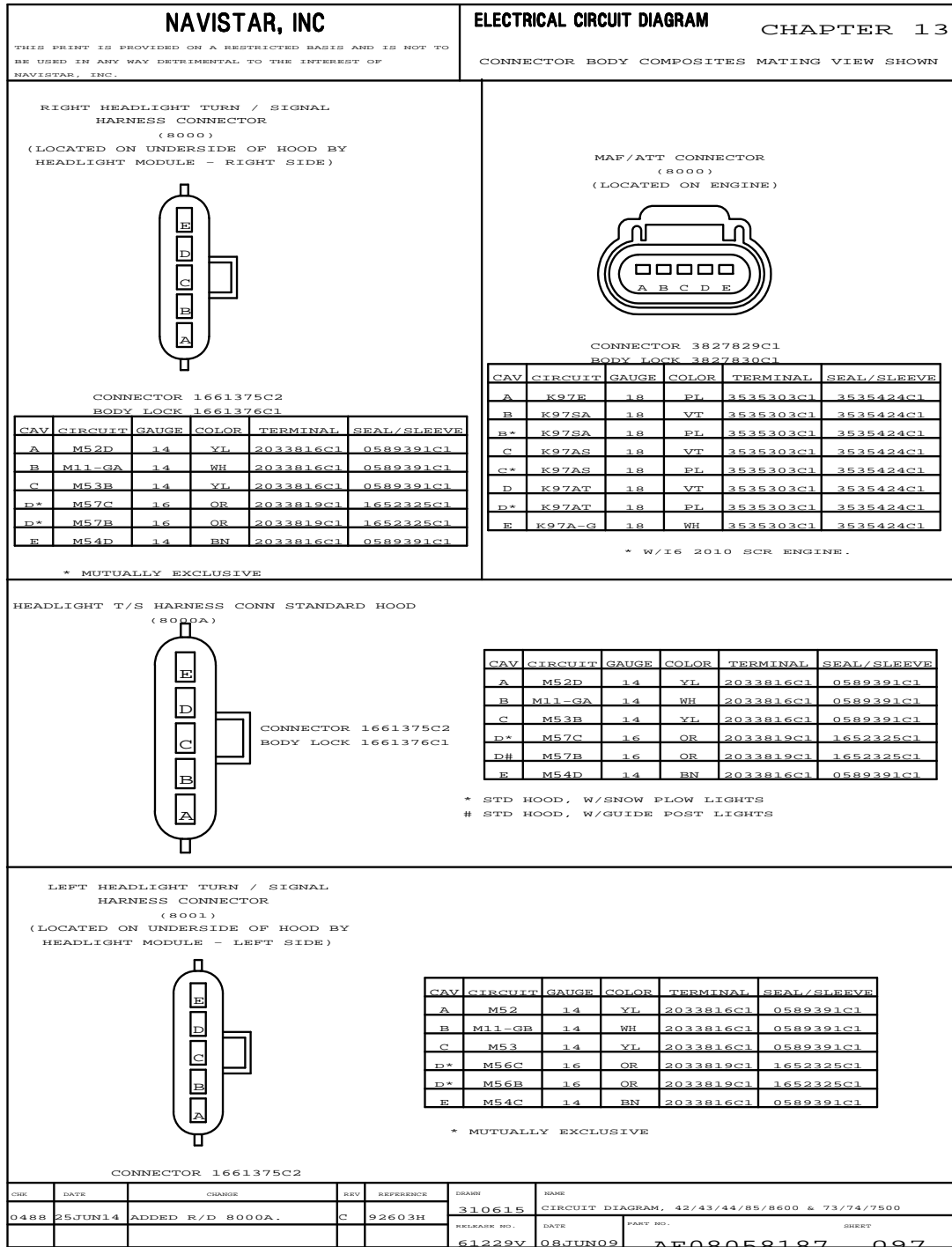


Figure 741 Connector Composites (8000), (8000A), (8001)

13.225. CONNECTOR COMPOSITES (8001A), (8102A), (8102), (8103), (8103A), (8150A), (8151A), P. 97A

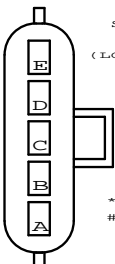
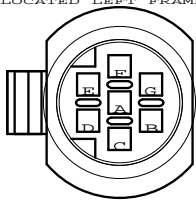
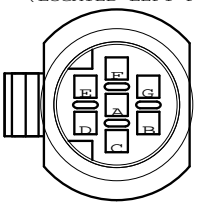
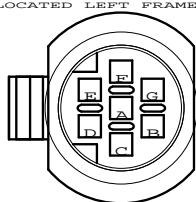

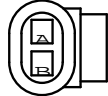
NAVISTAR, INC				ELECTRICAL CIRCUIT DIAGRAM				CHAPTER 13																																																																																																																											
THIS PRINT IS PROVIDED ON A RESTRICTED BASIS AND IS NOT TO BE USED IN ANY WAY DETRIMENTAL TO THE INTEREST OF NAVISTAR, INC.								CONNECTOR BODY COMPOSITES MATING VIEW SHOWN																																																																																																																											
<p>SNOW PLOW HARNESS CONN STD HOOD (8001A) (LOCATED LEFT FRAME RAIL NEAR HOOD)</p>  <p>CONNECTOR 1661375C2 BODY LOCK 1661376C1</p> <p>* STD HOOD, W/SNOW PLOW LIGHTS # STD HOOD, W/GUIDE POST LIGHTS</p>						<p>SNOW PLOW HARNESS CONN STD HOOD (8102A) (LOCATED LEFT FRAME RAIL NEAR HOOD)</p>  <p>CONNECTOR 2039311C91 BODY LOCK 2039342C1</p>																																																																																																																													
<table border="1" style="width:100%; border-collapse: collapse; font-size: x-small;"> <thead> <tr> <th>CAV</th><th>CIRCUIT</th><th>GAUGE</th><th>COLOR</th><th>TERMINAL</th><th>SEAL/SLEEVE</th></tr> </thead> <tbody> <tr><td>A</td><td>M52</td><td>14</td><td>YL</td><td>2033816C1</td><td>0589391C1</td></tr> <tr><td>B</td><td>M11-GE</td><td>14</td><td>WH</td><td>2033816C1</td><td>0589391C1</td></tr> <tr><td>C</td><td>M53</td><td>14</td><td>YL</td><td>2033816C1</td><td>0589391C1</td></tr> <tr><td>D*</td><td>M56C</td><td>16</td><td>OR</td><td>2033819C1</td><td>1652325C1</td></tr> <tr><td>DH</td><td>M56B</td><td>16</td><td>OR</td><td>2033819C1</td><td>1652325C1</td></tr> <tr><td>E</td><td>M54C</td><td>14</td><td>BN</td><td>2033816C1</td><td>0589391C1</td></tr> </tbody> </table>						CAV	CIRCUIT	GAUGE	COLOR	TERMINAL	SEAL/SLEEVE	A	M52	14	YL	2033816C1	0589391C1	B	M11-GE	14	WH	2033816C1	0589391C1	C	M53	14	YL	2033816C1	0589391C1	D*	M56C	16	OR	2033819C1	1652325C1	DH	M56B	16	OR	2033819C1	1652325C1	E	M54C	14	BN	2033816C1	0589391C1	<table border="1" style="width:100%; border-collapse: collapse; font-size: x-small;"> <thead> <tr> <th>CAV</th><th>CIRCUIT</th><th>GAUGE</th><th>COLOR</th><th>TERMINAL</th><th>SEAL/SLEEVE</th></tr> </thead> <tbody> <tr><td>A</td><td>M64HI</td><td>14</td><td>YL</td><td>3535486C1</td><td>0589391C1</td></tr> <tr><td>B</td><td>M11-GE</td><td>14</td><td>WH</td><td>3535486C1</td><td>0589391C1</td></tr> <tr><td>C</td><td>M64LO</td><td>14</td><td>YL</td><td>3535486C1</td><td>0589391C1</td></tr> <tr><td>D</td><td>M56D</td><td>16</td><td>OR</td><td>2039343C1</td><td>1652325C1</td></tr> <tr><td>E</td><td>M54F</td><td>14</td><td>BN</td><td>3535486C1</td><td>0589391C1</td></tr> <tr><td>F</td><td>M57D</td><td>14</td><td>OR</td><td>3535486C1</td><td>0589391C1</td></tr> <tr><td>G</td><td>PLUG</td><td>-</td><td>-</td><td>0587579C1</td><td>-</td></tr> </tbody> </table>						CAV	CIRCUIT	GAUGE	COLOR	TERMINAL	SEAL/SLEEVE	A	M64HI	14	YL	3535486C1	0589391C1	B	M11-GE	14	WH	3535486C1	0589391C1	C	M64LO	14	YL	3535486C1	0589391C1	D	M56D	16	OR	2039343C1	1652325C1	E	M54F	14	BN	3535486C1	0589391C1	F	M57D	14	OR	3535486C1	0589391C1	G	PLUG	-	-	0587579C1	-																														
CAV	CIRCUIT	GAUGE	COLOR	TERMINAL	SEAL/SLEEVE																																																																																																																														
A	M52	14	YL	2033816C1	0589391C1																																																																																																																														
B	M11-GE	14	WH	2033816C1	0589391C1																																																																																																																														
C	M53	14	YL	2033816C1	0589391C1																																																																																																																														
D*	M56C	16	OR	2033819C1	1652325C1																																																																																																																														
DH	M56B	16	OR	2033819C1	1652325C1																																																																																																																														
E	M54C	14	BN	2033816C1	0589391C1																																																																																																																														
CAV	CIRCUIT	GAUGE	COLOR	TERMINAL	SEAL/SLEEVE																																																																																																																														
A	M64HI	14	YL	3535486C1	0589391C1																																																																																																																														
B	M11-GE	14	WH	3535486C1	0589391C1																																																																																																																														
C	M64LO	14	YL	3535486C1	0589391C1																																																																																																																														
D	M56D	16	OR	2039343C1	1652325C1																																																																																																																														
E	M54F	14	BN	3535486C1	0589391C1																																																																																																																														
F	M57D	14	OR	3535486C1	0589391C1																																																																																																																														
G	PLUG	-	-	0587579C1	-																																																																																																																														
<p>SNOWPLOW HARNESS CONNECTOR (8102) (LOCATED LEFT FRAME RAIL NEAR HOOD)</p>  <p>W/ WORKSTAR * W/ HIGH VIS HOOD, W/ SNOW PLOW LIGHTS # W/SNOW PLOW LIGHT N/GEN4 BCM</p> <p>CONNECTOR 2039311C91 BODY LOCK 2039342C1</p>						<p>SNOW PLOW HARNESS CONN STD HOOD (8103/8103A) (LOCATED LEFT FRAME RAIL NEAR HOOD)</p>  <p>CONNECTOR 2039311C91 BODY LOCK 2039342C1</p>																																																																																																																													
<table border="1" style="width:100%; border-collapse: collapse; font-size: x-small;"> <thead> <tr> <th>CAV</th><th>CIRCUIT</th><th>GAUGE</th><th>COLOR</th><th>TERMINAL</th><th>SEAL/SLEEVE</th></tr> </thead> <tbody> <tr><td>A</td><td>M64HI</td><td>14</td><td>YL</td><td>3535486C1</td><td>0589391C1</td></tr> <tr><td>B</td><td>M11-GE</td><td>14</td><td>WH</td><td>3535486C1</td><td>0589391C1</td></tr> <tr><td>C</td><td>M64LO</td><td>14</td><td>YL</td><td>3535486C1</td><td>0589391C1</td></tr> <tr><td>D</td><td>M56D</td><td>16</td><td>YL</td><td>3535486C1</td><td>1652325C1</td></tr> <tr><td>D*</td><td>M56D</td><td>16</td><td>OR</td><td>2039343C1</td><td>1652325C1</td></tr> <tr><td>DH</td><td>M56D</td><td>16</td><td>YL</td><td>2039343C1</td><td>1652325C1</td></tr> <tr><td>E</td><td>M54F</td><td>14</td><td>BN</td><td>3535486C1</td><td>0589391C1</td></tr> <tr><td>F</td><td>M57D</td><td>16</td><td>LTGN</td><td>3535486C1</td><td>1652325C1</td></tr> <tr><td>F#</td><td>M57D</td><td>16</td><td>OR</td><td>2039343C1</td><td>1652325C1</td></tr> <tr><td>G</td><td>PLUG</td><td>-</td><td>-</td><td>0587579C1</td><td>-</td></tr> <tr><td>G*</td><td>M57D</td><td>16</td><td>OR</td><td>2039343C1</td><td>1652325C1</td></tr> </tbody> </table>						CAV	CIRCUIT	GAUGE	COLOR	TERMINAL	SEAL/SLEEVE	A	M64HI	14	YL	3535486C1	0589391C1	B	M11-GE	14	WH	3535486C1	0589391C1	C	M64LO	14	YL	3535486C1	0589391C1	D	M56D	16	YL	3535486C1	1652325C1	D*	M56D	16	OR	2039343C1	1652325C1	DH	M56D	16	YL	2039343C1	1652325C1	E	M54F	14	BN	3535486C1	0589391C1	F	M57D	16	LTGN	3535486C1	1652325C1	F#	M57D	16	OR	2039343C1	1652325C1	G	PLUG	-	-	0587579C1	-	G*	M57D	16	OR	2039343C1	1652325C1	<table border="1" style="width:100%; border-collapse: collapse; font-size: x-small;"> <thead> <tr> <th>CAV</th><th>CIRCUIT</th><th>GAUGE</th><th>COLOR</th><th>TERMINAL</th><th>SEAL/SLEEVE</th></tr> </thead> <tbody> <tr><td>A</td><td>M64HI</td><td>14</td><td>YL</td><td>3535486C1</td><td>0589391C1</td></tr> <tr><td>B</td><td>M11-GE</td><td>14</td><td>WH</td><td>3535486C1</td><td>0589391C1</td></tr> <tr><td>C</td><td>M64LO</td><td>14</td><td>YL</td><td>3535486C1</td><td>0589391C1</td></tr> <tr><td>D</td><td>M56D</td><td>16</td><td>OR</td><td>2039343C1</td><td>1652325C1</td></tr> <tr><td>E</td><td>M54F</td><td>14</td><td>BN</td><td>3535486C1</td><td>0589391C1</td></tr> <tr><td>F</td><td>M57D</td><td>16</td><td>OR</td><td>2039343C1</td><td>1652325C1</td></tr> <tr><td>G</td><td>PLUG</td><td>-</td><td>-</td><td>0587579C1</td><td>-</td></tr> </tbody> </table>						CAV	CIRCUIT	GAUGE	COLOR	TERMINAL	SEAL/SLEEVE	A	M64HI	14	YL	3535486C1	0589391C1	B	M11-GE	14	WH	3535486C1	0589391C1	C	M64LO	14	YL	3535486C1	0589391C1	D	M56D	16	OR	2039343C1	1652325C1	E	M54F	14	BN	3535486C1	0589391C1	F	M57D	16	OR	2039343C1	1652325C1	G	PLUG	-	-	0587579C1	-
CAV	CIRCUIT	GAUGE	COLOR	TERMINAL	SEAL/SLEEVE																																																																																																																														
A	M64HI	14	YL	3535486C1	0589391C1																																																																																																																														
B	M11-GE	14	WH	3535486C1	0589391C1																																																																																																																														
C	M64LO	14	YL	3535486C1	0589391C1																																																																																																																														
D	M56D	16	YL	3535486C1	1652325C1																																																																																																																														
D*	M56D	16	OR	2039343C1	1652325C1																																																																																																																														
DH	M56D	16	YL	2039343C1	1652325C1																																																																																																																														
E	M54F	14	BN	3535486C1	0589391C1																																																																																																																														
F	M57D	16	LTGN	3535486C1	1652325C1																																																																																																																														
F#	M57D	16	OR	2039343C1	1652325C1																																																																																																																														
G	PLUG	-	-	0587579C1	-																																																																																																																														
G*	M57D	16	OR	2039343C1	1652325C1																																																																																																																														
CAV	CIRCUIT	GAUGE	COLOR	TERMINAL	SEAL/SLEEVE																																																																																																																														
A	M64HI	14	YL	3535486C1	0589391C1																																																																																																																														
B	M11-GE	14	WH	3535486C1	0589391C1																																																																																																																														
C	M64LO	14	YL	3535486C1	0589391C1																																																																																																																														
D	M56D	16	OR	2039343C1	1652325C1																																																																																																																														
E	M54F	14	BN	3535486C1	0589391C1																																																																																																																														
F	M57D	16	OR	2039343C1	1652325C1																																																																																																																														
G	PLUG	-	-	0587579C1	-																																																																																																																														
<p>SNOW PLOW HARNESS CONN STD HOOD (8150A) (LOCATED LEFT FRAME RAIL NEAR HOOD)</p>  <p>CONNECTOR 1661778C1 BODY LOCK 1661874C1</p>						<p>SNOW PLOW HARNESS CONN STD HOOD (8151A) (LOCATED LEFT FRAME RAIL NEAR HOOD)</p>  <p>CONNECTOR 1661778C1 BODY LOCK 1661874C1</p>																																																																																																																													
<table border="1" style="width:100%; border-collapse: collapse; font-size: x-small;"> <thead> <tr> <th>CAV</th><th>CIRCUIT</th><th>GAUGE</th><th>COLOR</th><th>TERMINAL</th><th>SEAL/SLEEVE</th></tr> </thead> <tbody> <tr><td>A</td><td>M54H</td><td>16</td><td>BN</td><td>1661875C1</td><td>1661872C1</td></tr> <tr><td>B</td><td>M54-GA</td><td>16</td><td>WH</td><td>1661875C1</td><td>1661872C1</td></tr> </tbody> </table>						CAV	CIRCUIT	GAUGE	COLOR	TERMINAL	SEAL/SLEEVE	A	M54H	16	BN	1661875C1	1661872C1	B	M54-GA	16	WH	1661875C1	1661872C1	<table border="1" style="width:100%; border-collapse: collapse; font-size: x-small;"> <thead> <tr> <th>CAV</th><th>CIRCUIT</th><th>GAUGE</th><th>COLOR</th><th>TERMINAL</th><th>SEAL/SLEEVE</th></tr> </thead> <tbody> <tr><td>A</td><td>M54J</td><td>16</td><td>BN</td><td>1661875C1</td><td>1661872C1</td></tr> <tr><td>B</td><td>M54-GB</td><td>16</td><td>WH</td><td>1661875C1</td><td>1661872C1</td></tr> </tbody> </table>						CAV	CIRCUIT	GAUGE	COLOR	TERMINAL	SEAL/SLEEVE	A	M54J	16	BN	1661875C1	1661872C1	B	M54-GB	16	WH	1661875C1	1661872C1																																																																																				
CAV	CIRCUIT	GAUGE	COLOR	TERMINAL	SEAL/SLEEVE																																																																																																																														
A	M54H	16	BN	1661875C1	1661872C1																																																																																																																														
B	M54-GA	16	WH	1661875C1	1661872C1																																																																																																																														
CAV	CIRCUIT	GAUGE	COLOR	TERMINAL	SEAL/SLEEVE																																																																																																																														
A	M54J	16	BN	1661875C1	1661872C1																																																																																																																														
B	M54-GB	16	WH	1661875C1	1661872C1																																																																																																																														
<table border="1" style="width:100%; border-collapse: collapse; font-size: x-small;"> <tr> <th>ICB#</th><th>DATE</th><th>CHANGE</th><th>REV</th><th>REFERENCE</th><th>DRWN</th><th>NAME</th></tr> <tr> <td></td><td></td><td></td><td></td><td></td><td>310615</td><td>CIRCUIT DIAGRAM, 42/43/44/85/8600 & 73/74/7500</td></tr> <tr> <td>0488</td><td>24MAR15</td><td>ADDED R/D 8103 & CIRC</td><td>C</td><td>92927M</td><td></td><td></td></tr> </table>		ICB#	DATE	CHANGE	REV	REFERENCE	DRWN	NAME						310615	CIRCUIT DIAGRAM, 42/43/44/85/8600 & 73/74/7500	0488	24MAR15	ADDED R/D 8103 & CIRC	C	92927M			<table border="1" style="width:100%; border-collapse: collapse; font-size: x-small;"> <tr> <th>RELEASE NO.</th><th>DATE</th><th>PART NO.</th><th>SHEET</th></tr> <tr> <td>92218B</td><td>31JUL13</td><td>AE08058187</td><td>97A</td></tr> </table>		RELEASE NO.	DATE	PART NO.	SHEET	92218B	31JUL13	AE08058187	97A																																																																																																			
ICB#	DATE	CHANGE	REV	REFERENCE	DRWN	NAME																																																																																																																													
					310615	CIRCUIT DIAGRAM, 42/43/44/85/8600 & 73/74/7500																																																																																																																													
0488	24MAR15	ADDED R/D 8103 & CIRC	C	92927M																																																																																																																															
RELEASE NO.	DATE	PART NO.	SHEET																																																																																																																																
92218B	31JUL13	AE08058187	97A																																																																																																																																

Figure 742 Connector Composites (8001A), (8102A), (8102), (8103), (8103A), (8150A), (8151A)

13.226. CONNECTOR COMPOSITES (8103), (8150), (8151), P. 98

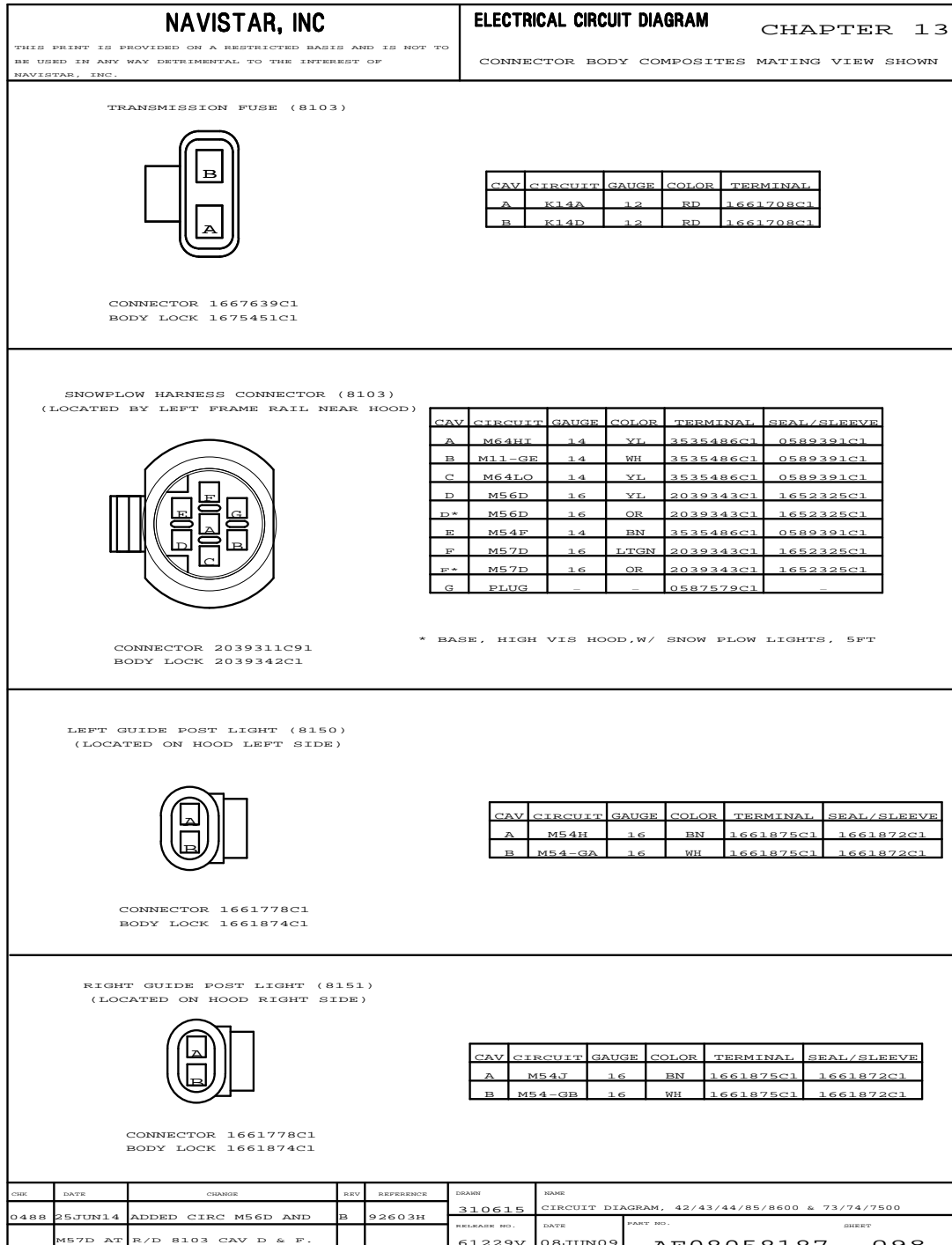


Figure 743 Connector Composites (8103), (8150), (8151)

13.227. CONNECTOR COMPOSITES (8200), (8200X), (8201), (8201X), P. 99

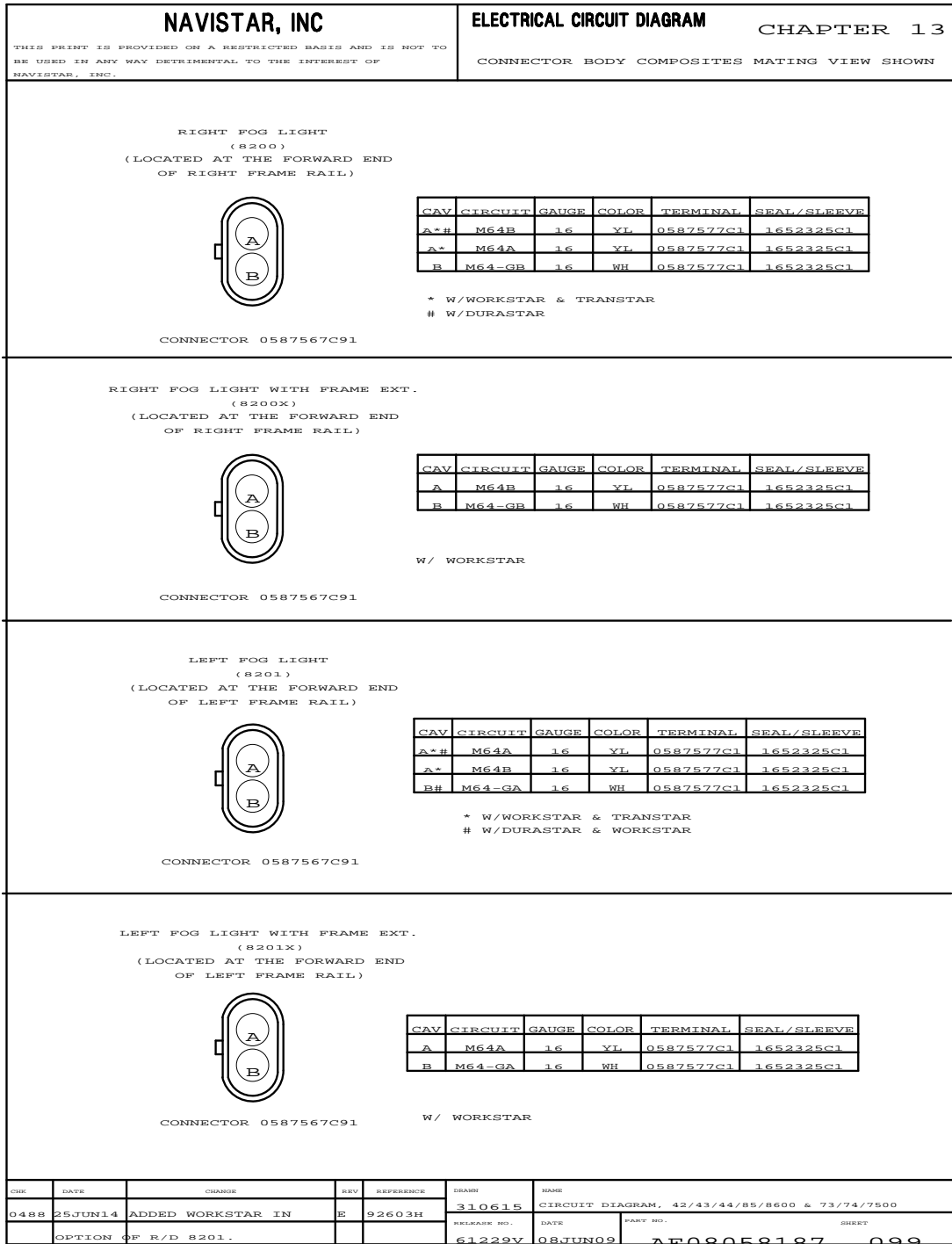


Figure 744 Connector Composites (8200), (8200X), (8201), (8201X)

13.228. CONNECTOR COMPOSITES (8301), (8301A), (8303), (8410), (8500), P. 99A

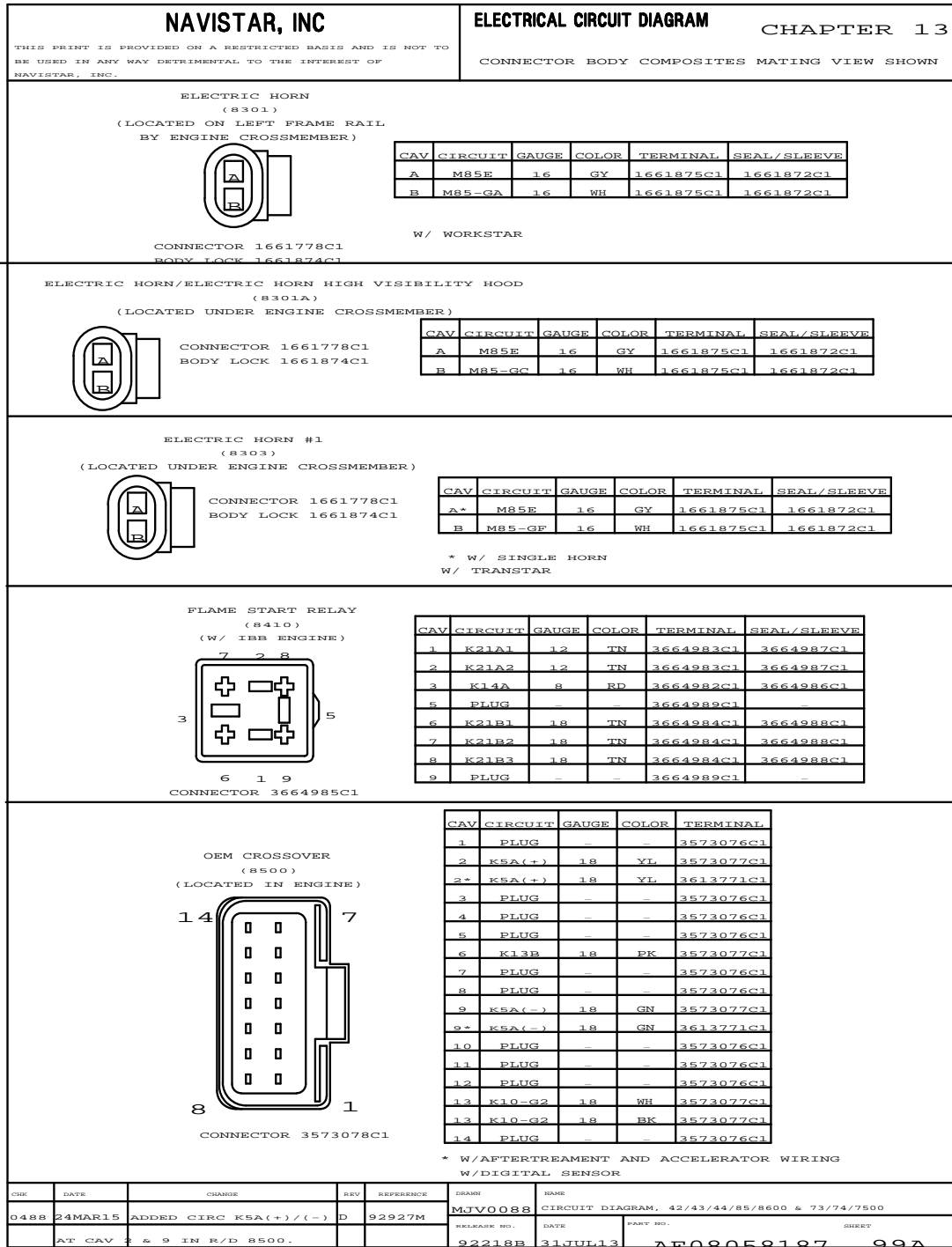


Figure 745 Connector Composites (8301), (8301A), (8303), (8410), (8500)

13.229. CONNECTOR COMPOSITES (8500), (8501), (8502), (8502A), (8502B), (8503), P. 100

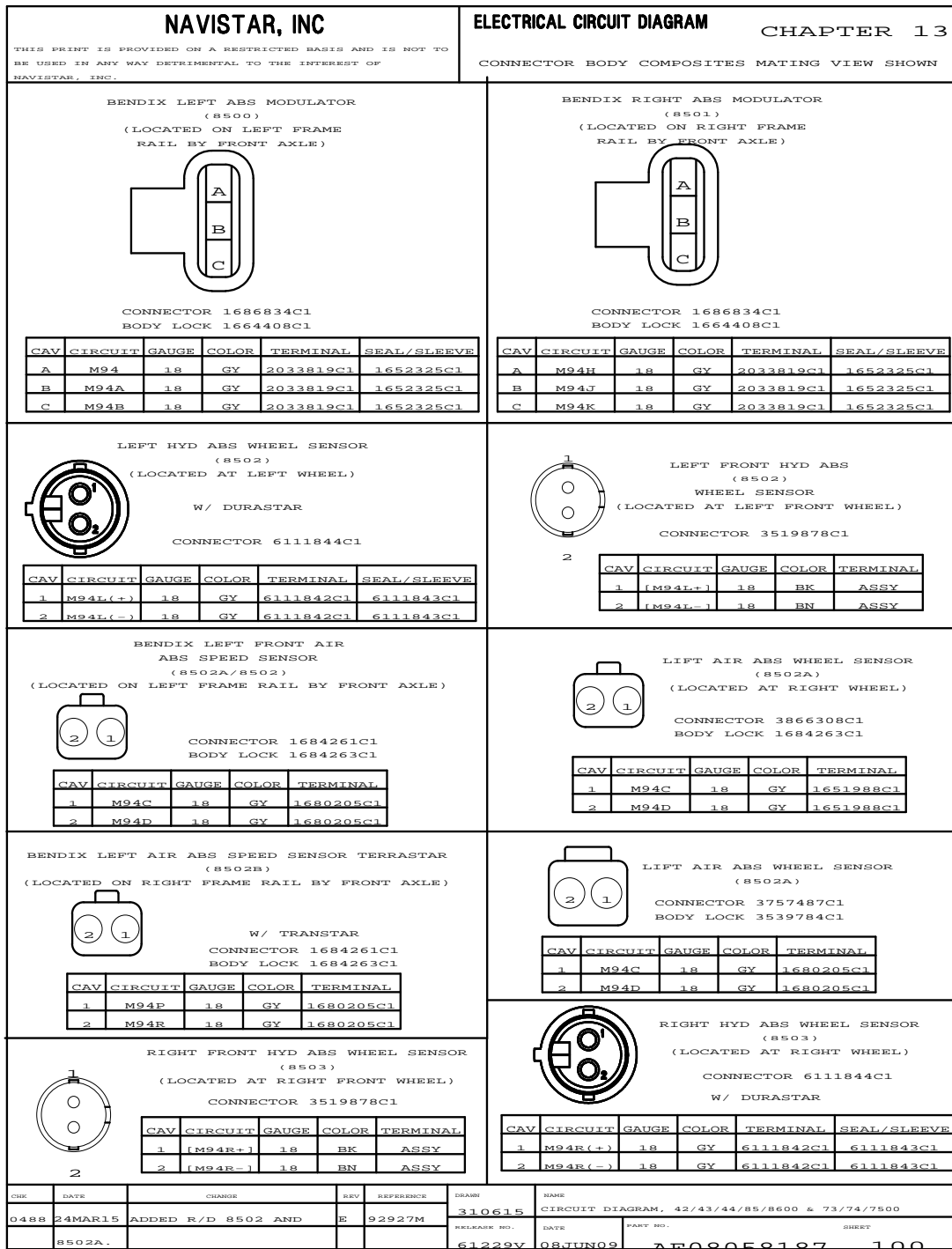


Figure 746 Connector Composites (8500), (8501), (8502), (8502A), (8502B), (8503)

13.230. CONNECTOR COMPOSITES (8503A), (8503B), (8503C), (8505), (8506), (8506A), (8507), P. 101

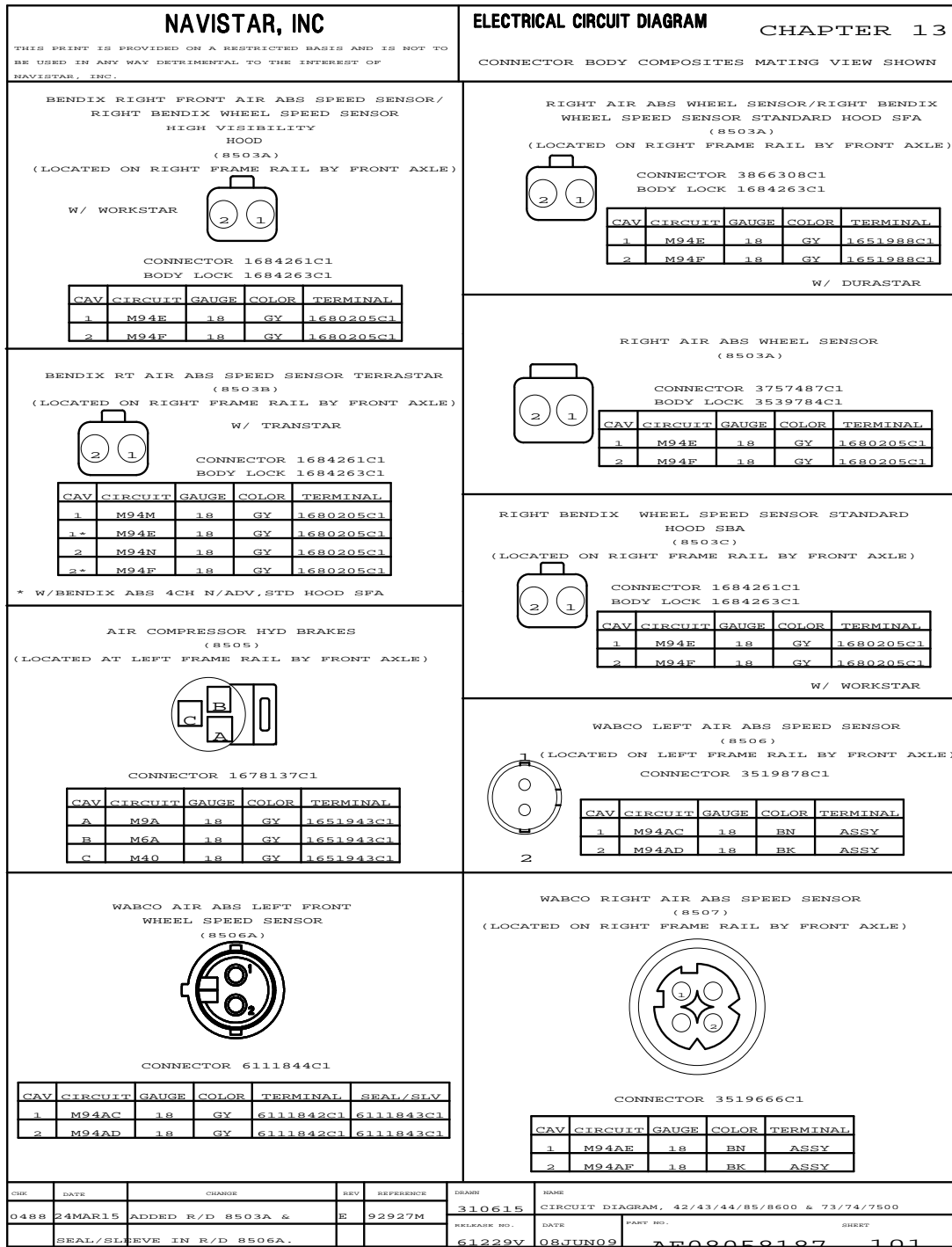


Figure 747 Connector Composites (8503A), (8503B), (8503C), (8505), (8506), (8506A), (8507)

13.231. CONNECTOR COMPOSITES (8507A), (8507B), (8507C), (8508), (8508A), (8509), (8509A), P. 102

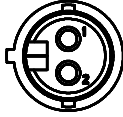

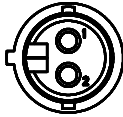
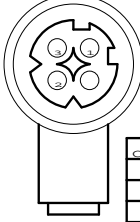
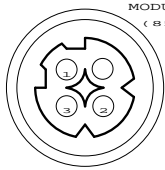
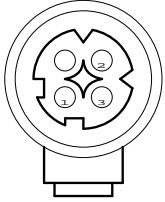
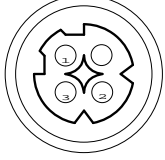
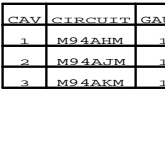
NAVISTAR, INC				ELECTRICAL CIRCUIT DIAGRAM				CHAPTER 13							
THIS PRINT IS PROVIDED ON A RESTRICTED BASIS AND IS NOT TO BE USED IN ANY WAY DETRIMENTAL TO THE INTEREST OF NAVISTAR, INC.								CONNECTOR BODY COMPOSITES MATING VIEW SHOWN							
WABCO AIR ABS RIGHT FRONT WHEEL SPEED SENSOR (8507A) 						RIGHT WABCO AIR WHEEL SPEED SENSOR STANDARD HOOD SFA (8507B) 									
CONNECTOR 6111844C1						CONNECTOR 6111844C1									
CAV	CIRCUIT	GAUGE	COLOR	TERMINAL	SEAL/SLV	CAV	CIRCUIT	GAUGE	COLOR	TERMINAL	SEAL/SLEEVE				
1	M94AE	18	GY	6111842C1	6111843C1	1	M94AE	18	GY	6111842C1	6111843C1				
2	M94AF	18	GY	6111842C1	6111843C1	2	M94AF	18	GY	6111842C1	6111843C1				
RIGHT WABCO AIR WHEEL SPEED SENSOR STANDARD HOOD SBA (8507C) 						WABCO LEFT AIR ABS MODULATOR (8508) (LOCATED ON LEFT FRAME RAIL BY FRONT AXLE) 									
CONNECTOR 6111844C1						CONNECTOR 3554539C1									
CAV	CIRCUIT	GAUGE	COLOR	TERMINAL	SEAL/SLEEVE	CAV	CIRCUIT	GAUGE	COLOR	TERMINAL	SEAL/SLEEVE				
1	M94AE	18	GY	6111842C1	6111843C1	1	M94AL	14	BL	ASSY					
2	M94AF	18	GY	6111842C1	6111843C1	2	M94AA	14	GN	ASSY					
						3	M94AB	14	BN	ASSY					
WABCO AIR ABS LEFT FRONT MODULATOR (8508A) 						WABCO RIGHT AIR ABS MODULATOR (8509) (LOCATED ON RIGHT FRAME RAIL BY FRONT AXLE) W/ TRANSTAR 									
CONNECTOR 3919376C1						CONNECTOR 3554540C1									
CAV	CIRCUIT	GAUGE	COLOR	TERMINAL	SEAL/SLEEVE	CAV	CIRCUIT	GAUGE	COLOR	TERMINAL	SEAL/SLEEVE				
1	M94ALM	14	GY	3679224C1	3601687C1	1	M94AH	14	BL	ASSY					
2	M94AAM	14	GY	3679224C1	3601687C1	2	M94AT	14	GN	ASSY					
3	M94ABM	14	GY	3679224C1	3601687C1	3	M94AK	14	BN	ASSY					
WABCO RIGHT AIR ABS MODULATOR (8509A) (LOCATED ON RIGHT FRAME RAIL BY FRONT AXLE) 															
CONNECTOR 3919376C1						CONNECTOR 3919376C1									
CAV	CIRCUIT	GAUGE	COLOR	TERMINAL	SEAL/SLEEVE	CAV	CIRCUIT	GAUGE	COLOR	TERMINAL	SEAL/SLEEVE				
1	M94AHM	14	GY	3679224C1	3601687C1	1	M94AHM	14	GY	3679224C1	3601687C1				
2	M94ATM	14	GY	3679224C1	3601687C1	2	M94ATM	14	GY	3679224C1	3601687C1				
3	M94AKM	14	GY	3679224C1	3601687C1	3	M94AKM	14	GY	3679224C1	3601687C1				
CHK	DATE	CHANGE	REV	REFERENCE	DRAWN	NAME									
0488	24MAR15	ADDED SEAL/SLEEVE	I*	92927M	310615	CIRCUIT DIAGRAM, 42/43/44/85/8600 & 73/74/7500									
IN R/D		8507A.			RELEASE NO.	DATE	PART NO.	SHEET							
					61229V	08JUN09	AE08058187	102							

Figure 748 Connector Composites (8507A), (8507B), (8507C), (8508), (8508A), (8509), (8509A)

13.232. CONNECTOR COMPOSITES (8520), (8600), (8600A), (8601), (8602), (8700), (8700A), (8700B), (8700C), P. 103

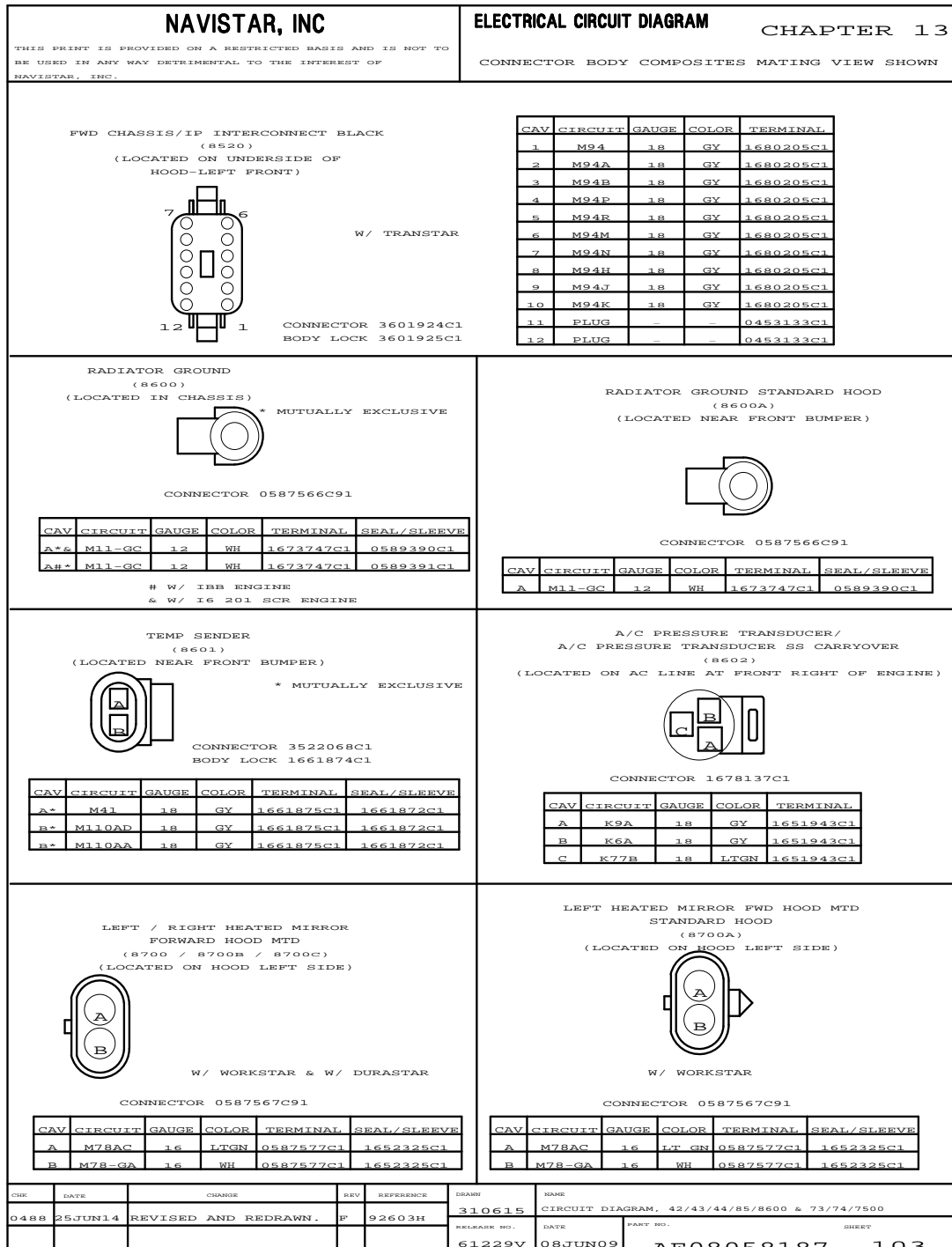


Figure 749 Connector Composites (8520), (8600), (8600A), (8601), (8602), (8700), (8700A), (8700B), (8700C)

13.233. CONNECTOR COMPOSITES (8701), (8701A), (8702A), P. 104

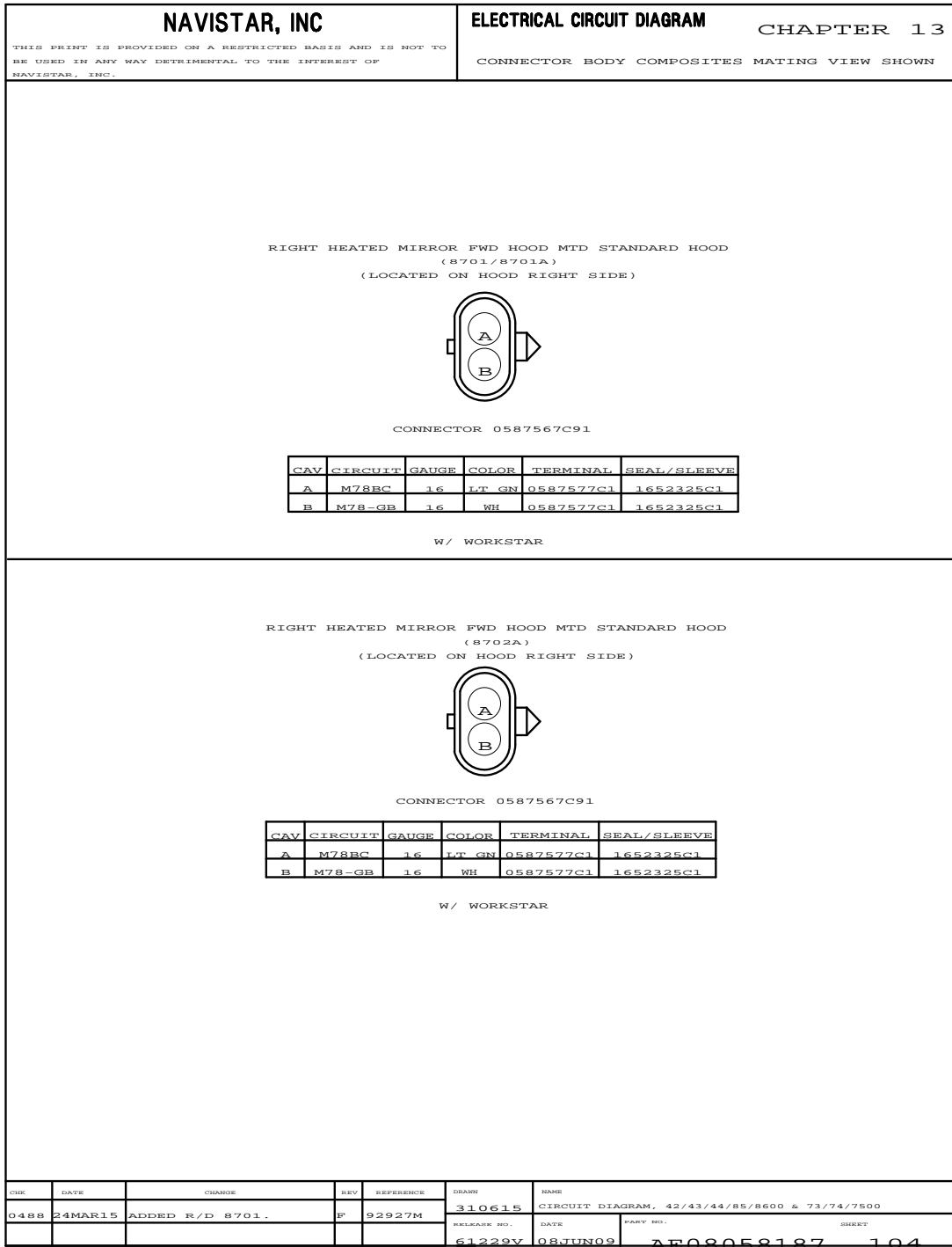


Figure 750 Connector Composites (8701), (8701A), (8702A)

13.234. CONNECTOR COMPOSITES (8701),(8702), (8750), (8800), (8802), (8803), P. 105

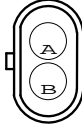
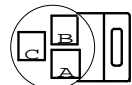
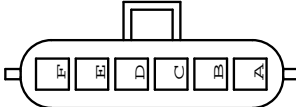
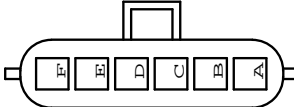
NAVISTAR, INC		ELECTRICAL CIRCUIT DIAGRAM		CHAPTER 13																																																																																																																									
THIS PRINT IS PROVIDED ON A RESTRICTED BASIS AND IS NOT TO BE USED IN ANY WAY DETRIMENTAL TO THE INTEREST OF NAVISTAR, INC.		CONNECTOR BODY COMPOSITES MATING VIEW SHOWN																																																																																																																											
RIGHT HEATED MIRROR FORWARD HOOD MTD (8701 / 8702) (LOCATED ON HOOD RIGHT SIDE)			FRONT LOAD INDICATOR (8750) (LOCATED AT FRONT LEFT SUSPENSION AIR BAG)																																																																																																																										
																																																																																																																													
W/ WORKSTAR W/ DURASTAR CONNECTOR 0587567C91			W/ WORKSTAR CONNECTOR 1678137C1																																																																																																																										
<table border="1" style="width:100%; border-collapse: collapse; font-size: x-small;"> <thead> <tr> <th>CAV</th> <th>CIRCUIT</th> <th>GAUGE</th> <th>COLOR</th> <th>TERMINAL</th> <th>SEAL/SLEEVE</th> </tr> </thead> <tbody> <tr> <td>A</td> <td>M78BC</td> <td>16</td> <td>LTGN</td> <td>0587577C1</td> <td>1652325C1</td> </tr> <tr> <td>B</td> <td>M78-GB</td> <td>16</td> <td>WH</td> <td>0587577C1</td> <td>1652325C1</td> </tr> </tbody> </table>			CAV	CIRCUIT	GAUGE	COLOR	TERMINAL	SEAL/SLEEVE	A	M78BC	16	LTGN	0587577C1	1652325C1	B	M78-GB	16	WH	0587577C1	1652325C1	<table border="1" style="width:100%; border-collapse: collapse; font-size: x-small;"> <thead> <tr> <th>CAV</th> <th>CIRCUIT</th> <th>GAUGE</th> <th>COLOR</th> <th>TERMINAL</th> <th>SEAL/SLEEVE</th> </tr> </thead> <tbody> <tr> <td>A</td> <td>M110AB</td> <td>18</td> <td>GY</td> <td>1651943C1</td> <td></td> </tr> <tr> <td>B</td> <td>M106A</td> <td>18</td> <td>GY</td> <td>1651943C1</td> <td></td> </tr> <tr> <td>C</td> <td>M61</td> <td>18</td> <td>GY</td> <td>1651943C1</td> <td></td> </tr> </tbody> </table>			CAV	CIRCUIT	GAUGE	COLOR	TERMINAL	SEAL/SLEEVE	A	M110AB	18	GY	1651943C1		B	M106A	18	GY	1651943C1		C	M61	18	GY	1651943C1																																																																															
CAV	CIRCUIT	GAUGE	COLOR	TERMINAL	SEAL/SLEEVE																																																																																																																								
A	M78BC	16	LTGN	0587577C1	1652325C1																																																																																																																								
B	M78-GB	16	WH	0587577C1	1652325C1																																																																																																																								
CAV	CIRCUIT	GAUGE	COLOR	TERMINAL	SEAL/SLEEVE																																																																																																																								
A	M110AB	18	GY	1651943C1																																																																																																																									
B	M106A	18	GY	1651943C1																																																																																																																									
C	M61	18	GY	1651943C1																																																																																																																									
GROUND ADAPTER #1 (8800) (LOCATED BY LEFT FRAME RAIL NEAR HOOD)			<table border="1" style="width:100%; border-collapse: collapse; font-size: x-small;"> <thead> <tr> <th>CAV</th> <th>CIRCUIT</th> <th>GAUGE</th> <th>COLOR</th> <th>TERMINAL</th> <th>SEAL/SLEEVE</th> </tr> </thead> <tbody> <tr> <td>A</td> <td>M11-GD</td> <td>12</td> <td>WH</td> <td>2033819C1</td> <td>0589390C1</td> </tr> <tr> <td>A&</td> <td>M85-GB</td> <td>16</td> <td>WH</td> <td>2033819C1</td> <td>1652325C1</td> </tr> <tr> <td>B</td> <td>M64-GA</td> <td>16</td> <td>WH</td> <td>2033819C1</td> <td>1652325C1</td> </tr> <tr> <td>C</td> <td>M64-GB</td> <td>16</td> <td>WH</td> <td>2033819C1</td> <td>1652325C1</td> </tr> <tr> <td>D*</td> <td>M54-GA</td> <td>16</td> <td>WH</td> <td>2033819C1</td> <td>1652325C1</td> </tr> <tr> <td>D*</td> <td>M11-GE</td> <td>14</td> <td>WH</td> <td>2033816C1</td> <td>0589391C1</td> </tr> <tr> <td>E*</td> <td>M54-GB</td> <td>16</td> <td>WH</td> <td>2033819C1</td> <td>1652325C1</td> </tr> <tr> <td>E*</td> <td>M78-GA</td> <td>16</td> <td>WH</td> <td>2033819C1</td> <td>1652325C1</td> </tr> <tr> <td>E*</td> <td>M78-GB</td> <td>16</td> <td>WH</td> <td>2033819C1</td> <td>1652325C1</td> </tr> <tr> <td>F#</td> <td>M85-GC</td> <td>16</td> <td>WH</td> <td>2033819C1</td> <td>1652325C1</td> </tr> <tr> <td>F**</td> <td>M11-GW</td> <td>16</td> <td>WH</td> <td>2033819C1</td> <td>1652325C1</td> </tr> <tr> <td>F##</td> <td>M44-GW</td> <td>16</td> <td>WH</td> <td>2033819C1</td> <td>1652325C1</td> </tr> <tr> <td>F&&</td> <td>M78-GB</td> <td>16</td> <td>WH</td> <td>2033819C1</td> <td>1652325C1</td> </tr> <tr> <td>F&&</td> <td>M8-GA</td> <td>16</td> <td>WH</td> <td>2033819C1</td> <td>1652325C1</td> </tr> </tbody> </table>			CAV	CIRCUIT	GAUGE	COLOR	TERMINAL	SEAL/SLEEVE	A	M11-GD	12	WH	2033819C1	0589390C1	A&	M85-GB	16	WH	2033819C1	1652325C1	B	M64-GA	16	WH	2033819C1	1652325C1	C	M64-GB	16	WH	2033819C1	1652325C1	D*	M54-GA	16	WH	2033819C1	1652325C1	D*	M11-GE	14	WH	2033816C1	0589391C1	E*	M54-GB	16	WH	2033819C1	1652325C1	E*	M78-GA	16	WH	2033819C1	1652325C1	E*	M78-GB	16	WH	2033819C1	1652325C1	F#	M85-GC	16	WH	2033819C1	1652325C1	F**	M11-GW	16	WH	2033819C1	1652325C1	F##	M44-GW	16	WH	2033819C1	1652325C1	F&&	M78-GB	16	WH	2033819C1	1652325C1	F&&	M8-GA	16	WH	2033819C1	1652325C1																														
CAV	CIRCUIT	GAUGE	COLOR	TERMINAL	SEAL/SLEEVE																																																																																																																								
A	M11-GD	12	WH	2033819C1	0589390C1																																																																																																																								
A&	M85-GB	16	WH	2033819C1	1652325C1																																																																																																																								
B	M64-GA	16	WH	2033819C1	1652325C1																																																																																																																								
C	M64-GB	16	WH	2033819C1	1652325C1																																																																																																																								
D*	M54-GA	16	WH	2033819C1	1652325C1																																																																																																																								
D*	M11-GE	14	WH	2033816C1	0589391C1																																																																																																																								
E*	M54-GB	16	WH	2033819C1	1652325C1																																																																																																																								
E*	M78-GA	16	WH	2033819C1	1652325C1																																																																																																																								
E*	M78-GB	16	WH	2033819C1	1652325C1																																																																																																																								
F#	M85-GC	16	WH	2033819C1	1652325C1																																																																																																																								
F**	M11-GW	16	WH	2033819C1	1652325C1																																																																																																																								
F##	M44-GW	16	WH	2033819C1	1652325C1																																																																																																																								
F&&	M78-GB	16	WH	2033819C1	1652325C1																																																																																																																								
F&&	M8-GA	16	WH	2033819C1	1652325C1																																																																																																																								
CONNECTOR 3551896C1 BODY LOCK 3551897C1			W/ WORKSTAR W/ DURASTAR * MUTUALLY EXCLUSIVE # W/ IBB ENGINE & W/ ELECTRIC HORN W/ GROUND ADAPTER ** W/ WHEELCHAIR LIFT INTERLOCK ## W/ PARK BRAKE INTERLOCK && W/ HEATED MIRROR W/ HIGH VIS HOOD																																																																																																																										
ISOLATED GROUND SPLICE PACK (8802) (LOCATED NEAR LEFT FRAME RAIL BY THE TRANSMISSION)			GROUND ADAPTER (8803) (LOCATED BY LEFT FRAME RAIL NEAR FIRST CROSSMEMBER)																																																																																																																										
																																																																																																																													
CONNECTOR 3551896C1 BODY LOCK 3551897C1			CONNECTOR 3551896C1 BODY LOCK 3551897C1																																																																																																																										
<table border="1" style="width:100%; border-collapse: collapse; font-size: x-small;"> <thead> <tr> <th>CAV</th> <th>CIRCUIT</th> <th>GAUGE</th> <th>COLOR</th> <th>TERMINAL</th> <th>SEAL/SLEEVE</th> </tr> </thead> <tbody> <tr> <td>A</td> <td>N9</td> <td>16</td> <td>GY</td> <td>2033819C1</td> <td>1652325C1</td> </tr> <tr> <td>B*</td> <td>N9-G</td> <td>18</td> <td>GY</td> <td>2033819C1</td> <td>1652325C1</td> </tr> <tr> <td>B*</td> <td>N9A</td> <td>18</td> <td>GY</td> <td>2033819C1</td> <td>1652325C1</td> </tr> <tr> <td>C*</td> <td>N9-G</td> <td>18</td> <td>GY</td> <td>2033819C1</td> <td>1652325C1</td> </tr> <tr> <td>C*</td> <td>N9B</td> <td>18</td> <td>GY</td> <td>2033819C1</td> <td>1652325C1</td> </tr> <tr> <td>C%</td> <td>N9-GB</td> <td>18</td> <td>GY</td> <td>2033819C1</td> <td>1652325C1</td> </tr> <tr> <td>C**</td> <td>N9R</td> <td>18</td> <td>GY</td> <td>2033819C1</td> <td>1652325C1</td> </tr> <tr> <td>D#</td> <td>N87H</td> <td>18</td> <td>GY</td> <td>2033819C1</td> <td>3517771C1</td> </tr> <tr> <td>D%&</td> <td>N8EB</td> <td>18</td> <td>GY</td> <td>2033819C1</td> <td>3517771C1</td> </tr> <tr> <td>E#</td> <td>N9F</td> <td>18</td> <td>GY</td> <td>2033819C1</td> <td>1652325C1</td> </tr> <tr> <td>F*</td> <td>N9F</td> <td>18</td> <td>GY</td> <td>2033819C1</td> <td>1652325C1</td> </tr> <tr> <td>F*</td> <td>N9H</td> <td>18</td> <td>GY</td> <td>2033819C1</td> <td>1652325C1</td> </tr> </tbody> </table>			CAV	CIRCUIT	GAUGE	COLOR	TERMINAL	SEAL/SLEEVE	A	N9	16	GY	2033819C1	1652325C1	B*	N9-G	18	GY	2033819C1	1652325C1	B*	N9A	18	GY	2033819C1	1652325C1	C*	N9-G	18	GY	2033819C1	1652325C1	C*	N9B	18	GY	2033819C1	1652325C1	C%	N9-GB	18	GY	2033819C1	1652325C1	C**	N9R	18	GY	2033819C1	1652325C1	D#	N87H	18	GY	2033819C1	3517771C1	D%&	N8EB	18	GY	2033819C1	3517771C1	E#	N9F	18	GY	2033819C1	1652325C1	F*	N9F	18	GY	2033819C1	1652325C1	F*	N9H	18	GY	2033819C1	1652325C1	<table border="1" style="width:100%; border-collapse: collapse; font-size: x-small;"> <thead> <tr> <th>CAV</th> <th>CIRCUIT</th> <th>GAUGE</th> <th>COLOR</th> <th>TERMINAL</th> <th>SEAL/SLEEVE</th> </tr> </thead> <tbody> <tr> <td>A</td> <td>M11-GD</td> <td>12</td> <td>WH</td> <td>2033816C1</td> <td>0589390C1</td> </tr> <tr> <td>B</td> <td>M64-GA</td> <td>16</td> <td>WH</td> <td>2033819C1</td> <td>1652325C1</td> </tr> <tr> <td>C</td> <td>M64-GB</td> <td>16</td> <td>WH</td> <td>2033819C1</td> <td>1652325C1</td> </tr> <tr> <td>D</td> <td>M54-GA</td> <td>16</td> <td>WH</td> <td>2033819C1</td> <td>1652325C1</td> </tr> <tr> <td>E</td> <td>M54-GB</td> <td>16</td> <td>WH</td> <td>2033819C1</td> <td>1652325C1</td> </tr> <tr> <td>F</td> <td>PLUG</td> <td>-</td> <td>-</td> <td>0587579C1</td> <td>-</td> </tr> </tbody> </table>			CAV	CIRCUIT	GAUGE	COLOR	TERMINAL	SEAL/SLEEVE	A	M11-GD	12	WH	2033816C1	0589390C1	B	M64-GA	16	WH	2033819C1	1652325C1	C	M64-GB	16	WH	2033819C1	1652325C1	D	M54-GA	16	WH	2033819C1	1652325C1	E	M54-GB	16	WH	2033819C1	1652325C1	F	PLUG	-	-	0587579C1	-
CAV	CIRCUIT	GAUGE	COLOR	TERMINAL	SEAL/SLEEVE																																																																																																																								
A	N9	16	GY	2033819C1	1652325C1																																																																																																																								
B*	N9-G	18	GY	2033819C1	1652325C1																																																																																																																								
B*	N9A	18	GY	2033819C1	1652325C1																																																																																																																								
C*	N9-G	18	GY	2033819C1	1652325C1																																																																																																																								
C*	N9B	18	GY	2033819C1	1652325C1																																																																																																																								
C%	N9-GB	18	GY	2033819C1	1652325C1																																																																																																																								
C**	N9R	18	GY	2033819C1	1652325C1																																																																																																																								
D#	N87H	18	GY	2033819C1	3517771C1																																																																																																																								
D%&	N8EB	18	GY	2033819C1	3517771C1																																																																																																																								
E#	N9F	18	GY	2033819C1	1652325C1																																																																																																																								
F*	N9F	18	GY	2033819C1	1652325C1																																																																																																																								
F*	N9H	18	GY	2033819C1	1652325C1																																																																																																																								
CAV	CIRCUIT	GAUGE	COLOR	TERMINAL	SEAL/SLEEVE																																																																																																																								
A	M11-GD	12	WH	2033816C1	0589390C1																																																																																																																								
B	M64-GA	16	WH	2033819C1	1652325C1																																																																																																																								
C	M64-GB	16	WH	2033819C1	1652325C1																																																																																																																								
D	M54-GA	16	WH	2033819C1	1652325C1																																																																																																																								
E	M54-GB	16	WH	2033819C1	1652325C1																																																																																																																								
F	PLUG	-	-	0587579C1	-																																																																																																																								
* MUTUALLY EXCLUSIVE # W/ IBB ENGINE @ W/ CUMMINS ISB ENGINE % W/ DUAL UNCAB TANK FOR HIGH CAB % W/ WASHER PUMP & LEVEL SENSOR AND LOW/MID CAB ** SELF CONTAINED AIR SEAT BELT PASS			W/ TRANSTAR																																																																																																																										
CHG	DATE	CHANGE	REV	REFERENCE	DRAWN	NAME																																																																																																																							
0488	24MAR15	ADDED CIRC M78-GB &	G	92927M	310615	CIRCUIT DIAGRAM, 42/43/44/85/8600 & 73/74/7500																																																																																																																							
M78-GA	N R/D 8800.				RELEASE NO.	DATE																																																																																																																							
					61229V	12JUN09																																																																																																																							
					PART NO.	SHEET																																																																																																																							
					AE08058187	105																																																																																																																							

Figure 751 Connector Composites (8701),(8702), (8750), (8800), (8802), (8803)

13.235. CONNECTOR COMPOSITES (8804), (8805), (8805A), (8806), P. 106

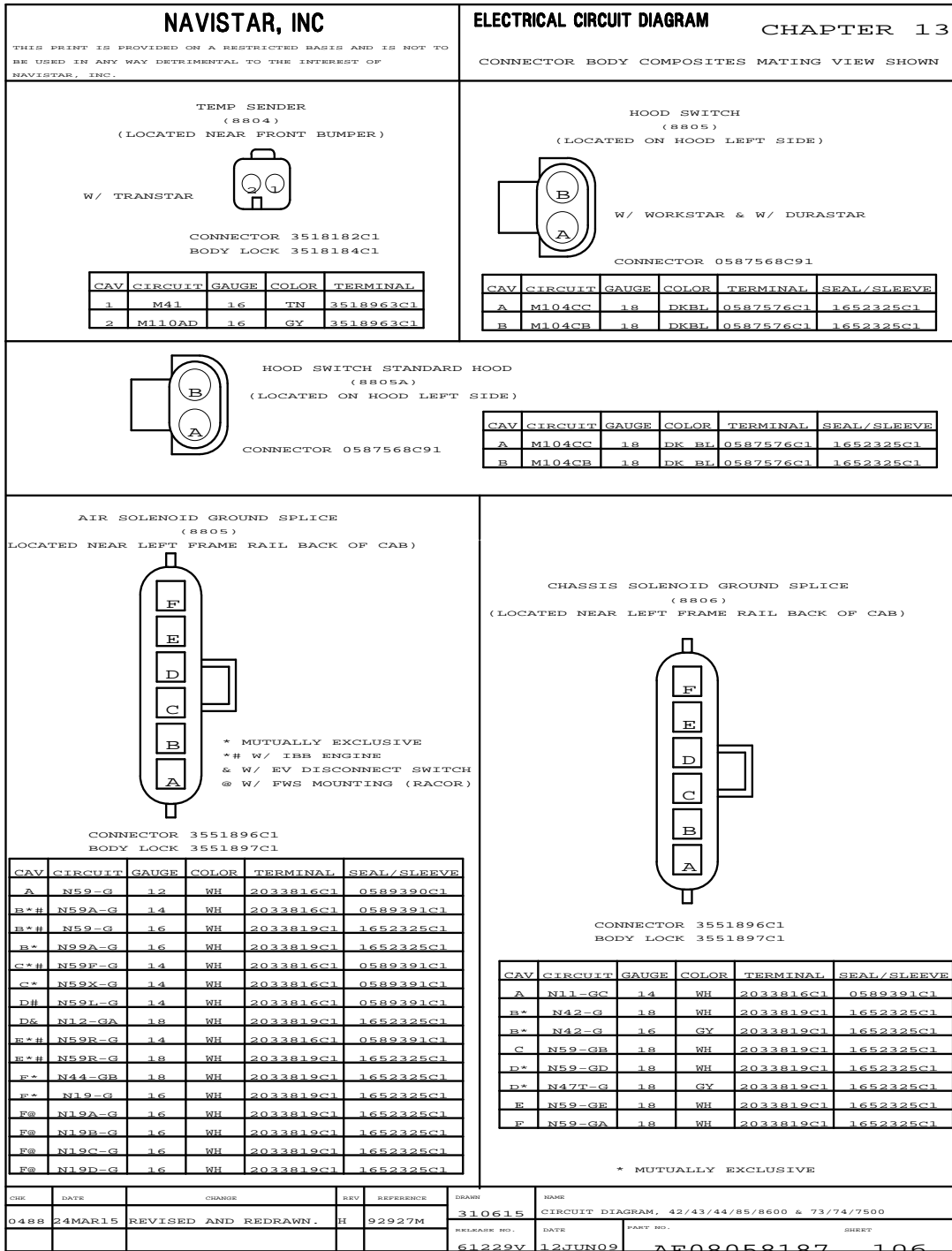


Figure 752 Connector Composites (8804), (8805), (8805A), (8806)

13.236. CONNECTOR COMPOSITES (8807), (8809), (8881), (8882), (8883), P. 107

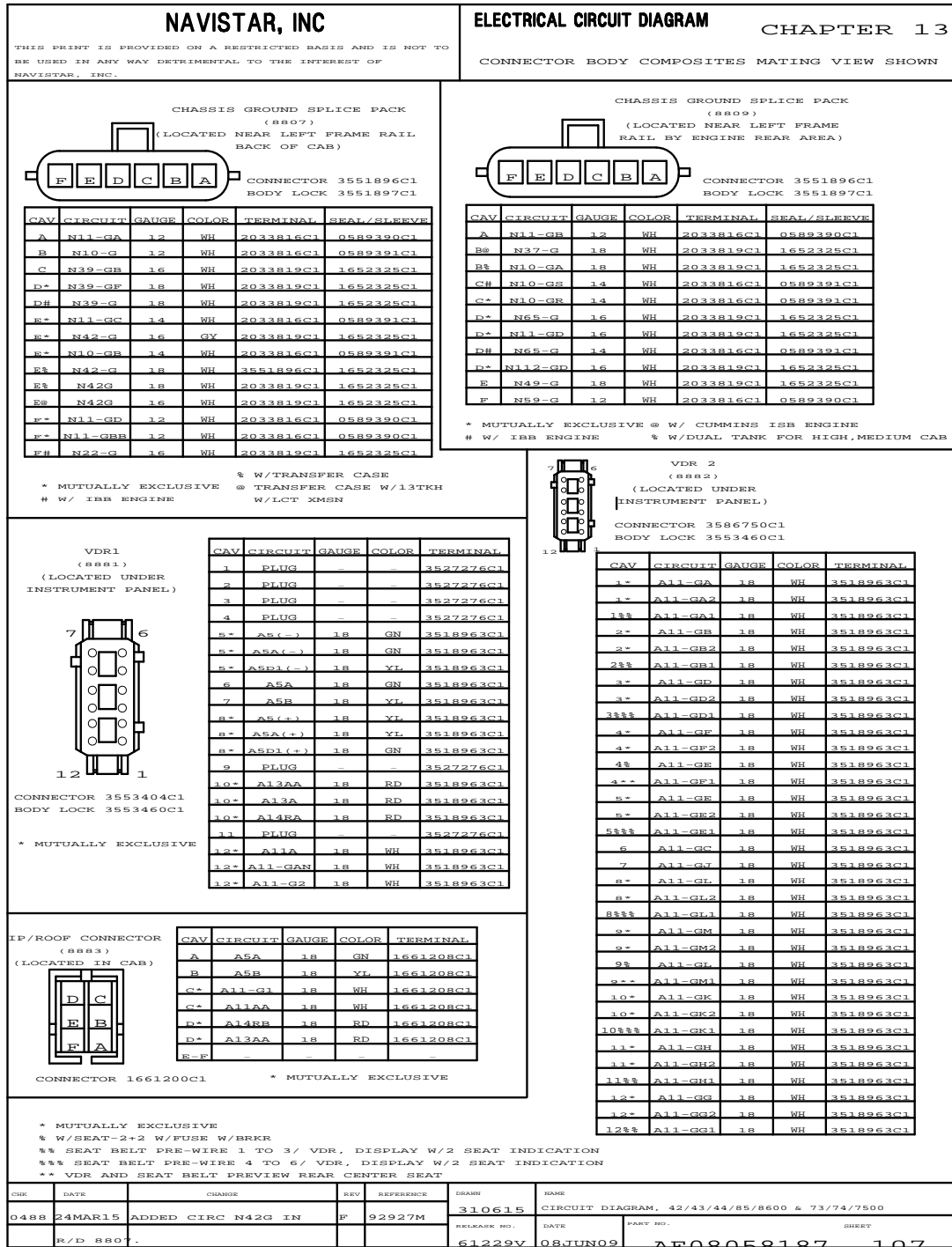


Figure 753 Connector Composites (8807), (8809), (8881), (8882), (8883)

13.237. CONNECTOR COMPOSITES (8883), (8884), P. 108

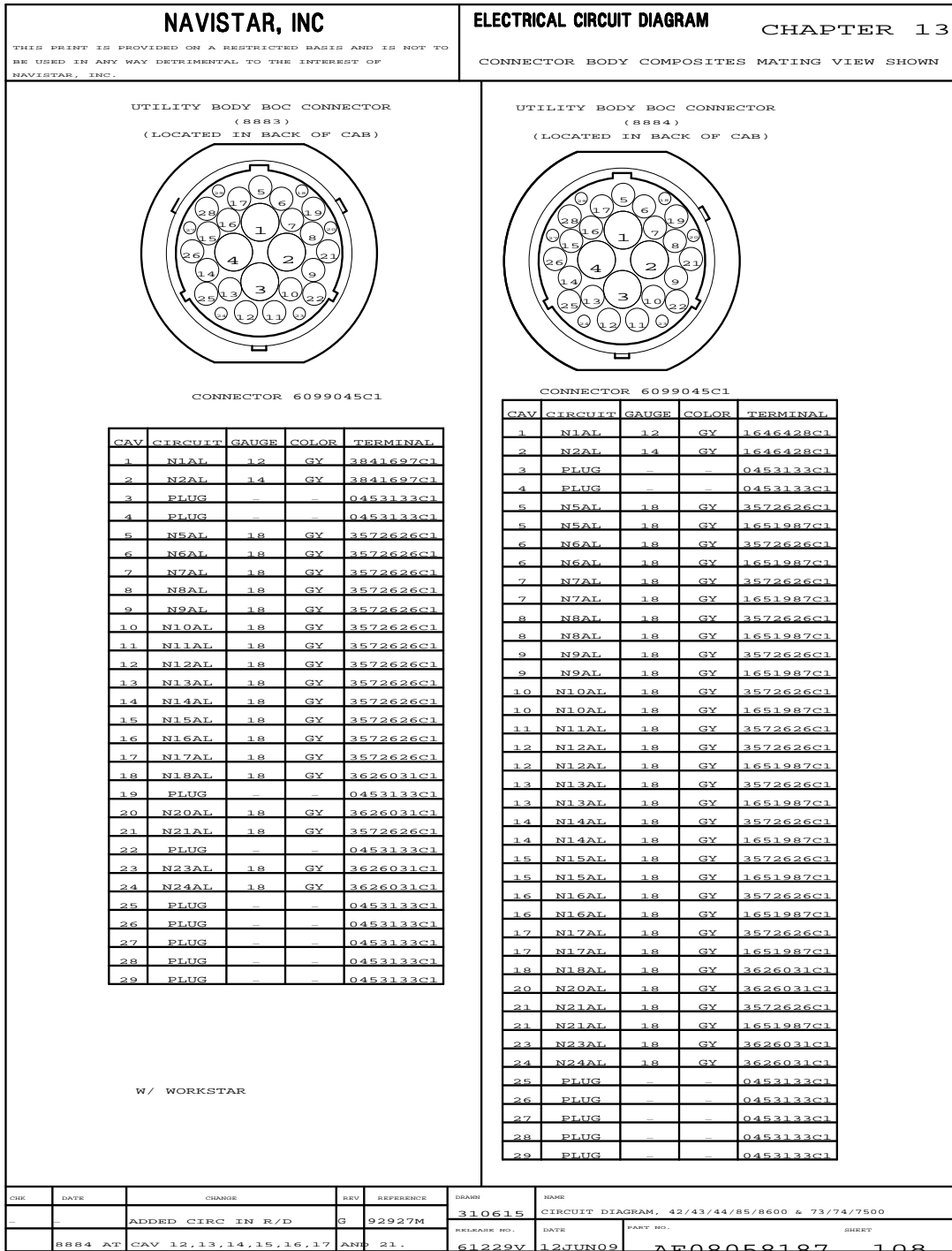


Figure 754 Connector Composites (8883), (8884)

13.238. CONNECTOR COMPOSITES (8884A), P. 109

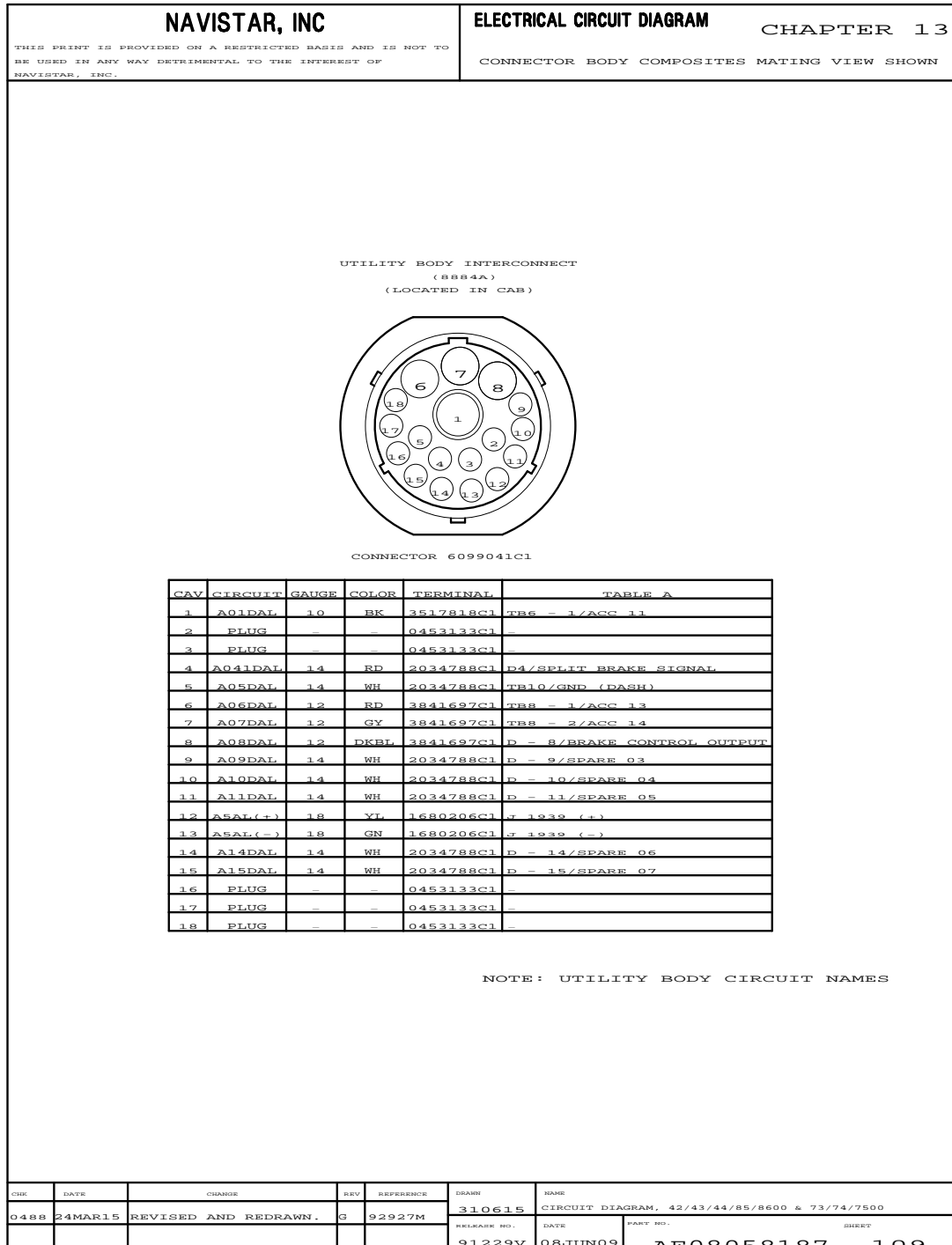


Figure 755 Connector Composites (8884A)

13.239. CONNECTOR COMPOSITES (8884B), P. 110

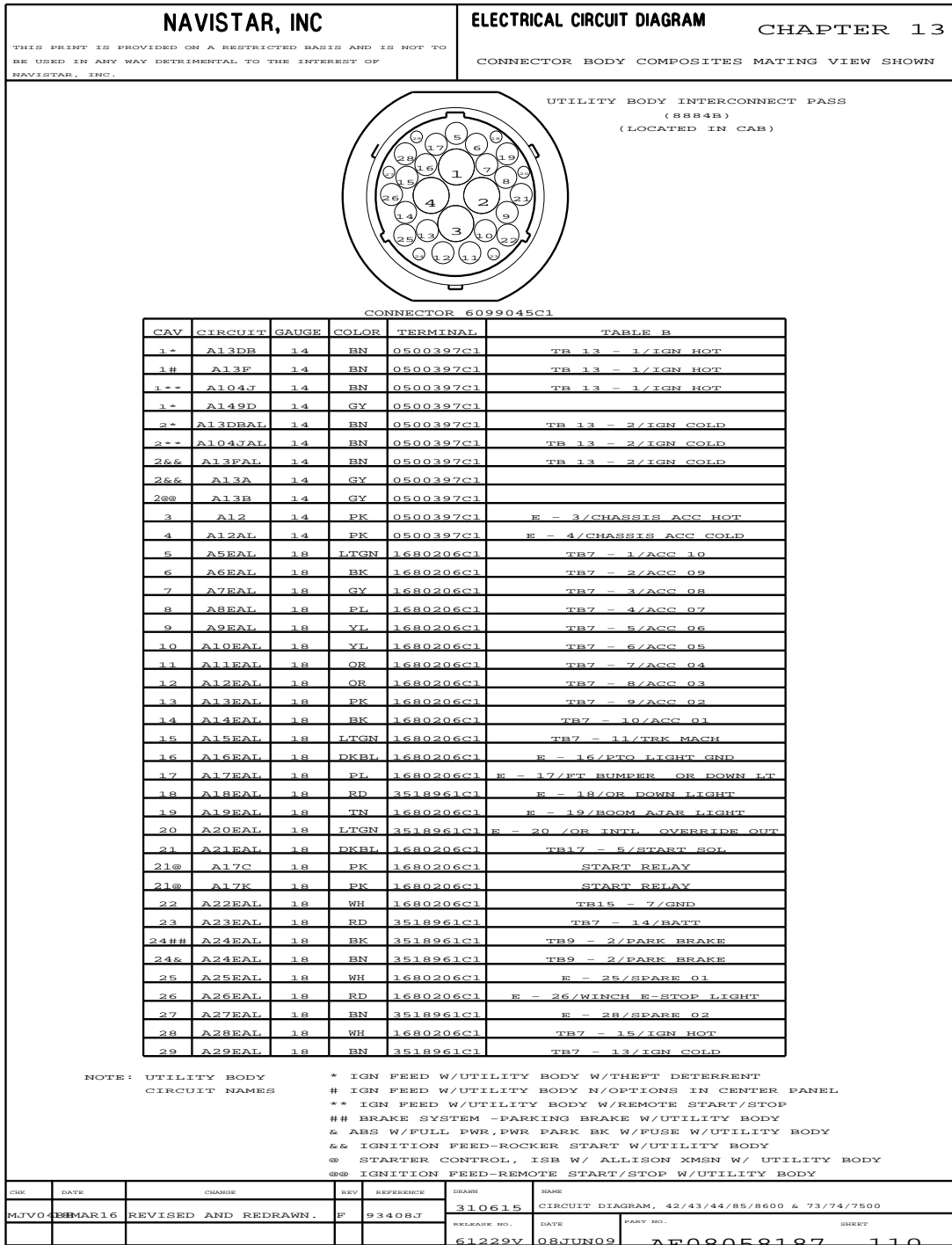


Figure 756 Connector Composites (8884B)

13.240. CONNECTOR COMPOSITES (8884C), P. 111

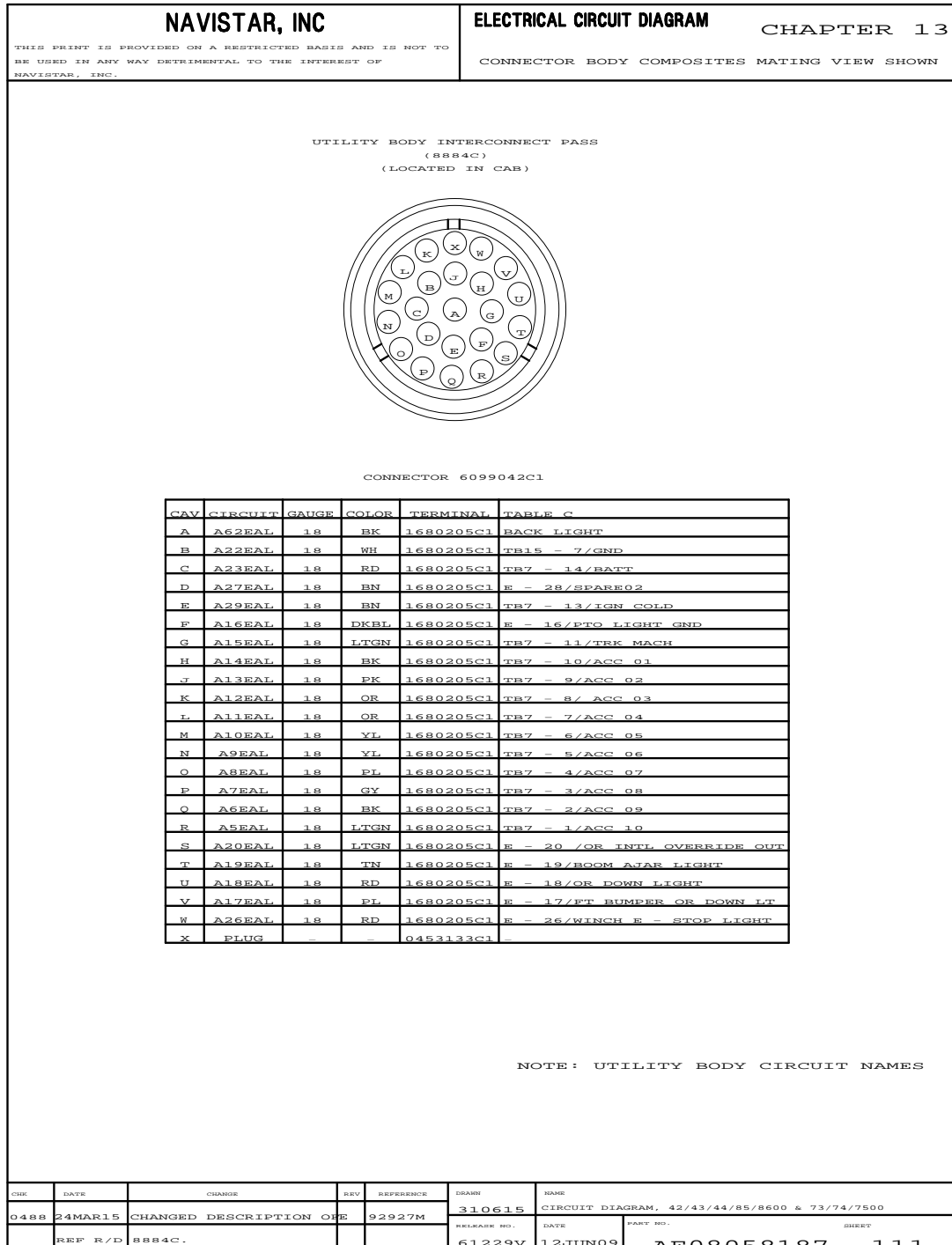


Figure 757 Connector Composites (8884C)

13.241. CONNECTOR COMPOSITES (8885), (8885A), (8887), (8888), P. 112

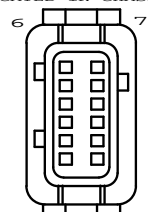
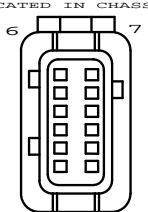
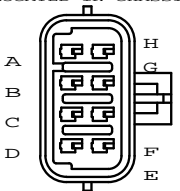
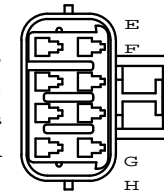
NAVISTAR, INC		ELECTRICAL CIRCUIT DIAGRAM		CHAPTER 13																																																																		
THIS PRINT IS PROVIDED ON A RESTRICTED BASIS AND IS NOT TO BE USED IN ANY WAY DETRIMENTAL TO THE INTEREST OF NAVISTAR, INC.		CONNECTOR BODY COMPOSITES MATING VIEW SHOWN																																																																				
<p style="text-align: center;">ALTEC ENGINE BB CONN (8885) (LOCATED IN CHASSIS)</p>  <p style="text-align: center;">CONNECTOR 3838727C1 BODY LOCK 3589992C1</p>		<table border="1" style="width:100%; border-collapse: collapse; font-size: x-small;"> <thead> <tr> <th>CAV</th> <th>CIRCUIT</th> <th>GAUGE</th> <th>COLOR</th> <th>TERMINAL</th> </tr> </thead> <tbody> <tr><td>1</td><td>N20AL</td><td>18</td><td>GY</td><td>3626031C1</td></tr> <tr><td>2</td><td>N9AL</td><td>18</td><td>GY</td><td>3626031C1</td></tr> <tr><td>3</td><td>N24AL</td><td>18</td><td>GY</td><td>3626031C1</td></tr> <tr><td>4</td><td>N8AL</td><td>18</td><td>GY</td><td>3626031C1</td></tr> <tr><td>5</td><td>N21AL</td><td>18</td><td>GY</td><td>3626031C1</td></tr> <tr><td>6</td><td>PLUG</td><td>-</td><td>-</td><td>3527276C1</td></tr> <tr><td>7</td><td>PLUG</td><td>-</td><td>-</td><td>3527276C1</td></tr> <tr><td>8</td><td>N6AL</td><td>18</td><td>GY</td><td>3626031C1</td></tr> <tr><td>9</td><td>PLUG</td><td>-</td><td>-</td><td>3527276C1</td></tr> <tr><td>10</td><td>N7AL</td><td>18</td><td>GY</td><td>3626031C1</td></tr> <tr><td>11</td><td>N23AL</td><td>18</td><td>GY</td><td>3626031C1</td></tr> <tr><td>12</td><td>N5AL</td><td>18</td><td>GY</td><td>3626031C1</td></tr> </tbody> </table> <p style="text-align: center;">W/ WORKSTAR</p>				CAV	CIRCUIT	GAUGE	COLOR	TERMINAL	1	N20AL	18	GY	3626031C1	2	N9AL	18	GY	3626031C1	3	N24AL	18	GY	3626031C1	4	N8AL	18	GY	3626031C1	5	N21AL	18	GY	3626031C1	6	PLUG	-	-	3527276C1	7	PLUG	-	-	3527276C1	8	N6AL	18	GY	3626031C1	9	PLUG	-	-	3527276C1	10	N7AL	18	GY	3626031C1	11	N23AL	18	GY	3626031C1	12	N5AL	18	GY	3626031C1
CAV	CIRCUIT	GAUGE	COLOR	TERMINAL																																																																		
1	N20AL	18	GY	3626031C1																																																																		
2	N9AL	18	GY	3626031C1																																																																		
3	N24AL	18	GY	3626031C1																																																																		
4	N8AL	18	GY	3626031C1																																																																		
5	N21AL	18	GY	3626031C1																																																																		
6	PLUG	-	-	3527276C1																																																																		
7	PLUG	-	-	3527276C1																																																																		
8	N6AL	18	GY	3626031C1																																																																		
9	PLUG	-	-	3527276C1																																																																		
10	N7AL	18	GY	3626031C1																																																																		
11	N23AL	18	GY	3626031C1																																																																		
12	N5AL	18	GY	3626031C1																																																																		
<p style="text-align: center;">ALTEC ENGINE BB CONN (8885A) (LOCATED IN CHASSIS)</p>  <p style="text-align: center;">CONNECTOR 3838727C1 BODY LOCK 3589992C1</p>		<table border="1" style="width:100%; border-collapse: collapse; font-size: x-small;"> <thead> <tr> <th>CAV</th> <th>CIRCUIT</th> <th>GA</th> <th>COLOR</th> <th>TERMINAL</th> </tr> </thead> <tbody> <tr><td>1</td><td>PLUG</td><td>-</td><td>-</td><td>3527276C1</td></tr> <tr><td>2</td><td>N9AL</td><td>18</td><td>GY</td><td>3626031C1</td></tr> <tr><td>3</td><td>PLUG</td><td>-</td><td>-</td><td>3527276C1</td></tr> <tr><td>4</td><td>N8AL</td><td>18</td><td>GY</td><td>3626031C1</td></tr> <tr><td>5</td><td>N21AL</td><td>18</td><td>GY</td><td>3626031C1</td></tr> <tr><td>6</td><td>N7AL</td><td>18</td><td>GY</td><td>3626031C1</td></tr> <tr><td>7</td><td>N6AL</td><td>18</td><td>GY</td><td>3626031C1</td></tr> <tr><td>8</td><td>N5AL</td><td>18</td><td>GY</td><td>3626031C1</td></tr> <tr><td>9</td><td>N23AL</td><td>18</td><td>GY</td><td>3626031C1</td></tr> <tr><td>10</td><td>PLUG</td><td>-</td><td>-</td><td>3527276C1</td></tr> <tr><td>11</td><td>N20AL</td><td>18</td><td>GY</td><td>3626031C1</td></tr> <tr><td>12</td><td>N24AL</td><td>18</td><td>GY</td><td>3626031C1</td></tr> </tbody> </table>				CAV	CIRCUIT	GA	COLOR	TERMINAL	1	PLUG	-	-	3527276C1	2	N9AL	18	GY	3626031C1	3	PLUG	-	-	3527276C1	4	N8AL	18	GY	3626031C1	5	N21AL	18	GY	3626031C1	6	N7AL	18	GY	3626031C1	7	N6AL	18	GY	3626031C1	8	N5AL	18	GY	3626031C1	9	N23AL	18	GY	3626031C1	10	PLUG	-	-	3527276C1	11	N20AL	18	GY	3626031C1	12	N24AL	18	GY	3626031C1
CAV	CIRCUIT	GA	COLOR	TERMINAL																																																																		
1	PLUG	-	-	3527276C1																																																																		
2	N9AL	18	GY	3626031C1																																																																		
3	PLUG	-	-	3527276C1																																																																		
4	N8AL	18	GY	3626031C1																																																																		
5	N21AL	18	GY	3626031C1																																																																		
6	N7AL	18	GY	3626031C1																																																																		
7	N6AL	18	GY	3626031C1																																																																		
8	N5AL	18	GY	3626031C1																																																																		
9	N23AL	18	GY	3626031C1																																																																		
10	PLUG	-	-	3527276C1																																																																		
11	N20AL	18	GY	3626031C1																																																																		
12	N24AL	18	GY	3626031C1																																																																		
<p style="text-align: center;">ALTEC TRANS BB ALLISON 1/2000 (8887) (LOCATED IN CHASSIS)</p>  <p style="text-align: center;">CONNECTOR 3525874C1 BODY LOCK 3525875C1</p>		<table border="1" style="width:100%; border-collapse: collapse; font-size: x-small;"> <thead> <tr> <th>CAV</th> <th>CIRCUIT</th> <th>GAUGE</th> <th>COLOR</th> <th>TERMINAL</th> <th>SEAL/SLEEVE</th> </tr> </thead> <tbody> <tr><td>A</td><td>N18AL</td><td>18</td><td>GY</td><td>1667742C1</td><td>3568570C1</td></tr> <tr><td>B</td><td>N12AL</td><td>18</td><td>GY</td><td>1667742C1</td><td>3568570C1</td></tr> <tr><td>C</td><td>N13AL</td><td>18</td><td>GY</td><td>1667742C1</td><td>3568570C1</td></tr> <tr><td>D</td><td>PLUG</td><td>-</td><td>-</td><td>2025431C1</td><td>3568570C1</td></tr> <tr><td>E</td><td>N15AL</td><td>18</td><td>GY</td><td>1667742C1</td><td>3568570C1</td></tr> <tr><td>F</td><td>N16AL</td><td>18</td><td>GY</td><td>1667742C1</td><td>3568570C1</td></tr> <tr><td>G</td><td>N10AL</td><td>18</td><td>GY</td><td>1667742C1</td><td>3568570C1</td></tr> <tr><td>H</td><td>PLUG</td><td>-</td><td>-</td><td>2025431C1</td><td>3568570C1</td></tr> </tbody> </table> <p style="text-align: center;">W/ WORKSTAR</p>				CAV	CIRCUIT	GAUGE	COLOR	TERMINAL	SEAL/SLEEVE	A	N18AL	18	GY	1667742C1	3568570C1	B	N12AL	18	GY	1667742C1	3568570C1	C	N13AL	18	GY	1667742C1	3568570C1	D	PLUG	-	-	2025431C1	3568570C1	E	N15AL	18	GY	1667742C1	3568570C1	F	N16AL	18	GY	1667742C1	3568570C1	G	N10AL	18	GY	1667742C1	3568570C1	H	PLUG	-	-	2025431C1	3568570C1											
CAV	CIRCUIT	GAUGE	COLOR	TERMINAL	SEAL/SLEEVE																																																																	
A	N18AL	18	GY	1667742C1	3568570C1																																																																	
B	N12AL	18	GY	1667742C1	3568570C1																																																																	
C	N13AL	18	GY	1667742C1	3568570C1																																																																	
D	PLUG	-	-	2025431C1	3568570C1																																																																	
E	N15AL	18	GY	1667742C1	3568570C1																																																																	
F	N16AL	18	GY	1667742C1	3568570C1																																																																	
G	N10AL	18	GY	1667742C1	3568570C1																																																																	
H	PLUG	-	-	2025431C1	3568570C1																																																																	
<p style="text-align: center;">ALTEC TRANS BB ALLISON 3/4000 (8888) (LOCATED IN CHASSIS)</p>  <p style="text-align: center;">CONNECTOR 3525872C1 BODY LOCK 3525873C1</p>		<table border="1" style="width:100%; border-collapse: collapse; font-size: x-small;"> <thead> <tr> <th>CAV</th> <th>CIRCUIT</th> <th>GAUGE</th> <th>COLOR</th> <th>TERMINAL</th> <th>SEAL/SLEEVE</th> </tr> </thead> <tbody> <tr><td>A</td><td>N15AL</td><td>18</td><td>GY</td><td>1661875C1</td><td>3568570C1</td></tr> <tr><td>B</td><td>N11AL</td><td>18</td><td>GY</td><td>1661875C1</td><td>3568570C1</td></tr> <tr><td>C</td><td>N18AL</td><td>18</td><td>GY</td><td>1661875C1</td><td>3568570C1</td></tr> <tr><td>D</td><td>N12AL</td><td>18</td><td>GY</td><td>1661875C1</td><td>3568570C1</td></tr> <tr><td>E</td><td>N14AL</td><td>18</td><td>GY</td><td>1661875C1</td><td>3568570C1</td></tr> <tr><td>F</td><td>N10AL</td><td>18</td><td>GY</td><td>1661875C1</td><td>3568570C1</td></tr> <tr><td>G</td><td>N17AL</td><td>18</td><td>GY</td><td>1661875C1</td><td>3568570C1</td></tr> <tr><td>H</td><td>PLUG</td><td>-</td><td>-</td><td>2025431C1</td><td>3568570C1</td></tr> </tbody> </table> <p style="text-align: center;">W/ WORKSTAR</p>				CAV	CIRCUIT	GAUGE	COLOR	TERMINAL	SEAL/SLEEVE	A	N15AL	18	GY	1661875C1	3568570C1	B	N11AL	18	GY	1661875C1	3568570C1	C	N18AL	18	GY	1661875C1	3568570C1	D	N12AL	18	GY	1661875C1	3568570C1	E	N14AL	18	GY	1661875C1	3568570C1	F	N10AL	18	GY	1661875C1	3568570C1	G	N17AL	18	GY	1661875C1	3568570C1	H	PLUG	-	-	2025431C1	3568570C1											
CAV	CIRCUIT	GAUGE	COLOR	TERMINAL	SEAL/SLEEVE																																																																	
A	N15AL	18	GY	1661875C1	3568570C1																																																																	
B	N11AL	18	GY	1661875C1	3568570C1																																																																	
C	N18AL	18	GY	1661875C1	3568570C1																																																																	
D	N12AL	18	GY	1661875C1	3568570C1																																																																	
E	N14AL	18	GY	1661875C1	3568570C1																																																																	
F	N10AL	18	GY	1661875C1	3568570C1																																																																	
G	N17AL	18	GY	1661875C1	3568570C1																																																																	
H	PLUG	-	-	2025431C1	3568570C1																																																																	
CHK	DATE	CHANGE	REV	REFERENCE	DRAWN	NAME																																																																
0488	24MAR15	ADDED R/D 8885A.	E	92927M	310615	CIRCUIT DIAGRAM, 42/43/44/85/8600 & 73/74/7500																																																																
RELEASE NO.		DATE		PART NO.		SHEET																																																																
61229V		08JUN09		AE08058187		112																																																																

Figure 758 Connector Composites (8885), (8885A), (8887), (8888)

13.242. CONNECTOR COMPOSITES (8900), (8901M), (8903), P. 113

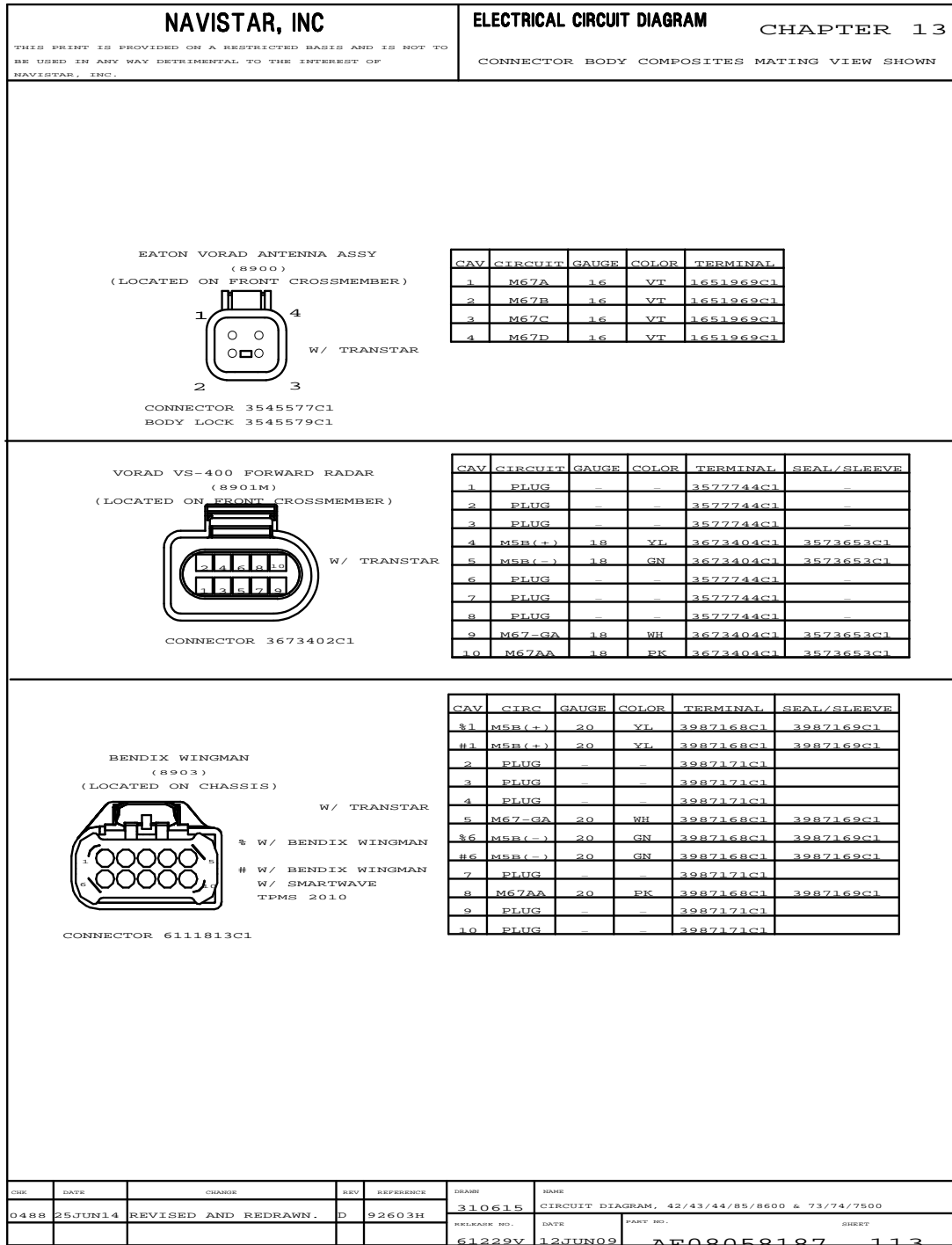


Figure 759 Connector Composites (8900), (8901M), (8903)

13.243. CONNECTOR COMPOSITES (8993F), (8995), (8996), P. 114

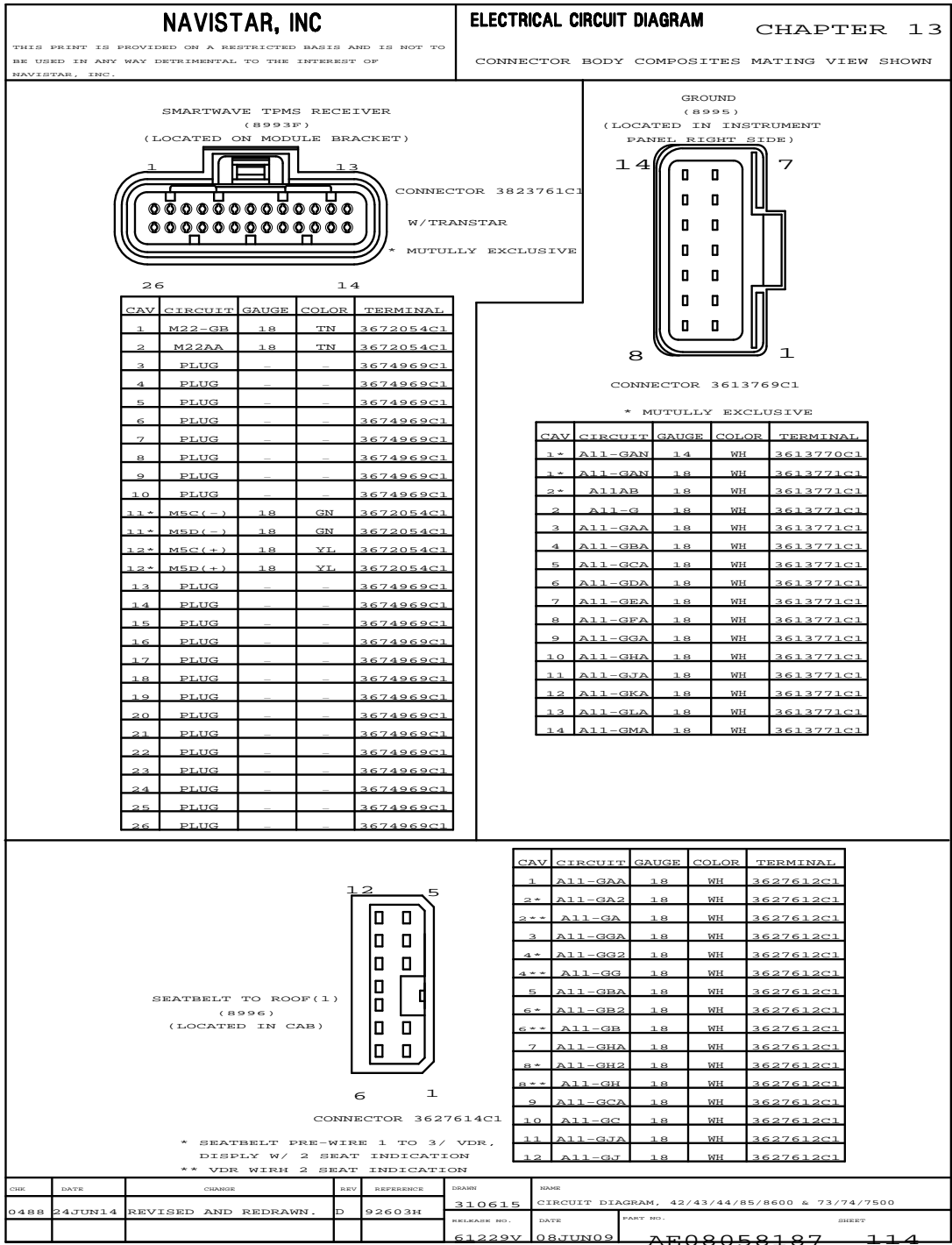


Figure 760 Connector Composites (8993F), (8995), (8996)

13.244. CONNECTOR COMPOSITES (8997), (8998), (8999), (9001), (9002), P. 115

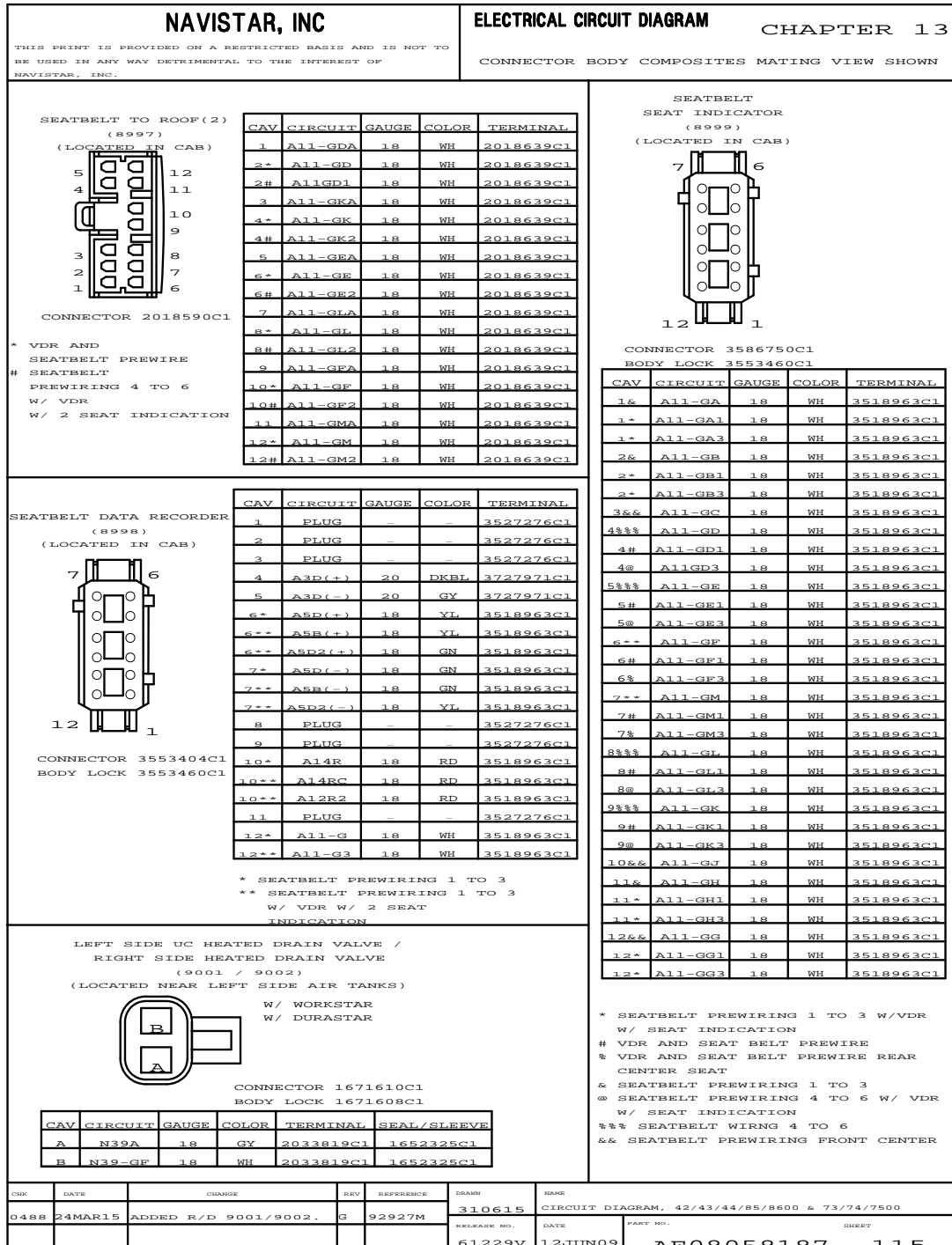


Figure 761 Connector Composites (8997), (8998), (8999), (9001), (9002)

13.245. CONNECTOR COMPOSITES (9001A), (9003), (9003K), (9003L), (9004), (9100), (9100A), P. 116

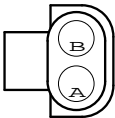
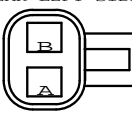
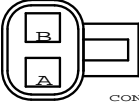
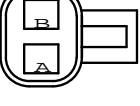
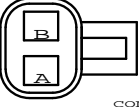
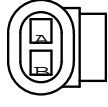
NAVISTAR, INC				ELECTRICAL CIRCUIT DIAGRAM				CHAPTER 13			
THIS PRINT IS PROVIDED ON A RESTRICTED BASIS AND IS NOT TO BE USED IN ANY WAY DETRIMENTAL TO THE INTEREST OF NAVISTAR, INC.								CONNECTOR BODY COMPOSITES MATING VIEW SHOWN			
HALDEX DRAIN VALVE (9001A) (LOCATED NEAR LEFT SIDE AIR TANKS)						LS BOC HTD DRAIN VALVE (9003) (LOCATED NEAR LEFT SIDE AIR TANKS)					
											
CONNECTOR 0587568C91						W/ DURASTAR CONNECTOR 1671610C1 BODY LOCK 1671608C1					
CAV	CIRCUIT	GAUGE	COLOR	TERMINAL	SEAL/SLEEVE	CAV	CIRCUIT	GAUGE	COLOR	TERMINAL	SEAL/SLEEVE
A	N39A	18	GY	0587568C1	1652325C1	A	N39A	18	GY	2033819C1	1652325C1
B	N39-GF	18	WH	0587568C1	1652325C1	B	N39-GF	18	WH	2033819C1	1652325C1
LT SIDE PERP TO RAIL BOC MTD HEATED DRAIN VALVE (9003K) (LOCATED IN CHASSIS)						FOS PERP TO RAIL MTD HEATED DRAIN VALVE (9003L) (LOCATED IN CHASSIS)					
											
CONNECTOR 1671610C1 BODY LOCK 1671608C1						CONNECTOR 1671610C1 BODY LOCK 1671608C1					
CAV	CIRCUIT	GA	COLOR	TERMINAL	SEAL/SLV	CAV	CIRCUIT	GA	COLOR	TERMINAL	SEAL/SLV
A	N39A	18	GY	2033819C1	1652325C1	A	N39A	18	GY	2033819C1	1652325C1
B	N39-GF	18	WH	2033819C1	1652325C1	B	N39-GF	18	WH	2033819C1	1652325C1
HTD DRAIN VALVE LSM UNDERCAB (9004) (LOCATED NEAR LEFT SIDE AIR TANKS)						AF FUEL SENDER (9100) (LOCATED ON LEFT SIDE FUEL TANK)					
											
W/ WORKSTAR CONNECTOR 1671610C1 BODY LOCK 1671608C1						CONNECTOR 1661778C1 BODY LOCK 1661874C1					
CAV	CIRCUIT	GAUGE	COLOR	TERMINAL	SEAL/SLEEVE	CAV	CIRCUIT	GAUGE	COLOR	TERMINAL	SEAL/SLEEVE
A	N39A	18	GY	2033819C1	1652325C1	A	R36	18	TN	1661875C1	1661872C1
B	N39-G	18	WH	2033819C1	1652325C1	B	R9D	18	GY	1661875C1	1661872C1
LEFT UC FUEL SENDER / LSM SENDER (9100) (LOCATED ON LEFT SIDE FUEL TANK)						LSM BOC FUEL SENDER / FUEL SENDER (9100A) (LOCATED ON FUEL TANK)					
W/ WORKSTAR * W/ IBB ENGINE W/ DURASTAR # W/ CUMMINS ISB ENGINE ** W/ LEFT SIDE MTD SINGLE TANK UNDER CAB						CONNECTOR 1661778C1 BODY LOCK 1661874C1					
CAV	CIRCUIT	GAUGE	COLOR	TERMINAL	SEAL/SLEEVE	CAV	CIRCUIT	GAUGE	COLOR	TERMINAL	SEAL/SLEEVE
A*	N36A	18	GY	1661875C1	1661872C1	A#	N36B	18	TN	1661875C1	1661872C1
A#	N36B	18	TN	1661875C1	1661872C1	A*	N36A	18	GY	1661875C1	1661872C1
B*	N9-G	18	GY	1661875C1	1661872C1	B#	N9A	18	GY	1661875C1	1661872C1
B#	N9A	18	GY	1661875C1	1661872C1	B*	N9-G	18	GY	1661875C1	1661872C1
A**	N36A	18	TN	1661875C1	1661872C1	* LEFT SIDE MTD SINGLE TANK BOC-MID CAB # DUAL UNCAB TANK FOR MEDIUM CAB					
ICHD	DATE	CHANGE	REV	REFERENCE	DRAWN	NAME					
0488	24MAR15	REVISED AND REDRAWN.	G	92927M	310615	CIRCUIT DIAGRAM, 42/43/44/85/8600 & 73/74/7500					
					RELEASE NO.	DATE	PART NO.	SHEET			
					61229V	12JUN09	AE08058187	116			

Figure 762 Connector Composites (9001A), (9003), (9003K), (9003L), (9004), (9100), (9100A)

13.246. CONNECTOR COMPOSITES (9100B), (9100C), (9101), (9101A), (9102A / 9102), (9102B), (9102C), (9102D / 9102W), (9102E), (9103 / 9102V / 9102X), (9103A), P. 117

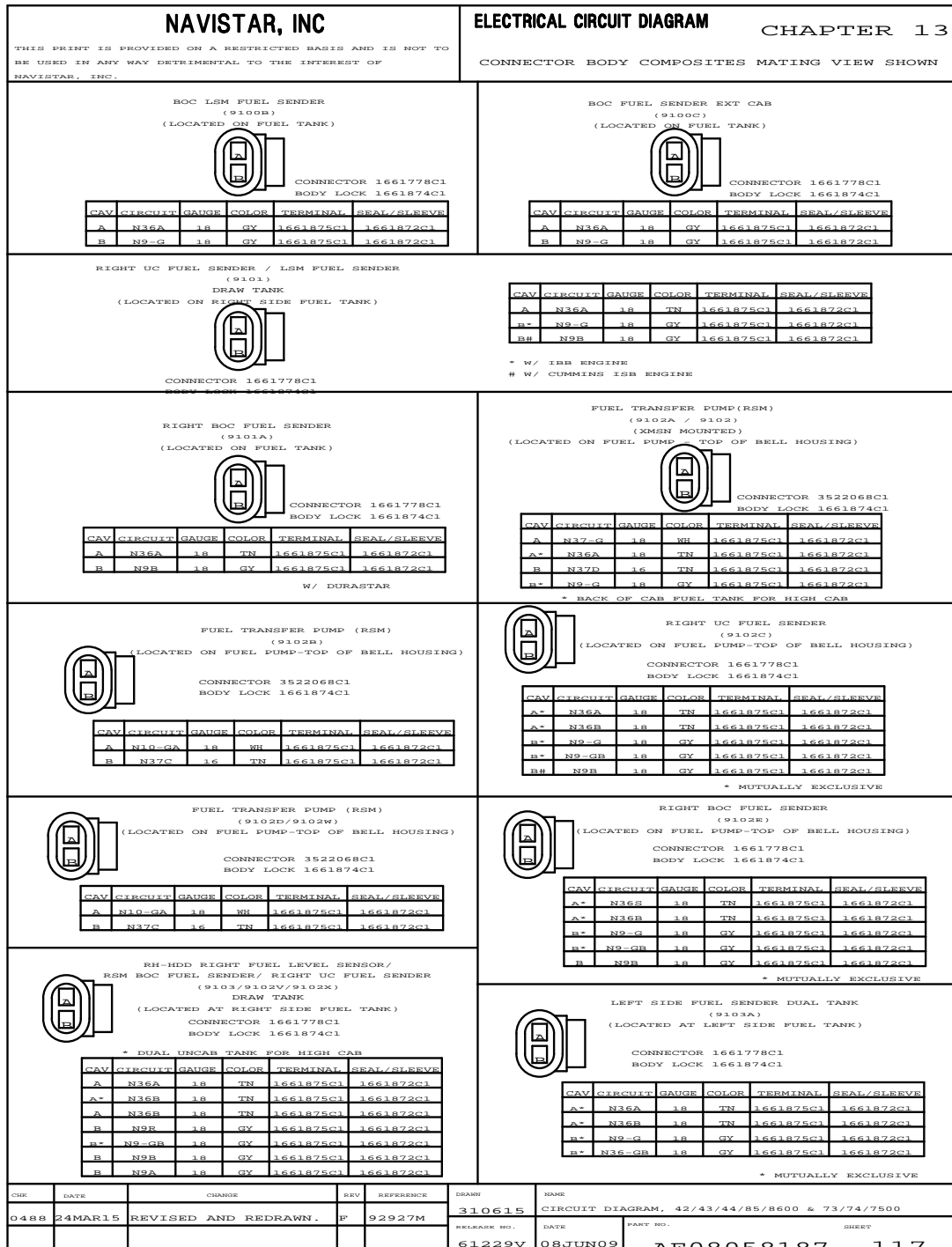


Figure 763 Connector Composites (9100B), (9100C), (9101), (9101A), (9102A / 9102), (9102B), (9102C), (9102D / 9102W), (9102E), (9103 / 9102V / 9102X), (9103A)

13.247. CONNECTOR COMPOSITES (9108A), (9108B), (9108C), (9108D), (9108E), (9108F), (9108G), P. 118

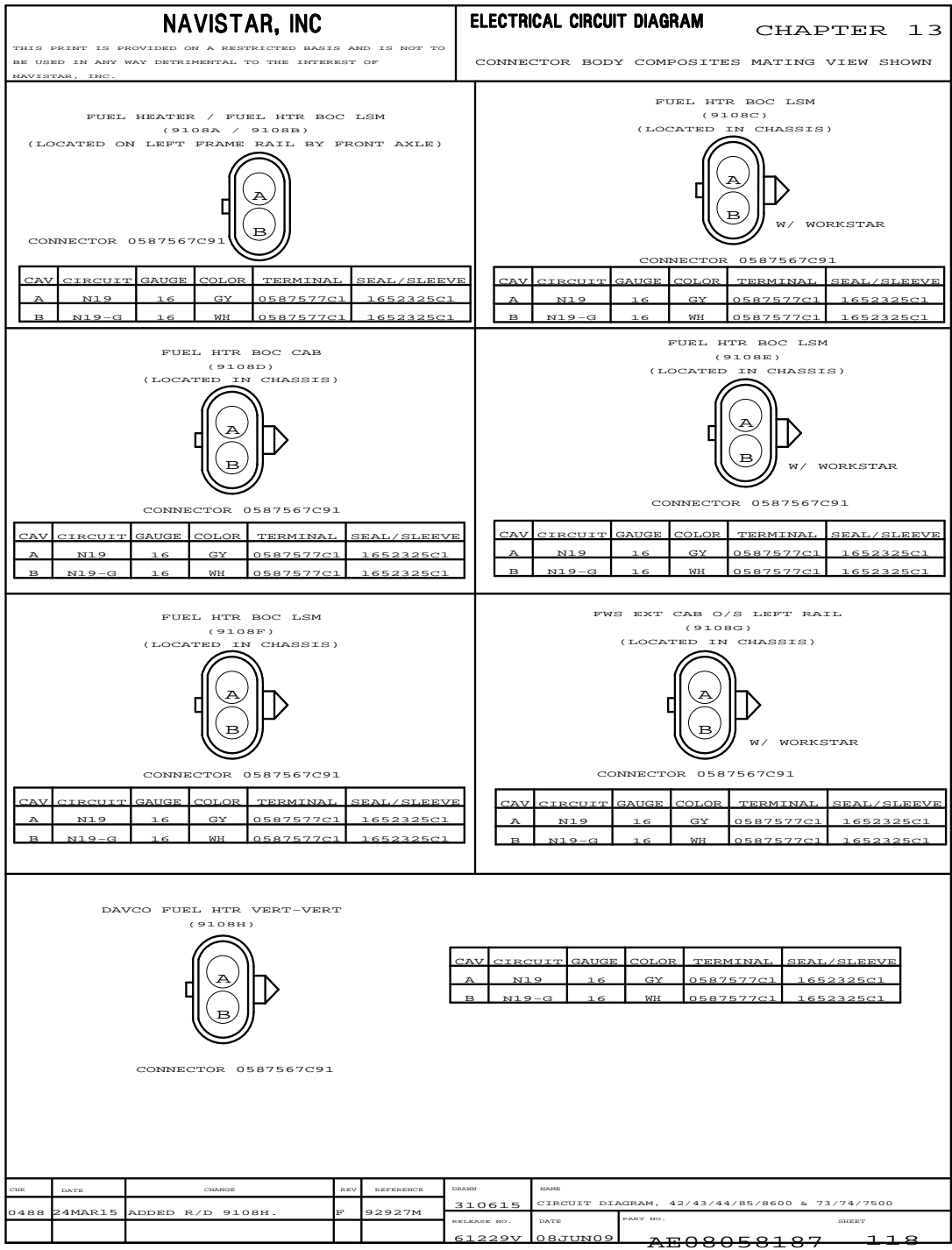


Figure 764 Connector Composites (9108A), (9108B), (9108C), (9108D), (9108E), (9108F), (9108G)

13.248. CONNECTOR COMPOSITES (9109), (9120), (9120A), (9250), (9251), (9251A), P. 119

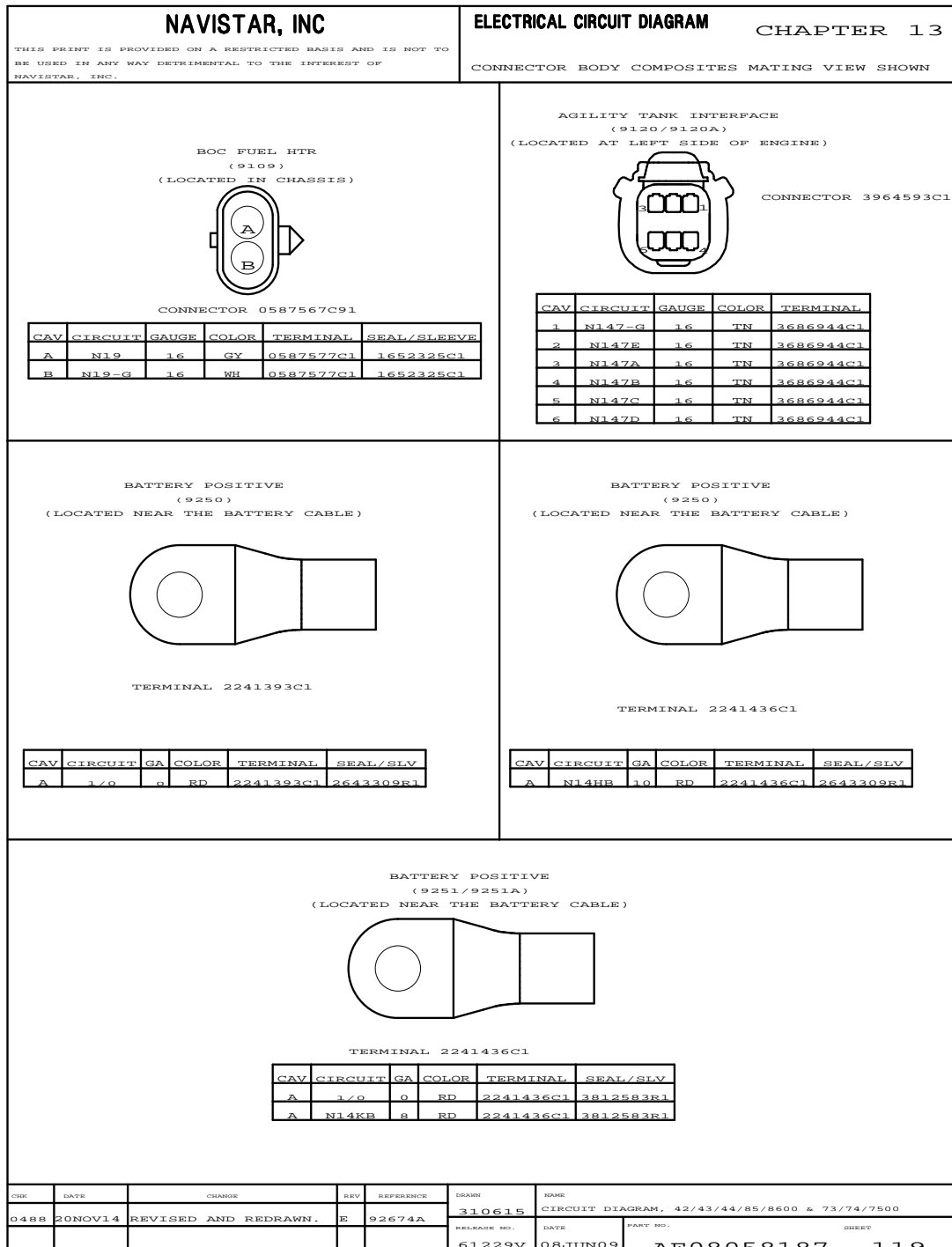


Figure 765 Connector Composites (9109), (9120), (9120A), (9250), (9251), (9251A)

13.249. CONNECTOR COMPOSITES (9260), (9261), (9263F), (9264F), P. 120

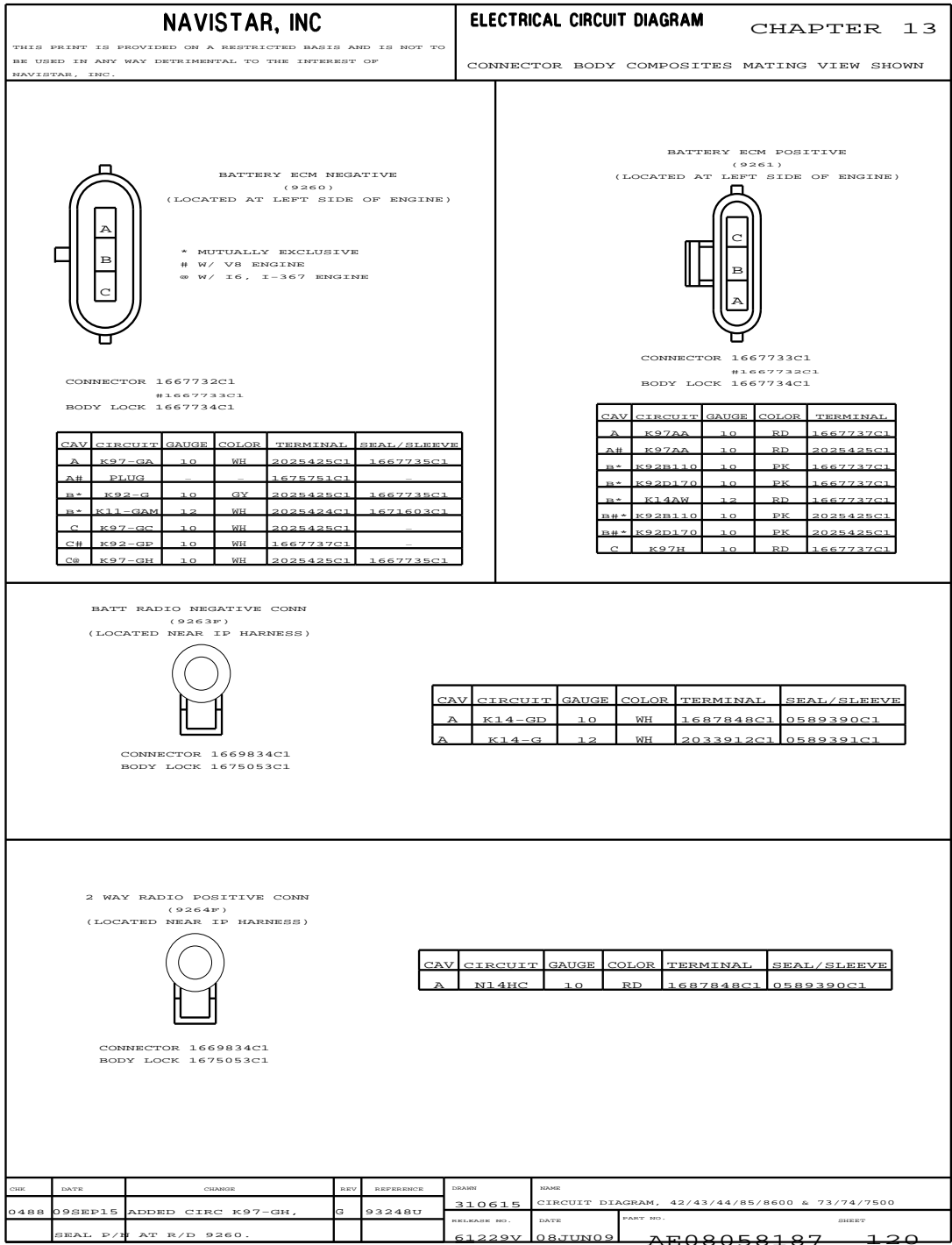


Figure 766 Connector Composites (9260), (9261), (9263F), (9264F)

13.250. CONNECTOR COMPOSITES (9264M), (9265), (9266), (9269), (9270), (9280), P. 121

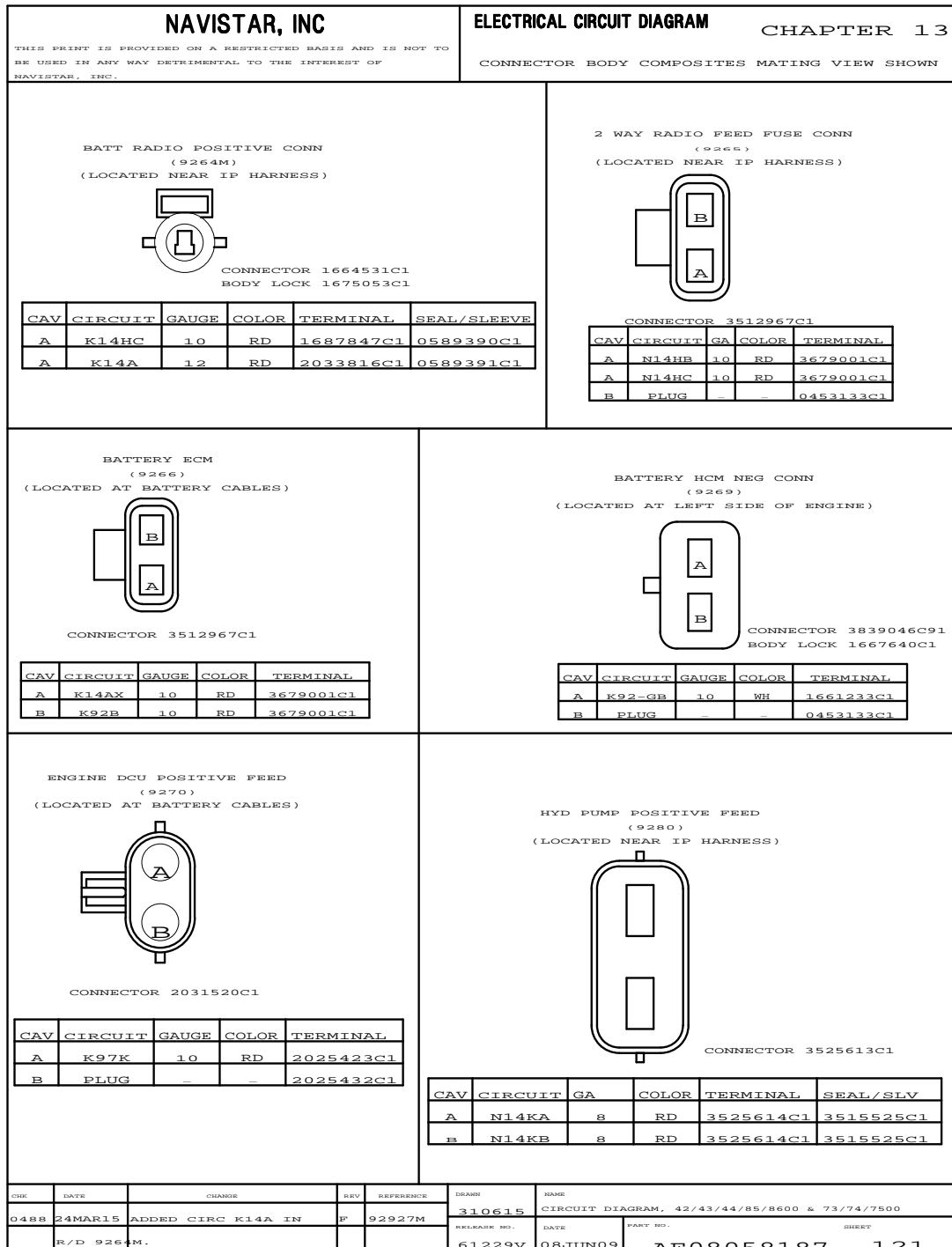


Figure 767 Connector Composites (9264M), (9265), (9266), (9269), (9270), (9280)

13.251. CONNECTOR COMPOSITES (9300), P. 122

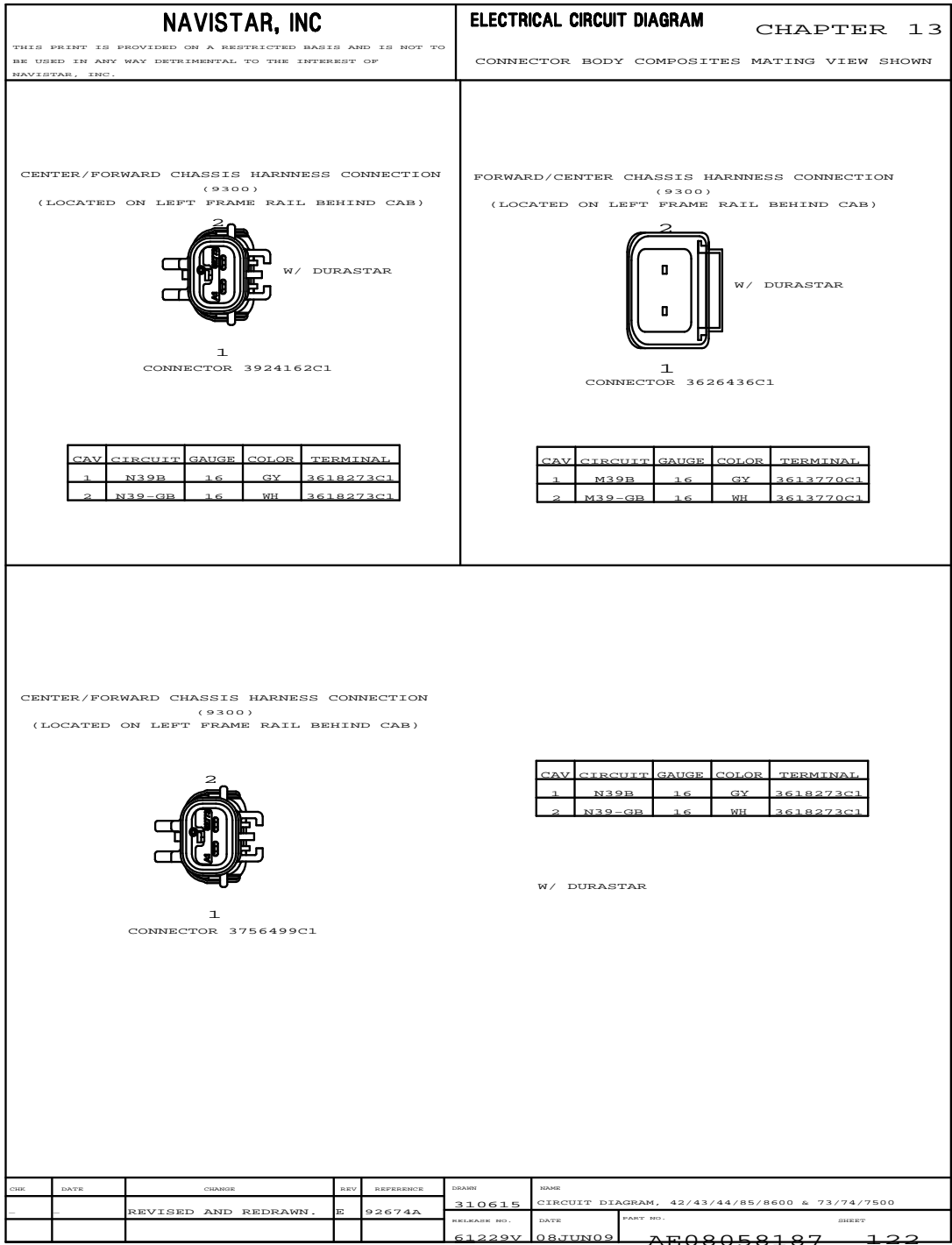


Figure 768 Connector Composites (9300)

13.252. CONNECTOR COMPOSITES (9300), P. 123

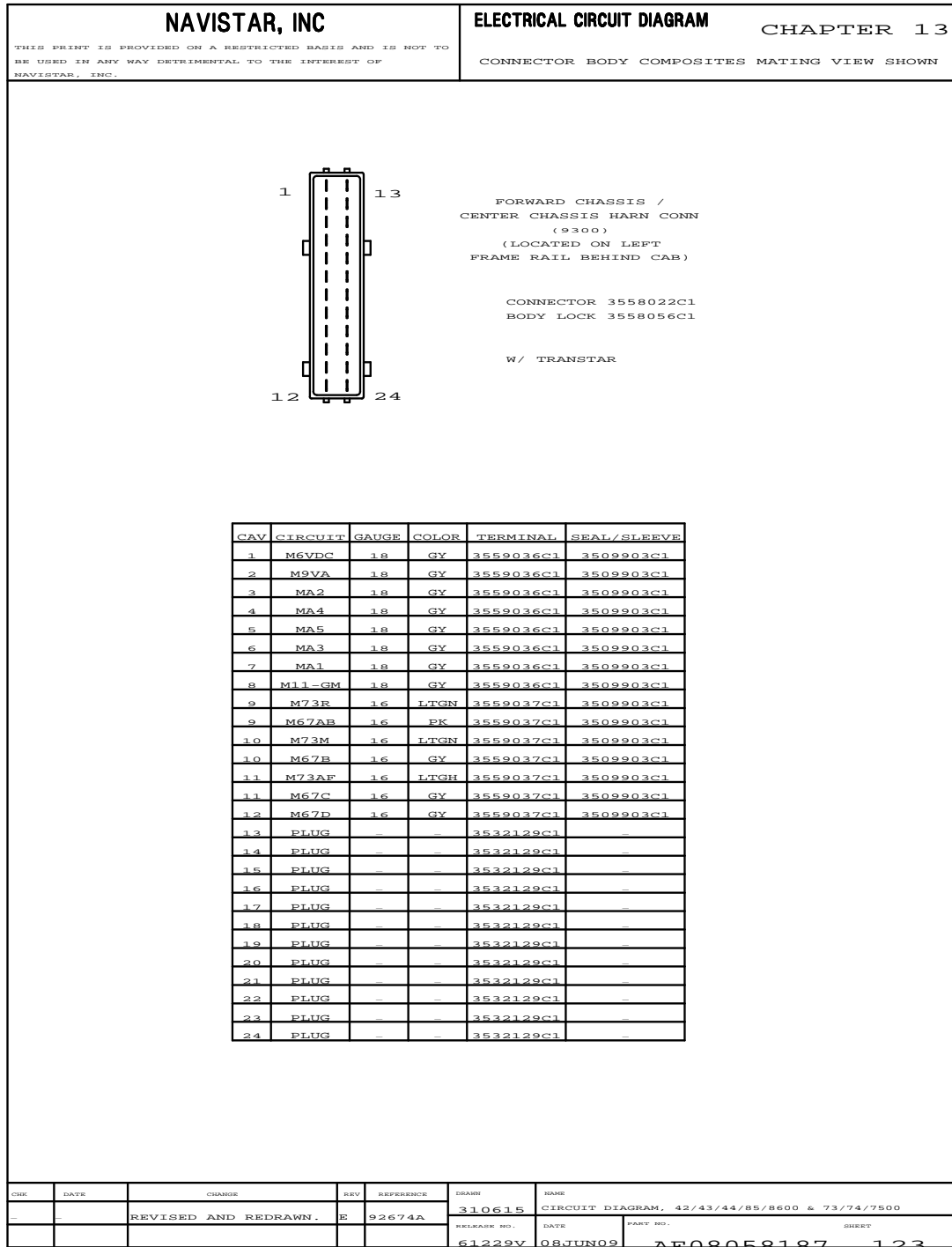


Figure 769 Connector Composites (9300)

13.253. CONNECTOR COMPOSITES (9300), P. 124

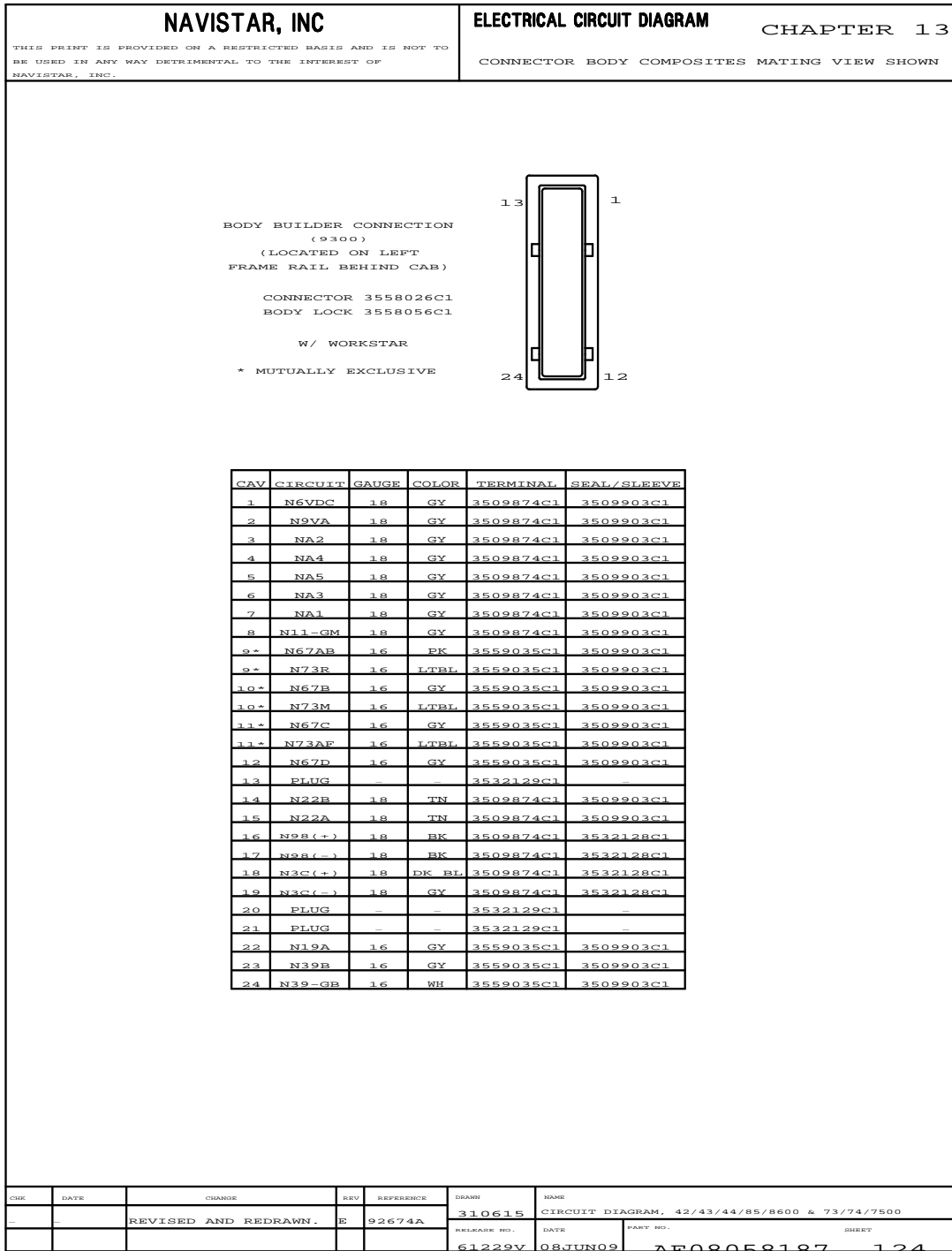


Figure 770 Connector Composites (9300)

13.254. CONNECTOR COMPOSITES (9301), (9303A), (9303D), P. 125

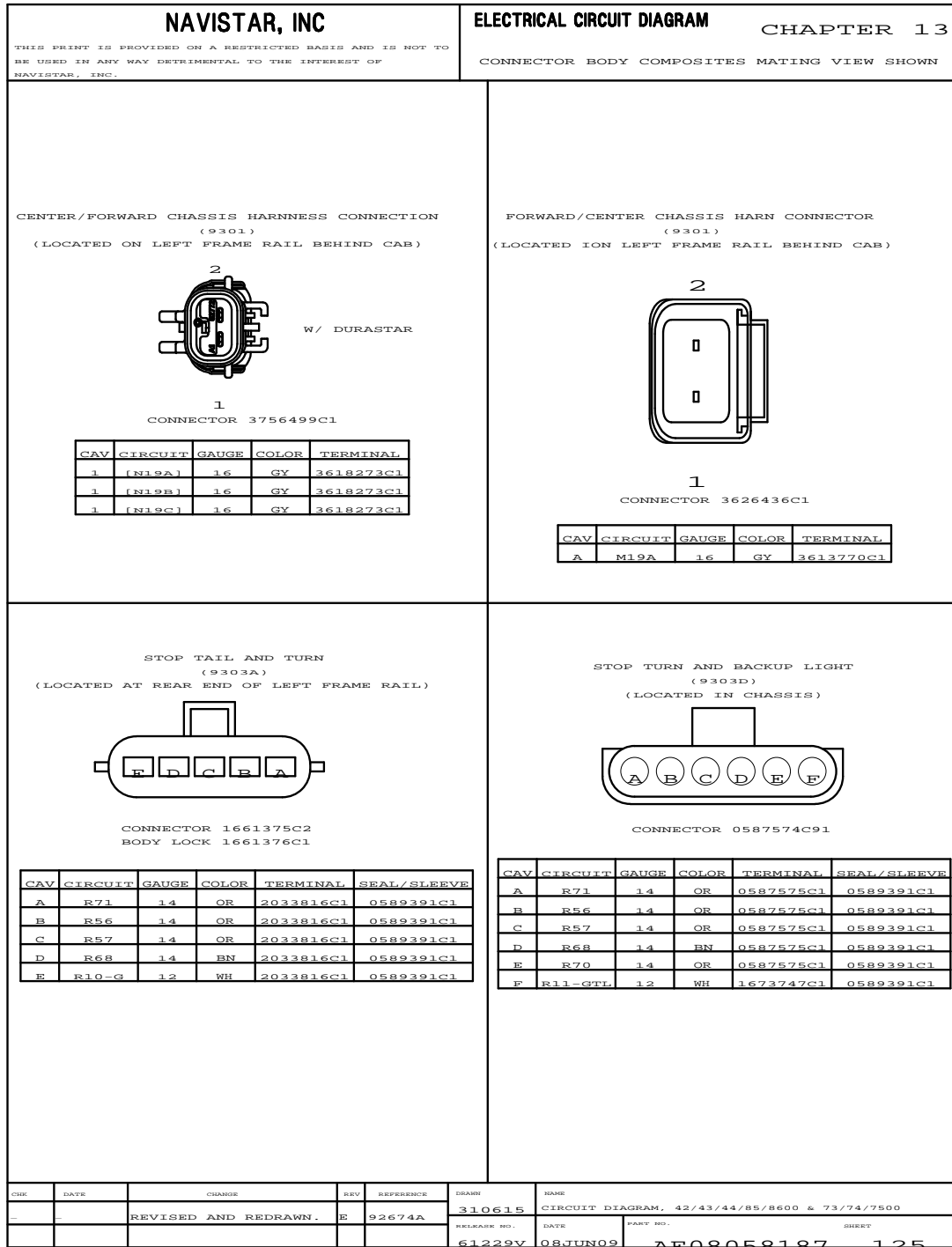


Figure 771 Connector Composites (9301), (9303A), (9303D)

13.255. CONNECTOR COMPOSITES (9310), (9311), (9315), (9316), (9357), P. 126

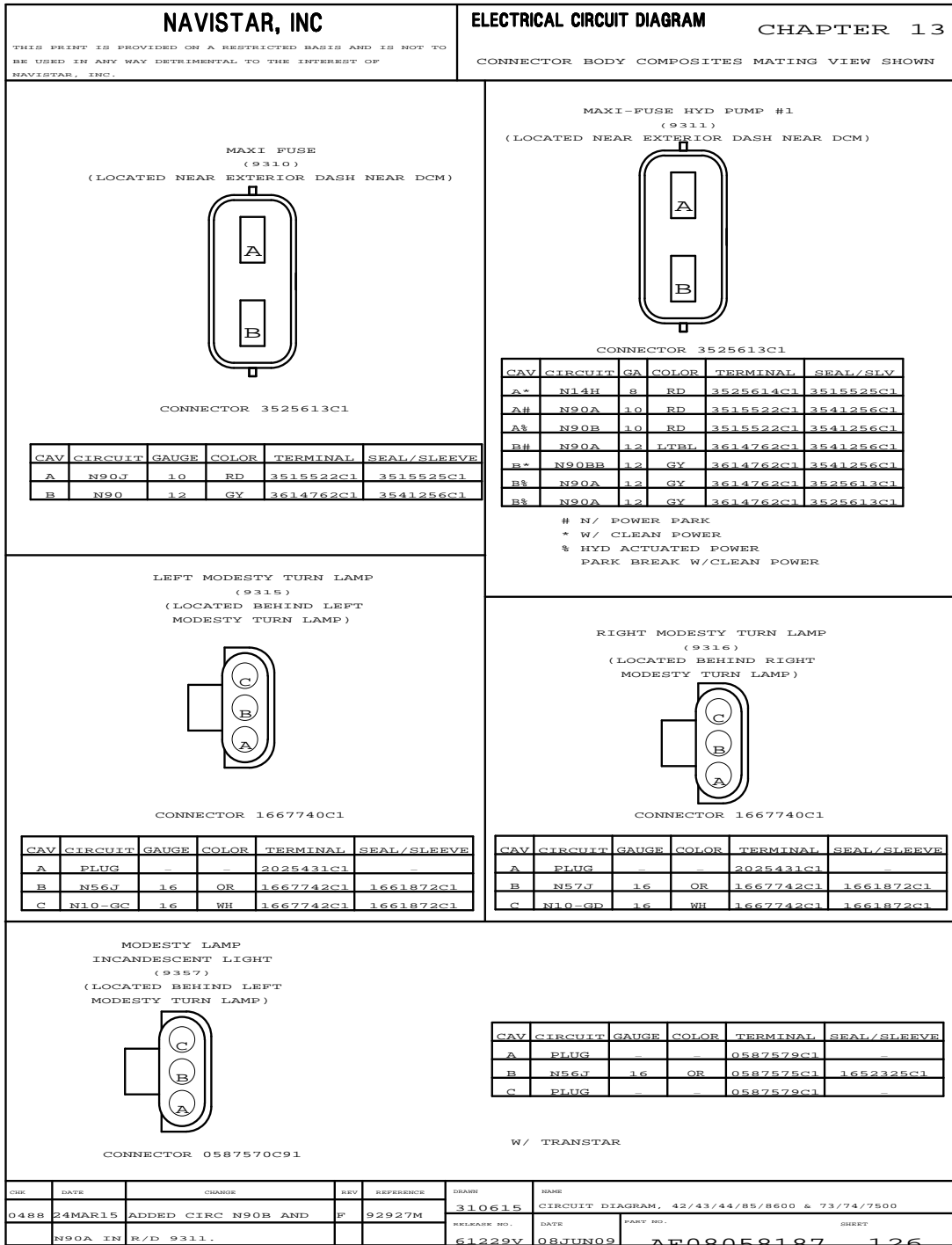


Figure 772 Connector Composites (9310), (9311), (9315), (9316), (9357)

13.256. CONNECTOR COMPOSITES (9501), (9501A), (9502), (9502A), P. 127

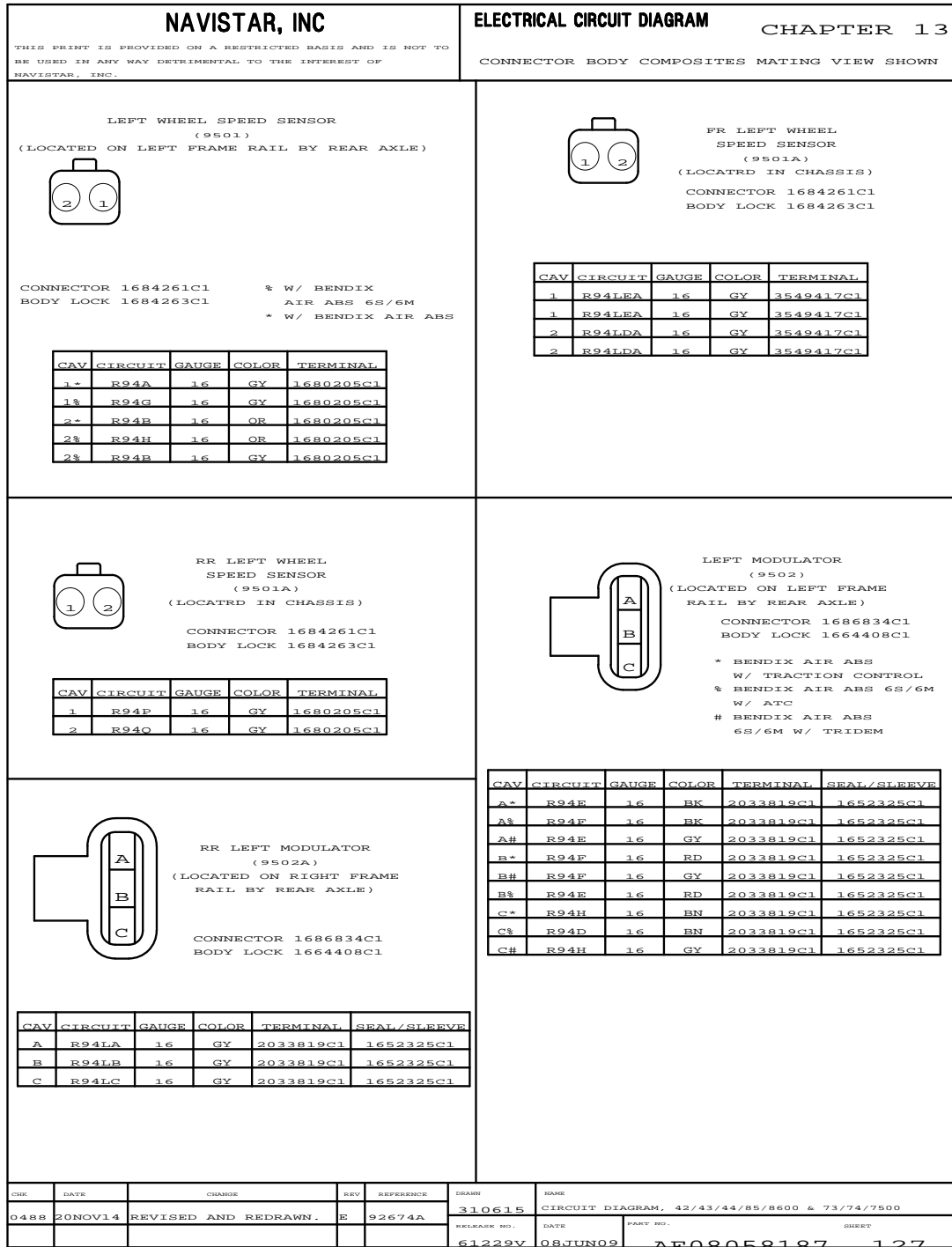


Figure 773 Connector Composites (9501), (9501A), (9502), (9502A)

13.257. CONNECTOR COMPOSITES (9503), (9503A), (9504), P. 128

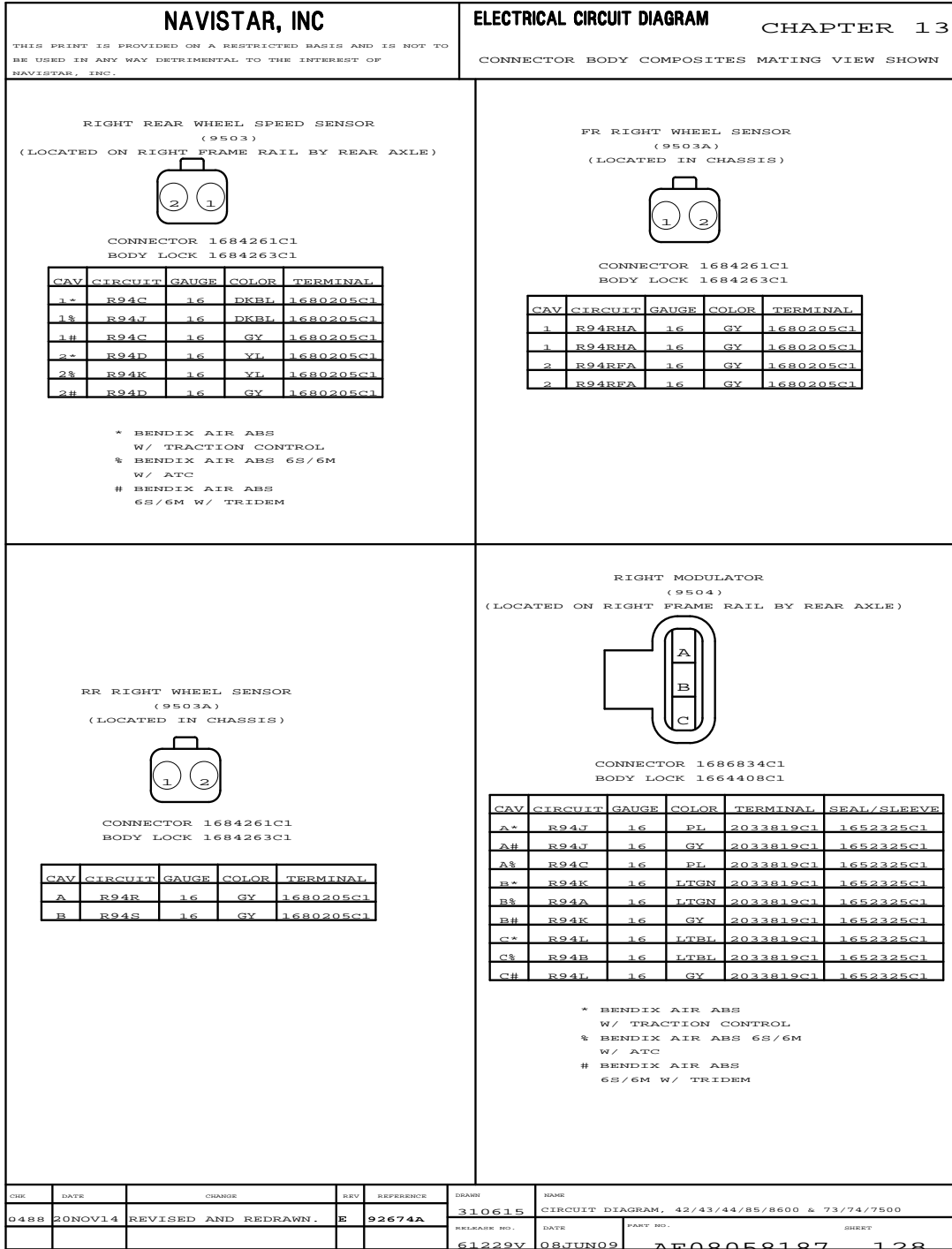


Figure 774 Connector Composites (9503), (9503A), (9504)

13.258. CONNECTOR COMPOSITES (9504A), (9505), (9506), P. 129

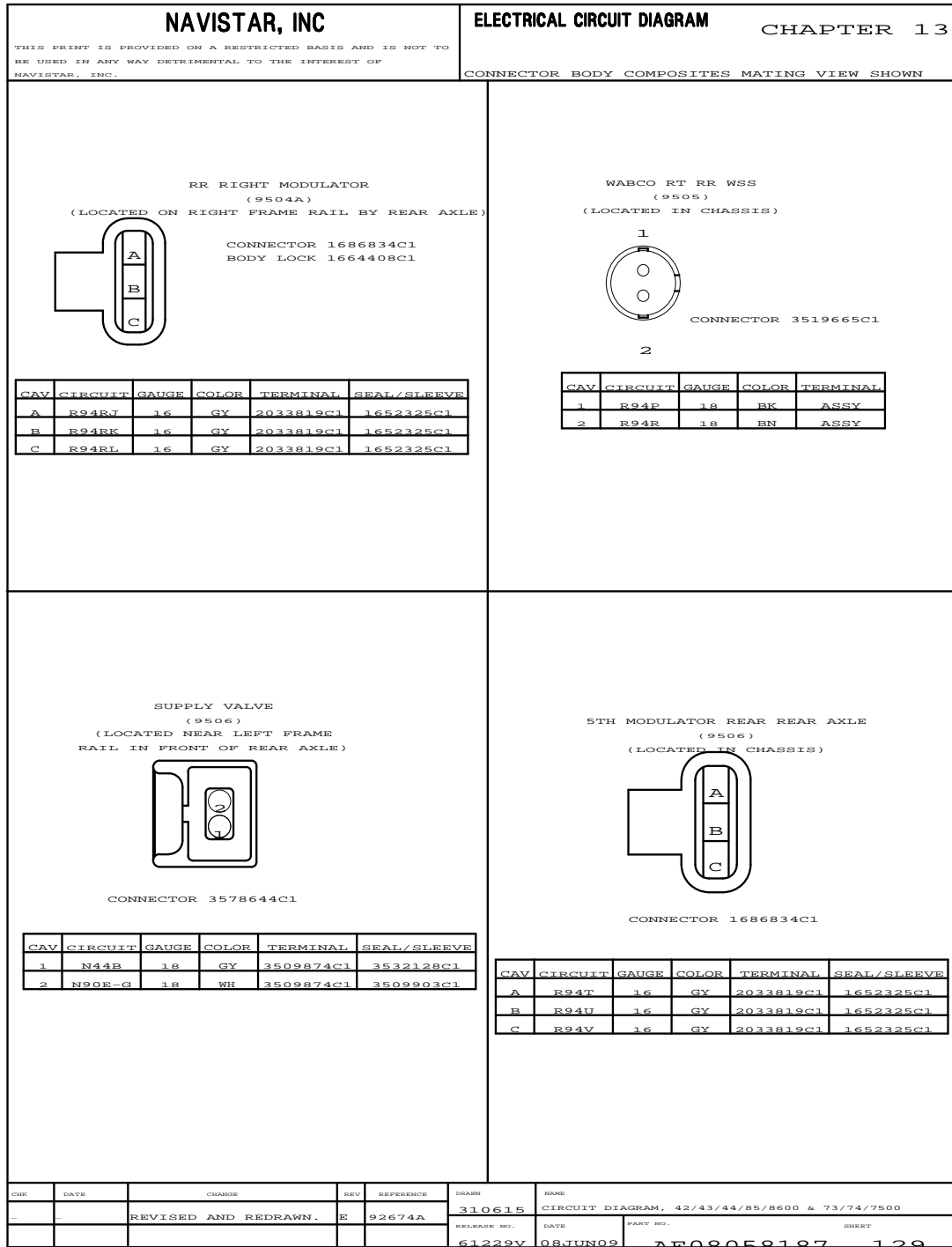


Figure 775 Connector Composites (9504A), (9505), (9506)

13.259. CONNECTOR COMPOSITES (9510), (9510A), (9510B), P. 130

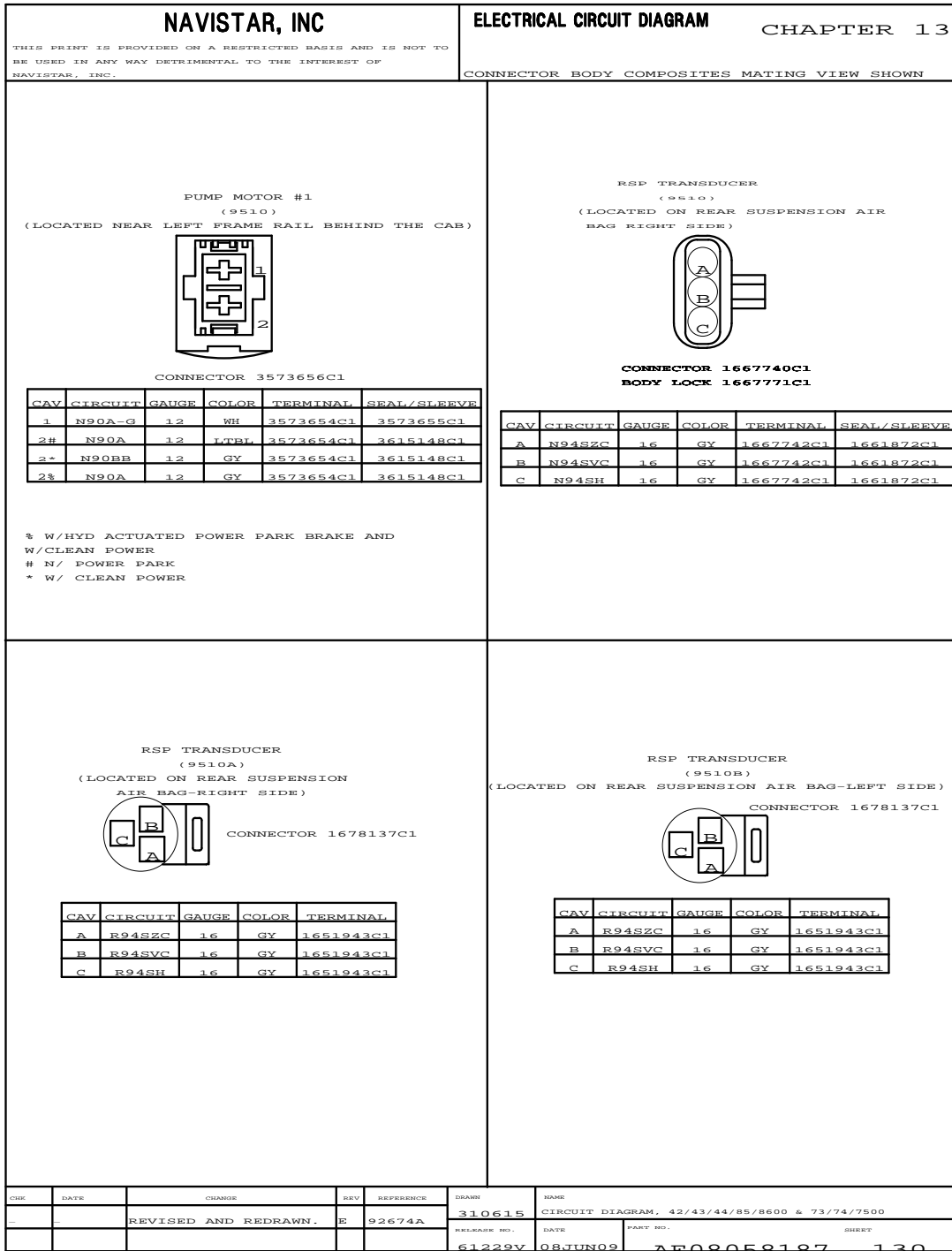


Figure 776 Connector Composites (9510), (9510A), (9510B)

13.260. CONNECTOR COMPOSITES (9510F), (9510H), (9510M), P. 131

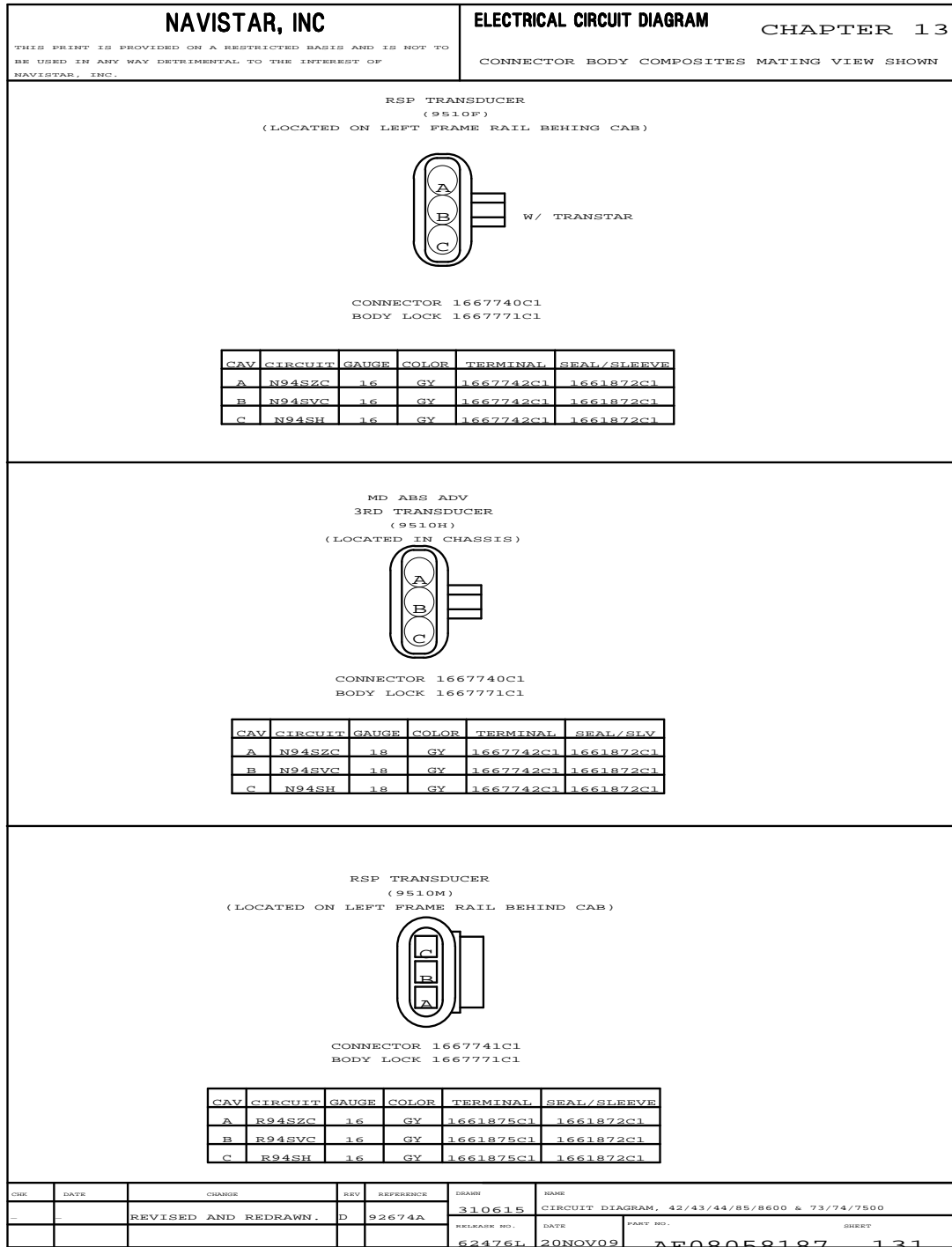


Figure 777 Connector Composites (9510F), (9510H), (9510M)

13.261. CONNECTOR COMPOSITES (9511), P. 132

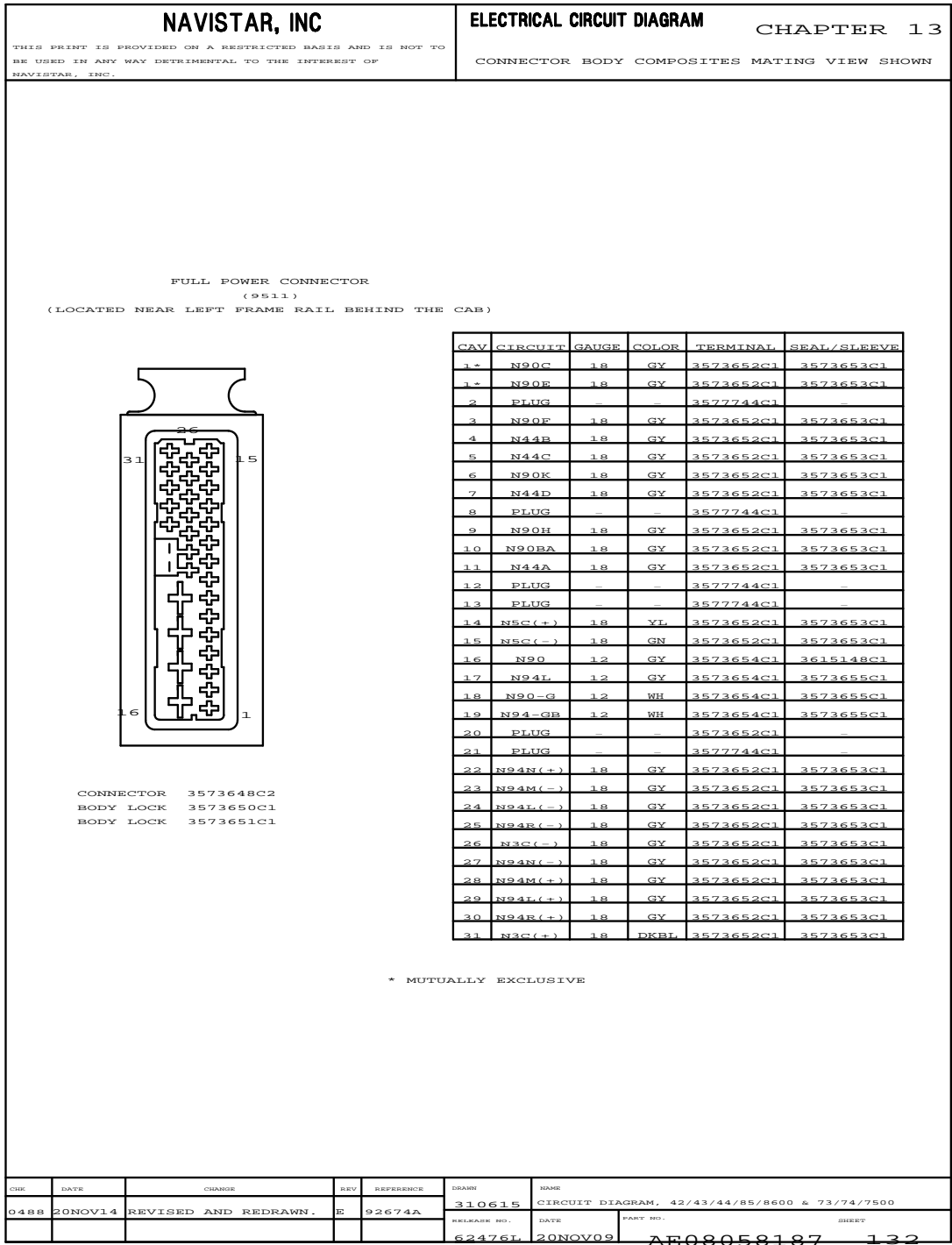


Figure 778 Connector Composites (9511)

13.262. CONNECTOR COMPOSITES (9511K), P. 133

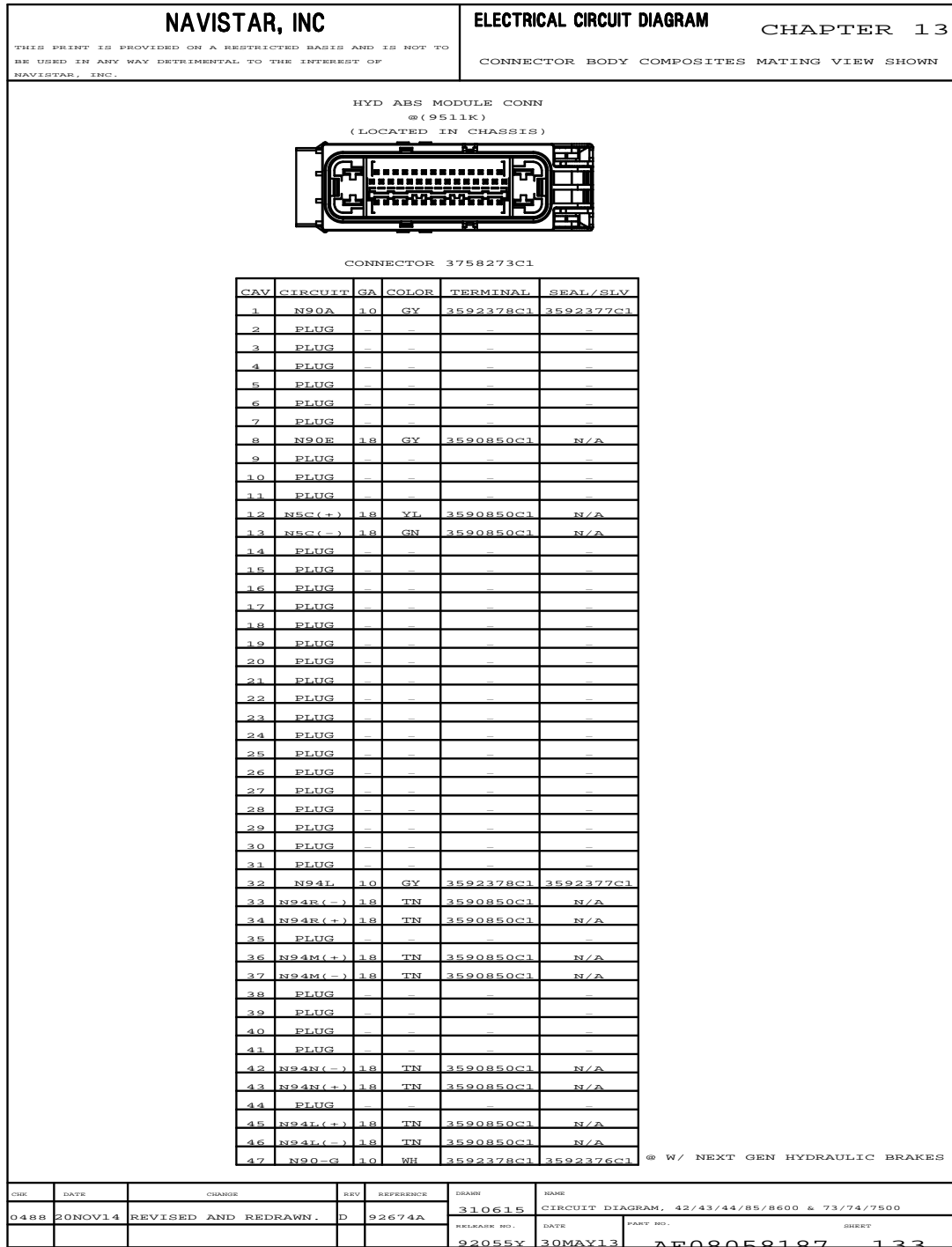


Figure 779 Connector Composites (9511K)

13.263. CONNECTOR COMPOSITES (9512), (9512A), (9512C), (9513), (9513A), (9513B), P. 134

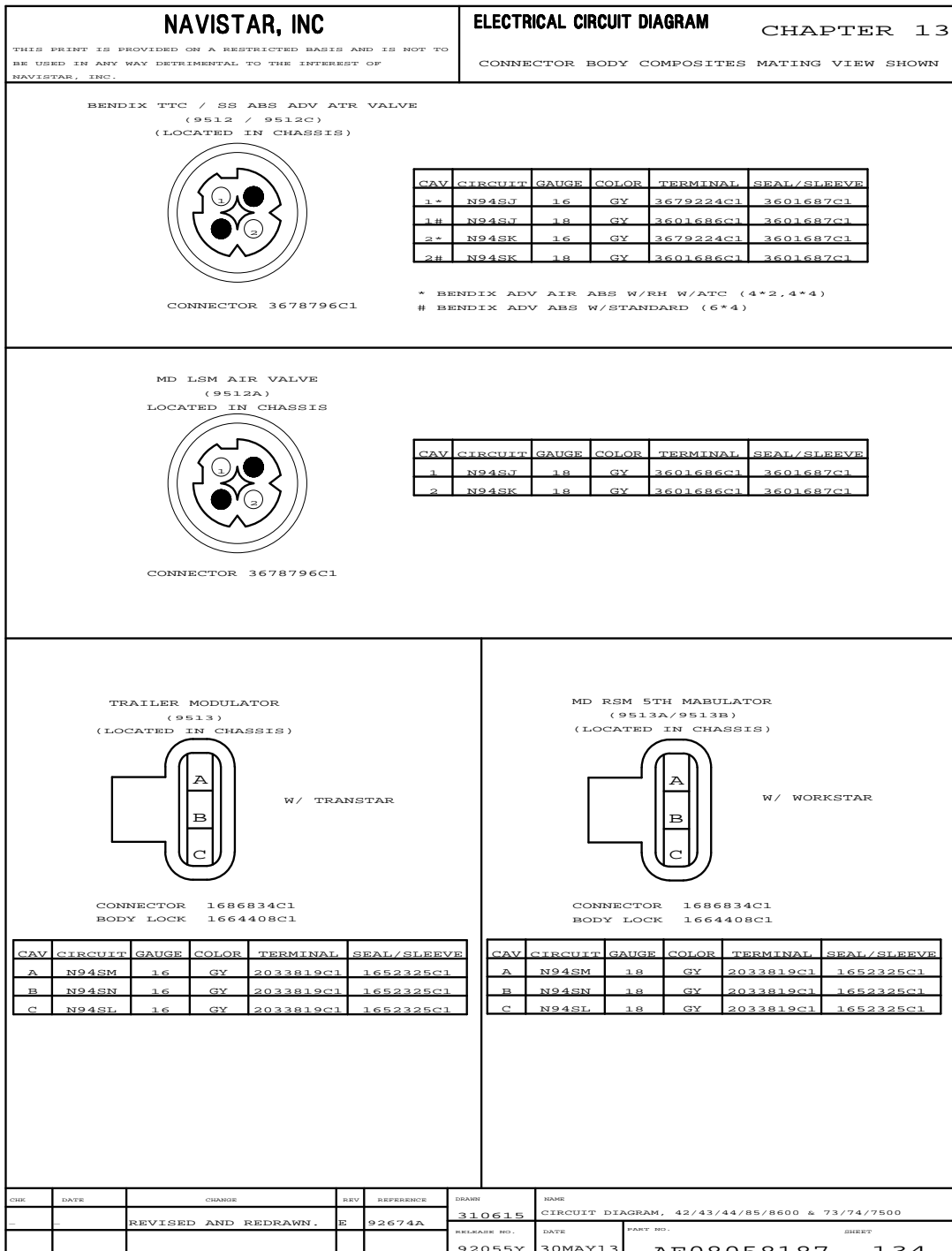


Figure 780 Connector Composites (9512), (9512A), (9512C), (9513), (9513A), (9513B)

13.264. CONNECTOR COMPOSITES (9514), (9514D), (9514F), (9516), (9516M), P. 135

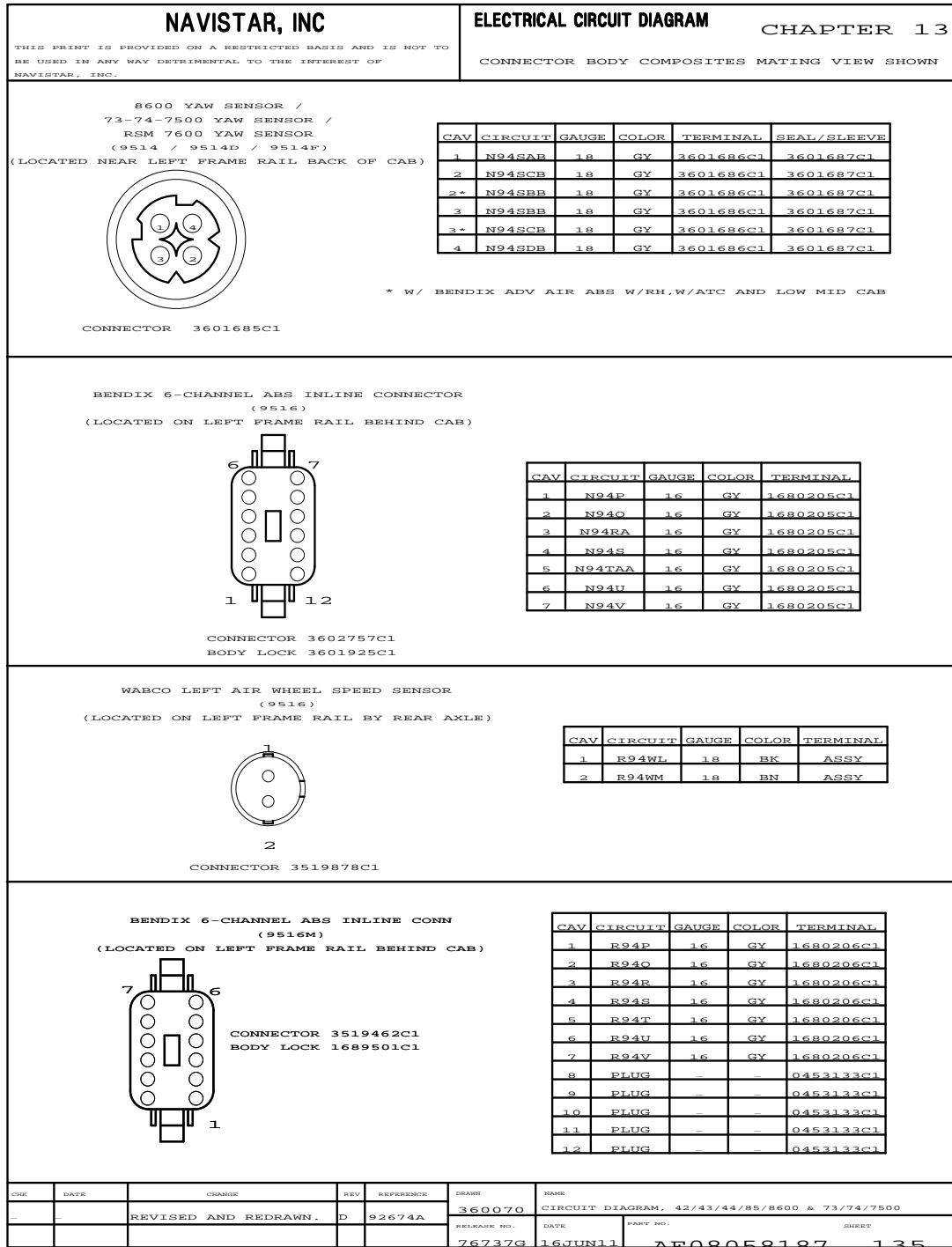


Figure 781 Connector Composites (9514), (9514D), (9514F), (9516), (9516M)

13.265. CONNECTOR COMPOSITES (9517), (9518), (9519), (9520), (9521), P. 136

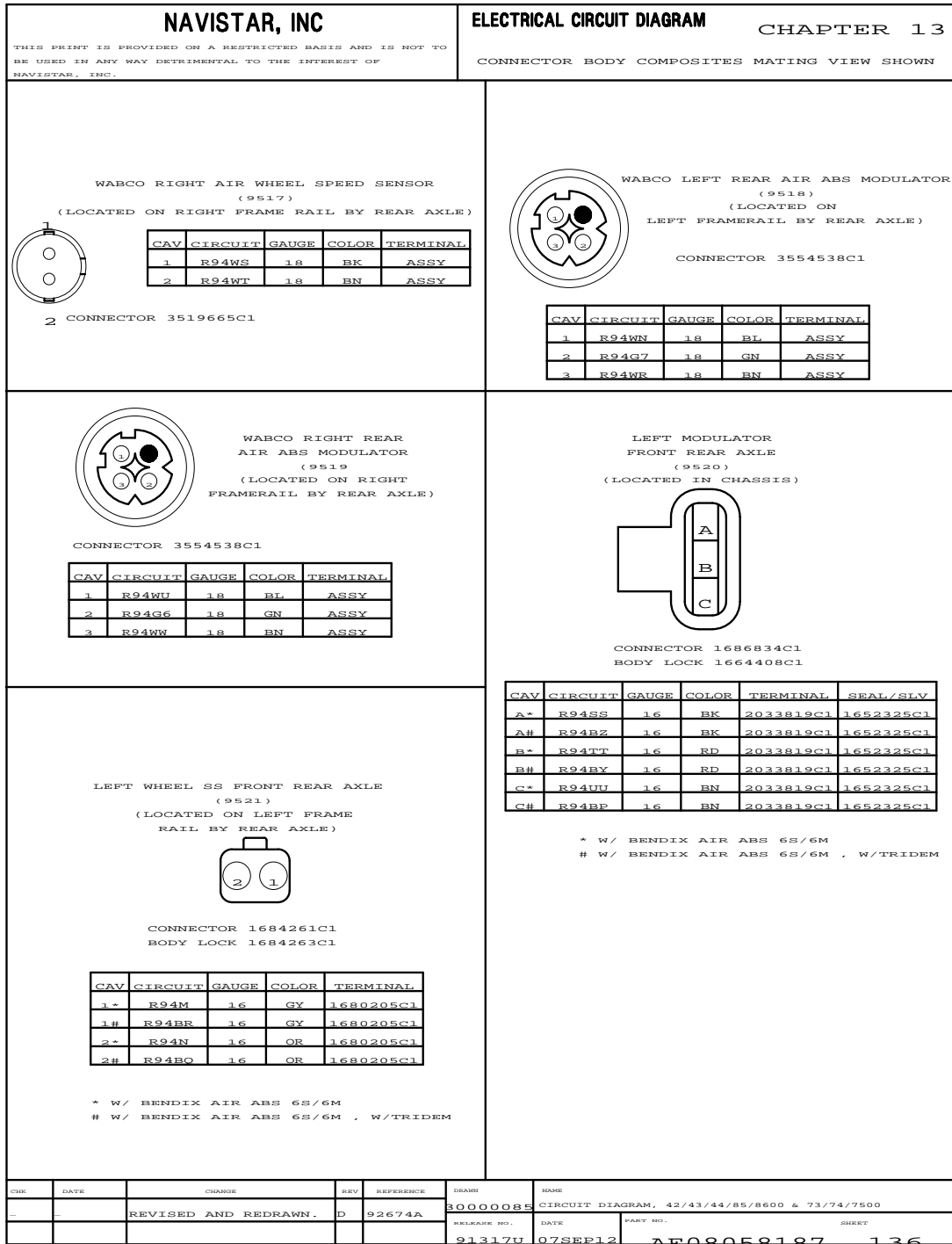


Figure 782 Connector Composites (9517), (9518), (9519), (9520), (9521)

13.266. CONNECTOR COMPOSITES (9522), (9523), (9524), P. 137

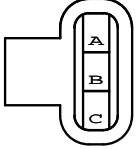
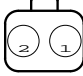
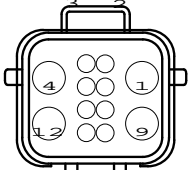
NAVISTAR, INC				ELECTRICAL CIRCUIT DIAGRAM		CHAPTER 13																																																																																																																				
THIS PRINT IS PROVIDED ON A RESTRICTED BASIS AND IS NOT TO BE USED IN ANY WAY DETRIMENTAL TO THE INTEREST OF NAVISTAR, INC.				CONNECTOR BODY COMPOSITES MATING VIEW SHOWN																																																																																																																						
<p>RIGHT MODULATOR FRONT REAR AXLE (9522) (LOCATED ON RIGHT FRAME RAIL BY REAR AXLE)</p>  <p>CONNECTOR 1686834C1 BODY LOCK 1664408C1</p>				<table border="1" style="width: 100%; border-collapse: collapse; font-size: x-small;"> <thead> <tr> <th>CAV</th> <th>CIRCUIT</th> <th>GAUGE</th> <th>COLOR</th> <th>TERMINAL</th> <th>SEAL/SLV</th> </tr> </thead> <tbody> <tr><td>A*</td><td>R94VV</td><td>16</td><td>PL</td><td>2033819C1</td><td>1652325C1</td></tr> <tr><td>A#</td><td>R94BS</td><td>16</td><td>PL</td><td>2033819C1</td><td>1652325C1</td></tr> <tr><td>B*</td><td>R94W</td><td>16</td><td>LT GN</td><td>2033819C1</td><td>1652325C1</td></tr> <tr><td>B#</td><td>R94BT</td><td>16</td><td>LT GN</td><td>2033819C1</td><td>1652325C1</td></tr> <tr><td>C*</td><td>R94X</td><td>16</td><td>LT BL</td><td>2033819C1</td><td>1652325C1</td></tr> <tr><td>C#</td><td>R94BU</td><td>16</td><td>LT BL</td><td>2033819C1</td><td>1652325C1</td></tr> </tbody> </table> <p style="font-size: x-small;">* W/ BENDIX AIR ABS 6S/6M # W/ BENDIX AIR ABS 6S/6M , W/TRIDEM</p>				CAV	CIRCUIT	GAUGE	COLOR	TERMINAL	SEAL/SLV	A*	R94VV	16	PL	2033819C1	1652325C1	A#	R94BS	16	PL	2033819C1	1652325C1	B*	R94W	16	LT GN	2033819C1	1652325C1	B#	R94BT	16	LT GN	2033819C1	1652325C1	C*	R94X	16	LT BL	2033819C1	1652325C1	C#	R94BU	16	LT BL	2033819C1	1652325C1																																																																									
CAV	CIRCUIT	GAUGE	COLOR	TERMINAL	SEAL/SLV																																																																																																																					
A*	R94VV	16	PL	2033819C1	1652325C1																																																																																																																					
A#	R94BS	16	PL	2033819C1	1652325C1																																																																																																																					
B*	R94W	16	LT GN	2033819C1	1652325C1																																																																																																																					
B#	R94BT	16	LT GN	2033819C1	1652325C1																																																																																																																					
C*	R94X	16	LT BL	2033819C1	1652325C1																																																																																																																					
C#	R94BU	16	LT BL	2033819C1	1652325C1																																																																																																																					
<p>RIGHT WHEEL SS FRONT REAR AXLE (9523) (LOCATED ON RIGHT FRAME RAIL BY REAR AXLE)</p>  <p>CONNECTOR 1684261C1 BODY LOCK 1684263C1</p>				<table border="1" style="width: 100%; border-collapse: collapse; font-size: x-small;"> <thead> <tr> <th>CAV</th> <th>CIRCUIT</th> <th>GAUGE</th> <th>COLOR</th> <th>TERMINAL</th> </tr> </thead> <tbody> <tr><td>1*</td><td>R94PP</td><td>16</td><td>DK BL</td><td>1680205C1</td></tr> <tr><td>1#</td><td>R94BW</td><td>16</td><td>DK BL</td><td>1680205C1</td></tr> <tr><td>2*</td><td>R94RR</td><td>16</td><td>YL</td><td>1680205C1</td></tr> <tr><td>2#</td><td>R94BV</td><td>16</td><td>YL</td><td>1680205C1</td></tr> </tbody> </table> <p style="font-size: x-small;">* W/ BENDIX AIR ABS 6S/6M # W/ BENDIX AIR ABS 6S/6M , W/TRIDEM</p>				CAV	CIRCUIT	GAUGE	COLOR	TERMINAL	1*	R94PP	16	DK BL	1680205C1	1#	R94BW	16	DK BL	1680205C1	2*	R94RR	16	YL	1680205C1	2#	R94BV	16	YL	1680205C1																																																																																										
CAV	CIRCUIT	GAUGE	COLOR	TERMINAL																																																																																																																						
1*	R94PP	16	DK BL	1680205C1																																																																																																																						
1#	R94BW	16	DK BL	1680205C1																																																																																																																						
2*	R94RR	16	YL	1680205C1																																																																																																																						
2#	R94BV	16	YL	1680205C1																																																																																																																						
<p>ABS 6S / 6M (9524) (LOCATED ON LEFT FRAME RAIL BEHIND CAB)</p>  <p>CONNECTOR 3576268C1 BODY LOCK 3576263C1</p>				<table border="1" style="width: 100%; border-collapse: collapse; font-size: x-small;"> <thead> <tr> <th>CAV</th> <th>CIRCUIT</th> <th>GAUGE</th> <th>COLOR</th> <th>TERMINAL</th> </tr> </thead> <tbody> <tr><td>1*</td><td>R94A</td><td>16</td><td>GY</td><td>3574288C1</td></tr> <tr><td>1*</td><td>R94G</td><td>16</td><td>GY</td><td>3574288C1</td></tr> <tr><td>2*</td><td>R94E</td><td>16</td><td>GY</td><td>3574285C1</td></tr> <tr><td>2*</td><td>R94F</td><td>16</td><td>BK</td><td>3574285C1</td></tr> <tr><td>3*</td><td>R94L</td><td>16</td><td>GY</td><td>3574285C1</td></tr> <tr><td>3*</td><td>R94C</td><td>16</td><td>PL</td><td>3574285C1</td></tr> <tr><td>4*</td><td>R94F</td><td>16</td><td>GY</td><td>3574288C1</td></tr> <tr><td>4*</td><td>R94T</td><td>16</td><td>DKBL</td><td>3574288C1</td></tr> <tr><td>5*</td><td>R94D</td><td>16</td><td>GY</td><td>3574285C1</td></tr> <tr><td>5*</td><td>R94E</td><td>16</td><td>RD</td><td>3574285C1</td></tr> <tr><td>5*</td><td>R94K</td><td>16</td><td>GY</td><td>3574285C1</td></tr> <tr><td>6*</td><td>R94A</td><td>16</td><td>LTGN</td><td>3574285C1</td></tr> <tr><td>7*</td><td>R94C</td><td>16</td><td>GY</td><td>3574285C1</td></tr> <tr><td>7*</td><td>R94D</td><td>16</td><td>BN</td><td>3574285C1</td></tr> <tr><td>8*</td><td>R94H</td><td>16</td><td>GY</td><td>3574285C1</td></tr> <tr><td>8*</td><td>R94B</td><td>16</td><td>LTBL</td><td>3574285C1</td></tr> <tr><td>9*</td><td>R94B</td><td>16</td><td>GY</td><td>3574288C1</td></tr> <tr><td>9*</td><td>R94H</td><td>16</td><td>OR</td><td>3574288C1</td></tr> <tr><td>10</td><td>PLUG</td><td>-</td><td>-</td><td>3527276C1</td></tr> <tr><td>11</td><td>PLUG</td><td>-</td><td>-</td><td>3527276C1</td></tr> <tr><td>12*</td><td>R94G</td><td>16</td><td>GY</td><td>3574288C1</td></tr> <tr><td>12*</td><td>R94K</td><td>16</td><td>YL</td><td>3574288C1</td></tr> </tbody> </table> <p style="text-align: center; font-size: x-small;">* MUTUALLY EXCLUSIVE</p>				CAV	CIRCUIT	GAUGE	COLOR	TERMINAL	1*	R94A	16	GY	3574288C1	1*	R94G	16	GY	3574288C1	2*	R94E	16	GY	3574285C1	2*	R94F	16	BK	3574285C1	3*	R94L	16	GY	3574285C1	3*	R94C	16	PL	3574285C1	4*	R94F	16	GY	3574288C1	4*	R94T	16	DKBL	3574288C1	5*	R94D	16	GY	3574285C1	5*	R94E	16	RD	3574285C1	5*	R94K	16	GY	3574285C1	6*	R94A	16	LTGN	3574285C1	7*	R94C	16	GY	3574285C1	7*	R94D	16	BN	3574285C1	8*	R94H	16	GY	3574285C1	8*	R94B	16	LTBL	3574285C1	9*	R94B	16	GY	3574288C1	9*	R94H	16	OR	3574288C1	10	PLUG	-	-	3527276C1	11	PLUG	-	-	3527276C1	12*	R94G	16	GY	3574288C1	12*	R94K	16	YL	3574288C1
CAV	CIRCUIT	GAUGE	COLOR	TERMINAL																																																																																																																						
1*	R94A	16	GY	3574288C1																																																																																																																						
1*	R94G	16	GY	3574288C1																																																																																																																						
2*	R94E	16	GY	3574285C1																																																																																																																						
2*	R94F	16	BK	3574285C1																																																																																																																						
3*	R94L	16	GY	3574285C1																																																																																																																						
3*	R94C	16	PL	3574285C1																																																																																																																						
4*	R94F	16	GY	3574288C1																																																																																																																						
4*	R94T	16	DKBL	3574288C1																																																																																																																						
5*	R94D	16	GY	3574285C1																																																																																																																						
5*	R94E	16	RD	3574285C1																																																																																																																						
5*	R94K	16	GY	3574285C1																																																																																																																						
6*	R94A	16	LTGN	3574285C1																																																																																																																						
7*	R94C	16	GY	3574285C1																																																																																																																						
7*	R94D	16	BN	3574285C1																																																																																																																						
8*	R94H	16	GY	3574285C1																																																																																																																						
8*	R94B	16	LTBL	3574285C1																																																																																																																						
9*	R94B	16	GY	3574288C1																																																																																																																						
9*	R94H	16	OR	3574288C1																																																																																																																						
10	PLUG	-	-	3527276C1																																																																																																																						
11	PLUG	-	-	3527276C1																																																																																																																						
12*	R94G	16	GY	3574288C1																																																																																																																						
12*	R94K	16	YL	3574288C1																																																																																																																						
CHK	DATE	CHANGE	REV	REFERENCE	DRAWN	NAME																																																																																																																				
-	-	REVISED AND REDRAWN.	D	92674A	MJVO088	CIRCUIT DIAGRAM, 42/43/44/85/8600 & 73/74/7500																																																																																																																				
-	-	-	-	-	RELEASE NO.	DATE	PART NO.																																																																																																																			
-	-	-	-	-	91317U	07SEP12	AE08058187																																																																																																																			
						SHEET	137																																																																																																																			

Figure 783 Connector Composites (9522), (9523), (9524)

13.267. CONNECTOR COMPOSITES (9524), (9530), P. 138

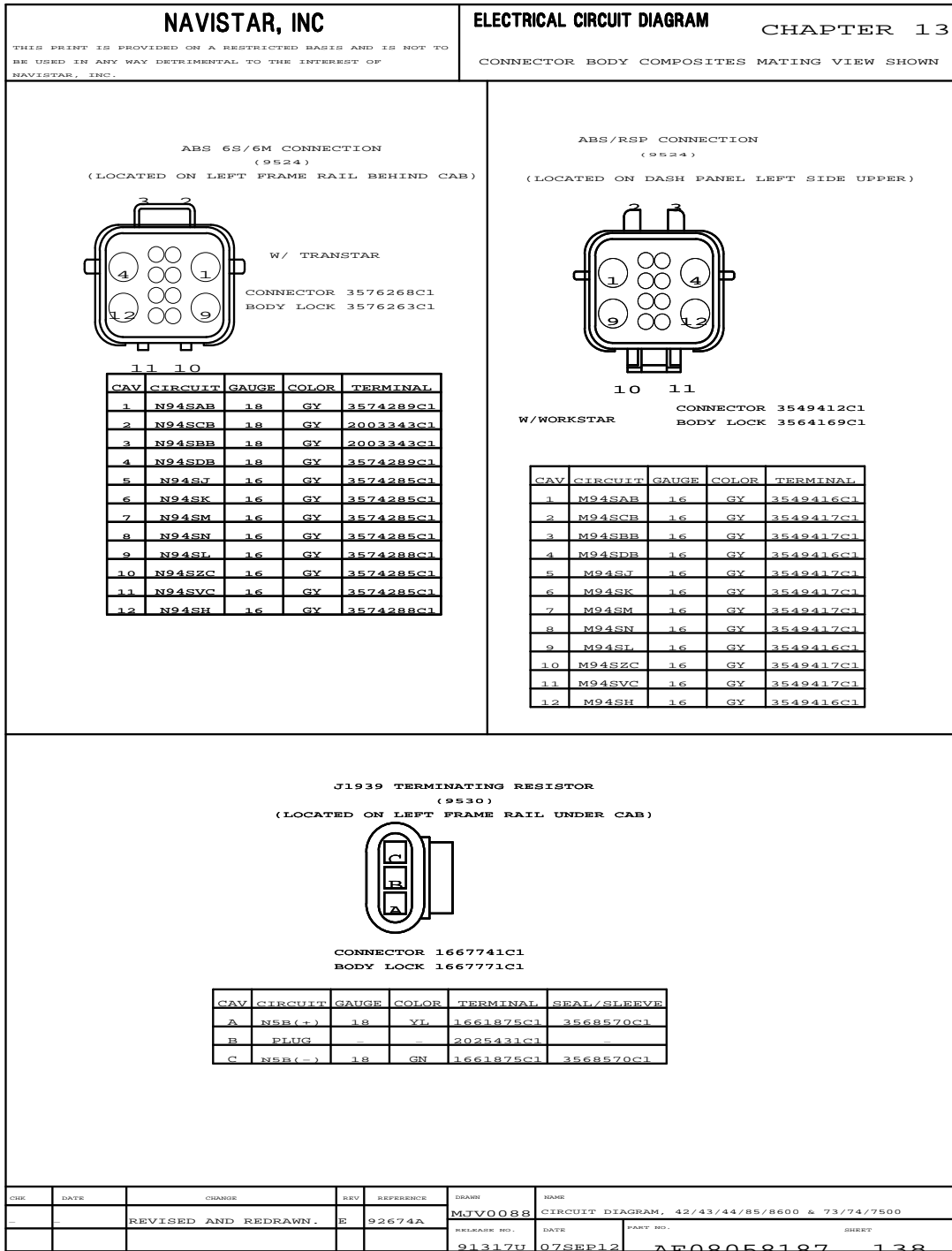


Figure 784 Connector Composites (9524), (9530)

13.268. CONNECTOR COMPOSITES (9531F), (9531M), (9532F), P. 139

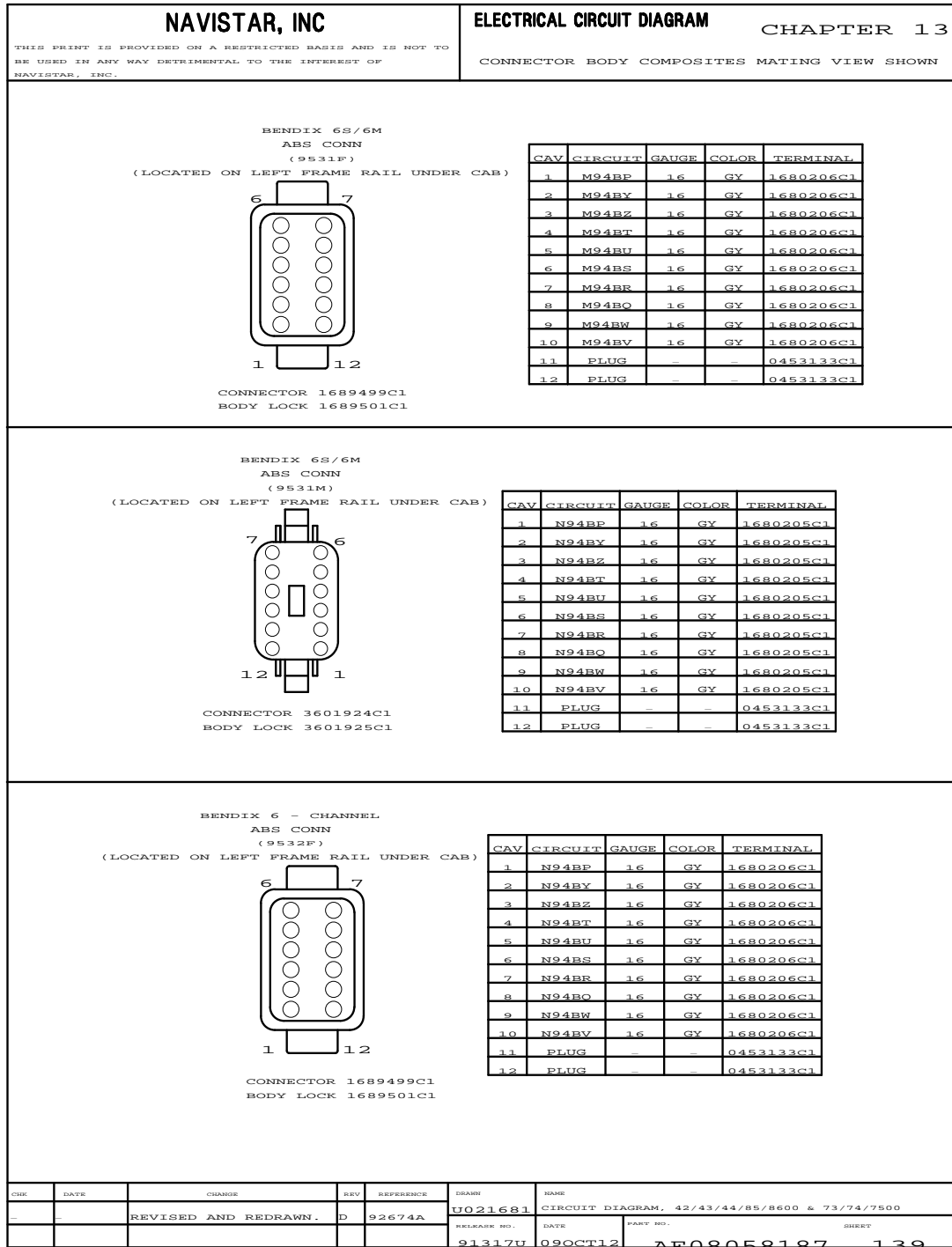


Figure 785 Connector Composites (9531F), (9531M), (9532F)

13.269. CONNECTOR COMPOSITES (9532M), (9533F), P. 140

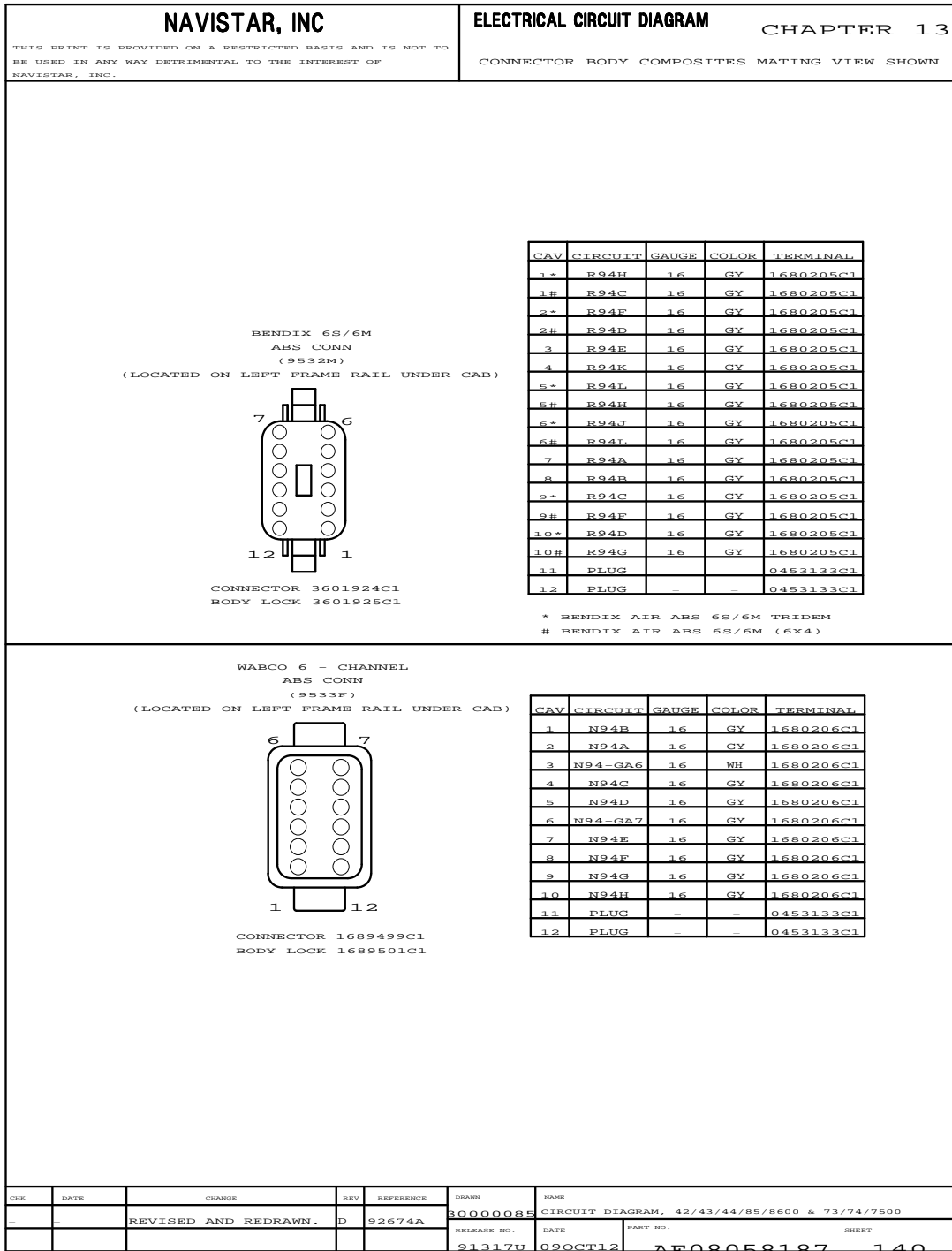


Figure 786 Connector Composites (9532M), (9533F)

13.270. CONNECTOR COMPOSITES (9559), (9560), (9561), (9562), P. 141

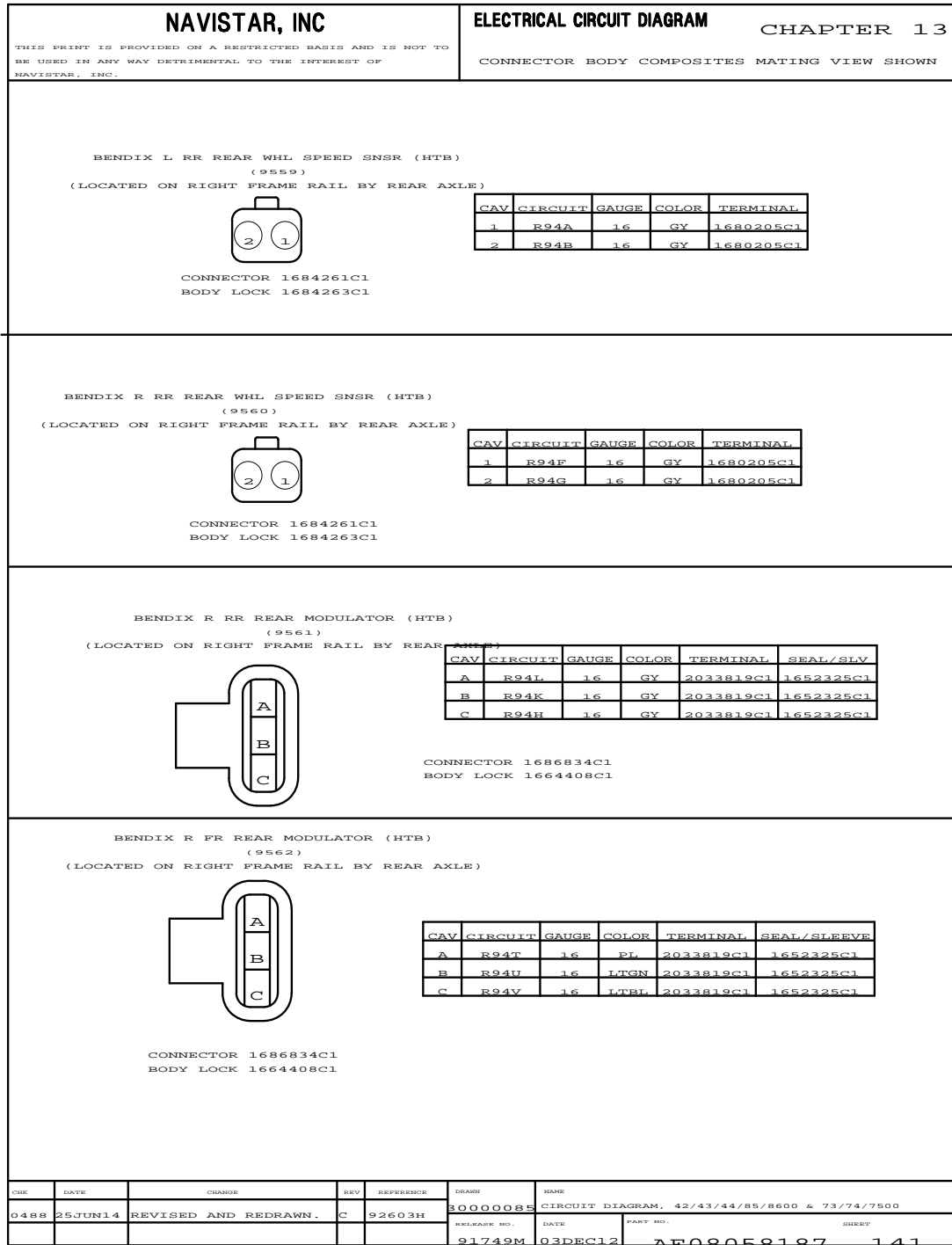


Figure 787 Connector Composites (9559), (9560), (9561), (9562)

13.271. CONNECTOR COMPOSITES (9540), (9540A), (9540B), (9541), P. 142

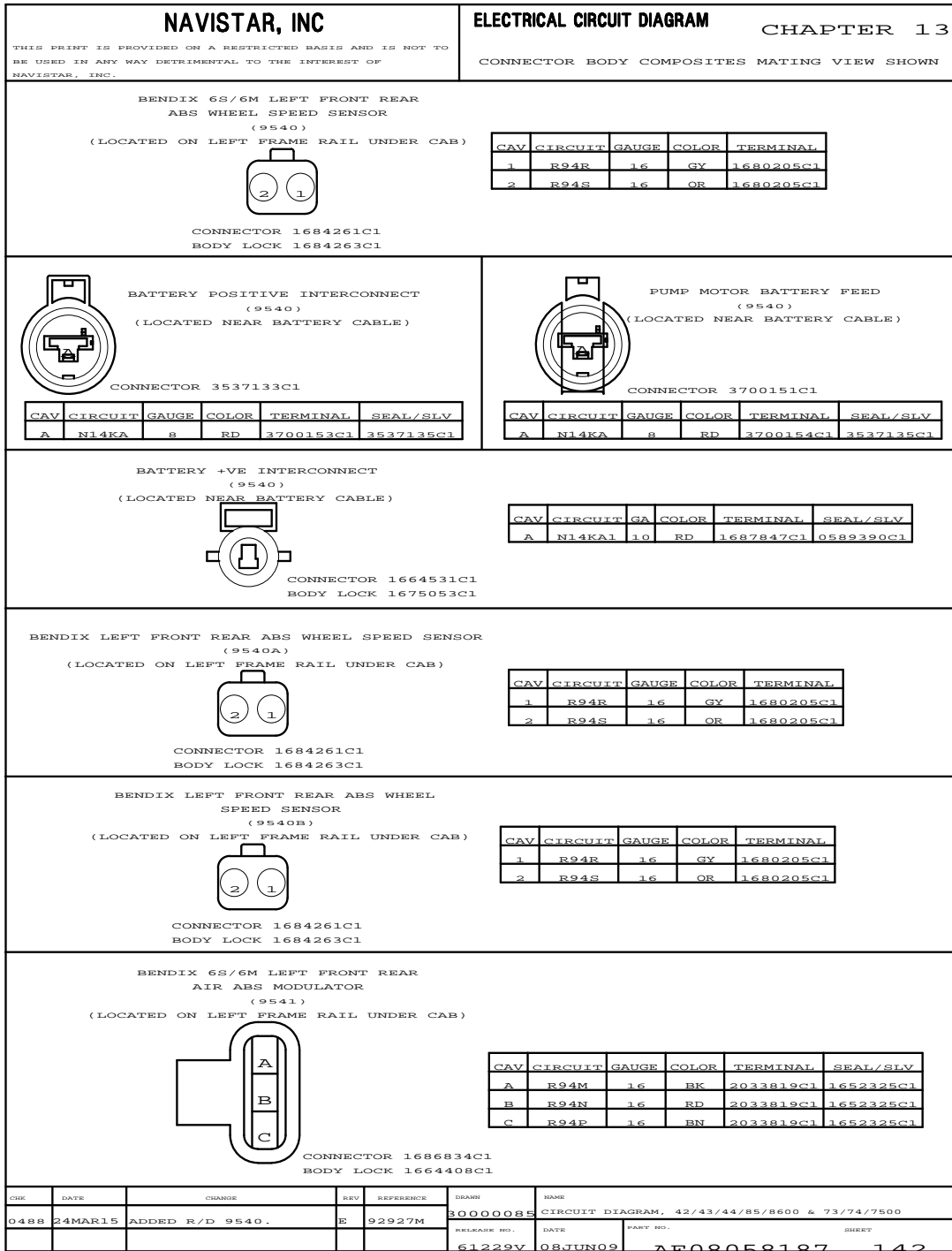


Figure 788 Connector Composites (9540), (9540A), (9540B), (9541)

13.272. CONNECTOR COMPOSITES (9541A), (9541B), (9542), (9542A), (9542C), P. 143

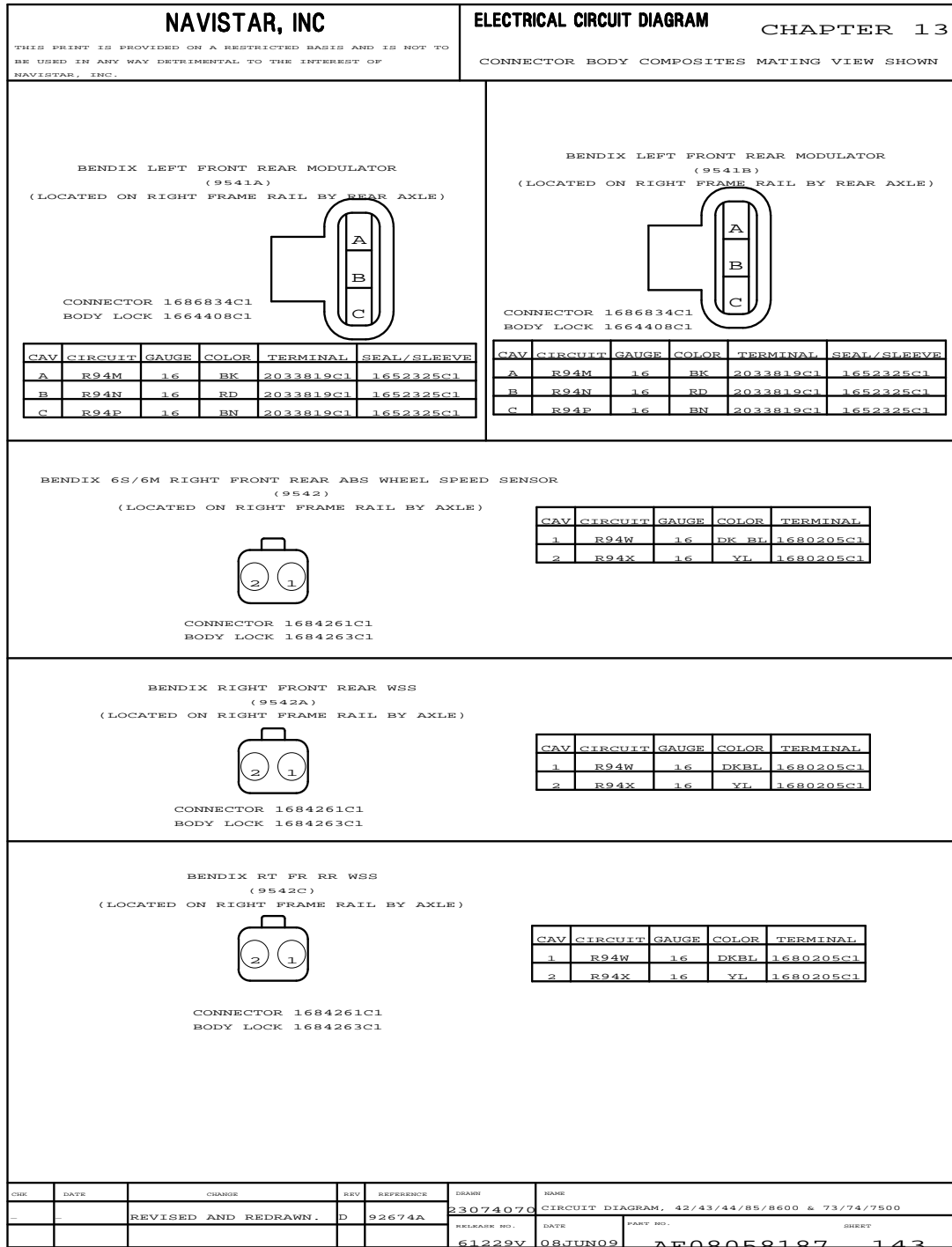


Figure 789 Connector Composites (9541A), (9541B), (9542), (9542A), (9542C)

13.273. CONNECTOR COMPOSITES (9543), (9543A), (9543C), (9544), (9546), (9547), P. 144

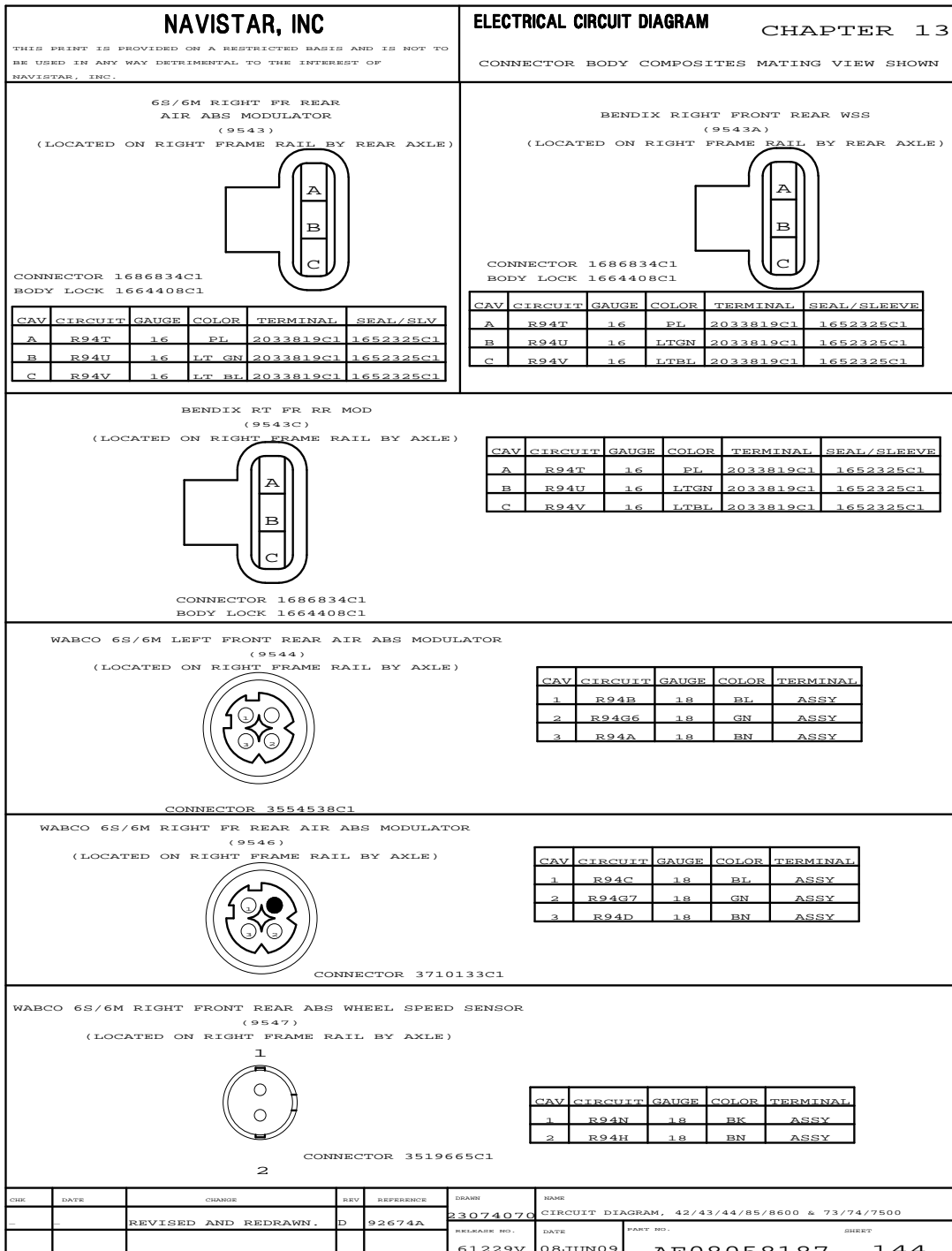


Figure 790 Connector Composites (9543), (9543A), (9543C), (9544), (9546), (9547)

13.274. CONNECTOR COMPOSITES (9548), (9548A), (9549), (9549A), (9549B), P. 145

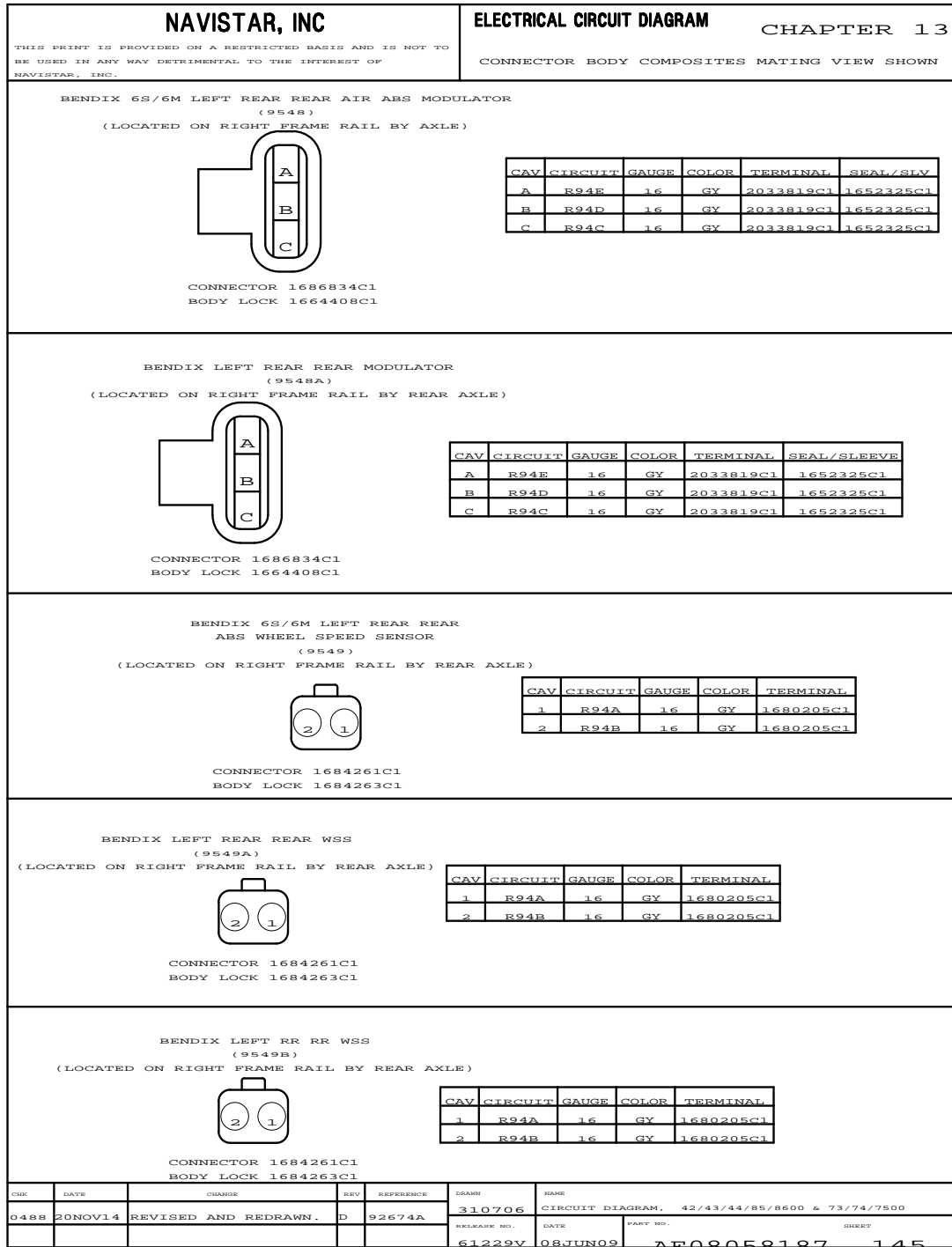


Figure 791 Connector Composites (9548), (9548A), (9549), (9549A), (9549B)

13.275. CONNECTOR COMPOSITES (9550), (9550A), P. 146

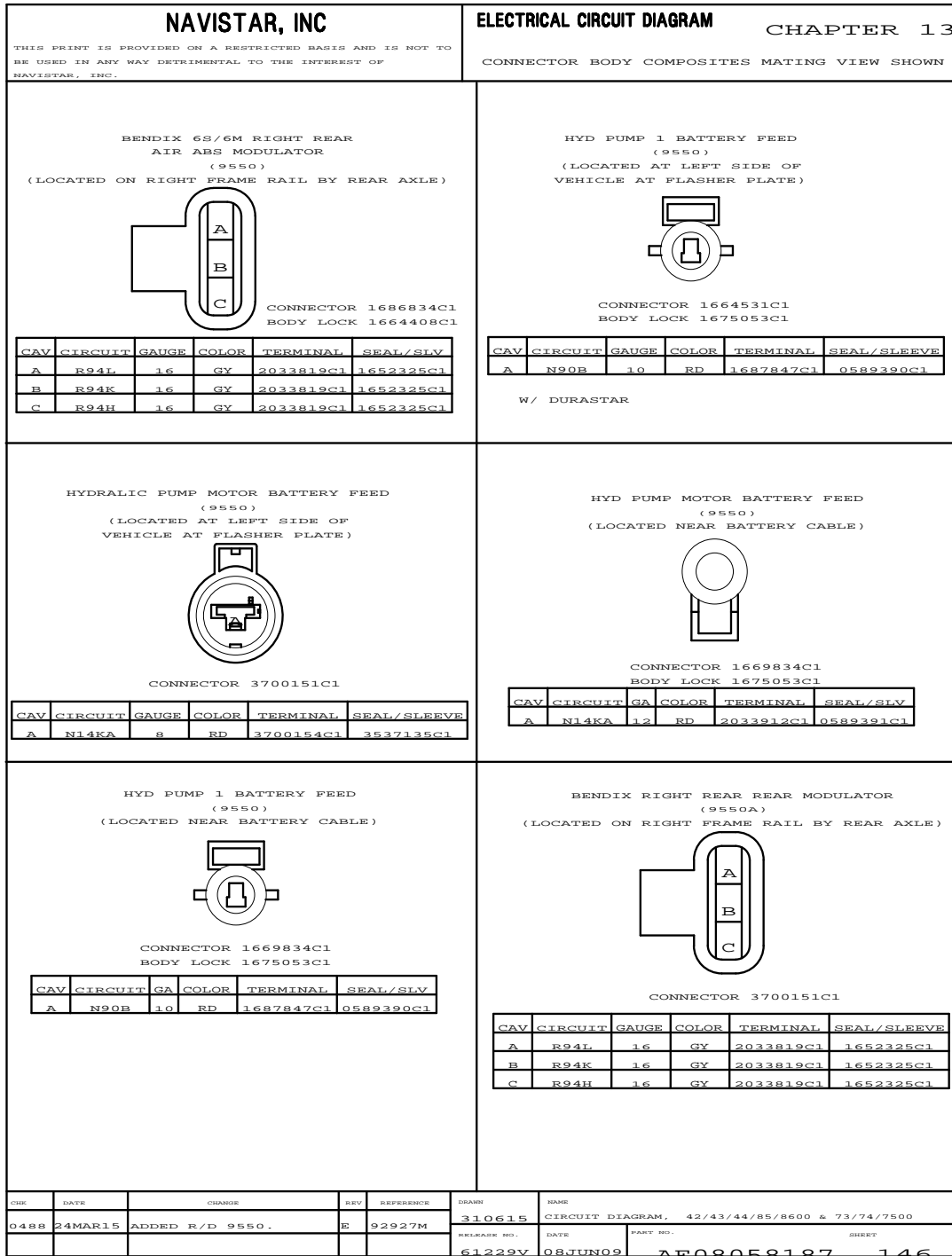


Figure 792 Connector Composites (9550), (9550A)

13.276. CONNECTOR COMPOSITES (9550A), (9550B), (9551), (9551A), (9552), P. 147

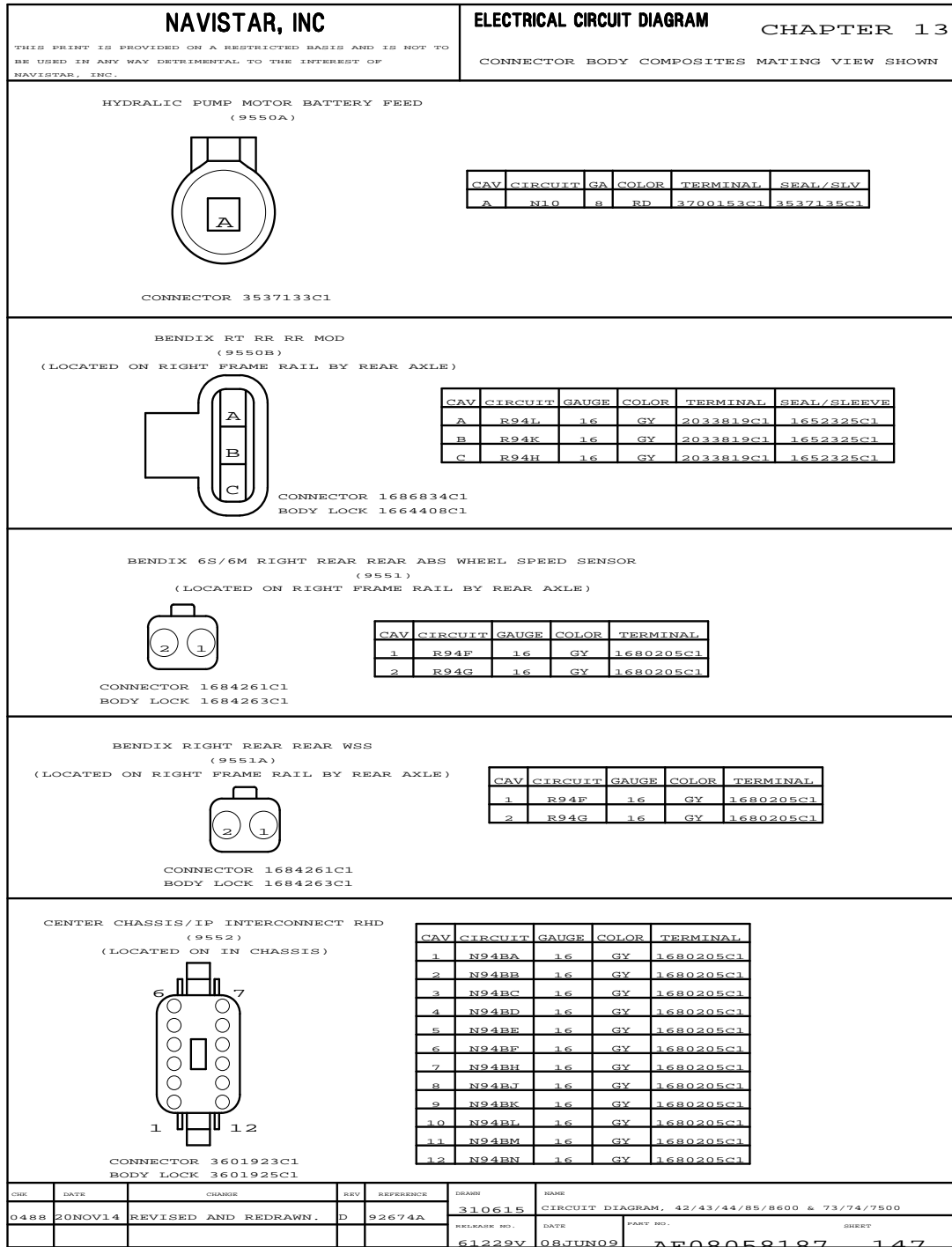


Figure 793 Connector Composites (9550A), (9550B), (9551), (9551A), (9552)

13.277. CONNECTOR COMPOSITES (9553), (9554), (9555), (9556), (9557), P. 148


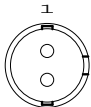

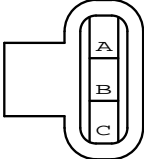

<p>NAVISTAR, INC</p> <p><small>THIS PRINT IS PROVIDED ON A RESTRICTED BASIS AND IS NOT TO BE USED IN ANY WAY DETRIMENTAL TO THE INTEREST OF NAVISTAR, INC.</small></p>	<p>ELECTRICAL CIRCUIT DIAGRAM CHAPTER 13</p> <p>CONNECTOR BODY COMPOSITES MATING VIEW SHOWN</p>																												
 <p>CONNECTOR 3554538C1</p>	<p>WABCO 6S/6M L RR REAR AIR ABS MODULATOR (9553) (LOCATED ON RIGHT FRAME RAIL BY REAR AXLE)</p> <table border="1" style="width:100%; border-collapse: collapse;"> <thead> <tr> <th>CAV</th> <th>CIRCUIT</th> <th>GAUGE</th> <th>COLOR</th> <th>TERMINAL</th> </tr> </thead> <tbody> <tr> <td>1</td> <td>R94L</td> <td>18</td> <td>BL</td> <td>ASSY</td> </tr> <tr> <td>2</td> <td>R94GB</td> <td>18</td> <td>GN</td> <td>ASSY</td> </tr> <tr> <td>3</td> <td>R94M</td> <td>18</td> <td>BN</td> <td>ASSY</td> </tr> </tbody> </table>	CAV	CIRCUIT	GAUGE	COLOR	TERMINAL	1	R94L	18	BL	ASSY	2	R94GB	18	GN	ASSY	3	R94M	18	BN	ASSY								
CAV	CIRCUIT	GAUGE	COLOR	TERMINAL																									
1	R94L	18	BL	ASSY																									
2	R94GB	18	GN	ASSY																									
3	R94M	18	BN	ASSY																									
 <p>CONNECTOR 3519878C1</p>	<p>WABCO 6S/6M R RR REAR WHEEL SPEED SENSOR (9554) (LOCATED ON RIGHT FRAME RAIL BY REAR AXLE)</p> <table border="1" style="width:100%; border-collapse: collapse;"> <thead> <tr> <th>CAV</th> <th>CIRCUIT</th> <th>GAUGE</th> <th>COLOR</th> <th>TERMINAL</th> </tr> </thead> <tbody> <tr> <td>1</td> <td>R94T</td> <td>18</td> <td>BK</td> <td>ASSY</td> </tr> <tr> <td>2</td> <td>R94U</td> <td>18</td> <td>BN</td> <td>ASSY</td> </tr> </tbody> </table>	CAV	CIRCUIT	GAUGE	COLOR	TERMINAL	1	R94T	18	BK	ASSY	2	R94U	18	BN	ASSY													
CAV	CIRCUIT	GAUGE	COLOR	TERMINAL																									
1	R94T	18	BK	ASSY																									
2	R94U	18	BN	ASSY																									
 <p>CONNECTOR 3554538C1</p>	<p>WABCO 6S/6M RIGHT REAR REAR AIR ABS MODULATOR (9555) (LOCATED ON RIGHT FRAME RAIL BY REAR AXLE)</p> <table border="1" style="width:100%; border-collapse: collapse;"> <thead> <tr> <th>CAV</th> <th>CIRCUIT</th> <th>GAUGE</th> <th>COLOR</th> <th>TERMINAL</th> </tr> </thead> <tbody> <tr> <td>1</td> <td>R94P</td> <td>18</td> <td>BL</td> <td>ASSY</td> </tr> <tr> <td>2</td> <td>R94G9</td> <td>18</td> <td>GN</td> <td>ASSY</td> </tr> <tr> <td>3</td> <td>R94S</td> <td>18</td> <td>BN</td> <td>ASSY</td> </tr> </tbody> </table>	CAV	CIRCUIT	GAUGE	COLOR	TERMINAL	1	R94P	18	BL	ASSY	2	R94G9	18	GN	ASSY	3	R94S	18	BN	ASSY								
CAV	CIRCUIT	GAUGE	COLOR	TERMINAL																									
1	R94P	18	BL	ASSY																									
2	R94G9	18	GN	ASSY																									
3	R94S	18	BN	ASSY																									
 <p>CONNECTOR 1686834C1 BODY LOCK 1664408C1</p>	<p>BENDIX L FR REAR MOD (HTB) (9556) (LOCATED ON RIGHT FRAME RAIL BY REAR AXLE)</p> <table border="1" style="width:100%; border-collapse: collapse;"> <thead> <tr> <th>CAV</th> <th>CIRCUIT</th> <th>GAUGE</th> <th>COLOR</th> <th>TERMINAL</th> <th>SEAL/SLEEVE</th> </tr> </thead> <tbody> <tr> <td>A</td> <td>R94M</td> <td>16</td> <td>BK</td> <td>2033819C1</td> <td>1652325C1</td> </tr> <tr> <td>B</td> <td>R94N</td> <td>16</td> <td>RD</td> <td>2033819C1</td> <td>1652325C1</td> </tr> <tr> <td>C</td> <td>R94P</td> <td>16</td> <td>BN</td> <td>2033819C1</td> <td>1652325C1</td> </tr> </tbody> </table>	CAV	CIRCUIT	GAUGE	COLOR	TERMINAL	SEAL/SLEEVE	A	R94M	16	BK	2033819C1	1652325C1	B	R94N	16	RD	2033819C1	1652325C1	C	R94P	16	BN	2033819C1	1652325C1				
CAV	CIRCUIT	GAUGE	COLOR	TERMINAL	SEAL/SLEEVE																								
A	R94M	16	BK	2033819C1	1652325C1																								
B	R94N	16	RD	2033819C1	1652325C1																								
C	R94P	16	BN	2033819C1	1652325C1																								
 <p>CONNECTOR 1684261C1 BODY LOCK 1684263C1</p>	<p>BENDIX L FR REAR WHL SPEED SENSOR (HTB) (9557) (LOCATED ON RIGHT FRAME RAIL BY REAR AXLE)</p> <table border="1" style="width:100%; border-collapse: collapse;"> <thead> <tr> <th>CAV</th> <th>CIRCUIT</th> <th>GAUGE</th> <th>COLOR</th> <th>TERMINAL</th> </tr> </thead> <tbody> <tr> <td>1</td> <td>R94E</td> <td>16</td> <td>GY</td> <td>1680205C1</td> </tr> <tr> <td>2</td> <td>R94S</td> <td>16</td> <td>OR</td> <td>1680205C1</td> </tr> </tbody> </table>	CAV	CIRCUIT	GAUGE	COLOR	TERMINAL	1	R94E	16	GY	1680205C1	2	R94S	16	OR	1680205C1													
CAV	CIRCUIT	GAUGE	COLOR	TERMINAL																									
1	R94E	16	GY	1680205C1																									
2	R94S	16	OR	1680205C1																									
<table border="1" style="width:100%; border-collapse: collapse;"> <thead> <tr> <th>CHK</th> <th>DATE</th> <th>CHANGE</th> <th>REV</th> <th>REFERENCE</th> <th>DRAWN</th> <th>NAME</th> </tr> </thead> <tbody> <tr> <td>0488</td> <td>20NOV14</td> <td>REVISED AND REDRAWN.</td> <td>D</td> <td>92674A</td> <td>310615</td> <td>CIRCUIT DIAGRAM, 42/43/44/85/8600 & 73/74/7500</td> </tr> <tr> <td></td> <td></td> <td></td> <td></td> <td></td> <td>RELEASE NO.</td> <td>DATE</td> </tr> <tr> <td></td> <td></td> <td></td> <td></td> <td></td> <td>61229V</td> <td>08JUN09</td> </tr> </tbody> </table>	CHK	DATE	CHANGE	REV	REFERENCE	DRAWN	NAME	0488	20NOV14	REVISED AND REDRAWN.	D	92674A	310615	CIRCUIT DIAGRAM, 42/43/44/85/8600 & 73/74/7500						RELEASE NO.	DATE						61229V	08JUN09	<p>PART NO. SHEET</p> <p>AE08058187 148</p>
CHK	DATE	CHANGE	REV	REFERENCE	DRAWN	NAME																							
0488	20NOV14	REVISED AND REDRAWN.	D	92674A	310615	CIRCUIT DIAGRAM, 42/43/44/85/8600 & 73/74/7500																							
					RELEASE NO.	DATE																							
					61229V	08JUN09																							

Figure 794 Connector Composites (9553), (9554), (9555), (9556), (9557)

13.278. CONNECTOR COMPOSITES (9558), (9559), (9560), (9561), (9562), P. 149

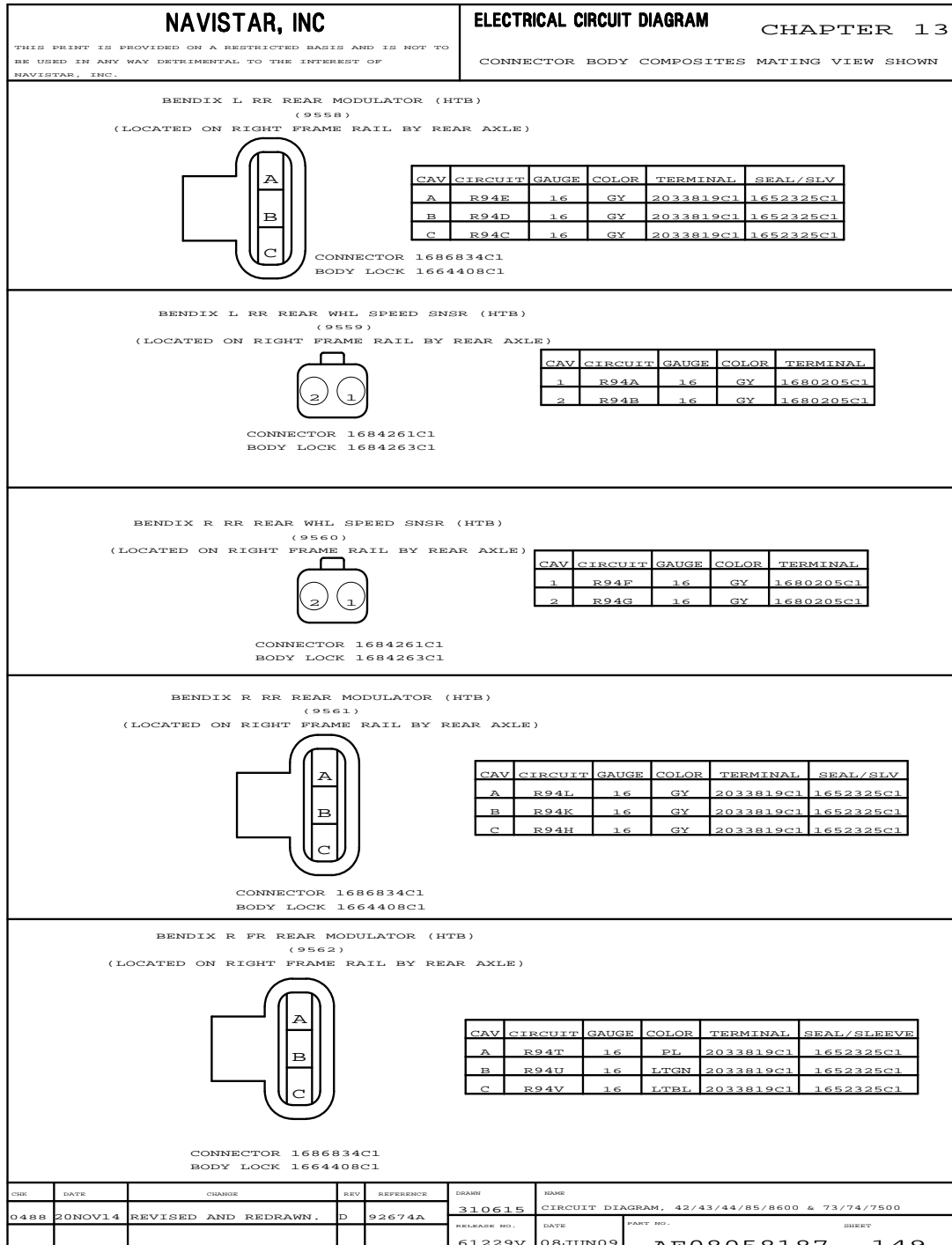


Figure 795 Connector Composites (9558), (9559), (9560), (9561), (9562)

13.279. CONNECTOR COMPOSITES (9563), (9565), (9570), (9570F), P. 150

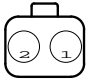
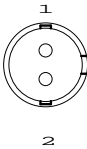
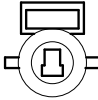
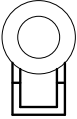
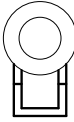
NAVISTAR, INC				ELECTRICAL CIRCUIT DIAGRAM		CHAPTER 13																
THIS PRINT IS PROVIDED ON A RESTRICTED BASIS AND IS NOT TO BE USED IN ANY WAY DETRIMENTAL TO THE INTEREST OF NAVISTAR, INC.				CONNECTOR BODY COMPOSITES MATING VIEW SHOWN																		
<p>BENDIX R PR REAR WHL SPEED SENSOR (HTB) (9563) (LOCATED ON RIGHT FRAME RAIL BY REAR AXLE)</p>																						
				<table border="1" style="font-size: x-small;"> <thead> <tr> <th>CAV</th> <th>CIRCUIT</th> <th>GAUGE</th> <th>COLOR</th> <th>TERMINAL</th> </tr> </thead> <tbody> <tr> <td>1</td> <td>R94W</td> <td>16</td> <td>DKBL</td> <td>1680205C1</td> </tr> <tr> <td>2</td> <td>R94X</td> <td>16</td> <td>YL</td> <td>1680205C1</td> </tr> </tbody> </table>				CAV	CIRCUIT	GAUGE	COLOR	TERMINAL	1	R94W	16	DKBL	1680205C1	2	R94X	16	YL	1680205C1
CAV	CIRCUIT	GAUGE	COLOR	TERMINAL																		
1	R94W	16	DKBL	1680205C1																		
2	R94X	16	YL	1680205C1																		
<p>CONNECTOR 1684261C1 BODY LOCK 1684263C1</p>																						
<p>WABCO L PR RR WHL SPEED SNSR (HTB) (9565) (LOCATED ON RIGHT FRAME RAIL BY REAR AXLE)</p>																						
				<table border="1" style="font-size: x-small;"> <thead> <tr> <th>CAV</th> <th>CIRCUIT</th> <th>GAUGE</th> <th>COLOR</th> <th>TERMINAL</th> </tr> </thead> <tbody> <tr> <td>1</td> <td>R94E</td> <td>18</td> <td>BK</td> <td>ASSY</td> </tr> <tr> <td>2</td> <td>R94F</td> <td>18</td> <td>BN</td> <td>ASSY</td> </tr> </tbody> </table>				CAV	CIRCUIT	GAUGE	COLOR	TERMINAL	1	R94E	18	BK	ASSY	2	R94F	18	BN	ASSY
CAV	CIRCUIT	GAUGE	COLOR	TERMINAL																		
1	R94E	18	BK	ASSY																		
2	R94F	18	BN	ASSY																		
<p>CONNECTOR 3519878C1</p>				<p>W/ DURASTAR</p>																		
<p>HYD PUMP 2 UNDERHOOD PDM FEED (9570) (LOCATED AT LEFT SIDE OF VEHICLE AT FLASHER PLATE)</p>																						
				<table border="1" style="font-size: x-small;"> <thead> <tr> <th>CAV</th> <th>CIRCUIT</th> <th>GAUGE</th> <th>COLOR</th> <th>TERMINAL</th> <th>SEAL/SLEEVE</th> </tr> </thead> <tbody> <tr> <td>A</td> <td>N90</td> <td>12</td> <td>GY</td> <td>2033816C1</td> <td>0589391C1</td> </tr> </tbody> </table>				CAV	CIRCUIT	GAUGE	COLOR	TERMINAL	SEAL/SLEEVE	A	N90	12	GY	2033816C1	0589391C1			
CAV	CIRCUIT	GAUGE	COLOR	TERMINAL	SEAL/SLEEVE																	
A	N90	12	GY	2033816C1	0589391C1																	
<p>CONNECTOR 1664531C1 BODY LOCK 1675053C1</p>				<p>W/ DURASTAR</p>																		
<p>HYD BRAKE (9570F) (LOCATED AT LEFT SIDE OF VEHICLE AT FLASHER PLATE)</p>																						
				<table border="1" style="font-size: x-small;"> <thead> <tr> <th>CAV</th> <th>CIRCUIT</th> <th>GAUGE</th> <th>COLOR</th> <th>TERMINAL</th> <th>SEAL/SLEEVE</th> </tr> </thead> <tbody> <tr> <td>A</td> <td>K90B</td> <td>10</td> <td>RD</td> <td>1687848C1</td> <td>0589390C1</td> </tr> </tbody> </table>				CAV	CIRCUIT	GAUGE	COLOR	TERMINAL	SEAL/SLEEVE	A	K90B	10	RD	1687848C1	0589390C1			
CAV	CIRCUIT	GAUGE	COLOR	TERMINAL	SEAL/SLEEVE																	
A	K90B	10	RD	1687848C1	0589390C1																	
<p>CONNECTOR 1669834C1 BODY LOCK 1675053C1</p>																						
<p>HYD PUMP BATTERY FEED (9570F) (LOCATED AT LEFT SIDE OF VEHICLE AT FLASHER PLATE)</p>																						
				<table border="1" style="font-size: x-small;"> <thead> <tr> <th>CAV</th> <th>CIRCUIT</th> <th>GAUGE</th> <th>COLOR</th> <th>TERMINAL</th> <th>SEAL/SLEEVE</th> </tr> </thead> <tbody> <tr> <td>A</td> <td>K90B</td> <td>10</td> <td>RD</td> <td>1687848C1</td> <td>0589390C1</td> </tr> </tbody> </table>				CAV	CIRCUIT	GAUGE	COLOR	TERMINAL	SEAL/SLEEVE	A	K90B	10	RD	1687848C1	0589390C1			
CAV	CIRCUIT	GAUGE	COLOR	TERMINAL	SEAL/SLEEVE																	
A	K90B	10	RD	1687848C1	0589390C1																	
<p>CONNECTOR 1669834C1 BODY LOCK 1675053C1</p>																						
CHK	DATE	CHANGE	REV	REFERENCE	DRAWN	NAME																
0488	20NOV14	REVISED AND REDRAWN.	D	92674A	310615	CIRCUIT DIAGRAM, 42/43/44/85/8600 & 73/74/7500																
RELEASE NO.		DATE		PART NO.		SHEET																
61229V		08JUN09		AE08058187		150																

Figure 796 Connector Composites (9563), (9565), (9570), (9570F)

13.280. CONNECTOR COMPOSITES (9751), (9752), (9753), (9753A), (9754), (9754B), (9754D), P. 151

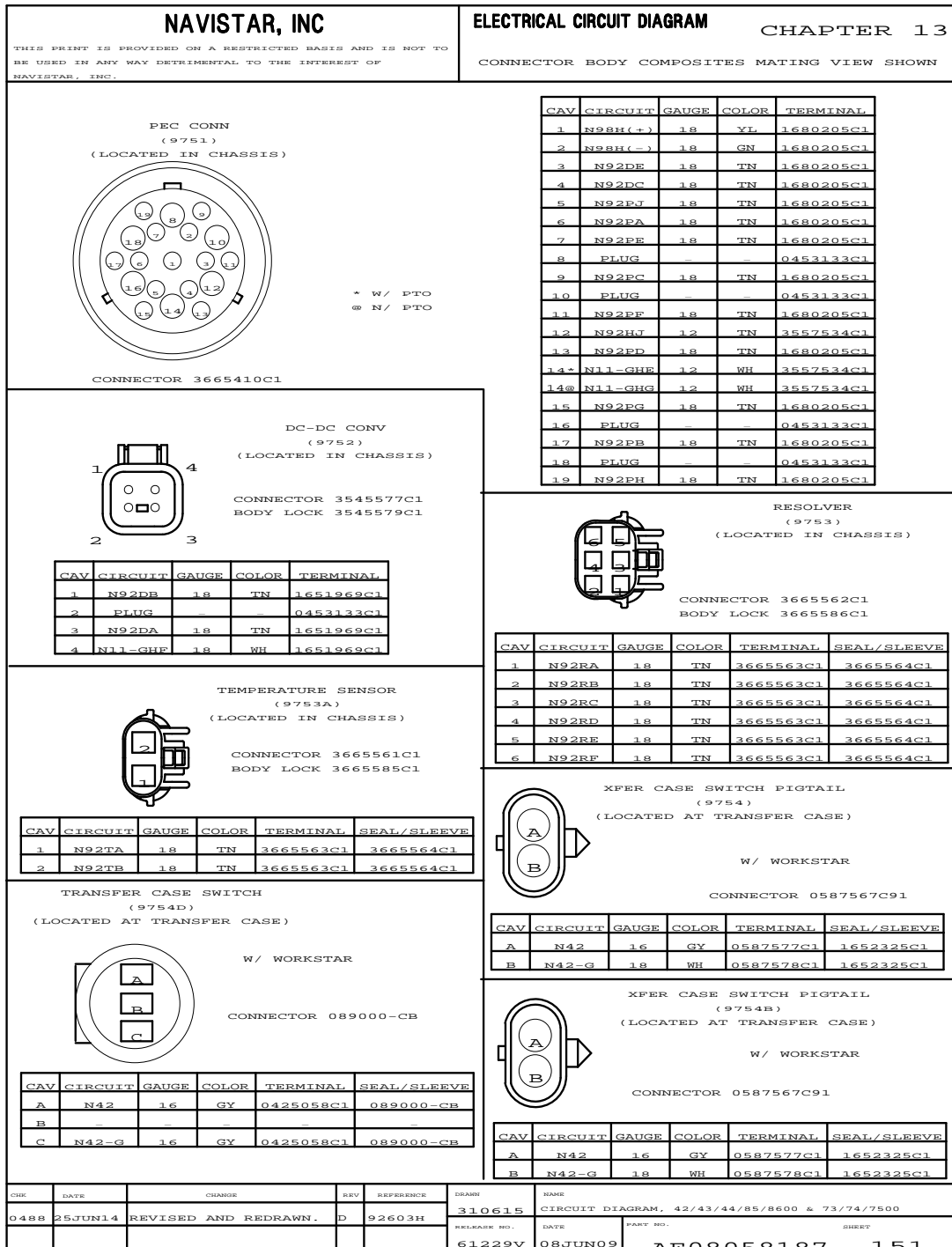


Figure 797 Connector Composites (9751), (9752), (9753), (9753A), (9754), (9754B), (9754D)

13.281. CONNECTOR COMPOSITES (9755), (9755B), (9755D), (9756), (9758), P. 152

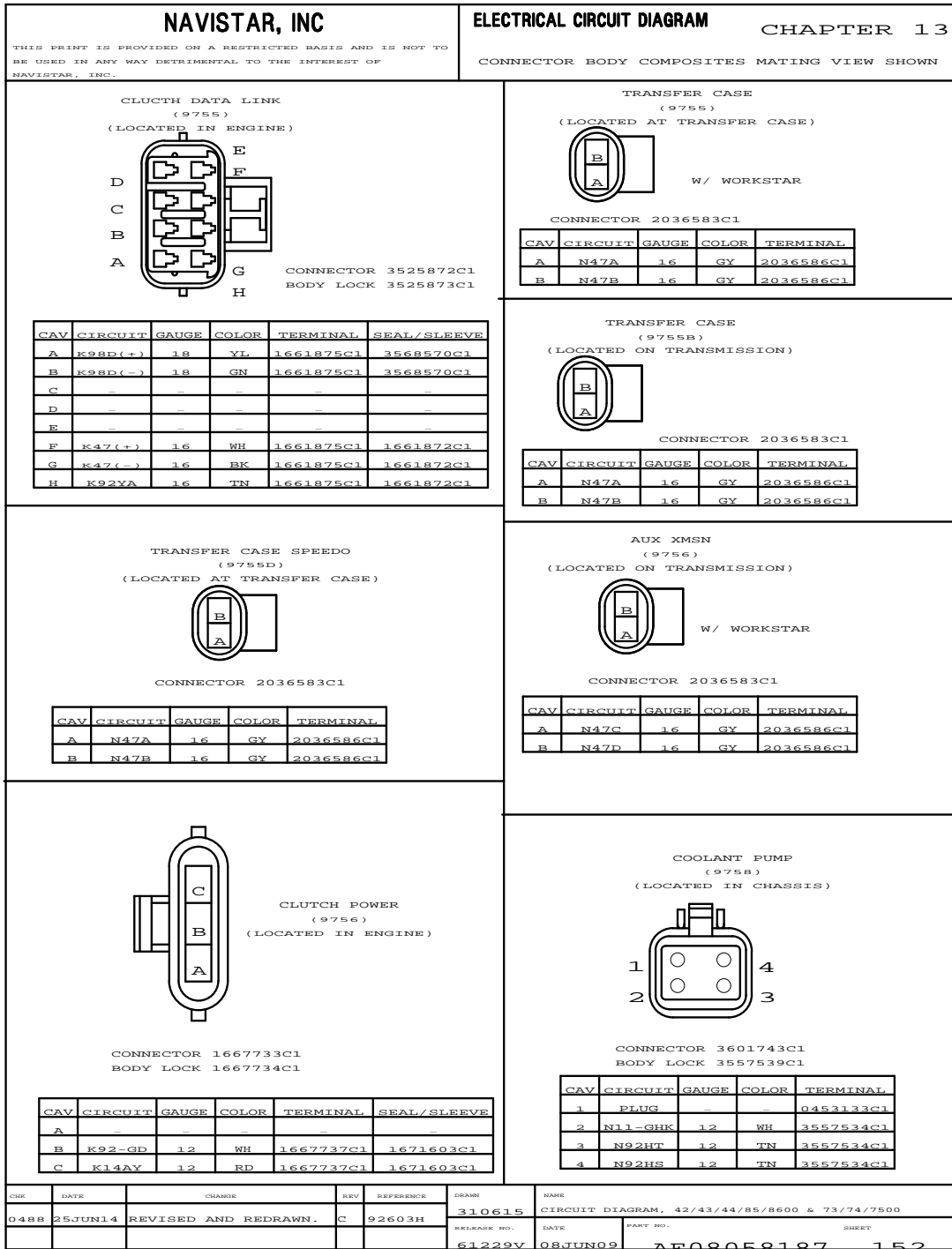


Figure 798 Connector Composites (9755), (9755B), (9755D), (9756), (9758)

13.282. CONNECTOR COMPOSITES (9759), (9760), P. 153

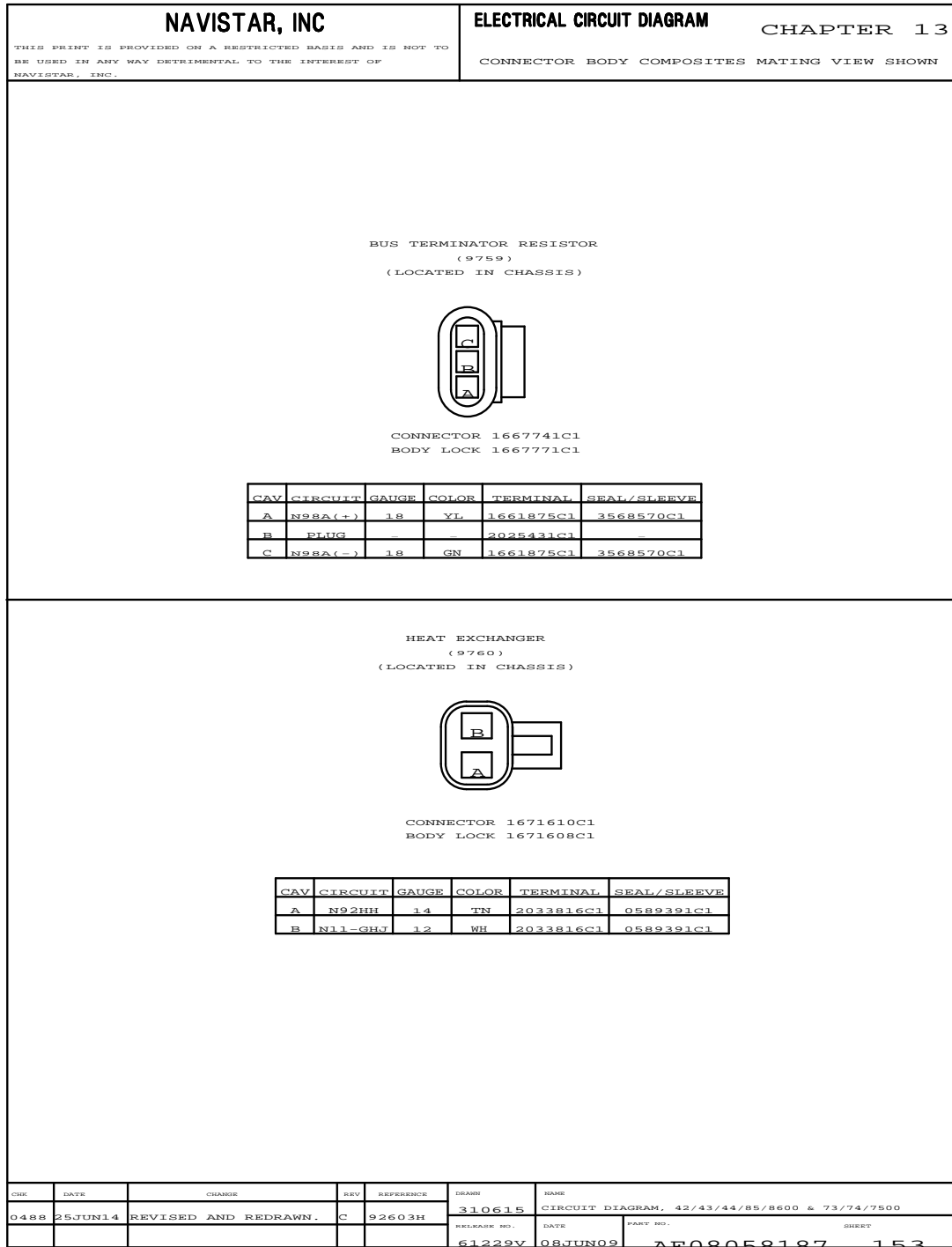


Figure 799 Connector Composites (9759), (9760)

13.283. CONNECTOR COMPOSITES (9761F), (9762), (9763) (9764), (9765), (9766), P. 154

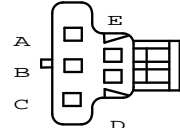






NAVISTAR, INC				ELECTRICAL CIRCUIT DIAGRAM		CHAPTER 13																																																																															
THIS PRINT IS PROVIDED ON A RESTRICTED BASIS AND IS NOT TO BE USED IN ANY WAY DETRIMENTAL TO THE INTEREST OF NAVISTAR, INC.				CONNECTOR BODY COMPOSITES MATING VIEW SHOWN																																																																																	
<p>LIFT AXLE (9761F) (LOCATED AT LIFT AXLE BEHIND CAB)</p>  <p style="text-align: right;">W/ WORKSTAR</p> <p>CONNECTOR 3522252C1 BODY LOCK 3522253C1</p> <table border="1" style="width:100%; font-size: x-small;"> <thead> <tr> <th>CAV</th> <th>CIRCUIT</th> <th>GAUGE</th> <th>COLOR</th> <th>TERMINAL</th> <th>SEAL/SLEEVE</th> </tr> </thead> <tbody> <tr><td>A*</td><td>N59ED</td><td>18</td><td>GY</td><td>1667742C1</td><td>1661872C1</td></tr> <tr><td>A*</td><td>N59EC</td><td>18</td><td>GY</td><td>1667742C1</td><td>1661872C1</td></tr> <tr><td>A*</td><td>N59EF</td><td>18</td><td>GY</td><td>1667742C1</td><td>1661872C1</td></tr> <tr><td>B*</td><td>N59ED</td><td>18</td><td>GY</td><td>1667742C1</td><td>1661872C1</td></tr> <tr><td>B*</td><td>N59EF</td><td>18</td><td>GY</td><td>1667742C1</td><td>1661872C1</td></tr> <tr><td>C</td><td>N59ED</td><td>18</td><td>GY</td><td>1667742C1</td><td>1661872C1</td></tr> <tr><td>D</td><td>-</td><td>-</td><td>-</td><td>-</td><td>-</td></tr> <tr><td>E</td><td>N71N</td><td>16</td><td>OR</td><td>1667742C1</td><td>1661872C1</td></tr> </tbody> </table> <p>* MUTUALLY EXCLUSIVE</p>				CAV	CIRCUIT	GAUGE	COLOR	TERMINAL	SEAL/SLEEVE	A*	N59ED	18	GY	1667742C1	1661872C1	A*	N59EC	18	GY	1667742C1	1661872C1	A*	N59EF	18	GY	1667742C1	1661872C1	B*	N59ED	18	GY	1667742C1	1661872C1	B*	N59EF	18	GY	1667742C1	1661872C1	C	N59ED	18	GY	1667742C1	1661872C1	D	-	-	-	-	-	E	N71N	16	OR	1667742C1	1661872C1	<p>FIRST PUSHER LIFT AXLE (9762) (LOCATED AT PUSHER AXLE NEAR REAR AXLE)</p>  <p style="text-align: right;">W/ WORKSTAR</p> <p>CONNECTOR 1661778C1 BODY LOCK 1661874C1</p> <table border="1" style="width:100%; font-size: x-small;"> <thead> <tr> <th>CAV</th> <th>CIRCUIT</th> <th>GAUGE</th> <th>COLOR</th> <th>TERMINAL</th> <th>SEAL/SLEEVE</th> </tr> </thead> <tbody> <tr><td>A</td><td>N59EF</td><td>18</td><td>GY</td><td>1661875C1</td><td>1661872C1</td></tr> <tr><td>B*</td><td>N59-GC</td><td>18</td><td>WH</td><td>1661875C1</td><td>1661872C1</td></tr> <tr><td>B*</td><td>N59-GA</td><td>18</td><td>WH</td><td>1661875C1</td><td>1661872C1</td></tr> </tbody> </table> <p>* MUTUALLY EXCLUSIVE</p>				CAV	CIRCUIT	GAUGE	COLOR	TERMINAL	SEAL/SLEEVE	A	N59EF	18	GY	1661875C1	1661872C1	B*	N59-GC	18	WH	1661875C1	1661872C1	B*	N59-GA	18	WH	1661875C1	1661872C1
CAV	CIRCUIT	GAUGE	COLOR	TERMINAL	SEAL/SLEEVE																																																																																
A*	N59ED	18	GY	1667742C1	1661872C1																																																																																
A*	N59EC	18	GY	1667742C1	1661872C1																																																																																
A*	N59EF	18	GY	1667742C1	1661872C1																																																																																
B*	N59ED	18	GY	1667742C1	1661872C1																																																																																
B*	N59EF	18	GY	1667742C1	1661872C1																																																																																
C	N59ED	18	GY	1667742C1	1661872C1																																																																																
D	-	-	-	-	-																																																																																
E	N71N	16	OR	1667742C1	1661872C1																																																																																
CAV	CIRCUIT	GAUGE	COLOR	TERMINAL	SEAL/SLEEVE																																																																																
A	N59EF	18	GY	1661875C1	1661872C1																																																																																
B*	N59-GC	18	WH	1661875C1	1661872C1																																																																																
B*	N59-GA	18	WH	1661875C1	1661872C1																																																																																
<p>SECOND PUSHER LIFT AXLE SOLENOID (9763) (LOCATED AT SECOND PUSHER AXLE BETWEEN CAB AND REAR)</p>  <p style="text-align: right;">W/ WORKSTAR</p> <p>CONNECTOR 1661778C1 BODY LOCK 1661874C1</p> <table border="1" style="width:100%; font-size: x-small;"> <thead> <tr> <th>CAV</th> <th>CIRCUIT</th> <th>GAUGE</th> <th>COLOR</th> <th>TERMINAL</th> <th>SEAL/SLV</th> </tr> </thead> <tbody> <tr><td>A</td><td>N59EC</td><td>18</td><td>GY</td><td>1661875C1</td><td>1661872C1</td></tr> <tr><td>B*</td><td>N59-GB</td><td>18</td><td>WH</td><td>1661875C1</td><td>1661872C1</td></tr> <tr><td>B#</td><td>N59-GA</td><td>18</td><td>WH</td><td>1661875C1</td><td>1661872C1</td></tr> </tbody> </table> <p>* MUTUALLY EXCLUSIVE # W/2 STEERABLE PUSHERS</p>				CAV	CIRCUIT	GAUGE	COLOR	TERMINAL	SEAL/SLV	A	N59EC	18	GY	1661875C1	1661872C1	B*	N59-GB	18	WH	1661875C1	1661872C1	B#	N59-GA	18	WH	1661875C1	1661872C1	<p>THIRD PUSHER AXLE (9764) (LOCATED AT SECOND PUSHER AXLE BETWEEN CAB AND REAR)</p>  <p style="text-align: right;">W/ WORKSTAR</p> <p>CONNECTOR 1661778C1 BODY LOCK 1661874C1</p> <table border="1" style="width:100%; font-size: x-small;"> <thead> <tr> <th>CAV</th> <th>CIRCUIT</th> <th>GAUGE</th> <th>COLOR</th> <th>TERMINAL</th> <th>SEAL/SLEEVE</th> </tr> </thead> <tbody> <tr><td>A</td><td>N59ED</td><td>18</td><td>GY</td><td>1661875C1</td><td>1661872C1</td></tr> <tr><td>B</td><td>N59-GD</td><td>18</td><td>WH</td><td>1661875C1</td><td>1661872C1</td></tr> </tbody> </table>				CAV	CIRCUIT	GAUGE	COLOR	TERMINAL	SEAL/SLEEVE	A	N59ED	18	GY	1661875C1	1661872C1	B	N59-GD	18	WH	1661875C1	1661872C1																																				
CAV	CIRCUIT	GAUGE	COLOR	TERMINAL	SEAL/SLV																																																																																
A	N59EC	18	GY	1661875C1	1661872C1																																																																																
B*	N59-GB	18	WH	1661875C1	1661872C1																																																																																
B#	N59-GA	18	WH	1661875C1	1661872C1																																																																																
CAV	CIRCUIT	GAUGE	COLOR	TERMINAL	SEAL/SLEEVE																																																																																
A	N59ED	18	GY	1661875C1	1661872C1																																																																																
B	N59-GD	18	WH	1661875C1	1661872C1																																																																																
<p>WORK LIGHT (9766) (LOCATED ON LEFT FRAME RAIL BEHIND CAB)</p>  <p style="text-align: right;">W/ WORKSTAR</p> <p>CONNECTOR 1661778C1 BODY LOCK 1661874C1</p> <table border="1" style="width:100%; font-size: x-small;"> <thead> <tr> <th>CAV</th> <th>CIRCUIT</th> <th>GAUGE</th> <th>COLOR</th> <th>TERMINAL</th> <th>SEAL/SLEEVE</th> </tr> </thead> <tbody> <tr><td>A</td><td>N65</td><td>16</td><td>OR</td><td>1661875C1</td><td>1661872C1</td></tr> <tr><td>B</td><td>N65-G</td><td>16</td><td>WH</td><td>1661875C1</td><td>1661872C1</td></tr> </tbody> </table>				CAV	CIRCUIT	GAUGE	COLOR	TERMINAL	SEAL/SLEEVE	A	N65	16	OR	1661875C1	1661872C1	B	N65-G	16	WH	1661875C1	1661872C1	<p>FOURTH PUSHER AXLE (9765) (LOCATED AT FOURTH PUSHER AXLE BETWEEN CAB AND REAR)</p>  <p style="text-align: right;">W/ WORKSTAR</p> <p>CONNECTOR 1661778C1 BODY LOCK 1661874C1</p> <table border="1" style="width:100%; font-size: x-small;"> <thead> <tr> <th>CAV</th> <th>CIRCUIT</th> <th>GAUGE</th> <th>COLOR</th> <th>TERMINAL</th> <th>SEAL/SLV</th> </tr> </thead> <tbody> <tr><td>A</td><td>N59EB</td><td>18</td><td>GY</td><td>1661875C1</td><td>1661872C1</td></tr> <tr><td>B</td><td>N59-GE</td><td>18</td><td>WH</td><td>1661875C1</td><td>1661872C1</td></tr> </tbody> </table>				CAV	CIRCUIT	GAUGE	COLOR	TERMINAL	SEAL/SLV	A	N59EB	18	GY	1661875C1	1661872C1	B	N59-GE	18	WH	1661875C1	1661872C1																																										
CAV	CIRCUIT	GAUGE	COLOR	TERMINAL	SEAL/SLEEVE																																																																																
A	N65	16	OR	1661875C1	1661872C1																																																																																
B	N65-G	16	WH	1661875C1	1661872C1																																																																																
CAV	CIRCUIT	GAUGE	COLOR	TERMINAL	SEAL/SLV																																																																																
A	N59EB	18	GY	1661875C1	1661872C1																																																																																
B	N59-GE	18	WH	1661875C1	1661872C1																																																																																
<p>WORK LIGHT (9766) (LOCATED BETWEEN CENTER CHASSIS AND REAR CHASSIS)</p>  <p style="text-align: right;">W/ WORKSTAR</p> <p>CONNECTOR 3543888C1 BODY LOCK 1661874C1</p> <table border="1" style="width:100%; font-size: x-small;"> <thead> <tr> <th>CAV</th> <th>CIRCUIT</th> <th>GAUGE</th> <th>COLOR</th> <th>TERMINAL</th> <th>SEAL/SLEEVE</th> </tr> </thead> <tbody> <tr><td>A</td><td>R65</td><td>16</td><td>OR</td><td>1661875C1</td><td>1661872C1</td></tr> <tr><td>B</td><td>R65-G</td><td>16</td><td>WH</td><td>1661875C1</td><td>1661872C1</td></tr> </tbody> </table>				CAV	CIRCUIT	GAUGE	COLOR	TERMINAL	SEAL/SLEEVE	A	R65	16	OR	1661875C1	1661872C1	B	R65-G	16	WH	1661875C1	1661872C1	<p>CONNECTOR 1661778C1 BODY LOCK 1661874C1</p> <table border="1" style="width:100%; font-size: x-small;"> <thead> <tr> <th>CAV</th> <th>CIRCUIT</th> <th>GAUGE</th> <th>COLOR</th> <th>TERMINAL</th> <th>SEAL/SLEEVE</th> </tr> </thead> <tbody> <tr><td>A</td><td>N59EB</td><td>18</td><td>GY</td><td>1661875C1</td><td>1661872C1</td></tr> <tr><td>B</td><td>N59-GE</td><td>18</td><td>WH</td><td>1661875C1</td><td>1661872C1</td></tr> </tbody> </table>				CAV	CIRCUIT	GAUGE	COLOR	TERMINAL	SEAL/SLEEVE	A	N59EB	18	GY	1661875C1	1661872C1	B	N59-GE	18	WH	1661875C1	1661872C1																																										
CAV	CIRCUIT	GAUGE	COLOR	TERMINAL	SEAL/SLEEVE																																																																																
A	R65	16	OR	1661875C1	1661872C1																																																																																
B	R65-G	16	WH	1661875C1	1661872C1																																																																																
CAV	CIRCUIT	GAUGE	COLOR	TERMINAL	SEAL/SLEEVE																																																																																
A	N59EB	18	GY	1661875C1	1661872C1																																																																																
B	N59-GE	18	WH	1661875C1	1661872C1																																																																																
CHK	DATE	CHANGE	REV	REFERENCE	DRAWN	NAME																																																																															
0488	25JUN14	REVISED AND REDRAWN.	B	92603H	310615	CIRCUIT DIAGRAM, 42/43/44/85/8600 & 73/74/7500																																																																															
RELEASE NO.					DATE	PARTY NO.	SHEET																																																																														
92218B					31JUL13	AE08058187	154																																																																														

Figure 800 Connector Composites (9761F), (9762), (9763) (9764), (9765), (9766)

13.284. CONNECTOR COMPOSITES (9767), (9775F), (9776F), (9777), (9777A), (9777E), (9777M), (9778), P. 155

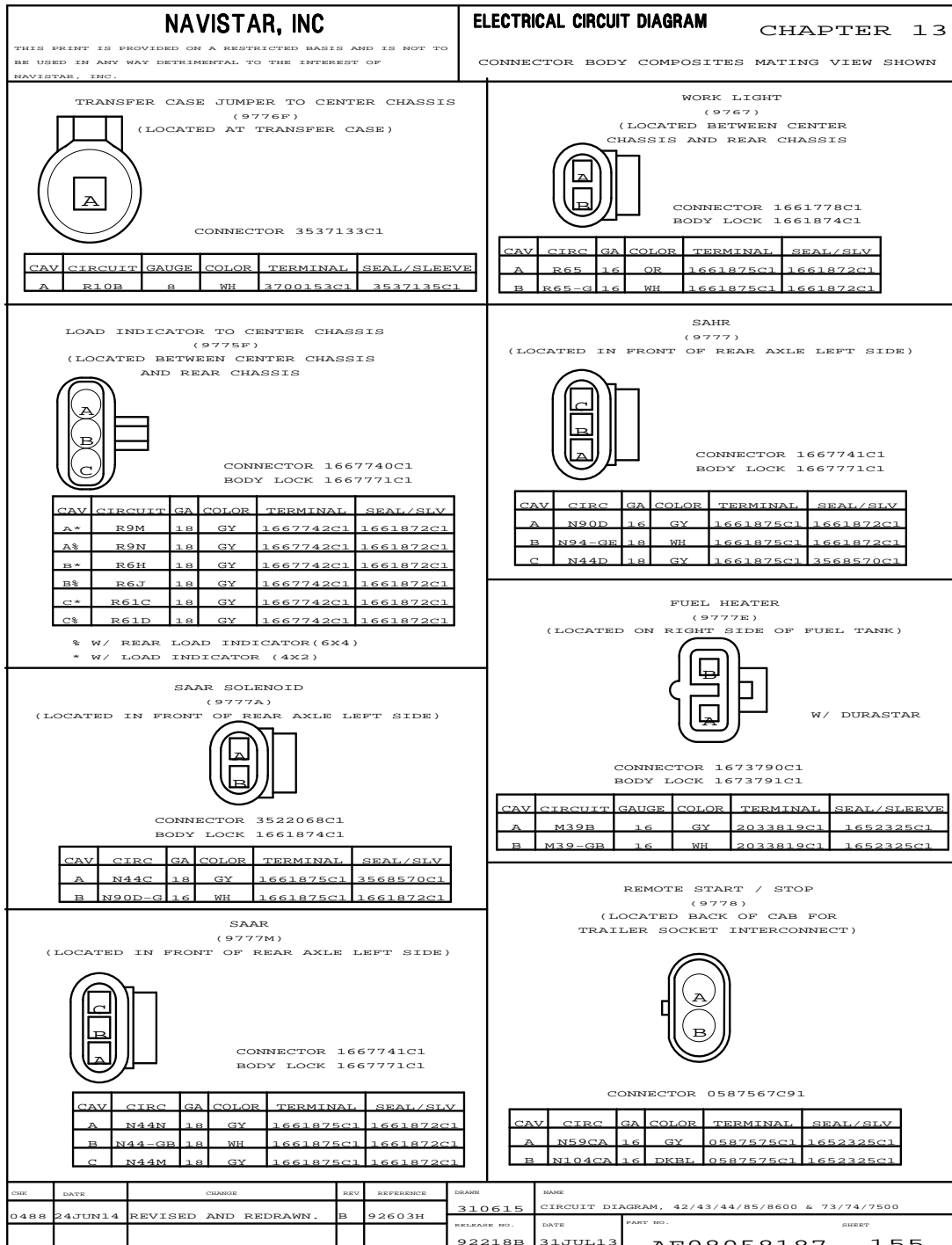


Figure 801 Connector Composites (9767), (9775F), (9776F), (9777), (9777A), (9777E), (9777M), (9778)

13.285. CONNECTOR COMPOSITES (9778F), (9778F1), (9779F), P. 156

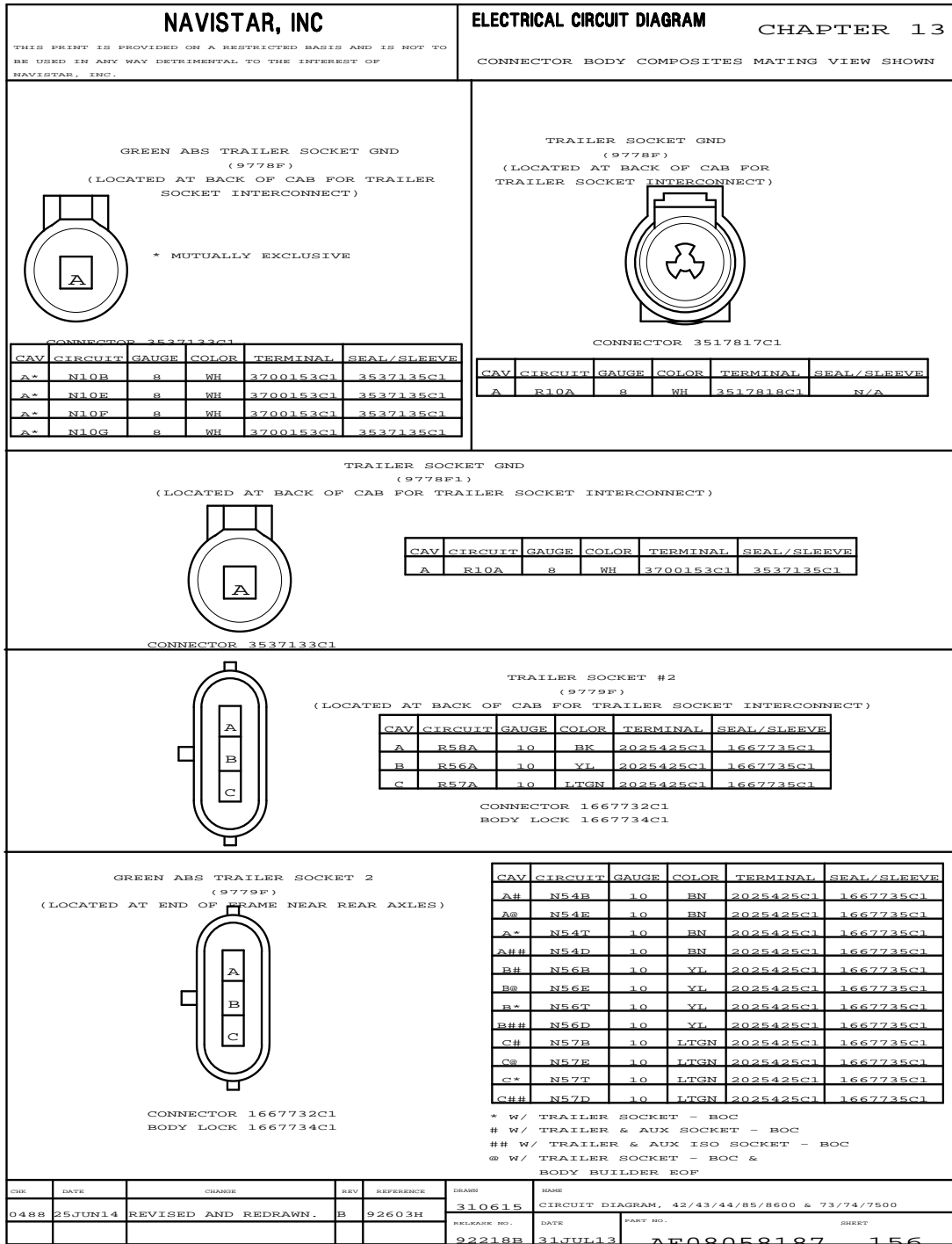
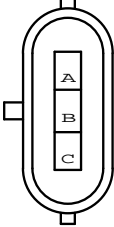


Figure 802 Connector Composites (9778F), (9778F1), (9779F)

13.286. CONNECTOR COMPOSITES (9779F1), (9780M), (9780M1), P. 157

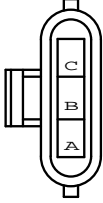
NAVISTAR, INC				ELECTRICAL CIRCUIT DIAGRAM		CHAPTER 13	
THIS PRINT IS PROVIDED ON A RESTRICTED BASIS AND IS NOT TO BE USED IN ANY WAY DETRIMENTAL TO THE INTEREST OF NAVISTAR, INC.				CONNECTOR BODY COMPOSITES MATING VIEW SHOWN			



TRAILER SOCKET 2
(9779F1)
(LOCATED BACK OF CAB FOR TRAILER SOCKET INTERCONNECT)

CAV	CIRCUIT	GAUGE	COLOR	TERMINAL	SEAL/SLEEVE
A	R58A	10	BK	2025425C1	1667735C1
B	R56A	10	YL	2025425C1	1667735C1
C	R57A	10	LTGN	2025425C1	1667735C1

CONNECTOR 1667732C1
BODY LOCK 1667734C1

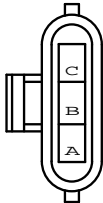


GREEN ABS TRAILER SOCKET #1
(9780M)
(LOCATED BACK OF CAB FOR TRAILER SOCKET INTERCONNECT)

CAV	CIRCUIT	GAUGE	COLOR	TERMINAL	SEAL/SLEEVE
A#	N70B	10	RD	1667737C1	1667735C1
A@	N70E	10	RD	1667737C1	1667735C1
A*	N70T	10	RD	1667737C1	1667735C1
A##	N70D	10	RD	1667737C1	1667735C1
B#	N68B	10	BN	1667737C1	1667735C1
B@	N68E	10	BN	1667737C1	1667735C1
B*	N68T	10	BN	1667737C1	1667735C1
B##	N68D	10	BN	1667737C1	1667735C1
C@	N94E	10	GY	1667737C1	1667735C1
C*	N94T	10	GY	1667737C1	1667735C1
C#	N94T	10	GY	1667737C1	1667735C1
C##	N72V	10	DK BL	1667737C1	1667735C1

CONNECTOR 1667733C1
BODY LOCK 1667734C1

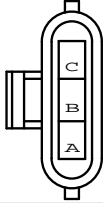
* W/ TRAILER SOCKET - BOC
W/ TRAILER & AUX SOCKET - BOC
W/ TRAILER & AUX SOCKET - BOC
@ W/ TRAILER SOCKET - BOC & BODY BUILDER FOR



GREEN ABS TRAILER SOCKET 1
(9780M)
(LOCATED BACK OF CAB FOR TRAILER SOCKET INTERCONNECT)

CAV	CIRCUIT	GAUGE	COLOR	TERMINAL	SEAL/SLEEVE
A	R70A	10	RD	1667737C1	1667735C1
B	R68A	10	BN	1667737C1	1667735C1
C	R94A	10	DKBL	1667737C1	1667735C1

CONNECTOR 1667733C1
BODY LOCK 1667734C1



TRAILER SOCKET 1
(9780M1)
(LOCATED BACK OF CAB FOR TRAILER SOCKET INTERCONNECT)

CAV	CIRCUIT	GAUGE	COLOR	TERMINAL	SEAL/SLEEVE
A	R70A	10	RD	1667737C1	1667735C1
B	R68A	10	BN	1667737C1	1667735C1
C	R94A	10	DKBL	1667737C1	1667735C1

CONNECTOR 1667733C1
BODY LOCK 1667734C1

CHK	DATE	CHANGE	REV	REFERENCE	DRAWN	NAME
					310615	CIRCUIT DIAGRAM, 42/43/44/85/8600 & 73/74/7500
0488	24JUN14	REVISED AND REDRAWN.	C	92603H	RELEASE NO.	DATE
					92218B	31JUL13
						PART NO.
						AE08058187
						SHEET
						157

Figure 803 Connector Composites (9779F1), (9780M), (9780M1)

13.287. CONNECTOR COMPOSITES (9781M), (9782F), (9782M), P. 158

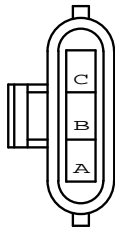
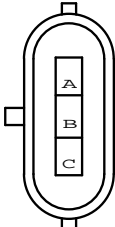
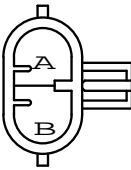
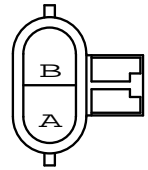
NAVISTAR, INC				ELECTRICAL CIRCUIT DIAGRAM		CHAPTER 13																									
THIS PRINT IS PROVIDED ON A RESTRICTED BASIS AND IS NOT TO BE USED IN ANY WAY DETRIMENTAL TO THE INTEREST OF NAVISTAR, INC.				CONNECTOR BODY COMPOSITES MATING VIEW SHOWN																											
																															
BLACK AUX TRAILER SOCKET #1 (9781M) (LOCATED BACK OF CAB FOR AUX TRAILER SOCKET INTERCONNECT)																															
<table border="1" style="width: 100%; border-collapse: collapse; font-size: x-small;"> <thead> <tr> <th>CAV</th> <th>CIRCUIT</th> <th>GAUGE</th> <th>COLOR</th> <th>TERMINAL</th> <th>SEAL/SLEEVE</th> </tr> </thead> <tbody> <tr> <td>A</td> <td>N70C</td> <td>10</td> <td>RD</td> <td>1667737C1</td> <td>1667735C1</td> </tr> <tr> <td>B</td> <td>N68C</td> <td>10</td> <td>BN</td> <td>1667737C1</td> <td>1667735C1</td> </tr> <tr> <td>C</td> <td>N72</td> <td>12</td> <td>OR</td> <td>1667737C1</td> <td>1671603C1</td> </tr> </tbody> </table>								CAV	CIRCUIT	GAUGE	COLOR	TERMINAL	SEAL/SLEEVE	A	N70C	10	RD	1667737C1	1667735C1	B	N68C	10	BN	1667737C1	1667735C1	C	N72	12	OR	1667737C1	1671603C1
CAV	CIRCUIT	GAUGE	COLOR	TERMINAL	SEAL/SLEEVE																										
A	N70C	10	RD	1667737C1	1667735C1																										
B	N68C	10	BN	1667737C1	1667735C1																										
C	N72	12	OR	1667737C1	1671603C1																										
CONNECTOR 1667733C1 BODY LOCK 1667734C1																															
																															
BLACK AUX TRAILER SOCKET #2 (9782F) (LOCATED BACK OF CAB FOR AUX TRAILER SOCKET INTERCONNECT)																															
<table border="1" style="width: 100%; border-collapse: collapse; font-size: x-small;"> <thead> <tr> <th>CAV</th> <th>CIRCUIT</th> <th>GAUGE</th> <th>COLOR</th> <th>TERMINAL</th> <th>SEAL/SLEEVE</th> </tr> </thead> <tbody> <tr> <td>A</td> <td>N54C</td> <td>10</td> <td>BN</td> <td>2025425C1</td> <td>1667735C1</td> </tr> <tr> <td>B</td> <td>N56C</td> <td>10</td> <td>YL</td> <td>2025425C1</td> <td>1667735C1</td> </tr> <tr> <td>C</td> <td>N57C</td> <td>10</td> <td>LTGN</td> <td>2025425C1</td> <td>1667735C1</td> </tr> </tbody> </table>								CAV	CIRCUIT	GAUGE	COLOR	TERMINAL	SEAL/SLEEVE	A	N54C	10	BN	2025425C1	1667735C1	B	N56C	10	YL	2025425C1	1667735C1	C	N57C	10	LTGN	2025425C1	1667735C1
CAV	CIRCUIT	GAUGE	COLOR	TERMINAL	SEAL/SLEEVE																										
A	N54C	10	BN	2025425C1	1667735C1																										
B	N56C	10	YL	2025425C1	1667735C1																										
C	N57C	10	LTGN	2025425C1	1667735C1																										
CONNECTOR 1667732C1 BODY LOCK 1667734C1																															
																															
ISO TRAILER SOCKET (9782F) (LOCATED BACK OF CAB FOR TRAILER SOCKET INTERCONNECT)																															
<table border="1" style="width: 100%; border-collapse: collapse; font-size: x-small;"> <thead> <tr> <th>CAV</th> <th>CIRCUIT</th> <th>GAUGE</th> <th>COLOR</th> <th>TERMINAL</th> <th>SEAL/SLEEVE</th> </tr> </thead> <tbody> <tr> <td>A</td> <td>R94T</td> <td>10</td> <td>DKBL</td> <td>2025423C1</td> <td>2025427C1</td> </tr> <tr> <td>B</td> <td>R94TA</td> <td>12</td> <td>YL</td> <td>2025422C1</td> <td>2025422C1</td> </tr> </tbody> </table>								CAV	CIRCUIT	GAUGE	COLOR	TERMINAL	SEAL/SLEEVE	A	R94T	10	DKBL	2025423C1	2025427C1	B	R94TA	12	YL	2025422C1	2025422C1						
CAV	CIRCUIT	GAUGE	COLOR	TERMINAL	SEAL/SLEEVE																										
A	R94T	10	DKBL	2025423C1	2025427C1																										
B	R94TA	12	YL	2025422C1	2025422C1																										
CONNECTOR 2031520C1 BODY LOCK 2033927C1																															
																															
ISO TRAILER SOCKET (9782M) (LOCATED BACK OF CAB FOR TRAILER SOCKET INTERCONNECT)																															
<table border="1" style="width: 100%; border-collapse: collapse; font-size: x-small;"> <thead> <tr> <th>CAV</th> <th>CIRCUIT</th> <th>GAUGE</th> <th>COLOR</th> <th>TERMINAL</th> <th>SEAL/SLEEVE</th> </tr> </thead> <tbody> <tr> <td>A</td> <td>R94T</td> <td>10</td> <td>DKBL</td> <td>2031531C1</td> <td>2025427C1</td> </tr> <tr> <td>B</td> <td>R94TA</td> <td>12</td> <td>YL</td> <td>2031531C1</td> <td>2025428C1</td> </tr> </tbody> </table>								CAV	CIRCUIT	GAUGE	COLOR	TERMINAL	SEAL/SLEEVE	A	R94T	10	DKBL	2031531C1	2025427C1	B	R94TA	12	YL	2031531C1	2025428C1						
CAV	CIRCUIT	GAUGE	COLOR	TERMINAL	SEAL/SLEEVE																										
A	R94T	10	DKBL	2031531C1	2025427C1																										
B	R94TA	12	YL	2031531C1	2025428C1																										
CONNECTOR 2031522C1 BODY LOCK 2033927C1																															
CHK	DATE	CHANGE	REV	REFERENCE	DRAWN	NAME																									
0488	25JUN14	REVISED AND REDRAWN.	C	92603H	MJV0195	CIRCUIT DIAGRAM, 42/43/44/85/8600 & 73/74/7500																									
RELEASE NO.				DATE	PART NO.		SHEET																								
92218B				31JUL13	AE08058187		158																								

Figure 804 Connector Composites (9781M), (9782F), (9782M)

13.288. CONNECTOR COMPOSITES (9783), (9783F), (9783M), (9784M), P. 159

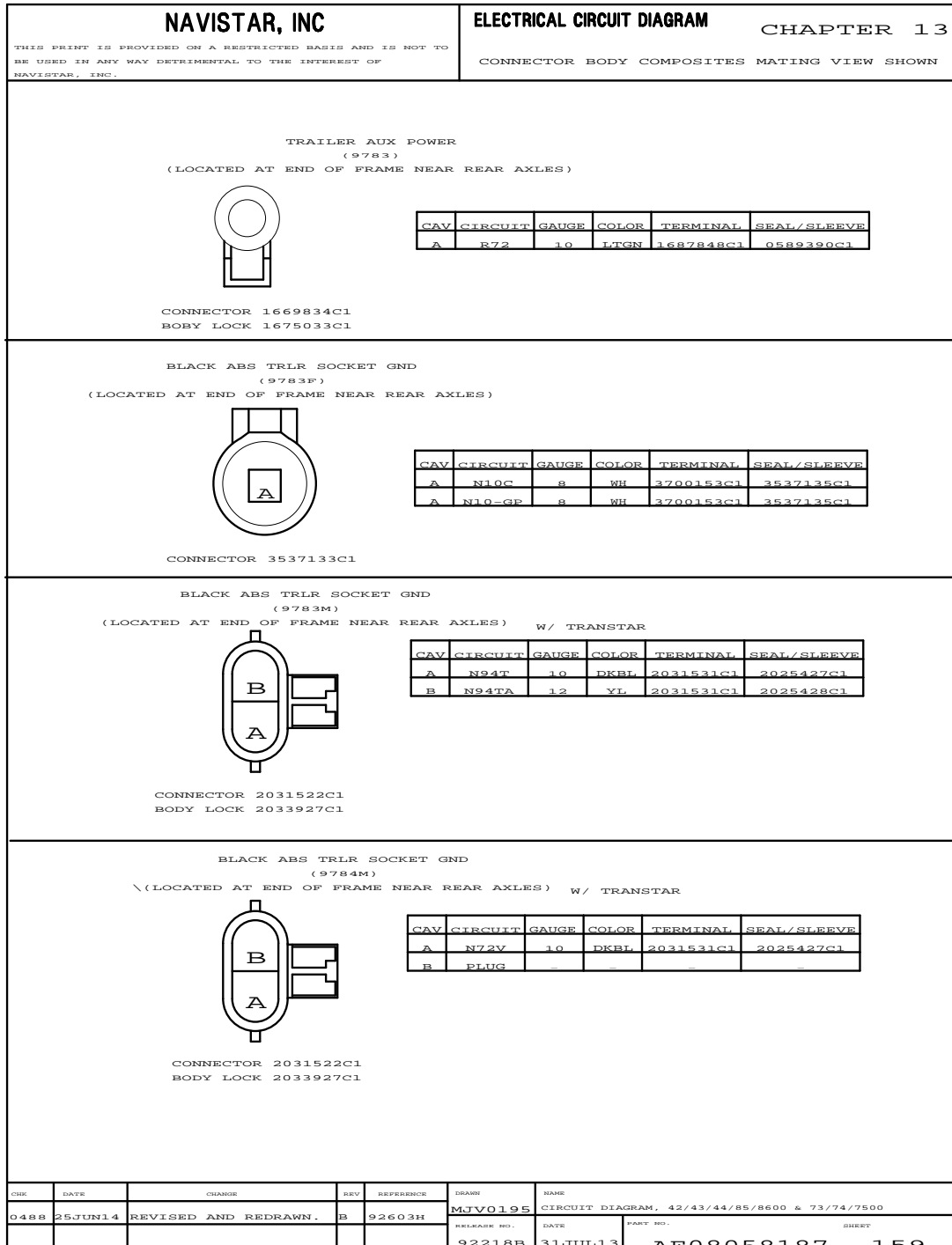


Figure 805 Connector Composites (9783), (9783F), (9783M), (9784M)

13.289. CONNECTOR COMPOSITES (9800), P. 160

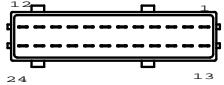
NAVISTAR, INC						ELECTRICAL CIRCUIT DIAGRAM	CHAPTER 13																																																																																																																																																																																																																																																																																																																																																
THIS PRINT IS PROVIDED ON A RESTRICTED BASIS AND IS NOT TO BE USED IN ANY WAY DETRIMENTAL TO THE INTEREST OF NAVISTAR, INC.						CONNECTOR BODY COMPOSITES MATING VIEW SHOWN																																																																																																																																																																																																																																																																																																																																																	
<table border="1" style="width: 100%; border-collapse: collapse; font-size: x-small;"> <thead> <tr> <th>CAV</th> <th>CIRCUIT</th> <th>GAUGE</th> <th>COLOR</th> <th>TERMINAL</th> <th>SEAL/SLEEVE</th> </tr> </thead> <tbody> <tr><td>1</td><td>R71</td><td>14</td><td>OR</td><td>3559037C1</td><td>3575783C1</td></tr> <tr><td>2</td><td>R56</td><td>14</td><td>OR</td><td>3559037C1</td><td>3575783C1</td></tr> <tr><td>3</td><td>R57</td><td>14</td><td>OR</td><td>3559037C1</td><td>3575783C1</td></tr> <tr><td>4</td><td>R68</td><td>14</td><td>BN</td><td>3559037C1</td><td>3575783C1</td></tr> <tr><td>5*</td><td>R32A</td><td>18</td><td>TN</td><td>3559036C1</td><td>3509903C1</td></tr> <tr><td>5*</td><td>R36</td><td>18</td><td>TN</td><td>3559036C1</td><td>3509903C1</td></tr> <tr><td>5*</td><td>R68</td><td>18</td><td>BN</td><td>3559036C1</td><td>3509903C1</td></tr> <tr><td>6*</td><td>R70</td><td>14</td><td>OR</td><td>3559037C1</td><td>3575783C1</td></tr> <tr><td>6*</td><td>R32</td><td>18</td><td>TN</td><td>3559036C1</td><td>3509903C1</td></tr> <tr><td>6*</td><td>R70</td><td>18</td><td>OR</td><td>3559036C1</td><td>3509903C1</td></tr> <tr><td>7*</td><td>R49</td><td>18</td><td>GY</td><td>3559036C1</td><td>3509903C1</td></tr> <tr><td>7*</td><td>R49</td><td>18</td><td>WH</td><td>3559036C1</td><td>3509903C1</td></tr> <tr><td>8*</td><td>R49A</td><td>18</td><td>GY</td><td>3559036C1</td><td>3509903C1</td></tr> <tr><td>8*</td><td>R49A</td><td>18</td><td>WH</td><td>3559036C1</td><td>3509903C1</td></tr> <tr><td>9*</td><td>R49-GA</td><td>18</td><td>WH</td><td>3559036C1</td><td>3509903C1</td></tr> <tr><td>9*</td><td>R10-GB</td><td>18</td><td>WH</td><td>3559036C1</td><td>3509903C1</td></tr> <tr><td>10</td><td>R9D</td><td>18</td><td>GY</td><td>3559036C1</td><td>3509903C1</td></tr> <tr><td>11*</td><td>R9C</td><td>18</td><td>GY</td><td>3559036C1</td><td>3509903C1</td></tr> <tr><td>11*</td><td>R9B</td><td>18</td><td>GY</td><td>3559036C1</td><td>3509903C1</td></tr> <tr><td>12*</td><td>R11-GTL</td><td>12</td><td>WH</td><td>3559037C1</td><td>3575783C1</td></tr> <tr><td>12*</td><td>R10-G</td><td>12</td><td>WH</td><td>3559037C1</td><td>3575783C1</td></tr> <tr><td>13*</td><td>R94R</td><td>16</td><td>GY</td><td>3559037C1</td><td>3509903C1</td></tr> <tr><td>13*</td><td>R94A</td><td>16</td><td>GY</td><td>3559037C1</td><td>3509903C1</td></tr> <tr><td>13*</td><td>R94M</td><td>16</td><td>GY</td><td>3559037C1</td><td>3509903C1</td></tr> <tr><td>13*</td><td>[R94M]</td><td>18</td><td>BK</td><td>3559036C1</td><td>3509903C1</td></tr> <tr><td>13*</td><td>[R94WL]</td><td>18</td><td>BK</td><td>3559036C1</td><td>3509903C1</td></tr> <tr><td>13*</td><td>[R94J]</td><td>18</td><td>BK</td><td>3559036C1</td><td>3509903C1</td></tr> <tr><td>14*</td><td>R94S</td><td>16</td><td>OR</td><td>3559037C1</td><td>3509903C1</td></tr> <tr><td>14*</td><td>R94B</td><td>16</td><td>OR</td><td>3559037C1</td><td>3509903C1</td></tr> <tr><td>14*</td><td>R94N</td><td>16</td><td>OR</td><td>3559037C1</td><td>3509903C1</td></tr> <tr><td>14*</td><td>R94BO</td><td>16</td><td>OR</td><td>3559037C1</td><td>3509903C1</td></tr> <tr><td>14*</td><td>[R94N]</td><td>18</td><td>BN</td><td>3559036C1</td><td>3509903C1</td></tr> <tr><td>14*</td><td>[R94WM]</td><td>18</td><td>BN</td><td>3559036C1</td><td>3509903C1</td></tr> <tr><td>14*</td><td>[R94K]</td><td>18</td><td>BN</td><td>3559036C1</td><td>3509903C1</td></tr> <tr><td>15*</td><td>R94W</td><td>16</td><td>DKBL</td><td>3559037C1</td><td>3509903C1</td></tr> <tr><td>15*</td><td>R94C</td><td>16</td><td>DKBL</td><td>3559037C1</td><td>3509903C1</td></tr> <tr><td>15*</td><td>R94PP</td><td>16</td><td>DKBL</td><td>3559037C1</td><td>3509903C1</td></tr> <tr><td>15*</td><td>R94BW</td><td>16</td><td>DKBL</td><td>3559037C1</td><td>3509903C1</td></tr> <tr><td>15*</td><td>[R94P]</td><td>18</td><td>BK</td><td>3559036C1</td><td>3509903C1</td></tr> <tr><td>15*</td><td>[R94WS]</td><td>18</td><td>BK</td><td>3559036C1</td><td>3509903C1</td></tr> <tr><td>15*</td><td>[R94T]</td><td>18</td><td>BK</td><td>3559036C1</td><td>3509903C1</td></tr> <tr><td>16*</td><td>R94X</td><td>16</td><td>YL</td><td>3559037C1</td><td>3509903C1</td></tr> <tr><td>16*</td><td>R94D</td><td>16</td><td>YL</td><td>3559037C1</td><td>3509903C1</td></tr> <tr><td>16*</td><td>R94RR</td><td>16</td><td>YL</td><td>3559037C1</td><td>3509903C1</td></tr> <tr><td>16*</td><td>R94BV</td><td>16</td><td>YL</td><td>3559037C1</td><td>3509903C1</td></tr> <tr><td>16*</td><td>[R94R]</td><td>18</td><td>BN</td><td>3559036C1</td><td>3509903C1</td></tr> <tr><td>16*</td><td>[R94WT]</td><td>18</td><td>BN</td><td>3559036C1</td><td>3509903C1</td></tr> <tr><td>16*</td><td>[R94U]</td><td>18</td><td>BN</td><td>3559036C1</td><td>3509903C1</td></tr> <tr><td>17*</td><td>R94LA</td><td>16</td><td>GY</td><td>3559037C1</td><td>3509903C1</td></tr> <tr><td>17*</td><td>R94M</td><td>16</td><td>BK</td><td>3559037C1</td><td>3509903C1</td></tr> <tr><td>17*</td><td>R94E</td><td>16</td><td>BK</td><td>3559037C1</td><td>3509903C1</td></tr> <tr><td>17*</td><td>R94SS</td><td>16</td><td>BK</td><td>3559037C1</td><td>3509903C1</td></tr> <tr><td>17*</td><td>R94BZ</td><td>16</td><td>BK</td><td>3559037C1</td><td>3509903C1</td></tr> <tr><td>17*</td><td>[R94WN]</td><td>18</td><td>BL</td><td>3559036C1</td><td>3509903C1</td></tr> <tr><td>17*</td><td>[R94L]</td><td>18</td><td>BL</td><td>3559036C1</td><td>3509903C1</td></tr> </tbody> </table>						CAV	CIRCUIT	GAUGE	COLOR	TERMINAL	SEAL/SLEEVE	1	R71	14	OR	3559037C1	3575783C1	2	R56	14	OR	3559037C1	3575783C1	3	R57	14	OR	3559037C1	3575783C1	4	R68	14	BN	3559037C1	3575783C1	5*	R32A	18	TN	3559036C1	3509903C1	5*	R36	18	TN	3559036C1	3509903C1	5*	R68	18	BN	3559036C1	3509903C1	6*	R70	14	OR	3559037C1	3575783C1	6*	R32	18	TN	3559036C1	3509903C1	6*	R70	18	OR	3559036C1	3509903C1	7*	R49	18	GY	3559036C1	3509903C1	7*	R49	18	WH	3559036C1	3509903C1	8*	R49A	18	GY	3559036C1	3509903C1	8*	R49A	18	WH	3559036C1	3509903C1	9*	R49-GA	18	WH	3559036C1	3509903C1	9*	R10-GB	18	WH	3559036C1	3509903C1	10	R9D	18	GY	3559036C1	3509903C1	11*	R9C	18	GY	3559036C1	3509903C1	11*	R9B	18	GY	3559036C1	3509903C1	12*	R11-GTL	12	WH	3559037C1	3575783C1	12*	R10-G	12	WH	3559037C1	3575783C1	13*	R94R	16	GY	3559037C1	3509903C1	13*	R94A	16	GY	3559037C1	3509903C1	13*	R94M	16	GY	3559037C1	3509903C1	13*	[R94M]	18	BK	3559036C1	3509903C1	13*	[R94WL]	18	BK	3559036C1	3509903C1	13*	[R94J]	18	BK	3559036C1	3509903C1	14*	R94S	16	OR	3559037C1	3509903C1	14*	R94B	16	OR	3559037C1	3509903C1	14*	R94N	16	OR	3559037C1	3509903C1	14*	R94BO	16	OR	3559037C1	3509903C1	14*	[R94N]	18	BN	3559036C1	3509903C1	14*	[R94WM]	18	BN	3559036C1	3509903C1	14*	[R94K]	18	BN	3559036C1	3509903C1	15*	R94W	16	DKBL	3559037C1	3509903C1	15*	R94C	16	DKBL	3559037C1	3509903C1	15*	R94PP	16	DKBL	3559037C1	3509903C1	15*	R94BW	16	DKBL	3559037C1	3509903C1	15*	[R94P]	18	BK	3559036C1	3509903C1	15*	[R94WS]	18	BK	3559036C1	3509903C1	15*	[R94T]	18	BK	3559036C1	3509903C1	16*	R94X	16	YL	3559037C1	3509903C1	16*	R94D	16	YL	3559037C1	3509903C1	16*	R94RR	16	YL	3559037C1	3509903C1	16*	R94BV	16	YL	3559037C1	3509903C1	16*	[R94R]	18	BN	3559036C1	3509903C1	16*	[R94WT]	18	BN	3559036C1	3509903C1	16*	[R94U]	18	BN	3559036C1	3509903C1	17*	R94LA	16	GY	3559037C1	3509903C1	17*	R94M	16	BK	3559037C1	3509903C1	17*	R94E	16	BK	3559037C1	3509903C1	17*	R94SS	16	BK	3559037C1	3509903C1	17*	R94BZ	16	BK	3559037C1	3509903C1	17*	[R94WN]	18	BL	3559036C1	3509903C1	17*	[R94L]	18	BL	3559036C1	3509903C1	<p style="text-align: center;">CONNECTION TO CENTER HARNESS (9800) (LOCATED ON LEFT FRAME RAIL BEHIND CAB)</p>  <p style="text-align: center;">CONNECTOR 3558022C1 BODY LOCK 3558056C1</p>	
CAV	CIRCUIT	GAUGE	COLOR	TERMINAL	SEAL/SLEEVE																																																																																																																																																																																																																																																																																																																																																		
1	R71	14	OR	3559037C1	3575783C1																																																																																																																																																																																																																																																																																																																																																		
2	R56	14	OR	3559037C1	3575783C1																																																																																																																																																																																																																																																																																																																																																		
3	R57	14	OR	3559037C1	3575783C1																																																																																																																																																																																																																																																																																																																																																		
4	R68	14	BN	3559037C1	3575783C1																																																																																																																																																																																																																																																																																																																																																		
5*	R32A	18	TN	3559036C1	3509903C1																																																																																																																																																																																																																																																																																																																																																		
5*	R36	18	TN	3559036C1	3509903C1																																																																																																																																																																																																																																																																																																																																																		
5*	R68	18	BN	3559036C1	3509903C1																																																																																																																																																																																																																																																																																																																																																		
6*	R70	14	OR	3559037C1	3575783C1																																																																																																																																																																																																																																																																																																																																																		
6*	R32	18	TN	3559036C1	3509903C1																																																																																																																																																																																																																																																																																																																																																		
6*	R70	18	OR	3559036C1	3509903C1																																																																																																																																																																																																																																																																																																																																																		
7*	R49	18	GY	3559036C1	3509903C1																																																																																																																																																																																																																																																																																																																																																		
7*	R49	18	WH	3559036C1	3509903C1																																																																																																																																																																																																																																																																																																																																																		
8*	R49A	18	GY	3559036C1	3509903C1																																																																																																																																																																																																																																																																																																																																																		
8*	R49A	18	WH	3559036C1	3509903C1																																																																																																																																																																																																																																																																																																																																																		
9*	R49-GA	18	WH	3559036C1	3509903C1																																																																																																																																																																																																																																																																																																																																																		
9*	R10-GB	18	WH	3559036C1	3509903C1																																																																																																																																																																																																																																																																																																																																																		
10	R9D	18	GY	3559036C1	3509903C1																																																																																																																																																																																																																																																																																																																																																		
11*	R9C	18	GY	3559036C1	3509903C1																																																																																																																																																																																																																																																																																																																																																		
11*	R9B	18	GY	3559036C1	3509903C1																																																																																																																																																																																																																																																																																																																																																		
12*	R11-GTL	12	WH	3559037C1	3575783C1																																																																																																																																																																																																																																																																																																																																																		
12*	R10-G	12	WH	3559037C1	3575783C1																																																																																																																																																																																																																																																																																																																																																		
13*	R94R	16	GY	3559037C1	3509903C1																																																																																																																																																																																																																																																																																																																																																		
13*	R94A	16	GY	3559037C1	3509903C1																																																																																																																																																																																																																																																																																																																																																		
13*	R94M	16	GY	3559037C1	3509903C1																																																																																																																																																																																																																																																																																																																																																		
13*	[R94M]	18	BK	3559036C1	3509903C1																																																																																																																																																																																																																																																																																																																																																		
13*	[R94WL]	18	BK	3559036C1	3509903C1																																																																																																																																																																																																																																																																																																																																																		
13*	[R94J]	18	BK	3559036C1	3509903C1																																																																																																																																																																																																																																																																																																																																																		
14*	R94S	16	OR	3559037C1	3509903C1																																																																																																																																																																																																																																																																																																																																																		
14*	R94B	16	OR	3559037C1	3509903C1																																																																																																																																																																																																																																																																																																																																																		
14*	R94N	16	OR	3559037C1	3509903C1																																																																																																																																																																																																																																																																																																																																																		
14*	R94BO	16	OR	3559037C1	3509903C1																																																																																																																																																																																																																																																																																																																																																		
14*	[R94N]	18	BN	3559036C1	3509903C1																																																																																																																																																																																																																																																																																																																																																		
14*	[R94WM]	18	BN	3559036C1	3509903C1																																																																																																																																																																																																																																																																																																																																																		
14*	[R94K]	18	BN	3559036C1	3509903C1																																																																																																																																																																																																																																																																																																																																																		
15*	R94W	16	DKBL	3559037C1	3509903C1																																																																																																																																																																																																																																																																																																																																																		
15*	R94C	16	DKBL	3559037C1	3509903C1																																																																																																																																																																																																																																																																																																																																																		
15*	R94PP	16	DKBL	3559037C1	3509903C1																																																																																																																																																																																																																																																																																																																																																		
15*	R94BW	16	DKBL	3559037C1	3509903C1																																																																																																																																																																																																																																																																																																																																																		
15*	[R94P]	18	BK	3559036C1	3509903C1																																																																																																																																																																																																																																																																																																																																																		
15*	[R94WS]	18	BK	3559036C1	3509903C1																																																																																																																																																																																																																																																																																																																																																		
15*	[R94T]	18	BK	3559036C1	3509903C1																																																																																																																																																																																																																																																																																																																																																		
16*	R94X	16	YL	3559037C1	3509903C1																																																																																																																																																																																																																																																																																																																																																		
16*	R94D	16	YL	3559037C1	3509903C1																																																																																																																																																																																																																																																																																																																																																		
16*	R94RR	16	YL	3559037C1	3509903C1																																																																																																																																																																																																																																																																																																																																																		
16*	R94BV	16	YL	3559037C1	3509903C1																																																																																																																																																																																																																																																																																																																																																		
16*	[R94R]	18	BN	3559036C1	3509903C1																																																																																																																																																																																																																																																																																																																																																		
16*	[R94WT]	18	BN	3559036C1	3509903C1																																																																																																																																																																																																																																																																																																																																																		
16*	[R94U]	18	BN	3559036C1	3509903C1																																																																																																																																																																																																																																																																																																																																																		
17*	R94LA	16	GY	3559037C1	3509903C1																																																																																																																																																																																																																																																																																																																																																		
17*	R94M	16	BK	3559037C1	3509903C1																																																																																																																																																																																																																																																																																																																																																		
17*	R94E	16	BK	3559037C1	3509903C1																																																																																																																																																																																																																																																																																																																																																		
17*	R94SS	16	BK	3559037C1	3509903C1																																																																																																																																																																																																																																																																																																																																																		
17*	R94BZ	16	BK	3559037C1	3509903C1																																																																																																																																																																																																																																																																																																																																																		
17*	[R94WN]	18	BL	3559036C1	3509903C1																																																																																																																																																																																																																																																																																																																																																		
17*	[R94L]	18	BL	3559036C1	3509903C1																																																																																																																																																																																																																																																																																																																																																		
<table border="1" style="width: 100%; border-collapse: collapse; font-size: x-small;"> <thead> <tr> <th>CAV</th> <th>CIRCUIT</th> <th>GAUGE</th> <th>COLOR</th> <th>TERMINAL</th> <th>SEAL/SLEEVE</th> </tr> </thead> <tbody> <tr><td>18*</td><td>R94LB</td><td>16</td><td>GY</td><td>3559037C1</td><td>3509903C1</td></tr> <tr><td>18*</td><td>R94N</td><td>16</td><td>RD</td><td>3559037C1</td><td>3509903C1</td></tr> <tr><td>18*</td><td>R94P</td><td>16</td><td>RD</td><td>3559037C1</td><td>3509903C1</td></tr> <tr><td>18*</td><td>R94TT</td><td>16</td><td>RD</td><td>3559037C1</td><td>3509903C1</td></tr> <tr><td>18*</td><td>R94BY</td><td>16</td><td>RD</td><td>3559037C1</td><td>3509903C1</td></tr> <tr><td>18*</td><td>[R94G7]</td><td>18</td><td>GN</td><td>3559036C1</td><td>3509903C1</td></tr> <tr><td>18*</td><td>[R94GB]</td><td>18</td><td>GN</td><td>3559036C1</td><td>3509903C1</td></tr> <tr><td>19*</td><td>R94LC</td><td>16</td><td>GY</td><td>3559037C1</td><td>3509903C1</td></tr> <tr><td>19*</td><td>R94P</td><td>16</td><td>BN</td><td>3559037C1</td><td>3509903C1</td></tr> <tr><td>19*</td><td>R94H</td><td>16</td><td>BN</td><td>3559037C1</td><td>3509903C1</td></tr> <tr><td>19*</td><td>R94UU</td><td>16</td><td>BN</td><td>3559037C1</td><td>3509903C1</td></tr> <tr><td>19*</td><td>R94BP</td><td>16</td><td>BN</td><td>3559037C1</td><td>3509903C1</td></tr> <tr><td>19*</td><td>[R94WR]</td><td>18</td><td>BN</td><td>3559036C1</td><td>3509903C1</td></tr> <tr><td>19*</td><td>[R94M]</td><td>18</td><td>BN</td><td>3559036C1</td><td>3509903C1</td></tr> <tr><td>20*</td><td>R94RJ</td><td>16</td><td>GY</td><td>3559037C1</td><td>3509903C1</td></tr> <tr><td>20*</td><td>R94T</td><td>16</td><td>PL</td><td>3559037C1</td><td>3509903C1</td></tr> <tr><td>20*</td><td>R94J</td><td>16</td><td>PL</td><td>3559037C1</td><td>3509903C1</td></tr> <tr><td>20*</td><td>R94VV</td><td>16</td><td>PL</td><td>3559037C1</td><td>3509903C1</td></tr> <tr><td>20*</td><td>R94BS</td><td>16</td><td>PL</td><td>3559037C1</td><td>3509903C1</td></tr> <tr><td>20*</td><td>[R94WU]</td><td>18</td><td>BL</td><td>3559036C1</td><td>3509903C1</td></tr> <tr><td>20*</td><td>[R94P]</td><td>18</td><td>BL</td><td>3559036C1</td><td>3509903C1</td></tr> <tr><td>21*</td><td>R94RK</td><td>16</td><td>GY</td><td>3559037C1</td><td>3509903C1</td></tr> <tr><td>21*</td><td>R94U</td><td>16</td><td>LTGN</td><td>3559037C1</td><td>3509903C1</td></tr> <tr><td>21*</td><td>R94K</td><td>16</td><td>LTGN</td><td>3559037C1</td><td>3509903C1</td></tr> <tr><td>21*</td><td>R94W</td><td>16</td><td>LTGN</td><td>3559037C1</td><td>3509903C1</td></tr> <tr><td>21*</td><td>R94BT</td><td>16</td><td>LTGN</td><td>3559037C1</td><td>3509903C1</td></tr> <tr><td>21*</td><td>[R94G6]</td><td>18</td><td>GN</td><td>3559036C1</td><td>3509903C1</td></tr> <tr><td>21*</td><td>[R94G9]</td><td>18</td><td>GN</td><td>3559036C1</td><td>3509903C1</td></tr> <tr><td>22*</td><td>R94RL</td><td>16</td><td>GY</td><td>3559037C1</td><td>3509903C1</td></tr> <tr><td>22*</td><td>R94V</td><td>16</td><td>LTBL</td><td>3559037C1</td><td>3509903C1</td></tr> <tr><td>22*</td><td>R94L</td><td>16</td><td>LTBL</td><td>3559037C1</td><td>3509903C1</td></tr> <tr><td>22*</td><td>R94X</td><td>16</td><td>LTBL</td><td>3559037C1</td><td>3509903C1</td></tr> <tr><td>22*</td><td>R94BU</td><td>16</td><td>LTBL</td><td>3559037C1</td><td>3509903C1</td></tr> <tr><td>22*</td><td>[R94WW]</td><td>18</td><td>BN</td><td>3559036C1</td><td>3509903C1</td></tr> <tr><td>22*</td><td>[R94S]</td><td>18</td><td>BN</td><td>3559036C1</td><td>3509903C1</td></tr> <tr><td>23*</td><td>R94BD</td><td>16</td><td>BN</td><td>3559037C1</td><td>3509903C1</td></tr> <tr><td>23*</td><td>[R94WX]</td><td>18</td><td>BN</td><td>3559036C1</td><td>3509903C1</td></tr> <tr><td>24*</td><td>R94BE</td><td>16</td><td>YL</td><td>3559037C1</td><td>3509903C1</td></tr> <tr><td>24*</td><td>[R94WZ]</td><td>18</td><td>BL</td><td>3559036C1</td><td>3509903C1</td></tr> </tbody> </table>						CAV	CIRCUIT	GAUGE	COLOR	TERMINAL	SEAL/SLEEVE	18*	R94LB	16	GY	3559037C1	3509903C1	18*	R94N	16	RD	3559037C1	3509903C1	18*	R94P	16	RD	3559037C1	3509903C1	18*	R94TT	16	RD	3559037C1	3509903C1	18*	R94BY	16	RD	3559037C1	3509903C1	18*	[R94G7]	18	GN	3559036C1	3509903C1	18*	[R94GB]	18	GN	3559036C1	3509903C1	19*	R94LC	16	GY	3559037C1	3509903C1	19*	R94P	16	BN	3559037C1	3509903C1	19*	R94H	16	BN	3559037C1	3509903C1	19*	R94UU	16	BN	3559037C1	3509903C1	19*	R94BP	16	BN	3559037C1	3509903C1	19*	[R94WR]	18	BN	3559036C1	3509903C1	19*	[R94M]	18	BN	3559036C1	3509903C1	20*	R94RJ	16	GY	3559037C1	3509903C1	20*	R94T	16	PL	3559037C1	3509903C1	20*	R94J	16	PL	3559037C1	3509903C1	20*	R94VV	16	PL	3559037C1	3509903C1	20*	R94BS	16	PL	3559037C1	3509903C1	20*	[R94WU]	18	BL	3559036C1	3509903C1	20*	[R94P]	18	BL	3559036C1	3509903C1	21*	R94RK	16	GY	3559037C1	3509903C1	21*	R94U	16	LTGN	3559037C1	3509903C1	21*	R94K	16	LTGN	3559037C1	3509903C1	21*	R94W	16	LTGN	3559037C1	3509903C1	21*	R94BT	16	LTGN	3559037C1	3509903C1	21*	[R94G6]	18	GN	3559036C1	3509903C1	21*	[R94G9]	18	GN	3559036C1	3509903C1	22*	R94RL	16	GY	3559037C1	3509903C1	22*	R94V	16	LTBL	3559037C1	3509903C1	22*	R94L	16	LTBL	3559037C1	3509903C1	22*	R94X	16	LTBL	3559037C1	3509903C1	22*	R94BU	16	LTBL	3559037C1	3509903C1	22*	[R94WW]	18	BN	3559036C1	3509903C1	22*	[R94S]	18	BN	3559036C1	3509903C1	23*	R94BD	16	BN	3559037C1	3509903C1	23*	[R94WX]	18	BN	3559036C1	3509903C1	24*	R94BE	16	YL	3559037C1	3509903C1	24*	[R94WZ]	18	BL	3559036C1	3509903C1	* MUTUALLY EXCLUSIVE																																																																																																	
CAV	CIRCUIT	GAUGE	COLOR	TERMINAL	SEAL/SLEEVE																																																																																																																																																																																																																																																																																																																																																		
18*	R94LB	16	GY	3559037C1	3509903C1																																																																																																																																																																																																																																																																																																																																																		
18*	R94N	16	RD	3559037C1	3509903C1																																																																																																																																																																																																																																																																																																																																																		
18*	R94P	16	RD	3559037C1	3509903C1																																																																																																																																																																																																																																																																																																																																																		
18*	R94TT	16	RD	3559037C1	3509903C1																																																																																																																																																																																																																																																																																																																																																		
18*	R94BY	16	RD	3559037C1	3509903C1																																																																																																																																																																																																																																																																																																																																																		
18*	[R94G7]	18	GN	3559036C1	3509903C1																																																																																																																																																																																																																																																																																																																																																		
18*	[R94GB]	18	GN	3559036C1	3509903C1																																																																																																																																																																																																																																																																																																																																																		
19*	R94LC	16	GY	3559037C1	3509903C1																																																																																																																																																																																																																																																																																																																																																		
19*	R94P	16	BN	3559037C1	3509903C1																																																																																																																																																																																																																																																																																																																																																		
19*	R94H	16	BN	3559037C1	3509903C1																																																																																																																																																																																																																																																																																																																																																		
19*	R94UU	16	BN	3559037C1	3509903C1																																																																																																																																																																																																																																																																																																																																																		
19*	R94BP	16	BN	3559037C1	3509903C1																																																																																																																																																																																																																																																																																																																																																		
19*	[R94WR]	18	BN	3559036C1	3509903C1																																																																																																																																																																																																																																																																																																																																																		
19*	[R94M]	18	BN	3559036C1	3509903C1																																																																																																																																																																																																																																																																																																																																																		
20*	R94RJ	16	GY	3559037C1	3509903C1																																																																																																																																																																																																																																																																																																																																																		
20*	R94T	16	PL	3559037C1	3509903C1																																																																																																																																																																																																																																																																																																																																																		
20*	R94J	16	PL	3559037C1	3509903C1																																																																																																																																																																																																																																																																																																																																																		
20*	R94VV	16	PL	3559037C1	3509903C1																																																																																																																																																																																																																																																																																																																																																		
20*	R94BS	16	PL	3559037C1	3509903C1																																																																																																																																																																																																																																																																																																																																																		
20*	[R94WU]	18	BL	3559036C1	3509903C1																																																																																																																																																																																																																																																																																																																																																		
20*	[R94P]	18	BL	3559036C1	3509903C1																																																																																																																																																																																																																																																																																																																																																		
21*	R94RK	16	GY	3559037C1	3509903C1																																																																																																																																																																																																																																																																																																																																																		
21*	R94U	16	LTGN	3559037C1	3509903C1																																																																																																																																																																																																																																																																																																																																																		
21*	R94K	16	LTGN	3559037C1	3509903C1																																																																																																																																																																																																																																																																																																																																																		
21*	R94W	16	LTGN	3559037C1	3509903C1																																																																																																																																																																																																																																																																																																																																																		
21*	R94BT	16	LTGN	3559037C1	3509903C1																																																																																																																																																																																																																																																																																																																																																		
21*	[R94G6]	18	GN	3559036C1	3509903C1																																																																																																																																																																																																																																																																																																																																																		
21*	[R94G9]	18	GN	3559036C1	3509903C1																																																																																																																																																																																																																																																																																																																																																		
22*	R94RL	16	GY	3559037C1	3509903C1																																																																																																																																																																																																																																																																																																																																																		
22*	R94V	16	LTBL	3559037C1	3509903C1																																																																																																																																																																																																																																																																																																																																																		
22*	R94L	16	LTBL	3559037C1	3509903C1																																																																																																																																																																																																																																																																																																																																																		
22*	R94X	16	LTBL	3559037C1	3509903C1																																																																																																																																																																																																																																																																																																																																																		
22*	R94BU	16	LTBL	3559037C1	3509903C1																																																																																																																																																																																																																																																																																																																																																		
22*	[R94WW]	18	BN	3559036C1	3509903C1																																																																																																																																																																																																																																																																																																																																																		
22*	[R94S]	18	BN	3559036C1	3509903C1																																																																																																																																																																																																																																																																																																																																																		
23*	R94BD	16	BN	3559037C1	3509903C1																																																																																																																																																																																																																																																																																																																																																		
23*	[R94WX]	18	BN	3559036C1	3509903C1																																																																																																																																																																																																																																																																																																																																																		
24*	R94BE	16	YL	3559037C1	3509903C1																																																																																																																																																																																																																																																																																																																																																		
24*	[R94WZ]	18	BL	3559036C1	3509903C1																																																																																																																																																																																																																																																																																																																																																		
CHK	DATE	CHANGE	REV	REFERENCE	DRAWN	NAME																																																																																																																																																																																																																																																																																																																																																	
0488	25JUN14	REVISED AND REDRAWN.	B	92603H	MJTV0195	CIRCUIT DIAGRAM, 42/43/44/85/8600 & 73/74/7500																																																																																																																																																																																																																																																																																																																																																	
RELEASE NO.		DATE		PART NO.		SHEET																																																																																																																																																																																																																																																																																																																																																	
92218B		31JUL13		AE08058187		160																																																																																																																																																																																																																																																																																																																																																	

Figure 806 Connector Composites (9800)

13.290. CONNECTOR COMPOSITES (9800), (9801), (9809), (9810), (9811), (9812), P. 161

NAVISTAR, INC				ELECTRICAL CIRCUIT DIAGRAM		CHAPTER 13	
THIS PRINT IS PROVIDED ON A RESTRICTED BASIS AND IS NOT TO BE USED IN ANY WAY DETRIMENTAL TO THE INTEREST OF NAVISTAR, INC.				CONNECTOR BODY COMPOSITES MATING VIEW SHOWN			
<p>INTENTIONALLY LEFT BLANK</p>							
CHG	DATE	CHANGE	REV	REFERENCE	DRAWN	NAME	
0488	24MAR15	REMOVED GEOMETRY.	D	92927M	MJV0195	CIRCUIT DIAGRAM, 42/43/44/85/8600 & 73/74/7500	
					RELEASE NO.	DATE	PART NO.
					92218B	31JUL13	AE08058187 161

Figure 807 Connector Composites (9800), (9801), (9809), (9810), (9811), (9812)

13.291. CONNECTOR COMPOSITES (9814), (9814A), (9815), (9815A), (9820F), (9820M), (9824), P. 162

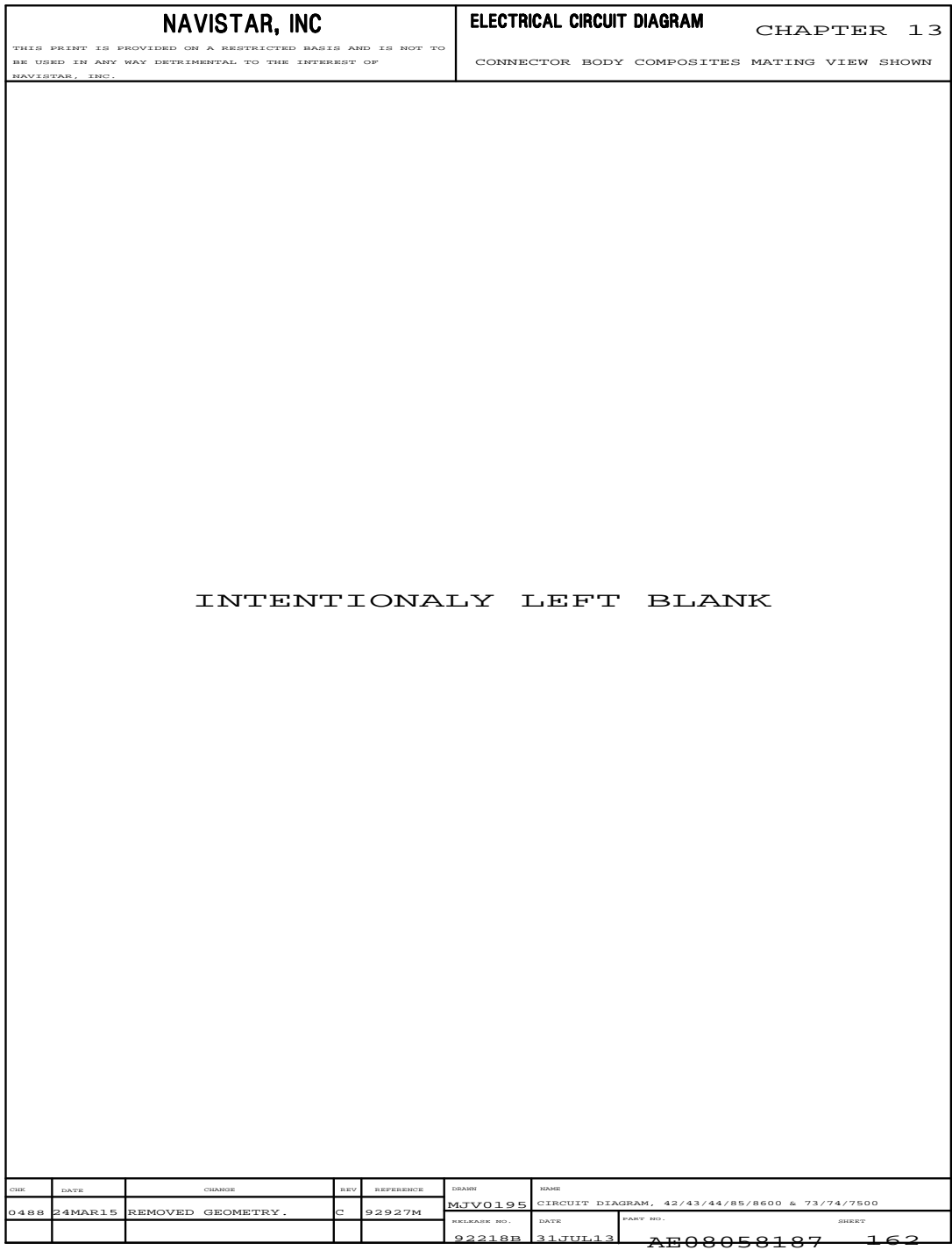


Figure 808 Connector Composites (9814), (9814A), (9815), (9815A), (9820F), (9820M), (9824)

13.292. CONNECTOR COMPOSITES (9830), (9832), (9865M), (9865MA), (9900) P. 163

NAVISTAR, INC				ELECTRICAL CIRCUIT DIAGRAM		CHAPTER 13	
THIS PRINT IS PROVIDED ON A RESTRICTED BASIS AND IS NOT TO BE USED IN ANY WAY DETRIMENTAL TO THE INTEREST OF NAVISTAR, INC.				CONNECTOR BODY COMPOSITES MATING VIEW SHOWN			
<p>INTENTIONALLY LEFT BLANK</p>							
CHK	DATE	CHANGE	REV	REFERENCE	DRAWN	NAME	
0488	24MAR15	REMOVED GEOMETRY.	C	92927M	MJV0195	CIRCUIT DIAGRAM, 42/43/44/85/8600 & 73/74/7500	
					RELEASE NO.	DATE	PART NO. SHEET
					92218B	31JUL13	AE08058187 163

Figure 809 Connector Composites (9830), (9832), (9865M), (9865MA), (9900)

13.293. CONNECTOR COMPOSITES (9900A), (9900AA), (9900AC), (9900AD), (9900AE), (9900AF), (9900AG), P. 164

NAVISTAR, INC				ELECTRICAL CIRCUIT DIAGRAM				CHAPTER 13							
THIS PRINT IS PROVIDED ON A RESTRICTED BASIS AND IS NOT TO BE USED IN ANY WAY DETRIMENTAL TO THE INTEREST OF NAVISTAR, INC.								CONNECTOR BODY COMPOSITES MATING VIEW SHOWN							
<p>INTENTIONALLY LEFT BLANK</p>															
ICR#	DATE	CHANGE	REV	REFERENCE	DRAWN	NAME									
0488	24MAR15	REMOVED GEOMETRY.	B	92927M	MJV0195	CIRCUIT DIAGRAM, 42/43/44/85/8600 & 73/74/7500									
					RELEASE NO.	DATE	PART NO.	SHEET							
					92218B	31JUL13	AE08058187	164							

Figure 810 Connector Composites (9900A), (9900AA), (9900AC), (9900AD), (9900AE), (9900AF), (9900AG)

13.294. CONNECTOR COMPOSITES (9900C), (9900C1), (9900D), (9900E), P. 165

NAVISTAR, INC				ELECTRICAL CIRCUIT DIAGRAM		CHAPTER 13	
THIS PRINT IS PROVIDED ON A RESTRICTED BASIS AND IS NOT TO BE USED IN ANY WAY DETRIMENTAL TO THE INTEREST OF NAVISTAR, INC.				CONNECTOR BODY COMPOSITES MATING VIEW SHOWN			
<p>INTENTIONALLY LEFT BLANK</p>							
CHG	DATE	CHANGE	REV	REFERENCE	DRAWN	NAME	
0488	24MAR15	REMOVED GEOMETRY.	B	92927M	MJV0195	CIRCUIT DIAGRAM, 42/43/44/85/8600 & 73/74/7500	
					RELEASE NO.	DATE	PART NO.
					92218B	31JUL13	AE08058187 165

Figure 811 Connector Composites (9900C), (9900C1), (9900D), (9900E)

13.295. CONNECTOR COMPOSITES (9900G), (9911), (9913A), (9913B), P. 166

NAVISTAR, INC				ELECTRICAL CIRCUIT DIAGRAM				CHAPTER 13			
THIS PRINT IS PROVIDED ON A RESTRICTED BASIS AND IS NOT TO BE USED IN ANY WAY DETRIMENTAL TO THE INTEREST OF NAVISTAR, INC.				CONNECTOR BODY COMPOSITES MATING VIEW SHOWN							
<p>INTENTIONALLY LEFT BLANK</p>											
CHK	DATE	CHANGE	REV	REFERENCE	DRAWN	NAME					
0488	24MAR15	REMOVED GEOMETRY.	B	92927M	MJV0195	CIRCUIT DIAGRAM, 42/43/44/85/8600 & 73/74/7500					
					RELEASE NO.	DATE	PART NO.		SHEET		
					92218B	31JUL13	AE08058187		166		

Figure 812 Connector Composites (9900G), (9911), (9913A), (9913B)

13.296. CONNECTOR COMPOSITES (9915), (9916), (9920), (9921), P. 167

NAVISTAR, INC				ELECTRICAL CIRCUIT DIAGRAM		CHAPTER 13	
THIS PRINT IS PROVIDED ON A RESTRICTED BASIS AND IS NOT TO BE USED IN ANY WAY DETRIMENTAL TO THE INTEREST OF NAVISTAR, INC.				CONNECTOR BODY COMPOSITES MATING VIEW SHOWN			
<p>INTENTIONALY LEFT BLANK</p>							
CHG	DATE	CHANGE	REV	REFERENCE	DRAWN	NAME	
0488	24MAR15	REMOVED GEOMETRY.	B	92927M	MJV0195	CIRCUIT DIAGRAM, 42/43/44/85/8600 & 73/74/7500	
					RELEASE NO.	DATE	PART NO. SHEET
					92218B	31JUL13	AE08058187 167

Figure 813 Connector Composites (9915), (9916), (9920), (9921)

13.297. CONNECTOR COMPOSITES (9930), (9965M), (9989), P. 168

NAVISTAR, INC				ELECTRICAL CIRCUIT DIAGRAM				CHAPTER 13			
THIS PRINT IS PROVIDED ON A RESTRICTED BASIS AND IS NOT TO BE USED IN ANY WAY DETRIMENTAL TO THE INTEREST OF NAVISTAR, INC.				CONNECTOR BODY COMPOSITES MATING VIEW SHOWN							
<p>INTENTIONALLY LEFT BLANK</p>											
CHK	DATE	CHANGE	REV	REFERENCE	DRAWN	NAME					
0488	24MAR15	REMOVED GEOMETRY.	B	92927M	MJV0195	CIRCUIT DIAGRAM, 42/43/44/85/8600 & 73/74/7500					
					RELEASE NO.	DATE	PART NO.	SHEET			
					92218B	31JUL13	AE08058187	168			

Figure 814 Connector Composites (9930), (9965M), (9989)

CONNECTOR COMPOSITES (CHAPTER 14)

14.1. CONNECTOR COMPOSITES (9200A), (9200B), (9570K), (9715), (9625), (9714F), (9715), P. 1

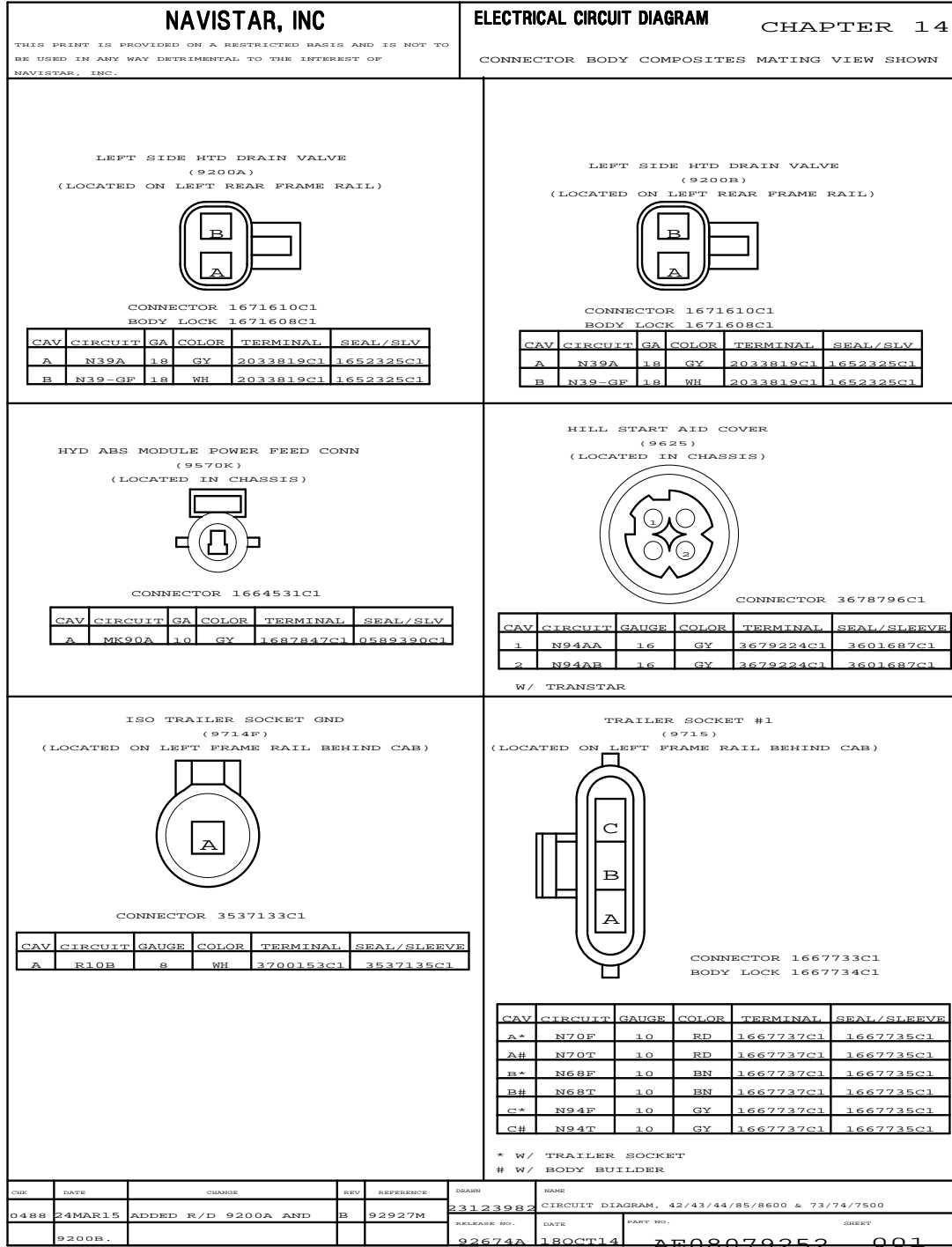


Figure 815 Connector Composites (9200A), (9200B), (9570K), (9715), (9625), (9714F), (9715)

14.2. CONNECTOR COMPOSITES (9715F), (9715F1), (9716), P. 2

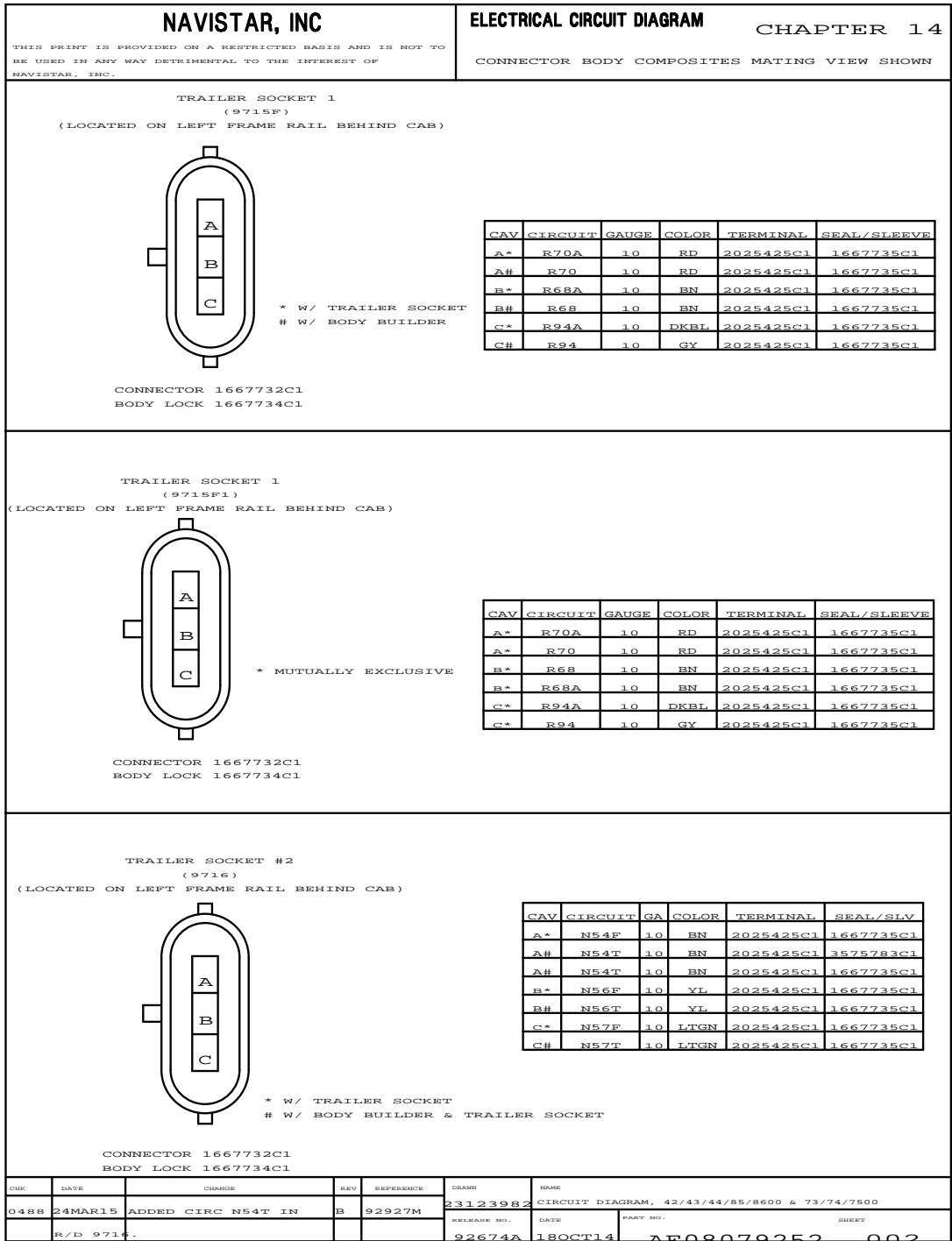


Figure 816 Connector Composites (9715F), (9715F1), (9716)

14.3. CONNECTOR COMPOSITES (9716M), (9716M1), (9717), P. 3

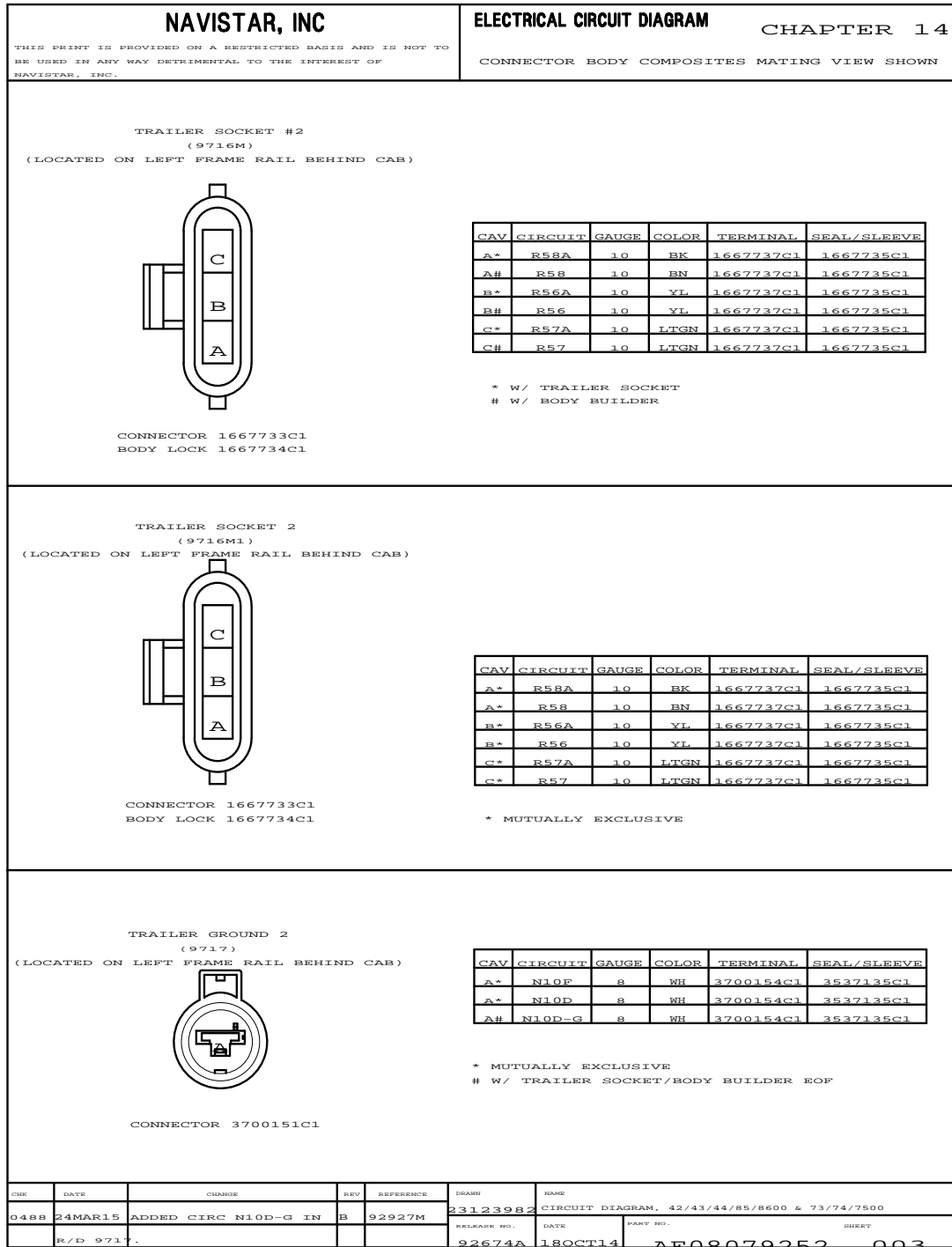


Figure 817 Connector Composites (9716M), (9716M1), (9717)

14.4. CONNECTOR COMPOSITES (9717D), (9717F), (9717F1), (9718A), P. 4

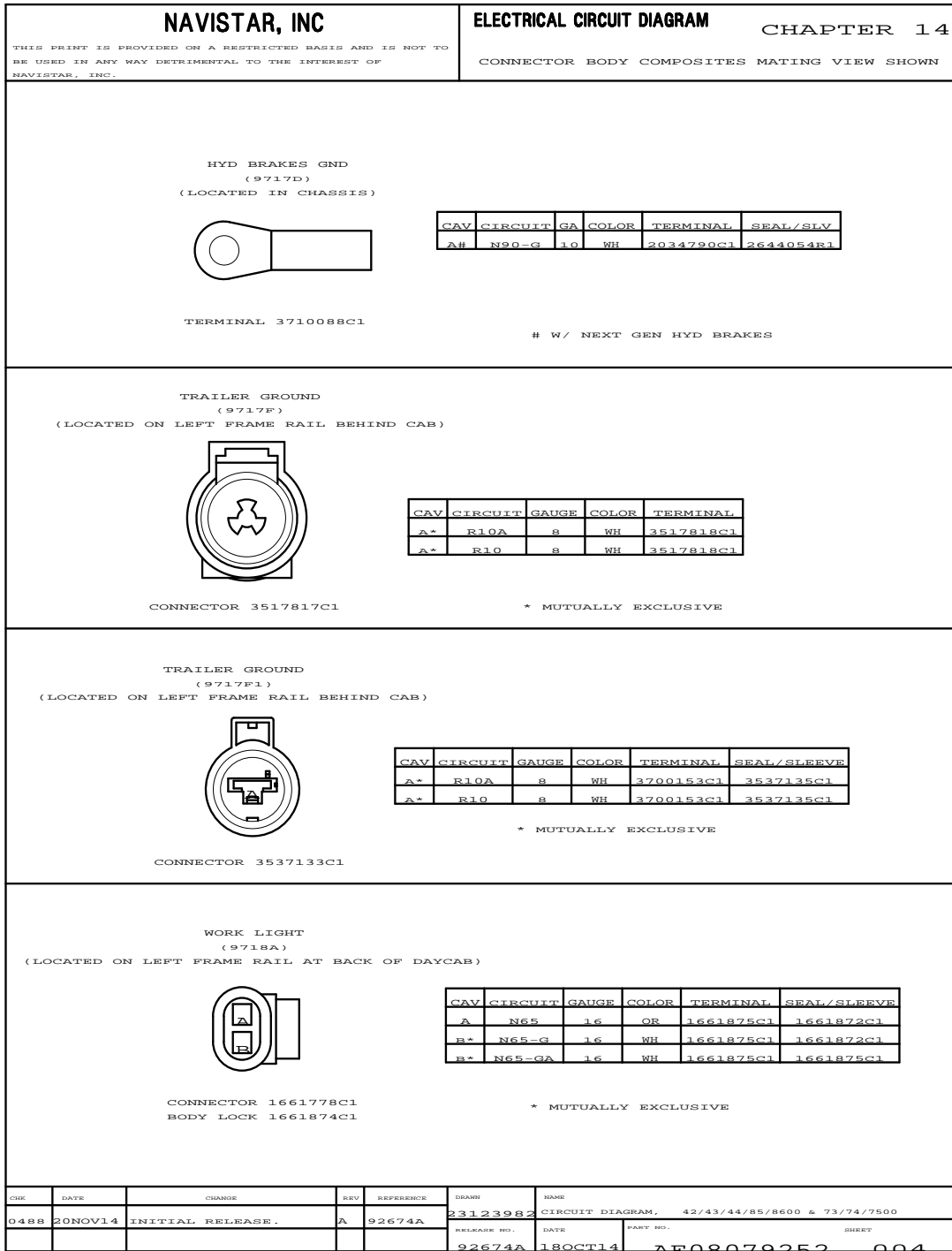


Figure 818 Connector Composites (9717D), (9717F), (9717F1), (9718A)

14.5. CONNECTOR COMPOSITES (9719M), (9720), (9722), (9726), P. 5

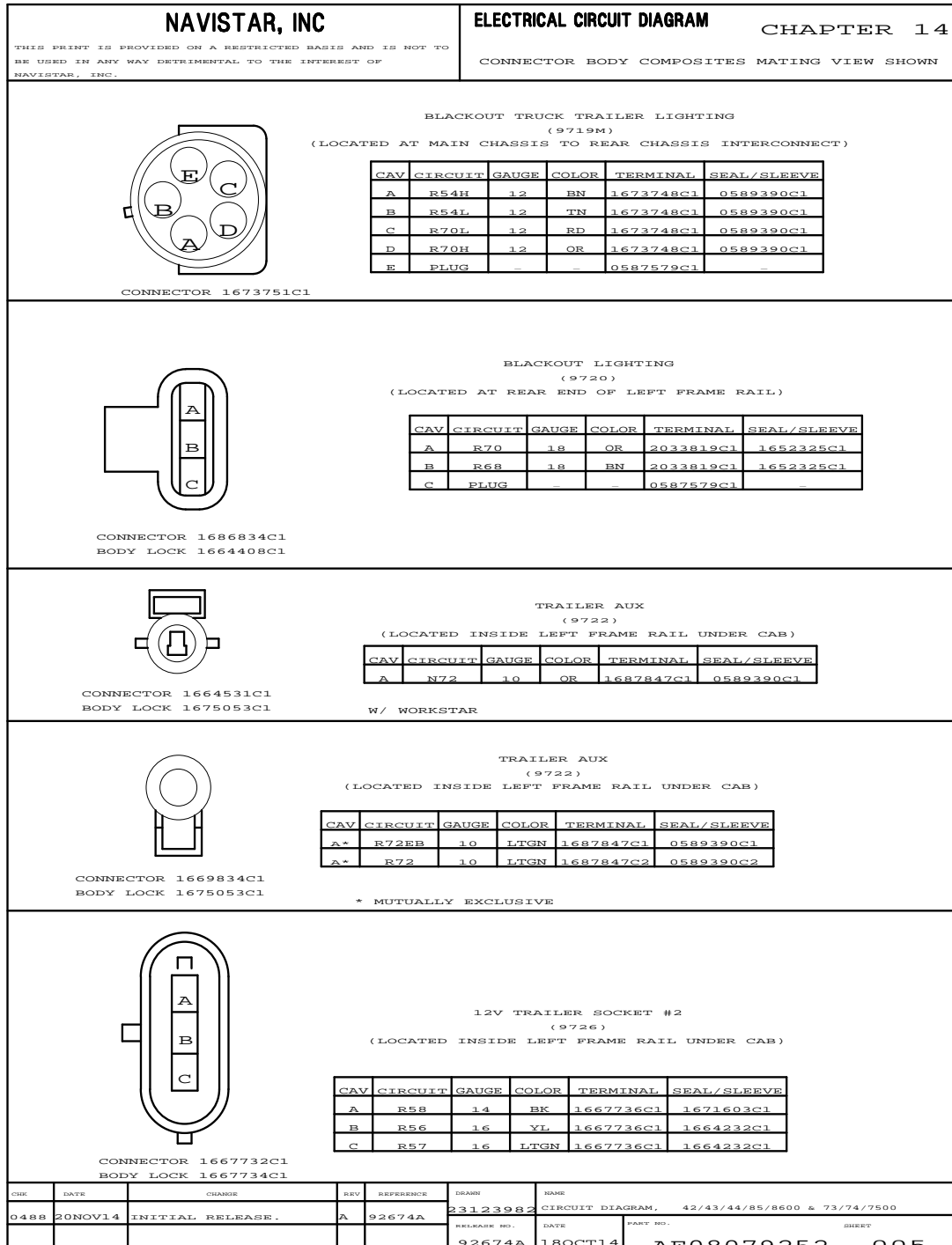


Figure 819 Connector Composites (9719M), (9720), (9722), (9726)

14.6. CONNECTOR COMPOSITES (9727), (9728), (9729), (9736), P. 6

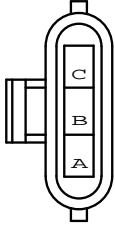

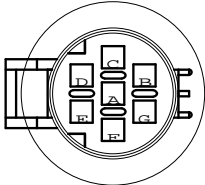
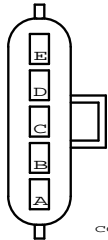
NAVISTAR, INC		ELECTRICAL CIRCUIT DIAGRAM		CHAPTER 14																																																	
THIS PRINT IS PROVIDED ON A RESTRICTED BASIS AND IS NOT TO BE USED IN ANY WAY DETRIMENTAL TO THE INTEREST OF NAVISTAR, INC.			CONNECTOR BODY COMPOSITES MATING VIEW SHOWN																																																		
	<p>12V TRAILER SOCKET #1 (9727) (LOCATED AT REAR END OF LEFT FRAME RAIL)</p> <table border="1" style="width:100%; border-collapse: collapse; font-size: x-small;"> <thead> <tr> <th>CAV</th> <th>CIRCUIT</th> <th>GAUGE</th> <th>COLOR</th> <th>TERMINAL</th> <th>SEAL/SLEEVE</th> </tr> </thead> <tbody> <tr> <td>A</td> <td>R71</td> <td>16</td> <td>OR</td> <td>1667738C1</td> <td>1664232C1</td> </tr> <tr> <td>B</td> <td>R68</td> <td>14</td> <td>BN</td> <td>1667738C1</td> <td>1671603C1</td> </tr> <tr> <td>C</td> <td>R12</td> <td>14</td> <td>LT BL</td> <td>1667738C1</td> <td>1671603C1</td> </tr> </tbody> </table> <p>CONNECTOR 1667733C1 BODY LOCK 1667734C1</p>					CAV	CIRCUIT	GAUGE	COLOR	TERMINAL	SEAL/SLEEVE	A	R71	16	OR	1667738C1	1664232C1	B	R68	14	BN	1667738C1	1671603C1	C	R12	14	LT BL	1667738C1	1671603C1																								
CAV	CIRCUIT	GAUGE	COLOR	TERMINAL	SEAL/SLEEVE																																																
A	R71	16	OR	1667738C1	1664232C1																																																
B	R68	14	BN	1667738C1	1671603C1																																																
C	R12	14	LT BL	1667738C1	1671603C1																																																
	<p>12V TRAILER SOCKET GROUND (9728) (LOCATED INSIDE LEFT FRAME RAIL UNDER CAB)</p> <table border="1" style="width:100%; border-collapse: collapse; font-size: x-small;"> <thead> <tr> <th>CAV</th> <th>CIRCUIT</th> <th>GAUGE</th> <th>COLOR</th> <th>TERMINAL</th> </tr> </thead> <tbody> <tr> <td>A</td> <td>R11-G</td> <td>8</td> <td>WH</td> <td>3517818C1</td> </tr> </tbody> </table> <p>CONNECTOR 3517817C1</p>					CAV	CIRCUIT	GAUGE	COLOR	TERMINAL	A	R11-G	8	WH	3517818C1																																						
CAV	CIRCUIT	GAUGE	COLOR	TERMINAL																																																	
A	R11-G	8	WH	3517818C1																																																	
	<p>12V TRAILER INTERCONNECT (9729) (LOCATED INSIDE LEFT FRAME RAIL UNDER CAB)</p> <table border="1" style="width:100%; border-collapse: collapse; font-size: x-small;"> <thead> <tr> <th>CAV</th> <th>CIRCUIT</th> <th>GAUGE</th> <th>COLOR</th> <th>TERMINAL</th> <th>SEAL/SLEEVE</th> </tr> </thead> <tbody> <tr> <td>A</td> <td>R68</td> <td>14</td> <td>BN</td> <td>2033912C1</td> <td>0589391C1</td> </tr> <tr> <td>B</td> <td>R56</td> <td>16</td> <td>YL</td> <td>2033911C1</td> <td>1652325C1</td> </tr> <tr> <td>C</td> <td>R57</td> <td>16</td> <td>LT GN</td> <td>2033911C1</td> <td>1652325C1</td> </tr> <tr> <td>D</td> <td>R58</td> <td>14</td> <td>BK</td> <td>2033912C1</td> <td>0589391C1</td> </tr> <tr> <td>E</td> <td>R71</td> <td>16</td> <td>OR</td> <td>2033911C1</td> <td>1652325C1</td> </tr> <tr> <td>F</td> <td>R12</td> <td>14</td> <td>LT BL</td> <td>2033912C1</td> <td>0589391C1</td> </tr> <tr> <td>G</td> <td>R11-GA</td> <td>10</td> <td>WH</td> <td>1687848C1</td> <td>0589390C1</td> </tr> </tbody> </table> <p>CONNECTOR 2039312C91 BODY LOCK 2039342C1</p>					CAV	CIRCUIT	GAUGE	COLOR	TERMINAL	SEAL/SLEEVE	A	R68	14	BN	2033912C1	0589391C1	B	R56	16	YL	2033911C1	1652325C1	C	R57	16	LT GN	2033911C1	1652325C1	D	R58	14	BK	2033912C1	0589391C1	E	R71	16	OR	2033911C1	1652325C1	F	R12	14	LT BL	2033912C1	0589391C1	G	R11-GA	10	WH	1687848C1	0589390C1
CAV	CIRCUIT	GAUGE	COLOR	TERMINAL	SEAL/SLEEVE																																																
A	R68	14	BN	2033912C1	0589391C1																																																
B	R56	16	YL	2033911C1	1652325C1																																																
C	R57	16	LT GN	2033911C1	1652325C1																																																
D	R58	14	BK	2033912C1	0589391C1																																																
E	R71	16	OR	2033911C1	1652325C1																																																
F	R12	14	LT BL	2033912C1	0589391C1																																																
G	R11-GA	10	WH	1687848C1	0589390C1																																																
	<p>AIR SOLENOID 4 PACK (9736) (LOCATED INSIDE LEFT FRAME RAIL UNDER CAB)</p> <table border="1" style="width:100%; border-collapse: collapse; font-size: x-small;"> <thead> <tr> <th>CAV</th> <th>CIRCUIT</th> <th>GAUGE</th> <th>COLOR</th> <th>TERMINAL</th> <th>SEAL/SLEEVE</th> </tr> </thead> <tbody> <tr> <td>A</td> <td>N59A-G</td> <td>14</td> <td>WH</td> <td>2033816C1</td> <td>0589391C1</td> </tr> <tr> <td>B</td> <td>N59B</td> <td>18</td> <td>GY</td> <td>2033819C1</td> <td>1652325C1</td> </tr> <tr> <td>C</td> <td>N59C</td> <td>18</td> <td>GY</td> <td>2033819C1</td> <td>1652325C1</td> </tr> <tr> <td>D</td> <td>N59D</td> <td>18</td> <td>GY</td> <td>2033819C1</td> <td>1652325C1</td> </tr> <tr> <td>E</td> <td>N59E</td> <td>18</td> <td>GY</td> <td>2033819C1</td> <td>1652325C1</td> </tr> </tbody> </table> <p>W/ WORKSTAR CONNECTOR 1661375C2 BODY LOCK 1661376C1</p>					CAV	CIRCUIT	GAUGE	COLOR	TERMINAL	SEAL/SLEEVE	A	N59A-G	14	WH	2033816C1	0589391C1	B	N59B	18	GY	2033819C1	1652325C1	C	N59C	18	GY	2033819C1	1652325C1	D	N59D	18	GY	2033819C1	1652325C1	E	N59E	18	GY	2033819C1	1652325C1												
CAV	CIRCUIT	GAUGE	COLOR	TERMINAL	SEAL/SLEEVE																																																
A	N59A-G	14	WH	2033816C1	0589391C1																																																
B	N59B	18	GY	2033819C1	1652325C1																																																
C	N59C	18	GY	2033819C1	1652325C1																																																
D	N59D	18	GY	2033819C1	1652325C1																																																
E	N59E	18	GY	2033819C1	1652325C1																																																
<table border="1" style="width:100%; border-collapse: collapse;"> <thead> <tr> <th>CHK</th> <th>DATE</th> <th>CHANGE</th> <th>REV</th> <th>REFERENCE</th> <th>DRAWN</th> <th>NAME</th> </tr> </thead> <tbody> <tr> <td>0488</td> <td>20NOV14</td> <td>INITIAL RELEASE.</td> <td>A</td> <td>92674A</td> <td>23123982</td> <td>CIRCUIT DIAGRAM, 42/43/44/85/8600 & 73/74/7500</td> </tr> <tr> <td></td> <td></td> <td></td> <td></td> <td></td> <td>RELEASE NO.</td> <td>DATE</td> </tr> <tr> <td></td> <td></td> <td></td> <td></td> <td></td> <td>92674A</td> <td>18OCT14</td> </tr> </tbody> </table>	CHK	DATE	CHANGE	REV	REFERENCE	DRAWN	NAME	0488	20NOV14	INITIAL RELEASE.	A	92674A	23123982	CIRCUIT DIAGRAM, 42/43/44/85/8600 & 73/74/7500						RELEASE NO.	DATE						92674A	18OCT14	<table border="1" style="width:100%; border-collapse: collapse;"> <thead> <tr> <th>PART NO.</th> <th>SHEET</th> </tr> </thead> <tbody> <tr> <td>AE08079252</td> <td>006</td> </tr> </tbody> </table>	PART NO.	SHEET	AE08079252	006																				
CHK	DATE	CHANGE	REV	REFERENCE	DRAWN	NAME																																															
0488	20NOV14	INITIAL RELEASE.	A	92674A	23123982	CIRCUIT DIAGRAM, 42/43/44/85/8600 & 73/74/7500																																															
					RELEASE NO.	DATE																																															
					92674A	18OCT14																																															
PART NO.	SHEET																																																				
AE08079252	006																																																				

Figure 820 Connector Composites (9727), (9728), (9729), (9736)

14.7. CONNECTOR COMPOSITES (9737), (9738), (9739), (9740), P. 7

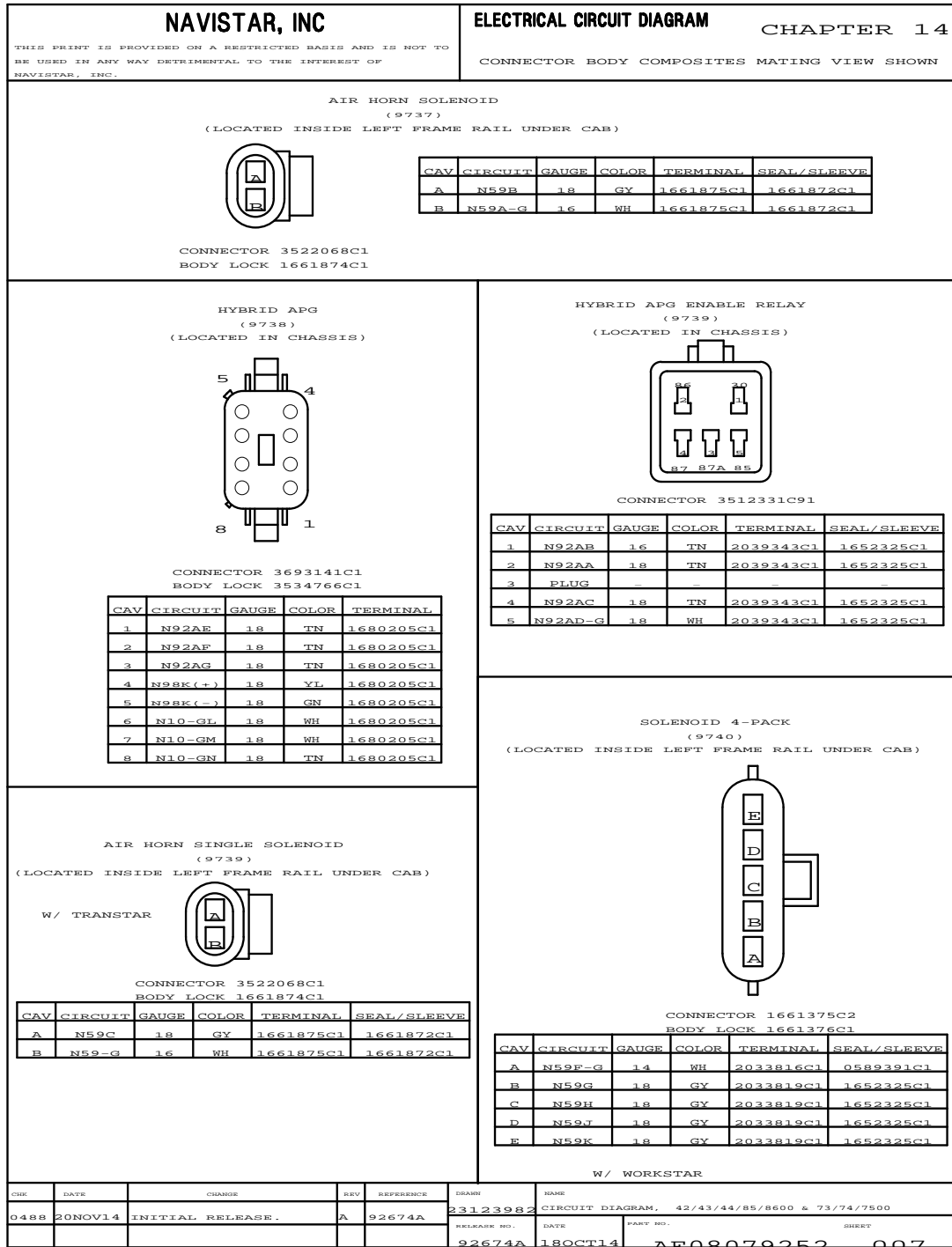


Figure 821 Connector Composites (9737), (9738), (9739), (9740)

14.8. CONNECTOR COMPOSITES (9740), (9740A), (9740B), P. 8

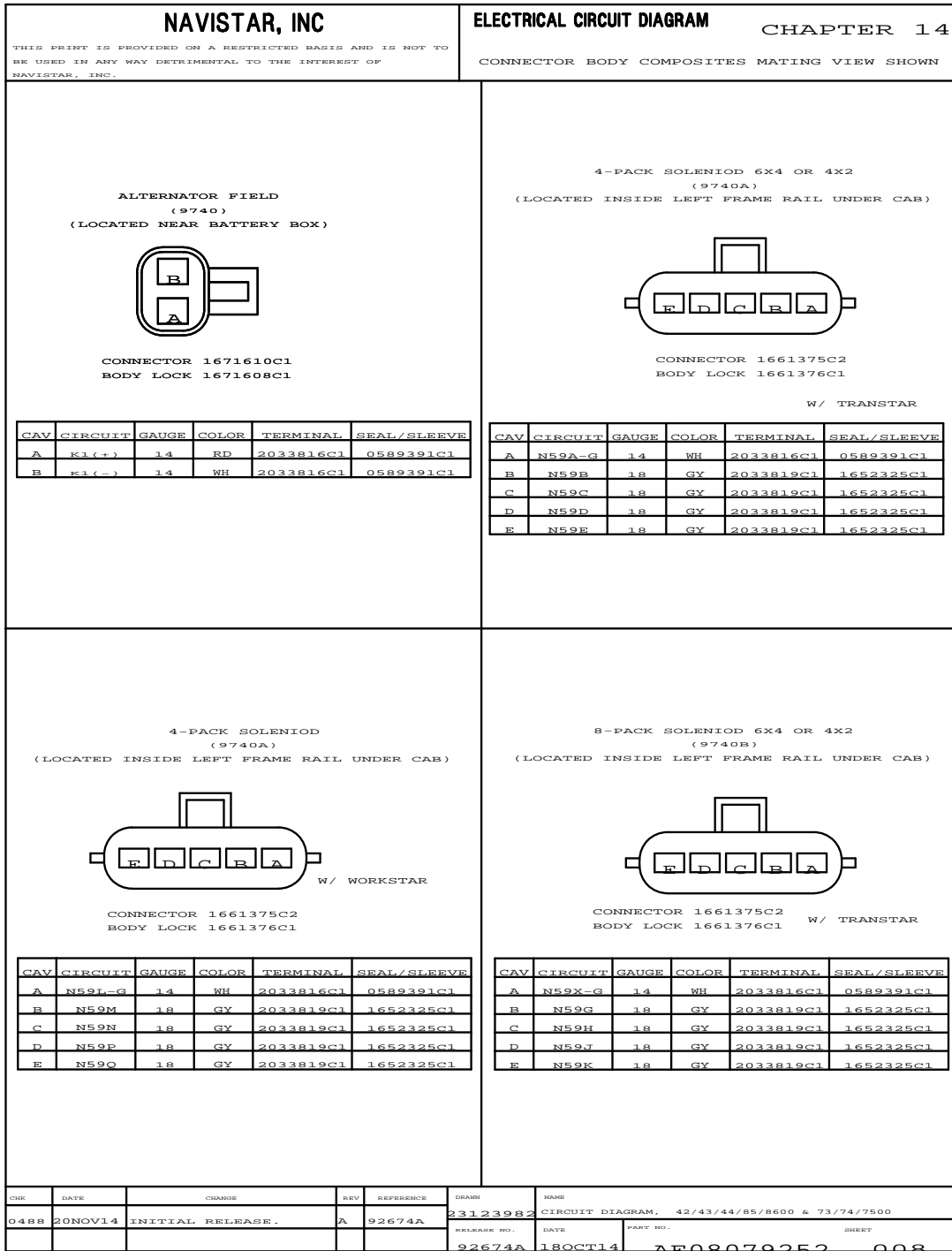


Figure 822 Connector Composites (9740), (9740A), (9740B)

14.9. CONNECTOR COMPOSITES (9740B), (9740C), (9740D), (9745), P. 9

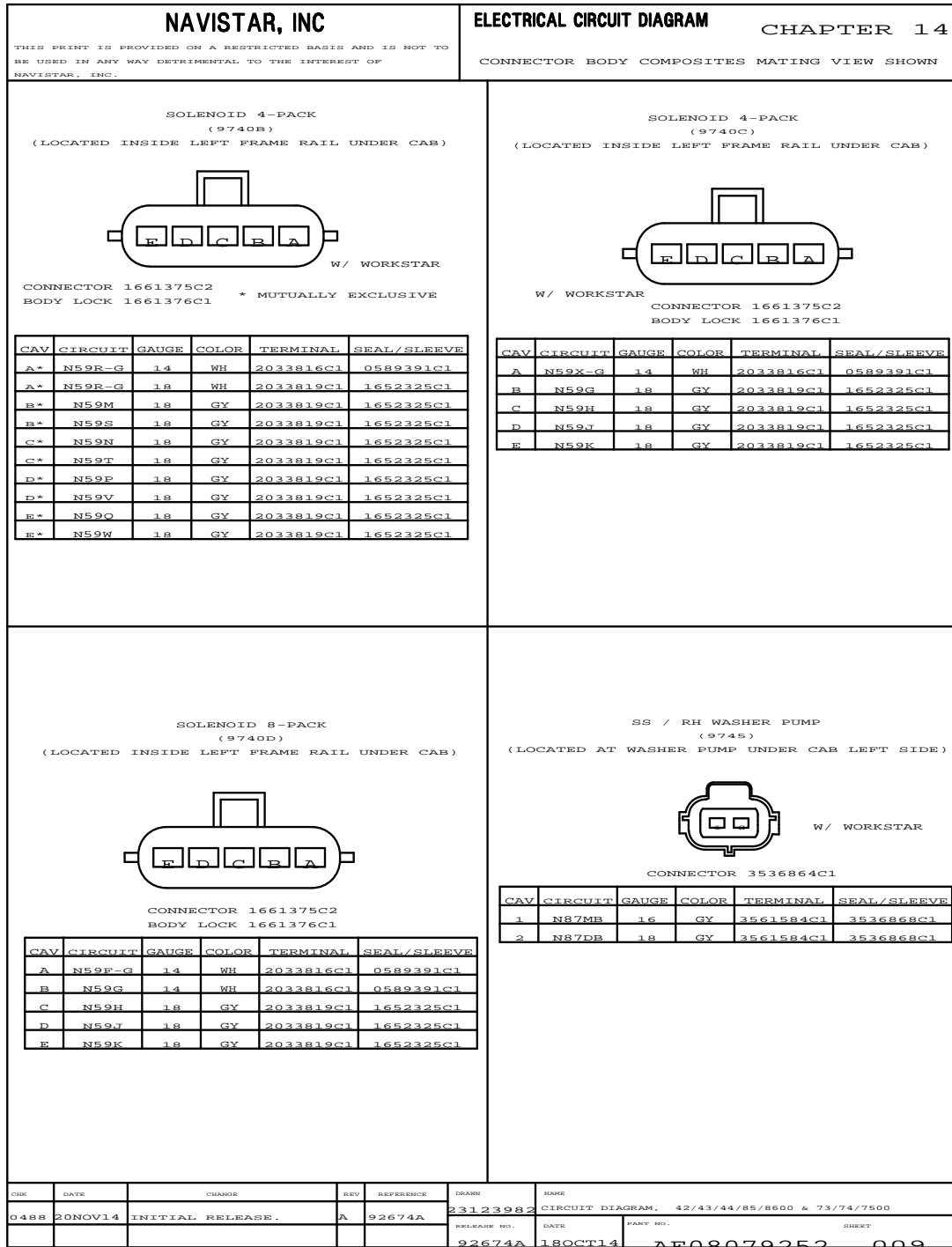


Figure 823 Connector Composites (9740B), (9740C), (9740D), (9745)

14.10. CONNECTOR COMPOSITES (9745A), (9746), (9746A), (9747), (9748), (9750), P. 10

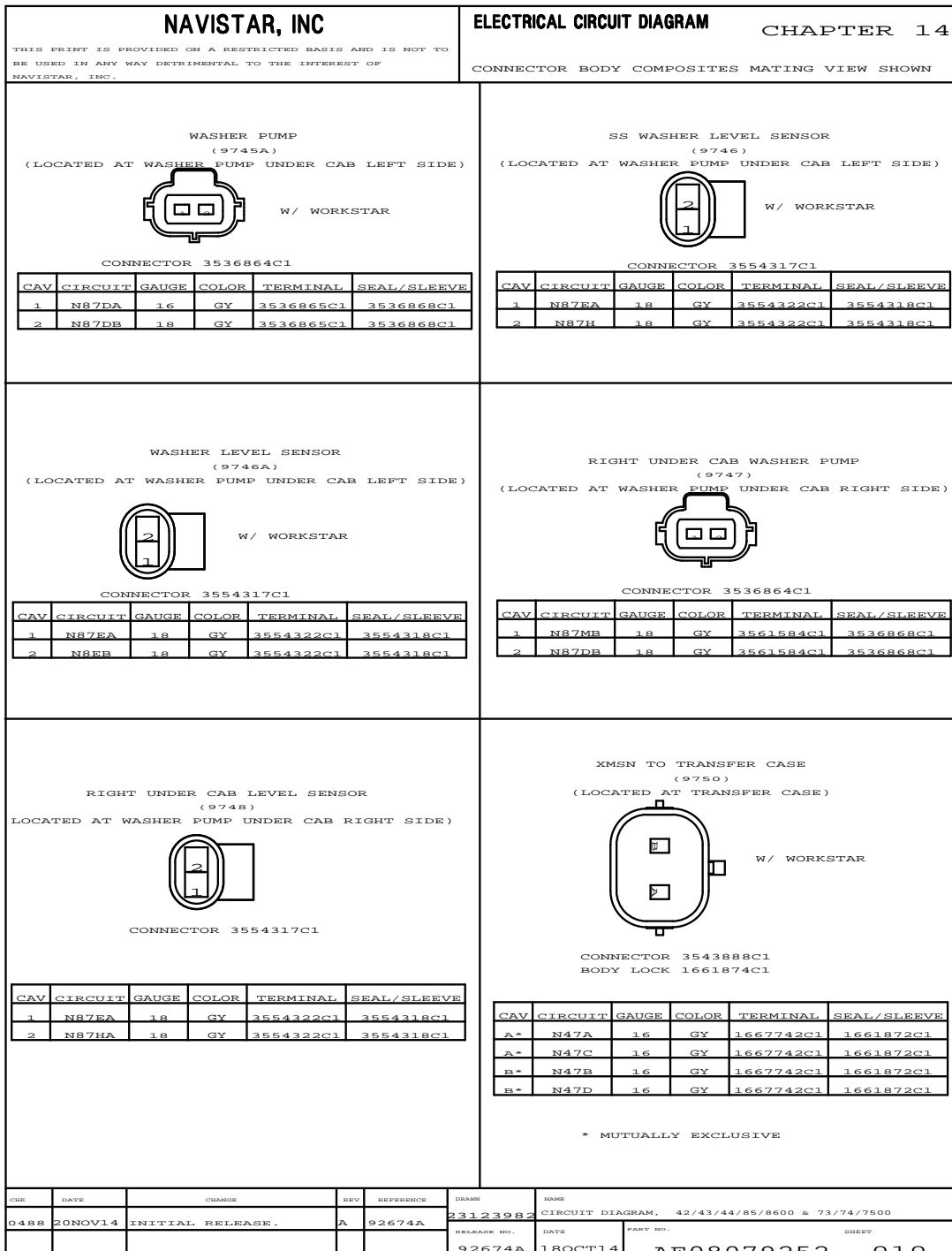


Figure 824 Connector Composites (9745A), (9746), (9746A), (9747), (9748), (9750)

14.11. CONNECTOR COMPOSITES (9750F), (9751), (9752), (9753), P. 11

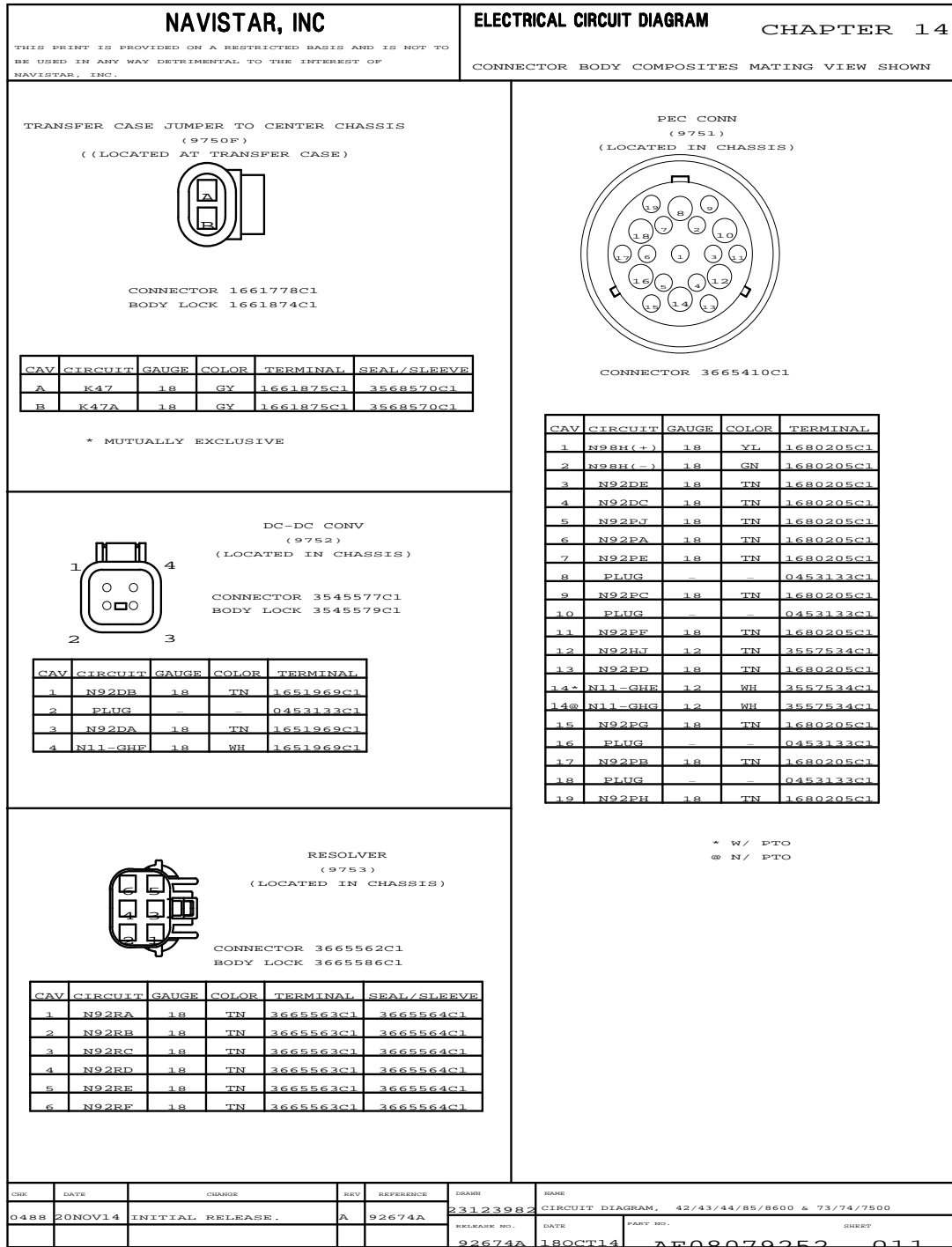


Figure 825 Connector Composites (9750F), (9751), (9752), (9753)

14.12. CONNECTOR COMPOSITES (9753A), (9754), (9754B), (9754D), P. 12

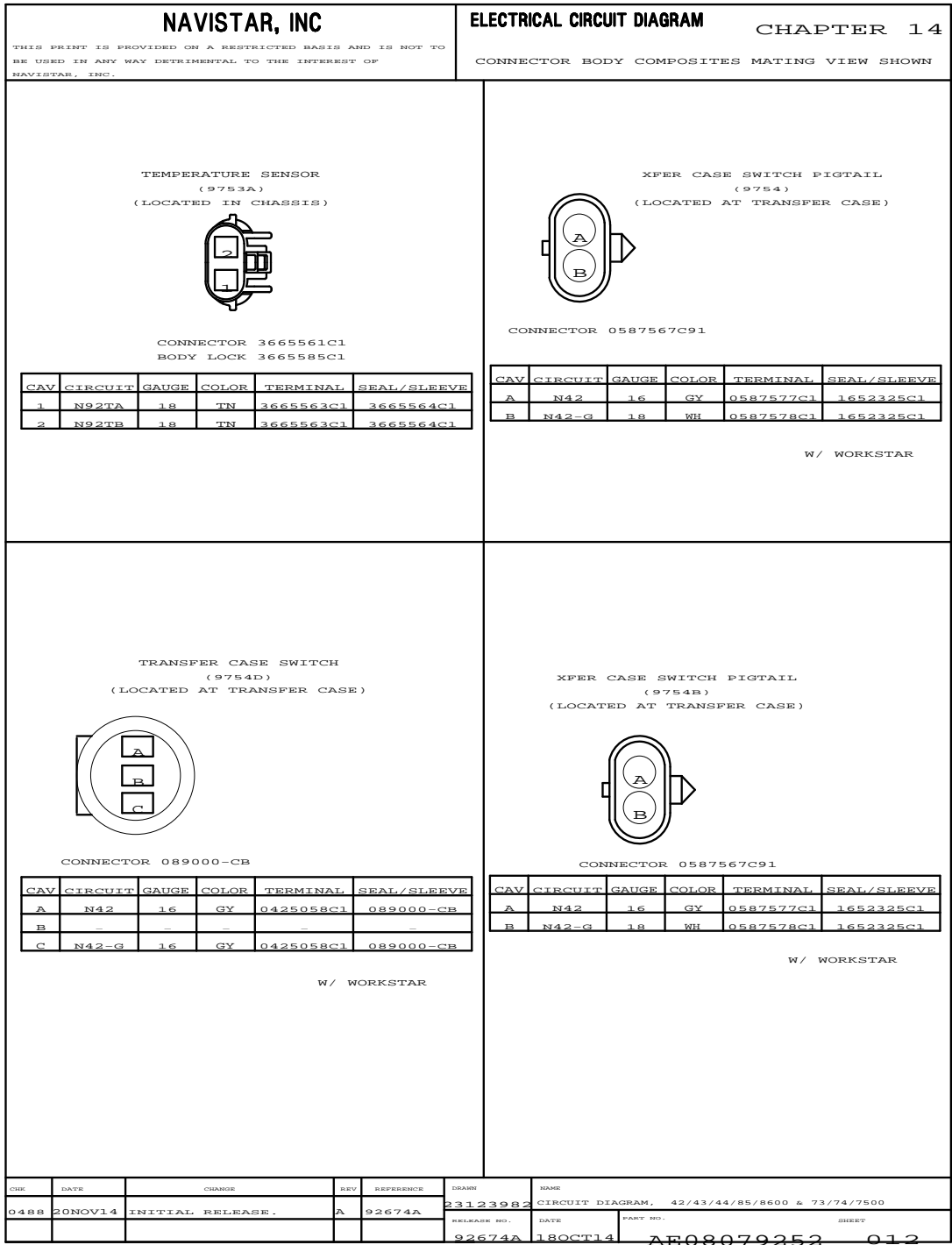


Figure 826 Connector Composites (9753A), (9754), (9754B), (9754D)

14.13. CONNECTOR COMPOSITES (9755), (9755B), (9755D), (9756), P. 13

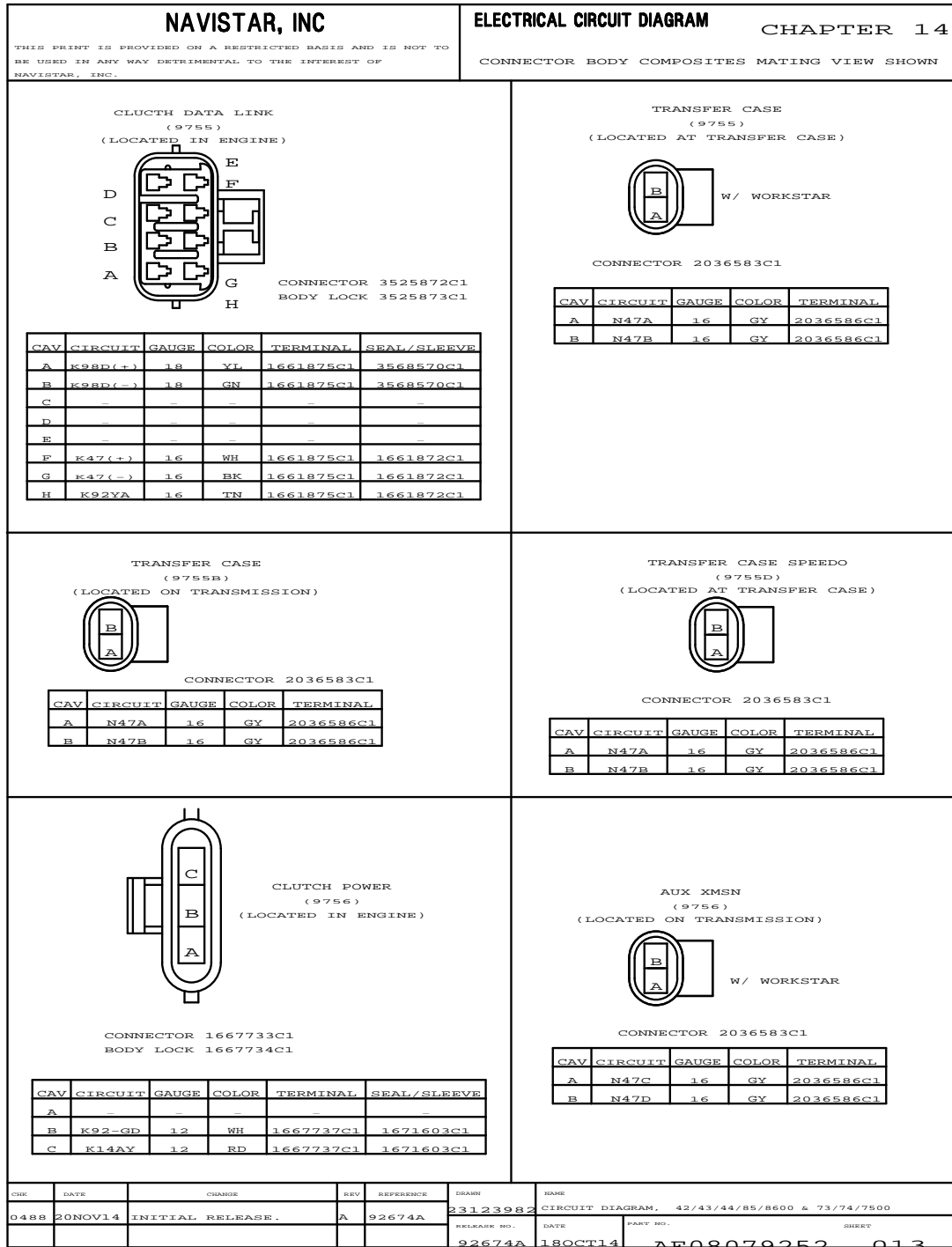


Figure 827 Connector Composites (9755), (9755B), (9755D), (9756)

14.14. CONNECTOR COMPOSITES (9758), (9759), (9760), P. 14

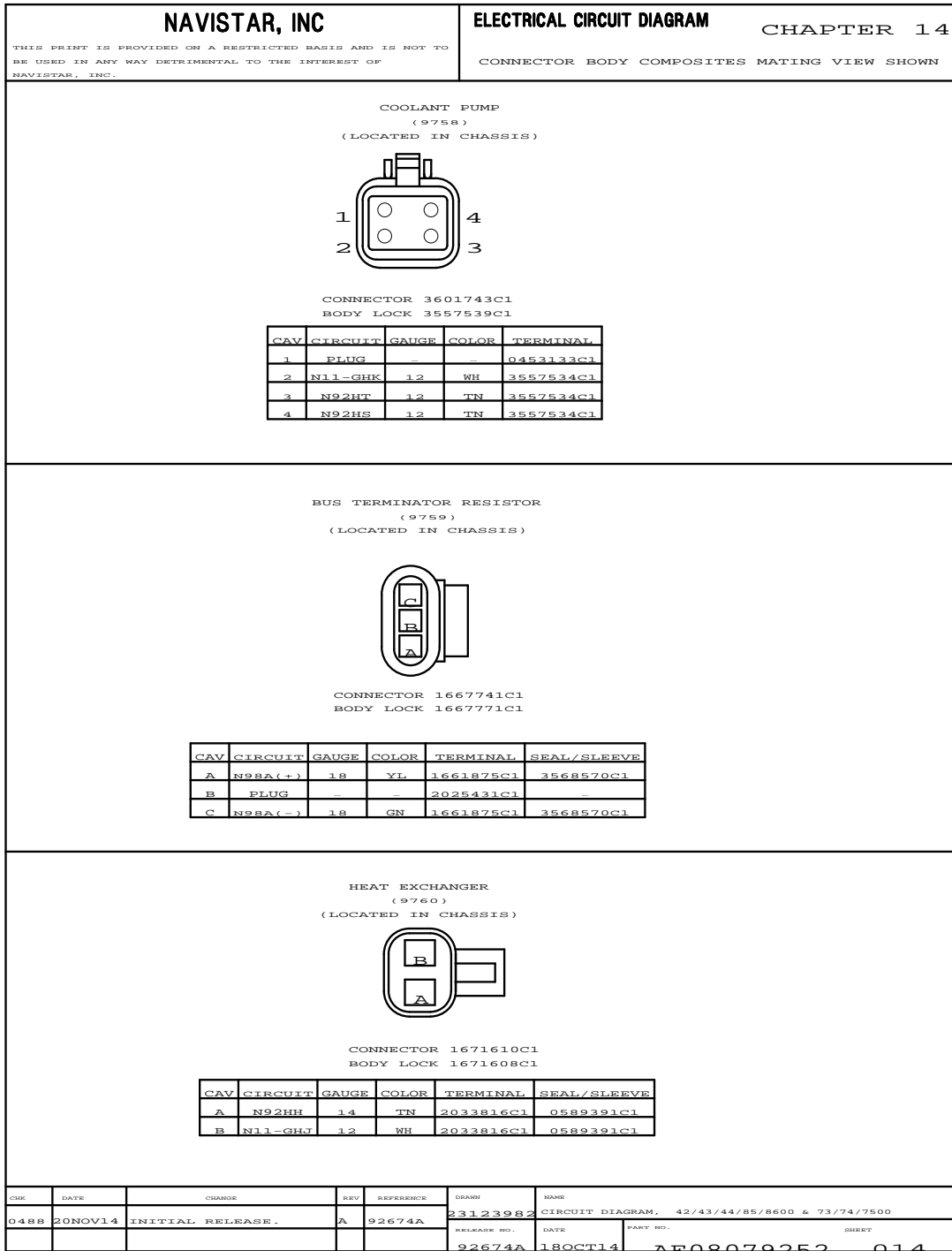


Figure 828 Connector Composites (9758), (9759), (9760)

14.15. CONNECTOR COMPOSITES (9761F), (9762), (9763), (9764), P. 15

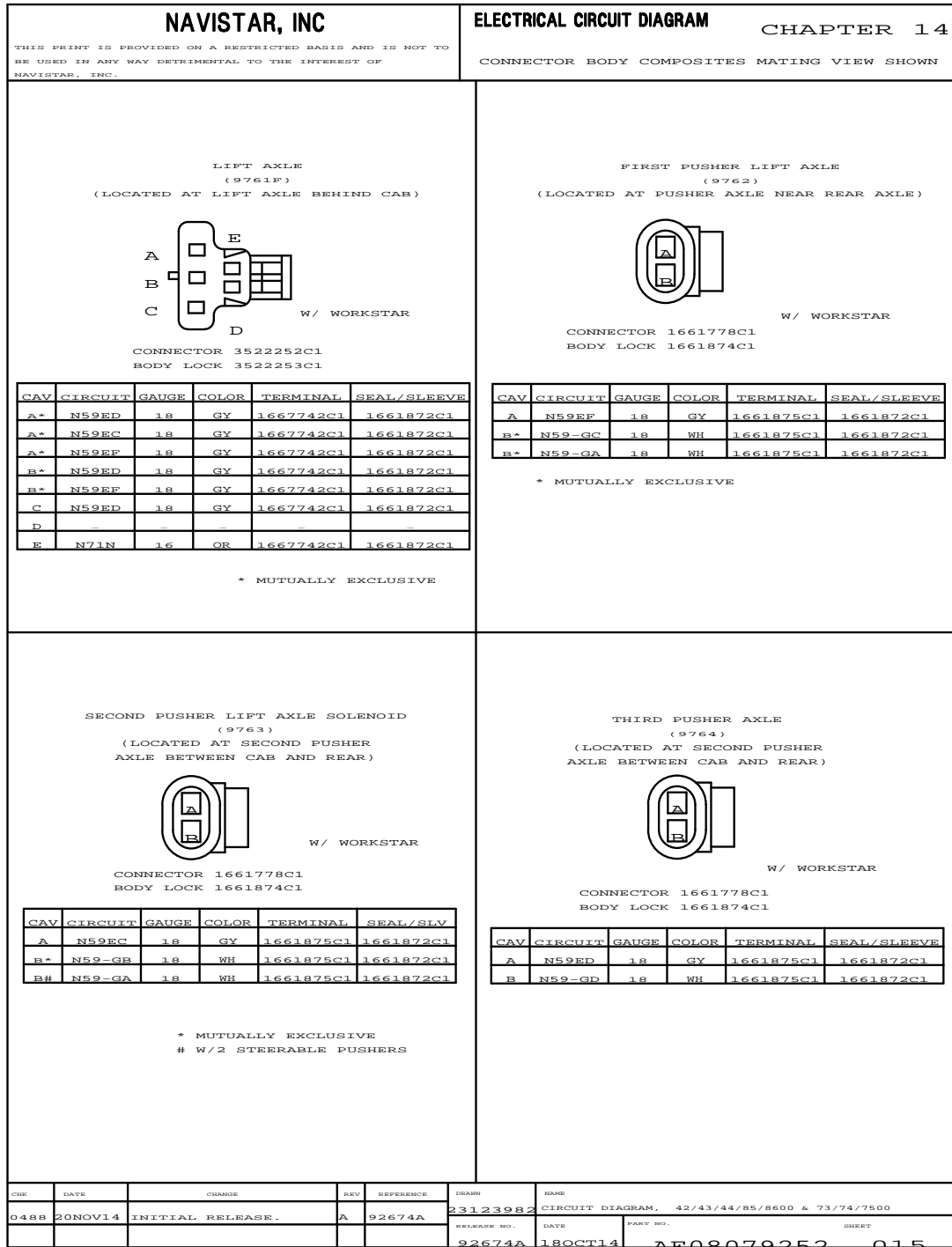


Figure 829 Connector Composites (9761F), (9762), (9763), (9764)

14.16. CONNECTOR COMPOSITES (9765), (9766), (9767), (9775F), (9776F), P. 16

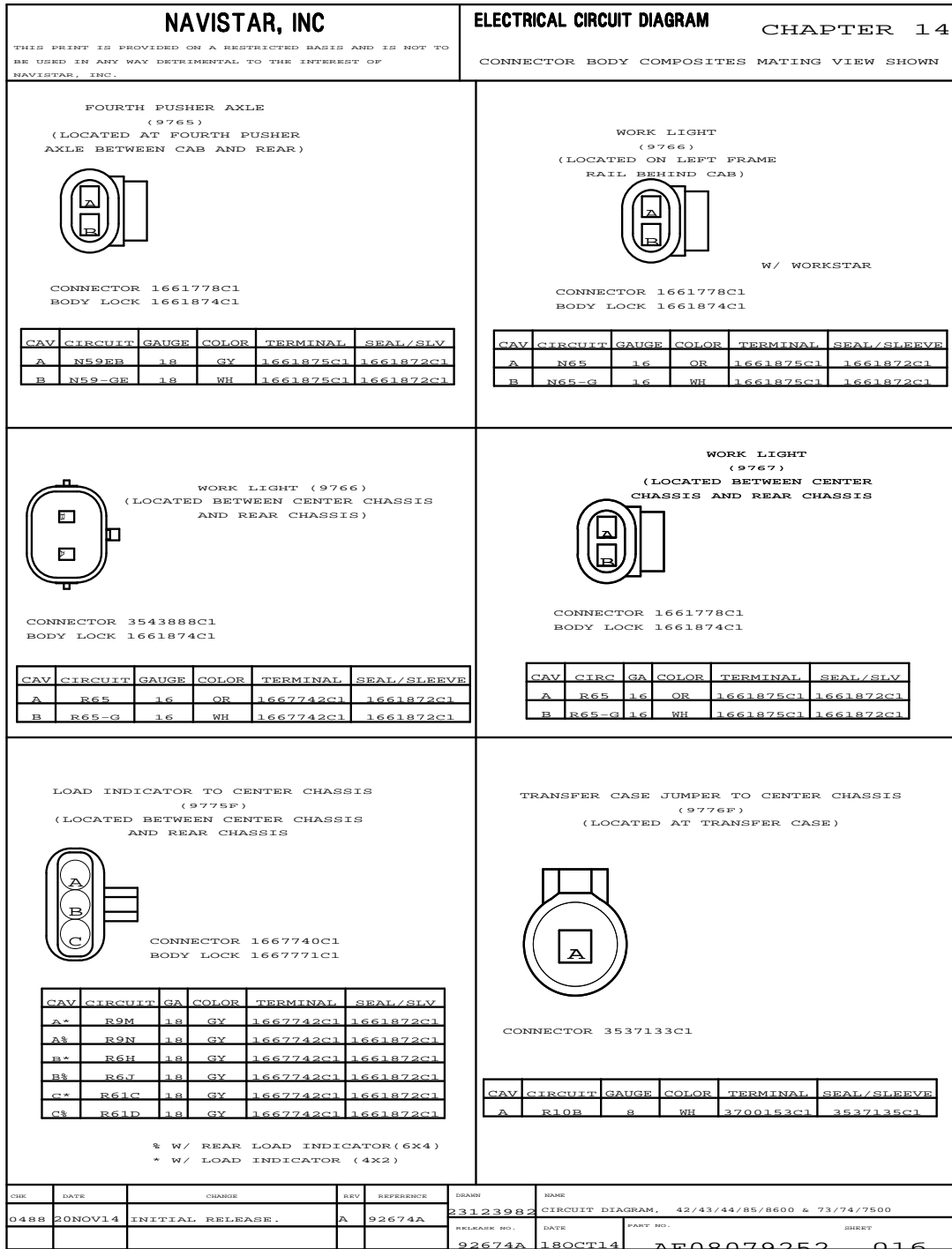


Figure 830 Connector Composites (9765), (9766), (9767), (9775F), (9776F)

14.17. CONNECTOR COMPOSITES (9777), (9777A), (9777E), (9777M), P. 17

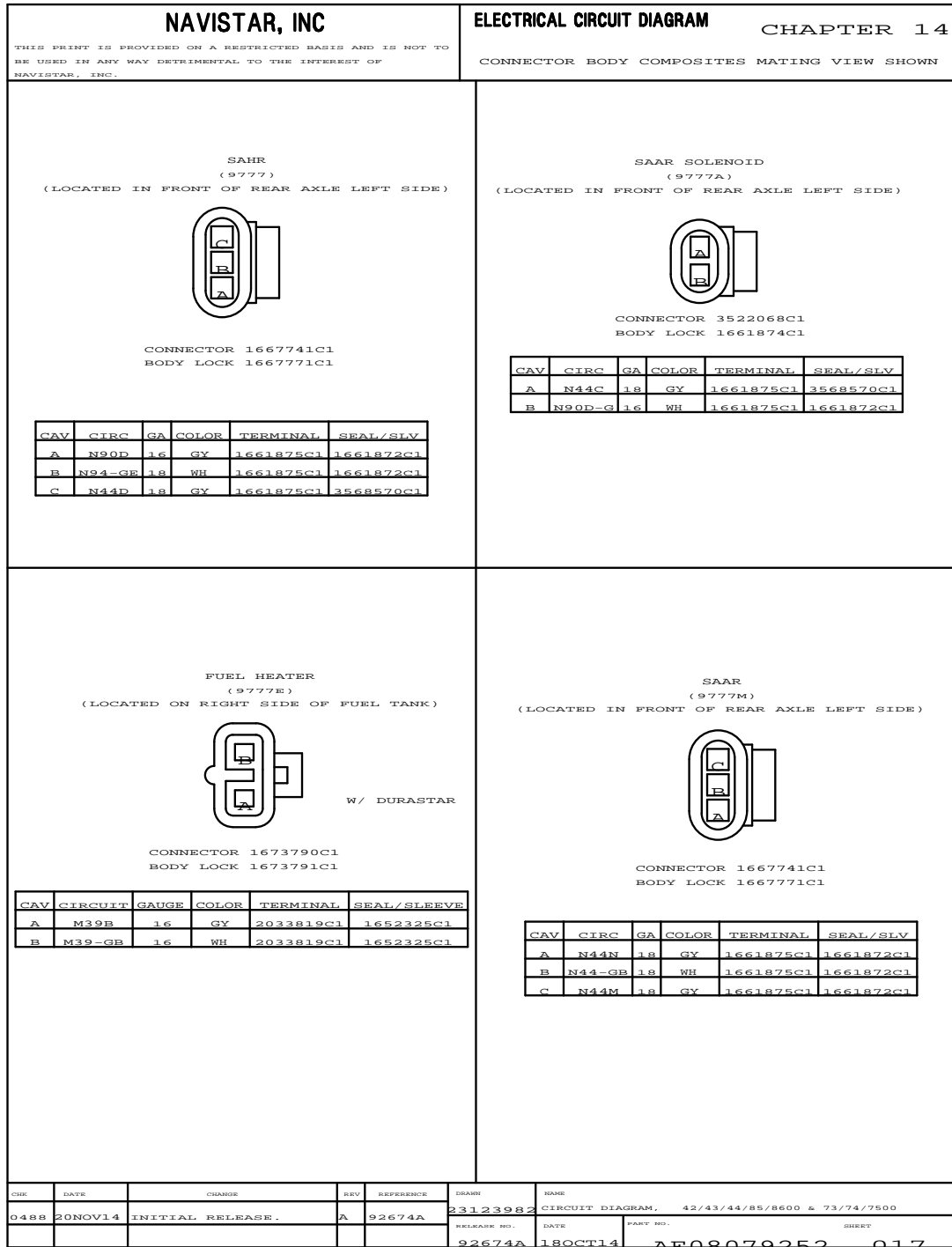


Figure 831 Connector Composites (9777), (9777A), (9777E), (9777M)

14.18. CONNECTOR COMPOSITES (9778), (9778F), (9778F1), P. 18

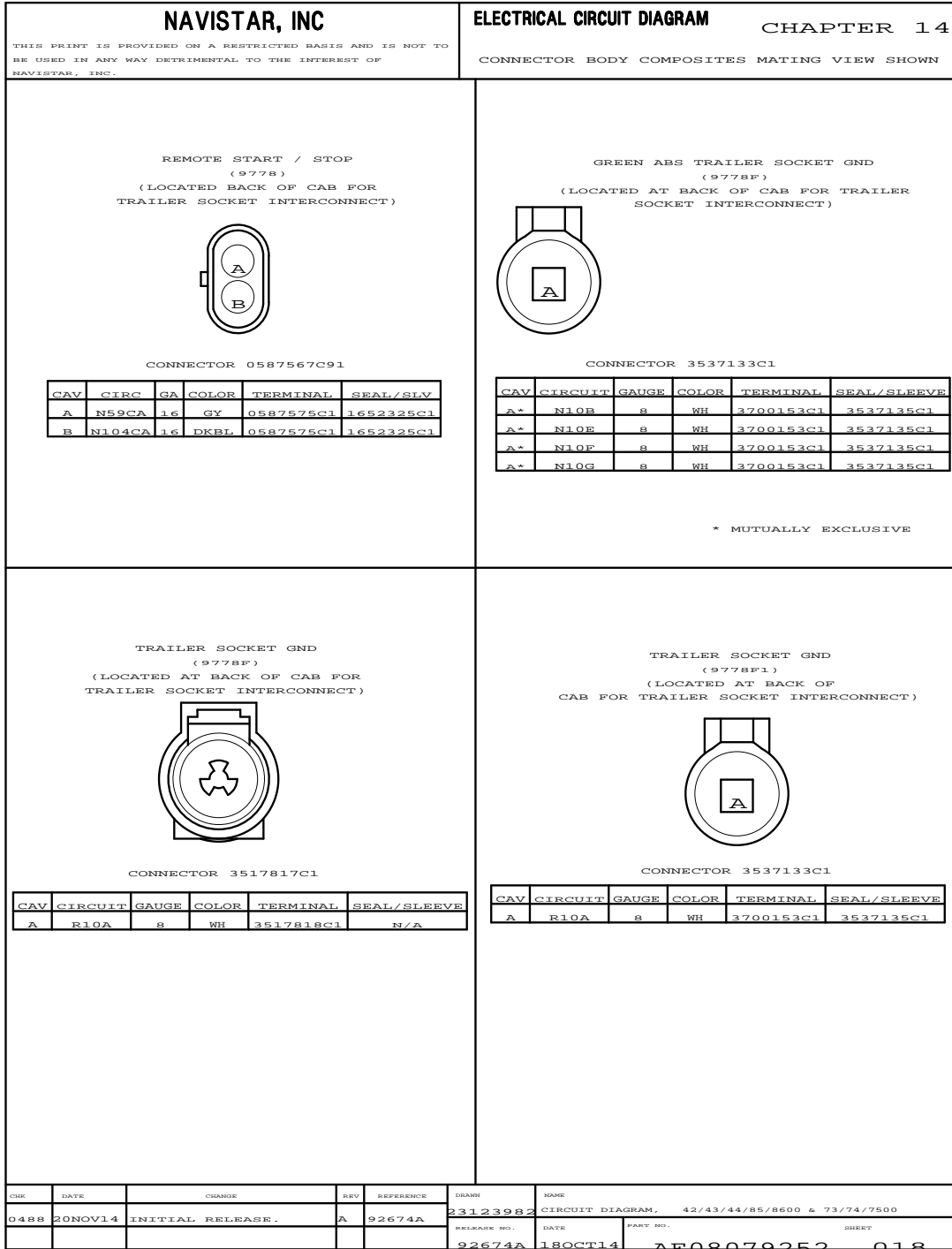


Figure 832 Connector Composites (9778), (9778F), (9778F1)

14.19. CONNECTOR COMPOSITES (9779F), (9779F1), P. 19

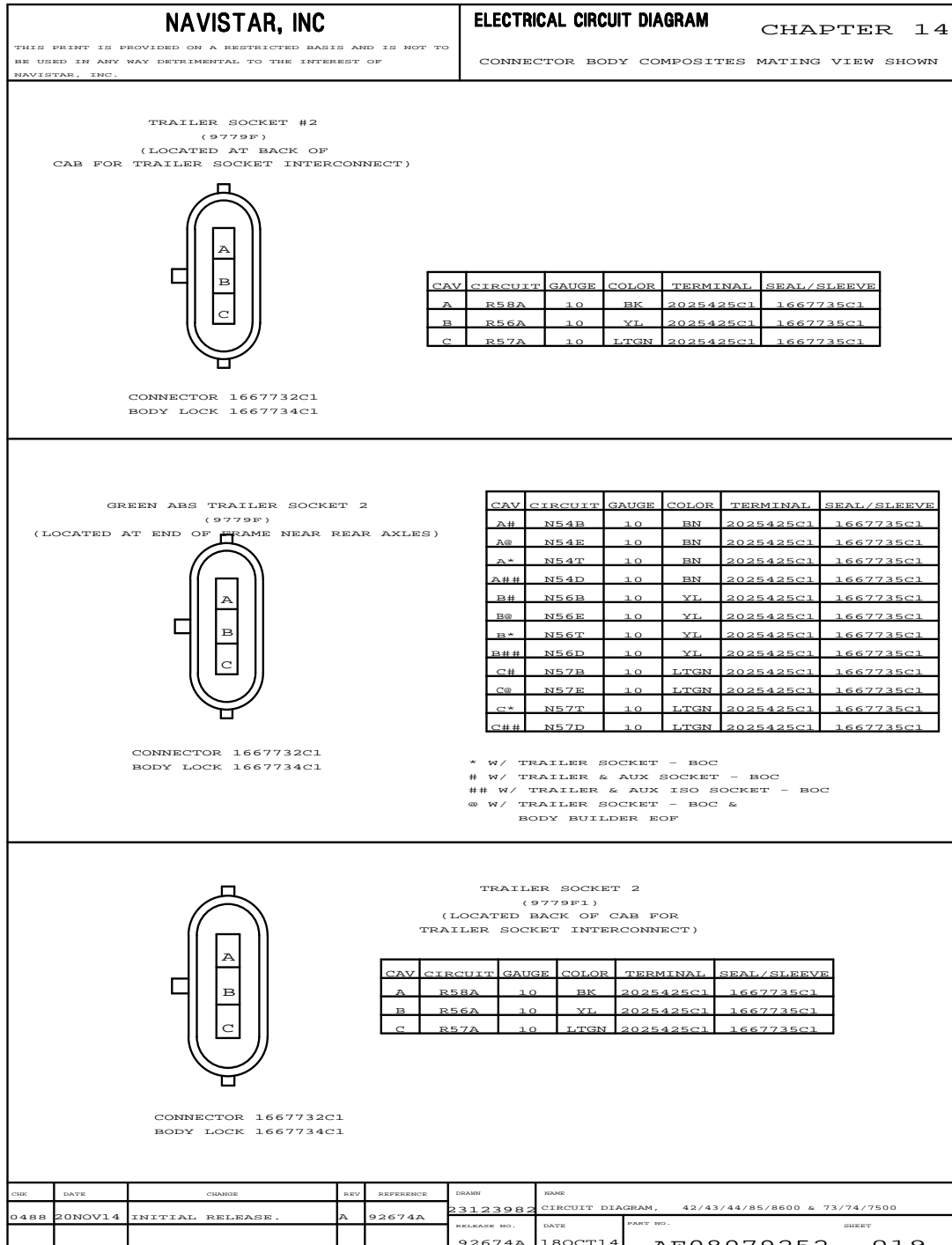


Figure 833 Connector Composites (9779F), (9779F1)

14.20. CONNECTOR COMPOSITES (9780M), (9780M1), P. 20

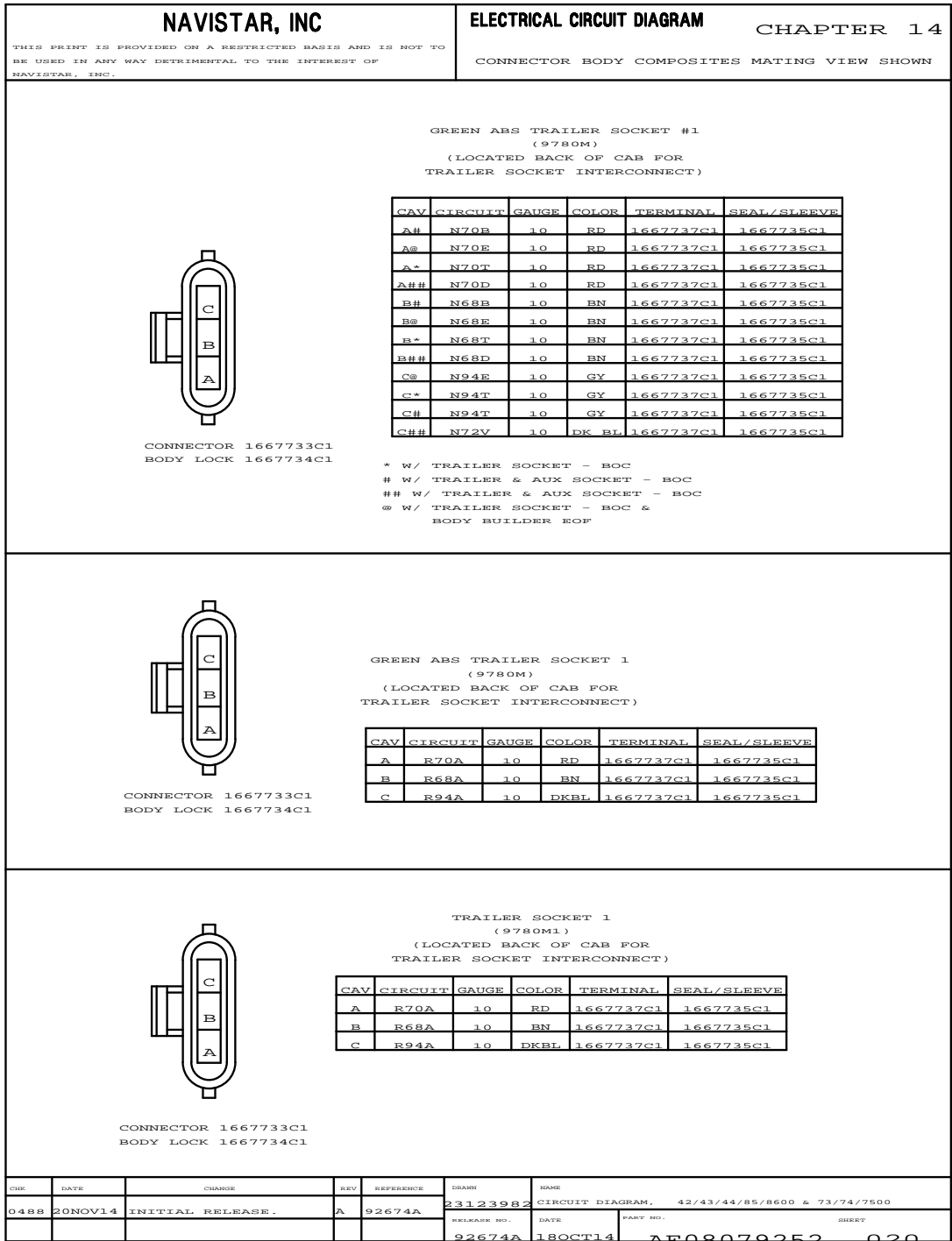


Figure 834 Connector Composites (9780M), (9780M1)

14.21. CONNECTOR COMPOSITES (9781M), (9782F), (9782M), P. 21

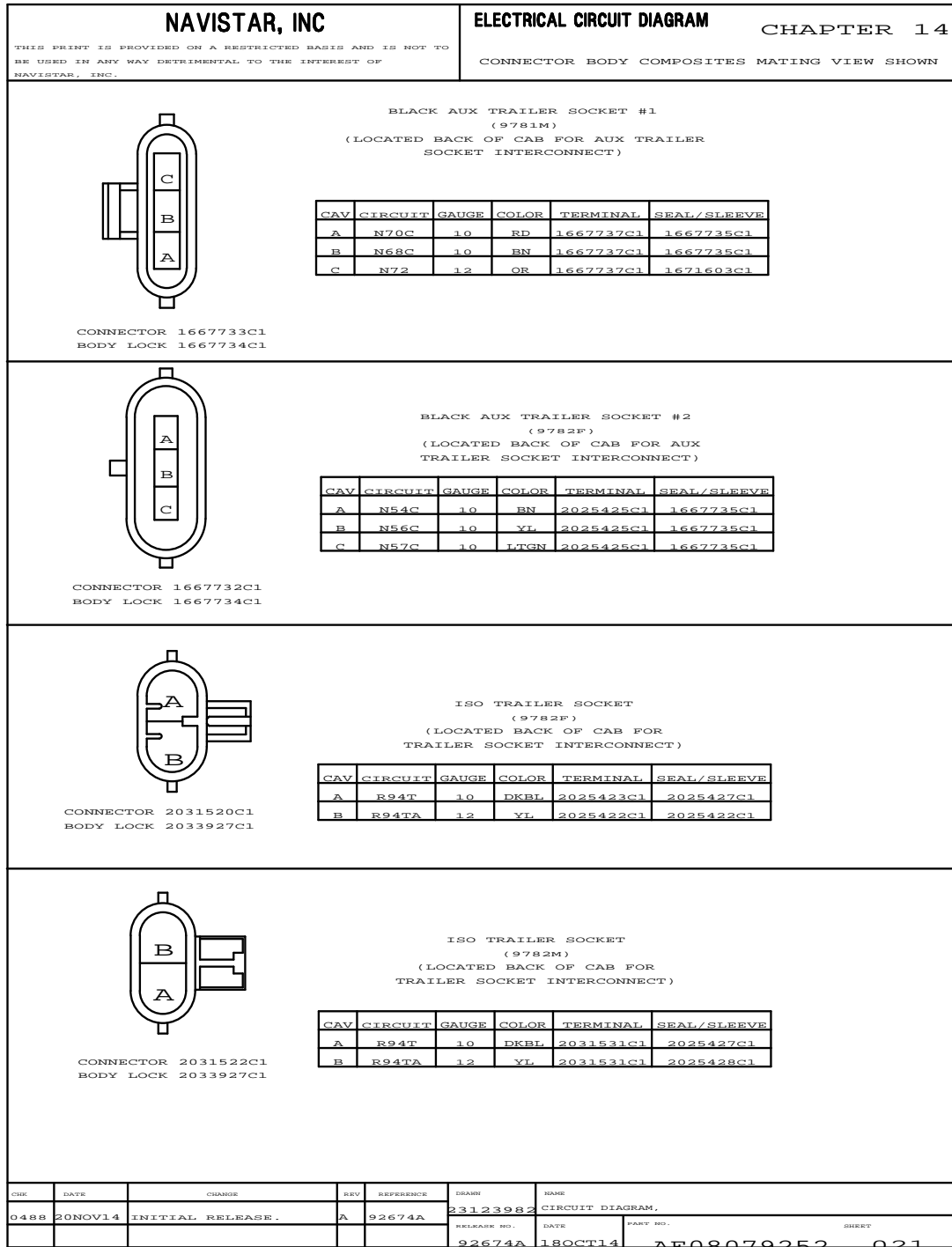


Figure 835 Connector Composites (9781M), (9782F), (9782M)

14.22. CONNECTOR COMPOSITES (9783), (9783F), (9783M), (9784M), (9785M), P. 22

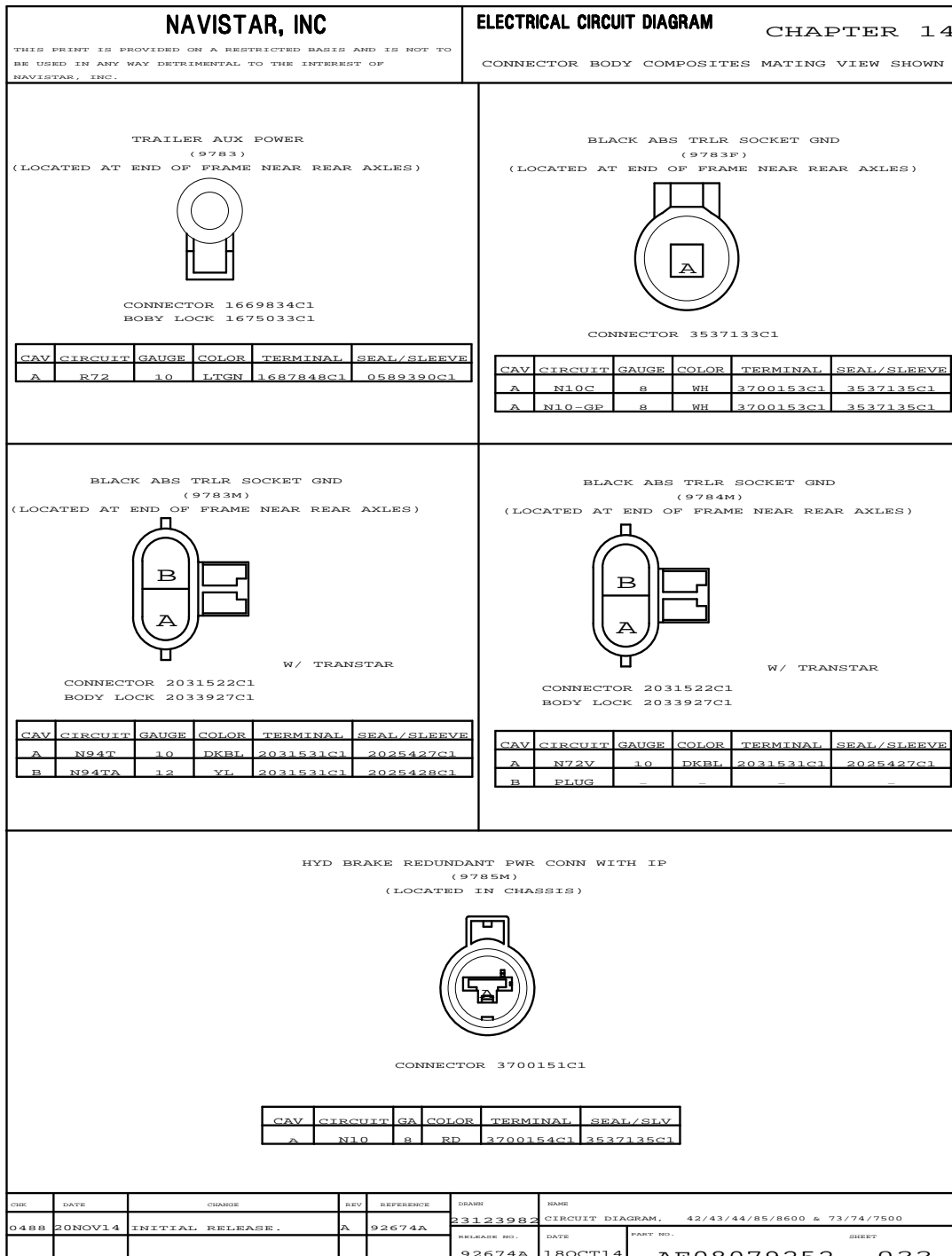


Figure 836 Connector Composites (9783), (9783F), (9783M), (9784M), (9785M)

14.23. CONNECTOR COMPOSITES (9800), P. 23

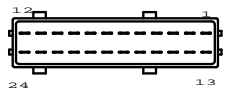
NAVISTAR, INC				ELECTRICAL CIRCUIT DIAGRAM		CHAPTER 14																																																																																																																																																																																																																																																																																																																					
THIS PRINT IS PROVIDED ON A RESTRICTED BASIS AND IS NOT TO BE USED IN ANY WAY DETRIMENTAL TO THE INTEREST OF NAVISTAR, INC.				CONNECTOR BODY COMPOSITES MATING VIEW SHOWN																																																																																																																																																																																																																																																																																																																							
<p>CONNECTION TO CENTER HARNESS (9800) (LOCATED ON LEFT FRAME RAIL BEHIND CAB)</p>  <p>CONNECTOR 3558022C1 BODY LOCK 3558056C1</p>				<table border="1" style="width:100%; border-collapse: collapse; font-size: x-small;"> <thead> <tr> <th>CAV</th><th>CIRCUIT</th><th>GAUGE</th><th>COLOR</th><th>TERMINAL</th><th>SEAL/SLEEVE</th> </tr> </thead> <tbody> <tr><td>17*</td><td>R94E</td><td>16</td><td>BK</td><td>3559037C1</td><td>3509903C1</td></tr> <tr><td>17*</td><td>R94SS</td><td>16</td><td>BK</td><td>3559037C1</td><td>3509903C1</td></tr> <tr><td>17*</td><td>R94BZ</td><td>16</td><td>BK</td><td>3559037C1</td><td>3509903C1</td></tr> <tr><td>17*</td><td>[R94WN]</td><td>18</td><td>BL</td><td>3559036C1</td><td>3509903C1</td></tr> <tr><td>17*</td><td>[R94L]</td><td>18</td><td>BL</td><td>3559037C1</td><td>3509903C1</td></tr> <tr><td>17#</td><td>R94WNR</td><td>12</td><td>GY</td><td>3559037C1</td><td>3575783C1</td></tr> <tr><td>18*</td><td>R94LB</td><td>16</td><td>GY</td><td>3559037C1</td><td>3509903C1</td></tr> <tr><td>18*</td><td>R94N</td><td>16</td><td>RD</td><td>3559037C1</td><td>3509903C1</td></tr> <tr><td>18*</td><td>R94F</td><td>16</td><td>RD</td><td>3559037C1</td><td>3509903C1</td></tr> <tr><td>18*</td><td>R94TT</td><td>16</td><td>RD</td><td>3559037C1</td><td>3509903C1</td></tr> <tr><td>18*</td><td>R94BY</td><td>16</td><td>RD</td><td>3559037C1</td><td>3509903C1</td></tr> <tr><td>18*</td><td>[R94G7]</td><td>18</td><td>GN</td><td>3559036C1</td><td>3509903C1</td></tr> <tr><td>18*</td><td>[R94GB]</td><td>18</td><td>GN</td><td>3559036C1</td><td>3509903C1</td></tr> <tr><td>18#</td><td>R94G7R</td><td>12</td><td>GY</td><td>3559037C1</td><td>3575783C1</td></tr> <tr><td>19*</td><td>R94LC</td><td>16</td><td>GY</td><td>3559037C1</td><td>3509903C1</td></tr> <tr><td>19*</td><td>R94P</td><td>16</td><td>BN</td><td>3559037C1</td><td>3509903C1</td></tr> <tr><td>19*</td><td>R94H</td><td>16</td><td>BN</td><td>3559037C1</td><td>3509903C1</td></tr> <tr><td>19*</td><td>R94UV</td><td>16</td><td>BN</td><td>3559037C1</td><td>3509903C1</td></tr> <tr><td>19*</td><td>R94BP</td><td>16</td><td>BN</td><td>3559037C1</td><td>3509903C1</td></tr> <tr><td>19*</td><td>[R94WR]</td><td>18</td><td>BN</td><td>3559036C1</td><td>3509903C1</td></tr> <tr><td>19*</td><td>[R94M]</td><td>18</td><td>BN</td><td>3559036C1</td><td>3509903C1</td></tr> <tr><td>19#</td><td>R94WRR</td><td>12</td><td>GY</td><td>3559037C1</td><td>3575783C1</td></tr> <tr><td>20*</td><td>R94RJ</td><td>16</td><td>GY</td><td>3559037C1</td><td>3509903C1</td></tr> <tr><td>20*</td><td>R94T</td><td>16</td><td>FL</td><td>3559037C1</td><td>3509903C1</td></tr> <tr><td>20*</td><td>R94J</td><td>16</td><td>FL</td><td>3559037C1</td><td>3509903C1</td></tr> <tr><td>20*</td><td>R94VV</td><td>16</td><td>FL</td><td>3559037C1</td><td>3509903C1</td></tr> <tr><td>20*</td><td>R94BS</td><td>16</td><td>FL</td><td>3559037C1</td><td>3509903C1</td></tr> <tr><td>20*</td><td>[R94WU]</td><td>18</td><td>BL</td><td>3559036C1</td><td>3509903C1</td></tr> <tr><td>20*</td><td>[R94E]</td><td>18</td><td>BL</td><td>3559036C1</td><td>3509903C1</td></tr> <tr><td>20#</td><td>R94WUR</td><td>12</td><td>GY</td><td>3559037C1</td><td>3575783C1</td></tr> <tr><td>21*</td><td>R94RK</td><td>16</td><td>GY</td><td>3559037C1</td><td>3509903C1</td></tr> <tr><td>21*</td><td>R94U</td><td>16</td><td>LTGN</td><td>3559037C1</td><td>3509903C1</td></tr> <tr><td>21*</td><td>R94K</td><td>16</td><td>LTGN</td><td>3559037C1</td><td>3509903C1</td></tr> <tr><td>21*</td><td>R94W</td><td>16</td><td>LTGN</td><td>3559037C1</td><td>3509903C1</td></tr> <tr><td>21*</td><td>R94BT</td><td>16</td><td>LTGN</td><td>3559037C1</td><td>3509903C1</td></tr> <tr><td>21*</td><td>[R94G6]</td><td>18</td><td>GN</td><td>3559036C1</td><td>3509903C1</td></tr> <tr><td>21*</td><td>[R94G9]</td><td>18</td><td>GN</td><td>3559036C1</td><td>3509903C1</td></tr> <tr><td>22*</td><td>R94RL</td><td>16</td><td>GY</td><td>3559037C1</td><td>3509903C1</td></tr> <tr><td>21#</td><td>R94G6R</td><td>12</td><td>GY</td><td>3559037C1</td><td>3575783C1</td></tr> <tr><td>22*</td><td>R94V</td><td>16</td><td>LTBL</td><td>3559037C1</td><td>3509903C1</td></tr> <tr><td>22*</td><td>R94L</td><td>16</td><td>LTBL</td><td>3559037C1</td><td>3509903C1</td></tr> <tr><td>22*</td><td>R94X</td><td>16</td><td>LTBL</td><td>3559037C1</td><td>3509903C1</td></tr> <tr><td>22*</td><td>R94BU</td><td>16</td><td>LTBL</td><td>3559037C1</td><td>3509903C1</td></tr> <tr><td>22*</td><td>[R94WW]</td><td>18</td><td>BN</td><td>3559036C1</td><td>3509903C1</td></tr> <tr><td>22*</td><td>[R94S]</td><td>18</td><td>BN</td><td>3559036C1</td><td>3509903C1</td></tr> <tr><td>22#</td><td>R94WRE</td><td>12</td><td>GY</td><td>3559037C1</td><td>3575783C1</td></tr> <tr><td>23*</td><td>R94BD</td><td>16</td><td>BN</td><td>3559037C1</td><td>3509903C1</td></tr> <tr><td>23*</td><td>[R94WX]</td><td>18</td><td>BN</td><td>3559036C1</td><td>3509903C1</td></tr> <tr><td>24*</td><td>R94BE</td><td>16</td><td>YL</td><td>3559037C1</td><td>3509903C1</td></tr> <tr><td>24*</td><td>[R94WZ]</td><td>18</td><td>BL</td><td>3559036C1</td><td>3509903C1</td></tr> </tbody> </table>				CAV	CIRCUIT	GAUGE	COLOR	TERMINAL	SEAL/SLEEVE	17*	R94E	16	BK	3559037C1	3509903C1	17*	R94SS	16	BK	3559037C1	3509903C1	17*	R94BZ	16	BK	3559037C1	3509903C1	17*	[R94WN]	18	BL	3559036C1	3509903C1	17*	[R94L]	18	BL	3559037C1	3509903C1	17#	R94WNR	12	GY	3559037C1	3575783C1	18*	R94LB	16	GY	3559037C1	3509903C1	18*	R94N	16	RD	3559037C1	3509903C1	18*	R94F	16	RD	3559037C1	3509903C1	18*	R94TT	16	RD	3559037C1	3509903C1	18*	R94BY	16	RD	3559037C1	3509903C1	18*	[R94G7]	18	GN	3559036C1	3509903C1	18*	[R94GB]	18	GN	3559036C1	3509903C1	18#	R94G7R	12	GY	3559037C1	3575783C1	19*	R94LC	16	GY	3559037C1	3509903C1	19*	R94P	16	BN	3559037C1	3509903C1	19*	R94H	16	BN	3559037C1	3509903C1	19*	R94UV	16	BN	3559037C1	3509903C1	19*	R94BP	16	BN	3559037C1	3509903C1	19*	[R94WR]	18	BN	3559036C1	3509903C1	19*	[R94M]	18	BN	3559036C1	3509903C1	19#	R94WRR	12	GY	3559037C1	3575783C1	20*	R94RJ	16	GY	3559037C1	3509903C1	20*	R94T	16	FL	3559037C1	3509903C1	20*	R94J	16	FL	3559037C1	3509903C1	20*	R94VV	16	FL	3559037C1	3509903C1	20*	R94BS	16	FL	3559037C1	3509903C1	20*	[R94WU]	18	BL	3559036C1	3509903C1	20*	[R94E]	18	BL	3559036C1	3509903C1	20#	R94WUR	12	GY	3559037C1	3575783C1	21*	R94RK	16	GY	3559037C1	3509903C1	21*	R94U	16	LTGN	3559037C1	3509903C1	21*	R94K	16	LTGN	3559037C1	3509903C1	21*	R94W	16	LTGN	3559037C1	3509903C1	21*	R94BT	16	LTGN	3559037C1	3509903C1	21*	[R94G6]	18	GN	3559036C1	3509903C1	21*	[R94G9]	18	GN	3559036C1	3509903C1	22*	R94RL	16	GY	3559037C1	3509903C1	21#	R94G6R	12	GY	3559037C1	3575783C1	22*	R94V	16	LTBL	3559037C1	3509903C1	22*	R94L	16	LTBL	3559037C1	3509903C1	22*	R94X	16	LTBL	3559037C1	3509903C1	22*	R94BU	16	LTBL	3559037C1	3509903C1	22*	[R94WW]	18	BN	3559036C1	3509903C1	22*	[R94S]	18	BN	3559036C1	3509903C1	22#	R94WRE	12	GY	3559037C1	3575783C1	23*	R94BD	16	BN	3559037C1	3509903C1	23*	[R94WX]	18	BN	3559036C1	3509903C1	24*	R94BE	16	YL	3559037C1	3509903C1	24*	[R94WZ]	18	BL	3559036C1	3509903C1		
CAV	CIRCUIT	GAUGE	COLOR	TERMINAL	SEAL/SLEEVE																																																																																																																																																																																																																																																																																																																						
17*	R94E	16	BK	3559037C1	3509903C1																																																																																																																																																																																																																																																																																																																						
17*	R94SS	16	BK	3559037C1	3509903C1																																																																																																																																																																																																																																																																																																																						
17*	R94BZ	16	BK	3559037C1	3509903C1																																																																																																																																																																																																																																																																																																																						
17*	[R94WN]	18	BL	3559036C1	3509903C1																																																																																																																																																																																																																																																																																																																						
17*	[R94L]	18	BL	3559037C1	3509903C1																																																																																																																																																																																																																																																																																																																						
17#	R94WNR	12	GY	3559037C1	3575783C1																																																																																																																																																																																																																																																																																																																						
18*	R94LB	16	GY	3559037C1	3509903C1																																																																																																																																																																																																																																																																																																																						
18*	R94N	16	RD	3559037C1	3509903C1																																																																																																																																																																																																																																																																																																																						
18*	R94F	16	RD	3559037C1	3509903C1																																																																																																																																																																																																																																																																																																																						
18*	R94TT	16	RD	3559037C1	3509903C1																																																																																																																																																																																																																																																																																																																						
18*	R94BY	16	RD	3559037C1	3509903C1																																																																																																																																																																																																																																																																																																																						
18*	[R94G7]	18	GN	3559036C1	3509903C1																																																																																																																																																																																																																																																																																																																						
18*	[R94GB]	18	GN	3559036C1	3509903C1																																																																																																																																																																																																																																																																																																																						
18#	R94G7R	12	GY	3559037C1	3575783C1																																																																																																																																																																																																																																																																																																																						
19*	R94LC	16	GY	3559037C1	3509903C1																																																																																																																																																																																																																																																																																																																						
19*	R94P	16	BN	3559037C1	3509903C1																																																																																																																																																																																																																																																																																																																						
19*	R94H	16	BN	3559037C1	3509903C1																																																																																																																																																																																																																																																																																																																						
19*	R94UV	16	BN	3559037C1	3509903C1																																																																																																																																																																																																																																																																																																																						
19*	R94BP	16	BN	3559037C1	3509903C1																																																																																																																																																																																																																																																																																																																						
19*	[R94WR]	18	BN	3559036C1	3509903C1																																																																																																																																																																																																																																																																																																																						
19*	[R94M]	18	BN	3559036C1	3509903C1																																																																																																																																																																																																																																																																																																																						
19#	R94WRR	12	GY	3559037C1	3575783C1																																																																																																																																																																																																																																																																																																																						
20*	R94RJ	16	GY	3559037C1	3509903C1																																																																																																																																																																																																																																																																																																																						
20*	R94T	16	FL	3559037C1	3509903C1																																																																																																																																																																																																																																																																																																																						
20*	R94J	16	FL	3559037C1	3509903C1																																																																																																																																																																																																																																																																																																																						
20*	R94VV	16	FL	3559037C1	3509903C1																																																																																																																																																																																																																																																																																																																						
20*	R94BS	16	FL	3559037C1	3509903C1																																																																																																																																																																																																																																																																																																																						
20*	[R94WU]	18	BL	3559036C1	3509903C1																																																																																																																																																																																																																																																																																																																						
20*	[R94E]	18	BL	3559036C1	3509903C1																																																																																																																																																																																																																																																																																																																						
20#	R94WUR	12	GY	3559037C1	3575783C1																																																																																																																																																																																																																																																																																																																						
21*	R94RK	16	GY	3559037C1	3509903C1																																																																																																																																																																																																																																																																																																																						
21*	R94U	16	LTGN	3559037C1	3509903C1																																																																																																																																																																																																																																																																																																																						
21*	R94K	16	LTGN	3559037C1	3509903C1																																																																																																																																																																																																																																																																																																																						
21*	R94W	16	LTGN	3559037C1	3509903C1																																																																																																																																																																																																																																																																																																																						
21*	R94BT	16	LTGN	3559037C1	3509903C1																																																																																																																																																																																																																																																																																																																						
21*	[R94G6]	18	GN	3559036C1	3509903C1																																																																																																																																																																																																																																																																																																																						
21*	[R94G9]	18	GN	3559036C1	3509903C1																																																																																																																																																																																																																																																																																																																						
22*	R94RL	16	GY	3559037C1	3509903C1																																																																																																																																																																																																																																																																																																																						
21#	R94G6R	12	GY	3559037C1	3575783C1																																																																																																																																																																																																																																																																																																																						
22*	R94V	16	LTBL	3559037C1	3509903C1																																																																																																																																																																																																																																																																																																																						
22*	R94L	16	LTBL	3559037C1	3509903C1																																																																																																																																																																																																																																																																																																																						
22*	R94X	16	LTBL	3559037C1	3509903C1																																																																																																																																																																																																																																																																																																																						
22*	R94BU	16	LTBL	3559037C1	3509903C1																																																																																																																																																																																																																																																																																																																						
22*	[R94WW]	18	BN	3559036C1	3509903C1																																																																																																																																																																																																																																																																																																																						
22*	[R94S]	18	BN	3559036C1	3509903C1																																																																																																																																																																																																																																																																																																																						
22#	R94WRE	12	GY	3559037C1	3575783C1																																																																																																																																																																																																																																																																																																																						
23*	R94BD	16	BN	3559037C1	3509903C1																																																																																																																																																																																																																																																																																																																						
23*	[R94WX]	18	BN	3559036C1	3509903C1																																																																																																																																																																																																																																																																																																																						
24*	R94BE	16	YL	3559037C1	3509903C1																																																																																																																																																																																																																																																																																																																						
24*	[R94WZ]	18	BL	3559036C1	3509903C1																																																																																																																																																																																																																																																																																																																						
<table border="1" style="width:100%; border-collapse: collapse; font-size: x-small;"> <thead> <tr> <th>CAV</th><th>CIRCUIT</th><th>GAUGE</th><th>COLOR</th><th>TERMINAL</th><th>SEAL/SLEEVE</th> </tr> </thead> <tbody> <tr><td>1</td><td>R71</td><td>14</td><td>OR</td><td>3559037C1</td><td>3575783C1</td></tr> <tr><td>2</td><td>R56</td><td>14</td><td>OR</td><td>3559037C1</td><td>3575783C1</td></tr> <tr><td>3</td><td>R57</td><td>14</td><td>OR</td><td>3559037C1</td><td>3575783C1</td></tr> <tr><td>4</td><td>R6B</td><td>14</td><td>BN</td><td>3559037C1</td><td>3575783C1</td></tr> <tr><td>5*</td><td>R32A</td><td>18</td><td>TN</td><td>3559036C1</td><td>3509903C1</td></tr> <tr><td>5*</td><td>R36</td><td>18</td><td>TN</td><td>3559036C1</td><td>3509903C1</td></tr> <tr><td>5*</td><td>R6B</td><td>18</td><td>BN</td><td>3559036C1</td><td>3509903C1</td></tr> <tr><td>6*</td><td>R7D</td><td>14</td><td>OR</td><td>3559037C1</td><td>3575783C1</td></tr> <tr><td>6*</td><td>R32</td><td>18</td><td>TN</td><td>3559036C1</td><td>3509903C1</td></tr> <tr><td>6*</td><td>R7D</td><td>18</td><td>OR</td><td>3559036C1</td><td>3509903C1</td></tr> <tr><td>7*</td><td>R49</td><td>18</td><td>GY</td><td>3559036C1</td><td>3509903C1</td></tr> <tr><td>7*</td><td>R49</td><td>18</td><td>WH</td><td>3559036C1</td><td>3509903C1</td></tr> <tr><td>8*</td><td>R49A</td><td>18</td><td>GY</td><td>3559036C1</td><td>3509903C1</td></tr> <tr><td>8*</td><td>R49A</td><td>18</td><td>WH</td><td>3559036C1</td><td>3509903C1</td></tr> <tr><td>9*</td><td>R49-GA</td><td>18</td><td>WH</td><td>3559036C1</td><td>3509903C1</td></tr> <tr><td>9*</td><td>R10-GB</td><td>18</td><td>WH</td><td>3559036C1</td><td>3509903C1</td></tr> <tr><td>10</td><td>R9D</td><td>18</td><td>GY</td><td>3559036C1</td><td>3509903C1</td></tr> <tr><td>11*</td><td>R9C</td><td>18</td><td>GY</td><td>3559036C1</td><td>3509903C1</td></tr> <tr><td>11*</td><td>R9B</td><td>18</td><td>GY</td><td>3559036C1</td><td>3509903C1</td></tr> <tr><td>12*</td><td>R11-CTL</td><td>12</td><td>WH</td><td>3559037C1</td><td>3575783C1</td></tr> <tr><td>12*</td><td>R10-G</td><td>12</td><td>WH</td><td>3559037C1</td><td>3575783C1</td></tr> <tr><td>13*</td><td>R94R</td><td>16</td><td>GY</td><td>3559037C1</td><td>3509903C1</td></tr> <tr><td>13*</td><td>R94A</td><td>16</td><td>GY</td><td>3559037C1</td><td>3509903C1</td></tr> <tr><td>13*</td><td>R94M</td><td>16</td><td>GY</td><td>3559037C1</td><td>3509903C1</td></tr> <tr><td>13*</td><td>R94BR</td><td>16</td><td>GY</td><td>3559037C1</td><td>3509903C1</td></tr> <tr><td>13*</td><td>[R94M]</td><td>18</td><td>BK</td><td>3559036C1</td><td>3509903C1</td></tr> <tr><td>13*</td><td>[R94WL]</td><td>18</td><td>BK</td><td>3559036C1</td><td>3509903C1</td></tr> <tr><td>13*</td><td>[R94J]</td><td>18</td><td>BK</td><td>3559036C1</td><td>3509903C1</td></tr> <tr><td>14*</td><td>R94S</td><td>16</td><td>OR</td><td>3559037C1</td><td>3509903C1</td></tr> <tr><td>14*</td><td>R94B</td><td>16</td><td>OR</td><td>3559037C1</td><td>3509903C1</td></tr> <tr><td>14*</td><td>R94N</td><td>16</td><td>OR</td><td>3559037C1</td><td>3509903C1</td></tr> <tr><td>14*</td><td>R94BQ</td><td>16</td><td>OR</td><td>3559037C1</td><td>3509903C1</td></tr> <tr><td>14*</td><td>[R94N]</td><td>18</td><td>BN</td><td>3559036C1</td><td>3509903C1</td></tr> <tr><td>14*</td><td>[R94WM]</td><td>18</td><td>BN</td><td>3559036C1</td><td>3509903C1</td></tr> <tr><td>14*</td><td>[R94K]</td><td>18</td><td>BN</td><td>3559036C1</td><td>3509903C1</td></tr> <tr><td>15*</td><td>R94W</td><td>16</td><td>DKBL</td><td>3559037C1</td><td>3509903C1</td></tr> <tr><td>15*</td><td>R94C</td><td>16</td><td>DKBL</td><td>3559037C1</td><td>3509903C1</td></tr> <tr><td>15*</td><td>R94PP</td><td>16</td><td>DKBL</td><td>3559037C1</td><td>3509903C1</td></tr> <tr><td>15*</td><td>R94BW</td><td>16</td><td>DKBL</td><td>3559037C1</td><td>3509903C1</td></tr> <tr><td>15*</td><td>[R94P]</td><td>18</td><td>BK</td><td>3559036C1</td><td>3509903C1</td></tr> <tr><td>15*</td><td>[R94WG]</td><td>18</td><td>BK</td><td>3559036C1</td><td>3509903C1</td></tr> <tr><td>15*</td><td>[R94T]</td><td>18</td><td>BK</td><td>3559036C1</td><td>3509903C1</td></tr> <tr><td>16*</td><td>R94X</td><td>16</td><td>YL</td><td>3559037C1</td><td>3509903C1</td></tr> <tr><td>16*</td><td>R94D</td><td>16</td><td>YL</td><td>3559037C1</td><td>3509903C1</td></tr> <tr><td>16*</td><td>R94RR</td><td>16</td><td>YL</td><td>3559037C1</td><td>3509903C1</td></tr> <tr><td>16*</td><td>R94BV</td><td>16</td><td>YL</td><td>3559037C1</td><td>3509903C1</td></tr> <tr><td>16*</td><td>[R94R]</td><td>18</td><td>BN</td><td>3559036C1</td><td>3509903C1</td></tr> <tr><td>16*</td><td>[R94WT]</td><td>18</td><td>BN</td><td>3559036C1</td><td>3509903C1</td></tr> <tr><td>16*</td><td>[R94U]</td><td>18</td><td>BN</td><td>3559036C1</td><td>3509903C1</td></tr> <tr><td>17*</td><td>R94LA</td><td>16</td><td>GY</td><td>3559037C1</td><td>3509903C1</td></tr> <tr><td>17*</td><td>R94M</td><td>16</td><td>BK</td><td>3559037C1</td><td>3509903C1</td></tr> </tbody> </table>				CAV	CIRCUIT	GAUGE	COLOR	TERMINAL	SEAL/SLEEVE	1	R71	14	OR	3559037C1	3575783C1	2	R56	14	OR	3559037C1	3575783C1	3	R57	14	OR	3559037C1	3575783C1	4	R6B	14	BN	3559037C1	3575783C1	5*	R32A	18	TN	3559036C1	3509903C1	5*	R36	18	TN	3559036C1	3509903C1	5*	R6B	18	BN	3559036C1	3509903C1	6*	R7D	14	OR	3559037C1	3575783C1	6*	R32	18	TN	3559036C1	3509903C1	6*	R7D	18	OR	3559036C1	3509903C1	7*	R49	18	GY	3559036C1	3509903C1	7*	R49	18	WH	3559036C1	3509903C1	8*	R49A	18	GY	3559036C1	3509903C1	8*	R49A	18	WH	3559036C1	3509903C1	9*	R49-GA	18	WH	3559036C1	3509903C1	9*	R10-GB	18	WH	3559036C1	3509903C1	10	R9D	18	GY	3559036C1	3509903C1	11*	R9C	18	GY	3559036C1	3509903C1	11*	R9B	18	GY	3559036C1	3509903C1	12*	R11-CTL	12	WH	3559037C1	3575783C1	12*	R10-G	12	WH	3559037C1	3575783C1	13*	R94R	16	GY	3559037C1	3509903C1	13*	R94A	16	GY	3559037C1	3509903C1	13*	R94M	16	GY	3559037C1	3509903C1	13*	R94BR	16	GY	3559037C1	3509903C1	13*	[R94M]	18	BK	3559036C1	3509903C1	13*	[R94WL]	18	BK	3559036C1	3509903C1	13*	[R94J]	18	BK	3559036C1	3509903C1	14*	R94S	16	OR	3559037C1	3509903C1	14*	R94B	16	OR	3559037C1	3509903C1	14*	R94N	16	OR	3559037C1	3509903C1	14*	R94BQ	16	OR	3559037C1	3509903C1	14*	[R94N]	18	BN	3559036C1	3509903C1	14*	[R94WM]	18	BN	3559036C1	3509903C1	14*	[R94K]	18	BN	3559036C1	3509903C1	15*	R94W	16	DKBL	3559037C1	3509903C1	15*	R94C	16	DKBL	3559037C1	3509903C1	15*	R94PP	16	DKBL	3559037C1	3509903C1	15*	R94BW	16	DKBL	3559037C1	3509903C1	15*	[R94P]	18	BK	3559036C1	3509903C1	15*	[R94WG]	18	BK	3559036C1	3509903C1	15*	[R94T]	18	BK	3559036C1	3509903C1	16*	R94X	16	YL	3559037C1	3509903C1	16*	R94D	16	YL	3559037C1	3509903C1	16*	R94RR	16	YL	3559037C1	3509903C1	16*	R94BV	16	YL	3559037C1	3509903C1	16*	[R94R]	18	BN	3559036C1	3509903C1	16*	[R94WT]	18	BN	3559036C1	3509903C1	16*	[R94U]	18	BN	3559036C1	3509903C1	17*	R94LA	16	GY	3559037C1	3509903C1	17*	R94M	16	BK	3559037C1	3509903C1
CAV	CIRCUIT	GAUGE	COLOR	TERMINAL	SEAL/SLEEVE																																																																																																																																																																																																																																																																																																																						
1	R71	14	OR	3559037C1	3575783C1																																																																																																																																																																																																																																																																																																																						
2	R56	14	OR	3559037C1	3575783C1																																																																																																																																																																																																																																																																																																																						
3	R57	14	OR	3559037C1	3575783C1																																																																																																																																																																																																																																																																																																																						
4	R6B	14	BN	3559037C1	3575783C1																																																																																																																																																																																																																																																																																																																						
5*	R32A	18	TN	3559036C1	3509903C1																																																																																																																																																																																																																																																																																																																						
5*	R36	18	TN	3559036C1	3509903C1																																																																																																																																																																																																																																																																																																																						
5*	R6B	18	BN	3559036C1	3509903C1																																																																																																																																																																																																																																																																																																																						
6*	R7D	14	OR	3559037C1	3575783C1																																																																																																																																																																																																																																																																																																																						
6*	R32	18	TN	3559036C1	3509903C1																																																																																																																																																																																																																																																																																																																						
6*	R7D	18	OR	3559036C1	3509903C1																																																																																																																																																																																																																																																																																																																						
7*	R49	18	GY	3559036C1	3509903C1																																																																																																																																																																																																																																																																																																																						
7*	R49	18	WH	3559036C1	3509903C1																																																																																																																																																																																																																																																																																																																						
8*	R49A	18	GY	3559036C1	3509903C1																																																																																																																																																																																																																																																																																																																						
8*	R49A	18	WH	3559036C1	3509903C1																																																																																																																																																																																																																																																																																																																						
9*	R49-GA	18	WH	3559036C1	3509903C1																																																																																																																																																																																																																																																																																																																						
9*	R10-GB	18	WH	3559036C1	3509903C1																																																																																																																																																																																																																																																																																																																						
10	R9D	18	GY	3559036C1	3509903C1																																																																																																																																																																																																																																																																																																																						
11*	R9C	18	GY	3559036C1	3509903C1																																																																																																																																																																																																																																																																																																																						
11*	R9B	18	GY	3559036C1	3509903C1																																																																																																																																																																																																																																																																																																																						
12*	R11-CTL	12	WH	3559037C1	3575783C1																																																																																																																																																																																																																																																																																																																						
12*	R10-G	12	WH	3559037C1	3575783C1																																																																																																																																																																																																																																																																																																																						
13*	R94R	16	GY	3559037C1	3509903C1																																																																																																																																																																																																																																																																																																																						
13*	R94A	16	GY	3559037C1	3509903C1																																																																																																																																																																																																																																																																																																																						
13*	R94M	16	GY	3559037C1	3509903C1																																																																																																																																																																																																																																																																																																																						
13*	R94BR	16	GY	3559037C1	3509903C1																																																																																																																																																																																																																																																																																																																						
13*	[R94M]	18	BK	3559036C1	3509903C1																																																																																																																																																																																																																																																																																																																						
13*	[R94WL]	18	BK	3559036C1	3509903C1																																																																																																																																																																																																																																																																																																																						
13*	[R94J]	18	BK	3559036C1	3509903C1																																																																																																																																																																																																																																																																																																																						
14*	R94S	16	OR	3559037C1	3509903C1																																																																																																																																																																																																																																																																																																																						
14*	R94B	16	OR	3559037C1	3509903C1																																																																																																																																																																																																																																																																																																																						
14*	R94N	16	OR	3559037C1	3509903C1																																																																																																																																																																																																																																																																																																																						
14*	R94BQ	16	OR	3559037C1	3509903C1																																																																																																																																																																																																																																																																																																																						
14*	[R94N]	18	BN	3559036C1	3509903C1																																																																																																																																																																																																																																																																																																																						
14*	[R94WM]	18	BN	3559036C1	3509903C1																																																																																																																																																																																																																																																																																																																						
14*	[R94K]	18	BN	3559036C1	3509903C1																																																																																																																																																																																																																																																																																																																						
15*	R94W	16	DKBL	3559037C1	3509903C1																																																																																																																																																																																																																																																																																																																						
15*	R94C	16	DKBL	3559037C1	3509903C1																																																																																																																																																																																																																																																																																																																						
15*	R94PP	16	DKBL	3559037C1	3509903C1																																																																																																																																																																																																																																																																																																																						
15*	R94BW	16	DKBL	3559037C1	3509903C1																																																																																																																																																																																																																																																																																																																						
15*	[R94P]	18	BK	3559036C1	3509903C1																																																																																																																																																																																																																																																																																																																						
15*	[R94WG]	18	BK	3559036C1	3509903C1																																																																																																																																																																																																																																																																																																																						
15*	[R94T]	18	BK	3559036C1	3509903C1																																																																																																																																																																																																																																																																																																																						
16*	R94X	16	YL	3559037C1	3509903C1																																																																																																																																																																																																																																																																																																																						
16*	R94D	16	YL	3559037C1	3509903C1																																																																																																																																																																																																																																																																																																																						
16*	R94RR	16	YL	3559037C1	3509903C1																																																																																																																																																																																																																																																																																																																						
16*	R94BV	16	YL	3559037C1	3509903C1																																																																																																																																																																																																																																																																																																																						
16*	[R94R]	18	BN	3559036C1	3509903C1																																																																																																																																																																																																																																																																																																																						
16*	[R94WT]	18	BN	3559036C1	3509903C1																																																																																																																																																																																																																																																																																																																						
16*	[R94U]	18	BN	3559036C1	3509903C1																																																																																																																																																																																																																																																																																																																						
17*	R94LA	16	GY	3559037C1	3509903C1																																																																																																																																																																																																																																																																																																																						
17*	R94M	16	BK	3559037C1	3509903C1																																																																																																																																																																																																																																																																																																																						
<table border="1" style="width:100%; border-collapse: collapse; font-size: x-small;"> <thead> <tr> <th>CHK</th><th>DATE</th><th>CHANGE</th><th>REV</th><th>REFERENCE</th> </tr> </thead> <tbody> <tr> <td>0488</td><td>24MAR15</td><td>REVISED AND REDRAWN.</td><td>B</td><td>92927M</td> </tr> </tbody> </table>				CHK	DATE	CHANGE	REV	REFERENCE	0488	24MAR15	REVISED AND REDRAWN.	B	92927M	<table border="1" style="width:100%; border-collapse: collapse; font-size: x-small;"> <thead> <tr> <th>DRAWN</th><th>NAME</th> </tr> </thead> <tbody> <tr> <td>2312398Z</td><td>CIRCUIT DIAGRAM, 42/43/44/85/8600 & 73/74/7500</td> </tr> <tr> <th>RELEASE NO.</th><th>DATE</th><th>PART NO.</th><th>SHEET</th> </tr> <tr> <td>92674A</td><td>18OCT14</td><td>AE08079252</td><td>023</td> </tr> </tbody> </table>				DRAWN	NAME	2312398Z	CIRCUIT DIAGRAM, 42/43/44/85/8600 & 73/74/7500	RELEASE NO.	DATE	PART NO.	SHEET	92674A	18OCT14	AE08079252	023																																																																																																																																																																																																																																																																																														
CHK	DATE	CHANGE	REV	REFERENCE																																																																																																																																																																																																																																																																																																																							
0488	24MAR15	REVISED AND REDRAWN.	B	92927M																																																																																																																																																																																																																																																																																																																							
DRAWN	NAME																																																																																																																																																																																																																																																																																																																										
2312398Z	CIRCUIT DIAGRAM, 42/43/44/85/8600 & 73/74/7500																																																																																																																																																																																																																																																																																																																										
RELEASE NO.	DATE	PART NO.	SHEET																																																																																																																																																																																																																																																																																																																								
92674A	18OCT14	AE08079252	023																																																																																																																																																																																																																																																																																																																								

Figure 837 Connector Composites (9800)

14.24. CONNECTOR COMPOSITES (9800), P. 24

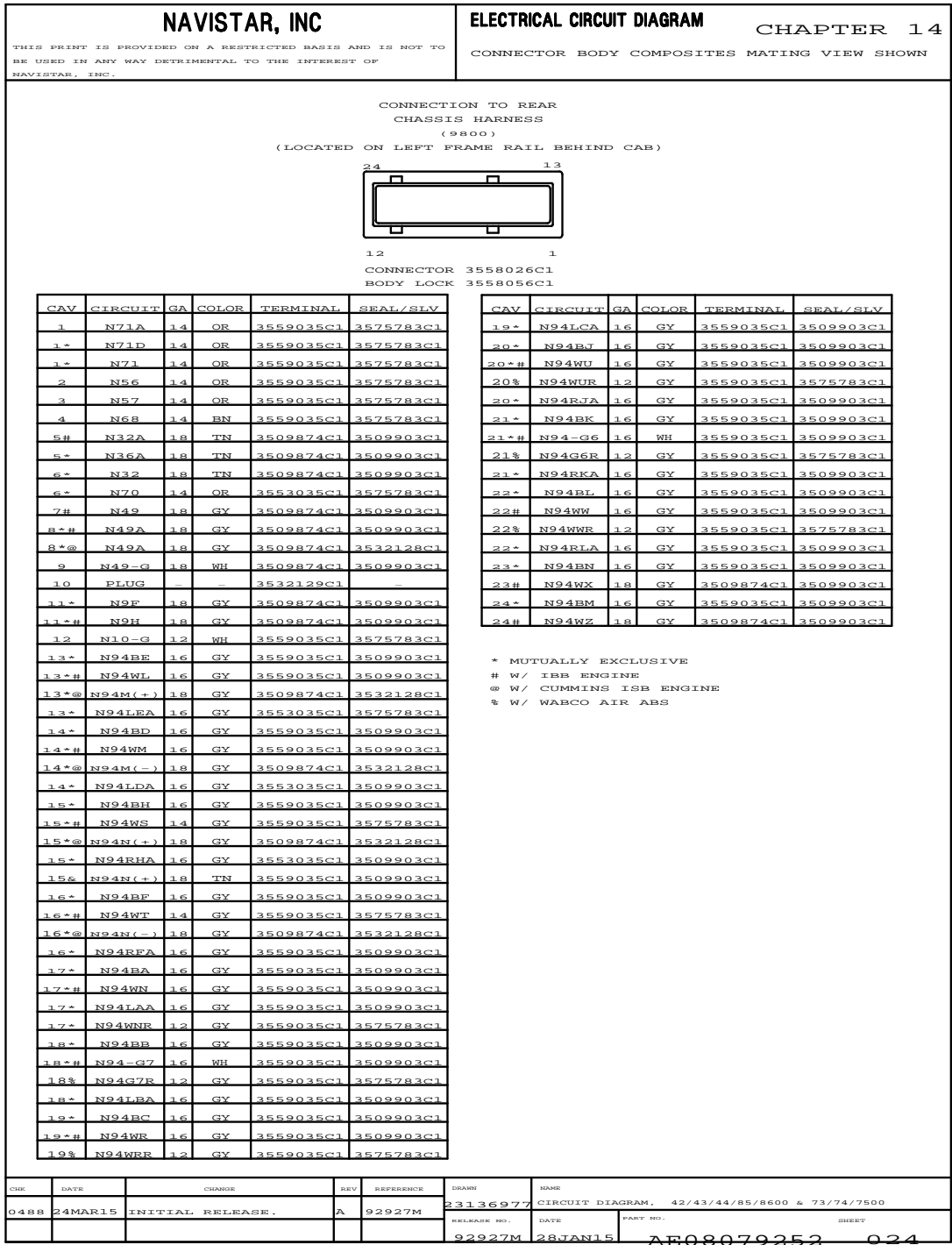


Figure 838 Connector Composites (9800)

14.25. CONNECTOR COMPOSITES (9801), (9801A), (9801B), (9803), (9809), P. 24A

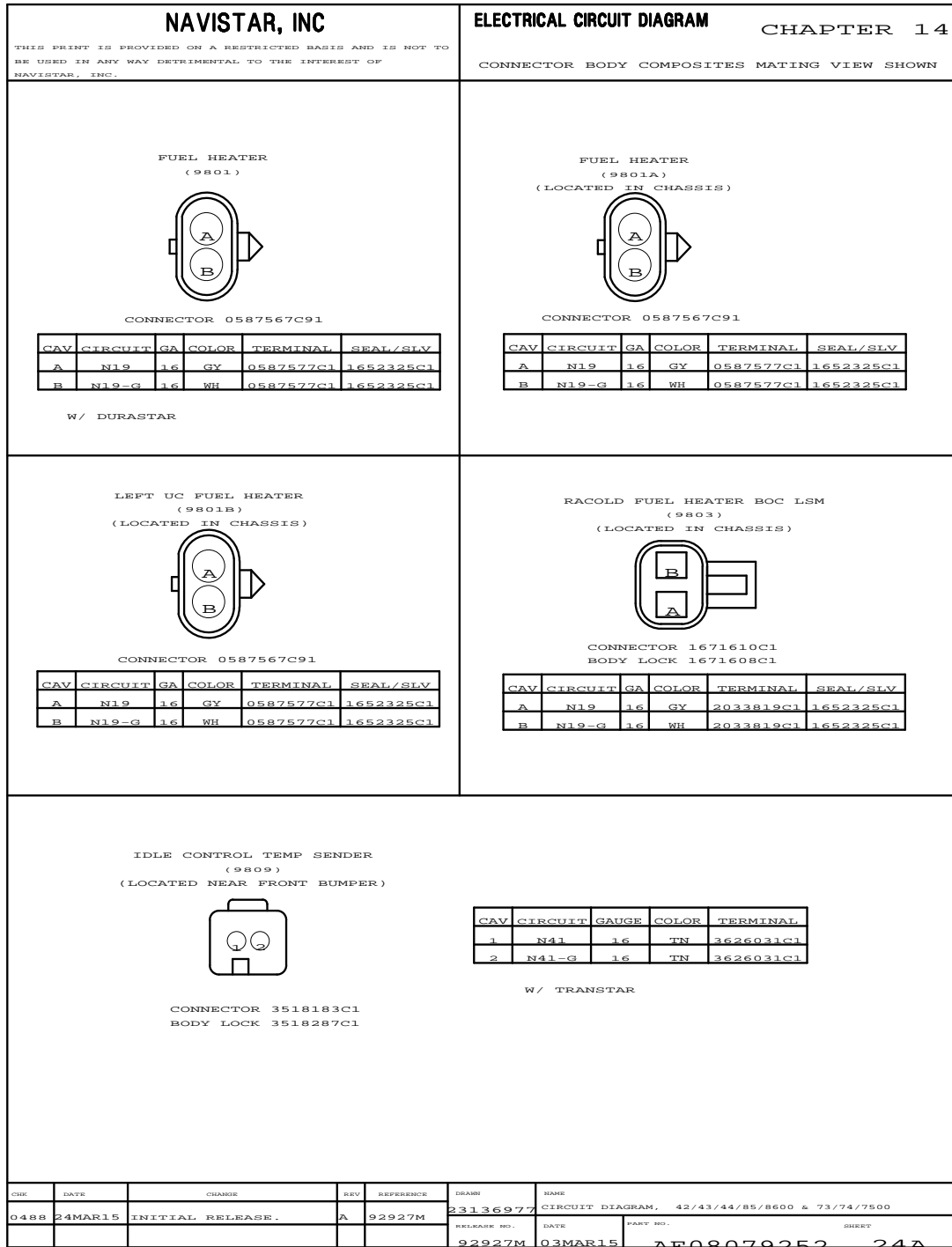


Figure 839 (9801), (9801A), (9801B), (9803), (9809)

14.26. CONNECTOR COMPOSITES (9810), (9811), (9812), (9814), (9814A), (9815), (9815A), (9820F), (9820M), (9824), P. 25




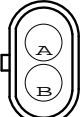
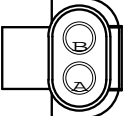
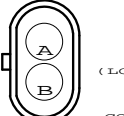
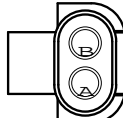
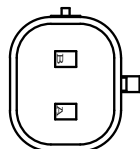
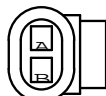

NAVISTAR, INC				ELECTRICAL CIRCUIT DIAGRAM				CHAPTER 13																																												
THIS PRINT IS PROVIDED ON A RESTRICTED BASIS AND IS NOT TO BE USED IN ANY WAY DETRIMENTAL TO THE INTEREST OF NAVISTAR, INC.				CONNECTOR BODY COMPOSITES MATING VIEW SHOWN																																																
 <p>IDLE CONTROL TEMP SENDER (9810) (LOCATED NEAR FRONT BUMPER)</p> <p>CONNECTOR 3518182C1 W/ TRANSTAR BODY LOCK 3518184C1</p> <table border="1" style="width:100%; border-collapse: collapse;"> <thead> <tr> <th>CAV</th> <th>CIRCUIT</th> <th>GAUGE</th> <th>COLOR</th> <th>TERMINAL</th> </tr> </thead> <tbody> <tr> <td>1</td> <td>N41</td> <td>16</td> <td>TN</td> <td>3518963C1</td> </tr> <tr> <td>2</td> <td>N41-G</td> <td>16</td> <td>TN</td> <td>3518963C1</td> </tr> </tbody> </table>				CAV	CIRCUIT	GAUGE	COLOR	TERMINAL	1	N41	16	TN	3518963C1	2	N41-G	16	TN	3518963C1	 <p>FORWARD REAR AXLE TEMP SENDER (9811) (LOCATED ON LEFT FRAME RAIL BY FORWARD REAR AXLE)</p> <p>* MUTUALLY EXCLUSIVE CONNECTOR 3536864C1</p> <table border="1" style="width:100%; border-collapse: collapse;"> <thead> <tr> <th>CAV</th> <th>CIRCUIT</th> <th>GAUGE</th> <th>COLOR</th> <th>TERMINAL</th> <th>SEAL/SLEEVE</th> </tr> </thead> <tbody> <tr> <td>1*</td> <td>R32A</td> <td>18</td> <td>TN</td> <td>3536865C1</td> <td>3536868C1</td> </tr> <tr> <td>1</td> <td>R32</td> <td>18</td> <td>TN</td> <td>3536865C1</td> <td>3536868C1</td> </tr> <tr> <td>2</td> <td>R9C</td> <td>18</td> <td>GY</td> <td>3536865C1</td> <td>3536868C1</td> </tr> <tr> <td>2*</td> <td>R9A</td> <td>18</td> <td>GY</td> <td>3536865C1</td> <td>3536868C1</td> </tr> </tbody> </table>				CAV	CIRCUIT	GAUGE	COLOR	TERMINAL	SEAL/SLEEVE	1*	R32A	18	TN	3536865C1	3536868C1	1	R32	18	TN	3536865C1	3536868C1	2	R9C	18	GY	3536865C1	3536868C1	2*	R9A	18	GY	3536865C1	3536868C1
CAV	CIRCUIT	GAUGE	COLOR	TERMINAL																																																
1	N41	16	TN	3518963C1																																																
2	N41-G	16	TN	3518963C1																																																
CAV	CIRCUIT	GAUGE	COLOR	TERMINAL	SEAL/SLEEVE																																															
1*	R32A	18	TN	3536865C1	3536868C1																																															
1	R32	18	TN	3536865C1	3536868C1																																															
2	R9C	18	GY	3536865C1	3536868C1																																															
2*	R9A	18	GY	3536865C1	3536868C1																																															
 <p>REAR AXLE TEMP SENDER (9812) (LOCATED ON LEFT FRAME RAIL BY REAR REAR AXLE)</p> <p>* MUTUALLY EXCLUSIVE CONNECTOR 3536864C1</p> <table border="1" style="width:100%; border-collapse: collapse;"> <thead> <tr> <th>CAV</th> <th>CIRCUIT</th> <th>GAUGE</th> <th>COLOR</th> <th>TERMINAL</th> <th>SEAL/SLEEVE</th> </tr> </thead> <tbody> <tr> <td>1</td> <td>R32</td> <td>18</td> <td>TN</td> <td>3536865C1</td> <td>3536868C1</td> </tr> <tr> <td>2*</td> <td>R9</td> <td>18</td> <td>GY</td> <td>3536865C1</td> <td>3536868C1</td> </tr> <tr> <td>2*</td> <td>R9C</td> <td>18</td> <td>GY</td> <td>3536865C1</td> <td>3536868C1</td> </tr> </tbody> </table>				CAV	CIRCUIT	GAUGE	COLOR	TERMINAL	SEAL/SLEEVE	1	R32	18	TN	3536865C1	3536868C1	2*	R9	18	GY	3536865C1	3536868C1	2*	R9C	18	GY	3536865C1	3536868C1	 <p>FRONT REAR AXLE DIFF LOCK (9814) WARNING LIGHT (LOCATED ON FRONT OF FORWARD REAR AXLE)</p> <p>CONNECTOR 0587567C91</p> <table border="1" style="width:100%; border-collapse: collapse;"> <thead> <tr> <th>CAV</th> <th>CIRCUIT</th> <th>GAUGE</th> <th>COLOR</th> <th>TERMINAL</th> <th>SEAL/SLEEVE</th> </tr> </thead> <tbody> <tr> <td>A</td> <td>R49</td> <td>18</td> <td>GY</td> <td>0587578C1</td> <td>1652325C1</td> </tr> <tr> <td>B</td> <td>R49-G</td> <td>18</td> <td>WH</td> <td>0587578C1</td> <td>1652325C1</td> </tr> </tbody> </table>				CAV	CIRCUIT	GAUGE	COLOR	TERMINAL	SEAL/SLEEVE	A	R49	18	GY	0587578C1	1652325C1	B	R49-G	18	WH	0587578C1	1652325C1			
CAV	CIRCUIT	GAUGE	COLOR	TERMINAL	SEAL/SLEEVE																																															
1	R32	18	TN	3536865C1	3536868C1																																															
2*	R9	18	GY	3536865C1	3536868C1																																															
2*	R9C	18	GY	3536865C1	3536868C1																																															
CAV	CIRCUIT	GAUGE	COLOR	TERMINAL	SEAL/SLEEVE																																															
A	R49	18	GY	0587578C1	1652325C1																																															
B	R49-G	18	WH	0587578C1	1652325C1																																															
 <p>REAR AXLE MERITOR LOCK WARN LIGHT (9814A) (LOCATED IN CHASSIS)</p> <p>CONNECTOR 3593684C91</p> <table border="1" style="width:100%; border-collapse: collapse;"> <thead> <tr> <th>CAV</th> <th>CIRCUIT</th> <th>GAUGE</th> <th>COLOR</th> <th>TERMINAL</th> <th>SEAL/SLEEVE</th> </tr> </thead> <tbody> <tr> <td>A</td> <td>R49</td> <td>18</td> <td>WH</td> <td>0587578C1</td> <td>1652325C1</td> </tr> <tr> <td>B</td> <td>R49-G</td> <td>18</td> <td>WH</td> <td>0587578C1</td> <td>1652325C1</td> </tr> </tbody> </table>				CAV	CIRCUIT	GAUGE	COLOR	TERMINAL	SEAL/SLEEVE	A	R49	18	WH	0587578C1	1652325C1	B	R49-G	18	WH	0587578C1	1652325C1	 <p>REAR REAR AXLE DIFF LOCK WARNING LIGHT (9815) (LOCATED ON FRONT OF REAR REAR AXLE)</p> <p>CONNECTOR 0587567C91</p> <table border="1" style="width:100%; border-collapse: collapse;"> <thead> <tr> <th>CAV</th> <th>CIRCUIT</th> <th>GAUGE</th> <th>COLOR</th> <th>TERMINAL</th> <th>SEAL/SLEEVE</th> </tr> </thead> <tbody> <tr> <td>A</td> <td>R49A</td> <td>18</td> <td>GY</td> <td>0587578C1</td> <td>1652325C1</td> </tr> <tr> <td>B</td> <td>R49-GA</td> <td>18</td> <td>WH</td> <td>0587578C1</td> <td>1652325C1</td> </tr> </tbody> </table>				CAV	CIRCUIT	GAUGE	COLOR	TERMINAL	SEAL/SLEEVE	A	R49A	18	GY	0587578C1	1652325C1	B	R49-GA	18	WH	0587578C1	1652325C1									
CAV	CIRCUIT	GAUGE	COLOR	TERMINAL	SEAL/SLEEVE																																															
A	R49	18	WH	0587578C1	1652325C1																																															
B	R49-G	18	WH	0587578C1	1652325C1																																															
CAV	CIRCUIT	GAUGE	COLOR	TERMINAL	SEAL/SLEEVE																																															
A	R49A	18	GY	0587578C1	1652325C1																																															
B	R49-GA	18	WH	0587578C1	1652325C1																																															
 <p>RR AXLE DIFF MERITOR WARN LIGHT (9815A) (LOCATED IN CHASSIS)</p> <p>CONNECTOR 3593684C91</p> <table border="1" style="width:100%; border-collapse: collapse;"> <thead> <tr> <th>CAV</th> <th>CIRCUIT</th> <th>GAUGE</th> <th>COLOR</th> <th>TERMINAL</th> <th>SEAL/SLEEVE</th> </tr> </thead> <tbody> <tr> <td>A</td> <td>R49A</td> <td>18</td> <td>WH</td> <td>0587578C1</td> <td>1652325C1</td> </tr> <tr> <td>B</td> <td>R49-GA</td> <td>18</td> <td>WH</td> <td>0587578C1</td> <td>1652325C1</td> </tr> </tbody> </table>				CAV	CIRCUIT	GAUGE	COLOR	TERMINAL	SEAL/SLEEVE	A	R49A	18	WH	0587578C1	1652325C1	B	R49-GA	18	WH	0587578C1	1652325C1	 <p>LIFT AXLE (9820F) (LOCATED BACK OF CAB FOR AUX TRAILER SOCKET INTERCONNECT)</p> <p>CONNECTOR 3543888C1 BODY LOCK 1661874C1</p> <table border="1" style="width:100%; border-collapse: collapse;"> <thead> <tr> <th>CAV</th> <th>CIRCUIT</th> <th>GAUGE</th> <th>COLOR</th> <th>TERMINAL</th> <th>SEAL/SLEEVE</th> </tr> </thead> <tbody> <tr> <td>A</td> <td>R59DC</td> <td>18</td> <td>GY</td> <td>1667742C1</td> <td>1661872C1</td> </tr> <tr> <td>B</td> <td>R59DD</td> <td>18</td> <td>GY</td> <td>1667742C1</td> <td>1661872C1</td> </tr> </tbody> </table>				CAV	CIRCUIT	GAUGE	COLOR	TERMINAL	SEAL/SLEEVE	A	R59DC	18	GY	1667742C1	1661872C1	B	R59DD	18	GY	1667742C1	1661872C1									
CAV	CIRCUIT	GAUGE	COLOR	TERMINAL	SEAL/SLEEVE																																															
A	R49A	18	WH	0587578C1	1652325C1																																															
B	R49-GA	18	WH	0587578C1	1652325C1																																															
CAV	CIRCUIT	GAUGE	COLOR	TERMINAL	SEAL/SLEEVE																																															
A	R59DC	18	GY	1667742C1	1661872C1																																															
B	R59DD	18	GY	1667742C1	1661872C1																																															
 <p>LIFT AXLE (9820M) (LOCATED BACK OF CAB FOR AUX TRAILER SOCKET INTERCONNECT)</p> <p>CONNECTOR 1661778C1 BODY LOCK 1661874C1</p> <table border="1" style="width:100%; border-collapse: collapse;"> <thead> <tr> <th>CAV</th> <th>CIRCUIT</th> <th>GAUGE</th> <th>COLOR</th> <th>TERMINAL</th> <th>SEAL/SLEEVE</th> </tr> </thead> <tbody> <tr> <td>A</td> <td>N59ED</td> <td>18</td> <td>GY</td> <td>1661875C1</td> <td>1661872C1</td> </tr> <tr> <td>B*</td> <td>N59-GD</td> <td>18</td> <td>WH</td> <td>1661875C1</td> <td>1661872C1</td> </tr> <tr> <td>B*</td> <td>N59-GA</td> <td>18</td> <td>WH</td> <td>1661875C1</td> <td>1661872C1</td> </tr> </tbody> </table> <p>* MUTUALLY EXCLUSIVE</p>				CAV	CIRCUIT	GAUGE	COLOR	TERMINAL	SEAL/SLEEVE	A	N59ED	18	GY	1661875C1	1661872C1	B*	N59-GD	18	WH	1661875C1	1661872C1	B*	N59-GA	18	WH	1661875C1	1661872C1	 <p>TAG AXLE (9824) (LOCATED BACK OF CAB)</p> <p>CONNECTOR 1661778C1 BODY LOCK 1661874C1</p> <table border="1" style="width:100%; border-collapse: collapse;"> <thead> <tr> <th>CAV</th> <th>CIRCUIT</th> <th>GAUGE</th> <th>COLOR</th> <th>TERMINAL</th> <th>SEAL/SLEEVE</th> </tr> </thead> <tbody> <tr> <td>A</td> <td>R59DC</td> <td>18</td> <td>GY</td> <td>1661875C1</td> <td>1661872C1</td> </tr> <tr> <td>B</td> <td>R59DD</td> <td>18</td> <td>GY</td> <td>1661875C1</td> <td>1661872C1</td> </tr> </tbody> </table>				CAV	CIRCUIT	GAUGE	COLOR	TERMINAL	SEAL/SLEEVE	A	R59DC	18	GY	1661875C1	1661872C1	B	R59DD	18	GY	1661875C1	1661872C1			
CAV	CIRCUIT	GAUGE	COLOR	TERMINAL	SEAL/SLEEVE																																															
A	N59ED	18	GY	1661875C1	1661872C1																																															
B*	N59-GD	18	WH	1661875C1	1661872C1																																															
B*	N59-GA	18	WH	1661875C1	1661872C1																																															
CAV	CIRCUIT	GAUGE	COLOR	TERMINAL	SEAL/SLEEVE																																															
A	R59DC	18	GY	1661875C1	1661872C1																																															
B	R59DD	18	GY	1661875C1	1661872C1																																															
CHK	DATE	CHANGE	REV	REFERENCE	DRAWN	NAME																																														
0488	24MAR15	INITIAL RELEASE.	A	92927M	23136977	CIRCUIT DIAGRAM, 42/43/44/85/8600 & 73/74/7500																																														
					RELEASE NO.	DATE																																														
					92927M	28JAN15																																														
					PART NO.	SHEET																																														
					AE08079252	025																																														

Figure 840 Connector Composites (9810), (9811), (9812), (9814), (9814A), (9815), (9815A), (9820F), (9820M), (9824)

14.27. CONNECTOR COMPOSITES (9830), (9832), (9865M), (9865MA), (9900), (9900A), (9900AC), P. 26

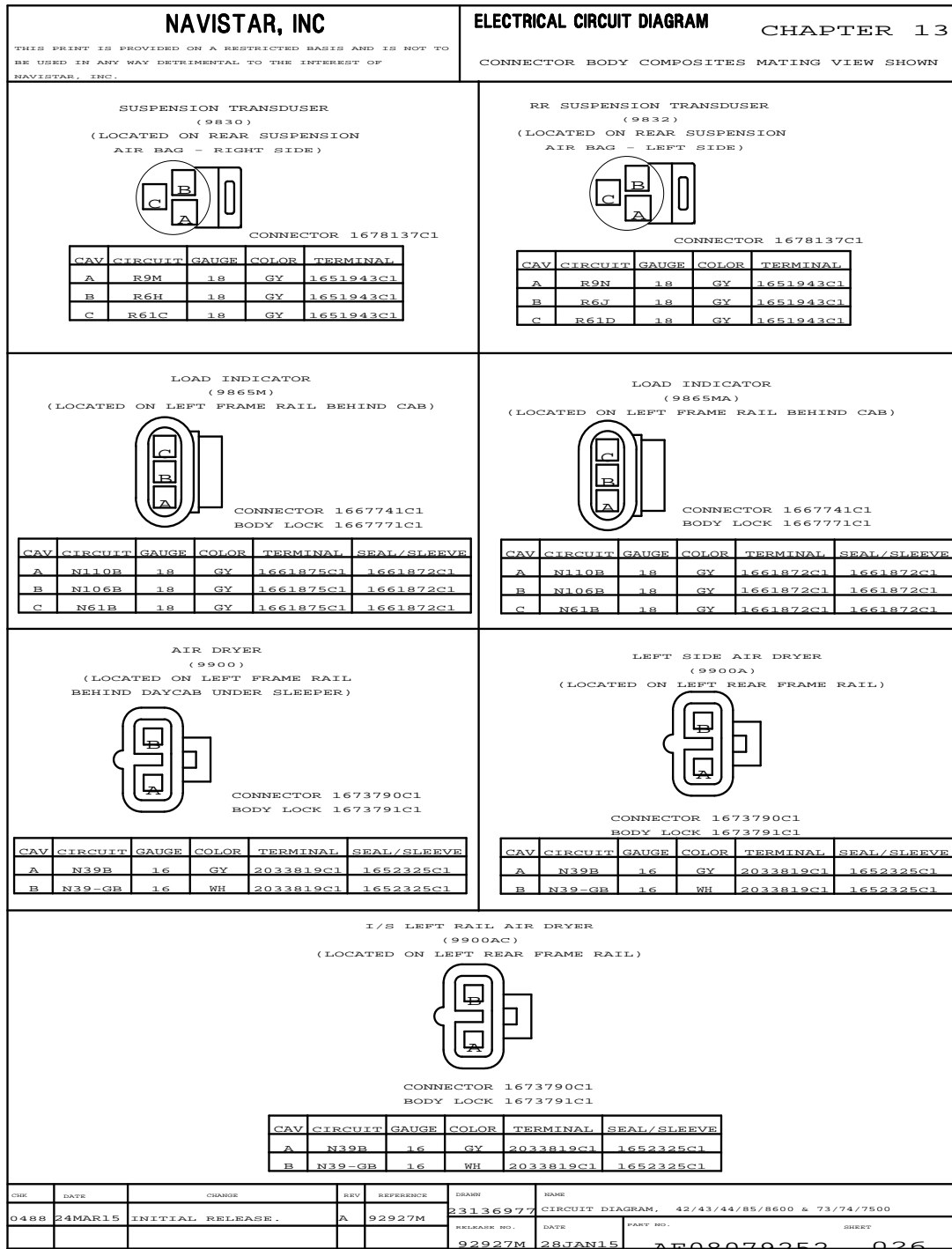


Figure 841 Connector Composites (9830), (9832), (9865M), (9865MA), (9900), (9900A), (9900AC)

14.28. CONNECTOR COMPOSITES (9900AD), (9900AE), (9900AJ), (9900AP), (9900AQ), (9900AR), P. 27

NAVISTAR, INC				ELECTRICAL CIRCUIT DIAGRAM				CHAPTER 13			
THIS PRINT IS PROVIDED ON A RESTRICTED BASIS AND IS NOT TO BE USED IN ANY WAY DETRIMENTAL TO THE INTEREST OF NAVISTAR, INC.				CONNECTOR BODY COMPOSITES MATING VIEW SHOWN							
I/S LEFT RAIL AIR DRYER (9900AD) (LOCATED ON LEFT REAR FRAME RAIL)						O/S LEFT RAIL AIR DRYER (9900AE) (LOCATED ON LEFT REAR FRAME RAIL)					
CONNECTOR 1673790C1 BODY LOCK 1673791C1						CONNECTOR 1673790C1 BODY LOCK 1673791C1					
CAV	CIRCUIT	GAUGE	COLOR	TERMINAL	SEAL/SLEEVE	CAV	CIRCUIT	GAUGE	COLOR	TERMINAL	SEAL/SLEEVE
A	N39B	16	GY	2033819C1	1652325C1	A	N39B	16	WH	2033819C1	1652325C1
B	N39-GB	16	WH	2033819C1	1652325C1	B	N39-GB	16	GY	2033819C1	1652325C1
O/S RIGHT RAIL AIR DRYER (9900AJ) (LOCATED ON LEFT REAR FRAME RAIL)						O/S RIGHT RAIL AIR DRYER (9900AP) (LOCATED ON LEFT REAR FRAME RAIL)					
CONNECTOR 1673790C1 BODY LOCK 1673791C1						CONNECTOR 1673790C1 BODY LOCK 1673791C1					
CAV	CIRCUIT	GA	COLOR	TERMINAL	SEAL/SLV	CAV	CIRCUIT	GA	COLOR	TERMINAL	SEAL/SLV
A	N39B	16	GY	2033819C1	1652325C1	A	N39B	16	GY	2033819C1	1652325C1
B	N39-GB	16	WH	2033819C1	1652325C1	B	N39-GB	16	WH	2033819C1	1652325C1
LEFT RAIL AIR DRYER (9900AQ) (LOCATED ON LEFT REAR FRAME RAIL)						LEFT RAIL AIR DRYER (9900AR) (LOCATED ON LEFT REAR FRAME RAIL)					
CONNECTOR 1673790C1 BODY LOCK 1673791C1						CONNECTOR 1673790C1 BODY LOCK 1673791C1					
CAV	CIRCUIT	GA	COLOR	TERMINAL	SEAL/SLV	CAV	CIRCUIT	GA	COLOR	TERMINAL	SEAL/SLV
A	N39B	16	GY	2033819C1	1652325C1	A	N39B	16	GY	2033819C1	1652325C1
B	N39-GB	16	WH	2033819C1	1652325C1	B	N39-GB	16	WH	2033819C1	1652325C1
ID#	DATE	CHANGE	REV	REFERENCE	DRAWN	NAME	CIRCUIT DIAGRAM, 42/43/44/85/8600 & 73/74/7500				
0488	24MAR15	INITIAL RELEASE.	A	92927M	23136977	RELEASE NO.	DATE	PART NO.	SHEET		
					92927M	28JAN15	AE08079252	027			

Figure 842 Connector Composites (9900AD), (9900AE), (9900AJ), (9900AP), (9900AQ), (9900AR)

14.29. CONNECTOR COMPOSITES (9900C), (9900C1), (9900C2), (9900D), (9900E), P. 28

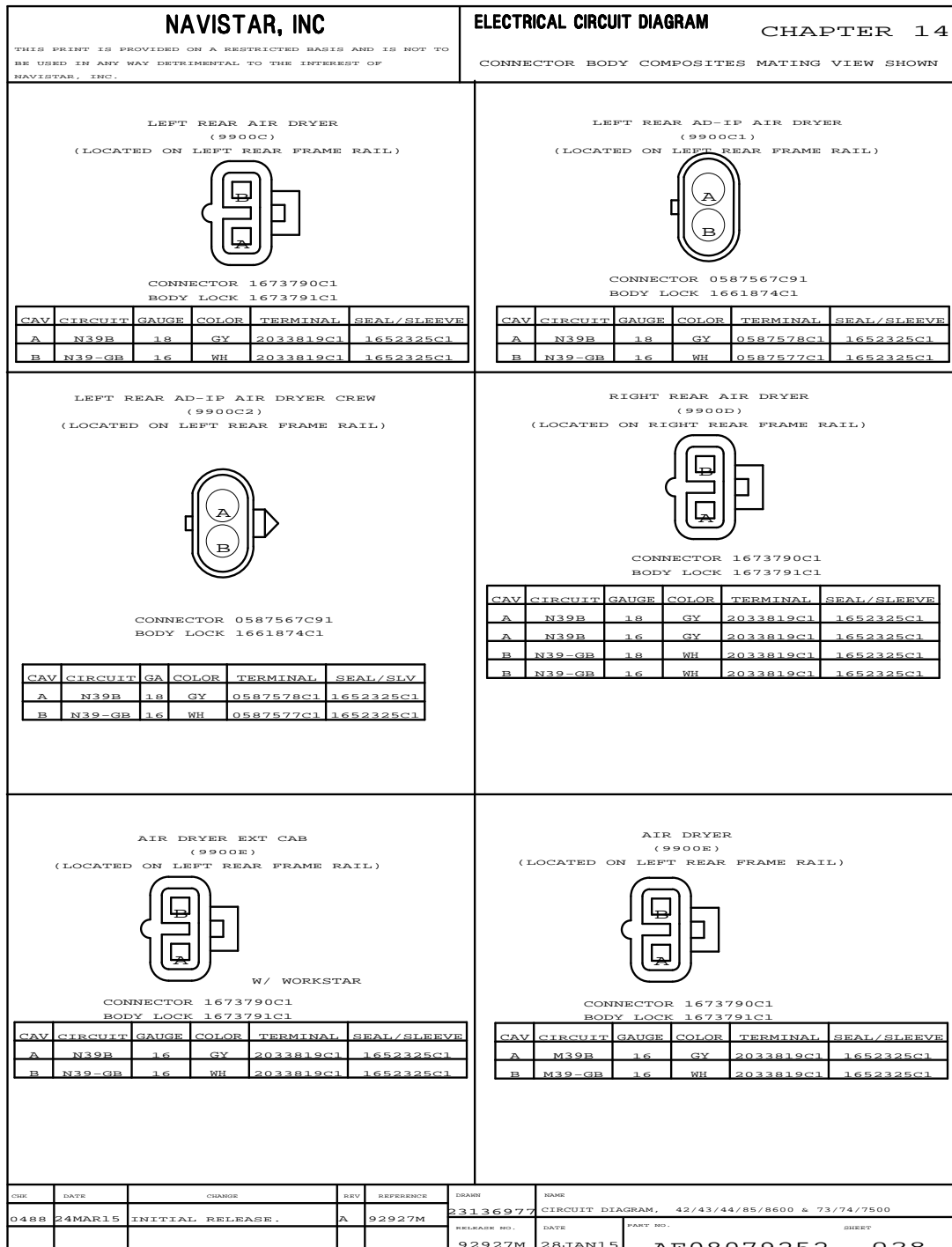


Figure 843 Connector Composites (9900C), (9900C1), (9900C2), (9900D), (9900E)

14.30. CONNECTOR COMPOSITES (9900G), (9911), (9913B), P. 29


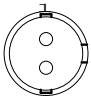
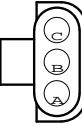
NAVISTAR, INC				ELECTRICAL CIRCUIT DIAGRAM				CHAPTER 14																																				
THIS PRINT IS PROVIDED ON A RESTRICTED BASIS AND IS NOT TO BE USED IN ANY WAY DETRIMENTAL TO THE INTEREST OF NAVISTAR, INC.						CONNECTOR BODY COMPOSITES MATING VIEW SHOWN																																						
<p>RIGHT SIDE AIR DRYER (9900G) (LOCATED ON LEFT REAR FRAME RAIL)</p>  <p>W/ WORKSTAR</p> <p>CONNECTOR 1673790C1 BODY LOCK 1673791C1</p> <table border="1" style="width:100%; border-collapse: collapse; font-size: x-small;"> <thead> <tr> <th>CAV</th> <th>CIRCUIT</th> <th>GAUGE</th> <th>COLOR</th> <th>TERMINAL</th> <th>SEAL/SLEEVE</th> </tr> </thead> <tbody> <tr> <td>A</td> <td>N39B</td> <td>16</td> <td>GY</td> <td>2033819C1</td> <td>1652325C1</td> </tr> <tr> <td>B</td> <td>N39-GB</td> <td>16</td> <td>WH</td> <td>2033819C1</td> <td>1652325C1</td> </tr> </tbody> </table>						CAV	CIRCUIT	GAUGE	COLOR	TERMINAL	SEAL/SLEEVE	A	N39B	16	GY	2033819C1	1652325C1	B	N39-GB	16	WH	2033819C1	1652325C1	<p>LEFT REAR WHEEL SPEED SENSOR (9911) (LOCATED IN CHASSIS)</p>  <p>CONNECTOR 3519878C1</p> <p>2</p> <table border="1" style="width:100%; border-collapse: collapse; font-size: x-small;"> <thead> <tr> <th>CAV</th> <th>CIRCUIT</th> <th>GAUGE</th> <th>COLOR</th> <th>TERMINAL</th> </tr> </thead> <tbody> <tr> <td>1</td> <td>R94M</td> <td>18</td> <td>BK</td> <td>ASSY</td> </tr> <tr> <td>2</td> <td>R94N</td> <td>18</td> <td>BN</td> <td>ASSY</td> </tr> </tbody> </table>						CAV	CIRCUIT	GAUGE	COLOR	TERMINAL	1	R94M	18	BK	ASSY	2	R94N	18	BN	ASSY
CAV	CIRCUIT	GAUGE	COLOR	TERMINAL	SEAL/SLEEVE																																							
A	N39B	16	GY	2033819C1	1652325C1																																							
B	N39-GB	16	WH	2033819C1	1652325C1																																							
CAV	CIRCUIT	GAUGE	COLOR	TERMINAL																																								
1	R94M	18	BK	ASSY																																								
2	R94N	18	BN	ASSY																																								
<p>LECTRA-SHIFT PTO (9913B) (LOCATED IN ENGINE)</p>  <p>CONNECTOR 0587570C91</p> <table border="1" style="width:100%; border-collapse: collapse; font-size: x-small;"> <thead> <tr> <th>CAV</th> <th>CIRCUIT</th> <th>GAUGE</th> <th>COLOR</th> <th>TERMINAL</th> <th>SEAL/SLEEVE</th> </tr> </thead> <tbody> <tr> <td>A</td> <td>K14LSA</td> <td>18</td> <td>BK</td> <td>0587576C1</td> <td>1652325C1</td> </tr> <tr> <td>B</td> <td>K14LSB</td> <td>18</td> <td>RD</td> <td>0587576C1</td> <td>1652325C1</td> </tr> <tr> <td>C</td> <td>K14LSC</td> <td>12</td> <td>WH</td> <td>1673747C1</td> <td>0589390C1</td> </tr> </tbody> </table>						CAV	CIRCUIT	GAUGE	COLOR	TERMINAL	SEAL/SLEEVE	A	K14LSA	18	BK	0587576C1	1652325C1	B	K14LSB	18	RD	0587576C1	1652325C1	C	K14LSC	12	WH	1673747C1	0589390C1															
CAV	CIRCUIT	GAUGE	COLOR	TERMINAL	SEAL/SLEEVE																																							
A	K14LSA	18	BK	0587576C1	1652325C1																																							
B	K14LSB	18	RD	0587576C1	1652325C1																																							
C	K14LSC	12	WH	1673747C1	0589390C1																																							
CHK	DATE	CHANGE	REV	REFERENCE	DRAWN	NAME																																						
0488	24MAR15	INITIAL RELEASE.	A	92927M	23136977	CIRCUIT DIAGRAM, 42/43/44/85/8600 & 73/74/7500																																						
					RELEASE NO.	DATE	PART NO.	SHEET																																				
					92927M	29JAN15	AE08079252	029																																				

Figure 844 Connector Composites (9900G), (9911), (9913B)

14.31. CONNECTOR COMPOSITES (9915), (9916), (9917), (9920), (9921), P. 30

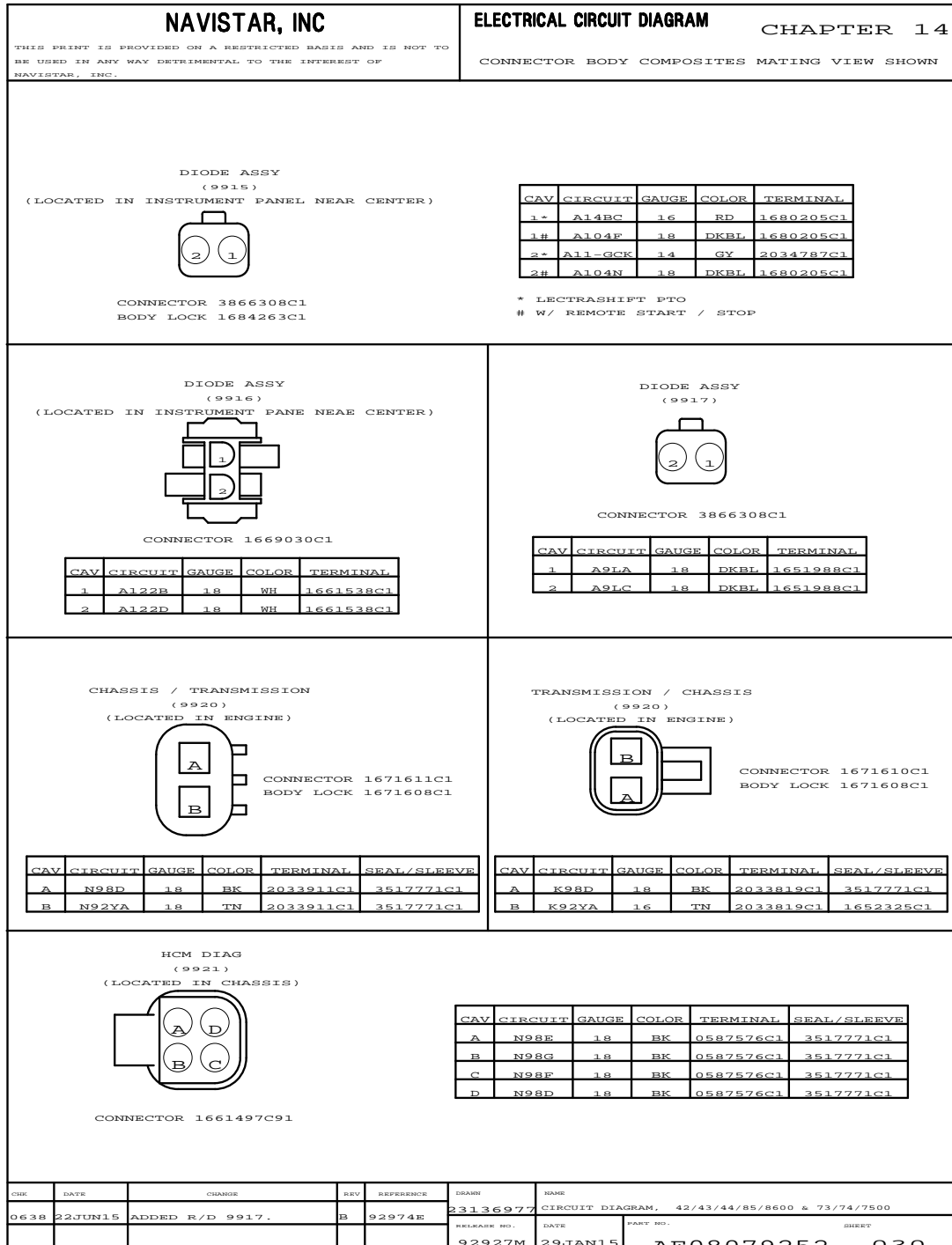


Figure 845 Connector Composites (9915), (9916), (9917), (9920), (9921)

14.32. CONNECTOR COMPOSITES (9930), (9965M), (9989), P. 31

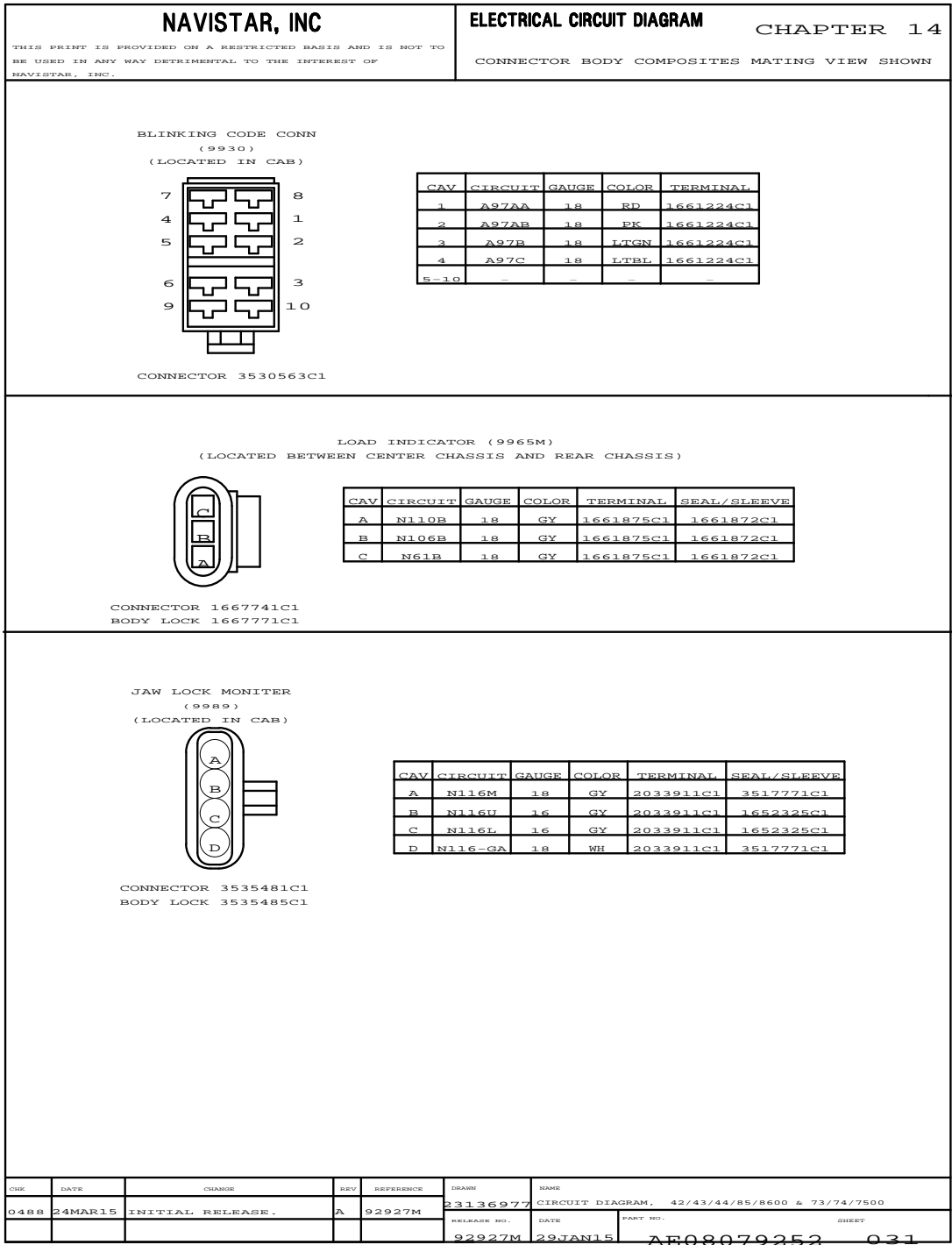


Figure 846 Connector Composites (9930), (9965M), (9989)