

SERVICE MANUAL

SERVICE MANUAL SECTION

**CF 500, CF 600 Models Starting September 1, 2007 — ELECTRICAL
CIRCUIT DIAGRAMS**

**Model: CF 500
Start Date: 09/01/2007**

**Model: CF 600
Start Date: 09/01/2007**

S08332

03/18/2008

Table of Contents

1. TABLE OF CONTENTS (CHAPTER 1).....	1
2. INSTRUCTIONS AND CHARTS (CHAPTER 2).....	1
2.1. ABBREVIATIONS, P. 1.....	1
2.2. ACRONYMS, P. 2.....	2
2.3. CIRCUIT DIAGRAM INSTRUCTIONS, P. 3.....	3
2.4. CIRCUIT NUMBER IDENTIFICATION AND COLOR, P. 4.....	4
2.5. CIRCUIT NUMBER IDENTIFICATION AND COLOR, P. 5.....	5
2.6. CIRCUIT NUMBER IDENTIFICATION AND COLOR, P. 6.....	6
2.7. LAMP BULB CHART, P. 7.....	7
2.8. RELAY FUNCTION AND WIRING GUIDE, P. 8.....	8
2.9. SCHEMATIC SYMBOL CHART, P. 9.....	9
2.10. SCHEMATIC SYMBOL CHART, P. 10.....	10
2.11. SCHEMATIC SYMBOL CHART, P. 11.....	11
2.12. SCHEMATIC SYMBOL CHART, P. 12.....	12
3. 12 VOLT DISTRIBUTION, GROUNDS, AND DATA LINKS (CHAPTER 3).....	13
3.1. BATTERY FEEDS, POWER DISTRIBUTION BOX, P. 1.....	13
3.2. BATTERY FEEDS, POWER DISTRIBUTION BOX, P. 2.....	14
3.3. BATTERY FEEDS, POWER DISTRIBUTION BOX, P. 3.....	15
3.4. KEY SWITCH, P. 4.....	16
3.5. IGNITION FEEDS (RUN), P. 5.....	17
3.6. IGNITION FEEDS (START), P. 6.....	18
3.7. IGNITION FEEDS (RUN-START), P. 7.....	19
3.8. IGNITION FEEDS (RUN-ACCESSORY), P. 8.....	20
3.9. GROUNDS (MAIN CHASSIS), P. 9.....	21
3.10. GROUNDS (MAIN CHASSIS), P. 10.....	22
3.11. GROUNDS (REAR CHASSIS), P. 11.....	23
3.12. GROUNDS (IP), P. 12.....	24
3.13. GROUNDS (IP), P. 13.....	25
3.14. CAB GROUNDS (ROOF, FLOOR), P. 14.....	26
3.15. J1708 DATA LINK, P. 15.....	27
3.16. J1939 DATA LINK, P. 16.....	28
3.17. J2284 DATA LINK, P. 17.....	29
3.18. DIAGNOSTIC CONNECTORS, P. 18.....	30
4. CAB ACCESSORIES (CHAPTER 4).....	31
4.1. CIGAR LIGHTER, P. 1.....	31
4.2. POWER WINDOWS, P. 2.....	32
4.3. POWER DOORS, P. 3.....	33
4.4. HORN AND COMBINATION SWITCH B, P. 4.....	34
4.5. RADIO, P. 5.....	35
4.6. WINDSHIELD WIPER AND WASHER PUMP, P. 6.....	36
4.7. DOOR AJAR SWITCH AND DOME LIGHT, P. 7.....	37
5. CHARGING AND CRANKING SYSTEM (CHAPTER 5).....	38
5.1. CHARGING AND CRANKING — INTERNATIONAL V6 ENGINE, P. 1.....	38

6. ENGINE ACCESSORIES (CHAPTER 6)	39
6.1. HFCM MODULE — INTERNATIONAL V6 ENGINE, P. 1.....	39
6.2. FUEL TANKS — DUAL TANK, P. 2.....	40
6.3. FUEL TANKS — LEFT AND AUXILIARY TANK, P. 3.....	41
7. ELECTRONIC ENGINES (CHAPTER 7)	42
7.1. INTERNATIONAL V6 POWER AND GROUND SYSTEM, P. 1.....	42
7.2. INTERNATIONAL V6 CRUISE CONTROL, P. 2.....	43
7.3. INTERNATIONAL V6 ACCELERATOR PEDAL, P. 3.....	44
7.4. INTERNATIONAL V6 ENGINE SENSOR, P. 4.....	45
7.5. INTERNATIONAL V6 GLOW PLUG AND ENGINE FAN, P. 5.....	46
7.6. INTERNATIONAL V6 AFTERTREATMENT, P. 6.....	47
7.7. INTERNATIONAL V6 INJECTORS, P. 7.....	48
7.8. INTERNATIONAL V6 INJECTORS, P. 8.....	49
8. CLUSTERS AND WARNING LIGHTS (CHAPTER 8)	50
8.1. CLUSTER CONNECTOR A, P. 1.....	50
8.2. CLUSTER CONNECTOR A, P. 2.....	51
8.3. CLUSTER CONNECTOR B, P. 3.....	52
8.4. CLUSTER CONNECTOR B, P. 4.....	53
8.5. MULTIPLEX SWITCH MODULE AND AFTERTREATMENT SYSTEM, P. 5.....	54
9. LIGHT SYSTEMS (CHAPTER 9)	55
9.1. COMBINATION SWITCH A, HAZARD SWITCH, P. 1.....	55
9.2. MARKER, FRONT PARK AND TURN LIGHTS, P. 2.....	56
9.3. REAR TAIL, TURN, STOP AND BACKUP LIGHTS, P. 3.....	57
9.4. REAR TAIL, TURN, STOP AND BACKUP LIGHTS, P. 3A.....	58
9.5. FOG LIGHTS, P. 4.....	59
9.6. HEADLIGHTS, P. 5.....	60
9.7. PANEL LIGHTS, P. 6.....	61
10. CHASSIS ACCESSORIES (CHAPTER 10)	62
10.1. ANTILOCK BRAKE SYSTEM (ABS), P. 1.....	62
10.2. BODY BUILDER CUSTOMER ACCESS CIRCUITS (BOC), P. 2.....	63
10.3. BODY BUILDER LIGHTING CIRCUITS (BOC), P. 3.....	64
10.4. BODY BUILDER (EOF), P. 4.....	65
10.5. BRAKE SYSTEMS: FLUID, PRESSURE AND PEDAL SWITCH, P. 5.....	66
10.6. BRAKE SYSTEMS: ELECTRIC TRAILER BRAKES, P. 6.....	67
11. TRANSMISSION (CHAPTER 11)	68
11.1. TRANSMISSION CONTROL MODULE, P. 1.....	68
11.2. TRANSMISSION CONTROL MODULE, P. 1A.....	69
11.3. TCM TO TRANSMISSION BULKHEAD CONNECTOR, P. 2.....	70
12. CLIMATE CONTROL (CHAPTER 12)	71
12.1. HVAC SYSTEM, P. 1.....	71
12.2. A/C CLUTCH, P. 2.....	72
12.3. PUSHER FAN, P. 3.....	73
13. CONNECTOR COMPOSITES (CHAPTER 13)	74
13.1. CONNECTOR COMPOSITES (1), (2), (3), P. 1.....	74
13.2. CONNECTOR COMPOSITES (71), (72), (101), (102), P. 2.....	75
13.3. CONNECTOR COMPOSITES (103), (104), (105), (106), P. 3.....	76

13.4. CONNECTOR COMPOSITES (201), (202A), (202C), P. 4.....	77
13.5. CONNECTOR COMPOSITES (203), (204), (205A), P. 5.....	78
13.6. CONNECTOR COMPOSITES (205B), (206), (207), (208), P. 6.....	79
13.7. CONNECTOR COMPOSITES (211), (212), (213), P. 7.....	80
13.8. CONNECTOR COMPOSITES (214), (215), (217A), (217B), P. 8.....	81
13.9. CONNECTOR COMPOSITES (220), (222), (223), (225), P. 9.....	82
13.10. CONNECTOR COMPOSITES (226), (227), (228), (229), P. 10.....	83
13.11. CONNECTOR COMPOSITES (233), (234), (235), P. 11.....	84
13.12. CONNECTOR COMPOSITES (236A), P. 12.....	85
13.13. CONNECTOR COMPOSITES (236B), (237), (238), P. 13.....	86
13.14. CONNECTOR COMPOSITES (239), (240), (241), (243), P. 14.....	87
13.15. CONNECTOR COMPOSITES (244), (245), (246), (247), (248), P. 15.....	88
13.16. CONNECTOR COMPOSITES (249), (250), (251), P. 16.....	89
13.17. CONNECTOR COMPOSITES (252), (253), (254), P. 17.....	90
13.18. CONNECTOR COMPOSITES (301), (301A), (301B), (301D), (303), P. 18.....	91
13.19. CONNECTOR COMPOSITES (304), P. 19.....	92
13.20. CONNECTOR COMPOSITES (306), P. 20.....	93
13.21. CONNECTOR COMPOSITES (308), (309), (310), (313), P. 21.....	94
13.22. CONNECTOR COMPOSITES (315), P. 22.....	95
13.23. CONNECTOR COMPOSITES (316), (317), (318), (320), P. 23.....	96
13.24. CONNECTOR COMPOSITES (321), (322), (323), (401), P. 24.....	97
13.25. CONNECTOR COMPOSITES (402), (403), (404), (410), P. 25.....	98
13.26. CONNECTOR COMPOSITES (411), (412), (413), P. 26.....	99
13.27. CONNECTOR COMPOSITES (500), (503), P. 27.....	100
13.28. CONNECTOR COMPOSITES (506), (507), (508), P. 28.....	101
13.29. CONNECTOR COMPOSITES (509), (510), (602), P. 29.....	102
13.30. CONNECTOR COMPOSITES (700), P. 30.....	103
13.31. CONNECTOR COMPOSITES (701), P. 31.....	104
13.32. CONNECTOR COMPOSITES (702A), P. 32.....	105
13.33. CONNECTOR COMPOSITES (702B), P. 33.....	106
13.34. CONNECTOR COMPOSITES (702D), P. 34.....	107
13.35. CONNECTOR COMPOSITES (703), (704), P. 35.....	108
13.36. CONNECTOR COMPOSITES (705), P. 36.....	109
13.37. CONNECTOR COMPOSITES (706), P. 37.....	110
13.38. CONNECTOR COMPOSITES (720), (720A), P. 38.....	111
13.39. CONNECTOR COMPOSITES (720), (720A), P. 39.....	112
13.40. CONNECTOR COMPOSITES (720), (720A), (829M), P. 40.....	113

1. TABLE OF CONTENTS (CHAPTER 1)

2. INSTRUCTIONS AND CHARTS (CHAPTER 2)

2.1. ABBREVIATIONS, P. 1

INTERNATIONAL TRUCK AND ENGINE CORPORATION		ELECTRICAL CIRCUIT DIAGRAM		CHAPTER 2	
THIS PRINT IS PROVIDED ON A RESTRICTED BASIS AND IS NOT TO BE USED IN ANY WAY DETRIMENTAL TO THE INTEREST OF INTERNATIONAL TRUCK AND ENGINE CORPORATION.		ABBREVIATIONS			

ABBREVIATION	DESCRIPTION	ABBREVIATION	DESCRIPTION	ABBREVIATION	DESCRIPTION
ACCESS	ACCESSORY	CRUS	CRUISE	PWR	POWER
ACCUM	ACCUMULATOR	CUR	CURRENT	PRESS	PRESSURE
AC	AIR CONDITIONING	DPNL	DASHBOARD	RAD	RADIO
AIR CLNR	AIR CLEANER	DFTR	DEFLECTOR	RLY	RELAY
ALT	ALTERNATOR	DFR	DEFROSTER	RES	RESISTOR
ACCEL	ACCELERATOR	DEG	DEGREE	REGEN	REGENERATE
AC	ALTERNATING CURRENT	DIAG	DIAGRAM	R	RIGHT
AFTR	AFTERTREATMENT	DSL	DIESEL	RTR	ROTOR
AMM	AMMETER	DIFF	DIFFERENTIAL	SNSR	SENSOR
AMP	AMPERE	DIMR	DIMMER	SHLD	SHIELD
AMP HR	AMPERE HOUR	ELEC	ELECTRICAL	SHFT	SHIFTER
AMPL	AMPLIFIER	ELEX	ELECTRONIC	SLPR	SLEEPER
ARM	ARMATURE	ENG	ENGINE	SLV	SLEEVE
ARSR	ARRESTER	EXH	EXHAUST	SPKR	SPEAKER
ASSY	ASSEMBLY	FL	FLUID	SPR	SPRING
AUX	AUXILIARY	FWD	FORWARD	STD	STANDARD
B/U	BACK-UP	FR	FRONT	STRG	STEERING
BTRY	BATTERY	FREQ	FREQUENCY	STLITE	SATELLITE
BM	BENCHMARKING	GA	GAUGE	SUNSH	SUNSHADE
BLK	BLOCK	GEN	GENERATOR	SW	SWITCH
BOOS	BOOSTER	GND	GROUND	SYS	SYSTEM
BOT	BOTTOM	HARN	HARNESS	TACH	TACHOMETER
BK	BRAKE	HDLP	HEADLAMP	TEMP	TEMPERATURE
BRKR	BREAKER	HTD	HEATED	TERM	TERMINAL
BRTHR	BREATHER	HT TR	HEAT TREAT	THROT	THROTTLE
BRI	BRIGHT	HTR	HEATER	THRU	THROUGH
BUZ	BUZZER	HP	HORSEPOWER	TRAC	TRACTION
CA	CABLE	HYD	HYDRAULIC	TRLR	TRAILER
CD	CANDELA	ID	IDENTIFICATION	XDCR	TRANSDUCER
CP	CANDLEPOWER	IGN	IGNITION	XFER	TRANSFER
CAP	CAPACITOR	ILLUM	ILLUMINATION	XFMR	TRANSFORMER
CAT	CATERPILLAR	IND	INDICATOR	XSTR	TRANSISTOR
CHAS	CHASSIS	INST	INSTRUMENT	XMSN	TRANSMISSION
CH	CHOKE	INT	INTERMITTENT	XMTR	TRANSMITTER
CIRC	CIRCUIT	L	LEFT	TRK	TRUCK
CLK	CLOCK	LT	LIGHT	UPR	UPPER
CW	CLOCKWISE	LTR	LIGHTER	VLV	VALVE
CLSTR	CLUSTER	LWR	LOWER	VERT	VERTICAL
CL	CLUTCH	MAG	MAGNET	VM	VOLTMETER
COL	COLUMN	MOD	MODULATOR	VOL	VOLUME
COMM	COMMUTATOR	MDL	MODULE	WSHR	WASHER
CMPNT	COMPONENT	MOT	MOTOR	WHL	WHEEL
CPRSR	COMPRESSOR	MTD	MOUNTED	WDO	WINDOW
CONN	CONNECTOR	NEG	NEGATIVE	WSHLD	WINDSHIELD
CONT	CONTINUED	N/	NOT WITH	WPR	WIPER
CSL	CONSOLE	NO.	NUMBER	W/	WITH
CONT	CONTACT	PASS	PASSENGER	W/O	WITHOUT
CONT	CONTROL	POSN	POSITION		
CONV	CONVERTER	POS	POSITIVE		
CLR	COOLER	POT	POTENTIOMETER		
CTSY	COURTESY				

CHK	DATE	CHANGE	REV	REFERENCE	DRAWN	NAME
CNA1	06SEP07	REVISED AND REDRAWN	A	60785Z	U00JAHP	CIRCUIT DIAGRAM, LCF
					RELEASE NO.	DATE
					59053V	05FEB04
					PART NO.	SHEET
					AE08055410	001

Figure 1 Abbreviations

2.2. ACRONYMS, P. 2

INTERNATIONAL TRUCK AND ENGINE CORPORATION		ELECTRICAL CIRCUIT DIAGRAM CHAPTER 2																																																																																																																																																																	
THIS PRINT IS PROVIDED ON A RESTRICTED BASIS AND IS NOT TO BE USED IN ANY WAY DETRIMENTAL TO THE INTEREST OF INTERNATIONAL TRUCK AND ENGINE CORPORATION.		ACRONYMS																																																																																																																																																																	
<table border="1" style="width: 100%; border-collapse: collapse;"> <thead> <tr> <th style="text-align: center;">DESCRIPTION</th> <th style="text-align: center;">ACRONYM</th> </tr> </thead> <tbody> <tr><td>ANTILOCK BRAKING SYSTEM</td><td>ABS</td></tr> <tr><td>ANTENNA COMMUNICATION UNIT</td><td>ACU</td></tr> <tr><td>ALTERNATING CURRENT</td><td>AC</td></tr> <tr><td>AXLE TO BACK OF CAB</td><td>AC</td></tr> <tr><td>AXLE TO FRAME</td><td>AF</td></tr> <tr><td>ACCELERATOR PEDAL MODULE</td><td>APM</td></tr> <tr><td>ACCELERATOR POSITION SENSOR</td><td>APS</td></tr> <tr><td>AUXILIARY POWER UNIT</td><td>APU</td></tr> <tr><td>AMERICAN TRUCKING ASSOCIATION</td><td>ATA</td></tr> <tr><td>AUTOMATIC TRACTION CONTROL</td><td>ATC</td></tr> <tr><td>AUDIO VIDEO INTERFACE</td><td>AVI</td></tr> <tr><td>BAROMETRIC ATMOSPHERE PRESSURE</td><td>BAP</td></tr> <tr><td>BRAKE HORSEPOWER</td><td>BHP</td></tr> <tr><td>BACK OF CAB</td><td>BOC</td></tr> <tr><td>CITIZEN BAND</td><td>CB</td></tr> <tr><td>COLD CRANKING AMPERES</td><td>CCA</td></tr> <tr><td>CLEAN POWER ELECTRICAL CONNECTOR</td><td>CEC</td></tr> <tr><td>CENTRAL PROCESSING UNIT</td><td>CPU</td></tr> <tr><td>CAB OVER ENGINE</td><td>COE</td></tr> <tr><td>DIRECT CURRENT</td><td>DC</td></tr> <tr><td>DRIVER CONTROL MODULE</td><td>DCM</td></tr> <tr><td>DIGITAL DATA LINK</td><td>DDL</td></tr> <tr><td>DIESEL OXIDATION CATALYST INLET TEMPERATURE</td><td>DOCT</td></tr> <tr><td>DIESEL PARTICULATE FILTER</td><td>DPF</td></tr> <tr><td>DIESEL PARTICULATE FILTER DELTA PRESSURE</td><td>DPFDP</td></tr> <tr><td>DIESEL PARTICULATE FILTER TEMPERATURE</td><td>DPFT</td></tr> <tr><td>DIESEL TURBOCHARGED</td><td>DT</td></tr> <tr><td>DAY TIME RUNNING LIGHTS</td><td>DTRL</td></tr> <tr><td>ELECTRONIC CONTROL MODULE</td><td>ECM</td></tr> <tr><td>ELECTRONIC CONTROL UNIT</td><td>ECU</td></tr> <tr><td>EXHAUST GAS RECIRCULATION</td><td>EGR</td></tr> <tr><td>EXHAUST GAS TEMPERATURE</td><td>EGT</td></tr> <tr><td>ELECTRO MAGNETIC INTERFERENCE</td><td>EMI</td></tr> <tr><td>END OF FRAME</td><td>EOF</td></tr> <tr><td>ELECTRIC TRAILER BRAKE</td><td>ETB</td></tr> <tr><td>FRONT AXLE</td><td>FA</td></tr> <tr><td>FRONT END</td><td>FE</td></tr> <tr><td>FRONT OF DASH</td><td>FOD</td></tr> <tr><td>FULL POWER BRAKE</td><td>FPB</td></tr> <tr><td>GLOBAL POSITIONING SYSTEM</td><td>GPS</td></tr> <tr><td>HYDRAULIC CONTROL UNIT</td><td>HCU</td></tr> <tr><td>HEAVY DUTY</td><td>HD</td></tr> </tbody> </table>	DESCRIPTION	ACRONYM	ANTILOCK BRAKING SYSTEM	ABS	ANTENNA COMMUNICATION UNIT	ACU	ALTERNATING CURRENT	AC	AXLE TO BACK OF CAB	AC	AXLE TO FRAME	AF	ACCELERATOR PEDAL MODULE	APM	ACCELERATOR POSITION SENSOR	APS	AUXILIARY POWER UNIT	APU	AMERICAN TRUCKING ASSOCIATION	ATA	AUTOMATIC TRACTION CONTROL	ATC	AUDIO VIDEO INTERFACE	AVI	BAROMETRIC ATMOSPHERE PRESSURE	BAP	BRAKE HORSEPOWER	BHP	BACK OF CAB	BOC	CITIZEN BAND	CB	COLD CRANKING AMPERES	CCA	CLEAN POWER ELECTRICAL CONNECTOR	CEC	CENTRAL PROCESSING UNIT	CPU	CAB OVER ENGINE	COE	DIRECT CURRENT	DC	DRIVER CONTROL MODULE	DCM	DIGITAL DATA LINK	DDL	DIESEL OXIDATION CATALYST INLET TEMPERATURE	DOCT	DIESEL PARTICULATE FILTER	DPF	DIESEL PARTICULATE FILTER DELTA PRESSURE	DPFDP	DIESEL PARTICULATE FILTER TEMPERATURE	DPFT	DIESEL TURBOCHARGED	DT	DAY TIME RUNNING LIGHTS	DTRL	ELECTRONIC CONTROL MODULE	ECM	ELECTRONIC CONTROL UNIT	ECU	EXHAUST GAS RECIRCULATION	EGR	EXHAUST GAS TEMPERATURE	EGT	ELECTRO MAGNETIC INTERFERENCE	EMI	END OF FRAME	EOF	ELECTRIC TRAILER BRAKE	ETB	FRONT AXLE	FA	FRONT END	FE	FRONT OF DASH	FOD	FULL POWER BRAKE	FPB	GLOBAL POSITIONING SYSTEM	GPS	HYDRAULIC CONTROL UNIT	HCU	HEAVY DUTY	HD	<table border="1" style="width: 100%; border-collapse: collapse;"> <thead> <tr> <th style="text-align: center;">DESCRIPTION</th> <th style="text-align: center;">ACRONYM</th> </tr> </thead> <tbody> <tr><td>HEAVY DUTY DIESEL</td><td>HDD</td></tr> <tr><td>HIGH PERFORMANCE TRUCK</td><td>HPT</td></tr> <tr><td>HIGH SIDE DRIVER</td><td>HSD</td></tr> <tr><td>HEATING, VENTILATION, AND AIR CONDITIONING</td><td>HVAC</td></tr> <tr><td>INJECTOR DRIVE MODULE</td><td>IDM</td></tr> <tr><td>INPUT/OUTPUT</td><td>I/O</td></tr> <tr><td>INTEGRATED MOBILE COMMUNICATION TERMINAL</td><td>IMCT</td></tr> <tr><td>INSTRUMENT PANEL</td><td>I/P</td></tr> <tr><td>INDEPENDENT POWER TAKE-OFF</td><td>IPTO</td></tr> <tr><td>INPUT SPEED SENSOR</td><td>ISS</td></tr> <tr><td>LIGHT COMMERCIAL TRANSMISSION</td><td>LCT</td></tr> <tr><td>LOW PRESSURE MODULE</td><td>LPM</td></tr> <tr><td>LOW SIDE DRIVE</td><td>LSD</td></tr> <tr><td>MEDIUM DUTY</td><td>MD</td></tr> <tr><td>MOMENTARY ENGINE IGNITION INTERRUPT RELAY</td><td>MEIIR</td></tr> <tr><td>MALFUNCTION INDICATION LAMP</td><td>MIL</td></tr> <tr><td>MULTIPLEX SWITCH MODULE</td><td>MSM</td></tr> <tr><td>OUTPUT SPEED SENSOR</td><td>OSS</td></tr> <tr><td>PYROMETER AMMETER MODULE</td><td>PAM</td></tr> <tr><td>POWER DISTRIBUTION CENTER</td><td>PDC</td></tr> <tr><td>PROGRAMMABLE LOGIC CONTROLLER</td><td>PLC</td></tr> <tr><td>POWER TAKE-OFF</td><td>PTO</td></tr> <tr><td>PULSE WIDTH MODULATION</td><td>PWM</td></tr> <tr><td>REAR AXLE</td><td>RA</td></tr> <tr><td>RADIO FREQUENCY</td><td>RF</td></tr> <tr><td>ROLL STABILITY PROGRAM</td><td>RSP</td></tr> <tr><td>SEVERE SERVICE</td><td>SS</td></tr> <tr><td>TRANSMISSION CONTROL MODULE</td><td>TCM</td></tr> <tr><td>TERRESTRIAL COMMUNICATION UNIT</td><td>TCU</td></tr> <tr><td>TERRESTRIAL MOBILE COMMUNICATION TERMINAL</td><td>TMCT</td></tr> <tr><td>THERMAL OVERCRANK PROTECTION</td><td>TOCP</td></tr> <tr><td>THROTTLE POSITION SENSOR</td><td>TPS</td></tr> <tr><td>TURBINE SPEED SENSOR</td><td>TSS</td></tr> <tr><td>VEHICLE SPEED OUTPUT</td><td>VSO</td></tr> <tr><td>VEHICLE SPEED SENSOR</td><td>VSS</td></tr> <tr><td>WORLD TRANSMISSION ELECTRONIC CONTROLS</td><td>WTEC</td></tr> <tr><td>ZERO VOLT REFERENCE</td><td>ZVR</td></tr> </tbody> </table>	DESCRIPTION	ACRONYM	HEAVY DUTY DIESEL	HDD	HIGH PERFORMANCE TRUCK	HPT	HIGH SIDE DRIVER	HSD	HEATING, VENTILATION, AND AIR CONDITIONING	HVAC	INJECTOR DRIVE MODULE	IDM	INPUT/OUTPUT	I/O	INTEGRATED MOBILE COMMUNICATION TERMINAL	IMCT	INSTRUMENT PANEL	I/P	INDEPENDENT POWER TAKE-OFF	IPTO	INPUT SPEED SENSOR	ISS	LIGHT COMMERCIAL TRANSMISSION	LCT	LOW PRESSURE MODULE	LPM	LOW SIDE DRIVE	LSD	MEDIUM DUTY	MD	MOMENTARY ENGINE IGNITION INTERRUPT RELAY	MEIIR	MALFUNCTION INDICATION LAMP	MIL	MULTIPLEX SWITCH MODULE	MSM	OUTPUT SPEED SENSOR	OSS	PYROMETER AMMETER MODULE	PAM	POWER DISTRIBUTION CENTER	PDC	PROGRAMMABLE LOGIC CONTROLLER	PLC	POWER TAKE-OFF	PTO	PULSE WIDTH MODULATION	PWM	REAR AXLE	RA	RADIO FREQUENCY	RF	ROLL STABILITY PROGRAM	RSP	SEVERE SERVICE	SS	TRANSMISSION CONTROL MODULE	TCM	TERRESTRIAL COMMUNICATION UNIT	TCU	TERRESTRIAL MOBILE COMMUNICATION TERMINAL	TMCT	THERMAL OVERCRANK PROTECTION	TOCP	THROTTLE POSITION SENSOR	TPS	TURBINE SPEED SENSOR	TSS	VEHICLE SPEED OUTPUT	VSO	VEHICLE SPEED SENSOR	VSS	WORLD TRANSMISSION ELECTRONIC CONTROLS	WTEC	ZERO VOLT REFERENCE	ZVR
DESCRIPTION	ACRONYM																																																																																																																																																																		
ANTILOCK BRAKING SYSTEM	ABS																																																																																																																																																																		
ANTENNA COMMUNICATION UNIT	ACU																																																																																																																																																																		
ALTERNATING CURRENT	AC																																																																																																																																																																		
AXLE TO BACK OF CAB	AC																																																																																																																																																																		
AXLE TO FRAME	AF																																																																																																																																																																		
ACCELERATOR PEDAL MODULE	APM																																																																																																																																																																		
ACCELERATOR POSITION SENSOR	APS																																																																																																																																																																		
AUXILIARY POWER UNIT	APU																																																																																																																																																																		
AMERICAN TRUCKING ASSOCIATION	ATA																																																																																																																																																																		
AUTOMATIC TRACTION CONTROL	ATC																																																																																																																																																																		
AUDIO VIDEO INTERFACE	AVI																																																																																																																																																																		
BAROMETRIC ATMOSPHERE PRESSURE	BAP																																																																																																																																																																		
BRAKE HORSEPOWER	BHP																																																																																																																																																																		
BACK OF CAB	BOC																																																																																																																																																																		
CITIZEN BAND	CB																																																																																																																																																																		
COLD CRANKING AMPERES	CCA																																																																																																																																																																		
CLEAN POWER ELECTRICAL CONNECTOR	CEC																																																																																																																																																																		
CENTRAL PROCESSING UNIT	CPU																																																																																																																																																																		
CAB OVER ENGINE	COE																																																																																																																																																																		
DIRECT CURRENT	DC																																																																																																																																																																		
DRIVER CONTROL MODULE	DCM																																																																																																																																																																		
DIGITAL DATA LINK	DDL																																																																																																																																																																		
DIESEL OXIDATION CATALYST INLET TEMPERATURE	DOCT																																																																																																																																																																		
DIESEL PARTICULATE FILTER	DPF																																																																																																																																																																		
DIESEL PARTICULATE FILTER DELTA PRESSURE	DPFDP																																																																																																																																																																		
DIESEL PARTICULATE FILTER TEMPERATURE	DPFT																																																																																																																																																																		
DIESEL TURBOCHARGED	DT																																																																																																																																																																		
DAY TIME RUNNING LIGHTS	DTRL																																																																																																																																																																		
ELECTRONIC CONTROL MODULE	ECM																																																																																																																																																																		
ELECTRONIC CONTROL UNIT	ECU																																																																																																																																																																		
EXHAUST GAS RECIRCULATION	EGR																																																																																																																																																																		
EXHAUST GAS TEMPERATURE	EGT																																																																																																																																																																		
ELECTRO MAGNETIC INTERFERENCE	EMI																																																																																																																																																																		
END OF FRAME	EOF																																																																																																																																																																		
ELECTRIC TRAILER BRAKE	ETB																																																																																																																																																																		
FRONT AXLE	FA																																																																																																																																																																		
FRONT END	FE																																																																																																																																																																		
FRONT OF DASH	FOD																																																																																																																																																																		
FULL POWER BRAKE	FPB																																																																																																																																																																		
GLOBAL POSITIONING SYSTEM	GPS																																																																																																																																																																		
HYDRAULIC CONTROL UNIT	HCU																																																																																																																																																																		
HEAVY DUTY	HD																																																																																																																																																																		
DESCRIPTION	ACRONYM																																																																																																																																																																		
HEAVY DUTY DIESEL	HDD																																																																																																																																																																		
HIGH PERFORMANCE TRUCK	HPT																																																																																																																																																																		
HIGH SIDE DRIVER	HSD																																																																																																																																																																		
HEATING, VENTILATION, AND AIR CONDITIONING	HVAC																																																																																																																																																																		
INJECTOR DRIVE MODULE	IDM																																																																																																																																																																		
INPUT/OUTPUT	I/O																																																																																																																																																																		
INTEGRATED MOBILE COMMUNICATION TERMINAL	IMCT																																																																																																																																																																		
INSTRUMENT PANEL	I/P																																																																																																																																																																		
INDEPENDENT POWER TAKE-OFF	IPTO																																																																																																																																																																		
INPUT SPEED SENSOR	ISS																																																																																																																																																																		
LIGHT COMMERCIAL TRANSMISSION	LCT																																																																																																																																																																		
LOW PRESSURE MODULE	LPM																																																																																																																																																																		
LOW SIDE DRIVE	LSD																																																																																																																																																																		
MEDIUM DUTY	MD																																																																																																																																																																		
MOMENTARY ENGINE IGNITION INTERRUPT RELAY	MEIIR																																																																																																																																																																		
MALFUNCTION INDICATION LAMP	MIL																																																																																																																																																																		
MULTIPLEX SWITCH MODULE	MSM																																																																																																																																																																		
OUTPUT SPEED SENSOR	OSS																																																																																																																																																																		
PYROMETER AMMETER MODULE	PAM																																																																																																																																																																		
POWER DISTRIBUTION CENTER	PDC																																																																																																																																																																		
PROGRAMMABLE LOGIC CONTROLLER	PLC																																																																																																																																																																		
POWER TAKE-OFF	PTO																																																																																																																																																																		
PULSE WIDTH MODULATION	PWM																																																																																																																																																																		
REAR AXLE	RA																																																																																																																																																																		
RADIO FREQUENCY	RF																																																																																																																																																																		
ROLL STABILITY PROGRAM	RSP																																																																																																																																																																		
SEVERE SERVICE	SS																																																																																																																																																																		
TRANSMISSION CONTROL MODULE	TCM																																																																																																																																																																		
TERRESTRIAL COMMUNICATION UNIT	TCU																																																																																																																																																																		
TERRESTRIAL MOBILE COMMUNICATION TERMINAL	TMCT																																																																																																																																																																		
THERMAL OVERCRANK PROTECTION	TOCP																																																																																																																																																																		
THROTTLE POSITION SENSOR	TPS																																																																																																																																																																		
TURBINE SPEED SENSOR	TSS																																																																																																																																																																		
VEHICLE SPEED OUTPUT	VSO																																																																																																																																																																		
VEHICLE SPEED SENSOR	VSS																																																																																																																																																																		
WORLD TRANSMISSION ELECTRONIC CONTROLS	WTEC																																																																																																																																																																		
ZERO VOLT REFERENCE	ZVR																																																																																																																																																																		
CHK	DATE	CHANGE	REV	REFERENCE	DRAWN	NAME																																																																																																																																																													
CNA1	06SEP07	REVISED AND REDRAWN	A	60785Z	U00JAHF	CIRCUIT DIAGRAM, LCF																																																																																																																																																													
					RELEASE NO.	DATE	PART NO.																																																																																																																																																												
					59053V	05FEB04	AE08055410																																																																																																																																																												
						SHEET	002																																																																																																																																																												

Figure 2 Acronyms

2.3. CIRCUIT DIAGRAM INSTRUCTIONS, P. 3

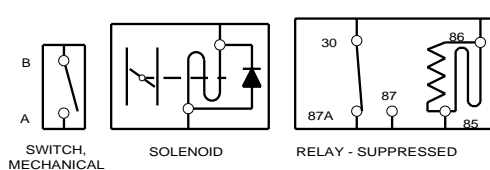
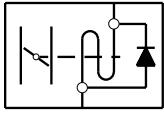
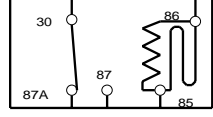
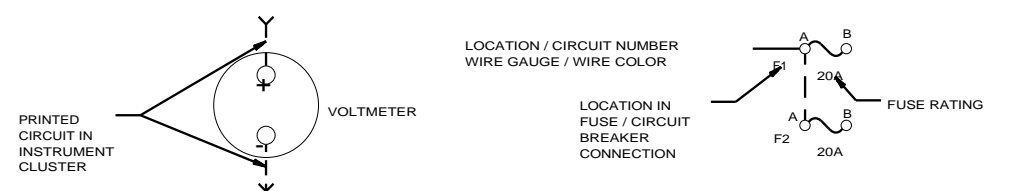
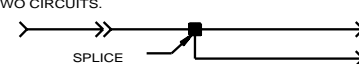
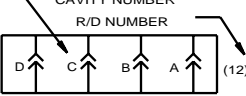

INTERNATIONAL TRUCK AND ENGINE CORPORATION ELECTRICAL CIRCUIT DIAGRAM CHAPTER 2 THIS PRINT IS PROVIDED ON A RESTRICTED BASIS AND IS NOT TO BE USED IN ANY WAY DETRIMENTAL TO THE INTEREST OF INTERNATIONAL TRUCK AND ENGINE CORPORATION.																																																									
CIRCUIT DIAGRAM INSTRUCTIONS																																																									
<p>A - SWITCH AND RELAY POSITIONS AS SHOWN ON CIRCUIT DIAGRAMS INDICATE NORMAL POSITION WITH IGNITION OFF UNLESS OTHERWISE NOTED.</p>  <p>SWITCH, MECHANICAL SOLENOID RELAY - SUPPRESSED</p>	<p>B - MULTIPLE CONNECTIONS ARE DISPLAYED ON SCHEMATIC AS SHOWN WITH R/D NUMBER & CAVITY NUMBER. REFER TO CONNECTOR COMPOSITE FOR MORE INFORMATION</p>  <p>R/D NUMBER CAVITY NUMBER (12-A) AND/OR D C B A (12)</p> <p>SINGLE IN-LINE CONNECTORS DISPLAYED AS SHOWN BELOW WITHOUT R/D NUMBER</p> 																																																								
<p>C - PHANTOM LINES INDICATE PRINTED CIRCUITS OR BUSSED CIRCUITS. THESE CIRCUITS EXIST IN THE INSTRUMENT CLUSTER AND FUSE / CIRCUIT BREAKER CONNECTORS.</p>  <p>PRINTED CIRCUIT IN INSTRUMENT CLUSTER VOLTMETER LOCATION / CIRCUIT NUMBER WIRE GAUGE / WIRE COLOR LOCATION IN FUSE / CIRCUIT BREAKER CONNECTION FUSE RATING</p>																																																									
<p>D - MULTIPLE CIRCUIT NUMBERS ON A LINE INDICATE ONE CIRCUIT DISTRIBUTING CURRENT TO TWO CIRCUITS.</p>  <p>SPLICE</p>																																																									
<p>E - SWITCHES, RELAYS AND COMPONENTS INDICATE EXTERNAL WIRE CONNECTIONS AND / OR INTERNAL CONNECTIONS OR CONTACTS.</p>  <p>EXTERNAL WIRE CONNECTIONS WIRE CONNECTION PIGTAIL KEY SWITCH (1101M) INTERNAL CONNECTION BUSSED CONTACT BODY CONTROLLER (1602)</p>																																																									
<p>F - CIRCUIT "11" DENOTES ANY COMMON GROUND (MORE THAN ONE CIRCUIT). ANY INDIVIDUAL GROUND CIRCUIT IS IDENTIFIED WITH THAT PARTICULAR CIRCUIT NUMBER. (E.G. CIRCUIT 32 CRUISE CONTROL IS IDENTIFIED AS PER EXAMPLE)</p>  <p>COMMON GROUND CIRCUIT NUMBER SUFFIX BEGINNING WITH G INDICATES A GROUND CIRCUIT INDIVIDUAL GROUND CIRCUIT NUMBER LOCATION SUFFIX BEGINNING WITH G INDICATES A GROUND CIRCUIT</p> <p>NOTE: FOR CIRCUIT DESCRIPTION OTHER THAN GROUNDS NEITHER THE LETTER "G" NOR THE COLOR WHITE SHALL BE USED</p>																																																									
<table border="1" style="width: 100%; border-collapse: collapse;"> <tr> <td>CHK</td> <td>DATE</td> <td>CHANGE</td> <td>REV</td> <td>REFERENCE</td> <td>DRAWN</td> <td>NAME</td> </tr> <tr> <td>CNA1</td> <td>28AUG07</td> <td>REVISED AND REDRAWN</td> <td>A</td> <td>60785Z</td> <td>U00JAHF</td> <td>CIRCUIT DIAGRAM, LCF</td> </tr> <tr> <td></td> <td></td> <td></td> <td></td> <td></td> <td>RELEASE NO.</td> <td>DATE</td> </tr> <tr> <td></td> <td></td> <td></td> <td></td> <td></td> <td>59053V</td> <td>05FEB04</td> </tr> <tr> <td></td> <td></td> <td></td> <td></td> <td></td> <td></td> <td>PART NO.</td> </tr> <tr> <td></td> <td></td> <td></td> <td></td> <td></td> <td></td> <td>AE08055410</td> </tr> <tr> <td></td> <td></td> <td></td> <td></td> <td></td> <td></td> <td>SHEET</td> </tr> <tr> <td></td> <td></td> <td></td> <td></td> <td></td> <td></td> <td>003</td> </tr> </table>		CHK	DATE	CHANGE	REV	REFERENCE	DRAWN	NAME	CNA1	28AUG07	REVISED AND REDRAWN	A	60785Z	U00JAHF	CIRCUIT DIAGRAM, LCF						RELEASE NO.	DATE						59053V	05FEB04							PART NO.							AE08055410							SHEET							003
CHK	DATE	CHANGE	REV	REFERENCE	DRAWN	NAME																																																			
CNA1	28AUG07	REVISED AND REDRAWN	A	60785Z	U00JAHF	CIRCUIT DIAGRAM, LCF																																																			
					RELEASE NO.	DATE																																																			
					59053V	05FEB04																																																			
						PART NO.																																																			
						AE08055410																																																			
						SHEET																																																			
						003																																																			

Figure 3 Circuit Diagram Instructions

2.4. CIRCUIT NUMBER IDENTIFICATION AND COLOR, P. 4

INTERNATIONAL TRUCK AND ENGINE CORPORATION		ELECTRICAL CIRCUIT DIAGRAM CHAPTER 2					
THIS PRINT IS PROVIDED ON A RESTRICTED BASIS AND IS NOT TO BE USED IN ANY WAY DETRIMENTAL TO THE INTEREST OF INTERNATIONAL TRUCK AND ENGINE CORPORATION.		CIRCUIT NUMBER IDENTIFICATION AND COLOR					
CIRCUIT NUMBER	COLOR	DESCRIPTION					
1	LTBL	ALTERNATOR - FIELD					
2	RD	ALTERNATOR - CHARGE					
3	DKBL	SERIAL / DATA COMMUNICATION J1587 / J1708 (+)					
	GY	SERIAL / DATA COMMUNICATION J1587 / J1708 (-)					
4	DKBL	SERIAL / DATA COMMUNICATION J1922 (+)					
	GY	SERIAL / DATA COMMUNICATION J1922 (-)					
5	YL	SERIAL / DATA COMMUNICATION J1939 /11 / J1939/15 (+)					
	GN	SERIAL / DATA COMMUNICATION J1939 /11 / J1939/15 (-)					
6	GY	LOW VOLTAGE ELECTRONIC FEED (LESS THAN 9 VOLTS)					
7	RD	ALTERNATOR - RESISTANCE					
8							
9	GY	LOW VOLTAGE ELECTRONIC GROUND					
10	WH	CHASSIS / ENGINE GROUND					
11	WH	CAB / SLEEPER GROUND					
12	LTBL	ACCESSORY FEED					
13	PK	IGNITION FEED					
	BK	IGNITION FEED (BODY BUILDER CONNECTOR)					
14	RD	BATTERY FEED					
15	RD	KEY SWITCH FEED					
16							
17	PK	STARTER CONTROL					
18	PK	GLOW PLUG / PREHEATER					
19	GY	ENGINE SHUTDOWN					
20	LTGN	REMOTE POWER MODULE					
21	TN	COLD START CONTROLS (ETHER)					
22	TN	TIRE PRESSURE MONITORING / CONTROL					
23	TN	ENGINE FAN / SHUTTERS					
24	GY	ENGINE EXHAUST BRAKE					
25	TN	PYROMETER					
26	TN	AMMETER					
27	TN	VOLTMETER					
28	TN	INSTRUMENTS AND GAUGES					
29	TN	ENGINE WATER TEMPERATURE					
30	TN	ENGINE OIL TEMPERATURE					
31	TN	TRANSMISSION OIL TEMPERATURE					
32	TN	AXLE OIL TEMPERATURE					
33	TN	ENGINE OIL LEVEL					
34	TN	COOLANT LEVEL					
35	TN	ENGINE OIL PRESSURE					
36	TN	FUEL LEVEL					
37	TN	FUEL PUMP					
38	GY	LIFT AXLE					
39	GY	AIR DRYER HEATER					
40	GY	LOW AIR PRESSURE WARNING					
41	TN	AIR TEMPERATURE					
42	GY	FRONT AXLE ENGAGED					
43	GY	POWER DIVIDER LOCK (PDL) WARNING					
44	GY	PARK BRAKE WARNING					
45	LTGN	ANTITHEFT WARNING					
CHK	DATE	CHANGE	REV	REFERENCE	DRAWN	NAME	
CNA1	28AUG07	REVISED AND REDRAWN	A	60785Z	U00JAH	CIRCUIT DIAGRAM, LCF	
					RELEASE NO.	DATE	PART NO.
					59053V	05FEB04	AE08055410
							SHEET 004

Figure 4 Circuit Number Identification and Color

2.5. CIRCUIT NUMBER IDENTIFICATION AND COLOR, P. 5

CIRCUIT NUMBER	COLOR	DESCRIPTION
46	GY	POWER TAKE-OFF WARNING
47	GY	SPEEDOMETER
48	GY	TACHOMETER
49	GY	DIFFERENTIAL LOCK WARNING
50	YL	LIGHT SWITCH FEED
51	YL	DIMMER SWITCH FEED
52	YL	HEADLIGHT HI - BEAM
53	YL	HEADLIGHT LO - BEAM
54	BN	PARKING / MARKER LIGHTS
55	OR	TURN SIGNAL - FEED
56	OR	TURN SIGNAL LIGHTS - LEFT
	YL	TURN SIGNAL LIGHTS - LEFT (BODY BUILDER CONNECTION)
57	OR	TURN SIGNAL LIGHTS - RIGHT
	LTGN	TURN SIGNAL LIGHTS - RIGHT (BODY BUILDER CONNECTION)
58	BN	CLEARANCE / IDENTIFICATION LIGHTS
59	GY	SOLENOID
60	OR	HAZARD LIGHTS
61	GY	AIR SUSPENSION
62	DKBL	PANEL LIGHTS
63	DKBL	COURTESY / DOME LIGHTS
64	YL	FOG / DRIVING LIGHTS
65	OR	CAB REAR FLOOD LIGHTS
66	YL	DAYTIME RUNNING LIGHT
67	GY	OBSTACLE AVOIDANCE / REMOTE SENSOR
68	BN	TAIL LIGHTS
69	BN	LICENSE PLATE LIGHT
70	OR	STOP LIGHTS
	RD	STOP LIGHTS (BODY BUILDER CONNECTION)
71	OR	BACK-UP - LIGHTS
	LTBL	BACK-UP - LIGHTS (BODY BUILDER CONNECTION)
72	OR	TRAILER AUXILIARY FEED - BATTERY
73	LTGN	PWM
74	LTGN	HEATER RECIRCULATION MOTOR
75	LTGN	HEATER BLOWER MOTOR
76	LTGN	AUXILIARY FAN
77	LTGN	AIR CONDITIONER
78	LTGN	MIRRORS - HEATED, MOTORIZED
79	GY	SEAT BELTS
80	BK	SLEEPER BOX RELAY - FEED
81	LTGN	POWER DOOR LOCKS
82	GY	WINDSHIELD WIPER
83	LTGN	POWER WINDOWS
84	LTGN	CIGAR LIGHTER
85	GY	HORN

CHK	DATE	CHANGE	REV	REFERENCE	DRAWN	NAME
CNA1	28AUG07	REVISED AND REDRAWN	B	60785Z	U00JAHF	CIRCUIT DIAGRAM, LCF
					RELEASE NO.	DATE
					59053V	05FEB04
						PART NO.
						AE08055410
						SHEET
						005

Figure 5 Circuit Number Identification and Color

2.6. CIRCUIT NUMBER IDENTIFICATION AND COLOR, P. 6

INTERNATIONAL TRUCK AND ENGINE CORPORATION <small>THIS PRINT IS PROVIDED ON A RESTRICTED BASIS AND IS NOT TO BE USED IN ANY WAY DETRIMENTAL TO THE INTEREST OF INTERNATIONAL TRUCK AND ENGINE CORPORATION.</small>		ELECTRICAL CIRCUIT DIAGRAM CHAPTER 2 CIRCUIT NUMBER IDENTIFICATION AND COLOR (CONT)																																																																																																																													
<table border="1" style="width: 100%; border-collapse: collapse;"> <thead> <tr> <th style="width: 15%;">CIRCUIT NUMBER</th> <th style="width: 15%;">COLOR</th> <th style="width: 70%;">DESCRIPTION</th> </tr> </thead> <tbody> <tr><td>86</td><td>LTGN</td><td>RADIO - ENTERTAINMENT / CLOCK</td></tr> <tr><td>87</td><td>GY</td><td>WINDSHIELD WASHER</td></tr> <tr><td>88</td><td>LTGN</td><td>CLOCK / HOURMETER</td></tr> <tr><td>89</td><td>VT</td><td>AIR BAG</td></tr> <tr><td>90</td><td>GY</td><td>HYDRAULIC BRAKE PUMP</td></tr> <tr><td>91</td><td>VT</td><td>INTERCOMMUNICATION</td></tr> <tr><td>92</td><td>TN</td><td>TRANSMISSION CONTROLS - ELECTRONICS</td></tr> <tr><td>93</td><td>TN</td><td>AXLE SHIFT CONTROL</td></tr> <tr><td>94</td><td>GY</td><td>ANTILOCK BRAKE SYSTEM</td></tr> <tr><td>95</td><td>TN</td><td>EXHAUST EMISSION</td></tr> <tr><td>96</td><td>YL</td><td>SNOWPLOW LIGHTS / CRUISE CONTROLS</td></tr> <tr><td>97</td><td>VT</td><td>ENGINE CONTROLS - ELECTRONIC</td></tr> <tr><td>98</td><td>BK</td><td>DATALINK AND DIAGNOSTICS</td></tr> <tr><td>99</td><td>VT</td><td>ACCELERATOR POSITION SENSOR (APS)</td></tr> <tr><td>100</td><td>GY</td><td>AIR HORN (ELECTRIC SOLENOID ACTUATED)</td></tr> <tr><td>101</td><td>TN</td><td>BRAKE APPLICATION AIR</td></tr> <tr><td>102</td><td>YL</td><td>FLASH TO PASS</td></tr> <tr><td>103</td><td>LTGN</td><td>BODY BUILDER AUXILIARY FEED</td></tr> <tr><td>104</td><td>DKBL</td><td>REMOTE START / STOP</td></tr> <tr><td>105</td><td>LTGN</td><td>HEATED SEATS</td></tr> <tr><td>106</td><td>OR</td><td>HIGH VOLTAGE ALTERNATOR AC CHARGE</td></tr> <tr><td>107</td><td>GY</td><td>INSTRUMENT CLUSTER ELECTRONIC FEED (5V)</td></tr> <tr><td>108</td><td>GY</td><td>BRAKE PAD WEAR SENSOR</td></tr> <tr><td>109</td><td>GY</td><td>BRAKE STROKE / SLACK ADJUSTER</td></tr> <tr><td>110</td><td>GY</td><td>INSTRUMENT CLUSTER ELECTRONIC GROUND</td></tr> <tr><td>111</td><td>TN</td><td>FUEL FILTER RESTRICTION TRANSDUCER</td></tr> <tr><td>112</td><td>GY</td><td>LIFT GATE</td></tr> </tbody> </table> <table border="1" style="width: 100%; border-collapse: collapse;"> <thead> <tr> <th style="width: 15%;">PREFIX</th> <th style="width: 85%;">LOCATION</th> </tr> </thead> <tbody> <tr><td>A</td><td>CAB - INSTRUMENT PANEL MODULE</td></tr> <tr><td>B</td><td>CAB - DRIVER CONTROL MODULE</td></tr> <tr><td>C</td><td>CAB - HEADER / CLEARANCE LIGHTS</td></tr> <tr><td>D</td><td>CAB - ROOF / REAR PANEL</td></tr> <tr><td>E</td><td>CAB - LEFT DOOR / DOORS</td></tr> <tr><td>F</td><td>CAB - RIGHT DOOR / DOORS</td></tr> <tr><td>H</td><td>CAB - SLEEPER</td></tr> <tr><td>J</td><td>CAB - DASH (OUTSIDE)</td></tr> <tr><td>K</td><td>ENGINE / RADIATOR</td></tr> <tr><td>L</td><td>TRANSMISSION</td></tr> <tr><td>M</td><td>CHASSIS / FRONT END (CAB DASH PANEL FORWARD)</td></tr> <tr><td>N</td><td>CHASSIS / CENTER SECTION (CAB DASH PANEL TO CAB REAR CROSS MEMBER)</td></tr> <tr><td>P</td><td>CHASSIS / WHEEL BASE SECTION</td></tr> <tr><td>R</td><td>CHASSIS / SUSPENSION / REAR AXLE / AXLES</td></tr> <tr><td>S</td><td>CHASSIS / AF SECTION / STOP / TAIL / TURN LIGHTS</td></tr> <tr><td>T</td><td>TRAVEL DOORS</td></tr> <tr><td>U</td><td>HOOD MTD HEADLIGHTS / MARKER LIGHTS</td></tr> <tr><td>V</td><td>SLEEPER ROOF / BACK PANEL WIRING</td></tr> <tr><td>W</td><td>WARDROBE CABINET WIRING</td></tr> </tbody> </table>				CIRCUIT NUMBER	COLOR	DESCRIPTION	86	LTGN	RADIO - ENTERTAINMENT / CLOCK	87	GY	WINDSHIELD WASHER	88	LTGN	CLOCK / HOURMETER	89	VT	AIR BAG	90	GY	HYDRAULIC BRAKE PUMP	91	VT	INTERCOMMUNICATION	92	TN	TRANSMISSION CONTROLS - ELECTRONICS	93	TN	AXLE SHIFT CONTROL	94	GY	ANTILOCK BRAKE SYSTEM	95	TN	EXHAUST EMISSION	96	YL	SNOWPLOW LIGHTS / CRUISE CONTROLS	97	VT	ENGINE CONTROLS - ELECTRONIC	98	BK	DATALINK AND DIAGNOSTICS	99	VT	ACCELERATOR POSITION SENSOR (APS)	100	GY	AIR HORN (ELECTRIC SOLENOID ACTUATED)	101	TN	BRAKE APPLICATION AIR	102	YL	FLASH TO PASS	103	LTGN	BODY BUILDER AUXILIARY FEED	104	DKBL	REMOTE START / STOP	105	LTGN	HEATED SEATS	106	OR	HIGH VOLTAGE ALTERNATOR AC CHARGE	107	GY	INSTRUMENT CLUSTER ELECTRONIC FEED (5V)	108	GY	BRAKE PAD WEAR SENSOR	109	GY	BRAKE STROKE / SLACK ADJUSTER	110	GY	INSTRUMENT CLUSTER ELECTRONIC GROUND	111	TN	FUEL FILTER RESTRICTION TRANSDUCER	112	GY	LIFT GATE	PREFIX	LOCATION	A	CAB - INSTRUMENT PANEL MODULE	B	CAB - DRIVER CONTROL MODULE	C	CAB - HEADER / CLEARANCE LIGHTS	D	CAB - ROOF / REAR PANEL	E	CAB - LEFT DOOR / DOORS	F	CAB - RIGHT DOOR / DOORS	H	CAB - SLEEPER	J	CAB - DASH (OUTSIDE)	K	ENGINE / RADIATOR	L	TRANSMISSION	M	CHASSIS / FRONT END (CAB DASH PANEL FORWARD)	N	CHASSIS / CENTER SECTION (CAB DASH PANEL TO CAB REAR CROSS MEMBER)	P	CHASSIS / WHEEL BASE SECTION	R	CHASSIS / SUSPENSION / REAR AXLE / AXLES	S	CHASSIS / AF SECTION / STOP / TAIL / TURN LIGHTS	T	TRAVEL DOORS	U	HOOD MTD HEADLIGHTS / MARKER LIGHTS	V	SLEEPER ROOF / BACK PANEL WIRING	W	WARDROBE CABINET WIRING
CIRCUIT NUMBER	COLOR	DESCRIPTION																																																																																																																													
86	LTGN	RADIO - ENTERTAINMENT / CLOCK																																																																																																																													
87	GY	WINDSHIELD WASHER																																																																																																																													
88	LTGN	CLOCK / HOURMETER																																																																																																																													
89	VT	AIR BAG																																																																																																																													
90	GY	HYDRAULIC BRAKE PUMP																																																																																																																													
91	VT	INTERCOMMUNICATION																																																																																																																													
92	TN	TRANSMISSION CONTROLS - ELECTRONICS																																																																																																																													
93	TN	AXLE SHIFT CONTROL																																																																																																																													
94	GY	ANTILOCK BRAKE SYSTEM																																																																																																																													
95	TN	EXHAUST EMISSION																																																																																																																													
96	YL	SNOWPLOW LIGHTS / CRUISE CONTROLS																																																																																																																													
97	VT	ENGINE CONTROLS - ELECTRONIC																																																																																																																													
98	BK	DATALINK AND DIAGNOSTICS																																																																																																																													
99	VT	ACCELERATOR POSITION SENSOR (APS)																																																																																																																													
100	GY	AIR HORN (ELECTRIC SOLENOID ACTUATED)																																																																																																																													
101	TN	BRAKE APPLICATION AIR																																																																																																																													
102	YL	FLASH TO PASS																																																																																																																													
103	LTGN	BODY BUILDER AUXILIARY FEED																																																																																																																													
104	DKBL	REMOTE START / STOP																																																																																																																													
105	LTGN	HEATED SEATS																																																																																																																													
106	OR	HIGH VOLTAGE ALTERNATOR AC CHARGE																																																																																																																													
107	GY	INSTRUMENT CLUSTER ELECTRONIC FEED (5V)																																																																																																																													
108	GY	BRAKE PAD WEAR SENSOR																																																																																																																													
109	GY	BRAKE STROKE / SLACK ADJUSTER																																																																																																																													
110	GY	INSTRUMENT CLUSTER ELECTRONIC GROUND																																																																																																																													
111	TN	FUEL FILTER RESTRICTION TRANSDUCER																																																																																																																													
112	GY	LIFT GATE																																																																																																																													
PREFIX	LOCATION																																																																																																																														
A	CAB - INSTRUMENT PANEL MODULE																																																																																																																														
B	CAB - DRIVER CONTROL MODULE																																																																																																																														
C	CAB - HEADER / CLEARANCE LIGHTS																																																																																																																														
D	CAB - ROOF / REAR PANEL																																																																																																																														
E	CAB - LEFT DOOR / DOORS																																																																																																																														
F	CAB - RIGHT DOOR / DOORS																																																																																																																														
H	CAB - SLEEPER																																																																																																																														
J	CAB - DASH (OUTSIDE)																																																																																																																														
K	ENGINE / RADIATOR																																																																																																																														
L	TRANSMISSION																																																																																																																														
M	CHASSIS / FRONT END (CAB DASH PANEL FORWARD)																																																																																																																														
N	CHASSIS / CENTER SECTION (CAB DASH PANEL TO CAB REAR CROSS MEMBER)																																																																																																																														
P	CHASSIS / WHEEL BASE SECTION																																																																																																																														
R	CHASSIS / SUSPENSION / REAR AXLE / AXLES																																																																																																																														
S	CHASSIS / AF SECTION / STOP / TAIL / TURN LIGHTS																																																																																																																														
T	TRAVEL DOORS																																																																																																																														
U	HOOD MTD HEADLIGHTS / MARKER LIGHTS																																																																																																																														
V	SLEEPER ROOF / BACK PANEL WIRING																																																																																																																														
W	WARDROBE CABINET WIRING																																																																																																																														
<small>CHK</small>	<small>DATE</small>	<small>CHANGE</small>	<small>REV</small>	<small>REFERENCE</small>	<small>DRAWN</small>	<small>NAME</small>																																																																																																																									
CNA1	28AUG07	REVISED AND REDRAWN	A	60785Z	U00JAHP	CIRCUIT DIAGRAM, LCF																																																																																																																									
					<small>RELEASE NO.</small>	<small>DATE</small>	<small>PART NO.</small>																																																																																																																								
					59053V	05FEB04	AE08055410																																																																																																																								
							<small>SHEET</small> 006																																																																																																																								

Figure 6 Circuit Number Identification and Color

2.7. LAMP BULB CHART, P. 7

INTERNATIONAL TRUCK AND ENGINE CORPORATION				ELECTRICAL CIRCUIT DIAGRAM CHAPTER 2																																							
THIS PRINT IS PROVIDED ON A RESTRICTED BASIS AND IS NOT TO BE USED IN ANY WAY DETRIMENTAL TO THE INTEREST OF INTERNATIONAL TRUCK AND ENGINE CORPORATION.				LAMP BULB CHART																																							
<table border="1" style="width: 100%; border-collapse: collapse;"> <thead> <tr> <th style="width: 40%;">BULB APPLICATION</th> <th style="width: 30%;">CANDLEPOWER OR WATTS</th> <th style="width: 30%;">BULB TRADE NUMBER</th> </tr> </thead> <tbody> <tr> <td>ASHTRAY</td> <td>1.4 WATT</td> <td>74T-5</td> </tr> <tr> <td>DOVE</td> <td>15 WATT</td> <td>211-2</td> </tr> <tr> <td>FOG LIGHTS</td> <td>55 WATT</td> <td>64151</td> </tr> <tr> <td>ROOF MARKER LIGHTS</td> <td>5 WATT</td> <td>0194</td> </tr> <tr> <td>HIGH BEAM HEADLIGHT</td> <td>65 WATT</td> <td>9007 LL</td> </tr> <tr> <td>LOW BEAM HEADLIGHT</td> <td>55 WATT</td> <td>9007 LL</td> </tr> <tr> <td>PARK LAMP</td> <td>27 WATT</td> <td>1157NA</td> </tr> <tr> <td>FRONT TURN SIGNAL</td> <td>8 WATT</td> <td>1157NA</td> </tr> <tr> <td>SIDE MARKER LIGHTS</td> <td>5 WATT</td> <td>168</td> </tr> <tr> <td>REVERSE LIGHT</td> <td>32 WATT</td> <td>1156</td> </tr> <tr> <td>STOP / TAIL LIGHTS</td> <td>32 WATT / 3 WATT</td> <td>1157</td> </tr> </tbody> </table>								BULB APPLICATION	CANDLEPOWER OR WATTS	BULB TRADE NUMBER	ASHTRAY	1.4 WATT	74T-5	DOVE	15 WATT	211-2	FOG LIGHTS	55 WATT	64151	ROOF MARKER LIGHTS	5 WATT	0194	HIGH BEAM HEADLIGHT	65 WATT	9007 LL	LOW BEAM HEADLIGHT	55 WATT	9007 LL	PARK LAMP	27 WATT	1157NA	FRONT TURN SIGNAL	8 WATT	1157NA	SIDE MARKER LIGHTS	5 WATT	168	REVERSE LIGHT	32 WATT	1156	STOP / TAIL LIGHTS	32 WATT / 3 WATT	1157
BULB APPLICATION	CANDLEPOWER OR WATTS	BULB TRADE NUMBER																																									
ASHTRAY	1.4 WATT	74T-5																																									
DOVE	15 WATT	211-2																																									
FOG LIGHTS	55 WATT	64151																																									
ROOF MARKER LIGHTS	5 WATT	0194																																									
HIGH BEAM HEADLIGHT	65 WATT	9007 LL																																									
LOW BEAM HEADLIGHT	55 WATT	9007 LL																																									
PARK LAMP	27 WATT	1157NA																																									
FRONT TURN SIGNAL	8 WATT	1157NA																																									
SIDE MARKER LIGHTS	5 WATT	168																																									
REVERSE LIGHT	32 WATT	1156																																									
STOP / TAIL LIGHTS	32 WATT / 3 WATT	1157																																									
CHK	DATE	CHANGE	REV	REFERENCE	DRAWN	NAME																																					
CNA1	28AUG07	REVISED AND REDRAWN	C	60785Z	U00JAHP	CIRCUIT DIAGRAM, LCF																																					
					RELEASE NO.	DATE	PART NO.																																				
					59053V	05FEB04	AE08055410																																				
							SHEET 007																																				

Figure 7 Lamp Bulb Chart

2.8. RELAY FUNCTION AND WIRING GUIDE, P. 8

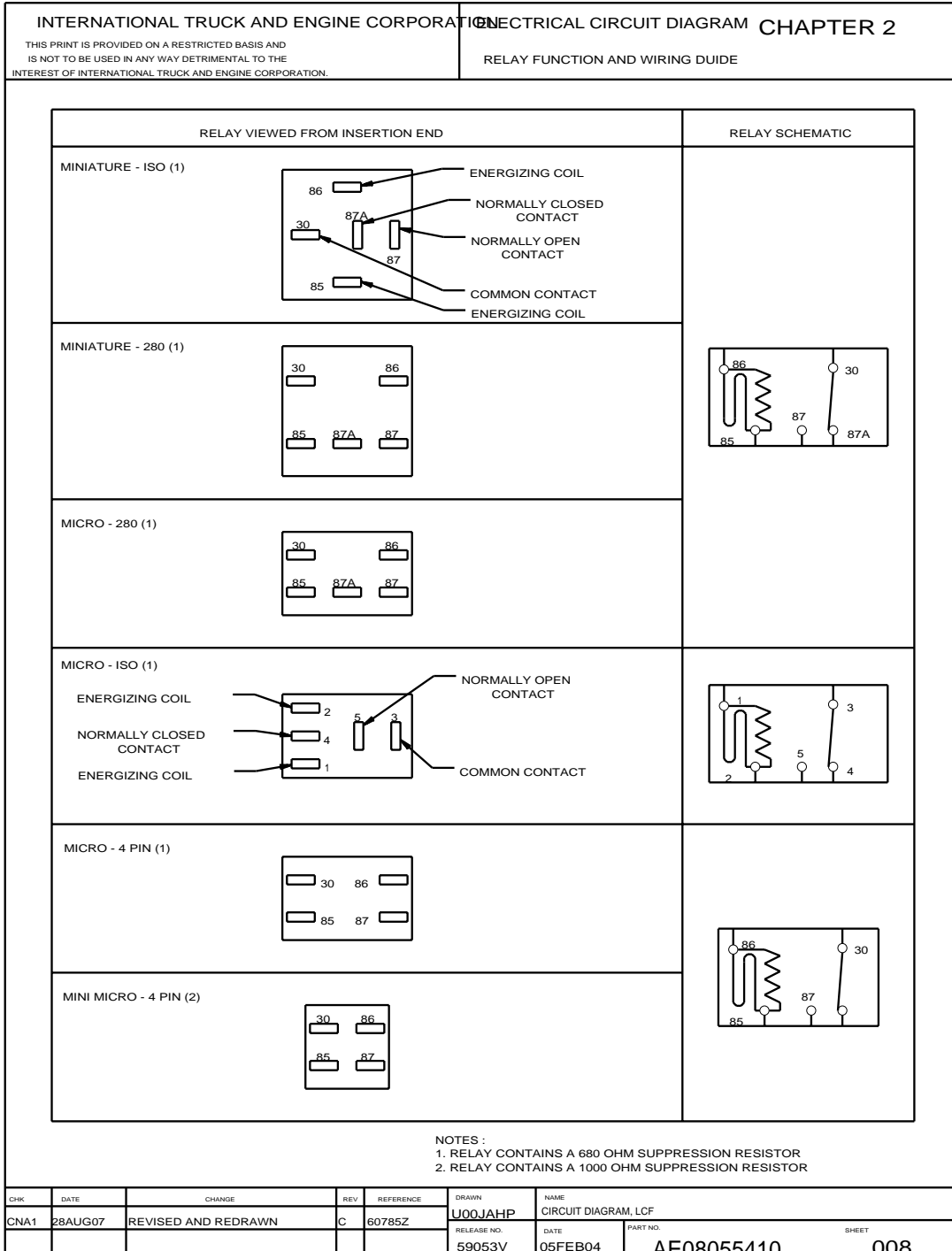


Figure 8 Relay Function and Wiring Guide


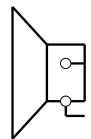
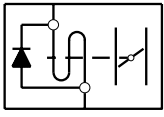
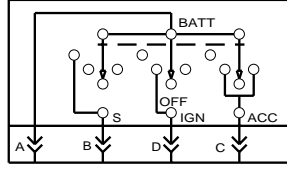
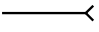
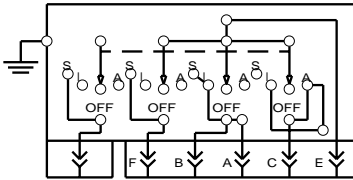

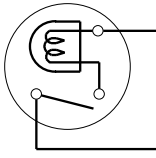

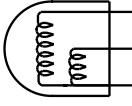
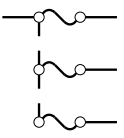
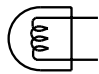

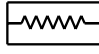
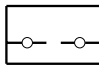
2.9. SCHEMATIC SYMBOL CHART, P. 9

INTERNATIONAL TRUCK AND ENGINE CORPORATION				ELECTRICAL CIRCUIT DIAGRAM CHAPTER 2			
THIS PRINT IS PROVIDED ON A RESTRICTED BASIS AND IS NOT TO BE USED IN ANY WAY DETRIMENTAL TO THE INTEREST OF INTERNATIONAL TRUCK AND ENGINE CORPORATION.				SCHEMATIC SYMBOL CHART			
SYMBOL		DESCRIPTION		SYMBOL		DESCRIPTION	
		ACCEL PEDAL POSN SENSOR				AMMETER	
		ACCEL PEDAL POSN SENSOR				BATTERY	
		AIR DRYER				BLUNT CUT CIRCUIT	
		ALARM				BUSBAR	
		ALTERNATOR				CIGAR LIGHTER	
		CIRCUIT BREAKER				DIODE	

CHK	DATE	CHANGE	REV	REFERENCE	DRAWN	NAME
CNA1	28AUG07	REVISED AND REDRAWN	E	60785Z	U00JAHP	CIRCUIT DIAGRAM, LCF
					RELEASE NO.	DATE
					59053V	05FEB04
						PART NO.
						AE08055410
						SHEET
						009

Figure 9 Schematic Symbol Chart

2.10. SCHEMATIC SYMBOL CHART, P. 10

INTERNATIONAL TRUCK AND ENGINE CORPORATION					ELECTRICAL CIRCUIT DIAGRAM CHAPTER 2				
THIS PRINT IS PROVIDED ON A RESTRICTED BASIS AND IS NOT TO BE USED IN ANY WAY DETRIMENTAL TO THE INTEREST OF INTERNATIONAL TRUCK AND ENGINE CORPORATION.					SCHEMATIC SYMBOL CHART (CONT)				
SYMBOL		DESCRIPTION			SYMBOL		DESCRIPTION		
		DIODE, LIGHT EMITTING					HORN		
		FAN SOLENOID					KEY SWITCH		
		FEMALE TERMINAL					KEY SWITCH, COMPLEX		
		FUSE					LIGHT W/ SWITCH		
		FUSIBLE LINK					LIGHT, DOUBLE FILAMENT		
		FUSES W/ BUSBAR					LIGHT, SINGLE FILAMENT		
		GROUND N/ STUD							
		HEATER							
		HOLDER, FUSE W/ BUSBAR							

CHK	DATE	CHANGE	REV	REFERENCE	DRAWN	NAME			
CNA1	28AUG07	INITIAL RELEASE	A	60785Z	300371	CIRCUIT DIAGRAM, LCF			
					RELEASE NO.	DATE	PART NO.	SHEET	
					60785Z	10MAY07	AE08055410	010	

Figure 10 Schematic Symbol Chart

2.11. SCHEMATIC SYMBOL CHART, P. 11

INTERNATIONAL TRUCK AND ENGINE CORPORATION				ELECTRICAL CIRCUIT DIAGRAM CHAPTER 2			
THIS PRINT IS PROVIDED ON A RESTRICTED BASIS AND IS NOT TO BE USED IN ANY WAY DETRIMENTAL TO THE INTEREST OF INTERNATIONAL TRUCK AND ENGINE CORPORATION.				SCHEMATIC SYMBOL CHART (CONT)			
SYMBOL		DESCRIPTION		SYMBOL		DESCRIPTION	
		MALE TERMINAL				RESISTOR	
		MOTOR				SENDER - FUEL, OIL, TEMP, WATER	
		PASS THRU CONNECTION				SENSOR, PRESSURE. ABS 6	
		PRESSURE SWITCH				SENSOR, MAGNETIC	
		RELAY, FIVE TERMINAL				SENSOR, YAW	
		RELAY, FOUR TERMINAL				SOLENOID	
		RELAY, LATCHING				SOLENOID W/ DIODE	
CHK	DATE	CHANGE	REV	REFERENCE	DRAWN	NAME	
CNA1	28AUG07	INITIAL RELEASE	A	60785Z	300371	CIRCUIT DIAGRAM, LCF	
					RELEASE NO.	DATE	PART NO.
					60785Z	10MAY07	AE08055410
							SHEET 011

Figure 11 Schematic Symbol Chart

2.12. SCHEMATIC SYMBOL CHART, P. 12

INTERNATIONAL TRUCK AND ENGINE CORPORATION				ELECTRICAL CIRCUIT DIAGRAM CHAPTER 2			
THIS PRINT IS PROVIDED ON A RESTRICTED BASIS AND IS NOT TO BE USED IN ANY WAY DETRIMENTAL TO THE INTEREST OF INTERNATIONAL TRUCK AND ENGINE CORPORATION.				SCHEMATIC SYMBOL CHART (CONT)			
SYMBOL		DESCRIPTION		SYMBOL		DESCRIPTION	
		SPEAKER				SWITCH, PUSH BUTTON	
		SPLICE				TERMINATING RESISTOR	
		STUD				THERMISTOR	
		START MOTOR W/ TOCP				THERMOSTAT	
		SWITCH, MECHANICAL (NORMALLY OPEN)				VALVE, ETHER BOTTLE	
		SWITCH, MECHANICAL (NORMALLY CLOSED)				VALVE, MODULATOR	

CHK	DATE	CHANGE	REV	REFERENCE	DRAWN	NAME
CNA1	28AUG07	INITIAL RELEASE	A	60785Z	300371	CIRCUIT DIAGRAM, LCF
					RELEASE NO.	DATE
					60785Z	10MAY07
						PART NO.
						AE08055410
						SHEET
						012

Figure 12 Schematic Symbol Chart

3. 12 VOLT DISTRIBUTION, GROUNDS, AND DATA LINKS (CHAPTER 3)

3.1. BATTERY FEEDS, POWER DISTRIBUTION BOX, P. 1

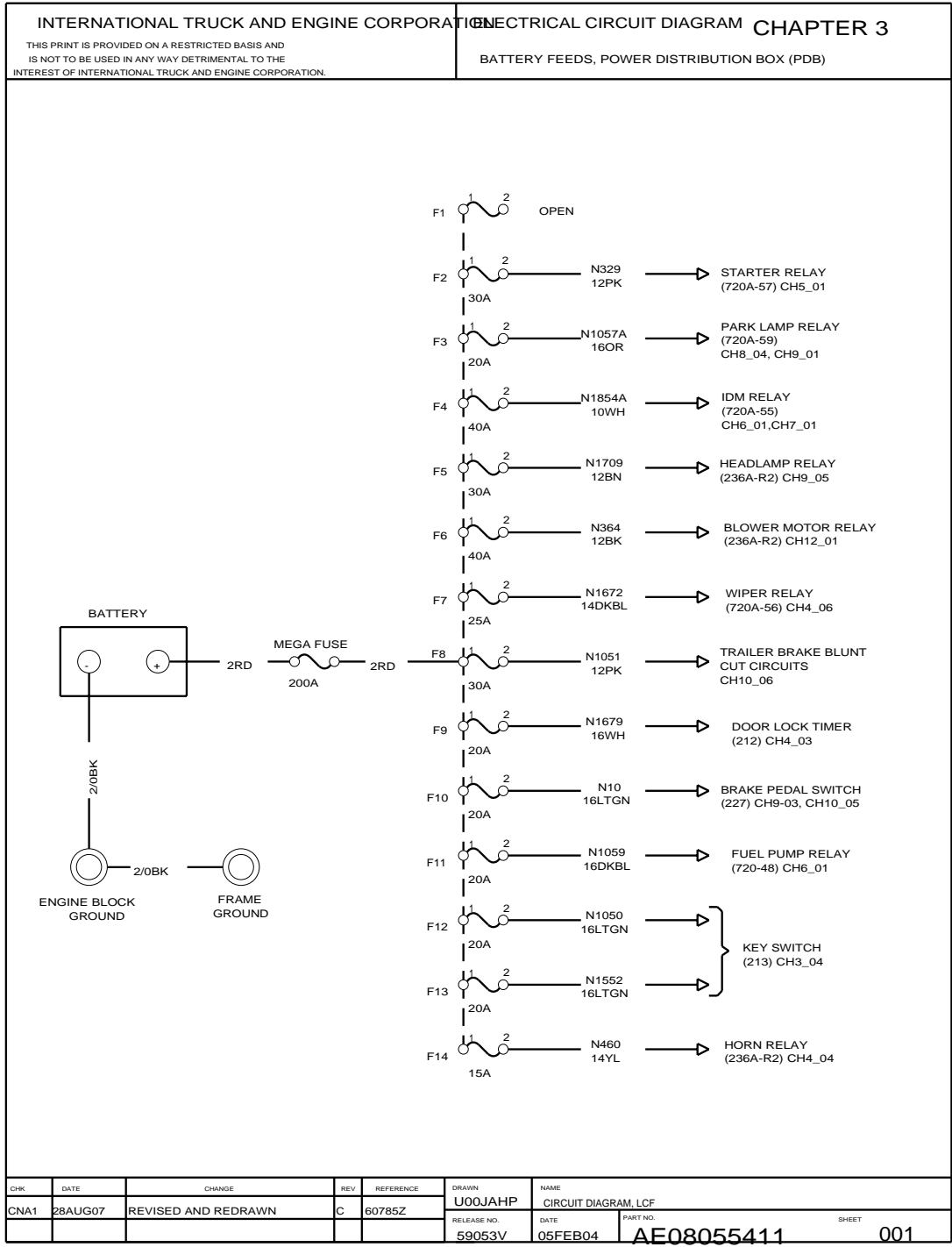


Figure 13 Battery Feeds, Power Distribution Box

3.2. BATTERY FEEDS, POWER DISTRIBUTION BOX, P. 2

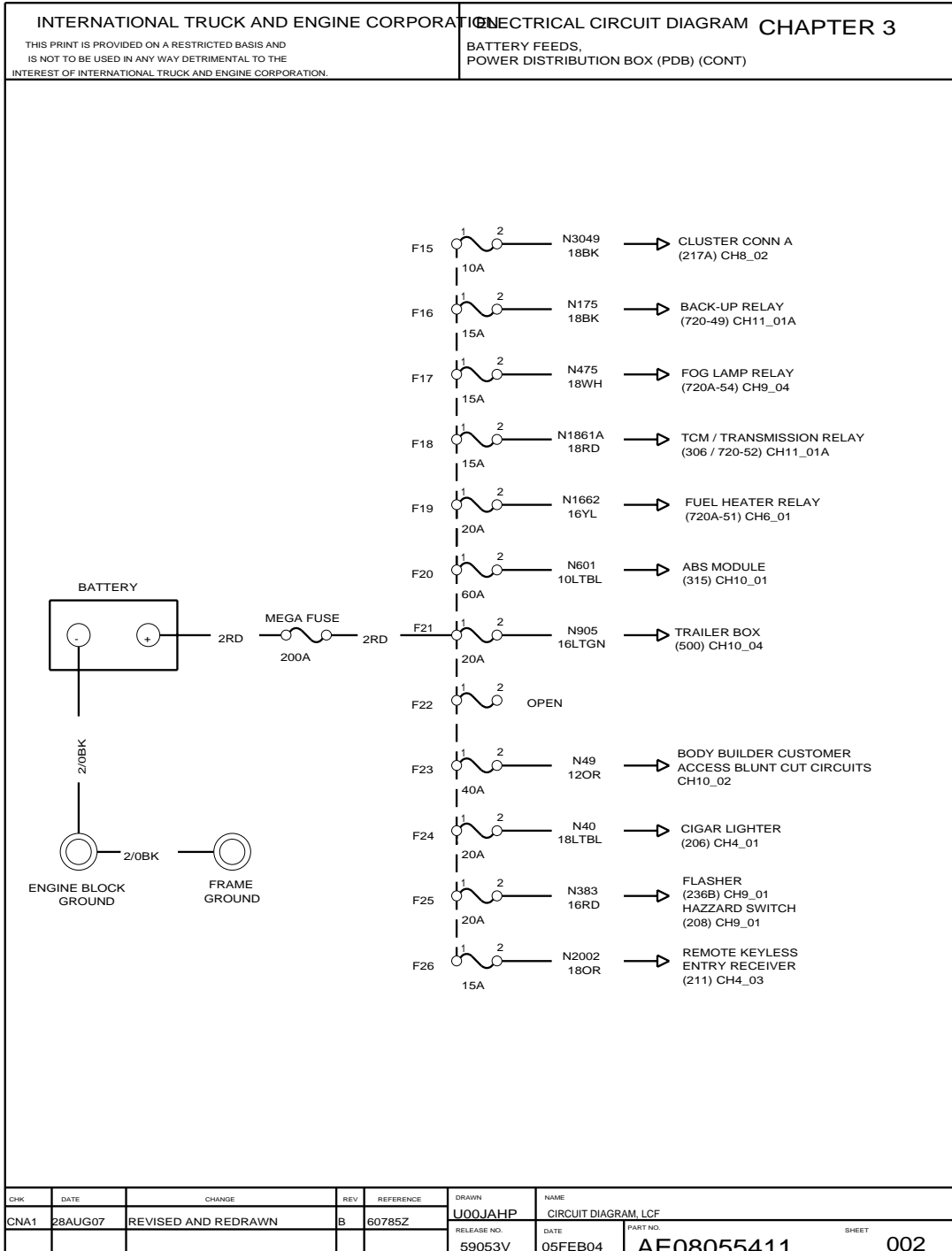


Figure 14 Battery Feeds, Power Distribution Box

3.3. BATTERY FEEDS, POWER DISTRIBUTION BOX, P. 3

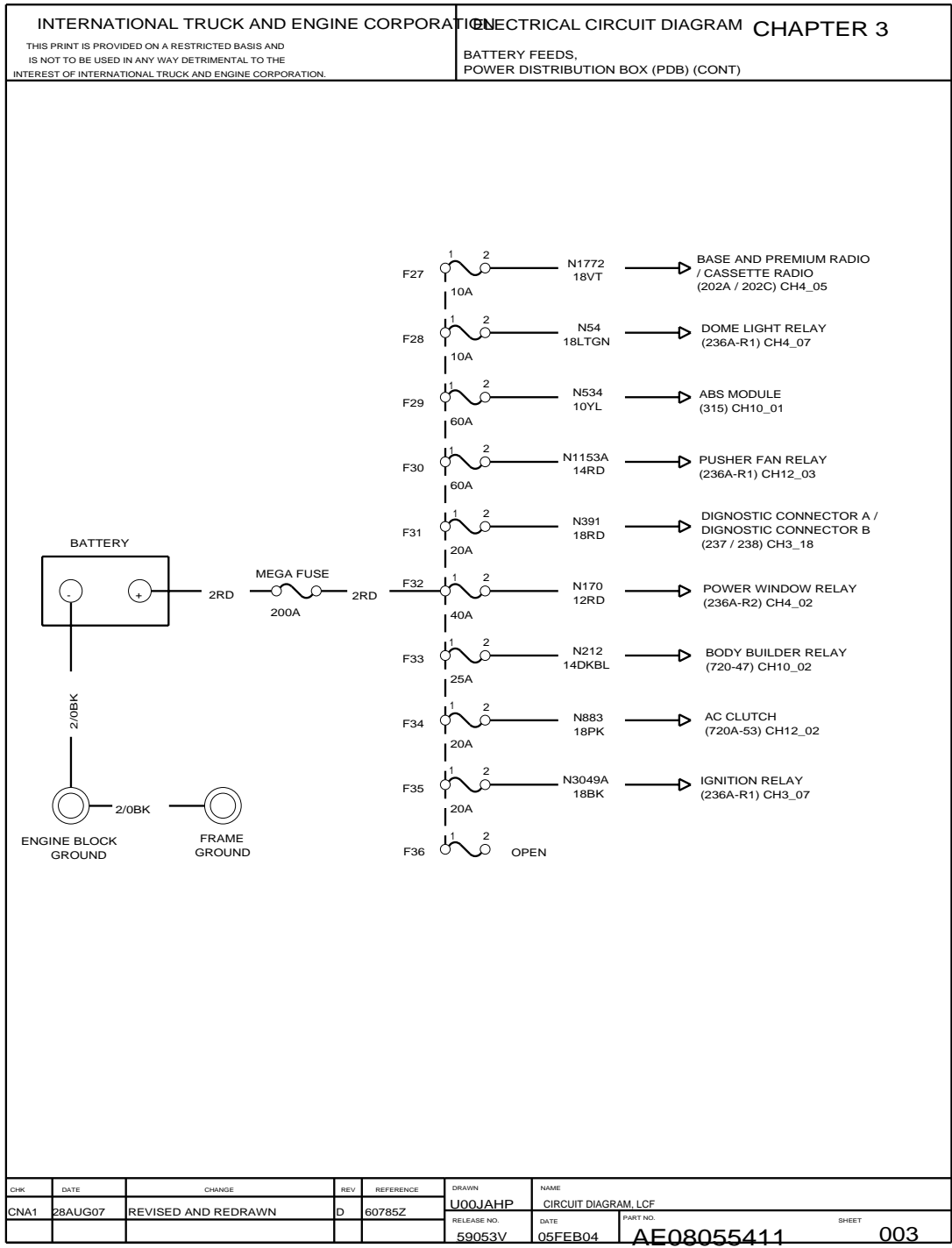


Figure 15 Battery Feeds, Power Distribution Box

3.4. KEY SWITCH, P. 4

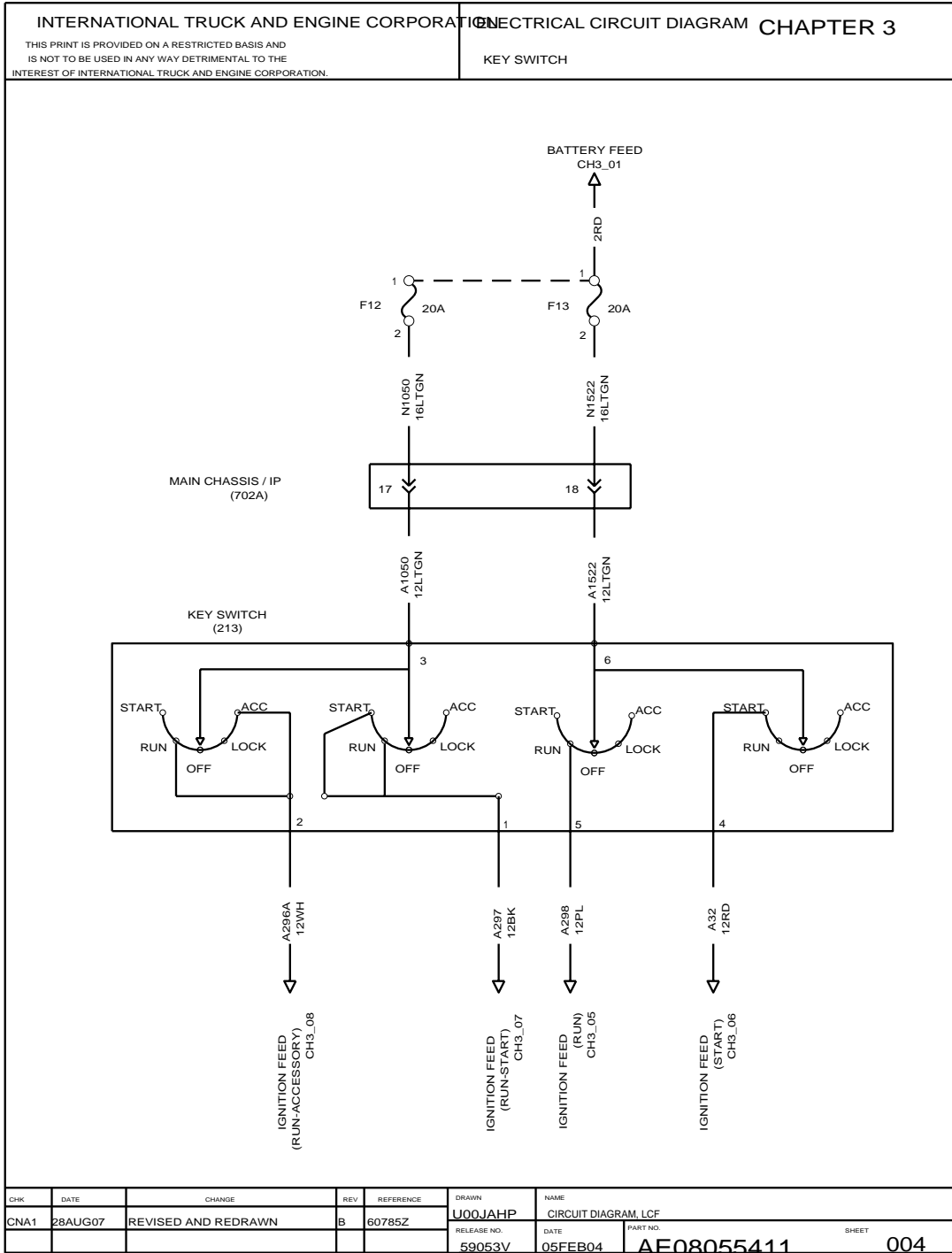


Figure 16 Key Switch

3.5. IGNITION FEEDS (RUN), P. 5

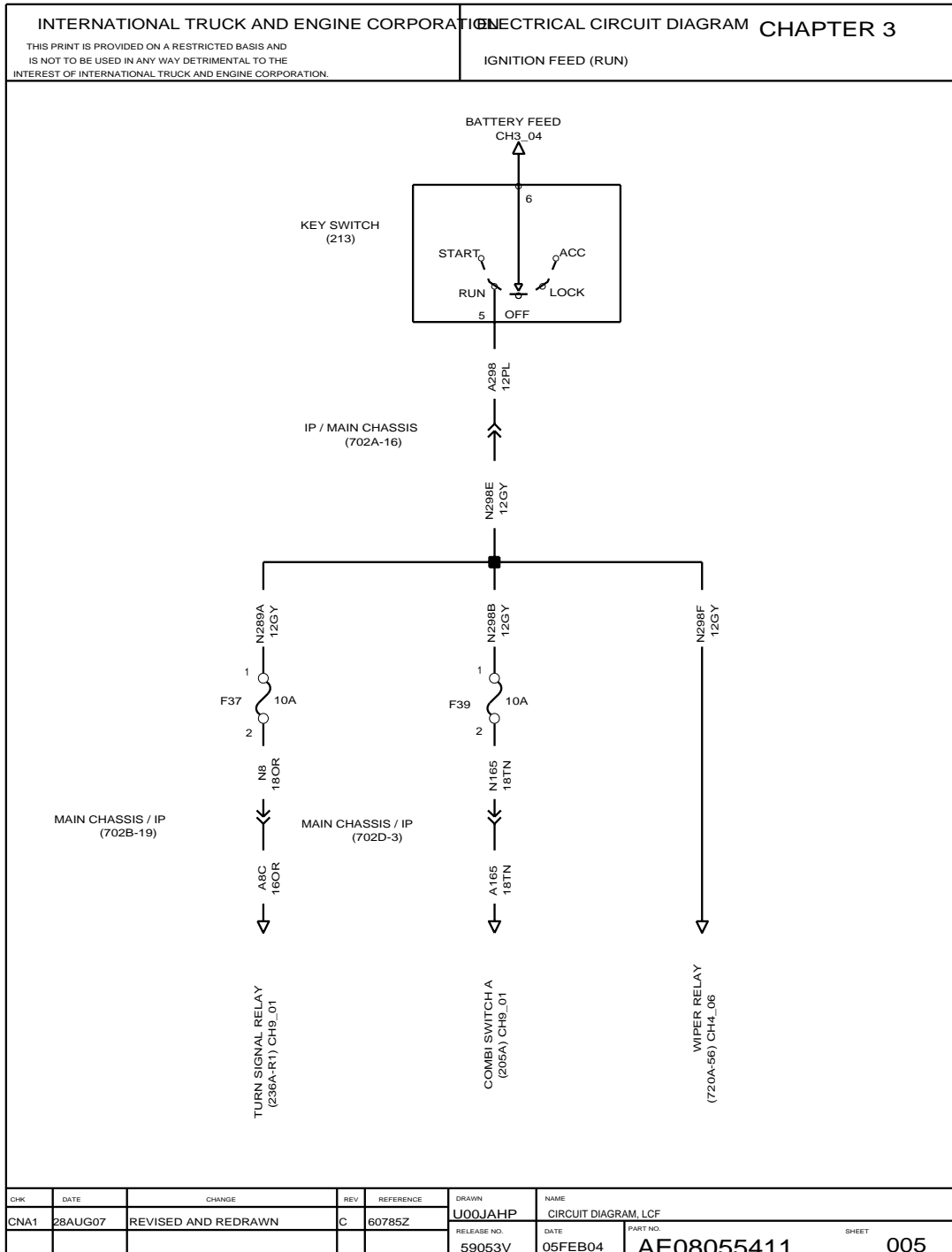


Figure 17 Ignition Feeds (Run)

3.6. IGNITION FEEDS (START), P. 6

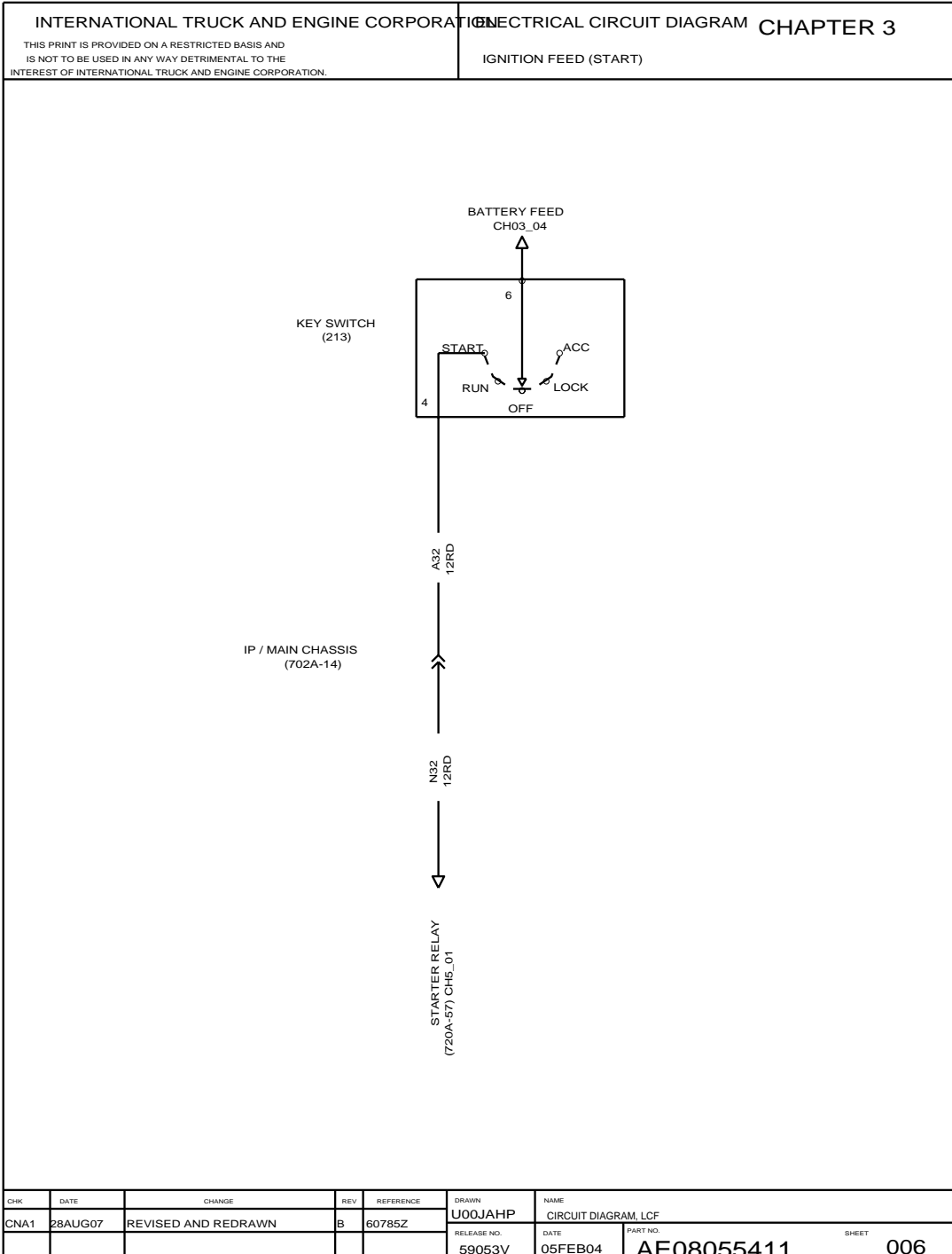


Figure 18 Ignition Feeds (Start)

3.7. IGNITION FEEDS (RUN-START), P. 7

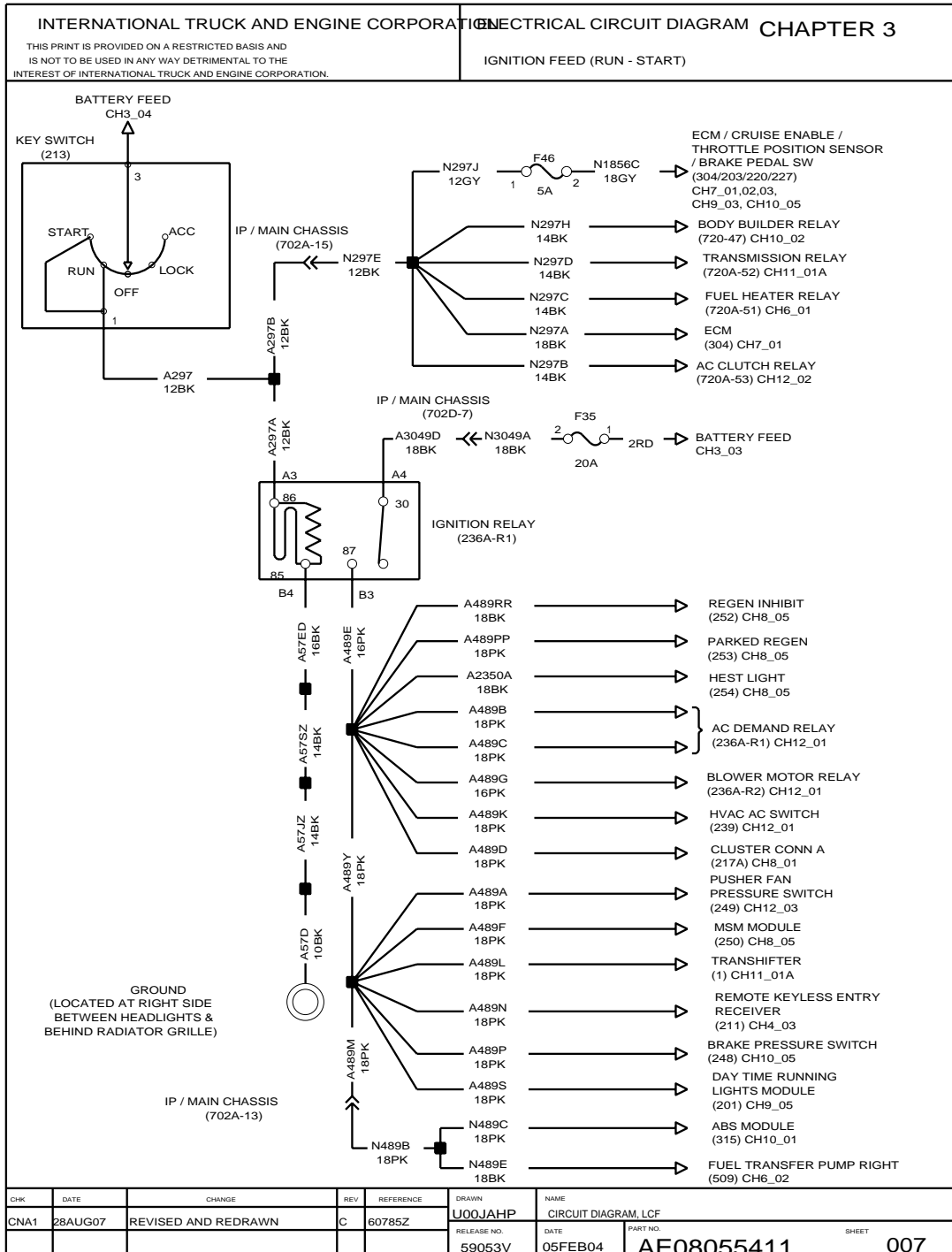


Figure 19 Ignition Feeds (Run-Start)

3.8. IGNITION FEEDS (RUN-ACCESSORY), P. 8

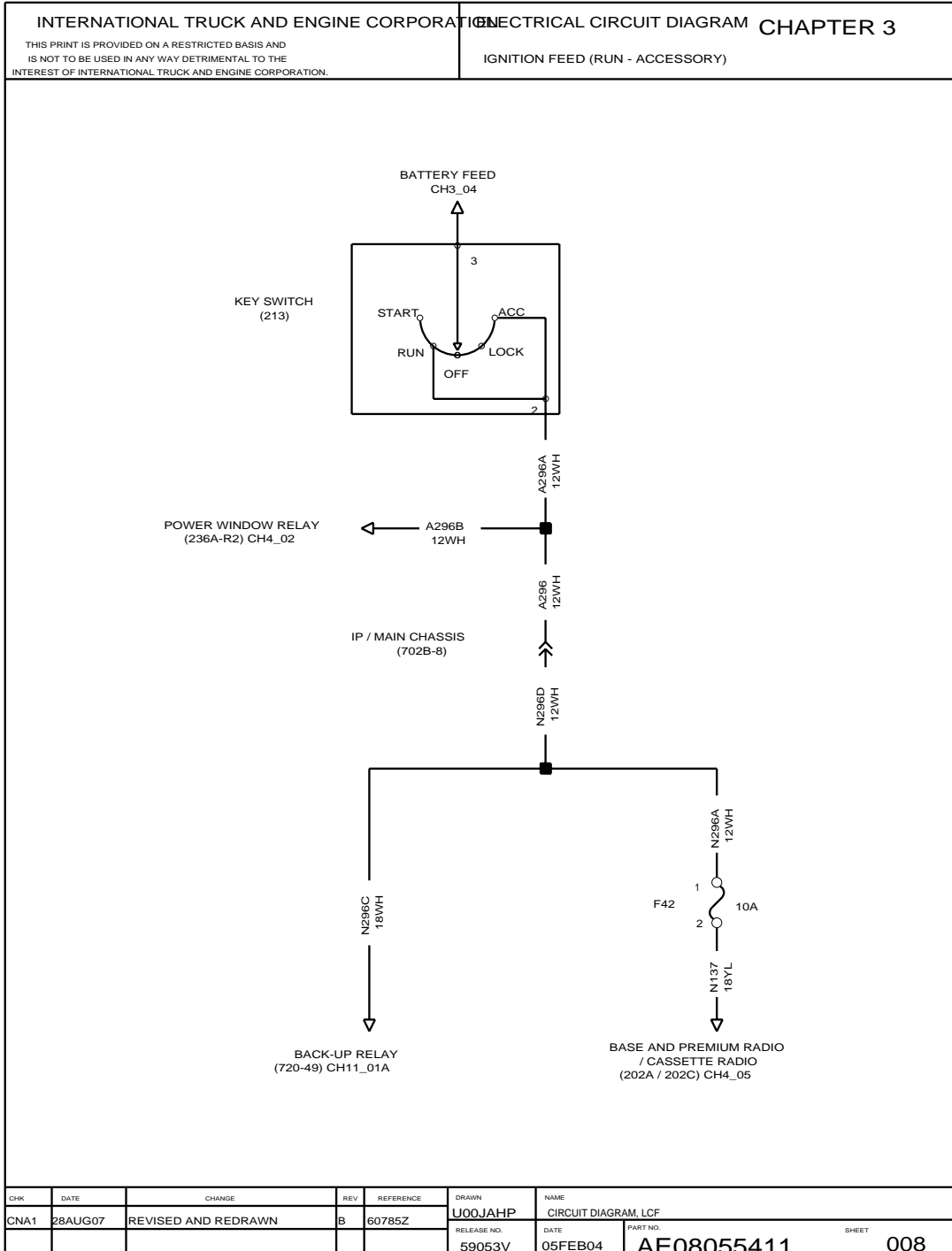


Figure 20 Ignition Feeds (Run-Accessory)

CHK	DATE	CHANGE	REV	REFERENCE	DRAWN	NAME
CNA1	28AUG07	REVISED AND REDRAWN	B	60785Z	U00JAH	CIRCUIT DIAGRAM, LCF
					RELEASE NO.	DATE
					59053V	05FEB04
						PART NO.
						AE08055411
						SHEET
						008

3.9. GROUNDS (MAIN CHASSIS), P. 9

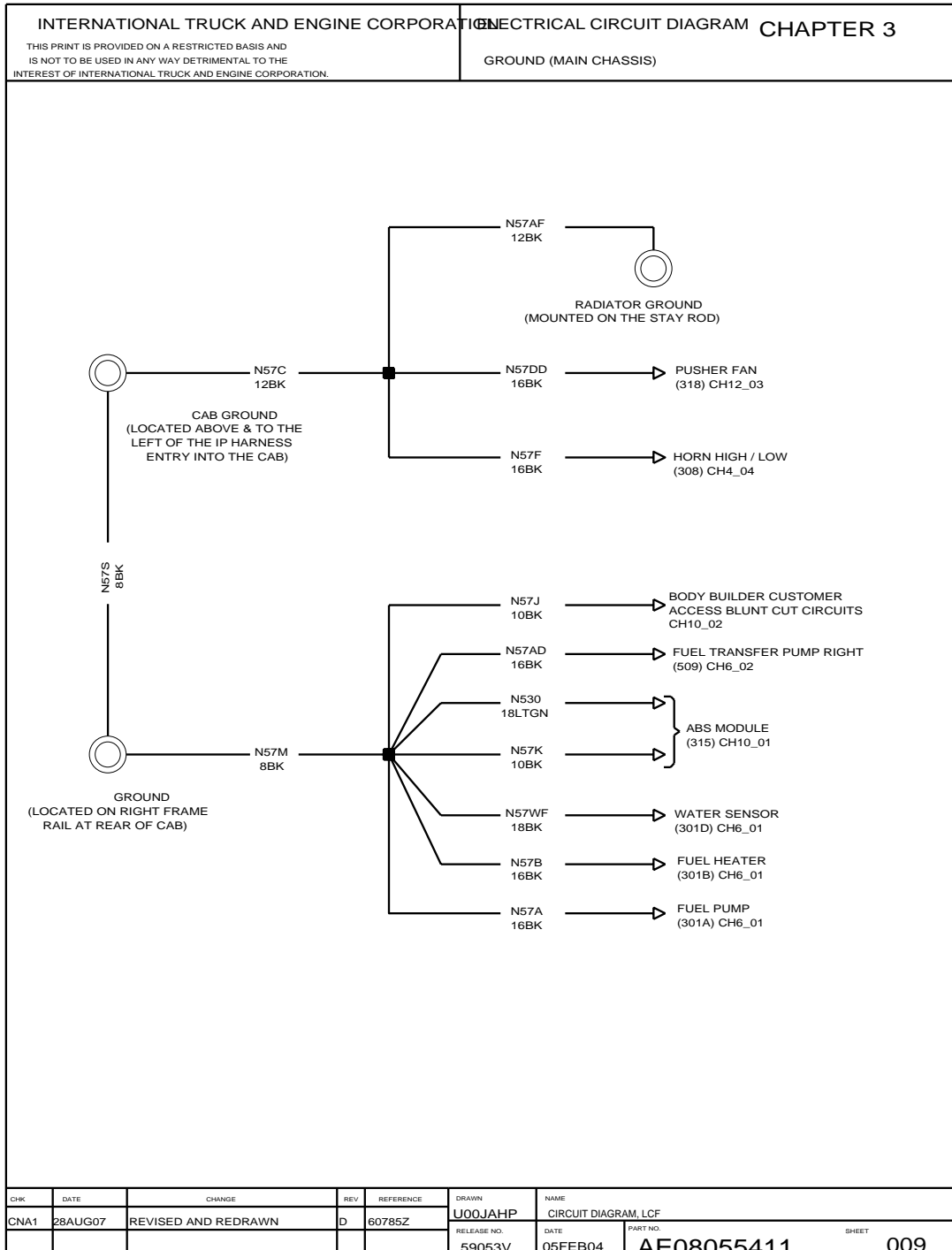


Figure 21 Grounds (Main Chassis)

3.10. GROUNDS (MAIN CHASSIS), P. 10

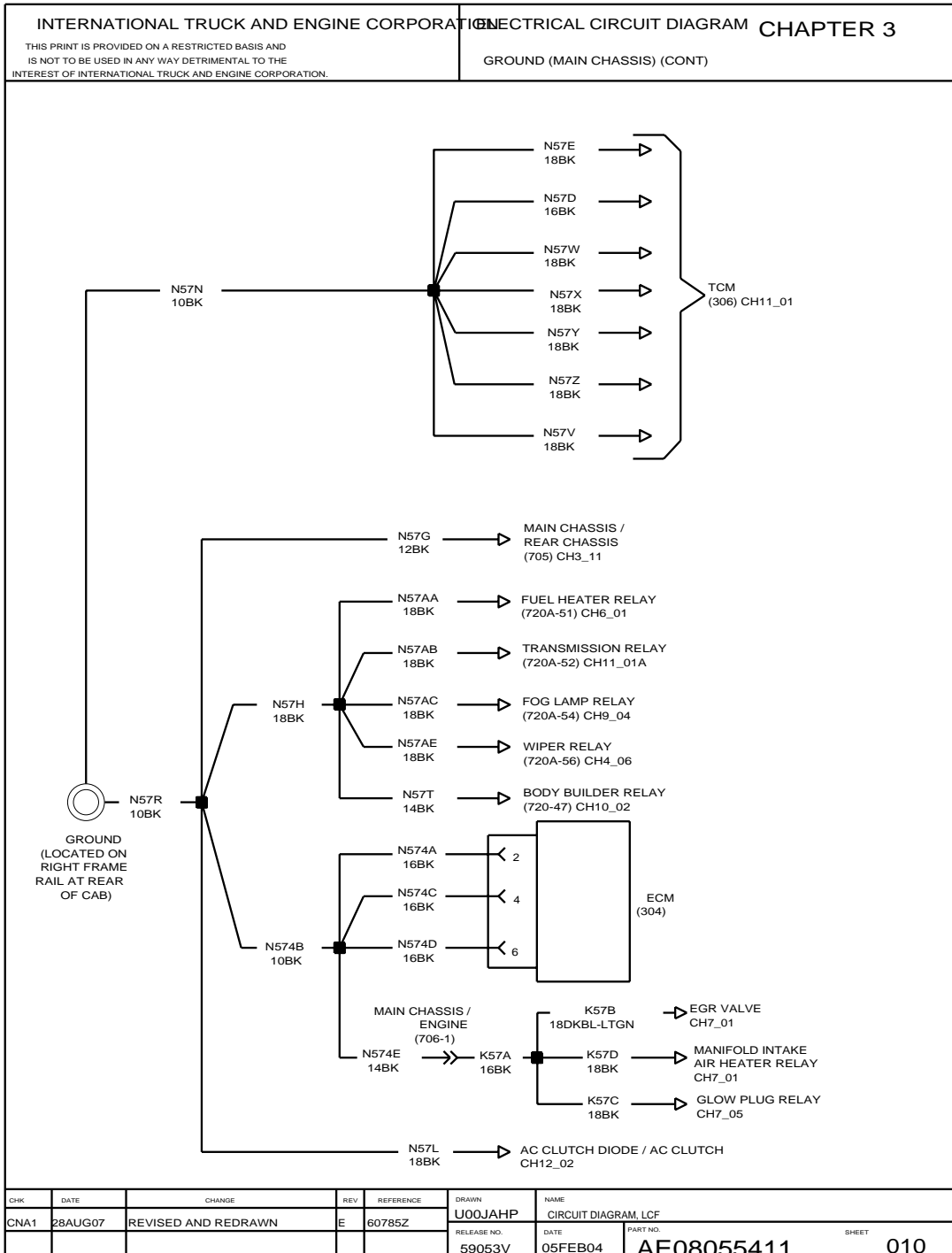


Figure 22 Grounds (Main Chassis)

3.11. GROUNDS (REAR CHASSIS), P. 11

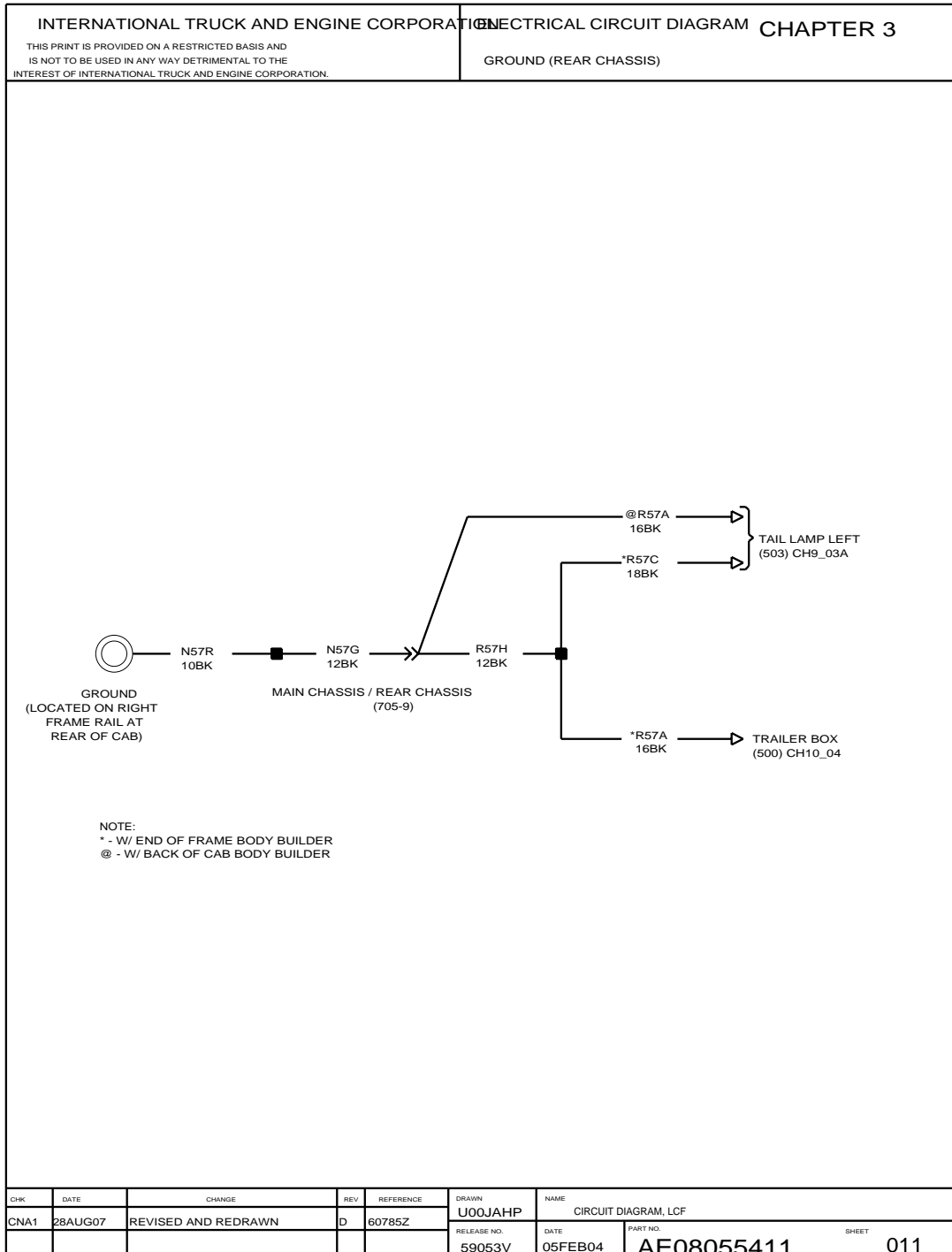


Figure 23 Grounds (Rear Chassis)

3.12. GROUNDS (IP), P. 12

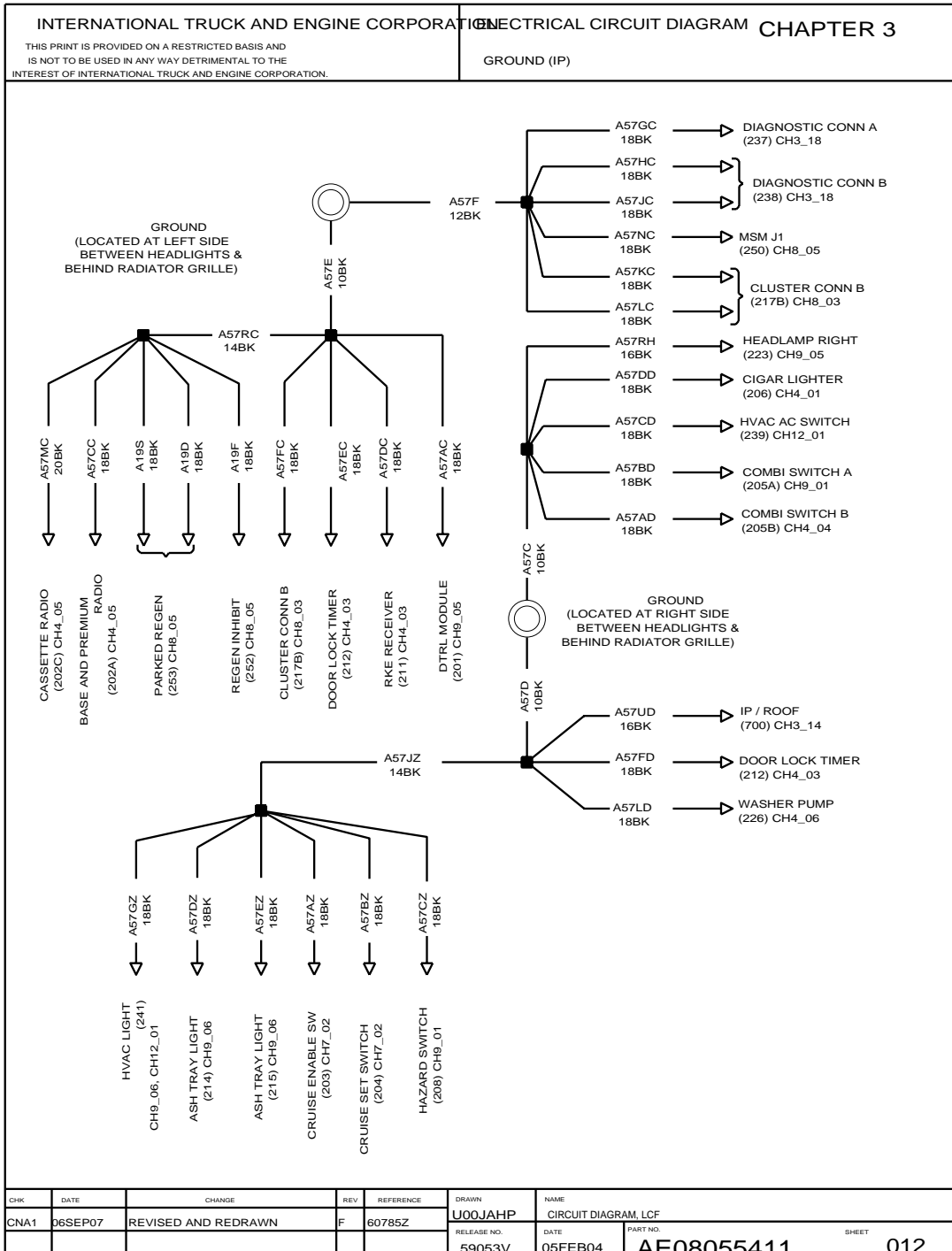


Figure 24 Grounds (IP)

3.13. GROUNDS (IP), P. 13

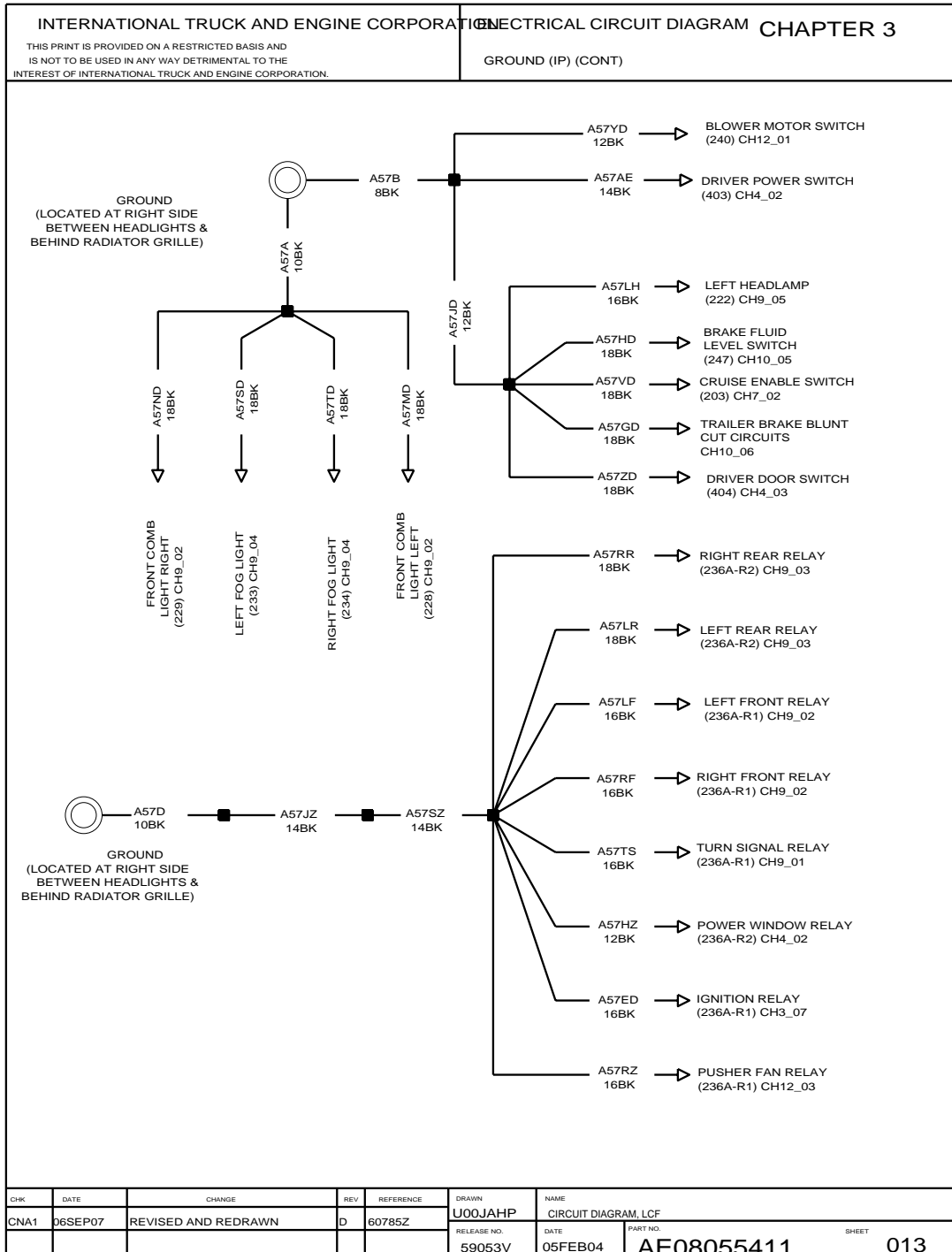


Figure 25 Grounds (IP)

3.14. CAB GROUNDS (ROOF, FLOOR), P. 14

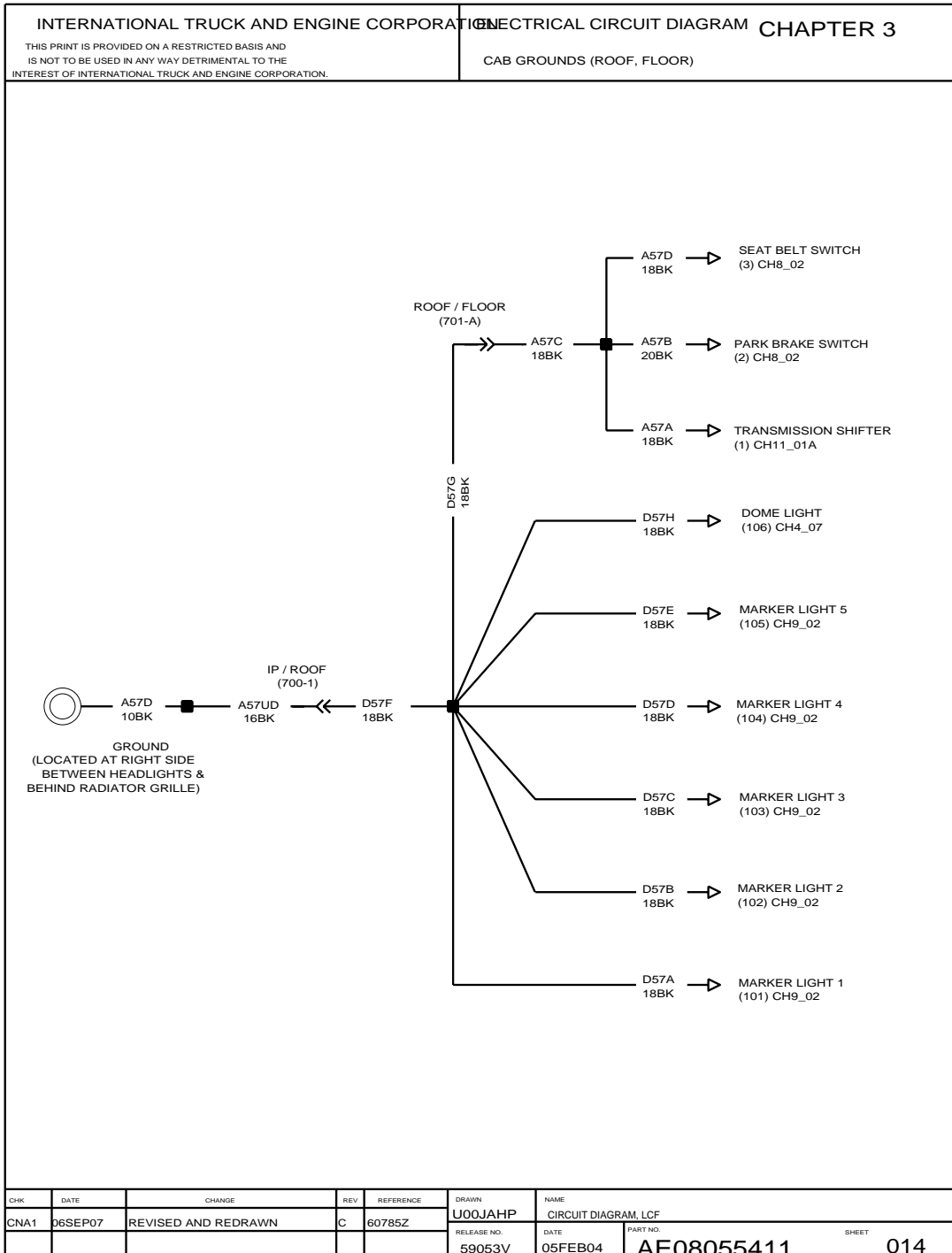


Figure 26 Cab Grounds (Roof, Floor)

3.15. J1708 DATA LINK, P. 15

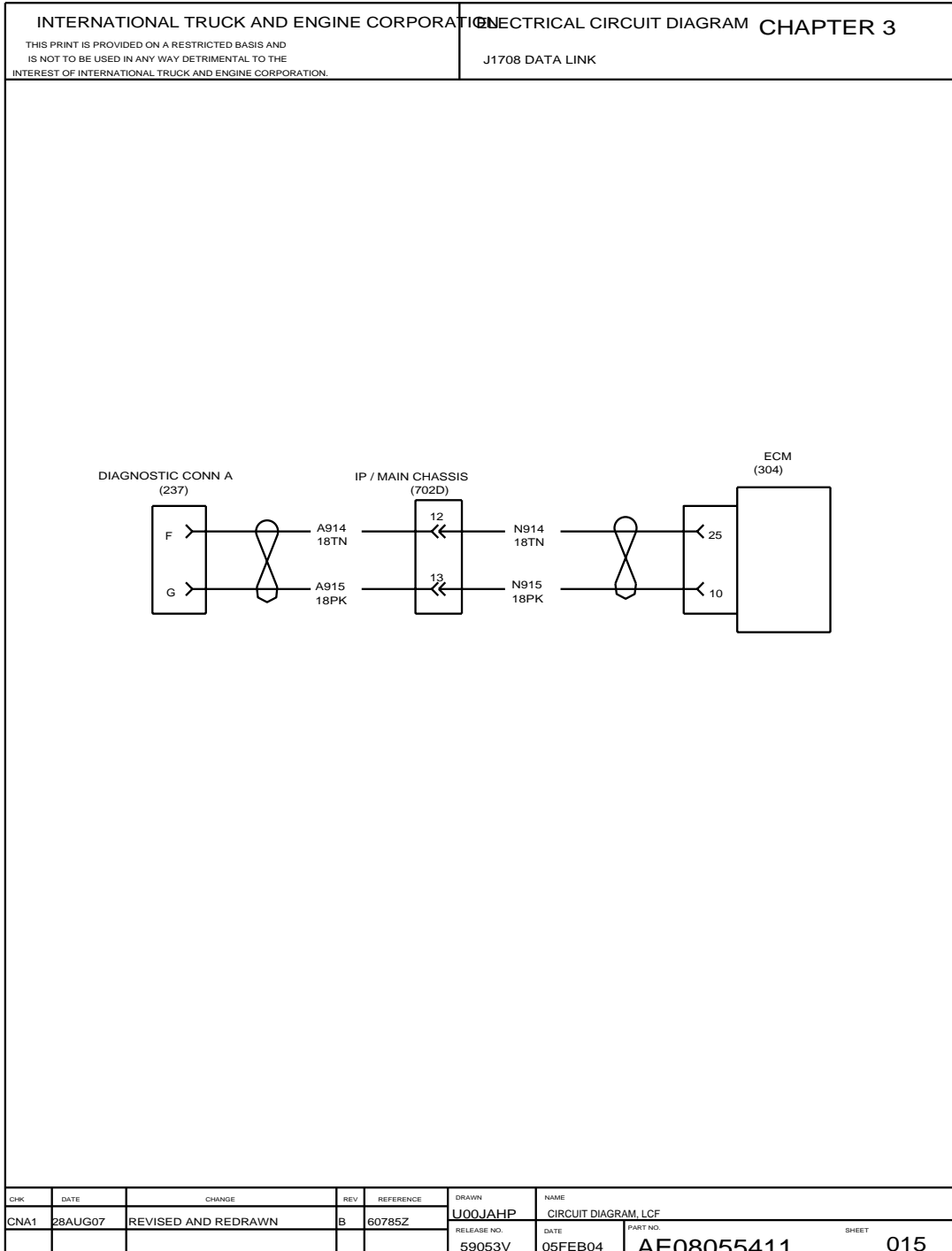


Figure 27 J1708 Data Link

3.16. J1939 DATA LINK, P. 16

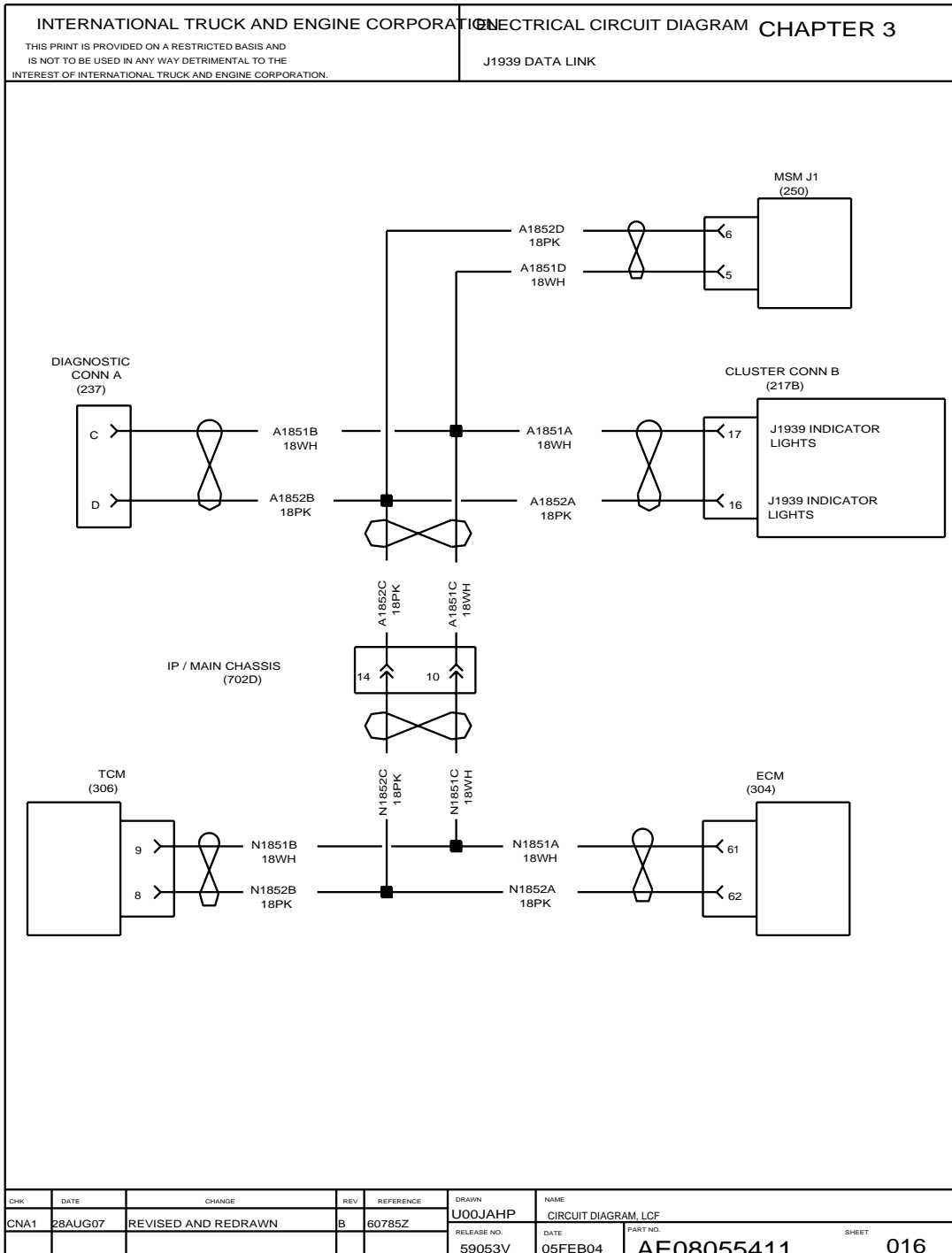


Figure 28 J1939 Data Link

3.17. J2284 DATA LINK, P. 17

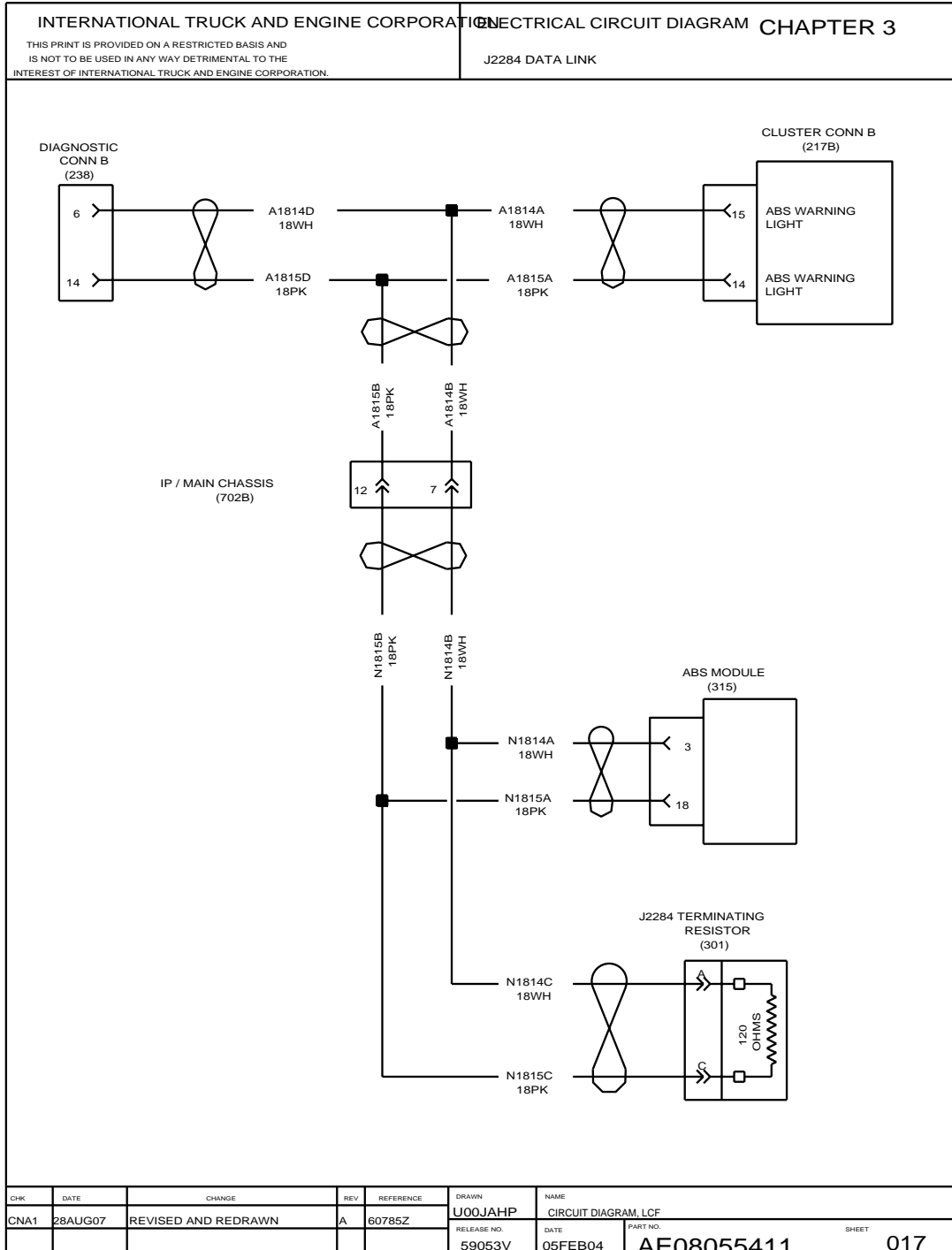


Figure 29 J2284 Data Link

3.18. DIAGNOSTIC CONNECTORS, P. 18

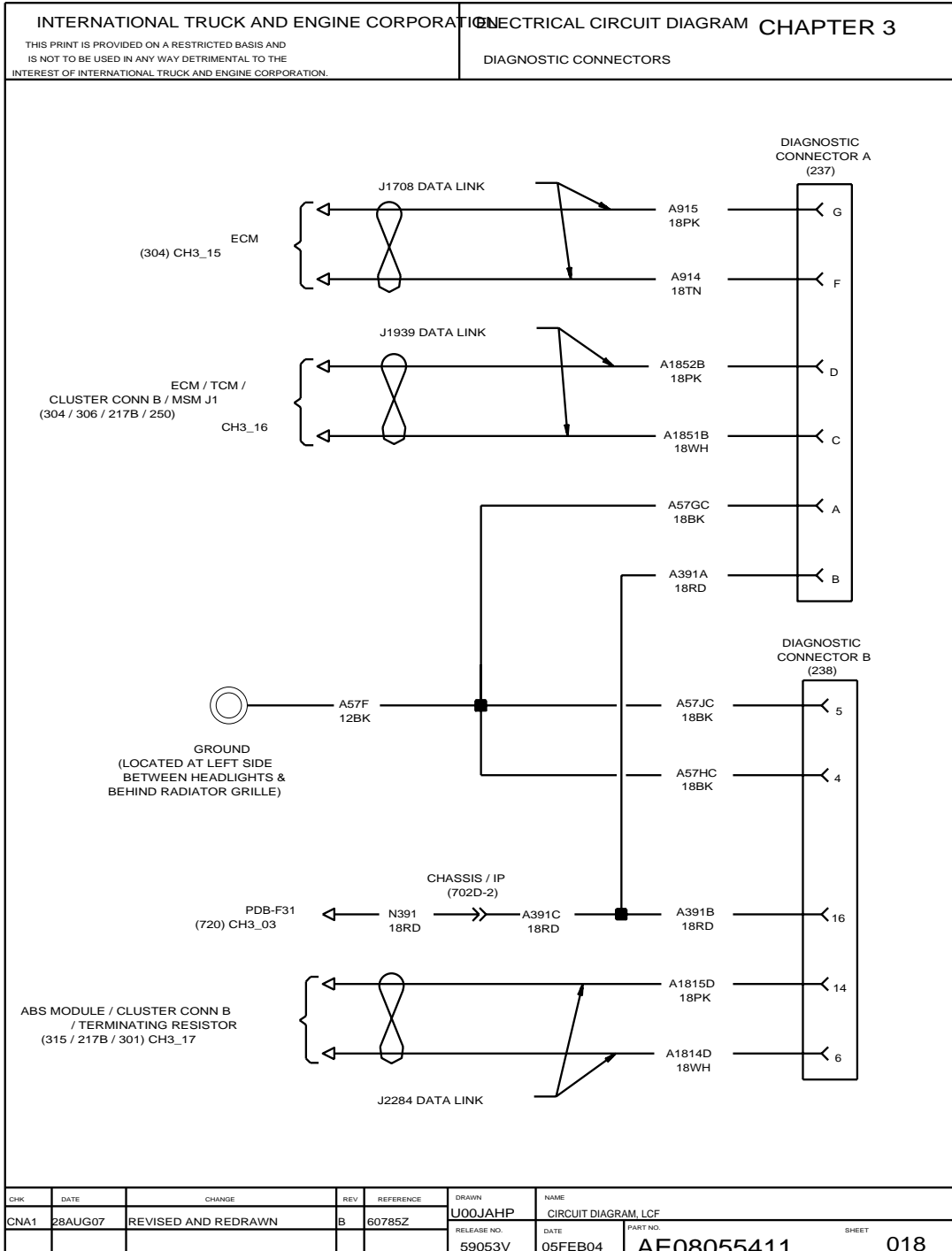


Figure 30 Diagnostic Connectors

4. CAB ACCESSORIES (CHAPTER 4)

4.1. CIGAR LIGHTER, P. 1

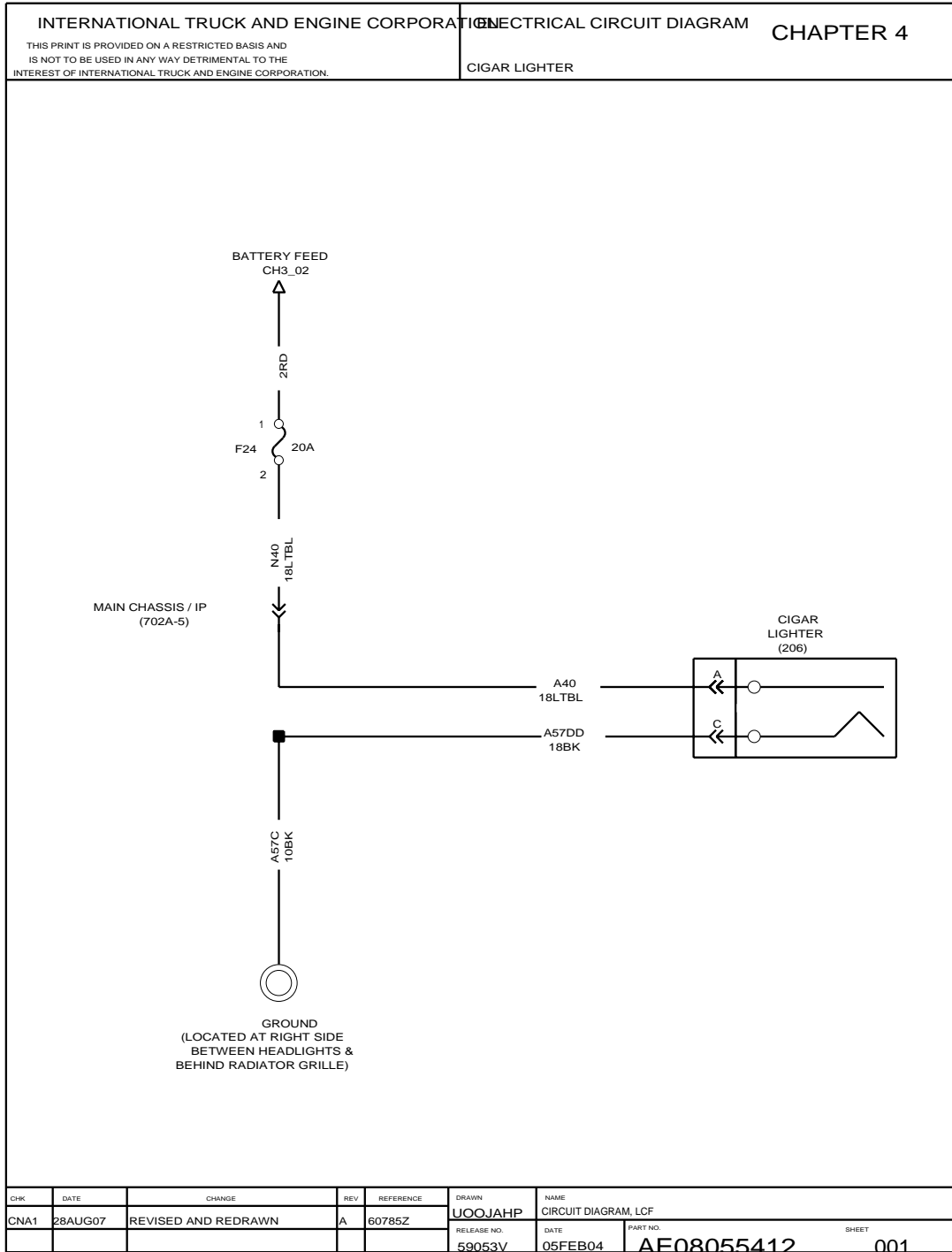


Figure 31 Cigar Lighter

4.2. POWER WINDOWS, P. 2

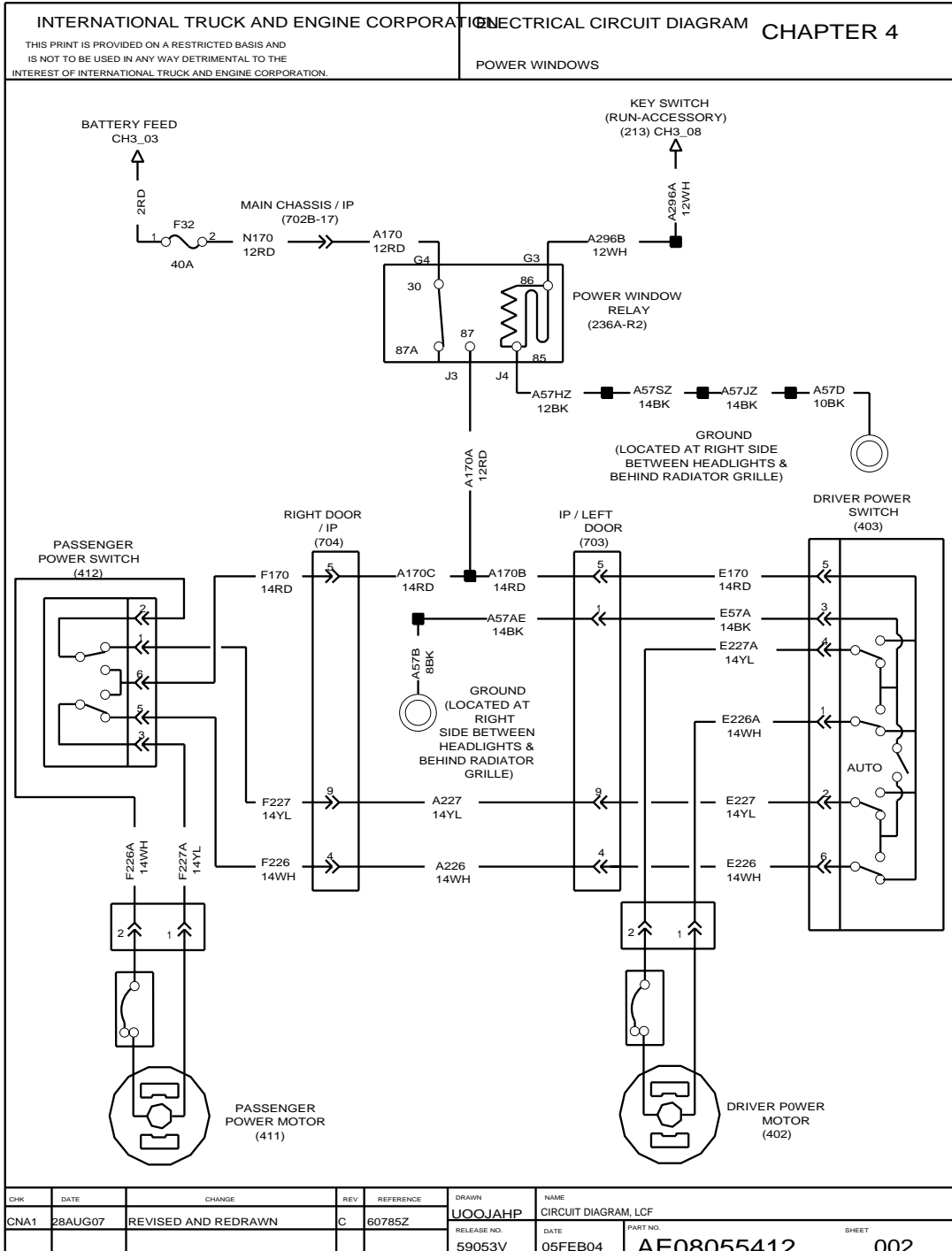


Figure 32 Power Windows

4.3. POWER DOORS, P. 3

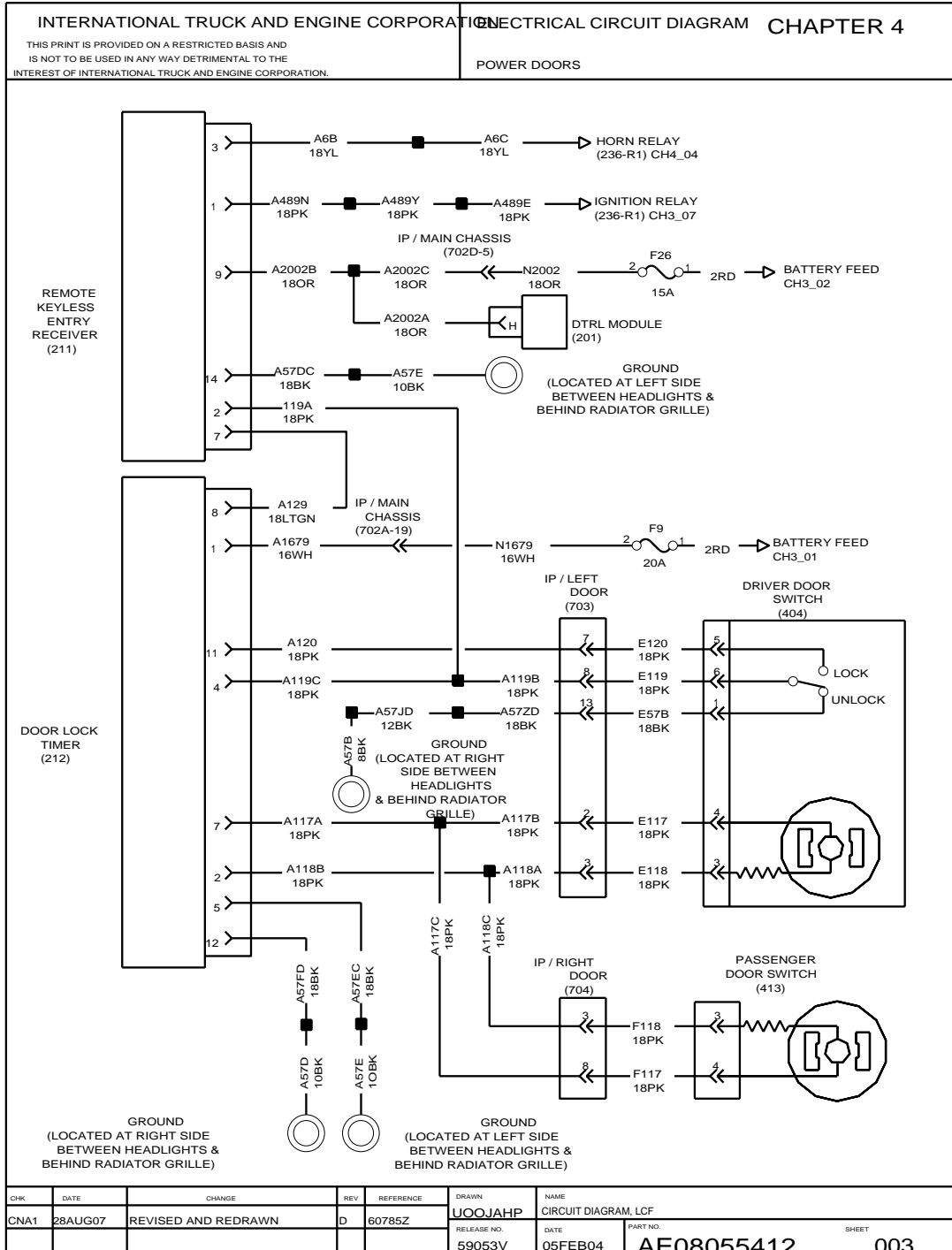


Figure 33 Power Doors

4.4. HORN AND COMBINATION SWITCH B, P. 4

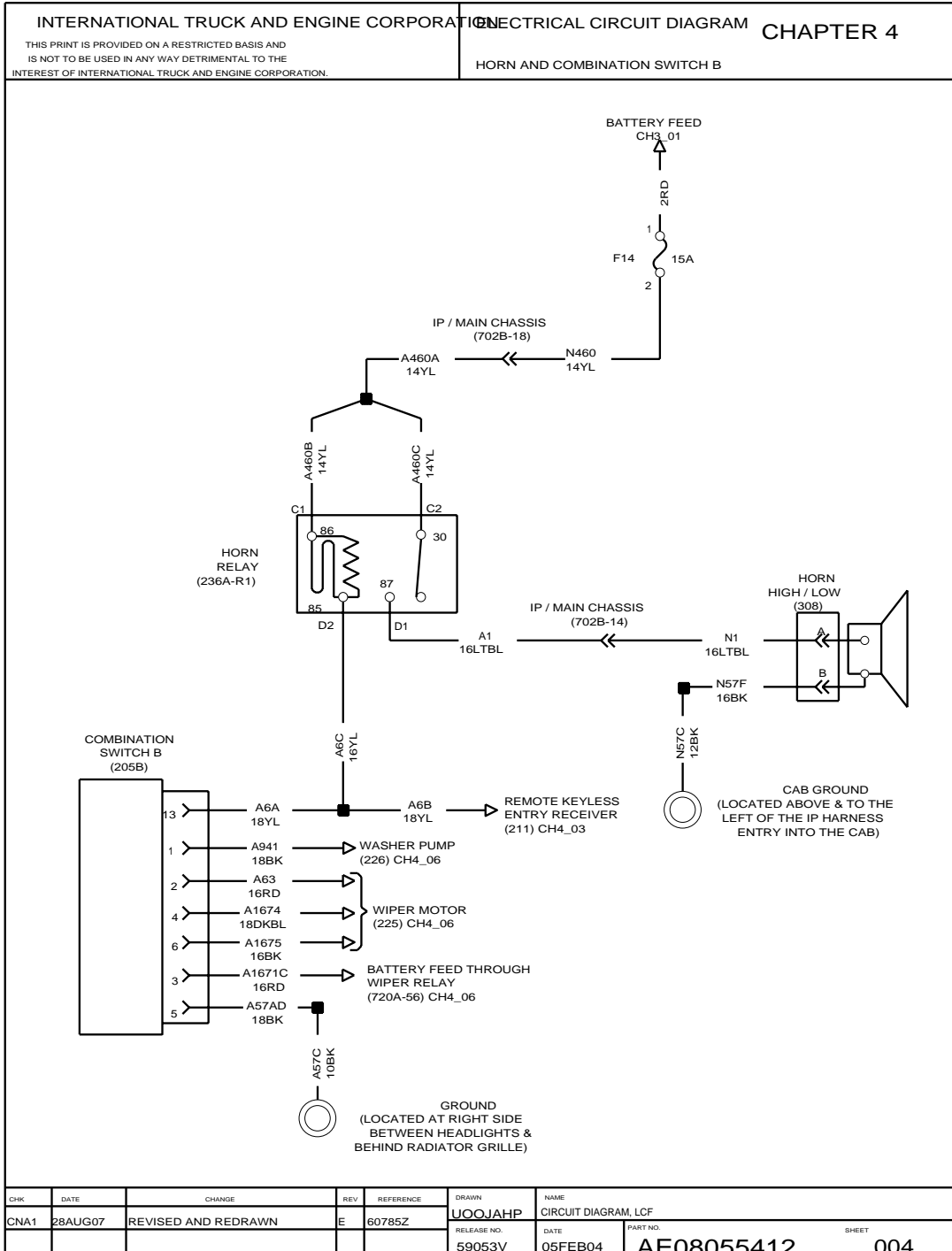


Figure 34 Horn and Combination Switch B

4.5. RADIO, P. 5

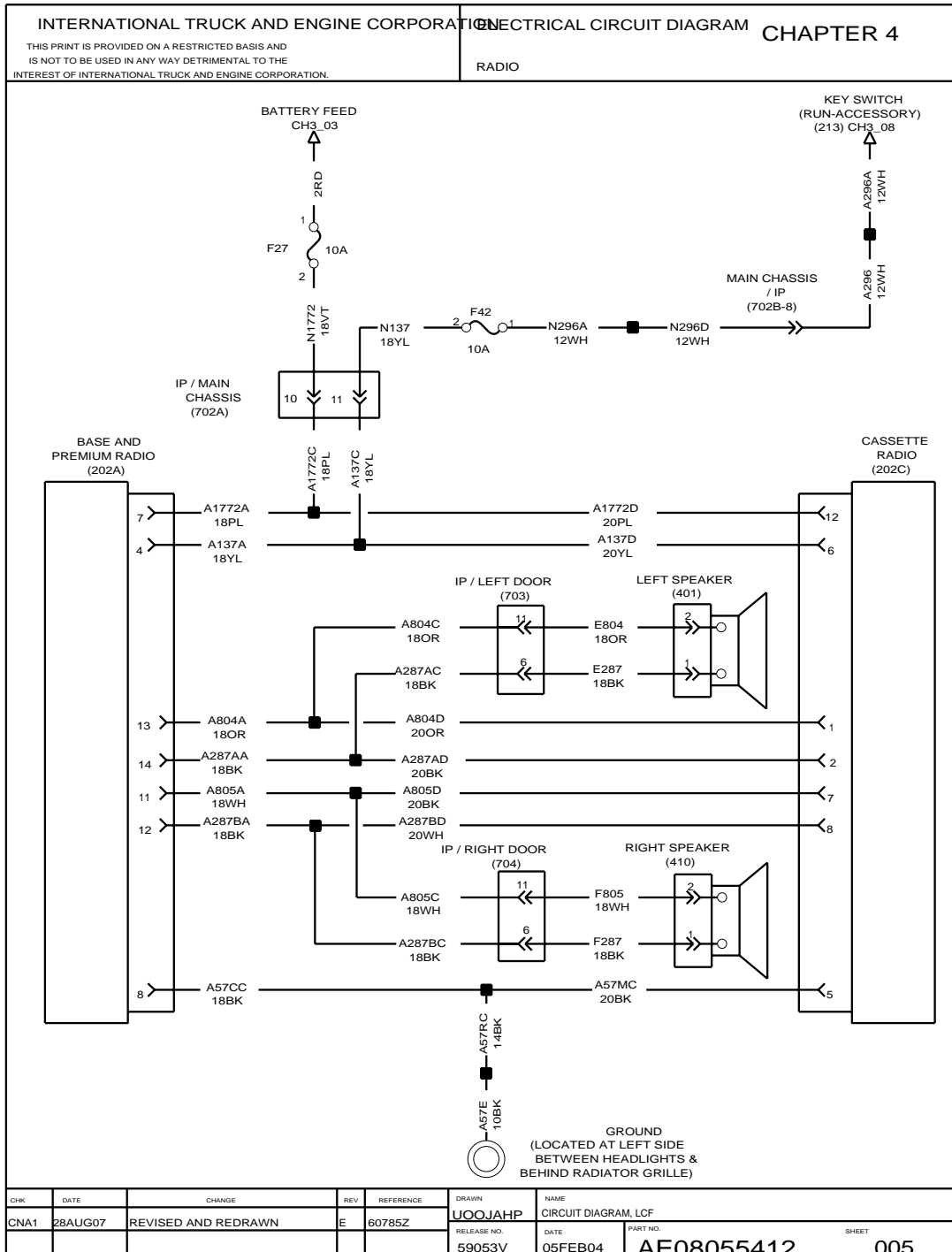


Figure 35 Radio

4.6. WINDSHIELD WIPER AND WASHER PUMP, P. 6

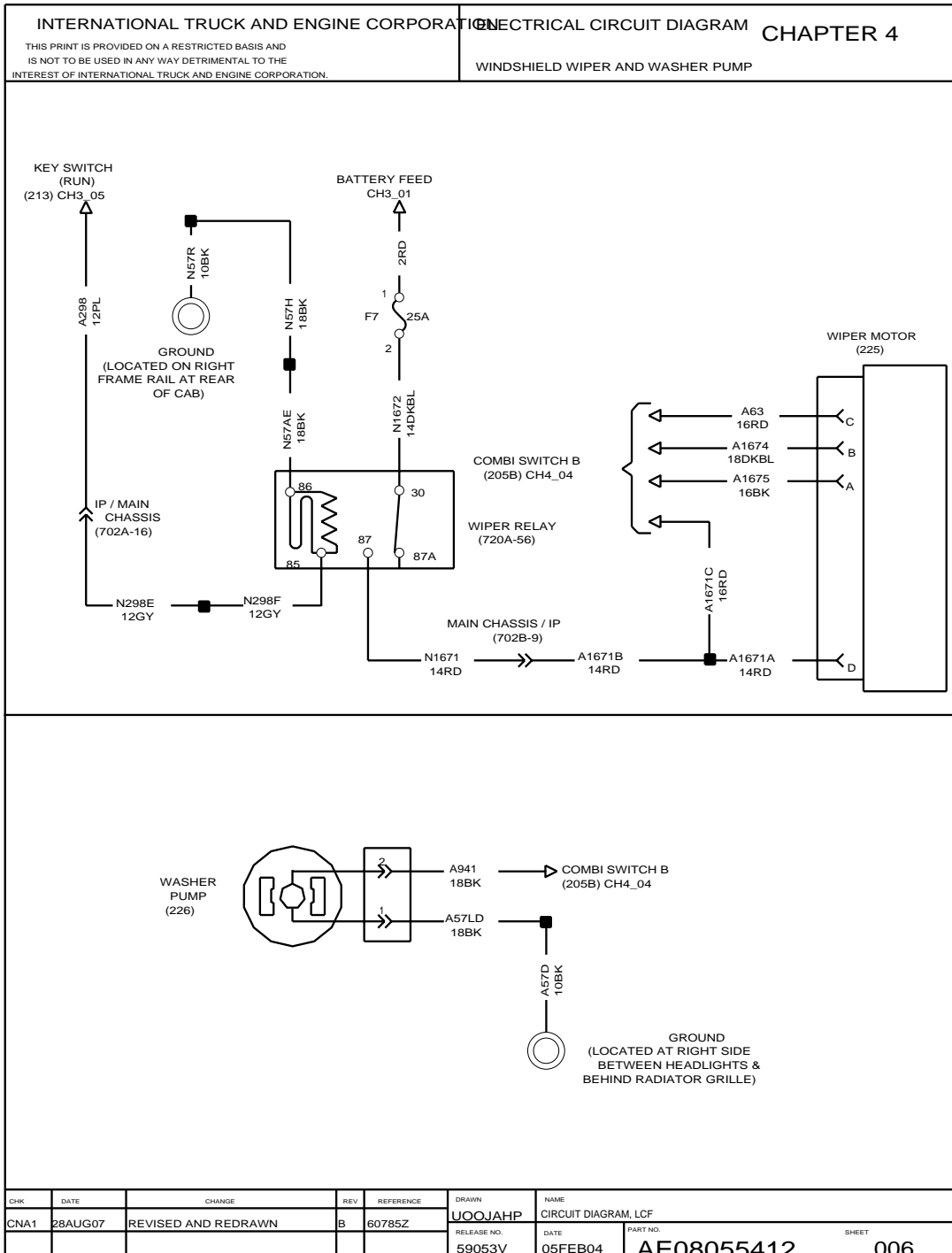


Figure 36 Windshield Wiper and Washer Pump

4.7. DOOR AJAR SWITCH AND DOME LIGHT, P. 7

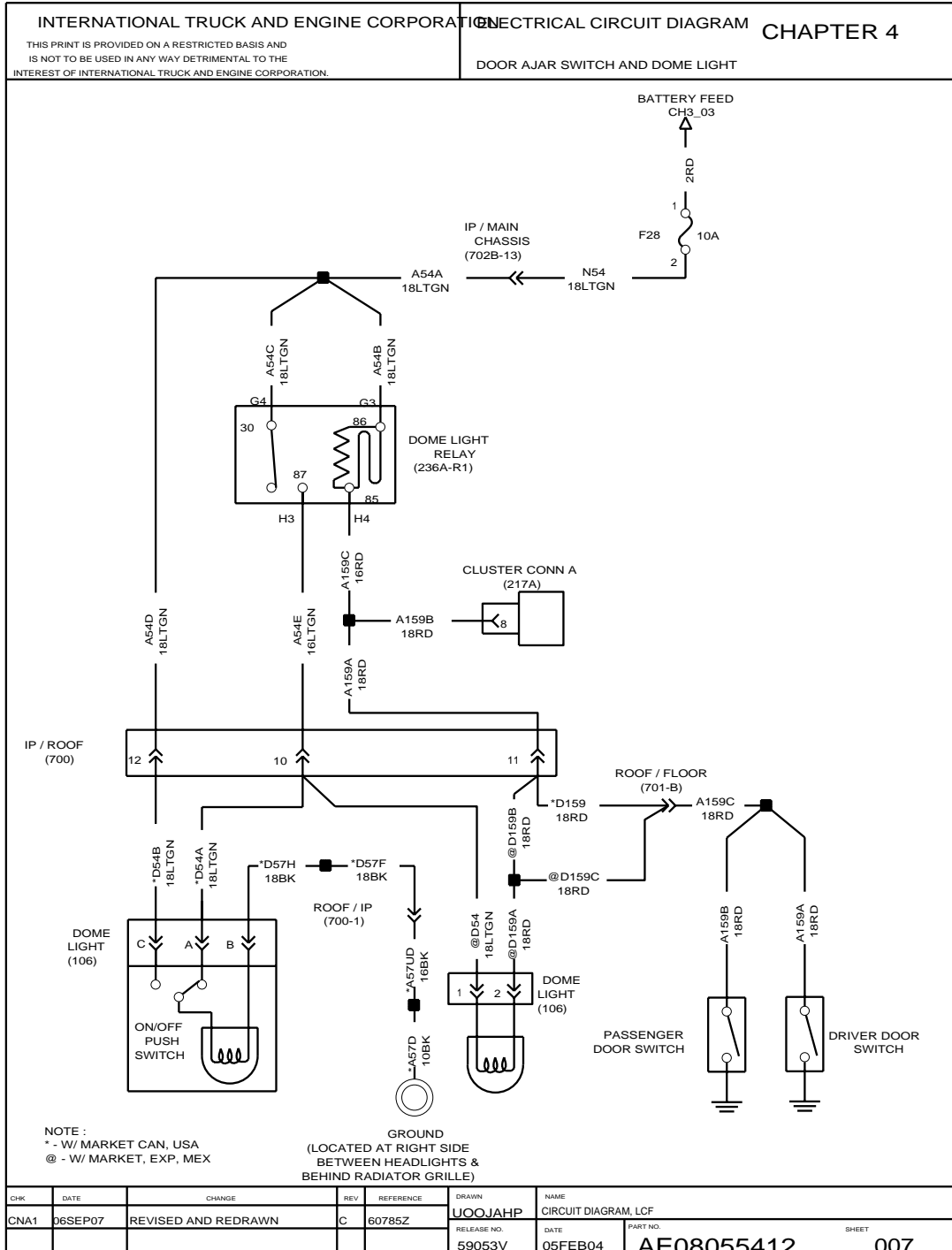


Figure 37 Door Ajar Switch and Dome Light

5. CHARGING AND CRANKING SYSTEM (CHAPTER 5)

5.1. CHARGING AND CRANKING — INTERNATIONAL V6 ENGINE, P. 1

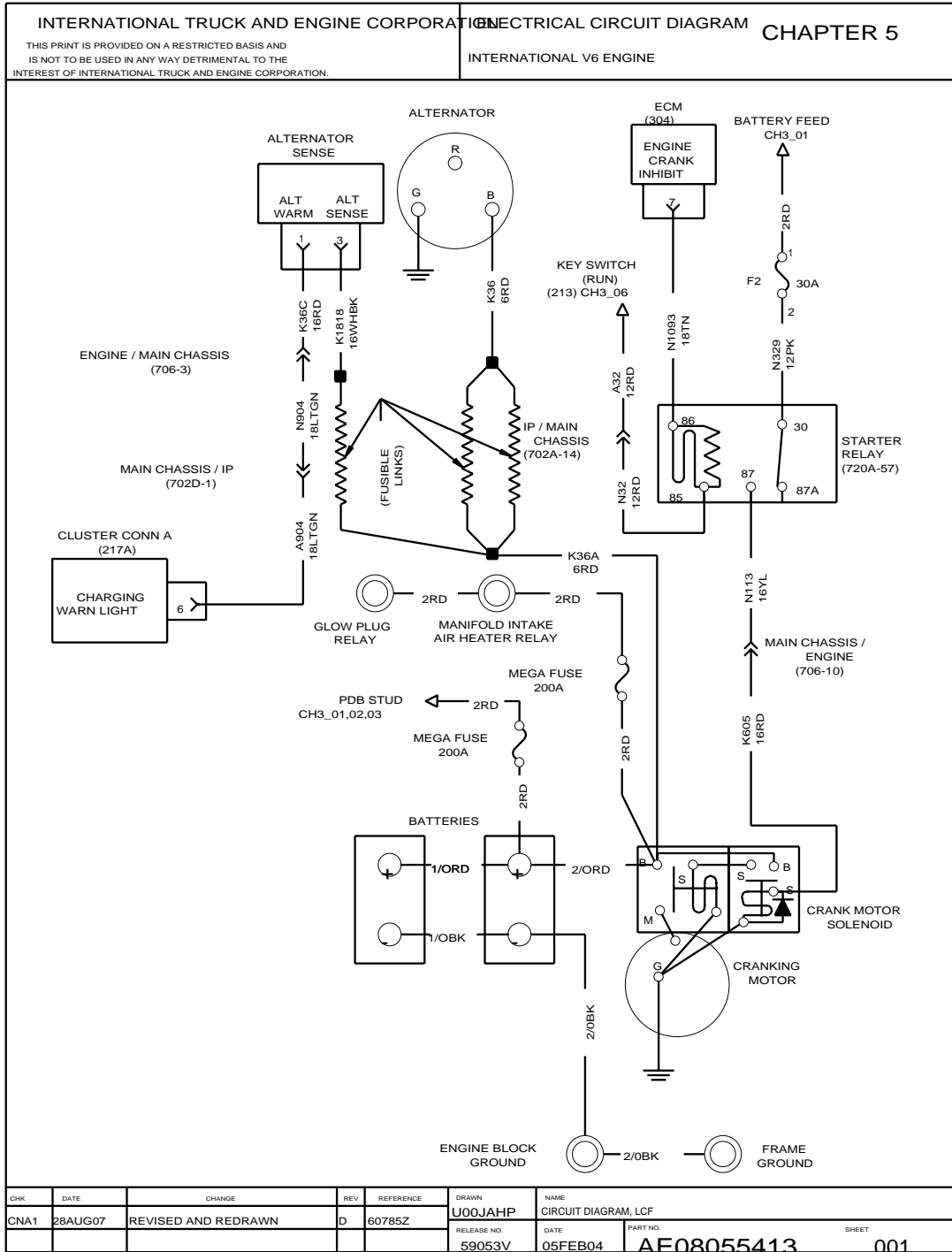


Figure 38 Charging and Cranking — International V6 Engine

6. ENGINE ACCESSORIES (CHAPTER 6)

6.1. HFCM MODULE — INTERNATIONAL V6 ENGINE, P. 1

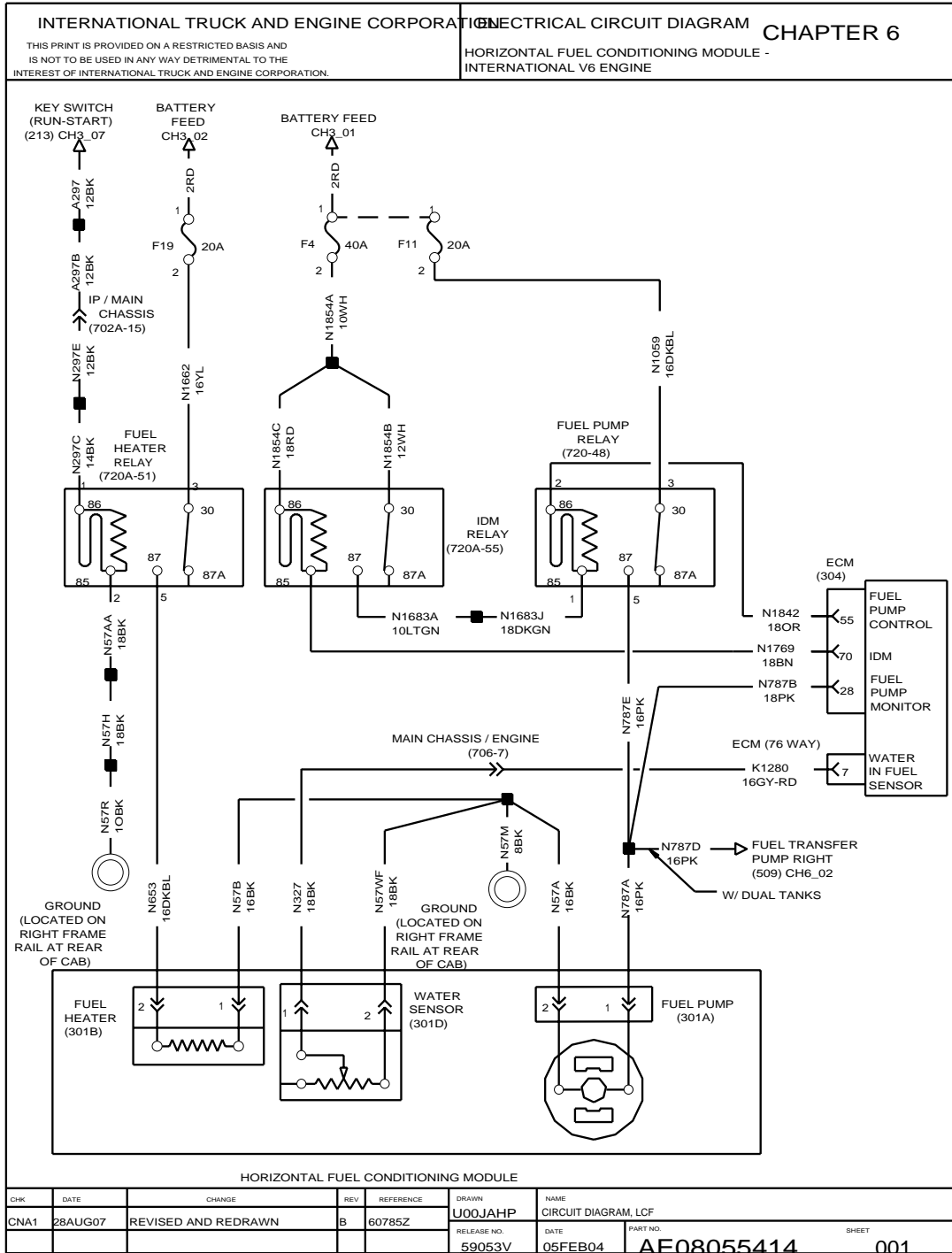


Figure 39 HFCM Module — International V6 Engine

6.2. FUEL TANKS — DUAL TANK, P. 2

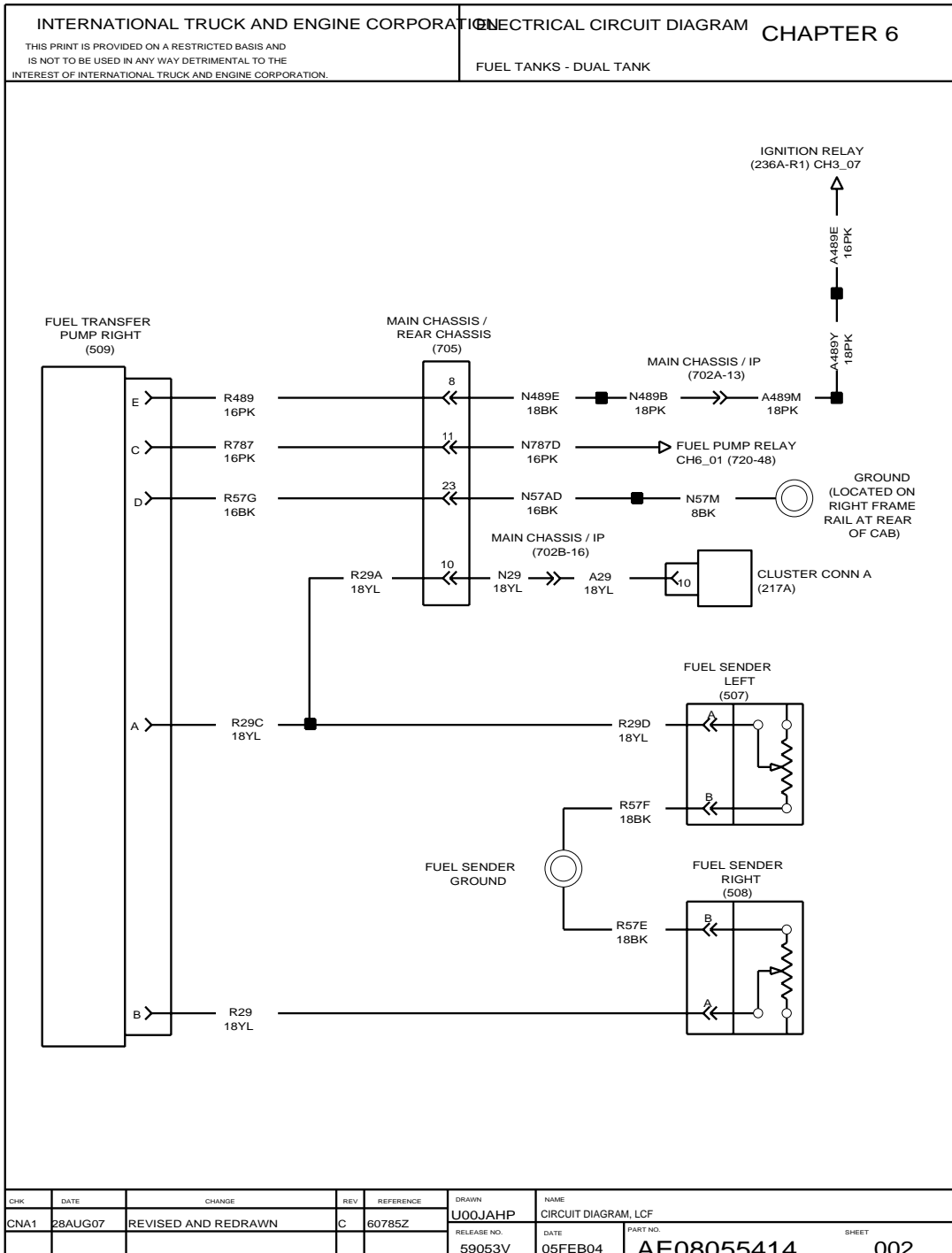


Figure 40 Fuel Tanks — Dual Tank

6.3. FUEL TANKS — LEFT AND AUXILIARY TANK, P. 3

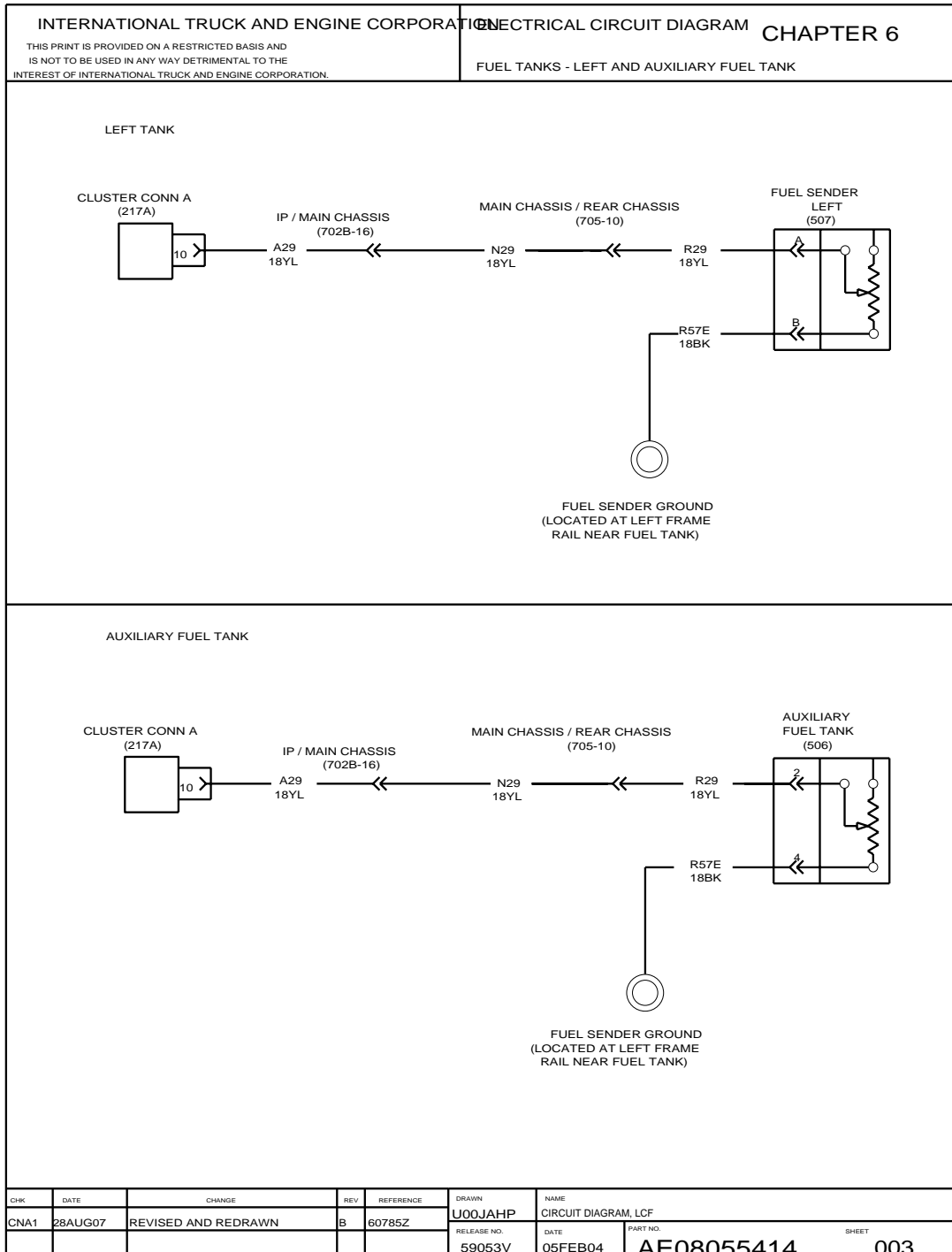


Figure 41 Fuel Tanks — Left and Auxiliary Tank

7. ELECTRONIC ENGINES (CHAPTER 7)

7.1. INTERNATIONAL V6 POWER AND GROUND SYSTEM, P. 1

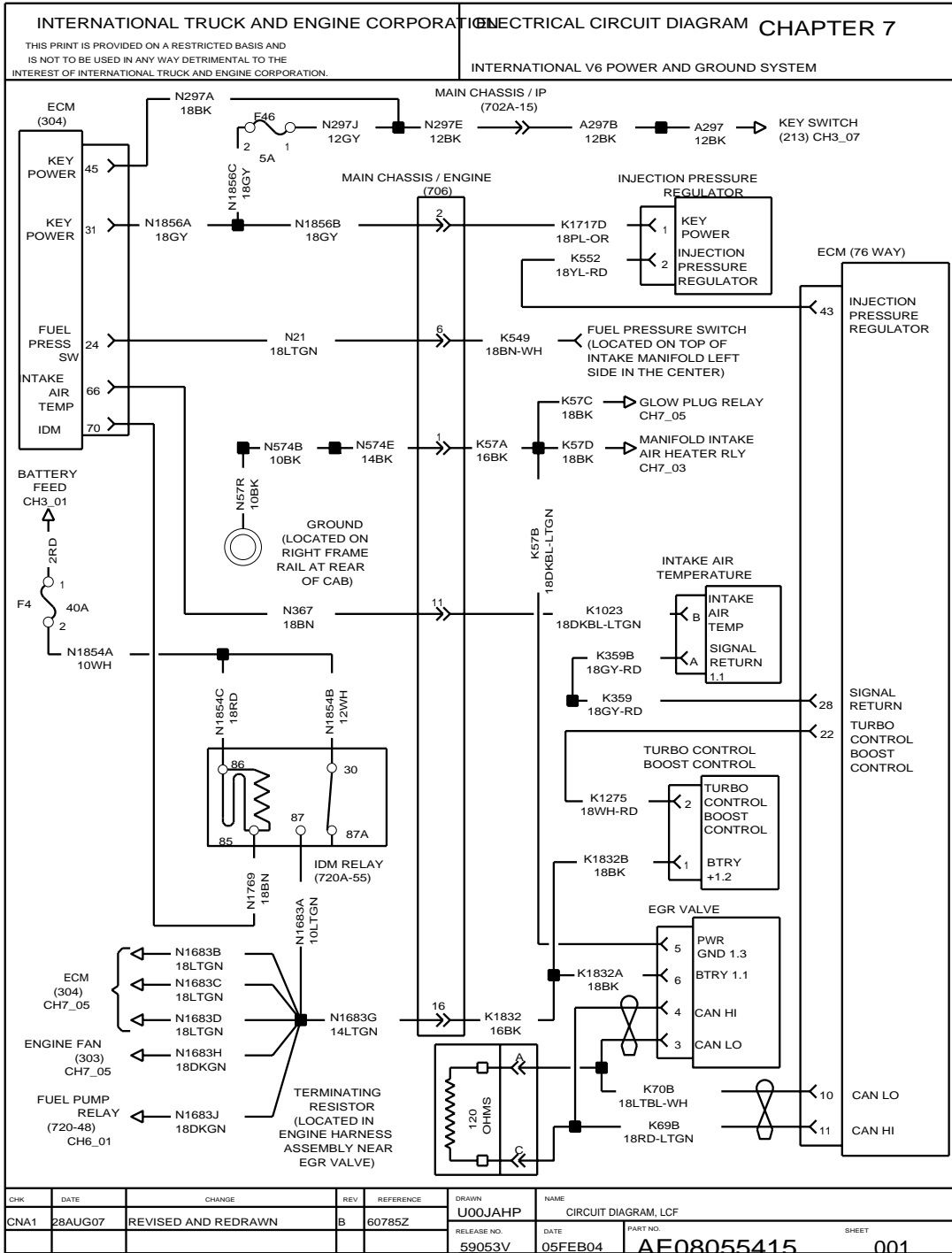


Figure 42 International V6 Power and Ground System

7.2. INTERNATIONAL V6 CRUISE CONTROL, P. 2

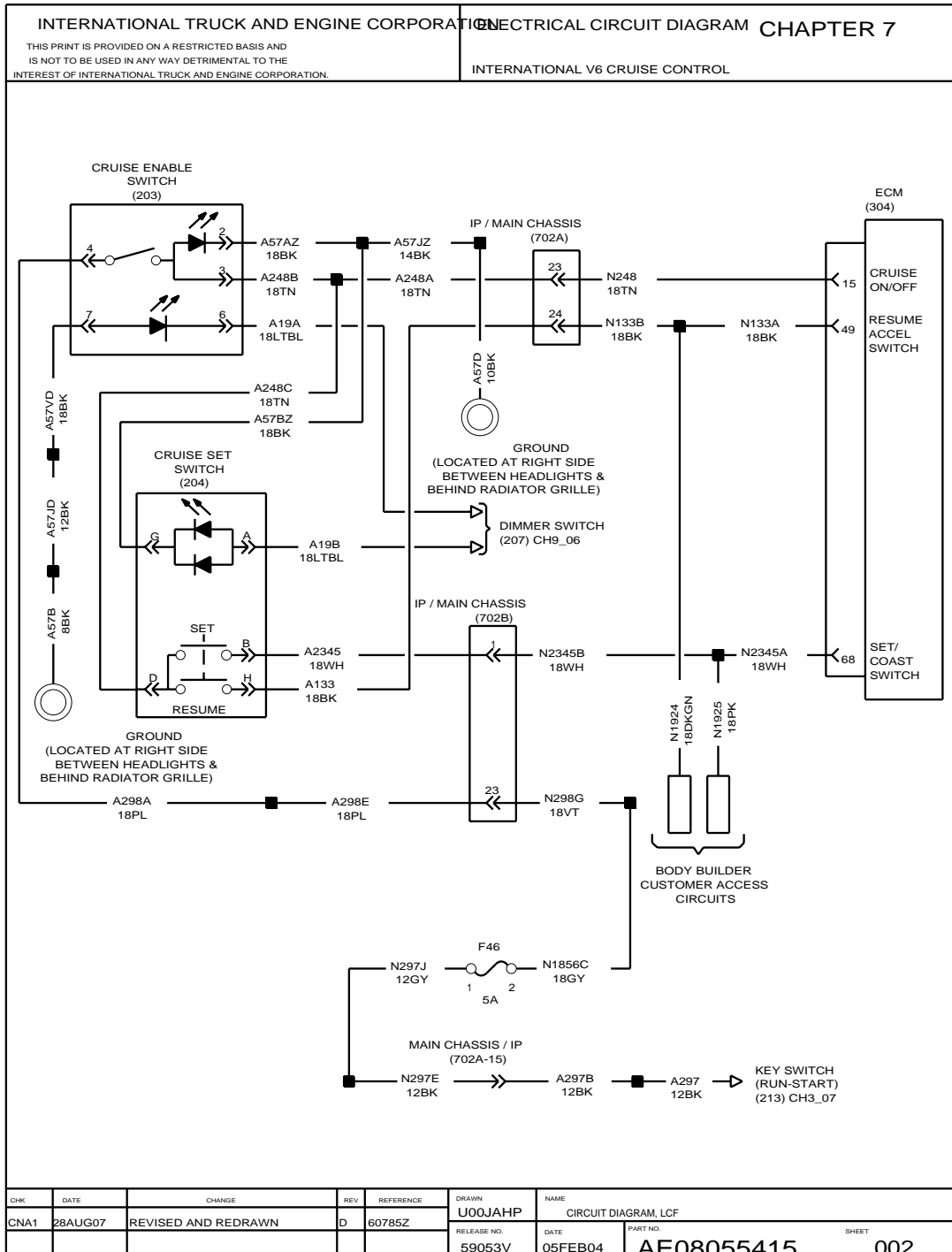


Figure 43 International V6 Cruise Control

7.3. INTERNATIONAL V6 ACCELERATOR PEDAL, P. 3

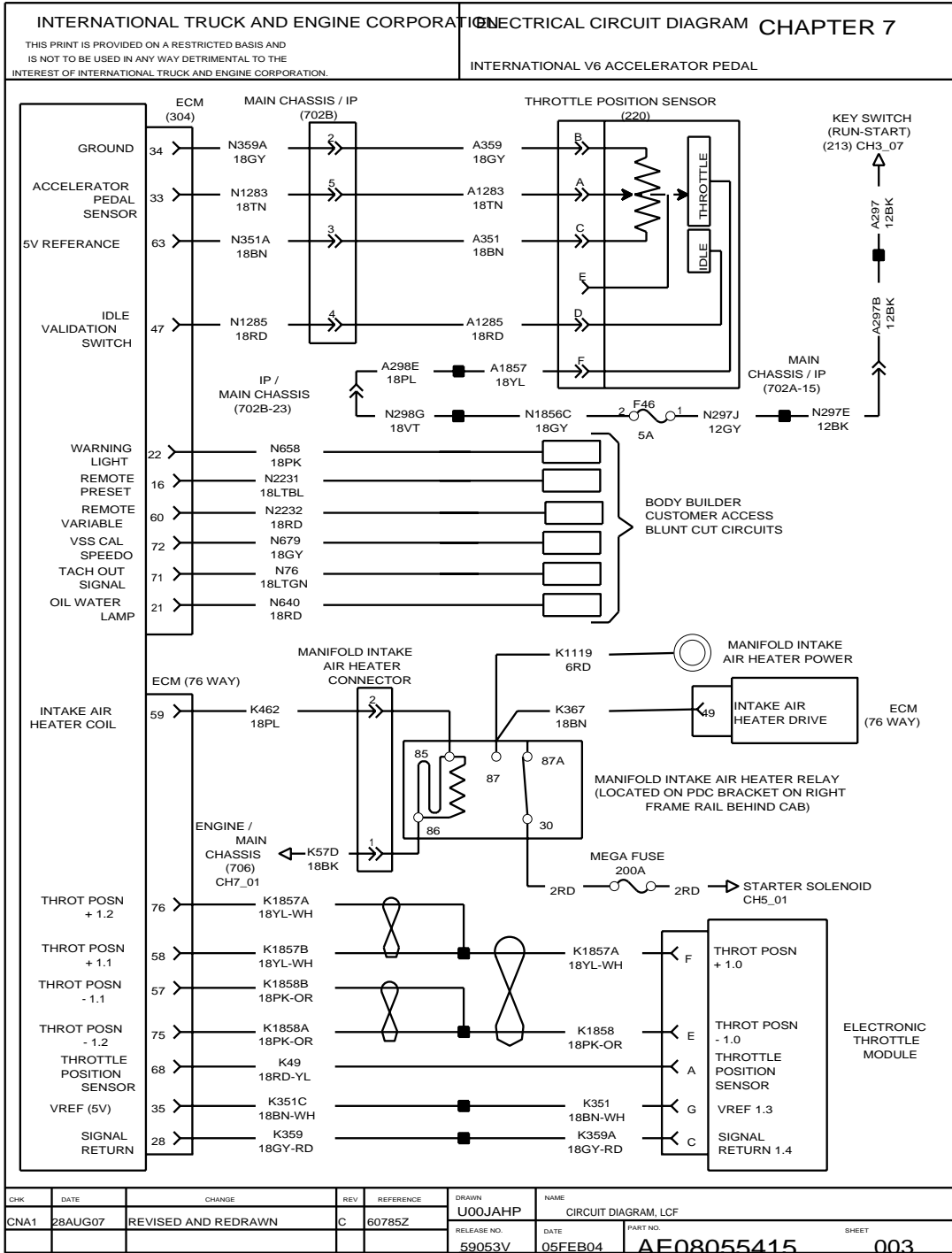


Figure 44 International V6 Accelerator Pedal

7.4. INTERNATIONAL V6 ENGINE SENSOR, P. 4

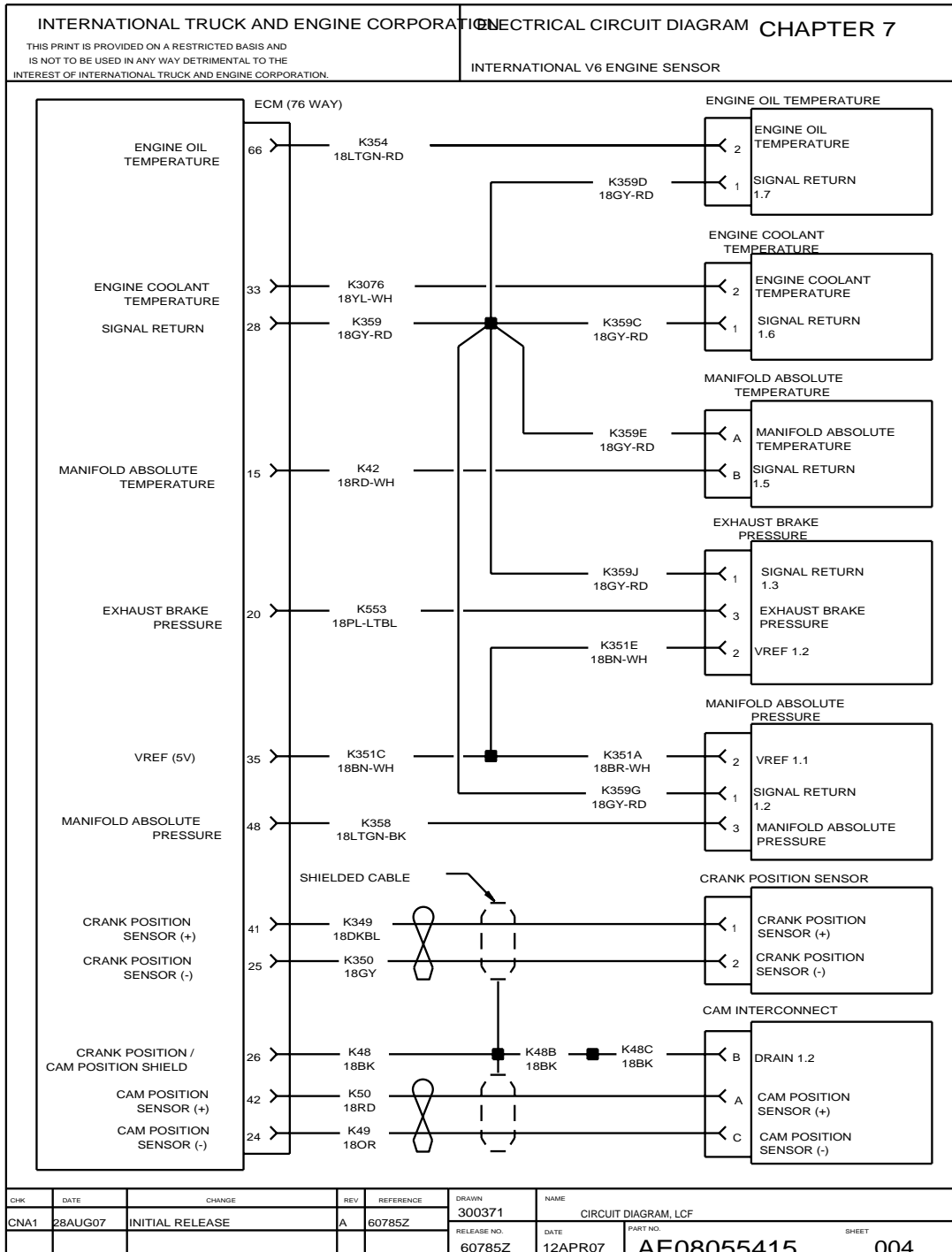


Figure 45 International V6 Engine Sensor

7.5. INTERNATIONAL V6 GLOW PLUG AND ENGINE FAN, P. 5

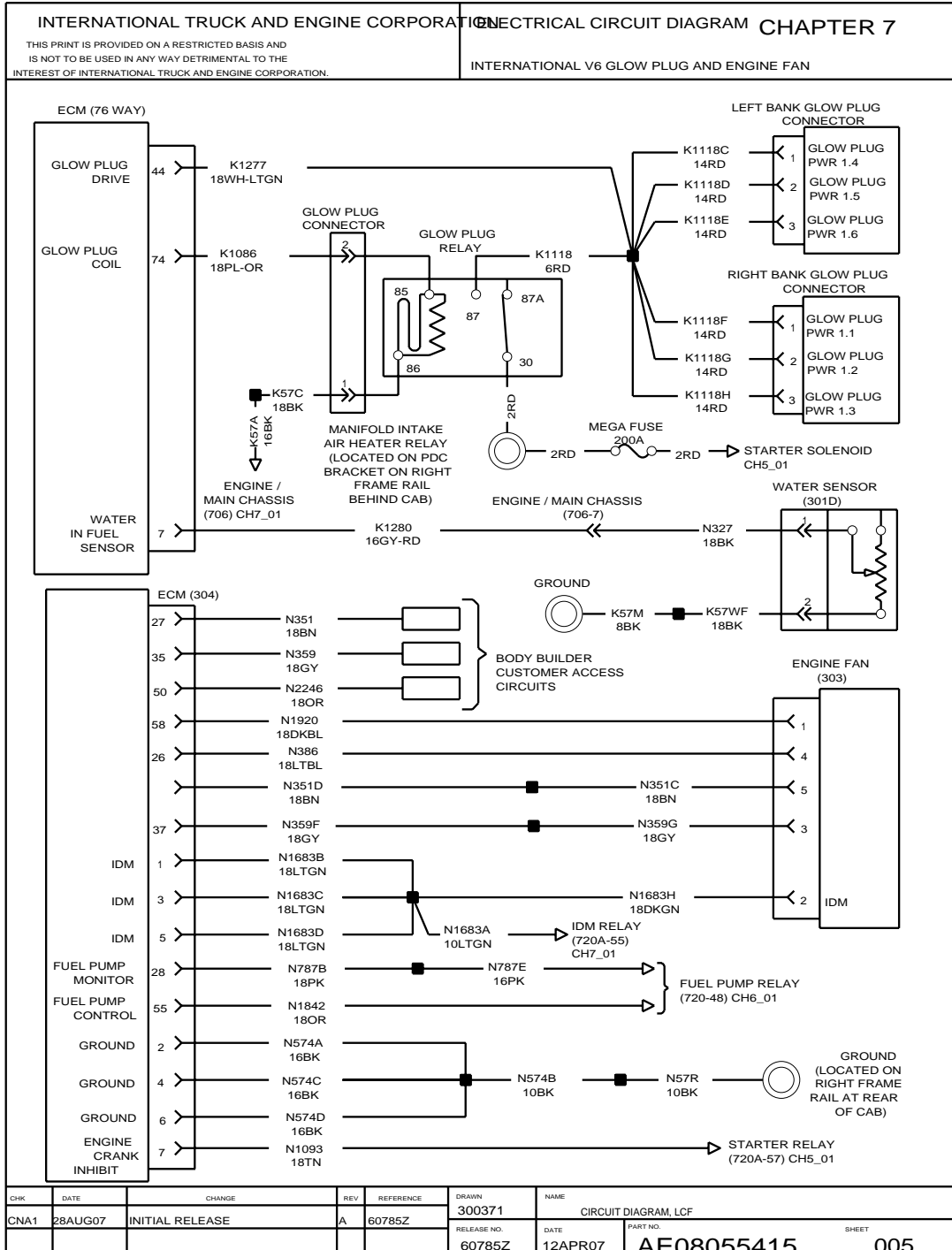


Figure 46 International V6 Glow Plug and Engine Fan

7.6. INTERNATIONAL V6 AFTERTREATMENT, P. 6

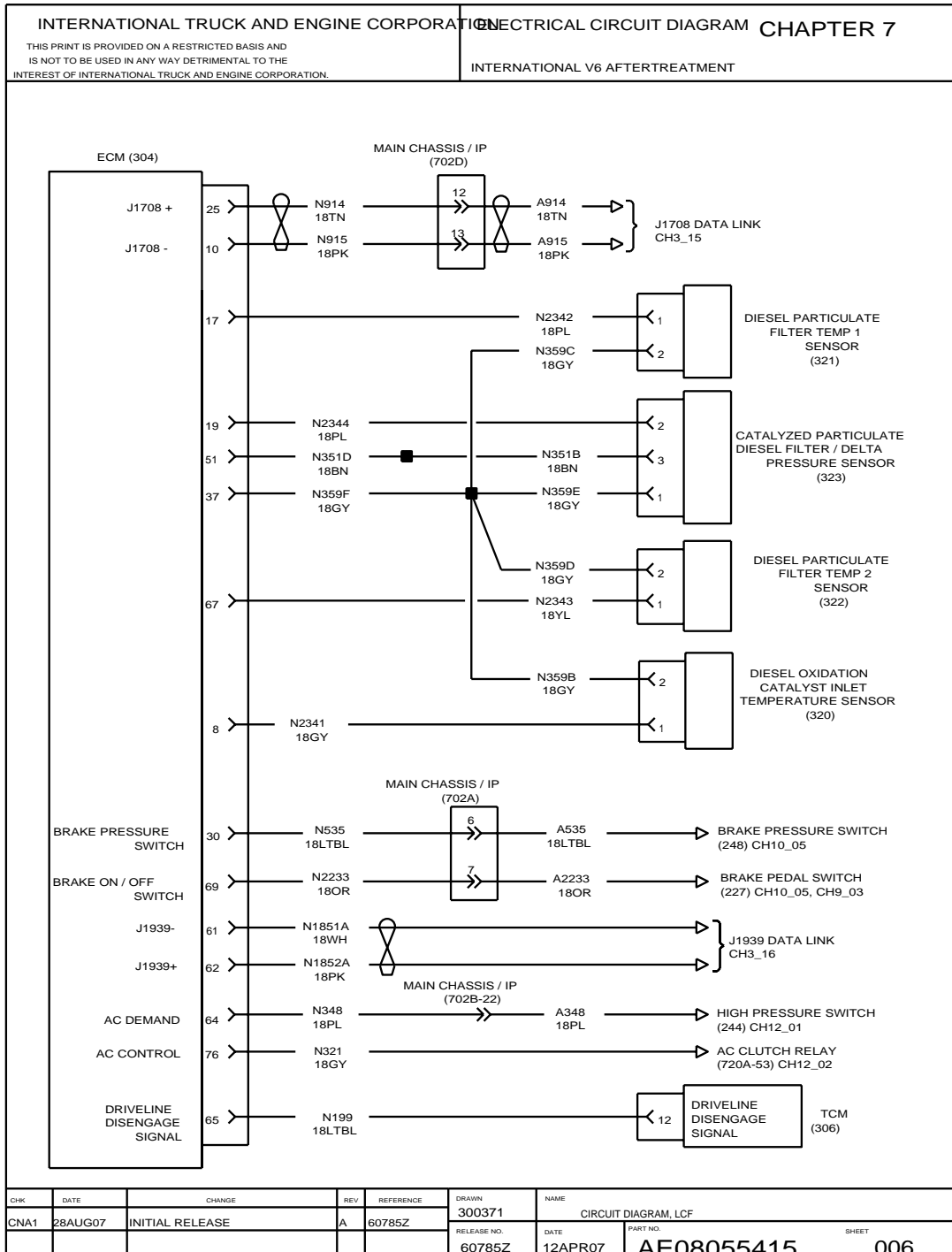


Figure 47 International V6 Aftertreatment

7.7. INTERNATIONAL V6 INJECTORS, P. 7

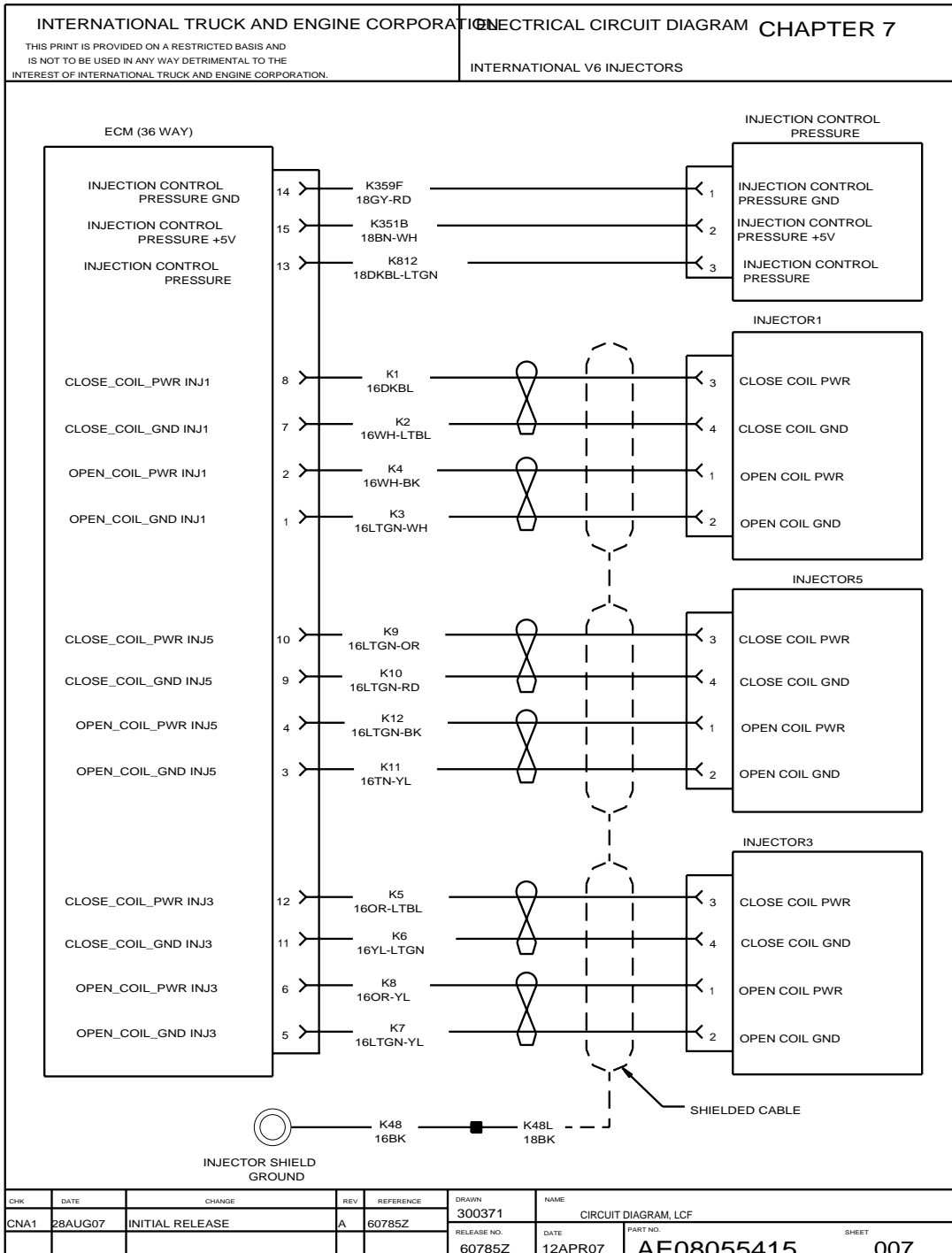


Figure 48 International V6 Injectors

7.8. INTERNATIONAL V6 INJECTORS, P. 8

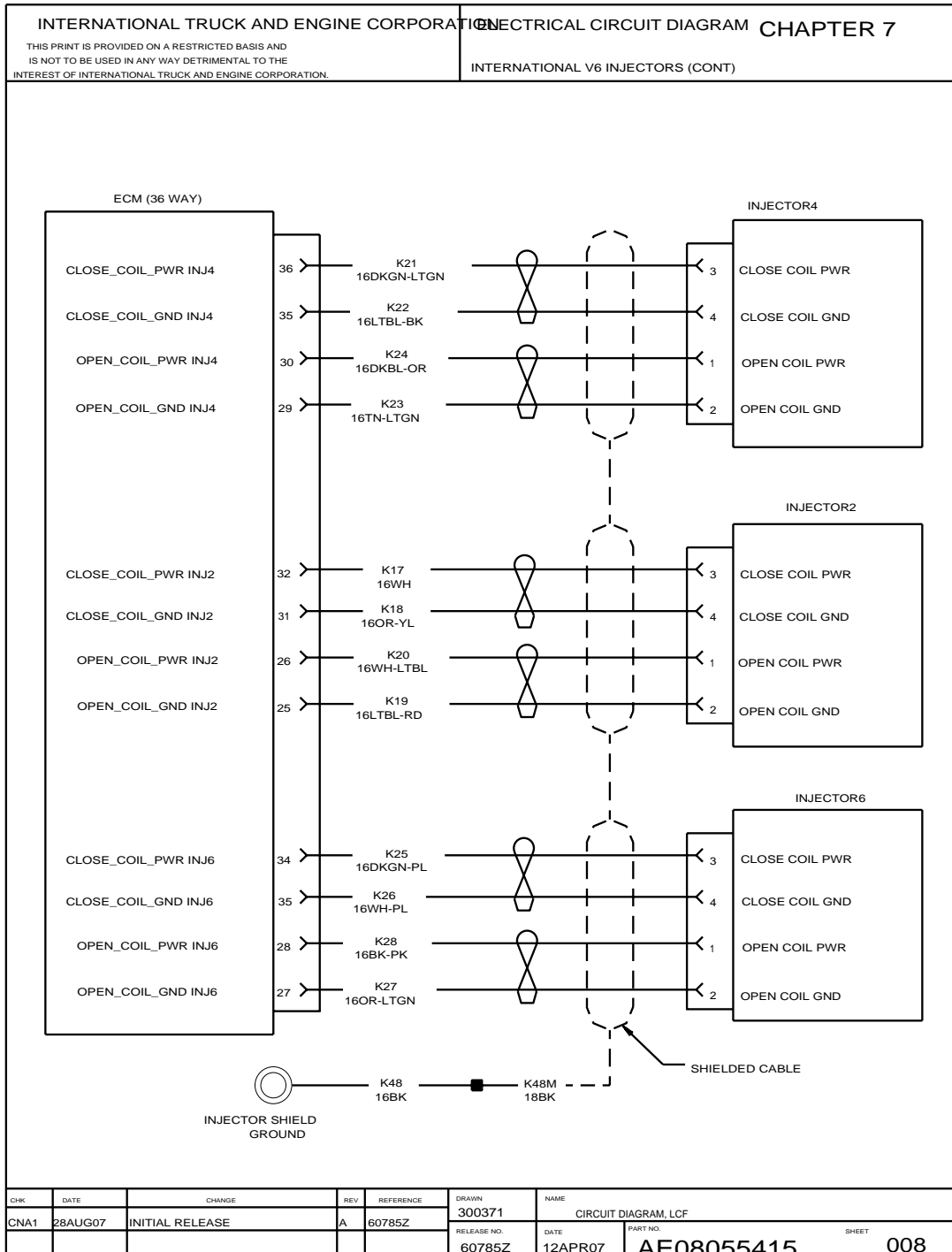


Figure 49 International V6 Injectors

8. CLUSTERS AND WARNING LIGHTS (CHAPTER 8)

8.1. CLUSTER CONNECTOR A, P. 1

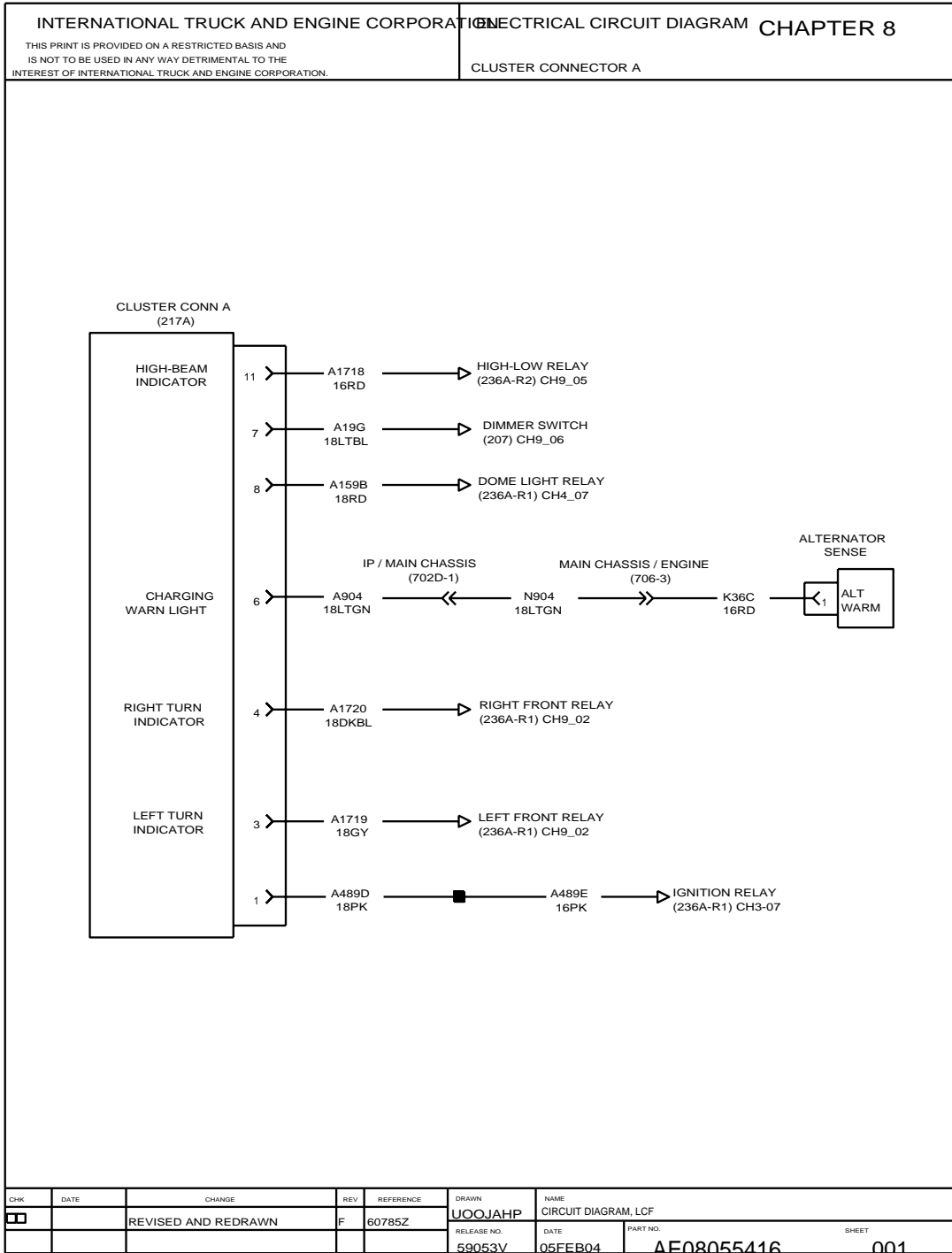


Figure 50 Cluster Connector A

8.2. CLUSTER CONNECTOR A, P. 2

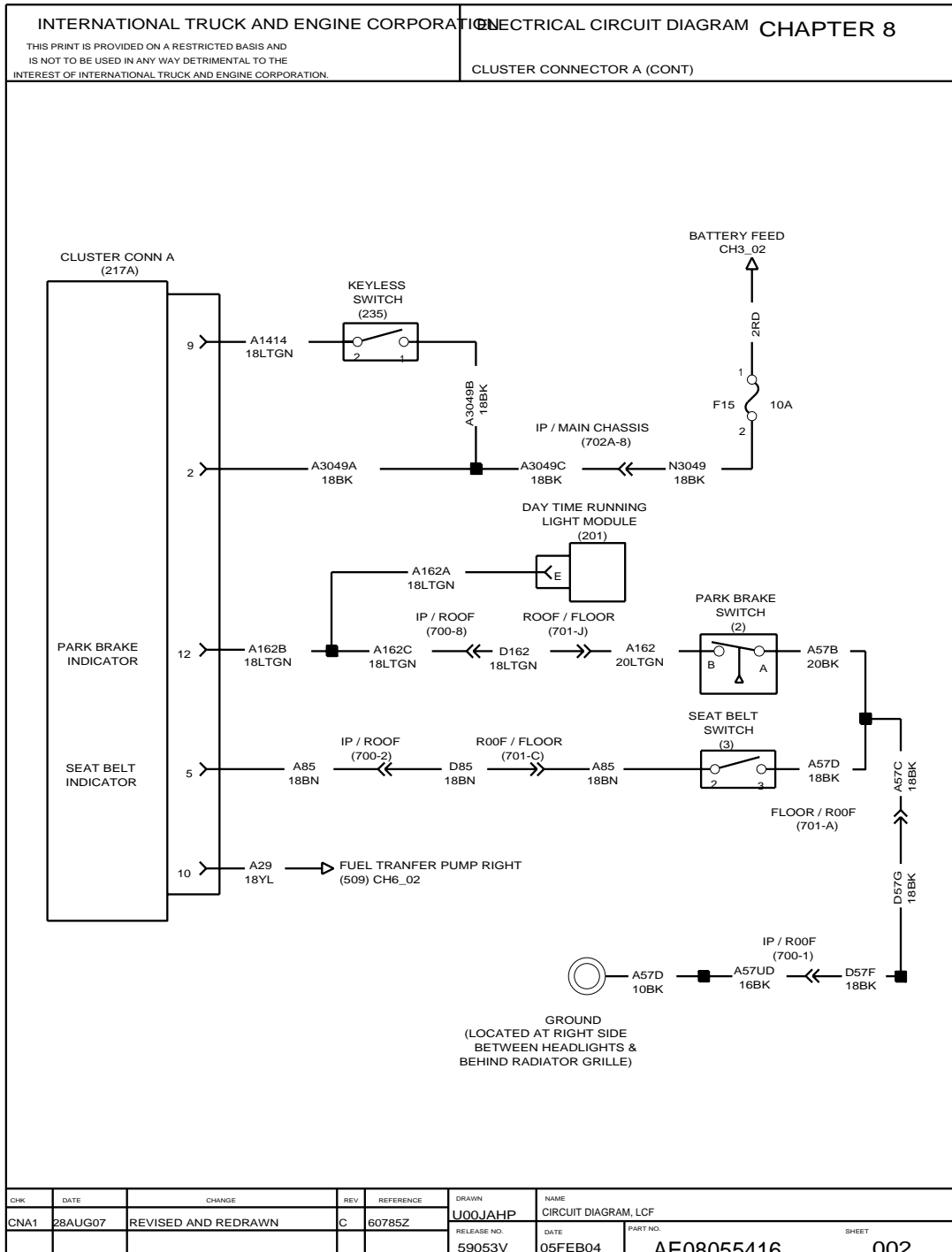


Figure 51 Cluster Connector A

8.3. CLUSTER CONNECTOR B, P. 3

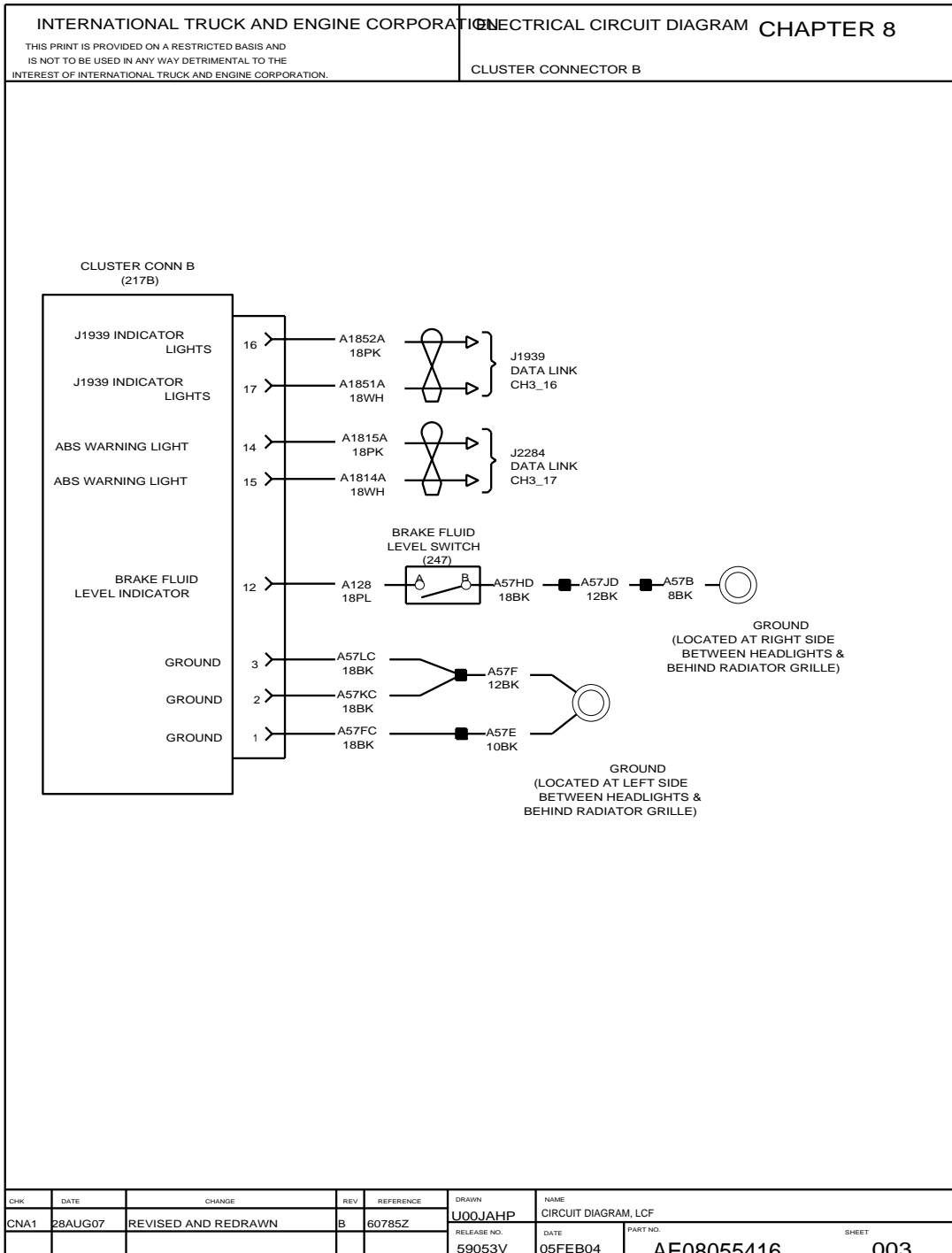


Figure 52 Cluster Connector B

8.4. CLUSTER CONNECTOR B, P. 4

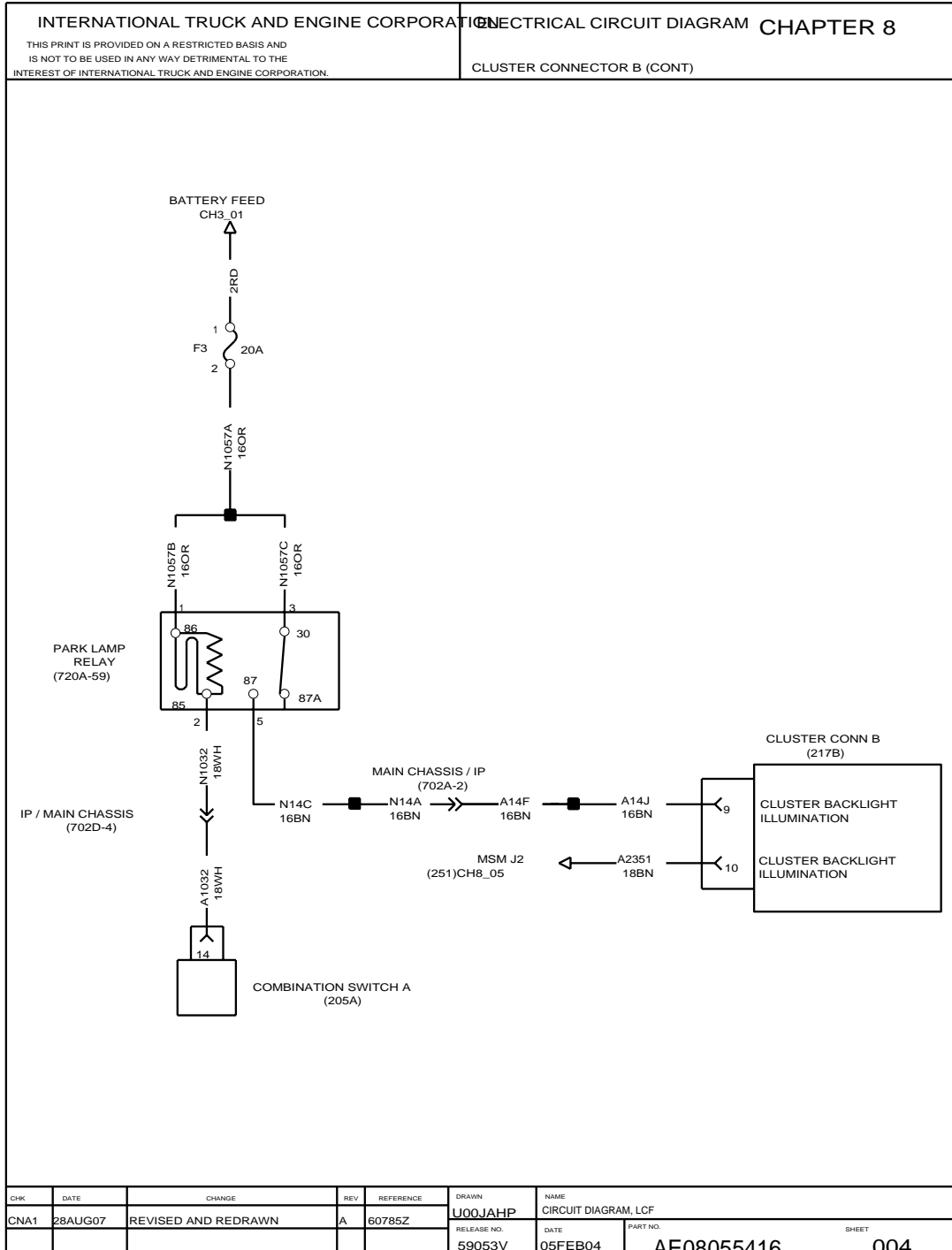


Figure 53 Cluster Connector B

8.5. MULTIPLEX SWITCH MODULE AND AFTERTREATMENT SYSTEM, P. 5

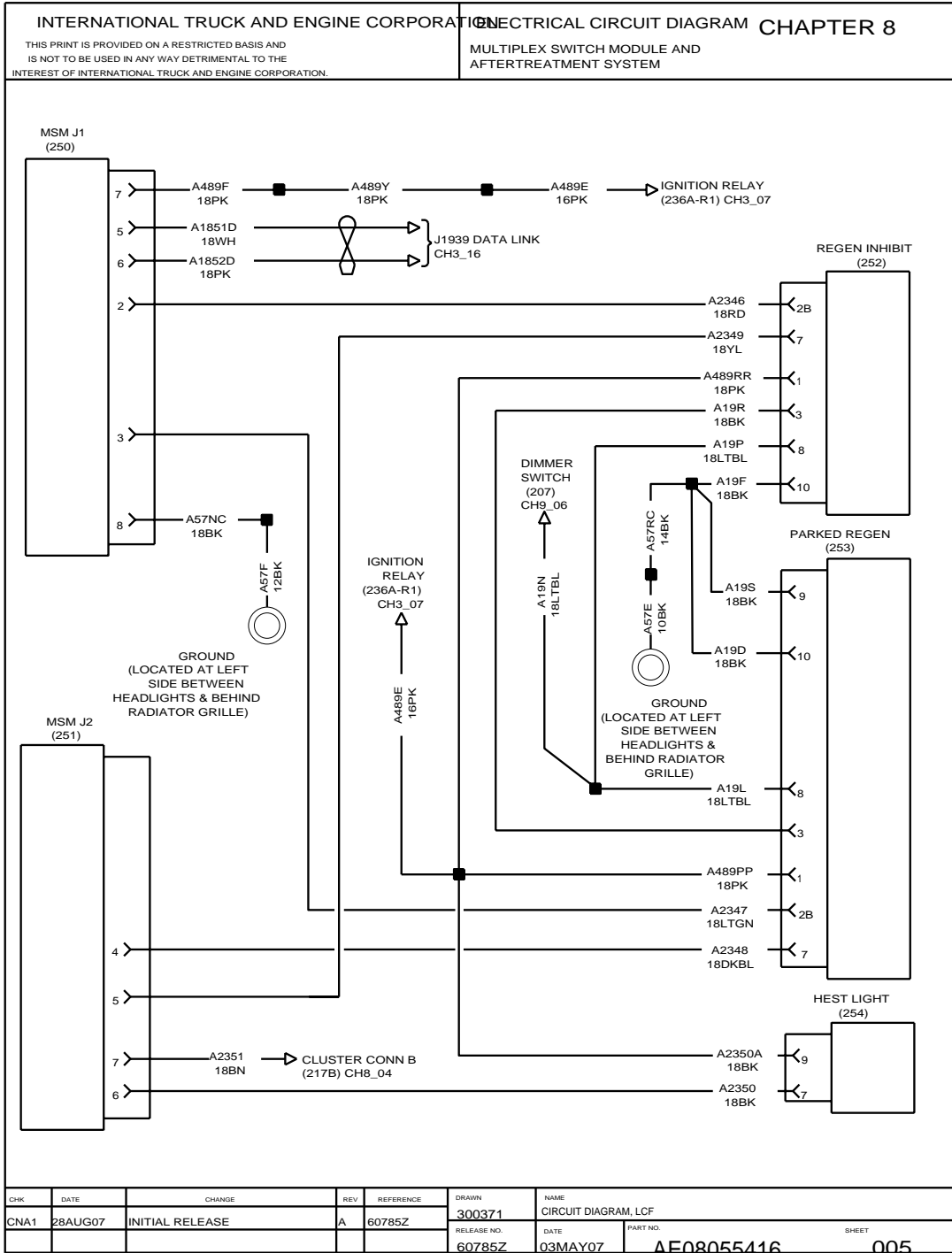


Figure 54 Multiplex Switch Module and Aftertreatment System

9. LIGHT SYSTEMS (CHAPTER 9)

9.1. COMBINATION SWITCH A, HAZARD SWITCH, P. 1

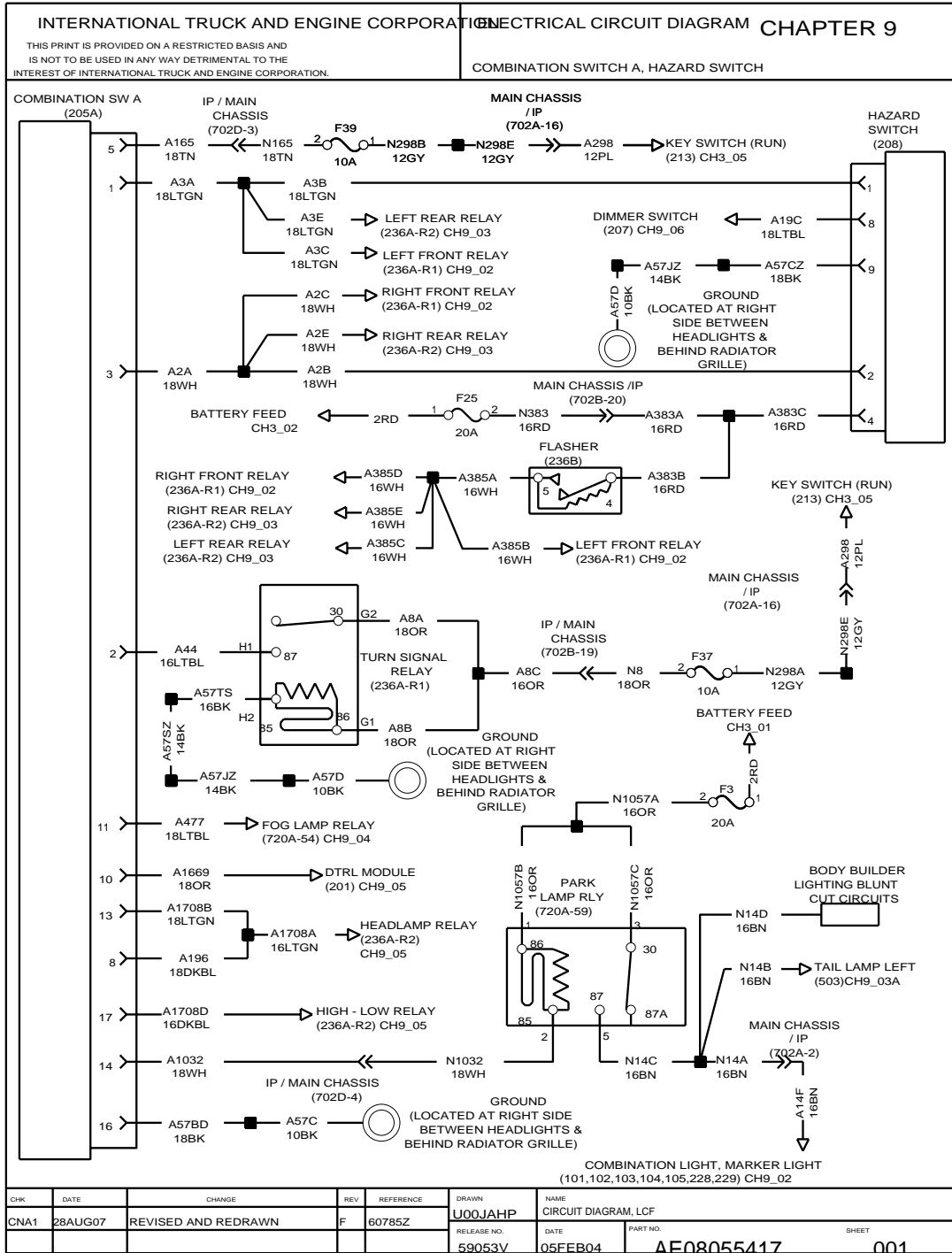


Figure 55 Combination Switch A, Hazard Switch

9.2. MARKER, FRONT PARK AND TURN LIGHTS, P. 2

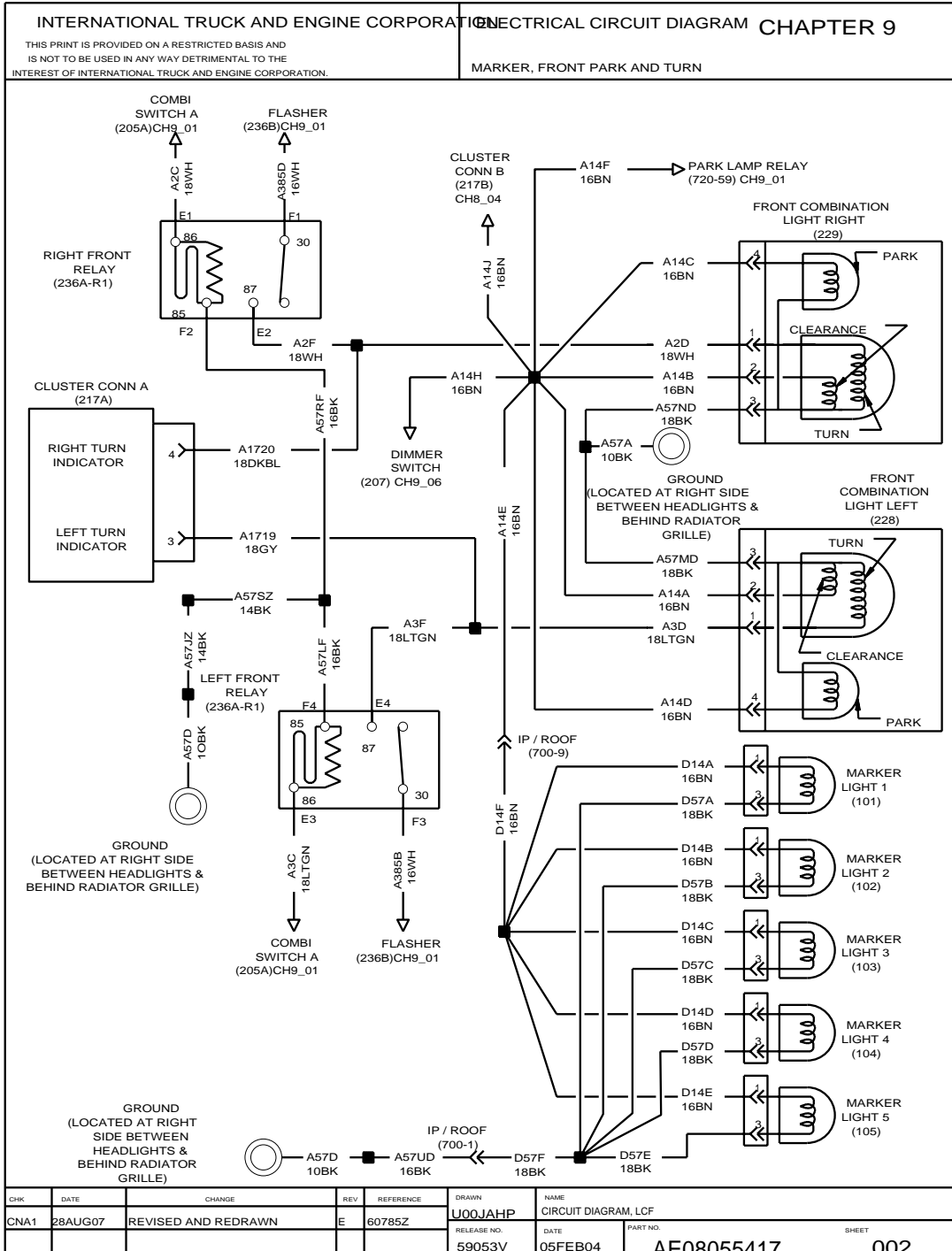


Figure 56 Marker, Front Park and Turn Lights

9.3. REAR TAIL, TURN, STOP AND BACKUP LIGHTS, P. 3

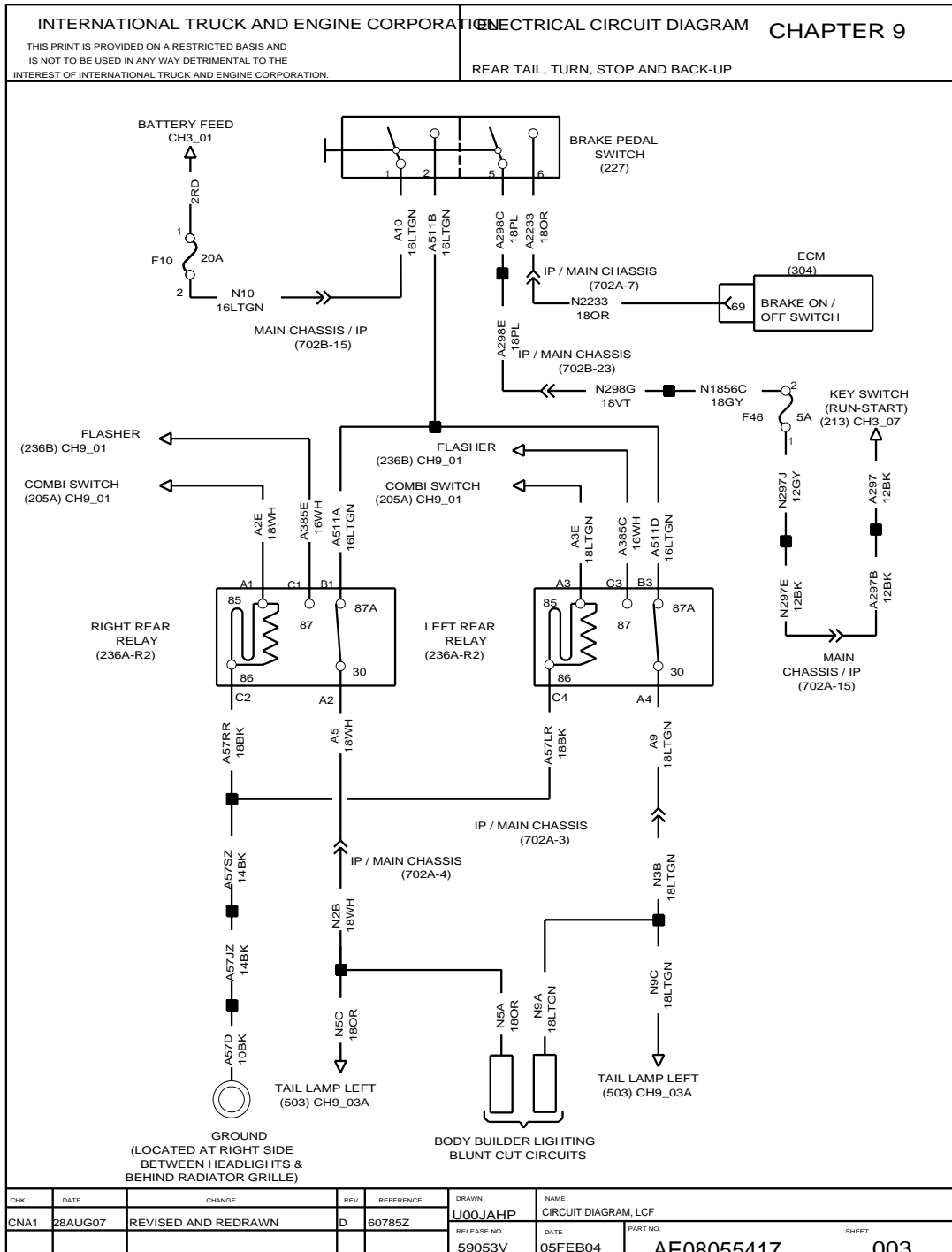


Figure 57 Rear Tail, Turn, Stop and Backup Lights

9.4. REAR TAIL, TURN, STOP AND BACKUP LIGHTS, P. 3A

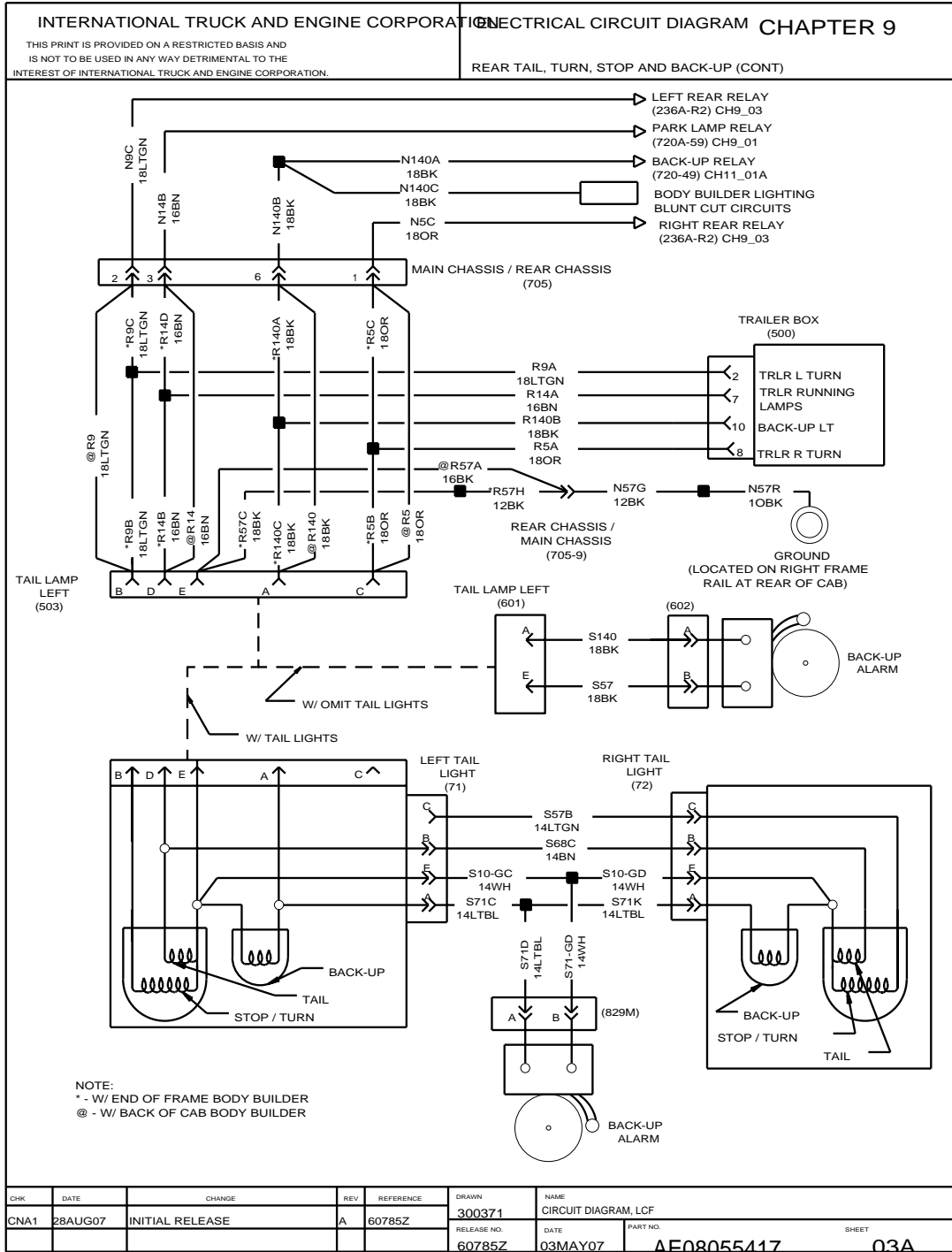


Figure 58 Rear Tail, Turn, Stop and Backup Lights

9.5. FOG LIGHTS, P. 4

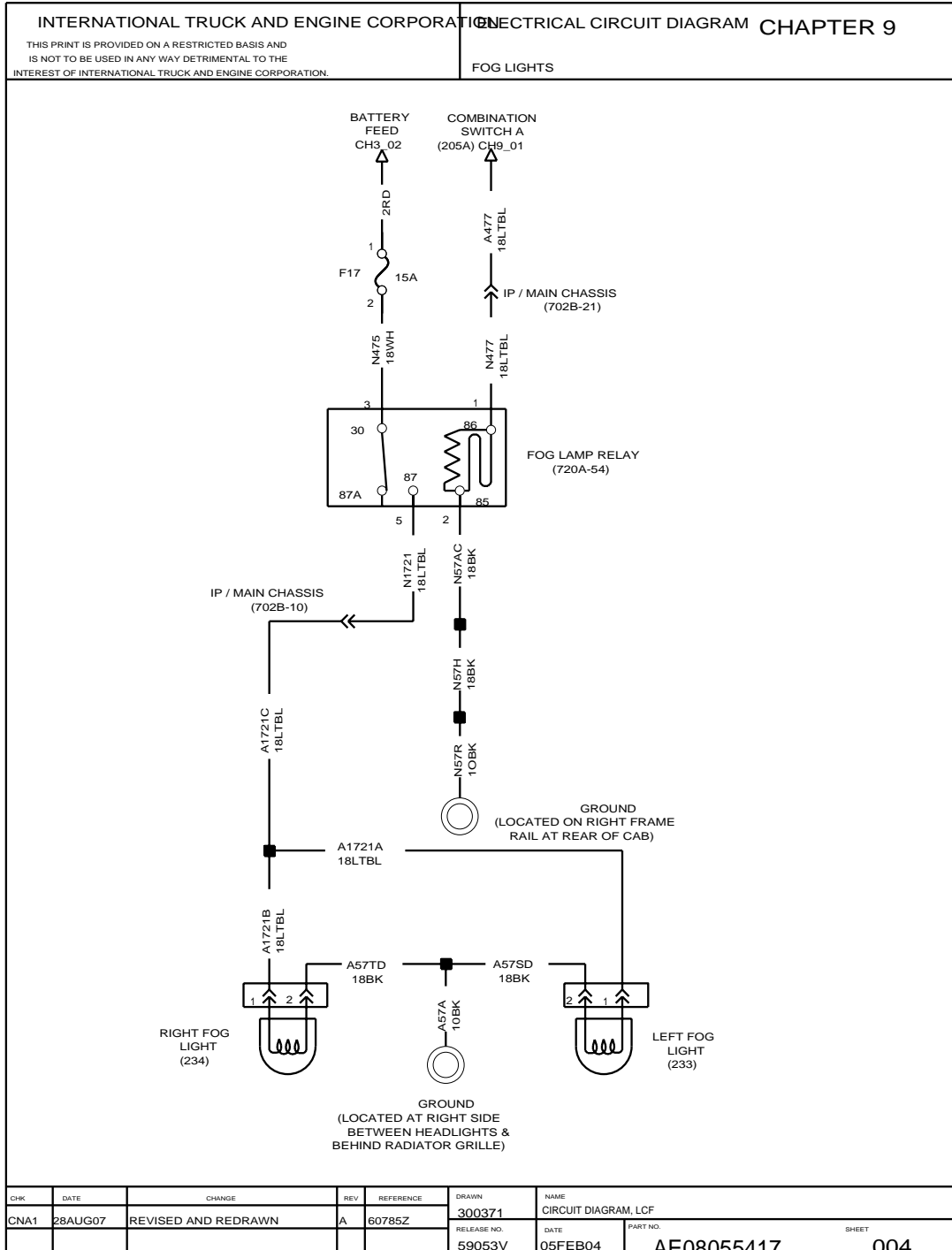


Figure 59 Fog Lights

9.6. HEADLIGHTS, P. 5

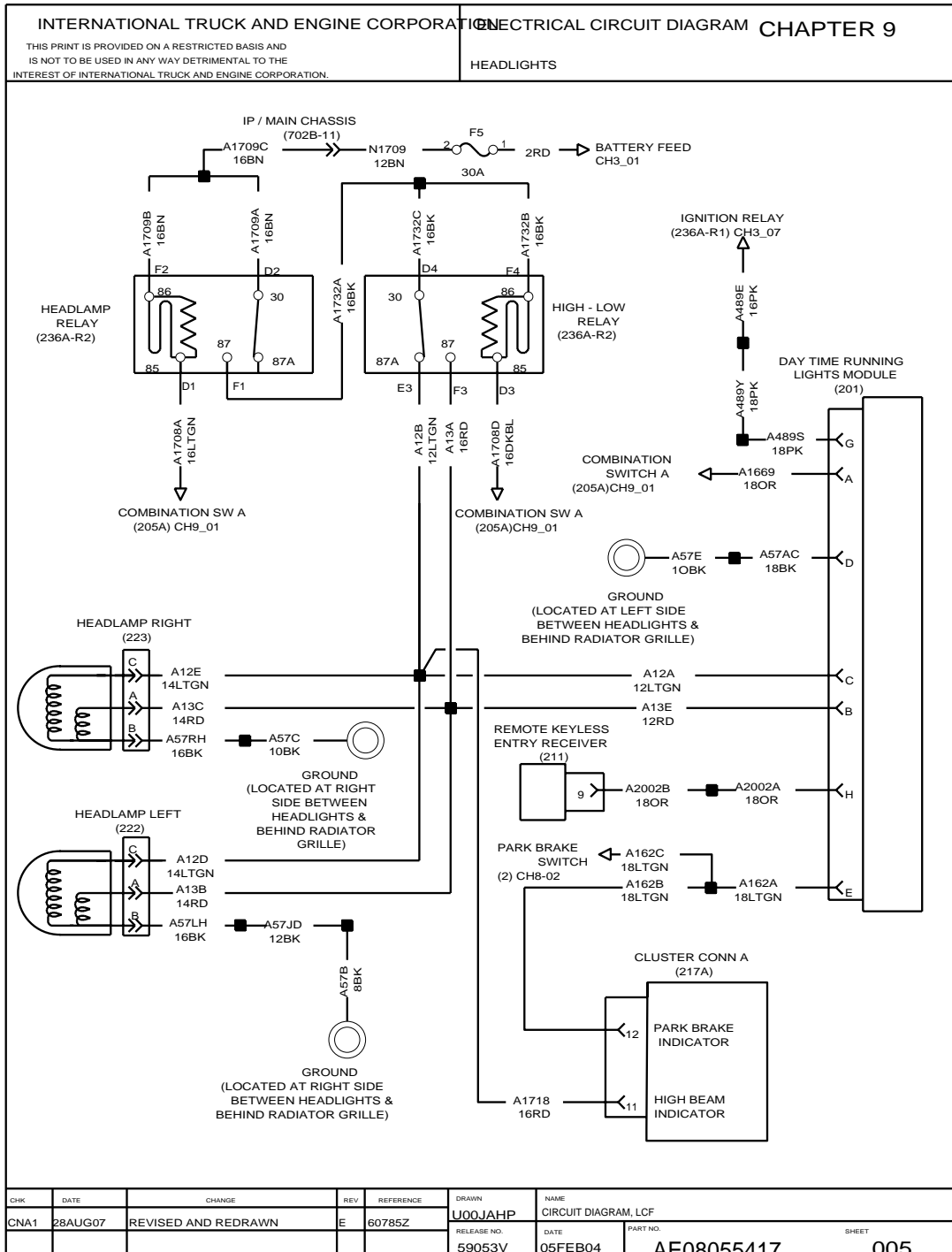


Figure 60 Headlights

9.7. PANEL LIGHTS, P. 6

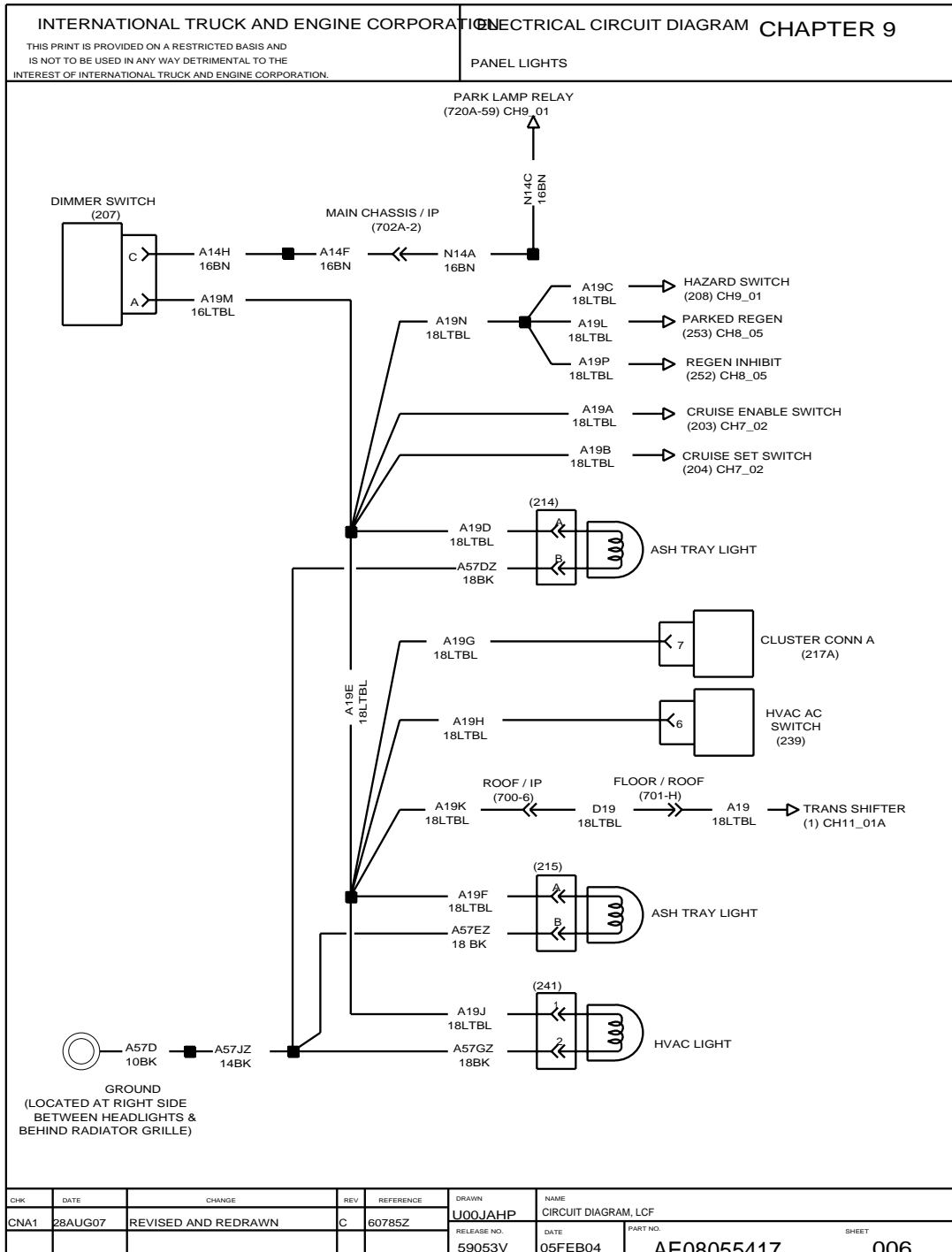


Figure 61 Panel Lights

10. CHASSIS ACCESSORIES (CHAPTER 10)

10.1. ANTILOCK BRAKE SYSTEM (ABS), P. 1

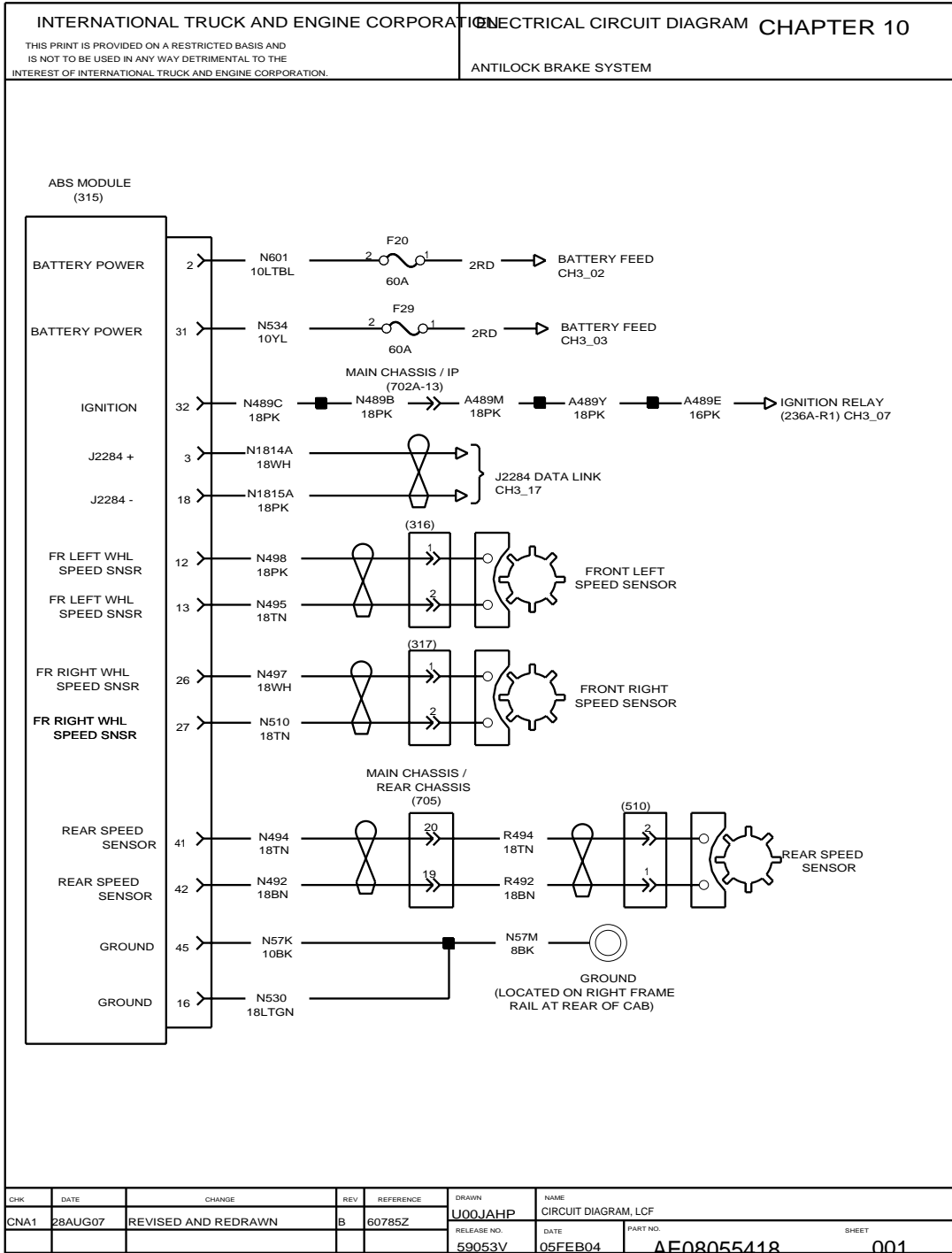


Figure 62 Antilock Brake System (ABS)

10.2. BODY BUILDER CUSTOMER ACCESS CIRCUITS (BOC), P. 2

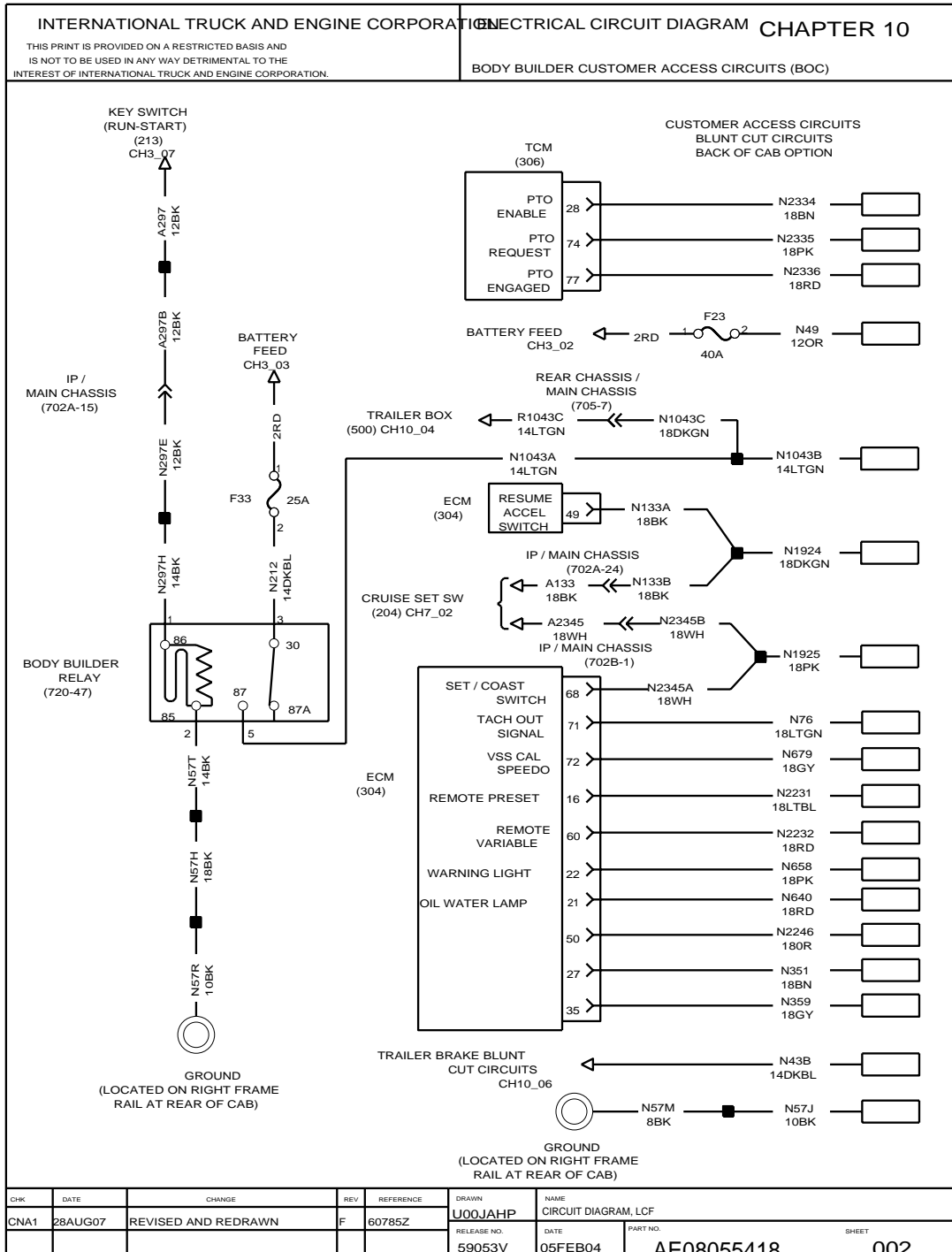


Figure 63 Body Builder Customer Access Circuits (BOC)

10.3. BODY BUILDER LIGHTING CIRCUITS (BOC), P. 3

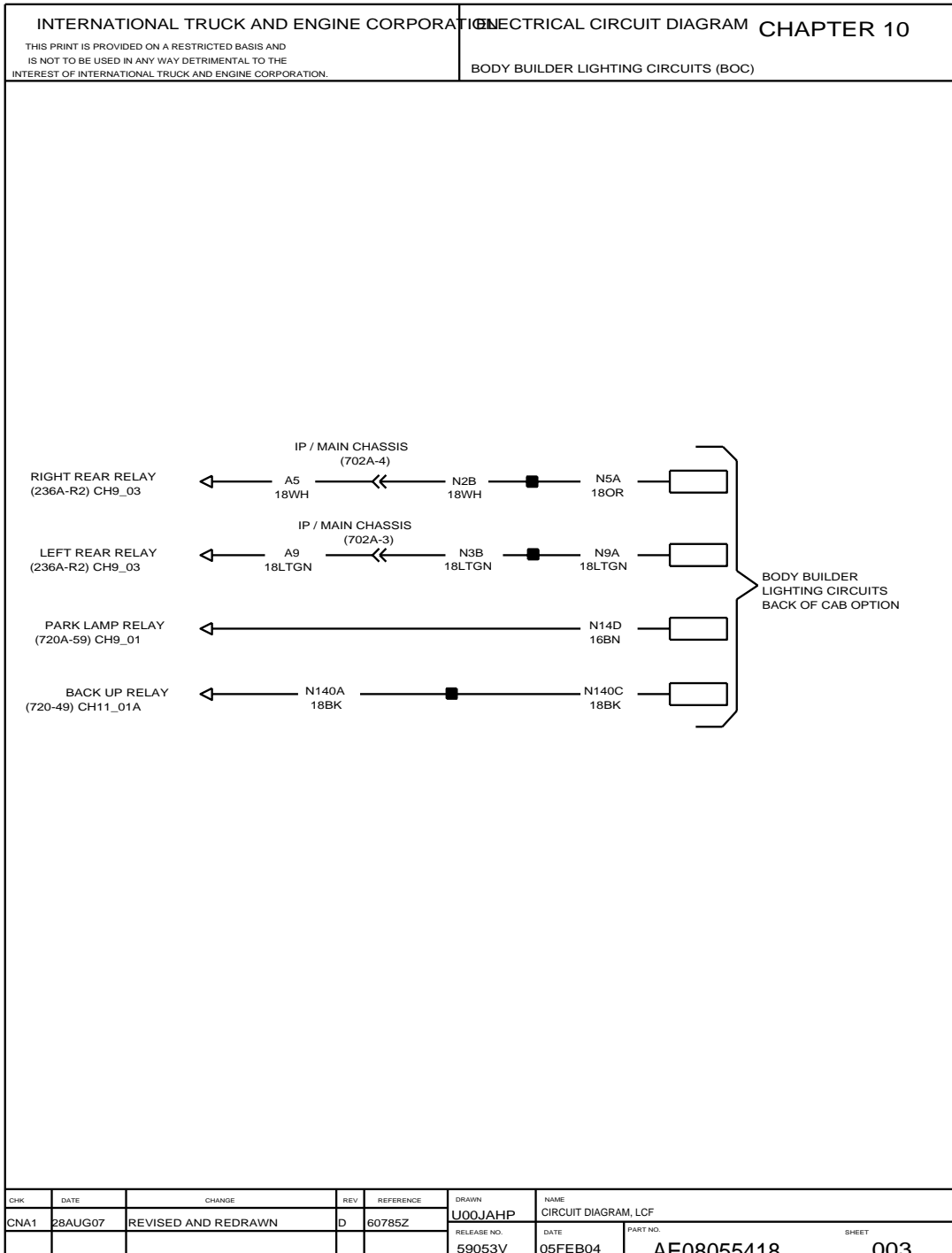


Figure 64 Body Builder Lighting Circuits (BOC)

10.4. BODY BUILDER (EOF), P. 4

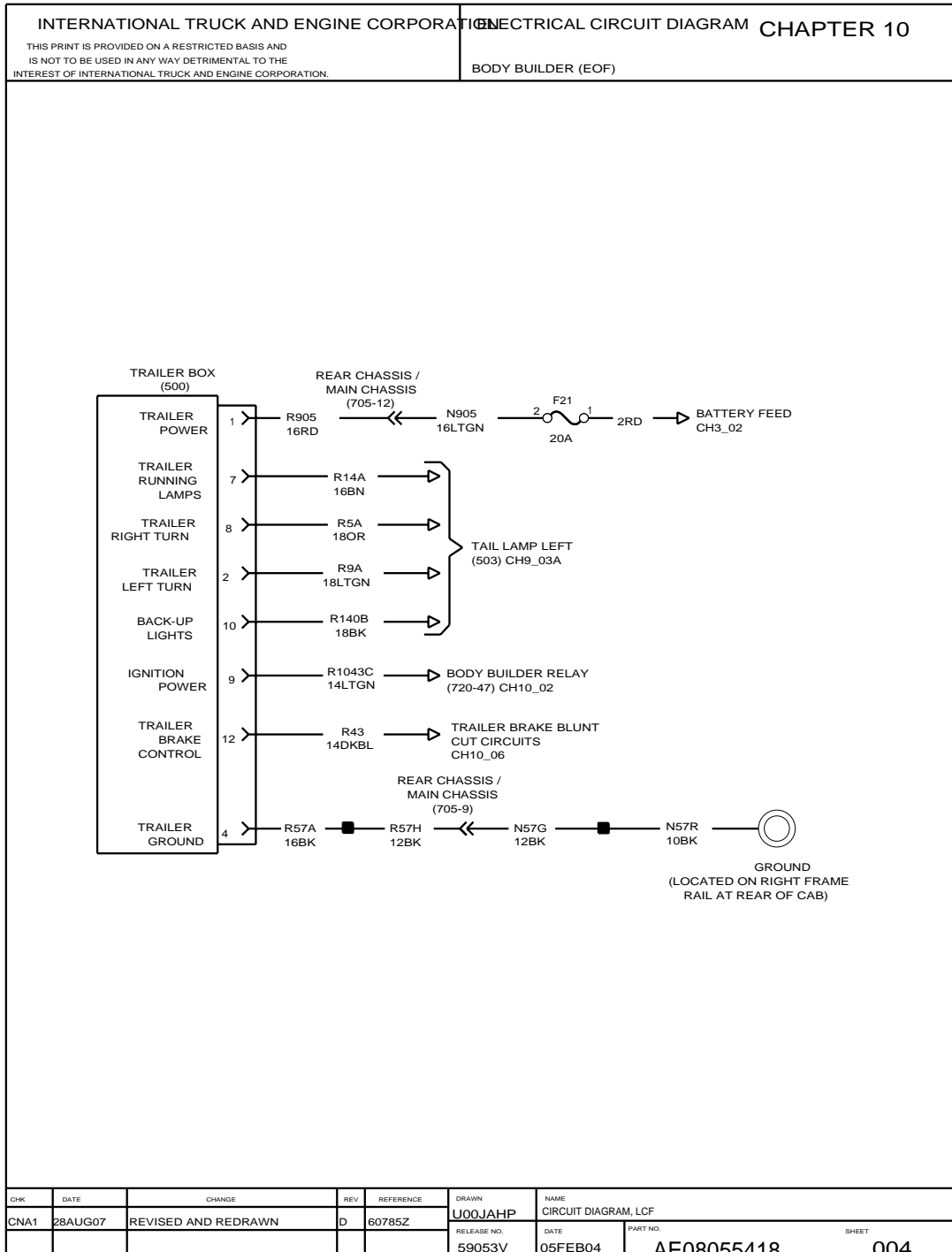


Figure 65 Body Builder (EOF)

10.5. BRAKE SYSTEMS: FLUID, PRESSURE AND PEDAL SWITCH, P. 5

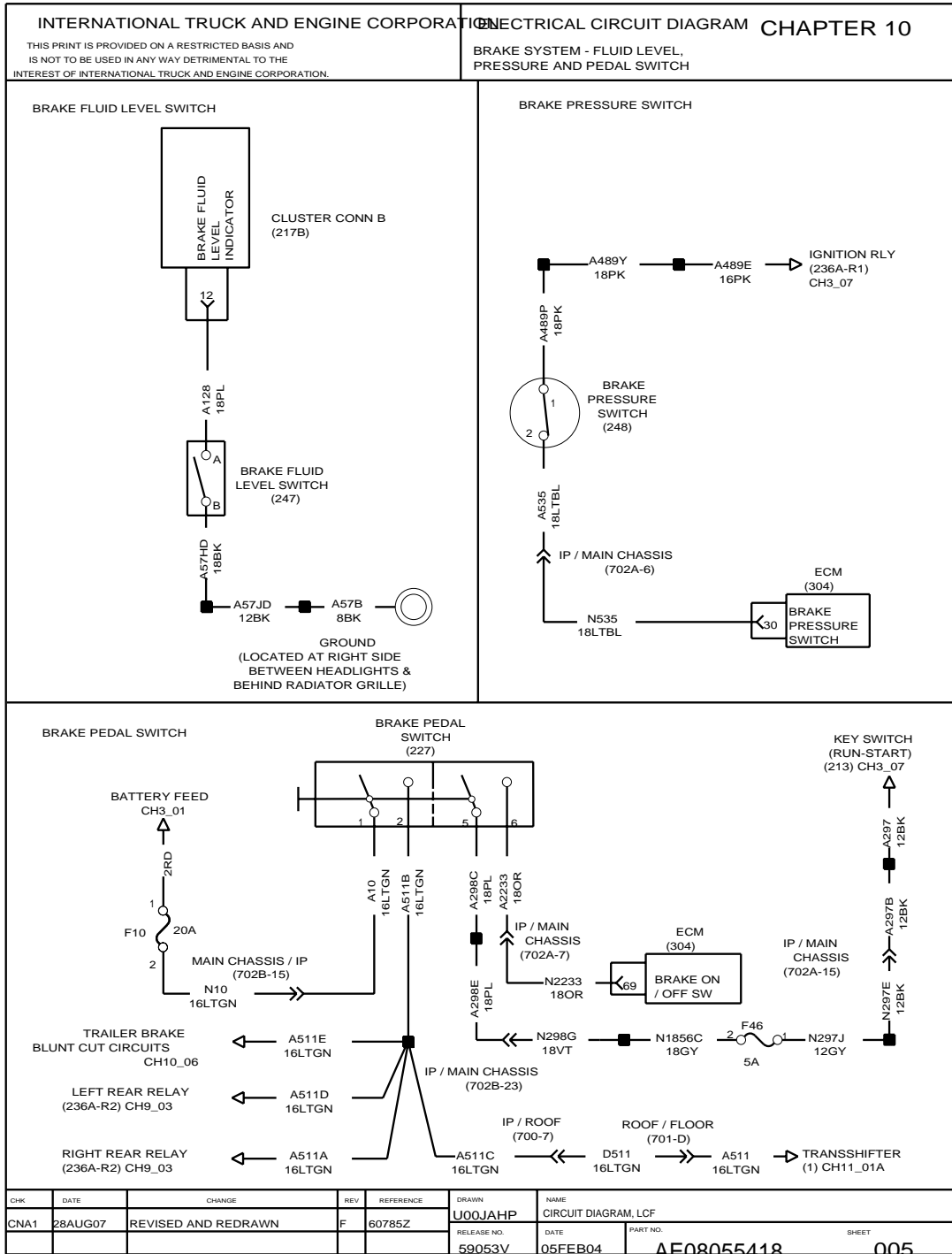


Figure 66 Brake Systems: Fluid, Pressure and Pedal Switch

10.6. BRAKE SYSTEMS: ELECTRIC TRAILER BRAKES, P. 6

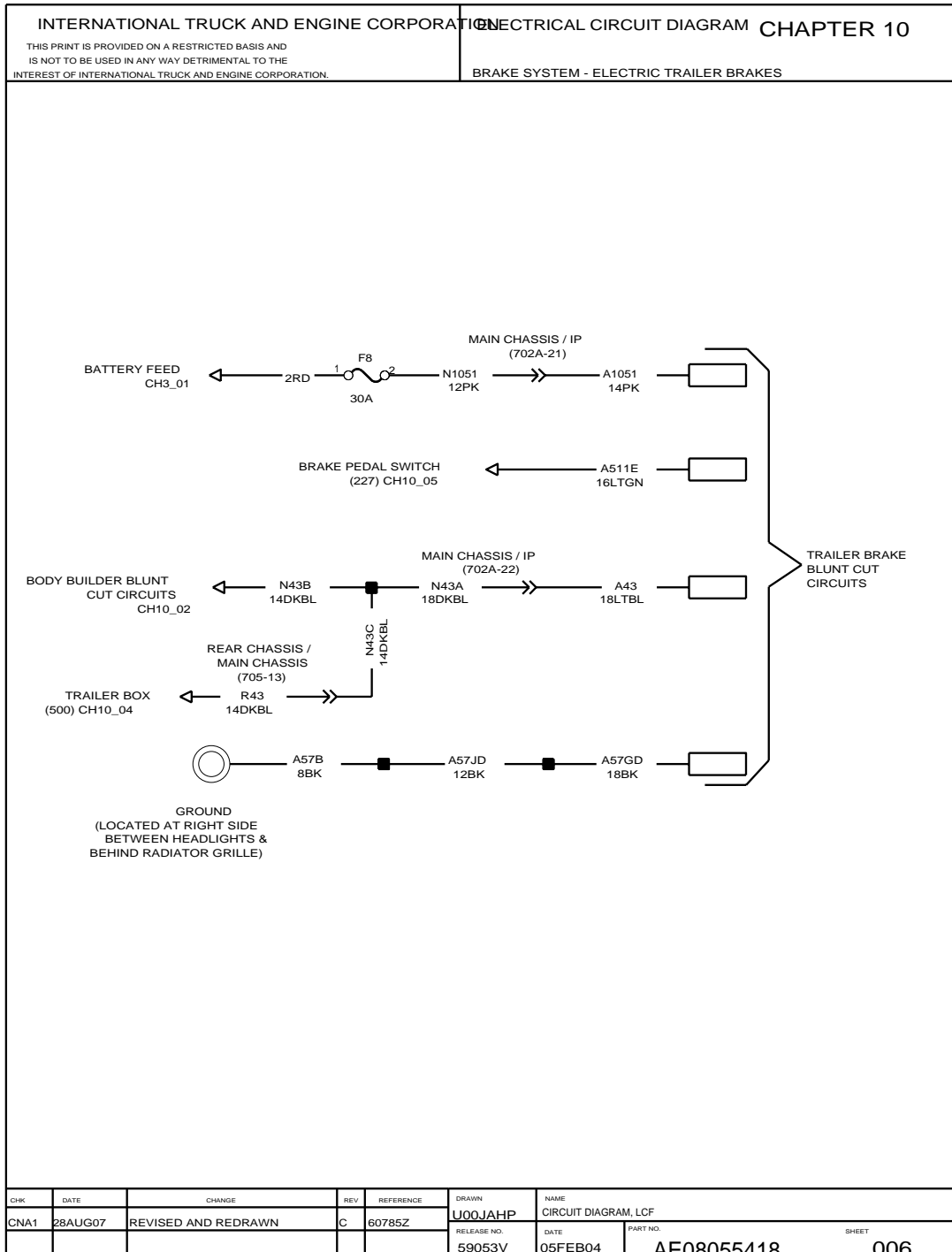


Figure 67 Brake Systems: Electric Trailer Brakes

11. TRANSMISSION (CHAPTER 11)

11.1. TRANSMISSION CONTROL MODULE, P. 1

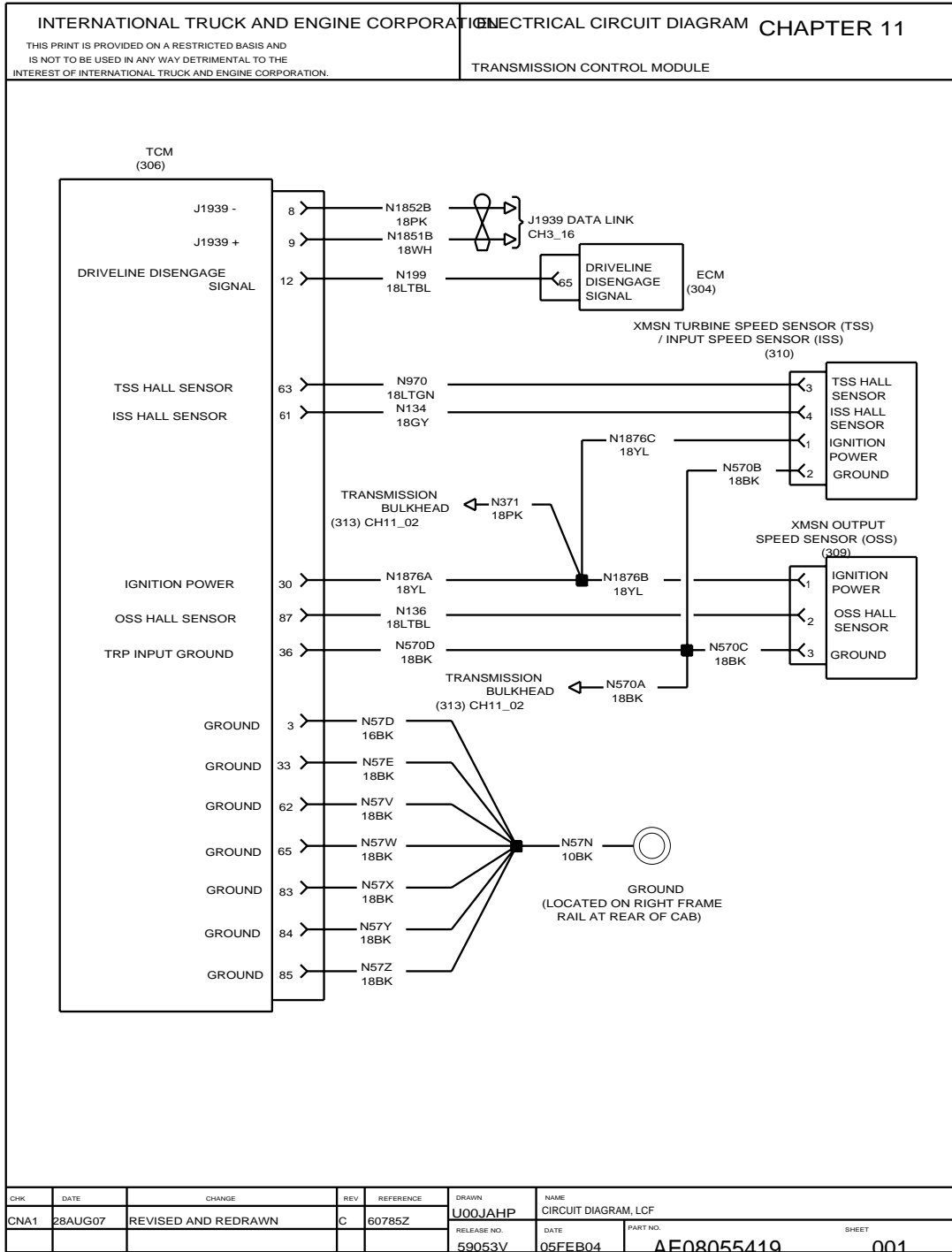


Figure 68 Transmission Control Module

11.2. TRANSMISSION CONTROL MODULE, P. 1A

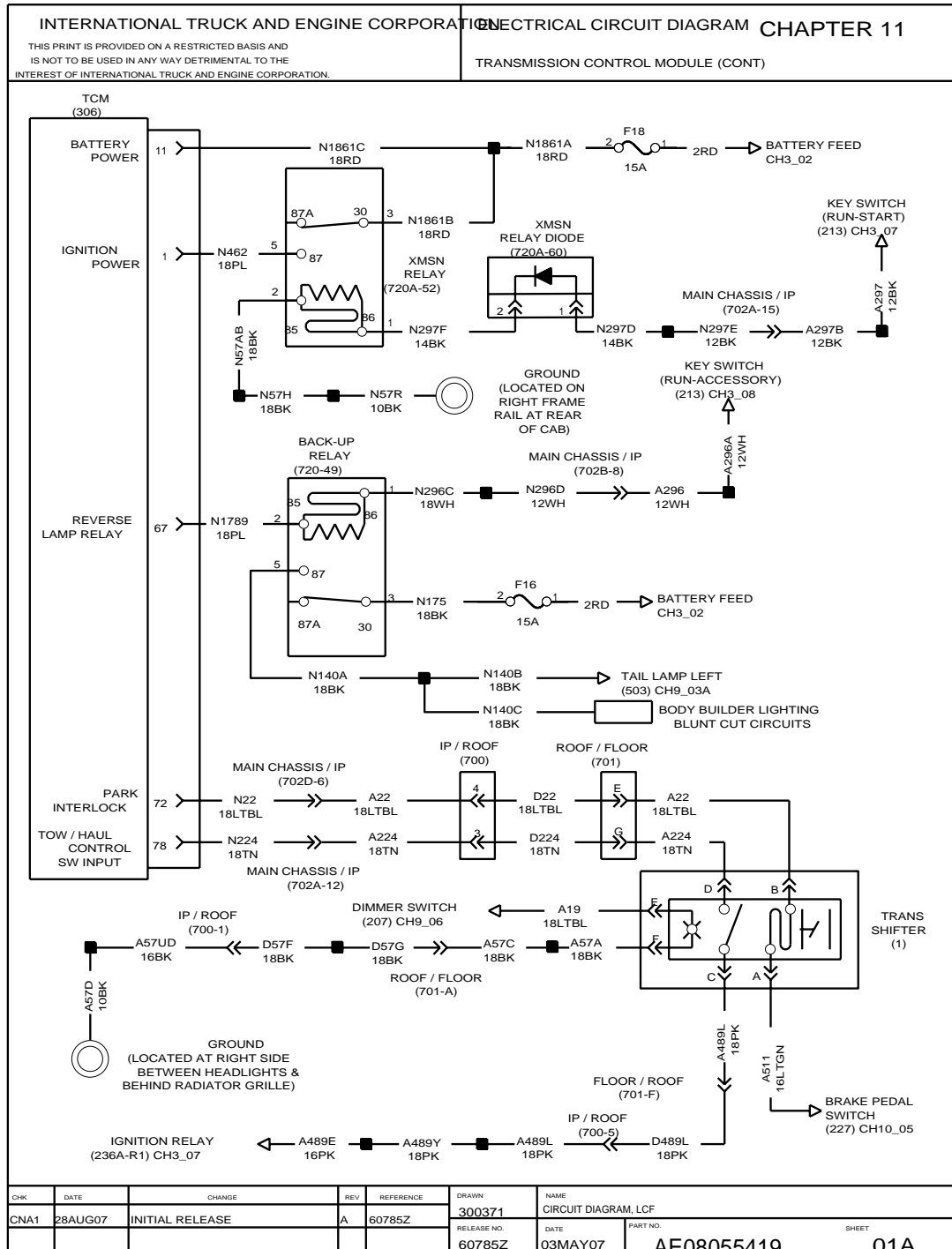


Figure 69 Transmission Control Module

11.3. TCM TO TRANSMISSION BULKHEAD CONNECTOR, P. 2

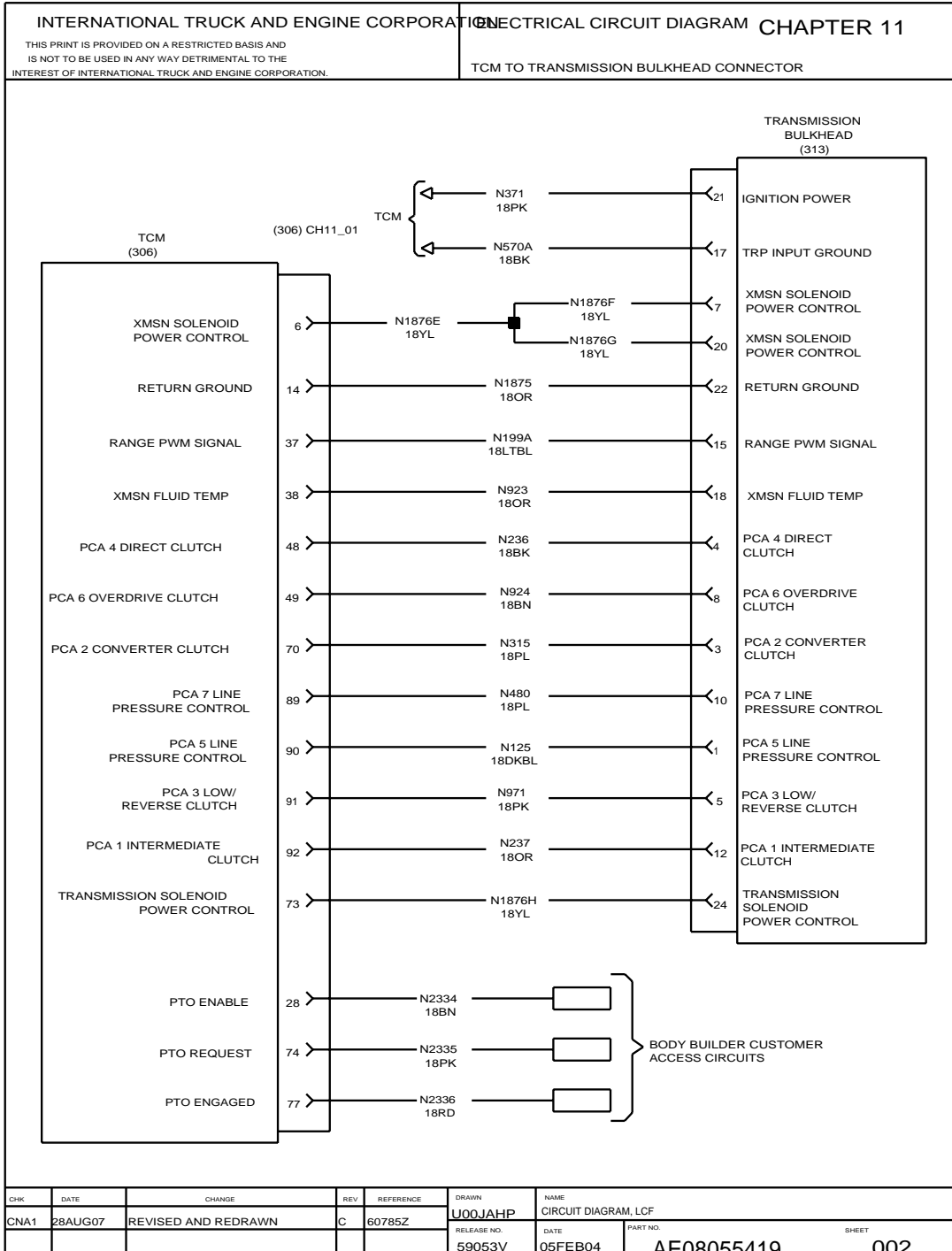


Figure 70 TCM to Transmission Bulkhead Connector

12. CLIMATE CONTROL (CHAPTER 12)

12.1. HVAC SYSTEM, P. 1

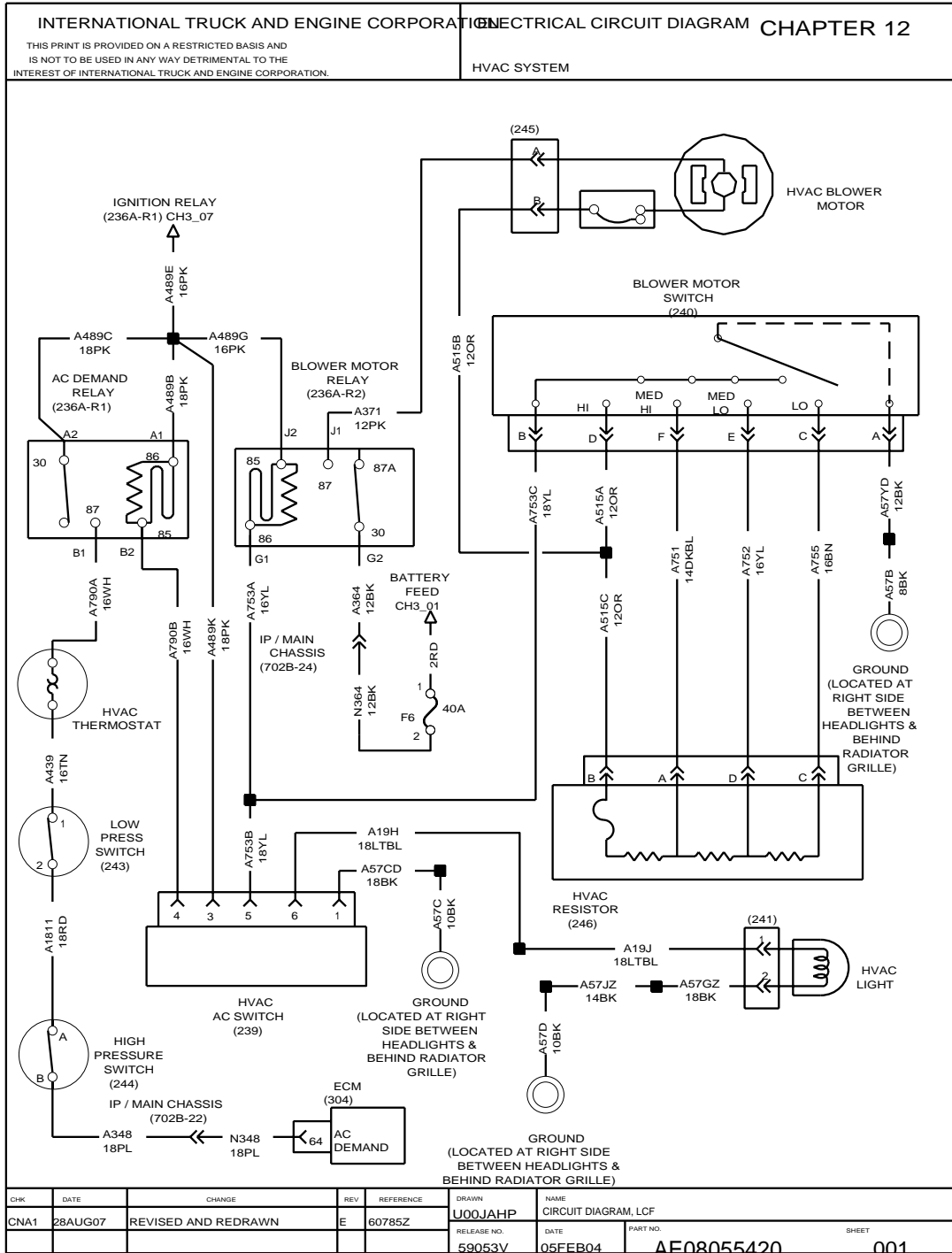


Figure 71 HVAC System

12.2. A/C CLUTCH, P. 2

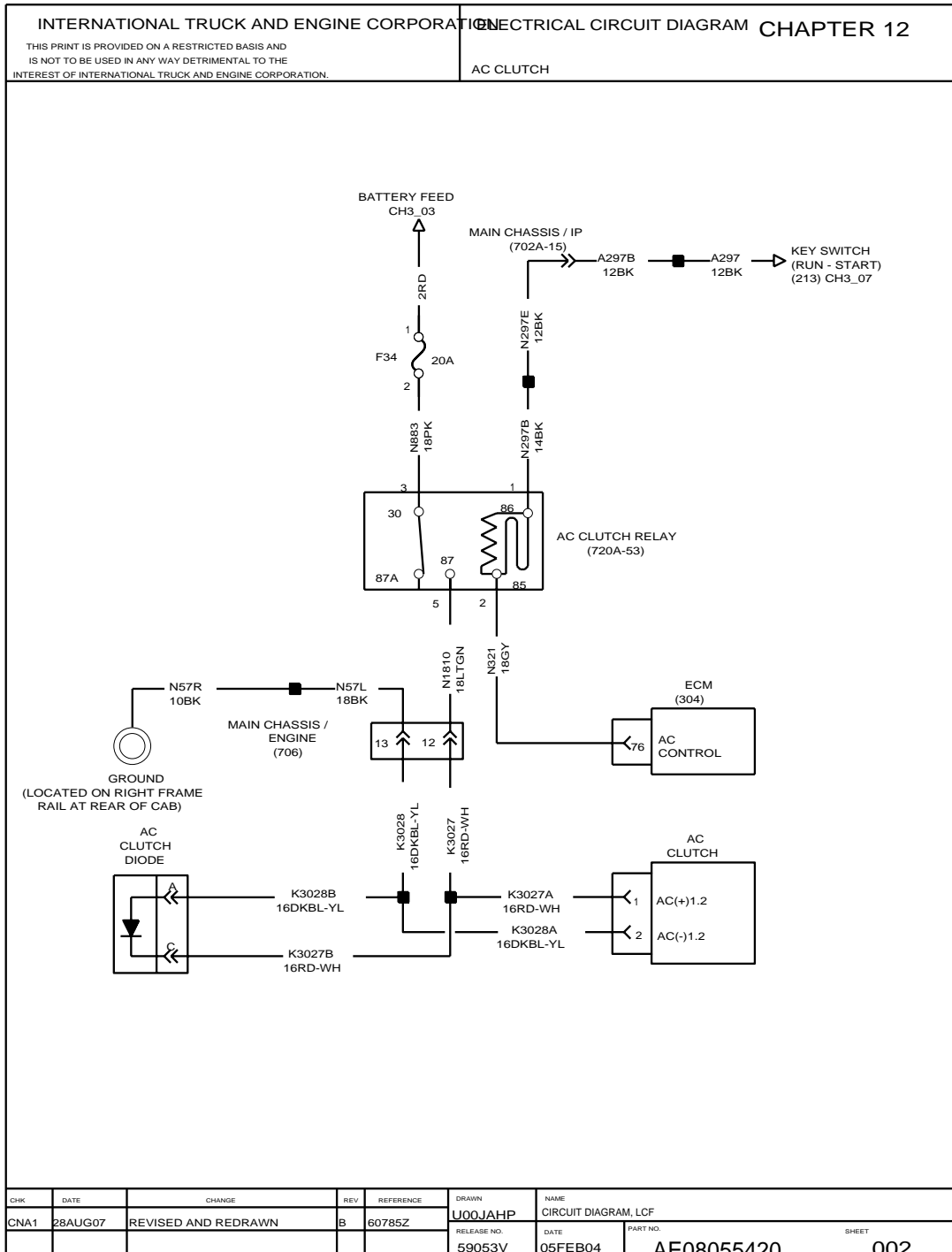


Figure 72 A/C Clutch

12.3. PUSHER FAN, P. 3

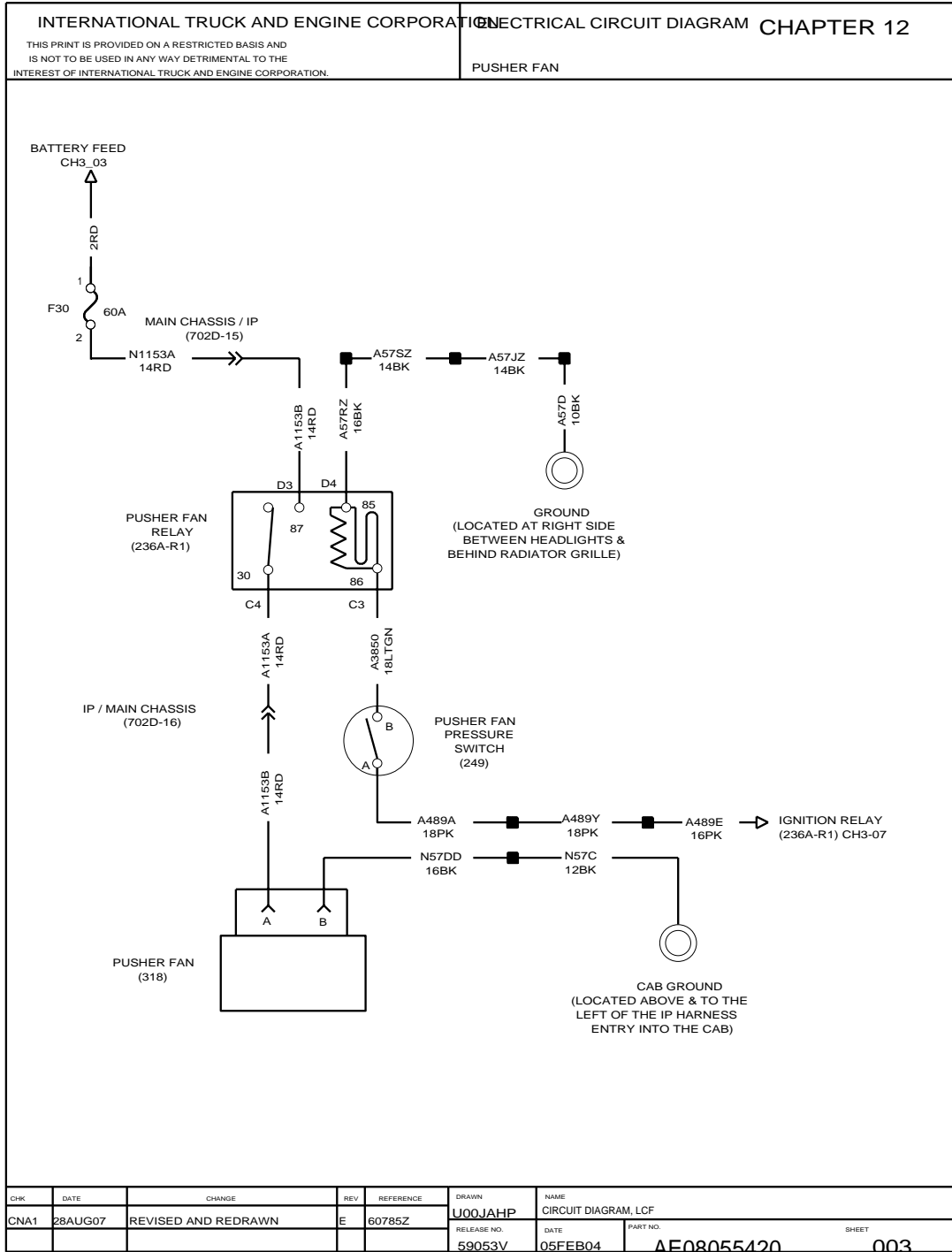


Figure 73 Pusher Fan

13. CONNECTOR COMPOSITES (CHAPTER 13)

13.1. CONNECTOR COMPOSITES (1), (2), (3), P. 1

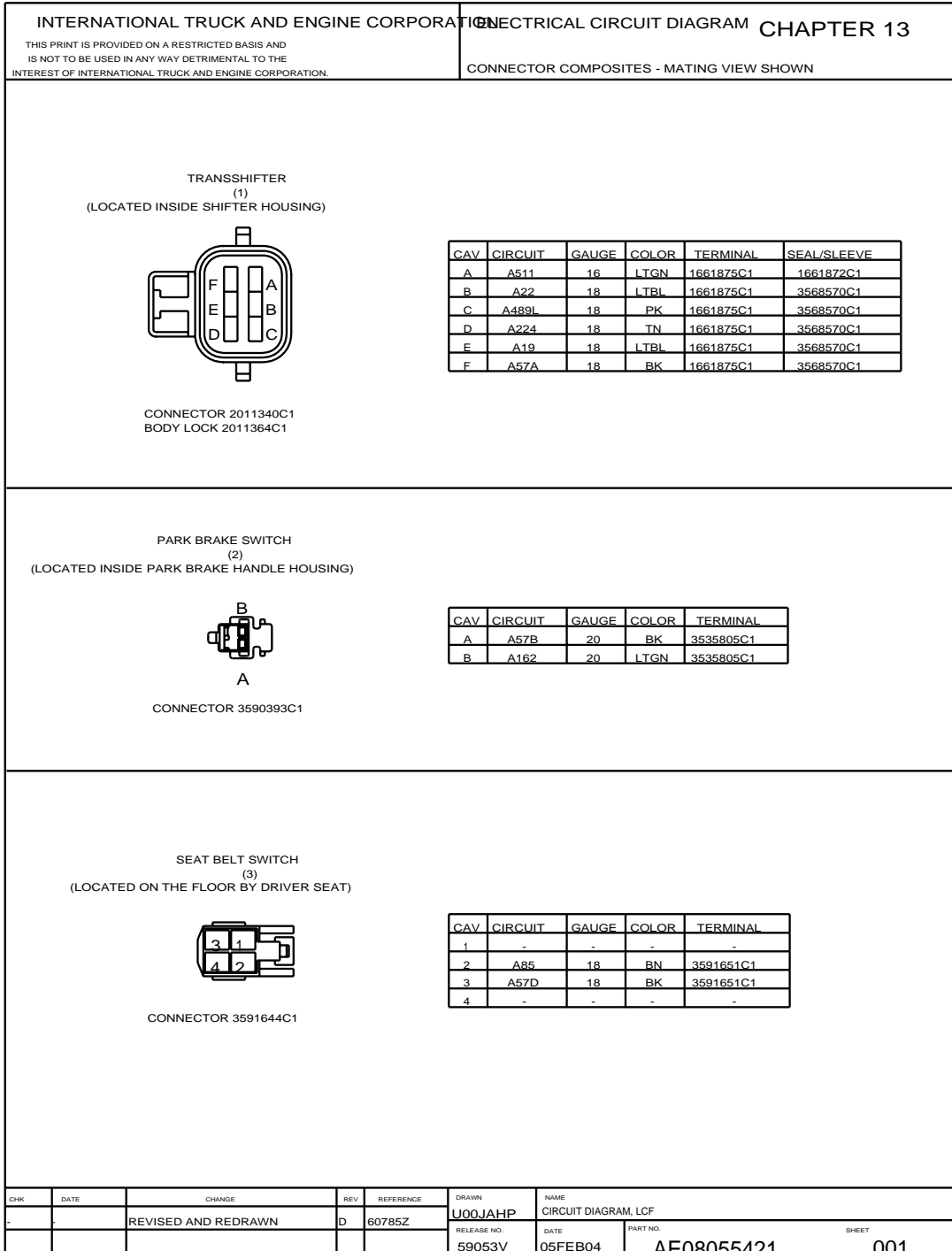


Figure 74 Connector Composites (1), (2), (3)

13.2. CONNECTOR COMPOSITES (71), (72), (101), (102), P. 2

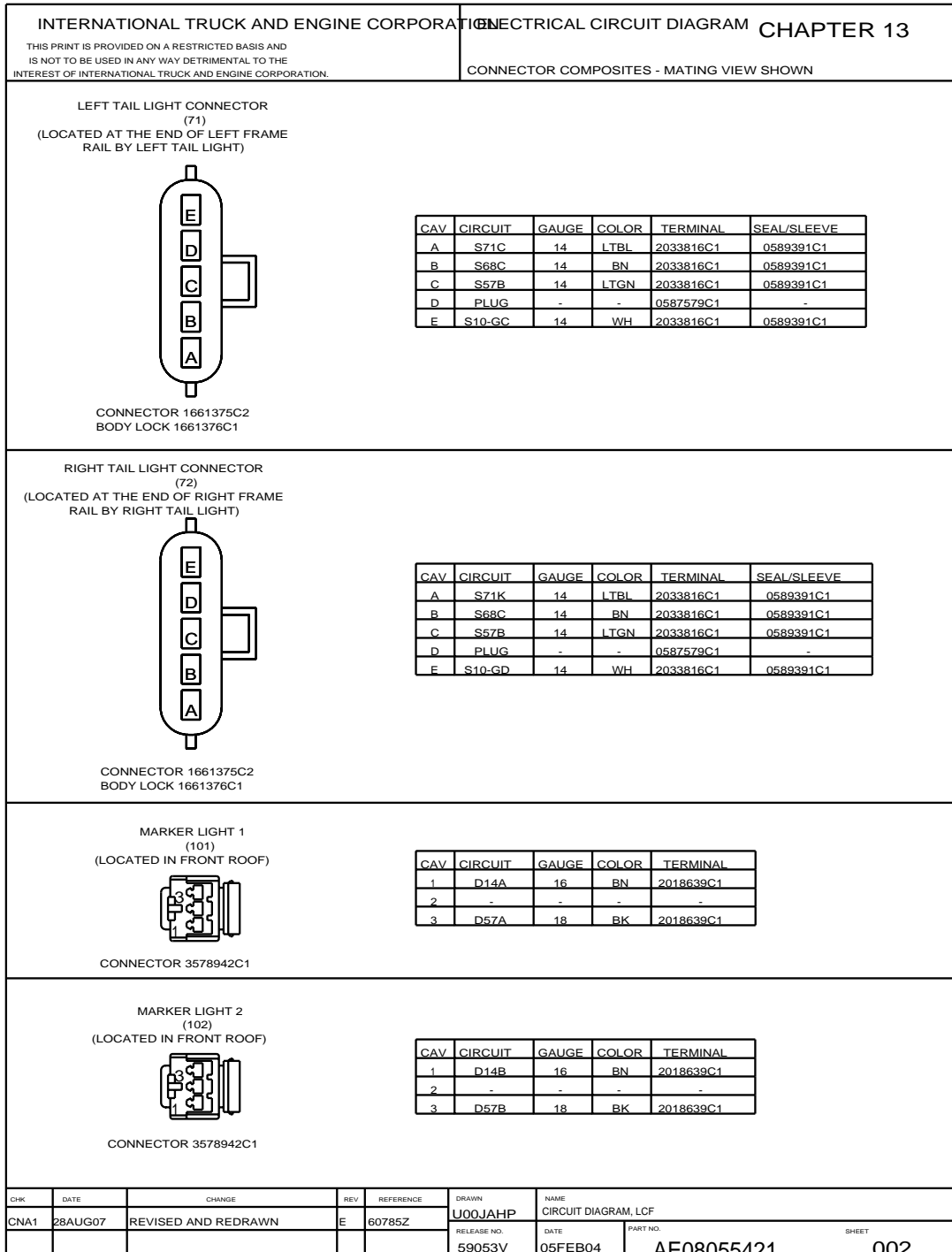


Figure 75 Connector Composites (71), (72), (101), (102)

13.3. CONNECTOR COMPOSITES (103), (104), (105), (106), P. 3

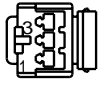
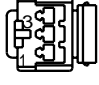
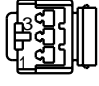
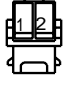

INTERNATIONAL TRUCK AND ENGINE CORPORATION		ELECTRICAL CIRCUIT DIAGRAM CHAPTER 13																															
THIS PRINT IS PROVIDED ON A RESTRICTED BASIS AND IS NOT TO BE USED IN ANY WAY DETRIMENTAL TO THE INTEREST OF INTERNATIONAL TRUCK AND ENGINE CORPORATION.		CONNECTOR COMPOSITES - MATING VIEW SHOWN																															
<p>MARKER LIGHT 3 (103) (LOCATED IN FRONT ROOF)</p>  <p>CONNECTOR 3578942C1</p>			<table border="1" style="width:100%; border-collapse: collapse; font-size: x-small;"> <thead> <tr> <th>CAV</th> <th>CIRCUIT</th> <th>GAUGE</th> <th>COLOR</th> <th>TERMINAL</th> </tr> </thead> <tbody> <tr> <td>1</td> <td>D14C</td> <td>16</td> <td>BN</td> <td>2018639C1</td> </tr> <tr> <td>2</td> <td>-</td> <td>-</td> <td>-</td> <td>-</td> </tr> <tr> <td>3</td> <td>D57C</td> <td>18</td> <td>BK</td> <td>2018639C1</td> </tr> </tbody> </table>	CAV	CIRCUIT	GAUGE	COLOR	TERMINAL	1	D14C	16	BN	2018639C1	2	-	-	-	-	3	D57C	18	BK	2018639C1										
CAV	CIRCUIT	GAUGE	COLOR	TERMINAL																													
1	D14C	16	BN	2018639C1																													
2	-	-	-	-																													
3	D57C	18	BK	2018639C1																													
<p>MARKER LIGHT 4 (104) (LOCATED IN FRONT ROOF)</p>  <p>CONNECTOR 3578942C1</p>			<table border="1" style="width:100%; border-collapse: collapse; font-size: x-small;"> <thead> <tr> <th>CAV</th> <th>CIRCUIT</th> <th>GAUGE</th> <th>COLOR</th> <th>TERMINAL</th> </tr> </thead> <tbody> <tr> <td>1</td> <td>D14D</td> <td>16</td> <td>BN</td> <td>2018639C1</td> </tr> <tr> <td>2</td> <td>-</td> <td>-</td> <td>-</td> <td>-</td> </tr> <tr> <td>3</td> <td>D57D</td> <td>18</td> <td>BK</td> <td>2018639C1</td> </tr> </tbody> </table>	CAV	CIRCUIT	GAUGE	COLOR	TERMINAL	1	D14D	16	BN	2018639C1	2	-	-	-	-	3	D57D	18	BK	2018639C1										
CAV	CIRCUIT	GAUGE	COLOR	TERMINAL																													
1	D14D	16	BN	2018639C1																													
2	-	-	-	-																													
3	D57D	18	BK	2018639C1																													
<p>MARKER LIGHT 5 (105) (LOCATED IN FRONT ROOF)</p>  <p>CONNECTOR 3578942C1</p>			<table border="1" style="width:100%; border-collapse: collapse; font-size: x-small;"> <thead> <tr> <th>CAV</th> <th>CIRCUIT</th> <th>GAUGE</th> <th>COLOR</th> <th>TERMINAL</th> </tr> </thead> <tbody> <tr> <td>1</td> <td>D14E</td> <td>16</td> <td>BN</td> <td>2018639C1</td> </tr> <tr> <td>2</td> <td>-</td> <td>-</td> <td>-</td> <td>-</td> </tr> <tr> <td>3</td> <td>D57E</td> <td>18</td> <td>BK</td> <td>2018639C1</td> </tr> </tbody> </table>	CAV	CIRCUIT	GAUGE	COLOR	TERMINAL	1	D14E	16	BN	2018639C1	2	-	-	-	-	3	D57E	18	BK	2018639C1										
CAV	CIRCUIT	GAUGE	COLOR	TERMINAL																													
1	D14E	16	BN	2018639C1																													
2	-	-	-	-																													
3	D57E	18	BK	2018639C1																													
<p>DOME LIGHT (106) (LOCATED NEAR DOME LIGHT)</p>  <p>CONNECTOR 3592572C1</p>			<table border="1" style="width:100%; border-collapse: collapse; font-size: x-small;"> <thead> <tr> <th>CAV</th> <th>CIRCUIT</th> <th>GAUGE</th> <th>COLOR</th> <th>TERMINAL</th> </tr> </thead> <tbody> <tr> <td>1</td> <td>D159A</td> <td>18</td> <td>RD</td> <td>2018639C1</td> </tr> <tr> <td>2</td> <td>D54</td> <td>18</td> <td>LTGN</td> <td>2018639C1</td> </tr> </tbody> </table>	CAV	CIRCUIT	GAUGE	COLOR	TERMINAL	1	D159A	18	RD	2018639C1	2	D54	18	LTGN	2018639C1															
CAV	CIRCUIT	GAUGE	COLOR	TERMINAL																													
1	D159A	18	RD	2018639C1																													
2	D54	18	LTGN	2018639C1																													
<p>DOME LIGHT (106) (LOCATED NEAR DOME LIGHT)</p>  <p>CONNECTOR 1661889C1 BODY LOCK 1661890C1</p>			<table border="1" style="width:100%; border-collapse: collapse; font-size: x-small;"> <thead> <tr> <th>CAV</th> <th>CIRCUIT</th> <th>GAUGE</th> <th>COLOR</th> <th>TERMINAL</th> </tr> </thead> <tbody> <tr> <td>A</td> <td>D54A</td> <td>18</td> <td>LTGN</td> <td>1661261C1</td> </tr> <tr> <td>B</td> <td>D57H</td> <td>18</td> <td>BK</td> <td>1661261C1</td> </tr> <tr> <td>C</td> <td>D54B</td> <td>18</td> <td>LTGN</td> <td>1661261C1</td> </tr> </tbody> </table>	CAV	CIRCUIT	GAUGE	COLOR	TERMINAL	A	D54A	18	LTGN	1661261C1	B	D57H	18	BK	1661261C1	C	D54B	18	LTGN	1661261C1										
CAV	CIRCUIT	GAUGE	COLOR	TERMINAL																													
A	D54A	18	LTGN	1661261C1																													
B	D57H	18	BK	1661261C1																													
C	D54B	18	LTGN	1661261C1																													
<table border="1" style="width:100%; border-collapse: collapse;"> <thead> <tr> <th>CHK</th> <th>DATE</th> <th>CHANGE</th> <th>REV</th> <th>REFERENCE</th> <th>DRAWN</th> <th>NAME</th> </tr> </thead> <tbody> <tr> <td>CNA1</td> <td>28AUG07</td> <td>REVISED AND REDRAWN</td> <td>D</td> <td>60785Z</td> <td>U00JAHP</td> <td>CIRCUIT DIAGRAM, LCF</td> </tr> <tr> <td></td> <td></td> <td></td> <td></td> <td></td> <td>RELEASE NO.</td> <td>DATE</td> </tr> <tr> <td></td> <td></td> <td></td> <td></td> <td></td> <td>59053V</td> <td>05FEB04</td> </tr> </tbody> </table>	CHK	DATE	CHANGE	REV	REFERENCE	DRAWN	NAME	CNA1	28AUG07	REVISED AND REDRAWN	D	60785Z	U00JAHP	CIRCUIT DIAGRAM, LCF						RELEASE NO.	DATE						59053V	05FEB04	<table border="1" style="width:100%; border-collapse: collapse;"> <thead> <tr> <th>PART NO.</th> <th>SHEET</th> </tr> </thead> <tbody> <tr> <td>AE08055421</td> <td>003</td> </tr> </tbody> </table>	PART NO.	SHEET	AE08055421	003
CHK	DATE	CHANGE	REV	REFERENCE	DRAWN	NAME																											
CNA1	28AUG07	REVISED AND REDRAWN	D	60785Z	U00JAHP	CIRCUIT DIAGRAM, LCF																											
					RELEASE NO.	DATE																											
					59053V	05FEB04																											
PART NO.	SHEET																																
AE08055421	003																																

Figure 76 Connector Composites (103), (104), (105), (106)

13.4. CONNECTOR COMPOSITES (201), (202A), (202C), P. 4

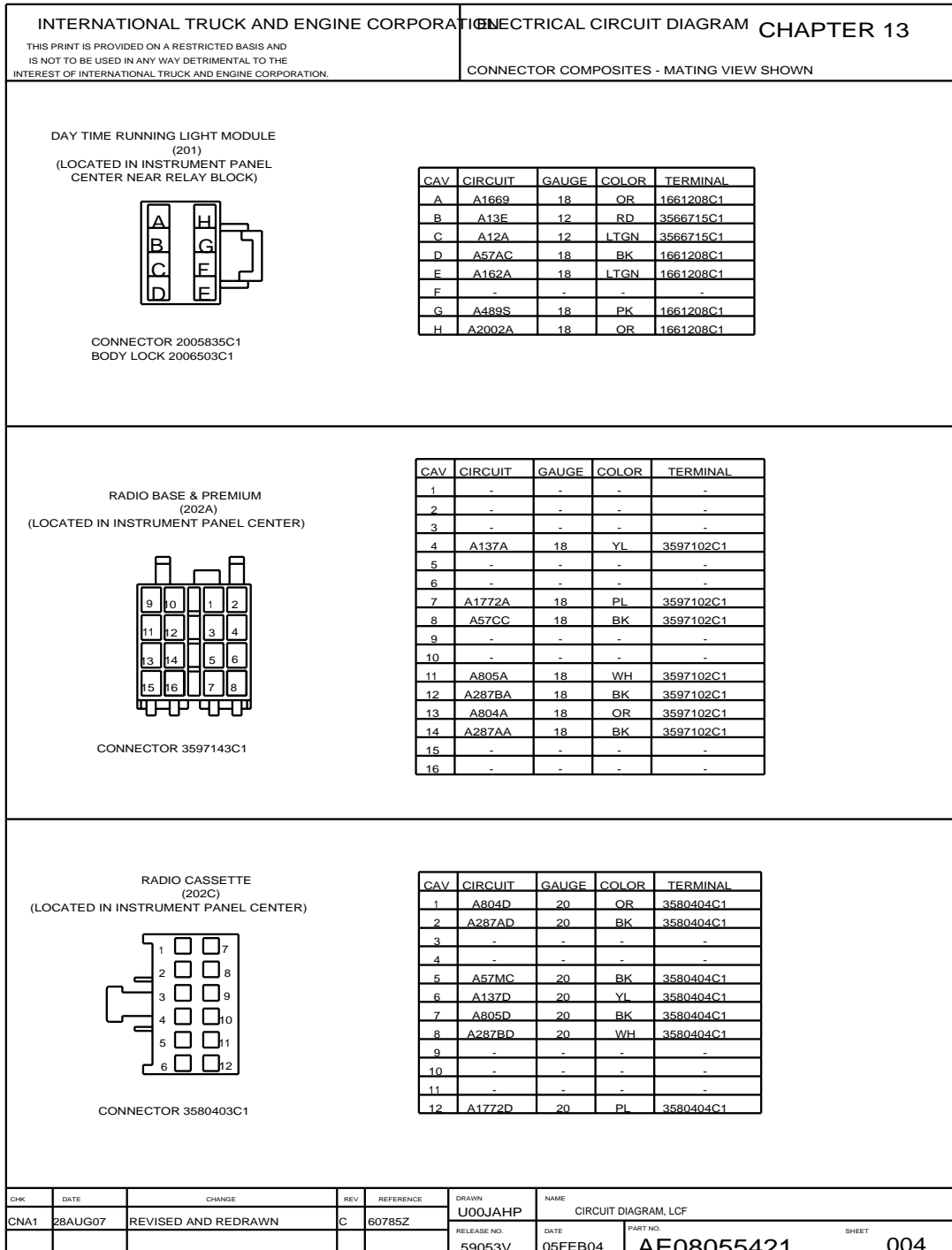


Figure 77 Connector Composites (201), (202A), (202C)

13.5. CONNECTOR COMPOSITES (203), (204), (205A), P. 5

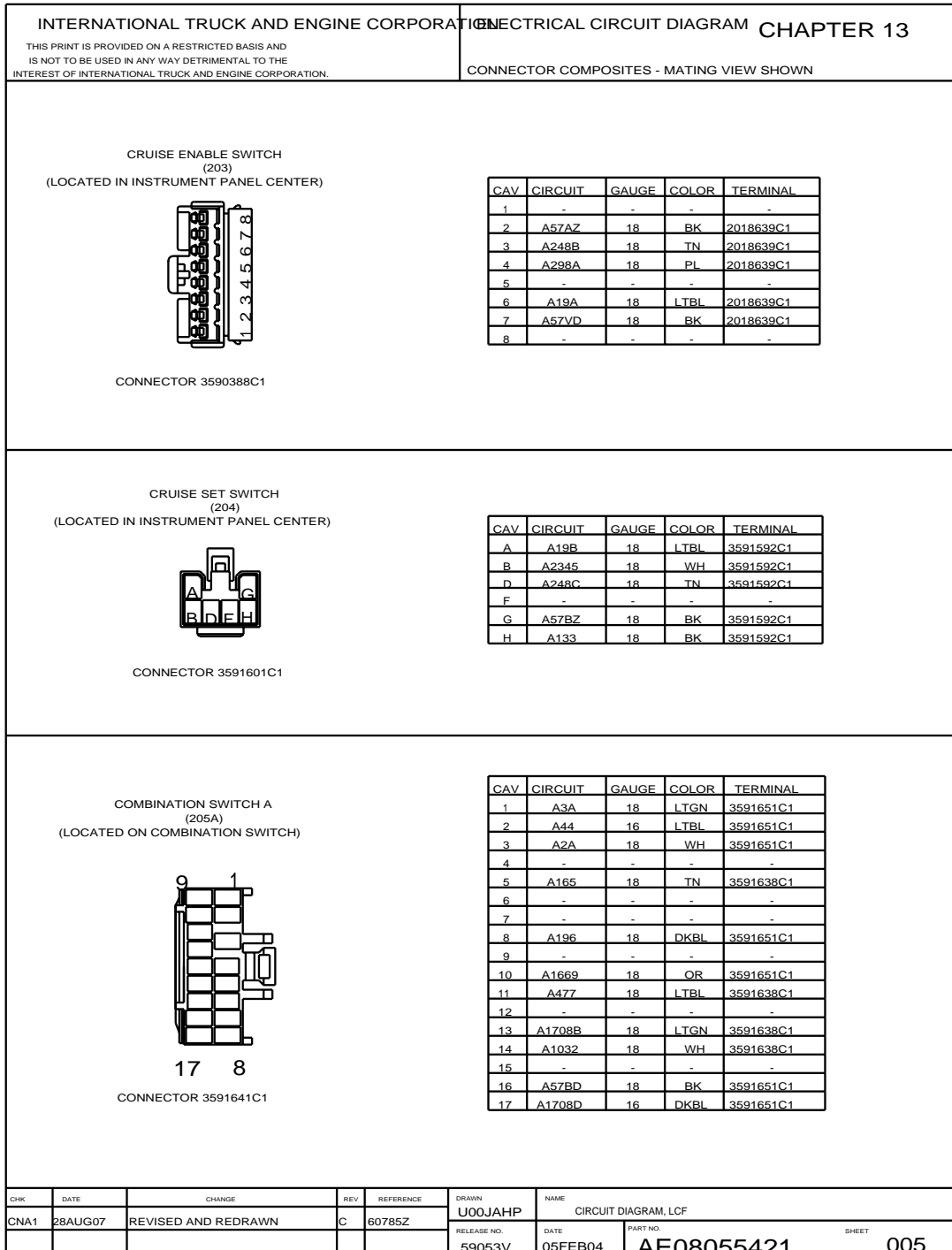


Figure 78 Connector Composites (203), (204), (205A)

13.6. CONNECTOR COMPOSITES (205B), (206), (207), (208), P. 6

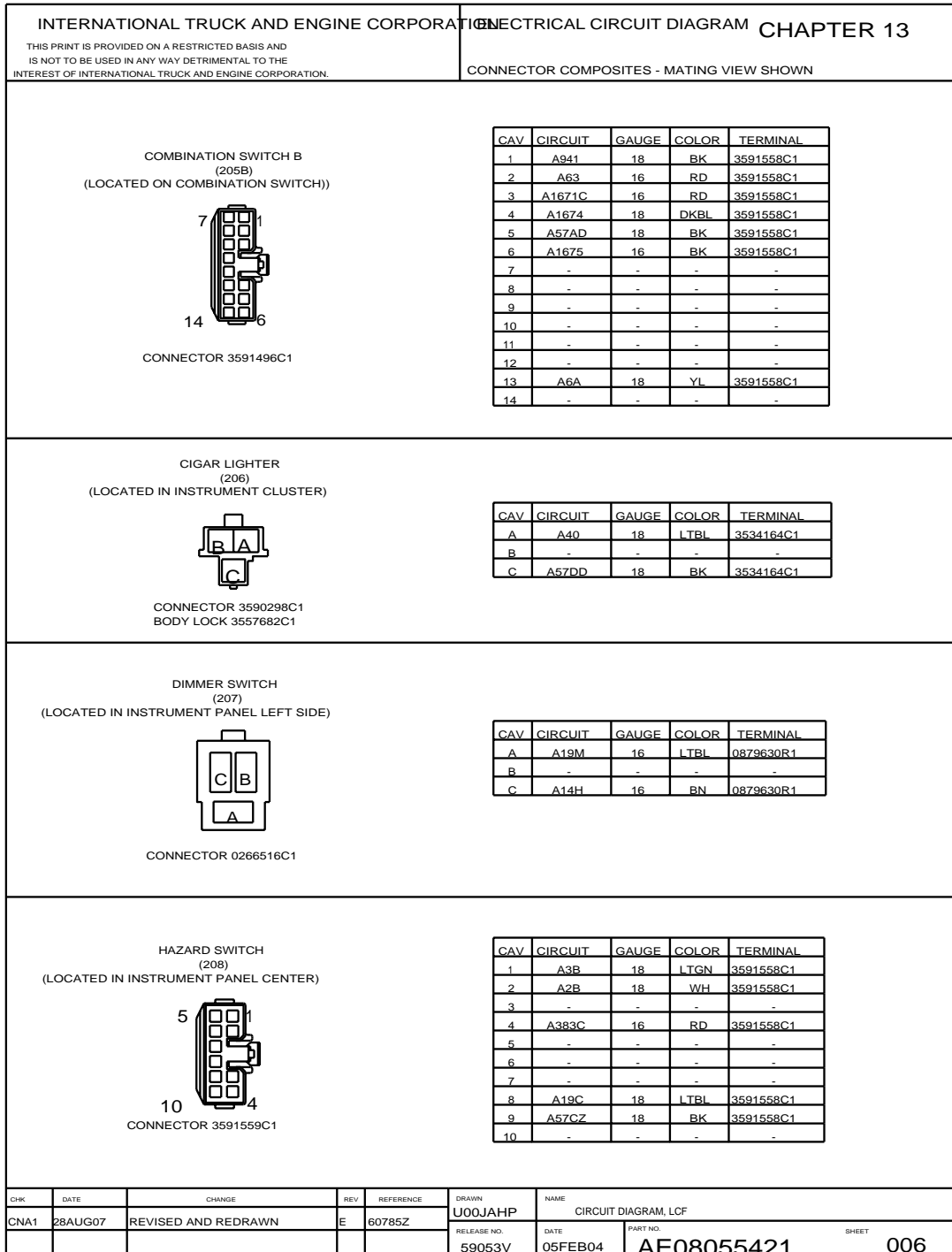
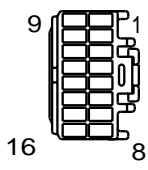


Figure 79 Connector Composites (205B), (206), (207), (208)

13.7. CONNECTOR COMPOSITES (211), (212), (213), P. 7

INTERNATIONAL TRUCK AND ENGINE CORPORATION		ELECTRICAL CIRCUIT DIAGRAM		CHAPTER 13	
THIS PRINT IS PROVIDED ON A RESTRICTED BASIS AND IS NOT TO BE USED IN ANY WAY DETRIMENTAL TO THE INTEREST OF INTERNATIONAL TRUCK AND ENGINE CORPORATION.		CONNECTOR COMPOSITES - MATING VIEW SHOWN			

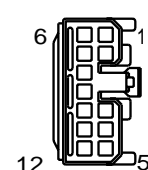
REMOTE KEYLESS ENTRY RECEIVER
(211)
(LOCATED IN INSTRUMENT PANEL RIGHT SIDE)



CONNECTOR 3591627C1

CAV	CIRCUIT	GAUGE	COLOR	TERMINAL
1	A489N	18	PK	3591638C1
2	A119A	18	PK	3591638C1
3	A6B	18	YL	3591638C1
4	-	-	-	-
5	-	-	-	-
6	-	-	-	-
7	A129	18	LTGN	3591638C1
8	-	-	-	-
9	A2002B	18	OR	3591638C1
10	-	-	-	-
11	-	-	-	-
12	-	-	-	-
13	-	-	-	-
14	A57DC	18	BK	3591638C1
15	-	-	-	-
16	-	-	-	-

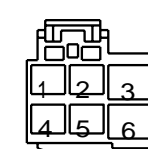
DOOR LOCK TIMER
(212)
(LOCATED IN INSTRUMENT PANEL RIGHT SIDE)



CONNECTOR 3591560C1

CAV	CIRCUIT	GAUGE	COLOR	TERMINAL
1	A1679	16	WH	3591558C1
2	A118B	18	PK	3591558C1
3	-	-	-	-
4	A119C	18	PK	3591558C1
5	A67EC	18	BK	3591558C1
6	-	-	-	-
7	A117A	18	PK	3591558C1
8	A129	18	LTGN	3591558C1
9	-	-	-	-
10	-	-	-	-
11	A120	18	PK	3591558C1
12	A67FD	18	BK	3591558C1

KEY SWITCH
(213)
(LOCATED ON STEERING COLUMN)



CONNECTOR 3591967C1

CAV	CIRCUIT	GAUGE	COLOR	TERMINAL
1	A297	12	BK	3591968C1
2	A296A	12	WH	3591968C1
3	A1050	12	LTGN	3591972C1
4	A32	12	RD	3591968C1
5	A298	12	PL	3591968C1
6	A1522	12	LTGN	3591972C1

CHK	DATE	CHANGE	REV	REFERENCE	DRAWN	NAME
CNA1	28AUG07	REVISED AND REDRAWN	C	60785Z	U00JHP	CIRCUIT DIAGRAM, LCF
					RELEASE NO.	DATE
					59053V	05FEB04
						PART NO.
						AE08055421
						SHEET
						007

Figure 80 Connector Composites (211), (212), (213)

13.8. CONNECTOR COMPOSITES (214), (215), (217A), (217B), P. 8

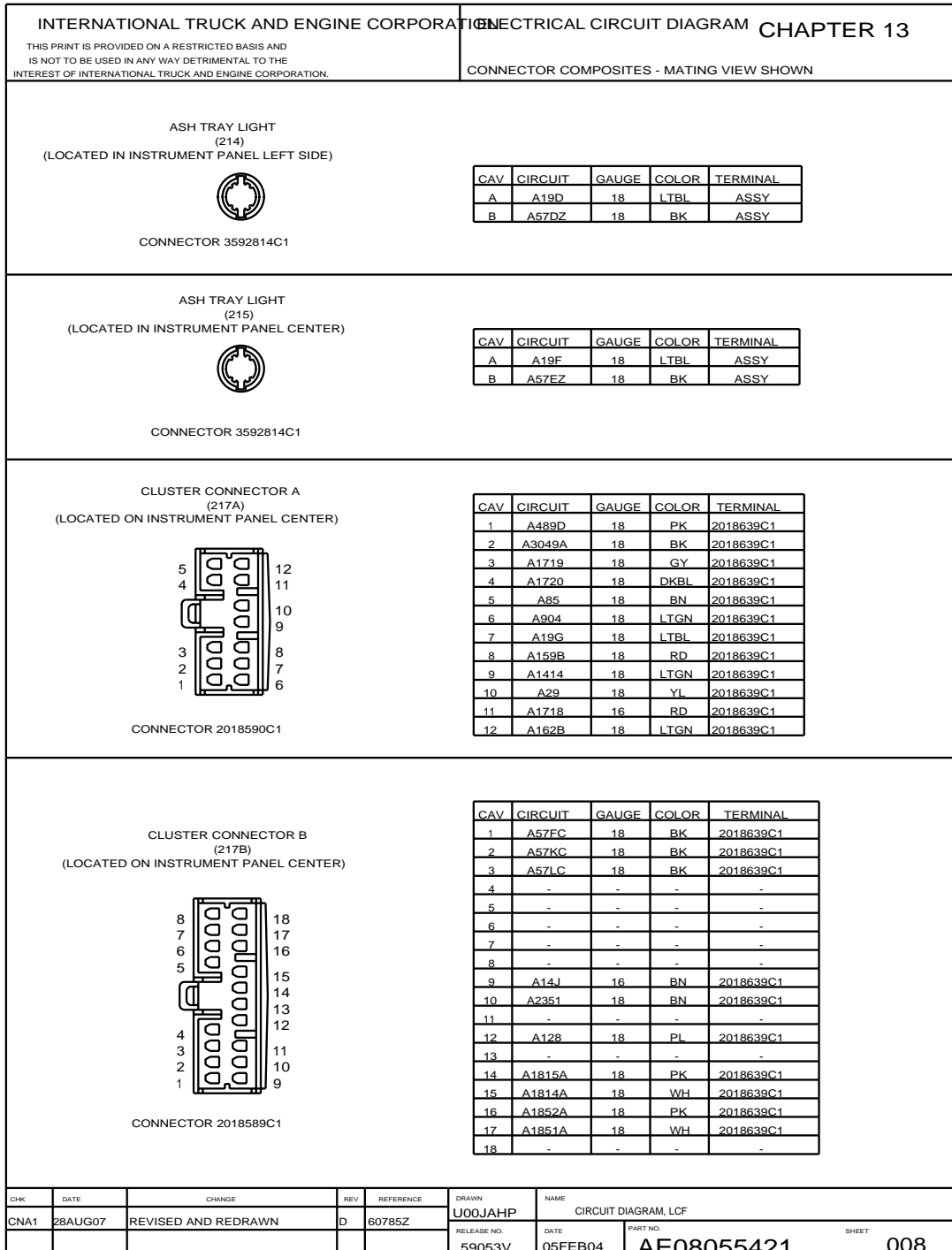


Figure 81 Connector Composites (214), (215), (217A), (217B)

13.9. CONNECTOR COMPOSITES (220), (222), (223), (225), P. 9

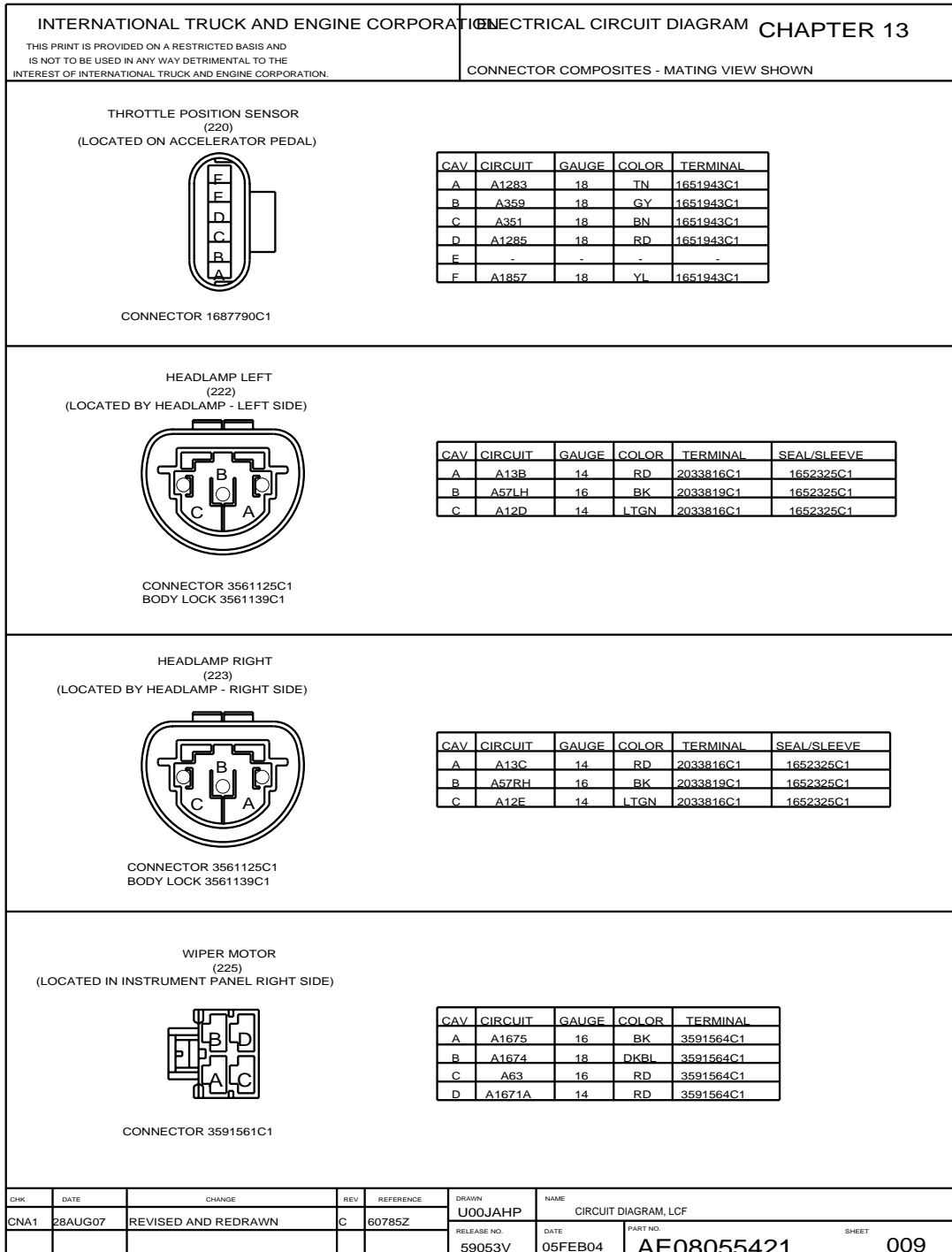


Figure 82 Connector Composites (220), (222), (223), (225)

13.10. CONNECTOR COMPOSITES (226), (227), (228), (229), P. 10

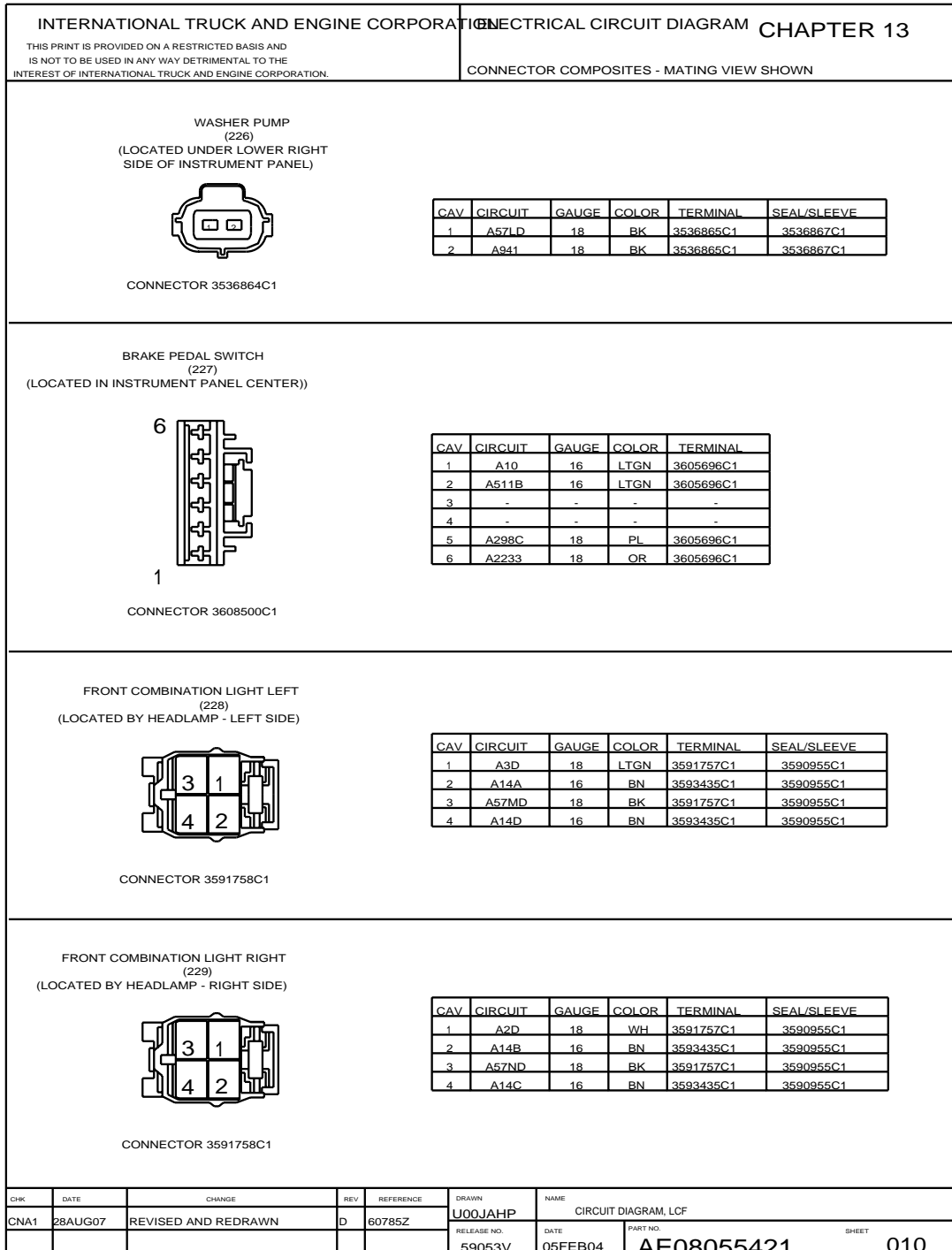
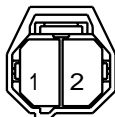


Figure 83 Connector Composites (226), (227), (228), (229)

13.11. CONNECTOR COMPOSITES (233), (234), (235), P. 11

INTERNATIONAL TRUCK AND ENGINE CORPORATION		ELECTRICAL CIRCUIT DIAGRAM CHAPTER 13			
THIS PRINT IS PROVIDED ON A RESTRICTED BASIS AND IS NOT TO BE USED IN ANY WAY DETRIMENTAL TO THE INTEREST OF INTERNATIONAL TRUCK AND ENGINE CORPORATION.		CONNECTOR COMPOSITES - MATING VIEW SHOWN			

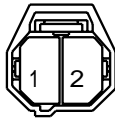
LEFT FOG LIGHT
(233)
(LOCATED AT LEFT SIDE NEAR FRONT BUMPER)



CONNECTOR 3591991C1

CAV	CIRCUIT	GAUGE	COLOR	TERMINAL	SEAL/SLEEVE
1	A1721A	18	LTBL	3590956C1	3591990C1
2	A57SD	18	BK	3590956C1	3591990C1


RIGHT FOG LIGHT
(234)
(LOCATED AT RIGHT SIDE NEAR FRONT BUMPER)



CONNECTOR 3591991C1

CAV	CIRCUIT	GAUGE	COLOR	TERMINAL	SEAL/SLEEVE
1	A1721B	18	LTBL	3590956C1	3591990C1
2	A57TD	18	BK	3590956C1	3591990C1

KEYLESS SWITCH
(235)
(LOCATED ON STEERING COLUMN)



CONNECTOR 3591602C1

CAV	CIRCUIT	GAUGE	COLOR	TERMINAL
1	A3049B	18	BK	3591558C1
2	A1414	18	LTGN	3591558C1

CHK	DATE	CHANGE	REV	REFERENCE	DRAWN	NAME
CNA1	28AUG07	REVISED AND REDRAWN	C	60785Z	U00JAH	CIRCUIT DIAGRAM, LCF
					RELEASE NO.	DATE
					59053V	05FEB04
						PART NO.
						AE08055421
						SHEET
						011

Figure 84 Connector Composites (233), (234), (235)

13.12. CONNECTOR COMPOSITES (236A), P. 12

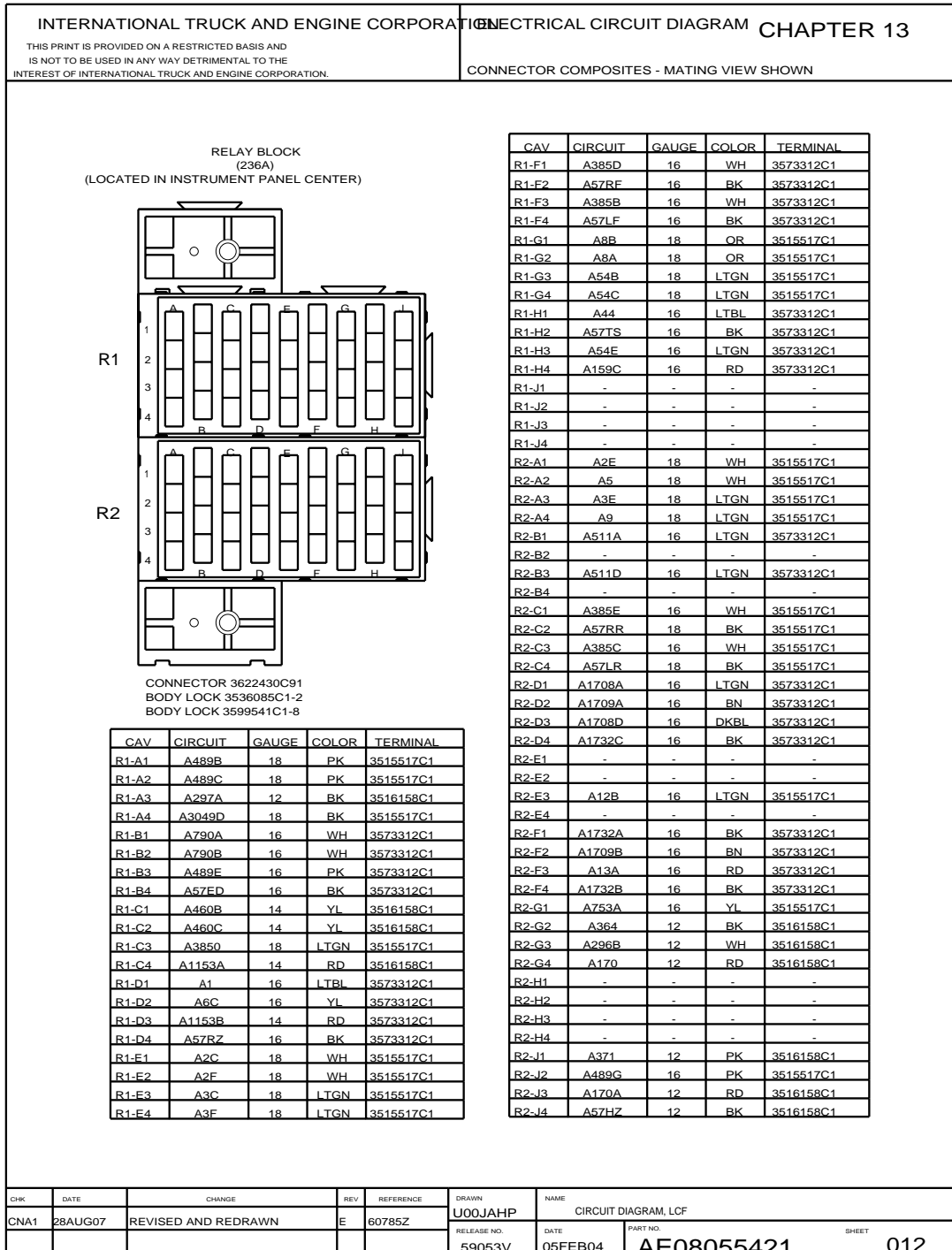


Figure 85 Connector Composites (236A)

13.13. CONNECTOR COMPOSITES (236B), (237), (238), P. 13

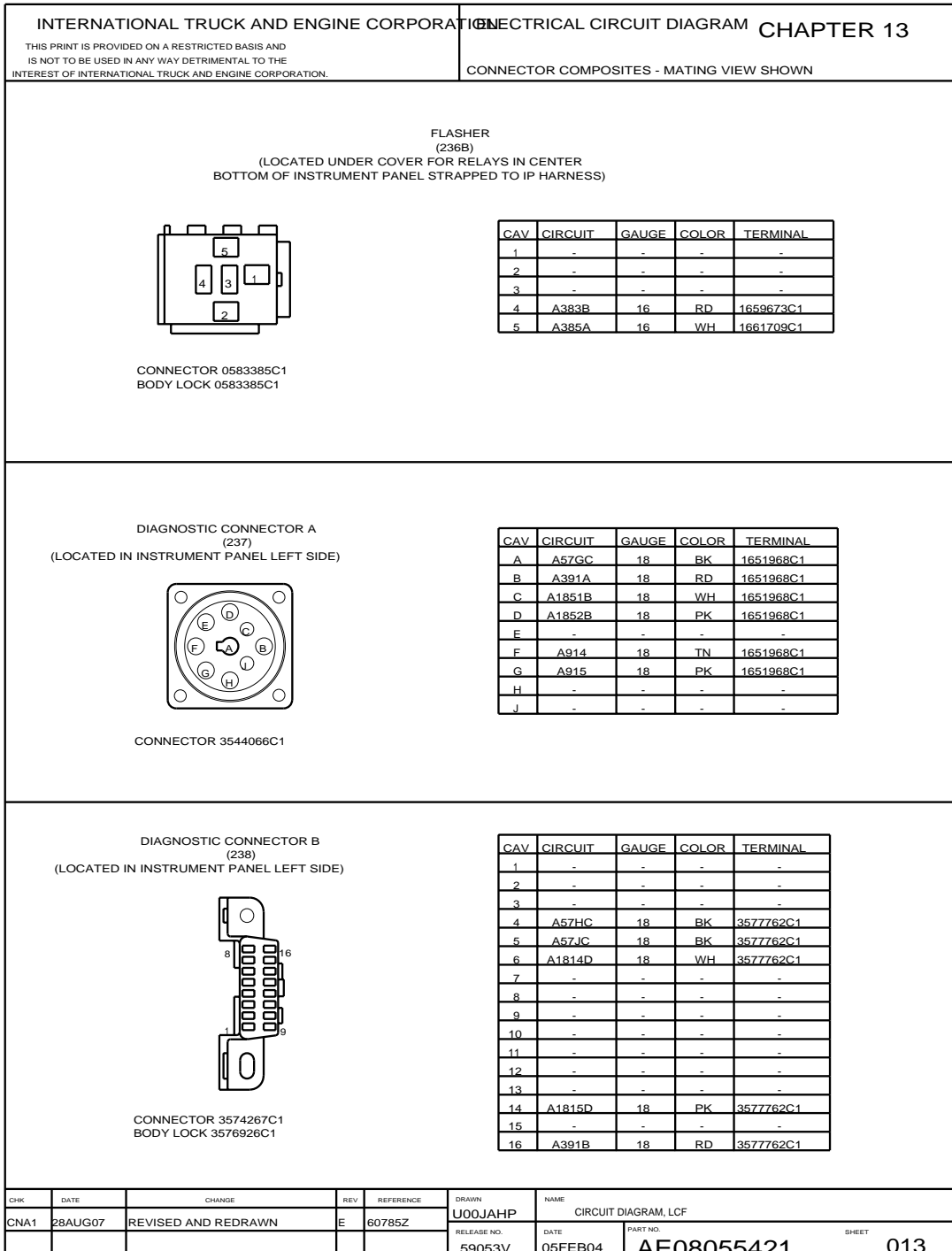


Figure 86 Connector Composites (236B), (237), (238)

13.14. CONNECTOR COMPOSITES (239), (240), (241), (243), P. 14

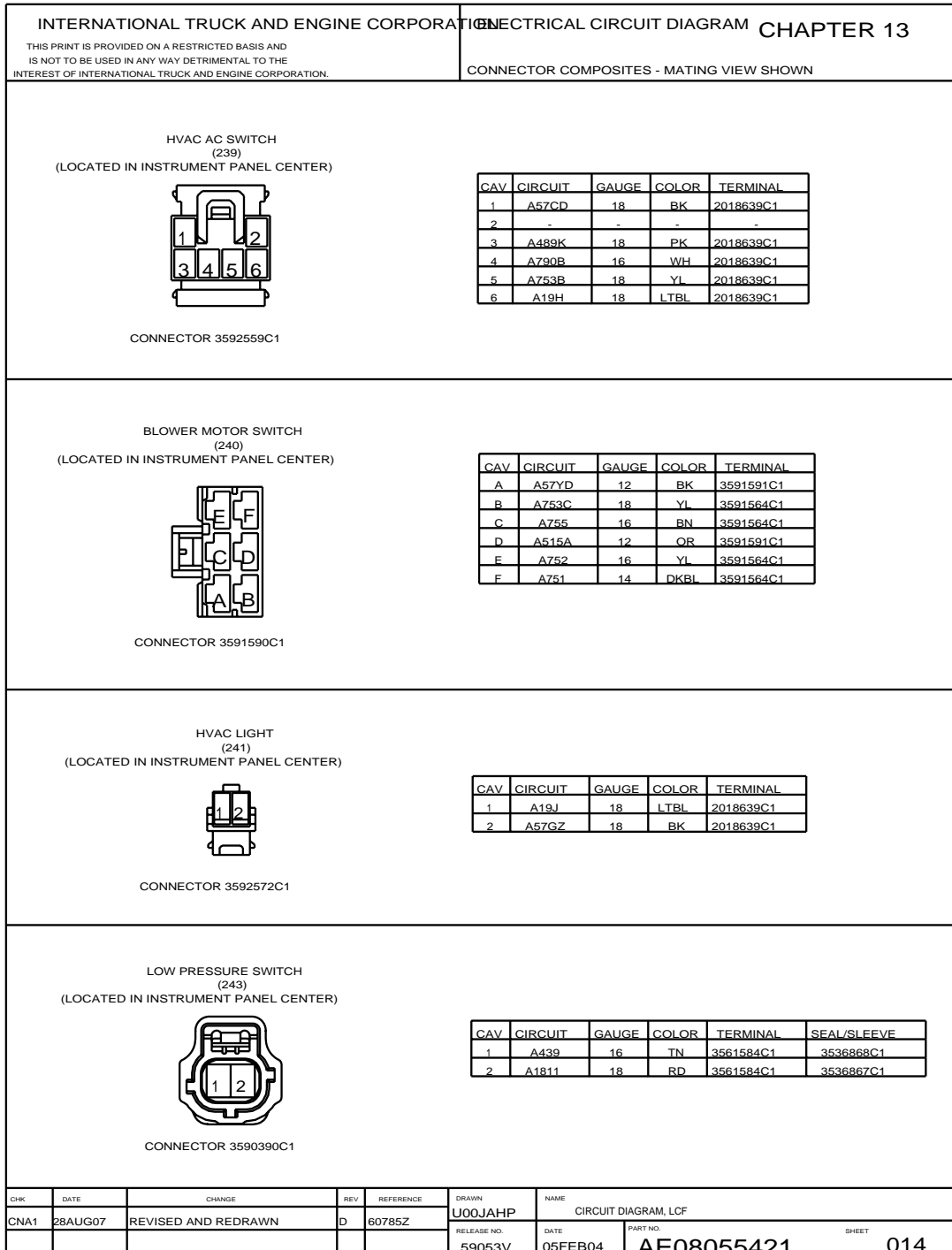
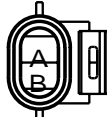
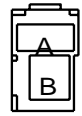
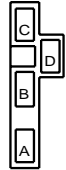
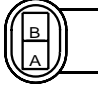



Figure 87 Connector Composites (239), (240), (241), (243)

13.15. CONNECTOR COMPOSITES (244), (245), (246), (247), (248), P. 15

INTERNATIONAL TRUCK AND ENGINE CORPORATION		ELECTRICAL CIRCUIT DIAGRAM		CHAPTER 13	
THIS PRINT IS PROVIDED ON A RESTRICTED BASIS AND IS NOT TO BE USED IN ANY WAY DETRIMENTAL TO THE INTEREST OF INTERNATIONAL TRUCK AND ENGINE CORPORATION.		CONNECTOR COMPOSITES - MATING VIEW SHOWN			

<p style="text-align: center;">HIGH PRESSURE SWITCH (244) (LOCATED IN INSTRUMENT PANEL CENTER)</p>  <p style="text-align: center;">CONNECTOR 3590299C1 BODY LOCK 1661874C1</p>	<table border="1" style="width:100%; border-collapse: collapse; font-size: x-small;"> <thead> <tr> <th>CAV</th> <th>CIRCUIT</th> <th>GAUGE</th> <th>COLOR</th> <th>TERMINAL</th> <th>SEAL/SLEEVE</th> </tr> </thead> <tbody> <tr> <td>A</td> <td>A1811</td> <td>18</td> <td>RD</td> <td>1661875C1</td> <td>3568570C1</td> </tr> <tr> <td>B</td> <td>A348</td> <td>18</td> <td>PL</td> <td>1661875C1</td> <td>3568570C1</td> </tr> </tbody> </table>	CAV	CIRCUIT	GAUGE	COLOR	TERMINAL	SEAL/SLEEVE	A	A1811	18	RD	1661875C1	3568570C1	B	A348	18	PL	1661875C1	3568570C1							
CAV	CIRCUIT	GAUGE	COLOR	TERMINAL	SEAL/SLEEVE																					
A	A1811	18	RD	1661875C1	3568570C1																					
B	A348	18	PL	1661875C1	3568570C1																					
<p style="text-align: center;">HVAC BLOWER MOTOR (245) (LOCATED IN INSTRUMENT PANEL RIGHT SIDE)</p>  <p style="text-align: center;">CONNECTOR 3514683C1</p>	<table border="1" style="width:100%; border-collapse: collapse; font-size: x-small;"> <thead> <tr> <th>CAV</th> <th>CIRCUIT</th> <th>GAUGE</th> <th>COLOR</th> <th>TERMINAL</th> </tr> </thead> <tbody> <tr> <td>A</td> <td>A371</td> <td>12</td> <td>PK</td> <td>0333734C1</td> </tr> <tr> <td>B</td> <td>A515B</td> <td>12</td> <td>OR</td> <td>0333734C1</td> </tr> </tbody> </table>	CAV	CIRCUIT	GAUGE	COLOR	TERMINAL	A	A371	12	PK	0333734C1	B	A515B	12	OR	0333734C1										
CAV	CIRCUIT	GAUGE	COLOR	TERMINAL																						
A	A371	12	PK	0333734C1																						
B	A515B	12	OR	0333734C1																						
<p style="text-align: center;">HVAC RESISTOR (246) (LOCATED IN INSTRUMENT PANEL RIGHT SIDE)</p>  <p style="text-align: center;">CONNECTOR 0471182C1</p>	<table border="1" style="width:100%; border-collapse: collapse; font-size: x-small;"> <thead> <tr> <th>CAV</th> <th>CIRCUIT</th> <th>GAUGE</th> <th>COLOR</th> <th>TERMINAL</th> </tr> </thead> <tbody> <tr> <td>A</td> <td>A751</td> <td>14</td> <td>DKBL</td> <td>0188396R1</td> </tr> <tr> <td>B</td> <td>A515C</td> <td>12</td> <td>OR</td> <td>1660577C1</td> </tr> <tr> <td>C</td> <td>A755</td> <td>16</td> <td>BN</td> <td>0879630R1</td> </tr> <tr> <td>D</td> <td>A752</td> <td>16</td> <td>YL</td> <td>0879630R1</td> </tr> </tbody> </table>	CAV	CIRCUIT	GAUGE	COLOR	TERMINAL	A	A751	14	DKBL	0188396R1	B	A515C	12	OR	1660577C1	C	A755	16	BN	0879630R1	D	A752	16	YL	0879630R1
CAV	CIRCUIT	GAUGE	COLOR	TERMINAL																						
A	A751	14	DKBL	0188396R1																						
B	A515C	12	OR	1660577C1																						
C	A755	16	BN	0879630R1																						
D	A752	16	YL	0879630R1																						
<p style="text-align: center;">BRAKE FLUID LEVEL SWITCH (247) (LOCATED IN INSTRUMENT PANEL LEFT SIDE)</p>  <p style="text-align: center;">CONNECTOR 2036583C1</p>	<table border="1" style="width:100%; border-collapse: collapse; font-size: x-small;"> <thead> <tr> <th>CAV</th> <th>CIRCUIT</th> <th>GAUGE</th> <th>COLOR</th> <th>TERMINAL</th> </tr> </thead> <tbody> <tr> <td>A</td> <td>A128</td> <td>18</td> <td>PL</td> <td>2036586C1</td> </tr> <tr> <td>B</td> <td>A57HD</td> <td>18</td> <td>BK</td> <td>2036586C1</td> </tr> </tbody> </table>	CAV	CIRCUIT	GAUGE	COLOR	TERMINAL	A	A128	18	PL	2036586C1	B	A57HD	18	BK	2036586C1										
CAV	CIRCUIT	GAUGE	COLOR	TERMINAL																						
A	A128	18	PL	2036586C1																						
B	A57HD	18	BK	2036586C1																						
<p style="text-align: center;">BRAKE PRESSURE SWITCH (248) (LOCATED IN INSTRUMENT PANEL LEFT SIDE)</p>  <p style="text-align: center;">CONNECTOR 3574257C1</p>	<table border="1" style="width:100%; border-collapse: collapse; font-size: x-small;"> <thead> <tr> <th>CAV</th> <th>CIRCUIT</th> <th>GAUGE</th> <th>COLOR</th> <th>TERMINAL</th> <th>SEAL/SLEEVE</th> </tr> </thead> <tbody> <tr> <td>1</td> <td>A489P</td> <td>18</td> <td>PK</td> <td>3561584C1</td> <td>3536867C1</td> </tr> <tr> <td>2</td> <td>A535</td> <td>18</td> <td>LTBL</td> <td>3561584C1</td> <td>3536867C1</td> </tr> </tbody> </table>	CAV	CIRCUIT	GAUGE	COLOR	TERMINAL	SEAL/SLEEVE	1	A489P	18	PK	3561584C1	3536867C1	2	A535	18	LTBL	3561584C1	3536867C1							
CAV	CIRCUIT	GAUGE	COLOR	TERMINAL	SEAL/SLEEVE																					
1	A489P	18	PK	3561584C1	3536867C1																					
2	A535	18	LTBL	3561584C1	3536867C1																					

CHK	DATE	CHANGE	REV	REFERENCE	DRAWN	NAME
CNA1	28AUG07	REVISED AND REDRAWN	E	60785Z	U00JAH	CIRCUIT DIAGRAM, LCF
					RELEASE NO.	DATE
					59053V	05FEB04
					PART NO.	SHEET
					AE08055421	015

Figure 88 Connector Composites (244), (245), (246), (247), (248)

13.16. CONNECTOR COMPOSITES (249), (250), (251), P. 16

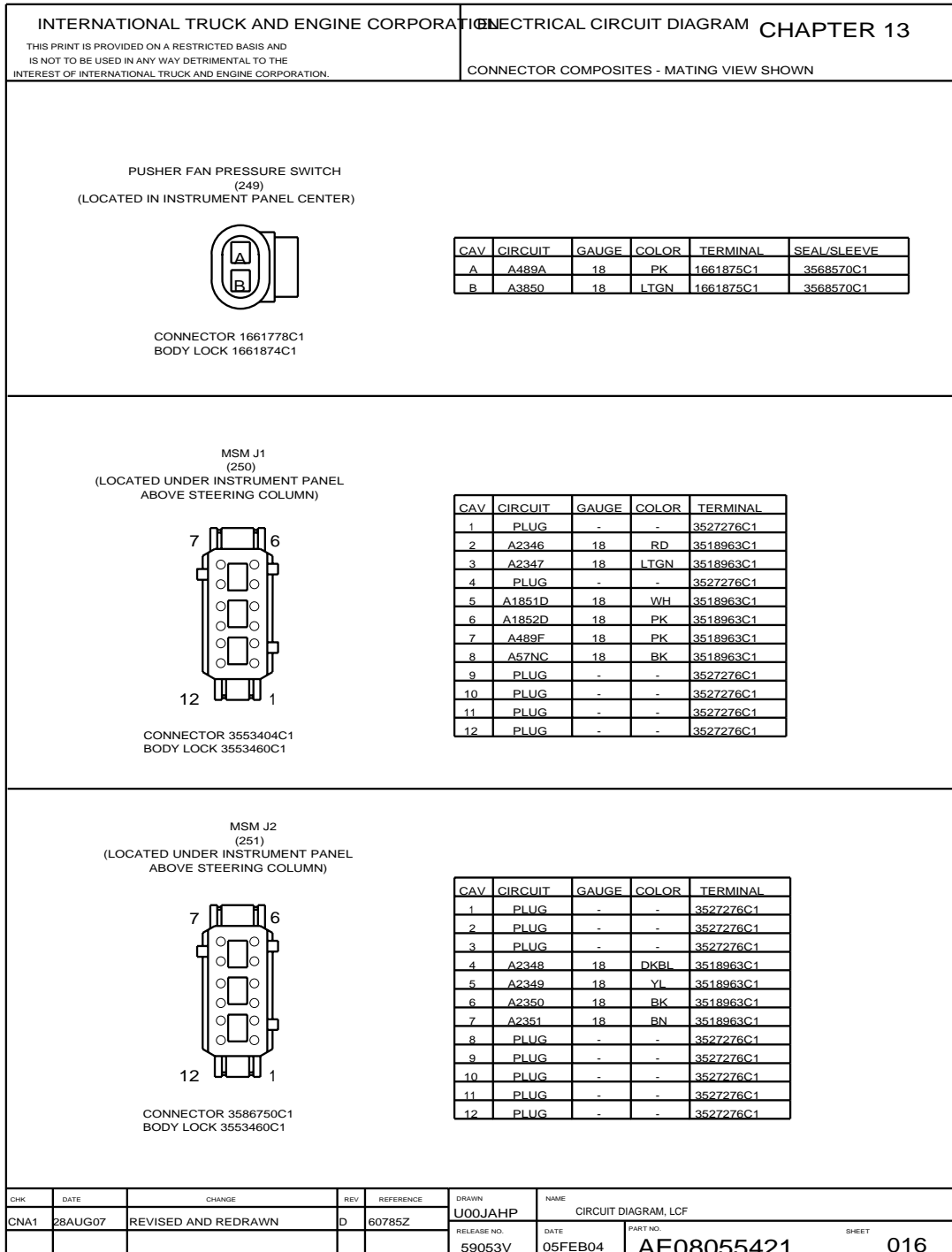


Figure 89 Connector Composites (249), (250), (251)

13.17. CONNECTOR COMPOSITES (252), (253), (254), P. 17

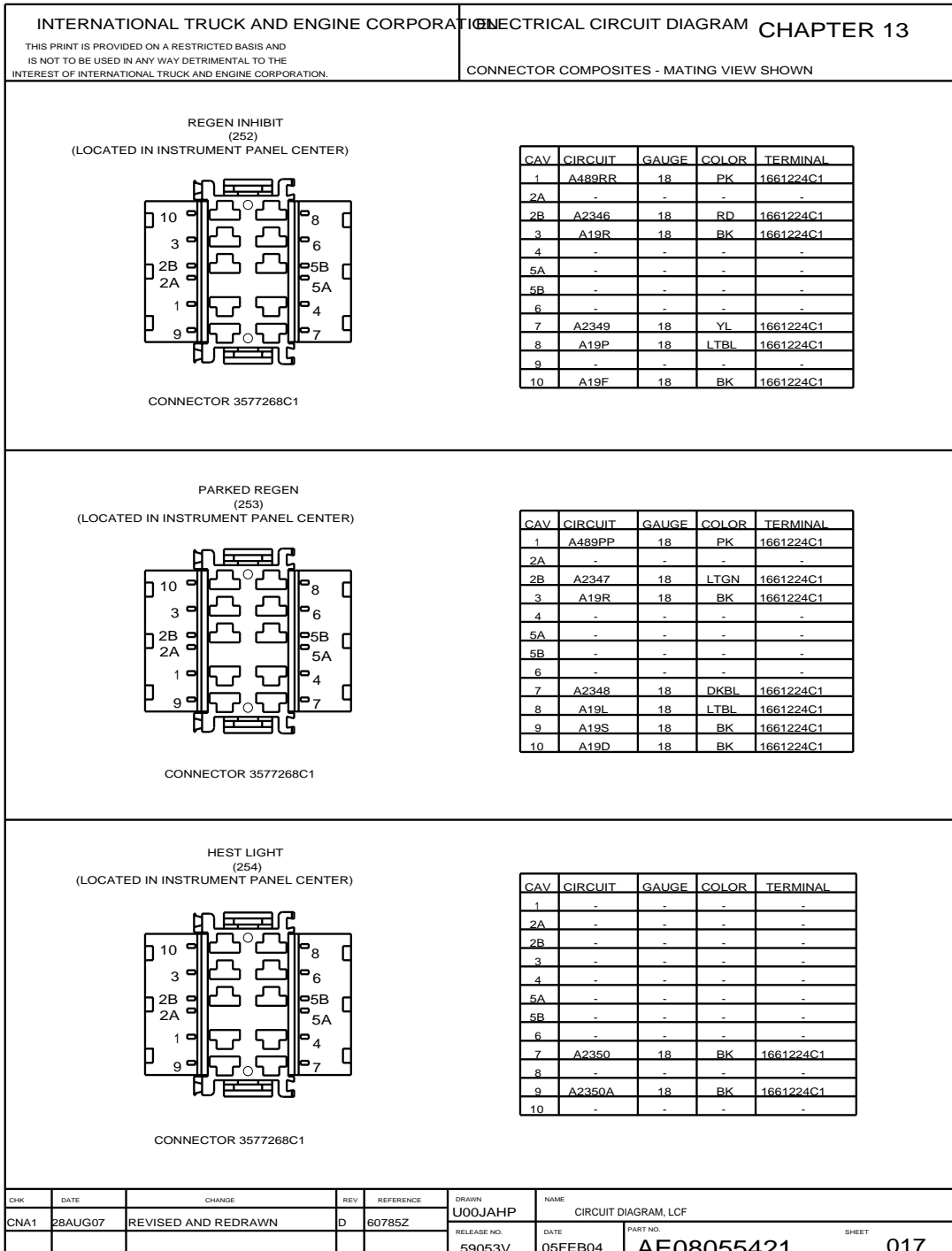


Figure 90 Connector Composites (252), (253), (254)

13.18. CONNECTOR COMPOSITES (301), (301A), (301B), (301D), (303), P. 18

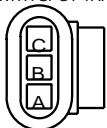



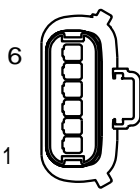
INTERNATIONAL TRUCK AND ENGINE CORPORATION				ELECTRICAL CIRCUIT DIAGRAM CHAPTER 13																																						
THIS PRINT IS PROVIDED ON A RESTRICTED BASIS AND IS NOT TO BE USED IN ANY WAY DETRIMENTAL TO THE INTEREST OF INTERNATIONAL TRUCK AND ENGINE CORPORATION.				CONNECTOR COMPOSITES - MATING VIEW SHOWN																																						
<p style="text-align: center;">J2284 TERMINATING RESISTOR (301) (LOCATED ON ABS MODULE WIRING BRANCH WITH SPOT TAPE)</p>																																										
				<table border="1" style="width:100%; border-collapse: collapse; font-size: x-small;"> <thead> <tr> <th>CAV</th> <th>CIRCUIT</th> <th>GAUGE</th> <th>COLOR</th> <th>TERMINAL</th> <th>SEAL/SLEEVE</th> </tr> </thead> <tbody> <tr> <td>A</td> <td>N1814C</td> <td>18</td> <td>WH</td> <td>1661875C1</td> <td>1661872C1</td> </tr> <tr> <td>B</td> <td>PLUG</td> <td>-</td> <td>-</td> <td>2025431C1</td> <td>-</td> </tr> <tr> <td>C</td> <td>N1815C</td> <td>18</td> <td>PK</td> <td>1661875C1</td> <td>1661872C1</td> </tr> </tbody> </table>				CAV	CIRCUIT	GAUGE	COLOR	TERMINAL	SEAL/SLEEVE	A	N1814C	18	WH	1661875C1	1661872C1	B	PLUG	-	-	2025431C1	-	C	N1815C	18	PK	1661875C1	1661872C1											
CAV	CIRCUIT	GAUGE	COLOR	TERMINAL	SEAL/SLEEVE																																					
A	N1814C	18	WH	1661875C1	1661872C1																																					
B	PLUG	-	-	2025431C1	-																																					
C	N1815C	18	PK	1661875C1	1661872C1																																					
CONNECTOR 1667741C1 BODY LOCK 166771C1																																										
<p style="text-align: center;">FUEL PUMP (301A) (LOCATED IN HORIZONTAL FUEL CONDITIONG MODULE INSIDE LEFT FRAME RAIL)</p>																																										
				<table border="1" style="width:100%; border-collapse: collapse; font-size: x-small;"> <thead> <tr> <th>CAV</th> <th>CIRCUIT</th> <th>GAUGE</th> <th>COLOR</th> <th>TERMINAL</th> <th>SEAL/SLEEVE</th> </tr> </thead> <tbody> <tr> <td>1</td> <td>N787A</td> <td>16</td> <td>PK</td> <td>3579123C1</td> <td>3602410C1</td> </tr> <tr> <td>2</td> <td>N57A</td> <td>16</td> <td>BK</td> <td>3579123C1</td> <td>3602410C1</td> </tr> </tbody> </table>				CAV	CIRCUIT	GAUGE	COLOR	TERMINAL	SEAL/SLEEVE	1	N787A	16	PK	3579123C1	3602410C1	2	N57A	16	BK	3579123C1	3602410C1																	
CAV	CIRCUIT	GAUGE	COLOR	TERMINAL	SEAL/SLEEVE																																					
1	N787A	16	PK	3579123C1	3602410C1																																					
2	N57A	16	BK	3579123C1	3602410C1																																					
CONNECTOR 3593254C1																																										
<p style="text-align: center;">FUEL HEATER (301B) (LOCATED IN HORIZONTAL FUEL CONDITIONG MODULE INSIDE LEFT FRAME RAIL)</p>																																										
				<table border="1" style="width:100%; border-collapse: collapse; font-size: x-small;"> <thead> <tr> <th>CAV</th> <th>CIRCUIT</th> <th>GAUGE</th> <th>COLOR</th> <th>TERMINAL</th> <th>SEAL/SLEEVE</th> </tr> </thead> <tbody> <tr> <td>1</td> <td>N57B</td> <td>16</td> <td>BK</td> <td>3579123C1</td> <td>3602410C1</td> </tr> <tr> <td>2</td> <td>N653</td> <td>16</td> <td>DKBL</td> <td>3579123C1</td> <td>3602410C1</td> </tr> </tbody> </table>				CAV	CIRCUIT	GAUGE	COLOR	TERMINAL	SEAL/SLEEVE	1	N57B	16	BK	3579123C1	3602410C1	2	N653	16	DKBL	3579123C1	3602410C1																	
CAV	CIRCUIT	GAUGE	COLOR	TERMINAL	SEAL/SLEEVE																																					
1	N57B	16	BK	3579123C1	3602410C1																																					
2	N653	16	DKBL	3579123C1	3602410C1																																					
CONNECTOR 3590386C1																																										
<p style="text-align: center;">WATER SENSOR (301D) (LOCATED IN HORIZONTAL FUEL CONDITIONG MODULE INSIDE LEFT FRAME RAIL)</p>																																										
				<table border="1" style="width:100%; border-collapse: collapse; font-size: x-small;"> <thead> <tr> <th>CAV</th> <th>CIRCUIT</th> <th>GAUGE</th> <th>COLOR</th> <th>TERMINAL</th> <th>SEAL/SLEEVE</th> </tr> </thead> <tbody> <tr> <td>1</td> <td>N327</td> <td>18</td> <td>BK</td> <td>3579123C1</td> <td>3602410C1</td> </tr> <tr> <td>2</td> <td>N57WF</td> <td>18</td> <td>BK</td> <td>3579123C1</td> <td>3579122C1</td> </tr> </tbody> </table>				CAV	CIRCUIT	GAUGE	COLOR	TERMINAL	SEAL/SLEEVE	1	N327	18	BK	3579123C1	3602410C1	2	N57WF	18	BK	3579123C1	3579122C1																	
CAV	CIRCUIT	GAUGE	COLOR	TERMINAL	SEAL/SLEEVE																																					
1	N327	18	BK	3579123C1	3602410C1																																					
2	N57WF	18	BK	3579123C1	3579122C1																																					
CONNECTOR 3593255C1																																										
<p style="text-align: center;">ENGINE FAN (303) (LOCATED ON CHASSIS HARNESS LEFT FRAME RAIL UNDER RADIATOR)</p>																																										
				<table border="1" style="width:100%; border-collapse: collapse; font-size: x-small;"> <thead> <tr> <th>CAV</th> <th>CIRCUIT</th> <th>GAUGE</th> <th>COLOR</th> <th>TERMINAL</th> </tr> </thead> <tbody> <tr> <td>1</td> <td>N1920</td> <td>18</td> <td>DKBL</td> <td>3592016C1</td> </tr> <tr> <td>2</td> <td>N1683H</td> <td>18</td> <td>DKGN</td> <td>3592016C1</td> </tr> <tr> <td>3</td> <td>N359G</td> <td>18</td> <td>GY</td> <td>3592016C1</td> </tr> <tr> <td>4</td> <td>N386</td> <td>18</td> <td>LTBL</td> <td>3592016C1</td> </tr> <tr> <td>5</td> <td>N351C</td> <td>18</td> <td>BN</td> <td>3592016C1</td> </tr> <tr> <td>6</td> <td>PLUG</td> <td>-</td> <td>-</td> <td>12345678</td> </tr> </tbody> </table>				CAV	CIRCUIT	GAUGE	COLOR	TERMINAL	1	N1920	18	DKBL	3592016C1	2	N1683H	18	DKGN	3592016C1	3	N359G	18	GY	3592016C1	4	N386	18	LTBL	3592016C1	5	N351C	18	BN	3592016C1	6	PLUG	-	-	12345678
CAV	CIRCUIT	GAUGE	COLOR	TERMINAL																																						
1	N1920	18	DKBL	3592016C1																																						
2	N1683H	18	DKGN	3592016C1																																						
3	N359G	18	GY	3592016C1																																						
4	N386	18	LTBL	3592016C1																																						
5	N351C	18	BN	3592016C1																																						
6	PLUG	-	-	12345678																																						
CONNECTOR 3664874C1																																										
CHK	DATE	CHANGE	REV	REFERENCE	DRAWN	NAME																																				
CNA1	28AUG07	REVISED AND REDRAWN	C	60785Z	U00JAHF	CIRCUIT DIAGRAM, LCF																																				
					RELEASE NO.	DATE	PART NO.																																			
					59053V	05FEB04	AE08055421																																			
						SHEET	018																																			

Figure 91 Connector Composites (301), (301A), (301B), (301D), (303)

13.19. CONNECTOR COMPOSITES (304), P. 19

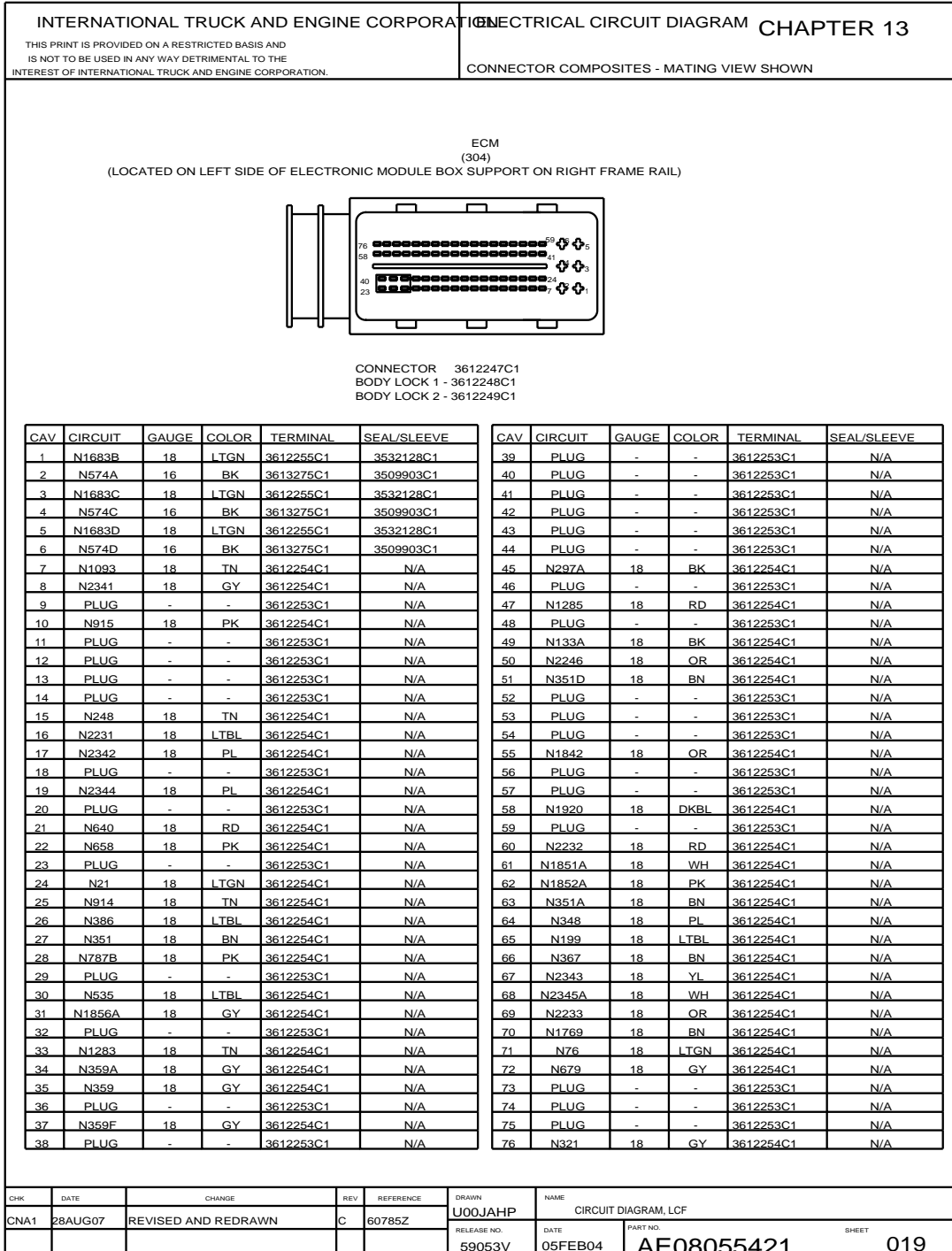


Figure 92 Connector Composites (304)

13.20. CONNECTOR COMPOSITES (306), P. 20

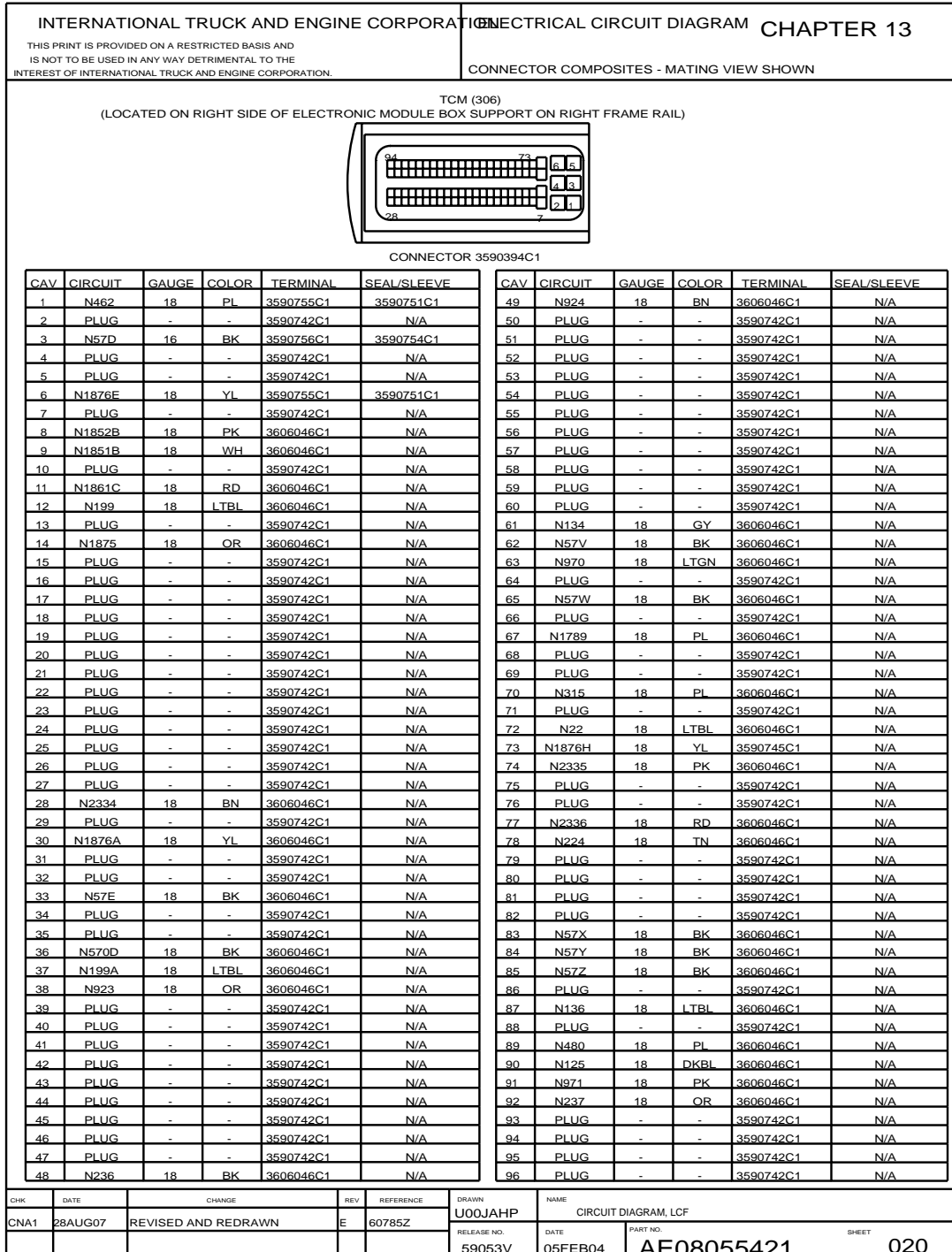


Figure 93 Connector Composites (306)

13.21. CONNECTOR COMPOSITES (308), (309), (310), (313), P. 21

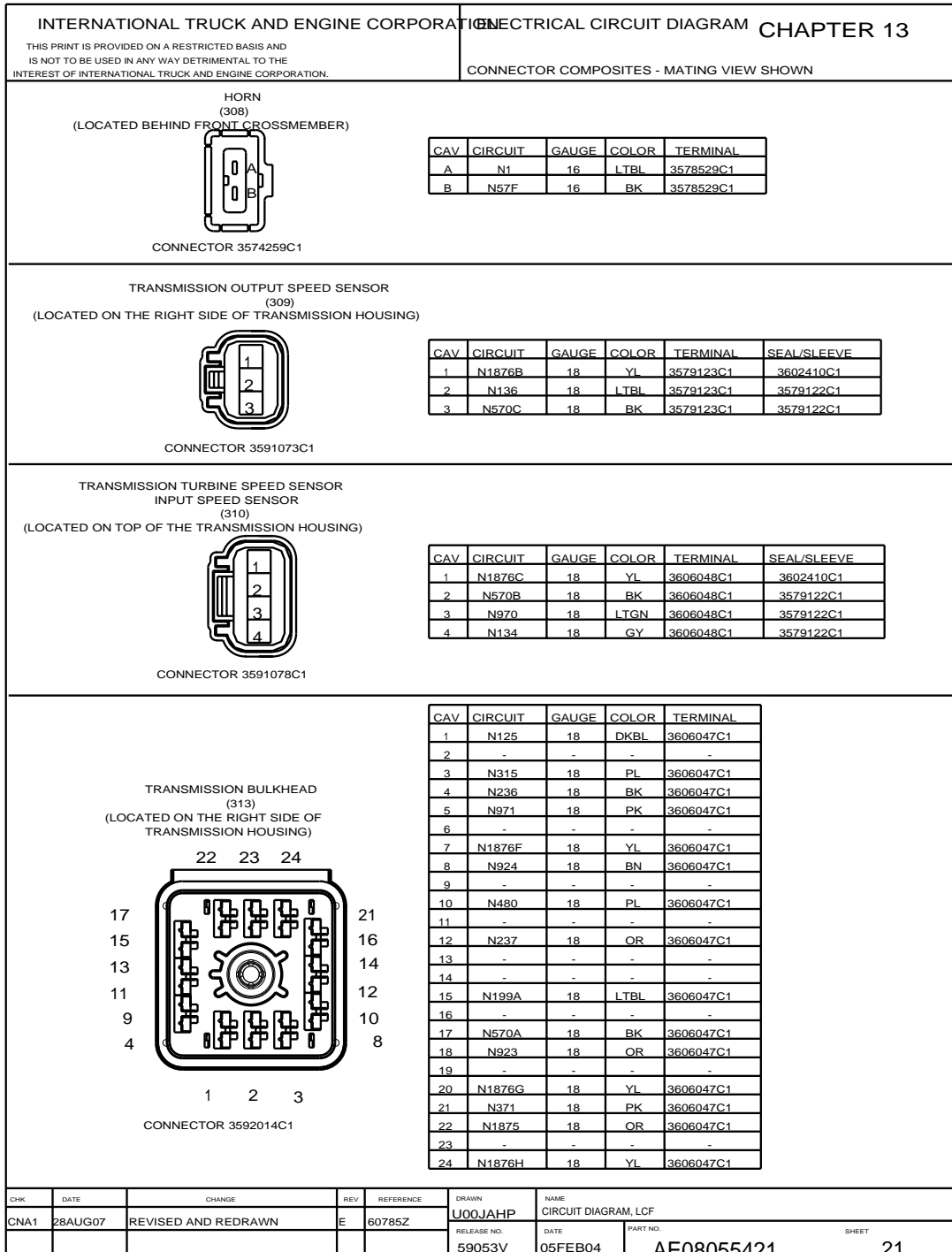


Figure 94 Connector Composites (308), (309), (310), (313)

13.22. CONNECTOR COMPOSITES (315), P. 22

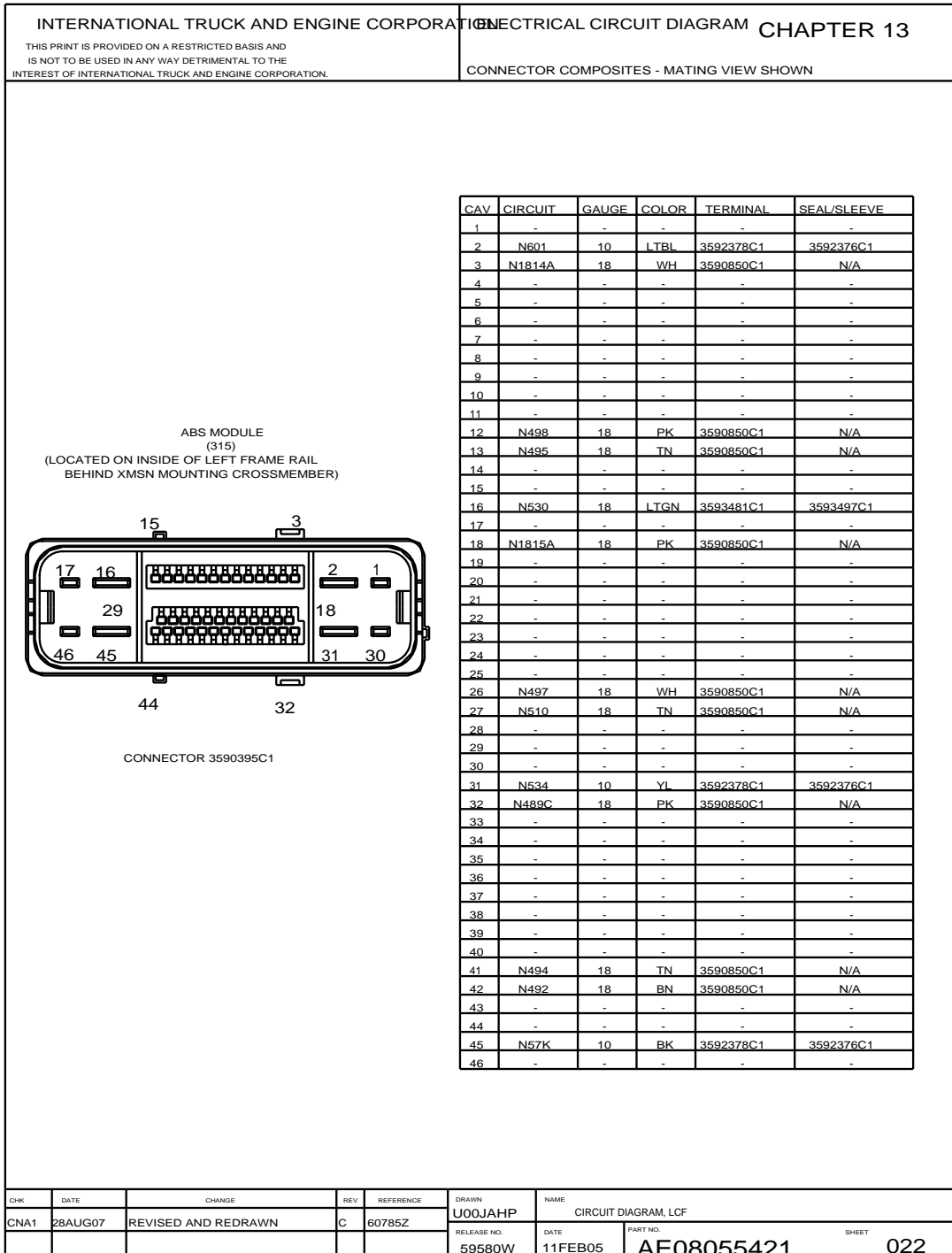


Figure 95 Connector Composites (315)

13.23. CONNECTOR COMPOSITES (316), (317), (318), (320), P. 23

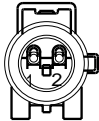
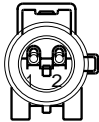
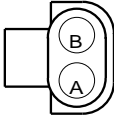
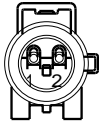
INTERNATIONAL TRUCK AND ENGINE CORPORATION		ELECTRICAL CIRCUIT DIAGRAM CHAPTER 13																			
THIS PRINT IS PROVIDED ON A RESTRICTED BASIS AND IS NOT TO BE USED IN ANY WAY DETRIMENTAL TO THE INTEREST OF INTERNATIONAL TRUCK AND ENGINE CORPORATION.		CONNECTOR COMPOSITES - MATING VIEW SHOWN																			
<p>FRONT LEFT SPEED SENSOR (316) (LOCATED ON LEFT SIDE FRONT AXLE HOUSING)</p>  <p>CONNECTOR 3592005C1 BODY LOCK 3578632C1</p> <table border="1" style="margin-left: auto; margin-right: auto;"> <thead> <tr> <th>CAV</th> <th>CIRCUIT</th> <th>GAUGE</th> <th>COLOR</th> <th>TERMINAL</th> </tr> </thead> <tbody> <tr> <td>1</td> <td>N498</td> <td>18</td> <td>PK</td> <td>2003343C1</td> </tr> <tr> <td>2</td> <td>N495</td> <td>18</td> <td>TN</td> <td>2003343C1</td> </tr> </tbody> </table>				CAV	CIRCUIT	GAUGE	COLOR	TERMINAL	1	N498	18	PK	2003343C1	2	N495	18	TN	2003343C1			
CAV	CIRCUIT	GAUGE	COLOR	TERMINAL																	
1	N498	18	PK	2003343C1																	
2	N495	18	TN	2003343C1																	
<p>FRONT RIGHT SPEED SENSOR (317) (LOCATED ON RIGHT SIDE FRONT AXLE HOUSING)</p>  <p>CONNECTOR 3592005C1 BODY LOCK 3578632C1</p> <table border="1" style="margin-left: auto; margin-right: auto;"> <thead> <tr> <th>CAV</th> <th>CIRCUIT</th> <th>GAUGE</th> <th>COLOR</th> <th>TERMINAL</th> </tr> </thead> <tbody> <tr> <td>1</td> <td>N497</td> <td>18</td> <td>WH</td> <td>2003343C1</td> </tr> <tr> <td>2</td> <td>N510</td> <td>18</td> <td>TN</td> <td>2003343C1</td> </tr> </tbody> </table>				CAV	CIRCUIT	GAUGE	COLOR	TERMINAL	1	N497	18	WH	2003343C1	2	N510	18	TN	2003343C1			
CAV	CIRCUIT	GAUGE	COLOR	TERMINAL																	
1	N497	18	WH	2003343C1																	
2	N510	18	TN	2003343C1																	
<p>PUSHER FAN (318) (LOCATED ON FAN MOUNTED AT FRONT OF RADIATOR)</p>  <p>CONNECTOR 0587568C1</p> <table border="1" style="margin-left: auto; margin-right: auto;"> <thead> <tr> <th>CAV</th> <th>CIRCUIT</th> <th>GAUGE</th> <th>COLOR</th> <th>TERMINAL</th> <th>SEAL/SLEEVE</th> </tr> </thead> <tbody> <tr> <td>A</td> <td>N1153B</td> <td>14</td> <td>RD</td> <td>0587575C1</td> <td>1652325C1</td> </tr> <tr> <td>B</td> <td>N57DD</td> <td>16</td> <td>BK</td> <td>0587575C1</td> <td>1652325C1</td> </tr> </tbody> </table>				CAV	CIRCUIT	GAUGE	COLOR	TERMINAL	SEAL/SLEEVE	A	N1153B	14	RD	0587575C1	1652325C1	B	N57DD	16	BK	0587575C1	1652325C1
CAV	CIRCUIT	GAUGE	COLOR	TERMINAL	SEAL/SLEEVE																
A	N1153B	14	RD	0587575C1	1652325C1																
B	N57DD	16	BK	0587575C1	1652325C1																
<p>DIESEL OXIDATION CATALIST INLET TEMPERATURE (320) (LOCATED BY RIGHT FRAME RAIL NEAR XMSN AREA)</p>  <p>CONNECTOR 3592005C1 BODY LOCK 3578632C1</p> <table border="1" style="margin-left: auto; margin-right: auto;"> <thead> <tr> <th>CAV</th> <th>CIRCUIT</th> <th>GAUGE</th> <th>COLOR</th> <th>TERMINAL</th> </tr> </thead> <tbody> <tr> <td>1</td> <td>N2341</td> <td>18</td> <td>GY</td> <td>2003343C1</td> </tr> <tr> <td>2</td> <td>N359E</td> <td>18</td> <td>GY</td> <td>2003343C1</td> </tr> </tbody> </table>				CAV	CIRCUIT	GAUGE	COLOR	TERMINAL	1	N2341	18	GY	2003343C1	2	N359E	18	GY	2003343C1			
CAV	CIRCUIT	GAUGE	COLOR	TERMINAL																	
1	N2341	18	GY	2003343C1																	
2	N359E	18	GY	2003343C1																	
CHK	DATE	CHANGE	REV	REFERENCE	DRAWN	NAME															
CNA1	28AUG07	INITIAL RELEASE	A	60785Z	300371	CIRCUIT DIAGRAM, LCF															
					RELEASE NO.	DATE	PART NO.	SHEET													
					60785Z	26APR07	AE08055421	023													

Figure 96 Connector Composites (316), (317), (318), (320)

13.24. CONNECTOR COMPOSITES (321), (322), (323), (401), P. 24

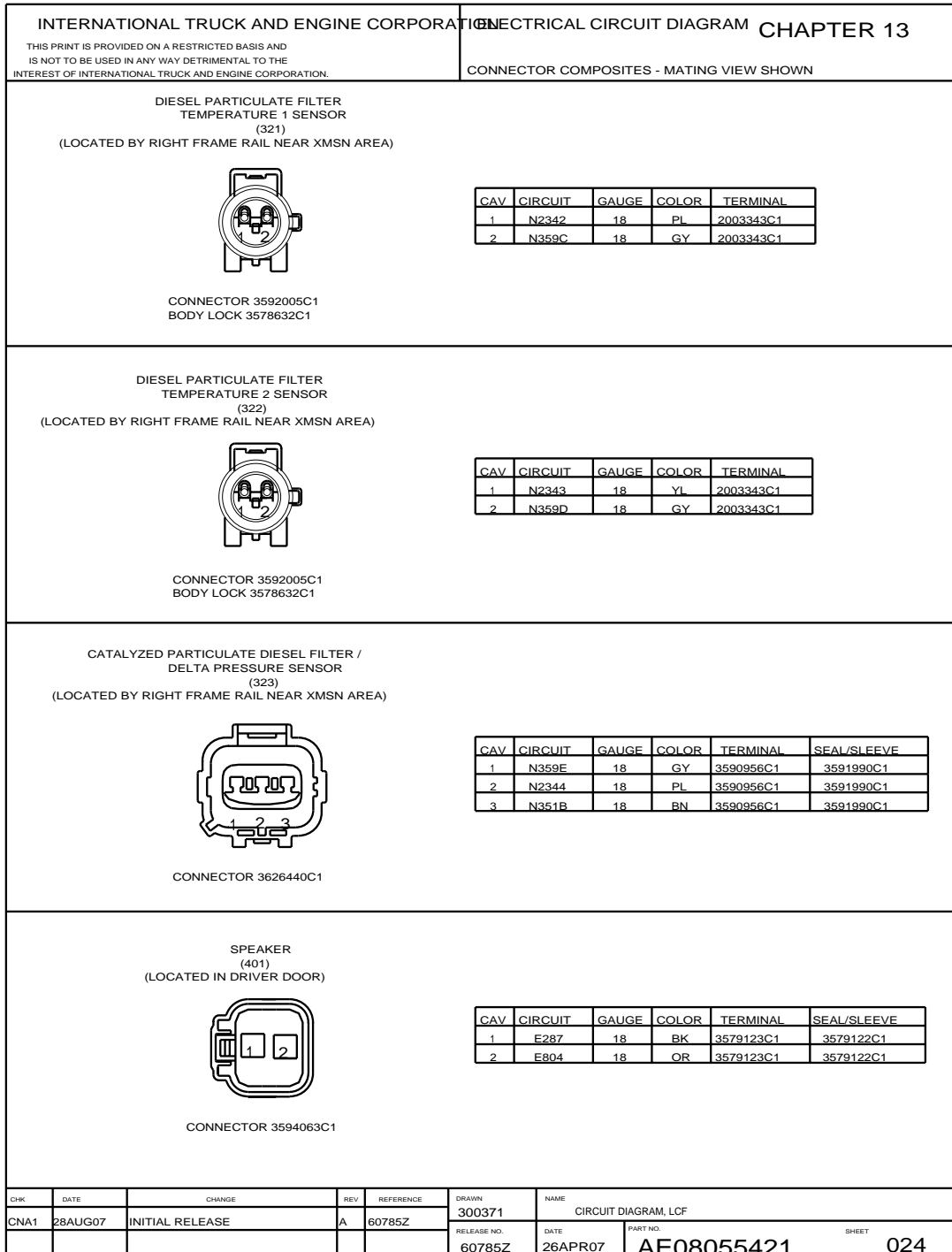


Figure 97 Connector Composites (321), (322), (323), (401)

13.25. CONNECTOR COMPOSITES (402), (403), (404), (410), P. 25



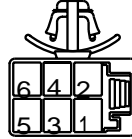

INTERNATIONAL TRUCK AND ENGINE CORPORATION		ELECTRICAL CIRCUIT DIAGRAM		CHAPTER 13																																				
THIS PRINT IS PROVIDED ON A RESTRICTED BASIS AND IS NOT TO BE USED IN ANY WAY DETRIMENTAL TO THE INTEREST OF INTERNATIONAL TRUCK AND ENGINE CORPORATION.		CONNECTOR COMPOSITES - MATING VIEW SHOWN																																						
<p>POWER WINDOW MOTOR (402) (LOCATED IN DRIVER DOOR)</p>  <p>CONNECTOR 3593360C1</p>																																								
<table border="1" style="width:100%; border-collapse: collapse; text-align: center;"> <thead> <tr> <th>CAV</th> <th>CIRCUIT</th> <th>GAUGE</th> <th>COLOR</th> <th>TERMINAL</th> </tr> </thead> <tbody> <tr> <td>1</td> <td>E226A</td> <td>14</td> <td>WH</td> <td>3591604C1</td> </tr> <tr> <td>2</td> <td>E227A</td> <td>14</td> <td>YL</td> <td>3591604C1</td> </tr> </tbody> </table>						CAV	CIRCUIT	GAUGE	COLOR	TERMINAL	1	E226A	14	WH	3591604C1	2	E227A	14	YL	3591604C1																				
CAV	CIRCUIT	GAUGE	COLOR	TERMINAL																																				
1	E226A	14	WH	3591604C1																																				
2	E227A	14	YL	3591604C1																																				
<p>POWER WINDOW SWITCH (403) (LOCATED IN DRIVER DOOR)</p>  <p>CONNECTOR 3593632C1</p>																																								
<table border="1" style="width:100%; border-collapse: collapse; text-align: center;"> <thead> <tr> <th>CAV</th> <th>CIRCUIT</th> <th>GAUGE</th> <th>COLOR</th> <th>TERMINAL</th> </tr> </thead> <tbody> <tr> <td>1</td> <td>E226A</td> <td>14</td> <td>WH</td> <td>3594365C1</td> </tr> <tr> <td>2</td> <td>E227</td> <td>14</td> <td>YL</td> <td>3594365C1</td> </tr> <tr> <td>3</td> <td>E57A</td> <td>14</td> <td>BK</td> <td>3594365C1</td> </tr> <tr> <td>4</td> <td>E227A</td> <td>14</td> <td>YL</td> <td>3594365C1</td> </tr> <tr> <td>5</td> <td>E170</td> <td>14</td> <td>RD</td> <td>3594365C1</td> </tr> <tr> <td>6</td> <td>E226</td> <td>14</td> <td>WH</td> <td>3594365C1</td> </tr> </tbody> </table>						CAV	CIRCUIT	GAUGE	COLOR	TERMINAL	1	E226A	14	WH	3594365C1	2	E227	14	YL	3594365C1	3	E57A	14	BK	3594365C1	4	E227A	14	YL	3594365C1	5	E170	14	RD	3594365C1	6	E226	14	WH	3594365C1
CAV	CIRCUIT	GAUGE	COLOR	TERMINAL																																				
1	E226A	14	WH	3594365C1																																				
2	E227	14	YL	3594365C1																																				
3	E57A	14	BK	3594365C1																																				
4	E227A	14	YL	3594365C1																																				
5	E170	14	RD	3594365C1																																				
6	E226	14	WH	3594365C1																																				
<p>DOOR LOCK SWITCH (404) (LOCATED IN DRIVER DOOR)</p>  <p>CONNECTOR 3593672C1</p>																																								
<table border="1" style="width:100%; border-collapse: collapse; text-align: center;"> <thead> <tr> <th>CAV</th> <th>CIRCUIT</th> <th>GAUGE</th> <th>COLOR</th> <th>TERMINAL</th> </tr> </thead> <tbody> <tr> <td>1</td> <td>E57B</td> <td>18</td> <td>BK</td> <td>3591651C1</td> </tr> <tr> <td>2</td> <td>-</td> <td>-</td> <td>-</td> <td>-</td> </tr> <tr> <td>3</td> <td>E118</td> <td>18</td> <td>PK</td> <td>3591651C1</td> </tr> <tr> <td>4</td> <td>E117</td> <td>18</td> <td>PK</td> <td>3591651C1</td> </tr> <tr> <td>5</td> <td>E120</td> <td>18</td> <td>PK</td> <td>3591651C1</td> </tr> <tr> <td>6</td> <td>E119</td> <td>18</td> <td>PK</td> <td>3591651C1</td> </tr> </tbody> </table>						CAV	CIRCUIT	GAUGE	COLOR	TERMINAL	1	E57B	18	BK	3591651C1	2	-	-	-	-	3	E118	18	PK	3591651C1	4	E117	18	PK	3591651C1	5	E120	18	PK	3591651C1	6	E119	18	PK	3591651C1
CAV	CIRCUIT	GAUGE	COLOR	TERMINAL																																				
1	E57B	18	BK	3591651C1																																				
2	-	-	-	-																																				
3	E118	18	PK	3591651C1																																				
4	E117	18	PK	3591651C1																																				
5	E120	18	PK	3591651C1																																				
6	E119	18	PK	3591651C1																																				
<p>SPEAKER (410) (LOCATED IN PASSENGER DOOR)</p>  <p>CONNECTOR 3594063C1</p>																																								
<table border="1" style="width:100%; border-collapse: collapse; text-align: center;"> <thead> <tr> <th>CAV</th> <th>CIRCUIT</th> <th>GAUGE</th> <th>COLOR</th> <th>TERMINAL</th> <th>SEAL/SLEEVE</th> </tr> </thead> <tbody> <tr> <td>1</td> <td>F287</td> <td>18</td> <td>BK</td> <td>3579123C1</td> <td>3579122C1</td> </tr> <tr> <td>2</td> <td>F805</td> <td>18</td> <td>WH</td> <td>3579123C1</td> <td>3579122C1</td> </tr> </tbody> </table>						CAV	CIRCUIT	GAUGE	COLOR	TERMINAL	SEAL/SLEEVE	1	F287	18	BK	3579123C1	3579122C1	2	F805	18	WH	3579123C1	3579122C1																	
CAV	CIRCUIT	GAUGE	COLOR	TERMINAL	SEAL/SLEEVE																																			
1	F287	18	BK	3579123C1	3579122C1																																			
2	F805	18	WH	3579123C1	3579122C1																																			
CHK	DATE	CHANGE	REV	REFERENCE	DRAWN	NAME																																		
CNA1	28AUG07	INITIAL RELEASE	A	60785Z	300371	CIRCUIT DIAGRAM, LCF																																		
					RELEASE NO.	DATE																																		
					60785Z	26APR07																																		
					PART NO.	SHEET																																		
					AE08055421	025																																		

Figure 98 Connector Composites (402), (403), (404), (410)

13.26. CONNECTOR COMPOSITES (411), (412), (413), P. 26


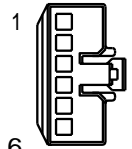
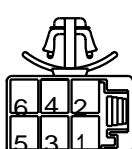
INTERNATIONAL TRUCK AND ENGINE CORPORATION <small>THIS PRINT IS PROVIDED ON A RESTRICTED BASIS AND IS NOT TO BE USED IN ANY WAY DETRIMENTAL TO THE INTEREST OF INTERNATIONAL TRUCK AND ENGINE CORPORATION.</small>	ELECTRICAL CIRCUIT DIAGRAM CHAPTER 13 CONNECTOR COMPOSITES - MATING VIEW SHOWN																																			
<p style="text-align: center;">POWER WINDOW MOTOR (411) (LOCATED IN PASSENGER DOOR)</p>  <p style="text-align: center;">CONNECTOR 3593360C1</p>	<table border="1" style="width: 100%; border-collapse: collapse; text-align: center;"> <thead> <tr> <th>CAV</th> <th>CIRCUIT</th> <th>GAUGE</th> <th>COLOR</th> <th>TERMINAL</th> </tr> </thead> <tbody> <tr> <td>1</td> <td>F227A</td> <td>14</td> <td>YL</td> <td>3591604C1</td> </tr> <tr> <td>2</td> <td>F226A</td> <td>14</td> <td>WH</td> <td>3591604C1</td> </tr> </tbody> </table>	CAV	CIRCUIT	GAUGE	COLOR	TERMINAL	1	F227A	14	YL	3591604C1	2	F226A	14	WH	3591604C1																				
CAV	CIRCUIT	GAUGE	COLOR	TERMINAL																																
1	F227A	14	YL	3591604C1																																
2	F226A	14	WH	3591604C1																																
<p style="text-align: center;">POWER WINDOW SWITCH (412) (LOCATED IN PASSENGER DOOR)</p>  <p style="text-align: center;">CONNECTOR 3594029C1</p>	<table border="1" style="width: 100%; border-collapse: collapse; text-align: center;"> <thead> <tr> <th>CAV</th> <th>CIRCUIT</th> <th>GAUGE</th> <th>COLOR</th> <th>TERMINAL</th> </tr> </thead> <tbody> <tr> <td>1</td> <td>F227</td> <td>14</td> <td>YL</td> <td>3594366C1</td> </tr> <tr> <td>2</td> <td>F226A</td> <td>14</td> <td>WH</td> <td>3594366C1</td> </tr> <tr> <td>3</td> <td>F227A</td> <td>14</td> <td>YL</td> <td>3594366C1</td> </tr> <tr> <td>4</td> <td>-</td> <td>-</td> <td>-</td> <td>-</td> </tr> <tr> <td>5</td> <td>F226</td> <td>14</td> <td>WH</td> <td>3594366C1</td> </tr> <tr> <td>6</td> <td>F170</td> <td>14</td> <td>RD</td> <td>3594366C1</td> </tr> </tbody> </table>	CAV	CIRCUIT	GAUGE	COLOR	TERMINAL	1	F227	14	YL	3594366C1	2	F226A	14	WH	3594366C1	3	F227A	14	YL	3594366C1	4	-	-	-	-	5	F226	14	WH	3594366C1	6	F170	14	RD	3594366C1
CAV	CIRCUIT	GAUGE	COLOR	TERMINAL																																
1	F227	14	YL	3594366C1																																
2	F226A	14	WH	3594366C1																																
3	F227A	14	YL	3594366C1																																
4	-	-	-	-																																
5	F226	14	WH	3594366C1																																
6	F170	14	RD	3594366C1																																
<p style="text-align: center;">DOOR LOCK SWITCH (413) (LOCATED IN PASSENGER DOOR)</p>  <p style="text-align: center;">CONNECTOR 3593672C1</p>	<table border="1" style="width: 100%; border-collapse: collapse; text-align: center;"> <thead> <tr> <th>CAV</th> <th>CIRCUIT</th> <th>GAUGE</th> <th>COLOR</th> <th>TERMINAL</th> </tr> </thead> <tbody> <tr> <td>1</td> <td>-</td> <td>-</td> <td>-</td> <td>-</td> </tr> <tr> <td>2</td> <td>-</td> <td>-</td> <td>-</td> <td>-</td> </tr> <tr> <td>3</td> <td>F118</td> <td>18</td> <td>PK</td> <td>3591651C1</td> </tr> <tr> <td>4</td> <td>F117</td> <td>18</td> <td>PK</td> <td>3591651C1</td> </tr> <tr> <td>5</td> <td>-</td> <td>-</td> <td>-</td> <td>-</td> </tr> <tr> <td>6</td> <td>-</td> <td>-</td> <td>-</td> <td>-</td> </tr> </tbody> </table>	CAV	CIRCUIT	GAUGE	COLOR	TERMINAL	1	-	-	-	-	2	-	-	-	-	3	F118	18	PK	3591651C1	4	F117	18	PK	3591651C1	5	-	-	-	-	6	-	-	-	-
CAV	CIRCUIT	GAUGE	COLOR	TERMINAL																																
1	-	-	-	-																																
2	-	-	-	-																																
3	F118	18	PK	3591651C1																																
4	F117	18	PK	3591651C1																																
5	-	-	-	-																																
6	-	-	-	-																																
<table border="1" style="width: 100%; border-collapse: collapse; font-size: small;"> <tr> <th>CHK</th> <th>DATE</th> <th>CHANGE</th> <th>REV</th> <th>REFERENCE</th> <th>DRAWN</th> <th>NAME</th> </tr> <tr> <td><input type="checkbox"/></td> <td>28AUG07</td> <td>INITIAL RELEASE</td> <td>A</td> <td>60785Z</td> <td>300371</td> <td>CIRCUIT DIAGRAM, LCF</td> </tr> <tr> <td></td> <td></td> <td></td> <td></td> <td></td> <td>RELEASE NO. 60785Z</td> <td>DATE 26APR07</td> </tr> <tr> <td></td> <td></td> <td></td> <td></td> <td></td> <td></td> <td>PART NO. AE08055421</td> </tr> <tr> <td></td> <td></td> <td></td> <td></td> <td></td> <td></td> <td>SHEET 026</td> </tr> </table>		CHK	DATE	CHANGE	REV	REFERENCE	DRAWN	NAME	<input type="checkbox"/>	28AUG07	INITIAL RELEASE	A	60785Z	300371	CIRCUIT DIAGRAM, LCF						RELEASE NO. 60785Z	DATE 26APR07							PART NO. AE08055421							SHEET 026
CHK	DATE	CHANGE	REV	REFERENCE	DRAWN	NAME																														
<input type="checkbox"/>	28AUG07	INITIAL RELEASE	A	60785Z	300371	CIRCUIT DIAGRAM, LCF																														
					RELEASE NO. 60785Z	DATE 26APR07																														
						PART NO. AE08055421																														
						SHEET 026																														

Figure 99 Connector Composites (411), (412), (413)

13.27. CONNECTOR COMPOSITES (500), (503), P. 27

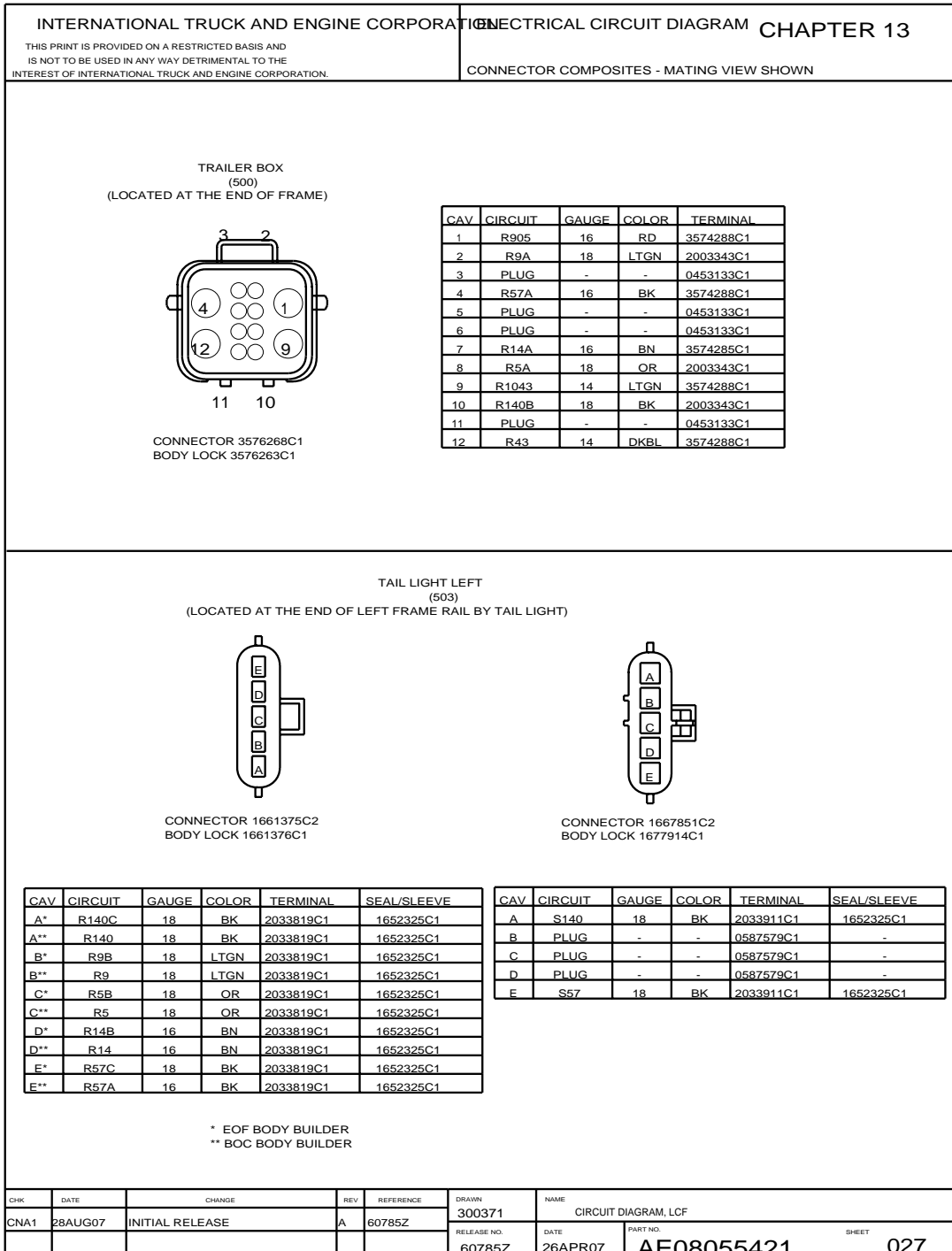


Figure 100 Connector Composites (500), (503)

13.28. CONNECTOR COMPOSITES (506), (507), (508), P. 28

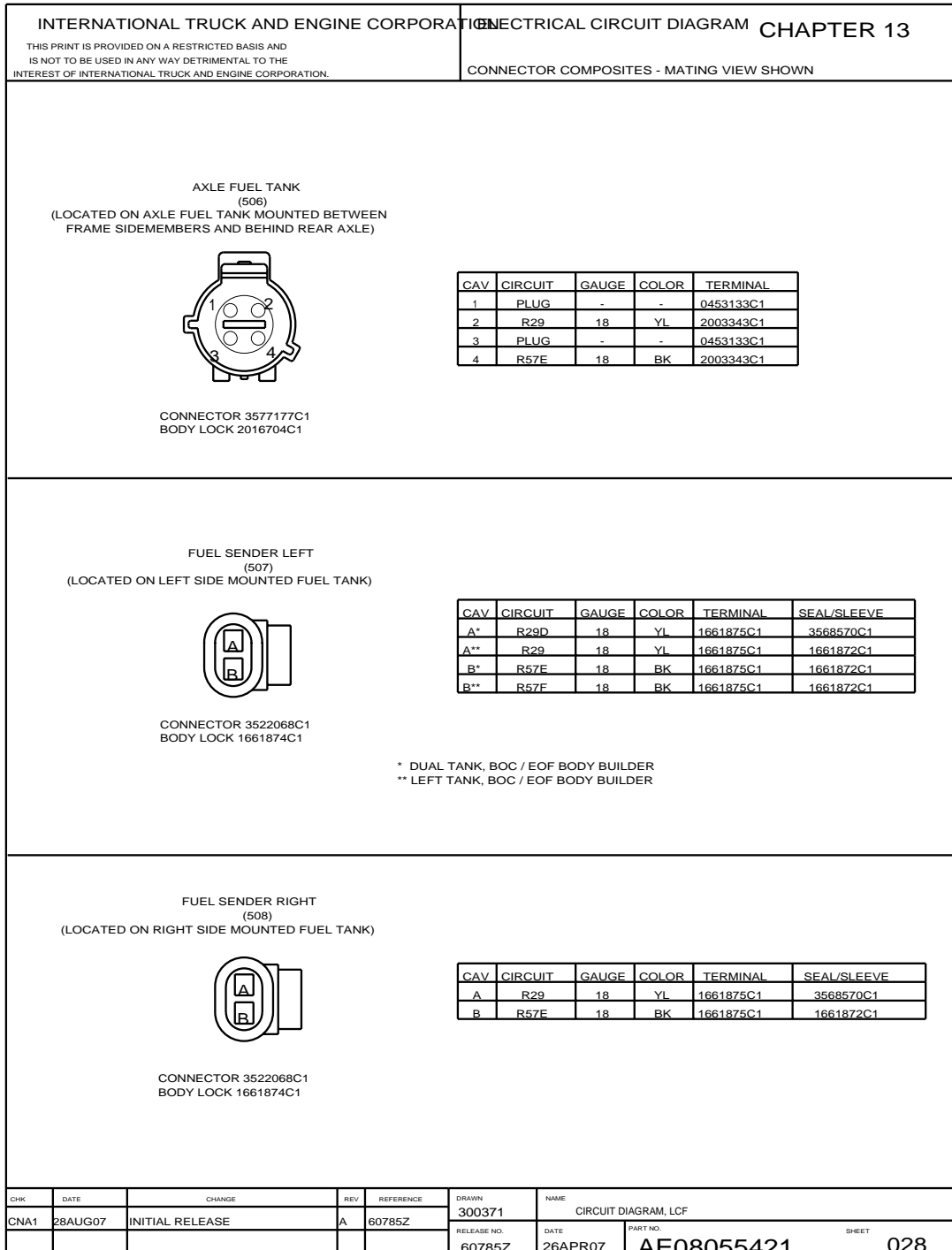


Figure 101 Connector Composites (506), (507), (508)

13.29. CONNECTOR COMPOSITES (509), (510), (602), P. 29

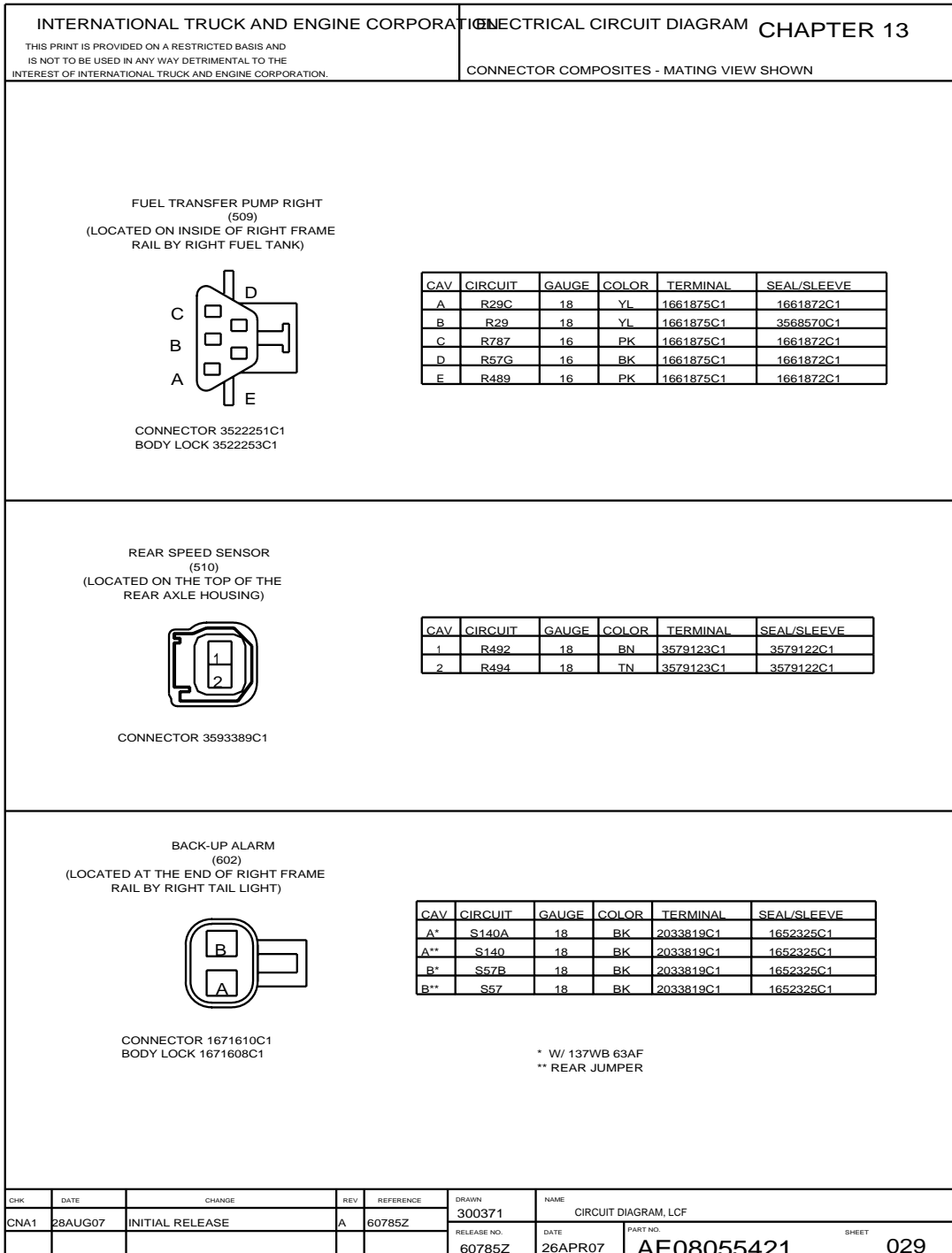


Figure 102 Connector Composites (509), (510), (602)

13.30. CONNECTOR COMPOSITES (700), P. 30

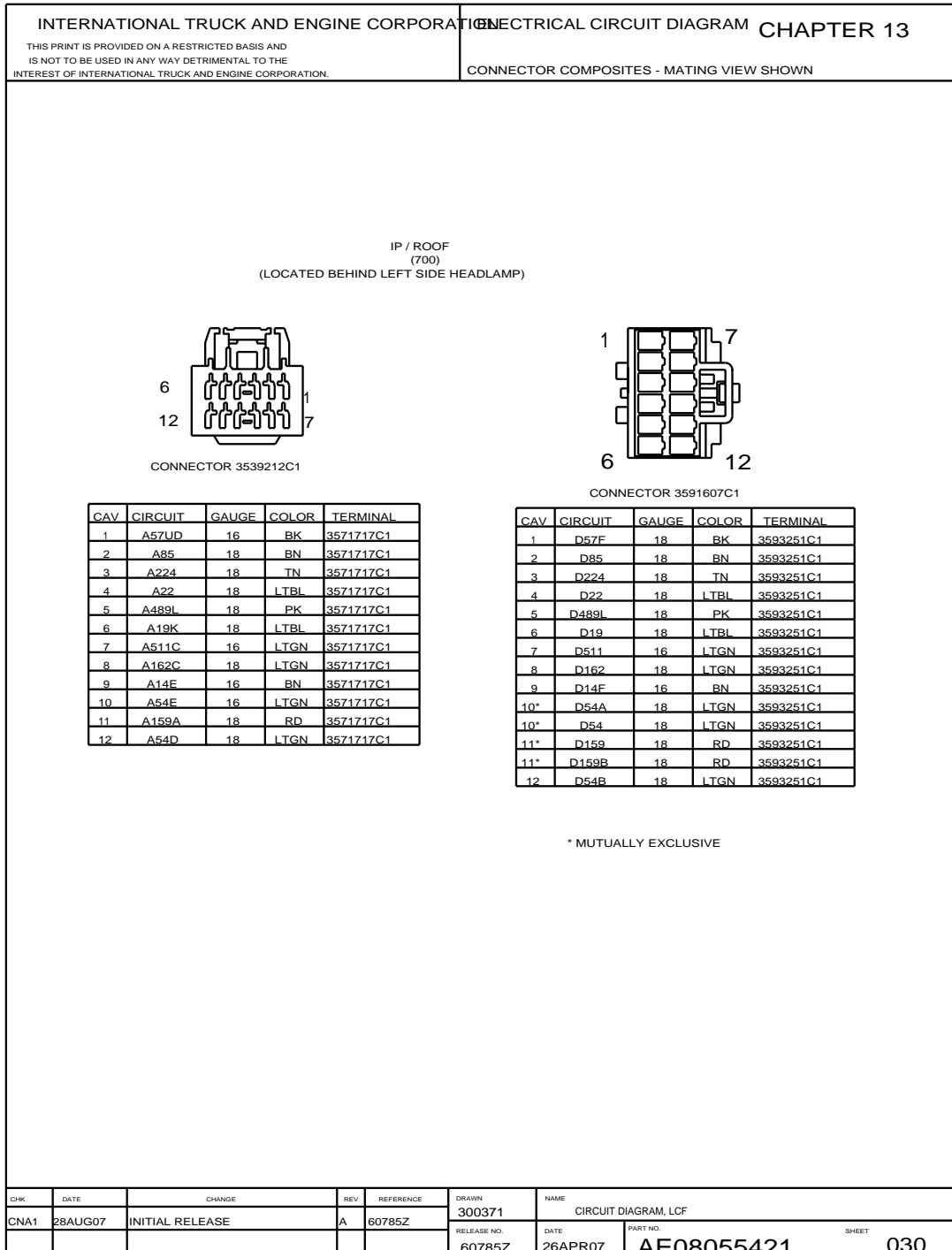


Figure 103 Connector Composites (700)

13.31. CONNECTOR COMPOSITES (701), P. 31

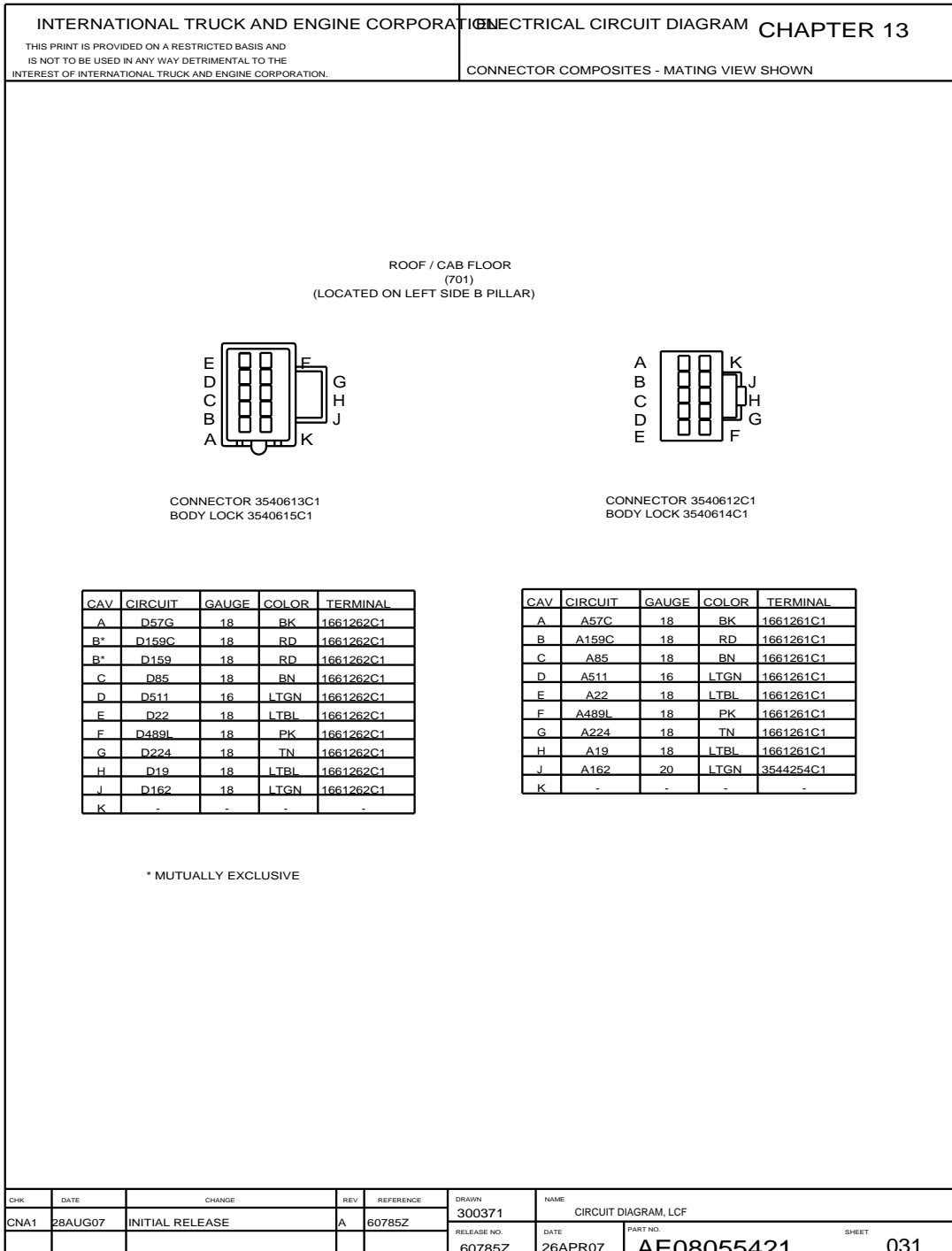


Figure 104 Connector Composites (701)

13.32. CONNECTOR COMPOSITES (702A), P. 32

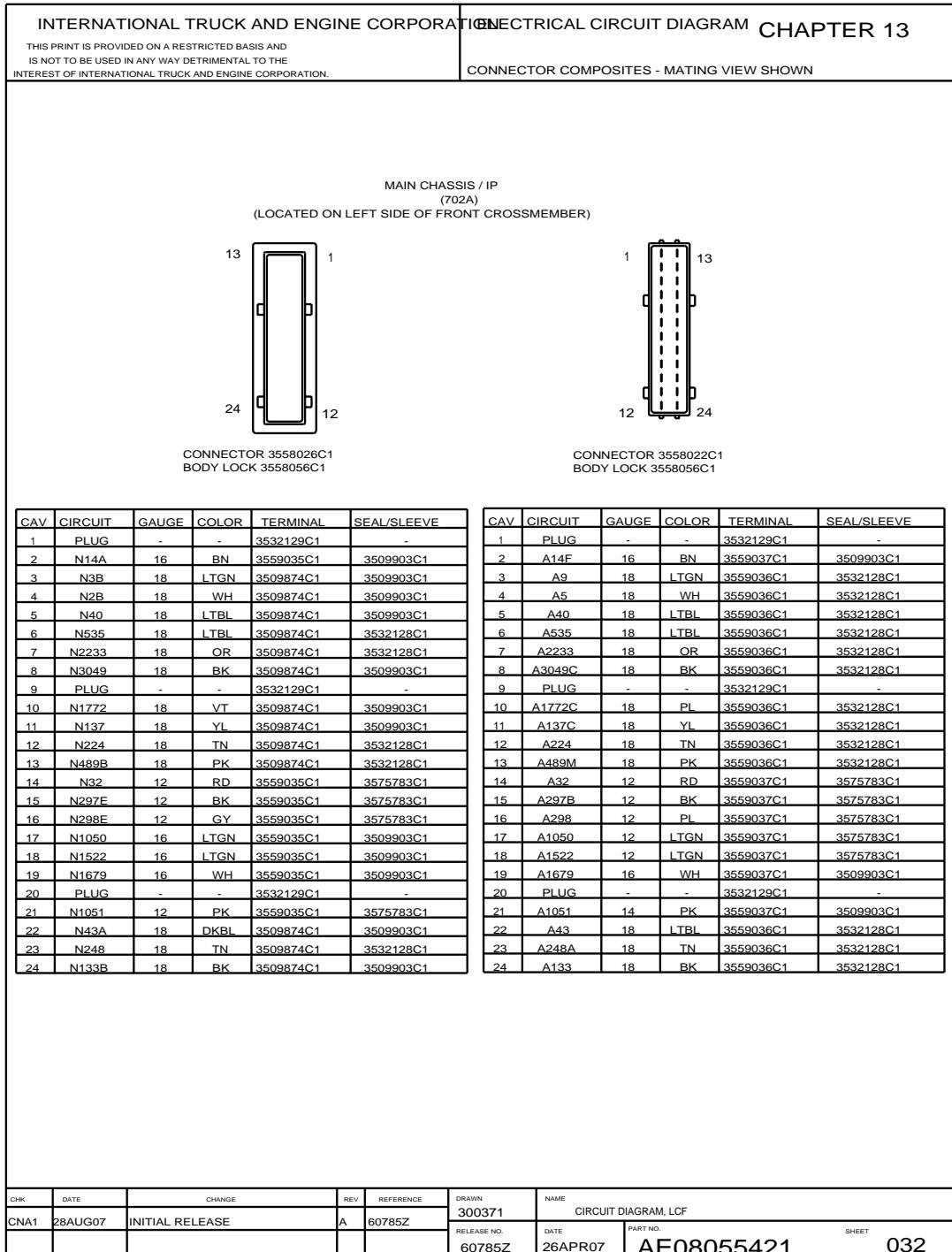


Figure 105 Connector Composites (702A)

13.33. CONNECTOR COMPOSITES (702B), P. 33

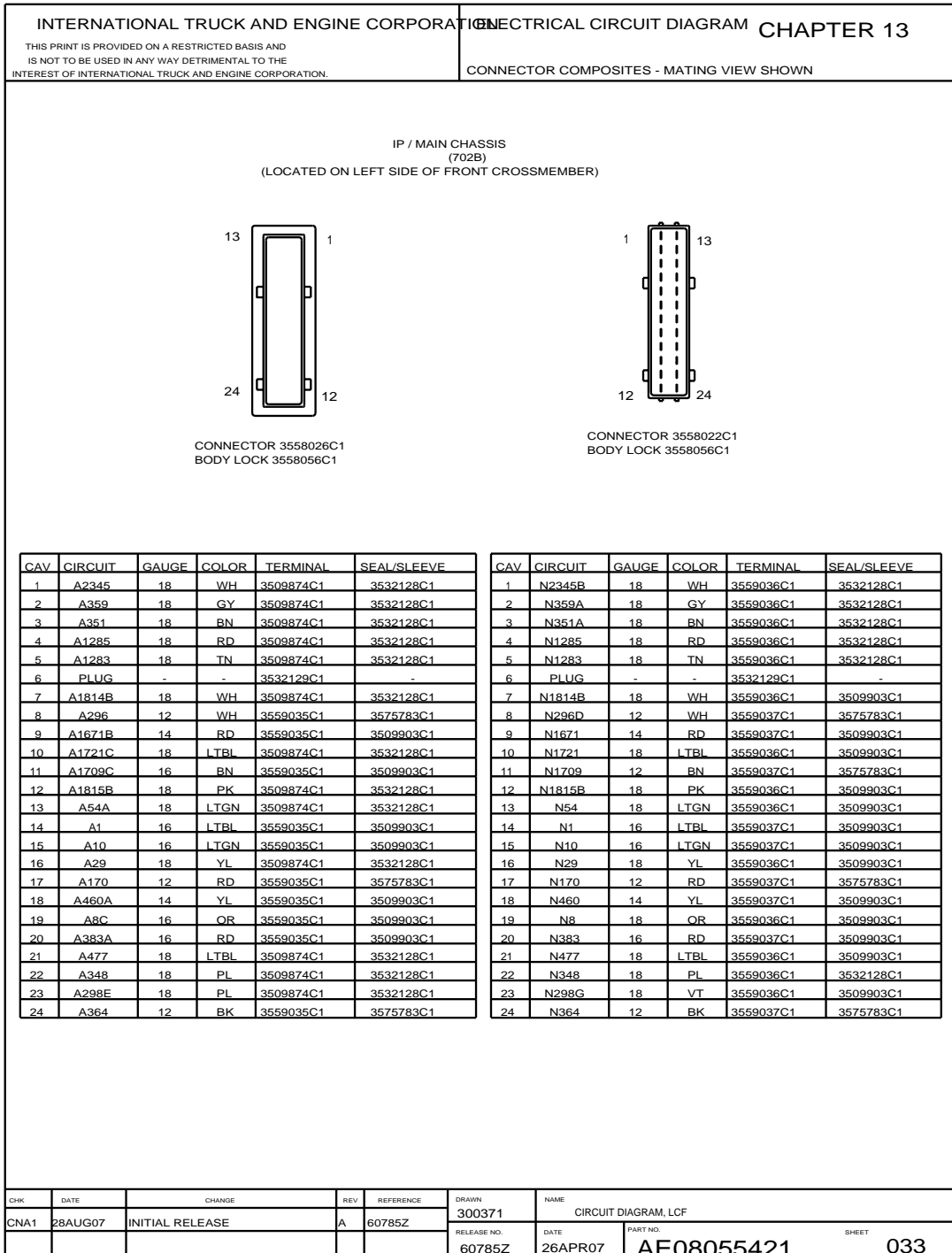


Figure 106 Connector Composites (702B)

13.34. CONNECTOR COMPOSITES (702D), P. 34

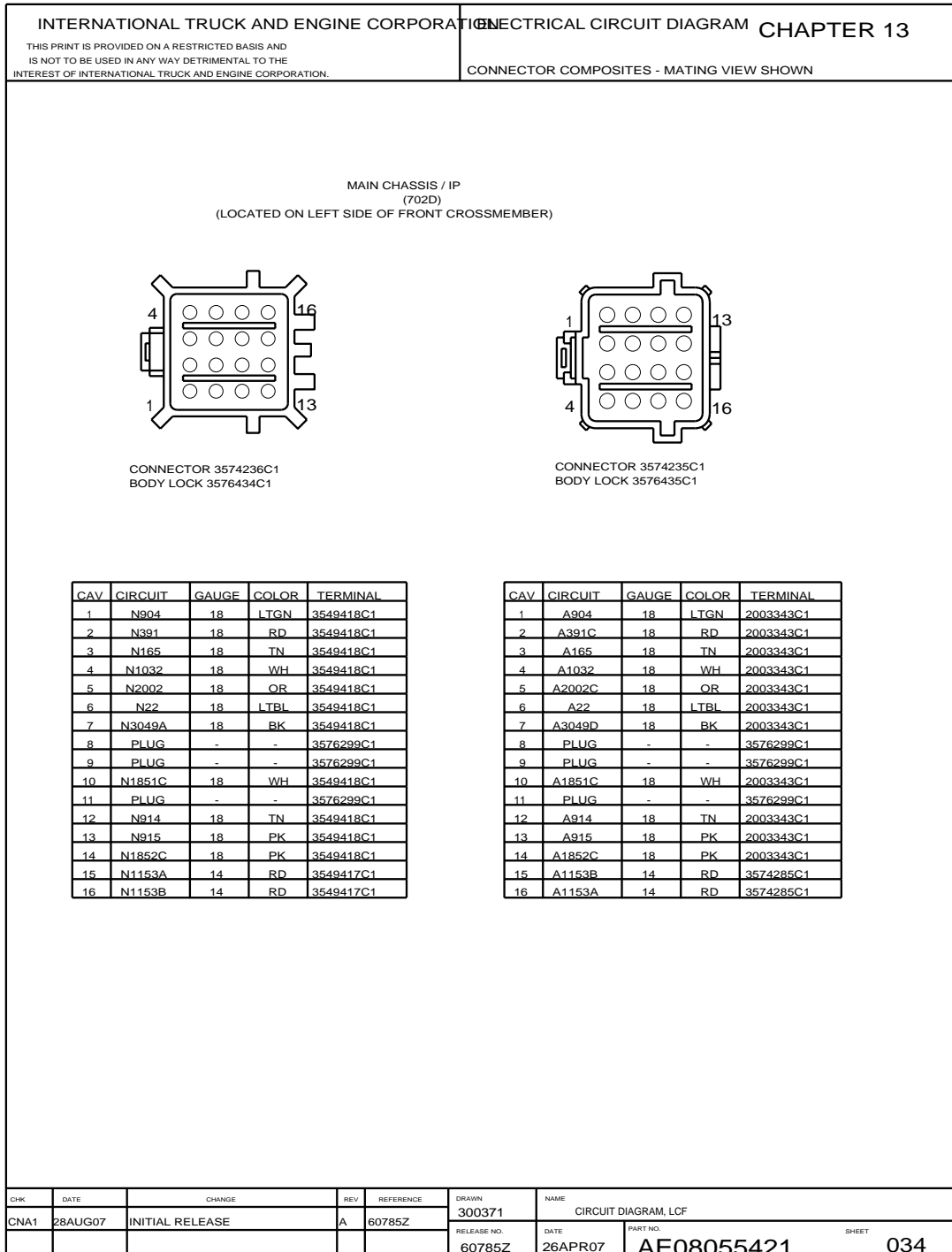


Figure 107 Connector Composites (702D)

13.35. CONNECTOR COMPOSITES (703), (704), P. 35

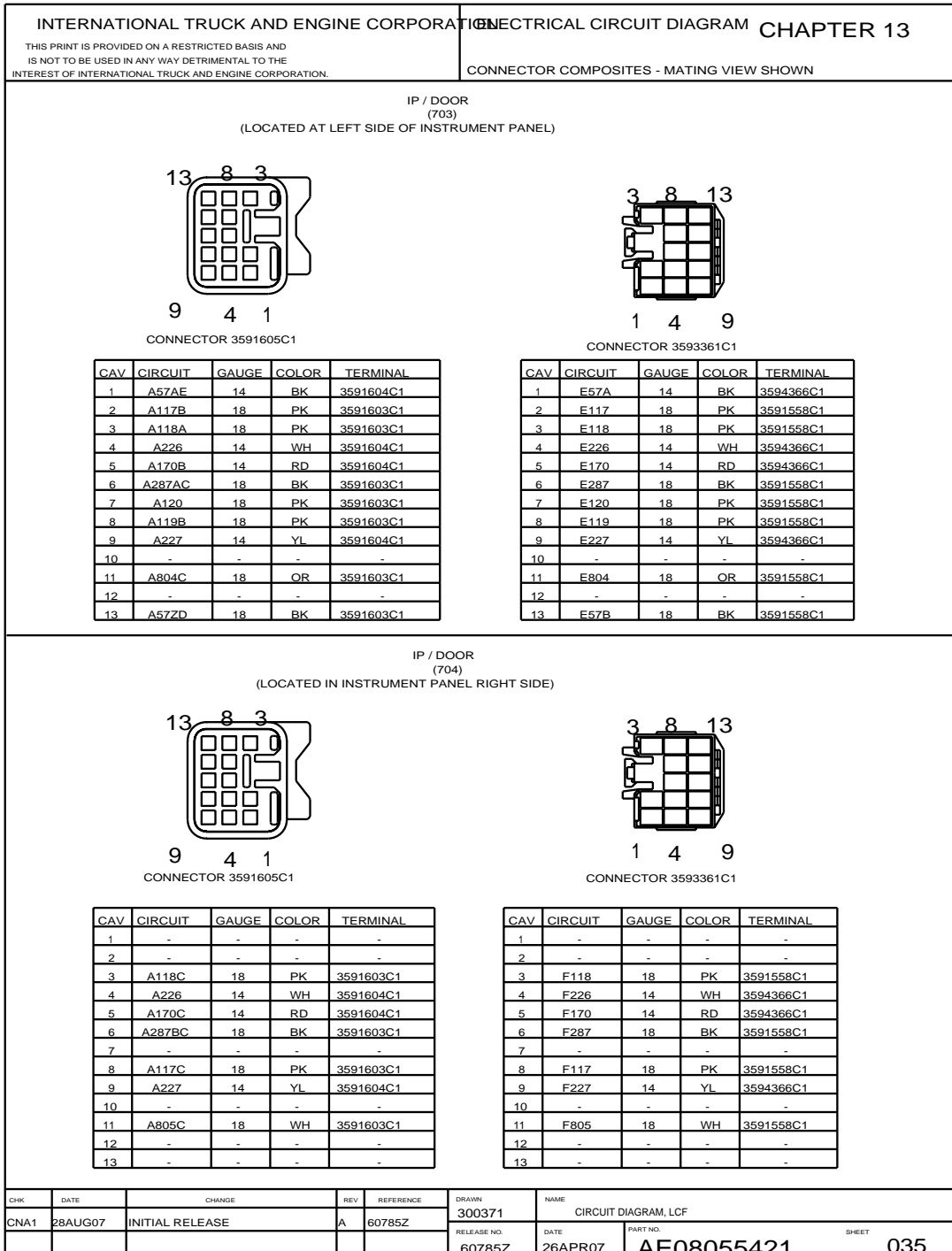


Figure 108 Connector Composites (703), (704)

13.36. CONNECTOR COMPOSITES (705), P. 36

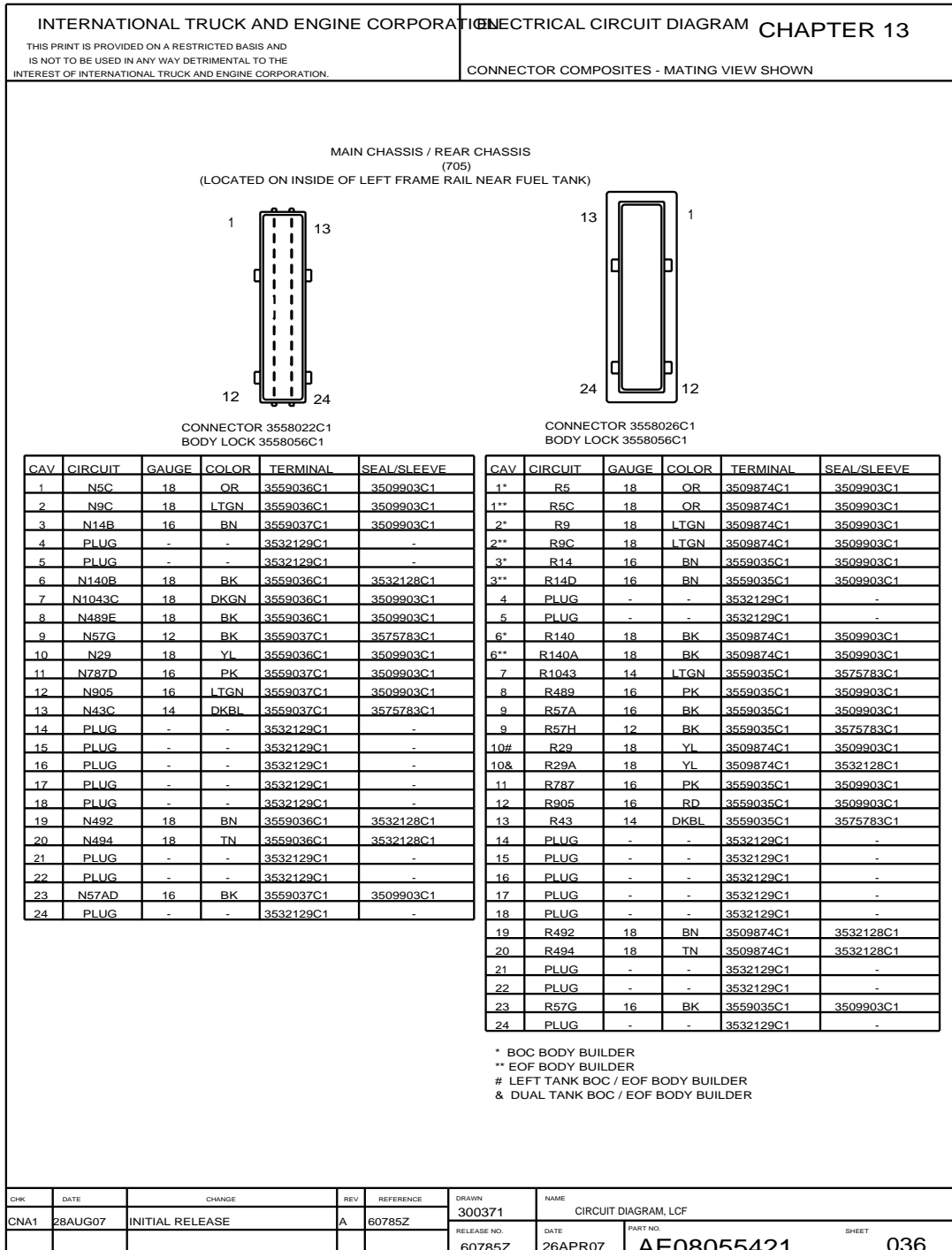


Figure 109 Connector Composites (705)

13.37. CONNECTOR COMPOSITES (706), P. 37

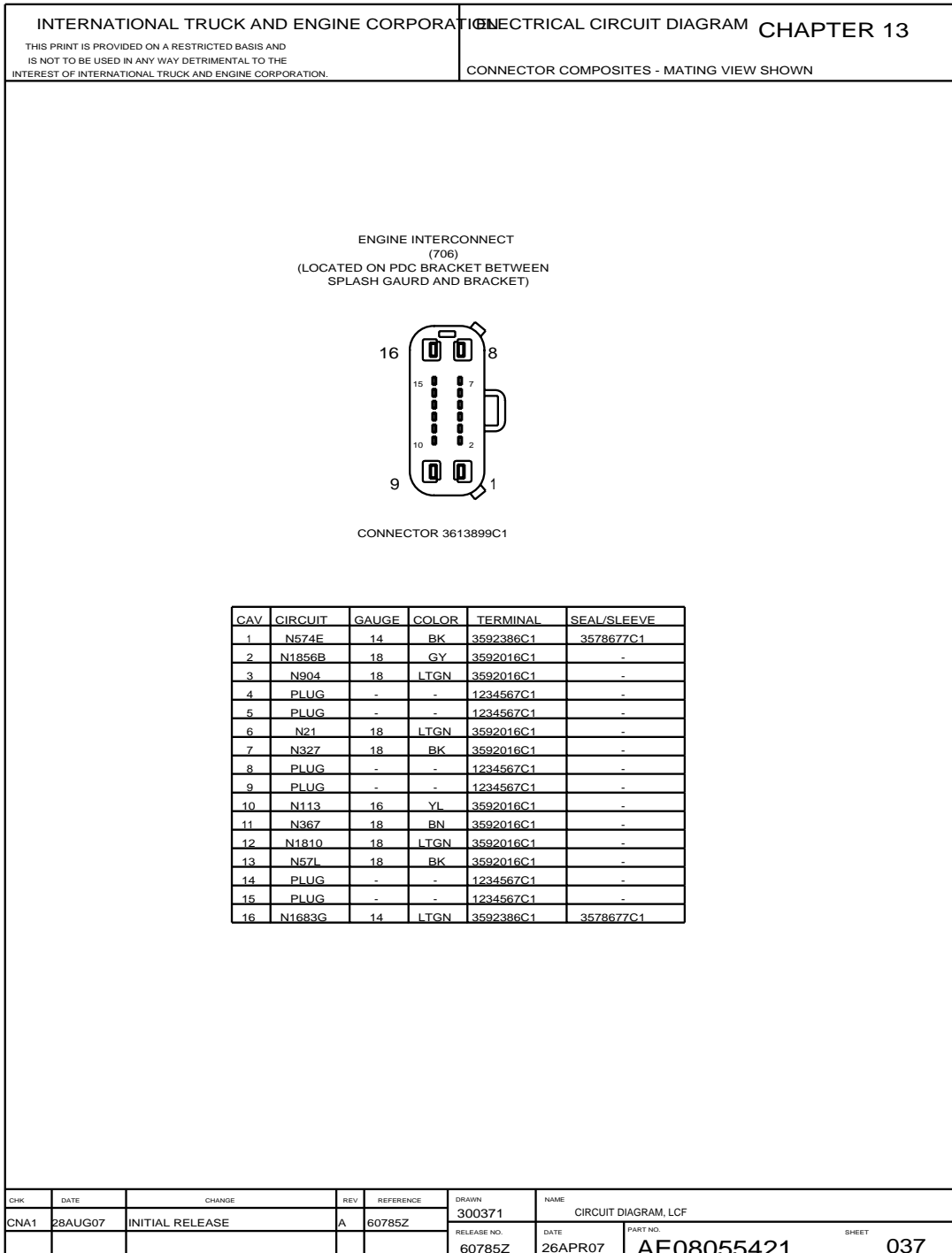


Figure 110 Connector Composites (706)

13.38. CONNECTOR COMPOSITES (720), (720A), P. 38

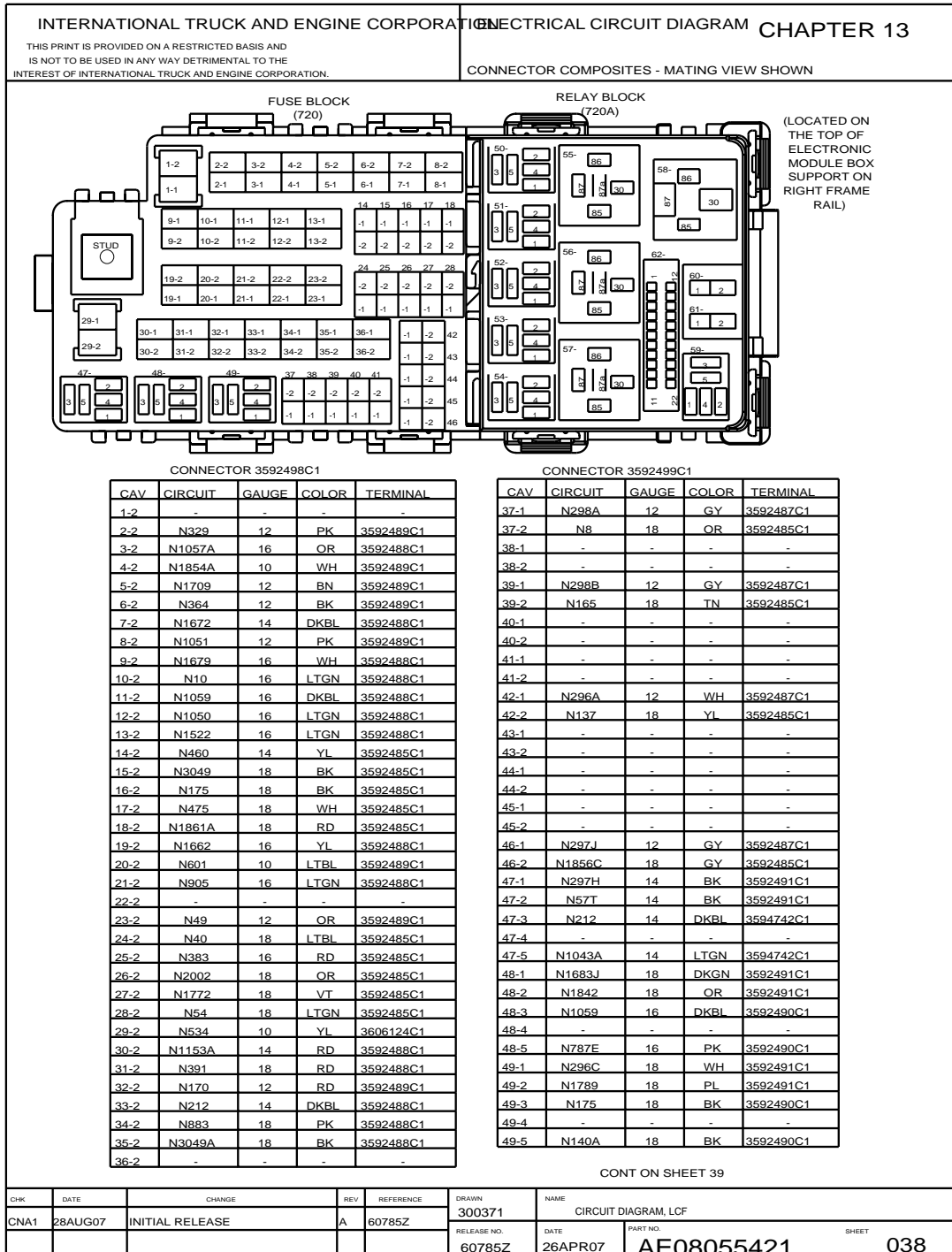


Figure 111 Connector Composites (720), (720A)

13.39. CONNECTOR COMPOSITES (720), (720A), P. 39

INTERNATIONAL TRUCK AND ENGINE CORPORATION				ELECTRICAL CIRCUIT DIAGRAM CHAPTER 13			
THIS PRINT IS PROVIDED ON A RESTRICTED BASIS AND IS NOT TO BE USED IN ANY WAY DETRIMENTAL TO THE INTEREST OF INTERNATIONAL TRUCK AND ENGINE CORPORATION.				CONNECTOR COMPOSITES - MATING VIEW SHOWN			
CONT FROM SHEET 38							
	CAV	CIRCUIT	GAUGE	COLOR	TERMINAL		
	50-1	-	-	-	-		
	50-2	-	-	-	-		
	50-3	-	-	-	-		
	50-4	-	-	-	-		
	50-5	-	-	-	-		
	51-1	N297C	14	BK	3592491C1		
	51-2	N57AA	18	BK	3592491C1		
	51-3	N1662	16	YL	3592490C1		
	51-4	-	-	-	-		
	51-5	N653	16	DKBL	3592490C1		
	52-1	N297F	14	BK	3592491C1		
	52-2	N57AB	18	BK	3592491C1		
	52-3	N1861B	18	RD	3592490C1		
	52-4	-	-	-	-		
	52-5	N462	18	PL	3592490C1		
	53-1	N297B	14	BK	3592491C1		
	53-2	N321	18	GY	3592491C1		
	53-3	N883	18	PK	3592490C1		
	53-4	-	-	-	-		
	53-5	N1810	18	LTGN	3592490C1		
	54-1	N477	18	LTBL	3592491C1		
	54-2	N57AC	18	BK	3592491C1		
	54-3	N475	18	WH	3592490C1		
	54-4	-	-	-	-		
	54-5	N1721	18	LTBL	3592490C1		
	55-30	N1854B	12	WH	3593441C1		
	55-85	N1769	18	BN	3592492C1		
	55-86	N1854C	18	RD	3592492C1		
	55-87	N1683A	10	LTGN	3592493C1		
	55-87A	-	-	-	-		
	56-30	N1672	14	DKBL	3592492C1		
	56-85	N298F	12	GY	3593441C1		
	56-86	N57AF	18	BK	3592492C1		
	56-87	N1671	14	RD	3592492C1		
	56-87A	-	-	-	-		
	57-30	N329	12	PK	3593441C1		
	57-85	N32	12	RD	3593441C1		
	57-86	N1093	18	TN	3592492C1		
	57-87	N113	16	YL	3592492C1		
	57-87A	-	-	-	-		
	58-30	-	-	-	-		
	58-85	-	-	-	-		
	58-86	-	-	-	-		
	58-87	-	-	-	-		
	59-1	N1057B	16	OR	3592491C1		
	59-2	N1032	18	WH	3592491C1		
	59-3	N1057C	16	OR	3592490C1		
	59-4	-	-	-	-		
	59-5	N14C	16	BN	3592490C1		
	60-1	N297D	14	BK	3592494C1		
	60-2	N297F	14	BK	3592494C1		
	61-1	-	-	-	-		
	61-2	-	-	-	-		

	CAV	CIRCUIT	GAUGE	COLOR	TERMINAL		
	62-1	-	-	-	-		
	62-2	-	-	-	-		
	62-3	-	-	-	-		
	62-4	-	-	-	-		
	62-5	-	-	-	-		
	62-6	-	-	-	-		
	62-7	-	-	-	-		
	62-8	-	-	-	-		
	62-9	-	-	-	-		
	62-10	-	-	-	-		
	62-11	-	-	-	-		
	62-12	-	-	-	-		
	62-13	-	-	-	-		
	62-14	-	-	-	-		
	62-15	-	-	-	-		
	62-16	-	-	-	-		
	62-17	-	-	-	-		
	62-18	-	-	-	-		
	62-19	-	-	-	-		
	62-20	-	-	-	-		
	62-21	-	-	-	-		
	62-22	-	-	-	-		

	CAV	CIRCUIT	GAUGE	COLOR	TERMINAL		
	62-1	-	-	-	-		
	62-2	-	-	-	-		
	62-3	-	-	-	-		
	62-4	-	-	-	-		
	62-5	-	-	-	-		
	62-6	-	-	-	-		
	62-7	-	-	-	-		
	62-8	-	-	-	-		
	62-9	-	-	-	-		
	62-10	-	-	-	-		
	62-11	-	-	-	-		
	62-12	-	-	-	-		
	62-13	-	-	-	-		
	62-14	-	-	-	-		
	62-15	-	-	-	-		
	62-16	-	-	-	-		
	62-17	-	-	-	-		
	62-18	-	-	-	-		
	62-19	-	-	-	-		
	62-20	-	-	-	-		
	62-21	-	-	-	-		
	62-22	-	-	-	-		

	CAV	CIRCUIT	GAUGE	COLOR	TERMINAL		
	62-1	-	-	-	-		
	62-2	-	-	-	-		
	62-3	-	-	-	-		
	62-4	-	-	-	-		
	62-5	-	-	-	-		
	62-6	-	-	-	-		
	62-7	-	-	-	-		
	62-8	-	-	-	-		
	62-9	-	-	-	-		
	62-10	-	-	-	-		
	62-11	-	-	-	-		
	62-12	-	-	-	-		
	62-13	-	-	-	-		
	62-14	-	-	-	-		
	62-15	-	-	-	-		
	62-16	-	-	-	-		
	62-17	-	-	-	-		
	62-18	-	-	-	-		
	62-19	-	-	-	-		
	62-20	-	-	-	-		
	62-21	-	-	-	-		
	62-22	-	-	-	-		

	CAV	CIRCUIT	GAUGE	COLOR	TERMINAL		
	62-1	-	-	-	-		
	62-2	-	-	-	-		
	62-3	-	-	-	-		
	62-4	-	-	-	-		
	62-5	-	-	-	-		
	62-6	-	-	-	-		
	62-7	-	-	-	-		
	62-8	-	-	-	-		
	62-9	-	-	-	-		
	62-10	-	-	-	-		
	62-11	-	-	-	-		
	62-12	-	-	-	-		
	62-13	-	-	-	-		
	62-14	-	-	-	-		
	62-15	-	-	-	-		
	62-16	-	-	-	-		
	62-17	-	-	-	-		
	62-18	-	-	-	-		
	62-19	-	-	-	-		
	62-20	-	-	-	-		
	62-21	-	-	-	-		
	62-22	-	-	-	-		

	CAV	CIRCUIT	GAUGE	COLOR	TERMINAL		
	62-1	-	-	-	-		
	62-2	-	-	-	-		
	62-3	-	-	-	-		
	62-4	-	-	-	-		
	62-5	-	-	-	-		
	62-6	-	-	-	-		
	62-7	-	-	-	-		
	62-8	-	-	-	-		
	62-9	-	-	-	-		
	62-10	-	-	-	-		
	62-11	-	-	-	-		
	62-12	-	-	-	-		
	62-13	-	-	-	-		
	62-14	-	-	-	-		
	62-15	-	-	-	-		
	62-16	-	-	-	-		
	62-17	-	-	-	-		
	62-18	-	-	-	-		
	62-19	-	-	-	-		
	62-20	-	-	-	-		
	62-21	-	-	-	-		
	62-22	-	-	-	-		

	CAV	CIRCUIT	GAUGE	COLOR	TERMINAL		
	62-1	-	-	-	-		
	62-2	-	-	-	-		
	62-3	-	-	-	-		
	62-4	-	-	-	-		
	62-5	-	-	-	-		
	62-6	-	-	-	-		
	62-7	-	-	-	-		
	62-8	-	-	-	-		
	62-9	-	-	-	-		
	62-10	-	-	-	-		
	62-11	-	-	-	-		
	62-12	-	-	-	-		
	62-13	-	-	-	-		
	62-14	-	-	-	-		
	62-15	-	-	-	-		
	62-16	-	-	-	-		
	62-17	-	-	-	-		
	62-18	-	-	-	-		
	62-19	-	-	-	-		
	62-20	-	-	-	-		
	62-21	-	-	-	-		
	62-22	-	-	-	-		

	CAV	CIRCUIT	GAUGE	COLOR	TERMINAL		
	62-1	-	-	-	-		
	62-2	-	-	-	-		
	62-3	-	-	-	-		
	62-4	-	-	-	-		
	62-5	-	-	-	-		
	62-6	-	-	-	-		
	62-7	-	-	-	-		
	62-8	-	-	-	-		
	62-9	-	-	-	-		
	62-10	-	-	-	-		
	62-11	-	-	-	-		
	62-12	-	-	-	-		
	62-13	-	-	-	-		
	62-14	-	-	-	-		
	62-15	-	-	-	-		
	62-16	-	-	-	-		
	62-17	-	-	-	-		
	62-18	-	-	-	-		
	62-19	-	-	-	-		
	62-20	-	-	-	-		
	62-21	-	-	-	-		
	62-22	-	-	-	-		

	CAV	CIRCUIT	GAUGE	COLOR	TERMINAL		
	62-1	-	-	-	-		
	62-2	-	-	-	-		
	62-3	-	-	-	-		
	62-4	-	-	-	-		
	62-5	-	-	-	-		
	62-6	-	-	-	-		
	62-7	-	-	-	-		
	62-8	-	-	-	-		
	62-9	-	-	-	-		
	62-10	-	-	-	-		
	62-11	-	-	-</			

13.40. CONNECTOR COMPOSITES (720), (720A), (829M), P. 40

<p>INTERNATIONAL TRUCK AND ENGINE CORPORATION</p> <p><small>THIS PRINT IS PROVIDED ON A RESTRICTED BASIS AND IS NOT TO BE USED IN ANY WAY DETRIMENTAL TO THE INTEREST OF INTERNATIONAL TRUCK AND ENGINE CORPORATION.</small></p>	<p>ELECTRICAL CIRCUIT DIAGRAM CHAPTER 13</p> <p>CONNECTOR COMPOSITES - MATING VIEW SHOWN</p>																																																																																																																																																																																																
<p>CONT FROM SHEET 39</p>																																																																																																																																																																																																	
<table border="1" style="width:100%; border-collapse: collapse;"> <thead> <tr> <th>FUSE / RELAY NO</th> <th>FUSE RATING</th> <th>DESCRIPTION</th> </tr> </thead> <tbody> <tr><td>1</td><td>-</td><td>BLANK</td></tr> <tr><td>2</td><td>30A</td><td>STARTER</td></tr> <tr><td>3</td><td>20A</td><td>PARK LAMPS</td></tr> <tr><td>4</td><td>40A</td><td>IDM / ECM</td></tr> <tr><td>5</td><td>30A</td><td>HEAD LAMPS</td></tr> <tr><td>6</td><td>40A</td><td>BLOWER MOTOR</td></tr> <tr><td>7</td><td>25A</td><td>WIPER</td></tr> <tr><td>8</td><td>30A</td><td>ELECTRIC BRAKE</td></tr> <tr><td>9</td><td>20A</td><td>DOOR LOCK</td></tr> <tr><td>10</td><td>20A</td><td>STOP LAMPS</td></tr> <tr><td>11</td><td>20A</td><td>FUEL PUMP</td></tr> <tr><td>12</td><td>20A</td><td>RUN / ACCESS FEED</td></tr> <tr><td>13</td><td>20A</td><td>RUN / START FEED</td></tr> <tr><td>14</td><td>15A</td><td>HORN</td></tr> <tr><td>15</td><td>10A</td><td>CLUSTER BATTERY</td></tr> <tr><td>16</td><td>15A</td><td>BACK-UP LAMP</td></tr> <tr><td>17</td><td>15A</td><td>FOG LAMPS</td></tr> <tr><td>18</td><td>15A</td><td>TRANSMISSION</td></tr> <tr><td>19</td><td>20A</td><td>FUEL HEATER</td></tr> <tr><td>20</td><td>60A</td><td>ABS MODULE</td></tr> <tr><td>21</td><td>20A</td><td>TRAILER BOX</td></tr> <tr><td>22</td><td>-</td><td>-</td></tr> <tr><td>23</td><td>40A</td><td>TRAILER BATTERY</td></tr> <tr><td>24</td><td>20A</td><td>CIGAR LIGHTER</td></tr> <tr><td>25</td><td>20A</td><td>HAZARD</td></tr> <tr><td>26</td><td>15A</td><td>KEYLESS</td></tr> <tr><td>27</td><td>10A</td><td>RADIO</td></tr> <tr><td>28</td><td>10A</td><td>DOME</td></tr> <tr><td>29</td><td>60A</td><td>ABS PUMP</td></tr> <tr><td>30</td><td>60A</td><td>PUSHER FAN</td></tr> <tr><td>31</td><td>20A</td><td>DIAGNOSTIC CONNECTOR</td></tr> </tbody> </table>	FUSE / RELAY NO	FUSE RATING	DESCRIPTION	1	-	BLANK	2	30A	STARTER	3	20A	PARK LAMPS	4	40A	IDM / ECM	5	30A	HEAD LAMPS	6	40A	BLOWER MOTOR	7	25A	WIPER	8	30A	ELECTRIC BRAKE	9	20A	DOOR LOCK	10	20A	STOP LAMPS	11	20A	FUEL PUMP	12	20A	RUN / ACCESS FEED	13	20A	RUN / START FEED	14	15A	HORN	15	10A	CLUSTER BATTERY	16	15A	BACK-UP LAMP	17	15A	FOG LAMPS	18	15A	TRANSMISSION	19	20A	FUEL HEATER	20	60A	ABS MODULE	21	20A	TRAILER BOX	22	-	-	23	40A	TRAILER BATTERY	24	20A	CIGAR LIGHTER	25	20A	HAZARD	26	15A	KEYLESS	27	10A	RADIO	28	10A	DOME	29	60A	ABS PUMP	30	60A	PUSHER FAN	31	20A	DIAGNOSTIC CONNECTOR	<table border="1" style="width:100%; border-collapse: collapse;"> <thead> <tr> <th>FUSE / RELAY NO</th> <th>FUSE RATING</th> <th>DESCRIPTION</th> </tr> </thead> <tbody> <tr><td>32</td><td>40A</td><td>POWER WINDOW</td></tr> <tr><td>33</td><td>25A</td><td>BODY BUILDER</td></tr> <tr><td>34</td><td>20A</td><td>AC CLUTCH</td></tr> <tr><td>35</td><td>20A</td><td>CLUSTER</td></tr> <tr><td>36</td><td>-</td><td>BLANK</td></tr> <tr><td>37</td><td>10A</td><td>TURN</td></tr> <tr><td>38</td><td>-</td><td>BLANK</td></tr> <tr><td>39</td><td>10A</td><td>CORNERING LAMPS</td></tr> <tr><td>40</td><td>-</td><td>-</td></tr> <tr><td>41</td><td>-</td><td>-</td></tr> <tr><td>42</td><td>10A</td><td>RADIO</td></tr> <tr><td>43</td><td>-</td><td>BLANK</td></tr> <tr><td>44</td><td>-</td><td>BLANK</td></tr> <tr><td>45</td><td>-</td><td>BLANK</td></tr> <tr><td>46</td><td>5A</td><td>ECM KEY POWER</td></tr> <tr><td>47</td><td>-</td><td>BODY BUILDER</td></tr> <tr><td>48</td><td>-</td><td>FUEL PUMP</td></tr> <tr><td>49</td><td>-</td><td>BACK-UP LAMPS</td></tr> <tr><td>50</td><td>-</td><td>ECM</td></tr> <tr><td>51</td><td>-</td><td>FUEL HEATER</td></tr> <tr><td>52</td><td>-</td><td>TRANSMISSION</td></tr> <tr><td>53</td><td>-</td><td>AC CLUTCH</td></tr> <tr><td>54</td><td>-</td><td>FOG LAMPS</td></tr> <tr><td>55</td><td>-</td><td>IDM</td></tr> <tr><td>56</td><td>-</td><td>WIPER</td></tr> <tr><td>57</td><td>-</td><td>STARTER</td></tr> <tr><td>58</td><td>-</td><td>BLANK</td></tr> <tr><td>59</td><td>-</td><td>PARK LAMPS</td></tr> <tr><td>60</td><td>-</td><td>TRANSMISSION RELAY DIODE</td></tr> <tr><td>61</td><td>-</td><td>BLANK</td></tr> <tr><td>62</td><td>-</td><td>BLANK</td></tr> </tbody> </table>	FUSE / RELAY NO	FUSE RATING	DESCRIPTION	32	40A	POWER WINDOW	33	25A	BODY BUILDER	34	20A	AC CLUTCH	35	20A	CLUSTER	36	-	BLANK	37	10A	TURN	38	-	BLANK	39	10A	CORNERING LAMPS	40	-	-	41	-	-	42	10A	RADIO	43	-	BLANK	44	-	BLANK	45	-	BLANK	46	5A	ECM KEY POWER	47	-	BODY BUILDER	48	-	FUEL PUMP	49	-	BACK-UP LAMPS	50	-	ECM	51	-	FUEL HEATER	52	-	TRANSMISSION	53	-	AC CLUTCH	54	-	FOG LAMPS	55	-	IDM	56	-	WIPER	57	-	STARTER	58	-	BLANK	59	-	PARK LAMPS	60	-	TRANSMISSION RELAY DIODE	61	-	BLANK	62	-	BLANK
FUSE / RELAY NO	FUSE RATING	DESCRIPTION																																																																																																																																																																																															
1	-	BLANK																																																																																																																																																																																															
2	30A	STARTER																																																																																																																																																																																															
3	20A	PARK LAMPS																																																																																																																																																																																															
4	40A	IDM / ECM																																																																																																																																																																																															
5	30A	HEAD LAMPS																																																																																																																																																																																															
6	40A	BLOWER MOTOR																																																																																																																																																																																															
7	25A	WIPER																																																																																																																																																																																															
8	30A	ELECTRIC BRAKE																																																																																																																																																																																															
9	20A	DOOR LOCK																																																																																																																																																																																															
10	20A	STOP LAMPS																																																																																																																																																																																															
11	20A	FUEL PUMP																																																																																																																																																																																															
12	20A	RUN / ACCESS FEED																																																																																																																																																																																															
13	20A	RUN / START FEED																																																																																																																																																																																															
14	15A	HORN																																																																																																																																																																																															
15	10A	CLUSTER BATTERY																																																																																																																																																																																															
16	15A	BACK-UP LAMP																																																																																																																																																																																															
17	15A	FOG LAMPS																																																																																																																																																																																															
18	15A	TRANSMISSION																																																																																																																																																																																															
19	20A	FUEL HEATER																																																																																																																																																																																															
20	60A	ABS MODULE																																																																																																																																																																																															
21	20A	TRAILER BOX																																																																																																																																																																																															
22	-	-																																																																																																																																																																																															
23	40A	TRAILER BATTERY																																																																																																																																																																																															
24	20A	CIGAR LIGHTER																																																																																																																																																																																															
25	20A	HAZARD																																																																																																																																																																																															
26	15A	KEYLESS																																																																																																																																																																																															
27	10A	RADIO																																																																																																																																																																																															
28	10A	DOME																																																																																																																																																																																															
29	60A	ABS PUMP																																																																																																																																																																																															
30	60A	PUSHER FAN																																																																																																																																																																																															
31	20A	DIAGNOSTIC CONNECTOR																																																																																																																																																																																															
FUSE / RELAY NO	FUSE RATING	DESCRIPTION																																																																																																																																																																																															
32	40A	POWER WINDOW																																																																																																																																																																																															
33	25A	BODY BUILDER																																																																																																																																																																																															
34	20A	AC CLUTCH																																																																																																																																																																																															
35	20A	CLUSTER																																																																																																																																																																																															
36	-	BLANK																																																																																																																																																																																															
37	10A	TURN																																																																																																																																																																																															
38	-	BLANK																																																																																																																																																																																															
39	10A	CORNERING LAMPS																																																																																																																																																																																															
40	-	-																																																																																																																																																																																															
41	-	-																																																																																																																																																																																															
42	10A	RADIO																																																																																																																																																																																															
43	-	BLANK																																																																																																																																																																																															
44	-	BLANK																																																																																																																																																																																															
45	-	BLANK																																																																																																																																																																																															
46	5A	ECM KEY POWER																																																																																																																																																																																															
47	-	BODY BUILDER																																																																																																																																																																																															
48	-	FUEL PUMP																																																																																																																																																																																															
49	-	BACK-UP LAMPS																																																																																																																																																																																															
50	-	ECM																																																																																																																																																																																															
51	-	FUEL HEATER																																																																																																																																																																																															
52	-	TRANSMISSION																																																																																																																																																																																															
53	-	AC CLUTCH																																																																																																																																																																																															
54	-	FOG LAMPS																																																																																																																																																																																															
55	-	IDM																																																																																																																																																																																															
56	-	WIPER																																																																																																																																																																																															
57	-	STARTER																																																																																																																																																																																															
58	-	BLANK																																																																																																																																																																																															
59	-	PARK LAMPS																																																																																																																																																																																															
60	-	TRANSMISSION RELAY DIODE																																																																																																																																																																																															
61	-	BLANK																																																																																																																																																																																															
62	-	BLANK																																																																																																																																																																																															
<p>BACK-UP ALARM CONNECTOR (829M) (LOCATED AT THE END OF RIGHT FRAME RAIL BY RIGHT TAIL LIGHT)</p> <div style="display: flex; align-items: center; justify-content: center;">  <table border="1" style="border-collapse: collapse;"> <thead> <tr> <th>CAV</th> <th>CIRCUIT</th> <th>GAUGE</th> <th>COLOR</th> <th>TERMINAL</th> <th>SEAL/SLEEVE</th> </tr> </thead> <tbody> <tr> <td>A</td> <td>S71D</td> <td>14</td> <td>LTBL</td> <td>2033816C1</td> <td>0589391C1</td> </tr> <tr> <td>B</td> <td>S71-GD</td> <td>14</td> <td>WH</td> <td>2033816C1</td> <td>0589391C1</td> </tr> </tbody> </table> </div> <p style="margin-top: 10px;">CONNECTOR 1671610C1 BODY LOCK 1671608C1</p>		CAV	CIRCUIT	GAUGE	COLOR	TERMINAL	SEAL/SLEEVE	A	S71D	14	LTBL	2033816C1	0589391C1	B	S71-GD	14	WH	2033816C1	0589391C1																																																																																																																																																																														
CAV	CIRCUIT	GAUGE	COLOR	TERMINAL	SEAL/SLEEVE																																																																																																																																																																																												
A	S71D	14	LTBL	2033816C1	0589391C1																																																																																																																																																																																												
B	S71-GD	14	WH	2033816C1	0589391C1																																																																																																																																																																																												
<table style="width:100%; border-collapse: collapse;"> <tr> <td style="width:10%; border: 1px solid black;">CHK</td> <td style="width:10%; border: 1px solid black;">DATE</td> <td style="width:30%; border: 1px solid black;">CHANGE</td> <td style="width:10%; border: 1px solid black;">REV</td> <td style="width:10%; border: 1px solid black;">REFERENCE</td> <td style="width:10%; border: 1px solid black;">DRAWN</td> <td style="width:10%; border: 1px solid black;">NAME</td> </tr> <tr> <td style="border: 1px solid black;">CNA1</td> <td style="border: 1px solid black;">28AUG07</td> <td style="border: 1px solid black;">INITIAL RELEASE</td> <td style="border: 1px solid black;">A</td> <td style="border: 1px solid black;">60785Z</td> <td style="border: 1px solid black;">300371</td> <td style="border: 1px solid black;">CIRCUIT DIAGRAM, LCF</td> </tr> <tr> <td style="border: 1px solid black;"></td> <td style="border: 1px solid black;"></td> <td style="border: 1px solid black;"></td> <td style="border: 1px solid black;"></td> <td style="border: 1px solid black;"></td> <td style="border: 1px solid black;">RELEASE NO.</td> <td style="border: 1px solid black;">DATE</td> </tr> <tr> <td style="border: 1px solid black;"></td> <td style="border: 1px solid black;"></td> <td style="border: 1px solid black;"></td> <td style="border: 1px solid black;"></td> <td style="border: 1px solid black;"></td> <td style="border: 1px solid black;">60785Z</td> <td style="border: 1px solid black;">15MAY07</td> </tr> <tr> <td style="border: 1px solid black;"></td> <td style="border: 1px solid black;"></td> <td style="border: 1px solid black;"></td> <td style="border: 1px solid black;"></td> <td style="border: 1px solid black;"></td> <td style="border: 1px solid black;"></td> <td style="border: 1px solid black;">PART NO.</td> </tr> <tr> <td style="border: 1px solid black;"></td> <td style="border: 1px solid black;"></td> <td style="border: 1px solid black;"></td> <td style="border: 1px solid black;"></td> <td style="border: 1px solid black;"></td> <td style="border: 1px solid black;"></td> <td style="border: 1px solid black;">AE08055421</td> </tr> <tr> <td style="border: 1px solid black;"></td> <td style="border: 1px solid black;"></td> <td style="border: 1px solid black;"></td> <td style="border: 1px solid black;"></td> <td style="border: 1px solid black;"></td> <td style="border: 1px solid black;"></td> <td style="border: 1px solid black;">SHEET</td> </tr> <tr> <td style="border: 1px solid black;"></td> <td style="border: 1px solid black;"></td> <td style="border: 1px solid black;"></td> <td style="border: 1px solid black;"></td> <td style="border: 1px solid black;"></td> <td style="border: 1px solid black;"></td> <td style="border: 1px solid black;">40</td> </tr> </table>		CHK	DATE	CHANGE	REV	REFERENCE	DRAWN	NAME	CNA1	28AUG07	INITIAL RELEASE	A	60785Z	300371	CIRCUIT DIAGRAM, LCF						RELEASE NO.	DATE						60785Z	15MAY07							PART NO.							AE08055421							SHEET							40																																																																																																																																								
CHK	DATE	CHANGE	REV	REFERENCE	DRAWN	NAME																																																																																																																																																																																											
CNA1	28AUG07	INITIAL RELEASE	A	60785Z	300371	CIRCUIT DIAGRAM, LCF																																																																																																																																																																																											
					RELEASE NO.	DATE																																																																																																																																																																																											
					60785Z	15MAY07																																																																																																																																																																																											
						PART NO.																																																																																																																																																																																											
						AE08055421																																																																																																																																																																																											
						SHEET																																																																																																																																																																																											
						40																																																																																																																																																																																											

Figure 113 Connector Composites (720), (720A), (829M)