

# Kubota

U.S.A. : **KUBOTA TRACTOR CORPORATION**  
3401 Del Amo Blvd., Torrance, CA 90503, U.S.A.  
Telephone : (310)370-3370  
Western Division : 1175 S. Guild Ave., Lodi, CA 95240  
Telephone : (209)334-9910  
Central Division : 14855 FAA Blvd., Fort Worth, TX 76155  
Telephone : (817)571-0900  
Northern Division : 6300 at One Kubota Way, Groveport, OH 43125  
Telephone : (614)835-1100  
Southeast Division : 1025 Northbrook Parkway, Suwanee, GA 30024  
Telephone : (770)995-8855  
Canada : **KUBOTA CANADA LTD.**  
5900 14th Avenue, Markham, Ontario, L3S 4K4, Canada  
Telephone : (905)294-7477  
Delta Distribution Center : 7979 82nd St, Delta B.C. V4G 1L7  
Telephone : (604)940-6061  
Drummondville Distribution Center : 5705 Place Kubota, Drummondville, Québec, J2B 6B4  
Telephone : (819)478-7151  
France : **KUBOTA EUROPE S.A.S**  
19-25, Rue Jules Vercey, Z.I. BP88, 95101 Argenteuil Cedex, France  
Telephone : (33)1-3426-3434  
Italy : **KUBOTA EUROPE S.A.S Italy Branch**  
Via Grandi, 29 20068 Peschiera Borrome (MI) Italy  
Telephone : (39)02-51650377  
Germany : **KUBOTA (DEUTSCHLAND) GmbH**  
Senefelder Str. 3-5 63110 Rodgau /Nieder-Roden, Germany  
Telephone : (49)6106-873-0  
U.K. : **KUBOTA (U.K.) LTD.**  
Dorner Road, Thame, Oxfordshire, OX9 3UN, U.K.  
Telephone : (44)1844-214500  
Spain : **KUBOTA ESPAÑA S.A.**  
Avenida Recomba No.5, Poligono Industrial la Laguna, Leganes, 28914 (Madrid) Spain  
Telephone : (34)91-508-6442  
Australia : **KUBOTA TRACTOR AUSTRALIA PTY LTD.**  
100 Keilor Park Drive, Tullamarine, Victoria 3043 Australia  
Telephone : (61)-3-9279-2000  
Malaysia : **SIME KUBOTA SDN. BHD.**  
No.3 Jalan Sepadu 25/123 Taman Perindustrian Axis,  
Seksyen 25, 40400 Shah Alam, Selangor Darul Ehsan Malasia  
Telephone : (60)3-736-1388  
Philippines : **KUBOTA AGRO-INDUSTRIAL MACHINERY PHILIPPINES, INC.**  
155 Panay Avenue, South Triangle Homes, 1103 Quezon City, Philippines  
Telephone : (63)2-9201071  
Taiwan : **SHIN TAIWAN AGRICULTURAL MACHINERY CO., LTD.**  
16, Fengping 2nd Rd, Taliiao Shiang Kaohsiung 83107, Taiwan R.O.C.  
Telephone : (886)7-702-2333  
Indonesia : **P.T. KUBOTA INDONESIA**  
JALAN. Setyabudi 279, Semarang, Indonesia  
Telephone : (62)-24-7472849  
Thailand : **THE SIAM KUBOTA INDUSTRY CO., LTD.**  
101/19-24 Navanakorn, Tambol Klongneung, Amphur Klongluang, Pathumtani 12120, Thailand  
Telephone : (66)2-529-0363

KUBOTA Corporation

English (Australia)  
Code No. TD170-1974-2

## OPERATOR'S MANUAL

# KUBOTA TRACTOR

MODELS L3240·L3540·L3940  
L4240·L4740·L5040  
L5240·L5740



1AGAWAAP079A

L  
3  
2  
4  
0  
·  
L  
3  
5  
4  
0  
·  
L  
3  
9  
4  
0  
·  
L  
4  
2  
4  
0  
·  
L  
4  
7  
4  
0  
·  
L  
5  
0  
4  
0  
·  
L  
5  
2  
4  
0  
·  
L  
5  
7  
4  
0

# ABBREVIATION LIST

Abbreviations	Definitions
2WD	Two Wheel Drive
4WD	Four Wheel Drive
API	American Petroleum Institute
ASAE	American Society of Agricultural Engineers, USA
ASTM	American Society for Testing and Materials, USA
DIN	Deutsches Institut für Normung, GERMANY
DT	Dual Traction <b>[4WD]</b>
fpm	Feet Per Minute
GST	Glide Shift Transmission
Hi-Lo	High Speed-Low Speed
HST	Hydrostatic Transmission
m/s	Meters Per Second
PTO	Power Take Off
RH/LH	Right-hand and left-hand sides are determined by facing in the direction of forward travel
ROPS	Roll-Over Protective Structures
rpm	Revolutions Per Minute
r/s	Revolutions Per Second
SAE	Society of Automotive Engineers, USA
SMV	Slow Moving Vehicle

California Proposition 65

**⚠ WARNING ⚠**

The engine exhaust from this product contains chemicals known to the State of California to cause cancer, birth defects or other reproductive harm.

# ABBREVIATION LIST

Abbreviations	Definitions
2WD	Two Wheel Drive
4WD	Four Wheel Drive
API	American Petroleum Institute
ASAE	American Society of Agricultural Engineers, USA
ASTM	American Society for Testing and Materials, USA
DIN	Deutsches Institut für Normung, GERMANY
DT	Dual Traction <b>[4WD]</b>
fpm	Feet Per Minute
GST	Glide Shift Transmission
Hi-Lo	High Speed-Low Speed
HST	Hydrostatic Transmission
m/s	Meters Per Second
PTO	Power Take Off
RH/LH	Right-hand and left-hand sides are determined by facing in the direction of forward travel
ROPS	Roll-Over Protective Structures
rpm	Revolutions Per Minute
r/s	Revolutions Per Second
SAE	Society of Automotive Engineers, USA
SMV	Slow Moving Vehicle

California Proposition 65

**⚠ WARNING ⚠**

The engine exhaust from this product contains chemicals known to the State of California to cause cancer, birth defects or other reproductive harm.

# UNIVERSAL SYMBOLS

As a guide to the operation of your tractor, various universal symbols have been utilized on the instruments and controls. The symbols are shown below with an indication of their meaning.

	Safety Alert Symbol		Remote Cylinder-Retract
	Diesel Fuel		Remote Cylinder-Extend
	Fuel-Level		Steering Wheel-Tilt Control
	Engine-Rotational Speed		Hazard Warning Lights
	Hourmeter/Elapsed Operating Hours		Master Lighting Switch
	Engine Coolant-Temperature		Position Lamps
	Diesel Preheat/Glow Plugs(Low Temperature Start Aid)		Headlight-Low Beam
	Parking Brake		Headlight-High Beam
	Engine Intake/Combustion Air-Filter		Audible Warning Device
	Battery Charging Condition		Four-Wheel Drive-On
	Engine Oil-Pressure		Four-Wheel Drive-Off
	Turn Signal		Fast
	Engine-Stop		Slow
	Engine-Run		Creep
	Starter Control		Read Operator's Manual
	Engine Shut-Off Control		Tractor-Forward Movement-Overhead View of Machine
	Power Take-Off Clutch Control-Off Position		Tractor-Rearward Movement-Overhead View of Machine
	Power Take-Off Clutch Control-On Position		Engine Speed Control
	Differential Lock		
	Position Control-Raised Position		
	Position Control-Lowered Position		
	Draft Control-Shallow Position		
	Draft Control-Deep Position		
	3-Point Lowering Speed Control		

# FOREWORD

You are now the proud owner of a KUBOTA Tractor. This tractor is a product of KUBOTA quality engineering and manufacturing. It is made of fine materials and under a rigid quality control system. It will give you long, satisfactory service. To obtain the best use of your tractor, please read this manual carefully. If your tractor is provided with CAB, also read the CAB operator's manual, which is a separate manual. It will help you become familiar with the operation of the tractor and contains many helpful hints about tractor maintenance. It is KUBOTA's policy to utilize as quickly as possible every advance in our research. The immediate use of new techniques in the manufacture of products may cause some small parts of this manual to be outdated. KUBOTA distributors and dealers will have the most up-to-date information. Please do not hesitate to consult with them.



## SAFETY FIRST

This symbol, the industry's "Safety Alert Symbol", is used throughout this manual and on labels on the machine itself to warn of the possibility of personal injury. Read these instructions carefully. It is essential that you read the instructions and safety regulations before you attempt to assemble or use this unit.



**DANGER :** Indicates an imminently hazardous situation which, if not avoided, will result in death or serious injury.



**WARNING :** Indicates a potentially hazardous situation which, if not avoided, could result in death or serious injury.



**CAUTION :** Indicates a potentially hazardous situation which, if not avoided, may result in minor or moderate injury.

**IMPORTANT :** Indicates that equipment or property damage could result if instructions are not followed.

**NOTE :** Gives helpful information.

## **KUBOTA Corporation is ...**

Since its inception in 1890, KUBOTA Corporation has grown to rank as one of the major firms in Japan.

To achieve this status, the company has through the years diversified the range of its products and services to a remarkable extent, until today, 19 plants and 16,000 employees produce over 1,000 different items, large and small.

All these products and all the services which accompany them, however, are unified by one central commitment. KUBOTA makes products which, taken on a national scale, are basic necessities. Products which are indispensable, products intended to help individuals and nations fulfill the potential inherent in their environment. For KUBOTA is the Basic Necessities Giant.

This potential includes water supply, food from the soil and from the sea, industrial development, architecture and construction, and transportation.

Thousands of people depend on KUBOTA's know-how, technology, experience and customer service. You too can depend on KUBOTA.

# CONTENTS

▲ SAFE OPERATION .....	▲ -1
SERVICING OF TRACTOR.....	1
SPECIFICATIONS.....	3
SPECIFICATION TABLE [HST Type].....	3
SPECIFICATION TABLE [GST Type].....	5
SPECIFICATION TABLE [Manual Transmission Type].....	7
TRAVELING SPEEDS .....	9
HST Type.....	9
GST Type .....	10
Manual Transmission Type.....	11
IMPLEMENT LIMITATIONS .....	12
INSTRUMENT PANEL AND CONTROLS.....	14
PRE-OPERATION CHECK .....	18
DAILY CHECK .....	18
OPERATING THE ENGINE.....	19
STARTING THE ENGINE .....	19
Check Easy Checker(TM) Lamps.....	23
IntelliPanel(TM) Message.....	23
COLD WEATHER STARTING .....	24
Block Heater (if equipped) .....	24
STOPPING THE ENGINE.....	25
WARMING UP .....	25
Warm-Up Transmission Oil in the Low Temperature Range .....	25
JUMP STARTING .....	26
OPERATING THE TRACTOR.....	27
OPERATING NEW TRACTOR .....	27
Do not Operate the Tractor at Full Speed for the First 50 Hours.....	27
Changing Lubricating Oil for New Tractors.....	27
OPERATING FOLDABLE ROPS (if equipped).....	27
To Fold the ROPS .....	27
To Raise the ROPS to Upright Position.....	28
Adjustment of Foldable ROPS.....	29
STARTING .....	29
Operator's Seat.....	29
Glove Box .....	30
Seat Belt .....	30
Tilt Steering Adjustment.....	30
Light Switch .....	31
Turn Signal / Hazard Light Switch .....	31
Tractor Lights.....	32
Brake Pedals (Right and Left).....	33
Clutch Pedal .....	34
HST Response Control Dial.....	36

H-DS (Hydro Dual Speed) Lever .....	36
HST Mode Select Switch .....	37
Range Gear Shift Lever (L-M-H).....	38
Front Wheel Drive Lever.....	39
Hand Throttle Lever.....	39
Parking Brake Lever .....	39
Speed Control Pedal.....	40
Cruise Control Lever.....	40
ATA (Auto Throttle Advance) Lever.....	41
Shuttle Shift Lever .....	42
Main Gear Shift Lever.....	43
Creep Gear Shift Lever (if equipped).....	44
Front Wheel Drive Lever.....	45
Hand Throttle Lever .....	45
Foot Throttle .....	45
Parking Brake Lever .....	46
Main Gear Shift Lever.....	47
Range Gear Shift Lever (Hi-Lo).....	47
Synchro-Shuttle Shift Lever.....	47
Creep Gear Shift Lever (if equipped).....	48
Front Wheel Drive Lever.....	49
Hand Throttle Lever.....	49
Foot Throttle .....	49
Parking Brake Lever .....	49
STOPPING.....	50
Stopping.....	50
INTELLIPANEL (TM).....	50
Changing Display Mode.....	50
CHECK DURING DRIVING .....	52
IntelliPanel(TM) Message .....	52
Immediately Stop the Engine if: .....	52
Easy Checker(TM).....	52
Fuel Gauge.....	53
Coolant Temperature Gauge.....	53
Tachometer.....	53
PARKING .....	54
Parking.....	54
OPERATING TECHNIQUES .....	55
Differential Lock.....	55
Operating the Tractor on a Road.....	55
Operating on Slopes and Rough Terrain.....	56
Directions for Use of Power Steering.....	56
PTO .....	57
PTO OPERATION.....	57
PTO Clutch Control Lever.....	57
Mid-PTO (if equipped) .....	58
Stationary PTO .....	59
IntelliPanel (TM) Message .....	59
PTO Shaft Cover and Shaft Cap .....	60
THREE-POINT HITCH & DRAWBAR.....	61
3-POINT HITCH.....	62



Category 1 & 2.....	62
Category 1 .....	62
Selecting the top link mounting holes .....	62
Drawbar .....	62
Lifting Rod (Right).....	63
Top Link.....	63
Telescopic Stabilizers .....	63
Telescopic Lower Links .....	63
<b>DRAWBAR.....</b>	<b>64</b>
Adjusting Drawbar Length .....	64
Swing Drawbar .....	64
<b>HYDRAULIC UNIT.....</b>	<b>65</b>
<b>3-POINT HITCH CONTROL SYSTEM.....</b>	<b>65</b>
Position Control .....	65
Draft Control (if equipped) .....	65
Mixed Control.....	66
Float Control .....	66
3-point Hitch Lowering Speed.....	66
<b>DUAL REMOTE HYDRAULIC CONTROL SYSTEM .....</b>	<b>67</b>
Control Lever and Hydraulic Hose Connections.....	67
Loader / Remote Control Valve Lever .....	68
Valve Lock .....	68
<b>REMOTE HYDRAULIC CONTROL SYSTEM (if equipped).....</b>	<b>69</b>
Remote Control Valve Coupler Connecting and Disconnecting .....	69
Remote Control Valve Lever.....	69
Remote Control Valve.....	69
Hydraulic Control Unit Use Reference Chart.....	70
<b>TIRES, WHEELS AND BALLAST.....</b>	<b>71</b>
<b>TIRES.....</b>	<b>71</b>
Inflation Pressure.....	71
Dual Tires .....	71
<b>WHEEL ADJUSTMENT .....</b>	<b>72</b>
Front Wheels (with two wheel drive).....	72
Front Wheels (with four wheel drive) .....	73
Rear Wheels.....	75
<b>BALLAST .....</b>	<b>76</b>
Front Ballast.....	76
Rear Ballast .....	77
Liquid Ballast in Rear Tires.....	77
<b>MAINTENANCE.....</b>	<b>78</b>
<b>SERVICE INTERVALS .....</b>	<b>78</b>
<b>LUBRICANTS .....</b>	<b>80</b>
<b>PERIODIC SERVICE.....</b>	<b>82</b>
<b>HOW TO OPEN THE HOOD .....</b>	<b>82</b>
Hood .....	82
Side Cover .....	82
Front Cover.....	83
Floor Sheet.....	83
<b>DAILY CHECK .....</b>	<b>83</b>

Walk Around Inspection.....	83
Checking and Refueling.....	83
Checking Engine Oil Level.....	84
Checking Transmission Fluid Level.....	85
Checking Coolant Level.....	85
Cleaning Grill, Radiator Screen and Oil Cooler.....	86
Checking Dust Indicator.....	86
Checking Brake Pedals and Clutch Pedal.....	86
Checking Gauges, Meter and Easy Checker(TM).....	86
Checking Head Light, Hazard Light etc.....	86
Checking Seat Belt and ROPS.....	87
EVERY 50 HOURS.....	87
Lubricating Grease Fittings.....	87
Oiling.....	88
Checking Engine Start System.....	88
Checking Wheel Bolt Torque.....	89
EVERY 100 HOURS.....	90
Cleaning Air Cleaner Primary Element.....	90
Cleaning Fuel Filter.....	90
Adjusting Fan Belt Tension.....	91
Checking Fuel Line.....	91
Adjusting Clutch Pedal.....	92
Adjusting Brake Pedal.....	92
Checking Battery Condition.....	93
EVERY 200 HOURS.....	94
Replacing Engine Oil Filter.....	94
Changing Engine Oil.....	95
Replacing Transmission Oil Filter [HST Type].....	96
Checking Radiator Hose and Clamp.....	97
Checking HST Oil Line [HST Type] / Checking Power Steering Line.....	97
Checking Intake Air Line.....	98
Adjusting Toe-in.....	98
EVERY 400 HOURS.....	99
Changing Transmission Fluid / Replacing Hydraulic Oil Filter.....	99
Replacing Fuel Filter Element.....	100
Changing Front Axle Case Oil.....	100
Lubricating Grease Fitting [2WD].....	100
EVERY 600 HOURS.....	101
Adjusting Front Axle Pivot.....	101
EVERY 800 HOURS.....	101
Adjusting Engine Valve Clearance.....	101
EVERY 1500 HOURS.....	101
Checking Fuel Injection Nozzle Injection Pressure.....	101
EVERY 3000 HOURS.....	101
Checking Turbocharger.....	101
Checking Injection Pump.....	101
EVERY 1 YEAR.....	101
Replacing Air Cleaner Primary Element and Secondary Element.....	101
EVERY 2 YEARS.....	102
Flushing Cooling System and Changing Coolant.....	102
Anti-Freeze.....	103
Replacing Radiator Hose (Water pipes).....	103

---

Replacing Power Steering Hose.....	103
Replacing HST Oil Line [HST Type] .....	103
Replacing Fuel Hose .....	103
Replacing Intake Air Line.....	103
Replacing Lift Cylinder Hose .....	103
SERVICE AS REQUIRED.....	104
Bleeding Fuel System.....	104
Draining Clutch Housing Water .....	104
Replacing Fuse.....	105
Replacing Light Bulb.....	106
Replacing Head Lamp .....	106
STORAGE .....	107
TRACTOR STORAGE .....	107
REMOVING THE TRACTOR FROM STORAGE.....	107
TROUBLESHOOTING.....	108
ENGINE TROUBLESHOOTING .....	108
HST (Hydrostatic Transmission) TROUBLESHOOTING .....	109
GST (Glide Shift Transmission) TROUBLESHOOTING .....	111
OPTIONS.....	114





# SAFE OPERATION

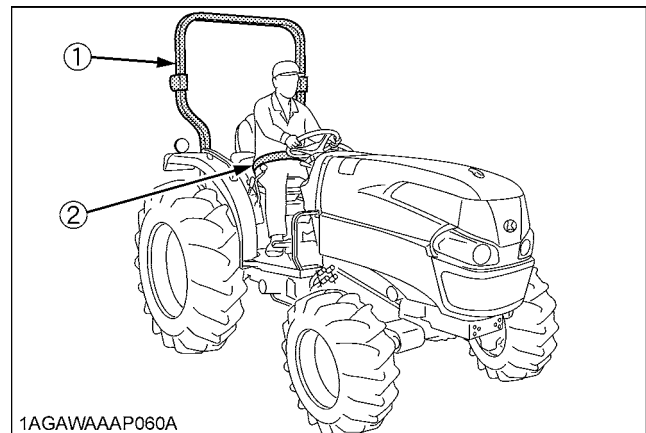
Careful operation is your best insurance against an accident.

**Read and understand this manual carefully before operating the tractor.**

All operators, no matter how much experience they may have, should read this and other related manuals before operating the tractor or any implement attached to it. It is the owner's obligation to instruct all operators in safe operation.

## 1. BEFORE OPERATING THE TRACTOR

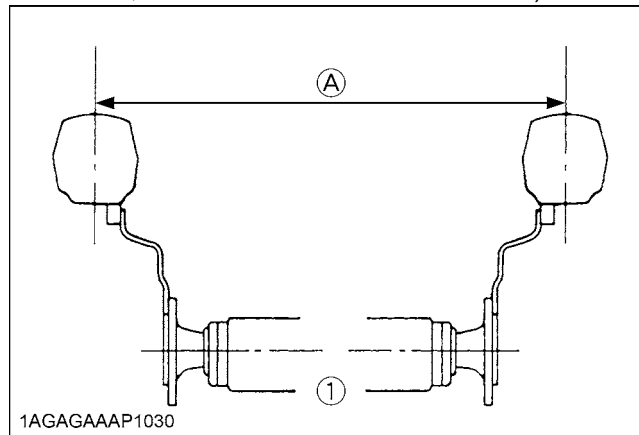
1. Know your equipment and its limitations. Read this entire manual before attempting to start and operate the tractor.
2. Pay special attention to the danger, warning and caution labels on the tractor.
3. KUBOTA recommends the use of a CAB or Roll Over Protective Structures (ROPS) and seat belt in almost all applications. This combination will reduce the risk of serious injury or death, should the tractor be upset. If the tractor is equipped with a foldable ROPS it may be temporarily folded down only when absolutely necessary for areas with height constraints. (There is no operator protection provided by the ROPS in the folded position. For operator safety the ROPS should be placed in the upright and locked position and the seat belt fastened for all other operations.) If the CAB or ROPS is loosened or removed for any reason, make sure that all parts are reinstalled correctly before operating the tractor. Never modify or repair a ROPS because welding, bending, drilling, grinding, or cutting may weaken the structure. A damaged CAB or ROPS structure must be replaced, not repaired or revised. If any structural member of the CAB or ROPS is damaged, replace the entire structure at your local KUBOTA Dealer.



- (1) ROPS
  - (2) Seat belt
4. Always use the seat belt if the tractor has a CAB or ROPS. Do not use the seat belt if a foldable ROPS is down or there is no ROPS. Check the seat belt regularly and replace if frayed or damaged.
  5. Do not operate tractor or any implement attached to it while under the influence of alcohol, medication, controlled substances or while fatigued.
  6. Carefully check the vicinity before operating tractor or any implement attached to it. Check for overhead clearance which may interfere with a CAB or ROPS. Do not allow any bystanders around or near tractor during operation.
  7. Before allowing other people to use your tractor, explain how to operate and have them read this manual before operation.
  8. Never wear loose, torn, or bulky clothing around tractor. It may catch on moving parts or controls, leading to the risk of an accident. Use additional safety items, e.g. hard hat, safety boots or shoes, eye and hearing protection, gloves, etc., as appropriate or required.
  9. Do not allow passengers to ride on any part of the tractor at anytime. The operator must remain in the tractor seat during operation.
  10. Check brakes, clutch, linkage pins and other mechanical parts for improper adjustment and wear. Replace worn or damaged parts promptly. Check the tightness of all nuts and bolts regularly. (For further details, see "MAINTENANCE" section.)
  11. Keep your tractor clean. Dirt, grease, and trash build up may contribute to fires and lead to personal injury.
  12. Use only implements meeting the specifications listed under "IMPLEMENT LIMITATIONS" in this manual or implements approved by KUBOTA.

## ▲-2 SAFE OPERATION

13. Use proper weights on the front or rear of the tractor to reduce the risk of upsets. When using the front loader, put an implement or ballast on the 3-point hitch to improve stability. Follow the safe operating procedures specified in the implement or attachment manual.
14. The narrower the tread, the greater the risk of a tractor upset. For maximum stability, adjust the wheels to the widest practical tread width for your application. (See "TIRES, WHEELS AND BALLAST" section.)



(1) Rear wheels

(A) Tread Width

15. Do not modify the tractor. Unauthorized modification may affect the function of the tractor, which may result in personal injury.

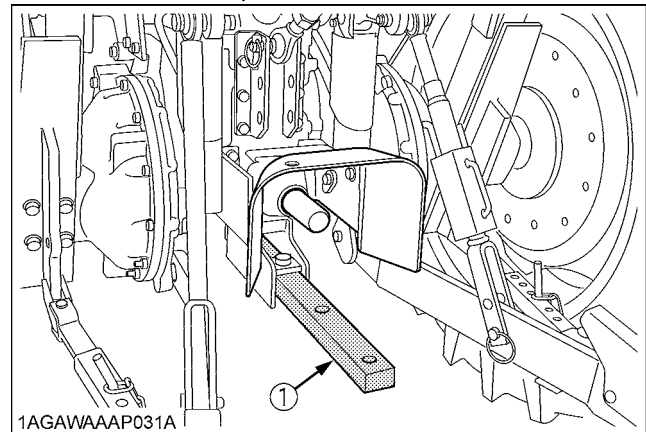
## 2. OPERATING THE TRACTOR

### ◆ Starting

1. Always sit in the operator's seat when starting engine or operating levers or controls. Adjust seat per instructions in the operating the tractor section. Never start engine while standing on the ground.
2. Before starting the engine, make sure that all levers (including auxiliary control levers) are in their neutral positions, that the parking brake is engaged, and that both the clutch and the Power Take-Off (PTO) are disengaged or "OFF".  
Fasten the seat belt if the tractor has a CAB, a fixed ROPS or a foldable ROPS in the upright and locked position.
3. Do not start engine by shorting across starter terminals or bypassing the safety start switch. Machine may start in gear and move if normal starting circuitry is bypassed.
4. Do not operate or idle engine in a non-ventilated area. Carbon monoxide gas is colorless, odorless, and deadly.
5. Check before each use that operator presence controls are functioning correctly. Test safety systems. (See "Checking Engine Start System" in "EVERY 50 HOURS" in "PERIODIC SERVICE" section.)  
Do not operate unless they are functioning correctly.

### ◆ Working

1. Pull only from the drawbar. Never hitch to axle housing or any other point except drawbar; such arrangements will increase the risk of serious personal injury or death due to a tractor upset.



(1) Drawbar

2. Keep all shields and guards in place. Replace any that are missing or damaged.
3. Avoid sudden starts. To avoid upsets, slow down when turning, on uneven ground, and before stopping.
4. The tractor cannot turn with the differential locked and attempting to do so could be dangerous.
5. Do not operate near ditches, holes, embankments, or other ground surface features which may collapse under the tractor's weight. The risk of tractor upset is even higher when the ground is loose or wet. Tall grass can hide obstacles, walk the area first to be sure.
6. Watch where you are going at all times. Watch for and avoid obstacles. Be alert at row ends, near trees, and other obstructions.
7. When working in groups, always let the others know what you are going to do before you do it.
8. Never try to get on or off a moving tractor.

### ◆ Safety for children

Tragedy can occur if the operator is not alert to the presence of children. Children generally are attracted to machines and the work they do.

1. Never assume that children will remain where you last saw them.
2. Keep children out of the work area and under the watchful eye of another responsible adult.
3. Be alert and shut your machine down if children enter the work area.
4. Never carry children on your machine. There is no safe place for them to ride. They may fall off and be run over or interfere with your control of the machine.
5. Never allow children to operate the machine even under adult supervision.
6. Never allow children to play on the machine or on the implement.
7. Use extra caution when backing up. Look behind and down to make sure area is clear before moving.

- When parking your machine if at all possible park on a firm, flat and level surface; if not, park across a slope. Set the parking brake(s), lower the implements to the ground, remove the key from the ignition and lock the cab door (if equipped) and chock the wheels.

#### ◆ Operating on slopes

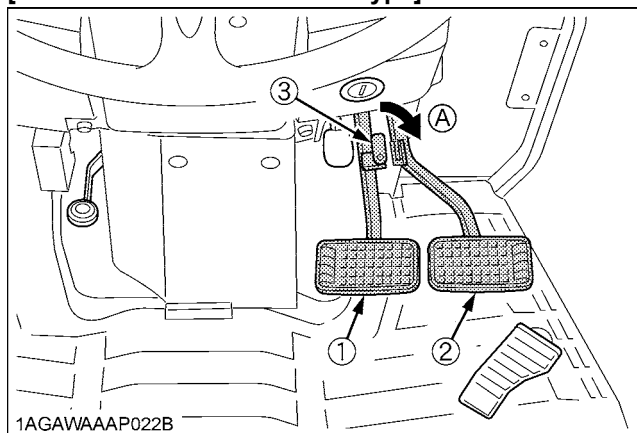
Slopes are major factor related to loss-of-control and tip-over accidents, which can result in severe injury or death. All slopes require extra caution.

- To avoid upsets, always back up steep slopes. If you cannot back up the slope or if you feel uneasy on it, do not operate on it. Stay off slopes too steep for safe operation.
- Driving forward out of a ditch, mired condition or up a steep slope increases the risk of a tractor to be upset backward. Always back out of these situations. Extra caution is required with four-wheel drive models because their increased traction can give the operator false confidence in the tractor's ability to climb slopes.
- Keep all movement on slopes slow and gradual. Do not make sudden changes in speed, direction or apply brake and make sudden motions of the steering wheel.
- Avoid disengaging the clutch or changing gears speed when climbing or going down a slope. If on a slope disengaging the clutch or changing gears to neutral could cause loss of control.
- To improve stability on slope, set widest wheel tread as shown in "TIRES, WHEELS AND BALLAST" section. Follow recommendations for proper ballasting.

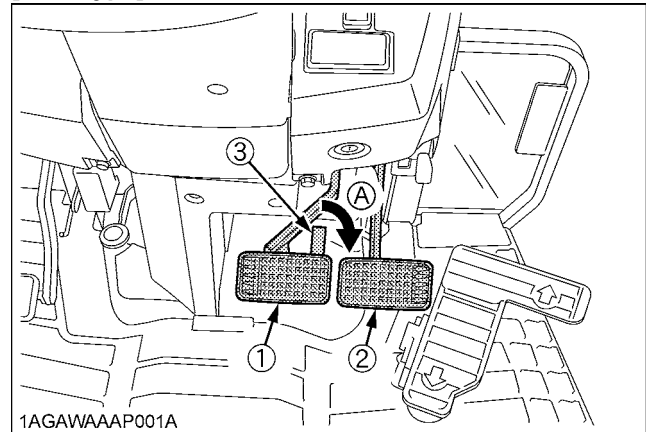
#### ◆ Driving the tractor on the road

- Lock the two brake pedals together to help assure straight-line stops. Uneven braking at road speeds could cause the tractor to tip over.

#### [GST / Manual Transmission Type]

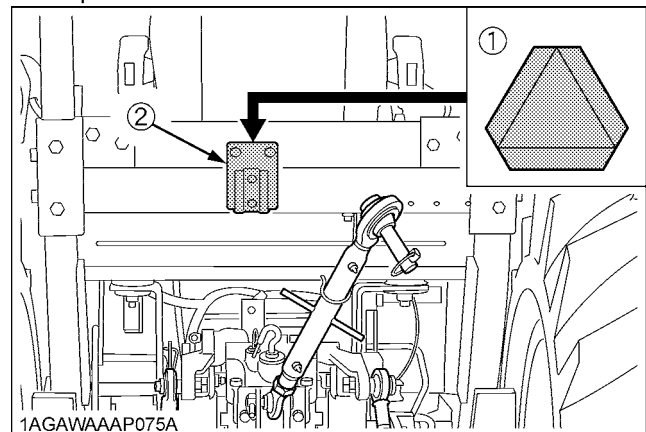


#### [HST Type]



- (1) Brake Pedal (LH) (A) Whenever traveling on the road  
 (2) Brake Pedal (RH)  
 (3) Brake Pedal Lock

- Check the front wheel engagement. The braking characteristics are different between two and four wheel drive. Be aware of the difference and use carefully.
- Always slow the tractor down before turning. Turning at high speed may tip the tractor over.
- Make sure that the Slow Moving Vehicle (SMV) sign is clean and visible. Use hazard lights and turn signals as required.

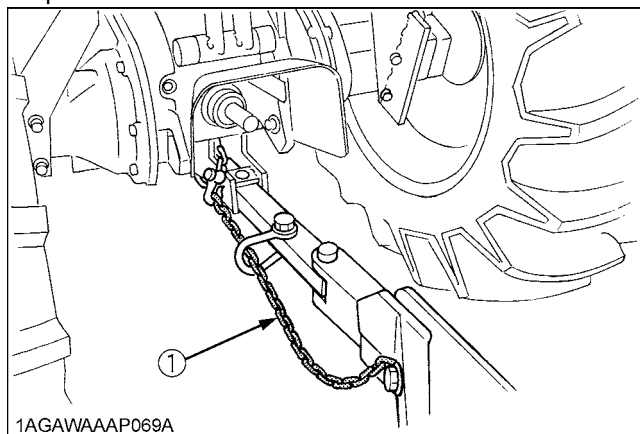


- (1) SMV emblem  
 (2) Bracket

- Observe all local traffic and safety regulations.
- Turn the headlights on. Dim them when meeting another vehicle.
- Drive at speeds that allow you to maintain control at all times.
- Do not apply the differential lock while traveling at road speeds. The tractor may run out of control.
- Avoid sudden motions of the steering wheel as they can lead to a dangerous loss of stability. The risk is especially great when the tractor is traveling at road speeds.
- Do not operate an implement while the tractor is on the road. Lock the 3-point hitch in the raised position.

## ▲4 SAFE OPERATION

11. When towing other equipment, use a safety chain and place an SMV emblem on it as well.



(1) Safety chain

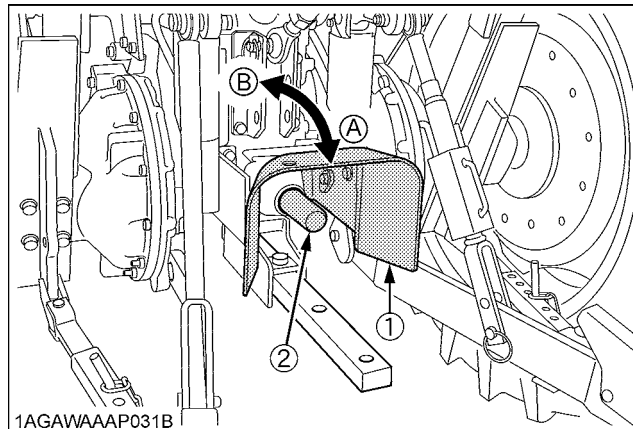
### 3. PARKING THE TRACTOR

1. Disengage the PTO, lower all implements to the ground, place all control levers in their neutral positions, set the parking brake, stop the engine, and remove the key.
2. Make sure that the tractor has come to a complete stop before dismounting.
3. Avoid parking on steep slopes, if at all possible park on a firm and level surface; if not, park across a slope with chock the wheels.  
Failure to comply with this warning may allow the tractor to move and could cause injury or death.

### 4. OPERATING THE PTO

1. Wait until all moving components have completely stopped before getting off the tractor, connecting, disconnecting, adjusting, cleaning, or servicing any PTO driven equipment.

2. Keep the PTO shaft cover in place at all times. Replace the PTO shaft cap when the shaft is not in use.



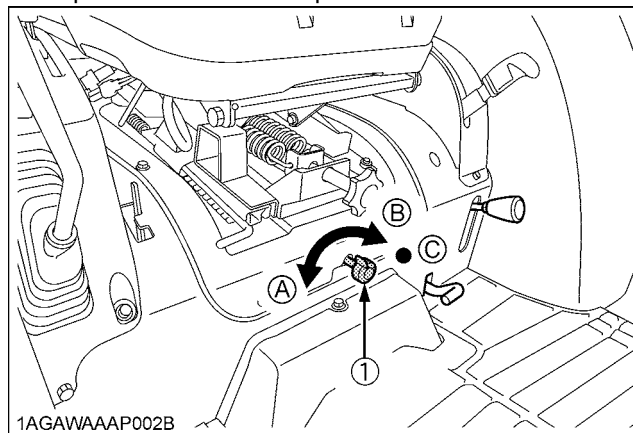
(1) PTO Shaft cover  
(2) PTO Shaft cap

(A) "NORMAL POSITION"  
(B) "RAISED POSITION"

3. Before installing or using PTO driven equipment, read the manufacturer's manual and review the safety labels attached to the equipment.
4. When operating stationary PTO driven equipment, always apply the tractor parking brake and place chocks behind and in front of the rear wheels. Stay clear of all rotating parts. Never step over rotating parts.

### 5. USING 3-POINT HITCH

1. Use the 3-point hitch only with equipment designed for 3-point hitch usage.
2. When using a 3-point hitch mounted implement, be sure to install the proper counterbalance weight on the front of the tractor.
3. When transporting on the road, set the implement lowering speed knob in the "LOCK" position to hold the implement in the raised position.



(1) 3-point hitch lowering speed knob

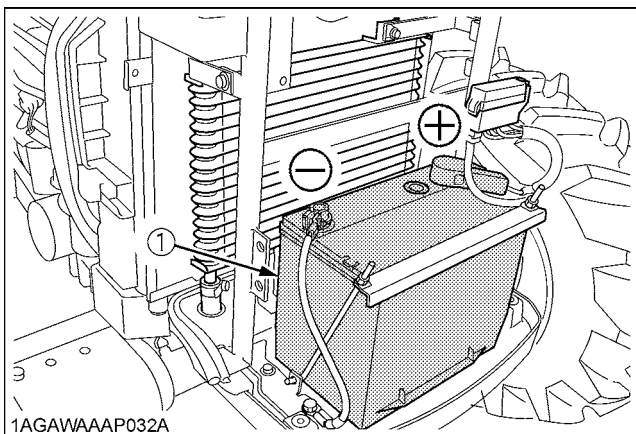
(A) "FAST"  
(B) "SLOW"  
(C) "LOCK"



## 6. SERVICING THE TRACTOR

Before servicing the tractor, park it on a firm, flat and level surface, set the parking brake, lower all implements to the ground, place the gear shift lever in neutral, stop the engine and remove the key.

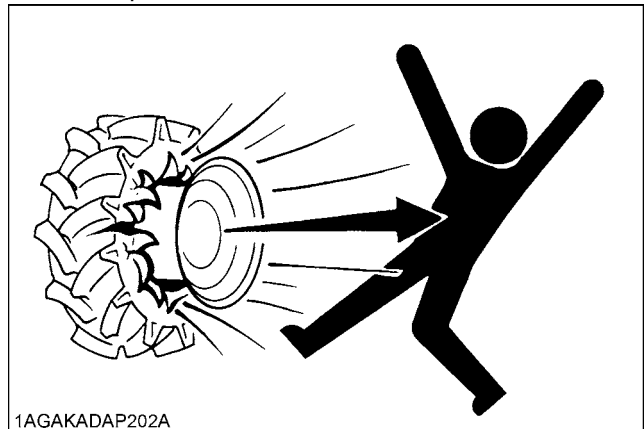
1. Allow the tractor time to cool off before working on or near the engine, muffler, radiator, etc.
2. Do not remove radiator cap while coolant is hot. When cool, slowly rotate cap to the first stop and allow sufficient time for excess pressure to escape before removing the cap completely. If the tractor has a coolant recovery tank, add coolant or water to the tank, not the radiator. (See "Checking Coolant Level" in "DAILY CHECK" in "PERIODIC SERVICE" section.)
3. Always stop the engine before refueling. Avoid spills and overfilling.
4. Do not smoke when working around battery or when refueling. Keep all sparks and flames away from battery and fuel tank. The battery presents an explosive hazard, because it gives off hydrogen and oxygen especially when recharging.
5. Before "jump starting" a dead battery, read and follow all of the instructions. (See "JUMP STARTING" in "OPERATING THE ENGINE" section.)
6. Keep first aid kit and fire extinguisher handy at all times.
7. Disconnect the battery's ground cable before working on or near electric components.
8. To avoid the possibility of battery explosion, do not use or charge the refillable type battery if the fluid level is below the LOWER ( lower limit level ) mark. Check the fluid level regularly and add distilled water as required so that the fluid level is between the UPPER and LOWER levels.
9. To avoid sparks from an accidental short circuit, always disconnect the battery's ground cable (-) first and reconnect it last.



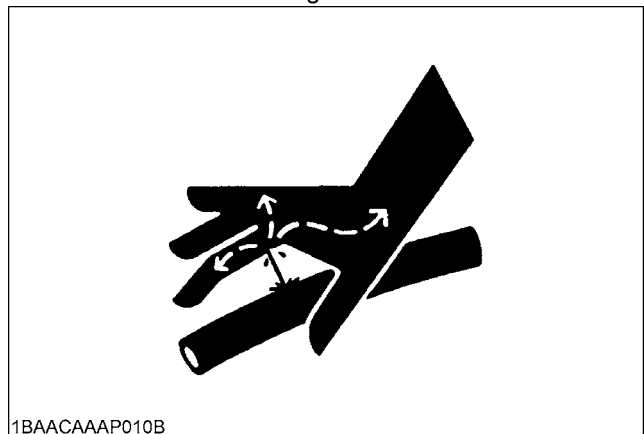
(1) Battery

10. Do not attempt to mount a tire on a rim. This should be done by a qualified person with the proper equipment.

11. Always maintain the correct tire pressure. Do not inflate tires above the recommended pressure shown in the operator's manual.



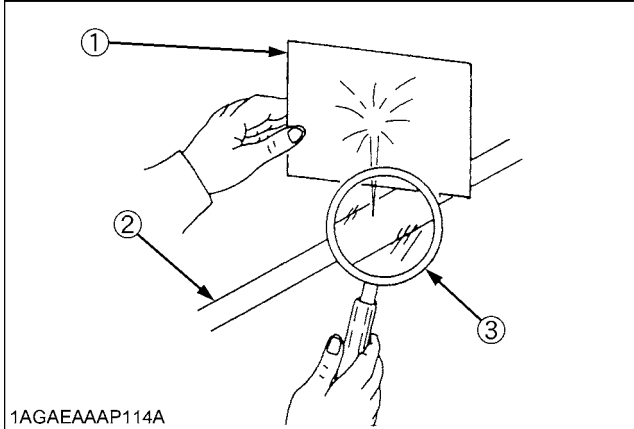
12. Securely support the tractor when either changing wheels or adjusting the wheel tread width.
13. Make sure that wheel bolts have been tightened to the specified torque.
14. Do not work under any hydraulically supported devices. They can settle, suddenly leak down, or be accidentally lowered. If it is necessary to work under tractor or any machine elements for servicing or adjustment, securely support them with stands or suitable blocking beforehand.
15. Escaping hydraulic fluid under pressure has sufficient force to penetrate skin, causing serious personal injury. Before disconnecting hydraulic lines, be sure to release all residual pressure. Before applying pressure to the hydraulic system, make sure that all connections are tight and that all lines, pipes, and hoses are free of damage.



## ▲-6 SAFE OPERATION

---


16. Fluid escaping from pinholes may be invisible. Do not use hands to search for suspected leaks; use a piece of cardboard or wood. Use of safety goggles or other eye protection is also highly recommended. If injured by escaping fluid, see a medical doctor at once. This fluid will produce gangrene or severe allergic reaction.



- (1) Cardboard
- (2) Hydraulic line
- (3) Magnifying glass

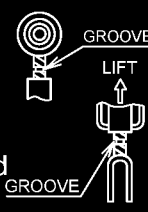
7. DANGER, WARNING AND CAUTION LABELS

(1) Part No.TA040-4965-2

	<p><b>▲ DANGER</b></p>
	<p><b>TO AVOID POSSIBLE INJURY OR DEATH FROM A MACHINE RUNAWAY.</b></p> <ol style="list-style-type: none"> <li>Do not start engine by shorting across starter terminals or bypassing the safety start switch. Machine may start in gear and move if normal starting circuitry is bypassed.</li> <li>Start engine only from operator's seat with transmission and PTO OFF. Never start engine while standing on the ground.</li> </ol>


1AGAMAAAP3810

(2) Part No.TD170-4935-1

<p><b>▲ WARNING</b></p>	<p><b>▲ CAUTION</b></p>
<p><b>TO AVOID PERSONAL INJURY:</b></p> <ol style="list-style-type: none"> <li>Attach pulled or towed loads to the drawbar only.</li> <li>Use the 3-point hitch only with equipment designed for 3-point hitch usage.</li> </ol>	<p><b>TO AVOID INJURY FROM SEPARATION:</b></p> <p>Do not extend lift rod beyond the groove on the threaded rod.</p> 

1AGAWAAP085A

(3) Part No.TA040-4959-3

	<p><b>▲ WARNING</b></p>
	<p><b>TO AVOID PERSONAL INJURY.</b></p> <ol style="list-style-type: none"> <li>Keep PTO shield in place at all times.</li> <li>Do not operate the PTO at speeds faster than the speed recommended by the implement manufacturer</li> <li>For trailing PTO-driven implements, set drawbar at towing position (see operator's manual)</li> </ol>

1AGAMAAAP3830

(4) Part No.6C140-4746-1  
[Foldable ROPS type]

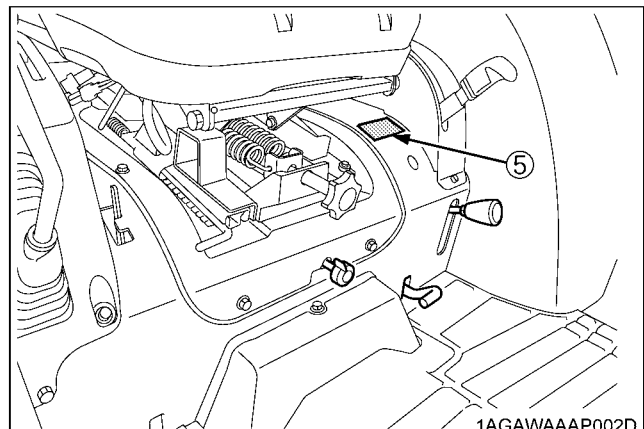
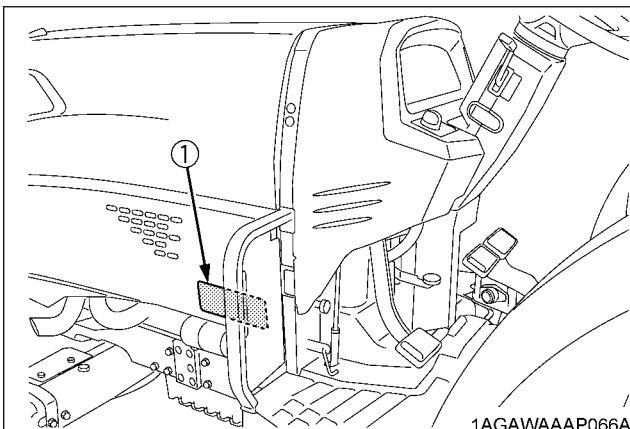
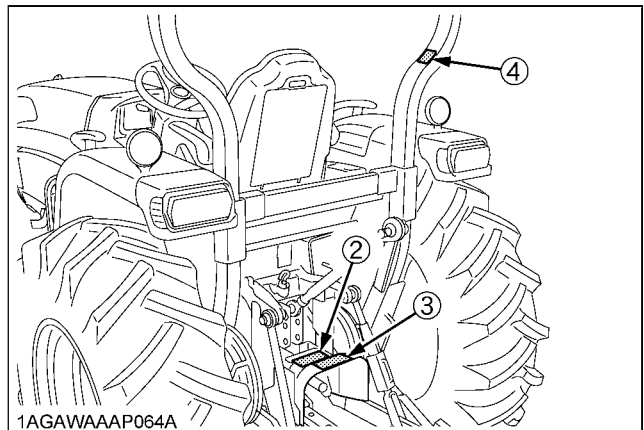
<p><b>▲ WARNING</b></p>
<p><b>TO AVOID PERSONAL INJURY:</b></p> <p>Do not modify or repair a ROPS because welding grinding, drilling or cutting any portion may weaken the structure.</p>

1AGAMAAAP3870

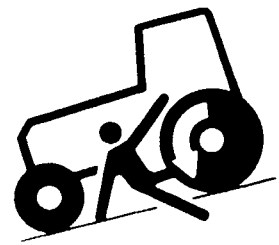
(5) Part No.TA040-4934-2

<p><b>▲ WARNING</b></p>
<p><b>TO AVOID PERSONAL INJURY :</b></p> <p>Do not operate rear-PTO driven implements and mid-PTO driven implements at the same time except when the implements are specially designed to be used together.</p>

1AGAMAAAP4880

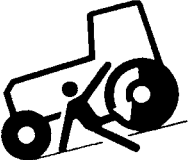


(1) Part No.TA140-4992-1 [GST type]

	<p><b>▲ WARNING</b></p> <p><b>BEFORE DISMOUNTING TRACTOR:</b></p> <ol style="list-style-type: none"> <li>1. ALWAYS SET PARKING BRAKE. Leaving transmission in gear with the engine stopped will not prevent tractor from rolling.</li> <li>2. PARK ON LEVEL GROUND WHENEVER POSSIBLE. If parking on a slope, position tractor across the slope.</li> <li>3. LOWER ALL IMPLEMENTS TO THE GROUND. Failure to comply to this warning may allow the wheels to slip, and could cause injury or death.</li> <li>4. LOCK SHUTTLE SHIFT LEVER IN NEUTRAL POSITION AND STOP THE ENGINE.</li> </ol>
---	---

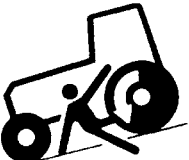
1AGAMAAAP3990

(1)Part No.TA140-4933-1 [Manual Transmission type]

	<p><b>▲ WARNING</b></p> <p><b>BEFORE DISMOUNTING TRACTOR:</b></p> <ol style="list-style-type: none"> <li>1. ALWAYS SET PARKING BRAKE. If parking on a slope, position tractor across the slope.</li> <li>2. PARK ON LEVEL GROUND WHENEVER POSSIBLE. If parking on a slope, position tractor across the slope.</li> <li>3. LOWER ALL IMPLEMENTS TO THE GROUND. Failure to comply to this warning may allow the wheels to slip, and could cause injury or death.</li> <li>4. LOCK SHUTTLE SHIFT LEVER IN NEUTRAL POSITION AND STOP THE ENGINE.</li> </ol>
---	---

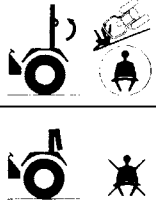
1AGAMAAAP4000

(1) Part No. TA240-4933-2 [HST type]

	<p><b>▲ WARNING</b></p> <p><b>BEFORE DISMOUNTING TRACTOR:</b></p> <ol style="list-style-type: none"> <li>1. ALWAYS SET PARKING BRAKE. Leaving transmission in gear with the engine stopped will not prevent tractor from rolling.</li> <li>2. PARK ON LEVEL GROUND WHENEVER POSSIBLE. If parking on a slope, position tractor across the slope.</li> <li>3. LOWER ALL IMPLEMENTS TO THE GROUND. Failure to comply to this warning may allow the wheels to slip, and could cause injury or death.</li> <li>4. STOP THE ENGINE.</li> </ol>
---	--


1AGAMAAAP3720

(2) Part No.TA240-9848-1 [Foldable ROPS type]

	<p style="text-align: center;"><b>▲ WARNING</b></p> <p><b>TO AVOID INJURY OR DEATH FROM ROLL-OVER:</b></p> <ul style="list-style-type: none"> <li>• Keep Roll-Over Protective Structures (ROPS) in the upright and locked position</li> <li>• Fasten SEAT BELT before operating</li> </ul> <p><b>THERE IS NO OPERATOR PROTECTION WHEN THE ROPS IS IN THE FOLDED POSITION:</b></p> <ul style="list-style-type: none"> <li>• Check the operating area and fold the ROPS only when absolutely necessary</li> <li>• Do not wear SEAT BELT if ROPS is folded</li> <li>• Raise and lock ROPS as soon as vertical clearance allows</li> <li>• Read ROPS related instructions and warnings</li> </ul>
---	---

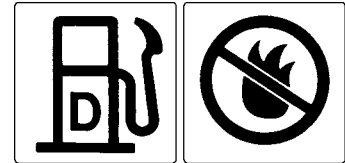
1AGAMAAAP3730

(3) Part No.TD060-4927-1  
[Foldable ROPS type]

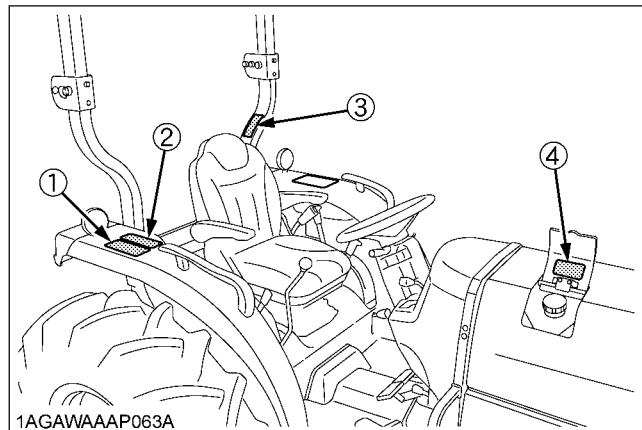
	<p><b>▲ CAUTION</b></p> <p><b>TO AVOID INJURY WHEN RAISING OR FOLDING ROPS:</b></p> <ul style="list-style-type: none"> <li>• Set parking brake and stop engine.</li> <li>• Remove any obstruction that may prevent raising or folding of the ROPS.</li> <li>• Do not allow any bystanders.</li> <li>• Always perform function from a stable position at the rear of the tractor.</li> <li>• Hold the top of the ROPS securely when raising or folding.</li> <li>• Make sure all pins are installed and locked.</li> </ul>
---	---

1AGAMAAAP4800

(4) Part No.TA040-4956-2  
Diesel fuel only. No fire



1AGAMAAAP3840



1AGAWAAAP063A

1AGAWAAAP082A

(1) Part No.TD020-3012-2 [L3240]

Part No.TD060-3012-2 [L3540, L3940, L4240, L4740, L5040, L5240, L5740]

 <b>RECYCLE</b>	 <b>FLAMMABLES</b>	 <b>SHIELD EYES</b>	 <b>KEEP OUT OF THE REACH OF CHILDREN</b>	 <b>CAUTIOUS OF SULFURIC ACID</b>	 <b>READ INSTRUCTION MANUAL CAREFULLY</b>	 <b>EXPLOSIVE</b>	<b>HYDROMETER</b>  <b>OK CHARGE BATTERY REPLACE BATTERY</b> <b>DK 80650</b>
<b>NX110-5MF 12V</b> AMP. HR. (20HR) 55 RESERVE CAPACITY (MIN) 133 COLD CRANKING AMPS (-18°C) 582	<b>⚠ DANGER</b> • DUE TO HYDROGEN GAS GENERATED FROM BATTERY, HANDLING WITHOUT CARE CAN CAUSE FIRE AND EXPLOSION. • THIS 12V BATTERY IS ONLY FOR STARTING ENGINE. DO NOT APPLY THIS PRODUCT FOR OTHER USES. • CHARGE THIS BATTERY ONLY AT WELL VENTILATED PLACES, AND AVOID SHORTS OR SPARKS. • REFER TO THE INSTRUCTION MANUAL OF VEHICLE OR BATTERY BEFORE USING BOOSTER CABLE. • SULFURIC ACID MAY CAUSE BLINDNESS OR SEVERE BURN. IN CASE EYES, SKIN, CLOTHES OR ANY ARTICLES ARE STAINED WITH ACID, FLUSH OBJECTS IMMEDIATELY WITH WATER. IF ACID BEING SWALLOWED, DRINK PLENTY OF WATER PROMPTLY. IN CASE OF ACCIDENTAL CONTACT, CONSULT A DOCTOR IMMEDIATELY. • BATTERY FILLED WITH ACID (DO NOT TILT OR SPILL) • FLAMMABLE. DO NOT CHARGE NEAR FIRE OR SPARKS • DO NOT CHARGE RAPIDLY • DO NOT DISASSEMBLE THE BATTERY (SEALED TYPE)						
<h1>NX110-5MF</h1>			<h1>80D26R</h1>				
<b>DANGER EXPLOSIVE GASES</b> Cigarettes, flames or sparks could cause battery to explode. Always shield eyes and face from battery. Do not charge or use booster cables or adjust post connections without proper instruction and training.			<b>POISON CAUSES SEVERE BURNS</b> Contains sulfuric acid. Avoid contact with skin, eyes or clothing. In event of accident flush with water and call a physician immediately. <b>KEEP OUT OF REACH OF CHILDREN</b>				
FITTING DATE 0 1 2 3 4 5 6 7 8 9 YEAR 1 2 3 4 5 6 7 8 9 10 11 12 MONTH							

1AGAMAAAP4010

(2) Part No. 32751-4958-1

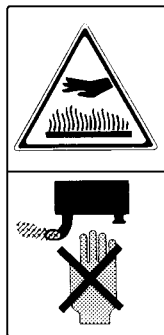
Do not get your hands close to engine fan and fan belt.



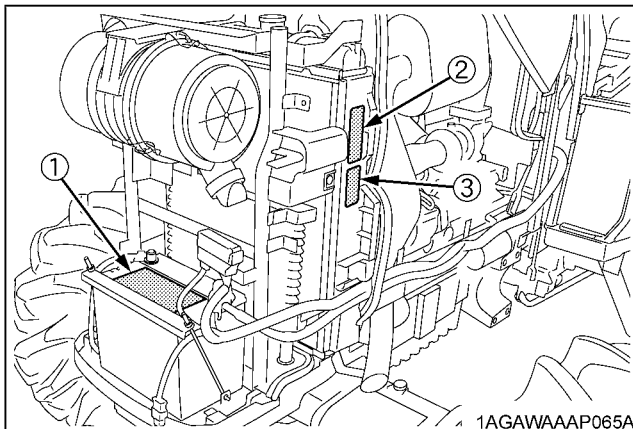
1AGAMAAAP3980

(3) Part No. TC030-4958-1

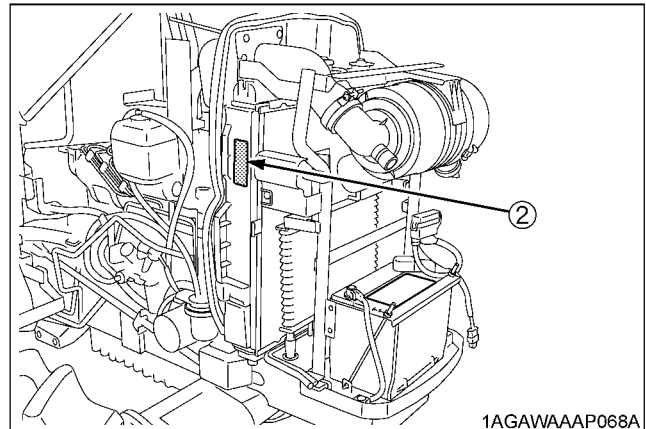
Do not touch hot surface like muffler, etc.



1AGAMAAAP3760



1AGAWAAP065A



1AGAWAAP068A

1AGAWAAP083A

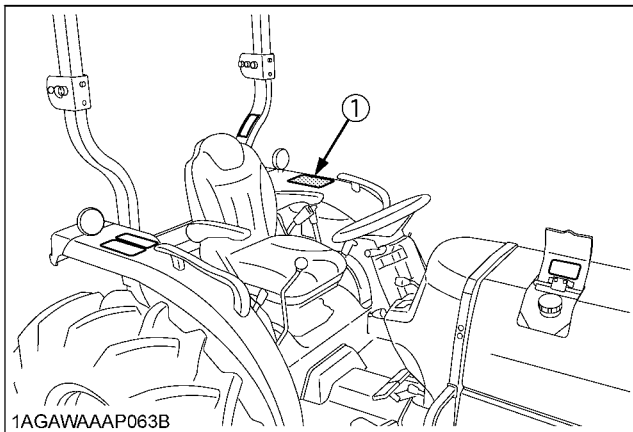
(1) Part No.35260-3491-4

## ▲ CAUTION

### TO AVOID PERSONAL INJURY:

1. Read and understand the operator's manual before operation.
2. Before starting the engine, make sure that everyone is at a safe distance from the tractor and that the PTO is OFF.
3. Do not allow passengers on the tractor at any time.
4. Before allowing other people to use the tractor, have them read the operator's manual.
5. Check the tightness of all nuts and bolts regularly.
6. Keep all shields in place and stay away from all moving parts.
7. Lock the two brake pedals together before driving on the road.
8. Slow down for turns, or rough roads, or when applying individual brakes.
9. On public roads use SMV emblem and hazard lights, if required by local traffic and safety regulations.
10. Pull only from the drawbar.
11. Before dismounting, lower the implement to the ground, set the parking brake, stop the engine and remove the key.
12. Securely support tractor and implements before working underneath.

1AGAMAAP3750



1AGAWAAP063B

1AGAWAAP084A

## 8. CARE OF DANGER, WARNING AND CAUTION LABELS

1. Keep danger, warning and caution labels clean and free from obstructing material.
2. Clean danger, warning and caution labels with soap and water, dry with a soft cloth.
3. Replace damaged or missing danger, warning and caution labels with new labels from your local KUBOTA Dealer.
4. If a component with danger, warning and caution label(s) affixed is replaced with new part, make sure new label(s) is (are) attached in the same location(s) as the replaced component.
5. Mount new danger, warning and caution labels by applying on a clean dry surface and pressing any bubbles to outside edge.

# SERVICING OF TRACTOR

Your dealer is interested in your new tractor and has the desire to help you get the most value from it. After reading this manual thoroughly, you will find that you can do some of the regular maintenance yourself.

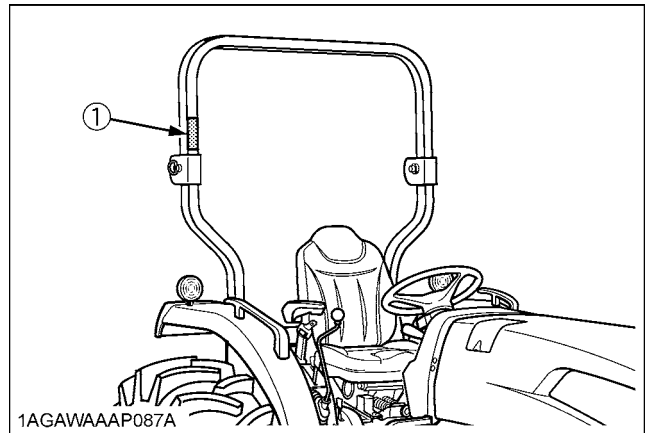
However, when in need of parts or major service, be sure to see your KUBOTA Dealer.

For service, contact the KUBOTA Dealership from which you purchased your tractor or your local KUBOTA Dealer.

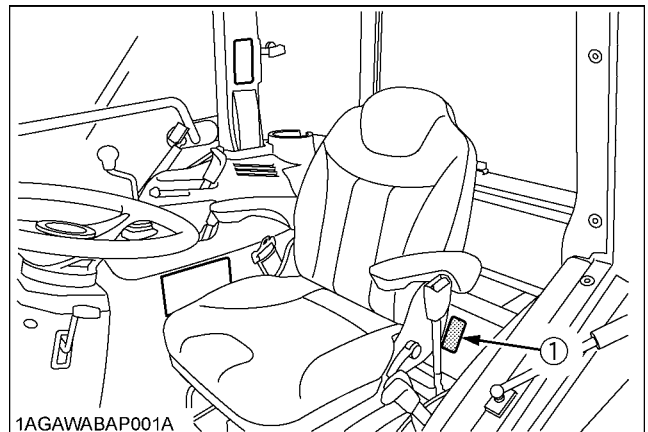
When in need of parts, be prepared to give your dealer the tractor, CAB and engine serial numbers.

Locate the serial numbers now and record them in the space provided.

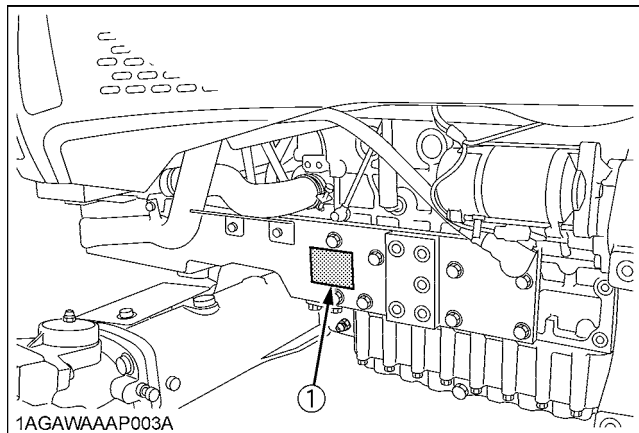
	Type	Serial No.
Tractor		
CAB		
Engine		
Date of Purchase		
Name of Dealer		
(To be filled in by purchaser)		



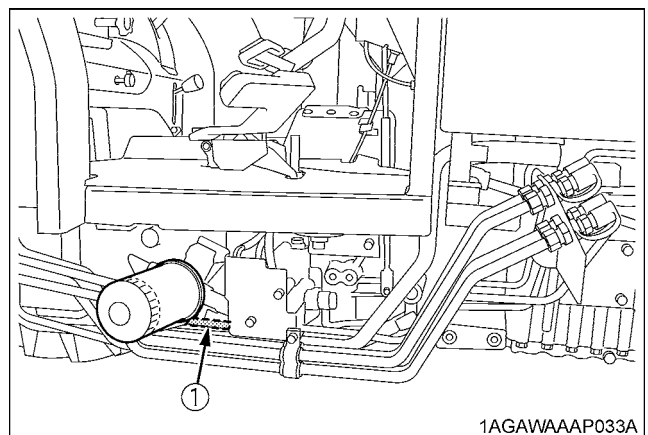
(1) ROPS identification plate (ROPS Serial No.)



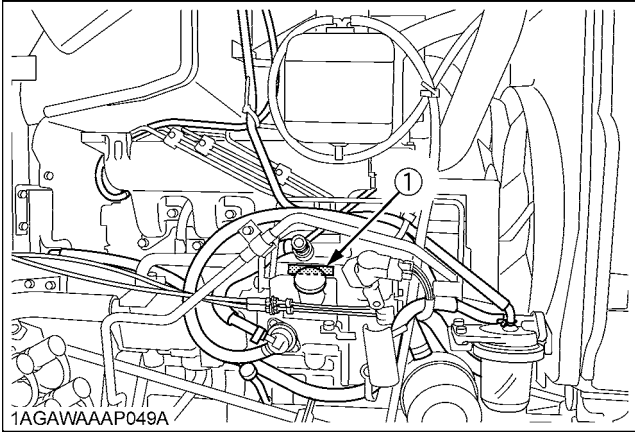
(1) CAB identification plate (CAB Serial No.)



(1) Tractor identification plate



(1) Tractor serial number



(1) Engine serial number



# SPECIFICATIONS

## SPECIFICATION TABLE [HST Type]

Model			L3240	L3540	L3940	L4240	L4740	L5240	L5740
			4WD						
Engine	Model		D1703-M-E2-HST	D1803-M-E2-HST	V2003-M-E2-HST	V2203-M-E2-HST	V2403-M-E2-HST	V2403-M-TE2-HST	
	Type		Indirect injection vertical, water-cooled, 4-cycle diesel						
	Number of cylinders		3			4			
	Total displacement	L (cu. in.)	1.647 (100.5)	1.826 (111.4)	1.999 (122.0)	2.197 (134.0)	2.434 (148.5)		
	Bore and stroke	mm (in.)	87 x 92.4 (3.4 x 3.6)	87 x 102.4 (3.4 x 4.0)	83 x 92.4 (3.3 x 3.6)	87 x 92.4 (3.4 x 3.6)	87 x 102.4 (3.4 x 4.0)		
	Net power*	kW (HP)	23.9 (32.0)	26.1 (35.0)	28.7 (38.5)	31.3 (42.0)	35.1 (47.0)	38.8 (52.0)	42.5 (57.0)
	PTO power* (factory observed)	kW (HP)/ rpm	18.7 (25.0)/ 2700	20.9 (28.0)/ 2700	23.5 (31.5)/ 2700	26.1 (35.0)/ 2700	29.8 (40.0)/ 2700	33.6 (45.0)/ 2600	37.3 (50.0)/ 2700
	Maximum torque	N-m (ft-lbs.)	101.7 (75.0)	112.8 (83.2)	123.7 (91.2)	139.7 (103.0)	154.3 (113.8)	180.6 (133.2)	
	Battery capacity		12V, RC: 123min, CCA: 490A	12V, RC: 133 min, CCA: 582A					
	Fuel		Diesel fuel No.1 [below-10 °C (14 °F)] Diesel fuel No.2 [above-10 °C (14 °F)]						
Capacities	Fuel tank	L (U.S.gals.)	44 (11.6)		50 (13.2)		54 (14.3)		
	Engine crankcase (with filter)	L (U.S.qts.)	5.7 (6.0)	6.7 (7.1)	8.2 (8.7)			9.4 (9.9)	
	Engine coolant	L (U.S.qts.)	6.0 (6.3)	7.5 (7.9)			8.2 (8.7)		
	Transmission case	L (U.S.gals.)	42 (11.1)		43 (11.4)			45 (11.9)	
Dimensions	Overall length (without 3p)	mm (in.)	2920 (115.0)		3085 (121.5)		3145 (123.8)	3210 (126.4)	
	Overall width (min. tread)	mm (in.)	1520 (59.8)		1690 (66.5)			1710 (67.3)	
	Overall height (with ROPS)	mm (in.)	2465 (97.0)		2475 (97.4)		2555 (100.6)	2565 (101.0)	
	Wheel base	mm (in.)	1805 (71.1)		1895 (74.6)			1915 (75.4)	
	Min. ground clearance	mm (in.)	355 (14.0)		370 (14.6)			400 (15.7)	
	Tread	Front	mm (in.)	1155 (45.5)			1300 (51.2)		1340 (52.8)
Rear		mm (in.)	1200 (47.2), 1300 (51.2), 1385 (54.5), 1480 (58.3)		1285 (50.6), 1435 (56.5), 1530 (60.2)			1325 (52.2), 1430 (56.3)	
Weight (with ROPS)		kg (lbs.)	1540 (3395)		1645 (3627)	1665 (3671)		1770 (3902)	

## 4 SPECIFICATIONS

Model			L3240	L3540	L3940	L4240	L4740	L5240	L5740	
			4WD							
Traveling system	Standard tire size	Front	7-16		8.3-16		9.5-16			
		Rear	12.4-24		14.9-24		14.9-26			
	Clutch		Dry type single stage							
	Steering		Hydrostatic power steering							
	Transmission		Hydrostatic transmission (3 speeds)							
	Braking system		Wet disk type							
	Min. turning radius (with brake)	m (feet)	2.7 (8.9)					2.8 (9.2)		
Hydraulic unit	Hydraulic control system		Position control							
	Pump capacity	L (U.S.gals)/min.	31.5 (8.3)		37.0 (9.8)		35.6 (9.4)	37.0 (9.8)		
	Three point hitch		SAE category 1					SAE category 1, 2		
	Max. lift force	At lift points	kg (lbs.)	1700 (3750)		1750 (3860)				
		24 in. behind lift points	kg (lbs.)	1200 (2650)		1250 (2760)		1350 (2980)		
	System pressure		MPa (kgf/cm <sup>2</sup> )	17.7 (180)						
PTO	Rear PTO			SAE 1-3/8, 6 splines						
		PTO/Engine speed	rpm	540/2685		540/2640		540/2590		
	MID-PTO (if equipped)			USA No.5 (KUBOTA 10-tooth) involute spline						
	PTO/Engine speed	rpm	2000/2715		2000/2670		2000/2615			

**NOTE :** \*Manufacturer's estimate

The company reserve the right to change the specifications without notice.

## SPECIFICATION TABLE [GST Type]

Model			L3240	L3540	L3940	L4240	L4740	L5040
			4WD					
Engine	Model		D1703-M-E2-GST	D1803-M-E2-GST	V2003-M-E2-GST	V2203-M-E2-GST	V2403-M-E2-GST	V2403-M-TE2-GST
	Type		Indirect injection vertical, water-cooled, 4-cycle diesel					
	Number of cylinders		3			4		
	Total displacement	L (cu. in.)	1.647 (100.5)	1.826 (111.4)	1.999 (122.0)	2.197 (134.0)	2.434 (148.5)	
	Bore and stroke	mm (in.)	87 x 92.4 (3.4 x 3.6)	87 x 102.4 (3.4 x 4.0)	83 x 92.4 (3.3 x 3.6)	87 x 92.4 (3.4 x 3.6)	87 x 102.4 (3.4 x 4.0)	
	Net power*	kW (HP)	23.9 (32.0)	26.1 (35.0)	28.7 (38.5)	31.3 (42.0)	35.1 (47.0)	37.3 (50.0)
	PTO power* (factory observed)	kW (HP)/rpm	19.8 (26.5)/2700	22.0 (29.5)/2700	24.6 (33.0)/2700	27.2 (36.5)/2700	31.0 (41.5)/2700	32.8 (44.0)/2600
	Maximum torque	N-m (ft-lbs.)	101.7 (75.0)	112.8 (83.2)	123.7 (91.2)	139.7 (103.0)	154.3 (113.8)	162.2 (120.0)
	Battery capacity		12V, RC: 123 min, CCA: 490A	12V, RC: 133 min, CCA: 582A				
	Fuel		Diesel fuel No.1 [below-10 °C (14 °F)] Diesel fuel No.2 [above-10 °C (14 °F)]					
Capacities	Fuel tank	L (U.S.gals.)	44 (11.6)		50 (13.2)		54 (14.3)	
	Engine crankcase (with filter)	L (U.S.qts.)	5.7 (6.0)	6.7 (7.1)	8.2 (8.7)		9.4 (9.9)	
	Engine coolant	L (U.S.qts.)	6.0 (6.3)	7.5 (7.9)		8.2 (8.7)		
	Transmission case	L (U.S.gals.)	42 (11.1)		43 (11.4)		45 (11.9)	
Dimensions	Overall length (without 3p)	mm (in.)	2920 (115.0)		3085 (121.5)		3145 (123.8)	3210 (126.4)
	Overall width (min. tread)	mm (in.)	1520 (59.8)		1690 (66.5)		1710 (67.3)	
	Overall height (with ROPS)	mm (in.)	2465 (97.0)		2475 (97.4)		2555 (100.6)	2565 (101.0)
	Wheel base	mm (in.)	1805 (71.1)		1895 (74.6)		1915 (75.4)	
	Min. ground clearance	mm (in.)	355 (14.0)		370 (14.6)		400 (15.7)	
	Tread	Front	mm (in.)	1155 (45.5)			1300 (51.2)	
Rear		mm (in.)	1200 (47.2), 1300 (51.2), 1385 (54.5), 1480 (58.3)		1285 (50.6), 1435 (56.5), 1530 (60.2)		1325 (52.2), 1430 (56.3)	
Weight (with ROPS)		kg (lbs.)	1495 (3296)		1600 (3527)	1620 (3571)		1725 (3803)
Traveling system	Standard tire size	Front	7-16		8.3-16		9.5-16	
		Rear	12.4-24		14.9-24		14.9-26	
	Clutch		Dry type single stage					
	Steering		Hydrostatic power steering					
	Transmission		Glide shift transmission (12 forward and 8 reverse speeds)					
	Braking system		Wet disk type					
	Min. turning radius (with brake)	m (feet)	2.7 (8.9)					2.8 (9.2)

6 SPECIFICATIONS

Model				L3240	L3540	L3940	L4240	L4740	L5040
				4WD					
Hydraulic unit	Hydraulic control system			Position control					
	Pump capacity	L (U.S.gals)/ min.		31.5 (8.3)		37.0 (9.8)		35.6 (9.4)	
	Three point hitch			SAE category 1				SAE category 1, 2	
	Max. lift force	At lift points	kg (lbs.)	1700 (3750)		1750 (3860)			
		24 in. behind lift points	kg (lbs.)	1200 (2650)		1250 (2760)		1350 (2980)	
System pressure		MPa (kgf/cm <sup>2</sup> )	17.7 (180)						
PTO	Rear PTO			SAE 1-3/8, 6 splines					
		PTO/ Engine speed	rpm	540/2550					
	MID-PTO (if equipped)			USA No.5 (KUBOTA 10-tooth) involute spline					
	PTO/ Engine speed	rpm	2000/2580						

**NOTE :** \*Manufacturer's estimate

The company reserve the right to change the specifications without notice.

## SPECIFICATION TABLE [Manual Transmission Type]

Model			L3240		L3940		L4240	
			2WD	4WD				
Engine	Model		D1703-M-E2-GST		V2003-M-E2-GST		V2203-M-E2-GST	
	Type		Indirect injection vertical, water-cooled, 4-cycle diesel					
	Number of cylinders		3		4			
	Total displacement	L (cu. in.)	1.647 (100.5)		1.999 (122.0)		2.197 (134.0)	
	Bore and stroke	mm (in.)	87 x 92.4 (3.4 x 3.6)		83 x 92.4 (3.3 x 3.6)		87 x 92.4 (3.4 x 3.6)	
	Net power*	kW (HP)	23.9 (32.0)		28.7 (38.5)		31.3 (42.0)	
	PTO power* (factory observed)	kW (HP)/rpm	19.8 (26.5) / 2700		24.6 (33.0) / 2700		27.2 (36.5) / 2700	
	Maximum torque	N-m (ft-lbs.)	101.7 (75.0)		123.7 (91.2)		139.7 (103.0)	
	Battery capacity		12V, RC: 123 min, CCA: 490A		12V, RC: 133 min, CCA: 582A			
	Fuel		Diesel fuel No.1 [below-10 °C (14 °F)] Diesel fuel No.2 [above-10 °C (14 °F)]					
Capacities	Fuel tank	L (U.S.gals.)	44 (11.6)		50 (13.2)			
	Engine crankcase (with filter)	L (U.S.qts.)	5.7 (6.0)		8.2 (8.7)			
	Engine coolant	L (U.S.qts.)	6.0 (6.3)		7.5 (7.9)			
	Transmission case	L (U.S.gals.)	42 (11.1)		43 (11.4)			
Dimensions	Overall length (without 3p)	mm (in.)	3030 (119.3)	2920 (115.0)	3085 (121.5)			
	Overall width (min. tread)	mm (in.)	1520 (59.8)		1690 (66.5)			
	Overall height (with ROPS)	mm (in.)	2465 (97.0)		2475 (97.4)			
	Wheel base	mm (in.)	1810 (71.3)	1805 (71.1)	1895 (74.6)			
	Min. ground clearance	mm (in.)	355 (14.0)		370 (14.6)			
	Tread	Front	mm (in.)	1210 (47.6), 1310 (51.6), 1410 (55.5), 1510 (59.4)	1155 (45.5)			1300 (51.2)
Rear		mm (in.)	1200 (47.2), 1300 (51.2), 1385 (54.5), 1480 (58.3)		1285 (50.6), 1435 (56.5), 1530 (60.2)			
Weight (with ROPS)		kg (lbs.)	1430 (3153)	1475 (3252)	1580 (3483)		1600 (3527)	
Traveling system	Standard tire size	Front	6-16	7-16	8.3-16			
		Rear	12.4-24		14.9-24			
	Clutch		Dry type single stage					
	Steering		Hydrostatic power steering					
	Transmission		8 forward and 8 reverse fully synchronized main and shuttle transmission					
	Braking system		Wet disk type					
	Min. turning radius (with brake)	m (feet)	2.6 (8.5)	2.7 (8.9)				

## 8 SPECIFICATIONS

Model				L3240		L3940		L4240	
				2WD		4WD			
Hydraulic unit	Hydraulic control system			Position control					
	Pump capacity		L (U.S.gals)/min.	31.5 (8.3)			37.0 (9.8)		
	Three point hitch			SAE category 1					
	Max. lift force	At lift points	kg (lbs.)	1700 (3750)			1750 (3860)		
		24 in. behind lift points	kg (lbs.)	1200 (2650)			1250 (2760)		
System pressure		MPa (kgf/cm <sup>2</sup> )	17.7 (180)						
PTO	Rear PTO			SAE 1-3/8, 6 splines					
		PTO/Engine speed	rpm	540/2550					
	MID-PTO (if equipped)			USA No.5 (KUBOTA 10-tooth) involute spline					
		PTO/Engine speed	rpm	2000/2580					

**NOTE :** \*Manufacturer's estimate

The company reserve the right to change the specifications without notice.

## TRAVELING SPEEDS

### ■ HST Type

(At rated engine rpm)

Model			L3240 L3540	L3940 L4240 L4740	L5240	L5740
Tire size (Rear)			12.4-24	14.9-24	14.9-26	
Speed control pedal	H-DS lever	Range gear shift lever	km/h (mph)			
Forward	L	L	3.5 (2.2)	3.6 (2.2)	3.4 (2.1)	3.6 (2.2)
		M	7.1 (4.4)	7.3 (4.5)	7.0 (4.3)	7.3 (4.5)
		H	15.1 (9.4)	15.4 (9.6)	14.9 (9.3)	15.5 (9.6)
	H	L	5.8 (3.6)	5.9 (3.7)	5.8 (3.6)	6.0 (3.7)
		M	11.9 (7.4)	12.1 (7.5)	11.8 (7.3)	12.2 (7.6)
		H	25.3 (15.7)	25.8 (16.0)	24.9 (15.5)	25.9 (16.1)
Reverse	L	L	3.1 (1.9)	3.2 (2.0)	3.1 (1.9)	3.2 (2.0)
		M	6.4 (4.0)	6.5 (4.0)	6.3 (3.9)	6.6 (4.1)
		H	13.6 (8.5)	13.9 (8.6)	13.4 (8.3)	13.9 (8.6)
	H	L	5.3 (3.3)	5.4 (3.4)	5.2 (3.2)	5.4 (3.4)
		M	10.7 (6.2)	10.9 (6.8)	10.6 (6.6)	11.0 (6.8)
		H	22.8 (14.2)	23.2 (14.4)	22.4 (13.9)	23.3 (14.5)

The company reserves the right to change the specifications without notice.

## ■ GST Type

(At rated engine rpm)

Model		L3240, L3540	L3940	L4240	L4740	L5040
Tire size (Rear)		12.4 - 24	14.9 - 24			14.9 - 26
Shuttle shift lever	Main gear shift lever	km/h (mph)				
Forward	1	1.6 (1.0)	1.5 (0.9)	1.6 (1.0)	1.5 (0.9)	1.5 (0.9)
	2	2.3 (1.4)	2.1 (1.3)	2.3 (1.4)	2.1 (1.3)	2.1 (1.3)
	3	3.1 (1.9)	2.9 (1.8)	3.1 (1.9)	2.9 (1.8)	2.8 (1.7)
	4	3.7 (2.3)	3.5 (2.2)	3.7 (2.3)	3.5 (2.2)	3.4 (2.1)
	5	4.5 (2.8)	4.2 (2.6)	4.6 (2.9)	4.2 (2.6)	4.2 (2.6)
	6	5.4 (3.4)	5.1 (3.2)	5.5 (3.4)	5.1 (3.2)	5.1 (3.2)
	7	6.5 (4.0)	6.3 (3.9)	6.6 (4.1)	6.3 (3.9)	6.2 (3.9)
	8	7.8 (4.8)	7.6 (4.7)	8.0 (5.0)	7.6 (4.7)	7.5 (4.7)
	9	9.2 (5.7)	8.9 (5.5)	9.4 (5.8)	8.9 (5.5)	8.8 (5.5)
	10	11.1 (6.9)	10.7 (6.6)	11.3 (7.0)	10.7 (6.6)	10.6 (6.6)
	11	18.0 (11.2)	17.4 (10.8)	18.3 (11.4)	17.4 (10.8)	17.3 (10.8)
	12	26.6 (16.5)	25.7 (16.0)	27.0 (16.8)	25.7 (16.0)	25.5 (15.8)
Reverse	1	1.5 (0.9)	1.4 (0.9)	1.6 (1.0)	1.4 (0.9)	1.4 (0.9)
	2	2.2 (1.4)	2.0 (1.2)	2.2 (1.4)	2.0 (1.2)	2.0 (1.2)
	3	3.5 (2.2)	3.3 (2.1)	3.6 (2.2)	3.3 (2.1)	3.3 (2.1)
	4	5.2 (3.2)	4.9 (3.0)	5.3 (3.3)	4.9 (3.0)	4.8 (3.0)
	5	7.5 (4.7)	7.2 (4.5)	7.6 (4.7)	7.2 (4.5)	7.2 (4.5)
	6	10.6 (6.6)	10.2 (6.3)	10.8 (6.7)	10.2 (6.3)	10.2 (6.3)
	7	17.2 (10.7)	16.6 (10.3)	17.5 (10.9)	16.6 (10.3)	16.5 (10.3)
	8	25.4 (15.8)	24.5 (15.2)	25.8 (16.0)	24.5 (15.2)	24.4 (15.2)

The company reserves the right to change the specifications without notice.



## Manual Transmission Type

(At rated engine rpm)

Model			L3240	L3940	L4240
Tire size (Rear)			12.4 - 24	14.9 - 24	
Shuttle shift lever	Range gear shift lever	Main gear shift lever	km/h (mph)		
Forward	Low	1	1.6 (1.0)	1.5 (0.9)	1.6 (1.0)
		2	2.3 (1.4)	2.1 (1.3)	2.3 (1.4)
		3	3.7 (2.3)	3.5 (2.2)	3.7 (2.3)
		4	5.4 (3.4)	5.1 (3.2)	5.5 (3.4)
	High	1	7.8 (4.8)	7.6 (4.7)	8.0 (5.0)
		2	11.1 (6.9)	10.7 (6.6)	11.3 (7.0)
		3	18.0 (11.2)	17.4 (10.8)	18.3 (11.4)
		4	26.6 (16.5)	25.7 (16.0)	27.0 (16.8)
Reverse	Low	1	1.5 (0.9)	1.4 (0.9)	1.6 (1.0)
		2	2.2 (1.4)	2.0 (1.2)	2.2 (1.4)
		3	3.5 (2.2)	3.3 (2.1)	3.6 (2.2)
		4	5.2 (3.2)	4.9 (3.0)	5.3 (3.3)
	High	1	7.5 (4.7)	7.2 (4.5)	7.6 (4.7)
		2	10.6 (6.6)	10.2 (6.3)	10.8 (6.7)
		3	17.2 (10.7)	16.6 (10.3)	17.5 (10.9)
		4	25.4 (15.8)	24.5 (15.2)	25.8 (16.0)

The company reserves the right to change the specifications without notice.

# IMPLEMENT LIMITATIONS

The KUBOTA Tractor has been thoroughly tested for proper performance with implements sold or approved by KUBOTA. Use with implements which are not sold or approved by KUBOTA and which exceed the maximum specifications listed below, or which are otherwise unfit for use with the KUBOTA Tractor may result in malfunctions or failures of the tractor, damage to other property and injury to the operator or others. [Any malfunctions or failures of the tractor resulting from use with improper implements are not covered by the warranty.]

	Tread (max.width) with farm tires			Lower link end max. lifting capacity W0
	Front		Rear	
	2WD	4WD		
L3240	1610 mm (63.4 in.)	1155 mm (45.5 in.)	1480 mm (58.3 in.)	1700 kg (3750 lbs.)
L3540	---			
L3940	---			
L4240	---	1300 mm (51.2 in.)	1530 mm (60.2 in.)	1750 kg (3860 lbs.)
L4740	---			
L5040	---	1340 mm (52.8 in.)	1430 mm (56.3 in.)	
L5240				
L5740				

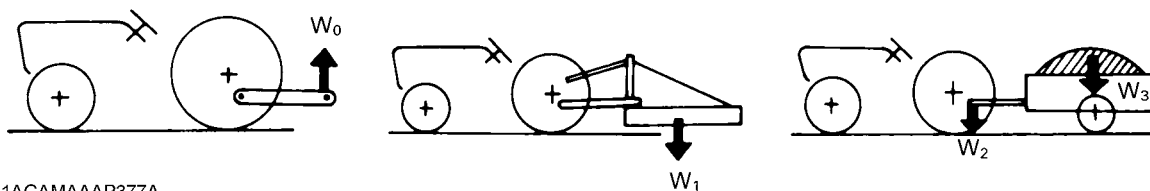
Actual figures			
	Implement weight W1 and / or size	Max. Drawbar Load W2	Trailer loading weight W3 Max. capacity
L3240	As in the following list (Shown on the next page)	500 kg (1100 lbs.)	1500 kg (3300 lbs.)
L3540		650 kg (1430 lbs.)	2000 kg (4400 lbs.)
L3940			2500 kg (5500 lbs.)
L4240			3000 kg (6600 lbs.)
L4740			
L5040 L5240 L5740			

Lower link end max, hydraulic lifting capacity ...W0

Implement weight.....The implement's weight which can be put on the lower link: W1

Max. drawbar load.....W2

Trailer loading weight .....The max. loading weight for trailer (without trailer's weight) : W3



**NOTE :**

- Implement size may vary depending on soil operating conditions.

No.	Implement	Remarks	L3240	L3540	L3940	L4240	L4740	L5040 L5240 L5740		
1	Trailer	Max. load capacity	kg (lbs.)	1500 (3300)	2000 (4400)	2500 (5500)	3000 (6600)	3000 (6600)		
		Max. drawbar load	kg (lbs.)	500 (1100)	650 (1430)					
2	Mower	Mid-mount	Max. cutting width	mm (in.)	1829 (72)			---		
			Max. weight	kg (lbs.)	200 (440)			---		
		Rotary-Cutter	Max. cutting width	mm (in.)	1829 (72)					2134 (84)
			Max. weight	kg (lbs.)	350 (770)		420 (926)		480 (1058)	
		Flail Mower	Max. cutting width	mm (in.)	1524 (60)					1829 (72)
			Max. weight	kg (lbs.)	400 (880)					500 (1100)
Sickle Bar	Max. cutting width	mm (in.)	2134 (84)							
	Max. weight	kg (lbs.)	500 (1100)							
3	Sprayer	Rear mounted	Max. tank capacity	L (gal.)	300 (80)		400 (106)		500 (132)	
		Pull type	Max. tank capacity	L (gal.)	800 (210)	1000 (264)	1200 (317)		2000 (528)	
4	Rotary Tiller	Max. tilling width	mm (in.)	1524 (60)					1829 (72)	
5	Bottom Plow	Max. size	Max. size	12 in. x 2 16 in. x 1		14 in. x 2		16 in. x 2		
6	Disk harrow: Pull type	Max. harrowing width	mm (in.)	1829 (72)		1981 (78)		2134 (84)		
		Max. weight	kg (lbs.)	350 (770)		400 (880)				
7	Chisel Plow	Max. width	mm (in.)	1829 (72)						
		Max. weight	kg (lbs.)	350 (770)						
8	Broad Caster	Max. tank capacity	L (gal.)	200 (53)	250 (66)	300 (80)				
		Max. weight	kg (lbs.)	100 (220)						
9	Manure Spreader	Max. capacity	kg (lbs.)	1500 (3300)		2000 (4400)				
10	Cultivator	Max. width	mm (in.)	1829 (72)		2134 (84)		2438 (96)		
		Number of rows	Number of rows	1		2		4		
		Max. weight	kg (lbs.)	300 (660)	350 (770)	400 (880)				
11	Front Blade	Max. cutting width	mm (in.)	1829 (72)			2134 (84)			
		Max. oil pressure	kgf/cm <sup>2</sup> (psi)	175 (2490)						
		Sub frame		Necessary						
12	Rear Blade	Max. cutting width	mm (in.)	1829 (72)						
		Max. oil pressure	kgf/cm <sup>2</sup> (psi)	175 (2490)						
13	Front-end Loader	Max. lifting capacity	kg (lbs.)	720 (1590)			850 (1880)			
		Max. oil pressure	kgf/cm <sup>2</sup> (psi)	180 (2560)						
		Sub frame		Necessary						
14	Box Blade	Max. cutting width	mm (in.)	1651 (65)			1829 (72)			
		Max. weight	kg (lbs.)	400 (880)			470 (1040)			
15	Back Hoe	Max. digging depth	mm (in.)	2286 (90)						
		Max. weight	kg (lbs.)	450 (990)						
		Sub frame		Necessary						
16	Snow Blade	Max. width	mm (in.)	1829 (72)			2134 (84)			
		Max. weight	kg (lbs.)	350 (770)			400 (880)			
17	Snow Blower	Max. working width	mm (in.)	1702 (67)			1829 (72)			
		Max. weight	kg (lbs.)	280 (620)			330 (730)			

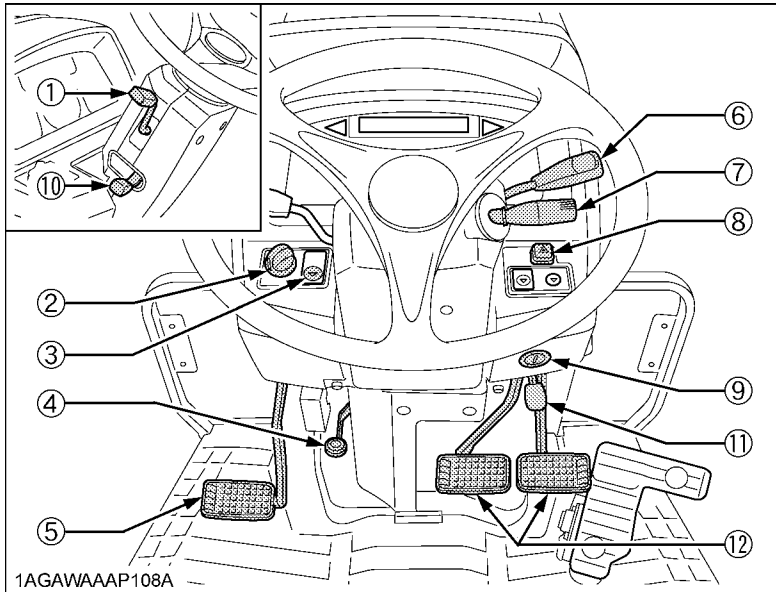
**NOTE :**

- Implement size may vary depending on soil operating conditions.

# INSTRUMENT PANEL AND CONTROLS

## ■ Instrument Panel, Switches and Hand Controls

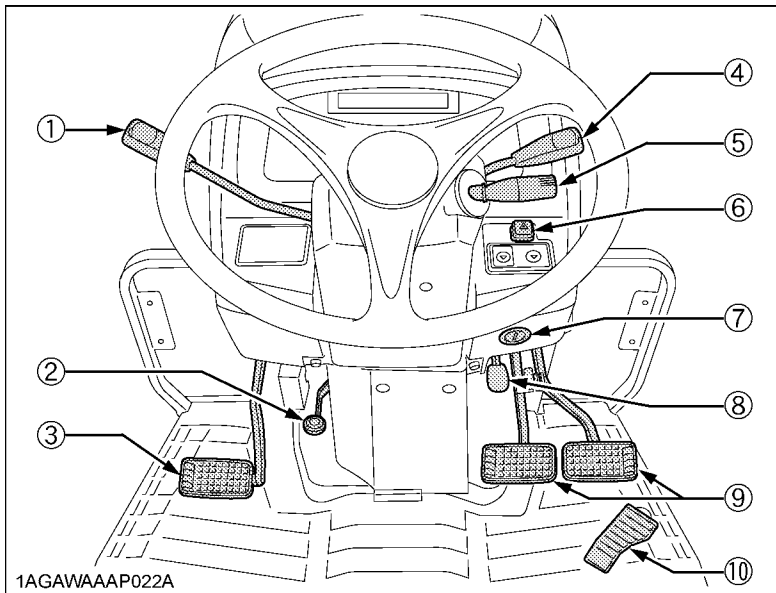
### ◆ HST Type



### ILLUSTRATED CONTENTS

(1) H-DS lever .....	36
(2) HST response control dial .....	36
(3) HST mode select switch .....	37
(4) Tilt pedal .....	30
(5) Clutch pedal .....	34
(6) Hand throttle lever .....	39
(7) Turn signal / Head light switch .....	31
(8) Hazard light switch .....	31
(9) Key switch .....	19
(10) ATA lever .....	41
(11) Parking brake lever .....	19, 39, 54
(12) Brake pedal .....	33

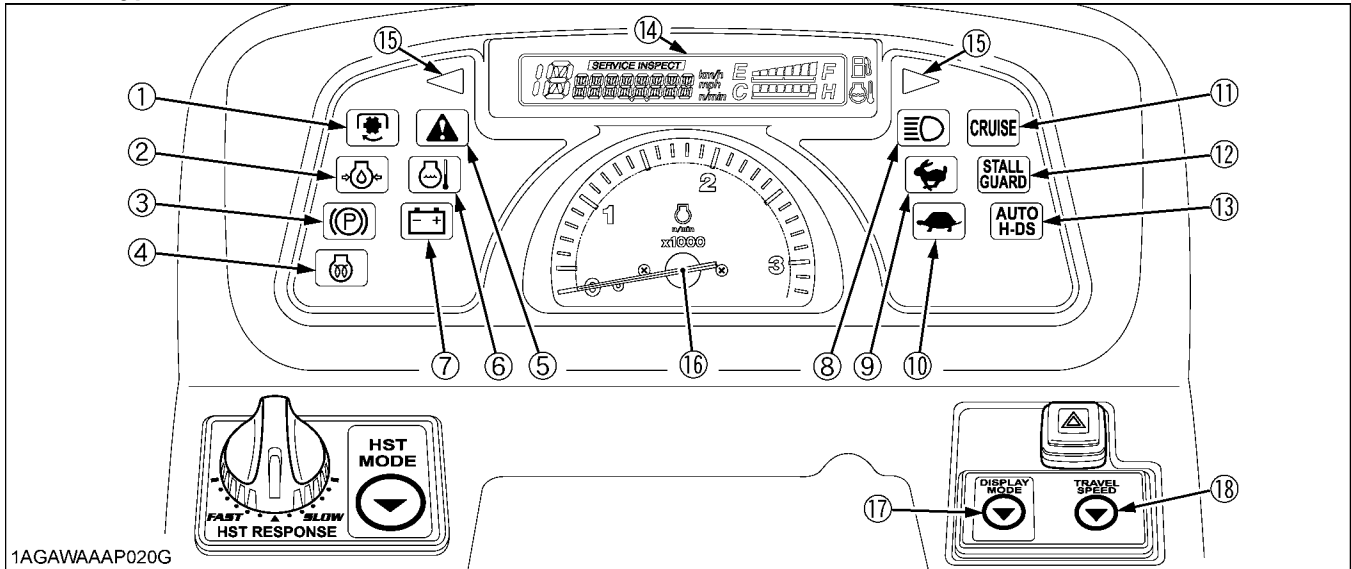
### ◆ GST / Manual Transmission Type



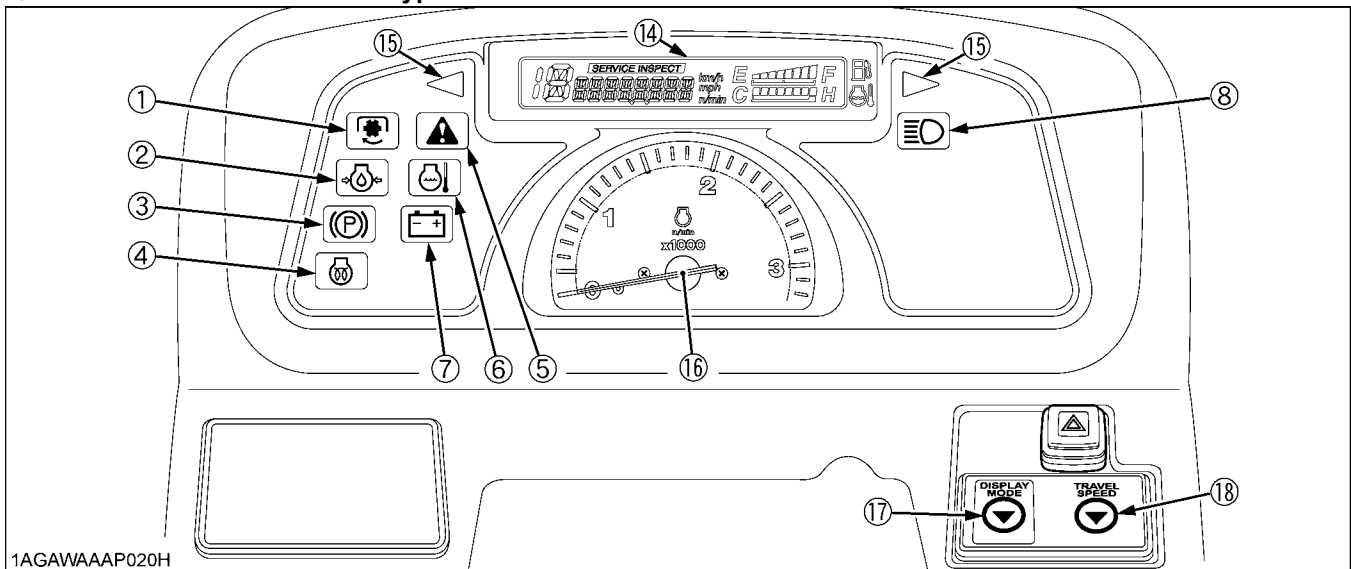
### ILLUSTRATED CONTENTS

(1) Shuttle shift lever [GST Type] Synchro-shuttle shift lever [Manual Transmission Type].....	42, 47
(2) Tilt pedal .....	30
(3) Clutch pedal .....	34
(4) Hand throttle lever .....	45, 49
(5) Turn signal / Head light switch.....	31
(6) Hazard light switch.....	31
(7) Key switch.....	19
(8) Parking brake lever .....	19, 46, 49, 54
(9) Brake pedal .....	33
(10) Foot throttle .....	45, 49

◆ HST Type



◆ GST / Manual Transmission Type



ILLUSTRATED CONTENTS

ILLUSTRATED CONTENTS

(1) Rear PTO indicator ..... 59

(2) Engine oil pressure indicator ..... 52

(3) Parking brake indicator ..... 19

(4) Glow plug indicator ..... 24

(5) Warning indicator [HST / GST Type] ..... 52

(6) Engine overheat indicator ..... 52

(7) Electrical charge indicator ..... 52

(8) High-beam indicator ..... 31

(9) H-DS High speed range indicator [HST Type] ..... 36

(10) H-DS Low speed range indicator [HST Type] .... 36

(11) Cruise control indicator [HST Type] ..... 40

(12) Stall guard indicator [HST Type] ..... 37

(13) Auto H-DS indicator [HST Type] ..... 37

(14) IntelliPanel(TM) display ..... 50

(15) Turn signal / hazard indicator ..... 31

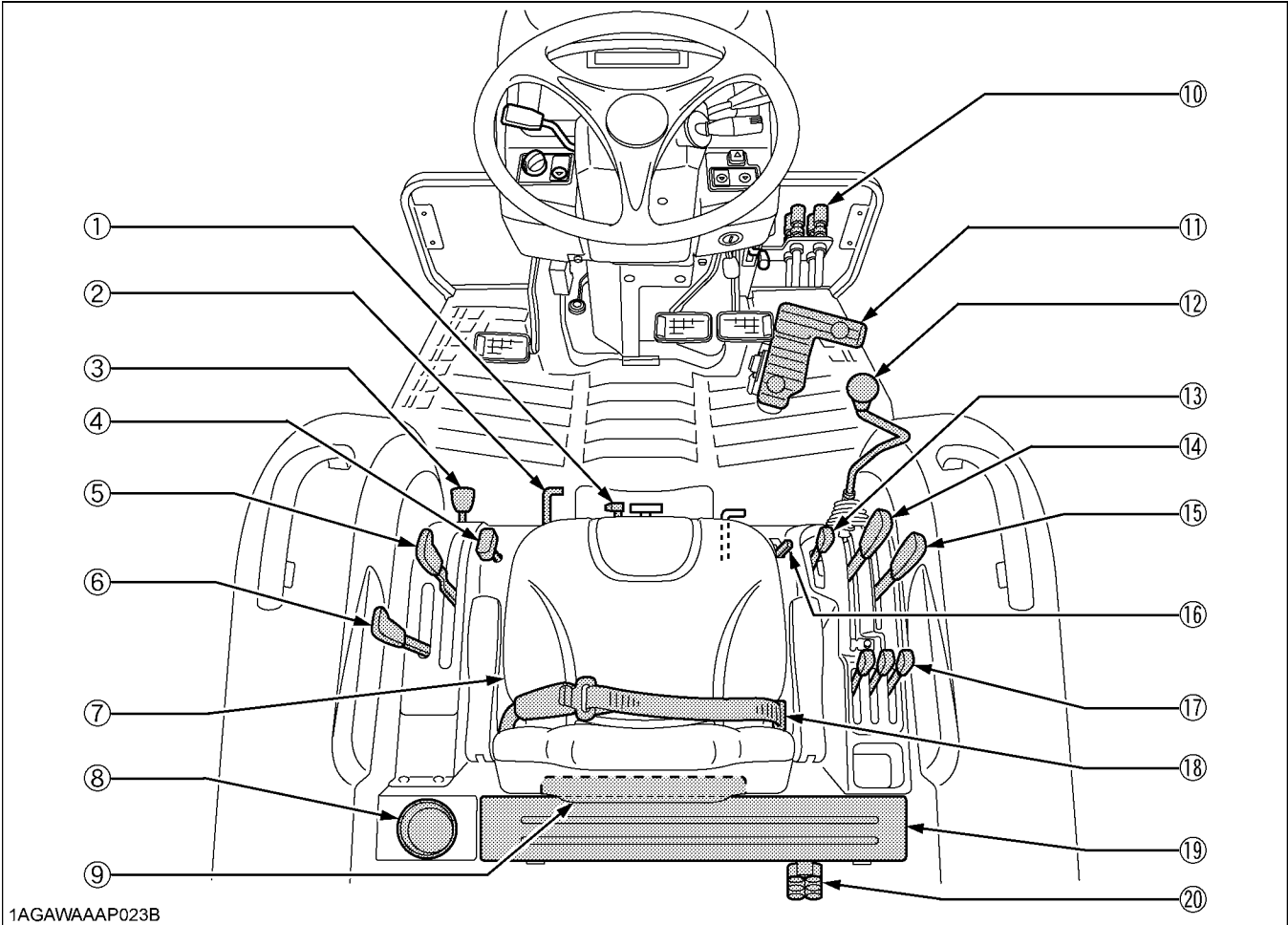
(16) Tachometer ..... 53

(17) Display mode button ..... 50

(18) Travel speed button ..... 50

■ Foot and Hand Controls

◆ HST Type



1AGAWAAP023B

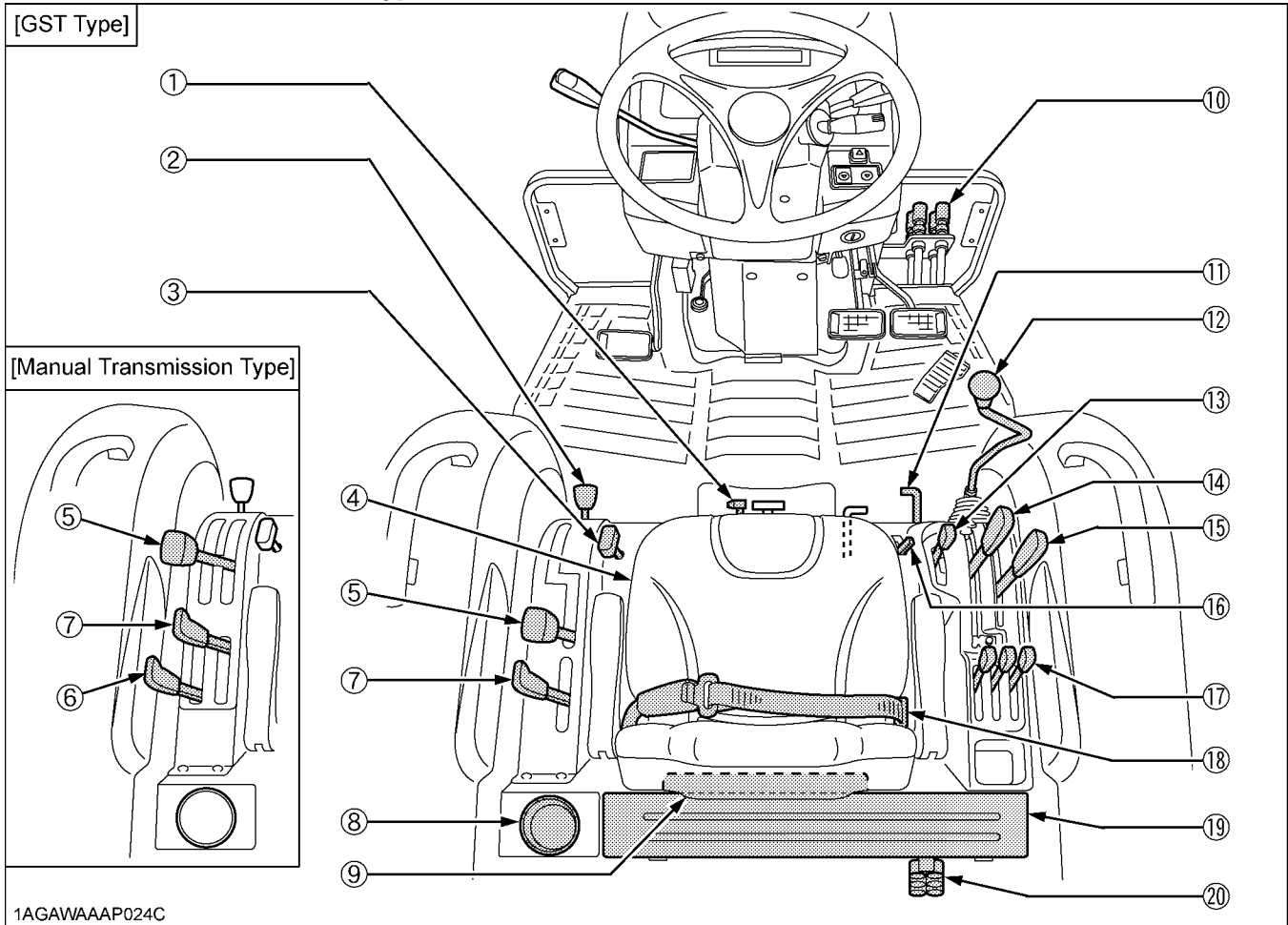
ILLUSTRATED CONTENTS

(1) 3-Point hitch lowering speed knob .....	66
(2) Differential lock pedal .....	55
(3) Front wheel drive lever .....	39
(4) Mid-PTO lever (if equipped) .....	58
(5) Range gear shift lever (L-M-H) .....	38
(6) Cruise control lever .....	40
(7) Operator's seat .....	29
(8) Cup holder .....	---
(9) Glove box .....	30
(10) Loader / Remote control valve coupler .....	67

ILLUSTRATED CONTENTS

(11) Speed control pedal .....	40
(12) Loader / Remote control valve lever .....	68
(13) PTO clutch control lever .....	57
(14) Position control lever .....	65
(15) Draft control lever (if equipped) .....	65
(16) Lock lever .....	68
(17) Remote control valve lever (if equipped) .....	69
(18) Seat belt .....	30
(19) Tool box .....	---
(20) Remote control valve coupler (if equipped) .....	69

◆ GST / Manual Transmission Type



1AGAWAAP024C

ILLUSTRATED CONTENTS

ILLUSTRATED CONTENTS

(1) 3-Point hitch lowering speed knob .....	66
(2) Front wheel drive lever .....	45, 49
(3) Mid-PTO lever (if equipped).....	58
(4) Operator's seat .....	29
(5) Main gear shift lever .....	43, 47
(6) Range gear shift lever (Hi-Lo) [Manual Transmission Type] .....	47
(7) Creep gear shift lever (if equipped).....	44, 48
(8) Cup holder .....	---
(9) Glove box .....	30
(10) Loader / Remote control valve coupler .....	67

(11) Differential lock pedal .....	55
(12) Loader / Remote control valve control lever .....	68
(13) PTO clutch control lever .....	57
(14) Position control lever .....	65
(15) Draft control lever (if equipped) .....	65
(16) Lock lever .....	68
(17) Remote control valve lever (if equipped) .....	69
(18) Seat belt .....	30
(19) Tool box .....	---
(20) Remote control valve coupler (if equipped) .....	69

# PRE-OPERATION CHECK

## DAILY CHECK

To prevent trouble from occurring, it is important to know the condition of the tractor well. Check it before starting.



### CAUTION

To avoid personal injury:

- **Be sure to check and service the tractor on a level surface with the engine shut off and the parking brake "ON" and implement lowered to the ground.**

### Check item

- Walk around inspection
- Check engine oil level
- Check transmission oil level
- Check coolant level
- Clean grill and radiator screen
- Clean oil cooler [HST model]
- Check air cleaner dust indicator  
(When used in a dusty place)
- Check brake and clutch pedal
- Check indicators, gauges and meter
- Check lights
- Check seat belt and ROPS
- Refuel  
(See "DAILY CHECK" in "PERIODIC SERVICE" section.)
- Care of danger, warning and caution labels  
(See "DANGER, WARNING AND CAUTION LABELS" in "SAFE OPERATION" section.)



# OPERATING THE ENGINE



## CAUTION

To avoid personal injury:

- Read "Safe Operation" in the front of this manual.
- Read the danger, warning and caution labels located on the tractor.
- To avoid the danger of exhaust fume poisoning, do not operate the engine in a closed building without proper ventilation.
- Never start engine while standing on ground. Start engine only from operator's seat.
- Make it a rule to set all shift levers to the "NEUTRAL" positions and to place PTO lever in "OFF" position before starting the engine.

## IMPORTANT :

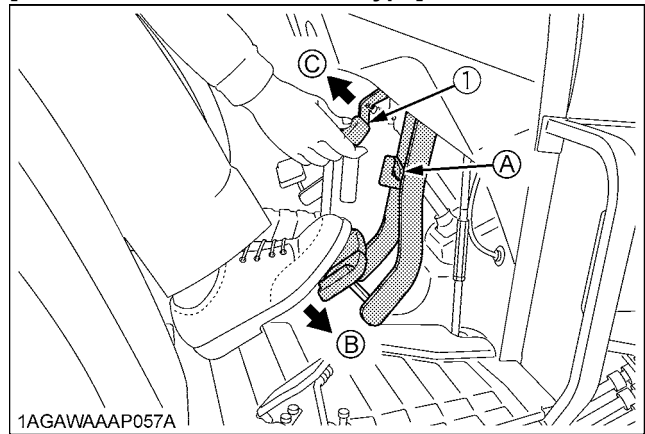
- Do not use starting fluid or ether.
- To protect the battery and the starter, make sure that the starter is not continuously turned for more than 10 seconds.

## STARTING THE ENGINE

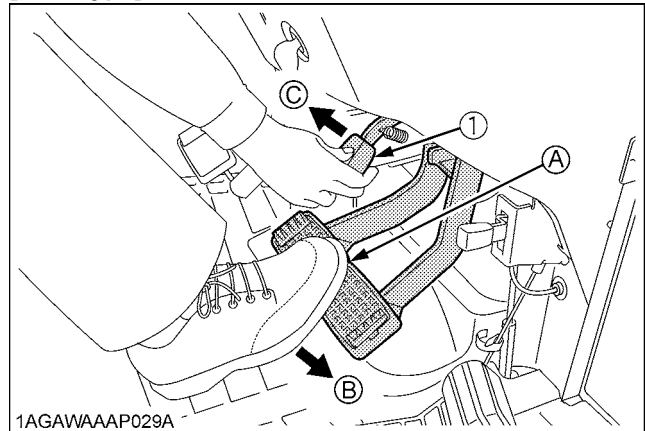
### 1. Make sure the parking brake is set.

1. To set the parking brake;
  - (1) Interlock the brake pedals.
  - (2) Depress the brake pedals.
  - (3) Latch the brake pedals with the parking brake lever.
2. To release the parking brake, depress the brake pedals.

#### [GST / Manual Transmission Type]



#### [HST Type]



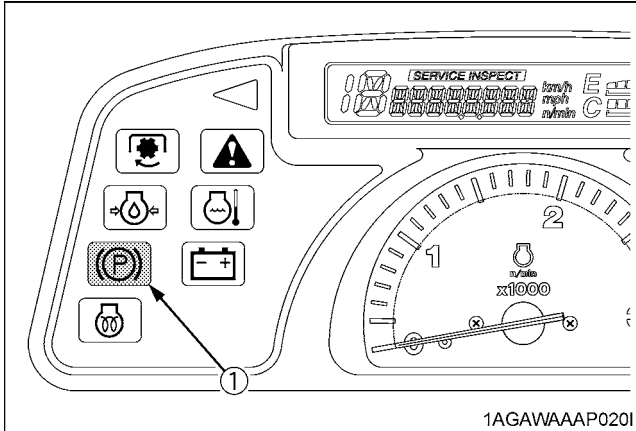
- (1) Parking brake lever      (A) Interlock the brake pedals  
 (B) "DEPRESS"  
 (C) "PULL"

## IMPORTANT :

- To prevent damage to the parking brake lever, make sure that brake pedals are fully depressed before pulling the parking brake lever up.

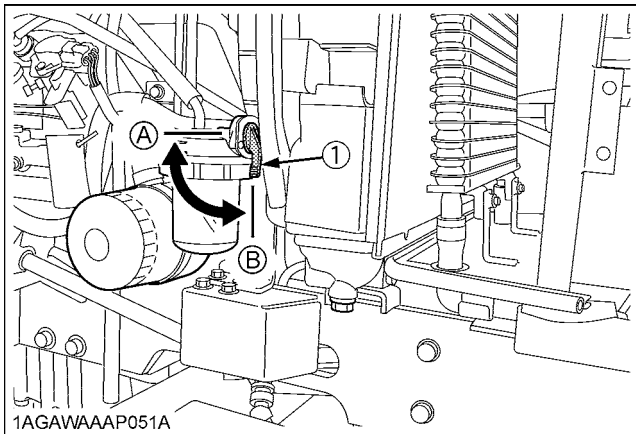
**NOTE :**

- The Parking brake indicator comes on while parking brake is applied and goes off when it is released.



(1) Parking brake indicator

**2. Make sure the fuel cock is in the open position.**

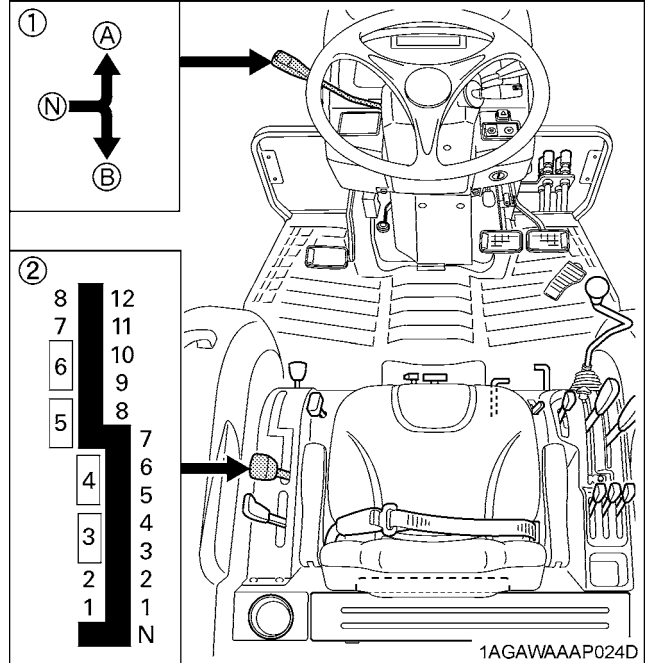


(1) Fuel cock

(A) "CLOSE"  
(B) "OPEN"

**3. Place the shift levers in "NEUTRAL" position.**

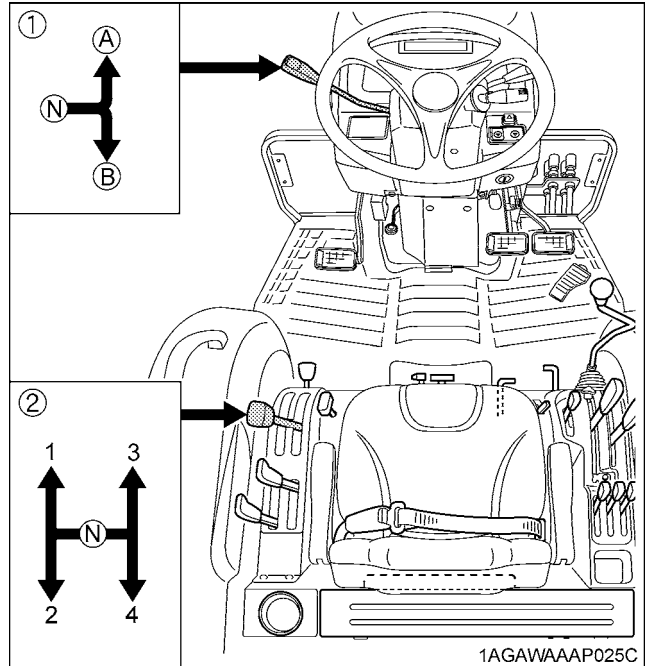
**[GST Type]**



(1) Shuttle shift lever  
(2) Main gear shift lever

(A) "FORWARD"  
(B) "REVERSE"  
(N) "NEUTRAL POSITION"

**[Manual Transmission Type]**



(1) Synchro shuttle shift lever  
(2) Main gear shift lever

(A) "FORWARD"  
(B) "REVERSE"  
(N) "NEUTRAL POSITION"

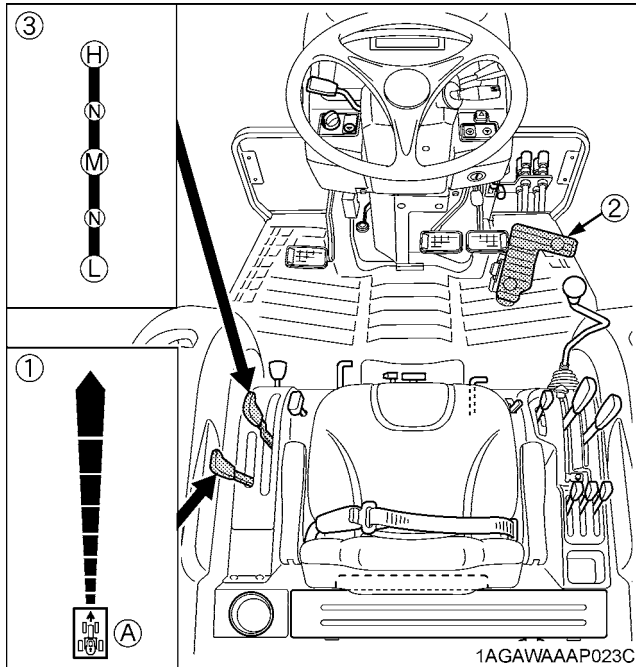
3. Make sure the cruise control lever is in "NEUTRAL" position.  
Place the Speed control Pedal in "NEUTRAL" position.  
Place the range gear shift lever (L-M-H) in "NEUTRAL" position.

4. Place the PTO clutch control lever in "OFF" position.

[With Mid-PTO type]

- Place the Mid-PTO lever in "OFF" position.

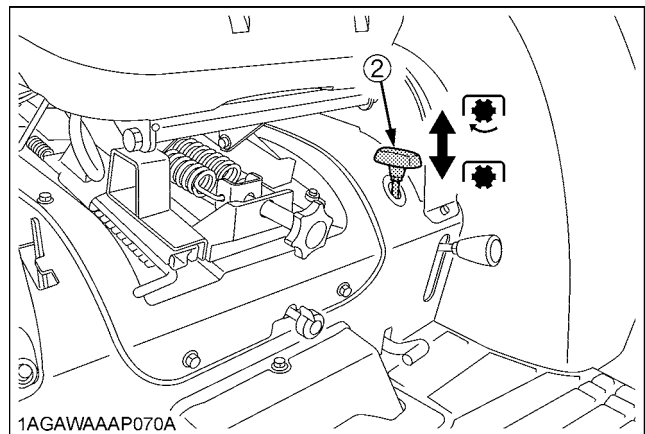
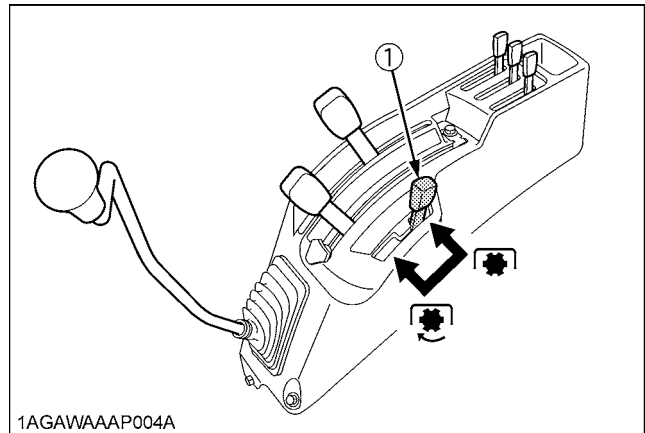
[HST Type]



- |                                    |                               |
|------------------------------------|-------------------------------|
| (1) Cruise control lever           | (N) "NEUTRAL POSITION"        |
| (2) Speed control pedal            |                               |
| (3) Range gear shift lever (L-M-H) | (A) Cruise "NEUTRAL" POSITION |

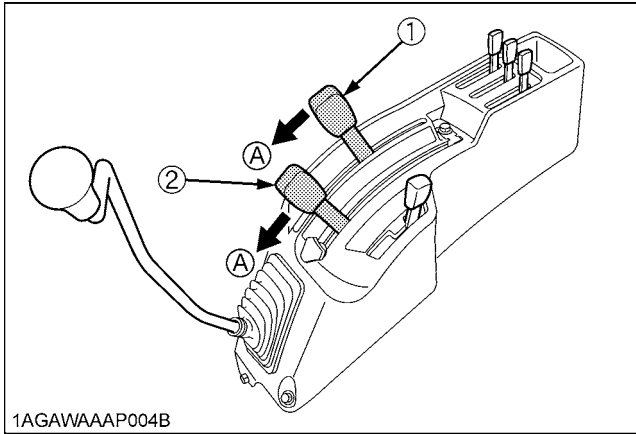
**NOTE :**

- When removing the foot from speed control pedal, the pedal automatically returns to the neutral position.



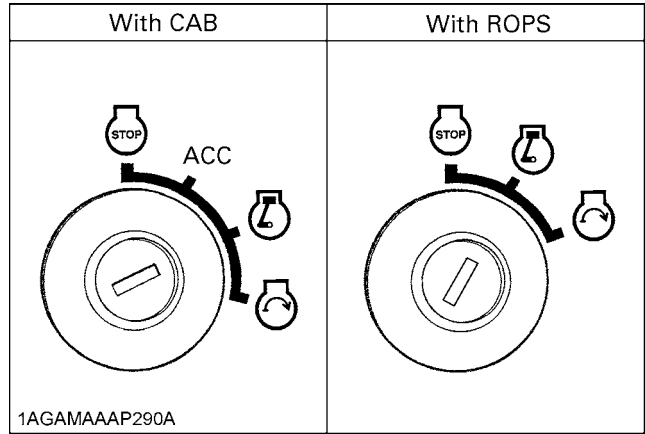
- |                                 |         |
|---------------------------------|---------|
| (1) PTO clutch control lever    | ☒ "ON"  |
| (2) Mid-PTO lever (if equipped) | ☒ "OFF" |

**5. Place the hydraulic control lever in "LOWEST" position.**



(1) Draft control lever (if equipped) (A) "DOWN"  
 (2) Position control lever

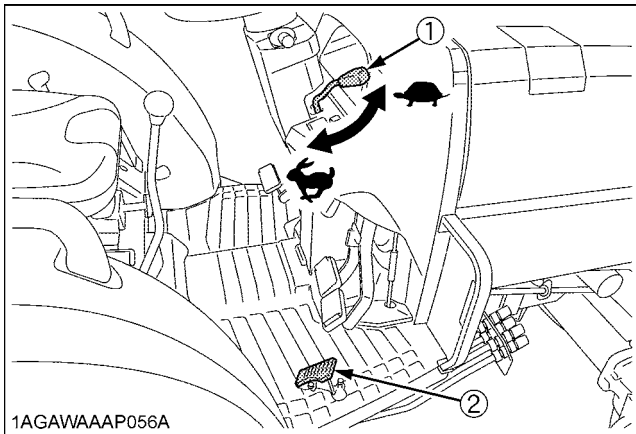
**7. Insert the key into the key switch and turn it "ON".**



**NOTE:**

ACC... All the accessories can be used while the engine is stopped.

**6. Set the throttle lever to about 1/2 way.**



(1) Hand throttle lever      ⬆ "INCREASE"  
 (2) Foot throttle          ⬇ "DECREASE"  
 [except HST Type]

### ■ Check Easy Checker(TM) Lamps

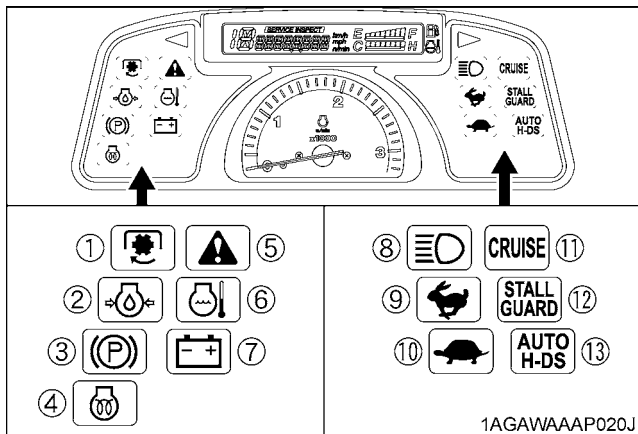
Turn the key to "ON" position and make sure the following indicators light up or stay off.

#### ◆ Indicators that light up:

1. When the key is turned "ON", indicators(2)(7) should come on. If trouble should occur at any location while the engine is running, the indicator corresponding to that location comes on.
2. Suppose that the engine coolant temperature is not high enough yet. Glow plug indicator(4) also comes on when the key is turned "ON" to preheat the engine and goes off automatically when preheat is completed. Illumination time of indicator varies according to the temperature of coolant.
3. The parking brake indicator(3) comes on while parking brake is applied and goes off when it is released.
4. Turn on the key, and indicators(5)(6) stay on about 1 seconds.

#### ◆ Indicators that stay off:

1. If the PTO indicator(1) stays on, disengage (OFF) the PTO.
2. If the cruise control indicator(11) stays on, place the cruise control lever in neutral (OFF) position.



- |  |  |
|--|--|
| (1) Rear PTO indicator                 | (9) H-DS High speed range indicator [HST Type] |
| (2) Engine oil pressure indicator      | (10) H-DS Low speed range indicator [HST Type] |
| (3) Parking brake indicator            | (11) Cruise control indicator [HST Type]       |
| (4) Glow plug indicator                | (12) Stall guard indicator [HST Type]          |
| (5) Warning indicator [HST / GST Type] | (13) Auto H-DS indicator [HST Type]            |
| (6) Engine overheat indicator          |  |
| (7) Electrical charge indicator        |  |
| (8) High-beam indicator                |  |

### IMPORTANT :

- Daily checks with the Easy Checker(TM) only, are not sufficient. Never fail to conduct daily checks carefully by referring to Daily Check. (See "DAILY CHECK" in "PERIODIC SERVICE" section.)

### NOTE :

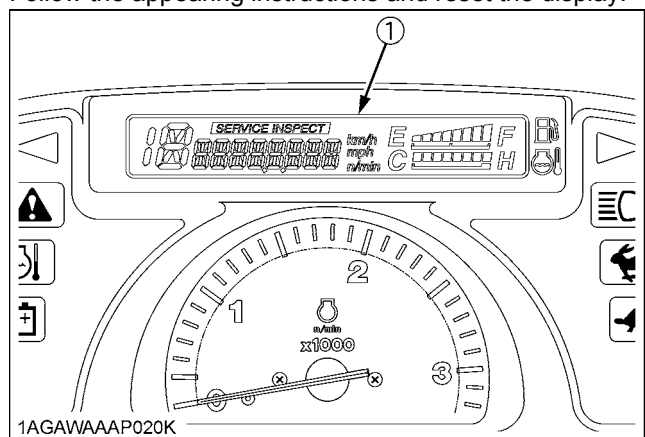
- Some of the Easy Checker(TM) lamps may light up or start flashing depending on the positions of the levers and switches on the instrument panel.

8. Fully depress the clutch pedal.

9. Turn the key to "START" position and release when the engine starts.

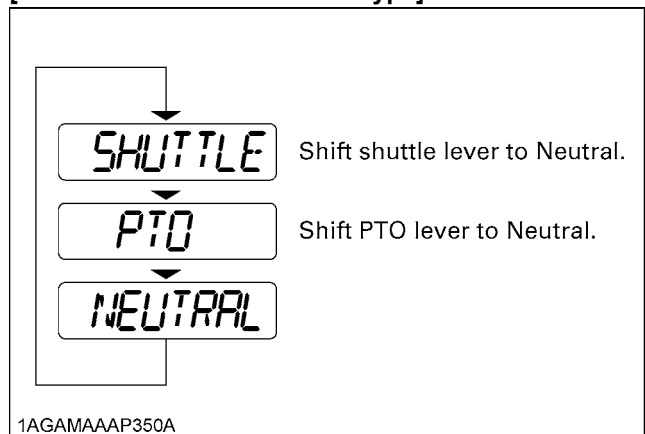
### ■ IntelliPanel(TM) Message

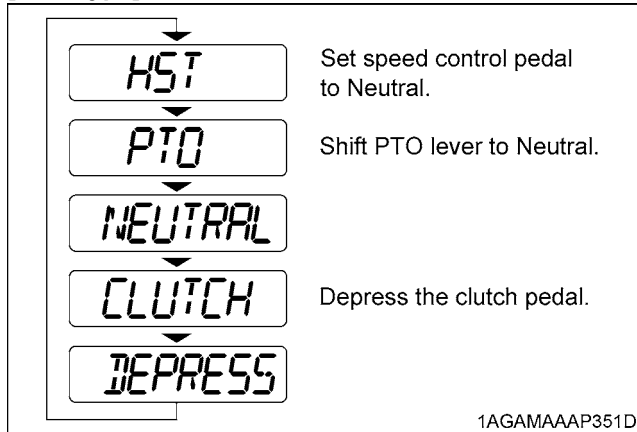
If you try to start the engine but the following messages appear alternately in the display, the engine fails to start. Follow the appearing instructions and reset the display.



(1) Display

### [GST / Manual Transmission Type]



**[HST Type]**

**10. Check to see that all the lamps on the Easy Checker(TM) are "OFF".**

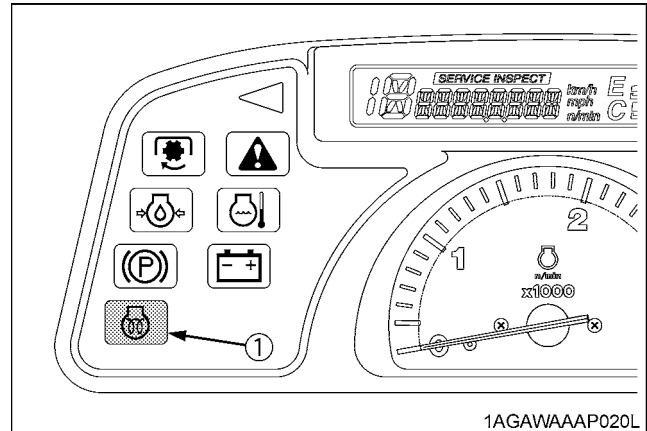
If the lamp is still on, immediately stop the engine and determine the cause.

**11. Release the clutch pedal.**

## COLD WEATHER STARTING

If the ambient temperature is below  $-5^{\circ}\text{C}$  ( $23^{\circ}\text{F}$ ) and the engine is very cold, follow the procedure below after taking the step 1 through 8 in the previous pages.

**9. Turn the key to "ON" (glow plug) and keep it there until glow plug indicator goes off.**



(1) Glow plug indicator

**10. Turn the key to the start position and the engine should start.**

(If the engine fails to start after 10 seconds, turn off the key for 30 seconds. Then repeat steps (9) and (10). To protect the battery and the starter, make sure that the starter is not continuously turned for more than 10 seconds.)

### ■Block Heater (if equipped)

A block heater is available as an option from your dealer. It will assist you in starting your tractor when the ambient temperature is below  $-20^{\circ}\text{C}$  ( $-4^{\circ}\text{F}$ ).

## STOPPING THE ENGINE

1. After slowing the engine to idle, turn the key to "OFF".
2. Remove the key.

### NOTE :

- If key does not stop the engine, consult your local KUBOTA Dealer.

## WARMING UP



### CAUTION

To avoid personal injury:

- Be sure to set the parking brake during warm-up.
- Be sure to set all shift levers to the "NEUTRAL" positions and to place PTO lever in "OFF" position during warm-up.

For five minutes after engine start-up, allow engine to warm up without applying any load, this is to allow oil to reach every engine part. If load should be applied to the engine without this warm-up period, trouble such as seizure, breakage or premature wear may develop.

### ■ Warm-Up Transmission Oil in the Low Temperature Range

Hydraulic oil serves as transmission fluid. In cold weather, the oil may be cold with increased viscosity. This can cause delayed oil circulation or abnormally low hydraulic pressure for some time after engine start-up. This in turn can result in trouble in the hydraulic system. To prevent the above, observe the following instructions:

Warm up the engine at about 50% of rated rpm according to the table below:

Ambient temperature	Warm-up time requirement
Higher than -10 °C (14 °F)	Approx. 5 minutes
-15 to -10 °C (5 to 14 °F)	5 to 10 minutes
-20 to -15 °C (-4 to 5 °F)	10 to 20 minutes
Below -20 °C (-4 °F)	More than 20 minutes

### IMPORTANT :

- Do not operate the tractor under full load condition until it is sufficiently warmed up.

## JUMP STARTING



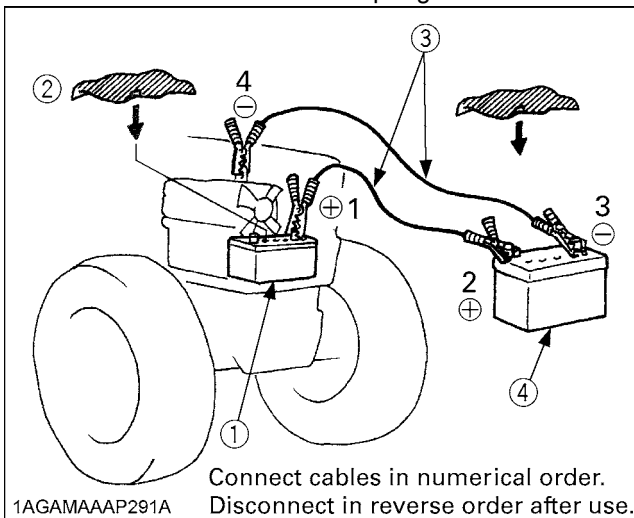
### CAUTION

To avoid personal injury:

- Battery gases can explode. Keep cigarettes, sparks, and flames away from battery.
- If tractor battery is frozen, do not jump start engine.
- Do not connect other end of negative (-) jumper cable to negative (-) terminal of tractor battery.

When jump starting engine, follow the instructions below to safely start the engine.

1. Bring helper vehicle with a battery of the same voltage as disabled tractor within easy cable reach. "THE VEHICLES MUST NOT TOUCH".
2. Engage the parking brakes of both vehicles and put the shift levers in neutral. Shut both engines off.
3. Put on safety goggles and rubber gloves.
4. Ensure the vent caps are securely in place. (if equipped)
5. Cover vent holes with damp rags. Do not allow the rag to touch the battery terminals.
6. Attach the red clamp to the positive (red, (+) or pos.) terminal of the dead battery and clamp the other end of the same cable to the positive (red, (+) or pos.) terminal of the helper battery.
7. Clamp the other cable to the negative (black, (-) or neg.) terminal of the helper battery.
8. Clamp the other end to the engine block or frame of the disabled tractor as far from the dead battery as possible.
9. Start the helper vehicle and let its engine run for a few moments. Start the disabled tractor.
10. Disconnect the jumper cables in the exact reverse order of attachment. (Steps 8, 7 and 6).
11. Remove and discard the damp rags.



- (1) Dead battery
- (2) Lay a damp rag over the vent caps
- (3) Jumper cables
- (4) Helper battery

### IMPORTANT :

- This machine has a 12volt negative (-) ground starting system.
- Use only same voltage for jump starting.
- Use of a higher voltage source on tractor's electrical system could result in severe damage to tractor's electrical system.  
Use only matching voltage source when "Jump starting" a low or dead battery condition.



# OPERATING THE TRACTOR

## OPERATING NEW TRACTOR

How a new tractor is handled and maintained determines the life of the tractor.

A new tractor just off the factory production line has been, of course, tested, but the various parts are not accustomed to each other, so care should be taken to operate the tractor for the first 50 hours at a slower speed and avoid excessive work or operation until the various parts become "broken-in". The manner in which the tractor is handled during the "breaking-in" period greatly affects the life of your tractor. Therefore, to obtain the maximum performance and the longest life of the tractor, it is very important to properly break-in your tractor. In handling a new tractor, the following precautions should be observed.

### ■ Do not Operate the Tractor at Full Speed for the First 50 Hours

- Do not start quickly nor apply the brakes suddenly.
- In winter, operate the tractor after fully warming up the engine.
- Do not run the engine at speeds faster than necessary.
- On rough roads, slow down to suitable speeds.  
Do not operate the tractor at fast speed.

The above precautions are not limited only to new tractors, but to all tractors. But it should be especially observed in the case of new tractors.

### ■ Changing Lubricating Oil for New Tractors

The lubricating oil is especially important in the case of a new tractor. The various parts are not "broken-in" and are not accustomed to each other; small metal grit may develop during the operation of the tractor; and this may wear out or damage the parts. Therefore, care should be taken to change the lubricating oil a little earlier than would ordinarily be required.

For further details of change interval hours.

(See "MAINTENANCE" section.)

## OPERATING FOLDABLE ROPS (if equipped)



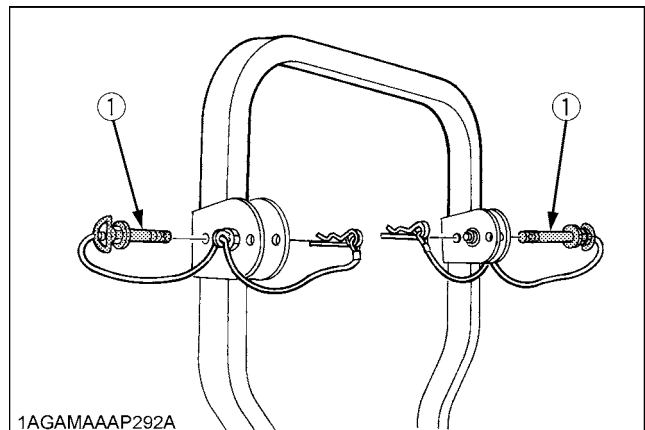
### CAUTION

To avoid personal injury:

- When raising or folding the ROPS, apply parking brake, stop the engine and remove the key.  
Always perform function from a stable position at the rear of tractor.
- Fold the ROPS down only when absolutely necessary and fold it up and lock it again as soon as possible.
- Before proceeding to fold ROPS, check for any possible interference with installed implements and attachments.  
If interference occurs, contact your KUBOTA Dealer.

### ■ To Fold the ROPS

1. Remove both set bolts.



(1) Set bolt

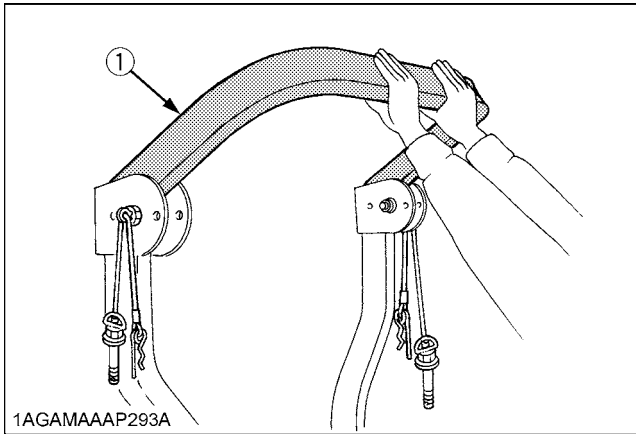
2. Fold the ROPS.



**CAUTION**

To avoid personal injury:

- Hold the ROPS tightly with both hands and fold the ROPS slowly and carefully.



1AGAMAAAP293A

(1) ROPS

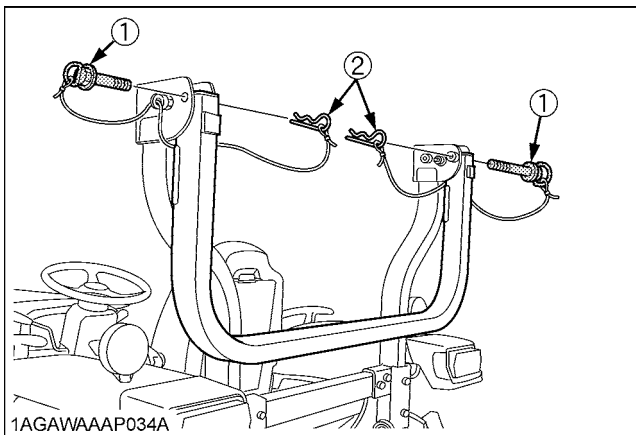
3. Align set bolt holes and insert both set bolts. Slightly tighten the set bolts and secure them with the hair pin cotters.



**CAUTION**

To avoid personal injury:

- Make sure that both set pins are properly installed and secured with the hair pin cotters.



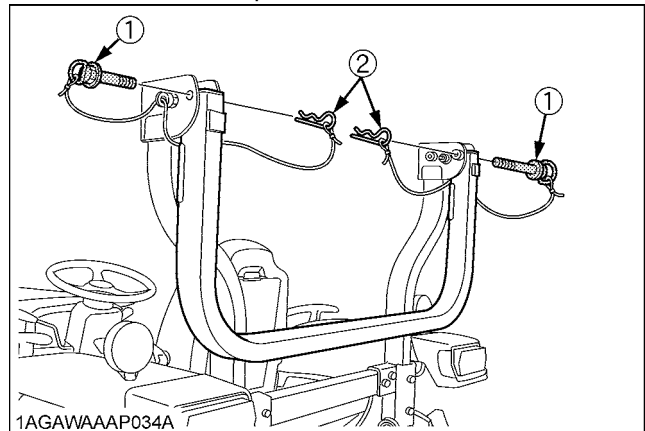
1AGAWAAP034A

(1) Set bolt

(2) Hair pin cotter

**To Raise the ROPS to Upright Position**

1. Remove both hair pin cotters and set bolts.



1AGAWAAP034A

(1) Set bolt

(2) Hair pin cotter

2. Raise ROPS to the upright position.



**CAUTION**

To avoid personal injury:

- Raise the ROPS slowly and carefully.

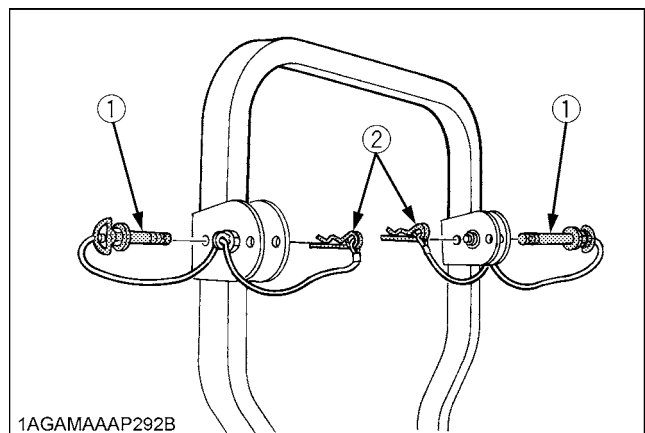
3. Align set bolt holes, insert both set bolts. Slightly tighten the set bolts and secure them with the hair pin cotters.



**CAUTION**

To avoid personal injury:

- Make sure that both set bolts are properly installed as soon as the ROPS is in the upright position and secured with the hair pin cotters.



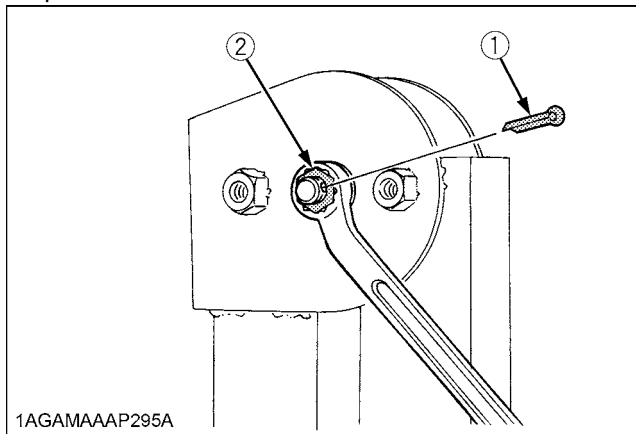
1AGAMAAAP292B

(1) Set bolt

(2) Hair pin cotter

## ■ Adjustment of Foldable ROPS

- Adjust free fall of the ROPS upper frame regularly.
- If you feel less friction in folding the ROPS, remove the cotter pin (1), tighten the nut (2) until you feel the right friction in the movement and then replace the cotter pin.



- (1) Cotter pin  
(2) Nut

## STARTING

### 1. Adjusting the operator's position.

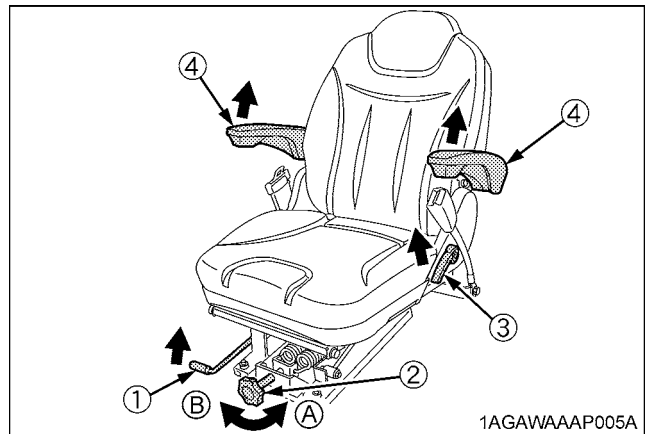
#### ■ Operator's Seat



### CAUTION

To avoid personal injury:

- Make adjustments to the seat only while the tractor is stopped.
- Make sure that the seat is completely secured after each adjustment.
- Do not allow any person other than the operator to ride on the tractor.



- (1) Travel adjust lever      (A) To decrease tension  
(2) Suspension adjust knob      (B) To increase tension  
(3) Backrest tilt adjust lever  
(4) Arm rest

#### ◆ Travel adjustment

Pull the travel adjust lever and slide the seat backward or forward, as required. The seat will lock in position when the lever is released.

#### NOTE :

- The operator's seat base has a slope. When lifting the lever, be careful not to allow the seat to slide down forward.

#### ◆ Suspension adjustment knob

Turn the suspension adjust knob to achieve the optimum suspension setting.

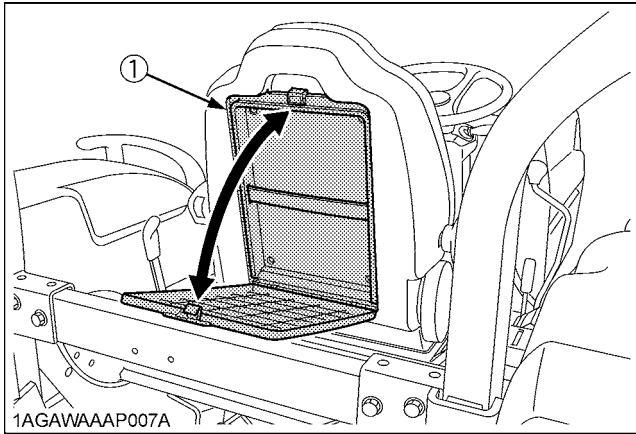
#### ◆ Tilt adjustment

Pull the backrest tilt adjust lever and move the backrest to the desired angle.

#### IMPORTANT :

- After adjusting the operator's seat, be sure to check to see that the seat is properly locked.

■ **Glove Box**



(1) *Glove box*

■ **Seat Belt**

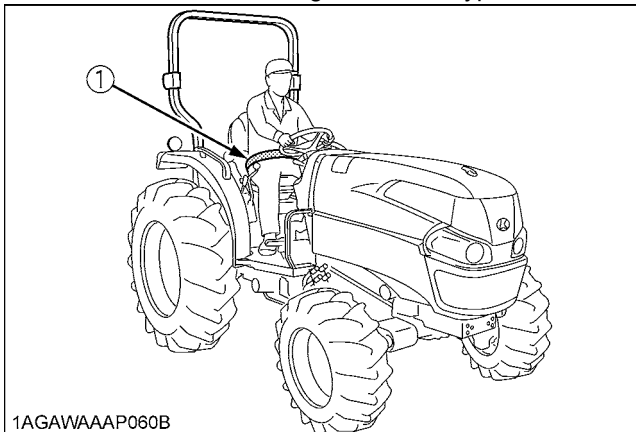


**WARNING**

To avoid personal injury:

- Always use the seat belt when any ROPS or CAB are installed.
- Do not use the seat belt if a foldable ROPS is down or there is no ROPS.

Adjust the seat belt for proper fit and connect the buckle. This seat belt is auto-locking retractable type.



(1) *Seat belt*

■ **Tilt Steering Adjustment**

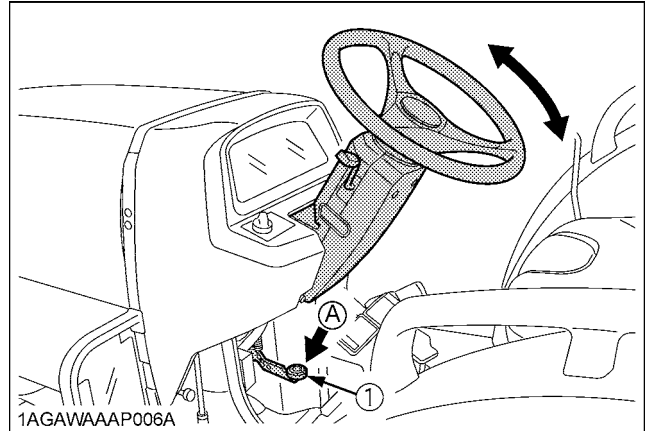


**CAUTION**

To avoid personal injury:

- Do not adjust the steering wheel while the tractor is in motion.

Press down the steering wheel tilt pedal, to release the lock so the steering wheel can be adjusted to one of six desired positions.



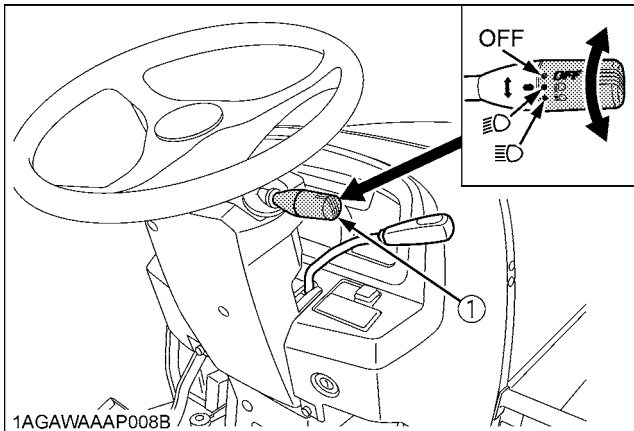
(1) *Steering wheel tilt pedal*    (A) "PRESS DOWN"

## 2. Selecting light switch positions.

### ■ Light Switch

Turn the light switch clockwise, and the following lights are activated on the switch position.

- OFF..... Head lights OFF.
- ☉..... Head lights dimmed, low beam.
- ☉..... Head lights ON, high beam.



(1) Head light switch

### ■ Turn Signal / Hazard Light Switch

#### ◆ Hazard Light

1. When the hazard light switch is pushed, the hazard lights flash, along with the L/H and R/H indicators on the instrument panel.
2. Push the hazard light switch again to turn off the hazard lights.

#### ◆ Turn Signal with Hazard Light

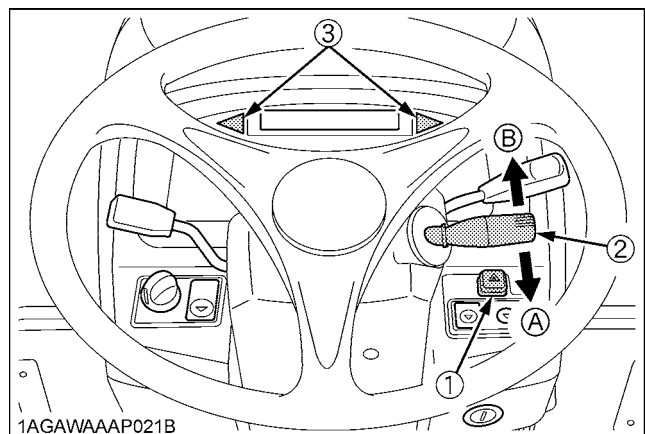
1. To indicate a right turn with the hazard lights already flashing, turn the switch clockwise.
2. To indicate a left turn with the hazard lights already flashing, turn the switch counterclockwise.
3. When the left or right turn signal is activated in combination with the hazard lights, the indicated turning light will flash and the other will stay on.

#### ◆ Turn Signal without Hazard Light

1. To indicate a right turn without hazard lights, turn the switch clockwise.
2. To indicate a left turn without hazard lights, turn the switch counterclockwise.
3. When the left or right turn signal is activated without the hazard lights, the indicated turning light will flash and the other will stay on.

#### NOTE :

- The hazard light switch is operative when the key switch is in either the "ON" or "OFF" position.
- The turn signal light switch is only operative when the key switch is in the "ON" position.
- Be sure to return the turn signal switch to center position after turning.



(1) Hazard light switch

(2) Turn signal light switch

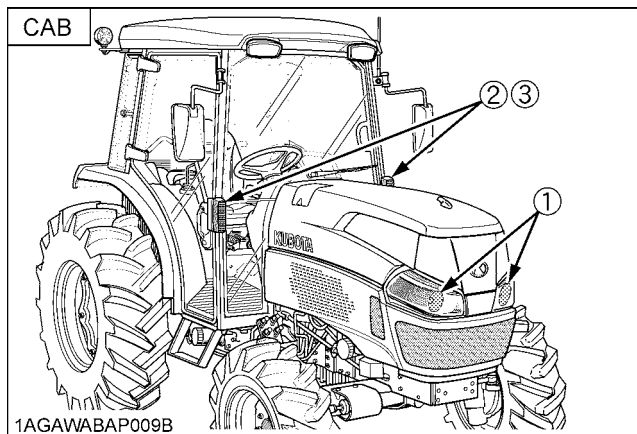
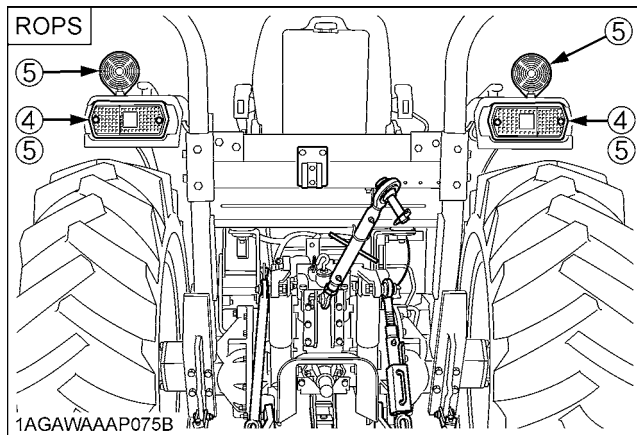
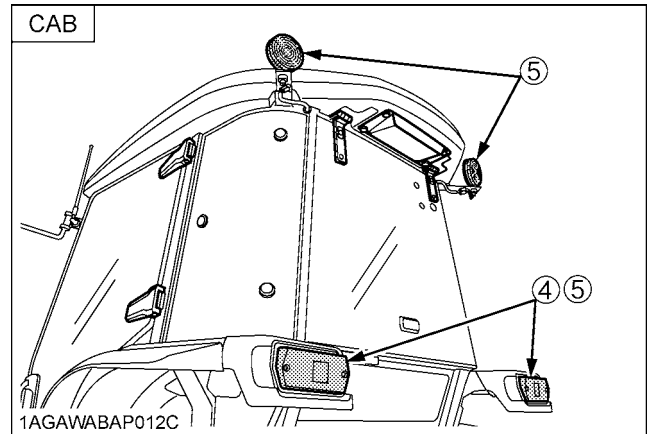
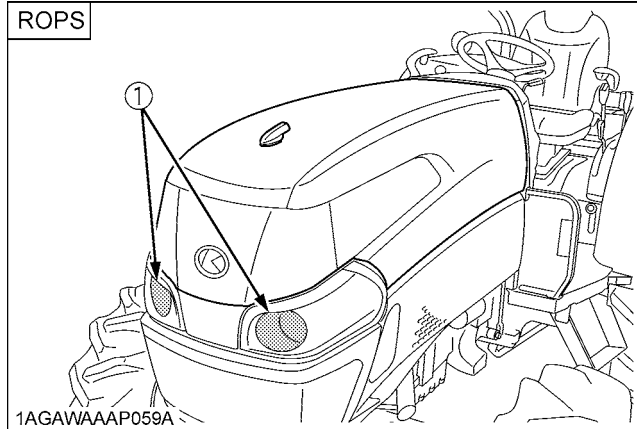
(3) Hazard / Turn signal indicator

(A) "RIGHT TURN"

(B) "LEFT TURN"

### ■ Tractor Lights

- (1) Head light
- (2) Side turn signal / Hazard light
- (3) Side marker light
- (4) Tail light
- (5) Rear turn signal / Hazard light



### 3. Checking the brake pedal.

#### ■ Brake Pedals (Right and Left)



#### WARNING

To avoid personal injury:

- Be sure to interlock the right and left pedals. Applying only one rear wheel brake at high speeds could cause the tractor to swerve or roll-over.
- Be sure brake pedals have equal adjustment when using locked together. Incorrect or unequal brake pedal adjustment can cause the tractor to swerve or roll-over.



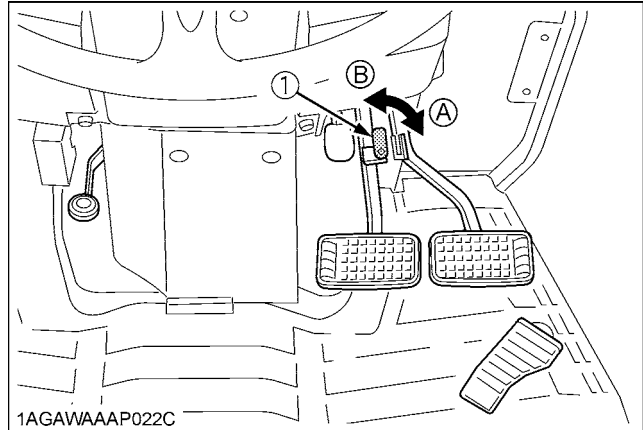
#### CAUTION

To avoid personal injury:

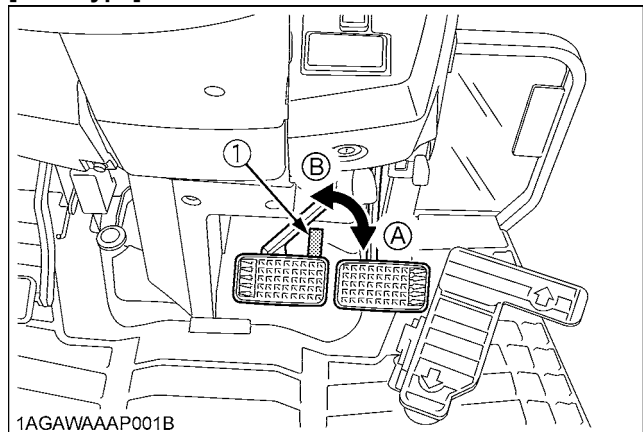
- Do not make sudden braking. An accident may occur such as by heavy towed load shifting forward or loss of control.
- To avoid skidding and loss of steering control when driving on icy, wet, or loose surfaces, make sure the tractor is correctly ballasted, operated at reduced speed, operated with front wheel drive engaged (if equipped).
- The braking characteristics are different between two and four wheel drive. Be aware of the difference and use carefully.

1. Before operating the tractor on the road or before applying the parking brake, be sure to interlock the right and left pedals as illustrated below.
2. Use individual brakes to assist in making sharp turns at slow speeds (Field Operation Only). Disengage the brake pedal lock and depress only one brake pedal.
3. Be sure brake pedals have equal adjustment when using locked together.

#### [GST / Manual Transmission Type]



#### [HST Type]

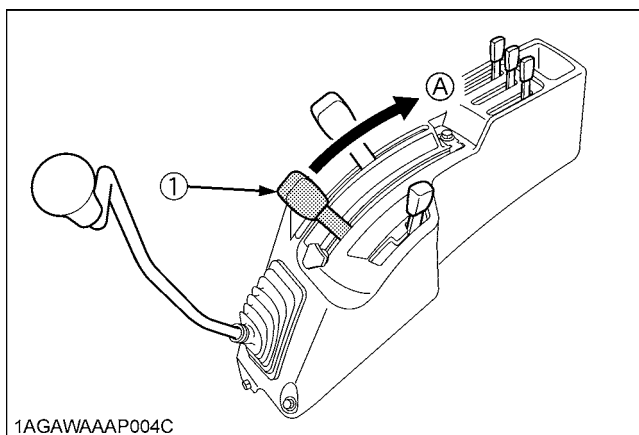


(1) Brake pedal lock

(A) "LOCK"

(B) "RELEASE"

**4. Raise the implement.**  
(See "HYDRAULIC UNIT" section.)



(1) Position control lever (A) "UP"

**5. Depress the clutch pedal.**

■ Clutch Pedal

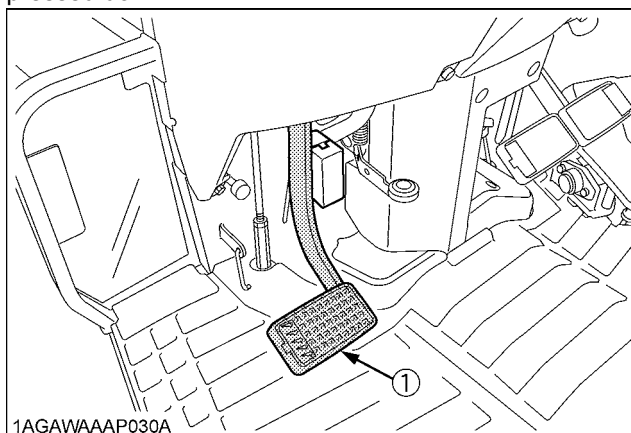


**CAUTION**

To avoid personal injury:

- Sudden release of the clutch may cause the tractor to lunge in an unexpected manner.

The clutch is disengaged when the clutch pedal is fully pressed down.



(1) Clutch pedal

**IMPORTANT :**

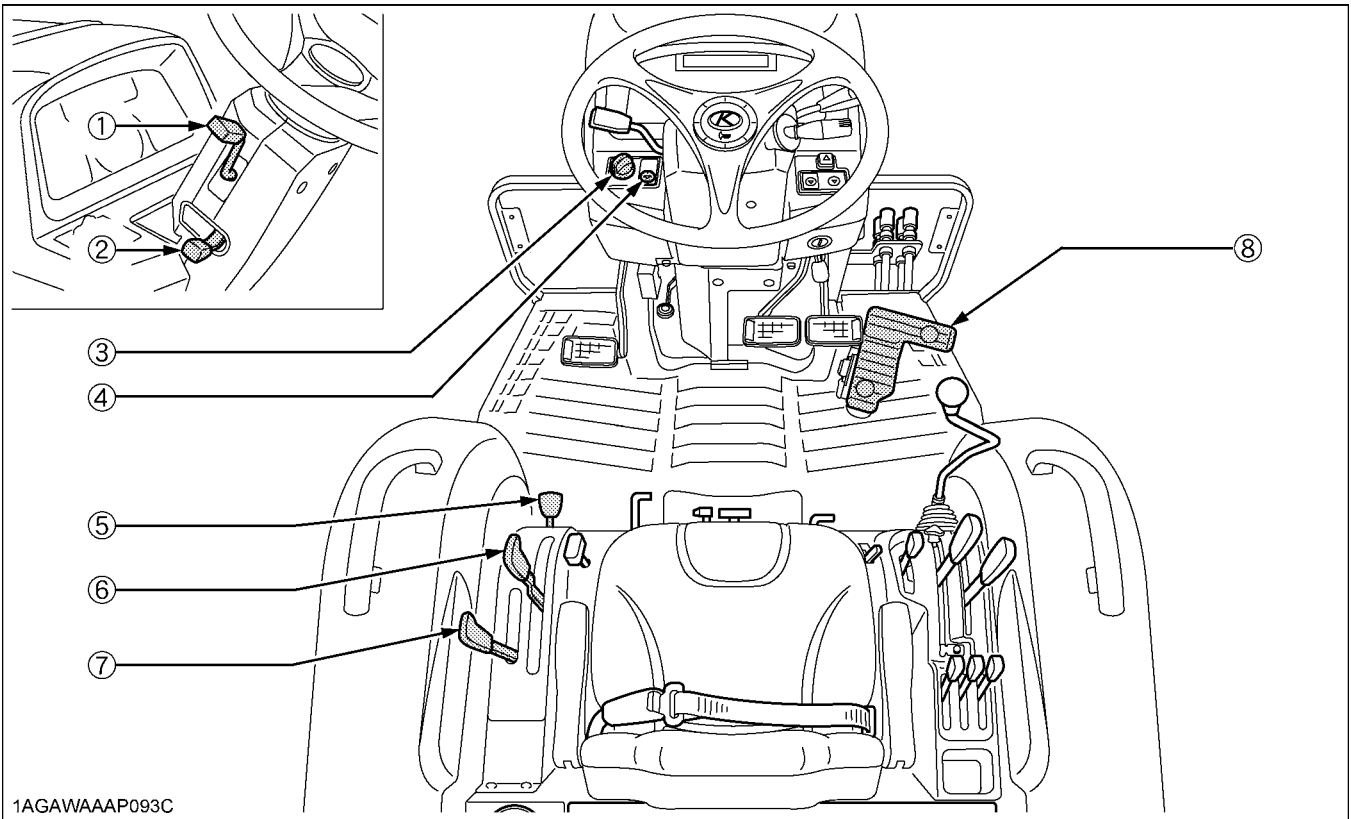
To help prevent premature clutch wear:

- The clutch pedal must be quickly disengaged and be slowly engaged.
- Avoid operating the tractor with your foot resting on the clutch pedal.
- Select proper gear and engine speed depending on the type of job.



**6. Selecting the Travel Speed.**

[HST Type]



1AGAWAAP093C

- |                |                               |                             |                          |
|----------------|-------------------------------|-----------------------------|--------------------------|
| (1) H-DS lever | (3) HST response control dial | (5) Front wheel drive lever | (7) Cruise control lever |
| (2) ATA lever  | (4) HST mode select switch    | (6) Range gear shift lever  | (8) Speed control pedal  |

HST

GST

MT

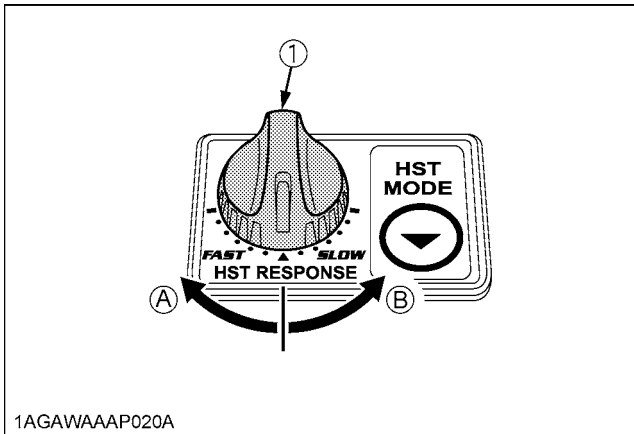
### ■ HST Response Control Dial

This dial is used to set the start-up response when you step on the speed control pedal and the engine brake effect when you release the pedal.

Turn the dial toward "FAST", and the response level gets quicker. Turn it toward "SLOW" to have a slower response level.

When you move the tractor forward and backward repeatedly, during loader operations, for example, set the dial toward "FAST". It helps improve the working efficiency.

If the turf grass would be damaged by the tires at a start and stop, set the dial toward "SLOW".



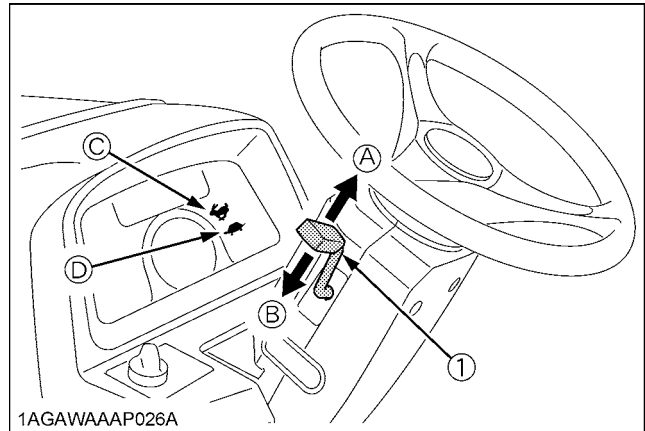
1AGAWAAP020A

(1) HST response control dial (A) "FAST" (B) "SLOW"

### ■ H-DS (Hydro Dual Speed) Lever

This lever changes the tractor speed in two stages whether the tractor is moving or not.

Pull up the lever to increase the speed, and push it down to decrease the speed. The selected speed can be checked with the indicator on the meter panel.



1AGAWAAP026A

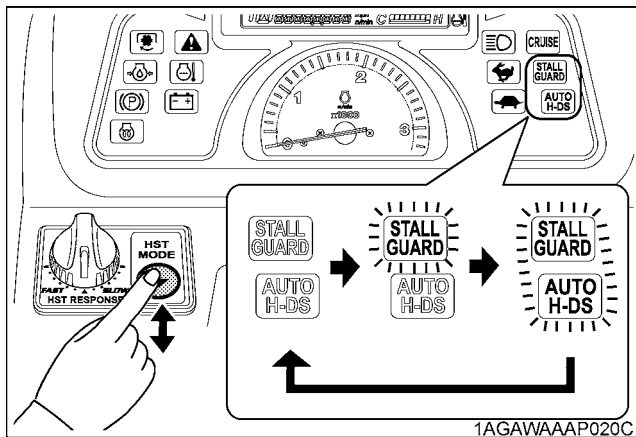
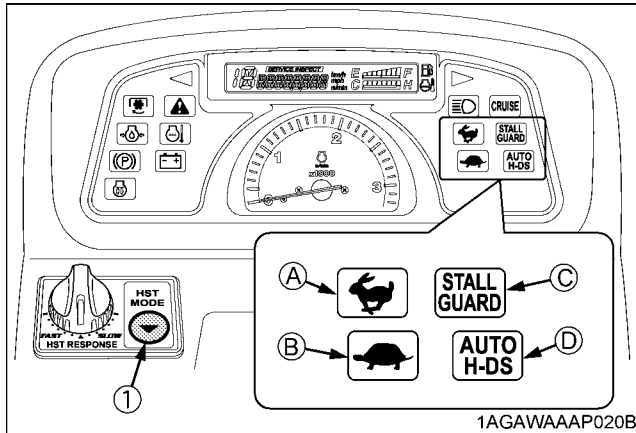
(1) H-DS lever (A) "UP" (Hi) (B) "DOWN" (Lo) (C) "Hi" (Hi) (D) "Lo" (Lo)

**NOTE :**

- This dial can be set whether the tractor is moving or not.

### ■ HST Mode Select Switch

Every time this switch is pushed, "MANUAL", "STALL GUARD" and "AUTO H-DS/STALL GUARD" are selected consecutively. Choose the best mode according to the type of job or your operating style. The selected mode is displayed on the indicator on the meter panel.



(1) HST mode select switch (A) "↑" (Hi)  
 (B) "↓" (Lo)  
 (C) "STALL GUARD"  
 (D) "AUTO H-DS"

### ◆ STALL GUARD

1. Push the HST mode select switch until the "STALL GUARD" indicator lights up on the meter panel.
2. If the tractor gets overloaded and the engine rpm drops, the tractor automatically slows down in response to the load, which prevents an engine stall.

### ◆ AUTO H-DS/STALL GUARD

1. Push the HST mode select switch until the "STALL GUARD" and "AUTO H-DS" indicators light up on the meter panel.
2. Set the H-DS lever to the "UP" (Hi) position. Make sure the "↑" (Hi) lamp lights up on the meter panel.
3. If the tractor gets overloaded and the engine rpm drops, the tractor automatically slows down to the (Lo) low speed range. In this case, the "↑" (Hi) lamp goes out and the "↓" (Lo) lamp lights up instead.
4. When the engine rpm has come up again, the tractor automatically speeds up from the (Lo) low speed range to the (Hi) high speed range. (The tractor speed increases to match the speed control pedal.) If the load is rather heavy and the engine rpm drops further, "STALL GUARD" will still prevent engine stall.

### NOTE :

- When the H-DS lever is set at the "Lo" position, the "AUTO H-DS" system does not work. (If the "↓" (Lo) lamp stays up and the "AUTO H-DS" lamp is flashing, set the H-DS lever to the "Hi" position.)
- Even in the "AUTO H-DS/STALL GUARD" mode, the Hi-Lo speed change can be made with this lever. Return the lever to the "Hi" position when there is no more need to slow down.

### ◆ MANUAL

Push the HST mode select switch until the "STALL GUARD" and "AUTO H-DS" indicators go out on the meter panel. This provides for manual mode. In this mode, any automatic control in response to the load does not activate.

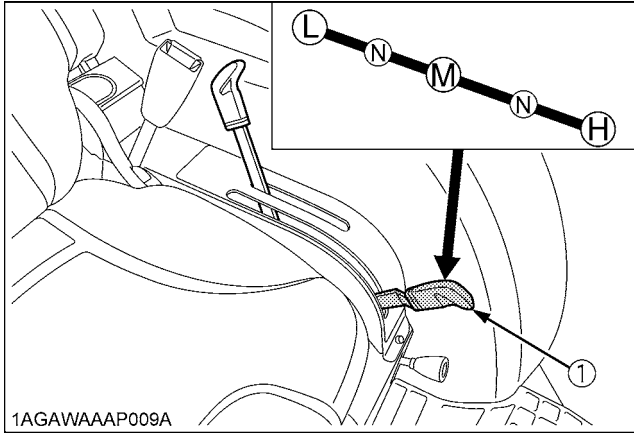
HST

GST

MT

### ■ Range Gear Shift Lever (L-M-H)

The range gear shift can only be shifted when the tractor is completely stopped and the speed control pedal is in the neutral position.



(1) Range gear shift lever (L-M-H) (H) "HIGH"  
(M) "MIDDLE"  
(L) "LOW"  
(N) "NEUTRAL POSITION"

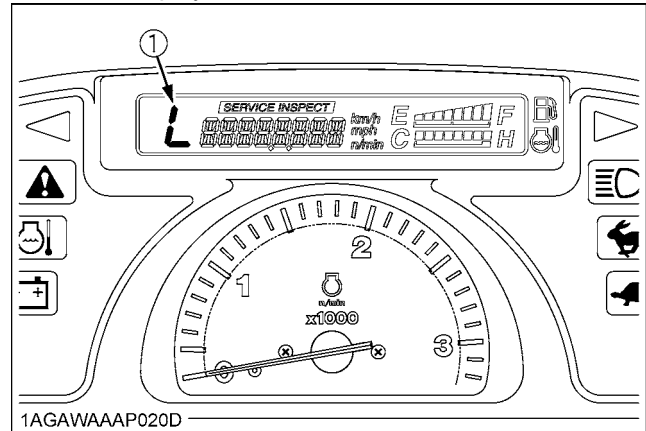
### IMPORTANT:

To avoid transmission and shift linkage damage when shifting:

- Completely stop the tractor using the brake pedals.
- Do not force the range gear shift lever.
- If it is difficult to shift the lever into L, M, or H from neutral position:  
On slopes be sure to set the parking brake before starting the procedure.
  - (1) Slightly depress the speed control pedal to rotate the gears inside of the transmission.
  - (2) Release the speed control pedal to the neutral position.
  - (3) Depress the clutch pedal, wait for a moment and then shift the lever.

### NOTE :

- The range gear shift number being selected appears on the display.



(1) Gear shift number (H-M-L) N: "NEUTRAL"

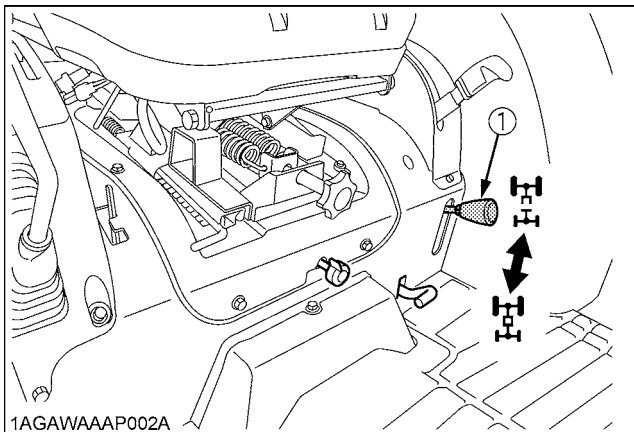
■ Front Wheel Drive Lever

**CAUTION**

To avoid personal injury:

- Do not engage the front wheel drive when traveling at road speed.
- When driving on icy, wet or loose surfaces, make sure the tractor is correctly ballasted to avoid skidding and loss of steering control. Operate at reduced speed and engage front wheel drive.
- An accident may occur if the tractor is suddenly braked, such as by heavy towed loads shifting forward or loss of control.
- The braking characteristics are different between two and four wheel drive. Be aware of the difference and use carefully.

Use the lever to engage the front wheels with the tractor stopped. Shift the lever to "ON" to engage the front wheel drive.



(1) Front wheel drive lever    ⬆️ "ON"    ⬆️ "OFF"

**IMPORTANT :**

- Depress the clutch pedal before engaging the front wheel drive lever.
- If the front wheel drive lever is difficult to set to OFF, stop the tractor, turn the steering wheel and move the lever.
- Tires will wear quickly if front wheel drive is engaged on paved roads.

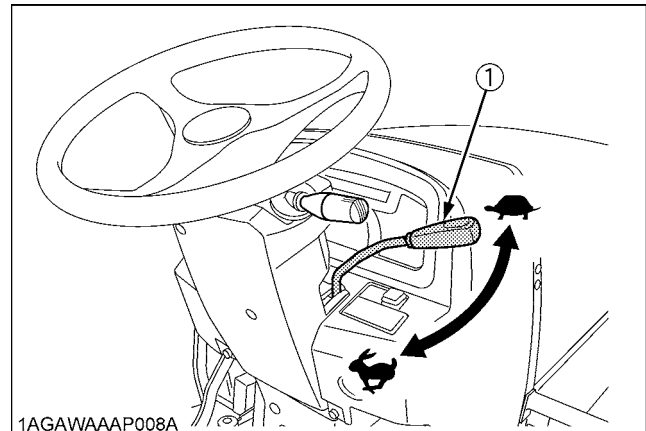
◆ Front wheel drive is effective for the following jobs:

1. When greater pulling force is needed, such as working in a wet field, when pulling a trailer, or when working with a front-end loader.
2. When working in sandy soil.
3. When working on a hard soil where a rotary tiller might push the tractor forward.
4. For increased braking at reduced speed.

7. Accelerate the engine.

■ Hand Throttle Lever

Pulling the throttle lever back increases engine speed, and pushing it forward decreases engine speed.

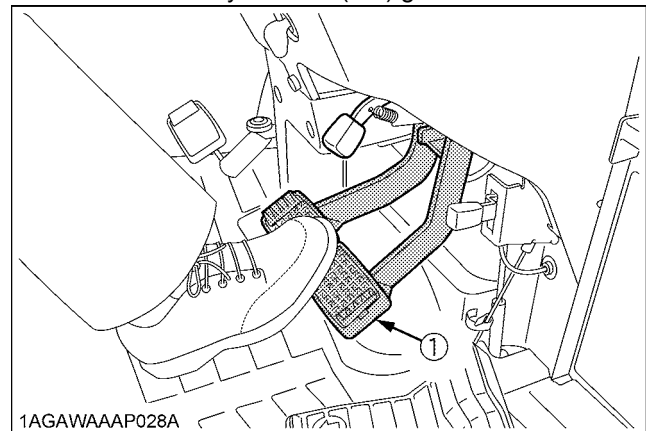


(1) Hand throttle lever    ⬆️ "INCREASE"  
⬆️ "DECREASE"

8. Unlock the parking brake and slowly release the clutch.

■ Parking Brake Lever

To release the parking brake, depress the brake pedals again. When the parking brake is released, parking brake indicator in the Easy Checker(TM) goes off.



(1) Brake pedals

HST

GST

MT

## 9. Depress the Speed Control Pedal.

### ■ Speed Control Pedal



#### WARNING

To avoid personal injury:

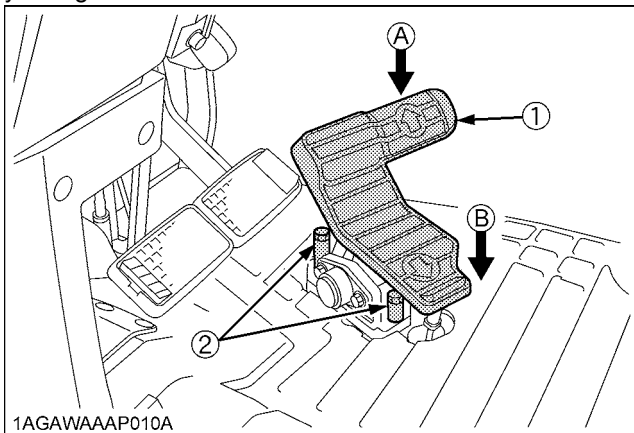
- Do not operate if tractor moves on level ground with foot off of Speed Control Pedal.
- Consult your local KUBOTA Dealer.

#### Forward Pedal

Depress the speed control pedal with the toe of your right foot to move forward.

#### Reverse Pedal

Depress the speed control pedal with the heel or toe of your right foot to move backward.



(1) Speed control Pedal

(A) "FORWARD"

(2) Stopper bolt

(B) "REVERSE"

#### IMPORTANT :

- To prevent serious damage to the HST, do not adjust the stopper bolts.

#### NOTE :

- When you stand up from the seat with the speed control pedal stepped on or the cruise control lever engaged (ON), the engine will stop regardless of whether the tractor is moving or not. This is because the tractor is equipped with Operator Presence Control system (OPC).

### ■ Cruise Control Lever



#### CAUTION

To avoid personal injury:

- Pull the cruise control lever completely to the rear before starting the engine.
- Do not use the cruise control when driving on the road.
- Be sure to connect both the left and the right brakes when driving on the road. The speed cruise control won't be released with single brake activation.

Cruise control is designed for tractor operating efficiency and operator comfort. This device will provide a constant forward operating speed by holding the cruise control lever at the selected position.

#### ◆ To engage Cruise Control Device

1. The proper forward speed will be maintained if you apply the cruise control lever at any position.
2. To operate faster than the set speed, depress the speed control pedal further down in this condition. The set speed will be resumed if you release the pedal.

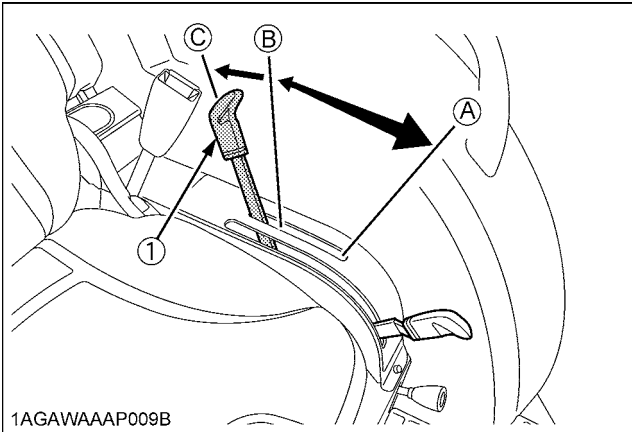
#### ◆ To disengage Cruise Control Device

- Move the lever all the way back and then to "NEUTRAL" position to release the cruise control.
- Depress both brake pedals.
- Depress the speed control pedal in reverse.

#### NOTE :

- Cruise control will be disengaged automatically when both brake pedals are depressed.
- The cruise control device does not disengage when the individual right or left brake is applied.
- Cruise control device will not operate in reverse.

- When the brake pedal or the reverse pedal has been depressed to release the cruise control, move the cruise control lever by hand back to the "NEUTRAL (OFF)" position.



1AGAWAAP009B

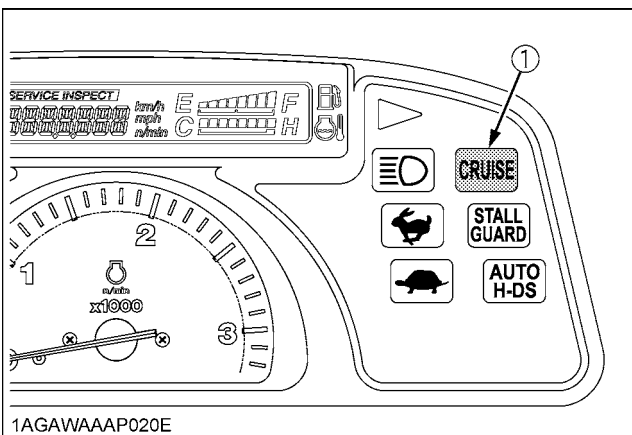
- (1) Cruise control lever      (A) "INCREASE"  
 (B) "DECREASE"  
 (C) "NEUTRAL"

**NOTE :**

- When you stand up from the seat with the speed control pedal stepped on or the cruise control lever engaged (ON), the engine will stop regardless of whether the tractor is moving or not. This is because the tractor is equipped with Operator Presence Control system (OPC).

◆ **IntelliPanel(TM) Message**

1. The cruise control indicator stays on while the tractor is running under cruise control.



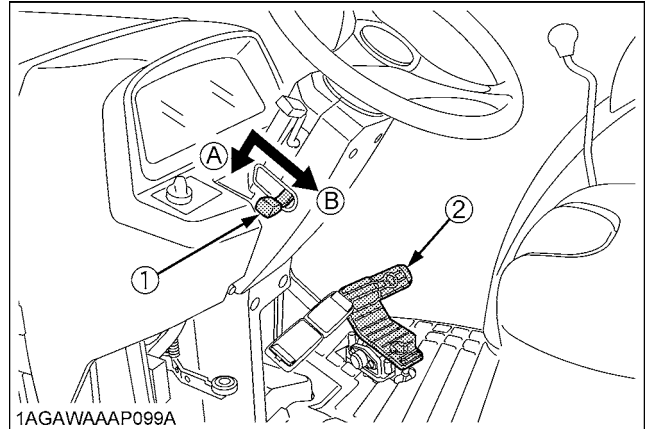
1AGAWAAP020E

- (1) Cruise control indicator

2. Step on the speed control pedal until the tractor goes beyond the cruise speed. Now the indicator starts flashing.
3. It goes out when the cruise control is released with setting the cruise control lever to "NEUTRAL (OFF)" or depressing the brake pedal or reverse pedal.

■ **ATA (Auto Throttle Advance) Lever**

Get this lever engaged (ON), and the tractor speed and the engine rpm can be controlled with the speed control pedal. It helps pull a trailer or the like more easily. Before moving the lever, be sure to return the speed control pedal to "NEUTRAL" position.



1AGAWAAP099A

- (1) ATA lever      (A) "ENGAGE" (ON)  
 (2) Speed control pedal      (B) "DISENGAGE" (OFF)

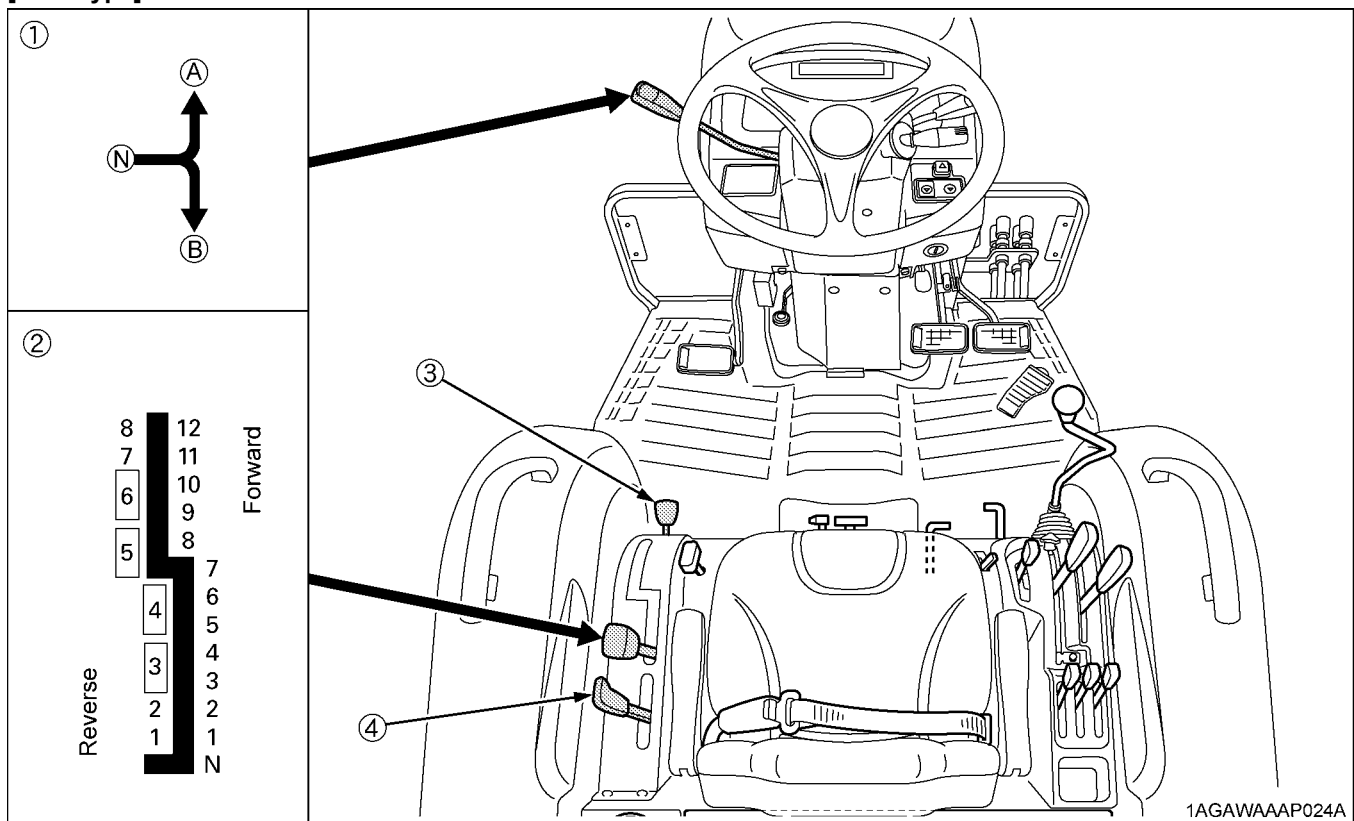
HST

GST

MT

## 6. Selecting the Travel Speed.

[GST Type]



1AGAWAAP024A

(1) Shuttle shift lever  
(2) Main gear shift lever

(3) Front wheel drive lever  
(4) Creep gear shift lever (if equipped)

(A) "FORWARD"  
(B) "REVERSE"  
(N) "NEUTRAL POSITION"

### ■ Shuttle Shift Lever



#### WARNING

To avoid personal injury:  
**BEFORE DISMOUNTING TRACTOR:**

- **ALWAYS SET PARKING BRAKE**  
Leaving transmission in gear with the engine stopped will not prevent tractor with GST transmission from rolling.
- **STOP THE ENGINE AND REMOVE THE KEY**

Raise up and shift the shuttle shift lever forward to obtain forward speeds and shift it backward to obtain reverse speeds without using the clutch pedal.

#### IMPORTANT :

- Reduce engine speed to low idle before shifting the shuttle shift lever.
- Shuttle shift change should not be done all at one time. Move the shuttle shift lever to the neutral position momentarily before you accomplish the shuttle change, hard or sudden gear shift may cause transmission damage.

#### NOTE :

- When you stand up from the seat with the shuttle lever at "FORWARD" or "BACKWARD", the engine will stop regardless of whether the tractor is moving or not. This is because the tractor is equipped with Operator Presence Control system (OPC).



## ■ Main Gear Shift Lever



### CAUTION

To avoid personal injury:

- Use the clutch when making an emergency stop or working in confined areas, such as getting tractor in position to attach an implement.
- An accident may occur with erratic shifting operation.  
For safe operation, move main gear shift lever only one gear at a time.
- Shift the main gear shift lever firmly and without hesitation. Improper shift lever position will cause the tractor to momentarily coast on slopes.
- Avoid changing gears when climbing or descending a slope.
- Before ascending or descending a slope, shift to a gear low enough to control tractor speed without using brakes.  
If you shift gears while ascending or descending a slope, be prepared to use the brakes to maintain control.
- Operate in reverse at slow speeds to maintain control.

By combination of using the main gear shift lever and the shuttle shift lever, 12 forward speeds and 8 reverse speeds are obtained.

With the Glide Shift Transmission, you can shift at any time, stopped or on-the-go. The Shuttle Shift lever must be in forward or reverse.

There is no need to use the clutch when starting out or shifting up or down.

Before dismounting tractor, shift the main gear shift lever and the shuttle lever to the neutral position and set parking brake.

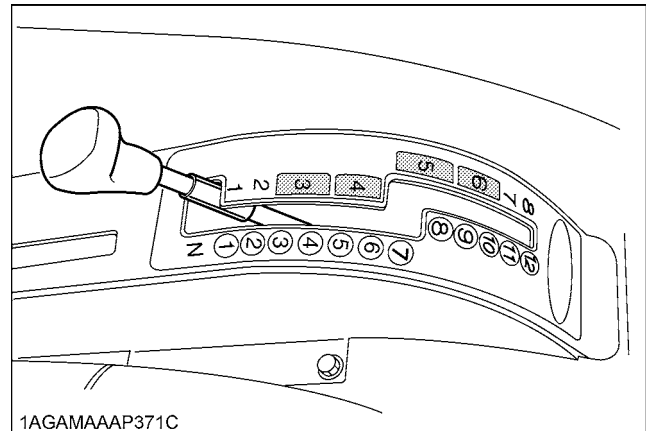
### IMPORTANT :

- Start in lower gears and shift one gear at a time until desired gear is obtained.
- To prolong clutch life, avoid slipping the hydraulic clutch. Pay attention to the following points:
  - Select proper gear and engine speed depending on the type of job.
  - Avoid lugging the engine, especially in higher gears. If RPM's drop excessively, shift to a lower gear.
- In cold climate, it may take longer for the tractor to move after the main shift lever is moved. This is because the transmission oil must warm up.
  - Warm up the tractor sufficiently. If there is not enough time to do so, start the tractor with the shuttle shift lever or the clutch.

- There is no problem with a delay in starting. The tractor will start as the oil temperature increases.

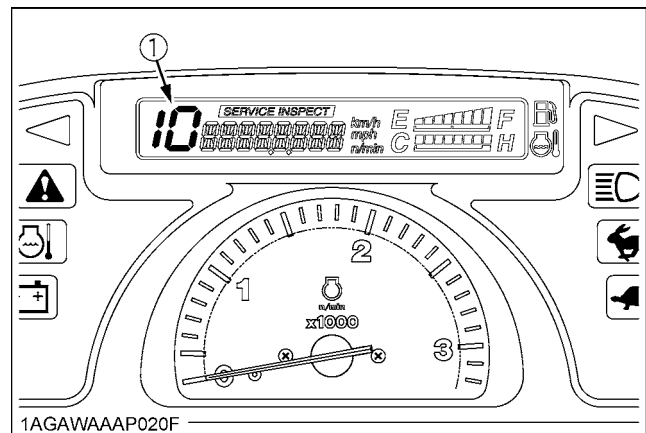
### NOTE :

- Two speed steps are assigned to each of the backward speed labels 3 thru 6. While using the main gear shift lever in this range for backward movement, however, each label gives just one speed, not two.



### ◆ IntelliPanel(TM) Message

The main gear shift number being selected appears on the display.



(1) Gear shift number (1 thru 12) N: "NEUTRAL"

HST

GST

MT

## ■ Creep Gear Shift Lever (if equipped)

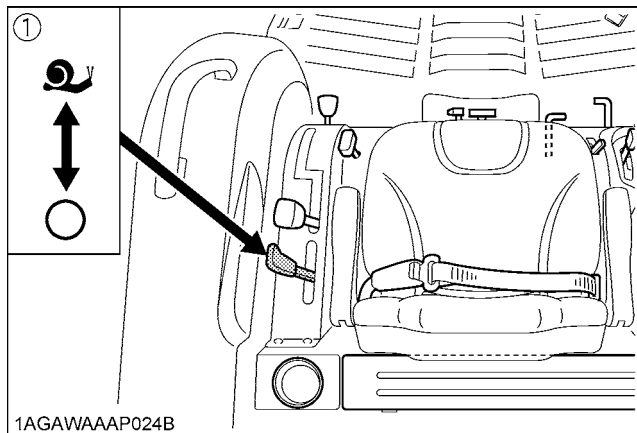


### CAUTION

To avoid personal injury:

- When you leave the tractor, be sure to apply the parking brake and stop the engine.
- IN APPLYING THE BRAKES:
  - The torque of wheel axle is extremely high while creep speed is being used. Be sure to step down on the clutch pedal completely before applying the brakes, or they will not work.
  - When starting to operate the tractor, be sure to release the parking brakes. Misuse of the brakes may cause damage to the transmission and is therefore not acceptable to KUBOTA for coverage under the warranty.

Shift the creep gear shift lever at "○" to obtain high speeds and shift it "☺" to obtain low speeds. This shifting requires clutch operation.



1AGAWAAP024B

(1) Creep gear shift lever

☺ ..... Creep ON  
○ ..... Creep OFF

### IMPORTANT :

- Press the clutch pedal completely down and stop the tractor's motion before shifting the creep gear shift lever.

◆ Creep speed (attained by shifting the creep gear shift lever to "☺") should be used only when doing one of the following jobs:

1. Deep rotary-tilling and harrowing
2. Planting
3. Turf application

◆ Creep speed can not be used for any of the following:

1. Pulling a trailer
2. Front-loader operation
3. Front-blade operation
4. Earth-moving
5. Entering and leaving a field
6. Loading onto and unloading from a truck

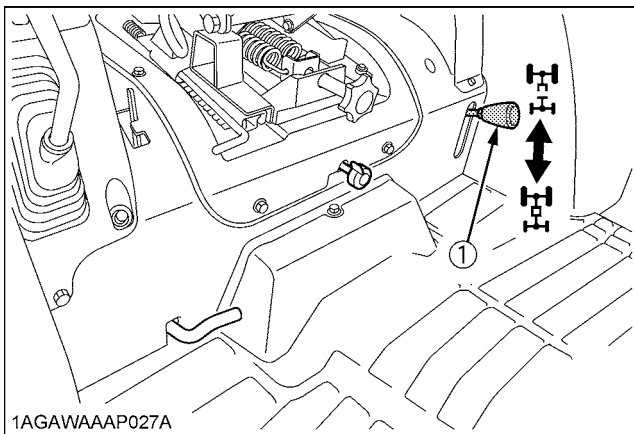
■ Front Wheel Drive Lever

**CAUTION**

To avoid personal injury:

- Do not engage the front wheel drive when traveling at road speed.
- When driving on icy, wet or loose surfaces, make sure the tractor is correctly ballasted to avoid skidding and loss of steering control. Operate at reduced speed and engage front wheel drive.
- An accident may occur if the tractor is suddenly braked, such as by heavy towed loads shifting forward or loss of control.
- The braking characteristics are different between two and four wheel drive. Be aware of the difference and use carefully.

Use the lever to engage the front wheels with the tractor stopped. Shift the lever to "ON" to engage the front wheel drive.



(1) Front wheel drive lever    "ON"    "OFF"

**IMPORTANT :**

- Depress the clutch pedal before engaging the front wheel drive lever.
- If the front wheel drive lever is difficult to set to OFF, stop the tractor, turn the steering wheel and move the lever.
- Tires will wear quickly if front wheel drive is engaged on paved roads.

◆ Front wheel drive is effective for the following jobs:

1. When greater pulling force is needed, such as working in a wet field, when pulling a trailer, or when working with a front-end loader.
2. When working in sandy soil.
3. When working on a hard soil where a rotary tiller might push the tractor forward.
4. For increased braking at reduced speed.

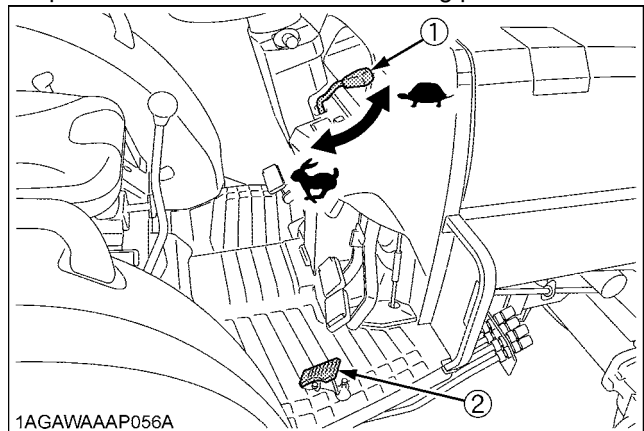
7. Accelerate the engine.

■ Hand Throttle Lever

Pulling the throttle lever back increases engine speed, and pushing it forward decreases engine speed.

■ Foot Throttle

Use the foot throttle when traveling on the road. Press down on it for higher speed. The foot throttle is interlocked with the hand throttle lever; when using the foot throttle, keep the hand throttle lever in low idling position.



(1) Hand throttle lever    "INCREASE"  
 (2) Foot throttle    "DECREASE"

HST

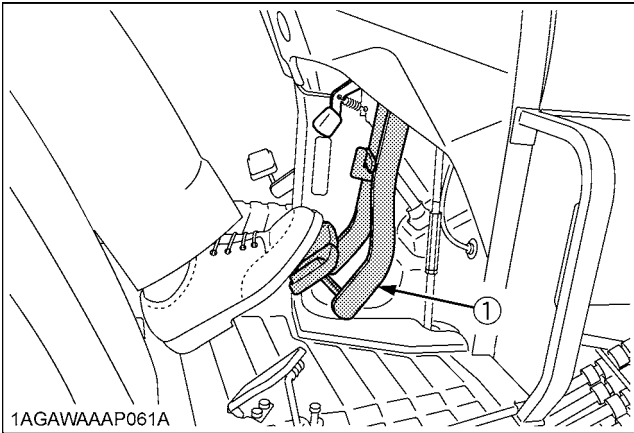
GST

MT

**8. Unlock the parking brake and slowly release the clutch.**

**■ Parking Brake Lever**

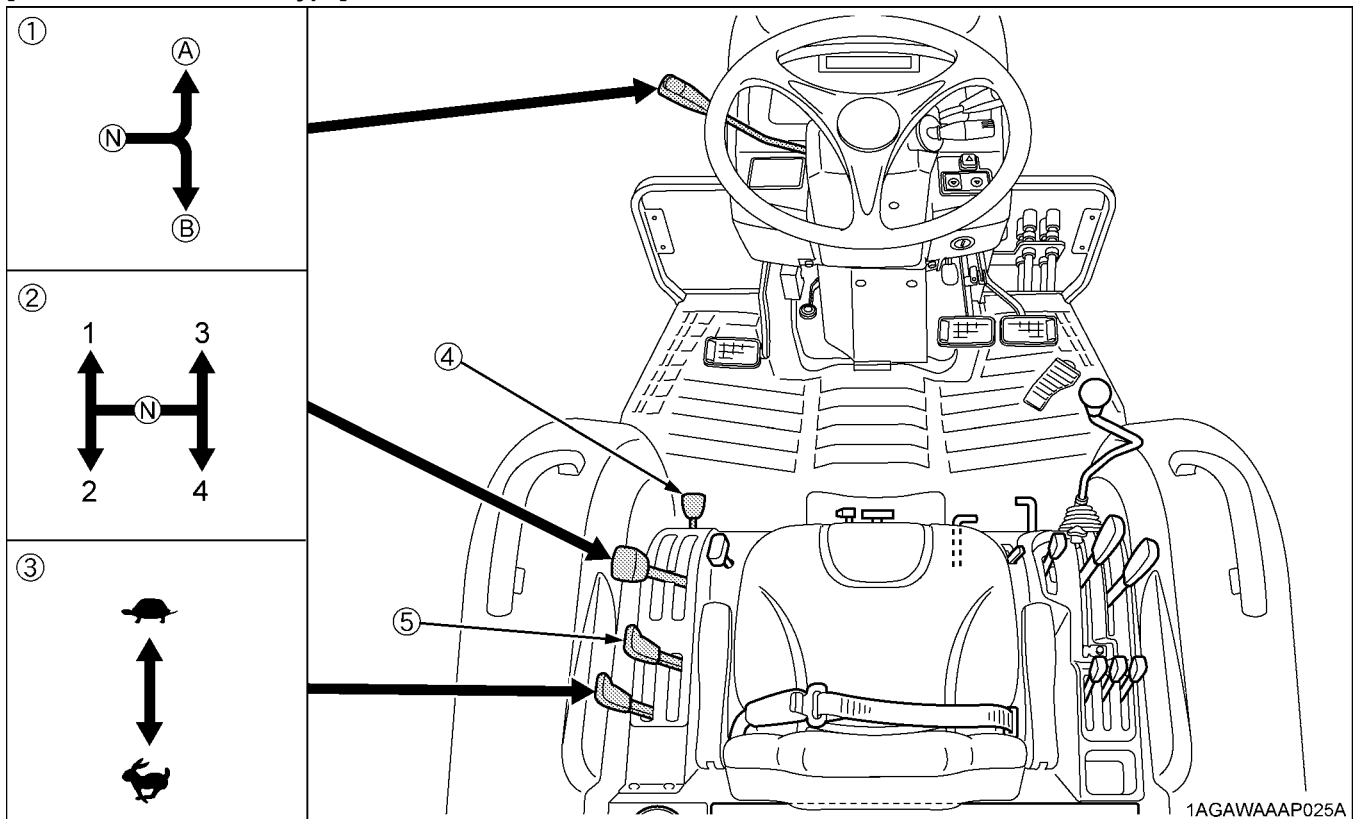
To release the parking brake, depress the brake pedals again. When the parking brake is released, parking brake indicator in the Easy Checker(TM) goes off.



(1) Brake pedals

## 6. Selecting the Travel Speed.

[Manual Transmission Type]



(1) Synchro-shuttle shift lever

(2) Main gear shift lever

(3) Range gear shift lever (Hi-Lo)

(4) Front wheel drive lever

(5) Creep gear shift lever (if equipped)

(A) "FORWARD"

(B) "REVERSE"

(N) "NEUTRAL POSITION"

☝ "HIGH"

☚ "LOW"

### ■ Main Gear Shift Lever

The main gear shift is fully synchronized to shift without stopping.

#### IMPORTANT :

- The main gear shift may be shifted between speeds on-the-go, but clutch must be depressed.

### ■ Range Gear Shift Lever (Hi-Lo)

The range gear shift can only be shifted when tractor is completely stopped and clutch is depressed.

#### IMPORTANT :

- To avoid transmission damage, depress clutch pedal and stop tractor before shifting between ranges.

### ■ Synchro-Shuttle Shift Lever

Raise up and shift the shuttle shift lever forward to obtain forward speeds and shift back to obtain reverse speeds. This shifting requires clutch operation.

#### IMPORTANT :

- The synchro-shuttle shift lever may be shifted while the tractor is moving slowly and the clutch is depressed, but sudden gear shifting may cause transmission damage.

#### NOTE :

- When you stand up from the seat with the shuttle lever at "FORWARD" or "BACKWARD", the engine will stop regardless of whether the tractor is moving or not. This is because the tractor is equipped with Operator Presence Control system (OPC).

1AGAWAAP025A

## ■ Creep Gear Shift Lever (if equipped)

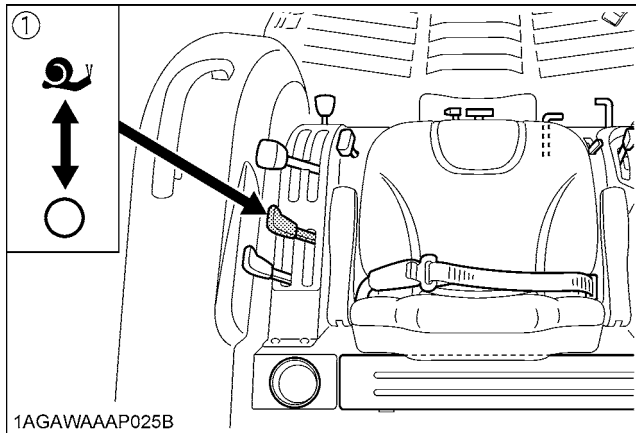


### CAUTION

To avoid personal injury:

- When you leave the tractor, be sure to apply the parking brake and stop the engine.
- **IN APPLYING THE BRAKES:**
  - The torque of wheel axle is extremely high while creep speed is being used. Be sure to step down on the clutch pedal completely before applying the brakes, or they will not work.
  - When starting to operate the tractor, be sure to release the parking brakes. Misuse of the brakes may cause damage to the transmission and is therefore not acceptable to KUBOTA for coverage under the warranty.

Shift the creep gear shift lever at "○" to obtain high speeds and shift it "☰" to obtain low speeds. This shifting requires clutch operation.



(1) Creep gear shift lever

☰ .....Creep ON  
○ .....Creep OFF

### IMPORTANT :

- Press the clutch pedal completely down and stop the tractor's motion before shifting the creep gear shift lever.

◆ Creep speed (attained by shifting the creep gear shift lever to "☰") should be used only when doing one of the following jobs:

1. Deep rotary-tilling and harrowing
2. Planting
3. Turf application

◆ Creep speed can not be used for any of the following:

1. Pulling a trailer
2. Front-loader operation
3. Front-blade operation
4. Earth-moving
5. Entering and leaving a field
6. Loading onto and unloading from a truck

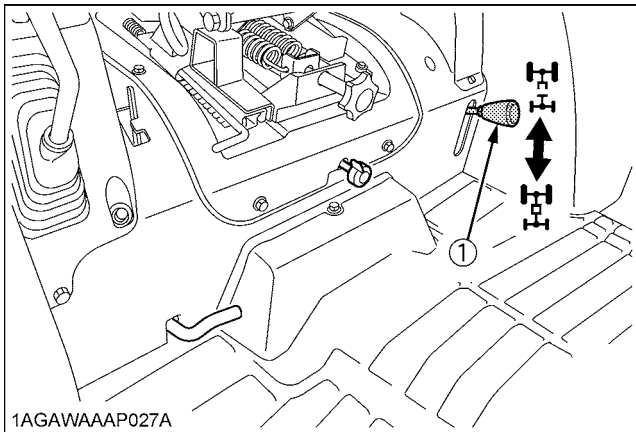
■ Front Wheel Drive Lever

**CAUTION**

To avoid personal injury:

- Do not engage the front wheel drive when traveling at road speed.
- When driving on icy, wet or loose surfaces, make sure the tractor is correctly ballasted to avoid skidding and loss of steering control. Operate at reduced speed and engage front wheel drive.
- An accident may occur if the tractor is suddenly braked, such as by heavy towed loads shifting forward or loss of control.
- The braking characteristics are different between two and four wheel drive. Be aware of the difference and use carefully.

Use the lever to engage the front wheels with the tractor stopped. Shift the lever to "ON" to engage the front wheel drive.



(1) Front wheel drive lever    "ON"    "OFF"

**IMPORTANT :**

- Depress the clutch pedal before engaging the front wheel drive lever.
- If the front wheel drive lever is difficult to set to OFF, stop the tractor, turn the steering wheel and move the lever.
- Tires will wear quickly if front wheel drive is engaged on paved roads.

◆ Front wheel drive is effective for the following jobs:

1. When greater pulling force is needed, such as working in a wet field, when pulling a trailer, or when working with a front-end loader.
2. When working in sandy soil.
3. When working on a hard soil where a rotary tiller might push the tractor forward.
4. For increased braking at reduced speed.

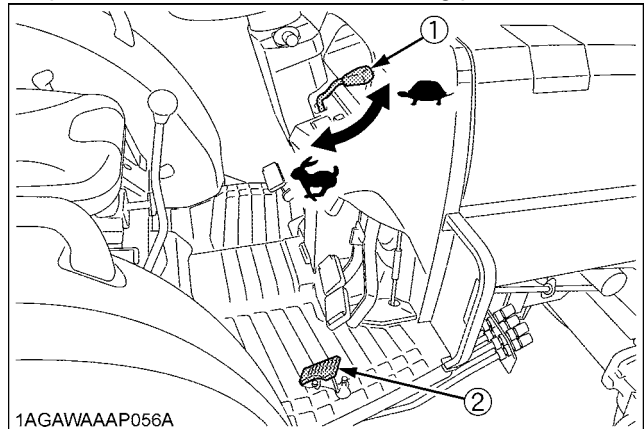
7. Accelerate the engine.

■ Hand Throttle Lever

Pulling the throttle lever back increases engine speed, and pushing it forward decreases engine speed.

■ Foot Throttle

Use the foot throttle when traveling on the road. Press down on it for higher speed. The foot throttle is interlocked with the hand throttle lever; when using the foot throttle, keep the hand throttle lever in low idling position.

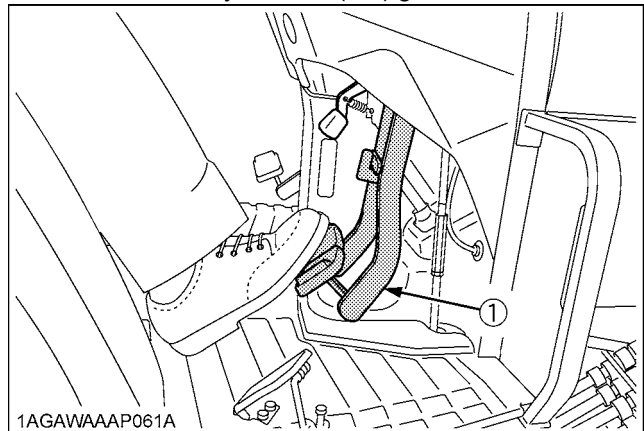


(1) Hand throttle lever    "INCREASE"  
 (2) Foot throttle    "DECREASE"

8. Unlock the parking brake and slowly release the clutch.

■ Parking Brake Lever

To release the parking brake, depress the brake pedals again. When the parking brake is released, parking brake indicator in the Easy Checker(TM) goes off.



(1) Brake pedals

HST

GST

MT

## STOPPING

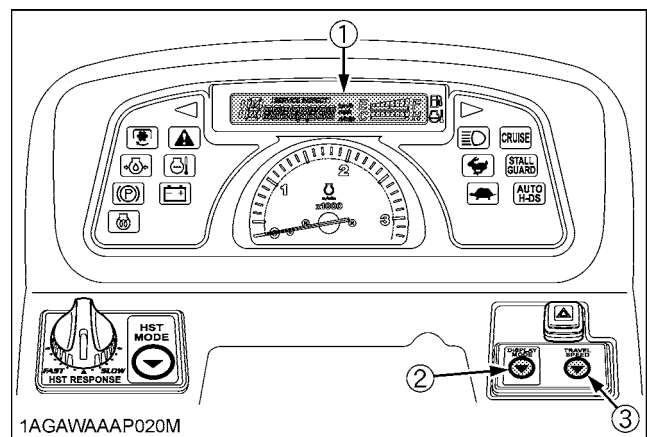
### ■ Stopping

1. Slow down the engine.
2. Step on the clutch and brake pedal.
3. After the tractor has stopped, disengage the PTO, lower the implement to the ground, shift the transmission to neutral, release the clutch pedal, and set the parking brake.

## INTELLIPANEL (TM)

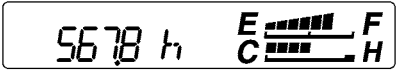
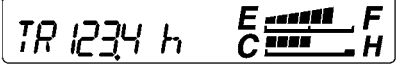
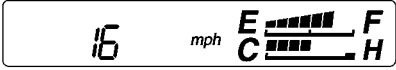
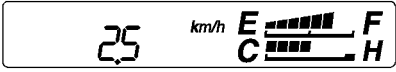
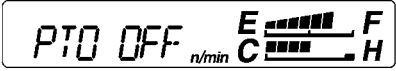


### ■ Changing Display Mode

1. Each time the display mode button is pressed, the IntelliPanel(TM) display mode changes from 1 thru 5. Select the display mode appropriate for the work in question.
2. When the key switch is set to "ON", the IntelliPanel(TM) will return to the last display mode used.
3. If the display is in any mode other than the traveling speed mode. Press the travel speed button, and the display switches to the traveling speed mode. To get back to the original display mode, use the display mode button.



- (1) IntelliPanel(TM) display  
 (2) Display mode button  
 (3) Travel speed button



<p>Display 1 : Hour meter mode</p>		<p>The tractor's total operating hours are displayed.</p>
<p>Display 2 : Trip meter mode</p>		<p>Hold down the display mode button for 2 seconds or longer, and the trip meter resets to [0.0].</p>
<p>Display 3 : Traveling speed mode (mph)</p>		
<p>Display 4 : Traveling speed mode (km/h)</p>		
<p>Display 5 : PTO speed mode</p>		<p>The PTO is disengaged (OFF).</p>
		<p>The speed of the rear PTO, when engaged (ON), is displayed.</p>
		<p>The speed of the mid-PTO, when engaged (ON), is displayed instead of the rear PTO.</p>

**NOTE :**


- At the leftmost end of the display, the main gear shift number appears on GST type machines, whereas the range gear shift number appears on HST type machines.
- In cold weather the LCD meter response will normally be slower and the visibility be less, than in warmer weather.

## CHECK DURING DRIVING

### ■ IntelliPanel(TM) Message

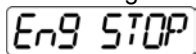
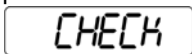
If any of the following messages appears during operation, immediately stop the machine and follow the message's instructions. If the cause of trouble has not been pinpointed, consult your local KUBOTA Dealer.

#### ◆ Engine over heat

If the engine gets overheated, the  lamp on the meter panel lights up and the following messages appear alternately.

 ↔ 

1. Stop operation and set the engine to the idling speed.
2. When the coolant temperature has dropped, the following messages appear instead.

 ↔ 

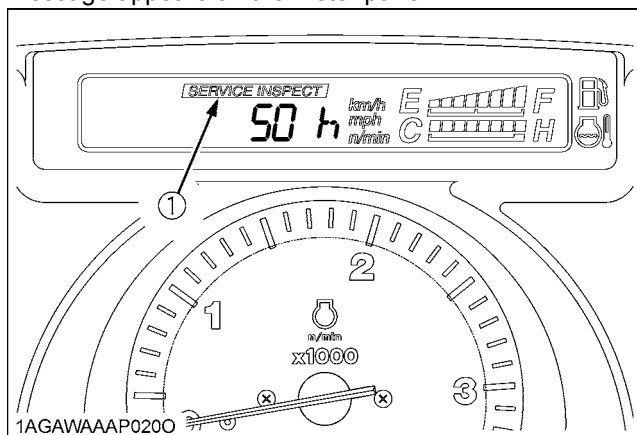
3. Stop the engine, wait for 30 minutes until the machine cools down, and check the following points.
  - (1) Check the reserve tank and radiator for cooling water shortage or leak.
  - (2) Check the insect screening and radiator for chaff and dust deposits.
  - (3) Check the fan belt for slack.

#### IMPORTANT :

- If steam gushes out of the reserve tank's overflow pipe, take the measure discussed above.

#### ◆ SERVICE INSPECT

Every 50 operating hours, the "SERVICE INSPECT" message appears on the meter panel.



(1) "SERVICE INSPECT"

1. Finish the job in hand, and do the routine inspection referring to the hours being displayed. (See "SERVICE INTERVALS" in "MAINTENANCE" section.)
2. Reset the "SERVICE INSPECT" message as follows. Keep pushing both display mode button and travel speed button for two seconds or more while HOUR METER MODE.

### ■ Immediately Stop the Engine if:

- The engine suddenly slows down or accelerates,
- Unusual noises are suddenly heard,
- Exhaust fumes suddenly become very dark,

### ■ Easy Checker(TM)

If the indicators in the Easy Checker(TM) come on during operation, immediately stop the engine, and find the cause as shown below.

Never operate the tractor while Easy Checker(TM) lamp is on.

#### Engine oil pressure

If the oil pressure in the engine goes below the prescribed level, the indicator in the Easy Checker(TM) will come on.

If this should happen during operation, and it does not go off when the engine is accelerated to more than 1000 rpm, check level of engine oil. (See "Checking Engine Oil Level" in "DAILY CHECK" in "PERIODIC SERVICE" section.)

#### Electrical charge

If the alternator is not charging the battery, the indicator in the Easy Checker(TM) will come on. If this should happen during operation, check the electrical charging system or consult your local KUBOTA Dealer.

- ▲ If the HST or GST Transmission malfunctions, the indicator in the Easy Checker(TM) will blink. If this should happen during operation, carefully move the tractor to a safe place, contact your local KUBOTA Dealer for repairs.

#### NOTE :

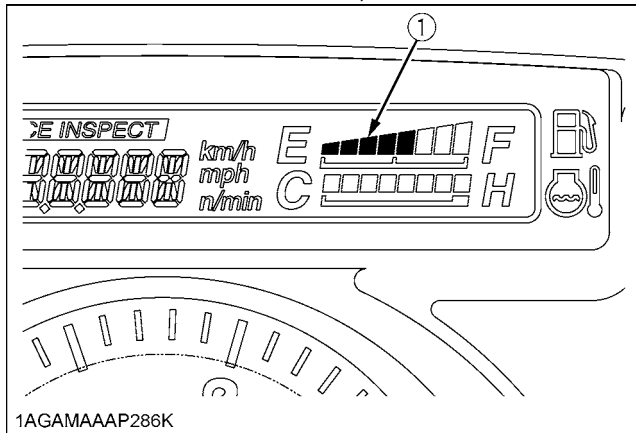
- For checking and servicing of your tractor, consult your local KUBOTA Dealer for instructions.

### Fuel Gauge

When the key switch is on, the liquid crystal blocks indicate the fuel level.

Be careful not to empty the fuel tank. Otherwise air may enter the fuel system.

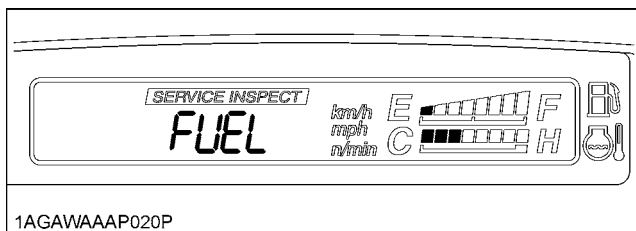
Should this happen, the system should be bled. (See "Bleeding Fuel System" in "SERVICE AS REQUIRED" in "PERIODIC SERVICE" section.)



(1) Fuel gauge (E) "EMPTY" (F) "FULL"

#### NOTE :

- When all the liquid crystal blocks but the leftmost one of the fuel gauge go out, "FUEL" appears in the liquid crystal display. If this should happen during operation, refuel as soon as possible. (See "Checking and Refueling" in "DAILY CHECK" in "PERIODIC SERVICE" section.)



1AGAWAAP020P

### Coolant Temperature Gauge

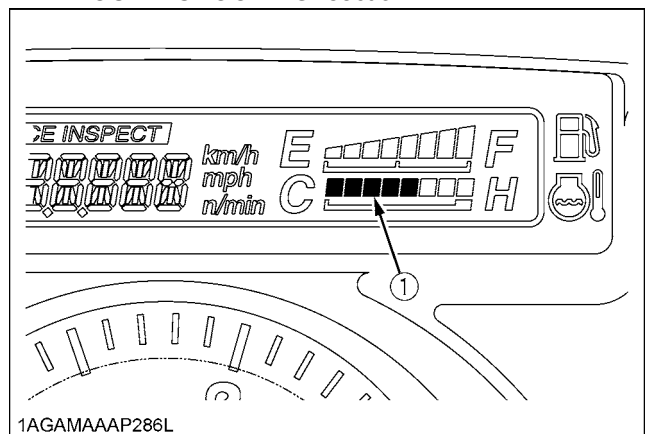


#### CAUTION

To avoid personal injury:

- Do not remove radiator cap until coolant temperature is well below its boiling point. Then loosen cap slightly to the stop to relieve any pressure before removing cap completely.

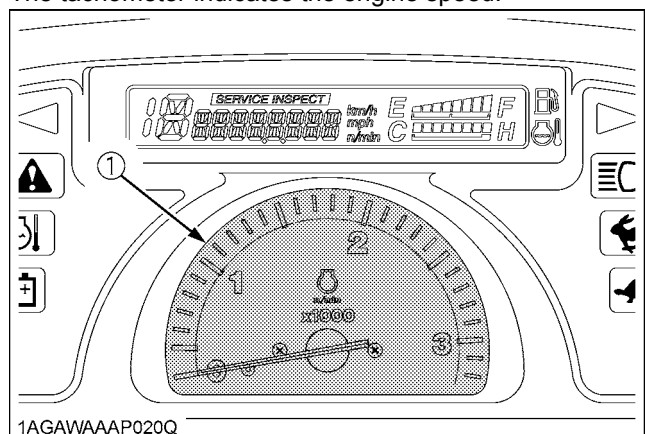
- With the key switch at "ON" the liquid crystal blocks indicate the temperature of the coolant. "C" for "cold" and "H" for "hot."
- If the indicator reaches the "H" position, engine coolant is overheated. Check the tractor by referring to "TROUBLESHOOTING" section.



(1) Coolant temperature gauge

### Tachometer

The tachometer indicates the engine speed.



(1) Engine revolution

## PARKING

### ■ Parking



### CAUTION

To avoid personal injury:

#### BEFORE DISMOUNTING TRACTOR

- ALWAYS SET PARKING BRAKE AND LOWER ALL IMPLEMENTS TO THE GROUND.

Leaving transmission in gear with the engine stopped will not prevent tractor with GST and HST transmission from rolling.

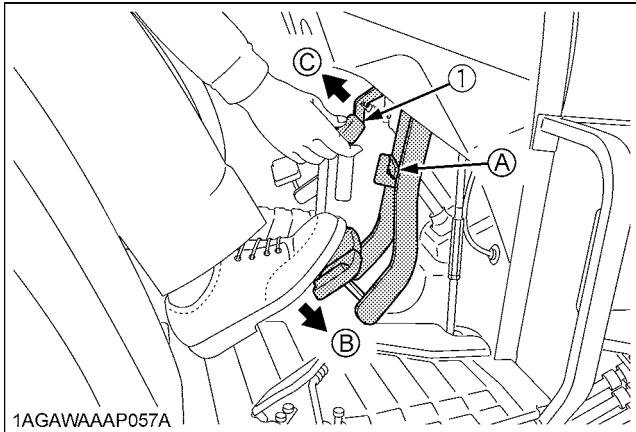
- STOP THE ENGINE AND REMOVE THE KEY.

1. When parking, be sure to set the parking brake.

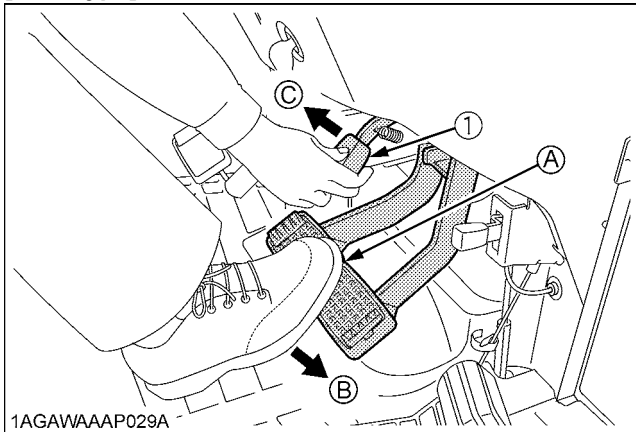
To set the parking brake;

- (1) Interlock the brake pedals.
- (2) Depress the brake pedals.
- (3) Latch the brake pedals with the parking brake lever.

#### [GST / Manual Transmission Type]



#### [HST Type]



(1) Parking brake lever

(A) Interlock the brake pedals

(B) "DEPRESS"

(C) "PULL"

#### IMPORTANT :

- To prevent damage to the parking brake lever, make sure that brake pedals are fully depressed before pulling the parking brake lever up.
2. Before getting off the tractor, disengage the PTO, lower all implements to the ground, place all control levers in their neutral positions, set the parking brake, stop the engine and remove the key.
  3. If it is necessary to park on an incline, be sure to chock the wheels to prevent accidental rolling of the machine.

## OPERATING TECHNIQUES

### ■ Differential Lock



#### WARNING

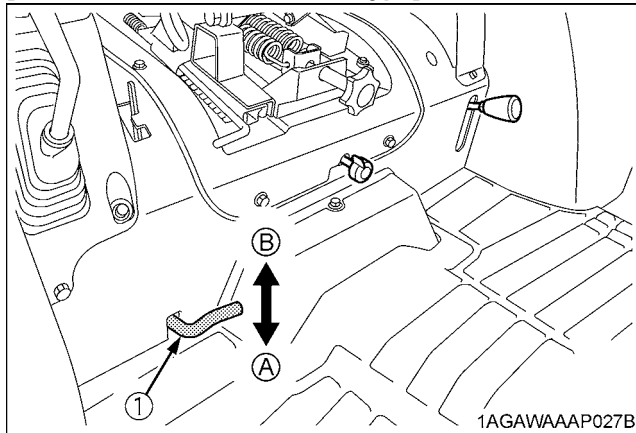
To avoid personal injury due to loss of steering control:

- Do not operate the tractor at high speed with differential lock engaged.
- Do not attempt to turn with the differential lock engaged.
- Be sure to release the differential lock before making a turn in field conditions.

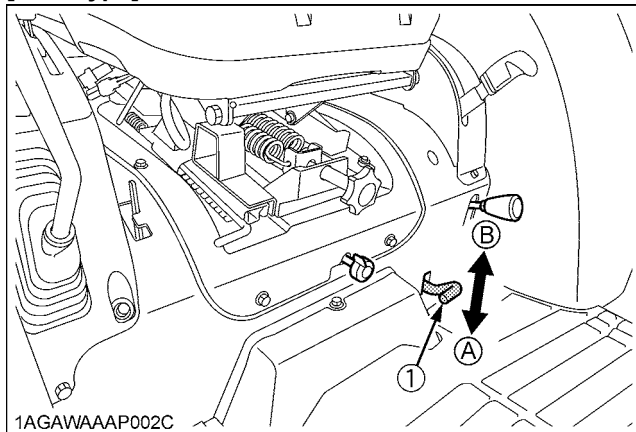
If one of the rear wheels should slip, step on the differential lock pedal. Both wheels will turn together, then reduce slippage.

Differential lock is maintained only while the pedal is depressed.

#### [GST / Manual Transmission Type]



#### [HST Type]



(1) Differential lock pedal

(A) Press to "ENGAGE"

(B) Release to "DISENGAGE"

#### IMPORTANT :

- When using the differential lock, always slow the engine down.
- To prevent damage to power train, do not engage differential lock when one wheel is spinning and the other is completely stopped.
- If the differential lock cannot be released, step lightly on the brake pedals alternately.

### ■ Operating the Tractor on a Road



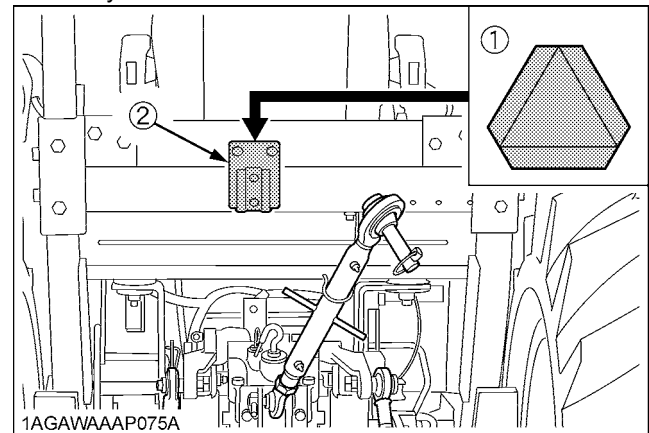
#### CAUTION

To avoid personal injury:

- To help assure straight line stops when driving at transport speeds, lock the brake pedals together. Uneven braking at road speeds could cause the tractor to roll-over.
- When traveling on road with 3-point hitch mounted implement attached, be sure to have sufficient front weight on the tractor to maintain steering ability.

Be sure SMV emblem and warning lamps are clean and visible. If towed or rear-mounted equipment obstructs these safety devices, install SMV emblem and warning lamps on equipment.

Consult your local KUBOTA Dealer for further details.



(1) SMV emblem

(2) Bracket

## ■ Operating on Slopes and Rough Terrain



### CAUTION

To avoid personal injury:

- Always back up when going up a steep slope. Driving forward could cause the tractor to tip over backward. Stay off hills and slopes too steep for safe operation.
  - Avoid changing gears when climbing or descending a slope.
  - If operating on a slope, never disengage the clutch or shift levers to neutral. Doing so could cause loss of control.
  - Do not drive the tractor close to the edges of ditches or banks which may collapse under the weight of the tractor. Especially when the ground is loose or wet.
1. Be sure wheel tread is adjusted to provide maximum stability.  
(See "WHEEL ADJUSTMENT" in "TIRES, WHEELS AND BALLAST" section.)
  2. Slow down for slopes, rough ground, or sharp turns, especially when transporting heavy, rear mounted equipment.
  3. Before descending a slope, shift to a gear low enough to control speed without using brakes.

## ■ Directions for Use of Power Steering

1. Power steering is activated only while the engine is running. Slow engine speeds make the steering a little heavier. While the engine is stopped, the tractor functions in the same manner as tractors without power steering.
2. When the steering wheel is turned all the way to the stop, the relief valve is activated. Do not hold the steering wheel in this position for a long period of time.
3. Avoid turning the steering wheel while the tractor is stopped, or tires may wear out sooner.
4. The power steering mechanism makes the steering easier. Be careful when driving on a road at high speeds.

# PTO

## PTO OPERATION



### CAUTION

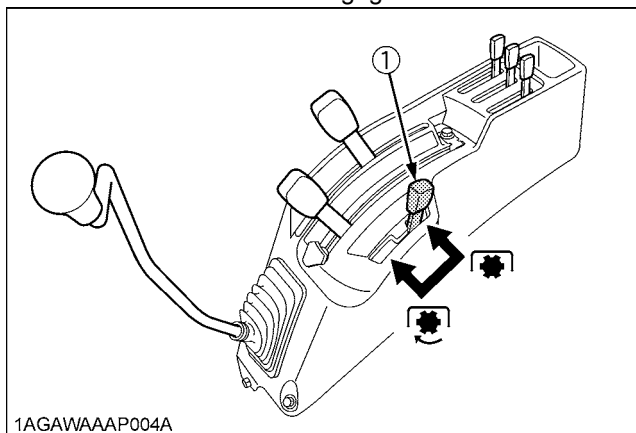
To avoid personal injury:

- Disengage PTO, stop engine, and allow all rotating components to come to a complete stop before connecting, disconnecting, adjusting, or cleaning any PTO driven equipment.

### PTO Clutch Control Lever

1. The tractor has a 540 rpm speed position.
2. The PTO clutch control lever engages or disengages the PTO clutch which gives the PTO independent control.

Shift the lever to "ON" to engage the PTO clutch. Shift the lever to "OFF" to disengage the PTO clutch.



1AGAWAAP004A

(1) PTO clutch control lever    "ON"    "OFF"

### IMPORTANT :

- To avoid shock loads to the PTO, reduce engine speed when engaging the PTO, then open the throttle to the recommended speed.
- To avoid damage of PTO clutch and implement, shift the PTO clutch control lever slowly, when engaging the PTO clutch. Do not keep the PTO clutch control lever half way.

Proper warm up is strongly recommended in cold weather.

Do not continuously shift the PTO clutch control lever.

Model		Engine Speed rpm	Shaft	PTO Speed rpm
GST Type Manual Transmission Type		2550	6-Spline	540
HST Type	L3240 L3540	2685		
	L3940 L4240 L4740	2640		
	L5240 L5740	2590		

### NOTE :

- Tractor engine will not start if the PTO clutch control lever is in the engaged "ON" position.
- When the clutch pedal is depressed, the PTO disengages. [HST Type]
- When the clutch pedal is depressed, the PTO engages. [GST, Manual Transmission Type]

■ Mid-PTO (if equipped)

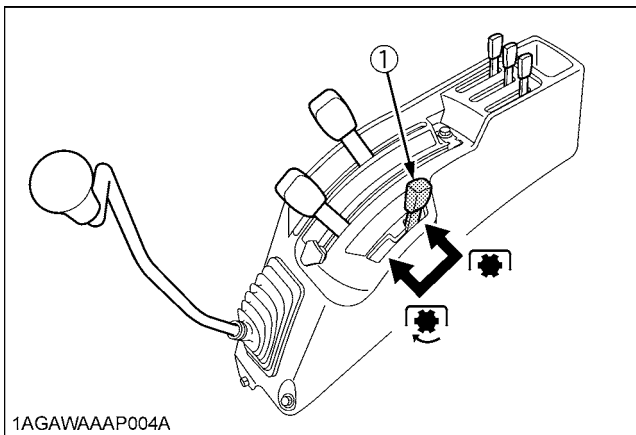
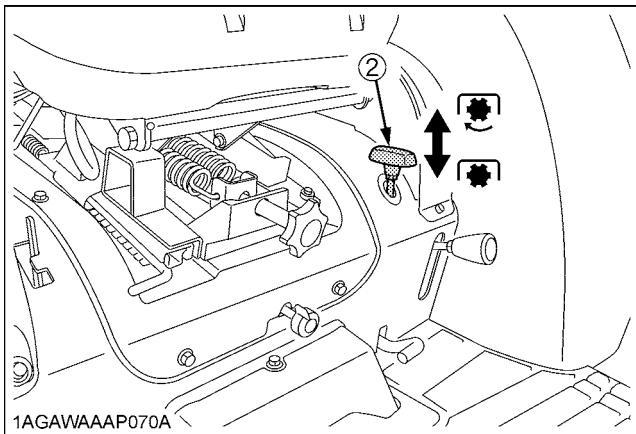
**WARNING**

To avoid personal injury:

- Before operation, be sure to select the correct PTO lever (mid/rear).
- Do not operate rear-PTO driven implements and mid-PTO driven implements at the same time except when the implements are specially designed to be used together.

To use mid-PTO, shift the mid-PTO lever to engaged position and shift the PTO clutch control lever to engaged position.

◆ Mid-PTO lever



- (1) PTO clutch control lever  
 (2) Mid-PTO lever

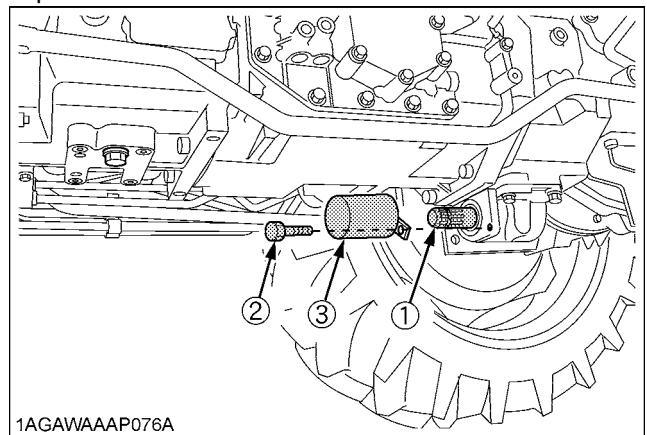
- ☞ "ON"  
 ☞ "OFF"

◆ Rear and Mid-PTO speed

PTO REVOLUTION (rpm)		
MID-PTO LEVER	PTO	PTO Clutch control lever
		☞ → ☞
☞	REAR	0 540
	MID	0 0
☞	REAR	0 540
	MID	0 2000

◆ Mid PTO

The mid PTO is available for KUBOTA approved implements.



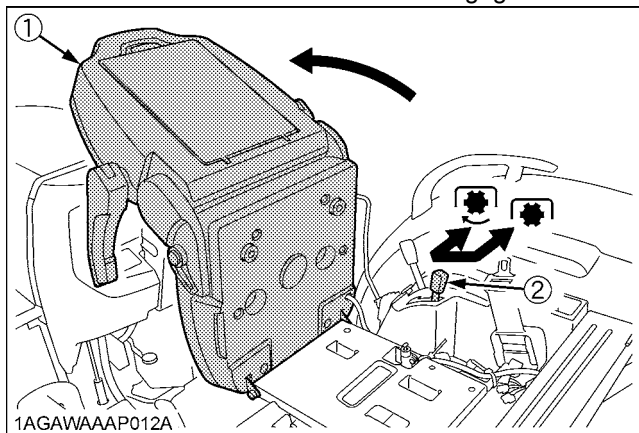
- (1) Mid PTO  
 (2) Bolt  
 (3) PTO shaft cover



### ■ Stationary PTO

To park the tractor and use the PTO system (for chipper or pump, for example), start the PTO system in the following steps.

1. Apply the parking brakes and place blocks at the tires.
2. Make sure the shift levers are at NEUTRAL, and start the engine.
3. Tilt the operator's seat forward.
4. Set the PTO clutch control lever to engage "ON".



- (1) Seat "ON"
- (2) PTO clutch control lever "OFF"

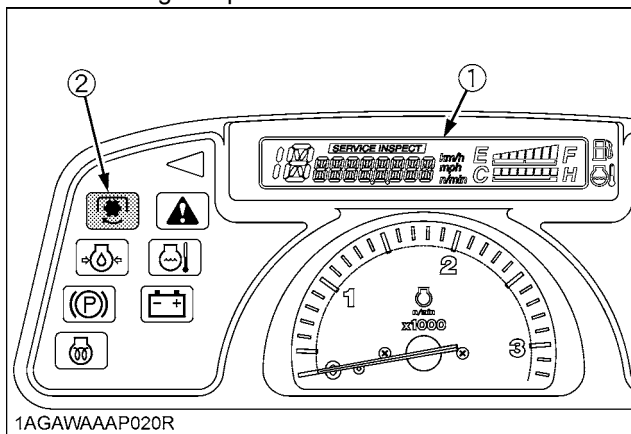
5. Set the engine speed to provide recommended rear PTO speed.

**NOTE :**

- If the PTO system is engaged and you stand up from the seat or the seat is not tilted forward, the engine stops automatically after standing up.

### ■ IntelliPanel (TM) Message

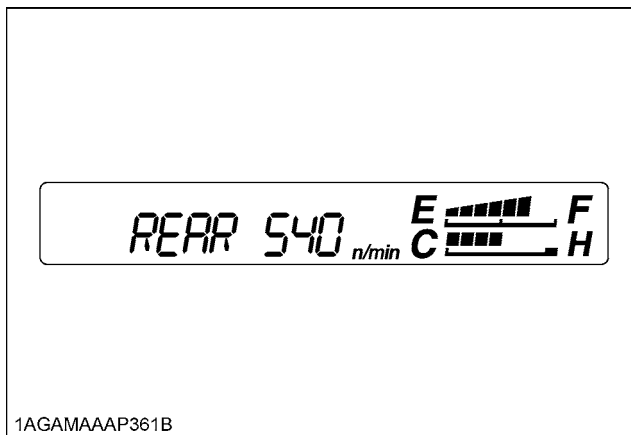
1. The PTO rpm can be checked in the display.  
(See "INTELLIPANEL(TM)" in "OPERATING THE TRACTOR" section.)
2. When the PTO system gets engaged (ON), the indicator lights up.



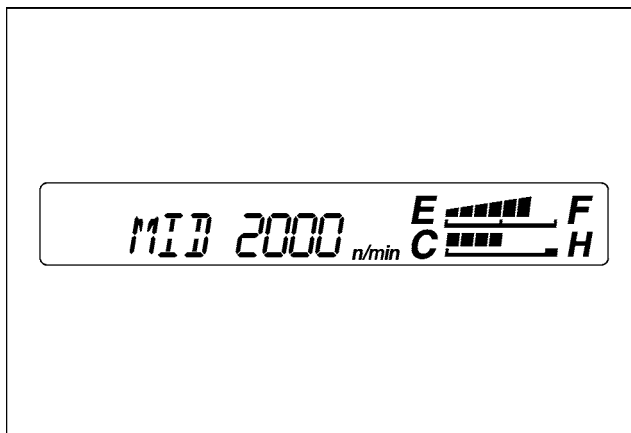
- (1) Display
- (2) Rear PTO indicator

**NOTE :**

- Rear PTO "ON"



- Mid-PTO "ON"

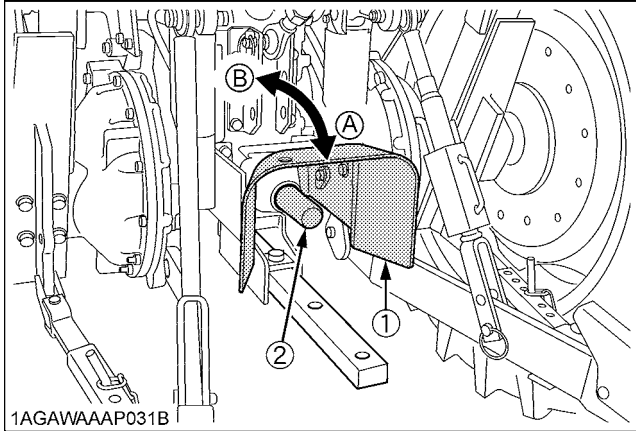


### ■PTO Shaft Cover and Shaft Cap

Keep the PTO shaft cover in place at all times.

Replace the PTO shaft cap when the shaft is not in use.

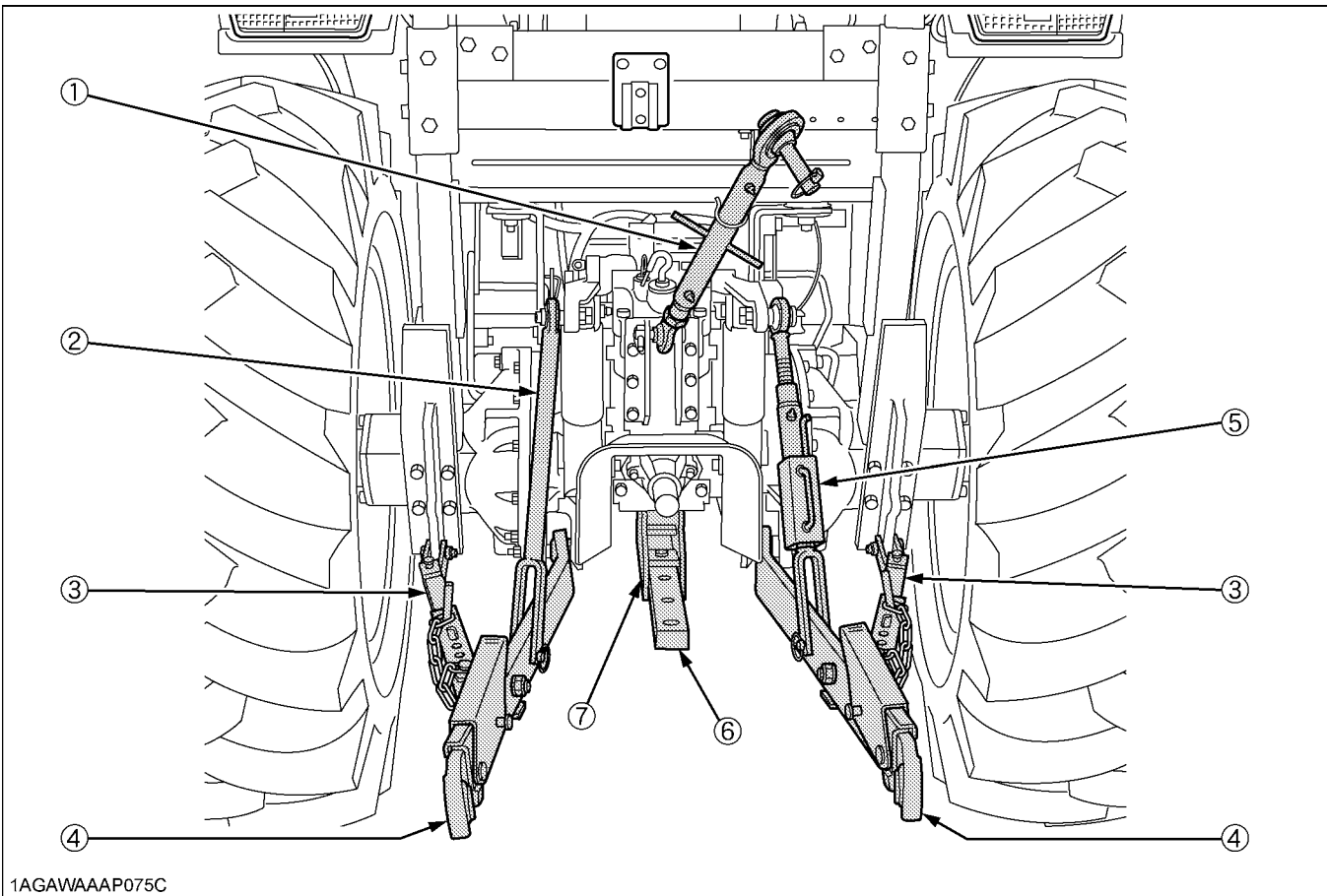
When connecting or disconnecting the joint to PTO shaft, raise up the PTO shaft cover.



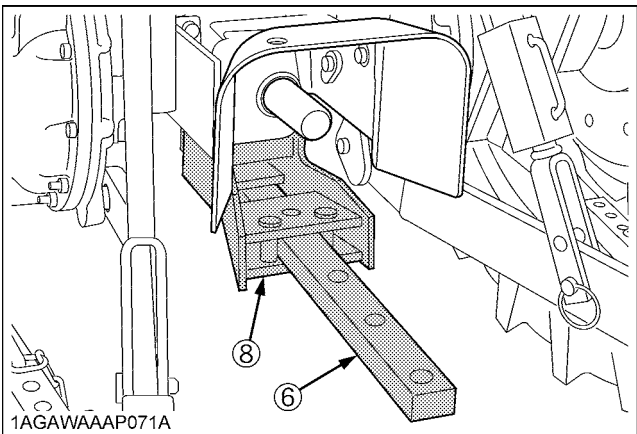
(1) PTO shaft cover  
(2) PTO shaft cap

(A) "NORMAL POSITION"  
(B) "RAISED POSITION"

# THREE-POINT HITCH & DRAWBAR



1AGAWAAP075C



1AGAWAAP071A

- (1) Top link
- (2) Lifting rod (Left)
- (3) Telescopic stabilizers
- (4) Lower link
- (5) Lifting rod (Right)
- (6) Drawbar
- (7) Fixed drawbar frame
- (8) Swing drawbar frame [option]

## 3-POINT HITCH

### 1. Make preparations for attaching implement.

#### ■ Category 1 & 2

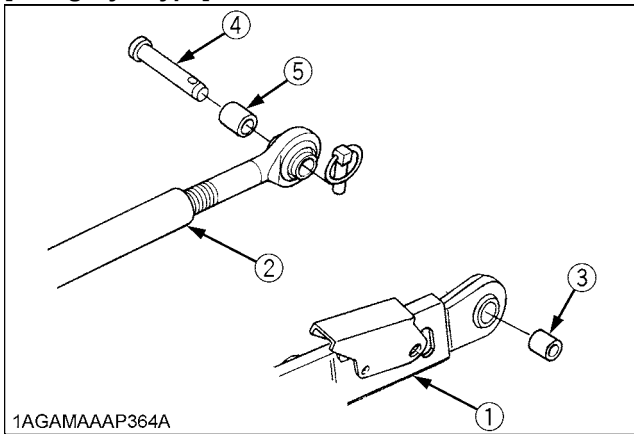
L5040, L5240, L5740 have both category 1 & 2.

Category 1 type is standard and assemble all parts shown as below.

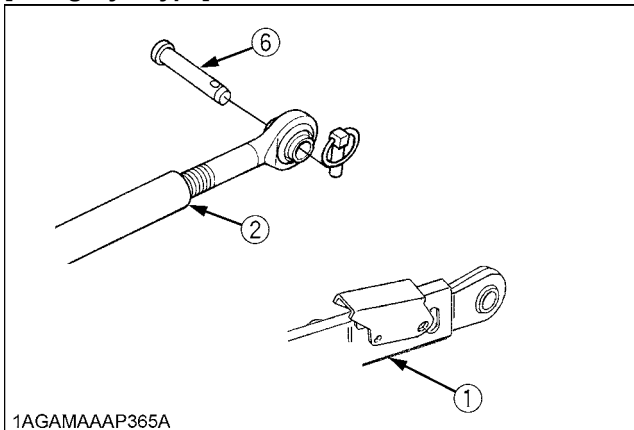
To change from category 1 to category 2.

1. Remove adjusting collar from the lower link.
2. Remove adjusting collar from the rear top link pin.
3. Use the correct rear top link pin for category 2.

#### [Category 1 type]



#### [Category 2 type]



- |                            |                           |
|----------------------------|---------------------------|
| (1) Lower link             | (4) Top link rear pin (1) |
| (2) Top link               | (5) Collar, top link (1)  |
| (3) Collar, lower link (1) | (6) Top link rear pin (2) |

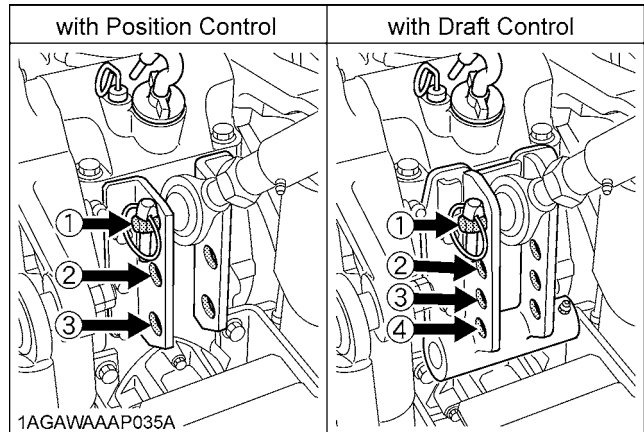
#### ■ Category 1

L3240, L3540, L3940, L4240, L4740 have category 1 only.

#### ■ Selecting the top link mounting holes

Select the proper set of holes by referring to the "Hydraulic Control Unit Use Reference Chart" in "HYDRAULIC UNIT" section.

If the hydraulic unit is set for draft control, draft response is more sensitive when an implement is connected to the upper set of top link mounting holes. If draft control is not required, it is recommended to use the low set (4).



#### ■ Drawbar

Remove the drawbar if a close mounted implement is attached.

### 2. Attaching and detaching implements

#### ⚠ CAUTION

To avoid personal injury:

- Be sure to stop the engine.
- Do not stand between tractor and implement unless parking brake is applied.
- Before attaching or detaching implement, locate the tractor and implement on a firm level surface.
- Whenever an implement or other attachment is connected to the tractor 3-point hitch, check full range of operation for interference, binding or PTO separation.

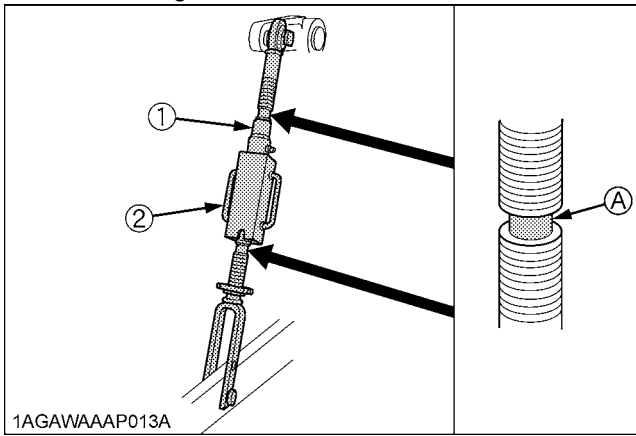
**■ Lifting Rod (Right)**



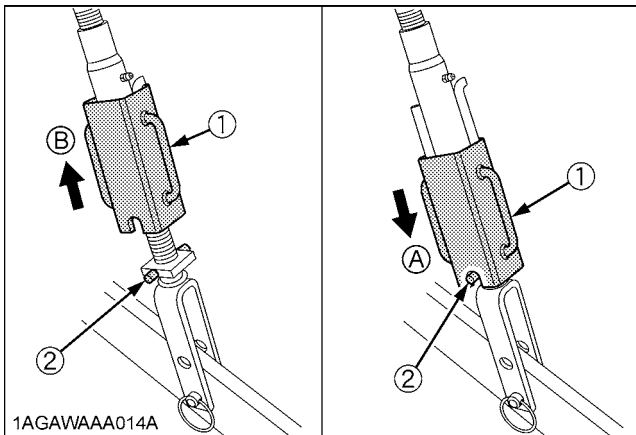
**To avoid personal injury:**

- Do not extend lifting rod beyond the groove on the thread rod.

1. To adjust the length of the lifting rod, lift the adjusting handle and turn to desired length.
2. After adjusting, lower the lifting rod adjusting handle to the lock position.
3. When extending the rod using adjusting handle, do not exceed the groove on the rod thread.



(1) Lifting rod  
(2) Adjusting handle  
(A) "GROOVE"



(1) Adjusting handle  
(2) Lock pin  
(A) "LOCK POSITION"  
(B) "UNLOCK POSITION"

**■ Top Link**

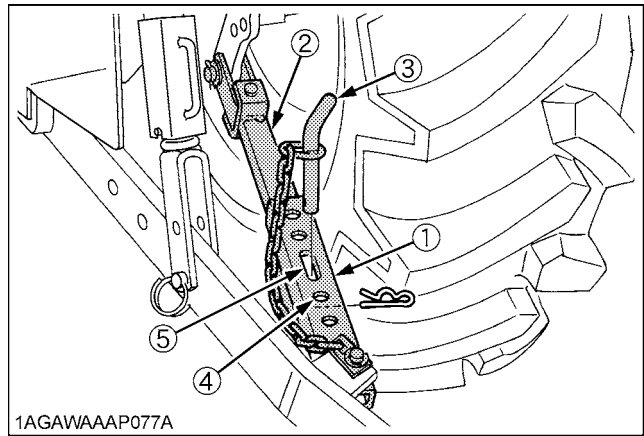
1. Adjust the angle of the implement to the desired position by shortening or lengthening the top link.
2. The proper length of the top link varies according to the type of implement being used.

**■ Telescopic Stabilizers**

Adjust the telescopic stabilizers to control horizontal sway of the implement. Select the proper set of holes by referring to the "Hydraulic Control Unit Use Reference Chart" in "REMOTE HYDRAULIC CONTROL SYSTEM" in "HYDRAULIC UNIT" section.

After aligning satisfactorily, insert the set-pin through any one of the four holes on the outer tube that align with one of the holes on the inner bar, both stabilizers will be locked.

If the set-pin is inserted through the slot to engage one of the holes on the inner bar, a limited degree of sway will be permitted.

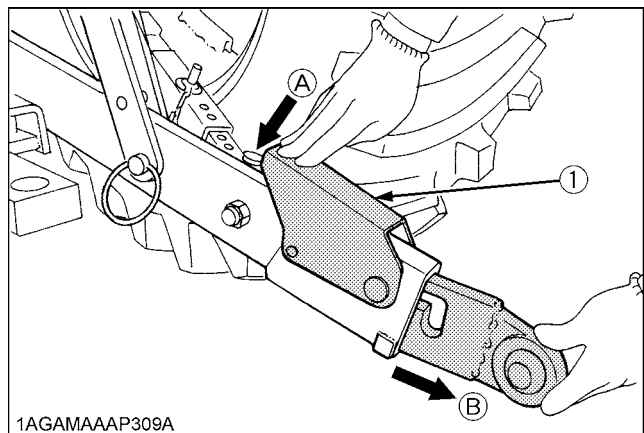


(1) Outer tube  
(2) Inner bar  
(3) Set-pin  
(4) Hole  
(5) Slot

**■ Telescopic Lower Links**

To attach an implement, follow the instructions below:

1. Push the levers, pull out the lower link ends, and attach to the implement.
2. Back up the tractor slightly to make sure the lower links are pushed in securely.



(1) Lever  
(A) "PUSH"  
(B) "PULL OUT"

# DRAWBAR

## WARNING

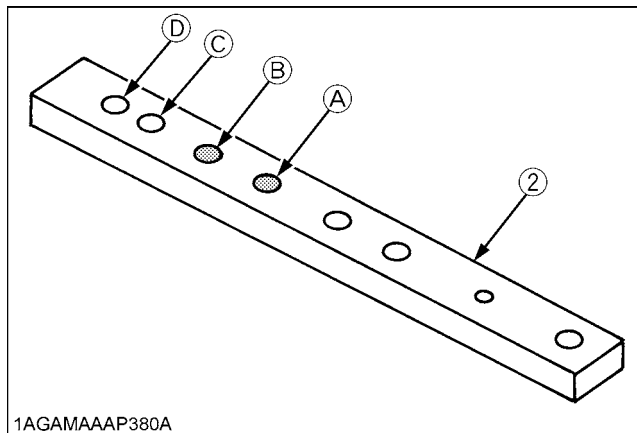
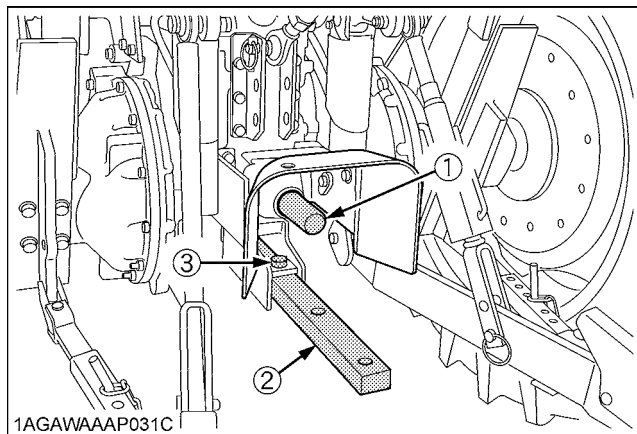
To avoid personal injury:

- Never pull from the top link, the rear axle or any point above the drawbar. Doing so could cause the tractor to tip over rearward causing personal injury or death.

### ■ Adjusting Drawbar Length

When towing an implement, recommend use of (A) or (B) hole in drawbar.

The drawbar load is referred to "IMPLEMENT LIMITATIONS" section.

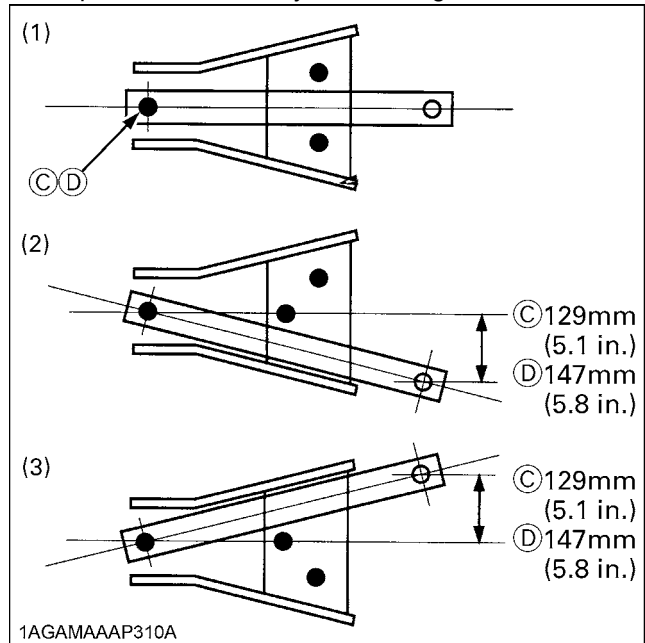


- (1) PTO shaft  
 (2) Drawbar  
 (3) Drawbar pin
- Holes : (A),(B)

Hole	Tractor model
(A)	L3240, L3540
(B)	L3940, L4240, L4740, L5040, L5240, L5740

### ■ Swing Drawbar

The drawbar can be used in three different ways as illustrated below. Assemble it correctly with joint pins set at the points as marked by ● in the figure.



Holes : (C),(D)

Hole	Tractor model
(C)	L3240, L3540
(D)	L3940, L4240, L4740, L5040, L5240, L5740

# HYDRAULIC UNIT

The tractor has 5 hydraulic control systems as shown below. Therefore, use the most appropriate system for the implement you are using.

## ◆ 3-Point Hitch Control System

1. Position Control
2. Draft Control (if equipped)
3. Mixed Control (if equipped)
4. Float Control

## ◆ Remote Hydraulic Control System

5. Combined Flow Control

### IMPORTANT :

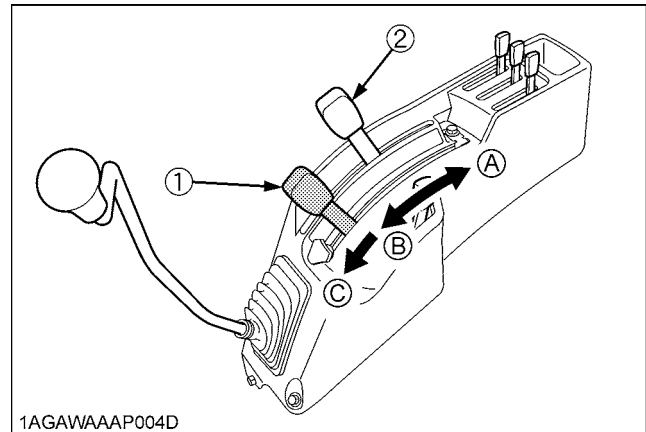
- Do not operate until the engine is warmed up. If operation is attempted when the engine is still cold, the hydraulic system may be damaged.
- If noises are heard when implement is lifting after the hydraulic control lever has been activated, the hydraulic mechanism is not adjusted properly. Unless corrected, the unit will be damaged. Contact your KUBOTA Dealer for adjustment.

## 3-POINT HITCH CONTROL SYSTEM

### ■ Position Control

This will control the working depth of 3-point implements regardless of the amount of pull required.

Place the draft control lever in the lowest position and set the implement working depth with the position control lever.



(1) Position control lever

(2) Draft control lever

(A) "UP"

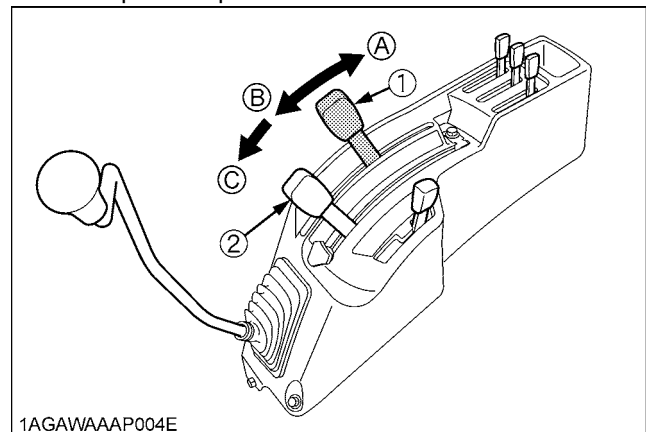
(B) "DOWN"

(C) "FLOAT"

### ■ Draft Control (if equipped)

This will control the pull of the 3-point implement. As the load on the 3-point hitch changes due to various soil conditions, the draft control system automatically responds to these changes by either raising or lowering the implement slightly to maintain a constant pull.

Place the position control lever in the lowest position and set the implement pull with the draft control lever.



(1) Draft control lever

(2) Position control lever

(A) "SENSITIVE"

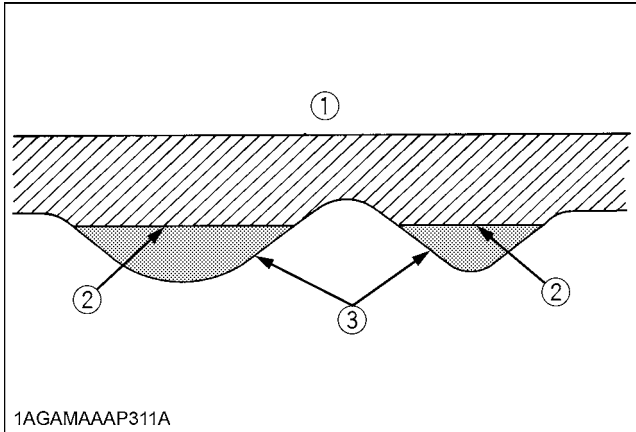
(B) "INSENSITIVE"

(C) "FLOAT"

**■Mixed Control**

In draft control, when draft decreases, the implement automatically lowers to increase draft. However, the implement sometimes lowers too much. To limit the degree, the implement can be lowered, set the position control lever at the lowest working depth desired for the implement. Lower the draft control lever to the point where the implement is at the desired depth.

This stops the implement from going too deep and causing loss of traction and ground speed.



1AGAMAAAP311A

- (1) Ground surface
- (2) Implement penetrate limit
- (3) Light soil

**■Float Control**

Place both the draft control lever and the position control lever in the float position to make the lower links move freely along with the ground conditions.

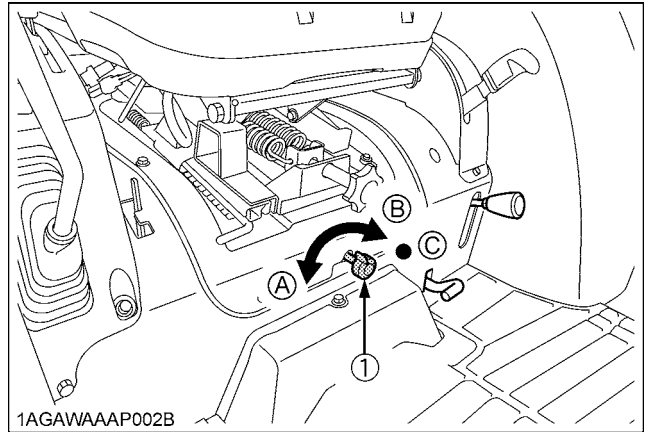
**■3-point Hitch Lowering Speed**



To avoid personal injury:

- Fast lowering speed may cause damage or injury. Lowering speed of implement should be adjusted to two or more seconds.

The lowering speed of the 3-point hitch can be controlled by adjusting the 3-point hitch lowering speed knob.



1AGAWAAP002B

- (1) 3-point hitch lowering speed knob
- (A) "FAST"
- (B) "SLOW"
- (C) "LOCK"



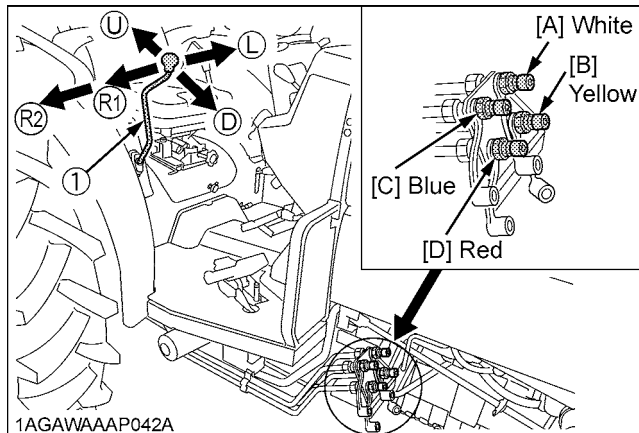
## DUAL REMOTE HYDRAULIC CONTROL SYSTEM

The tractor is equipped with the double-acting 2-segment hydraulic control valve for front loader.

To apply the hydraulic power take-off for general attachments, keep the following point in mind.

### Control Lever and Hydraulic Hose Connections

Connect the control lever in its specified direction and the hydraulic hoses to their specified ports.



(1) Loader / Remote control valve lever (R) "RIGHT"  
(L) "LEFT"  
(U) "UP"  
(D) "DOWN"

Pressure →  
Hydraulic outlet ports of first segment    Returning ←

Lever		UP		DOWN	
Port	[A]	In	←	Out	→
	[B]	Out	→	In	←

Hydraulic outlet ports of second segment

Lever		RIGHT		LEFT	
Port	[C]	In	←	Out	→
	[D]	Out	→	In	←

### IMPORTANT :

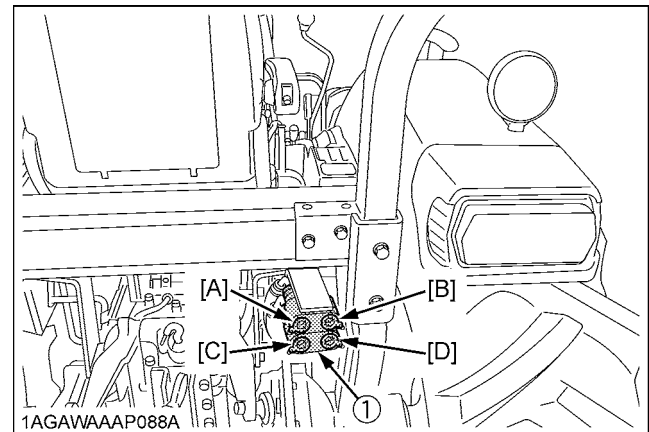
To avoid damage of the attachments:

- Do not connect attachments through the hydraulic motor to the [C] and [D] ports. If the control lever is moved to the Regeneration position (R1), the seals on the hydraulic motor will be damaged.
- This control valve is provided with the Regeneration position. When the [C] and [D] ports are used to take off hydraulic power for the hydraulic cylinder, be sure to connect the [C] port to the "Head-End" side port of the hydraulic cylinder.
- Make the following connections when using this valve to take off hydraulic power for the hydraulic cylinder.

Colored Coupler	Hydraulic Cylinder port
[B: Yellow], [C: Blue]	Head-End side
[A: White], [D: Red]	Rod-End side

### ◆ Rear Hydraulic Outlet (if equipped)

With the optional kit in place, oil from the loader valve can be taken out of the back of the tractor.



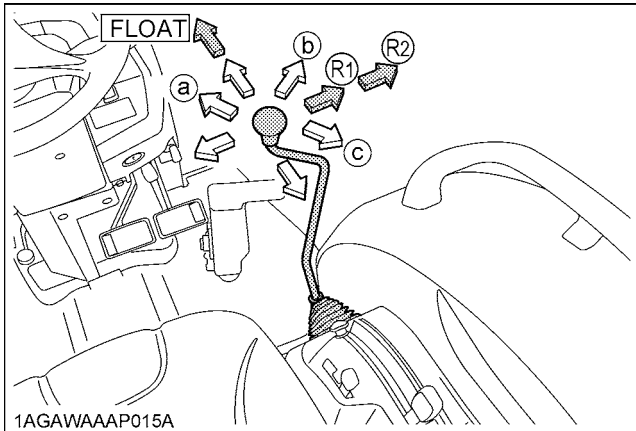
(1) Rear Hydraulic Outlet

### NOTE :

- With this optional kit in place, oil cannot be taken for the front loader.
- If the optional remote hydraulic control valve is already in place, this kit cannot be additionally installed.

**Loader / Remote Control Valve Lever**

1. Before moving the lever, make sure that the hydraulic hoses for attachments are connected.
2. Move the lever diagonally (a, b, c shown in the figure), and the first and second segments can be controlled at once.



**NOTE :**

- Move the lever to the "FLOAT" position, and it will be held there by the detent mechanism. To use the valve as a floating valve with detents, connect the hydraulic hoses to ports [A] and [B].
- When taking off hydraulic power from port [D], the flow rate can be adjusted in two stages with the lever. The flow rate is high at position (R1) and low at position (R2). Move the lever to position (R1) or (R2) depending on the attachment in use.

**Valve Lock**

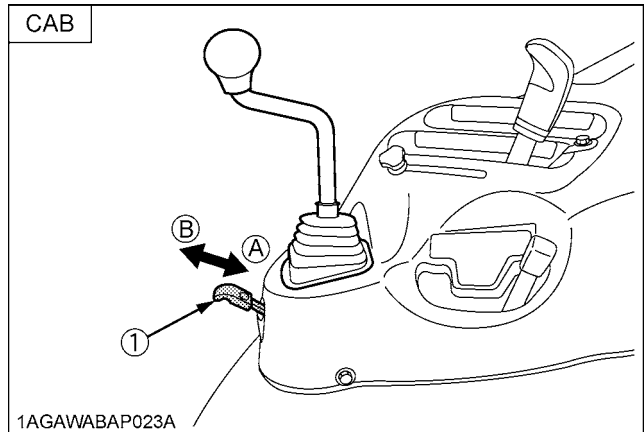
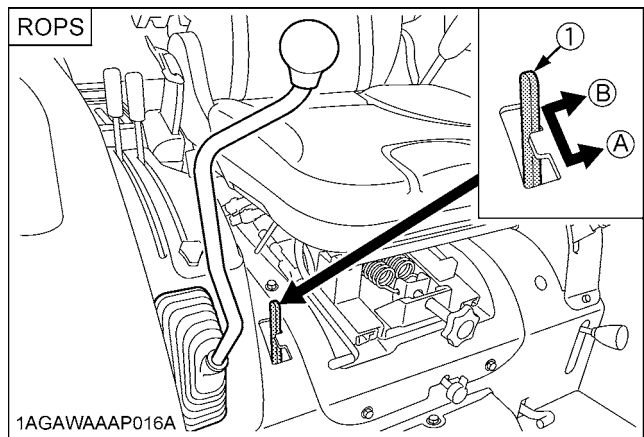


**CAUTION**

To avoid injury from crushing:

- Do not utilize the valve lock for tractor maintenance or repair.
- The valve lock is to prevent accidental actuation when implement is not in use or during transport.

The control valve is equipped with a valve lock feature. The control valve is locked in the neutral position. The lock is not intended and will not prevent a leak down of the implement during the period of storage.



(1) Lock lever

(A) ☹ "Lock"

(B) ☺ "Unlock"

## REMOTE HYDRAULIC CONTROL SYSTEM (if equipped)

### Remote Control Valve Coupler Connecting and Disconnecting



#### CAUTION

To avoid personal injury:

- Stop the engine and relieve pressure before connecting or disconnecting lines.
- Do not use your hand to check for leaks.

#### ◆ Connecting

1. Clean both couplers.
2. Remove dust plugs.
3. Insert the implement coupler to the tractor hydraulic coupler.
4. Pull the implement coupler slightly to make sure couplers are firmly connected.

#### ◆ Disconnecting

1. Lower the implement first to the ground to release hydraulic pressure in the hoses.
2. Clean the couplers.
3. Relieve pressure by moving hydraulic control levers with engine shut off. Pull the hose straight from the hydraulic coupler to release it.
4. Clean oil and dust from the coupler, then replace the dust plugs.

#### NOTE :

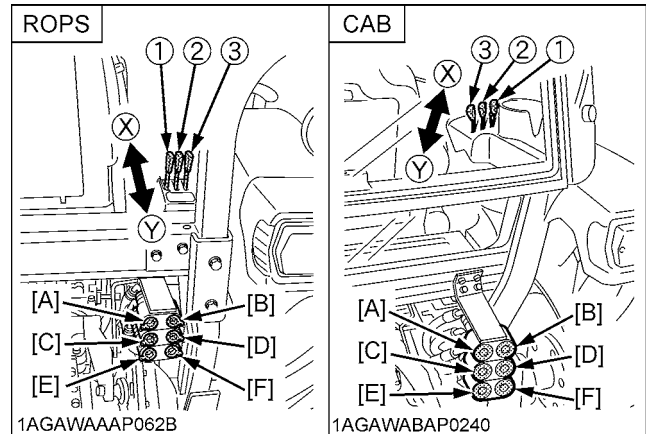
- Your local KUBOTA Dealer can supply parts to adapt couplers to hydraulic hoses.

### Remote Control Valve Lever

Move the lever to the "FORWARD" or "REARWARD" position and hold. This will raise or lower the implement. Lever will return to neutral when released.

#### IMPORTANT :

- Do not hold the lever in the "REARWARD" or "FORWARD" position once the remote cylinder has reached the end of the stroke, as this will cause oil to flow through the relief valve. Forcing oil through the relief valve for extended periods will overheat the oil.
- When using the tractor hydraulic system to power front loader, do not operate boom and bucket cylinders simultaneously.



(1)(2)(3) Remote control valve lever

(X) "FORWARD"  
(Y) "REARWARD"

Pressure →  
Returning ←

Lever (1)		Forward		Rearward	
Port	[A]	In	←	Out	→
	[B]	Out	→	In	←
Lever (2)		Forward		Rearward	
Port	[C]	In	←	Out	→
	[D]	Out	→	In	←
Lever (3)		Forward		Rearward	
Port	[E]	In	←	Out	→
	[F]	Out	→	In	←

Coupler size	
Port [A] [B]	PT 1/2
Port [C] [D]	
Port [E] [F]	

### Remote Control Valve

There are two types of remote valves available for these models.

- Double acting valve:
- Double acting valve with float position:  
This valve may be placed in the float mode with the control lever all the way forward. The cylinder is free to extend or retract, letting an implement such as a loader bucket follow the ground.

**Hydraulic Control Unit Use Reference Chart**

In order to handle the hydraulics properly, the operator must be familiar with the following. Though this information may not be applicable to all types of implements and soil conditions, it is useful for general conditions.

Implement	Soil condition	with Position control		with Draft control		Gauge wheel	Telescopic stabilizers	Remarks
		1AGAMAAAP314A 1AGAWAAAP035B	1AGAWAAAP004F	1AGAWAAAP035C	1AGAWAAAP004G			
Moldboard plow	Light soil Medium soil Heavy soil	1 or 2 2 or 3 3	Position control	1 or 2 2 or 3 3	Draft and Mixed control	YES/NO	Loose	Insert the set-pin through the slot on the outer tube that align with one of the holes on the inner bar. For implements with gauge wheels, lower the position control lever all way.
Disc plow	---	2 or 3		2 or 3				
Harrow (spike, springtooth, disc type)	---	2 or 3		2 or 3	Place the draft control lever to the suitable position and set the implement pull with the position control lever			
Sub-soiler ...								
Weeder, ridger...	---	3	4	Position control	YES	Tighten	Telescopic stabilizer should be tight enough to prevent excessive implement movement when implement is in raised position.	
Earthmover, digger, scraper, manure fork, rear carrier.....				Hold the draft control lever at the most front position during operation.	YES/NO			
Mower (mid- and rear-mount type)				NO				

# TIRES, WHEELS AND BALLAST

## TIRES



### WARNING

To avoid personal injury:

- Do not attempt to mount a tire on a rim. This should be done by a qualified person with the proper equipment.
- Always maintain the correct tire pressure. Do not inflate tires above the recommended pressure shown in the operator's manual.

### IMPORTANT :

- Do not use tires other than those approved by KUBOTA.
- When you intend to mount different size of tires from equipped ones, consult your dealer about front drive gear ratio for details.  
Excessive wear of tires may occur due to improper gear ratio.

### ■ Inflation Pressure

Though the tire pressure is factory-set to the prescribed level, it naturally drops slowly in the course of time. Thus, check it everyday and inflate as necessary.

	Tire sizes	Inflation Pressure
Rear	12.4-24, 4PR	140 kPa (1.4 kgf/cm <sup>2</sup> , 20 psi)
	13.6-28, 4PR	150 kPa (1.5 kgf/cm <sup>2</sup> , 22 psi)
	14.9-24, 4PR	140 kPa (1.4 kgf/cm <sup>2</sup> , 20 psi)
	14.9-26, 4PR	140 kPa (1.4 kgf/cm <sup>2</sup> , 20 psi)
	41/18LL x 16.1, 6PR	70 kPa (0.7 kgf/cm <sup>2</sup> , 10 psi)
	355/80-D20, 4PR	100 kPa (1.0 kgf/cm <sup>2</sup> , 14 psi)
	44 x 18-20, 6PR	170 kPa (1.7 kgf/cm <sup>2</sup> , 24 psi)
	420/70-24, 6PR	140 kPa (1.4 kgf/cm <sup>2</sup> , 20 psi)
	610R470, 6PR	110 kPa (1.1 kgf/cm <sup>2</sup> , 15 psi)
	17.5L-24, 6PR	140 kPa (1.4 kgf/cm <sup>2</sup> , 20 psi)
Front	6.00-16, 4PR	220 kPa (2.2 kgf/cm <sup>2</sup> , 32 psi)
	7.2-16, 4PR	150 kPa (1.5 kgf/cm <sup>2</sup> , 22 psi)
	8.3-16, 4PR	150 kPa (1.5 kgf/cm <sup>2</sup> , 22 psi)
	9.5-16, 4PR	205 kPa (2.1 kgf/cm <sup>2</sup> , 30 psi)
	27 x 8.50-15, 4PR	85 kPa (8.5 kgf/cm <sup>2</sup> , 12 psi)
	27 x 10.50-15, 4PR	85 kPa (8.5 kgf/cm <sup>2</sup> , 12 psi)
	29 x 12.50-15, 4PR	140 kPa (1.4 kgf/cm <sup>2</sup> , 20 psi)
	305R343, 2PR	140 kPa (1.4 kgf/cm <sup>2</sup> , 20 psi)
	10-16.5, 6PR	140 kPa (1.4 kgf/cm <sup>2</sup> , 20 psi)
7.5L-15, 6PR	220 kPa (2.2 kgf/cm <sup>2</sup> , 32 psi)	

### NOTE :

- Maintain the maximum pressure in front tires, if using a front loader or when equipped with a full load of front weights.

### ■ Dual Tires

Dual tires are not approved.

## WHEEL ADJUSTMENT



### CAUTION

To avoid personal injury:

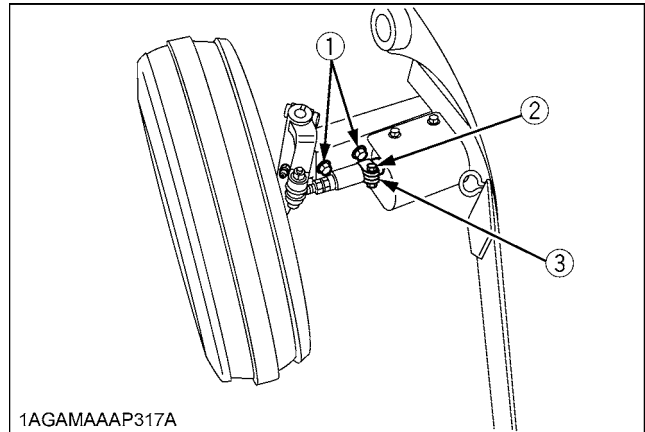
- When working on slopes or when working with trailer, set the wheel tread as wide as practical for maximum stability.
- Support tractor securely on stands before removing a wheel.
- Do not work under any hydraulically supported devices. They can settle, suddenly leak down, or be accidentally lowered. If necessary to work under tractor or any machine elements for servicing or adjustment, securely support them with stands or suitable blocking beforehand.
- Never operate tractor with a loose rim, wheel, or axle.

### ■ Front Wheels (with two wheel drive)

Front tread width can be adjusted as shown with the standard equipped tires.

To change the tread width

1. Remove the front axle mounting bolts and the tie-rod mounting bolts.
2. Move the front axles (right and left) to the desired position, and tighten the bolts.
3. Adjust the toe-in: [ 2 to 8mm (0.1 to 0.3 in.) ]  
(See "Adjusting Toe-in" in "EVERY 200 HOURS" in "PERIODIC SERVICE" section.)



1AGAMAAAP317A

- (1) Front axle mounting bolt  
124 to 147 N-m (12.6 to 15.0 kgf-m)(91.5 to 108.4 ft-lbs)
- (2) Tie-rod mounting bolt  
61 to 71 N-m (6.2 to 7.2 kgf-m)(44.8 to 52.1 ft-lbs)
- (3) Tie rod clamp

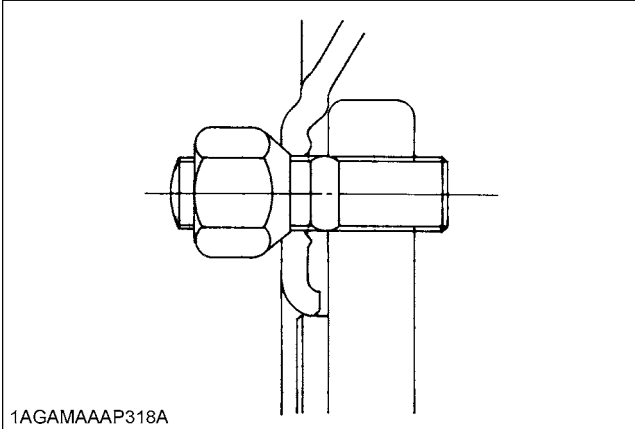
Models					
Farm	<b>L3240</b> 6.00-16	1210 mm (47.6 in.)	1310 mm(51.6 in.)	1410 mm (55.5 in.)	1510 mm (59.4 in.)
	<b>L3240</b> 7.5L-15	1280 mm (50.4 in.)	1380 mm (54.3 in.)	1480 mm(58.3 in.)	1580 mm(62.2 in.)
Turf	<b>L3240</b> 27 x 10.50-15	1310 mm (51.6 in.)	1410 mm (55.5 in.)	1510 mm(59.4 in.)	1610 mm (63.4 in.)
	<b>L3240</b> 29 x 12.50-15	1315 mm (51.8 in.)	1415 mm (55.7 in.)	1515 mm (59.6 in.)	1615 mm (63.6 in.)

### IMPORTANT :

- The front tread width for the front loader application on 2WD models should not be greater than 1310mm (51.6 in.) for L3240.

**NOTE :**

- Wheels with beveled or tapered holes: Use the tapered side of lug nut.

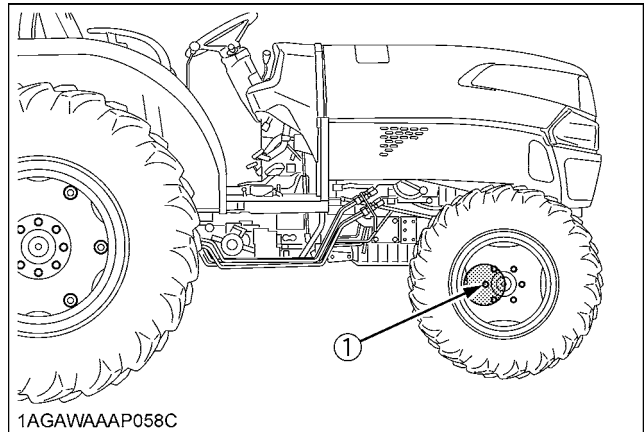


**■ Front Wheels (with four wheel drive)**

Front tread can not be adjusted.

**IMPORTANT :**

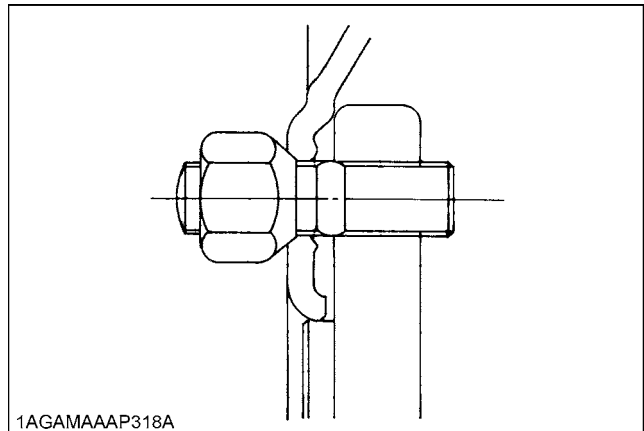
- Do not turn front discs to obtain wider tread.
- When re-fitting or adjusting a wheel, tighten the bolts to the following torques then recheck after driving the tractor 200 m (200 yards) and 10 times of shuttle movement by 5 m (5 yards), and thereafter according to service interval.  
(See "MAINTENANCE" section.)

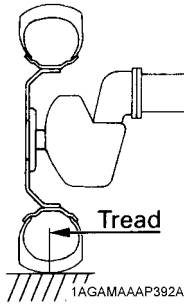


- (1) [L3240, L3540, L3940, L4240, L4740]  
137 N-m (14 kgf-m, 100 ft-lbs)  
[L5040, L5240, L5740]  
185 N-m (19 kgf-m, 136 ft-lbs)

**NOTE :**

- Wheels with beveled or tapered holes: Use the tapered side of lug nut.



	<b>Models</b>	<b>L3240, L3540</b>				
	Tires	7-16, 7.2-16 Farm	27 x 8.50-15 Turf	27 x 10.50-15 Turf	29 x 12.50-15 Turf	10-16.5 IND
	Tread	1155 mm (45.5 in.)	1200 mm (47.2 in.)	1230 mm (48.4 in.)	1170 mm (46.1 in.)	1235 mm (48.6 in.)
	<b>Models</b>	<b>L3940</b>				
	Tires	8-16, 8.3-16 Farm	27 x 8.50-15 Turf	27 x 10.50-15 Turf	29 x 12.50-15 Turf	10-16.5 IND
	Tread	1155 mm (45.5 in.)	1200 mm (47.2 in.)	1230 mm (48.4 in.)	1170 mm (46.1 in.)	1235 mm (48.6 in.)
	<b>Models</b>	<b>L4240, L4740</b>				
	Tires	8-16, 8.3-16 Farm	27 x 10.50-15 Turf	29 x 12.50-15 Turf	305R343 Turf	10-16.5 IND
	Tread	1300 mm (51.2 in.)	1375 mm (54.1 in.)	1425 mm (56.1 in.)	1455 mm (57.3 in.)	1380 mm (54.3 in.)
	<b>Models</b>	<b>L5040, L5240, L5740</b>				
	Tires	9.5-16 Farm	27 x 10.5-15 Turf	29 x 12.50-15 Turf	305R343 Turf	10-16.5 IND
	Tread	1340 mm (52.8 in.)	1375 mm (54.1 in.)	1425 mm (56.1 in.)	1455 mm (57.3 in.)	1380 mm (54.3 in.)

**NOTE :**  
 ● IND...for Industrial

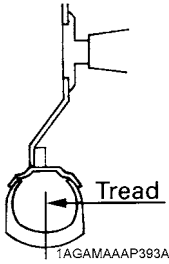
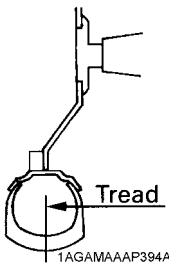
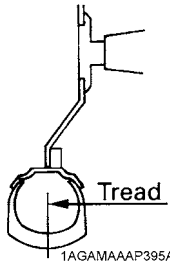
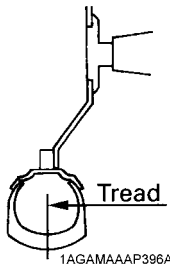


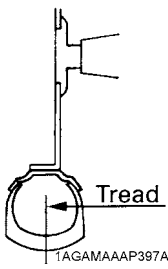
**■ Rear Wheels**

Rear tread width can be adjusted as shown with the standard equipped tires.

To change the tread width

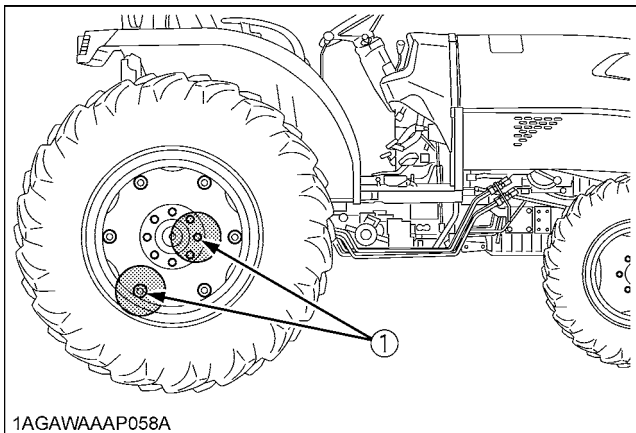
1. Remove the wheel rim and / or disk mounting bolts.
2. Change the position of the rim and / or disk (right and left) to the desired position, and tighten the bolts.

Models				
<b>L3240, L3540</b> 12.4-24 Farm	1200 mm (47.2 in.)	1300 mm (51.2 in.)	1385 mm (54.5 in.)	1480 mm (58.3 in.)
<b>L3940, L4240, L4740</b> 14.9-24 Farm	---	1285 mm (50.6 in.)	1435 mm (56.5 in.)	1530 mm (60.2 in.)
<b>L3240, L3540</b> 420/70-24 IND	---	1325 mm (52.2 in.)	1360 mm (53.5 in.)	1465 mm (57.7 in.)
<b>L3940, L4240, L4740</b> 17.5L-24 IND	---	1340 mm (52.8 in.)	1380 mm (54.3 in.)	1490 mm (58.7 in.)
<b>L5040, L5240, L5740</b> 13.6-28 Farm	1220 mm (48.0 in.)	1330 mm (52.4 in.)	1425 mm (56.1 in.)	1530 mm (60.2 in.)
<b>L5040, L5240, L5740</b> 14.9-26 Farm	---	---	1325 mm (52.2 in.)	1430 mm (56.3 in.)
<b>L5040, L5240, L5740</b> 17.5L-24 IND	---	1360 mm (53.5 in.)	1395 mm (54.9 in.)	1500 mm (59.1 in.)

Models	
<b>L4240, L4740, L5040, L5240, L5740</b> 610R470 Turf	1515 mm (59.6 in.)
<b>L3240, L3540</b> 355/80-D20 Turf	1270 mm (50.0 in.)
<b>L3940</b> 355/80-D20 Turf	1290 mm (50.8 in.)
<b>L3240, L3540</b> 41/18LL x 16.1 Turf	1420 mm (55.9 in.)
<b>L3940, L4240, L4740, L5040, L5240, L5740</b> 41/18LL x 16.1 Turf	1440 mm (56.7 in.)
<b>L3240, L3540</b> 44 x 18-20 Turf	1400 mm (55.1 in.)
<b>L3940, L4240, L4740, L5040, L5240, L5740</b> 44 x 18-20 Turf	1415 mm (55.7 in.)

**IMPORTANT :**

- Always attach wheels as shown in the drawings.
- If not attached as illustrated, transmission parts may be damaged.
- When re-fitting or adjusting a wheel, tighten the bolts to the following torques then recheck after driving the tractor 200 m (200 yards) and 10 times of shuttle movement by 5 m (5 yards), and thereafter according to service interval.  
(See "MAINTENANCE" section.)



1AGAWAAAP058A

(1) 215 N-m (22 kgf-m, 160 ft-lbs)

## BALLAST



### CAUTION

To avoid personal injury:

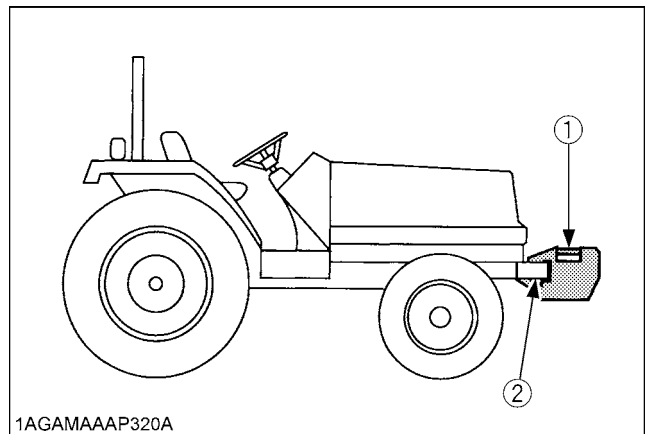
- Additional ballast will be needed for transporting heavy implements. When the implement is raised, drive slowly over rough ground, regardless of how much ballast is used.
- Do not fill the front wheels with liquid to maintain steering control.

### ■ Front Ballast

Add weights if needed for stability (2WD, 4WD models) and improve traction (4WD model). Heavy pulling and heavy rear mounted implements tend to lift front wheels. Add enough ballast to maintain steering control and prevent tip over. Remove weight when no longer needed.

### ◆ Front End Weights (option)

The front end weights can be attached to the bumper. See your implement operator's manual for required number of weights or consult your local KUBOTA Dealer to use.



1AGAMAAAP320A

- (1) Front end weights
- (2) Bumper

**IMPORTANT :**

- Do not overload tires.
- Add no more weight than indicated in chart.

Maximum weight	25 kg x 7 pieces (386 lbs.)
----------------	--------------------------------

**NOTE :**

- The front end weights can be attached to the bumper (option on 4WD models - North America only).

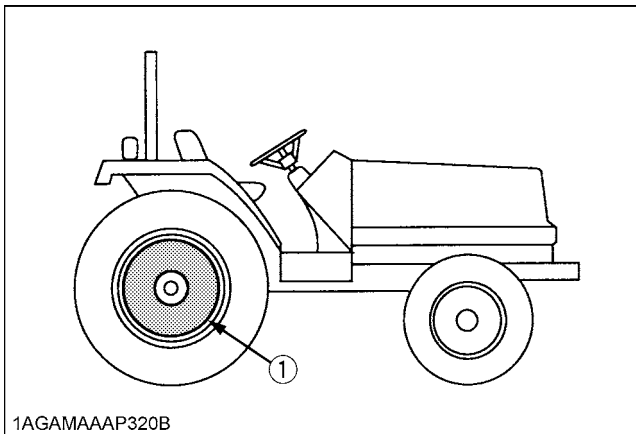
**■ Rear Ballast**

Add weight to rear wheels if needed to improve traction or for stability. The amount of rear ballast should be matched to job and the ballast should be removed when it is not needed.

The weight should be added to the tractor in the form of liquid ballast, rear wheel weights or a combination of both.

**◆ Rear Wheel Weights (option)**

The rear wheel weights can be attached to the rear wheel. See your implement operator's manual for required number of weights or consult your local KUBOTA Dealer to use.



1AGAMAAAP320B

(1) Rear wheel weights

**IMPORTANT :**

- Do not overload tires.
- Add no more weight than indicated in chart.

Model	Maximum weight per wheel
L3240, L3540, L3940, L4240, L4740	28 kg x 3 Pieces (185 lbs.)
L5040, L5240, L5740	47kg x 3 Pieces (310 lbs.)

**■ Liquid Ballast in Rear Tires**

Water and calcium chloride solution provides safe economical ballast. Used properly, it will not damage tires, tubes or rims. The addition of calcium chloride is recommended to prevent the water from freezing. Use of this method of weighting the wheels has the full approval of the tire companies. See your tire dealer for this service.

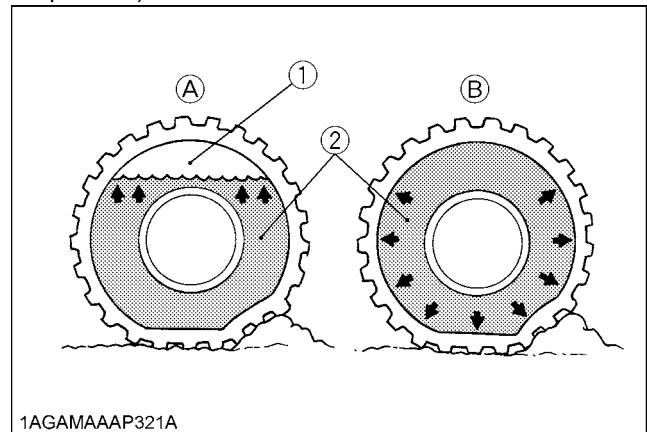
Liquid weight per tire (75 Percent filled)

Tire sizes	12.4-24	420/70-24	14.9-24
Slush free at -10 °C (14 °F) Solid at -30 °C (-22 °F) [Approx. 1 kg (2 lbs.) CaCl <sub>2</sub> per 4 L (1 gal.) of water]	130 kg (285 lbs.)	195 kg (430 lbs.)	205 kg (450 lbs.)
Slush free at -24 °C (-11 °F) Solid at -47 °C (-52 °F) [Approx. 1.5 kg (3.5 lbs.) CaCl <sub>2</sub> per 4 L (1 gal.) of water]	135 kg (295 lbs.)	205 kg (450 lbs.)	215 kg (475 lbs.)
Slush free at -47 °C (-52 °F) Solid at -52 °C (-62 °F) [Approx. 2.25 kg (5 lbs.) CaCl <sub>2</sub> per 4 L (1 gal.) of water]	145 kg (320 lbs.)	220 kg (485 lbs.)	225 kg (495 lbs.)

Tire sizes	17.5L-24	14.9-26	13.6-28
Slush free at -10 °C (14 °F) Solid at -30 °C (-22 °F) [Approx. 1 kg (2 lbs.) CaCl <sub>2</sub> per 4 L (1 gal.) of water]	235 kg (515 lbs.)	215 kg (475 lbs.)	185 kg (405 lbs.)
Slush free at -24 °C (-11 °F) Solid at -47 °C (-52 °F) [Approx. 1.5 kg (3.5 lbs.) CaCl <sub>2</sub> per 4 L (1 gal.) of water]	250 kg (550 lbs.)	225 kg (495 lbs.)	200 kg (441 lbs.)
Slush free at -47 °C (-52 °F) Solid at -52 °C (-62 °F) [Approx. 2.25 kg (5 lbs.) CaCl <sub>2</sub> per 4 L (1 gal.) of water]	265 kg (585 lbs.)	235 kg (515 lbs.)	215 kg (475 lbs.)

**IMPORTANT :**

- Do not fill tires with water or solution more than 75% of full capacity (to the valve stem level at 12 o'clock position).



1AGAMAAAP321A

- (1) Air      (A) Correct-75% Air compresses like a cushion
- (2) Water    (B) Incorrect-100% Full Water can not be compressed

# MAINTENANCE

## SERVICE INTERVALS

No.	Items		Indication on hour meter													Interval	Ref. page				
			50	100	150	200	250	300	350	400	450	500	550	600	650					700	
1	Engine oil	Change	☉			○				○					○			every 200 Hr	95		
2	Engine oil filter	Replace	☉			○				○					○			every 200 Hr	94		
3	Transmission oil filter [HST]	Replace	☉			○				○					○			every 200 Hr	96		
4	Hydraulic oil filter	Replace	☉							○								every 400 Hr	99		
5	Transmission fluid	Change								○								every 400 Hr	99		
6	Front axle case oil	Change								○								every 400 Hr	100		
7	Front axle pivot	Adjust													○			every 600 Hr	101		
8	Greasing	-	○	○	○	○	○	○	○	○	○	○	○	○	○	○	○	every 50 Hr	87		
9	Engine start system	Check	○	○	○	○	○	○	○	○	○	○	○	○	○	○	○	every 50 Hr	88		
10	Wheel bolt torque	Check	○	○	○	○	○	○	○	○	○	○	○	○	○	○	○	every 50 Hr	89		
11	Battery condition	Check		○		○		○		○		○		○		○		every 100 Hr	93	*5	
12	Air cleaner element [Double type] Primary element	Clean		○		○		○		○		○		○		○		every 100 Hr	90	*1	@
		Replace																every 1 year	101	*2	
	Secondary element	Replace																every 1 year	101		
13	Fuel filter element	Clean		○		○		○		○		○		○		○		every 100 Hr	90		@
		Replace								○								every 400 Hr	100		
14	Fan belt	Adjust		○		○		○		○		○		○		○		every 100 Hr	91		
15	Clutch	Adjust	☉	○		○		○		○		○		○		○		every 100 Hr	92		
16	Brake	Adjust		○		○		○		○		○		○		○		every 100 Hr	92		
17	Radiator hose and clamp	Check				○				○					○			every 200 Hr	97		
		Replace																every 2 year	103		

No.	Items		Indication on hour meter													Interval	Ref. page				
			50	100	150	200	250	300	350	400	450	500	550	600	650					700	
18	Power steering oil line	Check				○				○					○			every 200 Hr	97		
		Replace																every 2 year	103	*4	
19	Fuel line	Check		○		○		○		○		○		○		○	every 100 Hr	91		@	
		Replace															every 2 year	103	*4		
20	HST oil line [HST]	Check				○				○					○		every 200 Hr	97			
		Replace															every 2 year	103	*4		
21	Toe-in	Adjust				○				○				○			every 200 Hr	98			
22	Intake air line	Check				○				○					○		every 200 Hr	98		@	
		Replace															every 2 year	103	*4		
23	Greasing (2WD front wheel hub)	---								○							every 400 Hr	100			
24	Engine valve clearance	Adjust															every 800 Hr	101	*4		
25	Fuel injection nozzle Injection pressure	Check															every 1500 Hr	101	*4	@	
26	Injection pump	Check															every 3000 Hr	101	*4	@	
27	Turbo charger	Check															every 3000 Hr	101	*4	@	
28	Lift cylinder hose	Replace															every 2 year	103	*4		
29	Cooling system	Flush															every 2 year	102			
30	Coolant	Change															every 2 year	102			
31	Fuel system	Bleed															Service as required	104			
32	Clutch housing	Drain														104					
33	Fuse	Replace														105					
34	Light bulb	Replace														106					

**IMPORTANT :**

- The jobs indicated by ○ must be done after the first 50 hours of operation.
- \*1 Air cleaner should be cleaned more often in dusty conditions than in normal conditions.
- \*2 Every year or every 6 times of cleaning.
- \*3 Replace only if necessary.
- \*4 Consult your local KUBOTA Dealer for this service.
- \*5 When the battery is used for less than 100 hours per year, check the battery condition by reading the indicator annually.
- The items listed above (@ marked) are registered as emission related critical parts by KUBOTA in the U.S.EPA nonroad emission regulation. As the engine owner, you are responsible for the performance of the required maintenance on the engine according to the above instruction.  
Please see Warranty Statement in detail.

## LUBRICANTS

No.	Locations	Capacities								Lubricants		
		L3240	L3540	L3940	L4240	L4740	L5040	L5240	L5740			
1	Fuel	44 L (11.6 U.S.gals.)		50 L (13.2 U.S.gals.)		54 L (14.3 U.S.gals.)				No. 2-D diesel fuel No. 1-D diesel fuel if temperature is below -10 °C (14 °F)		
2	Coolant	6.0 L (6.3 U.S.qts.)	7.5 L (7.9 U.S.qts.)			8.2 L (8.7 U.S.qts.)				Fresh clean soft water with anti-freeze		
		Recovery tank: 1.0 L (1.1 U.S.qts.)										
3	Engine crankcase (with filter)	5.7 L (6.0 U.S.qts.)	6.7 L (7.1 U.S.qts.)	8.2 L (8.7 U.S.qts.)		9.4 L (9.9 U.S.qts.)				● Engine oil : API Service Classification	CF or better	
										Above 25 °C (77 °F)	SAE30, SAE10W-30 or 15W-40	
										0 to 25 °C (32 to 77 °F)	SAE20, SAE10W-30 or 15W-40	
										Below 0 °C (32 °F)	SAE10W, SAE10W-30 or 15W-40	
4	Transmission case	42 L (11.1 U.S.gals.)		43 L (11.4 U.S.gals.)		45 L (11.9 U.S.gals.)				● KUBOTA UDT or SUPER UDT fluid*		
5	Front axle case [4WD]	6.5 L (6.9 U.S.qts.)			8.5 L (8.9 U.S.qts.)				● KUBOTA UDT or SUPER UDT fluid* or SAE 80-SAE90 gear oil			
6	Greasing	No. of greasing points								Capacity	Type of grease	
	Front wheel hub [2WD]	2	---								Until grease overflows.	Multipurpose Grease NLGI-2 OR NLGI-1 (GC-LB)
	Knuckle shaft [2WD]	2	---									
	Front wheel case support	----			2							
	Front axle support [4WD]	2										
	Top link	2										
	Top link bracket	2 [with Draft Control (if equipped)]										
	Lift rod	1										
	Lift cylinder	4										
	Battery terminal	2										
	Throttle cable	Oiling								moderate amount		

**NOTE:** \*KUBOTA UDT or SUPER UDT fluid---KUBOTA original transmission hydraulic fluid

**NOTE :**

- Engine Oil:
  - Oil used in the engine should have an American Petroleum Institute (API) service classification and Proper SAE Engine Oil according to the ambient temperatures as shown above:
  - With the emission control now in effect, the CF-4 and CG-4 lubricating oils have been developed for use of a low-sulfur fuel on on-road vehicle engines. When an off-road vehicle engine runs on a high-sulfur fuel, it is advisable to employ the "CF or better" lubricating oil with a high Total Base Number (TBN). **If the "CF-4, CG-4, CH-4 or CI-4" lubricating oil is used with a high-sulfur fuel, change the lubricating oil at shorter intervals. (approximately half)**
  - Lubricating oil recommended when a low-sulfur or high-sulfur fuel is employed.

○ : Recommendable    X : Not Recommendable

Lubricating oil class	Fuel		Remark
	Low-sulfur	High-sulfur	
CF	○	○	TBN ≥ 10
CF-4	○☆	X	
CG-4	○☆	X	
CH-4	○☆	X	
CI-4	○	X	

☆: Class CF-4, CG-4 and CH-4 engine oils cannot be used on EGR (Exhaust Gas Re-circulation) type engines.

- The CJ-4 engine oil is intended for DPF (Diesel Particulate Filter) type engines, and cannot be used on this tractor.
- Transmission oil:
 

The oil used to lubricate the transmission is also used as hydraulic fluid. To insure proper operation of the hydraulic system and to complete lubrication of the transmission, it is important that a multi-grade transmission fluid is used in this system. We recommend the use of **KUBOTA UDT or SUPER UDT fluid** for optimum protection and performance. (Consult your local KUBOTA Dealer for further detail.)

Do not mix different brands together.
- Indicated capacities of water and oil are manufacturer's estimate.

# PERIODIC SERVICE



## CAUTION

To avoid personal injury:

- Do not work under any hydraulically supported devices. They can settle, suddenly leak down, or be accidentally lowered. If necessary to work under tractor or any machine elements for servicing or adjustment, securely support them with stands or suitable blocking beforehand.

## HOW TO OPEN THE HOOD



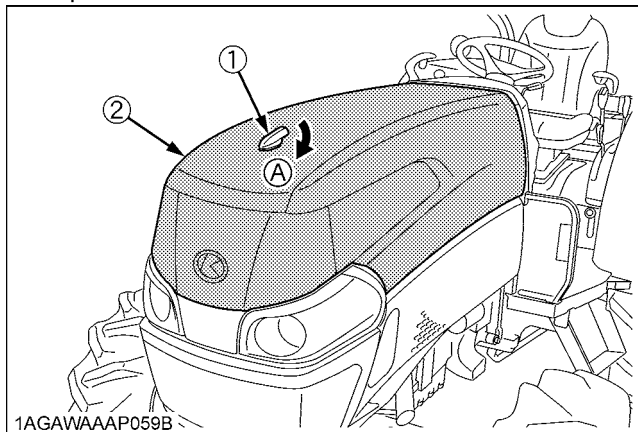
## CAUTION

To avoid personal injury from contact with moving parts;

- Never open the hood while the engine is running.
- Do not touch muffler or exhaust pipes while they are hot; Severe burns could result.
- Support hood with other hand while unlocking support link.

### ■ Hood

To open the hood, twist the mascot to release the latch and open the hood.

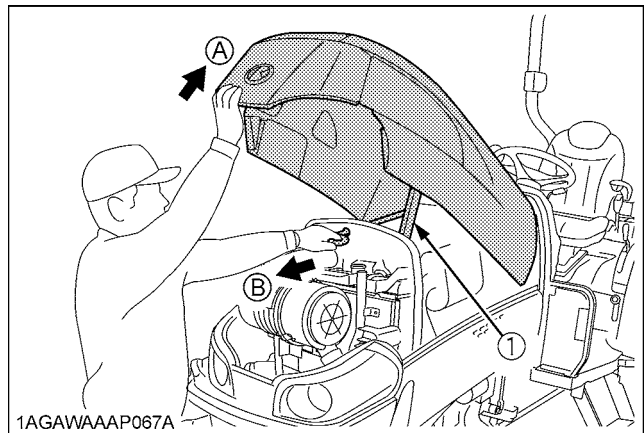


- (1) Mascot  
(2) Hood

(A) "OPEN"

### NOTE :

- To close the hood, hold the hood and release the support link.

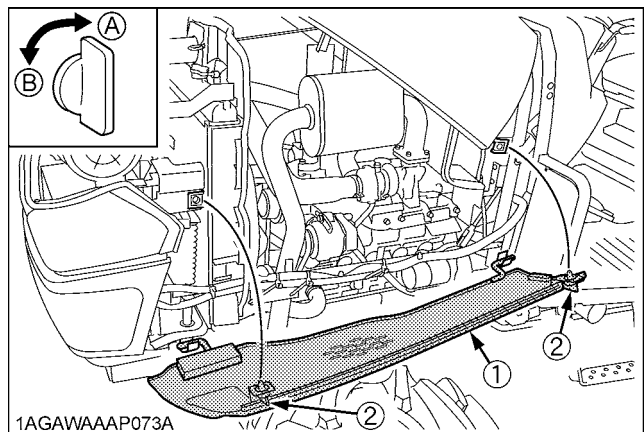


- (1) Support link

(A) "HOLD"  
(B) "PULL"

### ■ Side Cover

To remove the side cover, turn the 2 lock screws counterclockwise by 90°, and then raise and take away the side cover.



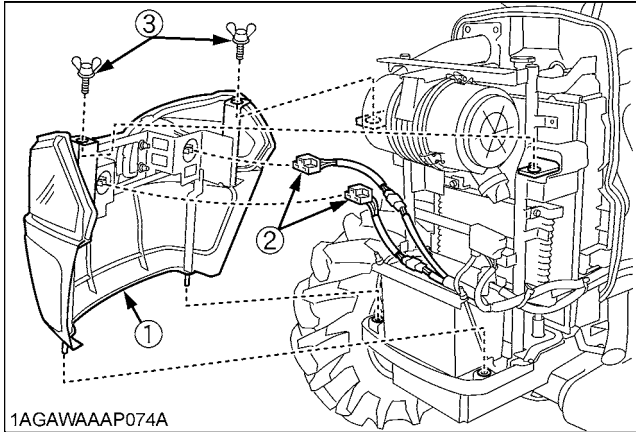
- (1) Side cover  
(2) Lock screw

(A) "LOCK POSITION"  
(B) "UNLOCK POSITION"



### ■ Front Cover

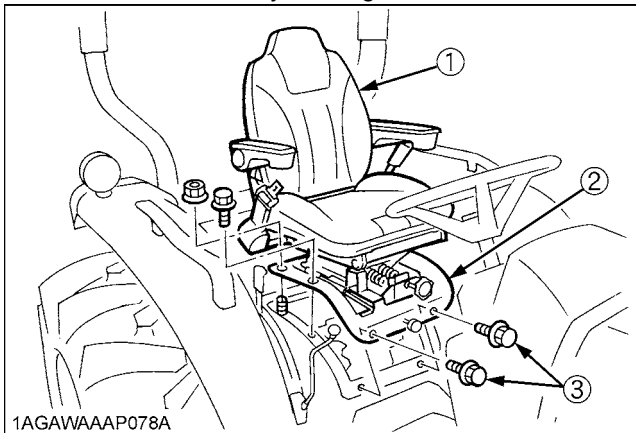
1. While pushing the right and left lock buttons, pull and remove the electrical connector.
2. Remove the bolts at both sides and detach the front cover.



- (1) Front cover
- (2) Electrical connector
- (3) Wing bolt

### ■ Floor Sheet

1. Remove the bolts on the floor sheet cover.
2. Hoist the seat with nylon slings.



- (1) Seat
- (2) Floor sheet cover
- (3) Bolt

## DAILY CHECK

For your own safety and maximum service life of the machine, make a thorough daily inspection before operating the machine to start the engine.



### CAUTION

To avoid personal injury:

- Be sure to check and service the tractor on a flat place with the engine shut off and the parking brake "ON".

### ■ Walk Around Inspection

Look around and under the tractor for such items as loose bolts, trash build-up, oil or coolant leaks, broken or worn parts.

### ■ Checking and Refueling

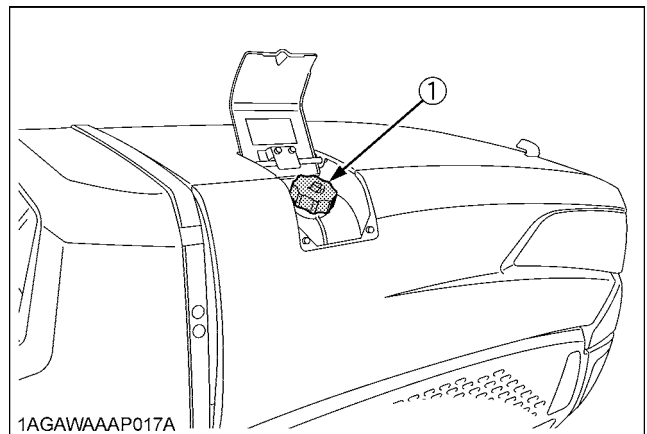


### CAUTION

To avoid personal injury:

- Do not smoke while refueling.
- Be sure to stop the engine before refueling.

1. Turn the key switch to "ON", check the amount of fuel by fuel gauge.
2. Fill fuel tank when fuel gauge shows 1/4 or less fuel in tank.
3. Use grade No.2-Diesel fuel at temperatures above -10 °C (14 °F).  
Use grade No.1-Diesel fuel at temperatures below -10 °C (14 °F).



- (1) Fuel tank cap

### ◆ Refueling alarm

Suppose that you try to refuel with the key switch at ON. When you start refueling, the buzzer sounds intermittently.

When the tank gets close to full, the buzzer starts sounding continuously. Stop refueling just when the buzzer sound turns from intermittent to continuous.

Fuel tank capacity	L3240, L3540	44L (11.6 U.S.gals.)
	L3940, L4240	50 L (13.2 U.S.gals.)
	L4740, L5040, L5240, L5740	54 L (14.3 U.S.gals.)

**IMPORTANT :**

- Do not permit dirt or trash to get into the fuel system.
- Be careful not to let the fuel tank become empty, otherwise air will enter the fuel system, necessitating bleeding before next engine start.
- Be careful not to spill during refueling. If should spill, wipe it off at once, or it may cause a fire.
- To prevent condensation (water) accumulation in the fuel tank, fill the tank before parking overnight.

**NOTE :**

- No.2-D is a distillate fuel of lower volatility for engines in industrial and heavy mobile service. (SAE J313 JUN87)
- Grade of Diesel Fuel Oil According to ASTM D975

Flash Point, °C (°F)	Water and Sediment, volume %	Carbon Residue on, 10 percent Residuum, %	Ash, weight %
Min	Max	Max	Max
52 (125)	0.05	0.35	0.01

Distillation Temperatures, °C (°F) 90% Point		Viscosity Kinematic cSt or mm <sup>2</sup> /s at 40 °C		Viscosity Saybolt, SUS at 100 °F		Sulfur weight %	Copper Strip Corrosion	Cetane Number
Min	Max	Min	Max	Min	Max	Max	Max	Min
282 (540)	338 (640)	1.9	4.1	32.6	40.1	0.50	No.3	40

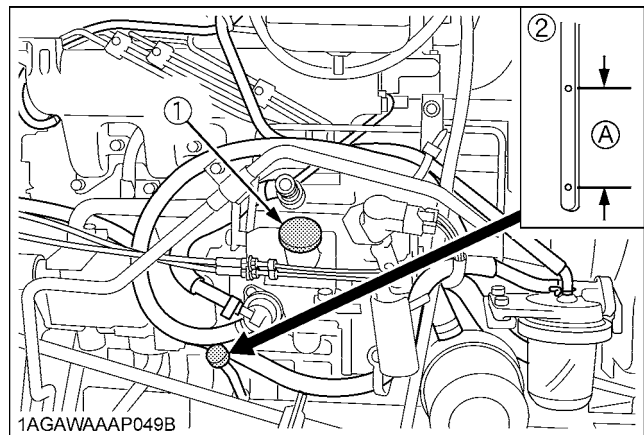
**Checking Engine Oil Level****CAUTION**

To avoid personal injury:

- Be sure to stop the engine before checking the oil level.

1. Park the machine on a flat surface.
2. Check engine oil before starting the engine or 5 minutes or more after the engine has stopped.
3. To check the oil level, draw out the dipstick, wipe it clean, replace it, and draw it out again. Check to see that the oil level lies between the two notches. If the level is too low, add new oil to the prescribed level at the oil inlet.

(See "LUBRICANTS" in "MAINTENANCE" section.)



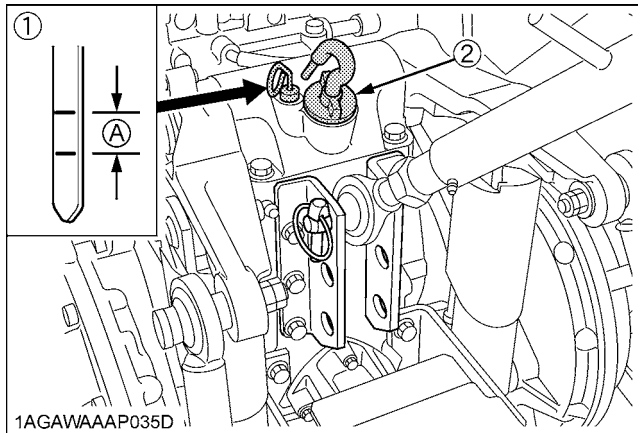
- (1) Oil inlet      (A) Oil level is acceptable within this range.  
(2) Dipstick

**IMPORTANT :**

- When using an oil of different maker or viscosity from the previous one, remove all of the old oil. Never mix two different types of oil.
- If oil level is low, do not run engine.

### ■Checking Transmission Fluid Level

1. Park the machine on a flat surface, lower the implement and shut off engine.
2. To check the oil level, draw out the dipstick, wipe it clean, replace it, and draw it out again. Check to see that the oil level lies between the two notches. If the level is too low, add new oil to the prescribed level at the oil inlet.  
(See "LUBRICANTS" in "MAINTENANCE" section.)



(1) Gauge (A) Oil level is acceptable within this range.  
(2) Oil inlet

#### IMPORTANT :

- If oil level is low, do not run engine.

### ■Checking Coolant Level



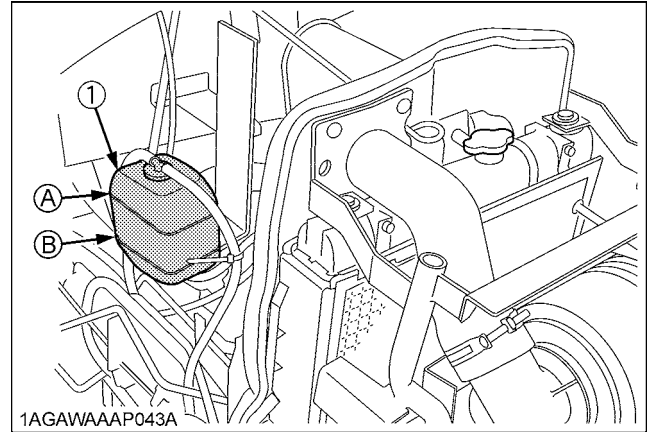
#### CAUTION

To avoid personal injury:

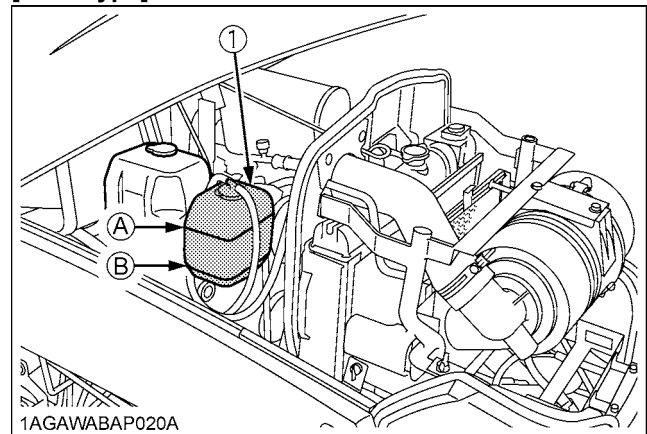
- Do not remove radiator cap while coolant is hot. When cool, slowly rotate cap to the first stop and allow sufficient time for excess pressure to escape before removing the cap completely.

1. Check to see that the coolant level is between the "FULL" and "LOW" marks of recovery tank.
2. When the coolant level drops due to evaporation, add soft water only up to the full level.  
In case of leakage, add anti-freeze and soft water in the specified mixing ratio up to the full level.  
(See "Flushing Cooling System and Changing Coolant" in "EVERY 2 YEARS" in "PERIODIC SERVICE" section.)

#### [ROPS Type]



#### [CAB Type]



(1) Recovery tank (A) "FULL"  
(B) "LOW"

#### IMPORTANT :

- If the radiator cap has to be removed, follow the caution above and securely retighten the cap.
- Use clean, fresh soft water and anti-freeze to fill the recovery tank.
- If water should leak, consult your local KUBOTA Dealer.

## ■ Cleaning Grill, Radiator Screen and Oil Cooler

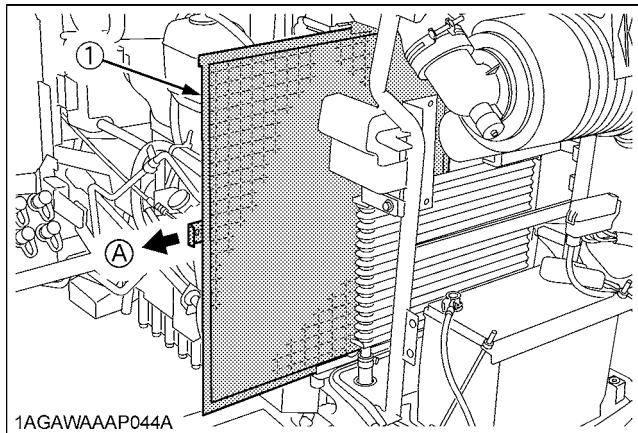


### CAUTION

To avoid personal injury:

- Be sure to stop the engine before removing the screen.

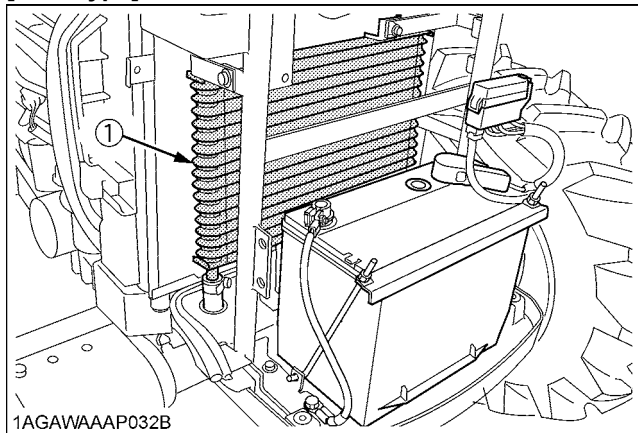
1. Check front grill and side screens to be sure they are clean of debris.
2. Detach the screen and remove all foreign materials.



(1) Radiator screen

(A) "DETACH"

### [HST Type]



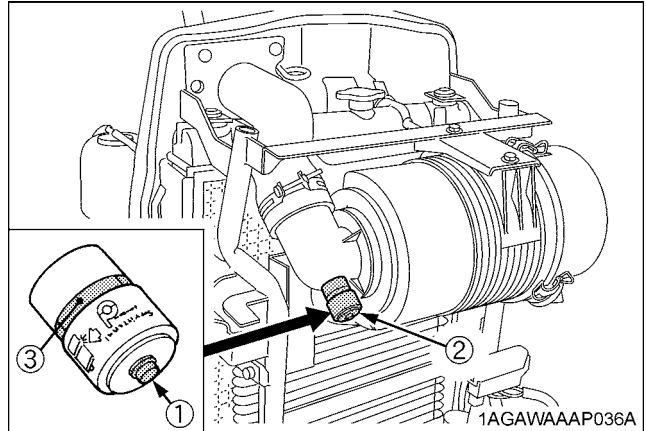
(1) Oil cooler

### IMPORTANT :

- Grill and screen must be clean from debris to prevent engine from overheating and to allow good air intake for the air cleaner.

## ■ Checking Dust Indicator

There is a dust indicator on the air cleaner body. If the red signal on the dust indicator is visible, clean the element immediately. (See "Cleaning Air Cleaner Primary Element" in "EVERY 100 HOURS" in "PERIODIC SERVICE" section.) Reset the red signal by pushing a "RESET" button after cleaning.



(1) "RESET" button

(2) Dust indicator

(3) Red signal

## ■ Checking Brake Pedals and Clutch Pedal



### WARNING

To avoid personal injury:

- Be sure brake pedals have equal adjustment when using locked together. Incorrect or unequal brake pedal adjustment can cause the tractor to swerve or roll-over.

1. Inspect the brake and clutch pedals for free travel, and smooth operation.
2. Adjust if incorrect measurement is found: (See "Adjusting Clutch Pedal" and "Adjusting Brake Pedal" in "EVERY 100 HOURS" in "PERIODIC SERVICE" section.)

## ■ Checking Gauges, Meter and Easy Checker(TM)

1. Inspect the instrument panel for broken gauge(s), meter(s) and Easy Checker(TM).
2. Replace if broken.

## ■ Checking Head Light, Hazard Light etc.

1. Inspect the lights for broken bulbs and lenses.
2. Replace if broken.

**■Checking Seat Belt and ROPS**

1. Always check condition of seat belt and ROPS attaching hardware before operating tractor.
2. Replace if damaged.

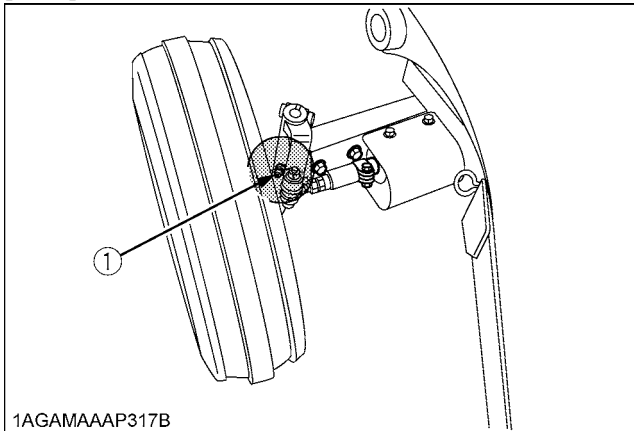
**EVERY 50 HOURS**

**■Lubricating Grease Fittings**

Apply a small amount of multipurpose grease to the following points every 50 hours:

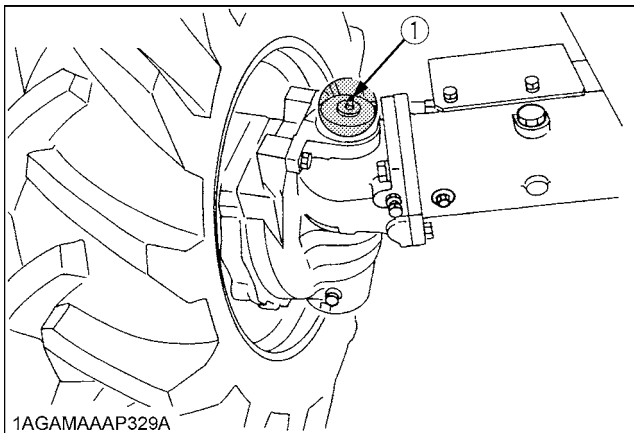
If you operated the machine in extremely wet and muddy conditions, lubricate grease fittings more often.

[2WD]



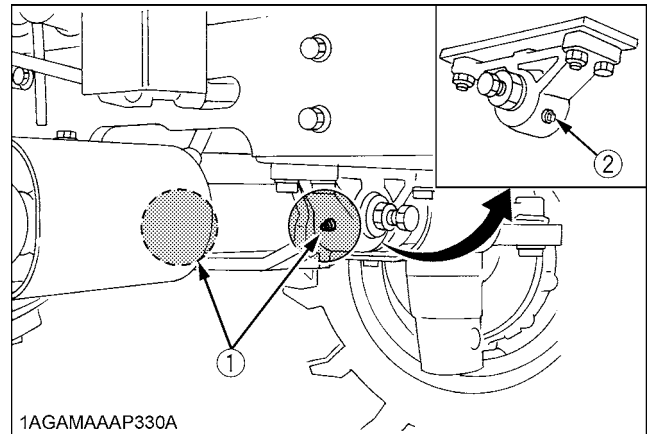
(1) Grease fitting (Knuckle shaft)[RH, LH]

[L4240, L4740, L5040, L5240, L5740]

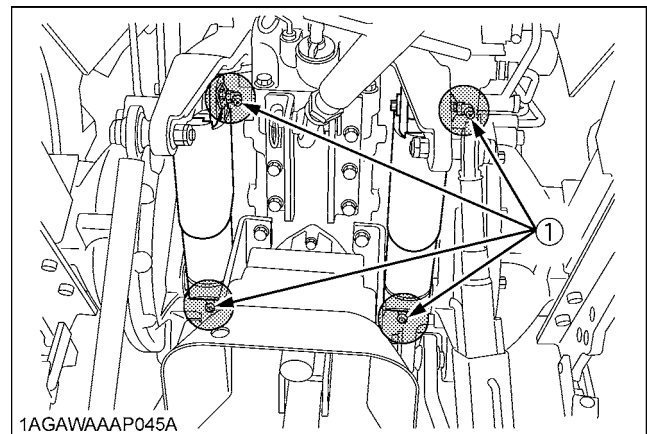


(1) Grease fitting (Front wheel case support)[RH, LH]

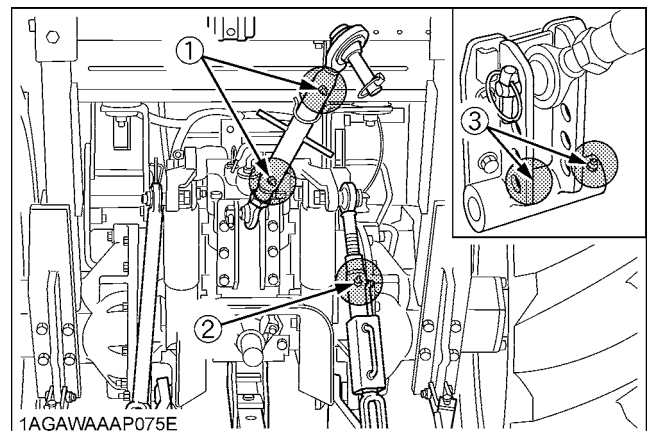
When apply a grease to forward front axle support, remove the breather plug and apply a grease until grease overflows from breather plug port. After greasing reinstall the breather plug.



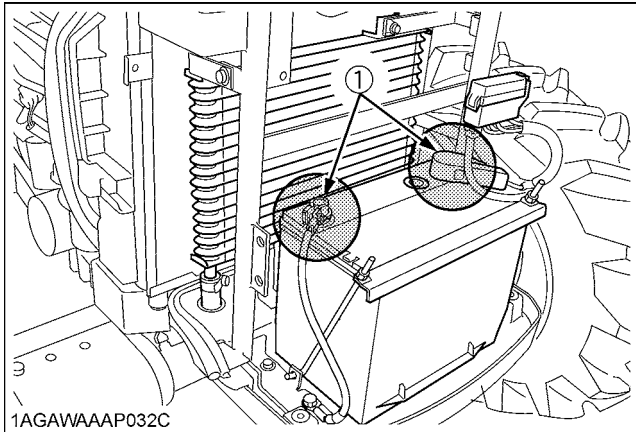
(1) Grease fitting (Front axle support)  
(2) Breather plug



(1) Grease fitting (Lift cylinder)



(1) Grease fitting (Top link)  
(2) Grease fitting (Lifting rod) [RH]  
(3) Grease fitting (Top link bracket)



(1) Battery terminals

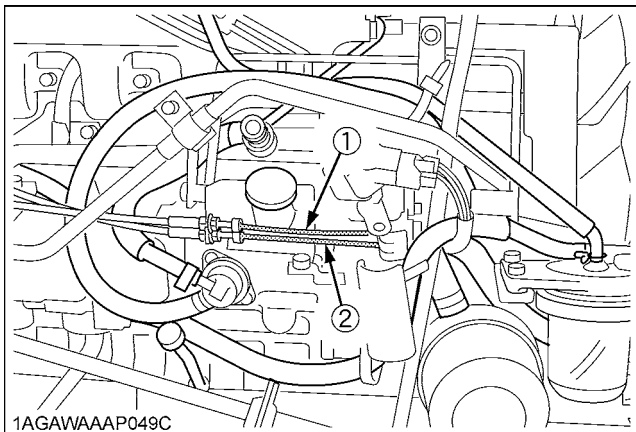
■ Oiling



**CAUTION**

To avoid personal injury:

- Be sure to stop the engine and remove the key before oiling.



(1) Hand throttle cable  
(2) Foot throttle cable

■ Checking Engine Start System



**CAUTION**

To avoid personal injury:

- Do not allow anyone near the tractor while testing.
- If the tractor does not pass the test, do not operate the tractor.

◆ Preparation before testing.

1. Place all control levers in the "NEUTRAL" position.
2. Set the parking brake and stop the engine.

[GST / Manual Transmission Type]

◆ Test: Switch for the shuttle shift lever.

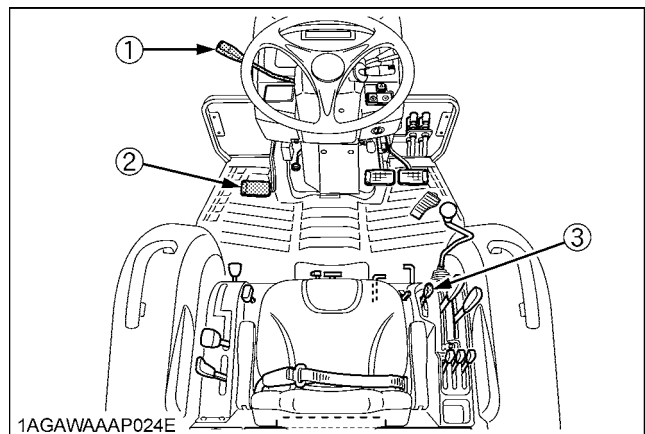
1. Sit on the operator's seat
2. Shift the shuttle shift lever to the forward or reverse position.
3. Depress the clutch pedal fully.
4. Disengage the PTO clutch control switch or lever.
5. Turn the key to "START" position.
6. The engine must not crank.
7. If it cranks, consult your local KUBOTA Dealer for this service.

◆ Test: Switch for the PTO clutch control switch or lever.

1. Sit on the operator's seat.
2. Engage the PTO clutch control switch or lever.
3. Depress the clutch pedal fully.
4. Shift the shuttle shift lever to the neutral position.
5. Turn the key to "START" position.
6. The engine must not crank.
7. If it cranks, consult your local KUBOTA Dealer for this service.

◆ Test: Switch for the operator's seat

1. Sit on the operator's seat.
2. Start the engine.
3. Engage the PTO clutch control switch or lever.
4. Stand up. (Do not get off the machine.)
5. The engine must shut off after approximately 1 second.
6. If it does not stop, consult your local KUBOTA Dealer for this service.



(1) Shuttle shift lever  
(2) Clutch pedal  
(3) PTO clutch control lever

[HST Type]

◆ **Test: Switch for the speed control pedal.**

1. Sit on the operator's seat.
2. Depress the speed control pedal to the desired direction.
3. Depress the clutch pedal fully.
4. Disengage the PTO clutch control switch or lever.
5. Turn the key to "START" position.
6. The engine must not crank.
7. If it cranks, consult your local KUBOTA Dealer for this service.

◆ **Test: Switch for the PTO clutch control switch or lever.**

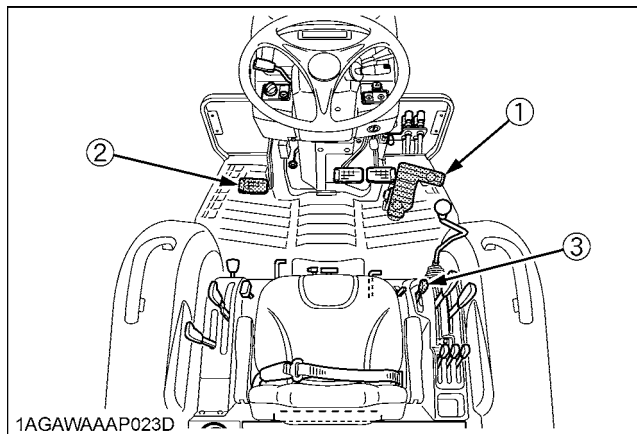
1. Sit on the operator's seat.
2. Engage the PTO clutch control switch or lever.
3. Depress the clutch pedal fully.
4. Place the speed control pedal in neutral position.
5. Turn the key to "START" position.
6. The engine must not crank.
7. If it cranks, consult your local KUBOTA Dealer for this service.

◆ **Test: Switch for the clutch pedal.**

1. Sit on the operator's seat.
2. Disengage the PTO clutch control switch or lever.
3. Place the speed control pedal in neutral position.
4. Release the clutch pedal.
5. Turn the key to "START" position.
6. The engine must not crank.
7. If it cranks, consult your local KUBOTA Dealer for this service.

◆ **Test: Switch for the operator's seat**

1. Sit on the operator's seat.
2. Start the engine.
3. Engage the PTO clutch control switch or lever.
4. Stand up. (Do not get off the machine.)
5. The engine must shut off after approximately 1 second.
6. If it does not stop, consult your local KUBOTA Dealer for this service.



- (1) Speed control pedal
- (2) Clutch pedal
- (3) PTO clutch control lever

■ **Checking Wheel Bolt Torque**

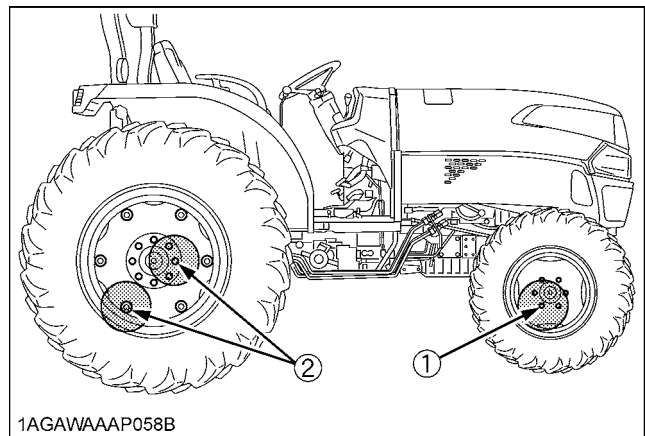


**CAUTION**

To avoid personal injury:

- Never operate tractor with a loose rim, wheel, or axle.
- Any time bolts and nuts are loosened, retighten to specified torque.
- Check all bolts and nuts frequently and keep them tight.

Check wheel bolts and nuts regularly especially when new. If they are loose, tighten them as follows.



- (1) [L3240, L3540, L3940, L4240, L4740]  
137 N-m (14 kgf-m, 100 ft-lbs)  
[L5040, L5240, L5740]  
185 N-m (19 kgf-m, 136 ft-lbs)
- (2) 215 N-m (22 kgf-m, 160 ft-lbs)

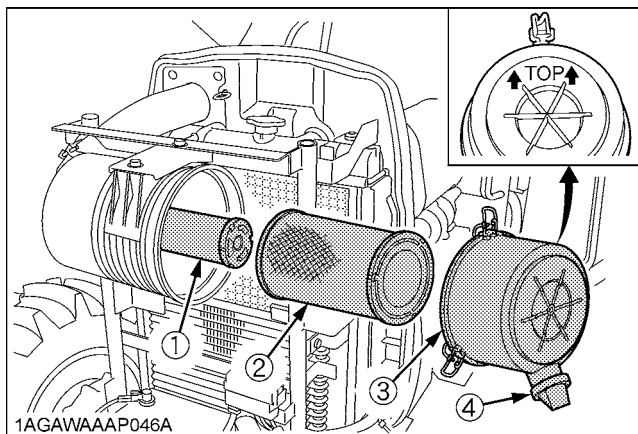
## EVERY 100 HOURS

### ■ Cleaning Air Cleaner Primary Element

1. Remove the air cleaner cover and primary element.
2. Clean the primary element:
  - (1) When dry dust adheres to the element, blow compressed air from the inside, turning the element. Pressure of compressed air must be under 205 kPa (2.1 kgf/cm<sup>2</sup>, 30 psi).
  - (2) When carbon or oil adheres to the element, soak the element in detergent for 15 minutes then wash it several times in water, rinse with clean water and dry it naturally. After element is fully dried, inspect inside of the element with a light and check if it is damaged or not.
3. Replace air cleaner primary element:  
Once yearly or after every sixth cleaning, whichever comes first.

#### NOTE :

- Check to see if the evacuator valve is blocked with dust.



- (1) Secondary (safety) element
- (2) Primary element
- (3) Cover
- (4) Evacuator valve

#### IMPORTANT :

- The air cleaner uses a dry element, never apply oil.
- Do not run the engine with filter element removed.
- Be sure to refit the cover with the arrow ↑ (on the rear of cover) upright. If the cover is improperly fitted, evacuator valve will not function and dust will adhere to the element.
- Do not touch the secondary element except in cases where replacing is required.  
(See "Replacing Air Cleaner Secondary Element" in "EVERY 1 YEAR" in "PERIODIC SERVICE" section.)

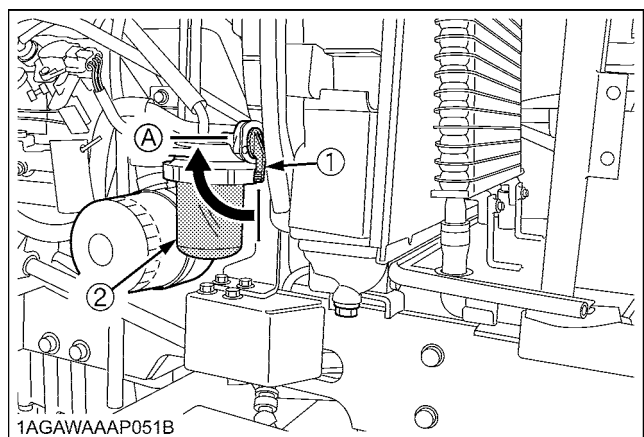
#### ◆ Evacuator Valve

Open the evacuator valve once a week under ordinary conditions - or daily when used in a dusty place - to get rid of large particles of dust and dirt.

### ■ Cleaning Fuel Filter

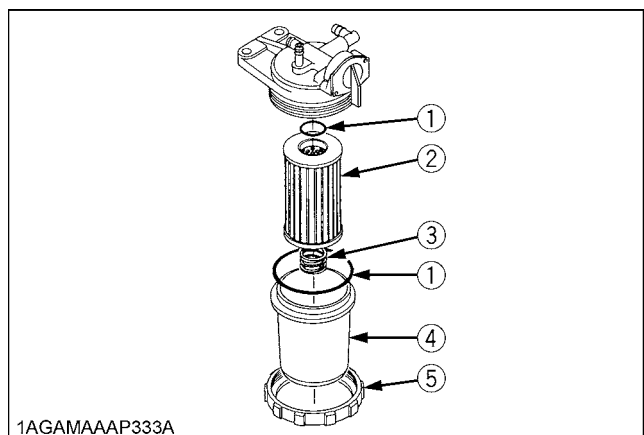
This job should not be done in the field, but in a clean place.

1. Close the fuel cock.
2. Unscrew the screw ring and remove the filter bowl, and rinse the inside with kerosene.
3. Take out the element and dip it in the kerosene to rinse.
4. After cleaning, reassemble the fuel filter, keeping out dust and dirt.
5. Bleed the fuel system.  
(See "Bleeding Fuel System" in "SERVICE AS REQUIRED" in "PERIODIC SERVICE" section.)



- (1) Fuel cock
- (2) Fuel filter bowl

(A) "CLOSE"



- (1) O ring
- (2) Filter element
- (3) Spring
- (4) Filter bowl
- (5) Screw ring

#### IMPORTANT :

- If dust and dirt enters the fuel system, the fuel pump and injection nozzles are subject to premature wear. To prevent this, be sure to clean the fuel filter bowl and element periodically.



### ■ Adjusting Fan Belt Tension



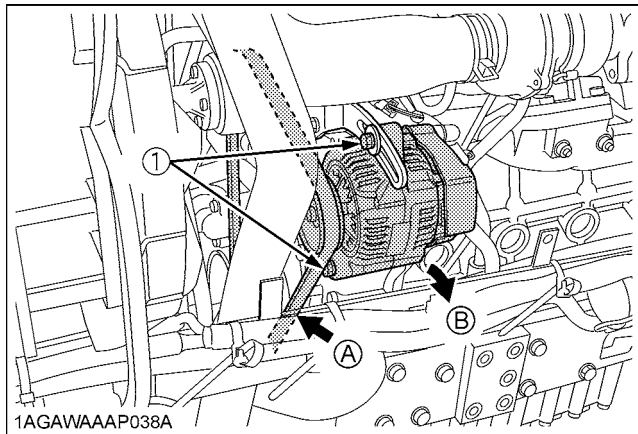
#### CAUTION

To avoid personal injury:

- Be sure to stop the engine before checking belt tension.

Proper fan belt tension	A deflection of between 7 to 9 mm (0.28 to 0.34 in.) when the belt is pressed in the middle of the span.
-------------------------	--

1. Stop the engine and remove the key.
2. Apply moderate thumb pressure to belt between pulleys.
3. If tension is incorrect, loosen the alternator mounting bolts and, using a lever placed between the alternator and the engine block, pull the alternator out until the deflection of the belt falls within acceptable limits.
4. Replace fan belt if it is damaged.

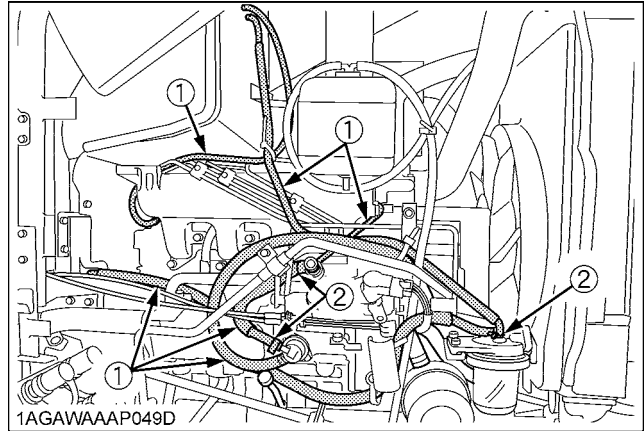


(1) Bolt

(A) Check the belt tension  
(B) To tighten

### ■ Checking Fuel Line

1. Check to see that all lines and hose clamps are tight and not damaged.
2. If hoses and clamps are found worn or damaged, replace or repair them at once.



(1) Fuel lines

(2) Clamp bands

#### NOTE :

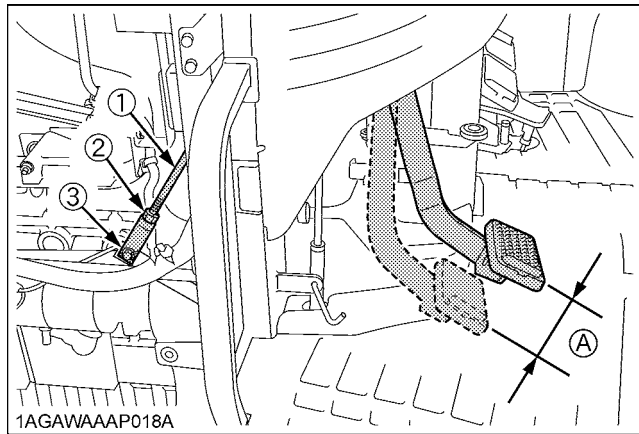
- If the fuel line is removed, be sure to properly bleed the fuel system. (See "Bleeding Fuel System" in "SERVICE AS REQUIRED" in "PERIODIC SERVICE" section.)

### ■ Adjusting Clutch Pedal

Proper clutch pedal free travel	20 to 30 mm (0.8 to 1.2 in.) on the pedal
---------------------------------	---

#### ◆ Adjusting procedure

1. Stop the engine and remove the key.
2. Slightly depress the clutch pedal and measure free travel at top of pedal stroke.
3. If adjustment is needed, loosen the lock nut, remove the clevis pin and adjust the rod length within acceptable limits.
4. Retighten the lock nut and split the cotter pin.



- (1) Clutch rod
- (2) Nut
- (3) Clevis pin

(A) "FREE TRAVEL"

### ■ Adjusting Brake Pedal



#### CAUTION

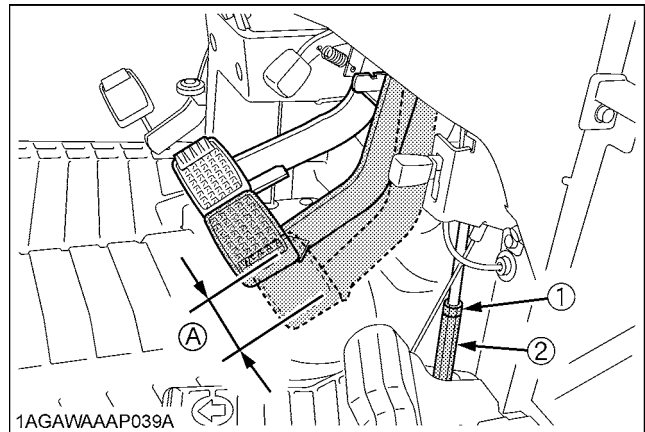
To avoid personal injury:

- Stop the engine and chock the wheels before checking brake pedal.

Proper brake pedal free travel	15 to 20 mm (0.6 to 0.8 in.) on the pedal
	Keep the free travel in the right and left brake pedals equal.

#### ◆ Adjusting procedure

1. Release the parking brake.
2. Slightly depress the brake pedals and measure free travel at the top of pedal stroke.
3. If adjustment is needed, loosen the lock nut and turn the turnbuckle to adjust the rod length within acceptable limits.
4. Retighten the lock nut.



- (1) Lock nut
- (2) Turnbuckle

(A) "FREE TRAVEL"

■ **Checking Battery Condition**

**! DANGER**

To avoid the possibility of battery explosion:  
For the refillable type battery, follow the instructions below.

- Do not use or charge the refillable type battery if the fluid level is below the LOWER (lower limit level) mark. Otherwise, the battery component parts may prematurely deteriorate, which may shorten the battery's service life or cause an explosion. Check the fluid level regularly and add distilled water as required so that the fluid level is between the UPPER and LOWER levels.

**! CAUTION**

To avoid personal injury:

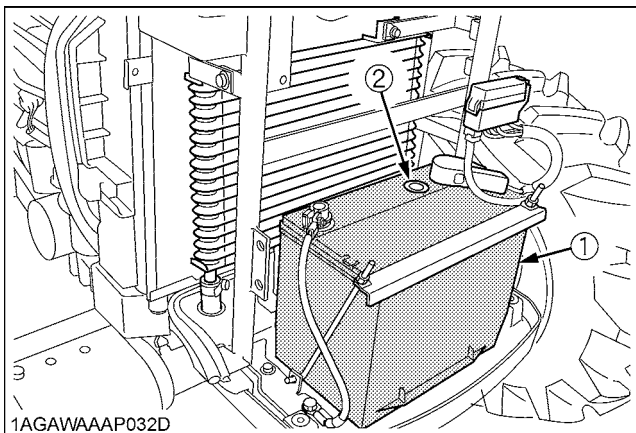
- Never remove the vent caps while the engine is running.
- Keep electrolyte away from eyes, hands and clothes. If you are spattered with it, wash it away completely with water immediately and get medical attention.
- Wear eye protection and rubber gloves when working around the battery.

The factory-installed battery is of non-refillable type. If the indicator turns white, do not charge the battery but replace it with new one.

Mishandling the battery shortens the service life and adds to maintenance costs.

The original battery is maintenance free, but needs some servicing.

If the battery is weak, the engine will be difficult to start and the lights will be dim. It is important to check the battery periodically.



(1) Battery  
(2) Indicator

◆ **How to read the indicator**

Check the battery condition by reading the indicator.

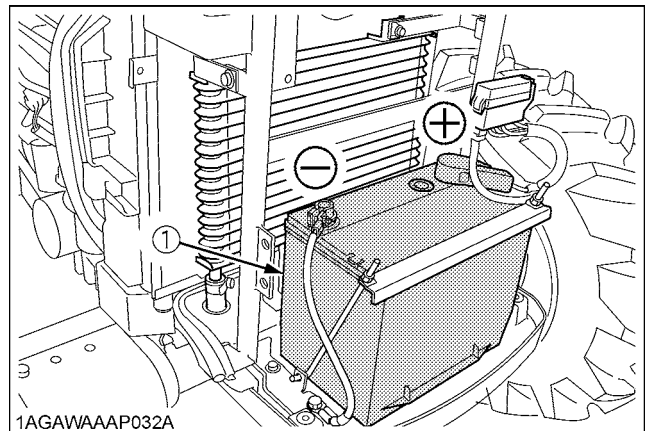
State of indicator display	
Green	Specific gravity of electrolyte and quality of electrolyte are both in good condition.
Black	Needs charging battery.
White	Needs replacing battery.

◆ **Battery Charging**

**! CAUTION**

To avoid personal injury:

- When the battery is being activated, hydrogen and oxygen gases in the battery are extremely explosive. Keep open sparks and flames away from the battery at all times, especially when charging the battery.
- When charging the battery, ensure the vent caps are securely in place. (if equipped)
- When disconnecting the cable from the battery, start with the negative terminal first. When connecting the cable to the battery, start with the positive terminal first.
- Never check battery charge by placing a metal object across the posts. Use a voltmeter or hydrometer.



(1) Battery

1. To slow charge the battery, connect the battery positive terminal to the charger positive terminal and the negative to the negative, then recharge in the standard fashion.
2. A boost charge is only for emergencies. It will partially charge the battery at a high rate and in a short time. When using a boost-charged battery, it is necessary to recharge the battery as early as possible. Failure to do this will shorten the battery's service life.
3. The battery is charged if the indicator display turns green from black.

4. When exchanging an old battery for a new one, use battery of equal specification shown in **table 1**.

Table 1

Tractor model	Battery Type	Volts (V)	Capacity at 5H.R(A.H)
L3240	75D26R	12	52
L3540 L3940 L4240 L4740 L5040 L5240 L5740	80D26R	12	55
Tractor model	Reserve Capacity (min)	Cold Cranking Amps	Normal Charging Rate (A)
L3240	123	490	6.5
L3540 L3940 L4240 L4740 L5040 L5240 L5740	133	582	6.5

#### ◆ Direction for Storage

- When storing the tractor for a long period, remove the battery from tractor, adjust the electrolyte to the proper level and store in a dry place out of direct sunlight.
- The battery self-discharges while it is stored. Recharge it once every three months in hot seasons and once every six months in cold seasons.

## EVERY 200 HOURS

### ■ Replacing Engine Oil Filter

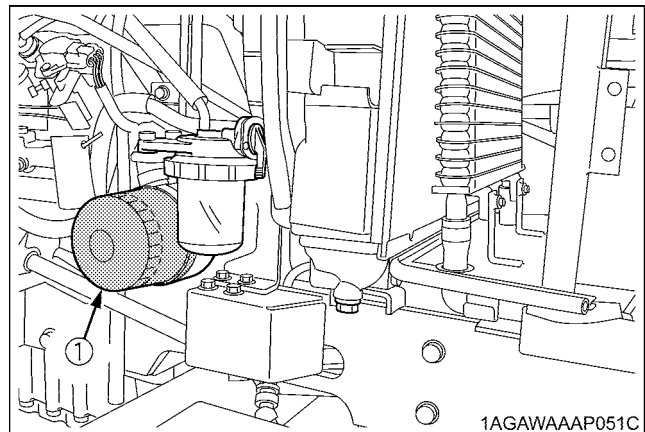


#### CAUTION

To avoid personal injury:

- Be sure to stop the engine before changing the oil filter cartridge.
- Allow engine to cool down sufficiently, oil can be hot and can burn.

- Remove the oil filter.
- Put a film of clean engine oil on the rubber seal of the new filter.
- Tighten the filter quickly until it contacts the mounting surface.  
Tighten filter by hand an additional 1/2 turn only.
- After the new filter has been replaced, the engine oil normally decreases a little. Make sure that the engine oil does not leak through the seal and be sure to check the oil level on the dipstick. Then, replenish the engine oil up to the prescribed level.



(1) Engine oil filter

#### IMPORTANT :

- To prevent serious damage to the engine, use only a KUBOTA genuine filter.

## ■ Changing Engine Oil

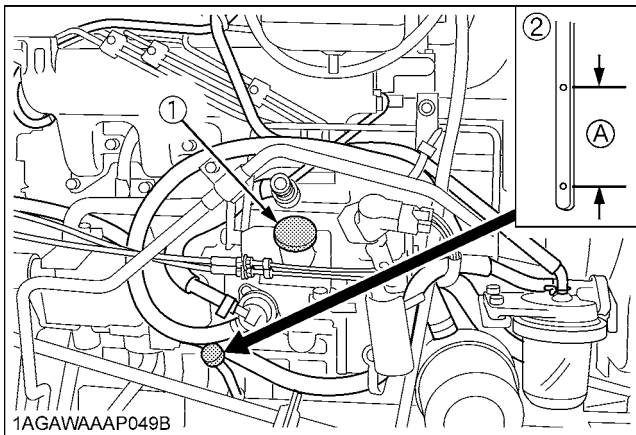
### CAUTION

To avoid personal injury:

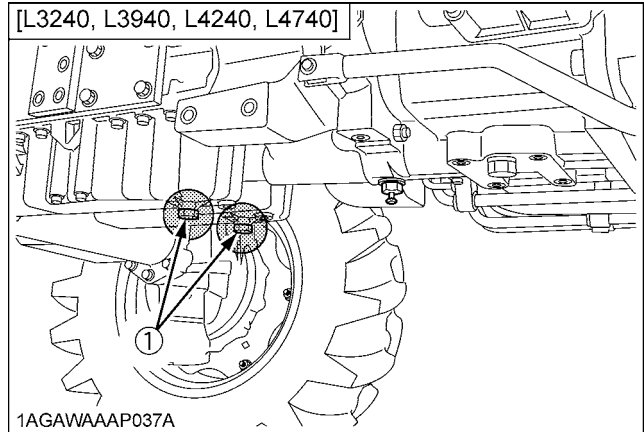
- Be sure to stop the engine before changing the oil.
- Allow engine to cool down sufficiently, oil can be hot and can burn.

1. To drain the used oil, remove the drain plug at the bottom of the engine and drain the oil completely into the oil pan.  
All the used oil can be drained out easily when the engine is still warm.
2. After draining reinstall the drain plug.
3. Fill with the new oil up to the upper notch on the dipstick.  
(See "LUBRICANTS" in "MAINTENANCE" section.)

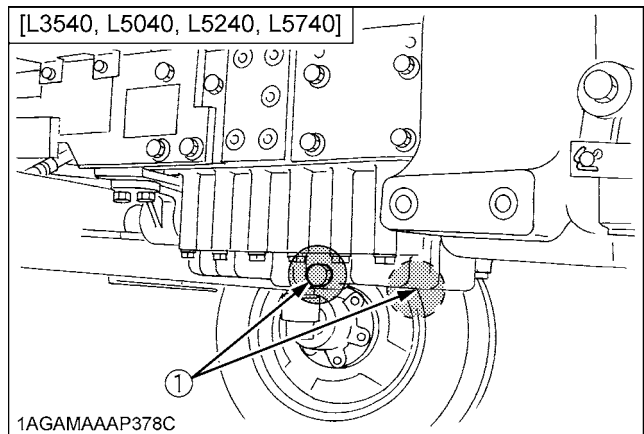
Oil capacity with filter	L3240	5.7 L (6.0 U.S.qts.)
	L3540	6.7 L (7.1 U.S.qts.)
	L3940, L4240, L4740	8.2 L (8.7 U.S.qts.)
	L5040, L5240, L5740	9.4 L (9.9 U.S.qts.)



- (1) Oil inlet      (A) Oil level is acceptable within this range  
(2) Dipstick



(1) Drain plug



(1) Drain plug

## ■ Replacing Transmission Oil Filter [HST Type]

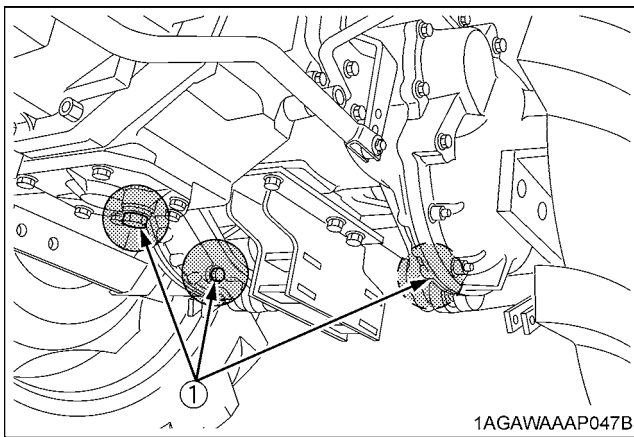


### CAUTION

To avoid personal injury:

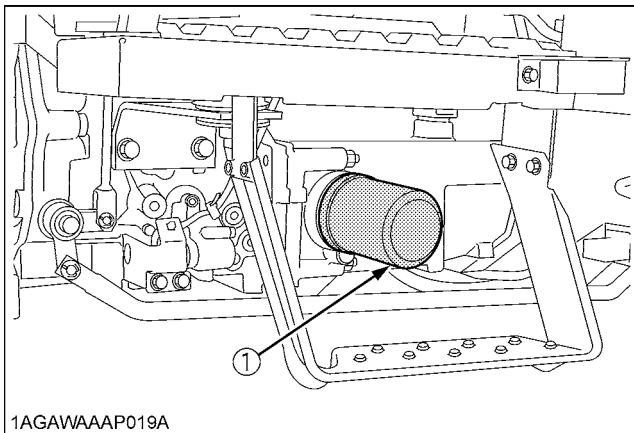
- Be sure to stop the engine before changing the oil filter cartridge.
- Allow engine to cool down sufficiently, oil can be hot and can burn.

1. Remove the drain plugs at the bottom of the transmission case and drain the oil completely into the oil pan.
2. After draining reinstall the drain plugs.



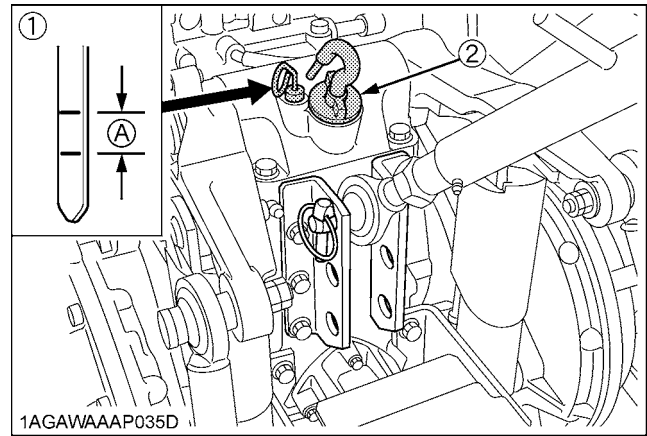
(1) Drain plugs

3. Remove the oil filter.



(1) Transmission oil filter [HST Type]

4. Put a film of clean transmission oil on the rubber seal of the new filter.
5. Quickly tighten the filter until it contacts the mounting surface, then, with a filter wrench, tighten it an additional 1 turn only.
6. After the new filter has been replaced, fill the transmission oil up to the upper notch on the dipstick.



(1) Gauge (A) Oil level is acceptable within this range.  
(2) Oil inlet

7. After running the engine for a few minutes, stop the engine and check the oil level again, add oil to the prescribed level.
8. Make sure that the transmission fluid doesn't leak past the seal on the filter.

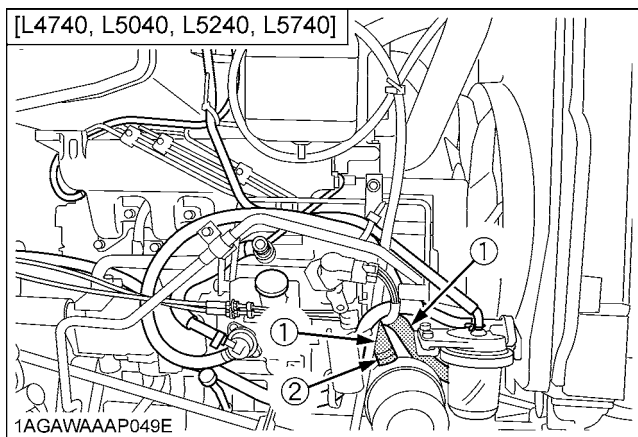
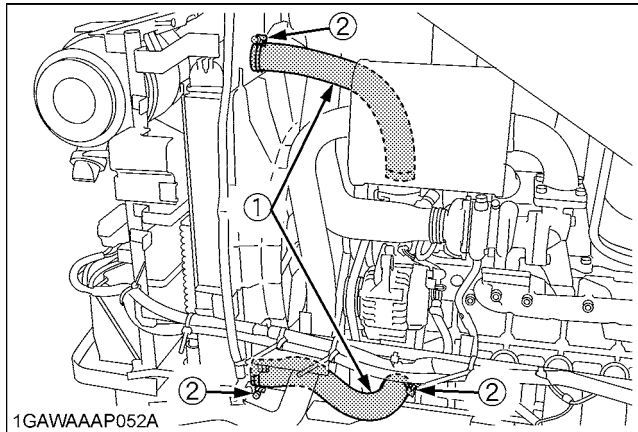
### IMPORTANT :

- To prevent serious damage to the hydraulic system, use only a KUBOTA genuine filter.

### ■ Checking Radiator Hose and Clamp

Check to see if radiator hoses are properly fixed every 200 hours of operation or six months, whichever comes first.

1. If hose clamps are loose or water leaks, tighten bands securely.
  2. Replace hoses and tighten hose clamps securely, if radiator hoses are swollen, hardened or cracked.
- Replace hoses and hose clamps every 2 years or earlier if checked and found that hoses are swollen, hardened or cracked.



(1) Radiator hoses  
(2) Clamp bands

### ◆ Precaution at Overheating

Take the following actions in the event the coolant temperature is nearly or more than the boiling point, what is called "Overheating"

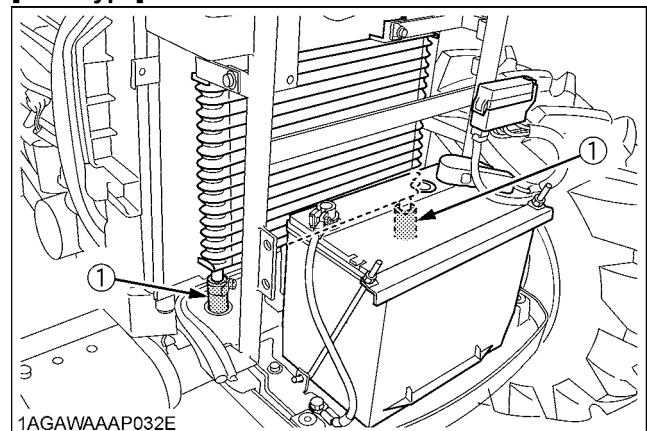
1. Park the tractor in a safe place and keep the engine unloaded idling.
2. Don't stop the engine suddenly, but stop it after about 5 minutes of unloaded idling.
3. Keep yourself well away from the machine for further 10 minutes or while the steam blows out.

4. Check that there are no dangers such as burns. Get rid of the causes of overheating according to the manual, see "TROUBLESHOOTING" section, and then, start again the engine.

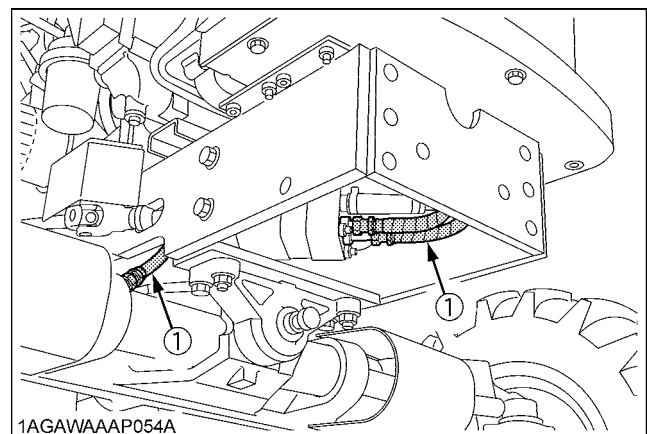
### ■ Checking HST Oil Line [HST Type] / Checking Power Steering Line

1. Check to see that all lines and hose clamps are tight and not damaged.
2. If hoses and clamps are found worn or damaged, replace or repair them at once.

#### [HST Type]



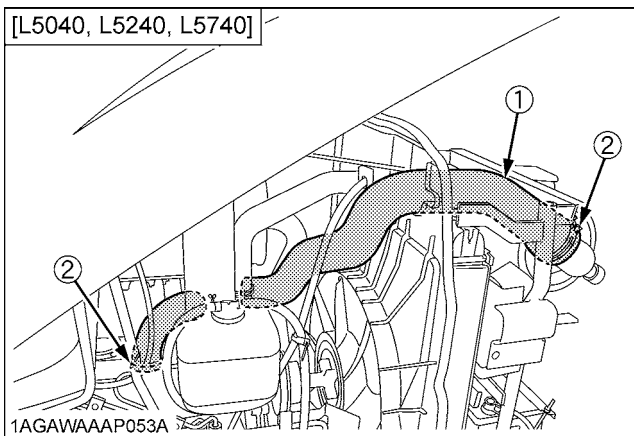
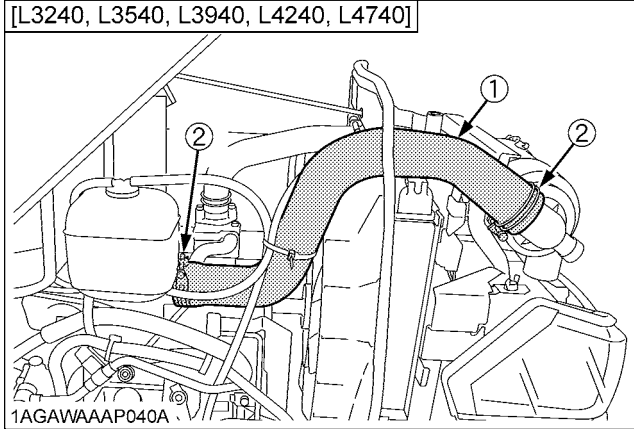
(1) HST oil line



(1) Power steering pressure hoses

### ■ Checking Intake Air Line

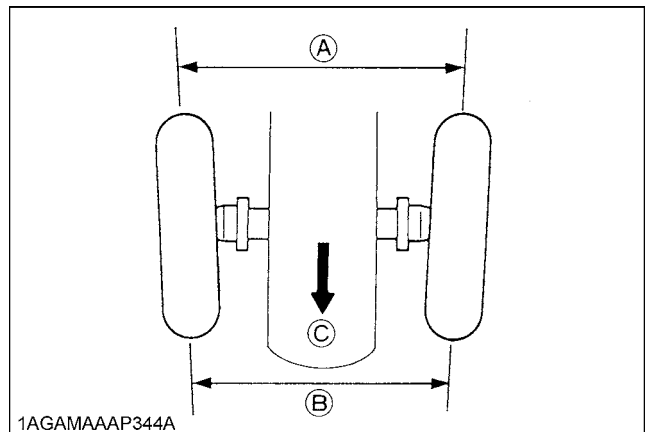
1. Check to see that hoses and hose clamps are tight and not damaged.
2. If hoses and clamps are found worn or damaged, replace or repair them at once.



- (1) Hose  
(2) Hose clamps

### ■ Adjusting Toe-in

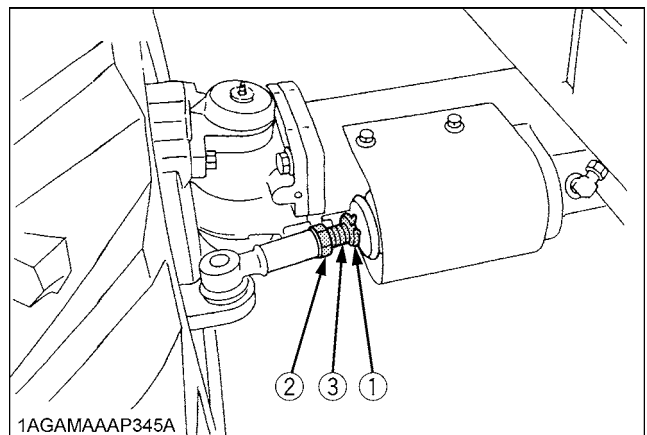
1. Park tractor on a flat place.
2. Turn steering wheel so front wheels are in the straight ahead position.
3. Lower the implement, lock the park brake and stop the engine.
4. Measure distance between tire beads at front of tire, hub height.
5. Measure distance between tire beads at rear of tire, hub height.
6. Front distance should be 2 to 8mm (1/16 to 5/16 in.) less than rear distance. If not, adjust tie rod length.



- (A) Wheel - to - wheel distance at rear  
(B) Wheel - to - wheel distance at front  
(C) "FRONT"

### ◆ Adjusting procedures

1. Detach the snap ring.
2. Loosen the tie-rod nut.
3. Turn the tie-rod joint to adjust the rod length until the proper toe-in measurement is obtained.
4. Retighten the tie-rod nut.
5. Attach the snap ring of the tie-rod joint.



- (1) Snap ring  
(2) Tie-rod nut  
(3) Tie-rod joint



## EVERY 400 HOURS

### ■ Changing Transmission Fluid / Replacing Hydraulic Oil Filter

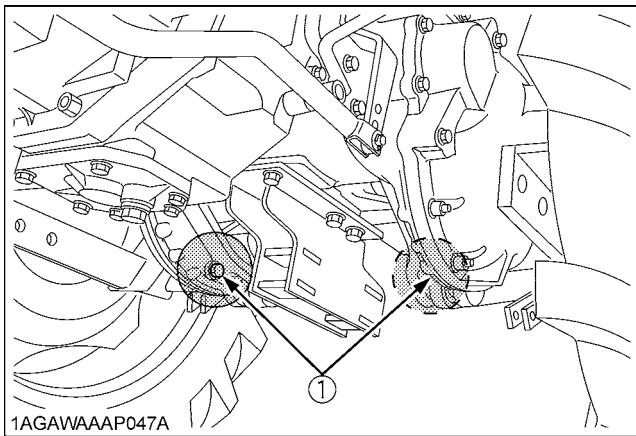


#### CAUTION

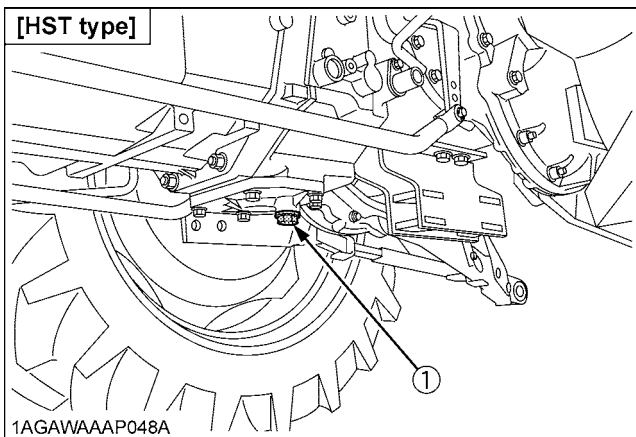
To avoid personal injury:

- Be sure to stop the engine before changing the oil filter cartridge.
- Allow engine to cool down sufficiently, oil can be hot and can burn.

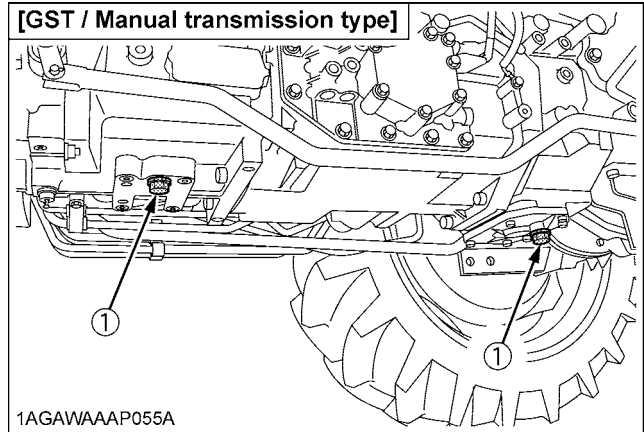
1. Remove the drain plugs at the bottom of the transmission case and drain the oil completely into the oil pan.
2. After draining reinstall the drain plugs.



(1) Drain plugs

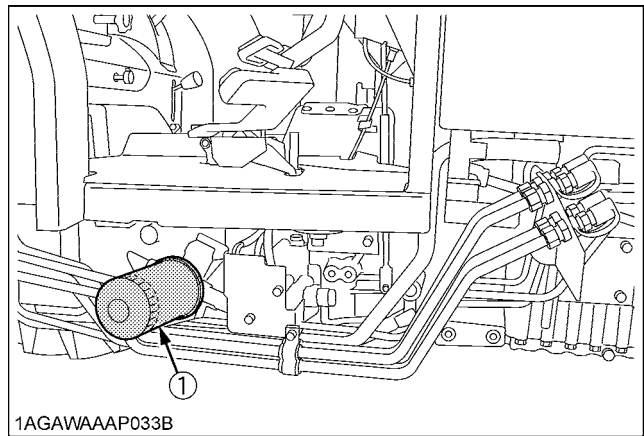


(1) Drain plug



(1) Drain plugs

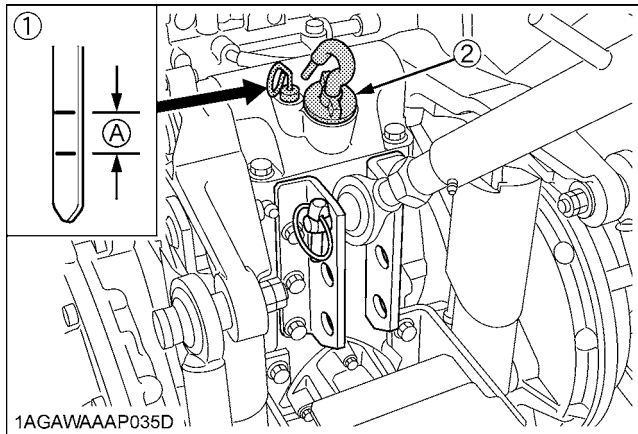
3. Remove the oil filter.



(1) Hydraulic oil filter

4. Put a film of clean transmission oil on the rubber seal of the new filter.
5. Quickly tighten the filter until it contacts the mounting surface, then tighten it by hand an additional 1/2 turn only.
6. Fill with the new KUBOTA SUPER UDT fluid up to the upper notch on the dipstick.  
(See "LUBRICANTS" in "MAINTENANCE" section.)

Oil Capacity	L3240, L3540	42 L (11.1 U.S.gals.)
	L3940, L4240, L4740	43 L (11.4 U.S.gals.)
	L5040, L5240, L5740	45 L (11.9 U.S.gals.)



(1) Gauge (A) Oil level is acceptable within this range.  
 (2) Oil inlet

7. After running the engine for a few minutes, stop the engine and check the oil level again, add oil to the prescribed level.
8. Make sure that the transmission fluid doesn't leak past the seal on the filter.

**IMPORTANT :**

- To prevent serious damage to the hydraulic system, use only a KUBOTA genuine filter.
- Do not operate the tractor immediately after changing the transmission fluid.  
 Run the engine at medium speed for a few minutes to prevent damage to the transmission.

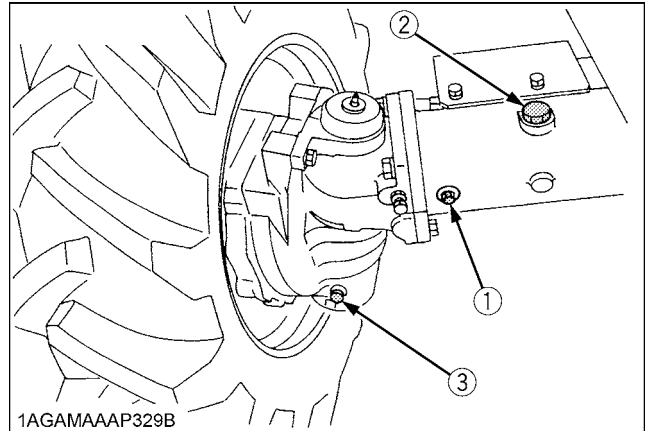
**■ Replacing Fuel Filter Element**

(See "Cleaning Fuel Filter" in "EVERY 100 HOURS" in "PERIODIC SERVICE" section.)

**■ Changing Front Axle Case Oil**

1. To drain the used oil, remove the right and left drain plugs and filling plug at the front axle case and let out the oil completely into the oil pan.
2. After draining, reinstall the drain plugs.
3. Gently pour new oil through the filling port. Required oil quantities are written in the table below. Make sure to pour the specified amounts. If oil overflows before pouring any of the specified amounts, wait a couple of minutes and try again.  
 (See "LUBRICANTS" in "MAINTENANCE" section.)
4. After filling, reinstall the filling plug.
5. Run the vehicle a few minutes in order for the oil to flow through the front axle case.
6. Remove the oil level check plug and check to see if the oil flows out of its port. If not, add the oil through the filling port until it flows out of the oil level check port.
7. Reinstall and tighten the oil level check plug and filling plug.

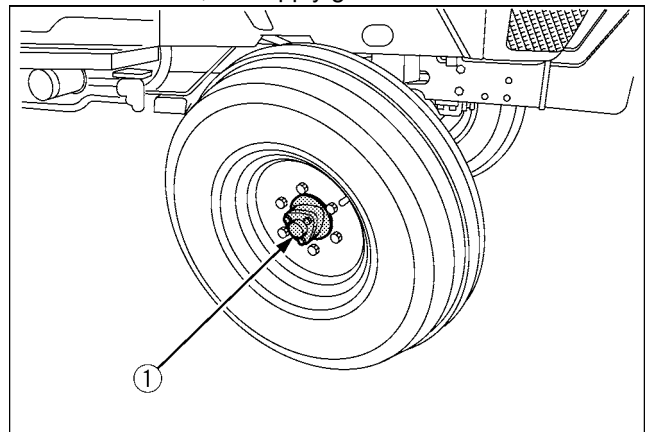
Oil capacity	L3240, L3540, L3940	6.5 L (6.9 U.S.qts.)
	L4240, L4740, L5040, L5240, L5740	8.5 L (8.9 U.S.qts.)



(1) Check plug  
 (2) Filling plug  
 (3) Drain plug

**■ Lubricating Grease Fitting [2WD]**

Detach the cover, and apply grease.



(1) Front wheel hub cover

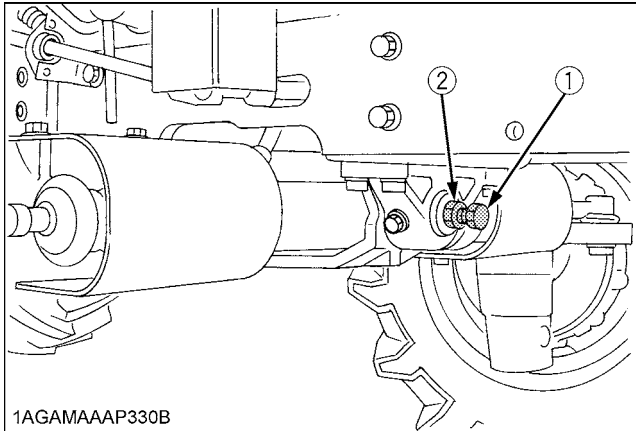
## EVERY 600 HOURS

### ■ Adjusting Front Axle Pivot

If the front axle pivot pin adjustment is not correct, front wheel vibration can occur causing vibration in the steering wheel.

#### ◆ Adjusting procedure

Loosen the lock nut, tighten the adjusting screw all the way, and then loosen the screw by 1/6 turn. Retighten the lock nut.



- (1) Adjusting screw  
(2) Lock nut

## EVERY 800 HOURS

### ■ Adjusting Engine Valve Clearance

Consult your local KUBOTA Dealer for this service.

## EVERY 1500 HOURS

### ■ Checking Fuel Injection Nozzle Injection Pressure

Consult your local KUBOTA Dealer for this service.

## EVERY 3000 HOURS

### ■ Checking Turbocharger

[L5040, L5240, L5740]

Consult your local KUBOTA Dealer for this service.

### ■ Checking Injection Pump

Consult your local KUBOTA Dealer for this service.

## EVERY 1 YEAR

### ■ Replacing Air Cleaner Primary Element and Secondary Element

(See "Cleaning Air Cleaner Primary Element" in "EVERY 100 HOURS" in "PERIODIC SERVICE" section.)

## EVERY 2 YEARS

### ■ Flushing Cooling System and Changing Coolant



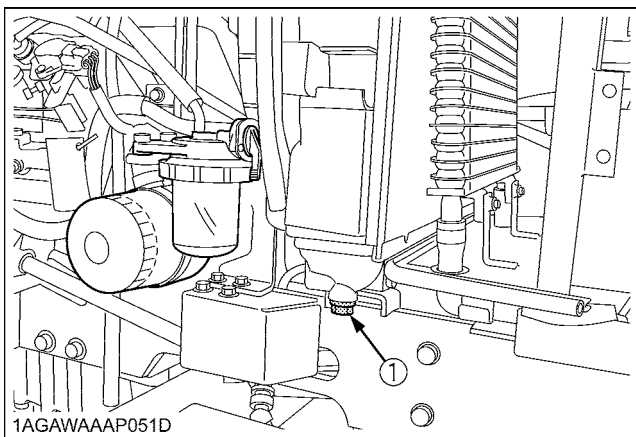
#### CAUTION

To avoid personal injury:

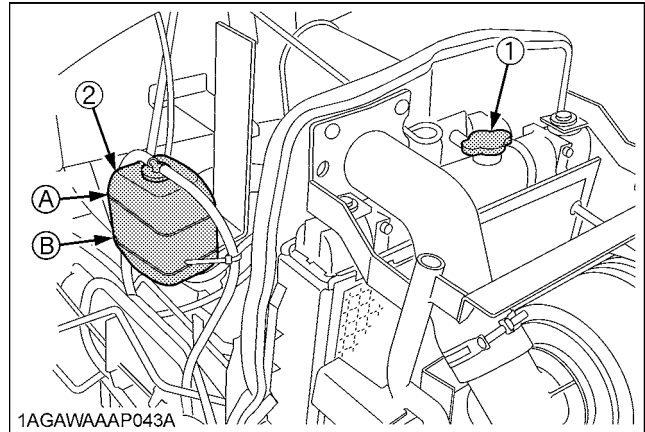
- Do not remove radiator cap while coolant is hot. When cool, slowly rotate cap to the first stop and allow sufficient time for excess pressure to escape before removing the cap completely.

1. Stop the engine and let cool down.
2. To drain the coolant, open the radiator drain plug and remove radiator cap. The radiator cap must be removed to completely drain the coolant.
3. After all coolant is drained, close the drain plug.
4. Fill with clean soft water and cooling system cleaner.
5. Follow directions of the cleaner instruction.
6. After flushing, fill with clean soft water and anti-freeze until the coolant level is just below the radiator cap. Install the radiator cap securely.
7. Fill with coolant up to the "FULL" mark on the recovery tank.
8. Start and operate the engine for few minutes.
9. Stop the engine and let cool.
10. Check coolant level of recovery tank and add coolant if necessary.

Coolant capacity	L3240	6.0 L (6.3 U.S.qts.)
	L3540, L3940, L4240	7.5 L (7.9 U.S.qts.)
	L4740, L5040, L5240, L5740	8.2 L (8.7 U.S.qts.)



(1) Drain plug



- (1) Radiator cap (A) "FULL"  
 (2) Recovery tank (B) "LOW"

#### IMPORTANT :

- Do not start engine without coolant.
- Use clean, fresh soft water and anti-freeze to fill the radiator and recovery tank.
- When mixing the anti-freeze with water, the anti-freeze mixing ratio is 50 %.
- Securely tighten radiator cap. If the cap is loose or improperly fitted, water may leak out and the engine could overheat.

#### NOTE :

- On cab type machines, coolant circulates through the heater. This means that one more liter or so of coolant is required.  
 In changing coolant, pour coolant up to the filler port of the recovery tank. Turn ON the heater (shift the temperature control lever toward WARM), and run the engine for a while in order to warm coolant. Then stop the engine.  
 When coolant has cooled down, some of the coolant in the recovery tank is sucked. Now the recovery tank is appropriately filled with coolant.

**■Anti-Freeze**



**To avoid personal injury:**

- **When using antifreeze, put on some protection such as rubber gloves (Antifreeze contains poison.).**
- **If should drink antifreeze, throw up at once and take medical attention.**
- **When antifreeze comes in contact with the skin or clothing, wash it off immediately.**
- **Do not mix different types of Antifreeze. The mixture can produce chemical reaction causing harmful substances.**
- **Antifreeze is extremely flammable and explosive under certain conditions. Keep fire and children away from antifreeze.**
- **When draining fluids from the engine, place some container underneath the engine body.**
- **Do not pour waste onto the grounds, down a drain, or into any water source.**
- **Also, observe the relevant environmental protection regulations when disposing of antifreeze.**

If it freezes, coolant can damage the cylinders and radiator. If the ambient temperature falls below 0 °C (32 °F) or before a long-term storage, let out cooling water completely, or mix fresh water with long-life coolant and fill the radiator and recovery tank with the mixture.

1. Long-life coolant (hereafter LLC) comes in several types. Use ethylene glycol (EG) type for this engine.
2. Before employing LLC-mixed cooling water, fill the radiator with fresh water and empty it again. Repeat this procedure 2 or 3 times to clean up the inside.
3. Mixing the LLC  
Put the LLC in cooling water in the percentage (%) for a target temperature. When mixing, stir it up well, and then fill into the radiator.
4. The procedure for the mixing of water and antifreeze differs according to the make of the antifreeze and the ambient temperature. Refer to SAE J1034 standard, more specifically also to SAE J814c.

**IMPORTANT :**

- When the antifreeze is mixed with water, the antifreeze mixing ratio must be less than 50%.

Vol % Anti-freeze	Freezing Point		Boiling Point*	
	°C	°F	°C	°F
40	-24	-12	106	222
50	-37	-34	108	226

\* At 1.013 x 10<sup>5</sup>Pa (760mmHg) pressure (atmospheric). A higher boiling point is obtained by using a radiator pressure cap which permits the development of pressure within the cooling system.

5. Adding the LLC
  - (1) Add only water if the mixture reduces in amount by evaporation.
  - (2) If there is a mixture leak, add the LLC of the same manufacturer and type in the same mixture percentage.
    - \* Never add any long-life coolant of different manufacturer. (Different brands may have different additive components, and the engine may fail to perform as specified.)
6. When the LLC is mixed, do not employ any radiator cleaning agent. The LLC contains anticorrosive agent. If mixed with the cleaning agent, sludge may build up, adversely affecting the engine parts.
7. Kubota's genuine long-life coolant has a service life of 2 years. Be sure to change the coolant every 2 years.

**NOTE :**

- The above data represent industry standards that necessitate a minimum glycol content in the concentrated antifreeze.
- When the coolant level drops due to evaporation, add water only to keep the antifreeze mixing ratio less than 50%. In case of leakage, add antifreeze and water in the specified mixing ratio before filling in to the radiator.

**■Replacing Radiator Hose (Water pipes)**

Replace the hoses and clamps.

(See "Checking Radiator Hose and Clamp" in "EVERY 200 HOURS" in "PERIODIC SERVICE" section.)

**■Replacing Power Steering Hose**

Consult your local KUBOTA Dealer for this service.

**■Replacing HST Oil Line [HST Type]**

Consult your local KUBOTA Dealer for this service.

**■Replacing Fuel Hose**

Consult your local KUBOTA Dealer for this service.

**■Replacing Intake Air Line**

Consult your local KUBOTA Dealer for this service.

**■Replacing Lift Cylinder Hose**

Consult your local KUBOTA Dealer for this service.

## SERVICE AS REQUIRED

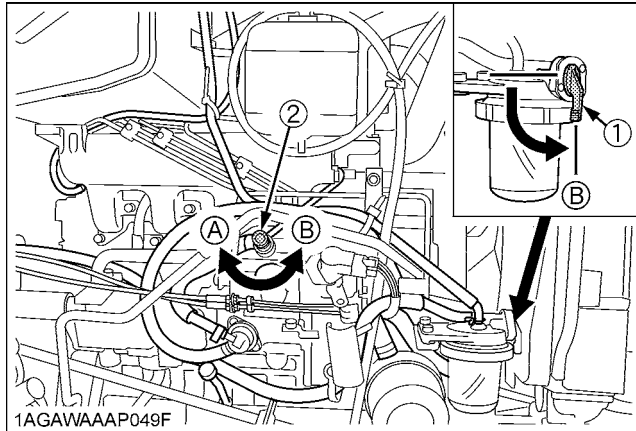
### ■ Bleeding Fuel System

Air must be removed:

1. When the fuel filter or lines are removed.
2. When tank is completely empty.
3. After the tractor has not been used for a long period of time.

#### ◆ Bleeding procedure is as follows:

1. Fill the fuel tank with fuel, and open the fuel cock.



- (1) Fuel cock                      (A) "CLOSE"  
 (2) Air vent cock                (B) "OPEN"

2. Open the air vent cock on the fuel injection pump.
3. Start the engine and run for about 30 seconds, and then stop the engine.
4. Close the air vent cock.

#### IMPORTANT :

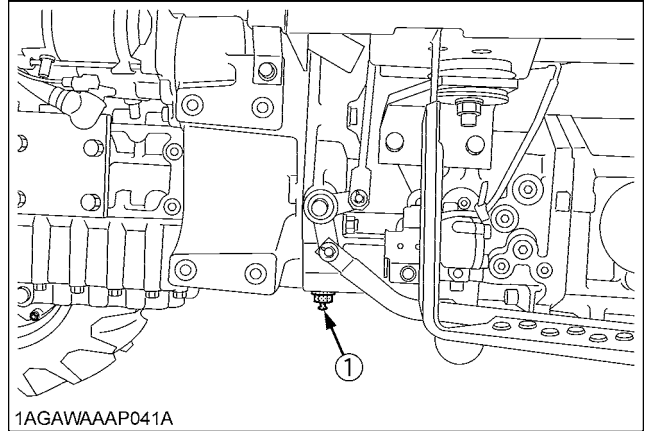
- Always close the air vent cock except for bleeding fuel lines.  
 Otherwise, engine runs irregularly or stalls frequently.

### ■ Draining Clutch Housing Water

The tractor is equipped with split pin plug under the clutch housing.

After operating in rain, snow or tractor has been washed, water may get into the clutch housing. Check it by pushing in the split pin.

If water has entered into the clutch housing, remove the plug and drain the water, then install the plug again.



(1) Split pin plug

### ■ Replacing Fuse

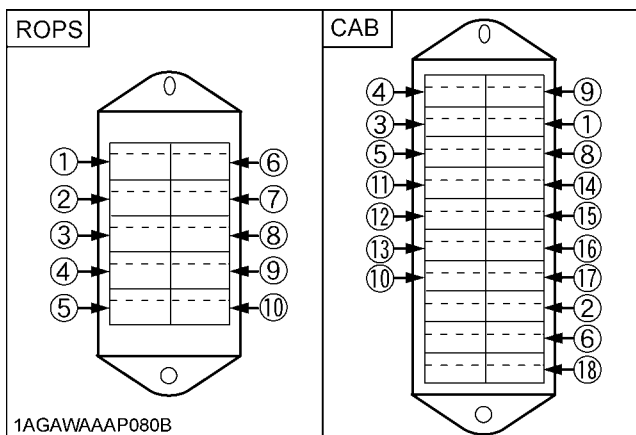
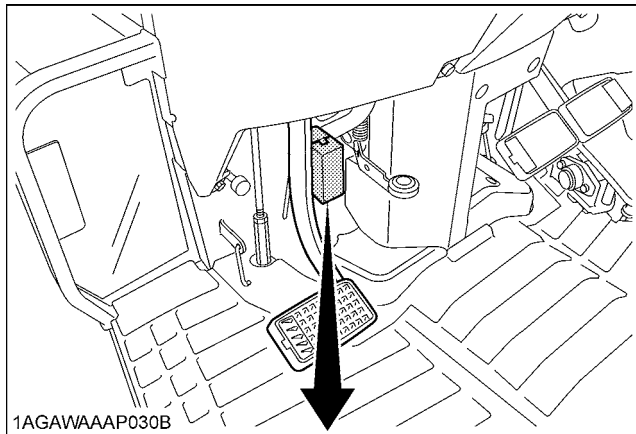
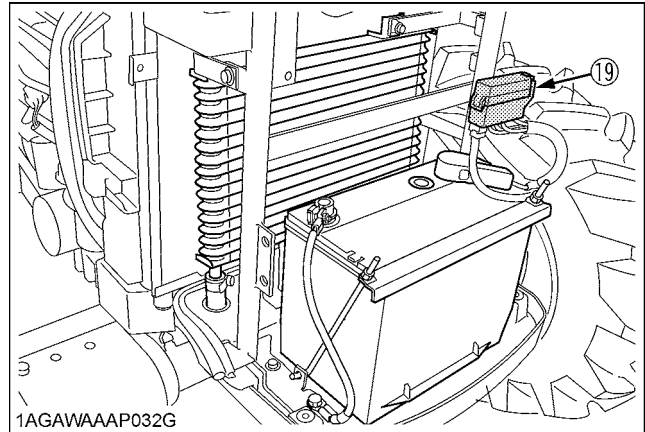
The tractor electrical system is protected from potential damage by fuses.

A blown fuse indicates that there is an overload or short somewhere in the electrical system.

If any of the fuses should blow, replace with a new one of the same capacity.

#### IMPORTANT :

- Before replacing a blown fuse, determine why the fuse blew and make any necessary repairs. Failure to follow this procedure may result in serious damage to the tractor electrical system. Refer to the "TROUBLESHOOTING" section of this manual or your local KUBOTA Dealer for specific information dealing with electrical problems.



#### ◆ Protected circuit

Fuse No.	Capacity (A)	Protected circuit	ROPS		CAB
			HST GST	MT	HST
(1)	7.5	Alternator	○	○	○
(2)	15	Head lights	○	○	○
(3)	15	Hazard	○	○	---
	20	Hazard	---	---	○
(4)	5	Panel	○	○	○
(5)	5	T/M Controller 1	○	---	○
(6)	7.5	Work light	○	○	---
	15	Work light	---	---	○
(7)	5	Brake lamp switch	○	○	---
(8)	10	T/M Controller 2	○	---	○
		OPC Controller	---	○	---
(9)	5	Key stop	○	○	○
(10)	30	Starter relay	---	---	○
(11)	10	Dome lamp	---	---	○
(12)	20	Aircon blower	---	---	○
(13)	5	Radio cassette	---	---	○
(14)	20	Cigar lighter	---	---	○
(15)	7.5	Aircon compressor	---	---	○
(16)	30	Wiper	---	---	○
(17)	15	Flasher	---	---	○
(18)	30	Defogger	---	---	○
(19)	Slow blow	Check circuit against wrong battery	○	○	○

## ■ Replacing Light Bulb

Light	Capacity	
	ROPS	CAB
Head light	35 W / 35 W	
Tail light	8 W	
Hazard and Turn signal light (rear)	23 W	
Hazard and Turn signal light (front)	---	21 W
Side marker light	---	8 W
Room light	---	10 W
Work light	---	35 W
Instrument panel light	1.1 W	

## ■ Replacing Head Lamp

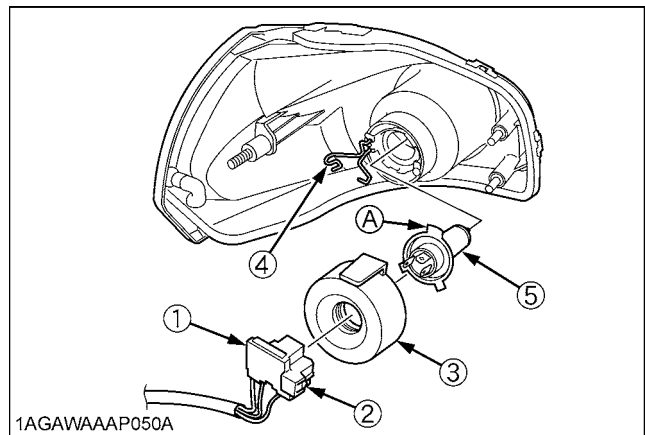


### CAUTION

To avoid personal injury:

- Be careful not to drop the bulb, hit anything against the lamp, apply excess force, and get the lamp scratched. If broken, glass may cause injury. Pay more attention to halogen lamps in particular, which have high pressure inside.
- Before replacing the lamp, be sure to turn off the light and wait until the bulb cools down, otherwise, you may get burned.

1. While pushing the right and left lock buttons, pull and remove the electrical connector.
2. Remove the rubber boot.
3. Remove the clamping fixture and take out the bulb.
4. Replace with a new bulb and reinstall the head lamp assembly in the reverse order.



- (1) Electrical connector      (A) "Base's wider projection to face upward"
- (2) Lock buttons
- (3) Rubber boot
- (4) Clamping fixture
- (5) Bulb

### IMPORTANT :

- Be sure to use a new bulb of the specified wattage.
- Never touch the bulb surface (glass) with bare hands. Fingerprints, for example, may break the bulb.



# STORAGE



## CAUTION

To avoid personal injury:

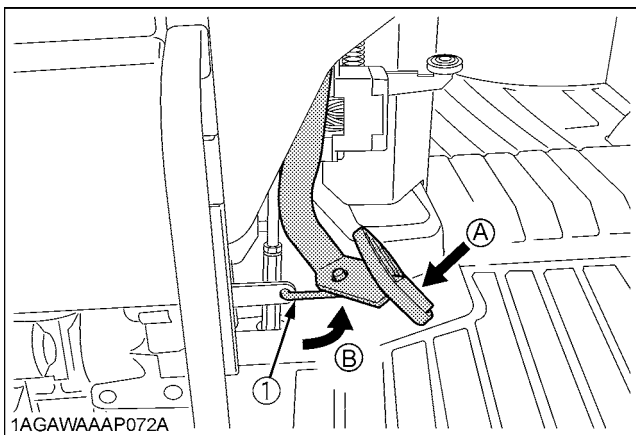
- Do not clean the machine while the engine is running.
- To avoid the danger of exhaust fume poisoning, do not operate the engine in a closed building without proper ventilation.
- When storing, remove the key from the key switch to avoid unauthorized persons from operating the tractor and getting injured.

## TRACTOR STORAGE

If you intend to store your tractor for an extended period of time, follow the procedures outlined below.

These procedures will insure that the tractor is ready to operate with minimum preparation when it is removed from storage.

1. Check the bolts and nuts for looseness, and tighten if necessary.
2. Apply grease to tractor areas where bare metal will rust also to pivot areas.
3. Detach the weights from the tractor body.
4. Inflate the tires to a pressure a little higher than usual.
5. Change the engine oil and run the engine to circulate oil throughout the engine block and internal moving parts for about five minutes.
6. Pull the engine stop knob all the way out.
7. Keep the clutch disengaged. If the clutch is left engaged for a long period of time, the clutch plate may rust, making clutch disengagement impossible at the next operation.



(1) Lock plate

(A) "DEPRESS"

(B) "HOOK TO LOCK"

8. With all implements lowered to the ground, coat any exposed hydraulic cylinder piston rods with grease.

9. Remove the battery from the tractor. Store the battery following the battery storage procedures.  
(See "Checking Battery Condition" in "EVERY 100 HOURS" in "PERIODIC SERVICE" section.)
10. Keep the tractor in a dry place where the tractor is sheltered from the elements. Cover the tractor.
11. Store the tractor indoors in a dry area that is protected from sunlight and excessive heat. If the tractor must be stored outdoors, cover it with a waterproof tarpaulin. Jack the tractor up and place blocks under the front and rear axles so that all four tires are off the ground. Keep the tires out of direct sunlight and extreme heat.

### IMPORTANT :

- When washing the tractor, be sure to stop the engine. Allow sufficient time for the engine to cool before washing.
- Cover the tractor after the muffler and the engine have cooled down.

## REMOVING THE TRACTOR FROM STORAGE

1. Check the tire air pressure and inflate the tires if they are low.
2. Jack the tractor up and remove the support blocks from under the front and rear axles.
3. Install the battery. Before installing the battery, be sure it is fully charged.
4. Check the fan belt tension.
5. Check all fluid levels (engine oil, transmission/hydraulic oil, engine coolant and any attached implements).
6. Start the engine. Observe all gauges. If all gauges are functioning properly and reading normal, move the tractor outside. Once outside, park the tractor and let the engine idle for at least five minutes. Shut the engine off and walk around tractor and make a visual inspection looking for evidence of oil or water leaks.
7. With the engine fully warmed up, release the parking brake and test the brakes for proper adjustment as you move forward. Adjust the brakes as necessary.

# TROUBLESHOOTING

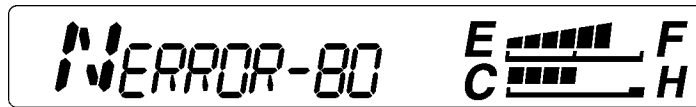
## ENGINE TROUBLESHOOTING

If something is wrong with the engine, refer to the table below for the cause and its corrective measure.

Trouble		Cause	Countermeasure
Engine is difficult to start or won't start.		<ul style="list-style-type: none"> <li>No fuel flow.</li> </ul>	<ul style="list-style-type: none"> <li>Check the fuel tank and the fuel filter. Replace filter if necessary.</li> </ul>
		<ul style="list-style-type: none"> <li>Air or water is in the fuel system.</li> </ul>	<ul style="list-style-type: none"> <li>Check to see if the fuel line coupler bolt and nut are tight.</li> <li>Bleed the fuel system (See "Bleeding Fuel System" in "SERVICE AS REQUIRED" in "PERIODIC SERVICE" section.)</li> </ul>
		<ul style="list-style-type: none"> <li>In winter, oil viscosity increases, and engine revolution is slow.</li> </ul>	<ul style="list-style-type: none"> <li>Use oils of different viscosities, depending on ambient temperatures.</li> <li>Use engine block heater. (Option)</li> </ul>
		<ul style="list-style-type: none"> <li>Battery becomes weak and the engine does not turn over quick enough.</li> </ul>	<ul style="list-style-type: none"> <li>Clean battery cables &amp; terminals.</li> <li>Charge the battery.</li> <li>In cold weather, always remove the battery from the engine, charge and store it indoors. Install it on the tractor only when the tractor is going to be used.</li> </ul>
Insufficient engine power.		<ul style="list-style-type: none"> <li>Insufficient or dirty fuel.</li> <li>The air cleaner is clogged.</li> </ul>	<ul style="list-style-type: none"> <li>Check the fuel system.</li> <li>Clean or replace the element.</li> </ul>
Engine stops suddenly.		<ul style="list-style-type: none"> <li>Insufficient fuel.</li> </ul>	<ul style="list-style-type: none"> <li>Refuel.</li> <li>Bleed the fuel system if necessary.</li> </ul>
Exhaust fumes are colored.	Black	<ul style="list-style-type: none"> <li>Fuel quality is poor.</li> <li>Too much oil.</li> <li>The air cleaner is clogged.</li> </ul>	<ul style="list-style-type: none"> <li>Change the fuel and fuel filter.</li> <li>Check the proper amount of oil.</li> <li>Clean or replace the element.</li> </ul>
	Blue white	<ul style="list-style-type: none"> <li>The inside of exhaust muffler is dumped with fuel.</li> <li>Injection nozzle trouble.</li> <li>Fuel quality is poor.</li> </ul>	<ul style="list-style-type: none"> <li>Heat the muffler by applying load to the engine.</li> <li>Check the injection nozzle.</li> <li>Change the fuel and fuel filter.</li> </ul>
Engine overheats		<ul style="list-style-type: none"> <li>Engine overloaded</li> </ul>	<ul style="list-style-type: none"> <li>Shift to lower gear or reduce load.</li> </ul>
		<ul style="list-style-type: none"> <li>Low coolant level</li> </ul>	<ul style="list-style-type: none"> <li>Fill cooling system to the correct level; check radiator and hoses for loose connections or leaks.</li> </ul>
		<ul style="list-style-type: none"> <li>Loose or defective fan belt</li> </ul>	<ul style="list-style-type: none"> <li>Adjust or replace fan belt.</li> </ul>
		<ul style="list-style-type: none"> <li>Dirty radiator core or grille screens</li> </ul>	<ul style="list-style-type: none"> <li>Remove all trash.</li> </ul>
		<ul style="list-style-type: none"> <li>Coolant flow route corroded</li> </ul>	<ul style="list-style-type: none"> <li>Flush cooling system.</li> </ul>

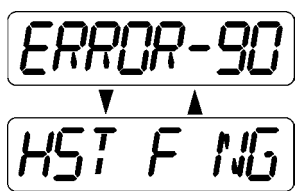
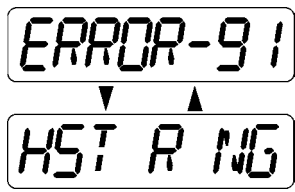
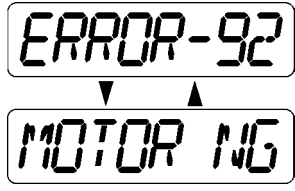

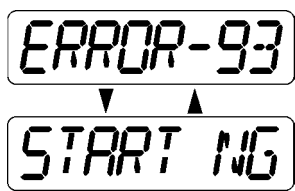
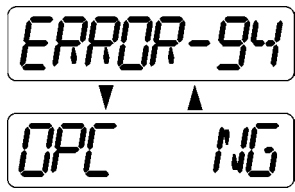
If you have any questions, consult your local KUBOTA Dealer.

## HST (Hydrostatic Transmission) TROUBLESHOOTING



Error message is displayed at here

Display on LCD Screen	Trouble Item (Affected Model)	Operator's action
	Sensor for range gear shift lever is in trouble	Contact your local KUBOTA Dealer. The speed range (H, M and L) is not displayed in the LCD screen. The range gear shift lever still works to select the H, M and L speeds. In selecting M or L, however, the feeling is somewhat different at a start, stop and other actions.
	Sensor for speed control pedal is in trouble	Contact your local KUBOTA Dealer. The speed control pedal cannot be used to run the tractor. The cruise control lever alone serves to run the tractor.
	Sensor for swash plate of HST is in trouble	Contact your local KUBOTA Dealer. The tractor can travel both forward and backward, but with a drop in maximum speed.
	Sensor for cruise control lever is in trouble	Contact your local KUBOTA Dealer. The cruise control does not work. The speed control pedal alone serves to run the tractor.
	Sensor for engine throttle is in trouble	Contact your local KUBOTA Dealer. With the STALL GUARD or AUTO H-DS/STALL GUARD mode being selected, the tractor automatically gets in the MANUAL mode.
	HST response control dial is in trouble	Contact your local KUBOTA Dealer. The response control dial cannot be readjusted. The response control dial is automatically set to the medium response level.

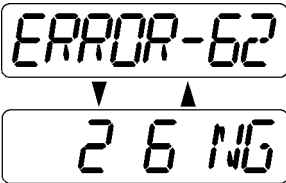
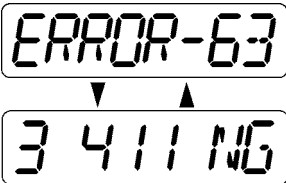
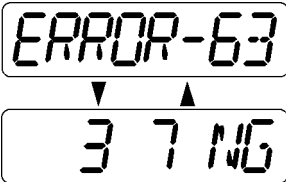
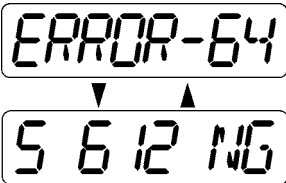
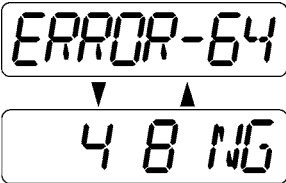
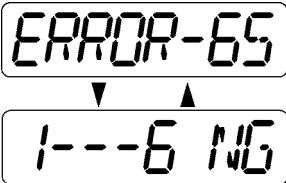
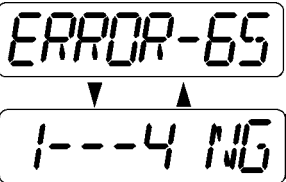
Display on LCD Screen	Trouble Item (Affected Model)	Operator's action
 <p>The LCD screen displays 'ERROR-90' in the top line. Below it, a downward-pointing triangle and an upward-pointing triangle are positioned above the text 'HST F NG'.</p>	Proportional valve for forward is in trouble	Contact your local KUBOTA Dealer. The tractor cannot travel forward (backward only).
 <p>The LCD screen displays 'ERROR-91' in the top line. Below it, a downward-pointing triangle and an upward-pointing triangle are positioned above the text 'HST R NG'.</p>	Proportional valve for reverse is in trouble	Contact your local KUBOTA Dealer. The tractor cannot travel backward (forward only).
 <p>The LCD screen displays 'ERROR-92' in the top line. Below it, a downward-pointing triangle and an upward-pointing triangle are positioned above the text 'MOTOR NG'.</p>	Motor for Hi-Lo shift is in trouble	Contact your local KUBOTA Dealer. Using the H-DS lever, the Lo speed alone can be selected (Hi speed not selectable). Using the HST mode select switch, only the STALL GUARD and MANUAL modes can be selected.
 <p>The LCD screen displays 'ERROR-87' in the top line.</p>	Sensor for engine revolution is in trouble	Contact your local KUBOTA Dealer. With the STALL GUARD or AUTO H-DS/STALL GUARD mode being selected, the tractor automatically gets in the MANUAL mode.
 <p>The LCD screen displays 'ERROR-93' in the top line. Below it, a downward-pointing triangle and an upward-pointing triangle are positioned above the text 'START NG'.</p>	Relay for engine starter motor is in trouble	Contact your local KUBOTA Dealer. The engine cannot start.
 <p>The LCD screen displays 'ERROR-94' in the top line. Below it, a downward-pointing triangle and an upward-pointing triangle are positioned above the text 'OPC NG'.</p>	Relay for engine shut off is in trouble	Contact your local KUBOTA Dealer. The Operator Presence Control (OPC) system gets activated, and the engine stops itself.

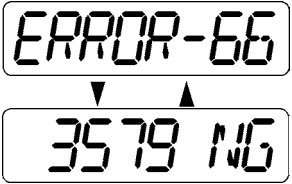
## GST (Glide Shift Transmission) TROUBLESHOOTING



Error message is displayed at here

Display on LCD Screen	Trouble Item (Affected Model)	Operator's action
	IntelliPanel(TM)'s memory device is in trouble	Contact your local KUBOTA Dealer.
	Communication error between ECU and IntelliPanel(TM)	Contact your local KUBOTA Dealer.
	ECU's memory device is in trouble	Contact your local KUBOTA Dealer.
	Input voltage of lever sensor from ECU is in trouble	Contact your local KUBOTA Dealer.
	GST lever sensor is in trouble	Contact your local KUBOTA Dealer.
	Proportional valve is in trouble	Contact your local KUBOTA Dealer.
	Solenoid 1 is in trouble (At forward or neutral)	If the shift solenoid gets in trouble, the gearshift lever remains at the same position but the real speed is automatically changed to an operable speed range or neutral. Such a self-changed speed range will be displayed on the panel. Take note of what is displayed and then contact your dealer.
	Solenoid 1 is in trouble (At reverse)	If the shift solenoid gets in trouble, the gearshift lever remains at the same position but the real speed is automatically changed to an operable speed range or neutral. Such a self-changed speed range will be displayed on the panel. Take note of what is displayed and then contact your dealer.
	Solenoid 2 is in trouble (At forward or neutral)	If the shift solenoid gets in trouble, the gearshift lever remains at the same position but the real speed is automatically changed to an operable speed range or neutral. Such a self-changed speed range will be displayed on the panel. Take note of what is displayed and then contact your dealer.

Display on LCD Screen	Trouble Item (Affected Model)	Operator's action
 <p>The LCD screen displays 'ERROR-62' in a digital font. Below it, a downward-pointing arrow is positioned above the number '2', and an upward-pointing arrow is positioned above the number '6'. To the right of these numbers is 'NG'.</p>	Solenoid 2 is in trouble (At reverse)	If the shift solenoid gets in trouble, the gearshift lever remains at the same position but the real speed is automatically changed to an operable speed range or neutral. Such a self-changed speed range will be displayed on the panel. Take note of what is displayed and then contact your dealer.
 <p>The LCD screen displays 'ERROR-63' in a digital font. Below it, a downward-pointing arrow is positioned above the number '3', and an upward-pointing arrow is positioned above the number '4'. To the right of these numbers are two '1's and 'NG'.</p>	Solenoid 3 is in trouble (At forward or neutral)	If the shift solenoid gets in trouble, the gearshift lever remains at the same position but the real speed is automatically changed to an operable speed range or neutral. Such a self-changed speed range will be displayed on the panel. Take note of what is displayed and then contact your dealer.
 <p>The LCD screen displays 'ERROR-63' in a digital font. Below it, a downward-pointing arrow is positioned above the number '3', and an upward-pointing arrow is positioned above the number '7'. To the right of these numbers is 'NG'.</p>	Solenoid 3 is in trouble (At reverse)	If the shift solenoid gets in trouble, the gearshift lever remains at the same position but the real speed is automatically changed to an operable speed range or neutral. Such a self-changed speed range will be displayed on the panel. Take note of what is displayed and then contact your dealer.
 <p>The LCD screen displays 'ERROR-64' in a digital font. Below it, a downward-pointing arrow is positioned above the number '5', and an upward-pointing arrow is positioned above the number '6'. To the right of these numbers are '1 2' and 'NG'.</p>	Solenoid 4 is in trouble (At forward or neutral)	If the shift solenoid gets in trouble, the gearshift lever remains at the same position but the real speed is automatically changed to an operable speed range or neutral. Such a self-changed speed range will be displayed on the panel. Take note of what is displayed and then contact your dealer.
 <p>The LCD screen displays 'ERROR-64' in a digital font. Below it, a downward-pointing arrow is positioned above the number '4', and an upward-pointing arrow is positioned above the number '8'. To the right of these numbers is 'NG'.</p>	Solenoid 4 is in trouble (At reverse)	If the shift solenoid gets in trouble, the gearshift lever remains at the same position but the real speed is automatically changed to an operable speed range or neutral. Such a self-changed speed range will be displayed on the panel. Take note of what is displayed and then contact your dealer.
 <p>The LCD screen displays 'ERROR-65' in a digital font. Below it, a downward-pointing arrow is positioned above the number '1', and an upward-pointing arrow is positioned above the number '6'. Between the '1' and '6' are three dashes. To the right is 'NG'.</p>	Solenoid 5 (Hi-Lo) is in trouble (At forward or neutral)	If the shift solenoid gets in trouble, the gearshift lever remains at the same position but the real speed is automatically changed to an operable speed range or neutral. Such a self-changed speed range will be displayed on the panel. Take note of what is displayed and then contact your dealer.
 <p>The LCD screen displays 'ERROR-65' in a digital font. Below it, a downward-pointing arrow is positioned above the number '1', and an upward-pointing arrow is positioned above the number '4'. Between the '1' and '4' are three dashes. To the right is 'NG'.</p>	Solenoid 5 (Hi-Lo) is in trouble (At reverse)	If the shift solenoid gets in trouble, the gearshift lever remains at the same position but the real speed is automatically changed to an operable speed range or neutral. Such a self-changed speed range will be displayed on the panel. Take note of what is displayed and then contact your dealer.

Display on LCD Screen	Trouble Item (Affected Model)	Operator's action
 <p>The LCD screen displays 'ERROR-66' in a digital font. Below it, a downward-pointing arrow is positioned above the number '3579', and an upward-pointing arrow is positioned above the letters 'MG'.</p>	Solenoid 6 (H-L) is in trouble	If the shift solenoid gets in trouble, the gearshift lever remains at the same position but the real speed is automatically changed to an operable speed range or neutral. Such a self-changed speed range will be displayed on the panel. Take note of what is displayed and then contact your dealer.

# OPTIONS

Consult your local KUBOTA Dealer for further detail.

- Engine Block Heater  
For extremely cold weather starting
- Work Light  
High visibility for night work
- Creep gear
- Double Acting Remote Hydraulic Control Valve
- Draft Control
- Swinging Drawbar
- Clevis for Drawbar
- Front end weights  
For front ballast
- Rear Wheel Weights  
For rear ballast
- Sunshade
- Top & tilt kit (For scraper)





U.S.A. : **KUBOTA TRACTOR CORPORATION**  
3401 Del Amo Blvd., Torrance, CA 90503, U.S.A.  
Telephone : (310)370-3370  
Western Division : 1175 S. Guild Av., Lodi, CA 95240  
Telephone : (209)334-9910  
Central Division : 14855 FAA Blvd., Fort Worth, TX 76155  
Telephone : (817)571-0900  
Northern Division : 6300 at One Kubota Way, Groveport, OH 43125  
Telephone : (614)835-1100  
Southeast Division : 1025 Northbrook Parkway, Suwanee, GA 30024  
Telephone : (770)995-8855  
Canada : **KUBOTA CANADA LTD.**  
5900 14th Avenue, Markham, Ontario, L3S 4K4, Canada  
Telephone : (905)294-7477  
France : **KUBOTA EUROPE S.A.S**  
19-25, Rue Jules Vercurysse, Z.I. BP88, 95101 Argenteuil Cedex, France  
Telephone : (33)1-3426-3434  
Italy : **KUBOTA EUROPE S.A.S Italy Branch**  
Via Grandi, 29 20068 Peschiera Borrome (MI) Italy  
Telephone : (39)02-51650377  
Germany : **KUBOTA (DEUTSCHLAND) GmbH**  
Senefelder Str. 3-5 63110 Rodgau /Nieder-Roden, Germany  
Telephone : (49)6106-873-0  
U.K. : **KUBOTA (U.K.) LTD.**  
Dormer Road, Thame, Oxfordshire, OX9 3UN, U.K.  
Telephone : (44)1844-214500  
Spain : **KUBOTA ESPAÑA S.A.**  
Avenida Recomba No.5, Poligno Industrial la Laguna, Leganes, 28914 (Madrid) Spain  
Telephone : (34)91-508-6442  
Australia : **KUBOTA TRACTOR AUSTRALIA PTY LTD.**  
25-29 Permas Way, Truganina, VIC 3029, Australia  
Telephone : (61)-3-9394-4400  
Malaysia : **SIME KUBOTA SDN. BHD.**  
No.3 Jalan Sepadu 25/123 Taman Perindustrian Axis,  
Seksyen 25, 40400 Shah Alam, Selangor Darul Ehsan Malaysia  
Telephone : (60)3-736-1388  
Philippines: **KUBOTA PHILIPPINES, INC.**  
232 Quirino Highway, Baesa, Quezon City 1106, Philippines  
Telephone : (63)2-422-3500  
Taiwan : **SHIN TAIWAN AGRICULTURAL MACHINERY CO., LTD.**  
16, Fengping 2nd Rd, Taliaw Shiang Kaohsiung 83107, Taiwan R.O.C.  
Telephone : (886)7-702-2333  
Indonesia : **PT KUBOTA MACHINERY INDONESIA**  
Tower A at EightyEight@Kasablanka Lantai 16  
Jalan Raya Casablanka Kav. 88, Jakarta 12870 Indonesia  
Telephone : (62)-21-29568-720  
Thailand : **SIAM KUBOTA CORPORATION CO., LTD.**  
101/19-24 Moo 20, Navanakorn Industrial Estate, Tambon Khlongnueng, Amphur Khlongluang,  
Pathumthani 12120, THAILAND  
Telephone : (66)2-909-0300  
Korea : **KUBOTA KOREA CO., LTD.**  
41-27, Jayumuyeok-gil, Baeksan-myeon, Gimje-si, Jeollabuk-do, Korea  
Telephone : (82)-63-544-5822  
India : **KUBOTA AGRICULTURAL MACHINERY INDIA PVT. LTD.**  
No.15, Medavakkam Road, Sholinganallur, Chennai-600119, T.N., India  
Telephone : (91)44-6104-1500  
Vietnam : **KUBOTA VIETNAM CO., LTD.**  
Lot B-3A2-CN, My Phuoc 3 Industrial Park, Ben Cat District, Binh Duong Province, Vietnam  
Telephone : (84)-650-3577-507

KUBOTA Corporation

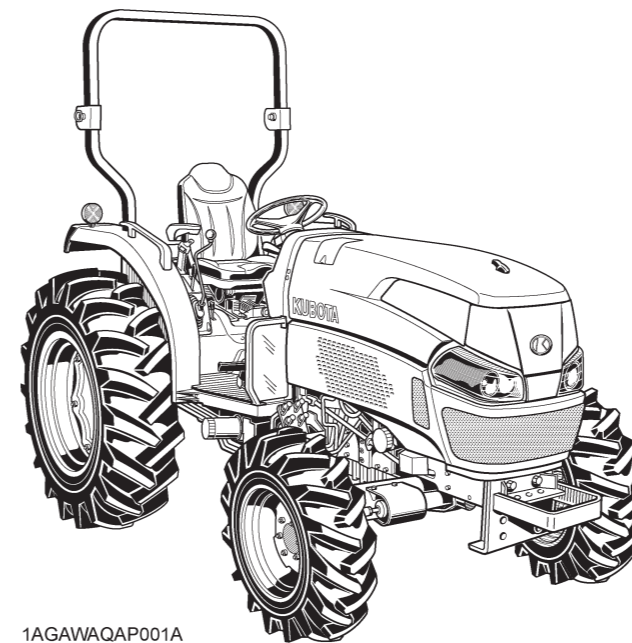
English (Australia)  
Code No. TD177-1974-3

# OPERATOR'S MANUAL

# KUBOTA TRACTOR

**MODELS L3240·L3540  
L4240·L5240·L5740 with ROPS  
L4240·L5240·L5740 with CAB**

L  
3  
2  
4  
0  
·  
L  
3  
5  
4  
0  
·  
L  
4  
2  
4  
0  
·  
L  
5  
2  
4  
0  
·  
L  
5  
7  
4  
0



1AGAWAQAP001A



1AGAWAQAP002A

*READ AND SAVE THIS MANUAL*

# ABBREVIATION LIST

Abbreviations	Definitions
2WD	Two Wheel Drive
4WD	Four Wheel Drive
API	American Petroleum Institute
ASAE	American Society of Agricultural Engineers, USA
ASTM	American Society for Testing and Materials, USA
DIN	Deutsches Institut für Normung, GERMANY
DT	Dual Traction [4WD]
fpm	Feet Per Minute
GST	Glide Shift Transmission
Hi-Lo	High Speed-Low Speed
HST	Hydrostatic Transmission
m/s	Meters Per Second
PTO	Power Take Off
RH/LH	Right-hand and left-hand sides are determined by facing in the direction of forward travel
ROPS	Roll-Over Protective Structures
rpm	Revolutions Per Minute
r/s	Revolutions Per Second
SAE	Society of Automotive Engineers, USA
SMV	Slow Moving Vehicle

## KUBOTA Corporation is ...

Since its inception in 1890, KUBOTA Corporation has grown to rank as one of the major firms in Japan.

To achieve this status, the company has through the years diversified the range of its products and services to a remarkable extent, until today, 19 plants and 16,000 employees produce over 1,000 different items, large and small.

All these products and all the services which accompany them, however, are unified by one central commitment. KUBOTA makes products which, taken on a national scale, are basic necessities. Products which are indispensable, products intended to help individuals and nations fulfill the potential inherent in their environment. For KUBOTA is the Basic Necessities Giant.

This potential includes water supply, food from the soil and from the sea, industrial development, architecture and construction, transportation.

Thousands of people depend on KUBOTA's know-how, technology, experience and customer service. You too can depend on KUBOTA.

This operator's manual has been edited for global use.

Please keep in mind, however, that some models discussed herein might not be available in your country.

# FOREWORD

Thank you very much for choosing the L series tractor.

This operator's Manual covers the operation, inspection and preventive maintenance instructions that is specific to the oceania models. For other information and instructions, refer to the separately issued operator's manual for the sister models. (L3240 to L5740)

Please read both manuals carefully, to operate the machine properly and safety.

Proper daily inspection, servicing and lubrication keeps your machine in good condition.



## SAFETY FIRST

This symbol, the industry's "Safety Alert Symbol", is used throughout this manual and on labels on the machine itself to warn of the possibility of personal injury. Read these instructions carefully. It is essential that you read the instructions and safety regulations before you attempt to assemble or use this unit.



**DANGER :** Indicates an imminently hazardous situation which, if not avoided, will result in death or serious injury.



**WARNING :** Indicates a potentially hazardous situation which, if not avoided, could result in death or serious injury.



**CAUTION :** Indicates a potentially hazardous situation which, if not avoided, may result in minor or moderate injury.

**IMPORTANT :**

Indicates that equipment or property damage could result if instructions are not followed.

**NOTE :**

Gives helpful information.

# CONTENTS

- SPECIFICATIONS..... 1
  - SPECIFICATION TABLE [HST Type]..... 1
  - SPECIFICATION TABLE [Manual Transmission Type]..... 3
- TRAVELING SPEEDS ..... 5
  - HST Type..... 5
  - Manual Transmission Type..... 5
- OPERATING THE TRACTOR..... 6
  - STARTING ..... 6
    - Turn Signal / Hazard Light Switch ..... 6
    - Horn Button..... 6
    - Tractor Lights..... 7
- TIRES, WHEELS AND BALLAST ..... 8
  - TIRES..... 8
    - Inflation Pressure..... 8
    - Dual Tires ..... 8
  - WHEEL ADJUSTMENT ..... 8
    - Front Wheels (with 4 wheel drive) ..... 9
    - Rear Wheels..... 10
- PERIODIC SERVICE..... 11
  - SERVICE AS REQUIRED..... 11
    - Replacing Fuse..... 11
    - Replacing Light Bulb..... 12
- APPENDICES..... 13
  - INDEX ..... 13



# SPECIFICATIONS

## SPECIFICATION TABLE [HST Type] [ROPS and CAB models]

Model		L3240	L3540	L4240	L5240	L5740	
		4WD					
Engine	Model	D1703-M-E2-HST	D1803-M-E2-HST	V2203-M-E2-HST	V2403-M-TE2-HST		
	Type	Indirect injection vertical, water-cooled, 4-cycle diesel					
	Number of cylinders	3		4			
	Total displacement	L	1.647	1.826	2.197	2.434	
	Bore and stroke	mm	87 x 92.4	87 x 102.4	87 x 92.4	87 x 102.4	
	Net power*	kW (PS)	23.9 (32.5)	26.1 (35.5)	31.3 (42.6)	38.8 (52.8)	42.5 (57.8)
	PTO power* (factory observed)	kW (PS)/ rpm	18.7 (25.4)/ 2700	20.9 (28.4)/ 2700	26.1 (35.5)/ 2700	33.6 (45.7)/ 2600	37.3 (50.7)/ 2700
	Maximum torque	N-m (kgf-m)	101.7 (10.4)	112.8 (11.5)	139.7 (14.2)	180.6 (18.4)	
	Battery capacity		12V, RC: 123min, CCA: 490A	12V, RC: 133 min, CCA: 582A			
	Fuel		Diesel fuel No.1 [below -10 °C] Diesel fuel No.2 [above -10 °C]				
Capacities	Fuel tank	L	44		50	54	
	Engine crankcase (with filter)	L	5.7	6.7	8.2	9.4	
	Engine coolant	L	6.0	7.5		8.2	
	Transmission case	L	42		43	45	
Dimensions	Overall length (without 3p)	mm	3120		3285	3410	
	Overall width (min. tread)	mm	1520		1665	1570	
	Overall height	with ROPS	mm	2385		2405	2490
		with CAB	mm	---		2295	2405
	Wheel base	mm	1805		1895	1915	
	Min. ground clearance	mm	350		375	400	
	Tread	Front	mm	1150		1145	1340
Rear		mm	1200, 1300, 1385, 1480		1285, 1435, 1530	1225, 1325, 1425, 1525	
Weight	with ROPS	kg	1540		1665	1745	
	with CAB	kg	---		1815	1920	

## 2 SPECIFICATIONS

Model			L3240	L3540	L4240	L5240	L5740
			4WD				
Traveling system	Standard tire size	Front	7-16		8-16	9.5-16	
		Rear	12.4-24		14.9-24	13.6-28	
	Clutch		Dry type single stage				
	Steering		Hydrostatic power steering				
	Transmission		Hydrostatic transmission (3 speeds)				
	Braking system		Wet disk type				
	Min. turning radius (with brake)		m	2.7			2.8
Hydraulic unit	Hydraulic control system		Position control				
	Pump capacity	L/min.	31.5		37.0	35.6	37.0
	Three point hitch		SAE category 1			SAE category 1, 2	
	Max. lift force	At lift points	kg	1700		1750	
		24 in. behind lift points	kg	1200		1250	1350
	System pressure		MPa (kgf/cm <sup>2</sup> )	17.7 (180)			
PTO	Rear PTO			SAE 1-3/8, 6 splines			
		PTO/ Engine speed	rpm	540/2685		540/2640	540/2590
	MID-PTO (if equipped)			USA No.5 (KUBOTA 10-tooth) involute spline			
	PTO/ Engine speed	rpm	2000/2715		2000/2670	2000/2615	

**NOTE :** \*Manufacturer's estimate

The company reserve the right to change the specifications without notice.

## SPECIFICATION TABLE [Manual Transmission Type]

[ROPS model]

Model			L3240
			4WD
Engine	Model		D1703-M-E2-HST
	Type		Indirect injection vertical, water-cooled, 4-cycle diesel
	Number of cylinders		3
	Total displacement	L	1.647
	Bore and stroke	mm	87 x 92.4
	Net power*	kW (PS)	23.9 (32.5)
	PTO power* (factory observed)	kW (PS)/ rpm	19.8 (26.9)/2700
	Maximum torque	N-m (kgf-m)	101.7 (10.4)
	Battery capacity		12V, RC: 123min, CCA: 490A
	Fuel		Diesel fuel No.1 [below -10 °C] Diesel fuel No.2 [above -10 °C]
Capacities	Fuel tank	L	44
	Engine crankcase (with filter)	L	5.7
	Engine coolant	L	6.0
	Transmission case	L	42
Dimensions	Overall length (without 3p)	mm	3120
	Overall width (min. tread)	mm	1520
	Overall height (with ROPS)	mm	2385
	Wheel base	mm	1805
	Min. ground clearance	mm	350
	Tread	Front	mm
Rear		mm	1200, 1300, 1385, 1480
Weight (with ROPS)		kg	1475
Traveling system	Standard tire size	Front	7-16
		Rear	12.4-24
	Clutch		Dry type single stage
	Steering		Hydrostatic power steering
	Transmission		8 forward and 8 reverse fully synchronized main and shuttle transmission
	Braking system		Wet disk type
Min. turning radius (with brake)		m	2.7



## 4 SPECIFICATIONS

<b>Model</b>			L3240		
			4WD		
Hydraulic unit	Hydraulic control system		Position control		
	Pump capacity	L/min.	31.5		
	Three point hitch		SAE category 1		
	Max. lift force	At lift points	kg	1700	
		24 in. behind lift points	kg	1200	
System pressure		MPa (kgf/cm <sup>2</sup> )	17.7		
PTO	Rear PTO			SAE 1-3/8, 6 splines	
		PTO/Engine speed	rpm	540/2550	
	MID-PTO (if equipped)			USA No.5 (KUBOTA 10-tooth) involute spline	
		PTO/Engine speed	rpm	2000/2580	

**NOTE :** \*Manufacturer's estimate

The company reserve the right to change the specifications without notice.

## TRAVELING SPEEDS

### ■ HST Type

(At rated engine rpm)

Model			L3240, L3540	L4240	L5240	L5740
Tire size (Rear)			12.4-24	14.9-24	13.6-28	
Speed control pedal	H-DS lever	Range gear shift lever	km/h			
Forward	L	L	3.5	3.6	3.4	3.6
		M	7.1	7.3	7.0	7.3
		H	15.0	15.5	14.9	15.5
	H	L	5.8	6.0	5.8	6.0
		M	11.8	12.3	11.8	12.2
		H	25.0	26.0	24.9	25.9
Reverse	L	L	3.1	3.2	3.1	3.2
		M	6.4	6.6	6.3	6.6
		H	13.5	13.9	13.4	13.9
	H	L	5.2	5.4	5.2	5.4
		M	10.6	11.0	10.6	11.0
		H	22.5	23.2	22.4	23.3

The company reserves the right to change the specifications without notice.

### ■ Manual Transmission Type

(At rated engine rpm)

Model			L3240
Tire size (Rear)			12.4 - 24
Shuttle shift lever	Range gear shift lever	Main gear shift lever	km/h
Forward	Low	1	1.6
		2	2.3
		3	3.7
		4	5.3
	High	1	7.7
		2	11.0
		3	17.8
		4	26.3
Reverse	Low	1	1.5
		2	2.2
		3	3.5
		4	5.1
	High	1	7.4
		2	10.5
		3	17.0
		4	25.1

The company reserves the right to change the specifications without notice.

# OPERATING THE TRACTOR

## STARTING

### ■ Turn Signal / Hazard Light Switch

#### ◆ Turn Signal Light Switch

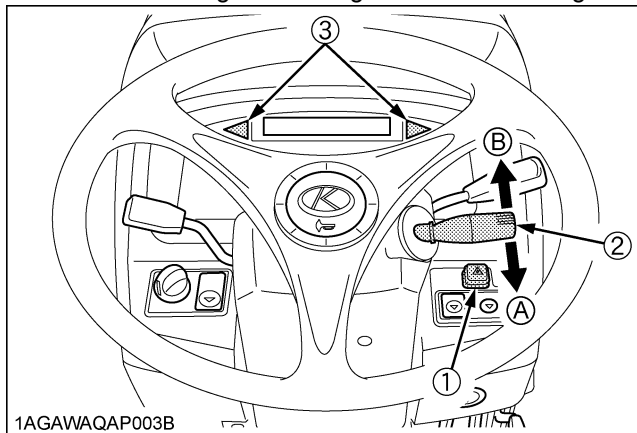
To indicate a right turn, turn the turn signal light switch clockwise. To indicate a left turn, turn the turn signal light switch counter-clockwise. The corresponding right and left turn signal lights and indicator on the instrument panel will flash. Turn signal is active when key switch is in the "ON" position.

#### NOTE :

- Be sure to return switch to center position after turning.

#### ◆ Hazard Light Switch

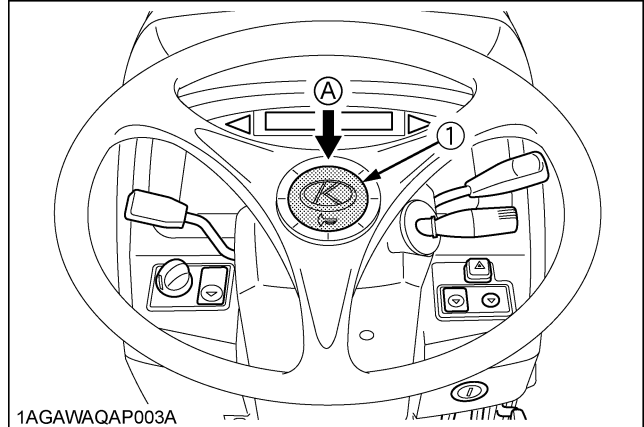
When hazard light switch is pushed, the hazard lights flash along with the indicator on the instrument panel. Press the hazard light switch again to turn off the light.



- (1) Hazard light switch
- (A) "RIGHT TURN"
- (2) Turn signal light switch
- (B) "LEFT TURN"
- (3) Hazard / Turn signal indicator

### ■ Horn Button

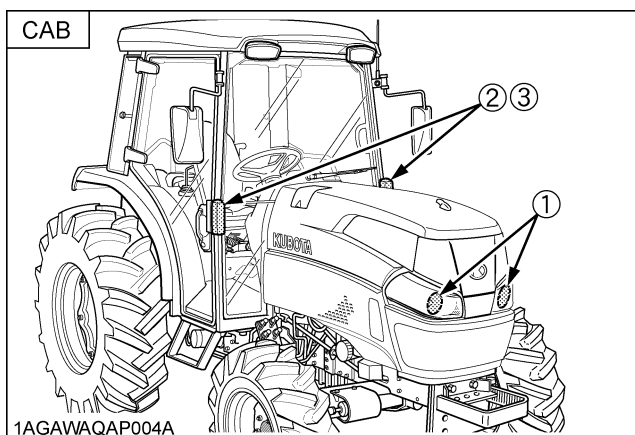
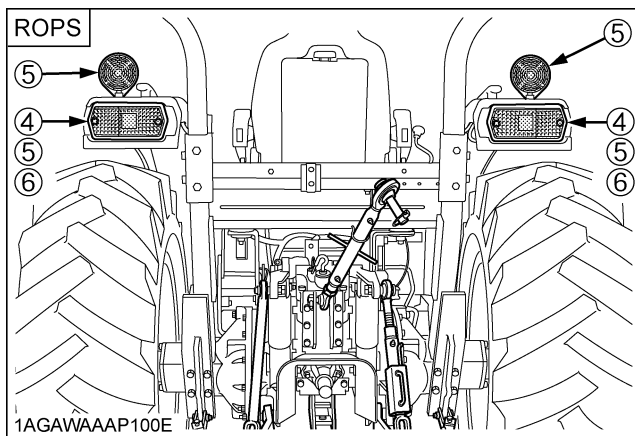
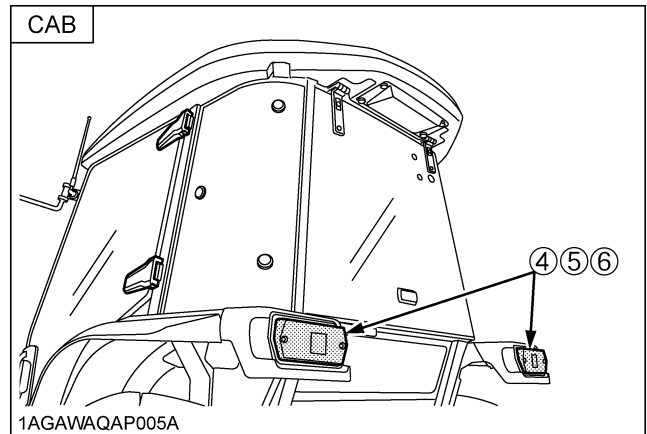
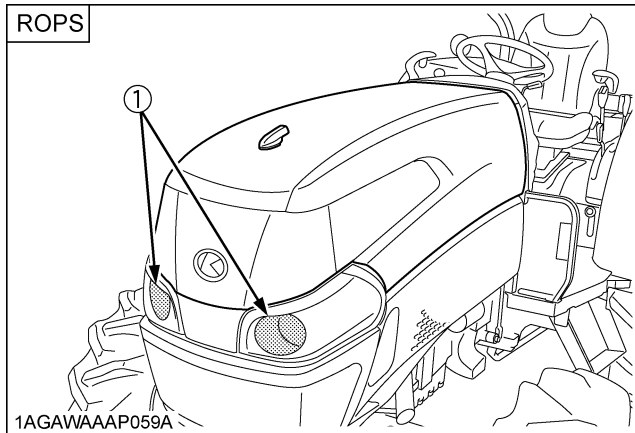
The horn will sound when the key switch is in the "ON" position and the horn button pressed.



- (1) Horn button
- (A) "PUSH"

### ■ Tractor Lights

- (1) Head light
- (2) Side turn signal / Hazard light
- (3) Side marker light
- (4) Tail light
- (5) Rear turn signal / Hazard light
- (6) Brake stop light



# TIRES, WHEELS AND BALLAST

## TIRES



### WARNING

To avoid personal injury or death:

- Do not attempt to mount a tire on a rim. This should be done by a qualified person with the proper equipment.
- Always maintain the correct tire pressure. Do not inflate tires above the recommended pressure shown in the operator's manual.

### IMPORTANT :

- Do not use tires other than those approved by KUBOTA.
- When you intend to mount different size of tires from equipped ones, consult your dealer about front drive gear ratio for details.  
Excessive wear of tires may occur due to improper gear ratio.

### ■ Inflation Pressure

Though the tire pressure is factory-set to the prescribed level, it naturally drops slowly in the course of time. Thus, check it everyday and inflate as necessary.

	Tire sizes	Inflation Pressure
Rear	12.4 - 24, 4PR	140 kPa (1.4 kgf/cm <sup>2</sup> )
	13.6 - 28, 4PR	150 kPa (1.5 kgf/cm <sup>2</sup> )
	13.6 - 24, 4PR	140 kPa (1.4 kgf/cm <sup>2</sup> )
	14.9 - 24, 4PR	140 kPa (1.4 kgf/cm <sup>2</sup> )
	355/80 - D20, 4PR	100 kPa (1.0 kgf/cm <sup>2</sup> )
	44 x 18 - 20, 6PR	170 kPa (1.7 kgf/cm <sup>2</sup> )
	475/65 - D20, 6PR	140 kPa (1.4 kgf/cm <sup>2</sup> )
Front	7 - 16, 4PR	180 kPa (1.8 kgf/cm <sup>2</sup> )
	8 - 16, 4PR	160 kPa (1.6 kgf/cm <sup>2</sup> )
	9.5 - 16, 4PR	205 kPa (2.1 kgf/cm <sup>2</sup> )
	212/80 - D15, 4PR	160 kPa (1.6 kgf/cm <sup>2</sup> )
	29 x 12.00 - 15, 4PR	140 kPa (1.4 kgf/cm <sup>2</sup> )
	29 x 12.50 - 15, 4PR	140 kPa (1.4 kgf/cm <sup>2</sup> )

### NOTE :

- Maintain the maximum pressure in front tires, if using a front loader or when equipped with a full load of front weights.

### ■ Dual Tires

Dual tires are not approved.

## WHEEL ADJUSTMENT



### WARNING

To avoid personal injury or death:

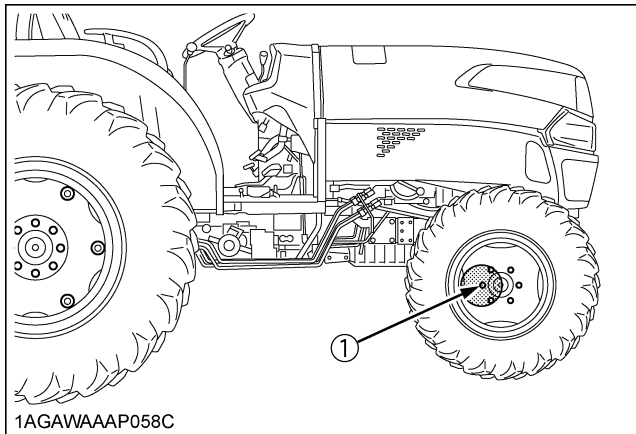
- When working on slopes or when working with trailer, set the wheel tread as wide as practical for maximum stability.
- Support tractor securely on stands before removing a wheel.
- Do not work under any hydraulically supported devices. They can settle, suddenly leak down, or be accidentally lowered. If necessary to work under tractor or any machine elements for servicing or adjustment, securely support them with stands or suitable blocking beforehand.
- Never operate tractor with a loose rim, wheel, or axle.

**Front Wheels (with 4 wheel drive)**

Front tread can not be adjusted.

**IMPORTANT :**

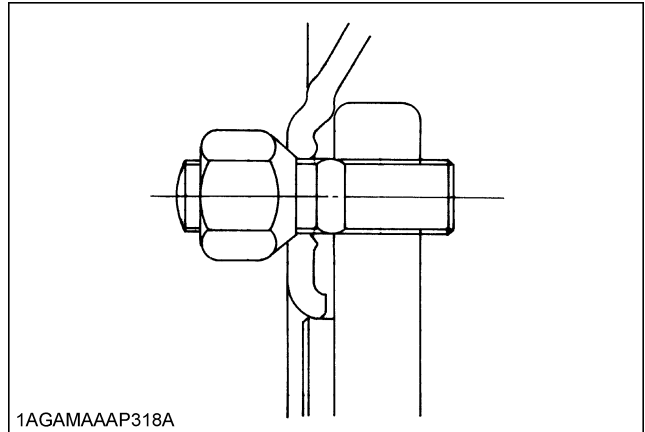
- Do not turn front discs to obtain wider tread.
- When re-fitting or adjusting a wheel, tighten the bolts to the following torques then recheck after driving the tractor 200 m (200 yards) and 10 times of shuttle movement by 5 m (5 yards), and thereafter according to service interval.  
(See "MAINTENANCE" section.)



- (1) [L3240, L3540, L4240]  
137 N-m (14 kgf-m)  
[L5240, L5740]  
185 N-m (19 kgf-m)

**NOTE :**

- Wheels with beveled or tapered holes: Use the tapered side of lug nut.



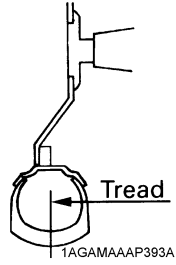
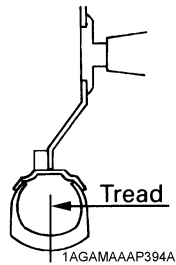
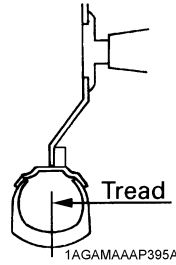
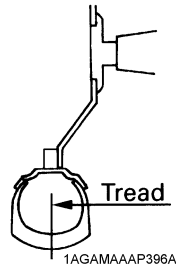
<p>Tread</p> <p>1AGAMAAP392A</p>	<b>Models</b>	<b>L3240, L3540</b>					
	Tires	7-16 Farm	---	---	212/80-D15 Turf	---	---
	Tread	1150 mm	---	---	1180 mm	---	---
	<b>Models</b>	<b>L4240</b>					
	Tires	---	8-16 Farm	---	---	---	29 x 12.50-15 Turf
	Tread	---	1145 mm	---	---	---	1280 mm
	<b>Models</b>	<b>L5240, L5740</b>					
	Tires	---	---	9.5-16 Farm	---	29 x 12.00-15 Turf	29 x 12.50-15 Turf
	Tread	---	---	1340 mm	---	1415 mm	1425 mm

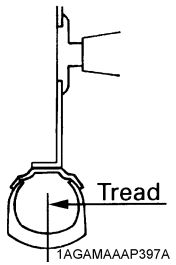
**■ Rear Wheels**

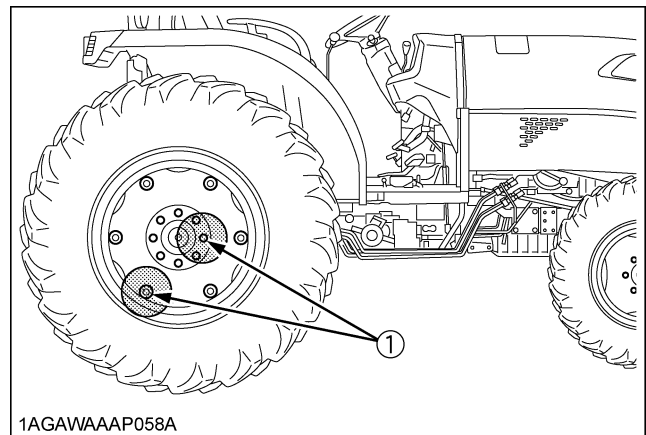
Rear tread width can be adjusted as shown with the standard equipped tires.

To change the tread width

1. Remove the wheel rim and / or disk mounting bolts.
2. Change the position of the rim and / or disk (right and left) to the desired position, and tighten the bolts.

Models				
<b>L3240, L3540</b> 12.4-24 Farm	1200 mm	1300 mm	1385 mm	1480 mm
<b>L4240</b> 13.6-24 Farm	---	1285 mm	1435 mm	1530 mm
<b>L4240</b> 14.9-24 Farm	---	1285 mm	1435 mm	1530 mm
<b>L5240, L5740</b> 13.6-28 Farm	1225 mm	1325 mm	1425 mm	1525 mm

Models	
<b>L3240, L3540</b> 355 / 80-D20 Turf	1290 mm
<b>L5240, L5740</b> 475 / 65-D20 Turf	1415 mm
<b>L4240, L5240, L5740</b> 44 x 18-20 Turf	1415 mm



(1) 215 N-m (22 kgf-m)

**IMPORTANT :**

- Always attach wheels as shown in the drawings.
- If not attached as illustrated, transmission parts may be damaged.
- When re-fitting or adjusting a wheel, tighten the bolts to the following torques then recheck after driving the tractor 200 m (200 yards) and 10 times of shuttle movement by 5 m (5 yards), and thereafter according to service interval.  
(See "MAINTENANCE" section.)

# PERIODIC SERVICE

## SERVICE AS REQUIRED

### ■ Replacing Fuse

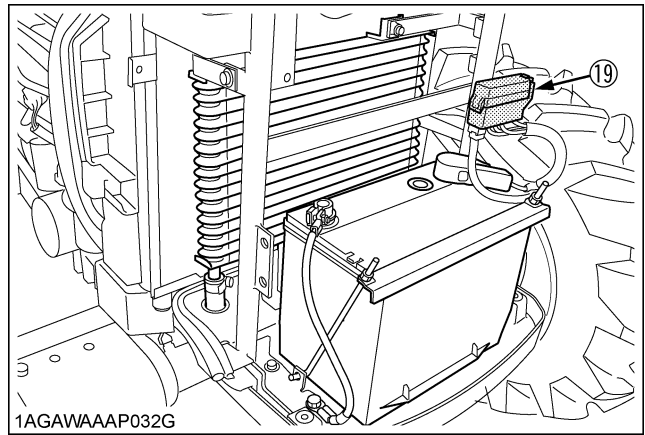
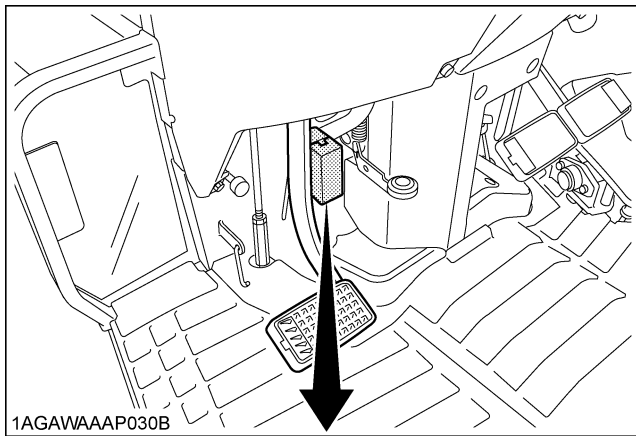
The tractor electrical system is protected from potential damage by fuses.

A blown fuse indicates that there is an overload or short somewhere in the electrical system.

If any of the fuses should blow, replace with a new one of the same capacity.

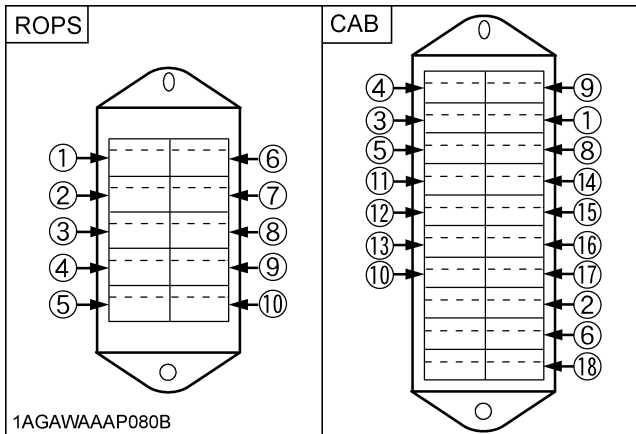
### IMPORTANT :

- Before replacing a blown fuse, determine why the fuse blew and make any necessary repairs. Failure to follow this procedure may result in serious damage to the tractor electrical system. Refer to the "TROUBLESHOOTING" section of this manual or your local KUBOTA Dealer for specific information dealing with electrical problems.



### ◆ Protected circuit

Fuse No.	Capacity (A)	Protected circuit	ROPS		CAB
			HST	MT	HST
(1)	7.5	Alternator	○	○	○
(2)	15	Head lights	○	○	○
(3)	15	Hazard	○	○	---
	20	Hazard	---	---	○
(4)	5	Panel	○	○	○
(5)	5	T/M Controller 1	○	---	○
(6)	7.5	Work light	○	○	---
	15	Work light	---	---	○
(7)	5	Brake lamp switch	○	○	---
(8)	10	T/M Controller 2	○	---	○
		OPC Controller	---	○	---
(9)	5	Key stop	○	○	○
(10)	30	Starter relay	---	---	○
(11)	10	Dome lamp	---	---	○
(12)	20	Aircon blower	---	---	○
(13)	5	Radio cassette	---	---	○
(14)	20	Cigar lighter	---	---	○
(15)	7.5	Aircon compressor	---	---	○
(16)	30	Wiper	---	---	○
(17)	15	Flasher	---	---	○
(18)	30	Defogger	---	---	○
(19)	Slow blow	Check circuit against wrong battery	○	○	○





**■ Replacing Light Bulb**

Light	Capacity	
	ROPS	CAB
Head light	35W / 35W	
Tail light	8W	
Hazard and Turn signal light (rear)	23W	
Hazard and Turn signal light (front)	---	23W
Room light	---	10W
Work light	---	35W
Instrument panel light	1.1W	
Brake stop light	23W	

# APPENDICES

## INDEX

Dual Tires .....	8
Front Wheels ( 4 wheel drive) .....	9
Fuse .....	11
Horn Button .....	6
HST Type .....	5
Inflation Pressure .....	8
Light Bulb .....	12
Manual Transmission Type .....	5
Rear Wheels.....	10
Tractor Lights .....	7
Turn Signal / Hazard Light Switch .....	6

# UNIVERSAL SYMBOLS

As a guide to the operation of your tractor, various universal symbols have been utilized on the instruments and controls. The symbols are shown below with an indication of their meaning.

	Safety Alert Symbol		Remote Cylinder-Retract
	Diesel Fuel		Remote Cylinder-Extend
	Fuel-Level		Steering Wheel-Tilt Control
	Engine-Rotational Speed		Hazard Warning Lights
	Hourmeter/Elapsed Operating Hours		Master Lighting Switch
	Engine Coolant-Temperature		Position Lamps
	Diesel Preheat/Glow Plugs(Low Temperature Start Aid)		Headlight-Low Beam
	Parking Brake		Headlight-High Beam
	Engine Intake/Combustion Air-Filter		Audible Warning Device
	Battery Charging Condition		Four-Wheel Drive-On
	Engine Oil-Pressure		Four-Wheel Drive-Off
	Turn Signal		Fast
	Engine-Stop		Slow
	Engine-Run		Creep
	Starter Control		Read Operator's Manual
	Engine Shut-Off Control		Tractor-Forward Movement-Overhead View of Machine
	Power Take-Off Clutch Control-Off Position		Tractor-Rearward Movement-Overhead View of Machine
	Power Take-Off Clutch Control-On Position		Engine Speed Control
	Differential Lock		
	Position Control-Raised Position		
	Position Control-Lowered Position		
	Draft Control-Shallow Position		
	Draft Control-Deep Position		
	3-Point Lowering Speed Control		

# FOREWORD

You are now the proud owner of a KUBOTA Tractor. This tractor is a product of KUBOTA quality engineering and manufacturing. It is made of fine materials and under a rigid quality control system. It will give you long, satisfactory service. To obtain the best use of your tractor, please read this manual carefully. If your tractor is provided with CAB, also read the CAB operator's manual, which is a separate manual. It will help you become familiar with the operation of the tractor and contains many helpful hints about tractor maintenance. It is KUBOTA's policy to utilize as quickly as possible every advance in our research. The immediate use of new techniques in the manufacture of products may cause some small parts of this manual to be outdated. KUBOTA distributors and dealers will have the most up-to-date information. Please do not hesitate to consult with them.

## SAFETY FIRST

This symbol, the industry's "Safety Alert Symbol", is used throughout this manual and on labels on the machine itself to warn of the possibility of personal injury. Read these instructions carefully. It is essential that you read the instructions and safety regulations before you attempt to assemble or use this unit.



**DANGER :** Indicates an imminently hazardous situation which, if not avoided, will result in death or serious injury.



**WARNING :** Indicates a potentially hazardous situation which, if not avoided, could result in death or serious injury.



**CAUTION :** Indicates a potentially hazardous situation which, if not avoided, may result in minor or moderate injury.

**IMPORTANT :** Indicates that equipment or property damage could result if instructions are not followed.

**NOTE :** Gives helpful information.

## **KUBOTA Corporation is ...**

Since its inception in 1890, KUBOTA Corporation has grown to rank as one of the major firms in Japan.

To achieve this status, the company has through the years diversified the range of its products and services to a remarkable extent, until today, 19 plants and 16,000 employees produce over 1,000 different items, large and small.

All these products and all the services which accompany them, however, are unified by one central commitment. KUBOTA makes products which, taken on a national scale, are basic necessities. Products which are indispensable, products intended to help individuals and nations fulfill the potential inherent in their environment. For KUBOTA is the Basic Necessities Giant.

This potential includes water supply, food from the soil and from the sea, industrial development, architecture and construction, and transportation.

Thousands of people depend on KUBOTA's know-how, technology, experience and customer service. You too can depend on KUBOTA.