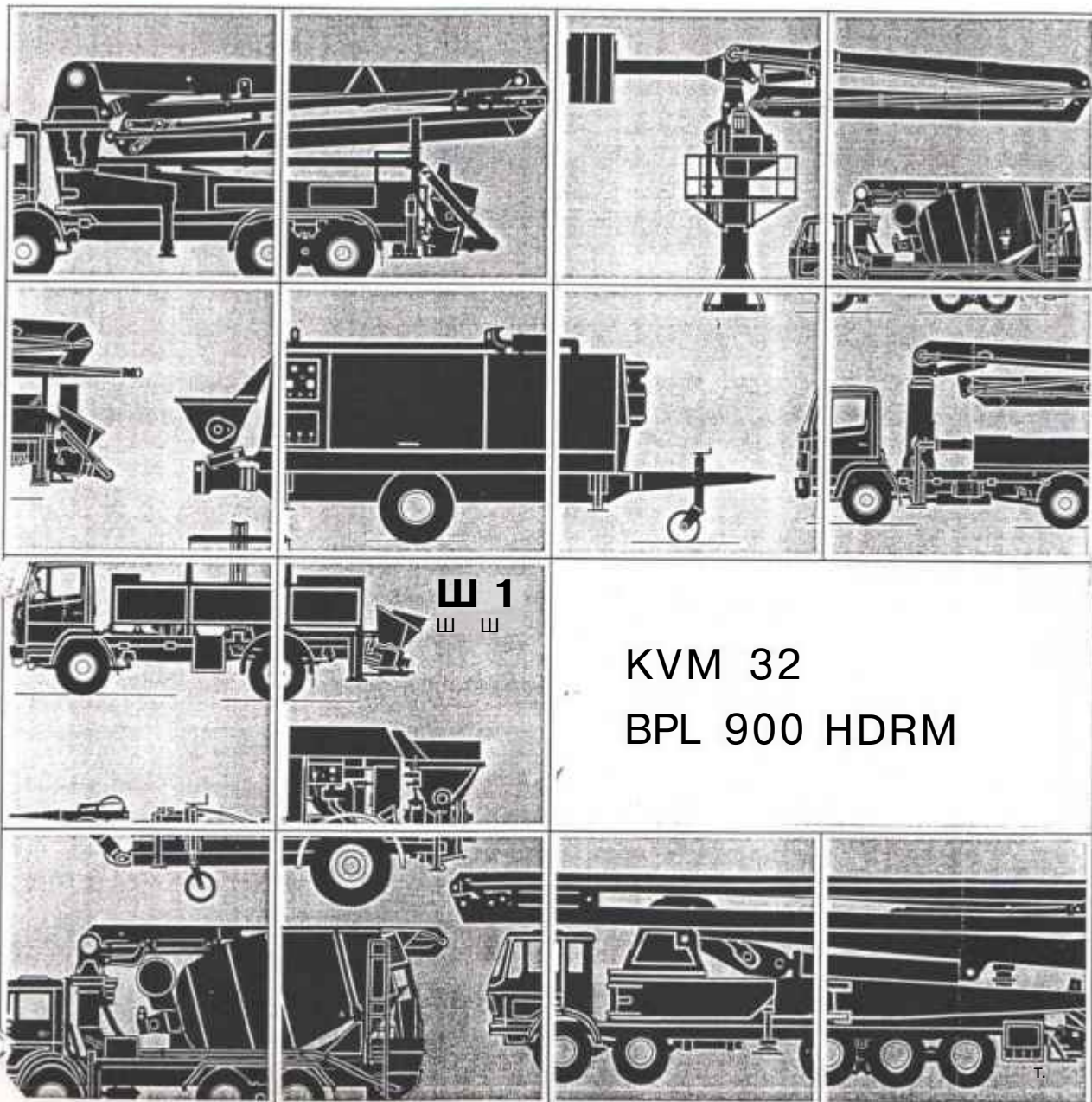


**SCHWING**

**Ersatzteilliste  
Spare Parts List  
Pièces de Rechange  
Lista de Recambios  
Pezzi di Ricambio**



KVM 32  
BPL 900 HDRM

00.04.005 S

T.

KVM 32/28 BPL 900 HDRM

• COM-No.:

ID-NO. : 10133833

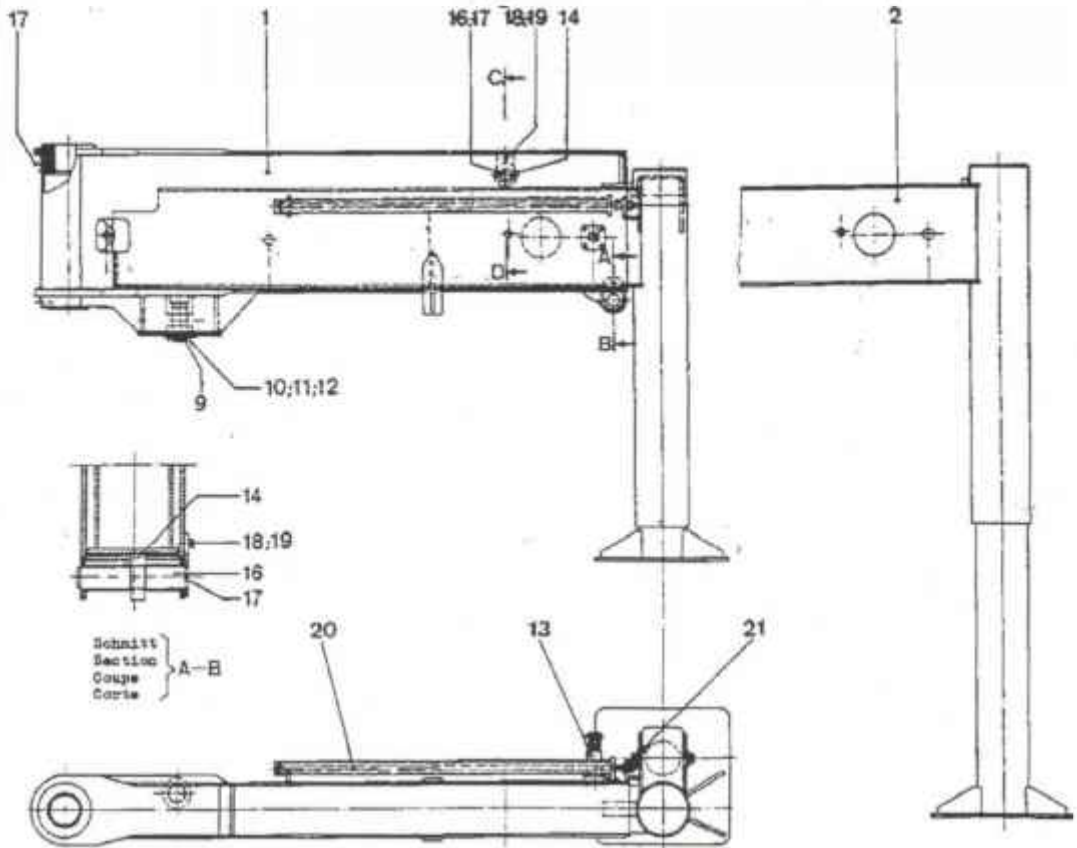
PERT.DRG: KEINE

Pos.	Quantity		ID-NO.	Nomenclature
0001	1,000	PCE	10045563	PLACING BOOM KVM 32/28-125 (MECHANICAL SUPPORT)
0002	1,000	PCE	10081457	CONCRETE "PUMP KIT P 1620-120/80 RM
0003	2,000	PCE	10081458	RAM DN 200/80 WITH FIXTURE
0004	1,000	PCE	10053224	HOPPER WITH AGITATOR
0005	1,000	PCE	10063988	MESH ROCK VALVE SUMMARY E-VIBRATOR 24 V
0006	1,000	PCE	10127975	WATER SYSTEM KVM 32
0007	1,000	PCE	10023546	HYDRAULIC TANK
0008	1,000	PCE	10078095	OUTLET KVM 32-125 RM
0009	1,000	PCE	10127506	HYDRAULIC CONTROL KVM 32 EX BPL 900 HDRM
0010	1,000	PCE	10127507	HYDRAULIC CONTROL KVM 32
0011	1,000	PCE	10034820	REAR OUTRIGGER KVM 32
0012	1,000	PCE	10037992	TOOL BOX CPL.
0013	1,000	PCE	10086459	TAIL LIGHT SYSTEM ON HOPPER 24 V
0014	1,000	PCE	10017931	TAIL LIGHT SYSTEM AT BOOM 24 V ("ROCK" VALVE)
0015	1,000	PCE	10108338	E-CONTROL KVM 32 Ex BPL 900HDR 24 V, 24/42-POL., DIG., S.87
0016	1,000	PCE	10050137	WORKING HOUR METER WITH PUSH-SWITCH 10-30 V
0017	1,000	PCE	10095529	CENTRAL LUBRICATING POINT FOR ROCK VALVE AND AGITATOR
0018	1,000	PCE	10043393	OIL COOLER SUMMARY (E-DRIVE 24 V)

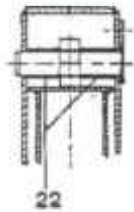


**SCHWING**

10038951



Сchnitt }  
Section } C-D  
Coupe }  
Corta }



## FRONT SUPPORT ARM, LEFT

COM-No. :

ID-NO. : 10032555

PERT.DRG: 10038951

Pos.	Quantity		ID-NO.	Nomenclature
0001	1,000	PCE	10032511	EXTRACTABLE GIRDER, FRONT LEFT
0002	1,000	PCE	10032540	FRONT EXTRACTABLE BOX LEFT WITH HYDRAULIC JACKING DEVICE
0009	1,000	PCE	10022268	BOLT T 50 X 110/16- 9
0010	1,000	PCE	10007072	AXLE GUARD DIN 15058 30X8
0011	2,000	PCE	10001508	HEXAGON HEAD SCREW DIN 933 M 12X20-8.8-A2C
0012	2,000	PCE	10129840	SCREW RETAINER SKM 12  DT 320
0013	1,000	PCE	10030025 V	LOCKING
0014	2,000	PCE	10004917	ROLLER BEARING FG 3572 EE NATR35 PP
0016	2,000	PCE	10032507	SOCKET PIN D 35 X 167/ 50-12
0017	4,000	PCE	10007886	HYDRAULIC-TYPE LUBRICATING NIPPLE DIN 71412 AM 10X1 5.8
0018	2,000	PCE	10001855	HEXAGON HEAD SCREW DIN 933 M 10 X 20 - 8.8 - A2C
0019	2,000	PCE	10129841	SCREW RETAINER SKM 10 DT 320
0020	1,000	PCE	10032552	THREADED ROD F 16 X 1080/ 80 (SUMMARY)
0021	2,000	PCE	10002342	HEXAGON NUT DIN 982 M 16 - 8 - A2C
0022	2,000	PCE	10034817	TUBE

End



COM-No :

ID-NO. : 10030025 ✓

PERT.DRG:

LOCKING

( • )

C

Pos.	Quantity		ID-NO.	Nomenclature
0001	1,000	PCE	10030026	GUIDE
0002	1,000	PCE	10002722	BOLT 25/18 X 155
0003	1,000	PCE	10002721	LEVER
0004	1,000	PCE	10007581	PRESSURE SPRING 2,8 x22,2x80 DIN 2098
0005	1,000	PCE	10003292	BOLT DIN 1444 - A2B B 8 H 11 X 40 X 33
0006	1,000	PCE	10001362	SPLIT PIN ISO 1234 2 X 12 - St - A2C
0007	4,000	PCE	10001004	CHEESE HEAD SCREW DIN 912 M 8 X 25 - 8.8 - A2C
0008	4,000	PCE	10138329	SCREW RETAINER SKZ 8 DT 320

End

t.v.:

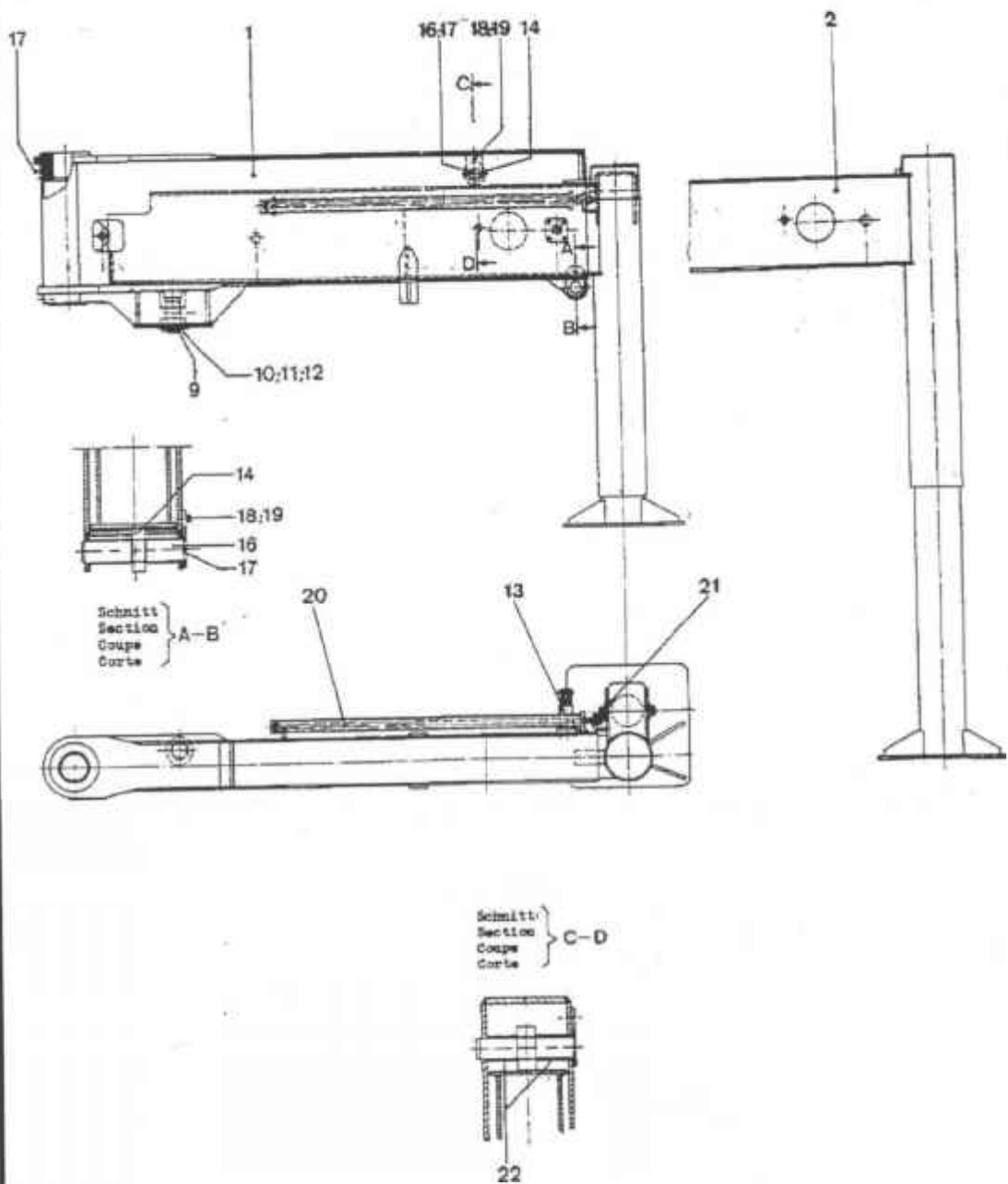
i.,

)



**SCHWING**

10038951



## FRONT SUPPORT ARM, RIGHT

COM-No. :

ID-NO. : 10032556

PERT.DRG: 10038951

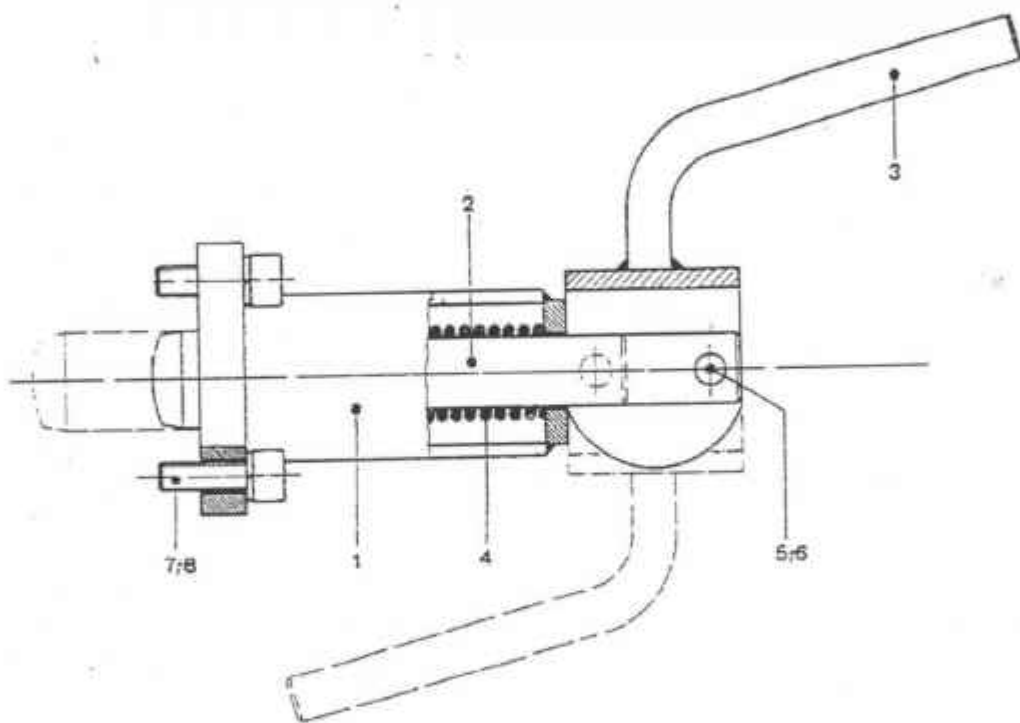
Pos.	Quantity		ID-NO.	Nomenclature
0001	1,000	PCE	10032510	EXTRACTABLE GIRDER, FRONT RIGHT
0002	1,000	PCE	10032543	FRONT EXTRACTABLE BOX RIGHT WITH HYDRAULIC JACKING DEVICE
0009	1,000	PCE	10022268	BOLT T 50 X 110/16-9
0010	1,000	PCE	10007072	AXLE GUARD DIN 15058 30 X 8
0011	2,000	PCE	10001508	HEXAGON HEAD SCREW DIN 933 M 12 X 20 - 8.8 - A2C
0012	2,000	PCE	10129840	SCREW RETAINER SKM 12 DT 320
0013	1,000	PCE	10030025 v	LOCKING
0014	2,000	PCE	10004917	ROLLER BEARING FG 3572 EE NATR35 PP
0016	2,000	PCE	10032507	SOCKET PIN D 35 X 167/50-12
0017	4,000	PCE	10007886	HYDRAULIC-TYPE LUBRICATING NIPPLE DIN 71412 AM 10X1 5.8
0018	2,000	PCE	10001855	HEXAGON HEAD SCREW DIN 933 M 10 X 20 - 8.8 - A2C
0019	2,000	PCE	10129841	SCREW RETAINER SKM 10 DT 320
0020	1,000	PCE	10032552	THREADED ROD F 16 X 1080/80 (SUMMARY)
0021	2,000	PCE	10002342	HEXAGON NUT DIN 982 M 16 - 8 - A2C
0022	2,000	PCE	10034817	TUBE
End				





**SCHWING**

10030025



## LOCKING

COM-No. :

ID-NO. : 10030025 v^

PERT.DRG:

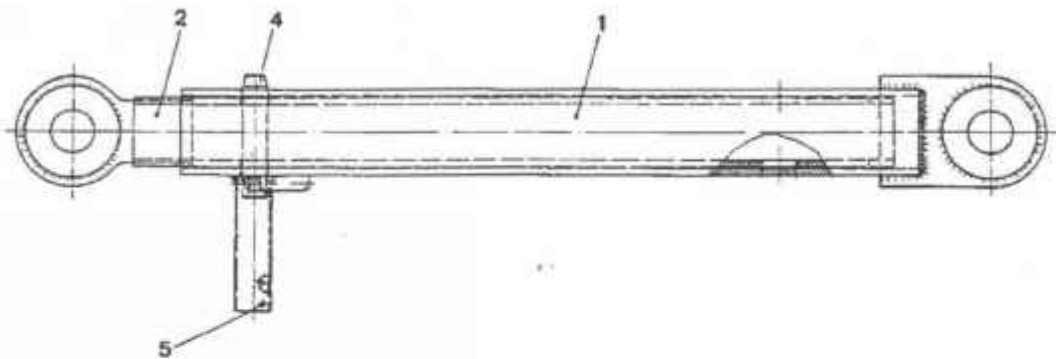
Pos.	Quantity		ID-NO.	Nomenclature
0001	1,000	PCE	10030026	GUIDE
0002	1,000	PCE	10002722	BOLT 25/18 X 155
0003	1,000	PCE	1000272-1	LEVER
0004	1,000	PCE	10007581	PRESSURE SPRING 2,8 x22,2x80 DIN 2098
0005	1,000	PCE	10003292	BOLT DIN 1444 - A2B B 8 H 11 X 40X33
0006	1,000	PCE	10001362	SPLIT PIN ISO 1234 2 X 12 - St - A2C
0007	4,000	PCE	10001004	CHEESE HEAD SCREW DIN 912 M 8 X 25 - 8.8 - A2C
0008	4,000	PCE	10138329	SCREW RETAINER SKZ 8 DT 320

End



**SCHWING**

10046124



## SLEWING LIMITATION LEFT

COM-No. :

ID-NO. : 10032653 V

PERT.DRG: 10046124

Pos.	Quantity	ID-NO.	Nomenclature
0001	1,000 PCE	10032650	OUTER TUBE
0002	1,000 PCE	10032646	INTERIOR TUBE
0003	1,000 PCE	10032654	TUBE
0004	1,000 PCE	10003645	SOCKET PIN E 35 X 119 (SUMMARY)
0005	1,000 PCE	10012000	SPLIT PIN ISO 1234 8 X 56 - St - A2C

End

·"Ж  
... Л И  
KVM 32/28 BPL 900 HDRMCOM-No.  
ID-NO. : 10133833  
PERT.DRG: KEINE

O

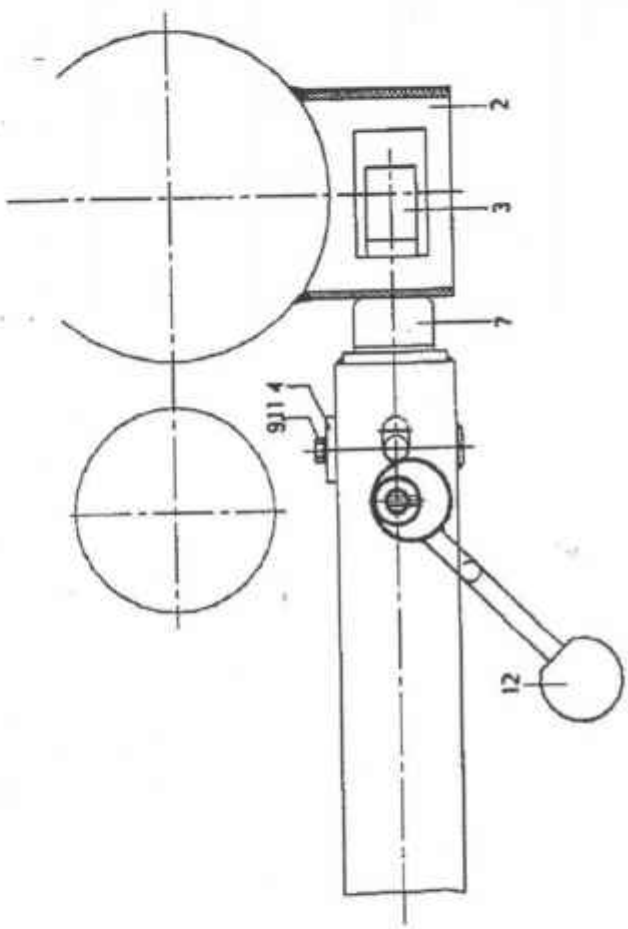
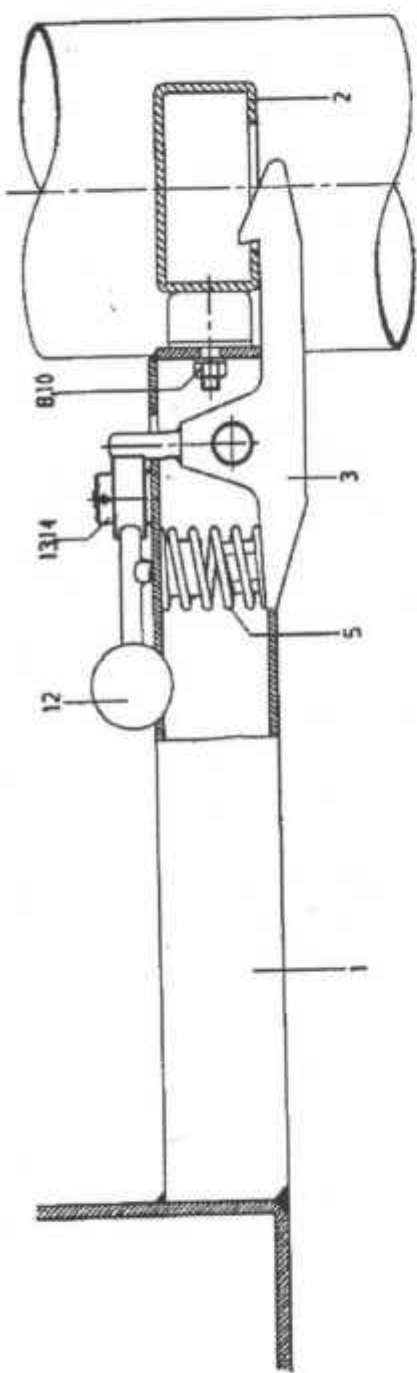
Pos.	Quantity	ID-NO.	Nomenclature
0019	1,000 PCE	10049589	ELECTRICAL INSTALLATION OIL COOLER 24V TEMPERATUR SWITCH
0020	1,000 PCE	10075450	PAGE SCREW JOINTS AND HIGH PRESSURE HOSES

End



**SCHWING**

10060272



**SLEWING LOCKING, FULLY-HYDRAU-  
LIC OUTRIGGERS**

COM-No. :  
**ID-NO. : 10030283**  
PERT.DRG: 10060272

• Р щ ^ И  
III

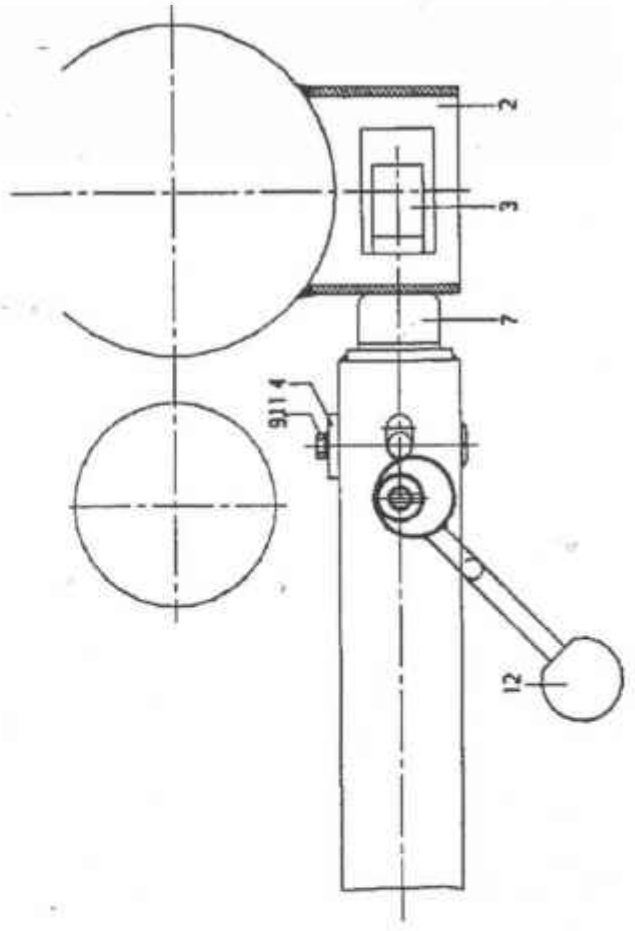
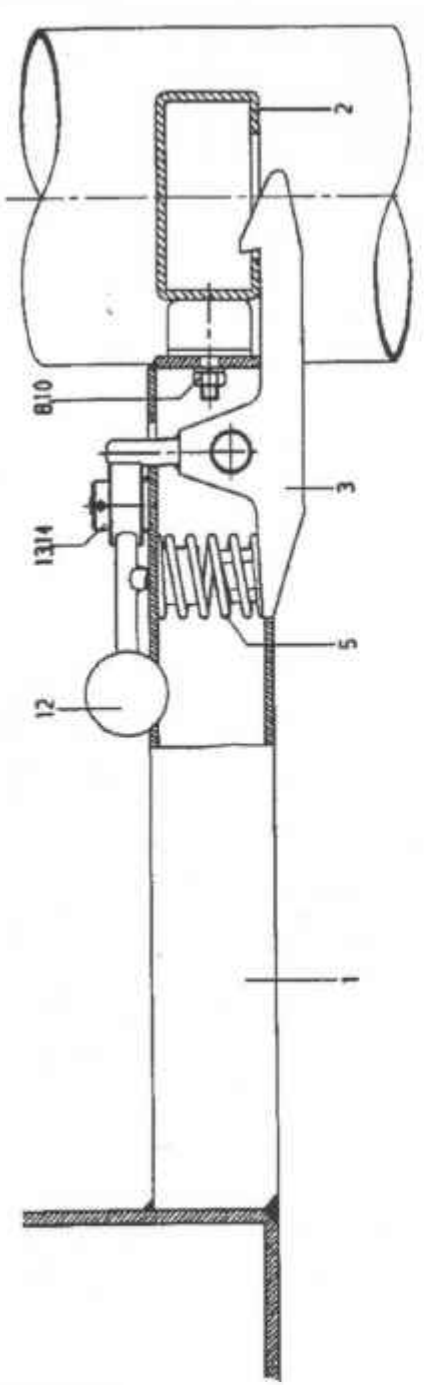
Pos.	Quantity		ID-NO.	Nomenclature
0001	1,000	PCE	10030275	SUPPORT
0002	1,000	PCE	10030281	STOP LIMIT
0003	1,000	PCE	10030269	CLICK
0004	1,000	PCE	10030272	SOCKET PIN C 20 X 63/ 20- 7
0005	1,000	PCE	10002425	PRESSURE SPRING 36 X 4 71 MM
0007	1,000	PCE	10006953	RUBBER BUFFER DN 40 WITH THREAD PIECE
0008	1,000	PCE	10001248	HEXAGON NUT DIN 934 M 3 - 8 - A2C
0009	1,000	PCE	10001756	HEXAGON HEAD SCREW DIN 933 M 6 X 10 - 8.8 - A2C
0010	1,000	PCE	10129842	SCREW RETAINER SKM 8 DT 320
0011	1,000	PCE	10134153	SCREW RETAINER SKM 6 DT 320
0012	1,000	PCE	10147780	EXZENTER LEVER
0014	1,000	PCE	10002320	SPRING-TYPE STRAIGHT PIN ISO 8752 - 4 X 24

End

Г 4  
V,-



10060272





SLEWING LOCKING, FULLY-HYDRAU-  
LIC OUTRIGGERS

COM-No :

ИЯИЯГ'-'-2Я^III

ID-NO. : 10030280

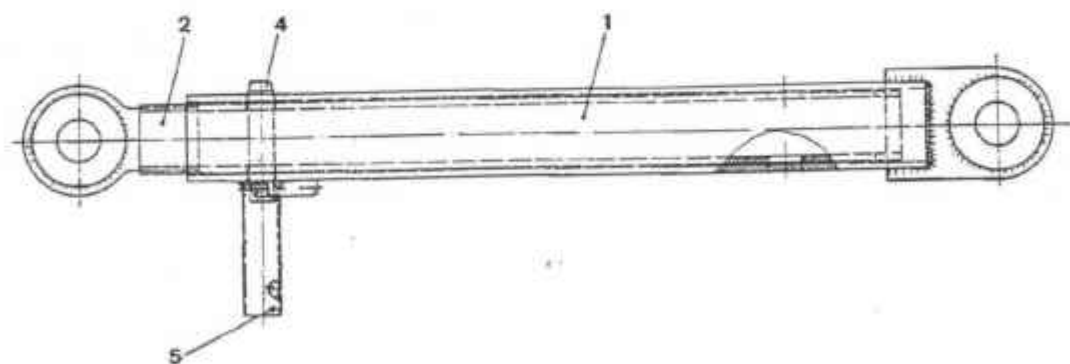
PERT.DRG: 10060272

Pos.	Quantity	ID-NO.	Nomenclature
0001	1,000 PCE	10030275	SUPPORT
0002	1,000 PCE	10030281	STOP LIMIT
0003	1,000 PCE	10030269	CLICK
0004	1,000 PCE	10030272	SOCKET PIN C 20 X 63/ 20- 7
0005	1,000 PCE	10002425	PRESSURE SPRING 36 X 4 71 MM
0007	1,000 PCE	10006953	RUBBER BUFFER DN 40 WITH THREAD PIECE
0008	1,000 PCE	10001248	HEXAGON NUT DIN 934 <b>M 8 - 8 - AC</b>
0009	1,000 PCE	10001756	HEXAGON HEAD SCREW DIN 933 <b>M 6 X 10 - 88 - AC</b>
0010	1,000 PCE	10129842	SCREW RETAINER SKM 8 DT 320
0011	1,000 PCE	10134153	SCREW RETAINER SKM 6 DT 320
0012	1,000 PCE	10147779	EXZENTER LEVER
0014	1,000 PCE	10002320	SPRING-TYPE STRAIGHT PIN ISO 8752 - 4 X 24
End			



**SCHWING**

10046124



## SLEWING LIMITATION RIGHT

COM-No •

ID-NO.: 10032655^

PERT.DRG: 10046124

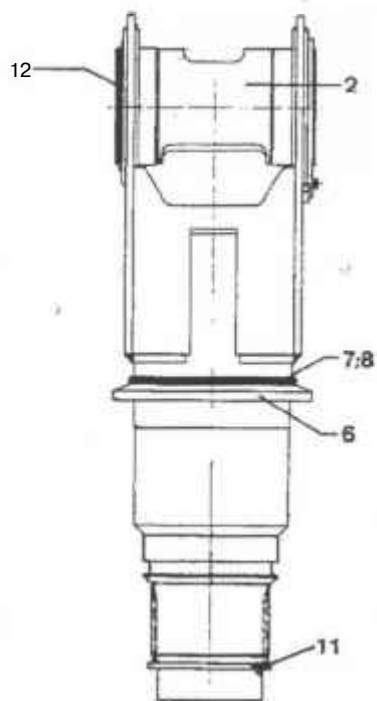
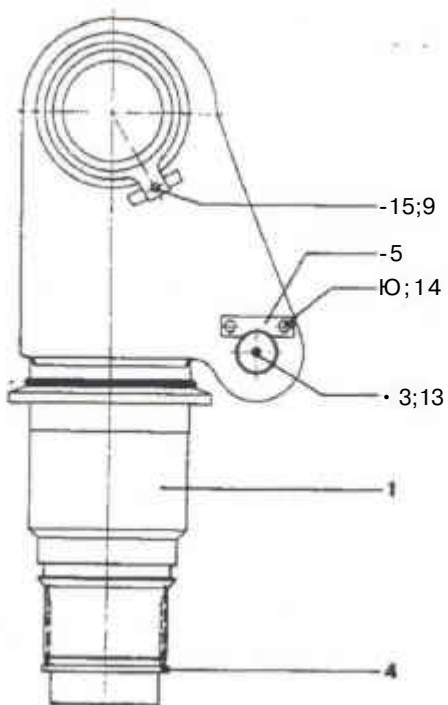
Pos.	Quantity	ID-NO.	Nomenclature
0001	1,000 PCE	10032650	OUTER TUBE
0002	1,000 PCE	10032646	INTERIOR TUBE
0004	1,000 PCE	10003645	SOCKET PIN E 35 X 119 (SUMMARY)
0005	1,000 PCE	10012000	SPLIT PIN ISO 1234 8 X 56 - St - A2C

End



**SCHWING**

10015907



## MAIN COLUMN

• C O . . O ,

ID-NO. : 10015907 V\*

PERT.DRG:

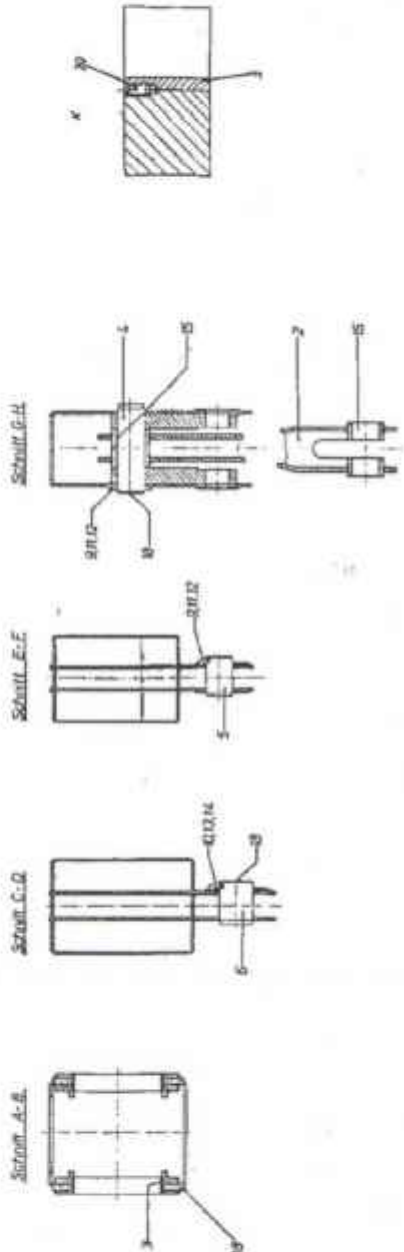
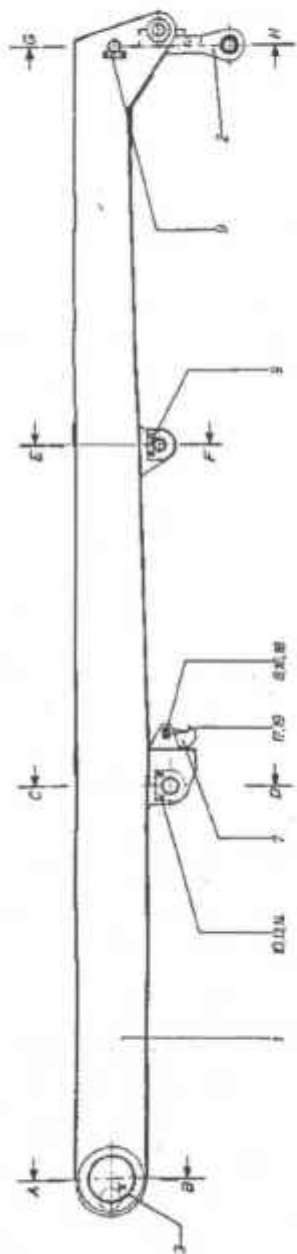
Pos.	Quantity		ID-NO.	Nomenclature
0001	1,000	PCE	10015905	MAIN COLUMN
0002	1,000	PCE	10006157	HOLLOW BOLT
0003	1,000	PCE	10015908	BOLT H 110X515/ 25-13
0004	1,000	PCE	10002662	THRUST BLOCK DISC
0005	1,000	PCE	10007071	AXLE GUARD DIN 15058 50X12
0006	1,000	PCE	10012456	LIP-TYPE SEALING
0007	1,500	M	10010410	JURID-BAND 10 MM
0008	1,000	PCE	10010411	JURID CLAMP 10 MM
0009	1,000	PCE	10133552	SCREW RETAINER SKM 16 DT 320
0010	2,000	PCE	10001396	HEXAGON HEAD SCREW DIN 933 M 20 X 35 - 8.8 - A3C
0011	1,000	PCE	10004046	PARALLEL PIN ISO 2338 10 m6 X 16 - St
0012	1,000	PCE	10003679	RETAINING RING DIN 471 290X5
0013	2,000	PCE	10007886	HYDRAULIC-TYPE LUBRICATING NIPPLE DIN 71412 AM 10X1 5.8
0014	2,000	PCE	10145474	SCREW RETAINER SKM 20 DT 320
0015	1,000	PCE	10001341	" HEXAGON HEAD SCREW DIN 933 M 16 X 45 - 8.8 - A2C

End



**SCHWING**

10023795



## BOOM SECTION 1 KVM 32/28

COM-No. :

ID-NO. : 10023795 V

PERT.DRG:

Pos.	Quantity		ID-NO.	Nomenclature
0001	1,000	PCE	10023796	BOOM SECTION 1 KVM 32/28
0002	1,000	PCE	10020155	GUIDE LEVER
0003	2,000	PCE	10004092	BUSHING
0004	1,000	PCE	10023797	BOLT X 90 X 290/20-11
0005	1,000	PCE	10108894	BOLT H 90 X 130/ 20-11
0006	1,000	PCE	10023799	BOLT V 100 X 145/22-13
0007	1,000	PCE	10023975	CATCH
0008	1,000	PCE	10023971	BOLT 25X120
0009	2,000	PCE	10007070	AXLE GUARD DIN 15058 40X10
0010	1,000	PCE	10007071	AXLE GUARD DIN 15058 50X12
0011	4,000	PCE	10001596	HEXAGON HEAD SCREW DIN 933 M 16 X 30 - 8.8 - A2C
0012	4,000	PCE	10133552	SCREW RETAINER SKM 16 DT 320
0013	2,000	PCE	10001392	HEXAGON HEAD SCREW DIN 933 M 20 X 30 - 8.8 - A3C
0014	2,000	PCE	10145474	SCREW RETAINER SKM 20 DT 320
0015	4,000	PCE	10006732	" BUSHING MB 90 60 DU
0016	2,000	PCE	10006743	BUSHING MB 25 20 DU
0017	1,000	PCE	10001855	HEXAGON HEAD SCREW DIN 933 <b>M 10 X 20 - 8.8 - A2C</b>
0018	7,000	PCE	10007886	HYDRAULIC-TYPE LUBRICATING NIPPLE DIN 71412 AM 10X1 5.8
0019	1,000	PCE	10129841	SCREW RETAINER SKM 10 DT 320

1



BOOM SECTION 1 KVM 32/28

COM-NO,

ID-NO. : 10023795

PERT.DRG:

*III*mm

Г )

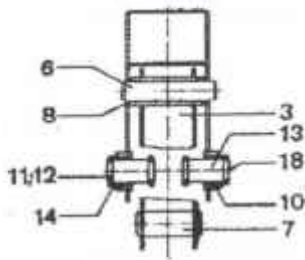
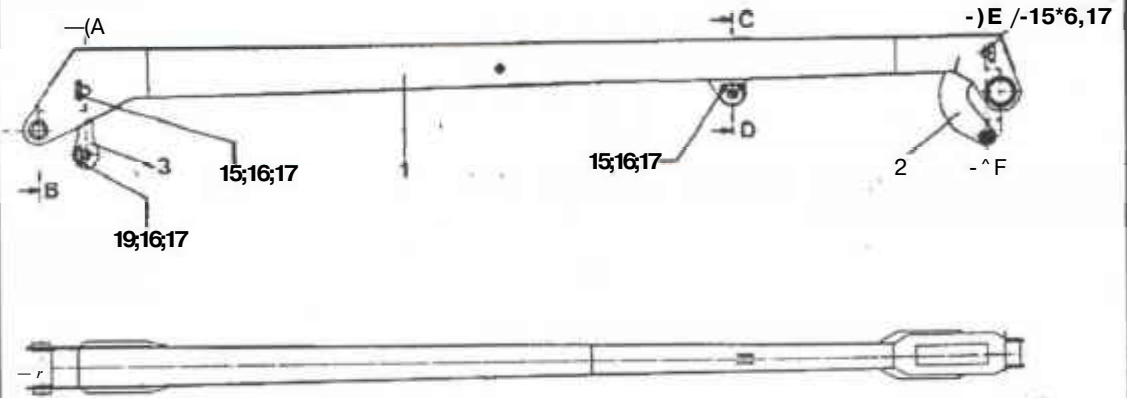
Pos.	Quantity	ID-NO.	Nomenclature
0020	2,000 PCE	10001657	HEADLESS PIN DIN EN 27434 <b>MBX162H - AC</b>

End



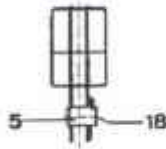
**SCHWING**

**10023581**



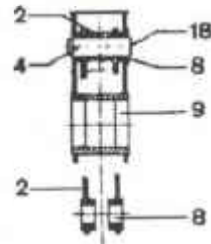
Schnitt  
Section  
Coup.  
Cort

I \* n  
J f n



Schnitt  
Section  
Coup.  
Cort

p-p  
u



Schnitt  
Section  
Coup.  
Cort

E-F

BOOM SECTION 2 KVM 32/28

COM-No.:

ID-NO. : 10023581

PERT.DRG:

n

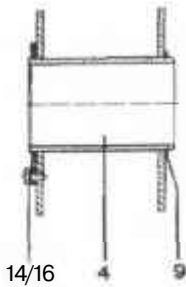
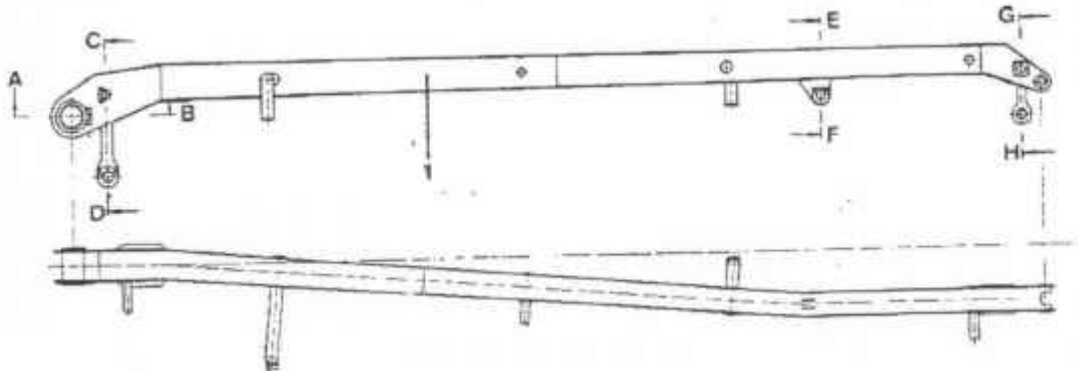
Pos.	Quantity		ID-NO.	Nomenclature
0001	1,000	PCE	10023582	BOOM SECTION 2 KVM 32/28
0002	1,000	PCE	10020636	LEVER HC2
0003	1,000	PCE	10020540	GUIDE LEVER
0004	1,000	PCE	10023568	BOLT X 70 X 230/20-11
0005	1,000	PCE	10023567	BOLT V 70 X 114/20-11
0006	1,000	PCE	1.0023566	BOLT X 70 X 346/20-11
0007	1,000	PCE	10023569	BOLT X 90 X 244/20-11
0008	6,000	PCE	10006736	BUSHING MB 70 50 DU
0009	2,000	PCE	10006167	BUSHING
0010	2,000	PCE	10006732	BUSHING MB 90 60 DU
0011	4,000	PCE	10006237	GROOVE NUT M 75 X 2
0012	4,000	PCE	10009897	SAFETY SHEET DIN 462 75 ST
0013				
0014	2,000	PCE	10003476	THREADED BOLT M 75 X 2
0015	2,000	PCE	10003477	BUSHING
	3,000	PCE	10007070	AXLE GUARD DIN .15058 40 X 10
0016	8,000	PCE	10001591	HEXAGON HEAD SCREW DIN 933 M 16 X 25 - 8.8 - A2C
0017	8,000	PCE	10133552	SCREW RETAINER SKM 16 DT 320
0018	10,00	PCE	10007886	HYDRAULIC-TYPE LUBRICATING NIPPLE DIN 71412 AM 10X1 5.8
0019	1,000	PCE	10003647	PLATE 10X 40/ 120- 17
End				



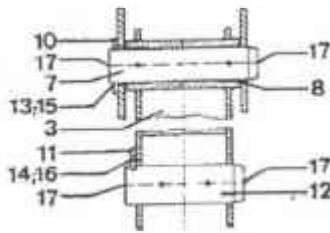
SCHWING

4

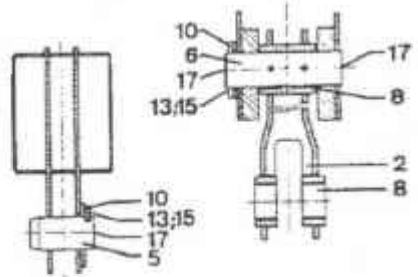
10023165



14/16  
Schnitt Section  
Cou. Coup.  
Cort\* ) L a d  
A - B



Schnitt Section  
Cou. Coup.  
Cort\* ) C - D  
J



Schnitt Section  
Cou. Coup.  
Cort\* ) E - F  
J - p  
Q - u

BOOM SECTION 3 KVM 32/28

COM-No. :

ID-NO. : 10023165 ✓

PERT.DRG :

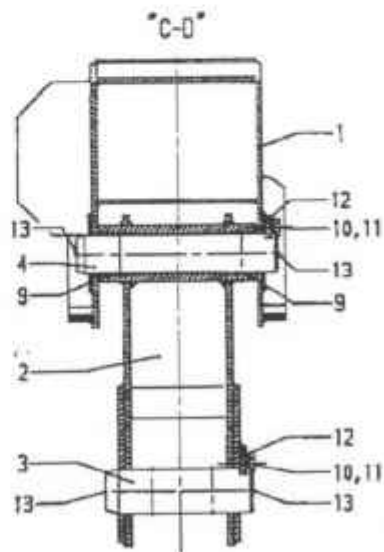
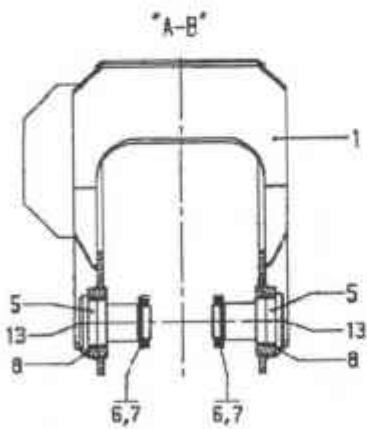
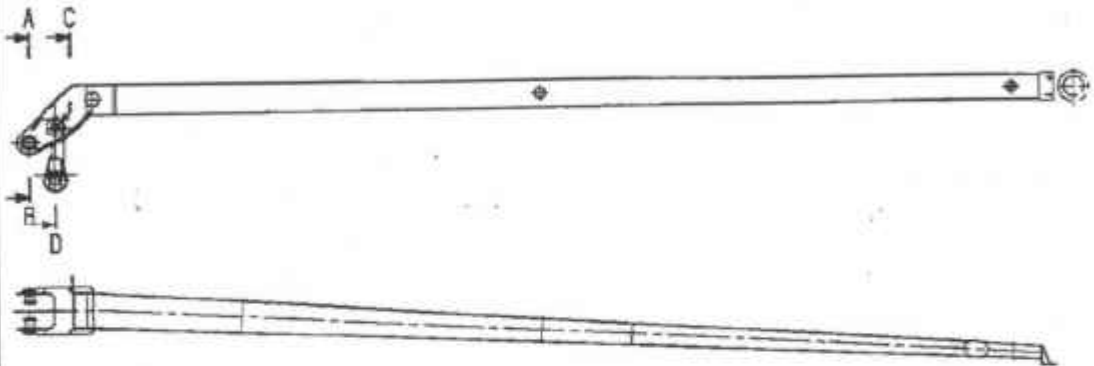
Pos.	Quantity		ID-NO.	Nomenclature
0001	1,000	PCE	10023071	BOOM SECTION 3 KVM 32/28
0002	1,000	PCE	10020085	GUIDE LEVER
0003	1,000	PCE	10020408	GUIDE LEVER
0004	1,000	PCE	10044351	HOLLOW BOLT
0005	1,000	PCE	10004141	BOLT U 60X115/16-9
0006	1,000	PCE	10023225	BOLT X 60 X 225/ 16-9
0007	1,000	PCE	10013375	BOLT W 60 X 268/ 16- 9-
0008	6,000	PCE	10006739	BUSHING MB 60 40 DU
0009	1,000	PCE	10003674	RETAINING RING DIN 471 170X4
0010	3,000	PCE	10007072	AXLE GUARD DIN 15058 30X8
0011	1,000	PCE	10007070	AXLE GUARD DIN 15058 40X10
0012	1,000	PCE	10020531	BOLT X 70 X 215/21-11
0013	6,000	PCE	10001508	<del>M 12 X 20 - 8.8 - A2</del> HEXAGON HEAD SCREW DIN 933
0014	3,000	PCE	10001591	HEXAGON HEAD SCREW DIN 933 M 16 X 25 - 8.8 - A2C
0015	6,000	PCE	10129840	SCREW RETAINER SKM 12 DT 320
0016	3,000	PCE	10133552	SCREW RETAINER SKM 16 DT 320
0017	7,000	PCE	10007886	HYDRAULIC-TYPE LUBRICATING NIPPLE DIN 71412 AM 10X1 5.8

End



**SCHWING**

10128580



BOOM SECTION 4 KVM 32/28

COM-No. :

ID-NO. : 10128580 ✓

PERT.DRG:

• \* - C &lt; \*\* &lt; \* , V • «

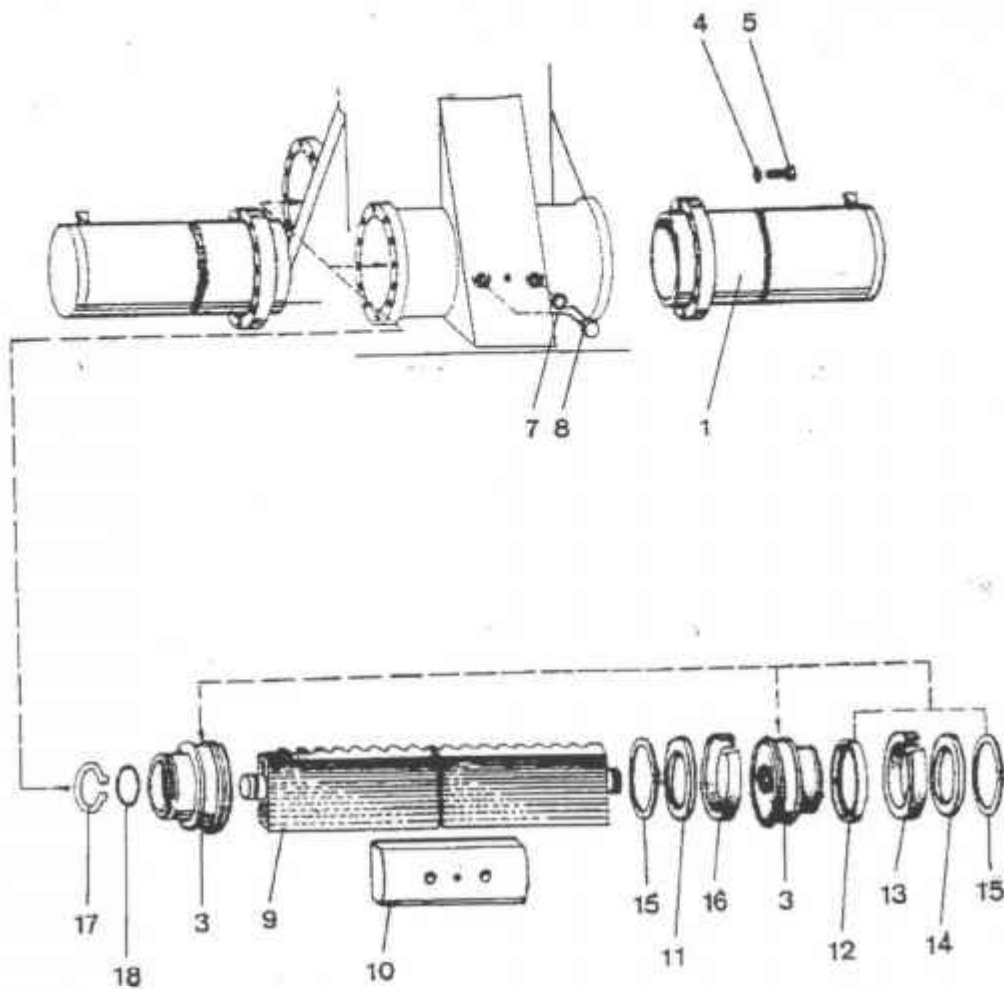
O

Pos.	Quantity	ID-NO.	Nomenclature
0001	1,000 PCE	10126946	BOOM SECTION 4 KVM 32/28
0002	1,000 PCE	10023144	GUIDE LEVER
0003	1,000 PCE	10023145	BOLT X 60 X 192/ 16- 9
0004	1,000 PCE	10004405	BOLT Y 50X275/ 16-9
0005	2,000 PCE	10004408	THREADED BOLT M 45 X 1,5
0006	2,000 PCE	10002321	LOCKING PLATE DIN 462 45 St - A3C
0007	2,000 PCE	10017281	NUT DIN 1804-h M 45 X 1,5
0008	2,000 PCE	10006740	BUSHING MB 60 25 DU
0009	2,000 PCE	10006757	BUSHING MB 50 40 DU
0010	4,000 PCE	10001513	HEXAGON HEAD SCREW DIN 933 M 12 X 25 - 8.8 - A2C
0011	4,000 PCE	10129840	SCREW RETAINER SKM 12 DT 320
0012	2,000 PCE	10007072	AXLE GUARD DIN 15058 30X8
0013	6,000 PCE	10007886	HYDRAULIC-TYPE LUBRICATING NIPPLE DIN 71412 AM 10X1 5.8
End			



**SCHWING**

10003638



Dichtsatz Kpl. 10011802  
Sealing set  
Jeu de joints  
Juego de juntas



SLEWING CYLINDER  
EXECUTION 2

COM-No. :

ID-NO. : 10003638 ✓

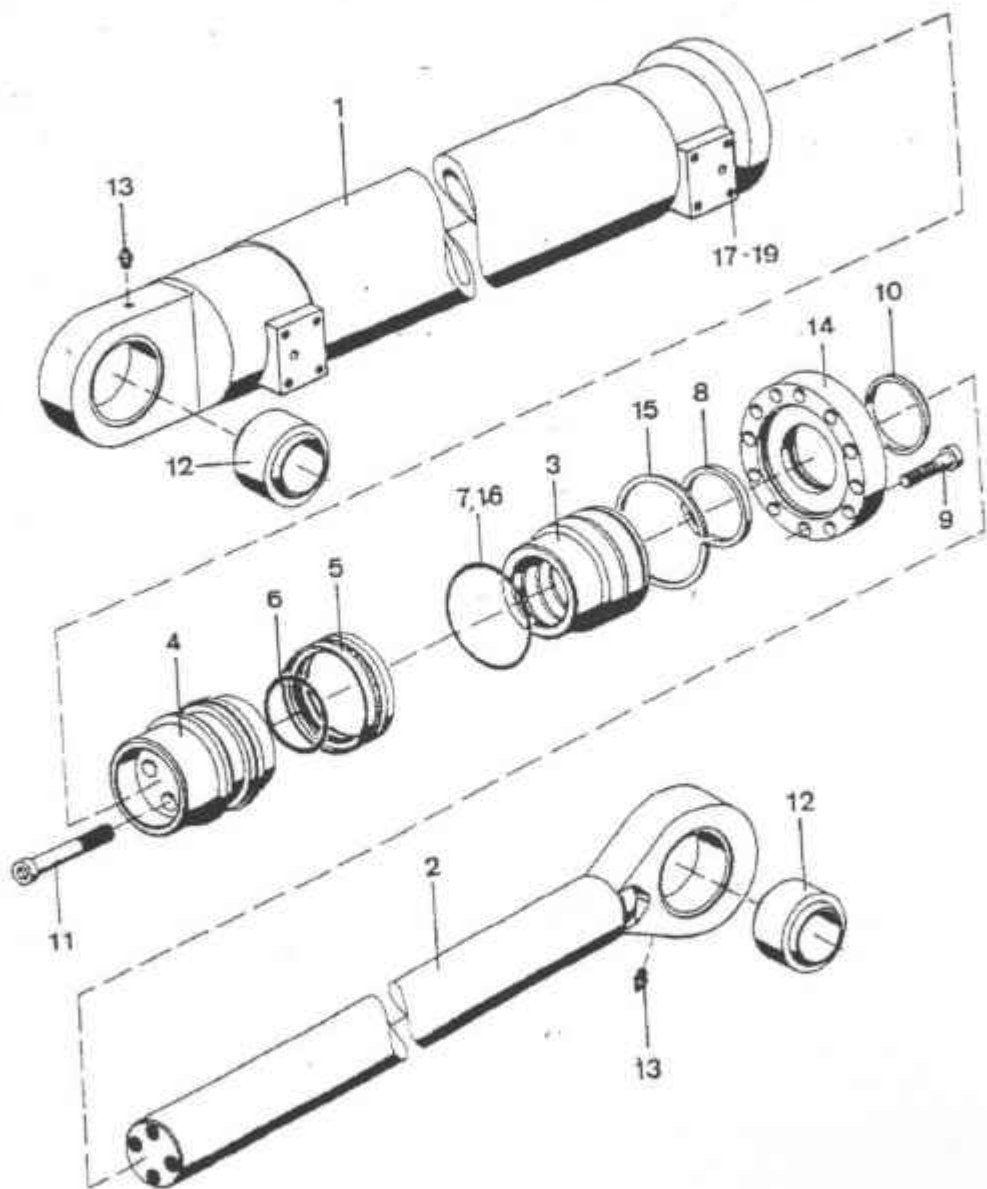
PERT.DRG:

Pos.	Quantity		ID-NO.	Nomenclature
0001	2,000	PCE	10003614	CYLINDER TUBE
0003	2,000	PCE	10004713	PISTON
0004	24,00	PCE	10138330	SCREW RETAINER SKZ 12 DT 320
0005	24,00	PCE	10001191	CHEESE HEAD SCREW DIN 912 M 12 X 40 - 8.8 - A2C
0007	2,000	PCE	10139855	SCREW RETAINER SKZ 16 DT 320
0008	2,000	PCE	10001359	HEXAGON HEAD SCREW DIN 933 M 16 X 65 - 8.8 - A2C
0005	1,000	PCE	10004804	TOOTHED PISTON ROD
0010	1,000	PCE	10003616	SLIDE PIECE
0011	2,000	PCE	10004717	RING C 4 X 90/107,4
0012	2,000	PCE	10002991	PISTON GUIDE RING P 6-115
0013	2,000	PCE	10010234	GROOVED RING SEALING SET 115/90X 18
0014	2,000	PCE	10009059	COUNTER RING 113 X 90,1 X 8 370 767
0015	4,000	PCE	10003670	RETAINING RING DIN 471 90X3
0016	2,000	PCE	10004930	SCRAPER 115 X 100 X 16
0017	2,000	PCE	10003769	RETAINING RING DIN 471 40 X 1,75
0018	2,000	PCE	10000627	O-RING 35 X 3
End				



**SCHWING**

10023615



Dichtsatz Kpl. 10178194  
Sealing set  
Jeu de joints  
Juego de juntas

**PLACING BOOM KVM 32/28-125  
(MECHANICAL SUPPORT)**

COM-No. :  
ID-NO. : **10045563**  
PERT.DRG: KEINE

**rv**

Pos.	Quantity		ID-NO.	Nomenclature
0001	1,000	PCE	10034763	PLACING BOOM KVM 32/28-125 (MECHANICAL)
0002	1,000	PCE	10027475	DELIVERY PIPELINE KVM 32/28 DN 125

End

V.  
V.-

**HYDRAULIC CYLINDER**  
**D 110/70 X 670**

COM-No.:

ID-NO. : 10023615 \f

PERT.DRG:

П

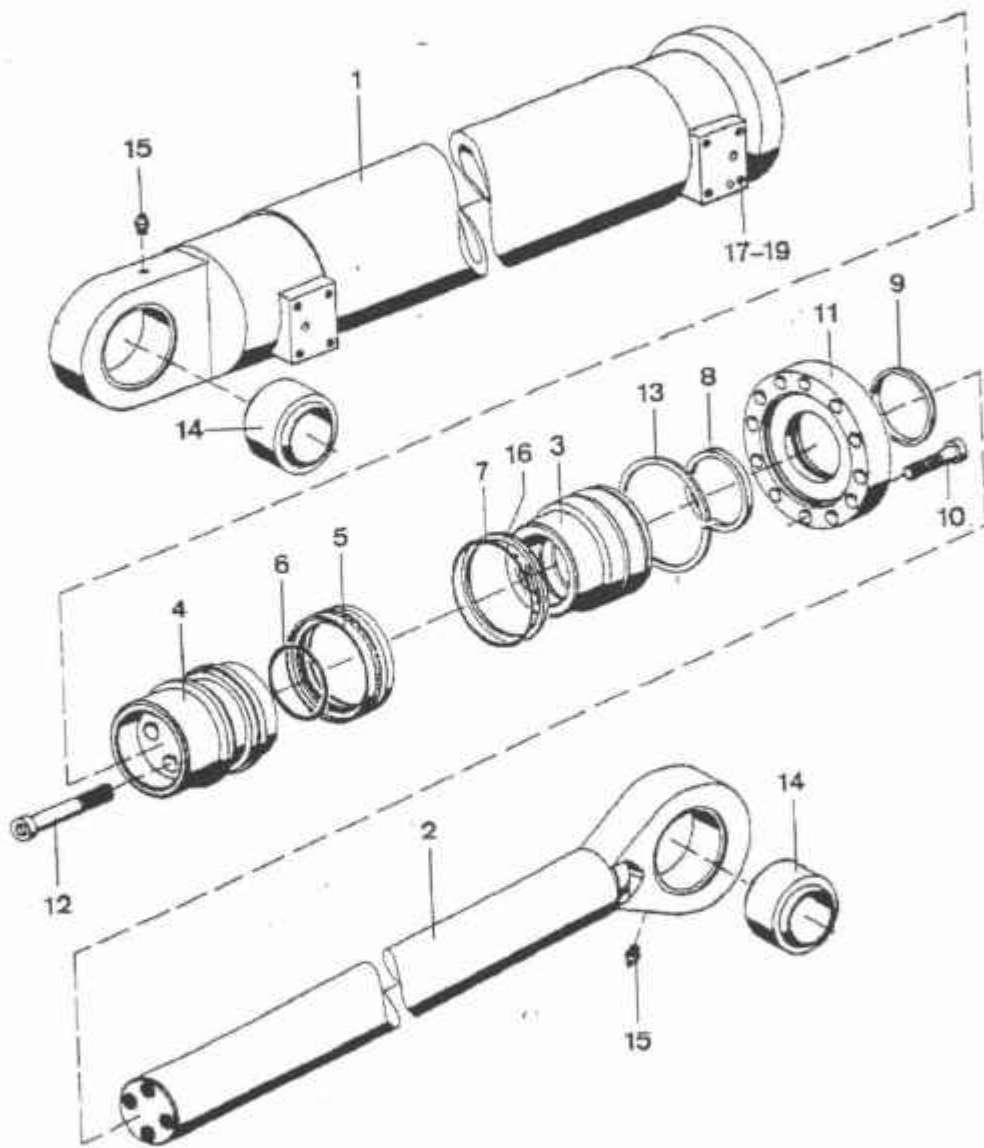
Pos.	Quantity		ID-NO.	Nomenclature
0001	1,000	PCE	10023616	CYLINDER TUBE
0002	1,000	PCE	10023617	PISTON ROD D 70X 960/ 90- 44
0003	1,000	PCE	1007431-2	GUIDE BUSHING J 70X94/83-15
0004	1,000	PCE	10023619	PISTON
0005	1,000	PCE	10023652	CYLINDER SEALING D 110
0006	1,000	PCE	10023653	O-RING 70 X 4
0007	1,000	PCE	10001113	O-RING100 X 5
0008	1,000	PCE	10039482	ROD SEALING 70 X 85 X 11,4
0009	8,000	PCE	10023654	SCREW DIN 912 M 16 X 45 -10.9 - DT 500
0010	1,000	PCE	10002469	SCRAPER 70 X 80 X 7
0011	4,000	PCE	10023761	SCREW DIN 912 M 18X90-12.9
0012	2,000	PCE	10002746	ARTICULATED BEARING
0013	2,000	PCE	10007885	GREASE NIPPLE DIN 71412 AM 8 X 1 - 5.8
0014	1,000	PCE	10024295	FLANGE
0015	1,000	PCE	10024296	SNAP RING DIN 5417 SP 110
0016	1,000	PCE	10071952	SUPPORT RING (PTFE) 110/105X1,5
0019	8,000	PCE	10001854	HEXAGON HEAD SCREW DIN 933 M 10 X 16 - 8.8 - A2C

End



**SCHWING**

10062795



Dichsatz Kpl. 10178629  
Sealing set  
Jeu de joints  
Juego de juntas

HYDRAULIC CYLINDER  
150/90 X 800

COM-No. :

ID-NO. : 10062795

PERT.DRG:

O

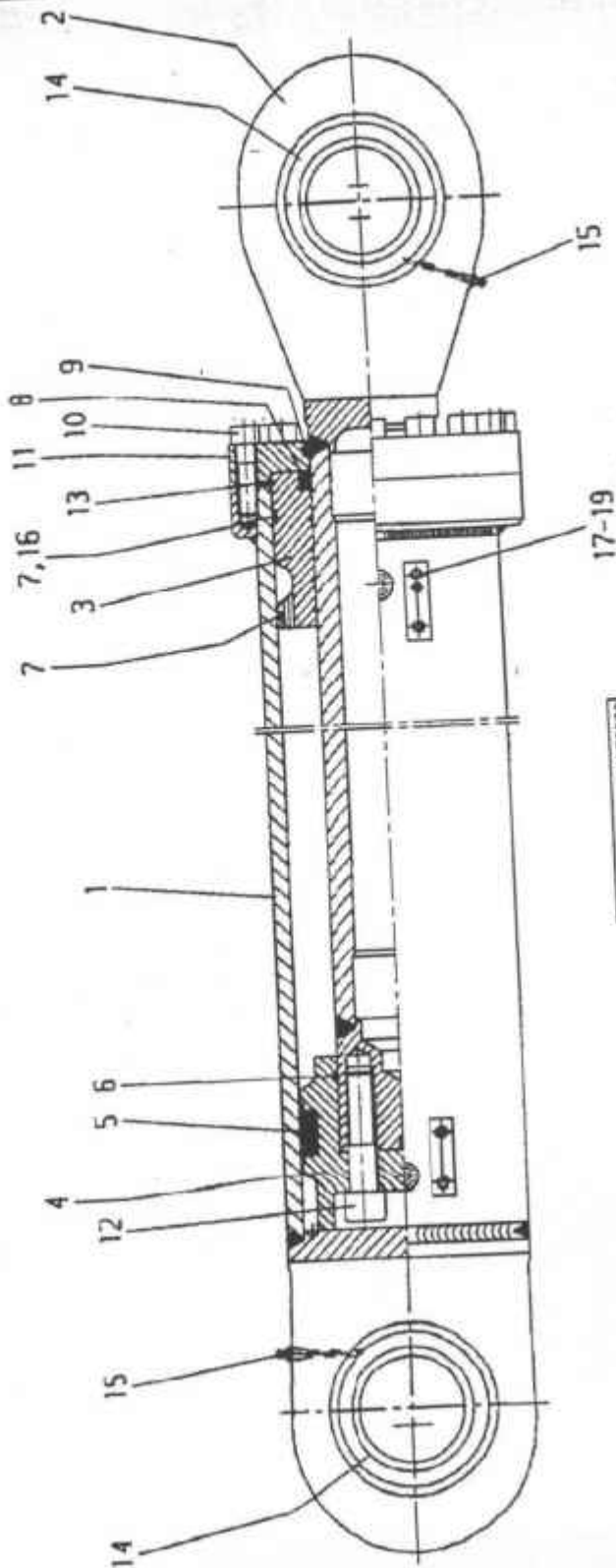
Pos.	Quantity		ID-NO.	Nomenclature
0001	1,000	PCE	10062797	CYLINDER TUBE
0002	1,000	PCE	10065077	PISTON ROD D 90X 1115/105-55
0003	1,000	PCE	10062794	GUIDE BUSHING
0004	1,000	PCE	10062798	PISTON
0005	1,000	PCE	10062796	SEALING SET HYDRAULIC CYLINDER 150/125X25,4
0006				
0007	1,000	PCE	10023788	O-RING 90 X 4
0008	1,000	PCE	10000440	O-RING 140 X5
0009	1,000	PCE	10039483	ROD SEALING 90 X 105X 11,4
0010	1,000	PCE	10002544	SCRAPER 90 X 102 X 12
0011	16,00	PCE	10010589	CHEESE HEAD SCREW DIN 912
0012				M 16X50-10.9-DT 500
0013	1,000	PCE	10062799	FLANGE
0013	4,000 1,000	PCE PCE	10009869 10062800	CHEESE HEAD SCREW DIN 912 SNAP RING DIN 95417
0014	2,000	PCE	10002740	ARTICULATED BEARING
0015	2,000	PCE	10007885	GREASE NIPPLE DIN 71412 AM 8X1-5.8
0016	1,000	PCE	10047168	SUPPORT RING (PTFE) 142,5/150X2
0019	8,000	PCE	10001854	HEXAGON HEAD SCREW DIN 933 <b>M 10 X 16 - 8.8 - A2C</b>

End



**SCHWING**

10023914



Dichtsatz 10159363  
Sealing set  
Jeu de joints  
Juego de juntas

HYDRAULIC CYLINDER  
180/110 X 1300

COM-No. :  
ID-NO. : 10023914 /  
PERT.DRG:

Pos.	Quantity		ID-NO.	Nomenclature
0001	1,000	PCE	10023915	CYLINDER TUBE
<b>0002</b>	<b>1,000</b>	<b>PCE</b>	10023916	PISTON ROD D 110X1734/130- 70
0003	1,000	PCE	10023919	GUIDE BUSHING K 110 X180 / 130- 16
0004	1,000	PCE	10023920	PISTON
0005	1,000	PCE	10024100	SEALING FOR CYLINDER D 180/150X35,4
0006	1,000	PCE	10001077	O-RING 110 X 5
0007	2,000	PCE	10024101	O-RING 170 X 5
0008	1,000	PCE	10039484	ROD SEALING 110X130X14,5
0009	1,000	PCE	10002538	SCRAPER 110X122X12
0010	16,00	PCE	10138648	CHEESE HEAD SCREW DIN 912 M 16 X 60 - 12.9 - DT 500
0011	1,000	PCE	10024257	FLANGE
0012	4,000	PCE	10024245	CHEESE HEAD SCREW DIN 912 M 24 X 100 - 12.9
0013	1,000	PCE	10024258	SNAP RING DIN 5417 SP 180
0014	2,000	PCE	10024099	ARTICULATED BEARING GE 90 ES/GE 90 DO
0015	2,000	PCE	10007885	GREASE NIPPLE DIN 71412 AM 8 X 1 - 5.8
0016	1,000	PCE	10073107	SUPPORT RING (PTFE) 172/180 X 2
0019	8,000	PCE	10001854	HEXAGON HEAD SCREW DIN 933 <b>M 10 X 16 - 8.8 - A2C</b>

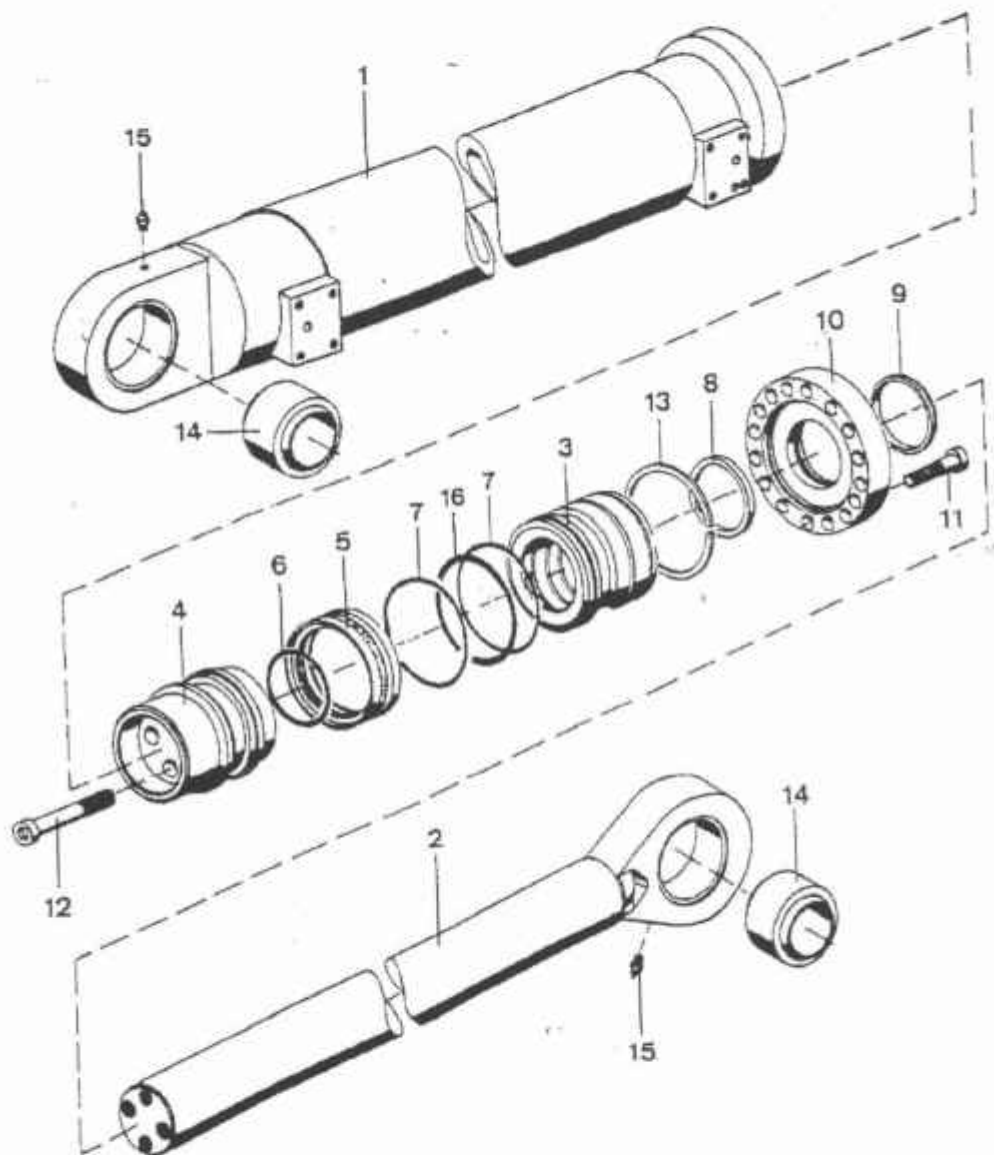
End



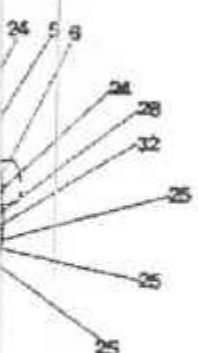
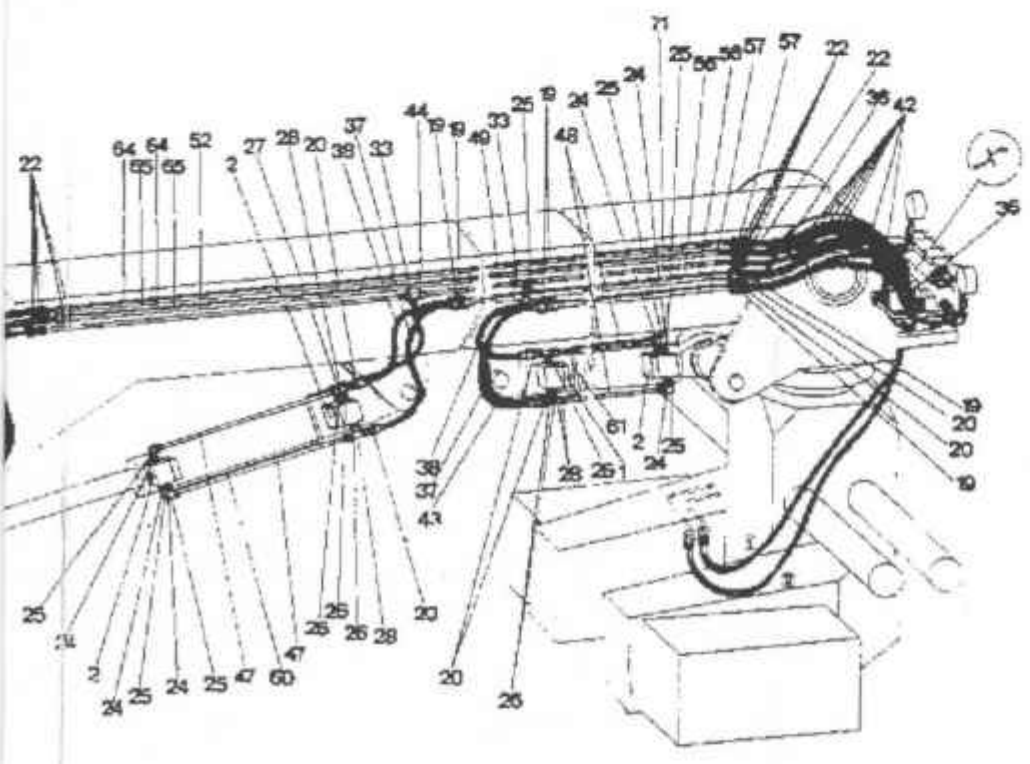


**SCHWING**

10024056



Dichtsatz Kpl. 10178437  
Sealing set  
Jeu de joints  
Juego de juntas



Hisselhart  
 Detail  
 Detail  
 Detail  
 Detail

Л  
у



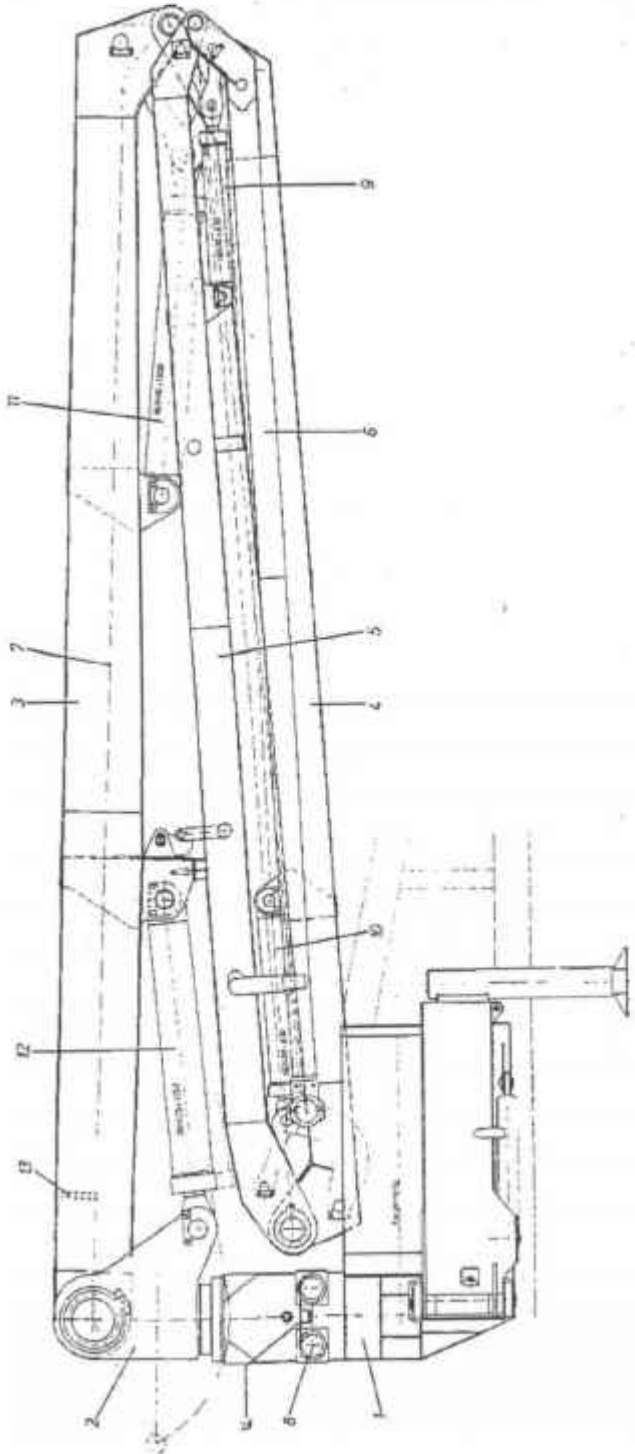
**SCHWING**

... 4V

10034760

v.:

Щ



v/

v •

у

**PLACING BOOM KVM 32/28-125  
(MECHANICAL)**

COM-No. :

ID-NO. : 10034763

PERT.DRG: 10034760

n

Pos.	Quantity		ID-NO.	Nomenclature
0001	1,000	PCE	10032657/	TOWER WITH SUPPORT
0002	1,000	PCE	10015907 V	MAIN COLUMN
0003	1,000	PCE	10023795 /	BOOM SECTION 1 KVM 32/28
0004	1,000	PCE	10023581 V	BOOM SECTION 2 KVM 32/28
0005	1,000	PCE	10023165 v	BOOM SECTION 3 KVM 32/28
0006	1,000	PCE	10128580 ^	BOOM SECTION 4 KVM 32/28
0007	4	1,000	PCE 10024061	FIXTURE OF DELIVERY PIPELINE DN 125
0008	2,000	PCE	10003638 V	SLEWING CYLINDER EXECUTION 2
0009	1,000	PCE	10023615	HYDRAULIC CYLINDER D 110/70X670
0010	1,000	PCE	10062795 V	HYDRAULIC CYLINDER 150/90 X 800
0011	1,000	PCE	10023914 ^	HYDRAULIC CYLINDER 180/110 X 1300
0012	1,000	PCE	10024056 s	HYDRAULIC CYLINDER 200/125 X 1250
0013	1,000	PCE	10028850	FIXTURE OF HYDRAULIC LINES ON BOOM (KVM 32)
0015	1,000	PCE	10041262 ^	HYDRAULIC SYSTEM ON BOOM KVM 32 (EXPORT EXECUTION)

End

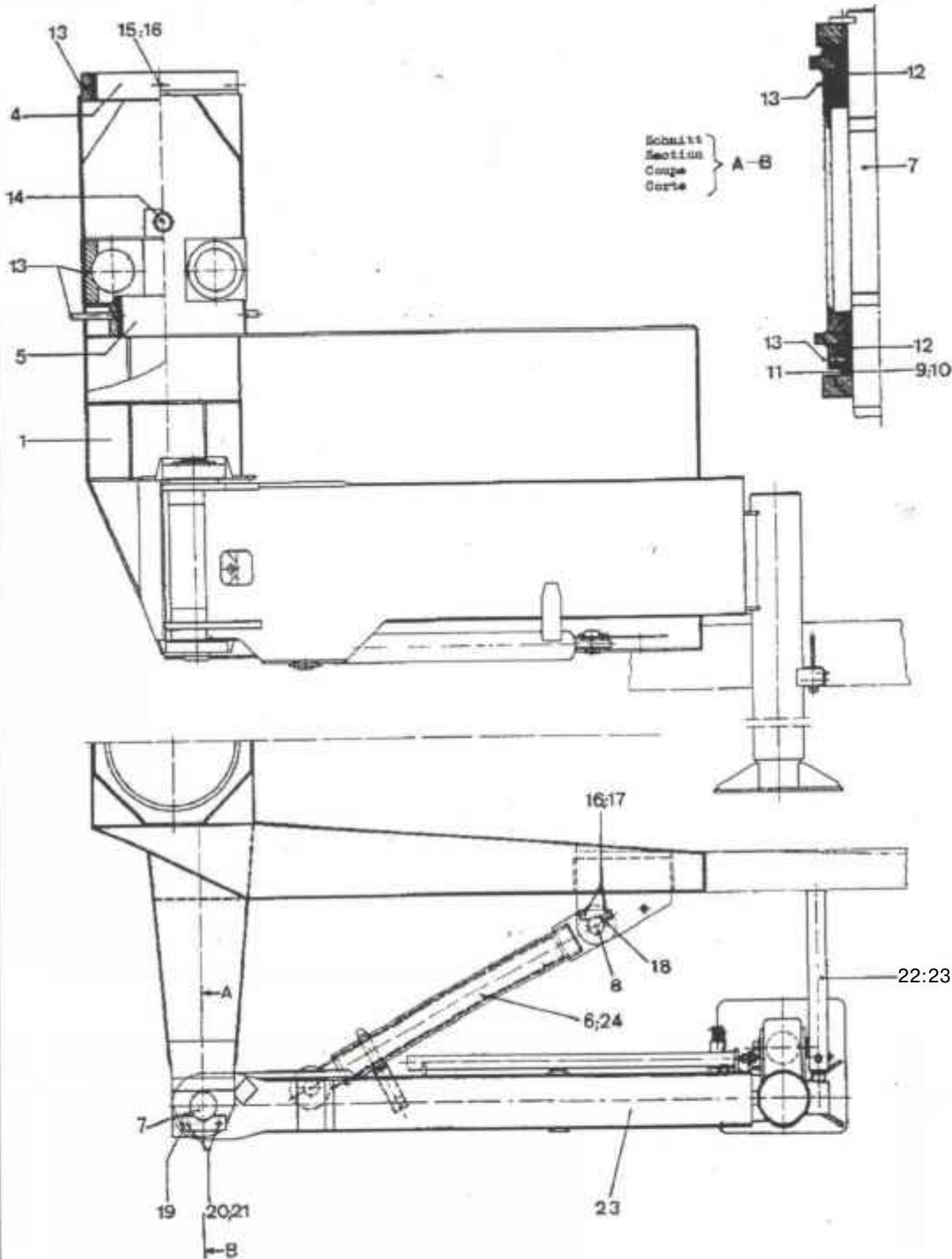
r v  
J}

v



# SCHWING

10032657



## TOWER WITH SUPPORT

COM-No. :

ID-NO. : 10032657 Y

PERT.DRG:

Pos.	Quantity		ID-NO.	Nomenclature
0001	1,000	PCE	10021864	TOWER
0002	1,000	PCE	10032555 ^	FRONT SUPPORT ARM, LEFT
0003	1,000	PCE	10032556 V <sup>7</sup>	FRONT SUPPORT ARM, RIGHT
0004	1,000	PCE	10012760	COLLAR BUSHING
0005	1,000	PCE	10022675	PEDESTAL BUSHING
0006	1,000	PCE	10032653 <sup>x</sup> /	SLEWING LIMITATION LEFT
0007	2,000	PCE	10023475	BOLT P 85X630/ 30-11
0008	2,000	PCE	10023476	BOLT T 50X 85/ 16-9
0009	2,000	PCE	10002765	AXIAL NEEDLE RIM AXK 85110
0010	2,000	PCE	10004257	AXIAL BEARING DISC AS 85110
0011	2,000	PCE	10008550	RING V-12QA
0012	4,000	PCE	10006884	CLAMPING BUSHING 85/100X80
0013	10,00	PCE	10007886	HYDRAULIC-TYPE LUBRICATING NIPPLE DIN 71412 AM 10X1 5.8
0014	2,000	PCE	10009307	HEXAGON HEAD SCREW DIN 561 A M 42 X 100 - 5.6 - A3C
0015	3,000	PCE	10001526	HEXAGON HEAD SCREW DIN 933 M 12 X 40 - 8.8 - A2C
0016	7,000	PCE	10129840	SCREW RETAINER SKM 12 DT 320
0017	4,000	PCE	10001508	HEXAGON HEAD SCREW DIN 933 <b>M 12 X 20 - 8.8 - A2C</b>
0018	2,000	PCE	10007072	AXLE GUARD DIN 15058 30X8
0019	2,000	PCE	10007070	AXLE GUARD DIN 15058 40 X 10



**TOWER WITH SUPPORT**

COM-No.:

**ID-NO. : 10032657**

PERT.DRG:

<b>Pos.</b>	<b>Quantity</b>		<b>ID-NO.</b>	<b>Nomenclature</b>
0020	4,000	PCE	10001591	HEXAGON HEAD SCREW DIN 933 M 16 X 25 - 8.8 - A2C
0021	4,000	PCE	10133552	SCREW RETAINER SKM 16 DT 320
0022	1,000	PCE	10030283 -/	SLEWING LOCKING, FULLY-HYDRAU- LIC OUTRIGGERS
0023	1,000	PCE	10030280 V	SLEWING LOCKING, FULLY-HYDRAU- LIC OUTRIGGERS
0024	1,000	PCE	10032655 V	SLEWING LIMITATION RIGHT
0025	1,000	PCE	10010107	PARALLEL PIN ISO 2338 8 m6 X 20 - St

End

HYDRAULIC SYSTEM ON BOOM  
KVM 32 (EXPORT EXECUTION)

COM-NO.

ID-NO. • 10041262

PERT.DRG:

^wkV-H.v.  
ЯНЦ^ - 'v

Pos.	Quantity		ID-NO.	Nomenclature
0001	1,000	PCE	10039133	CHECK VALVE HER-F-SV2-3.5 400 BAR
0002	7,000	PCE	10049891	CHECK VALVE HER-F-SV2-6.25 320 BAR
0003	1,000	PCE	10007797 /	PRESSURE LIMIT VALVE SVL-G 3/8" 140 BAR
0004	1,000	PCE	10102478 ✓	CONTROL BLOCK NG 10, 6/3-WAY
0005	1,000	PCE	10155943	PRECHARGE VALVE W2-G 3/4 WITH LEAK-OFF CONNECTION
0006	1,000	PCE	10012414	PRESSURE GAUGE 63 0-40 BAR
0007	1,000	PCE	10010331	PRESSURE GAUGE 0-600 BAR HAENNI
0014	1,000	PCE	10008091	FITTING BODY WS 20 S
0015	1,000	PCE	10008087	FITTING WS - 16-S
0016	1,000	PCE	10018848	SCREW JOINT ELSD-16-S
0017	2,000	PCE	10019122	FITTING EWSD - 16 - S
0018	1,000	PCE	10020109	SCREW JOINT EGESD-16-SR-WD
0019	6,000	PCE	10008088	FITTING GS- 16-S
0020	6,000	PCE	10008132	FITTING GS-16-S/12-L
0021	2,000	PCE	10001530	SCREW JOINT RED-R 1/2-WD/R 3/8
0022	26,00	PCE	10008083	FITTING GS-12-L
0023	1,000	PCE	10019729	SCREW JOINT RESDS - 16S/12-L



HYDRAULIC SYSTEM ON BOOM  
KVM 32 (EXPORT EXECUTION)COM-No. :  
ID-NO. : 10041262  
PERT.DRG:

Pos.	Quantity		ID-NO.	Nomenclature
0024	28,00	PCE	10009282	FITTING GES-12-LR
0025	20,00	PCE	10018570	FITTING EWSD-12- L
0026	7,000	PCE	10018568	SCREW JOINT EGESD - 12 - LR - WD
0027	8,000	PCE	10019730	FITTING ETSD - 12 - L
0028	5,000	PCE	10019121	FITTING ELSD-12-L
0029	4,000	PCE	10008022	FITTING RSWS- 12- LR
0031	2,000	PCE	10008084	FITTING WS - 12 - L
0032	2,000	PCE	10010735	GAUGE CONNECTION SOCKET EV 873.002'
0033	3,000	PCE	10008054	FITTING TS- 12- L
0034	1,000	PCE	10064294	HYDRAULIC HOSE 350 BAR DN 16/4SP X 3400
0035	1,000	PCE	10064293	HYDRAULIC HOSE 415 BAR DN 12/4SP X 3600
0036	2,000	PCE	10049906	HYDRAULIC HOSE 415 BAR DN 12/4SPX 1200
0037	2,000	PCE	10018480	HYDRAULIC HOSE 415 BAR DN 12/4SP X 900
0038	2,000	PCE	10049904	HYDRAULIC HOSE 415 BAR DN 12/4SP X 700
0039	2,000	PCE	10050180	HYDRAULIC HOSE 350 BAR DN 8/2STX 1700
0040	5,000	PCE	10018482	HYDRAULIC HOSE 350 BAR DN 8/2STX 1600

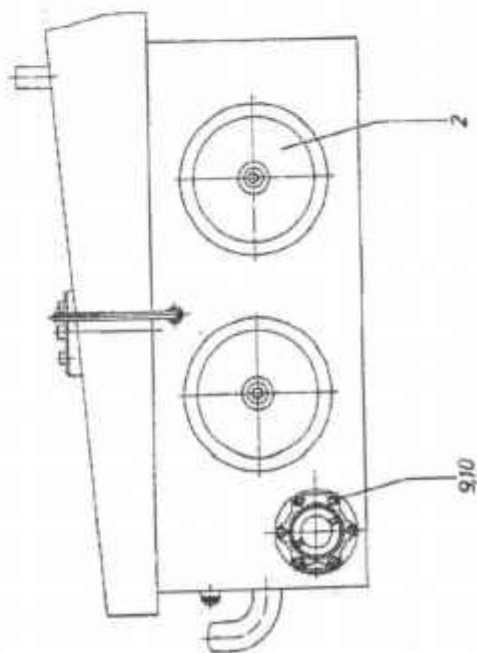
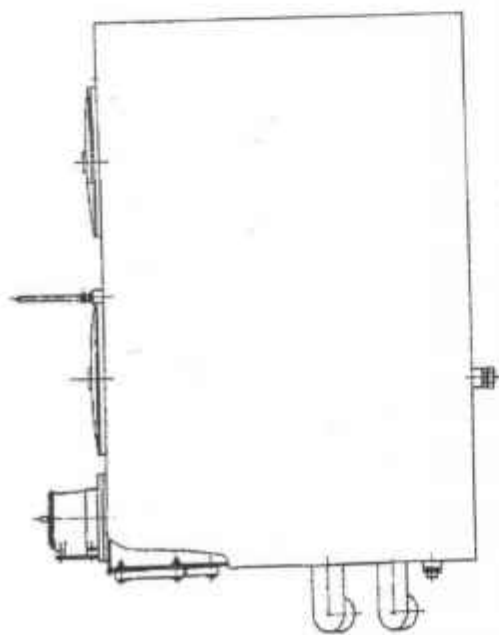
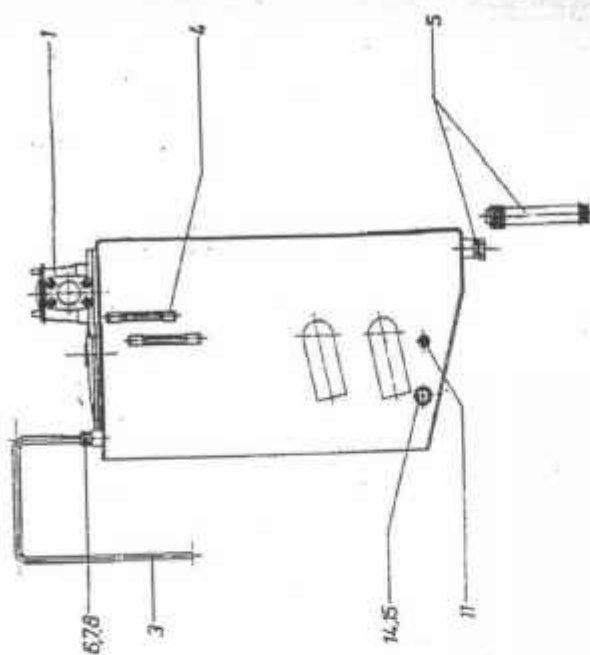
CONTROL BLOCK NG 10, 6/3-WAY

COM-No. :

ID-NO. : 10102478

PERT.DRG: 10102479

Pos.	Quantity		ID-NO.	Nomenclature
0018	3,000	PCE	10001795	SCREW JOINT S-RSTV 6 LLR A3L
0019	8,000	PCE	10075799	SEALING RING DIN 7603 A 10 X 14 X 1,5 CU
0020	8,000	PCE	10013484	SLEEVE E 5-6/4
0021	0,250	M	10070481	POLYAMIDE TUBE TR - 6/4 HNF
0022	1,000	PCE	10041325	NOZZLE 1,5 MM "I" G 3/8-A-WD (EV 302.000)
0023	1,000	PCE	10012088	NOZZLE 1,7 MM "D" G 3/8-A-WD (EV 302.000)
0024	1,000	PCE	10012087	NOZZLE 1,3 MM "C" G 3/8-A-WD (EV 302.000)
0025	1,000	PCE	10041326	NOZZLE 1,4 MM "P" G 3/8-A-WD, (EV 302.000)
0026	2,000	PCE	10012259	NOZZLE 1,1 MM "H" G 3/8-A-WD (EV 302.000)
0027	1,000	PCE	10012083	NOZZLE 0,8 MM "G" G 3/8-A-WD (EV 302.000)
0028	2,000	PCE	10012084	NOZZLE 1,2 MM "F" G 3/8-A-WD (EV 302.000)
End				



## HYDRAULIC TANK

COM-No.:

ID-NO. : 10023546

PERT.DRG:

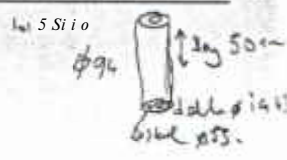
Pos.	Quantity		ID-NO.	Nomenclature
0001	1,000	PCE	10155109	FILTER HH 8520.1, CPL.
0002	2,000	PCE	10004241 V	CLEANING COVER DN 300
0003	1,000	PCE	10033432	DEAERATION
0004	2,000	PCE	10012911	OIL LEVEL INDICATOR HCD
0005	1,000	PCE	10097999	SCREW R 1"
0006	1,000	PCE	10008108	FITTING GES-16-SR
0007	1,000	PCE	10001732	PROFILED RING P - R - 16 - S (K-R-16-S)
0008	1,000	PCE	10001743	CAP NUT M 16 S
0009	6,000	PCE	10001861	HEXAGON HEAD SCREW DIN 933 M 10 X 30 - 8.8 - A2C
0010	6,000	PCE	10129841	SCREW RETAINER SKM 10 DT 320
0011	1,000	PCE	10007642	TRANSMITTER M 16 X 1,5 0-120 DEGREES/6-24V DC
0012	1,000	PCE	10038864	LOCKING
0013	1,000	PCE	10099485	CONNECTING PIECES
0014	1,000	PCE	10001837	SCREW PLUG DIN 910 R 1" - 5.8 - A3C
0015	1,000	PCE	10072375	USIT RING 33,7 - 42 -2

End

FILTER HH 8520.1, CPL

COM-No. :  
 ID-NO. : 10155109 ✓  
 PERT.DRG: KEINE

Pos.	Quantity		ID-NO.	Nomenclature
0001	1,000	PCE	10155110	FILTER ELEMENT
0002	1,000	PCE	10046288	O-RING 104,37 X 3,53
0003	1,000	PCE	10062122	O-RING 126,59 X 3,53
0004	1,000	PCE	10086182	FILTER HEAD
0005	1,000	PCE	10041120	DIFFUSER HB 8500 ED-18 (HC 8500 E VD 18 DFR)
0006	1,000	PCE	10112935	FILTER COVER
0007	1,000	PCE	10100424	SEAL D 200X 125
End				

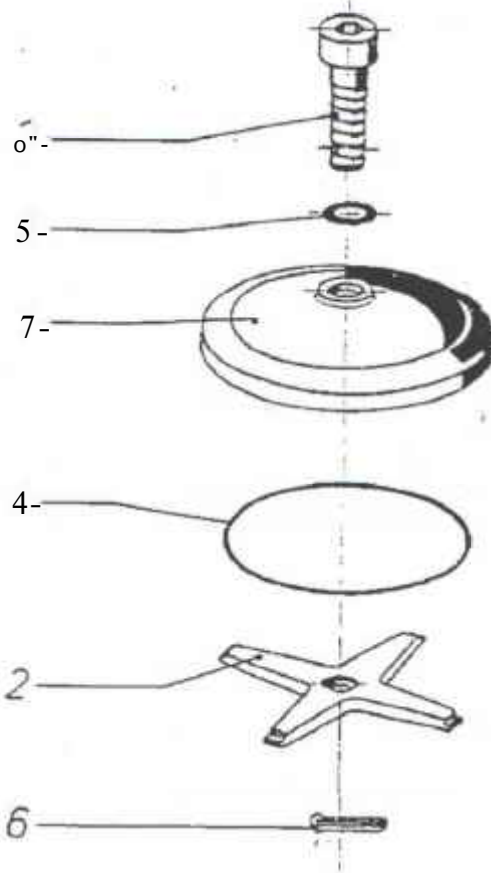




**SCHWING**

m m

ЦЦГ JSiRi  
**10004241**



CLEANING COVER  
DN 300

COM-No.:

ID-NO. 10004241 -

PERT.DRG: /ETL

Pos.	Quantity	ID-NO.	Nomenclature
0001	1,000 PCE	10006838	COVER 001011
0002	1,000 PCE	10006837	CROSS NUT
0003	1,000 PCE	10040977	CHEESE HEAD SCREW
0004	1,000 PCE	10000668	O-RING 315 X10
0005	1,000 PCE	10004937	DISK M 20a 20,3X32,0X2,7X7,0
0006	1,000 PCE	10001408	SPLIT PIN ISO 1234 4 X 32 - St - A2C

End

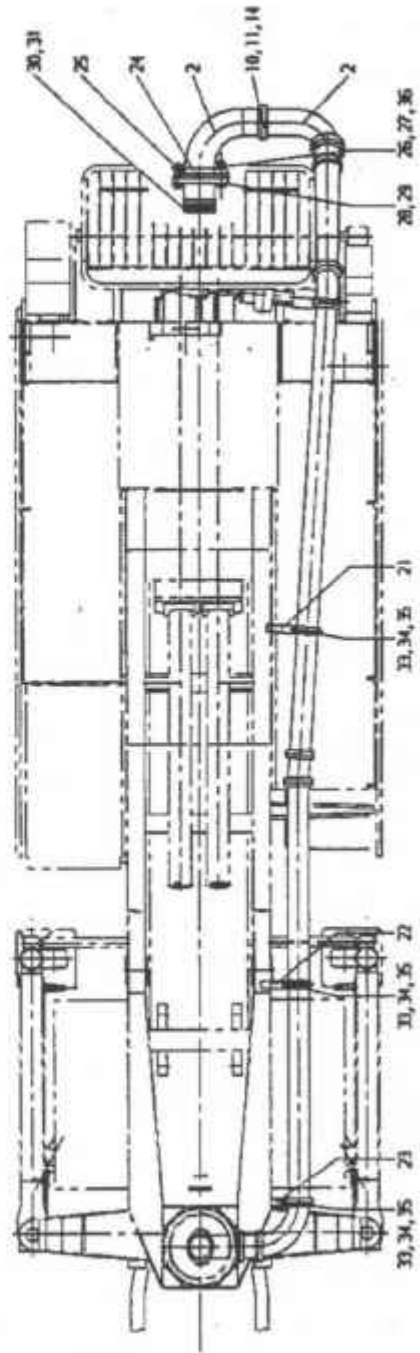
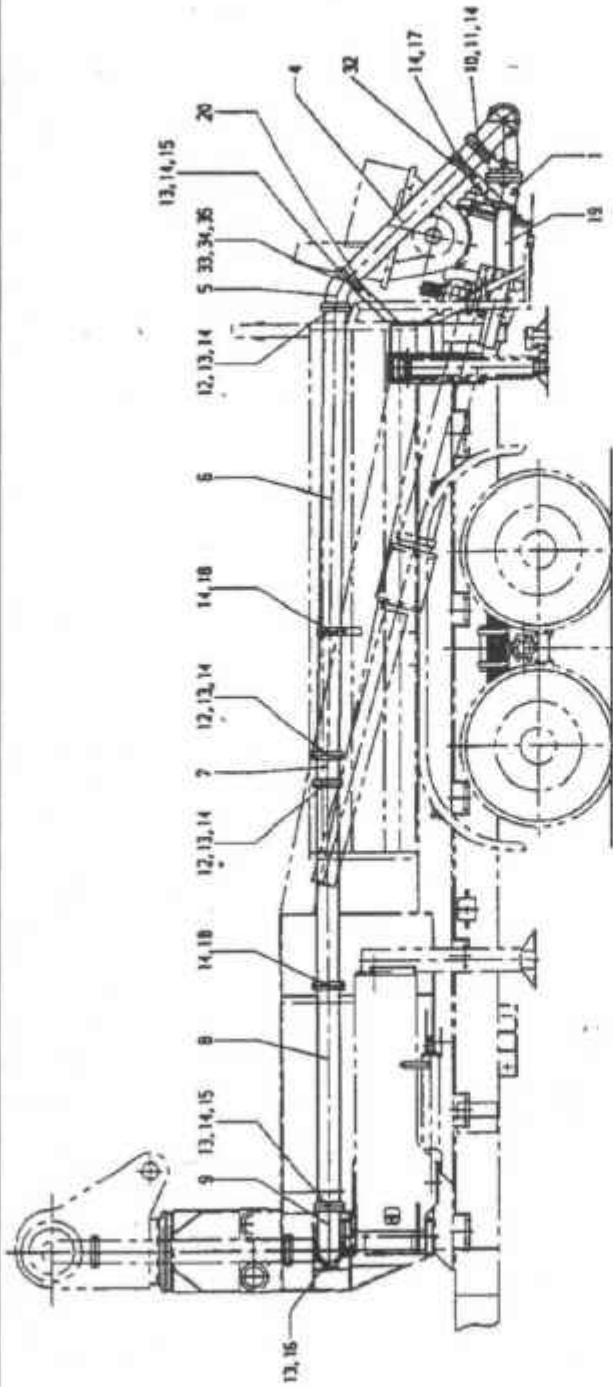






**SCHWING**

10076827



**OUTLET KVM 32-125 RM**

COM-No. :

ID-NO. : 10078095

PERT.DRG: 10078827

Pos.	Quantity	ID-NO.	Nomenclature
0001	<b>100 PCE</b>	10026159	CONNECTION BEND DN 180 14 DEGREES
0002	<b>100 PCE</b>	10017547	TAPERED BEND DN 180/150 90 DEGRREES
0003	1,000 PCE	10069521	ELBOW DN 150 90 DEGREES MALE-FEMALE JOINT
0004	1,000 PCE	10029799	TAPERED TUBE DN 150/125 1240 MM R -5 1/2" "S.2000"
0005	1,000 PCE	1001.4526	ELBOW DN 125 5 1/2" 45 DEGREES R=275
0006	1,000 PCE	10013868	DELIVERY TUBE DN 125 3000 MM 5 1/2"
0007	1,000 PCE	10006907	INTERMEDIATE TUBE DN 125 6 DEGREES 5 1/2".
0008	1,000 PCE	10088570	FITTING TUBE DN 125 5 1/2" INDICATE LENGTH W. ORDERING
0009	1,000 PCE	10010479	ELBOW DN 125 5 1/2" 90 DEGREES R=275-
0010	2,000 PCE	10043559	CUP-TENSION CLAMP DN 150 WITH WEDGE-TYPE LOCK
0011	2,000 PCE	10004761	SEALING DN 150
0012	3,000 PCE	10007018	CUP-TYPE CLAMP 5 1/2" WITHOUT SEALING
0013	6,000 PCE	10002526	SEALING 5 1/2"
0014	10,00 PCE	10008369	SAFETY DEVICE FOR CLAMP
0015	2,000 PCE	10019371	CLAMP WITH FLANGE 5 1/2"
0016 /	1,000 PCE	10006587	SCREW-TYPE COUPLING 5 1/2"
0017	1,000 PCE	10069910	TUBE HOLDER DI = 166
0018	2,000 PCE	10018125	TUBE HOLDER A = 140,5 MM

SCHWING GMBH

## Spare parts list

Page : 2

ШМТ

OUTLET KVM 32-125 RM

Ж » : ? V ' t

№

COM-No. :

ID-NO. : 10078095

PERT.DRG: 10076827

Pos.	Quantity	ID-NO.	Nomenclature
0019	1,000 PCE	10071927	TUBE HOLDER
0020	1,000 PCE	10078059	TUBE HOLDER
0022	1,000 PCE	1002788,1	TUBE HOLDER
0023	1,000 PCE	10027885	TUBE HOLDER
0024	1,000 PCE	10000602	O-RING 200 X 10
0025	1,000 PCE	10018123	HINGE GALVANIZED
0026	1,000 PCE	10004709	WEDGE
0027	1,000 PCE	10002386	THREADED BOLT M 36 125 MM M 36 X 39
0028	1,000 PCE	10018117	HEXAGON HEAD SCREW DIN 933 M 36 X 70 - 8.8 - A3C
0029	1,000 PCE	10001639	LOCK WASHER DIN 127 A 36 FST
0030	4,000 PCE	10018118	HEXAGON HEAD SCREW DIN 933 M 24 X 65 - 8.8 - A3C
0031	4,000 PCE	10015400	SAFETY DISC S24
0033	10,00 PCE	10001341	HEXAGON HEAD SCREW DIN 933 M 16 X 45 - 8.8 - A2C
0034	20,00 PCE	10133552	SCREW RETAINER SKM 16 DT 320
0035	10,00 PCE	10001260	HEXAGON NUT DIN 934 M 16 - 8 - A2C
0036	1,000 PCE	10003995	SPRING PLUG DIN 11024 6,3 FST

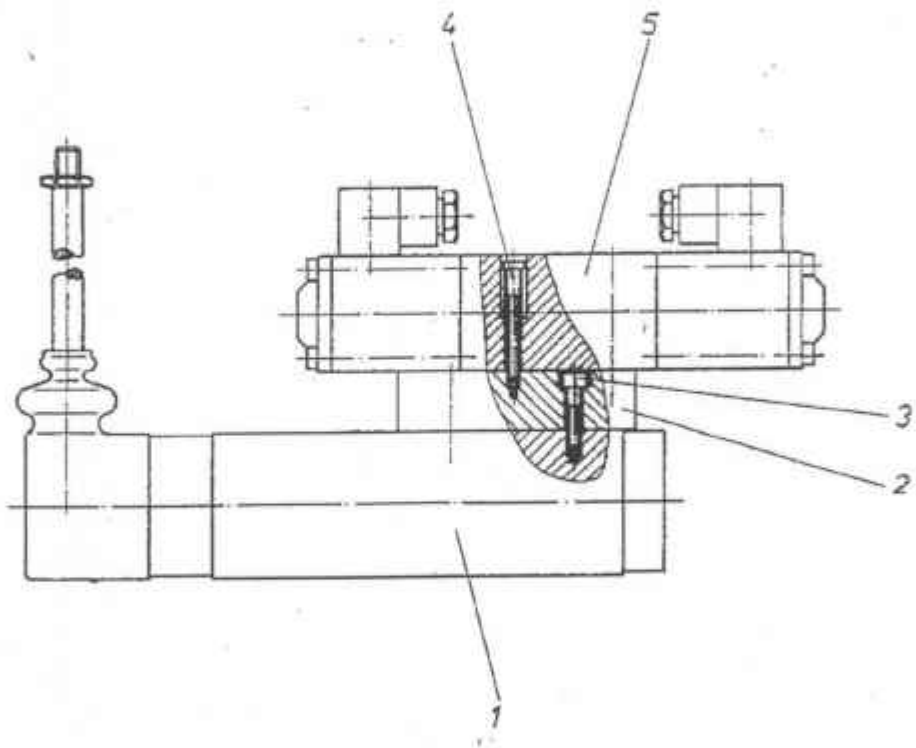
End





**SCHWING**

10073676



ЦТ

COM-No.:

ID-NO. : 10127506

^jiiimmTiHTirarw-\*

HYDRAULIC CONTROL

KVM 32 EX BPL 900 HDRM

PERT.DRG: " KEINE

( )

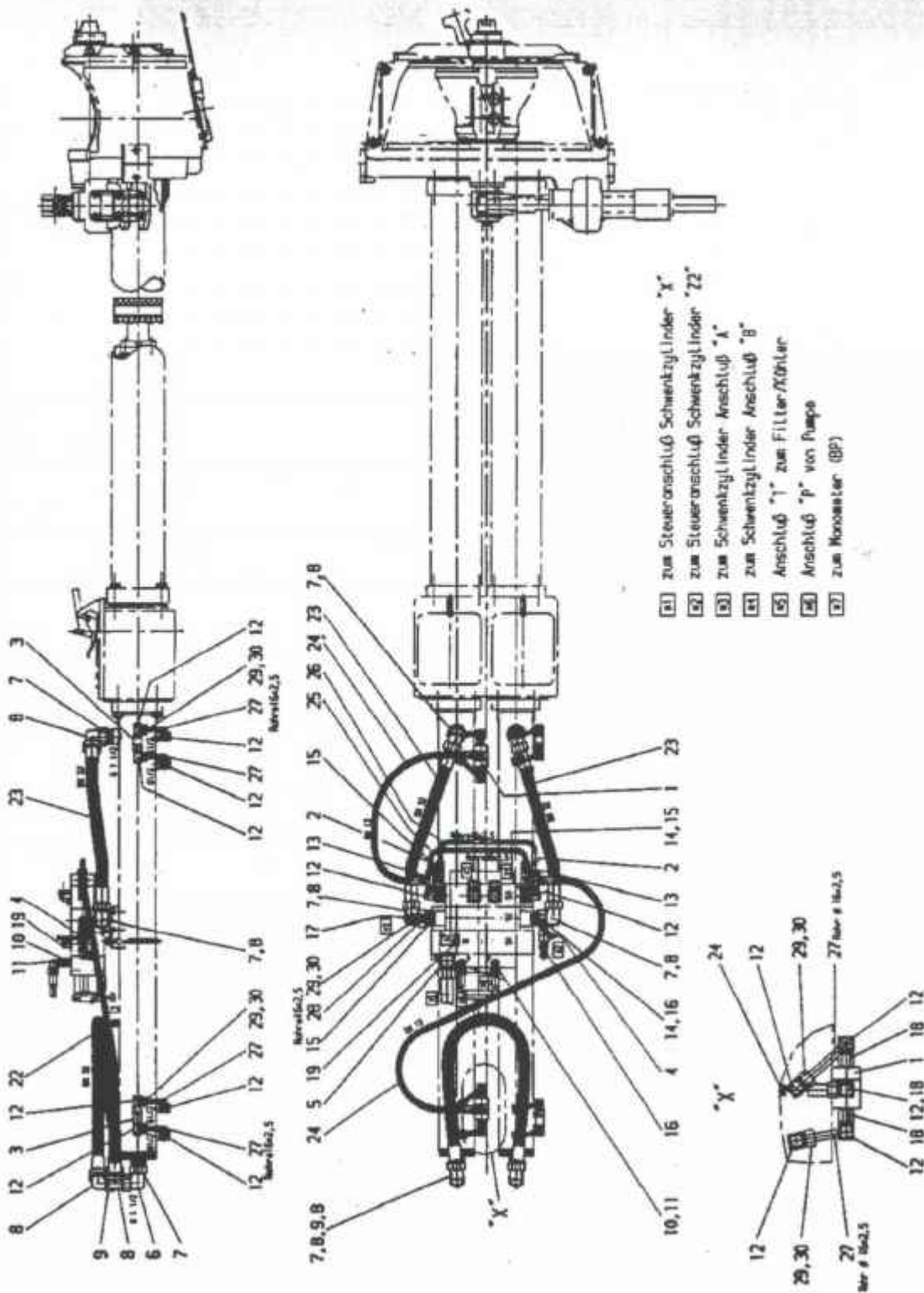
Pos.	Quantity		ID-NO.	Nomenclature
0001	1,000	PCE	10044760	HYDRAULIC CIRCUIT DIAGRAM BPL 1200+900 HDR KVM 32, 36 S-W
0002	1,000	PCE	10042663	HYDRAULIC SYSTEM PUMP KIT BPL 900 HDR KVM 32 XL
0003	1,000	PCE	10035993 /	HYDRAULIC SYSTEM CONCRETE PUMP BPL 900 AND 1200 HDR (KVM 32)
0004	1,000	PCE	10092065 v'	HYDRAULIC SYSTEM AGITATOR BPL 900 HDR
0005	1,000	PCE	10076703 V	HYDRAULIC SYSTEM WATER PUMP
0006	1,000	PCE	10086140	HYDRULIC SYSTEM OIL COOLER
End				

I:-



# SCHWING

## 10042663



HYDRAULIC SYSTEM PUMP KIT  
BPL 900 HDR KVM 32 XLCOM-No. :  
ID-NO. : 10042663  
PERT.DRG:

Pos.	Quantity		ID-NO.	Nomenclature
0001	2,000	PCE	10135250	SEAT VALVE KPL. 2/2-WAY
0002	2,000	PCE	10007924	CHECK VALVE S 10 A 2/0 R 1/2"
0003	2,000	PCE	10144775"/^	CHECK VALVE RVL - G 1/2 RVL-G 1/2-CXFA-XCN-20
0004	1,000	PCE	10004680	BALL COCK KHS - 16
0005	1,000	PCE	10008030	FITTING RSWS - 38 - SR
0006	1,000	PCE	10018530	FITTING EWSD - 38 - S
0007	6,000	PCE	10006780	SCREW JOINT EGESD-38-SR-WD
0008	7,000	PCE	10015214	FITTING BODY WS 38 S
0009	1,000	PCE	10018529	SCREW JOINT SNV - 38 - S
0010	2,000	PCE	10015029	SCREW JOINT EGESD 25 SR-WD
0011	2,000	PCE	10008099	FITTING WS - 25 - S
0012	20,00	PCE	10008025	FITTING RSWS - 16-SR
0013	2,000	PCE	10018848	SCREW JOINT ELSD-16-S
0014	3,000	PCE	10020109	SCREW JOINT EGESD-16-SR-WD
0015	5,000	PCE	10008108	FITTING GES - 16 - SR
0016	2,000	PCE	10019122	FITTING EWSD - 16 - S
0017	1,000	PCE	10008087	FITTING WS - 16 - S



HYDRAULIC SYSTEM PUMP KIT

COM-No.:

ID-NO. : 10042663

BPL 900 HDR KVM 32 XL

PERT.DRG:

•D

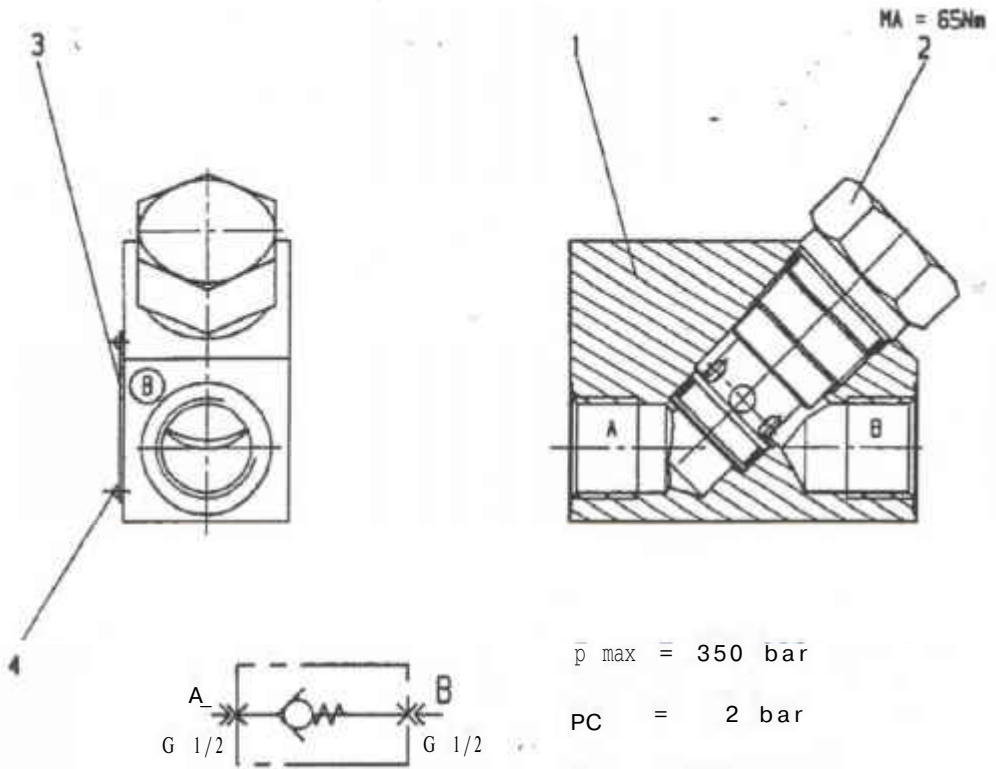
Pos.	Quantity		ID-NO.	Nomenclature
0018	6,000	PCE	10000331	SCREW JOINT RED-R 3/8-WD/R 1/2
0019	1,000	PCE	10008022	FITTING RSWS - 12 - LR
0022	1,000	PCE	10000226	HYDRAULIC HOSE 350 BAR DN 32/4SH X 1000
0023	2,000	PCE	10000217	HYDRAULIC HOSE 350 BAR DN 32/4SH X 900
0024	2,000	PCE	10024672	HYDRAULIC HOSE 415 BAR DN 12/4SP X 1100
0025	1,000	PCE	10059738	ELBOW (16 X 2,5 X 598 / 2X 90 DEG.)
0026	1,000	PCE	10059739	ELBOW (16 X 2,5 X 553 / 2X 90 DEG.)
0027	8,000	PCE	10020058	ELBOW (16X2,5X181/1X90 DE.)
0028	1,000	PCE	10019745	TUBE 16X2,5X50 DIN 2391-C
0029	22,00	PCE	10001743	CAP NUT M 16 S
0030	22,00	PCE	10001732	PROFILED RING P - R - 16 - S (K-R-16-S)

End



**SCHWING**

10144775



$\bar{p}_{max} = 350 \text{ bar}$

PC = 2 bar

$Q_{max} = 160 \text{ L/min}$

<:III\*...-Q-

CHECK VALVE RVL-G1/2

jif

COM-No.:

ID-NO.: 10144775

Q RVL-G1/2-CXFA-XCN-20

PERT.DRG: /ETL

Pos.	Quantity	ID-NO.	Nomenclature
0002	1,000 PCE	10144771 V	VALVE CARTRIDGE 2 BAR

End

VALVE CARTRIDGE  
2 BAR

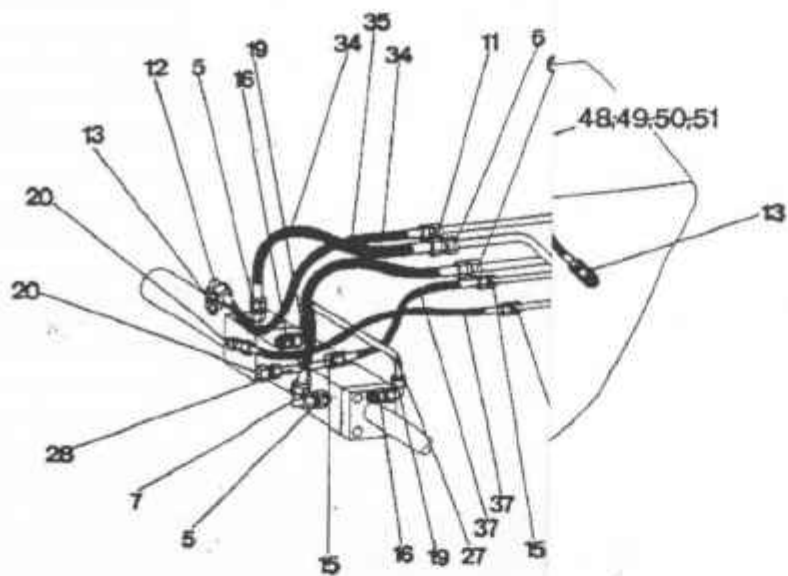
COM-No. :  
ID-NO. : 10144771  
PERT.DRG: KEINE

Pos.	Quantity	ID-NO.	Nomenclature
0001	1,000 PCE	10172210	SEALING SET 990-203-007 FOR VALVE CARTRIDGE

End



**SCHWING**



• P"-" •:&amp; " WBL \*K

COM-No. :

ID-NO. : 10035993

PERT.DRG:

§ HYDRAULIC SYSTEM CONCRETE PUMP  
BPL 900 AND 1200 HDR (KVM 32)

O

Pos.	Quantity		ID-NO.	Nomenclature
0001	2,000	PCE	10007924	CHECK VALVE S 10 A 2/0 R 1/2"
0002	1,000	PCE	10018530	FITTING EWSD - 38 - S
0003	1,000	PCE	10008101	FITTING GS - 38 - S
0005	3,000	PCE	10008115	FITTING GES - 25 - SR
0006	3,000	PCE	10008149	FITTING GS - 25 - S
0007	2,000	PCE	10018417	FITTING EWSD - 25 - S
0008	3,000	PCE	10018417	FITTING EWSD - 25 - S
0009	3,000	PCE	10008035	FITTING , ELSD - 25 - S
0011	2,000	PCE	10008093	FITTING GS - 20 - S
0012	1,000	PCE	10018850	FITTING EWSD - 20 - S
0013	2,000	PCE	10008110	FITTING GES - 20 - SR
0014	1,000	PCE	10008091	FITTING BODY WS 20 S
0015	4,000	PCE	10008088	FITTING GS - 16-S
0016	2,000	PCE	10008108	FITTING GES-16 -SR
0017	2,000	PCE	10018848	SCREW JOINT ELSD - 16 - S
0018	1,000	PCE	10008087	FITTING WS - 16-S

УЖ

HYDRAULIC SYSTEM CONCRETE PUMP  
BPL 900 AND 1200 HDR (KVM 32)

COM-NO.:  
ID-NO.: 10035993  
PERT.DRG:

Pos.	Quantity		ID-NO.	Nomenclature
0019	1,000	PCE	10019122	FITTING EWSD-16-S
0020	2,000	PCE	10008025	FITTING RSWS-16-SR
0021	2,000	PCE	10008121	FITTING RESDS-25/16-S
0022	1,000	PCE	10035994	ELBOW (38X4X 986/ 1X90 DEG.)
0023	1,000	PCE	10035995	ELBOW (25X4 X 1158/2X43 DEG.)
0024	1,000	PCE	10035996	ELBOW (25 X 4 X 3060 / 2X 90 DEG.)
0025	1,000	PCE	10035997	ELBOW (25X4 X 1242/2X66 DEG.)
0026	1,000	PCE	10035998	TUBE 20 X 3 X 3000 DIN 2391-C
0027	1,000	PCE	10035999	ELBOW (16X2,5X512/2X90 DEG.)
0028	1,000	PCE	10036001	ELBOW (16X2,5 X 154/ 1X90 DEG.)
0029	1,000	PCE	10036000	ELBOW (20X 3X 1570/ 1X90 DEG.)
0030	1,000	PCE	10042814	ELBOW (16 X 2,5 X 1428 / 2X 90 DEG.)
0031	1,000	PCE	10042815	ELBOW (16 X 2,5 X 1048 / 2X 90 DEG.)
0032	1,000	PCE	10042816	ELBOW (16X2,5X2484/ 1X90 DEG.)
0033	1,000	PCE	10000202	HYDRAULIC HOSE 350 BAR DN 32/4SH X 700
0034	6,000	PCE	10018481	HYDRAULIC HOSE 350 BAR DN 20/4SP X 700

U

HAND LEVER VALVE HVM 10632 F  
24 V (EV 355.000)

COM-No. :

ID-NO. : 10073662

PERT.DRG: 10073676

Pos.	Quantity	ID-NO.	Nomenclature
0001	1,000 PCE	10007953 v/	HAND VALVE HVM 10632 F
0002	1,000 PCE	10008556	PRECONTROL PLATE EV 272.002
0003	4,000 PCE	10001576	CHEESE HEAD SCREW DIN 912 M 6 X 25 - 8.8 - A2C
0004	4,000 PCE	10011956	CHEESE HEAD SCREW DIN 912 M 5X45-8.8-A2C
0005	1,000 PCE	1(3153988	SOLENOID VALVE NG 06 CPL. 24 VG MSE 06432-24V-G
End			



**HYDRAULIC SYSTEM CONCRETE PUMP  
BPL 900 AND 1200 HDR (KVM 32)**

 COM-No. :  
 ID-NO. : 10035993  
 PERT.DRG:

Pos.	Quantity	ID-NO.	Nomenclature
0035	2,000 PCE	10019736	HYDRAULIC HOSE 350 BAR DN 16/4SP X 700
0036	2,000 PCE	10018480	HYDRAULIC HOSE 415 BAR DN 12/4SP X 900
0037	2,000 PCE	10049904	HYDRAULIC HOSE 415 BAR DN 12/4SP X 700
003S	2,000 PCE	10001736	PROFILED RING P - R - 38 - S (K-R-38-S)
0039	2,000 PCE	10001722	UNION NUT M 38 S
0040	1,000 PCE	10015214	FITTING BODY WS 38 S
0041	5,000 PCE	10001734	PROFILED RING P - R - 25 - S (K-R-25-S)
0042	5,000 PCE	10001738	UNION NUT M 25 S
0043	4,000 PCE	10001733	PROFILED RING P - R - 20 - S (K-R-20-S)
0044	4,000 PCE	10001741	CAP NUT M 20 S
0045	10,00 PCE	10001732	PROFILED RING P - R - 16 - S (K-R-16-S)
0046	10,00 PCE	10001743	CAP NUT M 16 S
0047	1,000 PCE	10042817	ELBOW (16 X 2,5 X 1544/1X 90 DEG.)
0048	1,000 PCE	10078341	SAE THREADED FLANGE 3000PSI BG 2" - AS R 1 1/2"
0049	1,000 PCE	10031105	SAE-SEAL 3000PSI 2" DN 50
0050	4,000 PCE	10001519	HEXAGON HEAD SCREW DIN 933 M 12 X 35 - 8.8 - A2C
0051	4,000 PCE	10129840	SCREW RETAINER SKM 12 DT 320

HYDRAULIC SYSTEM CONCRETE PUMP  
BPL 900 AND 1200 HDR (KVM 32)

COM-No, -

ID-IMP. : 1003330

PERT.DRG:

III  
WWT

Pos.	Quantity		ID-NO.	Nomenclature
0052	2,000	PCE	10008009	FITTING RSWS-8-L/M 14X1,5
0053	2,000	PCE	10024587	SCREW JOINT RESD - 8/12-L
0054	1,000	PCE	10019121	FITTING ELSD - 12 - L
0055	1,000	PCE	10018570	FITTING EWSD - 12 - L
0056	1,000	PCE	10018484	HYDRAULIC HOSE 350 BAR DN 8/2ST X 700
End				

C

HYDRAULIC SYSTEM AGITATOR  
BPL 900 HDR

COM-No. :  
ID-NO. : 10092065  
PERT.DRG: KEINE

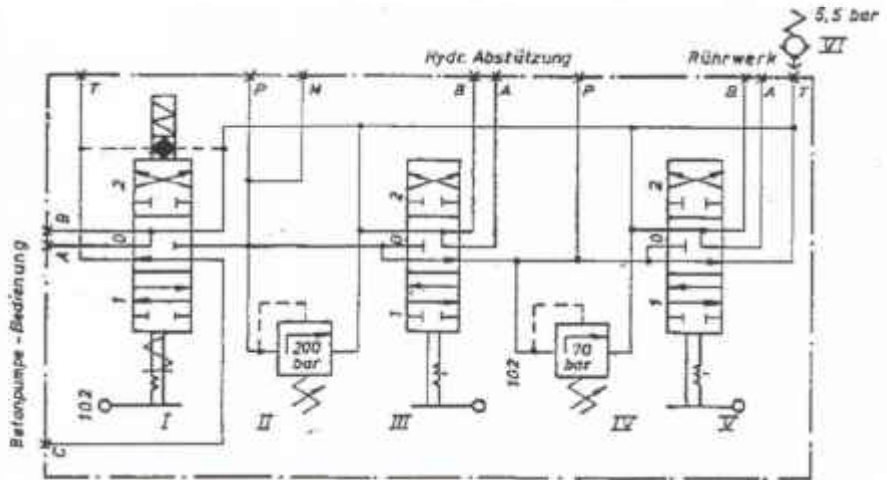
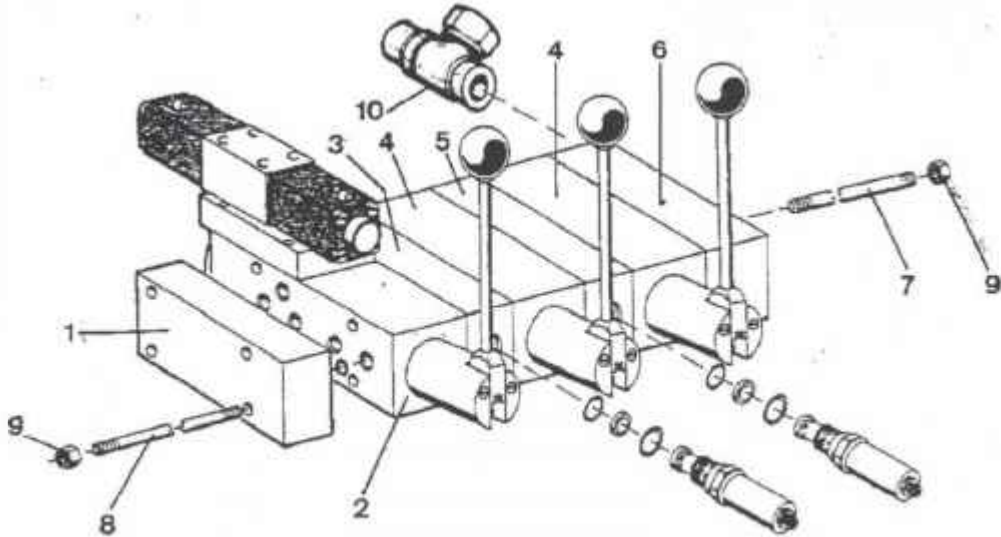
Pos.	Quantity		ID-NO.	Nomenclature
0001	1,000	PCE	10016778v^	CONTROL BLOCK NG 10, 24V, LVK, OF 494
0002	1,000	PCE	10155944	PRECHARGE VALVE W2-G 3/4
End				

/-4



**SCHWING**

10007695



Anschlußgew P.A u.B = -R 112"  
 T zR3li "  
 M =R 1H"  
 c =R3ia"

**CONTROL BLOCK NG 10, 24V,  
LVK, OF 494**

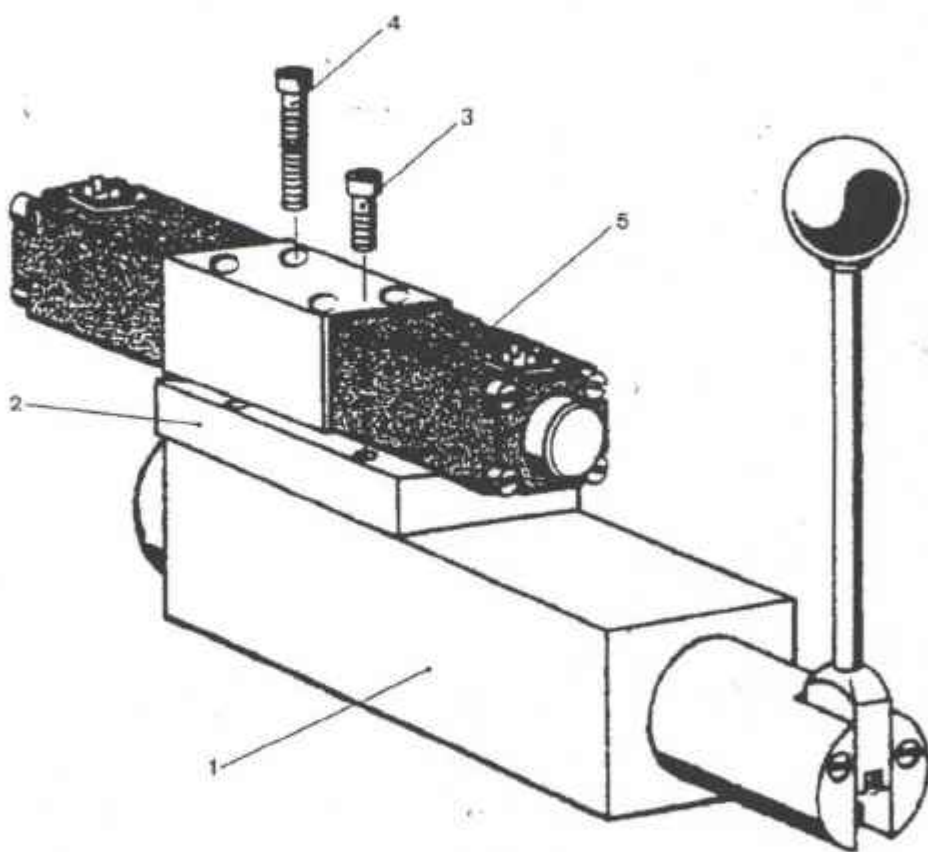
COM-No. :  
ID-NO. : 10016778 ✓  
PERT.DRG: 10007695

Pos.	Quantity	ID-NO.	Nomenclature
0001	1,000 PCE	10014964	PLATE A EV 589.104
0002	1,000 PCE	10073805 ^	HAND LEVER VALVE NG 10 24 VG HVMROL 10632 L
0003	1,000 PCE	10010737 v	INTERMEDIATE PLATE EV 589,003
0004	2,000 PCE	10007925 ✓	HAND VALVE HSRL 10632 L EV 357.000
0005	1,000 PCE	10010738 ^	INTERMEDIATE PLATE EV 589.002
0006	1,000 PCE	10014965	E-PLATE EV 589.101
0007	2,000 PCE	10010745	TENSION ROD M 10 X 1 X 389 B= 20, C= 20
0009	16,00 PCE	10010502	HEXAGON NUT DIN 934 M 10X1 -8-A2C 7
0010	1,000 PCE	10155944	PRECHARGE VALVE W2-G 3/4
End			



**SCHWING**

10073809



HAND LEVER<sup>1</sup> VALVE  
NG 10 24 VG HVMROL 10632 L

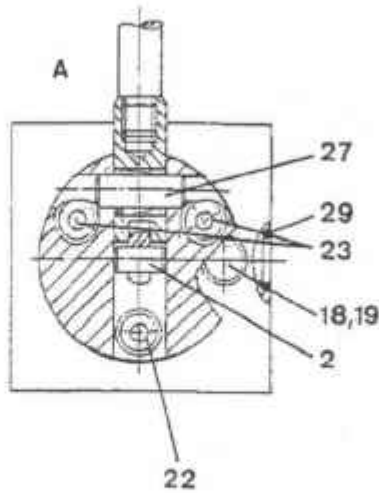
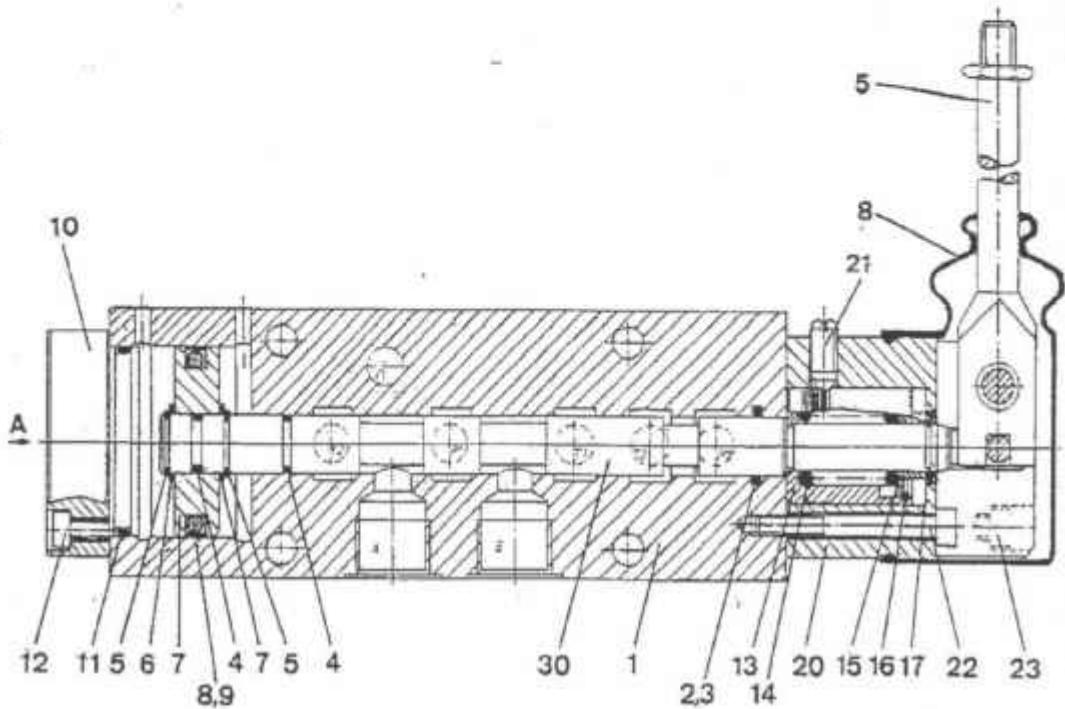
COM-No. :  
ID-NO. : 10073805  
PERT.DRG: 10073809

Pos.	Quantity	ID-NO.	Nomenclature
0001	1,000 PCE	10007945 /	HAND VALVE HVMROL 10632-L NG 10
0002	1,000 PCE	10014978	INTERMEDIATE PLATE EV 350.703
0003	4,000 PCE	10001576	CHEESE HEAD SCREW DIN 912 M 6 X 25 - 8.8 - A2C
0004	4,000 PCE	10011956	CHEESE HEAD SCREW DIN 912 M 5X45-8.8-A2C
0005	1,000 PCE	10153988	SOLENOID VALVE NG 06 CPL. 24 VG MSE 06432-24V-G
End			



**SCHWING**

10073789





HAND VALVE HVMROL 10632-L  
NG 10

COM-No. :  
ID-NO. : 10007945  
PERT.DRG: 10073789

Pos.	Quantity		ID-NO.	Nomenclature
0002	1,000	PCE	10087213	SLIDING RING ID ROD D = 15
0003	1,000	PCE	10067859	O-RING 17,12 X 2,62
0004	2,000	PCE	10000200	O-RING 12 X 2
0005	2,000	PCE	10003759	RETAINING RING DIN 471 15X1
0006	2,000	PCE	10068639	SUPPORTING RING DIN 988 S 15X21 X 1,5
0007	1,000	PCE	10073780	PRECONTROL PISTON D 50
0008	1,000	PCE	10087218	SLIDING RING AD, PISTON D = 50 CPL.
0009	1,000	PCE	10068697	O-RING 37,47 X 5,33
0010	1,000	PCE	10073168	COVER/HVM (EV 355.103)
0011	1,000	PCE	10068709	O-RING 44 X 3
0012	4,000	PCE	10001575	CHEESE HEAD SCREW DIN 912 M 6 X 20 - 8.8 - A2C
0013	1,000	PCE	10073781	BUSHING
0014	1,000	PCE	10073630	PRESSURE SPRING DA=19,5; D=2,5; LO=38
0015	1,000	PCE	10073779	SPRING WASHER
0016	1,000	PCE	10075304	• RETAINING RING DIN 472 26 X 1,2
0017	1,000	PCE	10014586	RETAINING RING DIN 471 12X1,5
0018	1,000	PCE	10014966	PLUG D 10 (EV 617.002)
0019	1,000	PCE	10000144	O-RING 7 X 1,5
0020	1,000	PCE	10073778	SUPPORT F. HVMROL (EV 413.009)

-- -4 . >4 . э TC - @ - Vg I > ; Ш  
 f

**HAND VALVE HVMROL 10632-L  
NG 10**

COM-No.:

**ID-NO. : 10007945**

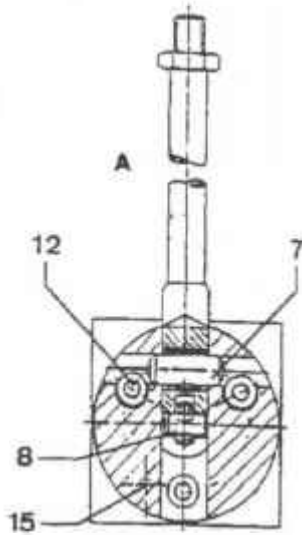
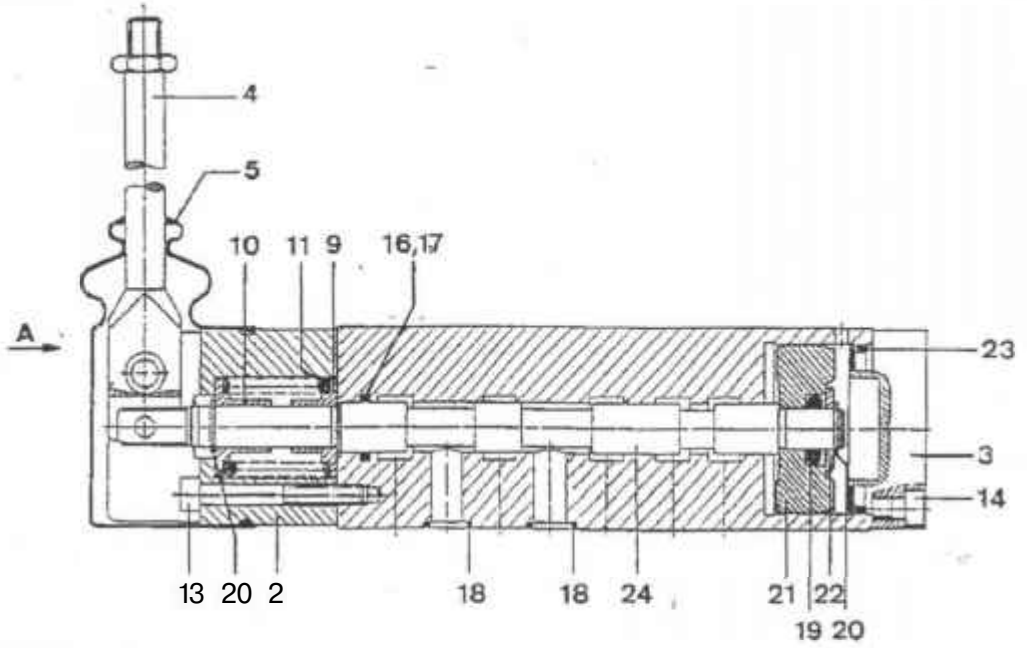
PERT.DRG: 10073789

Pos.	Quantity		ID-NO.	Nomenclature	** ; * / E * : - i ,
0021	2,000	PCE	10073776	THRUST PIECE M 8	
0022	1,000	PCE	10000960	CHEESE HEAD SCREW DIN 912 M 6 X 50 - 8.8 - A2C	
0023	2,000	PCE	10000975	CHEESE HEAD SCREW DIN 912 M 6 X 65 - 8.8 - A2C	
0024	1,000	PCE	10070554	PARALLEL PIN ISO 8734 6 X 14 - A - St	
0025	1,000	PCE	10073787	LEVER WITH SUPPORT (SHORT) (EV 355.104)	
0027	1,000	PCE	10013492	PARALLEL PIN ISO 8734 8 X 24 - A - St	
0028	1,000	PCE	10008379	CONCERTINA WALLS EV 210.020	
0029	6,000	PCE	10000175	O-RING 10,77 X 2,62	
0030	1,000	PCE	10073656	PISTON NG 10 NO. 632	
End					



**SCHWING**

10073661



W.

.vtf-;; ..!-....,;> COM-No.: . . . . .

INTERMEDIATE PLATE  
EV 589.003

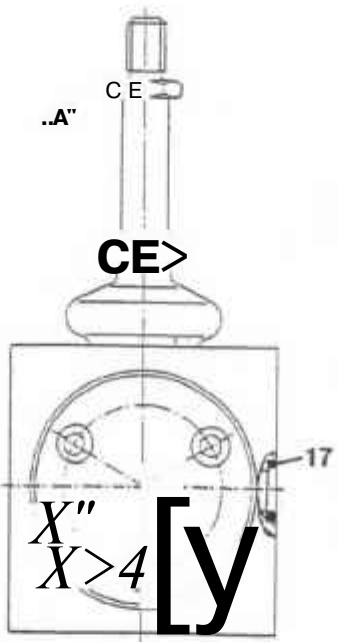
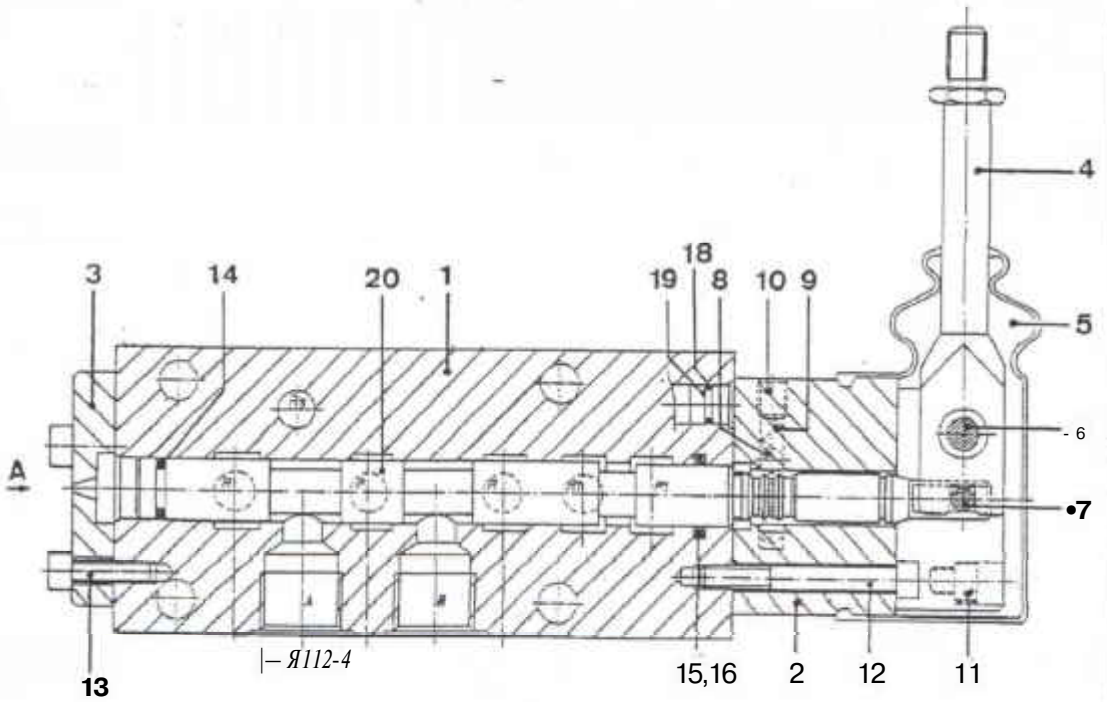
ID-NO. : 10010737^

PERT.DRG: KEINE

( )

<u>Pos.</u>	<u>Quantity</u>	<u>ID-NO.</u>	<u>Nomenclature</u>
0002	1,000 PCE	10011341	VALVE CARTRIDGE A 2 A 125 200 BAR
0004	4,000 PCE	10000175	O-RING 10,77 X 2,62

End



HAND VALVE HSRL 10632 L  
EV 357.000

COM-No  
ID-NO. : 10007925  
PERT.DRG: 10090086

щайм

Pos.	Quantity	ID-NO.	Nomenclature
0002	1,000 PCE	10080661	SUPPORT FOR HSR
0003	1,000 PCE	10077781	COVER FOR HSR A. HSO 10420 A. 10620 (EV 754.006)
0004	1,000 PCE	10073787	LEVER WITH SUPPORT (SHORT) (EV 355.104)
0005	1,000 PCE	10008379	CONCERTINA WALLS EV 210.020
0006	1,000 PCE	10013492	PARALLEL PIN ISO 8734 8 X 24 - A - St
0007	1,000 PCE	10070554	PARALLEL PIN ISO 8734 6 X 14 - A - S I
0008	2,000 PCE	10005000	STEEL BALL DIN 5401 6,5
0009	2,000 PCE	10013561	PRESSURE SPRING EV 177.017
0010	2,000 PCE	10001669	HEADLESS PIN DIN 913 M 8 X 10-45 H - DT 500
0011	2,000 PCE	10000975	CHEESE HEAD SCREW DIN 912 M 6 X 65 - 8.8 - A2C
0012	1,000 PCE	10000960	CHEESE HEAD SCREW DIN 912 M 6 X 50 - 8.8 - A2C
0013	3,000 PCE	10001575	CHEESE HEAD SCREW DIN 912 M 6 X 20 - 8.8 - A2C
0014	1,000 PCE	10000200	O-RING 12 X 2
0015	1,000 PCE	10087213	SLIDING RING ID ROD D = 15
0016	1,000 PCE	10067859	O-RING 17,12 X 2,62
0017	6,000 PCE	10000175	O-RING 10,77 X 2,62
0018	1,000 PCE	10000144	O-RING 7 X 1,5
0019	1,000 PCE	10014966	PLUG D10 (EV 617.002)

End

**INTERMEDIATE PLATE**  
**EV 589.002**

T'm

COM-No. :  
**ID-NO.: 10010738,**  
PERT.DRG: KEINE

**39F' IIII**

O

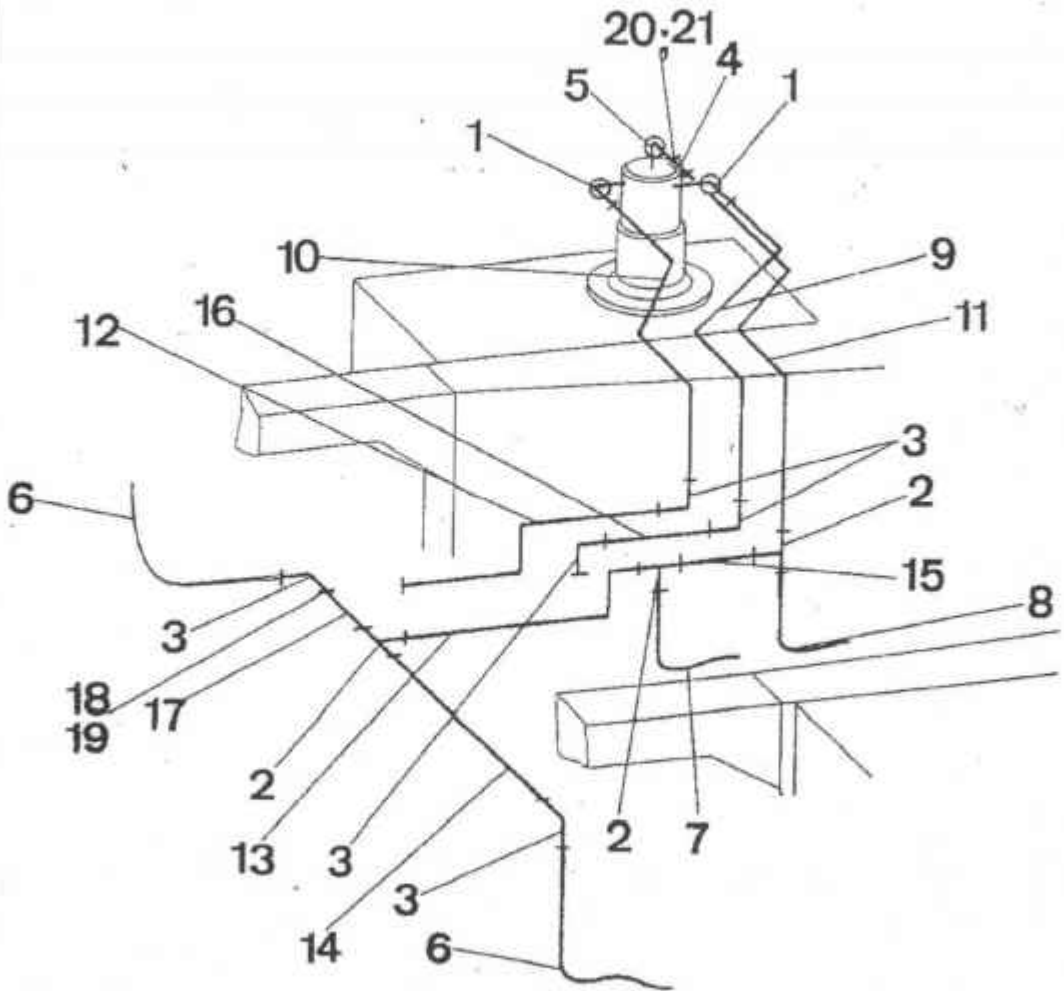
Pos.	Quantity	ID-NO.	Nomenclature
0002	1,000 PCE	10013860	VALVE CARTRIDGE A 2 A 125 70 BAR
0004	4,000 PCE	10000175	O-RING 10,77 X 2,62
End			

/S



**SCHWING**

10076703





HYDRAULIC SYSTEM  
WATER PUMPCOM-No :  
ID-NO. : 10076703  
PERT.DRG:

Pos.	Quantity		ID-NO.	Nomenclature
0001	2,000	PCE	10008012	<b>FITTING</b> <b>RSWS-12-IJM 18X1,5</b>
0002	3,000	PCE	10008054	FITTING TS - 12 - L
0003	5,000	PCE	10008084	FITTING WS - 12 - L
0004	1,000	PCE	10024587	SCREW JOINT REDS - 8/12-L
0005	1,000	PCE	10008009	FITTING RSWS - 8 - L/M 14X1,5
0006	2,000	PCE	10018484	HYDRAULIC HOSE 350 BAR DN 8/2ST X 700
0007	1,000	PCE	10050170	HYDRAULIC HOSE 350 BAR DN 8/2ST X 650
0008	1,000	PCE	10025113	HYDRAULIC HOSE 350 BAR <b>DN 8/2ST X 500</b>
0009	1,000	PCE	10076705	ELBOW (12X2X 1204/3X90 GRAD)
0010	1,000	PCE	10076706	ELBOW (12 X 2 X 1164 / 3 X 90 GRAD)
0011	1,000	PCE	10076707	ELBOW (12 X 2 X 1164 / 3 X 90 GRAD)
0012	1,000	PCE	10076708	ELBOW (12X2X 1284/3X90 GRAD)
0013	1,000	PCE	10076709	ELBOW (12X2X 876/2X90 GRAD)
0014	1,000	PCE	10041328	ELBOW (12 X 2 X 726 / 2 X 90 GRAD)
0015	1,000	PCE	10024406	TUBE 12X2X830 DIN 2391-C
0016	1,000	PCE	10043935	TUBE 12X2X400 DIN 2391-C
				TUBE 12X2X330 DIN 2391-C

HYDRAULIC SYSTEM  
WATER PUMPCOM-No. :  
ID-NO. : 10076703  
PERT.DRG:

O

Pos.	Quantity		ID-NO.	Nomenclature
0017	1,000	PCE	10043194	TUBE 12X2X250 DIN 2391-C
0018	18,00	PCE	10001748	CAP NUT M 12 L
0019	18,00	PCE	10001730	PROFILED RING P - R - 12 - L/S (K-R-12-LS)
0020	1,000	PCE	10001755	CAP NUT M 8 L
0021	1,000	PCE	10001728	PROFILED RING P - R - 8 - L/S (K-R-8-LS)
End				

## HYDRULIC SYSTEM OIL COOLER

COM-No.:

ID-No.: 1008140 y

PERT.DRG: KEINE

O

Pos.	Quantity		ID-NO.	Nomenclature
0001	1,000	PCE	10038722	RETURN FLOW SOCKET
0002	1,000	PCE	10010632	SCREW JOINT RED-R 1 1/2-WD / R 1/2
0003	1,000	PCE	10008124	FITTING RESD - 25/20 - S
0004	1,000	PCE	10018849	SCREW JOINT RESD - 20/16-S
0005	1,000	PCE	10008028	FITTING BODY RSWS 25 SR
0006	2,000	PCE	10019122	FITTING EWSD - 16-S
0007	1,000	PCE	10008093	FITTING GS - 20 - S
0008	1,000	PCE	10049904	HYDRAULIC HOSE 415 BAR DN 12/4SP X 700
0010	1,000	PCE	10001738	UNION NUT M 25 S
0011	1,000	PCE	10001734	PROFILED RING P - R - 25 - S (K-R-25-S)
0012	2,000	PCE	10001741	CAP NUT M 20 S
0013	2,000	PCE	10001733	PROFILED RING P - R - 20 - S (K-R-20-S)
0014	1,000	PCE	10008108	FITTING GES - 16 -SR

End



HYDRAULIC CONTROL  
KVM 32

COM-No. :  
ID-NO. : 10127507  
PERT.DRG: KEINE

Pos.	Quantity		ID-NO.	Nomenclature
0001	1,000	PCE	10054872	HYDRAULIC CIRCUIT DIAGRAM KVM 32
0002	1,000	PCE	10061022	HYDRAULIC SYSTEM ON BOOM KVM 32
0003	1,000	PCE	10045831	HYDRAULIC SYSTEM SUPPORT
End				

HAND VALVE HVM 10632 F

COM-No. :

ID-NO. : 10007953 ✓

PERT.DRG: 10073661

Pos.	Quantity		ID-NO.	Nomenclature
0002	1,000	PCE	10073173	SUPPORT HVM (EV 355.102)
0003	1,000	PCE	10073168	COVER/HVM (EV 355.103)
0004	1,000	PCE	10073788	LEVER WITH SUPPORT (LONG) (EV 340.004)
0005	1,000	PCE	10008379	CONCERTINA WALLS EV 210.020
0007	1,000	PCE	10013492	PARALLEL PIN ISO 8734 8 X 24 - A - St
0008	1,000	PCE	10070554	PARALLEL PIN ISO 8734 6 X 14 - A - St
0009	1,000	PCE	10073151	SPRING WASHER (EV 355.110)
0010	1,000	PCE	10073152	SPRING WASHER (EV 355.111)
0011	1,000	PCE	10013491	PRESSURE SPRING EV 210.014
0012	2,000	PCE	10000975	CHEESE HEAD SCREW DIN 912 M 6 X 65 - 8.8 - A2C
0013	1,000	PCE	10000960	CHEESE HEAD SCREW DIN 912 M 6 X 50 - 8.8 - A2C
0014	4,000	PCE	10001575	CHEESE HEAD SCREW DIN 912 M 6 X 20 - 8.8 - A2C
0015	1,000	PCE	10000151	O-RING 8,74 X 1,78
0016	1,000	PCE	10087213	SLIDING RING ID ROD D = 15
0017	1,000	PCE	10067859	O-RING 17,12 X 2,62
0018	7,000	PCE	10000175	O-RING 10,77 X 2,62
0019	1,000	PCE	10067841	O-RING 12 X 5



**HYDRAULIC SYSTEM ON BOOM  
KVM 32**

COM-No.:

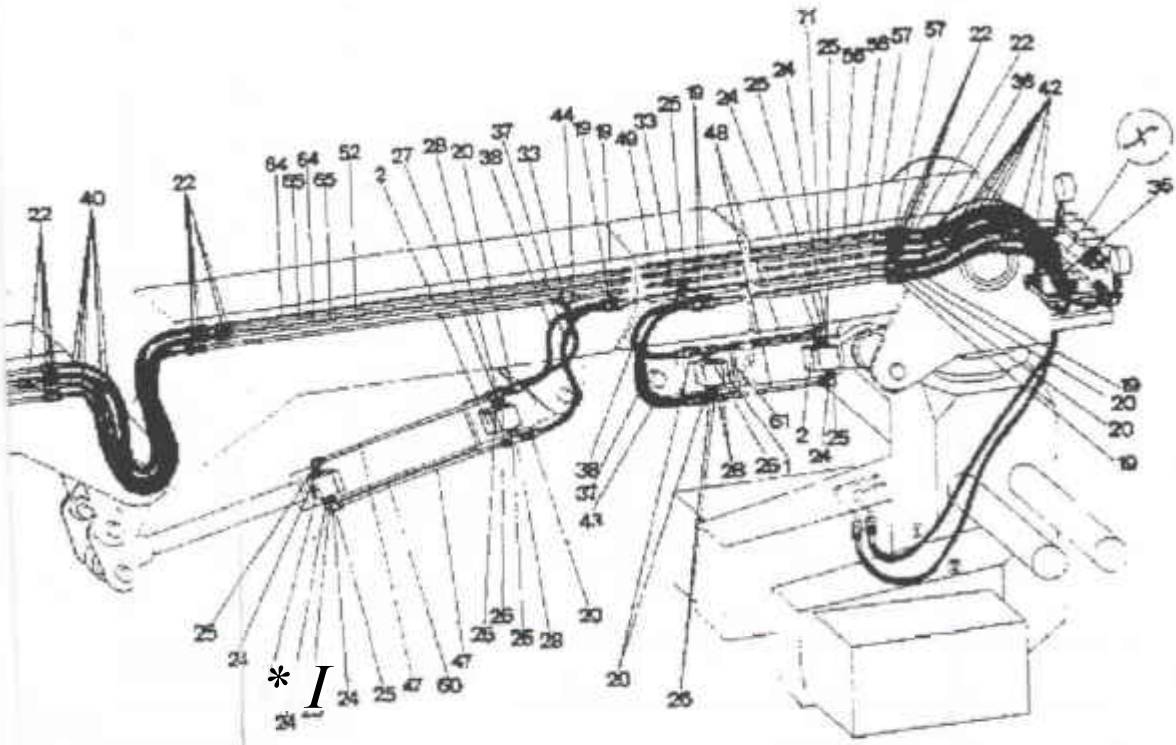
ID-NO. : IIII22 ^

PERT.DRG: KEINE

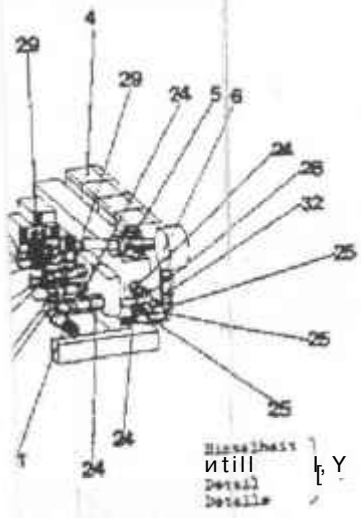
**O**

Pos.	Quantity	ID-NO.	Nomenclature
0001	1,000 PCE	10041262	HYDRAULIC SYSTEM ON BOOM KVM 32 (EXPORT EXECUTION)
0002	1,000 PCE	10059543V/	HYDRAULIC SYSTEM SLEWING GEAR KVM 32 EXPORT-EXECUTION

End



\* I



Hisselhart  
 итill  
 Detail  
 Details

**Л ! »**  
 р в ш





**SCHWING**

10041262

HYDRAULIC SYSTEM ON BOOM  
KVM 32 (EXPORT EXECUTION)

COM-No. :  
ID-NO. : 10041262 ✓  
PERT.DRG:

Pos.	Quantity		ID-NO. <sup>svyft-fcj</sup>	Nomenclature
0001	1,000	PCE	10039133	CHECK VALVE HER-F-SV2-3.5 400 BAR
0002	7,000	PCE	10049891	CHECK VALVE HER-F-SV2-6.25 320 BAR
0003	1,000	PCE	10007797V	PRESSURE LIMIT VALVE SVL - G 3/8" 140 BAR
0004	1,000	PCE	10102478 ^	CONTROL BLOCK NG 10, 6/3-WAY
0005	1,000	PCE	10155943	PRECHARGE VALVE W2-G 3/4
0006				WITH LEAK-OFF CONNECTION
0007	1,000	PCE	10012414	PRESSURE GAUGE 63 0-40 BAR
	1,000	PCE	10010331	PRESSURE GAUGE 0-600 BAR HAENNI
0014	1,000	PCE	10008091	FITTING BODY WS 20 S
0015	1,000	PCE	10008087	FITTING WS - 16 - S
0016	1,000	PCE	10018848	SCREW JOINT ELSD - 16 - S
0017	2,000	PCE	10019122	FITTING EWSD - 16 - S
0018	1,000	PCE	10020109	SCREW JOINT EGESD-16-SR-WD
0019	6,000	PCE	10008088	FITTING GS - 16 - S
0020	6,000	PCE	10008132	FITTING GS - 16 - S / 12 - L
0021	2,000	PCE	10001530	SCREW JOINT RED-R 1/2-WD / R 3/8
0022	26,00	PCE	10008083	FITTING GS - 12 - L
0023	1,000	PCE	10019729	SCREW JOINT RESDS - 16S/12-L

HYDRAULIC SYSTEM ON BOOM  
KVM 32 (EXPORT EXECUTION)

COM-No. :  
ID-NO. : 10041262  
PERT.DRG:

Pos.	Quantity		ID-NO.	Nomenclature	
0024	28,00	PCE	10009282	FITTING GES-12-LR	тщщщ
0025	20,00	PCE	10018570	FITTING EWSD-12-L	
0026	7,000	PCE	10018568	SCREW JOINT EGESD-12-LR-WD	
0027	8,000	PCE	10019730	FITTING ETSD-12-L	
0028	5,000	PCE	10019121	FITTING ELSD-12-L	
0029	4,000	PCE	10008022	FITTING RSWS-12-LR	
0031	2,000	PCE	10008084	FITTING WS-12-L	
0032	2,000	PCE	10010735	GAUGE CONNECTION SOCKET EV 873.002'	
0033	3,000	PCE	10008054	FITTING TS-12-L	
0034	1,000	PCE	10064294	HYDRAULIC HOSE 350 BAR DN 16/4SP X 3400	
0035	1,000	PCE	10064293	HYDRAULIC HOSE 415 BAR DN 12/4SP X 3600	
0036	2,000	PCE	10049906	HYDRAULIC HOSE 415 BAR DN 12/4SPX 1200	
0037	2,000	PCE	10018480	HYDRAULIC HOSE 415 BAR DN 12/4SP X 900	
0038	2,000	PCE	10049904	HYDRAULIC HOSE 415 BAR DN 12/4SP X 700	
0039	2,000	PCE	10050180	HYDRAULIC HOSE 350 BAR DN 8/2STX 1700	
0040	5,000	PCE	10018482	HYDRAULIC HOSE 350 BAR DN 8/2STX 1600	

HYDRAULIC SYSTEM ON BOOM  
KVM 32 (EXPORT EXECUTION)

· f Ж ш .шт \$ ш

COM-No.  
ID-NO. : 10041262  
PERT DR(V)

Pos.	Quantity		ID-NO.	Nomenclature
0042	7,000	PCE	10050174	HYDRAULIC HOSE 350 BAR DN 8/2STX 1000
0043	4,000	PCE	10018483	HYDRAULIC HOSE 350 BAR DN 8/2ST X 900
0044	7,000	PCE	10018484	HYDRAULIC HOSE 350 BAR DN 8/2ST X 700
0045	2,000	PCE	10039660	TUBE 12X2X670 DIN 2391-C
0046	2,000	PCE	10041328	TUBE 12X2X830 DIN 2391-C
0047	2,000	PCE	10034420	TUBE 12X2X 1370 DIN 2391-C
0048	2,000	PCE	10041329	TUBE 12X2X 1340 DIN 2391-C
0049	1,000	PCE	10041330	TUBE 12 X2X2350 DIN 2391-C
0050	1,000	PCE	10041331	TUBE 12X2X4500 DIN 2391-C
0051	2,000	PCE	10041332	TUBE 12X2X4480 DIN 2391-C
0052	1,000	PCE	10041333	TUBE 12 X2X2680 DIN 2391-C
0053	3,000	PCE	10041334	TUNBE 12 X2X4700 DIN 2391-C
0054	1,000	PCE	10061024	ELBOW (20X3X270/1X90 DEG.)
0055	1,000	PCE	10061026	ELBOW (16 X2,5 X 199/ 1X90 DEG.)
0056	2,000	PCE	10041356	ELBOW (16 X2,5X4055/ 1X30 DEG.)
0057	2,000	PCE	10041357	ELBOW (16 X2,5X 1755/ 1X 30 DEG.)

HYDRAULIC SYSTEM ON BOOM  
KVM 32 (EXPORT EXECUTION)

COM-No. :  
ID-NO. : 10041262  
PERT DRG.

Pos.	Quantity		ID-NO.	Nomenclature
0058	1,000	PCE	10041358	ELBOW (12 X 2 X 826 / 2X 90 DEGREES)
0059	1,000	PCE	10041359	ELBOW (12X2X986/2X 90 DEG.)
0060	1,000	PCE	10041360	ELBOW
0061	1,000	PCE	10041361	(12 X 2 X 1536 / 2X 90 DEG.)
0062	2,000	PCE	10041362	ELBOW (12 X 2 X 1506 / 2X 90 DEG.)
0063	1,000	PCE	10041363	ELBOW (12X2X6716/1X30 DEG.)
0064	2,000	PCE	10041364	ELBOW
0065	2,000	PCE	10041365	(12X2X2076/ 1X 30 DEG.)
0066	1,000	PCE	10020533	ELBOW (12X2X7276/ 1X 30 DEG.)
0068	1,000	PCE	10041368	ELBOW (12X2X7236/1X30 DEG.) TUBE 12X2X25
0071	1,000	PCE	10041369	ELBOW PIN 2391-C (12X2X248/ 1X90 DEG.)
0072	3,000	PCE	10001741	ELBOW (12X2X 1896/ 1X30 DEG.) CAP NUT M 20 S
0073	3,000	PCE	10001733	PROFILED RING P - R - 20 - S (K-R-20-S)
0074	10,00	PCE	10001743	CAP NUT M 16 S
0075	10,00	PCE	10001732	PROFILED RING P - R - 16 - S (K-R-16-S)
0076	108,0	PCE	10001748	CAP NUT M 12 L

**HYDRAULIC SYSTEM ON BOOM  
KVM 32 (EXPORT EXECUTION)**

COM-No. :  
ID-NO. : 10041262  
PERT.DRG:

Pos.	Quantity	ID-NO.	Nomenclature
0077	108,0 PCE	10001730	PROFILED RING P - R - 12 - L/S (K-R-12-LS)
0078	1,000 PCE	10018850	FITTING EWSD - 20 - S
0079	1,000 PCE	10077938	THROTTLE CHECK VALVE R 1/2" DRVS - R 1/2" - 1,9 "O"

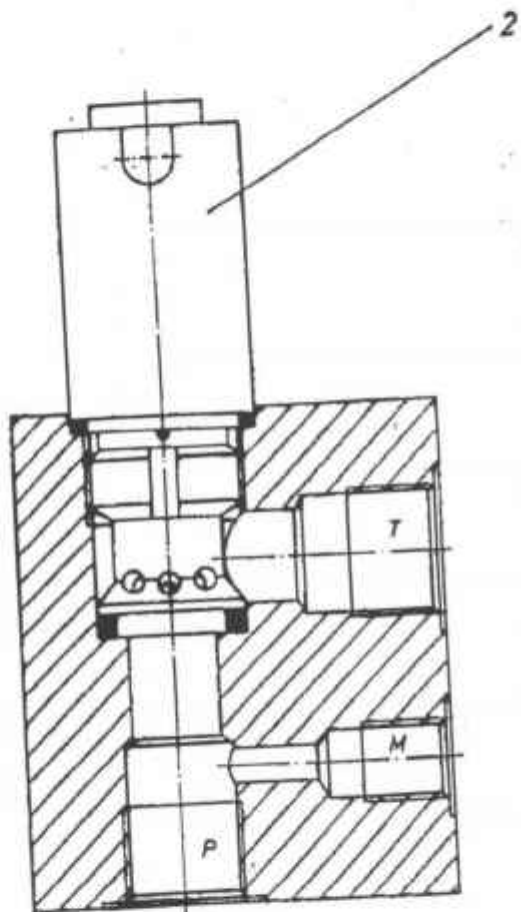
End

k.



**SCHWING**

10073646



PRESSURE LIMIT VALVE  
SVL - G 3/8" 140 BAR

COM-No.:

ID-NO. : 10007797,

PERT.DRG: 10073646

Pos.	Quantity	ID-NO.	Nomenclature
0002	1,000 PCE	10007791	VALVE CARTRIDGE 140 BAR SVP 10-S

End



HAND VALVE HVM 10632 F

COM-No. :

ID-NO : 10007953

PERT.DRG : 10073661

Pos.	Quantity		ID-NO.	Nomenclature
0020	2,000	PCE	10014586	RETAINING RING DIN 471 12X 1,5
0021	1,000	PCE	10073165	PRECONTROL PISTON D 50 (EV 210.205)
0022	1,000	PCE	10073167	DISC D 12 H 8 (EV 355.302)
0023	1,000	PCE	10068709	O-RING 44 X 3
End				

VALVE CARTRIDGE 140 BAR  
SVP 10-S

COM-No. :  
ID-NO. : 10007791  
PERT.DRG: KEINE

Pos.	Quantity	ID-NO.	Nomenclature
0001	1,000 PCE	10017618	SEALING SET FOR VALVE- CARTRIDGE SVP10S

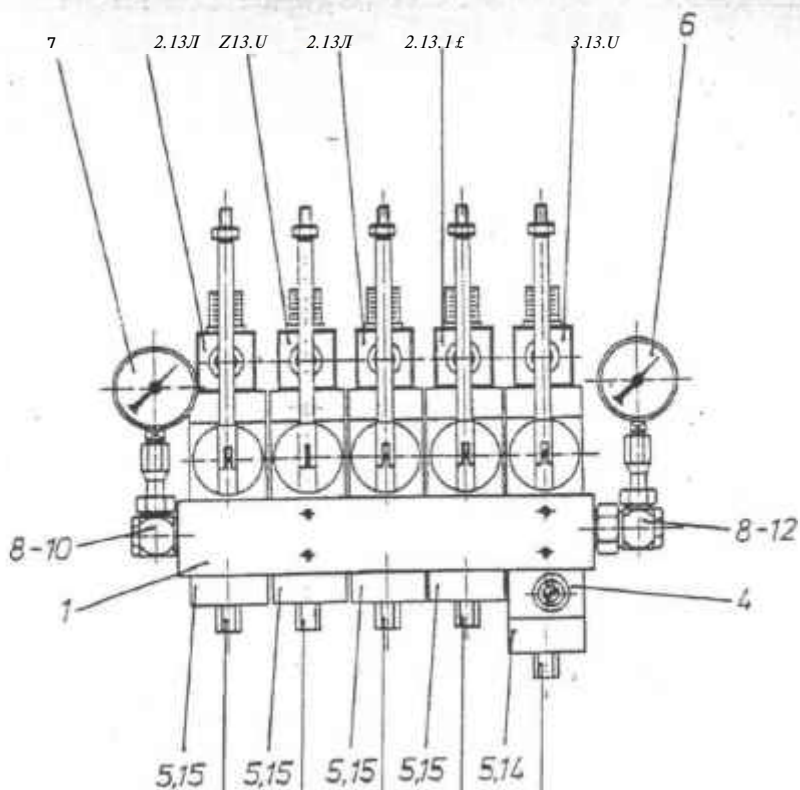
End

4/ -



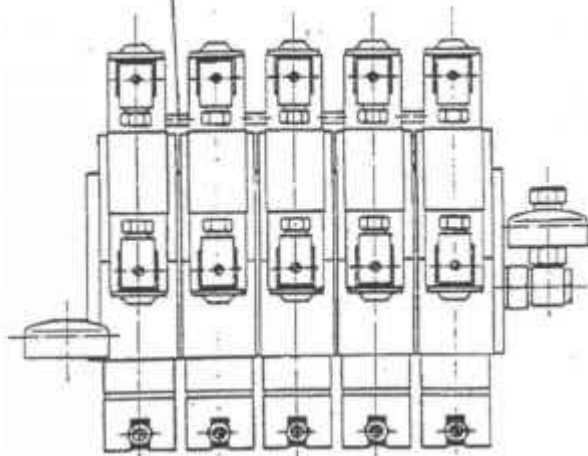
**SCHWING**

**10102479**



	<i>hinten</i>	22	2U	26	27	28
<i>DQssn</i>	<i>vorne</i>		23	25	26	28

16-21



**CONTROL BLOCK NG 10, 6/3-WAY**

COM-No. :  
 ID-NO. : 10102478  
 PERT.DRG: 10102479

**CI**

Pos.	Quantity		ID-NO.	Nomenclature
0001	1,000	PCE	10008560	BASE PLATE EV 191.000 C
0002	4,000	PCE	10073662 и	HAND LEVER VALVE HVM 10632 F 24 V (EV 355.000)
0003	1,000	PCE	10073670	HAND LEVER VALVE NG 10 24 VG HVM 10631
0004	1,000	PCE	10007799	SLIP-ON PLATE DVP, NG 10 DVP-P-10-S, CPL.
0005	5,000	PCE	10008559v/	END PLATE NG 10 KPL R 3/8" (EV 193.000 C)
0006	1,000	PCE	10010331	PRESSURE GAUGE 0-600 BAR HAENNI
0007	1,000	PCE	10012414	PRESSURE GAUGE 63 0-40 BAR
0009	2,000	PCE	10010735^	GAUGE CONNECTION SOCKET EV 873.002
0010	2,000	PCE	10008022	FITTING RSWS-12-LR
0011	1,000	PCE	10019121	FITTING ELSD-12-L
0012	1,000	PCE	10001530	SCREW JOINT RED-R 1/2-WD/R 3/8
0013	25,00	PCE	10008378	SPACING SLEEVE (EV 177.014)
0014	29,00	PCE	10000975	CHEESE HEAD SCREW DIN 912 M 6 X 65 - 8.8 - A2C
0015	16,00	PCE	10001576	CHEESE HEAD SCREW DIN 912 M 6 X 25 - 8.8 - A2C
0016	1,000	PCE	10155943	PRECHARGE VALVE W2-G 3/4 WITH LEAK-OFF CONNECTION
0017	2,000	PCE	10001385	SCREW JOINT K-DSWV 6 LLR

**CONTROL BLOCK NG 10, 6/3-WAY**

COM-No. :

ID-NO.: 10102478

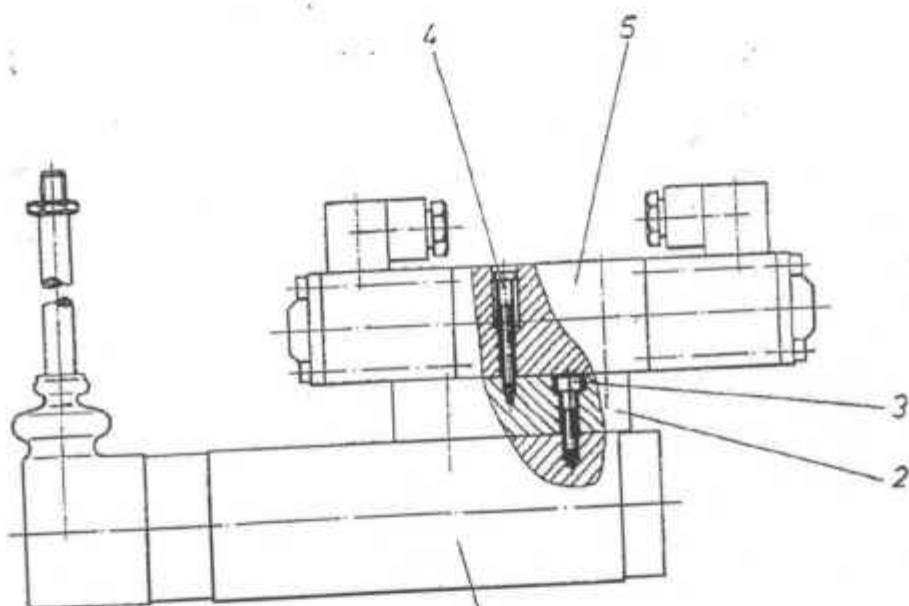
PERT.DRG: 10102479

Pos.	Quantity		ID-NO.	Nomenclature
0018	3,000	PCE	10001795	SCREW JOINT S-RSTV 6 LLR A3L
0019	8,000	PCE	10075799	SEALING RING DIN 7603 A 10 X 14 X 1,5 CU
0020	8,000	PCE	10013484	SLEEVE E 5-6/4
0021	0,250	M	10070481	POLYAMIDE TUBE TR - 6/4 HNF
0022	1,000	PCE	10041325	NOZZLE 1,5 MM T G 3/8-A-WD (EV 302.000)
0023	1,000	PCE	10012088	NOZZLE 1,7 MM "D" G 3/8-A-WD (EV 302.000)
0024	1,000	PCE	10012087	NOZZLE 1,3 MM "C" G 3/8-A-WD (EV 302.000)
0025	1,000	PCE	10041326	NOZZLE 1,4 MM "P" G 3/8-A-WD (EV 302.000)
0026	2,000	PCE	10012259	NOZZLE 1,1 MM "H" G 3/8-A-WD (EV 302.000)
0027	1,000	PCE	10012083	NOZZLE 0,8 MM "G" G 3/8-A-WD (EV 302.000)
0028	2,000	PCE	10012084	NOZZLE 1,2 MM "F" G 3/8-A-WD (EV 302.000)
End				



**SCHWING**

10073676



HAND LEVER VALVE HVM 10632 F  
24 V (EV 355.0C 0)

COM-No. :

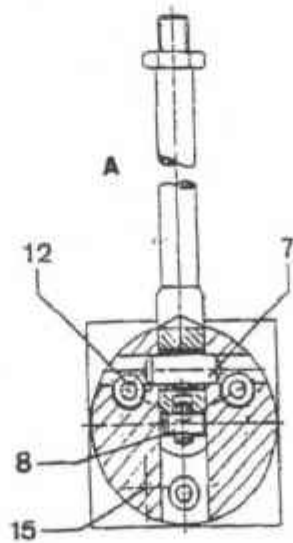
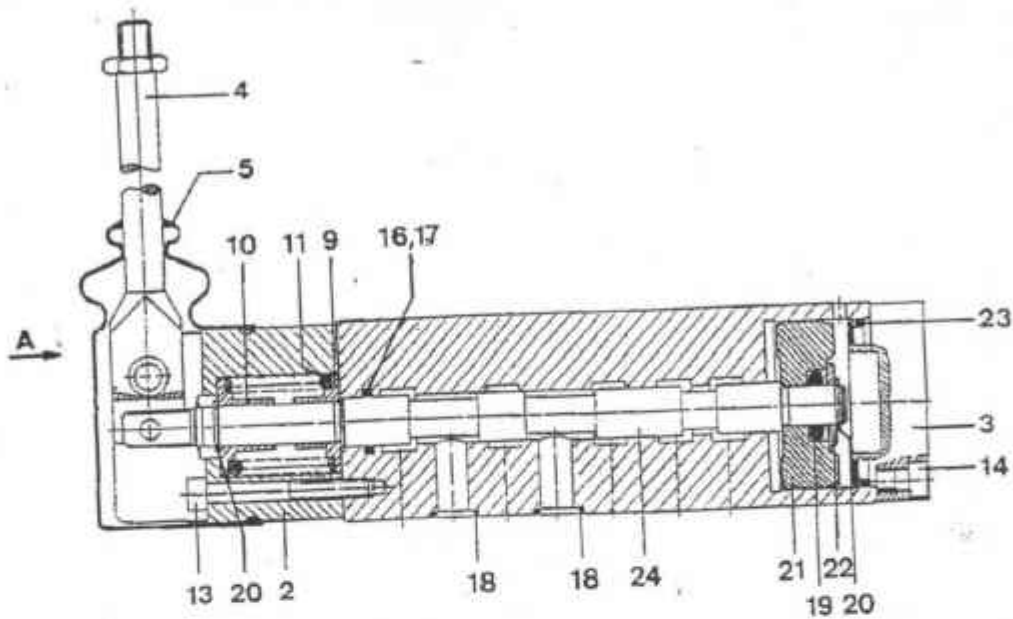
ID-NO. : 10073662

PREL.DRG: 10073676

Pos.	Quantity		ID-NO.	Nomenclature
0001	1,000	PCE	10007953 /	HAND VALVE HVM 10632 F
0002	1,000	PCE	10008556	PRECONTROL PLATE EV 272.002
0003	4,000	PCE	10001576	CHEESE HEAD SCREW DIN 912 M 6 X 25 - 8.8 - A2C
0004	4,000	PCE	10011956	CHEESE HEAD SCREW DIN 912 M 5 X 45 - 8.8 - A2C
0005	1,000	PCE	10153968	SOLENOID VALVE NG 06 CPL. 24 VG MSE 06432-24V-G

End

u





HAND VALVE HVM 10632 F

COM-No. :

ID-NO. : 10007953

PERT.DRG: 10073661

Pos.	Quantity		ID-NO.	Nomenclature
0002	1,000	PCE	10073173	SUPPORT HVM (EV 355.102)
0003	1,000	PCE	10073168	COVER/HVM (EV 355.103)
0004	1,000	PCE	10073788	LEVER WITH SUPPORT (LONG) (EV 340.004)
0005	1,000	PCE	10008379	CONCERTINA WALLS EV 210.020
0007	1,000	PCE	10013492	PARALLEL PIN ISO 8734 8 X 24 - A - St
0008	1,000	PCE	10070554	PARALLEL PIN ISO 8734 6 X 14 - A - St
0009	1,000	PCE	10073151	SPRING WASHER (EV 355.110)
0010	1,000	PCE	10073152	SPRING WASHER (EV 355.111)
0011	1,000	PCE	10013491	PRESSURE SPRING EV 210.014
0012	2,000	PCE	10000975	CHEESE HEAD SCREW DIN 912 M 6 X 65 - 8.8 - A2C
0013	1,000	PCE	10000960	CHEESE HEAD SCREW DIN 912 M 6 X 50 - 8.8 - A2C
0014	4,000	PCE	10001575	CHEESE HEAD SCREW DIN 912 M 6 X 20 - 8.8 - A2C
0015	1,000	PCE	10000151	O-RING 8,74 X 1,78
0016	1,000	PCE	10087213	SLIDING RING ID ROD D= 15
0017	1,000	PCE	10067859	O-RING 17,12 X 2,62
0018	7,000	PCE	10000175	O-RING 10,77 X 2,62
0019	1,000	PCE	10067841	O-RING 12 X 5

HAND VALVE HVM 10632 F

COM-No. :

ID-NO. : 10007953

PERT.DRG: 10073661

П

Pos.	Quantity		ID-NO.	Nomenclature
0020	2,000	PCE	10014586	RETAINING RING DIN 471 12X 1,5
0021	1,000	PCE	10073165	PRECONTROL PISTON D 50 (EV 210.205)
0022	1,000	PCE	10073167	DISC D 12 H 8 (EV 355.302)
0023	1,000	PCE	10068709	O-RING 44 X 3
End				

END PLATE NG 10 KPL  
R 3/8" (EV 193.000 C)

COM-No. :  
ID-NO. : 10008559  
PERT.DRG. KEINE

Pos.	Quantity	ID-NO.	Nomenclature
0001	1,000 PCE	10078036	END PLATE NG 10, R 3/8"
0002	5,000 PCE	10000175	O-RING 10,77 X 2,62
End			

J

W

SCHWING GMBH

are parts list

Page 1

P

END PLATE NG 10 KPL  
R 3/8" (EV 193.000 C)

• *p'Φ III m*

COM-No.:  
ID-NO. : 10008559V  
PERT.DRG: KEINE

i

Π

Pos.	Quantity	ID-NO.	Nomenclature
0001	1,000 PCE	10078036	END PLATE NG 10, R 3/8"
0002	5,000 PCE	10000175	O-RING 10,77 X 2,62

End

GAUGE CONNECTION SOCKET  
EV 873.002

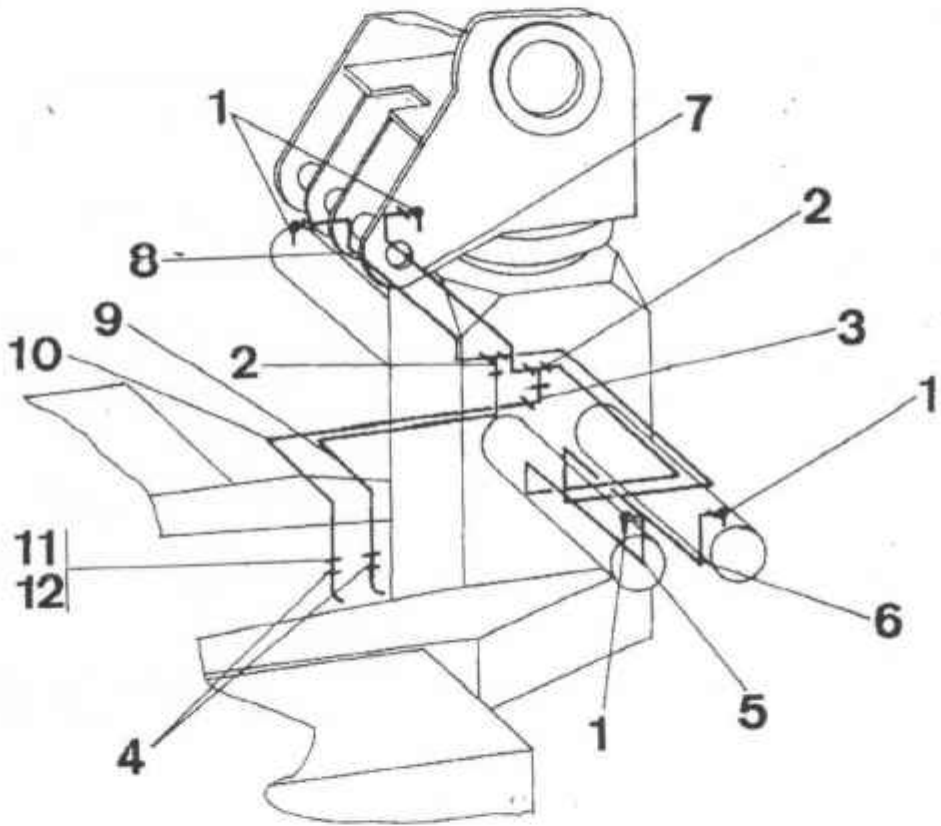
COM-No.  
ID-NO. : 10010735  
PERT.DRG: KEINE

Pos.	Quantity		ID-NO.	Nomenclature
0001	1,000	PCE	10081781	GAUGE CONNECTION SOCKET
0002	1,000	PCE	10068627	SEALING RING DIN 7603 A 6,5 X 11 X 2,3 CU
0003	1,000	PCE	10001748	CAP NUT M 12 L
0004	1,000	PCE	10001730	PROFILED RING P - R - 12 - US (K-R-12-LS)
0001	1,000	PCE	1-0081781	GAUGE CONNECTION SOCKET
0002	1,000	PCE	10068627	SEALING RING DIN 7603 A 6,5X11 X 2,3 CU
0003	1,000	PCE	10001748	CAP NUT M 12 L
0004	1,000	PCE	10001730	PROFILED RING P - R - 12 - L/S (K-R-12-LS)
End				



**SCHWING**

**10059543**



HYDRAULIC SYSTEM SLEWING GEAR  
KVM 32 EXPORT-EXECUTION

COM-No. :

ID-NO. : 10059543 t

PERT.DRG:

f )

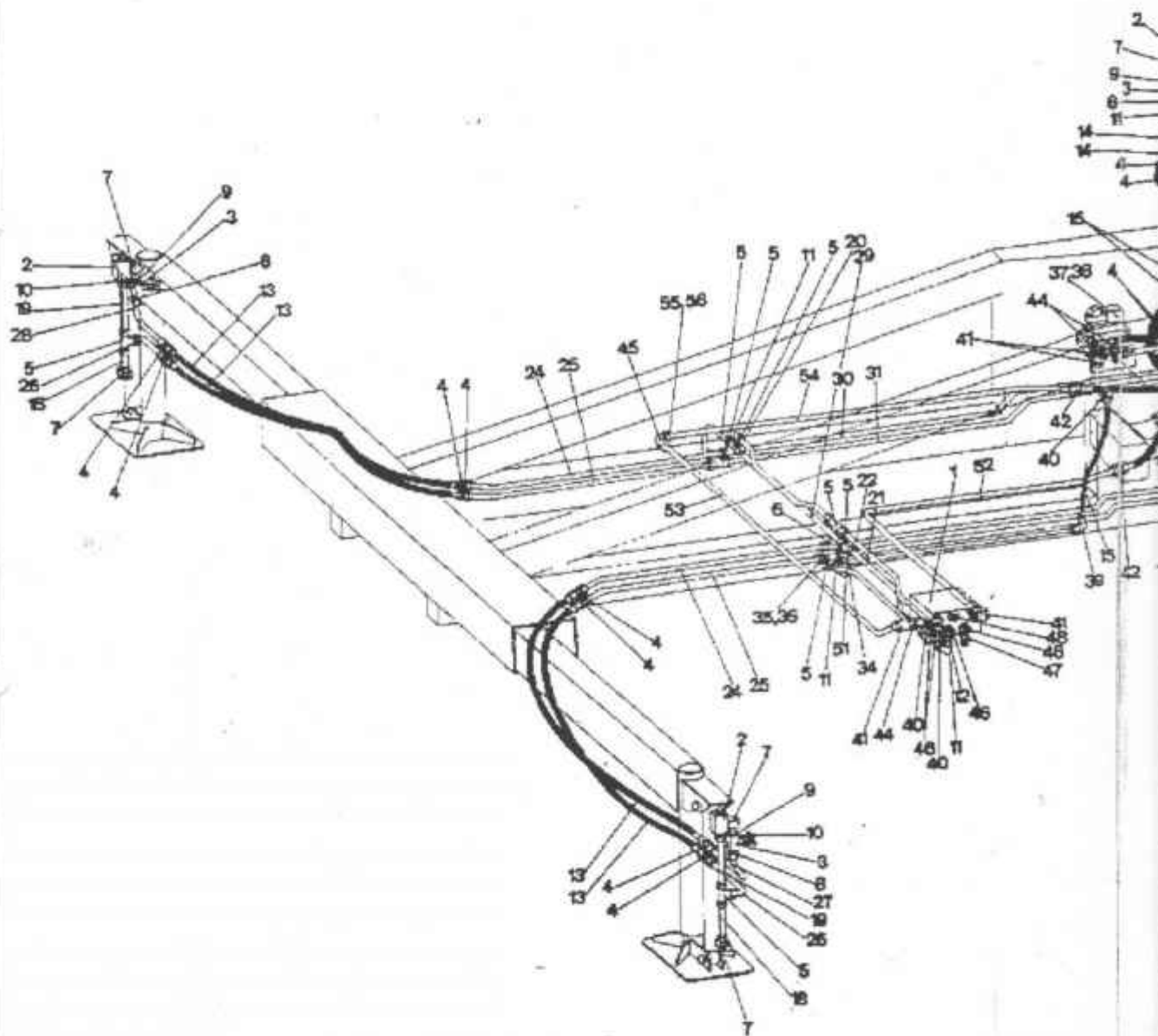
<u>Pos.</u>	<u>Quantity</u>	<u>ID-NO.</u>	<u>Nomenclature</u>
0001	4,000 PCE	10008025	FITTING RSWS- 16-SR
0002	2,000 PCE	10008056	FITTING TS- 16-S
0003	1,000 PCE	10019122	FITTING EWSD- 16-S
0004	2,000 PCE	10008088	FITTING GS- 16-S
0005	1,000 PCE	10059548	ELBOW (12 X 2 X 2088 / 6X 90 DEG.)
0006	1,000 PCE	10059550	ELBOW (12 X 2 X 2308 / 6X 90 DEG.)
0007	1,000 PCE	10059552	ELBOW (12 X 2 X 1237 / 4X 90 DEG.)
0008	1,000 PCE	10059554	ELBOW ( 12X2X 1262 / 4X 90 DEG.)
0009	1,000 PCE	10059556	ELBOW (12 X 2 X 874 / 3X 90 DEG.)
0010	1,000 PCE	10059557	ELBOW ( 12X2X851 /2X 90 DEG.)
0011	13,00 PCE	10001748	CAP NUT M 12 L
0012	13,00 PCE	10001730	PROFILED RING P - R - 12 - L/S (K-R-12-LS)

End

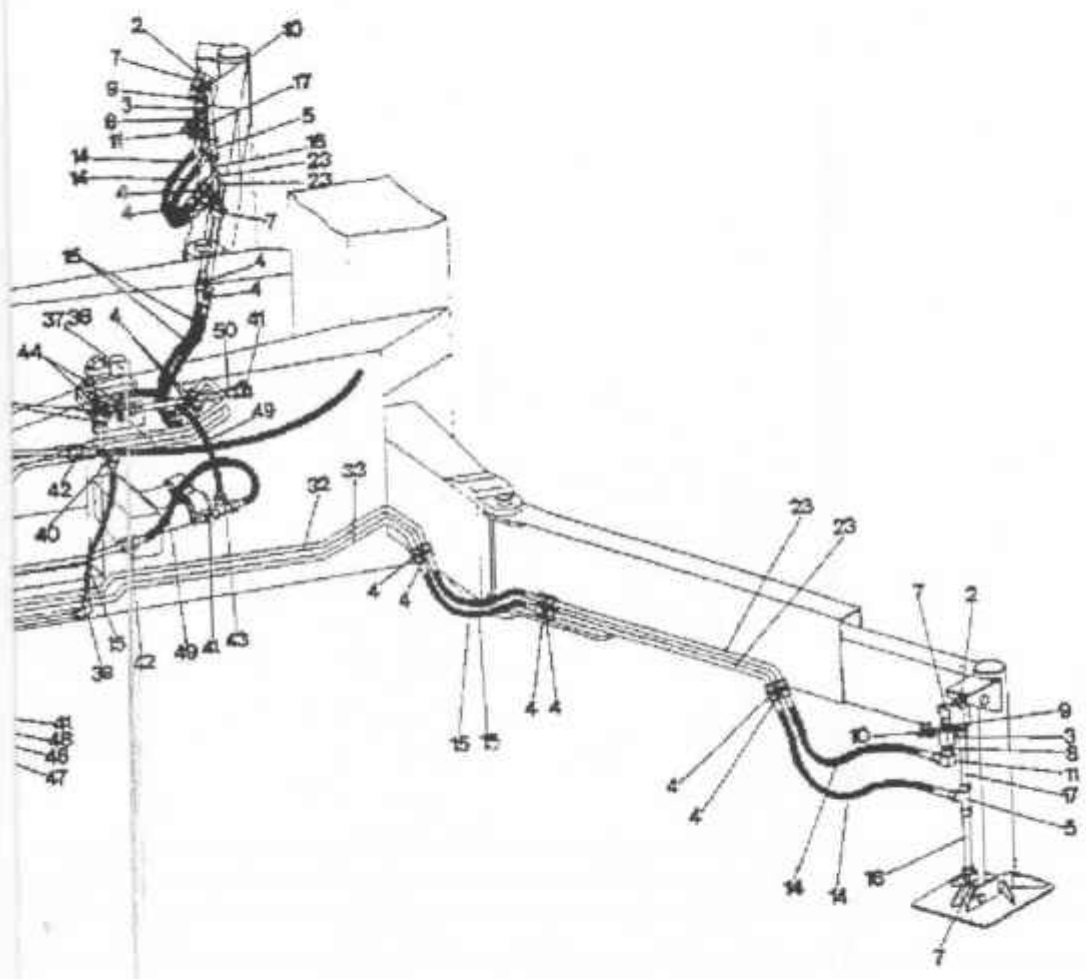


**SCHWING**

10045831







## HYDRAULIC SYSTEM SUPPORT

COM-No. :

ID-NO. : 10045831

PERT.DRG:

7

Pos.	Quantity		ID-NO.	Nomenclature
0001	1,000	PCE	10040475 ^	CONTROL BLOCK HV07-1221 280 BAR
0002	4,000	PCE	10014585	CHECK VALVE HER-F-1-10
0003	4,000	PCE	10004685	SHUT-OFF VALVE 9 MV 400 S
0004	20,00	PCE	10008083	FITTING GS- 12-L
0005	9,000	PCE	10008054	FITTING TS- 12-L
0006	1,000	PCE	10019730	FITTING ETSD - 12 - L
0007	8,000	PCE	10008023	FITTING RSWS- 12-LR 1/4"
0008	4,000	PCE	10008100	FITTING GES- 12-LR 1/4"
0009	4,000	PCE	10018571	SCREW JOINT EGESD-12-LR 1/4" WD
0010	4,000	PCE	10009282	FITTING GES- 12-LR
0011	6,000	PCE	10018570	FITTING EWSD- 12-L
0012	1,000	PCE	10009282	FITTING GES - 12- LR
0013	4,000	PCE	10050181	HYDRAULIC HOSE 350 BAR DN 8/2ST X 2100
0014	4,000	PCE	10050177	HYDRAULIC HOSE 350 BAR DN 8/2STX 1300
0015	5,000	PCE	10018484	HYDRAULIC HOSE 350 BAR DN 8/2ST X 700
0016	2,000	PCE	10045832	TUBE 12X2X530 DIN 2391-C

HYDRAULIC SYSTEM SUPPORT

COM-No.

ID-NO. : 10045831

PERT.DRG.

Pos.	Quantity		ID-NO.	Nomenclature
0017	2,000	PCE	10028510	TUBE 12X2X175 DIN 2391-C
0018	2,000	PCE	10045833	TUBE 12X2X490 DIN 2391-C
0019	2,000	PCE	10035965	TUBE 12X2X150 DIN 2391-C
0020	1,000	PCE	10045893	ELBOW (12 X 2 X 1002 / 4X 45 DEG.)
0021	1,000	PCE	10046589	ELBOW (12X2X450/2X25 DEG.)
0022	1,000	PCE	10046591	ELBOW (12 X 2 X 470 / 2X 60 DEG.)
0023	4,000	PCE	10045846	ELBOW (12 X 2 X 470 / 2X 60 DEG.)
0024	2,000	PCE	10045847	ELBOW (12X2X1316/1X30 DEG.) (12X2X2821 / 1X 30 DEG.)
0025	2,000	PCE	10045848	ELBOW (12X2X2756/ 1X 30 DEG.)
0026	2,000	PCE	10045835	ELBOW (12X2X318/1X90 DEG.)
0027	1,000	PCE	10045836	ELBOW (12 X 2 X 357/1X45; 1X90 DEG.)
0028	1,000	PCE	10045837	ELBOW (12 X 2 X 357/1X45; 1X90 DEG.)
0029	1,000	PCE	10045838	ELBOW (12X2X 1241 /2X90 DEG.)
0030	1,000	PCE	10045824	ELBOW (12X2X2226/1 X20;2X40; 1X80DEG.)
0031	1,000	PCE	10045825	ELBOW (12X2X2276/1 X20;2X40; 1X80DEG.)
0032	1,000	PCE	10045827	ELBOW (12X2X2226/1 X20;2X40;1X80DEG.)

## HYDRAULIC SYSTEM SUPPORT

COM-No :

ID-NO. : 10045831

PERT.DRG:

Pos.	Quantity		ID-NO.	Nomenclature
0033	1,000	PCE	10045828	ELBOW (12X2X2276/1 X20;2X40;1X80DEG.)
0034	1,000	PCE	10023069	TUBE 12 X 2 X 4.5 DIN 2391-C
0035	86,00	PCE	10001748	CAP NUT M 12 L
0036	86,00	PCE	10001730	PROFILED RING P-R-12-L7S (K-R-12-LS)
0037	1,000	PCE	10174537 x /	EMERGENCY SHUTDOWN VALVE DIRECTI. SEAT VALVE M-3 SED 10
0038	1,000	PCE	10019792	CONNECTION PLATE G 66/1 R 3/8"
0039	1,000	PCE	10008084	FITTING WS - 12- L
0040	3,000	PCE	10008022	FITTING RSWS-12- LR
0041	6,000	PCE	10008025	FITTING RSWS - 16- SR
0042	2,000	PCE	10008108	FITTING GES-16 -SR
0043	1,000	PCE	10018848	SCREW JOINT ELSD - 16 - S
0044	3,000	PCE	10000331	SCREW JOINT RED-R 3/8-WD/R 1/2
0045	1,000	PCE	10008087	FITTING WS - 16 - S
0046	4,000	PCE	10001530	SCREW JOINT RED-R 1/2-WD/R3/8
<b>0047</b>	<b>1,000</b>	<b>PCE</b>	<b>10008142</b>	FITTING MAS-12-LR
0048	1,000	PCE	10016803	LOCKING PLUG VSD 16 S O.M.MB A3L

...V  
 ( ) Ш

HYDRAULIC SYSTEM SUPPORT  
 ШТШ

COM-Nr.

ID-Nr. : 10045831

PERT.DRG:

Як ^

Pos.	Quantity		ID-Nr.	Nomenclature
0049	2,000	PCE	10049904	HYDRAULIC HOSE 415 BAR DN 12/4SP X 700
0050	1,000	PCE	10028130	TUBE 16X2,5X360 DIN 2391-C
0051	1,000	PCE	10046592	ELBOW (12X2X1128/1X50; 1X90 DEG.)
0052	1,000	PCE	10046593	ELBOW (16 X2,5 X1514/1X90; 1X10DEG.)
0053	1,000	PCE	10046595	ELBOW (16 X 2,5 X 1400/ 1X15 DEG.)
0054	1,000	PCE	10046596	ELBOW (16 X2,5X 1020/ 1X10 DEG.)
0055	8,000	PCE	10001743	CAP NUT M 16 S
0056	8,000	PCE	10001732	PROFILED RING P - R - 16 - S (K-R-16-S)
End				

GAUGE CONNECTION SOCKET  
EV 873.002

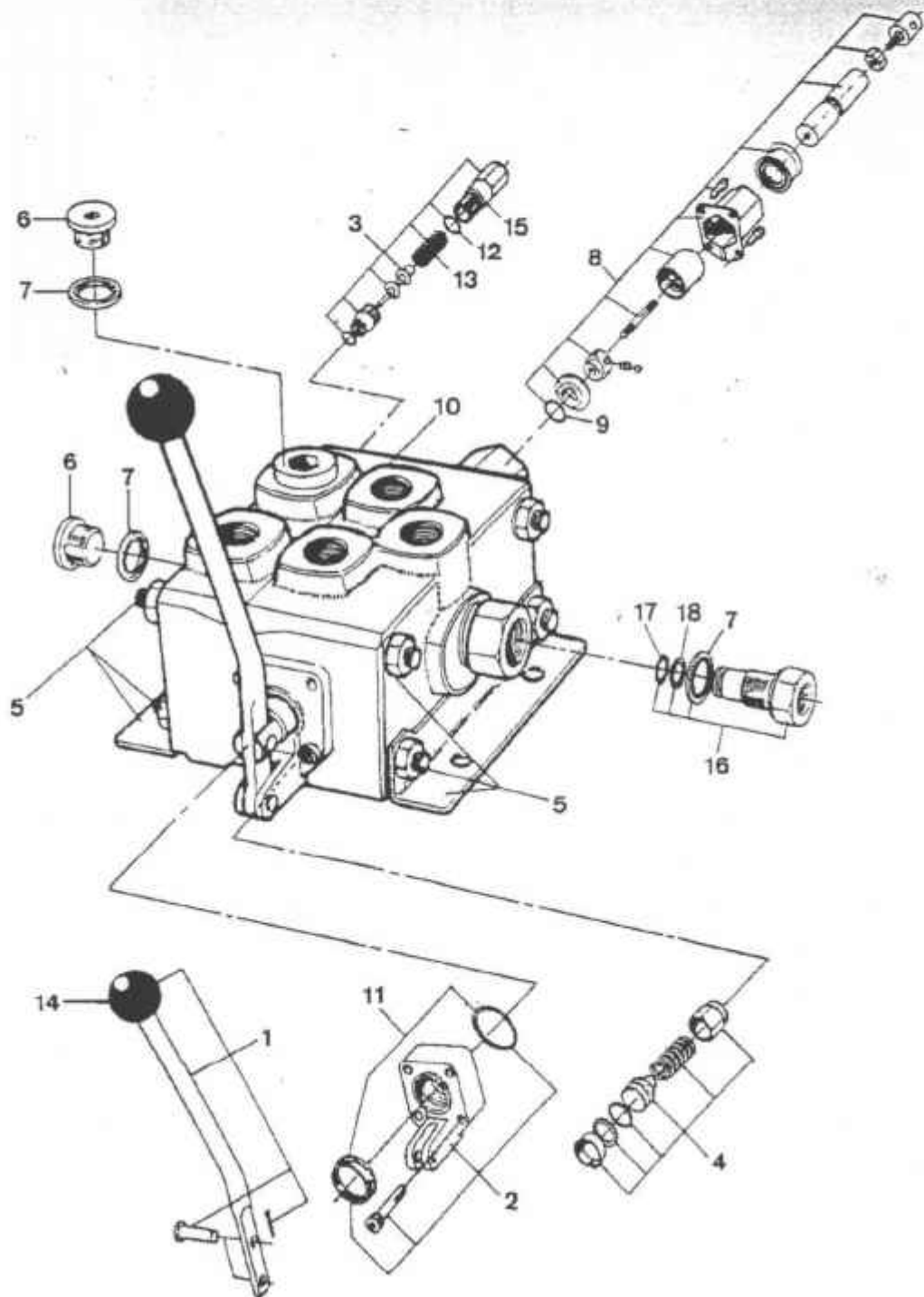
COM-No. :  
ID-NO. : 10010735 ✓  
PERT.DRG: KEINE

Pos.	Quantity		ID-NO.	Nomenclature
0001	1,000	PCE	10081781	GAUGE CONNECTION SOCKET
0002	1,000	PCE	10068627	SEALING RING DIN 7603 A 6,5X11 X 2,3 CU
0003	1,000	PCE	10001748	CAP NUT M 12 L
0004	1,000	PCE	10001730	PROFILED RING P-R-12-L/S (K-R-12-LS)
0001	1,000	PCE	1,0081781	GAUGE CONNECTION SOCKET
0002	1,000	PCE	10068627	SEALING RING DIN 7603 A 6,5 X 11 X 2,3 CU
0003	1,000	PCE	10001748	CAP NUT M 12 L
0004	1,000	PCE	10001730	PROFILED RING P-R-12-L7S (K-R-12-LS)
End				



**SCHWING**

10040475



Dichtsatz Kpl. 10178702  
Sealing set  
**Jeu de joints**  
Juego de juntas

CONTROL BLOCK HV07-1221  
280 BAR

S ^ ^ f . . .

•D-NO- ««0475  
PERT.DRG: /ETL

Pos.	Quantity		ID-NO.	Nomenclature
0001	1,000	PCE	10024563	SWITCHING LEVER
0002	1,000	PCE	10037276	LEVER HOLDER HV 07
0003	1,000	PCE	10045606	PRESSURE LIMIT VALVE
0004	2,000	PCE	10045607	CHECK VALVE
0005	1,000	PCE	10045625	DRAW BAR SET
0006	2,000	PCE	10001769	SCREW PLUG DIN 908 G 1/2 A - St - A2C
0007	3,000	PCE	10045609	SEALING RING
0008	1,000	PCE	10049527	ACTUATION
0009	1,000	PCE	10045613	O-RING 15,3 X 2,4
0010	1,000	PCE	10043401	SEALING SET
0011	1,000	PCE	10043399	SEALING SET
0012	1,000	PCE	10045612	O-RING 13,3 X 2,4
0013	1,000	PCE	10045619	SPRING 211-300 BAR
0014	1,000	PCE	10019419	BALL KNOB
0015	1,000	PCE	10045620	SETTING BOLT
0016	1,000	PCE	10045621	SCREW JOINT
0017	1,000	PCE	10045622	O-RING 12,3 X 2,4
0018	1,000	PCE	10045623	SUPPORT RING 13/ 17x1,3
End				



n l

EMERGENCY SHUTDOWN VALVE ^ Ш Й  
 DIRECTI. SEAT VALVE M-3 SED 10

CCV.NO.:

ID-NO.: 10174537,-

PERT.DRG: KEINE

Pos.	Quantity	ID-NO.	Nomenclature	V vi
0001	1,000 PCE	10174538 V"	DIRECTIONAL SEAT VALVE 3/2 M-3SED 10 C1X/350CG24N9K4	
0002	1,000 PCE	10019792	CONNECTION PLATE G 66/1 R 3/8"	
0003	4,000 PCE	10174539	CHEESE HEAD SCREW DIN 912 M 6X40 - 10.9-DT 500	

End

J

O

DIRECTIONAL SEAT VALVE 3/2  
M-3SED 10 C1X/350CG24N9K4

COM-NO. :  
ID-NO. : 10174538  
PERT.DRG: KEINE

P	Quantity	ID-NO.	Nomenclature
0001	1,000 PCE	10177447	MAGNET COIL 24 V DC NG 06
0002	1,000 PCE	10178796	SEALING SET CPL.

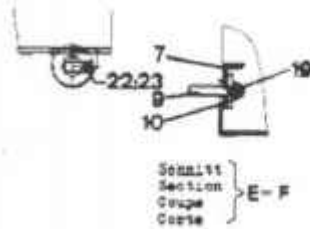
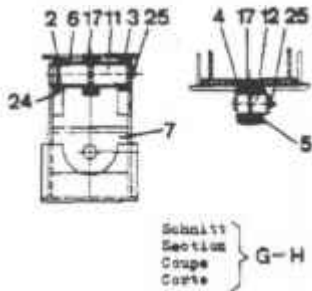
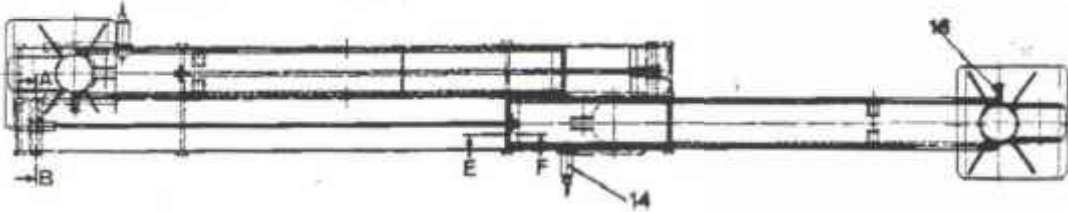
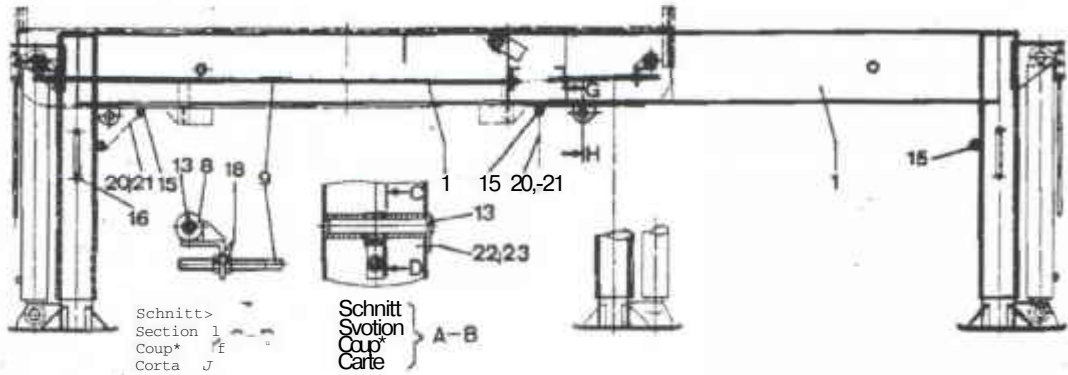
End





Г - Л  
**SCHWING**

10034820



'л.:',

REAR OUTRIGGER KVM 32

COM-No. :

ID-NO. : 10034820

PERT.DRG.

O

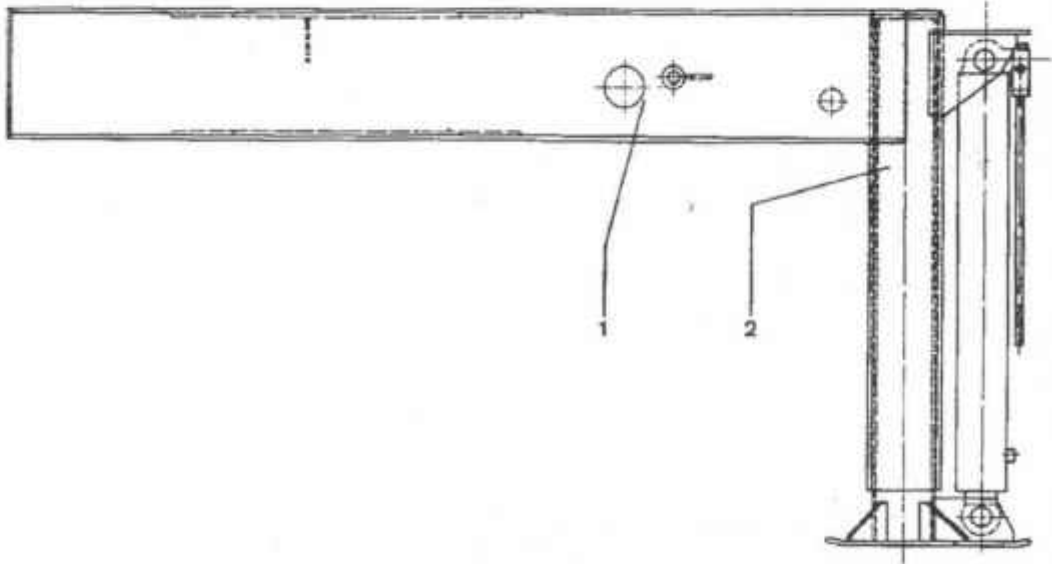
Pos.	Quantity		ID-NO.	Nomenclature
0001	2,000	PCE	10022585 ✓	EXTRACTABLE BOX SUMMARY
0008	2,000	PCE	10034827	HOLDER
0009	2,000	PCE	10034828	THREADED ROD D 16 X 1780/160-30
0010	2,000	PCE	10034829	DISC
0011	2,000	PCE	10034830	BOLT 35 X 150/ 14-6
0012	2,000	PCE	10034831	FIXING BOLT
0013	2,000	PCE	10030647	FIXING BOLT
0014	2,000	PCE	10030025v	LOCKING
0015	4,000	PCE	10032155	WELDING EYE
0016	2,000	PCE	10019415	HANDLE
0017	4,000	PCE	10004917	ROLLER BEARING FG 3572 EE NATR 35 PP
0018	4,000	PCE	10001260	HEXAGON NUT DIN 934 M 16-8-A2C
0019	2,000	PCE	10001286	HEXAGON NUT DIN 985 M 16-8-A2C
0020	0,360	M	10014246	CHAIN DIN 5685 G 5 X 21
0021	2,000	PCE	10009375	SNAP HOOK DIN 5299 -C80 Zn
0022	4,000	PCE	10001796	HEXAGON HEAD SCREW DIN 933 M 8X16 - 8.8 -A2C
0023	4,000	PCE	10129842	SCREW RETAINER SKM 8 DT 320
0024	2,000	PCE	10001657	HEADLESS PIN DIN EN 27434 M 8X16 - 2.2 H - A2C
0025	4,000	PCE	10007886	HYDRAULIC-TYPE LUBRICATING NIPPLE DIN 71412 AM 10X1 5.8

End



**SCHWING**

10022585



EXTRACTABLE BOX SUMMARY

COM-No :  
ID-NO. : 10022585  
PERT.DRG:

---

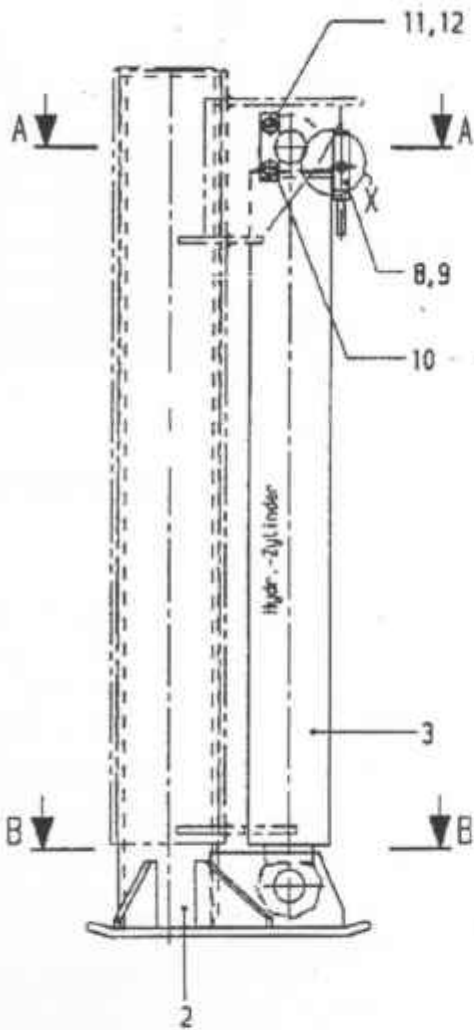
Pos.	Quantity	ID-NO.	Nomenclature
0001	1,000 PCE	10022804	EXTRACTABLE BOX
0002	1,000 PCE	10022756 /	HYDRAULIC SUPPORT
End			

---

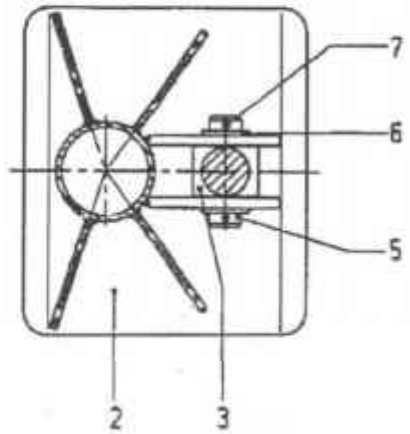


**SCHWING**

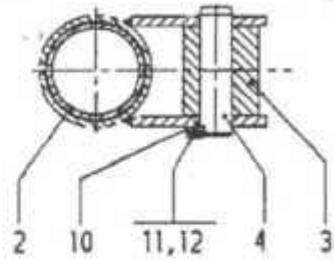
10022756



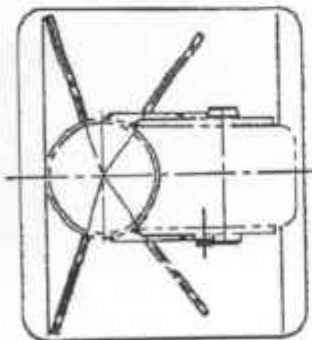
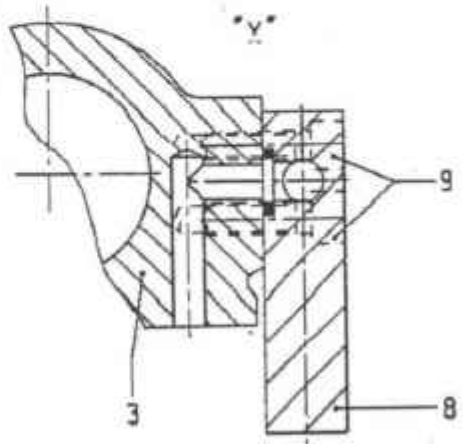
"B-B"



"A-A"



"Y"

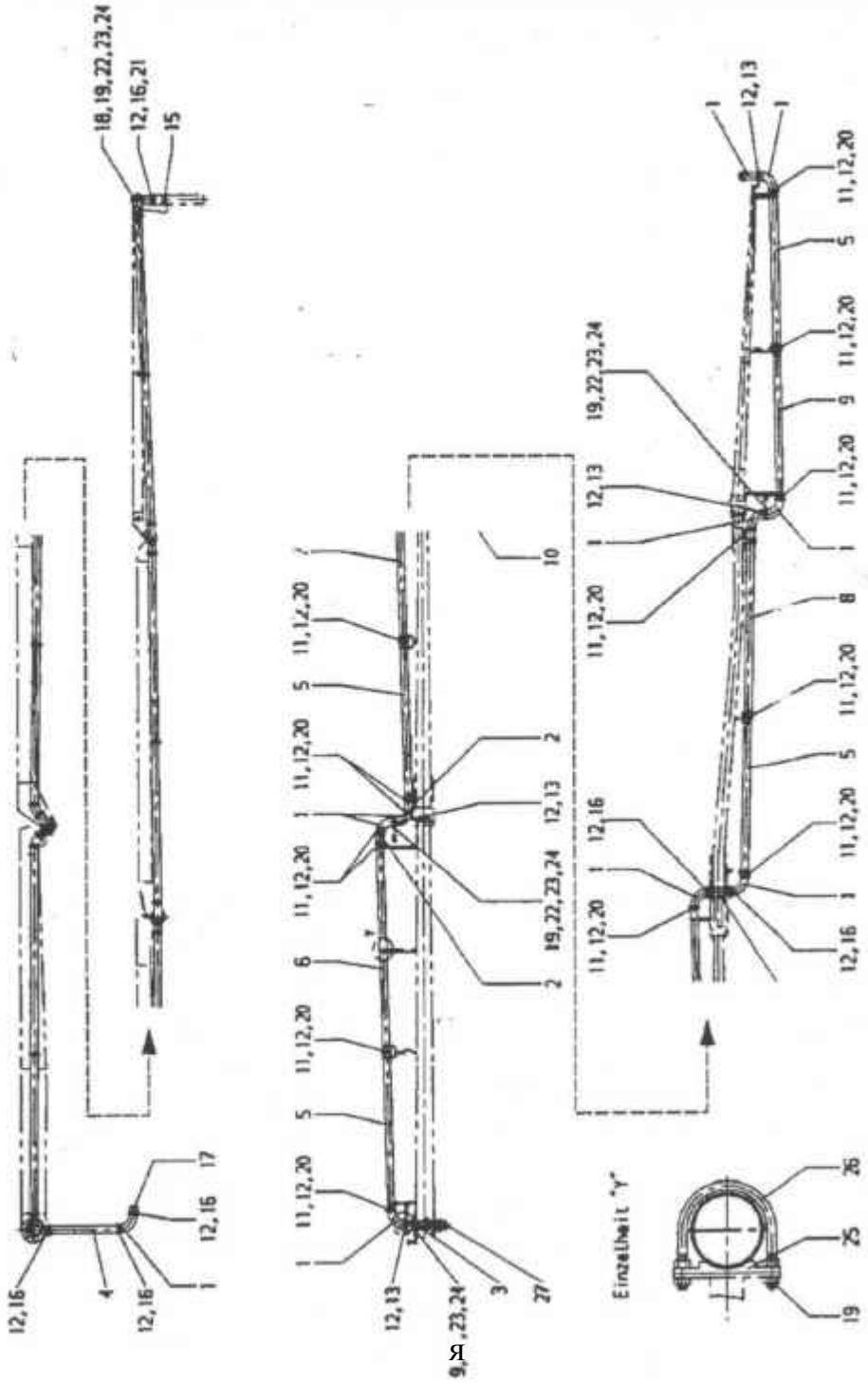






SCHWING

10027475



HYDRAULIC SUPPORT

COM-No. :

ID-NO. : 10022756

PERT.DRG:

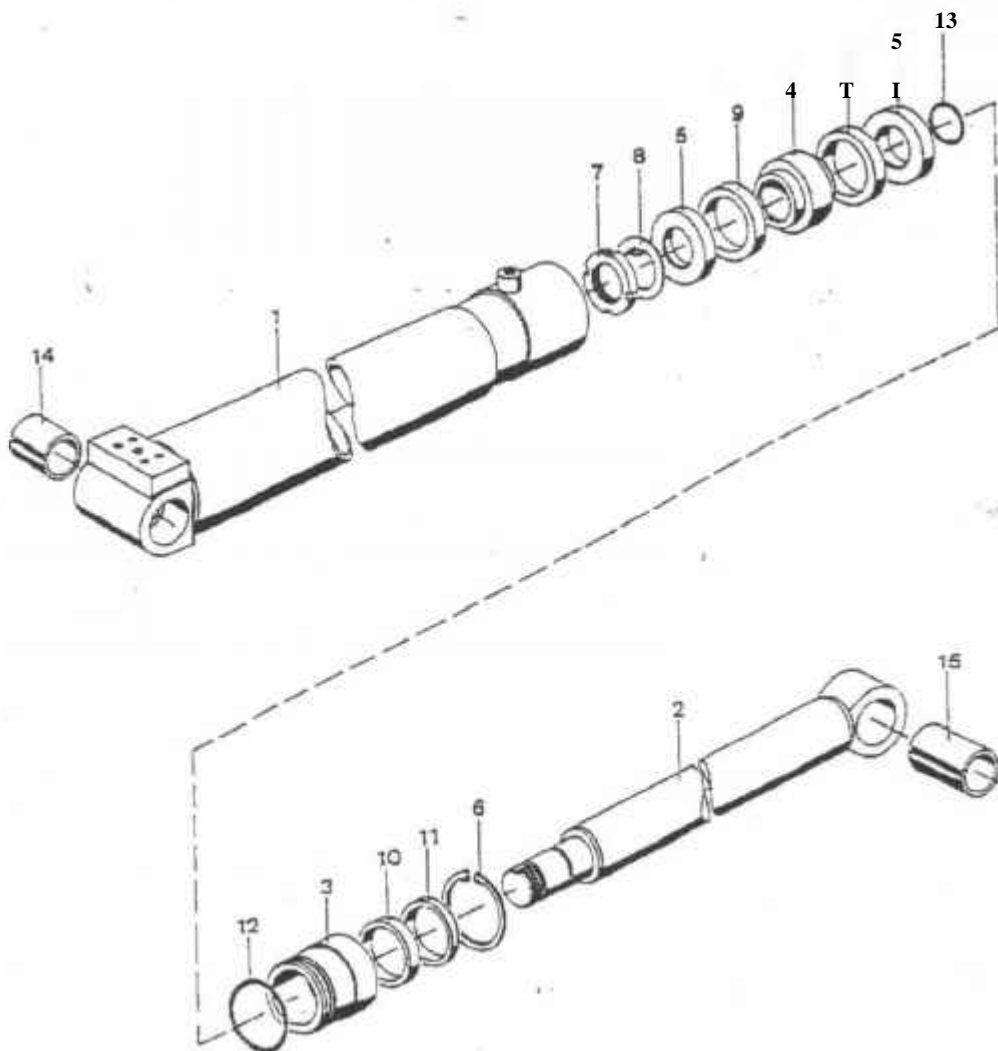
Pos.	Quantity	ID-NO.	Nomenclature
0002	1,000 PCE	10022746	INNER TUBE
0003	1,000 PCE	10022682	HYDRAULIC CYLINDER 80/60 X 640
0004	1,000 PCE	10026367	BOLT H 40X 160/12-6,5
0005	1,000 PCE	10022189	BOLT F 40X 137/113-8
0006	2,000 PCE	10002013	DISC DIN 1441 41 - St - A3C
0007	2,000 PCE	10012000	SPLIT PIN ISO 1234 8 X 56 - St - A2C
0008	1,000 PCE	10014585	CHECK VALVE HER-F-1-10
0009	4,000 PCE	10001004	CHEESE HEAD SCREW DIN 912 M 8 X 25 - 8.8 - A2C
0010	1,000 PCE	10007073	AXLE GUARD DIN 15058 25X6
0011	2,000 PCE	10001854	HEXAGON HEAD SCREW DIN 933 M 10 X 16 - 8.8 - A2C
0012	2,000 PCE	10129841	SCREW RETAINER SKM 10 DT 320

End



**SCHWING**

10022682



Dictitsatz Kpl. 10011138  
Sealing set  
Jeu de joints  
Juego de juntas

Ж\*  
Ш

is

COM-No. :

ID-NO. : 10022682

PERT.DRG:

HYDRAULIC CYLINDER  
80/60 X 640

П

Pos.	Quantity		ID-NO.	Nomenclature
0001	1,000	PCE	10022683	CYLINDER TUBE
0002	1,000	PCE	10022684	PISTON ROD B 60X 854/ 50- 46 (SUMMARY)
0003	1,000	PCE	10000681	GUIDE BUSHING H 60 X 80 / 70- 38,15
0004	1,000	PCE	10000485	PISTON D 80
0005	2,000	PCE	10000532	DISC H 12 X 46 / 78
0006	1,000	PCE	10003754	RETAINING RING DIN 472 85 X 3
0007	1,000	PCE	10001603	GROOVE NUT DIN 1804 M 45 X 1,5 W 5
0008	1,000	PCE	10002321	LOCKING PLATE DIN 462 45 St - A3C
0009	2,000	PCE	10003461	GROOVED RING SEALING SET 80/60 X 12,5 G 18-80
0010	1,000	PCE	10003408	GROOVED RING SEALING SET 60/72 X 10
0011	1,000	PCE	10002845	SCRAPER 60 X 70 X7 P 7-60
0012	1,000	PCE	10000918	O-RING 70 X 4
0013	1,000	PCE	10000660	O-RING 40 X 3
0014	2,000	PCE	10006266	CLAMPING BUSHING DIN 1498 • • EG 40/50 X 40
0015	1,000	PCE	10006269	CLAMPING BUSHING DIN 1498 EG 40/50 X 60

End



LOCKING

COM-No. :

ID-NO. : 10030025

PERT.DRG

Pos.	Quantity	ID-NO.	Nomenclature
0001	1,000 PCE	10030026	GUIDE
<b>0002</b>	1,000 PCE	10002722	BOLT 25/18 X 155
0003	1,000 PCE	10002721	LEVER
0004	1,000 PCE	10007581	PRESSURE SPRING 2,8x22,2x80 DIN 2098
0005	1,000 PCE	10003292	BOLT DIN 1444 - A2B B 8H 11 X 40X33
<b>0006</b>	1,000 PCE	10001362	SPLIT PIN ISO 1234 2 X 12 - St - A2C
0007	4,000 PCE	10001004	CHEESE HEAD SCREW DIN 912 M 8 X 25 - 8.8 - A2C
0008	4,000 PCE	10138329	SCREW RETAINER SKZ 8 DT 320

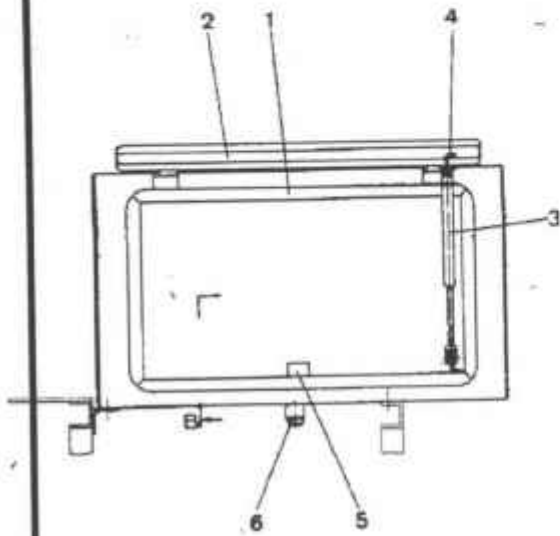
End



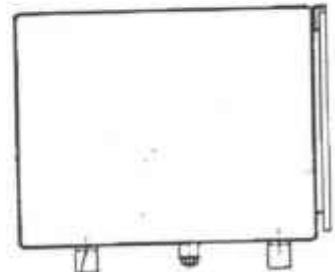


**SCHWING**

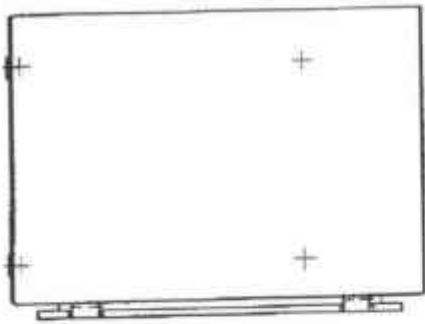
10037992



A

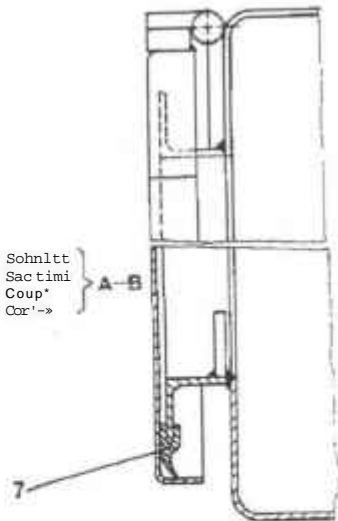


9;10;11;12



Sohnl  
Sactimi  
Coup  
Cor' ->

A-B





TOOL BOX CPL.

COM-No.:

ID-NO. : 10037992

PERT.DRG:

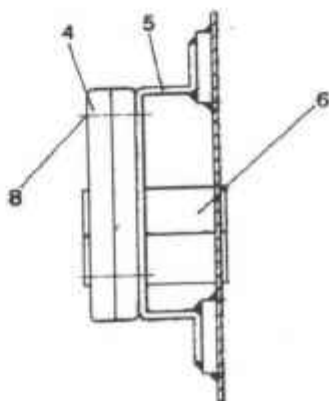
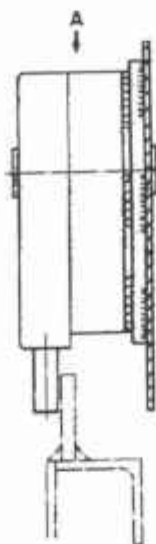
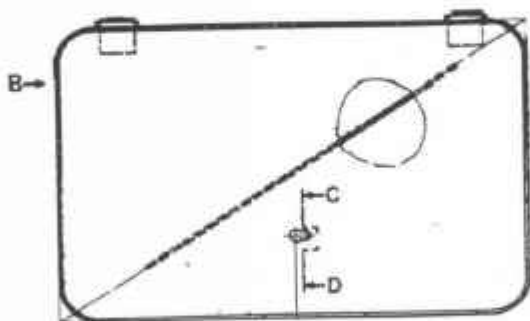
Pos.	Quantity		ID-NO.	Nomenclature
0001	1,000	PCE	10023390	TOOL BOX
0002	1,000	PCE	10037993 V	FLAP, CPL.
0003	1,000	PCE	10037994	PNEUMATIC SPRING STROKE = 150 MM SPRING RESISTANCE
0006	1,000	PCE	10001837	SCREW PLUG DIN 910 R 1" - 5.8 - A3C
0007	0,246	M	10013929	GISTA-PROFIL 4610035
0009	4,000	PCE	10001861	HEXAGON HEAD SCREW DIN 933 M 10 X 30 - 8.8 - A2C
0010	4,000	PCE	10001250	HEXAGON NUT DIN 934 M 10-8-A2C
0011	4,000	PCE	10129841	SCREW RETAINER SKM 10 DT 320
0012	4,000	PCE	10004231	USIT RING 12,7 X 18 X 1,5

End

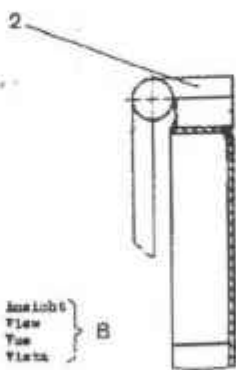


**SCHWING**

10037993



Ansicht }  
View }  
Vue } A  
Vista }



Ansicht }  
View }  
Vue } B  
Vista }

FLAP, CPL.

COM-No. :

ID-NO. : 10037993

PERT.DRG:

Pos.	Quantity		ID-NO.	Nomenclature
0001	1,000	PCE	10037995	DOOR PLATE
0002	2,000	PCE	10027399	DOOR HINGE
0004	1,000	PCE	10015321	RIM LOCK <b>1080-U 1</b>
0005	1,000	PCE	10015323	LINING
0006	1,000	PCE	10015322	PROFILED HALF CYLINDER
0008	4,000	PCE	10189222	COUNTERSUNK SCREW DIN 7991 M 5 X 25 - 8.8 - A2C

End

DELIVERY PIPELINE KVM 32/28  
DN 125

COM-N° ШЯЯЛ  
ID-NO. : 10027475  
PERT.DRG:

'Ж.Ш

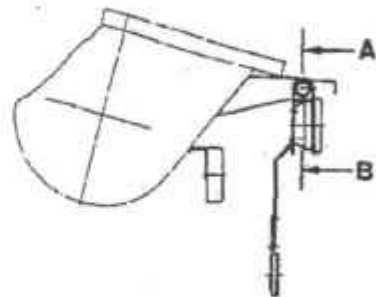
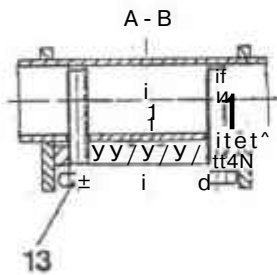
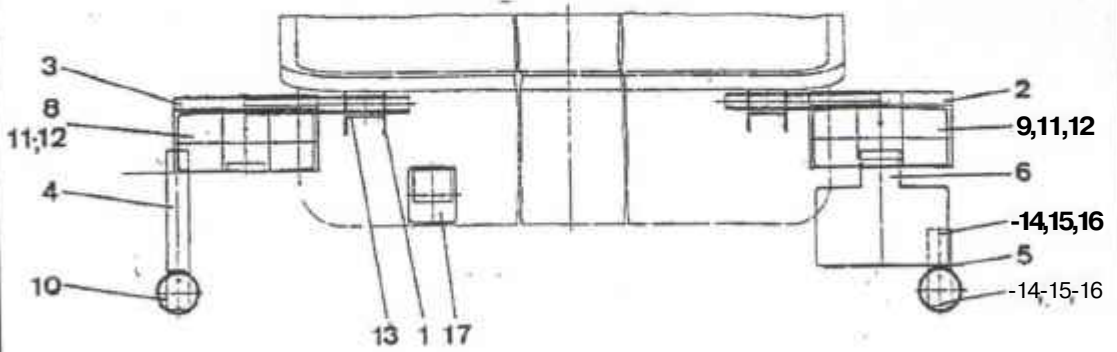
Pos.	Quantity		ID-NO.	Nomenclature
0001	10,00	PCE	10010479	ELBOW DN 125 5 1/2" 90 DEGREES R=275
0002	2,000	PCE	10014526	ELBOW DN 125 5 1/2" 45 DEGREES R=275
0003	1,000	PCE	10119116	BEND DN 125
0004	1,000	PCE	10004280	DELIVERY TUBE DN 125 1290 MM 5 1/2"
0005	4,000	PCE	10004349	DELIVERY TUBE DN 125 3000 MM 5 1/2"
0006	1,000	PCE	10028407	DELIVERY TUBE DN 125 3895 MM 5 1/2"
0007	1,000	PCE	10015418	DELIVERY TUBE DN 125 3380 MM 5 1/2"
0008	1,000	PCE	10076996	DELIVERY TUBE DN 125 3500 MM 5 1/2"
0009	1,000	PCE	10027297	DELIVERY TUBE DN 125 2800 MM 5 1/2"
0010	1,000	PCE	10013391	DELIVERY TUBE DN 125 430 MM 5 1/2" WITH RIBS DW
0011	14,00	PCE	10007018	CUP-TYPE CLAMP 5 1/2"  WITHOUT SEALING
0012	24,00	PCE	10002526	SEALING 5 1/2"
0013	4,000	PCE	10133242	CLAMP 5 1/2" WITH FLANGE
0015	1,000	PCE	10111567	SAFETY DEVICE FOR END HOSE  DN 125
0016				DN 125
0017	6,000	PCE	10006587	SCREW-TYPE COUPLING 5 1/2"
0018	1,000	PCE	10023222	DELIVERY TUBE DN 125 130 MM 5 1/2"
0018	1,000	PCE	10001366	HEXAGON HEAD SCREW DIN 933 M 16 X 75 - 8.8 - A2C

**W**ΦWWT WTT wis



**SCHWING**

**10086457**



TAIL LIGHT SYSTEM ON HOPPER  
24 VCOM-No. :  
ID-NO. : 10086459  
PERT.DRG: 10086457

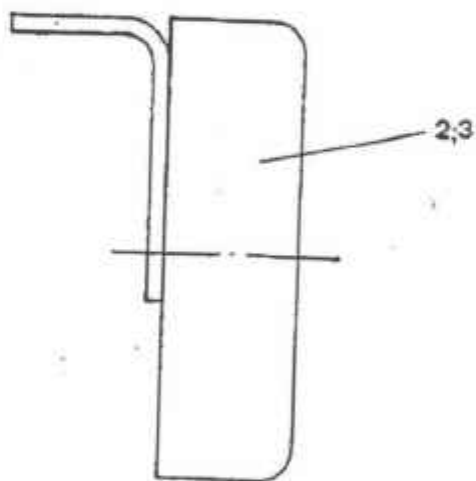
Pos.	Quantity		ID-NO.	Nomenclature
0001	2,000	PCE	10086464	HOLDER
0002	1,000	PCE	10086461	HOLDER, RIGHT
0003	1,000	PCE	10086462	HOLDER, LEFT
0008	1,000	PCE	10038301	THREE-UNIT LAMP SBBL
0009	1,000	PCE	10038302	THREE-UNIT LAMP SBBLK
0010	2,000	PCE	10007636	TAIL LIGHT COMPLETE ROUND
0011	4,000	PCE	10012702	BULB 24V 21W BA15S P25/1-24V 21W
0012	2,000	PCE	10012700	BULB 24V 10W
0013	2,000	PCE	10001882	HEXAGON HEAD SCREW DIN 933 M 10 X 55 - 8.8 - A2C
0014	8,000	PCE	10189221	COUNTERSUNK SCREW DIN 7991 M 5 X 20 - 8,8 - A2C
0015	8,000	PCE	10001237	HEXAGON NUT DIN 934 M 5 - 8 - A2C
0016	8,000	PCE	10013290	DISC DIN 125 B 5,3- St
0017	1,000	PCE	10101781 V	FOG TAIL LAMP CPL. 24 V
0018	2,000	PCE	10139229	CLEARANCE LAMP
End				

/ -л  
y



**SCHWING**

10101779





FOG TAIL LAMP CPL  
24 V

COM-No. :  
ID-NO. : **10101781**  
PERT.DRG: 10101779

Pos.	Quantity	ID-NO.	Nomenclature
0002	1,000 PCE	10098673	REAR FOG LAMP 2xM6
0003	1,000 PCE	10012702	BULB 24V 21W BA15S P25/1-24V21W

End

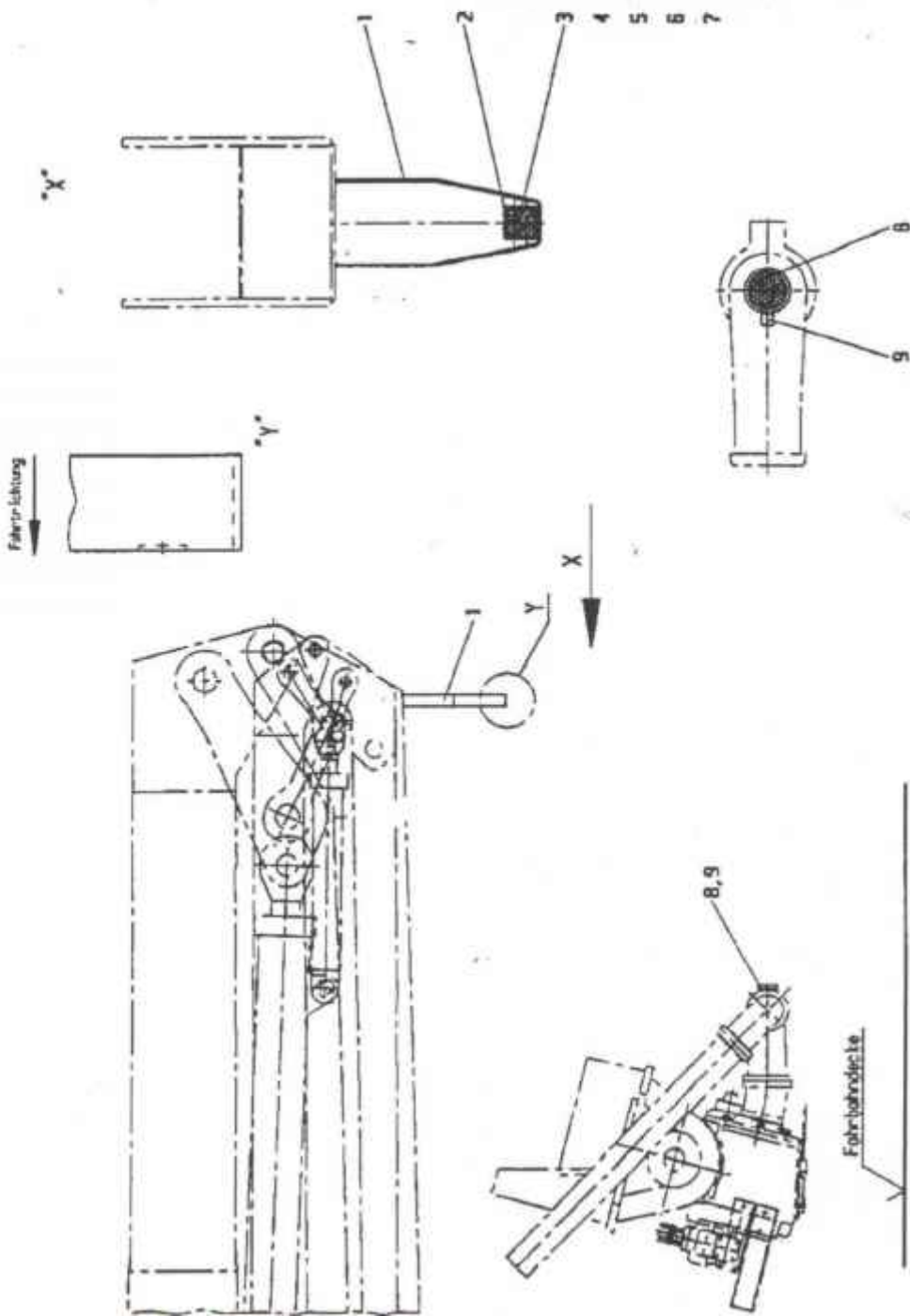
C 1



**SCHWING**

a p f

**10017927**



TAIL LIGHT SYSTEM AT BOOM 24 V  
("ROCK" VALVE)

COM-No. :

ID-NO.: 10017931

PERT.DRG: 10017927

Pos.	Quantity		ID-NO.	Nomenclature
0002	1,000	PCE	10007246	STOP LAMP E 1
0003	1,000	PCE	10012702	BULB 24V 21W BA15S P25/1-24V 21W
0004	1,000	PCE	10006676	BULB-SOFFITTE 24 V, 5 W C11
0005	2,000	PCE	10001923	CHEESE HEAD SCREW DIN 84 M 4 X 20 - 4.8 - A2C
0006	2,000	PCE	1.0145911	SCREW RETAINER SKM 4 DT 320
0007	2,000	PCE	10007112	DISC DIN 125 B 4,3 - Ms
0008	1,000	PCE	10007636	TAIL LIGHT COMPLETE ROUND
End				



-v Г%um  
-ШМШ

Н В Ш Н Ш Щ

я и н н

COM-No. :

ID-NO. : 10108338

E-CONTROL KVM 32 Ex BPL 900HDR

24 V, 24/42-POL., DIG., S.87

PERT.DRG: KEINE

O

Pos.	Quantity	ID-NO.	Nomenclature
0002	1,000 PCE	10080647 <	CONTROL PANEL KVM 32/42 24 V BLACK-WHITE SERIES 87
0003	1,000 PCE	10138475i^	REMOTE CONTROL PANEL DIGITAL 4-SECTION BOOM 42POLES 12/24V
0004	1,000 PCE	10095503 V	CONNECTION CABLE 24-POL.PINS /42-POL.BUSHES
0005	1,000 PCE	10018432	CABLE DRUM 24-POL., 25 M
0006	1,000 PCE	10105629 v	CONNECTION CABLE 7 M,42-POL BUSHINGS
0007	1,000 PCE	10108061	CABLE TREE KVM 32 EXPORT
0008	1,000 PCE	10047835'/	ACCESSORIES AND LINES KVM 32
0009	1,000 PCE	10148758 v	ELECTRICAL INSTALLATION
0010	1,000 PCE	10108744 V	E-CONTROL

End

HYDRAULIC SYSTEM ON BOOM  
KVM 32 (EXPORT EXECUTION)

COM-NO. :  
ID-NO. : 10041262  
PERT.DRG:

Pos.	Quantity		ID-NO.	Nomenclature
0042	7,000	PCE	10050174	HYDRAUIC HOSE 350 BAR DN 8/2STX 1000
0043	4,000	PCE	10018483	HYDRAULIC HOSE 350 BAR DN 8/2ST X 900
0044	7,000	PCE	10018484	HYDRAULIC HOSE 350 BAR DN 8/2ST X 700
0045	2,000	PCE	10039660	TUBE 12X2X670 DIN 2391-C
0046	2,000	PCE	10041328	TUBE 12X2X830 DIN 2391-C
0047	2,000	PCE	10034420	TUBE 12X2X1370 DIN 2391-C
0048	2,000	PCE	10041329	TUBE 12X2X1340 DIN 2391-C
0049	1,000	PCE	10041330	TUBE 12X2X2350 DIN 2391-C'
0050	1,000	PCE	10041331	TUBE 12X2X4500 DIN 2391-C
0051	2,000	PCE	10041332	TUBE 12X 2X4480 DIN 2391-C
0052	1,000	PCE	10041333	TUBE 12X2 X2680 DIN 2391-C
0053	3,000	PCE	10041334	TUNBE 12 X 2 X 4700 DIN 2391-C
0054	1,000	PCE	10061024	ELBOW (20 X 3 X270/ 1X 90 DEG.)
0055	1,000	PCE	10061026	ELBOW (16 X2,5X 199/ 1X90 DEG.)
0056	2,000	PCE	10041356	ELBOW (16X2,5 X4055/ 1X30 DEG.)
0057	2,000	PCE	10041357	ELBOW (16X2,5X 1755/ 1X 30 DEG.)

DELIVERY PIPELINE KVM 32/28  
 DN 125

COM-No.:  
 ID-NO. : 10027475  
 PERT.DRG:

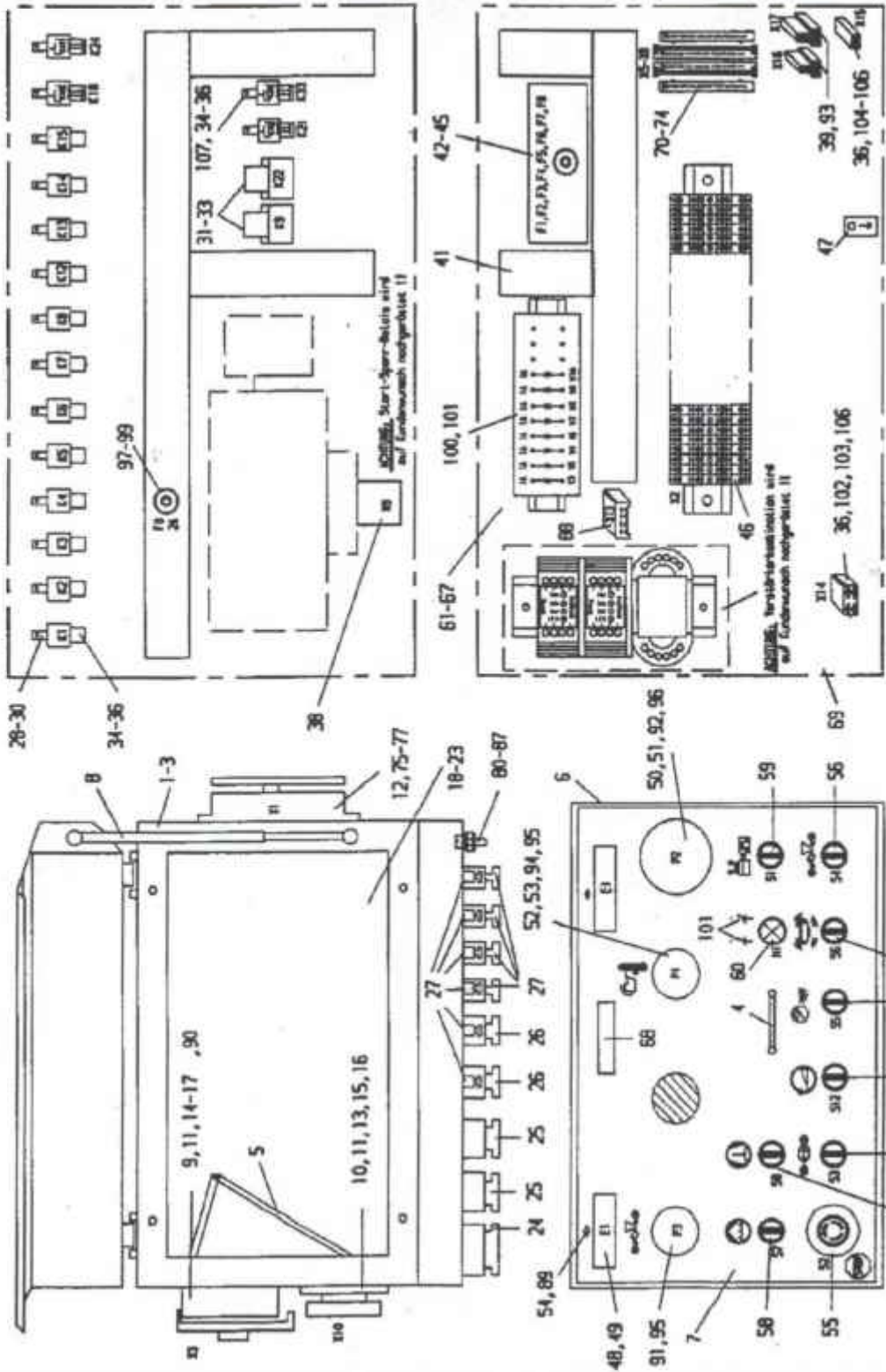
Pos.	Quantity		ID-NO.	Nomenclature
0019	77,00	PCE	10001260	HEXAGON NUT DIN 934 M 16- 8-A2C
0020	14,00	PCE	10008369	SAFETY DEVICE FOR CLAMP
0022	10,00	PCE	10001469	DISC DIN 7349 17 - St - A3C
0023	14,00	PCE	10133552	SCREW RETAINER SKM 16 DT 320
0024	7,000	PCE	10001341	HEXAGON HEAD SCREW DIN 933 M 16 X 45 - 8.8 - A2C
0025	17,00	PCE	10038880	TUBE SUPPORT DN 125
0026	17,00	PCE	10010238	ROUND STEEL STIRRUP
End				





SCHWING

10080647



L11  
"- JCONTROL PANEL KVM 32/42  
24 V BLACK-WHITE SERIES 87COM-No. :  
ID-NO. : 10080647  
PERT.DRG:

Pos.	Quantity		ID-NO.	Nomenclature
0001	1,000	PCE	10118336	PANEL HOUSING 24-POLES
0002	1,000	PCE	10029252	SASH FASTENER 22,5 MM D WITH KEY AND CAP
0003	5,000	PCE	10023093	HINGE
0004	1,000	PCE	10029327	BOLT 6 X 70
0005	1,000	PCE	10029257	FLAP
0006	1,000	M	10029256	PROFILE 21 X 13,5 X 20 MM
0007	1,000	PCE	10037133	SCREEN FOR INSTRUMENT BOARD KVM 32 A. 42
0008	1,000	PCE	10029317	PNEUMATIC SPRING STROKE = 60 MM SPRING RESISTANCE 19 daN
0009	1,000	PCE	10007259	SOCKET 3-POL.
0010	1,000	PCE	10040711	SOCKET 2-POL. M 36X2
0011	2,000	PCE	10040712	RUBBER SEALING
0012	1,000	PCE	10023357 V"	FLANGE-TYPE SOCKET 24-POL..CPL BUSHING, IP55, DIN 40050, CPL.
0013	3,000	PCE	10119215	COUNTERSUNK SCREW DIN 7991 M 5X16 - 8.8 -A2C
0014	3,000	PCE	10007076	CHEESE HEAD SCREW DIN 84 M 5 X 30 - Ms
0015	8,000	PCE	10018377	SEALING AND SECURING RING M 5
0016	7,000	PCE	10001239	HEXAGON NUT DIN 934 M 5 - Ms
0017	2,000	PCE	10007651	CABLE COLLAR d = 8 MM, M5, TYPE 7 C
0018	3,000	PCE	10025774	INTERMEDIATE PIECE D 25 MM, d=8MM, S=10 MM
0019	3,000	PCE	10029320	DISC

CONTROL PANEL KVM 32/42  
24 V BLACK-WHITE SERIES 87

COM-No. :

ID-NO.: 10080647

PERT.DRG:

Vfffs

-«Ш

Pos.	Quantity	ID-NO.	Nomenclature
0020	7,000 PCE	10007124	HEXAGON NUT DIN 934 M 8 - Ms
0021	4,000 PCE	10129842	SCREW RETAINER SKM 8 DT 320
0022	4,000 PCE	10007117	DISC DIN 125 B 8,4 - Ms
0023	4,000 PCE	10029321	RUBBER BUFFER 40 X 30
0024	1,000 PCE	10022165	CABLE SCREW JOINT PA, Pg 29 PULL RELIEF, CPL.
0025	2,000 PCE	10022157	CABLE SCREW JOINT PA, Pg 16 PULL RELIEF, CPL.
0026	2,000 PCE	10022159	CABLE SCREW JOINT PA, Pg13,5 PULL RELIEF, CPL.
0027	10,00 PCE	10022161	CABLE SCREW JOINT PA, Pg 11 PULL RELIEF, CPL.
0028	44,00 PCE	10019289	CLIP NUT M 4
0029	31,00 PCE	10019286	SCREW WITH DISC M 4X 10
0030	14,00 PCE	10019287	SCREW WITH DISC M 4 X 16
0031	2,000 PCE	10044212	RELAY 24 V/40 A
0032	2,000 PCE	10047757	PLUG HOUSING, 9 POLES 4X2,8/3X6,3/2X9,5
0033	4,000 PCE	10044221	FLAT PLUG IN SLEEVE 9,5 MM DIN 46247
0034	20,00 PCE	10019295	RELAY 24 V 10/20 A
0035	20,00 PCE	10009830	PLUG HOUSING FOR RELAIS 26 X 26 MM
0036	122,0 PCE	10009698	FLAT PLUG-IN SLEEVE DIN 46340 B 6,3-2,5-Ms-galSn

CONTROL PANEL KVM 32/42  
24 V BLACK-WHITE SERIES 87

COM-No. :  
ID-NO. : 10080647  
PERT.DRG.

Pos.	Quantity	ID-NO.	Nomenclature
0038	1,000 PCE	10010002	FLAT PLUG HOUSING, 6 POLES WHITE
0039	2,000 PCE	10010001	RECEPTACLE HOUSING 2 POLES WHITE (BUSHING 6,3 MM)
0041	1,600 M	10067599	CABLE CANAL H=23MM,B=31 MM,SLOTTED 4 MM
0042	1,000 PCE	10092873	FUSE BOX 8POLES DIN 72582, FORM A
0043	4,000 PCE	10011672	FUSE 6 X 25 MM, 8 A, WHITE, A8-DIN 72581
0044	1,000 PCE	10011670	FUSE 6X25 MM, 16 A, RED, A16-DIN 72581
0045	3,000 PCE	10011671	FUSE 25A, BLUE
0046	1,000 PCE	10144237	TERMINAL STRIP CPL. 37X 4 QMM
0047	1,000 PCE	10019323	EARTHING SYMBOL 6 MM
0048	2,000 PCE	10011890	LICENCE PLATE LIGHT 80X28X31 MM
0049	2,000 PCE	10006676	BULB-SOFFITTE 24 V, 5 W C11
0050	1,000 PCE	10010452	REVOLUTION COUNTER 3500 U/MIN. D = 80 MM, 24 V
0051	1,000 PCE	10006681	BULB 24V 3W BA7S
0052	1,000 PCE	10008545	REMOTE THERMOMETER 24 V 20-100 DEGREES, 60MM
0053	1,000 PCE	10006685	BULB 24 V, 2 W, BA9s T 8-2-24V 2W DIN 72601
0054	2,000 PCE	10029324	SCREW M 6X 35 4.6-A2C
0055	1,000 PCE	10179132 i/	MUSHROOM HEAD PUSH-BUTTON 22,5MM,PA,20E,CPL,RED,D=30 MM
0056	1,000 PCE	10183473	JACK SWITCH CPL.

fc. 2

S i

CONTROL PANEL KVM 32/42  
24 V BLACK-WHITE SERIES 87

COM-No. :

iu-nu. : IUU6Ub47

PERT.DRG:

Pos.	Quantity	ID-NO.	Nomenclature
0057	1,000 PCE	10183482 ^	JACK SWITCH CPL.
0058	3,000 PCE	10183468 /	JACK SWITCH CPL.
0059	1,000 PCE	10183472 ✓	JACK SWITCH CPL.
0060	1,000 PCE	10183289^	SIGNAL LAMP CPL., GREEN, 24V WITH LED
0061	6,000 M	10007312	LINE 1 QMM H05V-K 1 QMM, BLUE
0062	32,00 M 4	10007313	LINE 1 QMM H05V-K 1 QMM, BLACK
0063	4,000 M	10007327	LINE 2,5 QMM H07V-K 2,5 QMM, BLUE
0064	8,000 M	10007324	LINE 2,5 QMM H07V-K 2,5 QMM, BLACK
0065	113,0 PCE	10019325	SPLICE END 1 QMM A 1-6 DIN 46228 L=6MM
0066	17,00 PCE	10012650	SPLICE END 2,5 QMM BLUE
0067	19,00 PCE	10007444	STRAP BLACK, 2,5 X 102MM D=1,6-22 MM
0069	1,000 PCE	10029322	PLATE
0070	2,000 PCE	10025900	PLUG CONNECTOR 10 POLES
0071	2,000 PCE	10025898	PLUG CONNECTOR 10 POLES
0072	8,000 PCE	10025902	DISC
0073	4,000 PCE	10021408	SPACING PIECE M4, L= 20MM
0074	5,000 PCE	10171864	DISC D 20 / 4,3 x 1,25
0075	4,000 PCE	10018373	CHEESE HEAD SCREW DIN 84 M4 X 16-4.8-A2C
0076	6,000 PCE	10001233	HEXAGON NUT DIN 934 M 4 - Ms

CONTROL PANEL KVM 32/42  
24 V BLACK-WHITE SERIES 87

COM No.:  
ID-NO. r 10080647  
PERT.DRG: И-

Pos.	Quantity		ID-NO.	Nomenclature
0077	4,000	PCE	10018374	SEALING AND SECURING RING M 4
0078	1,000	PCE	10183474V	JACK SWITCH CPL.
0079	1,000	PCE	10183484 ^	JACK SWITCH CPL.
0080	1,000	PCE	10021420	EARTHING BAND 10 QMM L = 200MM AND CABLE SOCKET M6
0081	0,200	M	10014934	LINE 4 QMM H07V-K 4 QMM, BLUE
0082	1,000	PCE	10019290	CLIP NUT M 6
0083	1,000	PCE	10048802	CONDUCTOR END SLEEVE 4 QMM
0084	3,000	PCE	10007580	CABLE COLLAR 6- 6 DIN 46234 M6, 2,5-6 QMM
0085	1,000	PCE	10011991	CHEESE HEAD SCREW DIN 84 M 6 X 35 - 5.8 - A2C
0086	2,000	PCE	10069695	HEXAGON NUT DIN 934 M 6 - A2-70
0087	2,000	PCE	10069484	DISC DIN 125 A 6,4 - VA
0088	1,000	PCE	10009996	PLUG HOUSING 8-POLES WHITE
0089	4,000	PCE	10014791	SOCKET LW 6/8 / S4 // D6/49
0090	1,000	PCE	10007661	CABLE COLLAR d = 9,5 MM, M5, TYPE 8 C
0091	1,000	PCE	10007093	WORKING HOUR METER 10-30V, DC,IP65,D=60MM
0092	1,000	PCE	10010005	RECEPTACLE HOUSING 4-POLES WHITE (BUSHING 6,3 mm)
0093	2,000	PCE	10010000	FLAT PLUG HOUSING 2 POLES WHITE
0094	1,000	PCE	10011889	RECEPTACLE HOUSING 3 POLES CPL FOR ROUND INSTRUMENTS

/ "S

CONTROL PANEL KVM 32/42  
24 V BLACK-WHITE SERIES 87

stSfii

COM-No. :

ID-NO. : 10080647

PERT.DRG:

18 ШШЪЗТ

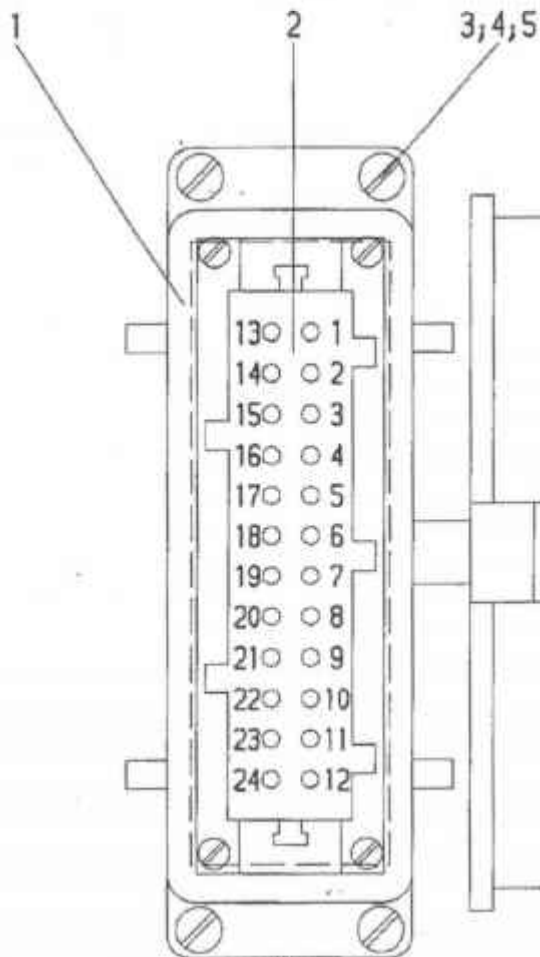
Pos.	Quantity		ID-NO.	Nomenclature
0095	2,000	PCE	10042865	O-RING 58 X 2
0096	1,000	PCE	10042863	O-RING 79 X 2
0097	1,000	PCE	10048238	SAFETY FUSE "G" GLASS TUBE 5X20MM 2A, 250V, DIN 41571
0098	1,000	PCE	10082862	SCREWED CAP FOR FUSE 5 X 20 MM
0099	1,000	PCE	10082861	FUSE HOLDER M 8X0,75 FOR FUSE 5 X 2 MM
0100	10,00	PCE	10018525	DIODE 1 AMPERE GATE VOLTAGE 1000 V
0101	1,000	PCE	10138725	MOUNTING PLATE MPS - 11
0102	1,000	PCE	10010005	RECEPTACLE HOUSING 4-POLES WHITE (BUSHING 6,3 mm)
0103	1,000	PCE	10010004	FLAT PLUG HOUSING 4 POLES WHITE
0104	1,000	PCE	10148742	FLAT CONNECTOR SHEEL, 1 POLES, WHITE 6,3 MM
0105	1,000	PCE	10125238	PLUG HOUSING
0106	12,00	PCE	10014952	FLAT PLUG A 6,3-1
0107	1,000	PCE	10040509	SPACING PIECE M4, L= 25MM

End



**SCHWING**

10023357





FLANGE-TYPE SOCKET 24-POL..CPL  
BUSHING, IP55, DIN 40050, CPL.

• CCMNO.-  
ID-NO. : 10023357-  
PERT.DRG:

n

Pos.	Quantity		ID-NO.	Nomenclature
0001	1,000	PCE	10018796	SOCKET HOUSING WITH HINGED COVER IP55
0002	1,000	PCE	10018371	BUSHING ELEMENT DIN 40050 24 POLES, 16A, 2,5 QMM
0003	4,000	PCE	10018373	CHEESE HEAD SCREW DIN 84 M 4 X 16 - 4.8 - A2C
0004	4,000	PCE	10018374	SEALING AND SECURING RING M 4
0005	4,000	PCE	10001233	HEXAGON NUT DIN 934 M 4 - Ms
End				

; fЩ

” -

COM-No. :

Ш Т Т 1

MUSHROOM HEAD PUSH-BUTTON  
22,5MM,PA,20E,CPL,RED,D=30 MM

ID-NO. : 10179132 ✓

П

PERT.DRG: KEINE

Pos.	Quantity	ID-NO.	Nomenclature	- ' * : VT,»
0001	1,000 PCE	10132375	MUSHROOM HEAD PUSH-BUTTON TOP SECTION 22,5MM,PA,RED D=30MM	
0002	1,000 PCE	10116340	SWITCHING ELEMENT-BOTTOM PART 22,5 MM	
0003	1,000 PCE	10183422	SWITCH INSERT 10E	
End				

t Л,

J

. % , jgtes

;

1-

JACK SWITCH CPL.

COM-No.:

ID-NO. : 10183473

PERT.DRG: KEINE

1 XKg!

Q

Pos.	Quantity	ID-NO.	Nomenclature
0001	1,000 PCE	10183404	JACK SWITCH-UPPER PART
0002	1,000 PCE	10183417	SWITCH BOTTOM SECTION 2S
End			

Л.

L · ∴ -A; · 'Й-ЦТ.

COM-No. :

JACK SWITCH CPL.

ID-NO. : 10183482

M

PERT.DRG: KEINE

O

Pos.	Quantity	ID-NO.	Nomenclature	Тип
0001	1,000 PCE	10183406	JACK SWITCH-UPPER PART	
0002	1,000 PCE	10183417	SWITCH BOTTOM SECTION 2S	
End				

УЧ

1 r"

ЩИТАК  
JACK SWITCH CPL

COM-No. :  
ID-NO. : 10183468  
PERT.DRG: KEINE

Pos.	Quantity	ID-NO.	Nomenclature
0001	1,000 PCE	10183401	JACK SWITCH-UPPER PART
0002	1,000 PCE	10183414	SWITCH BOTTOM SECTION 1S
End			

V- -

JACK SWITCH CPL.

COM-No. :

ID-NO. : 10183472

PERT.DRG: KEINE

Pos.	Quantity		ID-NO.	Nomenclature
0001	1,000	PCE	10183401	JACK SWITCH-UPPER PART
0002	1,000	PCE	10183417	SWITCH BOTTOM SECTION 2S
0003	2,000	PCE	10183422	SWITCH INSERT 10E
End				

SIGNAL LAMP CPL., GREEN, 24V  
WITH LED

COM-No. :

ID-NO. : 10183289

PERT.DRG: KEINE

Pos.	Quantity	ID-NO.	Nomenclature
0001	1,000 PCE	10183299	SIGNAL LAMP - TOP SECTION GREEN
0002	1,000 PCE	10189247	SIGNAL LAMP - BOTTOM PART LED GREEN, 24V AC/DC

End



JACK SWITCH CPL.

COM-No.:

ID-NO.: 10183474

PERT.DRG: KEINE

Pos.	Quantity	ID-NO.	Nomenclature
0001	1,000 PCE	10183404	JACK SWITCH-UPPER PART
0002	1,000 PCE	10183417	SWITCH BOTTOM SECTION 2S
0003	1,000 PCE	10183421	SWITCH INSERT 1S
End			

JACK SWITCH CPL.

COM-No. :

ID-NO. : 10183484

PERT.DRG: KEINE

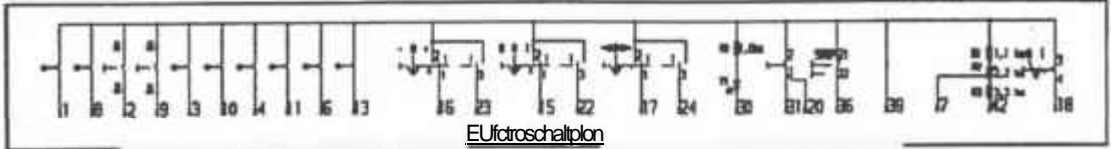
Pos.	Quantity	ID-NO.	Nomenclature
0001	1,000 PCE	10183406	JACK SWITCH-UPPER PART
0002	1,000 PCE	10183417	SWITCH BOTTOM SECTION 2S
0003	1,000 PCE	10183422	SWITCH INSERT 10E
End			

C-:



**SCHWING**

10138475



*m r r r r r n ££*

©

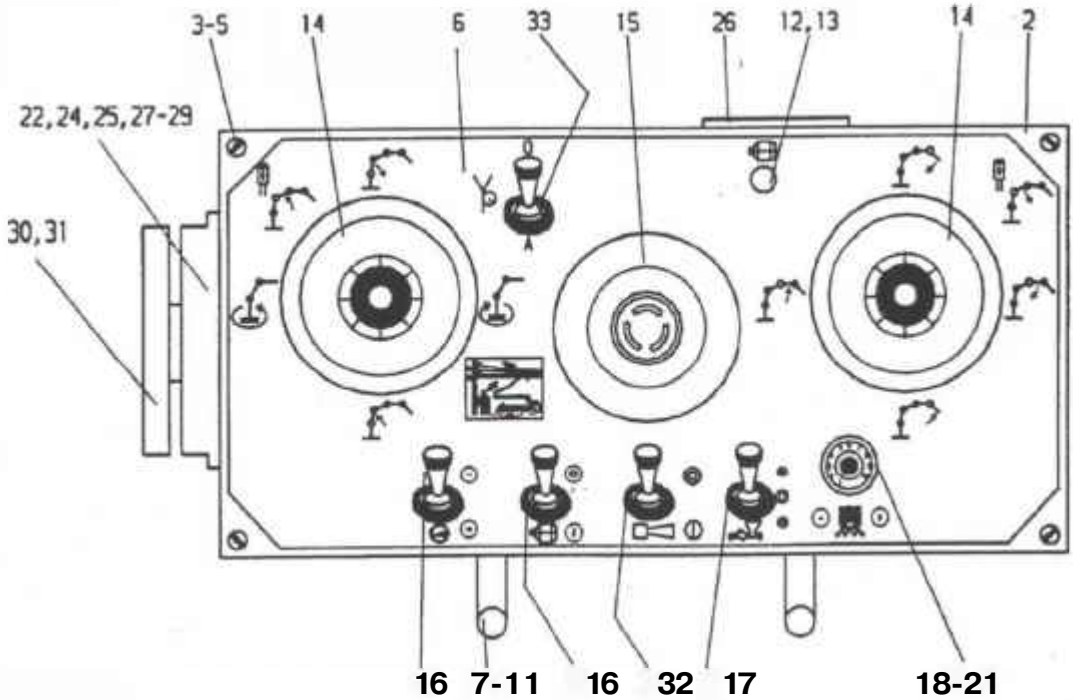
•<\*|

«Л.

с » @

---

\*



REMOTE CONTROL PANEL DIGITAL  
4-SECTION BOOM 42POLES 12/24V

COM-No. :  
ID-NO. : 10138475  
PERT.DRG:

O

Pos.	Quantity		ID-NO.	Nomenclature
0002	1,000	PCE	10090627	HOUSING BOTTOM SECTION S.87 FOR REMOTE CONTROL BOX 42 POL.
0003	1,000	PCE	10061099	HOUSING DRAW ANCHOR SET LONG 22,9 M
0004	4,000	PCE	10061100	HOUSING-SCREW M 3,5X25
0005	4,000	PCE	10061101	HOUSING-SCREW M 3,5 X 30
0006	1,000	PCE	10135757	CABLE CONTROL TOP SECTION WITH PANEL 134137
0007	1,000	PCE	10073614	HOLDER FOR REMOTE CONTROL PANEL SERIES 87
0008	4,000	PCE	10071984	SCREW M 5 X 20
0009	4,000	PCE	10034129	CAP NUT DIN 986 M 5 - 5 - A2C
0010	8,000	PCE	10018377	SEALING AND SECURING RING M 5
0011	1,000	PCE	10075867	CARRYING BELT
0012	1,000	PCE	10030742	LUMINOUS DIODE RED WITH O-RING D = 8 MM
0013	1,000	PCE	10035770	RESISTOR 1,8 KOHM (SBC 0309 +-5%) 0,6 W
0014	2,000	PCE	10131821	CONTROL SWITCH
0015	1,000	PCE	10183926 V	MUSHROOM HEAD PUSH-BUTTON CPL.
0016	2,000	PCE	10132342	FLIP SWITCH
0017	1,000	PCE	10132343	FLIP SWITCH 1-0-1 1 POLES 28V DC, D=13
0018	1,000	PCE	10120696	POTENTIOMETER 22,5 MM
0019	1,000	PCE	10080577	POTENTIOMETER 2,2 KOHM/LIN. +/-5% 1W AXLE L=50MM,D=6MM

REMOTE CONTROL PANEL DIGITAL  
4-SECTION BOOM 42POLES 12/24V

COM-No. :  
ID-NO. : 10138475  
PERT.DRG:

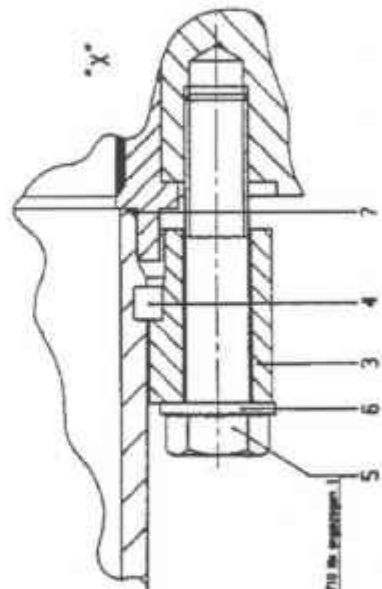
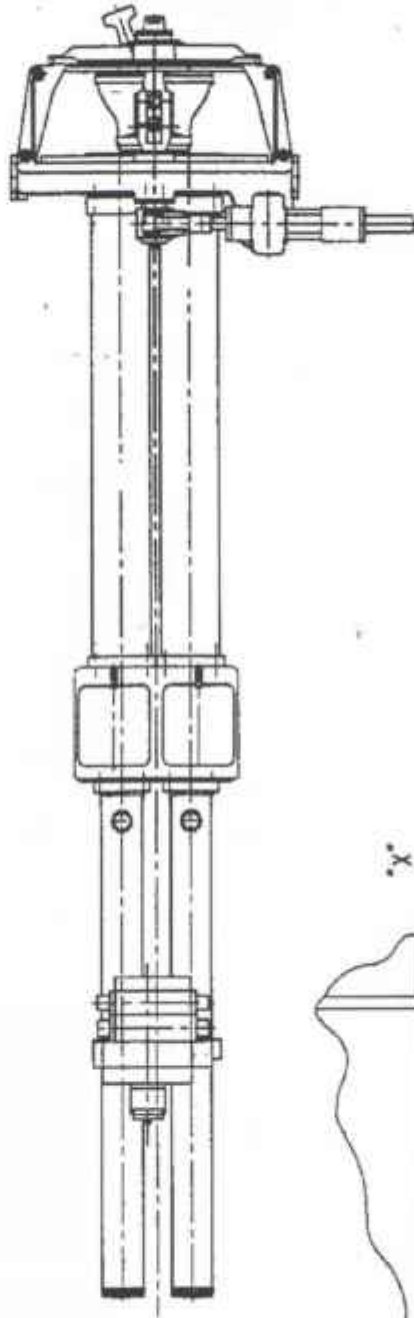
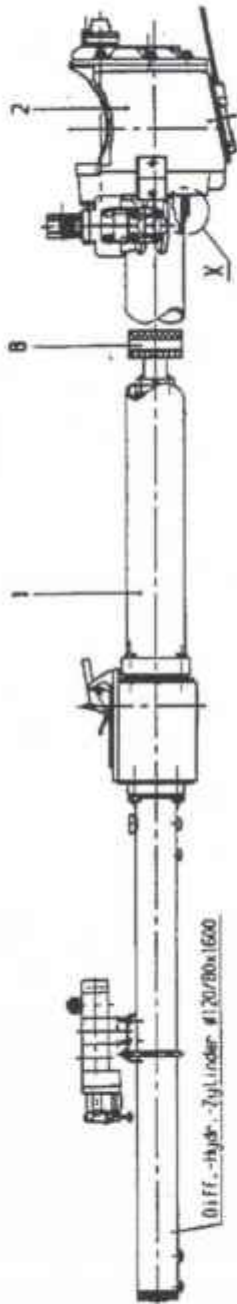
n

Pos.	Quantity		ID-NO.	Nomenclature
0020	1,000	PCE	10084213	RESISTOR 1,1 kOhm
0021	1,000	PCE	10084158	RESISTOR 3.3 kOhm
0022	0,600	M	10025980	LINE 0,5 QMM H05V-K 0,5 QMM, BLUE
0024	0,800	M	10018509	LINE 0,5 QMM H05V-K 0,5 QMM, BLACK
0025	1,000	M	10087373	LINE 24X0,5 QMM PVC
0027	13,00	PCE	10007444	STRAP BLACK, 2,5 X 102MM D=1,6-22 MM
0028	11,00	PCE	10019325	SPLICE END 1 QMM A 1-6 DIN 46228 L=6MM
0029	23,00	PCE	10009691	SPLICE END 0,5 QMM A 0,5-6 DIN 46228 L=6MM
0030	1,000	PCE	10090585	FLANGE-TYPE SOCKET 42-POLES,CPL. PINS40X0,5+2X1,5
0032	1,000	PCE	10132344	FLIP SWITCH 0-1 1 POLES 28V DC, D=13
0033	1,000	PCE	10132341	FLIP SWITCH 0-1
End				



**SCHWING**

10081457



Stl. 718 des Antriebsmotors

1  
W  
W

**SCHWING GMBH**

**Spare parts list**

Page: 1

COM-No. :

MUSHROOM HEAD PUSH-BUTTON  
CPL.

ID-NO. : 10183926

PERT.DRG: KEINE

O

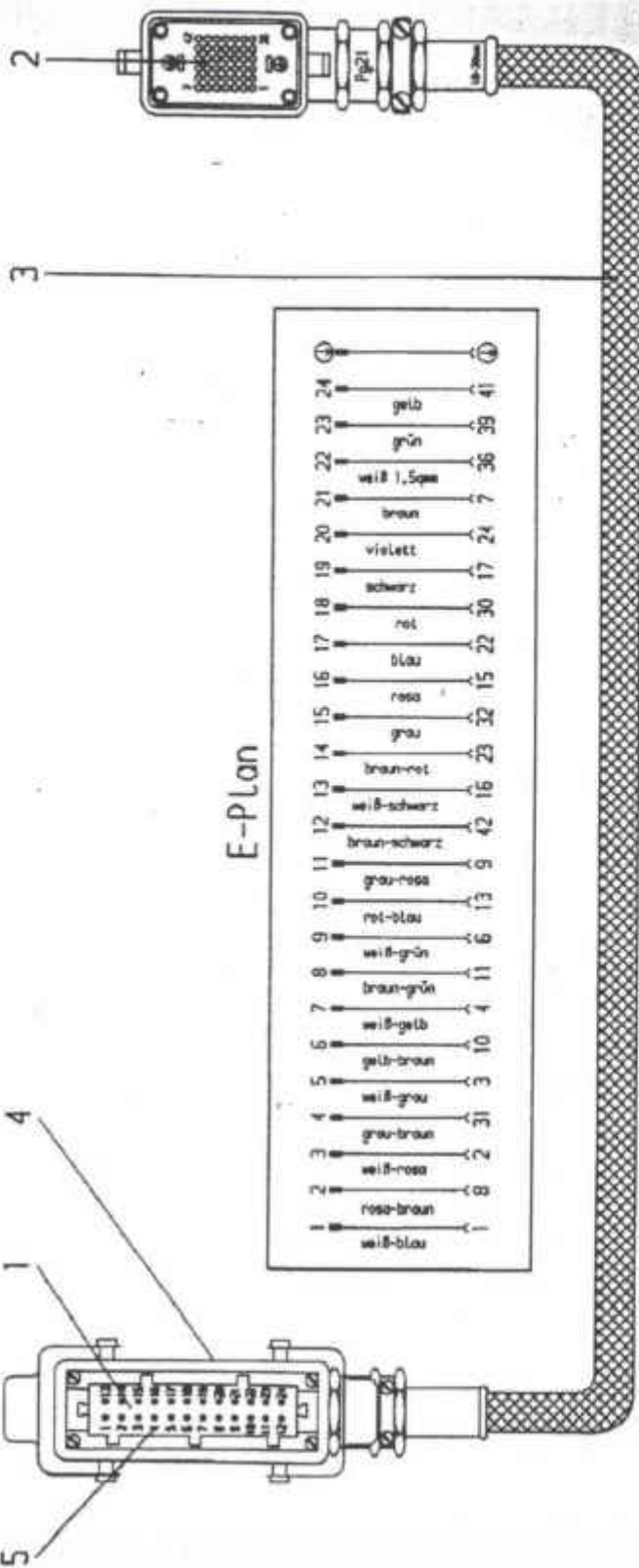
Pos.	Quantity	ID-NO.	Nomenclature
0001	1,000 PCE	10183906	MUSHROOM HEAD PUSH-BUTTON TOP SECTION
0002	1,000 PCE	10183416	SWITCH BOTTOM SECTION 10E

End



**SCHWING**

10095349





CONNECTION CABLE  
24-POL.PINS /42-POL.BUSHES

COM-No. :  
ID-NO. : 10095503  
PERT.DRG. 10095349

Γ)

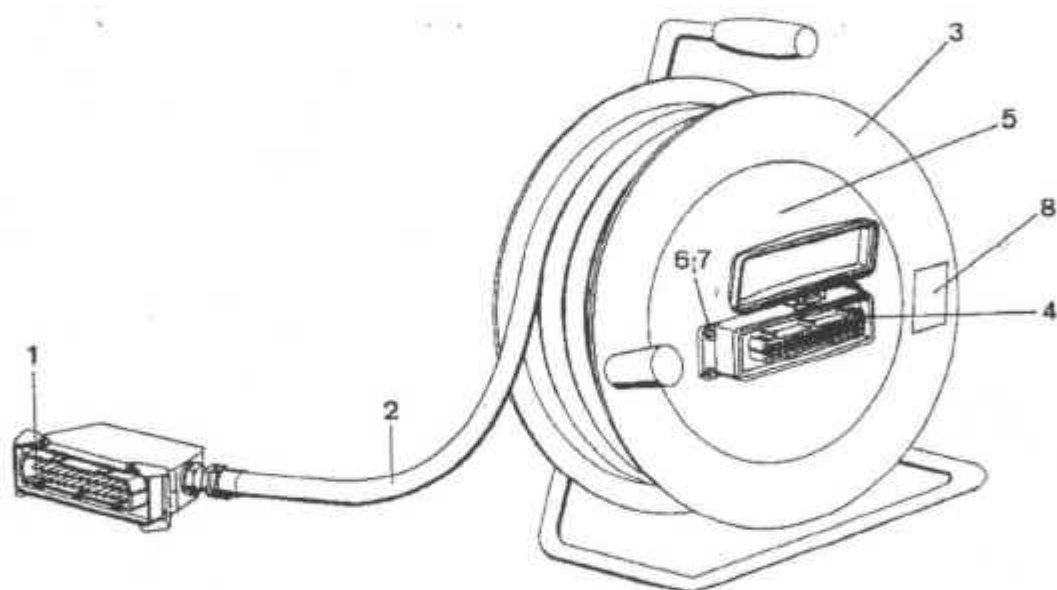
Pos.	Quantity		ID-NO.	Nomenclature
0001	1,000	PCE	10027394	PLUG 24-POL., Pg21 PINS, IP 55, DIN 40050, CPL.
0002	1,000	PCE	10091733	PLUG 42-POL., CPL. BUSHES 40X0,5 + 2X1,5 QMM
0003	15,00	M	10026006	LINE 25X0,5+1X1,5QMM
0005	23,00	PCE	10009691	SPLICE END 0,5 QMM A 0,5-6 DIN 46228 L=6MM
0006	1,000	PCE	10009693	SPLICE END 1,5 QMM A 1,5-7 DIN 46228 L=7MM
End				

W



**SCHWING**

10018432



CABLE DRUM 24-POL., 25 M

COM-No. :

ID-NO. : 10018432

PERT.DRG:

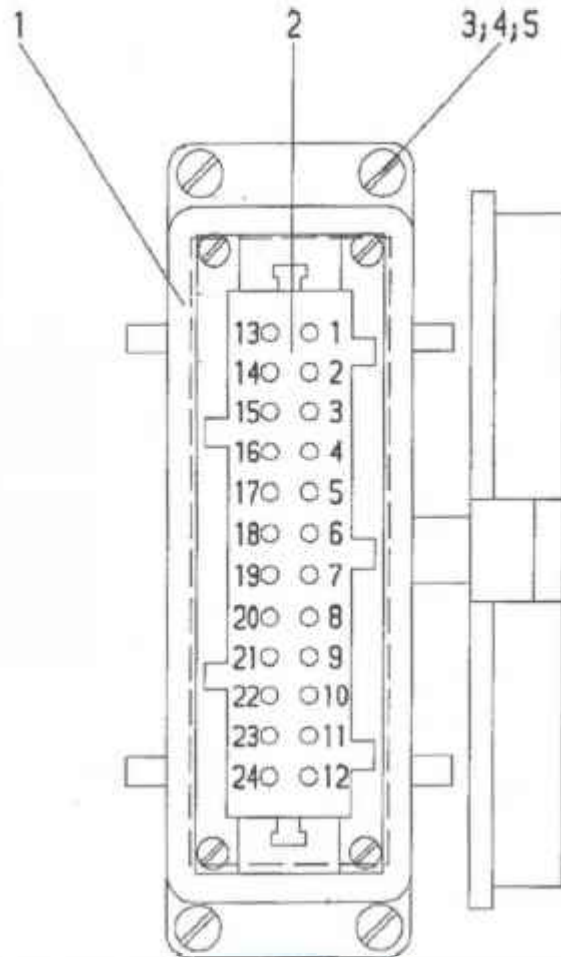
O

Pos.	Quantity		ID-NO.	Nomenclature
0001	1,000	PCE	10027394	PLUG 24-POL., Pg21 PINS, IP 55, DIN 40050, CPL.
0002	25,00	M	10026006	LINE 25X0,5+1X1,5QMM
0003	1,000	PCE	10145046	CABLE DRUM WITH COVER PLATE F.FLANGE-TYPE SOCKET 24 POLES
0004	1,000	PCE	10023357 V	FLANGE-TYPE SOCKET 24-POL.,CPL BUSHING, IP55, DIN 40050, CPL
0005	1,000	PCE	10007659	CABLE COLLAR d = 15,9 MM, M5, TYPE 12 C
0006	46,00	PCE	10009691	SPLICE END 0,5 QMM A 0,5-6 DIN 46228 L=6MM
0007	2,000	PCE	10009693	SPLICE END 1,5 QMM A 1,5-7 DIN 46228 L=7MM
End				



**SCHWING**

10023357



FLANGE-TYPE SOCKET 24-POL..CPL  
BUSHING, IP55, DIN 40050, CPL.

COM-No. :

ID-NO. : 10023357

PERT.DRG:

Pos.	Quantity	ID-NO.	Nomenclature
0001	1,000 PCE	10018796	SOCKET HOUSING WITH HINGED COVER IP55
0002	1,000 PCE	10018371	BUSHING ELEMENT DIN 40050 24 POLES, 16A, 2,5 QMM
0003	4,000 PCE	10018373	CHEESE HEAD SCREW DIN 84 M4 X 16-4.8-A2C
0004	4,000 PCE	10018374	SEALING AND SECURING RING M 4
0005	4,000 PCE	10001233	HEXAGON NUT DIN 934 M 4 - Ms

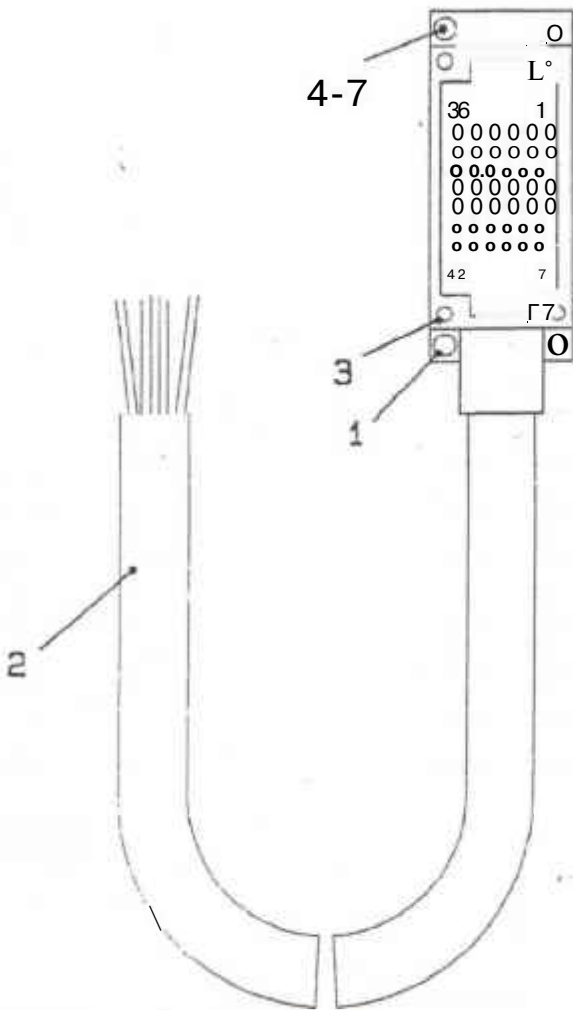
End



Ш Т Т М  
Ш Ш Ф Ш  
**SCHWING**

• ФШФШШЯШТ  
ШЩЩЩЩ^Ф®'ЪШ•••  
V: . . . - :

10105628



Stm-Buchse Numraer:	Farb- Icennung
01	- gruen-rot
02	- oranae-rot
03	- gruen
04	- beige
05	- achwarz
05	- orange-tiefl
07	- rat-gruen
00	- gruen-schwarz
09	- gelb-schwarz
10	- rasa
11	- rat-wel8
13	- blau-gruen
13	- blau-wel11
14	- arange-schwarz
15	- gelb-rot
15	- gruen-^el3
17	- ^eia
18	- frei
19	- frei
20	- frei
21	- frei
22	- weiS-rot
23	- braun-rot
24	- ViOIBtt
Г3	- gelb
26	- blau
27	- violett-welB
2B	- braun
Г9	- violett-acnxarz
30	- blau-acbwarz
31	- orange
3a	- transparent
33	- braun-welB
34	- gelb-wei a
35	- welB-achwarz
36	- blau-rot
37	- rot-schwarz
3a	- braun-acnwarz
39	- frei
40	- frei
41	- frei
42	- frei

com\_no :

10105629

ID-NO.

PERT.DRG: 10105628

CONNECTION CABLE 7 M.42-POL.  
BUSHINGS

Pos.	Quantity		ID-NO.	Nomenclature
0002	7,500	M	10022897	LINE 34 X 1 QMM, WITH SL PVC,FLEX.,N0.1-33+SL,d=18-20MM
0003	1,000	PCE	10103869	HOUSING OF FLANGE TYPE-SOCKET
0005	4,000	PCE	10001846	CHEESE HEAD SCREW DIN 84 M4X 10-4.8-A2C
0006	4,000	PCE	10001915	DISC DIN 1440 4-St
0007	4,000	PCE	1Q001542	LOCK WASHER DIN 127 A 4 FST - DT 500
End				

CABLE TREE KVM 32 EXPORT

COM-No. :

ID-NO. : 10108061

PERT.DRG: KEINE

Pos.	Quantity		ID-NO.	Nomenclature
0001	1,000	PCE	10105655	CABLE TREE KB10, L=5,5M,S=H,B=240mm,A1,A2=800mm,Y01-Y10,42PL
0002	1,000	PCE	10105629	^ CONNECTION CABLE 7 M.42-POL. BUSHINGS
0003	1,000	PCE	10035237	CABLE TREE FOR SOLENOID VALVE
0004	8,000	M	10012020	LINE 2 X 1 QMM, WITHOUT SL PVC.FLEX., d=4,5-5,8MM
0005	10,00	M	10012020	LINE 2 X 1 QMM, WITHOUT SL PVC.FLEX., d=4,5-5,8MM
End				



CONCRETE PUMP KIT  
P 1620-120/80 RM

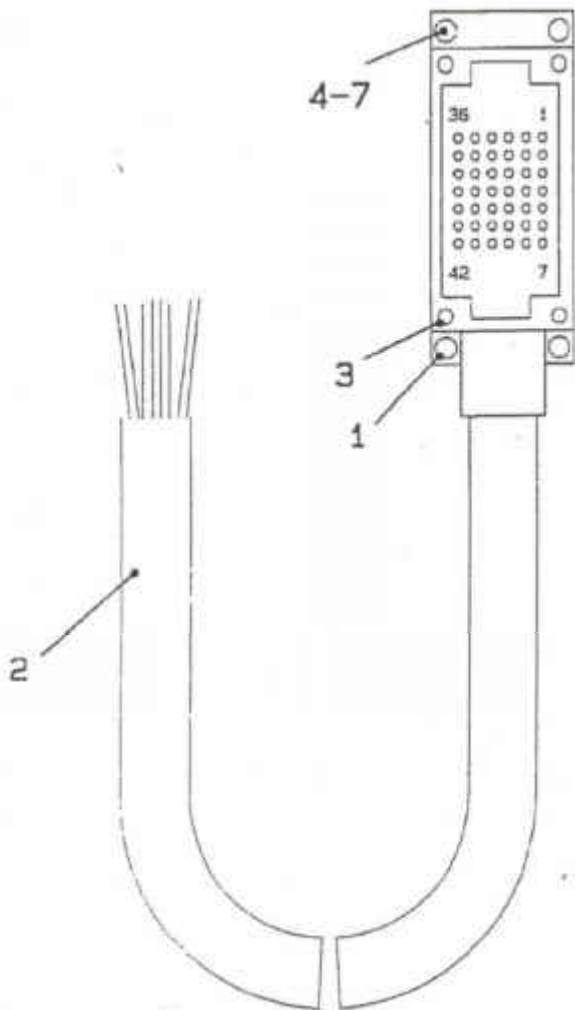
COM-No.:  
ID-NO. : 10081457  
PERT.DRG:

Pos.	Quantity		ID-NO.	Nomenclature
0001	1,000	PCE	10105298 /	PUMP UNIT BPL 900 HD DN 200-120/80 X 1600
0002	1,000	PCE	10108110	ROCK VALVE UNIT "M" DN 200/210/180, WITH ZL
0003	2,000	PCE	10077963	FLANGE DN 200 LK.: 274 4XD26
0004	2,000	PCE	10003731	HALF RING DN 200 232/210 X 12
0005	8,000	PCE	10001900	HEXAGON HEAD BOLT DIN 931 M 24 X 120 - 8.8 - A3C
0006	8,000	PCE	10001504	DISC DIN 6916 25 - C 45 - DT 500
0007	2,000	PCE	10014002	O-RING 207 X 3
0008	2,000	PCE	10081458 \!	RAM DN 200/80 WITH FIXTURE
End				



**SCHWING** ИРИ?

Ш ИБС» №1:  
**10105628**  
Wmm<sup>1</sup>-



Stift-Bucse Nummer:	Farb- kennung
------------------------	------------------

- |    |                   |
|----|-------------------|
| 01 | - gruen-rnt       |
| 02 | - orange-rot      |
| 03 | - gruen           |
| 04 | - beige           |
| 05 | - schwarz         |
| 06 | - oranue-*eiB     |
| 07 | - rat-grtien      |
| 08 | - gruen-schwarz   |
| 03 | - gelb-achwarz    |
| S0 | = raaa            |
| 11 | - rot-weilB       |
| 12 | - hlau-gruan      |
| 13 | - blau-neia       |
| 14 | - orange-sctiwarz |
| 1B | - geltj-rat       |
| 16 | - gruen-weis      |
| 17 | - weilB           |
| 1S | - i f 81          |
| 19 | - frei            |
| 20 | - frei            |
| 21 | - frei            |
| 22 | - xeifl-POt       |
| 23 | - braun-rot       |
| 24 | - violett         |
| 25 | - geld            |
| 26 | - Блаи            |
| 27 | - violett-weis    |
| 20 | - braun           |
| 29 | - violett-schwarz |
| 30 | - blau-achwarz    |
| 31 | - arange          |
| 32 | - transparent     |
| 33 | - braun-weilB     |
| 34 | - gslb-weia       |
| 35 | - weilB-achwarz   |
| 36 | - blau-rot        |
| 37 | - rot-achwarz     |
| 30 | - braur-achwarz   |
| 39 | - frei            |
| 40 | - frei            |
| 41 | - frei            |
| 42 | - frei            |

CONNECTION CABLE 7 M,42-POL.  
BUSHINGS

COM-No. :  
ID-NO. : 10105629 ✓  
PERT.DRG: 10105628

Pos.	Quantity	ID-NO.	Nomenclature
0002	7,500 M	10022897	LINE 34 X 1 QMM, WITH SL PVC.FLEX.,NO.1-33+SL,d=18-20MM
0003	1,000 PCE	10103869	HOUSING OF FLANGE TYPE-SOCKET
0005	4,000 PCE	10001846	CHEESE HEAD SCREW DIN 84 M 4 X 10 - 4.8 - A2C
0006	4,000 PCE	10001915	DISC DIN 1440 4-St
0007	4,000 PCE	10001542	LOCK WASHER DIN 127 A 4 FST - DT 500
End			

ACCESSORIES AND LINES  
KVM 32

COM-No. :

U-MO. : 1004/03

PERT.DRG: KEINE

Pos.	Quantity	ID-NO.	Nomenclature
0001	26,00 M	10105390	CABLE 4 QMM FLKK 4 QMM, BLACK, D=5,2 MM
0002	2,000 PCE	10009700	FLAT PLUG B 6,3-6 DIN 46343
0003	6,000 PCE	10009694	SPLICE END 4 QMM A 4-9 DIN 46228 L=9MM
0004	26,00 PCE	10012917	SPLICE END 1 QMM RED
0005	3,000 PCE	10012648	SPLICE END 0,75 QMM DIN 46228, GREY
0006	18,00 M	10105394	LINE 1,5 QMM
0007	50,00 PCE	10007445	STRAP BLACK, 3,6 X 150MM D=1,6-35 MM
0008	1,000 PCE	10007728	FLAT PLUG DIN 46245 A 2,8-1-MS-PVC
0009	3,000 PCE	10014953	FLAT PLUG IN SLEEVE 6,3-1 06840.123.211
0010	10,00 M	10010335	LINE 2X2,5 QMM PVC, FLEXIBLE, COLOURED
0011	1,000 M	10007327	LINE 2,5 QMM H07V-K 2,5 QMM, BLUE
0012	6,000 PCE	10009692	SPLICE END 2,5 QMM A 2,5-7 DIN 46228 L=7MM
0013	1,000 PCE	10007832	TEMPERATURE SWITCH 55 DEGREE.C M 14 X 1,5, MAKE CONTACT
0014	1,000 PCE	10003712	SEALING RING DIN 7603 A 14X 18 CU
0015	0,400 M	10007319	LINE 1,5 QMM H07V-K 1,5 QMM, BROWN
0016	1,000 PCE	10167890 /	RETROFIT KIT LEVELLING SWITCH

Г»

ACCESSORIES AND LINES  
KVM 32

COM-No. :

ID-NO. : 10047835

PERT.DRG: KEINE



Pos.	Quantity		ID-NO.	Nomenclature
0017	1,000	PCE	10115823	USIT-RING 14,7-22-1,5
0018	1,000	PCE	10007642	TRANSMITTER M 16X1,5 0-120 DEGREES/6-24V DC
0019	1,000	PCE	10003714	SEALING RING DIN 7603 A 16X20 CU
0020	1,000	PCE	10137815	INITIATOR IND.24V= M18 5MM NB
0021	1,000	PCE	10136647	FIXING CLAMP FOR INITIATOR M 18
0022	1,000	PCE	10040711	SOCKET 2-POL. M 36X2
0023	1,000	PCE	10166361	FUSE BOX 4 POLE FOR VEHICLE PLAT FUSES
0024	2,000	PCE	10064860	FUSE 30 A, GREEN,
0025	2,000	PCE	10021402	SPACING PIECE M4, L= 40MM
0026	5,000	M	10094565	PROTECTION HOSE Pg29,AD=34,5MM IP68, ID=29,0MM
0027	6,000	M	10115535	PROTECTION HOSE Pg21 ,AD=28,5MM IP68, ID=23,0MM
0028	4,500	M	10080564	PROTECTION HOSE Pg16,AD=21,2MM IP68, ID=16,5MM
0029	2,000	M	10115530	PROTECTION HOSE Pg11,AD=15,8MM IP68, ID=12,0MM
0030	11,00	M	10080565	PROTECTION HOSE Pg 9,AD=13,0MM IP68, ID=10,0MM
0031	1,000	PCE	10115560	DISTRIBUTOR 2X Pg9 / 1X Pg11 FOR PROTECTION HOSE PA
0032	2,000	PCE	10156104	RUBBER BUSHING, LINE 10-35MM FOR PROTECTION HOSE PA, Pg29
0033	2,000	PCE	10156103	RUBBER BUSHING, LINE 9-29MM FOR PROTECTION HOSE PA, Pg21

ACCESSORIES AND LINES  
KVM 32

COM-No.  
ID-NO. : 10047835  
PERT.DRG: KEINE

Pos.	Quantity		ID-NO.	Nomenclature
0034	4,000	PCE	10156102	RUBBER BUSHING, LINE 10-22MM FOR PROTECTION HOSE PA, Pg16
0035	2,000	PCE	10156101	RUBBER BUSHING, LINE 7-16MM FOR PROTECTION HOSE PA, Pg11
0036	20,00	PCE	10156100	RUBBER BUSHING, LINE 4-13MM FOR PROTECTION HOSE PA, Pg 9
0037	18,00	M	10009685	LINE 3 X 0,75 QMM PVC, COLOURED D=5,8MM
0038	65,00	M	10012020	LINE 2 X 1 QMM, WITHOUT SL PVC, FLEX., d=4,5-5,8MM
0039	40,00	PCE	10007447	STRAP BLACK, 4,7 X 200MM D=1,6-49 MM
0040	2,000	PCE	10007300	CABLE COLLAR 5-1 DIN 46237 RED, M5, 0,5-1 QMM
0041	1,000	PCE	10176954'/	WORKING REFLECTOR CPL., 24V 3,5M LINE

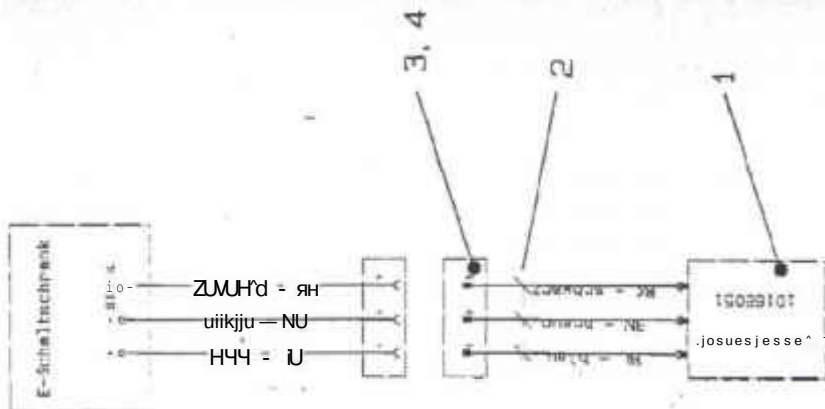
End



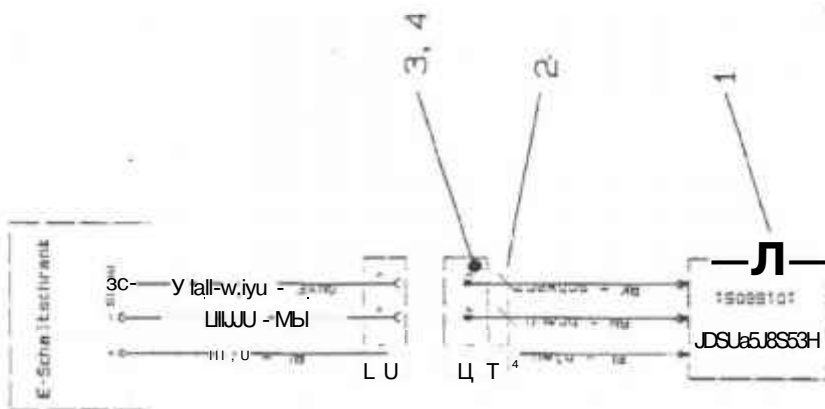
SCHWING

10167890

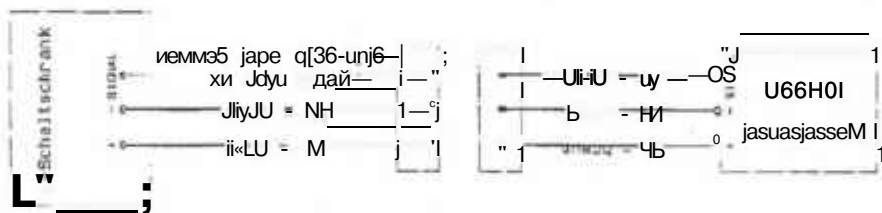
Variant H O



Variant J



ALT



RETROFIT KIT  
LEVELLING SWITCHCOM-No. :  
ID-NO. : 10167890  
PERT.DRG:

Pos.	Quantity	ID-NO.	Nomenclature
0001	1,000 PCE	10166051	LEVELLING SWITCH (KFZ)9-36V DC F. WATER WITH AMP-PLUG M14X1.5
0002	1,000 PCE	10166145	CONNECTING CABLE 1 M 3-POLE AMP CONNECTOR
0003	1,000 PCE	10009999	FLAT PLUG HOUSING 3 POLES WHITE
0004	3,000 PCE	10014952	FLAT PLUG A 6,3-1

End



CONNECTING CABLE 1 M  
3-POLE AMP CONNECTOR

Щг

COM-No.:

.D-NO. : 10166145

PERT.DRG: KEINE /E-PLAN

mmm,

Pos.	Quantity	ID-NO.	Nomenclature
0001	1,000 M	10009685	LINE 3 X 0,75 QMM PVC, COLOURED D=5,8MM
0002	1,000 PCE	10166081	SLEEVE HOUSING CPL., 3 POL., 2,5 QMM, CODE 1

End

WORKING REFLECTOR CPL., 24V  
3,5M LINE

COM-No. :  
ID-NO. : 10176954  
PERT.DRG: KEINE

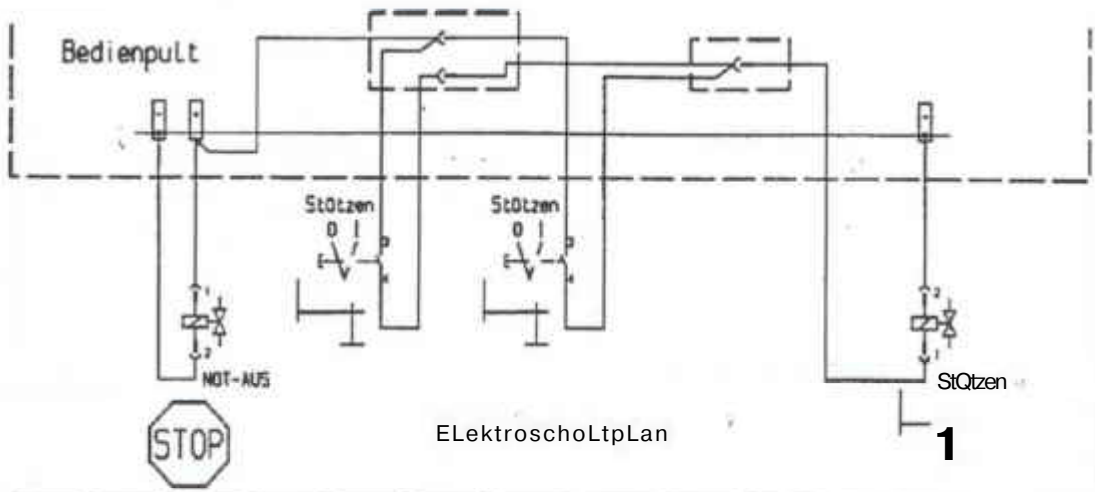
Pos.	Quantity		ID-NO.	Nomenclature
0001	1,000	PCE	10131368	SPOTLAMP D=120 MM
0002	1,000	PCE	10172440	STAR-TYPE HANDLE M10 X 22,5 FORM L WITH PIVOT 4,5 X D 6 MM
0004	1,000	PCE	10125238	PLUG HOUSING
0005	3,500	M	10007487	LINE 3X0,75 QMM H05RR-F 3 G 0,75
0006	2,000	PCE	10012648	SPLICE END 0,75 QMM DIN 46228, GREY
0007	2,000	PCE	10014953	FLAT PLUG IN SLEEVE. 6,3-1 06840.123.211
0008	1,000	PCE	10007270	PLUG 2 POL., M 36 X 2
0009	1,000	PCE	10007448	STRAP BLACK, 7,5 X 360MM D=4,7-100 MM
0010	1,000	PCE	10007267	HALOGEN-BULB 24V 70W H3-24V 70W
End				



**SCHWING**

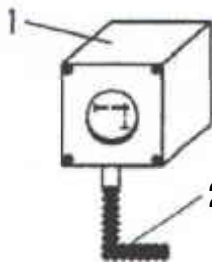
**10148758**

mm



8, 9, 12, 13

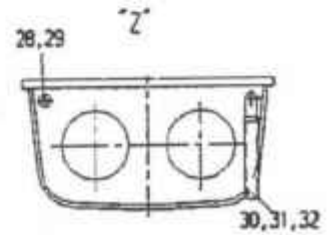
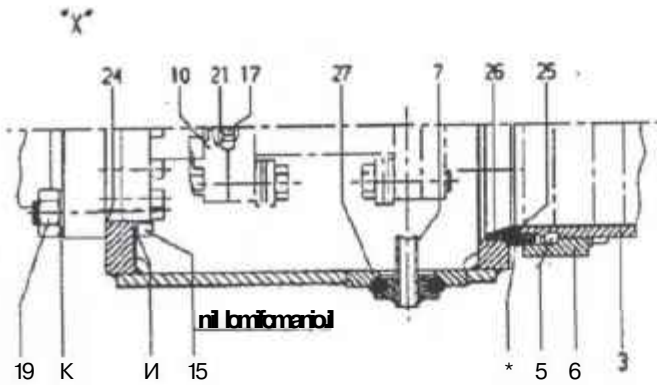
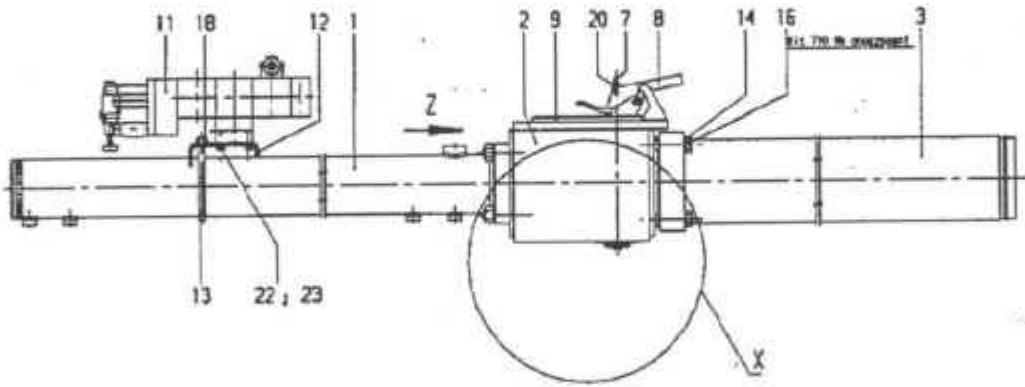
10-13

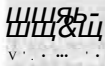




**SCHWING**

10081456



**ELECTRICAL INSTALLATION**

COM-No.

ID-NO. : 10148758

PERT.DRG.

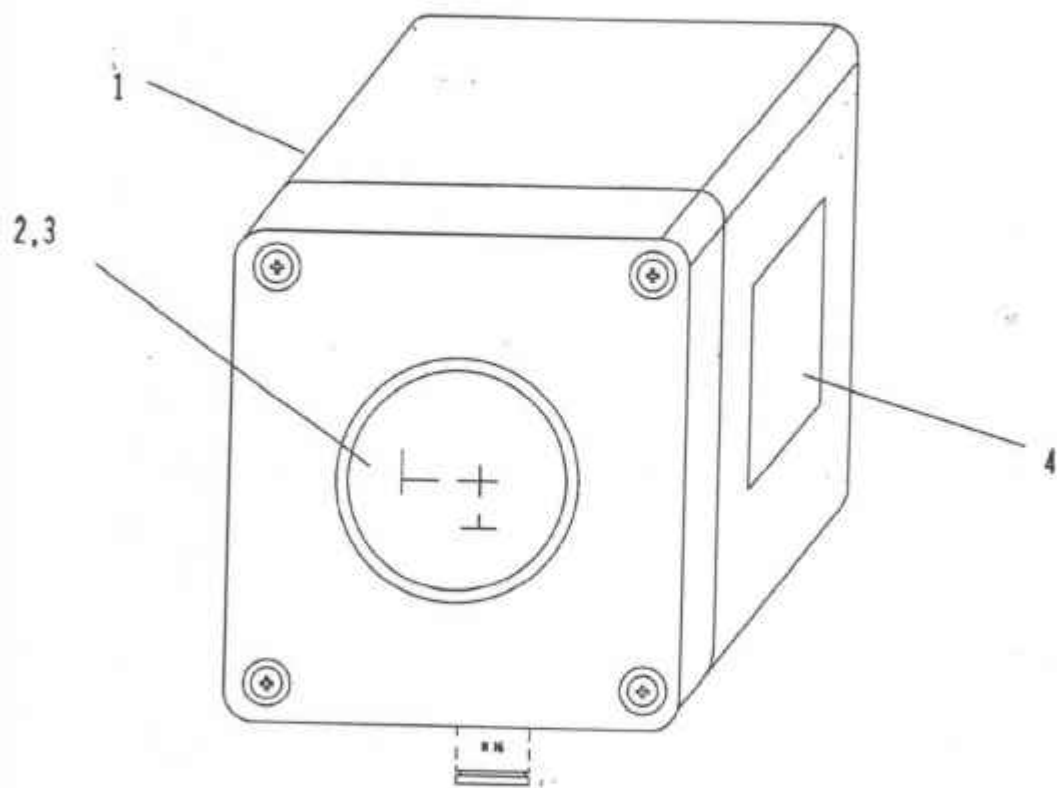
a

Pos.	Quantity		ID-NO.	Nomenclature
0001	2,000	PCE	10152325 Y	PUSH-BUTTON HOUSING
0002	25,00	M	10012020	LINE 2 X 1 QMM, WITHOUT SL PVC.FLEX., d=4,5-5,8MM
0003	10,00	PCE	10019325	SPLICE END 1 QMM A 1-6 DIN 46228 L=6MM
0004	20,00	M	10080565	PROTECTION HOSE Pg 9,AD=13,0MM IP68, ID=10,0MM
0008	1,000	PCE	1,0010000	FLAT PLUG HOUSING 2 POLES WHITE
0009	1,000	PCE	10010001	RECEPTACLE HOUSING 2 POLES WHITE (BUSHING 6,3 MM)
0010	1,000	PCE	10125238	PLUG HOUSING
0011	1,000	PCE	10148742	FLAT CONNECTOR SHEEL, 1 POLES, WHITE 6,3 MM
0012	6,000	PCE	10009701	FLAT PLUG B 6,3-2,5 DIN 46343 CuSn
0013	6,000	PCE	10009698	FLAT PLUG-IN SLEEVE DIN 46340 B 6,3-2,5-Ms-galSn
0014	100,0	PCE	10007447	STRAP BLACK, 4,7 X 200MM D=1,6-49 MM
End				



**SCHWING**

10152325



**PUSH-BUTTON HOUSING**

COM-No. :

Ш Т .

V

ID-NO. : 10152325

PERT.DRG.

**O**

Pos.	Quantity		ID-NO.	Nomenclature
0001	1,000	PCE	10149634	HOUSING 80 X 75 X 56,5 IP66
0002	1,000	PCE	10151232	PRESS BUTTON 22,5 MM BLUE
0003	1,000	PCE	10183414	SWITCH BOTTOM SECTION 1S
End				

## E-CONTROL

COM-No. :

ID-NO. : 10108744 ✓

PERT.DRG: KEINE

v ivV-':.'Γ\*vr:.&lt;y ••

O

Pos.	Quantity		ID-NO.	Nomenclature
0001	1,000	PCE	1 0 1 4 9 8 9 3	PUSH - BUTT ON HOUSING
0004	1,000	PCE	10009731	HORN 24 V, 335 HZ
0005	3,000	PCE	10007297	PLUG-IN SLEEVE DIN 46245 6,3-2,5-MS-PVC
0006	6,000	PCE	10012917	SPLICE END 1 QMM RED
0007	55,00	M	10012020	LINE 2 X 1 QMM, WITHOUT SL PVC,FLEX., d=4,5-5,8MM
0008	50,00	PCE	10007447	STRAP BLACK, 4,7 X 200MM D=1,6-49 MM
0009	1,000	PCE	10001796	HEXAGON HEAD SCREW DIN 333 M 8X 16-8.8-A2C
0011	1,000	PCE	10129842	SCREW RETAINER SKM 8 DT 320
0012	1,500	M	10007313	LINE 1 QMM H05V-K 1 QMM, BLACK
0013	1,500	M	10007312	LINE 1 QMM H05V-K 1 QMM, BLUE

End



PUSH-BUTTON HOUSING

COM-No. :

ID-NO. : 10149893

PERT.DRG: KEINE

W-:

Pos.	Quantity	ID-NO.	Nomenclature
0001	1,000 PCE	10149634	HOUSING 80 X 75 X 56,5 IP66
0002	1,000 PCE	10185637 V	MUSHROOM HEAD PUSH-BUTTON CPL.
0005	1,000 PCE	10185006	SCREW JOINT M 16X1,5-12 IP65, D=12MM, AD=13,0MM
0006	1,000 PCE	10183338	COUNTERNUT M 16 - Ms

End

MUSHROOM HEAD PUSH-BUTTON  
CPL.

COM-No.:

ID-NO. : 10185637

PERT.DRG. KEINE

Pos.	Quantity	ID-NO.	Nomenclature
0001	1,000 PCE	10165636	MUSHROOM HEAD PUSH-BUTTON TOP SECTION
0002	1,000 PCE	10191186	SWITCH BOTTOM SECTION 1S
End			



WORKING HOUR METER  
WITH PUSH-SWITCH 10-30 V

COM-NO. :

ID-NO. : 10050137

PERT DRG: KEINE

Pos.	Quantity		ID-NO.	Nomenclature
0001	1,000	PCE	10007093	WORKING HOUR METER 10-30V, DC,IP65,D=60MM
0002	2,000	PCE	10007591	PLUG-IN SLEEVE DIN 46245 6,3-1-MS-PVC
0003	4,000	M	10007313	LINE 1 QMM H05V-K 1 QMM, BLACK
0004	1,000	PCE	10007295	CABLE COLLAR 6- 2,5 DIN 46237 BLUE, M6, 1-2,5 QMM
0005	1,000	PCE	10010001	RECEPTACLE HOUSING 2 POLES WHITE (BUSHING 6,3 MM)
0006	2,000	PCE	10014953	FLAT PLUG IN SLEEVE 6,3-1 06840.123.211
0007	1,000	PCE	10010000	FLAT PLUG HOUSING 2 POLES WHITE
0008	2,000	PCE	10014952	FLAT PLUG A 6,3-1
0009	6,000	M	10012020	LINE 2 X 1 QMM, WITHOUT SL PVC.FLEX., d=4,5-5,8MM
0010	8,000	PCE	10019325	SPLICE END 1 QMM A 1-6 DIN 46228 L=6MM
0011	1,000	PCE	10008548	PUSH SWITCH R1/4";40-400BAR IP65
End				

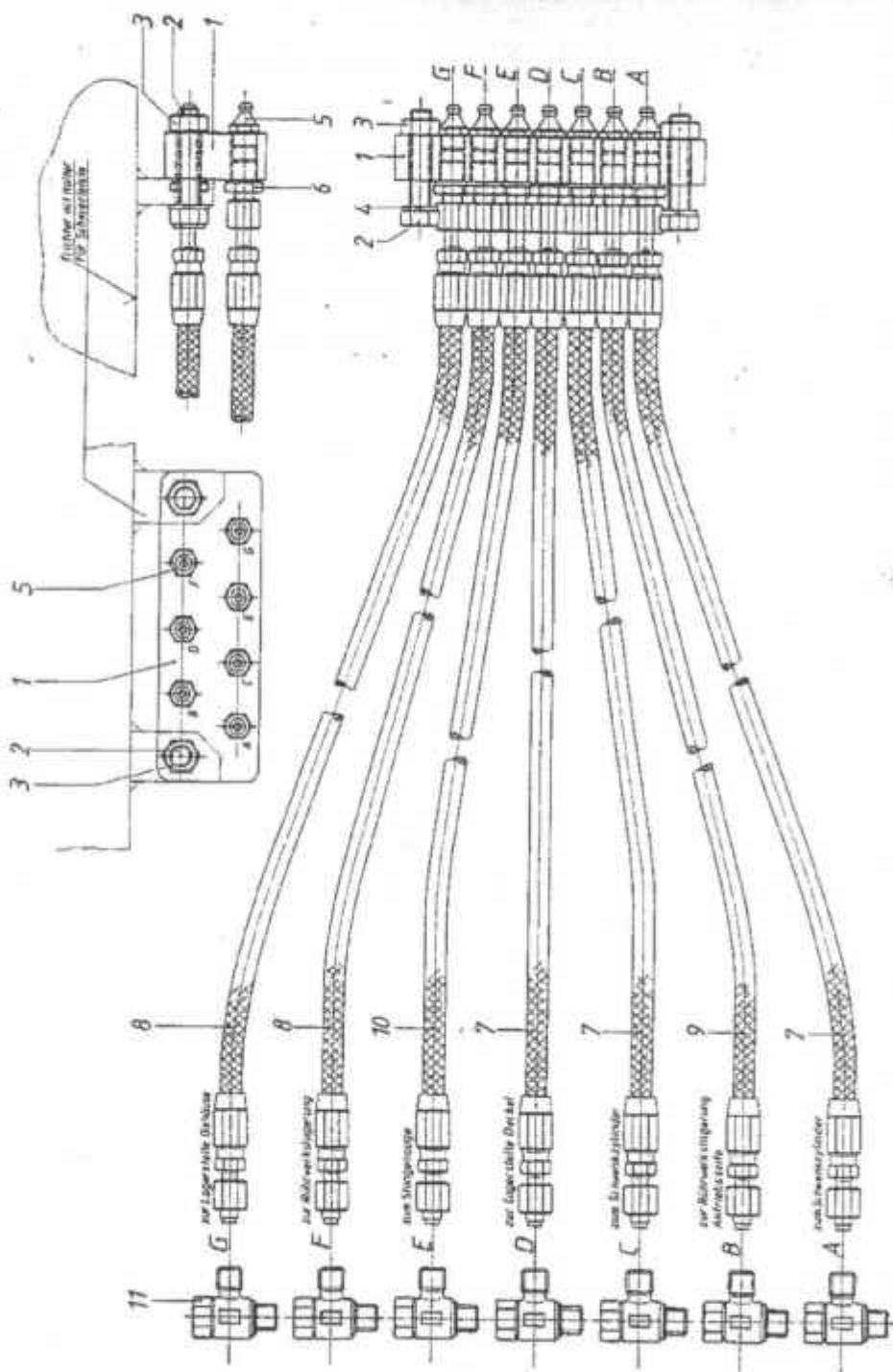
„ 4 ..... JV 5 ...

C 5C  
1



SCHWING

10095529



PUMP UNIT BPL900 HD  
DN 200-120/80 X 1600

COM-No. :  
ID-NO. : 10105298 V  
PERT.DRG: 10081456

n

Pos.	Quantity		ID-NO.	Nomenclature
0001	2,000	PCE	10017486 S	DIFFERENTIAL CYLINDER D 120/80 X 1600
0002	1,000	PCE	10105245	WATER BOX (MACHINING DRWG.)
0003	2,000	PCE	10006084	PUMPING CYLINDER PIPE DN 200 X 1600
0004	2,000	PCE	10002327	LEADING-IN RING DN 200
0005	2,000	PCE	10003731	HALF RING DN 200 232/210X 12
0006	2,000	PCE	10077963	FLANGE DN 200 LK.: 274 4XD26
0007	1,000	PCE	10105249	LOCKING ROD
0008	1,000	PCE	10079908	CLAMPING LEVER
0009	2,000	PCE	10079911 л/	COVER FOR WATER BOX (SUMMARY)
0010	2,000	PCE	10011849	COUPLING FLANGE (FOR PISTON ROD D 80)
0011	1,000	PCE	10017487/	CONTROL BLOCK WITH PRESSURE LIMIT VALVE
0013	2,000	PCE	10018616	STIRRUP
0014	24,00	PCE	10001504	DISC DIN 6916 25 - C 45 - DT 500
0015	8,000	PCE	10013565	HEXAGON BOLT DIN 6914 M 24 X 100 10.9 DT 500
0016	8,000	PCE	10001900	HEXAGON HEAD BOLT DIN 931 M 24 X 120 - 8.8 - A3C
0017	6,000	PCE	10006333	HEXAGON HEAD BOLT DIN 931 M 16X70-10.9- DT 500
0018	4,000	PCE	10001260	HEXAGON NUT DIN 934 M 16-8-A2C

CENTRAL LUBRICATING POINT FOR  
 ROCK VALVE AND AGITATOR

COM-No. :  
 ID-NO. : 10095529 ✓  
 PERT.DRG:

Pos.	Quantity		ID-NO.	Nomenclature	U
0001	1,000	PCE	10095165	PLATE	
0002	2,000	PCE	10001822	HEXAGON HEAD SCREW DIN 933 M 8 X 40 - 8.8 - A2C	
0003	2,000	PCE	10001248	HEXAGON NUT DIN 934 M 8 - 8 - A2C	
0004	4,000	PCE	10129842	SCREW RETAINER SKM 8 DT 320	
0005	7,000	PCE	10007886	HYDRAULIC-TYPE LUBRICATING NIPPLE DIN 71412 AM 10X1 5.8	
0006	7,000	PCE	10029402	FITTING GES - 6 - LLM	
0007	3,000	PCE	10095523	LUBRICATION PIPING 1300 MM	
0008	2,000	PCE	10095524	LUBRICATING PIPING 800 MM	
0009	1,000	PCE	10095525	LUBRICATING PIPING 1650 MM	
0010	1,000	PCE	10103023	LUBRICATION LINE 1000 MM	
0011	7,000	PCE	10029401	FITTING RSWS - 6 - LLM	

End



"Ш

**SCHWING GMBH**

**Spare parts list**

'«Ж':!'

'^W

Г-- ). •

Ш ж

CWU;I''

r f f R, V,

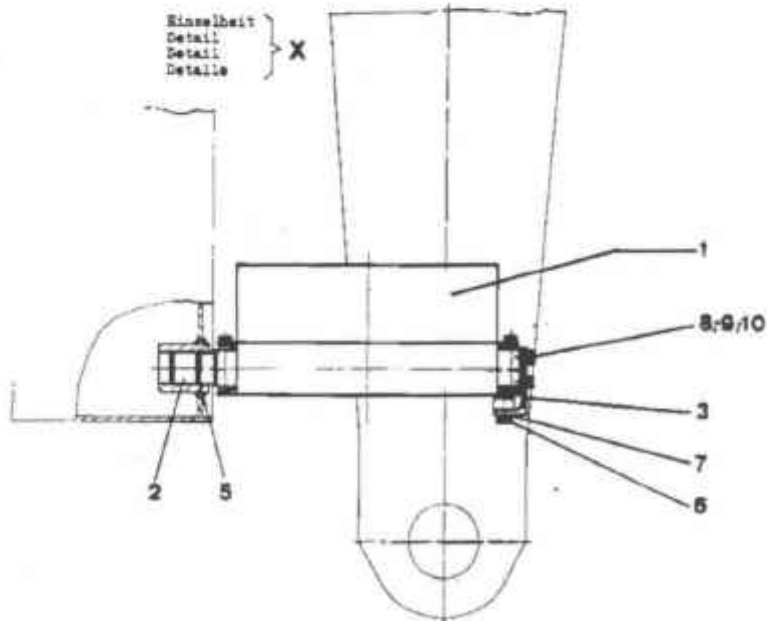
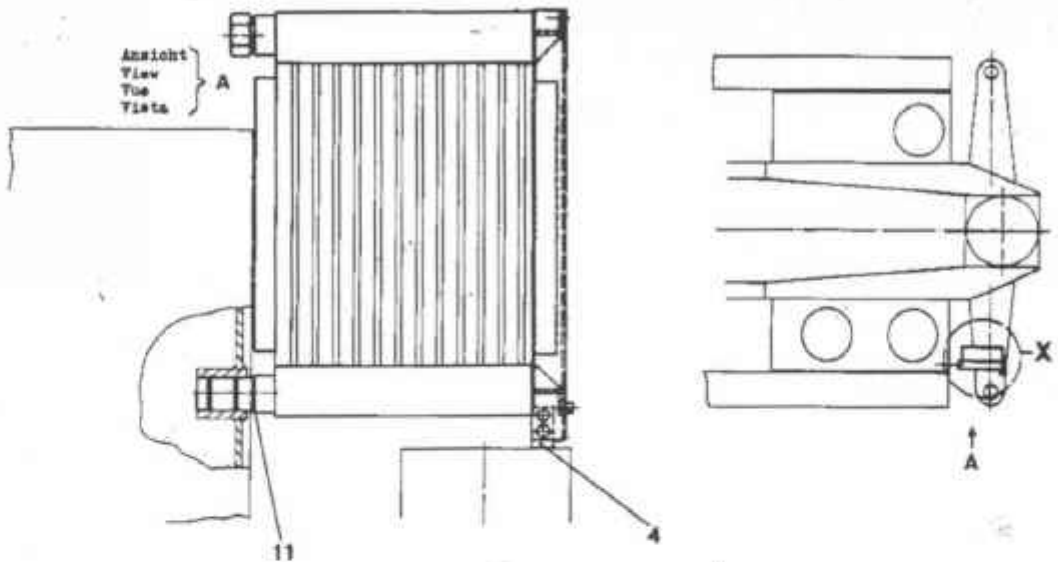
u

K ,



**SCHWING**

10043391



OIL COOLER SUMMARY  
(E-DRIVE 24 V)

CUM-NO " " .  
ID-NO.: 10043393  
PERT.DRG: 10043391

Pos.	Quantity		ID-NO.	Nomenclature
0001	1,000	PCE	10157047 V	OIL COOLER 24 V
0002	1,000	PCE	10038722	RETURN FLOW SOCKET
0003	1,000	PCE	10038723	ANGLE
0005	2,000	PCE	10014315	O-RING 33,3 X 2,4
0006	2,000	PCE	10001855	HEXAGON HEAD SCREW DIN 933 M 10 X 20 - 8.8 - A2C
0007	2,000	PCE	10129841	SCREW RETAINER SKM 10 DT 320
0008	4,000	PCE	10001515	HEXAGON HEAD SCREW DIN 933 M 8 X 20 - 8.8 - A2C
0009	4,000	PCE	10001248	HEXAGON NUT DIN 934 M 8 - 8 - A2C
0010	4,000	PCE	10129842	SCREW RETAINER SKM 8 DT 320
0011	1,000	PCE	10004052	SEALING RING DIN 7603 A 33 X 39 CU

End

OIL COOLER 24 V

COM-No. :

ID-NO. : 10157047 ✓

PERT.DRG: KEINE

---

Pos.	Quantity		ID-NO.	Nomenclature
0001	1,000	PCE	10157426	HEAT EXCHANGER
0002	1,000	PCE	10157425	VENTILATOR D305
0003	1,000	PCE	10175238	VENTILATOR HOUSING
End				

V:•

-Мун-^ - ' ' .VO .4 · V  
· · й-; .- - <: · · - · ·

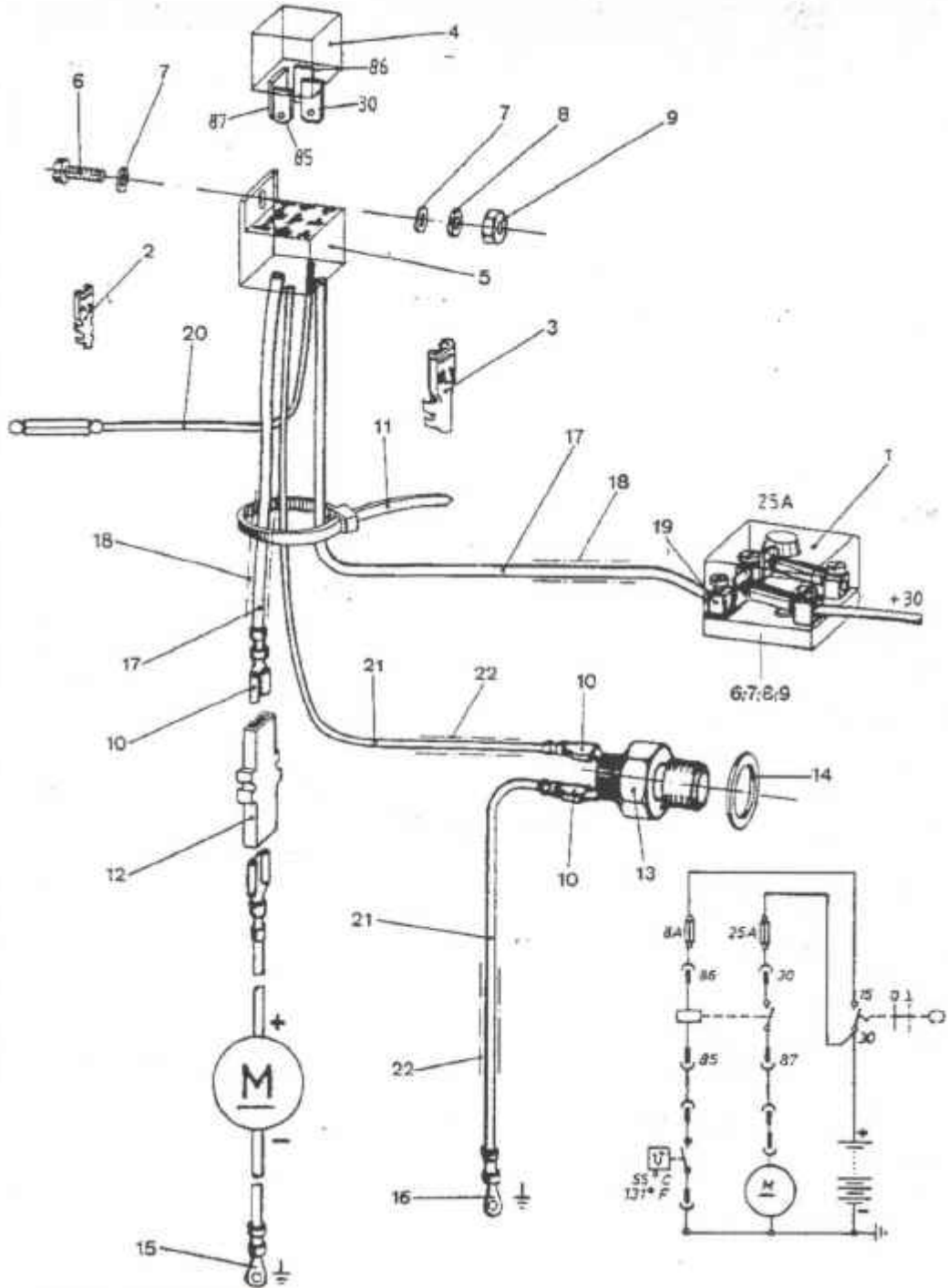
fV · · ·



SCHWING

10049588

...? ... 3 Ш



ELECTRICAL INSTALLATION OIL  
COOLER 24V TEMPERATUR SWITCH

COM-No. :

ID-NO.: 10049589.

PERT.DRG: 10049588

Pos.	Quantity		ID-NO.	Nomenclature
0001	1,000	PCE	10036149	FUSE BOX 2 POLES CPL. A2 DIN 72582, 1X8A + 1X25A
0002	2,000	PCE	10009698	FLAT PLUG-IN SLEEVE DIN 46340 B 6,3-2,5-Ms-galSn
0003	2,000	PCE	10044221	FLAT PLUG IN SLEEVE 9,5 MM DIN 46247
0004	1,000	PCE	10044212	RELAY 24 V / 40 A
0005	1,000	PCE	10047757	PLUG HOUSING, 9 POLES 4X2,8/3X6,3/2X9,5
0006	3,000	PCE	10012730	CHEESE HEAD SCREW DIN 84 M 5 X 16- Ms
0007	4,000	PCE	10007114	DISC DIN 125 B 5,3-Ms
0008	3,000	PCE	10145912	SCREW RETAINER SKM 5 DT 320
0009	3,000	PCE	10001239	HEXAGON NUT DIN 934 M 5 - Ms
0010	4,000	PCE	10007297	PLUG-IN SLEEVE DIN 46245 6,3-2,5-MS-PVC
0011	20,00	PCE	10007445	STRAP BLACK, 3,6 X 150MM D=1,6-35 MM
0012	1,000	PCE	10049591	PLUG CONNECTOR PVC -1 - POLES FOR PLUG-IN SLEEVE 6,3 MM
0013	1,000	PCE	10007832	TEMPERATURE SWITCH 55 DEGREE.C M 14X1,5, MAKE CONTACT
0014	1,000	PCE	10003713	SEALING RING DIN 7603 A 14X20 CU
0015	1,000	PCE	10007300	CABLE COLLAR 5- 1 DIN 46237 RED, M5, 0,5-1 QMM
0016	1,000	PCE	10007295	CABLE COLLAR 6- 2,5 DIN 46237 BLUE, M6, 1-2,5 QMM

ELECTRICAL INSTALLATION OIL  
COOLER 24V TEMPERATUR SWITCHCOM-No.:  
ID-NO.: 10049589  
PERT.DRG: 10049588

Pos.	Quantity		ID-NO.	Nomenclature
0017	25,00	M	10007328	LINE 2,5 QMM H07V-K 2,5 QMM, RED
0018	25,00	M	10007331	OIL HOSE 5 MM
0019	4,000	PCE	10009692	SPLICE END 2,5 QMM A 2,5-7 DIN 46228 L=7MM
0020	2,000	M	10007304	LINE 1,5 QMM H07V-K 1,5 QMM, LILAC
0021	10,00	M	10007321	LINE 1,5 QMM H07V-K 1,5 QMM, BLUE
0022	12,00	M	10012740	OIL HOSE 4 MM

End



... M/M

Ц:

l t f Л:

y:

rVv

• • > V

PUMP UNIT BPL 900 HD  
DN 200-120/80 X 1600

COM-No. :

ID-NO. : 10105298

PERT.DRG: 10081456

Pos.	Quantity		ID-NO.	Nomenclature
0019	8,000	PCE	10001238	HEXAGON NUT DIN 6915 M24-10-DT 500
0020	1,000	PCE	10001254	HEXAGON NUT DIN 934 M12-8-A2C
0021	6,000	PCE	10002052	DISC DIN 433 17 - St - A3C
0022	4,000	PCE	10001513	HEXAGON HEAD SCREW DIN 933 M 12 X 25 - 8.8 - A2C
0023	4,000	PCE	10018617	LOCK WASHERS S12
0024	2,000	PCE	10000511	O-RING 174 X 3
0025	2,000	PCE	10014002	O-RING 207 X 3
0026	2,000	PCE	10000630	O-RING 220 X 3
0027	1,000	PCE	10013110	FORM LACE RING 60X16
0028	1,000	PCE	10003981	SEALING RING DIN 7603 A 27 X 32 CU
0029	1,000	PCE	10001772	SCREW PLUG DIN 908 R 3/4" - 5.8 - A3C
0030	1,000	PCE	10011009	LONG BEND DIN EN 10242 G8 - 3/4 - Zn - A
0031	1,000	PCE	10002643	CLAMPS 30/20 SK
0032	0,200	M	10025153	PLASTIC HOSE 25 X 3
End				

**SCHWING GMBH**

**Spare parts list**

- < :. - Sir.H

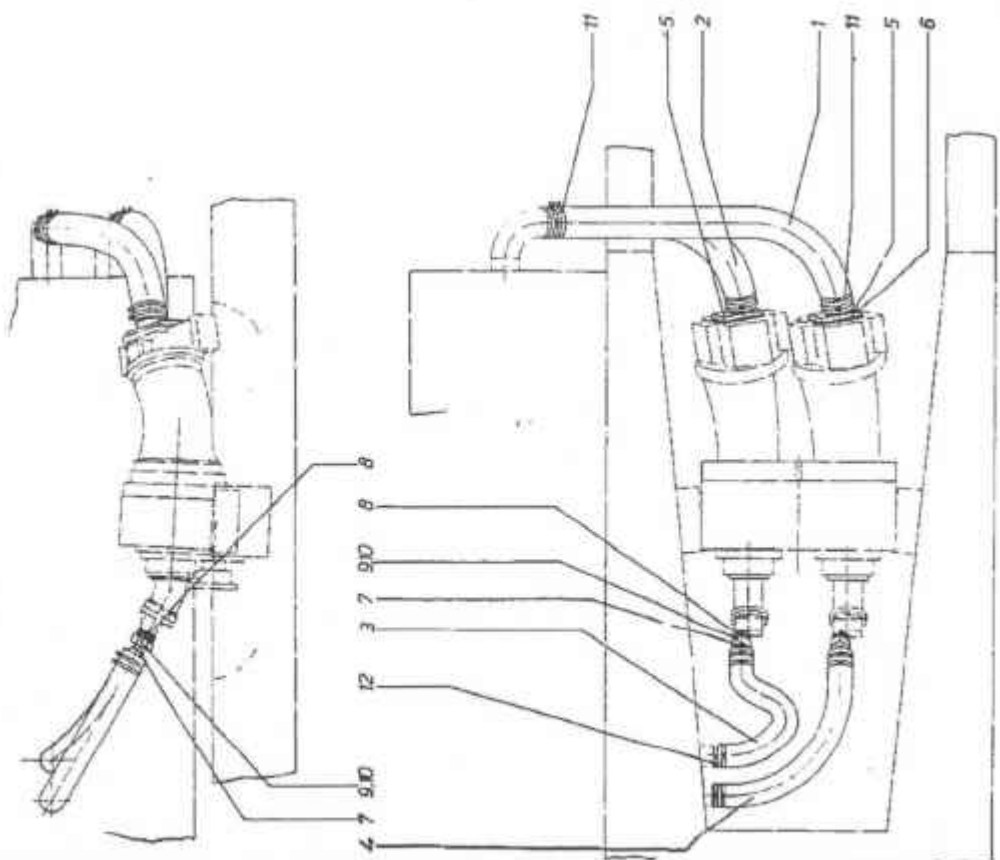
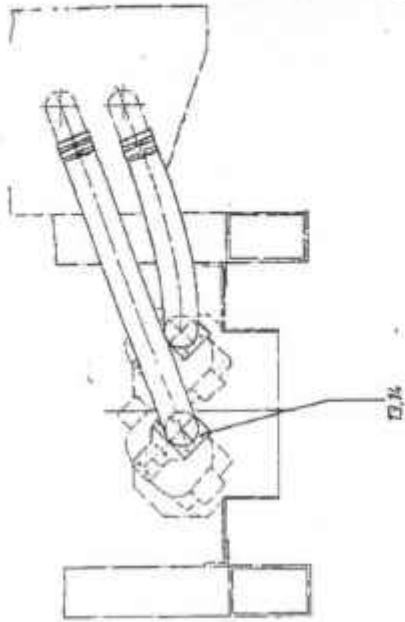
< \$ £ й Ш с Ж ж ш

% w • · ? ;  
я»



**SCHWING**

10080033



SUCTION LINE KVM 32 EXPORT

COM-No. :

ID-NO. : 10080033

PERT.DRG:

Pos.	Quantity	ID-NO.	Nomenclature
0001	1,300 M	10012896	HOSE DN 70 X 5
0002	1,000 M	10012896	HOSE DN 70 X 5
0003	1,000 M	10028937	HOSE DN 50 X 7
0004	1,200 M	10028937	HOSE DN 50 X 7
0006	2,000 PCE	10018876	SAE-SEAL 3000PSI 2 1/2" DN 65
0007	2,000 PCE	10002080	SUCTION SOCKET
0008	2,000 PCE	10008079	FITTING GES - 25 - SM
0009	2,000 PCE	10001738	UNION NUT M 25 S
0010	2,000 PCE	10001734	PROFILED RING P - R - 25 - S (K-R-25-S)
0011	8,000 PCE	10169828	HOSE CLAMP 74-79
0012	8,000 PCE	10008355	CLAMPS 50/15 SZ
0013	8,000 PCE	10001517	HEXAGON HEAD SCREW DIN 933 M 12 X 30 - 8.8 - A2C
0014	8,000 PCE	10129840	SCREW RETAINER SKM 12 DT 320
End			

Щ

i ч "Ш •

SCHWING GMBH

Spare parts list

Ш •Т:

• • • те » ®

• "•••••у••

f- y;

DRIVE UNIT KVM 32 BPL 900  
HDRM VOLVO FL 10 132 KW

щ В

COM-No. :

ID-NO. : 10133835

PERT.DRG: KEINE

If \_\_\_\_\_T-Mpe.

Pos.	Quantity		ID-NO.	Nomenclature
0001	1,000	PCE	10100628 V.	DRIVE UNIT WITH SWITCHABLE DIVIDER GEARBOX
0002	1,000	PCE	10135333	CARDAN SHAFT LZ 715
0003	1,000	PCE	10066468	DRIVE SHAFT LZ 1155
0005	20,00	PCE	10094933	HEXAGON HEAD SCREW DIN 961 M 16 X 1,5 X 50 - 10.9 - DT500
0006	20,00	PCE	10091040	NUT DIN 985 M 16X1,5-10 - A2C

End



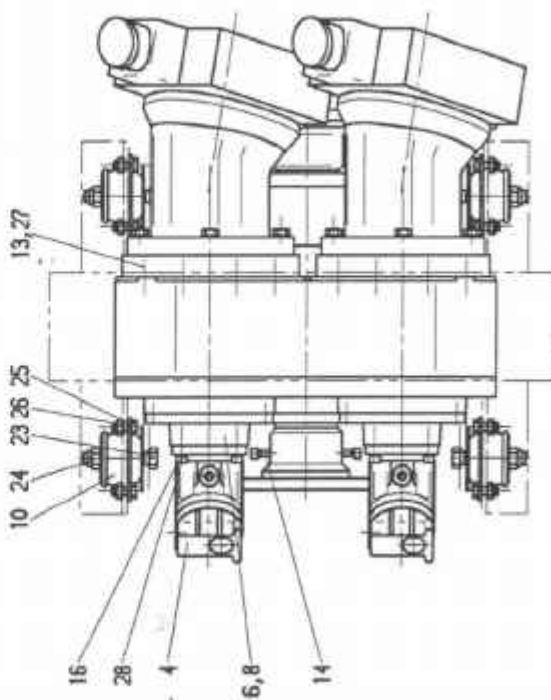
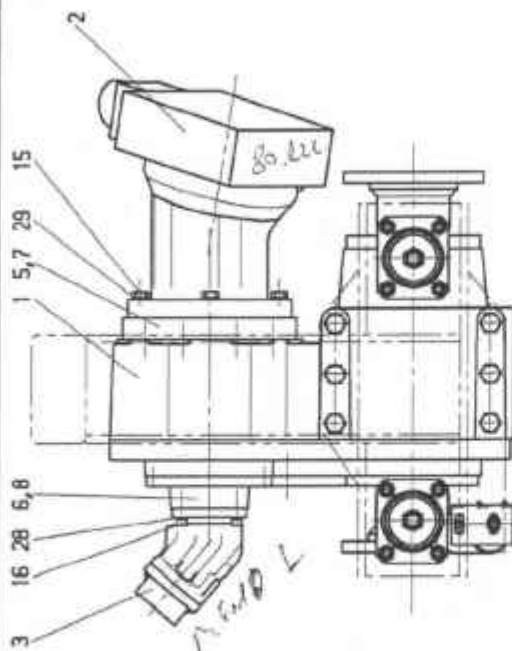
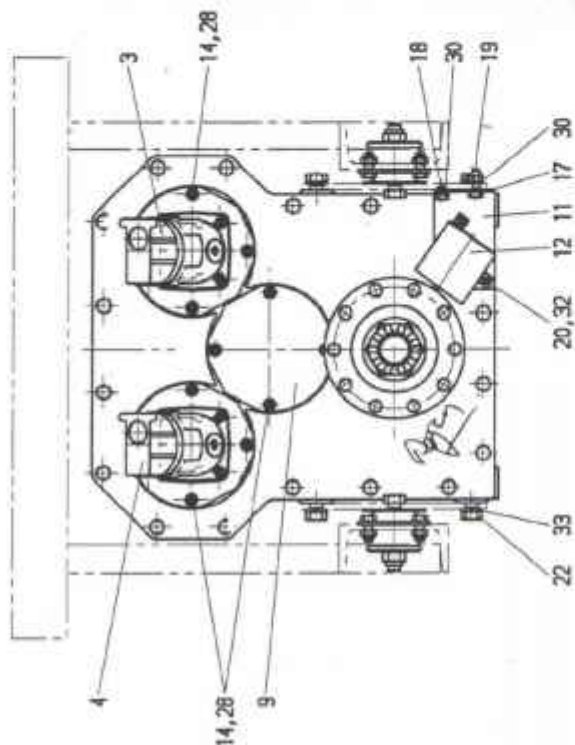
# SCHWING

SCHWING GmbH  
Postfach 290362  
44667 Herne - Tel. (02325) 987-4

Ersatzteilliste  
Spare Parts List  
Liste P.d.Rechange  
Lista Recambios

Art.-Nr.  
Id.- No.  
No. d'id.  
No. Id.

10100627





V-Л; Ш  
**DRIVE UNIT WITH SWITCHABLE  
 DIVIDER GEARBOX**

COM-No.:

ID-NO. : 10100628

PERT.DRG: 10100627

ЛТ

Pos.	Quantity		ID-NO.	Nomenclature
0001	1,000	PCE	10096196	DISTRIBUTION MANUEL TRANSMIS. GEAR 4194.23.00 FLANGE
0002	2,000	PCE	10155093 V	VARIABLE DISPLACEMENT PUMP, WITH OUTPUT REGULATOR 80 CCM/U
0003	1,000	PCE	10089050	HYDRAULIC PUMP 211.09.01.03 A2FO 10/61 L-PZP 06
0004	1,000	PCE	10089052	HYDRAULIC PUMP 211.10.01.09 A2FO 12/61 L-PZP 06
0005	2,000	PCE	10035153	MOUNTING FLANGE 80
0006	2,000	PCE	10035149	MOUNTING FLANGE 10/12
0007	2,000	PCE	10035156	CLUTCH PIECE 80
0008	2,000	PCE	10033393	CLUTCH PIECE 10
0009	1,000	PCE	10039279	BLIND FLANGE
0010	4,000	PCE	10020465	MEGI CONE
0013	16,00	PCE	10000985	CHEESE HEAD SCREW DIN 912 M 10 X 40 - 8.8 - A2C
0014	14,00	PCE	10001004	CHEESE HEAD SCREW DIN 912 M 8 X 25 - 8.8 - A2C
0015	8,000	PCE	10001528	HEXAGON HEAD SCREW DIN 933 M 12 X 45 - 8.8 - A2C
0016	8,000	PCE	10001015	CHEESE HEAD SCREW DIN 912 M 8 X 35 - 8.8 - A2C
0017	1,000	PCE	10001861	HEXAGON HEAD SCREW DIN 933 M 10 X 30 - 8.8 - A2C
0018	1,000	PCE	10001852	HEXAGON HEAD SCREW DIN 933 M 10 X 10 - 8.8 - A2C
0019	1,000	PCE	10001250	HEXAGON NUT DIN 934 M 10-8-A2C
0020	2,000	PCE	10001477	HEXAGON HEAD SCREW DIN 933 M 5X10-8.8-A2C

DRIVE UNIT WITH SWITCHABLE  
DIVIDER GEARBOX

. "" " K.I.iv 'h

COM-No. :

ID-NO. : 10100628

PERT.DRG: 10100627

ш

mmm

ш ш

ш ш ш ш

Pos.	Quantity	ID-NO.	Nomenclature
0022	12,00 PCE	10001336	HEXAGON HEAD SCREW DIN 933 M 16 X 40 - 8.8 - A2C
0023	4,000 PCE	10011939	HEXAGON HEAD SCREW DIN 933 M 16 X 85 - 8.8 - A2C
0024	4,000 PCE	10001286	HEXAGON NUT DIN 985 M 16-8-A2C
0025	16,00 PCE	10001859	HEXAGON HEAD SCREW DIN 933 M 10 X 25 - 8.8 - A2C
0026	16,00 PCE	10001283	HEXAGON NUT DIN 985 M10-8-A2C
0027	16,00 PCE	10136867	SCREW RETAINER SK2 10 DT 320
0028	20,00 PCE	10138329	SCREW RETAINER SKZ 8 DT 320
0029	8,000 PCE	10129840	SCREW RETAINER SKM 12 DT 320
0030	2,000 PCE	10129841	SCREW RETAINER SKM 10 DT 320
0032	2,000 PCE	10145912	SCREW RETAINER SKM 5 DT 320
0033	12,00 PCE	10133552	SCREW RETAINER SKM 16 DT 320

End

VARIABLE DISPLACEMENT PUMP,  
WITH OUTPUT REGULATOR 80 CCM/U

COM-No. :  
ID-NO. : 10155093 ✓  
PERT.DRG: KEINE

Pos.	Quantity	ID-NO.	Nomenclature
0001	1,000 PCE	10188319	SEALING SET A7VO 80 BR63

End

ЗДРШ :ft-

£  
LH

SCHWING GMBH

Spare parts list

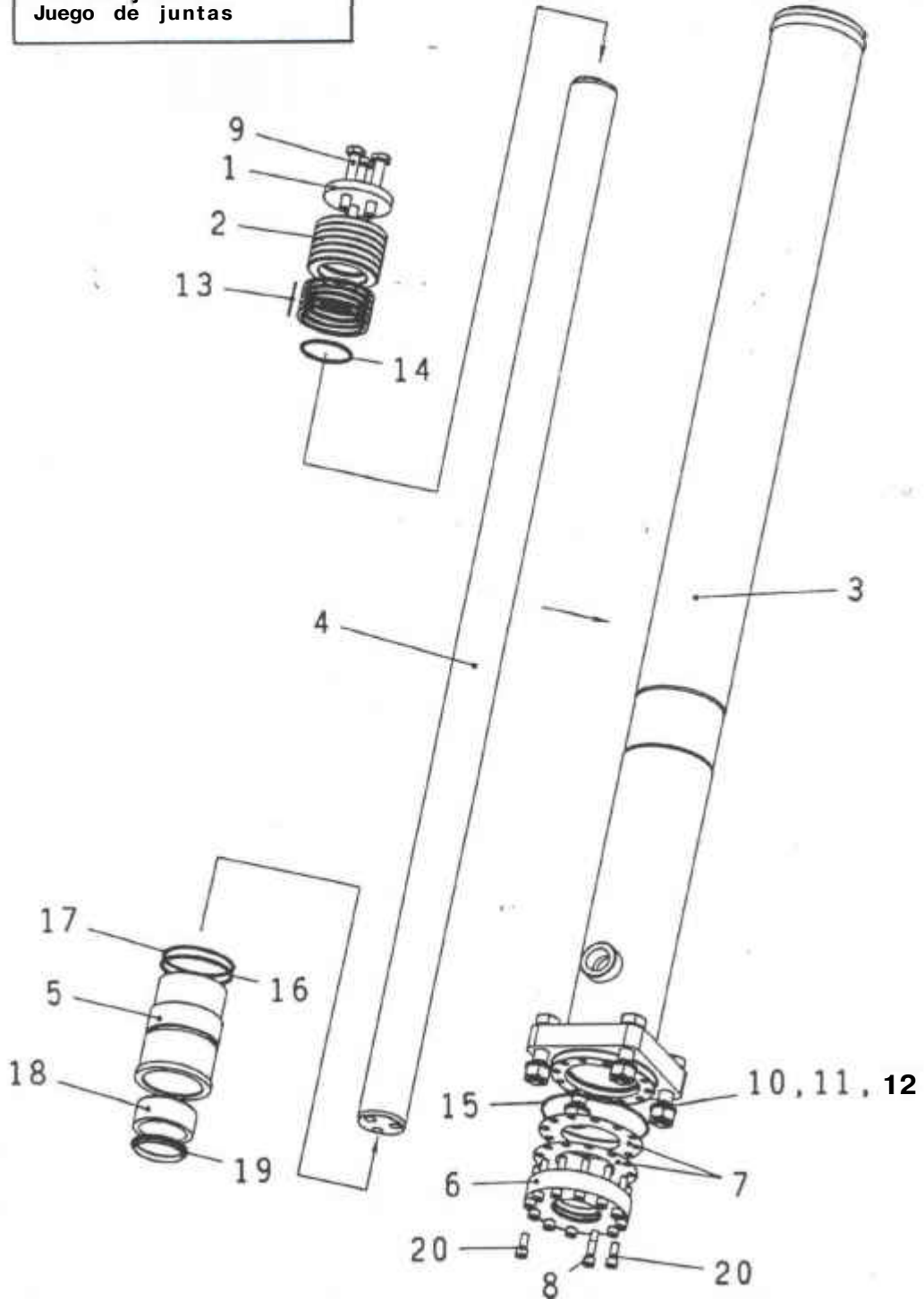
J

'i-l'f'-f?'

**SCHWING**

10017486

Di ch tso tz Kpl. 10176525  
Sea ling set  
Jeu de joints  
Juego de juntas



арВВрОЕ  
f-i V . «



# SCHWINC

I S J I M W "  
U617 Hem. - Tel.:(02325) 917-0

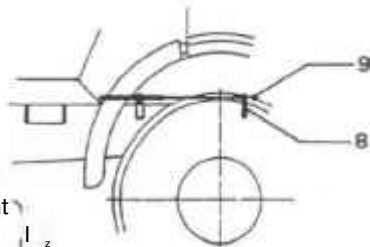
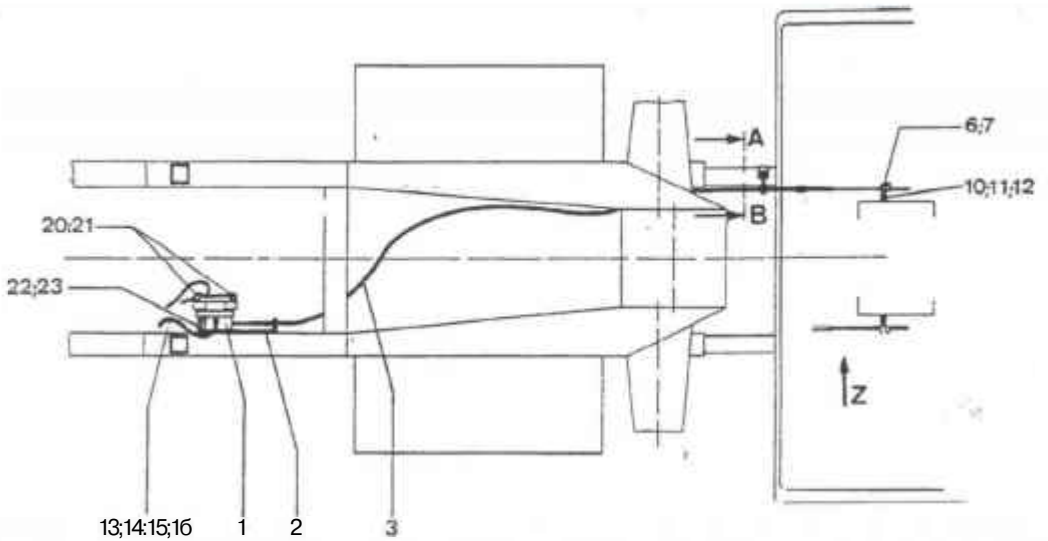
ErsatzUilliste  
Spare Parts List

Liste P.d.Rechange  
Lista Recambias

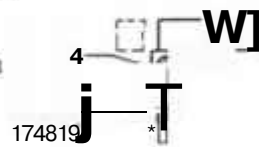
Art.-Nr.  
Id.- No.  
No. d'iid.  
No. id.

## 10045403

„ Ш Ш !



iMicht  
Vjw I z  
Vliti J



Schnitt >  
Section I  
Coup. ( A O  
Carte J

## HYDRAULIC GAS ACTUATION

24 V

COM-No. :

ID-NO. : 10045405

PERT.DRG: 10045403

Pos.	Quantity		ID-NO.	Nomenclature
0001	1,000	PCE	10010210	REMOTE GAS ADJUSTMENT 24 VG
0003	1,000	PCE	10002347	TELEFLEX CABLE AM 629-19 3700 MM
0006	1,000	PCE	10006916	FORK HEAD DIN 71752 G 6 X 12
0007	1,000	PCE	10006871	ES BOLT FOR FORK HEAD G 6 X 12
0008	1,000	PCE	10006071	GUIDE CPL.
0010	1,000	PCE	10001764	HEXAGON HEAD SCREW DIN 933 M 6 X 20 - 8.8 - A2C
0011	1,000	PCE	10001244	HEXAGON NUT DIN 934 M 6 - 8 - A2C
0012	2,000	PCE	10134153	SCREW RETAINER SKM 6 DT 320
0013	1,000	PCE	10018483	HYDRAULIC HOSE 350 BAR DN 8/2ST X 900
0014	1,000	PCE	10009282	FITTING GES- 12 - LR
0015	1,000	PCE	10001730	PROFILED RING P - R - 12 - US (K-R-12-LS)
0016	1,000	PCE	10001748	CAP NUT M 12 L
0017	2,000	PCE	10001861	HEXAGON HEAD SCREW DIN 933 M 10X30 - 8.8- A2C
0018	2,000	PCE	10001250	HEXAGON NUT DIN 934 M 10-8-A2C
0019	4,000	PCE	10129841	SCREW RETAINER SKM 10 DT 320
0020	2,000	PCE	10007751	VALVE PLUG 28 X 28 X 27 Pg9, 2-POL.+PE, SCREW M3X30
0021	2,000	PCE	10013470	SEALING-PROFILE (GDM 3-16) FOR VALVE PLUG

5 f.i Sjtvs'

ж--

Л

Ж;

Hydraulic Gas Actuation

SCHEMATIC

PERT ORG

HYDRAULIC GAS ACTUATION

DAV

QTY	QTY	ID NO.	Description
002	400 PCS	100015	HYDRAULIC GAS ACTUATION
002	400 PCS	100015	HYDRAULIC GAS ACTUATION

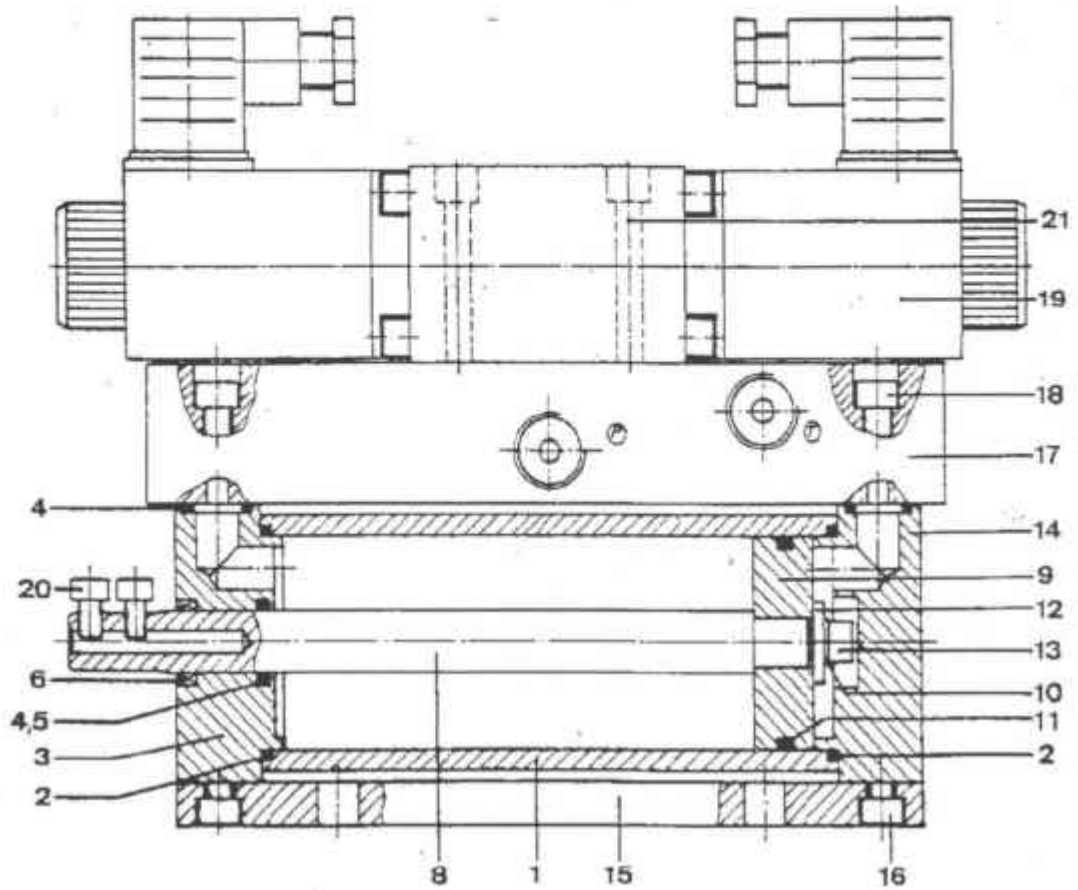
t,-





**SCHWING**

10073318



Dichsatz Kpl. 10037374  
Sealing set  
Jeu de joints  
Juego de juntas



REMOTE GAS ADJUSTMENT 24 VG

COM-NO.:

ID-NO. : 10010210

PERT.DRG: 10073318

W W

Γ :

Pos.	Quantity		ID-NO.	Nomenclature	
0001	1,000	PCE	10073720	CYLINDER TUBE FOR (EV 251.001)	f » ;
0002	2,000	PCE	10068711	O-RING 50 X 3	
0003	1,000	PCE	10073764	COVER	
0004	1,000	PCE	10087213	SLIDING RING ID ROD D = 15	
0005	1,000	PCE	10067859	O-RING 17,12 X 2,62	
0006	1,000	PCE	10058055	SCRAPER P 7-15	
0007	2,000	PCE	10072340	O-RING 10,77 X 2,62	
0008	1,000	PCE	10073766	PISTON ROD (EV 251.502)	
0009	1,000	PCE	10073770	PISTON (EV 251.503)	
0010	1,000	PCE	10134153	SCREW RETAINER SKM 6 DT 320	
0011	1,000	PCE	10068709	O-RING 44 X 3	
0012	1,000	PCE	10068651	DISC DIN.440 R 6,6 - St	
0013	1,000	PCE	10001571	CHEESE HEAD SCREW DIN 912 M 6 X 16 - 8.8 - A2C	
0014	1,000	PCE	10073763	COVER (EV 251.003)	"
0015	1,000	PCE	10073768	FOOT PLATE (EV 251.501)	
0016	4,000	PCE	10003577	CHEESE HEAD SCREW DIN 912 M6X 12-8.8-A2C	
0017	1,000	PCE	10075341	BASE PLATE	
0018	4,000	PCE	10001580	CHEESE HEAD SCREW DIN 912 M 6 X 30 - 8.8 - A2C	

л

COM-No. :

REMOTE GAS ADJUSTMENT 24 VG

**ID-NO. : 10010210**

PERT.DRG : 10073318



Pos.	Quantity		ID-NO.	Nomenclature
0019	1,000	PCE	10153988	SOLENOID VALVE NG 06 CPL. 24 VG MSE 06432-24V-G
0020	2,000	PCE	10001557	CHEESE HEAD SCREW DIN 912 M 5X16-8.8-A2C
0021	4,000	PCE	10011956	CHEESE HEAD SCREW DIN 912 M 5 X 45 - 8.8 - A2C

End

**DIFFERENTIAL CYLINDER**  
**D 120/80X 1600**

 COM-No. :  
 ID-NO. : **10017486 V**  
 PERT.DRG:

 J I t t P  
 •vi V®

O

Pos.	Quantity		ID-NO.	Nomenclature
0001	1,000	PCE	10017528	DISC
0002	1,000	PCE	10017529	HYDRAULIC PISTON A 120X 80/ 80- 40
0003	1,000	PCE	10017509	CYLINDER BLOCK 120/ 80
0004	1,000	PCE X	10013157	PISTON ROD F 80X1892/ 16- 50
0005	1,000	PCE /	10102071	GUIDE BUSH D 120/80
0006	1,000	PCE	10017497	TENSION RING D 120/ 80
0007	2,000	PCE	10017517	SPACING DISC
0008	12,00	PCE	10001200	CHEESE HEAD SCREW DIN 912 M 12 X 60 - 12.9 - DT 500
0009	3,000	PCE	10001470	HEXAGON BOLT DIN 6914 M 16X100 10.9 DT 500
0010	4,000	PCE	10001238	HEXAGON NUT DIN 6915 M 24 - 10 - DT 500
0011	4,000	PCE	10013565	HEXAGON BOLT DIN 6914 M 24 X 100 10.9 DT 500
0012	8,000	PCE	10001504	DISC DIN 6916 25 - C 45 - DT 500
0013	V 5,000	PCE	10007052	PISTON RING SG 120/110 X 3
0014	1,000	PCE	10000968	O-RING 78 X 4
0015	1,000	PCE	10000511	O-RING 174 X 3
0016	1,000	PCE	10001077	O-RING 110 X 5
0017	1,000	PCE	10017527	SUPPORT RING (PTFE) 112/120X2
0018	1,000	PCE X	10003421	SEALING GLAND SET 80/100 X40
0019	1,000	PCE X	10002329	SCRAPER 80 X 92 X 12

DIFFERENTIAL CYLINDER  
D 120/80 X 1600

COM-No.:  
ID-NO. : 10017486  
PERT.DRG:

---

Pos.	Quantity	ID-NO.	Nomenclature
0020	2,000 PCE	10001186	CHEESE HEAD SCREW DIN 912 M 12X30-8.8-A2C

---

End

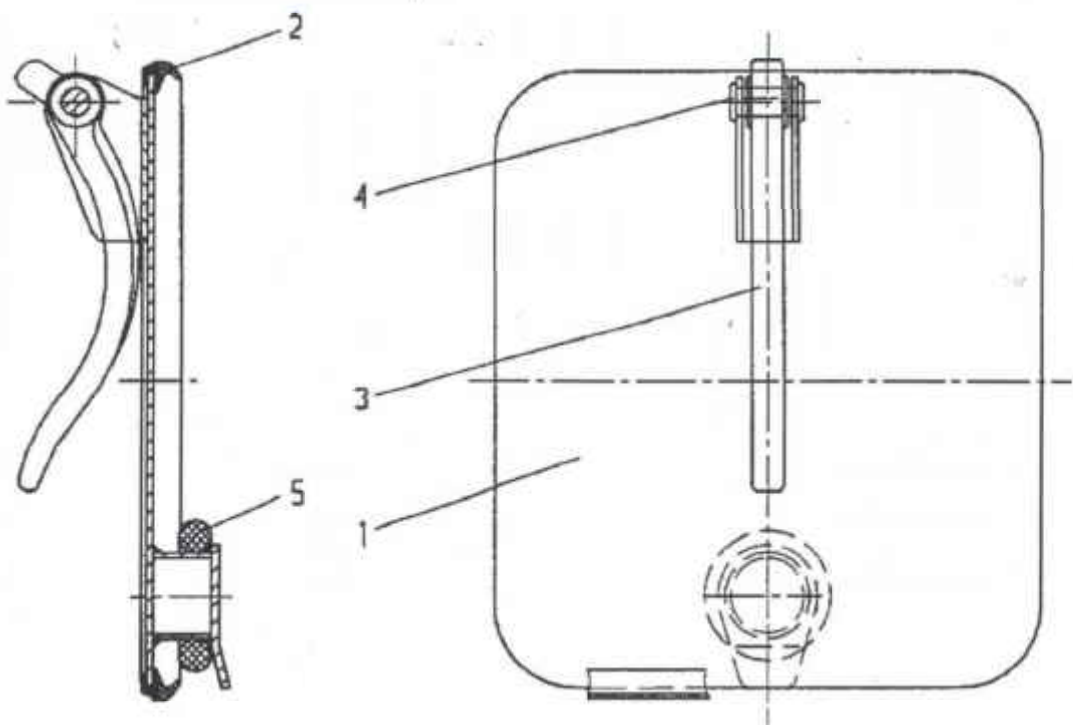
HYDRAULIC SYSTEM ON BOOM  
KVM 32 (EXPORT EXECUTION)ID-NO. : 10041262  
PERT.DRG:

Pos.	Quantity		ID-NO.	Nomenclature
0058	1,000	PCE	10041358	ELBOW (12 X 2 X 826 / 2X 90 DEGREES)
0059	1,000	PCE	10041359	ELBOW (12X2X986/2X90 DEG.)
0060	1,000	PCE	10041360	ELBOW (12 X 2 X 1536 / 2X 90 DEG.)
0061	1,000	PCE	10041361	ELBOW (12 X 2 X 1506/2X90 DEG.)
0062	2,000	PCE	10041362	ELBOW (12X2X6716/ 1X30 DEG.)
0063	1,000	PCE	10041363	ELBOW (12X2X2076/ 1X 30 DEG.)
0064	2,000	PCE	10041364	ELBOW (12X2X7276/1X30 DEG.)
0065	2,000	PCE	10041365	ELBOW (12X 2 X 7236/ 1X 30 DEG.)
0066	1,000	PCE	10020533	TUBE 12 X 2 X 25 DIN 2391-C
0068	1,000	PCE	10041368	ELBOW (12X2X248/ 1X 90 DEG.)
0071	1,000	PCE	10041369	ELBOW (12X2X 1896/ 1X 30 DEG.)
0072	3,000	PCE	10001741	CAP NUT M 20 S
0073	3,000	PCE	10001733	PROFILED RING P - R - 20 - S (K-R-20-S)
0074	10,00	PCE	10001743	CAP NUT M 16 S
0075	10,00	PCE	10001732	PROFILED RING P - R - 16 - S (K-R-16-S)
0076	108,0	PCE	10001748	CAP NUT M 12 L



KHWINC

10079911



COVER FOR WATER BOX  
(SUMMARY)

« H i ,  
ID-NO. : 10079911 /  
PERT.DRG:

Pos.	Quantity	ID-NO.	Nomenclature
0001	1,000 PCE	10079912	COVER FOR WATER BOX
0002	1,200 M	10021235	SEALING LEDGE
0003	1,000 PCE	10079941	CLAMPING LEVER
0004	1,000 PCE	10079942	RIVET PIN DIN 7341 B 14 h 11 X 45-St
0005	1,000 PCE	10004197	FORM LACE RING 42 X 15,5

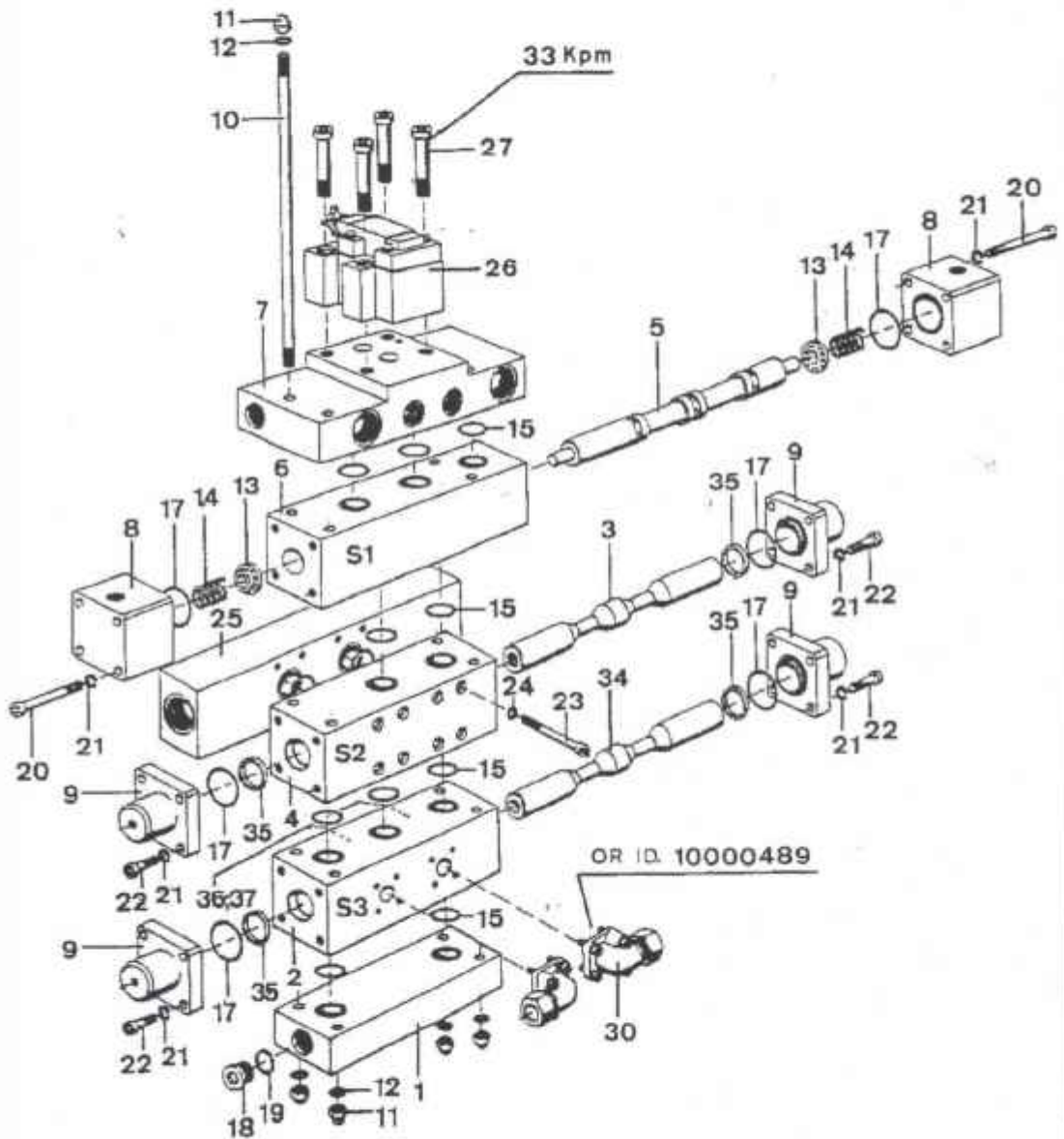
End





**SCHWING**

10017487



CONTROL BLOCK WITH PRESSURE  
LIMIT VALVE; \* :  
COM-No,

ID-NO.: 10017487 V •

PERT.DRG:

ЩПП^Т

Pos.	Quantity		ID-NO.	Nomenclature
0001	1,000	PCE	10000727	HEAD PLATE
0002	1,000	PCE	10002429	VALVE BODY S 3
0003	1,000	PCE	10006288	PISTON
0004	1,000	PCE	10002431	VALVE BODY S 2
0005	1,000	PCE	10002174	PISTON
0006	1,000	PCE	10002420	VALVE BODY S 1
0008	2,000	PCE	10002145	COVER
0009	4,000	PCE	10000775	COVER
0010	4,000	PCE	10002517	THREADED ROD D 16 X 450/ 25- 25
0011	8,000	PCE	10001274	CAP NUT DIN 1587 M16-6-A2C
0012	8,000	PCE	10001594	LOCK WASHER DIN 127 A16FST-DT 500
0013	2,000	PCE	10002148	DISC
0014	2,000	PCE	10002425	PRESSURE SPRING 36X4 71 MM
0015	12,00	PCE	10000652	O-RING 38 X 4
0017	6,000	PCE	10000721	O-RING 52 X 4
0018	2,000	PCE	10001757	SCREW PLUG DIN 908 M 30 X 1,5 - 5.8 - A3C
0019	2,000	PCE	10003977	SEALING RING DIN 7603 A 30 X 36 CU
0020	8,000	PCE	10001210	CHEESE HEAD SCREW DIN 912 M 12 X 90 - 8.8 - A2C
0021	24,00	PCE	10138330	SCREW RETAINER SKZ 12 DT 320
0022	16,00	PCE	10001188	CHEESE HEAD SCREW DIN 912 M 12 X 35 - 8.8 - A2C

CONTROL BLOCK WITH PRESSURE  
LIMIT VALVE

COM-No. :

ID-NO. : 10017487

PERT.DRG:

Л

Pos.	Quantity		ID-NO.	Nomenclature
0023	8,000	PCE	10001172	CHEESE HEAD SCREW DIN 912 M 10 X 100 - 8.8 - A2C
0024	8,000	PCE	10136867	SCREW RETAINER SKZ 10 DT 320
0025	1,000	PCE	10017507	PLATE TO VALVE 2 S
0026	1,000	PCE	10009673 V	SAFETY VALVE (AGEM) DBP 32 - D 6/350
0027	4,000	PCE	10004637	CHEESE HEAD SCREW DIN 912 M 20 X 90 - 8.8 - A3C
0030	2,000	PCE	10012216	FITTING WFS - 25 - S / 55
0034	1,000	PCE	10006416	PISTON ROD R 40X337/25-163
0035	4,000	PCE	10012573	GROOVED RING 40 X 48,5 X 7 NR. Y3N 78-K02
0036	2,000	PCE	10001831	SCREW PLUG DIN 910 R 3/8" - 5.8 - A3C
0037	2,000	PCE	10003956	SEALING RING DIN 7603 A 17X21 CU

End

**SAFETY VALVE**  
**(AGEM) DBP 32 - D 6/350**

COM-No. :  
**ID-NO. : 10009673**  
PERT.DRG: KEINE

---

Pos.	Quantity	ID-NO.	Nomenclature
0001	1,000 PCE	10045635	PRECONTROL VALVE
0002	1,000 PCE	10045633	WEARING PARTS SET
0003	1,000 PCE	10045634	SEALING SET

---

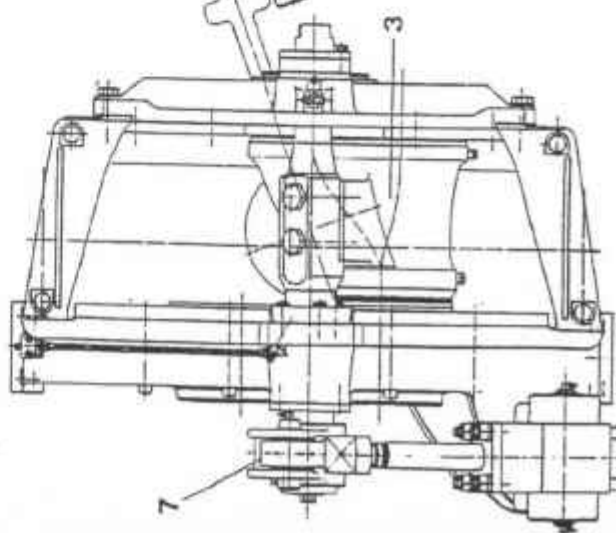
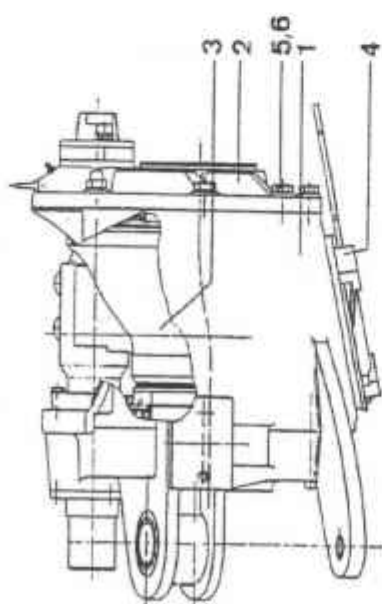
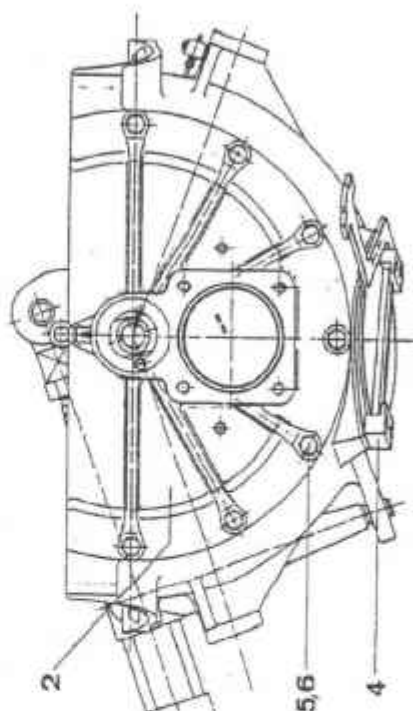
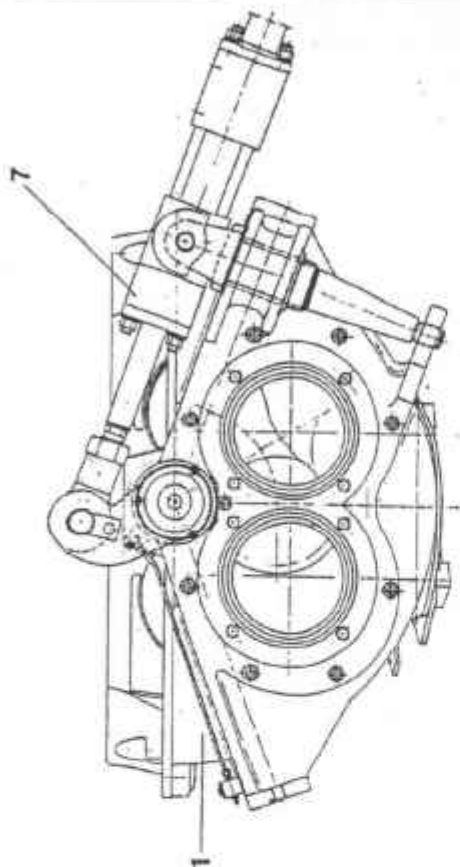
End

t.



**SCHWING**

10108110



ROCK VALVE UNIT "M"  
DN 200/210/180, WITH ZL

COM-No. :  
ID-NO. : 10108110/  
PERT.DRG:

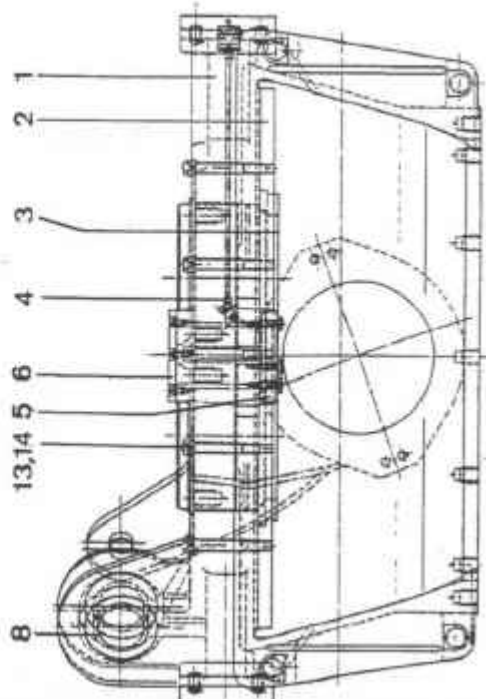
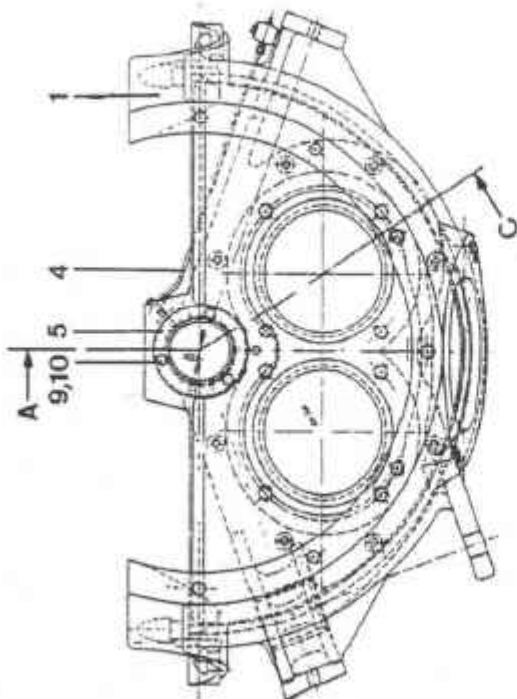
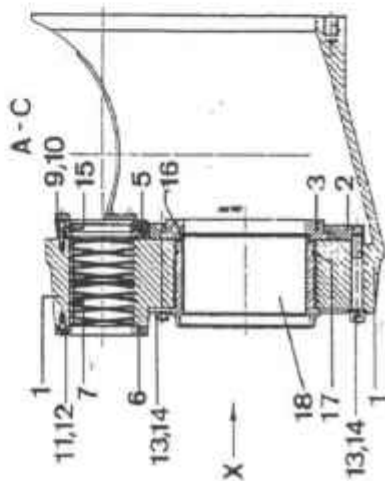
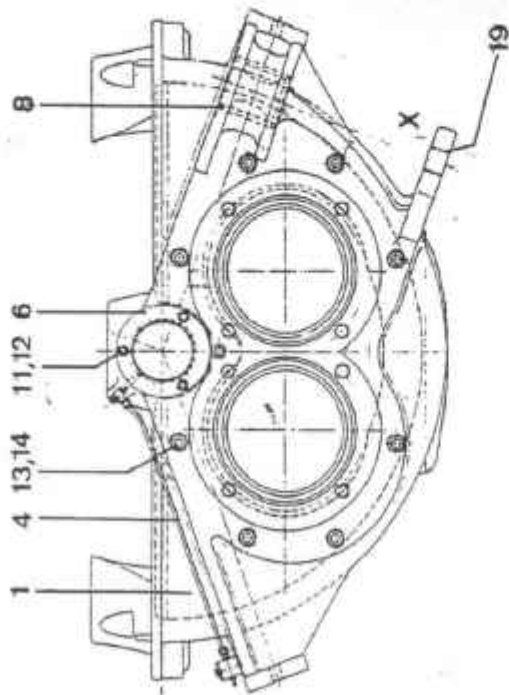
Pos.	Quantity		ID-NO.	Nomenclature
0001	1,000	PCE	10107420 ^	ROCK VALVE HOUSING DN 200/210/180
0002	1,000	PCE	10018045 -	COVER OF HOUSING DN 230/210/180 + 200/210/180
0003	1,000	PCE	10069209V	ROCK VALVE RM DN 210/180
0004	1,000	PCE	1 0 0 3 6 4 3 3	DISCHARGE FLAP (DN 250)
0005	7,000	PCE	10003579	HEXAGON HEAD SCREW DIN 933 M 24 X 60 - 8.8 - A3C
0006	7,000	PCE	10015400	SAFETY DISC S24
0007	1,000	PCE	10108111V	SLEWING DRIVE WITH ZL
End				

..AS



SCHWING

10107420



ROCK VALVE HOUSING  
DN 200/210/180

COM-No. :

ID-NO. : 10107420 \*

PERT.DRG:

Pos.	Quantity		ID-NO.	Nomenclature
0001	1,000	PCE	10103855	HOUSING DN 200/210/180
0002	1,000	PCE	10074769	BASE PLATE
0003	1,000	PCE	10074767	WEARING INSERT DN 200
0004	1,000	PCE	10069715 y	LUBRICATION DEVICE
0005	1,000	PCE	10018035	SEALING COVER
0006	1,000	PCE	10029441	COVER
0007	2,000	PCE	10018037	BEARING BUSH D 95/108 X 70 WITH SPIRAL GROOVE
0008	1,000	PCE	10060528	BUSHING
0009	3,000	PCE	10001865	HEXAGON HEAD SCREW DIN 933 M 10 X 40 - 8.8 - A2C
0010	3,000	PCE	10011143	DISC DIN 125 B 10,5-St -,A2C
0011	3,000	PCE	10011969	CHEESE HEAD SCREW DIN 7984 M 10 X 16 - 8.8 - A2C
0012	3,000	PCE	10136867	SCREW RETAINER SKZ 10 DT 320
0013	9,000	PCE	10017437	CHEESE HEAD SCREW DIN 912 M 16 X 125 - 8.8 - A2C
0014	9,000	PCE	10139855	SCREW RETAINER SKZ 16 DT 320
0015	1,000	PCE	10016241	O-RING 95 X 8
0016	2,000	PCE	10014002	O-RING 207 X 3
0017	2,000	PCE	10000616	O-RING 214 X 5
0018	2,000	PCE	10077886	TRANSITION PIECE WITH COLLAR DN 200/200
0019	1,000	PCE	10006726	BUSHING MB 35 30 DU

End



H&Л

COM-No

**ID-NO. : 10041262**

PERT.DRG

**HYDRAULIC SYSTEM ON BOOM  
KVM 32 (EXPORT EXECUTION)**

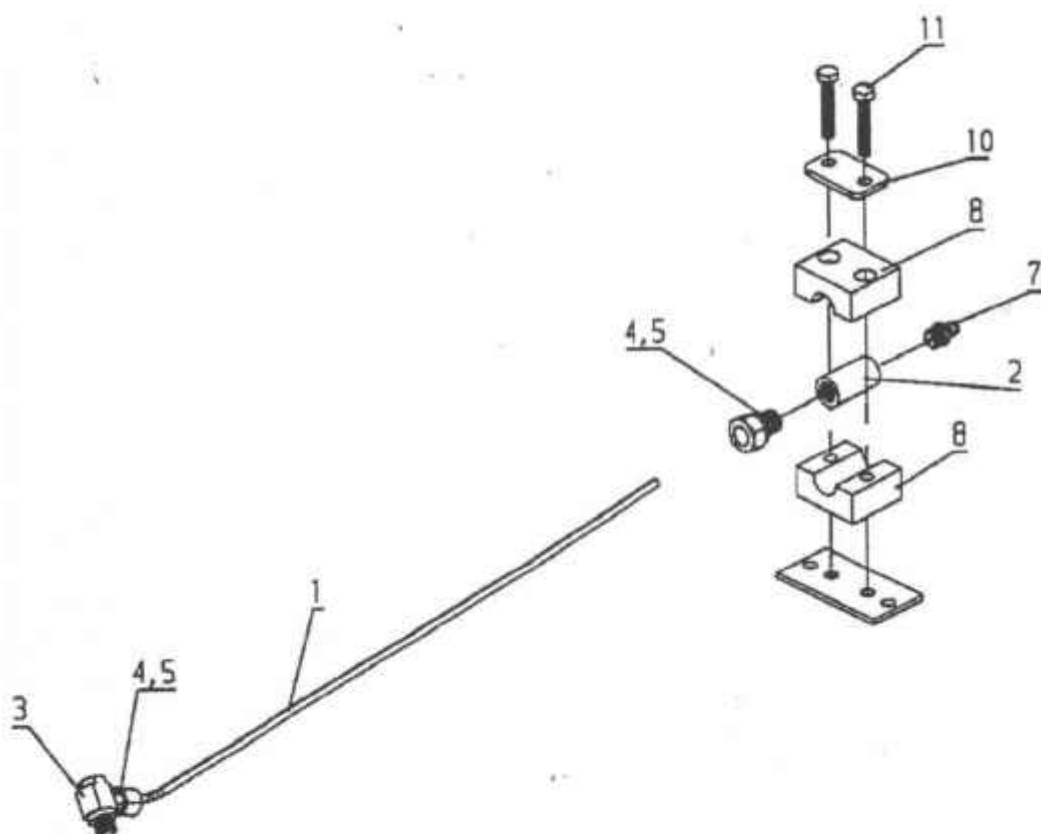
Pos.	Quantity	ID-NO.	Nomenclature
0077	108,0 PCE	10001730	PROFILED RING P - R - 12 - L/S (K-R-12-LS)
0078	1,000 PCE	10018850	FITTING EWSD - 20 - S
0079	1,000 PCE	10077938	THROTTLE CHECK VALVE R 1/2" DRVS - R 1/2" - 1,9 "O"

End



**SCHWING**

10069715



**LUBRICATION DEVICE**

COM-No.:

WI

ID-NO. : 10069715 V

PERT.DRG:

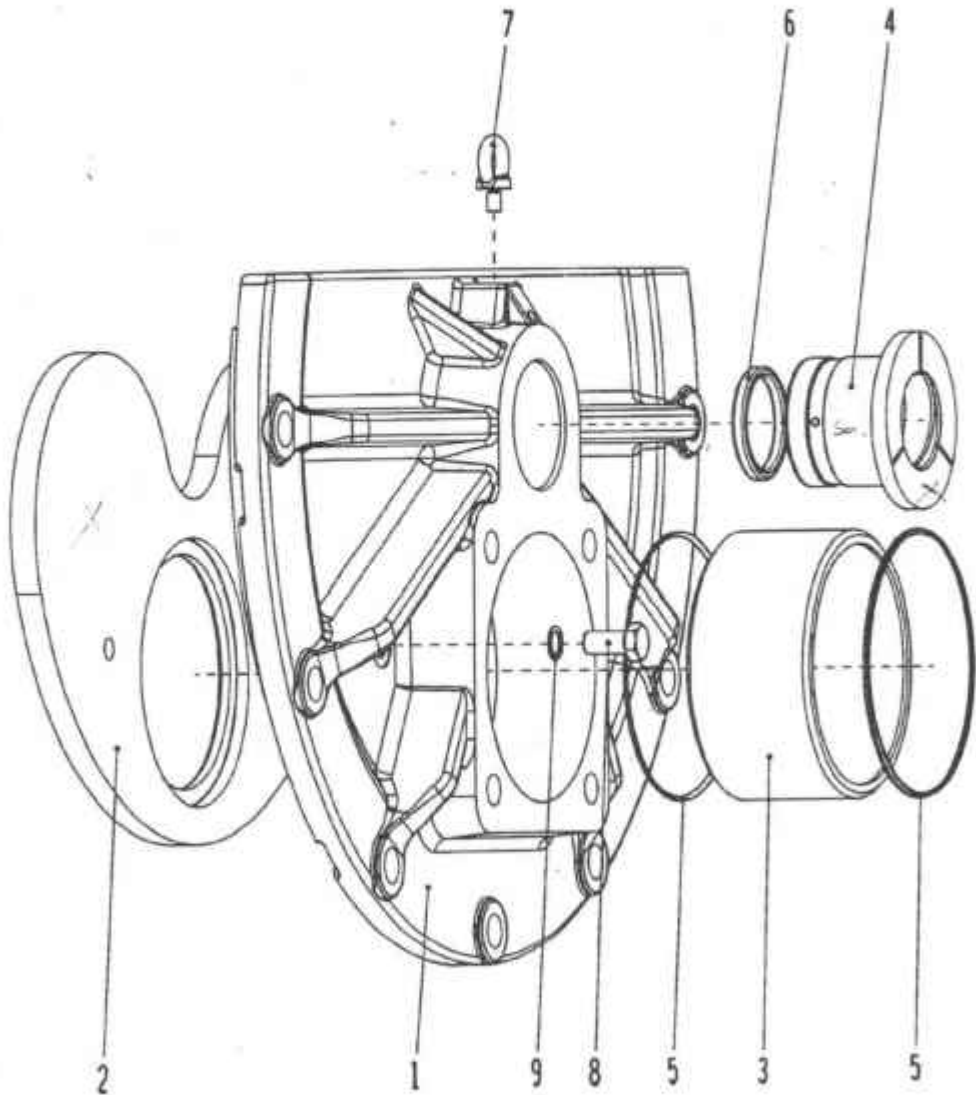
Pos.	Quantity		ID-NO.	Nomenclature
0001	1,000	PCE	10069716	TUBE
0002	1,000	PCE	10029399	SOCKET
0003	1,000	PCE	10029401	FITTING RSWS - 6 - LLM
0004	2,000	PCE	10001763	CAP NUT M 6 LL
0005	2,000	PCE	10001724	CUTTER RING S - R - 6 - LL (K-R-6-LL)
0006	1,000	PCE	10029402	FITTING GES - 6 - LLM
0007	1,000	PCE	10007886	HYDRAULIC-TYPE LUBRICATING NIPPLE DIN 71412 AM 10X1 5.8
0008	2,000	PCE	10006628	CLAMP HALF SECTION DN 16 II
0010	1,000	PCE	10002481	COVER PLATE DP II
0011	2,000	PCE	10001227	HEXAGON HEAD BOLT DIN 931 M 6 X 35 - 8.8 - A2C

End



**SCHWING**

10018045



COVER OF HOUSING  
DN 230/210/180 + 200/210/180

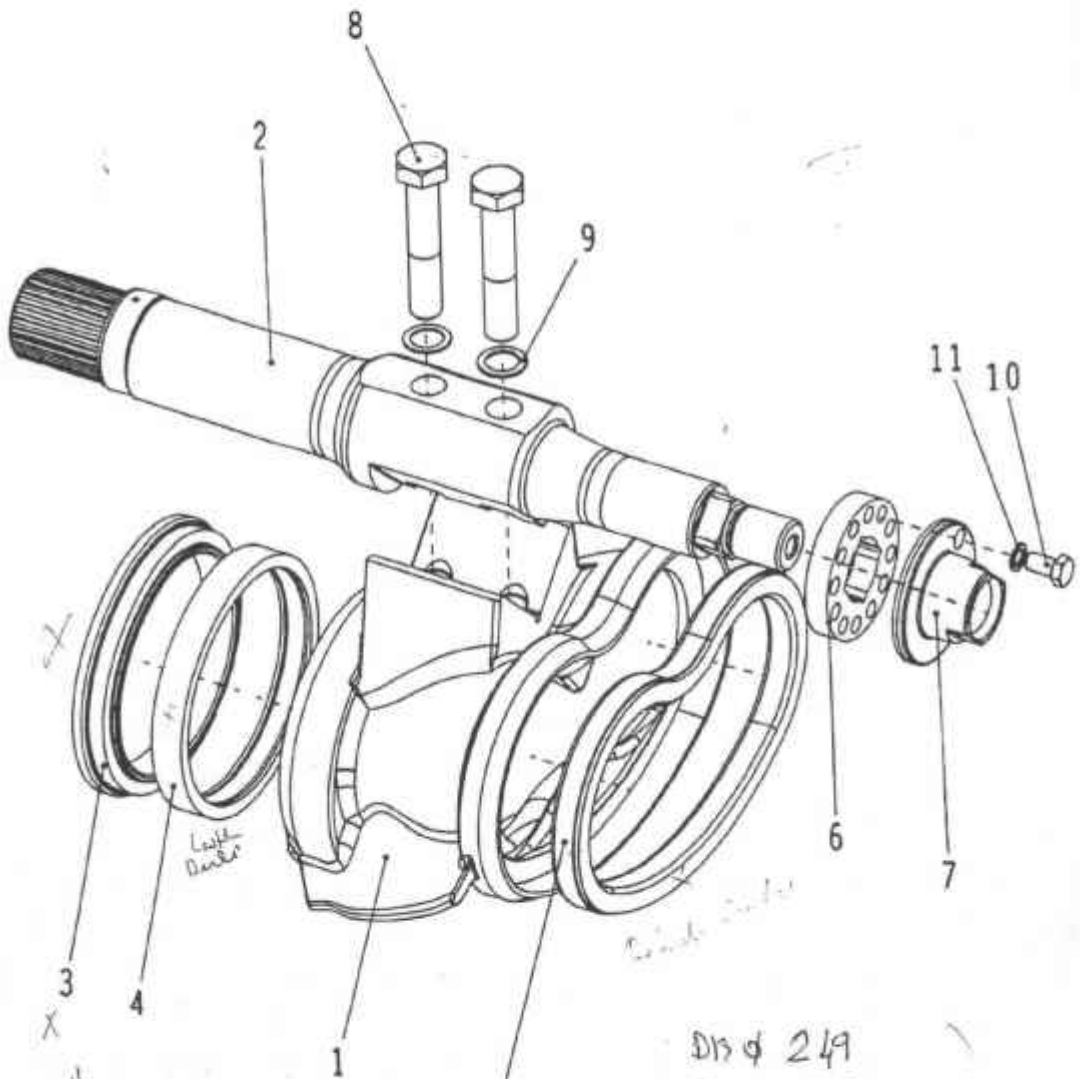
COM-No. :  
ID-NO. : 10018045 /  
PERT.DRG:

Pos.	Quantity		ID-NO.	Nomenclature
0001	1,000	PCE	10018027	COVER DN 230/210/180 AND DN 200/210/180
0002	1,000	PCE	10018046	HOUSING LINING DN 180 OUTLET SIDE
0003	1,000	PCE	10018029	COVER LINING
0004	1,000	PCE	10018047	SUPPORT BUSHING FOR HOUSING COVER
0005	2,000	PCE	10016664	O-RING 195 X3
0006	1,000	PCE	10017436	O-RING 70 X 8
0007	1,000	PCE	10014781	LIFTING EYE BOLT DIN 580 M 10-C 15
0008	2,000	PCE	10001332	HEXAGON HEAD SCREW DIN 933 M 16 X 35 - 8.8 - A2C
0009	2,000	PCE	10006723	SAFETY DISC S16
End				



SCHWING

10069209



RACH  
 X  
 3  
 4  
 1  
 5  
 6  
 7  
 8  
 9  
 10  
 11

ic φ 210  
 Dis φ 240  
 kd. H<sub>1</sub> 15  
 Ex falls

10018047

Dis φ 249  
 ic φ 223.  
 kln ~~24~~ 7mm.  
 guss ll.

## ROCK VALVE RM DN 210/180

COM-No. :

ID-NO. : 10069209 ✓

PERT.DRG:

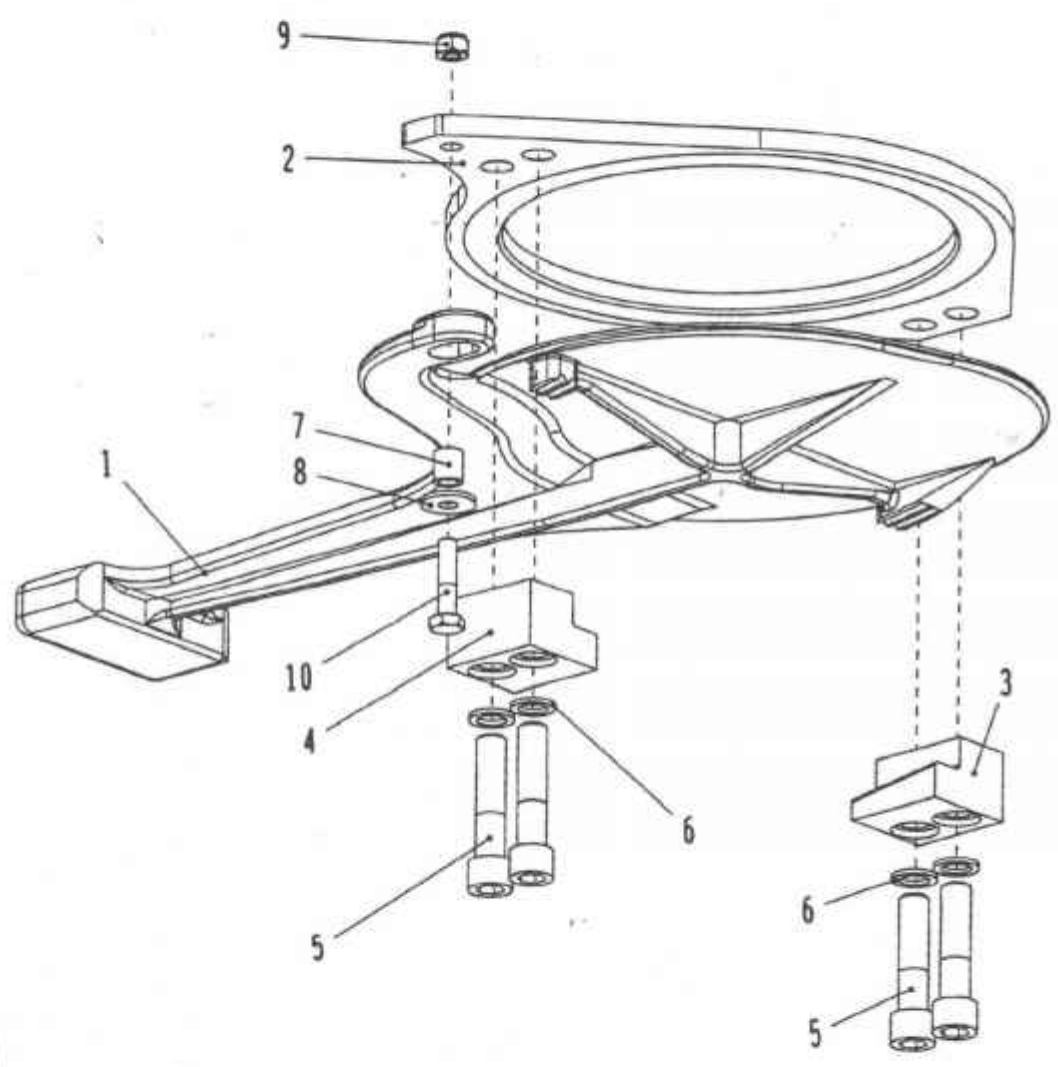
Pos.	Quantity		ID-NO.	Nomenclature
0001	1,000	PCE	10190637 y	ROCK WITH BACK-UP RING DN 210/180 M
0002	1,000	PCE	10064073	SLEWING SHAFT
0003	1,000	PCE	10064073	CUTTING RING DN 210
0004	1,000	PCE	10064472 Y	PRESSURE SPRING DN 210 ?
0005	1,000	PCE	10029138^	SEALING DN 180 - KIDNEY
0006	1,000	PCE	10017396	SETTING DISC
0007	1,000	PCE	10043980^	TENSION NUT
0008	2,000	PCE	10001295	HEXAGON HEAD BOLT DIN 931 M 30 X 150 - 8.8 - A3C
0009	2,000	PCE	10015401	SAFETY DISC S30
0010	1,000	PCE	10001596	HEXAGON HEAD SCREW DIN 933 M 16 X 30 - 8.8 - A2C
0011	1,000	PCE	10139855	SCREW RETAINER SKZ 16 DT 320

End



**SCHWING**

10036433





DISCHARGE FLAP  
(DN 250)

COM-No. :

ID-NO. : 10036433

PERT.DRG:

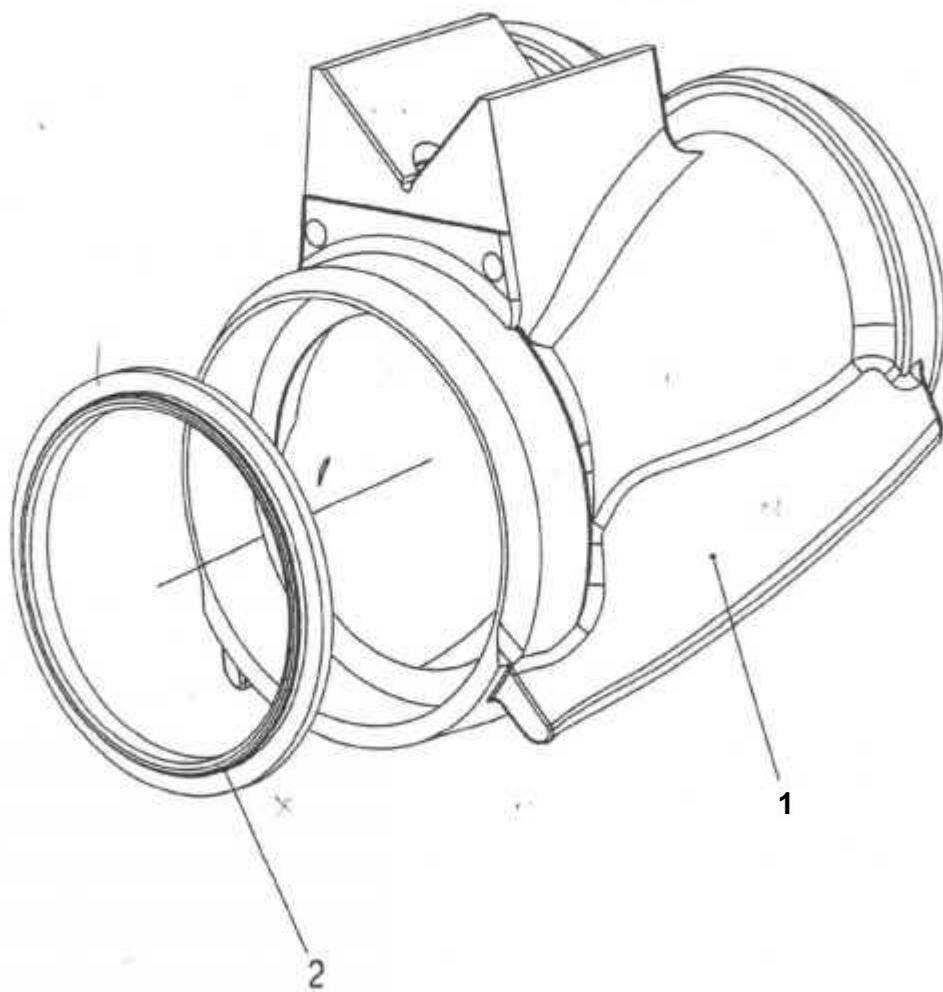
Pos.	Quantity		ID-NO.	Nomenclature
0001	1,000	PCE	10080782	LOCKING CAP DN 250
0002	1,000	PCE	10035783	SEALING RING (DN 250)
0003	1,000	PCE	10032789	CLAMPING PIECE (LEFT)
0004	1,000	PCE	10032788	CLAMPING PIECE (RIGHT)
0005	4,000	PCE	10001671	CHEESE HEAD SCREW DIN 912 M 16 X 70 - 8.8 - A2C
0006	4,000	PCE	10139855	SCREW RETAINER SKZ 16 DT 320
0007	1,000	PCE	10020389	TUBE 16 X 2,5 X 17 DIN 2391-C
0008	1,000	PCE	10001381	DISC DIN 9021 10,5- 140HV-A2C
0009	1,000	PCE	10001283	HEXAGON NUT DIN 985 M10-8-A2C
0010	1,000	PCE	10001307	HEXAGON HEAD BOLT DIN 931 M 10 X 45 - 8.8 - A2C

End



**SCHWING**

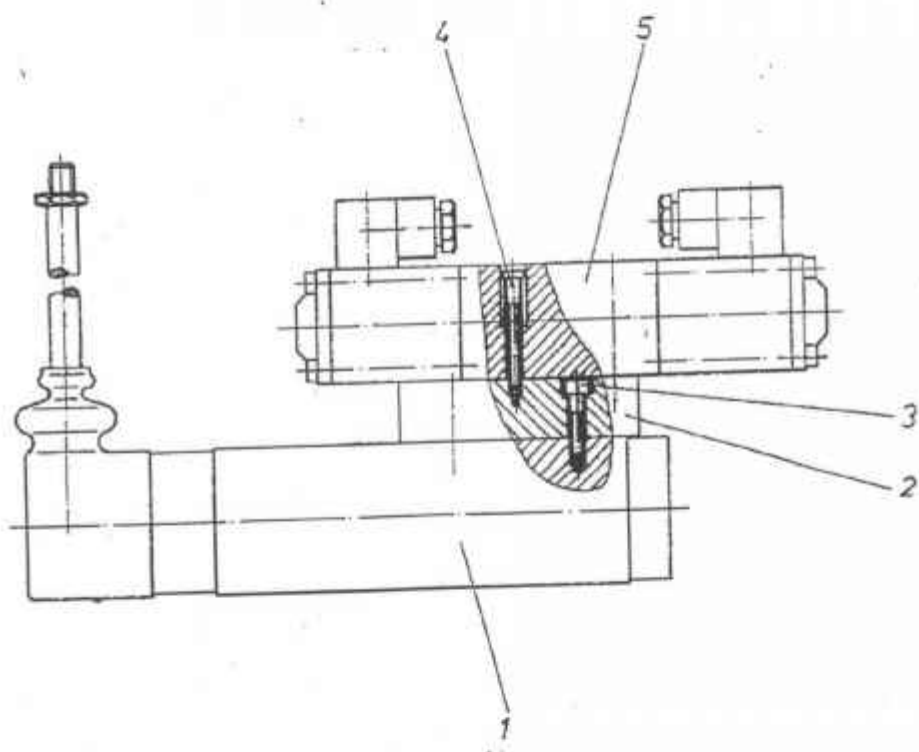
10190637





**SCHWING**

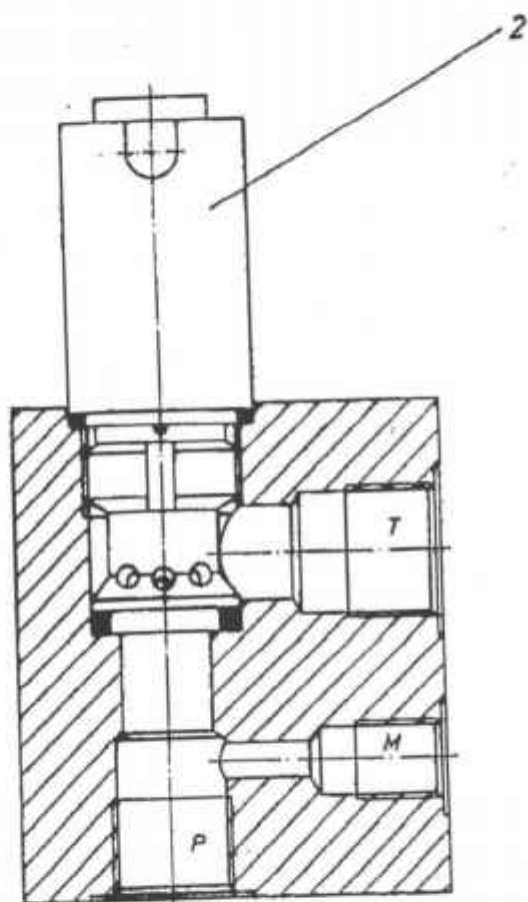
10073676





**SCHWING**

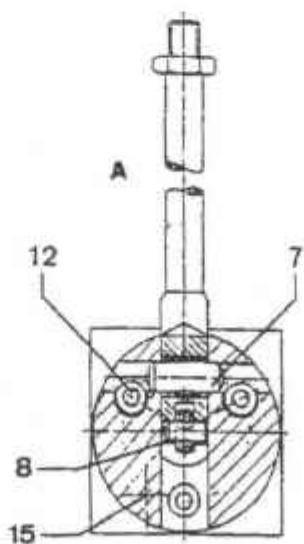
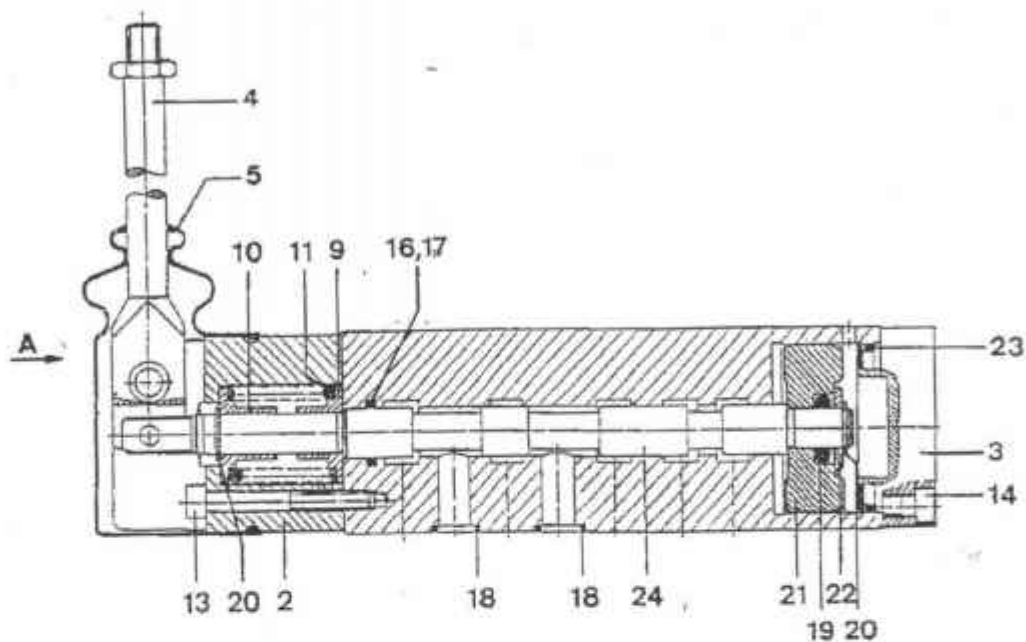
10073646



O HAND LEVER VALVE HVM 10632 F  
24 V (EV 355.000)

COM-No.:  
ID-NO. : 10073662 V  
PERT.DRG: 10073676

Pos.	Quantity		ID-NO.	Nomenclature
0001	1,000	PCE	10007953 \	HAND VALVE HVM 10632 F
0002	1,000	PCE	10008556	PRECONTROL PLATE EV 272.002
0003	4,000	PCE	10001576	CHEESE HEAD SCREW DIN 912 M 6 X 25 - 8.8 - A2C
0004	4,000	PCE	10011956	CHEESE HEAD SCREW DIN 912 M 5 X 45 - 8.8 - A2C
0005	1,000	PCE	1 &gt;153988	SOLENOID VALVE NG 06 CPL. 24 VG MSE 06432-24V-G
End				



HAND VALVE HVM 10632 F

COM-№: i-rajifc-\*-

ID-NO. : 10007953 V

PERT.DRG: 10073661

Pos.	Quantity		ID-NO.	Nomenclature
0002	1,000	PCE	10073173	SUPPORT HVM (EV 355.102)
0003	1,000	PCE	10073168	COVER /HVM (EV 355.103)
0004	1,000	PCE	10073788	LEVER WITH SUPPORT (LONG) (EV 340.004)
0005	1,000	PCE	10008379	CONCERTINA WALLS EV 210.020
0007	1,000	PCE	10013492	PARALLEL PIN ISO 8734 8 X 24 - A - St
0008	1,000	PCE	10070554	PARALLEL PIN ISO 8734 6X 14-A - St
0009	1,000	PCE	10073151	SPRING WASHER (EV 355.110)
0010	1,000	PCE	10073152	SPRING WASHER (EV 355.111)
0011	1,000	PCE	10013491	PRESSURE SPRING EV 210.014
0012	2,000	PCE	10000975	CHEESE HEAD SCREW DIN 912 M 6 X 65 - 8.8 - A2C
0013	1,000	PCE	10000960	CHEESE HEAD SCREW DIN 912 M 6 X 50 - 8.8 - A2C
0014	4,000	PCE	10001575	CHEESE HEAD SCREW DIN 912 M 6X20-8.8-A2C
0015	1,000	PCE	10000151	O-RING 8,74 X 1,78
0016	1,000	PCE	10087213	SLIDING RING ID ROD D = 15
0017	1,000	PCE	10067859	O-RING 17,12 X 2,62
0018	7,000	PCE	10000175	O-RING 10,77 X 2,62
0019	1,000	PCE	10067841	O-RING 12 X 5

y/- :

HAND VALVE HVM 10632 F

F-DMMH M.1

COM-No. :

ID-NO. : 10007953

PERT DRG: 10073661

I )

Pos.	Quantity		ID-NO.	Nomenclature
0020	2,000	PCE	10014586	RETAINING RING DIN 471 12X 1,5
0021	1,000	PCE	10073165	PRECONTROL PISTON D 50 (EV 210.205)
0022	1,000	PCE	10073167	DISC D 12 H 8 (EV 355.302)
0023	1,000	PCE	10068709	O-RING 44 X 3
End				



**END PLATE NG 10 KPL**  
**R 3/8" (EV 193.000 C)**

COM-No.:  
**ID-NO. : 10008559 ^**  
PERT.DRG: KEINE

Ж. :

<b>Pos.</b>	<b>Quantity</b>	<b>ID-NO.</b>	<b>Nomenclature</b>
0001	1,000 PCE	10078036	END PLATE NG 10, R 3/8"
0002	5,000 PCE	10000175	O-RING 10,77 X 2,62
End			

GAUGE CONNECTION SOCKET  
EV 873.002

III'

COM-No. :  
ID-NO. : 10010735/  
PERT.DRG: KEINE

Pos.	Quantity		ID-NO.	Nomenclature
0001	1,000	PCE	10081781	GAUGE CONNECTION SOCKET
0002	1,000	PCE	10068627	SEALING RING DIN 7603 A 6,5 X 11 X 2,3 CU
0003	1,000	PCE	10001748	CAP NUT M 12 L
0004	1,000	PCE	10001730	PROFILED RING P - R - 12 - L/S (K-R-12-LS)
0001	1,000	PCE	1,0081781	GAUGE CONNECTION SOCKET
0002	1,000	PCE	10068627	SEALING RING DIN 7603 A 6,5 X 11 X 2,3 CU
0003	1,000	PCE	10001748	CAP NUT M 12 L
0004	1,000	PCE	10001730	PROFILED RING P - R - 12 - L/S (K-R-12-LS)
End				



DELIVERY PIPELINE KVM 32/28  
DN 125

COM-No.:  
ID-NO. : 10027475  
PERT.DRG:

Pos.	Quantity		ID-NO.	Nomenclature
0001	10,00	PCE	10010479	ELBOW DN 125 5 1/2" 90 DEGREES R=275
0002	2,000	PCE	10014526	ELBOW DN 125 5 1/2" 45 DEGREES R=275
0003	1,000	PCE	10119116	BEND DN 125
0004	1,000	PCE	10004280	DELIVERY TUBE DN 125 1290 MM 5 1/2"
276 0005	4,000	PCE	10004349	DELIVERY TUBE DN 125 3000 MM 5 1/2"
0006	1,000	PCE	10028407	DELIVERY TUBE DN 125 3895 MM 5 1/2"
0007	1,000	PCE	10015418	DELIVERY TUBE DN 125 3380 MM 5 1/2"
0008	1,000	PCE	10076996	DELIVERY TUBE DN 125 3500 MM 5 1/2"
0009	1,000	PCE	10027297	DELIVERY TUBE DN 125 2800 MM 5 1/2"
0010	1,000	PCE	10013391	DELIVERY TUBE DN 125 430 MM 5 1/2" WITH RIBS DW
0011	14,00	PCE	10007018	CUP-TYPE CLAMP 5 1/2" WITHOUT SEALING
V:•• 0012	24,00	PCE	10002526	SEALING 5 1/2"
0013	4,000	PCE	10133242	CLAMP 5 1/2" WITH FLANGE
0015	1,000	PCE	10111567	SAFETY DEVICE FOR END HOSE DN 125
0016	6,000	PCE	10006587	SCREW-TYPE COUPLING 5 1/2"
0017	1,000	PCE	10023222	DELIVERY TUBE DN 125 130 MM 5 1/2"
	1,000	PCE	10001366	HEXAGON HEAD SCREW DIN 933 M 16 X 75 - 8.8 - A2C

**SCHWING GMBH****Spare parts list****DELIVERY PIPELINE KVM 32/28  
DN 125**

COM-No. :

**ID-NO. : 10027475**

PERT.DRG:

Pos.	Quantity		ID-NO.	Nomenclature
0019	77,00	PCE	10001260	HEXAGON NUT DIN 934 M 16 - 8 - A2C
0020	14,00	PCE	10008369	SAFETY DEVICE FOR CLAMP
0022	10,00	PCE	10001469	DISC DIN 7349 17 - St - A3C
0023	14,00	PCE	10133552	SCREW RETAINER SKM 16 DT 320
0024	7,000	PCE	10001341	HEXAGON HEAD SCREW DIN 933 M 16 X 45 - 8.8 - A2C
0025	17,00	PCE	10038880	TUBE SUPPORT DN 125
0026	17,00	PCE	10010238	ROUND STEEL STIRRUP
End				

SCHWING GMBH

Spare parts list

PRESSURE LIMIT VALVE  
SVL - G 3/8" 140 BAR

COM-No..  
ID-NO. : 10007797 /  
PERT.DRG: 10073646

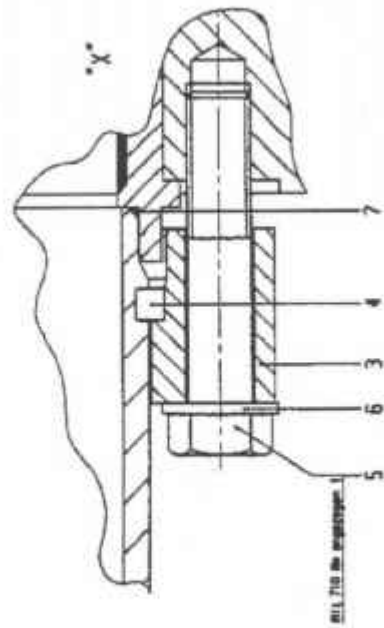
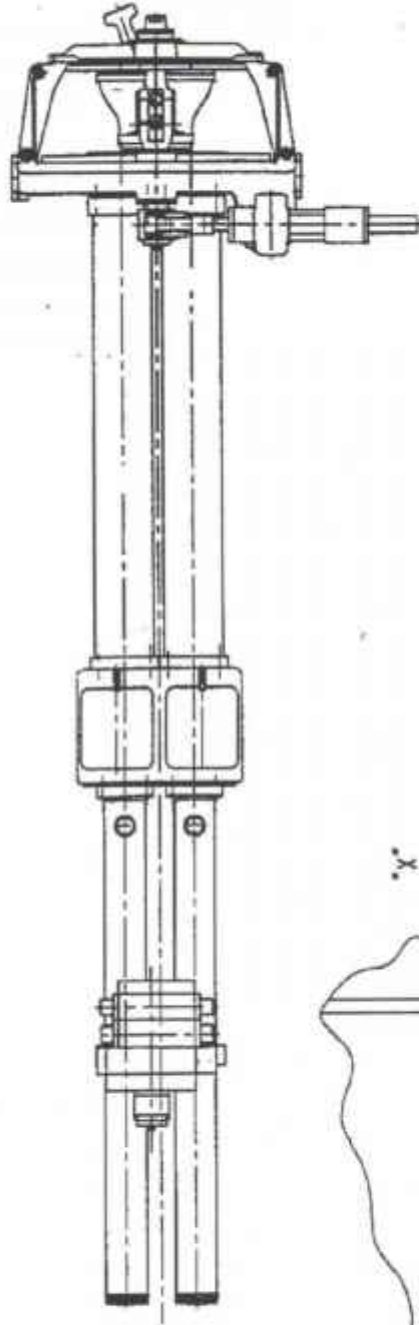
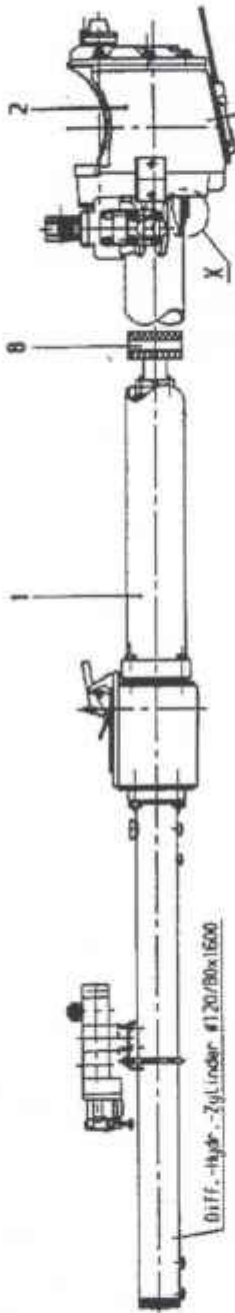
Pos.	Quantity	ID-NO.	Nomenclature
0002	1,000 PCE	10007791 ✓	VALVE CARTRIDGE 140 BAR SVP 10-S

End



**SCHWING**

10081457





**CONCRETE PUMP KIT  
P 1620-120/80 RM**

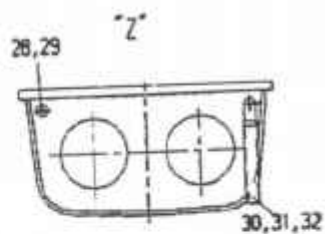
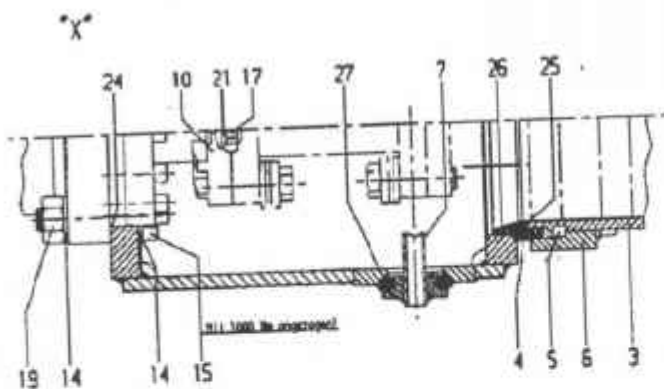
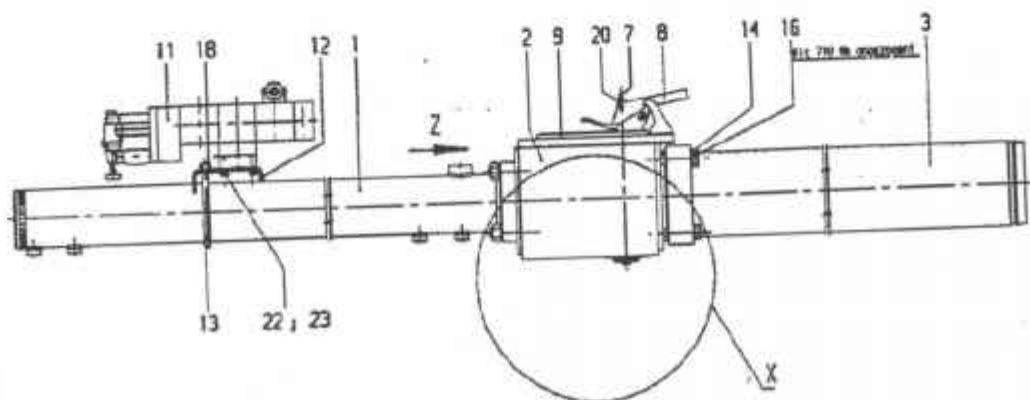
COM-No. :  
**ID-NO. : 10081457**  
PERT.DRG:

Pos.	Quantity		ID-NO.	Nomenclature
0001	1,000	PCE	10105298 /	PUMP UNIT BPL 900 HD DN 200-120/80X 1600
0002	1,000	PCE	10108110^/	ROCK VALVE UNIT "M" DN 200/210/180, WITH ZL
0003	2,000	PCE	10077963	FLANGE DN 200 LK., 274 4XD26
0004	2,000	PCE	10003731	HALF RING DN 200 232/210X 12
0005	8,000	PCE	10001900	HEXAGON HEAD BOLT DIN 931 M 24 X 120 - 8.8 - A3C .
0006	8,000	PCE	10001504	DISC DIN 6916 25 - C 45 - DT 500
0007	2,000	PCE	10014002	O-RING 207 X 3
0008	2,000	PCE	10081458 ✓	RAM DN 200/80 WITH FIXTURE
End				



**SCHWING**

10081456



PUMP UNIT BPL 900 HD  
DN 200-120/80 X 1600

COM-No. :

ID-NO. : 10105298

PERT.DRG: 10081456

V<sup>\*</sup><sub>m</sub>9  
48 \* ©

Pos.	Quantity		ID-NO.	Nomenclature
0001	2,000	PCE	10017486 <sup>1</sup>	DIFFERENTIAL CYLINDER D 120/80 X 1600
0002	1,000	PCE	10105245	WATER BOX (MACHINING DRWG.)
0003	2,000	PCE	10006084	PUMPING CYLINDER PIPE DN 200 X 1600
0004	2,000	PCE	10002327	LEADING-IN RING DN 200
0005	2,000	PCE	10003731	HALF RING DN 200 232/210 X 12
0006	2,000	PCE	10077963	FLANGE DN 200 LK.: 274 4XD26
0007	1,000	PCE	10105249	LOCKING ROD
0008	1,000	PCE	10079908	CLAMPING LEVER
0009	2,000	PCE	10079911 л/	COVER FOR WATER BOX (SUMMARY)
0010	2,000	PCE	10011849	COUPLING FLANGE (FOR PISTON ROD D 80)
0011	1,000	PCE	10017487/	CONTROL BLOCK WITH PRESSURE LIMIT VALVE
0013	2,000	PCE	10018616	STIRRUP
0014	24,00	PCE	10001504	DISC DIN 6916 25 - C 45 - DT 500
0015	8,000	PCE	10013565	** HEXAGON BOLT DIN 6914 M 24 X 100 10.9 DT 500
0016	8,000	PCE	10001900	HEXAGON HEAD BOLT DIN 931 M 24 X 120 - 8.8 - A3C
0017	6,000	PCE	10006333	HEXAGON HEAD BOLT DIN 931 M 16 X 70 - 10.9 - DT 500
0018	4,000	PCE	10001260	HEXAGON NUT DIN 934 M 16 - 8 - A2C

A " i^ff  
**PUMP UNIT BPL 900 HD**  
**DN 200-120/80 X 1600**

COM-No. : *m*  
**ID-NO. : 10105298**  
 PERT.DRG: 10081456



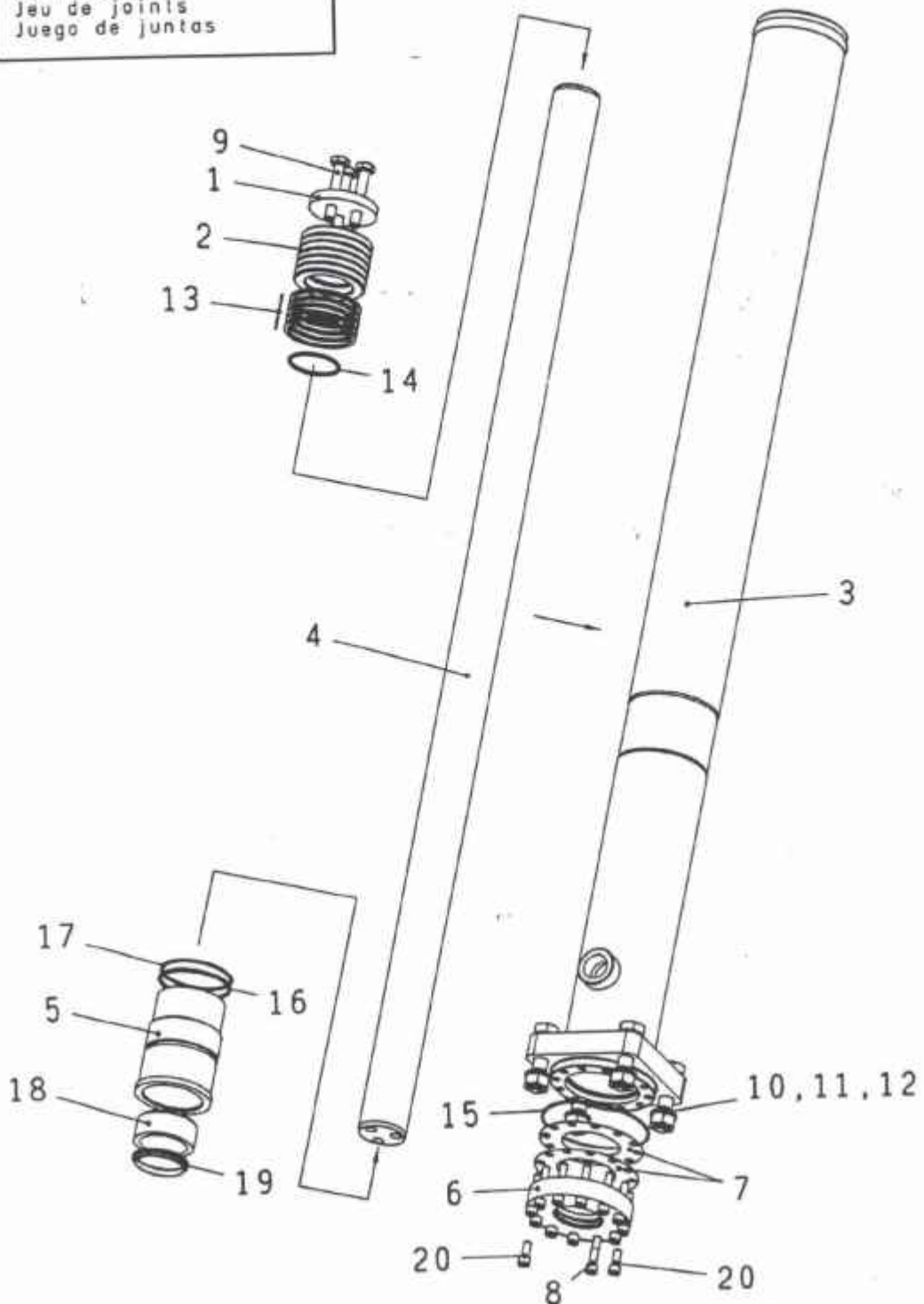
Pos.	Quantity		ID-NO.	Nomenclature
0019	8,000	PCE	10001238	HEXAGON NUT DIN 6915 M24 - 10 - DT 500
0020	1,000	PCE	10001254	HEXAGON NUT DIN 934 M12 - 8 - A2C
0021	6,000	PCE	10002052	DISC DIN 433 17 - St - A3C
0022	4,000	PCE	10001513	HEXAGON HEAD SCREW DIN 933 M 12 X 25 - 8.8 - A2C
0023	4,000	PCE	10018617	LOCK WASHERS S12
0024	2,000	PCE	10000511	O-RING 174 X 3
0025	2,000	PCE	10014002	O-RING 207 X 3
0026	2,000	PCE	10000630	O-RING 220 X 3
0027	1,000	PCE	10013110	FORM LACE RING 60X16
0028	1,000	PCE	10003981	SEALING RING DIN 7603 A 27 X 32 CU
0029	1,000	PCE	10001772	SCREW PLUG DIN 908 R 3/4" - 5.8 - A3C
0030	1,000	PCE	10011009	LONG BEND DIN EN 10242 G8 - 3/4 - Zn - A
0031	1,000	PCE	10002643	CLAMP S 30/20 SK
0032	0,200	M	10025153	PLASTIC HOSE 25 X 3
End				



**SCHWING**

10017486

Dichtsatz Kpl. 10176525  
Sealing set  
Jeu de joints  
Juego de juntas



**DIFFERENTIAL CYLINDER**  
**D 120/80 X 1600**

COM-No. :

ID-NO. : 10017486

PERT.DRG:

-mm

W m i

Pos.	Quantity		ID-NO.	Nomenclature
0001	1,000	PCE	10017528	DISC
0002	1,000	PCE	10017529	HYDRAULIC PISTON A 120X 80/ 80- 40
0003	1,000	PCE	10017509	CYLINDER BLOCK 120/ 80
0004	1,000	PCE X"	10013157	PISTON ROD F 80X1892/ 16- 50
0005	1,000	PCE X	10102071	GUIDE BUSH D 120/80
0006	1,000	PCE	10017497	TENSION RING D 120/ 80
0007	2,000	PCE	10017517	SPACING DISC
0008	12,00	PCE	10001200	CHEESE HEAD SCREW DIN 912 M 12 X 60 - 12.9 - DT 500
0009	3,000	PCE	10001470	HEXAGON BOLT DIN 6914 M 16 X 100 10.9 DT 500
0010	4,000	PCE	10001238	HEXAGON NUT DIN 6915 M 24 - 10 - DT 500
0011	4,000	PCE	10013565	HEXAGON BOLT DIN 6914 M 24 X 100 10.9 DT 500
0012	8,000	PCE	10001504	DISC DIN 6916 25 - C 45 - DT 500
0013	5,000	PCE	10007052	PISTON RING SG 120/110 X 3
0014	1,000	PCE	10000968	O-RING 78 X 4
0015	1,000	PCE	10000511	O-RING 174 X 3
0016	1,000	PCE	10001077	O-RING 110 X 5
0017	1,000	PCE	10017527	SUPPORT RING (PTFE) 112/120X2
0018	1,000	PCE X	10003421	SEALING GLAND SET 80/100 X40
0019	1,000	PCE Л	10002329	SCRAPER 80X 92X 12

DIFFERENTIAL CYLINDER  
D 120/80 X 1600

COM-No. :  
ID-NO. : 10017486  
PERT.DRG:

---

Pos.	Quantity	ID-NO.	Nomenclature
0020	2,000 PCE	10001186	CHEESE HEAD SCREW DIN 912 M 12 X 30 - 8.8 - A2C

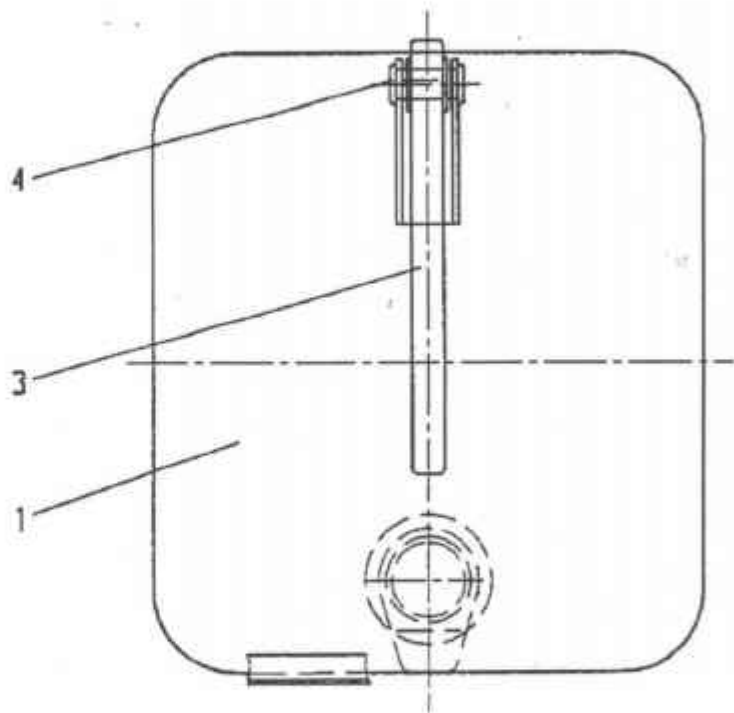
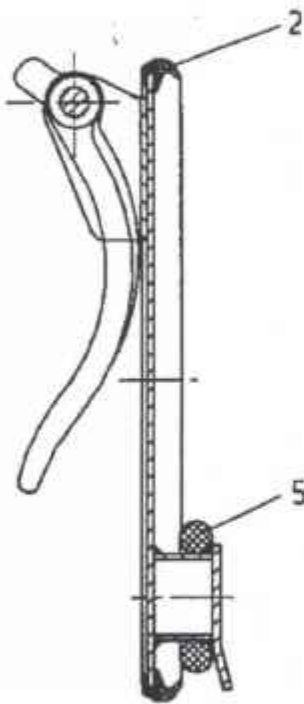
---

End



**SCHWING**

10079911





ТТЖ:

УЖ-Р.

COM-No. :

W-ММЯЩЩ ; I t f i i a i i

**COVER FOR WATER BOX  
(SUMMARY)**

**ID-NO. : 10079911**

PERT.DRG:

**1f**

Pos.	Quantity		ID-NO.	Nomenclature
0001	1,000	PCE	10079912	COVER FOR WATER BOX
0002	1,200	M	10021235	SEALING LEDGE
0003	1,000	PCE	10079941	CLAMPING LEVER
0004	1,000	PCE	10079942	RIVET PIN DIN 7341 B 14 h 11 X 45- St
0005	1,000	PCE	10004197	FORM LACE RING 42 X 15,5

End

SCHWING GMBH

Spare parts

VALVE CARTRIDGE 140 BAR  
SVP 10-S

COM-No. : m n m m m

ID-NO. : 10007791

PERT.DRG: KEINE

///

Pos.	Quantity	ID-NO.	Nomenclature
0001	1,000 PCE	10017618	SEALING SET FOR VALVE-CARTRIDGE SVP 10S

End



**ROCK WITH BACK-UP RING  
DN 210/180 M**

COM-No.:

**ID-NO. : 10190637**

PERT.DRG:

---

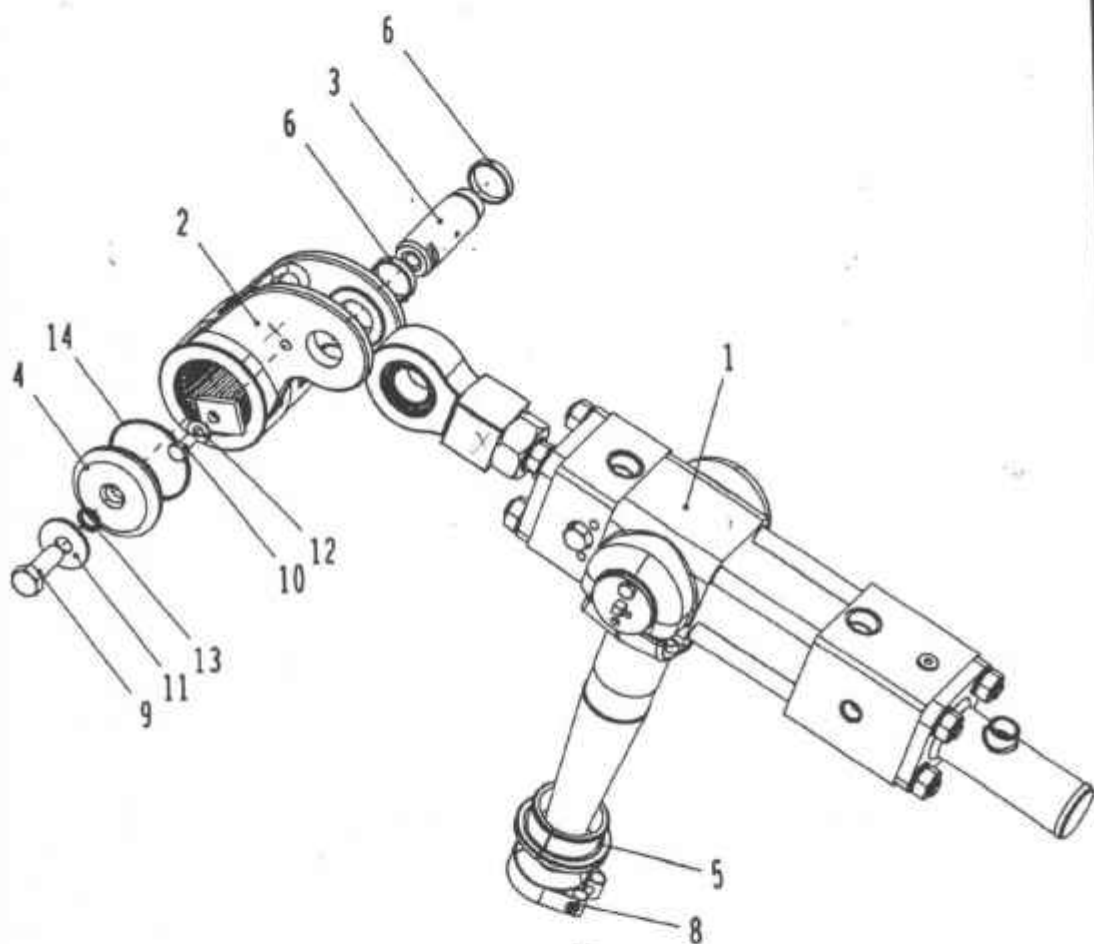
Pos.	Quantity	ID-NO.	Nomenclature
0001	1,000 PCE	10059467	ROCK DN 210/180
0002	1,000 PCE	10158880	BACK-UP RING DN 210
End			

---



**SCHWING**

10108111



SLEWING DRIVE  
WITH ZL

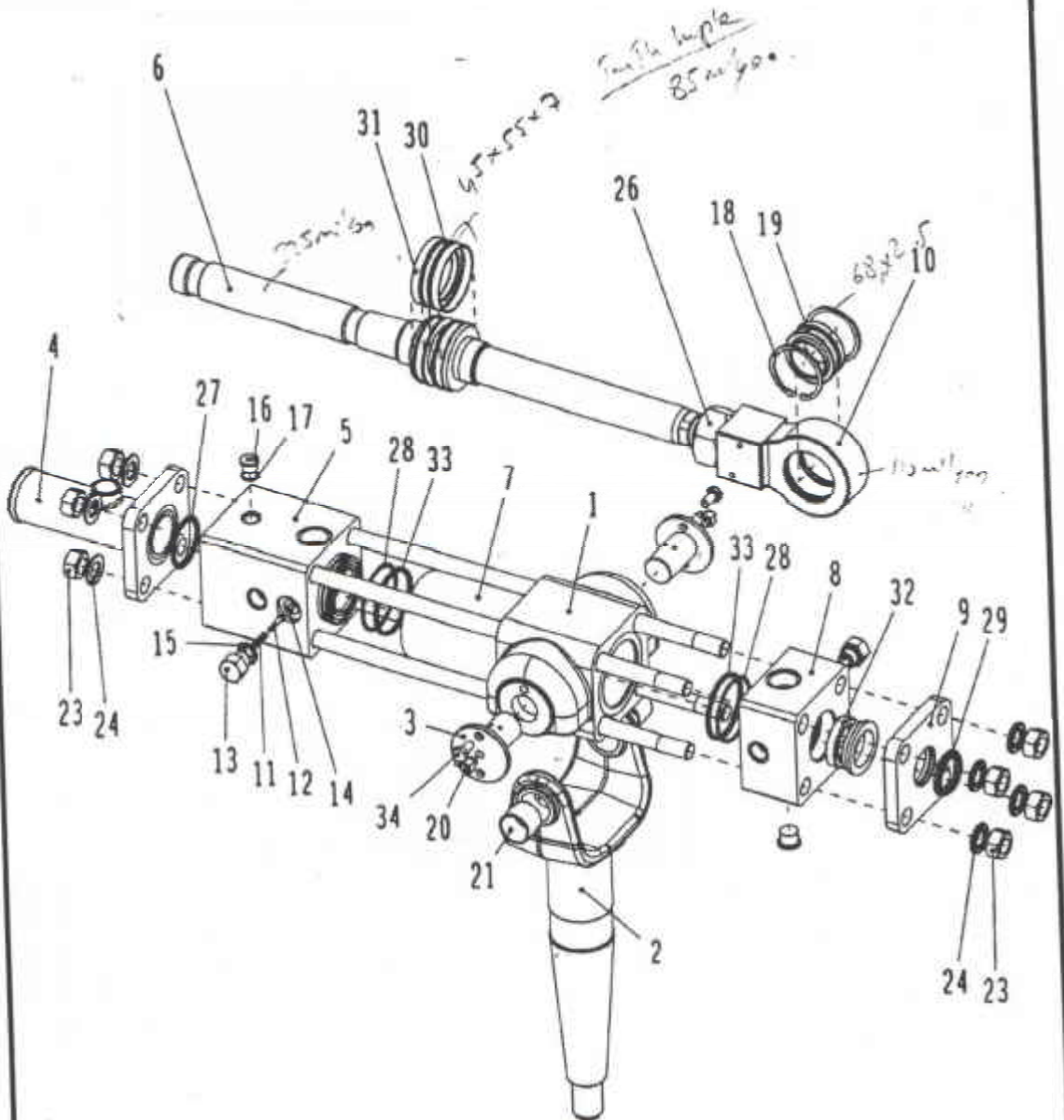
COM-No.:  
ID-NO. : 10108111 V  
PERT.DRG:

Pos.	Quantity		ID-NO.	Nomenclature
0001	1,000	PCE	10094569/	SLEWING CYLINDER D 80/45 X 185
0002	1,000	PCE	10018071	SLEWING LEVER DN 210/180
0003	1,000	PCE	10018069	BOLT 45X124
0004	1,000	PCE	10018073	COVER
0005	1,000	PCE	10118219	BUSHING
0006	2,000	PCE	10018070	RING A 9X45,5/51
0007	1,000	PCE	10018072	SHACKLE D 8 X 40/ 50- 13
0008	1,000	PCE	10109026	CLAMP D 85
0009	1,000	PCE	10001413	HEXAGON HEAD SCREW DIN 933 M 20 X 55 - 8.8 - A3C
0010	1,000	PCE	10001513	HEXAGON HEAD SCREW DIN 933 M 12X25-.8.8-A2C
0011	1,000	PCE	10016320	DISC DIN 9021 21 - 100HV-A3C
0012	1,000	PCE	10129840	SCREW RETAINER SKM 12 DT 320
0013	1,000	PCE	10000377	O-RING 19,2 X 3
0014	2,000	PCE	10001052	O-RING 94 X 3
End				



**SCHWING**

10094569



Dichsalz Kpl. **1006i756**  
Sealing set  
Jeu de joints  
juego de juntas

SLEWING CYLINDER  
D 80/45 X 185

ЩИТ

COM-No •

OUM 140 .

ID-NO. : 10094569

PERT.DRG:

Pos.	Quantity		ID-NO.	Nomenclature
0001	1,000	PCE	10058466	CYLINDER SUPPORT
0002	1,000	PCE	101)8218	SLEWING PIVOT
0003	2,000	PCE	10058467	BOLT
0004	1,000	PCE	10017554	PROTECTING TUBE
0005	1,000	PCE	10017555	CYLINDER HEAD
0006	1,000	PCE	10017556	PISTON ROD
0007	1,000	PCE	10017557	CYLINDER
0008	1,000	PCE	10094649	CYLINDER HEAD
0009	1,000	PCE	10017559	TENSION RING
0010	1,000	PCE	10017560	ROD EYE
0011	2,000	PCE	10013054	PRESSURE SPRING
0012	2,000	PCE	10017561	SPRING BOLT EV 105-0199
0013	2,000	PCE	10158538	VALVE PLUG M 20 X 1,5 - WD
0014	2,000	PCE	10006002	STEEL BALL DIN 5401 10
0015	2,000	PCE	10157392	SEALING RING DIN 3869 - 20- NBR
0016	1,000	PCE	10001767	SCREW PLUG DIN 908 G 3/8 A - St - A2C
0017	1,000	PCE	10003956	SEALING RING DIN 7603 A 17 X 21 CU
0018	2,000	PCE	10016233	RETAINING RING DIN 472 68X2,5
0019	1,000	PCE	10019455	ARTICULATED BEARING
0020	2,000	PCE	10007884	GREASE NIPPLE DIN 71412 CM 10X1 5.8
0021	2,000	PCE	10006726	BUSHING MB 35 30 DU

Л и

**SLEWING CYLINDER**  
**D 80/45 X 185**

COM-No. :

ID-NO. : 10094569

PERT.DRG:

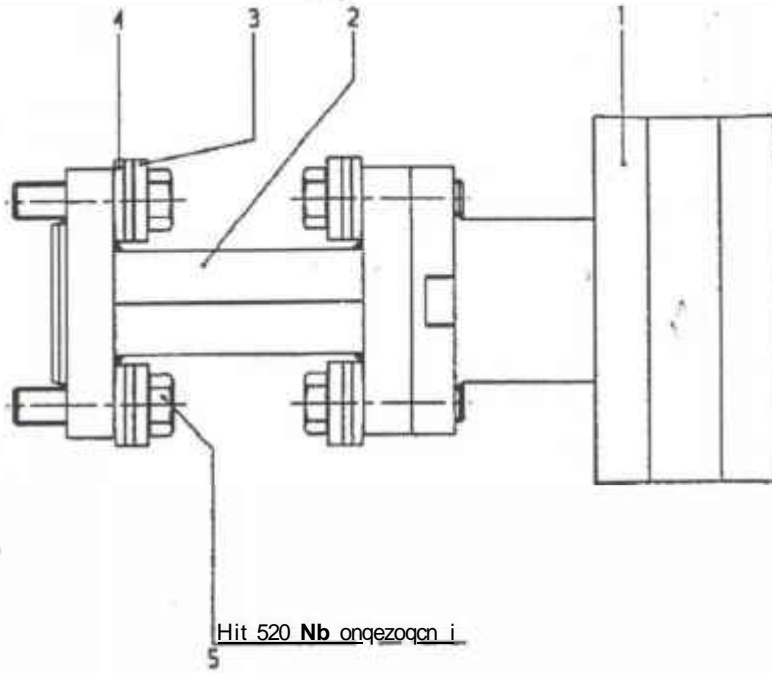
Pos.	Quantity		ID-NO.	Nomenclature
0022	4,000	PCE	10016797	THREADED ROD D 20 X 570/ 40-40 DT 500
0023	8,000	PCE	10001232	HEXAGON NUT DIN 6915 M20-10-DT 500
0024	8,000	PCE	10001509	DISC DIN 6916 21 - C 45 - DT 500
0025	1,000	PCE	10181680	EXPANDER
0026	1,000	PCE	10017021	HEXAGON NUT DIN 934 M 42 X 3 - 8 - A3C
0027	1,000	PCE	10000749	O-RING 56 X 4
0028	2,000	PCE	10000933	O-RING 72 X 4
0029	1,000	PCE	10006804	SCRAPER 45 X 55 X 7
0030	2,000	PCE	10016234	GUIDE BAND 9287-076.519
0031	1,000	PCE	10016235	PISTON SEALING 80 X60 X10
0032	1,000	PCE	10016236	ROD SEALING 45X60 X 11,4
0033	2,000	PCE	10016238	BACK-UP RING 80 X73,6 X 1,5
0034	2,000	PCE	10001855	HEXAGON HEAD SCREW DIN 933 M 10 X 20 - 8.8 - A2C
End				





**SCHWING**

10081458



Hit 520 Nb onqezogcn i

RAM DN 200/80  
WITH FIXTURE

COM-No. :

ID-NO. : 10081458 Y

PERT.DRG:

π<sup>2</sup>·  
..W irK:

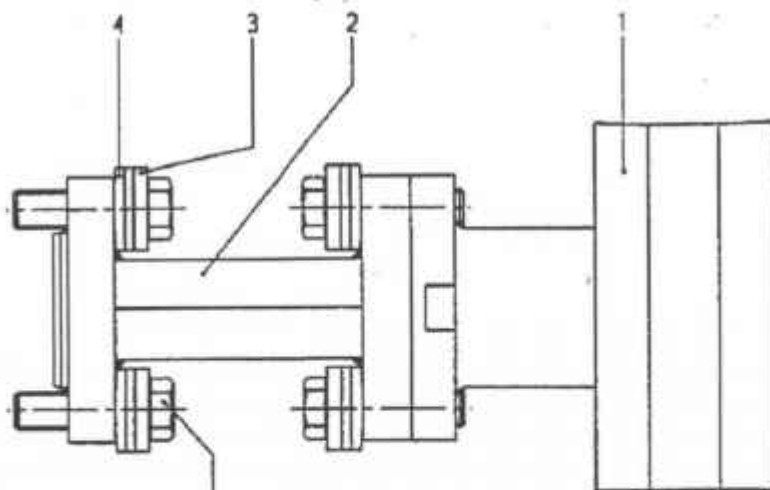
Pos.	Quantity		ID-NO.	Nomenclature
0001	1,000	PCE	10161754	RAM DN 200
0002	1,000	PCE	10159256	CONNECTION
0003	4,000	PCE	10020939	DISC G 8 X 20,5/45
0004	8,000	PCE	10020919	TIGHTENING DISK DIN 6796 20 FSt DT 500
0005	4,000	PCE	10001834	HEXAGON HEAD BOLT DIN 931 M 20 X 75 - 10.9 - DT 500
0001	1,000	PCE	10161754	RAM DN 200
0002	1,000	PCE	10159256	CONNECTION
0003	4,000	PCE	10020939	DISC G 8 X 20,5/45
0004	8,000	PCE	10020919	TIGHTENING DISK DIN 6796 20 FSt DT 500
0005	4,000	PCE	10001834	HEXAGON HEAD BOLT DIN 931 M 20 X 75 - 10.9 - DT 500
End				





**SCHWING**

10081458



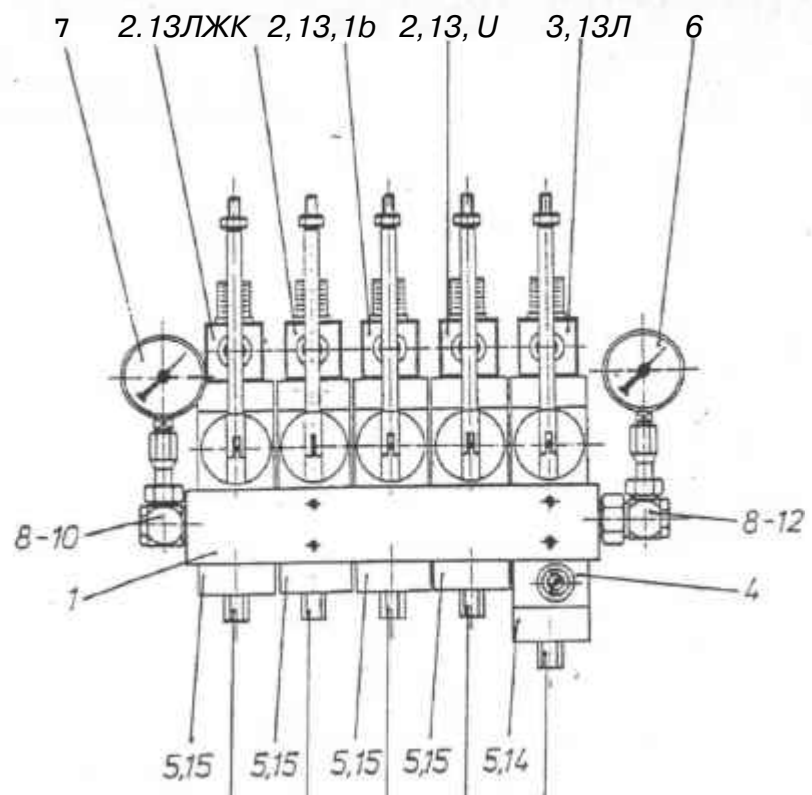
Mit 520 Nm angezogen !

5

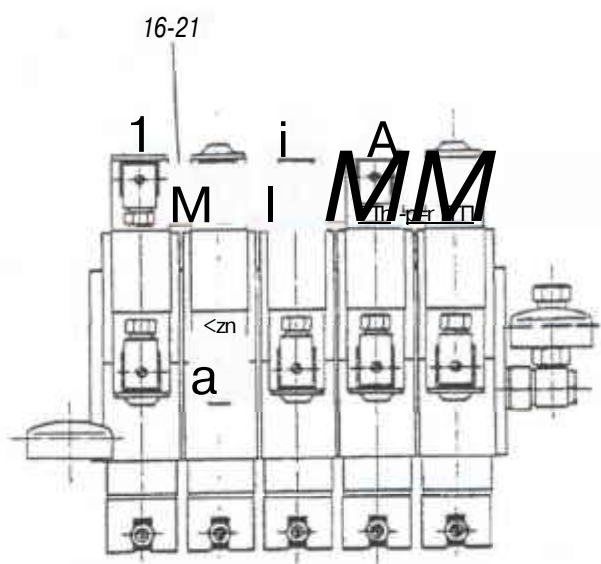


..HV-4:  
**SCHWING**

Щ Щ Щ v. ^  
**10102479**



DQssn	hin	ten	22	24	25	27	28
vome			23	25	25	25	28

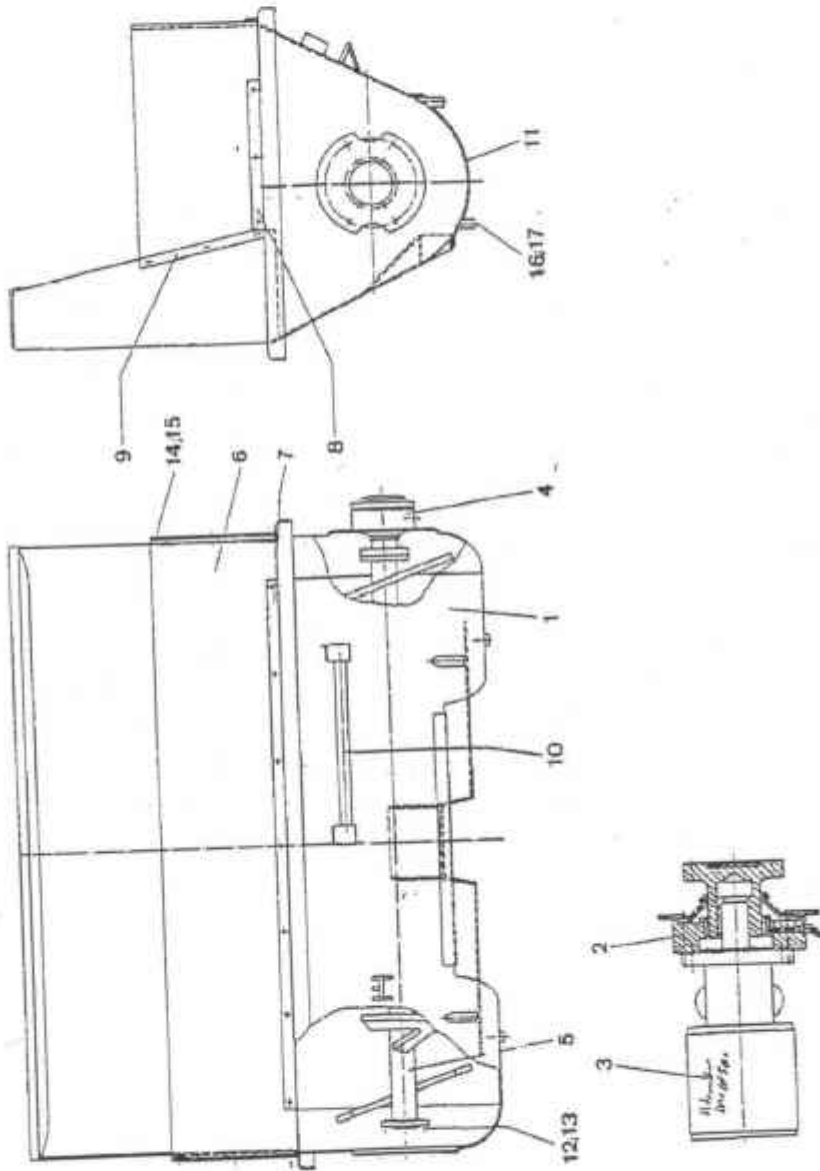






**SCHWING**

10053224



HOPPER WITH AGITATOR

i: ШШШiff

COM-No. r

ID-NO. : 10053224

ТЖЖ'ЛЛ

PERT.DRG:

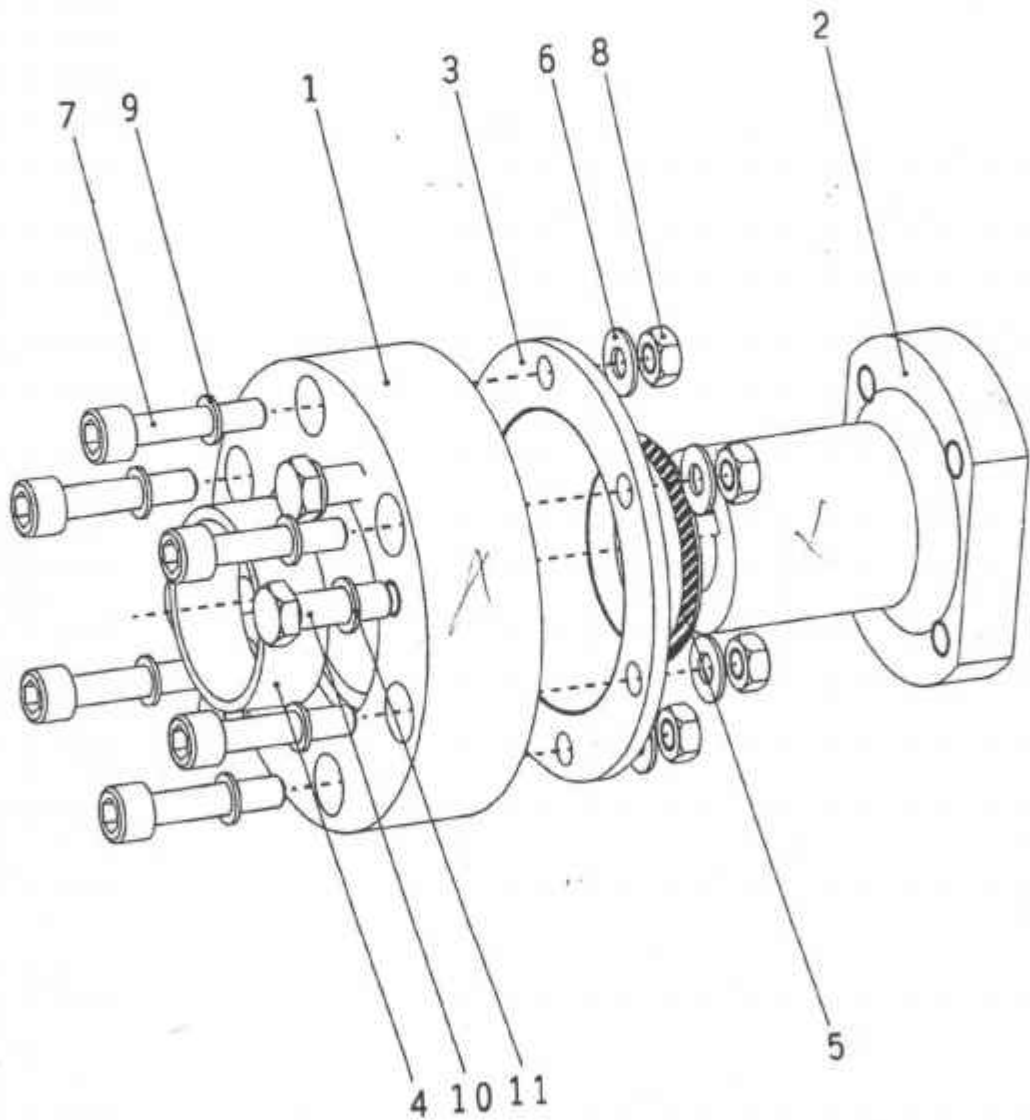
Pos.	Quantity		ID-NO.	Nomenclature
0002	1,000	PCE	10061072 V	AGITATOR SUPPORT (DRIVE SIDE)
0003	1,000	PCE	10039180	HYDRAULIC MOTOR
0004	1,000	PCE	10061073	AGITATOR SUPPORT (FIXED SUPPORT)
0005				
0006	1,000	PCE	10052446	AGITATOR SHAFT CPL.
0011	1,000	PCE	10063270	HOPPER RUBBER BORDER
0012	2,500	M	10018961	RUBBER 20X13
	8,000	PCE	10001517	HEXAGON HEAD SCREW DIN 933 M 12 X 30 - 8.8 - A2C
0013	8,000	PCE	10129840	SCREW RETAINER SKM 12 DT 320
0014	17,00	PCE	10001258	CAP NUT DIN 1587 M 8 - 6 - A2C
0015	17,00	PCE	10129842	SCREW RETAINER SKM 8 DT 320
0016	4,000	PCE	10001332	HEXAGON HEAD SCREW DIN 933 M 16 X 35 - 8.8 - A2C
0017	4,000	PCE	10001406	DISC DIN 9021 17- 140HV-A3C
End				





**SCHWING**

10061072



AGITATOR SUPPORT  
(DRIVE SIDE)COM-No. :  
ID-NO. : 10061072 K/  
PERT.DRG:

Pos.	Quantity		ID-NO.	Nomenclature
0001	1,000	PCE	10061074	SUPPORT
0002	1,000	PCE	10061075	FLANGED SHAFT
0003	1,000	PCE	10061076	SEALING CONE
0004	1,000	PCE	10061077	BUSHING D 60/68 X 23
0005	1,000	PCE	10000765	O-RING 60 X 5
0006	6,000	PCE	16129841	SCREW RETAINER SKM 10 DT 320
0007	6,000	PCE	10001143	CHEESE HEAD SCREW DIN 912 M 10X50-8.8-A2C
0008	6,000	PCE	10001250	HEXAGON NUT DIN 934 M10 - 8 - A2C
0009	6,000	PCE	10136867	SCREW RETAINER SKZ 10 DT 320
0010	4,000	PCE	10001519	HEXAGON HEAD SCREW DIN 933 M 12 X 35 - 8.8 - A2C
0011	4,000	PCE	10138330	SCREW RETAINER SKZ 12 DT 320
End				

HYDRAULIC MOTOR

PERT.DRG:

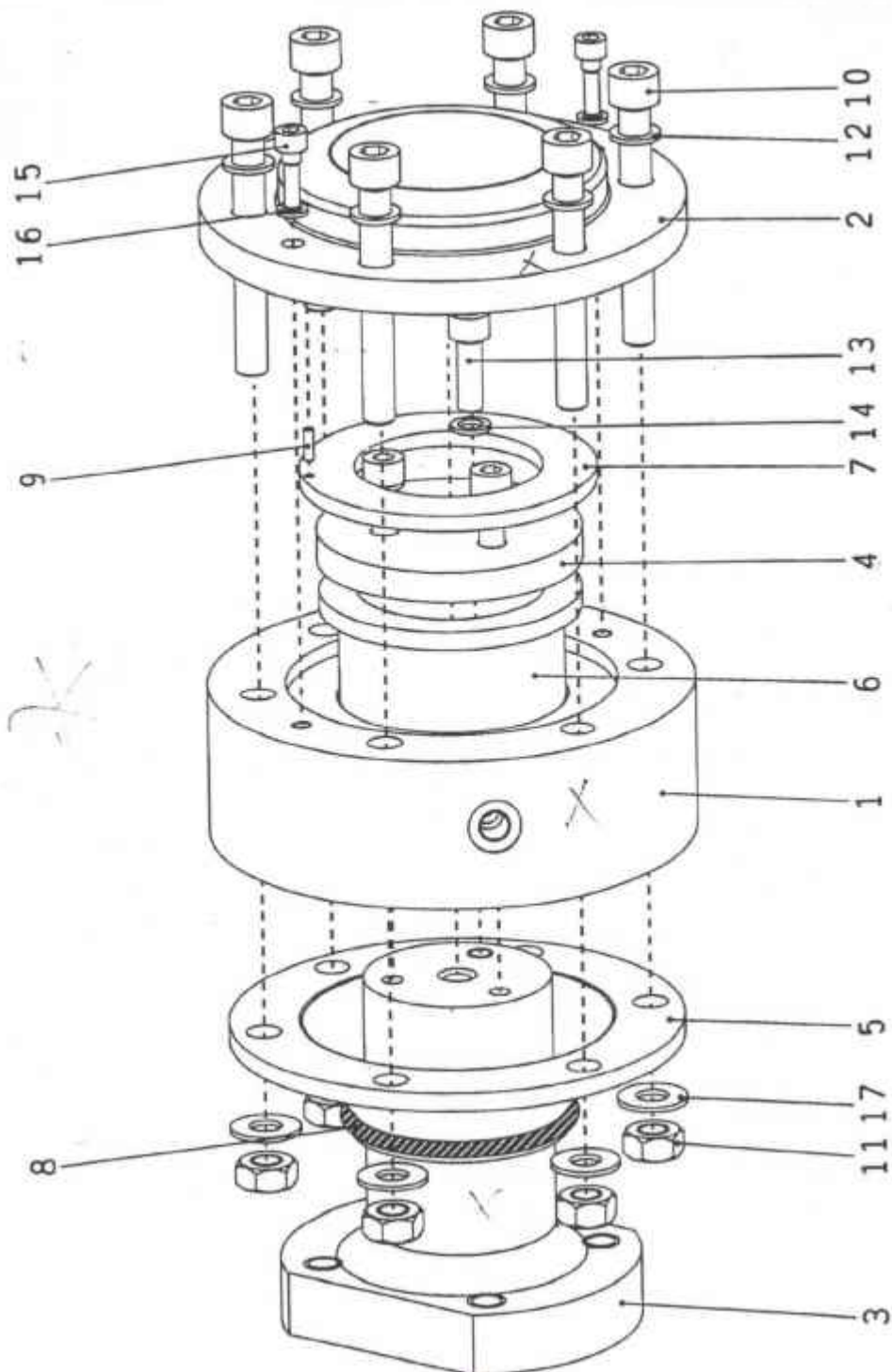
Pos.	Quantity	ID-NO.	Nomenclature
0001	1,000 PCE	10107659	FITTING KEY 8 X 7 x 37

End



SCHWING

10061073



AGITATOR SUPPORT  
(FIXED SUPPORT)COM-No. :  
ID-NO. : 10061073 v  
PERT.DRG:

Pos.	Quantity		ID-NO.	Nomenclature
0001	1,000	PCE	10061078	SUPPORT
0002	1,000	PCE	10061079	SUPPORTING COVER
0003	1,000	PCE	10061080	FLANGED SHAFT
0004	1,000	PCE	10061081	DISC
0005	1,000	PCE	10061076	SEALING CONE
0006	1,000	PCE	10061082	FLANGE BUSHING D 60/72/84 X 50/6
0007	1,000	PCE	10061083	DISC D 60/95 X 5
0008	1,000	PCE	10000765	O-RING 60 X 5
0009	1,000	PCE	10061084	PARALLEL PIN ISO 2338 3 m6X10-St
0010	6,000	PCE	10001162	CHEESE HEAD SCREW DIN 912 M 10X80-8.8-A2C
0011	6,000	PCE	10001250	HEXAGON NUT DIN 934 M 10 - 8 - A2C
0012	6,000	PCE	10136867	SCREW RETAINER SKZ 10 DT 320
0013	3,000	PCE	10001004	CHEESE HEAD SCREW DIN 912 M 8X25-8.8-A2C
0014	3,000	PCE	10138329	SCREW RETAINER SKZ 8 DT 320
0015	2,000	PCE	10001575	CHEESE HEAD SCREW DIN 912 M 6 X 20 - 8.8 - A2C
0016	2,000	PCE	10138328	SCREW RETAINER SKZ 6 DT 320
0017	1,000	PCE	10129841	SCREW RETAINER SKM 10 DT 320

End

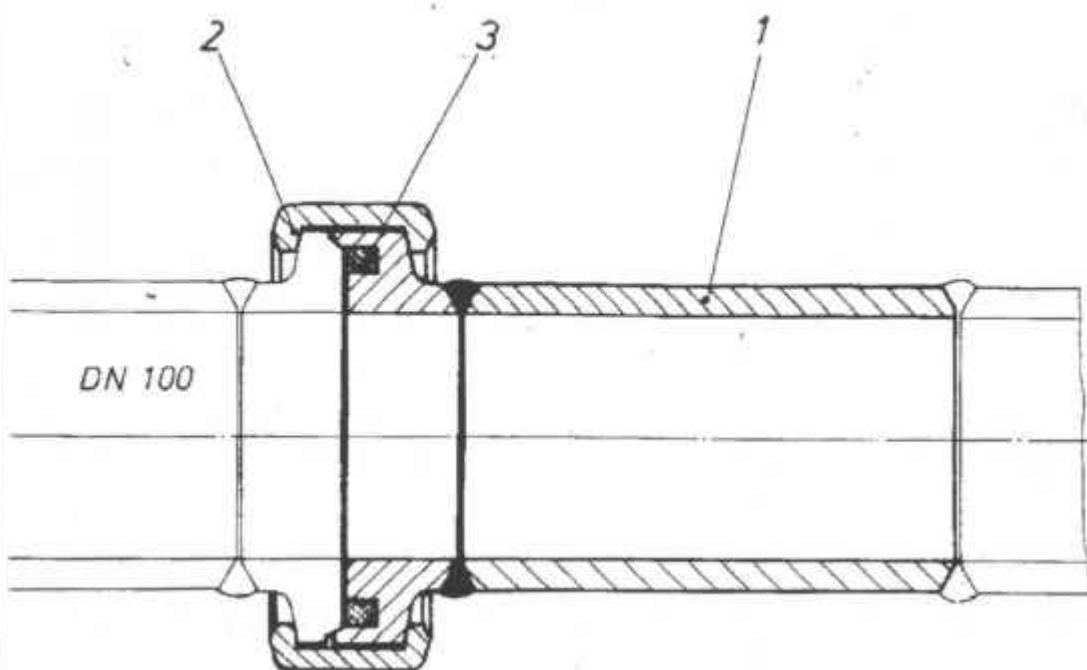




**SCHWING**

•K

**10063987**



CONTROL BLOCK NG 10, 6/3-WAY

COM-No. :

^H^W^W/M

ID-NO. : 10102478

PERT.DRG: 10102479

Pos.	Quantity		ID-NO.	Nomenclature
0001	1,000	PCE	10008560	BASEPLATE EV 191.000 C
0002	4,000	PCE	10073662	HAND LEVER VALVE HVM 10632 F 24 V (EV 355.000)
0003	1,000	PCE	10073670	HAND LEVER VALVE NG 10 24 VG HVM 10631
0004	1,000	PCE	10007799	SLIP-ON PLATE DVP, NG 10 DVP-P-10-S, CPL.
0005	5,000	PCE	10008559 V	END PLATE NG 10 KPL R 3/8" (EV 193.000 C)
0006	1,000	PCE	10010331	PRESSURE GAUGE 0-600 BAR HAENNI
0007	1,000	PCE	10012414	PRESSURE GAUGE 63 0-40 BAR
0009	2,000	PCE	10010735 /	GAUGE CONNECTION SOCKET EV 873.002
0010	2,000	PCE	10008022	FITTING RSWS- 12-LR
0011	1,000	PCE	10019121	FITTING ELSD - 12- L
0012	1,000	PCE	10001530	SCREW JOINT RED-R 1/2-WD / R 3/8
0013	25,00	PCE	10008378	SPACING SLEEVE (EV 177.014)
0014	29,00	PCE	10000975	CHEESE HEAD SCREW DIN 912 M 6 X 65 - 8.8 - A2C
0015	16,00	PCE	10001576	CHEESE HEAD SCREW DIN 912 M 6X25 - 8.8 - A2C
0016	1,000	PCE	10155943	PRECHARGE VALVE W2-G 3/4 WITH LEAK-OFF CONNECTION
0017	2,000	PCE	10001385	SCREW JOINT K-DSWV 6 LLR



Л

COM-No :

vie--

## MESH ROCK VALVE SUMMARY

ID-NO. : 10063988

## E-VIBRATOR 24 V

PERT.DRG: 10063987

Pos.	Quantity		ID-NO.	Nomenclature
0001	1,000	PCE	10063990	MESH, E-VIBRATOR
0002	4,000	PCE	10007599	STOP BUFFER 75 X 55
0003	2,000	PCE	10001383	DISC DIN 9021 13- 140HV-A2C
0004	4,000	PCE	10001508	HEXAGON HEAD SCREW DIN 933 M 12 X 20 - 8.8 - A2C
0005	4,000	PCE	10001254	HEXAGON NUT DIN 934 M 12-8-A2C
0006	6,000	PCE	10129840	SCREW RETAINER SKM 12 DT 320
0007	1,000	PCE	10072107	VIBRATOR 24 V LINE 2,5 M
0008	4,000	PCE	10000973	HEXAGON HEAD BOLT DIN 931 M 10 X 65 - 3.8 - A2C
0009	4,000	PCE	10001250	HEXAGON NUT DIN 934 M10 - 8-A2C
0010	4,000	PCE	10129841	SCREW RETAINER SKM 10 DT 320

End

ЫЗ

Щ

тt/:

-Г,

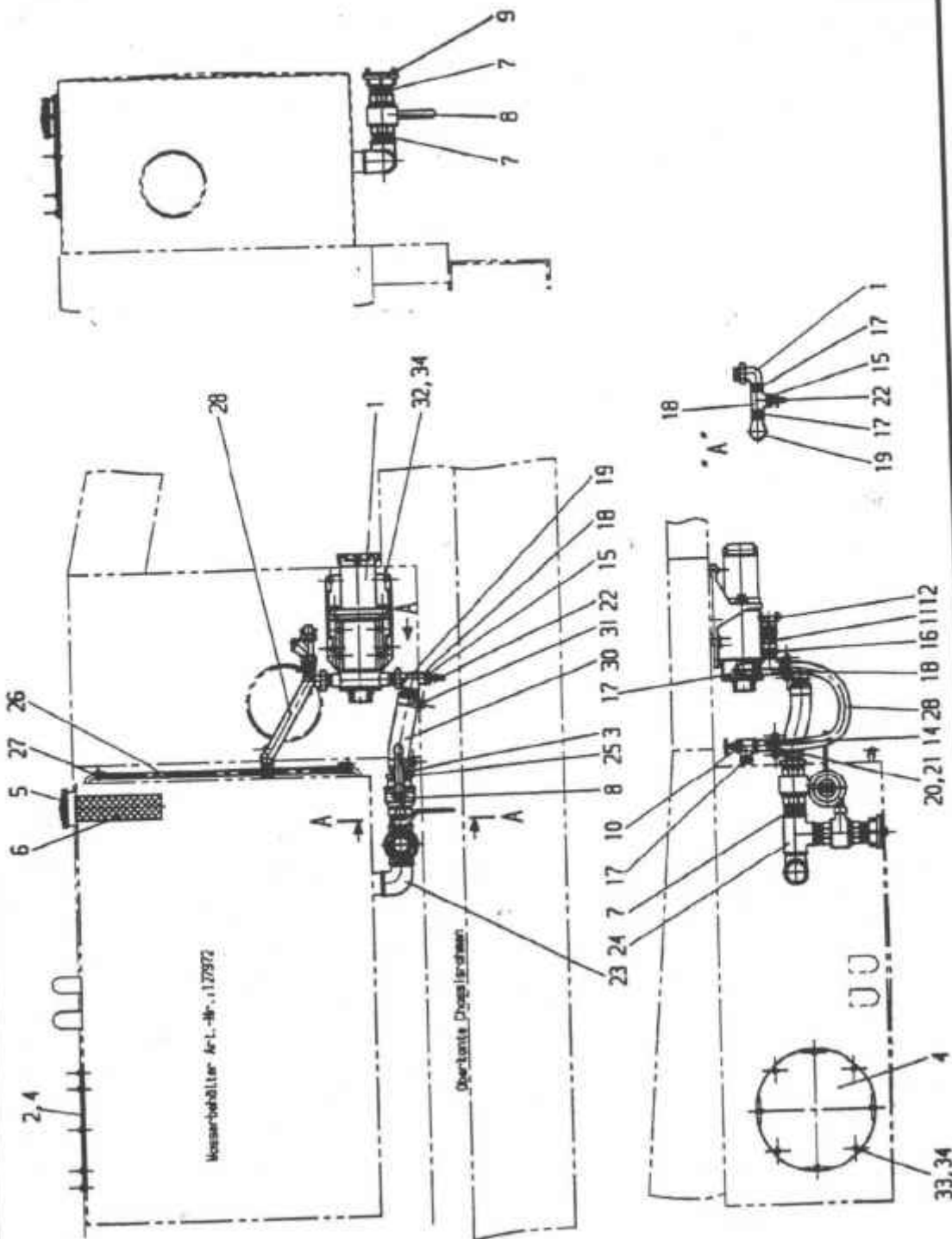
6

/\* л



SCHWING

10127975



## WATER SYSTEM KVM 32

COM-No. :

ID-NO. : 10127975

PERT.DRG:

W

H

Pos.	Quantity		ID-NO.	Nomenclature
0001	1,000	PCE	10171567v	WATER PUMP AGGREGATE (DRIVE WM 900)
0002	1,000	PCE	10012311	FLAT PACKING 3,0 MM
0003	2,000	PCE	10030030	SUCTION SOCKET
0004	1,000	PCE	10161874	COVER
0005	1,000	PCE	10004237	LOCKING COVER DV 80 G
0006	1,000	PCE	10011369	FILLING-IN, SIEVE 79 X 71 X 250
0007	3,000	PCE	10012571	DOUBLE NIPPLE DIN 2982 2" X 60
0008	2,000	PCE	10104367	BALL COCK PN 4, TYPE 3-3368,
0009	1,000	PCE	10011295	COUPLING DIN 14307 C 2" ALU
0010	1,000	PCE	10012265	SAFETY VALVE 3/4" NPT 3300-0001
0011	1,000	PCE	10003147	SOCKET-TYPE SLANTED SEAT CHECK VALVE ND 10 R 1"
0012	1,000	PCE	10039039	CLUTCH DIN 3481 VB 1
0014	1,000	PCE	10011006	SOCKET DIN EN 10242 M2 - 3/4 - Zn - A
0015	1,000	PCE	10012296	REDUCING NIPPLE DIN EN 10242 N4/II - 3/4 X 1/4 - Zn - A
0016	1,000	PCE	10006981	DOUBLE NIPPLE DIN EN 10242 N8 - 1 X 3/4 - Zn - A
0017	4,000	PCE	10025132	DOUBLE NIPPLE DIN EN 10242 N8 - 3/4 - ZN- A
0018	2,000	PCE	10014835	T DIN EN 10242 B1 - 3/4 - Zn - A
0019	1,000	PCE	10053291	ANGLE DIN EN 10242 A1 - 1 1/4 X 3/4 - Zn - A

## WATER SYSTEM KVM 32

COM-No. :

ID-NO. : 10127975

PERT.DRG:

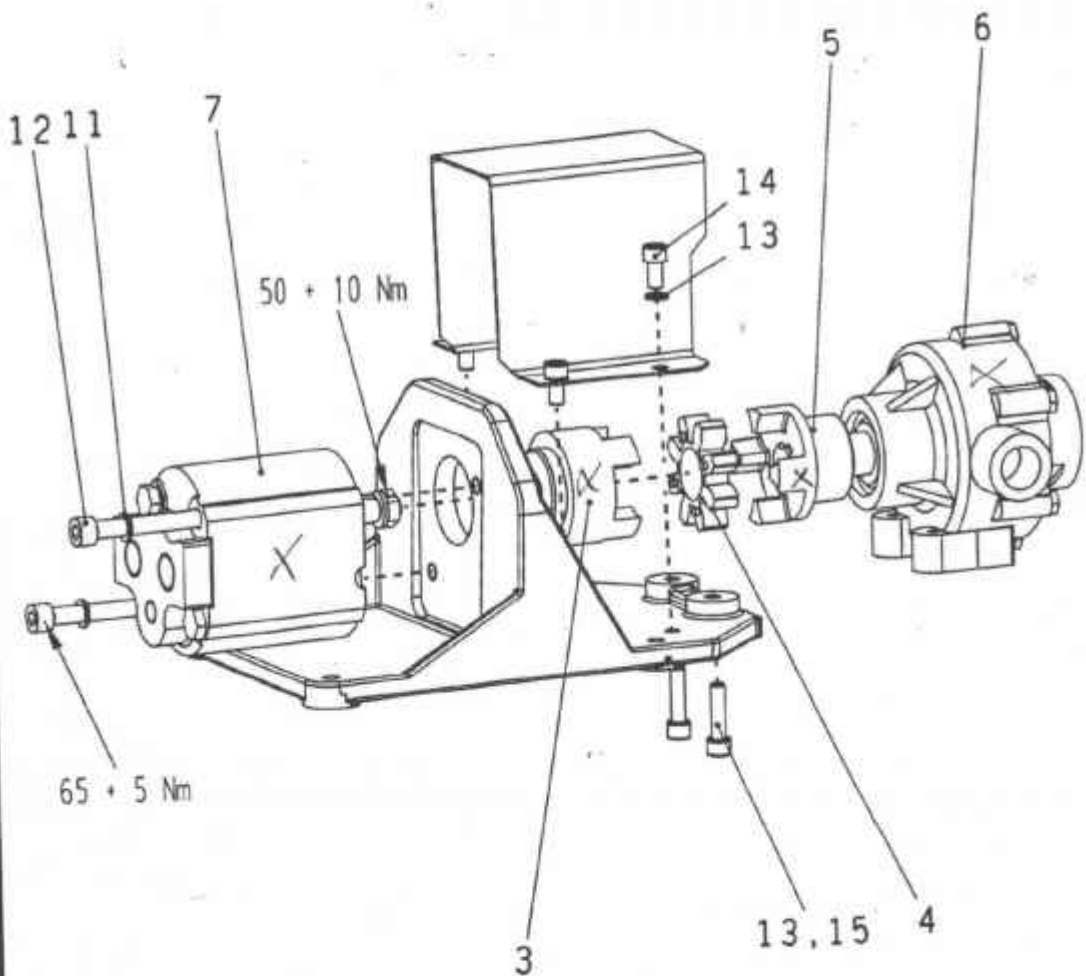
Pos.	Quantity		ID-NO.	Nomenclature
0020	2,000	PCE	10012572	HOSE NOZZLE R 3/4"
0021	2,000	PCE	10006877	CAST HOSE CLAMP A 34
0022	1,000	PCE	10187265 */	DRAIN COCK CPL.
0023	1,000	PCE	10012568	ANGLE DIN EN 10242 A4 - 2 - Zn - A
0024	1,000	PCE	10041248	T DIN EN 10242 B1 - 2 - Zn - A
0025	1,000	PCE	10015325	REDUCING NIPPLE DIN EN 10242 N4/11-2X1 1/4-Zn-A
0026	0,752	M	10029722	PLASTIC HOSE 11 X1,5
0027	2,000	PCE	10014252	HOSE CLAMP 8-22 MO - 300
0028	0,700	M	10043203	HOSE DN 19X6
0030	0,280	M	10016937	PLASTIC HOSE 50 X4,3
0031	2,000	PCE	10056259	CLAMPS 57/20 SKZ
0032	4,000	PCE	10001808	HEXAGON HEAD SCREW DIN 933 M 8 X 25 - 8.8 - A2C
0033	8,000	PCE	10001515	HEXAGON HEAD SCREW DIN 933 M 8 X 20 - 8.8 - A2C
0034	12,00	PCE	10129842	SCREW RETAINER SKM 8 DT 320

End



**SCHWING**

10171567



WATER PUMP AGGREGATE  
(DRIVE WM 900)

COM-No. :  
ID-NO. : 10171567 'v  
PERT.DRG:

Pos.	Quantity		ID-NO.	Nomenclature
0001	1,000	PCE	10170890	CONSOLE
0003	1,000	PCE	10174462	CLUTCH HUB ROTEX 28 B17L
0004	1,000	PCE	10011759	GEAR RIM ROTEX 28 92 SHORE A YELLOW
0005	1,000	PCE	10050289	CLUTCH HUB ROTEX 28 15/16" = 23,8
0006	1,000	PCE	16164399 V	WATER PUMP 80 LTR/20 BAR ^ Ve&£Y
0007	1,000	PCE	10170752	FIXED DISPLACEMENT MOTOR <i>16,16 bar</i> 16 ccm/U - 276 BAR
0011	2,000	PCE	10136867	SCREW RETAINER SKZ 10 DT 320
0012	2,000	PCE	10174592	CHEESE HEAD SCREW DIN 912 M 10 X 110 > 10.9 - A3C
0013	6,000	PCE	10138329	SCREW RETAINER SKZ 8 DT 320
0014	4,000	PCE	10000995	CHEESE HEAD SCREW DIN 912 M 8 X 16 - 8.8 - A2C
0015	2,000	PCE	10126649	CYLINDER SCREW 5/16-18UNC-2A- 1 1/4" ( MM) - 8.8 - A2C
End				

**SCHWING GMBH** F - ";

**Spare parts list**

**COM-No!:** .....ri, <- . ^ ,

**ID-NO. :** 10164399 V

**PERT.DRG:** KEINE

Ц

WATER PUMP  
80 LTR/20 BAR

ifP g

Pos.	Quantity	ID-NO.	Nomenclature
0001	1,000 PCE	10170884	REPAIR KIT 7560N-M

End



DRAIN COCK CPL.

COM-No.:

ID-NO. : 10187265 V"

PERT.DRG: KEINE

( )

Pos.	Quantity	ID-NO.	Nomenclature
0001	1,000 PCE	10176349	MINIATURE BALL VALVE G 1/4 ia
0002	1,000 PCE	10176348	HOSE NOZZLE G 1/4 X 10
0003	1,000 PCE	10003712	SEALING RING DIN 7603 A 14X 18 CU

End

ГЧ

!\*

