



**TEREX®**

**READY MIX CONCRETE TRUCKS**

# **FRONT DISCHARGE MIXER TRUCKS**



**WORKS FOR YOU.™**

# YOU DELIVER. SO DO WE.

Terex® front-discharge mixers have led the industry with cutting-edge innovation and superior engineering that helps improve your bottom line. Founded by several Midwest ready-mix producers 40 years ago, we have a unique understanding of your needs.

That means providing you with more standard features and a host of customized options that bring value to you and your business. We combine our experience in the industry, and input from customers to manufacture mixers that support you on the road to success

## LETS GET TO WORK

You deliver value and service to your customers, and you need a mixer truck that meets your needs in the demanding environment of concrete delivery.

We asked you what you wanted from your front discharge mixer truck - features, options, and what you expect.

We listened to you and the marketplace to deliver a better mixer truck. We redesigned, refined, enhanced and improved. And now, our latest Terex Front Discharge Mixer Truck is ready to work for you.

You're ready. We're ready. Let's get to work.



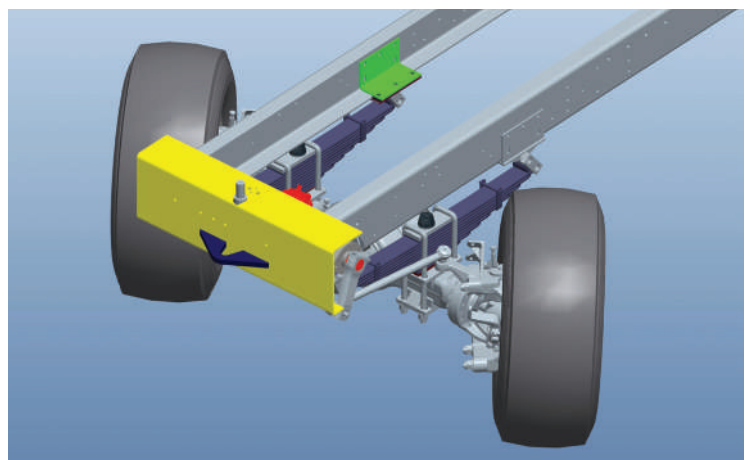


# READY MIX CONCRETE TRUCKS

## BUILT FOR YOU

Two years of engineering, customer feedback, and prototyping have resulted in the newest generation of Terex front-discharge mixer trucks. The new truck boasts a list of features and improvements that you won't find anywhere else.

- ▶ More than 100 improvements to the overall truck design to increase productivity, reliability and durability
- ▶ Three simplified trim package options on six models
- ▶ Improved interior cab space provides a comfortable operator environment to help reduce fatigue, improve job site visibility, and boost productivity
- ▶ Updated fender design featuring wide grip anti-skid steps and thicker gauge aluminum providing easier access to cab
- ▶ Redesigned upright for easier access, service and clean out
- ▶ Redesigned front axle, suspension, and steering providing 10-25% improved turning radius
- ▶ Decreased front tire wear while turning, and increased suspension travel for better ride quality

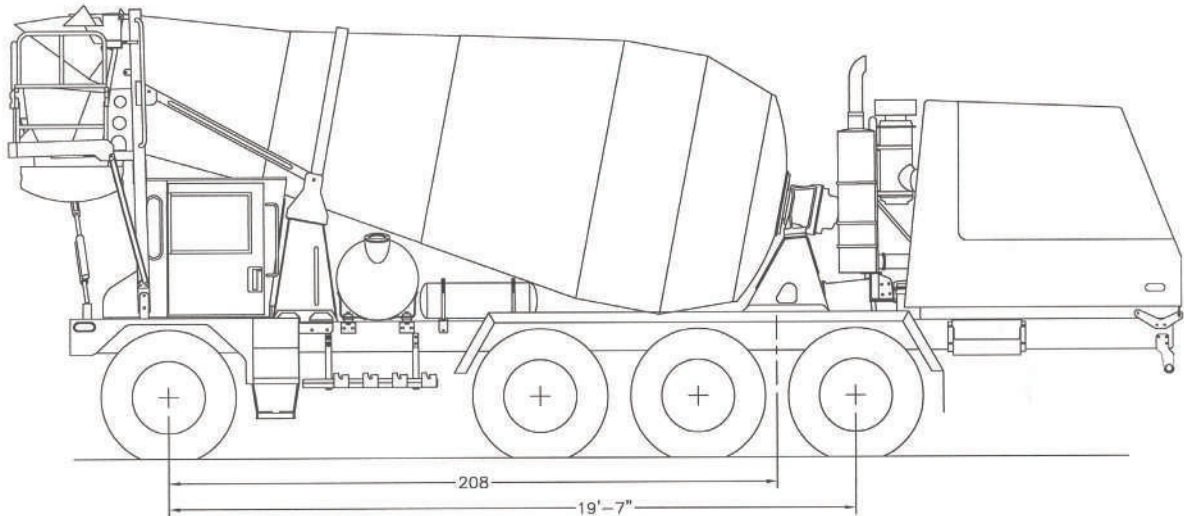


# 10-25% IMPROVED TURNING RADIUS: THE GAME CHANGER

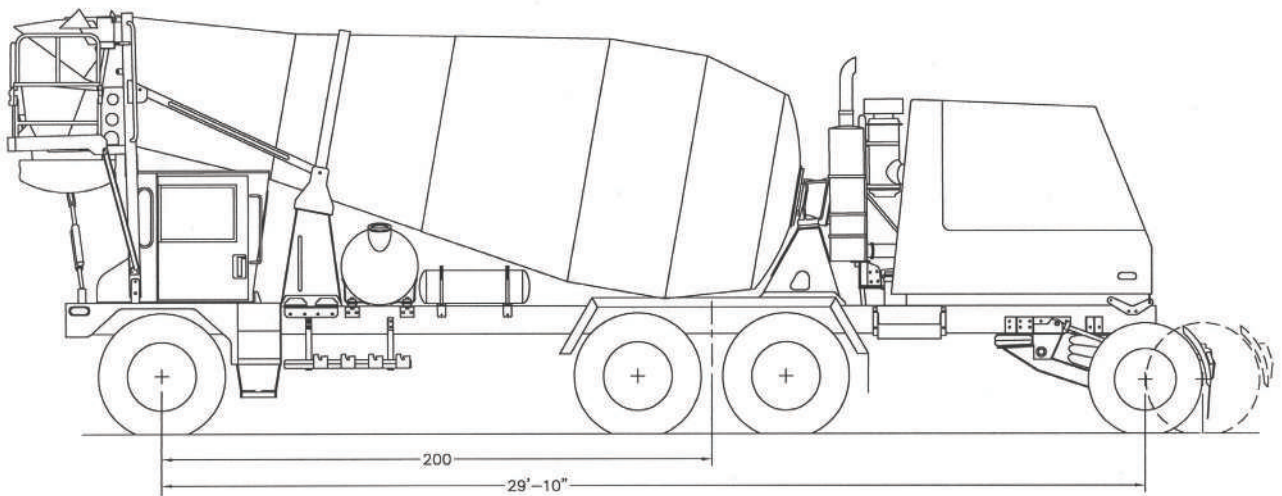
## AN EASY THREE STEP PROCESS FOR SELECTING YOUR TRUCK

As a business owner you're busy, and we understand that. Rather than handing you a checklist with 200 options to choose from, we've made it easy for you to pick your Terex Front Discharge Truck. Three steps is all it takes: Pick your Truck, pick your trim package, and pick your engine, rear axle, and other standard options. After that leave the rest to us.

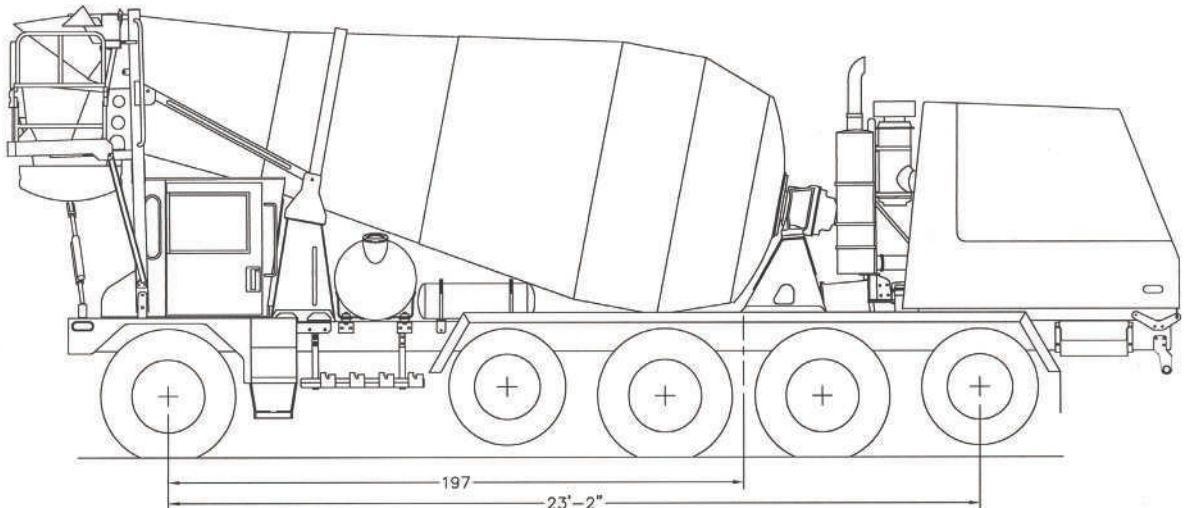
### FD4000



### FDB4000

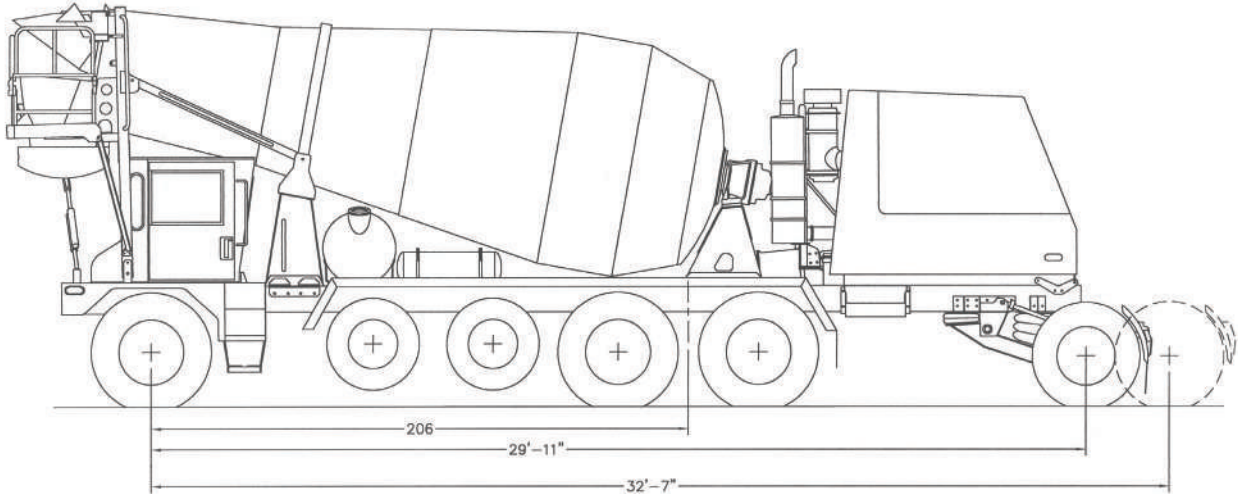


### FD5000 "GREAT LAKES"

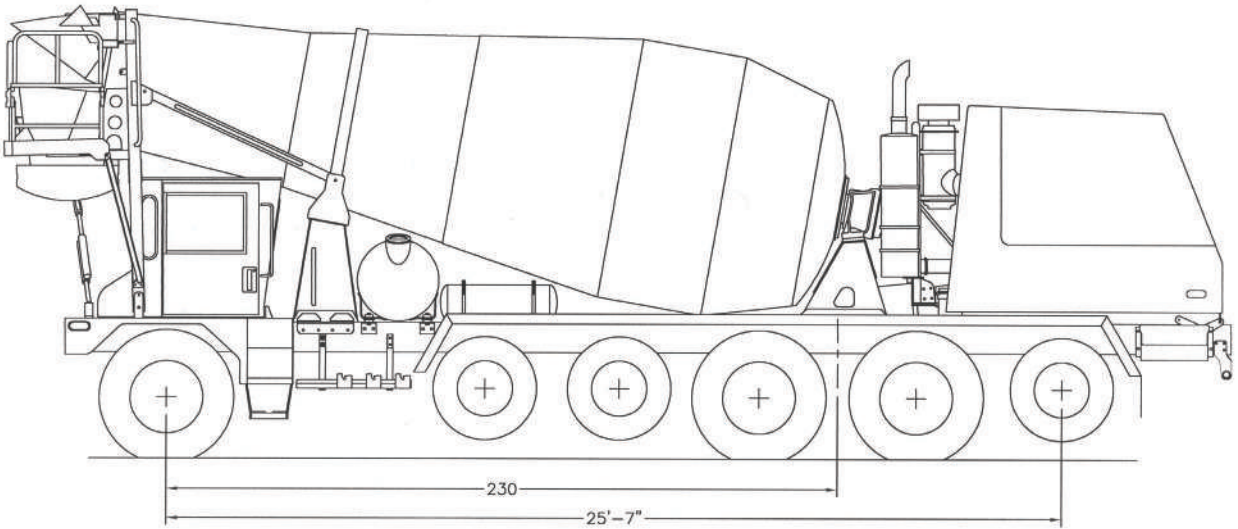


# READY MIX CONCRETE TRUCKS

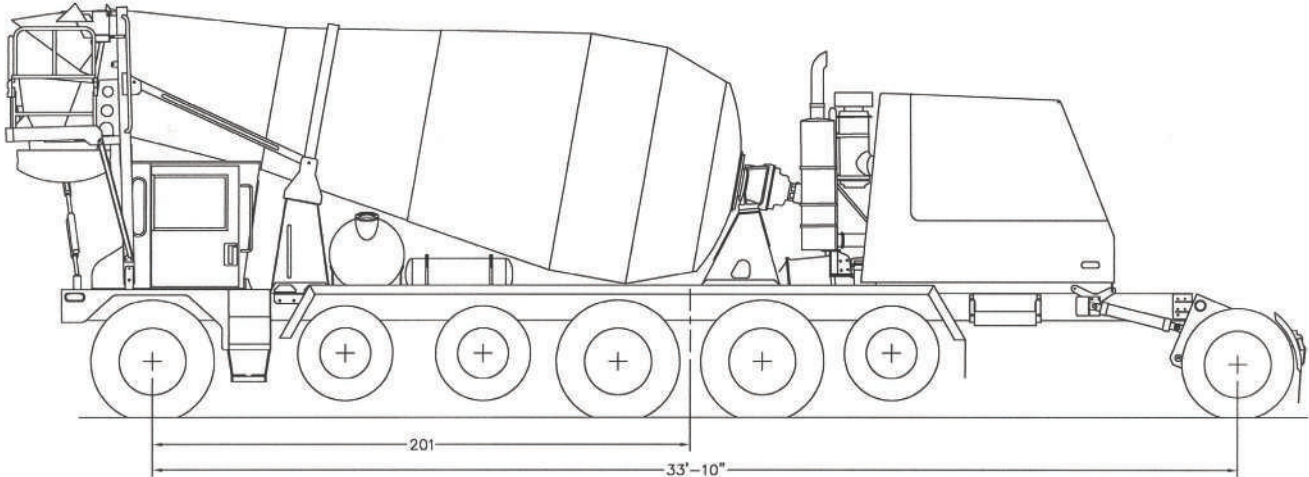
**FDB6000**



**FD6000 "MICHIGAN STRETCH"**



**FDB7000**





## PICK YOUR TRIM PACKAGE

You've picked the truck configuration that meets the needs of you business, now its time to select your trim package. Terex offers three trim packages for your Front Discharge Mixer Truck: Work Truck Standard, Performance Plus, and Premium. Along with the trim packages, Terex also offers a cold weather package for those demanding northern climates.

FEATURES	STANDARD PACKAGE	PERFORMANCE PLUS PACKAGE	PREMIUM PACKAGE
Flip chutes	Manual	Hydraulic	Hydraulic
Aluminum water tank	≤ 150 gal	≥ 200 gal	≥ 200 gal
Aluminum fuel tank	X	X	X
Front axle	Meritor	Marmon-Herrington	Marmon-Herrington
Tires	Goodyear	Bridgestone	Michelin
Drum Control	Eaton RE	Eaton RE	Terex Total Control
Charge Hopper	Fixed	Air Flip	Air Flip
Tool Box	Steel	Steel	Aluminum lockable
Cab Heater & Defrost	X	X	X
Air Conditioner		X	X
Engine Brake		X	X
Radio		X	X
Tandem Axle lube pump		X	X
External Drum Control pendant		X	X
Chrome hub or nut covers		X	X
Work Lights			X
Terex Lube System			X
<b>OPTIONAL COLD WEATHER PACKAGE</b>			
Heated Mirrors	X	X	X
Heated Water Valve	X	X	X
110V Block Heater	X	X	X

## SELECT YOUR ENGINE AND OTHER STANDARD AND CUSTOM OPTIONS

You have a truck, you have a trim package, now its time to pick your rear axles, engine and other standard or custom options. After that you're all set, we'll take care of the rest.

ENGINE	REAR AXLES	OTHER STANDARD OPTIONS
MTU Series 1300 (DD13)	Meritor Primax RT-46-160	Paint scheme and color
Cummins ISX12	Meritor RT-46-160	Charge hopper
	Dana Primaxx D46-170HP	Chute extensions & carrier
		Tool box
		Strobe lights
		Back up camera & sensors
		Workspace cab
		Extended warranties

# READY MIX CONCRETE TRUCKS

## STANDARD TRUCK SPECIFICATIONS

With each of the six truck configurations, regardless of trim package, Terex offers a selection of quality, standard key components for your Front Discharge Mixer Truck.

### FRONT AXLE SPECIFICATIONS

	Marmon-Herrington MT22	Meritor MX23160
Capacity	22,000 lbs	23,000 lbs
Inside wheel cut	42°	35°
Approx. weight	2,050 lbs	2,194 lbs
Gear reduction	Two stage (small center bowl)	Single stage (large center bowl)
Ratio	5.38:1	5.38:1
Overall width	95 in	93 in
Driver controlled differential lock	Optional	Optional

### ENGINE SPECIFICATIONS

	MTU Series 1300 (DD13)	Cummins ISX12
Base weight	2,622 lbs	2,805 lbs
Aftertreatment assembly weight (All)	505 lbs	421 lbs
HP & Torque options	350 hp / 1,350 ft-lb	350 hp / 1,450 ft-lb
	380 hp / 1,450 ft-lb	385 hp / 1,450 ft-lb
	450 hp / 1,550 ft-lb	425 hp / 1,550 ft-lb
Engine brake	Included with Base Engine	Optional
Rated engine speed	1,800 rpm	2,100 rpm
Oil capacity	10.4 gal	11.3 gal
Alternator	12V-165 amp	12V-165 amp
Air compressor	BA-922 (2 cyl. natural aspirated)	(1 cyl. turbo boost assisted)
Flow at 600 RPM	12.5 CFM	11 CFM
Flow at 1,200 RPM	25 CFM	21 CFM

specs continued on next page



## HYDRAULIC SYSTEM

22 gal hydraulic reservoir

Reservoir priority system (steering priority)

Superior filtration 10 micron ABSOLUTE / Beta 200

Flooded pump inlets with positive pressure & no filter restrictions

Electric slump gauge – keeps hydraulics out of the cab

Terex Total Control System with transmission control

Oversized Modine cooler = 30° F lower operating temperatures for longer component life

Hydrostat pump 5.4 CID - power limiters, pressure filter

Steering pump, with integrated flow & pressure controls

## DRUM

Nose section 3/16" AR230

Remaining sections 3/16" AR400

Discharge fins 3/16" AR230

Mixing fins 1/4" AR230

## TRANSMISSION

Allison 4500 RDS - Wide Ratio – 6 speed automatic

Ratio's – 1st 4.7:1 2nd 2.21:1 3rd 1.53:1 4th 1.00:1 5th 0.76:1 6th 0.67:1  
Reverse - 5.55:1

Load based shift schedule

565 hp - 1,770 ft-lb torque (maximum capacity)

Deep oil sump with 48 quarts of TranSynd synthetic oil.

Allison Prognostics system

TC-521 Torque converter = 2.42 stall torque

Shift energy management system

Dual shifter option – Shift F-N-R from the chute hydraulic joystick

## CAB

Stainless steel construction

Hanging brake & throttle pedals

CAN Bus & 100% environmentally sealed gauges

FMVSS tested



[www.terex.com/roadbuilding](http://www.terex.com/roadbuilding)

Effective Date: December 2012. Product specifications and prices are subject to change without notice or obligation. The photographs and/or drawings in this document are for illustrative purposes only. Refer to the appropriate Operator's Manual for instructions on the proper use of this equipment. Failure to follow the appropriate Operator's Manual when using our equipment or to otherwise act irresponsibly may result in serious injury or death. The only warranty applicable to our equipment is the standard written warranty applicable to the particular product and sale and Terex makes no other warranty, express or implied. Products and services listed may be trademarks, service marks or trade-names of Terex Corporation and/or its subsidiaries in the USA and other countries. All rights are reserved. Terex is a registered trademark of Terex Corporation in the USA and many other countries. Copyright 2012 Terex Corporation.

Terex Roadbuilding 7727 Freedom Way, Fort Wayne, IN 46818  
(260) 497 0728 [www.terex.com/roadbuilding](http://www.terex.com/roadbuilding)



**WORKS FOR YOU.™**