

1A2

350D/400D ARTICULATED DUMP TRUCK

INTRODUCTION AND CUSTOMER INFORMATION

T189849A -UN-23APR03



*LEFT SIDE VIEW OF JOHN DEERE 350D AND 400D DUMP TRUCK
(MANUFACTURED 2001-)*

TO THE CUSTOMER

THE PART NUMBERS IN THIS PARTS CATALOG WERE CORRECT AT THE TIME YOUR CATALOG WAS PUBLISHED. IT IS OUR POLICY TO CONSTANTLY IMPROVE OUR MACHINES AND THEREFORE, PART NUMBERS MAY CHANGE. WHEN ORDERING PARTS, VERIFY PART NUMBERS THROUGH YOUR DEALER.

(SPECIFICATIONS AND DESIGN SUBJECT TO CHANGE WITHOUT NOTICE.)

1A3

350D/400D ARTICULATED DUMP TRUCK

SERIAL NUMBER PLATE LOCATION

EACH ARTICULATED DUMP TRUCK HAS TWO SERIAL NUMBER PLATES: ONE FOR THE PRODUCT IDENTIFICATION NUMBER AND ONE FOR THE ENGINE.

THE PRODUCT IDENTIFICATION NUMBER PLATE IS LOCATED ON THE LEFT-HAND SIDE OF THE FRONT CHASSIS FRAME NEAR CAB STEPS.

THE ENGINE SERIAL NUMBER PLATE IS LOCATED ON THE TOP OF THE ENGINE.

LEFT SIDE AND RIGHT SIDE, FRONT AND REAR OF THE ARTICULATED DUMP TRUCK ARE VIEWED BY FACING IN THE DIRECTION OF FORWARD TRAVEL.

WHENEVER SERIAL NUMBERS ARE REQUIRED ON WARRANTY CLAIMS OR CORRESPONDENCE PERTAINING TO THIS PRODUCT, IT IS EXTREMELY IMPORTANT THAT ALL CHARACTERS BE FURNISHED. THIS POINT CANNOT BE OVEREMPHASIZED.

1A4

350D/400D ARTICULATED DUMP TRUCK

ALPHABETICAL INDEX

GRID		PAGE	GRID		PAGE
	A				
2I3	A/C COMPRESSOR.....	1832 - 2	2F13	ARTICULATION BUMP STOP PAD (FRONT MAIN FRAME/GUARDS)	1741 - 2
1G21	A/C COMPRESSOR DRIVE BELT	0429 - 2	2G3	ARTICULATION JOINT ASSEMBLY	1741 - 16
2I3	A/C COMPRESSOR PULLEY KIT	1832 - 2	2J3	ASHTRAY.....	2000 - 2
2I3	A/C COMPRESSOR SUPPORTS	1832 - 2	3C11	AUXILLARY STEERING PUMP.....	2163 - 11A
2D19	A/C CONTROL SWITCH	1600 - 8	1C7	AXLE TO CHASSIS ARMS (REAR SUSPENSION LINKS)	0242 - 12
2D17	A/C SWITCH	1600 - 6		B	
2D13	ACCELERATOR PEDAL,ENGINE SPEED CONTROL ..	1600 - 2	2D13	BACK UP ALARM	1600 - 2
3C1	ACCUMULATOR LINES AND HOSES, FRONT CHASSIS	2163 - 2	2E3	BACK-UP ALARM	1673 - 2
3B20	ACCUMULATOR,HYDRAULIC OIL MANIFOLD BLOCK	2162 - 2	2H21	BACKREST CUSHION (SER.NO.201518-).....	1821 - 8
2C5	ACCUMULATOR,WET DISC BRAKE HYDRAULIC OUL	1063 - 2	2D15	BALANCER,BATTERY	1600 - 4
2G20	ACCESS DOOR,HVAC SYSTEM	1813 - 4	2D21	BATTERY	1671 - 2
2C20	ACTUATOR,PARK BRAKE	1111 - 4	2D15	BATTERY BALANCER.....	1600 - 4
1H13	ADAPTER (AIR INTAKE SYSTEM).....	0521 - 2	2D21	BATTERY CABLE	1671 - 2
1D1	ADAPTER AND WEAR PLATE, TRANSMISSION	0342 - 2	2D21	BATTERY DISCONNECT	1671 - 2
1E9	ADAPTER,TRANSMISSION TO ENGINE	0364 - 10	2D21	BATTERY HOLD-DOWN	1671 - 2
1B4	ADJUSTER (FRONT AND REAR AXLE DIFFERENTIAL).....	0210 - 2	2D15	BATTERY MICROPROCESSOR.....	1600 - 4
1H15	AIR CLEANER	0521 - 4	2D23	BATTERY, EXTRA	1671 - 4
3D3	AIR COMPRESSOR.....	2261 - 2	2K9	BEACON, FLASHING	2004 - 4
3D3	AIR COMPRESSOR CONNECTING ROD	2261 - 2	1C9	BEAM, WALKING (REAR SUSPENSION)	0242 - 14
3D3	AIR COMPRESSOR CRANKSHAFT	2261 - 2	1C11	BEAM, WALKING (REAR SUSPENSION)	0242 - 16
3D23	AIR COMPRESSOR HOSE AND LINES	2264 - 2	1B4	BEARING CAP/CONE/CUP (FRONT AND REAR AXLE DIFFERENTIAL).....	0210 - 2
3D5	AIR COMPRESSOR MOUNTING BRACKET	2261 - 4	1B10	BEARING CUP (MID AXLE DIFFERENTIAL (CONTINUED))	0210 - 8
3D3	AIR COMPRESSOR REPAIR KIT.....	2261 - 2	1B8	BEARING CUP/CONE (MID AXLE DIFFERENTIAL).....	0210 - 6
2I7	AIR CONDITIONER CASING, VALVES AND COILS.....	1832 - 6	1C3	BEARING CUP/CONE (400D) (WDB AXLE FINAL DRIVE KIT).....	0242 - 8
2I9	AIR CONDITIONER HOSES	1832 - 8	1J5	BEARING, GEARS AND TRANSFER CASE OUTPUT SHAFT (REAR)	0851 - 8
2I11	AIR CONDITIONER HOSES AND CONDENSER	1833 - 2	1J3	BEARING, GEARS/TRANSFER CASE OUTPUT SHAFT (FRONT)	0851 - 6
2I5	AIR DUCTS,CAB HVAC	1832 - 4	1B6	BEARING, ROLLER (FRONT AND REAR AXLE DIFFERETIAL (CONTINUED))	0210 - 4
3D21	AIR HORN	2263 - 8	1G15	BEARING, START MOTOR.....	0422 - 2
3D19	AIR HOSE, REAR CHASSIS.....	2263 - 6	1D3	BEARING, THRUST (TRANSMISSION SHAFT)	0351 - 2
1H13	AIR INTAKE SYSTEM	0521 - 2	1C13	BEARING,FRONT SUSPENSION	0265 - 2
1H13	AIR RESTRICTION INDICATOR (AIR INTAKE SYSTEM)	0521 - 2	2G9	BEARING,PIVOT (TAILGATE KIT)	1741 - 22
2E3	ALARM, BACK-UP	1673 - 2	1E18	BEARINGS (ROD), CRANKSHAFT AND GEAR	0401 - 2
2D13	ALARM,BACK UP	1600 - 2	1I23	BEARINGS (TRANSFER CASE INPUT SHAFT)	0851 - 2
1G17	ALTERNATOR	0423 - 2	1D11	BEARINGS AND GASKETS (TRANS PINION CARRIER P3 W/RETARDER)	0351 - 10
1G17	ALTERNATOR BRUSH SET	0423 - 2	1E18	BEARINGS(MAIN), CRANKSHAFT AND GEAR.....	0401 - 2
1G21	ALTERNATOR DRIVE BELT	0429 - 2	1D5	BEARINGS, THRUST (TRANSMISSION TORQUE CONVERTER).....	0351 - 4
1G17	ALTERNATOR FAN.....	0423 - 2	1D5	BEARINGS, THRUST (TRANSMISSION TORQUE CONVERTER)	0351 - 4
1G17	ALTERNATOR FAN PULLEY	0423 - 2	1D9	BEARINGS, THRUST AND ROLLER (TRANS. PLANET PINION CARRIER P2)	0351 - 8
1G19	ALTERNATOR SUPPORT AND HARDWARE	0423 - 4	1D7	BEARINGS, THRUST/ROLLER (TRANSMISSION PLANET PINION CARRIER P1	0351 - 6
1G17	ALTERNATOR VOLTAGE REGULATOR	0423 - 2	1F3	BEARINGS,CAMSHAFT	0404 - 4
2J13	AM/FM RADIO (SERIAL NO.-200524)	2001 - 2	1F1	BEARINGS,CANSHAFT	0404 - 2
2J15	AM/FM RADIO (SERIAL NO.200525-).....	2001 - 4	2H21	BELT,SEAT (SER.NO.201518-).....	1821 - 8
2D21	ANGLE, BATTERY HOLD-DOWN	1671 - 2	1G15	BENDIX DRIVE	0422 - 2
2J15	ANTENNA,RADIO (SERIAL NO.200525-).....	2001 - 4	1B4	BEVEL GEAR (FRONT AND REAR AXLE DIFFERENTIAL).....	0210 - 2
1I9	ANTI SKID PAD,FUEL TANK	0564 - 2	1B8	BEVEL GEAR (MID AXLE DIFFERENTIAL).....	0210 - 6
3C21	ANTI-SKID STEP PADS,HYDRAULIC OIL TANK	2164 - 2	1H23	BIN BODY EXHAUST PIPE HEAT SHIELD	0531 - 8
2H21	ARM REST,SEAT (SER.NO.201518-).....	1821 - 8			
1C9	ARM, REAR SUSPENSION.....	0242 - 14			
1C11	ARM, REAR SUSPENSION.....	0242 - 16			
2G9	ARM, TAILGATE	1741 - 22			
2H13	ARM, WINDOW WIPER.....	1814 - 2			
1C13	ARM,FRONT SUSPENSION	0265 - 2			
2H19	ARMREST KIT, OPERATOR SEAT (SERIAL NO.-201517).....	1821 - 6			
2H17	ARMREST,OPERATOR SEAT (SER.NO.-201517).....	1821 - 4			
1C7	ARMS (AXLE TO CHASSIS) (REAR SUSPENSION LINKS)	0242 - 12			

1A5

350D/400D ARTICULATED DUMP TRUCK

ALPHABETICAL INDEX - CONTINUED

GRID		PAGE	GRID		PAGE
1H23	BIN BODY HEATER EXHAUST PIPE	0531 - 8	2G5	BRACKETS AND COVER (REAR FRAME ASSY).....	1741 - 18
3B20	BIN CONTROL HYDRAULIC VALVE	2162 - 2	2F13	BRACKETS AND SUPPORTS	
2E3	BIN COUNTER ROTARY SENSOR	1673 - 2		(FRONT MAIN FRAME/GUARDS)	1741 - 2
3C5	BIN CYLINDER HYD.HOSES	2163 - 6	2F17	BRACKETS, REAR FRAME	1741 - 6
2E3	BIN DOWN SWITCH	1673 - 2	1H19	BRACKETS,EXHAUST SHIELD	
2G7	BIN DUMP BODY	1741 - 20		(SER.NO.-200714)	0531 - 4
1H23	BIN DUMP BODY HEATER KIT	0531 - 8	1H21	BRACKETS,EXHAUST SHIELD	
2G7	BIN DUMP BODY PLATES	1741 - 20		(SER.NO.200715-)	0531 - 6
2G7	BIN DUMP BODY REAR LIGHT GUARD	1741 - 20	2K3	BRACKETS,REAR VIEW MIRRORS	
2G7	BIN DUMP BODY SHIMS	1741 - 20		(SERIAL NO.200705-)	2002 - 12
2G11	BIN PIVOT	1743 - 2	2C18	BRAKE (PARK BRAKE MOUNTING)	1111 - 2
3D7	BIN TIP CONTROL LEVER.....	2262 - 2	2B14	BRAKE ASSEMBLIES,FRONT AXLE WET DISC	1011 - 14
3C15	BIN TIP CYLINDER	2163 - 14	2B16	BRAKE ASSEMBLY,MID AXLE WET DISC	1011 - 16
3C17	BIN TIP CYLINDER	2163 - 16	2C20	BRAKE ASSEMBLY,PARK	1111 - 4
3C15	BIN TIP CYLINDER HYDRAULIC HOSES	2163 - 14	2B20	BRAKE DISC,SERVICE BRAKE CALIPER(350D)	
3C15	BIN TIP CYLINDER HYDRAULIC OIL LINES	2163 - 14		(WITH DRY DISC BRAKE)(SER.NO.-200465).....	1011 - 20
3C19	BIN TIP CYLINDER RELIEF VALVE	2163 - 18	2C18	BRAKE DISK (PARK BRAKE MOUNTING)	1111 - 2
3C19	BIN TIP CYLINDER RELIEF VALVE		2C9	BRAKE HOSES,WET DISC.....	1063 - 6
	HYDRAULIC HOSES.....	2163 - 18	2F17	BRAKE LINE GUARD BRACKETS AND PLATE	
3C17	BIN TIP CYLINDER REPAIR KIT	2163 - 16		(REAR FRAME CLAMPS AND HARDWARE)	1741 - 6
2G24	BIN TIP KNOB	1813 - 8	2B14	BRAKE LINE GUARDS,FRONT AXLE WET DISC	1011 - 14
3D7	BIN TIP LEVER DETENT VALVE	2262 - 2	2B14	BRAKE LINES,FRONT AXLE WET DISC BRAKE	1011 - 14
3D7	BIN TIP LEVER DETENT VALVE		2B16	BRAKE LINES,MID AXLE WET DISC BRAKE.....	1011 - 16
	REPAIR KIT	2262 - 2	2C9	BRAKE LINES,WET DISC.....	1063 - 6
3D7	BIN TIP LEVER REPAIR KIT	2262 - 2	2C11	BRAKE PIPES (REAR)	
3C19	BIN TIP RELIEF VALVE WIRE HARNESS	2163 - 18		(350D)	1063 - 8
2H13	BLADE, WINDOW WIPER.....	1814 - 2	3B20	BRAKE PRESSURE SWITCH.....	2162 - 2
3B24	BLOCK COMPONENTS, HYDRAULIC	2162 - 6	3B8	BRAKE VALVE.....	2160 - 6
1F1	BLOCK,CYLINDER.....	0404 - 2	3B10	BRAKE VALVE.....	2160 - 8
1F3	BLOCK,CYLINDER.....	0404 - 4	3B6	BRAKE VALVE HOSES.....	2160 - 4
3B20	BLOCK,HYDRAULIC OIL MANIFOLD	2162 - 2	3B8	BRAKE VALVE PEDAL	2160 - 6
2I7	BLOWER, AIR CONDITIONER	1832 - 6	3B10	BRAKE VALVE PEDAL	2160 - 8
2G7	BODY,BIN DUMP.....	1741 - 20	3B8	BRAKE VALVE SEAL KIT	2160 - 6
2D21	BOLT, BATTERY HOLD-DOWN	1671 - 2	3B10	BRAKE VALVE SEAL KIT	2160 - 8
1G23	BOLT, RING GEAR AND FLYWHEEL	0433 - 1	3B6	BRAKE VALVE SWITCH	2160 - 4
2E11	BOOT		3B8	BRAKE VALVE SWITCH	2160 - 6
	(ELECTRICAL EQUIPMENT AND COLD START).....	1674 - 2	3B10	BRAKE VALVE SWITCH	2160 - 8
1J8	BOOT/GUARD (STEERING COLUMN AND WHEEL)	0911 - 2	2D13	BREAKER,CIRCUIT	1600 - 2
1F23	BOWL,FUEL PUMP	0413 - 2	2D21	BREAKERS,CIRCUIT.....	1671 - 2
1E3	BOX, TRANSMISSION OIL COOLER.....	0364 - 4	1E7	BREATHER CAP,TRANSMISSION	
2E11	BRACKET			(WITH RETARDER).....	0364 - 8
	(ELECTRICAL EQUIPMENT AND COLD START).....	1674 - 2	2C11	BREATHER, RESERVOIR	
1J8	BRACKET (STEERING COLUMN AND WHEEL).....	0911 - 2		(350D)	1063 - 8
1E11	BRACKET (TRANS. SPEED SENSOR WIRING		11I7	BREATHER,TRANSFER DRIVE GEAR CASE	0841 - 2
	HARNESS).....	0374 - 2	1G15	BRUSH SET, STARTER AND SOLENOID SWITCH	0422 - 2
3D5	BRACKET, AIR COMPRESSOR MOUNTING	2261 - 4	1G17	BRUSH SET,ALTERNATOR	0423 - 2
2J3	BRACKET, FIRE EXTINGUISHER	2000 - 2	2D17	BULB,INSTRUMENT PANEL SWITCH	1600 - 6
2I8	BRACKET, HOOD	1911 - 6	1D17	BUSHINGS, RING AND SEAL	
2I20	BRACKET, HYDRAULIC MANIFOLD PLATES			(TRANSMISSION FRONT SUPPORT HOUSING).....	0361 - 2
	AND HARDWARE	1913 - 2	1F17	BUTTERFLY (EXHAUST)	0410 - 4
2G13	BRACKET, REAR VERTICAL				
	(UNDER PLATE)	1746 - 2			
2I9	BRACKET, RECEIVER-DRIER AIR CONDITIONER	1832 - 8			
3B4	BRACKET, STEERING VALVE	2160 - 2			
1I1	BRACKET,ENGINE MOUNTING	0540 - 2			
1F19	BRACKET,EXHAUST VALVE BRAKE MANIFOLD				
	(SER.NO.200665-).....	0410 - 6			
2K5	BRACKET,FIRE EXTINGUISHER	2003 - 2			
1I1	BRACKET,FUEL HOSE	0540 - 2			
2I16	BRACKET,HOOD LATCH	1911 - 4			
1D24	BRACKET,TRANSMISSION OIL COOLER FAN				
	(SER.NO.-200714)	0364 - 2			
1E1	BRACKET,TRANSMISSION OIL COOLER FAN				
	(SER.NO.200715-).....	0364 - 3A			
1H17	BRACKETS (ENGINE EXHAUST ASSEMBLY)	0531 - 2			
1D13	BRACKETS (TRANS. PLANET PINION CARRIER				
	(P3) W/RETARDER) (CONTINUED).....	0351 - 12			

C

2H3	CAB AIR OUTLET LOUVER	1813 - 12
2D19	CAB AIR RECIRCULATION SWITCH	1600 - 8
2H9	CAB BOTTOM SEALS	1813 - 18
2F19	CAB CLAMPS AND HARDWARE	1741 - 8
2H3	CAB CUP HOLDER PANEL	1813 - 12
2H3	CAB CUP HOLDERS	1813 - 12
2G22	CAB DOOR	1813 - 6
2G22	CAB DOOR CYLINDER.....	1813 - 6
2G22	CAB DOOR HINGE	1813 - 6
2G22	CAB DOOR INTERIOR PANEL.....	1813 - 6
2G24	CAB DOOR LATCH	1813 - 8
2G22	CAB DOOR WINDOW PANE	1813 - 6
2G22	CAB DOOR WINDOW RETAINER	1813 - 6

1A6

350D/400D ARTICULATED DUMP TRUCK

ALPHABETICAL INDEX - CONTINUED

GRID		PAGE	GRID		PAGE
2G22	CAB DOOR WINDOW SEALS	1813 - 6	1D13	CARRIER, TRANSMISSION PLANET PINION P3	
2G22	CAB DOOR WINDOW SLIDER.....	1813 - 6		W/RETARDER (CONTINUED)	0351 - 12
2F23	CAB FENDER (L.H.)	1741 - 12	3C7	CASE DRAIN AND RETURN HYD. LINES/HOSES.....	2163 - 8
2F21	CAB FENDER (R.H.).....	1741 - 10	3C7	CASE DRAIN AND RETURN LINES MANIFOLD	2163 - 8
2H1	CAB FIRE WALL ISOLATOR	1813 - 10	2I18	CATCH,HOOD	1911 - 6
2H1	CAB FRAME.....	1813 - 10	2G9	CHAIN, TAILGATE	1741 - 22
2H1	CAB HANDRAIL.....	1813 - 10	2D15	CIGAR LIGHTER	1600 - 4
2F23	CAB HANDRAIL (L.H.).....	1741 - 12	2D13	CIRCUIT BREAKER.....	1600 - 2
2F21	CAB HANDRAIL (R.H.)	1741 - 10	2D21	CIRCUIT BREAKER BOX DECAL	1671 - 2
2D19	CAB HEAT & A/C BLOWER FAN CONTROL KNOBS ..	1600 - 8	2D13	CIRCUIT BREAKER PANEL	1600 - 2
2D19	CAB HEAT & A/C BLOWER FAN SWITCH	1600 - 8	2D21	CIRCUIT BREAKERS	1671 - 2
2D19	CAB HEAT & A/C CONTROL PANEL	1600 - 8	2E19	CIRCUIT BREAKERS,CAB POWER WIRING	
1H9	CAB HEATER HOSES.....	0511 - 4		HARNESS	1674 - 10
2I5	CAB HVAC AIR DUCTS	1832 - 4	1F5	CLAMP (OIL PAN/PUMP INTAKE).....	0407 - 2
2I5	CAB HVAC ASSEMBLY	1832 - 4	2F15	CLAMP MOUNTING PLATE, FIREWALL	1741 - 4
2I5	CAB HVAC HOSES.....	1832 - 4	1G3	CLAMP, HOSE (TURBOCHARGER).....	0416 - 2
2I5	CAB HVAC LOUVERS.....	1832 - 4	2I9	CLAMPS (AIR CONDITIONER HOSES).....	1832 - 8
2J3	CAB INTERIOR COMPONENTS.....	2000 - 2	2F19	CLAMPS AND HARDWARE, CAB	1741 - 8
2H3	CAB INTERIOR PANELS	1813 - 12	2F15	CLAMPS AND HARDWARE, FRONT MAIN FRAME.....	1741 - 4
2H7	CAB INTERIOR TRIM	1813 - 16	2F17	CLAMPS AND HARDWARE, REAR FRAME	1741 - 6
2I18	CAB LIFT PUMP DRIP TRAY.....	1911 - 6	1J12	CLAMPS/SPACERS (STEERING CYLINDER, HOSES	
2H11	CAB MOUNTING ISOLATORS	1813 - 20		AND MOUNTINGS)	0965 - 2
2E19	CAB POWER WIRING HARNESS	1674 - 10	1H15	CLEANER, AIR.....	0521 - 4
2E19	CAB POWER WIRING HARNESS CIRCUIT		1C23	CLUTCH HOUSING, TRANSMISSION	0341 - 2
	BREAKERS	1674 - 10	1D15	CLUTCH, ROTATING (TRANSMISSION C1, C2)	0352 - 2
2H1	CAB REAR PANEL	1813 - 10	2I7	COILS AND VALVES, AIR CONDITIONER	1832 - 6
2H1	CAB REAR WINDOW GUARD	1813 - 10	2E11	COLD START AND ELECTRICAL EQUIPMENT	1674 - 2
2H1	CAB ROOF.....	1813 - 10	2D15	COLD START CONTROL BOX.....	1600 - 4
2F23	CAB STEPS (L.H.).....	1741 - 12	2E11	COLD START MODULE	
2F21	CAB STEPS (R.H.)	1741 - 10		(ELECTRICAL EQUIPMENT AND COLD START).....	1674 - 2
3B12	CAB TILT HYDRAULIC PUMP		3B14	COMPLETE A20V HYDRAULIC PUMP	2161 - 2
	REPAIR KIT	2160 - 10	1I1	COMPLETE ENGINE	0540 - 2
3B12	CAB TILT SYSTEM.....	2160 - 10	2H21	COMPLETE SEAT ASSEMBLY	
2E17	CAB TRANSMISSION WIRING HARNESS	1674 - 8		(SER.NO.201518-).....	1821 - 8
2G18	CAB WINDOWPANES	1813 - 2	3D13	COMPRESSED AIR RESERVOIR HOSES	
2D13	CAB WIRING HARNESS.....	1600 - 2		(400D S/N 200958-).....	2263 - 4
2D15	CAB WIRING HARNESS.....	1600 - 4	3D17	COMPRESSED AIR DRYER.....	2263 - 5C
2D21	CABLE, BATTERY	1671 - 2	3D11	COMPRESSED AIR DRYER	
2E13	CABLE, GROUND (FRONT CHASSIS)	1674 - 4		(350D S/N -200947).....	2263 - 2
2D23	CABLES,EXTRA BATTERY.....	1671 - 4	3D11	COMPRESSED AIR DRYER	
2E1	CABLES,EXTRA BATTERY.....	1671 - 6		(400D S/N -200957).....	2263 - 2
2B10	CALIPER ASSEMBLY,FRONT AXLE DISC BRAKE		3D15	COMPRESSED AIR DRYER HOSES	
	(350D)(WITH DRY DISK BRAKE).....	1011 - 8		(350D S/N 200948-).....	2263 - 5A
2B20	CALIPER ASSEMBLY,SERVICE BRAKE(350D)		3D15	COMPRESSED AIR DRYER HOSES	
	(WITH DRY DISC BRAKE)(SER.NO.-200465).....	1011 - 20		(400D S/N 200958-).....	2263 - 5A
2B22	CALIPER ASSEMBLY,SERVICE BRAKE(350D)		3D17	COMPRESSED AIR FILTER ELEMENT	2263 - 5C
	(WITH DRY DISC BRAKE)(SER.NO.200466-).....	1011 - 21A	3D17	COMPRESSED AIR RESERVOIR	2263 - 5C
2C11	CALIPER LINE KIT, HYDRAULIC		3D13	COMPRESSED AIR RESERVOIR	
	(350D)	1063 - 8		(350D S/N 200948-).....	2263 - 4
2C22	CALIPER,PARK BRAKE	1111 - 6	3D11	COMPRESSED AIR RESERVOIR	
1E20	CAM FOLLOWER, PUSHRODS AND CAMSHAFT			(350D S/N-200947)	2263 - 2
	W/GEAR.....	0402 - 2	3D13	COMPRESSED AIR RESERVOIR	
1F3	CAMSHAFT BEARINGS	0404 - 4		(400D S/N 2009558-)	2263 - 4
1E20	CAMSHAFT WITH GEAR, FOLLOWERS/PUSHRODS ..	0402 - 2	3D11	COMPRESSED AIR RESERVOIR	
2F9	CAMSHAFT/CRANKSHAFT SPEED SENDERS	1678 - 2		(400D S/N-200957)	2263 - 2
1F1	CANSHAFT BEARINGS.....	0404 - 2	3D11	COMPRESSED AIR RESERVOIR HOSES	
1B4	CAP, BEARING			(350D S/N -200947).....	2263 - 2
	(FRONT AND REAR AXLE DIFFERENTIAL).....	0210 - 2	3D13	COMPRESSED AIR RESERVOIR HOSES	
1I11	CAP,FUEL TANK	0564 - 4		(350D S/N 200948-).....	2263 - 4
1I9	CAP,FUEL TANK FILLER	0564 - 2	3D11	COMPRESSED AIR RESERVOIR HOSES	
1H11	CAP,RADIATOR COOLANT			(400D S/N -200957).....	2263 - 2
	EXPANSION TANK(SER.NO.200700-).....	0511 - 6	1B10	COMPRESSION SPRING	
1D9	CARRIER P2, TRANSMISSION PLANET PINION.....	0351 - 8		(MID AXLE DIFFERENTIAL (CONTINUED))	0210 - 8
1D7	CARRIER, TRANSMISSION PLANET PINION (P1).....	0351 - 6	1B6	COMPRESSION SPRING (FRONT AND REAR AXLE	
1D11	CARRIER, TRANSMISSION PLANET PINION P3			DIFFERENTIAL (CONTINUED))	0210 - 4
	W/RETARDER	0351 - 10	2I3	COMPRESSOR,A/C	1832 - 2
			3D3	COMPRESSOR,AIR	2261 - 2

1A8

350D/400D ARTICULATED DUMP TRUCK

ALPHABETICAL INDEX - CONTINUED

GRID	PAGE	GRID	PAGE
2B12	DISC BRAKE CALIPER,MIDDLE AND REAR AXLE (WITH DRY DISC BRAKE)(350D)	2F5	ELECTRICAL CONNECTORS, WIRING HARNESS
	1011 - 10	2F7	ELECTRICAL CONNECTORS, WIRING HARNESS
2B24	DISC BRAKE HOUSING COVER,R.H.FRONT AND L.H.MID AXLE WET DISC BRAKE.....	2E11	ELECTRICAL EQUIPMENT AND COLD START
	1011 - 22	1F23	ELECTRONIC FUEL INJECTOR UNIT
2C1	DISC BRAKE HOUSING,LH FRONT & RH MID AXLE WET DISC BRAKE	2D15	ELECTRONIC MODULE
	1011 - 24	2E17	ELECTRONIC MODULE, TCU
2B12	DISC BRAKE KIT,MIDDLE AND REAR AXLE (WITH DRY DISC BRAKE).....	1H15	ELEMENT (AIR CLEANER).....
	1011 - 10	3D17	ELEMENT,COMPRESSED AIR FILTER
2B10	DISC BRAKE LINES,FRONT AXLE(350D) (WITH DRY DISC BRAKE).....	1G11	ELEMENT,FINAL FUEL FILTER
	1011 - 8	1G13	ELEMENT,PRIMARY FUEL FILTER.....
2B12	DISC BRAKE LINES,MIDDLE AND REAR AXLE (WITH DRY DISC BRAKE)(350D)	1G1	ENGINE AIR INTAKE TEMPERATURE SENSOR
	1011 - 10	1G1	ENGINE AIR PRESSURE SENSOR.....
2B12	DISC BRAKE PAD WEAR INDICATOR,MIDDLE AND REAR AXLE(WITH DRY DISC BRAKE)(350D)	1I1	ENGINE BLOCK DRAIN VALVE.....
	1011 - 10	2I22	ENGINE COMPARTMENT GRILLE
2C1	DISC BRAKE PISTON,LH FRONT & RH MID AXLE WET DISC BRAKE	2I22	ENGINE COMPARTMENT GRILLE FRAME
	1011 - 24	2I14	ENGINE COMPARTMENT HOOD
2D21	DISCONNECT, BATTERY	2I16	ENGINE COMPARTMENT HOOD BRACKET
	1671 - 2	2I16	ENGINE COMPARTMENT HOOD SEAL
1B10	DISK W/INNER SPLINE (MID AXLE DIFFERENTIAL (CONTINUED))	1G9	ENGINE COOLANT TEMPERATURE SENDER
	0210 - 8	1H3	ENGINE CYLINDER BLOCK COOLANT HEATER HOSES.....
1B10	DISK W/OUTER SPLINE (MID AXLE DIFFERENTIAL (CONTINUED))		0505 - 2
	0210 - 8	1H3	ENGINE CYLINDER BLOCK COOLANT HEATER
1D1	DISKS (TRANSMISSION WEAR PLATE/ADAPTER).....	1H3	ENGINE CYLINDER BLOCK HEATER KIT
	0342 - 2	1H17	ENGINE EXHAUST ASSEMBLY.....
1D15	DISKS (W/INNER AND OUTER SPLINES) (TRANS. ROTATING CLUTCH C1, C2).....	1F11	ENGINE EXHAUST VALVE.....
	0352 - 2	1F11	ENGINE INTAKE VALVE.....
1C23	DISKS (W/INNER AND OUTER SPLINES) (TRANSMISSION CLUTCH HOUSING)	1I1	ENGINE MOUNTING BRACKET.....
	0341 - 2	1G9	ENGINE OIL COOLER
1E9	DISKS ,TRANSMISSION TO ENGINE	1G9	ENGINE OIL COOLER FILTER.....
	0364 - 10	1G9	ENGINE OIL COOLER HOUSING
3C23	DOOR LATCH,HYDRAULIC OIL TANK COVER	1F9	ENGINE OIL FILLER CAP.....
	2164 - 4	1G9	ENGINE OIL PRESSURE SENDER
2G22	DOOR,CAB.....	1F7	ENGINE OIL PUMP/PRESSURE RELIEF VALVE
	1813 - 6	2E19	ENGINE OVERSPEED WIRE HARNESS.....
3C21	DOOR,HYDRAULIC OIL TANK.....	2D13	ENGINE SPEED CONTROL ACCELERATOR PEDAL ..
	2164 - 2	1I3	ENGINE SUPPORT
1D17	DOWEL PINS (TRANSMISSION FRONT SUPPORT HOUSING).....	2E11	ENGINE WIRING HARNESS (ELECTRICAL EQUIPMENT AND COLD START).....
	0361 - 2		1674 - 2
1D13	DRAIN PLUG (TRANS. PLANET PINION CARRIER (P3) W/RETARDER (CONTINUED)	1I1	ENGINE,COMPLETE
	0351 - 12	1H17	EXHAUST ASSEMBLY, ENGINE
1I1	DRAIN VALVE,ENGINE BLOCK	1F17	EXHAUST BRAKE CYLINDER WITH THROTTLE HOUSING
	0540 - 2		0410 - 4
2I18	DRIP TRAY,CAB LIFT PUMP	3D9	EXHAUST BRAKE SOLENOID
	1911 - 6	1F17	EXHAUST BUTTERFLY KIT
1H5	DRIVE (FAN), AND FAN	1F15	EXHAUST MANIFOLD
	0510 - 2	1H23	EXHAUST PIPE,BIN BODY HEATER.....
1G21	DRIVE BELT TIGHTENER	1H19	EXHAUST SHIELD BRACKETS (SER.NO.-200714).....
	0429 - 2		0531 - 4
1G21	DRIVE BELT,A/C COMPRESSOR	1H21	EXHAUST SHIELD BRACKETS (SER.NO.200715-).....
	0429 - 2		0531 - 6
1G21	DRIVE BELT,ALTERNATOR	1H19	EXHAUST SHIELD,TURBOCHARGER (SER.NO.-200714).....
	0429 - 2		0531 - 4
1G21	DRIVE BELT,WATER PUMP.....	1H21	EXHAUST SHIELD,TURBOCHARGER (SER.NO.200715-).....
	0429 - 2		0531 - 6
1B18	DRIVE SHAFT GUARDS.....	1H19	EXHAUST SYSTEM SHIELDS (SER.NO.-200714).....
	0225 - 7		0531 - 4
1B12	DRIVE SHAFT,FRONT	1H21	EXHAUST SYSTEM SHIELDS (SER.NO.200715-).....
	0225 - 1		0531 - 6
1B16	DRIVE SHAFT,FRONT AND REAR WHEEL	1F21	EXHAUST VALVE BRAKE HOSES
	0225 - 5	1F19	EXHAUST VALVE BRAKE MANIFOLD (SER.NO.200665-).....
1B12	DRIVE SHAFT,HYD.PUMP		0410 - 6
	0225 - 1	1F19	EXHAUST VALVE BRAKE MANIFOLD BRACKET (SER.NO.200665-).....
1B17	DRIVE SHAFT,HYDRAULIC PUMP		0410 - 6
	0225 - 6	1F19	EXHAUST VALVE BRAKE MANIFOLD PIPE (SER.NO.200665-).....
1B12	DRIVE SHAFT,MID REAR		0410 - 6
	0225 - 1	1F21	EXHAUST VALVE BRAKE PIPE.....
1B15	DRIVE SHAFT,MID UNIVERSAL		0410 - 7A
	0225 - 4	1F21	EXHAUST VALVE BRAKE PIPE CONNECTORS
1B19	DRIVE SHAFT,MID UNIVERSAL		0410 - 7A
	0225 - 8		
1B12	DRIVE SHAFT,REAR.....		
	0225 - 1		
1B14	DRIVE SHAFT,REAR UVIVERSAL		
	0225 - 3		
1B13	DRIVESHAF,FRONT UNIVERSAL		
	0225 - 2		
2D21	DRY CHARGED BATTERY		
	1671 - 2		
3D17	DRYER,COMPRESSED AIR		
	2263 - 5C		
3D11	DRYER,COMPRESSED AIR (350D S/N -200947).....		
	2263 - 2		
1H13	DUST BOWL (AIR INTAKE SYSTEM)		
	0521 - 2		
E			
1D19	ELECTRICAL COMPONENTS, CONTROL VALVE AND WIRING HARNESS (TRANSMISSION).....		
	0362 - 2		
2E21	ELECTRICAL CONNECTORS, WIRING HARNESS		
	1674 - 12		
2E23	ELECTRICAL CONNECTORS, WIRING HARNESS		
	1674 - 14		
2F1	ELECTRICAL CONNECTORS, WIRING HARNESS		
	1674 - 16		
2F3	ELECTRICAL CONNECTORS, WIRING HARNESS		
	1674 - 18		

1A9

350D/400D ARTICULATED DUMP TRUCK

ALPHABETICAL INDEX - CONTINUED

GRID		PAGE	GRID		PAGE
1F11	EXHAUST VALVE,ENGINE	0409 - 4	2K9	FLASHING BEACON SWITCH	2004 - 4
1H11	EXPANSION TANK,RADIATOR COOLANT (SER.NO.200700-)	0511 - 6	2K9	FLASHING BEACON WIRING KIT	2004 - 4
1H9	EXPANSION TANK,RADIATOR COOLANT TEMPERATURE (SER.NO.-200699)	0511 - 4	2E7	FLOODLIGHT	1673 - 6
2K5	EXTINGUISHER, FIRE	2003 - 2	2E9	FLOODLIGHT, REAR	1673 - 8
2D23	EXTRA BATTERY	1671 - 4	2H7	FLOORMAT, CAB	1813 - 16
2D23	EXTRA BATTERY CABLES	1671 - 4	1G23	FLYWHEEL AND RING GEAR	0433 - 1
2E1	EXTRA BATTERY CABLES	1671 - 6	1E20	FOLLOWERS, PUSHRODS AND CAMSHAFT W/GEAR	0402 - 2
2D23	EXTRA BATTERY HOLD-DOWN	1671 - 4	1B6	FORK (FRONT AND REAR AXLE DIFFERENTIAL (CONTINUED))	0210 - 4
2E1	EXTRA BATTERY KIT	1671 - 6	1B10	FORK (MID AXLE DIFFERENTIAL (CONTINUED))	0210 - 8
			2F13	FRAME AND GUARDS, FRONT MAIN	1741 - 2
			2G5	FRAME, REAR	1741 - 18
			2G9	FRAME, TAILGATE	1741 - 22
			2E17	FRAME, TRANSMISSION CONTROL SUPPORT	1674 - 8
			2H1	FRAME,CAB	1813 - 10
			2I22	FRAME,ENGINE COMPARTMENT GRILLE	1921 - 2
			2I18	FRAME,HOOD SUPPORT	1911 - 6
			2G1	FRAME,OCCILLATION	1741 - 14
			2H17	FRAME,OPERATOR SEAT (SER.NO.-201517)	1821 - 4
			1B4	FRONT AND REAR AXLE DIFFERENTIAL	0210 - 2
			1B6	FRONT AND REAR AXLE DIFFERENTIAL (CONTINUED)	0210 - 4
			1B16	FRONT AND REAR WHEEL DRIVESHAFT ASSEMBLY	0225 - 5
			1B16	FRONT AND REAR WHEELDRIVESHAFT U-JOINT	0225 - 5
			1B21	FRONT AXLE DIFFERENTIAL YOKE	0242 - 2
			2B4	FRONT AXLE DIFFERENTIAL YOKE (350D)	1011 - 2
			2B4	FRONT AXLE DIFFERENTIAL(350D)	1011 - 2
			2B10	FRONT AXLE DISC BRAKE CALIPER ASSEMBLY (350D)(WITH DRY DISC BRAKE)	1011 - 8
			2B10	FRONT AXLE DISC BRAKE GUARD(350D) (WITH DRY DISC BRAKE)	1011 - 8
			2B10	FRONT AXLE DISC BRAKE LINES(350D) (WITH DRY DISC BRAKE)	1011 - 8
			1B21	FRONT AXLE HOUSING	0242 - 2
			1B21	FRONT AXLE HOUSING SHAFT	0242 - 2
			1C15	FRONT AXLE SUSPENSION STRUT CYLINDER (SER.NO.-200759)	0265 - 4
			1C17	FRONT AXLE SUSPENSION STRUT CYLINDER (SER.NO.200760-)	0265 - 6
			1C15	FRONT AXLE SUSPENSION STRUT CYLINDER SEAL KIT (SER.NO.-200759)	0265 - 4
			1C17	FRONT AXLE SUSPENSION STRUT CYLINDER SEAL KIT (SER.NO.200760-)	0265 - 6
			2B14	FRONT AXLE WET DISC BRAKE ASSEMBLIES	1011 - 14
			2B14	FRONT AXLE WET DISC BRAKE BRAKE LINES	1011 - 14
			2B14	FRONT AXLE WET DISC BRAKE LINE GUARDS	1011 - 14
			3C1	FRONT CHASSIS ACCUMULATOR LINES AND HOSES	2163 - 2
			1F3	FRONT COVER,CYLINDER BLOCK	0404 - 4
			1B12	FRONT DRIVE SHAFT	0225 - 1
			1B13	FRONT DRIVESHAFT U-JOINT	0225 - 2
			2F13	FRONT MAIN FRAME AND GUARDS	1741 - 2
			2F15	FRONT MAIN FRAME CLAMPS AND HARDWARE	1741 - 4
			2F21	FRONT MUD GUARD	1741 - 10
			2F23	FRONT MUD GUARD	1741 - 12
			1D17	FRONT SUPPORT HOUSING (TRANSMISSION)	0361 - 2
			1C13	FRONT SUSPENSION	0265 - 2
			1C13	FRONT SUSPENSION ARM	0265 - 2
			1C13	FRONT SUSPENSION BEARING	0265 - 2
			1B13	FRONT UNIVERSAL DRIVE SHAFT GUARD	0225 - 2
			1B13	FRONT UNIVERSAL DRIVESHAFT	0225 - 2
			2F9	FUEL COOLER AND SPEED SENSORS	1678 - 2
			1G11	FUEL FILTER,FINAL	0420 - 2
			1G13	FUEL FILTER,PRIMARY	0420 - 4
			2E5	FUEL GAUGE SENDER UNIT	1673 - 4

1A10

350D/400D ARTICULATED DUMP TRUCK

ALPHABETICAL INDEX - CONTINUED

GRID	PAGE	GRID	PAGE
111	FUEL HOSE BRACKET.....0540 - 2	1D19	GROMMETS (TRANS. CONTROL VLV., WIRING HARNESSE/ELECTRICAL COMPONENTS).....0362 - 2
111	FUEL HOSE BRACKET SHIM0540 - 2	2E13	GROUND CABLE, FRONT CHASSIS.....1674 - 4
1F9	FUEL INJECTION NOZZLE.....0409 - 2	1E3	GUARD AND COVERS (TRANSMISSION OIL COOLER BOX).....0364 - 4
1G1	FUEL INJECTION NOZZLE.....0414 - 2	1J8	GUARD/BOOT (STEERING COLUMN AND WHEEL)0911 - 2
1I5	FUEL INJECTION NOZZLE FUEL LINES0563 - 2	2G5	GUARD, GREASE LINE (REAR FRAME ASSY)1741 - 18
1F23	FUEL INJECTION PUMP.....0413 - 2	2G24	GUARD, STRIKER PIN (CAB DOOR LATCH).....1813 - 8
1F23	FUEL INJECTOR UNIT,ELECTRONIC0413 - 2	2H1	GUARD,CAB REAR WINDOW1813 - 10
1I7	FUEL LINES, RINGS, VALVES AND CONNECTORS....0563 - 4	2B10	GUARD,FRONT AXLE DISC BRAKE(350D) (WITH DRY DISC BRAKE)1011 - 8
1I5	FUEL LINES,FUEL INJECTION NOZZLE0563 - 2	1B13	GUARD,FRONT UNIVERSAL DRIVESHAFT0225 - 2
1F23	FUEL PUMP BOWL.....0413 - 2	1B17	GUARD,HYDRAULIC PUMP DRIVE SHAFT0225 - 6
1F23	FUEL PUMP FILTER ELEMENT.....0413 - 2	1B23	GUARD,MID AXLE DIFFERENTIAL HOUSING0242 - 4
1G13	FUEL PUMP,HAND OPERATED.....0420 - 4	2B8	GUARD,REAR AXLE DIFFERENTIAL (350D)1011 - 6
1I9	FUEL TANK0564 - 2	2E5	GUARD,STARTER MOTOR PROTECTION1673 - 4
1I9	FUEL TANK ACCESS COVER0564 - 2	2F13	GUARDS AND FRAME, FRONT MAIN1741 - 2
1I9	FUEL TANK ANTI SKID PAD0564 - 2	1B18	GUARDS, DRIVE SHAFT.....0225 - 7
1I11	FUEL TANK CAP.....0564 - 4	2J7	GUARDS, REAR CHASSIS LUBE LINES2000 - 6
1I11	FUEL TANK CAP GASKET.....0564 - 4	2B16	GUARDS,MID AXLE WET DISC BRAKE LINES1011 - 16
1I9	FUEL TANK FILLER CAP0564 - 2	1H7	GUARDS,RADIATOR FAN0511 - 2
1F1	FUEL TEMPERATURE SENDER0404 - 2	1J14	GUIDE, PISTON AND ROD (HYDRAULIC STEERING CYLINDER).....0965 - 4
		1F9	GUIDE,CYLINDER HEAD VALVE0409 - 2
	G		H
2I14	GAS OPERATED CYLINDER, ENGINE COMPARTMENT HOOD.....1911 - 2	1G13	HAND OPERATED FUEL PUMP0420 - 4
1F1	GASKET KIT,CYLINDER BLOCK0404 - 2	2I14	HANDLE, ENGINE COMPARTMENT HOOD1911 - 2
1F11	GASKET SET,CYLINDER HEAD0409 - 4	2H21	HANDLE,SEAT SLIDE CONTROL (SER.NO.201518-).....1821 - 8
1F15	GASKET, EXHAUST MANIFOLD0410 - 2	1J8	HANDLES (STEERING COLUMN AND WHEEL).....0911 - 2
1F9	GASKET,CYLINDER HEAD.....0409 - 2	2H1	HANDRAIL,CAB1813 - 10
1F11	GASKET,CYLINDER HEAD.....0409 - 4	2F23	HANDRAIL,CAB (I.H.)1741 - 12
1I11	GASKET,FUEL TANK CAP0564 - 4	2F21	HANDRAIL,CAB (R.H.)1741 - 10
1G1	GASKET,INTAKE MANIFOLD0414 - 2	2F19	HARDWARE AND CLAMPS, CAB1741 - 8
1F9	GASKET,ROCKER ARM COVER0409 - 2	2F15	HARDWARE AND CLAMPS, FRONT MAIN FRAME.....1741 - 4
1E21	GASKET,TIMING GEAR COVER0402 - 4	2F17	HARDWARE AND CLAMPS, REAR FRAME1741 - 6
1D13	GASKETS (TRANS. PINION CARRIER (P3) W/RETARDER (CONTINUED)0351 - 12	1F13	HARDWARE AND LINES (CYLINDER HEAD).....0409 - 6
1D11	GASKETS (TRANS. PLANET PINION CARRIER P3 W/RETARDER)0351 - 10	1G5	HARDWARE AND OIL LINES (TURBOCHARGER).....0416 - 4
1D11	GASKETS AND BEARINGS (TRANS PINION CARRIER P3 W/RETARDER)0351 - 10	1G19	HARDWARE AND SUPPORT (ALTENATOR)0423 - 4
3C23	GAUGE, HYDRAULIC OIL TANK OIL LEVEL2164 - 4	2I7	HARNESSE, AIR CONDITIONER WIRING.....1832 - 6
3E6	GEAR (POWER TAKE OFF).....4051 - 2	2E13	HARNESSE, ARTICULATION WIRING1674 - 4
1J1	GEAR (TRANSFER CASE IDLER SHAFT ASSY).....0851 - 4	2E19	HARNESSE, CAB POWER WIRING1674 - 10
1I17	GEAR CASE,TRANSFER DRIVE0841 - 2	2E17	HARNESSE, CAB TRANSMISSION WIRING1674 - 8
2E17	GEAR SELECTOR, REMOTE1674 - 8	2D21	HARNESSE, ENGINE POWER1671 - 2
1B4	GEAR, BEVEL (FRONT AND REAR AXLE DIFFERENTIAL).....0210 - 2	2E13	HARNESSE, ENGINE WIRING1674 - 4
1B8	GEAR, BEVEL (MID AXLE DIFFERENTIAL).....0210 - 6	2E13	HARNESSE, FRONT CHASSIS WIRING1674 - 4
1B6	GEAR, HELICAL (FRONT AND REAR AXLE DIFFERENTIAL (CONTINUED))0210 - 4	2E3	HARNESSE, REAR CHASSIS.....1673 - 2
1E18	GEAR, MAIN BEARINGS AND CRANKSHAFT0401 - 2	2E13	HARNESSE, TRANSMISSION WIRING1674 - 4
1C3	GEAR, RING (WDB AXLE FINAL DRIVE KIT (400D)0242 - 8	2E15	HARNESSE, TRANSMISSION WIRING1674 - 6
1D15	GEAR, SUN (TRANS. ROTATING CLUTCH C1, C2)0352 - 2	2E17	HARNESSE, TRANSMISSION, CAB1674 - 8
1D3	GEAR, SUN (TRANSMISSION SHAFT)0351 - 2	2E7	HARNESSE, WORK LIGHTS1673 - 6
1D7	GEARS (TRANS. PLANET PINION CARRIER P1)0351 - 6	2D17	HAZARD WARNING SWITCH1600 - 6
1J3	GEARS, BEARING/TRANSFER CASE OUTPUT SHAFT (FRONT)0851 - 6	1F9	HEAD AND VALVES,CYLINDER0409 - 2
1J5	GEARS, BEARINGS AND TRANSFER CASE OUTPUT SHAFT (REAR)0851 - 8	1F11	HEAD AND VALVES,CYLINDER0409 - 4
1I23	GEARS, HOUSING/TRANSFER CASE INPUT SHAFT ..0851 - 2	2D17	HEAD LIGHT SWITCH1600 - 6
2G18	GLASS, CAB1813 - 2	2E5	HEADLIGHT1673 - 4
1B18	GREASING DECAL,PROPSHAFT GUARD0225 - 7	2H5	HEADLINER, FRONT/REAR (ROOF INTERIOR PANELS).....1813 - 14
2I22	GRILLE, ENGINE COMPARTMENT1921 - 2	2H21	HEADREST,SEAT (SER.NO.201518-).....1821 - 8
		2I7	HEAT EXCHANGER, CAB1832 - 6
		1H23	HEAT SHIELD,BIN BODY EXHAUST PIPE0531 - 8
		1I17	HEAT SHIELD,TRANSFER DRIVE CASE0841 - 2

1A11

350D/400D ARTICULATED DUMP TRUCK

ALPHABETICAL INDEX - CONTINUED

GRID	PAGE	GRID	PAGE
2J19	HEATED GLASS,POWER ADJUSTED MIRROR.....2002 - 4	1B6	HOUSING (FRONT AND REAR AXLE DIFFERENTIAL (CONTINUED)).....0210 - 4
2I7	HEATER COIL, CAB1832 - 6	3E6	HOUSING (POWER TAKE OFF)4051 - 2
1H3	HEATER,ENGINE CYLINDER BLOCK COOLANT.....0505 - 2	1F17	HOUSING (THROTTLE) WITH EXHAUST BRAKE CYLINDER0410 - 4
1B6	HELICAL GEAR (FRONT AND REAR AXLE DIFFERENTIAL (CONTINUED)).....0210 - 4	1D19	HOUSING (TRANS. CONTROL VALVE, WIRING HARNES/ELECT. COMP)0362 - 2
2G22	HINGE,CAB DOOR1813 - 6	1D13	HOUSING (TRANS. PLANET PINION CARRIER P3 W/RETARDER (CONTINUED))0351 - 12
2D21	HOLD-DOWN, BATTERY1671 - 2	1J1	HOUSING (TRANSFER CASE IDLER SHAFT ASSY).....0851 - 4
2D23	HOLD-DOWN, EXTRA BATTERY1671 - 4	1J5	HOUSING (TRANSFER CASE OUTPUT SHAFT) (REAR).....0851 - 8
2I18	HOOD BRACKET.....1911 - 6	1I13	HOUSING (TRANSMISSION CONVERTER)0641 - 2
2I16	HOOD BRACKET,ENGINE COMPARTMENT1911 - 4	1D5	HOUSING (TRANSMISSION TORQUE CONVERTER) ..0351 - 4
2I18	HOOD CATCH1911 - 6	1D21	HOUSING (VALVE SPOOLS/OIL FILTERS).....0362 - 4
2I16	HOOD LATCH BRACKET1911 - 4	3E3	HOUSING AND MOTOR (HYDRAULIC COOLER FAN) 2267 - 4
2I18	HOOD SUPPORT FRAME1911 - 6	2B24	HOUSING R.H FRONT & L.H.MID AXLE WET DISC BRAKE1011 - 22
2I14	HOOD, ENGINE COMPARTMENT1911 - 2	2D21	HOUSING, BATTERY1671 - 2
2J3	HOOK, CLOTHES2000 - 2	1I23	HOUSING, GEARS/TRANSFER CASE INPUT SHAFT ..0851 - 2
2K7	HORN2004 - 2	2C1	HOUSING, LH FRONT & RH MID AXLE WET DISC BRAKE1011 - 24
3D21	HORN2263 - 8	1I19	HOUSING, TRANSFER DRIVE GEAR CASE (SER.NO.-201153).....0841 - 4
3D23	HOSE AND LINES, AIR COMPRESSOR2264 - 2	1I21	HOUSING, TRANSFER DRIVE GEAR CASE (SER.NO.201154-).....0841 - 6
1G3	HOSE CLAMP (TURBOCHARGER)0416 - 2	1C23	HOUSING, TRANSMISSION CLUTCH0341 - 2
2J9	HOSE, MANUAL GREASING FITTINGS2000 - 8	1I13	HOUSING, TRANSMISSION CONVERTER0641 - 2
3D21	HOSE, PARK BRAKE PNEUMATIC2263 - 8	1D17	HOUSING, TRANSMISSION FRONT SUPPORT0361 - 2
3D21	HOSE, PNEUMATIC2263 - 8	3B14	HOUSING,A20V HYDRAULIC PUMP2161 - 2
3D19	HOSE, REAR CHASSIS AIR.....2263 - 6	1E21	HOUSING,CRANKCASE BREATHER FILTER.....0402 - 4
2C11	HOSES (HYDRAULIC CALIPER LINE KIT) (350D)1063 - 8	1G9	HOUSING,ENGINE OIL COOLER.....0419 - 2
3C1	HOSES, ACCUMULATOR2163 - 2	1B21	HOUSING,FRONT AXLE0242 - 2
2I9	HOSES, AIR CONDITIONER1832 - 8	1B23	HOUSING,MID AXLE0242 - 4
2I11	HOSES, AIR CONDITIONER1833 - 2	2C20	HOUSING,PARK BRAKE1111 - 4
3B12	HOSES, CAB TILT SYSTEM.....2160 - 10	1C1	HOUSING,REAR AXLE0242 - 6
3C7	HOSES, CASE DRAIN AND RETURN LINES2163 - 8	1C5	HOUSING,REAR AXLE FINAL DRIVE0242 - 10
3C3	HOSES, HYDRAULIC FAN DRIVE CONTROL MOTOR AND VALVES2163 - 4	1J3	HOUSINGS (TRANSFER CASE OUTPUT SHAFT) (FRONT).....0851 - 6
1J12	HOSES, MOUNTINGS AND STEERING CYLINDER.....0965 - 2	1C23	HOUSINGS (TRANSMISSION CLUTCH)0341 - 2
3B4	HOSES, STEERING VALVE2160 - 2	2G20	HVAC ACCESS DOOR CYLINDER.....1813 - 4
3B6	HOSES,BRAKE VALVE2160 - 4	2I5	HVAC ASSEMBLY,CAB1832 - 4
1H9	HOSES,CAB HEATER.....0511 - 4	2G20	HVAC SYSTEM ACCESS DOOR1813 - 4
2I5	HOSES,CAB HVAC1832 - 4	3C5	HYD.HOSE BUNDLE PROTECTION SPRING2163 - 6
3D15	HOSES,COMPRESSED AIR DRYER (350D S/N 200948-).....2263 - 5A	3C5	HYD.HOSES,BIN CYLINDER2163 - 6
3D15	HOSES,COMPRESSED AIR DRYER (400D S/N 200958-).....2263 - 5A	3C9	HYD.HOSES,MAIN HYD.PUMP2163 - 10
3D13	HOSES,COMPRESSED AIR RESERVOIR (350C S/N 200948-).....2263 - 4	3C9	HYD.HOSES,STEERING METERING PUMP2163 - 10
3D11	HOSES,COMPRESSED AIR RESERVOIR (350D S/N-200947)2263 - 2	3C9	HYD.OIL LINES,STEERING METERING PUMP.....2163 - 10
3D11	HOSES,COMPRESSED AIR RESERVOIR (400D S/N -200957).....2263 - 2	3C23	HYD.OIL RESERVOIR OIL FILTER SEAL KIT2164 - 4
3D13	HOSES,COMPRESSED AIR RESERVOIR (400D S/N 200958-).....2263 - 4	2E15	HYD.OIL TEMPERATURE SENDER.....1674 - 6
1H3	HOSES,ENGINE CYLINDER BLOCK COOLANT HEATER0505 - 2	1B12	HYD.PUMP DRIVE SHAFT0225 - 1
1F21	HOSES,EXHAUST VALVE BRAKE.....0410 - 7A	1B17	HYD.PUMP DRIVE SHAFT U-JOINT0225 - 6
1G13	HOSES,PRIMARY FUEL FILTER0420 - 4	3B24	HYDRAULIC BLOCK COMPONENTS2162 - 6
1H7	HOSES,RADIATOR0511 - 2	2C11	HYDRAULIC CALIPER LINE KIT (350D)1063 - 8
1H9	HOSES,RADIATOR0511 - 4	3E3	HYDRAULIC COOLER FAN MOTOR AND HOUSING ..2267 - 4
1E5	HOSES,TRANSMISSION OIL COOLER0364 - 6	1J12	HYDRAULIC HOSE - FABRICATE (STEERING CYLINDER, HOSES AND MOUNTINGS0965 - 2
2E11	HOUSING (ELECTRICAL EQUIPMENT AND COLD START).....1674 - 2	3B12	HYDRAULIC HOSE,TILT SYSTEM, CAB2160 - 10
1B4	HOUSING (FRONT AND REAR AXLE DIFFERENTIAL).....0210 - 2	3C15	HYDRAULIC HOSES,BIN TIP CYLINDER2163 - 14
1B10	HOUSING (MID AXLE DIFFERENTIAL (CONTINUED))0210 - 8	3C19	HYDRAULIC HOSES,BIN TIP CYLINDER RELIEF VALVE2163 - 18
1B8	HOUSING (MID AXLE DIFFERENTIAL).....0210 - 6	2C7	HYDRAULIC HOSES,WET DISC BRAKE.....1063 - 4
1E13	HOUSING TRANSMISSION INSTRUMENT PANEL0374 - 4	2I20	HYDRAULIC MANIFOLD PLATES AND HARDWARE1913 - 2

1A12

350D/400D ARTICULATED DUMP TRUCK

ALPHABETICAL INDEX - CONTINUED

GRID	PAGE	GRID	PAGE
3C3	HYDRAULIC MOTOR, VALVES AND LINES 2163 - 4		
3C15	HYDRAULIC OIL LINES,BIN TIP CYLINDER..... 2163 - 14		
1E5	HYDRAULIC OIL LINES,TRANSMISSION OIL COOLER 0364 - 6		
3B22	HYDRAULIC OIL MANIFOLD MANIFOLD SOLENOID VALVE 2162 - 4		
3B20	HYDRAULIC OIL MANIFOLD BLOCK 2162 - 2		
3B22	HYDRAULIC OIL MANIFOLD BLOCK 2162 - 4		
3B22	HYDRAULIC OIL MANIFOLD BLOCK SEAL KIT 2162 - 4		
3B20	HYDRAULIC OIL MANIFOLD BLOCK ACCUMULATOR 2162 - 2		
3C21	HYDRAULIC OIL TANK 2164 - 2		
3C21	HYDRAULIC OIL TANK ANTI-SKID STEP PADS 2164 - 2		
3C21	HYDRAULIC OIL TANK COVER..... 2164 - 2		
3C23	HYDRAULIC OIL TANK COVER 2164 - 4		
3C23	HYDRAULIC OIL TANK COVER CYLINDER 2164 - 4		
3C23	HYDRAULIC OIL TANK COVER DOOR LATCH 2164 - 4		
3C23	HYDRAULIC OIL TANK COVER STRAINER 2164 - 4		
3C21	HYDRAULIC OIL TANK DOOR..... 2164 - 2		
3C21	HYDRAULIC OIL TANK FILTER ELEMENT..... 2164 - 2		
3C23	HYDRAULIC OIL TANK FILTER ELEMENT 2164 - 4		
3C23	HYDRAULIC OIL TANK FILTERS 2164 - 4		
3C23	HYDRAULIC OIL TANK OIL LEVEL GAUGE 2164 - 4		
3B20	HYDRAULIC OIL TEMPERATURE SENDER (SER.NO.-200424) 2162 - 2		
3C7	HYDRAULIC OIL TEMPERATURE SENDER (SER.NO.200425-)..... 2163 - 8		
1B17	HYDRAULIC PUMP DRIVE SHAFT 0225 - 6		
1B17	HYDRAULIC PUMP DRIVE SHAFT COUPLING 0225 - 6		
1B17	HYDRAULIC PUMP DRIVE SHAFT GUARD 0225 - 6		
3B14	HYDRAULIC PUMP HOUSING,A20V 2161 - 2		
3B14	HYDRAULIC PUMP,A20V,COMPLETE 2161 - 2		
1J14	HYDRAULIC STEERING CYLINDER 0965 - 4		
3C5	HYDRAULIC TEST MANIFOLD..... 2163 - 6		
3B20	HYDRAULIC VALVE,BIN CONTROL 2162 - 2		
I			
1J1	IDLER SHAFT ASSEMBLY, TRANSFER CASE 0851 - 4		
2D13	IGNITION SWITCH 1600 - 2		
2D13	IGNITION SWITCH KEY 1600 - 2		
2D13	IGNITION SWITCH KEY POSITION DECAL 1600 - 2		
1H13	INDICATOR, AIR RESTRICTION (AIR INTAKE SYSTEM) 0521 - 2		
1F9	INJECTION NOZZLE,FUEL 0409 - 2		
2D17	INSTRUMENT PANEL SWITCH BULB 1600 - 6		
2D17	INSTRUMENT PANEL SWITCHES 1600 - 6		
1E13	INSTRUMENT PANEL, FACEPLATE, WIRING HARNES AND SWITCHES (TRANSMISSION) 0374 - 4		
1G1	INTAKE MANIFOLD 0414 - 2		
1G1	INTAKE MANIFOLD GASKET 0414 - 2		
1G1	INTAKE MANIFOLD TEMPERATURE SENDER UNIT .. 0414 - 2		
1F5	INTAKE OIL PAN AND PUMP 0407 - 2		
1H13	INTAKE SYSTEM, AIR 0521 - 2		
2D17	INTERIOR LIGHT SWITCH 1600 - 6		
2G22	INTERIOR PANEL,CAB DOOR 1813 - 6		
2H3	INTERIOR PANELS, CAB 1813 - 12		
2H1	ISOLATOR,CAB FIRE WALL 1813 - 10		
1E7	ISOLATOR,TRANSMISSION MOUNTING (WITH RETARDER)..... 0364 - 8		
2H11	ISOLATORS,CAB MOUNTING 1813 - 20		
J			
2G3	JOINT ASSEMBLY, ARTICULATION 1741 - 16		
K			
2D13	KEY,IGNITION SWITCH 1600 - 2		
2C11	KIT, HYDRAULIC CALIPER LINE (350D) 1063 - 8		
2I3	KIT,A/C COMPRESSOR PULLEY 1832 - 2		
3D3	KIT,AIR COMPRESSOR REPAIR 2261 - 2		
1H23	KIT,BIN DUMP BODY HEATER 0531 - 8		
3C17	KIT,BIN TIP CYLINDER REPAIR 2163 - 16		
3B8	KIT,BRAKE VALVE SEAL 2160 - 6		
3B10	KIT,BRAKE VALVE SEAL 2160 - 8		
3B12	KIT,CAB TILT HYDRAULIC PUMP REPAIR 2160 - 10		
1H3	KIT,ENGINE CYLINDER BLOCK HEATER 0505 - 2		
2E1	KIT,EXTRA BATTERY 1671 - 6		
3C23	KIT,HYD.OIL RESERVOIR OIL FILTER SEAL..... 2164 - 4		
2K3	KIT,REAR VIEW MIRROR CONVERSION (SERIAL NO.200705-) 2002 - 12		
2H21	KIT,SEAT REPAIR (SER.NO.201518-) 1821 - 8		
1A24	KIT,TIRE INFLATION 0110 - 4		
2C13	KIT,WET DISK BRAKE PUMP SERVICE 1063 - 10		
1D1	KITS, (TRANSMISSION WEAR PLATE/ADAPTER)..... 0342 - 2		
2H23	KITS,SEAT SUSPENSION SERVICE (SER.NO.201518-) 1821 - 10		
2G24	KNOB, BIN TIP 1813 - 8		
L			
2J23	L.H.REAR VIEW MIRROR SUPPORT ARM (SERIAL NO.-200704) 2002 - 8		
2E21	LABEL,DIAGNOSTIC TEST WIRE HARNESS 1674 - 12		
2D6	LABELS (DECALS AND LABELS (400D) 1322 - 6		
2D2	LABELS AND DECALS (350D) 1322 - 2		
2D4	LABELS AND DECALS (350D) (CONTINUED) 1322 - 4		
2D8	LABELS AND DECALS (400D) (CONTINUED) 1322 - 8		
2G24	LATCH, CAB DOOR 1813 - 8		
3B12	LATCH, CAB TILT SYSTEM 2160 - 10		
1F17	LEVER (THROTTLE HOUSING WITH EXHAUST BRAKE CYLINDER)..... 0410 - 4		
2I18	LEVER, HOOD RELEASE 1911 - 6		
2E17	LEVER, RETARDER 1674 - 8		
2C1	LH FRONT & RH MID AXLE WET DISC BRAKE HOUSING 1011 - 24		
2G7	LIGHT GUARD,BIN DUMP BODY REAR 1741 - 20		
2D17	LIGHT SWITCH, INTERIOR 1600 - 6		
2E3	LIGHT, BRAKE/PARK, REAR 1673 - 2		
2E3	LIGHT, REAR FLOOD 1673 - 2		
2E3	LIGHT, REAR INDICATOR 1673 - 2		
2D15	LIGHTER,CIGAR 1600 - 4		
2E9	LIGHTS, REVERSE 1673 - 8		
3B4	LINE,STEERING VALVE 2160 - 2		
1E23	LINER, PISTON AND CONNECTING ROD 0403 - 2		
1H17	LINES (ENGINE EXHAUST ASSEMBLY) 0531 - 2		
1G5	LINES (OIL)AND HARDWARE (TURBOCHARGER) 0416 - 4		
1F13	LINES AND HARDWARE (CYLINDER HEAD)..... 0409 - 6		
2J7	LINES, REAR CHASSIS LUBE 2000 - 6		
1I7	LINES, RINGS, VALVES AND CONNECTORS (FUEL) 0563 - 4		
1H9	LINES,RADIATOR 0511 - 4		
1C7	LINKS, REAR SUSPENSION 0242 - 12		
1B4	LOCK PLATE (FRONT AND REAR AXLE DIFFERENTIAL)..... 0210 - 2		
2J11	LOOSE PARTS 2000 - 10		
2H3	LOUVER,CAB AIR OUTLET 1813 - 12		
2I5	LOUVERS,CAB HVAC 1832 - 4		

1A13

350D/400D ARTICULATED DUMP TRUCK

ALPHABETICAL INDEX - CONTINUED

GRID		PAGE	GRID		PAGE
2G9	LUB FITTING (TAILGATE KIT)	1741 - 22	2J21	MIRRORS,REAR VIEW SUPPORTS (SERIAL NO.-200704)	2002 - 6
2J7	LUBE FITTINGS AND LINES, REAR CHASSIS LUBE	2000 - 6	2J19	MIRRORS,REAR VIEW,POWER ADJUSTED	2002 - 4
2J5	LUBE LINES AND FITTINGS, FRONT CHASSIS	2000 - 4	2E11	MODULE, COLD START (ELECTRICAL EQUIPMENT AND COLD START).....	1674 - 2
M					
1E18	MAIN BEARINGS, CRANKSHAFT AND GEAR	0401 - 2	2E17	MODULE, ELECTRONIC, TCU	1674 - 8
2F13	MAIN FRAME AND GUARDS, FRONT	1741 - 2	2E15	MODULE,FAN DRIVE	1674 - 6
2F15	MAIN FRAME CLAMPS AND HARDWARE, FRONT.....	1741 - 4	2J17	MORROR,REAR VIEW,MANUAL ADJUSTED	2002 - 2
3C9	MAIN HYD.PUMP HYD.HOSES	2163 - 10	3E3	MOTOR AND HOUSING (HYDRAULIC COOLER FAN) 2267 - 4	
3C9	MAIN HYD.PUMP OIL LINES	2163 - 10	3C3	MOTOR, FAN DRIVE CONTROL	2163 - 4
3C13	MAIN HYDRAULIC PUMP MANIFOLD	2163 - 12	3E1	MOTOR, HYDRAULIC COOLER FAN	2267 - 2
3C13	MAIN HYDRAULIC PUMP MANIFOLD REPAIR KIT	2163 - 12	1G15	MOTOR, STARTER	0422 - 2
3C13	MAIN HYDRAULIC PUMP MANIFOLD SEAL KIT	2163 - 12	3C3	MOTOR, VALVES AND LINES (HYDRAULIC).....	2163 - 4
3B22	MANIFOLD BLOCK,HYDRAULIC OIL	2162 - 4	2H13	MOTOR, WINDOW WIPER	1814 - 2
2I20	MANIFOLD PLATES, HYDRAULIC	1913 - 2	1C9	MOUNT, RUBBER (REAR SUSPENSION).....	0242 - 14
3C7	MANIFOLD, CASE DRAIN AND RETURN LINES	2163 - 8	1C11	MOUNT, RUBBER (REAR SUSPENSION).....	0242 - 16
1F15	MANIFOLD, EXHAUST	0410 - 2	3B4	MOUNT,STEERING VALVE	2180 - 2
1G1	MANIFOLD, INTAKE	0414 - 2	2C18	MOUNTING, PARK BRAKE.....	1111 - 2
2J7	MANIFOLD, REAR CHASSIS LUBE FITTINGS	2000 - 6	1J12	MOUNTINGS, HOSES AND STEERING CYLINDER.....	0965 - 2
1F19	MANIFOLD,EXHAUST VALVE BRAKE (SER.NO.200665-)	0410 - 6	1E7	MOUNTS,TRANSMISSION (WITH RETARDER).....	0364 - 8
3C5	MANIFOLD,HYDRAULIC TEST	2163 - 6	2F21	MUD GUARD,FRONT	1741 - 10
3C13	MANIFOLD,MAIN HYDRAULIC PUMP	2163 - 12	2F23	MUD GUARD,FRONT	1741 - 12
2J17	MANUAL ADJUSTED REAR VIEW MIRROR REPAIR KIT	2002 - 2	1H17	MUFFLER.....	0531 - 2
2J9	MANUAL GREASING FITTINGS.....	2000 - 8	N		
1B8	MID AXLE DIFFERENTIAL	0210 - 6	1G1	NOZZLE, FUEL INJECTION	0414 - 2
2B6	MID AXLE DIFFERENTIAL (350D)	1011 - 4	2H13	NOZZLE, WINDOW WASHER	1814 - 2
1B10	MID AXLE DIFFERENTIAL (CONTINUED).....	0210 - 8	1F3	NOZZLE,PISTON COOLING	0404 - 4
1B23	MID AXLE DIFFERENTIAL HOUSING GUARD	0242 - 4	1F3	NOZZLE,PISTON SPRAY COOLING	0404 - 4
2B6	MID AXLE DIFFERENTIAL YOKE(350D)	1011 - 4	O		
1B23	MID AXLE HOUSING.....	0242 - 4	1G7	O-RINGS (WATER PUMP/REPAIR KIT).....	0417 - 2
1B23	MID AXLE HOUSING SHAFT	0242 - 4	1E3	OIL COOLER BOX, TRANSMISSION.....	0364 - 4
1B23	MID AXLE HOUSING YOKE	0242 - 4	1E5	OIL COOLER, TRANSMISSION	0364 - 6
2B16	MID AXLE WET DISC BRAKE BRAKE LINES	1011 - 16	1G9	OIL COOLER,ENGINE.....	0419 - 2
2B16	MID AXLE WET DISC BRAKE LINE GUARDS	1011 - 16	2C3	OIL COOLER,WET DISC BRAKE	1011 - 26
1B12	MID REAR DRIVE SHAFT	0225 - 1	1D21	OIL FILTERS AND VALVE SPOOLS	0362 - 4
1B15	MID UNIVERSAL DRIVE SHAFT	0225 - 4	1F5	OIL LEVEL SENDER (OIL PAN).....	0407 - 2
1B15	MID UNIVERSAL DRIVE SHAFT CROSS AND BEARING	0225 - 4	1I21	OIL LEVEL SIGHT GLASS,TRANSFER DRIVE GEAR HOUSING(SER.NO.201154-).....	0841 - 6
1B19	MID UNIVERSAL DRIVE SHAFT U-JOINT	0225 - 8	1119	OIL LEVEL SIGHT PLUG,TRANSFER DRIVE GEAR CASE HOUSING(SER.NO.-201153)	0841 - 4
1B19	MID UNIVERSAL DRIVESHAFT	0225 - 8	1G5	OIL LINES AND HARDWARE (TURBOCHARGER).....	0416 - 4
2B12	MIDDLE AND REAR AXLE DISC BRAKE CALIPER (WITH DRY DISC BRAKE)(350D)	1011 - 10	3C9	OIL LINES,MAIN HYD.PUMP	2163 - 10
2B12	MIDDLE AND REAR AXLE DISC BRAKE KIT (WITH DRY DISC BRAKE)(350D)	1011 - 10	1I21	OIL LINES,TRANSFER CASE HOUSING FILTER PUMP(SER.NO.201154-).....	0841 - 6
2B12	MIDDLE AND REAR AXLE DISC BRAKE LINES (WITH DRY DISC BRAKE)(350D)	1011 - 10	1F5	OIL PAN AND OIL PUMP INTAKE	0407 - 2
2B12	MIDDLE AND REAR AXLE DISC BRAKE PAD WEAR INDICATOR(WITH DRY DISC BRAKE)(350D).....	1011 - 10	1F7	OIL PUMP/PRESSURE RELIEF VALVE (ENGINE).....	0407 - 4
2B16	MIDDLE AXLE WET DISC BRAKE ASSEMBLY	1011 - 16	1C3	OIL SEAL (WDB AXLE FINAL DRIVE KIT) (400D)	0242 - 8
2K3	MIRROR BRACKETS,REAR VIEW (SERIAL NO.200705-)	2002 - 12	2H17	OPERATOR SEAT ADJUSTING VALVE (SER.NO.-201517).....	1821 - 4
2D17	MIRROR DEFROST SWITCH	1600 - 6	2H17	OPERATOR SEAT ARMREST (SER.NO.-201517).....	1821 - 4
2J23	MIRROR,REAR VIEW L.H.SUPPORT ARM (SERIAL NO.-200704)	2002 - 8	2H19	OPERATOR SEAT ARMREST KIT (SERIAL NO.-201517)	1821 - 6
2K1	MIRROR,REAR VIEW R.H.SUPPORT ARM (SERIAL NO.-200704)	2002 - 10	2H17	OPERATOR SEAT ASSEMBLY (SER.NO.-201517).....	1821 - 4
2J19	MIRRORS,POWER ADJUSTED,REAR VIEW	2002 - 4	2H17	OPERATOR SEAT BELT (SER.NO.-201517).....	1821 - 4
			2H17	OPERATOR SEAT CUSHION (SER.NO.-201517).....	1821 - 4

1A14

350D/400D ARTICULATED DUMP TRUCK

ALPHABETICAL INDEX - CONTINUED

GRID	PAGE	GRID	PAGE
2H17	OPERATOR SEAT FRAME (SER.NO.-201517).....	1821 - 4	
2H17	OPERATOR SEAT TRACK SLIDE (SER.NO.-201517).....	1821 - 4	
2I1	OPERATOR TRAINER SEAT	1821 - 12	
2H15	OPERATORS SEAT (SER.NO.-201517).....	1821 - 2	
2H15	OPERATORS SEAT SUPPORT (SER.NO.-201517).....	1821 - 2	
2G1	OSCILLATION FRAME	1741 - 14	
P			
1D11	PACKING (TRANS PINION CARRIER P3 W/RETARDER)	0351 - 10	
2C22	PADS,PARK BRAKE	1111 - 6	
1F5	PAN/PUMP (OIL INTAKE).....	0407 - 2	
1E13	PANEL (INSTRUMENT), FACEPLATE, WIRING HARNES/SWITCHES (TRANSMISSION).....	0374 - 4	
2H5	PANEL, ROOF INTERIOR.....	1813 - 14	
2H3	PANEL,CAB CUP HOLDER	1813 - 12	
2H1	PANEL,CAB REAR	1813 - 10	
2D13	PANEL,CIRCUIT BREAKER	1600 - 2	
2C20	PARK BRAKE ACTUATOR	1111 - 4	
2C20	PARK BRAKE ACTUATOR REPAIR KIT	1111 - 4	
2C20	PARK BRAKE ASSEMBLY	1111 - 4	
2C22	PARK BRAKE CALIPER	1111 - 6	
2C20	PARK BRAKE DIAPHRAGM	1111 - 4	
2C20	PARK BRAKE HOUSING	1111 - 4	
2C18	PARK BRAKE MOUNTING	1111 - 2	
2C22	PARK BRAKE PADS	1111 - 6	
2C22	PARK BRAKE SERVICE KITS	1111 - 6	
3D9	PARK BRAKE SWITCH.....	2262 - 4	
2C20	PARK BRAKE,SEAL KIT	1111 - 4	
3B8	PEDAL,BRAKE VALVE	2160 - 6	
3B10	PEDAL,BRAKE VALVE	2160 - 8	
2D13	PEDAL,ENGINE SPEED CONTROL ACCELERATOR ..	1600 - 2	
2G11	PIN, BIN PIVOT	1743 - 2	
1B4	PINION AND RING GEAR (FRONT AND REAR AXLE DIFFERENTIAL).....	0210 - 2	
1B8	PINION AND RING GEAR (MID AXLE DIFFERENTIAL).....	0210 - 6	
1D11	PINION CARRIER (P3) W/RETARDER, TRANSMISSION PLANET.....	0351 - 10	
1D9	PINION CARRIER, PLANET P2 (TRANSMISSION).....	0351 - 8	
1D21	PINS/RINGS (VALVE SPOOLS/OIL FILTERS).....	0362 - 4	
1D17	PINS, DOWEL (TRANSMISSION FRONT SUPPORT HOUSING).....	0361 - 2	
1H17	PIPE, ENGINE EXHAUST	0531 - 2	
1F21	PIPE,EXHAUST VALVE BRAKE	0410 - 7A	
1F19	PIPE,EXHAUST VALVE BRAKE MANIFOLD (SER.NO.200665-).....	0410 - 6	
2C11	PIPES, REAR BRAKE (350D)	1063 - 8	
3E3	PISTON (HYD.COOLER FAN MOTOR/HOUSING)	2267 - 4	
1J5	PISTON (TRANSFER CASE OUTPUT SHAFT) (REAR).....	0851 - 8	
3B18	PISTON AND CYLINDER, A20V HYDRAULIC PUMP	2161 - 6	
1F3	PISTON COOLING NOZZLE.....	0404 - 4	
2B24	PISTON R.H.FRONT & LH MID AXLE WET DISC BRAKE	1011 - 22	
1F3	PISTON SPRAY COOLING NOZZLE	0404 - 4	
1J14	PISTON, GUIDE AND ROD (HYDRAULIC STEERING CYLINDER).....	0965 - 4	
2C1	PISTON, LH FRONT & RH MID AXLE WET DISC BRAKE	1011 - 24	
1E23	PISTON, LINER AND CONNECTING ROD	0403 - 2	
2B24	PISTON,R.H. FRONT AND L.H.MID AXLE WET DISC BRAKE	1011 - 22	
1D15	PISTONS (TRANS. ROTATING CLUTCH C1, C2)	0352 - 2	
2G9	PIVOT ASSEMBLY, TAILGATE.....	1741 - 22	
2G11	PIVOT, BIN.....	1743 - 2	
1D7	PLANET PINION CARRIER (P1)(TRANSMISSION).....	0351 - 6	
1D11	PLANET PINION CARRIER (P3) W/RETARDER (TRANSMISSION)	0351 - 10	
1D13	PLANET PINION CARRIER (3) W/RETARDER (TRANSMISSION) (CONTINUED).....	0351 - 12	
1D9	PLANET PINION CARRIER P2, (TRANSMISSION).....	0351 - 8	
1C5	PLANET PINION,REAR AXLE FINAL DRIVE.....	0242 - 10	
3E3	PLATE (HYD. COOLER FAN MOTOR/HOUSING)	2267 - 4	
2C18	PLATE (PARK BRAKE MOUNTING)	1111 - 2	
1D21	PLATE (VALVE SPOOLS/OIL FILTERS)	0362 - 4	
1D1	PLATE (WEAR) AND ADAPTER, TRANSMISSION.....	0342 - 2	
2F17	PLATE AND BRAKE LINE GUARD BRACKETS (REAR FRAME CLAMPS AND HARDWARE)	1741 - 6	
1J3	PLATE/YOKE (TRANSFER CASE OUTPUT SHAFT) (FRONT).....	0851 - 6	
2D21	PLATE, BATTERY	1671 - 2	
2F15	PLATE, FIREWALL CLAMP MOUNTING	1741 - 4	
2H5	PLATE, ROOF HATCH LATCH STRIKER (ROOF INTERIOR PANELS).....	1813 - 14	
1D15	PLATES (TRANS. ROTATING CLUTCH C1, C2)	0352 - 2	
1D5	PLATES (TRANSMISSION TORQUE CONVERTER)	0351 - 4	
1C23	PLATES, (TRANSMISSION CLUTCH HOUSING)	0341 - 2	
2I20	PLATES, HYDRAULIC MANIFOLD	1913 - 2	
2G13	PLATES, UNDERFRAME	1746 - 2	
2G7	PLATES,BIN DUMP BODY	1741 - 20	
1F5	PLUG AND FITTING (INTAKE OIL PAN/PUMP)	0407 - 2	
1D13	PLUGS (TRANS. PLANET PINION CARRIER (P3) W/RETARDER (CONTINUED)	0351 - 12	
1D21	PLUGS (VALVE SPOOLS/OIL FILTERS).....	0362 - 4	
1D23	PLUGS, TRANSMISSION OIL COOLER	0364 - 1	
3D9	PNEUMATIC CONTROL SENDER	2262 - 4	
3D9	PNEUMATIC CONTROL SOLENOID VALVE	2262 - 4	
3D9	PNEUMATIC CONTROL SWITCH	2262 - 4	
3D19	PNEUMATIC HOSE, REAR CHASSIS	2263 - 6	
2J19	POWER ADJUSTED MIRROR HEATED GLASS.....	2002 - 4	
2J19	POWER ADJUSTED REAR VIEW MIRROR	2002 - 4	
2J19	POWER ADJUSTED REAR VIEW MIRROR SWITCH ..	2002 - 4	
3E6	POWER TAKE OFF	4051 - 2	
1H13	PRECLEANER (AIR INTAKE SYSTEM).....	0521 - 2	
1F7	PRESSURE RELIEF VALVE/ENGINE OIL PUMP	0407 - 4	
1G13	PRIMARY FILTER WATER SEPERATOR	0420 - 4	
1G13	PRIMARY FUEL FILTER	0420 - 4	
1G13	PRIMARY FUEL FILTER ELEMENT.....	0420 - 4	
1G13	PRIMARY FUEL FILTER FUEL HOSES.....	0420 - 4	
1G13	PRIMARY FUEL FILTER SHIELD.....	0420 - 4	
1B18	PROPSHAFT GUARD GREASING DECAL	0225 - 7	
1D5	PUMP (TRANSMISSION TORQUE CONVERTER)	0351 - 4	
1G7	PUMP AND REPAIR KIT (WATER PUMP)	0417 - 2	
3B18	PUMP PISTON AND CYLINDER, A20V HYDRAULIC PUMP.....	2161 - 6	
1F5	PUMP/PAN (OIL INTAKE)	0407 - 2	
1F7	PUMP/PRESSURE RELIEF VALVE (ENGINE OIL).....	0407 - 4	
3B12	PUMP, HYDRAULIC (CAB TILT SYSTEM)	2160 - 10	
1F23	PUMP,FUEL INJECTION.....	0413 - 2	
1I21	PUMP,TRANSFER CASE HOUSING FILTER (SER.NO.201154-).....	0841 - 6	
2C5	PUMP,WET DISC BRAKE HYDRAULIC OIL	1063 - 2	
1E20	PUSHRODS, FOLLOWERS AND CAMSHAFT W/GEAR.....	0402 - 2	

1A15

350D/400D ARTICULATED DUMP TRUCK

ALPHABETICAL INDEX - CONTINUED

GRID	R	PAGE	GRID	PAGE
2K1	R.H.REAR VIEW MIRROR SUPPORT ARM (SERIAL NO.-200704)	2002 - 10	1B14	REAR UNIVERSAL DRIVE SHAFT..... 0225 - 3
1H7	RADIATOR	0511 - 2	1B14	REAR UNIVERSAL DRIVE SHAFT U-JOINT
1H11	RADIATOR COOLANT EXPANSION TANK CAP(SER.NO.200700-).....	0511 - 6	2K3	REAR VIEW MIRROR BRACKETS (SERIAL NO.-XXXXXX).....
1H11	RADIATOR COOLANT EXPANSION TANK (SER.NO.200700-).....	0511 - 6	2K3	REAR VIEW MIRROR CONVERSION KIT (SERIAL NO.200705-).....
1H11	RADIATOR COOLANT EXPANSION TANK SIGHT GAUGE(SER.NO.200700-).....	0511 - 6	2J17	REAR VIEW MIRROR GLASS
1H11	RADIATOR COOLANT LEVEL SWITCH WIRING HARNESS(SER.NO.200791-).....	0511 - 6	2J19	REAR VIEW MIRROR HEATED GLASS SWITCH
1H11	RADIATOR COOLANT LEVEL WARNING SENDER WIRE HARNESS(SER.NO.200791-).....	0511 - 6	2J17	REAR VIEW MIRROR KIT,MANUAL ADJUSTED
1H11	RADIATOR COOLANT LEVEL WARNING SWITCH (SER.NO.200791-).....	0511 - 6	2J21	REAR VIEW MIRROR SUPPORTS (SERIAL NO.-200704).....
1H9	RADIATOR COOLANT TEMPERATURE EXPANSION TANK (SER.NO.-200699)	0511 - 4	2J17	REAR VIEW MIRROR,MANUAL ADJUSTED
1H9	RADIATOR COOLANT TEMPERATURE SENDER (SER.NO.-200790).....	0511 - 4	2I9	RECEIVER-DRYER, AIR CONDITIONER.....
1H7	RADIATOR DRAIN VALVE	0511 - 2	1E13	RECEPTABLE CONNECTOR BODY (TRANS. INSTRUMENT PANEL/WIRE HARNESS)....
1H7	RADIATOR FAN GUARD	0511 - 2	2D17	RECIRCULATING AIR SWITCH
1H7	RADIATOR FAN SHROUD	0511 - 2	2D4	REFLECTOR (DECALS AND LABELS (350D) (CONTINUED)
1H7	RADIATOR HOSES	0511 - 2	2D8	REFLECTOR (DECALS AND LABELS (400D) (CONTINUED)
1H9	RADIATOR HOSES	0511 - 4	2I18	RELEASE LEVER, HOOD
1H9	RADIATOR LINES	0511 - 4	1F7	RELIEF VALVE(PRESSURE)/ENGINE OIL PUMP
2J15	RADIO ANTENNA (SERIAL NO.200525-).....	2001 - 4	3C19	RELIEF VALVE,BIN TIP CYLINDER.....
2J13	RADIO SPEAKER (SERIAL NO.-200524)	2001 - 2	1E7	REMANUFACTURED TRANSMISSION (WITH RETARDER).....
2J15	RADIO SPEAKERS (SERIAL NO.200525-).....	2001 - 4	1G7	REPAIR KIT AND WATER PUMP
2J15	RADIO WIRE HARNESS.....	2001 - 4	3D7	REPAIR KIT,BIN TIP LEVER
2J15	RADIO WIRE HARNESS (SERIAL NO.200525-).....	2001 - 4	3D7	REPAIR KIT,BIN TIP LEVER DETENT VALVE
2J13	RADIO WIRING HARNESS (SERIAL NO.-200524)	2001 - 2	3C13	REPAIR KIT,MAIN HYDRAULIC PUMP MANIFOLD.....
2J13	RADIO,AM/FM (SERIAL NO.-200524)	2001 - 2	2C20	REPAIR KIT,PARK BRAKE ACTUATOR
2J15	RADIO,AM/FM (SERIAL NO.200525-).....	2001 - 4	1J10	REPAIR KIT,STEERING CONTROL VALVE
2D17	RANGE HOLD SWITCH	1600 - 6	2C11	RESERVOIR BREATHER (350D)
2B8	REAR AXLE DIFFERENTIAL (350D)	1011 - 6	3D23	RESERVOIR, AIR COMPRESSOR OIL
2B8	REAR AXLE DIFFERENTIAL GUARD (350D)	1011 - 6	3D17	RESERVOIR,COMPRESSED AIR.....
2B8	REAR AXLE DIFFERENTIAL YOKE (350D)	1011 - 6	3D11	RESERVOIR,COMPRESSED AIR (350D S/N -200947).....
1C5	REAR AXLE FINAL DRIVE HOUSING.....	0242 - 10	3D13	RESERVOIR,COMPRESSED AIR (350D S/N 200948-).....
1C5	REAR AXLE FINAL DRIVE PLANET PINION	0242 - 10	3D13	RESERVOIR,COMPRESSED AIR (400D S/N 200958-).....
1C5	REAR AXLE FINAL DRIVE SHAFT	0242 - 10	3D11	RESERVOIR,COMPRESSED AIR (400D S/N-200957)
1C5	REAR AXLE FINAL DRIVE SUN GEAR.....	0242 - 10	2C15	RESERVOIR,WET DISC BRAKE OIL
1C1	REAR AXLE HOUSING	0242 - 6	2E5	RESERVOIR,WINDSHIELD WASHER FLUID
1C1	REAR AXLE HOUSING AXLE SHAFT	0242 - 6	1D13	RETAINER (TRANS. PINION CARRIER (P3) W/RETARDER (CONTINUED)
1C1	REAR AXLE HOUSING YOKE	0242 - 6	1C23	RETAINER (TRANSMISSION CLUTCH HOUSING)
2B18	REAR AXLE WET DISC BRAKE SEAL	1011 - 18	1I13	RETAINER AND SENSOR (SPEED) (TRANSMISSION CONVERTER HOUSING)
2C11	REAR BRAKE PIPES (350D)	1063 - 8	2H9	RETAINER, CAB BOTTOM SEALS
1B12	REAR DRIVE SHAFT	0225 - 1	2G22	RETAINER,CAB DOOR WINDOW
2E9	REAR FLOODLIGHT	1673 - 8	1F9	RETAINERS,CYLINDER HEAD VALVE
2G5	REAR FRAME ASSEMBLY	1741 - 18	2E17	RETARDER LEVER
2F17	REAR FRAME CLAMPS AND HARDWARE	1741 - 6	2E9	REVERSE LIGHTS
2H1	REAR PANEL,CAB	1813 - 10	2B24	RH FRONT & LH MID AXLE WET DISC BRAKE HOUSING.....
1C9	REAR SUSPENSION.....	0242 - 14	1A22	RIM, WHEEL
1C11	REAR SUSPENSION.....	0242 - 16	1D9	RING GEAR (TRANS. PLANET PINION CARRIER P2)
1C7	REAR SUSPENSION LINKS	0242 - 12	1C3	RING GEAR (WDB AXLE FINAL DRIVE KIT) (400D)
			1G23	RING GEAR AND FLYWHEEL

1A17

350D/400D ARTICULATED DUMP TRUCK

ALPHABETICAL INDEX - CONTINUED

GRID	PAGE	GRID	PAGE
2B20	SERVICE BRAKE CALIPER SEAL KIT(350D) (WITH DRY DISC BRAKE)(SER.NO.-200465).....	2G7	SPLASH GUARD,BIN DUMP BODY.....
	1011 - 20	3B24	SPOOL, HYDRAULIC VALVE.....
2B22	SERVICE BRAKE CALIPER SEAL KIT(350D) (WITH DRY DISC BRAKE)(SER.NO.200466-).....	1D21	SPOOLS (VALVE) AND OIL FILTERS.....
	1011 - 21A	1B10	SPRING, COMPRESSION (MID AXLE DIFFERENTIAL (CONTINUED)).....
2C22	SERVICE KITS,PARK BRAKE.....		0210 - 8
1B10	SHAFT (MID AXLE DIFFERENTIAL (CONTINUED)).....	2I18	SPRING, HOOD.....
	0210 - 8	2I18	SPRING,HOOD.....
3E6	SHAFT (POWER TAKE OFF).....		1911 - 6
1I23	SHAFT (TRANSFER CASE INPUT), GEARS AND HOUSING.....	3C5	SPRING,HYD.HOSE BUNDLE PROTECTION.....
	0851 - 2	1D21	SPRINGS AND STOPS (VALVE SPOOLS/OIL FILTERS).....
1C3	SHAFT (WDB AXLE FINAL DRIVE KIT) (400D).....		0362 - 4
	0242 - 8	1D19	STAND-OFF (TRANS. CONTROL VLV, WIRING HARNESS/ELECTRICAL COMPONENTS).....
1J1	SHAFT ASSEMBLY, TRANSFER CASE IDLER.....		0362 - 2
1J3	SHAFT, BEARING AND GEARS (FRONT) (TRANSFER CASE OUTPUT).....	2E5	STARTER MOTOR PROTECTION GUARD.....
	0851 - 6	1G15	STARTER, SOLENOID SWITCH AND BRUSH SET.....
1J5	SHAFT, BEARING AND GEARS (TRANSFER CASE OUTPUT SHAFT) (REAR).....		0422 - 2
	0851 - 8	3C9	STEERING METERING PUMP HYD. OIL LINES.....
1J8	SHAFT, STEERING STEERING COLUMNWHEEL).....		2163 - 10
1D3	SHAFT, TRANSMISSION.....	1J8	STEERING COLUMN AND WHEEL.....
1B21	SHAFT,FRONT AXLE HOUSING.....		0911 - 2
1B23	SHAFT,MID AXLE HOUSING.....	1J10	STEERING CONTROL VALVE.....
1C5	SHAFT,REAR AXLE FINAL DRIVE.....		0962 - 2
	0242 - 10	1J10	STEERING CONTROL VALVE REPAIR KIT.....
1C1	SHAFT,REAR AXLE HOUSING.....	1J12	STEERING CYLINDER, HOSES AND MOUNTINGS.....
	0242 - 6	1J14	STEERING CYLINDER, HYRDAULIC.....
1D11	SHAFTS (TRANS. PLANET PINION CARRIER P3 W/RETARDER).....		0965 - 2
	0351 - 10	3C11	STEERING METERING HYD.PUMP.....
1D15	SHAFTS (TRANS. ROTATING CLUTCH C1, C2).....		2163 - 11A
1G3	SHIELD (TURBOCHARGER).....	3C9	STEERING METERING PUMP HYD.HOSES.....
1H17	SHIELD, EXHAUST PIPE.....		2163 - 10
1G13	SHIELD,PRIMARY FUEL FILTER.....	3B20	STEERING PRESSURE SWITCH.....
	0420 - 4		2162 - 2
1H19	SHIELDS,EXHAUST SYSTEM (SER.NO.-200714).....	3B4	STEERING VALVE.....
	0531 - 4		2160 - 2
1H21	SHIELDS,EXHAUST SYSTEM (SER.NO.200715-).....	2F23	STEPS,CAB (L.H.).....
	0531 - 6		1741 - 12
1E13	SHIFT SELECTOR CONTROL (TRANSMISSION INSTRUMENT PANEL).....	2F21	STEPS,CAB (R.H.).....
	0374 - 4		1741 - 10
2C18	SHIM (PARK BRAKE MOUNTING).....	1D21	STOPS AND SPRINGS (VALVE SPOOLS/OIL FILTERS).....
1I1	SHIM,FUEL HOSE BRACKET.....		0362 - 4
1D15	SHIMS (TRANS. ROTATING CLUTCH C1, C2).....	3C23	STRAINER,HYDRAULIC OIL TANK COVER.....
1D3	SHIMS (TRANSMISSION SHAFT).....		2164 - 4
2G7	SHIMS,BIN DUMP BODY.....	2I14	STRAP, ENGINE COMPARTMENT HOOD.....
	1741 - 20		1911 - 2
1H11	SIGHT GAUGE,RADIATOR COOLANT EXPANSION GAUGE(SER.NO.200700-).....	2G13	STRAP, STOP (UNDER PLATE).....
	0511 - 6		1746 - 2
2C5	SIGHT GAUGE,WET DISC BRAKE OIL RESERVOIR LEVEL.....	1C15	STRUT CYLINDER,FRONT AXLE SUSPENSION (SER.NO.-200759).....
	1063 - 2		0265 - 4
2G22	SLIDER,CAB DOOR WINDOW.....	1C17	STRUT CYLINDER,FRONT AXLE SUSPENSION (SER.NO.200760-).....
1D5	SNAP RINGS (TRANSMISSION TORQUE CONVERTER).....		0265 - 6
	0351 - 4	1D15	SUN GEAR (TRANS. ROTATING CLUTCH C1, C2).....
1G15	SOLENOID SWITCH, BRUSH SET AND STARTER.....		0352 - 2
3B22	SOLENOID VALVE COIL HYDRAULIC OIL, MANIFOLD.....	1D3	SUN GEAR (TRANSMISSION SHAFT).....
	2162 - 4		0351 - 2
3D9	SOLENOID VALVE,PNEUMATIC CONTROL.....	1C5	SUN GEAR,REAR AXLE FINAL DRIVE.....
	2262 - 4		0242 - 10
3D9	SOLENOID,EXHAUST BRAKE.....	2J3	SUN VISOR.....
	2262 - 4		2000 - 2
1J8	SPACER (STEERING COLUMN AND WHEEL).....	1J8	SUPPORT (STEERING COLUMN AND WHEEL).....
	0911 - 2		0911 - 2
1I23	SPACER (TRANSFER CASE INPUT).....	1J12	SUPPORT (STEERING CYLINDER, HOSES AND MOUNTINGS).....
1D3	SPACER (TRANSMISSION SHAFT).....		0965 - 2
1F15	SPACER, EXHAUST MANIFOLD.....	1I23	SUPPORT (TRANSFER CASE INPUT).....
	0410 - 2		0851 - 2
1J12	SPACERS/CLAMPS (STEERING CYLINDER, HOSES AND MOUNTINGS).....	1G19	SUPPORT AND HARDWARE (ALTERNATOR).....
	0965 - 2		0423 - 4
2J3	SPANNER, WHEEL.....	2J23	SUPPORT ARM,L.H.REAR VIEW MIRROR (SERIAL NO.-200704).....
2J13	SPEAKER,RADIO (SERIAL NO.-200524).....		2002 - 8
	2001 - 2	2K1	SUPPORT ARM,R.H.REAR VIEW MIRROR (SERIAL NO.-200704).....
2J15	SPEAKERS,RADIO (SERIAL NO.200525-).....		2002 - 10
	2001 - 4	1I3	SUPPORT, ENGINE.....
2F9	SPEED CONTROL MODULES.....		0540 - 4
2F9	SPEED SENDERS, CRANKSHAFT/CAMSHAFT.....	2I18	SUPPORT, HOOD.....
	1678 - 2		1911 - 6
2F9	SPEED SENSORS AND FUEL COOLER.....	2H15	SUPPORT,OPERATORS SEAT (SER.NO.-201517).....
	1678 - 2		1821 - 2
		1I17	SUPPORT,TRANSFER DRIVE GEAR CASE.....
			0841 - 2
		1E5	SUPPORT,TRANSMISSION OIL COOLER.....
			0364 - 6
		1E9	SUPPORT,TRANSMISSION(SER.NO.200665-) (TRANSMISSION W/RETARDER).....
			0364 - 10
		1E7	SUPPORT,TRANSMISSION(SER.NO.200665-) (WITH RETARDER).....
			0364 - 8
		2C3	SUPPORT,WET DISC BRAKE OIL COOLER.....
			1011 - 26
		2F13	SUPPORTS AND BRACKETS (FRONT MAIN FRAME/GUARDS).....
			1741 - 2
		2I3	SUPPORTS,A/C COMPRESSOR.....
			1832 - 2
		2J21	SUPPORTS,REAR VIEW MIRROW (SERIAL NO.-200704).....
			2002 - 6
		1C7	SUSPENSION LINKS, REAR.....
			0242 - 12

1A18

350D/400D ARTICULATED DUMP TRUCK

ALPHABETICAL INDEX - CONTINUED

GRID		PAGE	GRID		PAGE
1C13	SUSPENSION, FRONT	0265 - 2	1F17	THROTTLE HOUSING WITH EXHAUST BRAKE CYLINDER	0410 - 4
1C9	SUSPENSION, REAR	0242 - 14	1D9	THRUST AND ROLLER BEARINGS (TRANS. PLANET PINION CARRIER P2)	0351 - 8
1C11	SUSPENSION, REAR	0242 - 16	1D7	THRUST AND ROLLER BEARINGS (TRANSMISSION PLANET PINION CARRIER P1)	0351 - 6
2H21	SUSPENSION, SEAT (SER.NO.201518-)	1821 - 8	1D3	THRUST BEARING, (TRANSMISSION SHAFT)	0351 - 2
2H23	SUSPENSION,SEAT (SER.NO.201518-)	1821 - 10	1D5	THRUST BEARINGS (TRANSMISSION TORQUE CONVERTER)	0351 - 4
1G15	SWITCH (SOLENOID), BRUSH SET/STARTER	0422 - 2	1G21	TIGHTENER,DRIVE BELT	0429 - 2
1J8	SWITCH (STEERING COLUMN AND WHEEL)	0911 - 2	3B12	TILT SYSTEM, CAB	2160 - 10
2I7	SWITCH, AC/HEAT	1832 - 6	1E21	TIMING GEAR COVER	0402 - 4
2E3	SWITCH, BIN DOWN	1673 - 2	1E21	TIMING GEAR COVER GASKET	0402 - 4
2K9	SWITCH, FLASHING BEACON	2004 - 4	1A24	TIRE INFLATION KIT	0110 - 4
2D13	SWITCH, IGNITION	1600 - 2	1A22	TIRE VALVE STEM	0110 - 2
2D13	SWITCH, TURN SIGNAL	1600 - 2	1D5	TORQUE CONVERTER (TRANSMISSION)	0351 - 4
2E3	SWITCH, WIPER	1673 - 2	2H17	TRACK SLIDE,OPERATOR SEAT (SER.NO.-201517)	1821 - 4
2E7	SWITCH, WORK LIGHTS	1673 - 6	1I21	TRANSFER CASE HOUSING FILTER ELEMENT (SER.NO.201154-)	0841 - 6
2D17	SWITCH,A/C	1600 - 6	1I21	TRANSFER CASE HOUSING FILTER PUMP (SER.NO.201154-)	0841 - 6
2D19	SWITCH,A/C CONTROL	1600 - 8	1I21	TRANSFER CASE HOUSING FILTER PUMP OIL LINES(SER.NO.201154-)	0841 - 6
3B20	SWITCH,BRAKE PRESSURE	2162 - 2	1J1	TRANSFER CASE IDLER SHAFT ASSEMBLY	0851 - 4
3B6	SWITCH,BRAKE VALVE	2160 - 4	1I23	TRANSFER CASE INPUT SHAFT, GEARS/HOUSING	0851 - 2
3B8	SWITCH,BRAKE VALVE	2160 - 6	1J3	TRANSFER CASE OUTPUT SHAFT, BEARING AND GEARS (FRONT)	0851 - 6
3B10	SWITCH,BRAKE VALVE	2160 - 8	1J5	TRANSFER CASE OUTPUT SHAFT, BEARING AND GEARS (REAR)	0851 - 8
2D19	SWITCH,CAB AIR RECIRCULATION	1600 - 8	1I17	TRANSFER DRIVE CASE HEAT SHIELD	0841 - 2
2D19	SWITCH,CAB HEAT & A/C BLOWER FAN	1600 - 8	1I17	TRANSFER DRIVE GEAR CASE	0841 - 2
2D17	SWITCH,DIFFERENTIAL LOCK	1600 - 6	1I17	TRANSFER DRIVE GEAR CASE BREATHER	0841 - 2
2D17	SWITCH,FLASHING BEACON	1600 - 6	1I19	TRANSFER DRIVE GEAR CASE HOUSING (SER.NO.-201153)	0841 - 4
2D17	SWITCH,HAZARD WARNING	1600 - 6	1I21	TRANSFER DRIVE GEAR CASE HOUSING (SER.NO.201154-)	0841 - 6
2D17	SWITCH,HEAD LIGHT	1600 - 6	1I21	TRANSFER DRIVE GEAR CASE HOUSING OIL LEVEL SIGHT GLASS(SER.NO.201154-)	0841 - 6
2D17	SWITCH,MIRROR DEFROST	1600 - 6	1I19	TRANSFER DRIVE GEAR CASE HOUSING OIL LEVEL SIGHT PLUG(SER.NO.-201153)	0841 - 4
3D9	SWITCH,PARK BRAKE	2262 - 4	1I17	TRANSFER DRIVE GEAR CASE SUPPORT	0841 - 2
3D9	SWITCH,PNEUMATIC CONTROL	2262 - 4	1E7	TRANSMISSION BREATHER CAP (WITH RETARDER)	0364 - 8
2J19	SWITCH,POWER ADJUSTED REAR VIEW MIRROR	2002 - 4	1C23	TRANSMISSION CLUTCH HOUSING	0341 - 2
1H11	SWITCH,RADIATOR COOLANT LEVEL WARNING (SER.NO.200791-)	0511 - 6	2E17	TRANSMISSION CONTROL SUPPORT FRAME	1674 - 8
2D17	SWITCH,RANGE HOLD	1600 - 6	1D19	TRANSMISSION CONTROL VALVE, WIRING HARNESS/ELECTRICAL COMPONENTS	0362 - 2
2J19	SWITCH,REAR VIEW MIRROR HEATED GLASS	2002 - 4	1I13	TRANSMISSION CONVERTER HOUSING	0641 - 2
2D17	SWITCH,RECIRCULATIG AIR	1600 - 6	1D17	TRANSMISSION FRONT SUPPORT HOUSING	0361 - 2
2H23	SWITCH,SEAT ADJUSTMENT KIT (SER.NO.201518-)	1821 - 10	1E13	TRANSMISSION INSTRUMENT PANEL, FACEPLATE WIRING HARNESS AND SWITCHES	0374 - 4
3B20	SWITCH,STEERING PRESSURE	2162 - 2	1E7	TRANSMISSION MOUNTING ISOLATOR (WITH RETARDER)	0364 - 8
2D13	SWITCH,WIPER	1600 - 2	1E7	TRANSMISSION MOUNTS (WITH RETARDER)	0364 - 8
2D17	SWITCHES, INSTRUMENT PANEL	1600 - 6	1E5	TRANSMISSION OIL COOLER	0364 - 6
1E13	SWITCHES, WIRING HARNESS, FACEPLATE AND TRANSMISSION INSTRUMENT PANEL	0374 - 4	1E3	TRANSMISSION OIL COOLER BOX	0364 - 4
T			1D24	TRANSMISSION OIL COOLER FAN (SER.NO.-200714)	0364 - 2
2G9	TAILGATE KIT	1741 - 22	1E1	TRANSMISSION OIL COOLER FAN (SER.NO.200715-)	0364 - 3A
3D23	TANK, AIR COMPRESSOR OIL	2264 - 2	1D24	TRANSMISSION OIL COOLER FAN BRACKET (SER.NO.-200714)	0364 - 2
1I9	TANK, FUEL	0564 - 2	1E1	TRANSMISSION OIL COOLER FAN BRACKET (SER.NO.200715-)	0364 - 3A
3C21	TANK,HYDRAULIC OIL	2164 - 2			
2C15	TANK,WET DISC BRAKE OIL	1064 - 2			
1E11	TERMINALS (TRANS. SPEED SENSOR WIRING HARNESS)	0374 - 2			
2E21	TERMINALS, WIRING HARNESS ELECTRICAL CONNECTORS	1674 - 12			
2E23	TERMINALS, WIRING HARNESS ELECTRICAL CONNECTORS	1674 - 14			
2F1	TERMINALS, WIRING HARNESS ELECTRICAL CONNECTORS	1674 - 16			
2F3	TERMINALS, WIRING HARNESS ELECTRICAL CONNECTORS	1674 - 18			
2F5	TERMINALS, WIRING HARNESS ELECTRICAL CONNECTORS	1674 - 20			
2F7	TERMINALS, WIRING HARNESS ELECTRICAL CONNECTORS	1674 - 22			

1A20

350D/400D ARTICULATED DUMP TRUCK

ALPHABETICAL INDEX - CONTINUED

GRID		PAGE	GRID	PAGE
2G18	WINDSHIELD	1813 - 2		
2E5	WINDSHIELD WASHER FLUID RESERVOIR	1673 - 4		
2D13	WIPER SWITCH.....	1600 - 2		
2H13	WIPER, WINDOW	1814 - 2		
3C19	WIRE HARNESS,BIN TIP RELIEF VALVE.....	2163 - 18		
2E21	WIRE HARNESS,DIAGNOSTIC TEST	1674 - 12		
2E19	WIRE HARNESS,ENGINE OVERSPEED	1674 - 10		
1H11	WIRE HARNESS,RADIATOR COOLANT WARNING LEVEL SENDER(SER.NO.200791-)	0511 - 6		
2J15	WIRE HARNESS,RADIO	2001 - 4		
2J15	WIRE HARNESS,RADIO (SERIAL NO.200525-).....	2001 - 4		
1D21	WIRING HARNESS (VALVE SPOOLS/OIL FILTERS)	0362 - 4		
1D13	WIRING HARNESS (TRANS. PLANET PINION CARRIER W/RETARDER) (P3) (CONTINUED)	0351 - 12		
1E11	WIRING HARNESS (TRANS. SPEED SENSOR).....	0374 - 2		
2E21	WIRING HARNESS ELECTRICAL CONNECTORS	1674 - 12		
2E23	WIRING HARNESS ELECTRICAL CONNECTORS	1674 - 14		
2F1	WIRING HARNESS ELECTRICAL CONNECTORS	1674 - 16		
2F3	WIRING HARNESS ELECTRICAL CONNECTORS	1674 - 18		
2F5	WIRING HARNESS ELECTRICAL CONNECTORS	1674 - 20		
2F7	WIRING HARNESS ELECTRICAL CONNECTORS	1674 - 22		
1D19	WIRING HARNESS/ELECTRICAL COMPONENTS AND TRANSMISSION CONTROL VALVE	0362 - 2		
2I7	WIRING HARNESS, AIR CONDITIONER.....	1832 - 6		
2E13	WIRING HARNESS, ARTICULATION.....	1674 - 4		
2D15	WIRING HARNESS, CAB POWER.....	1600 - 4		
2E19	WIRING HARNESS, CAB POWER.....	1674 - 10		
2E17	WIRING HARNESS, CAB TRANSMISSION	1674 - 8		
2E13	WIRING HARNESS, ENGINE	1674 - 4		
2D21	WIRING HARNESS, ENGINE POWER.....	1671 - 2		
2E13	WIRING HARNESS, FRONT CHASSIS	1674 - 4		
2E3	WIRING HARNESS, REAR CHASSIS	1673 - 2		
1E13	WIRING HARNESS, SWITCHES, FACEPLATE AND TRANSMISSION INSTRUMENT PANEL.....	0374 - 4		
2D15	WIRING HARNESS, TRANSMISSION	1600 - 4		
2E13	WIRING HARNESS, TRANSMISSION	1674 - 4		
2E15	WIRING HARNESS, TRANSMISSION	1674 - 6		
2E7	WIRING HARNESS, WORK LIGHTS	1673 - 6		
2D13	WIRING HARNESS,CAB	1600 - 2		
2D15	WIRING HARNESS,CAB	1600 - 4		
2E11	WIRING HARNESS,ENGINE (ELECTRICAL EQUIPMENT AND COLD START).....	1674 - 2		
1H11	WIRING HARNESS,RADIATOR COOLANT LEVEL SWITCH(SER.NO.200791-)	0511 - 6		
2J13	WIRING HARNESS,RADIO (SERIAL NO.-200524)	2001 - 2		
2K9	WIRING KIT,FLASHING BEACON	2004 - 4		
2E7	WORK LIGHT SWITCH	1673 - 6		

Y

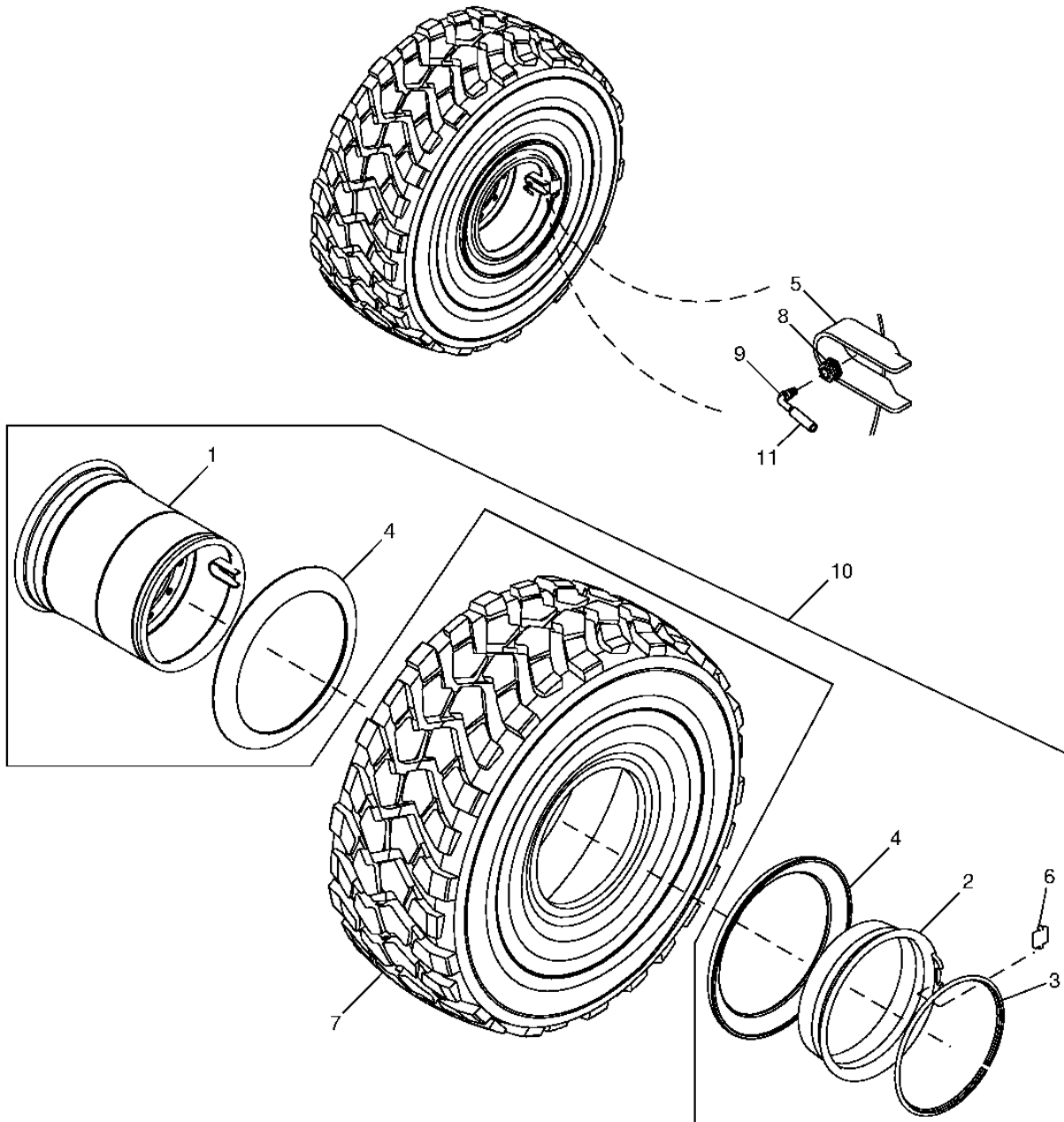
1J5	YOKE (TRANSFER CASE OUTPUT SHAFT) (REAR).....	0851 - 8
1J3	YOKE/PLATE (TRANSFER CASE OUTPUT SHAFT) (FRONT).....	0851 - 6
1B21	YOKE,FRONT AXLE DIFFERENTIAL	0242 - 2
2B4	YOKE,FRONT AXLE DIFFERENTIAL (350D)	1011 - 2
1B23	YOKE,MID AXLE DIFFERENTIAL	0242 - 4
2B6	YOKE,MID AXLE DIFFERENTIAL(350D)	1011 - 4
2B8	YOKE,REAR AXLE DIFFERENTIAL (350D)	1011 - 6
1C1	YOKE,REAR AXLE HOUSING DIFFERENTIAL	0242 - 6

1A22

WHEELS & TIRES & TRACKS 01
POWERED WHEELS, TIRES & FASTENINGS 0110

T202670 -UN-01SEP04

WHEEL RIM AND VALVE STEM



T202670

1A23

WHEELS & TIRES & TRACKS 01
 POWERED WHEELS, TIRES & FASTENINGS 0110

WHEEL RIM AND VALVE STEM

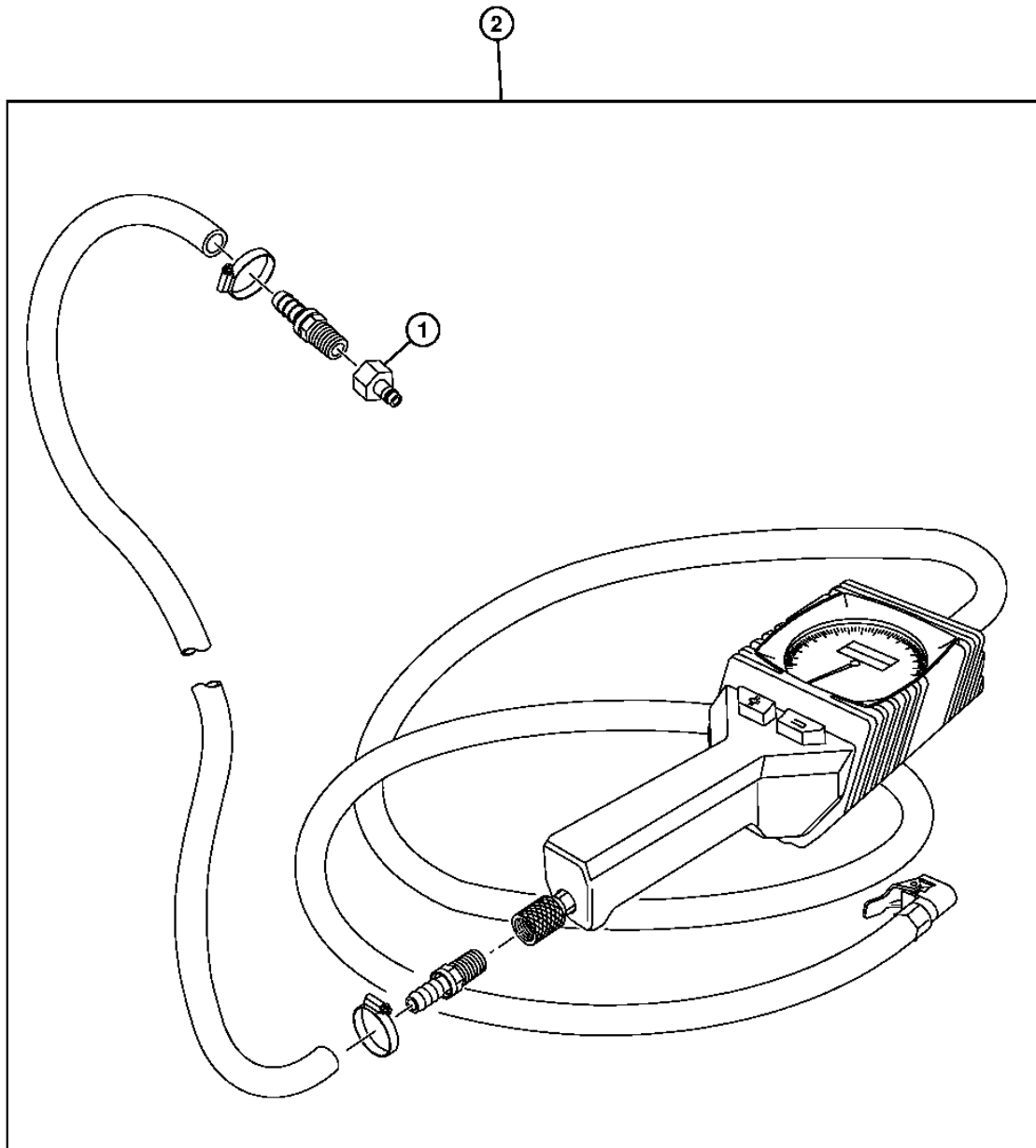
KEY	PART NO.	PART NAME	QTY	SERIAL NO.	D D	REMARKS
					3 4	
					5 0	
					0 0	
					D D	
1	RIM	1		X X	
2	U43961	WHEEL RING	1		X X	(SUB FOR AT253702)
3	TT226117	RING	1		X X	
4	AT255200	FLANGE	2		X	
5	GUARD	1		X X	
6	T168523	KEY	1		X X	(SUB FOR T55250, THIS APPLICATION)
7	TIRE	1		X X	
8	AT252510	NUT	1		X X	
9	AT252509	TIRE VALVE STEM	1		X X	
10	TT190883	WHEEL	1		X	(SUB FOR AT256194)
	TT190882	WHEEL	1		X	(SUB FOR AT253547)
11	AT252527	CAP	1		X X	

1A24

WHEELS & TIRES & TRACKS 01
POWERED WHEELS, TIRES & FASTENINGS 0110

T162669 -UN-20DEC02

TIRE INFLATION KIT



T162669

1A25

WHEELS & TIRES & TRACKS 01
 POWERED WHEELS, TIRES & FASTENINGS 0110

TIRE INFLATION KIT

3 4
 5 0
 0 0
 D D

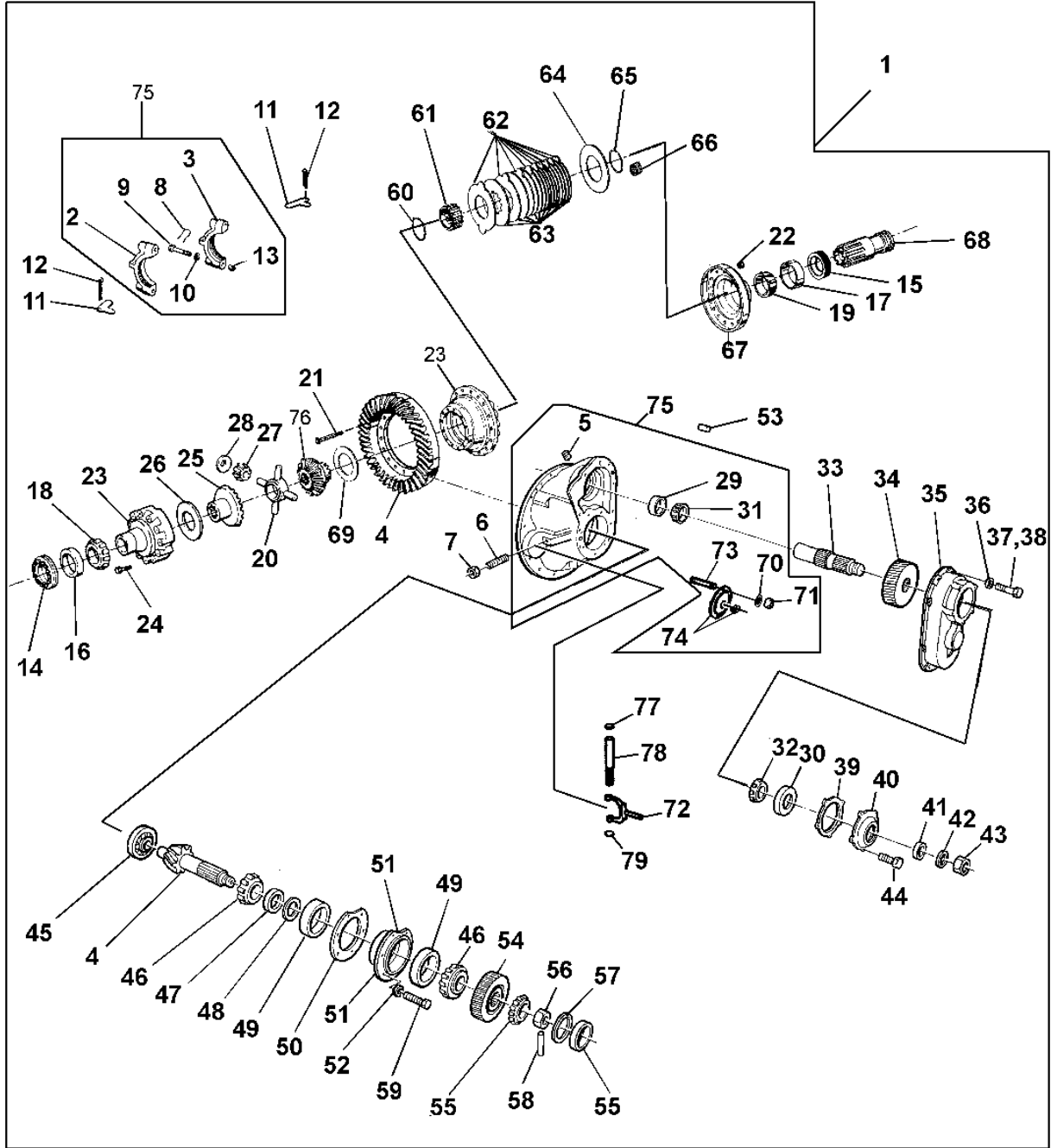
KEY	PART NO.	PART NAME	QTY	SERIAL NO.	REMARKS
1	TT120926	ADAPTER	1		
2	TT262867	TIRE VALVE STEM	1		TIRE INFLATION

1B4

AXLES, DIFFERENTIALS AND SUSPENSION SYSTEMS 02
DIFFERENTIAL OR BEVEL DRIVE 0210

T210378 -UN-12APR05

FRONT AND REAR AXLE DIFFERENTIAL



T210378

1B5

AXLES, DIFFERENTIALS AND SUSPENSION SYSTEMS 02

DIFFERENTIAL OR BEVEL DRIVE 0210

FRONT AND REAR AXLE DIFFERENTIAL

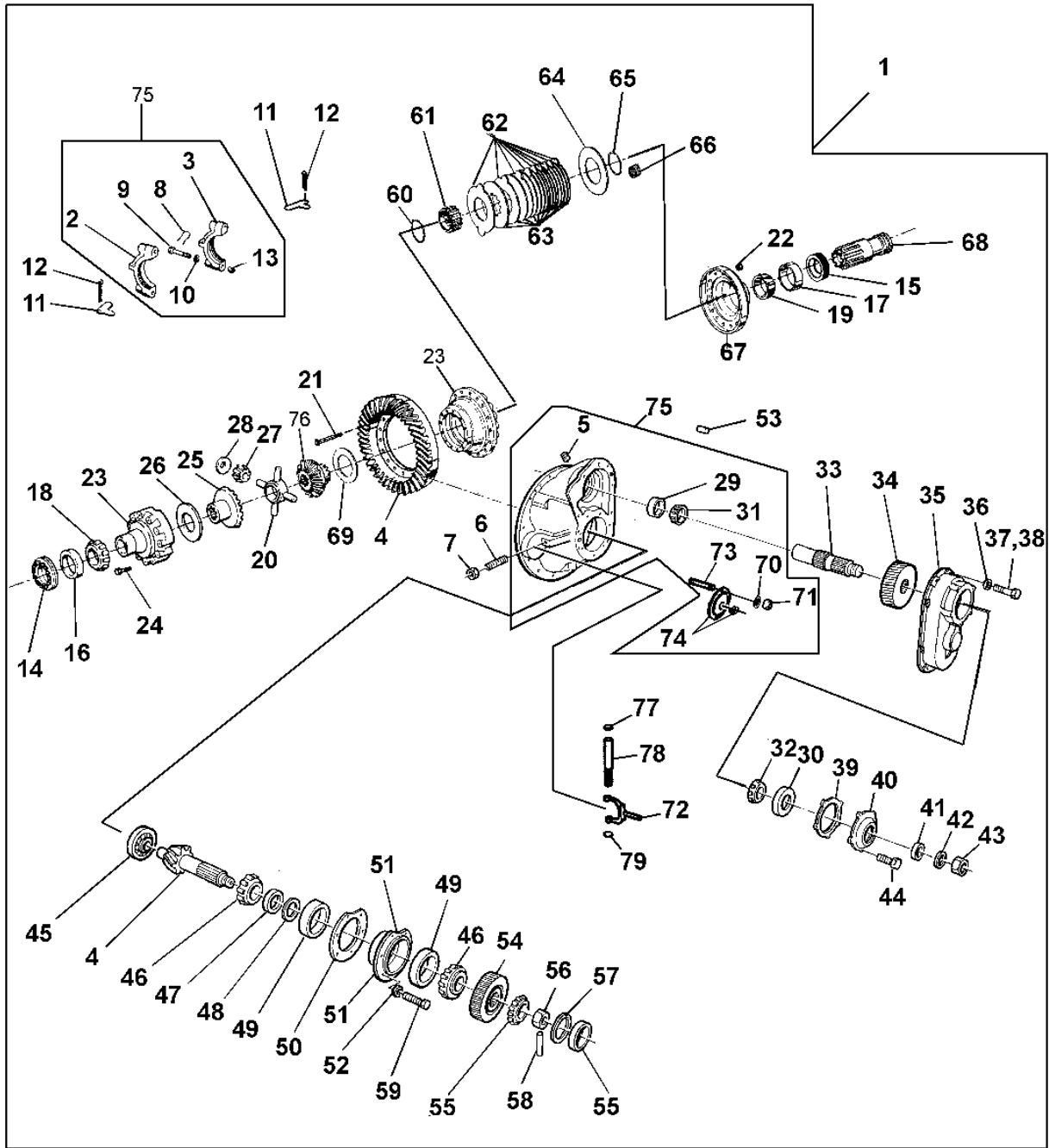
KEY	PART NO.	PART NAME	QTY	AXLE		REMARKS
				SERIAL NO.	D D	
					3 4	
					5 0	
					0 0	
					D D	
1	AT253977	DIFFERENTIAL	1		X	(RATIO 3,7:1)
	AT259849	DIFFERENTIAL	1		X	(RATIO 4,11:1)
2	BEARING CAP	1		X X	(RH)FURNISH AT260342
3	BEARING CAP	1		X X	(LH)FURNISH AT260342
4	AT262522	RING GEAR AND PINION	1		X	(RATIO 4,11:1)
	TT221976	RING GEAR AND PINION	1		X	(RATIO 3,7:1)
5	AT253911	PLUG	1		X X	(USE IF AVAILABLE)
	X01HP-12	FITTING PLUG	1		X X	(SUB FOR AT253911)
6	AT253920	SCREW	1		X X	
7	N277146	NUT	1		X X	
8	AT253864	RETAINER	4		X X	
9	AT258263	BOLT	4		X X	
10	AT258264	WASHER	4		X X	
11	AT253865	LOCK PLATE	2		X X	
12	11M7054	COTTER PIN	2		X X	6.300 X 32 MM
13	AT253867	BUSHING	2		X X	
14	AT253921	ADJUSTER	1		X X	(RH)
15	AT253870	ADJUSTER	1		X X	(LH)
16	AT253922	BEARING CUP	1		X X	(RH)
17	AT253872	BEARING CUP	1		X X	(LH)
18	AT253923	BEARING CONE	1		X X	(RH)
19	AT253873	BEARING CONE	1		X X	(LH)
20	AT253903	SPIDER	1		X X	
21	AT258685	BOLT	16		X X	
22	B30434	LOCK NUT	16		X X	
23	AT253927	HOUSING	1		X X	
24	19H2641	CAP SCREW	12		X X	5/8" X 3-1/4"
25	AT253905	BEVEL GEAR	1		X X	R.H.
26	AT253899	THRUST WASHER	1		X X	(RH)
27	AT253901	BEVEL GEAR	4		X X	
28	AT253902	THRUST WASHER	4		X X	
29	JD9119	BEARING CUP	1		X X	
30	AT253836	BEARING CUP	1		X X	
31	AT253906	BEARING CONE	1		X X	
32	AT253830	BEARING CONE	1		X X	
33	AT253833	SHAFT	1		X X	
34	AT253831	GEAR	1		X X	
35	AT253832	HOUSING	1		X X	
36	AT258271	LOCK WASHER	10		X X	
37	AT258270	BOLT	1		X X	
38	AT258269	BOLT	9		X X	
39	AT254092	SHIM	AR		X X	1.935 MM (.003 IN.)
	AT253908	SHIM	AR		X X	3.226 MM (.005 IN.)
	AT253909	SHIM	AR		X X	6.452 MM (.010 IN.)
	AT253910	SHIM	AR		X X	12.903 MM (.020 IN.)
40	AT253838	BEARING HOUSING W/O BEARING	1		X X	
41	AT253835	SEAL	1		X X	(SUB FOR AT259835)
42	AT258261	WASHER	1		X X	
43	AT258279	NUT	1		X X	
44	R112882	CAP SCREW	5		X X	
45	AT253924	BEARING	1		X X	
46	AT253862	BEARING CONE	2		X X	(OUTER)

1B6

AXLES, DIFFERENTIALS AND SUSPENSION SYSTEMS 02
DIFFERENTIAL OR BEVEL DRIVE 0210

T210378 -UN-12APR05

FRONT AND REAR AXLE DIFFERENTIAL (CONTINUED)



T210378

1B7

AXLES, DIFFERENTIALS AND SUSPENSION SYSTEMS 02

DIFFERENTIAL OR BEVEL DRIVE 0210

FRONT AND REAR AXLE DIFFERENTIAL (CONTINUED)

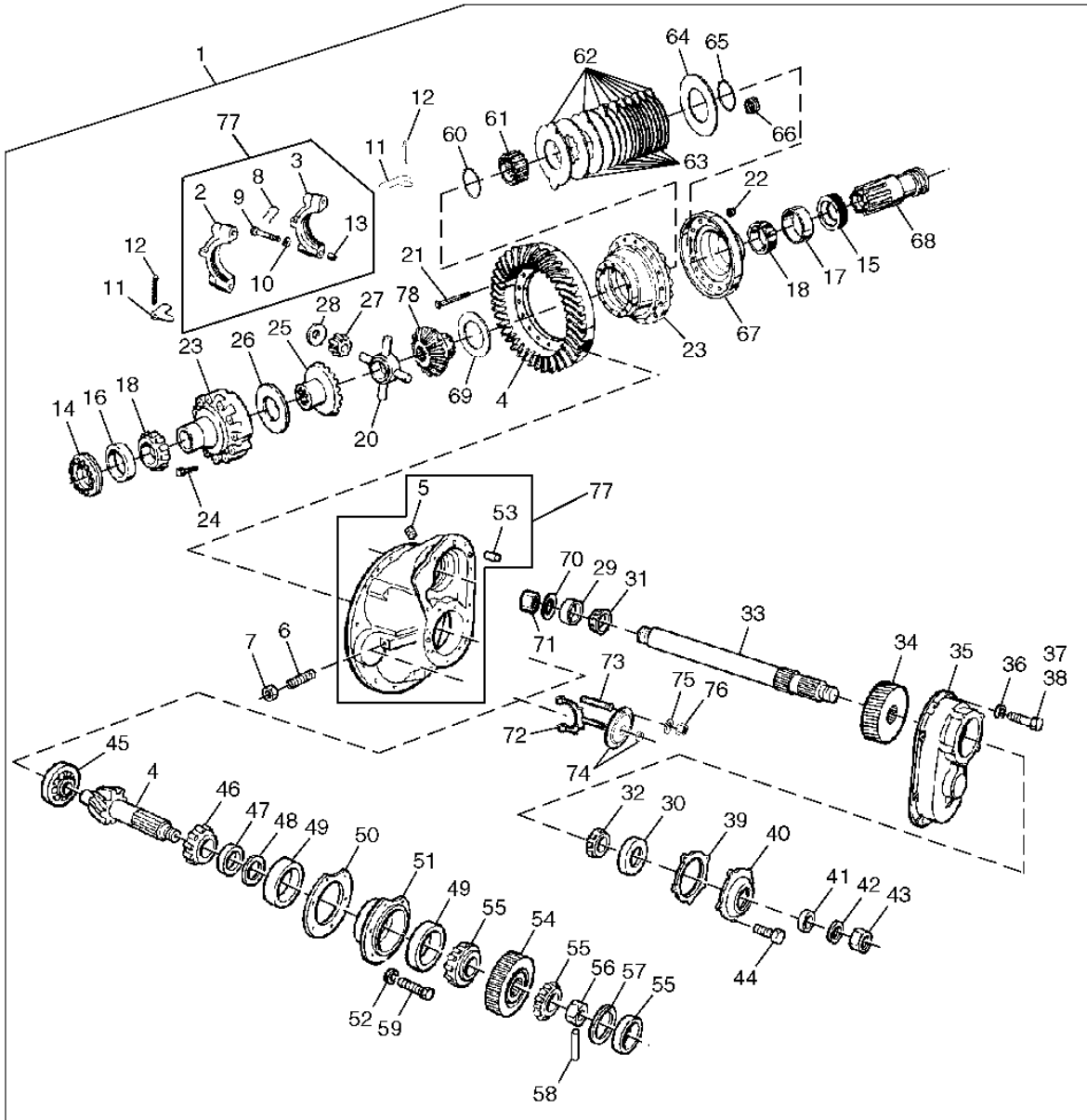
KEY	PART NO.	PART NAME	QTY	AXLE SERIAL NO.	3	4	REMARKS
					5	0	
					0	0	
					D	D	
47	AT253926	SPACER	1		X	X	
48	AT253837	SHIM	1		X	X	
	AT253876	SHIM	AR		X	X	115.483 MM (.179 IN.)
	AT253877	SHIM	AR		X	X	116.129 MM (.180 IN.)
	AT253878	SHIM	AR		X	X	116.774 MM (.181 IN.)
	AT253879	SHIM	AR		X	X	117.419 MM (.182 IN.)
	AT253880	SHIM	AR		X	X	118.064 MM (.183 IN.)
	AT253881	SHIM	AR		X	X	118.709 MM (.184 IN.)
	AT253882	SHIM	AR		X	X	119.355 MM (.185 IN.)
	AT253883	SHIM	AR		X	X	120.000 MM (.186 IN.)
	AT253884	SHIM	AR		X	X	120.645 MM (.187 IN.)
	AT253885	SHIM	AR		X	X	120.290 MM (.188 IN.)
	AT253886	SHIM	AR		X	X	121.935 MM (.189 IN.)
	AT253887	SHIM	AR		X	X	122.580 MM (.190 IN.)
	AT253888	SHIM	AR		X	X	123.226 MM (.191 IN.)
	AT253889	SHIM	AR		X	X	123.871 MM (.192 IN.)
	AT253890	SHIM	AR		X	X	124.516 MM (.193 IN.)
49	AT253893	BEARING CUP	2		X	X	
50	AT253912	SHIM	AR		X	X	1.935 MM (.003 IN.)
	AT253913	SHIM	AR		X	X	3.226 MM (.005 IN.)
	AT253914	SHIM	AR		X	X	6.452 MM (.010 IN.)
	AT253915	SHIM	AR		X	X	12.903 MM (.020 IN.)
51	AT253917	BEARING HOUSING W/O BEARING	1		X	X	
52	AT258194	WASHER	6		X	X	
53	AT253925	DOWEL PIN	2		X	X	
54	AT253834	HELICAL GEAR	1		X	X	
55	AT256265	CYLINDRICAL ROLLER BEARING	1		X	X	
56	AT258273	NUT	1		X	X	
57	AT253919	SNAP RING	1		X	X	
58	34H321	SPRING PIN	1		X	X	1/4" X 2-1/2"
59	AT258272	BOLT	6		X	X	
60	AT253856	SNAP RING	1		X	X	
61	AT253855	GEAR	1		X	X	
62	AT253853	DISK WITH OUTER SPLINE	13		X	X	
63	AT253854	DISK WITH INNER SPLINE	12		X	X	
64	AT253857	PLATE	1		X	X	
65	AT253858	SNAP RING	1		X	X	
66	AT253859	COMPRESSION SPRING	12		X	X	
67	AT253860	HOUSING	1		X	X	
68	AT253852	SHAFT	1		X	X	
69	AT253900	THRUST WASHER	1		X	X	(LH)
70	AT258681	WASHER	2		X	X	
71	H80440	LOCK NUT	2		X	X	
72	AT258679	FORK	1		X	X	SHIFT
73	841728000	STUD	1		X	X	(SUB FOR AT255244)
74	AT254415	SHIFT COLLAR CARRIER	1		X	X	(SEAL AND SPRING)
75	AT260342	HOUSING	1		X	X	DIFFERENTIAL(INCLUDES BEARING CAPS)
76	AT253904	BEVEL GEAR	1		X	X	L.H.
77	30H17	PLUG	1		X	X	
78	AT255243	SHIFTER ROD	1		X	X	
79	AT253575	FITTING PLUG	1		X	X	

1B8

AXLES, DIFFERENTIALS AND SUSPENSION SYSTEMS 02
DIFFERENTIAL OR BEVEL DRIVE 0210

T196344 -UN-14NOV03

MID AXLE DIFFERENTIAL



T196344

1B9

AXLES, DIFFERENTIALS AND SUSPENSION SYSTEMS 02
DIFFERENTIAL OR BEVEL DRIVE 0210

MID AXLE DIFFERENTIAL

KEY	PART NO.	PART NAME	QTY	AXLE SERIAL NO.	3 4	REMARKS
					D D	
1	AT253980	DIFFERENTIAL	1		X	(RATIO 3,7:1)
	AT259850	DIFFERENTIAL	1		X	(RATIO 4,11:1)
2	BEARING CAP	1		X X	(LH)FURNISH AT260348
3	BEARING CAP	1		X X	(RH)FURNISH AT260348
4	AT253940	RING GEAR AND PINION	1		X	(RATIO 3,7:1)
	AT256270	RING GEAR AND PINION	1		X	(RATIO 4,11:1)
5	AT253911	PLUG	1		X X	(USE IF AVAILABLE)
	X01HP-12	FITTING PLUG	1		X X	(SUB FOR AT253911)
6	AT253920	SCREW	1		X X	
7	N277146	NUT	1		X X	
8	AT253864	RETAINER	4		X X	
9	AT258263	BOLT	4		X X	
10	AT258264	WASHER	4		X X	
11	AT253865	LOCK PLATE	2		X X	
12	11M7054	COTTER PIN	2		X X	6.300 X 32 MM
13	AT253867	BUSHING	2		X X	
14	AT253921	ADJUSTER	1		X X	(RH)
15	AT253870	ADJUSTER	1		X X	(LH)
16	AT253922	BEARING CUP	1		X X	(RH)
17	AT253872	BEARING CUP	1		X X	(LH)
18	AT253923	BEARING CONE	1		X X	(RH)
19	AT253873	BEARING CONE	1		X X	(LH)
20	AT253903	SPIDER	1		X X	
21	AT258275	BOLT	16		X X	
22	B30434	LOCK NUT	16		X X	
23	AT253851	HOUSING	1		X X	
24	19H2641	CAP SCREW	12		X X	5/8" X 3-1/4"
25	AT253905	BEVEL GEAR	1		X X	R.H.
26	AT253899	THRUST WASHER	2		X X	
27	AT253901	BEVEL GEAR	4		X X	
28	AT253902	THRUST WASHER	4		X X	
29	JD9119	BEARING CUP	1		X X	
30	AT253836	BEARING CUP	1		X X	
31	AT253906	BEARING CONE	1		X X	
32	AT253830	BEARING CONE	1		X X	
33	AT253839	SHAFT	1		X X	
34	AT253831	GEAR	1		X X	
35	AT253832	HOUSING	1		X X	
36	AT258271	LOCK WASHER	10		X X	
37	AT258270	BOLT	1		X X	
38	AT258269	BOLT	9		X X	
39	AT254092	SHIM	AR		X X	1.935 MM (.003 IN.)
	AT253908	SHIM	AR		X X	3.226 MM (.005 IN.)
	AT253909	SHIM	AR		X X	6.452 MM (.010 IN.)
	AT253910	SHIM	AR		X X	12.903 MM (.020 IN.)
40	AT253838	BEARING HOUSING W/O BEARING	1		X X	
41	AT253835	SEAL	1		X X	
42	AT258261	WASHER	1		X X	
43	AT258279	NUT	1		X X	
44	R112882	CAP SCREW	5		X X	
45	AT253924	BEARING	1		X X	
46	AT253862	BEARING CONE	2		X X	

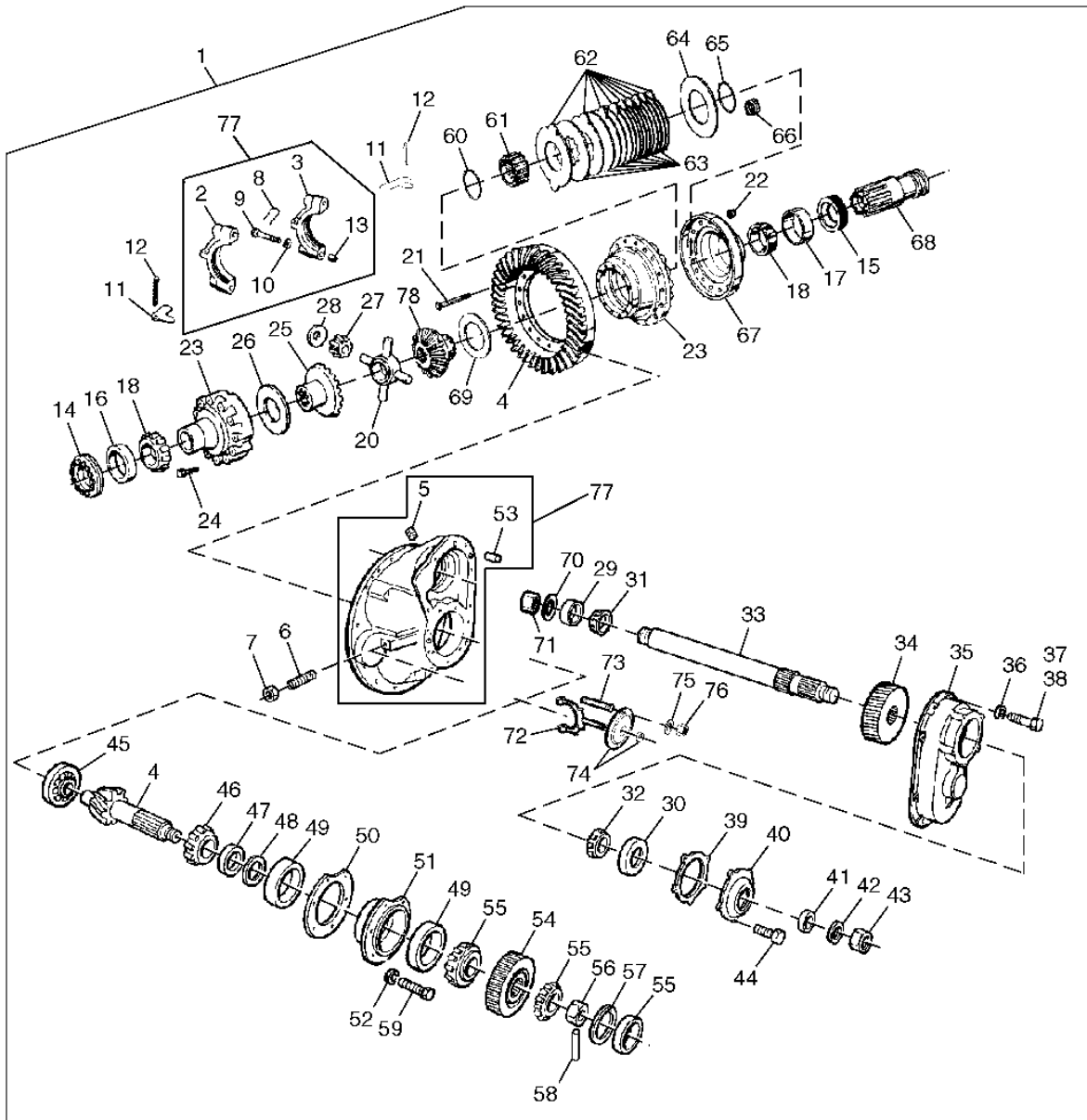
1B10

AXLES, DIFFERENTIALS AND SUSPENSION SYSTEMS 02

DIFFERENTIAL OR BEVEL DRIVE 0210

MID AXLE DIFFERENTIAL (CONTINUED)

T196344 -UN-14NOV03



T196344

1B11

AXLES, DIFFERENTIALS AND SUSPENSION SYSTEMS 02

DIFFERENTIAL OR BEVEL DRIVE 0210

MID AXLE DIFFERENTIAL (CONTINUED)

KEY	PART NO.	PART NAME	QTY	AXLE		REMARKS
				SERIAL NO.	D D	
					3 4	
					5 0	
					0 0	
					D D	
47	AT253926	SPACER	1		X X	
48	AT253837	SHIM	1		X X	
	AT253876	SHIM	AR		X X	115.483 MM (.179 IN.)
	AT253877	SHIM	AR		X X	116.129 MM (.180 IN.)
	AT258265	SHIM	AR		X X	116.774 MM (.181 IN.)
	AT253879	SHIM	AR		X X	117.419 MM (.182 IN.)
	AT253880	SHIM	AR		X X	118.064 MM (.183 IN.)
	AT253881	SHIM	AR		X X	118.709 MM (.184 IN.)
	AT253882	SHIM	AR		X X	119.355 MM (.185 IN.)
	AT253883	SHIM	AR		X X	120.000 MM (.186 IN.)
	AT253884	SHIM	AR		X X	120.645 MM (.187 IN.)
	AT253885	SHIM	AR		X X	120.290 MM (.188 IN.)
	AT253886	SHIM	AR		X X	121.935 MM (.189 IN.)
	AT253887	SHIM	AR		X X	122.580 MM (.190 IN.)
	AT253888	SHIM	AR		X X	123.226 MM (.191 IN.)
	AT253889	SHIM	AR		X X	123.871 MM (.192 IN.)
	AT253890	SHIM	AR		X X	124.516 MM (.193 IN.)
49	AT253893	BEARING CUP	AR		X X	
50	AT253912	SHIM	AR		X X	1.935 MM (.003 IN.)
	AT253913	SHIM	AR		X X	3.226 MM (.005 IN.)
	AT253914	SHIM	AR		X X	6.452 MM (.010 IN.)
	AT253915	SHIM	AR		X X	12.903 MM (.020 IN.)
51	AT253917	BEARING HOUSING W/O BEARING	1		X X	
52	AT258194	WASHER	6		X X	
53	AT253925	DOWEL PIN	2		X X	
54	AT253834	HELICAL GEAR	1		X X	
55	AT256265	CYLINDRICAL ROLLER BEARING	1		X X	
56	AT258273	NUT	1		X X	
57	AT253919	SNAP RING	1		X X	
58	34H321	SPRING PIN	1		X X	1/4" X 2-1/2"
59	AT258272	BOLT	6		X X	
60	AT253856	SNAP RING	1		X X	
61	AT253855	GEAR	1		X X	
62	AT253853	DISK WITH OUTER SPLINE	9		X X	
63	AT253854	DISK WITH INNER SPLINE	8		X X	
64	AT253857	PLATE	1		X X	
65	AT253858	SNAP RING	1		X X	
66	AT253859	COMPRESSION SPRING	10		X X	
67	AT253860	HOUSING	1		X X	
68	AT253852	SHAFT	1		X X	
69	AT253900	THRUST WASHER	1		X X	
70	AT258276	WASHER	1		X X	
71	TT222989	FLANGE NUT	1		X X	(SUB FOR AT258277)
72	AT258679	FORK	1		X X	
73	841728000	STUD	1		X X	(SUB FOR AT255244)
74	AT254415	SHIFT COLLAR CARRIER	1		X X	
75	AT258681	WASHER	2		X X	
76	H80440	LOCK NUT	2		X X	
77	AT260348	HOUSING	1		X X	DIFFERENTIAL (INCLUDES BEARING CAPS)
78	AT253904	BEVEL GEAR	1		X X	L.H.

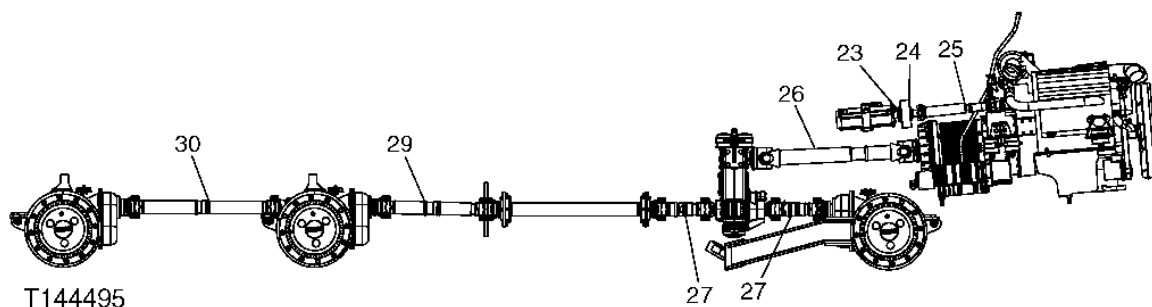
MEMORANDA

1B12

AXLES, DIFFERENTIALS AND SUSPENSION SYSTEMS 02
 INPUT DRIVE SHAFTS AND U-JOINTS 0225

MACHINE DRIVE SHAFTS

T144495 -UN-29AUG01



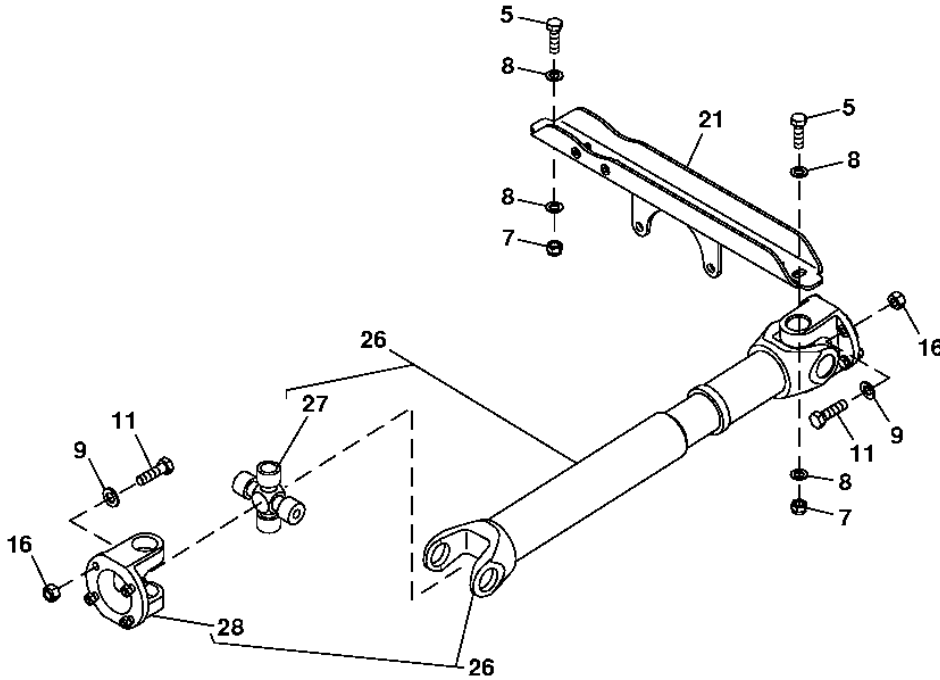
KEY	PART NO.	PART NAME	QTY	AXLE SERIAL NO.	3 4 5 0 0 0 D D	REMARKS
23	TT207352	HUB	1		X X	HYDRAULIC PUMP DRIVE SHAFT
24	TT207364	COUPLING	1		X X	HYDRAULIC PUMP DRIVE SHAFT
25	TT290419	DRIVE SHAFT	1		X X	HYDRAULIC PUMP DRIVE, (SUB FOR TT290142 AND TT290396)
26	TT290331	SHAFT	1		X X	FRONT (TRANSMISSION TO TRANSFER DRIVE) (SUB FOR TT290143 AND AT253973)
27	TT290261	SHAFT	2		X X	(FRONT AND REAR WHEEL DRIVE)
29	TT290262	SHAFT	1		X X	(MID REAR)
30	TT290263	SHAFT	1		X X	(REAR)

1B13

AXLES, DIFFERENTIALS AND SUSPENSION SYSTEMS 02
INPUT DRIVE SHAFTS AND U-JOINTS 0225

T161393 -UN-11NOV02

FRONT UNIVERSAL DRIVESHAFT AND GUARD



T161393

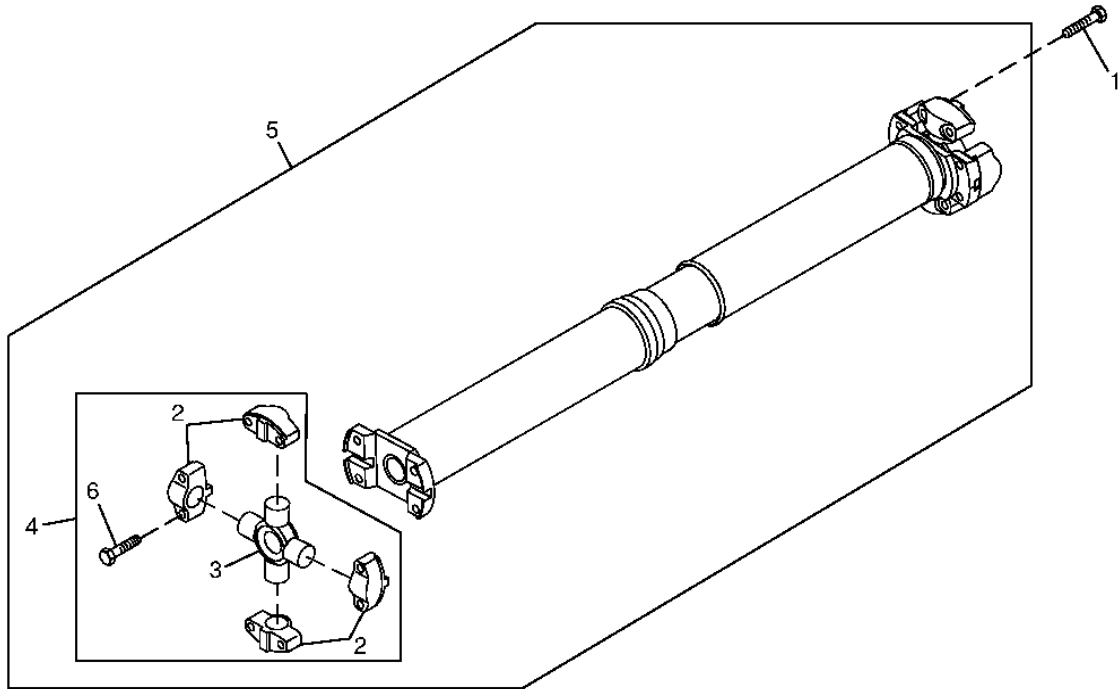
KEY	PART NO.	PART NAME	QTY	AXLE SERIAL NO.	3 4 5 0 0 0 D D	REMARKS
5	19M8638	CAP SCREW	2		X X	M20 X 65
7	14M7410	LOCK NUT	2		X X	M20
8	24M7349	WASHER	4		X X	21 X 37 X 3 MM
9	24M7456	WASHER	8		X X	15 X 28 X 2.500 MM
11	AT258640	CAP SCREW	8		X X	
16	14M7549	LOCK NUT	8		X X	M14
21	TT176082	GUARD	1		X X	
26	TT290331	SHAFT	1		X X	FRONT (TRANSMISSION TO TRANSFER DRIVE) (SUB FOR TT290143 AND AT253973)
27	TT221751	UNIVERSAL JOINT	2		X X	
28	AT260335	FLANGE	2		X X	

1B14

AXLES, DIFFERENTIALS AND SUSPENSION SYSTEMS 02
 INPUT DRIVE SHAFTS AND U-JOINTS 0225

REAR UNIVERSAL DRIVE SHAFT

T210305 -UN-12APR05



T210305

3 4
 5 0
 0 0
 D D

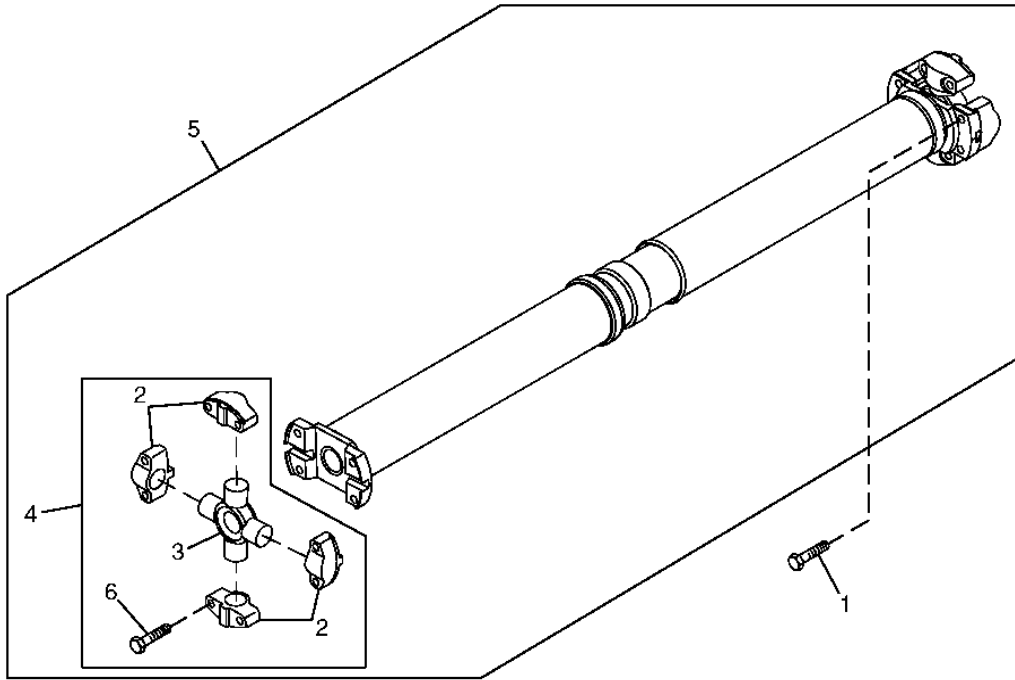
KEY	PART NO.	PART NAME	QTY	AXLE SERIAL NO.	REMARKS
1	19H3495	CAP SCREW	8	X X	1/2" X 2-1/2"
2	CAP	8	X X	
3	UNIVERSAL JOINT CROSS	2	X X	
4	TT206765	UNIVERSAL JOINT	2	X X	
5	TT290263	SHAFT	1	X X	REAR UNIVERSAL
6	19H3495	CAP SCREW	8	X X	1/2" X 2-1/2"

1B15

AXLES, DIFFERENTIALS AND SUSPENSION SYSTEMS 02
 INPUT DRIVE SHAFTS AND U-JOINTS 0225

T210301 -UN-12APR05

MID UNIVERSAL DRIVE SHAFT



T210301

3 4
 5 0
 0 0
 D D

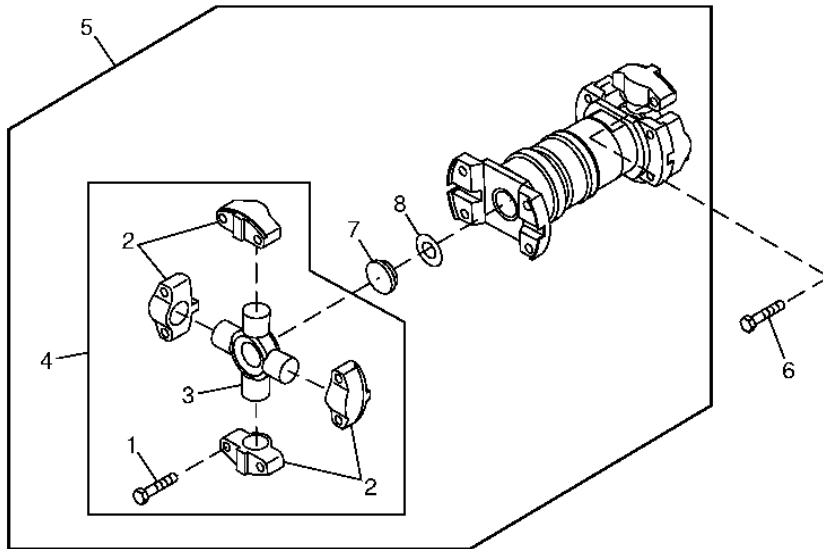
KEY	PART NO.	PART NAME	QTY	AXLE SERIAL NO.	REMARKS
1	19H3495	CAP SCREW	8	X X	1/2" X 2-1/2"
2	CAP	8	X X	
3	UNIVERSAL JOINT CROSS	2	X X	
4	TT206765	UNIVERSAL JOINT	2	X X	MID UNIVERSAL
5	TT290262	SHAFT	1	X X	
6	19H3495	CAP SCREW	8	X X	1/2" X 2-1/2"

1B16

AXLES, DIFFERENTIALS AND SUSPENSION SYSTEMS 02
 INPUT DRIVE SHAFTS AND U-JOINTS 0225

T212198 -UN-14JUN05

FRONT AND REAR WHEEL DRIVESHAFT ASSEMBLY



T212198

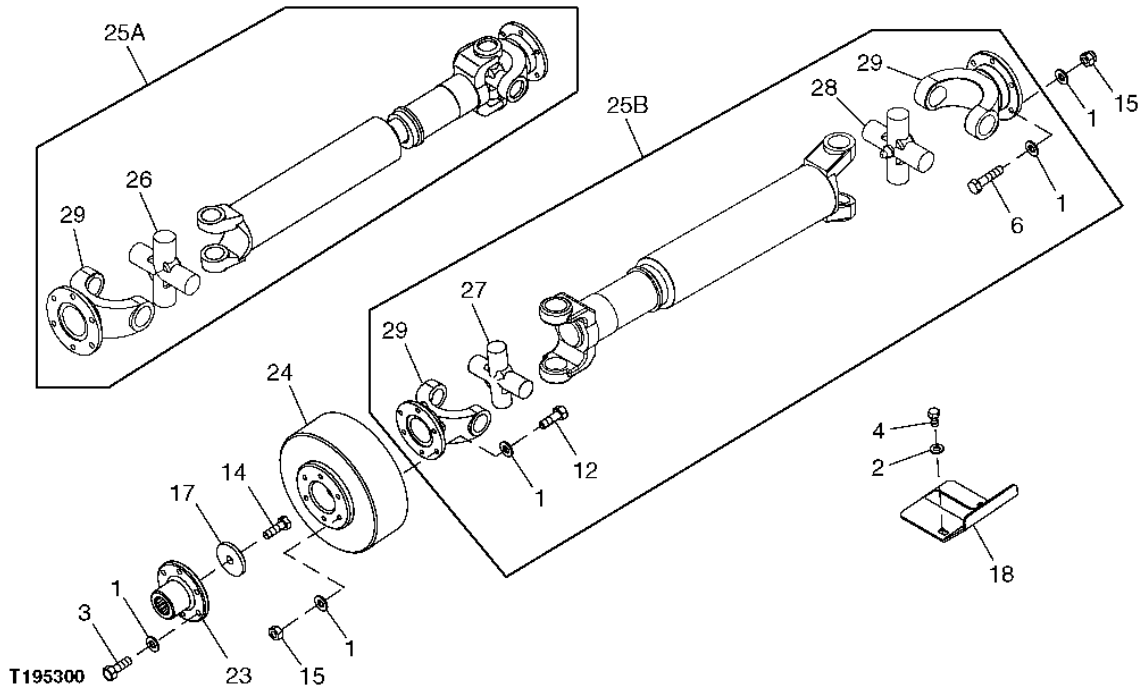
KEY	PART NO.	PART NAME	QTY	AXLE SERIAL NO.	3 4 5 0 0 0 D D	REMARKS
1	19H3495	CAP SCREW	8		X X	1/2" X 2-1/2"
2	CAP	8		X X	
3	UNIVERSAL JOINT CROSS	2		X X	
4	TT206765	UNIVERSAL JOINT	2		X X	
5	TT290261	SHAFT	1		X X	
6	19H3495	CAP SCREW	8		X X	
7	TT121290	PRESSURE RELIEF VALVE	1		X X	
8	TT121289	CAP	1		X X	DUST COVER

1B17

AXLES, DIFFERENTIALS AND SUSPENSION SYSTEMS 02
INPUT DRIVE SHAFTS AND U-JOINTS 0225

T195300 -UN-200CT03

HYDRAULIC PUMP DRIVESHAFT AND COUPLING



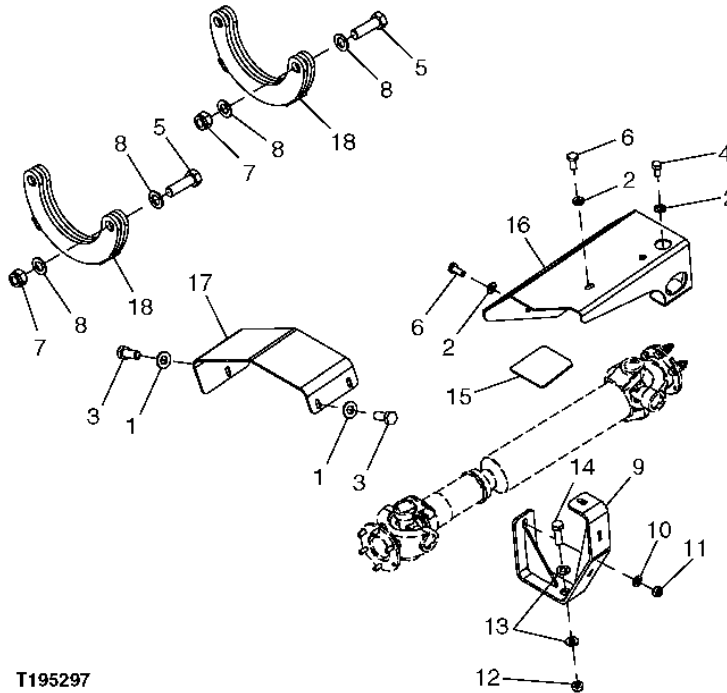
KEY	PART NO.	PART NAME	QTY	AXLE SERIAL NO.	D D	REMARKS
					3 4	
					5 0	
					0 0	
1	24M7132	WASHER	24		X X	8.400 X 18 X 1.500 MM
2	24M7433	WASHER	2		X X	10.500 X 20 X 2 MM
3	19M7881	SCREW	6		X X	M8 X 20
4	19M7938	CAP SCREW	2		X X	M10 X 20
6	19M8008	CAP SCREW	6		X X	M8 X 35
12	19M7407	CAP SCREW	6		X X	M8 X 25
14	19H1905	CAP SCREW	1		X X	5/16" X 1", (SUB FOR AT258539)
15	14M7327	LOCK NUT	12		X X	M8
17	AT258550	WASHER	1		X X	
18	TT172967	GUARD	1		X X	
23	TT207352	HUB	1		X X	
24	TT207364	COUPLING	1		X X	
25A	TT290142	SHAFT	1	-200714	X X	(SUB TT290396)
25B	TT290419	DRIVE SHAFT	1	200715-	X X	(SUB FOR TT290396)
26	TT221753	UNIVERSAL JOINT	2	-200714	X X	
27	TT221753	UNIVERSAL JOINT	1	200715-	X X	
28	TT221931	UNIVERSAL JOINT	1	200715-	X X	
29	TT221754	FLANGE	2		X X	

1B18

AXLES, DIFFERENTIALS AND SUSPENSION SYSTEMS 02
INPUT DRIVE SHAFTS AND U-JOINTS 0225

T195297 -UN-20OCT03

DRIVE SHAFT GUARDS



T195297

3 4
5 0
0 0
D D

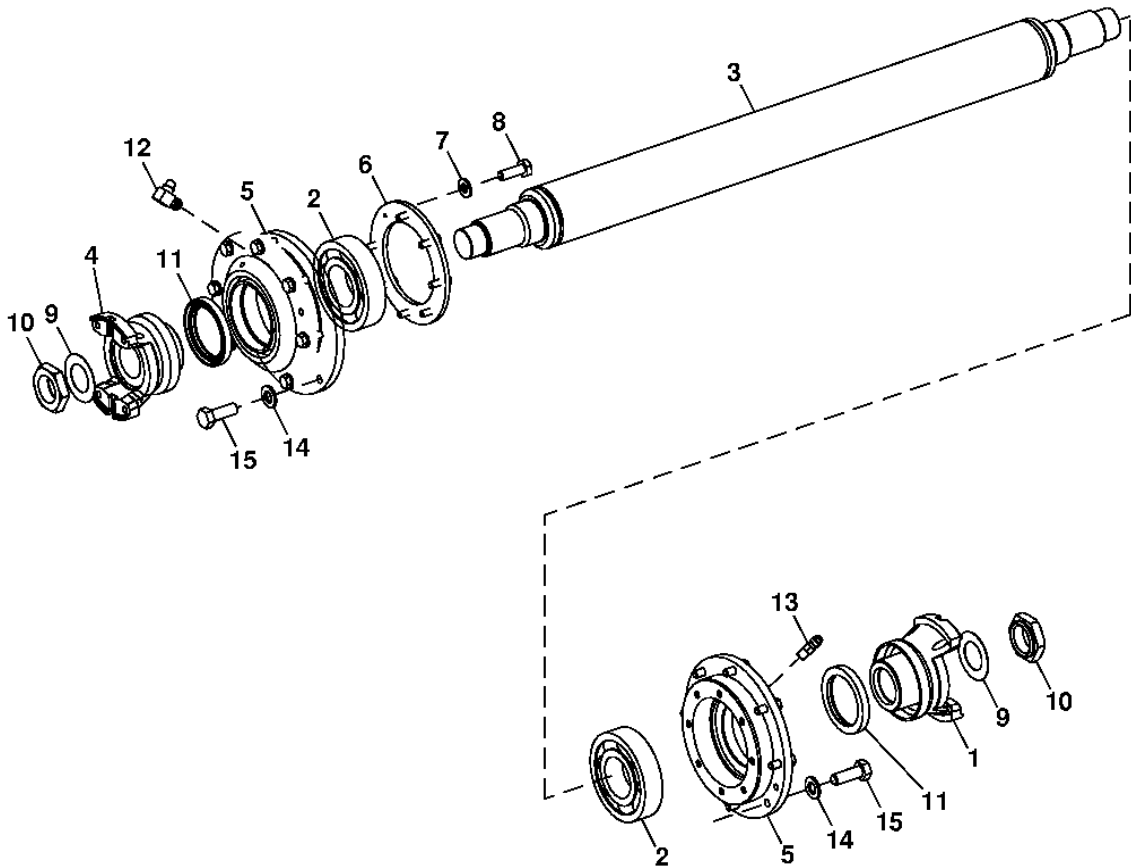
KEY	PART NO.	PART NAME	QTY	AXLE SERIAL NO.	REMARKS
1	24M7132	WASHER	3		8.400 X 18 X 1.500 MM
2	24M7433	WASHER	4		10.500 X 20 X 2 MM
3	19M7881	SCREW	3		M8 X 20
4	19M7938	CAP SCREW	1		M10 X 20
5	19M8638	CAP SCREW	4		M20 X 65
6	19M7402	CAP SCREW	2		M10 X 25
7	14M7410	LOCK NUT	4		M20
8	24M7349	WASHER	8		21 X 37 X 3 MM
9	TT178754	BRACKET	1	200715-	
10	24M7433	WASHER	1	200715-	10.500 X 20 X 2 MM
11	14M7520	LOCK NUT	1	200715-	M10
12	14M7313	LOCK NUT	1	200715-	M12
13	24M7429	WASHER	2	200715-	13 X 24 X 2.500 MM
14	19M7387	CAP SCREW	1	200715-	M12 X 40
15	TT218321	LABEL	1	200715-	PROPSHAFT GREASING
16	TT217221	POWERSHAFT SHIELD	1		(SUB FOR TT173777 AND TT178753)
17	TT186672	POWERSHAFT SHIELD	1		(SUB FOR TT173976)
18	TT176083	GUARD	1		

1B19

AXLES, DIFFERENTIALS AND SUSPENSION SYSTEMS 02
INPUT DRIVE SHAFTS AND U-JOINTS 0225

T209562 -UN-15MAR05

MID UNIVERSAL DRIVESHAFT ASSEMBLY



T209562

1B20

AXLES, DIFFERENTIALS AND SUSPENSION SYSTEMS 02
 INPUT DRIVE SHAFTS AND U-JOINTS 0225

MID UNIVERSAL DRIVESHAFT ASSEMBLY

KEY	PART NO.	PART NAME	QTY	AXLE		REMARKS
				SERIAL NO.	D D	
				3	4	
				5	0	
				0	0	
				D	D	
1	AT253557	UNIVERSAL JOINT YOKE	1		X X	
2	AT253325	BEARING	2		X X	
3	AT253389	UNIVERSAL DRIVESHAFT	1		X X	
4	TT190956	UNIVERSAL JOINT YOKE	1		X X	(SUB FOR AT253779)
5	AT253373	COVER	2		X X	
6	AT253372	RETAINER	1		X X	
7	24M7433	WASHER	8		X X	10.500 X 20 X 2 MM
8	19M7662	CAP SCREW	8		X X	M10 X 30
9	Z65394	WASHER	2		X X	
10	AT258279	NUT	2		X X	
11	E65268	SEAL	2		X X	
12	AR26670	ELBOW FITTING	1		X X	(90°)
13	R35352	FITTING	1		X X	
14	24M7429	WASHER	16		X X	13 X 24 X 2.500 MM
15	19M7403	CAP SCREW	16		X X	M12 X 35

1B22

AXLES, DIFFERENTIALS AND SUSPENSION SYSTEMS 02

AXLE MOUNTING PARTS 0242

FRONT AXLE HOUSING AND AXLE SHAFT

KEY	PART NO.	PART NAME	QTY	AXLE		REMARKS
				SERIAL NO.	D D	
					3 4	
					5 0	
					0 0	
					D D	
4	TT221467	SEAL	2		X X	
	TT208034	RING	2		X X	
5	AT258279	NUT	1		X X	
6	H80440	LOCK NUT	2		X X	
7	AT258681	WASHER	2		X X	
8	841728000	STUD	2		X X	(SUB FOR AT255244)
9	AT258261	WASHER	1		X X	
10	AT258674	ACTUATOR	1		X X	FRONT AXLE
11	TT207660	PIPE PLUG	1		X X	(M30 X 1.5)
12	TT207626	PIPE PLUG	1		X X	MAGNETIC (M30 X 1.5)
13	TT190956	UNIVERSAL JOINT YOKE	1		X X	(SUB FOR AT253779)
	TT208787	COVER	1		X X	NOT ILLUSTRATED
14	SERIAL NUMBER PLATE	1		X X	
15	AT253626	SHAFT	2		X X	1473.2 MM (58 IN.) SIDE
16	TT183231	HOUSING	1		X X	
17	AT253371	SPACER	1		X X	
18	12M7069	LOCK WASHER	8		X X	16 MM
19	AT259772	STUD	8		X X	
20	14H1083	NUT	8		X X	5/8"
21	N208115	CAP SCREW	4		X X	

1B23

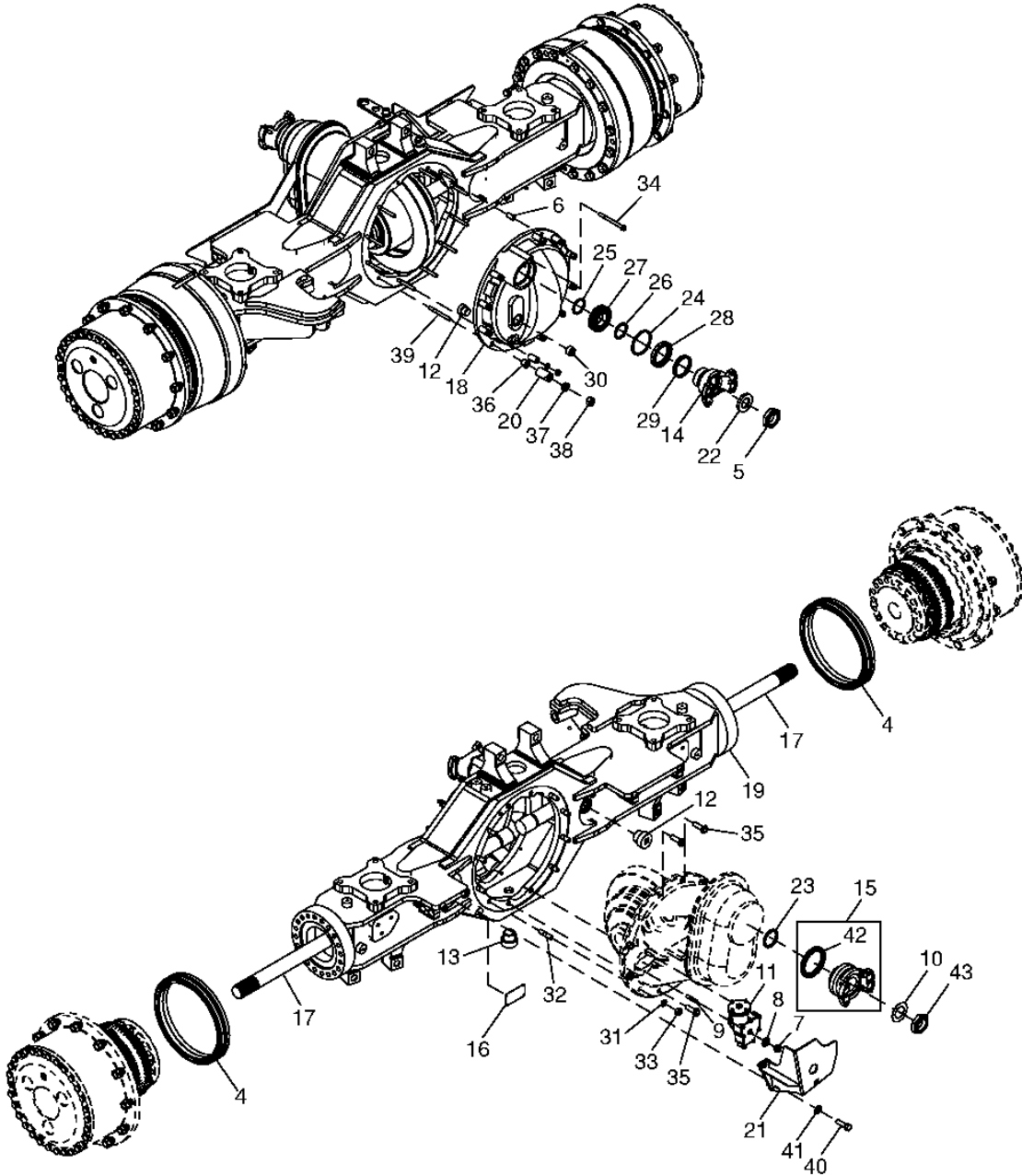
AXLES, DIFFERENTIALS AND SUSPENSION SYSTEMS 02

AXLE MOUNTING PARTS 0242

T212393

-UN-23JUN05

MID AXLE HOUSING AND AND AXLE SHAFT



T212393

1B24

AXLES, DIFFERENTIALS AND SUSPENSION SYSTEMS 02
 AXLE MOUNTING PARTS 0242

MID AXLE HOUSING AND AXLE SHAFT

KEY	PART NO.	PART NAME	QTY	AXLE		REMARKS
				SERIAL NO.	D D	
					3 4	
					5 0	
					0 0	
					D D	
4	TT221467	SEAL	2		X X	
	TT208034	RING	2		X X	
5	TT222989	FLANGE NUT	1		X X	
6	AT253925	DOWEL PIN	1		X X	
7	H80440	LOCK NUT	2		X X	
8	AT258681	WASHER	2		X X	
9	841728000	STUD	2		X X	(SUB FOR AT255244)
10	AT258261	WASHER	1		X X	
11	AT258674	ACTUATOR	1		X X	MID AXLE
12	TT207660	PIPE PLUG	2		X X	(M30 X 1.5)
13	TT207626	PIPE PLUG	1		X X	MAGNETIC (M30 X 1.5)
14	AT259823	YOKE	1		X X	
15	TT190956	UNIVERSAL JOINT YOKE	1		X X	(SUB FOR AT253779)
16	SERIAL NUMBER PLATE	1		X X	
17	AT253626	SHAFT	2		X X	1473.2 MM (58 IN.) SIDE
18	AT260343	COVER	1		X X	
19	TT183230	HOUSING	1		X X	
20	AT253468	SPACER	11		X X	
21	TT173985	GUARD	1		X X	
22	AT261440	WASHER	1		X X	
23	AT253371	SPACER	1		X X	
24	AT261439	SPACER	1		X X	
25	AT260344	SPACER	1		X X	
26	AT261436	SPACER	1		X X	
27	AT256153	BEARING	1		X X	
28	AT259780	SEAL	1		X X	
29	AT256144	SEAL	1		X X	
30	15H562	PIPE PLUG	1		X X	1"
31	12M7069	LOCK WASHER	8		X X	16 MM
32	AT259772	STUD	8		X X	
33	14H1083	NUT	8		X X	5/8"
34	19H3837	CAP SCREW	1		X X	7/16" X 5"
35	N208115	CAP SCREW	4		X X	
36	AT253201	SLEEVE	4		X X	
37	R59897	LOCK WASHER	11		X X	
38	14H1021	NUT	11		X X	7/16"
39	AT259771	STUD	11		X X	
40	19M8118	CAP SCREW	2		X X	M10 X 35
41	24M7433	WASHER	2		X X	10.500 X 20 X 2 MM
42	TT208787	COVER	1		X X	
43	AT258279	NUT	1		X X	

1C1

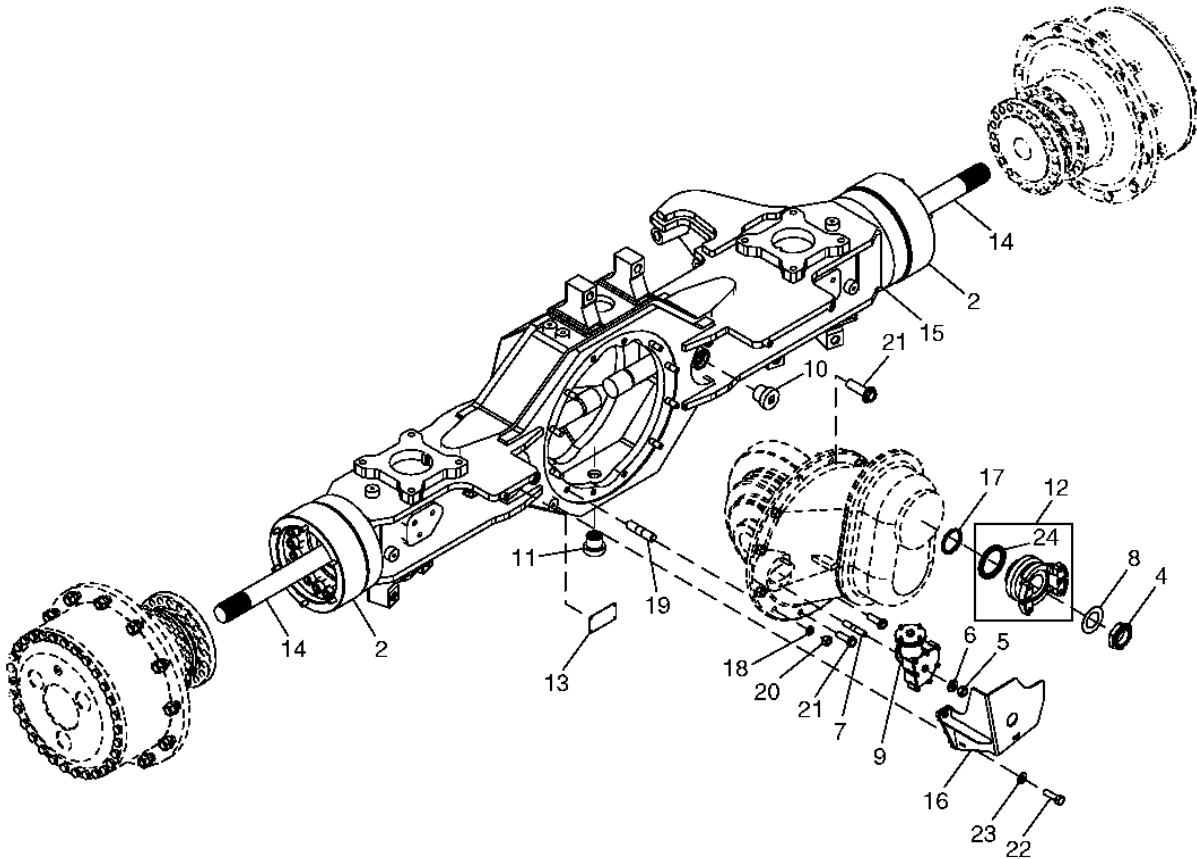
AXLES, DIFFERENTIALS AND SUSPENSION SYSTEMS 02

AXLE MOUNTING PARTS 0242

T212403

-UN-23JUN05

REAR AXLE HOUSING AND AXLE SHAFT



T212403

1C2

AXLES, DIFFERENTIALS AND SUSPENSION SYSTEMS 02
 AXLE MOUNTING PARTS 0242

REAR AXLE HOUSING AND AXLE SHAFT

KEY	PART NO.	PART NAME	QTY	AXLE		REMARKS
				SERIAL NO.	D D	
					3 4	
					5 0	
					0 0	
					D D	
4	AT258279	NUT	1		X X	
5	H80440	LOCK NUT	2		X X	
6	AT258681	WASHER	2		X X	
7	841728000	STUD	2		X X	(SUB FOR AT255244)
8	AT258261	WASHER	1		X X	
9	AT258674	ACTUATOR	1		X X	REAR AXLE
10	TT207660	PIPE PLUG	1		X X	(M30 X 1.50)
11	TT207626	PIPE PLUG	1		X X	(MAGNETIC M30 X 1.5)
12	TT190956	UNIVERSAL JOINT YOKE	1		X X	(SUB FOR AT253779)
13	SERIAL NUMBER PLATE	1		X X	
14	AT253626	SHAFT	2		X X	1473.2 MM (58 IN.) SIDE
15	TT183232	HOUSING	1		X X	
16	TT173985	GUARD	1		X X	
17	AT253371	SPACER	1		X X	
18	12M7069	LOCK WASHER	8		X X	16 MM
19	AT259772	STUD	8		X X	
20	14H1083	NUT	8		X X	5/8"
21	N208115	CAP SCREW	4		X X	
22	19M8118	CAP SCREW	2		X X	M10 X 35
23	24M7433	WASHER	2		X X	10.500 X 20 X 2 MM
24	TT208787	COVER	1		X X	

1C3

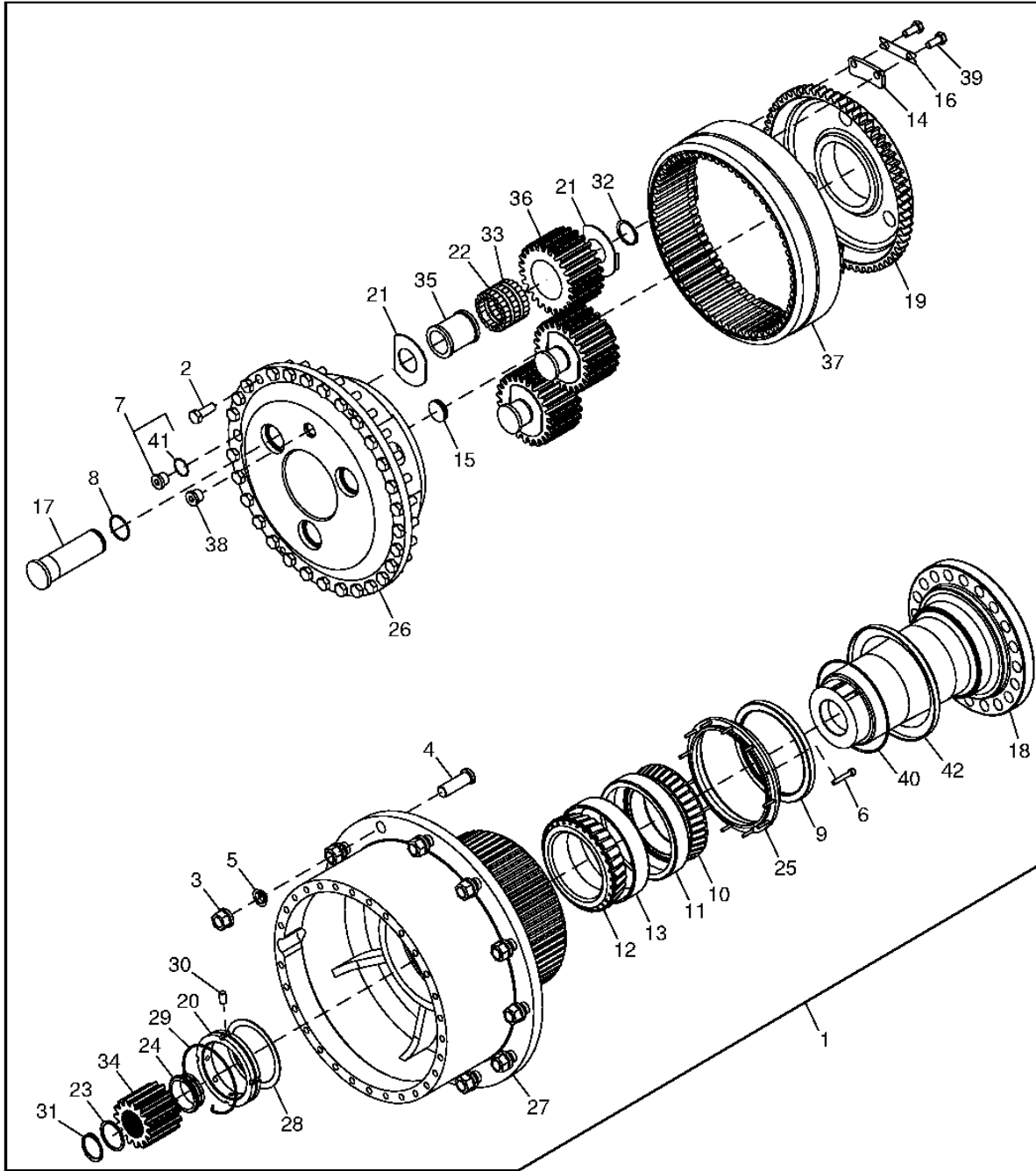
AXLES, DIFFERENTIALS AND SUSPENSION SYSTEMS 02

AXLE MOUNTING PARTS 0242

WDB AXLE FINAL DRIVE KIT (400D)

T211132

-UN-25MAY05



T211132

1C4

AXLES, DIFFERENTIALS AND SUSPENSION SYSTEMS 02

AXLE MOUNTING PARTS 0242

WDB AXLE FINAL DRIVE KIT (400D)

KEY	PART NO.	PART NAME	QTY	AXLE SERIAL NO.	3 4	REMARKS
					D D	
					5 0	
					0 0	
					D D	
1	TT261467	PLANETARY ASSEMBLY	4		X	
2	19M7490	CAP SCREW	29		X	M14 X 40
3	T185322	NUT	12		X	
4	AT253199	WHEEL BOLT	12		X	
5	AT256131	THRUST WASHER	12		X	
6	19M8576	SCREW	12		X	M5 X 30
7	TT207676	PIPE PLUG	1		X	(MAGNETIC M22 X 1.5)
8	AT253309	O-RING	3		X	
9	TT140350	SEAL	1		X	
10	AT253326	BEARING CONE	1		X	
11	AT253327	BEARING CUP	1		X	
12	JD9033	BEARING CONE	1		X	
13	JD8297	BEARING CUP	1		X	
14	AT260340	RETAINER	4		X	
15	AT252273	PLUG	1		X	
16	AT252281	LOCK PLATE	4		X	
17	AT253340	PIN FASTENER	3		X	
18	AT253341	SPINDLE	1		X	
19	AT253342	HOUSING	1		X	
20	AT253347	NUT	1		X	
21	AT253352	THRUST WASHER	6		X	
22	AT253355	SHIM	6		X	
23	T187903	SPACER	1		X	
24	AT253359	THRUST WASHER	1		X	
25	AT253365	HOLDER	1		X	
26	AT253376	PLANET PINION CARRIER	1		X	
27	TT161784	HUB	1		X	FINAL DRIVE
28	TT190899	ROUND RETAINER	1		X	(SUB FOR AT253555)
29	AT253618	SNAP RING	1		X	
30	AT253619	DOWEL PIN	1		X	
31	40M7166	SNAP RING	1		X	
32	40M7047	SNAP RING	3		X	
33	AT253713	NEEDLE ROLLER	189		X	
34	TT206598	SUN GEAR	1		X	
35	TT206599	BEARING RACE	3		X	
36	AT195214	PLANET PINION	3		X	
37	AT195215	RING GEAR	1		X	
38	TT207796	PIPE PLUG	1		X	(M22 X 1.5)
39	19H2664	CAP SCREW	8		X	5/16" X 3/4"
40	TT140240	O-RING	1		X	
41	TT140662	O-RING	1		X	
42	AT258684	LOCK WASHER	1		X	

1C5

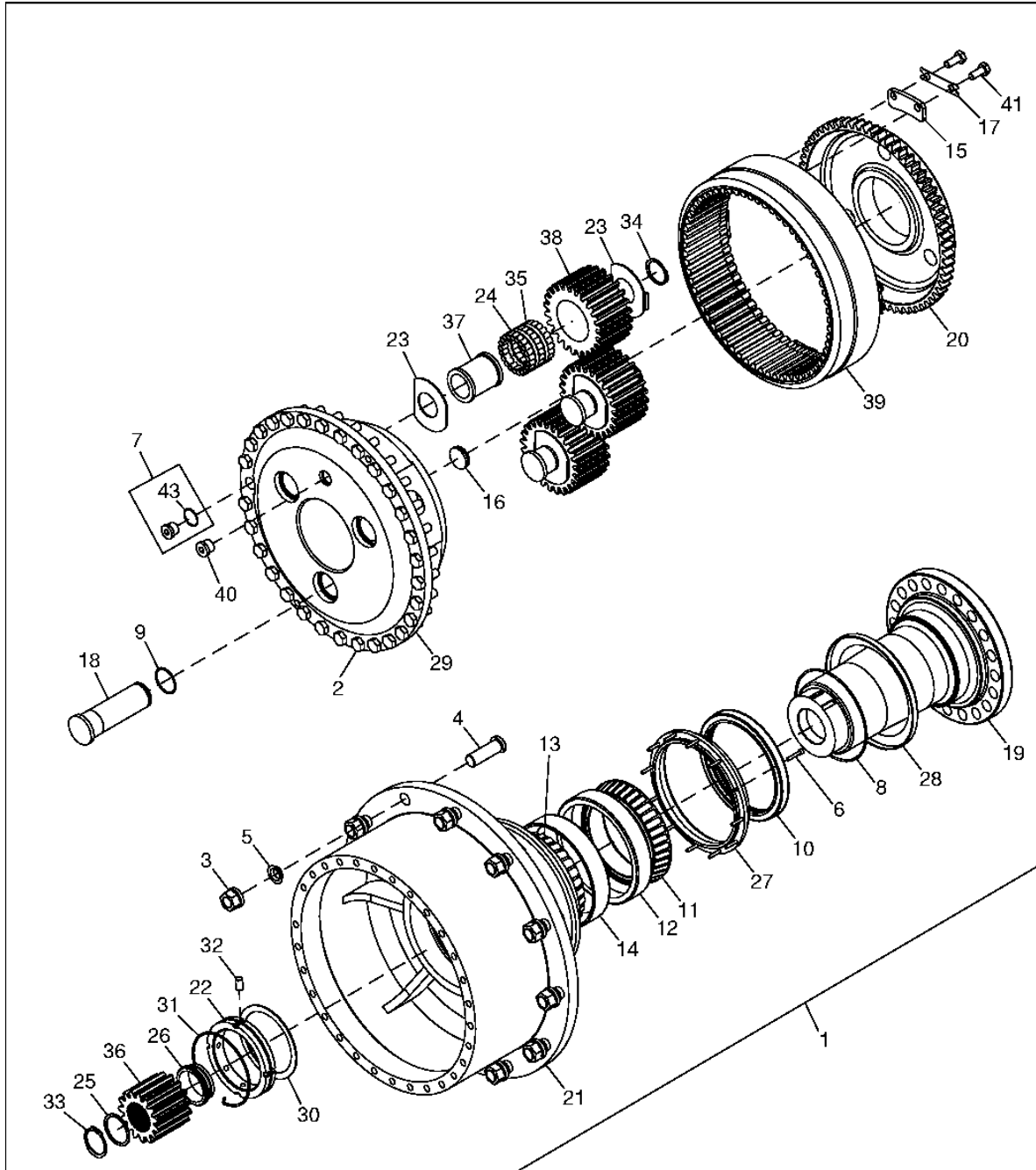
AXLES, DIFFERENTIALS AND SUSPENSION SYSTEMS 02

AXLE MOUNTING PARTS 0242

T211080

-UN-25MAY05

REAR AXLE FINAL DRIVE HOUSING AND SHAFT



T211080

1C6

AXLES, DIFFERENTIALS AND SUSPENSION SYSTEMS 02
AXLE MOUNTING PARTS 0242

REAR AXLE FINAL DRIVE HOUSING AND SHAFT

KEY	PART NO.	PART NAME	QTY	AXLE		REMARKS
				SERIAL NO.	D D	
					3 4	
					5 0	
					0 0	
					D D	
1	PLANETARY ASSEMBLY	6		X X	FINAL DRIVE, (TT261468 NO LONGER AVAILABLE)
2	19M7490	CAP SCREW	29		X X	M14 X 40
3	T185322	NUT	12		X X	
4	AT253199	WHEEL BOLT	12		X X	
5	AT256131	THRUST WASHER	12		X X	
6	19M8576	SCREW	12		X X	M5 X 30
7	TT207796	PIPE PLUG	1		X X	
8	TT140240	O-RING	1		X X	
9	AT253309	O-RING	3		X X	
10	AT253317	SEAL	1		X X	
11	AT253326	BEARING CONE	1		X X	
12	AT253327	BEARING CUP	1		X X	
13	JD9033	BEARING CONE	1		X X	
14	JD8297	BEARING CUP	1		X X	
15	AT260340	RETAINER	4		X X	
16	AT252273	PLUG	1		X X	
17	AT252281	LOCK PLATE	4		X X	
18	AT253340	PIN FASTENER	3		X X	
19	AT253341	SPINDLE	1		X X	
20	AT253342	HOUSING	1		X X	
21	AT253344	HOUSING	1		X X	
22	AT253347	NUT	1		X X	
23	AT253352	THRUST WASHER	6		X X	
24	AT253355	SHIM	6		X X	
25	T187903	SPACER	1		X X	
26	AT253359	THRUST WASHER	1		X X	
27	AT253365	HOLDER	1		X X	
28	AT258646	ROUND RETAINER	1		X X	
29	AT253376	PLANET PINION CARRIER	1		X X	
30	TT190899	WASHER	1		X X	(SUB FOR AT253555)
31	AT253618	SNAP RING	1		X X	
32	AT253619	DOWEL PIN	1		X X	
33	AT253620	SNAP RING	1		X X	
34	AT253621	SNAP RING	3		X X	
35	AT253713	NEEDLE ROLLER	189		X X	
36	TT206598	SUN GEAR	1		X X	
37	TT206599	BEARING RACE	3		X X	
38	AT195214	PLANET PINION	3		X X	
39	AT195215	RING GEAR	1		X X	
40	TT207676	PIPE PLUG	1		X X	
41	19H2664	CAP SCREW	8		X X	5/16" X 3/4"
42	AT253621	SNAP RING	1		X X	
43	TT140662	O-RING	1		X X	

1C7

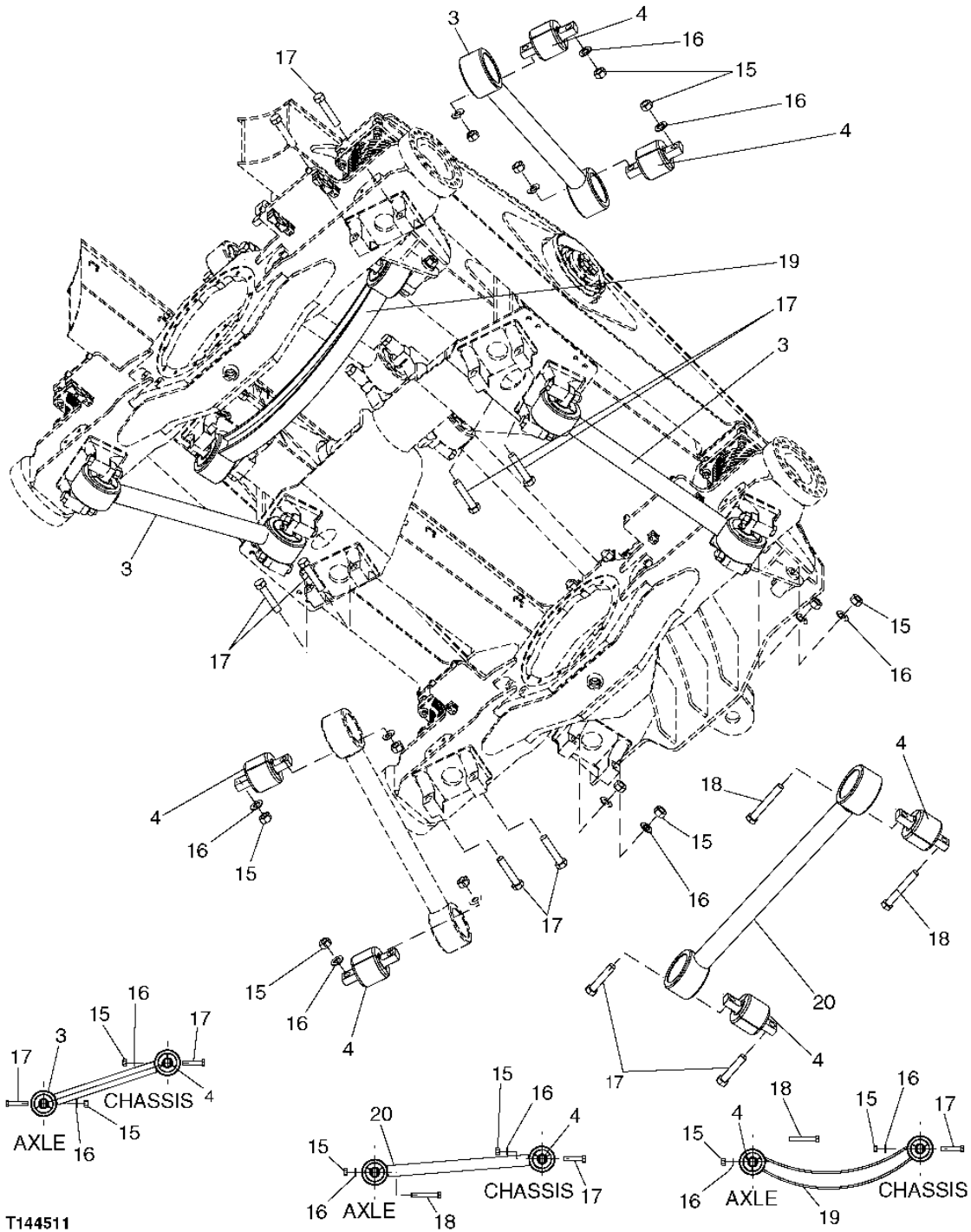
AXLES, DIFFERENTIALS AND SUSPENSION SYSTEMS 02

AXLE MOUNTING PARTS 0242

T144511

-UN-06SEP01

REAR SUSPENSION LINKS



T144511

1C8

AXLES, DIFFERENTIALS AND SUSPENSION SYSTEMS 02

AXLE MOUNTING PARTS 0242

REAR SUSPENSION LINKS

KEY	PART NO.	PART NAME	QTY	AXLE		REMARKS
				SERIAL NO.	D D	
				3	4	
				5	0	
				0	0	
				D	D	
3	AT253513	DRAG LINK	6		X X	
4	AT253731	BUSHING	16		X X	
15	14H962	NUT	28		X X	1"
16	24M6631	WASHER	34		X X	29 X 50 X 4 MM
17	TT101325	BOLT	28		X X	
18	TT101326	CAP SCREW	4		X X	
19	AT253509	ARM	1		X X	
20	AT253508	ARM	1		X X	

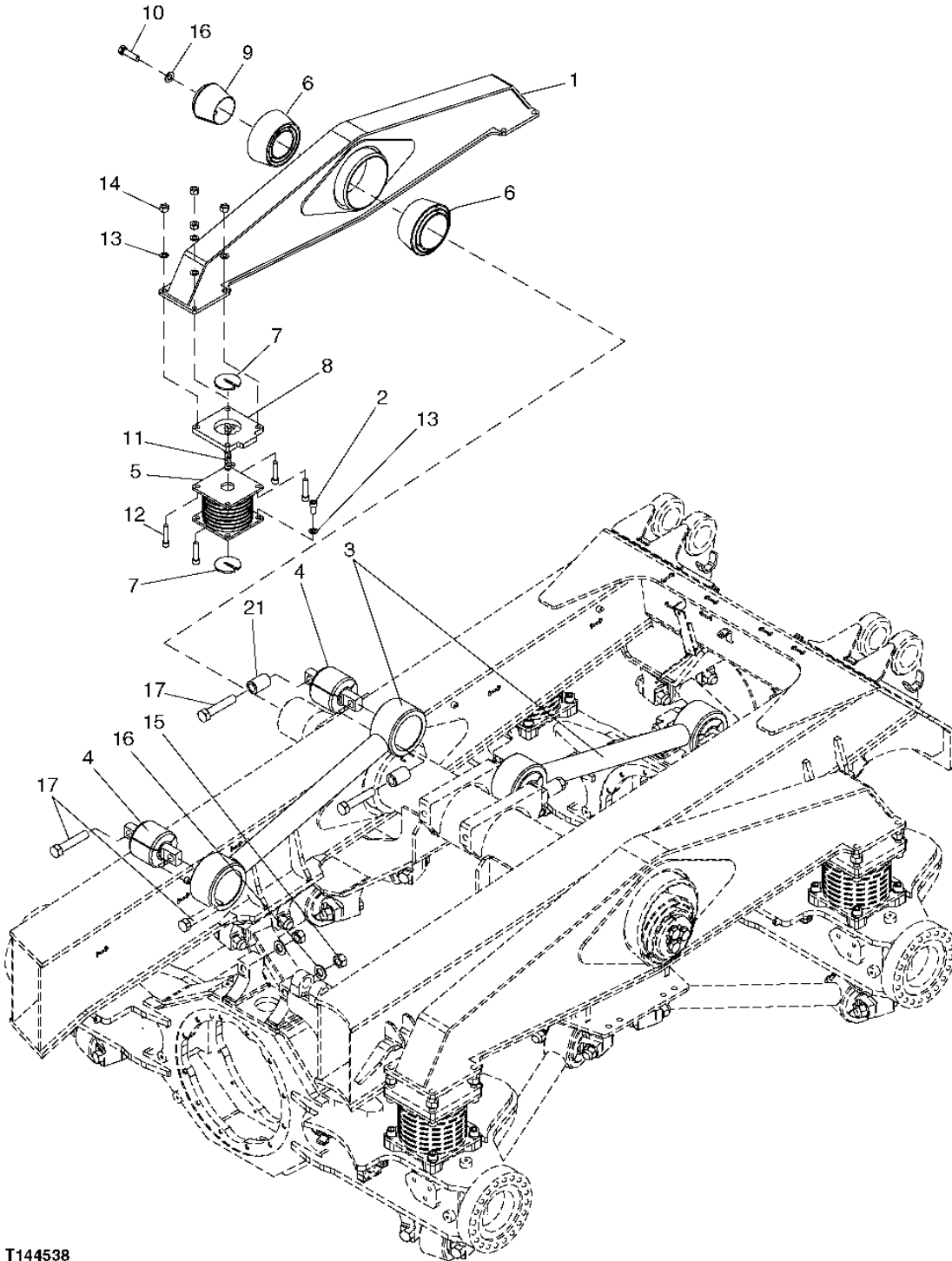
1C9

AXLES, DIFFERENTIALS AND SUSPENSION SYSTEMS 02

AXLE MOUNTING PARTS 0242

REAR SUSPENSION ASSEMBLY

T144538 -UN-25SEP01



T144538

1C10

AXLES, DIFFERENTIALS AND SUSPENSION SYSTEMS 02

AXLE MOUNTING PARTS 0242

REAR SUSPENSION ASSEMBLY

KEY	PART NO.	PART NAME	QTY	AXLE SERIAL NO.	3 4	REMARKS
					D D	
1	TT182010	BEAM	2		X	
	TT182900	WALKING BEAM	2		X	
2	AT260308	CAP SCREW	16		X X	
3	AT253513	DRAG LINK	6		X X	
4	AT253731	BUSHING	16		X X	
5	AT195217	ISOLATOR	4		X X	
6	AT253622	BEARING	4		X X	
7	AT252327	RETAINER	8		X X	
8	AT253414	SPACER	4		X X	
9	AT253504	PLUG	2		X X	
10	19M8288	CAP SCREW	6		X X	M24 X 90
11	AT253549	LINK CHAIN	4		X X	
12	AT258642	CAP SCREW	16		X X	
13	24M7349	WASHER	32		X X	21 X 37 X 3 MM
14	A31870	LOCK NUT	16		X X	
15	14H962	NUT	28		X X	1"
16	24M6631	WASHER	34		X X	29 X 50 X 4 MM
17	TT101325	BOLT	28		X X	
21	AT253379	SPACER	4		X X	

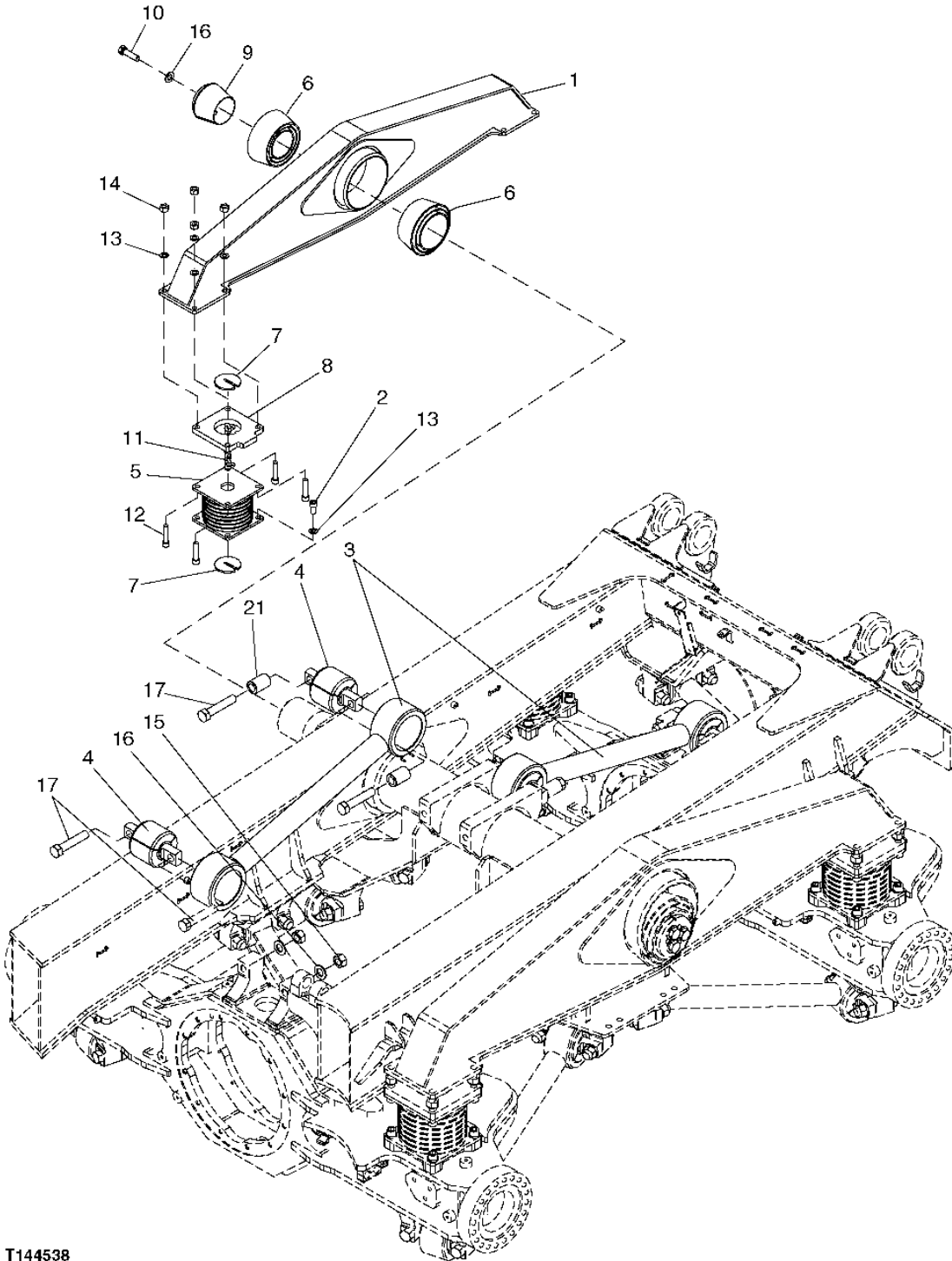
1C11

AXLES, DIFFERENTIALS AND SUSPENSION SYSTEMS 02

AXLE MOUNTING PARTS 0242

REAR SUSPENSION ASSEMBLY

T144538 -UN-25SEP01



T144538

1C12

AXLES, DIFFERENTIALS AND SUSPENSION SYSTEMS 02

AXLE MOUNTING PARTS 0242

REAR SUSPENSION ASSEMBLY

KEY	PART NO.	PART NAME	QTY	AXLE		REMARKS
				SERIAL NO.	D D	
				3	4	
				5	0	
				0	0	
				D	D	
1	TT182010	BEAM	2		X	
	TT182900	WALKING BEAM	2		X	(SUB FOR AT253527)
2	AT260308	CAP SCREW	16		X X	
3	AT253513	DRAG LINK	6		X X	
4	AT253731	BUSHING	16		X X	
5	AT195217	ISOLATOR	4		X X	
6	AT253622	BEARING	4		X X	
7	AT252327	RETAINER	8		X X	
8	AT253414	SPACER	4		X X	
9	AT253504	PLUG	2		X X	
10	19M8288	CAP SCREW	6		X X	M24 X 90
11	AT253549	LINK CHAIN	4		X X	
12	AT258642	CAP SCREW	16		X X	
13	24M7349	WASHER	32		X X	21 X 37 X 3 MM
14	A31870	LOCK NUT	16		X X	
15	14H962	NUT	28		X X	1"
16	24M6631	WASHER	34		X X	29 X 50 X 4 MM
17	TT101325	BOLT	28		X X	
21	AT253379	SPACER	4		X X	

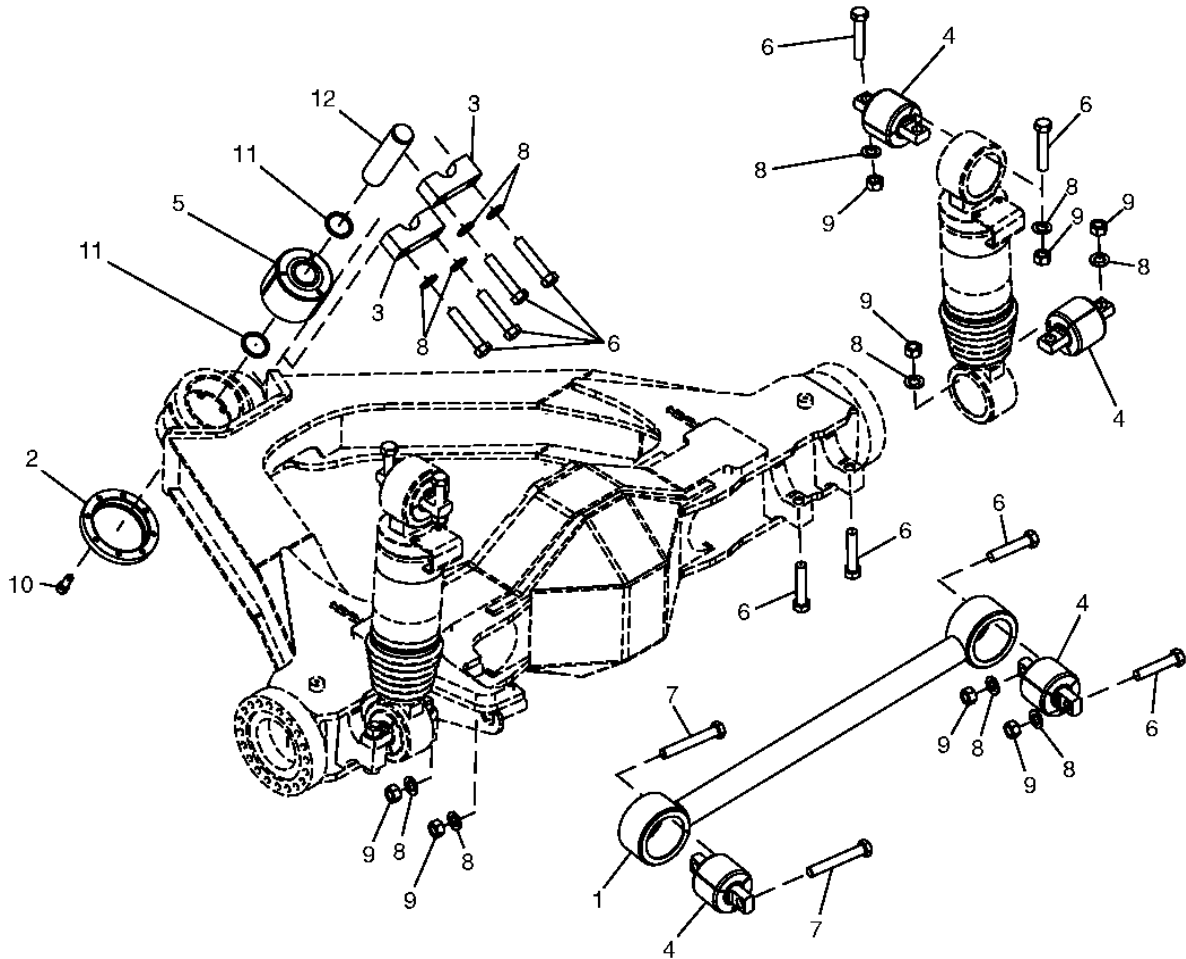
1C13

AXLES, DIFFERENTIALS AND SUSPENSION SYSTEMS 02

HYDRAULIC CYLINDER 0265

FRONT SUSPENSION ARM, BEARING AND BUSHINGS

T201063 -UN-24JUN04



T201063

1C14

AXLES, DIFFERENTIALS AND SUSPENSION SYSTEMS 02

HYDRAULIC CYLINDER 0265

FRONT SUSPENSION ARM,BEARING AND BUSHINGS

KEY	PART NO.	PART NAME	QTY	AXLE SERIAL NO.	3 4	REMARKS
					D D	
1	AT253508	ARM	1		X X	
2	AT256158	COVER	1		X X	
3	AT260338	BLOCK CLAMP	4		X X	
4	AT253731	BUSHING	6		X X	
5	AT253730	BEARING	1		X X	
6	TT101325	BOLT	14		X X	
7	TT101326	CAP SCREW	2		X X	
8	24M6631	WASHER	16		X X	29 X 50 X 4 MM
9	14H962	NUT	12		X X	1"
10	19M8169	SCREW	8		X X	M12 X 30
11	AT253388	SPACER	2		X X	
12	AT253369	PIN	1		X X	

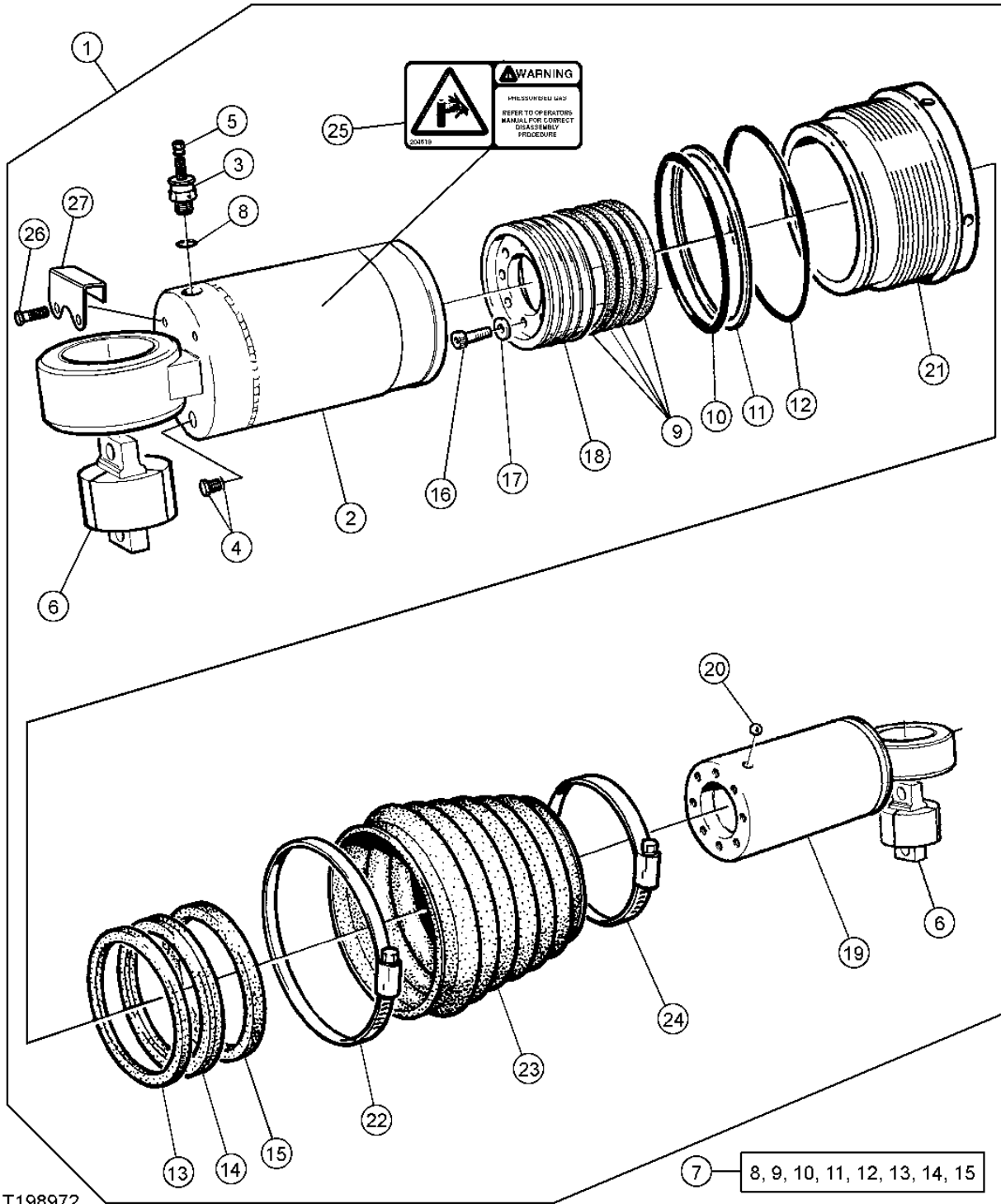
1C15

AXLES, DIFFERENTIALS AND SUSPENSION SYSTEMS 02

HYDRAULIC CYLINDER 0265

FRONT AXLE SUSPENSION STRUT CYLINDER (SERIAL NO. -200759)

T198972 -UN-08APR04



T198972

1C16

AXLES, DIFFERENTIALS AND SUSPENSION SYSTEMS 02

HYDRAULIC CYLINDER 0265

FRONT AXLE SUSPENSION STRUT CYLINDER
(SERIAL NO. -200759)

KEY	PART NO.	PART NAME	QTY	AXLE		REMARKS
				SERIAL NO.	D D	
					3 4	
					5 0	
					0 0	
					D D	
1	AT259838	ABSORBER	1		X X	SHOCK (R.H.) (SUB TT230242)
	AT253959	ABSORBER	1	-200510	X X	SHOCK (R.H.) (SUB TT230242)
	TT230197	ABSORBER	1	200511-	X X	(SUB TT230242 AND TT230244) SHOCK (R.H.)
	AT259839	ABSORBER	1		X X	(SUB TT230244) SHOCK (L.H.)
	AT253959	ABSORBER	1	-200510	X X	(SUB TT230244) L.H.
	TT230196	ABSORBER	1	200511-	X X	(SUB TT230242 AND TT230244) L.H.
2	AT253522	BARREL	1		X X	
3	AT46202	HYD ACTUATED CONTROL VALVE	1		X X	
4	AT258668	FITTING PLUG	1		X X	
5	AT258675	CAP	1		X X	
6	AT253731	BUSHING	2		X X	
7	AT253315	SEAL KIT	1		X X	(B) (INCLUDES PARTS MARKED (A))
8	R394R	O-RING	1		X X	(A) (B)
9	GUIDE	4		X X	(A) (B) (AT256210 NO LONGER AVAILABLE) (FURNISH AT253315)
10	CE14618	O-RING	1		X X	(A) (B)
11	BACK-UP RING	1		X X	(A) (B) (AT256145 NO LONGER AVAILABLE) (FURNISH AT253315)
12	T20779	RING	1		X X	(A) (B)
13	SEAL	1		X X	(A) (B) (AT256145 NO LONGER AVAILABLE) (FURNISH AT253315)
14	SEAL	1		X X	(A) (B) (AT256541 NO LONGER AVAILABLE) (FURNISH AT253315)
15	SEAL	1		X X	(A) (B) (AT258226 NO LONGER AVAILABLE) (FURNISH AT253315)
16	19M8395	SCREW	8		X X	(B) M12 X 40
17	24M7240	WASHER	8		X X	(B) 13 X 25 X 3 MM
18	PISTON	1	-200510	X X	(AT253366 NO LONGER AVAILABLE) (SUB. TT161939 AND TT182574)
	PISTON	1	200511-		(AT253366 NO LONGER AVAILABLE) (SUB.TWO TT161939 AND TWO TT182574)
19	ROD	1	-200510	X X	(AT253523 NO LONGER AVAILABLE) (SUB. TT161939 AND TT182574)
	ROD	1	200511-	X X	(TT183864 NO LONGER AVAILABLE) (SUB.TWO TT161939 AND TWO TT182574)
20	L38730	BALL	1		X X	(B)
21	AT253363	HYDR. CYLINDER ROD GUIDE	1		X X	
22	TY22492	HOSE CLAMP	1		X X	
23	AT253680	BOOT	1		X X	
24	TY22494	HOSE CLAMP	1		X X	
25	AT253774	LABEL	1		X X	
26	19M8017	CAP SCREW	2		X X	(B) M12 X 20
27	AT253501	GUARD	1		X X	

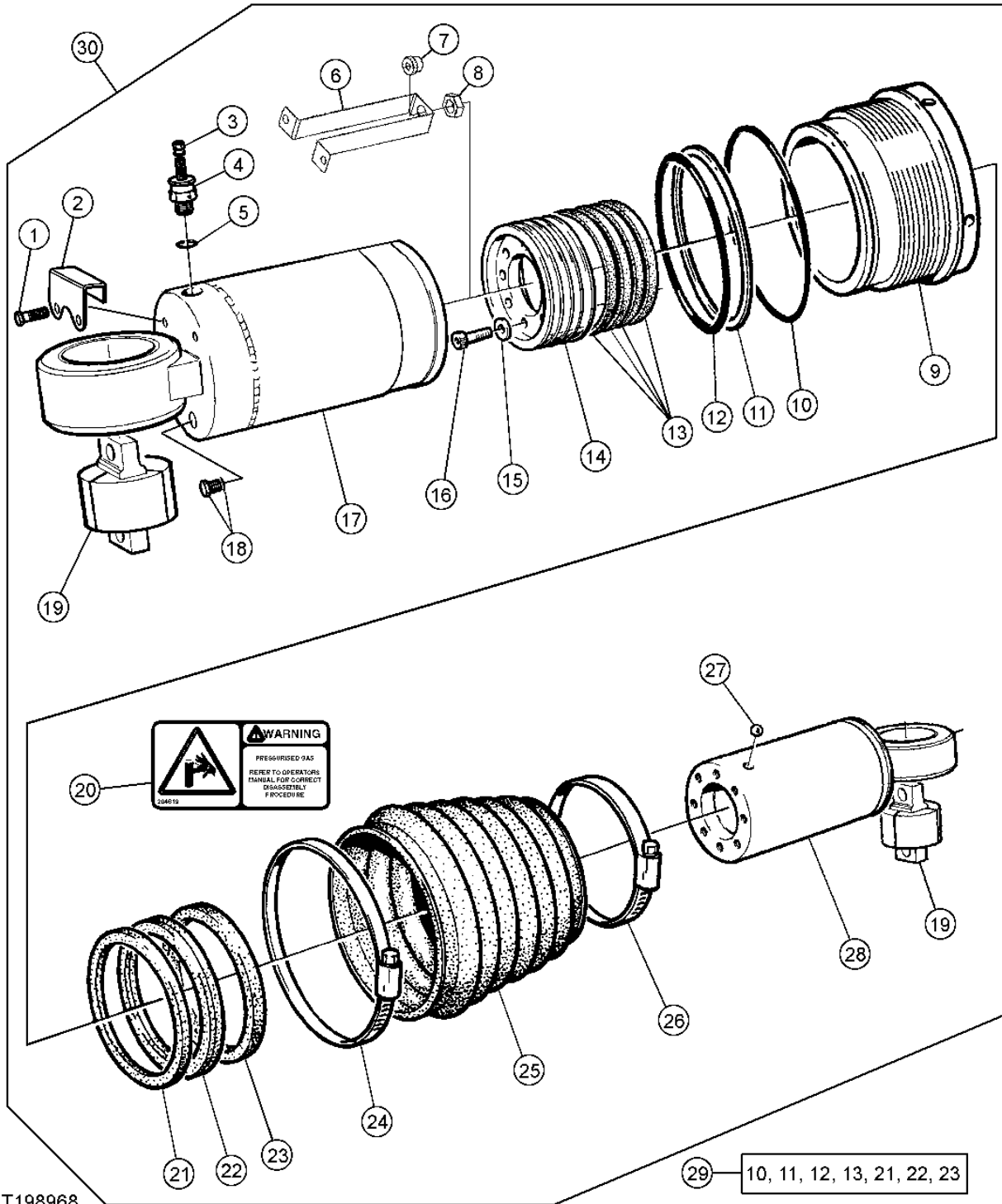
1C17

AXLES, DIFFERENTIALS AND SUSPENSION SYSTEMS 02

HYDRAULIC CYLINDER 0265

FRONT AXLE SUSPENSION STRUT CYLINDER (SERIAL NO.200760-)

T198968 -UN-06APR04



T198968

1C18

AXLES, DIFFERENTIALS AND SUSPENSION SYSTEMS 02

HYDRAULIC CYLINDER 0265

**FRONT AXLE SUSPENSION STRUT CYLINDER
(SERIAL NO.200760-)**

KEY	PART NO.	PART NAME	QTY	AXLE		REMARKS
				SERIAL NO.	D D	
					3 4	
					5 0	
					0 0	
					D D	
1	19M8017	CAP SCREW	2		X X	M12 X 20
2	AT253501	GUARD	1		X X	
3	AT258675	CAP	1		X X	
4	AT46202	HYD ACTUATED CONTROL VALVE	1		X X	
5	R394R	O-RING	1		X X	
6	TT186335	BRACKET	1		X X	
7	TT207676	PIPE PLUG	1		X X	
8	H170536	NUT	1		X X	
9	AT253363	HYDR. CYLINDER ROD GUIDE	1		X X	
10	T20779	RING	1		X X	FURNISH AT253315
11	SEAL	1		X X	(FURNISH AT253315)
12	CE14618	O-RING	1		X X	(FURNISH AT253315)
13	GUIDE	1		X X	(FURNISH AT253315)
14	TT161939	PISTON	1		X X	
15	24M7429	WASHER	6		X X	13 X 24 X 2.500 MM
16	19M8341	SCREW	8		X X	M12 X 45
17	AT253522	BARREL	1		X X	
18	AT258668	FITTING PLUG	AR		X X	
19	AT253731	BUSHING	2		X X	
20	AT253774	LABEL	1		X X	
21	SEAL	1		X X	(FURNISH AT253315)
22	SEAL	1		X X	(FURNISH AT253315)
23	SEAL	1		X X	(FURNISH AT253315)
24	AT253567	CLAMP	1		X X	
25	AT253680	BOOT	1		X X	
26	TY22490	HOSE CLAMP	1		X X	
27	TT221630	BALL	1		X X	
28	TT182574	ROD	1		X X	
29	AT253315	SEAL KIT	1		X X	
30	TT230242	ABSORBER	1		X X	STRUT R.H.
	TT230244	ABSORBER	1		X X	STRUT L.H.