

# Section 9015

## Electrical System

### Contents

	Page	Page
<b>Group 05—System Information</b>		
Electrical Diagram Information . . . . .	9015-05-2	
<b>Group 10—System Diagrams</b>		
Explanation Of Wire Markings . . . . .	9015-10-1	
Fuse (Blade-Type) Color Codes . . . . .	9015-10-2	
Electrical Wire Color Code Specifications . . . . .	9015-10-2	
Fuse Specifications		
Cab . . . . .	9015-10-4	
Rops . . . . .	9015-10-10	
Component Identification Table . . . . .	9015-10-15	
System Functional Schematic, Wiring		
Diagram And Component Location Legend (S.N. — 910010) . . . . .	9015-10-17	
System Functional Schematic Section		
Legend (S.N. —910010) . . . . .	9015-10-20	
System Functional Schematic 1 Of 6 . . . . .	9015-10-21	
System Functional Schematic, Wiring		
Diagram And Component Location		
Legend (S.N. 910011—920838) . . . . .	9015-10-27	
System Functional Schematic Section		
Legend (S.N. 910011—920838) . . . . .	9015-10-30	
System Functional Schematic (S.N. 910011—920838) . . . . .	9015-10-31	
System Functional Schematic, Wiring		
Diagram And Component Location		
Legend (S.N. 920839— ) . . . . .	9015-10-32	
System Functional Schematic Section		
Legend (S.N. 920839— ) . . . . .	9015-10-35	
System Functional Schematic (S.N. 920839— ) . . . . .	9015-10-36	
Cab Harness (W5) Wiring Diagram . . . . .	9015-10-37	
Cab Harness (W5) Component Location . . . . .	9015-10-45	
Engine Harness (W6) Wiring Diagram . . . . .	9015-10-56	
Engine Harness (W6) Component		
Location . . . . .	9015-10-60	
Transmission Harness (W7) Wiring		
Diagram . . . . .	9015-10-72	
Transmission Harness (W7) Component		
Location . . . . .	9015-10-79	
Transmission Harness (W7) Component		
Location (S.N. 910011— ) . . . . .	9015-10-84	
Radio Harness (W9) Wiring Diagram . . . . .	9015-10-90	
Radio Harness (W9) Component		
Location . . . . .	9015-10-92	
Rear wiper harness		
Wiring diagram . . . . .	9015-10-93	
<b>Group 15—Sub-System Diagnostics</b>		
Power Circuit		
Operational Information . . . . .	9015-15-1	
Theory Of Operation . . . . .	9015-15-2	
Schematic . . . . .	9015-15-3	
Diagnostic Procedures . . . . .	9015-15-5	
Power Circuit Diagnostic Procedures . . . . .	9015-15-5	
Start Circuit		
Operational Information . . . . .	9015-15-10	
Theory Of Operation . . . . .	9015-15-11	
Schematic . . . . .	9015-15-12	
Diagnostic Procedures . . . . .	9015-15-13	
Start Circuit Diagnostic Procedures . . . . .	9015-15-13	
Charging Circuit		
Operational Information . . . . .	9015-15-21	
Theory Of Operation . . . . .	9015-15-21	
Schematic . . . . .	9015-15-22	
Diagnostic Procedures . . . . .	9015-15-23	
Charging Circuit Diagnostic Procedures . . . . .	9015-15-23	
Display Monitor, Indicator And Gauge Circuit		
Specifications . . . . .	9015-15-25	
Specifications . . . . .	9015-15-26	
Operational Information . . . . .	9015-15-27	
Theory Of Operation . . . . .	9015-15-28	
Schematic . . . . .	9015-15-33	
Display Monitor/Indicator Circuit Operational		
Information, Theory Of Operation And		
Circuit Schematic (S.N. 910011— ) . . . . .	9015-15-34	
Display Monitor, Indicator And Gauge Circuit		
Diagnostic Procedures . . . . .	9015-15-39	
Display Monitor, Gauge Senders, And		
Switch Inputs Circuit Diagnostic		
Procedures . . . . .	9015-15-39	
Transmission Control Circuit		
Operational Information . . . . .	9015-15-45	
Theory Of Operation . . . . .	9015-15-46	
Schematic . . . . .	9015-15-48	
Flow Chart . . . . .	9015-15-50	
Calculations For Diagnostic Transmission		
Calibration Limits For (B1, B2, B8,		
B9) . . . . .	9015-15-52	

Continued on next page

## Contents

	Page		Page
Diagnostic Transmission Calibration Limits Table . . . . .	9015-15-53	Diagnostic Procedures . . . . .	9015-15-103
Transmission Controller Circuit Diagnostic Procedures . . . . .	9015-15-54	Under Seat Heater Circuit Diagnostic Procedures . . . . .	9015-15-103
Transmission Controller Test . . . . .	9015-15-54	Front And Rear Light Circuit Operational Information . . . . .	9015-15-106
Decelerator Sensor (B1) Circuit Test (S.N. — 920838) . . . . .	9015-15-55	Theory Of Operation . . . . .	9015-15-106
Decelerator Sensor (B1) Circuit Test (S.N. 920839— ) . . . . .	9015-15-58	Schematic . . . . .	9015-15-107
Transmission Speed Control Switch (B4) Test With Speed In Grip . . . . .	9015-15-61	Diagnostic Procedures . . . . .	9015-15-108
Reverse Speed Ratio Switch (B19) Switch Test . . . . .	9015-15-64	Front And Rear Light Circuit Diagnostic Procedures . . . . .	9015-15-108
(R6) Motor Shift Resistor Module Test (S.N. —920838) . . . . .	9015-15-66	Radio Circuit Operational Information . . . . .	9015-15-110
(R4 and R5) Can Termination Resistor Test . . . . .	9015-15-67	Theory Of Operation . . . . .	9015-15-110
Left And Right Steer Sensor (B5) Test . . . . .	9015-15-68	Schematic . . . . .	9015-15-111
FNR Sensor (B2) And Neutral Start Switch (S3) Test . . . . .	9015-15-71	Diagnostic Procedures . . . . .	9015-15-112
Hydrostatic Pump Speed Sensor B6 Test . . . . .	9015-15-75	Radio Circuit Diagnostic Procedures . . . . .	9015-15-112
Left Track Motor Speed Sensor B7 Test . . . . .	9015-15-77		
Right Track Motor Speed Sensor B3 Test . . . . .	9015-15-80	<b>Group 20—References</b>	
Rear Pump (LH) Pressure Control Pilot (PCP) B8 Test . . . . .	9015-15-83	Alternators And Starting Motors—Use	
Front Pump (RH) Pressure Control Pilot (PCP) B9 Test . . . . .	9015-15-85	CTM77 . . . . .	9015-20-1
Right Motor (RH) Pressure Control Pilot (PCP) B26 Test . . . . .	9015-15-87	Service Equipment And Tools . . . . .	9015-20-1
Left Motor (LH) Pressure Control Pilot (PCP) B27 Test . . . . .	9015-15-88	Batteries	
Engine Controller Circuit Theory of Operation (S.N. 920839— ) . . . . .	9015-15-88	Specifications . . . . .	9015-20-2
Wiper And Washer Circuit Operational Information . . . . .	9015-15-89	Operation . . . . .	9015-20-3
Theory Of Operation . . . . .	9015-15-89	Diagnose Malfunctions . . . . .	9015-20-4
Schematic . . . . .	9015-15-90	Check Electrolyte Level And Terminals . . . . .	9015-20-5
Diagnostic Procedures . . . . .	9015-15-91	Procedure For Testing . . . . .	9015-20-7
Wiper And Washer Circuit Diagnostic Procedures . . . . .	9015-15-91	Using Booster Batteries—24 Volt System . . . . .	9015-20-8
Heater Blower Circuit Operational Information . . . . .	9015-15-94	Alternator Operation—24V—55 Amp Bosch	
Theory Of Operation . . . . .	9015-15-95	Alternator . . . . .	9015-20-9
Schematic . . . . .	9015-15-96	Starter Motor	
Diagnostic Procedures . . . . .	9015-15-97	Operation . . . . .	9015-20-11
Heater Blower Circuit Diagnostic Procedures . . . . .	9015-15-97	Display Monitor Diagnostic Trouble Codes (S.N. 910011—920838) . . . . .	9015-20-13
Under Seat Heater Circuit Operational Information . . . . .	9015-15-101	Display Monitor Diagnostic Trouble Codes (S.N. 920839— ) . . . . .	9015-20-18
Theory Of Operation . . . . .	9015-15-101	Access Display Monitor Diagnostic Trouble Codes (S.N. 910011— ) . . . . .	9015-20-21
Schematic . . . . .	9015-15-102	Program Display Monitor (S.N. 910011— ) . . . . .	9015-20-24
		Engine Diagnostic Trouble Codes (S.N. 920839— ) . . . . .	9015-20-25
		Access Engine Diagnostic Trouble Codes (S.N. 920839— ) . . . . .	9015-20-30
		Transmission Controller Diagnostic Trouble Codes And Calibration Codes . . . . .	9015-20-33
		!CAL Displayed On Controller and Check Service Code Light Flashing . . . . .	9015-20-36
		F311 Transmission Shutdown (Service Code) . . . . .	9015-20-36

Continued on next page

## Contents

Page	Page		
F314 Transmission Shutdown (Service Code) . . . . .	9015-20-42	F355 No Anti-Stall (2.15 mph) (Service Code) Decelerator Sensor (B1) (S.N. — 920838) . . . . .	9015-20-82
F321 Transmission Shutdown (Service Code) . . . . .	9015-20-45	F355 (B1) Decelerator Sensor (S.N. 920839—) . . . . .	9015-20-84
F324 Transmission Shutdown (Service Code) . . . . .	9015-20-47	F356 No Anti-Stall (2.15 mph) (Calibration Code) Decelerator Sensor (B1) (S.N. — 920838) . . . . .	9015-20-84
F330 Transmission Shutdown (Service Code) FNR Sensor (B2) . . . . .	9015-20-47	F357 No Anti-Stall (2.15 mph) (Calibration Code) Decelerator Sensor (B1) (S.N. — 920838) . . . . .	9015-20-85
F331 Transmission Shutdown (Service Code) FNR Sensor (B2) . . . . .	9015-20-52	F358 No Anti-Stall (2.15 mph) (Calibration Code) Decelerator Sensor (B1) (S.N. — 920838) . . . . .	9015-20-87
F334 Transmission Shutdown (Service Code) FNR Sensor (B2) . . . . .	9015-20-53	F359 No Anti-Stall (2.15 mph) (Calibration Code) Decelerator Sensor (B1) (S.N. — 920838) . . . . .	9015-20-87
F335 Transmission Shutdown (Service Code) FNR Sensor (B2) . . . . .	9015-20-54	F370 Possible Mistracking (Service Code) Left Track Motor Speed Sensor (B7) . . . . .	9015-20-89
F336 Transmission Shutdown (Calibration Code) FNR Sensor (B2) . . . . .	9015-20-56	F372 Possible Mistracking (Service Code) Left Track Motor Speed Sensor (B7) . . . . .	9015-20-91
F337 Transmission Shutdown (Calibration Code) FNR Sensor (B2) . . . . .	9015-20-57	F373 Possible Mistracking (Service Code) Left Track Motor Speed Sensor (B7) . . . . .	9015-20-96
F338 Transmission Shutdown (Calibration Code) FNR Sensor (B2) . . . . .	9015-20-58	F375 Possible Mistracking (Service Code) Left Track Motor Speed Sensor (B7) . . . . .	9015-20-99
F339 Transmission Shutdown (Calibration Code) FNR Sensor (B2) . . . . .	9015-20-59	F380 Possible Mistracking (Service Code) Right Track Motor Speed Sensor (B3) . . . . .	9015-20-101
F340 No Steer (2.15 mph) (Service Code) Left and Right Steer Sensor (B5) . . . . .	9015-20-60	F382 Possible Mistracking (Service Code) Right Track Motor Speed Sensor (B3) . . . . .	9015-20-105
F341 No Steer (2.15 mph) (Service Code) Left and Right Steer Sensor (B5) . . . . .	9015-20-65	F383 Possible Mistracking (Service Code) Right Track Motor Speed Sensor (B3) . . . . .	9015-20-109
F344 No Steer (2.15 mph) (Service Code) Left and Right Steer Sensor (B5) . . . . .	9015-20-67	F385 Possible Mistracking (Service Code) Right Track Motor Speed Sensor (B3) . . . . .	9015-20-112
F345 No Steer (2.15 mph) (Service Code) Left and Right Steer Sensor (B5) . . . . .	9015-20-68	F393 No Anti-Stall (Service Code) Hydrostatic Pump Speed Sensor (B6) (S.N. — 920839) . . . . .	9015-20-114
F346 No Steer (2.15 mph) (Calibration Code) Left and Right Steer Sensor (B5) . . . . .	9015-20-69	F393 (B6) Crank Position Sensor (S.N. 920839—) . . . . .	9015-20-119
F347 No Steer (2.15 mph) (Calibration Code) Left and Right Steer Sensor (B5) . . . . .	9015-20-71	F396 No Anti-Stall (Calibration Code) Hydrostatic Pump Speed Sensor (B6) (S.N. — 920838) . . . . .	9015-20-120
F348 No Steer (2.15 mph) (Calibration Code) Left and Right Steer Sensor (B5) . . . . .	9015-20-72	F397 Transmission Shutdown (Calibration Code) Hydrostatic Pump Speed Sensor (B6) (S.N. —920838) . . . . .	9015-20-121
F349 No Steer (2.15 mph) (Calibration Code) Left and Right Steer Sensor (B5) . . . . .	9015-20-73	F398 Transmission Shutdown (Calibration Code) Hydrostatic Pump Speed Sensor (B6) (S.N. —920838) . . . . .	9015-20-122
F350 No Anti-Stall (2.15 mph) (Service Code) Decelerator Sensor (B1) (S.N. — 920838) . . . . .	9015-20-74		
F351 No Anti-Stall (2.15 mph) (Service Code) Decelerator Sensor (B1) (S.N. — 920838) . . . . .	9015-20-79		
F353 (B1) Decelerator Sensor (S.N. 920839—) . . . . .	9015-20-80		
F354 No Anti-Stall (2.15 mph) (Service Code) Decelerator Sensor (B1) (S.N. — 920838) . . . . .	9015-20-80		

Continued on next page

## Contents

Page	Page		
F399 No Anti-Stall (Calibration Code) Hydrostatic Pump Speed Sensor (B6) (S.N. — 920838) . . . . .	9015-20-123	F3E5 Transmission Shutdown (Service Code) Rear (LH) Pump Pressure Control Pilot (PCP) (B8) . . . . .	9015-20-140
F3A0 No Forward Direction (Service Code) Rear (LH) Pump Pressure Control Pilot (PCP) (B8) . . . . .	9015-20-124	F3E6 No Reverse Motion (Calibration Code) Rear Pump (LH) PCP (B8) . . . . .	9015-20-142
F3A5 Transmission Shutdown (Service Code) Rear (LH) Pump Pressure Control Pilot (PCP) (B8) . . . . .	9015-20-126	F3E7 No Reverse Motion (Calibration Code) Rear Pump (LH) PCP (B8)/Left Track Motor Speed Sensor (B7) . . . . .	9015-20-142
F3A6 No Forward Motion (Calibration Code) Rear Pump (LH) PCP (B8) . . . . .	9015-20-128	F3E8 (2.15 mph) (Calibration Code) Rear Pump (LH) PCP (B8) . . . . .	9015-20-143
F3A7 No Forward Motion (Calibration Code) Rear Pump (LH) PCP (B8)/Left Track Motor Speed Sensor (B7) . . . . .	9015-20-128	F3E9 (2.15 mph) (Calibration Code) Rear Pump (LH) PCP (B8) . . . . .	9015-20-143
F3A8 (2.15 mph) (Calibration Code) Rear Pump (LH) PCP (B8) . . . . .	9015-20-128	F3H1 Transmission Shutdown (Service Code) Neutral Start Switch (S3) . . . . .	9015-20-143
F3A9 (2.15 mph) (Calibration Code) Rear Pump (LH) PCP (B8) . . . . .	9015-20-128	F3H4 Transmission Shutdown (Service Code) Neutral Start Switch (S3) . . . . .	9015-20-147
F3C0 No Forward Direction (Service Code) Front (RH) Pump Pressure Control Pilot (PCP) (B9) . . . . .	9015-20-129	F3H6 Transmission Shutdown (Calibration Code) Neutral Start Switch (S3) . . . . .	9015-20-151
F3C5 Transmission Shutdown (Service Code) Front (RH) Pump Pressure Control Pilot (PCP) (B9) . . . . .	9015-20-130	F3H7 Transmission Shutdown (Calibration Code) Neutral Start Switch (S3) . . . . .	9015-20-154
F3C6 No Forward Motion (Calibration Code) Front Pump (RH) PCP (B9) . . . . .	9015-20-132	F3H8 Transmission Shutdown (Calibration Code) Neutral Start Switch (S3) . . . . .	9015-20-157
F3C7 No Forward Motion (Calibration Code) Front Pump (RH) PCP (B9)/Right Track Motor Speed Sensor (B3) . . . . .	9015-20-133	F3H9 Transmission Shutdown (Calibration Code) Neutral Start Switch (S3) . . . . .	9015-20-160
F3C8 (2.15 mph) (Calibration Code) Front Pump (RH) PCP (B9) . . . . .	9015-20-133	F3J4 (2.15 mph) (Service Code) Transmission Harness (W7) . . . . .	9015-20-163
F3C9 (2.15 mph) (Calibration Code) Front Pump (RH) PCP (B9) . . . . .	9015-20-133	F3K0 (2.15 mph)(Service Code) RH Motor PCP (B26) . . . . .	9015-20-164
F3D0 No Reverse Direction (Service Code) Front (RH) Pump Pressure Control Pilot (PCP) (B9) . . . . .	9015-20-133	F3K5 (2.15 mph)(Service Code) RH Motor PCP (B26) . . . . .	9015-20-167
F3D5 Transmission Shutdown (Service Code) Front (RH) Pump Pressure Control Pilot (PCP) (B9) . . . . .	9015-20-135	F3K8 (2.15 mph)(Calibration Code) RH Motor PCP (B26) . . . . .	9015-20-171
F3D6 No Reverse Motion (Calibration Code) Front Pump (RH) PCP (B9) . . . . .	9015-20-137	F3K9 (2.15 mph)(Calibration Code) RH Motor PCP (B26) . . . . .	9015-20-172
F3D7 No Reverse Motion (Calibration Code) Front Pump (RH) PCP (B9)/Right Track Motor Speed Sensor (B3) . . . . .	9015-20-137	F3L0 (2.15 mph)(Service Code) LH Motor PCP (B27) . . . . .	9015-20-174
F3D8 (2.15 mph) (Calibration Code) Front Pump (RH) PCP (B9) . . . . .	9015-20-138	F3L5 (2.15 mph)(Service Code) LH Motor PCP (B27) . . . . .	9015-20-177
F3D9 (2.15 mph) (Calibration Code) Front Pump (RH) PCP (B9) . . . . .	9015-20-138	F3L8 (2.15 mph)(Calibration Code) LH Motor PCP (B27) . . . . .	9015-20-181
F3E0 No Reverse Direction (Service Code) Rear (LH) Pump Pressure Control Pilot (PCP) (B8) . . . . .	9015-20-138	F3L9 (2.15 mph)(Calibration Code) LH Motor PCP (B27) . . . . .	9015-20-183
		F3M1 Possible Mistracking (Service Code) Left Track Motor Speed Sensor (B7) . . . . .	9015-20-184
		F3M4 Possible Mistracking (Service Code) Left Track Motor Speed Sensor (B7) . . . . .	9015-20-185
		F3N1 Possible Mistracking (Service Code) Right Track Motor Speed Sensor (B3) . . . . .	9015-20-186

Continued on next page



## Contents

	Page
F3N4 Possible Mistracking (Service Code) Right Track Motor Speed Sensor (B3) . . . . .	9015-20-188
F3P0 Return FNR To Neutral (Service Code) Park Lock Lever Switch (S20) . . .	9015-20-189
F3P5 Return FNR To Neutral (Service Code) Park Lock Lever Switch (S20) . . .	9015-20-192
F3R0 Reverse Speed Ratio to 115% (Service Code) Reverse Speed Ratio Switch (B19) . . . . .	9015-20-196
F3T0 (2.15 mph)(Service Code) Speed In Grip (B4) . . . . .	9015-20-200
F3T1 (2.15 mph)(Service Code) Speed In Grip (B4) . . . . .	9015-20-203
F3T4 (2.15 mph)(Service Code) Speed In Grip (B4) . . . . .	9015-20-205
F3T5 (2.15 mph)(Service Code) Speed In Grip (B4) . . . . .	9015-20-208
F3T6 (2.15 mph)(Calibration Code) Speed In Grip (B4) . . . . .	9015-20-212
F3T7 (2.15 mph)(Calibration Code) Speed In Grip (B4) . . . . .	9015-20-214
F3T8 (2.15 mph)(Calibration Code) Speed In Grip (B4) . . . . .	9015-20-216
F3T9 (2.15 mph)(Calibration Code) Speed In Grip (B4) . . . . .	9015-20-218
Transmission Controller Display Window Structure . . . . .	9015-20-221
Transmission Controller Display Window Structure . . . . .	9015-20-224
Transmission Controller Accessing Stored Service Codes . . . . .	9015-20-225
Accessing RPM . . . . .	9015-20-226
Calibration Theory . . . . .	9015-20-227
Transmission Controller Calibrate Transmission Controller . . . . .	9015-20-229
Calibrate Transmission Controller . . . . .	9015-20-237
Accessing Rate Of Speed . . . . .	9015-20-245
Accessing Diagnostics . . . . .	9015-20-249
Calculations For Diagnostic Transmission Calibration Limits For (B1, B2, B8, B9). . . . .	9015-20-254
Diagnostic Transmission Calibration Limits Table . . . . .	9015-20-255
Test Harness Kit (JT07329) . . . . .	9015-20-256
Test Harness Kit-Continued . . . . .	9015-20-257
Transmission Controller Connectors . . . . .	9015-20-258
Test Box (JT07349) For Transmission Controller And Transmission Harness . . . . .	9015-20-259
Test Box (JT07349)-Continued . . . . .	9015-20-259
Rotary Sensor Component Location . . . . .	9015-20-260

Contents

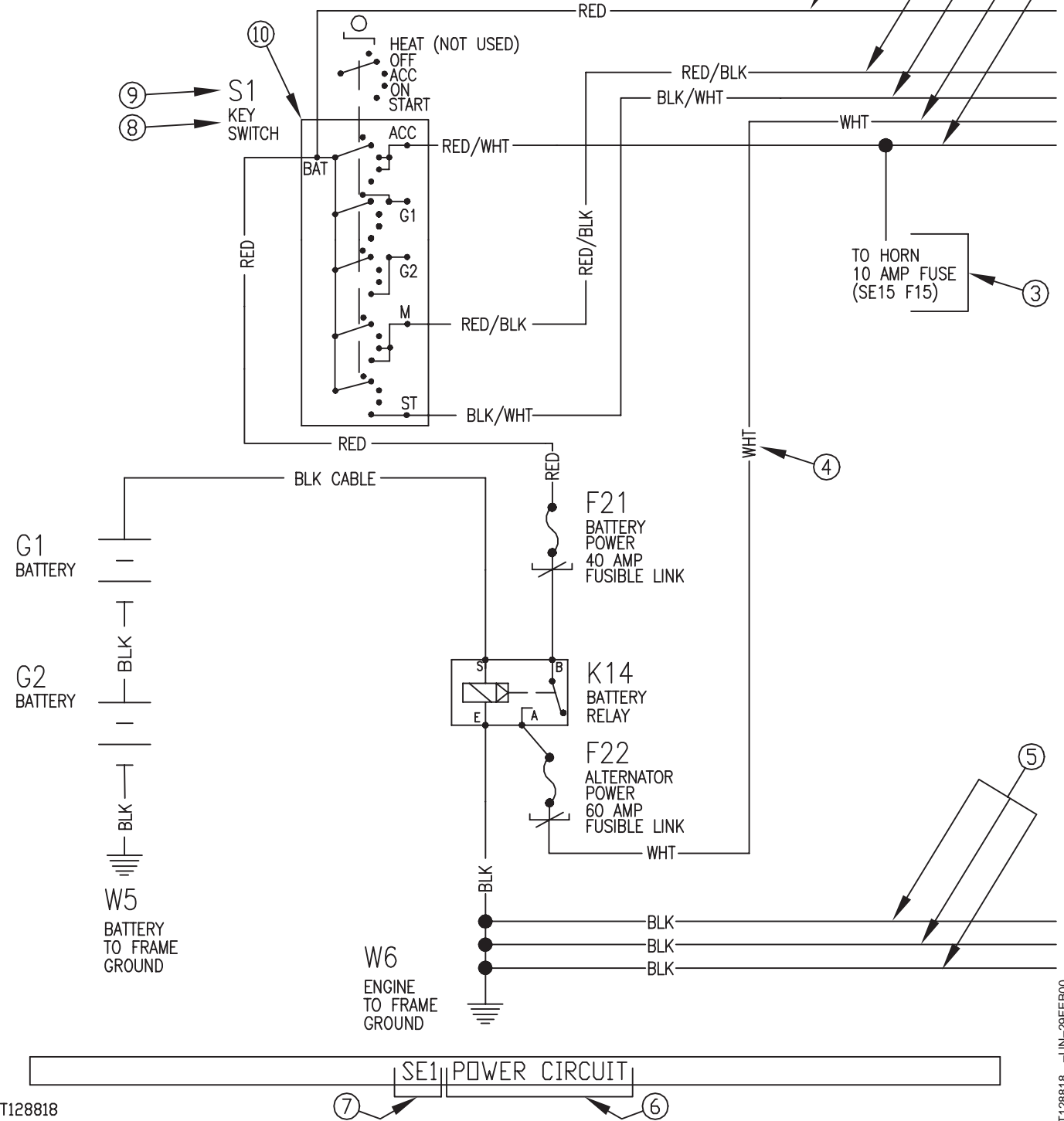
9015

9015  
05  
1

System Information

Electrical Diagram Information

POSITION	B	G <sub>1</sub>	G <sub>2</sub>	ACC	M	ST
HEAT	●	●				
OFF						
ACC	●			●		
ON	●			●	●	
START	●		●		●	●



9015  
05  
2

T128818

T128818 -UN-29FEB00

Continued on next page

CED, TX17984,455 -19-07MAY01-1/6



## System Information

1—Continuity Chart  
2—Power Wires  
3—Routing Location  
Information

4—Wire Identification  
5—Ground Wires  
6—Circuit Name

7—Section Number  
8—Component Name  
9—Component Identification  
Number

10—Component Schematic  
Symbol

*NOTE: All System Functional Schematics, Circuit Schematics, and Wiring Diagrams are shown with key switch in the OFF position.*

### System Functional Schematic Diagram

The System Functional Schematic is made up of sections which contain one or more Subsystem Functional Schematics laid out side by side in a logical sequence of related functions. Each subsystem is a major group of components like starting components or charging components. Each section of the System Functional Schematic is assigned a number (7) and a name (6) that reflects a group of components. The System Functional Schematic is formatted with power supply wires (2) shown across the top of the drawing and ground wires (5) across the bottom. The schematic contains no harness or connector information.

Each electrical component is shown by a schematic symbol (10), the component name (8), and a component identification number (9). A component identification number and name will remain the same throughout the Operation and Test Technical Manual. This will allow for easy cross-referencing of all electrical drawings (Schematics, Wiring Diagrams, and Component Location). A continuity chart (1) is included for each multi-terminal switch.

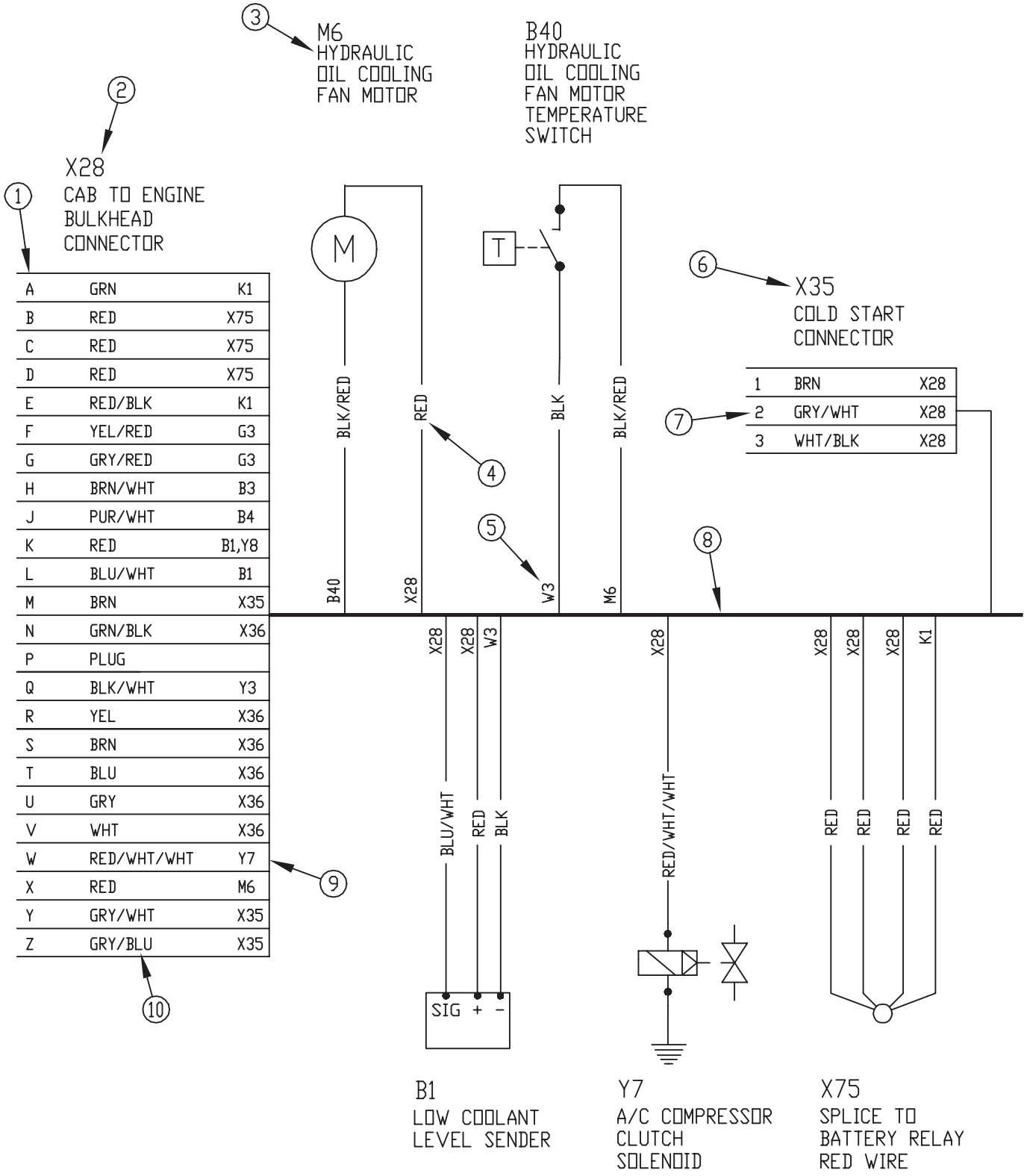
Routing location information (3) is presented to let the reader know when a wire is connected to a component in another section. TO and FROM statements identify when power is going "To" or coming "From" a component in a different location. The section and component number are given in parenthesis at the bottom of the statement. In the example, power is going TO component F15 Horn Fuse, in section SE15.

Continued on next page

CED,TX17984,455 -19-07MAY01-2/6

9015  
05  
3

System Information



9015  
05  
4

T128819

T128819 -UN-29FEB00

Continued on next page

CED,TX17984,455 -19-07MAY01-3/6

## System Information

1—Harness Connector Pin Letter or Number	3—Component Identification Number	6—Component Connector	9—Component Identification Number Wire is Routed TO
2—Harness Connector Number Identification	4—Wire Color or Number	7—Component Connector Pin Letter or Number	10—Wire Color or Number
	5—Component Identification Number Wire is Routed TO	8—Wiring Harness	

**Wiring Diagram—If Provided**

Each harness on the machine is drawn showing components, connectors, and wires. Harnesses are identified by a “W” component identification number and description (W6 ENGINE HARNESS, Etc.).

Each component is represented by a schematic symbol and is identified by a component identification number and name (3). Components with integral connectors (6) have pin number/letters indicated (7). Wires from harness to components are identified by color or number designation (4). Component identification number (5) indicates the component a wire is routed TO.

Main harness connectors (2) are identified by a “X” component identification number and description (X28 CAB TO ENGINE BULKHEAD CONNECTOR, Etc.). Harness connector description indicates which harnesses connect together. Connector pin letters or numbers (1) are indicated as they are marked on the connector. Wires attached to each connector pin are

identified by color or number (10). Component identification number (9) indicates destination of each wire.

**Component Location Diagram**

The Component Location Diagram is a pictorial view by harness showing location of all electrical components, connectors, harness main ground locations and harness band and clamp location. Each component will be identified by the same identification letter/number and description used in the System Functional Schematic Diagram.

**Connector End View Diagram—If Provided**

The Connector End View Diagram is a pictorial end view of the component connectors showing the number of pins in the connector and the wire color and identifier of the wire in every connector. Each component will be identified by the same identification letter/number and description used in the System Functional Schematic Diagram.

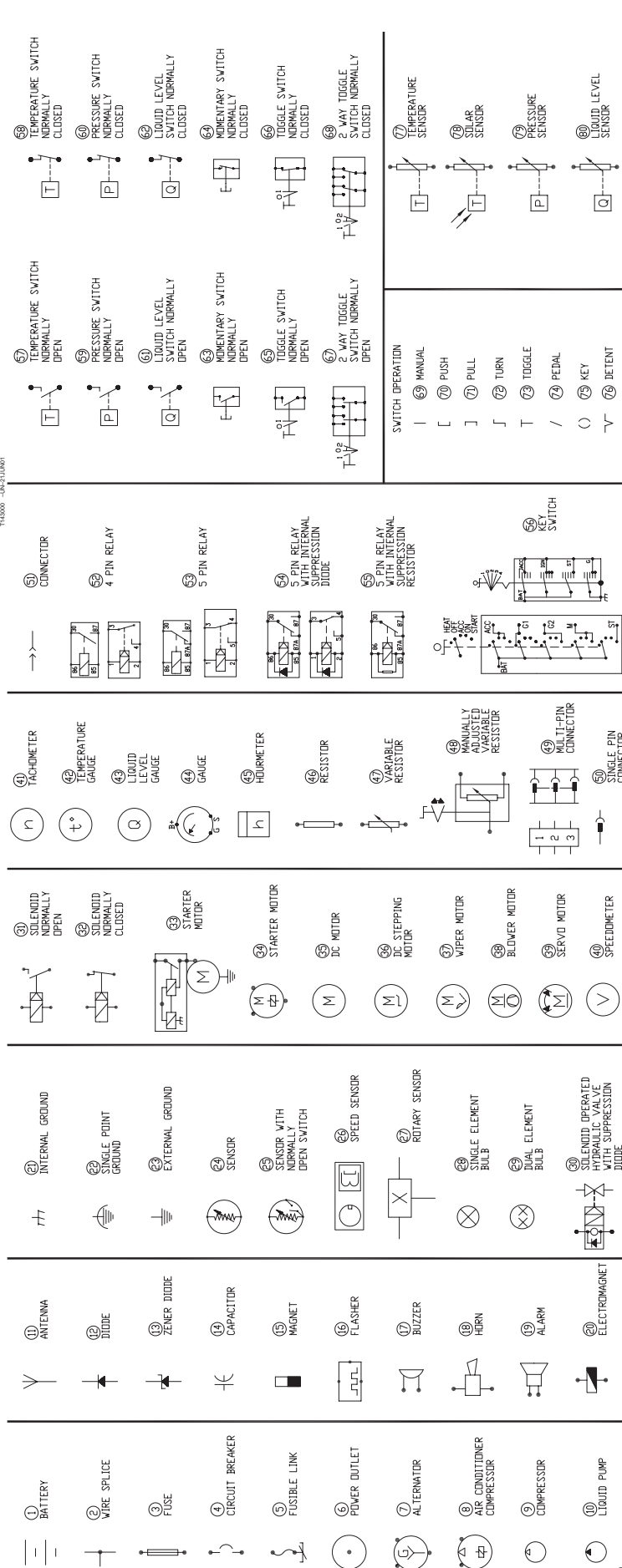
Continued on next page

CED,TX17984,455 -19-07MAY01-4/6

9015  
05  
5

System Information

T149000 -JAN-2010/067



Continued on next page  
 TM1855 (30JUN04)  
 9015-05-6  
 700H Crawler Dozer  
 P14-136



## System Information

1—Battery	25—Sensor with Normally Open Switch	47—Variable Resistor	63—Momentary Switch Normally Open
2—Wire Splice	26—Speed Sensor	48—Manually Adjusted Variable Resistor	64—Momentary Switch Normally Closed
3—Fuse	27—Rotary Sensor	49—Multi-Pin Connector	65—Toggle Switch Normally Open
4—Circuit Breaker	28—Single Element Bulb	50—Single Pin Connector	66—Toggle Switch Normally Closed
5—Fusible Link	29—Dual Element Bulb	51—Connector	67—2 Way Toggle Switch Normally Open
6—Power Outlet	30—Solenoid Operated Hydraulic Valve With Suppression Diode	52—4 Pin Relay	68—2 Way Toggle Switch Normally Closed
7—Alternator	31—Solenoid Normally Open	53—5 Pin Relay	69—Manual Switch Operation
8—Air Conditioner Compressor	32—Solenoid Normally Closed	54—5 Pin Relay With Internal Suppression Diode	70—Push Switch Operation
9—Compressor	33—Starter Motor	55—5 Pin Relay With Internal Suppression Resistor	71—Pull Switch Operation
10—Liquid Pump	34—Starter Motor	56—Key Switch	72—Turn Switch Operation
11—Antenna	35—DC Motor	57—Temperature Switch Normally Open	73—Toggle Switch Operation
12—Diode	36—DC Stepping Motor	58—Temperature Switch Normally Closed	74—Pedal Switch Operation
13—Zener Diode	37—Wiper Motor	59—Pressure Switch Normally Open	75—Key Switch Operation
14—Capacitor	38—Blower Motor	60—Pressure Switch Normally Closed	76—Detent Switch Operation
15—Magnet	39—Servo Motor	61—Liquid Level Switch Normally Open	77—Temperature Sensor
16—Flasher	40—Speedometer	62—Liquid Level Switch Normally Closed	78—Solar Sensor
17—Buzzer	41—Tachometer		79—Pressure Sensor
18—Horn	42—Temperature Gauge		80—Liquid Level Sensor
19—Alarm	43—Liquid Level Gauge		
20—Clock	44—Gauge		
21—Internal Ground	45—Hourmeter		
22—Single Point Ground	46—Resistor		
23—External Ground			
24—Sensor			

## Electrical Schematic Symbols

9015  
05  
7

CED,TX17984,455 -19-07MAY01-6/6

*System Information*

9015  
05  
8

## Explanation Of Wire Markings

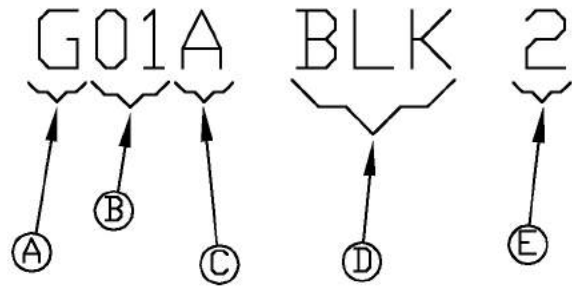
**Circuit Type Identifier:** The (A) denotes what type of a circuit any given wire is a part of. In the example the "G" denotes the wire is part of a ground circuit.

**Circuit Number:** The Circuit Number (B) (two digit number) identifies a unique circuit when used in conjunction with a Circuit Type Identifier (A). In the example, "G01" is a single unique circuit. G10, G20, or B01 would denote a entirely different circuit.

**Circuit Segment Identifier:** The Circuit Segment Identifier (C) identifies a segment of a circuit, it DOES NOT indicate a different circuit. This character is used in the design of the harnesses, but can also be used for trouble shooting when using the System Functional Schematic and Wiring Diagram By Harness. The circuit segment identifier (C) will remain the same until the circuit encounters either a splice, connector, or component. The circuit segment identifier WILL NOT be on the actual wire harness on machine, only ON the System Functional Schematic and Wiring Diagram By Harness.

**Wire Color:** The Wire Color (D) (three character code) is simply an abbreviation of the wire color.

**Wire Gauge:** The Wire Gauge (E) (number 2) indicates the wire gauge in millimeters. The wire gauge WILL NOT be on the actual wire harness on machine, only ON the System Functional Schematic and Wiring Diagram By Harness.



- A—Circuit Type Identifier
- B—Circuit Number
- C—Circuit Segment Identifier
- D—Wire Color
- E—Wire Gauge (millimeter "mm2")

T117531 -19-01OCT98

9015  
10  
1

Wire Information	
Gauge	Millimeter
20	0.5
18	0.8
16	1
14	2
12	3
10	4
8	8
6	13
4	19

## System Diagrams

## Fuse (Blade-Type) Color Codes

Amperage Rating	Color
1	Black
3	Violet
4	Pink
5	Tan
7-1/2	Brown
10	Red
15	Light Blue
20	Yellow
25	Natural (White)
30	Light Green

9015  
10  
2

CED,TX14826,12197 -19-10MAR00-1/1

## Electrical Wire Color Code Specifications

All machine electrical wires are shown by a wire number and color on electrical schematics.

Abbreviation	Color	Letters Used	Function
RED	Red	B, P	Power Functions
BLK	Black	G, R	Ground Functions
ORG	Orange	A, C	Accessories Functions
YEL	Yellow	F, N, X, Y	Monitored Functions
BLU	Blue	T, W	Power Transmission And Hydrostatic Functions
GRN	Green	H, K	Clutch Cutoff, Steering And Blade Functions
WHT	White	E	Engine Functions
BRN	Brown	L, D	Vehicle And Cab lighting Functions
TAN	Tan	J	Electrical And Electromechanical Functions
PINK	Pink	U, V	Unassigned Control Functions
PUR	Purple	M	Alternator, Voltmeter and Tachometer Functions
GRY	Gray	Z	Monitor Functions

CED,TX14826,12198 -19-10MAR00-1/1

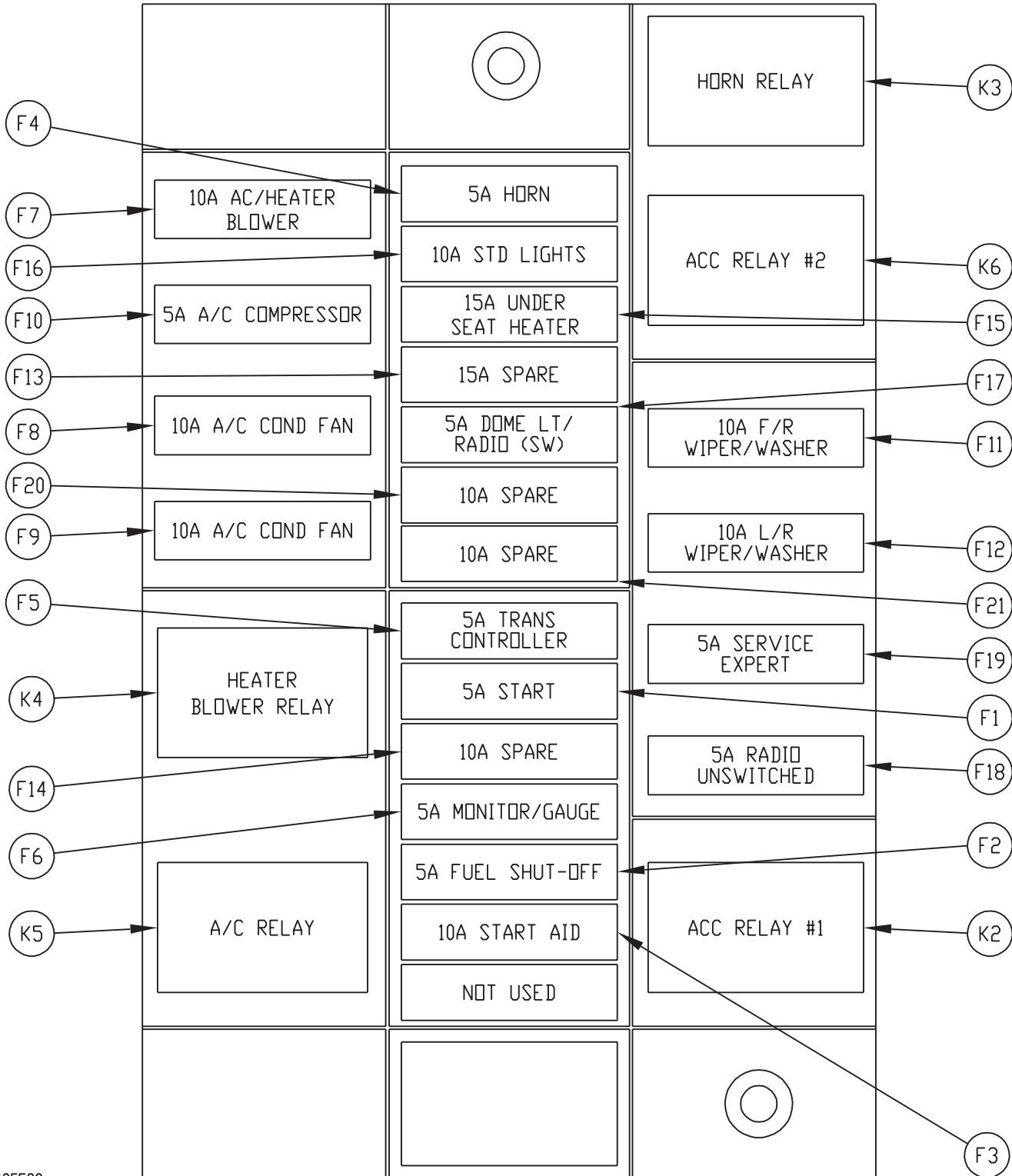


System Diagrams

9015  
10  
3

System Diagrams

Fuse Specifications For Cab



9015  
10  
4

T135538

Fuse Display For Cab (S.N. —910010)

Continued on next page

CED,TX14826,12199 -19-26FEB03-1/6

T135538 -UN-21NOV00

## System Diagrams

K5—A/C Relay	F13—15A Spare Fuse Auxiliary Light/CB	F15—15A Rops (Under Seat) Heater Fuse	F19—5A Service Expert Fuse
F6—5A Monitor/Gauge Fuse	F10—5A A/C Compressor Fuse	F17—5A Dome Light, Radio Fuse (Switched)	F1—5A Start Fuse
F14—10A Spare Fuse	F16—10A Standard Lights	F11—10A Front/Rear Wiper Washer Fuse	F18—5A Radio Fuse (Unswitched)
K4—Heater Blower Relay	F7—10A AC/Heater Blower Fuse	F12—15A Left/Right Wiper Washer Fuse	F2—5A Fuel Shut-Off Alternator Excitation Fuse
F5—5A Transmission Controller Fuse	F4—5A Horn Fuse	F21—10A Spare Fuse	K2—Accessory Relay #1
F9—10A A/C Condenser Fan Fuse	K3—Horn Relay		F3—10A Start Aid Fuse
F20—10A Spare Fuse	K6—ACC Relay		
F8—10A A/C Condenser Fan Fuse			

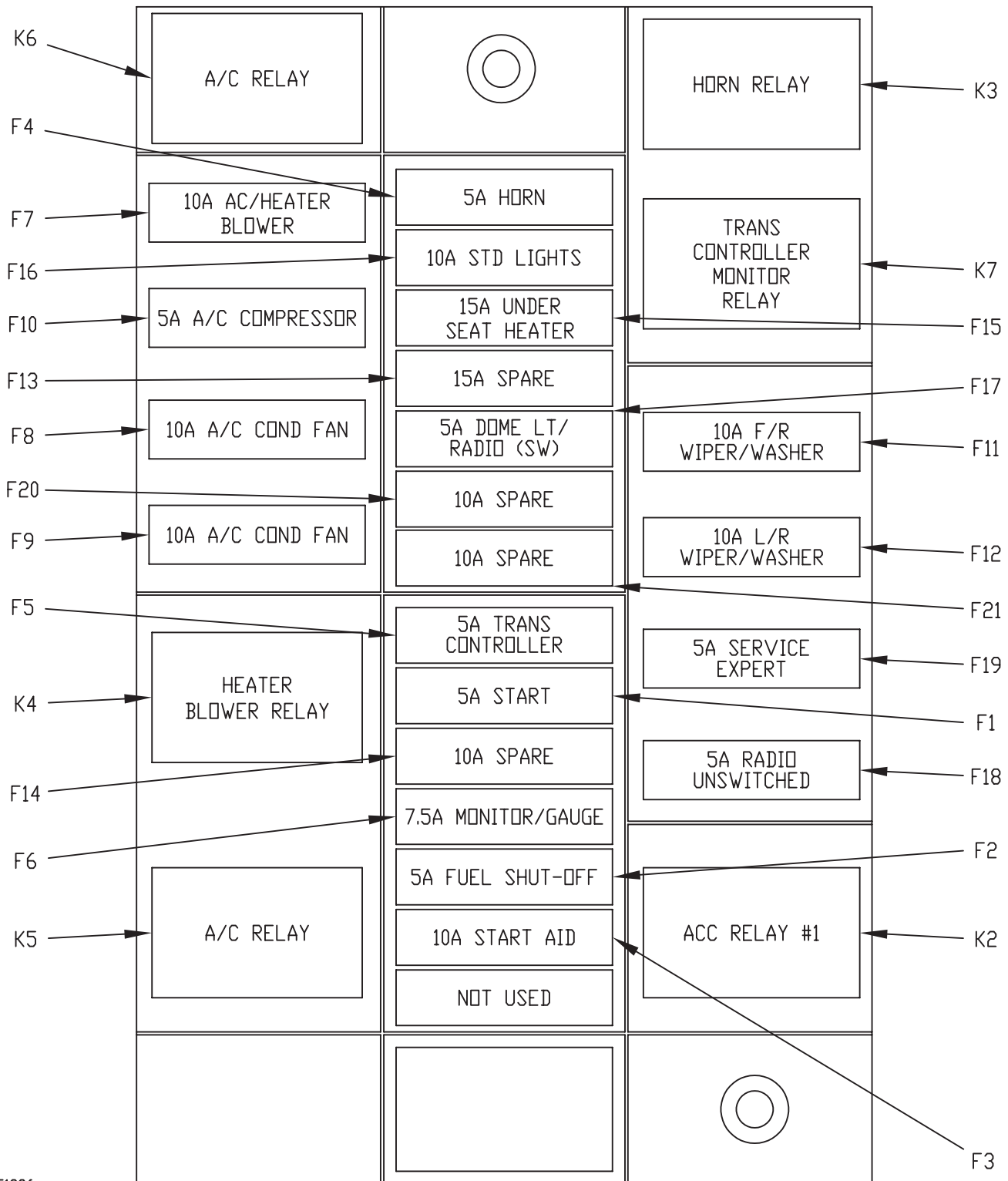
Continued on next page

CED,TX14826,12199 -19-26FEB03-2/6

9015  
10  
5

System Diagrams

9015  
10  
6



T151286

Fuse Display For Cab (S.N.910011-920838)

T151286 -UN-21FEB02

Continued on next page

CED,TX14826,12199 -19-26FEB03-3/6



## System Diagrams

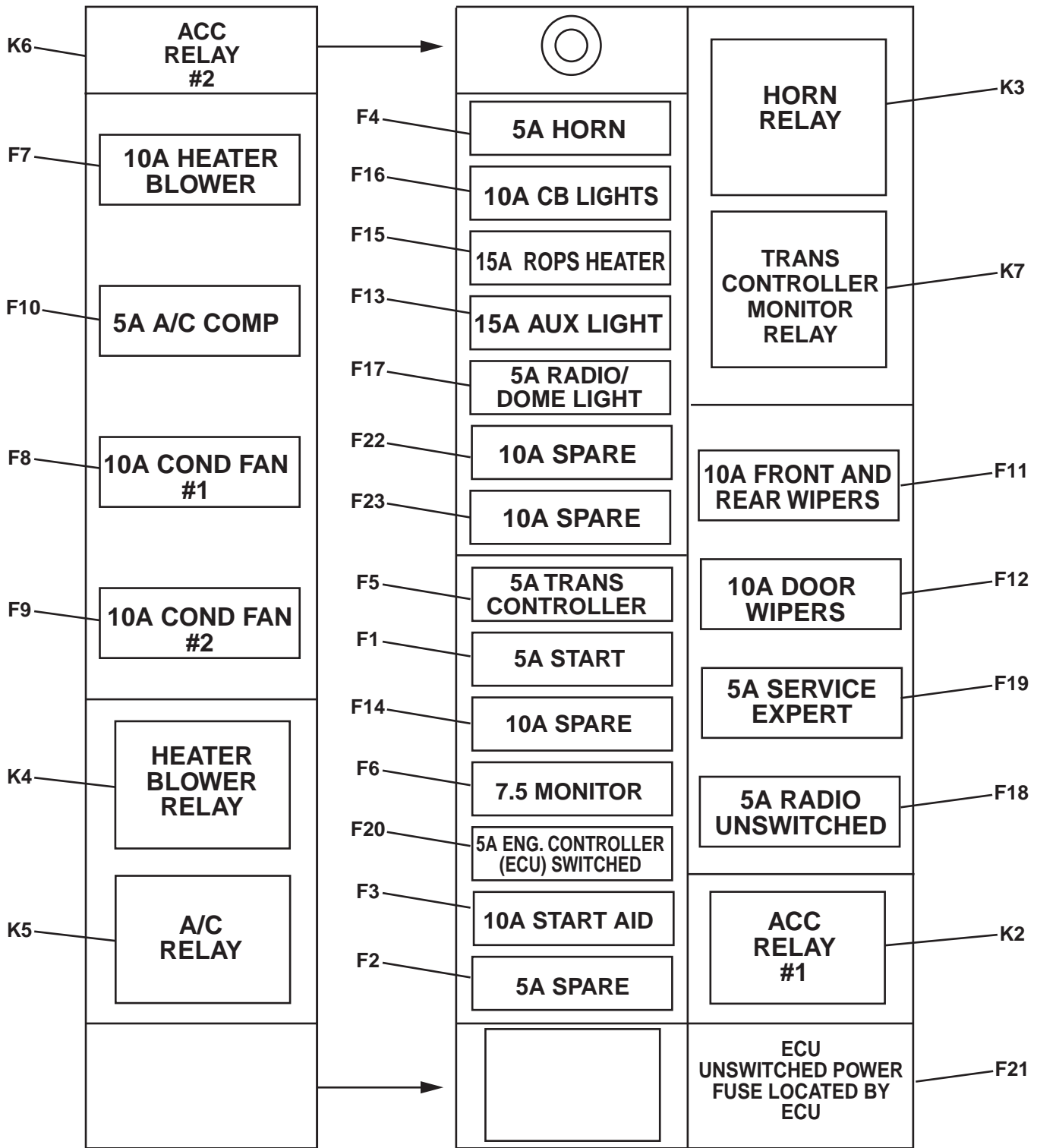
K5—A/C Relay	F13—15A Spare Fuse Auxiliary Light/CB	F15—15A Rops (Under Seat) Heater Fuse	F19—5A Service Expert Fuse
F6—7.5A Monitor/Gauge Fuse	F10—5A A/C Compressor Fuse	F17—5A Dome Light, Radio Fuse (Switched)	F1—5A Start Fuse
F14—10A Spare Fuse	F16—10A Standard Lights	F11—10A Front/Rear Wiper Washer Fuse	F18—5A Radio Fuse (Unswitched)
K4—Heater Blower Relay	F7—10A AC/Heater Blower Fuse	F12—15A Left/Right Wiper Washer Fuse	F2—5A Fuel Shut-Off Alternator Excitation Fuse
F5—5A Transmission Controller Fuse	F4—5A Horn Fuse	F21—10A Spare Fuse	K2—Accessory Relay #1
F9—10A A/C Condenser Fan Fuse	K6—ACC Relay		F3—10A Start Aid Fuse
F20—10A Spare Fuse	K3—Horn Relay		
F8—10A A/C Condenser Fan Fuse	K7—Transmission Controller Monitor Relay		

Continued on next page

CED,TX14826,12199 -19-26FEB03-4/6

9015  
10  
7

System Diagrams



9015  
10  
8

T188504

Fuse Display For Cab (S.N. 920839—)

T188504 -UN-24APR03

Continued on next page

CED,TX14826,12199 -19-26FEB03-5/6

## System Diagrams

F2—5A Spare Fuse	F22—10A Spare Fuse	K3—Horn Relay	F14—10A Spare Fuse
F3—10A Start Aid Fuse	F13—15A Spare Fuse Auxiliary Light/CB	K7—Transmission Controller Monitor Relay	F6—7.5A Monitor/Gauge Fuse
K5—A/C Relay	F10—5A A/C Compressor Fuse	F17—5A Dome Light, Radio Fuse (Switched)	F18—5A Radio Fuse (Unswitched)
K4—Heater Blower Relay	F15—15A Rops (Under Seat) Heater Fuse	F11—10A Front/Rear Wiper Washer Fuse	F20—10A Engine controller (ECU) (Switched)
F1—5A Start Fuse	F16—10A Standard Lights	F12—15A Left/Right Wiper Washer Fuse	K2—Accessory Relay #1
F9—10A A/C Condenser Fan Fuse	F7—10A AC/Heater Blower Fuse	F19—5A Service Expert Fuse	F21—10A Engine controller (ECU) (Unswitched) Located By ECU
F5—5A Transmission Controller Fuse	F4—5A Horn Fuse		
F23—10A Spare Fuse	K6—ACC Relay		
F8—10A A/C Condenser Fan Fuse			

**IMPORTANT:** Install fuse with correct amperage rating to prevent electrical system damage from overload.

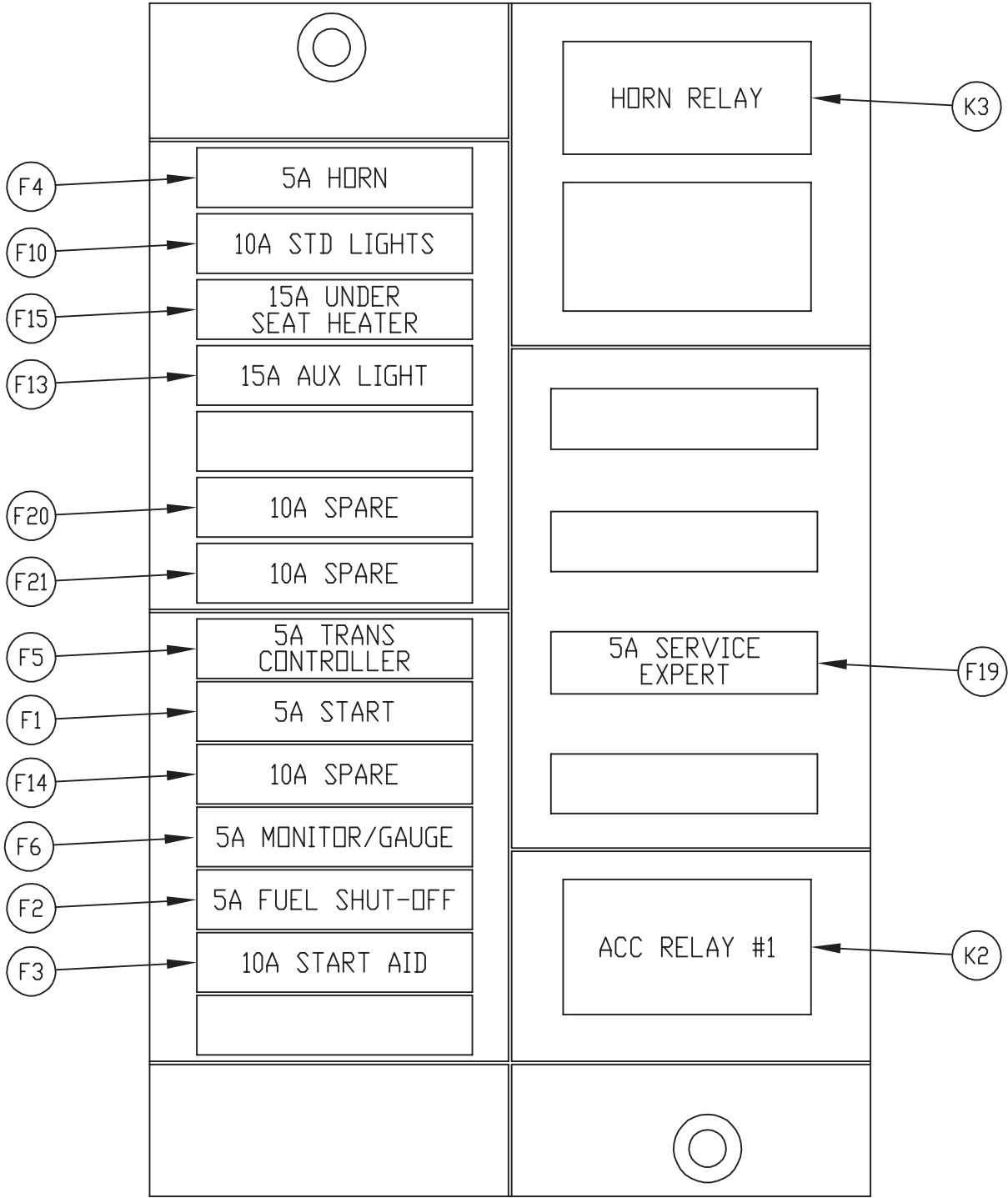
The fuse block is located on right side of machine through access cover.

9015  
10  
9

CED,TX14826,12199 -19-26FEB03-6/6

System Diagrams

Fuse Specifications For ROPS



9015  
10  
10

T135537

Fuse Display For Rops (S.N. —910010)

Continued on next page

CED,TX14826,12200 -19-26FEB03-1/6

T135537 -JUN-21NOV00

System Diagrams

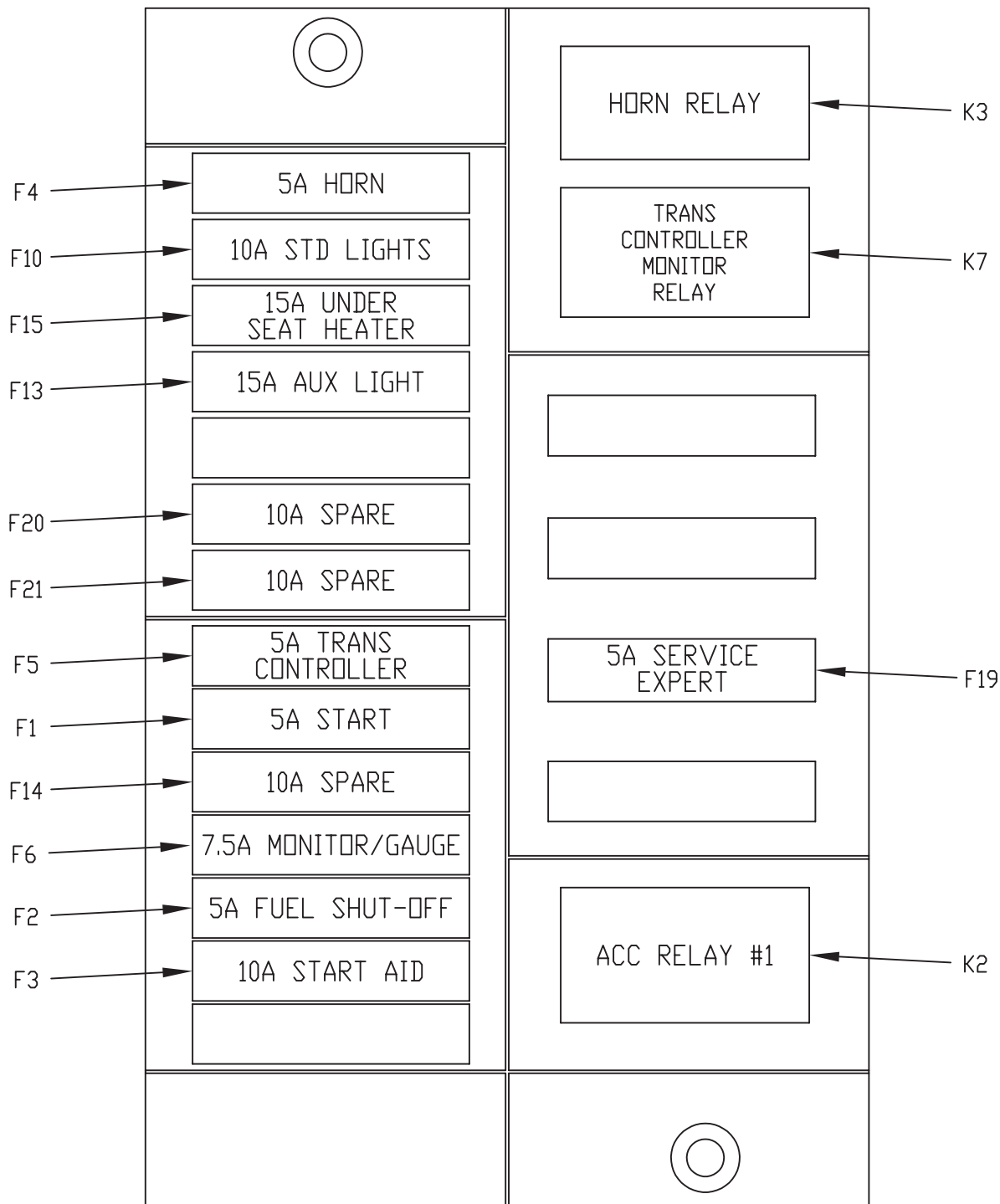
F3—10A Start Aid Fuse	F1—5A Start Fuse	F13—15A Spare Fuse Auxiliary	F4—5A Horn
F2—5A Fuel Shut-Off	F5—5A Transmission	Light/CB	K3—Horn Relay
Alternator Excitation Fuse	Controller Fuse	F15—15A Rops (Under Seat)	F19—5A Service Expert Fuse
F6—5A Monitor/Gauge Fuse	F21—10A Spare Fuse	Heater Fuse	K2—Accessory Relay #1
F14—10A Spare Fuse	F20—10A Spare Fuse	F10—10A Standard Lights	

Continued on next page

CED,TX14826,12200 -19-26FEB03-2/6

9015  
10  
11

System Diagrams



9015  
10  
12

T151287

Fuse Display For Rops (S.N. 910011—920838 )

T151287 -UN-21FEB02

Continued on next page

CED,TX14826,12200 -19-26FEB03-3/6

System Diagrams

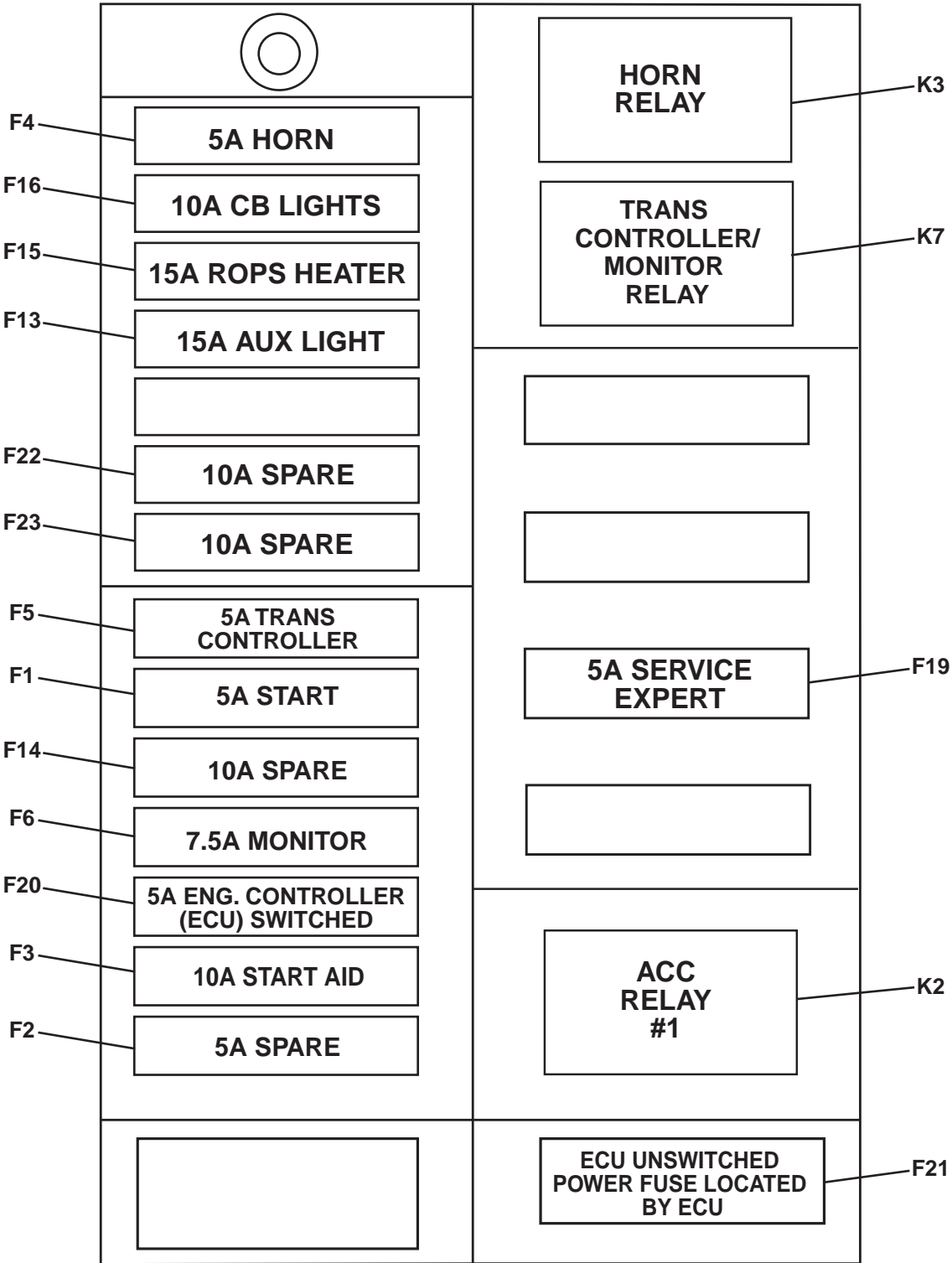
F3—10A Start Aid Fuse	F5—5A Transmission Controller Fuse	F15—15A Rops (Under Seat) Heater Fuse	K7—Transmission Controller/Monitor Relay
F2—5A Fuel Shut-Off Alternator Excitation Fuse	F21—10A Spare Fuse	F10—10A Standard Lights	F19—5A Service Expert Fuse
F6—7.5A Monitor/Gauge Fuse	F20—10A Spare Fuse	F4—5A Horn	K2—Accessory Relay #1
F14—10A Spare Fuse	F13—15A Spare Fuse Auxiliary Light/CB	K3—Horn Relay	
F1—5A Start Fuse			

Continued on next page

CED,TX14826,12200 -19-26FEB03-4/6

9015  
10  
13

System Diagrams



9015  
10  
14

T188505

Fuse Display For Rops (S.N. 920839—)

T188505 -UN-24APR03

Continued on next page

CED,TX14826,12200 -19-26FEB03-5/6



System Diagrams

- |  |                                       |  |   |
|--|---------------------------------------|--|---|
| F2—5A Spare Fuse                           | F1—5A Start Fuse                      | F15—15A Rops (Under Seat) Heater Fuse    | F19—5A Service Expert Fuse                                  |
| F3—10A Start Aid Fuse                      | F5—5A Transmission Controller Fuse    | F16—10A Standard Lights                  | K2—Accessory Relay #1                                       |
| F20—10A Engine controller (ECU) (Switched) | F23—10A Spare Fuse                    | F4—5A Horn Fuse                          | F21—10A Engine controller (ECU) (Unswitched) Located By ECU |
| K4—Heater Blower Relay                     | F22—10A Spare Fuse                    | K3—Horn Relay                            |   |
| F6—7.5A Monitor/Gauge Fuse                 | F13—15A Spare Fuse Auxiliary Light/CB | K7—Transmission Controller Monitor Relay |   |
| F14—10A Spare Fuse                         |                                       |  |   |

**IMPORTANT: Install fuse with correct amperage rating to prevent electrical system damage from overload.**

The fuse block is located on right side of machine through access cover.

CED,TX14826,12200 -19-26FEB03-6/6

**Component Identification Table**

Each component (electrical device) and main connector will have an identification letter assigned to it. A number is added to the letter to separate and indicate the total components within that letter group.

9015  
10  
15

Identification Letter	Type	Examples
A	System, subassembly, parts group	Control units, trigger boxes, two-way radios, logic module, FNR logic module
B	Transducer for conversion of non-electrical variables to electrical and vice versa	Speed sensors, pressure sensors, pressure switches horns, sensors, pickups, limit-value sensors, pulse generators, loudspeakers, inductive pickups, probes, air-flow sensors, oil-pressure switches, temperature sensors, ignition-voltage pickups
C	Condenser, capacitor	Condensers and capacitors, general
D	Binary device, memory	Digital devices, integrated circuits, pulse counters, magnetic tape recorders
E	Various devices and equipment	Heating devices, air conditioners, light, headlights, spark plugs, ignition distributors
F	Protection device	Release mechanisms, polarity protection devices, fuses, current protection circuits
G	Power supply, generator	Batteries, generators, alternators, charging units
H	Monitor, alarm, signalling device	Audible alarms, indicator lights, turn-signal lights, brake lights, alarms, warning lights, buzzers
K	Relay	Battery relays, turn-signal relays, solenoid switches, starting relays, warning flashers
L	Inductor	Choke coils, coils, windings
M	Motor	Blower motors, fan motors, starter motors
N	Regulator, amplifier	Regulators (electronic or electromechanical), voltage stabilizers
P	Measuring instrument	Ammeter, diagnostic connectors, tachometers, fuel gauge, pressure gauges, measuring points, test points, speedometers
R	Resistor	Flame glow plugs, sheathed-element flame glow plugs, glow plugs, heating resistors, NTC resistors, PTC resistors, potentiometers, regulating resistors

Continued on next page

CED,TX14826,12201 -19-10MAR00-1/2

## System Diagrams

Identification Letter	Type	Examples
S	Switch	Switches and push buttons, general key switch, light switch, horn switch, flasher switch
T	Transformer	Ignition coil, ignition transformer
U	Modulator, converter	DC transformers
V	Semiconductor, electron tubes	Transistors, diodes, electron tubes, rectifiers, semiconductors, thyristors, zener diodes
W	Transmission path, conductor, antenna	Antennas, shielding components, shielded conductors, cable harnesses, conductors, ground conductors
X	Terminal, plug, plug and socket connection	Terminal studs, electrical connections, connectors electrical line couplers, line connectors, sockets, plugs, terminals, plug-and-socket connections
Y	Electrically actuated mechanical device	Permanent magnets, (solenoid-operated) injection valves, electromagnetic clutches and brakes, air valves, fuel pumps, solenoids, switching valves, start valves, locking systems
Z	Electrical filter	Interference suppression filters

CED,TX14826,12201 -19-10MAR00-2/2

## System Functional Schematic, Wiring Diagram And Component Location Legend (S.N. — 910010)

*NOTE: A1—Transmission Controller (SE5, W--)*

- *A1 indicates component identification number.*
- *Transmission Controller indicates component name.*
- *SE5 indicates section number of SYSTEM FUNCTIONAL SCHEMATIC where component is located.*
- *W7 indicates HARNESS WIRING DIAGRAM and HARNESS COMPONENT LOCATION drawings where component is located.*

- A1** — Transmission Controller (SE5, W7)  
**A2** — Radio 12V (SE12, W9)  
**B1** — Decelerator Sensor (SE5, W5)  
**B2** — FNR Sensor (SE5, W7)  
**B3** — Right Track Motor Speed Sensor (SE5, W7)  
**B4** — Transmission Speed Control Switch (SE5, W7)  
**B5** — Left and Right Steer Sensor (SE5, W7)  
**B6** — Hydrostatic Pump Speed Sensor (SE5, W7)  
**B7** — Left Track Motor Speed Sensor (SE5, W7)  
**B8** — Rear (LH) Pump Pressure Control Pilot (PCP) (SE5, W7)  
**B9** — Front (RH) Pump Pressure Control Pilot (PCP) (SE5, W7)  
**B10** — Fuel Sender (SE5, W7)  
**B11** — Engine Oil Pressure Switch/Sender (SE5, W6)  
**B12** — Engine Coolant Temperature Sender (SE5, W6)  
**B13** — Winch Pressure Switch (SE7, W6)  
**B14** — Horn (SE4, W5)  
**B15** — Transmission Oil Filter Restriction Switch (SE7, W7)  
**B16** — Hydraulic Filter Restriction Switch (SE7, W7)  
**B17** — Transmission Oil Temperature Switch (SE7, W7)  
**B18** — Air Filter Restriction Switch (SE7, W6)  
**B19** — Reverse Speed Ratio Switch (SE5, W5)  
**B20** — Right Speaker (SE12, W9)  
**B21** — Left Speaker (SE12, W9)  
**B22** — A/C Freeze Switch (SE9, W8)  
**B23** — A/C High Pressure Switch (SE9, W8)  
**B24** — A/C Low Pressure Switch (SE9, W8)  
**B25** — Heater Temp Control (SE8, W5)  
**B26** — (RH) Right Motor Pressure Control Pilot Valve (PCP) (SE5, W7)  
**B27** — (LH) Left Motor Pressure Control Pilot Valve (PCP) (SE5, W7)  
**E1** — Dome Light (SE11, W5)  
**E2** — Rear Light (SE12, W5)  
**E3** — Front Light (RH) (SE12, W5)  
**E4** — Front Light (RH) (SE12, W5)  
**E5** — Right Rear Aux. Light (SE12)  
**E6** — Left Rear Aux. Light (SE12)  
**E7** — Left Front Aux. Light (SE12)  
**E8** — Right Front Aux. Light (SE12)  
**F1** — 5A Start Fuse (SE1, W5)  
**F2** — 5A Fuel Shut-Off, Alternator Excitation Fuse (SE2, W5)  
**F3** — 10A Start Aid Fuse (SE3, W5)  
**F4** — 5A Horn Fuse (SE4, W5)  
**F5** — 5A Transmission Controller Fuse (SE5, W5)  
**F6** — 5A Monitor/Gauge Fuse (SE6, W5)  
**F7** — 10A Heater Blower Fuse (SE8, W5)  
**F8** — 10A Condenser Fan Fuse (SE9, W5)  
**F9** — 10A Condenser Fan Fuse (SE9, W5)  
**F10** — 5A A/C Compressor Fuse (SE9, W5)  
**F11** — 10A Front/Rear Wiper Fuse (SE10, W5)  
**F12** — 10A Left/Right Wiper Fuse (SE10, W5)  
**F13** — 15A Spare Fuse Aux. Light/CB (SE11, W5)  
**F14** — 10A Spare Fuse (SE11, W5)  
**F15** — 10A Rops (Under Seat) Heater Fuse (SE11, W5)  
**F16** — 10A Light Circuit Breaker (SE12, W5)  
**F17** — 5A Dome Light, Radio Fuse (SWITCHED) (SE11, W5)  
**F18** — 5A Radio Fuse (UNSWITCHED) (SE12, W5)  
**F19** — 5A Service Expert Fuse (SE5, W7)  
**F20** — 10A Spare Fuse (SE12, W5)  
**F21** — 10A Spare Fuse (SE12, W5)  
**G1** — Batteries (SE1)  
**G2** — Jump Start Terminal (SE1, W6)  
**G3** — Alternator (SE1, W6)  
**H1** — Fuel Gauge Light (SE6, W5)  
**H2** — Engine Oil Pressure Gauge Light (SE6, W5)

## System Diagrams

- H3** — Engine Coolant Temperature Gauge Light (SE6, W5)  
**H4** — Transmission Oil Pressure Gauge Light (SE6, W5)  
**H5** — Display Monitor Alarm (SE7, W5)  
**H6** — Backup Alarm (SE5, W5)  
**K1** — Start Relay (SE1, W6)  
**K2** — Accessory Relay #1 (SE1, W5)  
**K3** — Horn Relay (SE4, W5)  
**K4** — Heater Blower Relay (SE5, W5)  
**K5** — A/C Relay (SE9, W5)  
**K6** — Accessory Relay #2 (SE10, W5)  
**M1** — Starter Motor (SE1, W6)  
**M2** — Heater Blower Motor (SE8, W8)  
**M3** — Front/Rear Washer Motor (SE10, W8)  
**M4** — Condenser Fan Motor (SE9, W8)  
**M5** — Condenser Fan Motor (SE9, W8)  
**M6** — Left Door Wiper Motor (SE10, W5)  
**M7** — Front Wiper Motor (SE10, W5)  
**M8** — Rear Wiper Motor (SE10, W5)  
**M9** — Right Door Wiper Motor (SE10, W5)  
**M10** — Rops/Cab Heater blower Motor (SE11, W5)  
**M11** — Left/Right Washer Motor (SE10, W5)  
**M12** — Heater Valve Motor (SE8, W5)  
**P1** — Fuel Gauge (SE6, W5)  
**P2** — Engine Oil Pressure Gauge (SE6, W5)  
**P3** — Engine Water Temperature Gauge (SE6, W5)  
**P4** — Hour Meter (SE6, W5)  
**P5** — Transmission Speed Display (SE5, W5)  
**R1** — Start Circuit Resistor (SE1, W5)  
**R2** — Cab Heater Blower Resistor (SE8, W5)  
**R3** — Rops/Cab Heater Blower Resistor (SE11, W5)  
**R4** — Can Termination Resistor (SE5, W5)  
**R5** — Can Termination Resistor (SE5, W7)  
**R6** — Motor Shift Resistor Module (SE5, W5)  
**R7** — Heater Valve Resistor (SE8, W8)  
**S1** — Key Switch (SE1, W5)  
**S2** — Battery Disconnect Switch (SE1, W5)  
**S3** — Neutral Start Switch (SE1, W7)  
**S4** — Brake Pedal Switch (SE1, W5)  
**S5** — Start Aid Switch (SE3, W5)  
**S6** — Horn Switch (SE4, W7)  
**S7** — Heater Blower Switch (SE8, W5)  
**S8** — Aux. Light Switch (SE12)  
**S9** — Left/Right Door Wiper Motor Switch (SE10, W5)  
**S10** — Front/Rear Wiper Motor Switch (SE10, W5)  
**S11** — Rear Aux. Light Switch (SE12)  
**S12** — Front Aux. Light Switch (SE12)  
**S13** — Rops Heater/Blower Switch (SE11, W5)  
**S14** — Light Switch (SE12, W5)  
**S15** — Dime Light Switch (SE11, W5)  
**S16** — A/C On/Off Switch (SE9, W5)  
**S17** — Park Lock Lever Switch (SE5, W5)  
**U1** — 24V to 12V Radio Converter (SE12, W9)  
**V1** — 5A Alternator Diode (SE1, W5)  
**V2** — 1A Start Relay Diode (SE1, W5)  
**V3** — 5A Start Circuit Diode (SE1, W5)  
**V4** — 5A Starter Solenoid Diode (SE1, W5)  
**V5** — 1A Display Monitor, Park, Seat Belt Diode (SE7, W5)  
**V6** — 5A A/C Compressor Clutch Diode (SE9, W6)  
**V7** — Rear Wiper Diode (SE10, W11)  
**V8** — Door Wiper Diode (SE10)  
**W1** — Frame Ground Strap-to-Rops (Left Rear) (SE1, W7)  
**W2** — Rops Ground Strap-To-Frame Ground (SE1, W5)  
**W3** — Starter Ground Strap-To-Frame Ground (SE1, W6)  
**W4** — Transmission Controller Ground Strap-To-Rops (SE5)  
**W5** — Cab Harness (W5)  
**W6** — Engine Harness (W6)  
**W7** — Transmission Harness (W7)  
**W8** — A/C Harness (W8)  
**W9** — Radio Harness (W9)  
**W10** — Radio Antenna Harness (W10)  
**W11** — Rear Wiper Harness (W11)  
**X1** — Transmission Controller Connector (W7)  
**X2** — Transmission Controller Connector (W7)  
**X3** — Service Expert Connector (9 Pin) (W7)  
**X4** — Engine Harness Connector-To-Fuel Fired Harness Connector (SE12, W6)  
**X5** — Display Monitor Connector (12 Pin) (SE8, W5)  
**X6** — Display Monitor Connector (8 Pin) (SE7, W5)  
**X7** — 15A Spare Connector (Aux. Lights/CB) (SE12)  
**X8** — 10A Spare Fuse Connector (SE11)  
**X9** — 10A Spare Fuse Connector (SE12)  
**X10** — 10A Spare Fuse Connector (SE12)  
**X11** — Cab Harness Connector-To-Transmission Harness Connector (W5, W7)

Continued on next page

CED, TX14826, 12202 -19-15AUG00-2/3

## System Diagrams

- |   |   |
|---|---|
| <b>X12</b> — Cab Harness Connector-To-Engine Harness Connector (W5, W6)           | <b>X29</b> — Splice G20 Black Wire (W5)   |
| <b>X13</b> — Cab Harness Connector-To-Radio Harness Connector (W5)                | <b>X30</b> — Splice G01 Black Wire (W5)   |
| <b>X14</b> — Cab Harness Connector-To-Aux. Light Harness Connector (W5)           | <b>X31</b> — Splice L43 Brown Wire (W6)   |
| <b>X15</b> — Cab Harness Connector-To-Aux. Light Harness Connector (W5)           | <b>X32</b> — Splice M01 Purple Wire (W5)  |
| <b>X16</b> — Cab Harness Connector-To-Rear Wiper Harness Connector (W5)           | <b>X33</b> — Splice M12 Yellow Wire (W7)  |
| <b>X17</b> — Transmission Harness Connector-To-Fuel Sender Harness Connector (W7) | <b>X34</b> — Splice M13 Green Wire (W7)   |
| <b>X18</b> — Cab Harness Connector-To-A/C Harness Connector (W5)                  | <b>X35</b> — Splice M12 Yellow Wire (W5)  |
| <b>X19</b> — Splice B01 Red Wire (W5)   | <b>X36</b> — Splice M13 Green Wire (W5)   |
| <b>X20</b> — Splice B01 Red Wire (W6)   | <b>X37</b> — Splice P06 Red Wire (W5)   |
| <b>X21</b> — Splice E07 White Wire (W5)   | <b>X38</b> — Splice P15 Red Wire (W5)   |
| <b>X22</b> — Splice E09 White Wire (W7)   | <b>X39</b> — Splice P21 Red Wire (W5)   |
| <b>X23</b> — Splice G01 Black Wire (W7)   | <b>X40</b> — Splice P26 Red Wire (W5)   |
| <b>X24</b> — Splice G02 Black Wire (W5)   | <b>X41</b> — Splice P27 Red Wire (W5)   |
| <b>X25</b> — Splice G04 Black Wire (W5)   | <b>X42</b> — Splice T08 Blue Wire (W7)  |
| <b>X26</b> — Splice G05 Black Wire (W6)   | <b>X43</b> — Splice T52 Blue Wire (W7)  |
| <b>X27</b> — Splice G06 Black Wire (W7)   | <b>X44</b> — Transmission Harness Connector-To-Resistor Module Assembly (SE5, W7) |
| <b>X28</b> — Splice G10 Black Wire (W5)   | <b>X45</b> — Winch Connector (SE7, W5)  |
|   | <b>X46</b> — Transmission Oil Temp. Connector (W5)                                |
|   | <b>Y1</b> — Fuel Shut-Off Solenoid (SE2, W6)                                      |
|   | <b>Y2</b> — Start Aid Solenoid (SE3, W6)  |
|   | <b>Y3</b> — (Not Used)  |
|   | <b>Y4</b> — Not Used  |
|   | <b>Y5</b> — A/C Compressor Clutch Solenoid (SE9, W6)                              |

9015  
10  
19

CED,TX14826,12202 -19-15AUG00-3/3

## System Diagrams

**System Functional Schematic Section  
Legend (S.N. —910010)**

*NOTE: SE1—Battery/Ignition, Power, Charging and Start Circuits (24Volt System)*

- *SE1 indicates section number of system functional schematic where circuit is located.*
- *Battery/Ignition, Power, Charging and Start Circuits (24 Volt System) indicates circuit name.*

**SE1** — Battery, Ignition, Power, Charging and Start Circuits (24 Volt System)

**SE2** — Fuel Shut-Off Circuit

**SE3** — Start Aid Circuit

**SE4** — Horn Circuit

**SE5** — Transmission Controller, Back-Up Alarm Circuits

**SE6** — Gauge Circuits

**SE7** — Display Monitor and Indicator Circuits

**SE8** — Heater/Blower Circuit

**SE9** — Air Conditioning Circuit

**SE10** — Wiper Washer Circuit

**SE11** — Under Seat Heater, Spare Fuses, Dome Light Circuits

**SE12** — Radio, Light Circuits

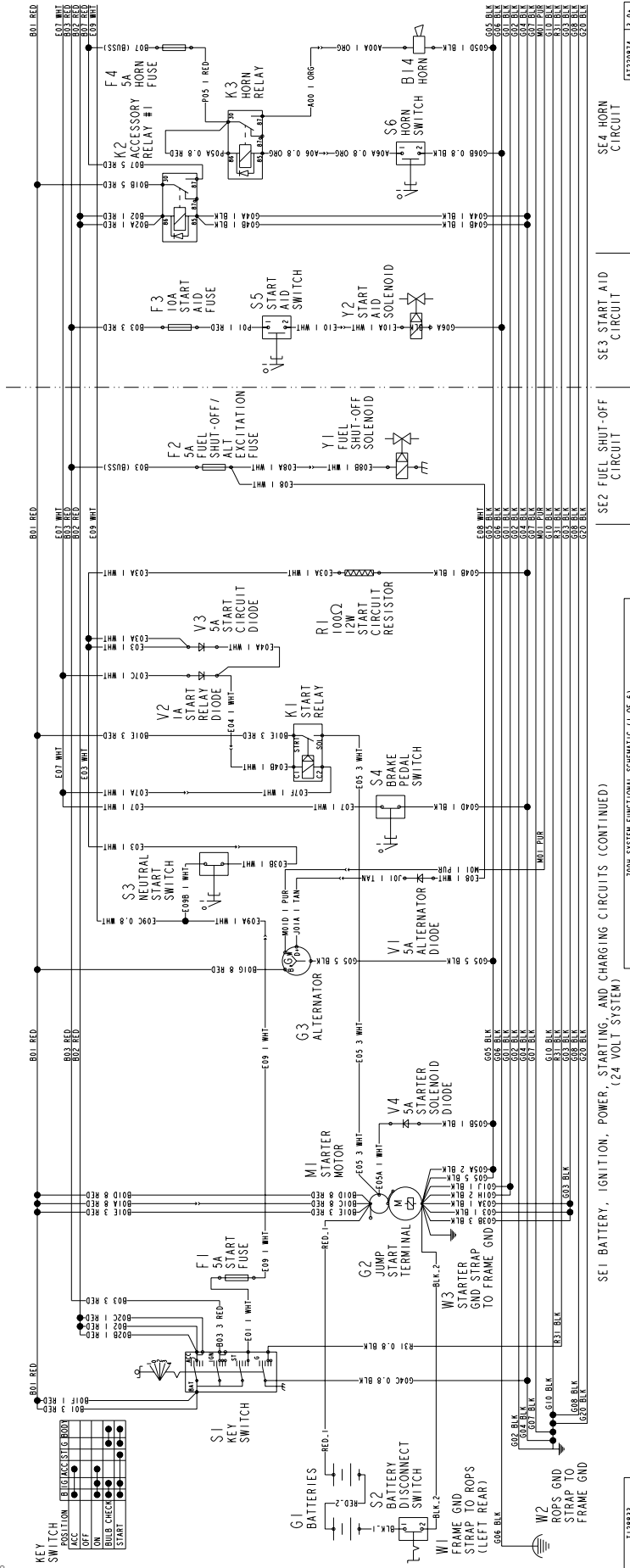
**SE13** — Spare Fuses For Auxiliary Functions And Fuel Fired Heater

CED,TX14826,12203 -19-26FEB03-1/1

System Diagrams

**System Functional Schematic (S.N. —910010)**

T128833 -15-30000-00



CECITY:ISS:0000 - 15-30000-00  
 700H Crawler Dozer  
 PN=158

9015-10-21

T128833

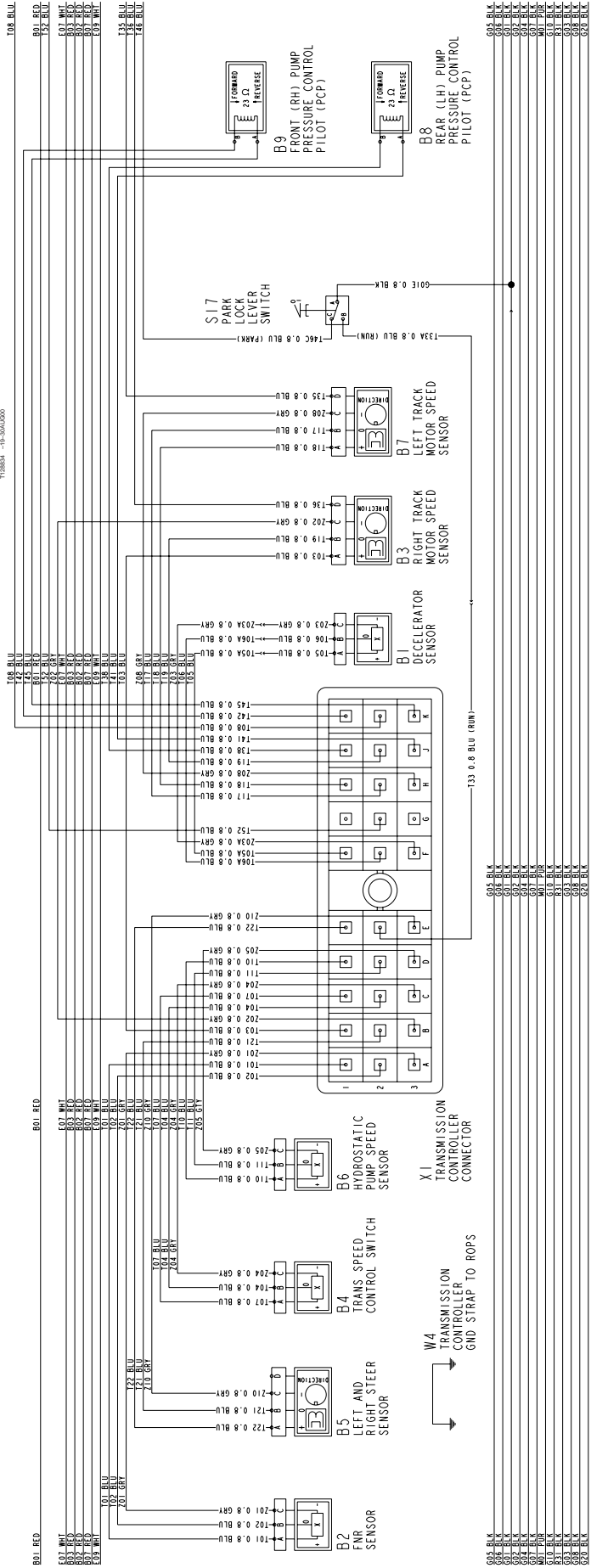
SE1 BATTERIES, IGNITION, POWER, STARTING, AND CHARGING CIRCUITS (CONTINUED)  
 (24 VOLT SYSTEM)

ROOM SYSTEM FUNCTIONAL SCHEMATIC (1 OF 6)

A122874 13-D

System Diagrams

T128834 -15-30A(000)



SE5 TRANSMISSION CONTROLLER CIRCUIT

700H SYSTEM FUNCTIONAL SCHEMATIC (2 OF 6)

T128834

A1228874 13.0'

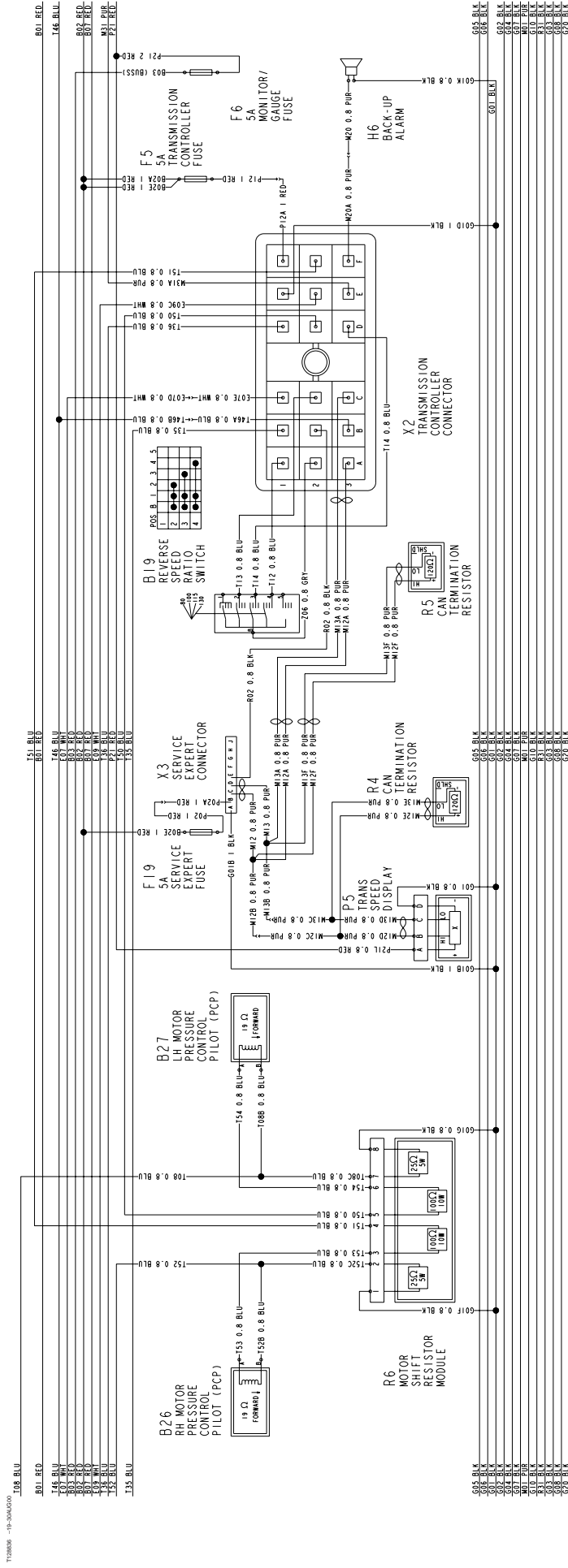
CEESTX1456E120M -15-10A(000-25)  
700H Crawler Dozer  
MIDR  
P/N=160

TM1855 (30JUN04)

9015-10-22



System Diagrams



SE5 TRANSMISSION CONTROLLER / BACK-UP ALARM CIRCUITS (CONTINUED)

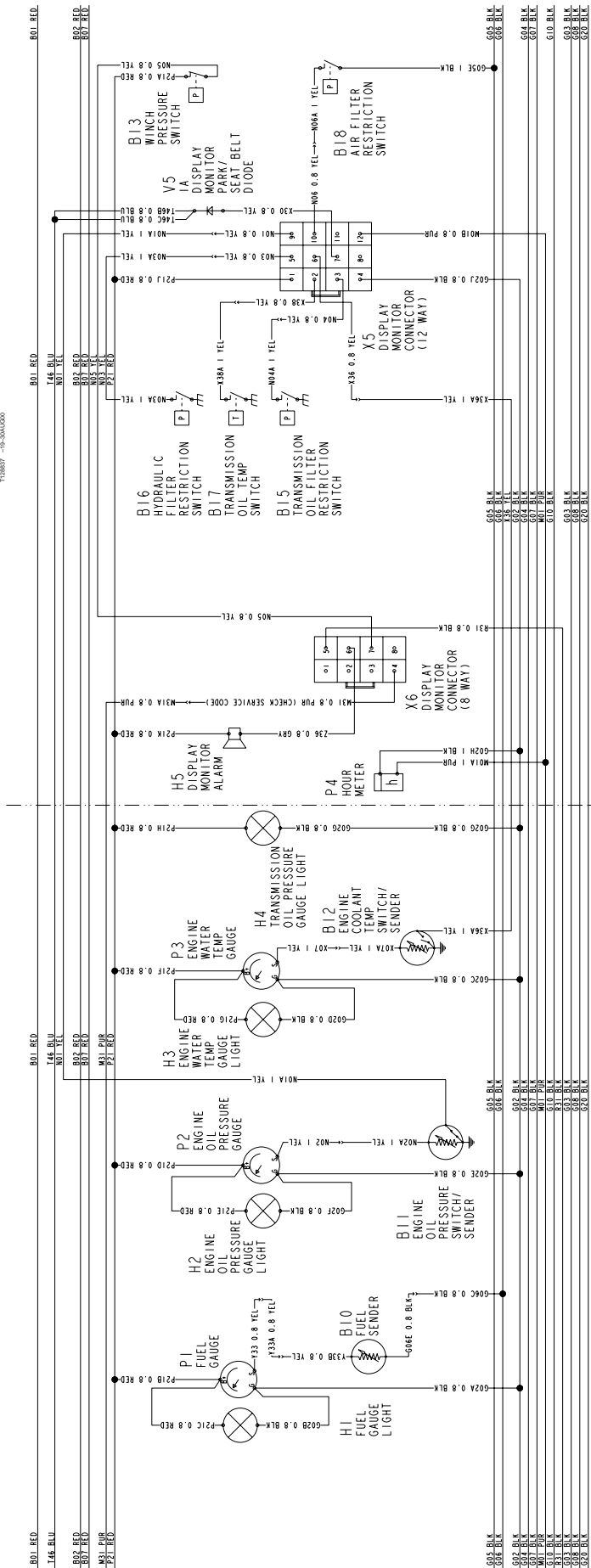
1128836 1128836 9015-10-23 700H SYSTEM FUNCTIONAL SCHEMATIC (3 OF 6) 41220874 3.0-

CECITY/ISSUE/ISSUE 01-10-2000/00-00  
700H Crawler Dozer  
PN=161

TM1656 (30JUN04)

System Diagrams

T128837 -15-3040000



SE6 GAUGE CIRCUITS

SE7 DISPLAY MONITOR/INDICATOR CIRCUIT (CONTINUED)

T128837

700H SYSTEM FUNCTIONAL SCHEMATIC (4 OF 6)

A1228074 13.01

700H Crawler Dozer

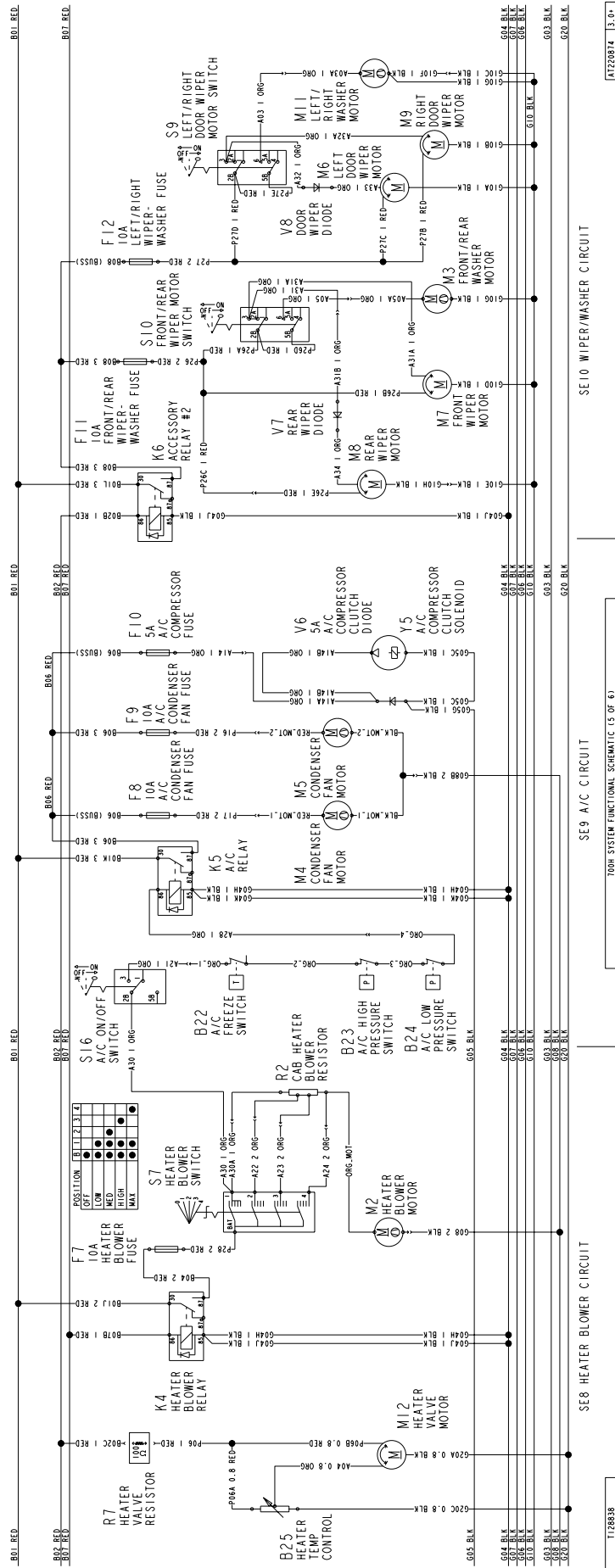
9015-10-24

TM1855 (30JUN04)

PH=162

System Diagrams

1128838 -1P-3M4000



700H SYSTEM FUNCTIONAL SCHEMATIC (S OF 6)

9015-10-25

TM1856 (30JUN04)

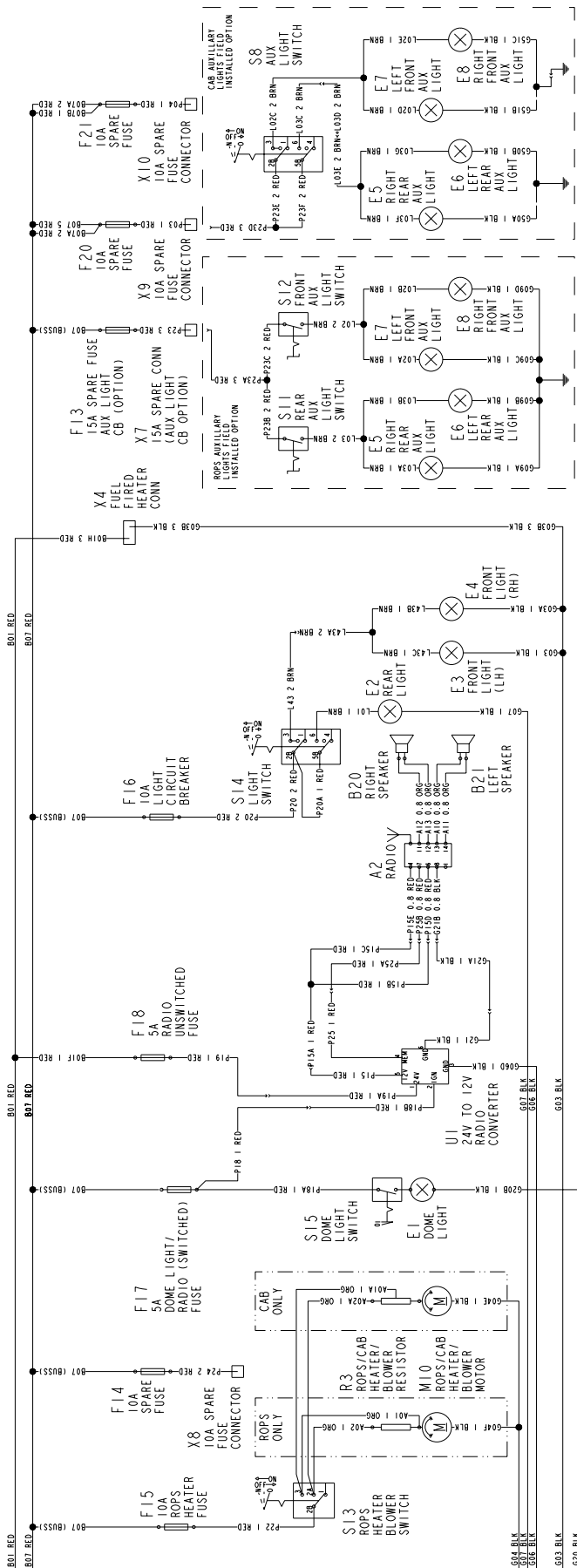
1128838

7128838

700H Crawler Dozer  
PN=163

System Diagrams

T128839 -16-30A(000)



SE11 UNDER SEAT HEATER/SPARE FUSE/DOME LIGHT CIRCUITS  
SE12 RADIO/LIGHT CIRCUITS  
700H SYSTEM FUNCTIONAL SCHEMATIC (6 OF 6)

T128839

A1228874 13.0

## System Functional Schematic, Wiring Diagram And Component Location Legend (S.N. 910011—920838)

*NOTE: A1—Transmission Controller (SE5, W--)*

- *A1 indicates component identification number.*
- *Transmission Controller indicates component name.*
- *SE5 indicates section number of SYSTEM FUNCTIONAL SCHEMATIC where component is located.*
- *W7 indicates HARNESS WIRING DIAGRAM and HARNESS COMPONENT LOCATION drawings where component is located.*

- A1** — Transmission Controller (SE5, W7)  
**A2** — Radio 12V (SE12, W9)  
**B1** — Decelerator Sensor (SE5, W5)  
**B2** — FNR Sensor (SE5, W7)  
**B3** — Right Track Motor Speed Sensor (SE5, W7)  
**B4** — Transmission Speed Control Switch (SE5, W7)  
**B5** — Left and Right Steer Sensor (SE5, W7)  
**B6** — Hydrostatic Pump Speed Sensor (SE5, W7)  
**B7** — Left Track Motor Speed Sensor (SE5, W7)  
**B8** — Rear (LH) Pump Pressure Control Pilot (PCP) (SE5, W7)  
**B9** — Front (RH) Pump Pressure Control Pilot (PCP) (SE5, W7)  
**B10** — Fuel Sender (SE5, W7)  
**B11** — Not Used  
**B12** — Engine Coolant Temperature Sensor (SE5, W6)  
**B13** — Winch Pressure Switch (SE7, W7)  
**B14** — Engine Oil Pressure Sensor  
**B15** — Transmission Oil Filter Restriction Switch (SE7, W7)  
**B16** — Hydraulic Filter Restriction Switch (SE7, W7)  
**B17** — Transmission Oil Temperature Switch (SE7, W7)  
**B18** — Air Filter Restriction Switch (SE7, W6)  
**B19** — Reverse Speed Ratio Switch (SE5, W5)  
**B20** — Right Speaker (SE12, W9)  
**B21** — Left Speaker (SE12, W9)  
**B22** — A/C Freeze Switch (SE9, W8)  
**B23** — A/C High Pressure Switch (SE9, W8)  
**B24** — A/C Low Pressure Switch (SE9, W8)  
**B25** — Heater Temp Control (SE8, W5)  
**B26** — (RH) Right Motor Pressure Control Pilot Valve (PCP) (SE5, W7)  
**B27** — (LH) Left Motor Pressure Control Pilot Valve (PCP) (SE5, W7)  
**B28** — Hydraulic Temperature Sender (SE6, W)  
**B29** — Horn (SE4, W5)  
**E1** — Dome Light (SE11, W5)  
**E2** — Rear Light (SE12, W7)  
**E3** — Front Light (LH) (SE12, W5)  
**E4** — Front Light (RH) (SE12, W5)  
**E5** — Right Rear Aux. Light (SE12)  
**E6** — Left Rear Aux. Light (SE12)  
**E7** — Left Front Aux. Light (SE12)  
**E8** — Right Front Aux. Light (SE12)  
**F1** — 5A Start Fuse (SE1, W5)  
**F2** — 5A Fuel Shut-Off, Alternator Excitation Fuse (SE2, W5)  
**F3** — 10A Start Aid Fuse (SE3, W5)  
**F4** — 5A Horn Fuse (SE4, W5)  
**F5** — 5A Transmission Controller Fuse (SE5, W5)  
**F6** — 7.5A Monitor/Gauge Fuse (SE6, W5)  
**F7** — 10A Heater Blower Fuse (SE8, W5)  
**F8** — 10A Condenser Fan Fuse (SE9, W5)  
**F9** — 10A Condenser Fan Fuse (SE9, W5)  
**F10** — 5A A/C Compressor Fuse (SE9, W5)  
**F11** — 10A Front/Rear Wiper Fuse (SE10, W5)  
**F12** — 10A Left/Right Wiper Fuse (SE10, W5)  
**F13** — 15A Spare Fuse Aux. Light/CB (SE11, W5)  
**F14** — 10A Spare Fuse (SE11, W5)  
**F15** — 15A Rops (Under Seat) Heater Fuse (SE11, W5)  
**F16** — 10A Light Circuit Breaker (SE12, W5)  
**F17** — 5A Dome Light, Radio Fuse (SWITCHED) (SE11, W5)  
**F18** — 5A Radio Fuse (UNSWITCHED) (SE12, W5)  
**F19** — 5A Service Expert Fuse (SE5, W7)  
**F20** — 10A Spare Fuse (SE12, W5)  
**F21** — 10A Spare Fuse (SE12, W5)  
**F22** — 10A Fuel Filter Heater/Spare Fuse (SE2, W5)  
**G1** — Batteries (SE1)  
**G2** — Jump Start Terminal (SE1, W6)  
**G3** — Alternator (SE1, W6)

## System Diagrams

- H1** — Not Used  
**H2** — Not Used  
**H3** — Not Used  
**H4** — Transmission Oil Pressure Gauge Light (SE6, W5)  
**H5** — Display Monitor Alarm (SE7, W5)  
**H6** — Backup Alarm (SE5, W7)  
**H7** — Winch Pressure Warning Light (SE7, W5)  
**K1** — Start Relay (SE1, W6)  
**K2** — Accessory Relay #1 (SE1, W5)  
**K3** — Horn Relay (SE4, W5)  
**K4** — Heater Blower Relay (SE5, W5)  
**K5** — A/C Relay (SE9, W5)  
**K6** — Accessory Relay #2 (SE10, W5)  
**K7** — Transmission Controller/Monitor Relay (SE1, W5)  
**M1** — Starter Motor (SE1, W6)  
**M2** — Heater Blower Motor (SE8, W8)  
**M3** — Front/Rear Washer Motor (SE10, W8)  
**M4** — Condenser Fan Motor (SE9, W8)  
**M5** — Condenser Fan Motor (SE9, W8)  
**M6** — Left Door Wiper Motor (SE10, W5)  
**M7** — Front Wiper Motor (SE10, W5)  
**M8** — Rear Wiper Motor (SE10, W5)  
**M9** — Right Door Wiper Motor (SE10, W5)  
**M10** — Rops/Cab Heater blower Motor (SE11, W5)  
**M11** — Left/Right Washer Motor (SE10, W5)  
**M12** — Heater Valve Motor (SE8, W5)  
**R1** — Start Circuit Resistor (SE1, W5)  
**R2** — Cab Heater Blower Resistor (SE8, W5)  
**R3** — Rops/Cab Heater Blower Resistor (SE11, W5)  
**R4** — Can Termination Resistor (SE5, W5)  
**R5** — Can Termination Resistor (SE5, W7)  
**R6** — Motor Shift Resistor Module (SE5, W5)  
**R7** — Heater Valve Resistor (SE8, W8)  
**S1** — Key Switch (SE1, W5)  
**S2** — Battery Disconnect Switch (SE1, W5)  
**S3** — Neutral Start Switch (SE1, W7)  
**S4** — Brake Pedal Switch (SE1, W5)  
**S5** — Start Aid Switch (SE3, W5)  
**S6** — Horn Switch (SE4, W7)  
**S7** — Heater Blower Switch (SE8, W5)  
**S8** — Aux. Light Switch (SE13)  
**S9** — Left/Right Door Wiper Motor Switch (SE10, W5)  
**S10** — Front/Rear Wiper Motor Switch (SE10, W5)  
**S11** — Rear Aux. Light Switch (SE12)  
**S12** — Front Aux. Light Switch (SE12)  
**S13** — Rops Heater/Blower Switch (SE11, W5)  
**S14** — Light Switch (SE12, W5)  
**S15** — Dime Light Switch (SE11, W5)  
**S16** — A/C On/Off Switch (SE9, W5)  
**S17** — Park Lock Lever Switch (SE5, W5)  
**U1** — 24V to 12V Radio Converter (SE12, W7)  
**V1** — 5A Alternator Diode (SE1, W5)  
**V2** — 1A Start Relay Diode (SE1, W5)  
**V3** — 5A Start Circuit Diode (SE1, W5)  
**V4** — 5A Starter Solenoid Diode (SE1, W5)  
**V5** — Not Used  
**V6** — 5A A/C Compressor Clutch Diode (SE9, W6)  
**V7** — Rear Wiper Diode (SE10, W11)  
**V8** — Door Wiper Diode (SE10)  
**W1** — Frame Ground Strap-to-Rops (Left Rear) (SE1, W7)  
**W2** — Rops Ground Strap-To-Frame Ground (SE1, W5)  
**W3** — Starter Ground Strap-To-Frame Ground (SE1, W6)  
**W4** — Transmission Controller Ground Strap-To-Rops (SE5)  
**W5** — Cab Harness (W5)  
**W6** — Engine Harness (W6)  
**W7** — Transmission Harness (W7)  
**W8** — A/C Harness (W8)  
**W9** — Radio Harness (W9)  
**W10** — Radio Antenna Harness (W10)  
**W11** — Rear Wiper Harness (W11)  
**X1** — Transmission Controller Connector (W7)  
**X2** — Transmission Controller Connector (W7)  
**X3** — Service Expert Connector (9 Pin) (W7)  
**X4** — Engine Harness Connector-To-Fuel Fired Harness Connector (SE12, W6)  
**X5** — Display Monitor Connector (10 Pin) (SE8, W5)  
**X6** — Display Monitor Connector (10 Pin) (SE7, W5)  
**X7** — 15A Spare Connector (Aux. Lights/CB) (SE12)  
**X8** — 10A Spare Fuse Connector (SE11)  
**X9** — 10A Spare Fuse Connector (SE12)  
**X10** — 10A Spare Fuse Connector (SE12)  
**X11** — Cab Harness Connector-To-Transmission Harness Connector (W5, W7)  
**X12** — Cab Harness Connector-To-Engine Harness Connector (W5, W6)  
**X13** — Cab Harness Connector-To-Radio Harness Connector (W5)

Continued on next page

TX14826.000324B -19-10SEP03-2/3

## System Diagrams

- |   |   |
|---|---|
| <b>X14</b> — Cab Harness Connector-To-Aux. Light Harness Connector (W5)           | <b>X34</b> — Splice M13 Green Wire (W7)   |
| <b>X15</b> — Cab Harness Connector-To-Aux. Light Harness Connector (W5)           | <b>X35</b> — Splice M12 Yellow Wire (W5)  |
| <b>X16</b> — Cab Harness Connector-To-Rear Wiper Harness Connector (W5)           | <b>X36</b> — Splice M13 Green Wire (W5)   |
| <b>X17</b> — Transmission Harness Connector-To-Fuel Sender Harness Connector (W7) | <b>X37</b> — Splice P06 Red Wire (W5)   |
| <b>X18</b> — Cab Harness Connector-To-A/C Harness Connector (W5)                  | <b>X38</b> — Splice P15 Red Wire (W5)   |
| <b>X19</b> — Splice B01 Red Wire (W5)   | <b>X39</b> — Splice P21 Red Wire (W5)   |
| <b>X20</b> — Splice B01 Red Wire (W6)   | <b>X40</b> — Splice P26 Red Wire (W5)   |
| <b>X21</b> — Splice E07 White Wire (W5)   | <b>X41</b> — Splice P27 Red Wire (W5)   |
| <b>X22</b> — Splice E09 White Wire (W7)   | <b>X42</b> — Splice T08 Blue Wire (W7)  |
| <b>X23</b> — Splice G01 Black Wire (W7)   | <b>X43</b> — Splice T52 Blue Wire (W7)  |
| <b>X24</b> — Splice G02 Black Wire (W5)   | <b>X44</b> — Transmission Harness Connector-To-Resistor Module Assembly (SE5, W7) |
| <b>X25</b> — Splice G04 Black Wire (W5)   | <b>X45</b> — Winch Connector (SE7, W5)  |
| <b>X26</b> — Splice G05 Black Wire (W6)   | <b>X46</b> — Transmission Oil Temp. Connector (W5)                                |
| <b>X27</b> — Splice G06 Black Wire (W7)   | <b>X47</b> — Splice R04 Black Wire (W5)   |
| <b>X28</b> — Splice G10 Black Wire (W5)   | <b>X48</b> — Spare Connector (W5)   |
| <b>X29</b> — Splice G20 Black Wire (W5)   | <b>X49</b> — Splice R04 Black Wire (W6)   |
| <b>X30</b> — Splice G01 Black Wire (W5)   | <b>X50</b> — Splice R02 Black Wire (W7)   |
| <b>X31</b> — Splice L43 Brown Wire (W6)   | <b>X51</b> — Splice R04 Black Wire (W7)   |
| <b>X32</b> — Splice M01 Purple Wire (W5)  | <b>X52</b> — Splice R02 Black Wire (W5)   |
| <b>X33</b> — Splice M12 Yellow Wire (W7)  | <b>Y1</b> — Fuel Shut-Off Solenoid (SE2, W6)                                      |
|   | <b>Y2</b> — Start Aid Solenoid (SE3, W6)  |
|   | <b>Y3</b> — Not Used  |
|   | <b>Y4</b> — Not Used  |
|   | <b>Y5</b> — A/C Compressor Clutch Solenoid (SE9, W6)                              |

## System Diagrams

## System Functional Schematic Section Legend (S.N. 910011—920838)

*NOTE: SE1—Battery/Ignition, Power, Charging and Start Circuits (24Volt System)*

- *SE1 indicates section number of system functional schematic where circuit is located.*
- *Battery/Ignition, Power, Charging and Start Circuits (24 Volt System) indicates circuit name.*

**SE1** — Battery, Ignition, Power, Charging and Start Circuits (24 Volt System)

**SE2** — Fuel Shut-Off Circuit

**SE3** — Start Aid Circuit

**SE4** — Horn Circuit

**SE5** — Transmission Controller, Back-Up Alarm Circuits

**SE6** — Display Monitor, Indicator, Gauge Circuits

**SE7** — Display Monitor, Indicator, Gauge Circuits  
(Continued)

**SE8** — Heater/Blower Circuit

**SE9** — Air Conditioning Circuit

**SE10** — Wiper Washer Circuit

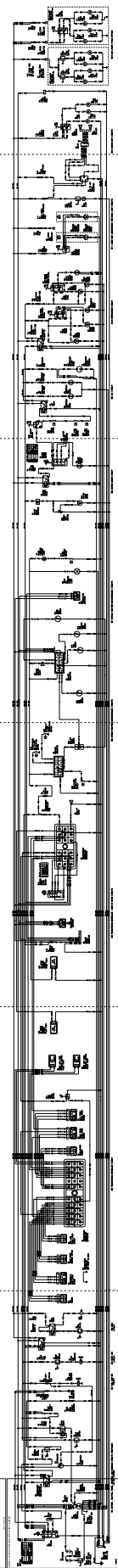
**SE11** — Under Seat Heater, Spare Fuses, Dome Light Circuits

**SE12** — Radio, Light Circuits

**SE13** — Spare Fuses For Auxiliary Functions And Fuel Fired Heater

TX14826,000324C -19-10SEP03-1/1





See Page 9015-10-31 F

See Page 9015-10-31 E

See Page 9015-10-31 D

See Page 9015-10-31 C

See Page 9015-10-31 B

See Page 9015-10-31 A

## System Functional Schematic, Wiring Diagram And Component Location Legend (S.N. 920839— )

NOTE: A1—Transmission Controller (SE5, W--)

- A1 indicates component identification number.
- Transmission Controller indicates component name.
- SE5 indicates section number of SYSTEM FUNCTIONAL SCHEMATIC where component is located.
- W7 indicates HARNESS WIRING DIAGRAM and HARNESS COMPONENT LOCATION drawings where component is located.

**A1** — Transmission Controller (SE5, W7)

**A2** — Radio 12V (SE12, W9)

**A3** — Engine Controller (SE6, W6)

**B1** — Decelerator Sensor (SE6, W5)

**B2** — FNR Sensor (SE5, W7)

**B3** — Right Track Motor Speed Sensor (SE5, W7)

**B4** — Transmission Speed Control Switch (SE5, W7)

**B5** — Left and Right Steer Sensor (SE5, W7)

**B6** — Crank Position Sensor (SE6, W6)

**B7** — Left Track Motor Speed Sensor (SE5, W7)

**B8** — Rear (LH) Pump Pressure Control Pilot (PCP) (SE5, W7)

**B9** — Front (RH) Pump Pressure Control Pilot (PCP) (SE5, W7)

**B10** — Fuel Sender (SE5, W7)

**B11** — Not Used

**B12** — Engine Coolant Temperature Sensor (SE6, W6)

**B13** — Winch Pressure Switch (SE7, W7)

**B14** — Engine Oil Pressure Sensor (SE6, W6)

**B15** — Transmission Oil Filter Restriction Switch (SE7, W7)

**B16** — Hydraulic Filter Restriction Switch (SE7, W7)

**B17** — Transmission Oil Temperature Switch (SE7, W7)

**B18** — Air Filter Restriction Switch (SE7, W6)

**B19** — Reverse Speed Ratio Switch (SE5, W5)

**B20** — Right Speaker (SE12, W9)

**B21** — Left Speaker (SE12, W9)

**B22** — A/C Freeze Switch (SE9, W8)

**B23** — A/C High Pressure Switch (SE9, W8)

**B24** — A/C Low Pressure Switch (SE9, W8)

**B25** — Heater Temp Control (SE8, W5)

**B26** — (RH) Right Motor Pressure Control Pilot Valve (PCP) (SE5, W7)

**B27** — (LH) Left Motor Pressure Control Pilot Valve (PCP) (SE5, W7)

**B28** — Hydraulic Temperature Sender (SE6, W)

**B29** — Horn (SE4, W5)

**B30** — Coolant Loss Temperature Sensor (SE6, W6)

**B31** — Manifold Air Temperature Sensor (SE6, W6)

**B32** — Fuel Temperature Sensor (SE6, W6)

**E1** — Dome Light (SE11, W5)

**E2** — Rear Light (SE12, W7)

**E3** — Front Light (LH) (SE12, W5)

**E4** — Front Light (RH) (SE12, W5)

**E5** — Right Rear Aux. Light (SE12)

**E6** — Left Rear Aux. Light (SE12)

**E7** — Left Front Aux. Light (SE12)

**E8** — Right Front Aux. Light (SE12)

**F1** — 5A Start Fuse (SE1, W5)

**F2** — 5A Spare Fuse (SE2)

**F3** — 10A Start Aid Fuse (SE3, W5)

**F4** — 5A Horn Fuse (SE4, W5)

**F5** — 5A Transmission Controller Fuse (SE5, W5)

**F6** — 7.5A Monitor/Gauge Fuse (SE6, W5)

**F7** — 10A Heater Blower Fuse (SE8, W5)

**F8** — 10A Condenser Fan Fuse (SE9, W5)

**F9** — 10A Condenser Fan Fuse (SE9, W5)

**F10** — 5A A/C Compressor Fuse (SE9, W5)

**F11** — 10A Front/Rear Wiper Fuse (SE10, W5)

**F12** — 10A Left/Right Wiper Fuse (SE10, W5)

**F13** — 15A Spare Fuse Aux. Light/CB (SE11, W5)

**F14** — 10A Spare Fuse (SE11, W5)

**F15** — 15A Rops (Under Seat) Heater Fuse (SE11, W5)

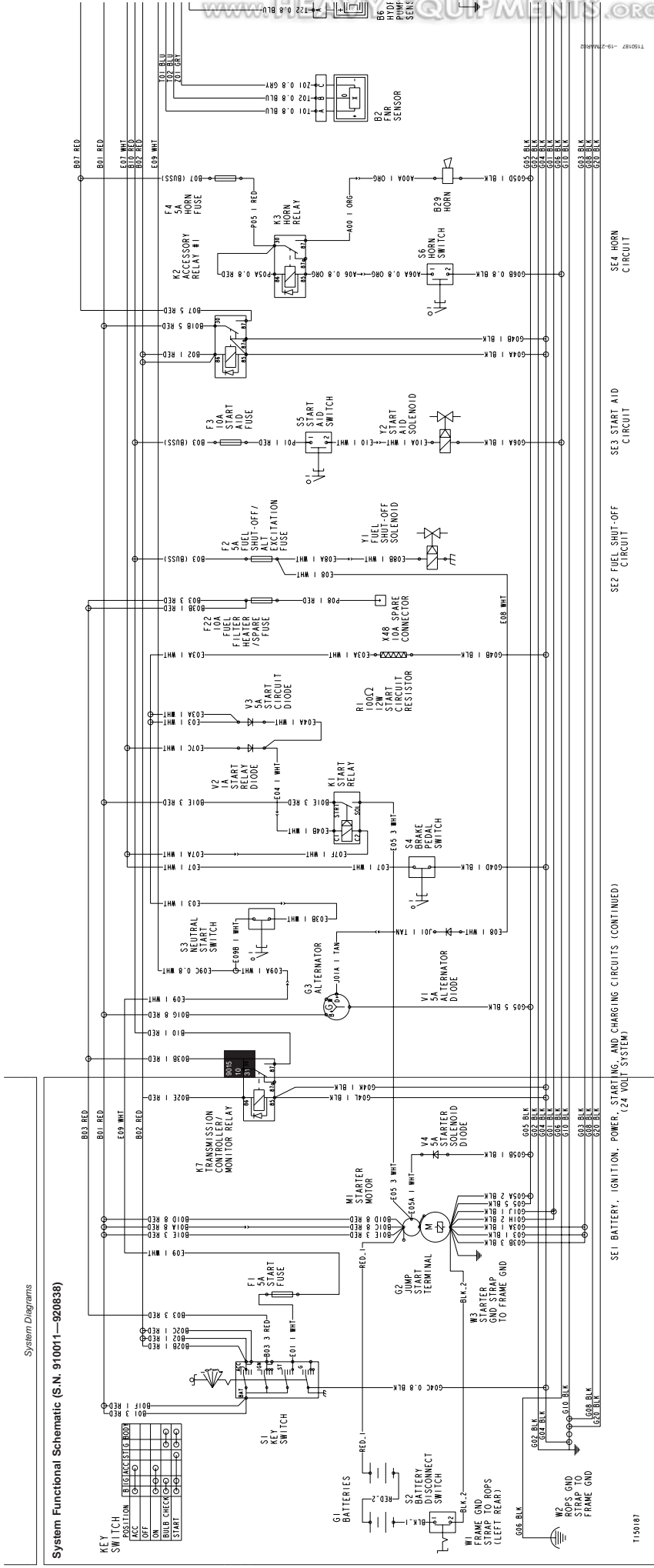
**F16** — 10A Light Circuit Breaker (SE12, W5)

**F17** — 5A Dome Light, Radio Fuse (SWITCHED) (SE11, W5)

**F18** — 5A Radio Fuse (UNSWITCHED) (SE12, W5)

**F19** — 5A Service Expert Fuse (SE5, W7)

**F20** — 5A Engine Controller Fuse "Switched" (SE6, W6)



System Diagrams

9015-10-31

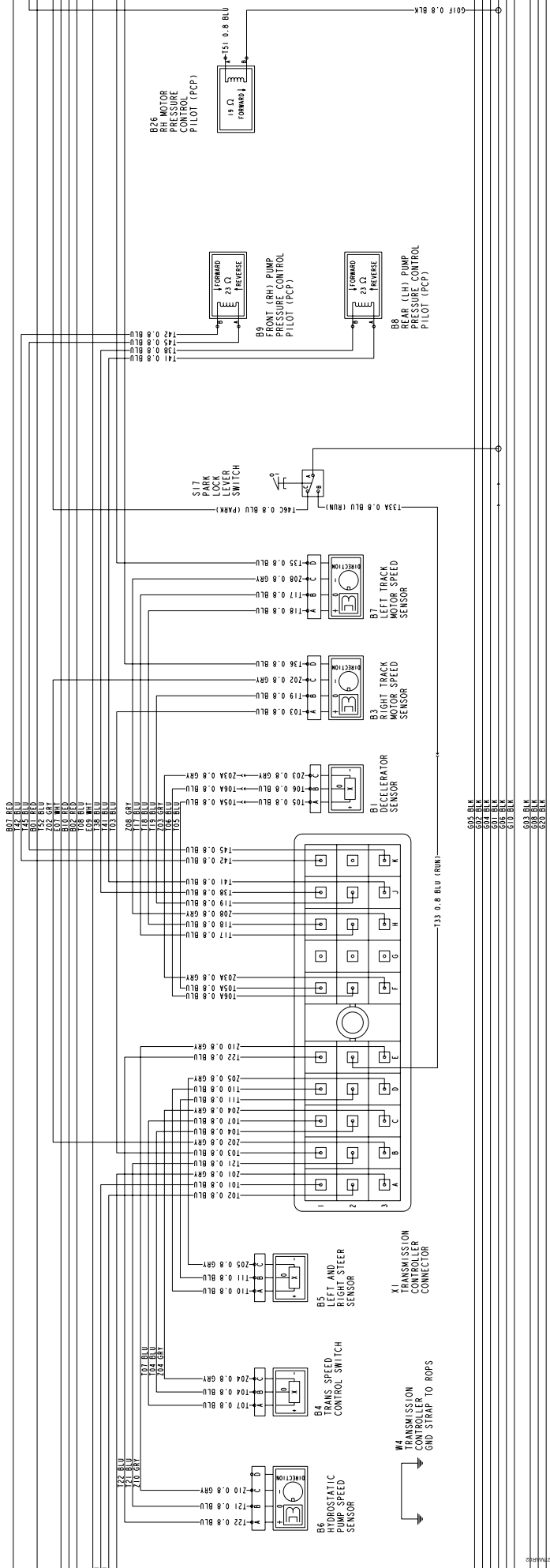
700H Crawler Dozer

PN#169

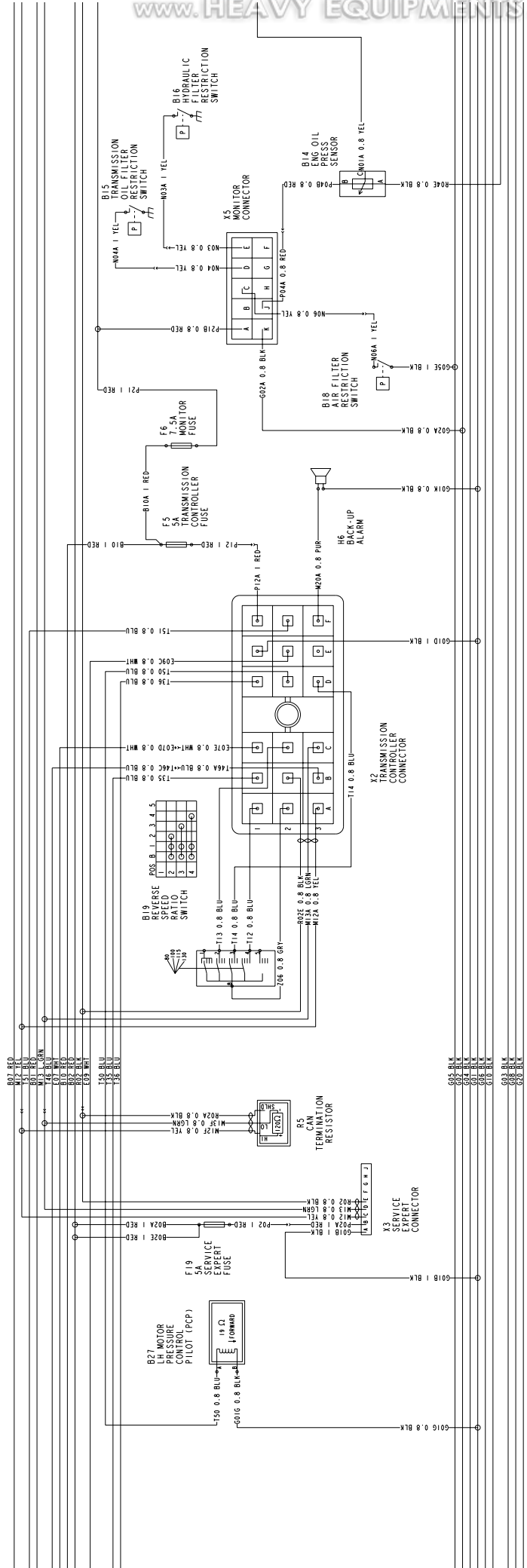
Page 9015-10-31 A

T150187

TM1858 (90JUN04)

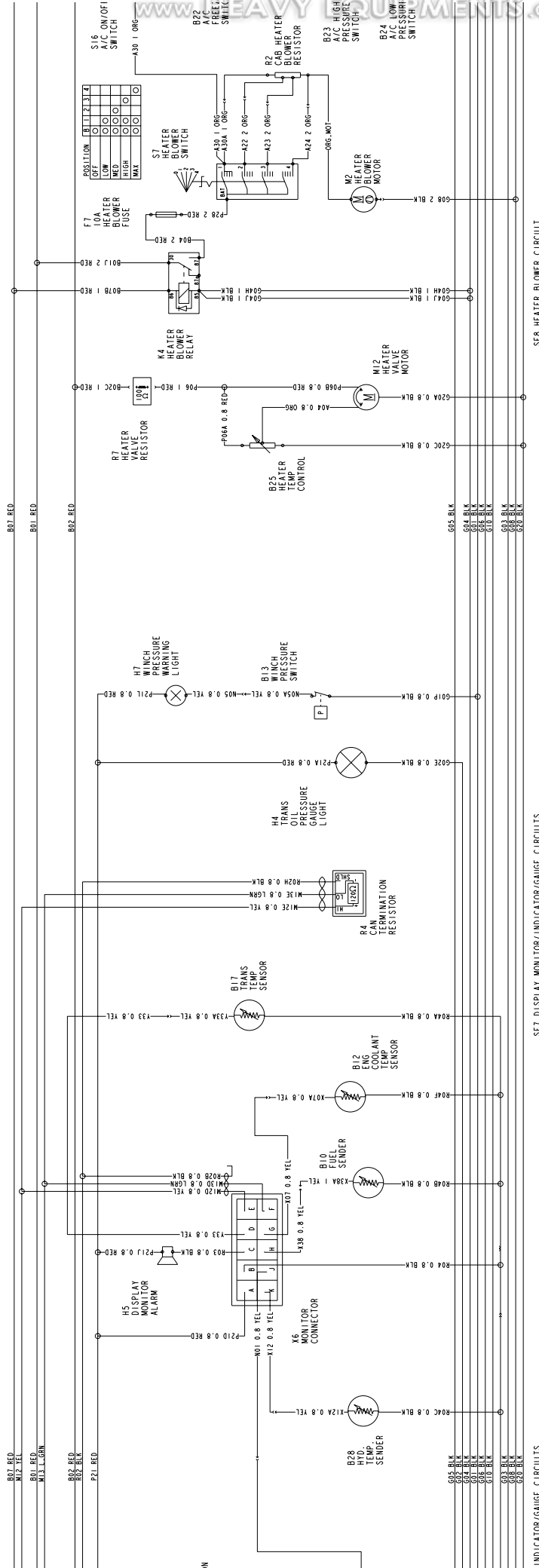


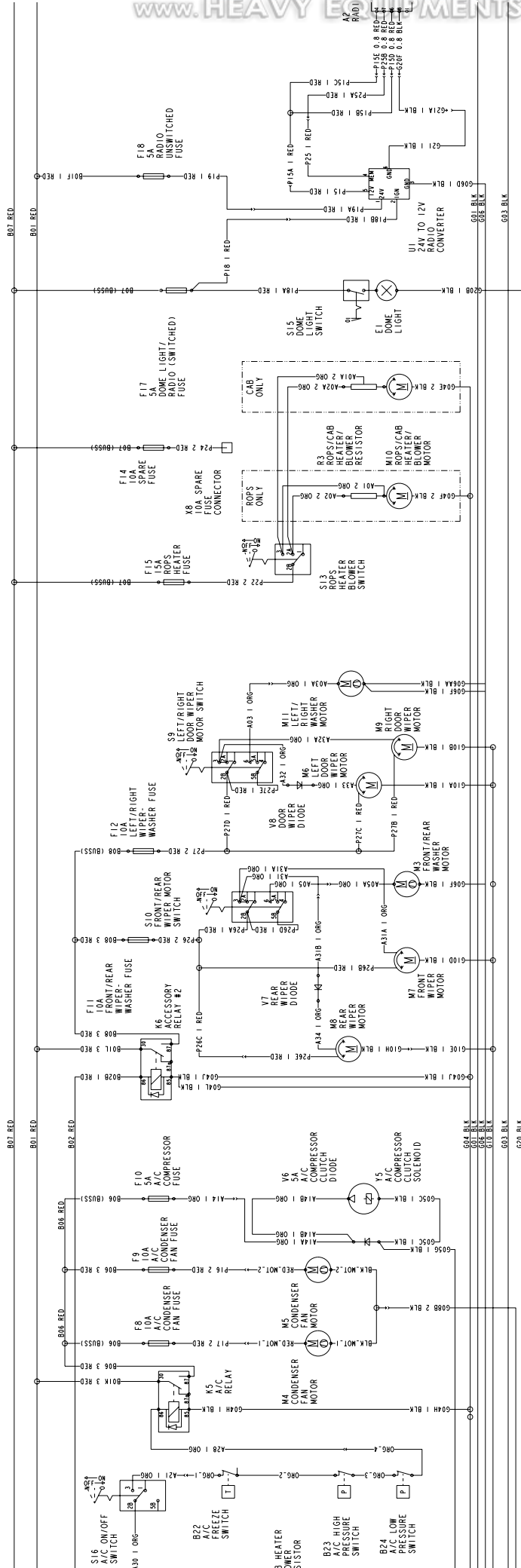
SE5 TRANSMISSION CONTROLLER CIRCUIT



SEC DISPLAY MONITOR/INDICATOR

SE5 TRANSMISSION CONTROLLER / BACK-UP ALARM CIRCUITS

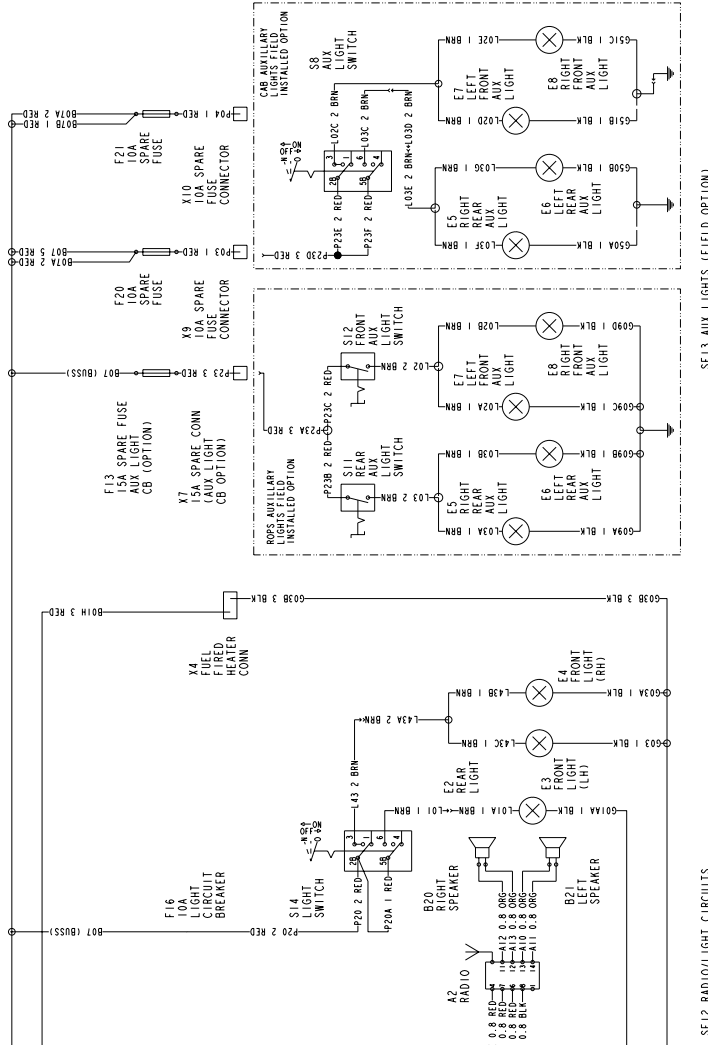




SE9 A/C CIRCUIT

SE10 WIPER/WASHER CIRCUIT

SE11 UNDER SEAT HEATER/SPARE FUSE/DOME LIGHT CIRCUITS



SE12 RADIO/LIGHT CIRCUITS

SE13 AUX LIGHTS (FIELD OPTION)



## System Diagrams

- F21** — 10A Engine Controller Fuse “Unswitched”  
Located By ECU (SE6, W6)
- F22** — 10A Spare Fuse (SE12, W5)
- F23** — 10A Spare Fuse (SE12, W5)
- G1** — Batteries (SE1)
- G2** — Jump Start Terminal (SE1, W6)
- G3** — Alternator (SE1, W6)
- H1** — Not Used
- H2** — Not Used
- H3** — Not Used
- H4** — Transmission Oil Pressure Gauge Light (SE6, W5)
- H5** — Display Monitor Alarm (SE7, W5)
- H6** — Backup Alarm (SE5, W7)
- H7** — Winch Pressure Warning Light (SE7, W5)
- K1** — Start Relay (SE1, W6)
- K2** — Accessory Relay #1 (SE1, W5)
- K3** — Horn Relay (SE4, W5)
- K4** — Heater Blower Relay (SE5, W5)
- K5** — A/C Relay (SE9, W5)
- K6** — Accessory Relay #2 (SE10, W5)
- K7** — Transmission Controller/Monitor Relay (SE1, W5)
- M1** — Starter Motor (SE1, W6)
- M2** — Heater Blower Motor (SE8, W8)
- M3** — Front/Rear Washer Motor (SE10, W8)
- M4** — Condenser Fan Motor (SE9, W8)
- M5** — Condenser Fan Motor (SE9, W8)
- M6** — Left Door Wiper Motor (SE10, W5)
- M7** — Front Wiper Motor (SE10, W5)
- M8** — Rear Wiper Motor (SE10, W5)
- M9** — Right Door Wiper Motor (SE10, W5)
- M10** — Rops/Cab Heater blower Motor (SE11, W5)
- M11** — Left/Right Washer Motor (SE10, W5)
- M12** — Heater Valve Motor (SE8, W5)
- R1** — Start Circuit Resistor (SE1, W5)
- R2** — Cab Heater Blower Resistor (SE8, W5)
- R3** — Rops/Cab Heater Blower Resistor (SE11, W5)
- R4** — Can Termination Resistor (SE5, W5)
- R5** — Can Termination Resistor (SE5, W7)
- R6** — Motor Shift Resistor Module (SE5, W5)
- R7** — Heater Valve Resistor (SE8, W8)
- S1** — Key Switch (SE1, W5)
- S2** — Battery Disconnect Switch (SE1, W5)
- S3** — Neutral Start Switch (SE1, W7)
- S4** — Brake Pedal Switch (SE1, W5)
- S5** — Start Aid Switch (SE3, W5)
- S6** — Horn Switch (SE4, W7)
- S7** — Heater Blower Switch (SE8, W5)
- S8** — Aux. Light Switch (SE13)
- S9** — Left/Right Door Wiper Motor Switch (SE10, W5)
- S10** — Front/Rear Wiper Motor Switch (SE10, W5)
- S11** — Rear Aux. Light Switch (SE12)
- S12** — Front Aux. Light Switch (SE12)
- S13** — Rops Heater/Blower Switch (SE11, W5)
- S14** — Light Switch (SE12, W5)
- S15** — Dime Light Switch (SE11, W5)
- S16** — A/C On/Off Switch (SE9, W5)
- S17** — Park Lock Lever Switch (SE5, W5)
- U1** — 24V to 12V Radio Converter (SE12, W7)
- V1** — 5A Alternator Diode (SE1, W5)
- V2** — 1A Start Relay Diode (SE1, W5)
- V3** — 5A Start Circuit Diode (SE1, W5)
- V4** — 5A Starter Solenoid Diode (SE1, W5)
- V5** — Not Used
- V6** — 5A A/C Compressor Clutch Diode (SE9, W6)
- V7** — Rear Wiper Diode (SE10, W11)
- V8** — Door Wiper Diode (SE10)
- W1** — Frame Ground Strap-to-Rops (Left Rear) (SE1, W7)
- W2** — Rops Ground Strap-To-Frame Ground (SE1, W5)
- W3** — Starter Ground Strap-To-Frame Ground (SE1, W6)
- W4** — Transmission Controller Ground Strap-To-Rops (SE5)
- W5** — Cab Harness (W5)
- W6** — Engine Harness (W6)
- W7** — Transmission Harness (W7)
- W8** — A/C Harness (W8)
- W9** — Radio Harness (W9)
- W10** — Radio Antenna Harness (W10)
- W11** — Rear Wiper Harness (W11)
- X1** — Transmission Controller Connector (W7)
- X2** — Transmission Controller Connector (W7)
- X3** — Service Expert Connector (9 Pin) (W7)
- X4** — Engine Harness Connector-To-Fuel Fired Harness Connector (SE12, W6)
- X5** — Display Monitor Connector (10 Pin) (SE8, W5)
- X6** — Display Monitor Connector (10 Pin) (SE7, W5)
- X7** — 15A Spare Connector (Aux. Lights/CB) (SE12)
- X8** — 10A Spare Fuse Connector (SE11)
- X9** — 10A Spare Fuse Connector (SE12)

## System Diagrams

- X10** — 10A Spare Fuse Connector (SE12)  
**X11** — Cab Harness Connector-To-Transmission Harness Connector (W5, W7)  
**X12** — Cab Harness Connector-To-Engine Harness Connector (W5, W6)  
**X13** — Cab Harness Connector-To-Radio Harness Connector (W5)  
**X14** — Cab Harness Connector-To-Aux. Light Harness Connector (W5)  
**X15** — Cab Harness Connector-To-Aux. Light Harness Connector (W5)  
**X16** — Cab Harness Connector-To-Rear Wiper Harness Connector (W5)  
**X17** — Transmission Harness Connector-To-Fuel Sender Harness Connector (W7)  
**X18** — Cab Harness Connector-To-A/C Harness Connector (W5)  
**X19** — Splice B01 Red Wire (W5)  
**X20** — Splice B01 Red Wire (W6)  
**X21** — Splice E07 White Wire (W5)  
**X22** — Splice E09 White Wire (W7)  
**X23** — Splice G01 Black Wire (W7)  
**X24** — Splice G02 Black Wire (W5)  
**X25** — Splice G04 Black Wire (W5)  
**X26** — Splice G05 Black Wire (W6)  
**X27** — Engine Controller Connector (SE6, W6)  
**X28** — Splice G10 Black Wire (W5)  
**X29** — Splice G20 Black Wire (W5)  
**X30** — Splice G01 Black Wire (W5)  
**X31** — Splice L43 Brown Wire (W6)  
**X32** — Splice M01 Purple Wire (W5)  
**X33** — Splice M12 Yellow Wire (W7)  
**X34** — Splice M13 Green Wire (W7)  
**X35** — Splice M12 Yellow Wire (W5)  
**X36** — Splice M13 Green Wire (W5)  
**X37** — Splice P06 Red Wire (W5)  
**X38** — Splice P15 Red Wire (W5)  
**X39** — Splice P21 Red Wire (W5)  
**X40** — Splice P26 Red Wire (W5)  
**X41** — Splice P27 Red Wire (W5)  
**X42** — Splice T08 Blue Wire (W7)  
**X43** — Splice T52 Blue Wire (W7)  
**X44** — Transmission Harness Connector-to-Resistor Module Assembly (SE5, W7)  
**X45** — Winch Connector (SE7, W5)  
**X46** — Transmission Oil Temp. Connector (W5)  
**X47** — Splice R04 Black Wire (W5)  
**X48** — Spare Connector (W5)  
**X49** — Splice R04 Black Wire (W6)  
**X50** — Splice R02 Black Wire (W7)  
**X51** — Splice R04 Black Wire (W7)  
**X52** — Splice R02 Black Wire (W5)  
**X55** — Splice B01 Red Wire (W6)  
**X56** — Splice L43 Brown Wire (W6)  
**X57** — Splice G05 Black Wire (W6)  
**X58** — Splice R01 Black Wire (W6)  
**X59** — Splice G02 Black Wire (W6)  
**X60** — Splice P04 Red Wire (W6)  
**X61** — Splice R02 Black Wire (W6)  
**X62** — Splice M12 Black Wire (W6)  
**X63** — Splice M13 Purple Wire (W6)  
**X64** — Splice P06 Red Wire (W6)  
**X65** — Splice 2 M12 Yellow Wire (W7) (S.N. 920216— )  
**X66** — Splice 2 M13 Green Wire (W7) (S.N. 920216— )  
**W67** — Splice 2 R02 Black Wire (W7) (S.N. 920216— )  
**Y1** — Fuel Injection Pump (SE6, W6)  
**Y2** — Start Aid Solenoid (SE3, W6)  
**Y3** — Not Used  
**Y4** — Not Used  
**Y5** — A/C Compressor Clutch Solenoid (SE9, W6)

TX14826.0000035 -19-02FEB04-3/3

## System Functional Schematic Section Legend (S.N. 920839— )

*NOTE: SE1—Battery/Ignition, Power, Charging and Start Circuits (24Volt System)*

- *SE1 indicates section number of system functional schematic where circuit is located.*
- *Battery/Ignition, Power, Charging and Start Circuits (24 Volt System) indicates circuit name.*

**SE1** — Battery, Ignition, Power, Charging and Start Circuits (24 Volt System)

**SE2** — Not Used

**SE3** — Start Aid Circuit

**SE4** — Horn Circuit

**SE5** — Transmission Controller, Back-Up Alarm Circuits

**SE6** — Engine Controller Circuit

**SE7** — Display Monitor, Indicator, Gauge Circuits

**SE8** — Heater/Blower Circuit

**SE9** — Air Conditioning Circuit

**SE10** — Wiper Washer Circuit

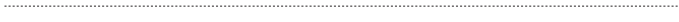
**SE11** — Under Seat Heater, Spare Fuses, Dome Light Circuits

**SE12** — Radio, Light Circuits

**SE13** — Spare Fuses For Auxiliary Functions And Fuel Fired Heater

9015  
10  
35

TX14826.0000034 -19-10SEP03-1/1



See Page 9015-10-36 G

See Page 9015-10-36 F

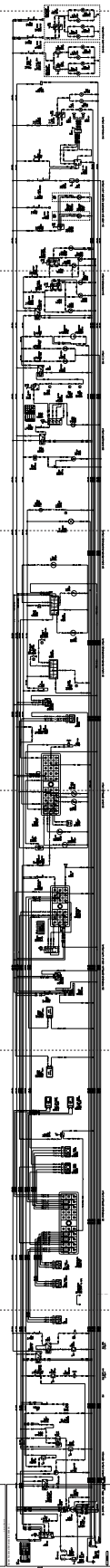
See Page 9015-10-36 E

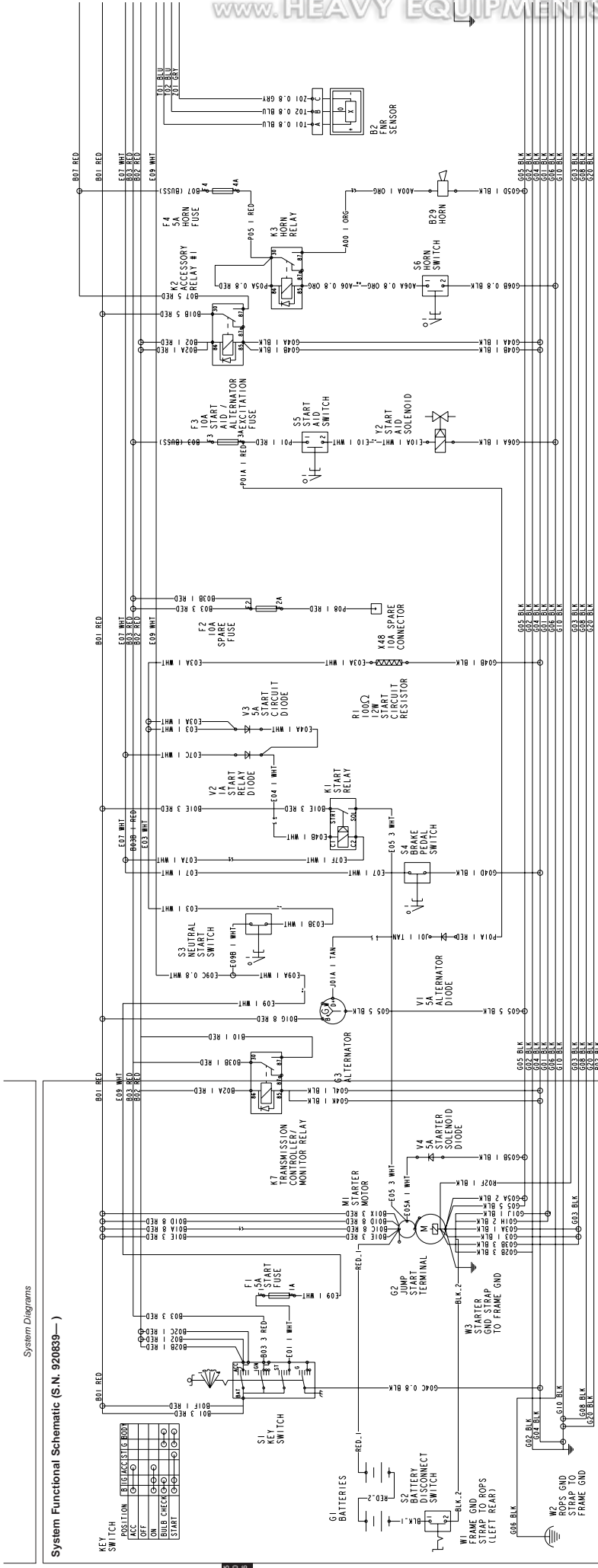
See Page 9015-10-36 D

See Page 9015-10-36 C

See Page 9015-10-36 B

See Page 9015-10-36 A





System Functional Schematic (S.N. 920839—)

KEY SWITCH POSITION	LEVER POSITION	START
OFF	OFF	OFF
ON	ON	ON
START	START	START

SE1 BATTERY, IGNITION, POWER, STARTING, AND CHARGING CIRCUITS (CONTINUED)  
(24 VOLT SYSTEM)

SE2

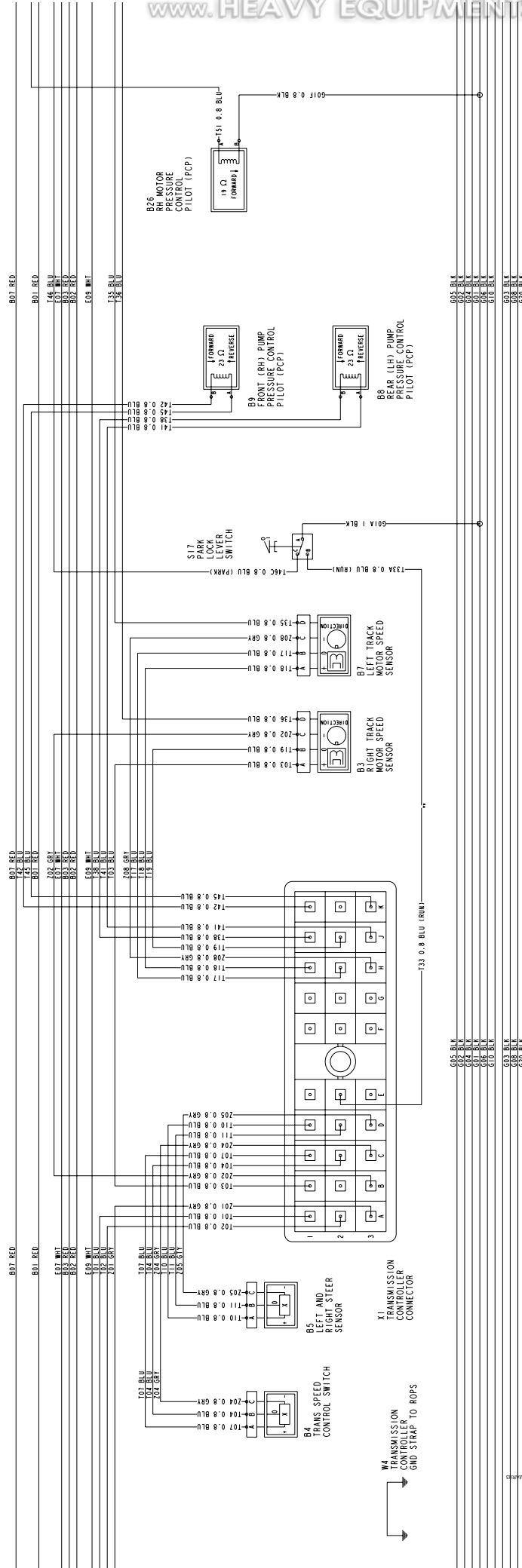
SE3 START AID CIRCUIT

SE4 HORN CIRCUIT

700H CRAWLER DOZER  
PN#174

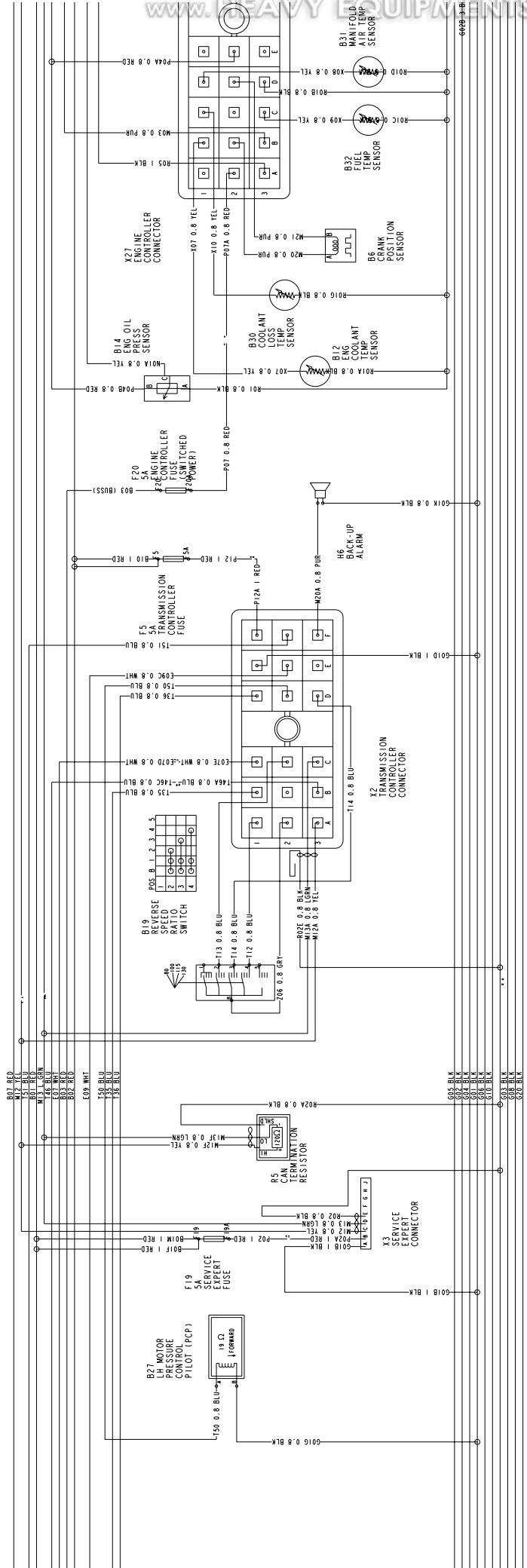
9015-10-36  
Page 9015-10-36 A

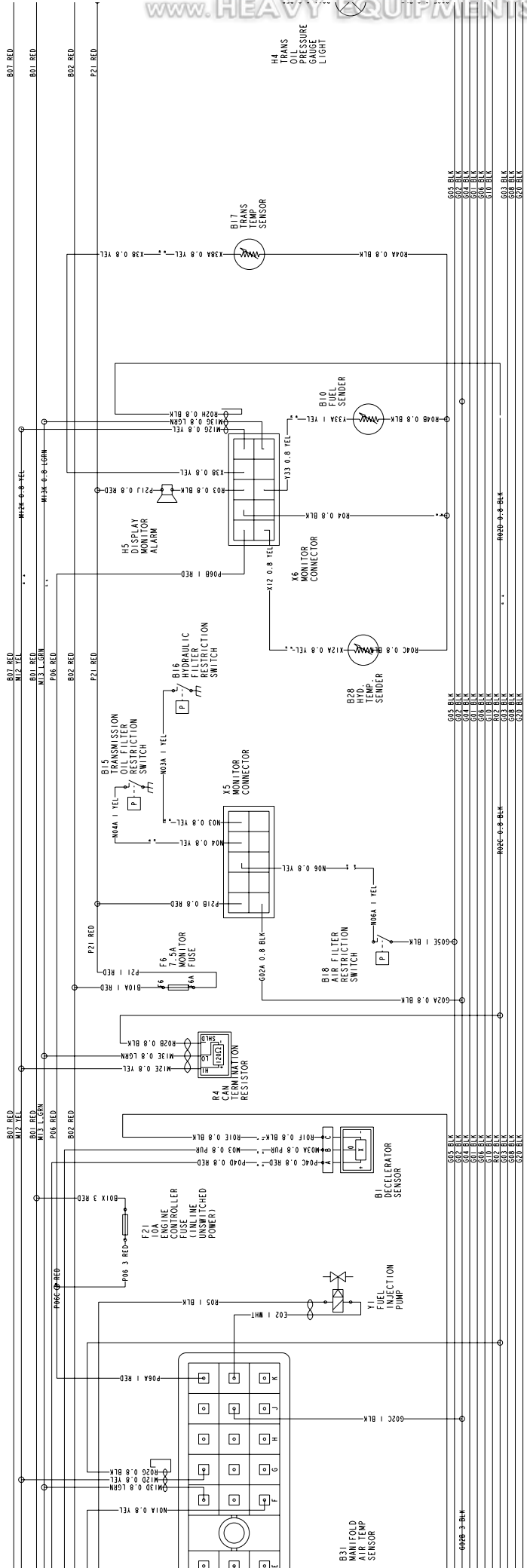
T1E5581



SE5 TRANSMISSION CONTROLLER CIRCUIT

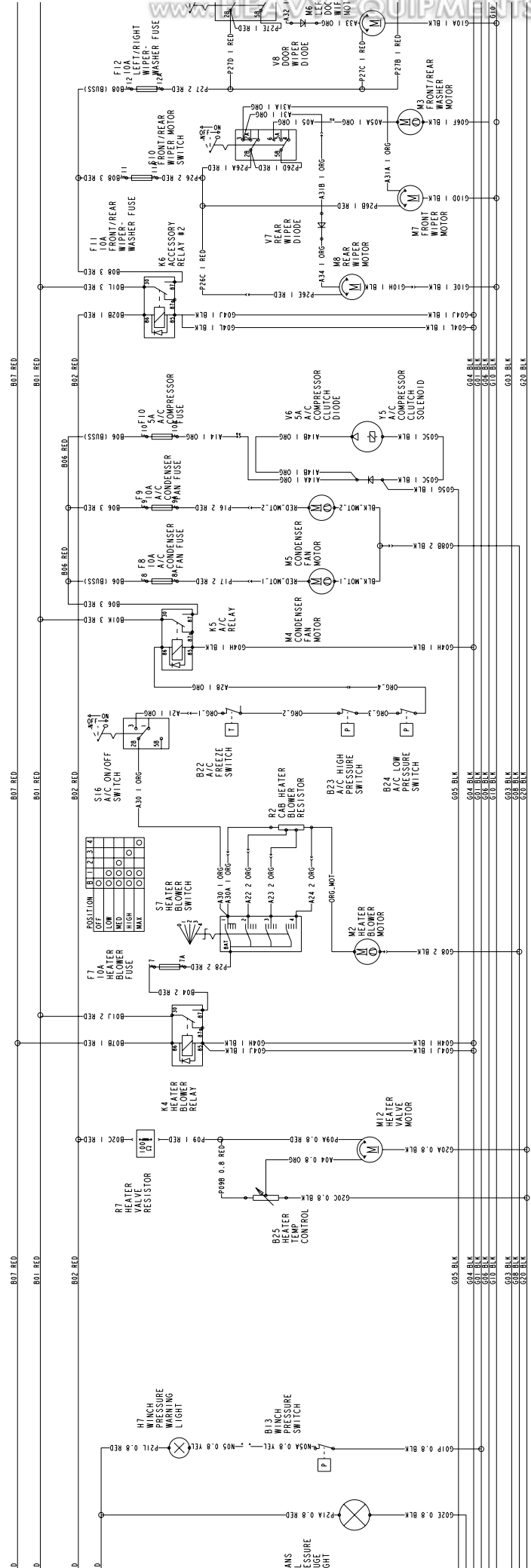
169991-01-04-0000

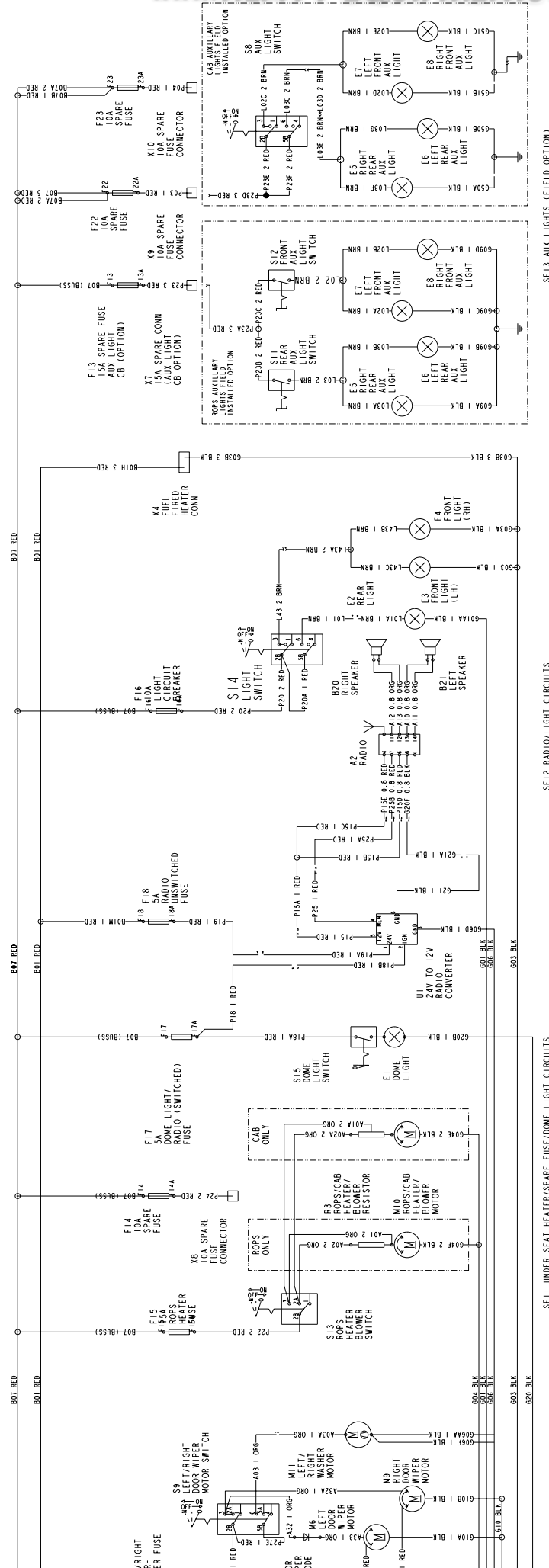




SET7 DISPLAY MONITOR/INDICATOR/GAUGE CIRCUITS







SET13 AUX LIGHTS (FIELD OPTION)

SET12 RADIO/LIGHT CIRCUITS

SET11 UNDER SEAT HEATER/SPARE FUSE/DOME LIGHT CIRCUITS

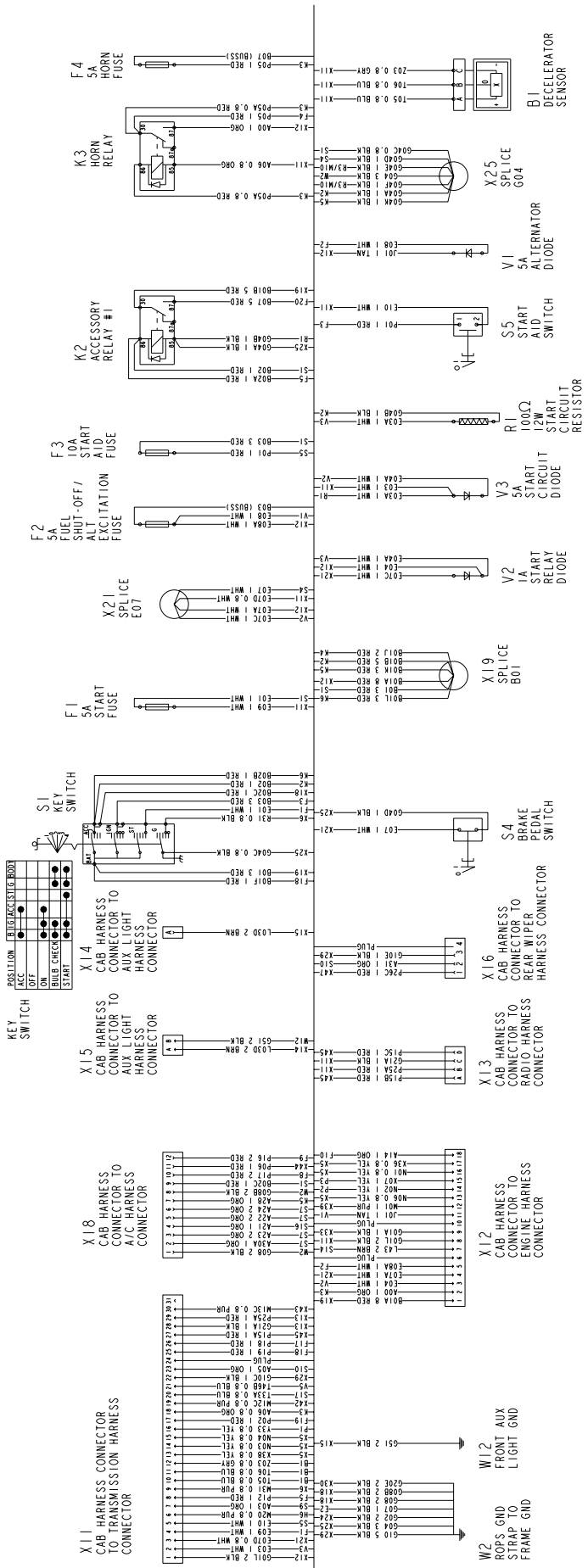


This page is intentionally left blank.

System Diagrams

Cab Harness (W5) Wiring Diagram

131762 -19-306000



131762

MS CAB HARNESS WIRING DIAGRAM (1 OF 4)

Cab Harness (W5) Wiring Diagram 1 of 4

9015-10-37

TM1856 (30JUN04)

700H Crawler Dozer  
PN#175

System Diagrams

**Cab Harness (W5) Wiring Diagram (S.N. —910010)**

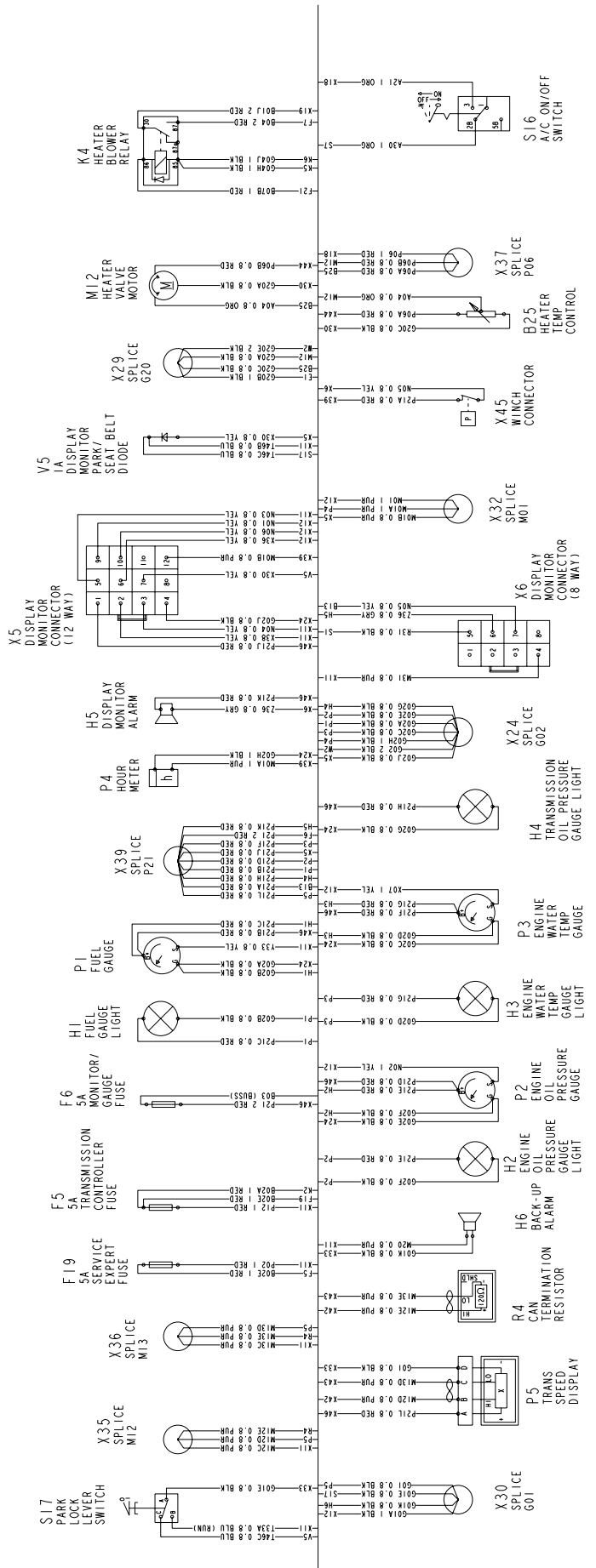
Continued on next page

CED,TX14826,12210 -19-28MAR02-2/8

9015  
10  
38

System Diagrams

131763 -19-29A000



131763

MS CAB HARNESS WIRING DIAGRAM (2 OF 4)

REF: A1220874

3.0

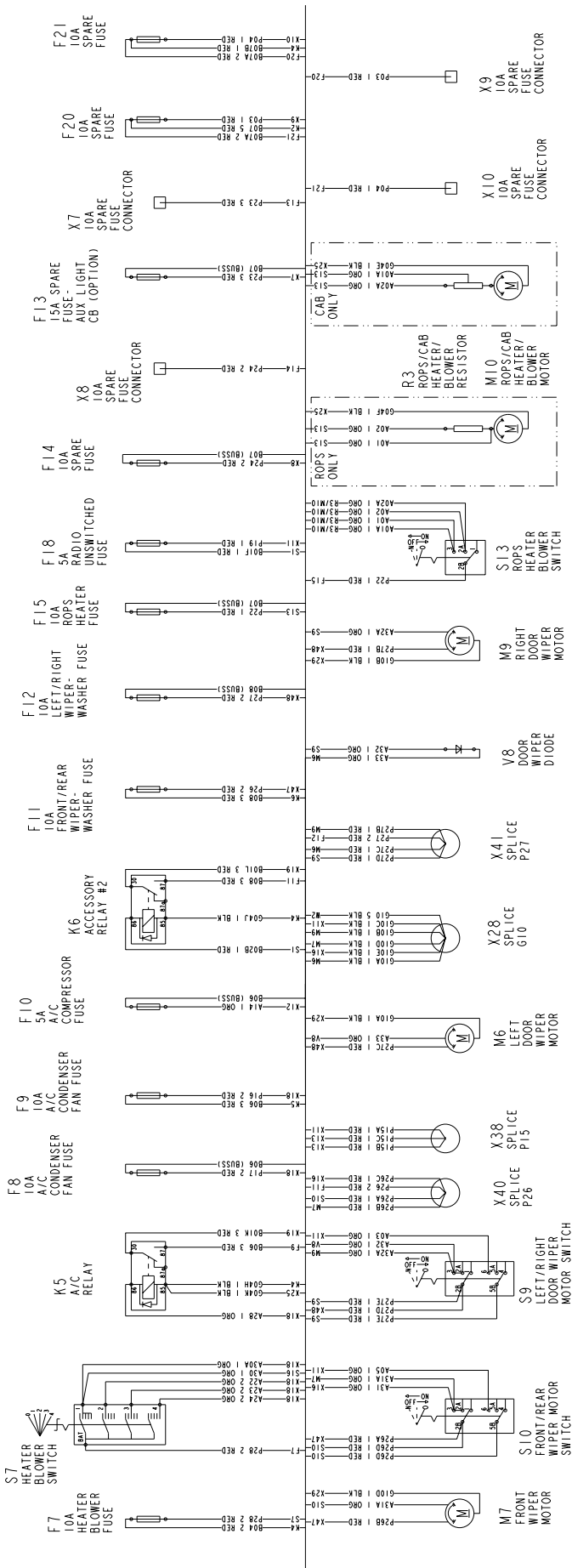
9015-10-39  
700H Crawler Dozer  
PN=177

9015-10-39  
700H Crawler Dozer  
PN=177

TM1856 (30JUN04)

System Diagrams

T131764 -16-264000



REF: AT226814 13.0

Cab Harness (W5) Wiring Diagram 2 of 4

TM1856 (30JUN04)

W5 CAB HARNESS WIRING DIAGRAM (3 OF 4)

T131764

CEESTX1456512210 -16-264002-48  
700H Crawler Dozer  
W5000  
P16-178

Continued on next page

9015-10-40

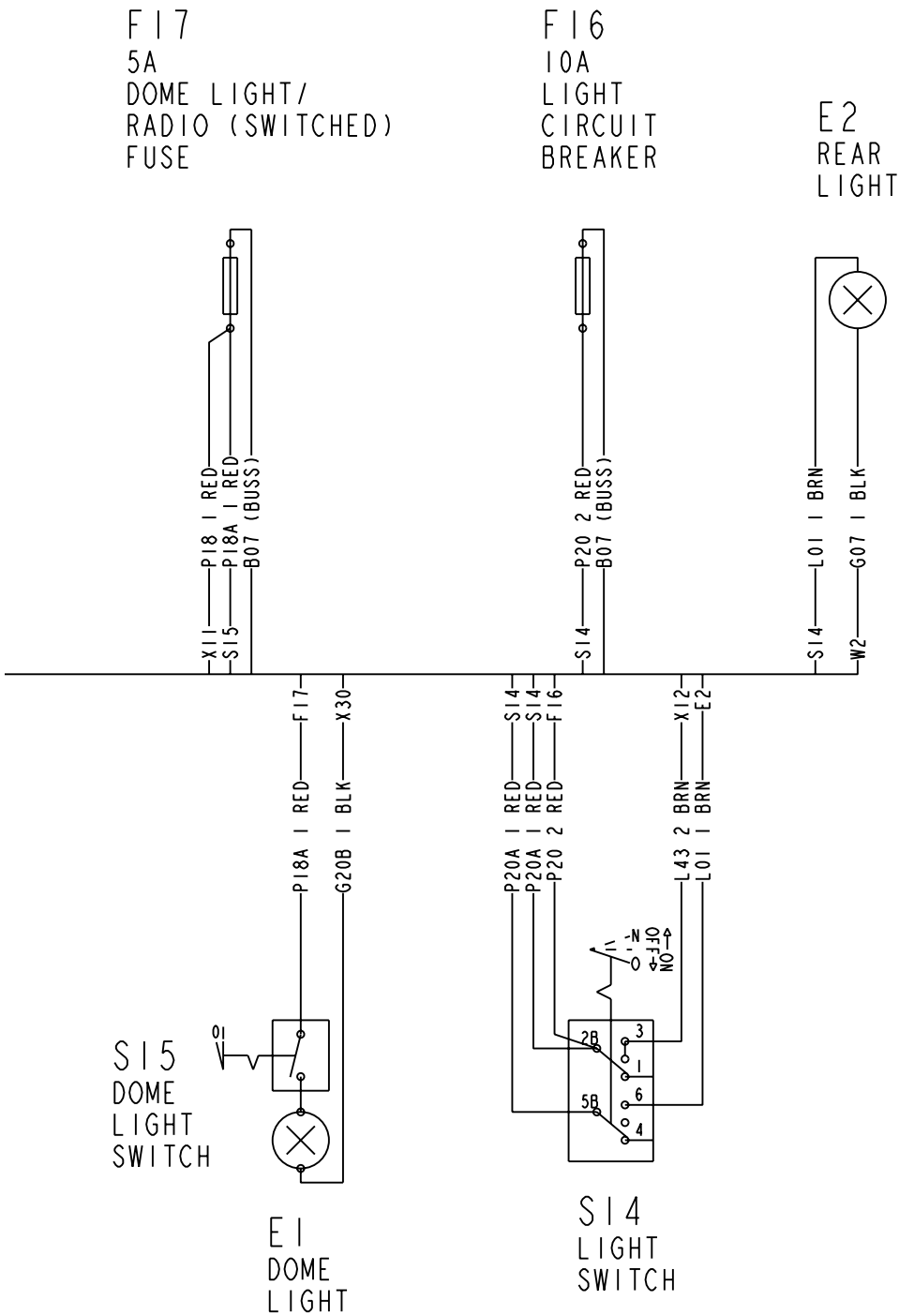
TM1856 (30JUN04)

W5 CAB HARNESS WIRING DIAGRAM (3 OF 4)

T131764



System Diagrams



9015  
10  
41

T131765

W5 CAB HARNESS WIRING DIAGRAM (4 OF 4)

REF AT220874 3.0

Cab Harness (W5) Wiring Diagram 4 of 4

T131765 -19-29AUG00

Continued on next page

CED,TX14826,12210 -19-28MAR02-5/8

*System Diagrams*

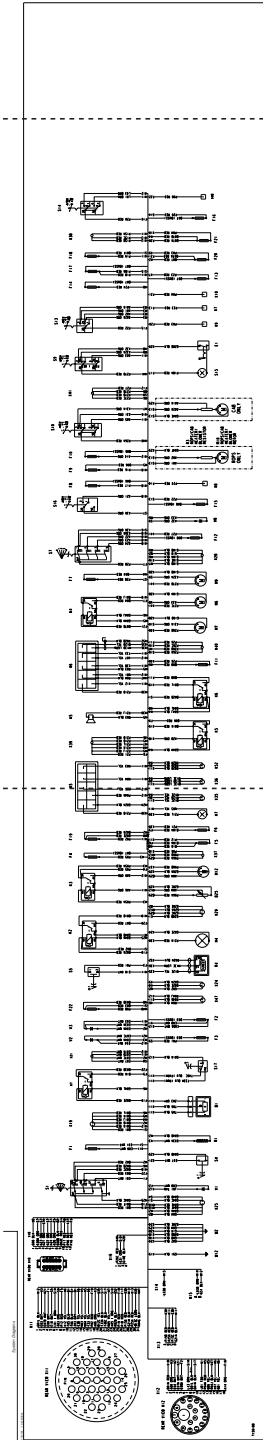
Trace wires through the following mating connectors and machine harnesses.

- X11—See Transmission Harness (W7) Wiring Diagram
- X12—See Engine Harness (W6) Wiring Diagram
- X13—See Radio Harness (W9) Wiring Diagram
- X16—See Rear Wiper Harness (W11) Wiring Diagram

Continued on next page

CED,TX14826,12210 -19-28MAR02-6/8

9015  
10  
42



See Page 9015-10-43 A

See Page 9015-10-43 B

See Page 9015-10-43 C

*System Diagrams*

**Cab Harness (W5) Wiring Diagram (S.N. 910011— )**

Trace wires through the following mating connectors and machine harnesses.

- X11—See Transmission Harness (W7) Wiring Diagram

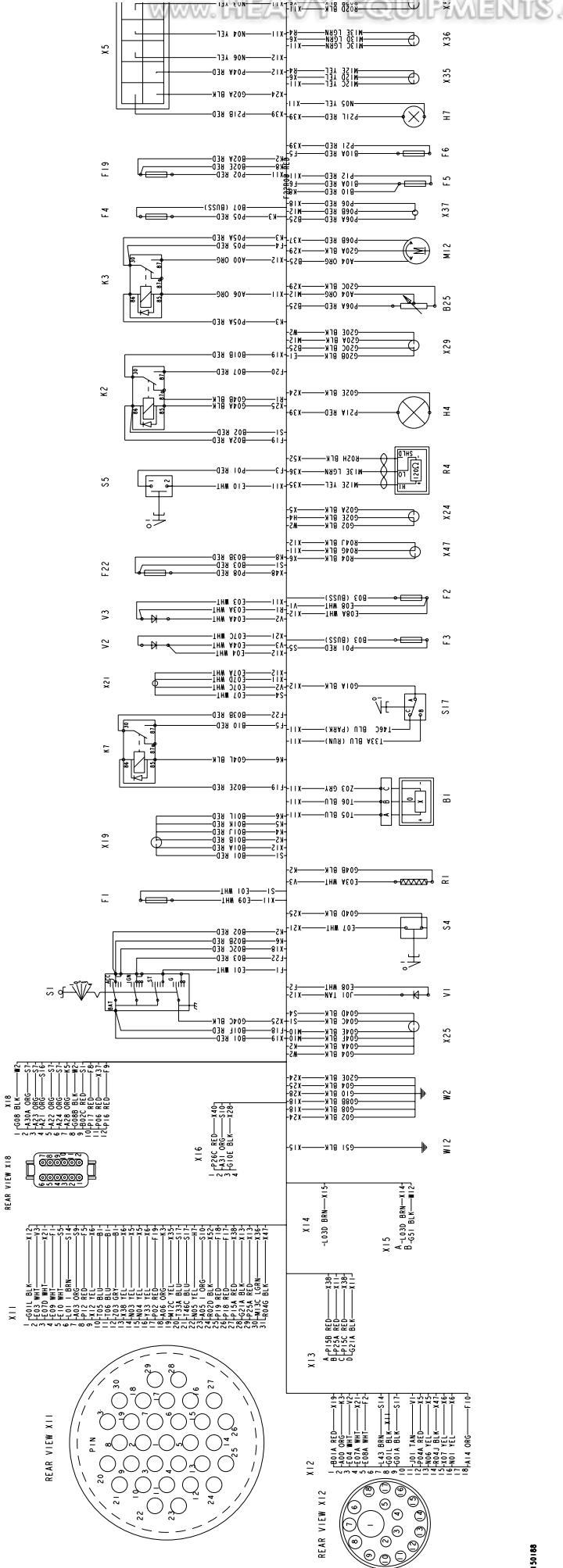
- X13—See Radio Harness (W9) Wiring Diagram
- X16—See Rear Wiper Harness (W11) Wiring Diagram
- X12—See Engine Harness (W6) Wiring Diagram

CED,TX14826,12210 -19-28MAR02-8/8

9015  
10  
44

System Diagrams

T159188-01-250A0102



T159188

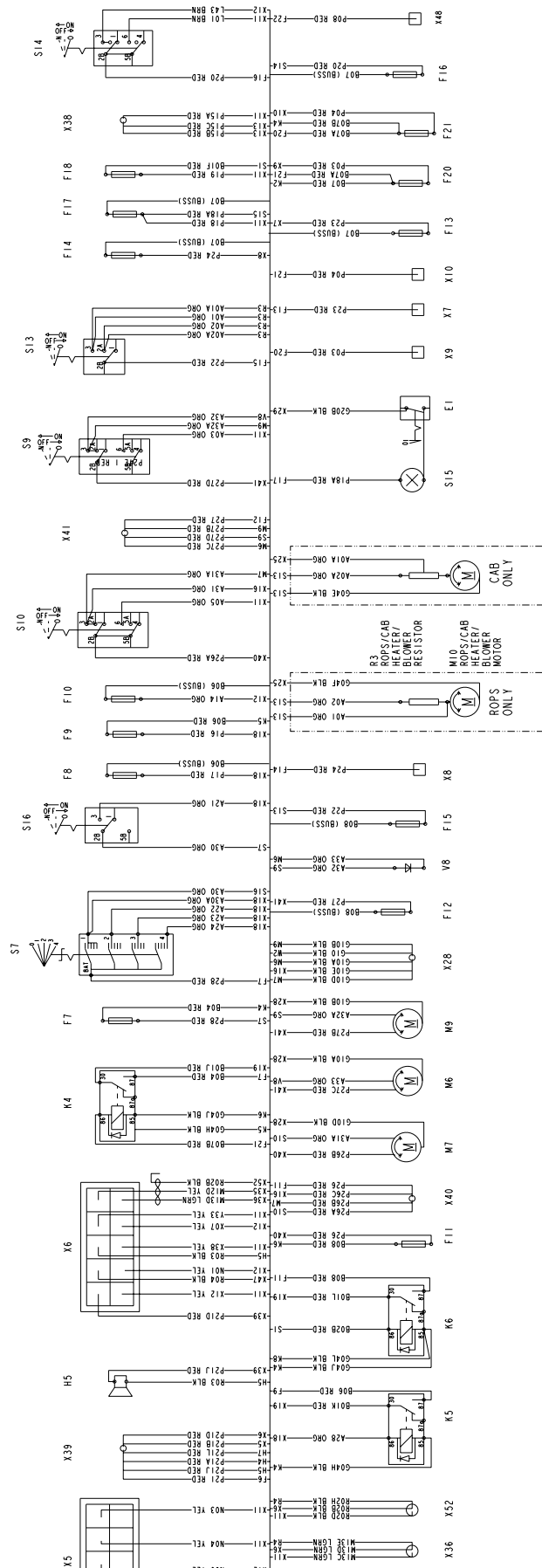
Cat-Harness (MS) Wiring Diagram

COPYRIGHT © 2001-2002 CAT  
700H Crawler Dozer  
PN#181

9015-10-43  
9015-10-43 A

Page 9015-10-43 A

TM1858 (30JUN04)

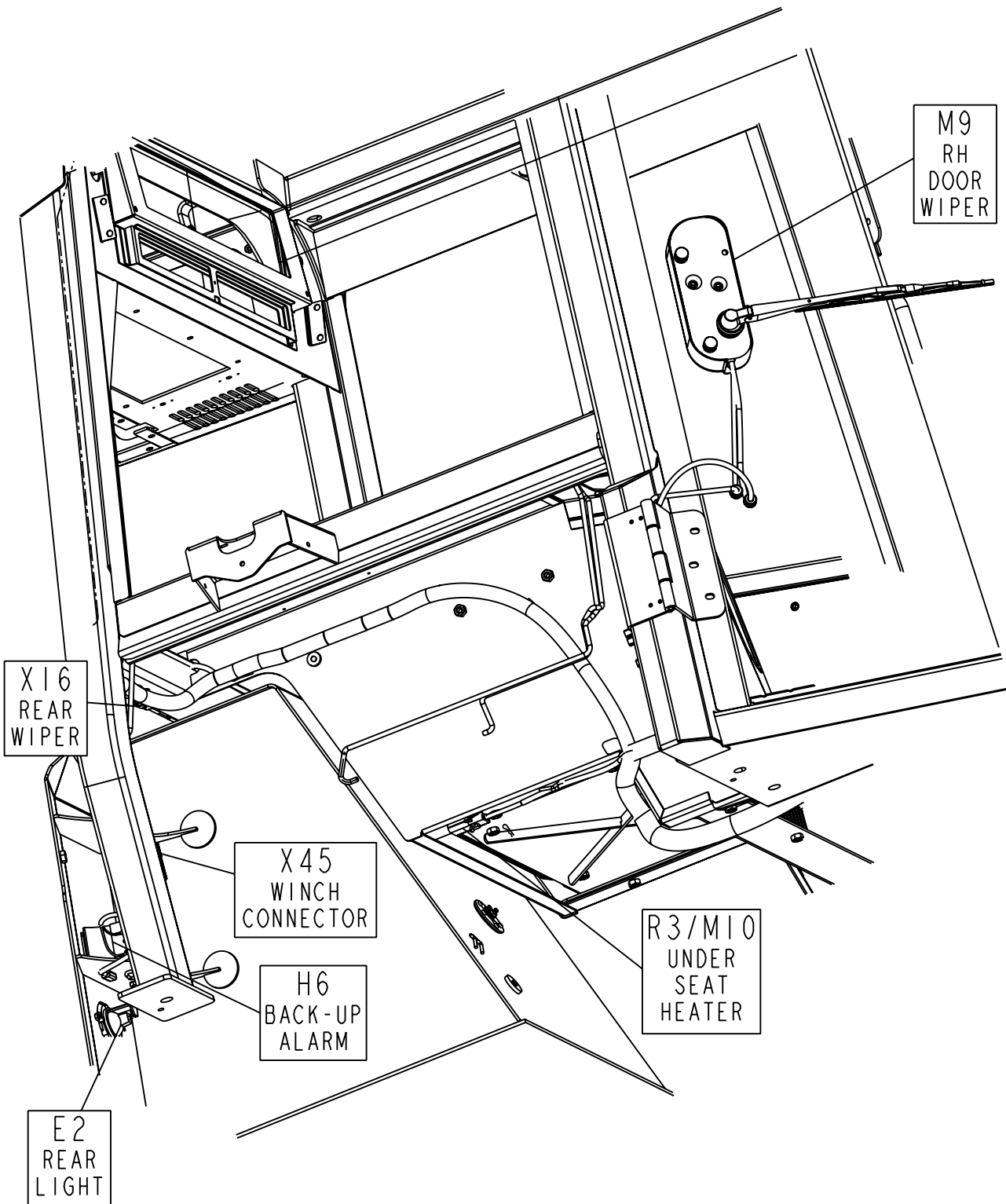




This page is intentionally left blank.



Cab Harness (W5) Component Location 1 Of 7



9015  
10  
45

T132414

CAB HARNESS (W5)  
 COMPONENT LOCATION (1 OF 7)  
 Cab Harness (W5) Component Location 1 of 7 (S.N. —910010)

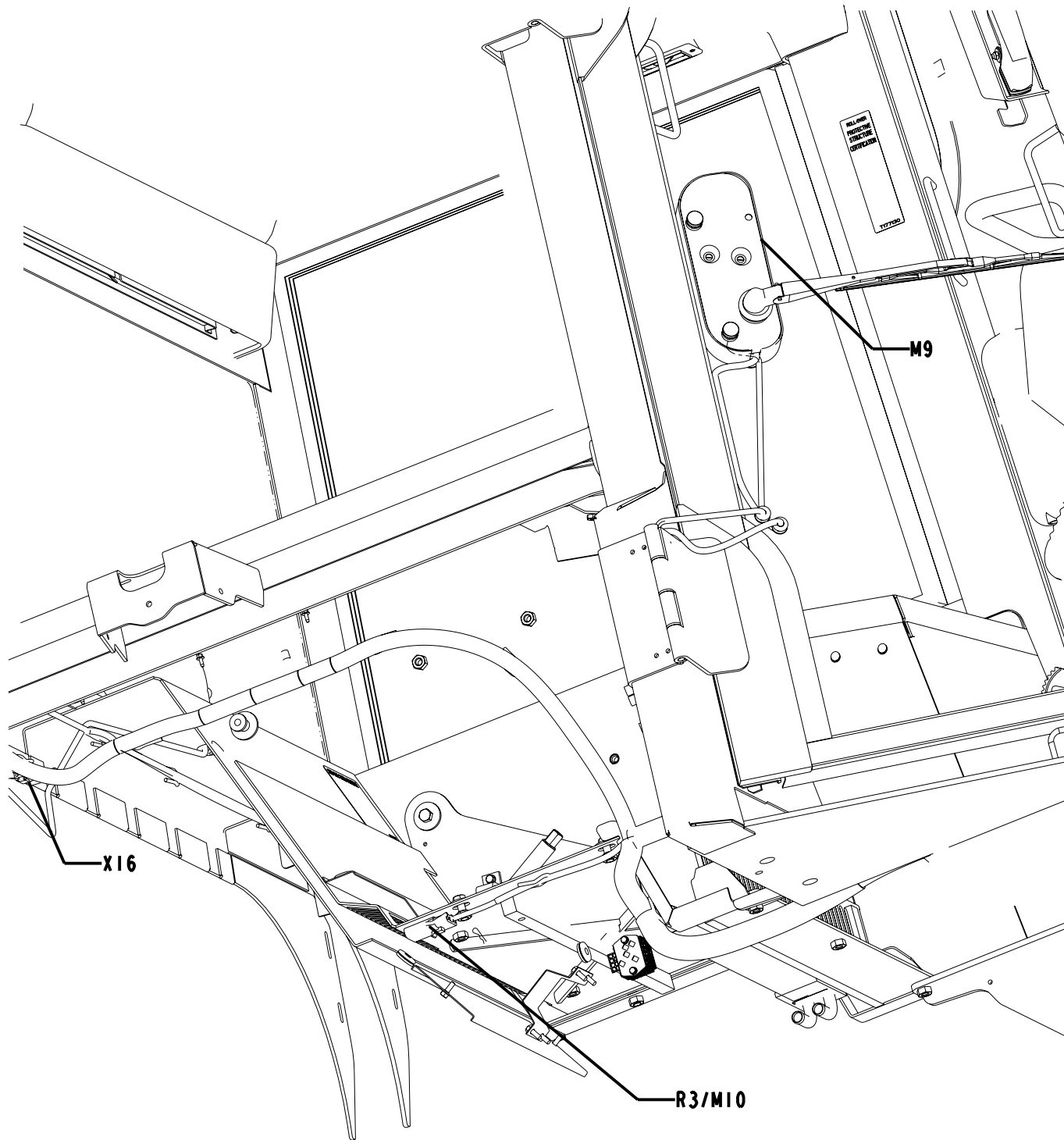
REV 3.0

Continued on next page

CED,TX14826,12211 -19-28MAR02-1/11

T132414 -19-29AUG00

System Diagrams



CAB HARNESS (W5)  
COMPONENT LOCATION (1 OF 7)

T150195

Cab Harness (W5) Component Location 1 of 7 (S.N. 910011—)

T150195 -19-01MAY02

Continued on next page

CED,TX14826,12211 -19-28MAR02-2/11

9015  
10  
46

System Diagrams

M9—RH Door Wiper

X16—Rear Wiper Harness  
Connector

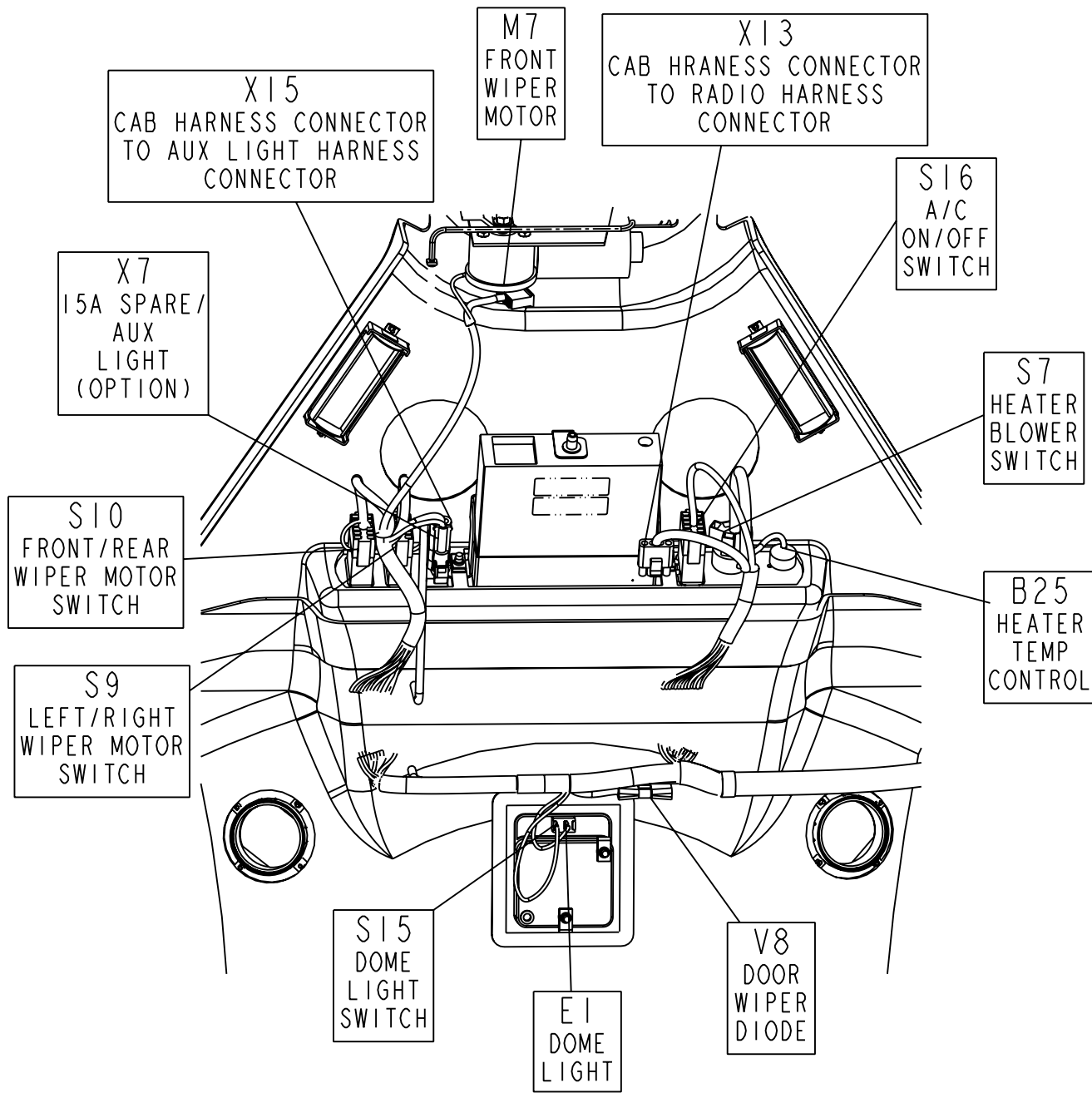
R3/M10—Heater Blower  
Resister/Blower  
Motor

Continued on next page

CED,TX14826,12211 -19-28MAR02-3/11

9015  
10  
47

System Diagrams



9015  
10  
48

T132416

CAB HARNESS (W5)  
 COMPONENT LOCATION (2 OF 7)  
*Cab Harness (W5) Component Location 2 of 7*

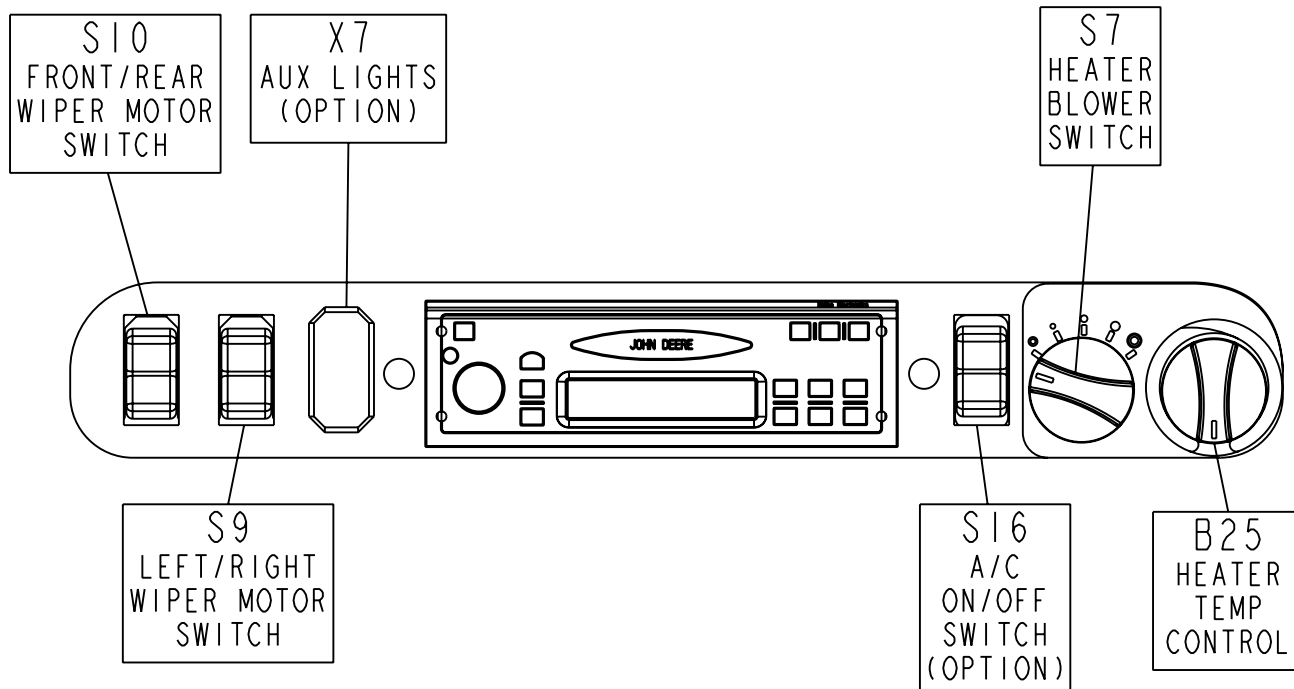
REV 3.0

T132416 -19-29AUG00

Continued on next page

CED,TX14826,12211 -19-28MAR02-4/11

System Diagrams



9015  
10  
49

T132417

CAB HARNESS (W5)  
COMPONENT LOCATION (3 OF 7)  
Cab Harness (W5) Component Location 3 of 7

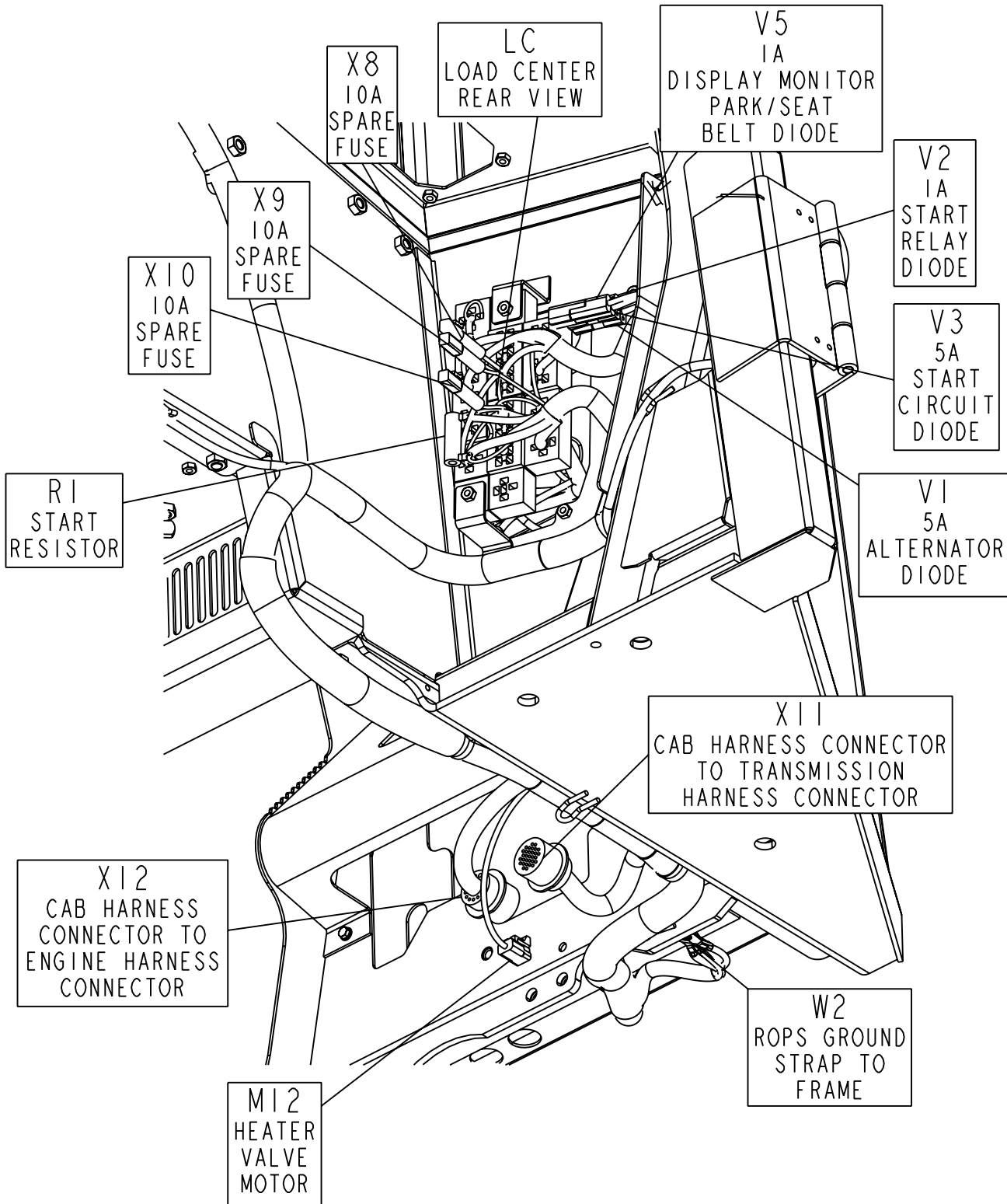
REV 3.0

T132417 -19-29AUG00

Continued on next page

CED,TX14826,12211 -19-28MAR02-5/11

System Diagrams



CAB HARNESS (W5)  
 COMPONENT LOCATION (4 OF 7)  
*Cab Harness (W5) Component Location 4 of 7*

T132418

REV 3.0

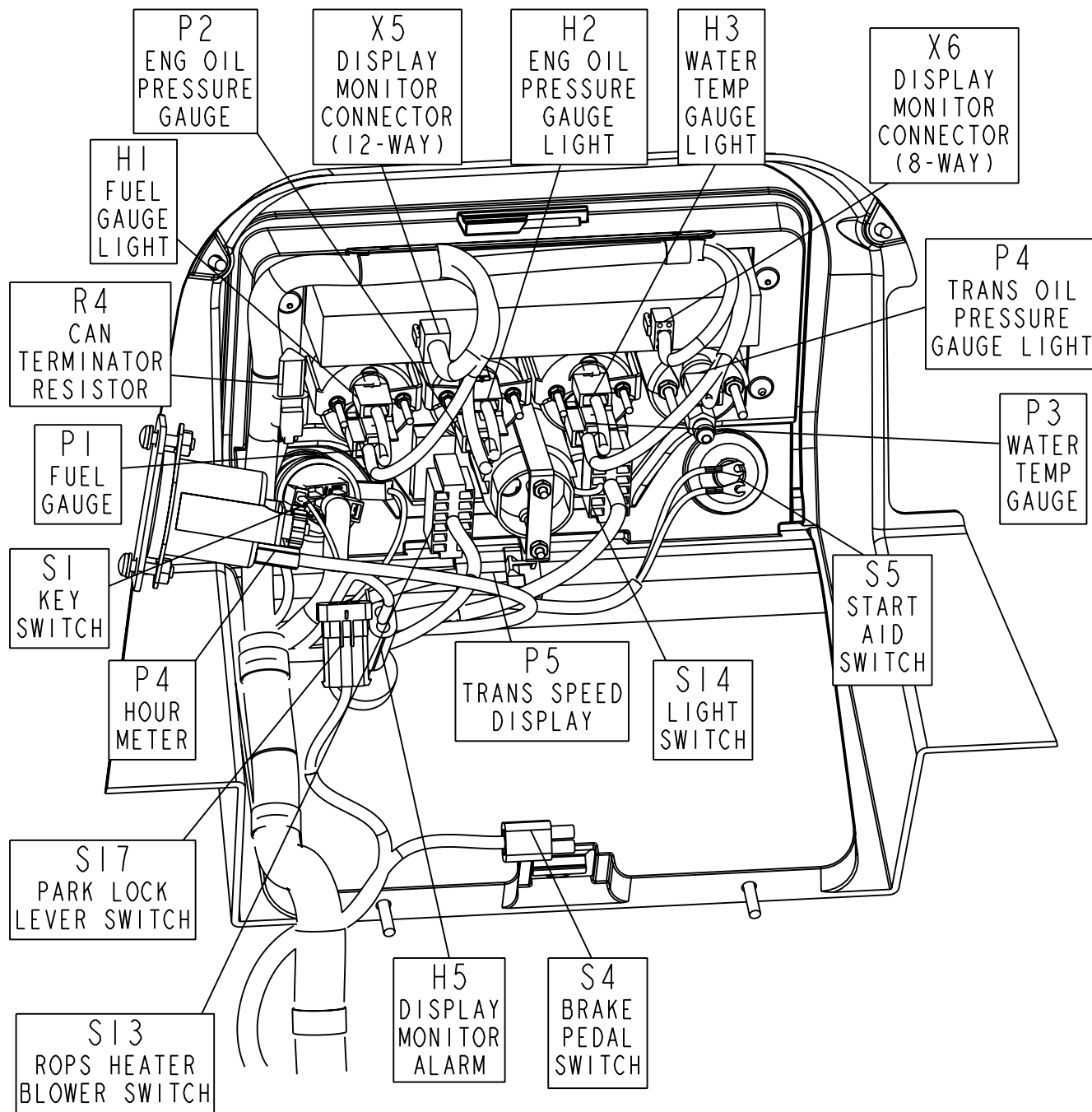
T132418 -19-29AUG00

Continued on next page

CED,TX14826,12211 -19-28MAR02-6/11

9015  
10  
50

System Diagrams



9015  
10  
51

T132419

CAB HARNESS (W5)  
COMPONENT LOCATION (5 OF 7)

REV 3.0

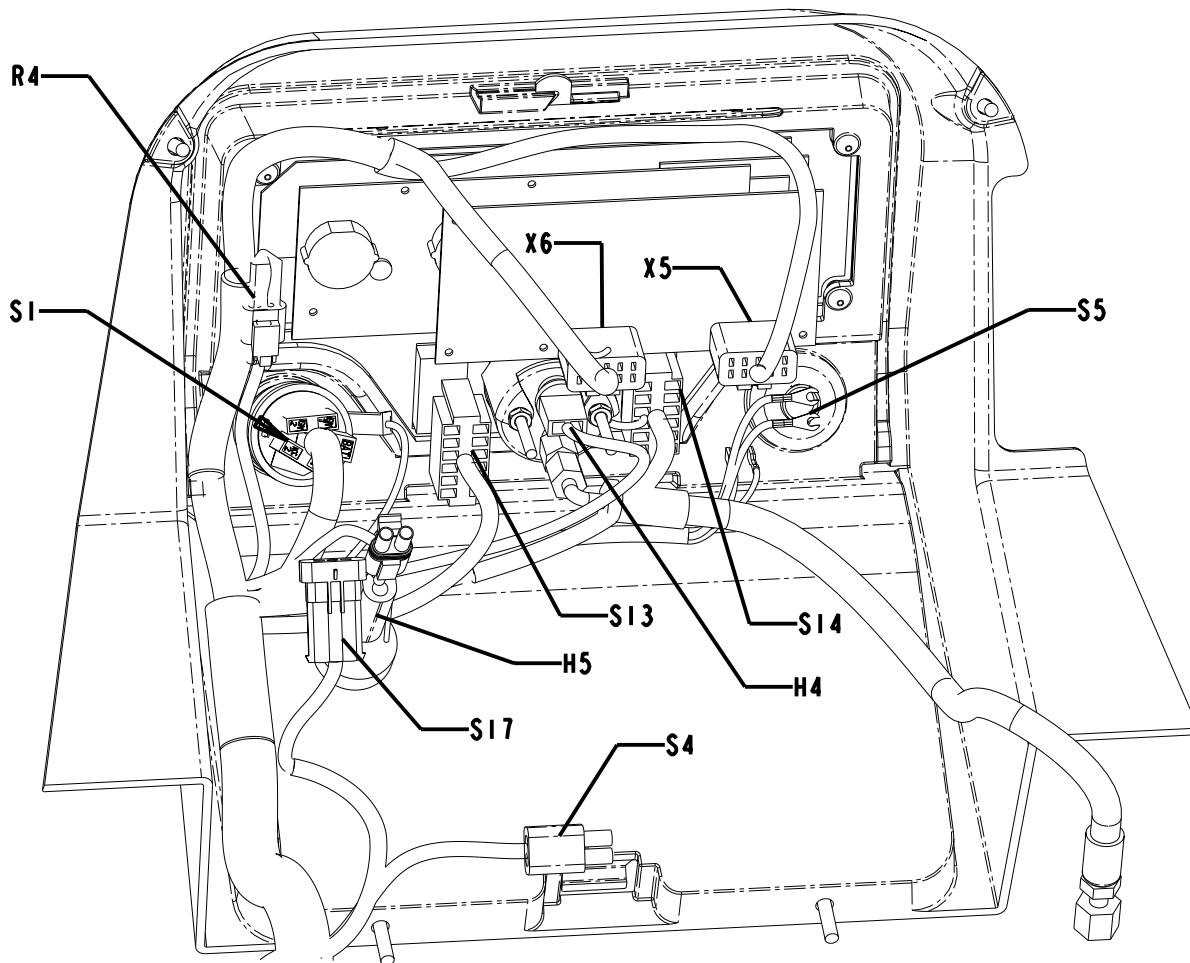
Cab Harness (W5) Component Location 5 of 7 (S.N. —910010)

T132419 -19-29AUG00

Continued on next page

CED,TX14826,12211 -19-28MAR02-7/11

System Diagrams



**CAB HARNESS (W5)  
COMPONENT LOCATION (5 OF 7)**

T150196

*Cab Harness (W5) Component Location 5 of 7 (S.N.910011—)*

T150196 -19-21MAR02

Continued on next page

CED,TX14826,12211 -19-28MAR02-8/11



System Diagrams

S1—Key Switch  
R4—Can Termination Resister  
X6—Display Monitor  
Connector

X5—Display Monitor  
Connector  
S5—Start Aid Switch  
S14—Light Switch

H4—Transmission Oil  
Pressure Gauge Lights  
S13—Rops Heater Blower  
Switch

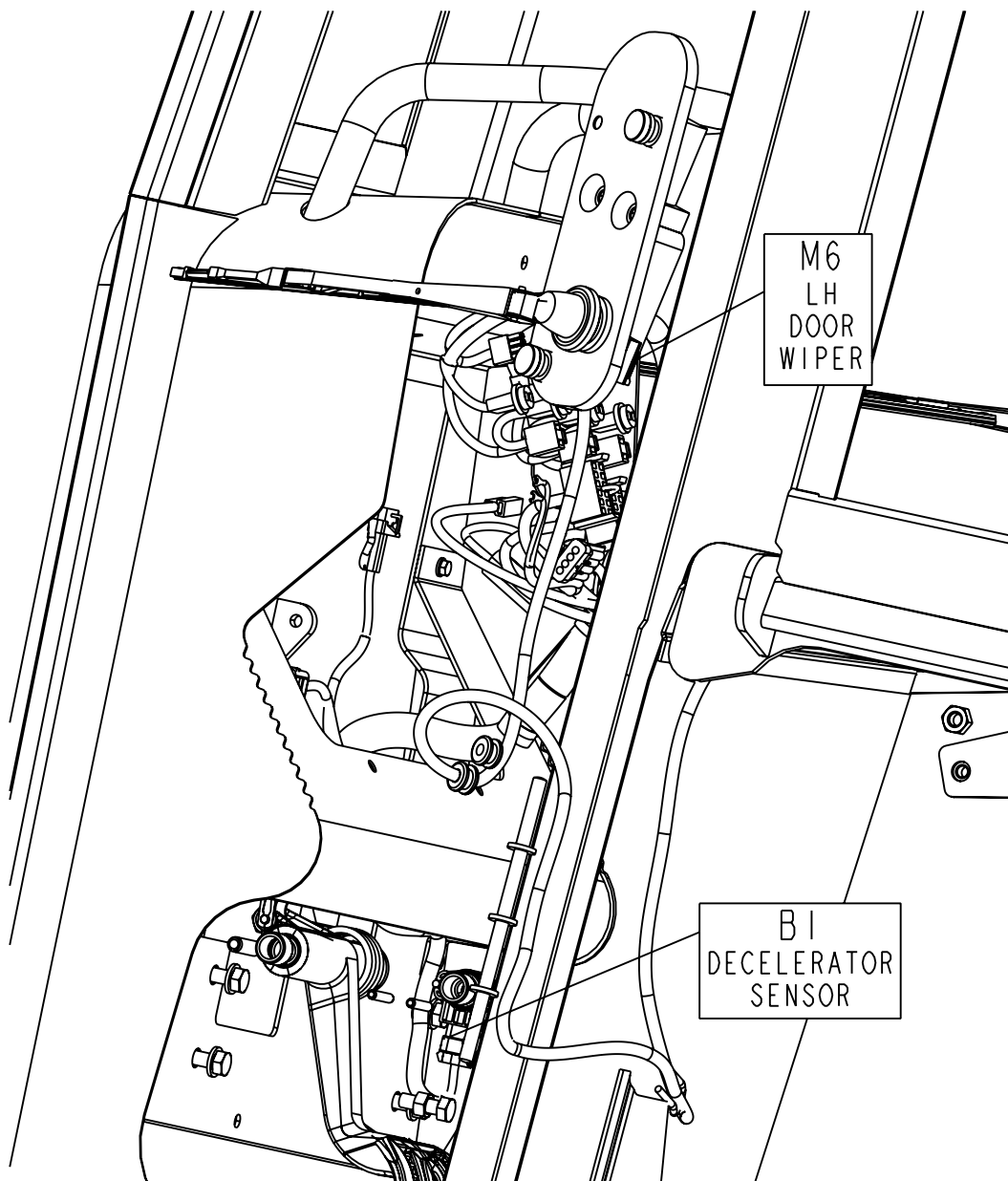
H5—Display Monitor Alarm  
S17—Park Lock Lever Switch

Continued on next page

CED,TX14826,12211 -19-28MAR02-9/11

9015  
10  
53

System Diagrams



9015  
10  
54

T132421

CAB HARNESS (W5)  
COMPONENT LOCATION (6 OF 7)

*Cab Harness (W5) Component Location 6 of 7*

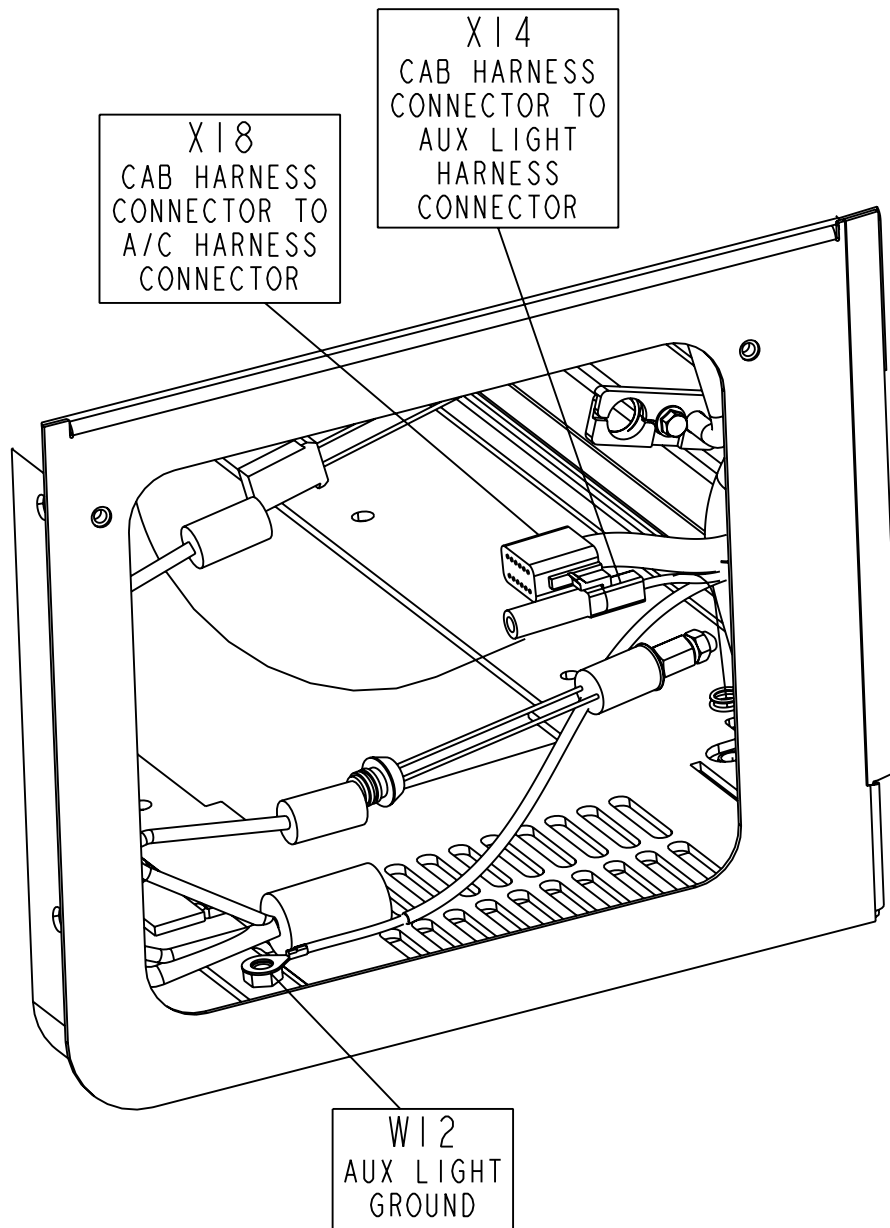
REV 3.0

T132421 -19-29AUG00

Continued on next page

CED,TX14826,12211 -19-28MAR02-10/11

System Diagrams



9015  
10  
55

T132422

CAB HARNESS (W5)  
COMPONENT LOCATION (7 OF 7)  
*Cab Harness (W5) Component Location 7 of 7*

REV 3.0

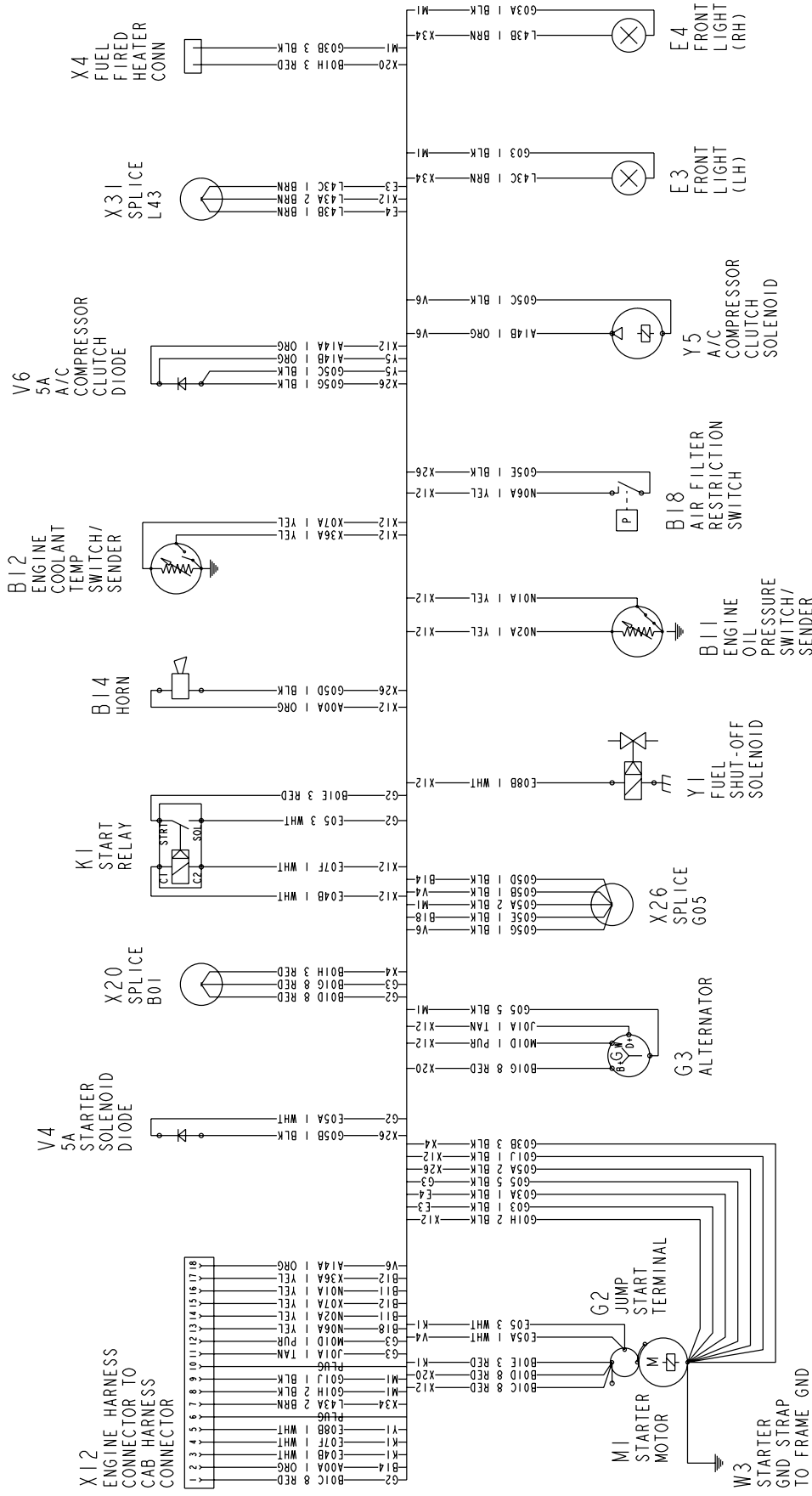
T132422 -19-29AUG00

CED,TX14826,12211 -19-28MAR02-11/11

System Diagrams

Engine Harness (W6) Wiring Diagram (S.N. —920838)

T132102 -19-110J00



REF AT220874 3.0

W6 ENGINE HARNESS WIRING DIAGRAM

T132102

CEDT14826,12213 -19-10SEP03-1/2  
700H Crawler Dozer  
PN:194

9015-10-56

TM1858 (30JUN04)

*System Diagrams*

Trace wires through the following mating connector and machine harness.

- X12—See Cab Harness (W5) Wiring Diagram

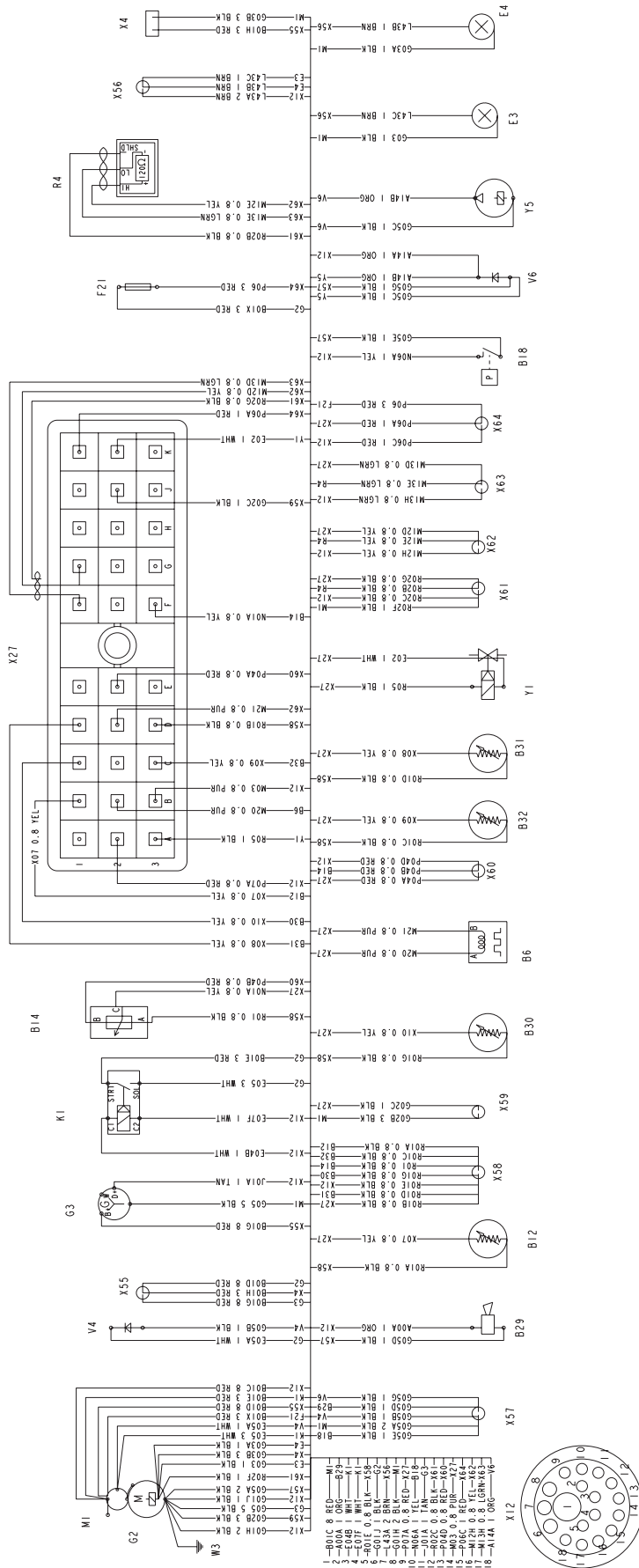
CED,TX14826,12213 -19-10SEP03-2/2

9015  
10  
57

System Diagrams

Engine Harness (W6) Wiring Diagram (S.N. 920839—)

T165692 -JUN-2004(003)



T165692-00000037 -03-USEF010-1/2

700H Crawler Dozer

on serial

PNr186

9015-10-58

T165692 (30JUN04)

## System Diagrams

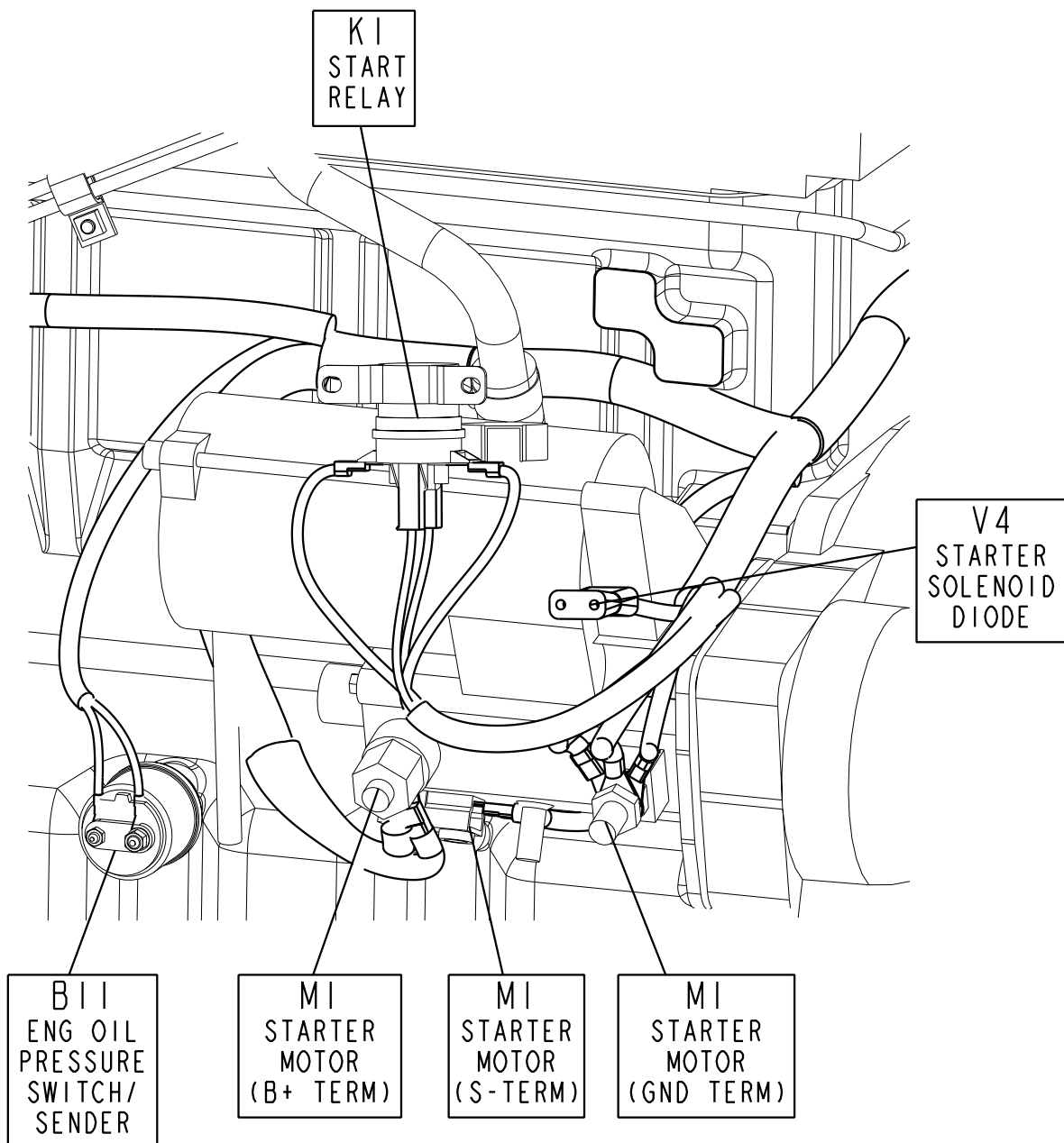
W3—Starter Ground strap To Frame Ground	R4—Can Termination Resister	X63—Splice M13 Purple Wire (W6)	B30—Coolant Loss Temperature Sensor
G2—Jump Start Terminal	X56—Splice L43 Brown Wire (W6)	X62—Splice M12 Black Wire (W6)	X59—Splice G02 Black Wire (W6)
M1—Starter Motor	X4—Engine Harness Connector to Fuel Fired Harness Connector	X61—Splice R02 Black Wire (W6)	X58—Splice R01 Black Wire (W6)
V4—Starter Solenoid Diode	E4—Right Hand Front Light	Y1—Fuel Injection Pump	B12—Engine Coolant Temperature Sensor
X55—Splice B01 Red Wire (W6)	E3—Left Hand Front Light	B31—Manifold Air Temperature Sensor	B29—Horn
G3—Alternator	Y5—A/C Compressor Clutch Solenoid	B32—Fuel Temperature Sensor	X57—Splice G05 Black Wire (W6)
K1—Start Relay	V 6—5A A/C Compressor Clutch Diode	X60—Splice P04 Red Wire (W6)	X12—Cab Harness Connector To Engine harness Connector
B14—Engine Oil Pressure Sensor	B18—Air Filter Restriction Switch	B6—Crank Position Sensor	
X27—Engine Controller Connector	X64—Splice P06 Red Wire (W6)		
F21—10A Engine Controller Fuse “Unswitched” Located By ECU			

9015  
10  
59

TX14826,0000037 -19-10SEP03-2/2

System Diagrams

Engine Harness (W6) Component Location (S.N. 910011—920838)



9015  
10  
60

T132379

ENGINE HARNESS (W6)  
COMPONENT LOCATION (1 OF 4)  
Engine Component Location 1 of 4 (S.N. —910010)

REV 3.0

T132379 -19-17AUG00

Continued on next page

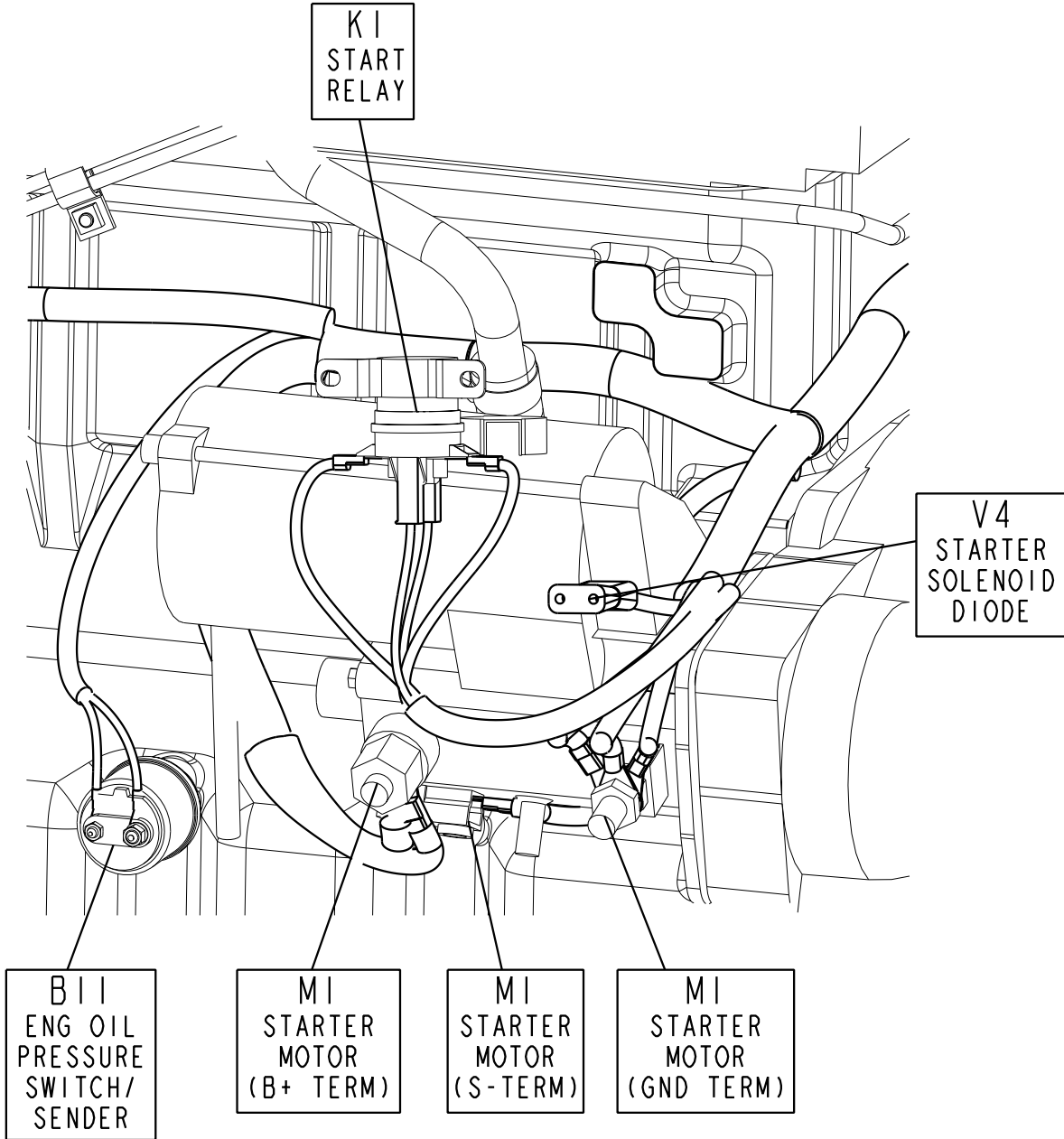
CED,TX14826,12214 -19-10SEP03-1/6



*System Diagrams*

9015  
10  
61

System Diagrams



9015  
10  
62

T132379

ENGINE HARNESS (W6)  
COMPONENT LOCATION (1 OF 4)  
*Engine Component Location 1 of 4 (S.N.910011—)*

REV 3.0

T132379 -19-17AUG00

Continued on next page

CED,TX14826,12214 -19-10SEP03-2/6

System Diagrams

K1—Start Relay  
V4—Starter Solenoid Diode  
M1—Starter Motor (Ground Terminal)

M1—Starter Motor (S-Terminal)

M1—Starter Motor (B+ Terminal)

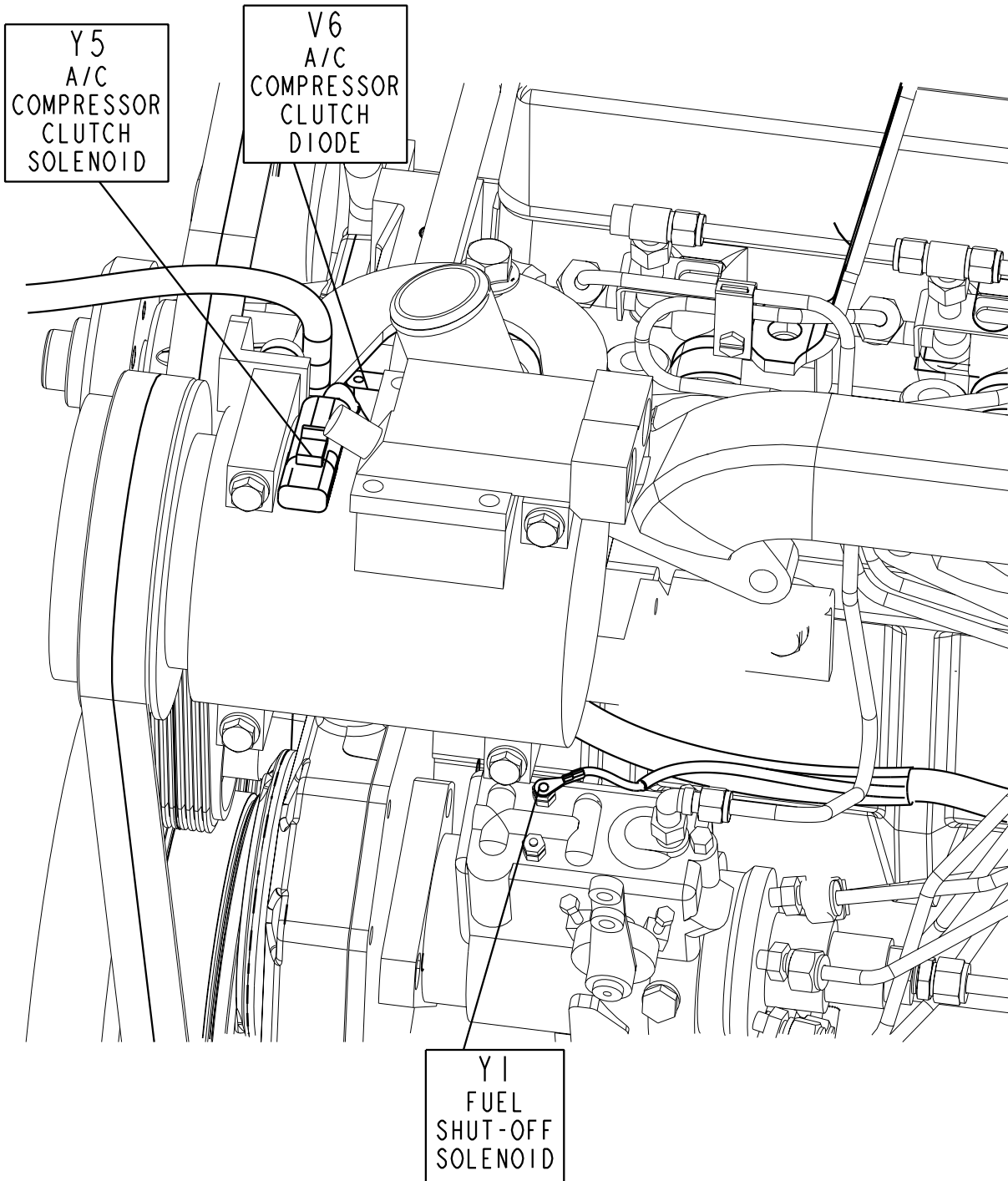
B14—Engine Oil Pressure Switch

Continued on next page

CED,TX14826,12214 -19-10SEP03-3/6

9015  
10  
63

System Diagrams



9015  
10  
64

T132380

ENGINE HARNESS (W6)  
COMPONENT LOCATION (2 OF 4)  
*Engine Component Location 2 of 4*

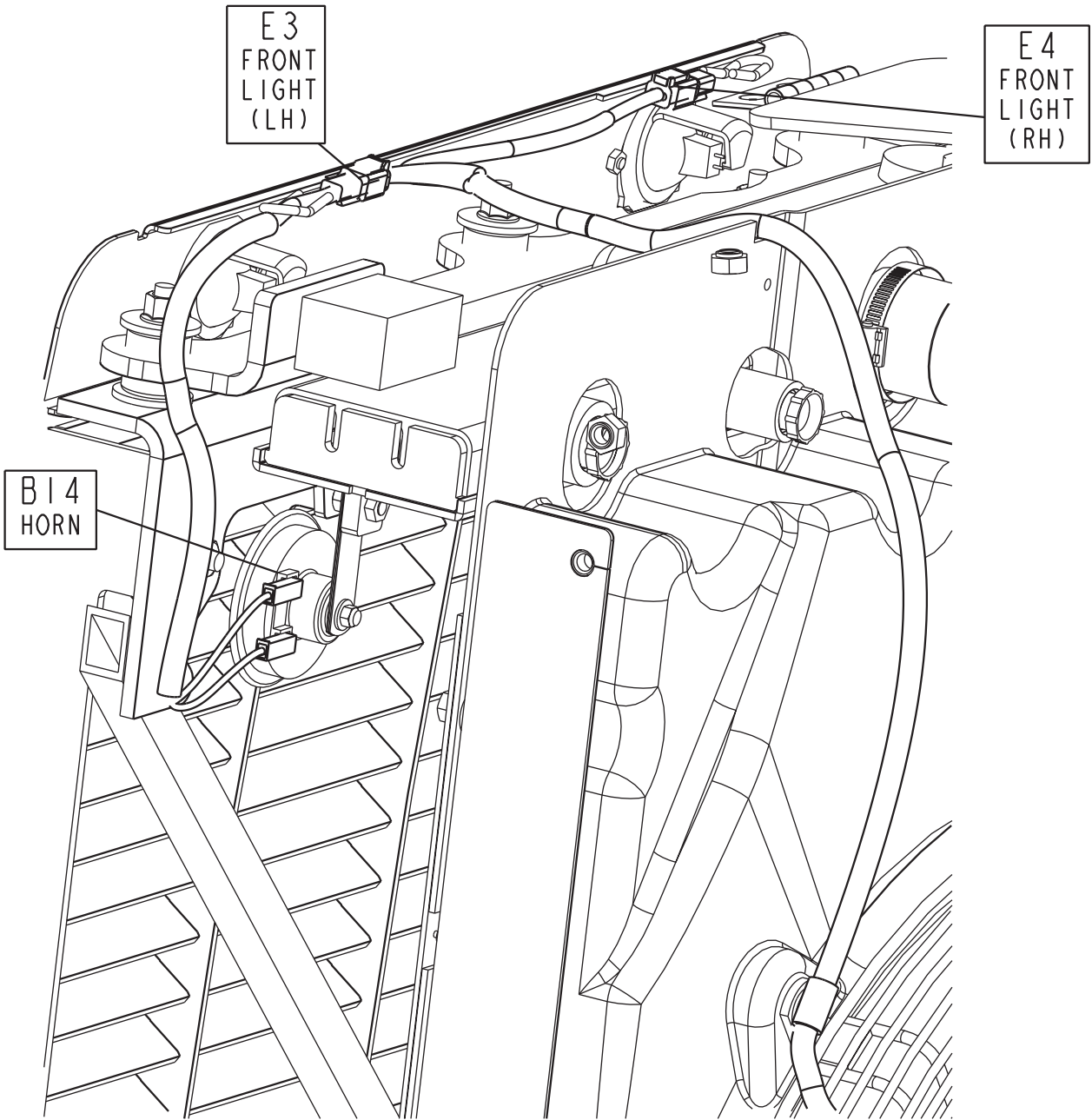
REV 3.0

T132380 -19-17AUG00

Continued on next page

CED,TX14826,12214 -19-10SEP03-4/6

System Diagrams



9015  
10  
65

T132382

ENGINE HARNESS (W6)  
COMPONENT LOCATION (3 OF 4)  
*Engine Component Location 3 of 4*

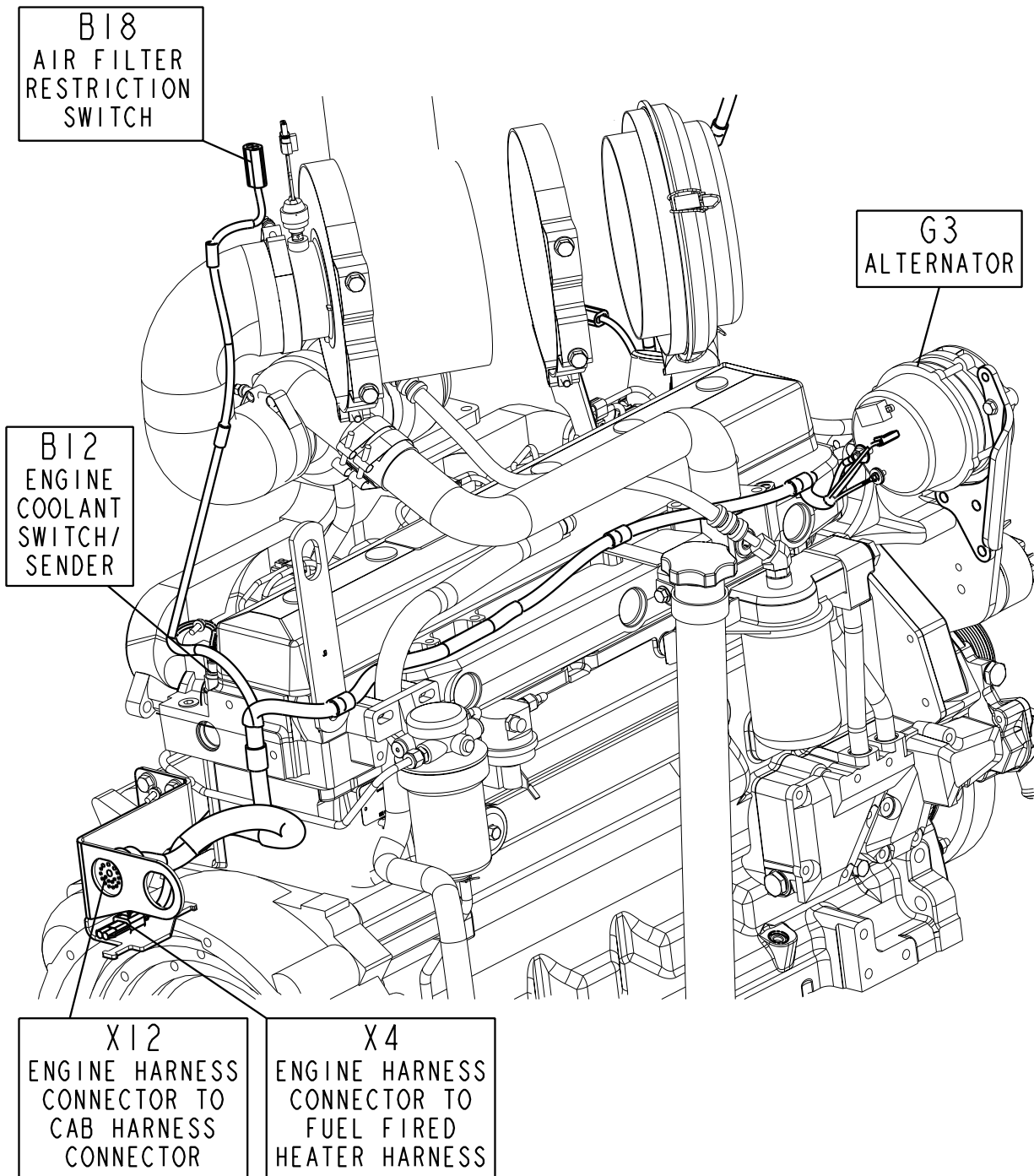
REV 3.0

T132382 -19-17AUG00

Continued on next page

CED,TX14826,12214 -19-10SEP03-5/6

System Diagrams



9015  
10  
66

T132383

ENGINE HARNESS (W6)  
COMPONENT LOCATION (4 OF 4)  
*Engine Component Location 4 of 4*

REV 3.0

T132383 -19-17AUG00

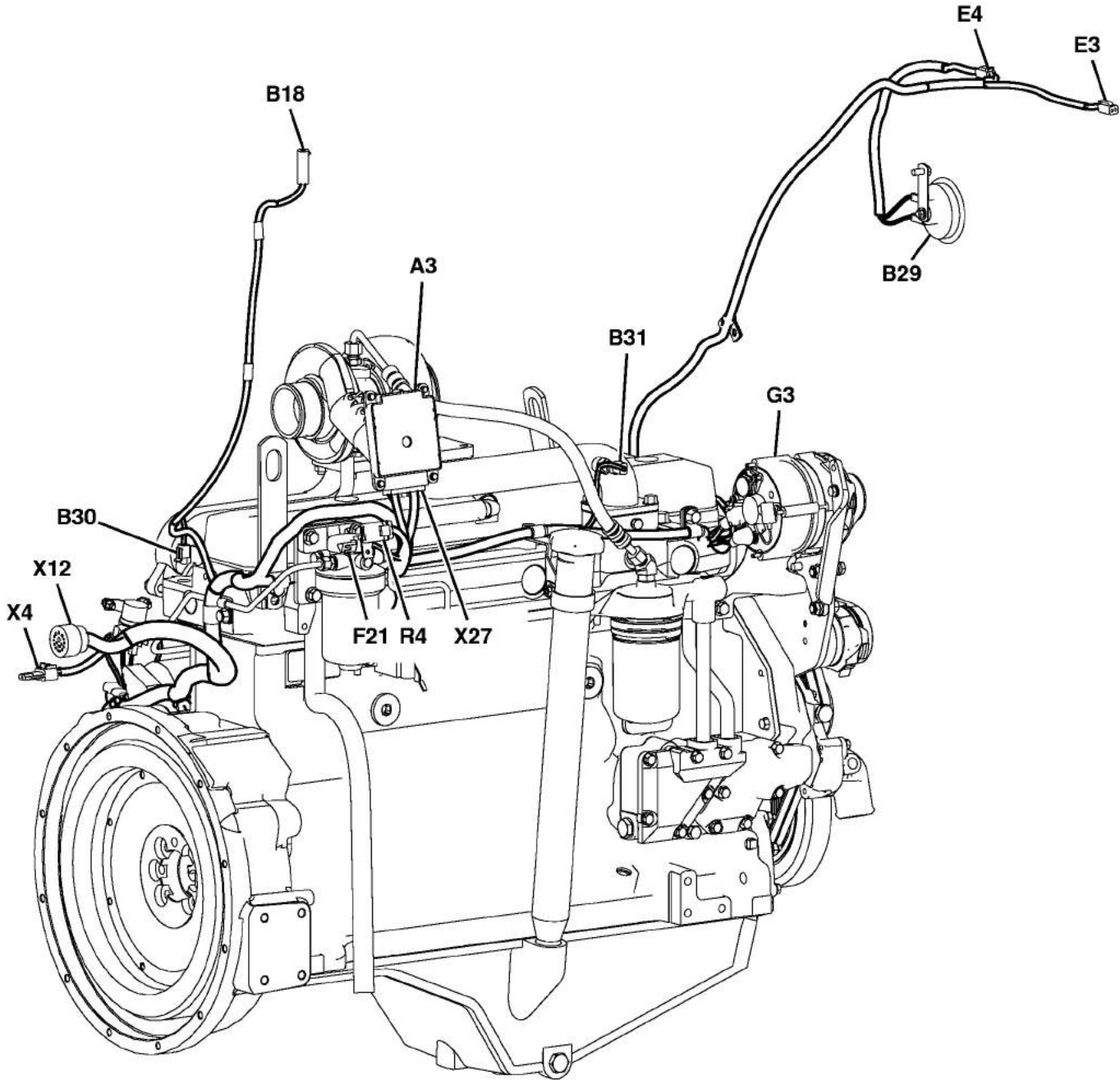
CED,TX14826,12214 -19-10SEP03-6/6

System Diagrams

9015  
10  
67

System Diagrams

Engine Harness (W6) Component Location (S.N. 920839— )



9015  
10  
68

T188455

Engine Component Location

Continued on next page

TX14826,0000038 -19-10SEP03-1/4

T188455 -JUN-24APR03



System Diagrams

X4—Engine Harness  
Connector to Fuel Fired  
Harness Connector  
X12—Cab Harness Connector  
To Engine harness  
Connector

B30—Coolant Loss  
Temperature Sensor  
F21—10A Engine Controller  
Fuse “Unswitched”  
Located By ECU  
B18—Air Filter Restriction  
Switch

R4—Can Termination Resister  
A3—Engine Controller  
B31—Manifold Air  
Temperature Sensor  
B29—Horn

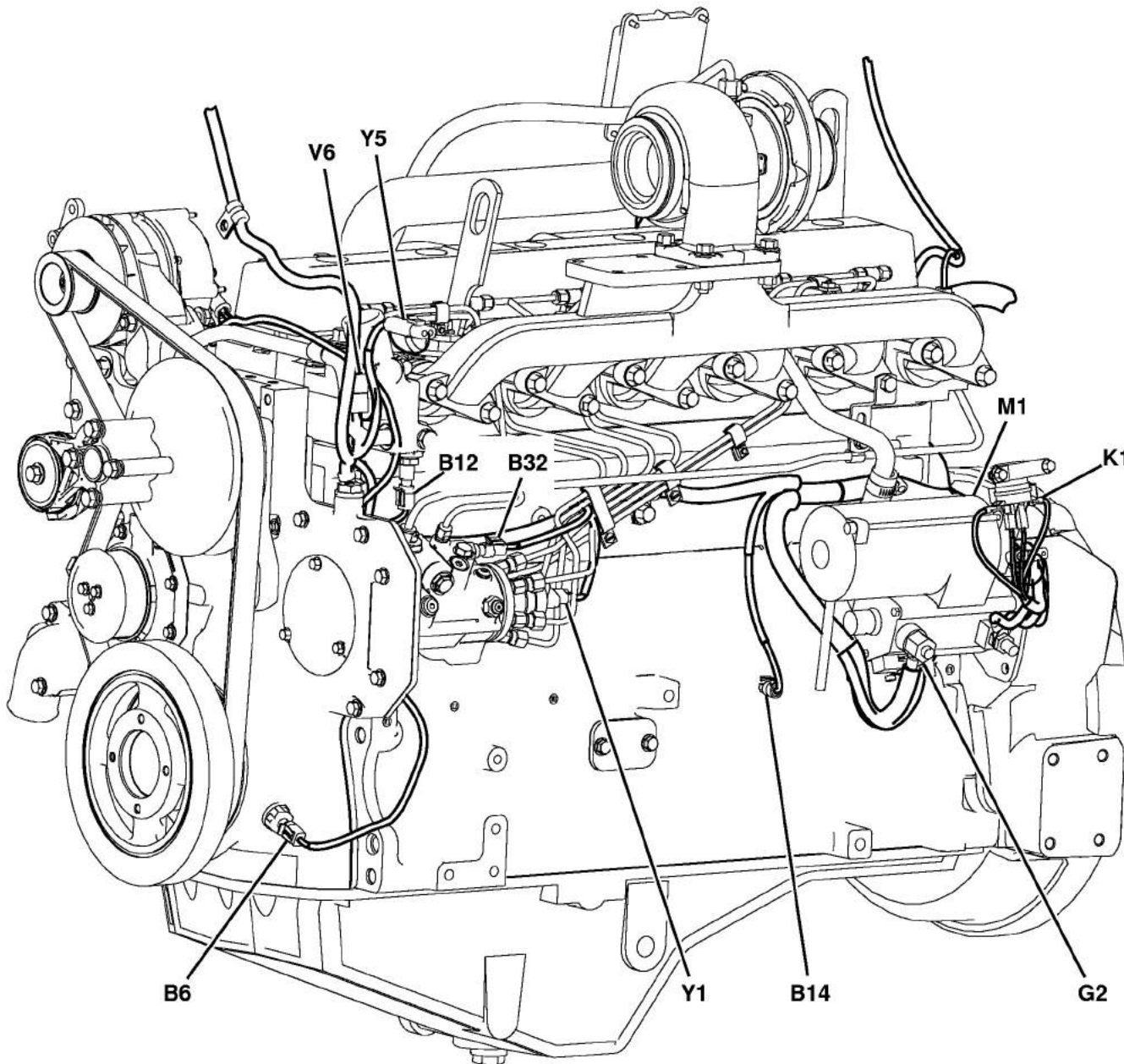
E3—Left Hand Front Light  
E4—Right Hand Front Light  
G3—Alternator  
X27—Engine Controller  
Connector

Continued on next page

TX14826.0000038 -19-10SEP03-2/4

9015  
10  
69

System Diagrams



9015  
10  
70

T188454

T188454 -UN-24APR03

Continued on next page

TX14826.0000038 -19-10SEP03-3/4

System Diagrams

V 6—5A A/C Compressor  
Clutch Diode  
Y5—A/C Compressor Clutch  
Solenoid

K1—Start Relay  
V4—Starter Solenoid Diode  
M1—Starter Motor  
G2—Jump Start Terminal

B14—Engine Oil Pressure  
Sensor  
Y1—Fuel Injection Pump  
B32—Fuel Temperature  
Sensor

B12—Engine Coolant  
Temperature Sensor  
B6—Crank Position Sensor

TX14826,0000038 -19-10SEP03-4/4

9015  
10  
71



System Diagrams

**Transmission Harness (W7) Wiring Diagram  
(S.N. —910010)**

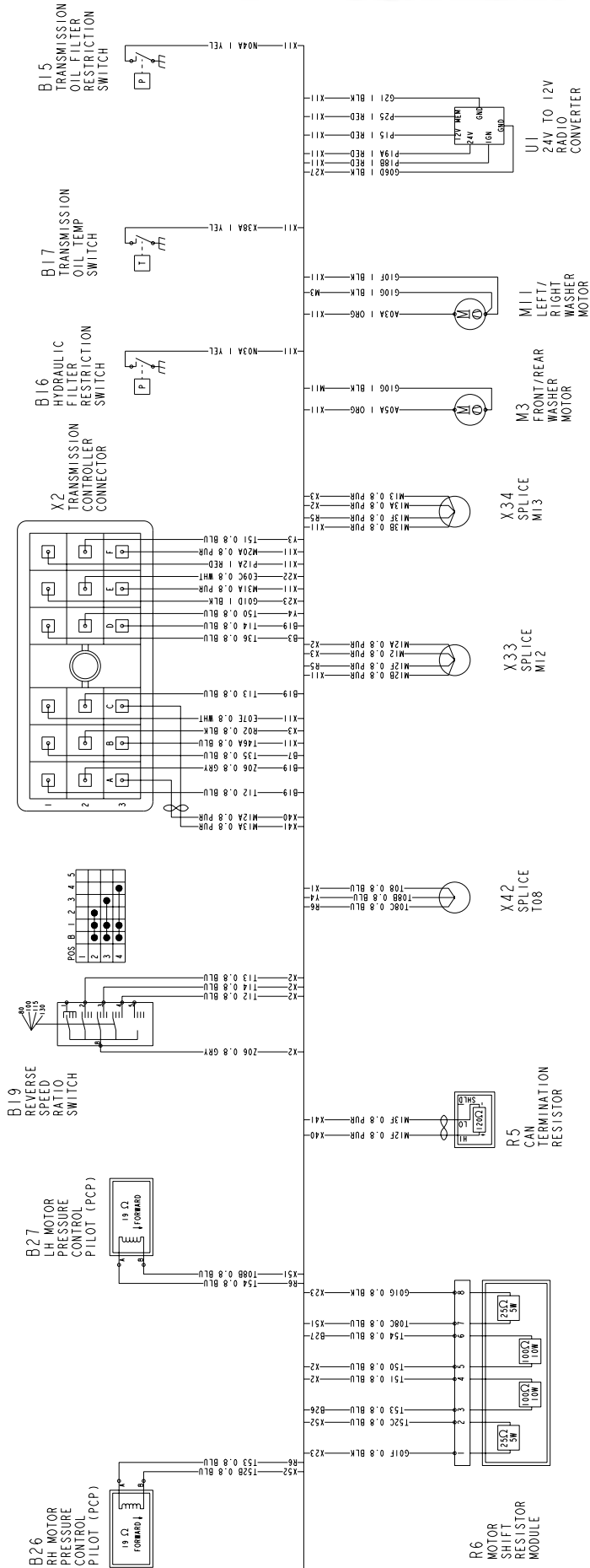
Continued on next page

CED,TX14826,12215 -19-02FEB04-2/7

9015  
10  
73

System Diagrams

T132091 -19-17A1000



WT TRANSMISSION HARNESS WIRING DIAGRAM (2 OF 2)  
Transmission Harness (WT) Wiring Diagram 2 Of 2

Continued on next page  
T132091 (30JUN04) 9015-10-74  
700H Crawler Dozer  
P14512

CEID: 70145812014 - 10 - 0076804-3/7

*System Diagrams*

Trace wires through the following mating connector and machine harness.

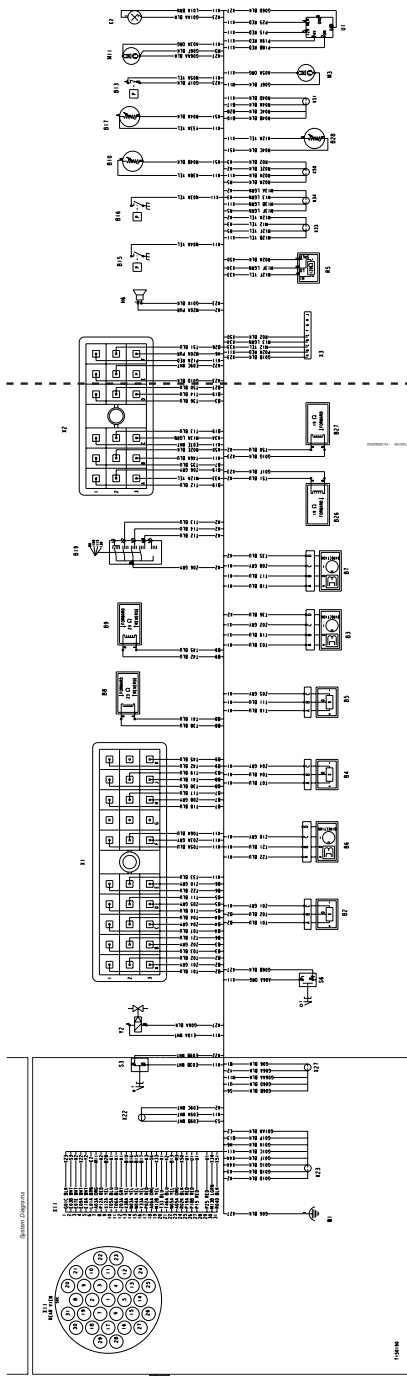
**Transmission Harness (W7) Wiring Diagram (S.N. 910011— )**

- X11—See Cab Harness (W5) Wiring Diagram

Continued on next page

CED,TX14826,12215 -19-02FEB04-4/7

9015  
10  
75

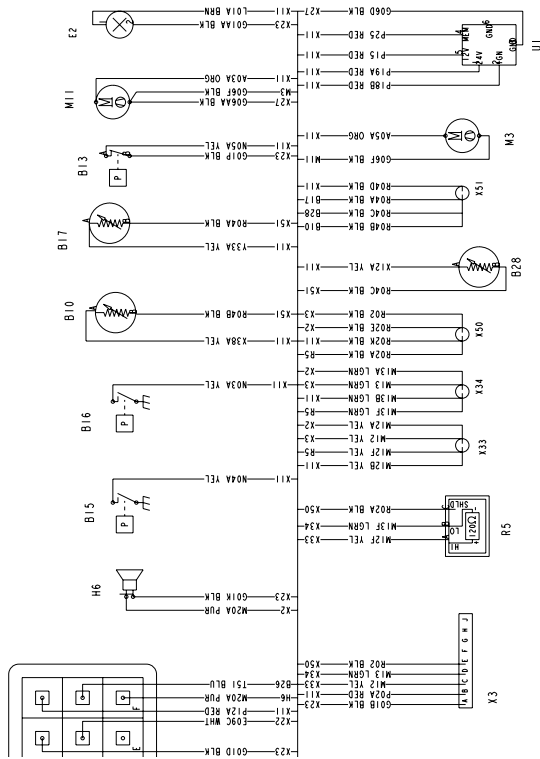


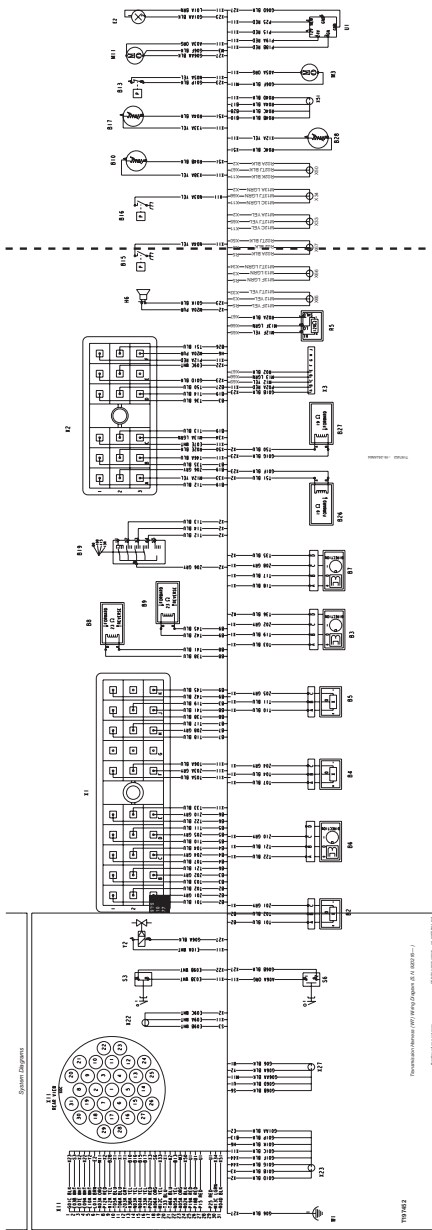
See Page 9015-10-76 B

See Page 9015-10-76 A









See Page 9015-10-77 B

See Page 9015-10-77 A

*System Diagrams*

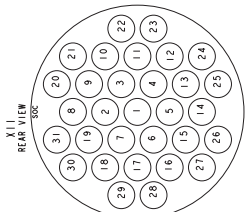
Trace wires through the following mating connector and machine harness.

- X11—See Cab Harness (W5) Wiring Diagram

CED,TX14826,12215 -19-02FEB04-7/7

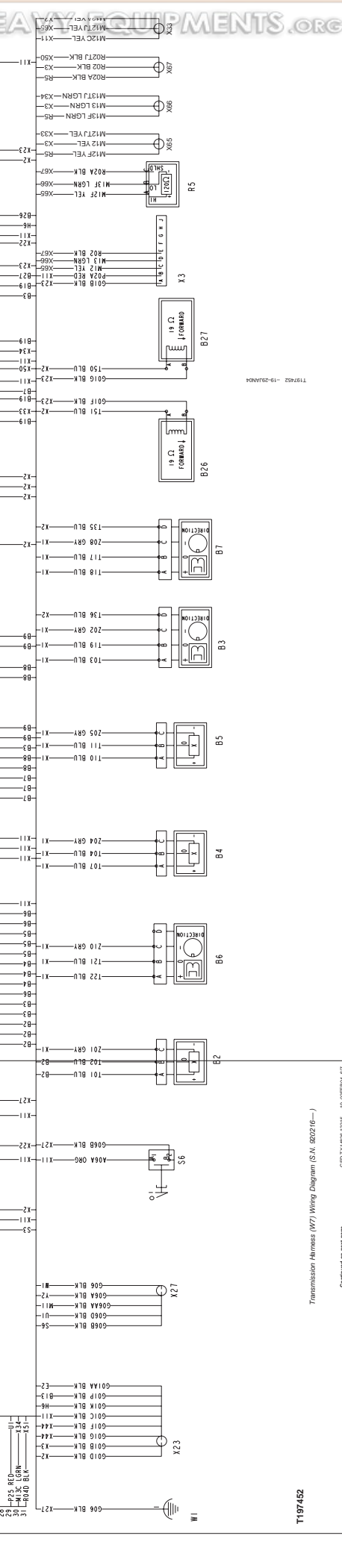
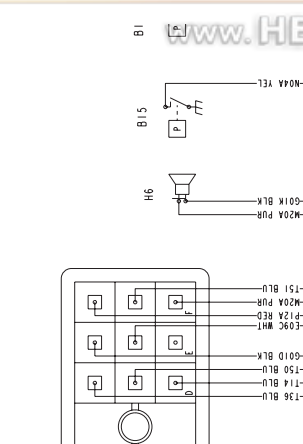
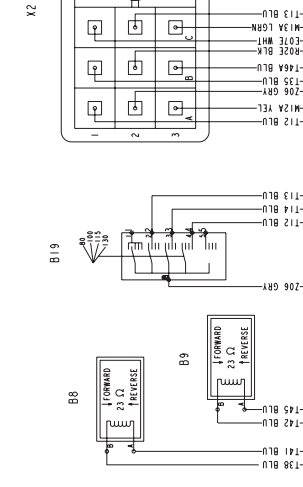
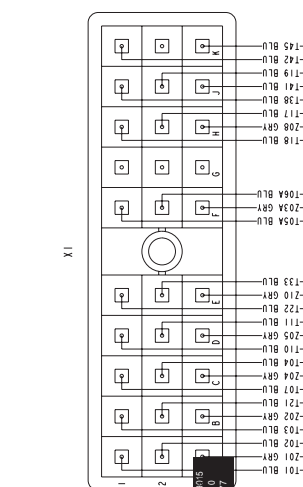
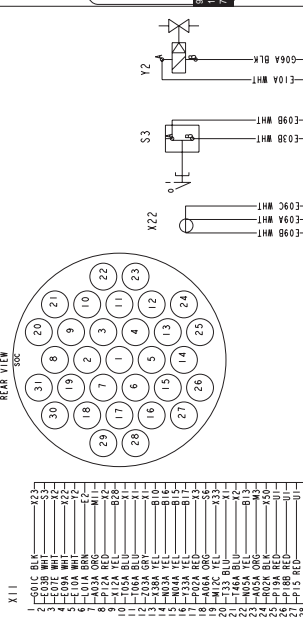
9015  
10  
78

System Diagrams



- X11 1-31
- 2-0135 BLK
- 3-0135 WHI
- 4-0135 WHI
- 5-0135 WHI
- 6-0135 WHI
- 7-0135 WHI
- 8-0135 WHI
- 9-0135 WHI
- 10-0135 WHI
- 11-0135 WHI
- 12-0135 WHI
- 13-0135 WHI
- 14-0135 WHI
- 15-0135 WHI
- 16-0135 WHI
- 17-0135 WHI
- 18-0135 WHI
- 19-0135 WHI
- 20-0135 WHI
- 21-0135 WHI
- 22-0135 WHI
- 23-0135 WHI
- 24-0135 WHI
- 25-0135 WHI
- 26-0135 WHI
- 27-0135 WHI
- 28-0135 WHI
- 29-0135 WHI
- 30-0135 WHI
- 31-0135 WHI

- X22 1-31
- 2-0135 WHI
- 3-0135 WHI
- 4-0135 WHI
- 5-0135 WHI
- 6-0135 WHI
- 7-0135 WHI
- 8-0135 WHI
- 9-0135 WHI
- 10-0135 WHI
- 11-0135 WHI
- 12-0135 WHI
- 13-0135 WHI
- 14-0135 WHI
- 15-0135 WHI
- 16-0135 WHI
- 17-0135 WHI
- 18-0135 WHI
- 19-0135 WHI
- 20-0135 WHI
- 21-0135 WHI
- 22-0135 WHI
- 23-0135 WHI
- 24-0135 WHI
- 25-0135 WHI
- 26-0135 WHI
- 27-0135 WHI
- 28-0135 WHI
- 29-0135 WHI
- 30-0135 WHI
- 31-0135 WHI

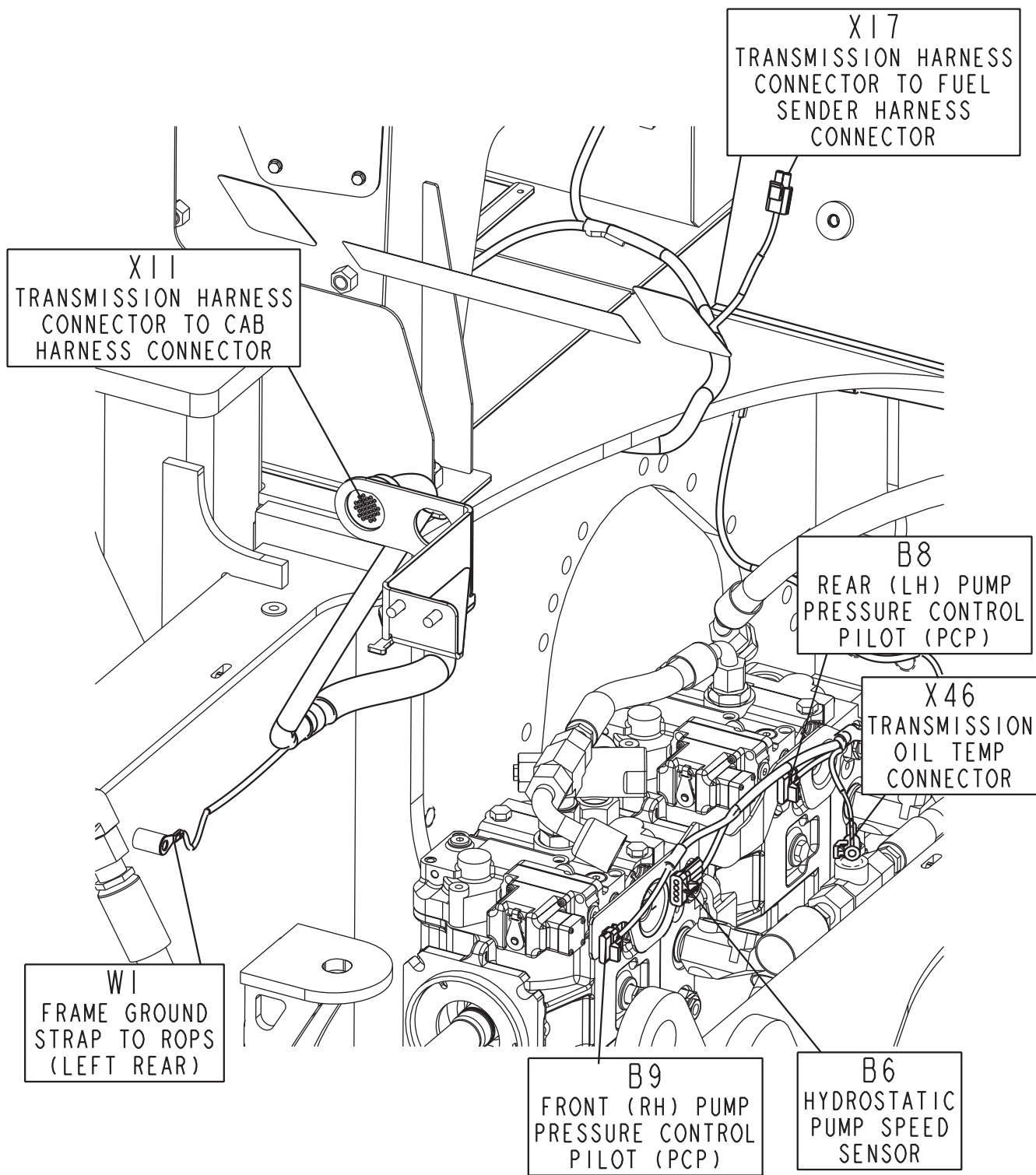


Transmitter Harness (H77) Wiring Diagram (S.N. 82026-)

9015-10-77  
700H Crawler Dozer  
PN#215



### Transmission Harness (W7) Component Location (S.N. —910010)



9015  
10  
79

T132407

TRANSMISSION HARNESS (W7)  
COMPONENT LOCATION (1 OF 5)

Transmission Component Location 1 Of 5

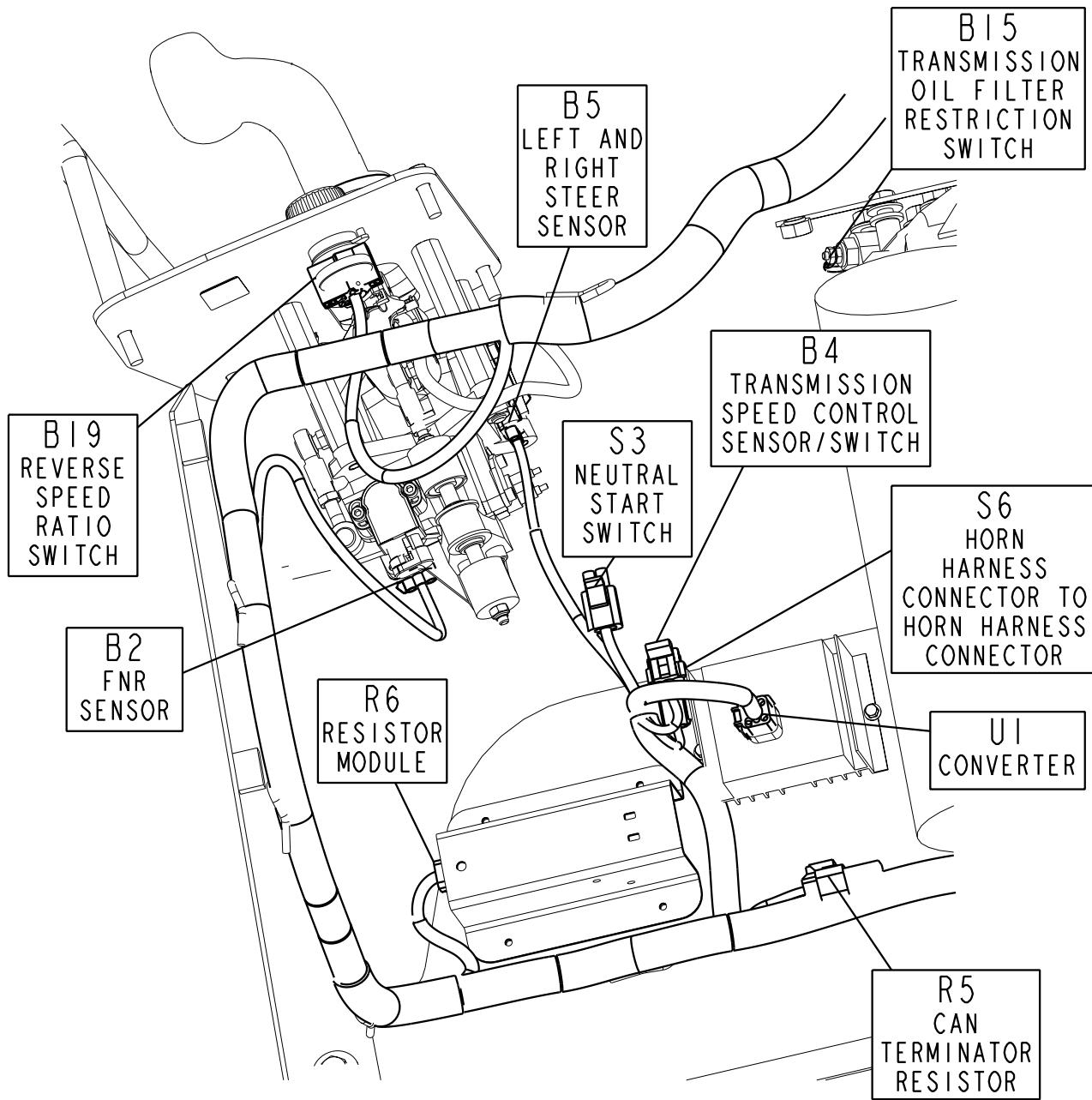
Continued on next page

REV 3.0

T132407 -19-08SEP00

CED, TX14826, 12216 -19-02APR02-1/5

System Diagrams



9015  
10  
80

T132408

TRANSMISSION HARNESS (W7)  
COMPONENT LOCATION (2 OF 5)  
*Transmission Component Location 2 Of 5*

REV 3.0

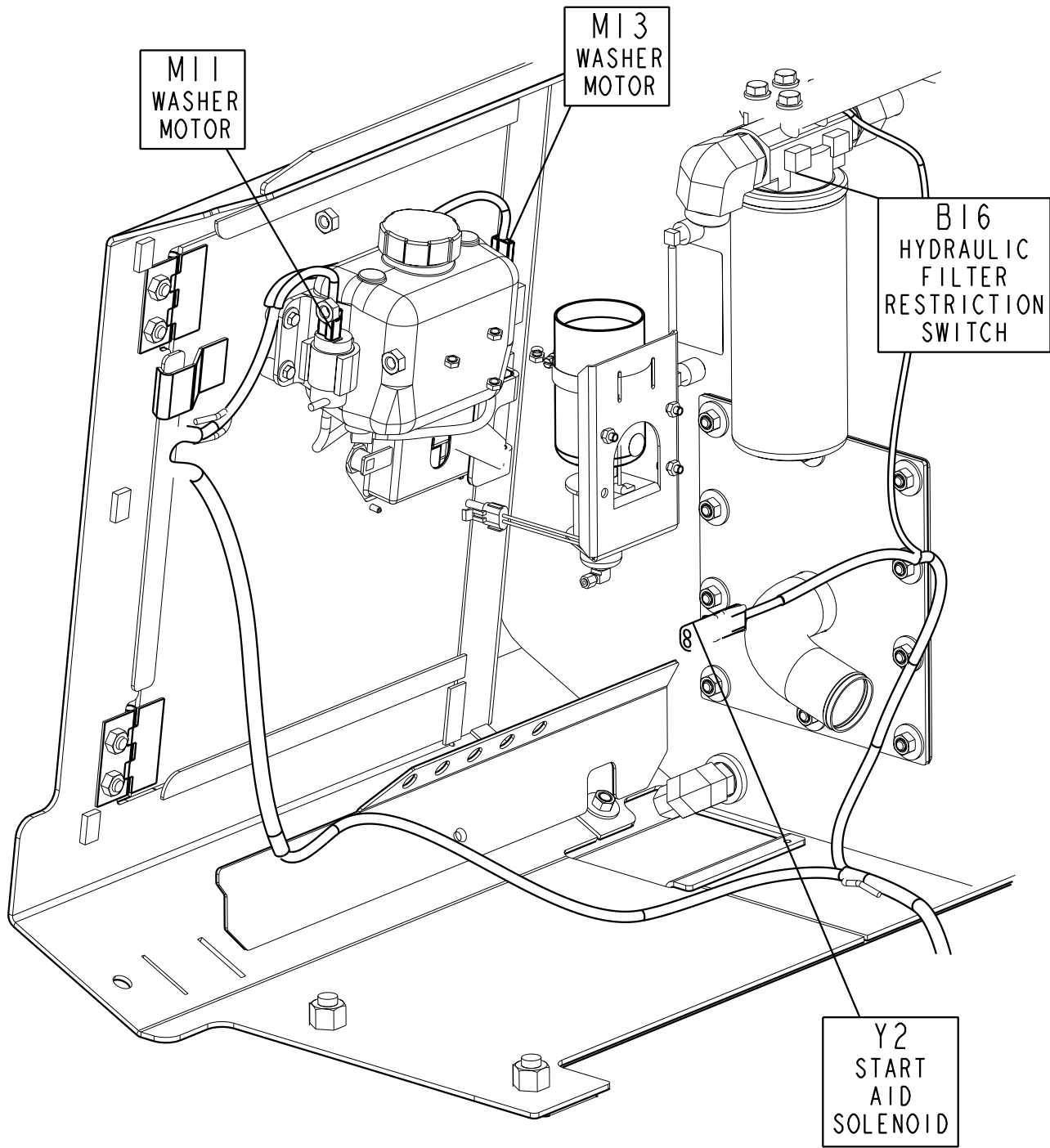
T132408 -19-06SEP00

Continued on next page

CED, TX14826, 12216 -19-02APR02-2/5



System Diagrams



9015  
10  
81

T132410

TRANSMISSION HARNESS (W7)  
COMPONENT LOCATION (3 OF 5)  
*Transmission Component Location 3 Of 5*

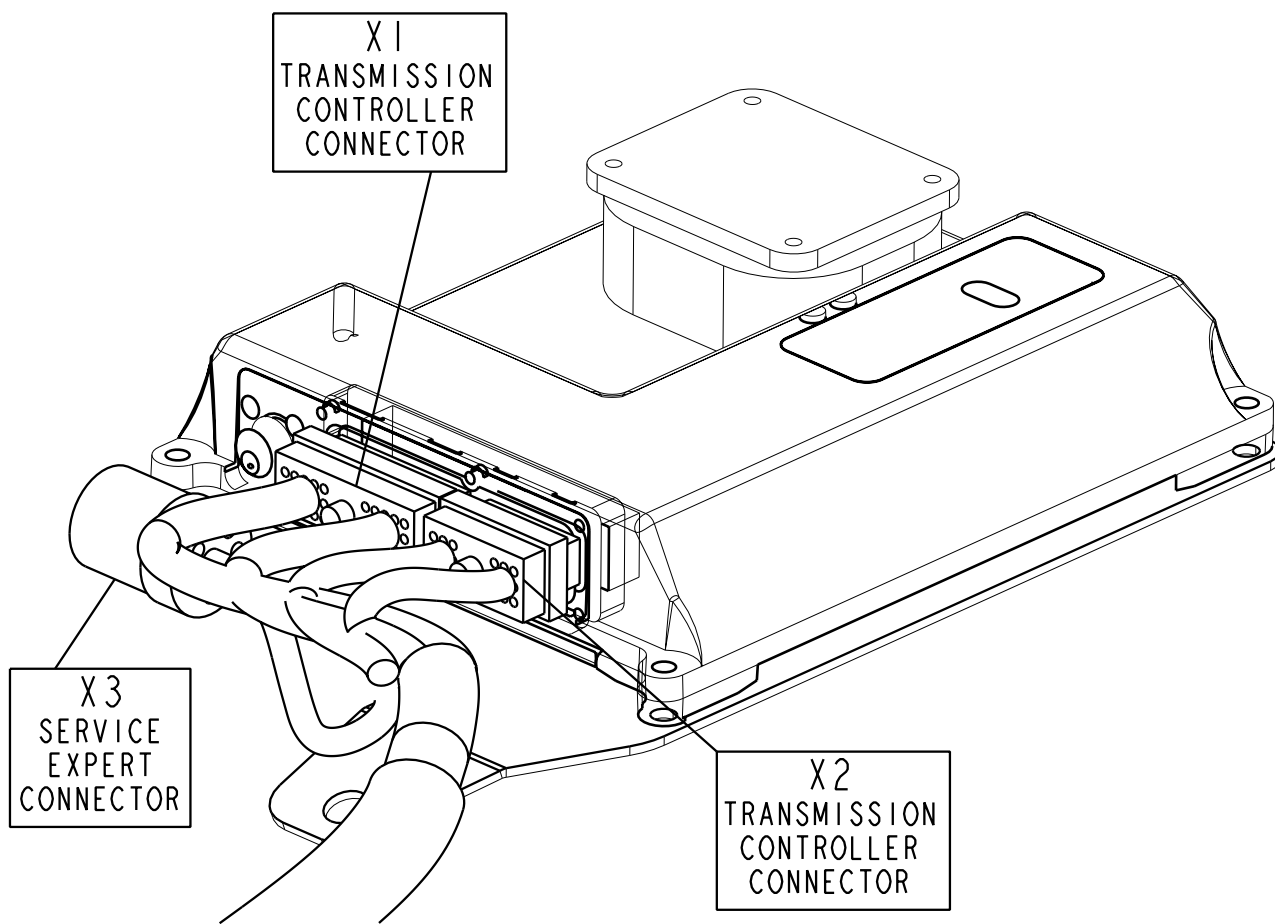
REV 3.0

T132410 -19-06SEP00

Continued on next page

CED,TX14826,12216 -19-02APR02-3/5

System Diagrams



9015  
10  
82

T132411

TRANSMISSION HARNESS (W7)  
COMPONENT LOCATION (4 OF 5)  
*Transmission Component Location 4 Of 5*

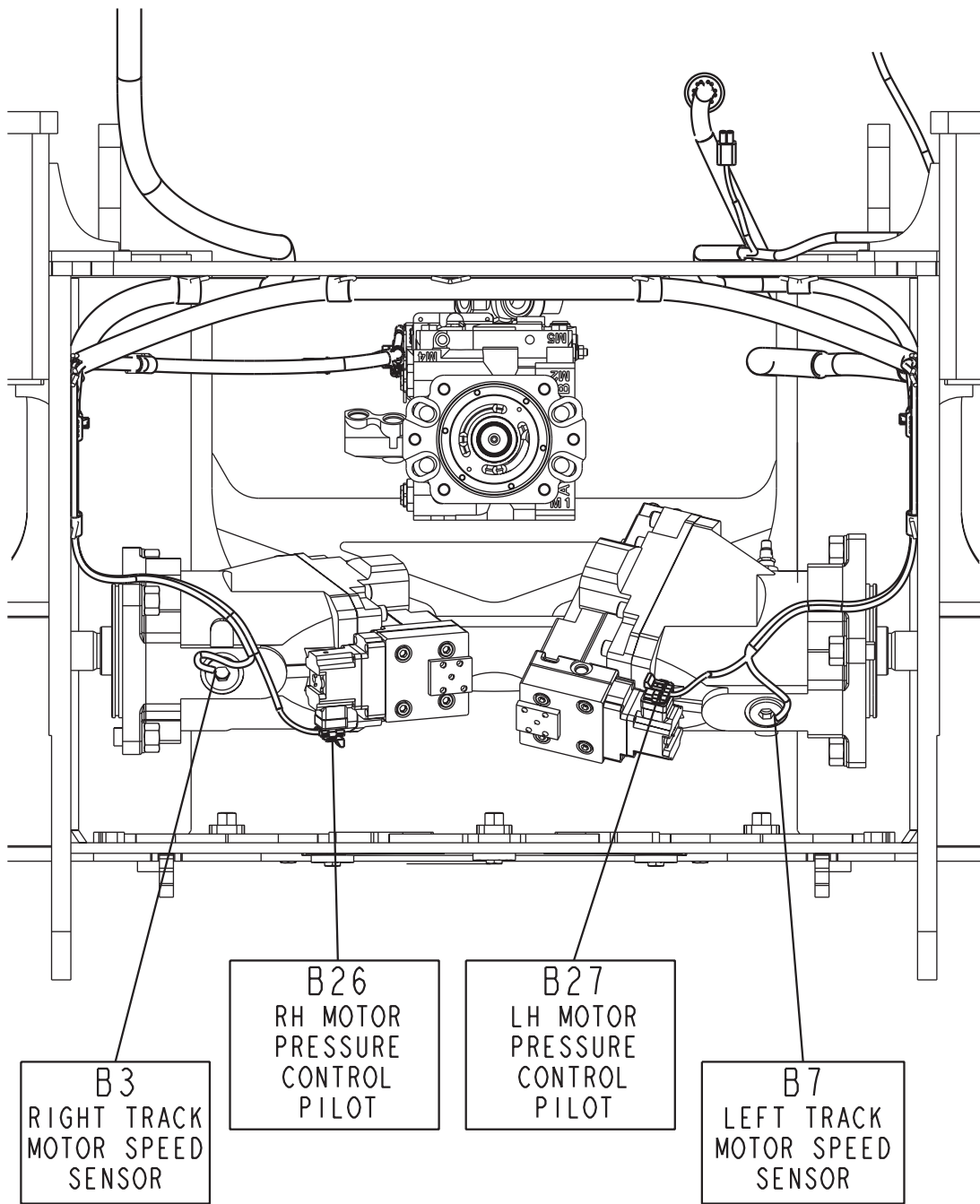
REV 3.0

T132411 -19-06SEP00

Continued on next page

CED,TX14826,12216 -19-02APR02-4/5

System Diagrams



B3  
RIGHT TRACK  
MOTOR SPEED  
SENSOR

B26  
RH MOTOR  
PRESSURE  
CONTROL  
PILOT

B27  
LH MOTOR  
PRESSURE  
CONTROL  
PILOT

B7  
LEFT TRACK  
MOTOR SPEED  
SENSOR

T132412

TRANSMISSION HARNESS (W7)  
COMPONENT LOCATION (5 OF 5)  
*Transmission Component Location 5 Of 5*

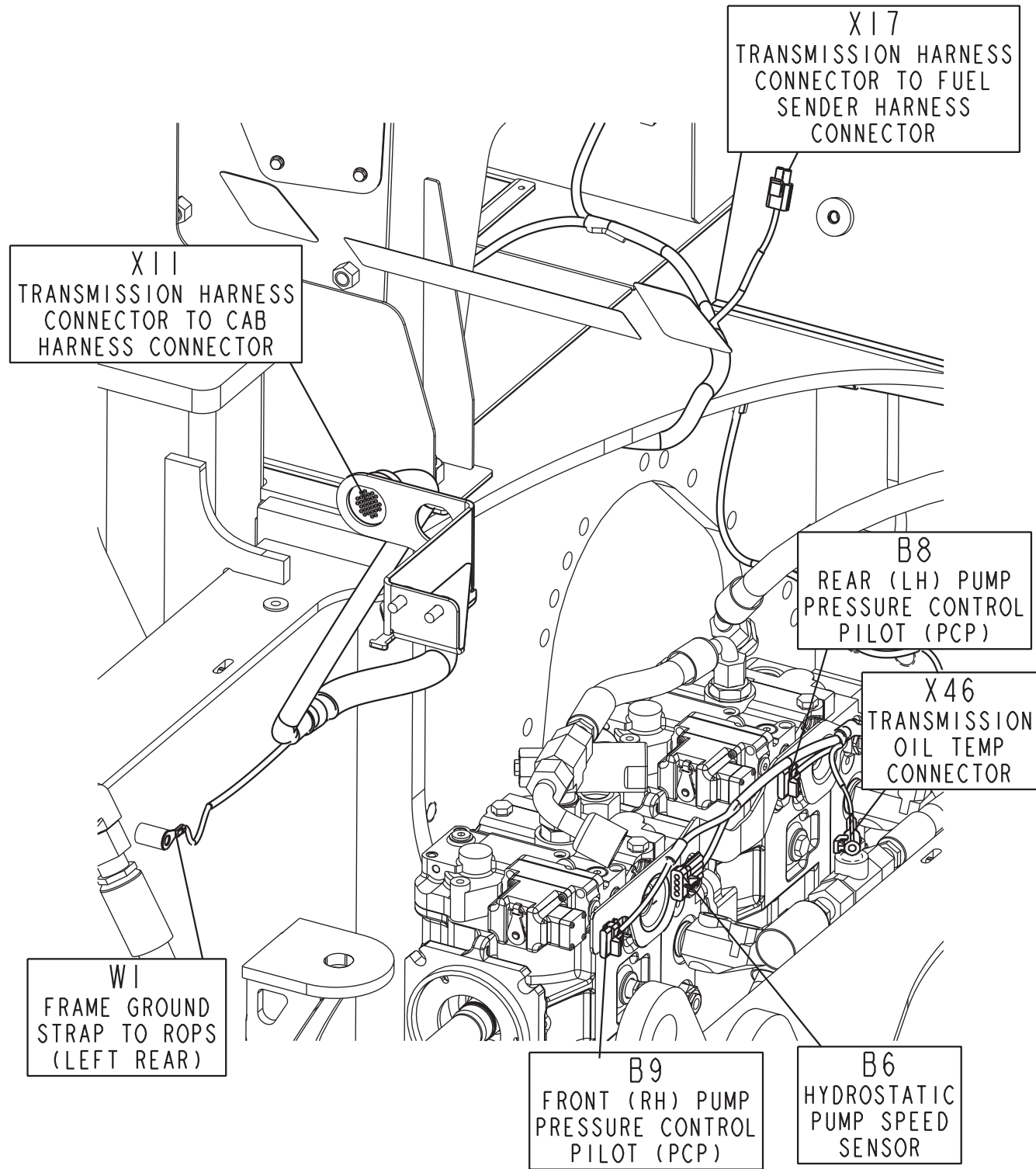
REV 3.0

T132412 -19-06SEP00

CED,TX14826,12216 -19-02APR02-5/5

System Diagrams

Transmission Harness (W7) Component Location (S.N. 910011— )



9015  
10  
84

T150536

TRANSMISSION HARNESS (W7)  
COMPONENT LOCATION (1 OF 6)

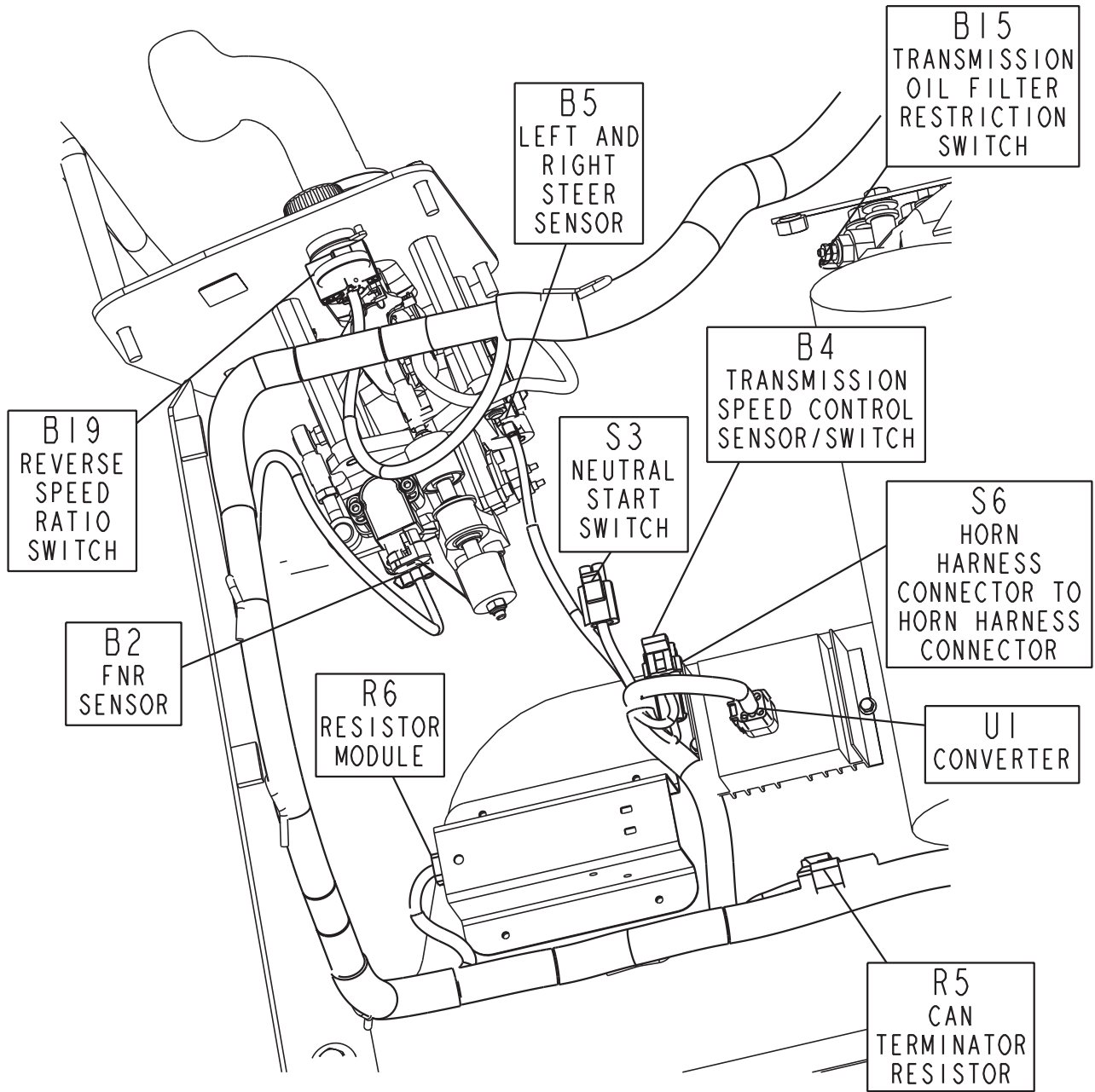
REV 3.0

T150536 -19-20MAR02

Continued on next page

TX14826.0003254 -19-02APR02-1/6

System Diagrams



TRANSMISSION HARNESS (W7)  
COMPONENT LOCATION (2 OF 6)

T150537

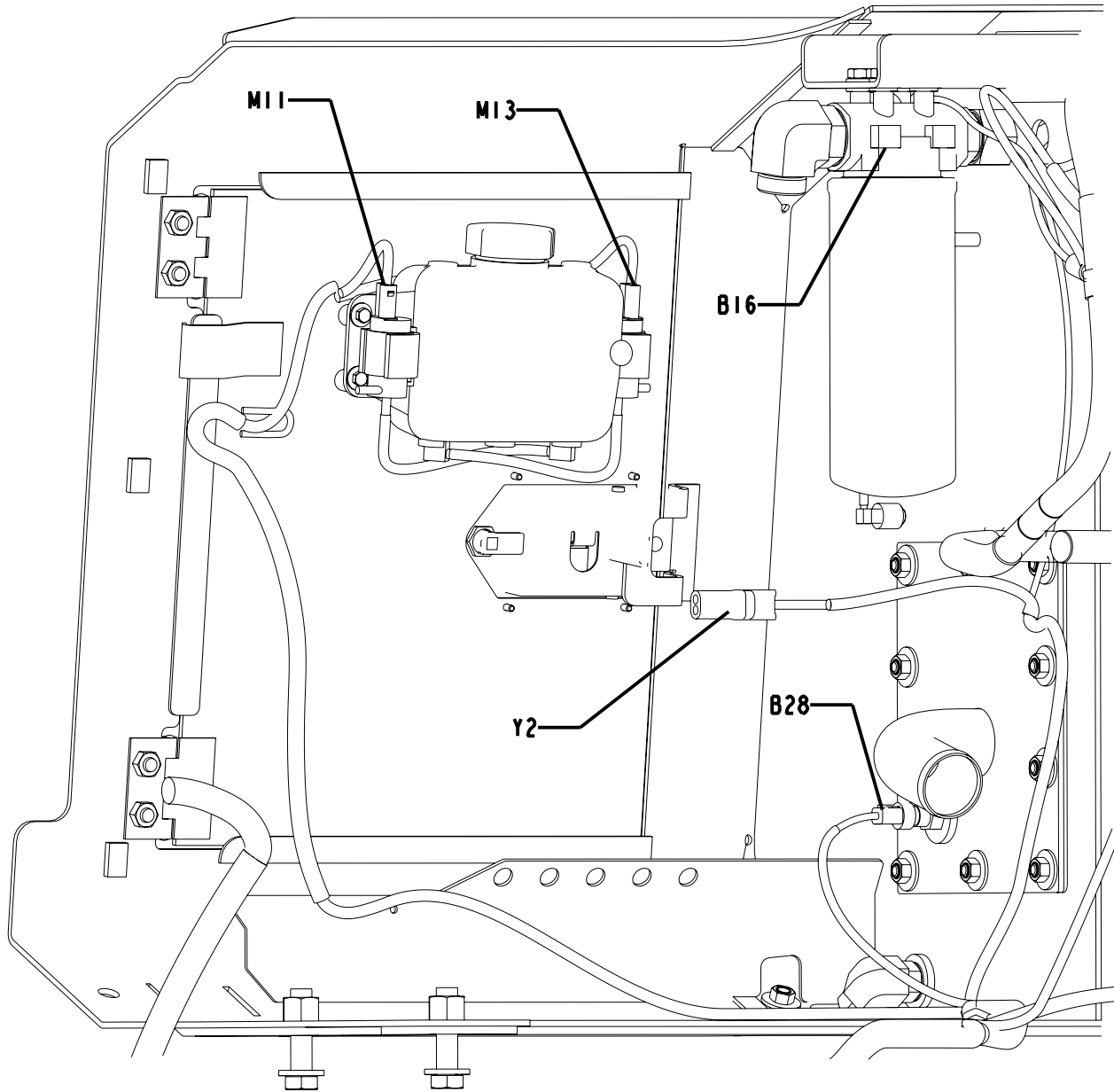
REV 3.0

T150537 -19-20MAR02

Continued on next page

TX14826.0003254 -19-02APR02-2/6

System Diagrams



9015  
10  
86

T150191

**TRANSMISSION HARNESS (W7)  
COMPONENT LOCATION (3 OF 6)**

M11—Washer Motor  
M13—Wahern Motor

B16—Hydraulic Filter  
Restriction Switch

Y2—Start Aid Solenoid

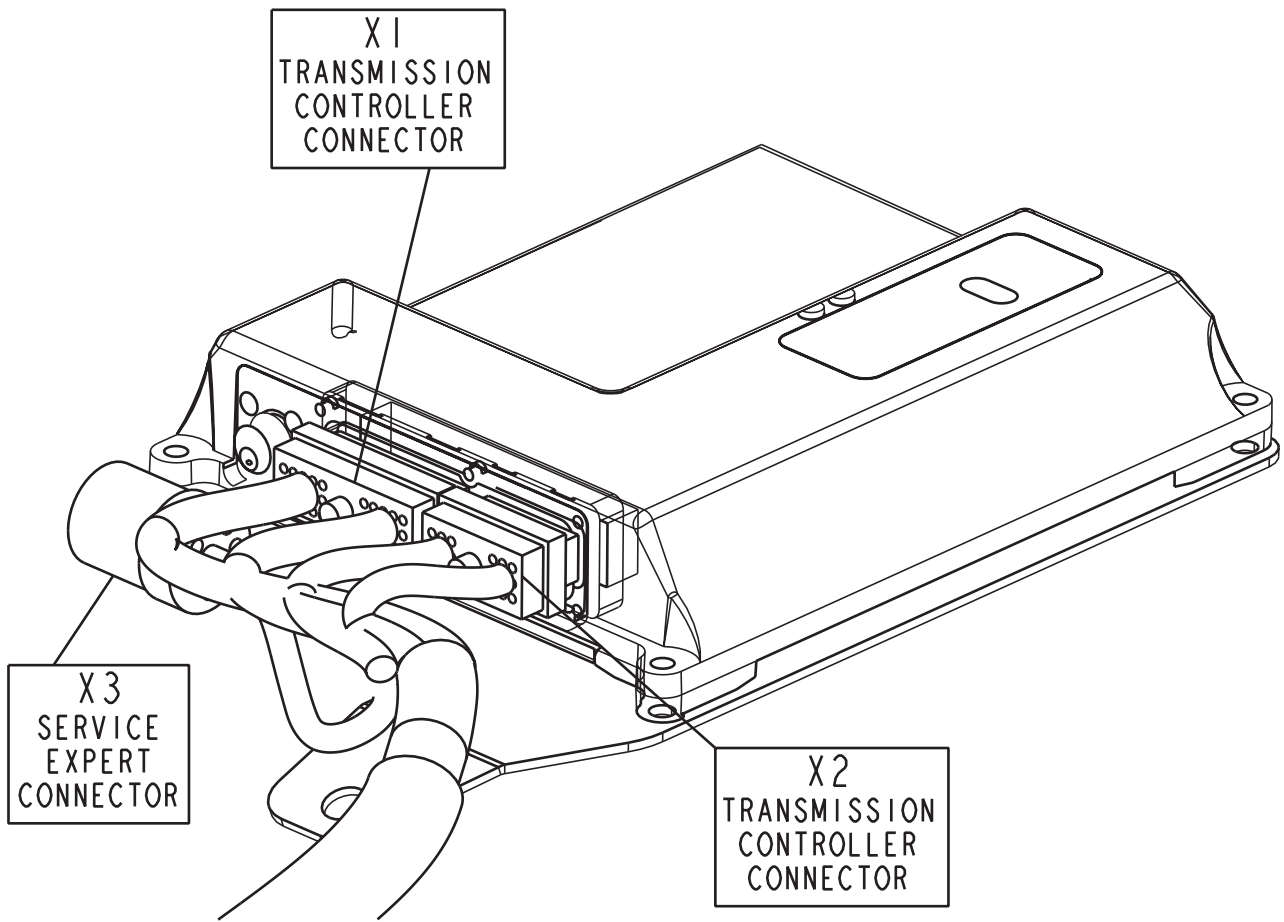
B28—Hydraulic Temperature  
Sender

Continued on next page

TX14826.0003254 -19-02APR02-3/6

T150191 -19-21MAR02

System Diagrams



T150192

TRANSMISSION HARNESS (W7)  
COMPONENT LOCATION (4 OF 6)

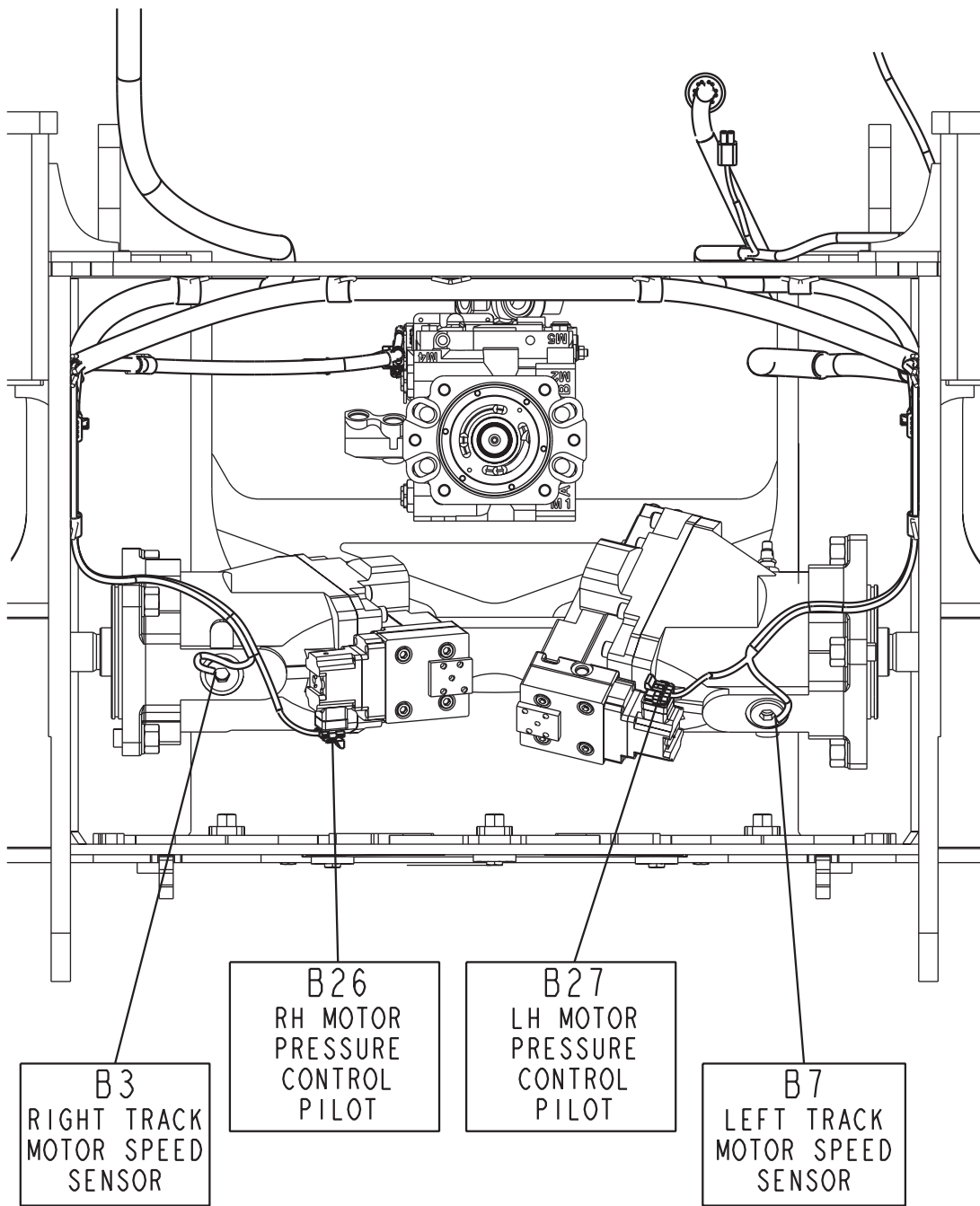
REV 3.0

T150192 -19-20MAR02

Continued on next page

TX14826.0003254 -19-02APR02-4/6

System Diagrams



B3  
RIGHT TRACK  
MOTOR SPEED  
SENSOR

B26  
RH MOTOR  
PRESSURE  
CONTROL  
PILOT

B27  
LH MOTOR  
PRESSURE  
CONTROL  
PILOT

B7  
LEFT TRACK  
MOTOR SPEED  
SENSOR

TRANSMISSION HARNESS (W7)  
COMPONENT LOCATION (5 OF 6)

T150538

REV 3.0

T150538 -19-20MAR02

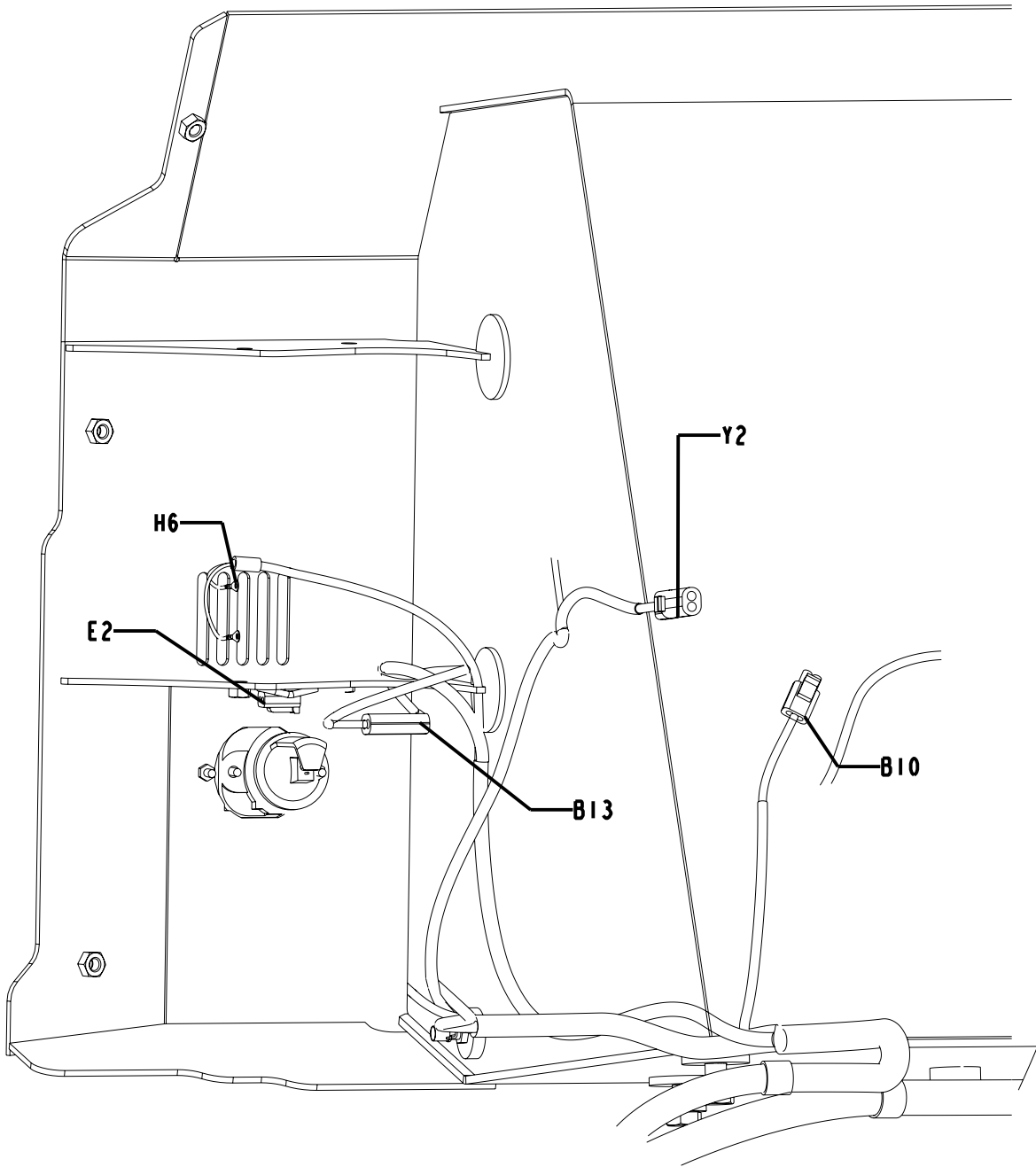
Continued on next page

TX14826.0003254 -19-02APR02-5/6

9015  
10  
88



System Diagrams



T150193

TRANSMISSION HARNESS (W7)  
COMPONENT LOCATION (6 OF 6)

E2—Rear Light  
H6—Backup Alarm

Y2—Start Aid Solenoid

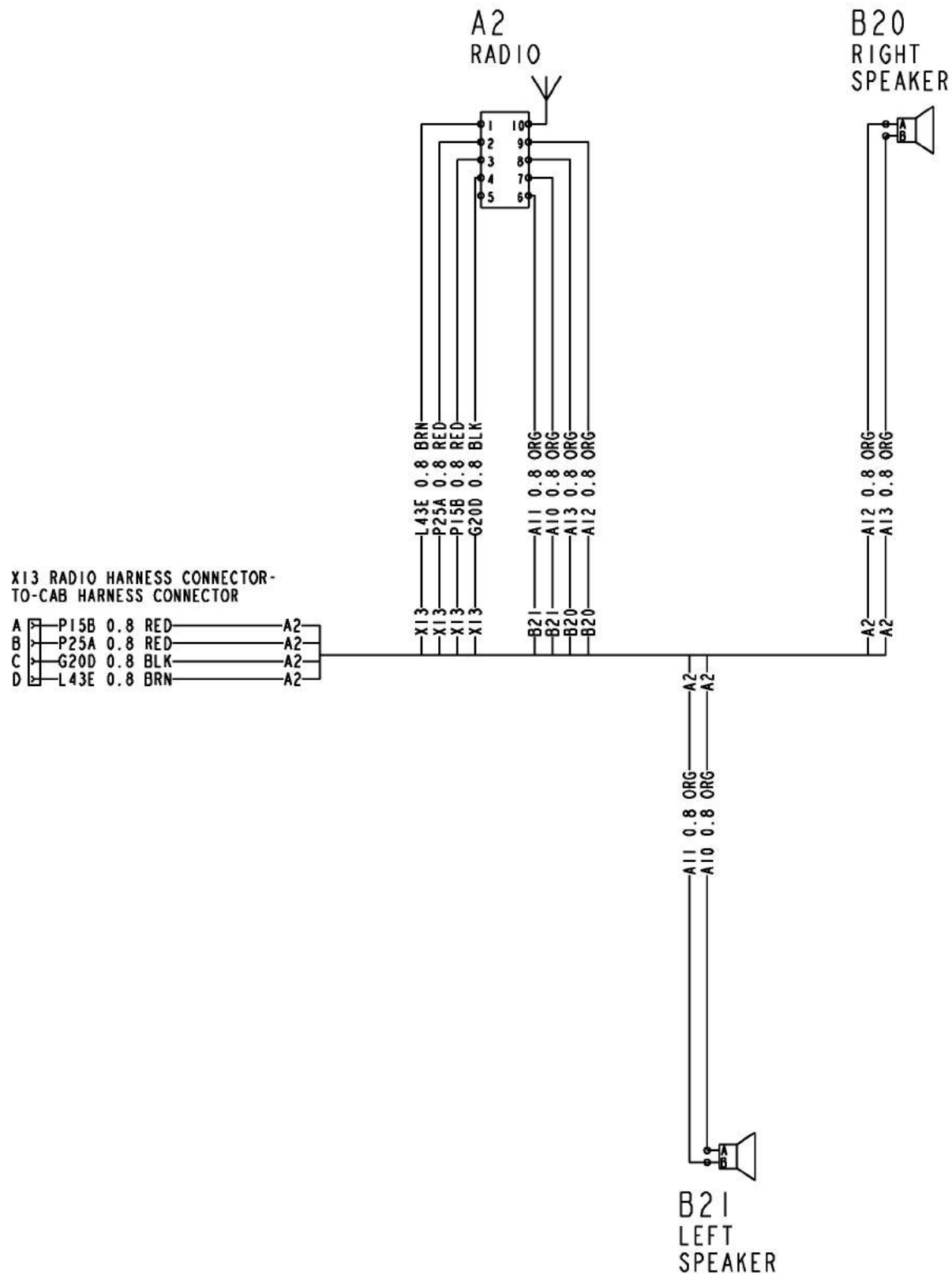
B13—Winch Pressure Switch

B10—Fuel Sender

TX14826.0003254 -19-02APR02-6/6

System Diagrams

Radio Harness (W9) Wiring Diagram



9015  
10  
90

T125255

RADIO WIRING DIAGRAM (W9) (1 OF 1)

REV 3.0

T125255 -19-10NOV99

Continued on next page

CED,TX14826,12217 -19-10MAR00-1/2

*System Diagrams*

Trace wires through the following mating connector and machine harness.

- X13—See Cab Harness (W5) Wiring Diagram

CED,TX14826,12217 -19-10MAR00-2/2

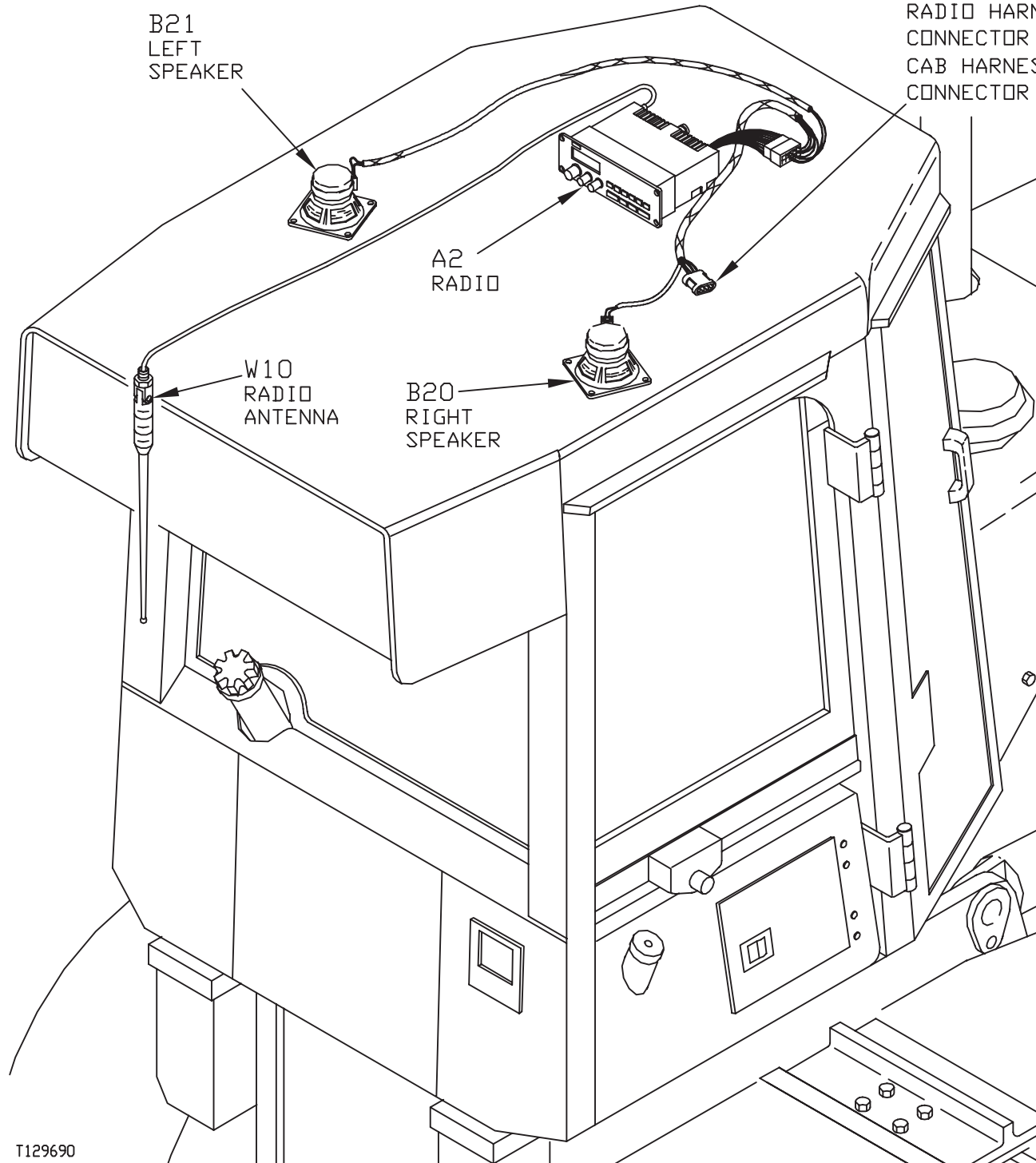
9015  
10  
91

System Diagrams

Radio Harness (W9) Component Location

A	- P15B RED
B	- P25A RED
C	- G20D BLK
D	- L43E BRN

X13  
RADIO HARNESS  
CONNECTOR TO  
CAB HARNESS  
CONNECTOR



9015  
10  
92

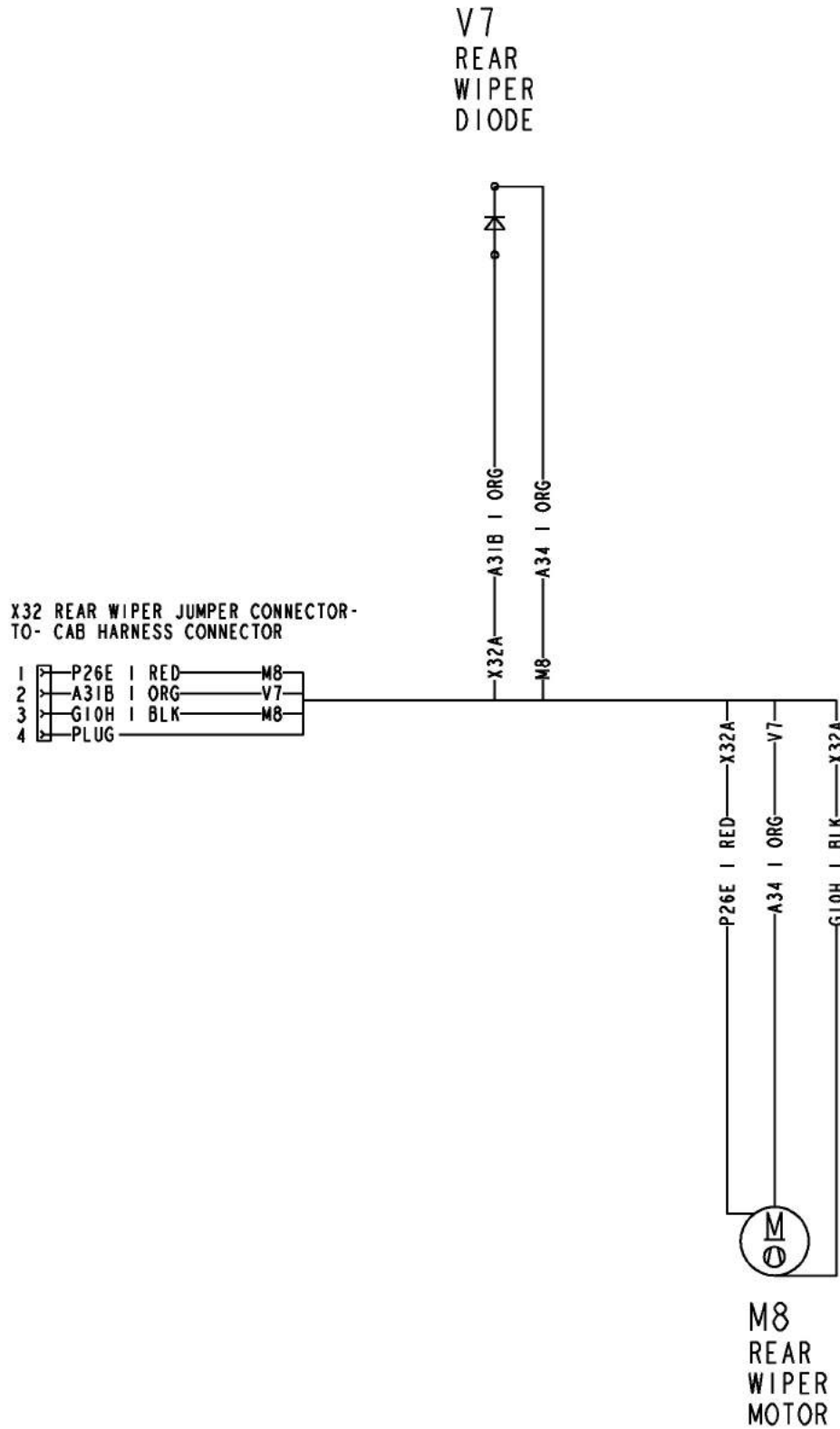
T129690

T129690 -19-29MAR00

CED,TX14826,12218 -19-10MAR00-1/1

System Diagrams

### Rear Wiper Harness (W11) Wiring Diagram



9015  
10  
93

T120932

REAR WIPER JUMPER HARNESS

REV 3.0

T120932 -19-31MAR99

Continued on next page

CED,TX14826,12219 -19-10MAR00-1/2