

H48255

-UN-16MAY97



JOHN DEERE 9610 MAXIMIZER™ COMBINE WITH 900 SERIES CUTTING PLATFORM

MANUFACTURED (1998-)

(SPECIFICATIONS AND DESIGN SUBJECT TO CHANGE WITHOUT NOTICE)

COPYRIGHT (C) 2000. DEERE & COMPANY. MOLINE, ILLINOIS, USA. ALL RIGHT RESERVED.

NOTE

FOR 900 SERIES PLATFORM PARTS INFORMATION, REFER TO JOHN DEERE 900 SERIES PLATFORM PARTS CATALOG - PC-2104.

FOR 40 SERIES CORN HEAD PARTS INFORMATION, REFER TO JOHN DEERE 40 SERIES CORN HEAD PARTS CATALOG - PC-1223.

FOR 50A SERIES ROW-CROP HEAD PARTS INFORMATION, REFER TO JOHN DEERE 50A SERIES ROW-CROP HEAD PARTS CATALOG - PC-1747.

FOR THREE-ROLLER BELT PICKUP PARTS INFORMATION, REFER TO JOHN DEERE THREE-ROLLER BELT PICKUP PARTS CATALOG - PC-2210.

FOR 918 AND 920 DRAPER PARTS INFORMATION, REFER TO JOHN DEERE 918 AND 920 DRAPER PLATFORMS PARTS CATALOG - PC-2212.

FOR 90 SERIES CORN HEAD PARTS INFORMATION, REFER TO JOHN DEERE 90 SERIES CORN HEAD PARTS CATALOG - PC-2404.

IMPORTANT

THIS PARTS CATALOG CONTAINS PARTS INFORMATION FOR THE 9610 MAXIMIZER™ COMBINE. VINTAGE IS DETERMINED BY THE COMBINE SERIAL NUMBER OR THE PRODUCT IDENTIFICATION NUMBER (PIN). IT IS IMPORTANT THAT THE CORRECT NUMBERS BE USED WHEN ORDERING PARTS.

PRODUCT INFORMATION NUMBER (PIN) PLATE

THE PRODUCT IDENTIFICATION PLATE (PIN) IS LOCATED NEAR THE RIGHT-HAND SIDE OF THE TOOL BOX.
AN EXAMPLE OF THE TWO-LINES ON THIS PIN PLATE IS:

HO9610X675000
COMBINE

(FIRST LINE)

HO - MANUFACTURING UNIT (HARVESTER WORKS)

9610 - MODEL IDENTIFIER

X - CONFIGURATION CODE/MODEL IDENTIFIER SUFFIX

675000 - SEQUENTIAL NUMBER USED IN SERIAL NO. COLUMN

(SECOND LINE)

COMBINE - TYPE OF PRODUCT

PARTS LISTING INFORMATION

SERIAL NUMBER OR PRODUCT IDENTIFICATION NUMBER (PIN) INFORMATION SHOWS ON WHICH MACHINES PART MAY BE USED; FOR EXAMPLE:

- THE PART CAN BE USED ON ALL MACHINES.
- 000000 THE PART CAN BE USED ON ALL MACHINES UP TO AND INCLUDING THE SERIAL NUMBER LISTED.
- 000000- THE PART CAN BE USED ON ALL MACHINES BEGINNING WITH THE SERIAL NUMBER LISTED.
- 000000-000000 THE PART CAN BE USED ON ALL MACHINES BETWEEN AND INCLUDING SERIAL NUMBERS LISTED.

WHEN XXXXXX'S ARE LISTED IN PLACE OF A SERIAL NUMBER, A SERIAL NUMBER CHANGE WAS MADE, BUT THE EXACT SERIAL NUMBER WAS NOT AVAILABLE WHEN THE CATALOG WAS PRINTED.

SHORT BLOCK SERIAL NUMBER PLATE

(-RGSB076882500)

RGP3513 -UN-01JAN94



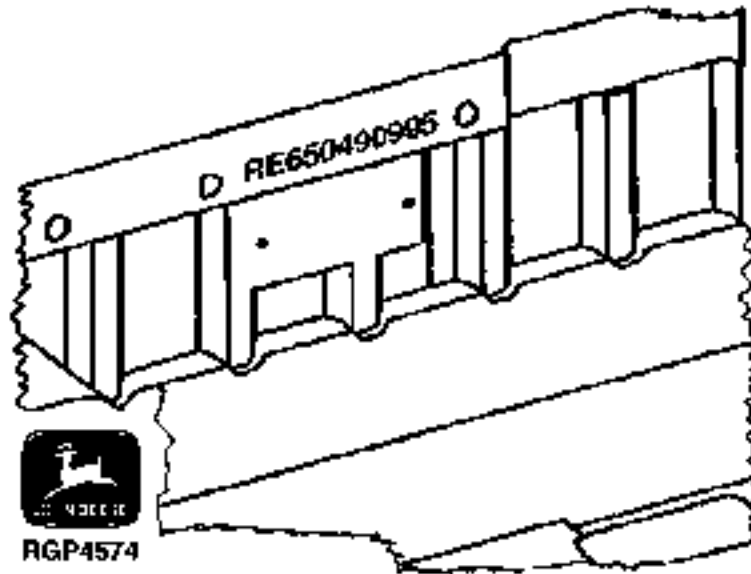
RGP3513

THE REPLACEMENT SHORT BLOCK ASSEMBLY HAS A SERIAL NUMBER PLATE ATTACHED. THE ORIGINAL ENGINE SERIAL NUMBER MUST BE STAMPED ONTO THE NEW PLATE IN THE BLANK SPACE PROVIDED, AS A REFERENCE FOR YOUR DEALER. THE PLATE CAN BE ATTACHED WITH (2) 37H44 DRIVE SCREWS.

- | | |
|---------------------------------------|----------------------------|
| 1. DESIGNATES ENGINE MANUFACTURER | RG - WATERLOO ENGINE WORKS |
| 2. DESIGNATES REPLACEMENT SHORT BLOCK | SB |
| 3. DESIGNATES LITERS | XXX- 076 (7.6) |
| 4. DESIGNATES THE PRODUCTION DATE | 8825 |
| 5. DESIGNATES COMPONENT SEQUENCE | 00 |

SHORT BLOCK SERIAL NUMBER IDENTIFICATION

RGP4574 -UN-02OCT95



SERIAL NUMBER STAMPED INTO CASTING OF BLOCK NEAR PREVIOUS SERIAL NUMBER PLATE.

EXAMPLE: RE650490995

- | | |
|-----------------------------------|---------|
| 1. DESIGNATES SERVICE PART NUMBER | RE65049 |
| 2. DESIGNATES MONTH ASSEMBLED | 09 |
| 3. DESIGNATES YEAR ASSEMBLED | 95 |

TWO LINE BAR CODED ENGINE SERIAL NUMBER PLATE

RGP4942 -UN-25JUL97



FIRST LINE

RG - WATERLOO ENGINE WORKS

6

081 (8.1 LITERS)

H - AIR-TO-AIR

H

XXXXXX

SECOND LINE

6081HH003

DEFINES

DESIGNATES ENGINE MANUFACTURER.

DESIGNATES NUMBER OF CYLINDERS.

DESIGNATES LITER DISPLACEMENT.

DESIGNATES TYPE OF AIR INTAKE SYSTEM.

DESIGNATES HARVESTER VEHICLE.

DESIGNATES ENGINE SERIAL NUMBER.

APPLICATION

9610

DIRECTION ARROW

ARROWS ARE USED WITH ILLUSTRATIONS TO INDICATE THE FRONT OF THE UNIT. "RIGHT-HAND" AND "LEFT-HAND" SIDES ARE DETERMINED BY FACING IN THE DIRECTION OF MACHINE FORWARD TRAVEL.

BOX-ENCLOSED ILLUSTRATIONS

A KEY NUMBER, SHOWN IN THE PARTS LIST, IS ASSIGNED TO A BOX ENCLOSING ALL PARTS SOLD AS A SERVICE ASSEMBLY. A BOX NOT KEYED INCLUDES NON-CURRENT PARTS.

KITS

KIT INFORMATION WILL BE FOUND IMMEDIATELY FOLLOWING THE STORY IN WHICH IT IS USED. THE ILLUSTRATION IS REPEATED WITH ONLY THE KIT PARTS CALLED OUT AND WITH ALL OTHER PARTS SHOWN IN PHANTOM.

JDM REMANUFACTURED COMPONENTS

THE SERVICE PARTS LISTED IN THIS CATALOG ARE INTENDED FOR THE REPAIR OF ORIGINAL EQUIPMENT COMPONENTS. ALTHOUGH MOST SERVICE PARTS MAY BE USED TO REPAIR REMANUFACTURED COMPONENTS, THE REMANUFACTURED DESIGN MAY CHANGE PARTS SUFFICIENTLY SO THAT SERVICE PARTS ARE INADEQUATE OR NOT USABLE.

BOLT AND CAP SCREW STRENGTH IDENTIFICATION

BOLTS AND CAP SCREWS REQUIRED TO HAVE HIGH-STRENGTH QUALITIES EQUIVALENT TO SAE GRADE 8 ARE IDENTIFIED THROUGHOUT THIS CATALOG BY THE DESCRIPTION HS SAE 8. ALL STANDARD BOLTS AND CAP SCREWS ARE SAE GRADE 5 OR LOWER. BOLTS AND CAP SCREWS REQUIRED TO HAVE HIGH-STRENGTH QUALITIES EQUIVALENT TO PROPERTY CLASS 10.9 ARE IDENTIFIED THROUGHOUT THIS CATALOG BY HS 10.9. ALL STANDARD BOLTS AND CAP SCREWS ARE PROPERTY CLASS 8.8 OR LOWER.

SI UNITS OF MEASURE

METRIC DIMENSIONS ARE GIVEN, WHERE APPLICABLE, THROUGHOUT THIS PARTS CATALOG.

TRADEMARKS

THROUGHOUT THIS PARTS CATALOG, YOU WILL FIND THE FOLLOWING DEERE & COMPANY TRADEMARKS:

DIAL-A-SPEED™
DIAL-A-MATIC™
HARVESTRAK™
CONTOUR MASTER™

POSI-TORQ™
TORQ-GARD SUPREME®
QUIK-TATCH™

CHANGE INDICATOR LINE

CHANGES AFFECTING THE ORDERING OF PARTS ARE IDENTIFIED BY VERTICAL LINES MARKED IN THE LEFT-HAND MARGIN OF REVISED PARTS LISTING IMAGES. A LINE IS ALSO AT THE LEFT-HAND EDGE OF THE SAME PART NUMBER IN THE NUMERICAL INDEX TO SHOW THE LOCATION OF REVISED INFORMATION.

FUNCTION CODE

(EXAMPLE - FC: 5000)

FUNCTION CODES ARE LOCATED ON EACH PAGE IN THE UPPER RIGHT-HAND CORNER IN THE BOX. THE CODE LISTED IS A GROUPING CODE THAT CAN BE USED FOR WARRANTIES AND FOR DTAC TO IDENTIFY CERTAIN AREAS.

COMPLETE GOODS LISTINGS

COMPLETE GOODS ARE IN BOLD FACE TYPE. ORDER SEPARATELY. DO NOT INCLUDE ON REPLACEMENT PARTS ORDER.

FOR INDIVIDUAL HEADERS PARTS CATALOGS REFER TO:

PC-2104 - PARTS CATALOG FOR JOHN DEERE 900 SERIES PLATFORMS
PC-2210 - PARTS CATALOG FOR JOHN DEERE THREE ROLLER BELT PICK-UP
PC-2212 - PARTS CATALOG FOR JOHN DEERE 918 AND 920 DRAPER PLATFORMS
PC-1747 - PARTS CATALOG FOR JOHN DEERE 50A SERIES ROW-CROP HEADS
PC-1223 - PARTS CATALOG FOR JOHN DEERE 40 SERIES CORN HEADS
PC-2404 - PARTS CATALOG FOR JOHN DEERE 90 SERIES CORN HEADS

SECTION INDEX

SECTION 10 - GENERAL INFORMATION

SECTION 20 - ENGINE FAN, INTERCOOLER AND SCREENS

SECTION 24 - ENGINE

SECTION 30 - FUEL AND AIR

SECTION 40 - ELECTRICAL

SECTION 50 - POWER TRAIN

SECTION 60 - STEERING AND BRAKES

SECTION 70 - HYDRAULICS

SECTION 80 - SEPARATOR SHELL

SECTION 90 - OPERATOR'S STATION

SECTION 110 - FEEDER HOUSE

SECTION 120 - THRESHING AND SEPARATION

SECTION 121 - DRIVES

SECTION 125 - RESIDUE DISPOSAL

SECTION 130 - CLEAN GRAIN ELEVATOR, GRAIN TANK AND UNLOADING AUGER

SECTION 160 - DIAL-A-MATIC HEADER HEIGHT CONTROL

SECTION 170 - DECALS, BELTS AND CHAINS

SECTION 180 - NUMERICAL INDEX

ALPHABETICAL INDEX

GRID		PAGE	GRID		PAGE
	A				
3K6	A/C COMPRESSOR HARDWARE R134A	90 - 81	4J5	ARM, CHARGE PUMP MOUNTING	121 - 60
3K4	A/C COMPRESSOR HOSE	90 - 79	4B18	ARM, DRIVE TIGHTENER, FIXED SPEED	110 - 12
3K3	A/C COMPRESSOR MANIFOLD.....	90 - 78	4J1	ARM, FAN DRIVE SPEED CONTROL	121 - 56
3K3	A/C COMPRESSOR R134A	90 - 78	4C10	ARM, FEEDER HOUSE FLOOR	110 - 30
3E11	A/C CONDENSER	70 - 84	4H21	ARM, LOCKOUT, DUAL-RANGE	121 - 28
1H18	A/C HIGH PRESSURE SWITCH.....	40 - 56	3F17	ARM, REAR LADDER LATCH	80 - 16
1E19	ACCESS COVER FUEL INJECTION PUMP	24 - 60	4I7	ARM, SECONDARY COUNTERSHAFT DRIVE	121 - 38
3B9	ACCUMULATOR PRESSURE GAUGE WIRING HARNES	70 - 2	4J7	ARM, STRAW CHOPPER DRIVE (FRONT).....	121 - 62
3C20	ACCUMULATOR, DUAL, ONE HALF GALLON	70 - 40	5F21	ARM, UNLOADING AUGER COUNTERSHAFT DRIVE..	130 - 58
3C22	ACCUMULATOR, ONE GALLON	70 - 42	4H11	ARMATURE, HEADER ELECTROMAGNETIC CLUTCH	121 - 18
3C18	ACCUMULATOR, ONE HALF GALLON	70 - 38	3J13	ARMREST (L.H.)	90 - 62
1D6	ADAPTER, OIL COOLER	24 - 23	3J11	ARMREST ADJUSTING MECHANISM, R.H.	90 - 60
1D10	ADAPTER, OIL COOLER BYPASS	24 - 27	1G3	ARMREST PANEL, OPERATOR'S	40 - 14
1H3	ADAPTER, WIRING HARNESS (CONTOUR MASTER)	40 - 40	1G3	ARMREST ROCKER SWITCHES	40 - 14
1H5	ADAPTER, WIRING HARNESS (CONTOUR MASTER)	40 - 42	1G1	ARMREST WIRING HARNESS.....	40 - 12
1D4	ADHESIVE,ROCKER ARM COVER GASKET	24 - 21	3J9	ARMREST WITH GLOVE BOX (R.H.).....	90 - 58
2G18	ADJUSTABLE REAR AXLE.....	60 - 37	4F19	ARMS, FRAME, PRECLEANER CHAFFER	120 - 56
3I15	ADJUSTER, OPERATOR'S SEAT	90 - 38	1D3	ARMS, ROCKER	24 - 20
3I20	ADJUSTER, OPERATOR'S SEAT LEVER	90 - 44	2D23	ARMS, STEERING, CAM LOBE MOTOR (STEERABLE MOTOR).....	50 - 68
4I5	ADJUSTING BRACKET, CYLINDER DRIVE, DUAL-RANGE	121 - 36	5B12	ARMS, TAILBOARD - CHOP-TO-BALE	125 - 5A
3J11	ADJUSTING MECHANISM, ARMREST, R.H.....	90 - 60	1G3	ASHTRAY	40 - 14
1I8	ADJUSTING MOTOR, CONCAVE.....	40 - 72	1E15	ASSEMBLY, CLUTCH (STARTER).....	24 - 56
1I4	ADJUSTING MOTOR, SEPARATOR FAN DRIVE	40 - 67	2F23	ATTENUATOR, STEERING HOSES.....	60 - 16
1F7	AIR CLEANER AND INTAKE TUBES.....	30 - 10	5G12	AUGER BELTS	170 - 2
1H18	AIR CLEANER PLUGGED SWITCH.....	40 - 56	5C25	AUGER CHAIN TIGHTENER, LOWER TAILINGS	125 - 40
1G11	AIR CONDITIONER AND HEATER SWITCH.....	40 - 22	5F20	AUGER COVERS AND CHANNEL, CROSS	130 - 56
1E18	AIR CONDITIONER COMPRESSOR FAN PULLEY	24 - 59	5D6	AUGER DRIVE SHIELD, UPPER TAILINGS	125 - 48
1E18	AIR CONDITIONER COMPRESSOR IDLER PULLEY....	24 - 59	3F21	AUGER DRIVE SHIELDS (R.H.).....	80 - 20
1E18	AIR CONDITIONER COMPRESSOR SUPPORT	24 - 59	5D6	AUGER DRIVE, UPPER TAILINGS	125 - 48
1G9	AIR CONDITIONER WIRING HARNESS	40 - 20	5E3	AUGER HOUSING, LOADING, UPPER CLEAN GRAIN	130 - 12
3I6	AIR CONDITIONING AND HEATER DUCTS	90 - 29	5E5	AUGER HOUSING, LOADING, UPPER CLEAN GRAIN	130 - 14
3J24	AIR CONDITIONING SYSTEM	90 - 74	1H13	AUGER SENSOR AND WIRING HARNESS, UNLOADING	40 - 50
3J22	AIR CONDITIONING/HEATER AND PRESSURIZING FAN	90 - 72	3D13	AUGER SWING SOLENOID CONTROL VALVE	70 - 60
3J20	AIR CONDITIONING/HEATER HOUSING AND FILTERS.....	90 - 70	5F5	AUGER SWIVEL SUPPORT AND BRACES	130 - 40
1F7	AIR DUCT, AIR CLEANER	30 - 10	5E3	AUGER TRANSITION HOUSING	130 - 12
4F7	AIR DUCT, CLEANING FAN	120 - 44	5C19	AUGER TROUGH, LOWER TAILINGS.....	125 - 34
4F9	AIR DUCT, CLEANING FAN	120 - 46	1H13	AUGER WIRING HARNESS, UNLOADING	40 - 50
1B21	AIR DUCT, RADIATOR	20 - 16	5F1	AUGER, GRAIN TANK, VERTICAL UNLOADING	130 - 36
1B9	AIR DUCT, ROTARY SCREEN DOOR.....	20 - 4	5F14	AUGER, HORIZONTAL UNLOADING (17- AND 20-FT.).....	130 - 50
3I5	AIR FILTER, CAB	90 - 28	5E7	AUGER, LOADING, CLEAN GRAIN	130 - 16
1H18	AIR INLET TEMP SWITCH (253 HP)	40 - 56	5E9	AUGER, LOADING, CLEAN GRAIN FOLD	130 - 18
3I24	AIR SEAT SUSPENSION	90 - 48	5C17	AUGER, LOWER TAILINGS	125 - 32
3J1	AIR SEAT SUSPENSION KITS.....	90 - 50	5G13	AUGER, LOWER TAILINGS, BELTS	170 - 3
3J3	AIR SEAT SUSPENSION KITS.....	90 - 52	5D6	AUGER, UPPER TAILINGS.....	125 - 48
3J5	AIR SEAT SUSPENSION KITS.....	90 - 54	5F18	AUGERS, GRAIN TANK CROSS	130 - 54
3J7	AIR SEAT SUSPENSION KITS.....	90 - 56	4F1	AUGERS, SHOE GRAIN SUPPLY AND HOUSING.....	120 - 38
1G9	AIR SEAT WIRING HARNESS	40 - 20	4F3	AUGERS, SHOE GRAIN SUPPLY AND HOUSING.....	120 - 40
3J1	AIR SUSPENSION KITS, SEAT	90 - 50	1F18	AUX FIELD LIGHTS SWITCH, OPTIONAL	40 - 4
3J3	AIR SUSPENSION KITS, SEAT	90 - 52	1F24	AUXILIARY FIELD LIGHTING	40 - 10
3J5	AIR SUSPENSION KITS, SEAT	90 - 54	2E2	AXLE SHAFT FINAL DRIVE	50 - 72
3J7	AIR SUSPENSION KITS, SEAT	90 - 56	2B19	AXLE SPACERS (RING AND PINION FINAL DRIVE)	50 - 11
3I24	AIR SUSPENSION, SEAT	90 - 48	2B20	AXLE SPACERS, PLANETARY FINAL DRIVE	50 - 12
1E19	ALTERNATOR ADJUSTING STRAP.....	24 - 60	2C9	AXLE, FINAL DRIVE (RING AND PINION)	50 - 26
1E19	ALTERNATOR BRACKET	24 - 60	2B18	AXLE, FRONT (PLANETARY FINAL DRIVE)	50 - 10
1I6	ALTERNATOR MOUNTING.....	40 - 69	2B17	AXLE, FRONT (RING AND PINION FINAL DRIVE)	50 - 9
1E19	ALTERNATOR SUPPORT.....	24 - 60	2G18	AXLE, REAR, ADJUSTABLE.....	60 - 37
1I5	ALTERNATOR, SHEAVE AND BELT - BOSCH.....	40 - 68	2G19	AXLE, REAR, SPINDLES	60 - 38
1I7	ALTERNATOR, VOLTAGE REGULATOR (95 AMP) BOSCH.....	40 - 70	2G16	AXLE, REAR, SUPPORT.....	60 - 34
4C24	ANGLE , RETURN FLOOR, FEEDERHOUSE	110 - 44			
1G18	ANTENNA, SPEAKERS AND RADIO	40 - 30			

ALPHABETICAL INDEX - CONTINUED

GRID		PAGE	GRID		PAGE
	B				
1J11	BACKSHAFT SPEED SENSOR, FEEDER HOUSE.....	40 - 100	5G12	BELTS, ENGINE DRIVE	170 - 2
3H6	BARRIERS, SOUND	90 - 4	1B13	BELTS, ENGINE FAN DRIVES	20 - 8
1E9	BASE, FUEL FILTER	24 - 50	1B15	BELTS, ENGINE FAN DRIVES (HI POWER).....	20 - 10
5E18	BASE, GRAIN TANK	130 - 28	5G14	BELTS, FAN, CLEANING	170 - 4
1D11	BASE, OIL FILTER	24 - 28	5G12	BELTS, FEEDER CONVEYOR	170 - 2
1I9	BATTERIES, CABLE AND HOLDDOWN	40 - 73	5G14	BELTS, FEEDER HOUSE	170 - 4
4G11	BEARING KIT, STRAW WALKERS	120 - 72	5G14	BELTS, HEADER AND REEL	170 - 4
1E21	BEARING KIT, UNDERSIZED MAIN BEARING CRANKSHAFT	24 - 62	5G15	BELTS, LOWER TAILINGS AUGER	170 - 5
2D18	BEARING, COVER AND QUILL (STEERABLE MOTOR).....	50 - 63	5G13	BELTS, LOWER TAILINGS AUGER	170 - 3
5F9	BEARING, GEARCASE, HORIZONTAL UNLOADING AUGER.....	130 - 44	4H13	BELTS, PRIMARY COUNTERSHAFT.....	121 - 20
4B11	BEARING, REVERSER GEARBOX	110 - 4	5G13	BELTS, ROTARY SCREEN.....	170 - 3
1C21	BEARING, THRUST.....	24 - 13	5G14	BELTS, STRAW CHOPPER	170 - 4
2E2	BEARINGS, FINAL DRIVE	50 - 72	5G14	BELTS, STRAW SPREADER	170 - 4
2C8	BEARINGS, FINAL DRIVE (RING AND PINION)	50 - 25	5G14	BELTS, UNLOADING AUGERS	170 - 4
2C9	BEARINGS, FINAL DRIVE (RING AND PINION)	50 - 26	5G15	BELTS, UNLOADING SYSTEM.....	170 - 5
2C10	BEARINGS, FINAL DRIVE (RING AND PINION)	50 - 28	5G15	BELTS, UPPER TAILINGS AUGER	170 - 5
2E3	BEARINGS, FINAL DRIVE PINION SHAFT	50 - 74	5G12	BELTS, WALKER.....	170 - 2
2E5	BEARINGS, FINAL DRIVE PINION SHAFT	50 - 76	4J23	BLADE, FINE CUT ROTOR (PADDLED WIDE).....	121 - 78
1C21	BEARINGS, MAIN	24 - 13	4J21	BLADE, FINE CUT ROTOR, STRAW CHOPPER	121 - 76
5C23	BEARINGS, TAILINGS ELEVATOR CONVEYOR	125 - 38	5B18	BLADE, STRAW SPREADER	125 - 8
2C1	BEARINGS, TRANSMISSION	50 - 18	4J19	BLADE, TRI ROTOR STRAW CHOPPER	121 - 74
2C3	BEARINGS, TRANSMISSION PINION SHAFT.....	50 - 20	1C2	BLOCK, ENGINE COOLANT HEATER.....	20 - 22
5G15	BEATER BELTS SHEAVES	170 - 5	1C14	BLOCK, SHORT.....	24 - 6
4E24	BEATER COVER	120 - 34	2C24	BLOCK, VALVE	50 - 43
4I19	BEATER DRIVE SHEAVES AND TIGHTENER	121 - 50	2D11	BLOCK, VALVE	50 - 55
4E3	BEATER GRATE CURTAIN	120 - 12	1D1	BOLTS, CYLINDER HEAD	24 - 18
4E22	BEATER SHAFT AND DRIVE BELT.....	120 - 32	1I7	BOSCH ALTERNATOR AND VOLTAGE REGULATOR (95 AMP)	40 - 70
5F23	BELT GUIDE, UNLOADING AUGER DRIVE	130 - 60	1I5	BOSCH ALTERNATOR, SHEAVE AND BELT	40 - 68
4J5	BELT PICKUP / REEL DRIVE, PUMP MOUNTING SHEAVE.....	121 - 60	3H24	BOX, TOOL	90 - 22
1E19	BELT TENSIONER (ALT.).....	24 - 60	3F13	BRACE, ENGINE ACCESS PLATFORM	80 - 12
4I19	BELT, BEATER DRIVE	121 - 50	1B15	BRACE, ENGINE FAN DRIVES (HI POWER)	20 - 10
4B18	BELT, DRIVE TIGHTENER, FIXED SPEED.....	110 - 12	3G5	BRACE, FRONT CORNER SHEET (R.H.)	80 - 30
4E22	BELT, DRIVE, SHAFT AND BEATER.....	120 - 32	3G7	BRACE, REAR CORNER SHEET.....	80 - 32
1B11	BELT, ENGINE FAN AND DRIVES	20 - 6	4B17	BRACE, VARIABLE SPEED DRIVE TIGHTENER	110 - 10
4D3	BELT, FAN, DUST, LH FEEDER HOUSE	110 - 48	3C18	BRACKET, ACCUMULATOR MOUNTING ONE HALF GALLON.....	70 - 38
4J13	BELT, FINE CUT STRAW CHOPPER (REAR)	121 - 68	1F7	BRACKET, AIR CLEANER	30 - 10
4J9	BELT, FINE CUT STRAW CHOPPER DRIVES	121 - 64	1E19	BRACKET, ALTERNATOR	24 - 60
3I17	BELT, OPERATOR'S SEAT	90 - 40	2F20	BRACKET, BRAKE CABLE SUPPORT	60 - 13
1B7	BELT, ROTARY SCREEN DRIVE.....	20 - 2	3F25	BRACKET, DRIVE SHIELD (R.H. REAR).....	80 - 24
3I19	BELT, SEAT - RETROFIT KIT (MACHINES PRIOR TO 1996 MODEL YEAR)	90 - 42	4B20	BRACKET, DRIVE SHIELDS.....	110 - 14
3I18	BELT, SEAT - TRAINING SEAT	90 - 41	4B22	BRACKET, DRIVE SHIELDS, CONTOUR MASTER	110 - 16
4I21	BELT, SEPARATOR FAN DRIVE	121 - 52	4C12	BRACKET, FEEDER CONVEYOR	110 - 32
4H17	BELT, SLOW SPEED CYLINDER DRIVE	121 - 24	4C16	BRACKET, FEEDER CONVEYOR DRIVE	110 - 36
4J7	BELT, STRAW CHOPPER DRIVE (FRONT)	121 - 62	2G5	BRACKET, FRONT STEERING HOSES	60 - 22
4J11	BELT, STRAW CHOPPER DRIVES (REAR)	121 - 66	2G7	BRACKET, L.H. STEERING LINES	60 - 24
4K1	BELT, STRAW CHOPPER ROTOR AND SHEAVE.....	121 - 80	3G11	BRACKET, MUD SHIELDS (R.H.).....	80 - 36
5B18	BELT, STRAW SPREADER	125 - 8	3E13	BRACKET, OIL FILTER ASSEMBLY	70 - 86
4D5	BELT, UPPER DRIVE SHAFT, FIXED SPEED	110 - 50	2G9	BRACKET, R.H. STEERING LINES	60 - 26
4B17	BELT, VARIABLE SPEED DRIVE TIGHTENER.....	110 - 10	3G7	BRACKET, REAR CORNER SHEET	80 - 32
5G13	BELTS, AIR CONDITIONER COMPRESSOR	170 - 3	1J7	BRACKET, REEL SPEED MOTOR.....	40 - 96
5G12	BELTS, AUGER	170 - 2	1H7	BRACKET, STRAW CHOPPER SENSOR	40 - 44
5G15	BELTS, BEATER	170 - 5	5C24	BRACKET, TAILINGS DRIVE AND LOWER TROUGH SUPPORT.....	125 - 39
5G13	BELTS, CLEAN GRAIN ELEVATOR.....	170 - 3	5B12	BRACKETS, CHOP-TO-BALE	125 - 5A
5G12	BELTS, CONVEYOR FEEDER	170 - 2	4E20	BRACKETS, CONCAVE INDICATOR AND CABLE.....	120 - 30
5G13	BELTS, COOLING FAN.....	170 - 3	1H15	BRACKETS, LOW SHAFT SPEED SENSORS	40 - 52
5G13	BELTS, CYLINDER DRIVE	170 - 3	3E11	BRACKETS, OIL COOLER, A/C CONDENSER.....	70 - 84
5G13	BELTS, DRIVE, CYLINDER INTERMEDIATE	170 - 3	3D18	BRACKETS, SOLENOID CONTROL VALVE	70 - 66
			2F20	BRAKE CABLE SUPPORT BRACKET	60 - 13
			2F15	BRAKE CYLINDER, MASTER.....	60 - 8
			2F11	BRAKE CYLINDERS, MASTER AND BRAKE PEDALS	60 - 4
			2F13	BRAKE LINES, MASTER CYLINDER AND RESERVOIR	60 - 6
			2F9	BRAKE PEDAL AND SEAL, PARKING	60 - 2
			2F11	BRAKE PEDALS AND CYLINDERS, MASTER	60 - 4

ALPHABETICAL INDEX - CONTINUED

GRID		PAGE	GRID		PAGE
2F17	BRAKE SHOES AND DRUM (LEFT-HAND ILLUSTRATED)	60 - 10	5B20	CHAFF SPREADER DISC (DUAL MOTOR).....	125 - 10
2F19	BRAKE SLAVE CYLINDER	60 - 12	5C7	CHAFF SPREADER LINES AND FITTINGS	125 - 22
1110	BREAKERS, CIRCUIT, ENGINE COMPARTMENT	40 - 74	3B15	CHAFF SPREADER MOTOR (EATON)	70 - 8
1E23	BREATHER, FUEL TANK	30 - 2	5C1	CHAFF SPREADER MOUNTING SUPPORT	125 - 16
1C11	BUSHING, CAMSHAFT	24 - 2	5B24	CHAFF SPREADER PAN AND SEALS	125 - 14
1C25	BUSHING, CAMSHAFT	24 - 17	5C13	CHAFF SPREADER PUMP	125 - 28
1D10	BYPASS TUBES, OIL COOLER	24 - 27	5C11	CHAFF SPREADER, HOSES, LINES AND MOTOR	125 - 26
1D11	BYPASS VALVE, OIL FILTER.....	24 - 28	5C9	CHAFF SPREADER, LINES, HOSES, VALVE AND PUMP	125 - 24
C			4I15	CHAFFER DRIVE, JACKSHAFT, IDLER	121 - 46
3I5	CAB AIR FILTER AND HOUSING	90 - 28	4I17	CHAFFER DRIVE, STRAW WALKER, CONVEYOR AUGERS AND SIEVE	121 - 48
1F15	CAB DOME LIGHT	40 - 1	4F21	CHAFFER ELEMENT.....	120 - 58
3H14	CAB DOOR AND GLASS	90 - 12	4F23	CHAFFER EXTENSION ELEMENT	120 - 60
3H12	CAB DOOR LATCH	90 - 10	4G1	CHAFFER FRAME	120 - 62
3H4	CAB FLOOR MAT	90 - 2	4F19	CHAFFER FRAME ARMS, PRECLEANER	120 - 56
3H16	CAB FRAME AND SUPPORT.....	90 - 14	4F15	CHAFFER FRAME, PRECLEANER	120 - 52
3H10	CAB INTERIOR TRIM PANELS	90 - 8	4F13	CHAFFER, PRE-CLEANING	120 - 50
3I1	CAB LANDING AND MIRROR	90 - 24	4B15	CHAIN SPROCKET, FRONT SHAFT, REVERSER	110 - 8
3I3	CAB LANDING AND MIRROR (R.H.)	90 - 26	5C25	CHAIN TIGHTENER, LOWER TAILINGS AUGER	125 - 40
1F15	CAB LIGHT, DOME	40 - 1	5D5	CHAIN TIGHTENER, UPPER TAILINGS DRIVE	125 - 46
3H4	CAB PANELS AND FLOOR MAT	90 - 2	5D20	CHAIN, CONVEYOR, CLEAN GRAIN LOWER ELEVATOR	130 - 4
1F20	CAB POST INSTRUMENT PANEL	40 - 6	5D22	CHAIN, CONVEYOR, CLEAN GRAIN LOWER ELEVATOR	130 - 6
3I7	CAB POST INSTRUMENT PANEL	90 - 30	5F16	CHAIN, CROSS AUGER	130 - 52
3H8	CAB REAR AND SIDE SEALS	90 - 6	4C12	CHAIN, FEEDER CONVEYOR DRIVE	110 - 32
3H18	CAB ROOF AND SUPPORTS.....	90 - 16	4C16	CHAIN, FEEDER CONVEYOR DRIVE	110 - 36
1F22	CAB ROOF LIGHTS	40 - 8	5F18	CHAIN, GRAIN TANK CROSS AUGERS	130 - 54
3I22	CAB SEAT HEIGHT ADJUSTER (VERTICAL CONTROL).....	90 - 46	5C23	CHAIN, TAILINGS ELEVATOR CONVEYOR	125 - 38
3H6	CAB SOUND DEADENING, FOAM AND SEALS.....	90 - 4	5D3	CHAIN, UPPER TAILINGS	125 - 44
1F16	CAB WIRING HARNESS.....	40 - 2	5F20	CHANNEL, CROSS AUGER	130 - 56
3H14	CAB, COMPLETE	90 - 12	5F16	CHANNEL, CROSS AUGER BEARING	130 - 52
4E20	CABLE, CONCAVE INDICATOR, AND BRACKETS	120 - 30	1B21	CHANNEL, RADIATOR MOUNTING.....	20 - 16
3I9	CABLE, GEARSHIFT LEVER	90 - 32	4K3	CHANNEL, STRAW CHOPPER HOUSING	121 - 82
1I24	CABLE, WIRING	40 - 88	1E23	CHANNEL, SUPPORTS, FUEL TANK	30 - 2
1I9	CABLES, BATTERY.....	40 - 73	5F1	CHARGE HOUSING, VERTICAL UNLOADING AUGER	130 - 36
2B12	CABLES, HYDROSTATIC DRIVE CONTROL	50 - 4	3E20	CHARGE PRESSURE HOSE	70 - 94
2D12	CAM LOBE MOTOR (STEERABLE MOTOR)	50 - 56	5C3	CHECK VALVE, ROD AND KNOB, CHAFF SPREADER CONTROL.....	125 - 18
2D19	CAM, CARRIER, AND PISTON (STEERABLE MOTOR).....	50 - 64	5B14	CHOP-TO-DROP DECLUTCHING LEVER.....	125 - 5C
4B9	CAM, FRONT VARIABLE DRIVE SHEAVE	110 - 2	5B15	CHOPPER COVER AND BRACKETS - CHOP-TO- BALE	125 - 5D
4E12	CAM, SPIKE TOOTH CONCAVE	120 - 22	5E24	CHUTE, GRAIN TANK CLEAN OUT	130 - 34
1C25	CAMSHAFT	24 - 17	1G3	CIGARETTE LIGHTER	40 - 14
1C11	CAMSHAFT BUSHING	24 - 2	1F20	CIRCUIT BOARD, CAB POST INSTRUMENT PANEL	40 - 6
1C25	CAMSHAFT BUSHING	24 - 17	3I7	CIRCUIT BOARD, CAB POST INSTRUMENT PANEL	90 - 30
1C25	CAMSHAFT FOLLOWER.....	24 - 17	1I16	CIRCUIT BOARDS, CENTRAL ELECTRONICS MODULE	40 - 80
1D3	CAMSHAFT FOLLOWER.....	24 - 20	1I10	CIRCUIT BREAKER RELAYS	40 - 74
1C25	CAMSHAFT GEAR.....	24 - 17	1I10	CIRCUIT BREAKERS, ENGINE COMPARTMENT.....	40 - 74
1E23	CAP, FILLER, FUEL TANK	30 - 2	1I1	CLAMPS, UNLOADING AUGER LIGHT	40 - 64
5E24	CAP, GRAIN TANK CLEAN OUT CHUTE	130 - 34	5D20	CLEAN GRAIN CONVEYOR CHAIN.....	130 - 4
1C11	CAPS, MAIN BEARING	24 - 2	5D22	CLEAN GRAIN CONVEYOR CHAIN.....	130 - 6
2D21	CAPS, YOKE AND PIVOTS (STEERABLE MOTOR)	50 - 66	5E12	CLEAN GRAIN ELEVATOR DRIVE IDLER	130 - 22
2D19	CARRIER, PISTON, AND CAM (STEERABLE MOTOR).....	50 - 64	5E12	CLEAN GRAIN ELEVATOR DRIVE TIGHTENER	130 - 22
2E21	CASE DRAIN, 4-WHEEL DRIVE, HYDRAULIC LINES	50 - 92	5E12	CLEAN GRAIN ELEVATOR DRIVE TIGHTENER AND IDLER.....	130 - 22
5E24	CASE, VERTICAL AUGER LOWER GEAR	130 - 34	5E10	CLEAN GRAIN ELEVATOR GEARCASE	130 - 20
1I16	CENTRAL ELECTRONICS MODULE AND CIRCUIT BOARDS	40 - 80	5E14	CLEAN GRAIN ELEVATOR SHIELDS, UPPER.....	130 - 24
1I16	CENTRAL ELECTRONICS MODULE CIRCUIT BOARDS	40 - 80	5E1	CLEAN GRAIN ELEVATOR UPPER SHAFT	130 - 10
5B22	CHAFF SPREADER (DUAL MOTOR) SHIELDS AND HANDLES	125 - 12	5E1	CLEAN GRAIN ELEVATOR UPPER SHAFT, SPROCKET AND SHEAVE.....	130 - 10
5C3	CHAFF SPREADER CONTROL, CHECK VALVE, ROD AND KNOB.....	125 - 18	5E1	CLEAN GRAIN ELEVATOR UPPER SHEAVE.....	130 - 10
			5E1	CLEAN GRAIN ELEVATOR UPPER SPROCKET	130 - 10

ALPHABETICAL INDEX - CONTINUED

GRID		PAGE	GRID		PAGE
5D24	CLEAN GRAIN ELEVATOR, UPPER	130 - 8	1H5	CONTOUR MASTER WIRING HARNESS ADAPTER	40 - 42
5E7	CLEAN GRAIN LOADING AUGER	130 - 16	4C1	CONTOUR MASTER, FEEDER HOUSE SHELL, WEAR PLATES AND SEALS	110 - 20
5E3	CLEAN GRAIN LOADING AUGER HOUSING, UPPER	130 - 12	4C5	CONTOUR MASTER, LOCKOUT ASSEMBLY (OPTIONAL).....	110 - 24
5E5	CLEAN GRAIN LOADING AUGER HOUSING, UPPER	130 - 14	2B12	CONTROL CABLES, HYDROSTATIC DRIVE	50 - 4
5E9	CLEAN GRAIN LOADING AUGER, FOLD	130 - 18	1G3	CONTROL PANEL, OPERATOR'S ARMREST	40 - 14
5D18	CLEAN GRAIN LOWER AUGER	130 - 2	1E3	CONTROL UNIT, ELECTRONIC	24 - 44
5D18	CLEAN GRAIN LOWER AUGER AND HINGED DOOR	130 - 2	1I14	CONTROL UNIT, ELECTRONIC (ECU)	40 - 78
5D20	CLEAN GRAIN LOWER ELEVATOR	130 - 4	2D25	CONTROL VALVE	50 - 70
5D22	CLEAN GRAIN LOWER ELEVATOR	130 - 6	2E1	CONTROL VALVE SOLENOID (FOUR-WHEEL DR.)	50 - 71
5D20	CLEAN GRAIN LOWER ELEVATOR AND CONVEYOR CHAIN	130 - 4	3C17	CONTROL VALVE, HEADER HEIGHT.....	70 - 37
5D22	CLEAN GRAIN LOWER ELEVATOR AND CONVEYOR CHAIN	130 - 6	3K1	CONTROL VALVE, HEATER	90 - 76
5E24	CLEAN OUT CHUTE, GRAIN TANK	130 - 34	2C19	CONTROL VALVE, HYDRO. DR. DISPLACEMENT	50 - 38
1F7	CLEANER, AIR AND INTAKE TUBES	30 - 10	1J9	CONVENIENCE OUTLET	40 - 98
4I21	CLEANING FAN DRIVE, SEPARATOR	121 - 52	1G5	CONVENIENCE OUTLET,KIT	40 - 16
4F7	CLEANING FAN INTAKE SHIELDS	120 - 44	3B25	CONVERSION PARTS, HUDRAULIC, 200 SERIES CUTTING PLATFORM.....	70 - 19
4F9	CLEANING FAN INTAKE SHIELDS	120 - 46	5G12	CONVEYOR AUGER BELTS,	170 - 2
4F11	CLEANING FAN INTAKE SHIELDS	120 - 48	4I17	CONVEYOR AUGERS, SIEVE, CHAFFER DRIVE AND STRAW WALKER.....	121 - 48
4F5	CLEANING FAN LEAF SCREENS (CORN)	120 - 42	4I15	CONVEYOR AUGERS, STRAW WALKER, SIEVE AND CHAFFER DRIVE	121 - 46
4F7	CLEANING FANS AND SHROUDS	120 - 44	5D20	CONVEYOR CHAIN, CLEAN GRAIN	130 - 4
4F9	CLEANING FANS AND SHROUDS	120 - 46	5D22	CONVEYOR CHAIN, CLEAN GRAIN	130 - 6
1J17	CLEANING SHOE LAMP INSTALLATION	40 - 106	1C2	COOLANT HEATER, ENGINE BLOCK.....	20 - 22
4C3	CLOSURE PLATES, FEEDER HOUSE - CONTOUR MASTER	110 - 22	1B19	COOLANT RECOVERY TANK	20 - 14
1E15	CLUTCH ASSEMBLY(STARTER)	24 - 56	1D6	COOLER, ENGINE OIL	24 - 23
3K5	CLUTCH, COMPRESSOR R134A.....	90 - 80	1F5	COOLER, FUEL	30 - 8
4H11	CLUTCH, HEADER ELECTROMAGNETIC.....	121 - 18	3E11	COOLER, OIL.....	70 - 84
4C20	CLUTCH, SLIP, FEEDER HOUSE	110 - 40	3B19	COOLER, OIL, FEEDER HOUSE	70 - 12
2G1	COLD WEATHER START BUTTON	60 - 18	3B21	COOLER, OIL, FEEDER HOUSE GEARCASE	70 - 14
3J16	COLD WEATHER START BUTTON	90 - 66	5G13	COOLING FAN BELTS	170 - 3
1F6	COLD WEATHER STARTING AID	30 - 9	4I11	CORN AND SMALL GRAIN CONCAVE INDICATOR	121 - 42
3F9	COMPARTMENT, ENGINE	80 - 8	5B8	CORN CURTAIN AND DEFLECTORS	125 - 2
3K7	COMPRESSOR PARTS (650301-) R134A	90 - 82	4D22	CORN CYLINDER DOOR (ARGENTINA ONLY).....	120 - 6
3K4	COMPRESSOR, A/C, HOSE	90 - 79	3G9	CORNER SHEET (L.H.) FRONT	80 - 34
5G13	COMPRESSOR, AIR CONDITIONING BELTS.....	170 - 3	3G5	CORNER SHEET, R.H. FRONT	80 - 30
3K3	COMPRESSOR, AIR CONDITIONING, R134A	90 - 78	3G7	CORNER SHEET, REAR (L.H.)	80 - 32
3K5	COMPRESSOR, CLUTCH R134A.....	90 - 80	4I7	COUNTERSHAFT DRIVE, SECONDARY.....	121 - 38
1I8	CONCAVE ADJUSTING MOTOR	40 - 72	5F21	COUNTERSHAFT DRIVE, UNLOADING AUGER	130 - 58
3F3	CONCAVE CLEARANCE DOOR.....	80 - 2	4H7	COUNTERSHAFT GEARCASE, PRIMARY	121 - 14
4E20	CONCAVE INDICATOR, CABLE AND BRACKETS.....	120 - 30	4H9	COUNTERSHAFT, PRIMARY, GEARCASE	121 - 16
4I11	CONCAVE INDICATOR, CORN AND SMALL GRAIN	121 - 42	1C1	COUPLING WITH HUB, ENGINE GEARCASE	20 - 21
4E4	CONCAVE, RASP BAR AND GRATE	120 - 14	4E24	COVER, BEATER	120 - 34
4E6	CONCAVE, RASP BAR AND GRATE	120 - 16	5B15	COVER, CHOPPER - CHOP-TO-BALE	125 - 5D
4E14	CONCAVE, SPIKE TOOTH	120 - 24	3F9	COVER, ENGINE	80 - 8
4E8	CONCAVE, SPIKE-TOOTH	120 - 18	3F11	COVER, ENGINE	80 - 10
4E12	CONCAVE, SPIKE-TOOTH	120 - 22	1E19	COVER, FUEL INJECTION PUMP ACCESS	24 - 60
3E11	CONDENSER, A/C.....	70 - 84	5F18	COVER, GRAIN TANK CROSS AUGERS	130 - 54
1C18	CONNECTING RODS	24 - 10	2C14	COVER, HYDROSTATIC DRIVE PUMP.....	50 - 33
1I18	CONNECTORS, ELECTRICAL, WEATHERPACK	40 - 82	2D5	COVER, HYDROSTATIC DRIVE PUMP.....	50 - 49
1E5	CONNECTORS, FUEL INJECTION PUMP HOUSING ..	24 - 46	2D1	COVER, HYDROSTATIC PUMP (PLANETARY)	50 - 44
1J5	CONNECTORS, HARNESS, UPPER, FOR ENGINE.....	40 - 94	2C12	COVER, HYDROSTATIC PUMP (RING AND PINION)	50 - 30
1J3	CONNECTORS, LOWER HARNESS FOR ENGINE	40 - 92	2D15	COVER, INNER	50 - 60
1J1	CONNECTORS, SUPPLEMENTARY TERMINALS	40 - 90	1D6	COVER, OIL COOLER	24 - 23
3J9	CONSOLE GLOVE BOX AND ARM REST, R.H.	90 - 58	2D18	COVER, QUILL AND BEARING (STEERABLE MOTOR).....	50 - 63
1F18	CONSOLE PANEL, OVERHEAD.....	40 - 4	1D4	COVER, ROCKER ARM	24 - 21
4C3	CONTOUR MASTER - FEEDER HOUSE FRAME, TILT BEAM & CLOSURE PLATES.....	110 - 22	1D19	COVER, THERMOSTAT	24 - 36
4D11	CONTOUR MASTER DRIVE SHAFT (FOR 444,494 CORN HEAD AND 914 BPU).....	110 - 56	4D17	COVER, THRESHING CYLINDER	120 - 1
4D9	CONTOUR MASTER DRIVESHAFT	110 - 54	1C24	COVER, TIMING GEAR.....	24 - 16
3C13	CONTOUR MASTER HOSES, (L.H.)	70 - 32	5F20	COVERS AND CHANNEL, CROSS AUGER	130 - 56
4C7	CONTOUR MASTER LOCKOUT ADAPTER KIT (BELT PU & 4R CORN HEADS)	110 - 26	5C21	CRANK, TAILINGS ELEVATOR	125 - 36
3E7	CONTOUR MASTER TILT CYLINDER.....	70 - 80			
1H3	CONTOUR MASTER WIRING HARNESS	40 - 40			

ALPHABETICAL INDEX - CONTINUED

GRID		PAGE	GRID		PAGE
1C4	CRANKCASE, ENGINE, OIL DRAIN.....	20-24	5H6	DECALS, REAR.....	170-22
4G13	CRANKS, STRAW WALKER, STRAW SPREADER DRIVE AND SHIELD.....	120-74	5H4	DECALS, REAR WHEEL.....	170-20
1C19	CRANKSHAFT.....	24-11	5H1	DECALS, RIGHT-HAND.....	170-16
1E13	CRANKSHAFT DAMPERS.....	24-54	5G16	DECALS, SAFETY AND LOCATIONS.....	170-6
1C24	CRANKSHAFT FRONT OIL SEAL.....	24-16	5G18	DECALS, SAFETY AND LOCATIONS.....	170-8
1C20	CRANKSHAFT KIT, UNDERSIZE (CONNECTING ROD JOURNAL).....	24-12	5G20	DECALS, SAFETY AND LOCATIONS.....	170-10
1E13	CRANKSHAFT PULLEY AND DAMPERS.....	24-54	5G22	DECALS, SAFETY AND LOCATIONS.....	170-12
5F16	CROSS AUGER BEARING PLATE, L.H.....	130-52	5G24	DECALS, SAFETY AND LOCATIONS.....	170-14
5F20	CROSS AUGER COVERS AND CHANNEL.....	130-56	5H8	DECALS, TOP.....	170-24
5F18	CROSS AUGERS, GRAIN TANK.....	130-54	4J17	DECK, SUPPORTS AND FINS, STRAW CHOPPER.....	121-72
3F3	CROSS BRACES, SEPARATOR.....	80-2	5B14	DECLUTCHING LEVER - CHOP-TO-DROP.....	125-5C
5B24	CROSSBAR, CHAFF SPREADER PAN.....	125-14	4D20	DEFLECTOR, CYLINDER DOOR.....	120-4
3J15	CUP HOLDER.....	90-64	4B24	DEFLECTOR, FEEDER HOUSE FRAME.....	110-18
4E3	CURTAIN, BEATER GRATE.....	120-12	5B8	DEFLECTORS AND CORN CURTAIN.....	125-2
5C15	CURTAIN, SPREADER.....	125-30	4J17	DEFLECTORS, STRAW CHOPPER DECK.....	121-72
5E20	CURTAINS, GRAIN TANK.....	130-30	4G9	DEFLECTORS, STRAW WALKERS.....	120-70
3B25	CUTTING PLATFORM, 200 SERIES CONVERSION PARTS.....	70-19	5G8	DIAL-A-MATIC ELECTRICAL HARNESS.....	160-4
1C11	CYLINDER BLOCK FITTINGS.....	24-2	5G6	DIAL-A-MATIC HEADER HEIGHT CONTROL HYDRAULIC LINE AND VALVE BLOCK.....	160-2
3F3	CYLINDER CLEARANCE DOOR.....	80-2	5G7	DIAL-A-MATIC HEADER HEIGHT CONTROL VALVE BLOCK SOLENOID.....	160-3
4D17	CYLINDER COVER, THRESHING.....	120-1	3C17	DIAL-A-MATIC HEADER HEIGHT CONTROL VALVE.....	70-37
4D20	CYLINDER DOOR (WITH CYLINDER BAFFLE).....	120-4	2F13	DIAPHRAGM, BRAKE LINES.....	60-6
4D22	CYLINDER DOOR, CORN (ARGENTINA ONLY).....	120-6	2C5	DIFFERENTIAL GEARS.....	50-22
415	CYLINDER DRIVE ADJUSTING BRACKET, DUAL-RANGE.....	121-36	2C5	DIFFERENTIAL SHAFTS.....	50-22
4H19	CYLINDER DRIVE GEAR CASE, DUAL-RANGE.....	121-26	1D15	DIPSTICK, ENGINE OIL.....	24-32
411	CYLINDER DRIVE INTERMEDIATE SHAFT MOUNTING, DUAL-RANGE.....	121-32	4B11	DIPSTICK, REVERSER GEARBOX.....	110-4
413	CYLINDER DRIVE INTERMEDIATE SHEAVE, DUAL-RANGE.....	121-34	5B20	DISC, CHAFF SPREADER (DUAL MOTOR).....	125-10
4H23	CYLINDER DRIVE TIGHTENER, DUAL-RANGE.....	121-30	2C19	DISPLACEMENT CONTROL VALVE, HYDRO. DR.....	50-38
4H15	CYLINDER DRIVE, SINGLE RANGE.....	121-22	3H12	DOOR LATCH, CAB.....	90-10
4H17	CYLINDER DRIVE, SLOW SPEED.....	121-24	3G9	DOOR, (L.H.) FRONT CORNER SHEET.....	80-34
1D1	CYLINDER HEAD.....	24-18	3H14	DOOR, CAB AND GLASS.....	90-12
1D1	CYLINDER HEAD BOLTS.....	24-18	5B10	DOOR, CHOPPER STRAW.....	125-4
1D1	CYLINDER HEAD GASKET.....	24-18	5D18	DOOR, CLEAN GRAIN LOWER AUGER.....	130-2
1E11	CYLINDER HEAD GASKET KIT.....	24-52	4D20	DOOR, CYLINDER (WITH CYLINDER BAFFLE).....	120-4
1C18	CYLINDER LINERS.....	24-10	4D22	DOOR, CYLINDER DOOR (ARGENTINA ONLY).....	120-6
4D24	CYLINDER SHEAR BAR.....	120-8	3F7	DOOR, ENGINE ACCESS.....	80-6
3D6	CYLINDER SPEED HYDRAULIC LINES AND HOSES..	70-52	3F11	DOOR, ENGINE PLATFORM.....	80-10
3D11	CYLINDER SPEED, SOLENOID CONTROL VALVE.....	70-58	3G1	DOOR, R.H. SERVICE ACCESS SHIELD.....	80-26
4E10	CYLINDER THRESHING, SPIKE TOOTH.....	120-20	3F7	DOOR, RADIATOR.....	80-6
2F19	CYLINDER, BRAKE SLAVE.....	60-12	1B21	DOOR, RADIATOR ACCESS.....	20-16
2F15	CYLINDER, BRAKE, MASTER.....	60-8	4E25	DOOR, SHOE GRAIN SUPPLY.....	120-36
3E3	CYLINDER, DRIVE, GRAIN TANK UNLOADING.....	70-76	5B10	DOOR, STRAW CHOPPER.....	125-4
3G1	CYLINDER, GAS, SERVICE ACCESS SHIELD.....	80-26	5C21	DOOR, TAILINGS ELEVATOR HOUSING.....	125-36
3G3	CYLINDER, GAS, SERVICE ACCESS SHIELD.....	80-28	5E14	DOOR, UPPER CLEAN GRAIN ELEVATOR.....	130-24
3C16	CYLINDER, HEADER LIFT.....	70-35	4C8	DOOR, UPPER FEEDER HOUSE.....	110-28
3G7	CYLINDER, REAR CORNER SHEET.....	80-32	1D19	DRAIN VALVE, CYLINDER HEAD.....	24-36
2G13	CYLINDER, STEERING.....	60-30	1D13	DRAIN VALVE, OIL PAN.....	24-30
4E1	CYLINDER, THRESHING, RASP BAR.....	120-10	5F23	DRIVE BELT GUIDE, UNLOADING AUGER.....	130-60
3E7	CYLINDER, TILT - CONTOUR MASTER.....	70-80	5C24	DRIVE BRACKET, TAILINGS AND LOWER TROUGH SUPPORT.....	125-39
3E5	CYLINDER, UNLOADING AUGER SWING.....	70-78	5D5	DRIVE CHAIN TIGHTENER, UPPER TAILINGS.....	125-46
2F11	CYLINDERS, MASTER BRAKE AND BRAKE PEDALS	60-4	2B12	DRIVE CONTROL CABLES, HYDROSTATIC.....	50-4
			1C19	DRIVE GEAR, OIL PUMP.....	24-11
			4113	DRIVE GEARCASE, STRAW WALKER.....	121-44
			5E12	DRIVE IDLER, CLEAN GRAIN ELEVATOR.....	130-22
			3D23	DRIVE PUMP, REEL BELT PICKUP.....	70-72
			4D11	DRIVE SHAFT, CONTOUR MASTER (FOR 444,494 CORN HEAD AND 914 BPU).....	110-56
			4H5	DRIVE SHAFT, GEARCASE AND PRIMARY COUNTERSHAFT.....	121-12
			5B18	DRIVE SHAFT, STRAW SPREADER.....	125-8
			2B19	DRIVE SHAFTS.....	50-11
			2B20	DRIVE SHAFTS.....	50-12
			3F25	DRIVE SHIELD, R.H. REAR.....	80-24

D

1C19	DAMPER KEY.....	24-11
1E13	DAMPERS, CRANKSHAFT.....	24-54
5H6	DECALS, FRONT.....	170-22
5H4	DECALS, FRONT WHEEL.....	170-20
5H2	DECALS, LEFT-HAND.....	170-18

ALPHABETICAL INDEX - CONTINUED

GRID		PAGE	GRID		PAGE
4B22	DRIVE SHIELDS, CONTOUR MASTER FEEDER HOUSE.....	110 - 16	1H20	EITHER START SOLENOID	40 - 58
4B20	DRIVE SHIELDS, SAFETY STOP, FEEDER HOUSE	110 - 14	1I20	ELECTRICAL CONNECTOR SERVICE KIT.....	40 - 84
4J15	DRIVE SHIELDS, STRAW CHOPPER.....	121 - 70	1I22	ELECTRICAL CONNECTOR SERVICE KIT.....	40 - 86
4K5	DRIVE SPROCKETS, STRAW CHOPPER.....	121 - 84	5G8	ELECTRICAL HARNESS, DIAL-A-MATIC.....	160 - 4
5E12	DRIVE TIGHTENER, CLEAN GRAIN ELEVATOR.....	130 - 22	1J2	ELECTRICAL SERVICE OUTLET.....	40 - 91
4J3	DRIVE TIGHTENER, FEEDER HOUSE	121 - 58	1I18	ELECTRICAL TERMINALS AND CONNECTORS, WEATHERPACK	40 - 82
4B18	DRIVE TIGHTENER, FIXED SPEED FEEDER HOUSE.....	110 - 12	4H11	ELECTROMAGNETIC HEADER CLUTCH	121 - 18
4B17	DRIVE TIGHTENER, VARIABLE SPEED.....	110 - 10	1E3	ELECTRONIC CONTROL UNIT	24 - 44
2B14	DRIVE WHEELS	50 - 6	1I14	ELECTRONIC CONTROL UNIT (ECU).....	40 - 78
2B15	DRIVE WHEELS, HIGH FLOATATION PLANETARY FINAL DRIVE	50 - 7	1E3	ELECTRONIC FUEL INJECTION PUMP	24 - 44
4J5	DRIVE, BELT PICKUP / REEL PUMP MOUNTING SHEAVE	121 - 60	1I16	ELECTRONICS MODULE, CENTRAL AND CIRCUIT BOARDS	40 - 80
4I21	DRIVE, CLEANING FAN, SEPARATOR.....	121 - 52	4F21	ELEMENT, CHAFFER	120 - 58
5F21	DRIVE, COUNTERSHAFT, UNLOADING AUGER.....	130 - 58	4F23	ELEMENT, CHAFFER EXTENSION	120 - 60
5G13	DRIVE, CYLINDER INTERMEDIATE, BELTS	170 - 3	4G3	ELEMENT, SIEVE	120 - 64
5G13	DRIVE, CYLINDER, BELTS.....	170 - 3	5E12	ELEVATOR DRIVE IDLER, CLEAN GRAIN.....	130 - 22
4J1	DRIVE, FAN, SPEED CONTROL SHEAVE LINKAGE....	121 - 56	5E12	ELEVATOR DRIVE TIGHTENER, CLEAN GRAIN.....	130 - 22
4I9	DRIVE, GEARCASE, STRAW WALKER.....	121 - 40	5E14	ELEVATOR SHIELDS, UPPER CLEAN GRAIN.....	130 - 24
2D8	DRIVE, HYDROSTATIC MOTOR, FIXED.....	50 - 52	5G13	ELEVATOR, CLEAN GRAIN BELTS.....	170 - 3
2C21	DRIVE, HYDROSTATIC MOTOR, FIXED (RING AND PINION)	50 - 40	5D20	ELEVATOR, LOWER, CLEAN GRAIN	130 - 4
2E13	DRIVE, HYDROSTATIC OIL HOSES, UPPER.....	50 - 84	5D22	ELEVATOR, LOWER, CLEAN GRAIN	130 - 6
2E9	DRIVE, HYDROSTATIC, LOWER OIL LINES (FOUR WHEEL DRIVE)	50 - 80	5C21	ELEVATOR, TAILINGS	125 - 36
2E11	DRIVE, HYDROSTATIC, LOWER OIL LINES (TWO WHEEL DRIVE)	50 - 82	5D24	ELEVATOR, UPPER CLEAN GRAIN	130 - 8
4I7	DRIVE, SECONDARY COUNTERSHAFT.....	121 - 38	3F7	ENGINE ACCESS DOOR, HANDRAILS, AND RADIATOR DOOR.....	80 - 6
1B11	DRIVES, ENGINE FAN	20 - 6	3F13	ENGINE ACCESS PLATFORM AND STEP	80 - 12
1B13	DRIVES, ENGINE FAN	20 - 8	1H22	ENGINE AIR FILTER WARNING SWITCH.....	40 - 60
1B15	DRIVES, ENGINE FAN (HI POWER)	20 - 10	1I6	ENGINE ALTERNATOR MOUNTING	40 - 69
4J7	DRIVES, STRAW CHOPPER (FRONT)	121 - 62	1C2	ENGINE BLOCK COOLANT HEATER	20 - 22
4J11	DRIVES, STRAW CHOPPER, (REAR).....	121 - 66	1I10	ENGINE CIRCUIT BREAKERS	40 - 74
4J9	DRIVES, STRAW CHOPPER, FINE CUT (FRONT)	121 - 64	3F9	ENGINE COMPARTMENT.....	80 - 8
4J13	DRIVES, STRAW CHOPPER, FINE CUT (REAR).....	121 - 68	5G12	ENGINE DRIVE BELTS.....	170 - 2
4D9	DRIVESHAFT, CONTOUR MASTER	110 - 54	1B11	ENGINE FAN DRIVES	20 - 6
1B13	DRIVESHAFT, ENGINE FAN DRIVES	20 - 8	1B13	ENGINE FAN DRIVES.....	20 - 8
4F1	DRIVESHAFT, SHOE GRAIN SUPPLY AUGERS	120 - 38	1B15	ENGINE FAN DRIVES (HI POWER)	20 - 10
2F17	DRUM, BRAKE.....	60 - 10	1C1	ENGINE GEARCASE COUPLING WITH HUB.....	20 - 21
3C20	DUAL ACCUMULATOR, ONE HALF GALLON	70 - 40	3E13	ENGINE GEARCASE OIL FILTER ASSEMBLY.....	70 - 86
1I1	DUAL LEVEL MONITOR	40 - 64	3E15	ENGINE GEARCASE PRESSURE REGULATOR	70 - 88
1I1	DUAL LEVEL MONITOR WIRING HARNESS	40 - 64	3E17	ENGINE GEARCASE SOLENOID VALVE (PRESSURE REGULATOR)	70 - 90
2B16	DUAL WHEELS, WIDE-SPACED (PLANETARY FINAL DRIVE)	50 - 8	4G24	ENGINE GEARCASE- SEPARATOR DRIVE WET-CLUTCH AND PUMP DRIVE SHAFT	121 - 6
4I5	DUAL-RANGE CYLINDER DRIVE ADJUSTING BRACKET.....	121 - 36	4G20	ENGINE GEARCASE- STRAW CHOPPER, UNLOADING DRIVE AND SEPARATOR DRIVE GEAR	121 - 2
4H19	DUAL-RANGE CYLINDER DRIVE GEAR CASE	121 - 26	4H1	ENGINE GEARCASE, SEPARATOR AND PUMP DRIVE	121 - 8
4I1	DUAL-RANGE CYLINDER DRIVE INTERMEDIATE SHAFT MOUNTING.....	121 - 32	4H3	ENGINE GEARCASE, SEPARATOR AND PUMP DRIVE	121 - 10
4I3	DUAL-RANGE CYLINDER DRIVE INTERMEDIATE SHEAVE.....	121 - 34	4G22	ENGINE GEARCASE, STRAW CHOPPER, UNLOADING DRIVE AND SEPARATOR DRIVE GEAR	121 - 4
4H23	DUAL-RANGE CYLINDER DRIVE TIGHTENER	121 - 30	1B23	ENGINE INTERCOOLER.....	20 - 18
4H21	DUAL-RANGE LOCKOUT ARM	121 - 28	1B25	ENGINE MOUNTS	20 - 20
3I6	DUCTS, HEATER AND AIR CONDITIONING	90 - 29	1B25	ENGINE MOUNTS AND REAR SUPPORT	20 - 20
4D3	DUST FAN BELT, LH FEEDER HOUSE	110 - 48	1C10	ENGINE OIL (TORQ-GARD PLUS-50).....	24 - 1
4D1	DUST FAN, LH SIDE FEEDER HOUSE.....	110 - 46	1D6	ENGINE OIL COOLER	24 - 23
3B19	DUST SUPPRESSSION, LUBE OIL PUMP	70 - 12	1D15	ENGINE OIL DIPSTICK.....	24 - 32
			1D15	ENGINE OIL DIPSTICK TUBE	24 - 32
			1D11	ENGINE OIL FILTER	24 - 28
			1H20	ENGINE OIL PRESSURE SENDING UNIT	40 - 58
			1D7	ENGINE OIL PUMP	24 - 24
			1D9	ENGINE OIL PUMP INTAKE.....	24 - 26
			1C16	ENGINE OVERHAUL KIT	24 - 8
			3F11	ENGINE PLATFORM	80 - 10
			1H22	ENGINE PLUGGED AIR FILTER WARNING SWITCH ..	40 - 60
			3F9	ENGINE RAILS	80 - 8
			1E11	ENGINE REBUILD GASKET KIT	24 - 52

E

1E3	E.C.U.	24 - 44
1I12	ECU MOUNTING SUPPORT (-XXXXXX).....	40 - 76
1I14	ECU, ELECTRONIC CONTROL UNIT	40 - 78

ALPHABETICAL INDEX - CONTINUED

GRID		PAGE	GRID		PAGE
1C13	ENGINE SERVICE PARTS, KEY	24 - 4	4D7	FEEDER HOUSE FRONT DRIVE SHAFT, SHEAVE, MOUNTINGS (FIXED SPEED WITH REVERSER)	110 - 52
1E17	ENGINE SPEED SENSOR	24 - 58	3B21	FEEDER HOUSE GEARCASE OIL COOLER	70 - 14
1H18	ENGINE TACH SENSOR	40 - 56	3B23	FEEDER HOUSE GEARCASE OIL COOLER FITTINGS AND HOSES	70 - 16
1H20	ENGINE TEMP SWITCH	40 - 58	3B17	FEEDER HOUSE OIL COOLER LUBE OIL PUMP	70 - 10
1H20	ENGINE TEMPERATURE SENDING UNIT	40 - 58	3B19	FEEDER HOUSE OIL COOLER, LUBE OIL PUMP	70 - 12
1H20	ENGINE, LOWER HARNESS	40 - 58	3I11	FEEDER HOUSE REVERSER FOOT CONTROL	90 - 34
1H18	ENGINE, UPPER HARNESS	40 - 56	4B13	FEEDER HOUSE REVERSER FOOT CONTROL	110 - 6
2G1	ETHER START BUTTON	60 - 18	4C1	FEEDER HOUSE SHELL - CONTOUR MASTER	110 - 20
3J16	ETHER START BUTTON	90 - 66	4C20	FEEDER HOUSE SLIP CLUTCH	110 - 40
1J3	ETHER START CONNECTOR	40 - 92	4D5	FEEDER HOUSE UPPER DRIVE SHAFT, SHEAVE, MOUNTING (FIXED SPEED WITH REVERSER)	110 - 50
1F6	ETHER STARTING AID	30 - 9	4C8	FEEDER HOUSE UPPER SHAFT	110 - 28
1D24	ETHER STARTING FITTINGS	24 - 41	3B16	FEEDER HOUSE VARIABLE DRIVE HYDRAULIC HOSE	70 - 9
3K1	EVAPORATOR/HEATER UNIT	90 - 76	4C1	FEEDER HOUSE WEAR PLATES - CONTOUR MASTER	110 - 20
1D23	EXHAUST MANIFOLD GASKETS	24 - 40	4D18	FEEDER HOUSE/SEPARATOR SEAL, STONE TRAP AND DOOR	120 - 2
1D23	EXHAUST MANIFOLD HEAT SHIELD	24 - 40	4C22	FEEDER HOUSE, UPPER COUNTERSHAFT VARIABLE DRIVE	110 - 42
1D23	EXHAUST MANIFOLDS	24 - 40	1F24	FIELD LIGHTING, AUXILIARY	40 - 10
1F9	EXHAUST PIPE AND MUFFLER	30 - 12	1J13	FIELD LIGHTS	40 - 102
1D1	EXHAUST VALVE SHIELD	24 - 18	1F18	FIELD LIGHTS SWITCH, AUX, OPTIONAL	40 - 4
1D1	EXHAUST VALVES	24 - 18	1F7	FILTER, AIR AND INTAKE TUBES	30 - 10
2B22	EXPORT, TRANSMISSION	50 - 14	3I5	FILTER, CAB AIR	90 - 28
3E1	EXTEND LINES, HOSES, UNLOADING AUGER	70 - 74	1D11	FILTER, ENGINE OIL	24 - 28
1C2	EXTENSION CORD, ENGINE BLOCK COOLANT HEATER	20 - 22	1E9	FILTER, FUEL	24 - 50
4F23	EXTENSION ELEMENT, CHAFFER	120 - 60	1F1	FILTER, FUEL PUMP	30 - 4
5E22	EXTENSIONS, GRAIN TANK	130 - 32	3C15	FILTER, MAIN HYDRAULIC	70 - 34
F					
3F23	FAN DRIVE SHIELD (L.H.)	80 - 22	3E13	FILTER, OIL, ENGINE GEARCASE	70 - 86
4I23	FAN DRIVE SPEED CONTROL LINKAGE	121 - 54	1C24	FILTER, WATER PUMP (WEEP HOLE)	24 - 16
4J1	FAN DRIVE SPEED CONTROL SHEAVE LINKAGE	121 - 56	3J20	FILTERS, AIR CONDITIONER AND HEATER AND HOUSING	90 - 70
1E8	FAN DRIVE, FIXED	24 - 49	3J20	FILTERS, HEATER AND AIR CONDITIONING AND HOUSING	90 - 70
1B13	FAN DRIVES, ENGINE	20 - 8	2C7	FINAL DRIVE (RING AND PINION)	50 - 24
1B15	FAN DRIVES, ENGINE (HI POWER)	20 - 10	2E2	FINAL DRIVE AXLE SHAFT	50 - 72
1E8	FAN PULLEY HUB	24 - 49	2E3	FINAL DRIVE AXLE SHAFT	50 - 74
1E18	FAN PULLEY, AIR CONDITIONER COMPRESSOR	24 - 59	2C9	FINAL DRIVE AXLE, GEAR AND BEARINGS (RING AND PINION)	50 - 26
3J22	FAN, AIR CONDITIONING/HEATER AND PRESSURIZING	90 - 72	2E2	FINAL DRIVE BEARINGS	50 - 72
5G14	FAN, CLEANING, BELTS	170 - 4	2C8	FINAL DRIVE BEARINGS (RING AND PINION)	50 - 25
4I21	FAN, DRIVE, CLEANING, SEPARATOR	121 - 52	2C8	FINAL DRIVE HOUSING AND BRG. CAP (RING AND PINION)	50 - 25
4D1	FAN, DUST, LH SIDE FEEDER HOUSE	110 - 46	2E5	FINAL DRIVE INNER HOUSING	50 - 76
1B11	FAN, ENGINE	20 - 6	2E2	FINAL DRIVE OUTER HOUSING	50 - 72
4F7	FANS, CLEANING	120 - 44	2E3	FINAL DRIVE OUTER HOUSING	50 - 74
4F9	FANS, CLEANING	120 - 46	2E5	FINAL DRIVE PINION SHAFT	50 - 76
4C18	FEED PLATE LATCH HANDLE	110 - 38	2E3	FINAL DRIVE PINION SHAFT BEARINGS	50 - 74
5G12	FEEDER CONVEYOR BELTS	170 - 2	2E5	FINAL DRIVE PINION SHAFT BEARINGS	50 - 76
4C12	FEEDER CONVEYOR BRACKET	110 - 32	2E5	FINAL DRIVE PINION SHAFT GEARS	50 - 76
4C12	FEEDER CONVEYOR DRIVE CHAIN	110 - 32	2C10	FINAL DRIVE PINION, SHAFTS AND BEARINGS (RING AND PINION)	50 - 28
4C14	FEEDER CONVEYOR DRIVE CHAIN, TIGHTENER AND GUIDES	110 - 34	2E2	FINAL DRIVE PLANETARY PINION	50 - 72
4C12	FEEDER CONVEYOR IDLER	110 - 32	2E23	FINAL DRIVE SHAFT SHIELDS - PLANETARY FINAL DRIVE	50 - 94
1J11	FEEDER HOUSE BACKSHAFT SPEED SENSOR	40 - 100	2E22	FINAL DRIVE SHAFT SHIELDS - SINGLE REDUCTION	50 - 93
5G14	FEEDER HOUSE BELTS	170 - 4	4J23	FINE CUT ROTOR STRAW CHOPPER (PADDLED WIDE	121 - 78
4B22	FEEDER HOUSE DRIVE SHIELDS - CONTOUR MASTER	110 - 16	4J21	FINE CUT ROTOR STRAW CHOPPER (STRAIGHT WIDE	121 - 76
4B20	FEEDER HOUSE DRIVE SHIELDS AND SAFETY STOP	110 - 14	4J9	FINE CUT STRAW CHOPPER DRIVES (FRONT)	121 - 64
4J3	FEEDER HOUSE DRIVE TIGHTENER	121 - 58	4J13	FINE CUT STRAW CHOPPER DRIVES (REAR)	121 - 68
4B18	FEEDER HOUSE DRIVE TIGHTENER (FIXED SPEED)	110 - 12			
4D3	FEEDER HOUSE DUST FAN BELT, LH	110 - 48			
4D1	FEEDER HOUSE DUST FAN, LH SIDE	110 - 46			
4C10	FEEDER HOUSE FLOOR	110 - 30			
4B24	FEEDER HOUSE FRAME	110 - 18			
4C3	FEEDER HOUSE FRAME, TILT BEAM & CLOSURE PLATES, CONTOUR MASTER	110 - 22			

ALPHABETICAL INDEX - CONTINUED

GRID		PAGE	GRID		PAGE
4E16	FINGER GRATE, SPIKE-TOOTH	120 - 26	1E1	FUEL LEAK-OFF LINES	24 - 42
4F23	FINGERS, PLASTIC, CHAFFER	120 - 60	1E3	FUEL LEAK-OFF LINES	24 - 44
4J17	FINS, SUPPORTS AND DECK, STRAW CHOPPER.....	121 - 72	1F1	FUEL PUMP, WATER SEPARATOR, AND FUEL SENDER	30 - 4
3B23	FITTINGS AND HOSES, OIL COOLER FEEDER HOUSE.....	70 - 16	1F1	FUEL SENDER	30 - 4
1C11	FITTINGS, CYLINDER BLOCK	24 - 2	1E3	FUEL SHUT-OFF SOLENOID (FIP)	24 - 44
1D24	FITTINGS, ETHER STARTING	24 - 41	1E23	FUEL TANK, SUPPORTS, AND FITTINGS	30 - 2
1E23	FITTINGS, FUEL TANK	30 - 2	1E6	FUEL TRANSFER PUMP (ROBERT BOSCH)	24 - 47
3E8	FITTINGS, HOSES, TILT CYLINDER CONTOUR MASTER.....	70 - 81			
1F3	FITTINGS, TANK FUEL LINES	30 - 6		G	
1E8	FIXED FAN DRIVE	24 - 49	1D4	GASKET ADHESIVE, ROCKER ARM COVER	24 - 21
2G17	FIXED REAR AXLE	60 - 36	1E11	GASKET KIT, CYLINDER HEAD	24 - 52
2G22	FIXED REAR AXLE STEERING TIE RODS.....	60 - 41	1E11	GASKET KIT, ENGINE REBUILD	24 - 52
4B18	FIXED SPEED FEEDER HOUSE DRIVE TIGHTENER..	110 - 12	1E11	GASKET KIT, SHORT BLOCK	24 - 52
3E18	FLAT O-RING KIT, HYDRAULIC.....	70 - 92	1D1	GASKET, CYLINDER HEAD	24 - 18
3H4	FLOOR MAT, CAB.....	90 - 2	1D16	GASKET, INTAKE MANIFOLD	24 - 33
4C10	FLOOR, FEEDER HOUSE	110 - 30	1D11	GASKET, OIL FILTER HOUSING	24 - 28
3B13	FLOW CONTROL VALVE, REEL DRIVE	70 - 6	1D13	GASKET, OIL PAN	24 - 30
5C5	FLOW CONTROL VALVE, REEL DRIVE	125 - 20	1D7	GASKET, OIL PUMP	24 - 24
1C23	FLYWHEEL.....	24 - 15	1D9	GASKET, OIL PUMP INTAKE	24 - 26
1C23	FLYWHEEL HUB	24 - 15	1C22	GASKET, REAR OIL SEAL	24 - 14
3H6	FOAM, SEALS AND SOUND DEADENING, CAB	90 - 4	1D4	GASKET, ROCKER ARM COVER	24 - 21
1C25	FOLLOWER, CAMSHAFT	24 - 17	1D19	GASKET, THERMOSTAT	24 - 36
1D3	FOLLOWER, CAMSHAFT	24 - 20	1C24	GASKET, TIMING GEAR COVER.....	24 - 16
3I11	FOOT PEDAL, FEEDER HOUSE REVERSER	90 - 34	1D21	GASKET, TURBOCHARGER	24 - 38
4B13	FOOT PEDAL, FEEDER HOUSE REVERSER	110 - 6	1D19	GASKET, WATER MANIFOLD	24 - 36
3D14	FOUR STACK SOLENOID CONTROL VALVE	70 - 62	1D17	GASKET, WATER PUMP	24 - 34
2E17	FOUR WHEEL DRIVE HYDRAULIC LINES AND HOS ES, L.H.	50 - 88	1D23	GASKETS, EXHAUST MANIFOLD	24 - 40
4F19	FRAME ARMS, PRECLEANER CHAFFER	120 - 56	4B11	GEAR BOX, REVERSER.....	110 - 4
3H16	FRAME, CAB AND SUPPORT	90 - 14	4H19	GEAR CASE, DUAL-RANGE CYLINDER DRIVE.....	121 - 26
5B20	FRAME, CHAFF SPREADER DISC	125 - 10	5E24	GEAR CASE, VERTICAL AUGER LOWER	130 - 34
4G1	FRAME, CHAFFER	120 - 62	1C25	GEAR, CAMSHAFT	24 - 17
4B24	FRAME, FEEDER HOUSE	110 - 18	4H19	GEAR, DUAL-RANGE CYLINDER DRIVE	121 - 26
4C3	FRAME, FEEDER HOUSE, CONTOUR MASTER	110 - 22	2C9	GEAR, FINAL DRIVE (RING AND PINION)	50 - 26
1B21	FRAME, RADIATOR	20 - 16	1E3	GEAR, INJECTION PUMP.....	24 - 44
3F3	FRAME, SEPARATOR.....	80 - 2	1C19	GEAR, OIL PUMP DRIVE	24 - 11
4G5	FRAME, SIEVE	120 - 66	1D7	GEAR, OIL PUMP DRIVE	24 - 24
1F23	FRONT AND REAR TURN AND TAIL LIGHTS	40 - 9	4B11	GEAR, REVERSER GEARBOX	110 - 4
2B18	FRONT AXLE (PLANETARY FINAL DRIVE)	50 - 10	1C23	GEAR, STARTER.....	24 - 15
2B17	FRONT AXLE (RING AND PINION FINAL DRIVE)	50 - 9	4I13	GEAR, STRAW WALKER DRIVE GEARCASE	121 - 44
3G5	FRONT CORNER SHEET (R.H.)	80 - 30	4I9	GEARCASE DRIVE, STRAW WALKER	121 - 40
3G9	FRONT CORNER SHEET AND DOOR (L.H.)	80 - 34	5E10	GEARCASE, CLEAN GRAIN ELEVATOR	130 - 20
1C24	FRONT OIL SEAL	24 - 16	4H5	GEARCASE, DRIVE SHAFT AND PRIMARY COUNTERSHAFT	121 - 12
4B15	FRONT SHAFT WITH REVERSER (VARIABLE).....	110 - 8	4G24	GEARCASE, ENGINE	121 - 6
3G13	FRONT SHIELD ASSEMBLY, LEFT SIDE	80 - 38	4H1	GEARCASE, ENGINE	121 - 8
3G19	FRONT SHIELD ASSEMBLY, RIGHT SIDE.....	80 - 44	4H3	GEARCASE, ENGINE	121 - 10
2G5	FRONT STEERING HOSES AND LINES.....	60 - 22	5F9	GEARCASE, HORIZONTAL UNLOADING AUGER DRIVE	130 - 44
4B9	FRONT VARIABLE DRIVE SHEAVE AND MOUNTINGS	110 - 2	4H7	GEARCASE, PRIMARY COUNTERSHAFT	121 - 14
1D19	FRONT WATER MANIFOLD	24 - 36	4H9	GEARCASE, PRIMARY COUNTERSHAFT	121 - 16
5H4	FRONT WHEEL DECALS	170 - 20	2C5	GEARS, DIFFERENTIAL	50 - 22
1E9	FUEL CHECK VALVE	24 - 50	2E3	GEARS, FINAL DRIVE PINION SHAFT	50 - 74
1F5	FUEL COOLER	30 - 8	2E5	GEARS, FINAL DRIVE PINION SHAFT	50 - 76
1E9	FUEL FILTER.....	24 - 50	2C1	GEARS, TRANSMISSION	50 - 18
1E9	FUEL FILTER BASE	24 - 50	2C3	GEARS, TRANSMISSION PINION	50 - 20
1E9	FUEL FILTER LINES	24 - 50	2B24	GEARSHIFT LEVER AND LINKAGE	50 - 16
1E1	FUEL INJ LINES	24 - 42	3I9	GEARSHIFT LEVER AND LINKAGE	90 - 32
1E7	FUEL INJECTION NOZZLE.....	24 - 48	3H14	GLASS, CAB AND DOOR.....	90 - 12
1E1	FUEL INJECTION NOZZLES (ROBERT BOSCH)	24 - 42	3J9	GLOVE BOX AND ARM REST, R.H.	90 - 58
1E3	FUEL INJECTION PUMP.....	24 - 44	5E20	GRAIN TANK AND CURTAINS.....	130 - 30
1H18	FUEL INJECTION PUMP.....	40 - 56	5E18	GRAIN TANK BASE.....	130 - 28
1E19	FUEL INJECTION PUMP ACCESS COVER	24 - 60	5F18	GRAIN TANK CROSS AUGERS.....	130 - 54
1E5	FUEL INJECTION PUMP HOUSING CONNECTORS	24 - 46	1I1	GRAIN TANK DUAL LEVEL MONITOR HARNESS.....	40 - 64

ALPHABETICAL INDEX - CONTINUED

GRID		PAGE	GRID		PAGE
5E22	GRAIN TANK EXTENSIONS	130 - 32	3C16	HEADER LIFT CYLINDER.....	70 - 35
4F17	GRAIN TANK LEAK KIT	120 - 54	3C11	HEADER LIFT LINES AND HOSES	70 - 30
1H24	GRAIN TANK LEVEL MONITOR.....	40 - 62	3D9	HEADER LIFT MODULE, SOLENOID CONTROL VALVE	70 - 56
1H24	GRAIN TANK LIGHT	40 - 62	2B10	HEADER LIFT/LOWER SWITCH	50 - 2
5E16	GRAIN TANK TOP.....	130 - 26	3H10	HEADLINER, CAB	90 - 8
1H24	GRAIN TANK UNLOADING AUGER LIMIT SWITCH	40 - 62	1F5	HEAT EXCHANGER, FUEL.....	30 - 8
3E3	GRAIN TANK UNLOADING DRIVE CYLINDER.....	70 - 76	1D23	HEAT SHIELD, EXHAUST MANIFOLD.....	24 - 40
3E3	GRAIN TANK UNLOADING DRIVE CYLINDER MOUNTING	70 - 76	1G11	HEATER AND AIR CONDITIONER SWITCH.....	40 - 22
5F1	GRAIN TANK VERTICAL UNLOADING AUGER	130 - 36	3I6	HEATER AND AIR CONDITIONING DUCTS	90 - 29
5F1	GRAIN TANK VERTICAL UNLOADING AUGER HOUSING.....	130 - 36	3J20	HEATER AND AIR CONDITIONING HOUSING AND FILTERS.....	90 - 70
1H24	GRAIN TANK WIRING HARNESS, LIGHT, LIMIT SWITCH AND LEVEL MONITOR	40 - 62	3K1	HEATER SYSTEM.....	90 - 76
4E4	GRATE AND RASP BAR CONCAVE	120 - 14	1G9	HEATER WIRING HARNESS	40 - 20
4E6	GRATE AND RASP BAR CONCAVE	120 - 16	3J22	HEATER/AIR CONDITIONING AND PRESSURIZING FAN	90 - 72
4E3	GRATE CURTAIN, BEATER	120 - 12	1C2	HEATER, COOLANT, ENGINE BLOCK	20 - 22
4E16	GRATE, FINGER, SPIKE-TOOTH.....	120 - 26	3I22	HEIGHT ADJUSTER, CAB SEAT	90 - 46
3I6	GRILLE, AIR DUCTS.....	90 - 29	2B15	HIGH FLOATATION DRIVE WHEELS PLANETARY FINAL DRIVE	50 - 7
3F15	GRIP, REAR LADDER.....	80 - 14	5D18	HINGED DOOR, LOWER AUGER, CLEAN GRAIN.....	130 - 2
5B16	GUARD AND STRAW SPREADER MOUNTING	125 - 6	1I9	HOLDDOWN, BATTERY	40 - 73
5B18	GUARD, STRAW SPREADER	125 - 8	3J15	HOLDER, CUP.....	90 - 64
3G11	GUIDE, FAN DRIVE.....	80 - 36	3F19	HOOD, REAR.....	80 - 18
4C14	GUIDES, TIGHTENER AND FEEDER CONVEYOR DRIVE CHAIN	110 - 34	5F14	HORIZONTAL UNLOADING AUGER (17- AND 20-FT.).....	130 - 50
H			5F9	HORIZONTAL UNLOADING AUGER DRIVE GEARCASE	130 - 44
3I3	HAND RAIL, R.H.....	90 - 26	5F12	HORIZONTAL UNLOADING AUGER HOUSING (EXPORT) (17 AND 20 FT.)	130 - 48
3H12	HANDLE, CAB DOOR	90 - 10	5F10	HORIZONTAL UNLOADING AUGER HOUSING (20 FT.)	130 - 46
3H16	HANDLE, FRONT CAB	90 - 14	5F7	HORIZONTAL UNLOADING AUGER HUB SUPPORT ..	130 - 42
3G13	HANDLE, LEFT SIDE FRONT SHIELD	80 - 38	5F3	HORIZONTAL UNLOADING AUGER SWIVEL.....	130 - 38
3G11	HANDLE, MUD SHIELDS (R.H.).....	80 - 36	2G1	HORN BUTTON	60 - 18
3G15	HANDLE, RIGHT SIDE SHIELD ASSEMBLY.....	80 - 40	3J16	HORN BUTTON	90 - 66
5B22	HANDLES AND SHIELDS, CHAFF SPREADER (DUAL MOTOR).....	125 - 12	3C20	HOSE AND MOUNTING, DUAL ACCUMULATOR HALF GALLON	70 - 40
3H20	HANDRAILS, OPERATOR'S PIVOTING PLATFORM	90 - 18	3K4	HOSE, A/C COMPRESSOR	90 - 79
3F7	HANDRAILS, REAR LADDER LANDING	80 - 6	3E20	HOSE, CHARGE PRESSURE.....	70 - 94
3K8	HARDWARE KIT, CAB	90 - 84	1B19	HOSE, COOLANT RECOVERY TANK	20 - 14
1J3	HARNESS CONNECTORS, LOWER, FOR ENGINE.....	40 - 92	1C4	HOSE, ENGINE CRANKCASE OIL DRAIN	20 - 24
1J5	HARNESS CONNECTORS, UPPER, FOR ENGINE	40 - 94	3B16	HOSE, HYDRAULIC, VARIABLE DRIVE, FEEDER HOUSE.....	70 - 9
1H7	HARNESS FOR REAR LIGHTS AND SHIELDS	40 - 44	1B23	HOSE, INTERCOOLER	20 - 18
1H3	HARNESS WIRING, MAIN, L.H. CENTER	40 - 40	3B23	HOSES AND FITTINGS, OIL COOLER FEEDER HOUSE.....	70 - 16
1H20	HARNESS, LOWER, ENGINE.....	40 - 58	3D6	HOSES AND LINES, CYLINDER SPEED	70 - 52
1E15	HARNESS, STARTER, WIRING	24 - 56	2E17	HOSES AND LINES, FOUR WHEEL DRIVE HYDRAU LIC, L.H.	50 - 88
1H18	HARNESS, UPPER, ENGINE	40 - 56	3C11	HOSES AND LINES, HEADER LIFT	70 - 30
1G9	HARNESS, WIRING, A/C, HEATER AND AIRSEAT	40 - 20	2E15	HOSES AND LINES, HYDRO. OIL COOLER	50 - 86
1I5	HARNESS, WIRING, ALTERNATOR	40 - 68	2E7	HOSES AND LINES, OIL, HYDROSTATIC DRIVE, LOWER (4 WHEEL DRIVE)	50 - 78
1G1	HARNESS, WIRING, ARMREST.....	40 - 12	3C1	HOSES AND LINES, REEL DRIVE, HYD., FRONT.....	70 - 20
1F16	HARNESS, WIRING, CAB	40 - 2	3B11	HOSES AND LINES, REEL DRIVE, HYDRAULIC, L.H. SIDE	70 - 4
1J9	HARNESS, WIRING, CONVENIENCE OUTLET	40 - 98	3C5	HOSES AND LINES, REEL LIFT	70 - 24
1H5	HARNESS, WIRING, MAIN, L.H. CENTER	40 - 42	3C3	HOSES AND LINES, REEL PUMP	70 - 22
1H9	HARNESS, WIRING, R.H. MAIN.....	40 - 46	2G5	HOSES AND LINES, STEERING, FRONT	60 - 22
1G7	HARNESS, WIRING, STEERING COLUMN.....	40 - 18	2G11	HOSES AND LINES, STEERING, REAR (DUAL CYLINDER)	60 - 28
1F20	HARVESTRAK GAUGE	40 - 6	1B17	HOSES AND RADIATOR	20 - 12
3I7	HARVESTRAK GAUGE	90 - 30	3C13	HOSES, CONTOUR MASTER (L.H.)	70 - 32
1H16	HARVESTRAK MONITOR WIRING HARNESS	40 - 54	3E8	HOSES, FITTINGS, TILT CYLINDER CONTOUR MASTER.....	70 - 81
1D1	HEAD BOLT KIT	24 - 18	1F3	HOSES, FUEL LINES, TANK	30 - 6
1D1	HEAD, CYLINDER	24 - 18			
5G14	HEADER BELTS	170 - 4			
4H11	HEADER ELECTROMAGNETIC CLUTCH	121 - 18			
5G7	HEADER HEIGHT CONTROL VALVE	160 - 3			
5G6	HEADER HEIGHT CONTROL, DIAL-A-MATIC HYDRAULIC LINE AND VALVE BLOCK	160 - 2			
5G8	HEADER HEIGHT CONTROL, ELECTRIC HARNESS, DIAL-A-MATIC	160 - 4			

ALPHABETICAL INDEX - CONTINUED

GRID	PAGE	GRID	PAGE
3E3	HOSES, GRAIN TANK UNLOADING DRIVE CYLINDER	3D21	HYDRAULIC PUMP, MAIN
	70 - 76	3C24	HYDRAULIC RETURN LINES
3K1	HOSES, HEATER	3D3	HYDRAULIC/HYDROSTATIC OIL RESERVOIR.....
	90 - 76	2B10	HYDRO LEVER ASSEMBLY
5C11	HOSES, LINES AND MOTOR, CHAFF SPREADER		50 - 2
	125 - 26	2C19	HYDRO. DR. DISPLACEMENT CONTROL VALVE
3C7	HOSES, LINES, REEL (FORE-AND_AFT), FRONT.....		50 - 38
	70 - 26	2E15	HYDRO. OIL COOLER LINES AND HOSES
2G7	HOSES, LINES, STEERING, L.H. SIDE		50 - 86
	60 - 24	2D6	HYDROSTATIC DRIVE CHARGE PUMP
5D14	HOSES, LUBE, L. H.		(PLANETARY)
	125 - 56		50 - 50
5D12	HOSES, LUBE, R. H.	2D7	HYDROSTATIC DRIVE CHARGE PUMP
	125 - 54		(PLANETARY)
3E11	HOSES, OIL COOLER, A/C CONDENSER		50 - 51
	70 - 84	2C17	HYDROSTATIC DRIVE CHARGE PUMP
2E9	HOSES, OIL, HYDROSTATIC DRIVE, LOWER		(RING AND PINION)
	(FOUR WHEEL DRIVE)		50 - 36
	50 - 80	2C18	HYDROSTATIC DRIVE CHARGE PUMP
2E11	HOSES, OIL, HYDROSTATIC DRIVE, LOWER		(RING AND PINION)
	(TWO WHEEL DRIVE)		50 - 37
	50 - 82	2B12	HYDROSTATIC DRIVE CONTROL CABLES
2E13	HOSES, OIL, HYDROSTATIC DRIVE, UPPER		50 - 4
	50 - 84	2B10	HYDROSTATIC DRIVE LEVER AND CABLE
3D4	HOSES, PRESSURE		50 - 2
	70 - 50	2F1	HYDROSTATIC DRIVE MOTOR
2F23	HOSES, STEERING, UPPER		50 - 96
	60 - 16	2D8	HYDROSTATIC DRIVE MOTOR, FIXED
3E1	HOSES, UNLOADING AUGER SWING CYLINDER		50 - 52
	70 - 74	2C21	HYDROSTATIC DRIVE MOTOR, FIXED
3D1	HOSES, UPPER RETURN, RESERVOIR.....		(RING AND PINION)
	70 - 46		50 - 40
2E19	HOSES, 4-WHEEL DRIVE.....	2D10	HYDROSTATIC DRIVE MOTOR, KIT
	50 - 90		(PLANETARY)
4K3	HOUSING AND KNIFEBANK, STRAW CHOPPER		50 - 54
	121 - 82	2C23	HYDROSTATIC DRIVE MOTOR, KIT
4F1	HOUSING AND SHOE GRAIN SUPPLY AUGERS		(RING AND PINION)
	120 - 38		50 - 42
4F3	HOUSING AND SHOE GRAIN SUPPLY AUGERS	2E13	HYDROSTATIC DRIVE OIL HOSES, UPPER
	120 - 40		50 - 84
1E5	HOUSING CONNECTORS, FUEL INJECTION PUMP ..	2E9	HYDROSTATIC DRIVE OIL LINES AND HOSES,
	24 - 46		LOWER (FOUR WHEEL DRIVE)
2B23	HOUSING COVER, TRANSMISSION AND		50 - 80
	DIFFERENTIAL	2E11	HYDROSTATIC DRIVE OIL LINES AND HOSES,
	50 - 15		LOWER (TWO WHEEL DRIVE)
3J20	HOUSING, AIR CONDITIONER/HEATER AND		50 - 82
	FILTERS.....	2E7	HYDROSTATIC DRIVE OIL LINES AND HOSES,
	90 - 70		LOWER (4 WHEEL DRIVE)
3I5	HOUSING, CAB AIR FILTER		50 - 78
	90 - 28	2F3	HYDROSTATIC DRIVE PUMP - MAIN HYDRAULIC
5F1	HOUSING, CHARGE, VERTICAL UNLOADING		PUMP CONNECTING HARDWARE
	AUGER.....		50 - 98
	130 - 36	2C14	HYDROSTATIC DRIVE PUMP COVER
2C8	HOUSING, FINAL DRIVE		50 - 33
	(RING AND PINION)	2D5	HYDROSTATIC DRIVE PUMP COVER
	50 - 25		50 - 49
4B15	HOUSING, FRONT SHAFT	2D1	HYDROSTATIC DRIVE PUMP COVER
	110 - 8		(PLANETARY)
3J20	HOUSING, HEATER/AIR CONDITIONING AND		50 - 44
	FILTERS.....	2C12	HYDROSTATIC DRIVE PUMP COVER
	90 - 70		(RING AND PINION)
5F12	HOUSING, HORIZONTAL UNLOADING AUGER		50 - 30
	(EXPORT) (17 AND 20 FT.)	2D1	HYDROSTATIC DRIVE PUMP SHAFT
	130 - 48		(PLANETARY)
5F10	HOUSING, HORIZONTAL UNLOADING AUGER		50 - 44
	(20 FT.)	2C12	HYDROSTATIC DRIVE PUMP SHAFT
	130 - 46		(RING AND PINION)
2D3	HOUSING, HYDROSTATIC PUMP		50 - 30
	50 - 46	3D3	HYDROSTATIC/HYDRAULIC RESERVOIR
2C15	HOUSING, HYDROSTATIC PUMP		70 - 48
	(RING AND PINION)		
	50 - 34		
1D11	HOUSING, OIL FILTER		
	24 - 28	1B7	IDLER ARMS, ROTARY SCREEN DRIVE
2E2	HOUSING, OUTER, FINAL DRIVE		20 - 2
	50 - 72	1E18	IDLER PULLEY, AIR CONDITIONER COMPRESSOR ..
1C22	HOUSING, REAR OIL SEAL		24 - 59
	24 - 14	4I19	IDLER, BEATER DRIVE
4B11	HOUSING, REVERSER GEARBOX		121 - 50
	110 - 4	4B18	IDLER, DRIVE TIGHTENER, FIXED SPEED
2G21	HOUSING, SPINDLE, REAR AXLE		110 - 12
	60 - 40	5E12	IDLER, DRIVE, CLEAN GRAIN ELEVATOR
5C21	HOUSING, TAILINGS ELEVATOR		130 - 22
	125 - 36	4H23	IDLER, DUAL RANGE, DRIVE TIGHTENER
1D19	HOUSING, THERMOSTAT, FRONT		121 - 30
	24 - 36	4C12	IDLER, FEEDER CONVEYOR
2B21	HOUSING, TRANSMISSION AND DIFFERENTIAL		110 - 32
	50 - 13	4C16	IDLER, FEEDER CONVEYOR DRIVE CHAIN
5D3	HOUSING, UPPER TAILINGS AUGER		110 - 36
	125 - 44	4J9	IDLER, FINE CUT STRAW CHOPPER DRIVES
5F7	HUB SUPPORT, HORIZONTAL UNLOADING AUGERQ		121 - 64
	130 - 42	4J7	IDLER, STRAW CHOPPER DRIVE
4J5	HUB, CHARGE PUMP MOUNTING		121 - 62
	121 - 60	5B18	IDLER, STRAW SPREADER.....
1C1	HUB, COUPLING, ENGINE GEARCASE		125 - 8
	20 - 21	4I15	IDLER, STRAW WALKER DRIVE
1E8	HUB, FAN PULLEY		121 - 46
	24 - 49	4B17	IDLER, VARIABLE SPEED DRIVE TIGHTENER
1C23	HUB, FLYWHEEL.....		110 - 10
	24 - 15	2G1	IGNITION SWITCH
1B9	HUB, ROTARY SCREEN DOOR		60 - 18
	20 - 4	3J16	IGNITION SWITCH
4C20	HUB, SLIP CLUTCH		90 - 66
	110 - 40	4E20	INDICATOR CABLE AND BRACKETS, CONCAVE
4I17	HUB, STRAW WALKER DRIVE		120 - 30
	121 - 48	4I11	INDICATOR, CONCAVE, CORN AND SMALL GRAIN ..
4I9	HUB, STRAW WALKER DRIVE GEARCASE.....		121 - 42
	121 - 40	4E18	INDICATOR, SPIKE TOOTH.....
5F21	HUB, UNLOADING AUGER COUNTERSHAFT DRIVE ..		120 - 28
	130 - 58	1E3	INJECTION PUMP GEAR
3C15	HYDRAULIC FILTER, MAIN		24 - 44
	70 - 34		
2E17	HYDRAULIC LINES AND HOSES, L.H., FOUR WH		
	EEL DRIVE		
	50 - 88		
2E21	HYDRAULIC LINES, CASE DRAIN, 4-WHEEL		
	DRIVE		
	50 - 92		
1H18	HYDRAULIC OIL TEMP. SWITCH		
	40 - 56		

ALPHABETICAL INDEX - CONTINUED

GRID		PAGE	GRID		PAGE
1E3	INJECTION PUMP LUBE LINE	24 - 44	4K3	KNIFEBANK AND HOUSING, STRAW CHOPPER	121 - 82
1E3	INJECTION PUMP, ELECTRONIC FUEL	24 - 44			
1H23	INLET AIR TEMPERATURE SWITCH	40 - 61		L	
2D15	INNER COVER.....	50 - 60			
2E5	INNER HOUSING, FINAL DRIVE	50 - 76	1H1	L H MAIN WIRING HARNESS, L H FRONT	40 - 38
2C1	INPUT SHAFT, TRANSMISSION	50 - 18	1H7	L.H. AND R.H. MAIN WIRING HARNESS, L.H. AND R.H. REAR	40 - 44
1D1	INSERTS, VALVE SEAT	24 - 18	1G24	L.H. MAIN WIRING HARNESS, FRONT.....	40 - 36
1F20	INSTRUMENT PANEL, CAB POST	40 - 6	1H3	L.H. MAIN WIRING HARNESS, L.H. CENTER	40 - 40
3I7	INSTRUMENT PANEL, CAB POST	90 - 30	2G7	L.H. SIDE HOSES AND LINES, STEERING	60 - 24
1D16	INTAKE MANIFOLD.....	24 - 33	3H22	LADDER AND LATCH, OPERATOR'S PLATFORM	90 - 20
1D16	INTAKE MANIFOLD GASKET.....	24 - 33	3F15	LADDER, REAR.....	80 - 14
4D13	INTAKE SHIELD.....	110 - 58	5E16	LADDER, TOP GRAIN TANK	130 - 26
4F7	INTAKE SHIELDS, CLEANING FAN.....	120 - 44	1J20	LAMP ASSEMBLY, REAR - L.H. SIDE.....	40 - 109
4F9	INTAKE SHIELDS, CLEANING FAN.....	120 - 46	1J19	LAMP ASSEMBLY, REAR - R.H. SIDE	40 - 108
1F7	INTAKE TUBES AND AIR CLEANER.....	30 - 10	1J17	LAMP, INSTALLATION	40 - 106
1D1	INTAKE VALVES	24 - 18	3H20	LANDING, OPERATOR'S PLATFORM.....	90 - 18
1D9	INTAKE, ENGINE OIL PUMP	24 - 26	3I3	LANDING, R.H.	90 - 26
1B23	INTERCOOLER	20 - 18	3F15	LANDING, REAR LADDER	80 - 14
411	INTERMEDIATE SHAFT MOUNTING, CYLINDER DRIVE, DUAL-RANGE.....	121 - 32	3H22	LATCH AND LADDER, OPERATOR'S PLATFORM	90 - 20
4I3	INTERMEDIATE SHEAVE, CYLINDER DRIVE, DUAL-RANGE	121 - 34	3F17	LATCH ARM, REAR LADDER LANDING.....	80 - 16
	J		4C18	LATCH HANDLE, FEED PLATE	110 - 38
4I15	JACKSHAFT, STRAW WALKER DRIVE.....	121 - 46	3H12	LATCH, CAB DOOR	90 - 10
4C20	JAW, SLIP CLUTCH	110 - 40	5E24	LATCH, GRAIN TANK CLEAN OUT CHUTE	130 - 34
1C11	JETS, PISTON COOLING	24 - 2	3F15	LATCH, REAR LADDER	80 - 14
	K		5B12	LATCHES, CHOP-TO-BALE	125 - 5A
1C13	KEY ENGINE SERVICE PARTS.....	24 - 4	4F5	LEAF SCREENS, CLEANING FAN (CORN)	120 - 42
4K7	KEY STOCK, METRIC KIT	121 - 86	4F17	LEAK KIT, GRAIN TANK.....	120 - 54
1C19	KEY, DAMPER.....	24 - 11	3G13	LEFT SIDE FRONT SHIELD ASSEMBLY	80 - 38
1G5	KIT-CONVENIENCE, OUTLET	40 - 16	3G17	LEFT SIDE SHIELD ASSEMBLY	80 - 42
3J1	KIT, AIR SUSPENSION SEAT	90 - 50	3J13	LEFT-HAND ARMREST.....	90 - 62
3J3	KIT, AIR SUSPENSION SEAT	90 - 52	5H2	LEFT-HAND DECALS	170 - 18
3J5	KIT, AIR SUSPENSION SEAT	90 - 54	3I1	LEFT-HAND LANDING AND MIRROR	90 - 24
3J7	KIT, AIR SUSPENSION SEAT	90 - 56	1I1	LEVEL MONITOR WIRING HARNESS, DUAL.....	40 - 64
1E11	KIT, CYLINDER HEAD	24 - 52	1I1	LEVEL MONITOR, DUAL	40 - 64
1I20	KIT, ELECTRICAL CONNECTOR SERVICE	40 - 84	1H24	LEVEL MONITOR, GRAIN TANK	40 - 62
1I22	KIT, ELECTRICAL CONNECTOR SERVICE	40 - 86	2B10	LEVER ASSEMBLY, GEARSHIFT	50 - 2
1C16	KIT, ENGINE OVERHAUL.....	24 - 8	3I20	LEVER, ADJUSTER, OPERATOR'S SEAT	90 - 44
1E11	KIT, ENGINE REBUILD	24 - 52	5B14	LEVER, DECLUTCHING - CHOP-TO-DROP	125 - 5C
4F17	KIT, GRAIN TANK LEAK.....	120 - 54	2B24	LEVER, GEARSHIFT	50 - 16
1D1	KIT, HEAD BOLT	24 - 18	3I9	LEVER, GEARSHIFT	90 - 32
2D10	KIT, HYDROSTATIC DRIVE MOTOR (PLANETARY)	50 - 54	3C16	LIFT CYLINDER, HEADER	70 - 35
2C23	KIT, HYDROSTATIC DRIVE MOTOR (RING AND PINION).....	50 - 42	1D5	LIFT STRAPS, ENGINE.....	24 - 22
4C7	KIT, LOCKOUT ADAPTER - CONTOUR MASTER (BELT PU & 4R CORN HEADS)	110 - 26	1J15	LIGHT SWITCH, SHOE ADJUSTING	40 - 104
4K7	KIT, METRIC KEY STOCK	121 - 86	1F15	LIGHT, CAB DOME	40 - 1
1C18	KIT, PISTON/LINER.....	24 - 10	1H24	LIGHT, GRAIN TANK.....	40 - 62
3I19	KIT, RETROFIT SEAT BELT (MACHINES PRIOR TO 1996 MODEL YEAR)	90 - 42	1I1	LIGHT, UNLOADING AUGER	40 - 64
4G11	KIT, STRAW WALKER BEARING.....	120 - 72	1G3	LIGHTER, CIGARETTE	40 - 14
1I24	KIT, TERMINAL AND WIRING	40 - 88	1F24	LIGHTING, AUXILIARY FIELD	40 - 10
3F5	KIT, UPRIGHT NO.1	80 - 4	1F22	LIGHTS, CAB ROOF	40 - 8
3F6	KIT, UPRIGHT NO.5	80 - 5	1J13	LIGHTS, FIELD	40 - 102
1D17	KIT, WATER PUMP SEAL.....	24 - 34	1F23	LIGHTS, FRONT AND REAR TAIL.....	40 - 9
1C20	KIT,UNDERSIZE CRANKSHAFT (CONNECTING ROD JOURNAL)	24 - 12	1F23	LIGHTS, FRONT AND REAR TURN	40 - 9
1E21	KIT,UNDERSIZED MAIN BEARING CRANKSHAFT	24 - 62	1I3	LIGHTS, SIDE FINDER	40 - 66
			1J16	LIGHTS, TRANSPORT WARNING	40 - 105
			4E3	LIMIT CURTAIN, BEATER GRATE.....	120 - 12
			4D1	LIMIT CURTAIN, DUST FAN.....	110 - 46
			1H24	LIMIT SWITCH, GRAIN TANK UNLOADING AUGER	40 - 62
			1E3	LINE, INJECTION PUMP LUBE	24 - 44
			1C18	LINER O-RINGS.....	24 - 10
			1C18	LINER SHIM.....	24 - 10
			1C18	LINERS, CYLINDER	24 - 10
			5C7	LINES AND FITTING, CHAFF SPREADER	125 - 22
			3D6	LINES AND HOSES, CYLINDER SPEED	70 - 52
			2E17	LINES AND HOSES, FOUR WHEEL DRIVE HYDRAU LIC, L.H.....	50 - 88

ALPHABETICAL INDEX - CONTINUED

GRID		PAGE	GRID		PAGE
3C11	LINES AND HOSES, HEADER LIFT	70 - 30	5C17	LOWER TAILINGS AUGER SHAFT	125 - 32
2E15	LINES AND HOSES, HYDRO. OIL COOLER	50 - 86	5C17	LOWER TAILINGS AUGER SHAFT TIGHTENER	125 - 32
2E7	LINES AND HOSES, OIL, HYDROSTATIC DRIVE, LOWER (4 WHEEL DRIVE)	50 - 78	5C19	LOWER TAILINGS AUGER TROUGH	125 - 34
3C1	LINES AND HOSES, REEL DRIVE, HYD., FRONT.....	70 - 20	5C24	LOWER TROUGH SUPPORT AND TAILINGS DRIVE BRACKET	125 - 39
3B11	LINES AND HOSES, REEL DRIVE, HYDRAULIC, L.H. SIDE	70 - 4	5G3	LUBE BANK, UNLOADING AUGER LOWER	130 - 66
3C5	LINES AND HOSES, REEL LIFT	70 - 24	5G1	LUBE BANK, UNLOADING AUGER UPPER	130 - 64
3C3	LINES AND HOSES, REEL PUMP	70 - 22	5D14	LUBE HOSES L. H.	125 - 56
2G5	LINES AND HOSES, STEERING, FRONT	60 - 22	5D12	LUBE HOSES R. H.	125 - 54
2G11	LINES AND HOSES, STEERING, REAR (DUAL CYLINDER)	60 - 28	3B19	LUBE OIL PUMP WITH DUST SUPPRESSION	70 - 12
2E19	LINES AND HOSES, 4-WHEEL DRIVE	50 - 90	3B17	LUBE OIL PUMP, FEEDER HOUSE OIL COOLER.....	70 - 10
2F13	LINES, BRAKE, RESERVOIR, MASTER CYLINDER	60 - 6	2C1	LUBE PUMP, TRANSMISSION	50 - 18
1E9	LINES, FUEL FILTER	24 - 50			
1E1	LINES, FUEL INJ	24 - 42		M	
1E1	LINES, FUEL LEAK-OFF	24 - 42	1E17	MAGNETIC PICK-UP (ENGINE)	24 - 58
1E3	LINES, FUEL LEAK-OFF	24 - 44	1C11	MAIN BEARING CAPS	24 - 2
3C7	LINES, HOSES, REEL (FORE-AND-AFT), FRONT	70 - 26	1C21	MAIN BEARINGS	24 - 13
2G7	LINES, HOSES, STEERING, L.H. SIDE	60 - 24	3F3	MAIN FRAME, SEPARATOR	80 - 2
5C9	LINES, HOSES, VALVE AND PUMP, CHAFF SPREADER	125 - 24	3D21	MAIN HYDRAULIC PUMP	70 - 70
3E9	LINES, HOSES, WET CLUTCH OIL COOLER	70 - 82	2F3	MAIN HYDRAULIC PUMP - HYDROSTATIC DRIVE PUMP CONNECTING HARDWARE	50 - 98
2E9	LINES, OIL, HYDROSTATIC DRIVE, LOWER (FOUR WHEEL DRIVE)	50 - 80	1G20	MAIN WIRING HARNESS, L.H. FRONT (S.N. -680100)	40 - 32
2E11	LINES, OIL, HYDROSTATIC DRIVE, LOWER (TWO WHEEL DRIVE)	50 - 82	1H5	MAIN WIRING HARNESS, L.H. CENTER	40 - 42
3D4	LINES, PRESSURE	70 - 50	2D17	MANIFOLD AND PACKINGS	50 - 62
3C9	LINES, REEL FORE-AND-AFT, L.H. SIDE	70 - 28	3K3	MANIFOLD, A/C COMPRESSOR, R134A	90 - 78
3C24	LINES, RETURN, HYDRAULIC	70 - 44	1D16	MANIFOLD, INTAKE	24 - 33
2G9	LINES, STEERING R.H. SIDE	60 - 26	1D19	MANIFOLD, WATER, FRONT	24 - 36
1F3	LINES, TANK FUEL	30 - 6	1D23	MANIFOLDS, EXHAUST	24 - 40
1D21	LINES, TURBOCHARGER OIL	24 - 38	2F15	MASTER BRAKE CYLINDER	60 - 8
3E1	LINES, UNLOADING AUGER SWING CYLINDER	70 - 74	2F13	MASTER CYLINDER, RESERVOIR, BRAKE LINES	60 - 6
3D1	LINES, UPPER RETURN, RESERVOIR	70 - 46	2F11	MASTER CYLINDERS	60 - 4
2B24	LINKAGE, GEARSHIFT	50 - 16	4K7	METRIC KEY STOCK KIT	121 - 86
3I9	LINKAGE, GEARSHIFT	90 - 32	3I1	MIRROR, LEFT-HAND REAR VIEW	90 - 24
4J1	LINKAGE, SHEAVE, FAN DRIVE SPEED CONTROL....	121 - 56	3I3	MIRROR, R.H.	90 - 26
4I23	LINKAGE, SPEED CONTROL, FAN DRIVE	121 - 54	1I16	MODULE, CENTRAL ELECTRONICS AND CIRCUIT BOARDS	40 - 80
5E7	LOADING AUGER, CLEAN GRAIN	130 - 16	5F7	MODULE, HORIZONTAL UNLOADING AUGER	130 - 42
5E9	LOADING AUGER, CLEAN GRAIN, FOLD	130 - 18	1H3	MODULE, LOGIC	40 - 40
4C7	LOCKOUT ADAPTER KIT - CONTOUR MASTER (BELT PU & 4R CORN HEADS)	110 - 26	1H5	MODULE, LOGIC	40 - 42
4H21	LOCKOUT ARM, DUAL-RANGE	121 - 28	3D8	MODULE, SOLENOID CONTROL RELIEF VALVE	70 - 54
4C5	LOCKOUT ASSEMBLY - CONTOUR MASTER (OPTIONAL)	110 - 24	1H16	MONITOR WIRING HARNESS, HARVESTRAK	40 - 54
1H3	LOGIC MODULE	40 - 40	1H24	MONITOR, LEVEL, GRAIN TANK	40 - 62
1H5	LOGIC MODULE	40 - 42	5B20	MOTOR AND DISC, CHAFF SPREADER	125 - 10
4F19	LOUVER, CHAFFER	120 - 56	2F1	MOTOR DRIVE, HYDROSTATIC	50 - 96
4F13	LOUVER, PRECLEANING CHAFFER	120 - 50	1I8	MOTOR, ADJUSTING, CONCAVE	40 - 72
1H9	LOW SHAFT SPEED SENSOR	40 - 46	1I4	MOTOR, ADJUSTING, SEPARATOR FAN DRIVE	40 - 67
1H15	LOW SHAFT SPEED SENSORS AND BRACKETS	40 - 52	2D12	MOTOR, CAM LOBE (STEERABLE MOTOR)	50 - 56
5D18	LOWER AUGER, CLEAN GRAIN	130 - 2	3B15	MOTOR, CHAFF SPREADER (EATON)	70 - 8
5D20	LOWER ELEVATOR, CLEAN GRAIN	130 - 4	2F1	MOTOR, HYDROSTATIC DRIVE	50 - 96
5D22	LOWER ELEVATOR, CLEAN GRAIN	130 - 6	2D8	MOTOR, HYDROSTATIC DRIVE, FIXED	50 - 52
1H20	LOWER HARNESS FOR ENGINE	40 - 58	2C21	MOTOR, HYDROSTATIC DRIVE, FIXED (RING AND PINION)	50 - 40
2E9	LOWER HYDROSTATIC DRIVE OIL LINES AND HOSES (FOUR WHEEL DRIVE)	50 - 80	1J7	MOTOR, REEL SPEED, AND BRACKET	40 - 96
2E11	LOWER HYDROSTATIC DRIVE OIL LINES AND HOSES (TWO WHEEL DRIVE)	50 - 82	5C1	MOUNTING SUPPORT, CHAFF SPREADER	125 - 16
2E7	LOWER HYDROSTATIC DRIVE OIL LINES AND HOSES (4 WHEEL DRIVE)	50 - 78	1I12	MOUNTING SUPPORT, ELECTRONIC CONTROL UNIT (-XXXXXX)	40 - 76
2G3	LOWER STEERING COLUMN	60 - 20	1I6	MOUNTING, ALTERNATOR	40 - 69
5C17	LOWER TAILINGS AUGER	125 - 32	3E3	MOUNTING, GRAIN TANK UNLOADING DRIVE CYLINDER	70 - 76
5G15	LOWER TAILINGS AUGER BELT	170 - 5	3D3	MOUNTING, HYDRAULIC/HYDRO OIL RESERVOIR	70 - 48
5C25	LOWER TAILINGS AUGER CHAIN TIGHTENER	125 - 40	3C22	MOUNTING, ONE GALLON ACCUMULATOR	70 - 42
5D1	LOWER TAILINGS AUGER DRIVE TIGHTENER	125 - 42	5B16	MOUNTING, STRAW SPREADER AND GUARD	125 - 6
			3E5	MOUNTING, UNLOADING AUGER SWING CYLINDER	70 - 78

ALPHABETICAL INDEX - CONTINUED

GRID		PAGE	GRID		PAGE
3D16	MOUNTINGS, FIVE STACK SOLENOID CONTROL VALVE	70 - 64	1D7	OIL PUMP DRIVE GEAR	24 - 24
3D14	MOUNTINGS, FOUR STACK SOLENOID CONTROL VALVE	70 - 62	1D7	OIL PUMP GASKET	24 - 24
3D19	MOUNTINGS, SIX STACK SOLENOID CONTROL VALVE	70 - 68	1D9	OIL PUMP INTAKE	24 - 26
3F23	MUD AND FAN DRIVE SHIELDS (L.H.)	80 - 22	1D9	OIL PUMP INTAKE GASKET	24 - 26
2E24	MUD SHIELDS	50 - 95	1D7	OIL PUMP, ENGINE	24 - 24
3F23	MUD SHIELDS (L.H.)	80 - 22	1C24	OIL SEAL, CRANKSHAFT FRONT	24 - 16
3G11	MUD SHIELDS (R.H.)	80 - 36	1C22	OIL SEAL, REAR	24 - 14
1F9	MUFFLER AND EXHAUST PIPE	30 - 12	3K3	OIL, A/C COMPRESSOR	90 - 78
N			1C10	OIL, ENGINE (TORQ-GARD, PLUS-50)	24 - 1
3J9	NEUTRAL START SWITCH	90 - 58	3C22	ONE GALLON ACCUMULATOR AND MOUNTING	70 - 42
3F5	NO. 1 UPRIGHT KIT	80 - 4	1G3	OPERATOR'S ARMREST PANEL	40 - 14
3F6	NO. 5 UPRIGHT KIT	80 - 5	1F18	OPERATOR'S OVERHEAD CONSOLE PANEL	40 - 4
1E7	NOZZLE, FUEL INJECTION	24 - 48	3H22	OPERATOR'S PLATFORM LADDER AND LATCH	90 - 20
1E1	NOZZLES, FUEL INJECTION (ROBERT BOSCH)	24 - 42	3H20	OPERATOR'S PLATFORM LANDING	90 - 18
O			3I15	OPERATOR'S SEAT AND BACKREST	90 - 38
1D17	O-RING, WATER PUMP	24 - 34	3I22	OPERATOR'S SEAT HEIGHT ADJUSTER	90 - 46
3K4	O-RINGS, A/C COMPRESSOR HOSE	90 - 79	3I17	OPERATOR'S SEAT SEATBELT	90 - 40
3E18	O-RINGS, HYDRAULIC, FLAT	70 - 92	2E3	OUTER HOUSING FINAL DRIVE	50 - 74
1C18	O-RINGS, LINER	24 - 10	1J9	OUTLET, CONVENIENCE	40 - 98
3E11	OIL COOLER	70 - 84	1G5	OUTLET, CONVENIENCE, KIT	40 - 16
1D6	OIL COOLER ADAPTER	24 - 23	1J2	OUTLET, ELECTRICAL SERVICE	40 - 91
1D10	OIL COOLER BYPASS ADAPTER	24 - 27	1C16	OVERHAUL KIT, ENGINE	24 - 8
1D10	OIL COOLER BYPASS TUBES	24 - 27	1F18	OVERHEAD CONSOLE PANEL	40 - 4
1D6	OIL COOLER COVER	24 - 23	P		
2E15	OIL COOLER LINES AND HOSES, HYDRO.	50 - 86	2D17	PACKINGS AND MANIFOLD	50 - 62
3B17	OIL COOLER LUBE PUMP, FEEDER HOUSE	70 - 10	3G3	PAD, SERVICE ACCESS SHIELD (L.H.)	80 - 28
1D6	OIL COOLER TUBES	24 - 23	3G1	PAD, SERVICE ACCESS SHIELD (R.H.)	80 - 26
1D6	OIL COOLER, ENGINE	24 - 23	5D3	PADDLES, UPPER TAILINGS AUGER	125 - 44
3B19	OIL COOLER, FEEDER HOUSE	70 - 12	1D13	PAN, OIL	24 - 30
3B21	OIL COOLER, FEEDER HOUSE GEARCASE	70 - 14	4G7	PAN, SHAKER	120 - 68
3B23	OIL COOLER, FITTINGS AND HOSES FEEDER HOUSE	70 - 16	1G3	PANEL, ARMREST	40 - 14
1C4	OIL DRAIN, ENGINE CRANKCASE	20 - 24	1F20	PANEL, INSTRUMENT, CAB POST	40 - 6
3E13	OIL FILTER ASSEMBLY, ENGINE GEARCASE	70 - 86	3I7	PANEL, INSTRUMENT, CAB POST	90 - 30
1D11	OIL FILTER BASE	24 - 28	1F18	PANEL, OVERHEAD CONSOLE	40 - 4
1D11	OIL FILTER BYPASS VALVE	24 - 28	3H4	PANELS, CAB	90 - 2
1D11	OIL FILTER HOUSING	24 - 28	3H10	PANELS, CAB INTERIOR TRIM	90 - 8
1D11	OIL FILTER HOUSING GASKET	24 - 28	1H3	PARK BRAKE SWITCH	40 - 40
1D11	OIL FILTER, ENGINE	24 - 28	2F9	PARKING BRAKE PEDAL AND SEAL	60 - 2
2E9	OIL HOSES, HYDROSTATIC DRIVE, LOWER (FOUR WHEEL DRIVE)	50 - 80	1C13	PARTS, KEY ENGINE SERVICE	24 - 4
2E11	OIL HOSES, HYDROSTATIC DRIVE, LOWER (TWO WHEEL DRIVE)	50 - 82	3I13	PASSENGER SEAT	90 - 36
2E13	OIL HOSES, UPPER, HYDROSTATIC DRIVE	50 - 84	2F9	PEDAL AND SEAL, PARKING BRAKE	60 - 2
2E7	OIL LINES AND HOSES, HYDROSTATIC DRIVE, LOWER (4 WHEEL DRIVE)	50 - 78	3I11	PEDAL, REVERSER FOOT CONTROL, FEEDER HOUSE	90 - 34
2E9	OIL LINES HYDROSTATIC DRIVE, LOWER (FOUR WHEEL DRIVE)	50 - 80	4B13	PEDAL, REVERSER FOOT CONTROL, FEEDER HOUSE	110 - 6
2E11	OIL LINES HYDROSTATIC DRIVE, LOWER (TWO WHEEL DRIVE)	50 - 82	2G3	PEDAL, STEERING COLUMN (LOWER)	60 - 20
1D21	OIL LINES, TURBOCHARGER	24 - 38	2F11	PEDALS, BRAKE AND CYLINDERS, MASTER	60 - 4
1D13	OIL PAN	24 - 30	1E17	PICK-UP, MAGNETIC (ENGINE)	24 - 58
1D13	OIL PAN DRAIN VALVE	24 - 30	2E3	PINION SHAFT BEARINGS, FINAL DRIVE	50 - 74
1D13	OIL PAN GASKET	24 - 30	2E5	PINION SHAFT BEARINGS, FINAL DRIVE	50 - 76
1D6	OIL PRESSURE REGULATING VALVE	24 - 23	2E3	PINION SHAFT GEARS, FINAL DRIVE	50 - 74
1D11	OIL PRESSURE REGULATING VALVE	24 - 28	2E5	PINION SHAFT GEARS, FINAL DRIVE	50 - 76
1H20	OIL PRESSURE SENDING UNIT, ENGINE	40 - 58	2C10	PINION, FINAL DRIVE (RING AND PINION)	50 - 28
1C19	OIL PUMP DRIVE GEAR	24 - 11	4I9	PINION, STRAW WALKER DRIVE GEARCASE	121 - 40
			4B11	PINIONS, REVERSER GEARBOX	110 - 4
			1C11	PISTON COOLING JETS	24 - 2
			1C18	PISTON RINGS	24 - 10
			1C18	PISTON/LINER KIT	24 - 10
			2D19	PISTON, CAM, AND CARRIER (STEERABLE MOTOR)	50 - 64
			1C18	PISTON, ENGINE	24 - 10
			3E15	PISTON, PRESSURE REGULATOR	70 - 88
			4C22	PISTON, VARIABLE DRIVE COUNTERSHAFT	110 - 42

ALPHABETICAL INDEX - CONTINUED

GRID		PAGE	GRID		PAGE
4J3	PIVOT, FEEDER HOUSE DRIVE TIGHTENER	121 - 58	3D23	PUMP, REEL BELT PICKUP, DRIVE	70 - 72
3H20	PIVOTING PLATFORM AND HANDRAILS.....	90 - 18	2F21	PUMP, STEERING.....	60 - 14
2D21	PIVOTS, CAPS AND YOKE (STEERABLE MOTOR)	50 - 66	2G3	PUMP, STEERING.....	60 - 20
2B16	PLANETARY FINAL DRIVE WIDE-SPACED		1D17	PUMP, WATER	24 - 34
	DUAL WHEELS	50 - 8	3I11	PUSH PULL CABLE, REVERSER FOOT CONTROL	90 - 34
2E3	PLANETARY PINION, AND BEARINGS.....	50 - 74	1D3	PUSH RODS	24 - 20
2E2	PLANETARY PINION, FINAL DRIVE	50 - 72			
2B22	PLANETARY, TRANSMISSION.....	50 - 14		Q	
5F16	PLATE, CROSS AUGER BEARING, L.H.....	130 - 52			
4C3	PLATES, CLOSURE, FEEDER HOUSE - CONTOUR		2D18	QUILL, BEARING AND COVER (STEERABLE	
	MASTER	110 - 22		MOTOR).....	50 - 63
4C1	PLATES, WEAR, FEEDER HOUSE - CONTOUR				
	MASTE	110 - 20		R	
3H20	PLATFORM AND HANDRAILS, PIVOTING	90 - 18	1H9	R.H. MAIN WIRING HARNESS.....	40 - 46
3F13	PLATFORM AND STEP, ENGINE ACCESS	80 - 12	2G9	R.H. SIDE STEERING LINES	60 - 26
3H22	PLATFORM LADDER AND LATCH, OPERATOR'S	90 - 20	1B17	RADIATOR	20 - 12
3F9	PLATFORM, ENGINE	80 - 8	1B17	RADIATOR AND HOSES	20 - 12
3F11	PLATFORM, ENGINE	80 - 10	3F7	RADIATOR DOOR	80 - 6
3F15	PLATFORM, REAR LADDER	80 - 14	1B21	RADIATOR SHELL AND SEALS.....	20 - 16
3B25	PLATFORM, 200 SERIES CUTTING, CONVERSION		1G18	RADIO, SPEAKERS AND ANTENNA	40 - 30
	PARTS	70 - 19	4K3	RAIL, STRAW CHOPPER HOUSING, KNIFE BANK	121 - 82
1H22	PLUGGED AIR FILTER WARNING SWITCH.....	40 - 60	4E4	RASP BAR CONCAVE AND GRATE	120 - 14
1H22	PLUGGED ENGINE AIR FILTER WARNING SWITCH ..	40 - 60	4E6	RASP BAR CONCAVE AND GRATE	120 - 16
1H11	PLUGGING SENSING SWITCH, STRAW WALKER	40 - 48	4G15	RASP BAR CYLINDER, SEPARATOR CURTAIN	120 - 76
4F13	PRE-CLEANING CHAFFER.....	120 - 50	4E1	RASP BAR THRESHING CYLINDER	120 - 10
4F15	PRECLEANER CHAFFER FRAME	120 - 52	3H8	REAR AND SIDE CAB SEALS	90 - 6
4F19	PRECLEANER CHAFFER FRAME ARMS	120 - 56	2G21	REAR AXLE SPINDLE HOUSING	60 - 40
3B9	PRESSURE GAUGE, ACCUMULATOR	70 - 2	2G19	REAR AXLE SPINDLES	60 - 38
3E20	PRESSURE HOSE, CHARGE	70 - 94	2G16	REAR AXLE SUPPORT.....	60 - 34
3D4	PRESSURE LINES AND HOSES	70 - 50	2G14	REAR AXLE TRASH SHIELD	60 - 32
3E15	PRESSURE REGULATOR, ENGINE GEARCASE.....	70 - 88	2G18	REAR AXLE, ADJUSTABLE	60 - 37
3E13	PRESSURE SWITCH, ENGINE GEARCASE OIL		2G17	REAR AXLE, FIXED	60 - 36
	FILTER ASSEMBLY	70 - 86	3G7	REAR CORNER SHEET (L.H.).....	80 - 32
3J22	PRESSURIZING FAN AND AIR CONDITIONING/		3F19	REAR HOOD	80 - 18
	HEATER FAN	90 - 72	3F15	REAR LADDER	80 - 14
4H7	PRIMARY COUNTERSHAFT GEARCASE	121 - 14	3F7	REAR LADDER LANDING HANDRAILS.....	80 - 6
4H9	PRIMARY COUNTERSHAFT GEARCASE	121 - 16	3F17	REAR LADDER LANDING LATCH ARM	80 - 16
4H5	PRIMARY COUNTERSHAFT, GEARCASE AND		1J20	REAR LAMP ASSEMBLY - L.H. SIDE	40 - 109
	DRIVE SHAFT	121 - 12	1J19	REAR LAMP ASSEMBLY - R.H. SIDE.....	40 - 108
4H13	PRIMARY COUNTERSHAFT, SUPPORTS AND VARI-		5D8	REAR LEFT SIDE TAILINGS SHIELD	125 - 50
	ABLE SHEAVE	121 - 20	1H7	REAR LIGHT HARNESS AND SHIELDS	40 - 44
1E18	PULLEY, AIR CONDITIONER COMPRESSOR FAN	24 - 59	1C22	REAR OIL SEAL	24 - 14
1E13	PULLEY, CRANKSHAFT AND DAMPERS	24 - 54	1C22	REAR OIL SEAL GASKET	24 - 14
1E8	PULLEY, FAN, HUB.....	24 - 49	1C22	REAR OIL SEAL HOUSING	24 - 14
4I7	PULLEY, SECONDARY COUNTERSHAFT DRIVE	121 - 38	2G11	REAR STEERING LINES AND HOSES	
4H1	PUMP DRIVE AND SEPARATOR, GEARCASE	121 - 8		(DUAL CYLINDER)	60 - 28
4H3	PUMP DRIVE AND SEPARATOR, GEARCASE	121 - 10	4J11	REAR STRAW CHOPPER DRIVES	121 - 66
4G24	PUMP DRIVE SHAFT AND SEPARATOR DRIVE		4J13	REAR STRAW CHOPPER DRIVES, FINE CUT	121 - 68
	WET-CLUTCH, GEARCASE	121 - 6	1B25	REAR SUPPORT	20 - 20
4J5	PUMP MOUNTING SHEAVE, REEL / BELT PICKUP		5D8	REAR TAILINGS SHIELD, LEFT SIDE.....	125 - 50
	DRIVE	121 - 60	3I1	REAR VIEW MIRROR, LEFT-HAND.....	90 - 24
5C13	PUMP, CHAFF SPREADER	125 - 28	5H4	REAR WHEEL DECALS	170 - 20
3B17	PUMP, FEEDER HOUSE OIL COOLER.....	70 - 10	2H5	REAR WHEELS (4-WHEEL DRIVE/CAM LODE	
1F1	PUMP, FUEL	30 - 4		MOTOR).....	60 - 48
1E3	PUMP, FUEL INJECTION	24 - 44	2H3	REAR WHEELS AND WHEEL WEIGHTS	60 - 46
1E6	PUMP, FUEL TRANSFER (ROBERT BOSCH)	24 - 47	5G14	REEL BELTS	170 - 4
2D6	PUMP, HYDROSTATIC DRIVE CHARGE		3B13	REEL DRIVE FLOW CONTROL VALVE	70 - 6
	(PLANETARY)	50 - 50	5C5	REEL DRIVE FLOW CONTROL VALVE	125 - 20
2D7	PUMP, HYDROSTATIC DRIVE CHARGE		3B11	REEL DRIVE HYD. LINES AND HOSES,	
	(PLANETARY)	50 - 51		L.H. SIDE.....	70 - 4
2C17	PUMP, HYDROSTATIC DRIVE CHARGE		3C1	REEL DRIVE HYD. LINES AND HOSES, FRONT.....	70 - 20
	(RING AND PINION)	50 - 36	3C7	REEL FORE-AND-AFT LINES AND HOSES, FRONT....	70 - 26
2C18	PUMP, HYDROSTATIC DRIVE CHARGE		3C9	REEL FORE-AND-AFT LINES, L.H. SIDE	70 - 28
	(RING AND PINION)	50 - 37	3D13	REEL FORE/AFT SOLENOID CONTROL VALVE	70 - 60
3B17	PUMP, LUBE OIL, FEEDER HOUSE OIL COOLER	70 - 10			
3D21	PUMP, MAIN HYDRAULIC	70 - 70			
1D7	PUMP, OIL ENGINE	24 - 24			

ALPHABETICAL INDEX - CONTINUED

GRID		PAGE	GRID		PAGE
3C5	REEL LIFT LINES AND HOSES.....	70 - 24	5G24	SAFETY DECALS AND LOCATIONS.....	170 - 14
2B10	REEL LIFT/LOWER OR FEEDERHOUSE SPEED CONTROL SWITCH	50 - 2	3J9	SAFETY START SWITCH	90 - 58
3D11	REEL LIFT, SOLENOID CONTROL VALVE.....	70 - 58	4B22	SAFETY STOP, CONTOUR MASTER FEEDER HOUSE	110 - 16
3C3	REEL PUMP LINES AND HOSES	70 - 22	4B20	SAFETY STOP, DRIVE SHIELDS, FEEDER HOUSE	110 - 14
1J7	REEL SPEED MOTOR AND BRACKET.....	40 - 96	5F24	SAMPLING TROUGH, GRAIN TANK	130 - 62
4J6	REEL/BELT PICKUP CHARGE PUMP MOUNTING AND SHEAVE	121 - 61	4D1	SCOOP, DUST FAN	110 - 46
3D23	REEL, BELT PICKUP DRIVE PUMP	70 - 72	4C24	SCOOP, RETURN FLOOR, FEEDER HOUSE.....	110 - 44
3E15	REGULATOR, ENGINE GEARCASE PRESSURE.....	70 - 88	1B9	SCREEN DOOR, ROTARY	20 - 4
4B24	REINFORCEMENT, FEEDER HOUSE FRAME	110 - 18	1B7	SCREEN DRIVE, ROTARY	20 - 2
3F19	REINFORCEMENT, REAR HOOD	80 - 18	4F5	SCREENS, CLEANING FAN LEAF (CORN)	120 - 42
5B16	REINFORCEMENT, STRAW SPREADER MOUNTING..	125 - 6	2F9	SEAL AND BRAKE PEDAL, PARKING	60 - 2
1110	RELAYS, ENGINE CIRCUIT BREAKER.....	40 - 74	3D23	SEAL KIT, REEL BELT PICKUP DRIVE PUMP.....	70 - 72
3D8	RELIEF VALVE MODULE, SOLENOID CONTROL	70 - 54	3D8	SEAL KIT, SOLENOID CONTROL RELIEF VALVE	70 - 54
4I3	RELIEF VALVE, DUAL RANGE CYLINDER.....	121 - 34	2F21	SEAL KIT, STEERING PUMP	60 - 14
3D1	RESERVOIR UPPER RETURN LINES, HOSES	70 - 46	3E7	SEAL KIT, TILT CYLINDER, CONTOUR MASTER	70 - 80
2F13	RESERVOIR, BRAKE LINES, MASTER CYLINDER	60 - 6	3K3	SEAL, A/C COMPRESSOR.....	90 - 78
3D3	RESERVOIR, HYDRAULIC/HYDROSTATIC.....	70 - 48	3H14	SEAL, CAB DOOR.....	90 - 12
2F5	RESEVOIR, RETURN LINE.....	50 - 100	4D24	SEAL, CYLINDER SHEAR BAR	120 - 8
3E1	RETRACT LINES, HOSES, UNLOADING AUGER	70 - 74	1C24	SEAL, FRONT OIL.....	24 - 16
3I19	RETROFIT SEAT BELT KIT (MACHINES PRIOR TO 1996 MODEL YEAR)	90 - 42	1C22	SEAL, REAR OIL	24 - 14
4C24	RETURN FLOOR, FEEDER HOUSE	110 - 44	4G9	SEAL, STRAW WALKERS	120 - 70
2F5	RETURN LINE TO RESEVOIR	50 - 100	1D17	SEAL, TUBE.....	24 - 34
3C24	RETURN LINES, HYDRAULIC	70 - 44	5D3	SEAL, UPPER TAILINGS AUGER HOUSING	125 - 44
3D1	RETURN LINES, UPPER, RESERVOIR.....	70 - 46	1D17	SEAL, WATER PUMP OIL	24 - 34
3I11	REVERSER FOOT CONTROL, FEEDER HOUSE.....	90 - 34	5B24	SEALS AND PAN, CHAFF SPREADER.....	125 - 14
4B13	REVERSER FOOT CONTROL, FEEDER HOUSE.....	110 - 6	1B21	SEALS AND RADIATOR SHELL.....	20 - 16
4B11	REVERSER GEAR BOX	110 - 4	3H8	SEALS, CAB SIDE AND REAR	90 - 6
4D7	REVERSER).....	110 - 52	4F5	SEALS, CLEANING FAN LEAF SCREEN (CORN)	120 - 42
3G19	RIGHT SIDE FRONT SHIELD ASSEMBLY	80 - 44	4C1	SEALS, FEEDER HOUSE - CONTOUR MASTER.....	110 - 20
3G15	RIGHT SIDE SHIELD ASSEMBLY	80 - 40	3H6	SEALS, FOAM AND SOUND DEADENING, CAB	90 - 4
2B14	RIMS, DRIVE WHEELS	50 - 6	3F3	SEALS, SEPARATOR FRAME	80 - 2
2B22	RING AND PINION FINAL DR., TRANSMISSION	50 - 14	2D13	SEALS, SHAFT, OUTER COVER AND BEARING CAM LOBE MOTOR	50 - 58
1D17	RING, WATER PUMP RETAINING.....	24 - 34	3I20	SEAT ADJUST FORE-AND-AFT.....	90 - 44
1C18	RINGS, PISTON.....	24 - 10	3I15	SEAT AND BACKREST, OPERATOR'S.....	90 - 38
4G9	RISER, STRAW WALKERS.....	120 - 70	3I19	SEAT BELT KIT, RETROFIT (MACHINES PRIOR TO 1996 MODEL YEAR)	90 - 42
1D4	ROCKER ARM COVER.....	24 - 21	3I22	SEAT HEIGHT ADJUSTER	90 - 46
1D4	ROCKER ARM COVER GASKET	24 - 21	3I13	SEAT SHROUDS AND PASSENGER SEAT	90 - 36
1D3	ROCKER ARM SHAFT	24 - 20	3I24	SEAT, AIR SUSPENSION	90 - 48
1D3	ROCKER ARMS.....	24 - 20	3J1	SEAT, AIR SUSPENSION KITS	90 - 50
3I9	ROD, GEARSHIFT LEVER	90 - 32	3J3	SEAT, AIR SUSPENSION KITS	90 - 52
1C18	RODS, CONNECTING	24 - 10	3J5	SEAT, AIR SUSPENSION KITS	90 - 54
1D3	RODS, PUSH	24 - 20	3J7	SEAT, AIR SUSPENSION KITS	90 - 56
3H18	ROOF, CAB AND SUPPORTS	90 - 16	1G9	SEAT, AIR, WIRING HARNESS	40 - 20
1F22	ROOF, CAB LIGHTS	40 - 8	3I17	SEAT, OPERATOR'S SEATBELT	90 - 40
5G13	ROTARY SCREEN BELTS	170 - 3	3I18	SEAT, SEATBELT - TRAINING.....	90 - 41
1B9	ROTARY SCREEN DOOR AND SCREEN.....	20 - 4	3I17	SEATBELT, OPERATOR'S SEAT.....	90 - 40
1B7	ROTARY SCREEN DRIVE	20 - 2	3I18	SEATBELT, TRAINING SEAT	90 - 41
1B7	ROTARY SCREEN DRIVE AND IDLER ARMS	20 - 2	4I7	SECONDARY COUNTERSHAFT DRIVE PULLEY.....	121 - 38
1B7	ROTARY SCREEN DRIVE IDLER ARMS	20 - 2	1F1	SENDER, FUEL	30 - 4
4J23	ROTOR STRAW CHOPPER, FINE CUT (PADDLED WIDE	121 - 78	1H11	SENSING SWITCH, STRAW WALKER PLUGGING	40 - 48
4J21	ROTOR STRAW CHOPPER, FINE CUT (STRAIGHT WIDE	121 - 76	1E17	SENSOR, ENGINE SPEED.....	24 - 58
4K1	ROTOR, SHEAVE AND STRAW CHOPPER	121 - 80	1H9	SENSOR, LOW SHAFT CYLINDER SPEED	40 - 46
4J19	ROTOR, TRI, STRAW CHOPPER	121 - 74	1J11	SENSOR, SPEED, FDR HSE BACKSHAFT.....	40 - 100
S			4E18	SENSOR, SPIKE TOOTH INDICATOR.....	120 - 28
3G9	SAFETY CHAIN, L.H. FRONT CORNER SHEET	80 - 34	1E3	SENSOR, TEMPERATURE (FIP)	24 - 44
5G16	SAFETY DECALS AND LOCATIONS.....	170 - 6	1H13	SENSOR, UNLOADING AUGER	40 - 50
5G18	SAFETY DECALS AND LOCATIONS.....	170 - 8	1H15	SENSORS AND BRACKETS, LOW SHAFT SPEED	40 - 52
5G20	SAFETY DECALS AND LOCATIONS.....	170 - 10	4H1	SEPARATOR AND PUMP DRIVE, GEARCASE	121 - 8
5G22	SAFETY DECALS AND LOCATIONS.....	170 - 12	4H3	SEPARATOR AND PUMP DRIVE, GEARCASE	121 - 10
			3F3	SEPARATOR CROSS BRACES	80 - 2
			4G15	SEPARATOR CURTAIN (RASP BAR CYLINDER).....	120 - 76
			4G16	SEPARATOR CURTAIN (SPIKE-TOOTH CYLINDER).....	120 - 77

ALPHABETICAL INDEX - CONTINUED

GRID		PAGE	GRID		PAGE
4G22	SEPARATOR DRIVE GEAR, UNLOADING DRIVE AND STRAW CHOPPER, ENGINE GEARCASE.....	121 - 4	1B7	SHEAVE, ROTARY SCREEN DRIVE	20 - 2
4G20	SEPARATOR DRIVE GEAR, UNLOADING DRIVE AND STRAW CHOPPER- ENGINE GEARCASE	121 - 2	4K1	SHEAVE, ROTOR AND STRAW CHOPPER	121 - 80
4G24	SEPARATOR DRIVE WET-CLUTCH AND PUMP DRIVE SHAFT, GEARCASE.....	121 - 6	4I7	SHEAVE, SECONDARY COUNTERSHAFT DRIVE.....	121 - 38
4I21	SEPARATOR FAN DRIVE.....	121 - 52	4I21	SHEAVE, SEPARATOR FAN DRIVE	121 - 52
1I4	SEPARATOR FAN DRIVE ADJUSTING MOTOR	40 - 67	4H17	SHEAVE, SLOW SPEED CYLINDER DRIVE.....	121 - 24
3F3	SEPARATOR FRAME	80 - 2	4J11	SHEAVE, STRAW CHOPPER DRIVES (REAR)	121 - 66
4D18	SEPARATOR/FEEDER HOUSE SEAL, STONE TRAP AND DOOR.....	120 - 2	5B18	SHEAVE, STRAW SPREADER.....	125 - 8
1F1	SEPARATOR, WATER	30 - 4	4I17	SHEAVE, STRAW WALKER DRIVE	121 - 48
3G1	SERVICE ACCESS SHIELD (R.H.).....	80 - 26	4I9	SHEAVE, STRAW WALKER DRIVE GEARCASE	121 - 40
3G3	SERVICE ACCESS SHIELD, L.H.....	80 - 28	5F21	SHEAVE, UNLOADING AUGER COUNTERSHAFT DRIVE	130 - 58
1I20	SERVICE KIT, ELECTRICAL CONNECTORS	40 - 84	5E1	SHEAVE, UPPER CLEAN GRAIN ELEVATOR	130 - 10
1I22	SERVICE KIT, ELECTRICAL CONNECTORS	40 - 86	4I19	SHEAVES, BEATER DRIVE AND TIGHTENER.....	121 - 50
1J2	SERVICE OUTLET, ELECTRICAL	40 - 91	4C22	SHEAVES, FEEDER HOUSE, UPPER COUNTERSHAFT, VARIABLE DRIVE	110 - 42
2D3	SERVO, HYDROSTATIC PUMP	50 - 46	4H13	SHEAVES, PRIMARY COUNTERSHAFT	121 - 20
2C15	SERVO, HYDROSTATIC PUMP (RING AND PINION)	50 - 34	4C1	SHELL, FEEDER HOUSE-CONTOUR MASTER	110 - 20
4E22	SHAFT, BEATER AND DRIVE BELT	120 - 32	1B21	SHELL, RADIATOR AND SEALS	20 - 16
4H15	SHAFT, CYLINDER DRIVE.....	121 - 22	3G13	SHIELD ASSEMBLY, FRONT, LEFT SIDE	80 - 38
4D7	SHAFT, DRIVE, FRONT, SHEAVE AND MOUNTINGS (FIXED SPEED WITH REVERSER)	110 - 52	3G19	SHIELD ASSEMBLY, FRONT, RIGHT SIDE	80 - 44
4D5	SHAFT, DRIVE, UPPER, SHEAVE AND MOUNTING (FIXED SPEED WITH REVERSER).....	110 - 50	3G17	SHIELD ASSEMBLY, LEFT SIDE	80 - 42
2E3	SHAFT, FINAL DRIVE PINION	50 - 74	3G15	SHIELD ASSEMBLY, RIGHT SIDE.....	80 - 40
2E5	SHAFT, FINAL DRIVE PINION	50 - 76	3F25	SHIELD, DRIVE, R.H. REAR.....	80 - 24
4D7	SHAFT, FRONT DRIVE, FIXED SPEED	110 - 52	1D1	SHIELD, EXHAUST VALVE.....	24 - 18
4B9	SHAFT, FRONT VARIABLE DRIVE SHEAVE	110 - 2	3F23	SHIELD, FAN DRIVE (L.H.).....	80 - 22
4B15	SHAFT, FRONT WITH REVERSER (VARIABLE)	110 - 8	4B20	SHIELD, FEEDER HOUSE DRIVE	110 - 14
2D1	SHAFT, HYDROSTATIC PUMP (PLANETARY)	50 - 44	1D23	SHIELD, HEAT, EXHAUST MANIFOLD	24 - 40
2C12	SHAFT, HYDROSTATIC PUMP (RING AND PINION)	50 - 30	4D13	SHIELD, INTAKE	110 - 58
5C17	SHAFT, LOWER TAILINGS AUGER.....	125 - 32	5D8	SHIELD, REAR TAILINGS LEFT SIDE.....	125 - 50
2D13	SHAFT, OUTER COVER, BEARING AND SEALS CAM LOBE MOTOR	50 - 58	3G3	SHIELD, SERVICE ACCESS (L.H.)	80 - 28
4E1	SHAFT, RASP BAR	120 - 10	3G1	SHIELD, SERVICE ACCESS (R.H.)	80 - 26
1D3	SHAFT, ROCKER ARM.....	24 - 20	5C21	SHIELD, TAILINGS ELEVATOR	125 - 36
4E8	SHAFT, SPIKE TOOTH CONCAVE	120 - 18	5D10	SHIELD, TAILINGS UPPER REAR.....	125 - 52
4E10	SHAFT, SPIKE TOOTH THRESHING CYLINDER.....	120 - 20	2G14	SHIELD, TRASH, REAR AXLE	60 - 32
2G3	SHAFT, STEERING COLUMN (LOWER)	60 - 20	5D6	SHIELD, UPPER TAILINGS AUGER DRIVE	125 - 48
4G13	SHAFT, STRAW WALKER CRANK	120 - 74	5B22	SHIELDS AND HANDLES, CHAFF SPREADER (DUAL MOTOR).....	125 - 12
4I17	SHAFT, STRAW WALKER DRIVE	121 - 48	1H7	SHIELDS FOR REAR LIGHT HARNESS	40 - 44
2C3	SHAFT, TRANSMISSION PINION.....	50 - 20	3F21	SHIELDS, AUGER DRIVE (R.H.)	80 - 20
5E1	SHAFT, UPPER CLEAN GRAIN ELEVATOR.....	130 - 10	4F11	SHIELDS, CLEANING FAN INTAKE.....	120 - 48
4C8	SHAFT, UPPER FEEDER HOUSE	110 - 28	4B22	SHIELDS, CONTOUR MASTER FEEDER HOUSE	110 - 16
2C5	SHAFTS, DIFFERENTIAL	50 - 22	2E23	SHIELDS, FINAL DRIVE SHAFT - PLANETARY FINAL DRIVE.....	50 - 94
2B19	SHAFTS, DRIVE	50 - 11	2E22	SHIELDS, FINAL DRIVE SHAFT - SINGLE REDUCTION	50 - 93
2B20	SHAFTS, DRIVE	50 - 12	2E24	SHIELDS, MUD	50 - 95
2C10	SHAFTS, FINAL DRIVE (RING AND PINION)	50 - 28	3F23	SHIELDS, MUD (L.H.)	80 - 22
4G7	SHAKER PAN	120 - 68	3G11	SHIELDS, MUD (R.H.).....	80 - 36
4D24	SHEAR BAR, CYLINDER	120 - 8	4J15	SHIELDS, STRAW CHOPPER DRIVE	121 - 70
4J1	SHEAVE LINKAGE, FAN DRIVE SPEED CONTROL	121 - 56	5E14	SHIELDS, UPPER CLEAN GRAIN ELEVATOR.....	130 - 24
4E22	SHEAVE, BEATER.....	120 - 32	4B11	SHIFT COLLAR, REVERSER GEARBOX	110 - 4
5E10	SHEAVE, CLEAN GRAIN ELEVATOR GEARCASE	130 - 20	2B23	SHIFTER CAM, TRANSMISSION AND DIFFERENTIAL	50 - 15
4I3	SHEAVE, DUAL RANGE CYLINDER DRIVE	121 - 34	2B21	SHIFTER FORKS, TRANSMISSION AND DIFFERENTIAL HOUSING	50 - 13
4H19	SHEAVE, DUAL-RANGE CYLINDER DRIVE	121 - 26	1C18	SHIM, LINER	24 - 10
1B11	SHEAVE, ENGINE FAN AND DRIVES.....	20 - 6	1J15	SHOE ADJUSTING LIGHT SWITCH	40 - 104
1B15	SHEAVE, ENGINE FAN DRIVES (HI POWER)	20 - 10	4E25	SHOE GRAIN SUPPLY AUGER CLEANOUT DOOR, HANDLE AND LATCHES	120 - 36
4J13	SHEAVE, FINE CUT STRAW CHOPPER (REAR).....	121 - 68	4F1	SHOE GRAIN SUPPLY AUGERS AND HOUSING	120 - 38
4J5	SHEAVE, MOUNTING, PUMP, REEL / BELT PICKUP DRIVE	121 - 60	4F3	SHOE GRAIN SUPPLY AUGERS AND HOUSING	120 - 40
4B9	SHEAVE, MOUNTINGS, FRONT VARIABLE DRIVE	110 - 2	1J17	SHOE, CLEANING, LAMP INSTALLATION	40 - 106
			2F17	SHOES, BRAKE.....	60 - 10
			1C14	SHORT BLOCK	24 - 6
			1E11	SHORT BLOCK GASKET KIT.....	24 - 52
			3I13	SHROUDS, SEAT	90 - 36
			3E15	SHUT OFF VALVE, REGULATOR, PRESSURE	70 - 88

ALPHABETICAL INDEX - CONTINUED

GRID		PAGE	GRID		PAGE
1E3	SHUT-OFF HOUSING SOLENOID (FIP)	24 - 44	1E15	STARTER WIRING HARNES	24 - 56
3H8	SIDE AND REAR CAB SEALS	90 - 6	1F6	STARTING AID, COLD WEATHER.....	30 - 9
1I3	SIDE FINDER LIGHTS	40 - 66	1D24	STARTING FITTINGS, ETHER	24 - 41
4I15	SIEVE AND CHAFFER DRIVE, CONVEYOR AUGERS AND STRAW WALKER.....	121 - 46	2G1	STARTING SWITCH	60 - 18
4G3	SIEVE ELEMENT	120 - 64	3J16	STARTING SWITCH	90 - 66
4G5	SIEVE FRAME	120 - 66	2D23	STEERING ARM, CAM LOBE MOTOR (STEERABLE MOTOR).....	50 - 68
4I17	SIEVE, CHAFFER DRIVE, STRAW WALKER AND CONVEYOR AUGERS	121 - 48	2G3	STEERING COLUMN (LOWER)	60 - 20
4H15	SINGLE RANGE CYLINDER DRIVE.....	121 - 22	3J18	STEERING COLUMN (LOWER)	90 - 68
3D19	SIX STACK SOLENOID CONTROL VALVE MODULE ASSEMBLY & MOUNTINGS.....	70 - 68	2G1	STEERING COLUMN (UPPER)	60 - 18
2F19	SLAVE CYLINDER, BRAKE	60 - 12	3J16	STEERING COLUMN (UPPER)	90 - 66
4C20	SLIP CLUTCH,FEEDER HOUSE	110 - 40	1G7	STEERING COLUMN WIRING HARNESS.....	40 - 18
4H17	SLOW SPEED CYLINDER DRIVE	121 - 24	2G13	STEERING CYLINDER	60 - 30
5B16	SMV (SLOW MOVING VEHICLE).....	125 - 6	2G5	STEERING HOSES AND LINES, FRONT	60 - 22
3D8	SOLENOID CONTROL RELIEF VALVE MODULE.....	70 - 54	2G7	STEERING HOSES AND LINES, L.H. SIDE	60 - 24
3D18	SOLENOID CONTROL VALVE BRACKETS.....	70 - 66	2F23	STEERING HOSES, UPPER.....	60 - 16
3D19	SOLENOID CONTROL VALVE MODULE, SIX STACK ASSEMBLY & MOUNTINGS.....	70 - 68	2G11	STEERING LINES AND HOSES, REAR (DUAL CYLINDER)	60 - 28
3D13	SOLENOID CONTROL VALVE, AUGER SWING.....	70 - 60	2G9	STEERING LINES, R.H. SIDE	60 - 26
3D11	SOLENOID CONTROL VALVE, CYLINDER SPEED	70 - 58	2F21	STEERING PUMP	60 - 14
3E17	SOLENOID CONTROL VALVE, ENGINE GEARCASE (PRESSURE REGULATOR)	70 - 90	3J18	STEERING PUMP - STEERING SHAFT	90 - 68
3D16	SOLENOID CONTROL VALVE, FIVE STACK	70 - 64	2H1	STEERING TIE RODS, ADJUSTABLE REAR AXLE	60 - 44
3D9	SOLENOID CONTROL VALVE, HEADER LIFT	70 - 56	2G22	STEERING TIE RODS, FIXED REAR AXLE	60 - 41
3D13	SOLENOID CONTROL VALVE, REEL FORE/AFT	70 - 60	2G23	STEERING TIE RODS, FIXED REAR AXLE, 4-WHEEL DRIVE	60 - 42
3D11	SOLENOID CONTROL VALVE, REEL LIFT	70 - 58	3J18	STEERING WHEEL ADJUSTER PEDAL	90 - 68
3E15	SOLENOID VALVE, REGULATOR, PRESSURE	70 - 88	3H16	STEP, CAB SUPPORT	90 - 14
2E1	SOLENOID, CONTROL VALVE (FOUR-WHEEL DR.)....	50 - 71	4D18	STONE TRAP, DOOR AND FEEDER HOUSE/ SEPARATOR SEAL.....	120 - 2
1F6	SOLENOID, ETHER START	30 - 9	1E19	STRAP, ALTERNATOR ADJUSTING	24 - 60
1E3	SOLENOID, FUEL SHUT-OFF (FIP).....	24 - 44	1D5	STRAPS, ENGINE LIFT.....	24 - 22
1E3	SOLENOID, SHUT-OFF HOUSING (FIP)	24 - 44	5G14	STRAW CHOPPER BELTS	170 - 4
5G7	SOLENOID, VALVE BLOCK DIAL-A-MATIC HEADER HEIGHT CONTROL	160 - 3	4J17	STRAW CHOPPER DECK, SUPPORTS AND FINS	121 - 72
3H6	SOUND DEADENING, SEALS AND FOAM, CAB	90 - 4	5B10	STRAW CHOPPER DOOR	125 - 4
2B19	SPACERS, AXLE (RING AND PINION FINAL DRIVE).....	50 - 11	4J15	STRAW CHOPPER DRIVE SHIELDS.....	121 - 70
2B20	SPACERS, AXLE, PLANETARY FINAL DRIVE	50 - 12	4K5	STRAW CHOPPER DRIVE SPROCKETS	121 - 84
1G18	SPEAKERS, ANTENNA AND RADIO	40 - 30	4J7	STRAW CHOPPER DRIVES (FRONT)	121 - 62
4I23	SPEED CONTROL LINKAGE, FAN DRIVE	121 - 54	4J11	STRAW CHOPPER DRIVES (REAR)	121 - 66
4J1	SPEED CONTROL, FAN DRIVE SHEAVE LINKAGE	121 - 56	4K3	STRAW CHOPPER HOUSING AND KNIFEBANK.....	121 - 82
1G24	SPEED SENSOR, TRANSMISSION	40 - 36	4J23	STRAW CHOPPER ROTOR, FINE CUT (PADDED WIDE	121 - 78
1H1	SPEED SENSOR, TRANSMISSION	40 - 38	4J21	STRAW CHOPPER ROTOR, FINE CUT (STRAIGHT WIDE	121 - 76
1J7	SPEED, REEL, MOTOR AND BRACKET.....	40 - 96	1H7	STRAW CHOPPER SENSOR BRACKET.....	40 - 44
4E14	SPIKE TOOTH CONCAVE	120 - 24	4K1	STRAW CHOPPER, ROTOR AND SHEAVE	121 - 80
4E18	SPIKE TOOTH INDICATOR	120 - 28	4J19	STRAW CHOPPER, TRI ROTOR	121 - 74
4E10	SPIKE TOOTH THRESHING CYLINDER	120 - 20	4G20	STRAW CHOPPER, UNLOADING DRIVE AND SEPARATOR DRIVE GEAR- ENGINE GEARCASE ..	121 - 2
4E8	SPIKE-TOOTH CONCAVE	120 - 18	4G22	STRAW CHOPPER, UNLOADING DRIVE AND SEPARATOR DRIVE GEAR, ENGINE GEARCASE ..	121 - 4
4E12	SPIKE-TOOTH CONCAVE	120 - 22	5B18	STRAW SPREADER	125 - 8
4G16	SPIKE-TOOTH CYLINDER, SEPARATOR CURTAIN	120 - 77	5B16	STRAW SPREADER MOUNTING AND GUARD	125 - 6
4E16	SPIKE-TOOTH FINGER GRATE.....	120 - 26	1H11	STRAW WALKER (PLUGGING) SENSING SWITCH	40 - 48
2G21	SPINDLE HOUSING, REAR AXLE	60 - 40	4G11	STRAW WALKER BEARING KIT	120 - 72
2G19	SPINDLES, REAR AXLE	60 - 38	4G13	STRAW WALKER CRANKS,STRAW SPREADER DRIVE AND SHIELD	120 - 74
5C15	SPREADER CURTAIN.....	125 - 30	4I9	STRAW WALKER DRIVE GEARCASE.....	121 - 40
3B15	SPREADER MOTOR, CHAFF (EATON).....	70 - 8	4I13	STRAW WALKER DRIVE GEARCASE.....	121 - 44
5C11	SPREADER, CHAFF, MOTOR, LINES AND HOSES	125 - 26	4I15	STRAW WALKER, CONVEYOR AUGERS, SIEVE AND CHAFFER DRIVE	121 - 46
5B18	SPREADER, STRAW.....	125 - 8	4I17	STRAW WALKER, CONVEYOR AUGERS, SIEVE AND CHAFFER DRIVE	121 - 48
5G14	SPREADER, STRAW, BELTS	170 - 4	4G9	STRAW WALKERS	120 - 70
4D20	SPRING, CYLINDER DOOR	120 - 4	5F23	STRAWCHOPPER TOP BELT GUIDE (TRAP)	130 - 60
5E1	SPROCKET, UPPER CLEAN GRAIN ELEVATOR.....	130 - 10	4D24	STRIPPER, CYLINDER SHEAR BAR.....	120 - 8
4K5	SPROCKETS, DRIVE, STRAW CHOPPER	121 - 84	4D1	STRIPPER, DUST FAN	110 - 46
5C23	SPROCKETS, TAILINGS ELEVATOR CONVEYOR	125 - 38	4C24	STRIPPER, FEEDER HOSUE RETURN FLOOR.....	110 - 44
1E15	STARTER	24 - 56			
1C23	STARTER GEAR	24 - 15			
1H20	STARTER MOTOR	40 - 58			
1E15	STARTER SWITCH	24 - 56			

ALPHABETICAL INDEX - CONTINUED

<i>GRID</i>		<i>PAGE</i>	<i>GRID</i>		<i>PAGE</i>
3H10	SUNVISOR, CAB	90 - 8	5D8	TAILINGS SHIELD, REAR LEFT SIDE	125 - 50
1J1	SUPPLEMENTARY TERMINALS AND CONNECTORS	40 - 90	5D10	TAILINGS SHIELD, UPPER REAR	125 - 52
4E25	SUPPLY AUGER CLEANOUT DOOR, HANDLE AND LATCHES, SHOE GRAIN	120 - 36	1F3	TANK FUEL LINES AND FITTINGS	30 - 6
5F5	SUPPORT AND BRACES, AUGER	130 - 40	1B19	TANK, COOLANT RECOVERY	20 - 14
2F20	SUPPORT BRACKET, BRAKE CABLE	60 - 13	1E23	TANK, FUEL	30 - 2
4I11	SUPPORT, CONCAVE INDICATOR	121 - 42	5F24	TANK, GRAIN, SAMPLING TROUGH	130 - 62
1E18	SUPPORT, AIR CONDITIONER COMPRESSOR	24 - 59	5E16	TANK, TOP, GRAIN	130 - 26
1E19	SUPPORT, ALTERNATOR	24 - 60	1F20	TEMPERATURE GAUGE	40 - 6
3H16	SUPPORT, CAB FRAME	90 - 14	3I7	TEMPERATURE GAUGE	90 - 30
5F16	SUPPORT, CROSS AUGER BEARINGS	130 - 52	1H20	TEMPERATURE SENDING UNIT, ENGINE	40 - 58
4I1	SUPPORT, DUAL RANGE SHAFT MOUNTING	121 - 32	1E3	TEMPERATURE SENSOR (FIP)	24 - 44
1I12	SUPPORT, ELECTRONIC CONTROL UNIT MOUNTING (-XXXXXX)	40 - 76	1H23	TEMPERATURE SWITCH, INLET AIR	40 - 61
3F13	SUPPORT, ENGINE ACCESS PLATFORM	80 - 12	1E19	TENSIONER, BELT (ALT.)	24 - 60
1B13	SUPPORT, ENGINE FAN DRIVES	20 - 8	1I24	TERMINAL AND WIRING KIT	40 - 88
4I23	SUPPORT, FAN DRIVE SPEED CONTROL	121 - 54	1I18	TERMINALS, ELECTRICAL, WEATHERPACK	40 - 82
4B9	SUPPORT, FRONT VARIABLE DRIVE SHEAVE	110 - 2	1J1	TERMINALS, SUPPLEMENTARY, AND CONNECTORS	40 - 90
5F7	SUPPORT, HUB, HORIZONTAL UNLOADING AUGER	130 - 42	1D19	THERMOSTAT	24 - 36
5C19	SUPPORT, LOWER TAILINGS AUGER TROUGH	125 - 34	1D19	THERMOSTAT COVER	24 - 36
5C24	SUPPORT, LOWER TROUGH AND TAILINGS DRIVE BRACKET	125 - 39	1D19	THERMOSTAT GASKET	24 - 36
3I15	SUPPORT, OPERATOR'S SEAT	90 - 38	1D19	THERMOSTAT HOUSING, FRONT	24 - 36
1B25	SUPPORT, REAR	20 - 20	4D17	THRASHING CYLINDER COVER	120 - 1
2G16	SUPPORT, REAR AXLE	60 - 34	4E1	THRASHING CYLINDER, RASP BAR	120 - 10
3I11	SUPPORT, REVERSER FOOT CONTROL	90 - 34	4E10	THRASHING CYLINDER, SPIKE TOOTH	120 - 20
4E18	SUPPORT, SPIKE TOOTH INDICATOR	120 - 28	1C21	THRUST BEARING	24 - 13
5B16	SUPPORT, STRAW SPREADER MOUNTING	125 - 6	1C21	THRUST WASHER	24 - 13
5D3	SUPPORT, UPPER TAILINGS AUGER HOUSING	125 - 44	2H1	TIE RODS, STEERING, ADJUSTABLE REAR AXLE	60 - 44
3H18	SUPPORTS AND CAB ROOF	90 - 16	2G22	TIE RODS, STEERING, FIXED REAR AXLE	60 - 41
4H13	SUPPORTS AND VARIABLE SHEAVE, PRIMARY COUNTERSHAFT	121 - 20	2G23	TIE RODS, STEERING, 4-WHEEL DRIVE FIXED REAR AXLE	60 - 42
1E23	SUPPORTS, FUEL TANK	30 - 2	4I19	TIGHTENER AND BEATER DRIVE SHEAVES	121 - 50
4C22	SUPPORTS, UPPER COUNTERSHAFT, FEEDER HOUSE, VARIABLE DRIVE	110 - 42	4H23	TIGHTENER, CYLINDER DRIVE, DUAL-RANGE	121 - 30
2D3	SWASHPLATE, HYDROSTATIC PUMP	50 - 46	4B17	TIGHTENER, DRIVE, VARIABLE SPEED	110 - 10
2C15	SWASHPLATE, HYDROSTATIC PUMP (RING AND PINION)	50 - 34	4J3	TIGHTENER, FEEDER HOUSE DRIVE	121 - 58
1G11	SWITCH, AIR CONDITIONER	40 - 22	4C14	TIGHTENER, GUIDES AND FEEDER CONVEYOR DRIVE CHAIN	110 - 34
1F18	SWITCH, AUX FIELD LIGHTS, OPTIONAL	40 - 4	5C17	TIGHTENER, LOWER TAILINGS AUGER	125 - 32
1G11	SWITCH, HEATER	40 - 22	5C25	TIGHTENER, LOWER TAILINGS AUGER CHAIN	125 - 40
5F7	SWITCH, HORIZONTAL UNLOADING AUGER	130 - 42	5D1	TIGHTENER, LOWER TAILINGS AUGER DRIVE	125 - 42
5F8	SWITCH, HORIZONTAL UNLOADING AUGER	130 - 43	4C3	TILT BEAM, FEEDER HOUSE, CONTOUR MASTER	110 - 22
1H23	SWITCH, INLET AIR TEMPERATURE	40 - 61	3E7	TILT CYLINDER - CONTOUR MASTER	70 - 80
1J15	SWITCH, LIGHT, SHOE ADJUSTING	40 - 104	1C24	TIMING GEAR COVER	24 - 16
1H3	SWITCH, PARK BRAKE	40 - 40	1C24	TIMING GEAR COVER GASKET	24 - 16
1H11	SWITCH, SENSING, STRAW WALKER PLUGGING	40 - 48	3H24	TOOL BOX	90 - 22
1E15	SWITCH, STARTER	24 - 56	5H8	TOP DECALS	170 - 24
1H22	SWITCH, WARNING, PLUGGED AIR FILTER	40 - 60	1C10	TORQ-GARD PLUS-50, ENGINE OIL	24 - 1
1G3	SWITCHES, ARMREST ROCKER	40 - 14	3I18	TRAINING SEAT SEATBELT	90 - 41
5F5	SWIVEL SUPPORT AND BRACES, AUGER	130 - 40	1E6	TRANSFER PUMP, FUEL (ROBERT BOSCH)	24 - 47
5F5	SWIVEL, AUGER SUPPORT	130 - 40	5E3	TRANSITION AUGER HOUSING	130 - 12
5F3	SWIVEL, HORIZONTAL UNLOADING AUGER	130 - 38	2B22	TRANSMISSION	50 - 14
	T		2B23	TRANSMISSION AND DIFFERENTIAL HOUSING COVER AND SHIFTER CAM	50 - 15
1F20	TACHOMETER	40 - 6	2B21	TRANSMISSION AND DIFFERENTIAL HOUSING, SHIFTER FORKS	50 - 13
3I7	TACHOMETER	90 - 30	2C1	TRANSMISSION BEARINGS	50 - 18
1F23	TAIL LIGHTS	40 - 9	2C1	TRANSMISSION GEARS	50 - 18
5B12	TAILBOARD ARMS - CHOP-TO-BALE	125 - 5A	2B24	TRANSMISSION GEARSHIFT LEVER AND LINKAGE	50 - 16
5C24	TAILINGS DRIVE BRACKET AND LOWER TROUGH SUPPORT	125 - 39	2C1	TRANSMISSION INPUT SHAFT	50 - 18
5C23	TAILINGS ELEVATOR CONVEYOR BEARINGS	125 - 38	2C1	TRANSMISSION LUBE PUMP	50 - 18
5C23	TAILINGS ELEVATOR CONVEYOR CHAIN	125 - 38	2C3	TRANSMISSION PINION GEARS	50 - 20
5C23	TAILINGS ELEVATOR CONVEYOR SPROCKETS	125 - 38	2C3	TRANSMISSION PINION SHAFT	50 - 20
5C21	TAILINGS ELEVATOR HOUSING	125 - 36	2C3	TRANSMISSION PINION SHAFT BEARINGS	50 - 20
			1G24	TRANSMISSION SPEED SENSOR	40 - 36
			1H1	TRANSMISSION SPEED SENSOR	40 - 38
			1J16	TRANSPORT WARNING LIGHTS	40 - 105
			4D18	TRAP, STONE	120 - 2
			2G14	TRASH SHIELD, REAR AXLE	60 - 32

ALPHABETICAL INDEX - CONTINUED

GRID		PAGE	GRID		PAGE
4J19	TRI ROTOR STRAW CHOPPER	121 - 74	5D5	UPPER TAILINGS DRIVE CHAIN TIGHTENER.....	125 - 46
3H10	TRIM PANELS, CAB INTERIOR	90 - 8	2E13	UPPER, HYDROSTATIC DRIVE OIL HOSES	50 - 84
5C24	TROUGH SUPPORT, LOWER AND TAILINGS DRIVE BRACKET	125 - 39	3F5	UPRIGHT KIT, NO. 1.....	80 - 4
4I23	TRUNNION, FAN DRIVE SPEED CONTROL	121 - 54	3F6	UPRIGHT KIT, NO. 5.....	80 - 5
1D17	TUBE SEAL	24 - 34			
1D15	TUBE, ENGINE OIL DIPSTICK.....	24 - 32		V	
1D19	TUBE, THERMOSTAT HOUSING	24 - 36	2C24	VALVE BLOCK.....	50 - 43
1D6	TUBES, OIL COOLER	24 - 23	2D11	VALVE BLOCK.....	50 - 55
1D10	TUBES, OIL COOLER BYPASS	24 - 27	5G6	VALVE BLOCK AND HYDRAULIC LINE, DIAL-A-MATIC HEADER HEIGHT CONTROL	160 - 2
1D21	TURBOCHARGER	24 - 38	5G7	VALVE BLOCK SOLENOID DIAL-A-MATIC HEADER HEIGHT CONTROL	160 - 3
1D21	TURBOCHARGER GASKET	24 - 38	1D1	VALVE SEAT INSERTS.....	24 - 18
1D21	TURBOCHARGER OIL LINES	24 - 38	2D25	VALVE, CONTROL	50 - 70
1F23	TURN LIGHTS	40 - 9	2E1	VALVE, CONTROL, SOLENOID(FOUR-WHEEL DR.)....	50 - 71
2G1	TURN SIGNAL SWITCH	60 - 18	3C17	VALVE, DIAL-A-MATIC HEADER HEIGHT.....	70 - 37
3J16	TURN SIGNAL SWITCH	90 - 66	1E23	VALVE, DRAIN, FUEL TANK	30 - 2
	U		3D16	VALVE, FIVE STACK SOLENOID CONTROL	70 - 64
4D9	U-JOINT, DRIVESHAFT, CONTOUR MASTER	110 - 54	1E9	VALVE, FUEL CHECK.....	24 - 50
1C20	UNDERSIZE CRANKSHAFT KIT (CONNECTING ROD JOURNAL)	24 - 12	2C19	VALVE, HYDRO. DR. DISPLACEMENT CONTOL.....	50 - 38
1E21	UNDERSIZE MAIN BEARING CRANKSHAFT AND BEARING KIT	24 - 62	2C24	VALVE, MANIFOLD	50 - 43
2G3	UNIVERSAL JOINT WITH SHAFT (STEERING)	60 - 20	2D11	VALVE, MANIFOLD	50 - 55
4H5	UNIVERSAL JOINT, PRIMARY COUNTERSHAFT	121 - 12	1D11	VALVE, OIL FILTER BYPASS.....	24 - 28
5G14	UNLOADING AUGER BELTS	170 - 4	1D13	VALVE, OIL PAN DRAIN.....	24 - 30
5F21	UNLOADING AUGER COUNTERSHAFT DRIVE	130 - 58	1D6	VALVE, OIL PRESSURE REGULATING	24 - 23
5F23	UNLOADING AUGER DRIVE BELT GUIDE.....	130 - 60	1D11	VALVE, OIL PRESSURE REGULATING	24 - 28
5F12	UNLOADING AUGER HOUSING, HORIZONTAL (EXPORT) (17 AND 20 FT.)	130 - 48	3B13	VALVE, REEL DRIVE FLOW CONTROL	70 - 6
5F10	UNLOADING AUGER HOUSING, HORIZONTAL (20 FT.)	130 - 46	3D14	VALVE, SOLENOID CONTROL, FOUR STACK	70 - 62
111	UNLOADING AUGER LIGHT AND HARNESS.....	40 - 64	3D9	VALVE, SOLENOID CONTROL, HEADER LIFT MODULE	70 - 56
111	UNLOADING AUGER LIGHT CLAMPS	40 - 64	3D8	VALVE, SOLENOID CONTROL, RELIEF	70 - 54
1H24	UNLOADING AUGER LIMIT SWITCH	40 - 62	3D19	VALVE, SOLENOID CONTROL, SIX STACK.....	70 - 68
5G3	UNLOADING AUGER LOWER LUBE BANK	130 - 66	3K5	VALVES, COMPRESSOR R134A	90 - 80
1H13	UNLOADING AUGER SENSOR AND WIRING HARNESS	40 - 50	1D1	VALVES, EXHAUST.....	24 - 18
3E5	UNLOADING AUGER SWING CYLINDER	70 - 78	1D1	VALVES, INTAKE.....	24 - 18
3E5	UNLOADING AUGER SWING CYLINDER MOUNTING	70 - 78	4J17	VANES, STRAW CHOPPER DECK	121 - 72
5F3	UNLOADING AUGER SWIVEL, HORIZONTAL	130 - 38	3B16	VARIABLE DRIVE HYDRAULIC HOSE, FEEDER HOUSE.....	70 - 9
5G1	UNLOADING AUGER UPPER LUBE BANK.....	130 - 64	4C22	VARIABLE DRIVE, FEEDER HOUSE, UPPER COUNTERSHAFT	110 - 42
3E3	UNLOADING DRIVE CYLINDER, GRAIN TANK	70 - 76	4B15	VARIABLE FRONT SHAFT WITH REVERSER	110 - 8
4G20	UNLOADING DRIVE, STRAW CHOPPER AND SEPARATOR DRIVE GEAR- ENGINE GEARCASE ..	121 - 2	4H13	VARIABLE SHEAVE AND SUPPORTS, PRIMARY COUNTERSHAFT	121 - 20
4G22	UNLOADING DRIVE, STRAW CHOPPER AND SEPARATOR DRIVE GEAR, ENGINE GEARCASE ..	121 - 4	4B17	VARIABLE SPEED DRIVE TIGHTENER	110 - 10
5G15	UNLOADING SYSTEM BELTS	170 - 5	4C22	VARIABLE DRIVE, FEEDER HOUSE, UPPER COUNTERSHAFT SUPPORTS.....	110 - 42
5D24	UPPER CLEAN GRAIN ELEVATOR.....	130 - 8	5E24	VERTICAL AUGER LOWER GEAR CASE.....	130 - 34
5E1	UPPER CLEAN GRAIN ELEVATOR SHAFT, SPROCKET AND SHEAVE.....	130 - 10	1I7	VOLTAGE REGULATOR, ALTERNATOR (95 AMP) BOSCH.....	40 - 70
5E14	UPPER CLEAN GRAIN ELEVATOR SHIELDS	130 - 24		W	
5E3	UPPER CLEAN GRAIN LOADING AUGER HOUSING ..	130 - 12	5G12	WALKER BELTS	170 - 2
5E5	UPPER CLEAN GRAIN LOADING AUGER HOUSING ..	130 - 14	4G9	WALKERS, STRAW.....	120 - 70
1H18	UPPER HARNESS FOR ENGINE.....	40 - 56	1H22	WARNING SWITCH, AIR FILTER.....	40 - 60
5D10	UPPER REAR TAILINGS SHIELD	125 - 52	1C21	WASHER, THRUST	24 - 13
3D1	UPPER RETURN LINES, HOSES, RESERVOIR.....	70 - 46	1G16	WASHER, WINDSHIELD	40 - 28
4C8	UPPER SHAFT, FEEDER HOUSE	110 - 28	1D19	WATER MANIFOLD GASKET	24 - 36
2F23	UPPER STEERING HOSES	60 - 16	1D19	WATER MANIFOLD, FRONT	24 - 36
5G15	UPPER TAILINGS AUGER BELT	170 - 5	1D17	WATER PUMP	24 - 34
5D6	UPPER TAILINGS AUGER DRIVE	125 - 48	1D17	WATER PUMP GASKET	24 - 34
5D3	UPPER TAILINGS AUGER HOUSING AND PADDLE ASSEMBLY	125 - 44	1D17	WATER PUMP O-RING.....	24 - 34
5D3	UPPER TAILINGS AUGER PADDLE ASSEMBLY.....	125 - 44	1D17	WATER PUMP OIL SEAL	24 - 34
5D6	UPPER TAILINGS AUGER, DRIVE AND SHIELD.....	125 - 48	1D17	WATER PUMP RETAINING RING	24 - 34

ALPHABETICAL INDEX - CONTINUED

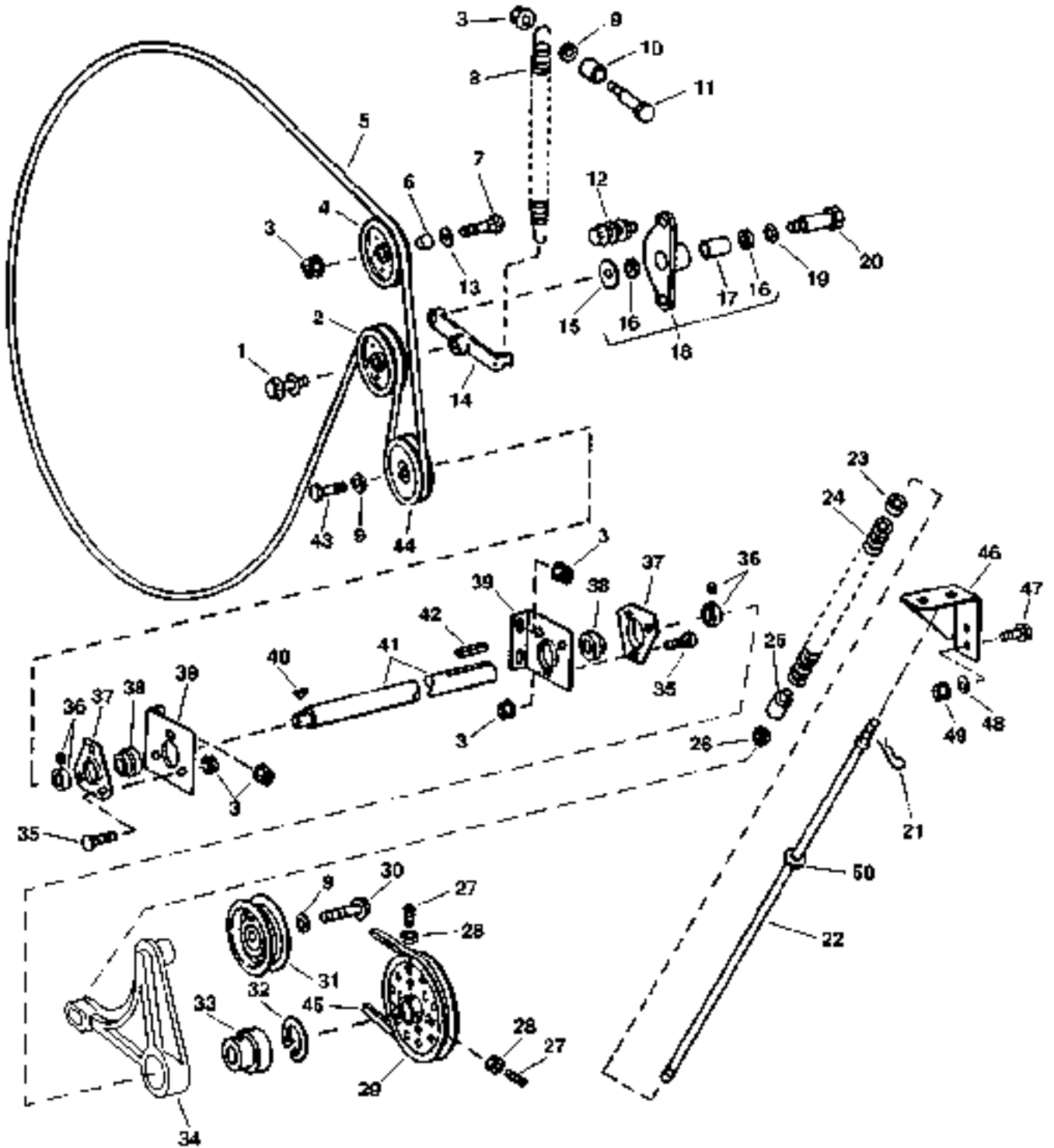
GRID		PAGE	GRID		PAGE
1D17	WATER PUMP SEAL KIT	24 - 34		Y	
1F1	WATER SEPARATOR	30 - 4			
4B24	WEAR PLATE, FEEDER HOUSE	110 - 18	4D9	YOKE, DRIVESHAFT	110 - 54
4C1	WEAR PLATES, FEEDER HOUSE - CONTOUR MASTER	110 - 20	2D21	YOKE, PIVOTS, AND CAPS (STEERABLE MOTOR)	50 - 66
1118	WEATHERPACK CONNECTORS	40 - 82			
1118	WEATHERPACK TERMINALS	40 - 82			
3H14	WEATHERSTRIP, CAB DOOR	90 - 12			
3H6	WEATHERSTRIP, CAB	90 - 4			
3F19	WEATHERSTRIP, REAR HOOD	80 - 18			
2H3	WEIGHTS, WHEEL AND REAR WHEELS	60 - 46			
3E9	WET CLUTCH OIL COOLER LINES, HOSES	70 - 82			
4C14	WHEEL, FEEDER CONVEYOR DRIVE CHAIN	110 - 34			
2B15	WHEEL, HIGH FLOATATION DRIVE PLANETARY FINAL DRIVE	50 - 7			
4H15	WHEEL, SINGLE RANGE CYLINDER DRIVE	121 - 22			
2G1	WHEEL, STEERING	60 - 18			
3J16	WHEEL, STEERING	90 - 66			
2B14	WHEELS, DRIVE	50 - 6			
2H5	WHEELS, REAR (4-WHEEL DRIVE/CAM LODE MOTOR)	60 - 48			
2H3	WHEELS, REAR, AND WHEEL WEIGHTS	60 - 46			
2B16	WIDE-SPACED DUAL WHEELS (PLANETARY FINAL DRIVE)	50 - 8			
5E16	WINDOW, TOP GRAIN TANK	130 - 26			
1G16	WINDSHIELD WASHER	40 - 28			
1G12	WINDSHIELD WIPER (LONG)	40 - 24			
3H14	WINDSHIELD, CAB	90 - 12			
5B24	WINGS, CHAFF SPREADER PAN	125 - 14			
1G14	WIPER (SHORT)	40 - 26			
1G12	WIPER BLADE, WINDSHIELD	40 - 24			
1G14	WIPER BLADE, WINDSHIELD	40 - 26			
1G14	WIPER, WINDSHIELD (SHORT)	40 - 26			
1G12	WIPER, WINDSHIELD (LONG)	40 - 24			
1I24	WIRING AND TERMINAL KIT	40 - 88			
1I24	WIRING CRIMPING TOOL	40 - 88			
1H3	WIRING HARNESS ADAPTER (CONTOUR MASTER) ..	40 - 40			
1H5	WIRING HARNESS ADAPTER (CONTOUR MASTER) ..	40 - 42			
1G9	WIRING HARNESS, A/C, HEATER AND AIR SEAT	40 - 20			
3B9	WIRING HARNESS, ACCUMULATOR PRESSURE GAUGE	70 - 2			
1G1	WIRING HARNESS, ARMREST	40 - 12			
1F16	WIRING HARNESS, CAB	40 - 2			
1F15	WIRING HARNESS, CAB DOME LIGHT	40 - 1			
1J9	WIRING HARNESS, CONVENIENCE OUTLET	40 - 98			
1I1	WIRING HARNESS, DUAL LEVEL MONITOR	40 - 64			
1J11	WIRING HARNESS, FEEDER HOUSE BACKSHAFT SPEED SENSOR	40 - 100			
1H24	WIRING HARNESS, GRAIN TANK	40 - 62			
1H16	WIRING HARNESS, HARVESTRAK MONITOR	40 - 54			
5F7	WIRING HARNESS, HORIZONTAL UNLOADING AUGER	130 - 42			
1G24	WIRING HARNESS, L.H. MAIN, FRONT	40 - 36			
1G20	WIRING HARNESS, LH. MAIN, FRONT (S.N. -680100)	40 - 32			
1H3	WIRING HARNESS, MAIN, L.H. CENTER	40 - 40			
1H5	WIRING HARNESS, MAIN, L.H. CENTER	40 - 42			
1H9	WIRING HARNESS, R.H. MAIN	40 - 46			
1E15	WIRING HARNESS, STARTER	24 - 56			
1G7	WIRING HARNESS, STEERING COLUMN	40 - 18			
1H13	WIRING HARNESS, UNLOADING AUGER	40 - 50			
1I1	WIRING HARNESS, UNLOADING AUGER LIGHT	40 - 64			
1H1	WIRING HARNESS, L H MAIN, L H FRONT	40 - 38			
1B9	WIRING LEAD, ROTARY SCREEN DOOR	20 - 4			
1I24	WIRING STRIPPING TOOL	40 - 88			
1J1	WIRING, SUPPLEMENTARY TERMINALS AND CONNECTORS	40 - 90			

MEMORANDA

1B7

ENGINE FAN, INTERCOOLER AND SCREENS

ROTARY SCREEN DRIVE AND IDLER ARMS
HP6791 -UN-05SEP97



HP6791

1B8

ENGINE FAN, INTERCOOLER AND SCREENS

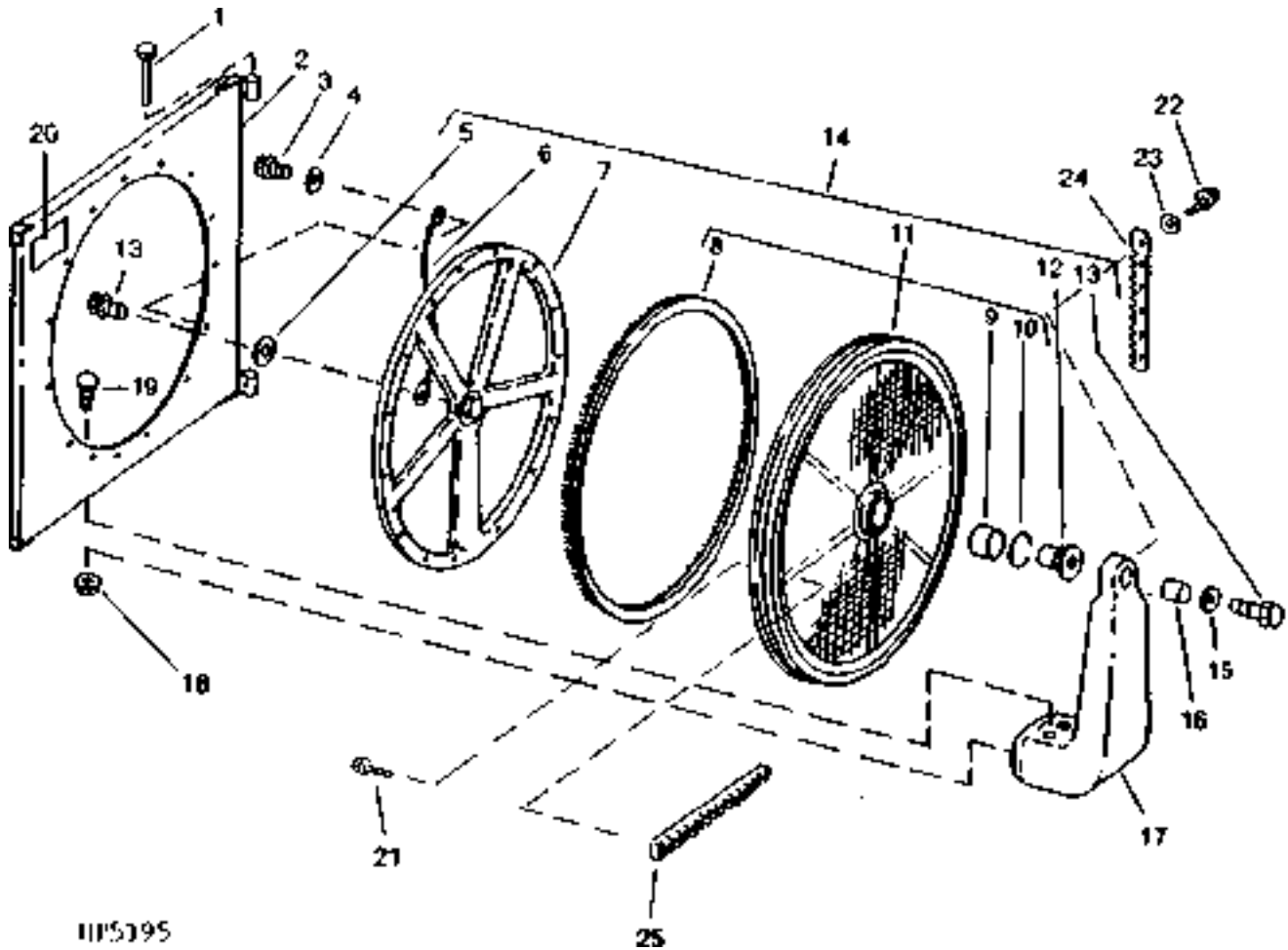
ROTARY SCREEN DRIVE AND IDLER ARMS - CONTINUED

KEY	PART NO.	PART NAME	QTY	SERIAL NO.	REMARKS
1	19M7867	SCREW	1		M8 X 25
	24M7207	WASHER	1		8.400 X 24 X 2 MM
2	AH140119	SHEAVE	1		
3	14M7298	FLANGE NUT	10		M8
4	AH135035	SHEAVE	1		
5	H145158	BELT	1		
6	SPACER	1		INCLUDED IN AH135035
7	03M7224	BOLT	1		M8 X 65
8	H146577	EXTENSION SPRING	1		
9	24M7207	WASHER	3		8.400 X 24 X 2 MM
10	28H1720	BUSHING	1		0.423" X 0.675" X 27/32"
11	H140715	BOLT	1		M8 X 40
12	19M7867	SCREW	2		M8 X 25
	24H1296	WASHER	2		11/32" X 1-3/8" X 0.134"
	14M7298	FLANGE NUT	2		M8
13	24H1850	WASHER	1		17/32" X 1-1/4" X 0.180"
14	H146064	PITMAN ARM	1		
15	24H1342	WASHER	1		17/32" X 1-1/4" X 0.036"
16	AH10888	SEAL	2		
17	R36119	BUSHING	1		
18	AH140170	SUPPORT	1		
19	24H1341	WASHER	1		17/32" X 15/16" X 0.060"
20	M111701	BOLT	1		M8 X 51
21	J16931	SPRING LOCKING PIN	1		
22	H131949	ROD	1		
23	H123918	SPACER	1		
24	H131948	SPRING	1		
25	H134214	GUIDE	1		
26	14M7296	FLANGE NUT	1		M10
27	A50744	BOLT	2		M8 X 25
28	14M7273	NUT	2		M8
29	AH115639	SHEAVE	1		
30	19M7868	SCREW	1		M8 X 30
31	AH140497	SHEAVE	1		
32	R55408	WEAR RING	1		
33	AH140495	BALL BEARING	1		
34	H146586	ARM	1		
35	19M7865	SCREW	6		M8 X 16
36	AZ10044	ECCENTRIC LOCKING COLLAR	2		
37	H103264	PRESSED FLANGED HOUSING	2		
38	JD39102	BALL BEARING	2		
39	H123652	PRESSED FLANGED HOUSING	2		
40	26M7002	SHAFT KEY	1		5 X 16 MM (0.197" X 0.630") WOODRUFF
41	H123653	COUNTERSHAFT	1	-08MA99	(600 MM)
	H134528	COUNTERSHAFT	1	09MA99-	(521 MM)
42	SHAFT KEY	1		5 X 16 MM (IN AH141142 KEY STOCK KIT) (CUT FROM H150267)
43	19M7865	SCREW	1		M8 X 16
44	H118719	HALF SHEAVE	2		
45	H146636	BELT	1		
46	H162138	BRACKET	1		
47	19M7865	SCREW	2		M8 X 16
48	24M7207	WASHER	2		8.400 X 24 X 2 MM
49	14M7298	FLANGE NUT	2		M8
50	H158845	WASHER	1		

1B9

ROTARY SCREEN DOOR AND SCREEN

HP5195 -UN-01JAN94



1B10

ENGINE FAN, INTERCOOLER AND SCREENS

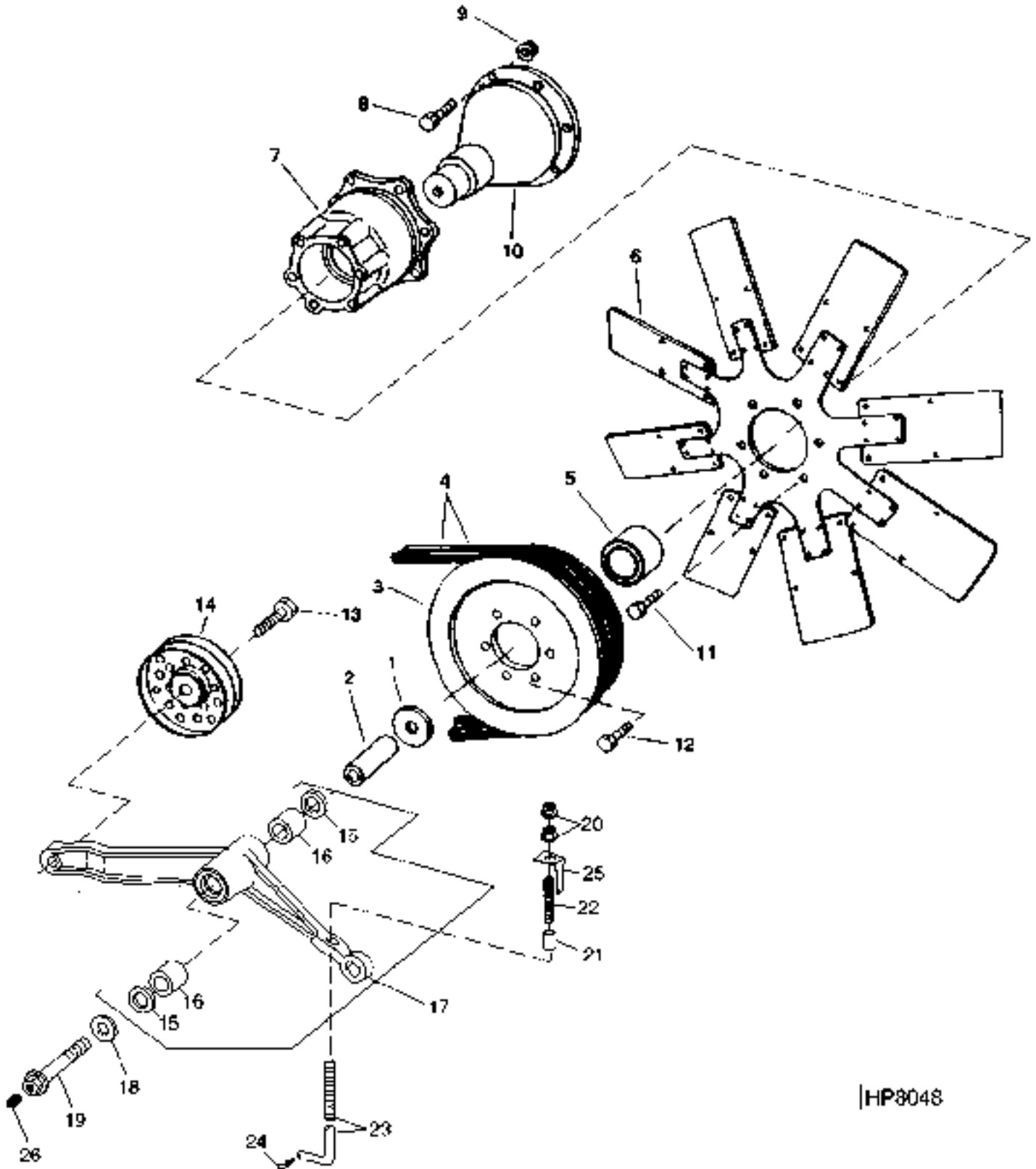
ROTARY SCREEN DOOR AND SCREEN - CONTINUED

KEY	PART NO.	PART NAME	QTY	SERIAL NO.	REMARKS
1	H114818	PIN	2		
2	AH140118	SHEET	1		
3	19M7865	SCREW	15		M8 X 16
4	12M7122	LOCK WASHER	1		8.400 MM
5	24M7028	WASHER	1		10.500 X 20 X 2 MM
6	AH138257	WIRING LEAD	1		
7	AH134642	HUB	1		
8	AH141849	BRUSH	1		
9	AH109788	ROLLER BEARING	1		
10	H83285	SNAP RING	1		
11	AH141671	SCREEN	1		
12	H140380	HUB	1		
13	19M8162	CAP SCREW	1		M10 X 40
14	AH141672	SCREEN	1		
15	24M7180	WASHER	1		13 X 37 X 3 MM
16	28H1720	BUSHING	1		0.423" X 0.675" X 27/32"
17	AH141808	AIR DUCT	1		
18	14M7298	FLANGE NUT	2		M8
19	03M7183	BOLT	2		M8 X 16
20	H144692	LABEL	1		
21	37H143	SCREW	16		
22	19M7774	SCREW	6		M6 X 12
23	24M7207	WASHER	6		8.400 X 24 X 2 MM
24	H148416	KNIFE	1		
25	AH142527	RAKE	2		

1B11

ENGINE FAN, INTERCOOLER AND SCREENS

ENGINE FAN AND DRIVES
HP8048 -UN-20NOV98



HP8048

1B12

ENGINE FAN, INTERCOOLER AND SCREENS

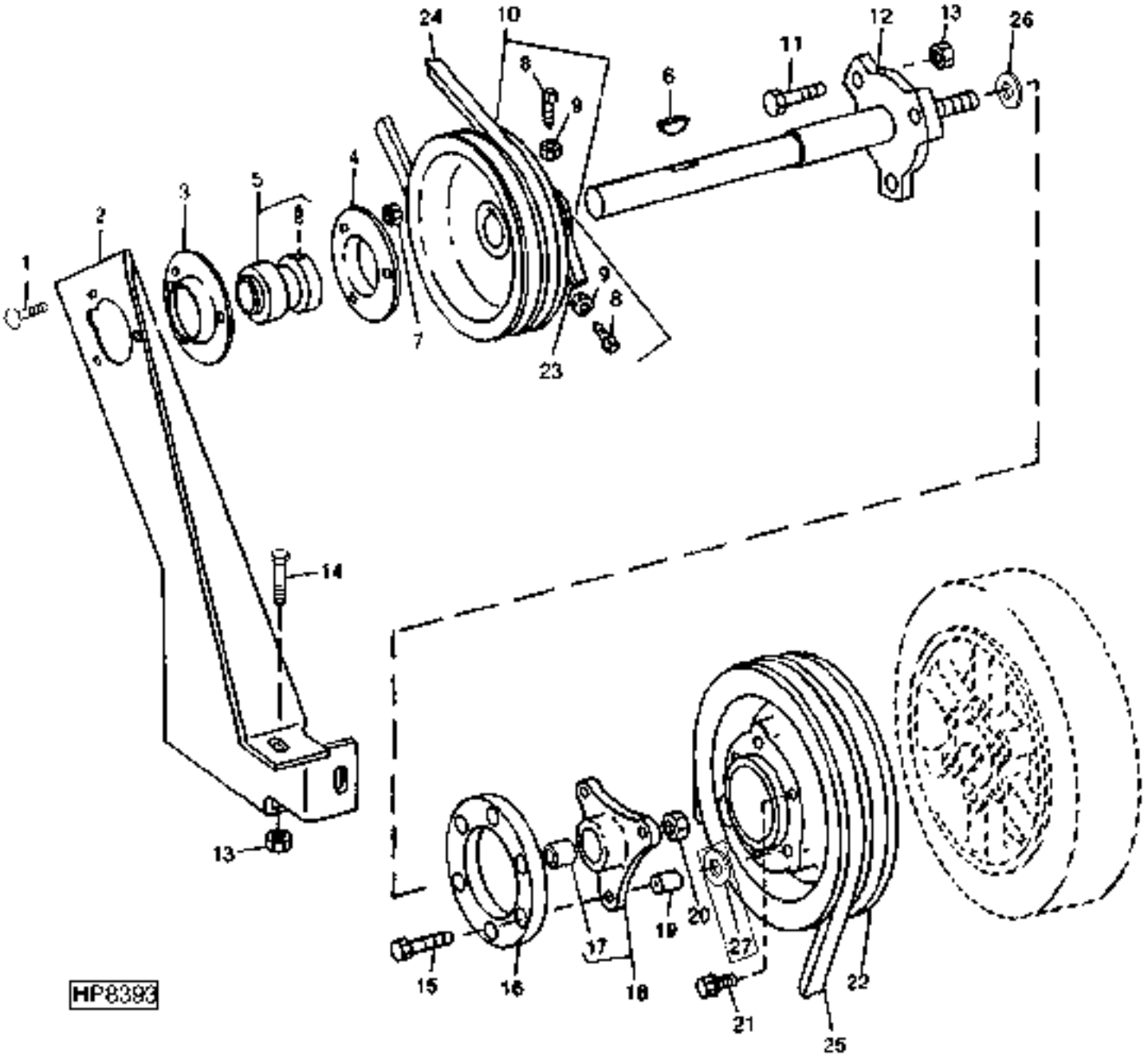
ENGINE FAN AND DRIVES - CONTINUED

KEY	PART NO.	PART NAME	QTY	SERIAL NO.	REMARKS
1	H125466	WASHER	1		13.500 X 48 X 8 MM (0.531" X 1.890" X 0.315")
2	H125467	BUSHING	1		13 X 25.310 X 90 MM
3	H146750	IDLER	1		
4	H153297	BELT	1		
5	AH120815	ROLLER BEARING	1		
6	AH125673	SUCTION FAN	1		
7	H134143	HUB	1		
8	19M7786	SCREW	4		M10 X 30
9	14M7400	LOCK NUT	4		M10
10	H134144	SUPPORT	1		
11	19M7866	SCREW	6		M8 X 20
12	19M7868	SCREW	6		M8 X 30
13	19M8306	SCREW	1		M12 X 50
14	AH96292	SHEAVE	1		139.700 MM
15	AA5607R	SEAL	2		
16	H99147	BUSHING	2		(SUB H171061)
	H171061	BEARING	2		
17	AH137704	ARM	1		
18	24M7180	WASHER	1		13 X 37 X 3 MM
19	H140848	SET SCREW	1		M12 X 120, 1/4" - TAPPED BOLT
20	14M7296	FLANGE NUT	2		M10
21	H134214	GUIDE	1		
22	H146767	COMPRESSION SPRING	1		
23	H164612	BOLT	1		
24	J16931	SPRING LOCKING PIN	1		
25	H162012	GAUGE	1		
26	JD7788	LUBRICATION FITTING	1		

1B13

ENGINE FAN, INTERCOOLER AND SCREENS

ENGINE FAN DRIVE
HP8393 -UN-23MAR99



HP8393

1B14

ENGINE FAN, INTERCOOLER AND SCREENS

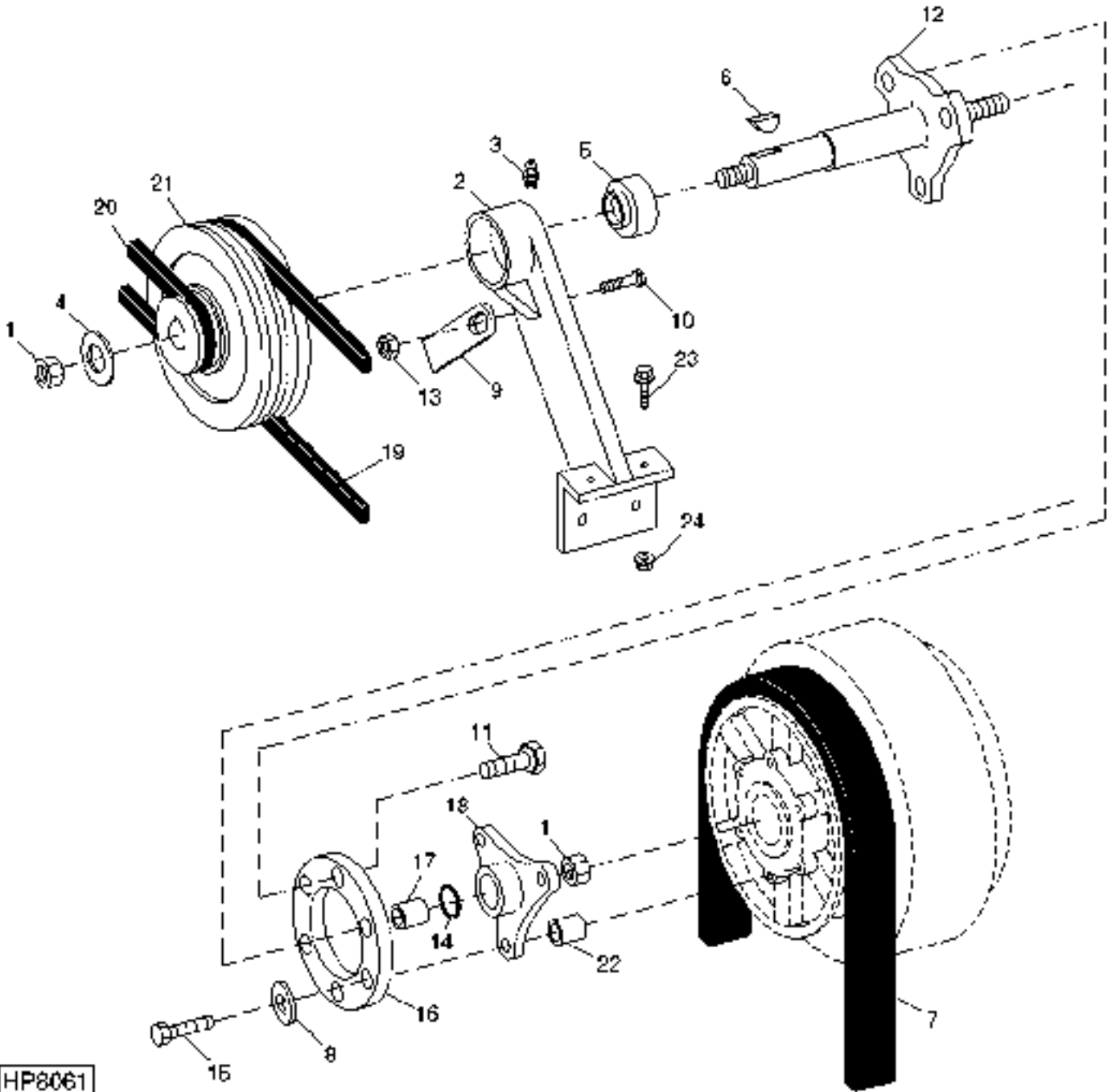
ENGINE FAN DRIVE - CONTINUED

KEY	PART NO.	PART NAME	QTY	SERIAL NO.	REMARKS
1	03M7184	BOLT	3		
2	H125469	SUPPORT	1		
3	AE26118	PRESSED FLANGED HOUSING	1		
4	N52258	PRESSED FLANGED HOUSING	1		
5	AH156244	BEARING	1		(SUB FOR AH120819)
6	26M6731	SHAFT KEY	1		
7	14M7298	FLANGE NUT	3		M8
8	A50744	BOLT	3		M8 X 25
9	14M7273	NUT	3		M8
10	AH140965	HALF SHEAVE	1		FOR 215 HP ENGINE
	AH140966	GEAR	1		FOR 253 AND 260 HP ENGINES
11	19M7805	SCREW	3		M10 X 45
12	AH151439	UNIVERSAL DRIVESHAFT	1		
13	14M7296	FLANGE NUT	AR		M10
14	19M7785	SCREW	AR		M10 X 25
15	19H3175	CAP SCREW	3		3/8" X 3-5/8"
16	AH163157	COUPLING	1		(SUB FOR AH151128)
17	AH154697	BUSHING	1		(SUB FOR AH80384)
18	AH151129	DRIVE DISK	1		
19	R117879	BUSHING	3		
20	14M7401	LOCK NUT	1		M12
21	19H2458	CAP SCREW	3		3/8" X 3"
22	R128662	SHEAVE	1		
23	H146636	BELT	1		ENGINE CRANK TO ROTARY SCREEN JACKSHAFT
24	H132808	BELT	1		FOR 215 HP ENGINE (ENGINE FAN DRIVE SHAFT TO FAN)
	H153297	BELT	1		COOLING FAN
25	H163515	BELT	1		AIR COMPRESSOR
26	24H1346	WASHER	1		
27	24M7239	WASHER	3		

1B15

ENGINE FAN, INTERCOOLER AND SCREENS

ENGINE FAN DRIVE (HI POWER)
HP8061 -UN-14JUN99



HP8061

1B16

ENGINE FAN, INTERCOOLER AND SCREENS

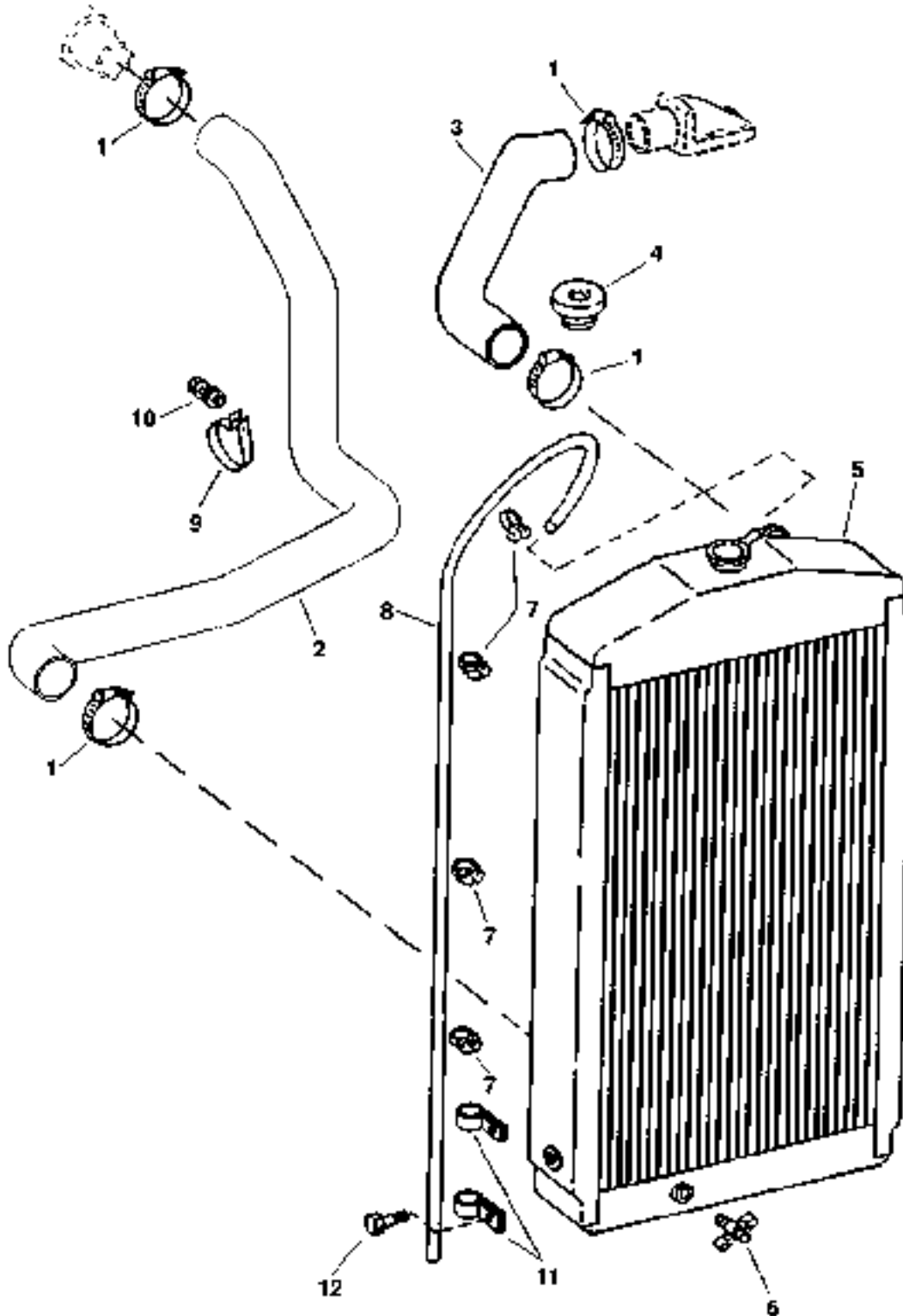
ENGINE FAN DRIVE (HI POWER) - CONTINUED

KEY	PART NO.	PART NAME	QTY	SERIAL NO.	REMARKS
1	14M7401	LOCK NUT	2		
2	H165276	SUPPORT	1	M12	
3	JD7797	LUBRICATION FITTING	1		
4	R42408	WASHER	1		
5	AH159244	BEARING	1		
6	26M6731	SHAFT KEY	1		
7	H163515	BELT	1		
8	24M7239	WASHER	3	10.700 X 21 X 2.500 MM	
9	H172031	BRACE	3		
10	19M7785	SCREW	1	M10 X 25	
11	19M8162	CAP SCREW	3	M10 X 40	
12	H165716	SHAFT	1		
13	14M7296	FLANGE NUT	3	M10	
14	40M7226	SNAP RING	1		
15	19H3175	CAP SCREW	3	9.525 X 92.075 MM	
16	AH163157	COUPLING	1		
17	H165718	RUBBER MOUNT	1		
18	H165717	SPIDER	1		
19	H153297	BELT	1	COOLING FAN	
20	H146636	BELT	1	ENGINE CRANK TO ROTARY SCREEN JACKSHAFT	
21	H165277	SHEAVE	1		
22	R117879	BUSHING	3		
23	19M7785	SCREW	4	M10 X 25	
24	14M7296	FLANGE NUT	4	M10	

1B17

ENGINE FAN, INTERCOOLER AND SCREENS

RADIATOR AND HOSES
HP6968 -UN-27OCT97



HP6968

1B18

ENGINE FAN, INTERCOOLER AND SCREENS

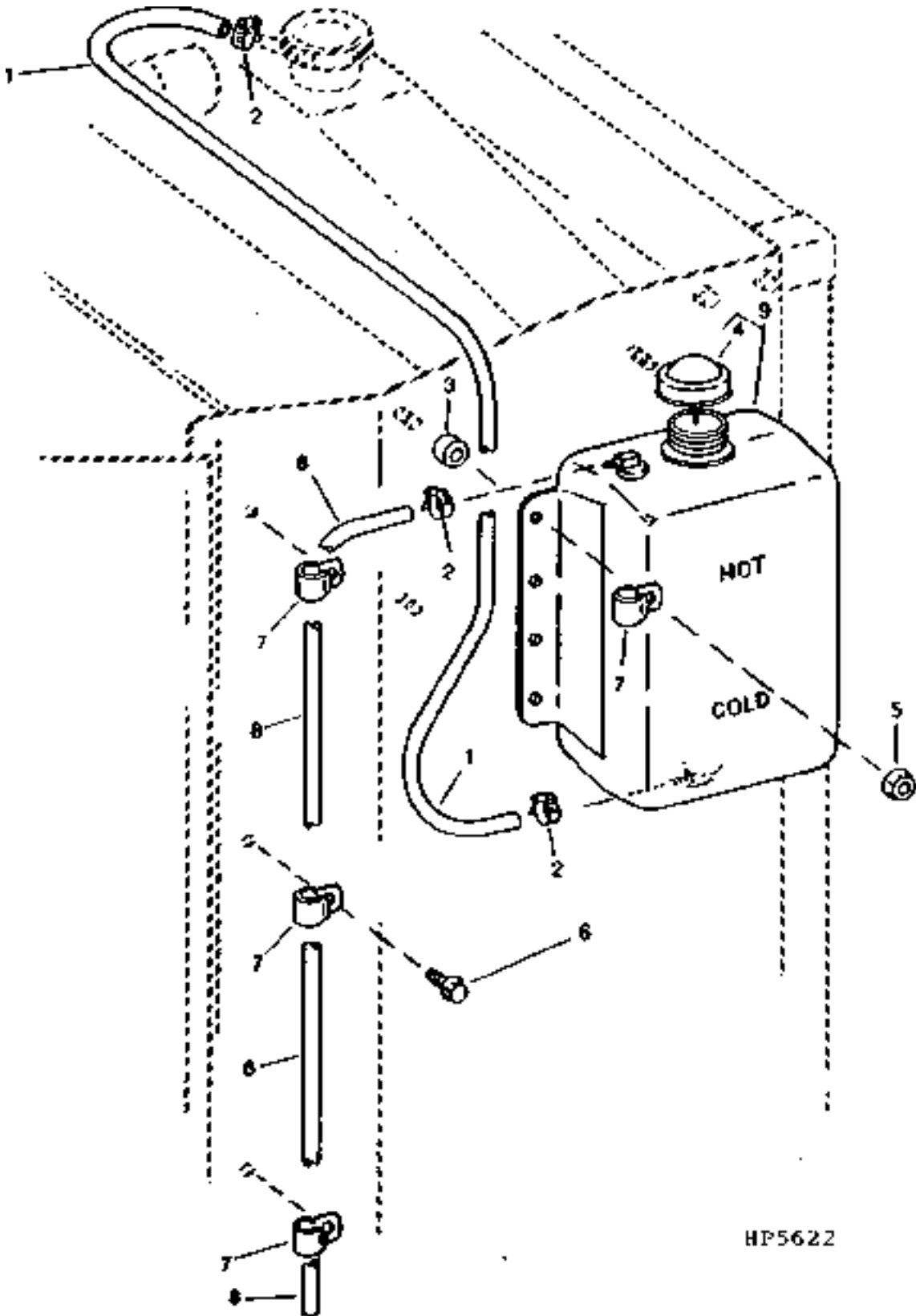
RADIATOR AND HOSES - CONTINUED

KEY	PART NO.	PART NAME	QTY	SERIAL NO.	REMARKS
1	AR21999	HOSE CLAMP	4		
2	AH151757	HOSE	1	-679457	
	AH160198	RADIATOR HOSE	1	679458-	SPRING REINFORCED
3	AH140931	HOSE	1		
4	AH148649	FILLER CAP	1		10 PSI
5	AH144719	RADIATOR	1		4 FPI, 6 ROW
6	AT13740	DRAIN VALVE	1		
7	H145832	CLAMP	1		
8	H147068	HOSE	1		
9	H123297	CLAMP	1		
10	19M7873	SCREW	1		M8 X 110
11	H75541	CLAMP	2		
	14M7298	FLANGE NUT	1		M8
12	37M7083	SCREW	2		M8 X 12
..	H166395	SEAL	AR	677652-	

1B19

ENGINE FAN, INTERCOOLER AND SCREENS

COOLANT RECOVERY TANK
HP5622 -UN-01JAN94



HP5622

1B20

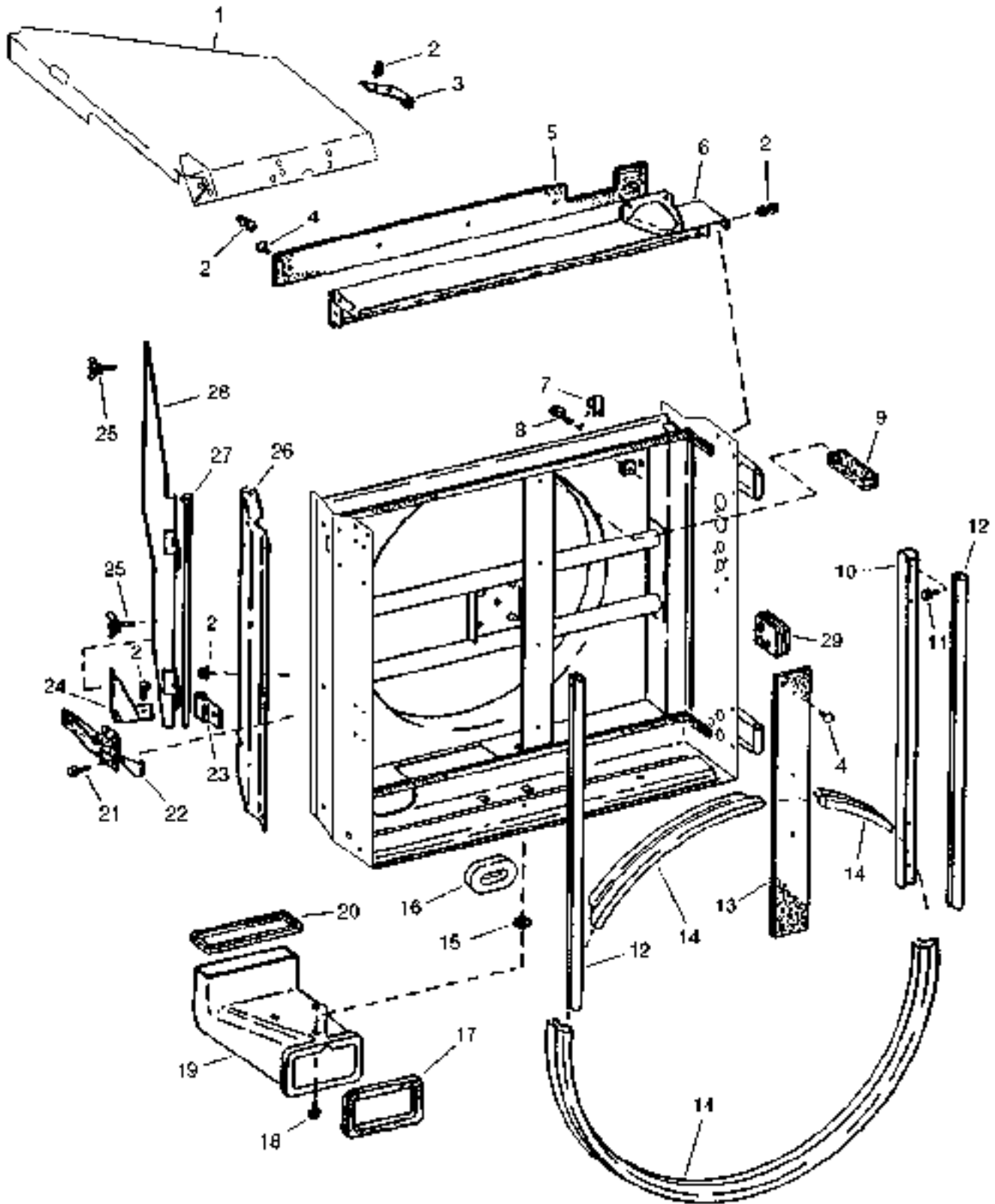
ENGINE FAN, INTERCOOLER AND SCREENS

COOLANT RECOVERY TANK - CONTINUED

KEY	PART NO.	PART NAME	QTY	SERIAL NO.	REMARKS
1	TY22566	HOSE	1		
2	TY22462	CLAMP	3		
3	M78494	SPACER	4		
4	AT106413	CAP	1		
5	14M7298	FLANGE NUT	4	M8	
6	19M7865	SCREW	3	M8 X 16	
7	AH89557	CLIP	4		
8	H147068	HOSE	1		
9	AT162597	TANK	1		

1B21

RADIATOR SHELL AND SEALS
HP8089 -UN-17DEC98



HP8089

1B22

ENGINE FAN, INTERCOOLER AND SCREENS

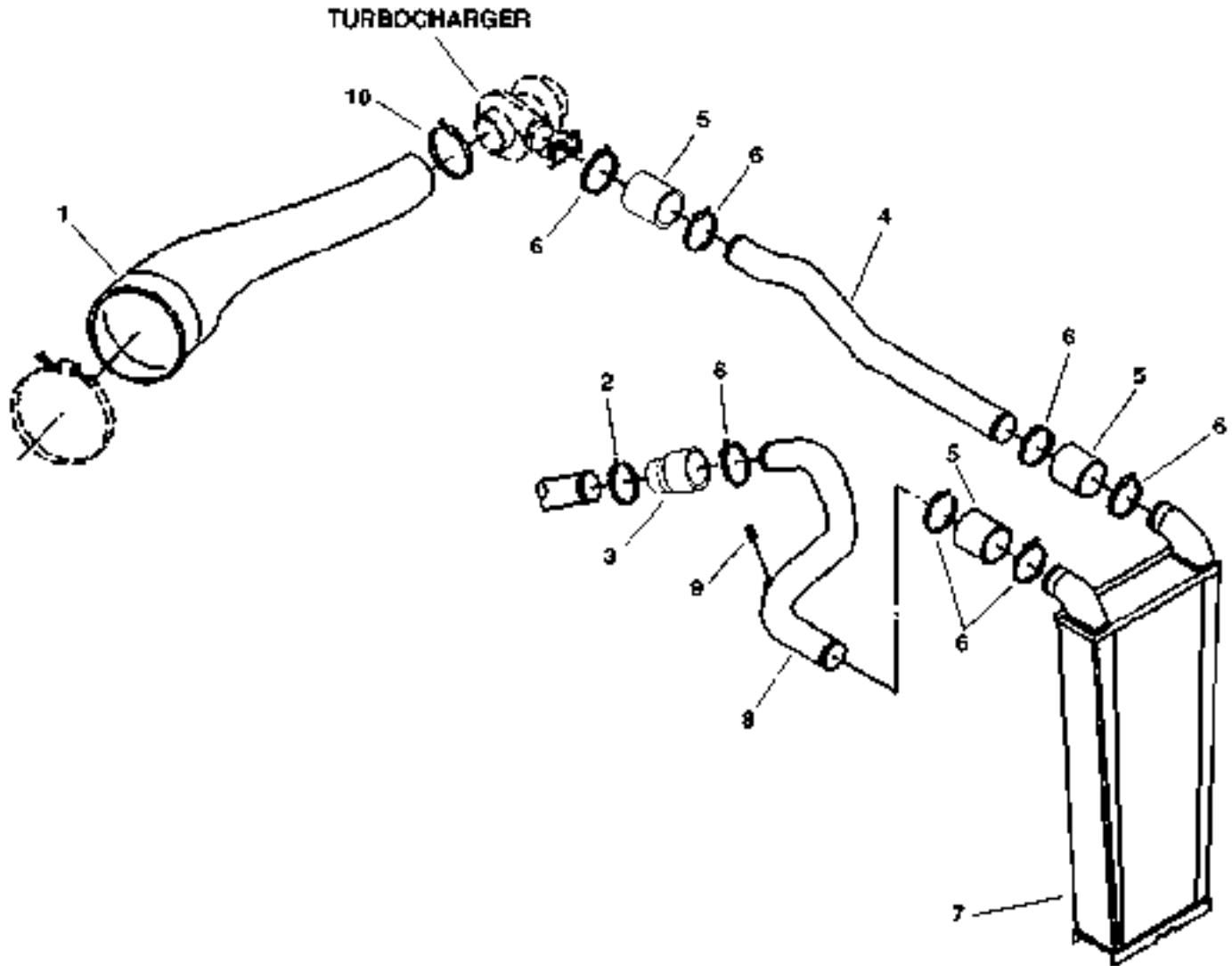
RADIATOR SHELL AND SEALS - CONTINUED

KEY	PART NO.	PART NAME	QTY	SERIAL NO.	REMARKS
1	AH160084	SHEET	1	(SUB FOR AH154238)	
2	19M7865	SCREW	1	M8 X 16	
	14M7298	FLANGE NUT	1	M8	
3	H167159	BRACKET	1	(SUB FOR H134910)	
4	H116740	PLUG	8		
5	H154195	SEAL	1		
6	AH139384	CHANNEL	1	(USE WITH AH128257)	
	AH133226	CHANNEL	1	(USE WITH AH144719)	
7	AH96317	CLIP	1		
8	19M7865	SCREW	1	M8 X 16	
9	H88769	ISOLATOR	2	CUT TO LENGTH	
10	H146260	CHANNEL	1		
11	19M7865	SCREW	1	M8 X 16	
	14M7298	FLANGE NUT	1	M8	
	24M7207	WASHER	2	8.400 X 24 X 2 MM	
12	ISOLATOR	2	(1037 MM) (MAKE FROM AH130548)	
13	H134520	SEAL	1		
14	AH140967	ACOUSTICAL UPHOLSTERY	2		
15	24M7207	WASHER	3	8.400 X 24 X 2 MM	
16	H128502	SEAL	1		
17	AH131965	ISOLATOR	1		
18	19M7865	SCREW	3	M8 X 16	
19	H143465	AIR DUCT	1		
20	SEAL	4	(MAKE FROM H88769) (2) 1440MM, (1) 135MM, (1) 765MM	
21	37M7060	SCREW	4	M4 X 10	
22	AH87272	LATCH	1		
23	H134913	HINGE	2		
24	AH131301	BRACKET	1		
25	21M7243	WING SCREW	2	M8 X 16	
26	H134526	SHEET	1		
27	H134917	PIN	1		
28	H134916	DOOR	1		
29	R71351	GROMMET	1		
	R62356	GROMMET	1		
	R66718	GROMMET	1		
30	AH156168	FRAME	1	(SUB FOR AH145233)	

1B23

ENGINE FAN, INTERCOOLER AND SCREENS

INTERCOOLER
HP7256 -UN-03NOV97



HP7256

1B24

ENGINE FAN, INTERCOOLER AND SCREENS

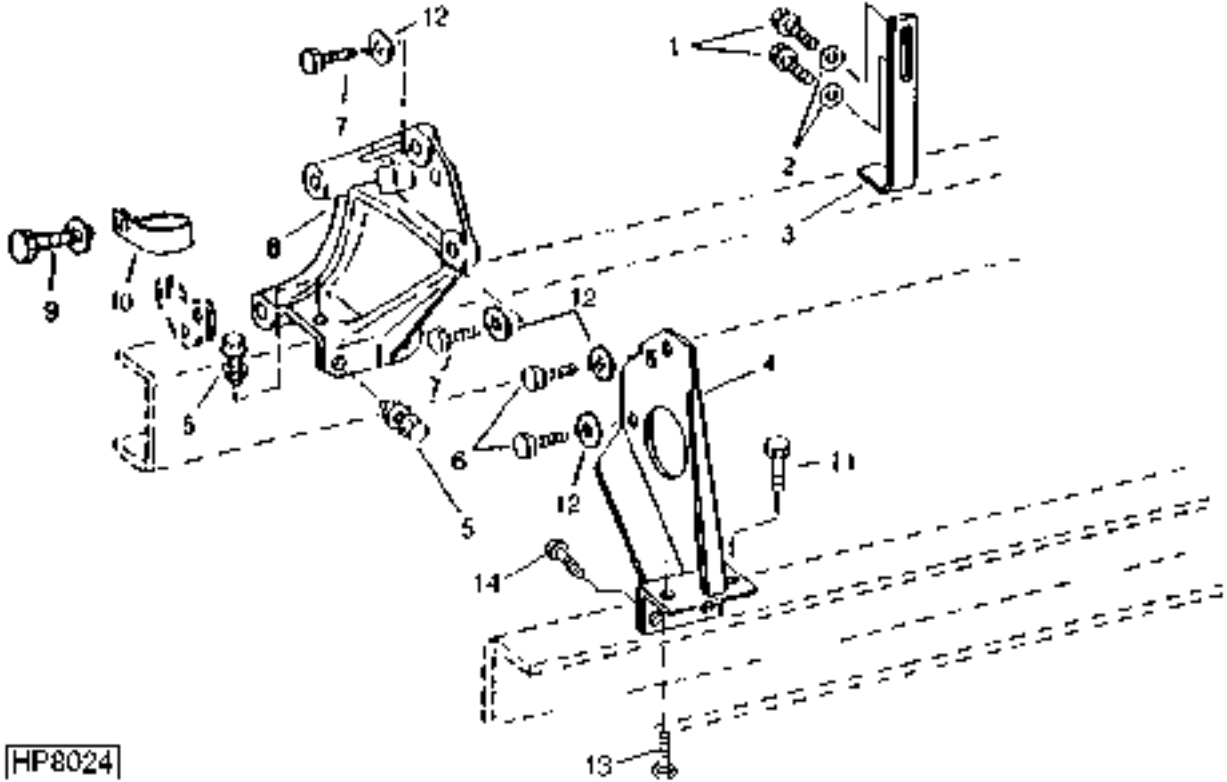
INTERCOOLER - CONTINUED

KEY	PART NO.	PART NAME	QTY	SERIAL NO.	REMARKS
1	AH153659	TUBE	1		
2	AT39141	HOSE CLAMP	1		
3	H152403	HOSE	1		
4	H161576	LINE	1		
5	H154825	HOSE	3		(SUB H168359) (USE WITH AT37476)
	H168359	HOSE	3		(USE WITH AT37476 (CLAMP) OR RE52702 (CLAMP))
6	AT37476	HOSE CLAMP	7		
	RE52702	CLAMP	7		
7	AH149229	AFTERCOOLER	1		
8	AH154992	LINE	1		
9	15H624	PIPE PLUG	1	1/2"	
10	AT112176	HOSE CLAMP	1		

1B25

ENGINE FAN, INTERCOOLER AND SCREENS

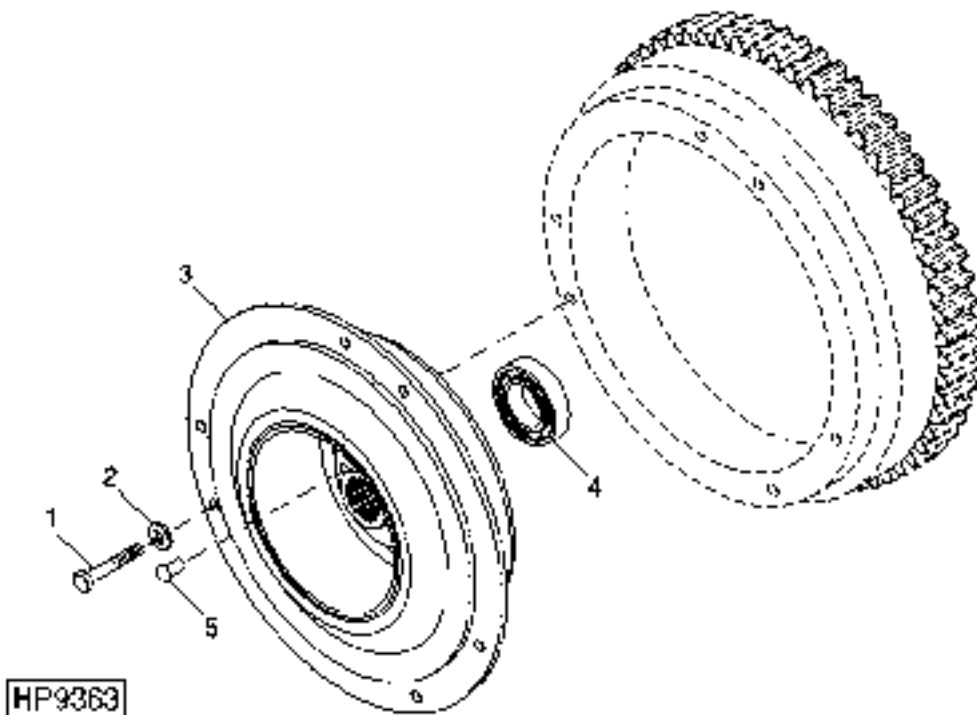
ENGINE MOUNTS AND REAR SUPPORT
HP8024 -UN-25NOV98



KEY	PART NO.	PART NAME	QTY	SERIAL NO.	REMARKS
1	19H1708	CAP SCREW	2		5/8" X 1-3/4"
2	24M7051	WASHER	2		21 X 37 X 3 MM
3	H134856	BRACKET	1		REAR
4	AH148106	SUPPORT	1		
5	19M7786	SCREW	8		M10 X 30
	14M7296	FLANGE NUT	8		M10
6	19H1792	CAP SCREW	2		1/2" X 1"
7	19H2473	CAP SCREW	2		1/2" X 1-3/4"
8	H147115	SUPPORT	1		R.H.
9	19M7167	CAP SCREW	1		M10 X 25
10	H143757	HOSE CLAMP	1		
11	19H1782	CAP SCREW	1		3/4" X 2-1/4"
12	12H301	LOCK WASHER	1		12.700 MM (1/2")
13	19M7835	SCREW	1		M10 X 35
14	19M7785	SCREW	1		M10 X 25

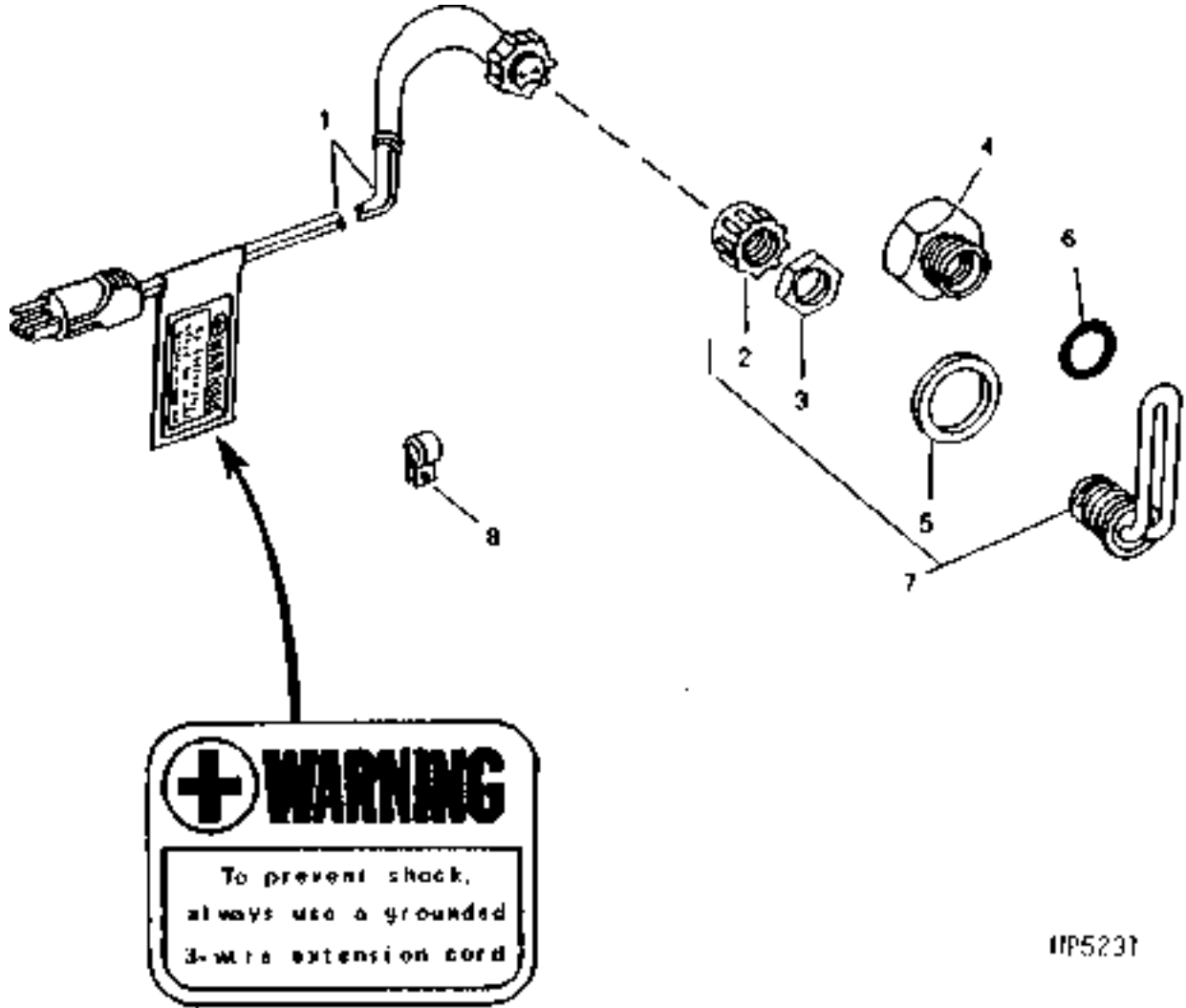
ENGINE GEARCASE COUPLING WITH HUB

HP9363 -UN-02DEC99



KEY	PART NO.	PART NAME	QTY	SERIAL NO.	REMARKS
1	R57725	SCREW	6		9.525 X 25.400 MM
2	R42729	WASHER	6		10.312 X 20.980 X 2.286 MM
3	AH117782	COUPLING	1		(INCLUDES (6) 16H1559)
4	AR48751	BALL BEARING	1	-677465	
	AH158296	BEARING	1	677466-	
5	16H1559	RIVET	6		7/16" X 1-1/4"

ENGINE BLOCK COOLANT HEATER AND EXT. CORD
HP5231 -UN-01JAN94



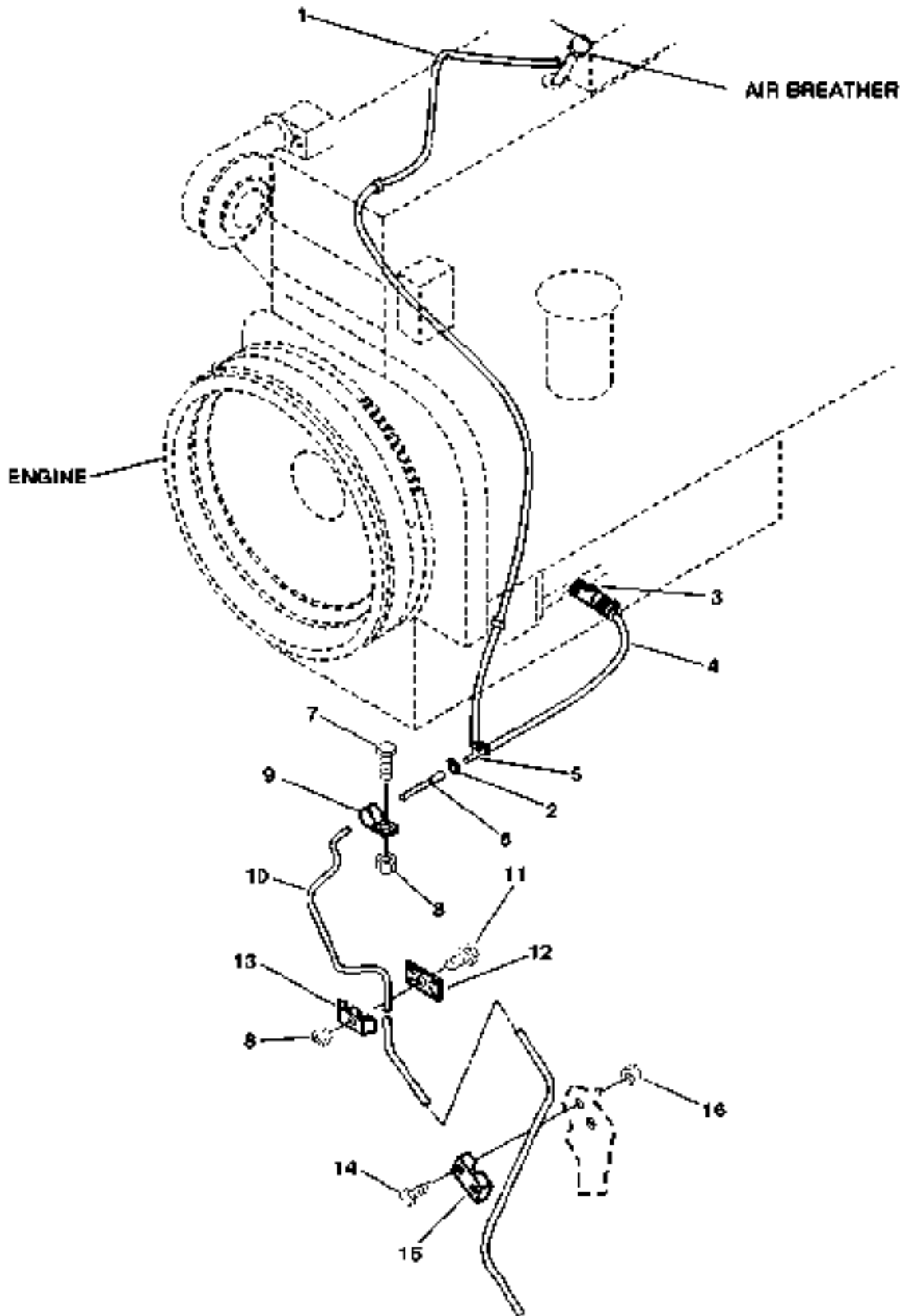
HP5231

ENGINE BLOCK COOLANT HEATER AND EXT. CORD - CONTINUED

KEY	PART NO.	PART NAME	QTY	SERIAL NO.	REMARKS
1	AR50411	WIRING LEAD	1		12', (110 VOLT)
	AH151458	POWER CORD	1		(220 VOLT)
2	R54510	CAP	1		
3	R54511	NUT	1		
4	R54123	ADAPTER	1		
5	R47693	GASKET	1		
6	U13639	O-RING	1		37.465 X 2.997 MM (1.475" X 0.118")
7	RE504122	COOLANT HEATER	1		(SUB FOR AR62399) (110 VOLT) STANDARD WITH ENGINE
	AR103807	HEATER	1		(220 VOLT)
8	H75541	CLAMP	1		
..	BH81219	COMPLETE GOODS/SHIP. BUNDLE	1		(220 VOLT) COOLANT HEATER

1C4

ENGINE CRANKCASE OIL DRAIN
HP6783 -UN-12SEP97



HP6783

1C5

ENGINE FAN, INTERCOOLER AND SCREENS

ENGINE CRANKCASE OIL DRAIN - CONTINUED

KEY	PART NO.	PART NAME	QTY	SERIAL NO.	REMARKS
1	H152868	HOSE	1		
2	AT18904	CLAMP	5		
3	A27238	HOSE FITTING	1		
4	TY22424	HOSE	1		
5	A24915	TEE FITTING	1		
6	H160024	HOSE	1		
7	19M7867	SCREW	1	M8 X 25	
8	14M7298	FLANGE NUT	1	M8	
9	T70694	CLAMP	1		
10	H161155	TUBE	1		
11	19M7801	SCREW	1	M8 X 60	
12	H112567	PLATE	2		
13	H114897	CLAMP	2		
14	03M7280	BOLT	2	M6 X 45	
15	H114432	CLAMP	2		
16	14M7303	FLANGE NUT	2	M6	

MEMORANDA

1C10

ENGINE

TORQ-GARD SUPREME AND PLUS-50 ENGINE OIL
RGP3291 -UN-01JAN94



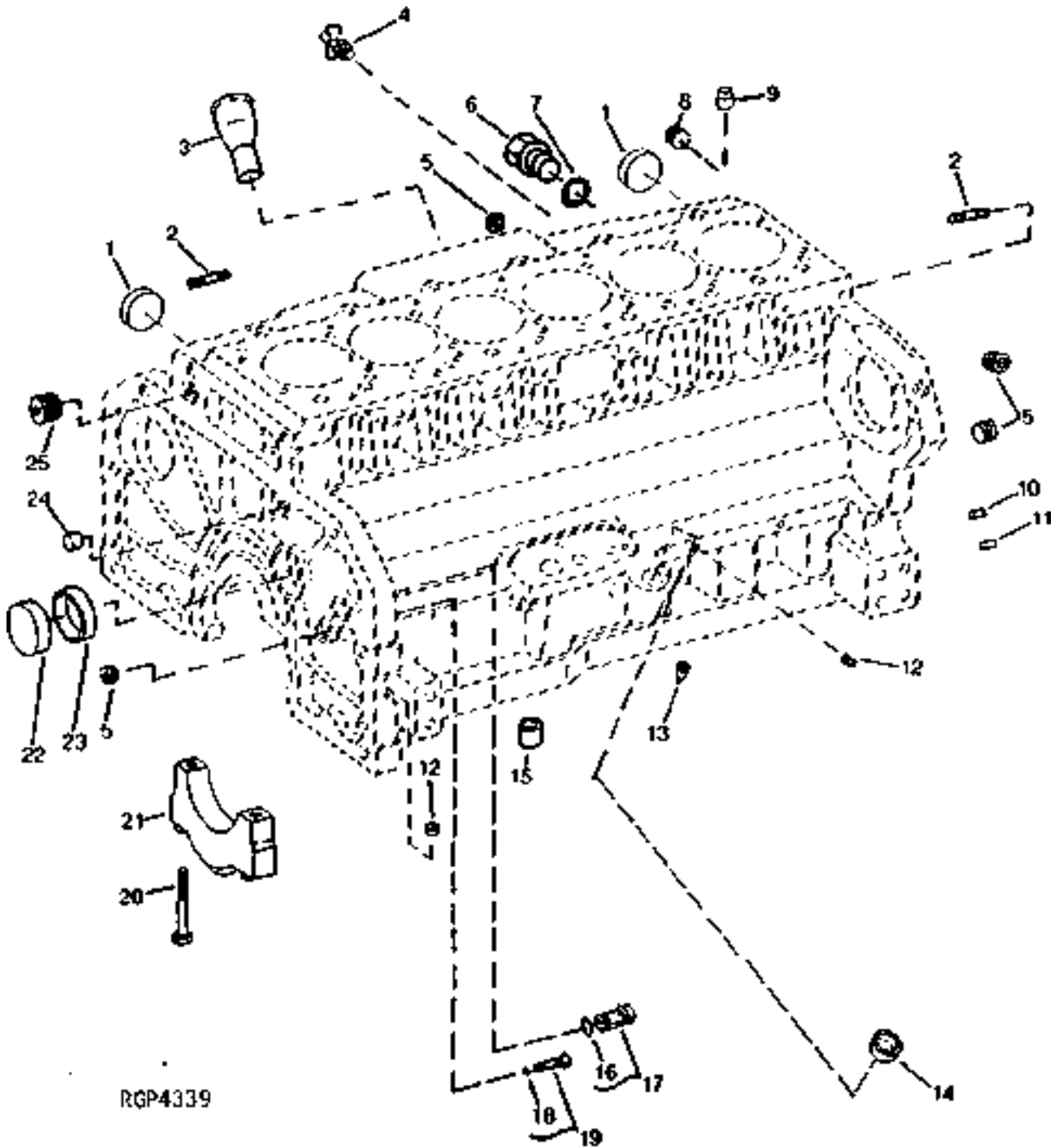
RGP 3291

KEY	PART NO.	PART NAME	QTY	ENGINE SERIAL NO.	REMARKS
1	TY22064	OIL	1	(SAE 5W/30), 0.9L (1 QT)	
	TY22065	OIL	1	(SAE 5W/30), 19L (5 GAL)	
	TY22066	OIL	1	(SAE 5W/30), 208L (55 GAL)	
	TY6364	OIL	1	(SAE 10W/30), 0.9L (1 QT) (BREAKIN)	
	TY22067	OIL	1	(SAE 10W), .9L (1 GAL)	
	TY22068	OIL	1	(SAE 10W), 19L (5 GAL)	
	TY22069	OIL	1	(SAE 10W), 208L (55 GAL)	
	TY22070	OIL	1	(SAE 30W), 0.9L (1 GAL)	
	TY22073	OIL	1	(SAE 30W), 19L (5 GAL)	
	TY6280	OIL	1	(SAE 30W), 114L (30 GAL)	
	TY22074	OIL	1	(SAE 30W), 208L (55 GAL)	
	2 TY6389	OIL	1	(SAE 15W/40), 0.9 L (1 QT)	
	TY22008	OIL	1	(SAE 15W/40), 3.8 L (1 GAL)	
	TY6390	OIL	1	(SAE 15W/40), 19 L (5 GAL)	
	TY22010	OIL	1	(SAE 15W/40), 113.6 L (30 GAL)	
	TY6391	OIL	1	(SAE 15W/40), 208 L (55 GAL)	
	TY6392	OIL	1	(SAE 30W), 0.9 L (1 QT)	
	TY22007	OIL	1	(SAE 30W), 3.8 L (1 GAL)	
	TY6393	OIL	1	(SAE 30W), 19 L (5 GAL)	
	TY22011	OIL	1	(SAE 30W), 113.6 L (30 GAL)	
	TY6394	OIL	1	(SAE 30W), 208 L (55 GAL)	
..	TY22041	OIL	1	(SAE 10W/30), 3.8 L (1 GAL) (BREAKIN)	
..	TY22042	OIL	1	(SAE 10W/30), 208 L (55 GAL) (BREAKIN)	

1C11

ENGINE

CYLINDER BLOCK FITTINGS
RGP4339 -UN-01JAN94



RGP4339

1C12

ENGINE

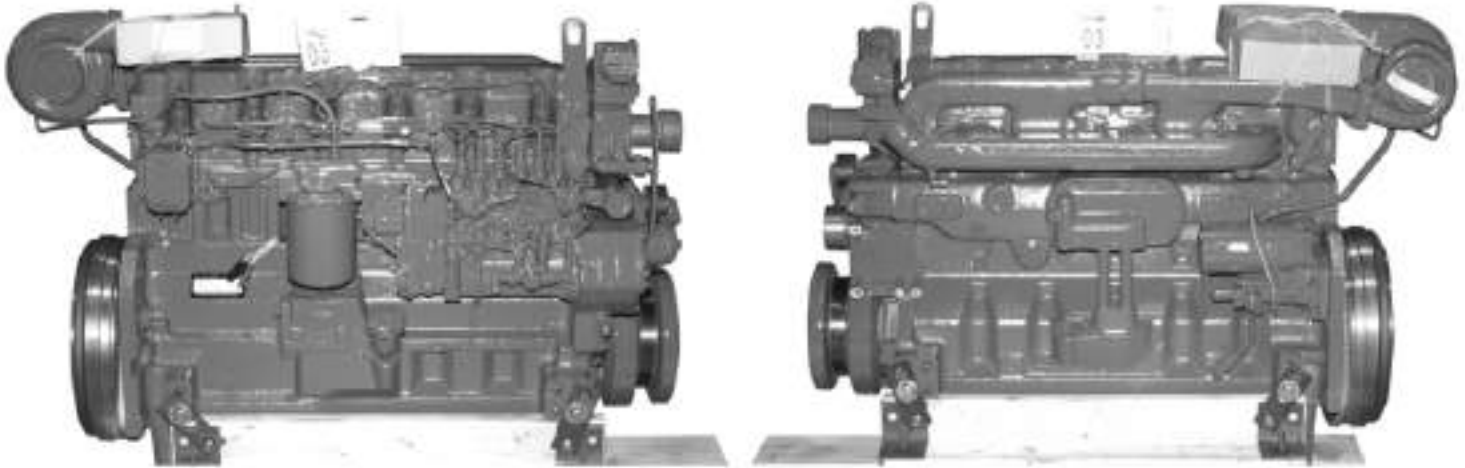
CYLINDER BLOCK FITTINGS - CONTINUED

KEY	PART NO.	PART NAME	QTY	ENGINE SERIAL NO.	REMARKS
1	R43409	CAP	2		
2	R114130	STUD	5		
3	R121765	DIPSTICK TUBE	1		
4	AT13740	DRAIN VALVE	1		
5	R36599	PLUG	3	1/2 "	
6	R39741	DRAIN PLUG	1		
7	U13639	O-RING	1		
8	15H690	PIPE PLUG	1	3/4"	
9	R42340	BUSHING	2		
10	R1612R	DOWEL PIN	2		
11	F1743R	DOWEL PIN	2		
12	R104592	PIPE PLUG	6		
13	R43621	ORIFICE	6		
14	T35390	CAP	1		
15	R500642	BUSHING	2		(SUB FOR R62930, THIS APPLICATION)
16	R27149	O-RING	1		
17	AR61533	PLUG	1		
18	A4365R	O-RING	1		
19	AR61589	PLUG	1		
20	R122364	BOLT	14		
21	R120953	BEARING CAP	6		(MAIN)
	R120954	BEARING CAP	1		(THRUST)
22	R82007	CAP	1		
23	R87561	BUSHING	4		
24	R61288	DOWEL PIN	1		
25	15H562	PIPE PLUG	1	1"	
..	15H686	PIPE PLUG	1	1", (CYLINDER BLOCK REAR COOLANT OPENING)	

1C13

ENGINE

KEY ENGINE SERVICE PARTS
RGP4943 -UN-25JUL97



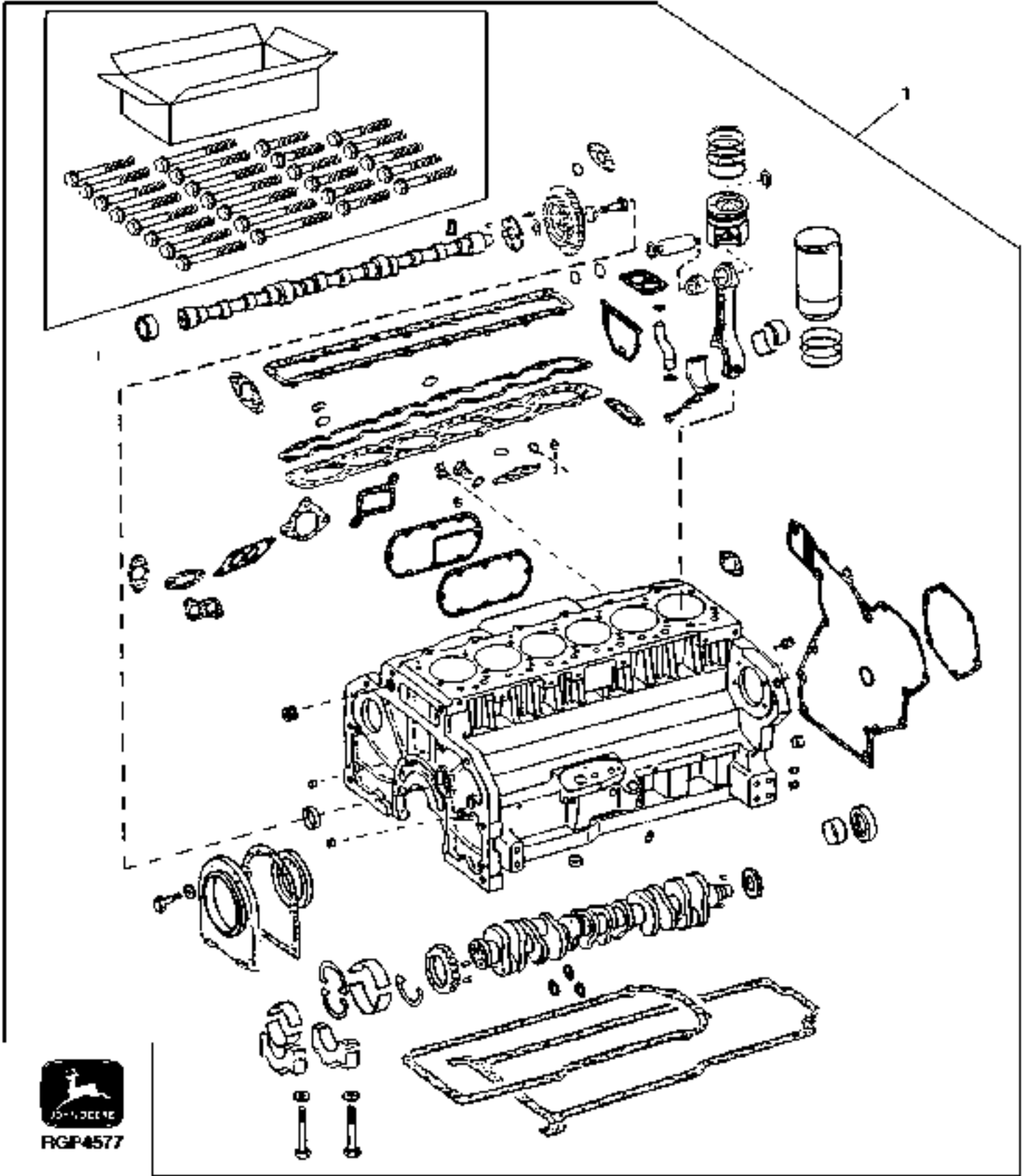
KEY	PART NO.	PART NAME	QTY	ENGINE SERIAL NO.	REMARKS
..	R119384	GASKET	1	(T.G.C.)	
..	RE60622	OIL PUMP	1		
..	RE55475	ENGINE CYLINDER HEAD GASKET	1	(HEAD)	
..	RE57394	OIL FILTER	1		
..	AR86745	FILTER ELEMENT	1		
..	RE22764	SEAL	1	(REAR)	
..	AR49025	SEAL	1	(FRONT)	

MEMORANDA

1C14

ENGINE

ENGINE SHORT BLOCK
RGP4577 -UN-02NOV95



1C15

ENGINE

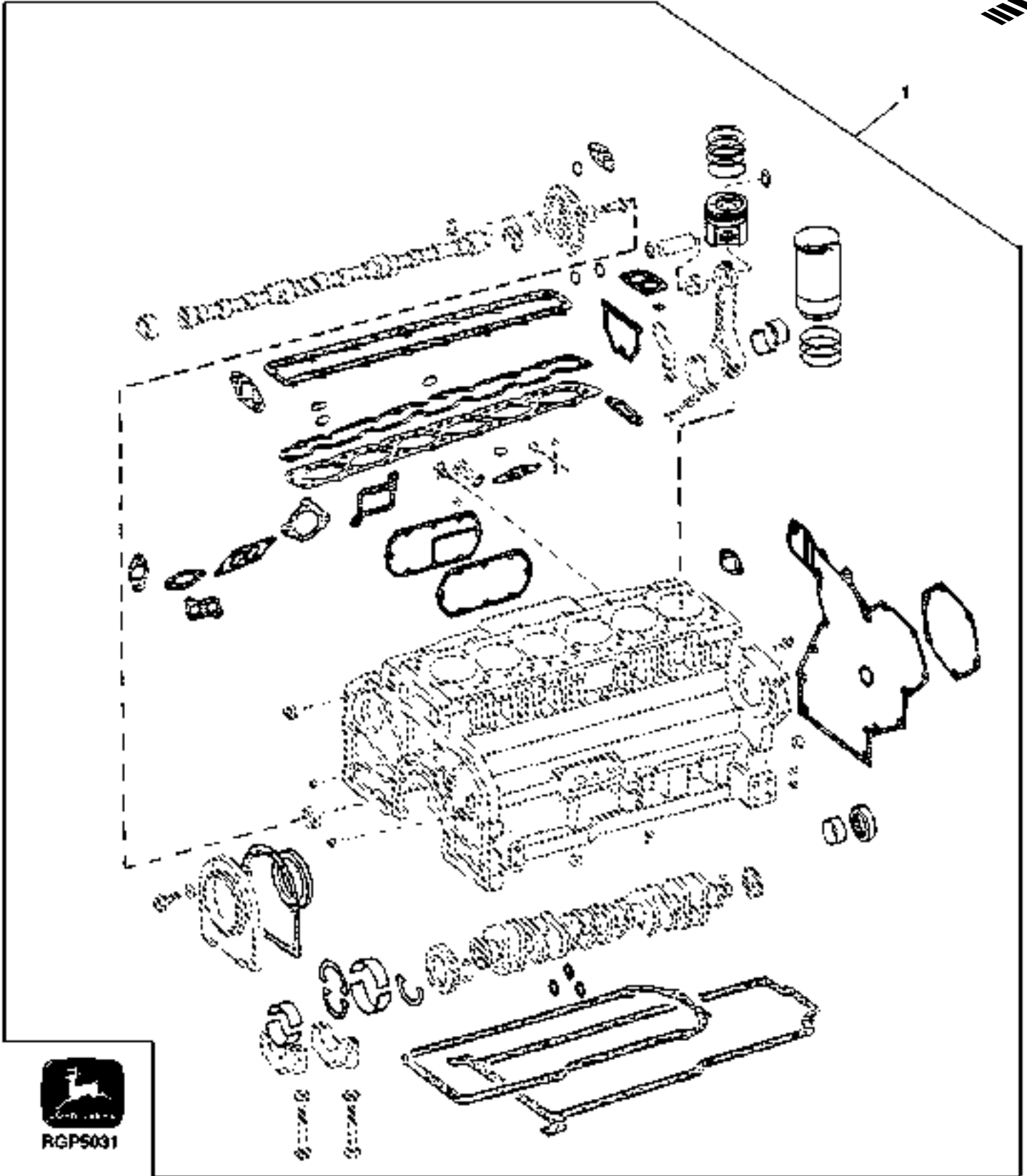
ENGINE SHORT BLOCK - CONTINUED

KEY	PART NO.	PART NAME	QTY	ENGINE SERIAL NO.	REMARKS
1	RE65050	SHORT BLOCK ASSEMBLY	1		(MARKED R115471) (LOW COMPRESSION RE65407 PISTON) (ALSO ORDER R121765) (HH003)

1C16

ENGINE

ENGINE OVERHAUL KIT
RGP5031 -UN-11MAY98



1C17

ENGINE

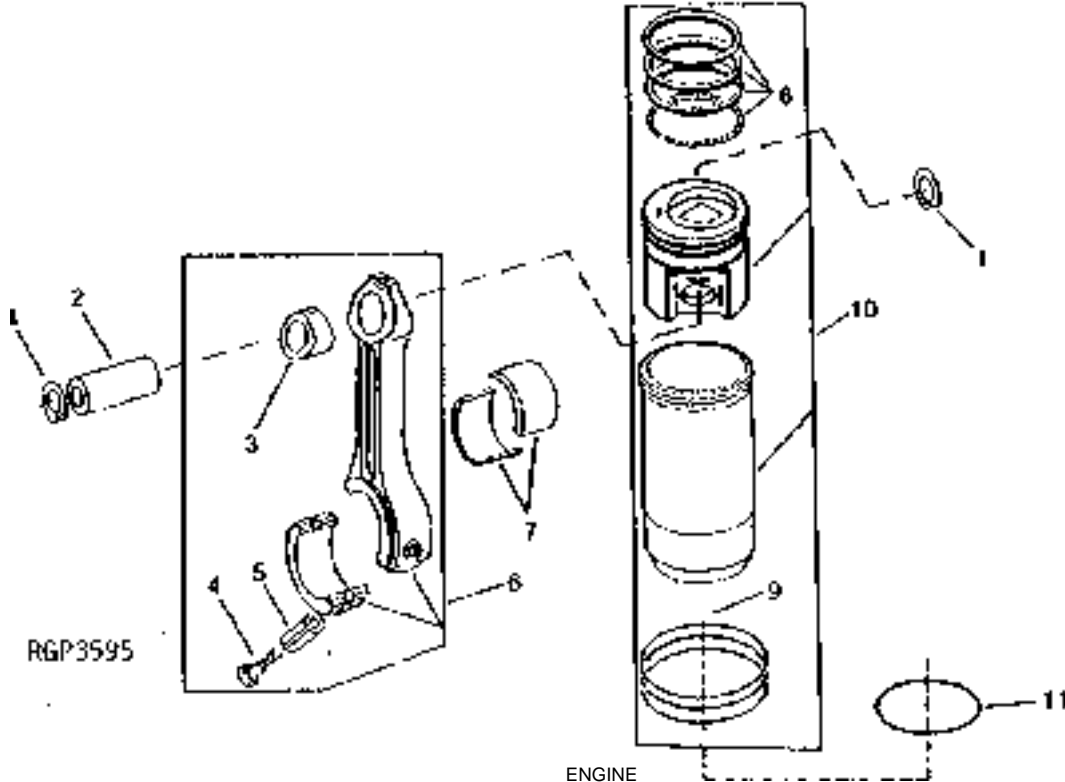
ENGINE OVERHAUL KIT - CONTINUED

KEY	PART NO.	PART NAME	QTY	ENGINE SERIAL NO.	REMARKS
1	RE64907	ENGINE OVERHAUL KIT	1		(CONTAINS (6) RE62791 PISTON/LINERS, GASKET KIT, STD BEARINGS, FRONT/REAR SEALS, AND SNAP RINGS) (ALSO ORDER R66452 ROD BOLTS) (CONTAINS LOW COMPRESSION PISTONS MARKED RE65407) (6081HH003)

1C18

ENGINE

PISTON/CONNECTING RODS/CYLINDER LINER
RGP3595 -UN-01JAN94

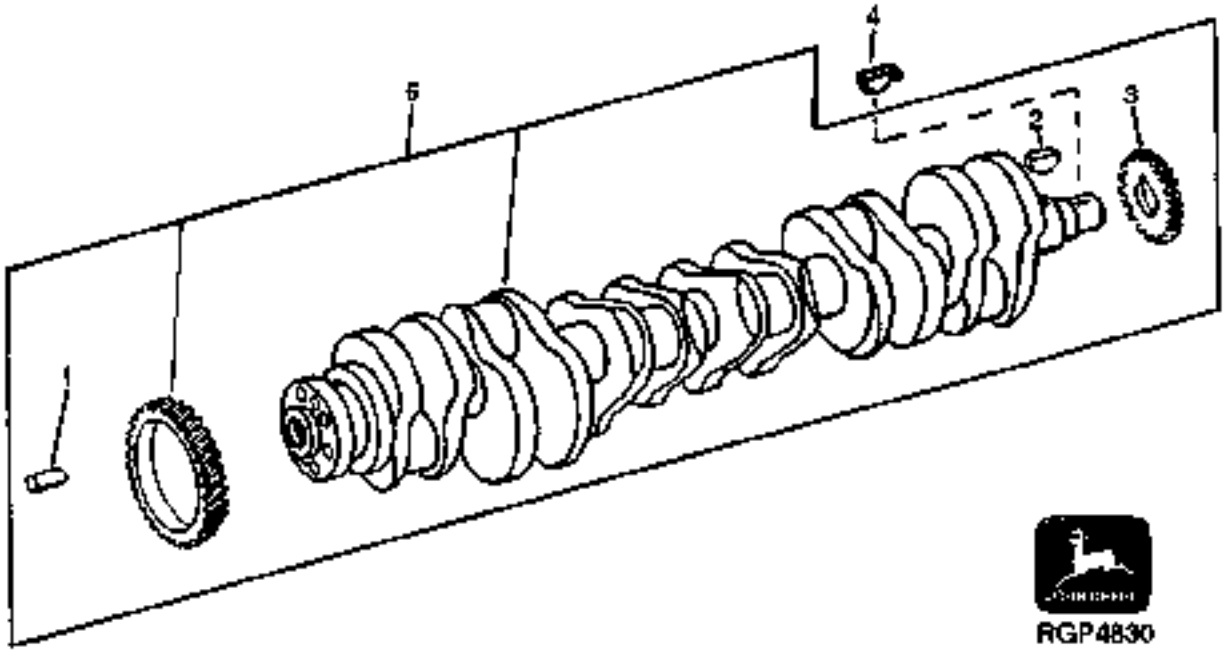


KEY	PART NO.	PART NAME	QTY	ENGINE SERIAL NO.	REMARKS
1	E1343FN	SNAP RING	12		
2	R57771	PISTON PIN	6		
3	R74008	BUSHING	6		
4	R66452	CAP SCREW	12		
5	R53292	SLEEVE	12		
6	RE53154	CONNECTING ROD	6		(MARKED R116340)
7	R116081	BEARING	AR		STD PKG (2)
	RE57167	BEARING	AR		0.292MM (.011") (UNDERSIZE) (PKG OF (2) R121338)
8	RE57188	PISTON RING	6		
9	AR98850	KIT	6		
10	RE62791	KIT	6		(HH003) (LOW COMPRESSION) (MARKED RE65407)
11	R93948	SHIM	2		0.05MM (.002") (MAX.)

1C19

ENGINE

CRANKSHAFT
RGP4830 -UN-02DEC96

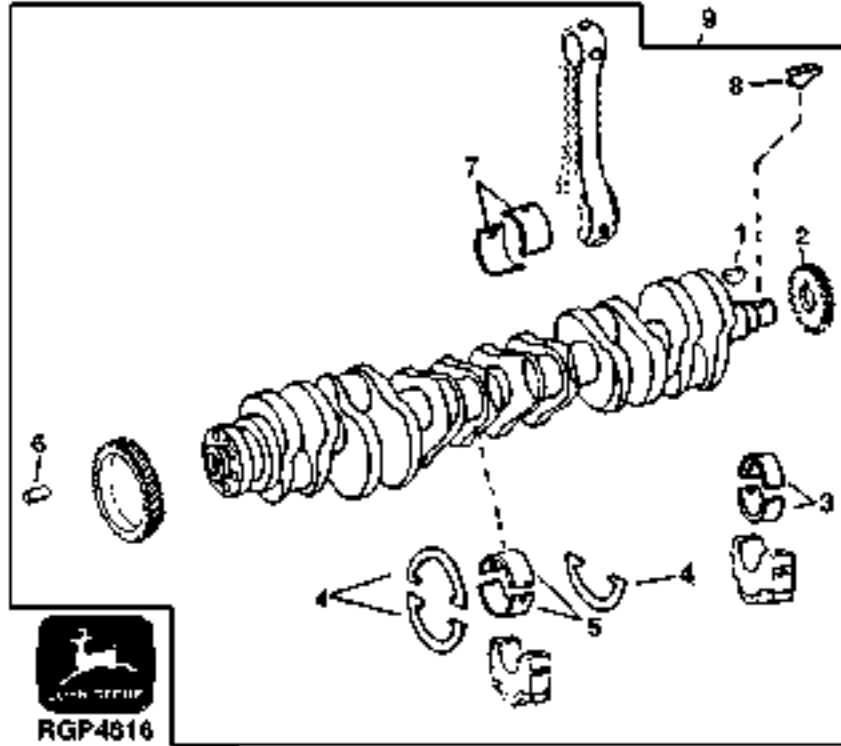


KEY	PART NO.	PART NAME	QTY	ENGINE SERIAL NO.	REMARKS
1	R41934	DOWEL PIN	1		
2	R120752	KEY	1	1/8" X 0.625"	
3	R104587	GEAR	1		
4	R116311	KEY	1		
5	RE55522	CRANKSHAFT	1	(MARKED R120030)	

1C20

ENGINE

UNDERSIZE CRANKSHAFT/BEARINGS, KIT
RGP4816 -UN-21OCT96



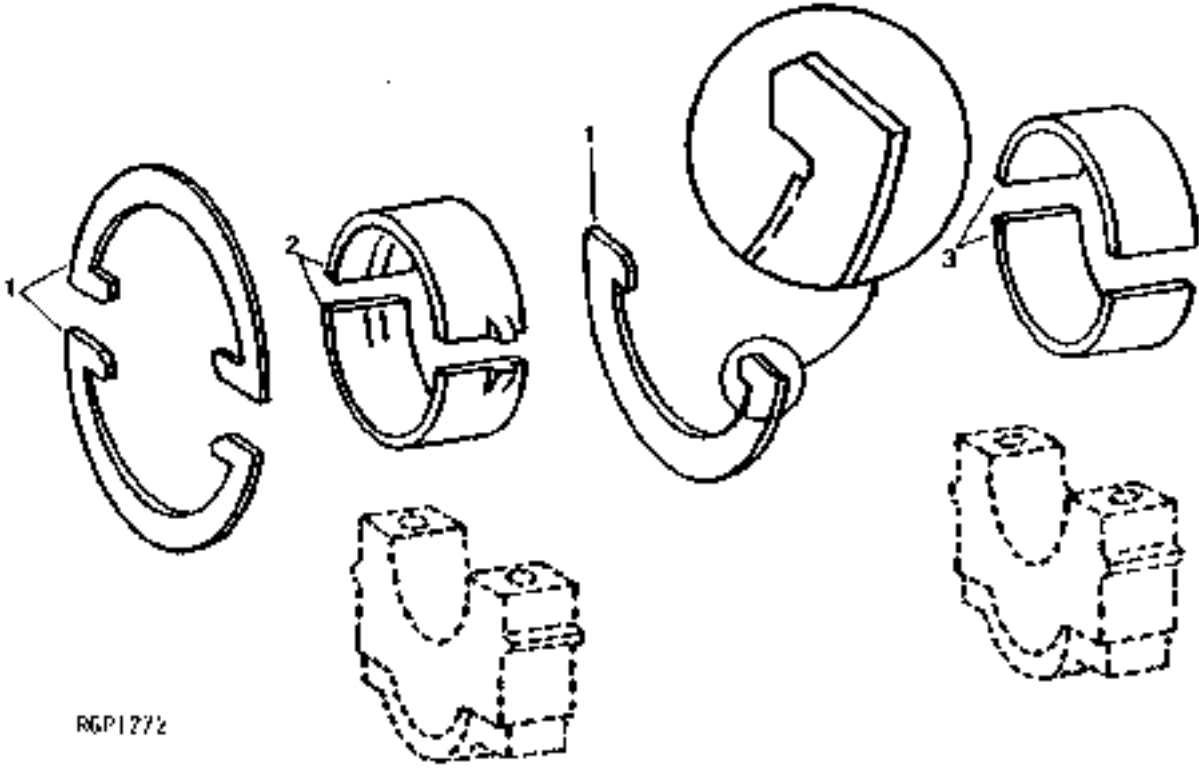
KEY	PART NO.	PART NAME	QTY	ENGINE SERIAL NO.	REMARKS
1	R120752	KEY	1		
2	R104587	GEAR	1		
3	RE57170	BEARING	6		STD
4	RE61253	THRUST WASHER	1		STD (PKG R116084 AND, R116085)
5	RE57175	THRUST BEARING	1		STD (PKG R116085)
6	R41934	DOWEL PIN	1		
7	RE57167	BEARING	6		.292 MM (.011") US (PKG (2) R121338)
8	R116311	KEY	1		
9	RE61267	CRANKSHAFT	1		.292 MM (.011") US, (MARKED RE58780 OR R122653)

1C21

ENGINE

MAIN BEARINGS

RGP1272 -UN-01JAN94



RGP1272

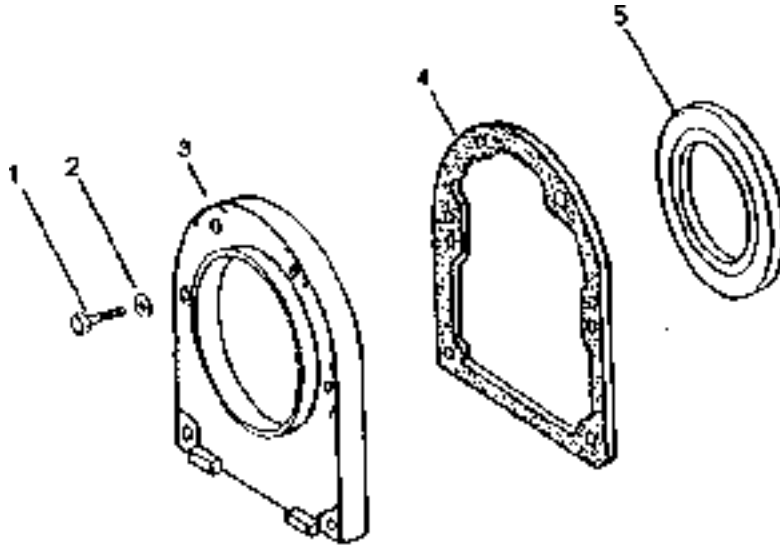
KEY	PART NO.	PART NAME	QTY	ENGINE SERIAL NO.	REMARKS
1	RE61253	THRUST WASHER	1		STD (PKG (3) R124381)
	RE61851	THRUST WASHER	1		0.18 MM (.007") (PKG (3) R124842)
2	RE57175	THRUST BEARING	1		STD (PKG R116084 AND R116085)
	RE57177	THRUST BEARING	1		0.292 MM (.011") (PKG R121350 AND R121354)
	RE57178	THRUST BEARING	1		0.552 MM (.022") (PKG R121351 AND R121355)
3	RE57170	BEARING	AR		STD (PKG R116082 AND R116083)
	RE57172	BEARING	AR		0.292 MM (.011") (PKG R121342 AND R121346)
	RE57173	BEARING	AR		0.552 MM (.022") (PKG R121343 AND R121347)

1C22

ENGINE

CRANKSHAFT OIL SEAL AND HOUSING

RGP2382 -UN-01JAN94



RGP2382

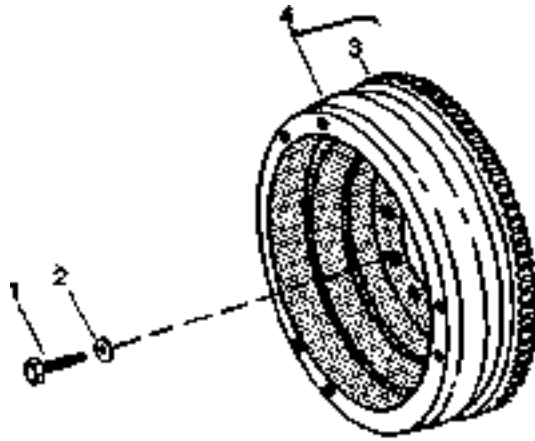
KEY	PART NO.	PART NAME	QTY	ENGINE SERIAL NO.	REMARKS
1	19H2117	CAP SCREW	6	5/16" X 1-1/8"	
2	T27860	WASHER	6	11/32" X 11/16" X 0.065"	
3	R125027	HOUSING	1		
4	R26058	GASKET	1		
5	RE22764	SEAL	1		

1C23

ENGINE

FLYWHEEL

RGP198 -UN-01JAN94



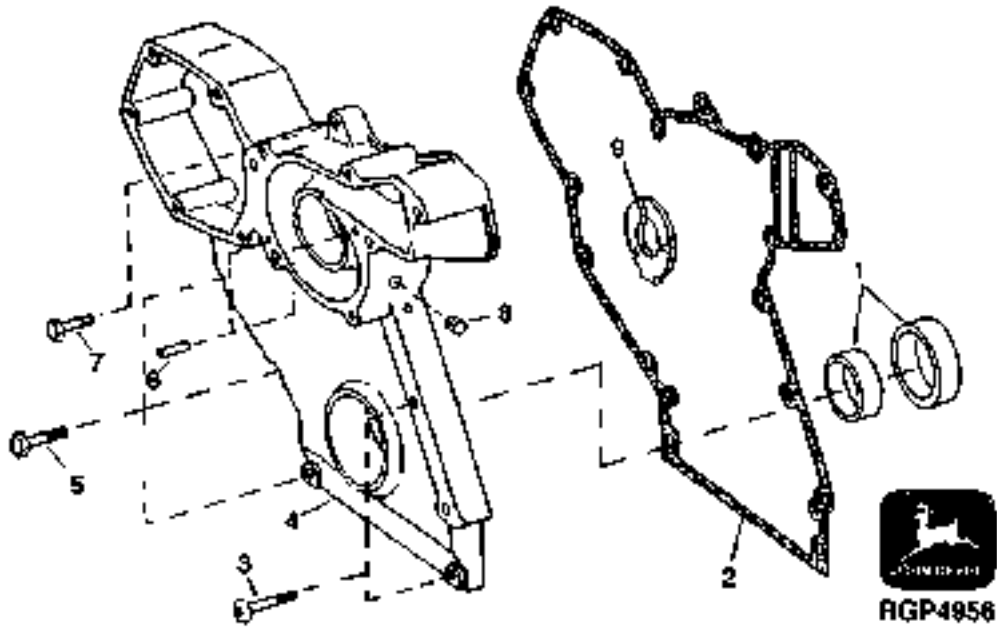
RG P198

KEY	PART NO.	PART NAME	QTY	ENGINE SERIAL NO.	REMARKS
1	R79850	CAP SCREW	6		
2	T23891	WASHER	6		
3	R28811	RING GEAR	1		
4	RE502510	FLYWHEEL	1		(MARKED R125183 OR R501414) (SUB FOR RE57733)

1C24

ENGINE

TIMING GEAR COVER
RGP4956 -UN-20AUG97



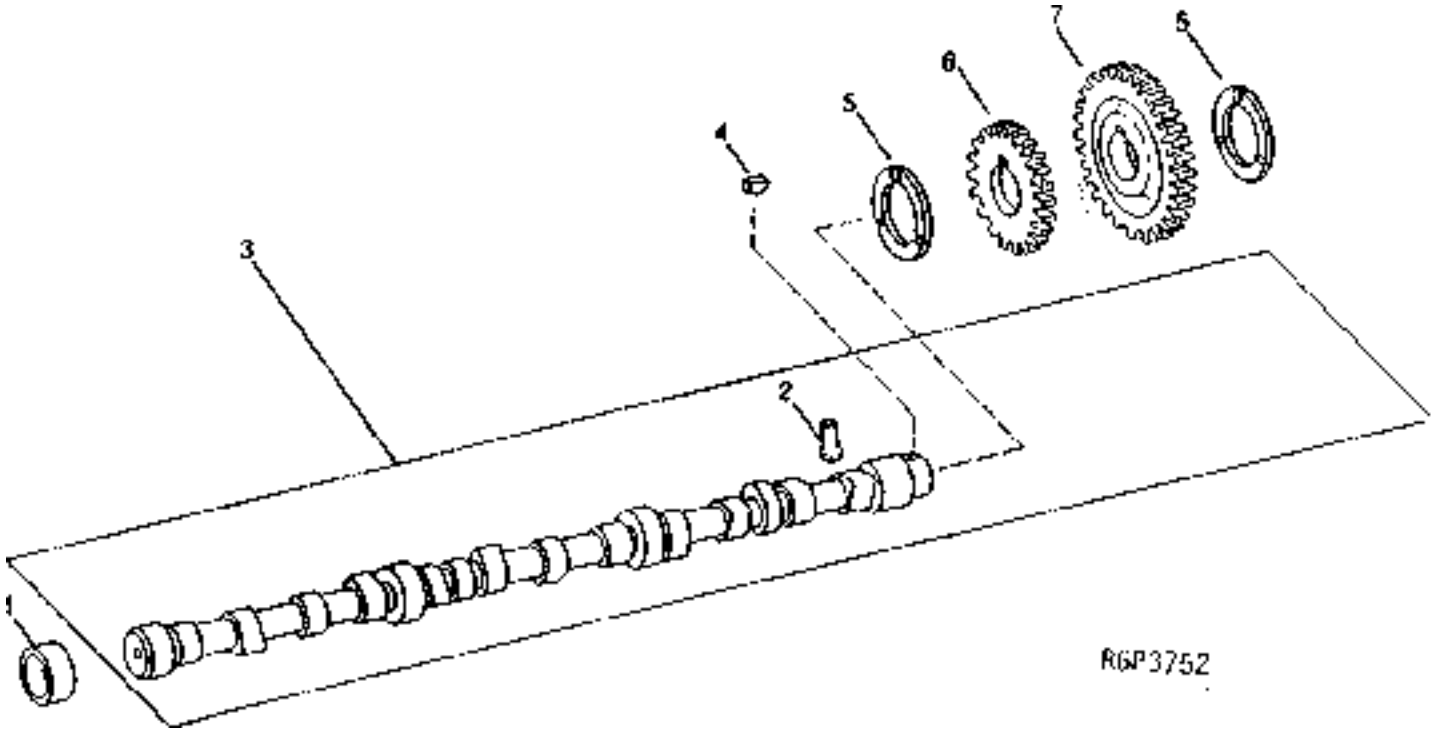
KEY	PART NO.	PART NAME	QTY	ENGINE SERIAL NO.	REMARKS
1	AR49025	SEAL	1		
2	R119384	GASKET	1		
3	R115129	CAP SCREW	3		
4	R119381	COVER	1		
5	R104859	CAP SCREW	3		
6	R11086	DOWEL PIN	2		
7	19H3693	CAP SCREW	1	3/8" X 1-1/4"	
8	R98527	FILTER	1	(WATER PUMP)	
9	R104656	THRUST WASHER	1		

1C25

ENGINE

CAMSHAFT

RGP3752 -UN-01JAN94

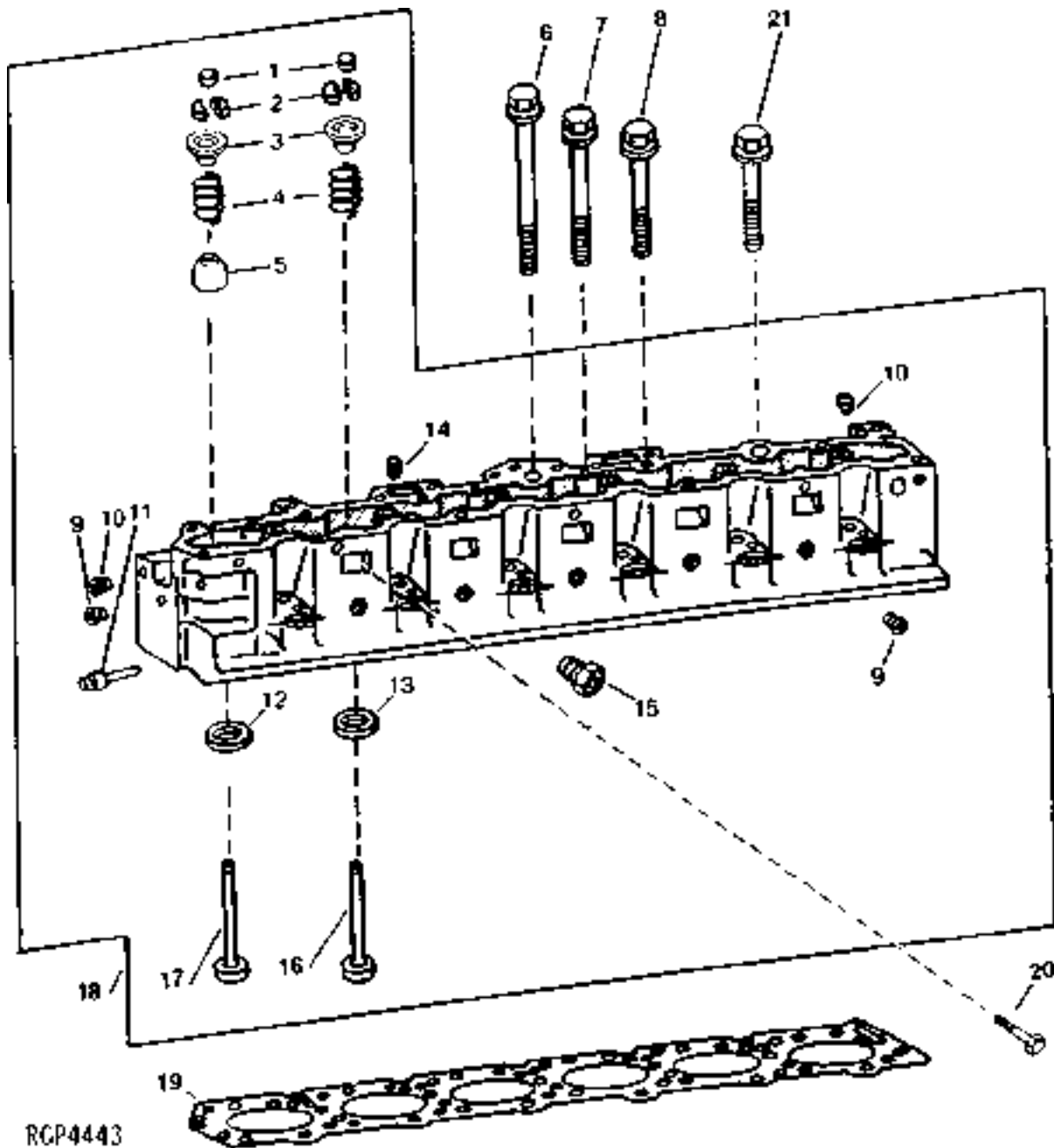


KEY	PART NO.	PART NAME	QTY	ENGINE SERIAL NO.	REMARKS
1	R87561	BUSHING	4		
2	R110126	CAM FOLLOWER	12		
3	RE57054	CAMSHAFT	1		(MARKED R120872)
4	26H91	SHAFT KEY	1		3/16" X 1-1/4"
5	R104656	THRUST WASHER	2		
6	R104589	GEAR	1		
7	R112053	GEAR	1		

1D1

ENGINE

CYLINDER HEAD
RGP4443 -UN-28FEB95



1D2

ENGINE

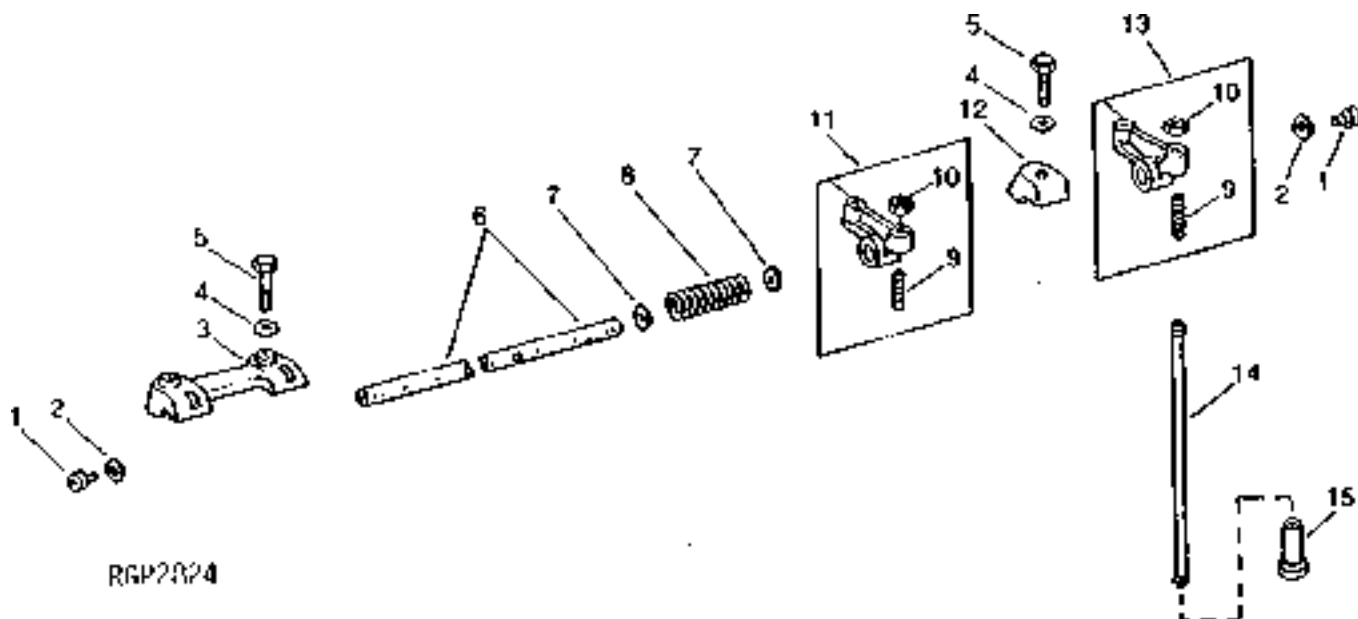
CYLINDER HEAD - CONTINUED

KEY	PART NO.	PART NAME	QTY	ENGINE SERIAL NO.	REMARKS
1	T20129	CAP	12		
2	T20077	RETAINER	24		
3	R136320	CAP	12		(SUB FOR R104534)
4	R91822	SPRING	12		
5	R102882	SHIELD	6		(EXHAUST VALVES ONLY)
6	R121491	CAP SCREW	7		203 MM (8.0") (MARKED "SPECIAL")
7	R121490	CAP SCREW	8		175 MM (6.9") (MARKED "SPECIAL")
8	R121320	CAP SCREW	6		134 MM (5.3") (MARKED "SPECIAL")
9	15H690	PIPE PLUG	10		3/4"
10	15H584	PIPE PLUG	2		1/2"
11	AT107509	PLUG	1		
12	R119132	VALVE SEAT INSERT	6		EXHAUST
13	R121193	VALVE SEAT INSERT	6		INTAKE
14	34H387	SPRING PIN	1		3/16" X 3/4"
15	R76491	PIPE PLUG	1		
16	R84618	INTAKE VALVE	6		STD
	R93308	INTAKE VALVE	AR		0.08MM (.003") OS
	R93312	INTAKE VALVE	AR		0.38MM (.015") OS
	R93314	INTAKE VALVE	AR		0.76MM (.030") OS
17	R84619	EXHAUST VALVE	6		STD
	R93311	EXHAUST VALVE	AR		0.08MM (.003") OS
	R93313	EXHAUST VALVE	AR		0.38MM (.015") OS
	R93315	EXHAUST VALVE	AR		0.76MM (.030") OS
18	RE57750	CYLINDER HEAD	1		(MARKED R122419)
19	RE55475	ENGINE CYLINDER HEAD GASKET	1		
20	19H2367	CAP SCREW	1		5/8" X 3/4"
21	R121489	CAP SCREW	5		149 MM (5.9") (MARKED "SPECIAL")
..	RG24026	KIT	1		(CONTAINS (26) "SPECIAL" HEAD BOLTS)

1D3

ENGINE

ROCKER ARM SHAFT
RGP2824 -UN-01JAN94



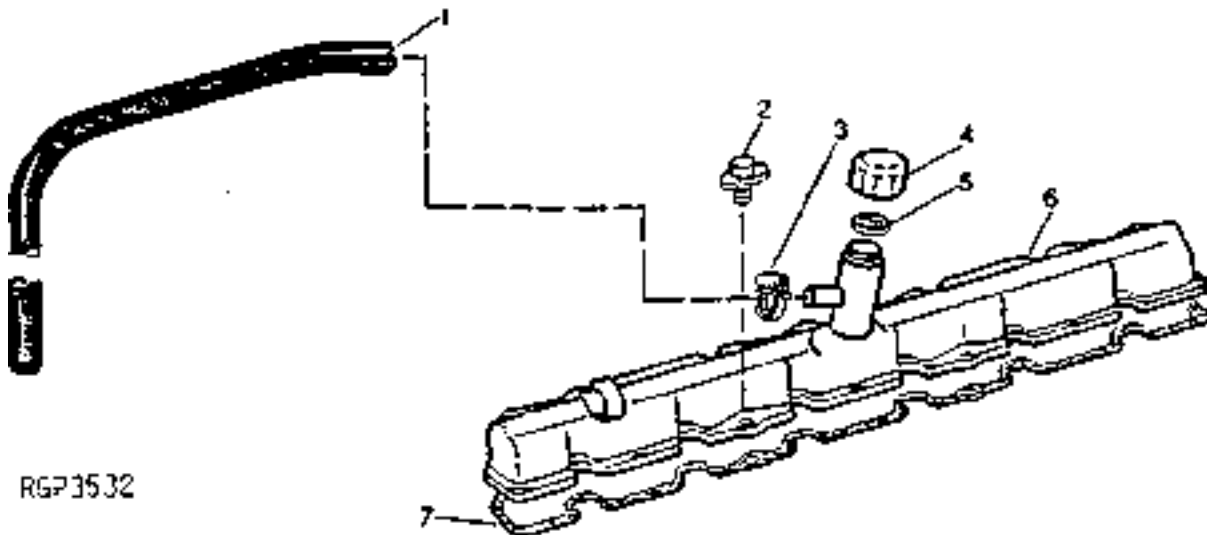
KEY	PART NO.	PART NAME	QTY	ENGINE SERIAL NO.	REMARKS
1	R54565	PLUG	2		
2	R26081	WASHER	2		
3	R136083	CLAMP	2		(SUB FOR R65553)
4	R26559	WASHER	6		
5	19H1740	CAP SCREW	6		7/16" X 1-3/4"
6	R70826	ROCKER ARM SHAFT	1		
7	R71208	WASHER	10		
8	R26079	SPRING	5		
9	R27443	SET SCREW	12		
10	14H1080	NUT	12		3/8"
11	RE24045	ROCKER ARM	6		(A) (1E, 2I, 3E, 4I, 5E, 6I) (RH)
12	R26748	CLAMP	2		
13	RE24046	ROCKER ARM	6		(A) (1I, 2E, 3I, 4E, 5I, 6E) (LH)
14	R85027	PUSH ROD	12		
15	R110126	CAM FOLLOWER	12		

(A) - E (EXHAUST VALVE) - I (INTAKE VALVE)

1D4

ENGINE

ROCKER ARM COVER
RGP3532 -UN-01JAN94



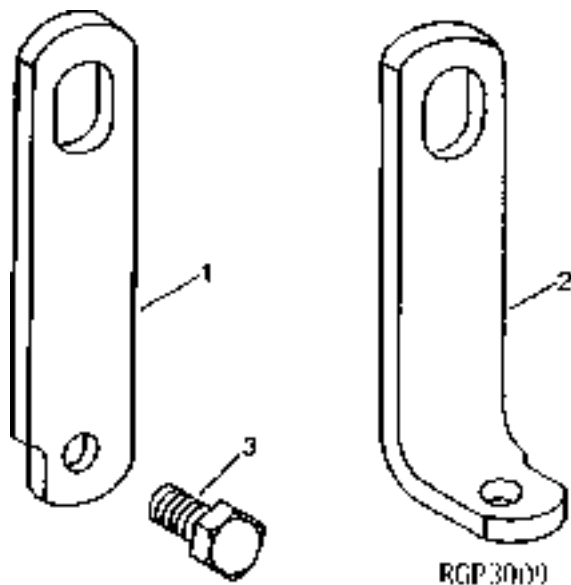
KEY	PART NO.	PART NAME	QTY	ENGINE SERIAL NO.	REMARKS
1	H152868	HOSE	1		
2	AR100124	SCREW, WITH WASHER	8		
3	TY22467	CLAMP	1		
4	T20294	CAP	1		
5	T20328	GASKET	1		
6	AR93173	COVER	1		
7	R49866	GASKET	1		
..	TY24446	ADHESIVE	1	(SUB FOR AR31790)	

1D5

ENGINE

LIFT STRAPS

RGP3009 -UN-01JAN94



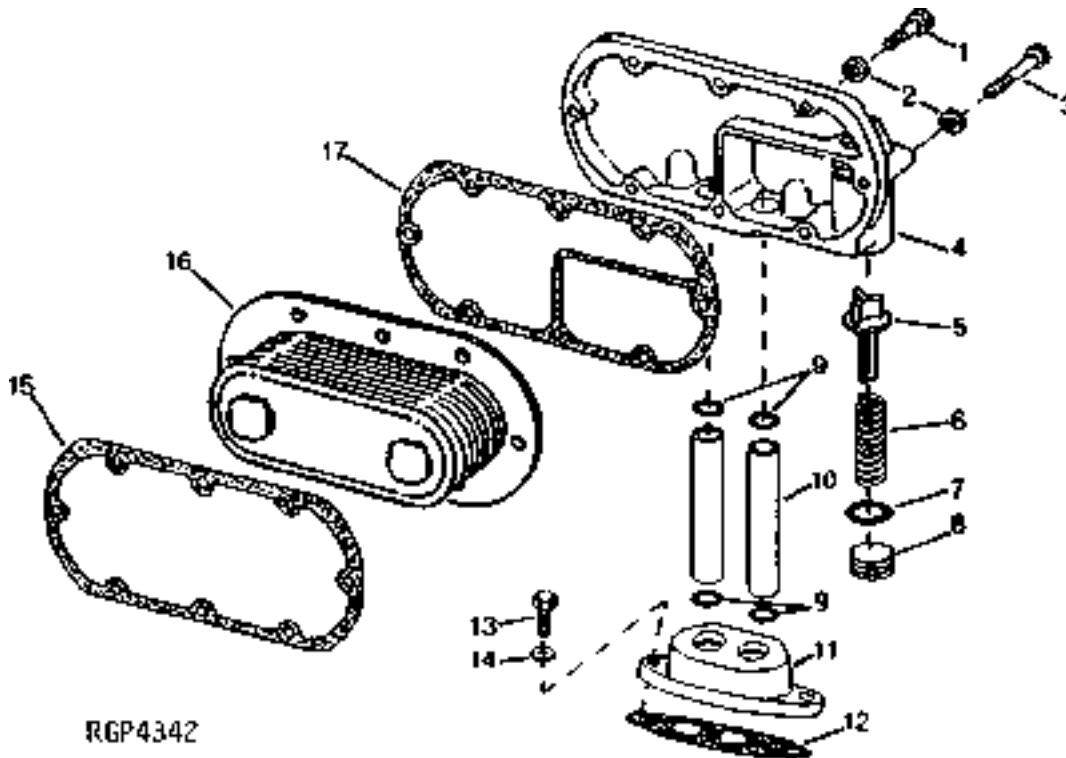
KEY	PART NO.	PART NAME	QTY	ENGINE SERIAL NO.	REMARKS
1	R61497	STRAP	1		
2	R86571	ANGLE	1		
3	19H1756	CAP SCREW	2	5/8" X 1-1/2"	

1D6

ENGINE

OIL COOLER

RGP4342 -UN-01JAN94



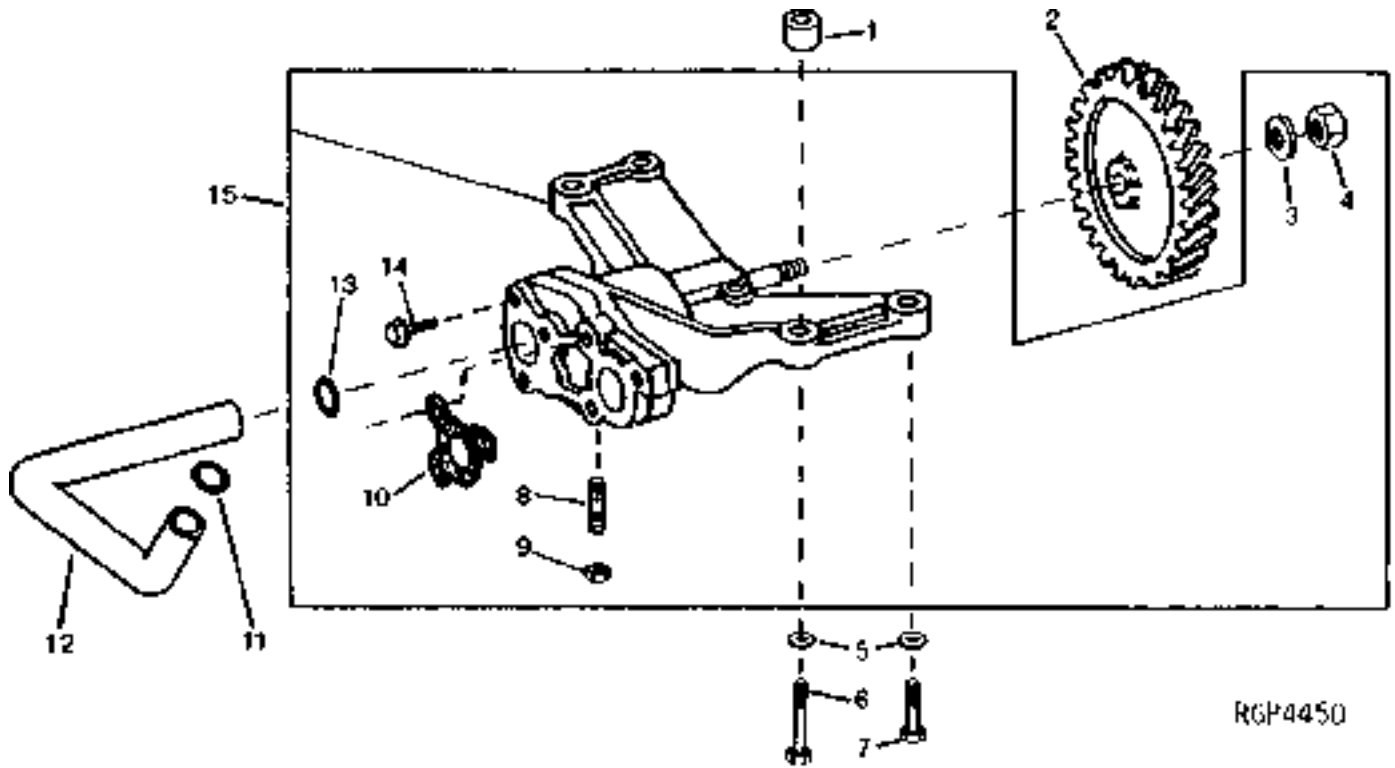
RGP4342

KEY	PART NO.	PART NAME	QTY	ENGINE SERIAL NO.	REMARKS
1	19H3768	CAP SCREW	5		5/16" X 1-3/8"
2	24M7055	WASHER	8		8.400 X 16 X 1.600 MM
3	19H3769	CAP SCREW	3		5/16" X 2-1/2"
4	R134602	COVER	1		
5	R500055	VALVE	1		(SUB FOR R108867)
6	R98064	SPRING	1		
7	U17409	O-RING	1		
8	R121163	FITTING PLUG	1		
9	R47153	O-RING	4		
10	R51053	OIL TUBE	2		
11	R127297	ADAPTER	1		
12	R50424	GASKET	2		
13	19H3483	CAP SCREW	2		3/8" X 1-1/8"
14	24M7096	WASHER	2		10.500 X 18 X 1.600 MM
15	AR58952	GASKET	1		
16	AR55394	OIL COOLER	1		
17	R132396	GASKET	1		

1D7

ENGINE

OIL PUMP
RGP4450 -UN-03MAR95



RGP4450

1D8

ENGINE

OIL PUMP - CONTINUED

KEY	PART NO.	PART NAME	QTY	ENGINE SERIAL NO.	REMARKS
1	R62930	BUSHING	2		
2	R62938	GEAR	1		
3	T21242	WASHER	1		
4	14H826	NUT	1	1/2"	
5	R57696	WASHER	4		
6	19H2549	CAP SCREW	2	3/8" X 1-7/8"	
7	19H3219	CAP SCREW	2	3/8" X 1-3/8"	
8	22H1040	SET SCREW	1	5/16" X 1-1/4"	
9	14H785	NUT	1	5/16"	
10	R100569	GASKET	1		
11	R71732	O-RING	1		
12	R116718	OIL TUBE	1		
13	R71732	O-RING	1		
14	R104628	CAP SCREW	5		
15	RE60622	OIL PUMP	1	(MARKED R124328)	

1D9

ENGINE

ENGINE OIL PUMP INTAKE

RGP3629 -UN-01JAN94



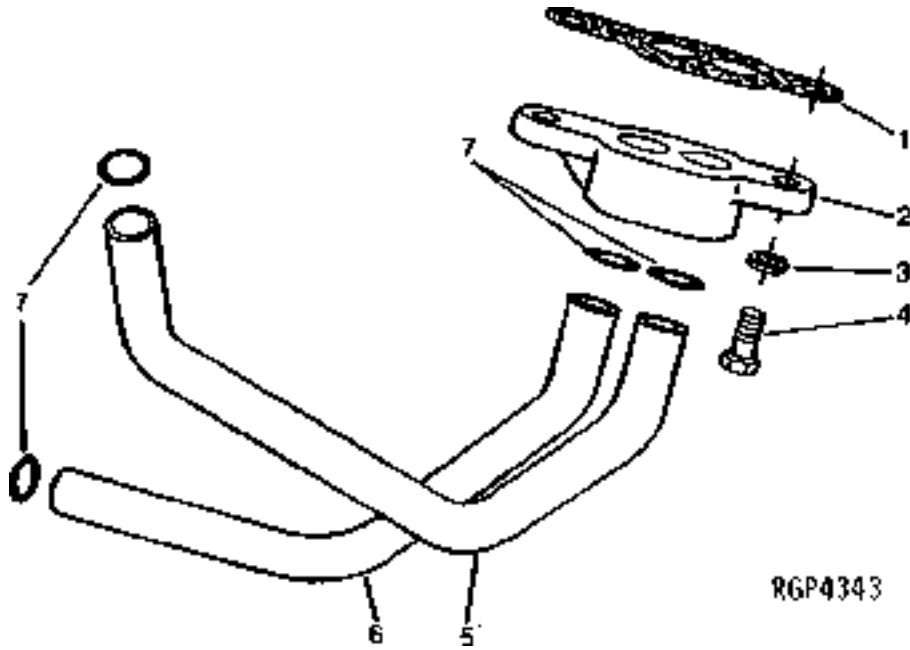
RGP3629

KEY	PART NO.	PART NAME	QTY	ENGINE SERIAL NO.	REMARKS
1	R100569	GASKET	1		
2	RE60546	OIL PUMP INTAKE	1		
3	R104628	CAP SCREW	3		

1D10

ENGINE

OIL COOLER BYPASS VALVE
RGP4343 -UN-01JAN94



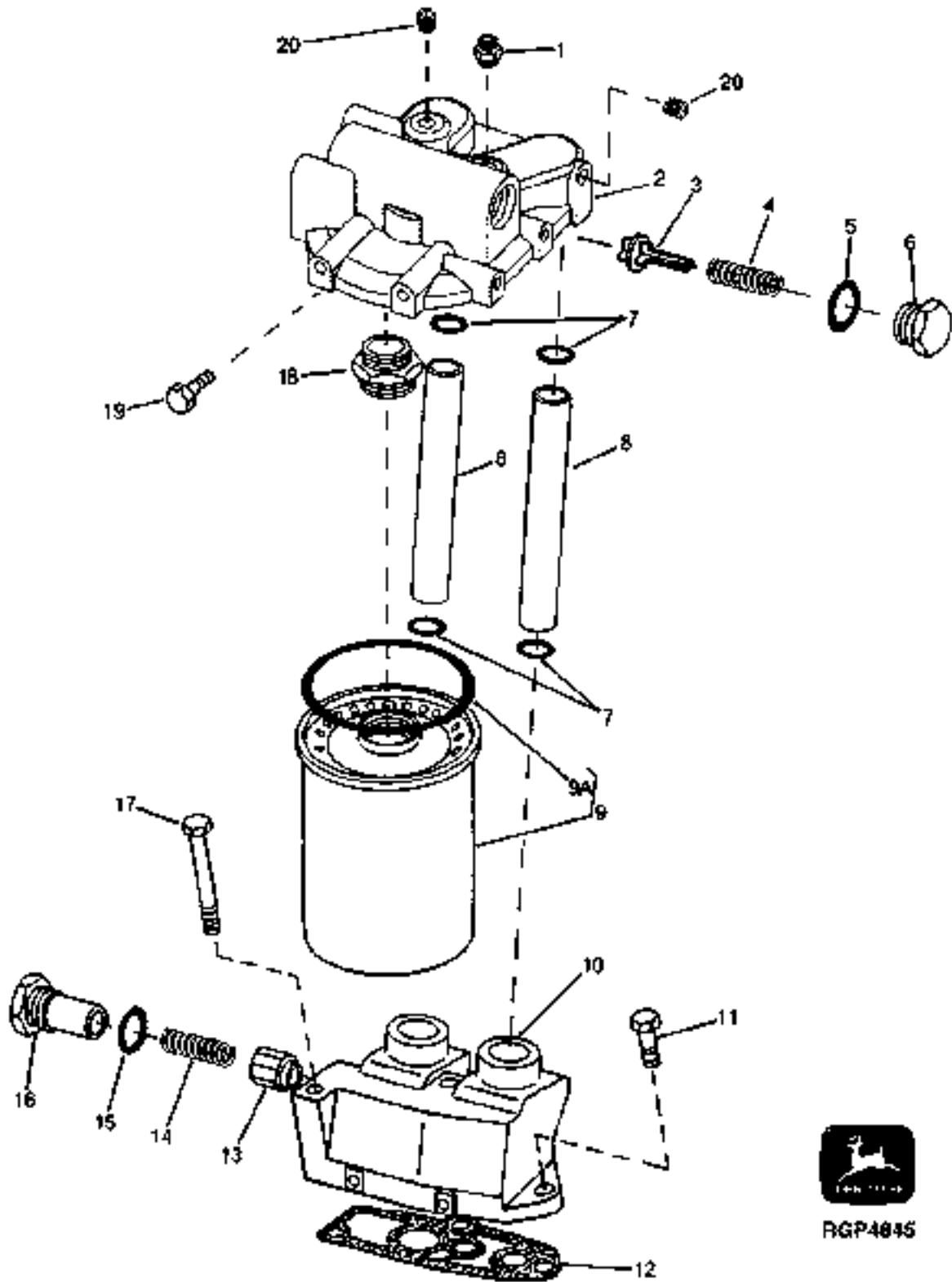
KEY	PART NO.	PART NAME	QTY	ENGINE SERIAL NO.	REMARKS
1	R109625	GASKET	1		
2	R116233	ADAPTER	1		
3	24M7096	WASHER	2	10.500 X 18 X 1.600 MM	
4	R40236	CAP SCREW	2		
5	R126337	OIL TUBE	1		
6	R116718	OIL TUBE	1		
7	R71732	O-RING	4		

1D11

ENGINE

OIL FILTER
RGP4845

-UN-18DEC96



RGP4845

1D12

ENGINE

OIL FILTER - CONTINUED

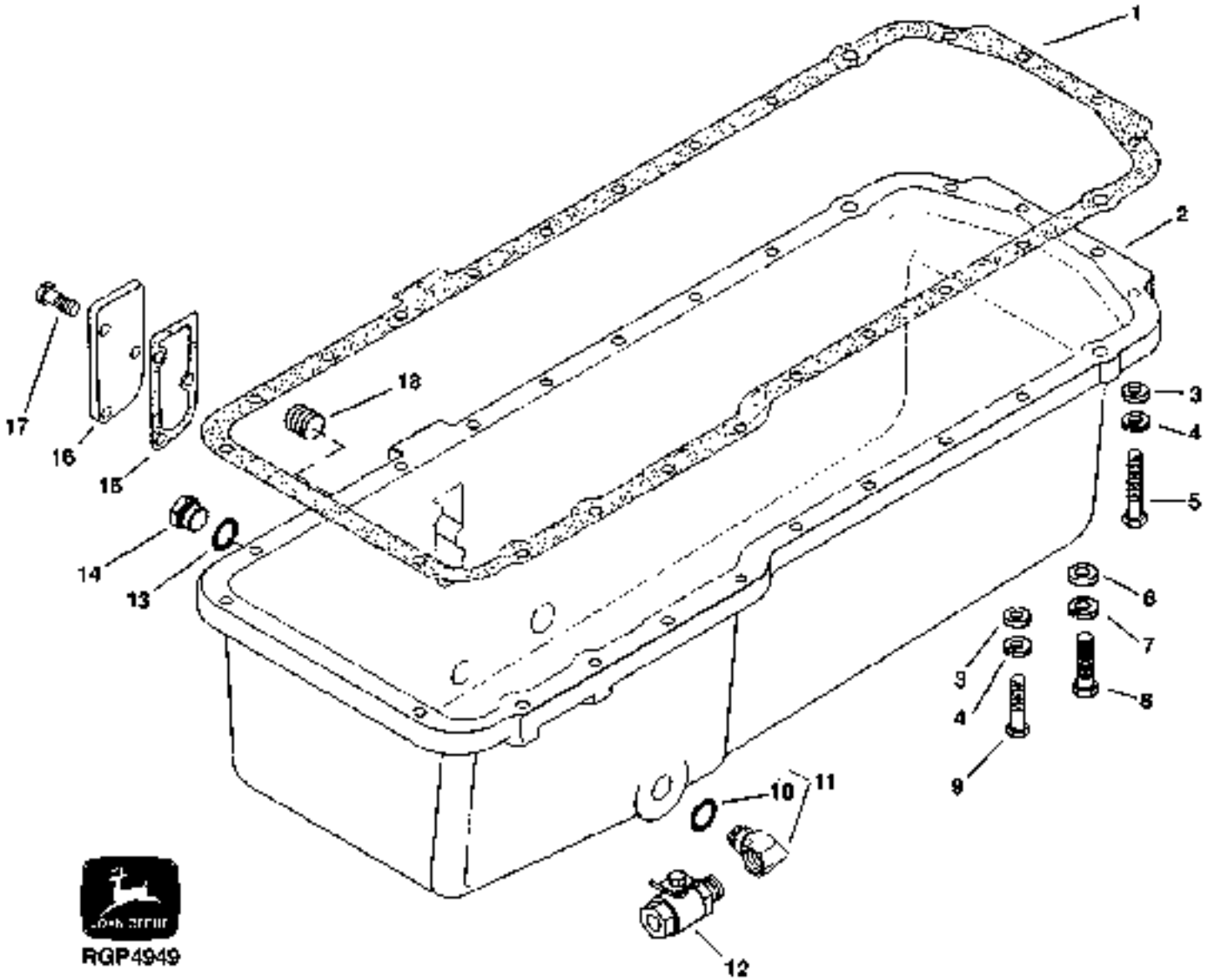
KEY	PART NO.	PART NAME	QTY	ENGINE SERIAL NO.	REMARKS
1	RE57561	CONNECTOR	1		
2	R128694	BASE	1		
3	R500055	VALVE	1		(SUB FOR R108867)
4	R98064	SPRING	1		
5	U17409	O-RING	1		
6	R117073	FITTING PLUG	1		
7	R47153	O-RING	4		
8	R86063	TUBE	2		
9	RE57394	OIL FILTER	1		(MARKED RE57399)
9A	R43660	PACKING	1		
10	R129820	HOUSING	1		
11	19H3239	CAP SCREW	1		3/8" X 1-1/4"
12	R119847	GASKET	1		
13	R124186	RELIEF VALVE	1		
14	R500330	SPRING	1		
15	U17409	O-RING	1		
16	R129821	FITTING PLUG	1		
17	19H3445	CAP SCREW	2		3/8" X 3-3/4"
18	R104621	ADAPTER	1		
19	19H3104	CAP SCREW	2		7/16" X 1-1/4"
20	R104592	PIPE PLUG	2		

1D13

ENGINE

OIL PAN
RGP4949

-UN-15AUG97



1D14

ENGINE

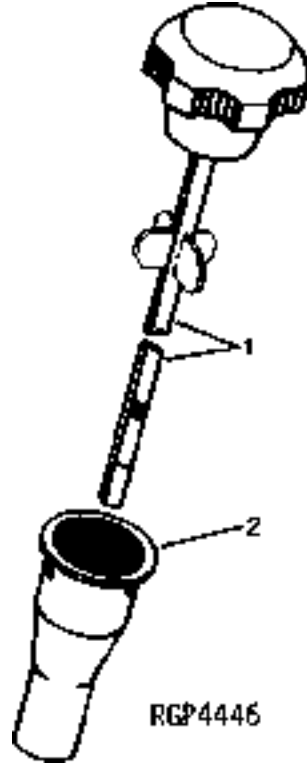
OIL PAN - CONTINUED

KEY	PART NO.	PART NAME	QTY	ENGINE SERIAL NO.	REMARKS
1	R49377	GASKET	1		
2	R126621	PAN	1		(SUB R500355, R127873, RE63439 AND (3) 19H1731)
	R500355	PAN	1		(SHALLOW SUMP) (SUB FOR R127395)
3	24H1305	WASHER	22		13/32" X 13/16" X 0.065"
4	12H304	LOCK WASHER	22		3/8"
5	19H3485	CAP SCREW	4		3/8" X 2"
6	24H1756	WASHER	2		1/2" X 1" X 0.060"
7	12H301	LOCK WASHER	2		1/2"
8	19H2473	CAP SCREW	2		1/2" X 1-3/4"
9	19H3267	CAP SCREW	18		3/8" X 1-5/8"
10	R47151	O-RING	1		
11	RE500318	ELBOW FITTING	1		
12	RE32856	VALVE	1		
13	R47151	O-RING	1		
14	R27474	DRAIN PLUG	1		
15	RE63439	GASKET	1		(USE WITH R500355)
16	R127873	COVER	1		(USE WITH R500355)
17	19H1731	CAP SCREW	3		3/8" X 1", (USE WITH R500355)
18	15H690	PIPE PLUG	1		3/4"

1D15

ENGINE

ENGINE OIL DIPSTICK
RGP4446 -UN-03MAR95

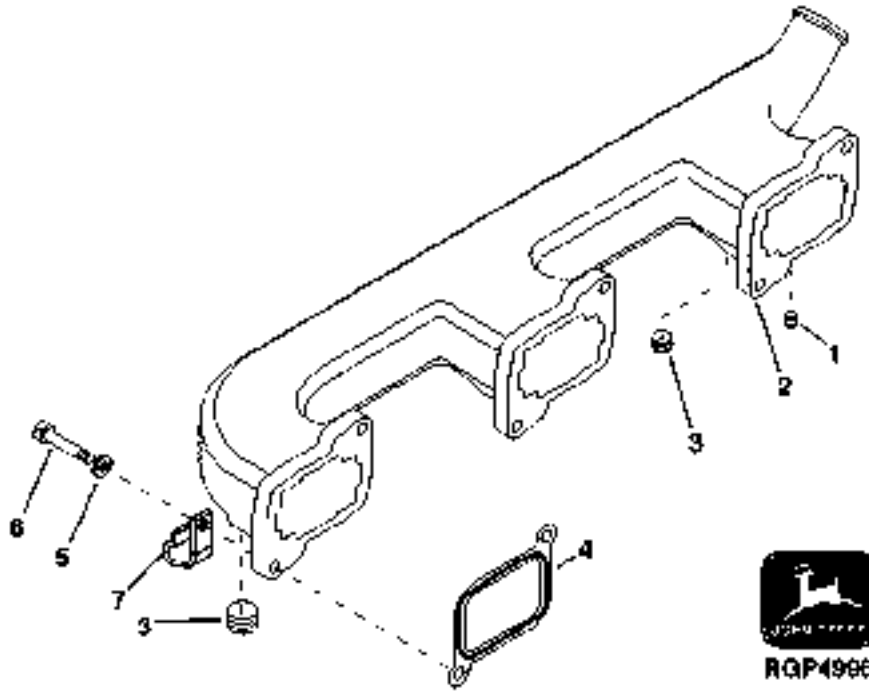


KEY	PART NO.	PART NAME	QTY	ENGINE SERIAL NO.	REMARKS
1	RE500216	DIPSTICK	1		
2	R121765	DIPSTICK TUBE	1	141.5 MM (5.57")	

1D16

ENGINE

INTAKE MANIFOLD
RGP4996 -UN-25MAR98

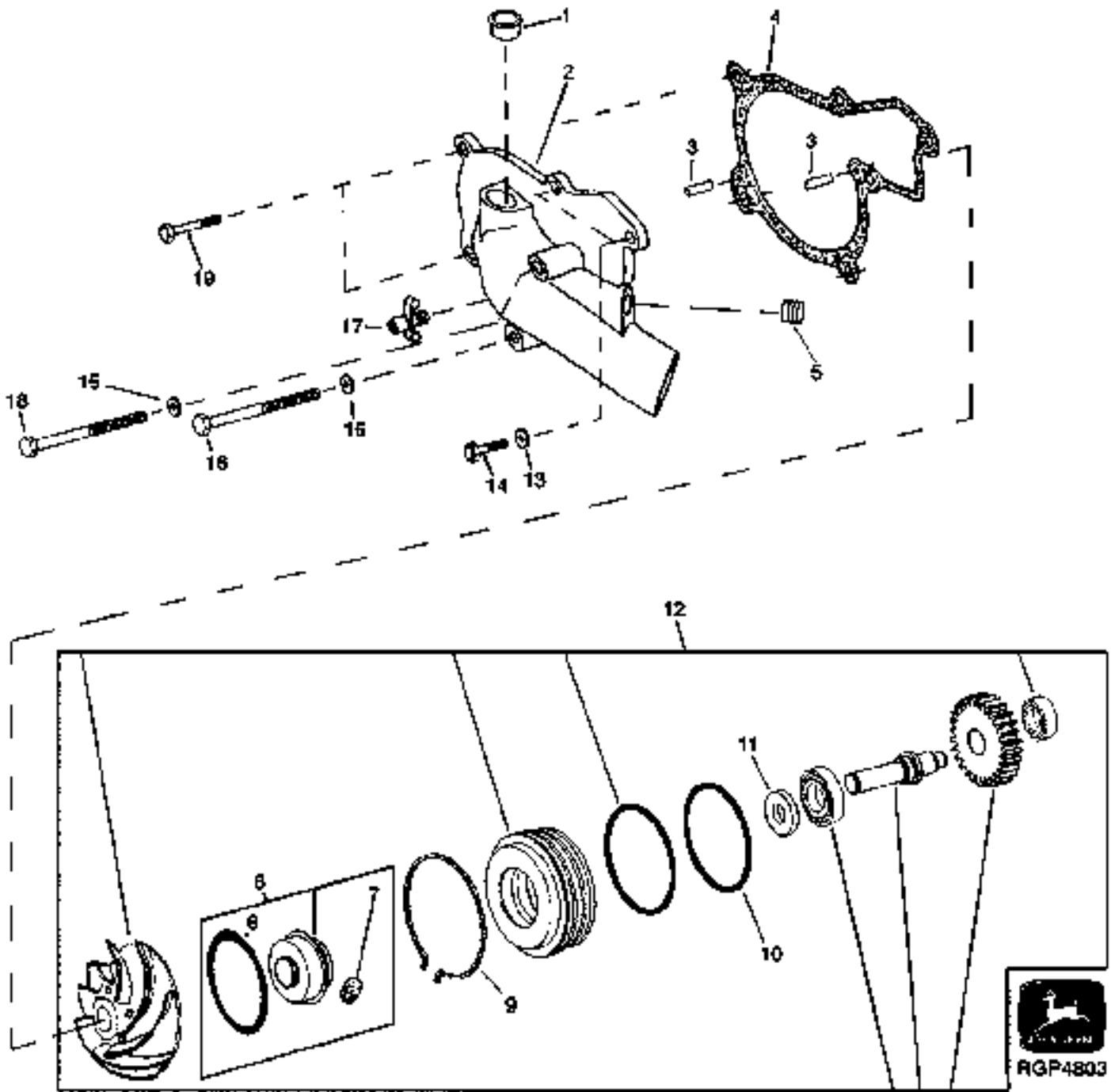


KEY	PART NO.	PART NAME	QTY	ENGINE SERIAL NO.	REMARKS
1	R104592	PIPE PLUG	1		
2	R132290	INTAKE MANIFOLD	1		
3	15H666	PIPE PLUG	1	3/8", (FRONT)	
	15H690	PIPE PLUG	1	3/4", (REAR)	
4	R130573	GASKET	3		
5	24H1682	WASHER	6	13/32" X 7/8" X 0.120"	
6	19H1651	CAP SCREW	6	3/8" X 1-1/2"	
7	T32231	CLAMP	1		

1D17

ENGINE

WATER PUMP
RGP4803 -UN-04OCT96



1D18

ENGINE

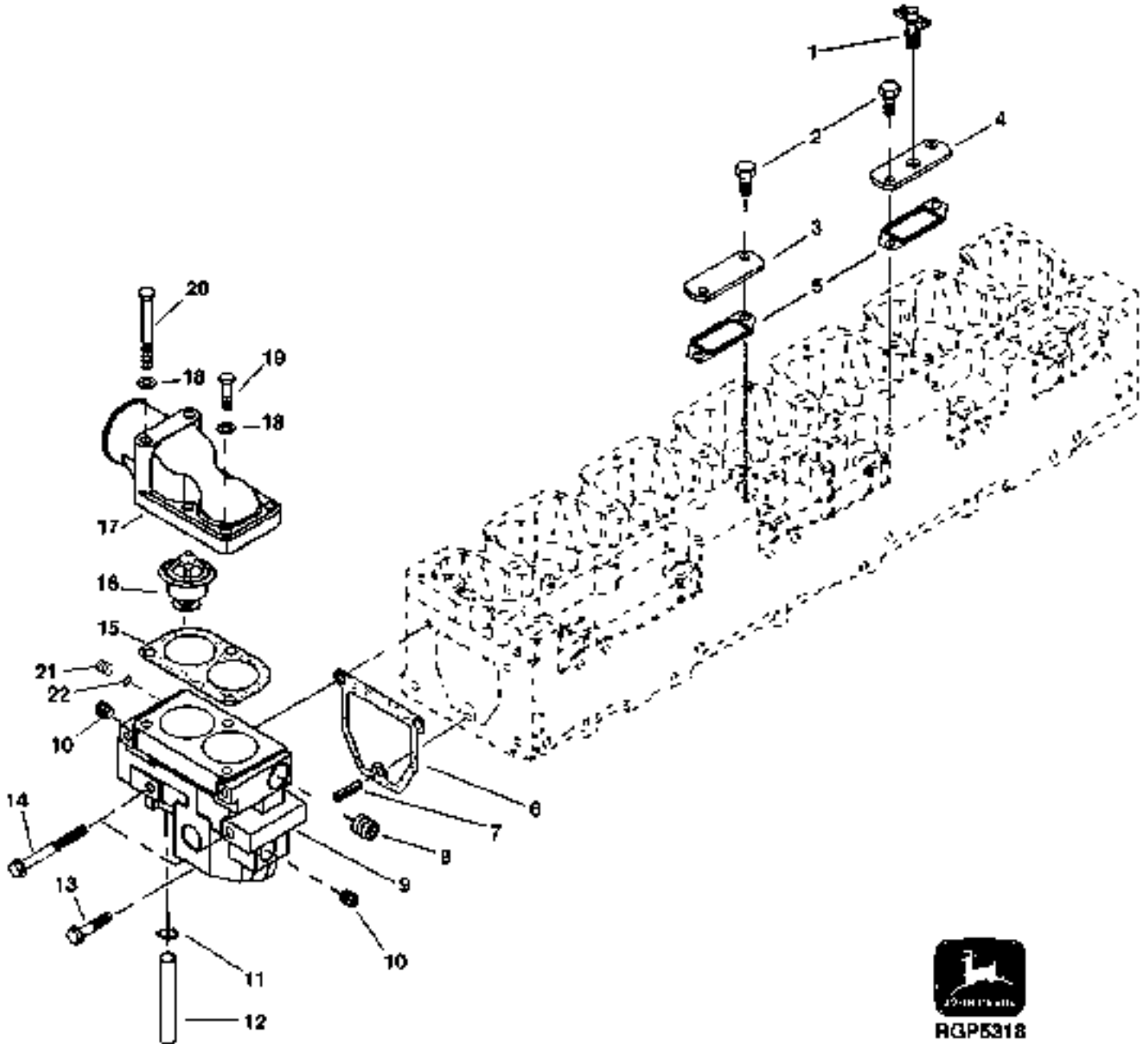
WATER PUMP - CONTINUED

KEY	PART NO.	PART NAME	QTY	ENGINE SERIAL NO.	REMARKS
1	RE57190	SEAL	1		
2	R119382	COVER	1	(LEFT HAND)	
3	R11086	DOWEL PIN	2		
4	R119383	GASKET	1		
5	15H624	PIPE PLUG	1	1/2"	
6	R71596	O-RING	1		
7	R98527	FILTER	1		
8	RE69844	KIT	1	(INCLUDES INSTALLATION TOOL)	
9	R121316	RING	1	(RETAINING)	
10	R122430	O-RING	2		
	RE502154	KIT	1	(CONTAINS RETAINING RING AND (2) O-RINGS)	
11	RE39134	SEAL	1	(OIL)	
12	RE57154	WATER PUMP	1	(MARKED R119795)	
13	24H1136	WASHER	1	11/32" X 11/16" X 0.065"	
14	19H1854	CAP SCREW	1	3/8" X 3-3/4"	
15	24H1305	WASHER	3	13/32" X 13/16" X 0.065"	
16	19H2343	CAP SCREW	1	5/16" X 5-1/2"	
17	AT13740	DRAIN VALVE	1		
18	19H2345	CAP SCREW	2	3/8" X 5-1/2"	
19	19H3411	CAP SCREW	2	3/8" X 1-1/8", (WATER PUMP COVER TO TIMING GEAR COVER)	

1D19

ENGINE

WATER MANIFOLD/THERMOSTAT
RGP5318 -UN-01SEP99



1D20

ENGINE

WATER MANIFOLD/THERMOSTAT - CONTINUED

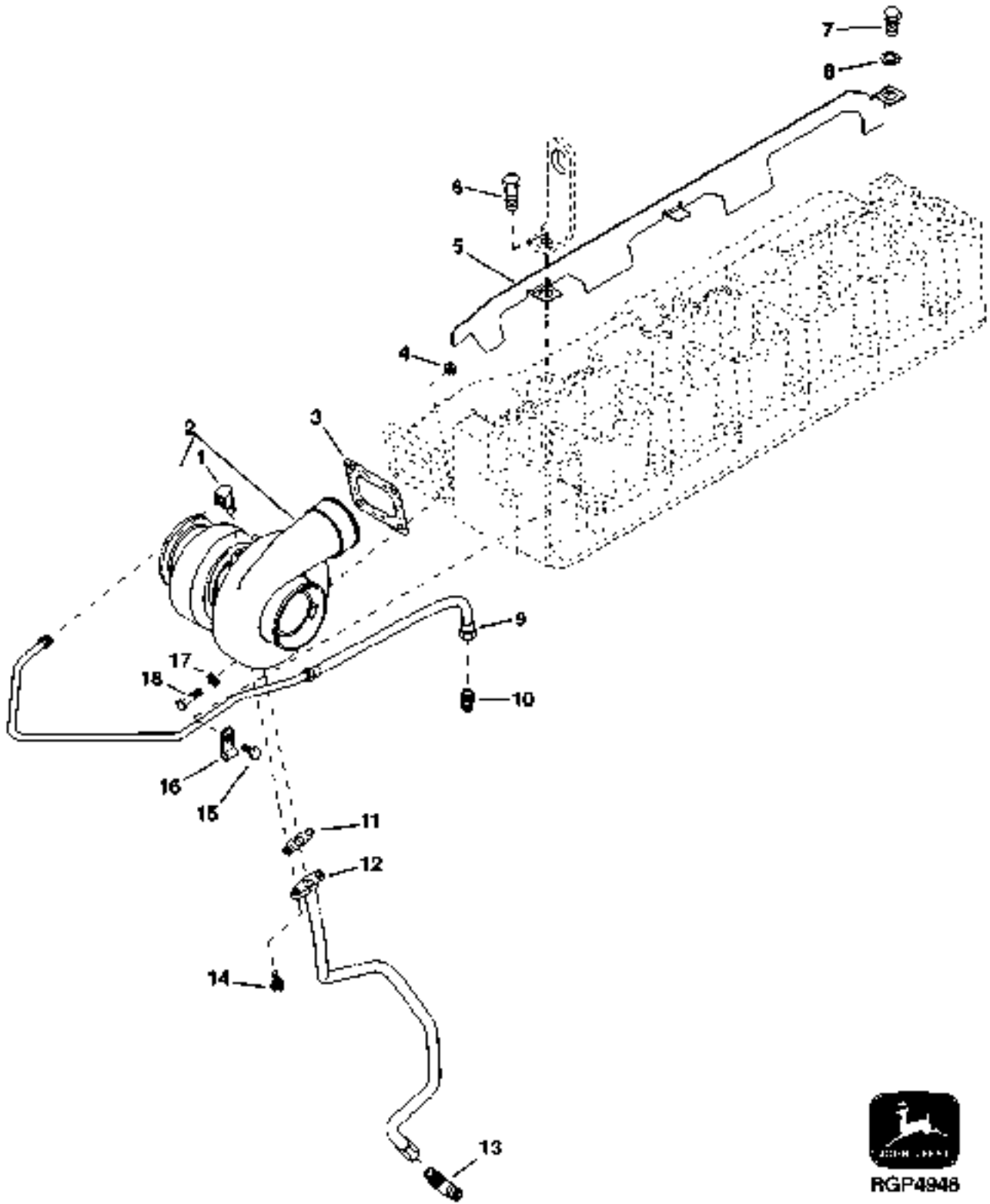
KEY	PART NO.	PART NAME	QTY	ENGINE SERIAL NO.	REMARKS
1	AT13740	DRAIN VALVE	1		
2	T53268	BOLT	4		
3	R86061	STRAP	1		
4	R114160	COVER	1		
5	R88397	GASKET	2		
6	R124211	GASKET	1		
7	34H329	SPRING PIN	1	5/16" X 1-1/4"	
8	15H690	PIPE PLUG	1	3/4"	
9	R500197	MANIFOLD	1		
10	15H624	PIPE PLUG	2	1/2"	
11	R72328	O-RING	2		
12	R125025	TUBE	1		
13	R133999	CAP SCREW	1		
14	R133998	CAP SCREW	2		
15	R124607	GASKET	1		(SUB FOR R46479)
16	RE69581	THERMOSTAT	2		
17	R89439	COVER	1		
18	24H1302	WASHER	3	13/32" X 11/16" X 0.035"	
19	19H3239	CAP SCREW	2	3/8" X 1-1/4"	
20	19H2639	CAP SCREW	1	3/8" X 3-3/8"	
21	R82719	FITTING PLUG	1		
22	R77673	O-RING	1		
..	N102039	CAP	1		(BEARING BORE)

1D21

ENGINE

TURBOCHARGER AND OIL LINES

RGP4946 -UN-15AUG97



1D22

ENGINE

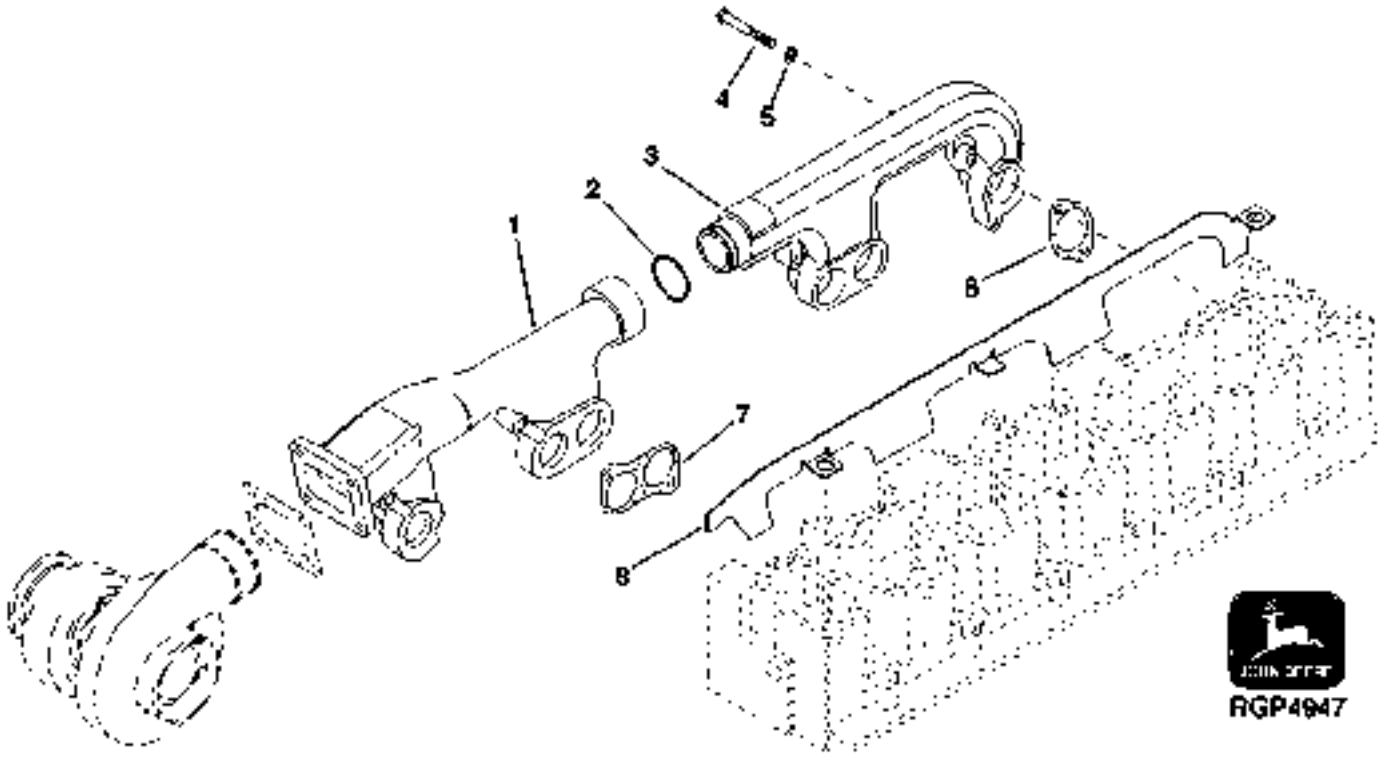
TURBOCHARGER AND OIL LINES - CONTINUED

KEY	PART NO.	PART NAME	QTY	ENGINE SERIAL NO.	REMARKS
1	T11180	ELBOW FITTING	1		
2	RE66351	TURBOCHARGER	1		(REMANUFACTURED) (SCHWITZER) (MARKED RE64767)
3	R92097	GASKET	1		
4	E55662	FLANGE NUT	4		
5	RE68767	HEAT SHIELD	1		
6	19H1756	CAP SCREW	1		5/8" X 1-1/2"
7	19H1916	CAP SCREW	1		5/8" X 1"
8	24H1658	WASHER	1		21/32" X 1" X 0.060"
9	RE68844	OIL LINE	1		
10	RE57561	CONNECTOR	1		
11	R105346	GASKET	1		
12	RE64134	OIL LINE	1		
13	R120187	ELBOW FITTING	1		
14	R122618	SCREW	2		
15	19H1936	CAP SCREW	1		3/8" X 3/4"
16	T28862	CLAMP	1		
17	24H1305	WASHER	4		13/32" X 13/16" X 0.065"
18	R100747	SELF-LOCKING SCREW	4		

1D23

ENGINE

EXHAUST MANIFOLD
RGP4947 -UN-26AUG97



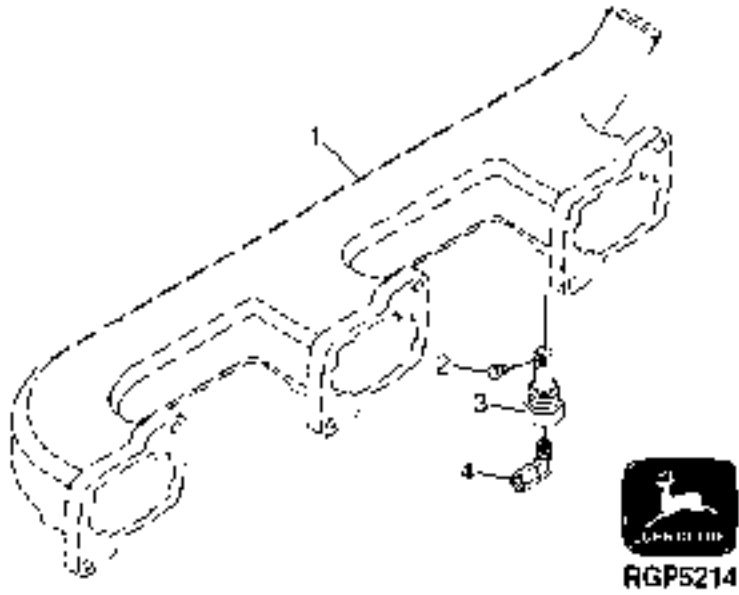
KEY	PART NO.	PART NAME	QTY	ENGINE SERIAL NO.	REMARKS
1	R91519	MANIFOLD	1		
2	R122595	RING	1		
3	R69936	EXHAUST MANIFOLD	1		
4	19H2458	CAP SCREW	8	3/8" X 3"	
5	R63845	WASHER	8		
6	R83021	GASKET	2		
7	R83020	GASKET	2		
8	RE68767	HEAT SHIELD	1		

1D24

ENGINE

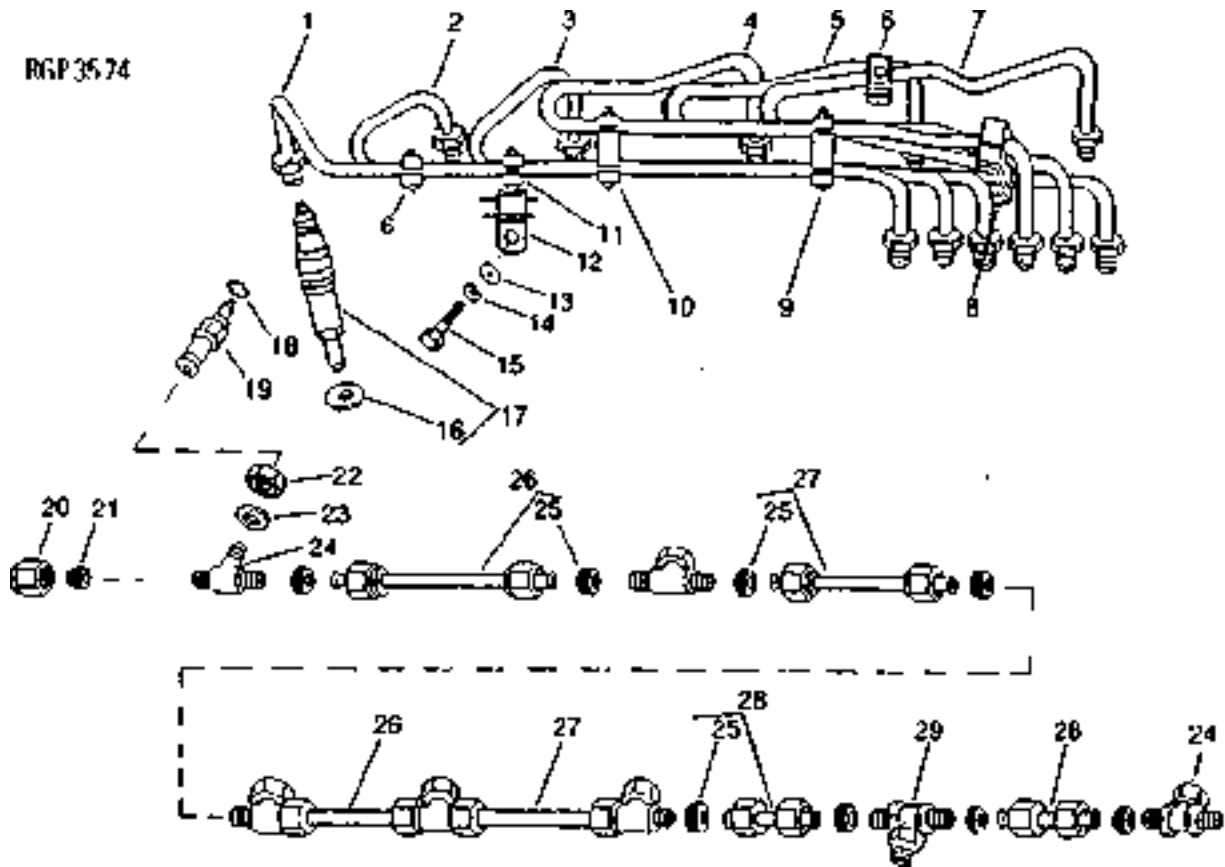
ETHER AID

RGP5214 -UN-11JUN99



KEY	PART NO.	PART NAME	QTY	ENGINE SERIAL NO.	REMARKS
1	INTAKE MANIFOLD	1		
2	T155858	NOZZLE	1	(SUB FOR R28583)	
3	R47160	NOZZLE HOLDER	1		
4	RE21790	ELBOW FITTING	1		

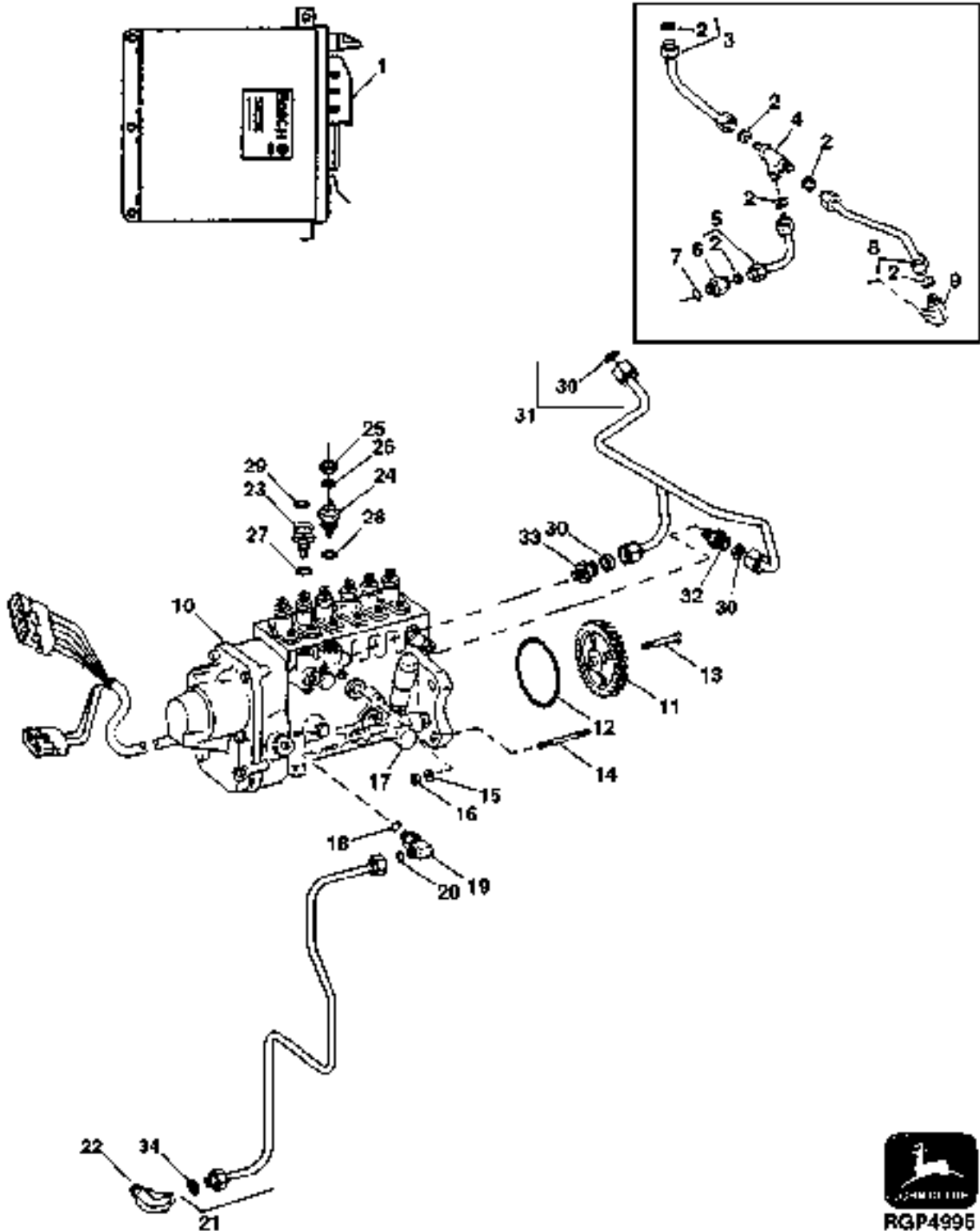
FUEL INJECTION NOZZLES/FUEL LINES
RGP3574 -UN-01JAN94



FUEL INJECTION NOZZLES/FUEL LINES - CONTINUED

KEY	PART NO.	PART NAME	QTY	ENGINE SERIAL NO.	REMARKS
1	RE57151	FUEL LINE	1	NO. 6	
2	RE57150	FUEL LINE	1	NO. 5	
3	RE57149	FUEL LINE	1	NO. 4	
4	RE57148	FUEL LINE	1	NO. 3	
5	R59305	STRAP	1		
	R58186	CLAMP	2		
	R61144	STRAP	1		
	21H1463	CAP SCREW	2	0.190" X 7/8"	
6	RE57147	FUEL LINE	1	NO. 2	
7	RE57146	FUEL LINE	1	NO. 1	
8	R59298	STRAP	1		
	R59297	HALF CLAMP	2		
	21H1463	CAP SCREW	2	0.190" X 7/8"	
9	R59298	STRAP	2		
	R71212	CLAMP	1		
	R61145	STRAP	1		
	R71398	SCREW	2	0.190" X 1-1/2"	
10	R59305	STRAP	1		
	R58186	CLAMP	1		
	R74030	CLAMP	1		
	R74804	CLAMP	1		
	R61144	STRAP	1		
	R71398	SCREW	1	0.190" X 1-1/2"	
11	R59298	STRAP	1		
	R59297	HALF CLAMP	2		
	21H1463	CAP SCREW	2	0.190" X 7/8"	
	RE47120	ABSORBER	1		
13	24H1884	WASHER	1	13/32" X 13/16" X 0.120"	
14	12M7066	LOCK WASHER	NA	10.200 MM	
15	19M7166	CAP SCREW	1	M10 X 20	
16	R84472	WASHER	6	(NOT INCLUDED)	
17	RE57152	INJECTION NOZZLE	6	(ROBERT BOSCH)	
	SE500182	INJECTION NOZZLE	6	(REMANUFACTURED)	
18	R77551	O-RING	6		
19	R87082	FITTING	6	(ALSO ORDER R77551)	
20	R51937	TUBE NUT	NA		
21	AR85519	PLUG	NA		
22	R79604	TUBE NUT	6		
23	R79605	WASHER	6		
24	R79606	TEE FITTING	6		
25	R51936	PACKING	11		
26	RE15807	FUEL LINE	2		
27	RE15808	FUEL LINE	2		
28	RE36421	FUEL LINE	2		
29	R97061	TEE FITTING	1		
..	AR85519	PLUG	1	(FRONT LEAK-OFF)	
..	R51937	TUBE NUT	1	(FRONT LEAK-OFF)	
..	AR104650	FUEL LINE	1	(REAR LEAK-OFF)	

FUEL INJECTION PUMP/LUBE LINES/ENGINE CONTROLLER
RGP4995 -UN-26MAR98



1E4

ENGINE

FUEL INJECTION PUMP/LUBE LINES/ENGINE CONTROLLER - CONTINUED

KEY	PART NO.	PART NAME	QTY	ENGINE SERIAL NO.	REMARKS
1	RE503312	ENGINE CONTROLLER	1		(MARKED RE66614 OR RE502404) (SUB FOR RE500510, RE501772, RE502083 OR RE502893) (JOHN DEERE)
2	R51936	PACKING	6	-035177	
3	RE30920	FUEL LINE	1	-035177	
4	R97061	TEE FITTING	1	-035177	
5	RE30833	FUEL LINE	1	-035177	
6	R91824	FITTING	1	-035177	
7	R48693	WASHER	1	-035177	
8	RE35684	FUEL LINE	1	-035177	
9	R67364	ELBOW FITTING	1	-035177	
10	RE61658	FUEL INJECTION PUMP	1		(A) (ROBERT BOSCH) (PES6P120A702RS7315)
11	R121164	GEAR	1		
12	R76358	O-RING	1		
13	R121195	CAP SCREW	4		(SUB FOR R112975) (T45)
14	R114130	STUD	4		
15	M72490	WASHER	4		
16	14H1090	NUT	4		3/8"
17	RE46375	FUEL PUMP	1		
18	R79060	O-RING	1		(SUB FOR R73858)
19	AR88903	ELBOW FITTING	1		
20	R67264	PACKING	2		
21	RE60577	OIL LINE	1		
22	T18012	ELBOW FITTING	1		
23	RE28217	FUEL TEMPERATURE SENSOR	1		(TEMPERATURE)
	R98500	O-RING	1		
24	R89014	SOLENOID	1		(SHUT-OFF HOUSING)
25	12H296	WASHER	1		5.486 MM (0.216")
26	14M7297	NUT	1		M5
27	R53899	WASHER	1		16.200 X 19.900 X 1.500 MM (0.638" X 0.783" X 0.059")
28	R99047	O-RING	1		10 X 2.500 MM (0.394" X 0.098")
29	R98500	O-RING	1		23 X 2.500 MM (0.906" X 0.098")
30	R51936	PACKING	3	035178-	
31	RE66000	FUEL LINE	1	035178-087549	
	RE504635	FUEL LINE	1	087550-	(SUB FOR RE501262)
32	R63604	FITTING	1	035178-087549	
	RE502650	FITTING	1	087550-	
33	RE67934	CONNECTOR	1	035178-	
	O-RING	1	035178-	(SUB RE67934)
34	R67264	PACKING	1		

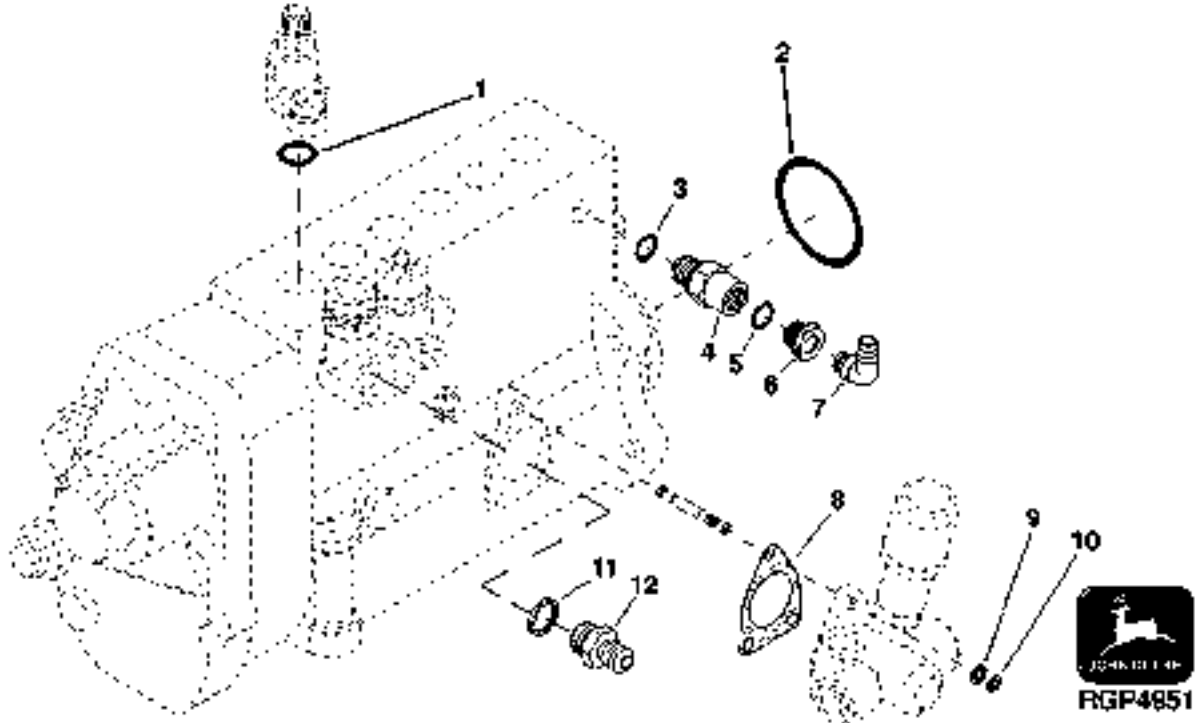
(A) "SEE YOUR AUTHORIZED PUMP REPAIR STATION FOR PARTS NOT LISTED"

1E5

ENGINE

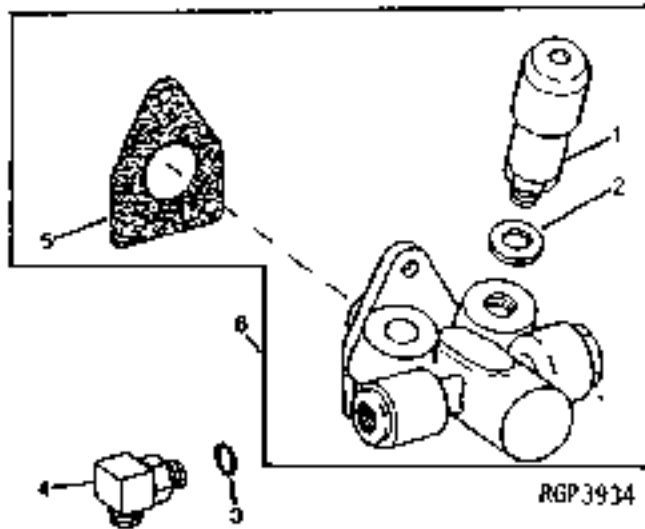
FUEL INJECTION PUMP HOUSING CONNECTORS

RGP4951 -UN-25AUG97



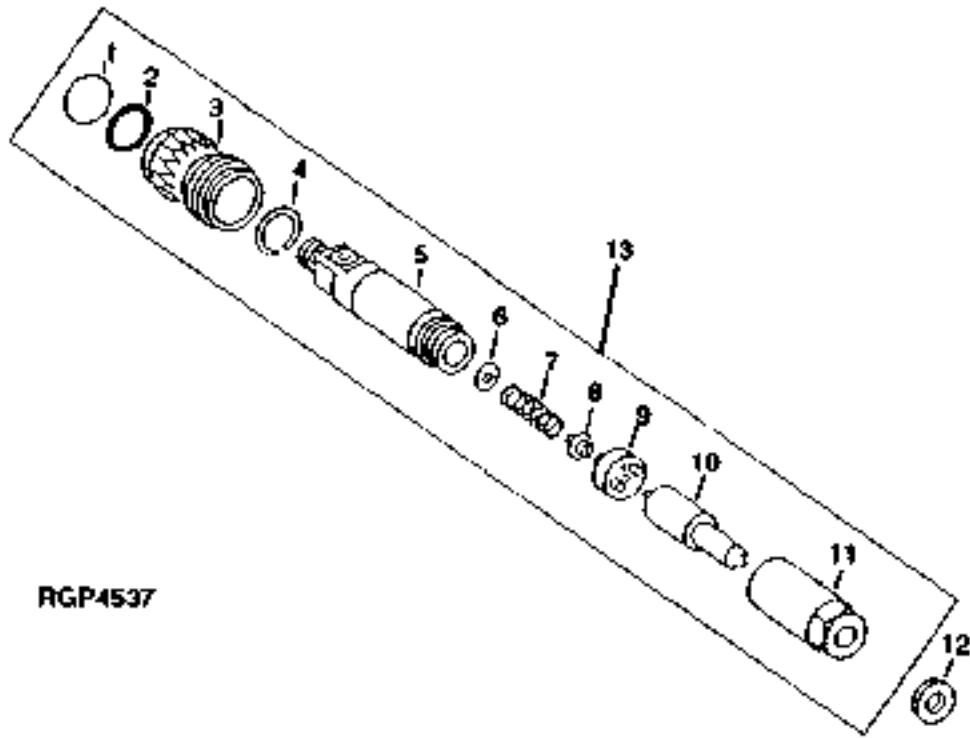
KEY	PART NO.	PART NAME	QTY	ENGINE SERIAL NO.	REMARKS
1	T24210	O-RING	6		
2	R53884	O-RING	1		
3	R53899	WASHER	1		
4	RE36151	CONTROL VALVE	1		
5	R53901	WASHER	1		
6	R63016	ADAPTER	1		
7	R67364	ELBOW FITTING	1		
8	R67879	GASKET	1		
9	12H296	WASHER	3		
10	14M7297	NUT	3	0.216" M5	
11	R93008	WASHER	1		
12	R83489	FITTING	1		

FUEL TRANSFER PUMP (ROBERT BOSCH)
RGP3934 -UN-01JAN94



KEY	PART NO.	PART NAME	QTY	ENGINE SERIAL NO.	REMARKS
1	RE65265	HAND PRIMER	1		
2	R54025	WASHER	1		
3	R26448	O-RING	2		
4	RE10258	ELBOW FITTING	1		(OUTLET)
	RE34128	ELBOW FITTING	1		(INLET)
5	R67879	GASKET	1		
6	RE46375	FUEL PUMP	1		

FUEL INJECTION NOZZLE (ROBERT BOSCH)
RGP4537 -UN-30AUG95



KEY	PART NO.	PART NAME	QTY	ENGINE SERIAL NO.	REMARKS
1	R60277	SNAP RING	1		
2	O-RING	NA		
3	R60279	NUT	1		
4	R60278	SNAP RING	1		
5	NOZZLE HOLDER	1	(SUB RE57152)	
6	R83720	WASHER	1	1.02 MM (.0402")	
	R83721	WASHER	1	1.08 MM (.0425")	
	R83722	WASHER	1	1.12 MM (.0441")	
	R83723	WASHER	1	1.18 MM (.0465")	
	R83724	WASHER	1	1.22 MM (.0480")	
	R83725	WASHER	1	1.28 MM (.0504")	
	R83726	WASHER	1	1.30 MM (.0512")	
	R83727	WASHER	1	1.38 MM (.0543")	
	R83728	WASHER	1	1.42 MM (.0559")	
	R83729	WASHER	1	1.48 MM (.0583")	
	R83730	WASHER	1	1.50 MM (.0591")	
	R83731	WASHER	1	1.58 MM (.0622")	
	R83732	WASHER	1	1.60 MM (.0630")	
	R83733	WASHER	1	1.68 MM (.0661")	
	R83734	WASHER	1	1.70 MM (.0669")	
	R83735	WASHER	1	1.78 MM (.0701")	
	R83736	WASHER	1	1.82 MM (.0717")	
	R83737	WASHER	1	1.88 MM (.0740")	
	R83738	WASHER	1	1.90 MM (.0748")	
	R83739	WASHER	1	1.98 MM (.0780")	
7	R108699	SPRING	1		
8	R108700	SEAT	1		
9	R108701	PLATE	1		
10	RE57153	INJECTION NOZZLE	1	(7 X 0.236)	
11	R127181	NUT	1		
12	R84472	WASHER	1		
13	RE57152	INJECTION NOZZLE	6	(ROBERT BOSCH)	
	SE500182	INJECTION NOZZLE	6	(REMANUFACTURED)	

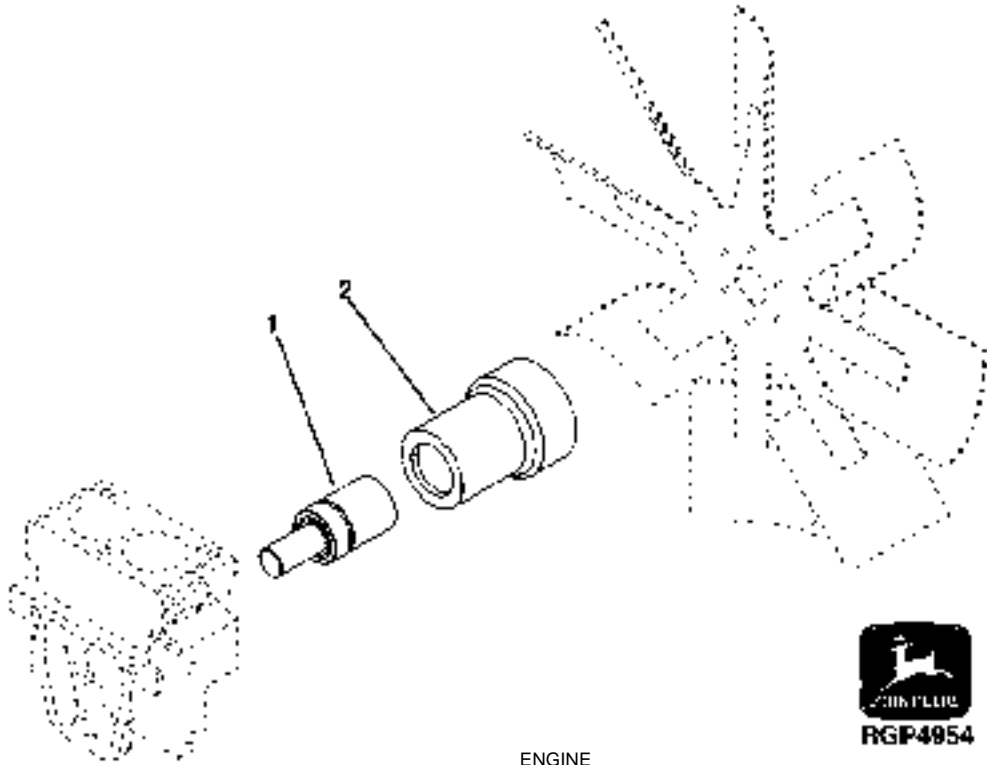
1E8

ENGINE

FAN DRIVE

RGP4954

-UN-20AUG97

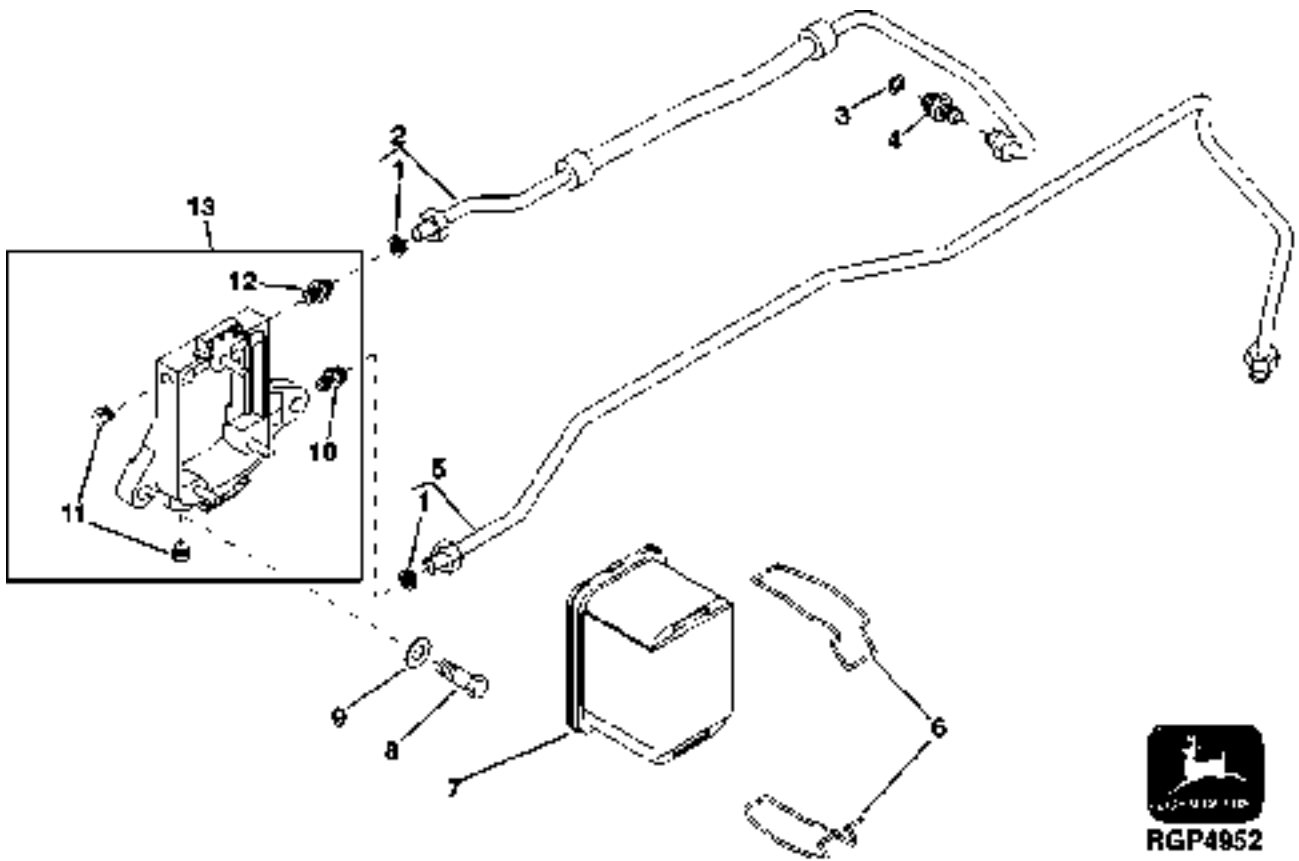


KEY	PART NO.	PART NAME	QTY	ENGINE SERIAL NO.	REMARKS
1	JD10058	BEARING	1		
2	R131949	HUB	1		

1E9

ENGINE

FUEL FILTER
RGP4952 -UN-22AUG97



1E10

ENGINE

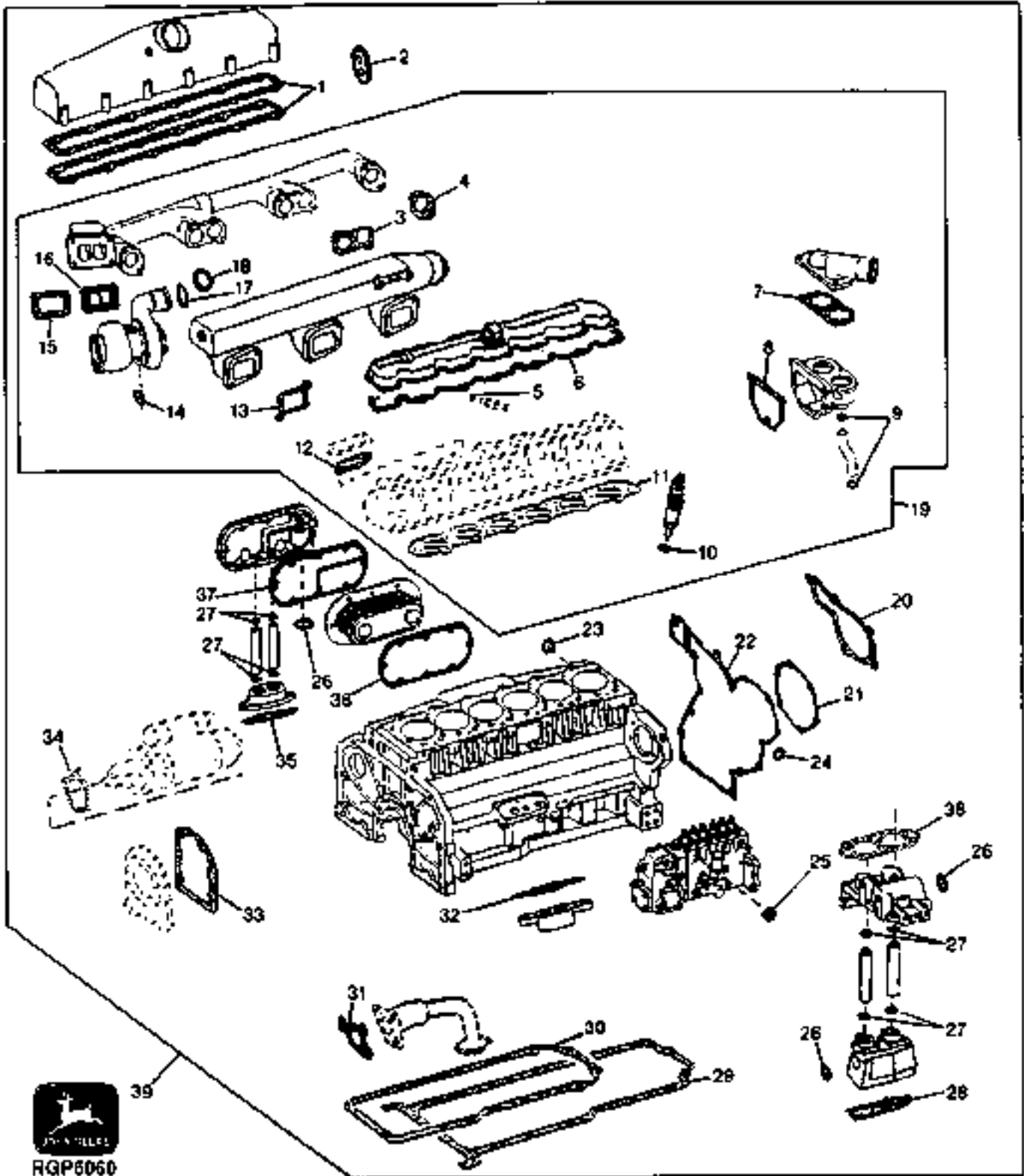
FUEL FILTER - CONTINUED

KEY	PART NO.	PART NAME	QTY	ENGINE SERIAL NO.	REMARKS
1	R67092	SEAL	2		
2	RE504139	FUEL LINE	1		(SUB FOR RE500280)
3	R93008	WASHER	1		
4	R83489	FITTING	1		
5	RE65787	FUEL LINE	1		
6	R89927	CLAMP	2		
7	AR86745	FILTER ELEMENT	1		
8	19H3104	CAP SCREW	2		7/16" X 1-1/4"
9	24H1325	WASHER	2		15/32" X 59/64" X 0.065"
10	RE54244	CHECK VALVE	1		
11	R119223	PLUG	2		
12	RE54245	FITTING	1		
13	RE61693	BASE	1		

1E11

ENGINE

ENGINE GASKET SET
RGP5060 -UN-10DEC98



1E12

ENGINE

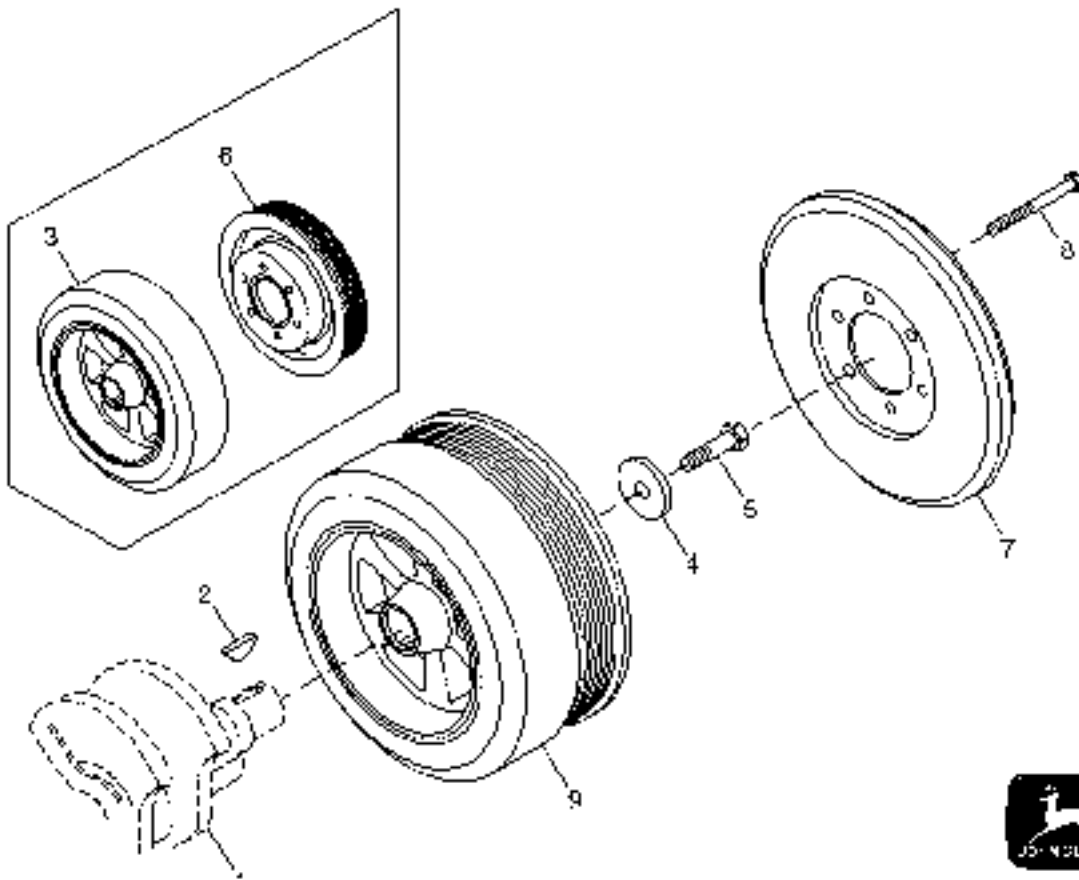
ENGINE GASKET SET - CONTINUED

KEY	PART NO.	PART NAME	QTY	ENGINE SERIAL NO.	REMARKS
1	R88993	GASKET	NA		
2	R100911	SEAL	NA		
3	RE62776	GASKET	2		
4	RE62777	GASKET	2		
5	R77551	O-RING	6		
6	R49866	GASKET	1		
7	R124607	GASKET	1		
8	R124211	GASKET	1		
9	R72328	O-RING	1		
10	R84472	WASHER	6		
11	RE55475	ENGINE CYLINDER HEAD GASKET	1		
12	R88397	GASKET	2		
13	R120646	GASKET	3		
14	R105346	GASKET	1		
15	R92097	GASKET	NA		
16	R89879	GASKET	1		
17	R86743	O-RING	1		
18	R50405	O-RING	NA		
19	RE57186	GASKET KIT	1		CYLINDER HEAD
20	R119383	GASKET	1		
21	R50390	GASKET	1		
22	R119384	GASKET	1		
23	U13639	O-RING	1		
24	R54856	O-RING	1		
25	R53899	WASHER	1		(USE WITH R83489)
26	U17409	O-RING	3		
27	R47153	O-RING	4		
	R47153	O-RING	4		
28	R119847	GASKET	1		
29	GASKET	1		
30	R49377	GASKET	1		(USE WITH ALUMINIUM OIL PAN)
31	R100569	GASKET	1		
32	R109625	GASKET	1		
33	R26058	GASKET	1		
34	R53108	GASKET	1		
35	R50424	GASKET	1		
36	AR58952	GASKET	1		
37	R117060	GASKET	1		
38	R124030	GASKET	1		
39	RE57187	GASKET KIT	1		ENGINE REBUILD

1E13

ENGINE

CRANKSHAFT PULLEY
RGP5049 -UN-30JUN98



1E14

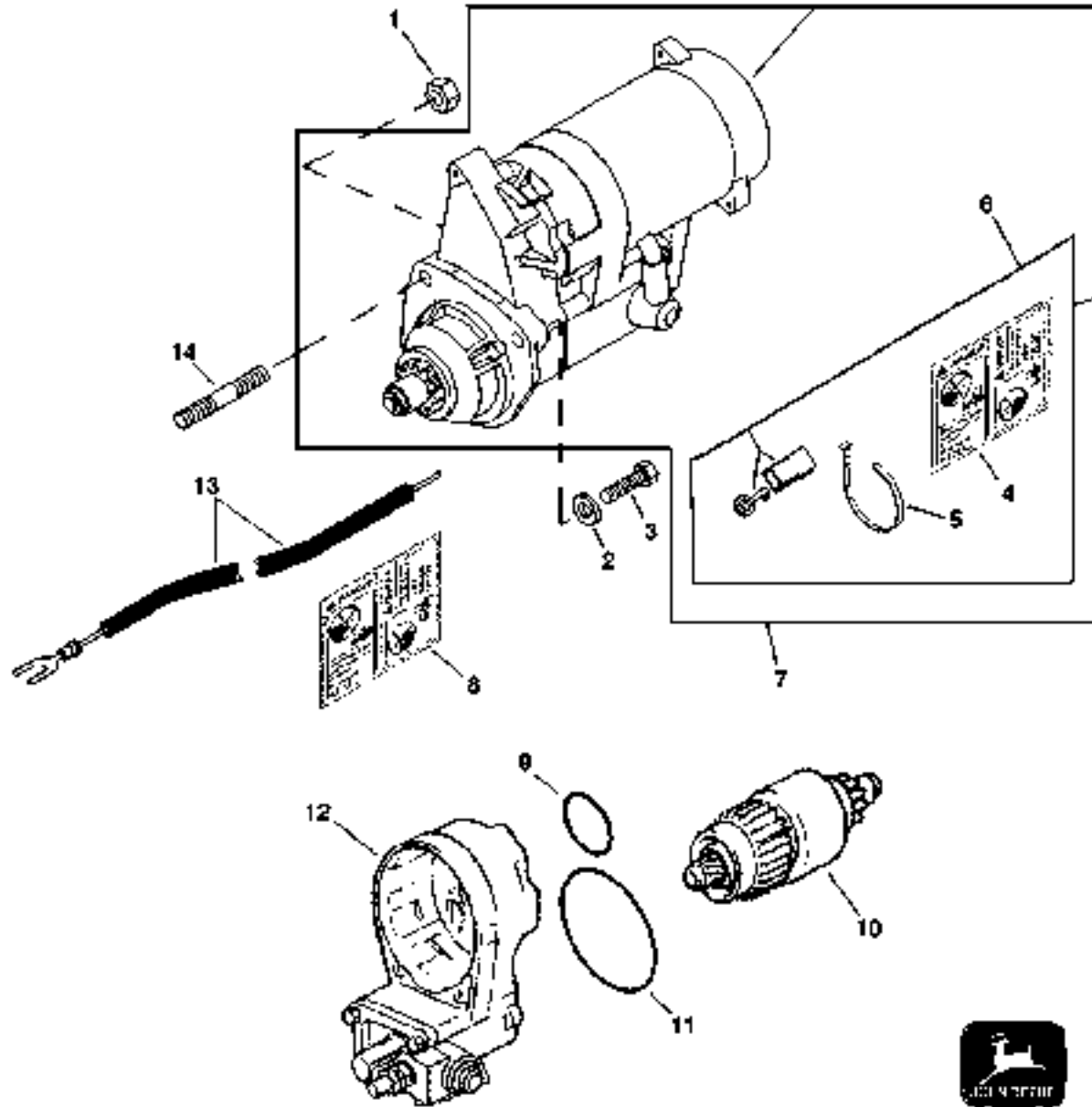
ENGINE

CRANKSHAFT PULLEY - CONTINUED

KEY	PART NO.	PART NAME	QTY	ENGINE SERIAL NO.	REMARKS
1	RE55522	CRANKSHAFT	1		
2	R116311	KEY	1		
3	RE57603	TORSIONAL DAMPENER	1	-039521	
4	R26333	WASHER	1		
5	R79846	CAP SCREW	1		
6	R135031	PULLEY	1	-039521	
7	RE57604	TORSIONAL DAMPENER	1		(FINS AWAY FROM ENGINE)
8	19H3175	CAP SCREW	6	-039521	3/8" X 3-5/8", (USE WITH R135031)
	19H3771	CAP SCREW	6	039522-	3/8" X 1", (USE WITH RE500934)
9	RE500934	TORSIONAL DAMPENER	1	039522-	

1E15

STARTING MOTOR (12-VOLT/42MT)
RGP4871 -UN-14MAR97



1E16

ENGINE

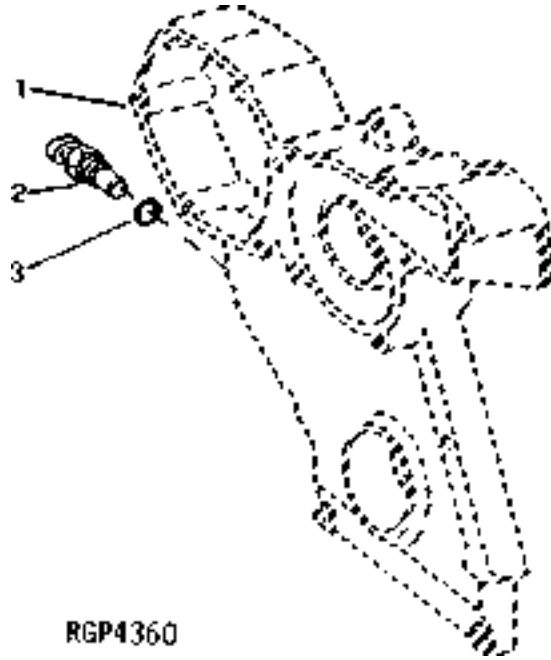
STARTING MOTOR (12-VOLT/42 MT) - CONTINUED

KEY	PART NO.	PART NAME	QTY	ENGINE SERIAL NO.	REMARKS
1	E55662	FLANGE NUT	1		
2	24H1303	WASHER	2	13/32" X 11/16" X 0.065"	
3	19H3219	CAP SCREW	2	3/8" X 1-3/8"	
4	T146102	LABEL	1	(ENGLISH)	
5	R96703	TIE BAND	1		
6	RE70756	KIT	1		
7	RE70957	STARTER MOTOR KIT	1	(MARKED RE69704) (ND228000-6530)	
8	T146517	SAFETY SIGN	1	(SPANISH)	
	T146104	SAFETY SIGN	1	(FRENCH)	
	T146515	SAFETY SIGN	1	(GERMAN)	
	T146516	SAFETY SIGN	1	(ITALIAN)	
	T146517	SAFETY SIGN	1	(ENGLISH-FRENCH)	
9	R135510	O-RING	1		
10	RE70487	CLUTCH	1		
11	R135509	SEAL	1		
12	RE70486	SWITCH	1		
13	AH155483	WIRING LEAD	1		
14	R114130	STUD	1		

1E17

ENGINE

MAGNETIC PICK-UP
RGP4360 -UN-01JAN94

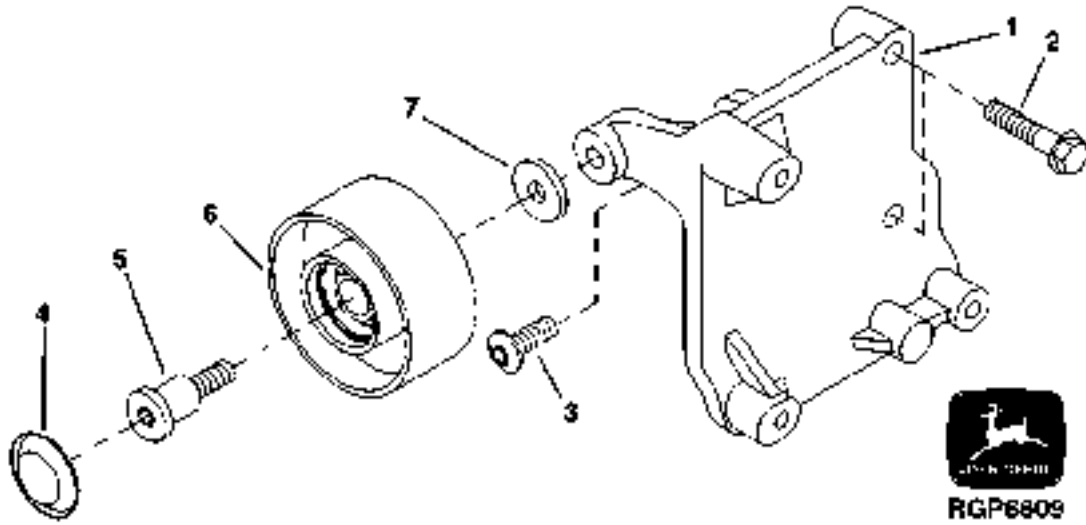


KEY	PART NO.	PART NAME	QTY	ENGINE SERIAL NO.	REMARKS
1	COVER	1		
2	RE71121	SENSOR	1		
3	51M7044	O-RING	1	17.300 X 2.200 MM	

1E18

ENGINE

AIR CONDITIONER SUPPORT
RGP6609 -UN-28APR00

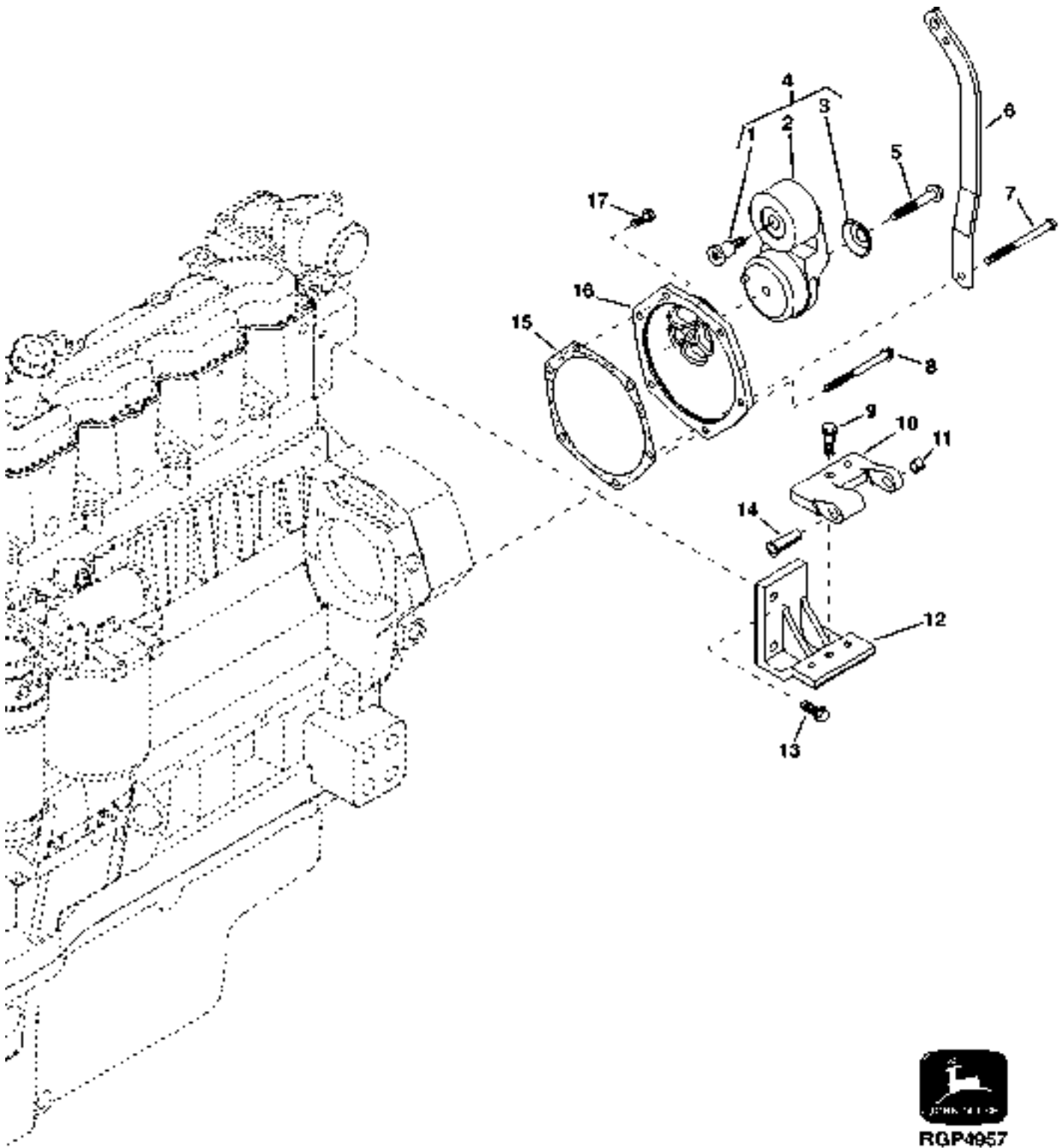


KEY	PART NO.	PART NAME	QTY	ENGINE SERIAL NO.	REMARKS
1	R135728	SUPPORT	1		
2	19H3772	CAP SCREW	2	3/8" X 1-3/4"	
3	R124963	SCREW	1		
4	R99590	COVER	1		
5	R128893	BOLT	1		
6	RE155577	PULLEY	1	(SUB FOR RE38503 AND RE68714)	
7	R53436	WASHER	1		

1E19

ENGINE

ALTERNATOR BRACKETS
RGP4957 -UN-22AUG97



1E20

ENGINE

ALTERNATOR BRACKETS - CONTINUED

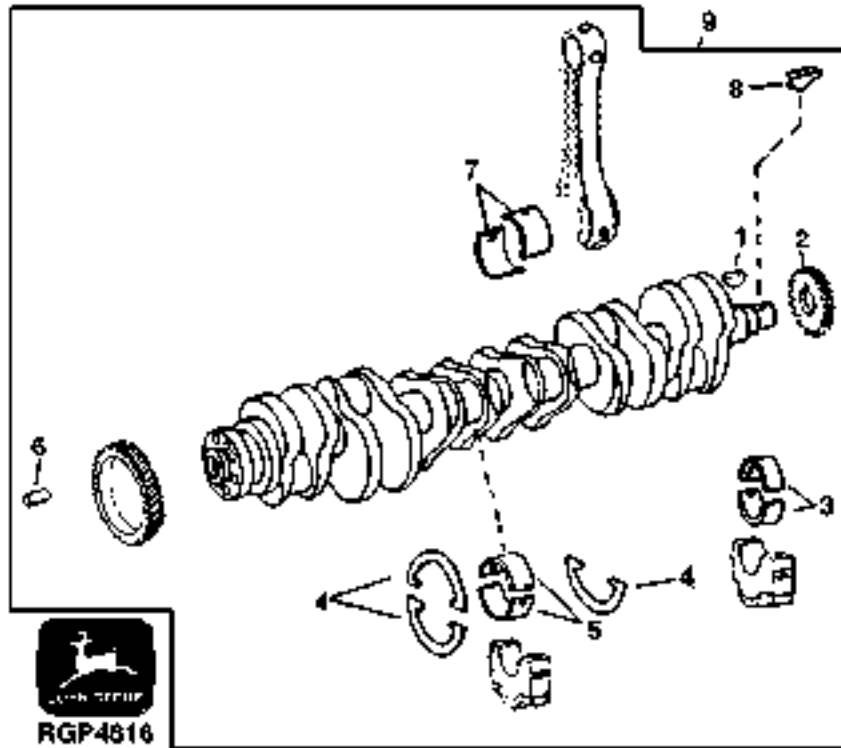
KEY	PART NO.	PART NAME	QTY	ENGINE SERIAL NO.	REMARKS
1	R98250	BOLT	1		
2	RE68722	PULLEY	1		
3	R114837	DUST SHIELD	1		
4	RE68715	TIGHTENER	1		
5	19M7810	SCREW	1	M10 X 80	
6	R500413	STRAP	1		
7	19H2852	CAP SCREW	1	5/16" X 4"	
8	19H3300	CAP SCREW	4		
	24H1136	WASHER	1		
9	19H3693	CAP SCREW	1	3/8" X 1-1/4"	
10	R131003	BRACKET	1		
11	R135423	BUSHING	1		
12	R131002	SUPPORT	1		
13	19H3771	CAP SCREW	2	3/8" X 1"	
14	R134010	BUSHING	1		
15	R50390	GASKET	1		
16	R131890	COVER	1		
17	R112268	CAP SCREW	1		

1E21

ENGINE

UNDERSIZE MAIN BEARING CRANKSHAFT AND BEARING KIT

RGP4816 -UN-21OCT96

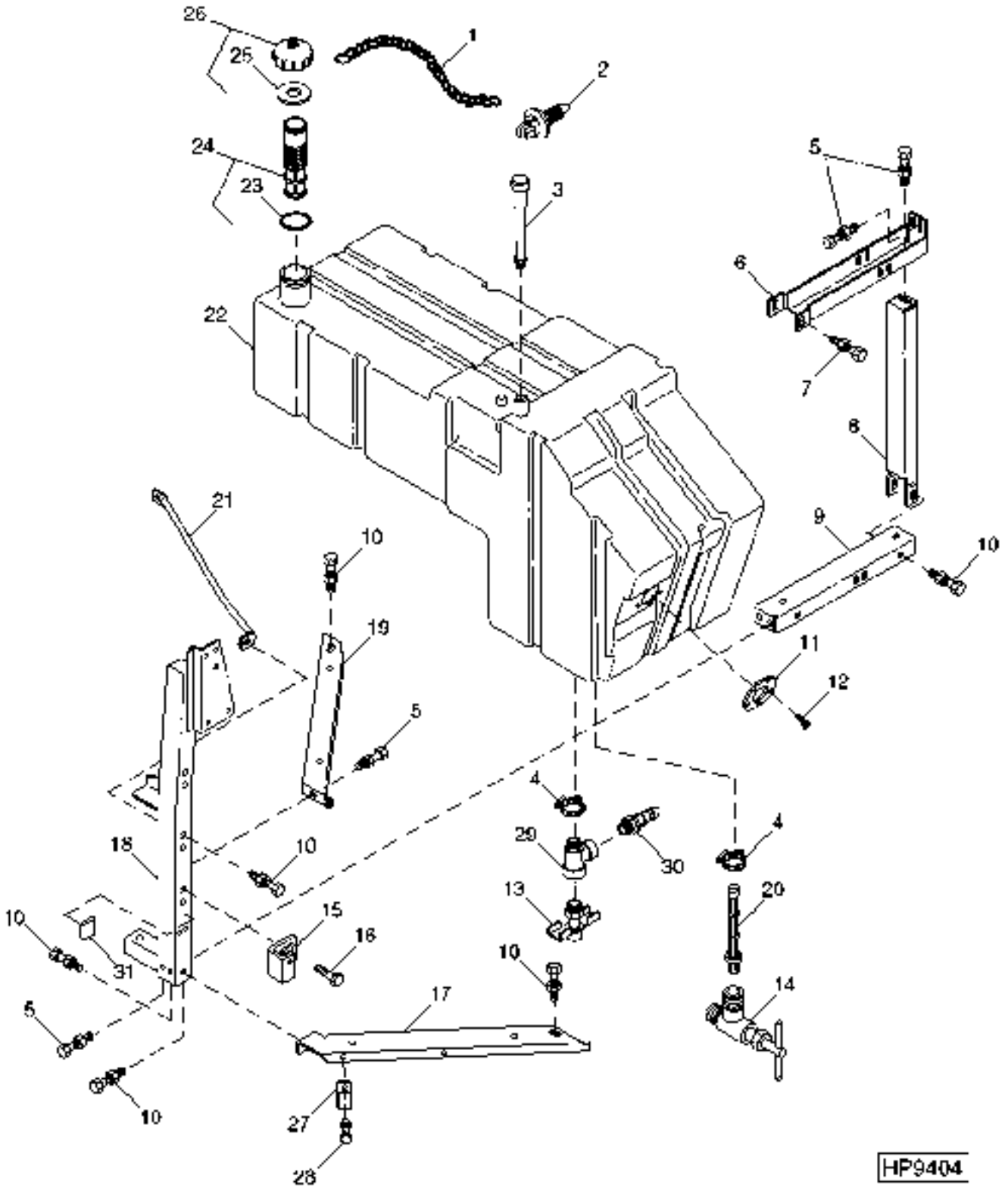


KEY	PART NO.	PART NAME	QTY	ENGINE SERIAL NO.	REMARKS
1	R120752	KEY	1	1/8" X 0.625"	
2	R104587	GEAR	1		
3	RE57172	BEARING	6	.292 MM (.011") US (PKG R121342 AND, R121346)	
4	RE61851	THRUST WASHER	1	0.18MM (.007") OS FLANGE (PKG (3) R124842)	
5	RE57177	THRUST BEARING	1	.292 MM (.011") US (PKG R121350 AND, R121354)	
6	R41934	DOWEL PIN	1		
7	R116081	BEARING	6	STD	
8	R116311	KEY	1		
9	RE61268	CRANKSHAFT	1	(MARKED R122654 OR RE58781)	

MEMORANDA

1E23

FUEL TANK, SUPPORTS, AND FITTINGS
HP9404 -UN-06JAN00



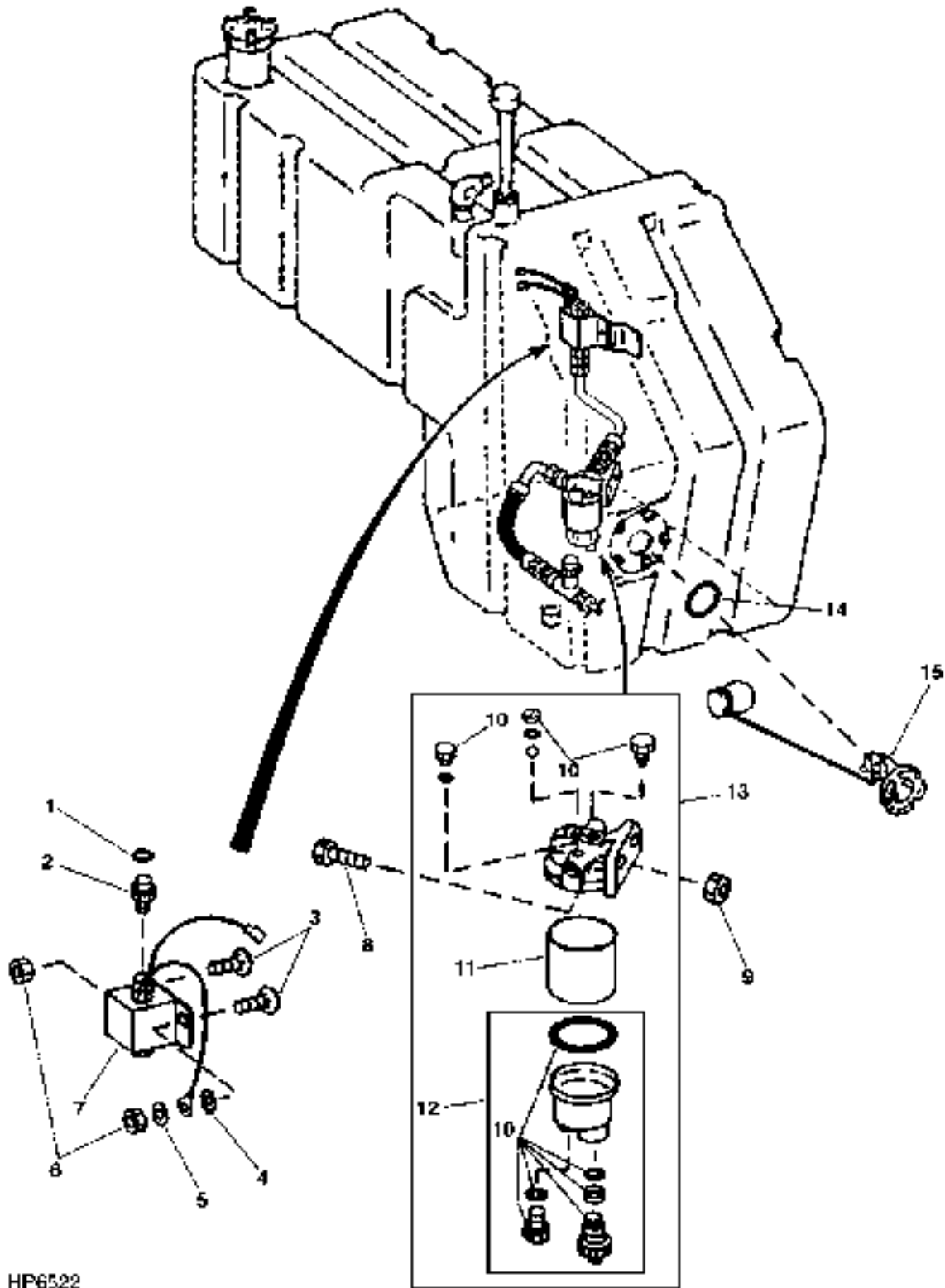
HP9404

FUEL TANK, SUPPORTS, AND FITTINGS - CONTINUED

KEY	PART NO.	PART NAME	QTY	SERIAL NO.	REMARKS
1	AH132814	LINK CHAIN	1		
2	H99897	RETAINER	1		
3	AH116123	BREATHER	1		
4	AT18904	CLAMP	2		
5	19M7785	SCREW	5	M10 X 25	
	14M7400	LOCK NUT	5	M10	
6	H169794	CHANNEL	1		(SUB FOR H134299)
7	19M7812	SCREW	1	M10 X 100	
	14M7400	LOCK NUT	1	M10	
	H77507	WASHER	1		
8	H134298	CHANNEL	1		
9	H169793	CHANNEL	1		(SUB FOR H134297)
10	19M7785	SCREW	10	M10 X 25	
	14M7400	LOCK NUT	10	M10	
11	H134396	WASHER	1		
12	19H2925	SCREW	5	1/4" X 1/2"	
13	AT13740	DRAIN VALVE	1		
14	AH129056	VALVE	1		
15	H143420	STOP	1		
16	37M7058	SCREW	2	M8 X 20	
17	AH135191	CHANNEL	1		
18	AH137254	SUPPORT	1		
19	AH136147	CHANNEL	1		
20	AH106982	SCREEN	1		
21	H129839	BRACE	1		
22	AH146621	FUEL TANK	1		
23	H147415	O-RING	1		69.215 X 5.334 MM (2.725" X 0.210")
24	AH162914	STRAINER	1		(SUB FOR AH135155)
25	H148166	WASHER	1		29 X 85 X 3.175 MM (1.142" X 3.346" X 1/8")
26	AH141823	FILLER CAP	1		
27	T76719	CLAMP	1		
28	19M7867	SCREW	1	M8 X 25	
	14M7303	FLANGE NUT	1	M6	
29	T17568	TEE FITTING	1	6.350 MM	
30	U42355	FITTING	1		
31	H145706	LABEL	1	FILL HOSE	

1F1

ELECTRIC FUEL PUMP, WATER SEPARATOR AND FUEL FLOAT
HP6522 -UN-15JUL96

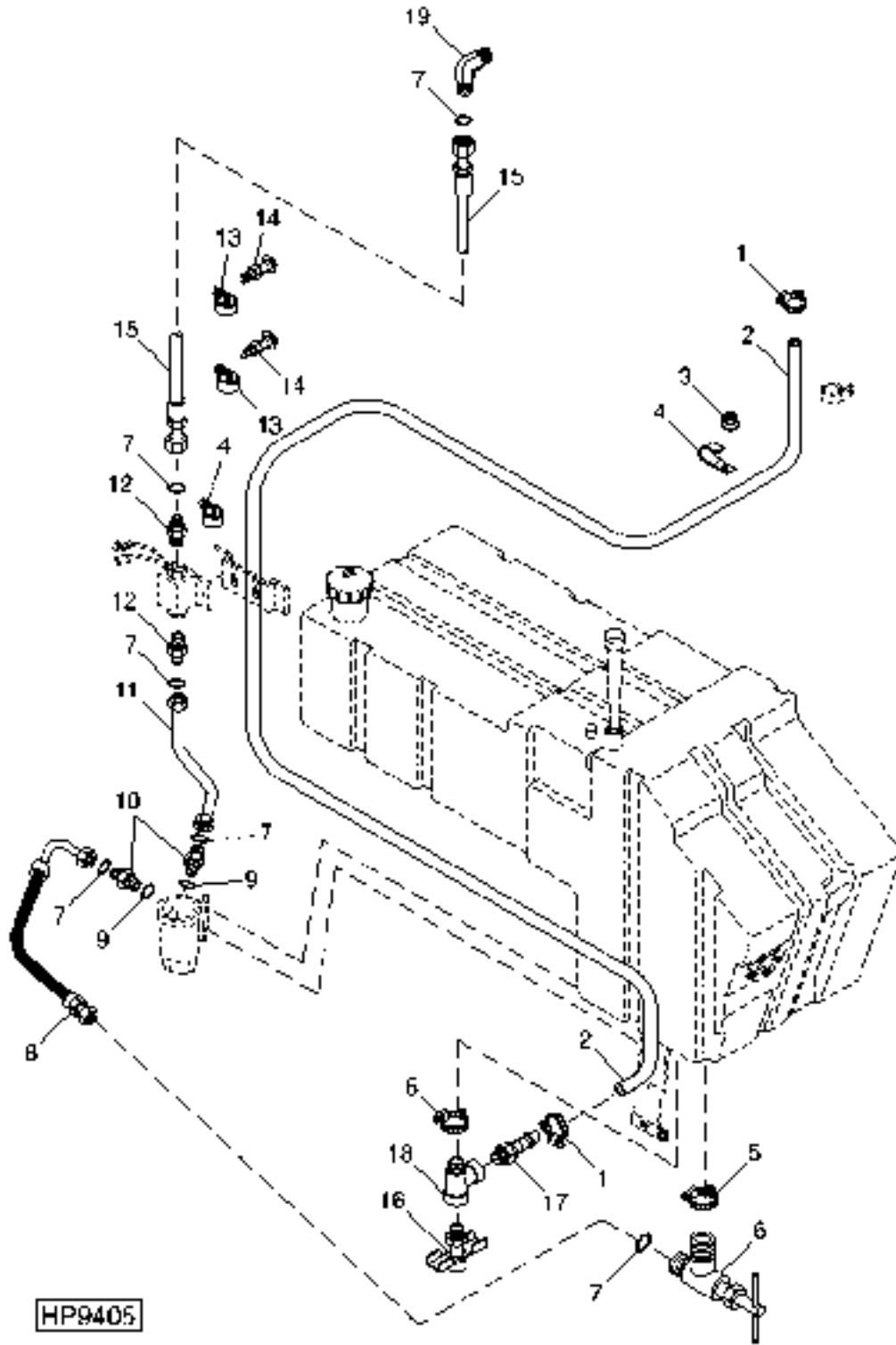


ELECTRIC FUEL PUMP, WATER SEPARATOR AND FUEL FLOAT - CONTINUED

KEY	PART NO.	PART NAME	QTY	SERIAL NO.	REMARKS
1	T77613	O-RING	2		9.246 X 1.778 MM
2	H127578	ADAPTER	2		
3	03M7221	BOLT	2		M6 X 16
4	12M7081	LOCK WASHER	1		6.400 MM, EXTERNAL TOOTH
5	24H1287	WASHER	1		9/32" X 5/8" X 0.065"
6	14M7303	FLANGE NUT	2		M6
7	AH130127	PUMP	1		
8	19M7786	SCREW	2		M10 X 30
9	14M7296	FLANGE NUT	2		
10	AT81477	KIT	1		
11	AT81478	FILTER ELEMENT	1		
12	AT81476	KIT	1		
13	AT81268	SEPARATOR	1		
14	H149454	PACKING	1		
15	AH143036	SENSOR	1		

1F3

TANK FUEL LINES AND FITTINGS
HP9405 -UN-10JAN00



1F4

FUEL AND AIR

TANK FUEL LINES AND FITTINGS - CONTINUED

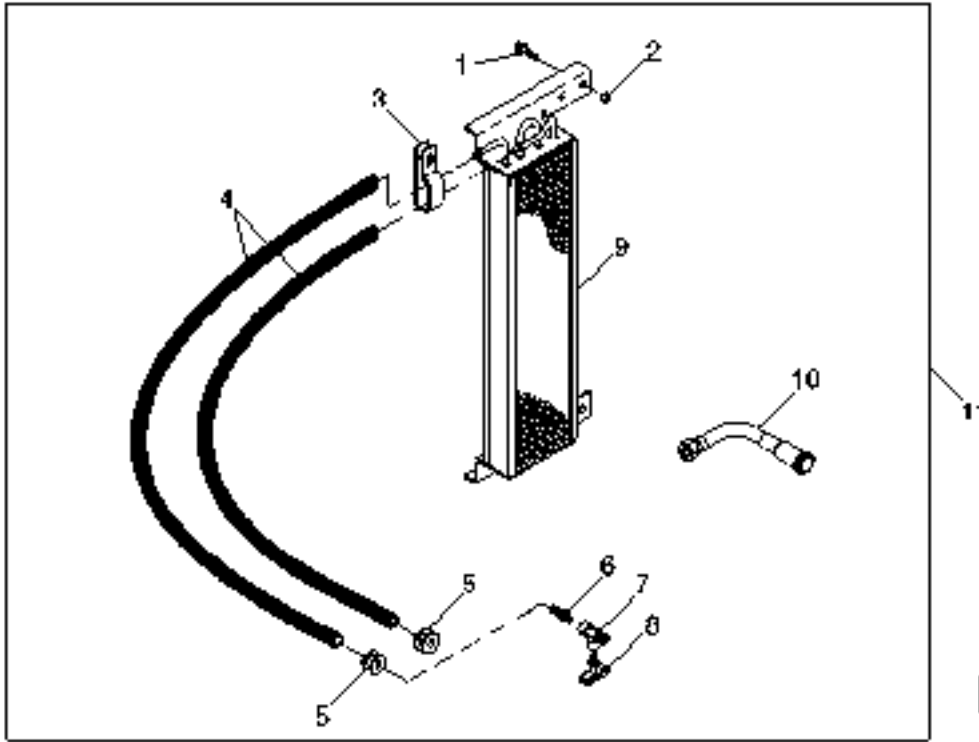
KEY	PART NO.	PART NAME	QTY	SERIAL NO.	REMARKS
1	TY22462	CLAMP	2		
2	TY22418	BULK HOSE	1		(CUT TO 3200 MM (126 IN.) RETURN
3	14M7298	FLANGE NUT	1		M8
4	AH77869	CLIP	2		
5	AT18904	CLAMP	2		
6	AH129056	VALVE	1		
7	T77613	O-RING	6		9.246 X 1.778 MM (0.364" X 0.070")
8	AH129058	HYDRAULIC HOSE	1		11/16" X 420 MM (16-1/2") X 11/16", INLET
9	R26448	O-RING	2		11.887 X 1.981 MM (0.468" X 5/64")
10	38H1160	ADAPTER	2		
11	AH136146	LINE	1		
12	H127578	ADAPTER	2		
13	AH90990	CLIP	2		
14	03M7183	BOLT	2		M8 X 16
	14M7298	FLANGE NUT	2		M8
15	AH146788	HYDRAULIC HOSE	1		
16	AT13740	DRAIN VALVE	1		
17	U42355	FITTING	1		
18	T17568	TEE FITTING	1		6.350 MM (1/4")
19	T28860	ELBOW FITTING	1		

1F5

FUEL AND AIR

FUEL COOLER

HP9165 -UN-25OCT99

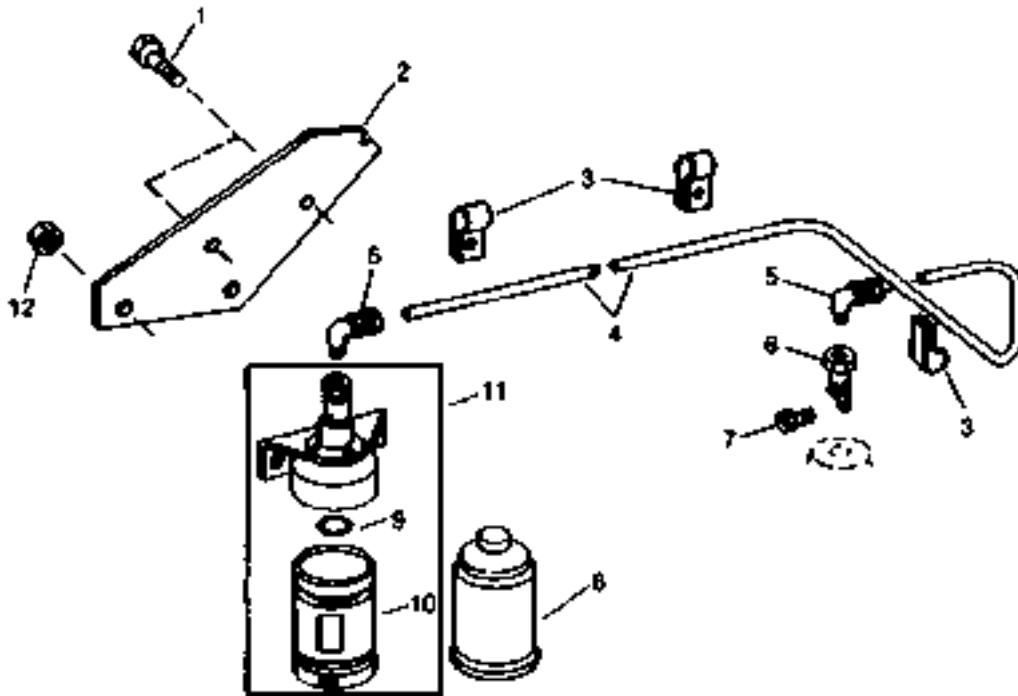


IP9165

KEY	PART NO.	PART NAME	QTY	SERIAL NO.	REMARKS
1	19M7775	SCREW	1	M6 X 16	
2	14M7397	LOCK NUT	1	M6	
3	AH97280	CLIP	1		
4	H169549	HOSE	2		
5	R71351	GROMMET	2		
6	A60341	FITTING	1		
7	T17568	TEE FITTING	1	6.350 MM	
8	AT13740	DRAIN VALVE	1		
9	AH162723	HEAT EXCHANGER	1		
10	RE503256	FUEL LINE	1		
11	AH163373	KIT	1		

1F6

COLD WEATHER STARTING AID
HP5856 -UN-15OCT94

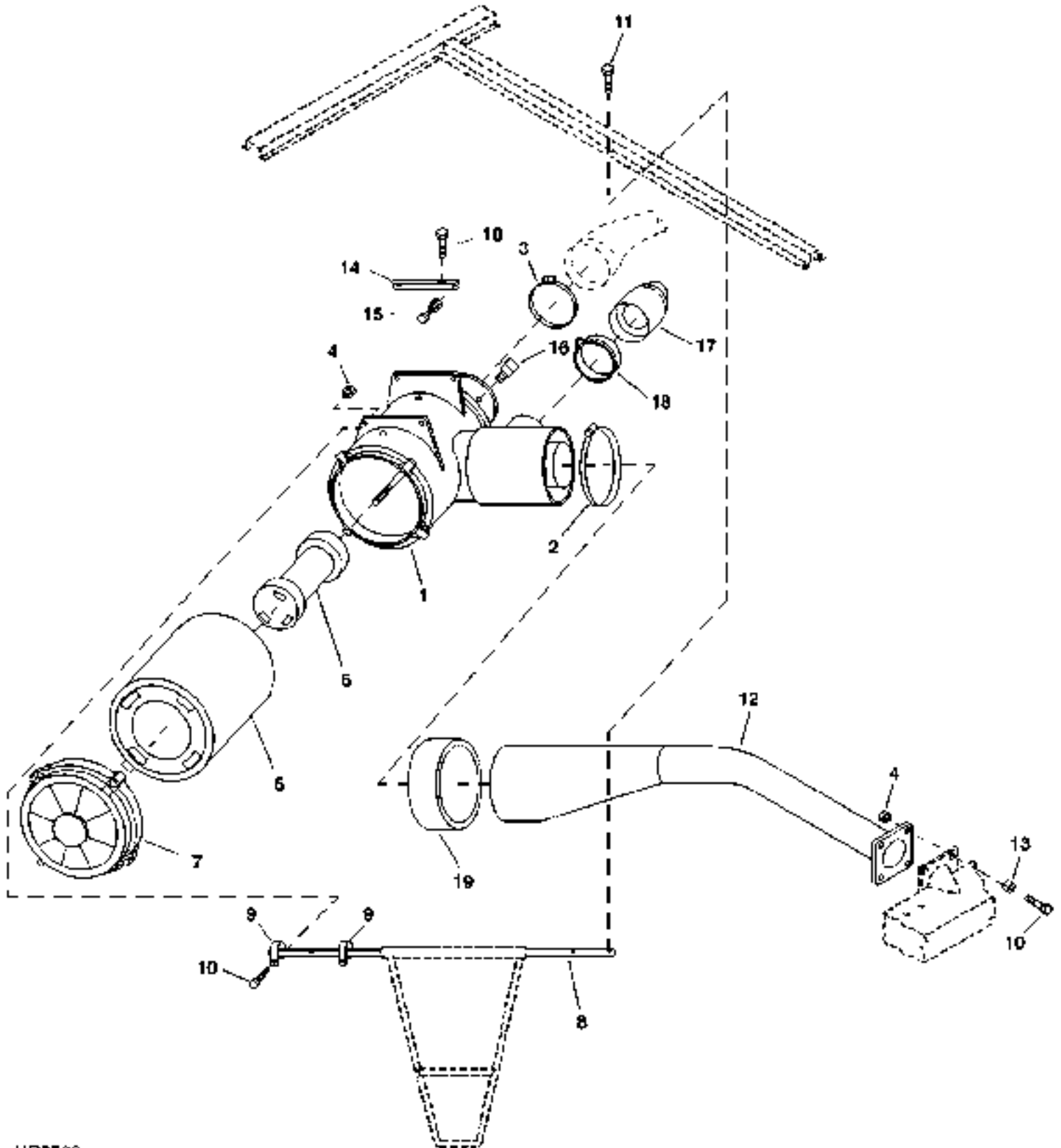


HP5856

KEY	PART NO.	PART NAME	QTY	SERIAL NO.	REMARKS
1	19M7774	SCREW	AR	M6 X 12	
2	H134300	SUPPORT	1	(SUB H170303)	
	H170303	COVER	1		
3	T32231	CLAMP	4		
4	LINE	1	(CUT FROM H86108) 57 IN.	
5	RE21790	ELBOW FITTING	2		
6	R47160	NOZZLE HOLDER	1		
7	R28583	NOZZLE	1		
8	RE33636	STARTING FLUID	1		
9	T13119	O-RING	1	18.720 X 2.616 MM (0.737" X 0.103")	
	T15712	O-RING	1	12.421 X 1.778 MM (0.489" X 0.070")	
10	R73498	CONTAINER	1		
11	RE48310	STARTING AID SOLENOID	1		
	RE48321	ADAPTER	1		
12	14M7298	FLANGE NUT	2	M8	

1F7

AIR CLEANER AND INTAKE TUBES
HP7523 -UN-06MAY98



HP7523

1F8

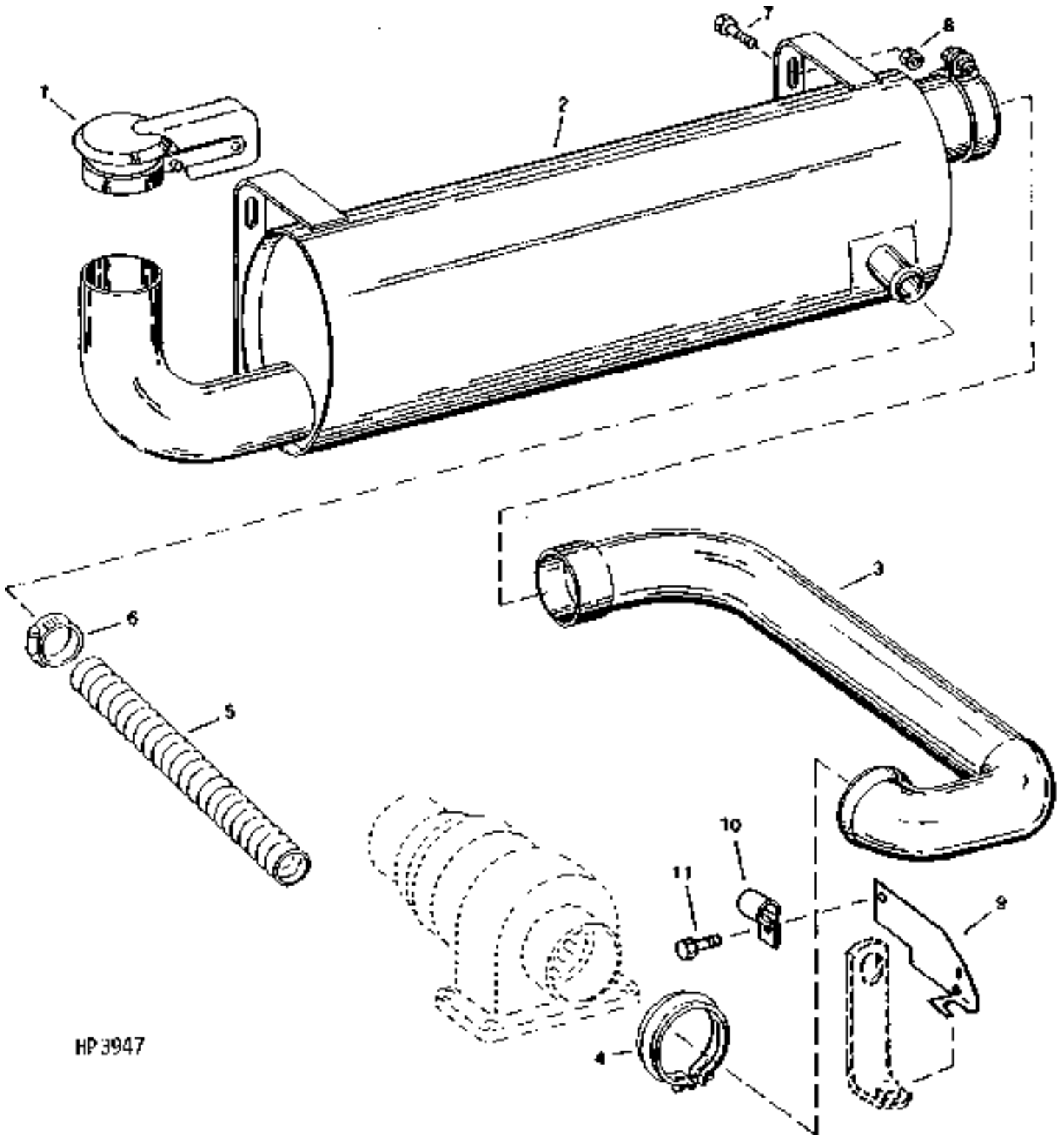
FUEL AND AIR

AIR CLEANER AND INTAKE TUBES - CONTINUED

KEY	PART NO.	PART NAME	QTY	SERIAL NO.	REMARKS
1	AH148879	AIR CLEANER	1		
2	AH130230	HOSE CLAMP	1		
3	AC15595	CLAMP	2		
4	14M7298	FLANGE NUT	10	M8	
5	AH148880	FILTER ELEMENT	1		
6	RE63932	FILTER ELEMENT	1		
7	AH157555	COVER	1		COVER WITH LATCH
	AH157554	LATCH	1		
8	H135147	TUBE	1		
9	H157866	CLAMP	2		
10	19M8318	SCREW	6	M8 X 45	
11	19M8290	SCREW	3	M6 X 35	
12	AH141580	AIR DUCT	1		
13	H148776	SPACER	4		
14	AH158321	BRACKET	1		
15	19M7786	SCREW	2	M10 X 30	
	14M7296	FLANGE NUT	2	M10	
16	H164849	ELBOW FITTING	1		
17	AH158673	CHECK VALVE	1		
18	AN130930	HOSE CLAMP	1		
19	H164771	SLEEVE	1		

1F9

MUFFLER AND EXHAUST PIPE
HP3947 -UN-01JAN94



HP 3947

1F10

FUEL AND AIR

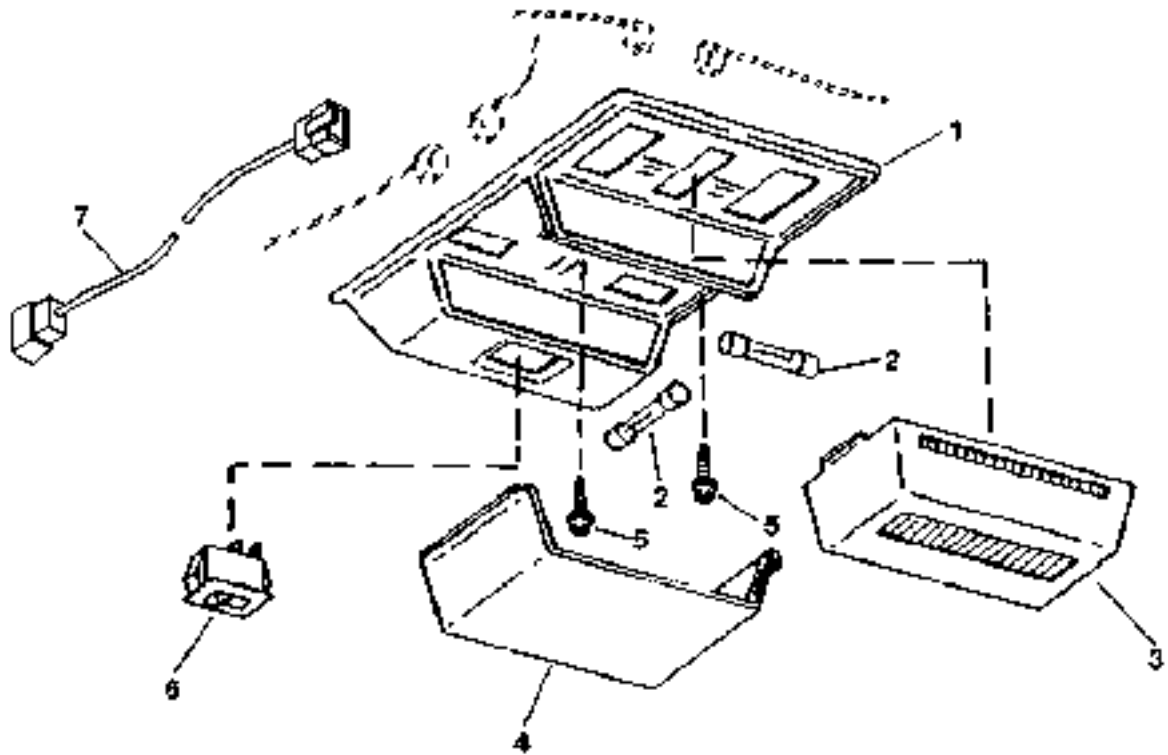
MUFFLER AND EXHAUST PIPE - CONTINUED

KEY	PART NO.	PART NAME	QTY	SERIAL NO.	REMARKS
1	AR86603	CAP	1		
	AT74407	EXHAUST CAP	1		(USE WITH AH161463)
2	AH136386	MUFFLER	1		GRAIN - USED WITH 190 HP
	AH161463	MUFFLER	1		(SUB FOR AH148289) (ALSO ORDER AT74407)
3	AH128977	EXHAUST PIPE	1		
4	RE40048	CLAMP	1		
5	H134117	HOSE	1		
6	TY22467	CLAMP	2		
7	19M7868	SCREW	4		M8 X 30
8	14M7298	FLANGE NUT	4		M8
9	H144260	SHIELD	1		
10	AH96317	CLIP	1		
11	37M7083	SCREW	1		M8 X 12

1F15

ELECTRICAL

CAB DOME LIGHT
 HP6762 -UN-18AUG97



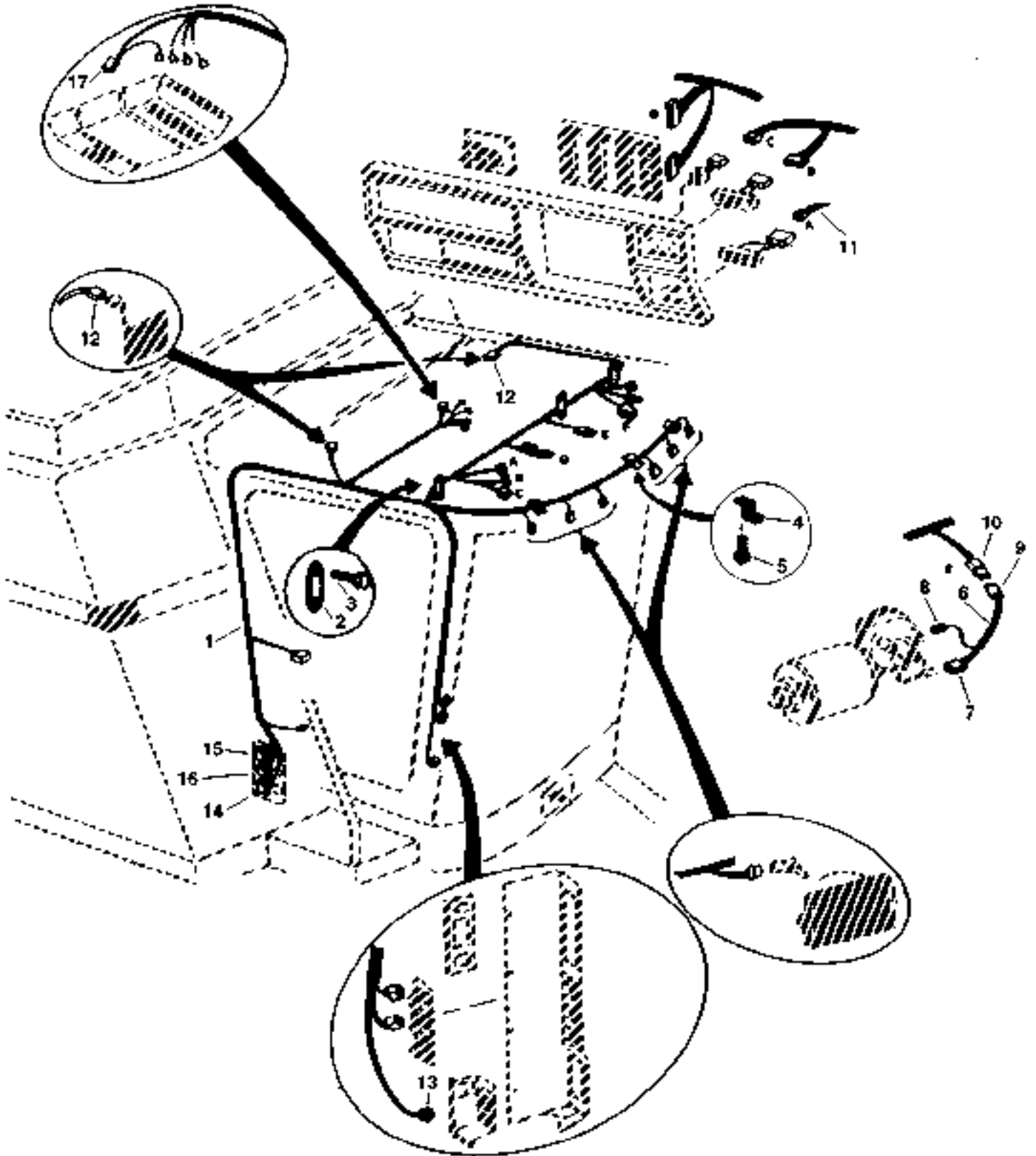
HP6762

KEY	PART NO.	PART NAME	QTY	SERIAL NO.	REMARKS
1	H131985	BASE	1		
	H168419	BASE	1		(SUB FOR H159831)
2	57M7173	BULB	2		
3	AH126831	COVER	1		
	AH161919	COVER	1		(SUB FOR AH153626)
4	H131982	LENS	1		
5	H123995	SCREW	2		
6	AH109555	ROCKER SWITCH	1		
	AH153910	SWITCH	1		
7	AH154151	WIRING HARNESS	1		

1F16

ELECTRICAL

CAB WIRING HARNESS
HP6969 -UN-08SEP97



HP6969

1F17

ELECTRICAL

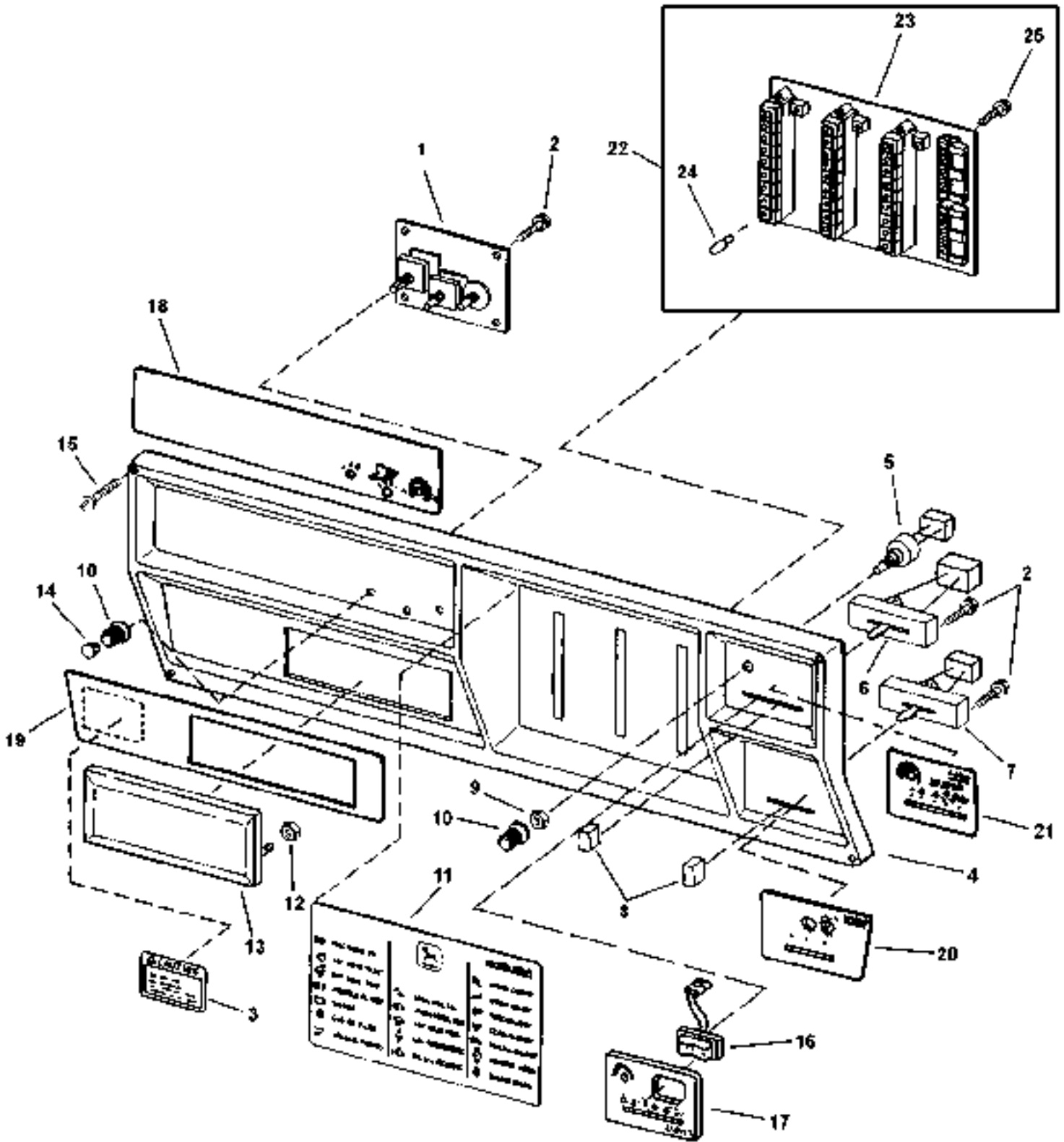
CAB WIRING HARNESS - CONTINUED

KEY	PART NO.	PART NAME	QTY	SERIAL NO.	REMARKS
1	AH154831	WIRING HARNESS	1	-680300	W/GREENSTAR
	AH163345	WIRING HARNESS	1	680301-	W/GREENSTAR
2	H164952	STRAP	3		
3	H114038	SCREW	6		
4	AH89557	CLIP	3		
5	H123995	SCREW	3		
6	AH126358	WIRING HARNESS	1		
	AH143422	WIRING HARNESS	1		
7	R77481	CONNECTOR	1		(PKG. OF 2)
	U46662	TERMINAL	1		(PKG. OF 25)
8	T28583	RECEPTACLE CONNECTOR BODY	1		(PKG. OF 3)
	U46662	TERMINAL	1		(PKG. OF 25)
9	R78053	PIN CONTACT CONNECTOR BODY	1		(PKG. OF 3)
10	RE12363	CONNECTOR	1		(PKG. OF 3)
	U46662	TERMINAL	1		(PKG. OF 25)
	R78060	SOCKET CONTACT	1		(PKG. OF 40)
	R78048	TERMINAL NIPPLE	1		(PKG. OF 5)
11	T24167	RECEPTACLE CONNECTOR BODY	1		
	R77464	PIN CONTACT	1		(PKG. OF 50)
	U46662	TERMINAL	1		(PKG. OF 25)
12	R77477	RECEPTACLE CONNECTOR BODY	2		(PKG. OF 2)
13	H118431	CONNECTOR	1		
14	H140664	CONNECTOR	1		
	R77464	PIN CONTACT	1		(PKG. OF 50)
15	H118430	CONNECTOR	1		(37 PIN CONNECTOR)
16	R77464	PIN CONTACT	1		(PKG OF 50)
17	R77477	RECEPTACLE CONNECTOR BODY	1		(PKG. OF 2)
	U46662	TERMINAL	1		(PKG. OF 25)
..			1		

1F18

ELECTRICAL

OVERHEAD CONSOLE PANEL
HP7628 -UN-10SEP98



HP7628

1F19

ELECTRICAL

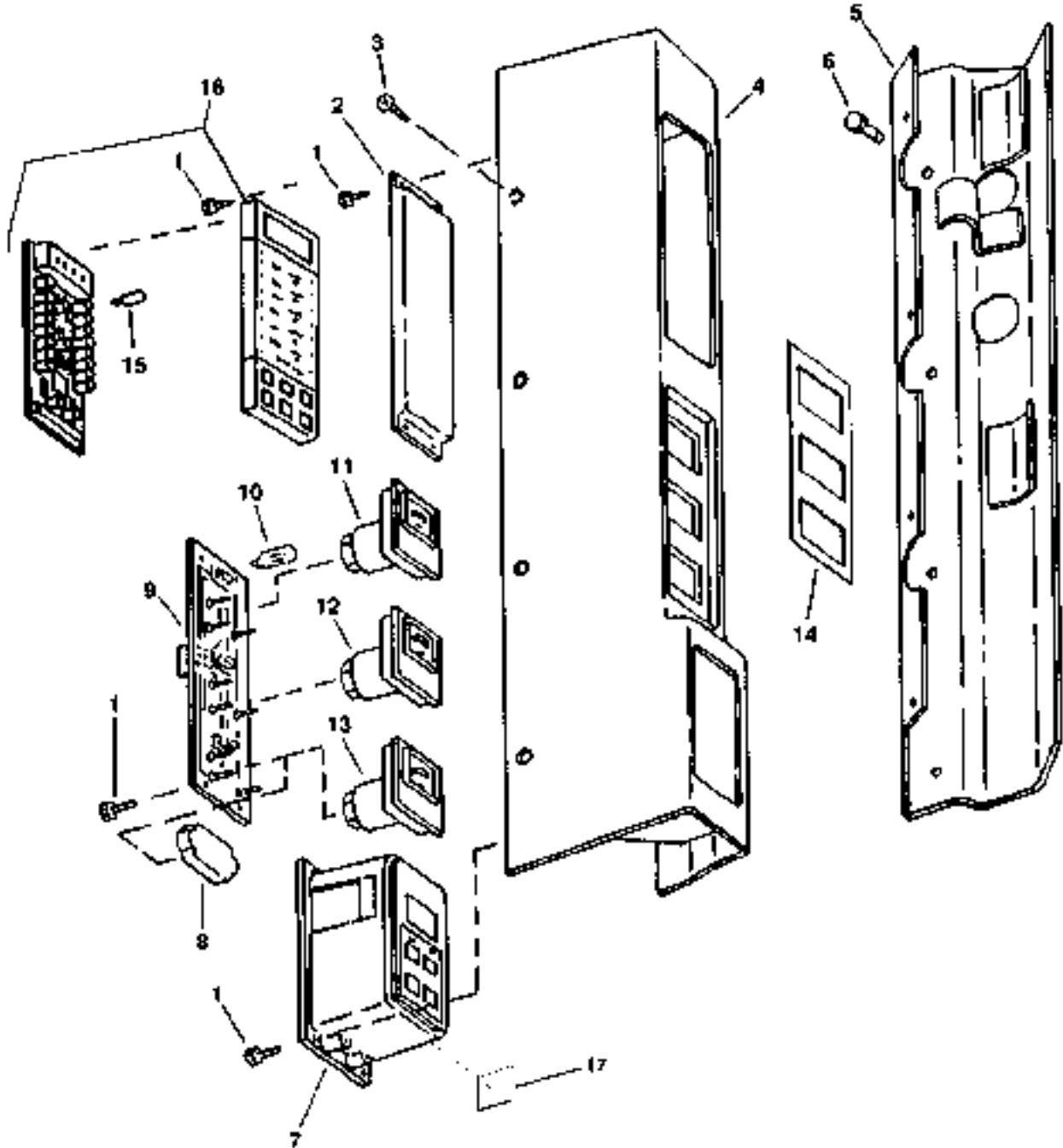
OVERHEAD CONSOLE PANEL - CONTINUED

KEY	PART NO.	PART NAME	QTY	SERIAL NO.	REMARKS
1	AH125627	CIRCUIT BOARD	1		WITH HARVESTRAK
2	H111364	SCREW	AR		10 WITH HARVESTRAK, 6 W/O HARVESTRAK
3	H155510	SIGN	1		"CAUTION" SEATBELT
4	H168421	PANEL	1		(SUB FOR H161549)
5	AH115797	RHEOSTAT	1		
6	AH144741	SWITCH	1		LIGHTS
7	AH144742	SWITCH	1		WIPER
8	H150681	KNOB	2		
9	H140248	NUT	1		
10	H130153	KNOB	4		4 WITH HARVESTRAK, 1 W/O HARVESTRAK
11	H138798	PANEL	1		
	H143632	PANEL	1		(EXPORT ONLY - FRANCE)
12	H117239	FLANGE NUT	2		6.350 MM (1/4") LESS RADIO
13	H132795	PANEL	1		LESS RADIO
14	T15005	PLUG	3		
15	H130194	CAP SCREW	6		M4 X 30
16	AH145674	ROCKER SWITCH	1		USED WITH OPTIONAL AUX FIELD LIGHTS
17	H151376	DECAL	1		LIGHTS GRAPHICS DECAL W/OPTIONAL AUX FIELD LIGHTS
18	H137539	PANEL	1		HARVESTRAK GRAPHICS DECAL
19	H145418	DECAL	1	-675765	RADIO TRIM (LESS FIELD LIGHTS)
	H158601	PANEL	1	675766-	(RADIO WITH MIRROR)
20	H145419	DECAL	1		WINDSHIELD WIPER GRAPHICS
21	H145420	DECAL	1		LIGHTS GRAPHICS DECAL
22	AH154573	KIT	1		WARNING DISPLAY PANEL
23	PRINTED CIRCUIT	1		STANDARD ALARM MODULE
24	AH108380	BULB	22		
25	H111364	SCREW	6		M3.5 X 12
..	RE55277	RADIO	1		AM / FM WITH CASSETTE AND WEATHERBAND (ORDER DIRECTLY FROM WATERLOO)
..	RE55278	RADIO	1		AM / FM STEREO - DEERE DELCO
..	AH140786	KIT	1		RADIO MOUNTING PARTS

1F20

ELECTRICAL

CAB POST INSTRUMENT PANEL
HP7318 -UN-22DEC97



HP7318

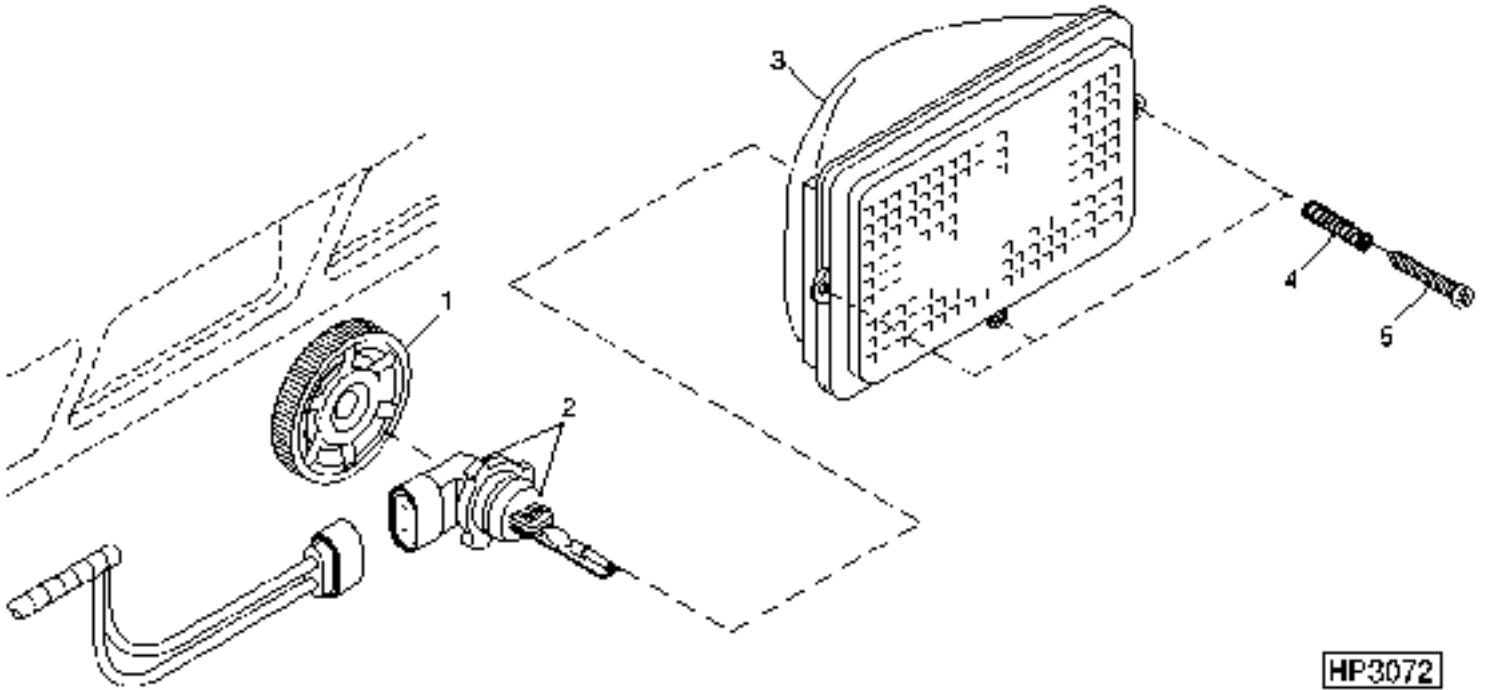
CAB POST INSTRUMENT PANEL - CONTINUED

KEY	PART NO.	PART NAME	QTY	SERIAL NO.	REMARKS
1	21M7268	SCREW	AR		M3 X 6
2	H130058	PANEL	1	-680300	USE WITHOUT DATA CENTER
	H168423	PANEL	1	680301-	
3	H168424	SCREW	4		M5 X 12, (SUB FOR H158579)
4	AH140609	PANEL	1		
5	AH120570	BRACKET	1		
6	37M7089	SCREW	AR		M6 X 12
7	AH163526	KIT	1		(SUB FOR AH159984) (INCLUDES AH161335 DUAL TACHOMETER, AH144684 LABEL KIT, RE151221 WIRING HARNESS AND H165359 INSTRUCTIONS)
	AH163527	KIT	1		(SUB FOR AH159985) (INCLUDES AH161335 DUAL TACHOMETER, AH144684 LABEL KIT, AND H165359 INSTRUCTIONS)
8	H129686	COVER	1		USE ONLY WITHOUT HARVESTRAK
9	AH141984	CIRCUIT BOARD	1		
10	AA27536	BULB	3		
11	AH120444	GAUGE	1		FOR FUEL
12	AH159352	TEMPERATURE GAUGE	1		(SUB FOR AH148354) ENGINE
13	AH120445	GAUGE	1		HARVESTRAK
14	H145417	DECAL	1		GAUGE GRAPHICS DECAL
15	AH108380	BULB	20		
16	AH162661	KIT	1	-15NO99	(SUB FOR AH159207 OR AH157325) COMBINE DATA CENTER, INCLUDES AH162660 MONITOR, LABELS AND INSTRUCTIONS.
	AH167934	KIT	1	16NO99-	
17	R133617	LABEL	1		
..	BH81356	COMPLETE GOODS/SHIP. BUNDLE	1		

1F22

ELECTRICAL

CAB ROOF LIGHTS
HP3072 -UN-24AUG99



HP3072

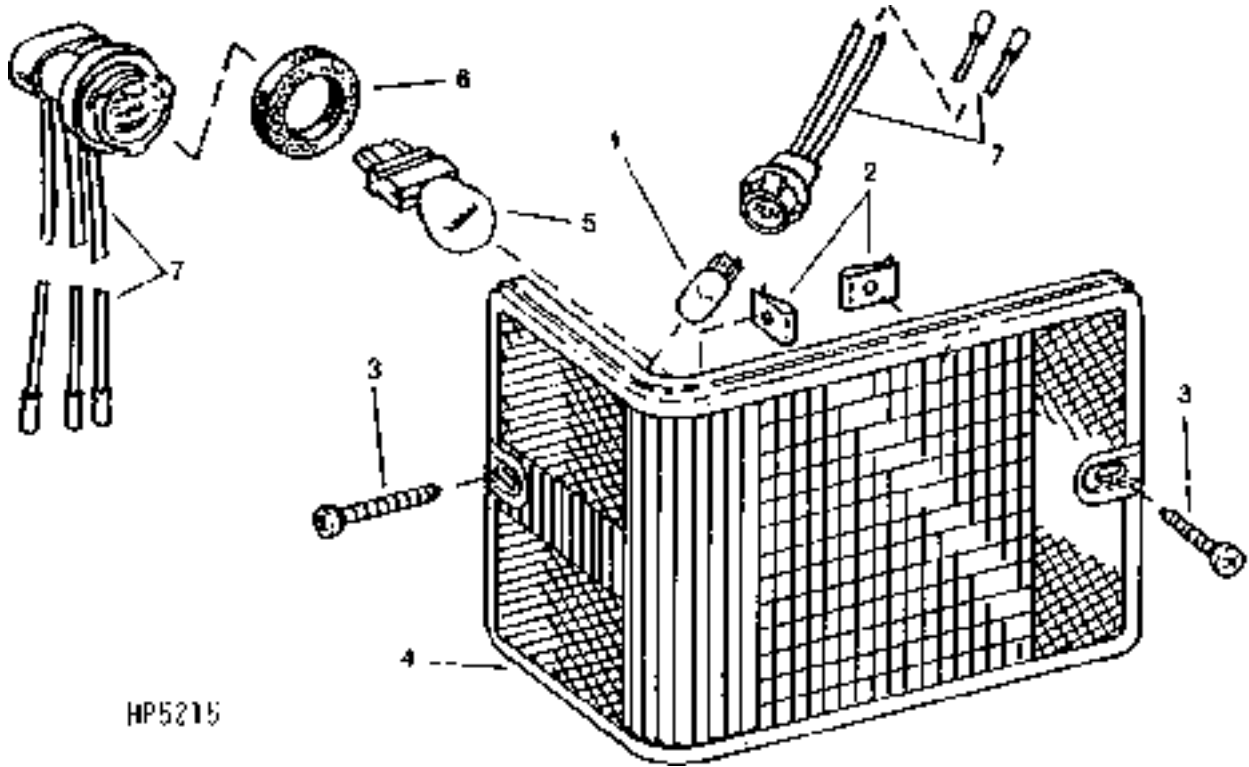
KEY	PART NO.	PART NAME	QTY	SERIAL NO.	REMARKS
1	H132900	RETAINER	6		
2	AH127718	BULB	6	(SUB AH162231)	
	AH162231	BULB	6		
3	AH128327	FLOODLAMP	4		
	AH128328	FLOODLAMP	2		
4	H130299	SPRING	18		
5	H130298	SCREW	18	M5 X 40	

1F23

ELECTRICAL

FRONT AND REAR TURN AND TAIL LIGHTS

HP5215 -UN-01JAN94



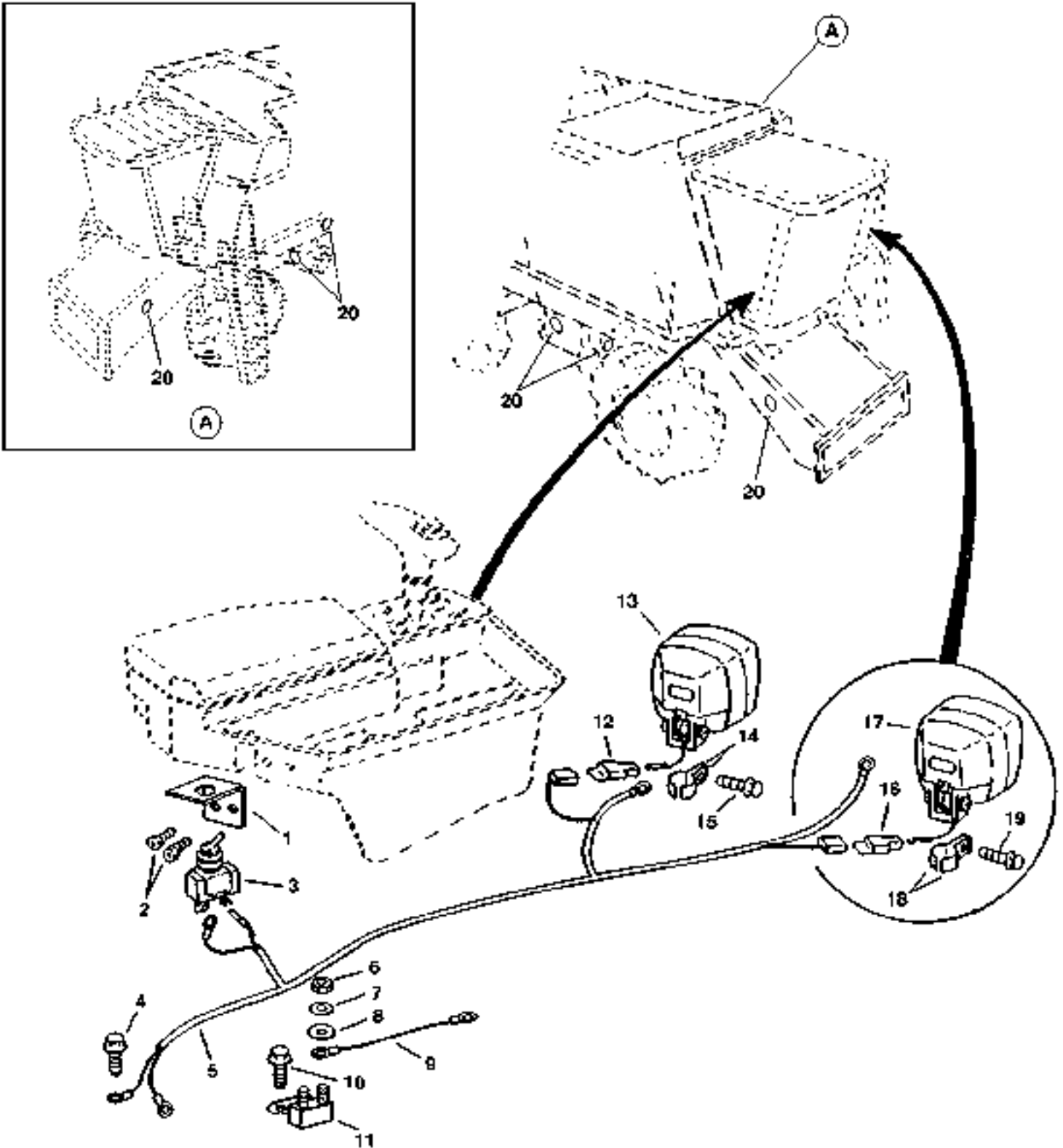
HP5215

KEY	PART NO.	PART NAME	QTY	SERIAL NO.	REMARKS
1	AR62407	BULB	6		
2	H140628	NUT	12		
3	H140627	SCREW	12		
4	AH123014	LAMP	1		AMBER, R.H. FRONT
	AH123015	LAMP	1		AMBER, L.H. FRONT
	AH123016	LAMP	2		RED, R.H. AND L.H. REAR
	AH123017	TAIL LAMP	2		AMBER, R.H. AND L.H. REAR
5	H133384	BULB	6		
6	H141955	SEAL	1		
7	AH140120	KIT	1		SOCKET KIT (CONTAINS ONE LARGE REAR SOCKET AND ONE SMALL SIDE SOCKET)

1F24

ELECTRICAL

AUXILIARY FIELD LIGHTING
HP6626 -UN-29JAN97



HP6626

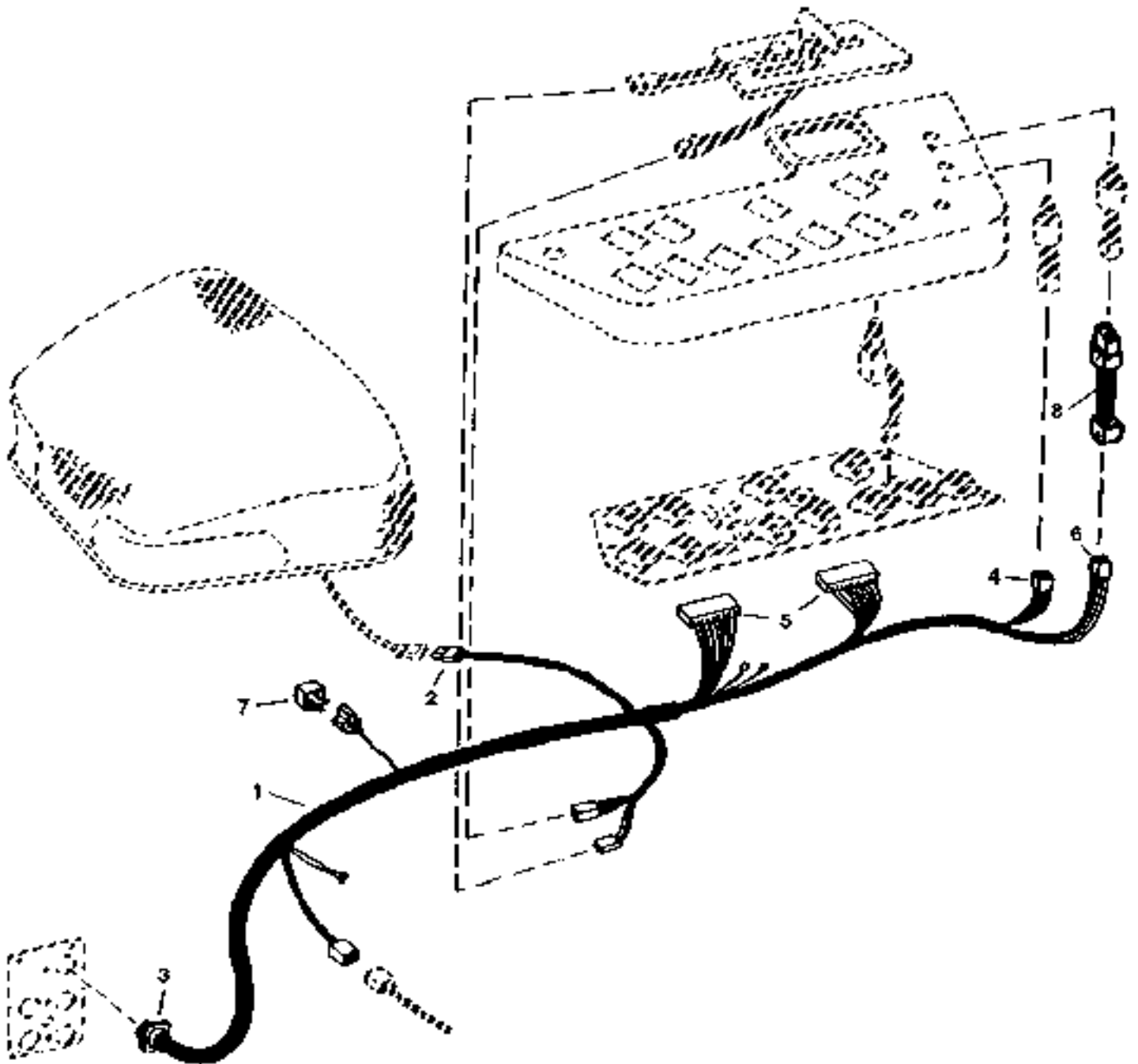
1F25

ELECTRICAL

AUXILIARY FIELD LIGHTING - CONTINUED

KEY	PART NO.	PART NAME	QTY	SERIAL NO.	REMARKS
1	H147249	BRACKET	1		
2	H111706	SCREW	2		
3	AH87806	SWITCH	1		TO BRACKET IN CAB
4	37H147	SCREW	1		TO RELAY PANEL
5	AH141171	WIRING HARNESS	1		ROUTE ALONG R.H. MAIN WIRING HARNESS
6	14H631	NUT	2		0.190"
7	12H246	LOCK WASHER	2		0.190"
8	24M7027	WASHER	2		5.300 X 10 X 1 MM
9	AH141131	WIRING LEAD	1		ONE END TO BUSS BAR, OTHER TO CIRCUIT BREAKER
10	37H147	SCREW	2		
11	AR28403	CIRCUIT BREAKER	1		ATTACH TO ENGINE COMPARTMENT RELAY
12	T28585	TAB CONNECTOR BODY	1		
13	AT135485	FLOODLAMP	1		TO LEFT HAND SIDE
14	AH140706	KIT	1		CONTAINS TWO HALF CLAMPS
15	19M7867	SCREW	1		M8 X 25
16	T28585	TAB CONNECTOR BODY	1		
17	AT135485	FLOODLAMP	1		TO RIGHT HAND SIDE
18	AH140706	KIT	1		CONTAINS TWO HALF CLAMPS
19	19M7867	SCREW	1		M8 X 25
20	AZ47247	REFLECTOR	6		(FRENCH)
..	R44302	TIE BAND	AR		USE TO SECURE WIRING HARNESS TO ENGINE HARNESS

ARMREST WIRING HARNESS
HP6809 -UN-19AUG97



HP6809

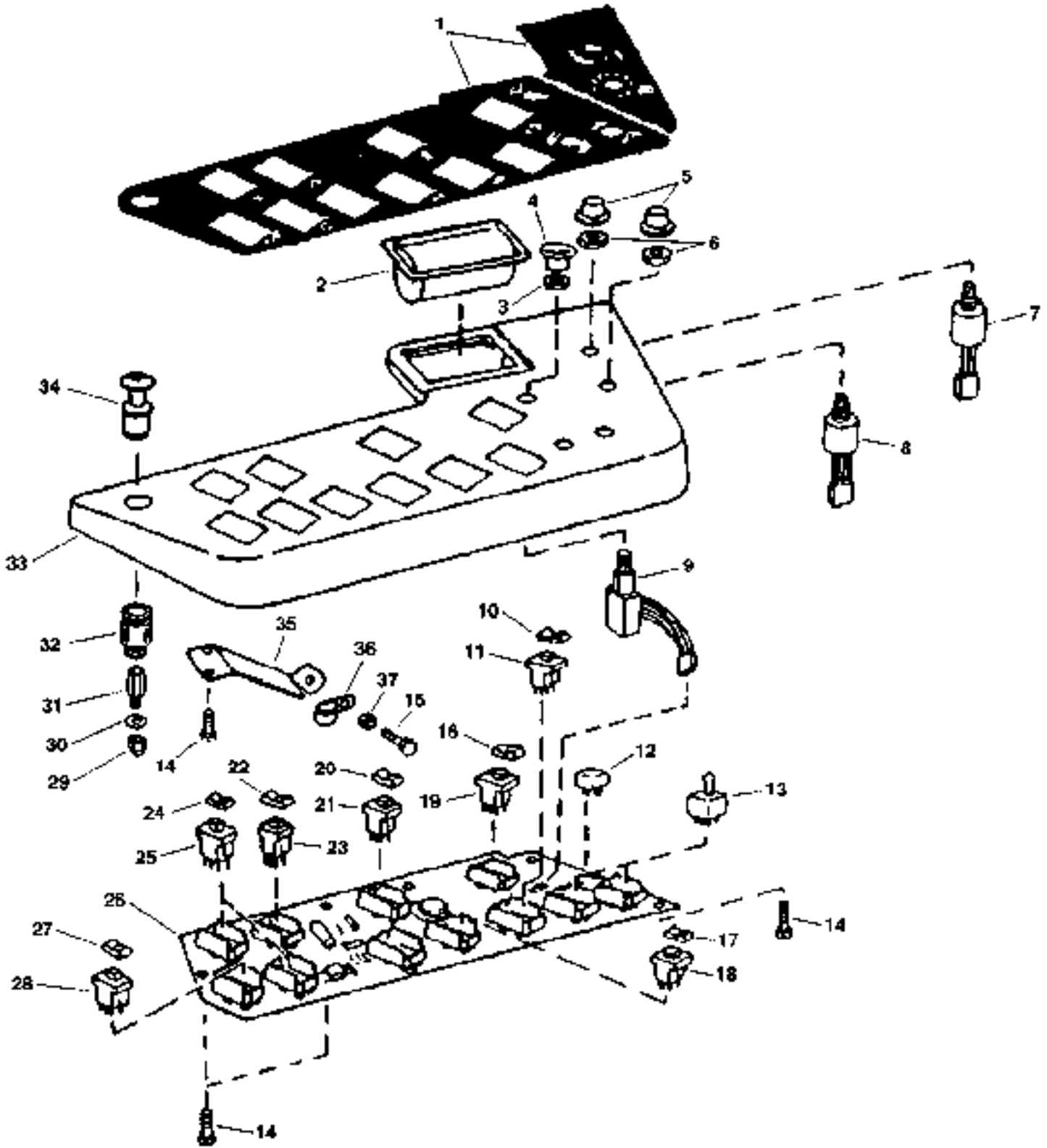
ARMREST WIRING HARNESS - CONTINUED

KEY	PART NO.	PART NAME	QTY	SERIAL NO.	REMARKS
1	AH145026	WIRING HARNESS	1		
2	RE12363	CONNECTOR	1		(PKG. OF 5)
	R78048	TERMINAL NIPPLE	1		(PKG. OF 3)
	R78063	TERMINAL NIPPLE	1		(PKG. OF 40)
	R78060	SOCKET CONTACT	1		(PKG OF 40)
3	H118430	CONNECTOR	1		(37 PIN CONNECTOR)
4	AH116902	CONNECTOR	1		CONNECTS TO DIAL-A-SPEED SWITCH
5	R77465	SOCKET CONTACT	AR		
6	R77465	SOCKET CONTACT	AR		CONNECTS TO ADAPTER HARNESS
7	AH106612	RELAY	1		
8	AH146207	WIRING HARNESS	1		CONNECTS TO DIAL-A-MATIC SWITCH (INCLUDES DECAL)

1G3

ELECTRICAL

ARMREST CONTROL PANEL
HP6955 -UN-12SEP97



HP6955

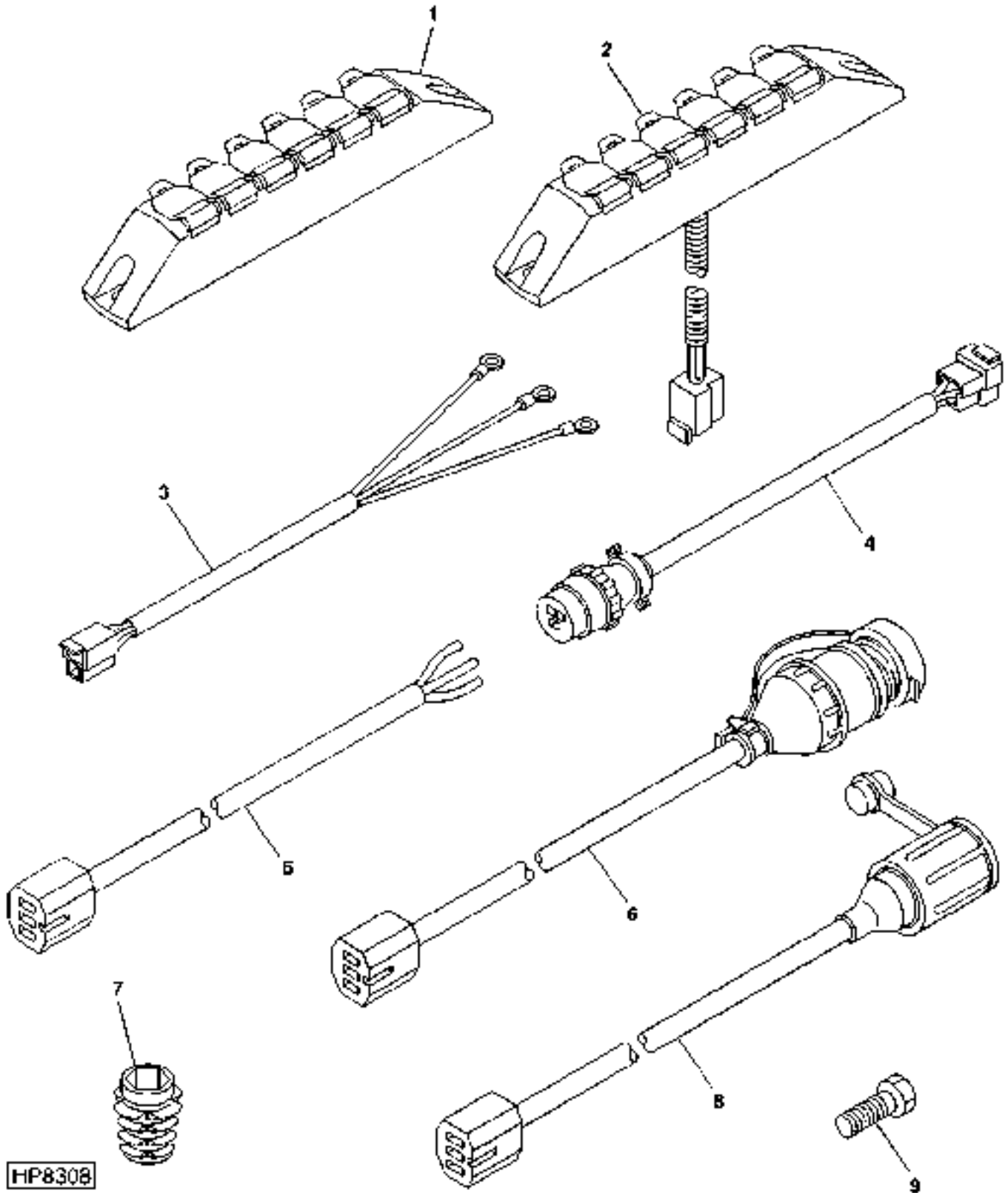
ARMREST CONTROL PANEL - CONTINUED

KEY	PART NO.	PART NAME	QTY	SERIAL NO.	REMARKS
1	H129723	PANEL	1		
	H145284	PANEL	1		
	H150929	PANEL	1		(CONTOUR MASTER)
2	AH104259	ASHTRAY	1		
3	H140248	NUT	1		
4	H134169	KNOB	1		
5	AH126811	KNOB	1		(OPT)
6	H106246	LOCK NUT	1		9.525 MM (3/8") (OPT)
7	AH145947	SWITCH	1		
8	AH121190	SWITCH	1		DIAL-A-SPEED (OPT)
9	AH128904	SWITCH	1		UNLOADING AUGER ENGAGE
10	H143918	ACTUATOR	1		MANUAL REEL SPEED
	H151908	LABEL	1		
11	AH109120	SWITCH	1		MANUAL REEL SPEED
12	AH106612	RELAY	1		
13	AH111704	TOGGLE SWITCH	2		HEADER ENGAGE OR SEPARATOR ENGAGE
14	H111706	SCREW	3		
15	19M7865	SCREW	1		M8 X 16
16	H143918	ACTUATOR	1		UNLOADING AUGER SWING
	H151908	LABEL	1		
17	H143918	ACTUATOR	1		REEL FORE AND AFT
	H151908	LABEL	1		
18	AH109120	SWITCH	1		REEL FORE AND AFT
19	AH112169	ROCKER SWITCH	1		UNLOADING AUGER SWING
20	H143918	ACTUATOR	1		ENGINE SPEED
	H151908	LABEL	1		
21	AH112169	ROCKER SWITCH	1		3 - POSITION SWITCH FOR ENGINE SPEED
22	H143918	ACTUATOR	1		4-WHEEL DRIVE (OPT)
	H151908	LABEL	1		
23	AH111705	ROCKER SWITCH	1		4-WHEEL DRIVE (OPT)
24	H143918	ACTUATOR	1		CLEANING FAN OR CYL. SPEED
	H151908	LABEL	1		
25	AH109120	SWITCH	1		CLEANING FAN OR CYL. SPEED
26	AH153332	CIRCUIT BOARD	1		
27	H143918	ACTUATOR	1		CONCAVE SPACING
	H151908	LABEL	1		
28	AH109120	SWITCH	1		CONCAVE SPACING
29	14H605	NUT	1		4.166 MM (0.164")
30	12M7084	LOCK WASHER	1		4.300 MM (0.169")
31	H129367	SPACER	1		
32	AR56766	HOUSING	1		
33	H168426	COVER	1		(SUB FOR H143593)
34	AT26407	LIGHTER	1		
35	H126846	BRACKET	1		
36	AH90990	CLIP	1		
37	14M7298	FLANGE NUT	1		M8

1G5

ELECTRICAL

KIT-CONVENIENCE OUTLET
HP8308 -UN-10MAR99



1G6

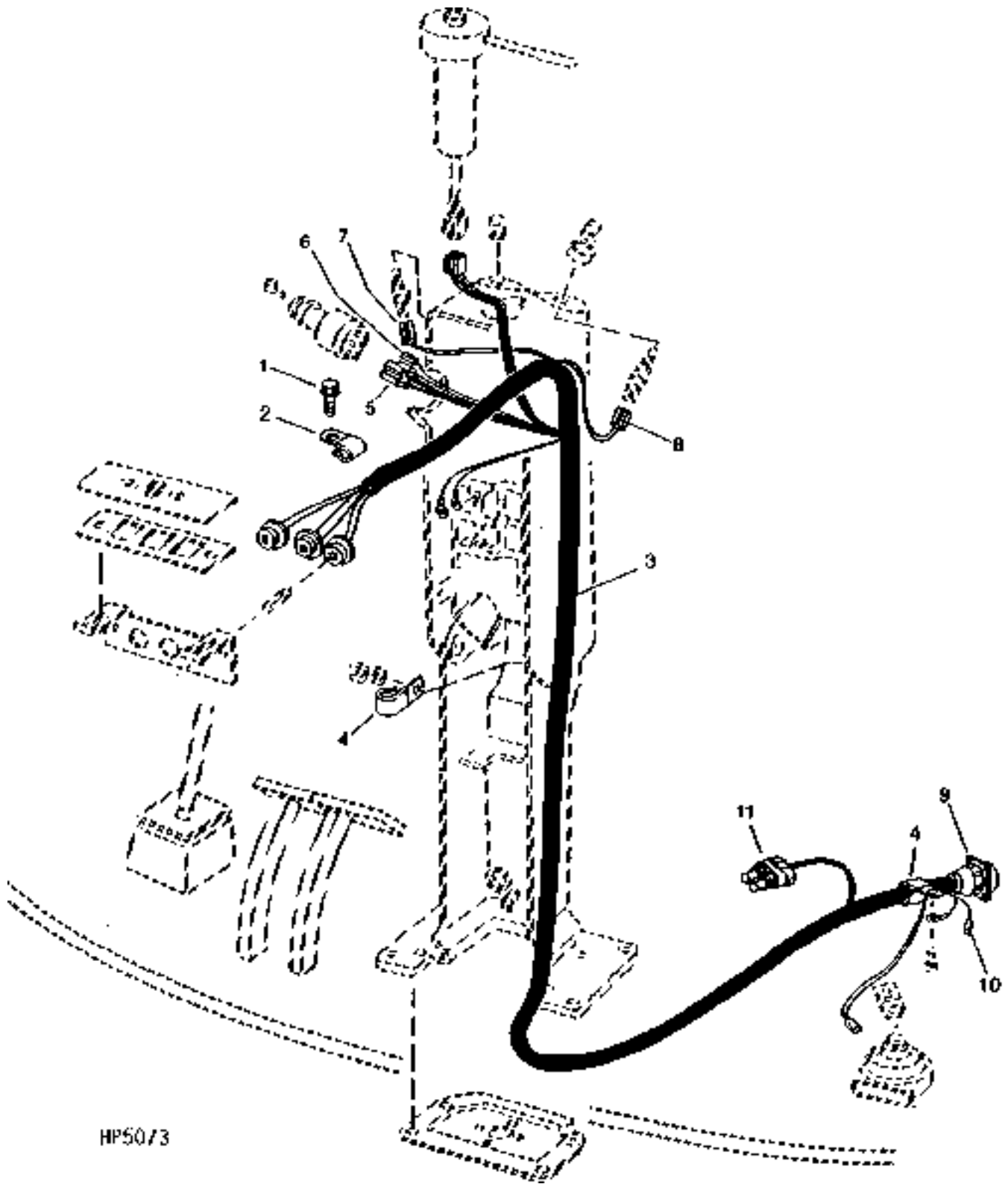
ELECTRICAL

CONVENIENCE OUTLET - CONTINUED

KEY	PART NO.	PART NAME	QTY	SERIAL NO.	REMARKS
1	RE68495	STRIP	1		
2	AH152668	TERMINAL	1		
3	AH153311	WIRING HARNESS	1		
4	AH153133	WIRING HARNESS	1		
5	RE67013	ELECTRICAL PLUG	1		
6	RE67015	ADAPTER	1		
7	H159806	INSERT	1		
8	RE67014	ADAPTER	1		
9	21M7296	SCREW	2	M6 X 20	
..	BH81255	COMPLETE GOODS/SHIP. BUNDLE	1		CONVENIENCE OUTLET KIT

STEERING COLUMN WIRING HARNESS

HP5073 -UN-01JAN94

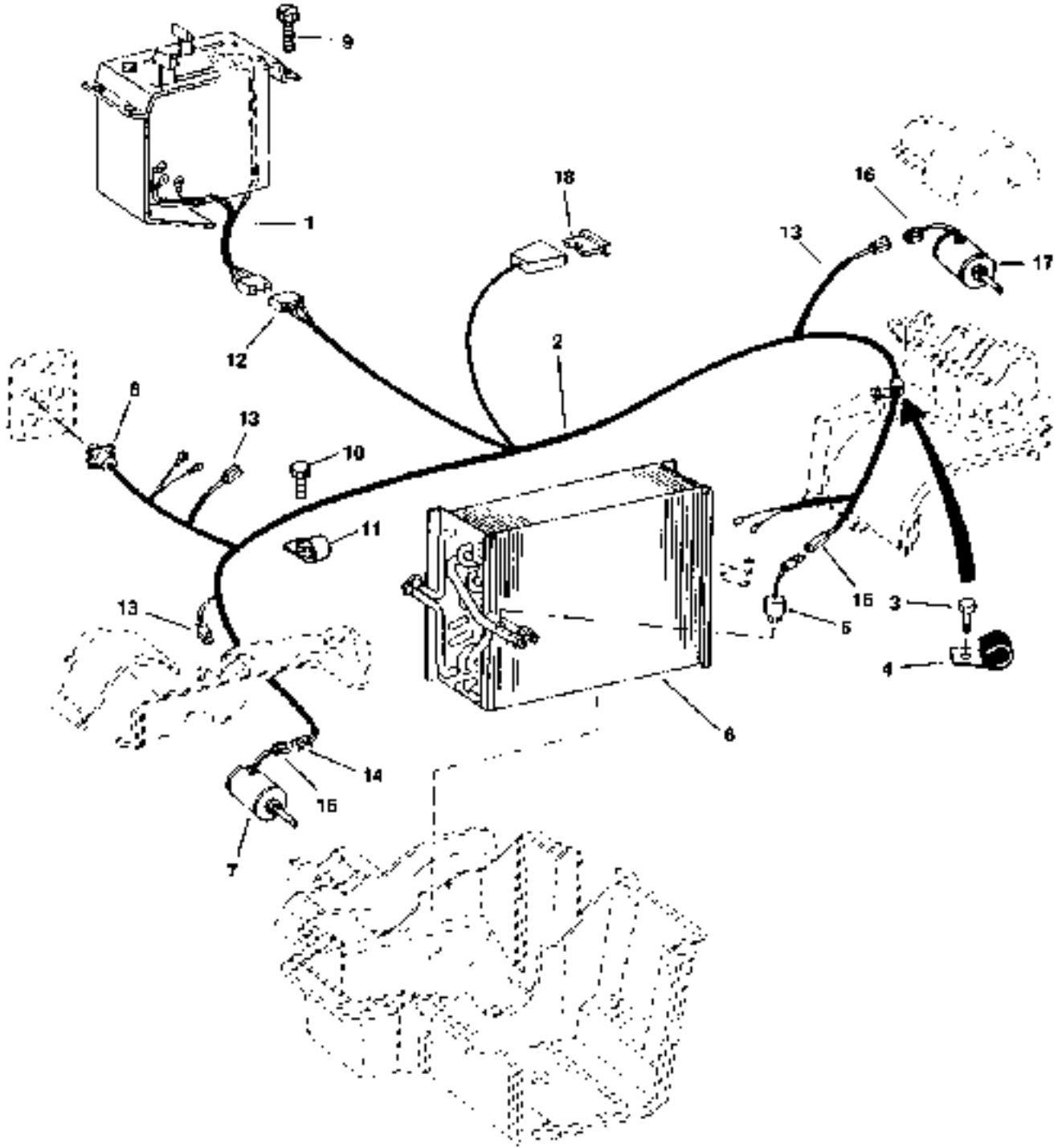


HP5073

STEERING COLUMN WIRING HARNESS - CONTINUED

KEY	PART NO.	PART NAME	QTY	SERIAL NO.	REMARKS
1	37M7083	SCREW	1	M8 X 12	
2	AH89557	CLIP	1		
3	AH134296	WIRING HARNESS	1		
4	AH96317	CLIP	2		
5	L38138	RECEPTACLE CONNECTOR BODY	1		CONNECT TO KEY SWITCH
	M71442	TERMINAL	1		
6	T28583	RECEPTACLE CONNECTOR BODY	1		CONNECT TO KEY SWITCH
	U46662	TERMINAL	1		
7	M71184	CONNECTOR	1		CONNECT TO THE HORN SWITCH
	M71442	TERMINAL	1		
	U46663	TERMINAL	1		
8	M71184	CONNECTOR	1		CONNECT TO ETHER AID BUTTON
	M71442	TERMINAL	1		
9	57M7199	RECEPTACLE	1		(24 HOLES, PLAIN)
10	R78053	PIN CONTACT CONNECTOR BODY	1		(PKG. OF 3)
11	RE12363	CONNECTOR	1		TWO PIN, (PKG. OF 5), CONNECTS TO MANUAL PARK BRAKE SWITCH
	R78048	TERMINAL NIPPLE	1		(PKG. OF 3)
	R78063	TERMINAL NIPPLE	1		(PKG. OF 40)
	R78060	SOCKET CONTACT	1		(PKG. OF 40)

AIR CONDITIONER, HEATER AND AIR SEAT WIRING HARNESS
HP6534 -UN-23AUG96



HP6534

1G10

ELECTRICAL

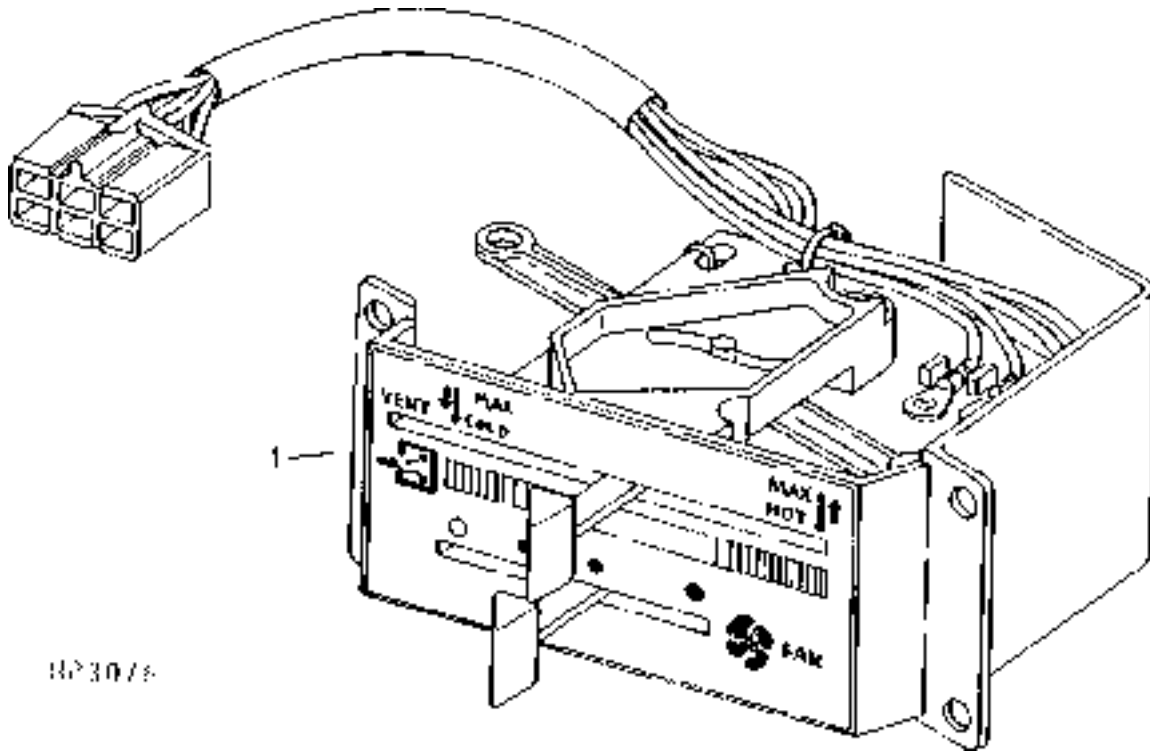
AIR CONDITIONER, HEATER AND AIR SEAT WIRING HARNESS - CONTINUED

KEY	PART NO.	PART NAME	QTY	YEAR	REMARKS
1	AH144096 24H1914	CONTROL WASHER	1 3		3.175 X 7.925 X 0.813 MM (1/8" X 5/16" X 0.032")
2	AH148616	WIRING HARNESS	1		
3	19M7862	SCREW	1		M6 X 20
4	AH89557	CLIP	1		
5	AH116110	SWITCH	1		LOW TEMP
6	AH132264	EVAPORATOR	1		EVAPORATOR AND HEATER COMBINATION
7	AH128926	MOTOR	1		
8	H130511	CONNECTOR	1		(4 PIN)
	R78061	PIN CONTACT	1		(PKG OF 40)
9	H114038	SCREW	4		
10	H123998	SCREW	1		
11	AH96317	CLIP	1		
12	T34067	TERMINAL	1		(PKG OF 25)
13	R77483	CONNECTOR	3		(2 PIN)
14	R77476	CONNECTOR	1		(PKG OF 2) (3 PIN)
15	R78053	PIN CONTACT CONNECTOR BODY	1		(PKG OF 3) (2 PIN)
	R78061	PIN CONTACT	1		(PKG OF 40)
	T34067	TERMINAL	1		(PKG OF 25)
16	T28586	CONNECTOR	1		(3 PIN)
17	AH128925	MOTOR	1		PRESSURIZER
	H129887	ISOLATOR	1		(USE WITH AH128925)
18	AM108845	KIT	1		COMPRESSOR CLUTCH, 10 AMP

1G11

ELECTRICAL

AIR CONDITIONER AND HEATER SWITCH HP3076 -UN-01JAN94



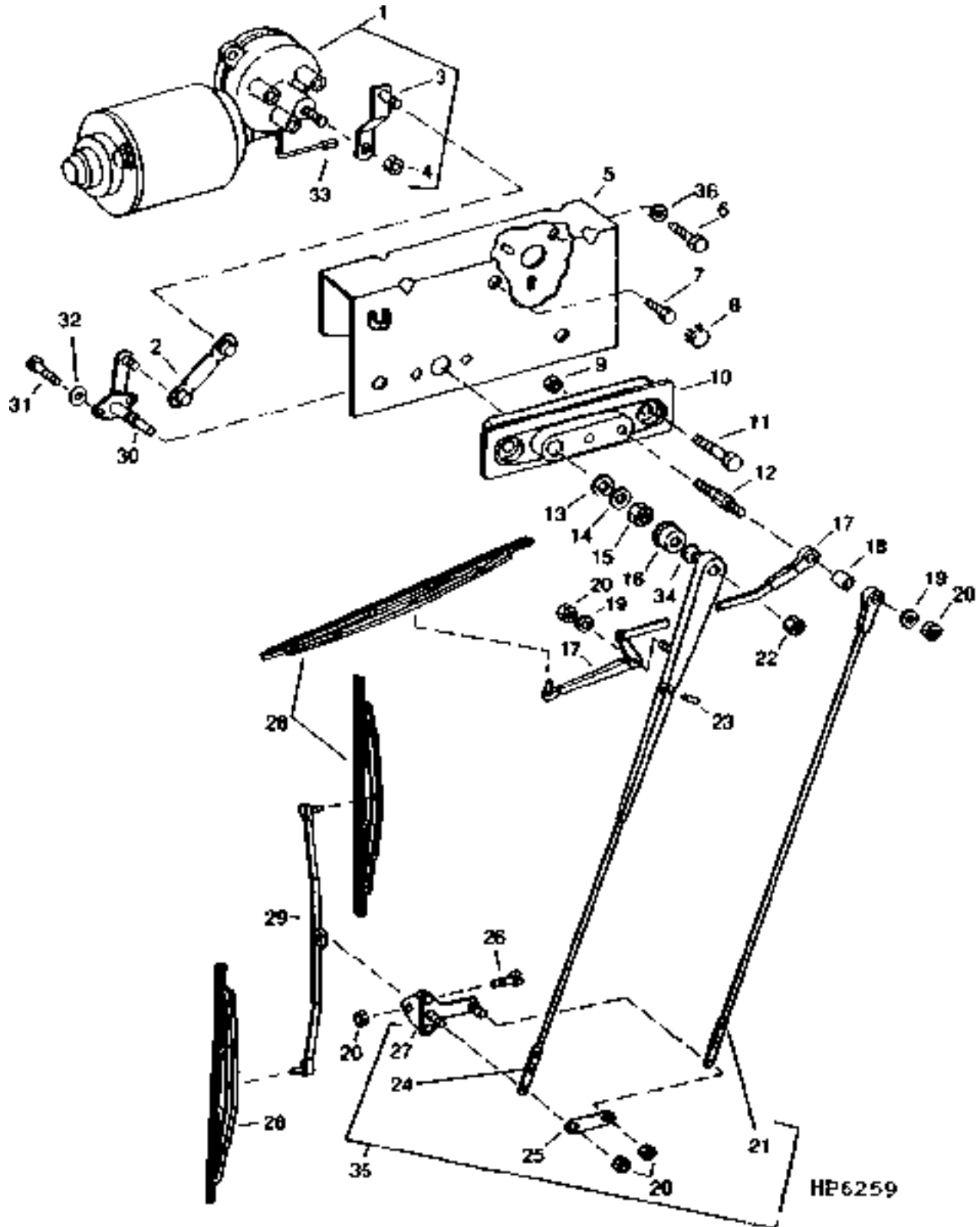
KEY	PART NO.	PART NAME	QTY	SERIAL NO.	REMARKS
1	AH144096	CONTROL	1		

MEMORANDA

1G12

ELECTRICAL

WINDSHIELD WIPER (OPT. LONG)
HP6259 -UN-09JAN96



1G13

ELECTRICAL

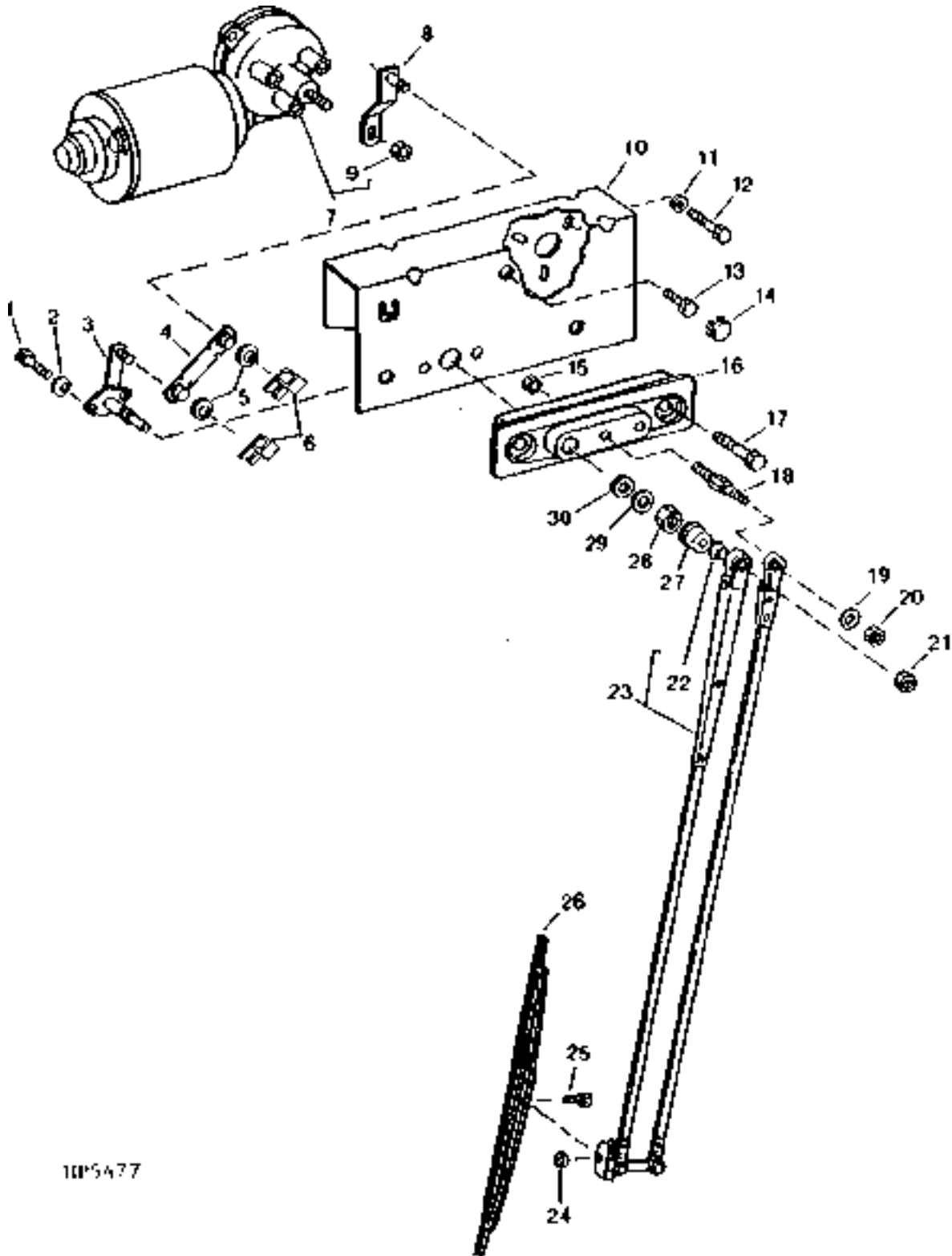
WINDSHIELD WIPER (OPT. LONG) - CONTINUED

KEY	PART NO.	PART NAME	QTY	SERIAL NO.	REMARKS
1	AH149835	MOTOR	1		WIPER LONG (INCLUDES (1) E64256)
2	AH123902	LINK	1		
3	AH149834	CRANK	1		
4	E64256	LOCK NUT	1		
5	AH154278	BRACKET	1		(SUB FOR H128819) WIPER MOTOR
6	19M7774	SCREW	3		M6 X 12
7	19M7865	SCREW	1		M8 X 16
8	M61266	PLUG	1		(SUB FOR R34337)
9	14M7303	FLANGE NUT	AR		M6
10	H128820	SUPPORT	1		WIPER
11	19M8317	SCREW	2		M8 X 40
12	H128821	STUD	1		
13	R63666	WASHER	1		18.288 X 28.448 X 1.524 MM (0.720" X 1.120" X 0.060")
14	R63667	WASHER	1		18.263 X 28.575 X 1.575 MM (23/32" X 1-1/8" X 1/16")
15	R63668	NUT	1		17.475 MM (11/16")
16	R63669	CAP	1		
17	AH123908	WIPER ARM	1		
18	H128841	SPACER	1		6.500 X 12 X 20MM(0.256" X 0.472" X 0.787")
19	T32255	SHIM	2		0.381MM(0.015")
20	T531T	LOCK NUT	5		4.775MM(3/16")
21	AH123907	ARM	1		
22	F3220R	LOCK NUT	1		9.525MM(3/8")
23	PIN	1		FOR SHIPPING ONLY
24	AH123905	ARM	1		
25	H128823	STRAP	1		
26	H128859	SCREW	1		4.089 X 22.280MM(0.161" X 0.877")
27	AH123910	BRACKET	1		
28	TY16302	WIPER BLADE	3		
29	AH123911	WIPER ARM	1		
30	AH149833	SHAFT	1		
31	21M7265	SCREW	2		M5 X 12, M5 X 12
32	12M7060	WASHER	1		5.300 MM, 4.826MM(0.140")
33	R78053	PIN CONTACT CONNECTOR BODY	1		(PKG. OF 3)
	R78058	PIN CONTACT	1		(PKG. OF 40)
	R78063	TERMINAL NIPPLE	1		(PKG. OF 40)
34	R63670	WELD NUT	1		KNURLED DRIVER
35	AH123904	WIPER ARM	1		(INCLUDES KEYS 21, 24, 25, 27 AND 34)
36	12H356	LOCK WASHER	3		6.350 MM (1/4")
..	BH71948	COMPLETE GOODS/SHIP. BUNDLE	1		WINDSHIELD WIPER - LONG

1G14

ELECTRICAL

WINDSHIELD WIPER (SHORT)
HP5477 -UN-01JAN94



HP5477

1G15

ELECTRICAL

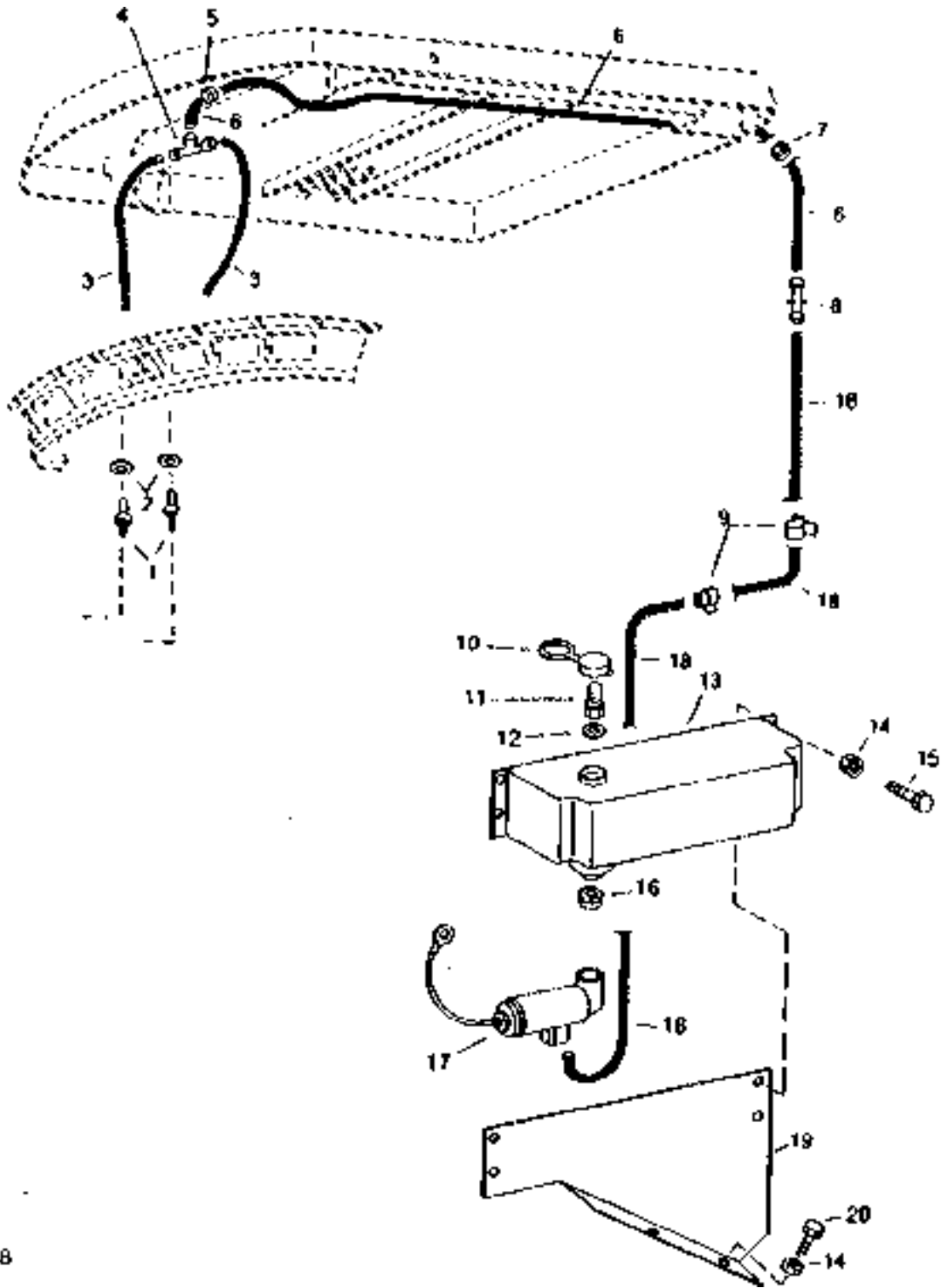
WINDSHIELD WIPER (SHORT) - CONTINUED

KEY	PART NO.	PART NAME	QTY	SERIAL NO.	REMARKS
1	21M7265	SCREW	2	M5 X 12	
2	12M7060	WASHER	2	0.209"	
3	AH123931	SHAFT	1	(INCLUDES U46507 AND AU43857)	
	U46507	PIN	1	(USE WITH AH123931)	
4	AU43853	LINK	1		
5	T32255	SHIM	2	0.381MM(0.015")	
6	U46506	CLIP	2		
7	AT66481	WIPER MOTOR	1		
8	AT141987	ARM	1	DRIVE SHORT	
9	N10213	LOCK NUT	1	7.925MM(5/16")	
10	AH154278	BRACKET	1	(SUB FOR H128819)	
11	12H356	LOCK WASHER	3	1/4"	
12	19H3138	CAP SCREW	3	1/4" X 5/8"	
13	19M7865	SCREW	1	M8 X 16	
14	R34337	PLUG	1		
15	14M7303	FLANGE NUT	1	M6	
16	H128820	SUPPORT	1		
17	19M8317	SCREW	2	M8 X 40	
18	H128822	STUD	1		
19	T32255	SHIM	1	0.381MM(0.015")	
20	T531T	LOCK NUT	1	4.775 MM (3/16")	
21	F3220R	LOCK NUT	1	9.525 MM (3/8")	
22	R63670	WELD NUT	1		
23	AH144503	WIPER ARM	1		
24	T35440	LOCK NUT	1		
25	H134367	SCREW	1	3.175 X 22.200 MM, (1/8" X 0.874")	
26	TY16304	WIPER BLADE	1		
27	R63669	CAP	1		
28	R63668	NUT	1	17.475 MM (11/16")	
29	R63667	WASHER	1	18.263 X 28.575 X 1.575 MM (23/32" X 1-1/8" X 1/16")	
30	R63666	WASHER	1	18.288 X 28.448 X 1.524 MM (0.720" X 1.120" X 0.060")	
..	AH143422	WIRING HARNESS	1	WIPER ADAPTER	

1G16

ELECTRICAL

WINDSHIELD WASHER
HP3768 -UN-01JAN94



HP3768

1G17

ELECTRICAL

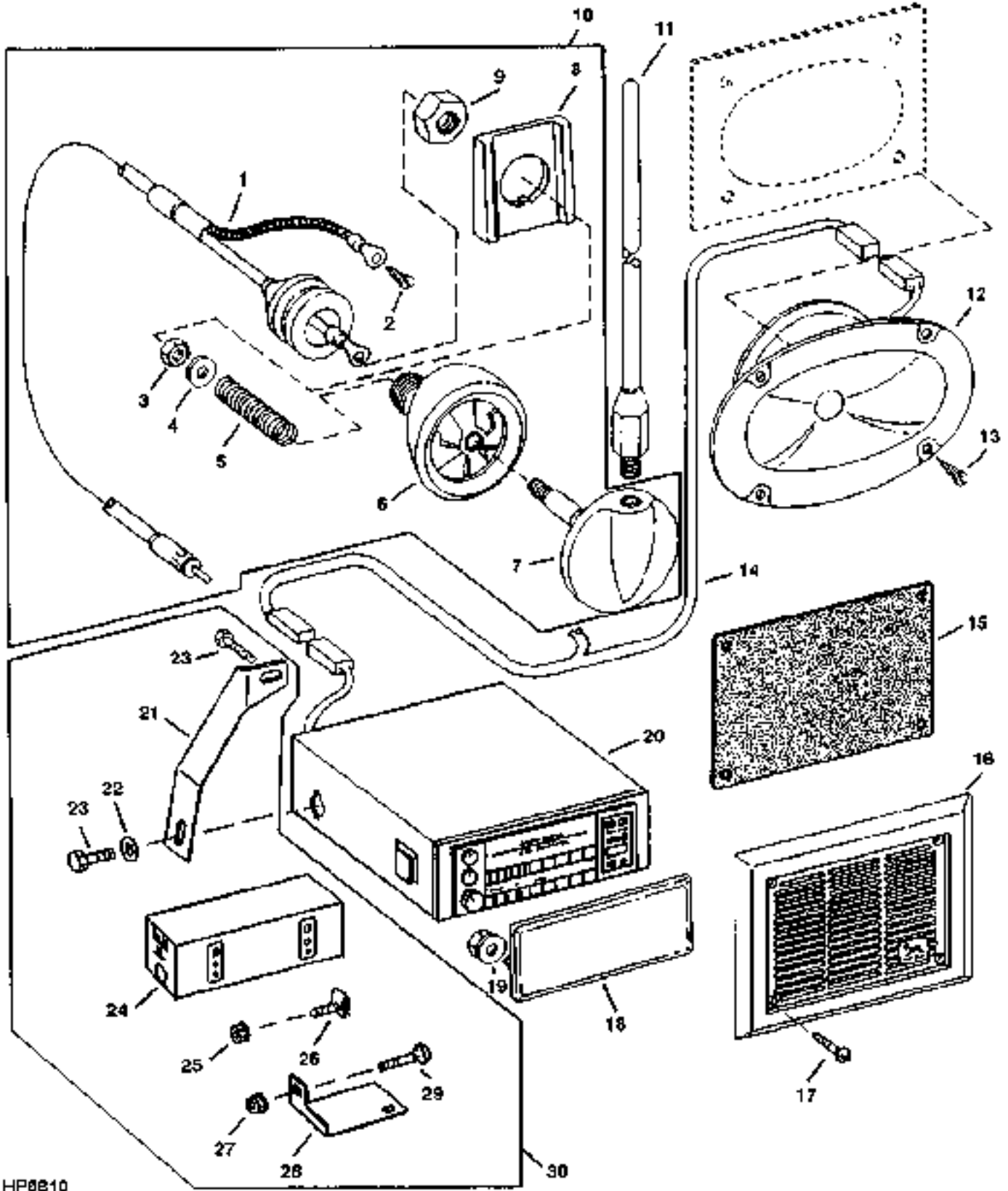
WINDSHIELD WASHER - CONTINUED

KEY	PART NO.	PART NAME	QTY	SERIAL NO.	REMARKS
1	AR79548	NOZZLE	2		
2	H145221	GROMMET	2		
3	R54447	HOSE	2		
4	R64061	TEE FITTING	1		
5	M68701	GROMMET	1		
6	R104595	BULK HOSE	1		(SUB FOR R54445)
7	H987R	GROMMET	1		
8	H132597	FITTING	1		
9	H76064	CLIP	2		
10	R64060	CAP	1		
11	AR79550	FILTER	1		
12	R64059	WASHER	1		16.256 X 26.162 X 2.286 MM
13	R64056	RESERVOIR	1		
14	14M7303	FLANGE NUT	4		M6
15	19M7775	SCREW	4		M6 X 16
16	R64058	GROMMET	1		
17	AR79549	PUMP	1		
18	R104595	BULK HOSE	1		(SUB FOR R54445)
19	H131595	BRACKET	1		
20	19M7774	SCREW	2		M6 X 12
..	BH81578	COMPLETE GOODS/SHIP. BUNDLE	1		WINDSHIELD WASHER

1G18

ELECTRICAL

RADIO, SPEAKERS AND ANTENNA (OPTIONAL)
HP6810 -UN-12SEP97



HP00E10

1G19

ELECTRICAL

RADIO, SPEAKERS AND ANTENNA - CONTINUED

KEY	PART NO.	PART NAME	QTY	SERIAL NO.	REMARKS
1	WIRING LEAD	1		
2	37M7089	SCREW	1	M6 X 12	
3	14M7152	NUT	1	M10	
4	24M7096	WASHER	1	10.500 X 18 X 1.600 MM	
5	SPRING	1		
6	FLANGE	1		
7	BASE	1		
8	SPACER	1		
9	14M7309	NUT	1	M24	
10	AH141012	KIT	1	ANTENNA	
11	AR104516	ANTENNA	1		
12	AH138098	SPEAKER	2		
13	37M7215	SCREW	4		
14	AH154831	WIRING HARNESS	1	-19OC98	
	AH163345	WIRING HARNESS	1	20OC98-	
15	H145264	ISOLATOR	1		
16	H144255	GRILLE	2	(SUB H168420)	
	H168420	GRILLE	1		
17	37M7100	SCREW	4		
18	H132795	PANEL	1		
19	H117239	FLANGE NUT	2		LESS RADIO
20	RADIO	1		AM/FM STEREO (ORDER FROM DELCO)
	RADIO	1		AM/FM/CASS/WEATHERBAND (ORDER FROM DELCO)
21	SUPPORT	1		
22	24M7027	WASHER	1	5.300 X 10 X 1 MM	
23	19M7700	CAP SCREW	2	M5 X 10	
24	SLEEVE	1		
25	14M7375	FLANGE NUT	1	M5	
26	BOLT	1		
27	14M7303	FLANGE NUT	1	M6	
28	BRACKET	1		
29	03M7251	BOLT	1	M6 X 12, THROUGH BRACKET AND SUPPORT	
30	AH140786	KIT	1		

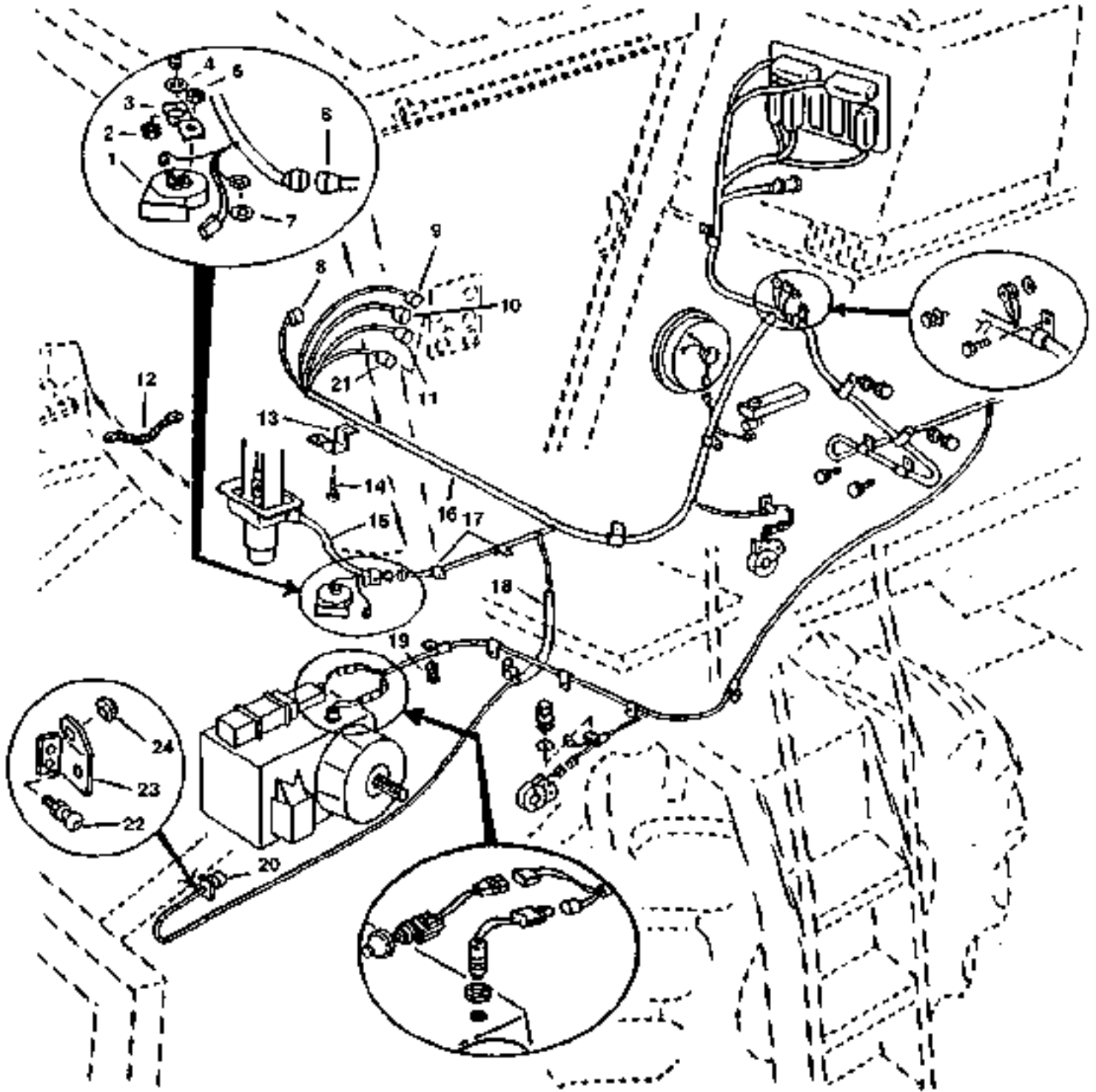
1G20

ELECTRICAL

L.H. MAIN WIRING HARNESS, FRONT

(-680100)

HP6811 -UN-12SEP97



HP6811

1G21

ELECTRICAL

L.H. MAIN WIRING HARNESS, FRONT - CONTINUED
(-680100)

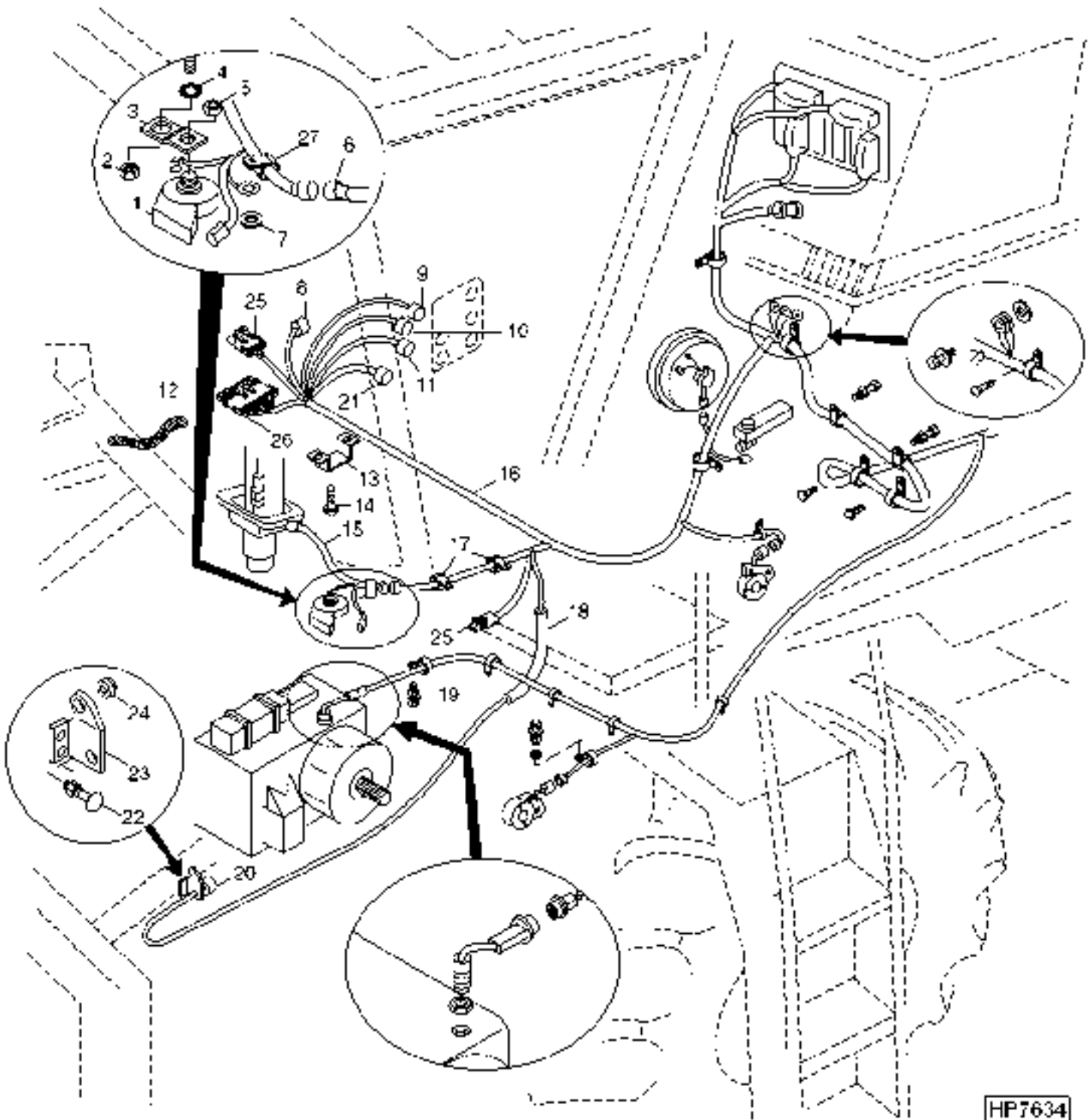
KEY	PART NO.	PART NAME	QTY	SERIAL NO.	REMARKS
1	AT39043	HIGH NOTE HORN	1		(SUB FOR AH153998)
2	14M7303	FLANGE NUT	1		M6
3	H125930	BRACKET	1		(SUB FOR H160476)
4	PT2314	WASHER	1		
5	14M7303	FLANGE NUT	1		M6
6	H118426	CONNECTOR	1		24 HOLES (FEMALE) TO STEERING COLUMN
	AE44930	CONNECTOR	1		
	R77465	SOCKET CONTACT	AR		
7	24M7139	WASHER	1		STEERING
8	AE44931	CONNECTOR	1		
	AH135787	ELECTRICAL PLUG	1		
	H140664	CONNECTOR	1		16 PIN CONNECTOR (MALE) TO R-H MAIN
9	AH135787	ELECTRICAL PLUG	1		16 HOLE CONNECTOR (FEMALE) TO CAB MAIN
	R77463	SOCKET CONTACT	AR		TO CAB MAIN
	R77465	SOCKET CONTACT	AR		TO CAB MAIN
10	R77457	ELECTRICAL PLUG	1		37 HOLES, (FEMALE) TO ARMREST
	AE44930	CONNECTOR	1		
	R77463	SOCKET CONTACT	AR		
11	AE44930	CONNECTOR	1		16 HOLE CONNECTOR (FEMALE) TO CAB MAIN
	R77465	SOCKET CONTACT	AR		
	H141325	CONNECTOR	1		
12	H131574	RETAINER	1		
13	AH125010	GROUND CABLE	1		
14	19M7865	SCREW	2		M8 X 16, TRANSMISSION SPEED
15	AH134296	WIRING HARNESS	1		STEERING COLUMN HARNESS
16	AH158472	WIRING HARNESS	1		
17	AH96317	CLIP	2		
18	H132800	HOSE	1		SLEEVE FOR PROTECTION
19	03M7221	BOLT	1		M6 X 16
	14M7303	FLANGE NUT	1		M6
20	AH135787	ELECTRICAL PLUG	1		16 PIN CONNECTOR (HOLDER HARNESS)
	H141325	CONNECTOR	1		16 PIN CONNECTOR
21	H130510	ELECTRICAL PLUG	1		TO AIR CONDITIONING HARNESS
22	03M7183	BOLT	1		M8 X 16
	14M7298	FLANGE NUT	1		M8
23	H134417	BRACKET	1		
24	H146306	PLUG	1		

1G22

ELECTRICAL

L.H. MAIN WIRING HARNESS, FRONT

(680301-)
HP7634 -UN-12NOV98



1G23

ELECTRICAL

L.H. MAIN WIRING HARNESS, FRONT - CONTINUED
(680301-)

KEY	PART NO.	PART NAME	QTY	SERIAL NO.	REMARKS
1	AT39043	HIGH NOTE HORN	1		(SUB FOR AH153998)
2	14M7303	FLANGE NUT	1		M6
3	H125930	BRACKET	1		(SUB FOR H160476)
4	PT2314	WASHER	1		
5	14M7303	FLANGE NUT	1		M6
6	H118426	CONNECTOR	1		24 HOLES, FEMALE
	R78067	SOCKET CONTACT	2		
	57M7546	SOCKET CONTACT	3		
	RE42068	SOCKET CONTACT	6		
7	24M7139	WASHER	1		STEERING
8	AE44927	CONNECTOR	1		(FEMALE) TO R.H. MAIN (24-PIN)
	R78067	SOCKET CONTACT	2		
	57M7546	SOCKET CONTACT	1		
9	AH135787	ELECTRICAL PLUG	1		
	RE42068	SOCKET CONTACT	1		
	57M7546	SOCKET CONTACT	4		
	R78057	SOCKET CONTACT	1		
10	R77457	ELECTRICAL PLUG	1		37 HOLES, (FEMALE) TO ARMREST
	57M7546	SOCKET CONTACT	AR		
	RE42068	SOCKET CONTACT	AR		
	R104846	SOCKET CONTACT	AR		
11	Z63630	ELECTRICAL PLUG	1		16 HOLE CONNECTOR (FEMALE) TO CAB MAIN
	N282070	SOCKET CONTACT	1		
	U46662	TERMINAL	1		
	R78067	SOCKET CONTACT	1		
	57M7251	TERMINAL	1		
12	H131574	RETAINER	1		
13	AH125010	GROUND CABLE	1		
14	19M7865	SCREW	2		M8 X 16, TRANSMISSION SPEED
15	AH134296	WIRING HARNESS	1		STEERING COLUMN HARNESS
16	AH158472	WIRING HARNESS	1	681371-	
	AH162647	WIRING HARNESS	1		
17	AH96317	CLIP	2		
18	H132800	HOSE	1		SLEEVE FOR PROTECTION
19	03M7221	BOLT	1		M6 X 16
	14M7303	FLANGE NUT	1		M6
20	AH135787	ELECTRICAL PLUG	1		16 PIN CONNECTOR (HOLDER HARNESS)
	N282070	SOCKET CONTACT	1		
	RE42068	SOCKET CONTACT	3		
21	H130510	ELECTRICAL PLUG	1		TO AIR CONDITIONING HARNESS
22	03M7183	BOLT	1	-675497	M8 X 16
	14M7298	FLANGE NUT	1	-675497	M8
23	H134417	BRACKET	1		
24	H146306	PLUG	1		
25	RE12363	CONNECTOR	2		LEFT AND RIGHT SIDE OPTICAL LAMP
	R78063	SOCKET CONTACT	AR		
26	R78056	PIN CONTACT CONNECTOR BODY	1		TO HEADER R.H. SENSOR HARNESS
	57M7251	TERMINAL	1		
27	AH89557	CLIP	8		

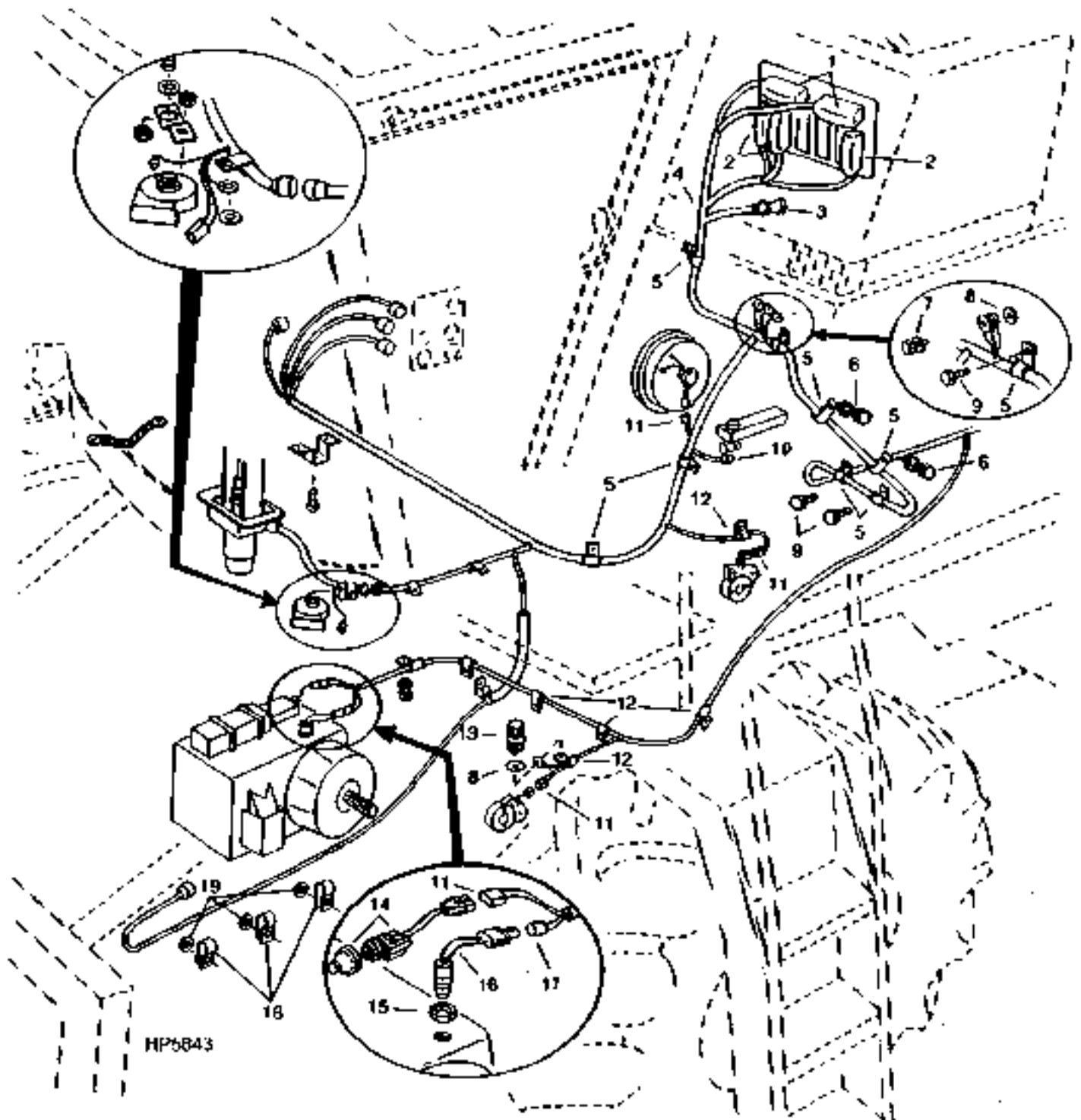
1G24

ELECTRICAL

L.H. MAIN WIRING HARNESS, FRONT

(-680100)

HP5843 -UN-15OCT94



HP5843

1G25

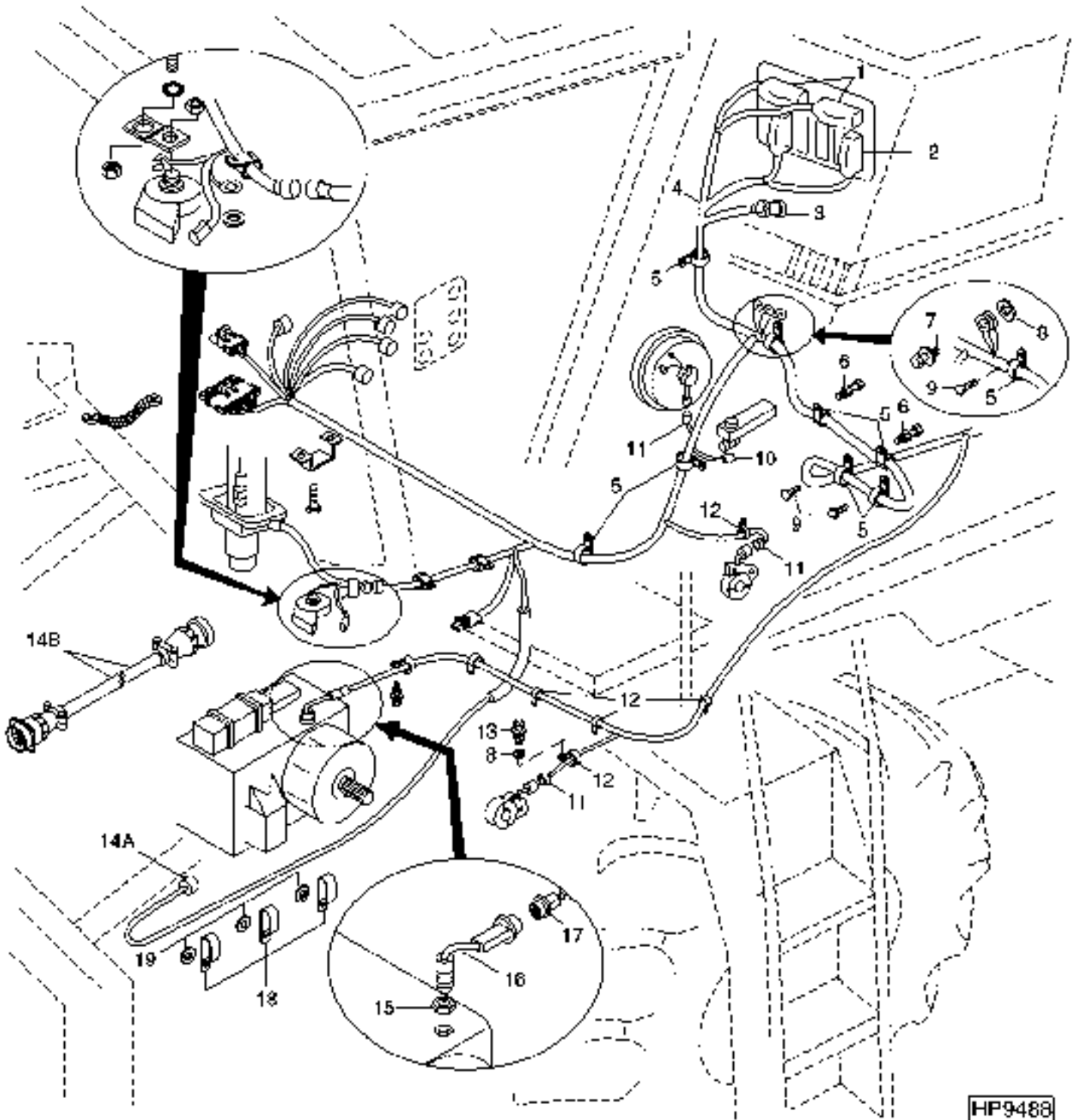
ELECTRICAL

L.H. MAIN WIRING HARNESS, FRONT - CONTINUED
(-680100)

KEY	PART NO.	PART NAME	QTY	SERIAL NO.	REMARKS
1	H132513	CONNECTOR	1		22 HOLES, FEMALE - FOR CEM
	H141127	BOOT	2		FOR C.E.M.
	M86436	TIE BAND	1		
	SOCKET CONTACT	AR		FOR C.E.M. - SIZE 12 - 8 USED
	R78065	SOCKET CONTACT	AR		FOR C.E.M. - SIZE 16 - 12 USED
	SOCKET CONTACT	AR		FOR C.E.M. - SIZE 4 - 1 USED
	AH136356	SCREW AND WASHER KIT	1		REPAIRS TWO CONNECTORS (BOTH HALVES)
2	H141127	BOOT	3		FOR C.E.M.
	H141406	TIE BAND	3		FOR C.E.M.
	R77463	SOCKET CONTACT	3		FOR C.E.M.
	R77465	SOCKET CONTACT	AR		FOR C.E.M.
3	H118427	CONNECTOR	1		22 HOLES (MIXED) TO GRAIN TANK
	R77463	SOCKET CONTACT	AR		
	R77465	SOCKET CONTACT	AR		
4	AH158472	WIRING HARNESS	1		
5	AH77869	CLIP	8		
6	19M7865	SCREW	2		M8 X 16
	H131531	NUT	2		8 MM
7	37M7083	SCREW	1		M8 X 12
	24M7055	WASHER	1		8.400 X 16 X 1.600 MM
8	12M7032	LOCK WASHER	2		8.400 MM
9	37M7083	SCREW	3		M8 X 12
10	M43835	FLAT CONNECTOR	1		TO WINDSHIELD WASHER PUMP
	U46662	TERMINAL	1		
11	RE12363	CONNECTOR	3		(PKG OF 3) TO HEADER CLUTCH, TAILING ELEV. LSSM, CONVEYOR AUGER LSSM
	R78048	TERMINAL NIPPLE	1		(PKG OF 40)
	R78060	SOCKET CONTACT	1		(PKG OF 40)
12	AH89557	CLIP	5		
13	37M7059	SCREW	1		M5 X 12
	24M7055	WASHER	1		8.400 X 16 X 1.600 MM
	14M7298	FLANGE NUT	1		M8
14	AH140605	SWITCH	1		MANUAL PARK BRAKE
15	H104418	NUT	1		19.050 MM (3/4")
16	AH116104	SENSOR	1		TRANSMISSION SPEED
17	R78053	PIN CONTACT CONNECTOR BODY	1		(PKG OF 3) TO GROUND SPEED SENSOR
	R78063	TERMINAL NIPPLE	1		(PKG OF 5)
18	AH96317	CLIP	3		
19	12M7032	LOCK WASHER	3		8.400 MM (0.331")

L.H. MAIN WIRING HARNESS, FRONT

(680101-)
HP9488 -UN-11JAN00



HP9488

L.H. MAIN WIRING HARNESS, FRONT - CONTINUED
(680101-)

KEY	PART NO.	PART NAME	QTY	SERIAL NO.	REMARKS
1	H141127	BOOT	4		FOR C.E.B.
	H132513	CONNECTOR	2		TO C.E.B. BOARD SLOT 1A AND 1B
	R78067	SOCKET CONTACT	AR		
	57M7546	TERMINAL	AR		
	N282070	SOCKET CONTACT	AR		USE ON BOARD SLOT 1A
	R75036	SOCKET CONTACT	AR		
2	57M7818	ELECTRICAL PLUG	1		TO DASH
	H141406	TIE BAND	3		FOR C.E.M.
	RE42068	SOCKET CONTACT	3		
3	H118427	CONNECTOR	1		22 HOLES (MIXED) TO GRAIN TANK
	N282070	SOCKET CONTACT	1		
	RE42068	SOCKET CONTACT	5		
4	AH158472	WIRING HARNESS	1	681371-	
	AH162647	WIRING HARNESS	1		
	AH77869	CLIP	8		
6	19M7865	SCREW	2		M8 X 16
	H131531	NUT	2		8 MM
7	37M7083	SCREW	1		M8 X 12
	24M7055	WASHER	1		8.400 X 16 X 1.600 MM
8	12M7032	LOCK WASHER	2		8.400 MM
9	37M7083	SCREW	3		M8 X 12
10	M43835	FLAT CONNECTOR	1		
	U46662	TERMINAL	1		
11	RE12363	CONNECTOR	3		(PKG OF 3) TO HEADER CLUTCH, TAILING ELEV. LSSM, CONVEYOR AUGER LSSM
	R78048	TERMINAL NIPPLE	1		(PKG OF 40)
	R78057	SOCKET CONTACT	2		TAILINGS ELEV. LSSM
	R78063	SOCKET CONTACT	1		HEADER CLUTCH
12	AH89557	CLIP	5		
13	37M7059	SCREW	1		M5 X 12
	24M7055	WASHER	1		8.400 X 16 X 1.600 MM
	14M7298	FLANGE NUT	1		M8
14A	Z55270	ELECTRICAL PLUG	1		TO LATERAL TILT CONTROL
	Z55267	ELECTRICAL PLUG	1		TO DIAL-A-MATIC AHHC
	RE42068	SOCKET CONTACT	AR		
14B	AH168231	WIRING HARNESS	1		WIRING HARNESS REPAIR KIT (INCLUDES MATING CONNECTOR AND TERMINALS)
15	H104418	NUT	1		19.050 MM (3/4")
16	AH116104	SENSOR	1		TRANSMISSION SPEED
17	R78053	PIN CONTACT CONNECTOR BODY	1		(PKG OF 3) TO GROUND SPEED SENSOR
18	AH96317	CLIP	3		
19	12M7032	LOCK WASHER	3		8.400 MM (0.331")

1H3

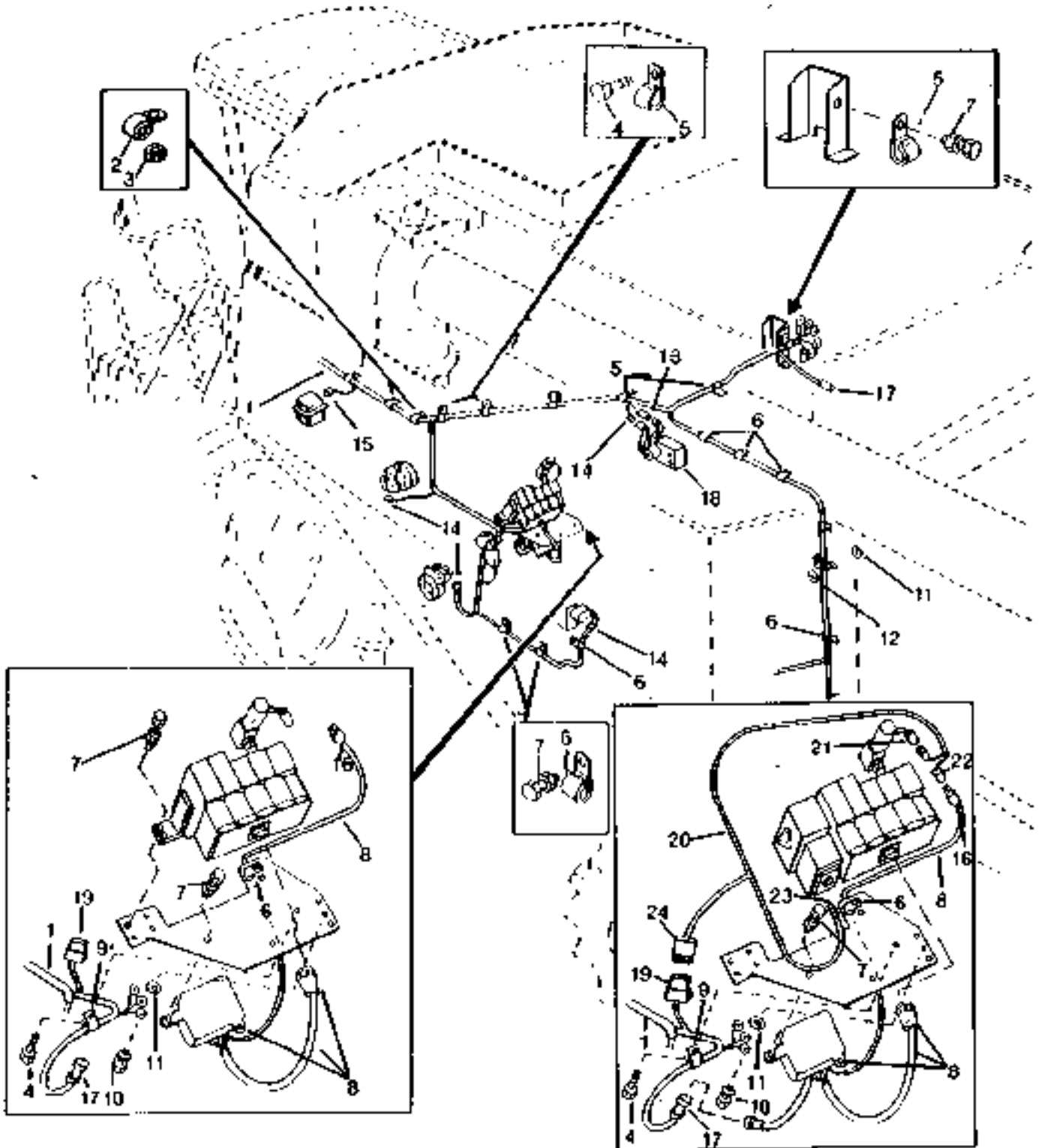
ELECTRICAL

L.H. MAIN WIRING HARNESS, CENTER

(-680100)

HP5953

-UN-27APR95



HP5953

L.H. MAIN WIRING HARNESS, CENTER - CONTINUED
 (-680100)

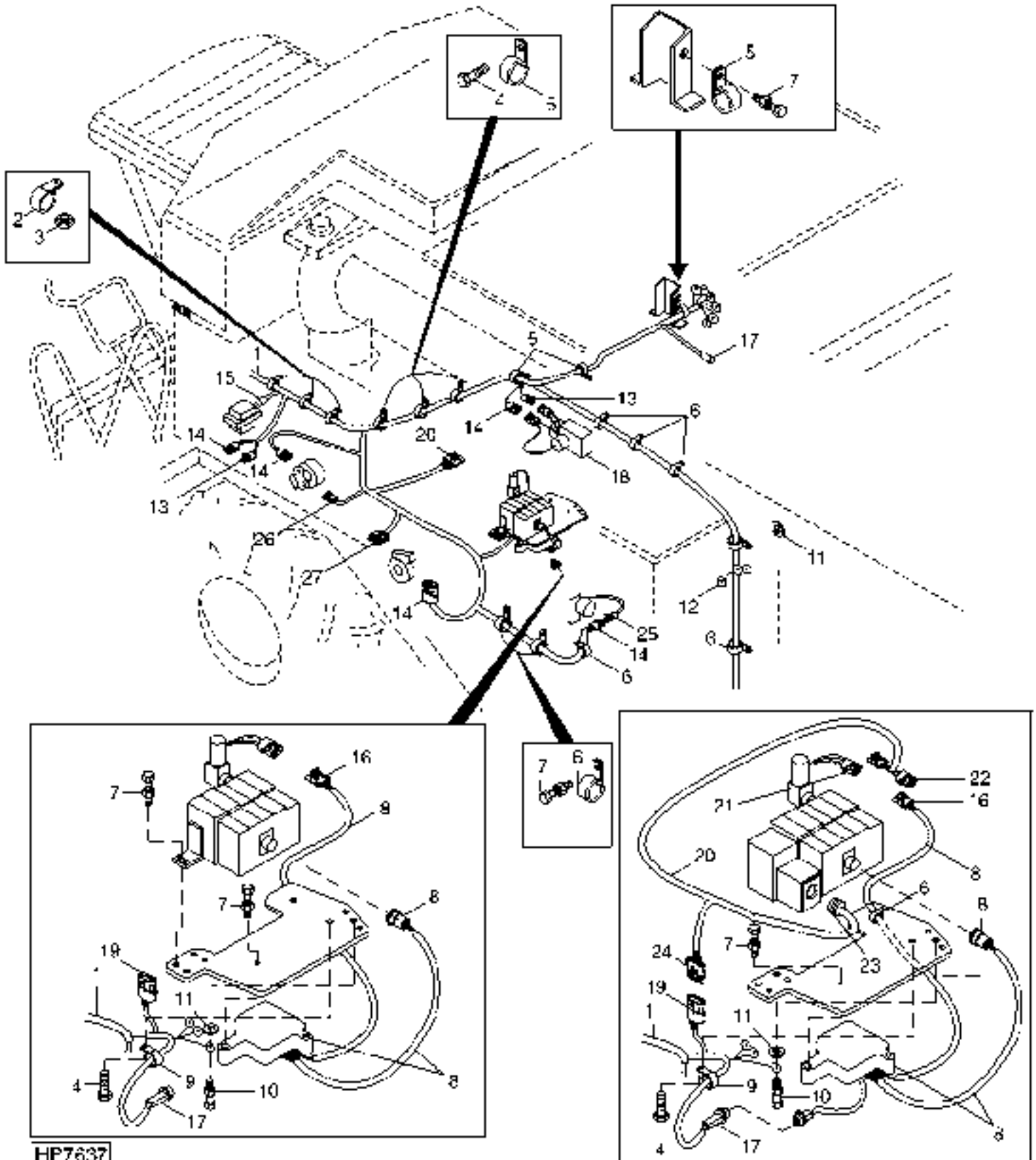
KEY	PART NO.	PART NAME	QTY	SERIAL NO.	REMARKS
1	AH158472	WIRING HARNESS	1		
2	AH130222	CLAMP	3		
3	14M7299	FLANGE NUT	3	M12	
4	37M7083	SCREW	3	M8 X 12	
5	AH90990	CLIP	5		
6	AH89557	CLIP	9		
7	19M7865	SCREW	5	M8 X 16	
	14M7298	FLANGE NUT	5	M8	
8	AH129045	MODULE	1	(LOGIC) INCLUDES CONNECTOR AND RETAINER	
	H118426	CONNECTOR	1	29 PIN	
	R77458	CONNECTOR	1		
9	AH96317	CLIP	1		
10	37M7083	SCREW	1	M8 X 12	
	37M7058	SCREW	1	M8 X 20, (IMPORT)	
	24M7055	WASHER	1	8.400 X 16 X 1.600 MM	
11	12M7032	LOCK WASHER	2	8.400 MM	
12	24M7055	WASHER	1	8.400 X 16 X 1.600 MM	
13	R78053	PIN CONTACT CONNECTOR BODY	2	MALE, (PKG OF 3) TO HYDRO CHARGE PRESSURE, GROUND SPEED LSSM	
	R78063	TERMINAL NIPPLE	1	(PKG OF 40)	
14	RE12363	CONNECTOR	1	TO CONVEYOR AUGER LSSM	
	R78048	TERMINAL NIPPLE	1	(PKG OF 5)	
15	AE44392	CONNECTOR	1	4 HOLES (FEMALE) TO REEL SPEED ACTUATOR	
	R77465	SOCKET CONTACT	1		
16	RE12363	CONNECTOR	1	(PKG OF 3) TO DIAL-A-MATIC DROP RATE SOLENOID	
	R78048	TERMINAL NIPPLE	1	(PKG OF 5)	
	R78060	SOCKET CONTACT	2	(PKG OF 40)	
17	AH135787	ELECTRICAL PLUG	1	16 HOLE CONNECTOR, TO ENGINE LOGIC MODULE	
	H141325	CONNECTOR	1		
18	AH128929	SWITCH	1	HYDRO CHARGER PRESSURE	
19	R78055	PIN CONTACT CONNECTOR BODY	1	TO TILT VALVES	
	R78058	PIN CONTACT	1	(PKG OF 40) (18 GA. WIRE)	
	R78061	PIN CONTACT	AR	(PKG OF 40) (16 GA. WIRE)	
	R78063	TERMINAL NIPPLE	1	(PKG OF 40) (16 GA. WIRE) (GRAY)	
	R78059	ELECTRICAL PLUG	1	(PKG OF 40) (18 GA. WIRE) (GREEN)	
20	AH145056	WIRING HARNESS	1	(USE WITH CONTOUR MASTER ONLY)	
21	RE12363	CONNECTOR	1	(PKG OF 3) 2-PIN	
	R78048	TERMINAL NIPPLE	1	(PKG OF 5)	
	R78060	SOCKET CONTACT	AR	(PKG OF 40) (16 GA. WIRE)	
	R78063	TERMINAL NIPPLE	AR	(PKG OF 40)	
22	RE12364	SOCKET CONT.CONNECTOR BODY	1	(PKG OF 3) 2-PIN	
	R78049	SEAL	1	(PKG OF 5)	
	R78060	SOCKET CONTACT	2	(PKG OF 40)	
	R78063	TERMINAL NIPPLE	2	(PKG OF 40)	
23	AE44392	CONNECTOR	1	TO TILT VALVE (4-PIN)	
24	RE12365	CONNECTOR	1	(PKG OF 2) 4-PIN	
	R78050	SEAL	1	(PKG OF 5)	
	R78060	SOCKET CONTACT	AR	(PKG OF 40)	
	R78063	TERMINAL NIPPLE	2	(PKG OF 40)	
25	RE12363	CONNECTOR	1	TO POWERED REAR WHEELS (2-PIN)	
26	Z62206	SOCKET CONTACT	1	TO FAN SPEED ACTUATOR	
27	57M7261	RECEPTACLE CONNECTOR BODY	1	TO UNLOADING AUGER SWING CONTROLLER	

1H5

ELECTRICAL

L.H. MAIN WIRING HARNESS, CENTER - CONTINUED

(680301-)
HP7637 -UN-25NOV98



HP7637

1H6

ELECTRICAL

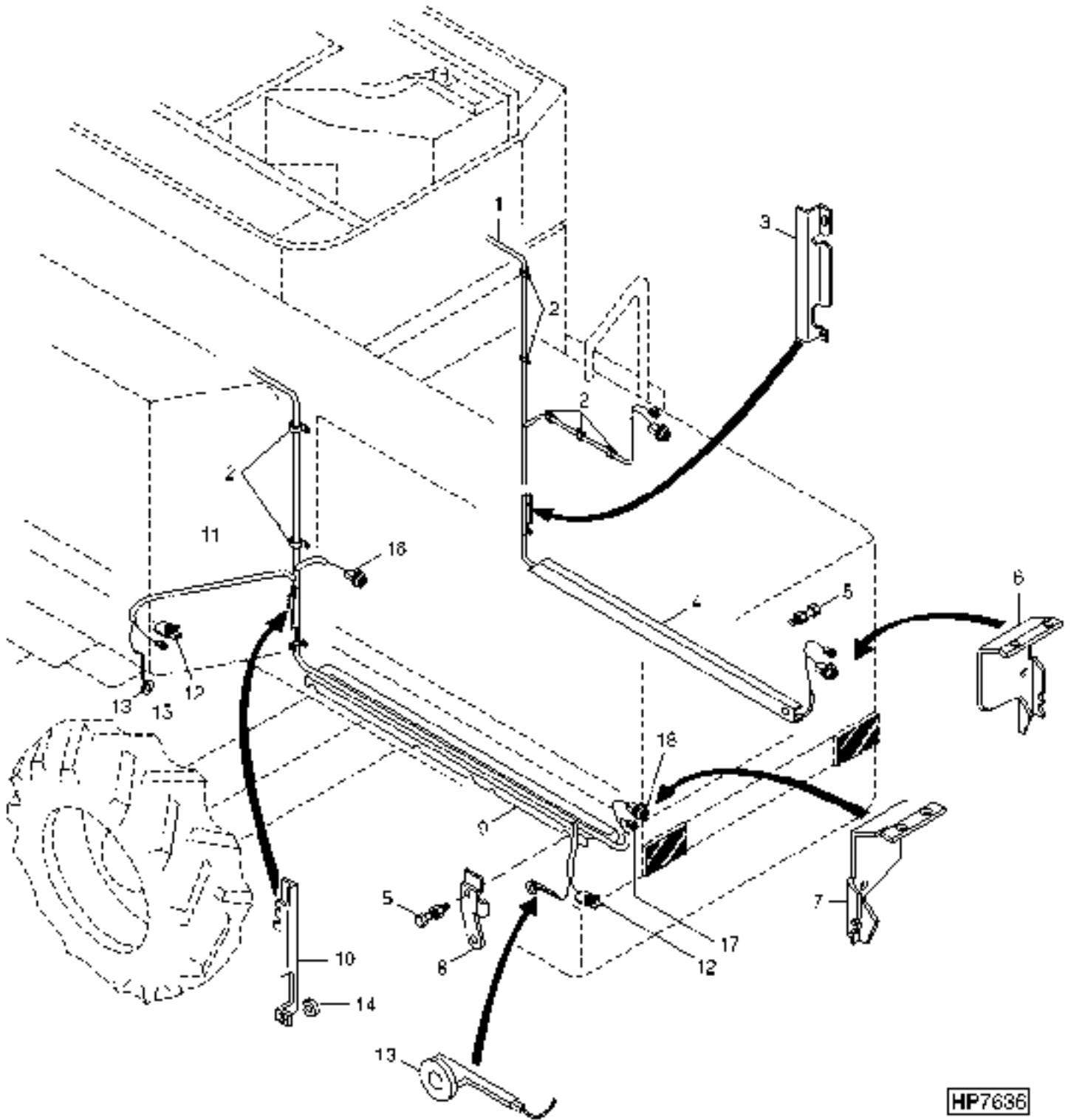
L.H. MAIN WIRING HARNESS, CENTER - CONTINUED
(680301-)

KEY	PART NO.	PART NAME	QTY	SERIAL NO.	REMARKS
1	AH158472	WIRING HARNESS	1	681371-	
	AH162647	WIRING HARNESS	1		
2	AH130222	CLAMP	3		
3	14M7299	FLANGE NUT	3	M12	
4	37M7083	SCREW	3	M8 X 12	
5	AH90990	CLIP	5		
6	AH89557	CLIP	9		
7	19M7865	SCREW	5	M8 X 16	
	14M7298	FLANGE NUT	5	M8	
8	AH129045	MODULE	1	(LOGIC) INCLUDES CONNECTOR AND RETAINER	
	H118426	CONNECTOR	1	29 PIN	
	R77458	CONNECTOR	1		
9	AH96317	CLIP	1		
10	37M7083	SCREW	1	M8 X 12	
	37M7058	SCREW	1	M8 X 20, (IMPORT)	
	24M7055	WASHER	1	8.400 X 16 X 1.600 MM	
11	12M7032	LOCK WASHER	2	8.400 MM	
12	24M7055	WASHER	1	8.400 X 16 X 1.600 MM	
13	R78053	PIN CONTACT CONNECTOR BODY	1	MALE, (PKG OF 3) TO HYDRO CHARGE PRESSURE, GROUND SPEED LSSM	
	R78058	PIN CONTACT	AR	(USE WITH R78059)	
14	RE12363	CONNECTOR	1	TO CONVEYOR AUGER LSSM	
	R78057	SOCKET CONTACT	1		
	R78067	SOCKET CONTACT	2		
15	AE44392	CONNECTOR	1	4 HOLES (FEMALE) TO REEL SPEED ACTUATOR	
	RE42068	SOCKET CONTACT	1		
16	RE12363	CONNECTOR	1	(PKG OF 3) TO DIAL-A-MATIC DROP RATE SOLENOID	
	R78048	TERMINAL NIPPLE	1	(PKG OF 5)	
	R78060	SOCKET CONTACT	1	(PKG OF 40)	
17	AH135787	ELECTRICAL PLUG	1	16 HOLE CONNECTOR, TO ENGINE LOGIC MODULE	
	RE42068	SOCKET CONTACT	1		
	57M7546	TERMINAL	1		
	N282070	SOCKET CONTACT	1		
18	AH128929	SWITCH	1	HYDRO CHARGER PRESSURE	
19	R78055	PIN CONTACT CONNECTOR BODY	1	TO TILT VALVES	
	R78058	PIN CONTACT	1	(PKG OF 40) (18 GA. WIRE)	
	R78061	PIN CONTACT	AR	(PKG OF 40) (16 GA. WIRE)	
	R78063	TERMINAL NIPPLE	1	(PKG OF 40) (16 GA. WIRE) (GRAY)	
	R78059	ELECTRICAL PLUG	1	(PKG OF 40) (18 GA. WIRE) (GREEN)	
20	SOCKET CONTACT	1	TO LEFT SHOE LIGHT	
21	RE12363	CONNECTOR	1	(PKG OF 3) 2-PIN	
	R78048	TERMINAL NIPPLE	1	(PKG OF 5)	
	R78060	SOCKET CONTACT	AR	(PKG OF 40) (16 GA. WIRE)	
	R78063	TERMINAL NIPPLE	AR	(PKG OF 40)	
22	RE12364	SOCKET CONT.CONNECTOR BODY	1	(PKG OF 3) 2-PIN	
	R78049	SEAL	1	(PKG OF 5)	
	R78060	SOCKET CONTACT	2	(PKG OF 40)	
	R78063	TERMINAL NIPPLE	2	(PKG OF 40)	
23	R78055	PIN CONTACT CONNECTOR BODY	1	TO TILT VALVE (4-PIN)	
24	RE12365	CONNECTOR	1	(PKG OF 2) 4-PIN	
	R78050	SEAL	1	(PKG OF 5)	
	R78060	SOCKET CONTACT	AR	(PKG OF 40)	
	R78063	TERMINAL NIPPLE	2	(PKG OF 40)	
25	RE12363	CONNECTOR	1	TO POWERED REAR WHEELS (2-PIN)	
	57M7551	TERMINAL	1		
26	Z62206	CONNECTOR	1	TO FAN SPEED ACTUATOR	
	R78067	SOCKET CONTACT	2		
27	57M7261	RECEPTACLE CONNECTOR BODY	1	TO UNLOADING AUGER SWING CONTROLLER	
	R104846	SOCKET CONTACT	4	(USE WITH 57M7258)	
	57M7572	SOCKET CONTACT	1		
	RE42068	SOCKET CONTACT	1		

1H7

ELECTRICAL

L.H. AND R.H. MAIN WIRING HARNESS, REAR
HP7636 -UN-12NOV98



HP7636

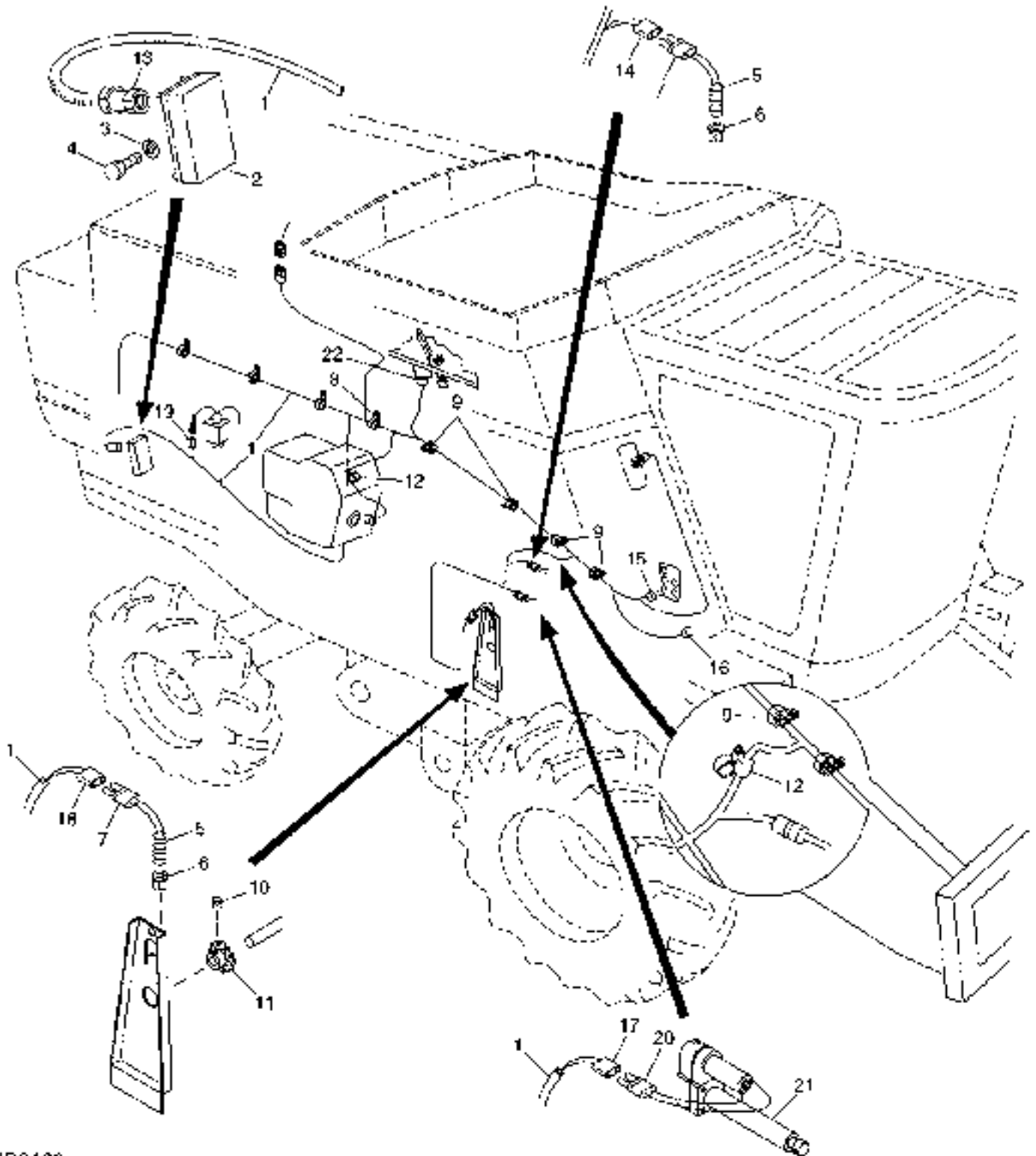
L.H. AND R.H. MAIN WIRING HARNESS, REAR - CONTINUED

KEY	PART NO.	PART NAME	QTY	SERIAL NO.	REMARKS
1	AH155916	WIRING HARNESS	1		R.H. MAIN WITHOUT GREENSTAR
	AH154828	WIRING HARNESS	1		R.H. MAIN WITH GREENSTAR
2	AH89557	CLIP	7		
3	H137731	SHIELD	1		R.H.
4	H131017	SHIELD	1		R.H.
5	19M7867	SCREW	10		M8 X 25
	14M7298	FLANGE NUT	10		M8
6	H134171	SHIELD	1		R.H.
7	H134172	SHIELD	1		L.H.
8	H134831	RETAINER	1		
	37M7058	SCREW	1		M8 X 20
9	H144013	SHIELD	1		
10	H143462	SHIELD	1		
11	AH158472	WIRING HARNESS	1		
	AH162647	WIRING HARNESS	1	680301-	
12	R78053	PIN CONTACT CONNECTOR BODY	2		(PKG OF 3), BUILT IN CHOPPER GROUND
	R78063	SOCKET CONTACT	AR	-680300	(PKG OF 40)
	R78067	SOCKET CONTACT	2	680301-	
	57M7572	TERMINAL	1		
13	RE12363	CONNECTOR	1		(PKG OF 3) TO STRAW CHOPPER SENSOR
	R78048	SOCKET CONTACT	1		(PKG OF 5)
15	57M7458	CONNECTOR	1	680301-	TO L.H. CENTER SIDE MARKER LIGHT
	N282070	SOCKET CONTACT	1	680301-	
16	CONNECTOR	1	680301-	TO L.H. REAR GRAIN TANK WARNING LIGHT
	57M7571	TERMINAL	1	680301-	
17	57M7458	CONNECTOR	1	680301-	TO L.H. REAR HOOD SIDE MARKER LIGHT
	N282070	SOCKET CONTACT	1	680301-	
18	CONNECTOR	1	680301-	TO L.H. TAIL/BRAKE LIGHT
	57M7572	TERMINAL	1	680301-	
	57M7546	TERMINAL	1	680301-	
..	AH140120	KIT	1		

1H9

ELECTRICAL

R.H. MAIN WIRING HARNESS
HP9406 -UN-13JAN00



HP9406

1H10

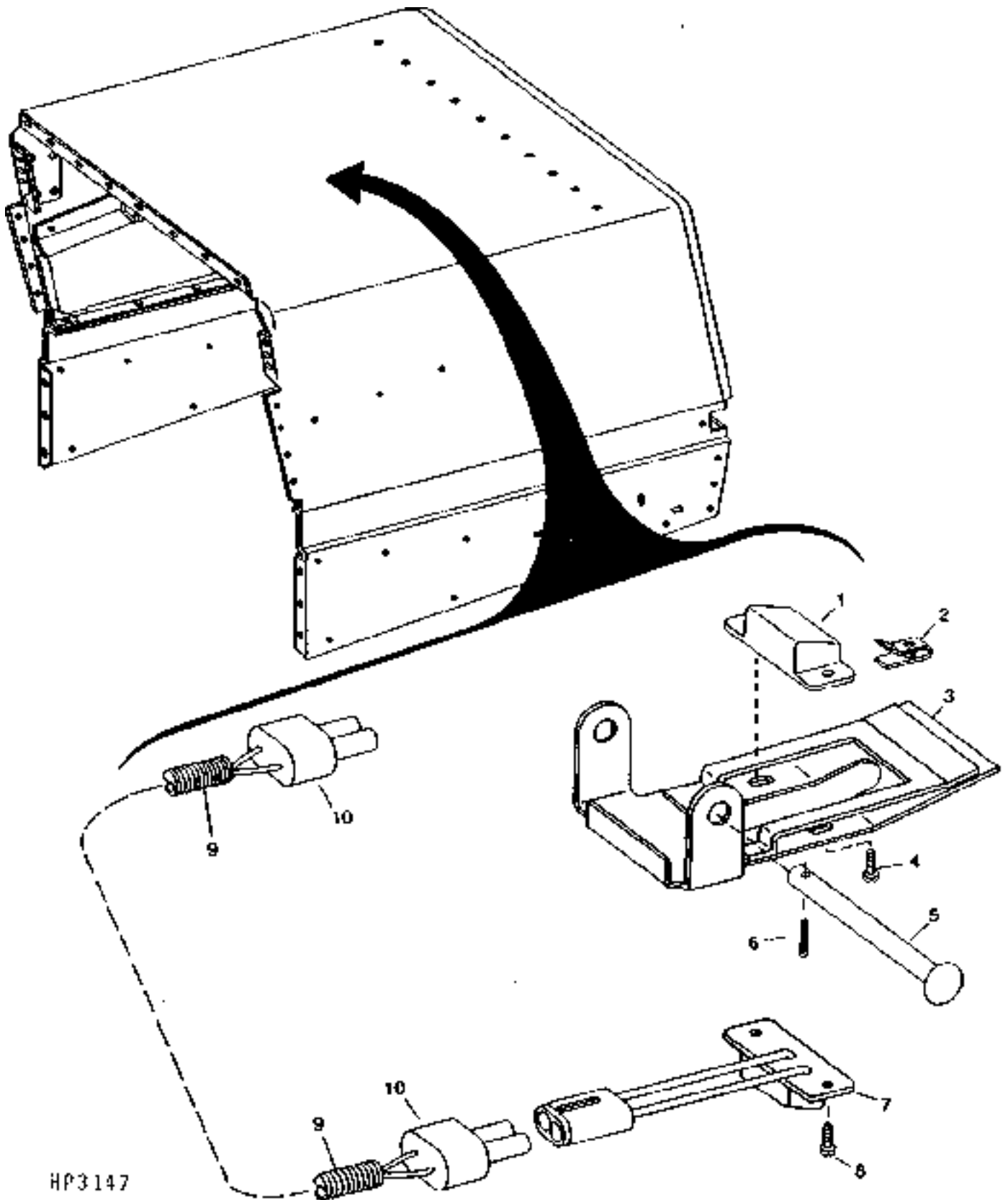
ELECTRICAL

R.H. MAIN WIRING HARNESS - CONTINUED

KEY	PART NO.	PART NAME	QTY	SERIAL NO.	REMARKS
1	AH154828	WIRING HARNESS	1		WITH GREENSTAR
	AH155916	WIRING HARNESS	1		WITHOUT GREENSTAR
2	AH125744	RELAY MODULE	1		HARVESTRAK
3	12H310	LOCK WASHER	1		3/8"
4	37M7058	SCREW	1		M8 X 20
5	AH116104	SENSOR	2		LOW SHAFT SPEED
6	H160880	CLIP	2		(SUB FOR H121110)
7	RE12363	CONNECTOR	1		(PKG OF 3)
	R78048	TERMINAL NIPPLE	1		(PKG OF 5)
	R78060	SOCKET CONTACT	2		(PKG OF 40)
8	AH90990	CLIP	2		
9	H117952	CLAMP	6		
10	22M7027	SET SCREW	1		M6 X 16
11	H122372	WHEEL	1		LOW SHAFT SPEED FOR FAN
12	AH89557	CLIP	2		
13	AE44392	CONNECTOR	1		4 HOLES, FEMALE (INTO PRE-AMP MODULE)
	R77463	SOCKET CONTACT	AR		
14	R78053	PIN CONTACT CONNECTOR BODY	1		(PKG OF 3) TO CYLINDER SPEED SENSOR
	R78063	TERMINAL NIPPLE	2		(PKG OF 40)
	R78058	PIN CONTACT	2		(PKG OF 40)
	R78059	ELECTRICAL PLUG	1		(PKG OF 40)
15	R77457	ELECTRICAL PLUG	1		37 HOLES, FEMALE (TO CAB MAIN)
16	R77465	SOCKET CONTACT	AR		FOR 16 HOLE CONNECTOR (TO L-H MAIN)
17	R78053	PIN CONTACT CONNECTOR BODY	1		(PKG OF 3) (TO CONCAVE ACTUATOR)
	R78063	TERMINAL NIPPLE	2		(PKG OF 40)
	R78061	PIN CONTACT	2		(PKG OF 40)
18	R78053	PIN CONTACT CONNECTOR BODY	1		(PKG OF 3) TO FAN SPEED SENSOR
	R78063	TERMINAL NIPPLE	1		(PKG OF 40)
	R78058	PIN CONTACT	2		(PKG OF 40)
	R78059	ELECTRICAL PLUG	2		(PKG OF 40)
19	T28583	RECEPTACLE CONNECTOR BODY	1		INTO FUEL PUMP
	U46662	TERMINAL	1		
20	RE12363	CONNECTOR	1		(PKG OF 3)
	R78048	TERMINAL NIPPLE	2		(PKG OF 5)
	R78060	SOCKET CONTACT	2		(PKG OF 40)
21	AH134728	ACTUATOR	1	-678646	
	AH160107	ACTUATOR	1	678647-	
22	RE65347	RELAY MODULE	1	680301-	

STRAW WALKER (PLUGGING) SENSING SWITCH

HP3147 -UN-01JAN94



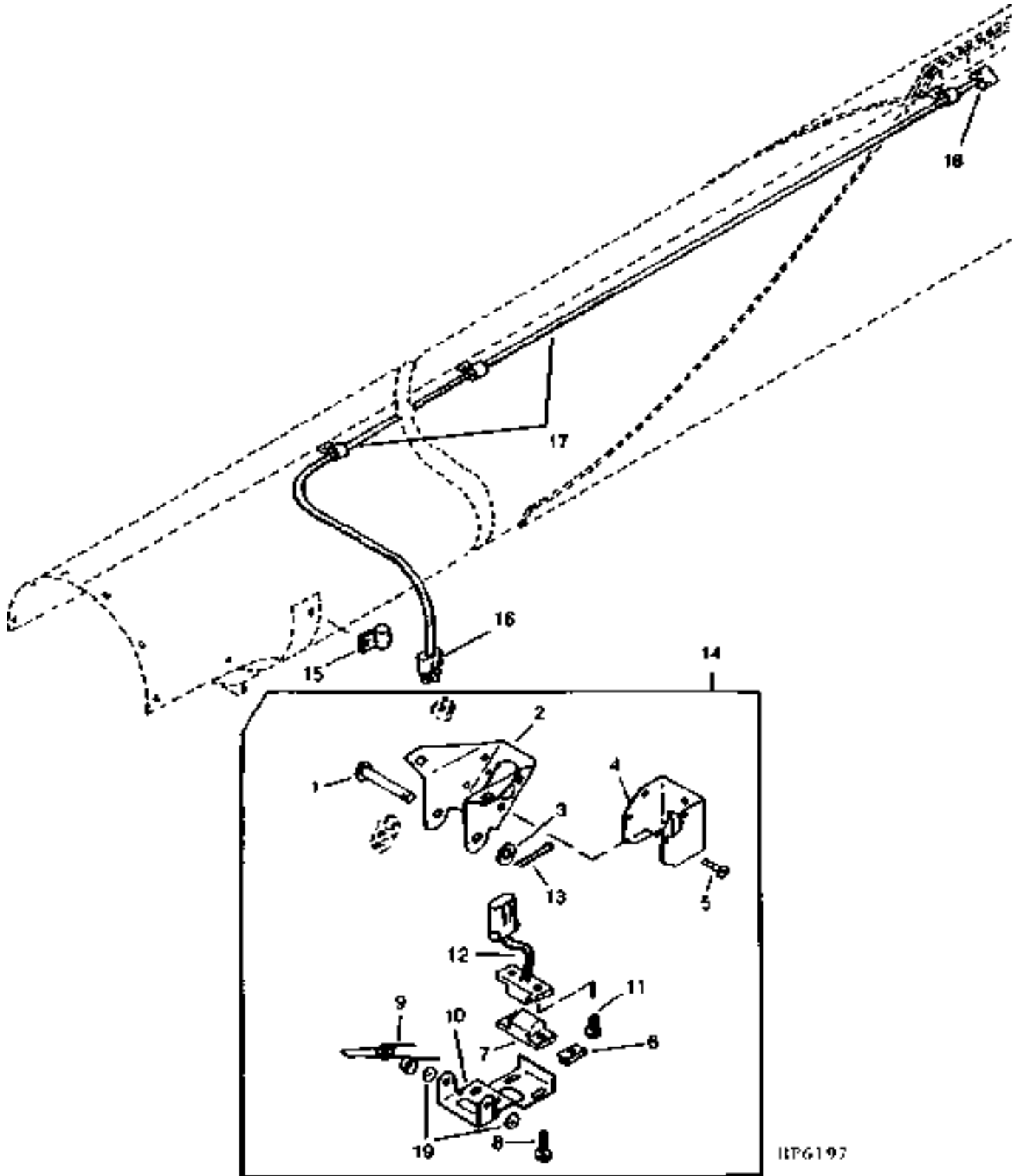
STRAW WALKER (PLUGGING) SENSING SWITCH - CONTINUED

KEY	PART NO.	PART NAME	QTY	SERIAL NO.	REMARKS
1	AH150473	ACTUATOR	1		
2	H140628	NUT	2		4.826 MM (0.190")
3	AH134524	ARM	1		
4	37M7072	SCREW	2		
5	45M7035	PIN	1		10 X 90 MM (0.394" X 3.543")
6	11M7012	COTTER PIN	1		3.200 X 16 MM (0.126" X 0.630")
7	AH130602	REED SWITCH	1		
8	37M7215	SCREW	2		
9	AH125036	WIRING HARNESS	1		
10	RE12363	CONNECTOR	1		(PKG OF 3)
	R78048	TERMINAL NIPPLE	1		(PKG OF 5)
	R78063	TERMINAL NIPPLE	1		(PKG OF 40)
	R78060	SOCKET CONTACT	1		(PKG OF 40)

1H13

UNLOADING AUGER SENSOR AND WIRING HARNESS

HP6197 -UN-05OCT95



HP6197

UNLOADING AUGER SENSOR AND WIRING HARNESS - CONTINUED

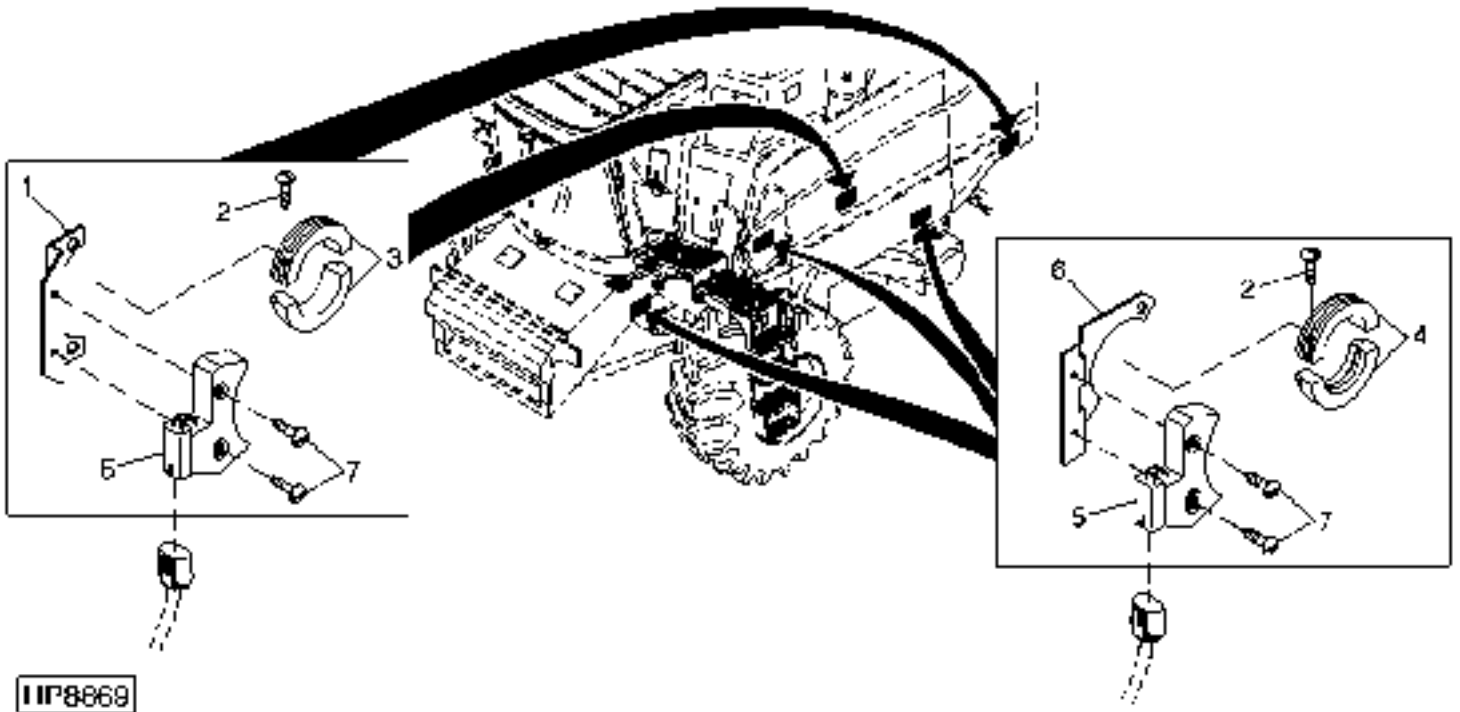
KEY	PART NO.	PART NAME	QTY	SERIAL NO.	REMARKS
1	W38051	PIN	1		
2	BRACKET	1	SENSOR	
3	24M7028	WASHER	1	10.500 X 20 X 2 MM (0.413" X 0.787" X 0.079")	
4	COVER	1	SENSOR BRACKET	
5	37M7079	SCREW	4	M6 X 12, SELF-TAPPING	
6	H140628	NUT	2	SPEED	
7	AH130603	ACTUATOR	1	MAGNET	
8	37M7071	SCREW	2	SELF-TAPPING	
9	H149788	TORSION SPRING	1		
10	BRACKET	1		
11	37M7215	SCREW	2		
12	AH130602	REED SWITCH	1		
13	11M7012	COTTER PIN	1	3.200 X 16 MM (0.126" X 0.630")	
14	AH145769	SENSOR	1	UNLOADING AUGER	
15	AH89557	CLIP	3	ONE USED WITH SOLID AUGER HOUSING, 3 USED WITH PERFORATED AUGER HOUSING.	
16	RE12363	CONNECTOR	1		
	R78048	TERMINAL NIPPLE	1		(PKG. OF 3)
	R78059	ELECTRICAL PLUG	2		(PKG. OF 40)
17	AH143761	WIRING HARNESS	1		
18	R78053	PIN CONTACT CONNECTOR BODY	1		(PKG OF 3)
	R78058	PIN CONTACT	2		(PKG OF 40)
	R78059	ELECTRICAL PLUG	2		(PKG. OF 40)
19	24M7028	WASHER	3	10.500 X 20 X 2 MM (0.413" X 0.787" X 0.079")	AS REQUIRED BETWEEN BRACKETS

1H15

ELECTRICAL

LOW SHAFT SPEED SENSORS AND BRACKETS

HP8869 -UN-28JUL99



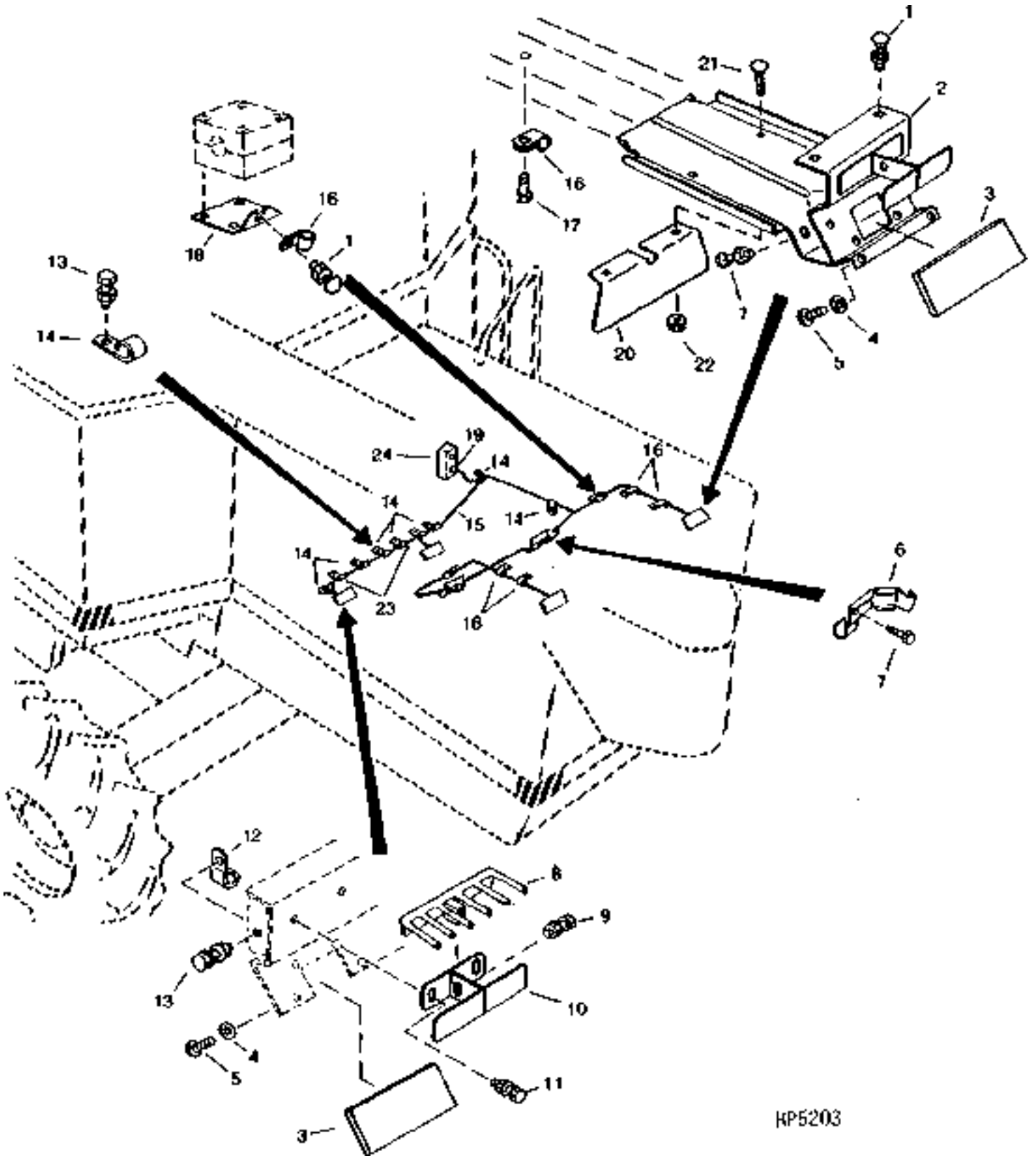
KEY	PART NO.	PART NAME	QTY	SERIAL NO.	REMARKS
1	H148270	BRACKET	2		
2	H168924	SCREW	AR		
3	AH161839	MAGNET	1		(SUB FOR H104793 OR H104794) LARGE
4	AH161838	MAGNET	1		(SUB FOR H104795 OR H104796) LARGE MAGNETIC
5	AH131320	SWITCH	5		
6	H148271	BRACKET	3		
7	37M7077	SCREW	10		4.8 X 32 MM (.1890" X 1.2598")

MEMORANDA

1H16

ELECTRICAL

HARVESTRAK MONITOR SYSTEM AND WIRING HARNESS
HP5203 -UN-01JAN94



HP5203

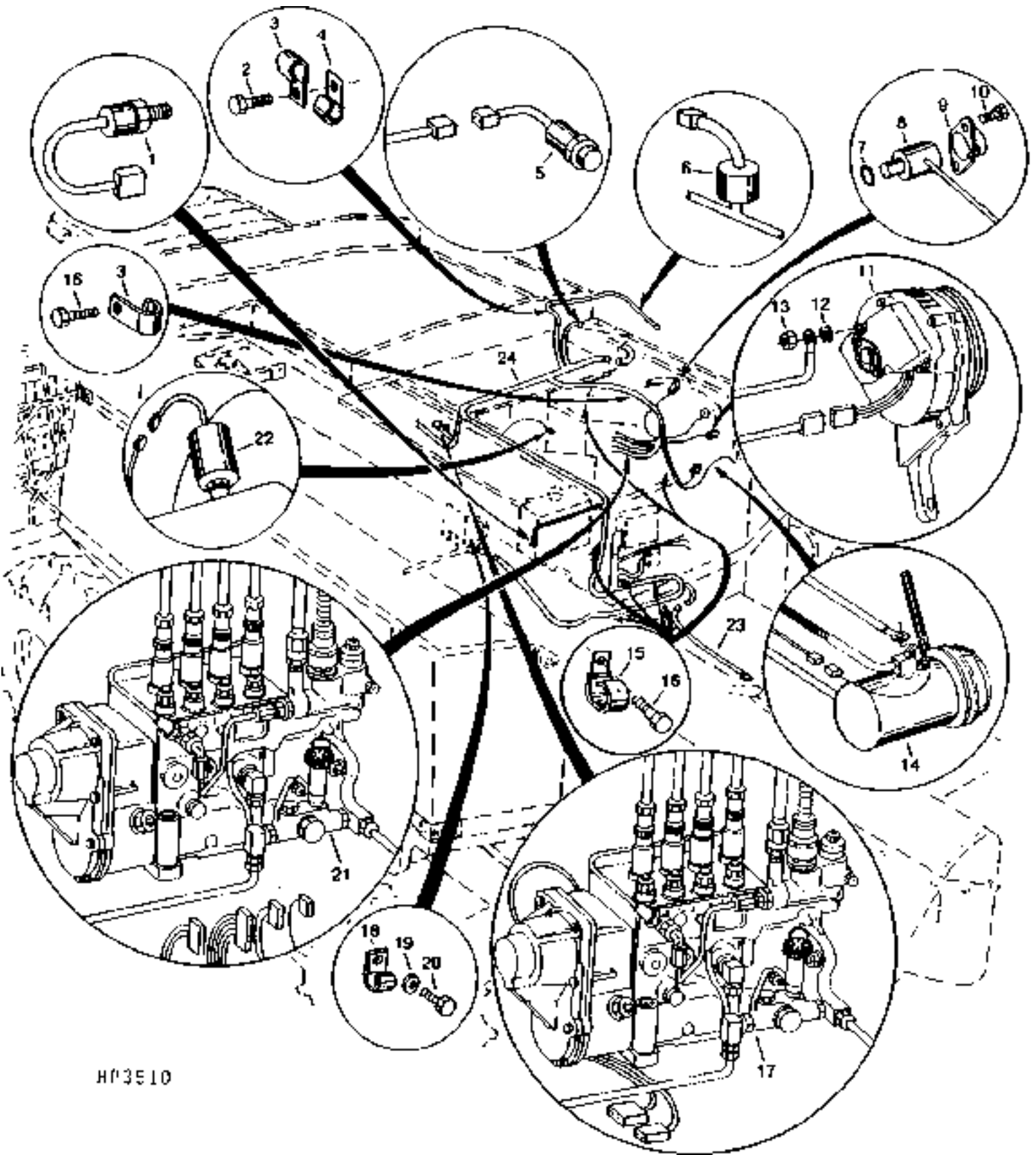
HARVESTRAK MONITOR SYSTEM AND WIRING HARNESS - CONTINUED

KEY	PART NO.	PART NAME	QTY	SERIAL NO.	REMARKS
1	03M7183	BOLT	10	M8 X 16	
	14M7298	FLANGE NUT	10	M8	
2	AH141038	SUPPORT	2		
3	AH166546	SENSOR	4	(SUB FOR AH126272)	
4	12H295	LOCK WASHER	16	0.190", (INTERNAL TOOTH)	
5	21H1427	SCREW	16	0.190" X 1/2"	
6	H132812	RETAINER	1	R.H.	
	H132813	RETAINER	1	L.H.	
7	37M7083	SCREW	2	M8 X 12, (SELF-TAPPING)	
8	H114411	FINGER	2		
9	19M7862	SCREW	2	M6 X 20	
	14M7303	FLANGE NUT	2	M6	
10	AH125672	DEFLECTOR	2		
11	19M7865	SCREW	4	M8 X 16	
	14M7298	FLANGE NUT	4	M8	
12	T74410	CLAMP	2		
13	19M7865	SCREW	8	M8 X 16	
	14M7298	FLANGE NUT	8	M8	
14	AH89557	CLIP	6		
15	AH134256	WIRING HARNESS	1		
	R78063	TERMINAL NIPPLE	8		
	57M7298	TERMINAL	8		
	57M7306	CONNECTOR	4		
	57M7309	RECEPTACLE CONNECTOR BODY	4		
16	AH77724	CLIP	6		
17	37M7089	SCREW	4	M6 X 12, (SELF-TAPPING)	
18	H140074	PLATE	2		
19	H118422	ELECTRICAL PLUG	1	9 HOLES, FEMALE (TO PRE-AMP)	
	R77465	SOCKET CONTACT	AR		
20	H140414	DEFLECTOR	2		
21	03M7184	BOLT	10	M8 X 20	
22	14M7396	LOCK NUT	10	M8	
23	AH89557	CLIP	3		
	19M7865	SCREW	3	M8 X 16	
	14M7298	FLANGE NUT	3	M8	
	24M7027	WASHER	3	5.300 X 10 X 1 MM	
24	AH125744	RELAY MODULE	1	PRE AMP MODULE	

1H18

ELECTRICAL

HARNESS FOR ENGINE
(UPPER PARTS)
HP3510 -UN-01JAN94



HP3510

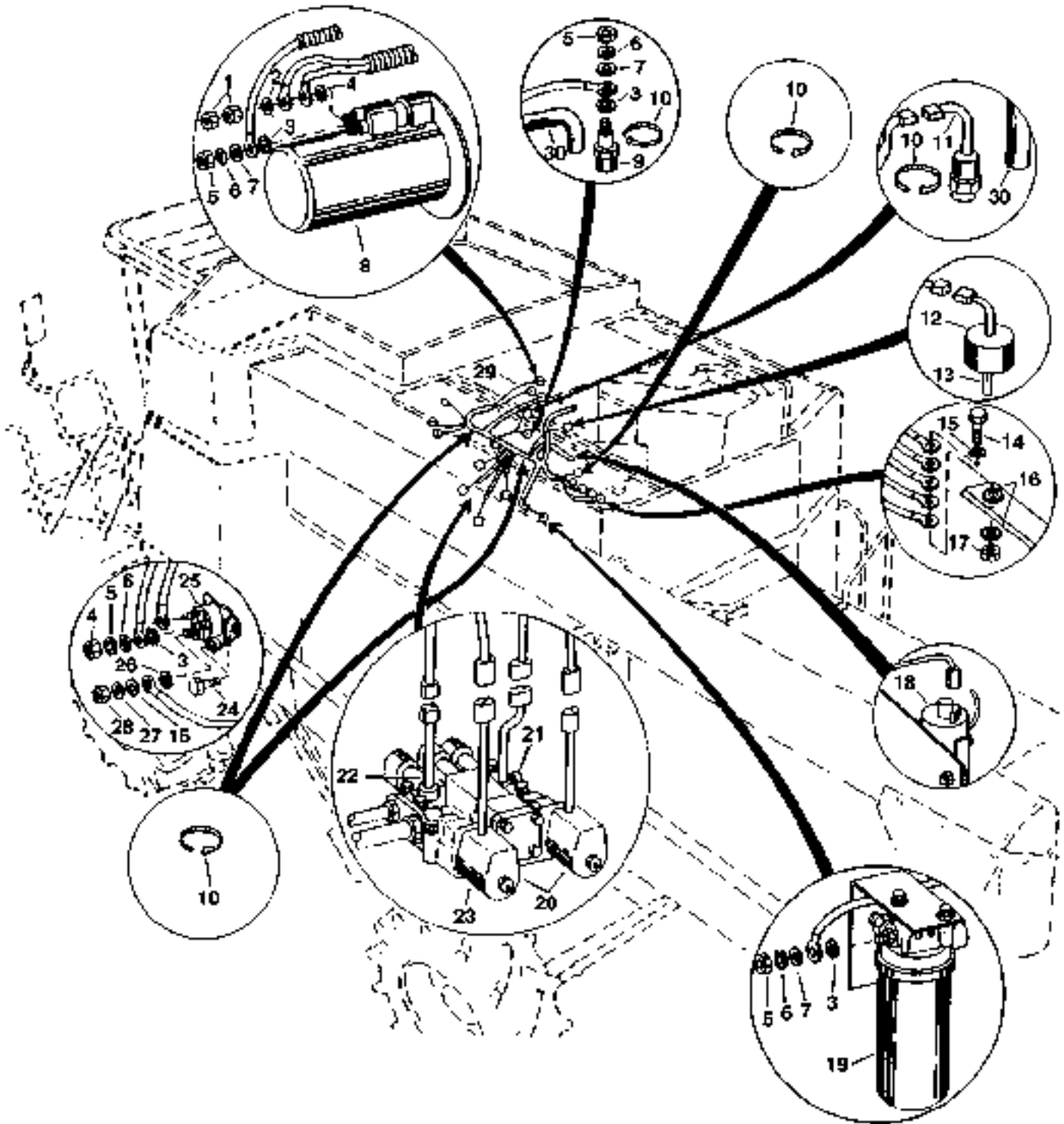
**HARNES FOR ENGINE - CONTINUED
(UPPER PARTS)**

KEY	PART NO.	PART NAME	QTY	SERIAL NO.	REMARKS
1	AH116105	SWITCH	1		FOR HYD. OIL TEMP.
2	19M7865	SCREW	1		M8 X 16
3	AH96317	CLIP	1		
4	AH89557	CLIP	1		
5	AH148258	SWITCH	1		
6	RE24307	HIGH PRESSURE SWITCH	1		FOR A/C HIGH PRESSURE
7	R79915	O-RING	1		15.540 X 2.160 MM (0.612" X 0.085")
8	RE12180	SENSOR	1		FOR ENGINE TACH
9	R67230	COVER	1		
10	19H1948	CAP SCREW	2		1/4" X 3/4"
	12H302	LOCK WASHER	2		1/4"
	24H1287	WASHER	2		9/32" X 5/8" X 0.065"
11	ALTERNATOR	1		(SUB FOR TY6750) (ALSO ORDER AT207952) (SEE ELECTRICAL SECTION)
12	12H297	LOCK WASHER	1		1/4"
13	14H786	NUT	1		1/4"
14	COMPRESSOR	1		(SEE OPERATOR'S STATION SECTION)
15	AH89557	CLIP	1		
	AH96317	CLIP	AR		
16	19M7774	SCREW	1		M6 X 12
17	FUEL INJECTION PUMP	1		(SEE ENGINE SECTION)
18	AH90990	CLIP	1		
19	14M7298	FLANGE NUT	1		M8
20	19M7865	SCREW	1		M8 X 16
21	FUEL INJECTION PUMP	1		(SEE ENGINE SECTION)
22	AH148259	SWITCH	1		FOR AIR CLEANER (PLUGGED)
23	AH125036	WIRING HARNESS	1		FOR STRAW WALKER PLUGGED SWITCH
24	AH144893	WIRING HARNESS	1		(NIPPONDENSO)
	AH155522	WIRING HARNESS	1		(FOCUS)
..	H116160	SEALANT	1		3 OZ. TUBE OF SEALANT

1H20

ELECTRICAL

HARNESS FOR ENGINE
(LOWER PARTS)
HP6970 -UN-22JAN98

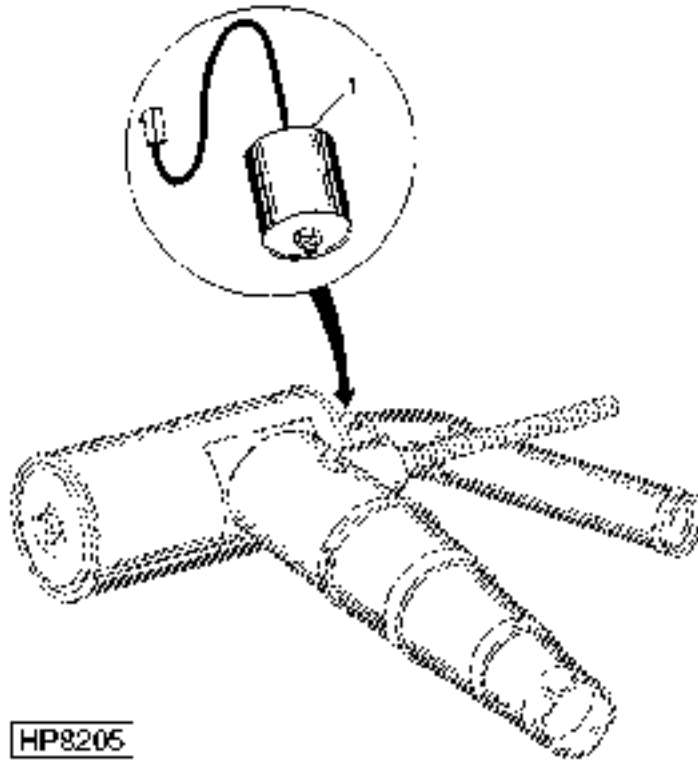


HP6970

**HARNESS FOR ENGINE - CONTINUED
(LOWER PARTS)**

KEY	PART NO.	PART NAME	QTY	SERIAL NO.	REMARKS
1	14H826	NUT	2		
2	24M7028	WASHER	1	10.500 X 20 X 2 MM	
3	12M7060	WASHER	4	5.300 MM	
4	12M7033	LOCK WASHER	1	10.500 MM	
5	14H631	NUT	4	0.190"	
6	12H246	LOCK WASHER	4	0.190"	
7	24M7027	WASHER	4	5.300 X 10 X 1 MM	
8	STARTER MOTOR	1		
9	AT37368	SENDER	1	ENGINE COOLANT TEMPERATURE	
10	R44302	TIE BAND	8		
	H77698	TIE BAND	1		
11	AH158689	SWITCH	1	(SUB FOR AH155523) FOR ENGINE TEMP	
12	AH133896	SWITCH	1	FOR ENGINE OIL PRESS	
13	R53014	FITTING	1		
14	19M7868	SCREW	1	M8 X 30	
15	24M7055	WASHER	2	8.400 X 16 X 1.600 MM	
16	12M7032	LOCK WASHER	2	8.400 MM	
17	14M7298	FLANGE NUT	1	M8	
18	RE48310	STARTING AID SOLENOID	1		
19	HYDRAULIC FILTER	1		
20	AH128655	SOLENOID VALVE	1	UNLDG AUGER & SEPARATOR ENGAGE	
21	AH135744	SWITCH	1	SEPARATOR DRIVE PRESSURE	
	R28782	O-RING	1	8.915 X 1.829 MM (0.351" X 0.072")	
22	AH116105	SWITCH	1	GEARCASE TEMPERATURE SWITCH	
	R26375	O-RING	1	16.358 X 2.210 MM (0.644" X 0.087")	
23	AH128785	SHUT-OFF VALVE	1		
24	37H147	SCREW	2		
25	AM53945	SOLENOID	1		
26	12M7032	LOCK WASHER	2	8.400 MM (0.331")	
27	12H303	LOCK WASHER	2	5/16"	
28	14H785	NUT	2	5/16"	
29	AH144893	WIRING HARNESS	1	NIPPONDENSO	
	AH155522	WIRING HARNESS	1	FOCUS	
30	H138200	INSULATING SLEEVE	2	HEAT PROTECTION FOR ENGINE TEMP SENDER, SWITCH AND WIRES	
..	H116160	SEALANT	1	3 OZ. TUBE OF SEALANT	
..	AH142597	WIRING HARNESS	1		
..	BH79118	COMPLETE GOODS/SHIP. BUNDLE	1	TEMPERATURE SENSOR PROTECTION	

ENGINE PLUGGED AIR FILTER WARNING SWITCH
HP8205 -UN-29JAN99

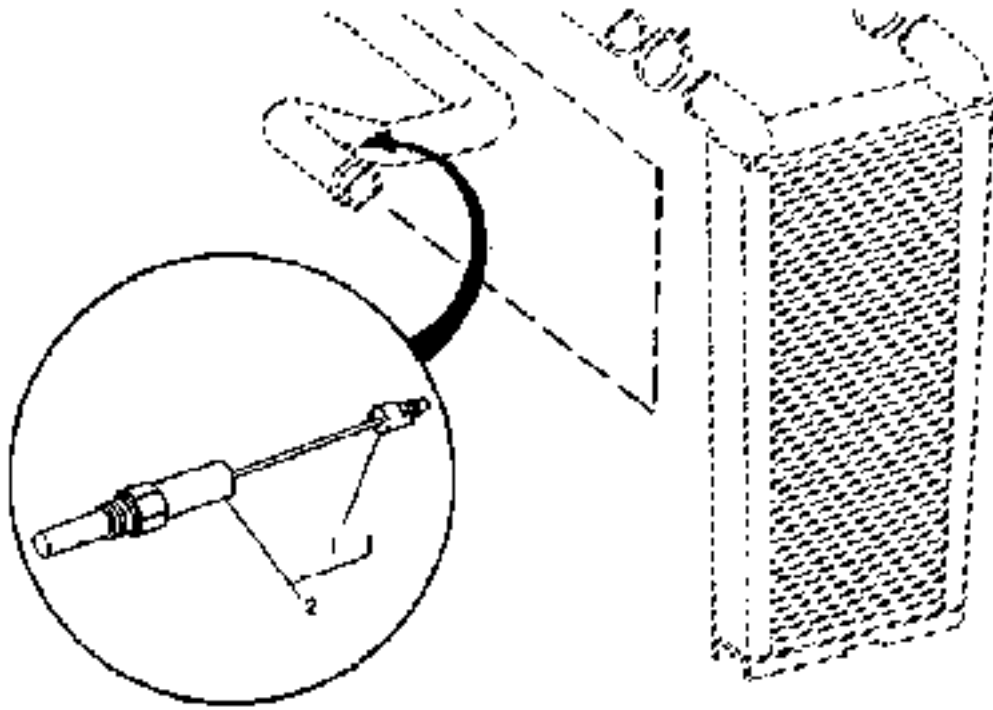


KEY	PART NO.	PART NAME	QTY	SERIAL NO.	REMARKS
1	AH113292	SWITCH	1		

1H23

ELECTRICAL

INLET AIR TEMPERATURE SWITCH HP8204 -UN-28JAN99



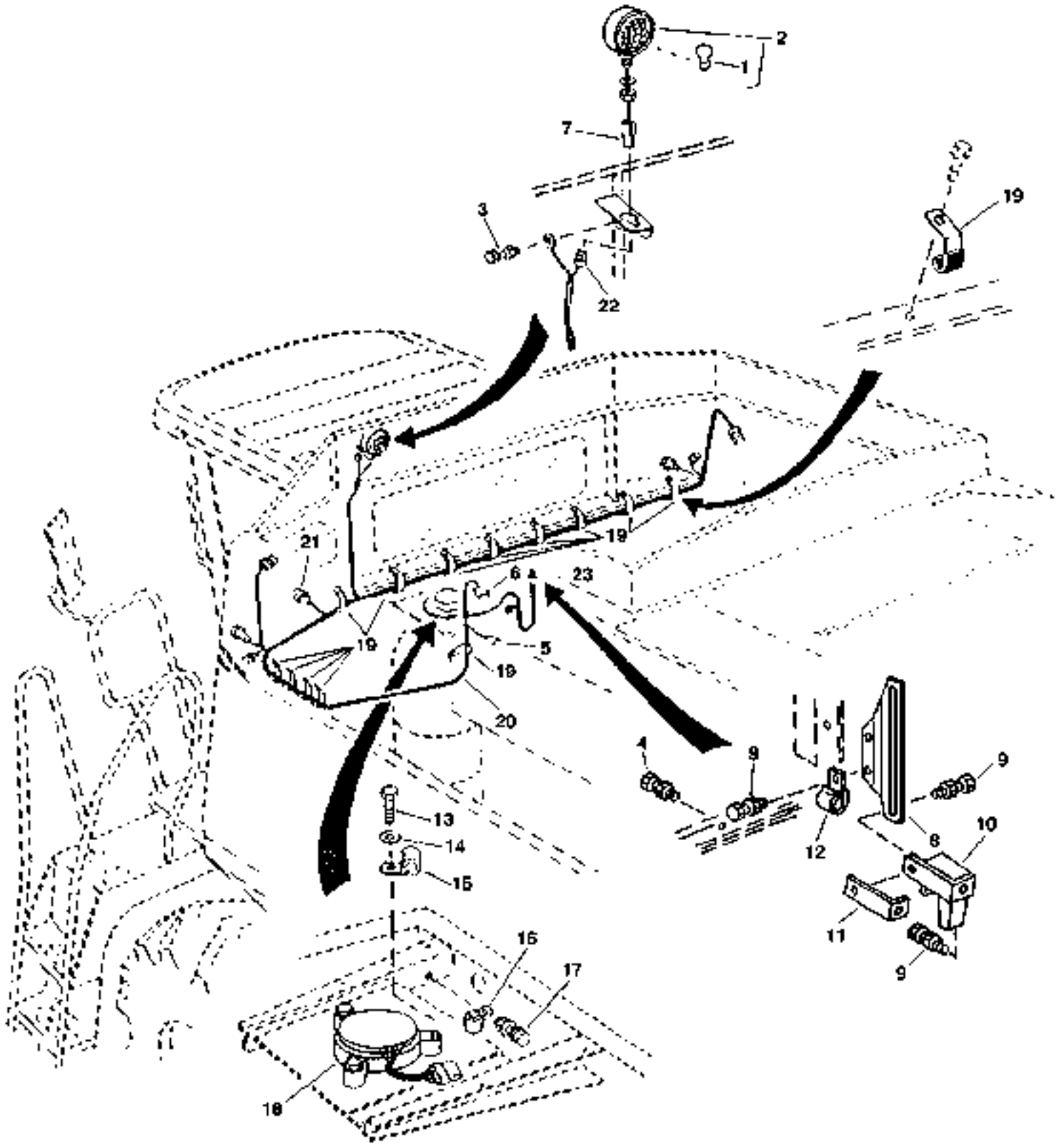
|HP8204|

KEY	PART NO.	PART NAME	QTY	SERIAL NO.	REMARKS
1	RE12363	CONNECTOR	1		(PKG OF 3)
	R78060	SOCKET CONTACT	1		(PKG OF 40)
	R78063	TERMINAL NIPPLE	1		(PKG OF 40)

1H24

ELECTRICAL

GRAIN TANK WIRING HARNESS, LIGHT, LIMIT SWITCH AND LEVEL MONITOR
HP6956 -UN-12SEP97



HP6956

1H25

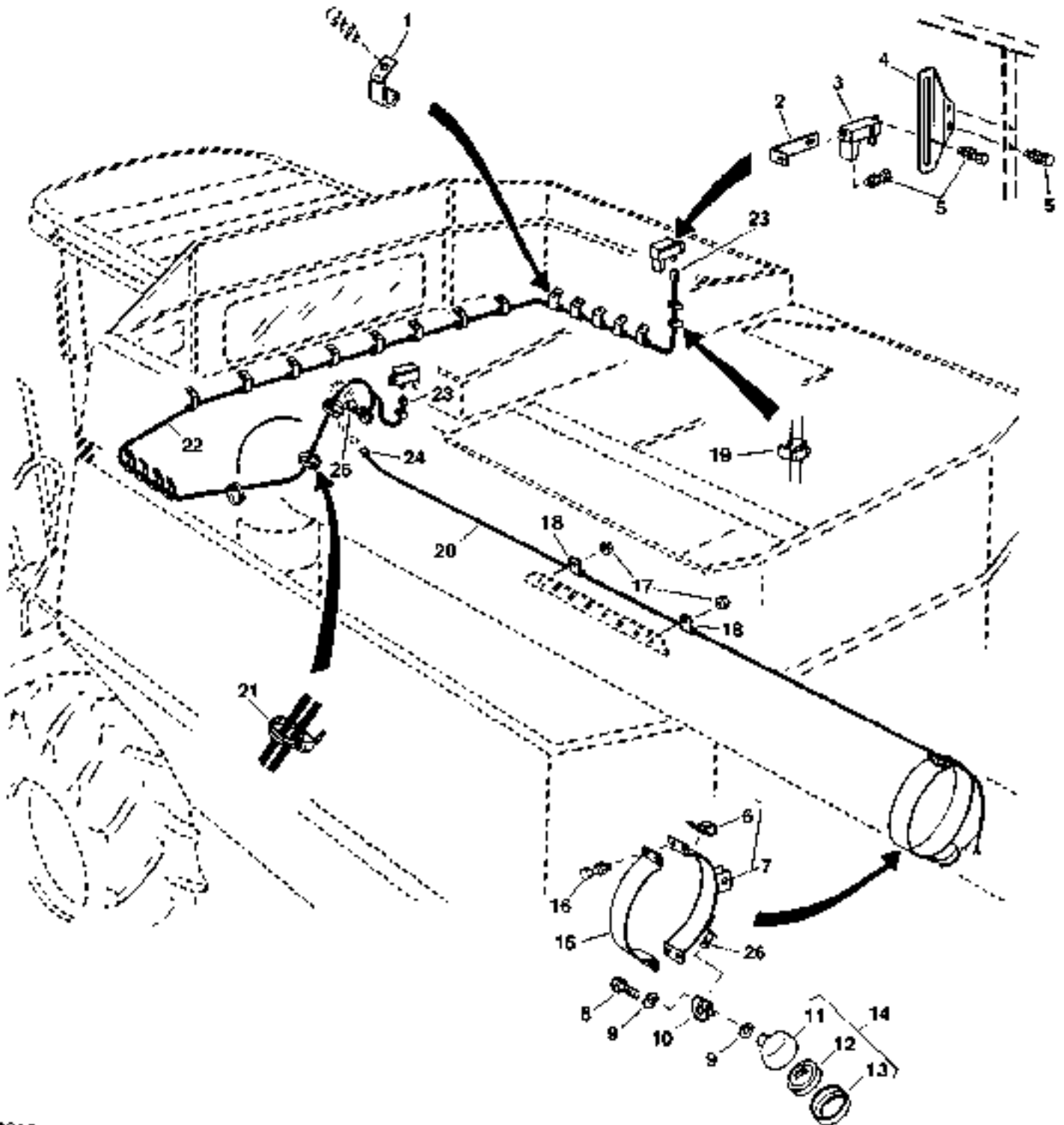
ELECTRICAL

GRAIN TANK WIRING HARNESS, LIGHT, LIMIT SWITCH AND LEVEL MONITOR - CONTINUED

KEY	PART NO.	PART NAME	QTY	SERIAL NO.	REMARKS
1	AD2062R	BULB	1		
2	AH152451	LAMP	1	-676395	
	AH148210	HEADLIGHT	1	676396-	
3	19M7865	SCREW	1		M8 X 16, (FOR WIRING HARNESS GROUND WIRE)
	14M7298	FLANGE NUT	1		M8
4	19M7866	SCREW	2		M8 X 20
	14M7298	FLANGE NUT	2		M8
5	R78053	PIN CONTACT CONNECTOR BODY	1		(PKG OF 3)
	R78063	TERMINAL NIPPLE	1		(PKG OF 40)
	R78060	SOCKET CONTACT	1		(PKG OF 40)
	R78061	PIN CONTACT	1		(PKG OF 40)
6	RE12366	CONNECTOR	1		(PKG OF 2)
	R78051	SEAL	1		(PKG OF 5)
	R78060	SOCKET CONTACT	1		(PKG OF 40)
7	57M7305	PIN CONTACT CONNECTOR BODY	1		
8	H133824	BRACKET	1		
9	19M7775	SCREW	4		M6 X 16
	14M7303	FLANGE NUT	4		M6
10	AH121475	SENSOR	1		
11	H133645	REINFORCEMENT	1		
12	T32231	CLAMP	1		
13	19M6755	CAP SCREW	1		M6 X 35
	19M7865	SCREW	2		M8 X 16
14	24M7054	WASHER	3		6.400 X 12 X 1.600 MM
	24M7139	WASHER	3		6.400 X 18 X 1.600 MM
15	AH89557	CLIP	1		
16	AH96317	CLIP	1		
17	19M7865	SCREW	1		M8 X 16
	14M7298	FLANGE NUT	1		M8
18	AH142999	SWITCH	1		(INCLUDES H148702 GASKET)
	AH155480	MODULE	1		(A)
	AH163979	KIT	1		(INCLUDES PARTS MARKED (A))
19	H130637	CLAMP	10		
	AH117301	CLAMP	3		
20	AH162650	WIRING HARNESS	1		(SUB FOR AH154836) W/AUGER SWING, WIDE
	AH162651	WIRING HARNESS	1		(SUB FOR AH154837) W/AUGER SWING, WIDE
	AH162652	WIRING HARNESS	1		(SUB FOR AH156962)
21	H118425	CONNECTOR	1		(22 HOLES, MIXED)
	AE44930	CONNECTOR	1		
	R78057	SOCKET CONTACT	1		(PKG OF 40)
	R78060	SOCKET CONTACT	1		(PKG OF 40)
22	RE12362	CONNECTOR	1		(PKG OF 3)
	R78047	SEAL	1		(PKG OF 5)
23	RE12363	CONNECTOR	1		(PKG OF 3)
	R78048	TERMINAL NIPPLE	1		(PKG OF 5)
	R78057	SOCKET CONTACT	1		(PKG OF 40)

GRAIN TANK DUAL LEVEL MONITOR HARNESS AND UNLOADING AUGER LIGHT

HP7211 -UN-13OCT97



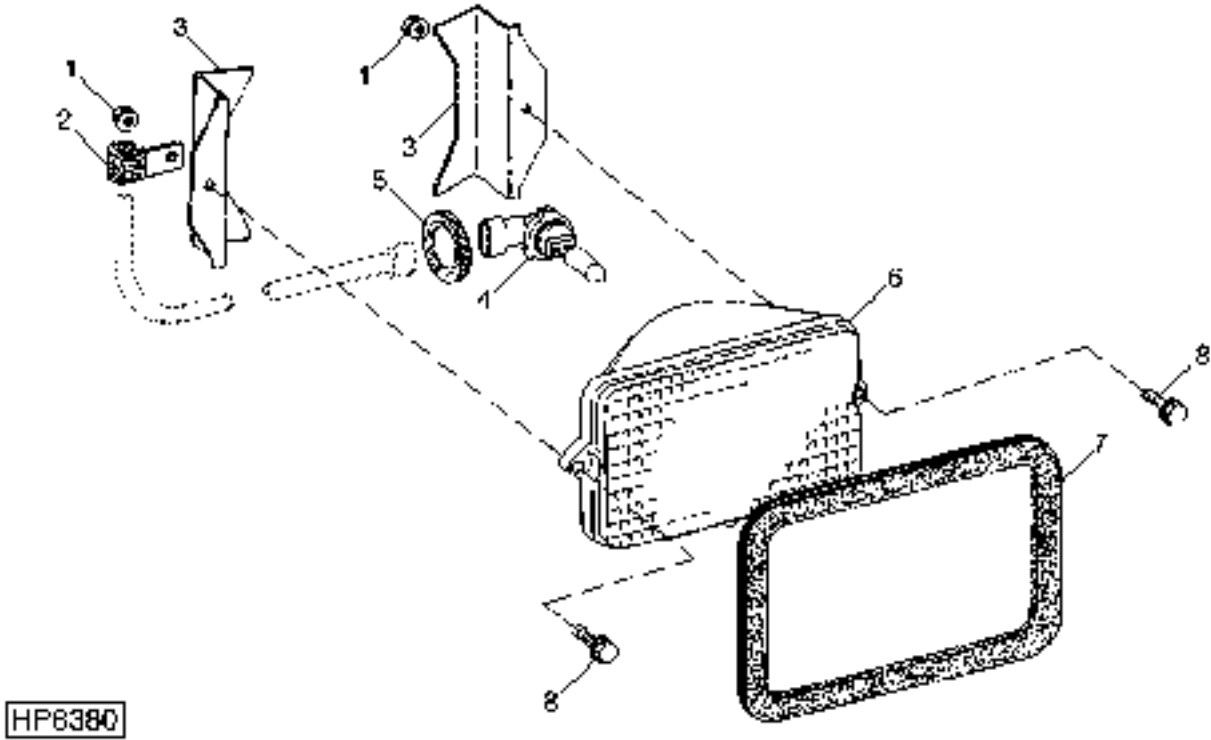
HP7211

GRAIN TANK DUAL LEVEL MONITOR HARNESS AND UNLOADING AUGER LIGHT - CONTINUED

KEY	PART NO.	PART NAME	QTY	SERIAL NO.	REMARKS
1	H130637	CLAMP	5		
2	H133645	REINFORCEMENT	1		
3	AH121475	SENSOR	1		
4	H133824	BRACKET	1		
5	19M7775	SCREW	4	M6 X 16	
	14M7303	FLANGE NUT	4	M6	
6	AH89557	CLIP	1		
7	AH126541	CLAMP	1		
8	19H1974	CAP SCREW	1	1/2" X 2-3/4"	
9	24H1111	WASHER	2	17/32" X 1-1/16" X 0.090"	
10	R67377	CLAMP	1		
11	HOUSING	1		
12	AR42591	HEADLIGHT	1	35 WATT	
13	R31250	BEZEL	1		
14	AH148210	HEADLIGHT	1		
	AH162581	KIT	1		(ALSO NEED AF3892R TO SUB FOR AH98901 LAMP)
15	H133178	CLAMP	1		
16	19M7800	SCREW	4	M8 X 50	
	14M7396	LOCK NUT	4	M8	
17	14M7298	FLANGE NUT	2	M8	
18	AH89557	CLIP	2		
19	H76064	CLIP	5		
	H76064	CLIP	4		
20	AH148028	WIRING HARNESS	1	-20JL98	FOR ALL AUGER LENGTHS
	AH159962	WIRING HARNESS	1	20JL98-	
21	M66044	TIE BAND	7		
22	AH128986	WIRING HARNESS	1		
23	RE12363	CONNECTOR	1		(PKG OF 3)
	R78048	TERMINAL NIPPLE	1		(PKG OF 5)
	R78057	SOCKET CONTACT	1		(PKG OF 40)
24	RE12363	CONNECTOR	1		(PKG OF 3)
	R78048	TERMINAL NIPPLE	1		(PKG OF 5)
	R78060	SOCKET CONTACT	1		(PKG OF 40)
25	R78053	PIN CONTACT CONNECTOR BODY	1		(PKG OF 3)
	R78063	TERMINAL NIPPLE	1		(PKG OF 40)
	R78058	PIN CONTACT	1		(PKG OF 40)
26	45M7043	PIN	1		12 X 60 MM
..	BH78464	COMPLETE GOODS/SHIP. BUNDLE	1		GRAIN TANK LEVEL MONITOR

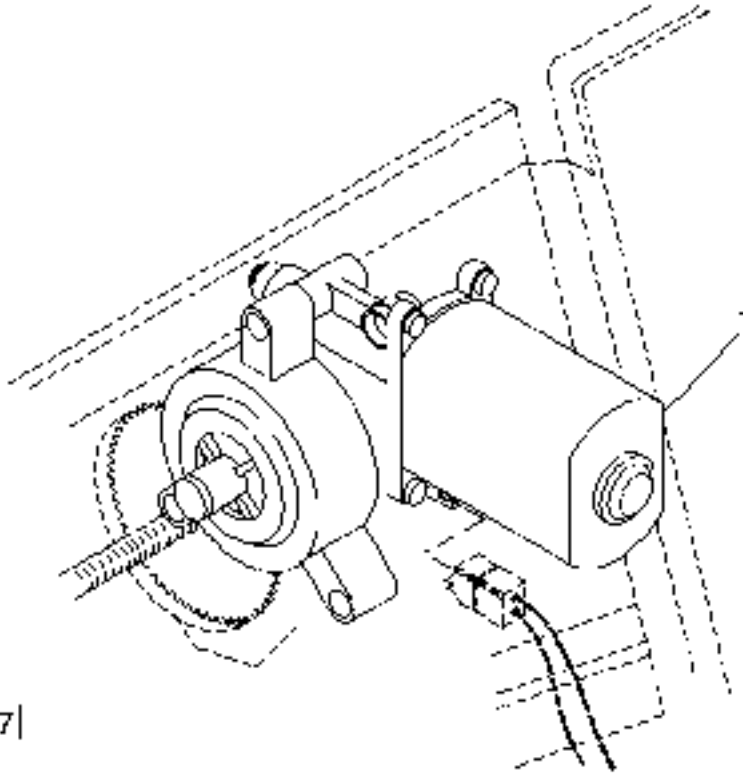
SIDE FINDER LIGHTS (L.H. AND R.H.)

HP8380 -UN-27JUL99



KEY	PART NO.	PART NAME	QTY	SERIAL NO.	REMARKS
1	14M7303	FLANGE NUT	4	M6	
2	AH89557	CLIP	2		
3	H132687	RETAINER	4		
4	AH127718	BULB	2		
5	H132900	RETAINER	2		
6	AH128328	FLOODLAMP	2		
7	H132686	GROMMET	2	-676032	
8	19M7774	SCREW	4	M6 X 12	

SEPARATOR FAN DRIVE ADJUSTING MOTOR
 HP9407 -UN-04JAN00

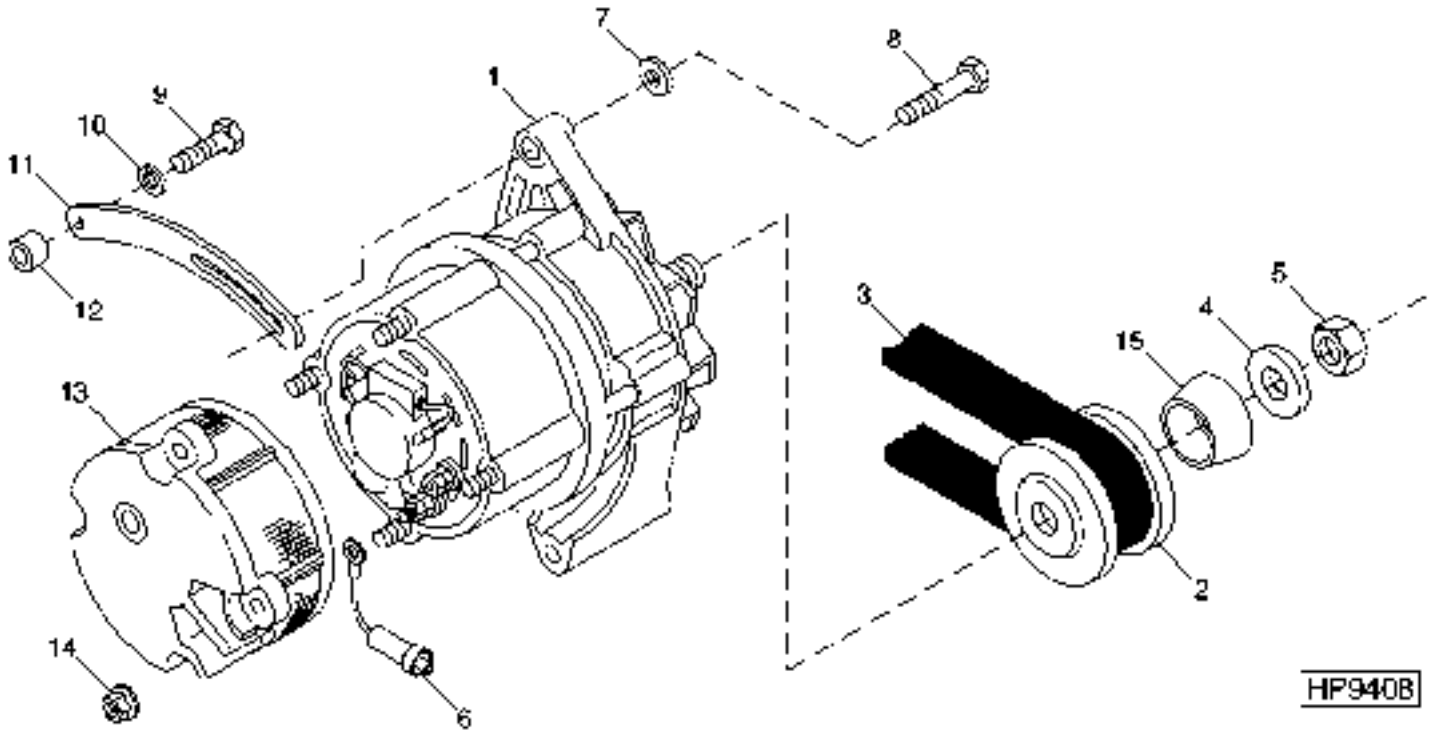


|HP9407|

KEY	PART NO.	PART NAME	QTY	SERIAL NO.	REMARKS
1	AH143903	MOTOR	1		(USE WITH AH143904, 19M8321 AND 14M7165)

ALTERNATOR, SHEAVE AND BELT

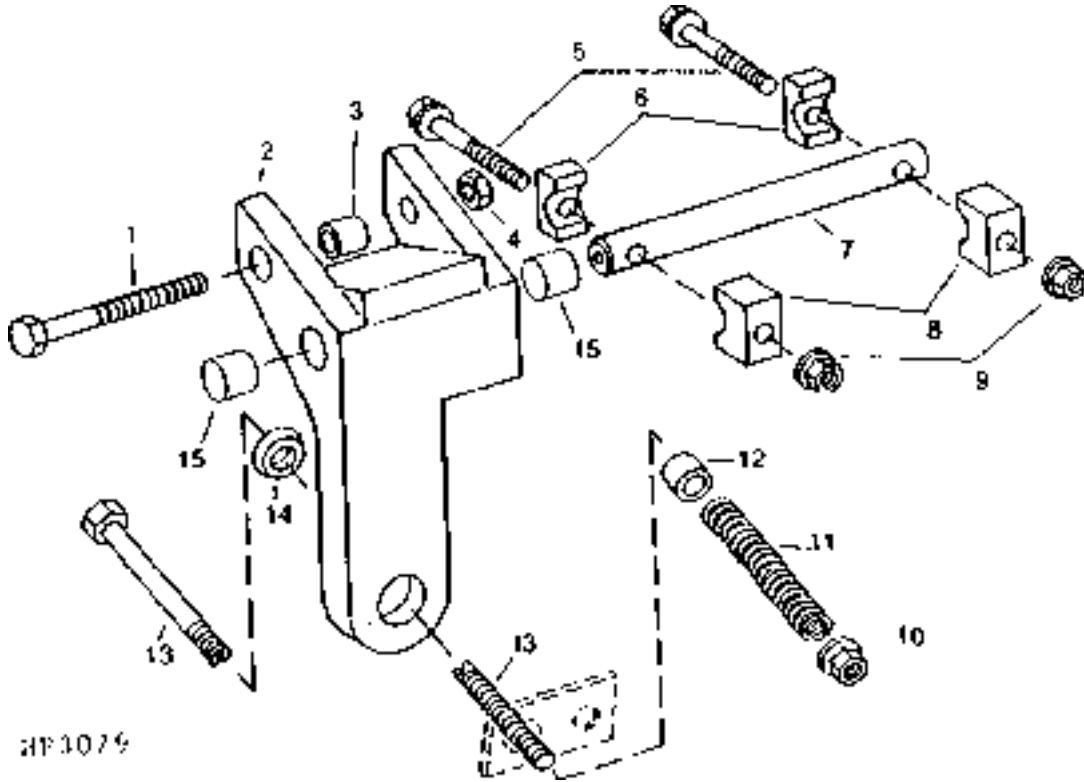
BOSCH
HP9408 -UN-05JAN00



HP9408

KEY	PART NO.	PART NAME	QTY	SERIAL NO.	REMARKS
1	TY24485	ALTERNATOR	1		(SUB FOR TY6750) REMANUFACTURED
2	R94350	SHEAVE	1		
3	H163515	BELT	1		
4	T10745	WASHER	1		17.145 X 25.781 X 1.981 MM (0.675" X 1.015" X 5/64")
5	14M7158	NUT	1		M16
6	AH146309	WIRING HARNESS	1	-08SE98	
	AN220289	WIRING HARNESS	1	09SE98-	(SUB AH169733)
	AH169733	WIRING HARNESS	1		
7	24M7207	WASHER	1		8.400 X 24 X 2 MM (0.331" X 0.945" X 0.079")
8	19M7944	SCREW	1		M10 X 120
9	19M7867	SCREW	1		M8 X 25
10	12H304	LOCK WASHER	1		9.525 MM (3/8")
11	R108404	STRAP	1		
12	24M7106	WASHER	1		10 X 18 X 2.500 MM (0.394" X 0.709" X 0.098")
13	AH138291	SCREEN	1		(USE WITH TY6750)
	AT207952	COVER	1		(USE WITH TY24485)
14	14M7375	FLANGE NUT	4		M5
15	R94351	BUSHING	1		

ALTERNATOR MOUNTING
HP3079 -UN-01JAN94



HP 3079

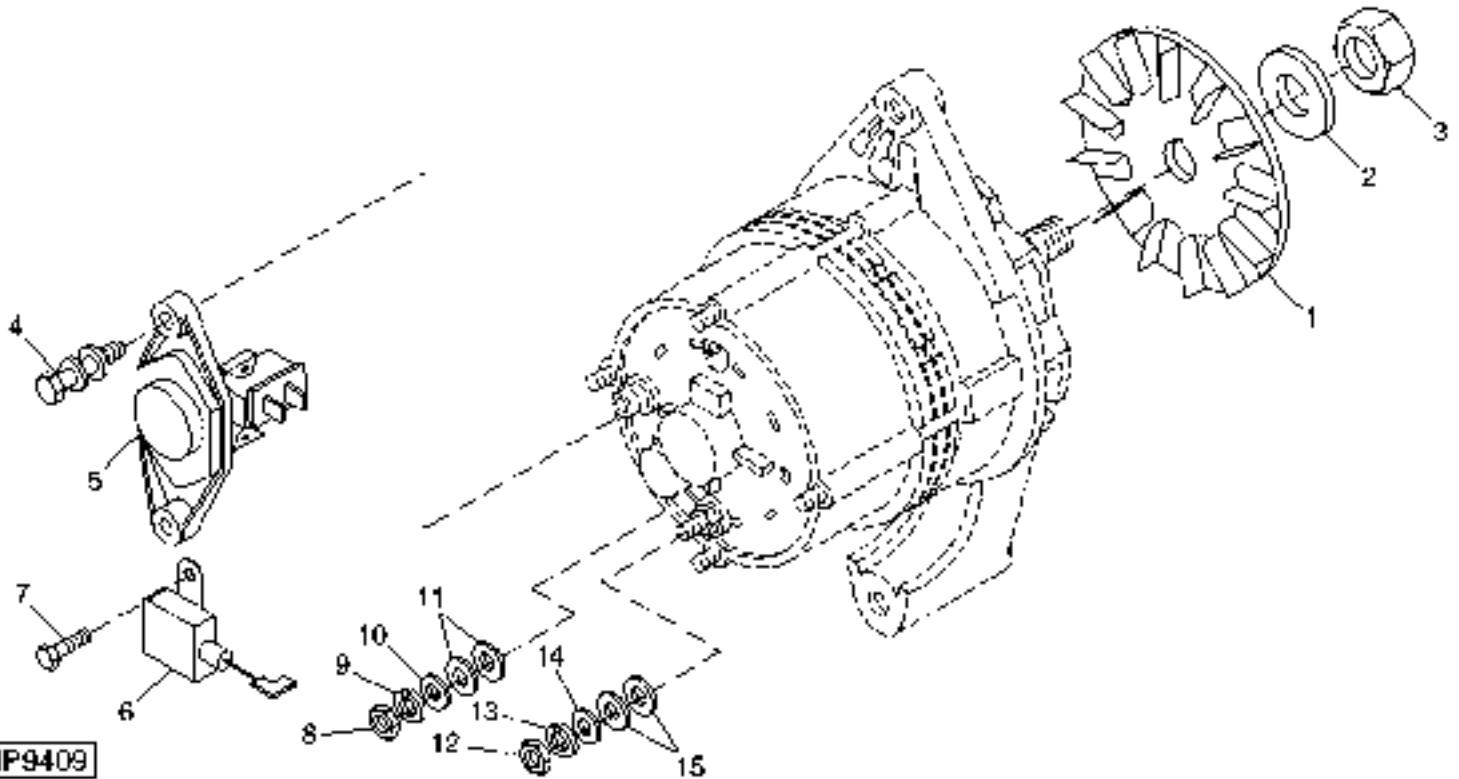
KEY	PART NO.	PART NAME	QTY	SERIAL NO.	REMARKS
1	19M8081	CAP SCREW	1		M10 X 80
2	H141409	ARM	1		
3	H123785	SPACER	1		
4	14M7296	FLANGE NUT	1		M10
5	19M7800	SCREW	2		M8 X 50
6	H123788	CLAMP	2		
7	H123786	PIN	1		15.875 X 120 MM (5/8" X 4.724")
8	H123787	CLAMP	2		
9	14M7298	FLANGE NUT	AR		M8
10	14M7296	FLANGE NUT	AR		M10
11	H128906	COMPRESSION SPRING	1		
12	H134214	GUIDE	1		
13	H125873	CAP SCREW	1		
14	H77337	WASHER	1		10.312 X 22.225 X 6.350 MM (13/32" X 7/8" X 1/4")
15	H91788	BUSHING	2		

ALTERNATOR AND VOLTAGE REGULATOR (95 AMP)

BOSCH

HP9409

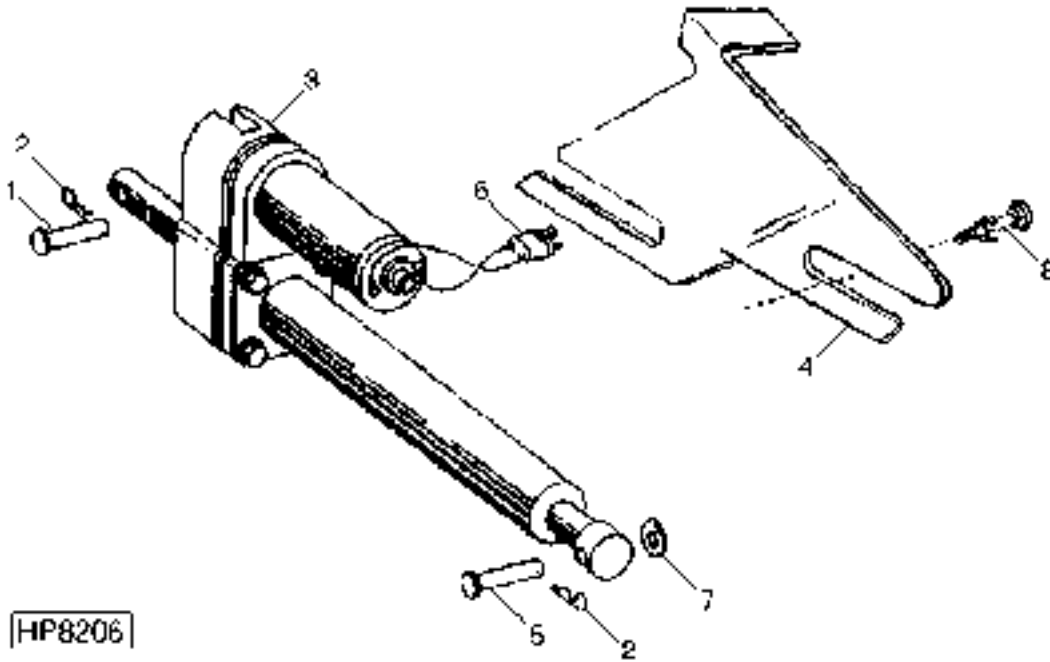
-UN-04JAN00



KEY	PART NO.	PART NAME	QTY	SERIAL NO.	REMARKS
1	T158584	FAN	1		
2	T10745	WASHER	1		17.145 X 25.781 X 1.981 MM
3	14M7158	NUT	1		M16
4	21M7252	SCREW	2		M4 X 16
	12M7084	LOCK WASHER	2		4.300 MM (0.169")
5	H144094	VOLTAGE REGULATOR	1		
6	H144095	CAPACITOR	1		
7	21M6071	SCREW	1		M5 X 10
	12M7060	WASHER	1		5.300 MM (0.209")
8	14M7297	NUT	1		M5
9	12M7060	WASHER	1		5.300 MM (0.209")
10	WASHER	1		
11	BOLT	2		
12	14M7273	NUT	1		M8
13	12M7032	LOCK WASHER	1		8.400 MM (0.331")
14	R15036	WASHER	1		5.156 X 19.050 X 1.524 MM
15	WASHER	2		
..	TY24485	ALTERNATOR	1		(SUB FOR TY6750) REMANUFACTURED

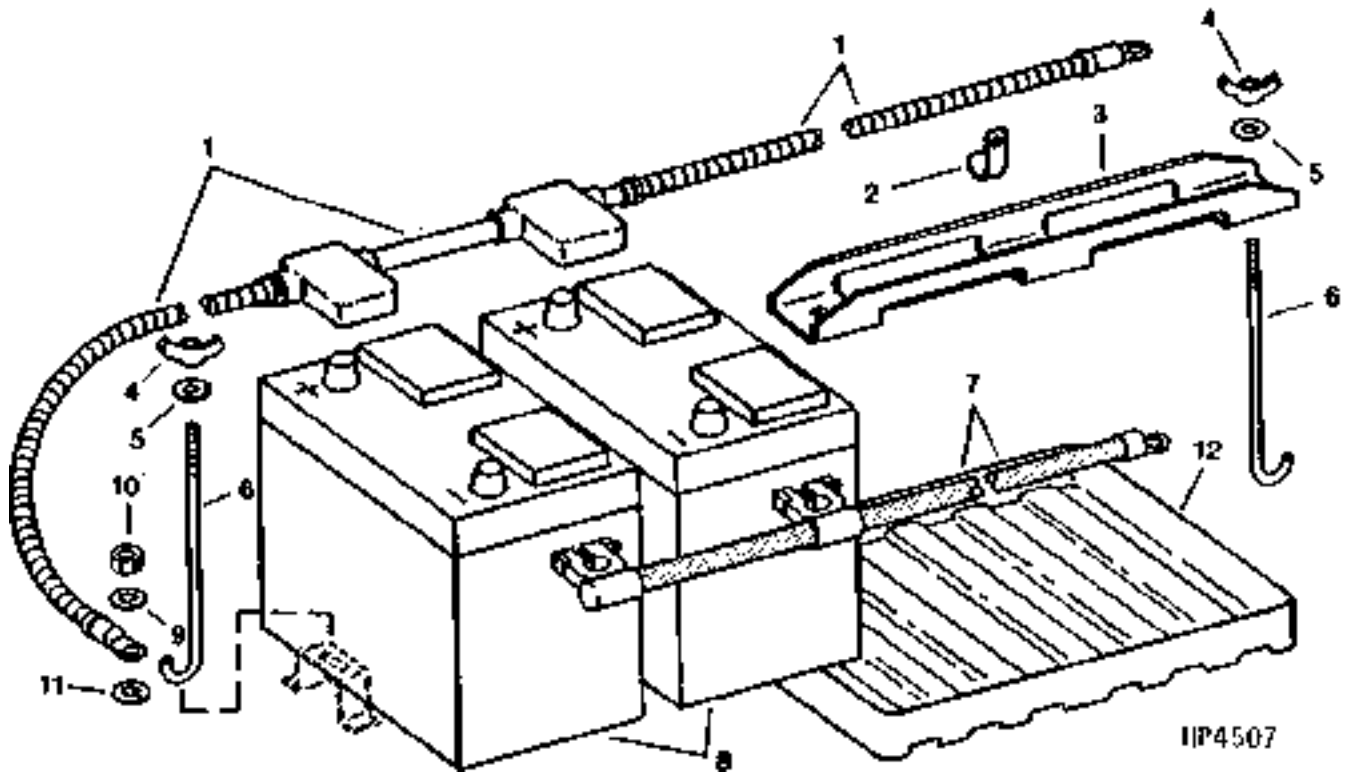
MEMORANDA

CONCAVE ADJUSTING MOTOR
 HP8206 -UN-29JAN99



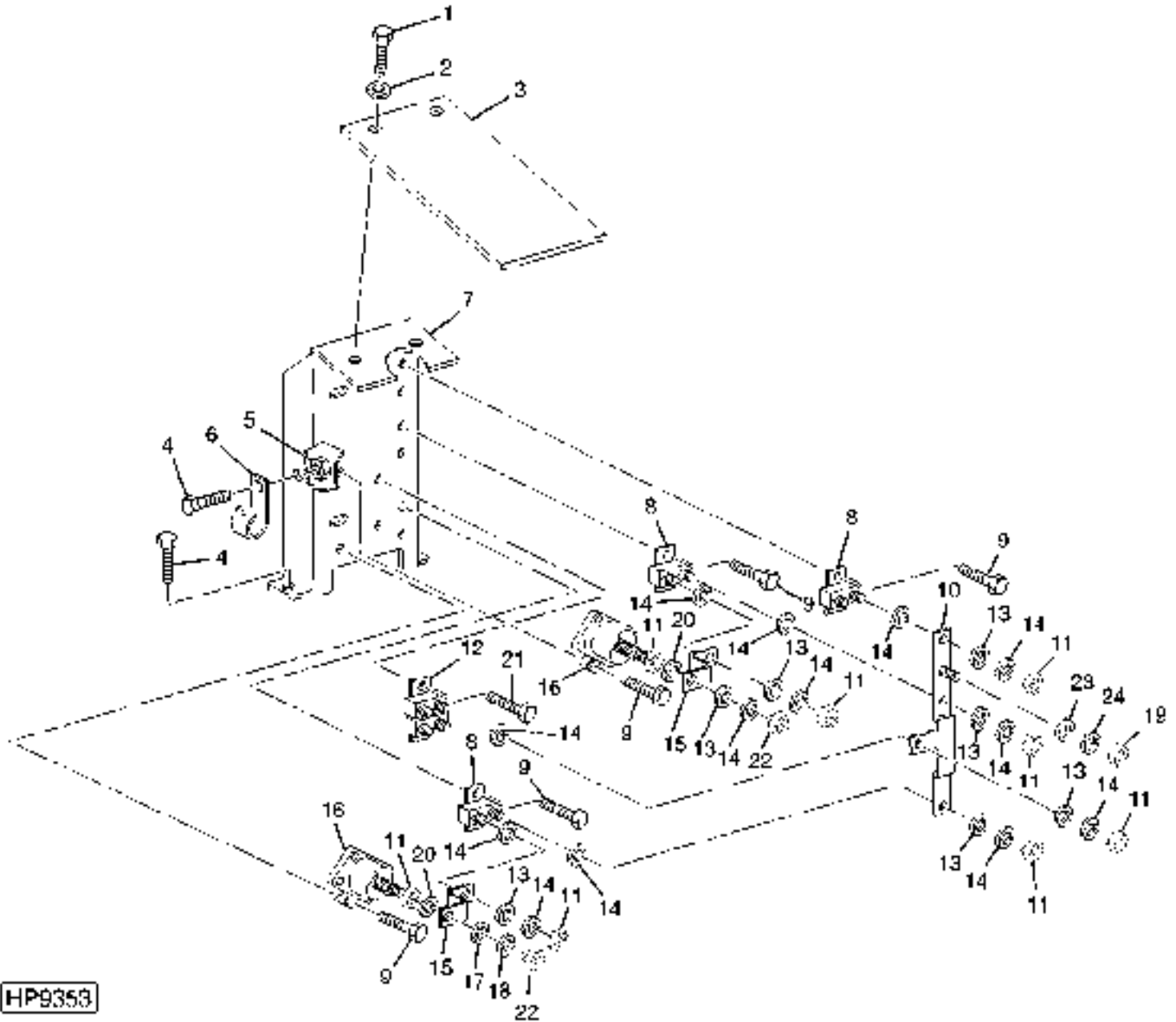
KEY	PART NO.	PART NAME	QTY	SERIAL NO.	REMARKS
1	H148340	PIN	1		12.700 X 60.500 MM (1/2" X 2.382")
2	B32630	SPRING LOCKING PIN	2		
3	AH134728	ACTUATOR	1	-678646	
	AH160107	ACTUATOR	1	678647-	
4	H146730	STOP	1		CASTING
5	H148899	PIN	1		
	H148340	PIN	1		12.700 X 60.500 MM (1/2" X 2.382") FOR RASP BAR CONCAVE ONLY
	H148900	PIN	1		
6	RE12363	CONNECTOR	1		(PKG OF 3)
	R78048	TERMINAL NIPPLE	1		(PKG OF 5)
	R78060	SOCKET CONTACT	1		(PKG OF 40)
7	24H1654	WASHER	1		14.275 X 37.313 X 2.667 MM (9/16" X 1-15/32" X 0.105")
8	19M7812	SCREW	2		M10 X 100
	14M7296	FLANGE NUT	2		M10
	24M7178	WASHER	2		10.500 X 30 X 2.500 MM

BATTERIES, CABLES AND HOLDDOWN
HP4507 -UN-01JAN94



KEY	PART NO.	PART NAME	QTY	SERIAL NO.	REMARKS
1	AH145256	CABLE	1		POSITIVE
2	AH96317	CLIP	1		
3	H134000	CLAMP	1		
4	14M7020	WING NUT	2		M8
5	24M7055	WASHER	2		8.400 X 16 X 1.600 MM
6	H158292	HOOK BOLT	2		
7	AH128413	CABLE	1		NEGATIVE
8	TY21765	BATTERY	2		(SUB FOR TY6167)
9	24M7054	WASHER	1		6.400 X 12 X 1.600 MM
10	14M7303	FLANGE NUT	1		M6
11	12M7081	LOCK WASHER	1		6.400 MM
12	H144256	TRAY	2		

CIRCUIT BREAKERS - ENGINE COMPARTMENT
HP9353 -UN-23NOV99



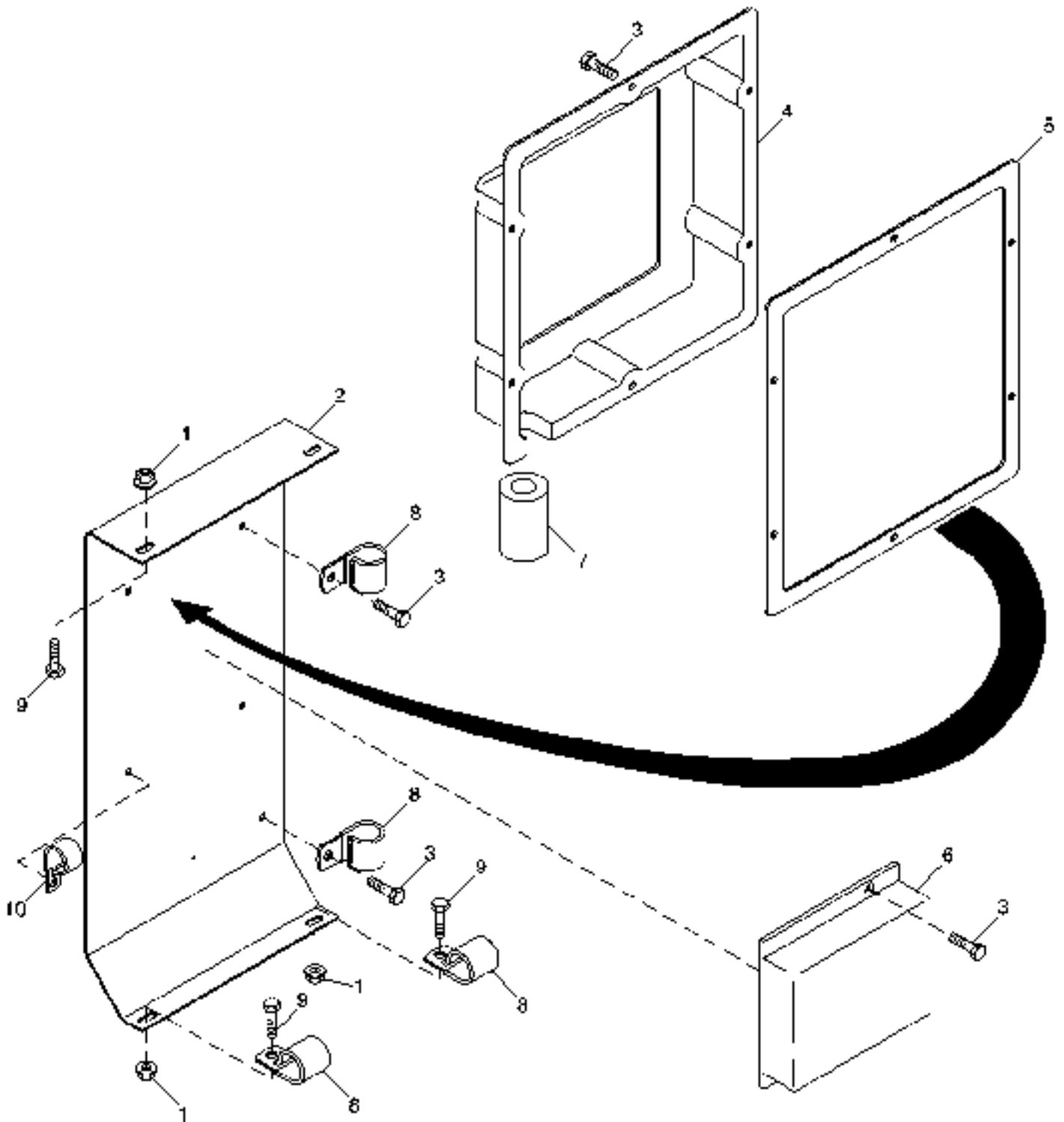
HP9353

CIRCUIT BREAKERS - ENGINE COMPARTMENT - CONTINUED

KEY	PART NO.	PART NAME	QTY	SERIAL NO.	REMARKS
1	H116740	PLUG	2		
2	24M7207	WASHER	2		8.400 X 24 X 2 MM (0.331" X 0.945" X 0.079")
3	H150923	FLAP	1		
4	19M7865	SCREW	1		M8 X 16
5	14M7298	FLANGE NUT	1		M8
6	AH90990	CLIP	1		
7	H164348	PANEL	1		
8	AH112189	CIRCUIT BREAKER	3		(50 AMP)
9	37H147	SCREW	8		
10	AH158604	STRAP	1		
11	R32176	NUT	AR	676033-	
12	AH159105	CIRCUIT BREAKER	1		100 AMP, DUAL 50A
13	24M7027	WASHER	AR	-676032	5.300 X 10 X 1 MM
14	12M7060	WASHER	AR	-676032	5.300 MM
15	H125347	STRAP	2		
16	AR73144	RELAY	2		
17	24M7055	WASHER	2	-676032	8.400 X 16 X 1.600 MM (0.331" X 0.630" X 0.063")
18	12M7081	LOCK WASHER	2	-676032	6.400 MM (0.252") M6.4
19	14H860	NUT	1	-676032	6.350 MM (1/4") M6
	R32176	NUT	1	676033-	
20	12M7032	LOCK WASHER	1		8.400 MM (0.331")
21	37H129	SCREW	1		10 X 5/8
22	14H785	NUT	2	-676032	7.925 MM (5/16") 5/16
	H164872	NUT	2	676033-	
23	24M7054	WASHER	1	-676032	6.400 X 12 X 1.600 MM, M6.4 X 12.5 X 1.6
24	12H302	LOCK WASHER	1	-676032	6.350 MM (1/4")

ELECTRONIC CONTROL UNIT (ECU) MOUNTING SUPPORT

(-XXXXXX)
HP9410 -UN-04JAN00



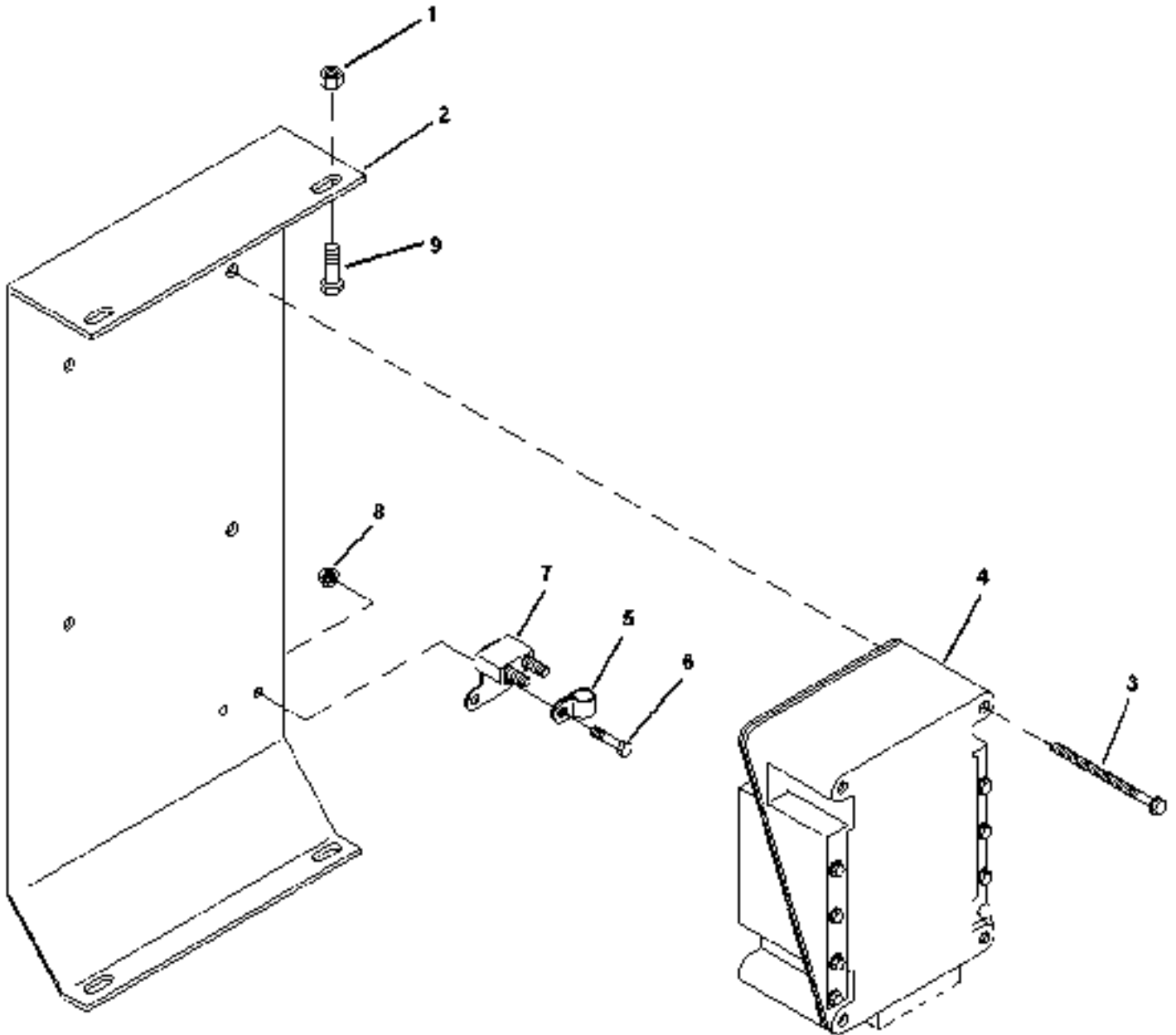
HP9410

ELECTRONIC CONTROL UNIT (ECU) MOUNTING SUPPORT - CONTINUED
 (-XXXXXX)

KEY	PART NO.	PART NAME	QTY	SERIAL NO.	REMARKS
1	14M7298	FLANGE NUT	4	M8	
2	AH153815	PLATE	1		
3	19M7862	SCREW	12	M6 X 20	
	19M7721	CAP SCREW	3		
4	H134474	COVER	1		
5	H134475	SEAL	1		
6	ENGINE CONTROLLER	1		
7	H134476	ISOLATOR	1		
8	AH96317	CLIP	4		
9	19M7865	SCREW	4	M8 X 16	
10	AH90990	CLIP	1		
..	H116160	SEALANT	1		

ELECTRONIC CONTROL UNIT (ECU) MOUNTING SUPPORT

HP7557 -UN-16JUN98



HP7557

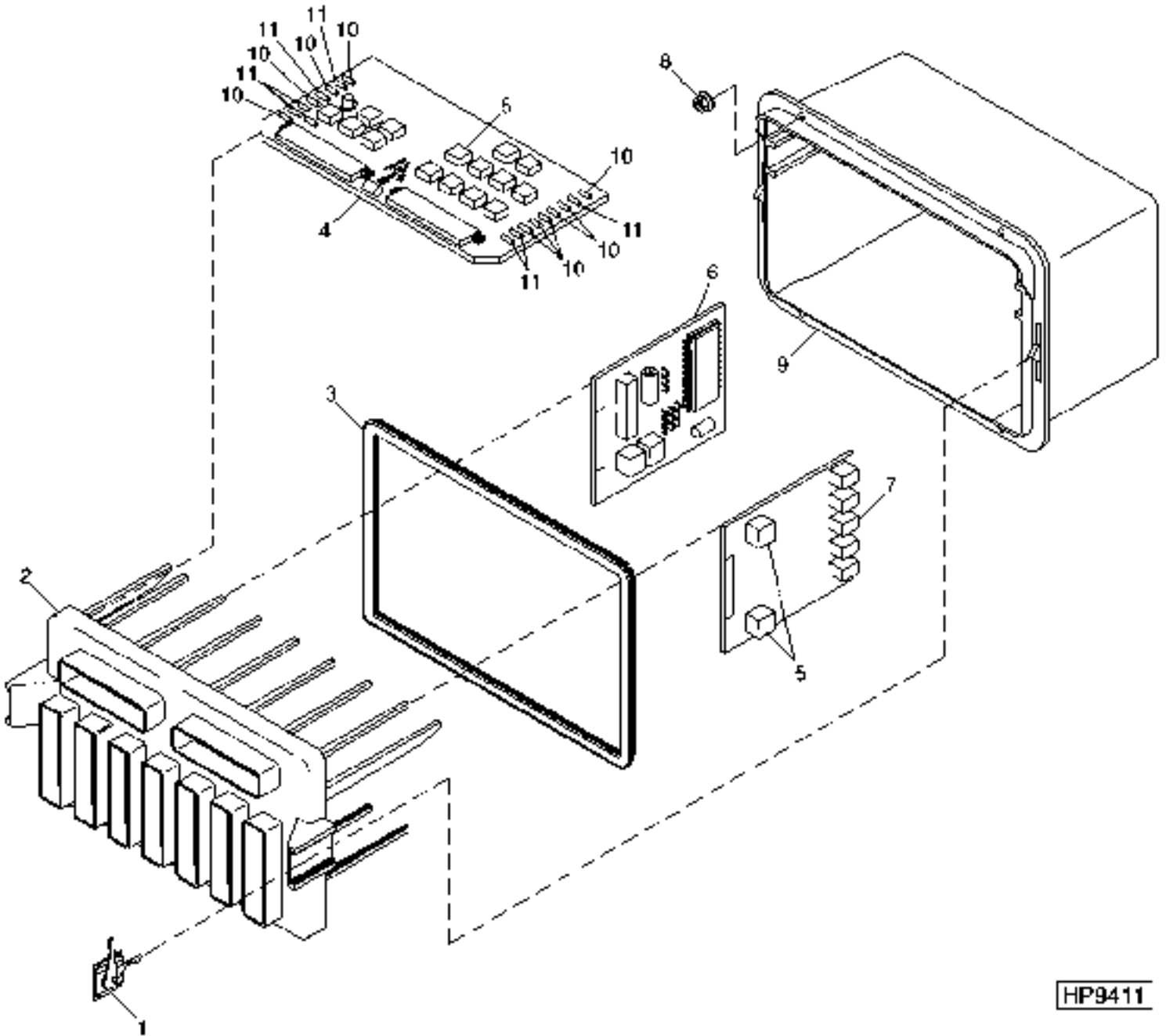
ELECTRONIC CONTROL UNIT (ECU) MOUNTING SUPPORT - CONTINUED

KEY	PART NO.	PART NAME	QTY	SERIAL NO.	REMARKS
1	14M7298	FLANGE NUT	4	M8	
2	AH153815	PLATE	1		
3	19M7721	CAP SCREW	3	M6 X 65	
4	ENGINE CONTROLLER	1	(SEE ENGINE SECTION)	
5	AH90990	CLIP	1		
6	37H147	SCREW	1		
7	AR55649	CIRCUIT BREAKER	1	10 AMP	
	AH160627	CIRCUIT BREAKER	1	10 AMP SEALED	
8	R32176	NUT	2		
9	19M7865	SCREW	4	M8 X 16	
..	H116160	SEALANT	1	3 OZ. TUBE	

1116

ELECTRICAL

CENTRAL ELECTRONICS MODULE AND CIRCUIT BOARDS
HP9411 -UN-04JAN00

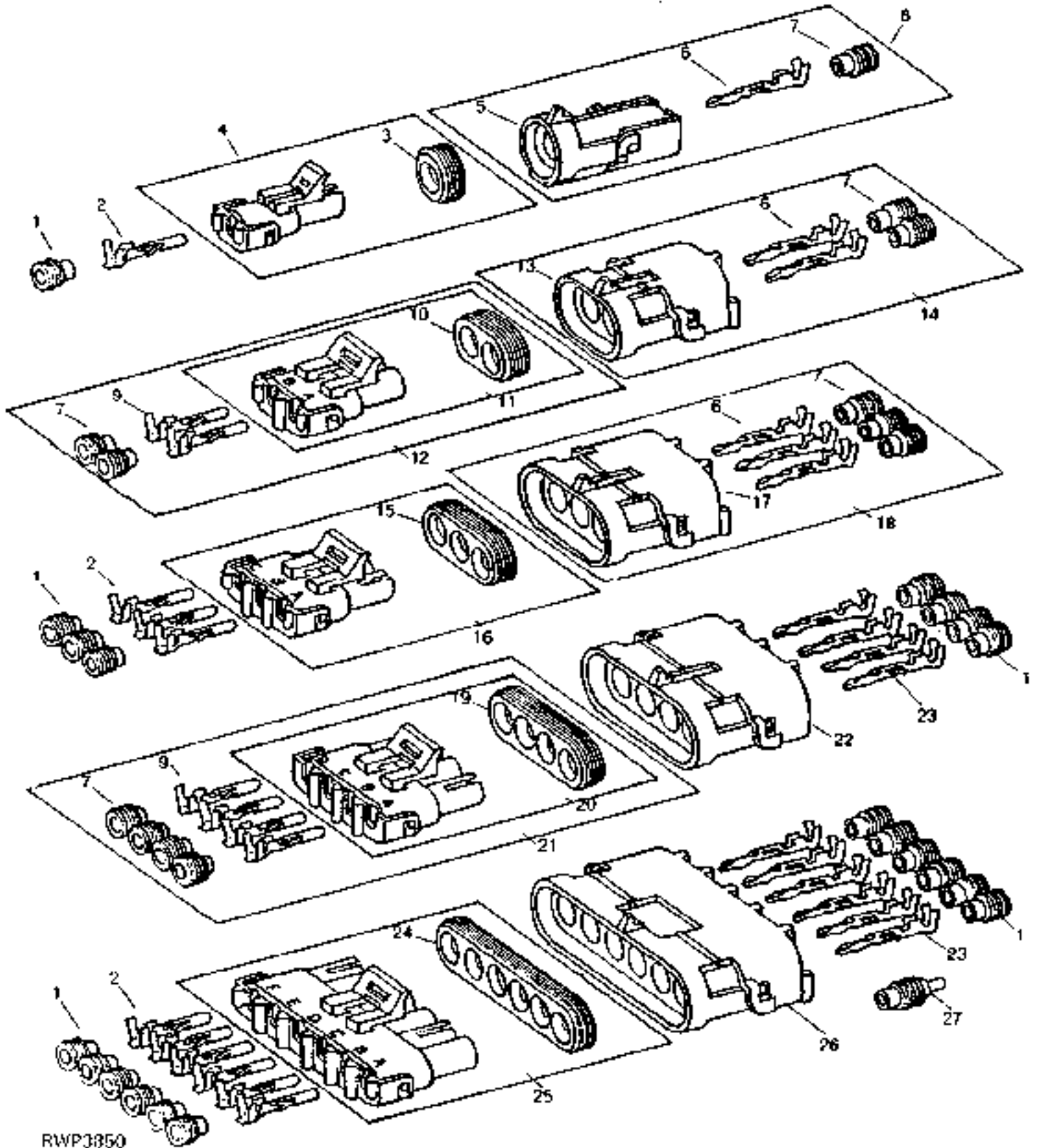


HP9411

CENTRAL ELECTRONICS MODULE AND CIRCUIT BOARDS - CONTINUED

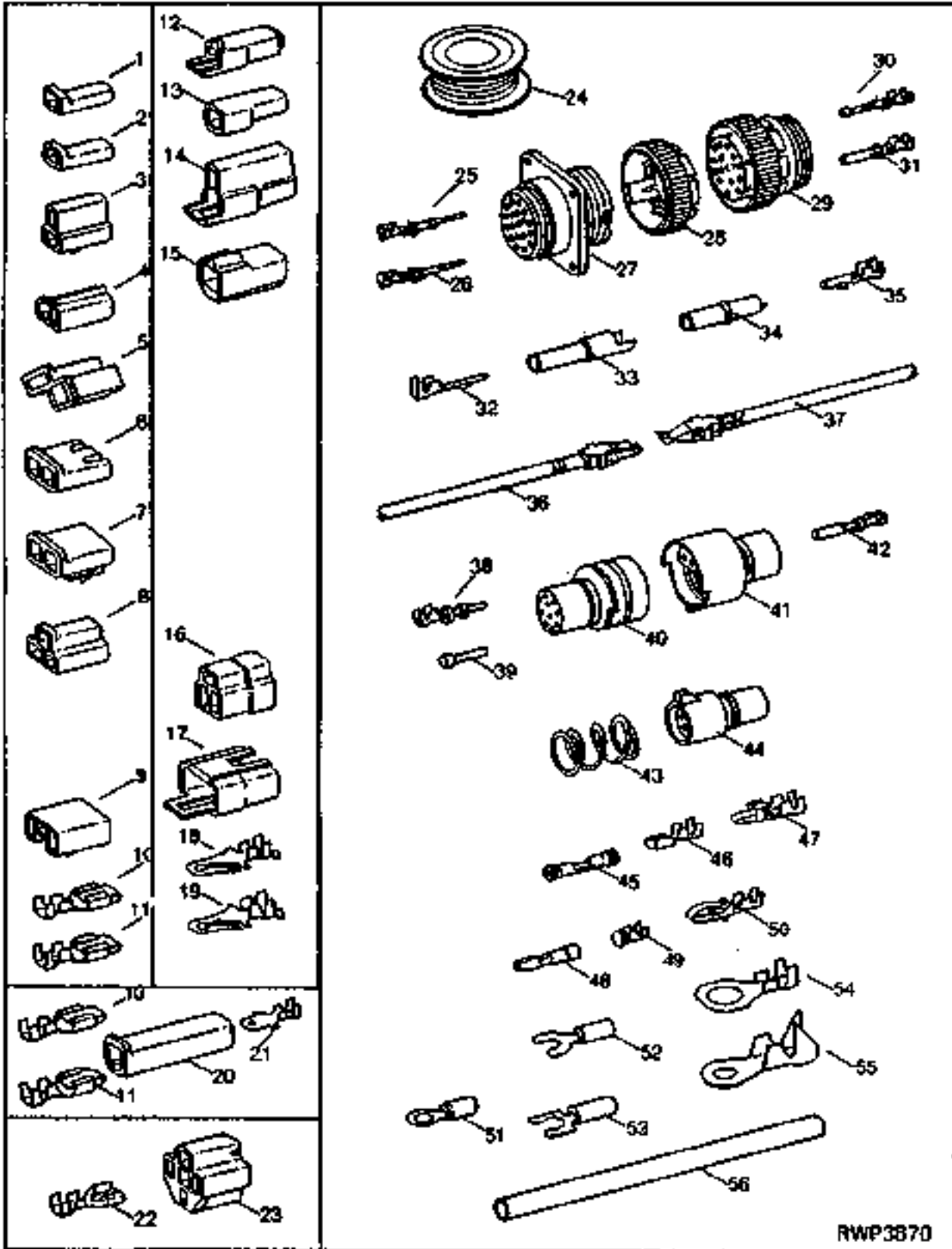
KEY	PART NO.	PART NAME	QTY	SERIAL NO.	REMARKS
1	AH115943	LATCH	2		
2	H124206	COVER	1		
3	H144242	SEAL	1		
4	AH162179	CIRCUIT BOARD	1		(SUB FOR AH156418) POWER
5	AH106612	RELAY	17		
6	AH145964	CIRCUIT BOARD	1		REEL SPEED
7	AH145701	CIRCUIT BOARD	1		(W/O CONTOUR MASTER) DIAL-A-MATIC
	AH137147	CIRCUIT BOARD	1		(W/CONTOUR MASTER)
8	14M7303	FLANGE NUT	4		M6
9	H124205	BOX	1		
10	57M7146	FUSE	10		30A
11	57M7120	FUSE	8		20A
..	BH79902	COMPLETE GOODS/SHIP. BUNDLE	1		HEADER TRANSPORT WARNING LIGHTS
..	BH79900	COMPLETE GOODS/SHIP. BUNDLE	1		HEADER TRANSPORT WARNING LIGHTS
..	BH79485	COMPLETE GOODS/SHIP. BUNDLE	1		DIAL-A-SPEED CONTROL

WEATHERPACK TERMINALS AND CONNECTORS
RWP3850 -UN-01JAN94



WEATHERPACK TERMINALS AND CONNECTORS - CONTINUED

KEY	PART NO.	PART NAME	QTY	SERIAL NO.	REMARKS
1	R78063	TERMINAL NIPPLE	1	(PKG. OF 40)	(16 GA. WIRE) (GRAY)
	R78059	ELECTRICAL PLUG	1	(PKG. OF 40)	(18 OR 20 GA. WIRE) (GREEN)
	R78062	TERMINAL NIPPLE	1	(PKG. OF 40)	(14 GA. WIRE) (BLUE)
2	R78057	SOCKET CONTACT	1	(PKG. OF 40)	(18 OR 20 GA. WIRE) (NO. 19)
	R78060	SOCKET CONTACT	1	(PKG. OF 40)	(14 OR 16 GA. WIRE) (NO. 15)
3	R78047	SEAL	1	(PKG. OF 5)	
4	RE12362	CONNECTOR	1	(PKG. OF 3)	
5	R78052	PIN CONTACT CONNECTOR BODY	1	(PKG. OF 3)	
6	R78061	PIN CONTACT	1	(PKG. OF 40)	(14 OR 16 GA. WIRE) (NO. 15)
7	R78063	TERMINAL NIPPLE	1	(PKG. OF 40)	(16 GA. WIRE) (GRAY)
8	RE12334	CONNECTOR	1		
9	R78060	SOCKET CONTACT	1	(PKG. OF 40)	(14 OR 16 GA. WIRE) (NO. 15)
10	R78048	TERMINAL NIPPLE	1	(PKG. OF 5)	
11	RE12363	CONNECTOR	1	(PKG. OF 3)	
12	RE12331	CONNECTOR	1		
13	R78053	PIN CONTACT CONNECTOR BODY	1	(PKG. OF 3)	
14	RE12330	CONNECTOR	1		
15	R78049	SEAL	1	(PKG. OF 5)	
16	RE12364	SOCKET CONT.CONNECTOR BODY	1	(PKG. OF 3)	
17	R78054	PIN CONTACT CONNECTOR BODY	1	(PKG. OF 3)	
18	RE12332	CONNECTOR	1		
19	R78050	SEAL	1	(PKG. OF 5)	
20	RE12365	CONNECTOR	1	(PKG. OF 2)	
21	RE12333	CONNECTOR	1		
22	R78055	PIN CONTACT CONNECTOR BODY	1	(PKG. OF 2)	
23	R78061	PIN CONTACT	1	(PKG. OF 40)	(14 OR 16 GA. WIRE) (NO. 15)
	R78058	PIN CONTACT	1	(PKG. OF 40)	(18 OR 20 GA. WIRE) (NO. 19)
24	R78051	SEAL	1	(PKG. OF 5)	
25	RE12366	CONNECTOR	1	(PKG. OF 2)	
26	R78056	PIN CONTACT CONNECTOR BODY	1	(PKG. OF 2)	
27	R78064	ELECTRICAL PLUG	1	(PKG. OF 40)	

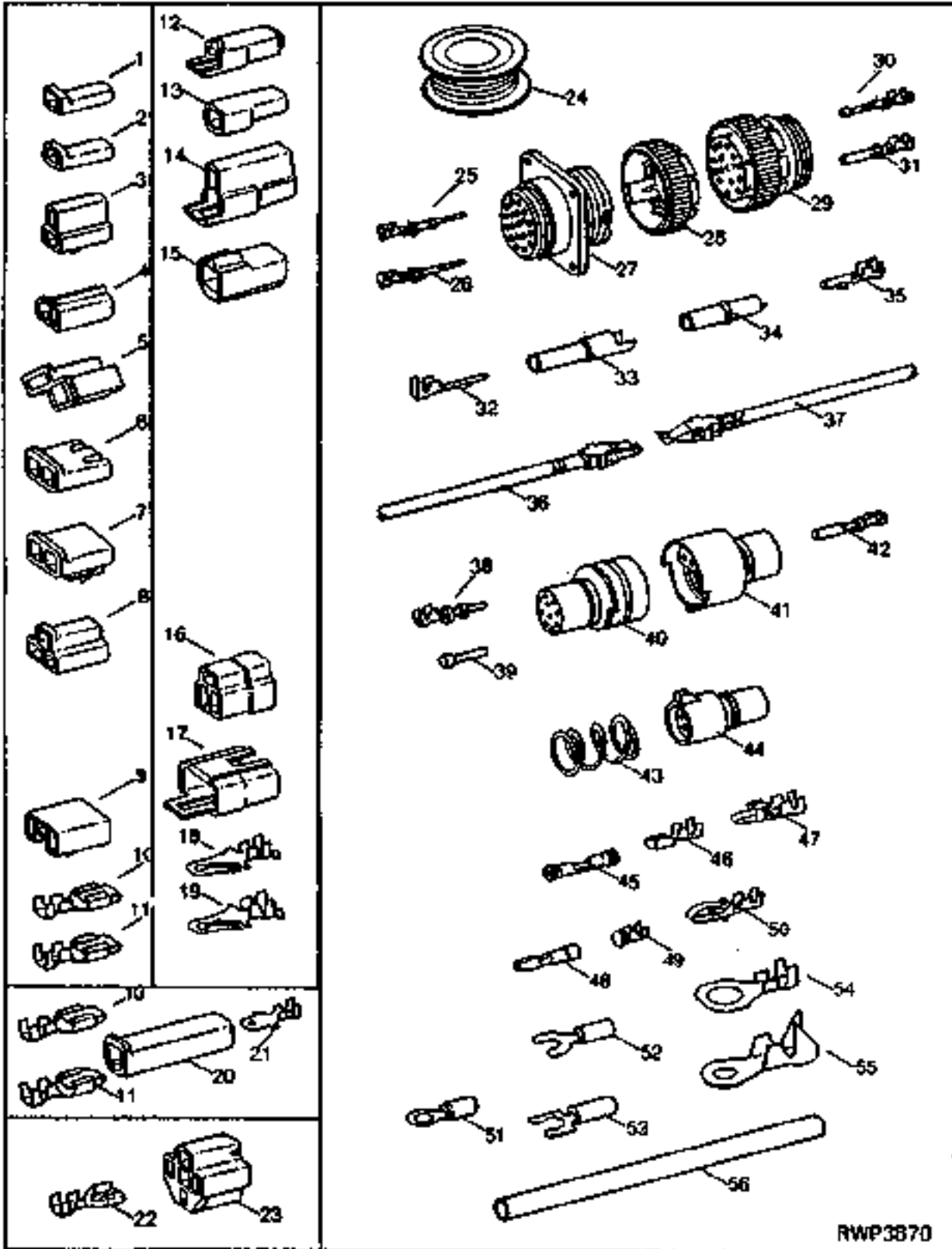


ELECTRICAL CONNECTOR SERVICE KIT - CONTINUED

KEY	PART NO.	PART NAME	QTY	SERIAL NO.	REMARKS
1	T28583	RECEPTACLE CONNECTOR BODY	1	(B)	
2	M43835	FLAT CONNECTOR	1	(B)	
3	R77476	CONNECTOR	1	(A)	
4	R77477	RECEPTACLE CONNECTOR BODY	1	(A)	
5	R77479	CONNECTOR	1	(A)	
6	R77480	RECEPTACLE CONNECTOR BODY	1	(A)	
7	R77481	CONNECTOR	1	(A)	
8	R77482	CONNECTOR	1		
9	H104855	RECEPTACLE CONNECTOR BODY	1		
10	U46662	TERMINAL	1	(E) (F)	
11	N115096	TERMINAL	1	(G) (PKG. OF 15)	
12	T28585	TAB CONNECTOR BODY	1	(B)	
13	R77475	CONNECTOR	1	(B)	
14	T28586	CONNECTOR	1	(A)	
15	R77478	CONNECTOR	1	(A)	
16	R77483	CONNECTOR	1		
17	R48887	TAB CONNECTOR BODY	1		
18	T34067	TERMINAL	1	(E) (F)	
19	R77484	TERMINAL	1	(G) (PKG. OF 15)	
20	U46370	CONNECTOR	1	(B)	
21	R77485	TAB	1	(C) (F)	
22	R77486	TERMINAL	1	(E)	
23	R77487	CONNECTOR	1	(B)	
24	R66321	WIRING LEAD	1	15M (50 FT.) 10 GA.	
	R66320	WIRING LEAD	1	30.5M (100 FT.) 12 GA.	
	R77501	WIRE	1	30.5M (100 FT.) 14 GA.	
	R77500	WIRE	1	30.5M (100 FT.) 16 GA.	
	R77499	WIRE	1	30.5M (100 FT.) 18 GA. (SUB TY16086)	
	TY16086	WIRE	1		
	R77498	WIRE	1	30.5M (100 FT.) 20 GA.	
25	R77462	PIN CONTACT	1	(PKG. OF 40) 20-22 OR 24 GA. WIRE	
26	R77464	PIN CONTACT	1	(H) (PKG. OF 50)	
27	R77456	RECEPTACLE	1	(37 WAY)	
28	R77458	CONNECTOR	1	(A) SIZE 23	
	R77459	CONNECTOR	1	(A) SIZE 17	
	R77460	CONNECTOR	1	(A) SIZE 13	
	R77461	CONNECTOR	1	(A) SIZE 11	
29	R77457	ELECTRICAL PLUG	1	37 WAY	
30	R77463	SOCKET CONTACT	1	(PKG. OF 40) 20-22 OR 24 GA. WIRE	
31	R77465	SOCKET CONTACT	1	(H) (PKG. OF 50)	
32	R77468	TERMINAL	1	(PKG. OF 5) 18 GA.	
33	R77466	CONNECTOR	1	(A)	
34	R77467	CONNECTOR	1	(A)	

- (A) PKG. OF 2
- (B) PKG. OF 3
- (C) PKG. OF 10
- (D) PKG. OF 20
- (E) PKG. OF 25
- (F) 14 OR 16 GA. WIRE
- (G) 10 OR 12 GA. WIRE
- (H) 14-16 OR 18 GA. WIRE

ELECTRICAL CONNECTOR SERVICE KIT
RWP3870 -UN-01JAN94



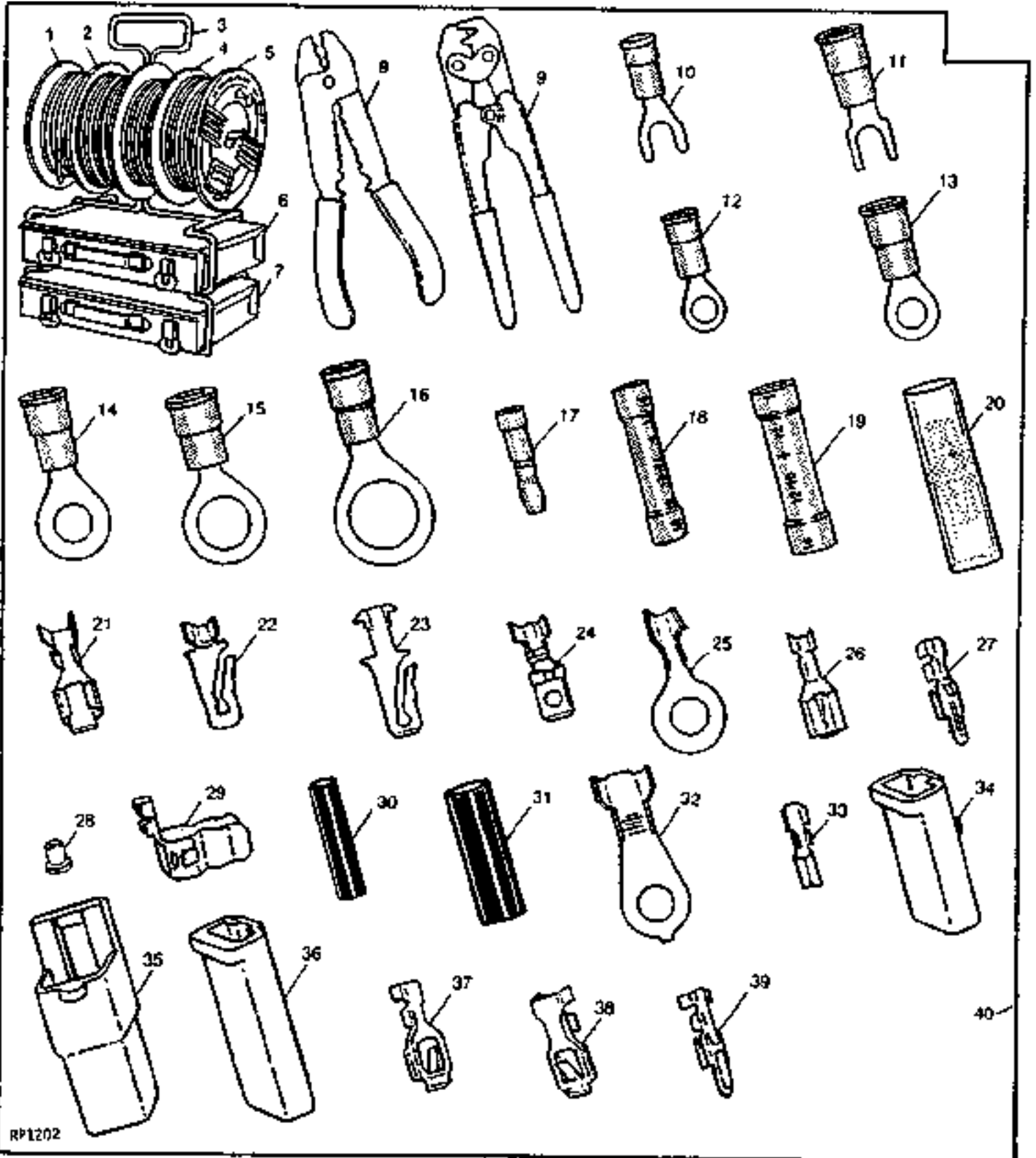
RWP3870

ELECTRICAL CONNECTOR SERVICE KIT - CONTINUED

KEY	PART NO.	PART NAME	QTY	SERIAL NO.	REMARKS
35	R77469	TERMINAL	1		(PKG. OF 5) 18 GA.
36	RE11156	TERMINAL	1		(B) MALE
37	RE11157	TERMINAL	1		(B) FEMALE
38	R70222	PIN CONTACT	1		(D) (H)
39	R70221	ELECTRICAL PLUG	1		(E)
40	R70219	PLUG	1		(PKG. OF (2) R70218 AND (2) R70219) 10 WAY
	R70217	PLUG	1		(PKG. OF (2) R70216 AND (2) R70217) 7 WAY
	R70215	PLUG	1		(PKG. OF (2) R70214 AND (2) R70215) 4 WAY
	R70213	PIN CONTACT CONNECTOR BODY	1		(PKG. OF (2) R70212 AND (2) R70213) 3 WAY
	R70211	CONNECTOR	1		(PKG. OF (2) R70210 AND (2) R70211) 2 WAY
41	R70218	RECEPTACLE	1		ORDER R70219 WHICH CONTAINS (2) R70218 AND (2) R70219
	R70216	RECEPTACLE	1		ORDER R70217 WHICH CONTAINS (2) R70216 AND (2) R70217
	R70214	RECEPTACLE	1		ORDER R70215 WHICH CONTAINS (2) R70214 AND (2) R70215
	R70212	RECEPTACLE	1		ORDER R70213 WHICH CONTAINS (2) R70212 AND (2) R70213
	R70210	RECEPTACLE	1		(ORDER R70211) ORDER R70211 WHICH CONTAINS (2) R70210 AND (2) R70211
42	AR91793	SOCKET CONTACT	1		(D)
43	R30378	SPRING	1		(C)
44	R77474	CONNECTOR	1		(A) 6 WAY
45	R77470	TERMINAL	1		SPLICE (PKG. OF 15) 16-18-20 OR 22 GA. WIRE
	R77471	TERMINAL	1		(C) (G) SPLICE
	R77472	TERMINAL	1		(A) SPLICE (8 GA. WIRE)
	R77473	TERMINAL	1		(A) SPLICE (6 GA. WIRE)
46	R65607	TERMINAL	1		(C) (18 OR 20 GA. WIRE)
47	U46664	TERMINAL	1		(C) (F)
48	R32026	TERMINAL	1		(D) (F)
49	R65602	SOCKET CONTACT	1		(C) 16 OR 18 GA. WIRE
50	R70220	TERMINAL	1		(C) 18 OR 20 GA. WIRE
51	R77489	TERMINAL	1		(D) 14-16-18 OR 20 GA. WIRE; NO. 10 EYELET
	R77493	TERMINAL	1		(D) (G) NO. 10 EYELET
	R77488	TERMINAL	1		(D) 14-16-18 OR 20 GA. WIRE; 3/8" EYELET
	R77490	TERMINAL	1		(D) (G) (1/2" EYELET)
52	R77496	TERMINAL	1		(D) (F) NO. 8 SPADE
	R77495	TERMINAL	1		(D) 18 GA. WIRE; NO. 10 SPADE
53	R77497	TERMINAL	1		(D) (F) NO. 6 SPADE
54	R77491	TERMINAL	1		(D) (G) 3/8" EYELET
	R77492	TERMINAL	1		(D) (G) 1/4" EYELET
55	R77494	TERMINAL	1		(D) 6 OR 8 GA. WIRE; 1/4" EYELET
56	R77502	TUBE	1		(PKG. OF 8) 3/8", HEAT SHRINK
	R77503	TUBE	1		(PKG. OF 8) 3/16", HEAT SHRINK
57	PM797NA	KIT	1		

- (A) PKG. OF 2
- (B) PKG. OF 3
- (C) PKG. OF 10
- (D) PKG. OF 20
- (E) PKG. OF 25
- (F) 14 OR 16 GA. WIRE
- (G) 10 OR 12 GA. WIRE
- (H) 14-16 OR 18 GA. WIRE

TERMINAL AND WIRING KIT
RP1202 -UN-12SEP95



TERMINAL AND WIRING KIT - CONTINUED

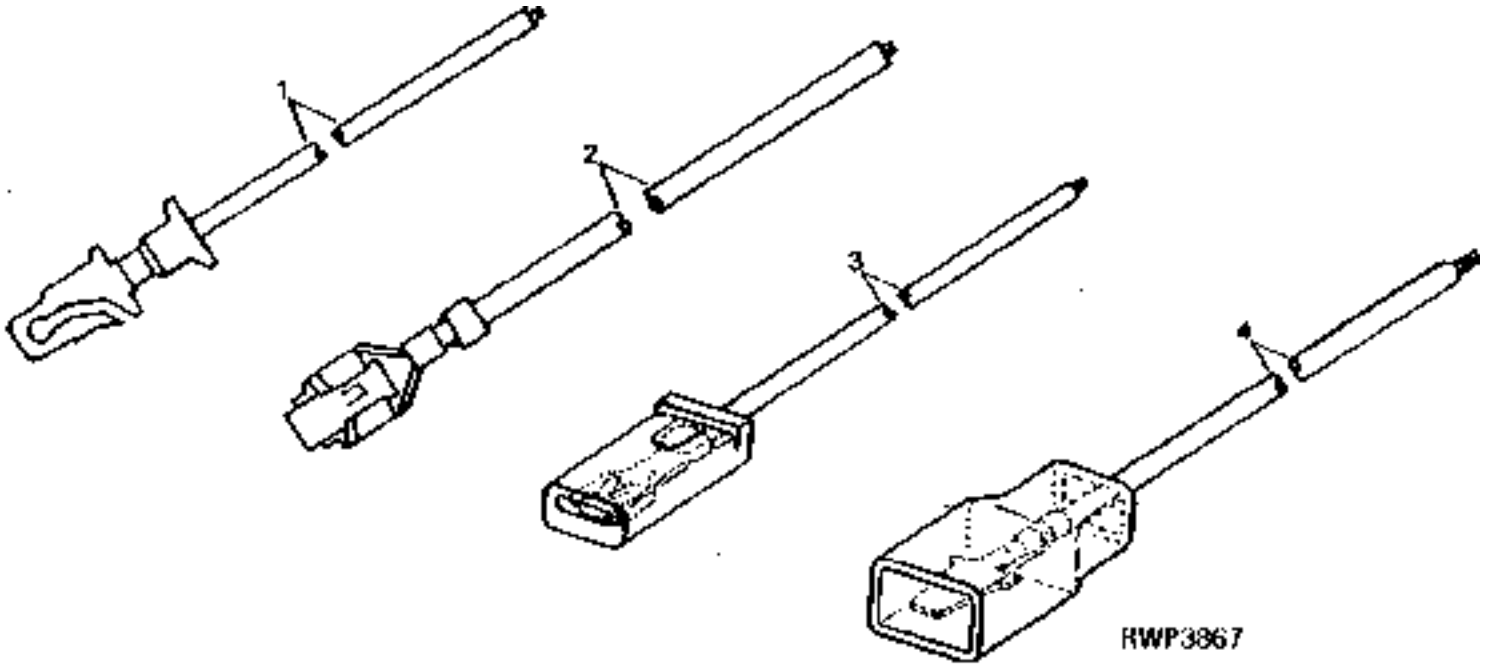
KEY	PART NO.	PART NAME	QTY	SERIAL NO.	REMARKS
1	R66319	WIRING LEAD	1		PRIMARY, 14 GA., 30,480 MM (100') (1 SPOOL)
2	R65593	WIRING LEAD	1		PRIMARY, 16 GA., 30,480 MM (100') (1 SPOOL)
3	R65608	RACK	1		
4	R66321	WIRING LEAD	1		PRIMARY, 10 GA., 15,240 MM (50') (1 SPOOL)
5	R66320	WIRING LEAD	1		PRIMARY, 12 GA., 30,480 MM (100') (1 SPOOL)
6	R65609	CONTAINER	1		32 COMPARTMENT
7	R65610	CONTAINER	1		11 COMPARTMENT
8	R32011	TOOL	1		WIRING, STRIPPING
9	R65594	TOOL	1		WIRING, CRIMPING
10	R32016	TERMINAL	1		PRIMARY, 14-16 GA., NO. 10 SPADE
11	R32017	TERMINAL	1		PRIMARY, 10-12 GA., NO. 10 SPADE
12	R32018	TERMINAL	1		PRIMARY, 14-16 GA., NO. 10 EYELET
13	R32019	TERMINAL	1		PRIMARY, 10-12 GA., NO. 10 EYELET
14	R32021	TERMINAL	1		PRIMARY, 10-12 GA., 1/4" EYELET
15	R32022	TERMINAL	1		PRIMARY, 10-12 GA., 3/8" EYELET
16	R32023	TERMINAL	1		PRIMARY, 10-12 GA., 1/2" EYELET
17	R32026	TERMINAL	1		MALE BULLET
18	R32027	CONNECTOR	1		SPLICE, 14-16 GA.
19	R32028	TERMINAL	1		SPLICE, 10-12 GA.
20	AL2976T	CONNECTOR	1		2-WIRE BULLET CONNECTOR
21	R65595	TERMINAL	1		FEMALE, 10 GA.
22	R65596	TERMINAL	1		MALE, 10 GA., OR TWO 14 GA. CABLES
23	R65597	TERMINAL	1		MALE, 14-16 GA.
24	R65598	TERMINAL	1		MALE, SHORT, 14-16 GA.
25	R65599	TERMINAL	1		14-16 GA., 1/4" EYELET
26	R65600	TERMINAL	1		FEMALE, 14-16 GA.
27	R65601	TERMINAL	1		TWIN-LOCK, TWO 16 GA. CABLES
28	R65602	SOCKET CONTACT	1		BULB SOCKET, 16-18 GA.
29	R65603	TERMINAL NIPPLE	1		FUSE
30	R65604	INSULATING SLEEVE	1		14-18 GA.
31	R65605	INSULATING SLEEVE	1		8-12 GA.
32	R65606	TERMINAL	1		6-8 GA., 1/4" EYELET
33	R65607	TERMINAL	1		18-20 GA.
34	T28583	RECEPTACLE CONNECTOR BODY	1		ONE CONTACT LOCK-TYPE, MALE
35	T28585	TAB CONNECTOR BODY	1		ONE CONTACT LOCK-TYPE, FEMALE
36	U46370	CONNECTOR	1		ONE CONTACT SINGLE BODY, MALE
37	U46662	TERMINAL	1		CONNECTOR, ONE CONTACT SINGLE BODY, MALE
38	U46663	TERMINAL	1		MALE
39	U46664	TERMINAL	1		MALE
40	AR84006	KIT	1		TERMINALS AND WIRING, (SUB RE11154)
	PM797NA	KIT	1		

1J1

ELECTRICAL

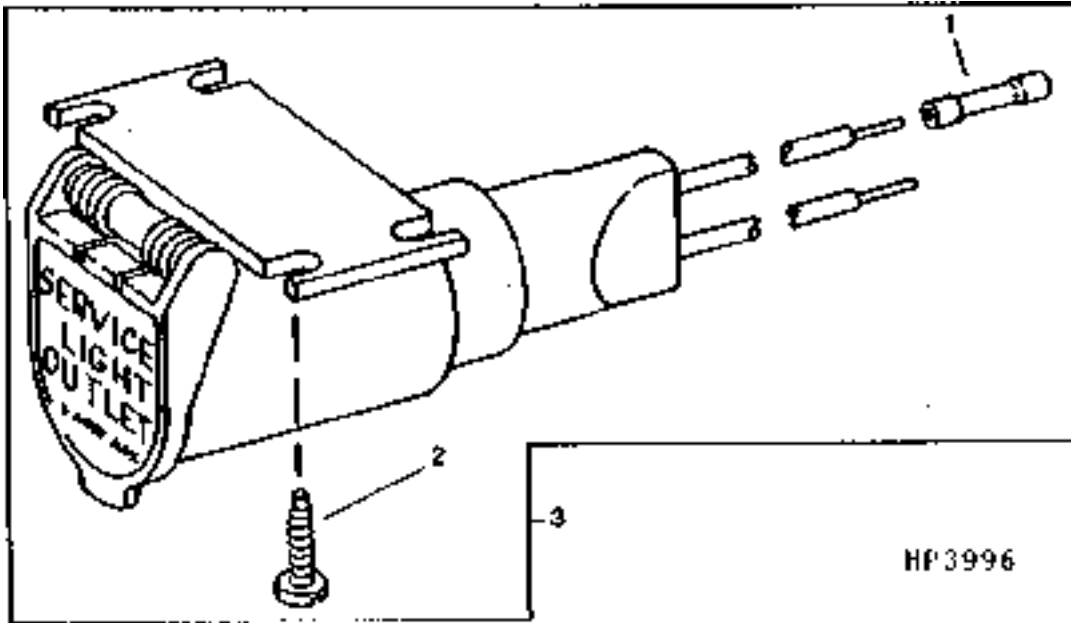
SUPPLEMENTARY TERMINALS AND CONNECTORS

RWP3867 -UN-01JAN94



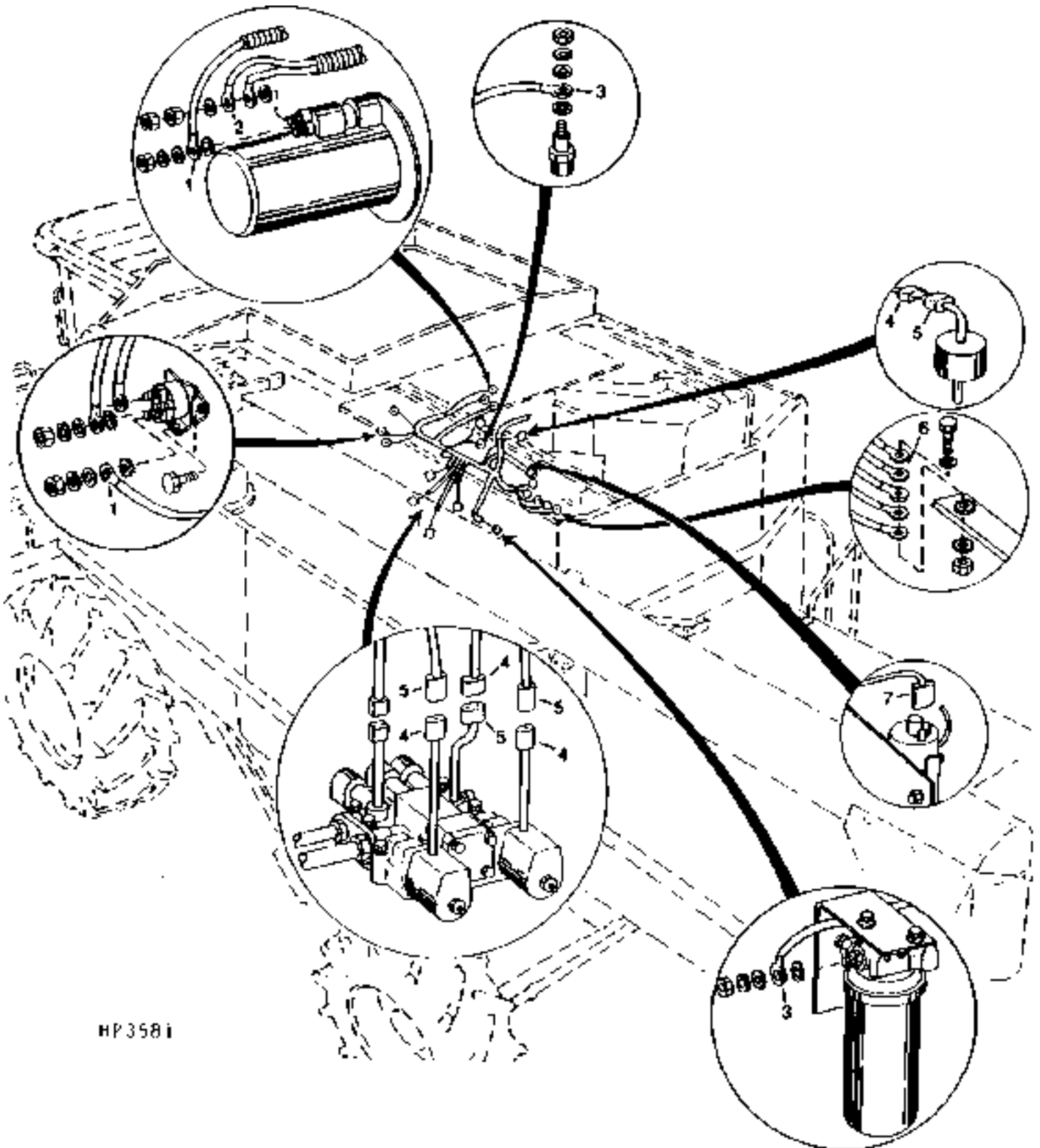
KEY	PART NO.	PART NAME	QTY	SERIAL NO.	REMARKS
1	AR65005	TERMINAL	1		
2	AR65006	TERMINAL	1		
3	R32024	WIRING LEAD	1		
4	R32025	WIRING LEAD	1		

ELECTRICAL SERVICE OUTLET
 HP3996 -UN-01JAN94



KEY	PART NO.	PART NAME	QTY	SERIAL NO.	REMARKS
1	R32027	CONNECTOR	2		
2	37M7060	SCREW	2	M4 X 10	
3	AH135821	SOCKET OUTLET	1		
	AH151376	SOCKET OUTLET	1	(FRENCH ONLY)	

LOWER HARNESS CONNECTORS FOR ENGINE
HP3581 -UN-01JAN94



HP3581

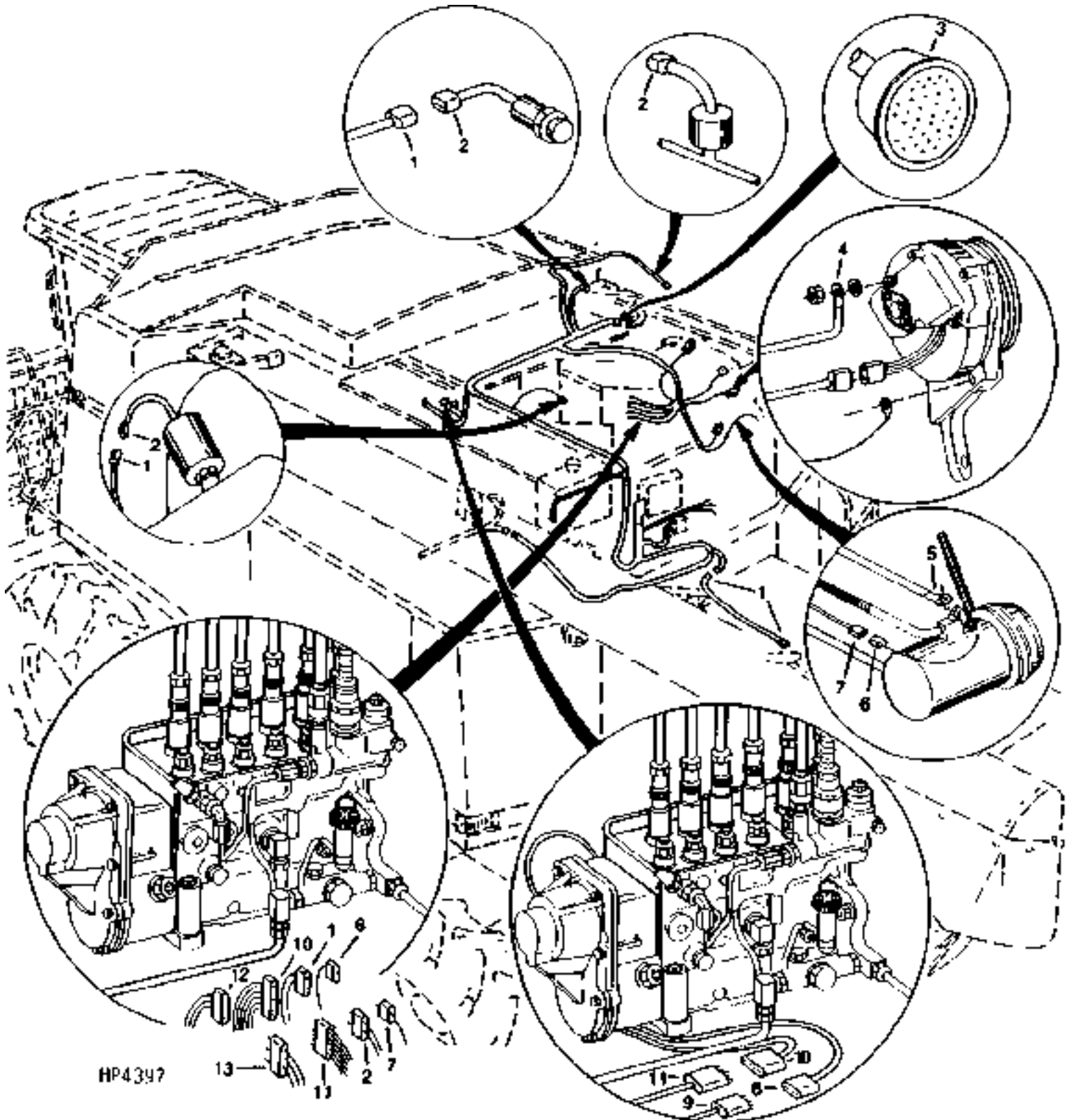
LOWER HARNESS CONNECTORS FOR ENGINE - CONTINUED

KEY	PART NO.	PART NAME	QTY	SERIAL NO.	REMARKS
1	R77493	TERMINAL	1		
2	R77491	TERMINAL	1		
3	R77489	TERMINAL	2		
4	R78053	PIN CONTACT CONNECTOR BODY	4		(PKG OF 3)
	R78061	PIN CONTACT	2		(PKG OF 40)
	R78063	TERMINAL NIPPLE	2		(PKG OF 40)
5	RE12363	CONNECTOR	4		(PKG OF 3)
	R78048	TERMINAL NIPPLE	1		(PKG OF 5)
6	57M7111	TERMINAL	1		
7	R77479	CONNECTOR	1		FOR ETHER START
	U46662	TERMINAL	1		FOR ETHER START

1J5

ELECTRICAL

UPPER HARNESS CONNECTORS FOR ENGINE
HP4397 -UN-01JAN94



HP4397

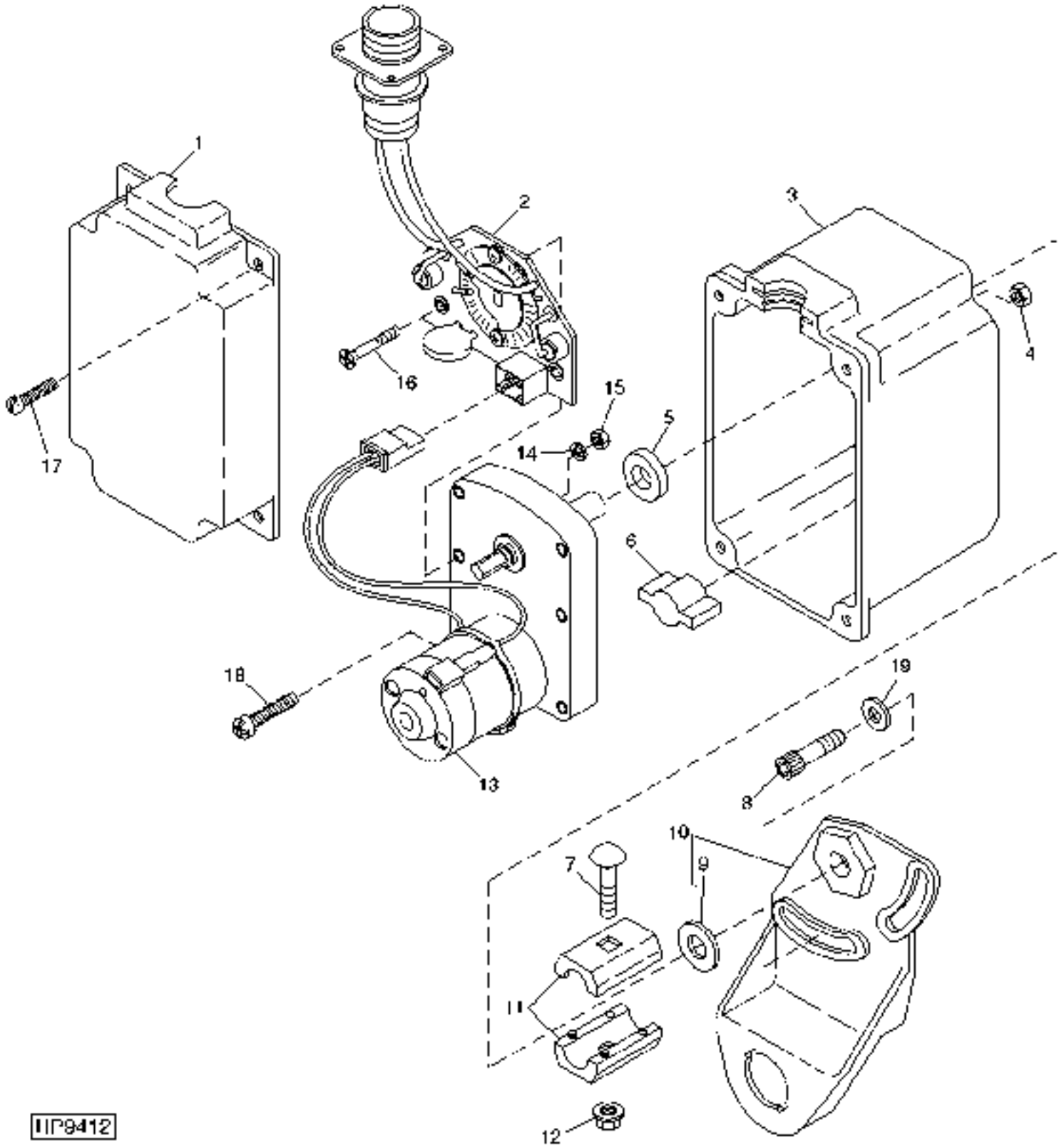
UPPER HARNESS CONNECTORS FOR ENGINE - CONTINUED

KEY	PART NO.	PART NAME	QTY	SERIAL NO.	REMARKS
1	RE12363	CONNECTOR	1	(PKG OF 3)	
	R78048	TERMINAL NIPPLE	2	(PKG OF 5)	
	R78060	SOCKET CONTACT	2	(PKG OF 40)	
2	R78063	TERMINAL NIPPLE	1	(PKG OF 40)	
	R78053	PIN CONTACT CONNECTOR BODY	2	(PKG OF 3)	
	R78063	TERMINAL NIPPLE	2	(PKG OF 40)	
3	R78060	SOCKET CONTACT	2	(PKG OF 40)	
	R77457	ELECTRICAL PLUG	1	37 PIN CONNECTOR	
	R77465	SOCKET CONTACT	1		
	R77463	SOCKET CONTACT	1		
4	R77494	TERMINAL	1		
5	R77489	TERMINAL	1		
6	R78052	PIN CONTACT CONNECTOR BODY	1	(PKG OF 3)	
	R78061	PIN CONTACT	1	(PKG OF 40)	
	R78063	TERMINAL NIPPLE	1	(PKG OF 40)	
7	RE12362	CONNECTOR	1	(PKG OF 3)	
	R78060	SOCKET CONTACT	1	(PKG OF 40)	
	R78063	TERMINAL NIPPLE	1	(PKG OF 40)	
8	R78055	PIN CONTACT CONNECTOR BODY	1	(PKG OF 2)	
	R78058	PIN CONTACT	1	(PKG OF 40)	
	R78059	ELECTRICAL PLUG	1	(PKG OF 40)	
9	RE12365	CONNECTOR	1	(PKG OF 2)	
	R78050	SEAL	1	(PKG OF 5)	
	R78060	SOCKET CONTACT	1	(PKG OF 40)	
	R78059	ELECTRICAL PLUG	1	(PKG OF 40)	
10	R78056	PIN CONTACT CONNECTOR BODY	1	(PKG OF 2)	
	R78058	PIN CONTACT	1	(PKG OF 40)	
	R78059	ELECTRICAL PLUG	1	(PKG OF 40)	
11	RE12366	CONNECTOR	1	(PKG OF 2)	
	R78051	SEAL	1	(PKG OF 5)	
	R78057	SOCKET CONTACT	1	(PKG OF 40)	
	R78059	ELECTRICAL PLUG	1	(PKG OF 40)	
12	RE12332	CONNECTOR	1		
	R78054	PIN CONTACT CONNECTOR BODY	1	(PKG OF 3)	
	R78060	SOCKET CONTACT	1	(PKG OF 40)	
	R78063	TERMINAL NIPPLE	1	(PKG OF 40)	
13	RE12364	SOCKET CONT.CONNECTOR BODY	1	(PKG OF 3)	
	R78049	SEAL	1	(PKG OF 5)	
	R78060	SOCKET CONTACT	1	(PKG OF 40)	
	R78063	TERMINAL NIPPLE	1	(PKG OF 40)	

1J7

ELECTRICAL

REEL SPEED MOTOR AND BRACKET
HP9412 -UN-04JAN00



HP9412

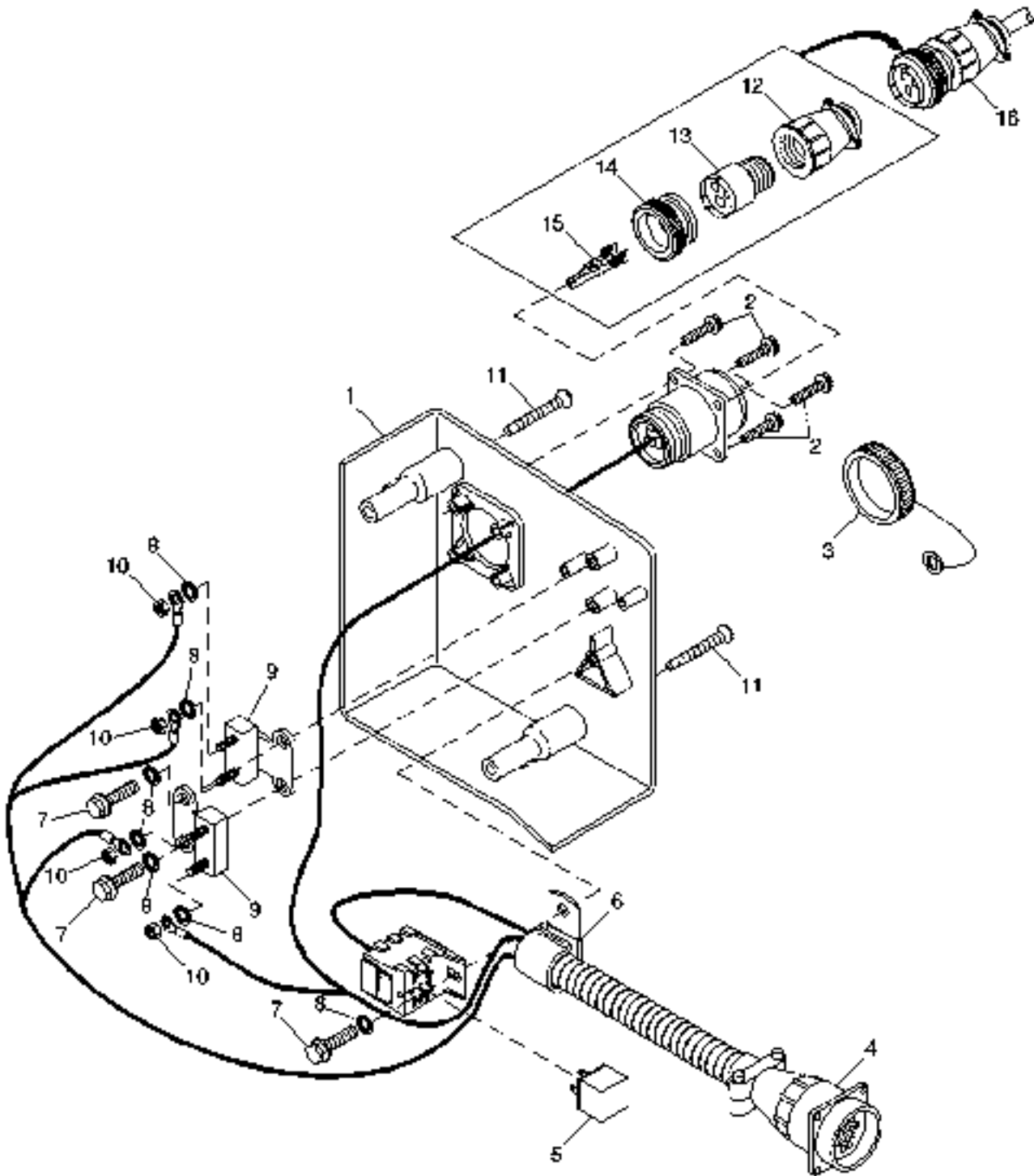
REEL SPEED MOTOR AND BRACKET - CONTINUED

KEY	PART NO.	PART NAME	QTY	SERIAL NO.	REMARKS
1	H133852	BOX	1		
2	AH139987	PRINTED CIRCUIT	1		
3	H133851	BOX	1		
4	14M7139	NUT	4	M4	
5	M121T	WASHER	1		9.652 X 20.574 X 4.064 MM (0.380" X 0.810" X 0.160")
6	H133981	SEAL	1		
7	03M7290	BOLT	1	M6 X 30	
8	19H2925	SCREW	2	1/4" X 1/2"	
9	H146950	WASHER	1		9.500 X 19 X 1.600 MM
10	AH141813	KIT	1		REEL SPEED ALIGNMENT BRACKET
11	H114020	HALF CLAMP	2		
12	14M7397	LOCK NUT	1	M6	
13	AH128865	MOTOR	1		
14	12H314	LOCK WASHER	2	0.138"	
15	14H1026	NUT	2	0.138"	
16	21H1184	SCREW	2	0.138" X 1-1/8"	
17	21M7250	SCREW	4	M4 X 12	
18	H144032	SCREW	4		
19	24M7027	WASHER	2		5.300 X 10 X 1 MM

1J9

ELECTRICAL

CONVENIENCE OUTLET
HP9413 -UN-04JAN00



HP9413

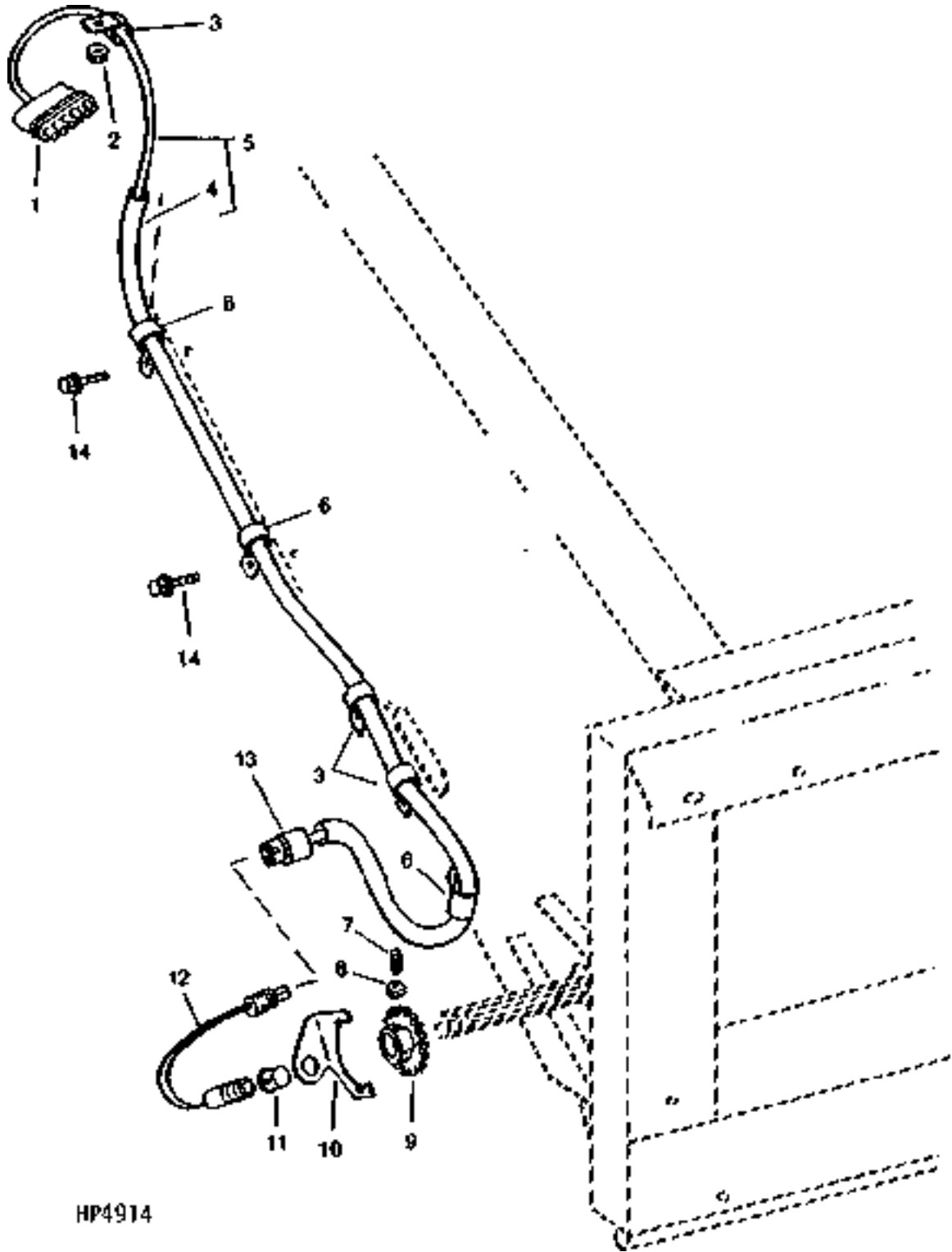
1J10

ELECTRICAL

CONVENIENCE OUTLET - CONTINUED

KEY	PART NO.	PART NAME	QTY	SERIAL NO.	REMARKS
1	H151579	BRACKET	1	-680300	(SUB H168998)
	H168998	BRACKET	1	680301-	
2	H111364	SCREW	4		
3	57M7391	INSULATING CAPSULE	1		
4	AH152020	WIRING HARNESS	1	-680300	
	AH161930	WIRING HARNESS	1	680301-	
5	AH106612	RELAY	1		
6	AH89557	CLIP	1		
7	H123998	SCREW	3		
8	12H295	LOCK WASHER	7		4.826 MM (0.190")
9	AR49352	CIRCUIT BREAKER	2		30 AMP
10	14H778	NUT	4		4.826 MM (0.190")
11	H132451	CAP SCREW	2		M6 X 50
12	AE44931	CONNECTOR	1		
13	AE44929	CONNECTOR	1		
14	R77459	CONNECTOR	1		
15	RE11157	TERMINAL	2		
16	RE37651	PLUG	1		

FEEDER HOUSE BACKSHAFT SPEED SENSOR
HP4914 -UN-01JAN94



HP4914

FEEDER HOUSE BACKSHAFT SPEED SENSOR - CONTINUED

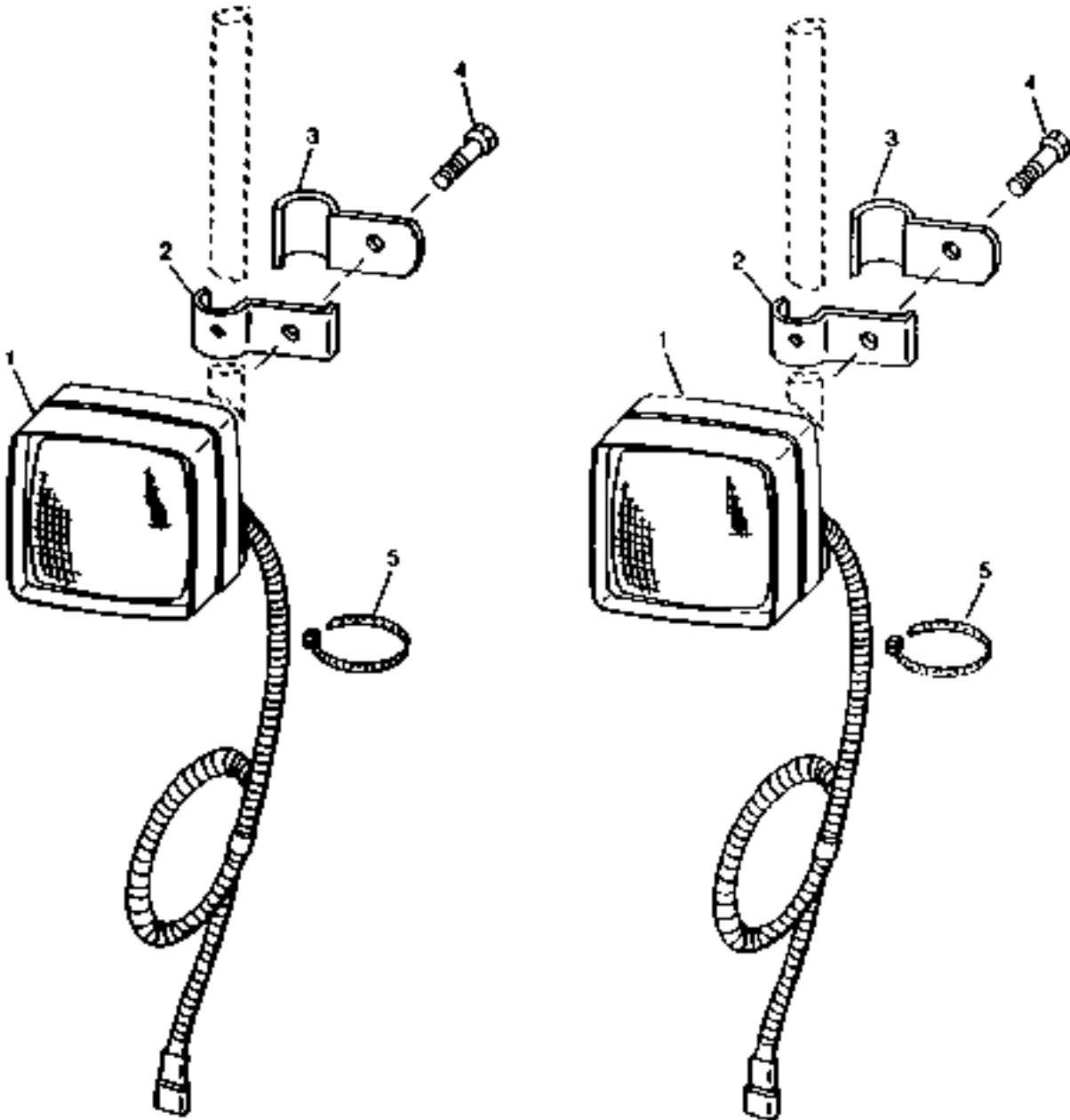
KEY	PART NO.	PART NAME	QTY	SERIAL NO.	REMARKS
1	RE12366	CONNECTOR	1		(PKG OF 2)
	R78051	SEAL	1		(PKG OF 5)
	R78060	SOCKET CONTACT	1		(PKG OF 40)
2	14M7299	FLANGE NUT	1		M12
3	AH77279	CLIP	3		
4	H132800	HOSE	1		
5	AH134288	WIRING HARNESS	1		
6	AH89557	CLIP	3		
7	A50743	BOLT	2		M6 X 16
8	14M7272	NUT	2		M6
9	H135772	WHEEL	1		
	H170634	WHEEL	1		USE WITH AH153339 (GEARBOX) AND AH149349 (DRIVE SPROCKET)
10	H135773	BRACKET	1		
11	H121110	CLIP	1		
12	AH116104	SENSOR	1		BACKSHAFT SPEED
13	R78053	PIN CONTACT CONNECTOR BODY	1		(PKG OF 3)
	R78063	TERMINAL NIPPLE	1		(PKG OF 40)
14	37M7083	SCREW	2		M8 X 12

1J13

ELECTRICAL

FIELD LIGHTS

HP5865 -UN-15OCT94



HP5865

1J14

ELECTRICAL

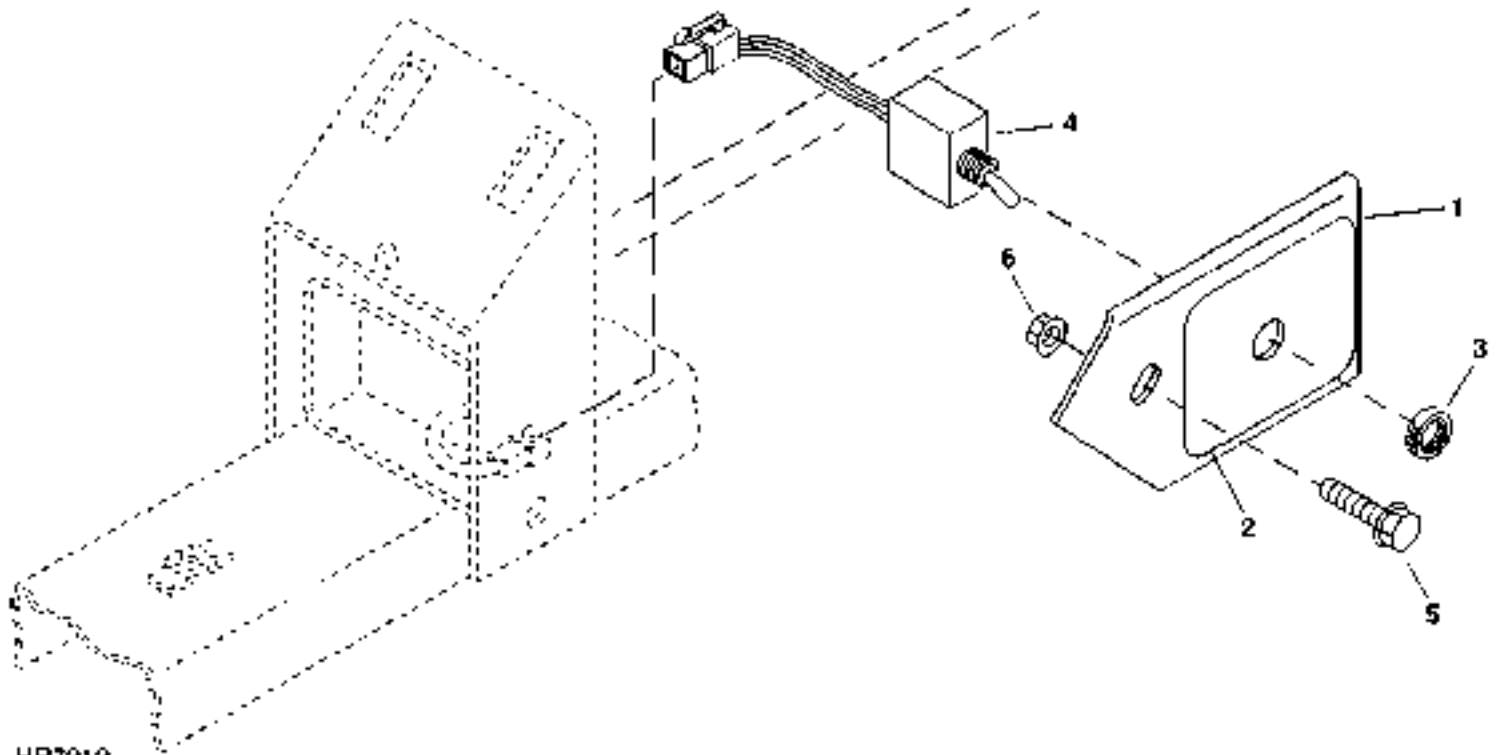
FIELD LIGHTS - CONTINUED

KEY	PART NO.	PART NAME	QTY	SERIAL NO.	REMARKS
1	AH145563	FLOODLAMP	2		(INCLUDES AT130104, T80393 AND (4) T80394)
2	H83790	CLAMP	2		
3	H83791	CLAMP	2		
4	19M7867	SCREW	2	M8 X 25	
5	R44302	TIE BAND	2		

1J15

ELECTRICAL

SHOE ADJUSTING LIGHT SWITCH
 HP7212 -UN-28FEB98

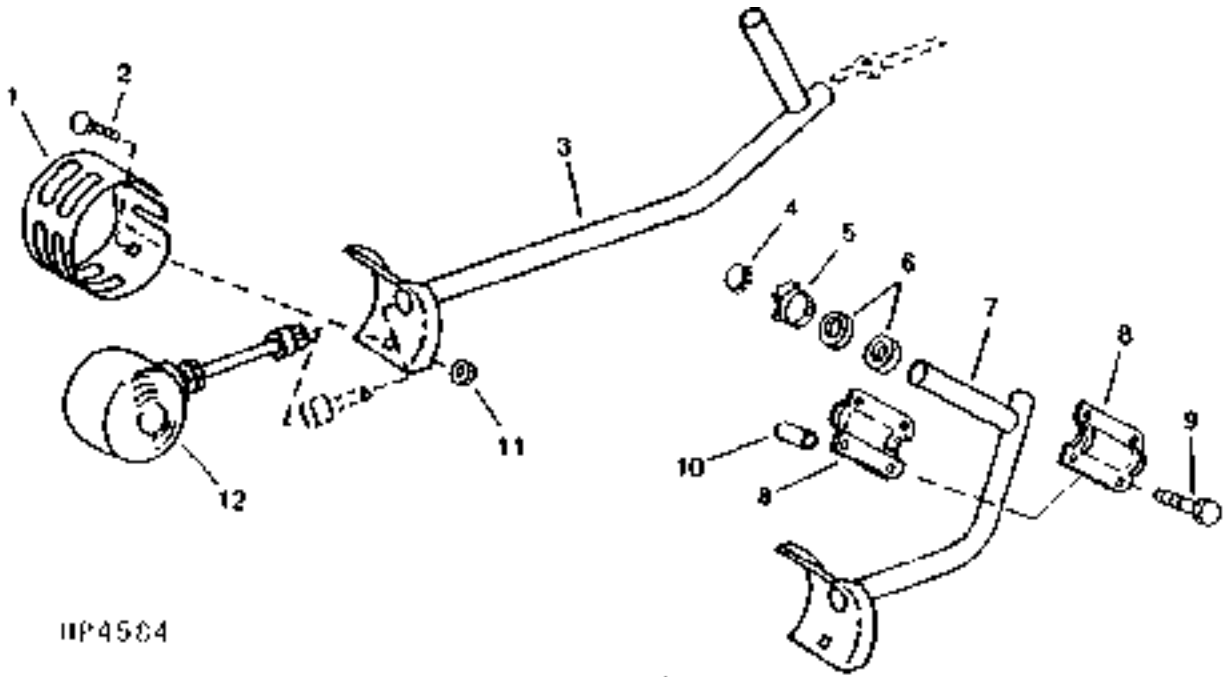


KEY	PART NO.	PART NAME	QTY	SERIAL NO.	REMARKS
1	H164632	BRACKET	1		
2	H166357	LABEL	1		
3	H140248	NUT	1		
4	AH158310	TOGGLE SWITCH	1		
5	19M7865	SCREW	1	M8 X 16	
6	14M7298	FLANGE NUT	1	M8	

1J16

ELECTRICAL

TRANSPORT WARNING LIGHTS
HP4584 -UN-01JAN94



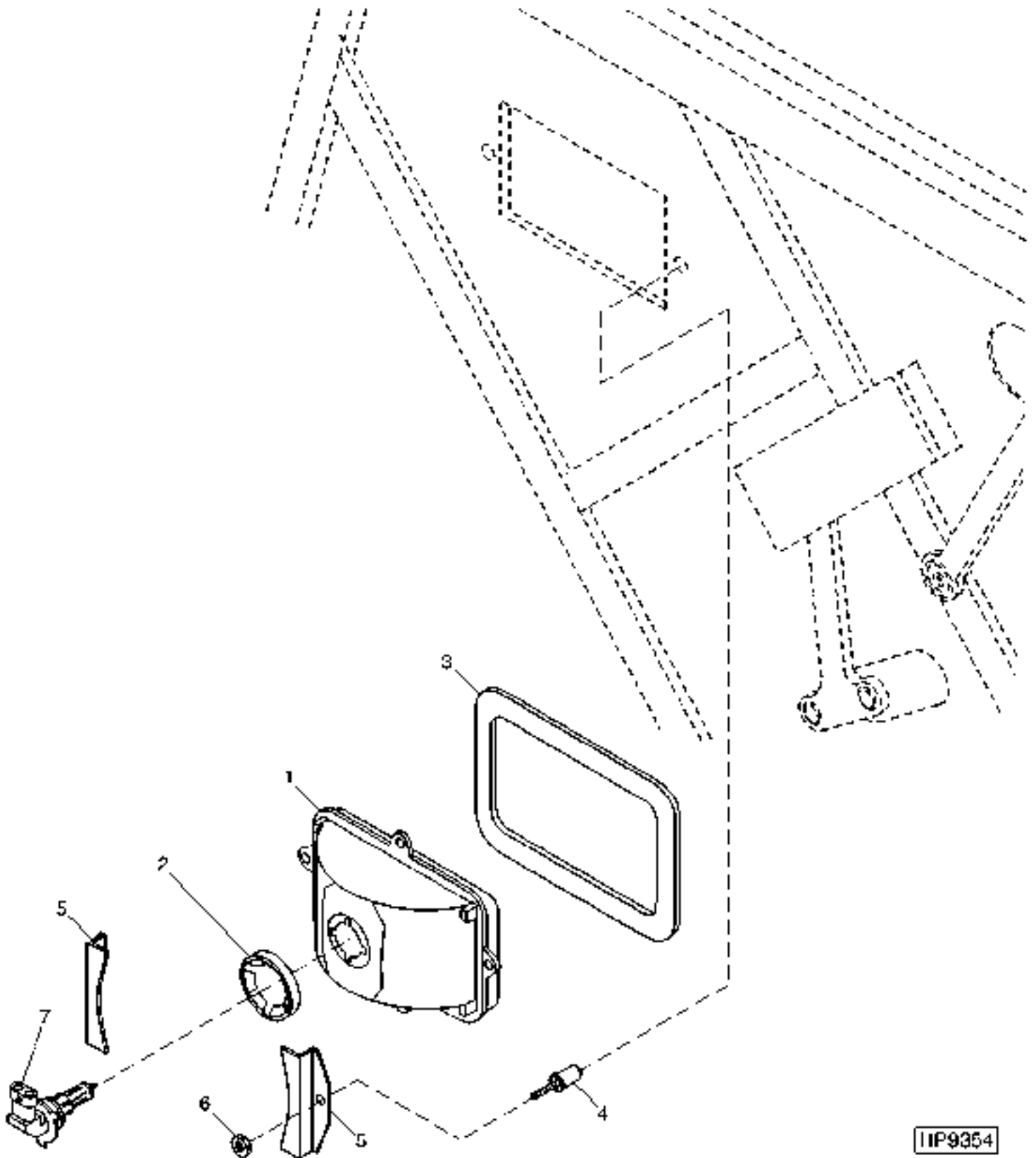
HP4584

KEY	PART NO.	PART NAME	QTY	SERIAL NO.	REMARKS
1	AH163046	SHIELD	1		(SUB FOR H143317) L.H., SHORT ARM
	AH163047	SHIELD	1		(SUB FOR H143317) R.H., SHORT ARM
	AH163048	SHIELD	1		(SUB FOR H143317) L.H., LONG ARM
	AH163049	SHIELD	1		(SUB FOR H143317) R.H., LONG ARM
2	03M7183	BOLT	4		M8 X 16
3	AH136496	TUBE	2		R.H., LONG ARM
	AH163809	TUBE	2		LONG ARM (ORDER BH80734)
4	H106000	PLUG	2		
5	AT18904	CLAMP	2		
6	H136110	ISOLATOR	2		
7	AH136494	TUBE	2		R.H., SHORT ARM
8	H161289	CLAMP	4		
9	19M7863	SCREW	4		M6 X 25, FOR L H SIDE OF COMBINE
	19M8321	SCREW	4		M6 X 45, FOR R H SIDE OF COMBINE
10	28H1914	BUSHING	4		9.246 X 13.716 X 22.225 MM (0.364" X 0.540" X 7/8")
11	14M7298	FLANGE NUT	4		M8
12	AH133316	LAMP	2		(SUB AH164497)
	AH164497	LAMP	2		
..	AH163757	WIRING HARNESS	2		ASAE LAMP EXTENSION (ORDER BH80734)
..	BH80734	COMPLETE GOODS/SHIP. BUNDLE	1		ATT ID-MARKER LIGHTS-LONG ARMS CONVERSION

1J17

ELECTRICAL

SHOE LAMP INSTALLATION
HP9354 -UN-23NOV99



HP9354

1J18

ELECTRICAL

SHOE LAMP INSTALLATION - CONTINUED

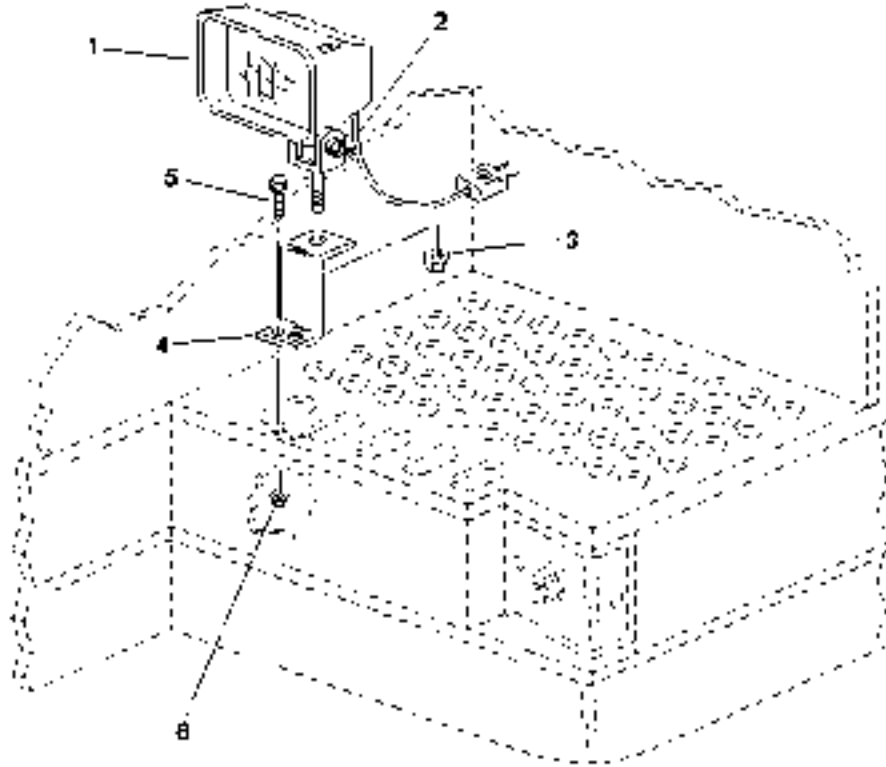
KEY	PART NO.	PART NAME	QTY	SERIAL NO.	REMARKS
1	AH128328	FLOODLAMP	1		
2	H132900	RETAINER	1		
3	H132686	GROMMET	1		
4	19M7774	SCREW	1	M6 X 12	
5	H132687	RETAINER	1		
6	14M7303	FLANGE NUT	1	M6	
7	AH127718	BULB	1	(SUB AH162231)	
	AH162231	BULB	1		

1J19

ELECTRICAL

REAR LAMP ASSEMBLY - R.H. SIDE

HP7291 -UN-08JAN98



HP/291

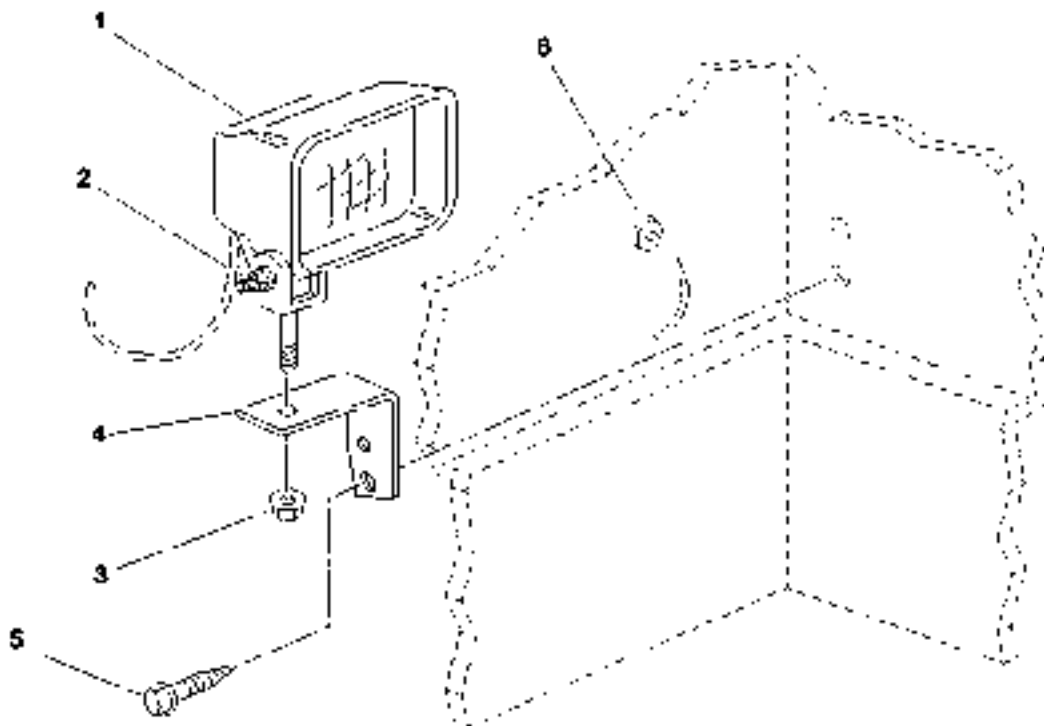
KEY	PART NO.	PART NAME	QTY	SERIAL NO.	REMARKS
1	AH158038	FLOODLAMP	1		
	AH165877	BULB	1		
2	19M7298	CAP SCREW	1	M8 X 35	
	14M7298	FLANGE NUT	1	M8	
3	14M7298	FLANGE NUT	1	M8	
4	H162996	BRACKET	1		
5	19M7866	SCREW	2	M8 X 20	
6	14M7298	FLANGE NUT	2	M8	

1J20

ELECTRICAL

REAR LAMP ASSEMBLY - L.H. SIDE

HP7290 -UN-08JAN98



HP/290

KEY	PART NO.	PART NAME	QTY	SERIAL NO.	REMARKS
1	AH158038	FLOODLAMP	1		
	AH165877	BULB	1		
2	19M7298	CAP SCREW	1	M8 X 35	
	14M7298	FLANGE NUT	1	M8	
3	14M7298	FLANGE NUT	1	M8	
4	H164759	BRACKET	1		
5	37M7058	SCREW	2	M8 X 20	
	19M7865	SCREW	2	M8 X 16, (LESS LAMP ASSEMBLY)	
6	H80306	GROMMET	1		
	H164757	PLUG	1	(LESS LAMP ASSEMBLY)	

MEMORANDA

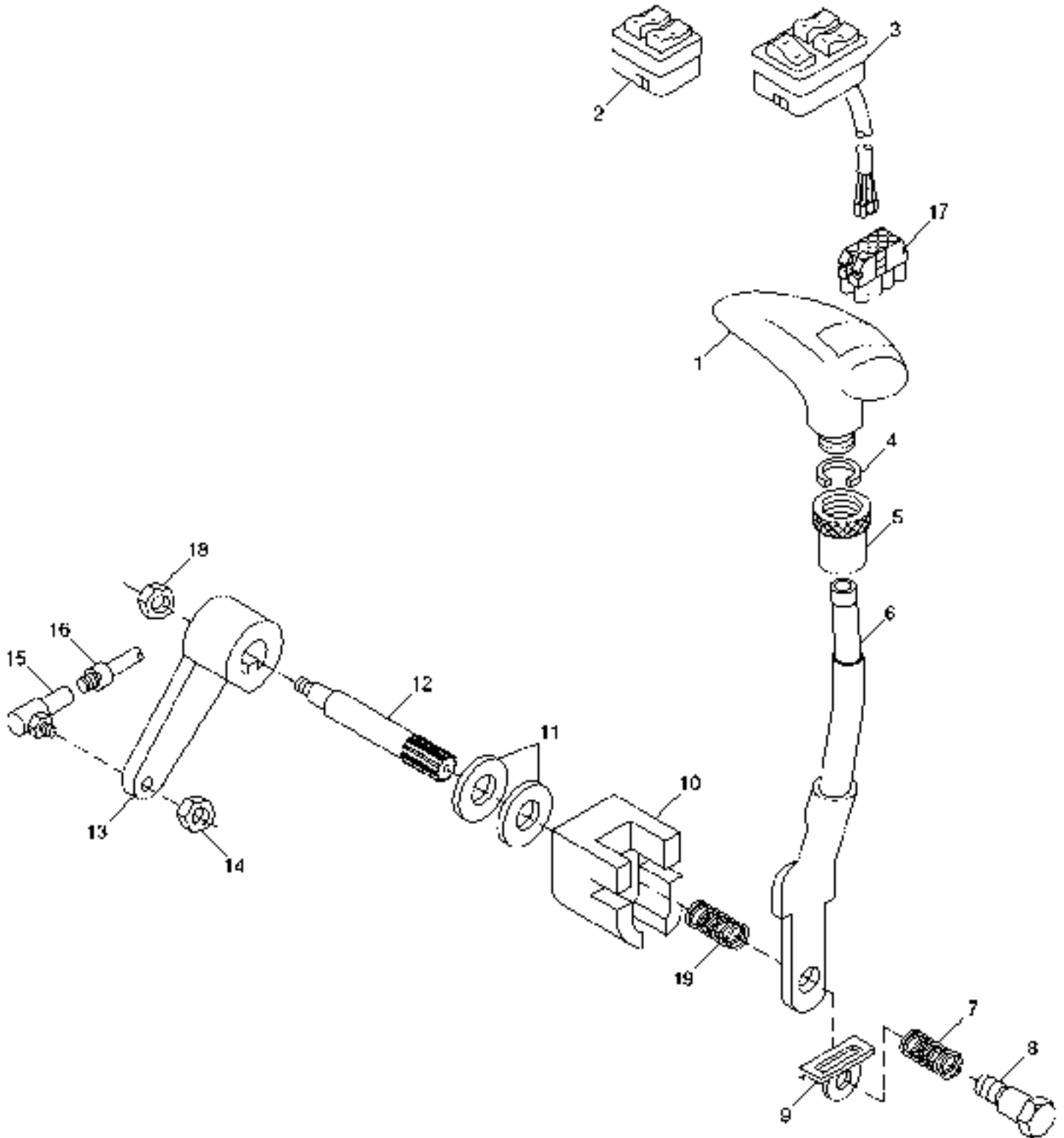
MEMORANDA

2B10

POWER TRAIN

HYDROSTATIC DRIVE LEVER, CABLE AND SWITCH

HP8551 -UN-06MAY99



HP8551

2B11

POWER TRAIN

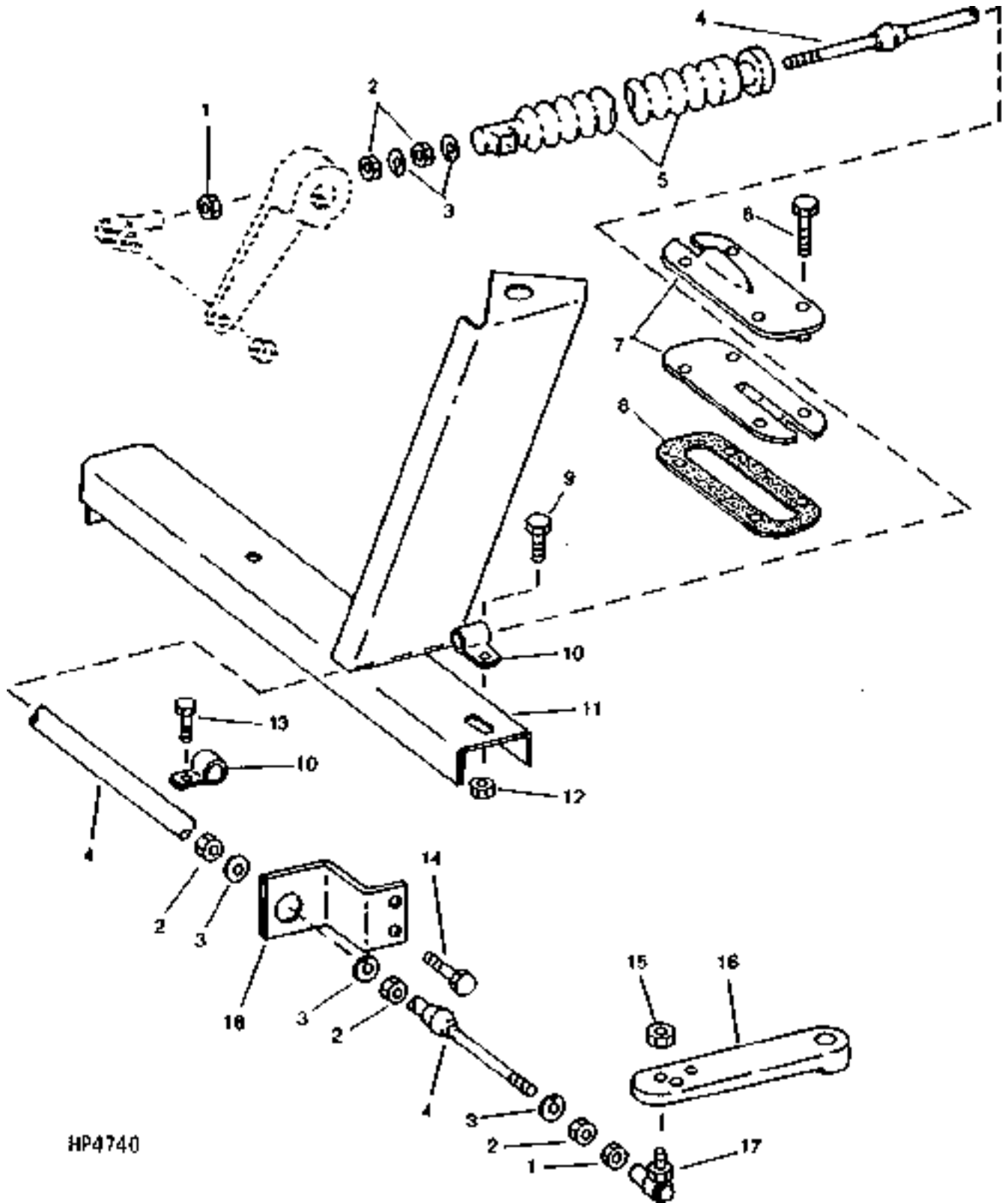
HYDROSTATIC DRIVE LEVER, CABLE AND SWITCH - CONTINUED

KEY	PART NO.	PART NAME	QTY	SERIAL NO.	REMARKS
1	AH115281	KNOB	1		W/O CONTOUR MASTER
	AH145061	KNOB	1		W/CONTOUR MASTER
2	AH140161	SWITCH	1		W/O CONTOUR MASTER
3	AH145060	SWITCH	1		W/CONTOUR MASTER
4	T12033	SNAP RING	1		
5	H129749	LOCK	1		
6	AH124940	LEVER	1		
7	122SE	SPRING	2		
8	H119007	SCREW	1		
9	H128557	RETAINER	1		
10	H128536	BASE	1		
11	H77739	WASHER	1		16.662 X 38.100 X 1.520 MM (21/32" X 1-1/2" X 0.060")
12	H144184	SHAFT	1		
13	H168989	ARM	1		(SUB FOR H143891)
14	H168961	LOCK NUT	1		M6
15	AH115487	BALL JOINT	1		
16	AH135844	PUSH PULL CABLE	1		
17	H151161	CONNECTOR	1		CONNECTS TO HYDRO HANDLE SWITCHES (9-PIN)
18	14M7152	NUT	1		M10
19	H95368	SPRING	1		

2B12

POWER TRAIN

HYDROSTATIC DRIVE CONTROL CABLE
HP4740 -UN-01JAN94



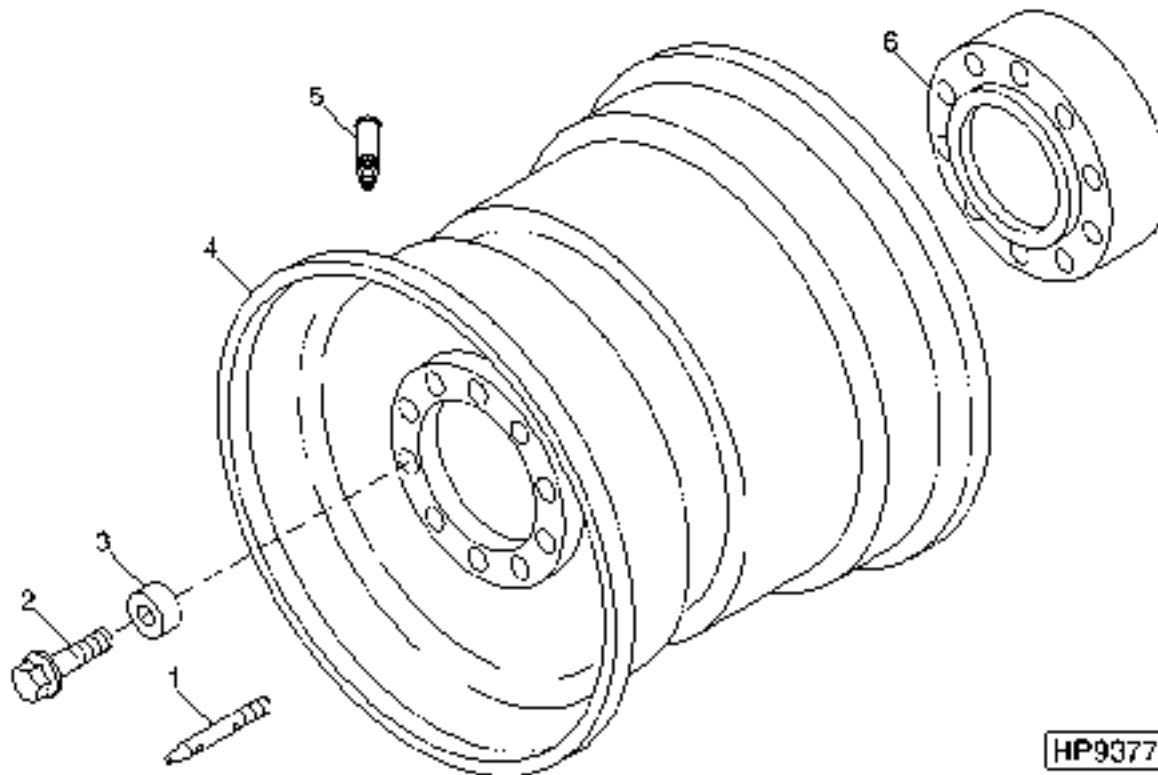
HP4740

HYDROSTATIC DRIVE CONTROL CABLE - CONTINUED

KEY	PART NO.	PART NAME	QTY	SERIAL NO.	REMARKS
1	14M7272	NUT	2	M6	
2	14M7260	NUT	5	M16	
3	24M7241	WASHER	5	17 X 34 X 4 MM	
4	AH138048	CABLE	1		
5	H143445	BOOT	1		
6	37M7131	SCREW	4	M6 X 20	
7	H126124	CLAMP	2		
8	H126123	GASKET	1		
9	19M7868	SCREW	1	M8 X 30	
10	AH80916	CLIP	3		
11	AH136362	SUPPORT	1		
12	14M7298	FLANGE NUT	3	M8	
13	37M7058	SCREW	3	M8 X 20	
14	19M7867	SCREW	2	M8 X 25	
15	14M7303	FLANGE NUT	1	M6	
16	H168988	LEVER	1	(SUB FOR H126583)	
17	AH106933	BALL JOINT	2		
18	H142044	SUPPORT	1		

2B14

DRIVE WHEELS
HP9377 -UN-01DEC99



KEY	PART NO.	PART NAME	QTY	SERIAL NO.	REMARKS
1	H138607	STUD	1		USE FOR WHEEL MOUNTING ONLY
2	H134600	CAP SCREW	20		
	H138606	CAP SCREW	20		USE WITH H162719 ONLY
3	H134114	SPACER	20		
4	AH132128	WHEEL	2		(32XDW21, 96MM INSET) (REGULAR DUTY FINAL DRIVE)
	AH130625	WHEEL	2		(32-DH27) (HEAVY DUTY FINAL DRIVE)
	AH127656	WHEEL	2		(32-DH31) (HEAVY DUTY FINAL DRIVE)
	AH132116	WHEEL	2		(32-DH27) (REGULAR DUTY FINAL DRIVE)
	AH156626	WHEEL	2		(32XDW27, 12" BC) (REGULAR DUTY FINAL DRIVE) (SUB FOR AH133844)
	AH154848	WHEEL	2		(32XDW27, 335 BC) (HEAVY DUTY FINAL DRIVE)
5	AT25226	TIRE VALVE STEM	1		
6	H162719	BUSHING	2		(100MM/335 BC) OPTIONAL
..	H134442	LABEL	2		"IMPORTANT" WHEEL BOLT TORQUE
..	H140709	LABEL	2		"IMPORTANT" 26 PSI (182 KPA) (24.5 X 32-10 PLY,OR 30.5L X 32-12 PLY TIRES)
..	H140749	LABEL	2		(FRENCH - EXPORT ONLY)
..	H116640	LABEL	2		"IMPORTANT" 32 PSI (225 KPA) (24.5 X 32-12 PLY TIRES)
..	H108604	LABEL	2		"IMPORTANT" 20 PSI (140 KPA)(30.5L X 32-10 OR 35.5L X 32-12 PLY TIRES)
..	H140710	LABEL	2		"IMPORTANT" 34 PSI (235 KPA)(30.5L X 32-16 PLY TIRES)
..	H140750	LABEL	2		"IMPORTANT" 34 PSI (235 KPA)(30.5L X 32-14 PLY TIRES)(FRENCH-EXPORT ONLY)
..	H140751	LABEL	2		"IMPORTANT" 36 PSI (250 KPA) (20.8 X 38-12 PLY TIRES)(FRENCH-EXPORT ONLY)
..	H116639	DECAL	2	-680110	"IMPORTANT" 28 PSI (195 KPA) (30.5L X 32-14 PLY TIRES)
..	H150646	DECAL	2		"IMPORTANT" 15 PSI (103 KPA) (68 X 50-32, 16 PLY TIRE)
..	H145995	LABEL	2		
..	H111541	LABEL	2	680111-	"TIRE PRESSURE" (40 PSI)
..	BH81416	COMPLETE GOODS/SHIP. BUNDLE	1		WHEEL HUB SPACER 100/335 BC

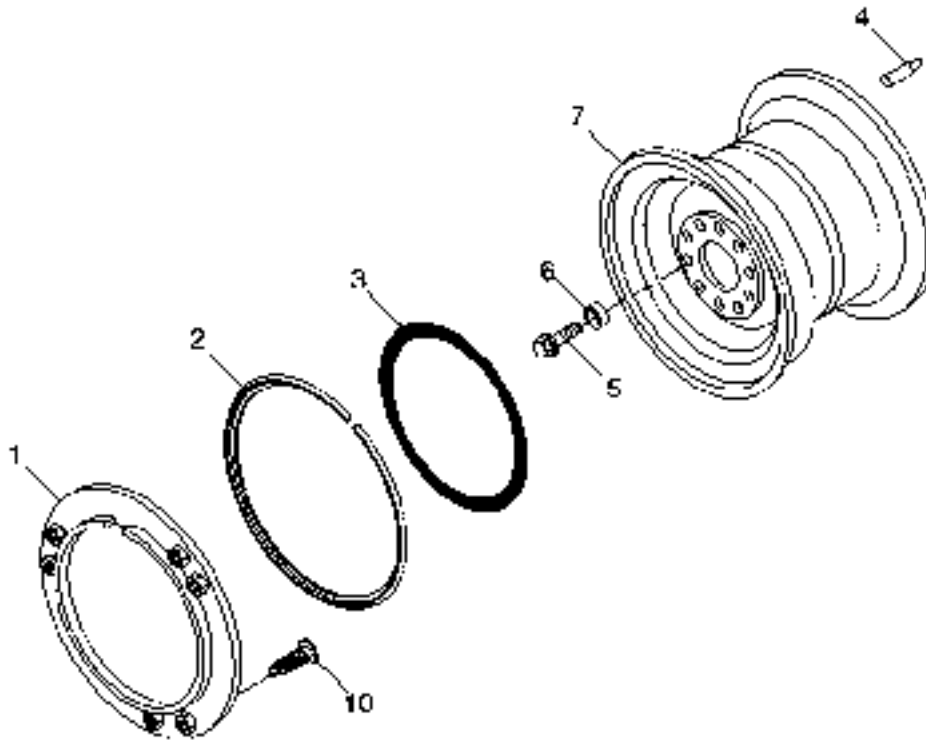
2B15

POWER TRAIN

HIGH FLOATION DRIVE WHEELS

PLANETARY FINAL DRIVE

HP9718 -UN-18APR00



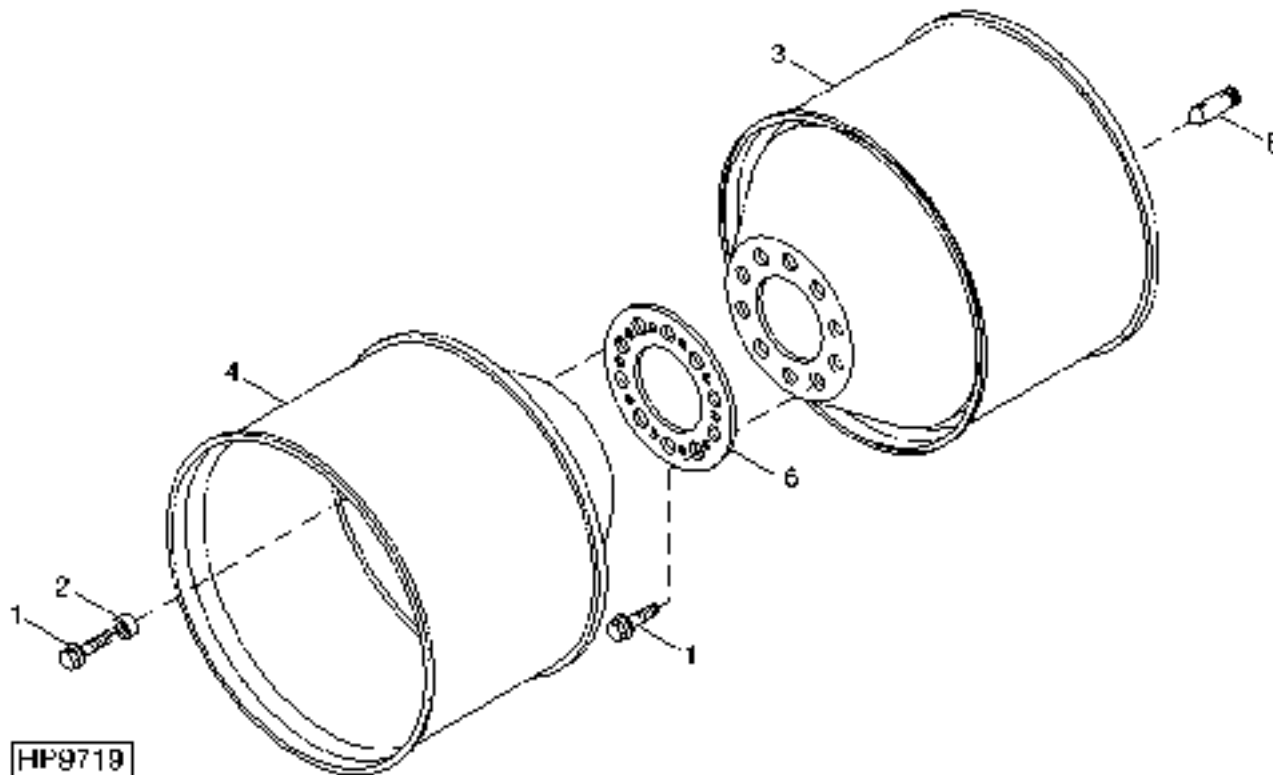
|HP9718

KEY	PART NO.	PART NAME	QTY	SERIAL NO.	REMARKS
1	AH147544	FLANGE	2		
2	H105822	RING	2		
3	H111500	O-RING	2		
4	H138607	STUD	2		
5	H134600	CAP SCREW	20		
6	H134114	SPACER	20		
7	AH147545	WHEEL	2	(32X44) (REGULAR DUTY FINAL DRIVE)	
	AH147546	WHEEL	2	(32X44) (HEAVY DUTY FINAL DRIVE)	
8	AT36212	TIRE VALVE STEM	2		
..	BH81146	COMPLETE GOODS/SHIP. BUNDLE	1		L.H. TIRE/WHEEL 68X50-32 16P
..	BH81147	COMPLETE GOODS/SHIP. BUNDLE	1		R.H. TIRE/WHEEL 68X50-32 16P
..	BH81375	COMPLETE GOODS/SHIP. BUNDLE	1		WHEEL BOLTS - HIGH FLOATION
..	BH81148	COMPLETE GOODS/SHIP. BUNDLE	1		L.H. TIRE/WHEEL 68X50-32 16P
..	BH81149	COMPLETE GOODS/SHIP. BUNDLE	1		R.H. TIRE/WHEEL 68X50-32 16P

2B16

WIDE-SPACED DUAL WHEELS

HP9719 -UN-18APR00



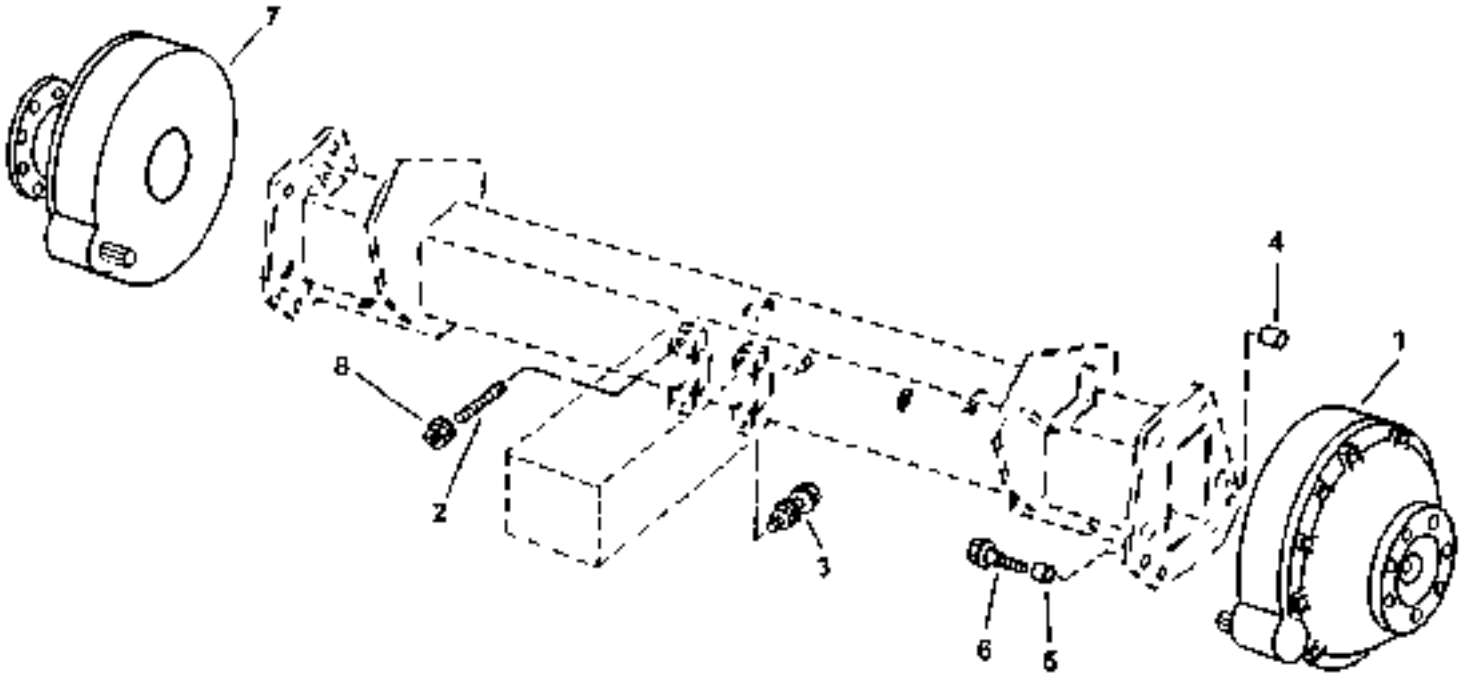
HP9719

KEY	PART NO.	PART NAME	QTY	SERIAL NO.	REMARKS
1	H134600	CAP SCREW	20		
2	H134114	SPACER	10		
3	AH130627	WHEEL	1		(38 W16L) (REGULAR DUTY FINAL DRIVE)
	AH130626	WHEEL	1		(42-DDWL 16) (HEAVY DUTY FINAL DRIVE)
	AH140253	WHEEL	1		(38-WH18A) (REGULAR DUTY FINAL DRIVE)
	AH145348	WHEEL	1		(42XDDWL18) (HEAVY DUTY FINAL DRIVE)
	AH160832	WHEEL	1		(42XDD16, 335 BC) (HEAVY DUTY FINAL DRIVE)
4	AH150343	WHEEL	1		(38XWH16) (REGULAR DUTY FINAL DRIVE)
	AH150345	WHEEL	1		(42XDD 16) (HEAVY DUTY FINAL DRIVE)
	AH150344	WHEEL	1		(38XWH18A) (REGULAR DUTY FINAL DRIVE)
	AH150346	WHEEL	1		(42XDD 18) (HEAVY DUTY FINAL DRIVE)
	AH160832	WHEEL	1		(42XDD16, 335 BC) (HEAVY DUTY FINAL DRIVE)
5	H138607	STUD	2		USE FOR WHEEL MOUNTING ONLY
6	N276699	SPACER	1		REGULAR DUTY FINAL DRIVE
	H157698	SPACER	1		HEAVY DUTY FINAL DRIVE
..	BH81751	COMPLETE GOODS/SHIP. BUNDLE	1		L.H. INNER TIRE/WHEEL 18.4R38 R1
..	BH81752	COMPLETE GOODS/SHIP. BUNDLE	1		R.H. INNER TIRE/WHEEL 18.4R38 R1
..	BH81749	COMPLETE GOODS/SHIP. BUNDLE	1		L.H. OUTER TIRE/WHEEL 18.4R38 R1
..	BH81750	COMPLETE GOODS/SHIP. BUNDLE	1		R.H. OUTER TIRE/WHEEL 18.4R38 R1
..	BH81209	COMPLETE GOODS/SHIP. BUNDLE	1		L.H. OUTER TIRE/WHEEL 20.8R38 R1
..	BH81210	COMPLETE GOODS/SHIP. BUNDLE	1		R.H. OUTER TIRE/WHEEL 20.8R38 R1
..	BH81238	COMPLETE GOODS/SHIP. BUNDLE	1		L.H. TIRE/WHEEL 20.8X38 R1
..	BH81239	COMPLETE GOODS/SHIP. BUNDLE	1		R.H. TIRE/WHEEL 20.8X38 R1
..	BH81211	COMPLETE GOODS/SHIP. BUNDLE	1		L.H. OUTER TIRE/WHEEL 20.8R38 R2
..	BH81212	COMPLETE GOODS/SHIP. BUNDLE	1		R.H. OUTER TIRE/WHEEL 20.8R38 R2
..	BH81240	COMPLETE GOODS/SHIP. BUNDLE	1		R.H. TIRE/WHEEL 20.8X38 R2
..	BH81241	COMPLETE GOODS/SHIP. BUNDLE	1		L.H. TIRE/WHEEL 20.8X38 R2
..	BH81215	COMPLETE GOODS/SHIP. BUNDLE	1		L.H. OUTER TIRE/WHEEL 18.4R42 R1
..	BH81216	COMPLETE GOODS/SHIP. BUNDLE	1		R.H. OUTER TIRE/WHEEL 18.4R42 R1
..	BH81236	COMPLETE GOODS/SHIP. BUNDLE	1		L.H. TIRE/WHEEL 18.4R42 R1
..	BH81237	COMPLETE GOODS/SHIP. BUNDLE	1		R.H. TIRE/WHEEL 18.4R42 R1
..	BH81217	COMPLETE GOODS/SHIP. BUNDLE	1		L.H. OUTER TIRE/WHEEL 20.8R42 R1
..	BH81218	COMPLETE GOODS/SHIP. BUNDLE	1		R.H. OUTER TIRE/WHEEL 20.8R42 R1
..	BH81242	COMPLETE GOODS/SHIP. BUNDLE	1		L.H. TIRE/WHEEL 20.8X42
..	BH81243	COMPLETE GOODS/SHIP. BUNDLE	1		R.H. TIRE/WHEEL 20.8X42
..	BH81514	COMPLETE GOODS/SHIP. BUNDLE	1		L.H. OUTER/R.H. INNER TIRE/WHEEL 18.4R42 R1
..	BH81515	COMPLETE GOODS/SHIP. BUNDLE	1		R.H. OUTER/L.H. INNER TIRE/WHEEL 18.4R42 R1

2B17

POWER TRAIN

FRONT AXLE
(RING AND PINION FINAL DRIVE)
HP7215 -UN-28OCT97



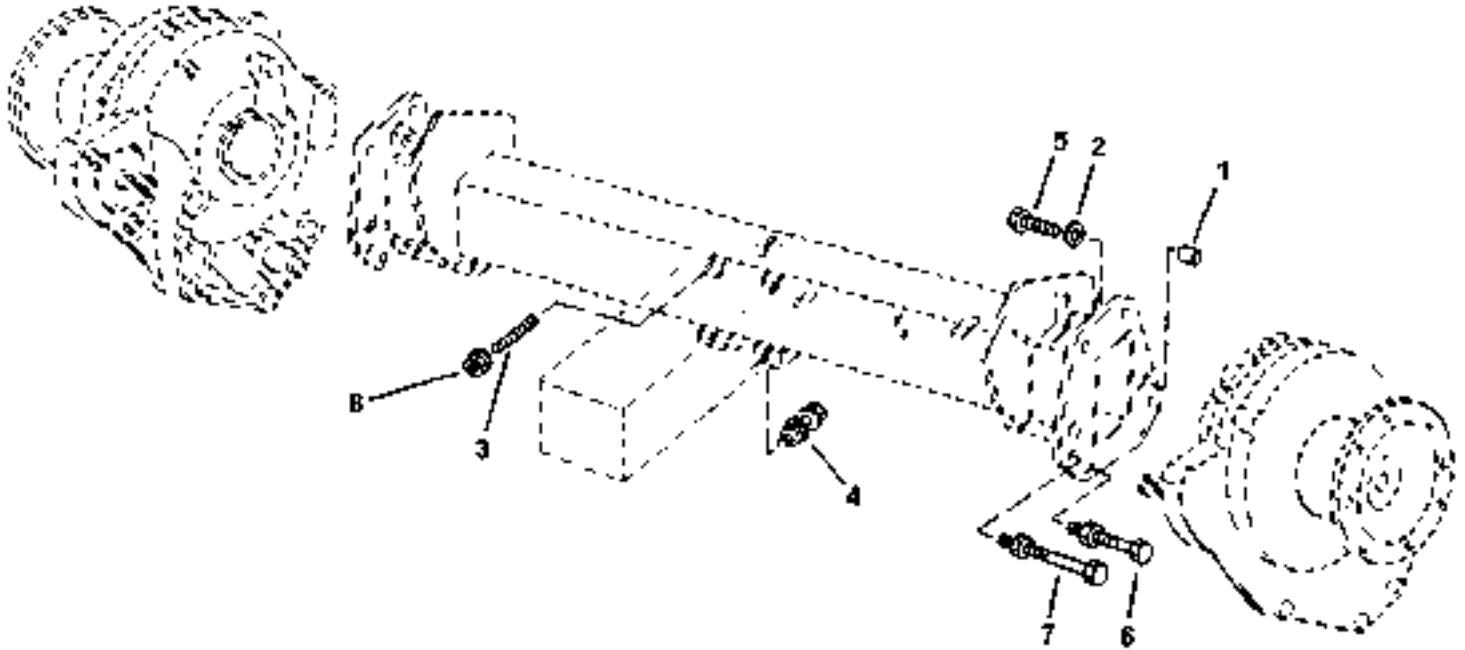
HP7215

KEY	PART NO.	PART NAME	QTY	SERIAL NO.	REMARKS
1	AH155003	GEAR	1		R.H. HEAVY DUTY
2	42M7028	STUD	2		M16 X 75
3	H107504	BOLT	2		
	14M7291	FLANGE NUT	2		M16 FLANGE
4	H87691	BUSHING	4		
5	H156127	SLEEVE	12		HARDENED
	H163561	SPACER	12		
6	19M7892	CAP SCREW	12		M20 X 80
	19M8287	CAP SCREW	12		M24 X 80, (USE WITH H163561)
7	AH155004	GEAR	1		L.H. HEAVY DUTY
8	14M7291	FLANGE NUT	2		M16 FLANGE

2B18

POWER TRAIN

FRONT AXLE
(PLANETARY FINAL DRIVES)
HP7216 -UN-28OCT97

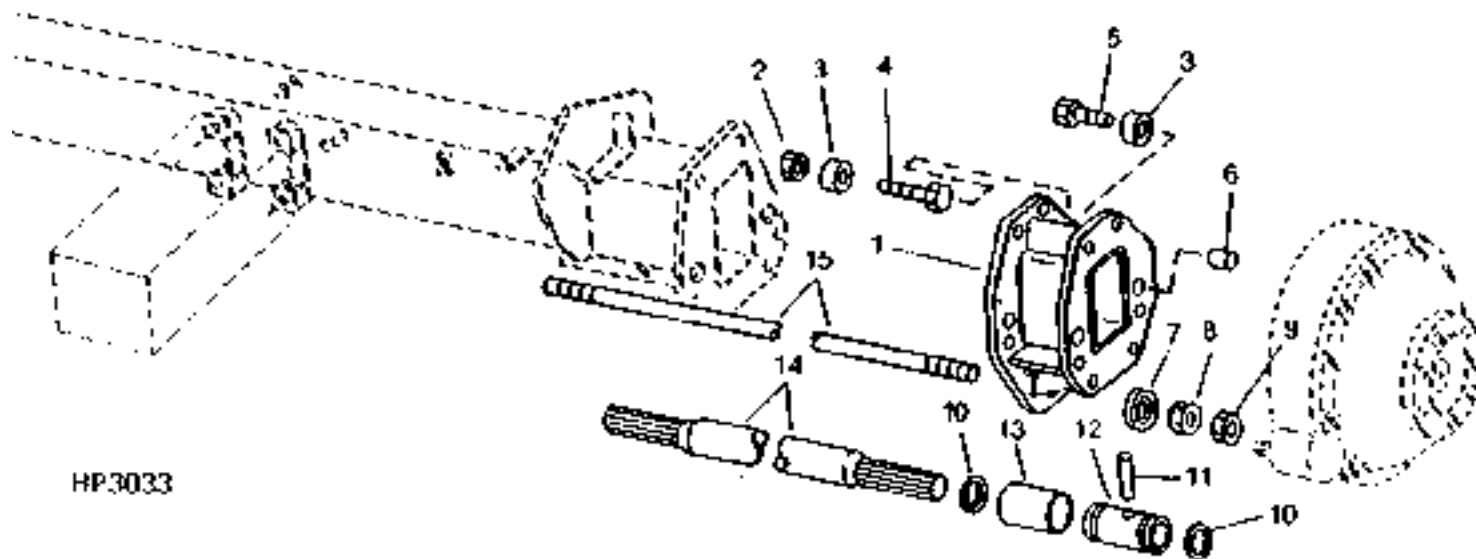


HP7216

KEY	PART NO.	PART NAME	QTY	SERIAL NO.	REMARKS
1	H87691	BUSHING	4		9.652 X 28.956 X 35.052 MM (0.380" X 1.140" X 1.380")
2	24M7243	WASHER	12		25.400 X 50 X 6 MM
3	42M7028	STUD	2		M16 X 75
4	H107504	BOLT	2		
	14M7291	FLANGE NUT	2		M16 FLANGE
5	19M8346	CAP SCREW	4		M24 X 70
6	19M7781	CAP SCREW	6		M24 X 150
	14M7278	NUT	6		M24
7	19M8216	CAP SCREW	2		M24 X 310
	14M7298	FLANGE NUT	2		
8	14M7291	FLANGE NUT	2		M16 FLANGE

2B19

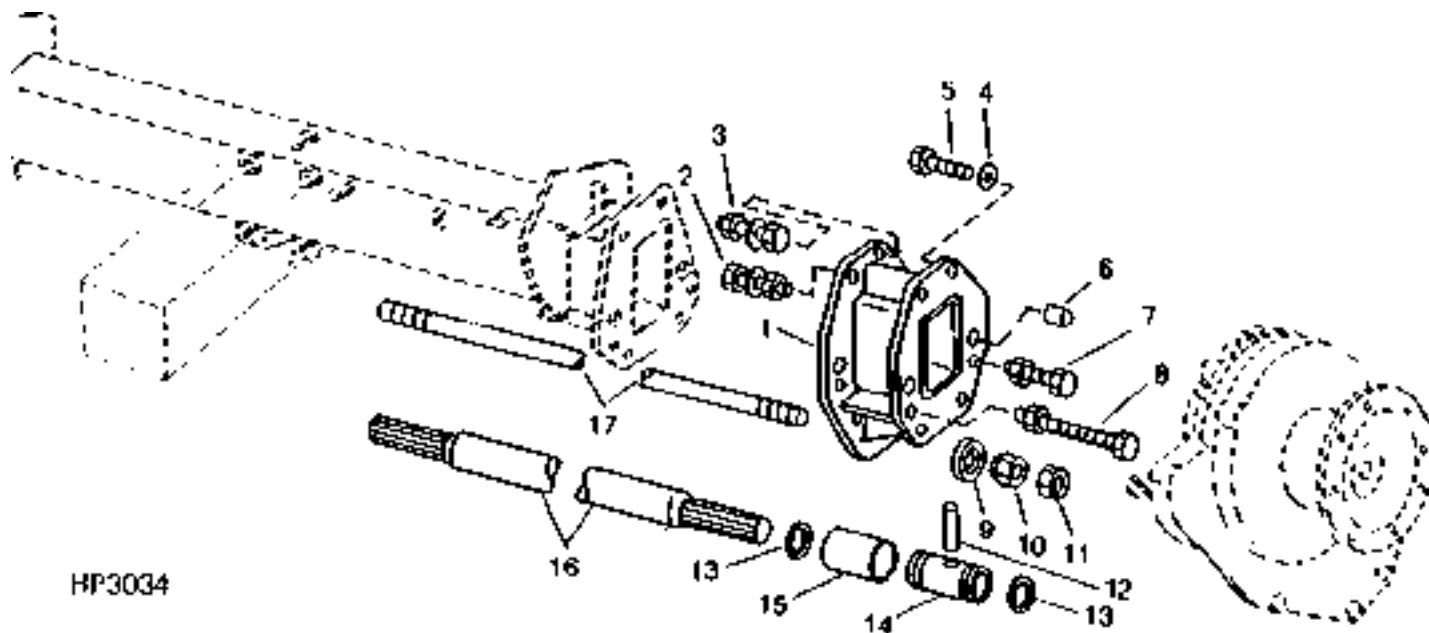
**AXLE SPACERS
(RING AND PINION FINAL DRIVE)**
HP3033 -UN-01JAN94



KEY	PART NO.	PART NAME	QTY	SERIAL NO.	REMARKS
1	AH128722	SPACER	1	(SUB H168165)	6"(165 MM)
	AH142158	EXTENSION	2	(SUB H168744)	12" (300 MM)
	AH142139	EXTENSION	2	(SUB H168166)	16" (400 MM)
	H168165	SPACER	1		6"(165 MM)
	H168166	SPACER	2		16"(400 MM)
2	H168744	SPACER	2		12"(300 MM)
	14M7300	FLANGE NUT	12		M20
	H156127	SLEEVE	24		HARDENED
4	19M7963	CAP SCREW	12		M20 X 100
5	19M8147	CAP SCREW	12		M20 X 90
6	H87691	BUSHING	8		9.652 X 28.956 X 35.052 MM (0.380" X 1.140" X 1.380")
7	H130287	SPACER	2		
8	H130288	NUT	2		
9	14M7431	NUT	2		M30
10	H133229	SNAP RING	4		
11	H131754	PIN	2		10 X 52 MM (0.394" X 2.047")
12	H165510	SPLINED COUPLING	2		(SUB FOR H133230)
13	H134444	SLEEVE	2		
14	H165661	SHAFT	2		(SUB FOR H133242) 165 MM
	H165662	SHAFT	2		(SUB FOR H133244) 300 MM
	H165663	SHAFT	2		(SUB FOR H133246) 400 MM
15	H133634	STUD	1		
..	BH81703	COMPLETE GOODS/SHIP. BUNDLE	2		(165 MM) AXLE SPACER
..	BH81704	COMPLETE GOODS/SHIP. BUNDLE	2		(400 MM) AXLE SPACER
..	BH81705	COMPLETE GOODS/SHIP. BUNDLE	2		(300 MM) AXLE SPACER

2B20

**AXLE SPACERS
(PLANETARY FINAL DRIVE)**
HP3034 -UN-01JAN94



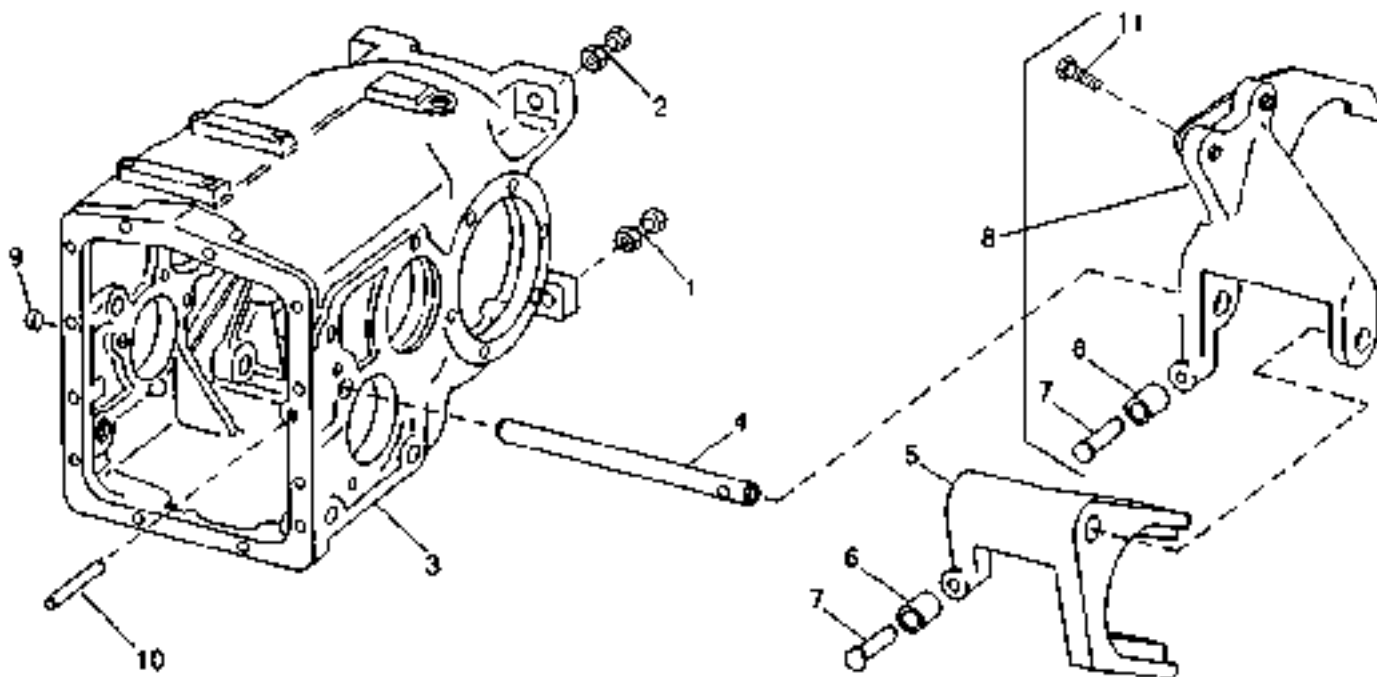
HP3034

KEY	PART NO.	PART NAME	QTY	SERIAL NO.	REMARKS
1	AH128772	HYDRAULIC LINE	2		68 X 50-32, 16 PLY TIRES
	AH142158	EXTENSION	1		(SUB H168744) 12"(300 MM)
	H168165	SPACER	1		(SUB FOR AH128722) 6"(165 MM)
	H168744	SPACER	1		12"(300 MM)
	H168166	SPACER	1		(SUB FOR AH142139) 16"(400 MM)
2	19M8288	CAP SCREW	10		M24 X 90
	24M7243	WASHER	10		25.400 X 50 X 6 MM
	14M7278	NUT	10		M24
3	19M8288	CAP SCREW	2		M24 X 90
	24M7243	WASHER	2		25.400 X 50 X 6 MM
	14M7298	FLANGE NUT	2		
4	24M7243	WASHER	12		25.400 X 50 X 6 MM
5	19M8346	CAP SCREW	4		M24 X 70
6	H87691	BUSHING	8		9.652 X 28.956 X 35.052 MM (0.380" X 1.140" X 1.380")
7	19M7781	CAP SCREW	6		M24 X 150
	14M7278	NUT	6		M24
8	19M8216	CAP SCREW	2		M24 X 310
	14M7278	NUT	2		M24
9	H130287	SPACER	2		36 X 69.850 X 14 MM (1.417" X 2-3/4" X 0.551")
10	H130288	NUT	2		
11	14M7431	NUT	2		M30
12	H131754	PIN	2		10 X 52 MM (0.394" X 2.047")
13	H133229	SNAP RING	4		
14	H133231	SPLINED COUPLING	2		
15	H134444	SLEEVE	2		55.500 X 60.300 X 85.100 MM (2.185" X 2.374" X 3.350")
16	H126545	DRIVE SHAFT	2		(300 MM) - 12"
	H133243	DRIVE SHAFT	2		(165 MM) - 6" (WIDE SPACED DUAL WHEELS)
	H126404	DRIVE SHAFT	2		(400MM)
17	H133635	STUD	1		

2B21

TRANSMISSION AND DIFFERENTIAL HOUSING AND SHIFTER FORKS

HP8036 -UN-27JUL99



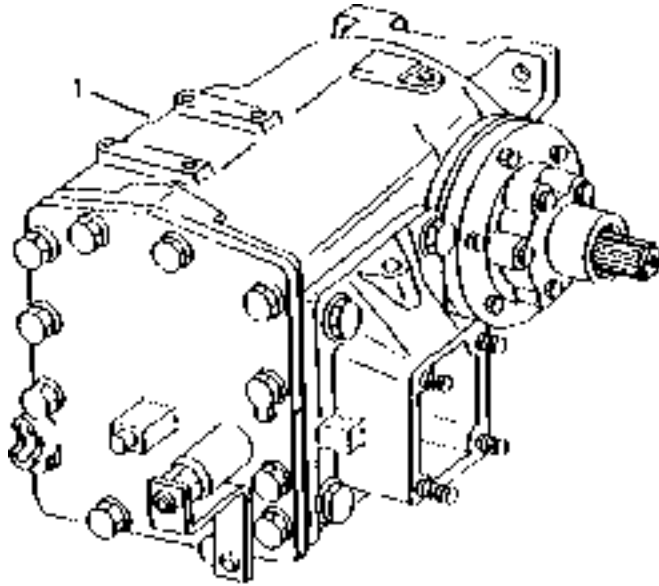
HP8036

KEY	PART NO.	PART NAME	QTY	SERIAL NO.	REMARKS
1	H107504	BOLT	2	M16 X 70	
2	42M7028	STUD	2		
	14M7291	FLANGE NUT	2	M16	
3	HOUSING	1	(ORDER AH140410)	
4	H146640	RAIL	1		
5	H135112	SHIFTER	1		
6	R26207	ROLLER	2		
7	H76152	PIN	2	9.512 X 27.686 MM (3/8" X 1.090")	
8	AH122575	SHIFTER	1		
9	N102039	CAP	1		
10	T76836	PIN	1	10 X 74 MM (0.394" X 2.913")	
11	14M7291	FLANGE NUT	2	M16	
..	AH140410	KIT	1	TRANSMISSION REPAIR KIT	
..	TY9371	ADHESIVE	1	6 ML (0.2 OZ.) TUBE, HIGH STRENGTH	
..	TY6304	SEALANT	1		

2B22

POWER TRAIN

TRANSMISSION
HP5722 -UN-01JAN94



HP5722

KEY	PART NO.	PART NAME	QTY	SERIAL NO.	REMARKS
1	AH158660	TRANSMISSION	1		(FOR RING AND PINION FINAL DRIVE)
	AH158661	TRANSMISSION	1		(FOR PLANETARY DRIVE)
	AH158662	TRANSMISSION	1		(EXPORT ONLY - AUSTRALIA)
	AH157698	TRANSMISSION	1		HEAVY DUTY (7MPH)
	AH157699	TRANSMISSION	1		HEAVY DUTY (10MPH)
	AH162923	TRANSMISSION	1		(SUB FOR AH157700) HEAVY DUTY (20MPH)

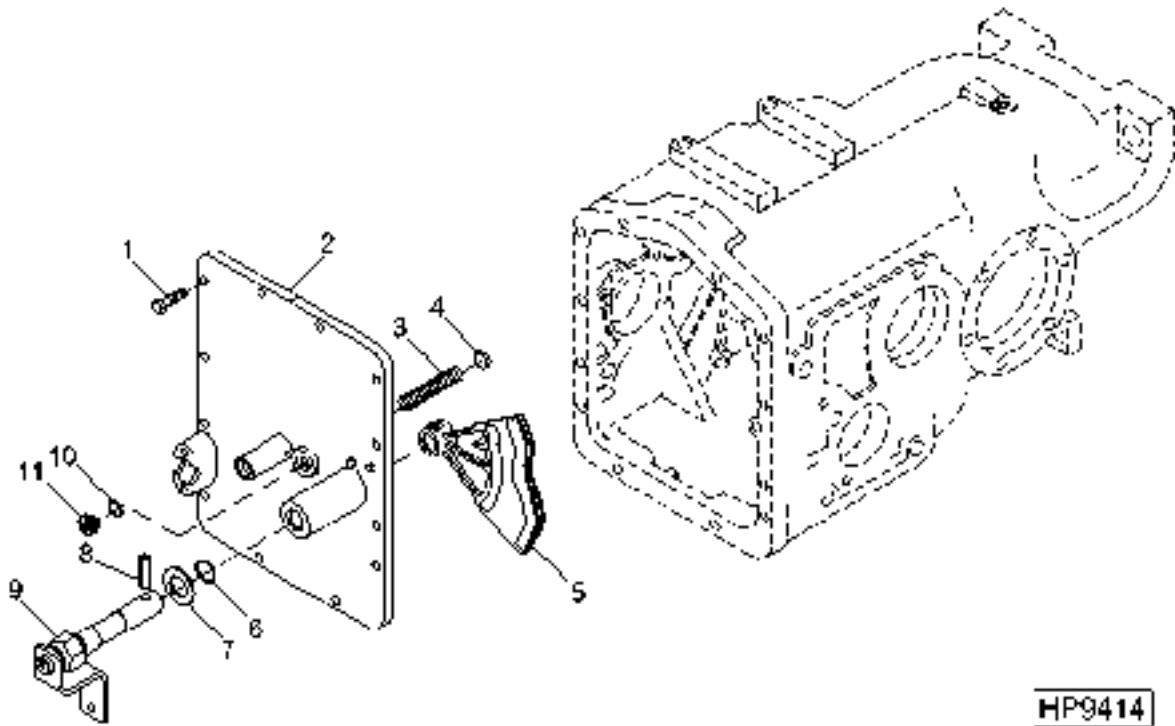
NOTE: DOES NOT INCLUDE BRAKES, SPEED PICKUP OR BREATHER

2B23

POWER TRAIN

TRANSMISSION AND DIFFERENTIAL HOUSING COVER, AND SHIFTER CAM

HP9414 -UN-06JAN00

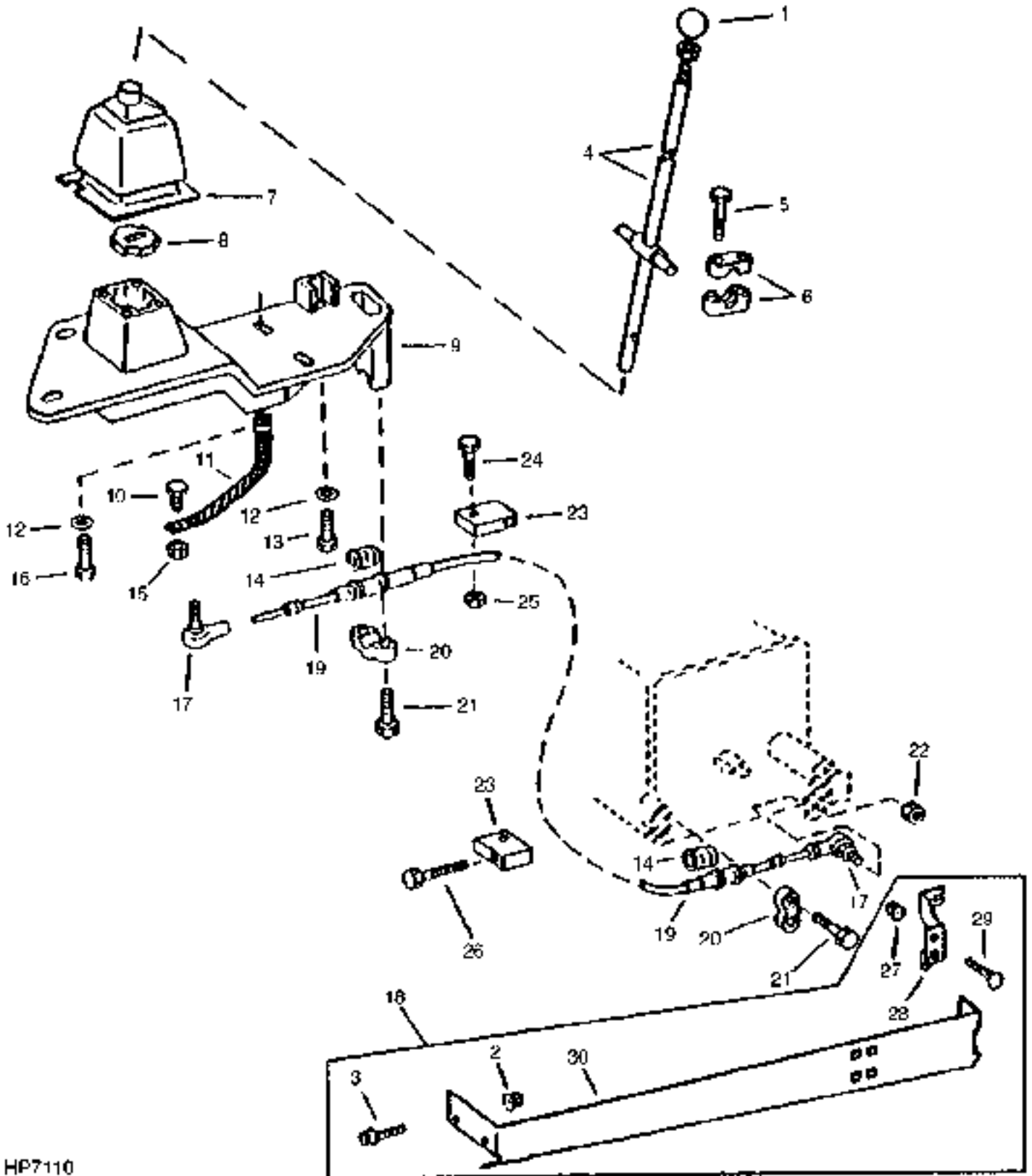


KEY	PART NO.	PART NAME	QTY	SERIAL NO.	REMARKS
1	19M7786	SCREW	12	M10 X 30	
2	N199920	COVER	1		
3	T27888	SPRING	1		
4	R1818R	BALL	1	19.050 MM (3/4")	
5	H167375	CAM	1	(SUB FOR H167375)	
	H167375	CAM	1		
6	R71144	O-RING	1	20.295 X 2.616 MM (0.799" X 0.103")	
7	H75700	WASHER	1	25.806 X 44.298 X 3.404 MM (1-1/64" X 1.744" X 0.134")	
8	34M7053	SPRING PIN	1	10 X 40 MM	
9	AH128267	ARM	1		
10	R26375	O-RING	1	16.358 X 2.210 MM (0.644" X 0.087")	
11	R33138	FITTING	1		

2B24

GEARSHIFT LEVER AND LINKAGE

HP7110 -UN-12SEP97



HP7110

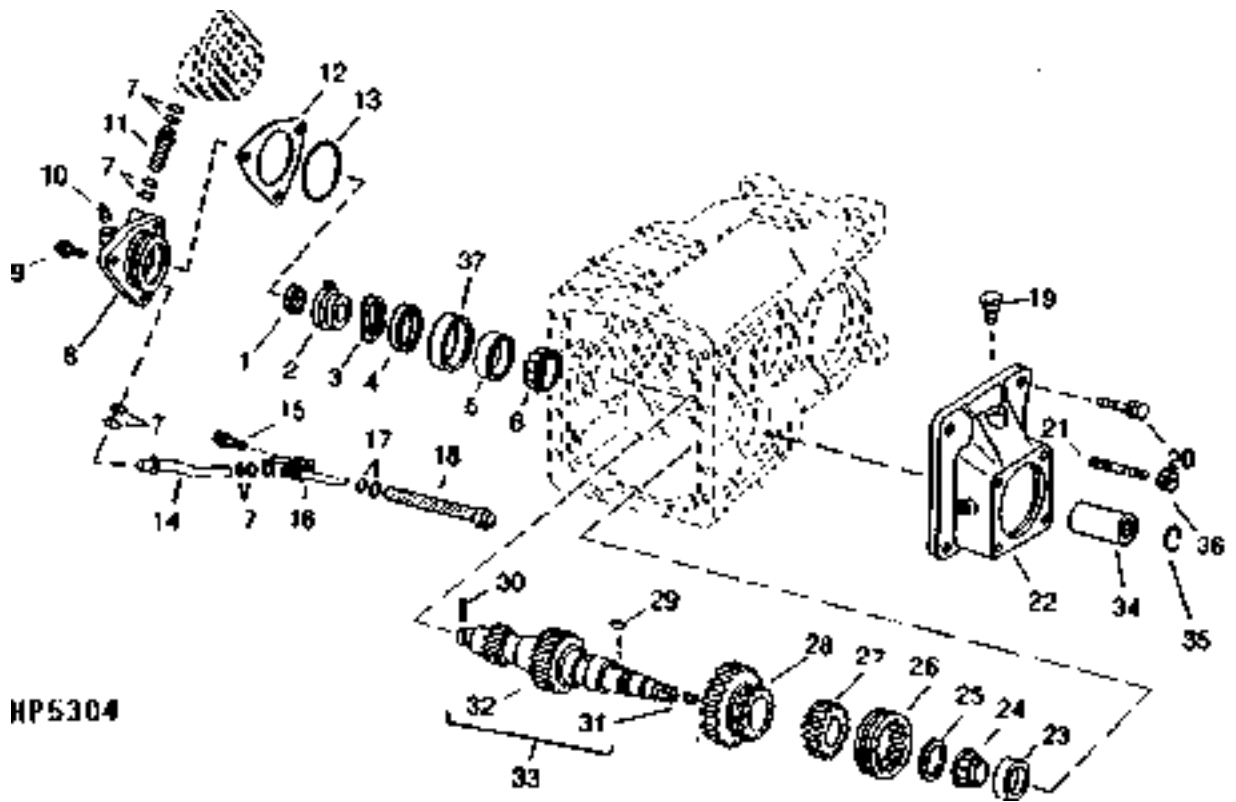
2B25

POWER TRAIN

GEARSHIFT LEVER AND LINKAGE - CONTINUED

KEY	PART NO.	PART NAME	QTY	SERIAL NO.	REMARKS
1	H125518	KNOB	1		
2	14M7401	LOCK NUT	1		USE TY9373 OR TY9478 OR TY9371
3	19M7789	SCREW	1		M12
4	AH138707	ROD	1		M12 X 30
5	19M8318	SCREW	4		
6	H131040	BEARING	4		M8 X 45
7	H131041	BOOT	1		
8	H133660	SEAL	1		
9	H133636	HOUSING	1		
10	19M7788	SCREW	1		M12 X 25
11	AH125010	GROUND CABLE	1		
12	24H1296	WASHER	5		11/32" X 1-3/8" X 0.134"
13	19M8319	SCREW	1		M8 X 50
14	H133662	ISOLATOR	2		
15	14M7299	FLANGE NUT	1		M12
16	19M7867	SCREW	4		M8 X 25
17	AH125958	BALL JOINT	2		
18	AH138328	KIT	1		CABLE GUARD
19	AH128356	CABLE	1		
20	H133047	CLAMP	2		
21	19M8291	SCREW	4		M8 X 35
22	14M7296	FLANGE NUT	1		M10
23	AH77724	CLIP	3		
24	19M7799	SCREW	1		
25	14M7298	FLANGE NUT	1		
26	37M7058	SCREW	3		
27	14M7400	LOCK NUT	2		
28	SUPPORT	1		(SUB AH138328)
29	03M7190	BOLT	2		M10 X 20
30	GUARD	1		(SUB AH138328)
..	TY9370	ADHESIVE	1		6 OZ. MEDIUM STRENGTH (CANADA NUMBER TY9477)
..	TY9373	GASKET	1		
..	TY9478	ADHESIVE	1		
..	TY9371	ADHESIVE	1		6 ML HIGH STRENGTH

TRANSMISSION INPUT SHAFT, GEARS, LUBE PUMP AND BEARINGS
HP5304 -UN-01JAN94

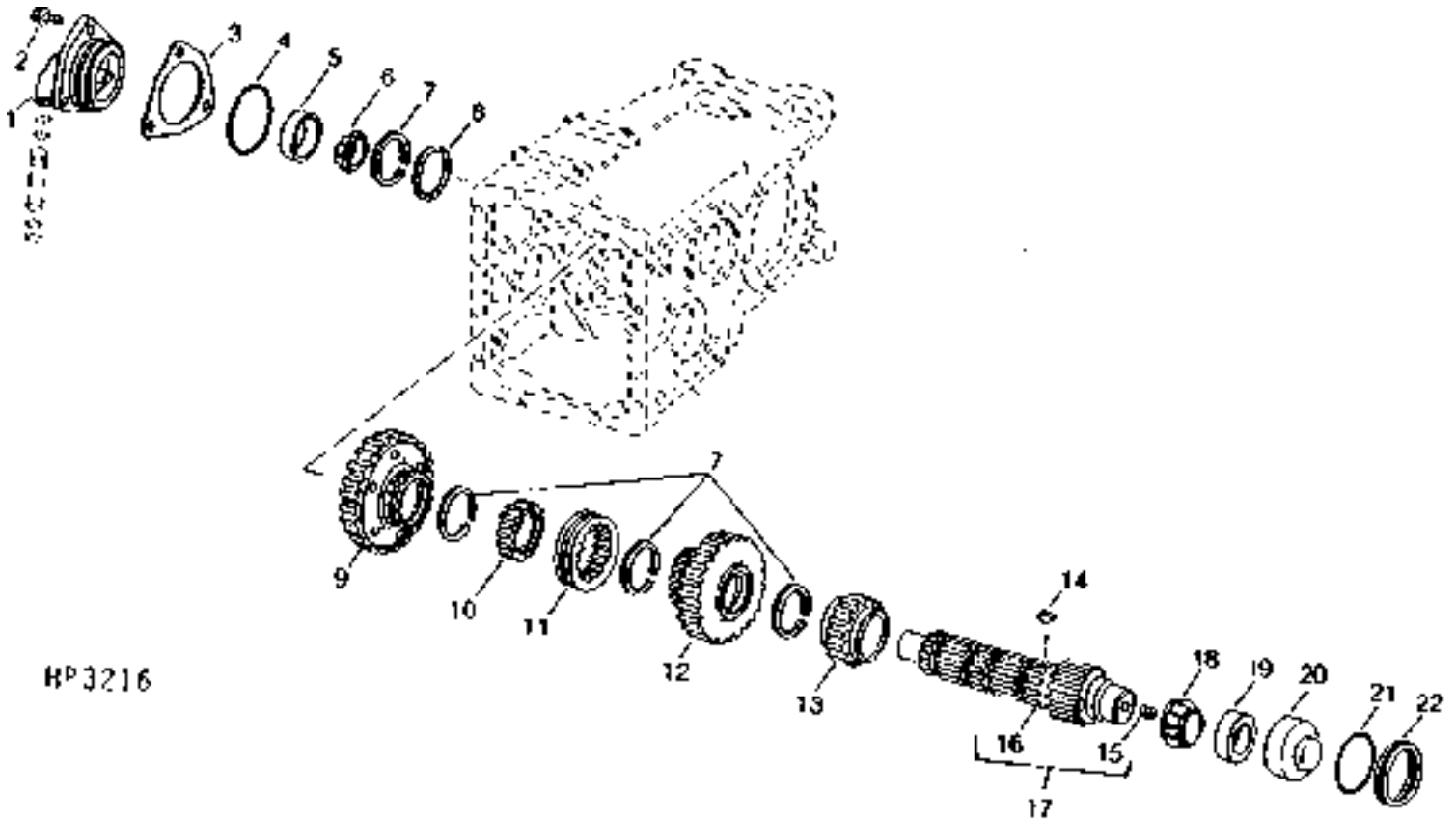


HP5304

TRANSMISSION INPUT SHAFT, GEARS, LUBE PUMP AND BEARINGS - CONTINUED

KEY	PART NO.	PART NAME	QTY	SERIAL NO.	REMARKS
1	AH128528	ROTOR	1		
2	H82234	PLATE	1		LUBE PUMP PORT
3	H82232	WASHER	1		54.610 X 63.119 X 0.889 MM (2.150" X 2.485" X 0.035") (WAVE TYPE)
4	H82233	BUSHING	1		
5	JD8257	BEARING CUP	1		
6	AR94761	BEARING CONE	1		(SUB FOR JD8947)
7	R394R	O-RING	8		12.370 X 2.616 MM (0.487" X 0.103")
8	H142030	HOUSING	1		
9	19M7786	SCREW	3		M10 X 30
10	15H638	PIPE PLUG	1		
11	H131296	OIL TUBE	1		
12	H132892	SHIM	AR		0.076 (.003) THICK
	H132893	SHIM	AR		0.127 (.005") THICK
	H132894	SHIM	AR		0.508 (.02") THICK
13	T43514	GASKET	1		PLASTIC GASKET
14	H131297	OIL TUBE	1		HYDRO MOTOR MOUNTING BRACKET
15	19M8162	CAP SCREW	1		M10 X 40
16	AH125228	FITTING	1		
17	R495R	O-RING	2		21.819 X 3.531 MM (55/64" X 0.139")
	R394R	O-RING	2		12.370 X 2.616 MM (0.487" X 0.103") EXPORT ONLY - FRANCE
18	AH121580	SCREEN	1		
19	AH20868	BREATHER	1		
20	19M7844	SCREW	4		M16 X 45
21	42M7029	STUD	4		
22	H133165	BRACKET	1		
23	JD8237	BEARING CUP	1		
24	JD10182	BEARING CONE	1		
25	P43969	SNAP RING	1		
26	H129564	SHIFT COLLAR	1		
27	H129565	SHIFT COLLAR	1		THIRD GEAR
28	H135943	GEAR	1		
	H141963	GEAR	1		(32 TOOTH) EXPORT ONLY - FRANCE
29	26M4228	SHAFT KEY	1		WOODRUFF
30	H75358	DOWEL PIN	1		
31	H110539	ORIFICE	1		
32	SHAFT	1		
33	AH131861	PINION SHAFT	1		
	AH137350	PINION SHAFT	1		EXPORT ONLY - AUSTRALIA
34	H129525	SPLINED COUPLING	1		
35	M41029	SNAP RING	2		
36	14M7299	FLANGE NUT	4		M12
37	H142031	SLEEVE	1		
..	TY9371	ADHESIVE	1		HIGH STRENGTH 6 ML (0.2 OZ) TUBE
..	TY6304	SEALANT	1		

TRANSMISSION PINION SHAFT, GEARS AND BEARINGS
HP3216 -UN-01JAN94



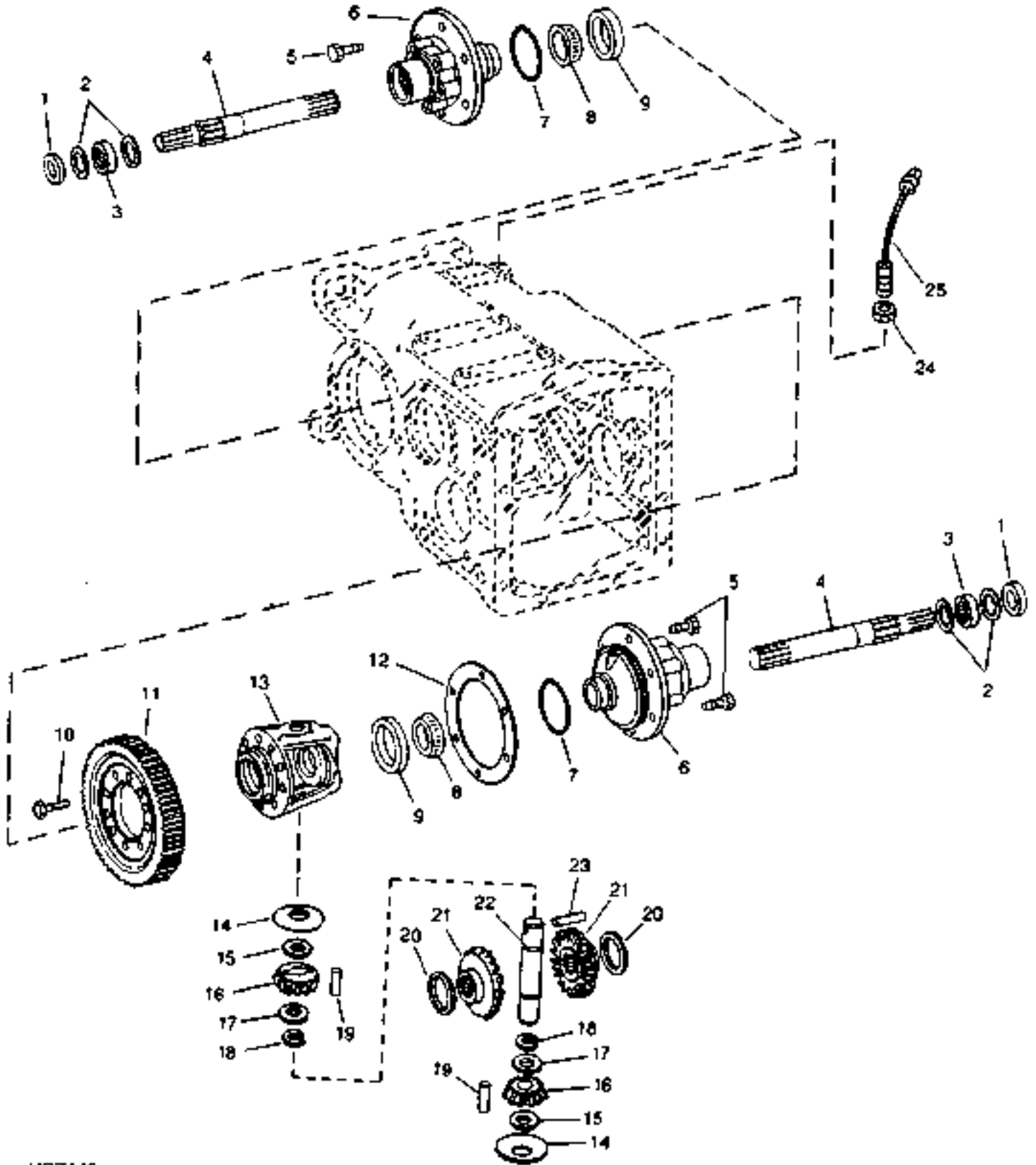
HP3216

TRANSMISSION PINION SHAFT, GEARS AND BEARINGS - CONTINUED

KEY	PART NO.	PART NAME	QTY	SERIAL NO.	REMARKS
1	H145173	PLANET PINION CARRIER	1	-12JA98	
	CE18201	PLANET PINION CARRIER	1	13JA98-	
2	19M7786	SCREW	3		M10 X 30
3	H132892	SHIM	AR		0.076MM (.003") THICK
	H132893	SHIM	AR		0.127 (.005") THICK
	H132894	SHIM	AR		0.508 (.02") THICK
4	U10776	O-RING	1		82.144 X 3.531 MM (3-15/64" X 0.139")
5	JD8267	BEARING CUP	1		
6	JD8979	BEARING	1		
7	R26265	SNAP RING	4		
8	H103167	WASHER	1		
9	H135944	GEAR	1		(32 TOOTH)
	H135942	GEAR	1	675766-	(29 TOOTH)
	H143408	GEAR	1	675766-	
10	H133010	SHIFT COLLAR	1		(DRIVE)
11	H129564	SHIFT COLLAR	1		
12	H135942	GEAR	1		
	H143408	GEAR	1		(EXPORT ONLY, AUSTRALIA)
13	H132618	GEAR	1		(24 TOOTH), FOR 3RD GEAR
	H140227	GEAR	1		(28 TOOTH), FOR 3RD GEAR (EXPORT ONLY) FRANCE
14	SHAFT KEY	1		8 X 28 MM (CUT FROM H150275)
15	H110539	ORIFICE	1		
16	PINION	1		
	PINION	1		(PLANETARY FINAL DRIVE)
17	AH131862	PINION SHAFT	1		(12 TOOTH)
	AH131863	PINION SHAFT	1		(18 TOOTH) (PLANETARY FINAL DRIVE)
	CE18223	PINION	1	675766-	(13 TOOTH)
18	JD8182	BEARING CONE	1		
19	JD8223	BEARING CUP	1		
20	H144385	BEARING CAP	1		
21	U10746	O-RING	1		107.544 X 3.531 MM (4-15/64" X 0.139")
22	H129558	SNAP RING	1		

2C5

DIFFERENTIAL GEARS AND SHAFTS
HP7448 -UN-20FEB98



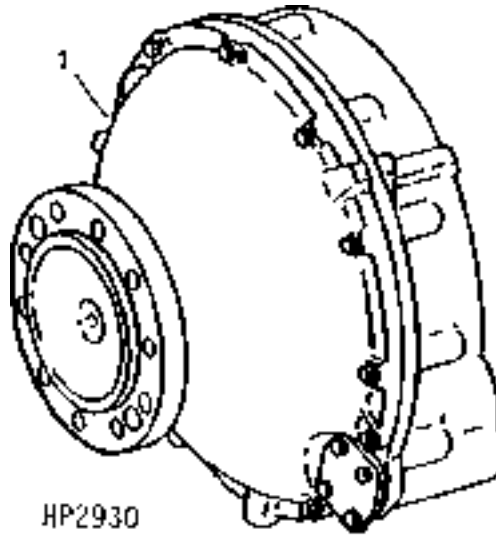
HP7448

DIFFERENTIAL GEARS AND SHAFTS - CONTINUED

KEY	PART NO.	PART NAME	QTY	SERIAL NO.	REMARKS
1	AT40603	SEAL	2		
2	C3936E	SNAP RING	4		
3	JD7502	ROLLER BEARING	2		
4	H135173	SHAFT	2		(SUB H165508) (RING AND PINION) HEAVY DUTY
	H164547	SHAFT	2	675766-	(RING AND PINION)-HEAVY DUTY
	H165508	SHAFT	2		(RING AND PINION) STD.
	H136017	SHAFT	2		(PLANETARY FINAL DRIVE)
5	19M7844	SCREW	12		M16 X 45
6	H130407	CRADLE	2		
7	R27796	O-RING	2		158.344 X 3.531 MM (6-15/64" X 0.139")
8	JD8147	BEARING CONE	2		
9	JD7425	BEARING CUP	2		
10	19M7790	SCREW	14		M12 X 35
	19M7985	SCREW	14		(USE WITH CE18224)
11	H132554	GEAR	1		(62 TOOTH)
	H125456	GEAR	1		(57 TOOTH) (PLANETARY FINAL DRIVE)
	CE18224	GEAR	1	675766-	(60 TOOTH)
12	H126572	SHIM	AR		0.076MM (.003") THICK
	H126573	SHIM	AR		0.127MM (.005") THICK
	H126575	SHIM	AR		0.508 (.02") THICK
13	N197422	HOUSING	1		
14	H133202	THRUST WASHER	2		32 X 70 X 1.650 MM (1.260" X 2.756" X 0.065")
15	R70112	THRUST WASHER	2		31.480 X 38 X 2.500 MM (1.239" X 1.496" X 0.098")
16	Z12964	PINION	1		
17	R70113	THRUST WASHER	2		
18	R70114	SNAP RING	2		
19	R70115	NEEDLE ROLLER	52		
20	H164794	WASHER	2		
21	H92308	GEAR	2		
22	H146646	PIN	1		(SUB FOR H113134)
23	34M7073	SPRING PIN	1		10 X 65 MM (0.394" X 2.559")
24	H104418	NUT	1		19.050 MM (3/4")
25	AH116104	SENSOR	1		GROUND SPEED

FINAL DRIVE (RING AND PINION)

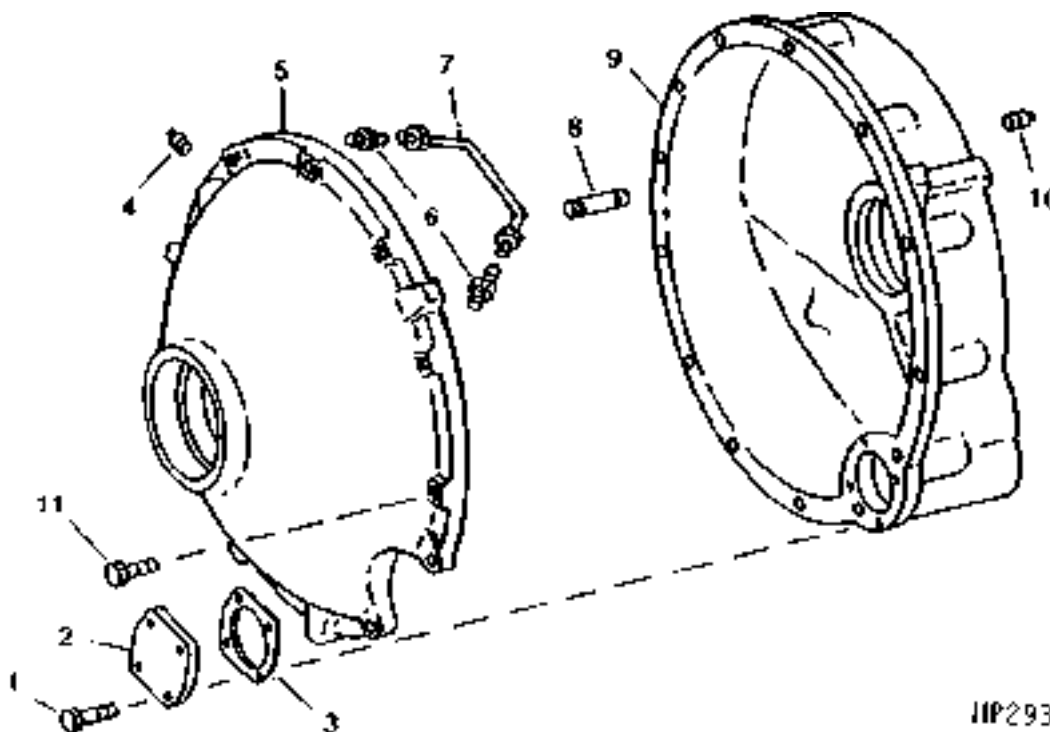
HP2930 -UN-01JAN94



KEY	PART NO.	PART NAME	QTY	SERIAL NO.	REMARKS
1	AH149448	GEAR	1	L.H.	
	AH149449	GEAR	1	R.H.	
	AH137754	GEAR	1	R.H. (RICE ONLY) (HIGH CLEARANCE)	
	AH137755	GEAR	1	L.H. (RICE ONLY) (HIGH CLEARANCE)	

FINAL DRIVE HOUSING AND BEARING CAP (RING AND PINION)

HP2931 -UN-01JAN94



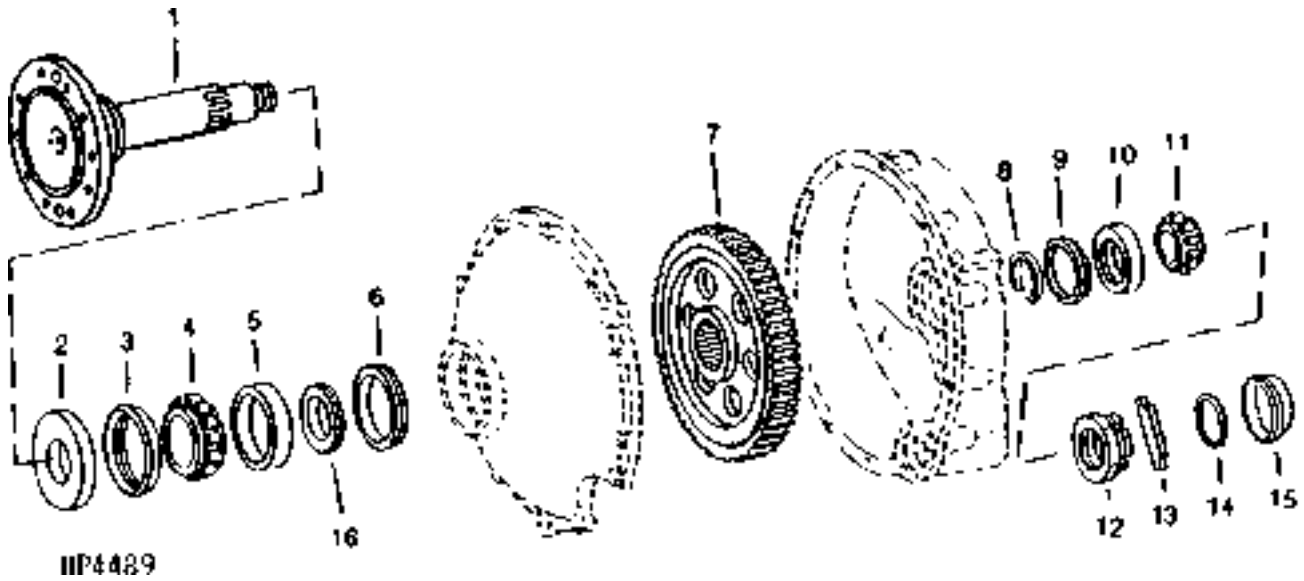
HP2931

KEY	PART NO.	PART NAME	QTY	SERIAL NO.	REMARKS
1	19M7835	SCREW	4	M10 X 35	
2	H133089	CAP	1		
	H161540	CAP	1		(USED ON HEAVY DUTY DRIVE) (AUSTRALIA)
3	H133096	SHIM	AR	0.50 MM (0.020") (STEEL)	
	H133097	SHIM	AR	0.25 MM (0.010") (STEEL)	
	H133098	SHIM	AR	0.13 MM (0.005") (PLASTIC) (BLUE)	
	H161541	SHIM	2		(USED ON HEAVY DUTY DRIVE) (AUSTRALIA)
	H161542	SHIM	1		(USED ON HEAVY DUTY DRIVE) (AUSTRALIA)
	H161543	SHIM	2		(USED ON HEAVY DUTY DRIVE) (AUSTRALIA)
	H163745	SHIM	2		(USED ON HEAVY DUTY DRIVE) (AUSTRALIA)
4	JD7760	LUBRICATION FITTING	1		
5	H133092	HOUSING	1		(OUTER)
	H163694	HOUSING	1		(OUTER) (USED ON HEAVY DUTY DRIVE) (AUSTRALIA)
6	R35352	FITTING	2		
7	AH120736	OIL LINE	1		
	AH156971	LINE	1		(USED ON HEAVY DUTY DRIVE) (AUSTRALIA)
8	R54380	DOWEL PIN	2		
9	H148286	HOUSING	1		R.H. (INNER) REQUIRES (2) 15H584 PIPE PLUGS (1) FOR FILL HOLE AND (1) FOR DRAIN HOLE
	H143894	HOUSING	1		L.H. (INNER) RICE ONLY
	H143893	HOUSING	1		R.H. (INNER) RICE ONLY
	N276475	HOUSING	1		L.H. (INNER)
	H163692	HOUSING	1		R.H. (USED ON HEAVY DUTY DRIVE) (INNER) (AUSTRALIA)
	H163693	HOUSING	1		L.H. (USED ON HEAVY DUTY DRIVE) (INNER) (AUSTRALIA)
	N276474	HOUSING	1		R.H. (INNER) (USED ON HEAVY DUTY DRIVE) (AUSTRALIA)
10	15H584	PIPE PLUG	3	12.700 MM (1/2") (SUB FOR 15H237)	
11	19M7824	SCREW	12	M16 X 60	

NOTE: QUANTITIES SHOWN ARE FOR ONE UNIT. TWO UNITS USED PER MACHINE.

FINAL DRIVE AXLE, GEAR AND BEARINGS (RING AND PINION)

HP4489 -UN-01JAN94



KEY	PART NO.	PART NAME	QTY	SERIAL NO.	REMARKS
1	H133094	SPINDLE	1		
	H161534	SPINDLE	1		(USED ON HEAVY DUTY DRIVE) (AUSTRALIA)
2	AH112402	SEAL	1		
	AH112401	SEAL	1		(USED ON HEAVY DUTY DRIVE) (AUSTRALIA)
3	R52015	SEAL	1		
	R90080	OIL CUP	1		(USED ON HEAVY DUTY DRIVE) (AUSTRALIA)
4	JD9092	BEARING CONE	1		
	JD10134	BEARING CONE	1		(USED ON HEAVY DUTY DRIVE) (AUSTRALIA)
5	JD9147	BEARING CUP	1		
	JD10135	BEARING CUP	1		(USED ON HEAVY DUTY DRIVE) (AUSTRALIA)
6	AH125233	SEAL	1		
	AH155232	V-RING SEAL	1		(USED ON HEAVY DUTY DRIVE) (AUSTRALIA)
7	H137672	GEAR	1	-24JA99	104 TEETH
	H167723	GEAR	1	25JA99-	95 TEETH
8	H118882	SNAP RING	1		
9	H129557	SPACER	1		
10	JD7298	BEARING CUP	1		
11	JD10266	BEARING CONE	1		
12	H129854	NUT	1		
13	H125330	SHAFT KEY	1		
14	H22784	SNAP RING	1		
15	H154720	PLUG	1		
16	R99244	V-RING SEAL	1		
	H161871	V-RING SEAL	1		(USED ON HEAVY DUTY DRIVE) (AUSTRALIA)

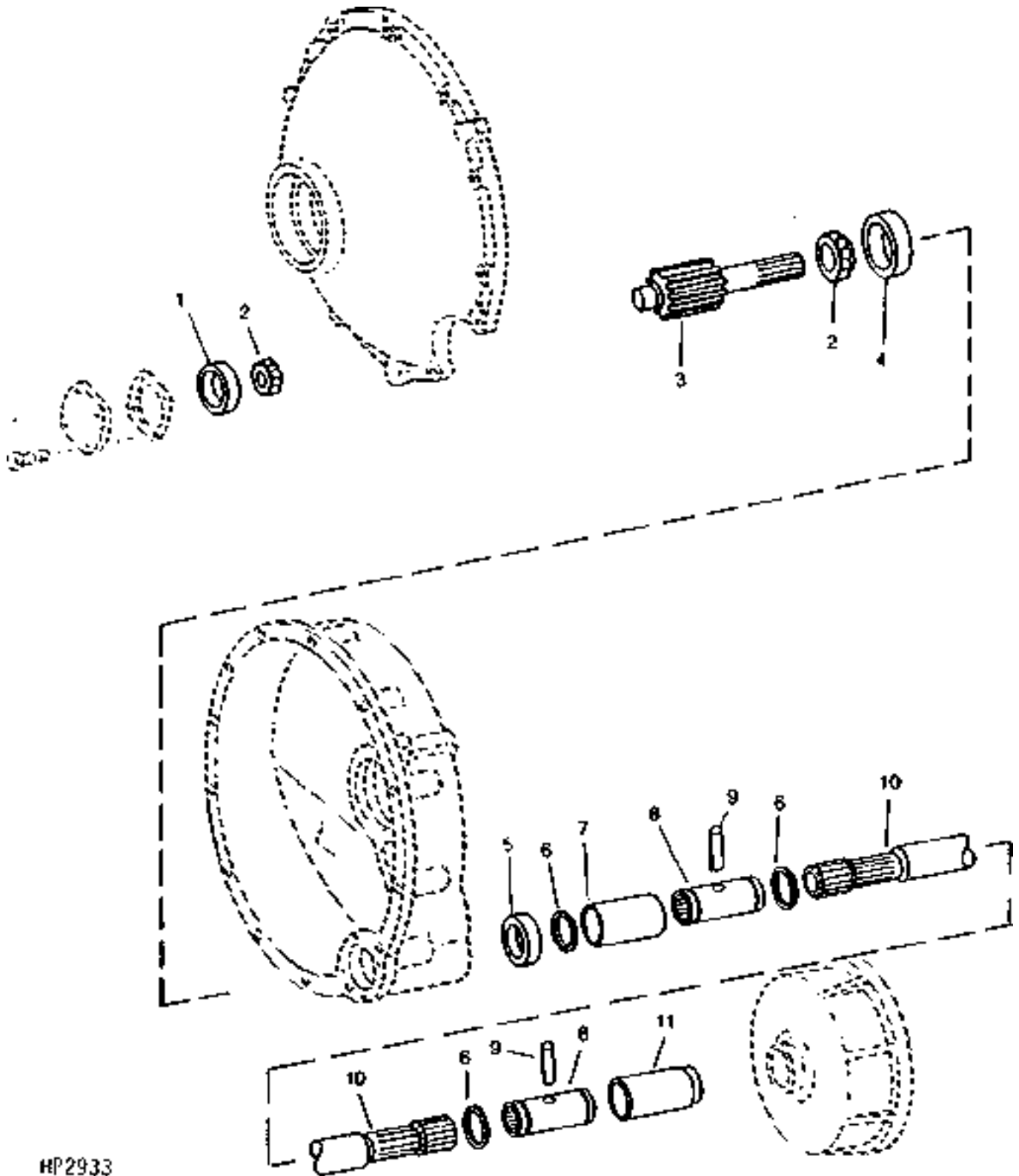
NOTE: QUANTITIES SHOWN ARE FOR ONE UNIT. TWO UNITS USED PER MACHINE.

MEMORANDA

2C10

FINAL DRIVE PINION, DRIVE SHAFTS AND BEARINGS
(RING AND PINION)

HP2933 -UN-01JAN94



HP2933

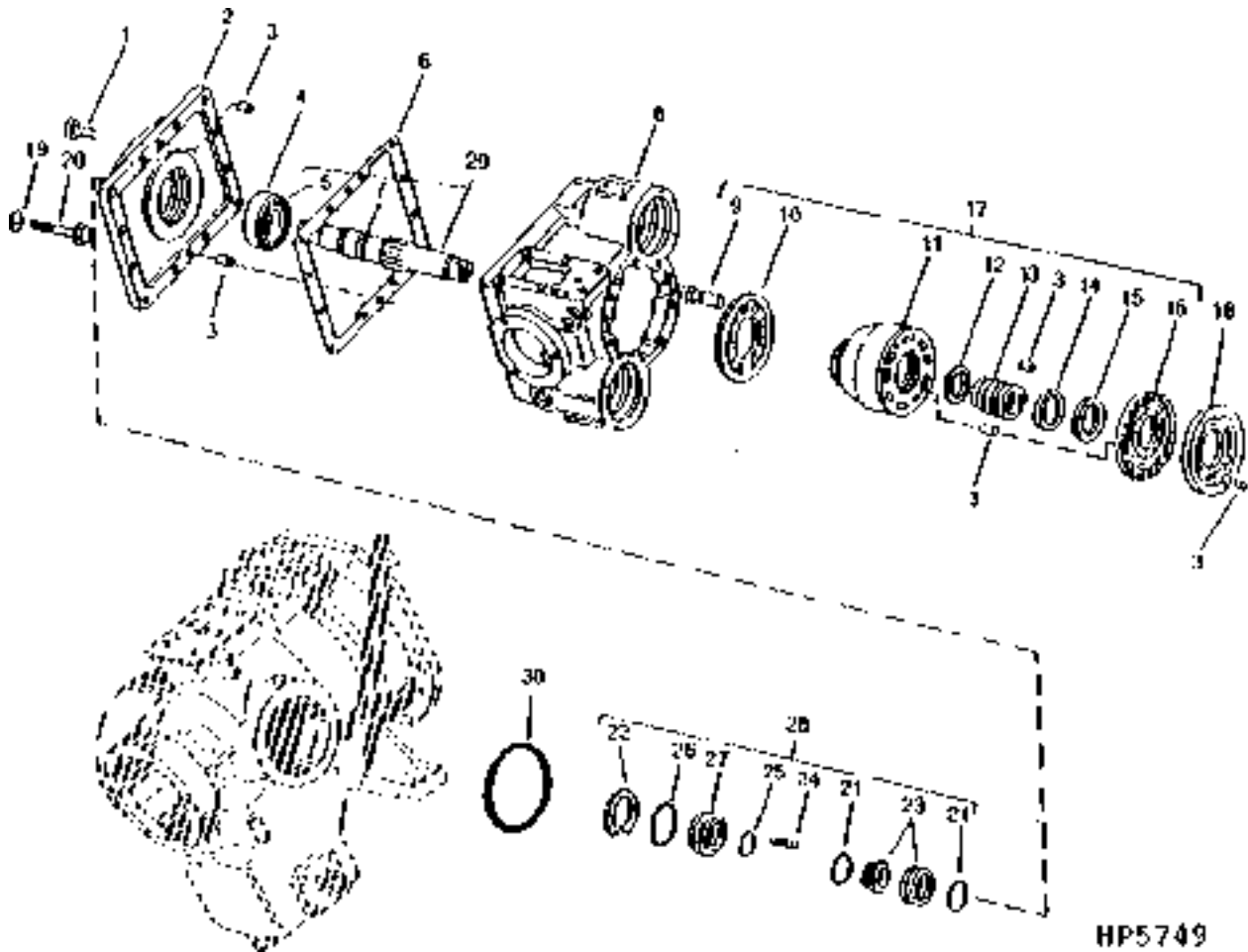
**FINAL DRIVE PINION, DRIVE SHAFTS AND BEARINGS - CONTINUED
(RING AND PINION)**

KEY	PART NO.	PART NAME	QTY	SERIAL NO.	REMARKS
1	JD8222	BEARING CUP	1		
	JD7278	BEARING CUP	1		(USED ON HEAVY DUTY DRIVE) (AUSTRALIA)
2	JD10401	BEARING CONE	2		
	JD7228	BEARING CONE	2		(USED ON HEAVY DUTY DRIVE) (AUSTRALIA)
3	H157014	PINION	1		(SERVICE FOR H157013)
	H161629	PINION	1		(USED ON HEAVY DUTY DRIVE) (AUSTRALIA)
4	T79098	BEARING CUP	1		
	JD7278	BEARING CUP	1		(USED ON HEAVY DUTY DRIVE)
5	AH128391	SEAL	1		
6	H133229	SNAP RING	3		
7	H134444	SLEEVE	1		
8	H165510	SPLINED COUPLING	2		(SUB FOR H133230)
9	H131754	PIN	2		10 X 52 MM (0.394" X 2.047")
10	H133875	DRIVE SHAFT	1		(SUB H165509)
	H165509	SHAFT	1		
11	H134531	SLEEVE	1		(SUB H166201)
	H166201	SLEEVE	1		

NOTE: QUANTITIES SHOWN ARE FOR ONE UNIT. TWO UNITS USED PER MACHINE.

**HYDROSTATIC DRIVE PUMP, FRONT COVER AND SHAFT
(RING AND PINION)**

HP5749 -UN-01JAN94



HP5749

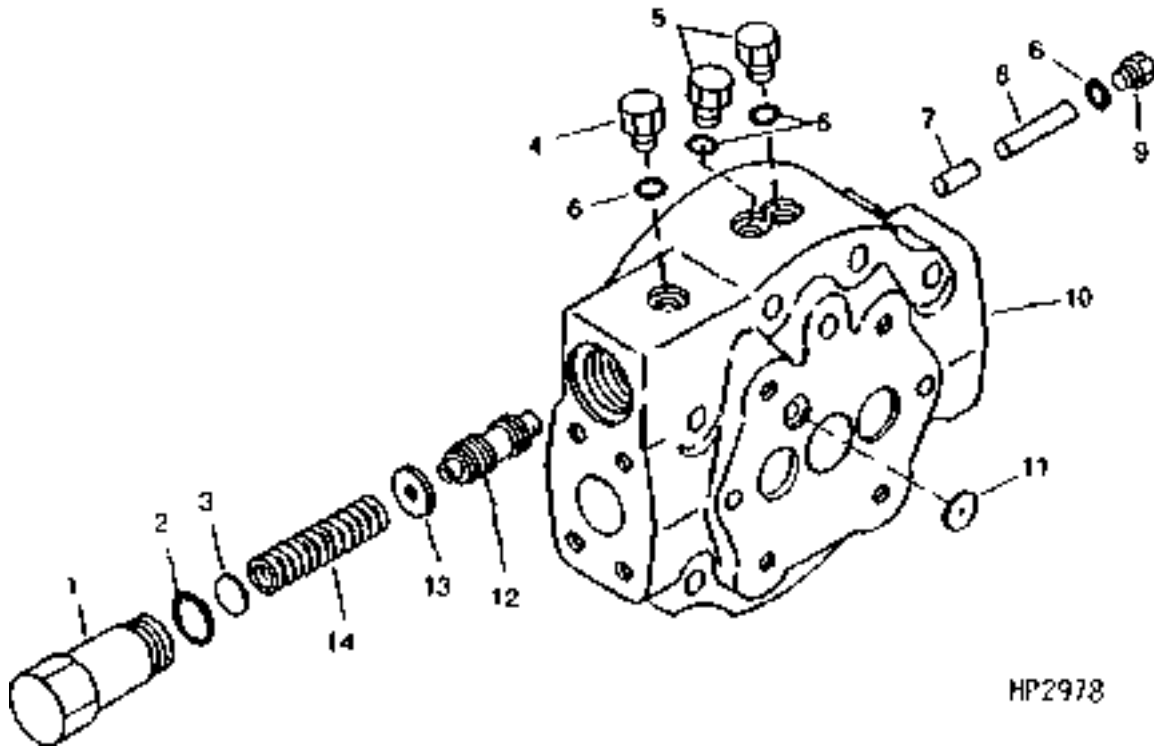
**HYDROSTATIC DRIVE PUMP, FRONT COVER AND SHAFT - CONTINUED
(RING AND PINION)**

KEY	PART NO.	PART NAME	QTY	SERIAL NO.	REMARKS
1	19H1731	CAP SCREW	12	3/8" X 1"	
2	FLANGE	1	(ORDER AH160785)	
3	H63271	PIN	5		
4	JD9113	BEARING CUP	1		
5	FLANGE	1		
6	N126585	GASKET	1		
7	SNAP RING	1		
8	HOUSING	1	(ORDER AH160785)	
9	AH131169	PISTON	9	(A)	
10	RETAINER	1	(A)	
11	CYLINDER BLOCK	1	(A)	
12	WASHER	1	(A)	
13	SPRING	1	(A)	
14	WASHER	1	(A)	
15	SNAP RING	1	(A)	
16	H135500	PLATE	1	(A)	
17	AH131171	KIT	1	(INCLUDES PARTS MARKED (A))	
18	H135499	PLATE	1		
19	T29342	WASHER	4	17/32" X 1-1/4" X 0.180"	
20	19M7493	CAP SCREW	4	M12 X 40	
21	N196034	O-RING	2	42.520 X 2.616 MM (1.674" X 0.103")	
22	N126612	SNAP RING	1		
23	SEAL KIT	1	(B)	
24	N191174	SPRING	6		
25	U15415	O-RING	1	34.646 X 1.778 MM (1.364" X 0.070")	
26	R112857	O-RING	1	64.770 X 2.616 MM (2.550" X 0.103")	
27	RETAINER	1	(B)	
28	AN193085	SEAL KIT	1	(INCLUDES PARTS MARKED (B))	
29	AH133660	SHAFT	1		
30	R63308	O-RING	1	120.015 X 5.334 MM (4.725" X 0.210")	
..	AH160785	PUMP	1	(SUB FOR AH131305) REMANUFACTURED, COMPLETE	
..	E65288	O-RING	1		

MEMORANDA

2C14

HYDROSTATIC DRIVE PUMP COVER (RING AND PINION)
 HP2978 -UN-01JAN94



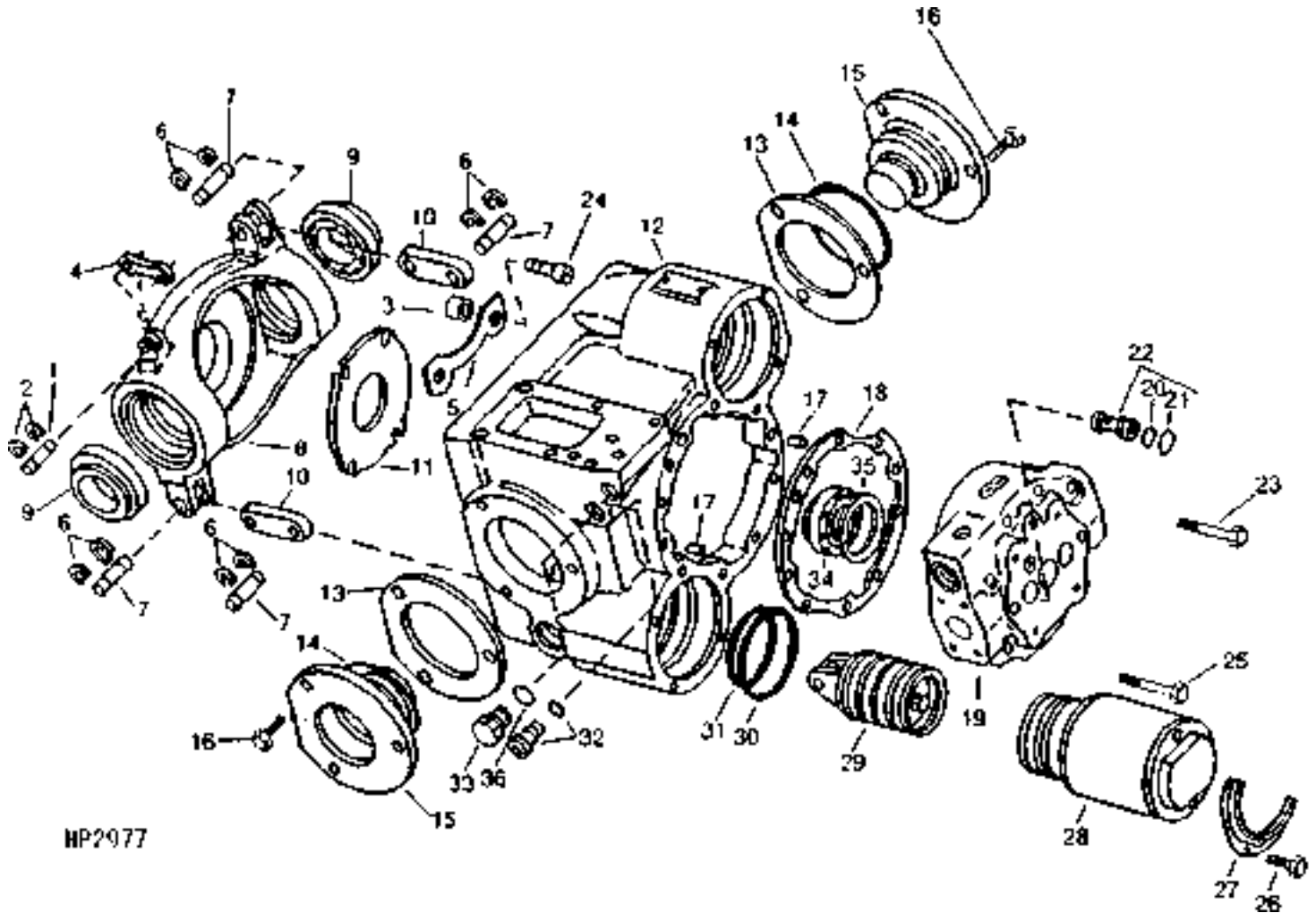
HP2978

KEY	PART NO.	PART NAME	QTY	SERIAL NO.	REMARKS
1	H135215	HOLDER	1		
2	R26906	O-RING	1		19.177 X 2.464 MM (0.755" X 0.097")
3	AH129278	KIT	1		SHIMS
4	AT63272	FITTING	1		INCS. R30903 O-RING
5	AT63272	FITTING	2		INCS. R30903 O-RING
6	R30903	O-RING	4		6.071 X 1.626 MM (0.239" X 0.064")
7	H135503	NEEDLE ROLLER	1		
8	H135504	NEEDLE ROLLER	1		
9	AT63272	FITTING	1		INCS. R30903 O-RING
10	COVER	1		(ORDER AH160785)
11	H135567	ORIFICE	1		
12	H135214	VALVE SPOOL	1		
13	H135213	WASHER	1		
14	H135211	COMPRESSION SPRING	1		
..	AH160785	PUMP	1		(SUB FOR AH131305) REMANUFACTURED
..	E65288	O-RING	1		

2C15

HYDROSTATIC DRIVE PUMP, HOUSING, SWASHPLATE, AND SERVO CYLINDERS (RING AND PINION)

HP2977 -UN-01JAN94



HP2977

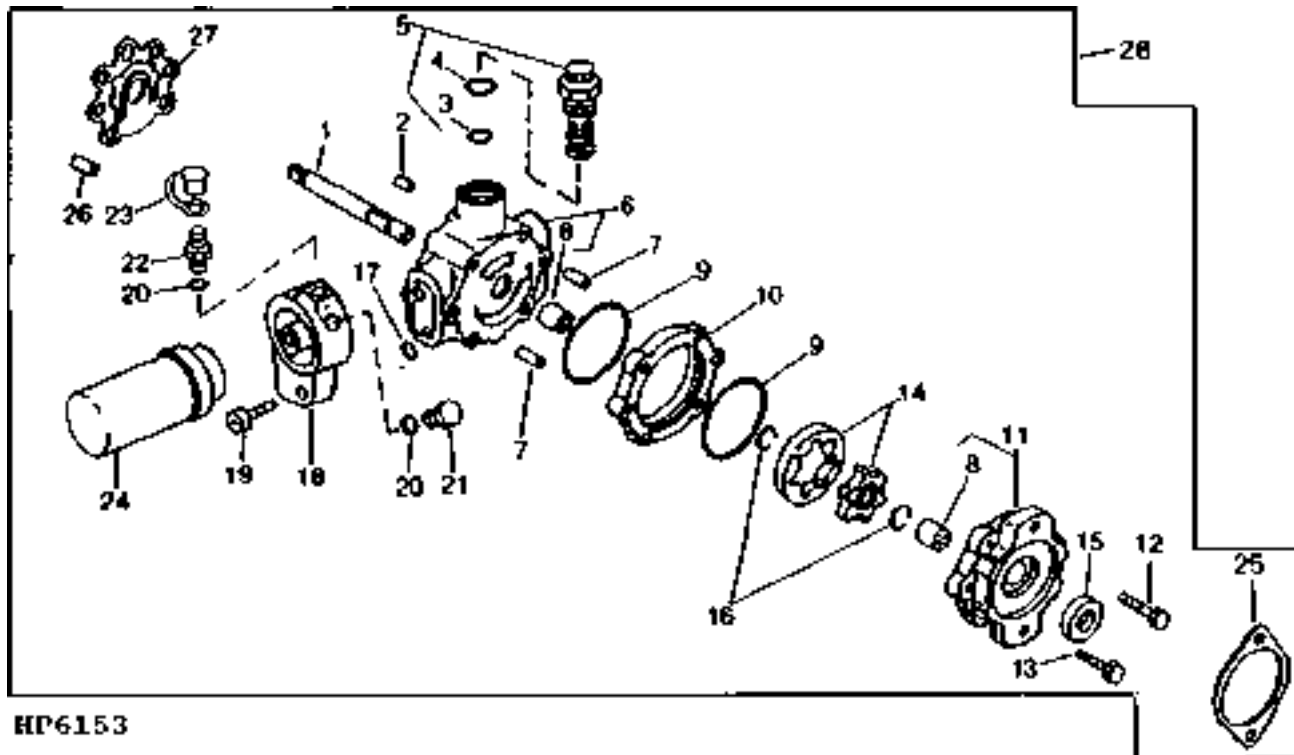
2C16

**HYDROSTATIC DRIVE PUMP, HOUSING, SWASHPLATE, AND SERVO CYLINDERS - CONTINUED
(RING AND PINION FINAL DRIVE)**

KEY	PART NO.	PART NAME	QTY	SERIAL NO.	REMARKS
1	N126603	PIN	1		6.350 X 22.606 MM (1/4" X 0.890")
2	M48000	SNAP RING	2		
3	SPACER	1		(KIT AH131391)
4	LINK	1		(ORDER AH160785)
5	STRAP	1		(KIT AH131391)
6	SNAP RING	8		(KIT AN274375)
7	PIN	4		(KIT AN274375)
8	SWASH PLATE	1		(ORDER AH160785)
9	JD9076	BEARING CONE	2		
	JD9133	BEARING CUP	2		
10	N126600	LINK	2		
11	PLATE	1		(KIT AH131391)
12	HOUSING	1		(ORDER AH160785)
13	AN122506	SHIM	AR		FOUR, .002", .005", .010" AND .015"
14	T14065	O-RING	2		66.269 X 3.531 MM (2-39/64" X 0.139")
15	TRUNNION	2		(ORDER AH160785)
16	19H2284	CAP SCREW	6		3/8" X 7/8"
17	H63271	PIN	2		
18	N126584	GASKET	1		
19	COVER	1		(ORDER AH160785)
20	32246	O-RING	2		13.945 X 2.616 MM (0.549" X 0.103")
21	W23690	BACK-UP RING	2		
22	AN122502	CHECK VALVE	2		
23	19H1944	CAP SCREW	6		3/8" X 2-3/4"
24	19H3053	SCREW	4		5/16" X 1"
25	19H1800	CAP SCREW	2		3/8" X 1-1/2"
26	19H3176	SCREW	6		0.164" X 0.380"
27	N126602	RETAINER	2		SERVO
28	AN122493	SLEEVE	2		SERVO, INCLUDES R53543 AND M43518 O-RINGS
29	AH131172	PISTON	2		(INCLUDES KEYS 6, 7 AND 10)
30	R53543	O-RING	2		67.945 X 2.619 MM (2.675" X 0.103")
31	M43518	O-RING	2		61.595 X 2.616 MM (2.425" X 0.103")
32	AN122518	FITTING	1		PLUG, SOCKET HD. UNF, 7/16", INCLUDES O-RING
33	R51031	FITTING	1		
34	AN122507	ROLLER BEARING	1		
35	AN122509	SHIM	1		FIVE, .002", .005", .010" AND .015"
36	R28782	O-RING	2		8.915 X 1.829 MM (0.351" X 0.072")
..	AH131391	KIT	1		(INCLUDES KEYS 3, 5 AND 11)
..	AH160785	PUMP	1		(SUB FOR AH131305) REMANUFACTURED
..	E65288	O-RING	1		
..	AN274375	PIN	1		(INCLUDES KEYS 6 AND 7)

**HYDROSTATIC DRIVE CHARGE PUMP
(RING AND PINION)**

(- 678742)
HP6153 -UN-01SEP95



HP6153

KEY	PART NO.	PART NAME	QTY	SERIAL NO.	REMARKS
1	H135505	DRIVE SHAFT	1		
2	N126638	PIN	1		
3	H63289	O-RING	1		20.295 X 2.616 MM (0.799" X 0.103")
4	U17409	O-RING	1		26.619 X 2.946 MM (1.048" X 0.116")
5	AN122498	RELIEF VALVE	1		
6	HOUSING	1	(A)	
7	N126601	BUSHING	1		
8	NEEDLE BEARING	1	(A)	
9	H135570	O-RING	1		78.994 X 1.778 MM (3.110" X 0.070")
10	SPACER	1	(A)	
11	COVER	1	(A)	
12	19H1875	CAP SCREW	2		5/16" X 1-3/4"
13	SCREW	4	(A)	
14	OIL PUMP	1	(A)	
15	AH131170	SEAL	1		
16	SNAP RING	2	(A)	
17	R34404	O-RING	2		17.120 X 2.616 MM (0.674" X 0.103")
18	H151087	FILTER HEAD	1		
19	19H3093	SCREW	2		9.525 X 44.450 MM (3/8" X 1-3/4")
20	R26448	O-RING	2		11.887 X 1.981 MM (0.468" X 5/64")
21	R27218	FITTING PLUG	1		
22	AH125760	HYD. QUICK-CONNECT COUPLER	1		
23	R77175	COVER	1		
24	AH128449	HYDRAULIC FILTER	1		
25	H131121	GASKET	1		
26	H63271	PIN	2		
27	H135497	GASKET	1		
28	AH131167	HYDRAULIC PUMP	1		(SUB AH160745 AND E65288) (INCLUDES PARTS MARKED (A))
	AH160745	HYDRAULIC PUMP	1		REMANUFACTURED (INCLUDES PARTS MARKED (A))
	E65288	O-RING	1		

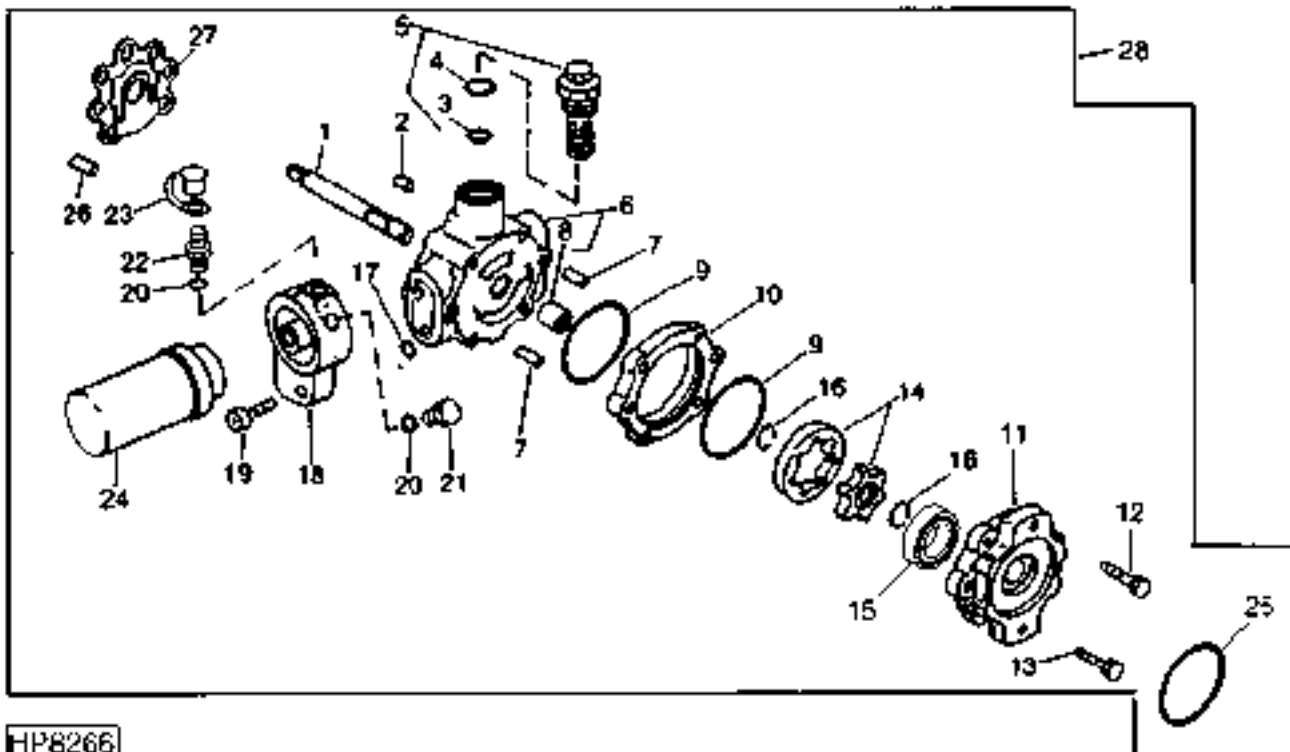
NOTE: PARTS ON THIS PAGE ARE ALSO FURNISHED AS PART OF AH160785 HYDROSTATIC DRIVE UNIT.

2C18

POWER TRAIN

HYDROSTATIC DRIVE CHARGE PUMP (RING AND PINION)

(678743 -)
HP8266 -UN-19FEB99



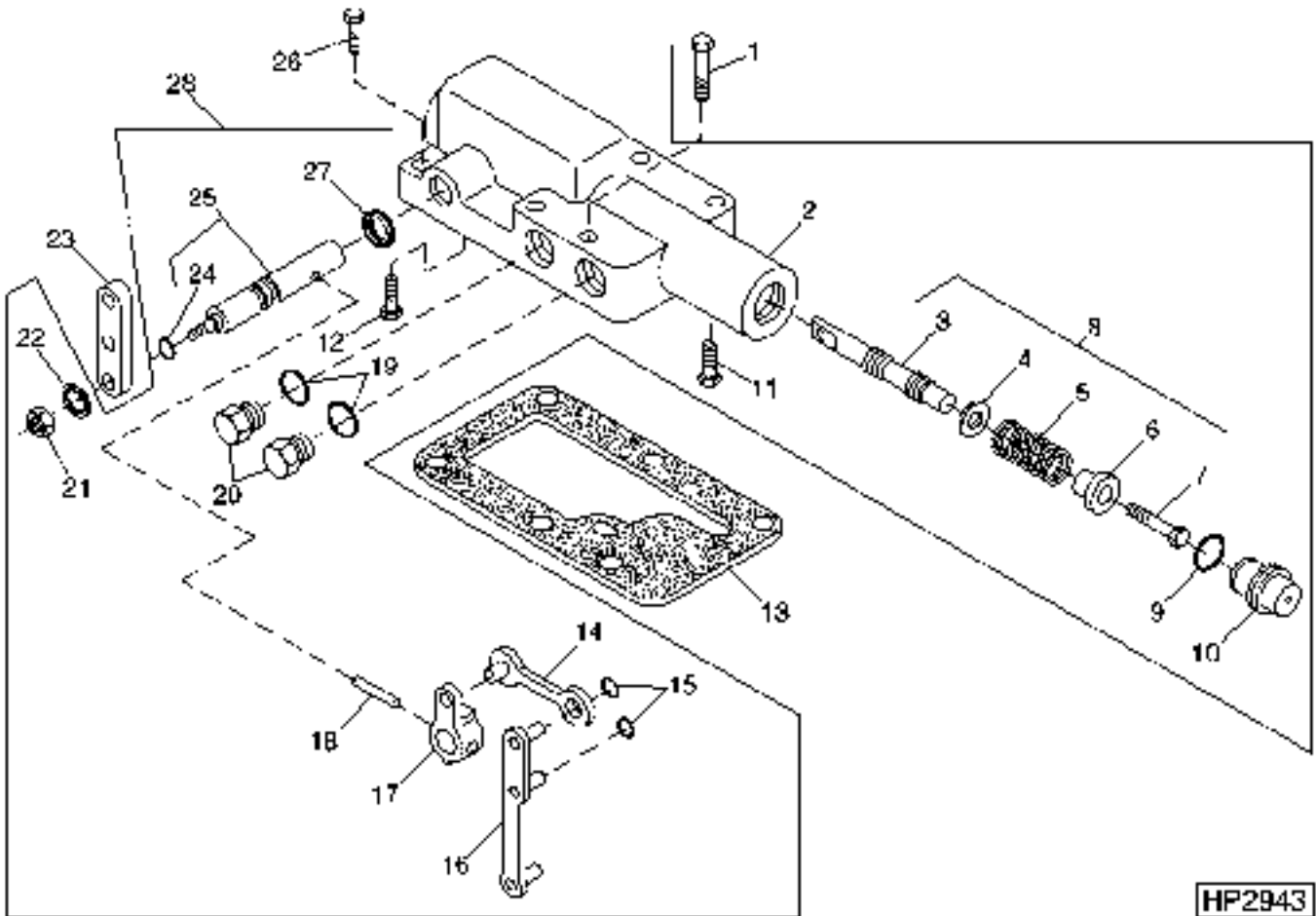
HP8266

KEY	PART NO.	PART NAME	QTY	SERIAL NO.	REMARKS
1	DRIVE SHAFT	1		
2	N126638	PIN	1		
3	H63289	O-RING	1		20.295 X 2.616 MM (0.799" X 0.103")
4	U17409	O-RING	1		26.619 X 2.946 MM (1.048" X 0.116")
5	AN122498	RELIEF VALVE	1		
6	HOUSING	1		(A)
7	N126601	BUSHING	1		
8	NEEDLE BEARING	1		(A)
9	H135570	O-RING	1		78.994 X 1.778 MM (3.110" X 0.070")
10	SPACER	1		(A)
11	COVER	1		(A)
12	19H1875	CAP SCREW	2		5/16" X 1-3/4"
13	SCREW	4		(A)
14	OIL PUMP	1		(A)
15	BALL BEARING	1		
16	SNAP RING	2		(A)
17	R34404	O-RING	2		17.120 X 2.616 MM (0.674" X 0.103")
18	H151087	FILTER HEAD	1		
19	19H3093	SCREW	2		9.525 X 44.450 MM (3/8" X 1-3/4")
20	R26448	O-RING	2		11.887 X 1.981 MM (0.468" X 5/64")
21	R27218	FITTING PLUG	1		
22	AH125760	HYD. QUICK-CONNECT COUPLER	1		
23	R77175	COVER	1		
24	AH128449	HYDRAULIC FILTER	1		
25	E65288	O-RING	1		
26	H63271	PIN	2		
27	H135497	GASKET	1		
28	AH160745	HYDRAULIC PUMP	1		(INCLUDES PARTS MARKED (A))

NOTE: PARTS ON THIS PAGE ARE ALSO FURNISHED AS PART OF AH160785 HYDROSTATIC DRIVE UNIT.

2C19

HYDROSTATIC DRIVE DISPLACEMENT CONTROL VALVE
HP2943 -UN-13AUG99



HP2943

HYDROSTATIC DRIVE DISPLACEMENT CONTROL VALVE - CONTINUED

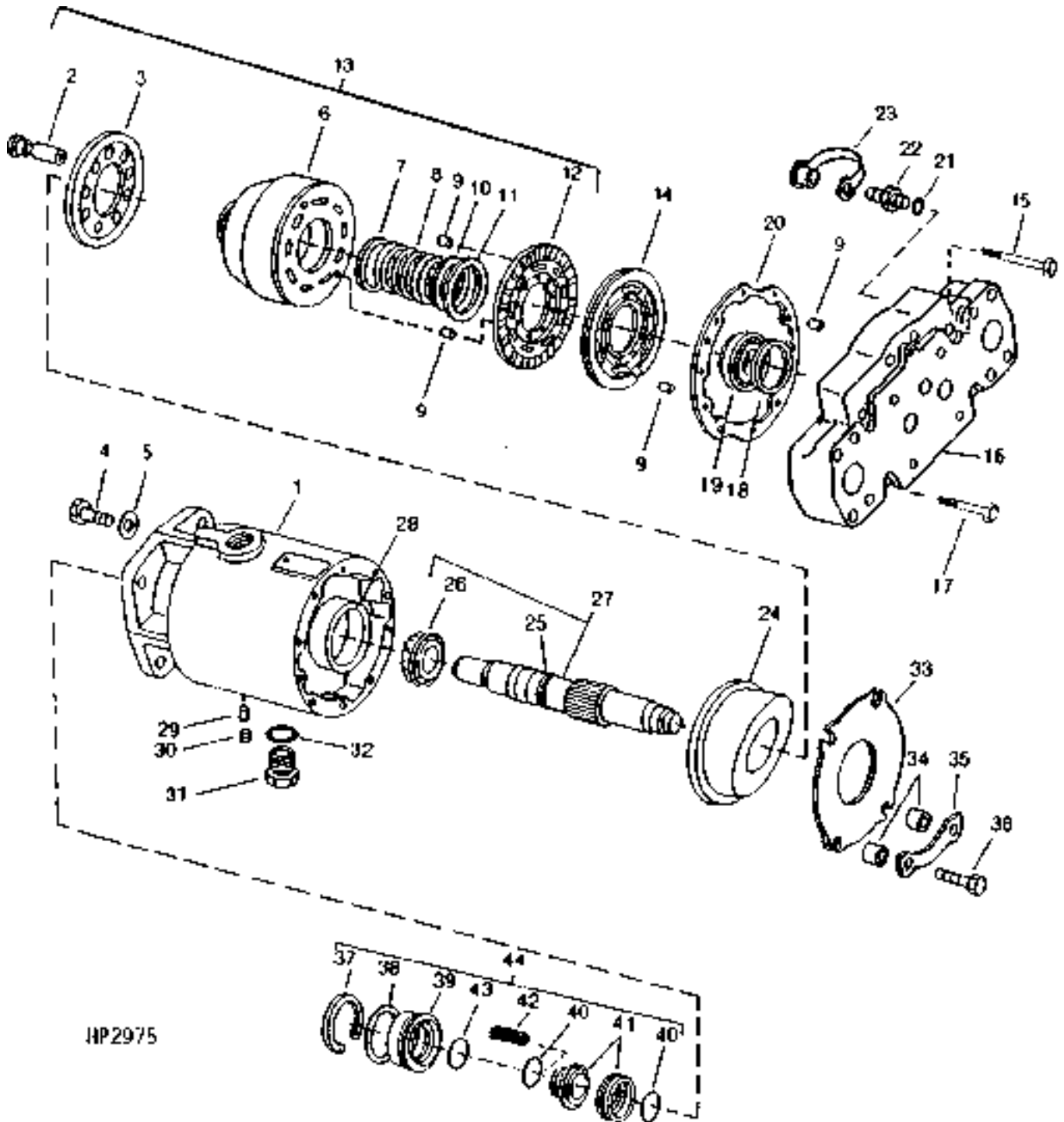
KEY	PART NO.	PART NAME	QTY	SERIAL NO.	REMARKS
1	19H1875	CAP SCREW	2	5/16" X 1-3/4"	
2	HOUSING	1	(B)	
3	SPOOL	1	(A)	
4	WASHER	1	(A)	
5	SPRING	1	(A)	
6	RETAINER	1	(A)	
7	CAP SCREW	1	(A)	
8	AH129284	KIT	1	(INCLUDES PARTS MARKED (A))	
9	R27166	O-RING	1	15.596 X 1.778 MM (0.614" X 0.070")	
10	N126641	SCREW	1		
11	AN122494	BOLT	1		
12	AN122499	BOLT	1		
13	N126586	GASKET	1		
14	LINK	1	(B)	
15	M48000	SNAP RING	2		
16	LINK	1	(B)	
17	CONNECTOR	1	(B)	
18	34H311	SPRING PIN	1	1/4" X 7/8"	
19	R26448	O-RING	2	11.887 X 1.981 MM (0.468" X 5/64")	
20	R27218	FITTING PLUG	2		
21	14H785	NUT	1	5/16"	
22	12M7032	LOCK WASHER	1	8.400 MM (0.331")	
23	H168988	LEVER	1	(SUB FOR H126583)	
24	A3917R	O-RING	1	9.246 X 1.778 MM (0.364" X 0.070")	
25	AN193084	SHAFT	1		
26	19H1905	CAP SCREW	4	5/16" X 1"	
27	H136163	SEAL	1		
28	AH131168	CONTROL VALVE	1	(INCLUDES PARTS MARKED (B))	

NOTE: PARTS ON THIS PAGE ARE ALSO FURNISHED AS PART OF AH160785 HYDROSTATIC DRIVE UNIT.
(SINGLE REDUCTION FINAL DRIVE)

NOTE: PARTS ON THIS PAGE ARE ALSO FURNISHED AS PART OF AH160790 HYDROSTATIC DRIVE UNIT.
(PLANETARY FINAL DRIVE)

2C21

HYDROSTATIC DRIVE MOTOR
(RING AND PINION)
HP2975 -UN-01JAN94



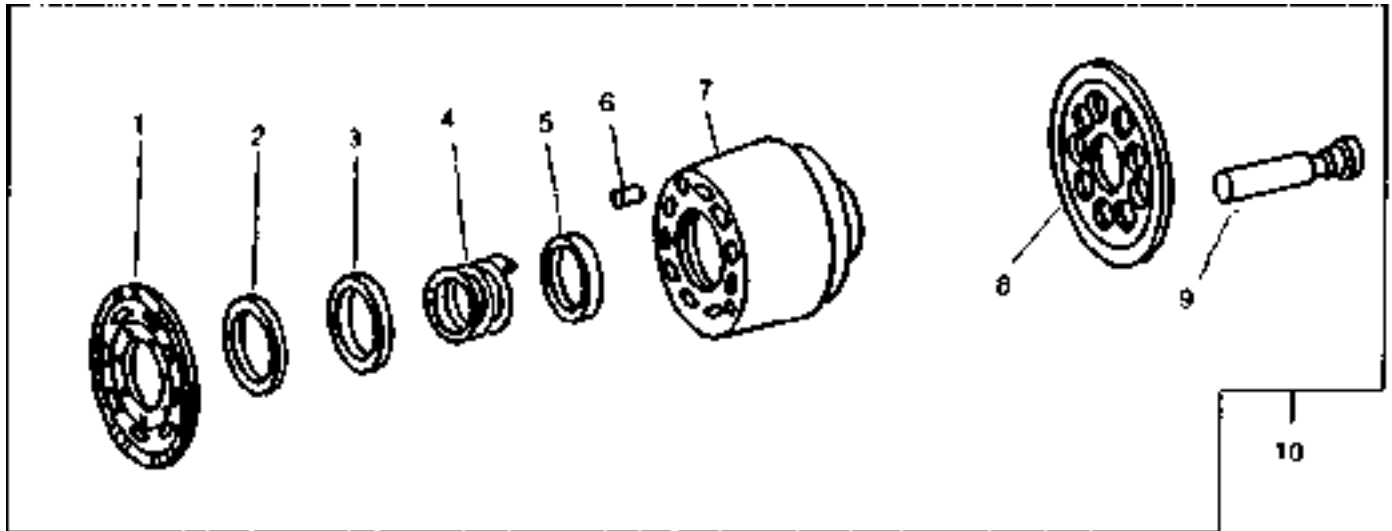
HP2975

HYDROSTATIC DRIVE MOTOR - CONTINUED
(RING AND PINION)

KEY	PART NO.	PART NAME	QTY	SERIAL NO.	REMARKS
1	HOUSING	1	(SUB AH131310)	
2	AH131169	PISTON	1		
3	RETAINER	1	(KIT AH131171)	
4	19H3192	SCREW	2	5/16" X 3"	
5	H135571	SEALING WASHER	2	8.738 X 12.700 X 0.838 MM (11/32" X 1/2" X 0.033")	
6	CYLINDER BLOCK	1	(KIT AH131171)	
7	WASHER	1	(KIT AH131171)	
8	SPRING	1	(KIT AH131171)	
9	H63271	PIN	5		
10	WASHER	1	(KIT AH131171)	
11	SNAP RING	1	(KIT AH131171)	
12	H135500	PLATE	1		
13	AH131171	KIT	1		
14	H135509	PLATE	1		
15	19H1944	CAP SCREW	6	3/8" X 2-3/4"	
16	COVER	1	(SUB AH131310)	
17	19H1800	CAP SCREW	2	3/8" X 1-1/2"	
18	AN122509	SHIM	1	FIVE, .002", .005", .010" AND .015"	
19	AN122507	ROLLER BEARING	1		
20	H135508	GASKET	1		
21	R26448	O-RING	2	11.887 X 1.981 MM (0.468" X 5/64")	
22	AH125760	HYD. QUICK-CONNECT COUPLER	2		
23	R77175	COVER	2		
24	SWASH PLATE	1	(SUB AH131310)	
25	SNAP RING	1		
26	FLANGE	1		
27	AH133661	SHAFT	1		
28	JD9113	BEARING CUP	1		
29	H64813	DOWEL PIN	1		
30	15H558	PIPE PLUG	1	1/8"	
31	R27175	DRAIN PLUG	1		
32	U12547	O-RING	1	23.470 X 2.946 MM (0.924" X 0.116")	
33	PLATE	1	(KIT AH131391)	
34	SPACER	4	(KIT AH131391)	
35	STRAP	1	(KIT AH131391)	
36	19H3053	SCREW	4	5/16" X 1"	
37	N126612	SNAP RING	1		
38	T19832	O-RING	1	64.770 X 2.616 MM (2.550" X 0.103") (SUB R112857)	
39	R112857	O-RING	1	64.770 X 2.616 MM (2.550" X 0.103")	
40	N196034	RETAINER	1	(KIT AN193085)	
41	O-RING	2	42.520 X 2.616 MM (1.674" X 0.103")	
42	SEAL KIT	1	(KIT AN193085)	
43	N191174	SPRING	6		
44	U15415	O-RING	1	34.646 X 1.778 MM (1.364" X 0.070")	
..	AN193085	SEAL KIT	1		
..	AH131391	KIT	1		
..	AH131310	MOTOR	1	(INCLUDES AH141811 MOTOR VALVE) REMANUFACTURED	

**HYDROSTATIC DRIVE MOTOR KIT
(RING AND PINION)**

HP2942 -UN-01JAN94



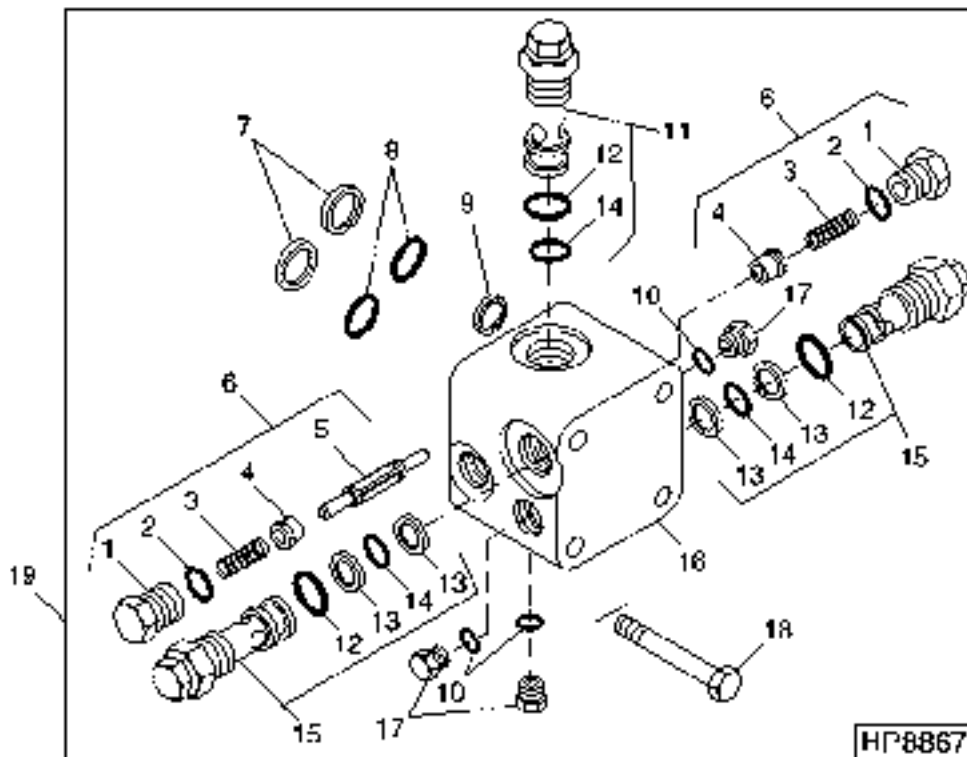
HP2942

KEY	PART NO.	PART NAME	QTY	SERIAL NO.	REMARKS
1	H135500	PLATE	1		
2	SNAP RING	1		
3	SPACER	1		
4	SPRING	1		
5	SPACER	1		
6	H63271	PIN	2		
7	CYLINDER BLOCK	1		
8	PLATE	1		
9	AH131169	PISTON	1		(INCLUDES 9 PISTONS)
10	AH131171	KIT	1		

2C24

HYDROSTATIC MOTOR VALVE (RING AND PINION)

HP8867 -UN-27JUL99

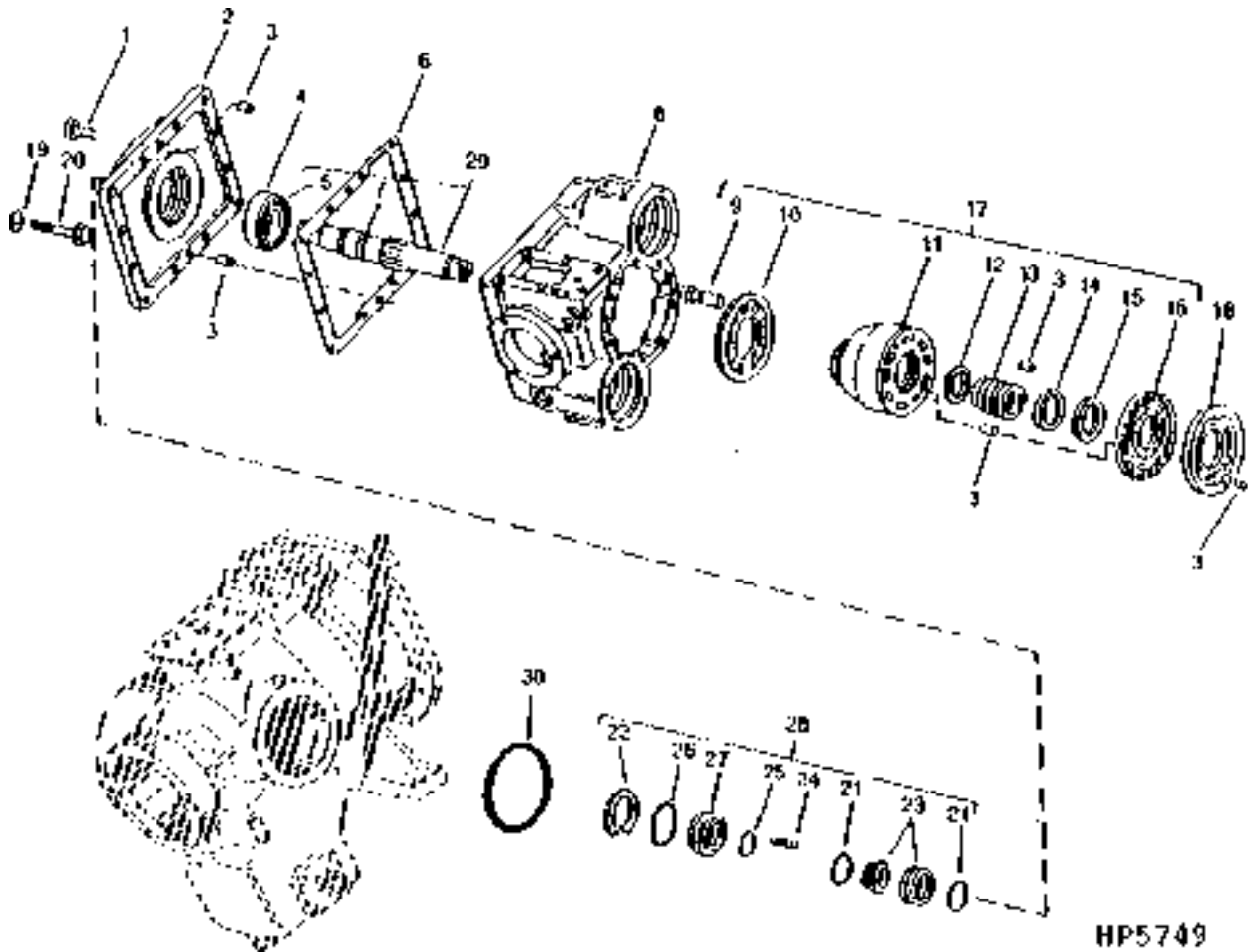


KEY	PART NO.	PART NAME	QTY	SERIAL NO.	REMARKS
1	PLUG	2	(KIT AH131308)	
	R27175	DRAIN PLUG	2		
2	R26906	O-RING	2	19.177 X 2.464 MM (0.755" X 0.097")	
	U12574	PIN	2		
3	SPRING	1	(KIT AH131308)	
4	N126654	VALVE	2	SHUTTLE	
5	N128541	SPOOL	1	SHUTTLE	
6	AH131308	KIT	1		
7	U40729	BACK-UP RING	2		
8	N130510	O-RING	2	21.895 X 2.616 MM (0.862" X 0.103")	
9	AN272356	SEAL KIT	1		
10	R28782	O-RING	3	8.915 X 1.829 MM (0.351" X 0.072")	
11	AN122497	RELIEF VALVE	1	LOW PRESSURE	
12	U17409	O-RING	3	26.619 X 2.946 MM (1.048" X 0.116")	
13	H63288	RING	4		
14	H63289	O-RING	3	20.295 X 2.616 MM (0.799" X 0.103")	
15	AH129280	RELIEF VALVE	2	(INCLUDES U17409, H63288 AND H63289) HIGH PRESSURE	
	AH131174	RELIEF VALVE	2	HIGH PRESSURE	
16	CASE	1	(SUB AH141811)	
17	R51031	FITTING	3		
18	19H2228	CAP SCREW	4	3/8" X 4"	
19	AH141811	VALVE	1		

HYDROSTATIC DRIVE PUMP, FRONT COVER AND SHAFT

(PLANETARY)

HP5749 -UN-01JAN94



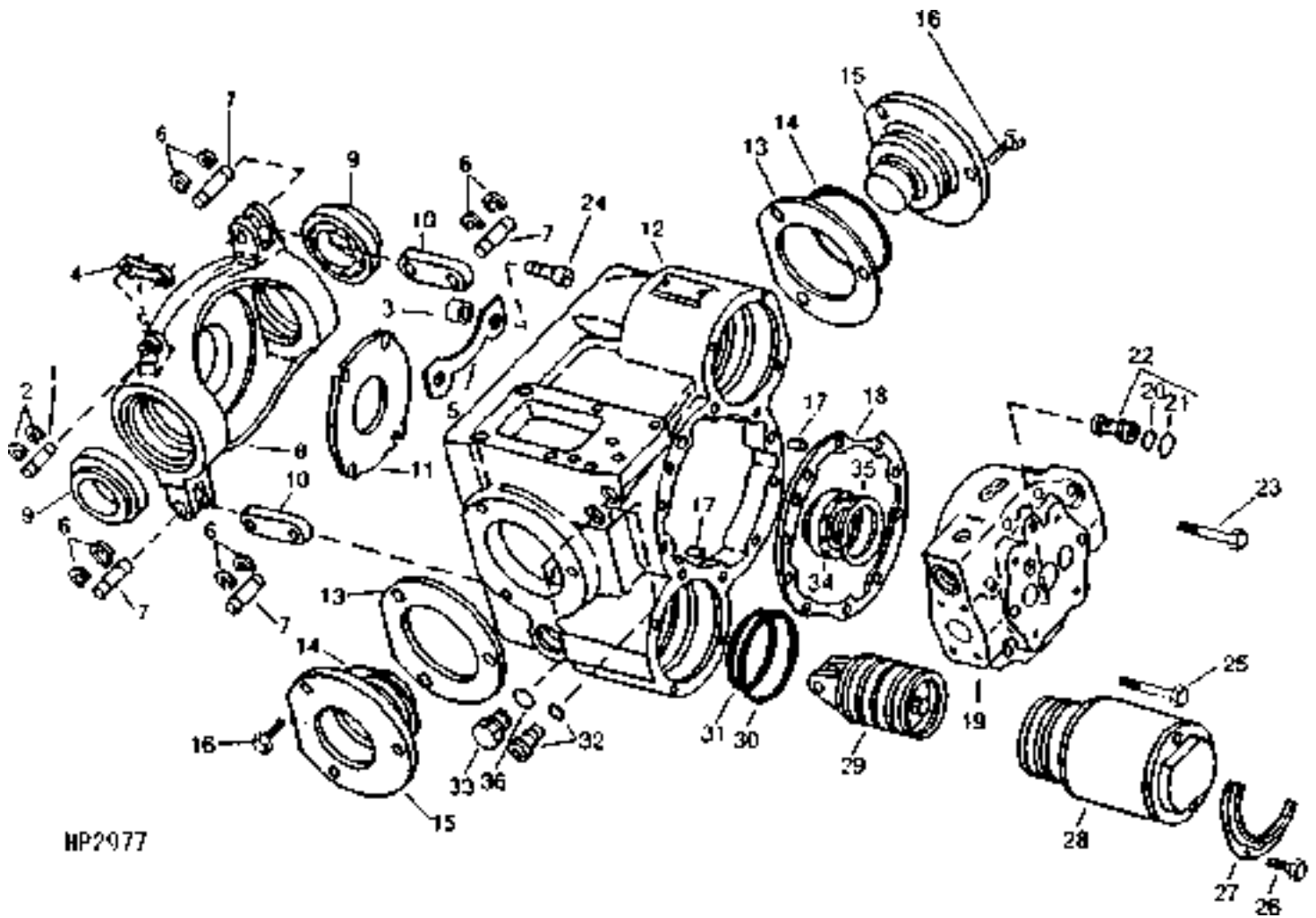
HP5749

**HYDROSTATIC DRIVE PUMP, FRONT COVER AND SHAFT - CONTINUED
(PLANETARY)**

KEY	PART NO.	PART NAME	QTY	SERIAL NO.	REMARKS
1	19H1821	CAP SCREW	12	7/16" X 1-1/4"	
2	FLANGE	1	(ORDER AH160790)	
3	H63271	PIN	5		
4	JD7297	BEARING CUP	1		
5	BEARING CONE	1	(B)	
6	H115060	GASKET	1		
7	SNAP RING	1	(B)	
8	HOUSING	1	(ORDER AH160790)	
9	AH131388	PISTON	1	(INCLUDES 9 PISTONS)	
10	RETAINER	1	(A)	
11	CYLINDER BLOCK	1	(A)	
12	WASHER	1	(A)	
13	SPRING	1	(A)	
14	WASHER	1	(A)	
15	SNAP RING	1	(A)	
16	H135700	PLATE	1		
17	AH131387	KIT	1	(INCLUDES PARTS MARKED (A))	
18	H138900	PLATE	1		
19	24H1850	WASHER	4	17/32" X 1-1/4" X 0.180"	
20	19M7791	SCREW	4	M12 X 40	
21	N196034	O-RING	2	42.520 X 2.616 MM (1.674" X 0.103")	
22	N126612	SNAP RING	1		
23	SEAL KIT	1	(KIT AN193085)	
24	N191174	SPRING	6		
25	U15415	O-RING	1	34.646 X 1.778 MM (1.364" X 0.070")	
26	R112857	O-RING	1	64.770 X 2.616 MM (2.550" X 0.103")	
27	RETAINER	1	(KIT AN193085)	
28	AN193085	SEAL KIT	1		
29	AH133663	SHAFT	1	(INCLUDES PARTS MARKED (B))	
30	R63308	O-RING	1	120.015 X 5.334 MM (4.725" X 0.210")	
..	AH131385	HYDRAULIC PUMP	1	(SUB AH160790 AND E65288)	
..	AH160790	HYDRAULIC PUMP	1	REMANUFACTURED	
..	E65288	O-RING	1		

2D3

HYDROSTATIC DRIVE PUMP, HOUSING, SWASHPLATE, AND SERVO
(VARIABLE DISPLACEMENT)
(PLANETARY)
HP2977 -UN-01JAN94



HP2977

HYDROSTATIC DRIVE PUMP, HOUSING, SWASHPLATE, AND SERVO - CONTINUED
(VARIABLE DISPLACEMENT)
(PLANETARY)

KEY	PART NO.	PART NAME	QTY	SERIAL NO.	REMARKS
1	N126603	PIN	1		6.350 X 22.606 MM (1/4" X 0.890")
2	M48000	SNAP RING	2		
3	SPACER	1		(B)
4	LINK	1		(ORDER AH160790)
5	STRAP	1		(B)
6	SNAP RING	8		(A), (C)
7	PIN	4		(A), (C)
8	SWASH PLATE	1		(ORDER AH160790)
9	JD9076	BEARING CONE	2		
	JD9133	BEARING CUP	2		
10	N126600	LINK	2		
11	PLATE	1		(B)
12	HOUSING	1		(ORDER AH160790)
13	AH112680	SHIM	AR		SIX, .002", FOUR, .005", .010", .015" AND .025"
14	M4237T	O-RING	2		75.794 X 3.531 MM (2-63/64" X 0.139")
15	TRUNNION	2		(ORDER AH160790)
16	19H2666	CAP SCREW	6		7/16" X 7/8"
17	H63271	PIN	2		
18	H115049	GASKET	1		
19	COVER	1		(ORDER AH160790)
20	32246	O-RING	2		13.945 X 2.616 MM (0.549" X 0.103")
21	W23690	BACK-UP RING	2		
22	AN122502	CHECK VALVE	2		
23	19H2347	CAP SCREW	6		7/16" X 3"
24	19H3352	SCREW	4		5/16" X 1-1/4"
25	19H1899	CAP SCREW	2		7/16" X 2"
26	19H3176	SCREW	6		0.164" X 0.380"
27	H115052	RETAINER	2		SERVO
28	AH112668	KIT	2		SERVO
29	AH112675	PISTON	2		(INCLUDES PARTS MARKED (A))
30	P48403	O-RING	2		85.319 X 3.531 MM (3-23/64" X 0.139")
31	M4237T	O-RING	2		75.794 X 3.531 MM (2-63/64" X 0.139")
32	AN122518	FITTING	1		PLUG, SOCKET HD. UNF, 7/16", INCLUDES O-RING
33	R51031	FITTING	1		
34	AH65358	BEARING	1		
35	AH112678	SHIM	1		SIX, .003", .005", .010", .015", .020" AND .030"
36	R28782	O-RING	2		8.915 X 1.829 MM (0.351" X 0.072")
..	AH131392	KIT	1		(INCLUDES PARTS MARKED (B))
..	AH131385	HYDRAULIC PUMP	1		(SUB AH160790 AND E65288) REMANUFACTURED
..	AH160790	HYDRAULIC PUMP	1		REMANUFACTURED
..	E65288	O-RING	1		
..	AN274375	PIN	1		(INCLUDES PARTS MARKED (C))

NOTE: PARTS ON THIS PAGE ARE ALSO FURNISHED AS PART OF AH160790 HYDROSTATIC DRIVE UNIT.
(PLANETARY FINAL DRIVE)

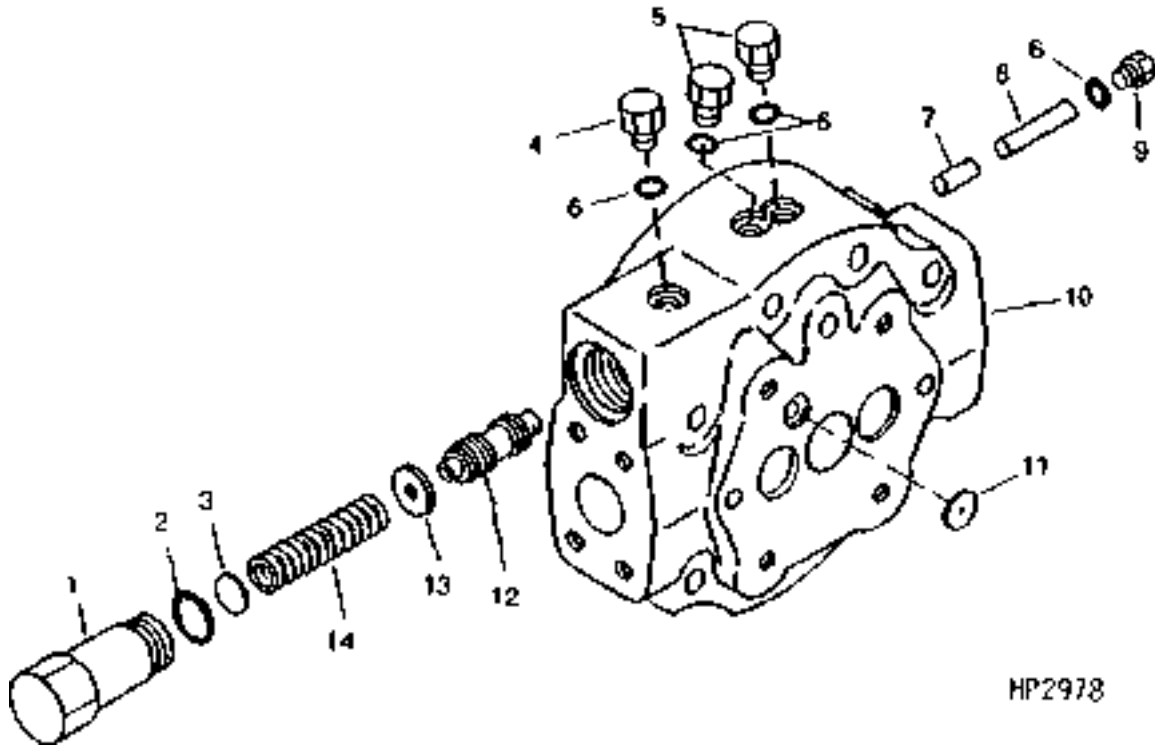
MEMORANDA

2D5

HYDROSTATIC DRIVE PUMP COVER

(PLANETARY)

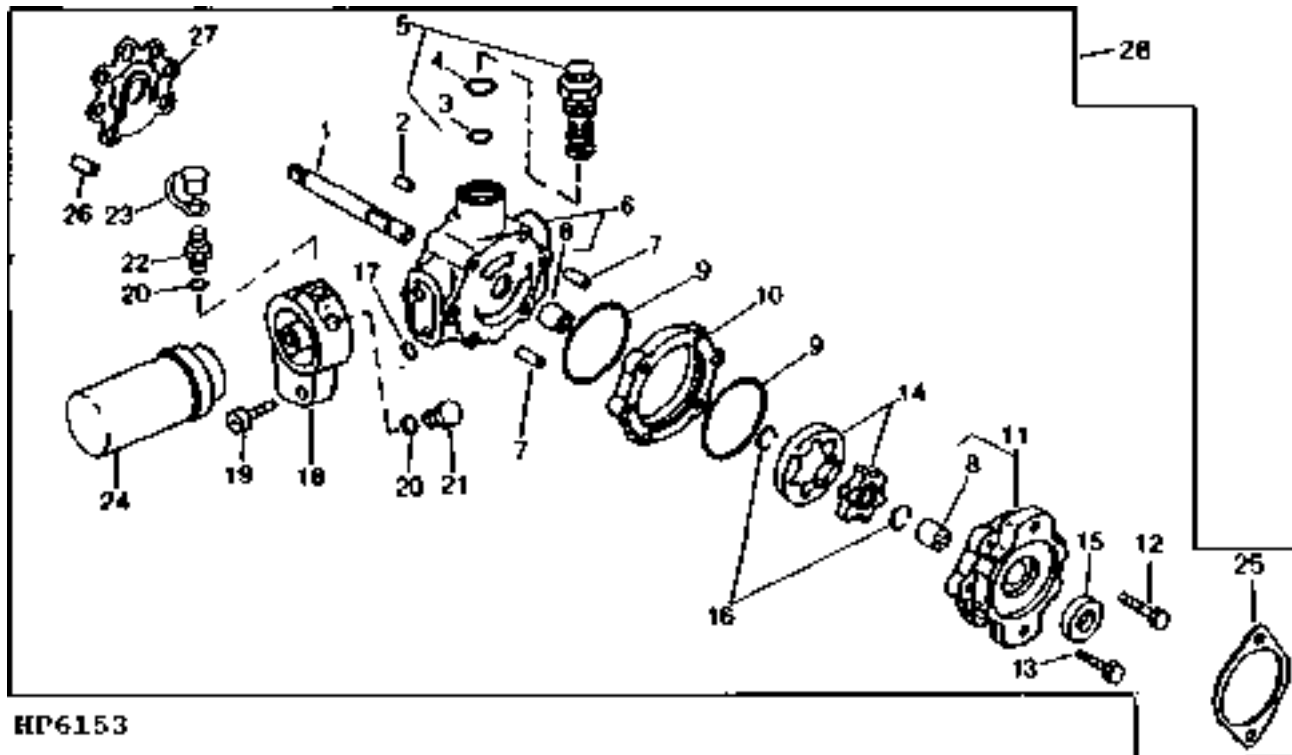
HP2978 -UN-01JAN94



KEY	PART NO.	PART NAME	QTY	SERIAL NO.	REMARKS
1	H135215	HOLDER	1		
2	R26906	O-RING	1		19.177 X 2.464 MM (0.755" X 0.097")
3	AH129278	KIT	1		
4	AT63272	FITTING	1		INCS. R30903 O-RING
5	AT63272	FITTING	2		INCS. R30903 O-RING
6	R30903	O-RING	4		6.071 X 1.626 MM (0.239" X 0.064")
7	H135212	NEEDLE ROLLER	1		
8	H135695	NEEDLE ROLLER	1		
9	AT63272	FITTING	1		INCS. R30903 O-RING
10	COVER	1		(ORDER AH160790)
11	H115055	ORIFICE	1		(SUB N126644)
	N126644	ORIFICE	1		
12	H135214	VALVE SPOOL	1		
13	H135213	WASHER	1		
14	H135211	COMPRESSION SPRING	1		
..	AH131385	HYDRAULIC PUMP	1		(SUB FOR AH160790 AND E65288) REMANUFACTURED
..	AH160790	HYDRAULIC PUMP	1		REMANUFACTURED
..	E65288	O-RING	1		

**HYDROSTATIC DRIVE CHARGE PUMP
(PLANETARY)**

(- 678742)
HP6153 -UN-01SEP95



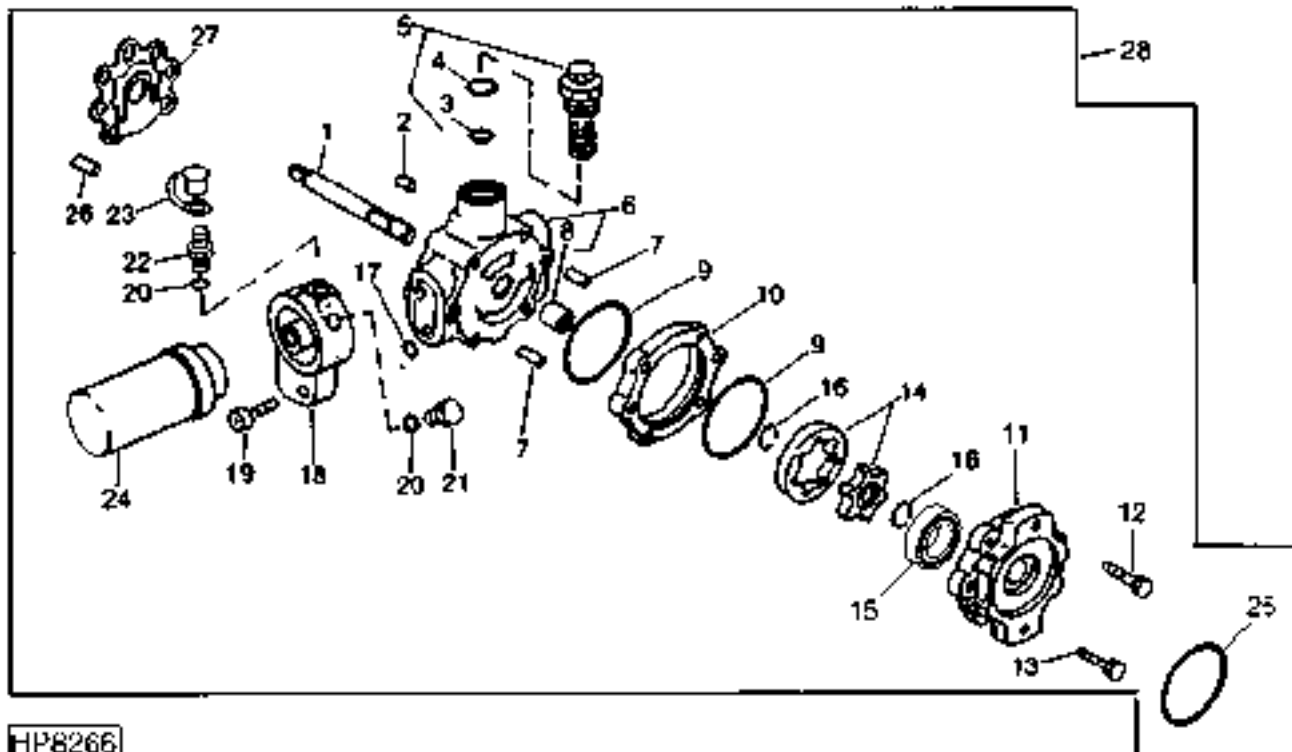
HP6153

KEY	PART NO.	PART NAME	QTY	SERIAL NO.	REMARKS
1	H135697	SHAFT	1		
2	H135706	PIN	1	4.826 X 11.938 MM (0.190" X 0.470")	
3	H63289	O-RING	1	20.295 X 2.616 MM (0.799" X 0.103")	
4	U17409	O-RING	1	26.619 X 2.946 MM (1.048" X 0.116")	
5	AN122498	RELIEF VALVE	1		
6	HOUSING	1	(A)	
7	BUSHING	1	(A)	
8	NEEDLE BEARING	1	(A)	
9	H135570	O-RING	1	78.994 X 1.778 MM (3.110" X 0.070")	
10	SPACER	1	(A)	
11	COVER	1	(A)	
12	19H1875	CAP SCREW	2	5/16" X 1-3/4"	
13	SCREW	4	(A)	
14	OIL PUMP	1	(A)	
15	AH131170	SEAL	1		
16	SNAP RING	2		
17	P48347	O-RING	2	17.120 X 2.616 MM (0.674" X 0.103")	
18	H151087	FILTER HEAD	1		
19	19H3093	SCREW	2	9.525 X 44.450 MM (3/8" X 1-3/4")	
20	R26448	O-RING	2	11.887 X 1.981 MM (0.468" X 5/64")	
21	R27218	FITTING PLUG	1		
22	AH125760	HYD. QUICK-CONNECT COUPLER	1		
23	R77175	COVER	1		
24	AH128449	HYDRAULIC FILTER	1		
25	H131121	GASKET	1		
26	H63271	PIN	2		
27	H135497	GASKET	1		
28	AH160750	HYDRAULIC PUMP	1	(SUB FOR AH131386) (INCLUDES PARTS MARKED (A))	

NOTE: PARTS ON THIS PAGE ARE ALSO FURNISHED AS PART OF AH160790 HYDROSTATIC DRIVE UNIT

**HYDROSTATIC DRIVE CHARGE PUMP
(PLANETARY)**

(678743 -)
HP8266 -UN-19FEB99



HP8266

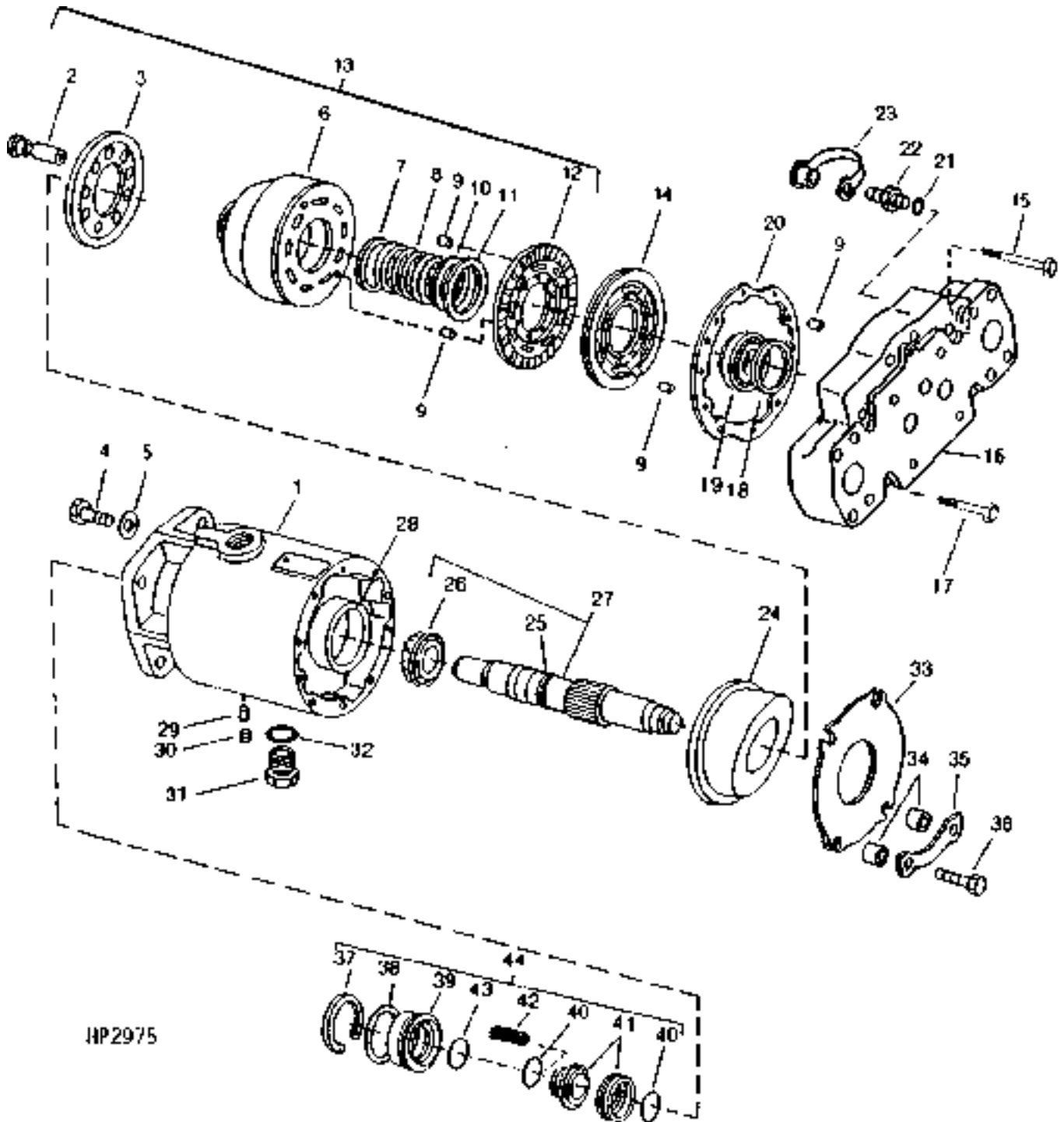
KEY	PART NO.	PART NAME	QTY	SERIAL NO.	REMARKS
1	DRIVE SHAFT	1		
2	H135706	PIN	1	4.826 X 11.938 MM (0.190" X 0.470")	
3	H63289	O-RING	1	20.295 X 2.616 MM (0.799" X 0.103")	
4	U17409	O-RING	1	26.619 X 2.946 MM (1.048" X 0.116")	
5	AN122498	RELIEF VALVE	1		
6	HOUSING	1	(A)	
7	BUSHING	1	(A)	
8	NEEDLE BEARING	1	(A)	
9	H135570	O-RING	1	78.994 X 1.778 MM (3.110" X 0.070")	
10	SPACER	1	(A)	
11	COVER	1	(A)	
12	19H1875	CAP SCREW	2	5/16" X 1-3/4"	
13	SCREW	4	(A)	
14	OIL PUMP	1	(A)	
15	BALL BEARING	1		
16	SNAP RING	2		
17	P48347	O-RING	2	17.120 X 2.616 MM (0.674" X 0.103")	
18	H151087	FILTER HEAD	1		
19	19H3093	SCREW	2	9.525 X 44.450 MM (3/8" X 1-3/4")	
20	R26448	O-RING	2	11.887 X 1.981 MM (0.468" X 5/64")	
21	R27218	FITTING PLUG	1		
22	AH125760	HYD. QUICK-CONNECT COUPLER	1		
23	R77175	COVER	1		
24	AH128449	HYDRAULIC FILTER	1		
25	E65288	O-RING	1		
26	H63271	PIN	2		
27	H135497	GASKET	1		
28	AH160750	HYDRAULIC PUMP	1	(INCLUDES PARTS MARKED (A))	

NOTE: PARTS ON THIS PAGE ARE ALSO FURNISHED AS PART OF AH160790 HYDROSTATIC DRIVE UNIT

HYDROSTATIC DRIVE MOTOR (FIXED DISPLACEMENT)

(PLANETARY)

HP2975 -UN-01JAN94



HP2975

HYDROSTATIC DRIVE MOTOR (FIXED DISPLACEMENT) - CONTINUED
(PLANETARY)

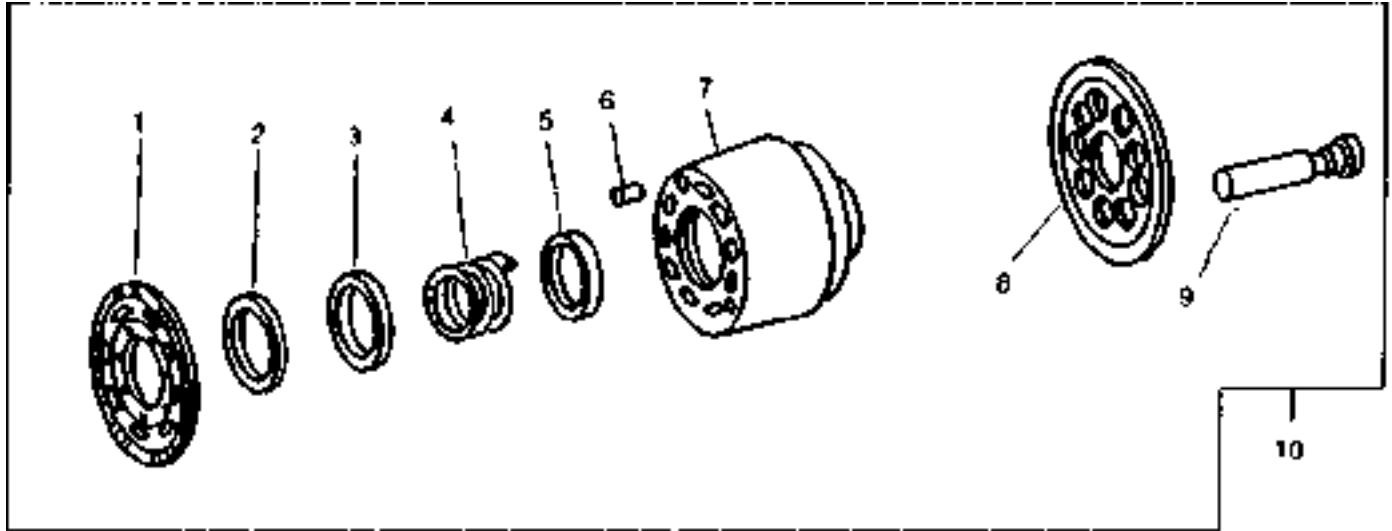
KEY	PART NO.	PART NAME	QTY	SERIAL NO.	REMARKS
1	HOUSING	1	(SUB AH131390)	
2	AH131388	PISTON	1	(INCLUDES 9 PISTONS)	
3	RETAINER	1	(KIT AH131387)	
4	19H3192	SCREW	2	5/16" X 3"	
5	H135571	SEALING WASHER	2	8.738 X 12.700 X 0.838 MM (11/32" X 1/2" X 0.033")	
6	CYLINDER BLOCK	1	(KIT AH131387)	
7	WASHER	1	(KIT AH131387)	
8	SPRING	1	(KIT AH131387)	
9	H63271	PIN	5		
10	WASHER	1	(KIT AH131387)	
11	SNAP RING	1	(KIT AH131387)	
12	H135700	PLATE	1		
13	AH131387	KIT	1		
14	H138901	PLATE	1		
15	19H2347	CAP SCREW	6	7/16" X 3"	
16	COVER	1	(SUB AH131390)	
17	19H1899	CAP SCREW	2	7/16" X 2"	
18	AH112678	SHIM	1		
19	AH65358	BEARING	1		
20	H135702	GASKET	1		
21	R26448	O-RING	2	11.887 X 1.981 MM (0.468" X 5/64")	
22	AH125760	HYD. QUICK-CONNECT COUPLER	2		
23	R77175	COVER	2		
24	SWASH PLATE	1	(SUB AH131390)	
25	RING	1	(SUB AH133662)	
26	BEARING CUP	1	(SUB AH133662)	
27	AH133662	SHAFT	1		
28	JD7297	BEARING CUP	1		
29	H64813	DOWEL PIN	1		
30	15H558	PIPE PLUG	1	1/8"	
31	R27175	DRAIN PLUG	1		
32	U12547	O-RING	1	23.470 X 2.946 MM (0.924" X 0.116")	
33	PLATE	1	(KIT AH131392)	
34	SPACER	4	(KIT AH131392)	
35	STRAP	1	(KIT AH131392)	
36	19H3352	SCREW	4	5/16" X 1-1/4"	
37	N126612	SNAP RING	1		
38	R112857	O-RING	1	64.770 X 2.616 MM (2.550" X 0.103")	
39	RETAINER	1	(KIT AN193085)	
40	N196034	O-RING	2		
41	SEAL KIT	1	(KIT AN193085)	
42	N191174	SPRING	6		
43	U15415	O-RING	1	34.646 X 1.778 MM (1.364" X 0.070")	
44	AN193085	SEAL KIT	1		
..	AH131392	KIT	1	(INCLUDES KEYS 33, 34 AND 35)	
..	AH131390	MOTOR	1	(INCLUDES AH141811 MOTOR VALVE) REMANUFACTURED	

2D10

POWER TRAIN

**HYDROSTATIC DRIVE MOTOR KIT
(PLANETARY)**

HP2942 -UN-01JAN94



HP2942

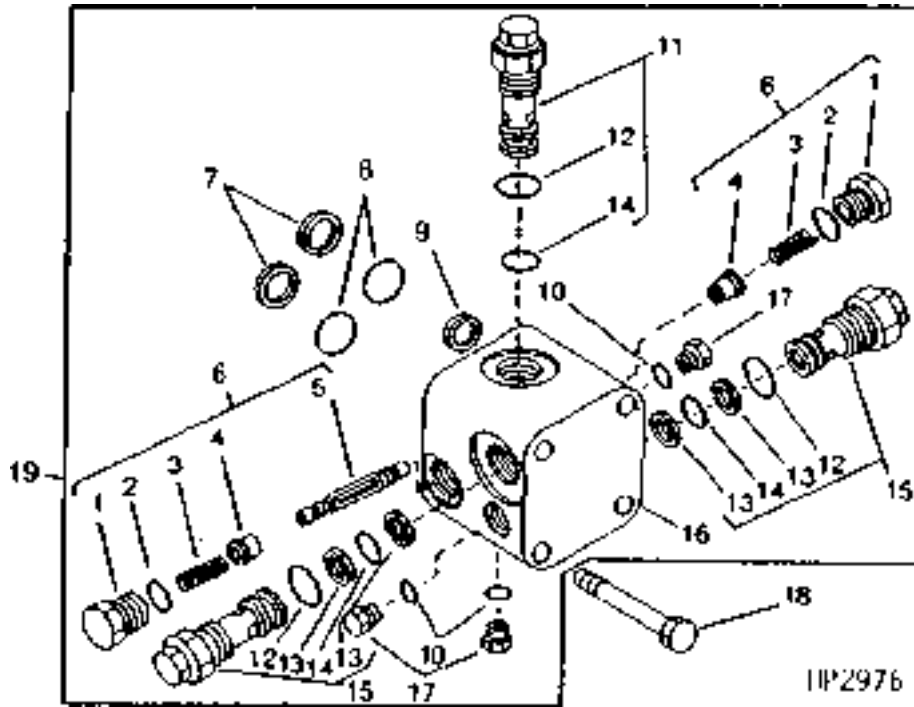
KEY	PART NO.	PART NAME	QTY	SERIAL NO.	REMARKS
1	H135700	PLATE	1		
2	SNAP RING	1	(KIT AH131387)	
3	SPACER	1	(KIT AH131387)	
4	SPRING	1	(KIT AH131387)	
5	SPACER	1	(KIT AH131387)	
6	H63271	PIN	2		
7	CYLINDER BLOCK	1	(KIT AH131387)	
8	PLATE	1	(KIT AH131387)	
9	AH131388	PISTON	1	(INCLUDES 9 PISTONS)	
10	AH131387	KIT	1		

2D11

POWER TRAIN

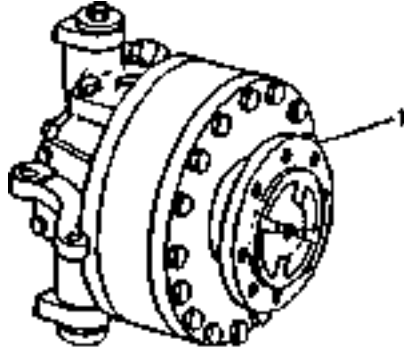
HYDROSTATIC MOTOR VALVE (PLANETARY)

HP2976 -UN-01JAN94



KEY	PART NO.	PART NAME	QTY	SERIAL NO.	REMARKS
1	PLUG	2	(KIT AH131308)	
2	R26906	O-RING	2	19.177 X 2.464 MM (0.755" X 0.097")	
3	SPRING	1	(KIT AH131308)	
4	N126654	VALVE	2	SHUTTLE	
5	N128541	SPOOL	1	SHUTTLE	
6	AH131308	KIT	1		
7	U40729	BACK-UP RING	2		
8	N130510	O-RING	2	21.895 X 2.616 MM (0.862" X 0.103")	
9	AN272356	SEAL KIT	1		
10	R28782	O-RING	3	8.915 X 1.829 MM (0.351" X 0.072")	
11	AN122497	RELIEF VALVE	1	LOW PRESSURE	
12	U17409	O-RING	3	26.619 X 2.946 MM (1.048" X 0.116")	
13	H63288	RING	4		
14	H63289	O-RING	3	20.295 X 2.616 MM (0.799" X 0.103")	
15	AH131174	RELIEF VALVE	2	HIGH PRESSURE	
16	CASE	1	(SUB AH141811)	
17	R51031	FITTING	3		
18	19H2228	CAP SCREW	4	3/8" X 4"	
19	AH141811	VALVE	1		

CAM LOBE MOTOR
RXP6972 -UN-01JAN94



RXP6972

KEY	PART NO.	PART NAME	QTY	SERIAL NO.	REMARKS
1	RE33336	MOTOR	1	(A) R.H. COMPLETE COMPONENT	
	RE33337	MOTOR	1	(A) L.H. COMPLETE COMPONENT	
	RE33338	MOTOR	1	(B) R.H. COMPLETE COMPONENT	
	RE33339	MOTOR	1	(B) L.H. COMPLETE COMPONENT	

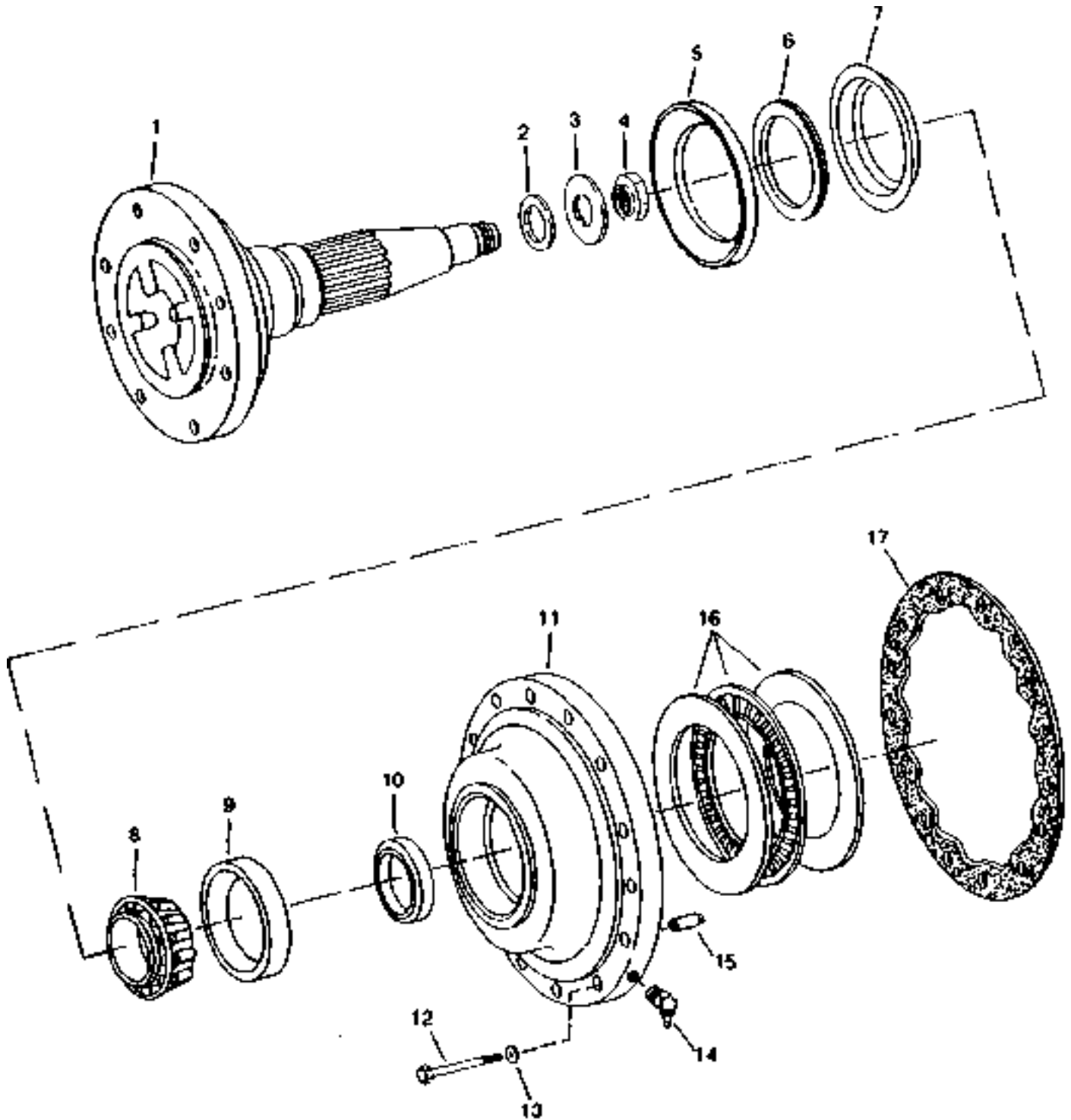
(A) 1200 CC
(B) 1600 CC

MEMORANDA

2D13

POWER TRAIN

SHAFT, OUTER COVER, BEARING AND SEALS
CAM LOBE MOTOR
RXP6957 -UN-01JAN94



RXP6957

2D14

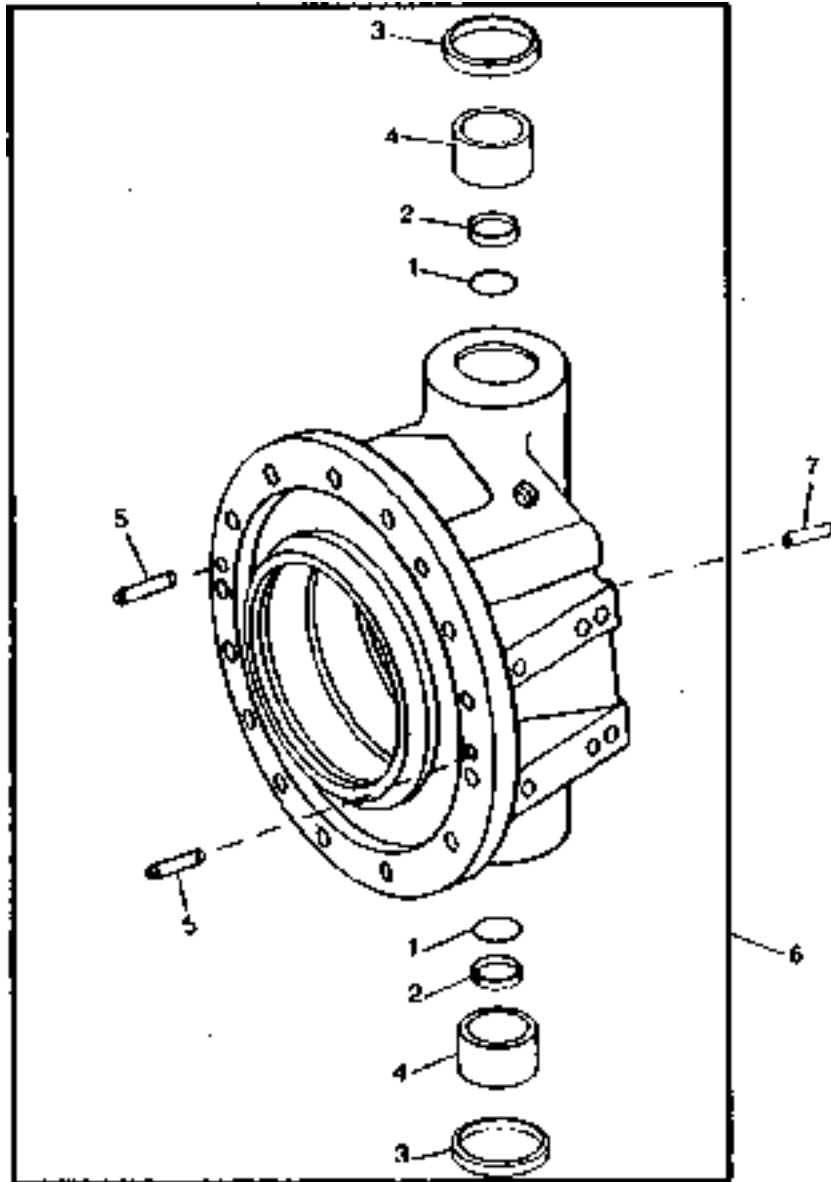
POWER TRAIN

**SHAFT, OUTER COVER, BEARING AND SEALS - CONTINUED
CAM LOBE MOTOR**

KEY	PART NO.	PART NAME	QTY	SERIAL NO.	REMARKS
1	R111995	SPINDLE	1		(SUB FOR R88972) (ALSO ORDER RE49243)
2	JD9849	THRUST BEARING	1		
3	R93180	WASHER	1		
4	R92160	NUT	1		
5	R93030	SEAL	1		
6	RE31701	SEAL	1		(USE WITH R88972)
	RE49243	SEAL	1		(USE WITH R111995)
7	R57269	OIL CUP	1		
8	JD10462	BEARING CONE	1		
9	JD7448	BEARING CUP	1		
10	RE32824	SEAL	1		
11	R88829	COVER	1		
12	R89610	CAP SCREW	15		1/2" X 6"
13	R32214	WASHER	15		13.106 X 22.225 X 2.286 MM (33/64" X 7/8" X 0.090")
14	JD7847	LUBRICATION FITTING	1		
15	R26650	DOWEL PIN	2		
16	RE68401	THRUST BEARING	1		(SUB FOR RE22642)
17	R93142	GASKET	1		

2D15

INNER COVER
RXP7788 -UN-01JAN94



RXP7788

2D16

POWER TRAIN

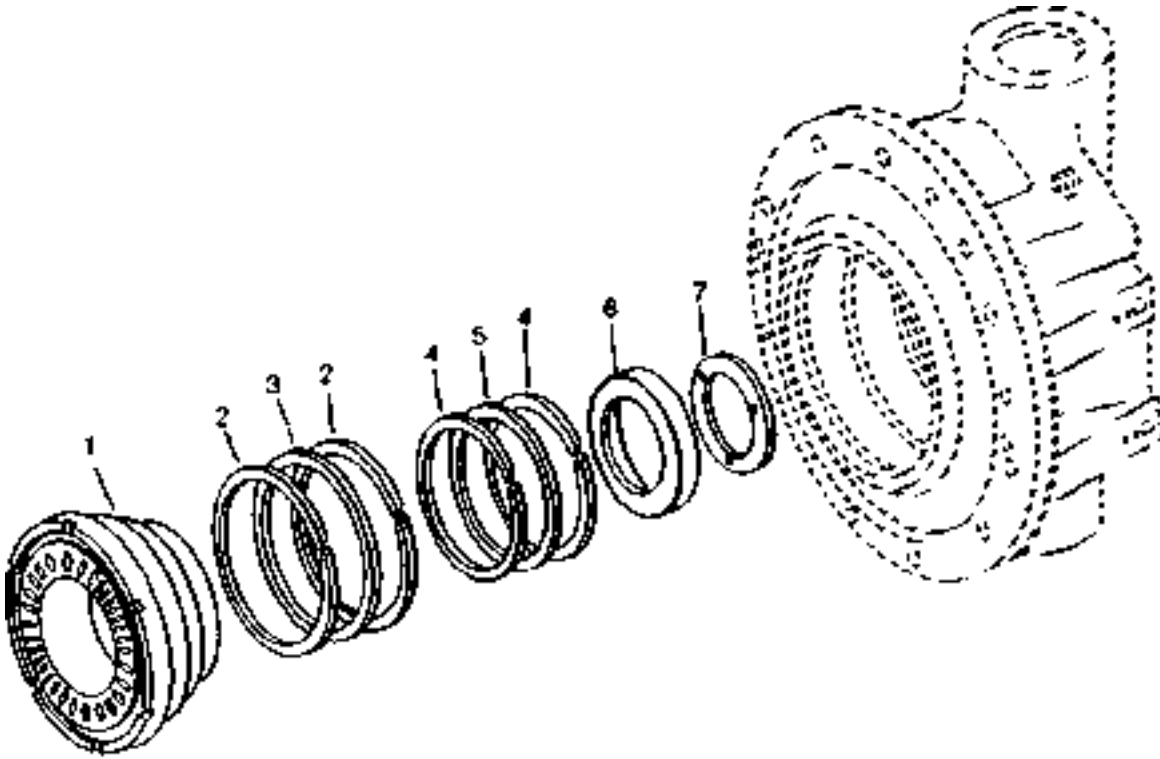
INNER COVER - CONTINUED

KEY	PART NO.	PART NAME	QTY	SERIAL NO.	REMARKS
1	U11647	O-RING	2		21.819 X 3.531 MM (55/64" X 0.139")
2	R73102	WASHER	2		22.300 X 28.300 X 1.270 MM (0.878" X 1.114" X 0.050")
3	AR86539	SEAL	2		
4	R68102	BUSHING	2		
5	R26650	DOWEL PIN	2		
6	RE39131	COVER	1		(MARKED R93105)
7	R71711	DOWEL PIN	1		6.337 X 29 MM (0.249" X 1.142")

2D17

POWER TRAIN

MANIFOLD AND PACKING
RXP7841 -UN-01JAN94



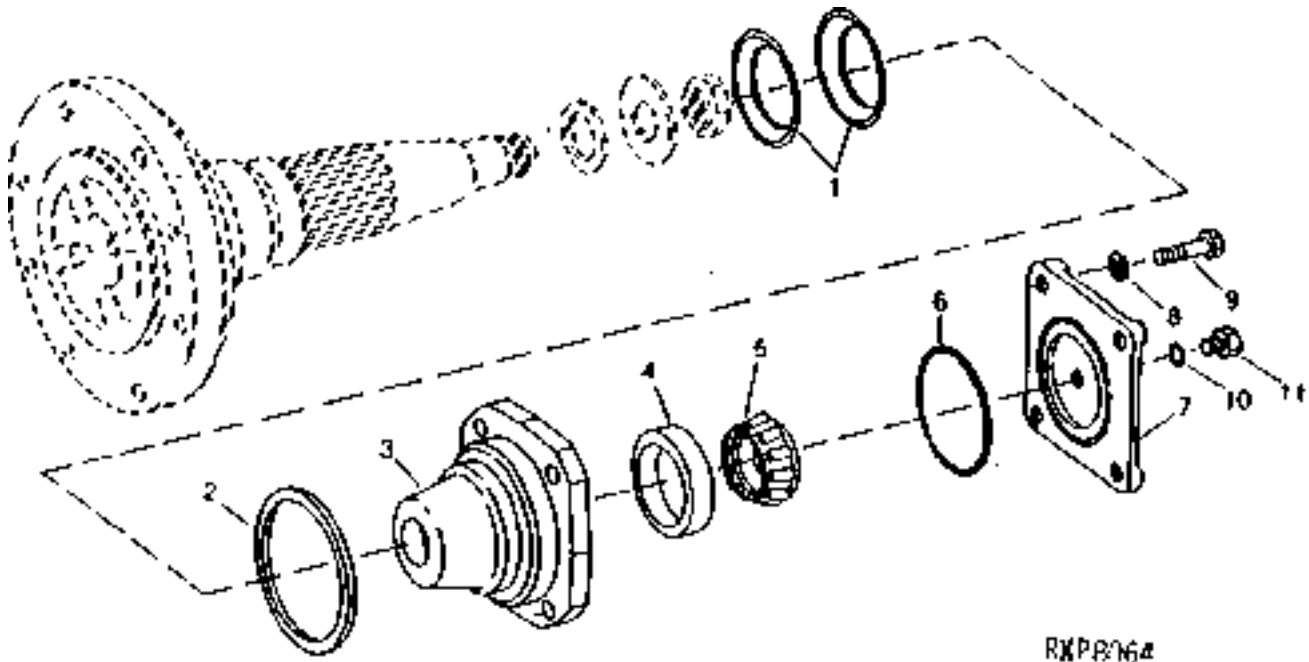
RXP7841

KEY	PART NO.	PART NAME	QTY	SERIAL NO.	REMARKS
1	R99377	MANIFOLD	1		
2	R74690	BACK-UP RING	2		
3	R74696	WASHER	1		
4	R74689	BACK-UP RING	2		
5	R74697	WASHER	1		
6	R74693	PACKING	1		ALSO FURNISH R74694
7	R74694	BACK-UP RING	1		ALSO FURNISH R74693

2D18

POWER TRAIN

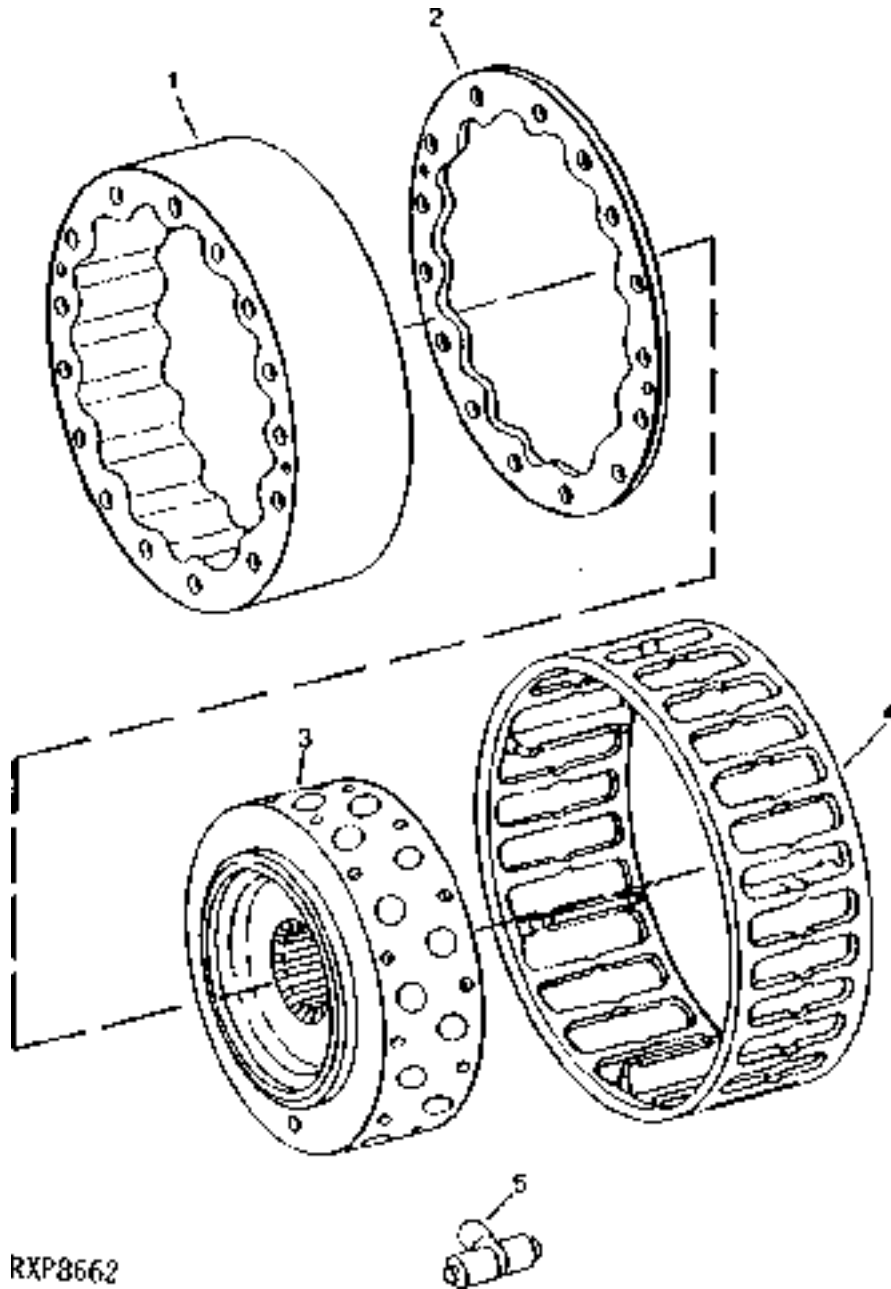
QUILL, BEARING AND COVER
RXP8064 -UN-01JAN94



KEY	PART NO.	PART NAME	QTY	SERIAL NO.	REMARKS
1	R85588	WASHER	2		78.700 X 112 X 1.780 MM (3.098" X 4.409" X 0.070")
2	R39876	PACKING	1		
3	R92104	BEARING HOUSING W/O BEARING	1		
4	JD9109	BEARING CUP	1		
5	JD9043	BEARING CONE	1		
6	E55758	O-RING	1		113.970 X 2.616 MM (4.487" X 0.103")
7	R100727	COVER	1		(SUB FOR R92387)
8	R69536	WASHER	6		10.500 X 18.500 X 3 MM (0.413" X 0.728" X 0.118")
9	19H3065	CAP SCREW	6		3/8" X 2", (SUB FOR 19H3267)
10	R28782	O-RING	1		8.915 X 1.829 MM (0.351" X 0.072")
11	R51031	FITTING	1		

2D19

CARRIER, PISTONS AND CAM
RXP8662 -UN-01JAN94



RXP8662

2D20

POWER TRAIN

CARRIER, PISTONS AND CAM - CONTINUED

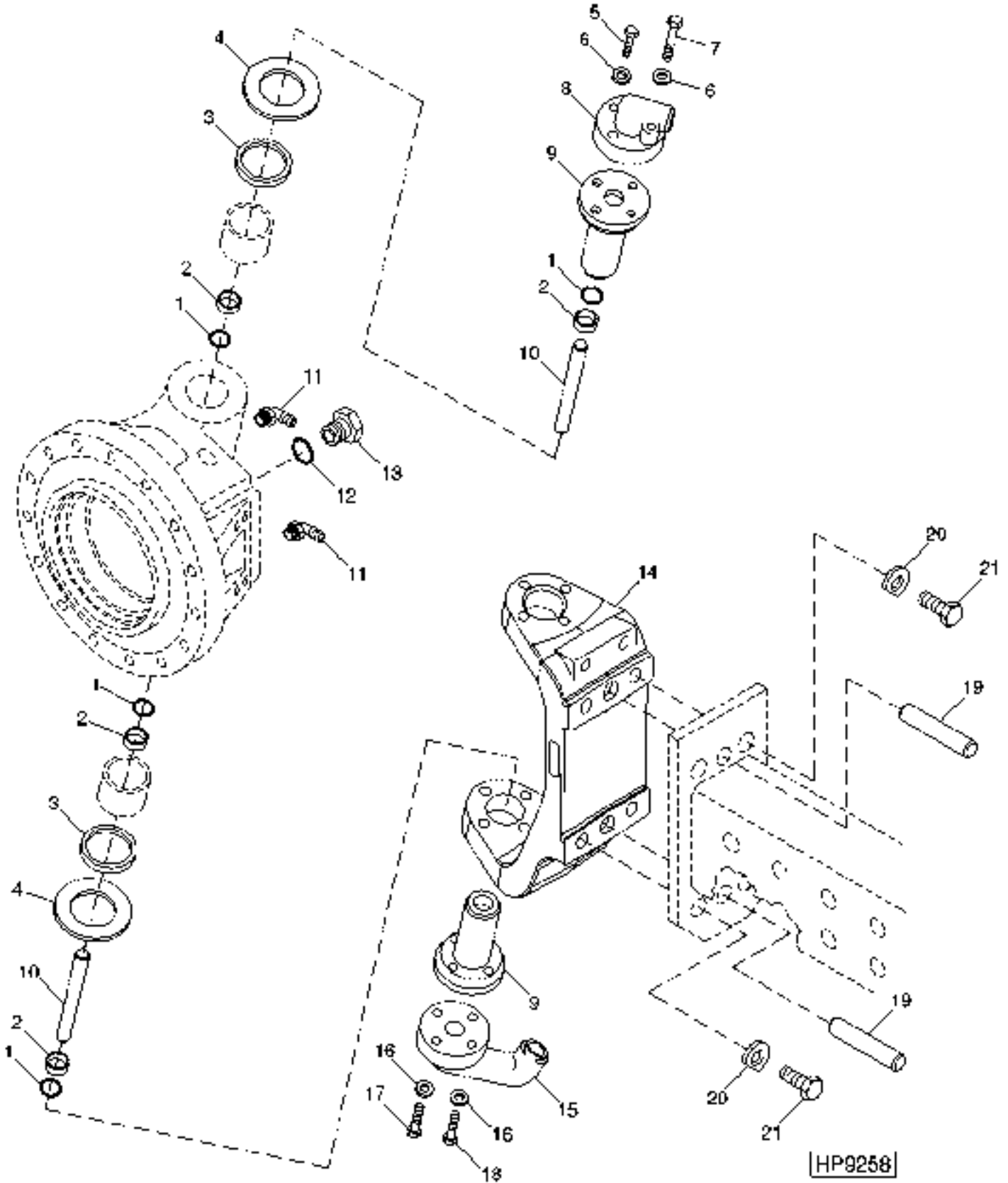
KEY	PART NO.	PART NAME	QTY	SERIAL NO.	REMARKS
1	R92148	CAM	1		(SUB FOR R69927)
2	R93142	GASKET	1		
3	R88959	HYD. MOTOR PISTON CARRIER	1		(A)
	R88960	PLANET PINION CARRIER	1		(B)
4	R92979	GUIDE	1		(A)
	R89012	GUIDE	1		(B)
5	RE27837	HYD. MOTOR PISTON CARRIER	18		(A)
	RE27837	HYD. MOTOR PISTON CARRIER	24		(B)

(A) 1200 CC
(B) 1600 CC

2D21

POWER TRAIN

YOKE, PIVOTS AND CAPS
HP9258 -UN-12NOV99



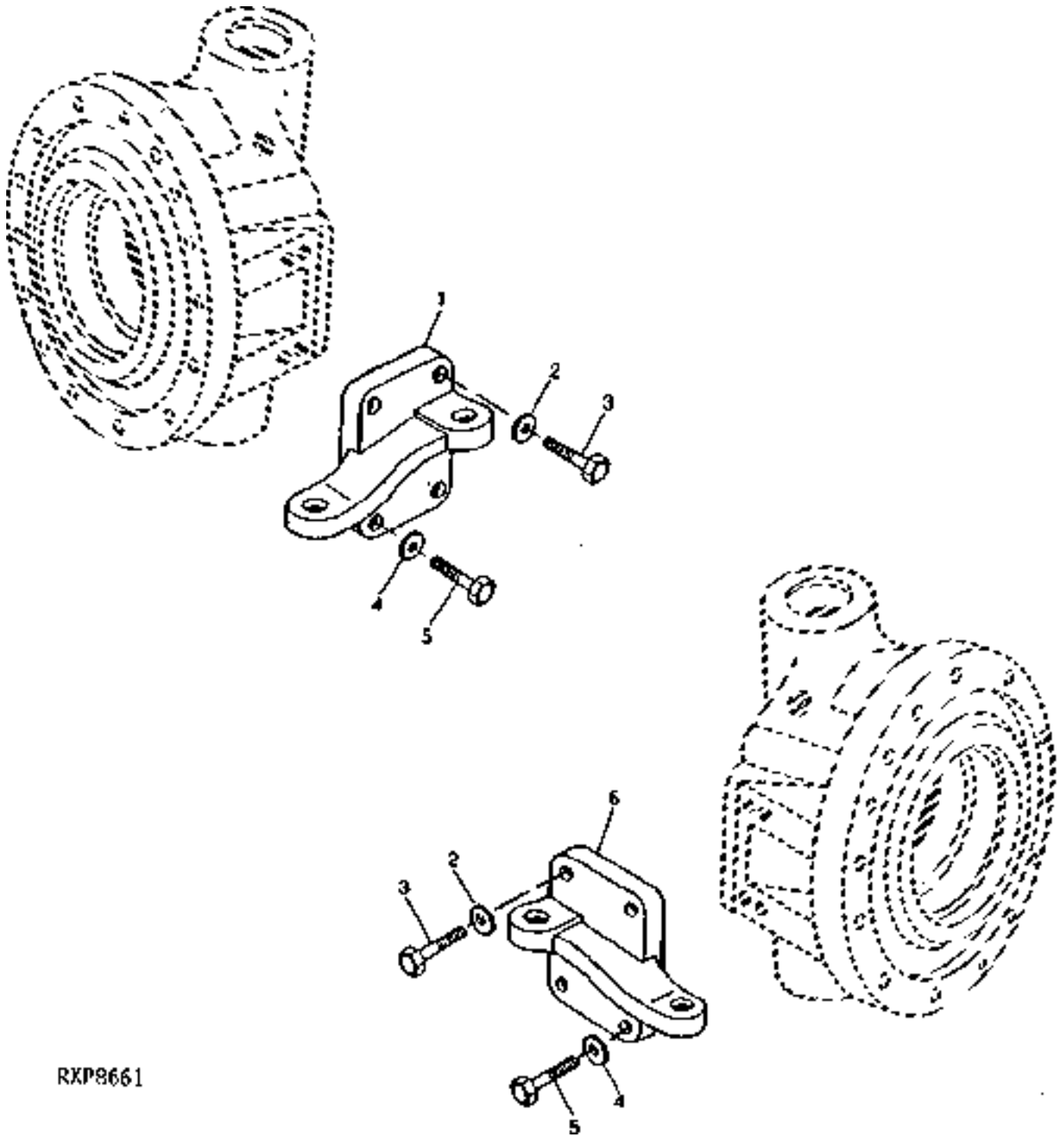
YOKE, PIVOTS AND CAPS - CONTINUED

KEY	PART NO.	PART NAME	QTY	SERIAL NO.	REMARKS
1	U11647	O-RING	4		21.819 X 3.531 MM (55/64" X 0.139")
2	R73102	WASHER	4		22.300 X 28.300 X 1.270 MM (0.878" X 1.114" X 0.050")
3	AR86539	SEAL	2		
4	R60239	THRUST WASHER	2		51.500 X 101.500 X 3.040 MM (2.028" X 3.996" X 0.120")
5	19H3267	CAP SCREW	2		3/8" X 1-5/8"
6	R69536	WASHER	4		10.500 X 18.500 X 3 MM (0.413" X 0.728" X 0.118")
7	19H2855	CAP SCREW	2		3/8" X 3-1/4"
8	R85374	CAP	1		
9	R85376	PIN	2		
10	R85378	TUBE	2		
11	JD7799	LUBRICATION FITTING	3		65° X 0.840" LONG, (SUB FOR JD7847)
12	R26375	O-RING	1		16.358 X 2.210 MM (0.644" X 0.087")
13	R39112	FITTING	1		
14	R89015	YOKE	1		
15	R85373	CAP	1		
16	R69536	WASHER	4		10.500 X 18.500 X 3 MM (0.413" X 0.728" X 0.118")
17	19H3267	CAP SCREW	2		3/8" X 1-5/8"
18	19H3031	CAP SCREW	2		3/8" X 2-1/2"
..	H75423	PIN	2		22.073 X 19.812 MM
..	H144293	WASHER	4		20 X 45 X 10 MM
..	19H3126	CAP SCREW	4		3/4" X 2-1/4"

2D23

STEERING ARMS

RXP8661 -UN-01JAN94



RXP8661

2D24

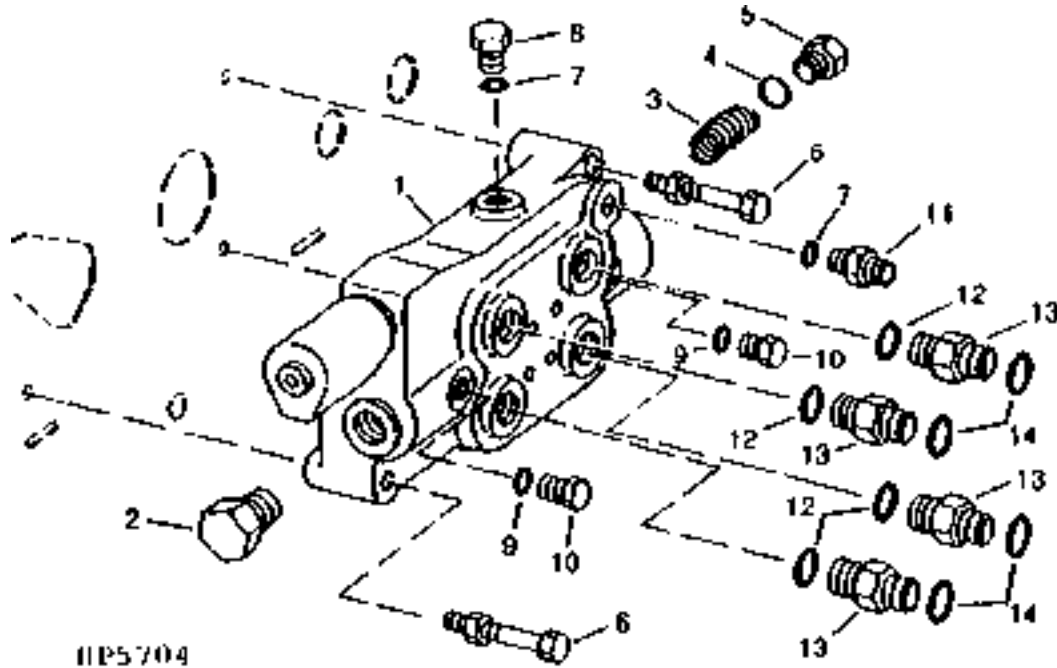
POWER TRAIN

STEERING ARMS - CONTINUED

KEY	PART NO.	PART NAME	QTY	SERIAL NO.	REMARKS
1	R92977	STEERING ARM	1		L.H.
2	U41353	WASHER	2		16.662 X 25.400 X 1.524 MM (21/32" X 1" X 0.060")
3	19H2710	CAP SCREW	2		5/8" X 1-3/4"
4	R32214	WASHER	2		13.106 X 22.225 X 2.286 MM (33/64" X 7/8" X 0.090")
5	19H2993	CAP SCREW	2		1/2" X 1-1/2"
6	R92978	STEERING ARM	1		R.H.

2D25

**CONTROL VALVE
(4-WHEEL DRIVE)**
HP5704 -UN-01JAN94

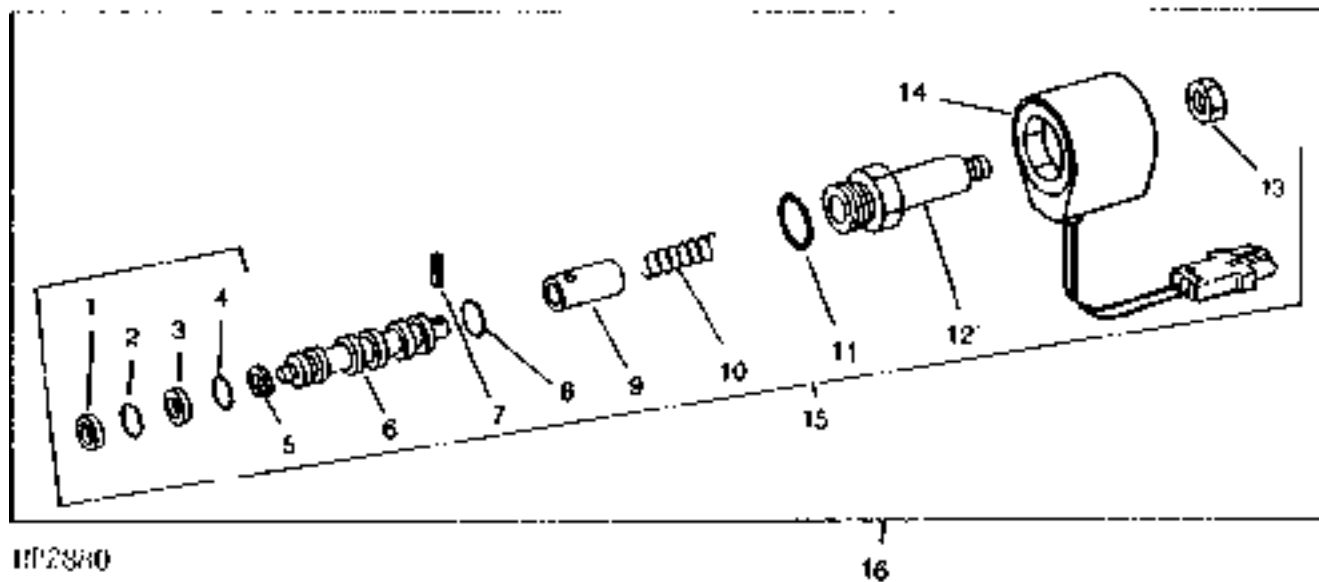


KEY	PART NO.	PART NAME	QTY	SERIAL NO.	REMARKS
1	AH128672	VALVE	1		CONTROL WITH SOLENOID
2	AU40993	FITTING	1		
3	R45182	SPRING	1		
4	R31674	O-RING	1		25.070 X 2.616 MM (0.987" X 0.103")
5	AH84695	FITTING	1		
6	19M7803	SCREW	3		M8 X 70
	14M7298	FLANGE NUT	3		M8
7	R26448	O-RING	2		11.887 X 1.981 MM (0.468" X 5/64")
8	R27218	FITTING PLUG	1		
9	R28782	O-RING	2		8.915 X 1.829 MM (0.351" X 0.072")
10	R51031	FITTING	2		
11	38H1168	ADAPTER	1		
12	U12547	O-RING	5		23.470 X 2.946 MM (0.924" X 0.116")
13	38H1329	ADAPTER	4		
14	T77932	O-RING	4		15.596 X 1.778 MM (0.614" X 0.070")

CONTROL VALVE SOLENOID

(4-WHEEL DRIVE)

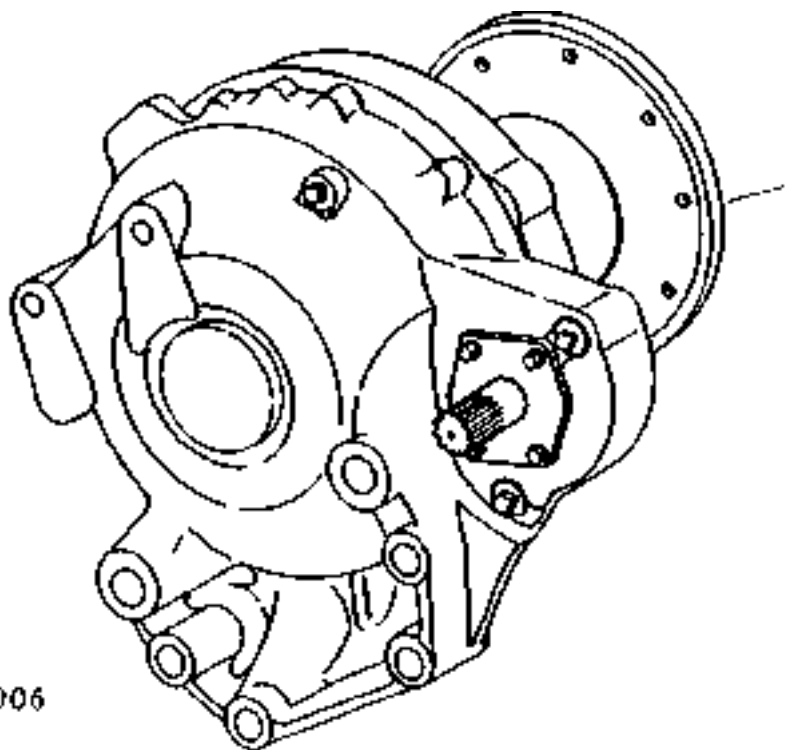
HP2880 -UN-01JAN94



KEY	PART NO.	PART NAME	QTY	SERIAL NO.	REMARKS
1	R42926	BACK-UP RING	1		
2	T77857	O-RING	1	12.421 X 1.778 MM (0.489" X 0.070")	
3	R45187	BACK-UP RING	1		
4	R45638	O-RING	1	15.596 X 1.778 MM (0.614" X 0.070")	
5	R46701	SNAP RING	1		
6	VALVE SPOOL	1		
7	34H227	SPRING PIN	1	3/32" X 1/2"	
8	N31772	O-RING	1	18.771 X 1.778 MM (0.739" X 0.070")	
9	PLUNGER	1		
10	R64698	SPRING	1		
11	U12547	O-RING	1	23.470 X 2.946 MM (0.924" X 0.116")	
12	GUIDE	1		
13	M63707	LOCK NUT	1	6.350 MM (1/4")	
14	AH128654	ELECTRICAL COIL	1		
	R78053	PIN CONTACT CONNECTOR BODY	1	(PKG OF 3)	
	R78059	ELECTRICAL PLUG	1	(PKG OF 40)	
	R78061	PIN CONTACT	1	(PKG OF 40)	
15	AH130949	SOLENOID VALVE	1		
16	AH128655	SOLENOID VALVE	1		

2E2

FINAL DRIVE
(PLANETARY)
HP3006 -UN-01JAN94

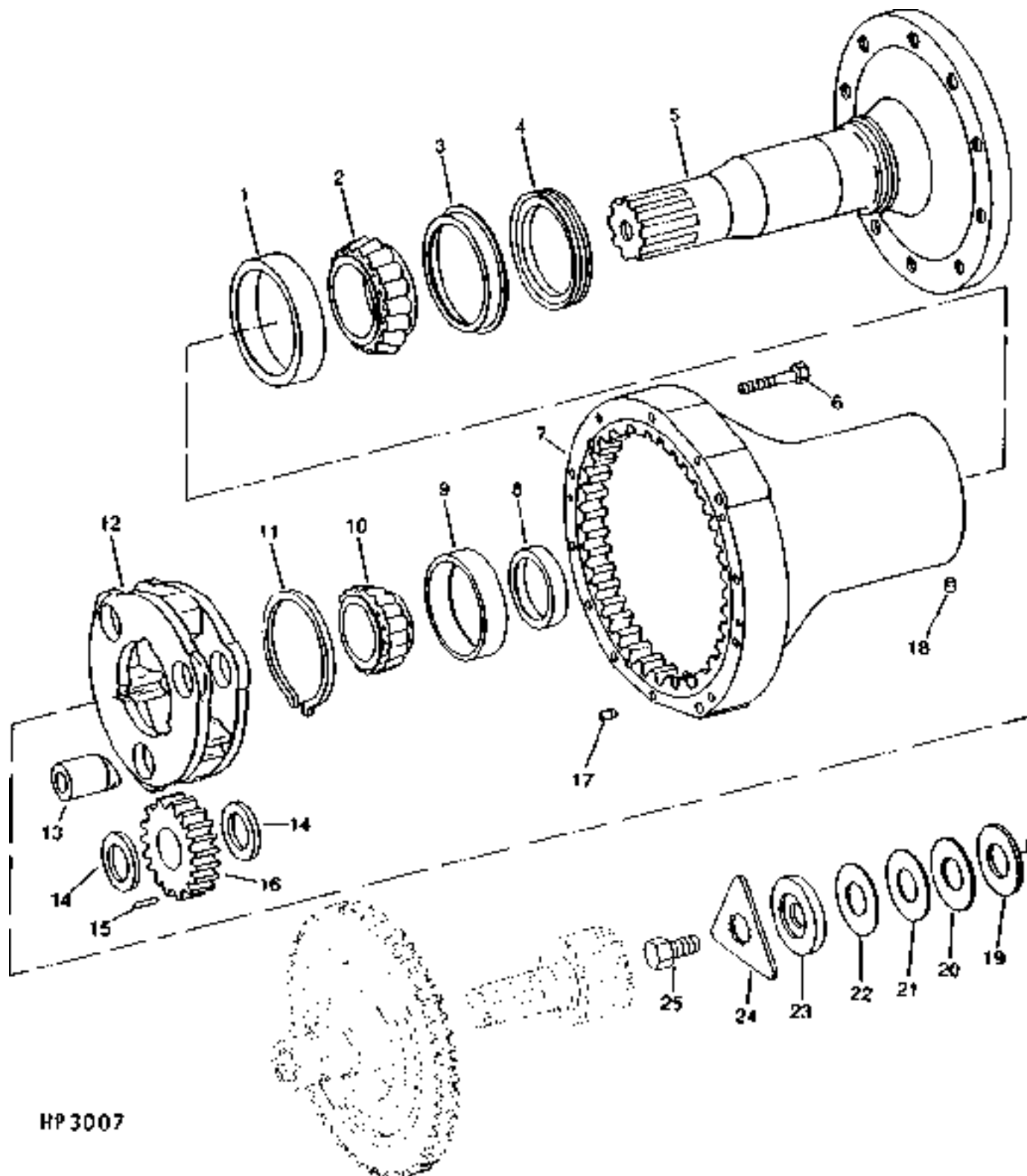


KEY	PART NO.	PART NAME	QTY	SERIAL NO.	REMARKS
1	AH122742	GEAR	1	R.H.	
	AH122743	GEAR	1	L.H.	

MEMORANDA

FINAL DRIVE AXLE SHAFT, OUTER HOUSING, PLANETARY PINION, AND BEARINGS (PLANETARY)

HP3007 -UN-01JAN94



HP 3007

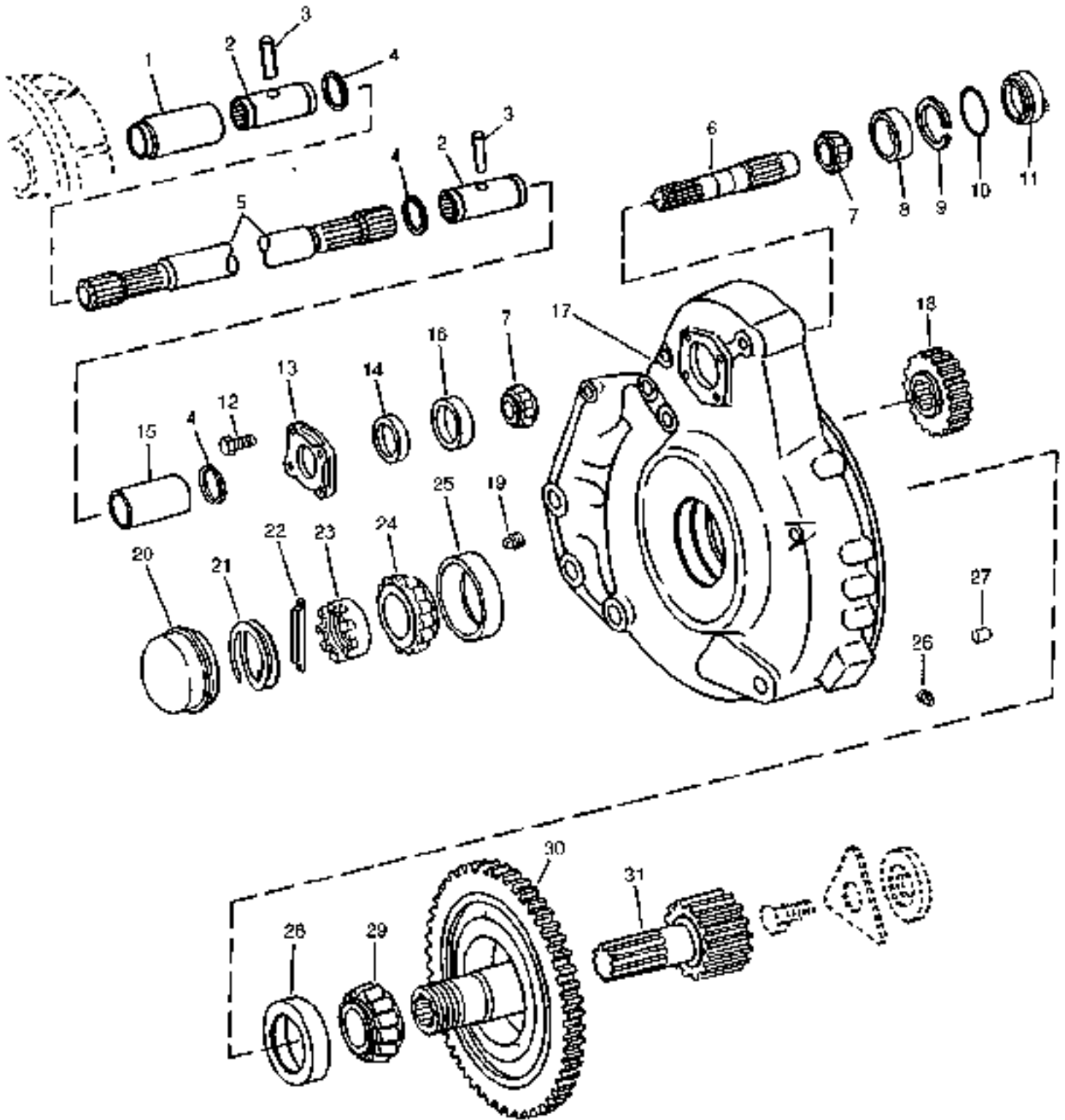
FINAL DRIVE AXLE SHAFT, OUTER HOUSING, PLANETARY PINION, AND BEARINGS - CONTINUED
(PLANETARY)

KEY	PART NO.	PART NAME	QTY	SERIAL NO.	REMARKS
1	JD10135	BEARING CUP	1		
2	JD10134	BEARING CONE	1		
3	R90080	OIL CUP	1		
4	AH112401	SEAL	1		
5	H133344	SPINDLE	1		
6	19M7845	SCREW	12	M16 X 90	
7	AH119092	HOUSING	1		
8	AR98650	SEAL	1		
9	JD9120	BEARING CUP	1		
10	JD8956	BEARING CONE	1		
11	R33029	SNAP RING	1		
12	R59933	PLANET PINION CARRIER	1		
13	R97998	SHAFT	3		
14	R33022	THRUST WASHER	6		53.848 X 79.248 X 0.914 MM (2.120" X 3.120" X 0.036")
15	R61033	NEEDLE ROLLER	72		
16	R116821	PLANET PINION	3		
17	R65499	DOWEL PIN	3		11.506 X 31.750 MM (29/64" X 1-1/4")
18	JD7769	LUBRICATION FITTING	1		
19	F2380R	WASHER	2		26.200 X 52.400 X 1.524 MM (1.031" X 2.063" X 0.060")
20	R59440	SHIM	AR		
21	R59439	SHIM	AR		
22	R61461	SHIM	AR		
23	R72169	SPACER	1		
24	R26012	LOCK PLATE	1		
25	H125759	SCREW	1		25.400 X 50.800 MM (1" X 2")

NOTE: QUANTITIES SHOWN ARE FOR ONE UNIT. TWO UNITS USED PER MACHINE.

FINAL DRIVE PINION SHAFT, INNER HOUSING, GEARS AND BEARINGS (PLANETARY)

HP7111 -UN-12SEP97



HP7111

2E6

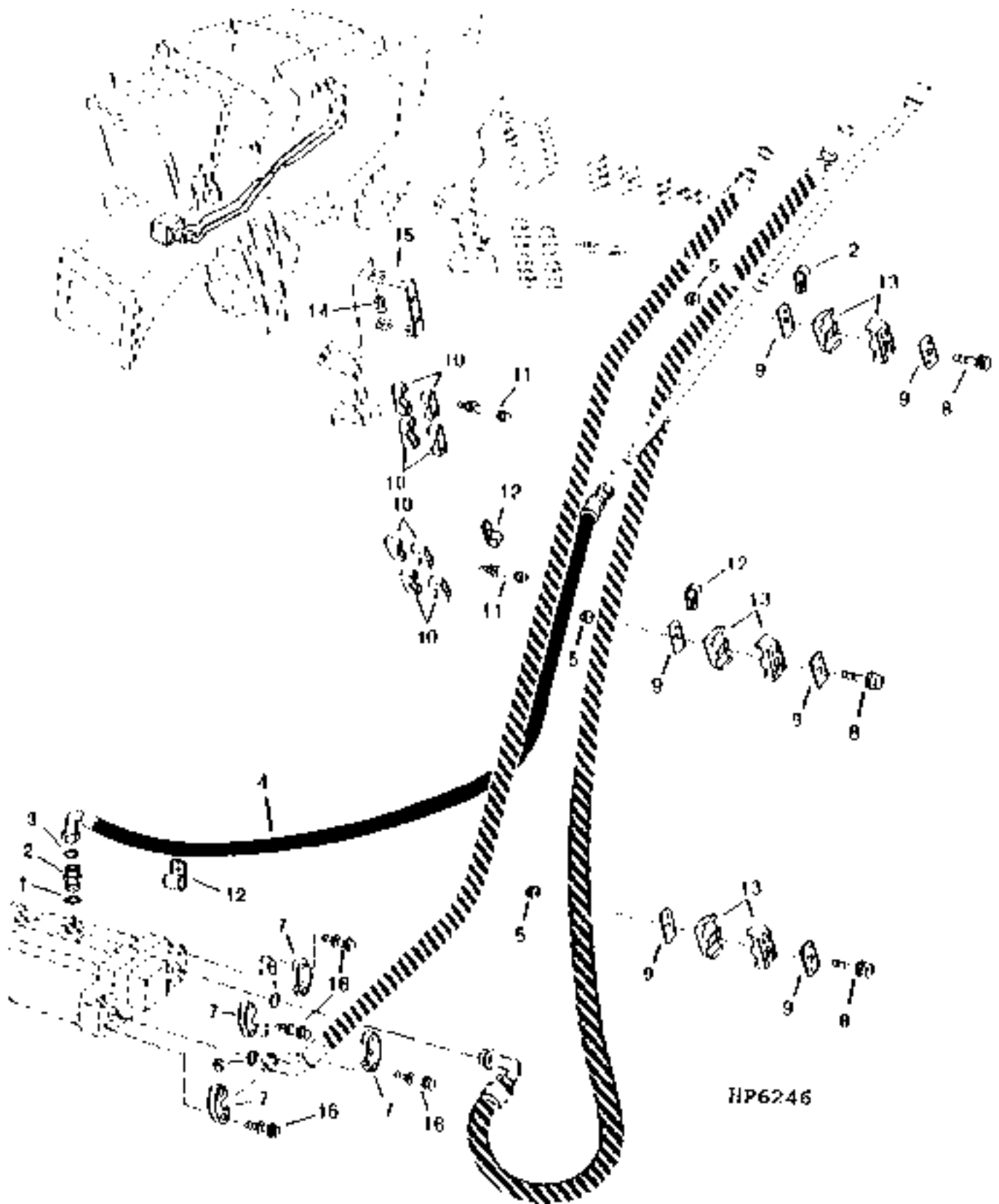
POWER TRAIN

**FINAL DRIVE PINION SHAFT, INNER HOUSING, GEARS AND BEARINGS - CONTINUED
(PLANETARY)**

KEY	PART NO.	PART NAME	QTY	SERIAL NO.	REMARKS
1	H134531	SLEEVE	1	(SUB H166201)	
	H166201	SLEEVE	1		
2	H133231	SPLINED COUPLING	2		
3	H131754	PIN	2	10 X 52 MM (0.394" X 2.047")	
4	H133229	SNAP RING	3		
5	H136028	DRIVE SHAFT	1	R.H. 12-ROW	
	H136029	DRIVE SHAFT	1	L.H. 12-ROW	
6	H93674	PINION SHAFT	1		
7	JD7222	BEARING CONE	2		
8	JD7294	BEARING CUP	1		
9	P45313	SNAP RING	1		
10	U12331	O-RING	1	69.444 X 3.531 MM (2-47/64" X 0.139")	
11	H93675	CAP	1		
12	19M7786	SCREW	4	M10 X 30	
13	H93676	BEARING HOUSING W/O BEARING	1		
14	AH81622	SEAL	1		
15	AH138565	KIT	1		
16	JD8285	BEARING CUP	1		
17	H125305	HOUSING	1	L.H.	
	H125306	HOUSING	1	R.H.	
18	H121932	PINION	1	21-TOOTH	
19	P46369	FITTING	1		
20	H76441	CAP	1		
21	P48703	SNAP RING	1		
22	H93681	KEY	1		
23	H103538	NUT	1		
24	JD9091	BEARING CONE	1		
25	JD9146	BEARING CUP	1		
26	15H237	PIPE PLUG	2	1/2"	
27	R54380	DOWEL PIN	2		
28	JD9132	BEARING CUP	1		
29	JD9075	BEARING CONE	1		
30	H158946	GEAR	1	61-TOOTH	
31	H129715	PINION	1		
32	H134444	SLEEVE	1		

HYDROSTATIC DRIVE OIL LINES AND HOSES, LOWER
(FOUR WHEEL DRIVE)

HP6246 -UN-04JAN96



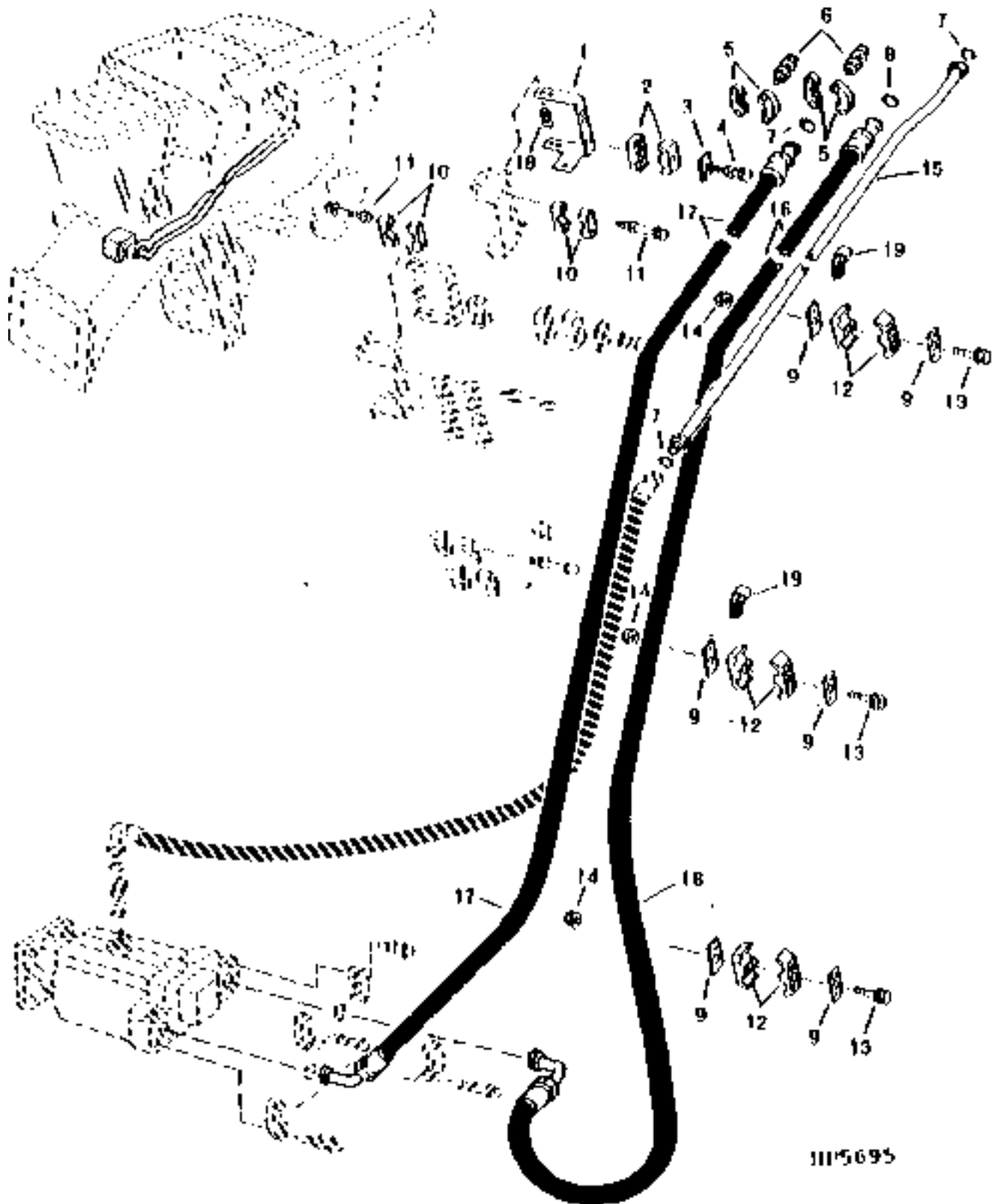
HP6246

**HYDROSTATIC DRIVE OIL LINES AND HOSES, LOWER - CONTINUED
(FOUR WHEEL DRIVE)**

KEY	PART NO.	PART NAME	QTY	SERIAL NO.	REMARKS
1	U12547	O-RING	1		23.470 X 2.946 MM (0.924" X 0.116")
2	38H1163	ADAPTER	1		
3	T77858	O-RING	4		18.771 X 1.778 MM (0.739" X 0.070")
4	AH142611	HYDRAULIC HOSE	1		1-3/16" X 1 924 MM (75-3/4") X 1-3/16" (CASE DRAIN)
5	14M7298	FLANGE NUT	3		M8
6	T78313	O-RING	6		32.918 X 3.531 MM (1.296" X 0.139")
7	H122182	EXTERNAL HALF COUPLER	8		
8	19M7970	SCREW	3		M8 X 100
9	H114901	PLATE	6		
10	H150223	HOSE CLAMP	8		
11	19M8039	SCREW	13		M8 X 80
	14M7396	LOCK NUT	13		M8
12	T72393	CLAMP	4		
13	H150222	HOSE CLAMP	6		(RD. HEAD)
14	03M7184	BOLT	8		M8 X 20 (RD. HEAD)
	14M7396	LOCK NUT	8		M8
15	H131115	BRACKET	1		
16	19H1740	CAP SCREW	8		7/16" X 1-3/4"
	12H293	LOCK WASHER	8		7/16"

**HYDROSTATIC DRIVE OIL LINES AND HOSES, LOWER
(FOUR WHEEL DRIVE)**

HP5695 -UN-01JAN94



III5695

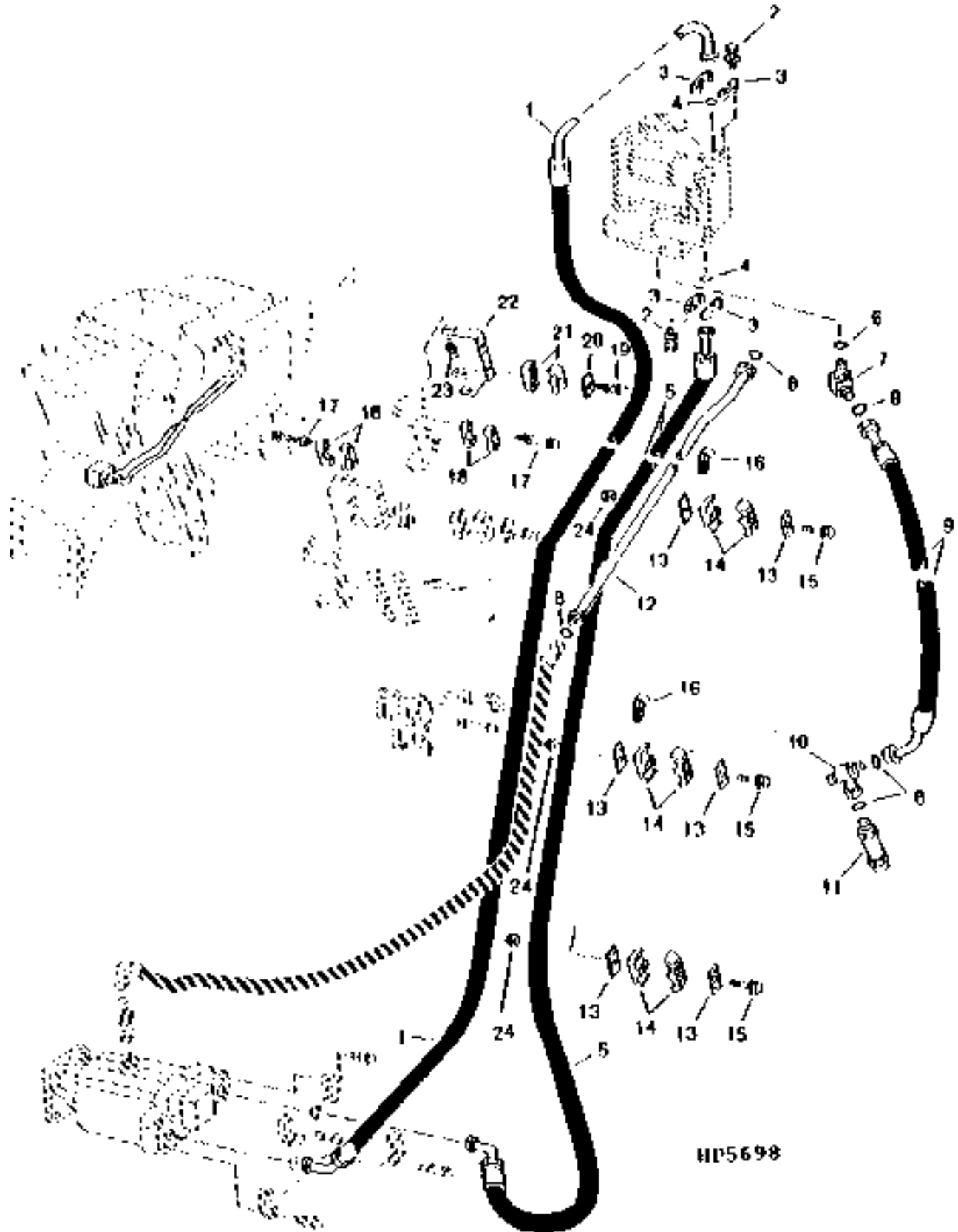
2E10

POWER TRAIN

**HYDROSTATIC DRIVE OIL LINES AND HOSES, LOWER - CONTINUED
(FOUR WHEEL DRIVE)**

KEY	PART NO.	PART NAME	QTY	SERIAL NO.	REMARKS
1	H133659	BRACKET	1		
2	H111730	CLAMP	2		
3	H112567	PLATE	1		
4	19M7979	SCREW	1	M8 X 55	
	14M7298	FLANGE NUT	1	M8	
5	H122182	EXTERNAL HALF COUPLER	4		
6	19H3465	CAP SCREW	8	7/16" X 3"	
	T105740	WASHER	16	11.400 X 25.400 X 2.286 MM (0.449" X 1" X 0.090")	
	14H1047	NUT	8	7/16"	
7	T77858	O-RING	2	18.771 X 1.778 MM (0.739" X 0.070")	
8	T78313	O-RING	2	32.918 X 3.531 MM (1.296" X 0.139")	
9	H114901	PLATE	6		
10	H150223	HOSE CLAMP	4		
11	19M8039	SCREW	5	M8 X 80	
	14M7298	FLANGE NUT	5	M8	
12	H150222	HOSE CLAMP	6		
13	19M7970	SCREW	2	M8 X 100	
14	14M7298	FLANGE NUT	3	M8	
15	AH127881	OIL LINE	4		
16	AH143353	HYDRAULIC HOSE	1		1" X 4 375 MM (172-1/4") X 1", FORWARD PRESSURE
17	AH142758	HYDRAULIC HOSE	1		1" X 3 875 MM (152-1/2") X 1", REVERSE PRESSURE
18	03M7184	BOLT	4	M8 X 20	
	14M7396	LOCK NUT	4	M8	
19	T72393	CLAMP	2		

**HYDROSTATIC DRIVE OIL LINES AND HOSES, LOWER
(TWO WHEEL DRIVE)**
HP5698 -UN-01JAN94

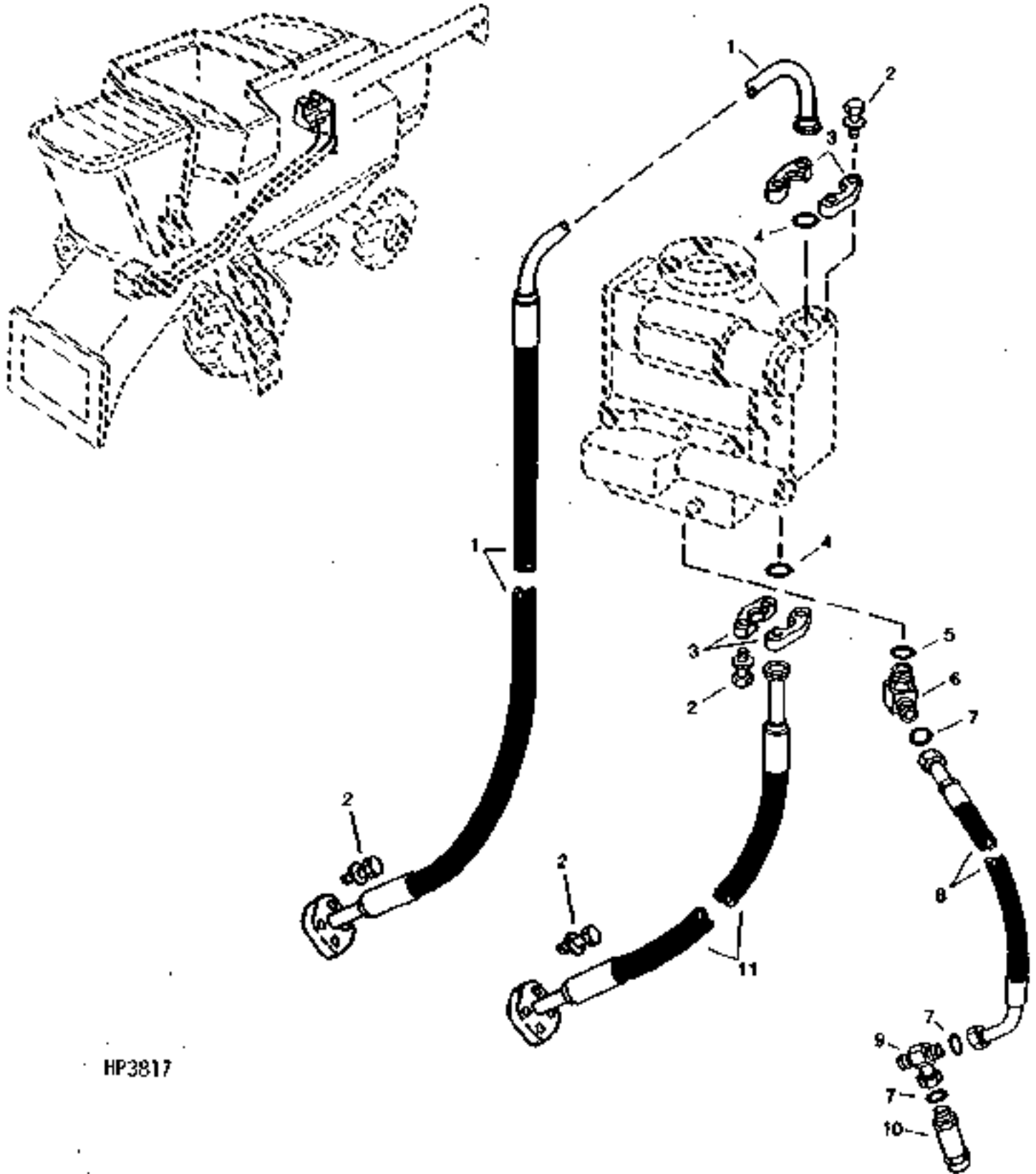


HP5698

**HYDROSTATIC DRIVE OIL LINES AND HOSES, LOWER - CONTINUED
(TWO WHEEL DRIVE)**

KEY	PART NO.	PART NAME	QTY	SERIAL NO.	REMARKS
1	AH143035	HYDRAULIC HOSE	1		1" X 5 000 MM (196-3/4") X 1", (REVERSE PRESSURE)
2	19H1740	CAP SCREW	8		7/16" X 1-3/4"
	12H293	LOCK WASHER	8		7/16"
3	H122182	EXTERNAL HALF COUPLER	4		
4	T78313	O-RING	2		32.918 X 3.531 MM
5	AH143352	HYDRAULIC HOSE	4		1" X 5 175 MM (203-3/4") X 1", (FORWARD PRESSURE)
6	U12547	O-RING	1		0.924" X 0.116"
7	38H1007	ELBOW FITTING	1		
8	T77858	O-RING	4		18.771 X 1.778 MM (0.739" X 0.070")
9	AH124008	HYDRAULIC HOSE	1		1-3/16" X 725 MM (28-1/2") X 1-3/16", (UPPER DRAIN HOSE)
10	38H1041	TEE FITTING	1		
11	AH118337	CHECK VALVE	1		
12	AH127881	OIL LINE	1		
13	H114901	PLATE	4		
14	H150222	HOSE CLAMP	6		
15	19M7970	SCREW	2		M8 X 100
16	T72393	CLAMP	1		(SUB T72393)
17	19M8039	SCREW	5		M8 X 80
	14M7298	FLANGE NUT	5		M8
18	H150223	HOSE CLAMP	4		
19	19M7979	SCREW	1		M8 X 55
	14M7298	FLANGE NUT	1		M8
20	H112567	PLATE	1		
21	H111730	CLAMP	2		
22	H133659	BRACKET	1		
23	03M7184	BOLT	4		M8 X 20
	14M7396	LOCK NUT	4		M8
24	14M7298	FLANGE NUT	2		M8

HYDROSTATIC DRIVE HOSES, UPPER
HP3817 -UN-01JAN94



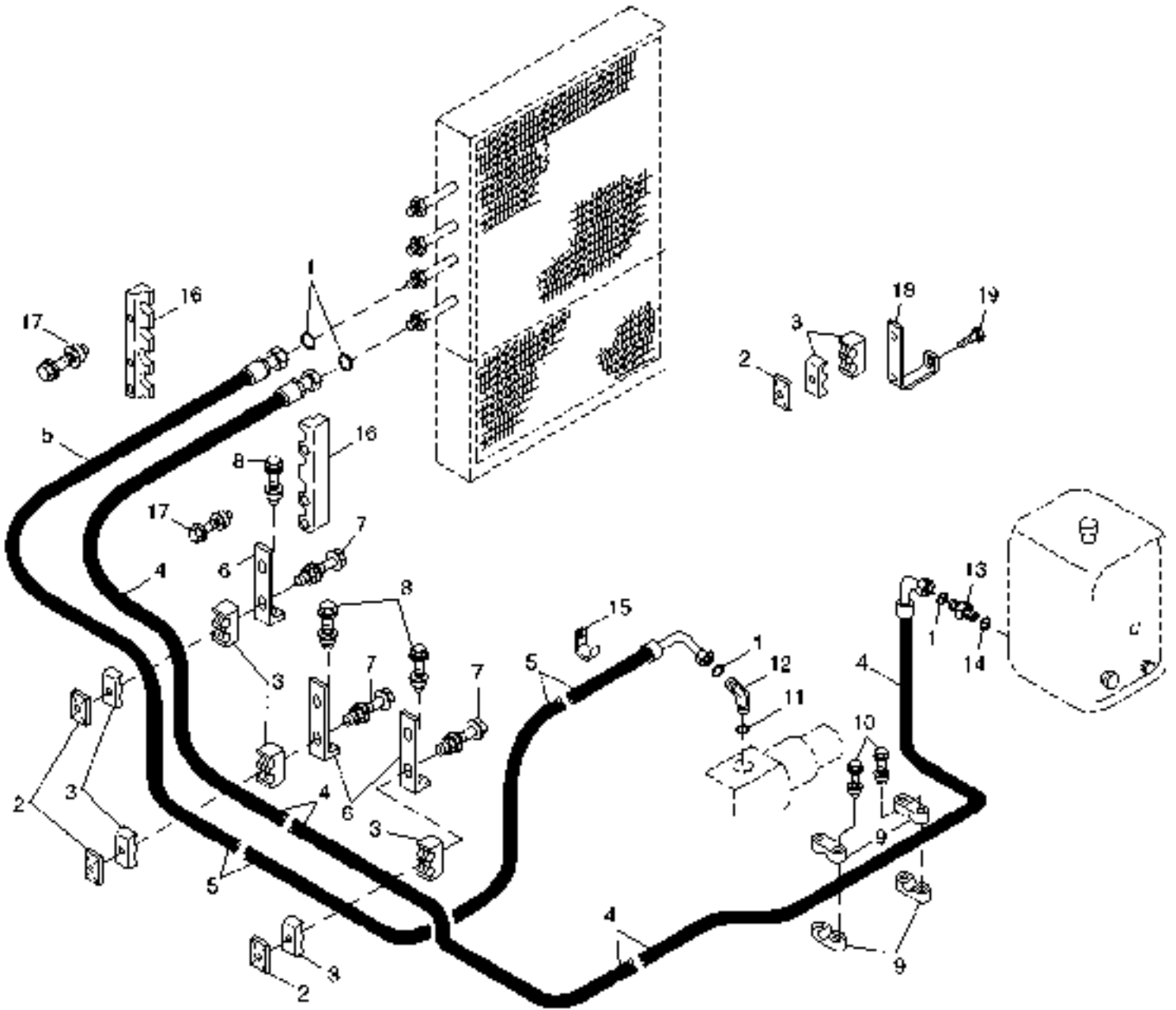
HP3817

**HYDROSTATIC DRIVE HOSES, UPPER - CONTINUED
(FOUR WHEEL DRIVE)**

KEY	PART NO.	PART NAME	QTY	SERIAL NO.	REMARKS
1	AH144192	HYDRAULIC HOSE	1		1" X 975 MM (38-1/2") X 1"
2	19H1740	CAP SCREW	8		7/16" X 1-3/4"
	12H293	LOCK WASHER	8		7/16"
3	H122182	EXTERNAL HALF COUPLER	4		
4	T78313	O-RING	2		32.918 X 3.531 MM (1.296" X 0.139")
5	U12547	O-RING	1		23.470 X 2.946 MM (0.924" X 0.116")
6	38H1007	ELBOW FITTING	1		
7	T77858	O-RING	3		18.771 X 1.778 MM (0.739" X 0.070")
8	AH124008	HYDRAULIC HOSE	1		1-3/16" X 725 MM (28-1/2") X 1-3/16" (UPPER CASE DRAIN)
9	38H1041	TEE FITTING	1		
10	AH118337	CHECK VALVE	1		
11	AH141544	HYDRAULIC HOSE	1		1-7/16" X 700 MM (27-1/2") X 1-7/16" (PRESSURE)(FOR POWERED REAR WHEELS)
	AH143352	HYDRAULIC HOSE	1		1" X 5 175 MM (203-3/4") X 1", (SUB FOR AH145691 OR AH145880) FORWARD PRESSURE

HYDROSTATIC OIL COOLER LINES AND HOSES

HP8496 -UN-22APR99



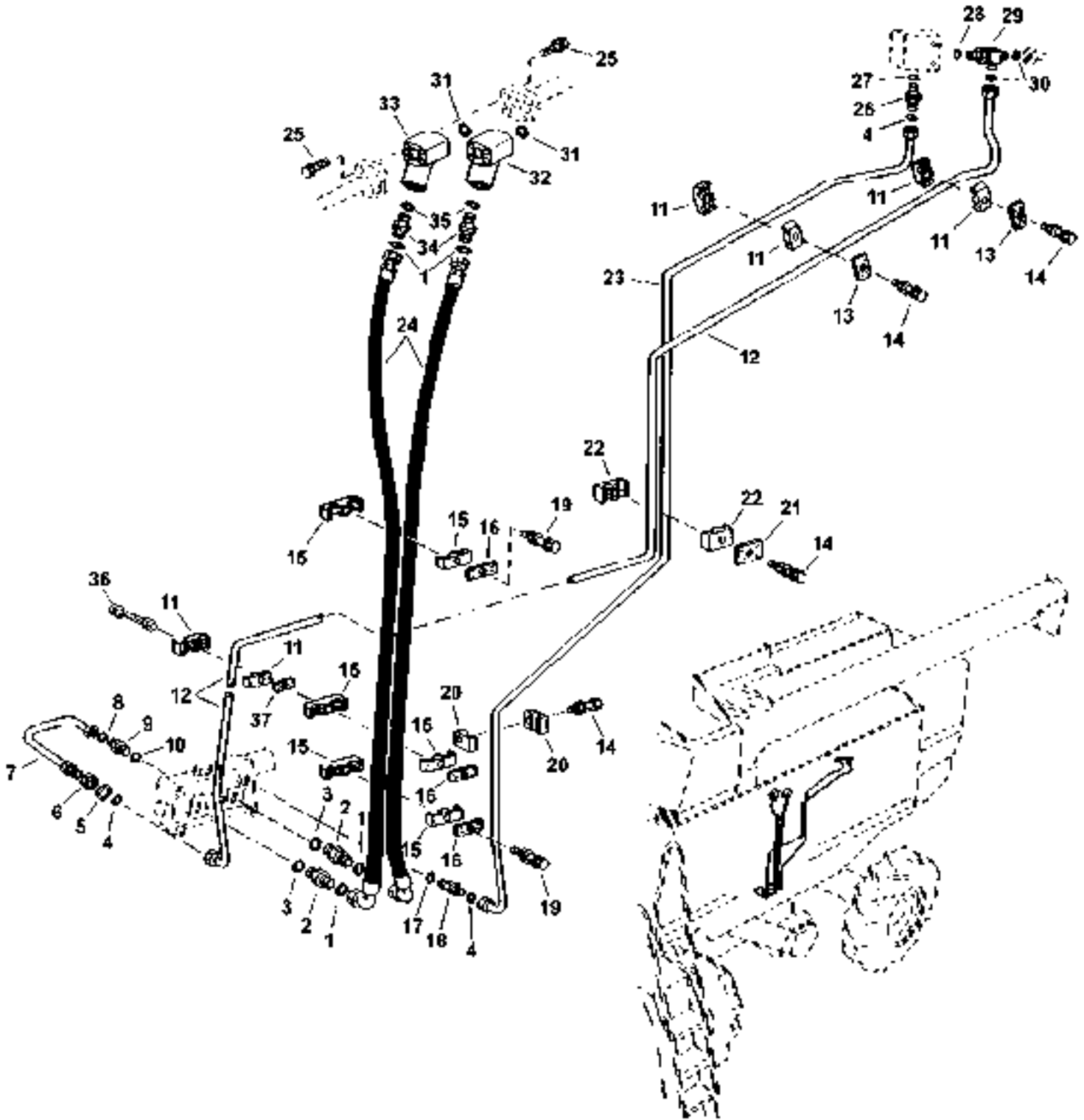
HP8496

HYDROSTATIC OIL COOLER LINES AND HOSES - CONTINUED

KEY	PART NO.	PART NAME	QTY	SERIAL NO.	REMARKS
1	T77858	O-RING	4		
2	H114901	PLATE	4		
3	H150982	CLAMP	6		
4	AH145236	HYDRAULIC HOSE	1		
5	AH145238	HYDRAULIC HOSE	1		
6	H150980	BRACKET	3		
7	19M8039	SCREW	3	M8 X 80	
	14M7298	FLANGE NUT	3	M8	
8	19M7866	SCREW	3	M8 X 20	
	14M7298	FLANGE NUT	3	M8	
9	H145247	HALF CLAMP	4		
10	19M7801	SCREW	2	M8 X 60	
	14M7298	FLANGE NUT	2	M8	
11	U12547	O-RING	1	23.470 X 2.946 MM	
12	38H1163	ADAPTER	1		
13	38H1194	ADAPTER	1		
14	R29936	O-RING	1	29.743 X 2.946 MM (1.171" X 0.116")	
15	AH90990	CLIP	1		
16	H151585	CLAMP	2		
17	19M8318	SCREW	6	M8 X 45	
	14M7298	FLANGE NUT	6	M8	
18	H163211	BRACKET	1		
19	N14822	SELF-LOCKING SCREW	1		

2E17

4-WHEEL DRIVE HYDRAULIC LINES AND HOSES, L.H. SIDE HP7512 -UN-20APR98



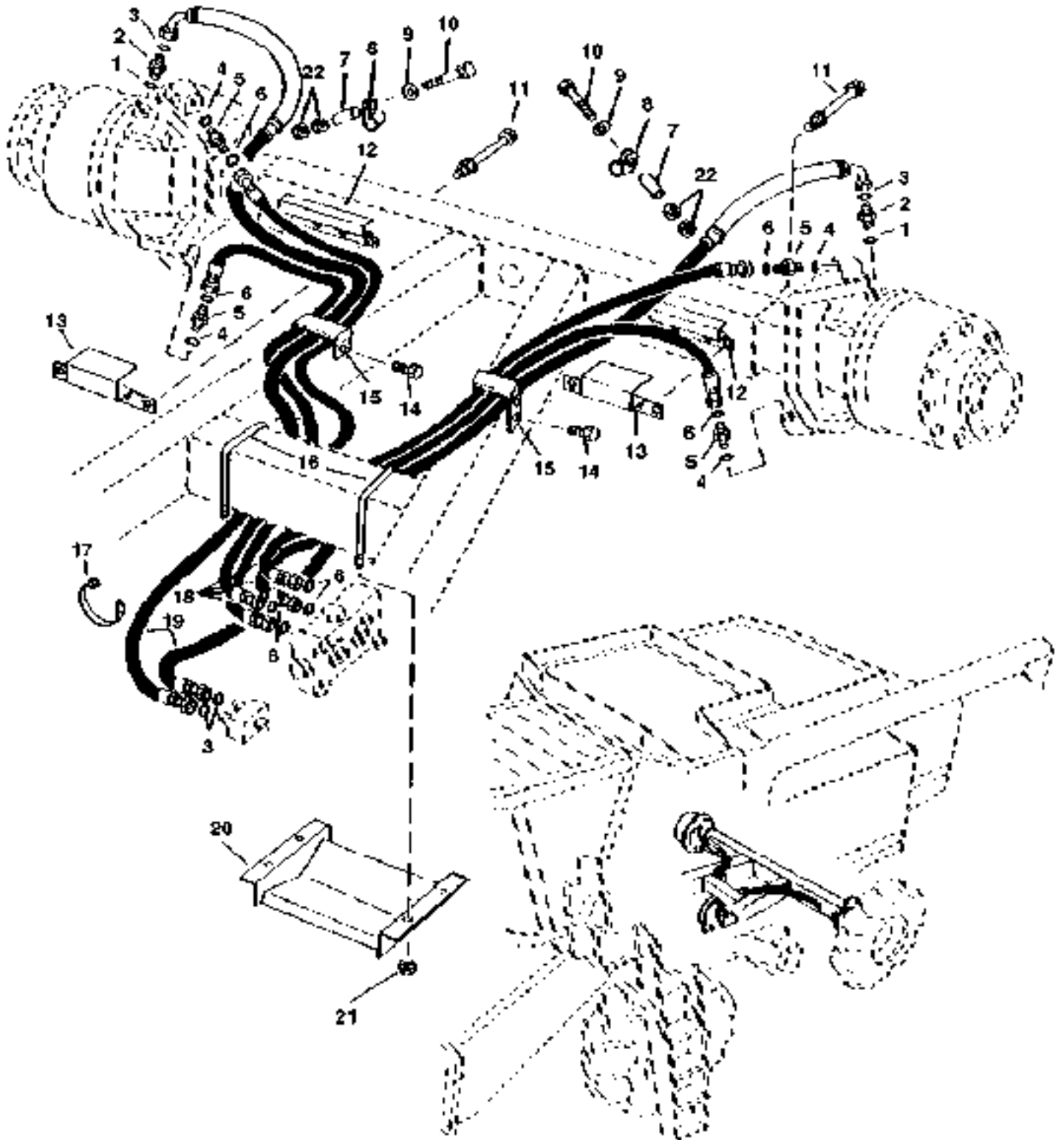
HP7512

4-WHEEL DRIVE HYDRAULIC LINES AND HOSES, L.H. SIDE - CONTINUED

KEY	PART NO.	PART NAME	QTY	SERIAL NO.	REMARKS
1	T77858	O-RING	4		18.771 X 1.778 MM (0.739" X 0.070")
2	38H1163	ADAPTER	2		
3	U12547	O-RING	2		23.470 X 2.946 MM (0.924" X 0.116")
4	T77613	O-RING	3		9.246 X 1.778 MM (0.364" X 0.070")
5	24M7114	WASHER	1		19 X 30 X 4 MM
6	T81029	NUT	1		17.475 MM (11/16")
7	AH130611	HYDRAULIC LINE	1		
8	T77814	O-RING	1		7.645 X 1.778 MM (0.301" X 0.070")
9	38H1168	ADAPTER	1		
10	R26448	O-RING	1		11.887 X 1.981 MM (0.468" X 5/64")
11	H114865	CLAMP	6		
12	AH130447	OIL LINE	1		(RETURN)
13	H112567	PLATE	2		
14	03M7245	BOLT	4		M8 X 55
	14M7298	FLANGE NUT	4		M8
15	H114898	CLAMP	6		
16	H114901	PLATE	3		
17	R28782	O-RING	1		8.915 X 1.829 MM (0.351" X 0.072")
18	38H1309	ADAPTER	1		
19	19M7396	CAP SCREW	2		M16 X 45
	14M7170	LOCK NUT	2		M16
20	H127589	CLAMP	2		
21	H121163	COVER	1		
22	H128515	CLAMP	2		
23	AH135620	OIL LINE	1		(PRESSURE)
24	AH139802	HYDRAULIC HOSE	2		1-3/16" X 1 575 MM (62") X 1-3/16"
25	19M8162	CAP SCREW	16		M10 X 40
26	38H1160	ADAPTER	1		
27	R26448	O-RING	1		11.887 X 1.981 MM (0.468" X 5/64")
28	R26375	O-RING	1		16.358 X 2.210 MM (0.644" X 0.087")
29	38H1024	TEE FITTING	1		
30	T77857	O-RING	2		12.421 X 1.778 MM (0.489" X 0.070")
31	T78313	O-RING	2		32.918 X 3.531 MM (1.296" X 0.139")
32	AH133941	MANIFOLD	1		42 GPM, FWD PRESS.
33	AH133942	MANIFOLD	1		30 GPM, REV PRESS.
34	38H1329	ADAPTER	2		
35	R29936	O-RING	2		29.743 X 2.946 MM (1.171" X 0.116")
36	19M8039	SCREW	1		M8 X 80
	14M7298	FLANGE NUT	1		M8
37	H131163	STRAP	1		

4-WHEEL DRIVE LINES AND HOSES
(FROM FLOW CONTROL VALVE TO CAM LOBE MOTORS)

HP6822 -UN-12SEP97

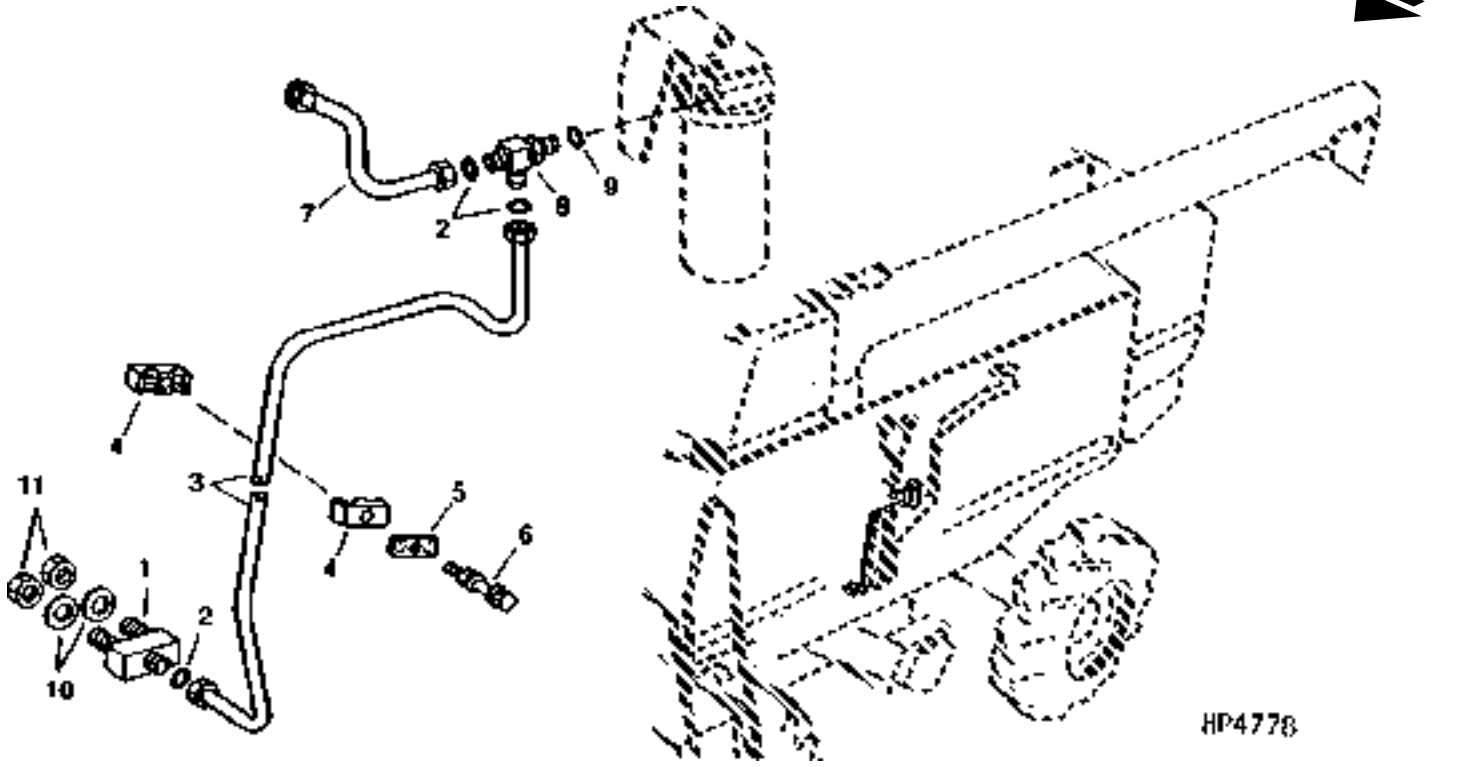


HP6822

4-WHEEL DRIVE LINES AND HOSES - CONTINUED
(FROM FLOW CONTROL VALVE TO CAM LOBE MOTORS)

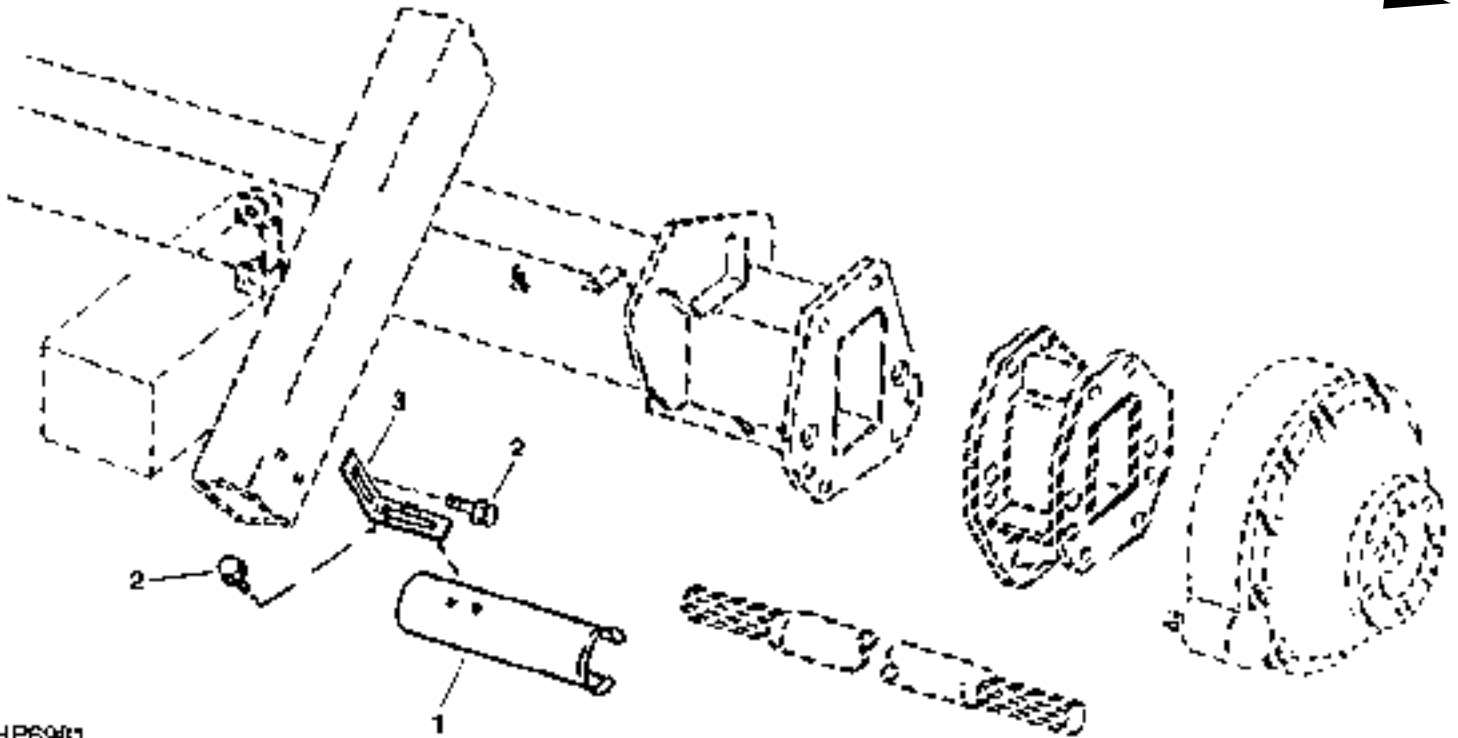
KEY	PART NO.	PART NAME	QTY	SERIAL NO.	REMARKS
1	R26375	O-RING	2		16.358 X 2.210 MM (0.644" X 0.087")
2	38H1178	ADAPTER	2		
3	T77858	O-RING	4		18.771 X 1.778 MM (0.739" X 0.070")
4	U12547	O-RING	4		23.470 X 2.946 MM (0.924" X 0.116")
5	38H1329	ADAPTER	4		
6	T77932	O-RING	8		15.596 X 1.778 MM (0.614" X 0.070")
7	T25473	SPACER	2		10.312 X 19.050 X 64.008 MM (13/32" X 3/4" X 2.520")
8	H145247	HALF CLAMP	4		
9	24H1305	WASHER	2		13/32" X 13/16" X 0.065"
10	19M7801	SCREW	4		M8 X 60
11	H121472	BOLT	4		
	14M7300	FLANGE NUT	4		M20
12	H131996	SHIELD	2		
13	H133671	SHIELD	2		
14	37M7092	SCREW	6		M8 X 16
15	AH117418	STRAP	2		
16	H133669	U-BOLT	2		
17	H113196	TIE BAND	1		
18	AH143407	HYDRAULIC HOSE	4		1" X 3 375 MM (132-3/4") X 1"
19	AH139854	HYDRAULIC HOSE	2		1-3/16" X 4 025 MM (158-1/2") X 1-3/16", (CASE DRAIN)
20	AH128757	SHIELD	1		
21	14M7296	FLANGE NUT	4		M10
22	14M7298	FLANGE NUT	4		M8
..	TY9473	ADHESIVE	1		
..	T43512	SEALANT	1		
..	BH78881	COMPLETE GOODS/SHIP. BUNDLE	1		(SHIELDS)

4-WHEEL DRIVE CASE DRAIN HYDRAULIC LINES
 HP4778 -UN-01JAN94



KEY	PART NO.	PART NAME	QTY	SERIAL NO.	REMARKS
1	AH128692	MANIFOLD	1		(CASE DRAIN)
2	T77858	O-RING	3		18.771 X 1.778 MM (0.739" X 0.070")
3	AH130449	HYDRAULIC LINE	1		(CASE DRAIN RETURN)
4	H114865	CLAMP	2		
5	H112567	PLATE	1		
6	03M7245	BOLT	1	M8 X 55	
	14M7298	FLANGE NUT	1	M8	
7	AH126169	OIL LINE	1		(RETURN) (FROM VALVE STACK TO HYD FILTER)
8	38H1438	TEE FITTING	1		
9	R29936	O-RING	1		29.743 X 2.946 MM (1.171" X 0.116")
10	28H1152	BUSHING	2		1.278" X 1.660" X 3/8"
11	T78707	NUT	2		30.175 MM (1-3/16")
..	BH71746	COMPLETE GOODS/SHIP. BUNDLE	1		4 WHEEL DRIVE CONVERSION

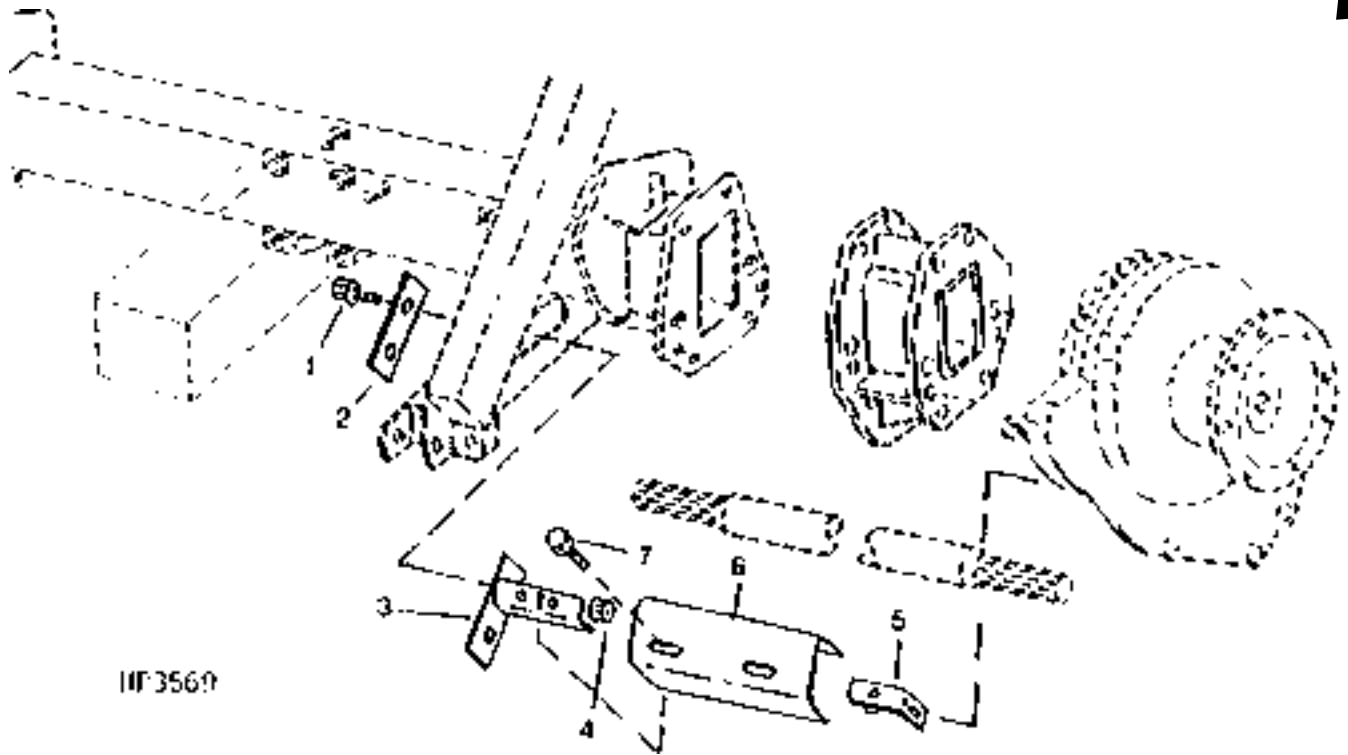
**FINAL DRIVE SHAFT SHIELDS - (RING AND PINION)
(FOR RICE ONLY)
(LEFT-HAND SIDE ILLUSTRATED)**
HP6981 -UN-22SEP97



HP6981

KEY	PART NO.	PART NAME	QTY	SERIAL NO.	REMARKS
1	AH132239	POWERSHAFT SHIELD	2		USE WITH NO AXLE SPACER (INCLUDES DIRECTION)
	AH132240	POWERSHAFT SHIELD	2		USE WITH 165 MM AXLE SPACER
2	19M7783	SCREW	4		M10 X 16
3	H147490	ANGLE	2		
	H166375	BRACKET	2		FOR RICE ONLY

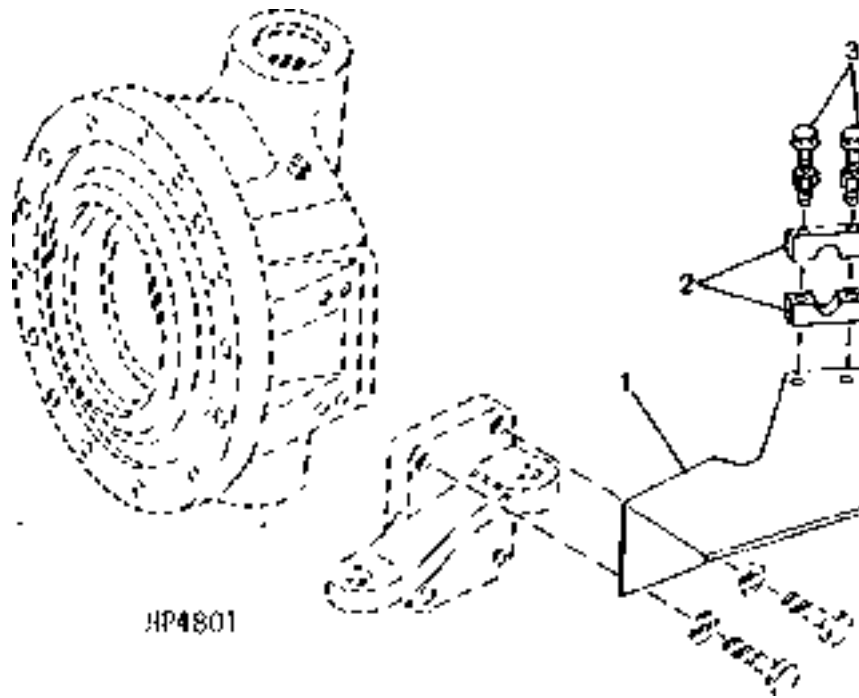
**FINAL DRIVE SHAFT SHIELDS - (PLANETARY)
(FOR RICE ONLY)
(LEFT-HAND SIDE ILLUSTRATED)**
HP3569 -UN-01JAN94



KEY	PART NO.	PART NAME	QTY	SERIAL NO.	REMARKS
1	19M7786	SCREW	4	M10 X 30	
2	H137782	ADJUSTING STRAP	2		
3	AH132365	BRACKET	1	L.H.	
	AH132366	BRACKET	1	R.H.	
4	14M7296	FLANGE NUT	4	M10	
5	AH132903	BRACKET	2		
6	H137805	SHIELD	2		USE WITH NO AXLE SPACER
	H137806	SHIELD	2		USE WITH 165 MM AXLE SPACER
	H137807	SHIELD	2		USE WITH 300 MM AXLE SPACER
7	19M7783	SCREW	2	M10 X 16, (INTO WELDNUTS)	

MUD SHIELDS-POWERED REAR WHEELS

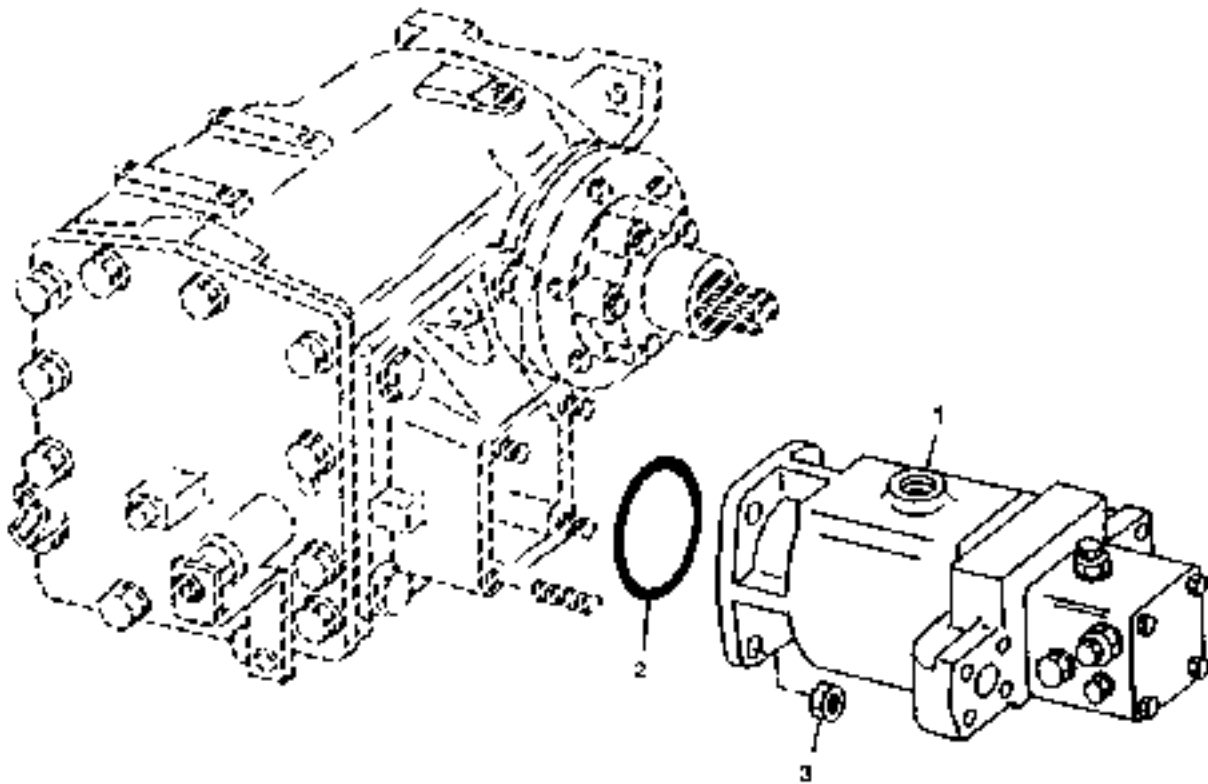
HP4801 -UN-01JAN94



KEY	PART NO.	PART NAME	QTY	SERIAL NO.	REMARKS
1	H146088	SHIELD	1	L.H.	
	H146089	SHIELD	1	R.H.	
2	H145247	HALF CLAMP	2		
3	19M7801	SCREW	2	M8 X 60	
	14M7298	FLANGE NUT	2	M8	

2F1

HYDROSTATIC DRIVE MOTOR
HP6551 -UN-23AUG96



HP6551

2F2

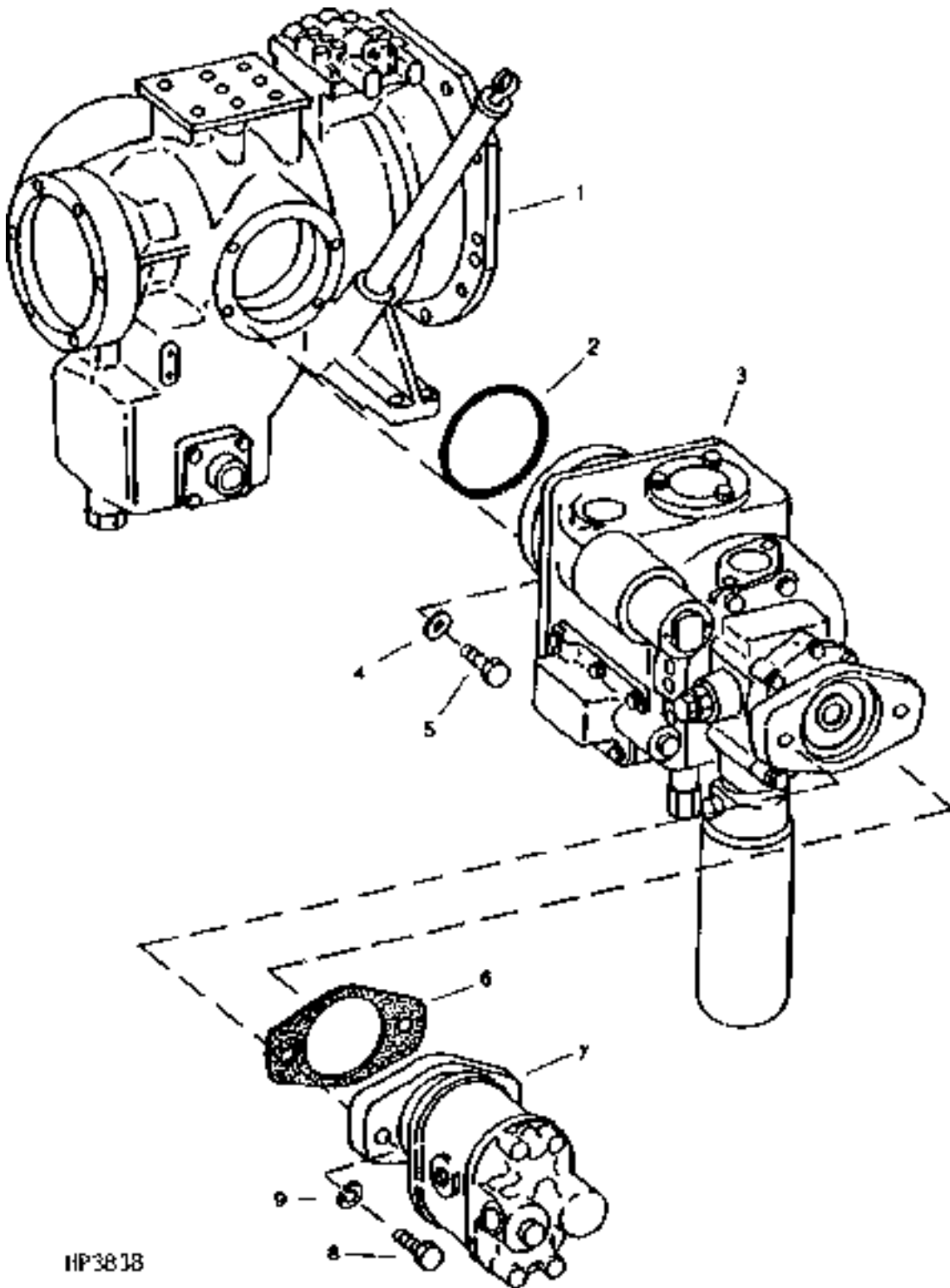
POWER TRAIN

HYDROSTATIC DRIVE MOTOR - CONTINUED

KEY	PART NO.	PART NAME	QTY	SERIAL NO.	REMARKS
1	AH131310	MOTOR	1		RING AND PINION
	AH131390	MOTOR	1		PLANETARY
2	R63308	O-RING	1		120.015 X 5.334 MM (4.725" X 0.210")
3	14M7299	FLANGE NUT	4		M12

2F3

ENGINE GEARCASE - HYDROSTATIC DRIVE PUMP - MAIN HYDRAULIC PUMP CONNECTING HARDWARE
HP3838 -UN-01JAN94



HP3838

2F4

POWER TRAIN

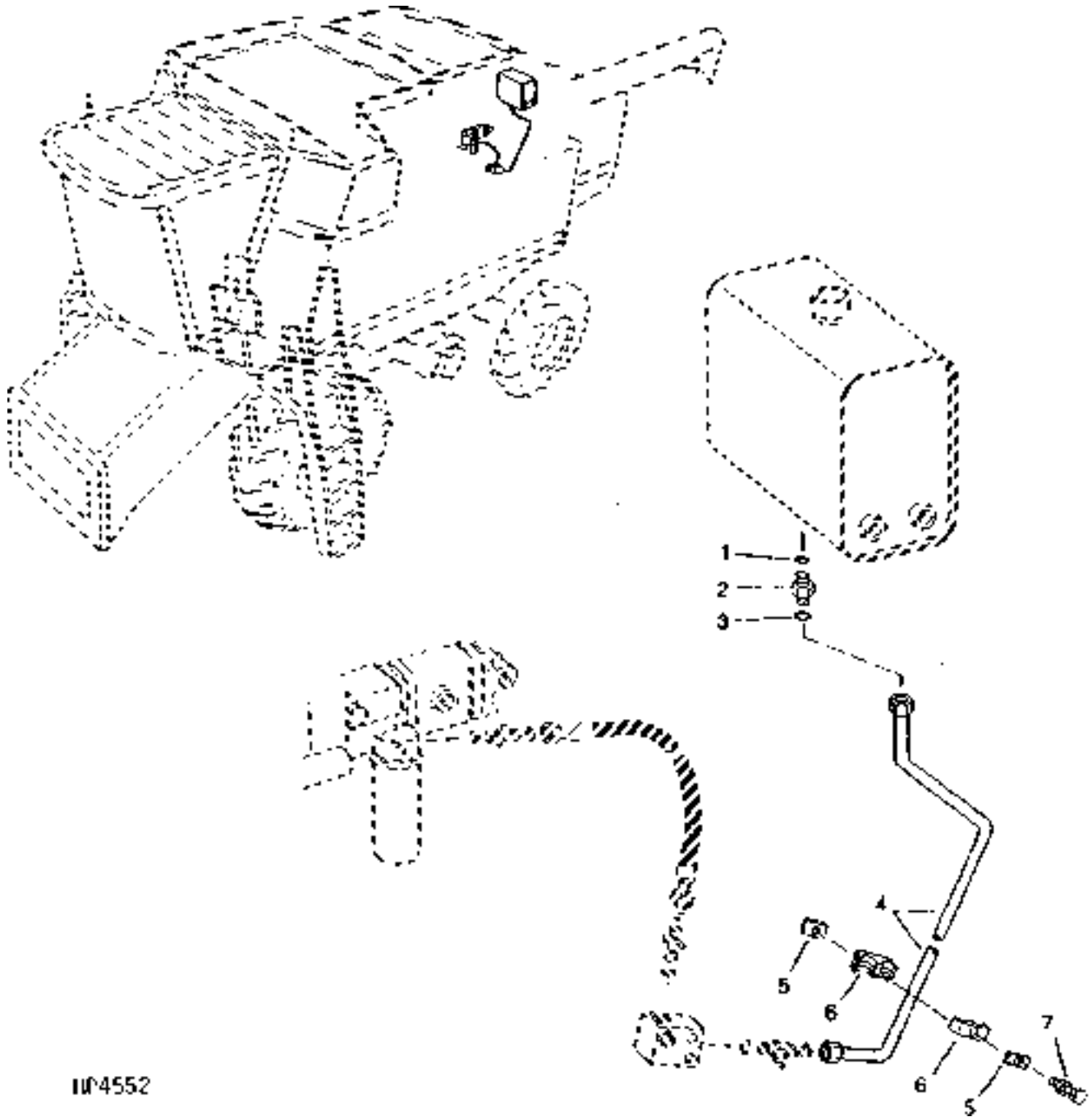
ENGINE GEARCASE - HYDROSTATIC DRIVE PUMP - MAIN HYDRAULIC PUMP CONNECTING HARDWARE-CONT.

KEY	PART NO.	PART NAME	QTY	SERIAL NO.	REMARKS
1	AH139321	GEAR CASE	1		
	AH139320	GEAR CASE	1		
2	R63308	O-RING	1		120.015 X 5.334 MM (4.725" X 0.210")
3	AH160785	PUMP	1		(SUB FOR AH131305) REMANUFACTURED, RING AND PINION
	AH160790	HYDRAULIC PUMP	1		(SUB FOR AH131385) REMANUFACTURED, PLANETARY
4	T29342	WASHER	1		13.487 X 31.750 X 4.572 MM (17/32" X 1-1/4" X 0.180")
5	19M7493	CAP SCREW	1		M12 X 40
6	H131121	GASKET	1		(SHOWN) (USE WITH AH131305 AND AH131385)
	E65288	O-RING	1		(USE WITH AH160785 AND AH160790)
7	AH131183	HYDRAULIC PUMP	1		RING AND PINION
	AH131175	HYDRAULIC PUMP	1		PLANETARY
8	19H1732	CAP SCREW	4		3/8" X 1-1/4"
9	12H304	LOCK WASHER	4		3/8"

2F5

RETURN LINE TO RESERVOIR - 4-WHEEL DRIVE

HP4552 -UN-01JAN94



HP4552

2F6

POWER TRAIN

RETURN LINE TO RESERVOIR - 4-WHEEL DRIVE - CONTINUED

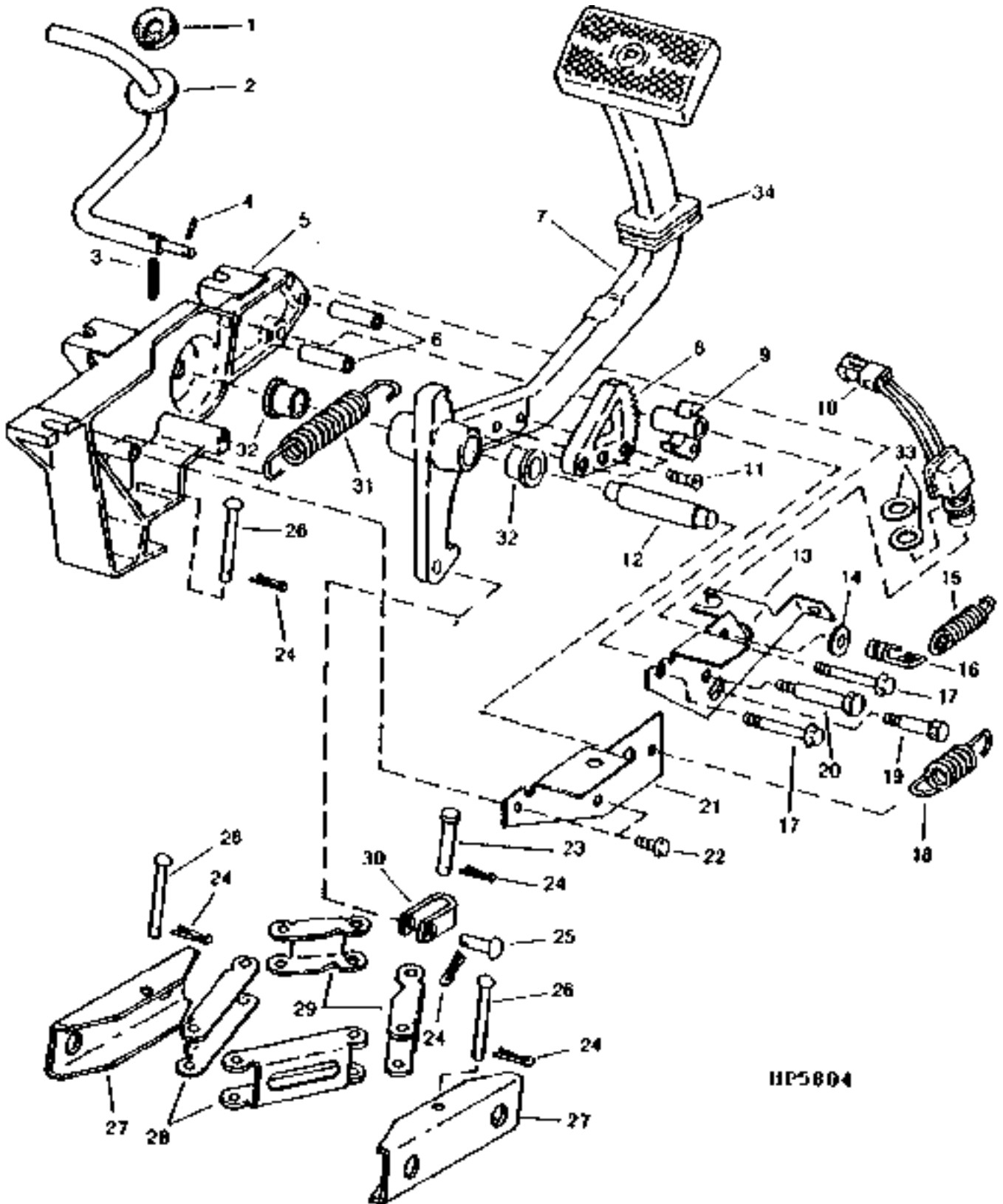
KEY	PART NO.	PART NAME	QTY	SERIAL NO.	REMARKS
1	R26448	O-RING	1		
2	38H1160	ADAPTER	1		11.887 X 1.981 MM (0.468" X 5/64")
3	T77613	O-RING	1		9.246 X 1.778 MM (0.364" X 0.070")
4	AH130445	HYDRAULIC LINE	1		
5	H112567	PLATE	2		
6	H114865	CLAMP	2		
7	19M7801	SCREW	1		M8 X 60
	14M7298	FLANGE NUT	1		M8
..	BH80002	COMPLETE GOODS/SHIP. BUNDLE	1		4 WHEEL DRIVE CONVERSION

MEMORANDA

MEMORANDA

PARKING BRAKE PEDAL AND SEAL

HP5804 -UN-01JAN94



HP5804

2F10

STEERING AND BRAKES

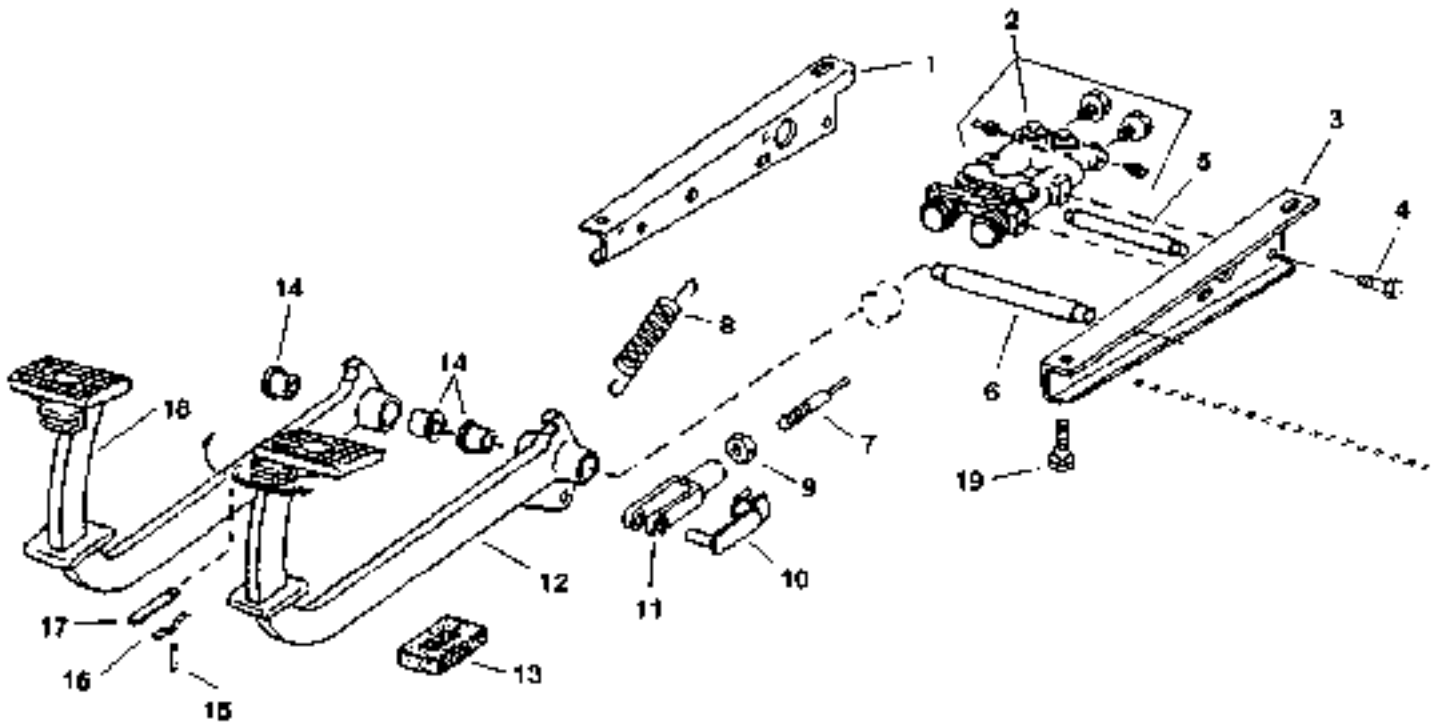
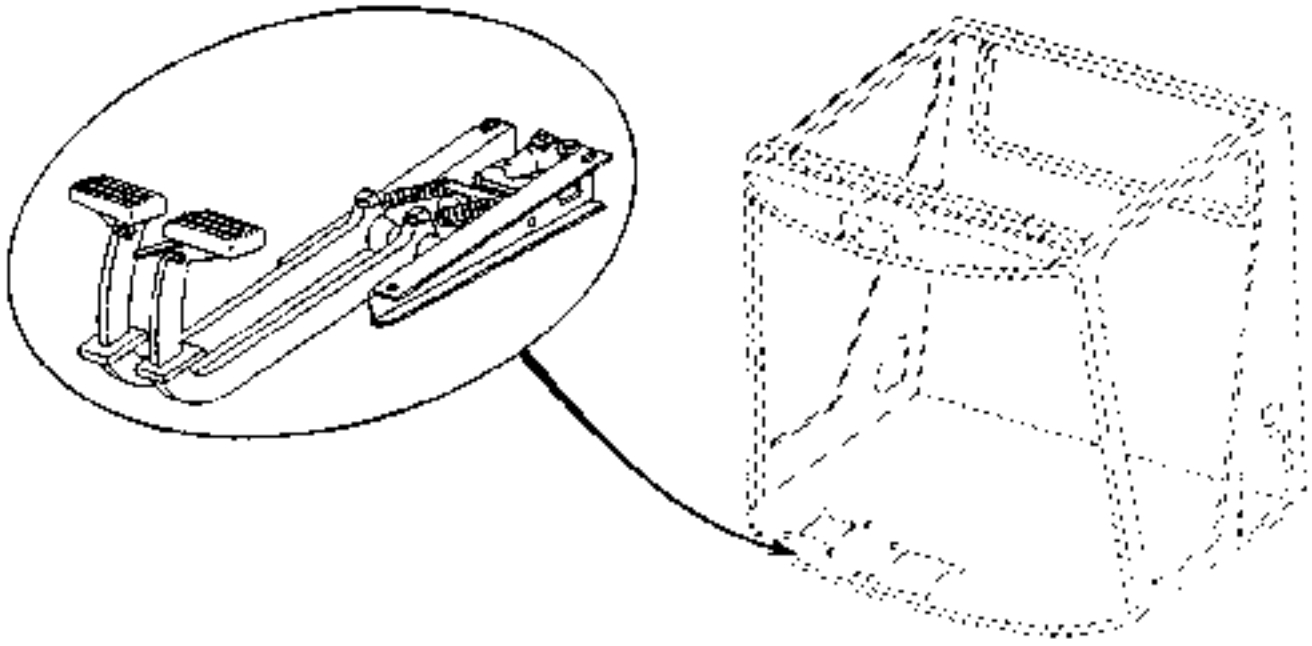
PARKING BRAKE PEDAL AND SEAL - CONTINUED

KEY	PART NO.	PART NAME	QTY	SERIAL NO.	REMARKS
1	H145847	ISOLATOR	1		
2	AH146492	ARM	1	(SUB FOR AH135695)	
3	34M7124	SPRING PIN	1	8 X 30 MM	
4	34M7116	SPRING PIN	1	3 X 24 MM	
5	H140595	FRAME	1		
6	28H1633	BUSHING	2	9.246 X 13.716 X 39.675 MM (0.364" X 0.540" X 1-9/16")	
7	H152164	PEDAL	1	(SUB FOR H140620)	
8	H140746	RATCHET	1		
9	H140747	PAWL	1		
10	AH140605	SWITCH	1		
11	H140692	SCREW	3	M8 X 30	
12	H140708	PIN	1	20 X 92 MM (0.787" X 3.622")	
13	H146327	PLATE	1		
14	H110232	WASHER	1	10.310 X 22.600 X 1.500 MM (0.406" X 0.890" X 0.059")	
15	R60730	SPRING	1		
16	H141069	HOOK	1		
17	19M7801	SCREW	2	M8 X 60	
18	H124258	SPRING	1		
19	H140715	BOLT	1	M8 X 40	
20	H140712	BOLT	1	M10 X 67	
21	H140691	PLATE	1		
22	19M7867	SCREW	2	M8 X 25	
23	M43649	PIN	1	9.525 X 48.260 MM (3/8" X 1.900")	
24	11M7081	COTTER PIN	5	2.500 X 20 MM	
25	RV702A	PIN	1	9.525 X 28.575 MM (3/8" X 1-1/8")	
26	H109716	PIN	3	8 X 69.850 MM (0.315" X 2-3/4")	
27	H140694	BALANCER	2		
28	H140695	LINK	2		
29	H140696	LINK	2		
30	H140713	CLEVIS	1		
31	H104075	SPRING	1		
32	H105005	BUSHING	2		
33	24H1375	WASHER	2	17.475 X 28.575 X 1.524 MM (11/16" X 1-1/8" X 0.060")	
34	H141422	SEAL	1		

2F11

BRAKE PEDALS AND MASTER CYLINDERS

HP6823 -UN-29AUG97



HP6823

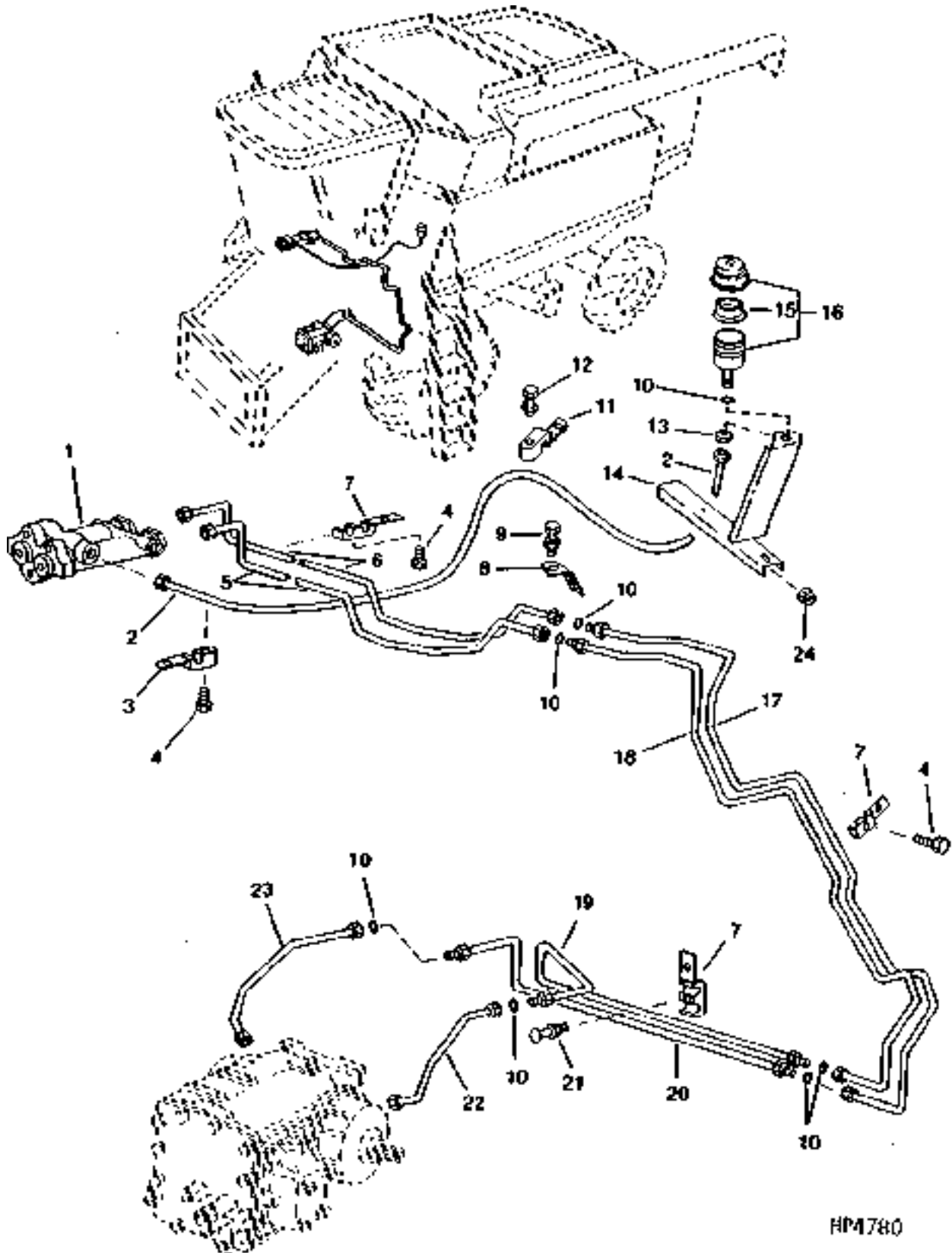
2F12

BRAKE PEDALS AND MASTER CYLINDERS - CONTINUED

KEY	PART NO.	PART NAME	QTY	SERIAL NO.	REMARKS
1	H156514	SUPPORT	1		R.H.
2	AH160136	CYLINDER	1		(SUB FOR AH143737)
3	H156513	SUPPORT	1		L.H.
4	19M7784	SCREW	4		M10 X 20
5	H120389	PIN	1		
6	H120388	PIN	1		
7	H124259	STUD	2		
8	H124258	SPRING	2		
9	14M7274	NUT	2		M10
10	H114331	PIN	2		(SUB (2) 45M7118)
	45M7118	PIN	2		10 X 35 MM
11	H114330	YOKE	2		
12	H144270	PEDAL	1		(SUB H152166) L.H.
	H152166	PEDAL	1		(SUB H172924)
	H172924	PEDAL	1		L.H.
13	H111234	SEAL	2		
14	H105005	BUSHING	4		
15	34H312	SPRING PIN	1		1/4" X 1"
16	H95902	SPRING	1		
17	H99264	STRAP	1		
18	H144269	PEDAL	1		(SUB H152165) R.H.
	H152165	PEDAL	1		(SUB H172923)
	H172923	PEDAL	1		R.H.
19	19M7866	SCREW	4		M8 X 20

2F13

BRAKE LINES, MASTER CYLINDER AND RESERVOIR
HP4780 -UN-01JAN94



2F14

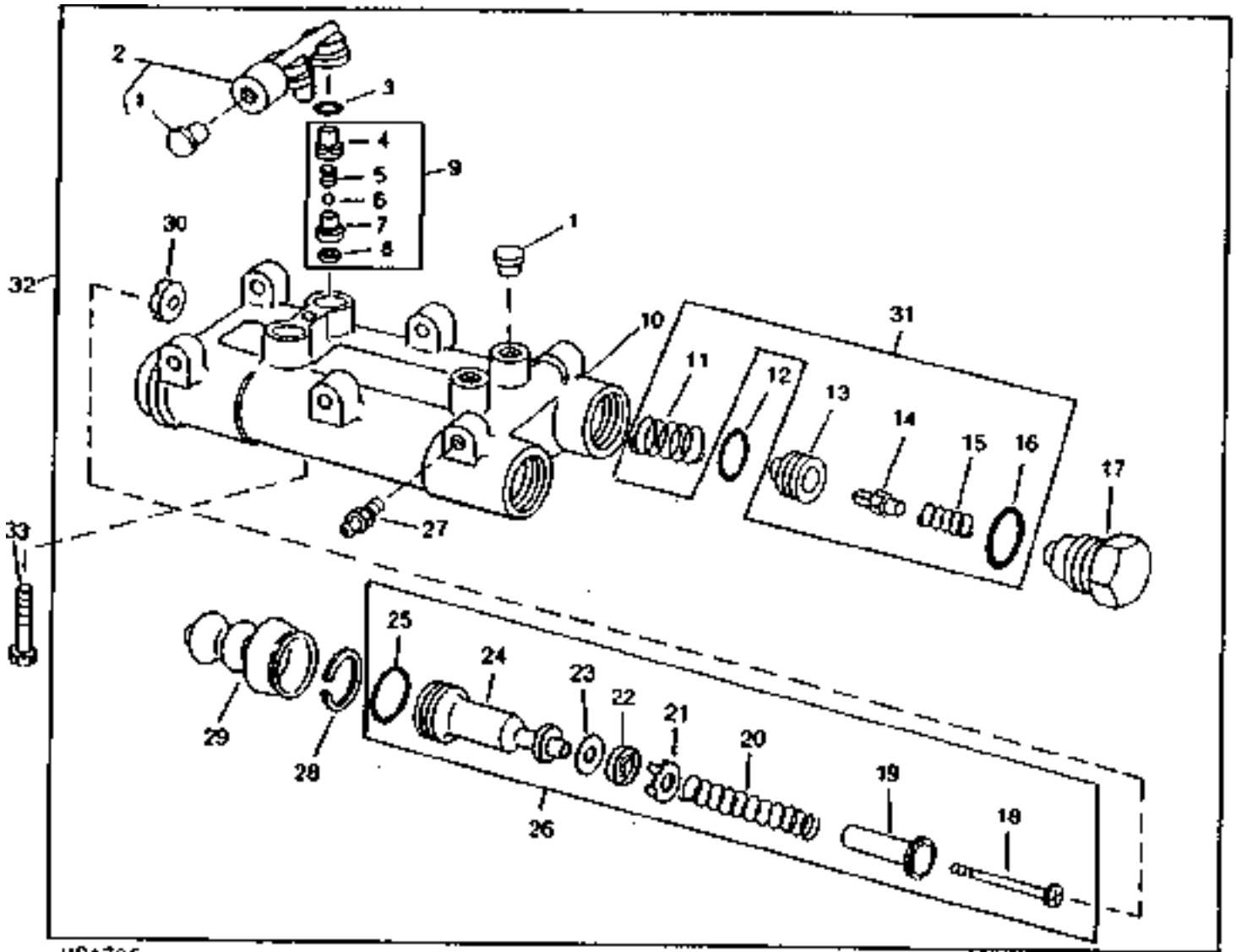
STEERING AND BRAKES

BRAKE LINES, MASTER CYLINDER AND RESERVOIR - CONTINUED

KEY	PART NO.	PART NAME	QTY	SERIAL NO.	REMARKS
1	AH160136	CYLINDER	1		
2	AH141794	OIL LINE	1		(SUB FOR AH143737)
3	H112911	CLAMP	3		
4	37M7131	SCREW	9		M6 X 20
5	AH141686	OIL LINE	1		L.H.
6	AH141687	OIL LINE	1		R.H.
7	H112910	CLAMP	9		
8	H134343	BRACKET	1		
9	19M7775	SCREW	3		M6 X 16
	14M7303	FLANGE NUT	3		M6
10	H127752	O-RING	7		7.645 X 1.778 MM (0.301" X 0.070")
11	H112911	CLAMP	1		
12	19M7775	SCREW	3		M6 X 16
	14M7303	FLANGE NUT	3		M6
13	14H832	NUT	1		9/16"
14	AH136362	SUPPORT	1		
15	H109254	DIAPHRAGM	1		
16	AH130605	RESERVOIR	1		
17	AH130612	OIL LINE	1		R.H.
18	AH130613	OIL LINE	1		L.H.
19	AH130412	OIL LINE	1		L.H.
20	AH130413	OIL LINE	1		R.H.
21	03M7290	BOLT	3		M6 X 30
	14M7303	FLANGE NUT	3		M6
22	AH128842	OIL LINE	1		
23	AH128843	OIL LINE	1		
24	14M7296	FLANGE NUT	2		M10

2F15

BRAKE MASTER CYLINDER
HP4735 -UN-01JAN94



HP4735

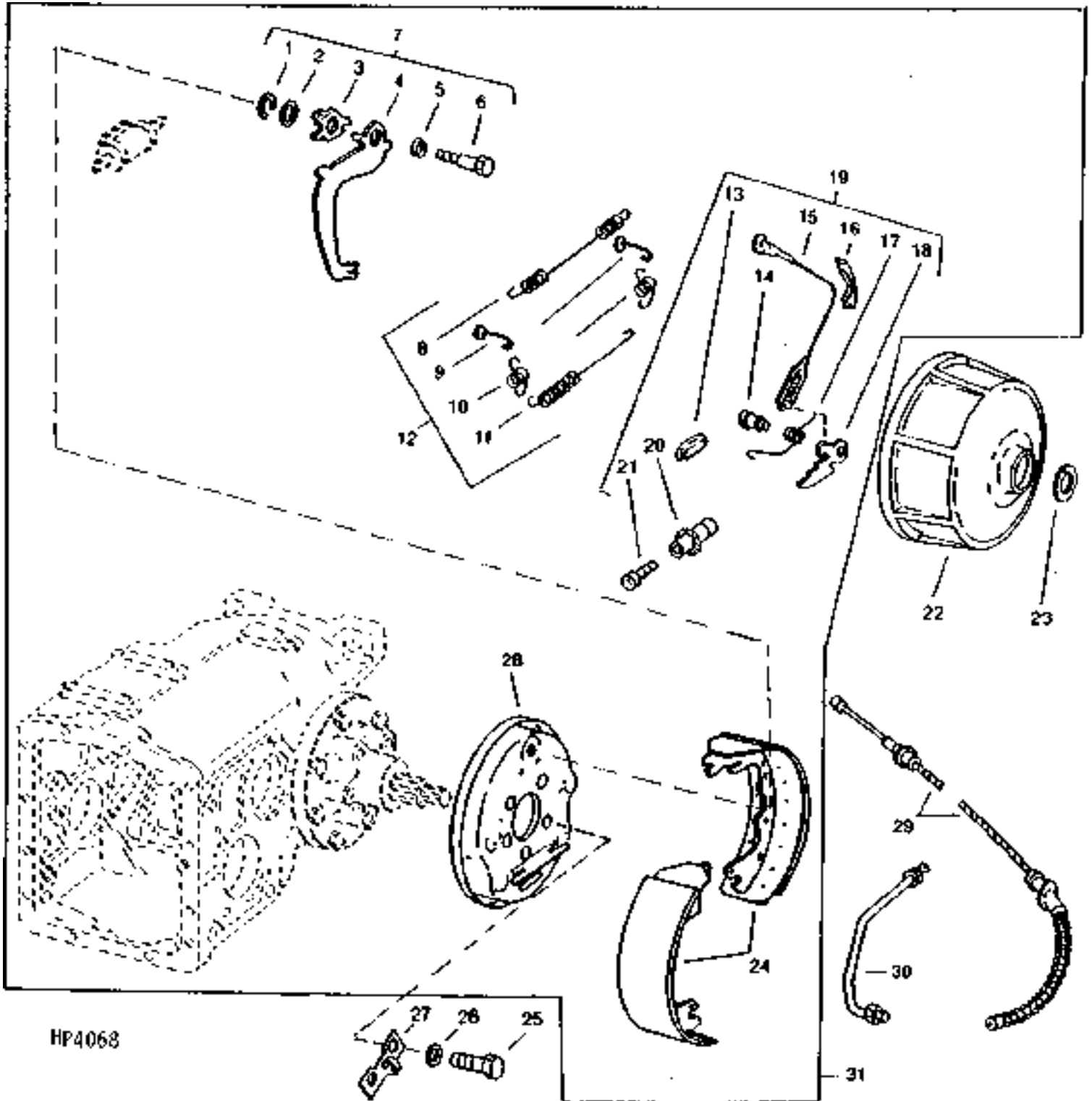
2F16

BRAKE MASTER CYLINDER - CONTINUED

KEY	PART NO.	PART NAME	QTY	SERIAL NO.	REMARKS
1	SEAT	3		
2	AH136305	DEVICE	1		
3	O-RING	2	(B)	
4	VALVE	2		
5	SPRING	2		
6	BALL	2		
7	VALVE SEAT	2		
8	SEAL	2		
9	AH133126	VALVE	2		
10	HOUSING	1		
11	SPRING	2	(A)	
	H141869	SPRING	2		
12	O-RING	2	(B)	
13	BEARING	2	(A)	
14	POPPET	2	(A)	
15	SPRING	2	(A)	
16	O-RING	2	(A)	
17	H81467	FITTING PLUG	2		
18	SCREW	2		
19	RETAINER	2		
20	SPRING	2		
21	RETAINER	2		
22	OIL CUP	2		
23	RETAINER	2		
24	PISTON	2		
25	O-RING	2		
26	AH136304	PISTON	2		
27	R21612	BLEED SCREW	1		
28	SNAP RING	2	(B)	
29	BOOT	2	(B)	
30	H81461	RETAINER	2		
31	AH161485	KIT	1	(SUB FOR AH138702) (INCLUDES PARTS MARKED (A))	
32	AH160136	CYLINDER	1	(SUB FOR AH143737)	
33	BOLT	1	(B)	
..	AH133128	KIT	1	INCLUDES PARTS MARKED (B)	

2F17

BRAKE SHOES AND DRUM
(L.H. ILLUSTRATED)
HP4068 -UN-01JAN94



2F18

STEERING AND BRAKES

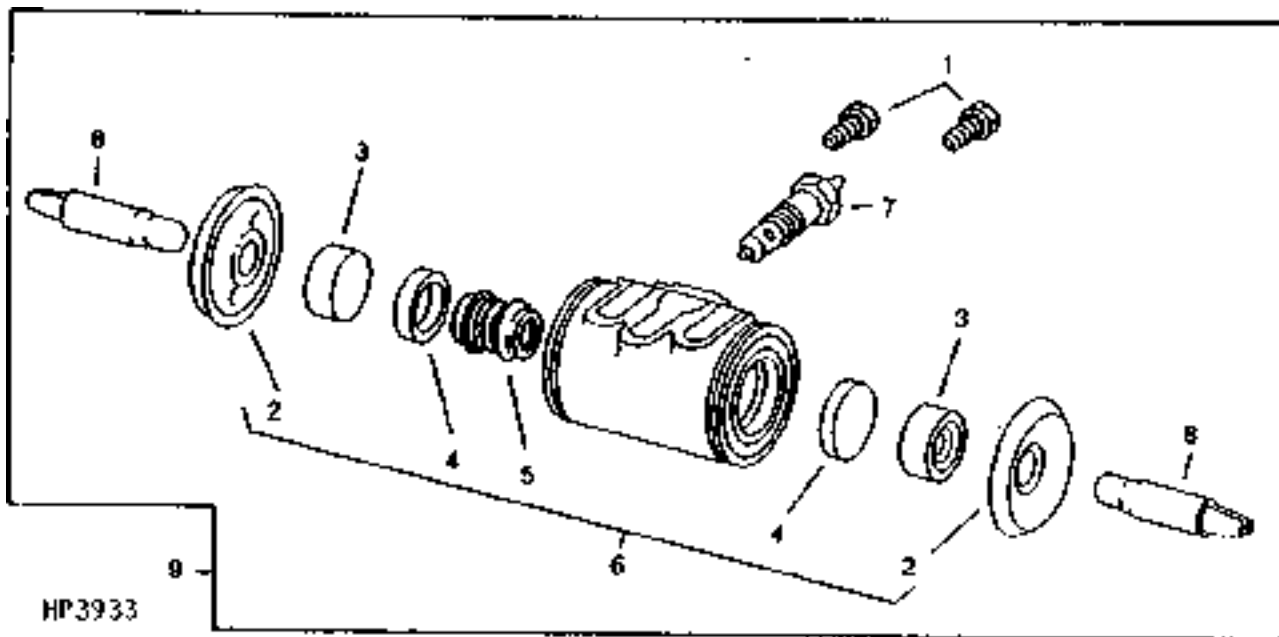
BRAKE SHOES AND DRUM - CONTINUED (L.H. ILLUSTRATED)

KEY	PART NO.	PART NAME	QTY	SERIAL NO.	REMARKS
1	SNAP RING	1		
2	WASHER	1		
3	CAM	1		
4	LEVER	1		
5	SPRING	1		
6	BOLT	1		(ANCHOR PIN)
7	AH131058	KIT	1		R.H.
	AH131059	KIT	1		L.H.
8	SPRING	1		(UPPER SHOE-TO-SHOE)
9	H140315	LINK	2		
	H140135	LINK	2	675766-	
10	SPRING	2		(LOWER SHOE-TO-SHOE)
11	SPRING	2		(HOLD DOWN)
12	AH131051	KIT	1		
13	COVER	1		(RUBBER)
14	PIN	1		
15	CABLE	1		
16	GUIDE	1		
17	SPRING	1		
18	PAWL	1		(ADJUSTER)
19	AH131054	KIT	1		R.H.
	AH131055	KIT	1		L.H.
20	WHEEL	1		
21	SCREW	1		
22	CE18206	BRAKE DRUM	2		
23	B32564	RING	2		
24	AH132840	BRAKE SHOE	1		R.H. AND L.H. (SET OF 4)
	AH143333	BRAKE SHOE	1	675766-	12 X 3"
25	19M7597	CAP SCREW	5		M20 X 50
26	N12679	WASHER	5		20.625 X 38.100 X 3.404 MM (13/16" X 1-1/2" X 0.134")
27	H133351	GUIDE	2		
28	AH131062	KIT	1		
	AH149829	KIT	1	675766-	
29	AH141582	CABLE	1		
30	AH128842	OIL LINE	1		L.H.
	AH128843	OIL LINE	1		R.H.
	AH128840	OIL LINE	1		L.H. (PLANETARY FINAL DRIVE)
	AH128841	OIL LINE	1		R.H. (PLANETARY FINAL DRIVE)
31	AH134304	BRAKE	1		R.H. 12 X 2 1/2"
	AH134305	BRAKE	1		L.H. 12 X 2 1/2"
	AH157026	BRAKE	1		R.H. 12 X 3"
	AH157027	BRAKE	1		L.H. 12 X 3"

NOTE: QUANTITIES SHOWN ARE FOR ONE UNIT. TWO UNITS USED PER MACHINE.

2F19

BRAKE SLAVE CYLINDER
HP3933 -UN-01JAN94

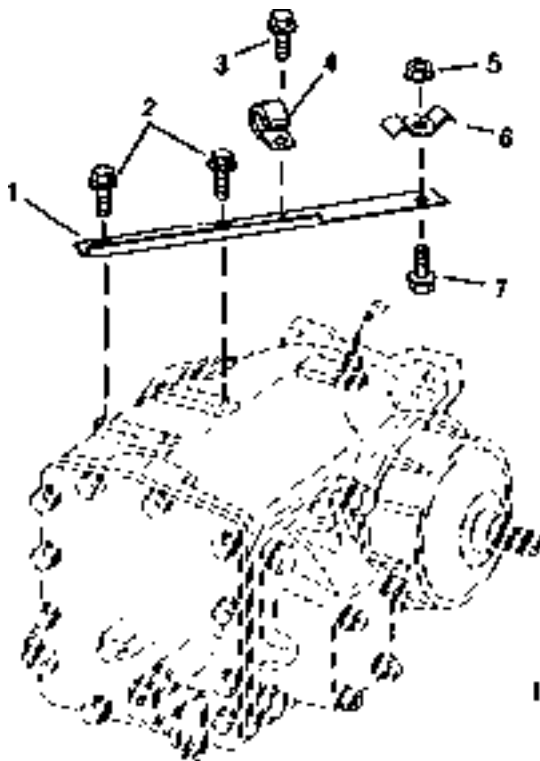


KEY	PART NO.	PART NAME	QTY	SERIAL NO.	REMARKS
1	12M7032	LOCK WASHER	2	8.400 MM	
	19H2020	CAP SCREW	2	5/16" X 1/2"	
2	BOOT	2		
3	PISTON	2		
4	SEAL	2		
5	SPRING	1		
6	AH131045	HYDRAULIC CYLINDER KIT	1		
7	W15277	BLEED SCREW	1		
8	H140135	LINK	2		
9	AH131048	KIT	1	R.H.	
	AH131049	HYDRAULIC CYLINDER KIT	1	L.H.	

2F20

BRAKE CABLE SUPPORT BRACKET

HP5535 -UN-01JAN94

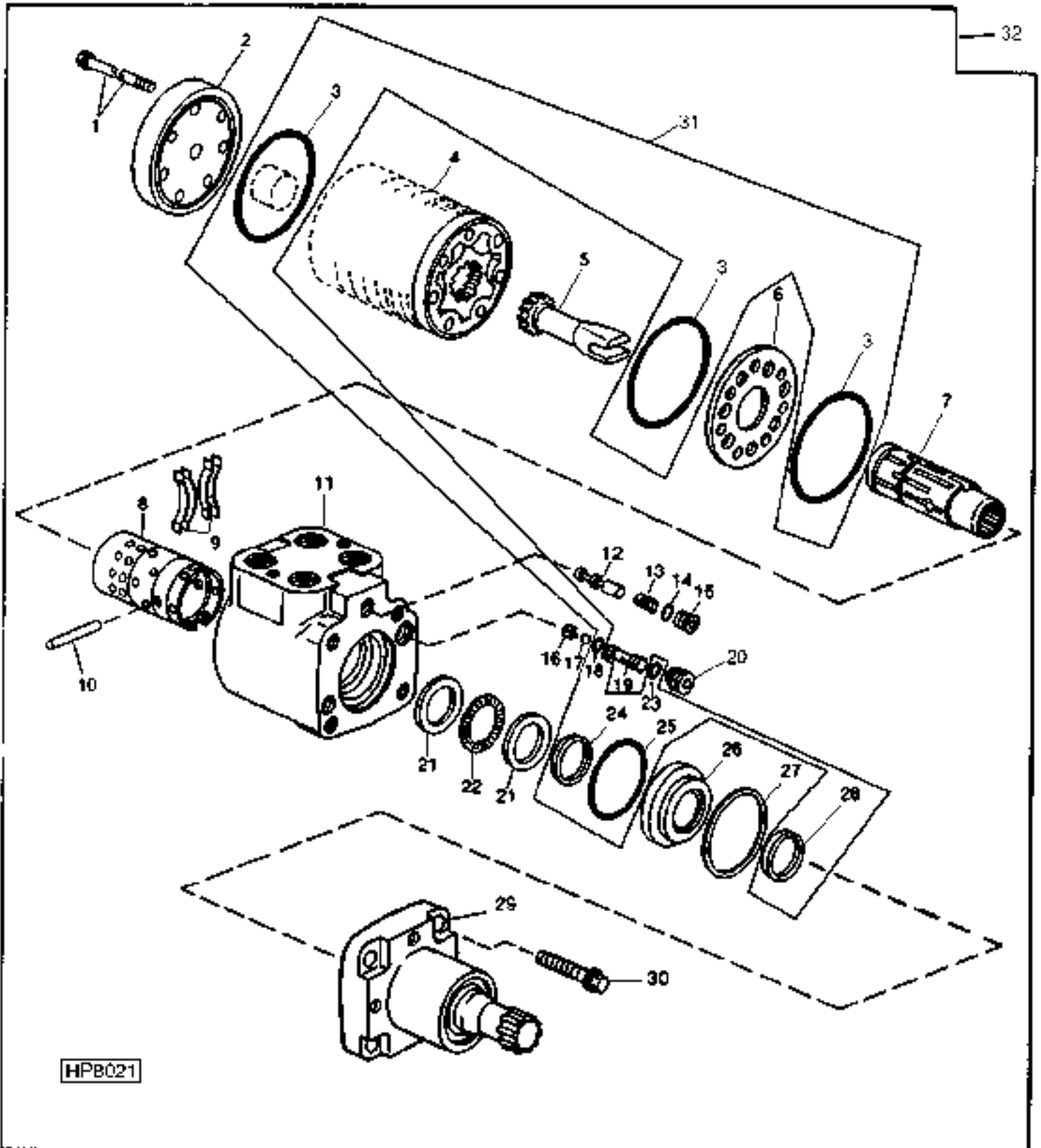


HP5535

KEY	PART NO.	PART NAME	QTY	SERIAL NO.	REMARKS
1	H147004	SUPPORT	1		
2	19M7865	SCREW	2	M8 X 16	
3	37M7083	SCREW	1	M8 X 12	
4	AH89557	CLIP	1		
5	14M7298	FLANGE NUT	1	M8	
6	R42009	CLAMP	1		
7	19M7867	SCREW	1	M8 X 25	

2F21

STEERING PUMP
HP8021 -UN-30NOV98



2F22

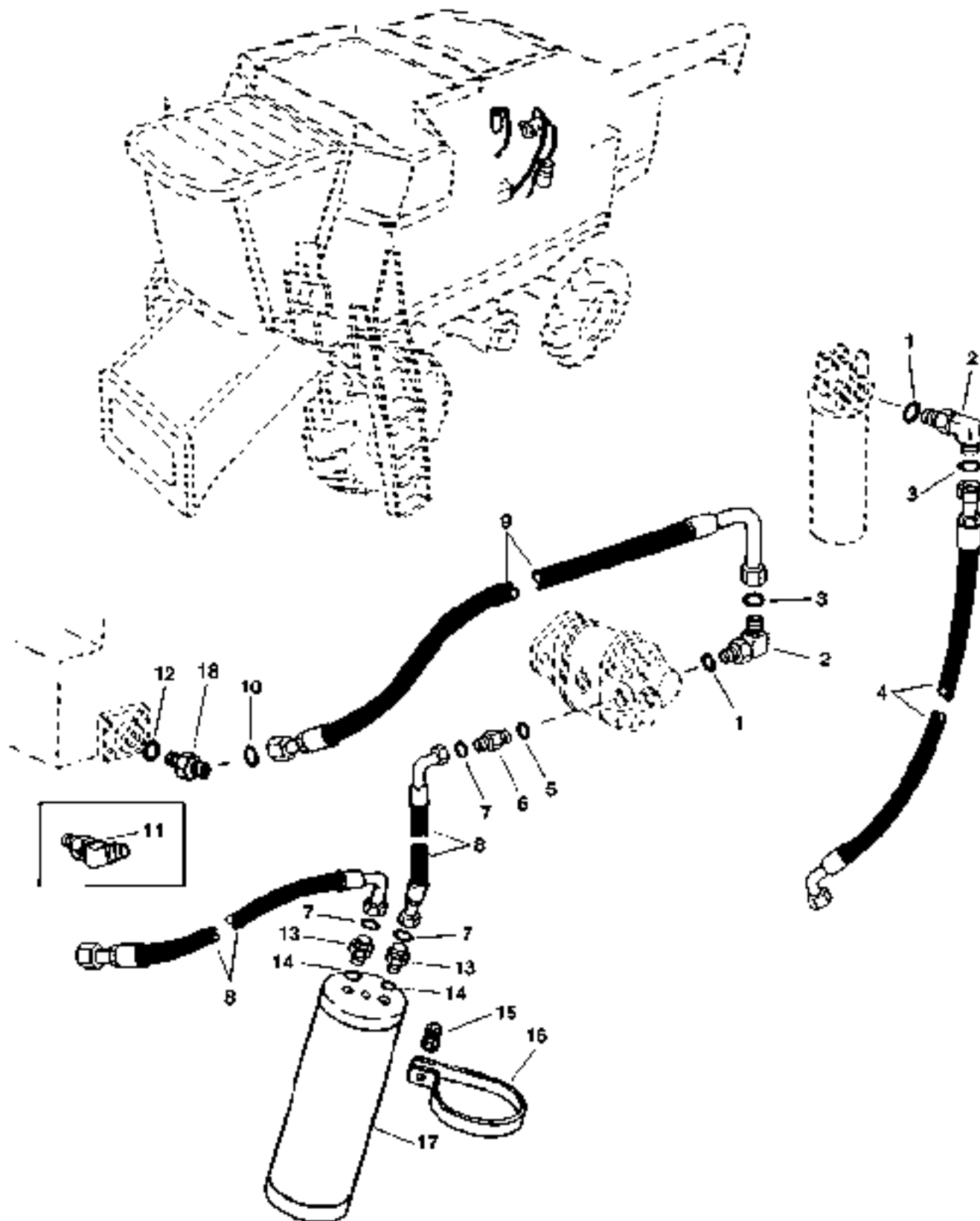
STEERING PUMP - CONTINUED

KEY	PART NO.	PART NAME	QTY	SERIAL NO.	REMARKS
1	SCREW	7		
2	CAP	1		
3	SEAL	3	(A)	
4	ROTATOR	1		
5	DRIVE	1		
6	SPACER	1		
7	SPOOL	1		
8	SLEEVE	1		
9	SPRING ASSEMBLY	1		
10	PIN	1		
11	CONTROL	1		
12	PLUNGER	1		
13	SPRING	1		
14	O-RING	1		
15	CAP	1		
16	RETAINER	1		
17	BALL CHECK	1		
18	O-RING	1	(A)	
19	VALVE SEAT	1		
20	SET SCREW	1		
21	BEARING	2		
22	NEEDLE BEARING	1		
23	O-RING	1	(A)	
24	SEAL	1	(A)	
25	SEAL	1	(A)	
26	BUSHING	1		
27	SNAP RING	1		
28	SEAL	1	(A)	
29	HOUSING	1		
30	SCREW	1		
31	AH142893	SEAL KIT	1		INCLUDES PARTS MARKED (A)
32	AH142441	PUMP	1		

2F23

HYDRAULIC STEERING HOSES, UPPER AND ATTENUATOR

HP6952 -UN-12SEP97



HP6952

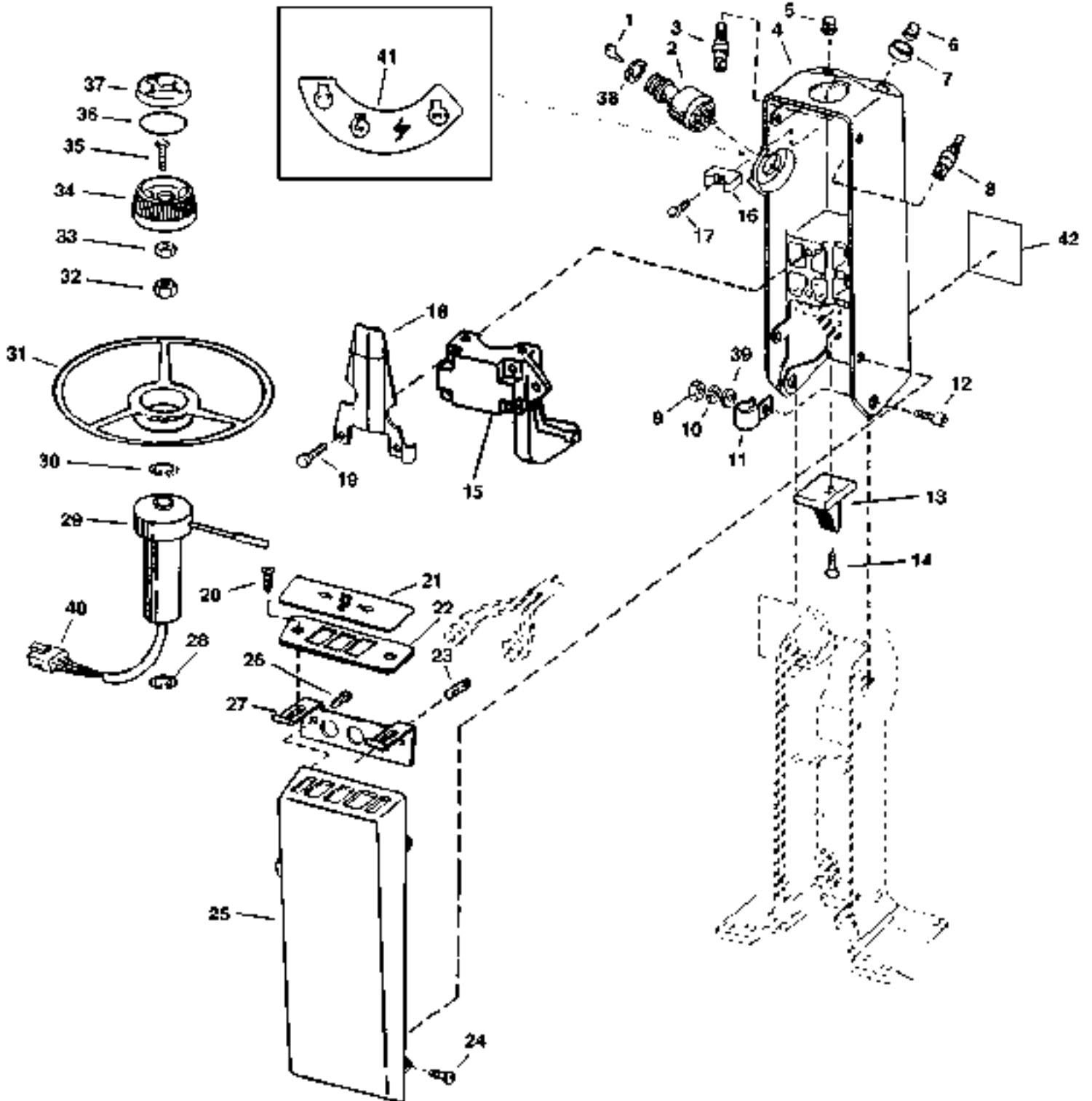
2F24

STEERING AND BRAKES

HYDRAULIC STEERING HOSES, UPPER AND ATTENUATOR - CONTINUED

KEY	PART NO.	PART NAME	QTY	SERIAL NO.	REMARKS
1	U12547	O-RING	2		23.470 X 2.946 MM (0.924" X 0.116")
2	38H1007	ELBOW FITTING	2		
3	T77858	O-RING	2		18.771 X 1.778 MM (0.739" X 0.070")
4	AH126254	HYDRAULIC HOSE	1		1-3/16" X 600 MM (23-1/2") X 1" (RETURN)
5	R26375	O-RING	1		16.358 X 2.210 MM (0.644" X 0.087")
6	38H1161	ADAPTER	1		
7	T77857	O-RING	3		12.421 X 1.778 MM (0.489" X 0.070")
8	AH133752	HYDRAULIC HOSE	2		13/16" X 530 MM (20-3/4") X 13/16" (PRESSURE)
9	AH147935	HYDRAULIC HOSE	1		(SUCTION)
10	T76938	O-RING	1		23.520 X 1.778 MM (0.926" X 0.070")
11	38H1049	ELBOW FITTING	1		STRAIGHT FOR SINGLE REDUCTION
12	R29936	O-RING	1		29.743 X 2.946 MM (1.171" X 0.116")
13	38H1173	ADAPTER	2		
14	R26448	O-RING	2		11.887 X 1.981 MM (0.468" X 5/64")
15	14M7298	FLANGE NUT	2		M8
	03M7223	BOLT	2		M8 X 60
16	R35794	CLAMP	2		
17	AR75693	ATTENUATOR	1		
18	38H1164	ADAPTER	1		STRAIGHT FOR SINGLE REDUCTION

STEERING COLUMN (UPPER)
HP6825 -UN-05SEP97



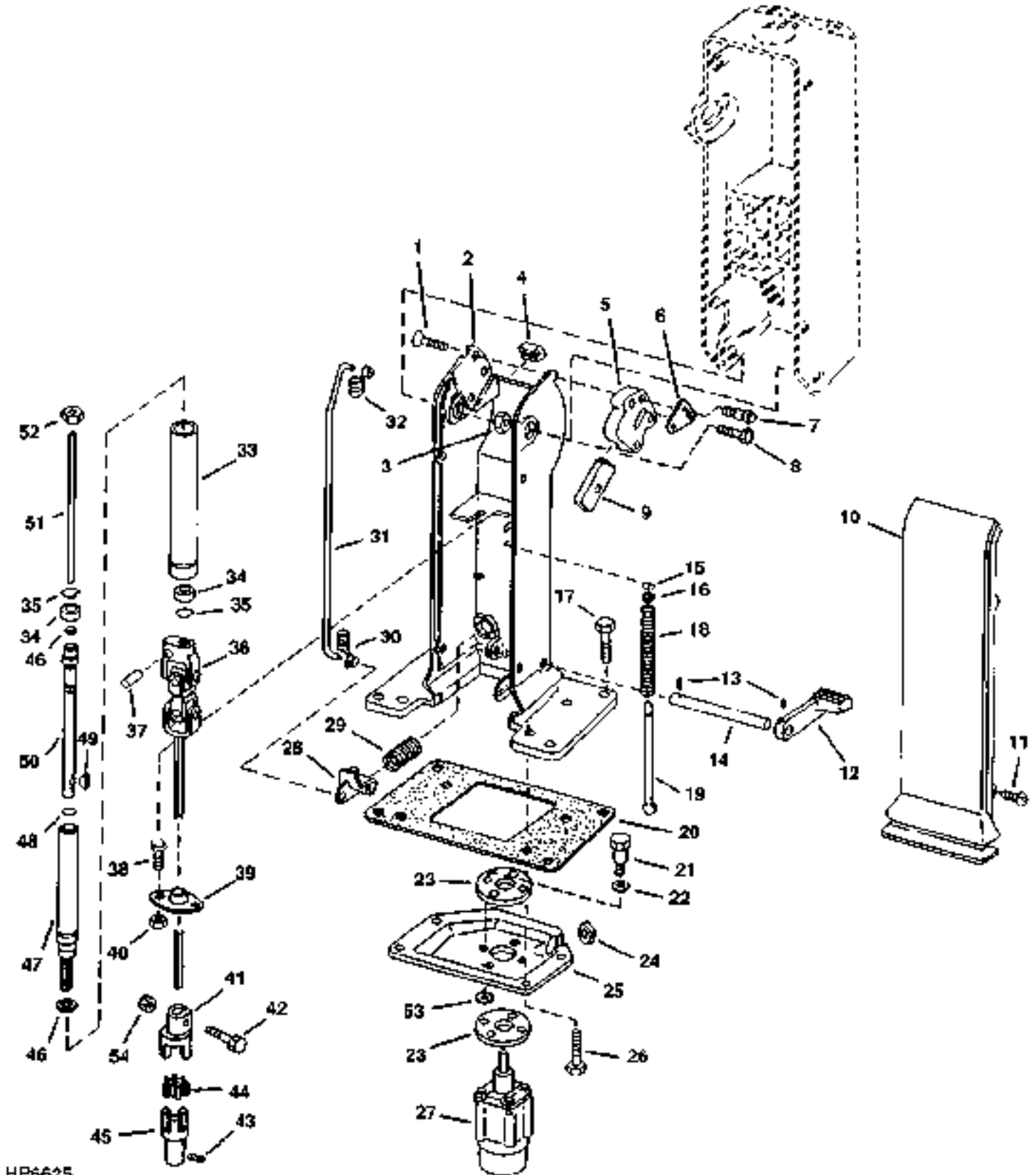
HP6825

STEERING COLUMN (UPPER) - CONTINUED

KEY	PART NO.	PART NAME	QTY	SERIAL NO.	REMARKS
1	AR51481	KEY	1		
2	AH108816	SWITCH	1		KEY START SWITCH
3	R39554	SWITCH	1		HORN BUTTON
4	H152171	HOUSING	1		(SUB FOR H113858 OR H165292)
5	T55501	CAP	1		
6	T55585	CAP	1		
7	H132895	GUARD	1		
8	R39554	SWITCH	1		(SUB AH96317) EITHER AID START BUTTON
9	14M7274	NUT	2		M10
10	12M7066	LOCK WASHER	2		10.200 MM (0.402")
11	AH96317	CLIP	1		
12	H107687	SCREW	2		M10 X 23
13	H110812	GEAR	1		
14	H133205	SCREW	2		M8 X 25
15	H150383	CLAMP	1		
16	H113863	GUIDE	1		
17	37M7071	SCREW	1		
18	AH129255	GUARD	1		
19	19M7800	SCREW	4		M8 X 50
20	H132899	SCREW	1		
21	H146392	PANEL	1		
	H146393	PANEL	1		(EXPORT ONLY, FRANCE)
22	H146391	PANEL	1		
23	AA27536	BULB	1		
	AA27536	BULB	3		(EXPORT ONLY, FRANCE)
24	H165693	SCREW	4		M6 X 12, (SUB FOR H130192)
25	H123873	COVER	1	-15JU98	
	H152170	COVER	1	13MA98-	(SUB FOR H165291)
26	37H6	SCREW	2		
27	H132897	RETAINER	1		
28	R26192	SNAP RING	1		
29	AH121340	TURN SIGNAL CONTROLLER	1		(INCLUDES T23529)
	T23529	SNAP RING	1		(USE WITH AH121340)
30	R26192	SNAP RING	1		
31	T22875	STEERING WHEEL	1		
32	14M7257	NUT	1		M20
33	14M7273	NUT	1		M8
34	H108822	KNOB	1		
35	19M7922	CAP SCREW	1		M8 X 40
36	B3690R	O-RING	1		47.219 X 3.531 MM (1-55/64" X 0.139")
37	R47998	CAP	1		
38	R44342	NUT	1		25.400 MM (1")
39	24M7040	WASHER	1		11 X 20 X 2 MM (0.433" X 0.787" X 0.079")
40	AH116902	CONNECTOR	1		
41	H146042	LABEL	1		FOR IGNITION SWITCH
42	H156390	LABEL	1		

2G3

STEERING COLUMN (LOWER) HP6625 -UN-27JAN97

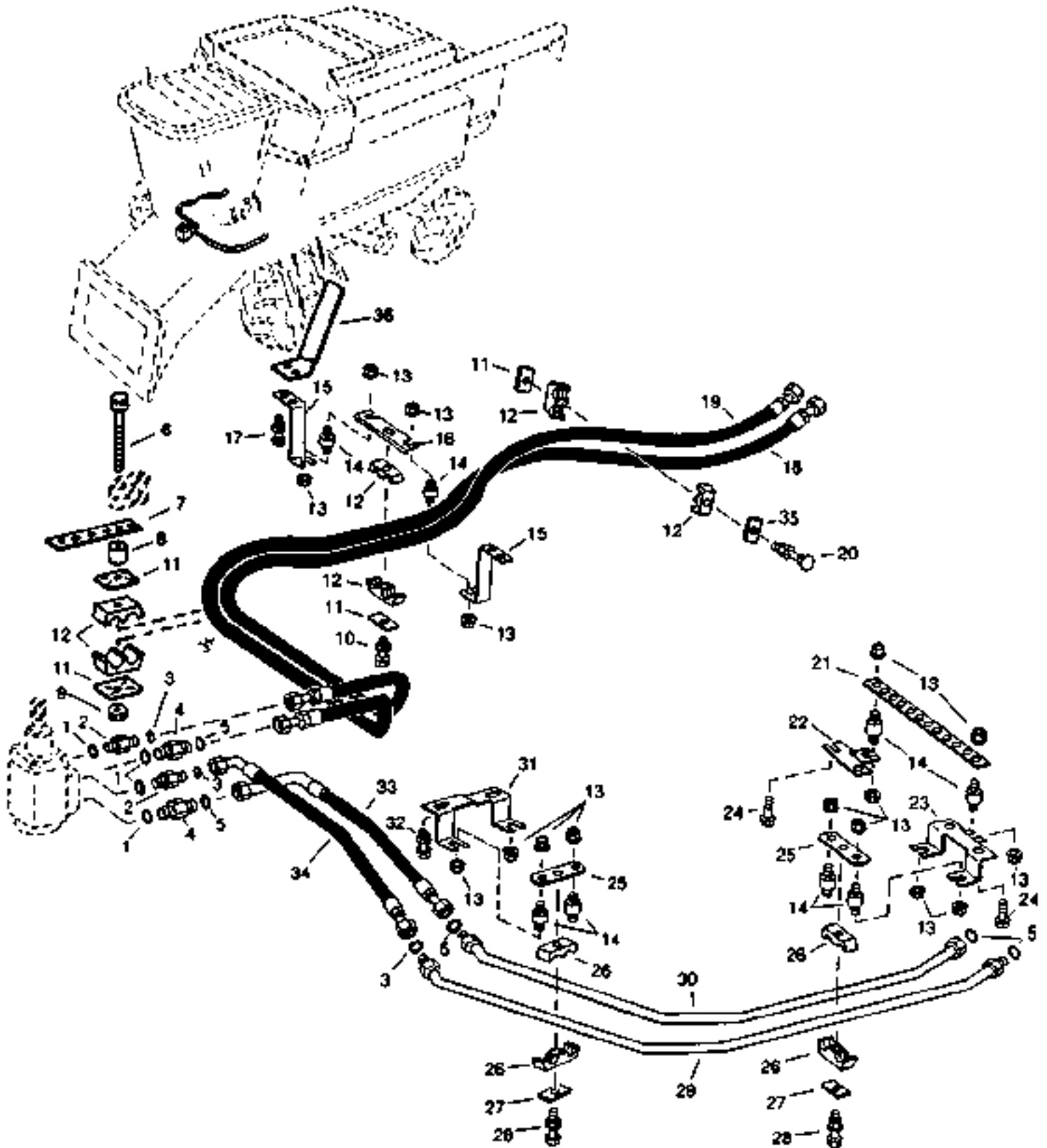


HP6625

STEERING COLUMN (LOWER) - CONTINUED

KEY	PART NO.	PART NAME	QTY	SERIAL NO.	REMARKS
1	H133205	SCREW	3		M8 X 25
2	H152173	HOUSING	1		(SUB FOR H123877 OR H165294)
3	14M7274	NUT	2		M10
4	H107566	ISOLATOR	1		
5	H110310	HOUSING	1		
6	H110229	CRANK	1		
7	H131424	BOLT	2		M6 X 20.750
8	H107687	SCREW	2		M10 X 23
9	H141327	PAWL	1		
10	H152172	COVER	1		(SUB FOR H147192 OR H165293)
11	H165693	SCREW	4		M6 X 12, (SUB FOR H130192)
12	H152174	PEDAL	1		(SUB FOR H107581)
13	34M7102	SPRING PIN	2		5 X 26 MM
14	H113864	PIN	1		
15	H133106	SNAP RING	1		
16	24M7055	WASHER	1		8.400 X 16 X 1.600 MM
17	19M7800	SCREW	4		M8 X 50
18	H113404	SPRING	1		
19	H113402	ROD	1		
20	H123874	SEALANT	1		
21	H110700	BOLT	4		M8 X 34.750
22	24M7028	WASHER	4		10.500 X 20 X 2 MM
23	H134353	ISOLATOR	2		
24	H108725	GROMMET	1		
25	H123875	SUPPORT	1		
26	19M7867	SCREW	4		M8 X 25
27	AH142441	PUMP	1		
28	H107582	ARM	1		
29	H107584	SPRING	1		
30	R26501	CLIP	1		
31	H131186	ROD	1		
32	R26524	CLIP	1		
33	H107567	HOUSING	1		
34	AH97920	BALL BEARING	2		
35	H80753	SNAP RING	2		
36	AH139065	UNIVERSAL JOINT, WITH SHAFT	1		
37	34M7124	SPRING PIN	1		8 X 30 MM
38	19M7866	SCREW	2		M8 X 20
39	AH129236	BEARING	1		
40	14M7166	LOCK NUT	2		M8
41	H162569	COUPLING	1		STEERING
42	H162055	SCREW	1	-675663	
	H164921	SCREW	1	675664-	
43	22M7072	SET SCREW	2		M6 X 10
44	H134624	ISOLATOR	1		
45	H134623	SPLINED COUPLING	1		
46	H99294	WASHER	2		22.606 X 27.813 X 0.813 MM (0.890" X 1.095" X 0.032")
47	AH130429	STEERING SHAFT	1		
48	H36256	O-RING	1		15.469 X 3.531 MM (39/64" X 0.139")
49	H137667	SHAFT KEY	1		
50	H107570	STEERING SHAFT	1		
51	H107586	PIN	1		
52	14M7257	NUT	1		M20
53	H141946	WASHER	4		8.330 X 15.880 X 1.520 MM (0.328" X 0.625" X 0.060")
54	14M7396	LOCK NUT	1		M8

STEERING HOSES AND LINES, FRONT
HP9366 -UN-02DEC99



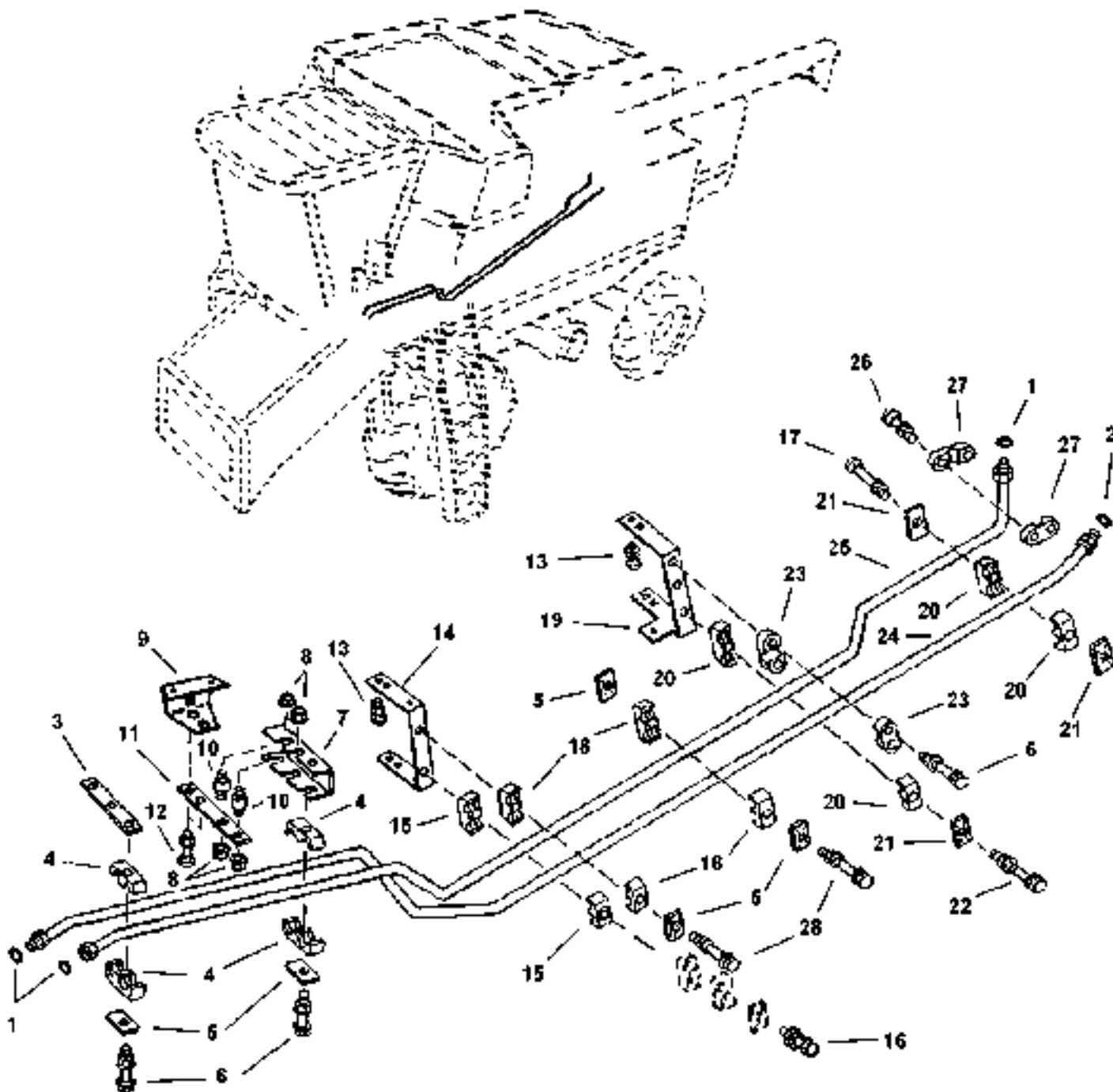
HP9366

STEERING HOSES AND LINES, FRONT - CONTINUED

KEY	PART NO.	PART NAME	QTY	SERIAL NO.	REMARKS
1	R26375	O-RING	4		16.358 X 2.210 MM (0.644" X 0.087")
2	38H1161	ADAPTER	2		
3	T77857	O-RING	3		12.421 X 1.778 MM (0.489" X 0.070")
4	38H1317	FITTING	2		
5	T77932	O-RING	5		15.596 X 1.778 MM (0.614" X 0.070")
6	19M8006	SCREW	1		M8 X 120
7	H134558	STRAP	1		
8	H133060	SLEEVE	1		
9	14M7298	FLANGE NUT	1		M8
10	19M7801	SCREW	1		M8 X 60
	14M7396	LOCK NUT	1		M8
11	H112567	PLATE	4		
12	H135155	CLAMP	6		
13	N10217	LOCK NUT	16		6.350 MM (1/4")
14	AH126657	ISOLATOR	8		
15	H135608	BRACKET	2		
16	H134470	STRAP	1		
17	19M7865	SCREW	4		M8 X 16
	14M7298	FLANGE NUT	4		M8
18	AH131548	HYDRAULIC HOSE	1		11/16" X 2 075 MM (81-3/4") X 1", RIGHT
19	AH131547	HYDRAULIC HOSE	1		13/16" X 2 075 MM (81-3/4") X 13/16", LEFT
20	03M7224	BOLT	1		M8 X 65 (RD. HEAD)
	14M7298	FLANGE NUT	1		M8
21	H134426	STRAP	1		
22	H134427	BRACKET	1		
23	H134424	BRACKET	1		
24	37M7058	SCREW	4		M8 X 20
25	H134425	STRAP	2		
26	H120847	CLAMP	4		
27	H121168	PLATE	2		
28	19M8318	SCREW	2		M8 X 45
	14M7298	FLANGE NUT	2		M8
29	AH131382	HYDRAULIC LINE	1		(RETURN)
30	AH131381	HYDRAULIC LINE	1		(PRESSURE)
31	H135619	BRACKET	1		
32	19M7865	SCREW	2		M8 X 16
	14M7298	FLANGE NUT	2		M8
33	AH133161	HYDRAULIC HOSE	1		1" X 600 MM (23-1/2") X 1"
34	AH133160	HYDRAULIC HOSE	1		13/16" X 690 MM (27-1/4") X 13/16"
35	24H1347	WASHER	1		13.487 X 50.800 X 4.928 MM (17/32" X 2" X 0.194")
36	AH133359	BRACKET	1		

2G7

STEERING LINES, L.H. SIDE
HP7245 -UN-07NOV97



HP7245

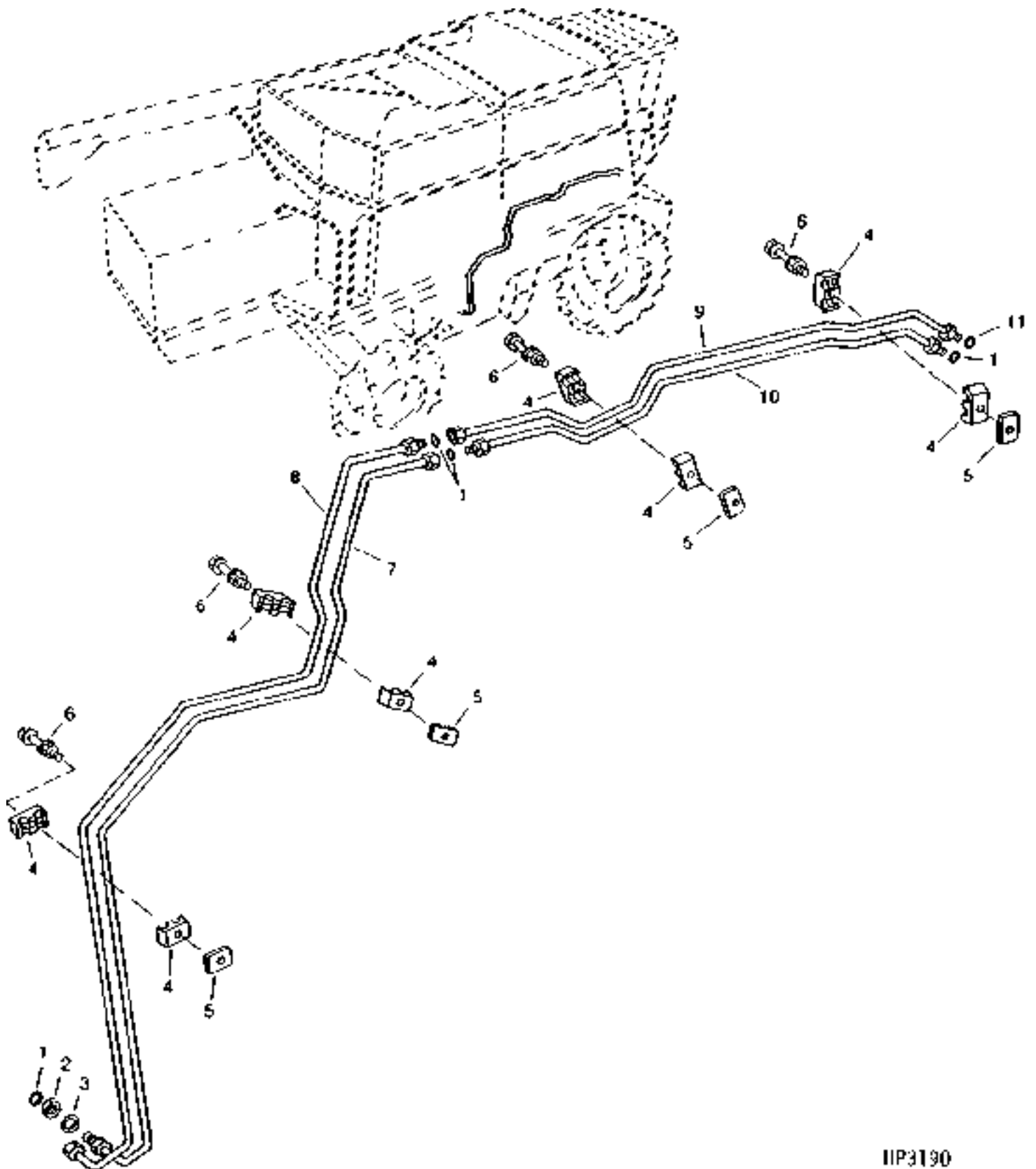
2G8

STEERING AND BRAKES

STEERING LINES, L.H. SIDE - CONTINUED

KEY	PART NO.	PART NAME	QTY	SERIAL NO.	REMARKS
1	T77932	O-RING	3		15.596 X 1.778 MM (0.614" X 0.070")
2	T77857	O-RING	1		12.421 X 1.778 MM (0.489" X 0.070")
3	H131163	STRAP	1		
4	H120847	CLAMP	1		
5	H121168	PLATE	4		
6	03M7189	BOLT	2		M8 X 45
	14M7298	FLANGE NUT	2		M8
7	H134428	BRACKET	1		
8	N10217	LOCK NUT	4		6.350 MM (1/4")
9	H138411	BRACKET	1		
10	AH126657	ISOLATOR	2		
11	H134434	SUPPORT	1		
12	03M7184	BOLT	2		M8 X 20 (RD. HEAD)
	14M7298	FLANGE NUT	2		M8
13	19M7866	SCREW	8		M8 X 20 (RD. HEAD)
	14M7396	LOCK NUT	8		M8
14	H131115	BRACKET	1		
15	H120847	CLAMP	2		
16	19M7913	SCREW	1		M8 X 90 (STACKING)
	14M7298	FLANGE NUT	1		M8
17	19M7801	SCREW	1		M8 X 60
	14M7298	FLANGE NUT	1		M8
18	H109046	CLAMP	4		
19	H133659	BRACKET	1		
20	H111730	CLAMP	4		
21	H112567	PLATE	3		
22	19M7979	SCREW	1		M8 X 55
	14M7298	FLANGE NUT	1		M8
23	H115533	CLAMP	2		
24	AH131316	HYDRAULIC LINE	1		(PRESSURE)
25	AH131302	OIL LINE	1		(RETURN)
26	03M7216	BOLT	2		M8 X 50 (RD. HEAD)
	14M7298	FLANGE NUT	2		M8
27	H115533	CLAMP	2		
28	19M8318	SCREW	2		M8 X 45
	19M8319	SCREW	2		M8 X 50
	14M7298	FLANGE NUT	2		M8

STEERING LINES, R.H. SIDE
HP3190 -UN-01JAN94



HP3190

2G10

STEERING AND BRAKES

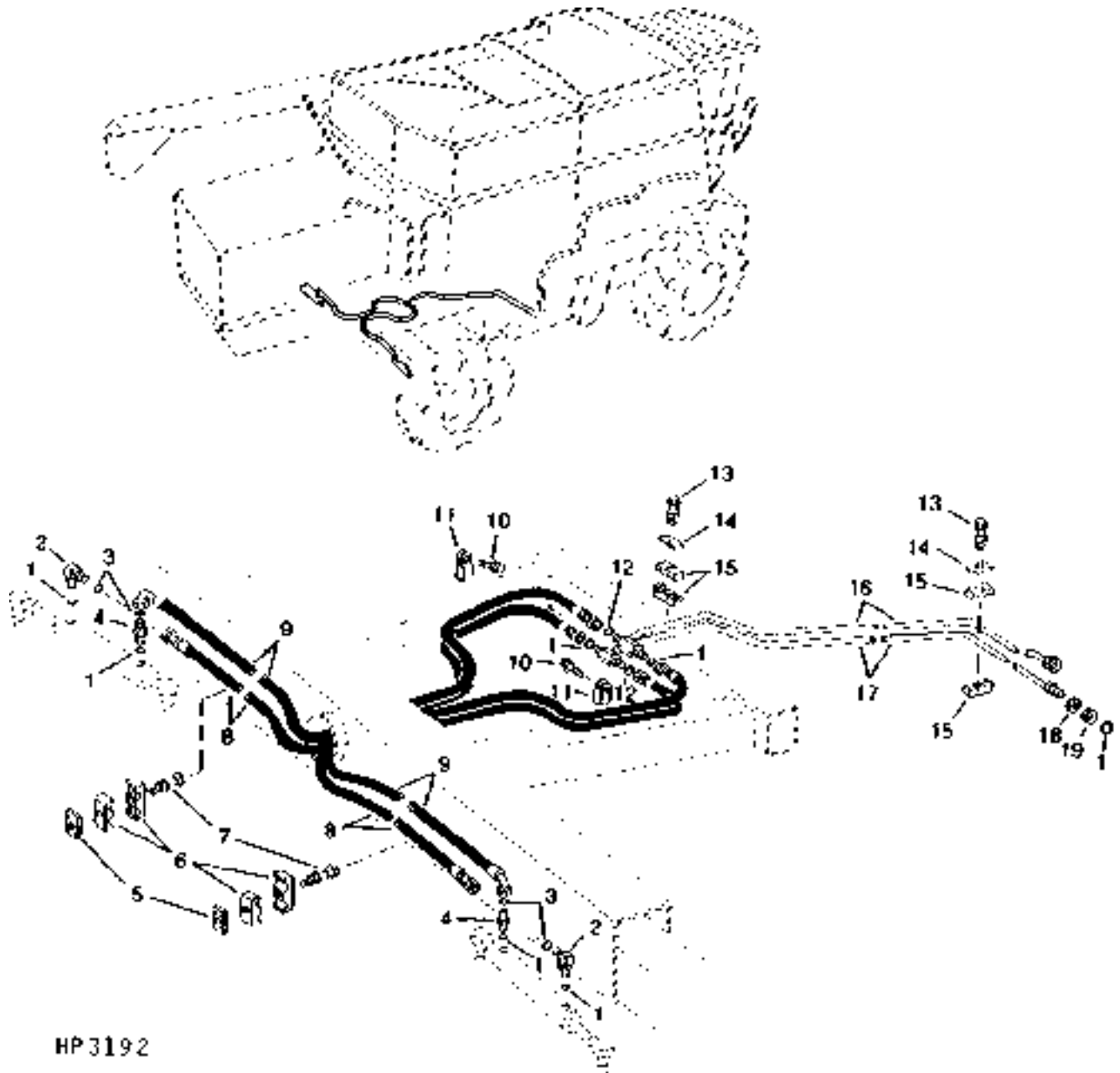
STEERING LINES, R.H. SIDE - CONTINUED

KEY	PART NO.	PART NAME	QTY	SERIAL NO.	REMARKS
1	T77613	O-RING	4		9.246 X 1.778 MM (0.364" X 0.070")
2	T81029	NUT	1		17.475 MM, (BULKHEAD)
3	24M7114	WASHER	1		19 X 30 X 4 MM
4	H128515	CLAMP	8		
5	H121163	COVER	4		
6	03M7188	BOLT	4		M8 X 40 (RD. HEAD)
	14M7298	FLANGE NUT	4		M8
7	AH140715	HYDRAULIC LINE	1		
8	AH140714	HYDRAULIC LINE	1		
9	AH131874	OIL LINE	1		(LEFT)
10	AH131875	OIL LINE	1		(RIGHT)
11	T77857	O-RING	1		12.421 X 1.778 MM (0.489" X 0.070")

STEERING LINES AND HOSES, REAR

(DUAL CYLINDER)

HP3192 -UN-01JAN94



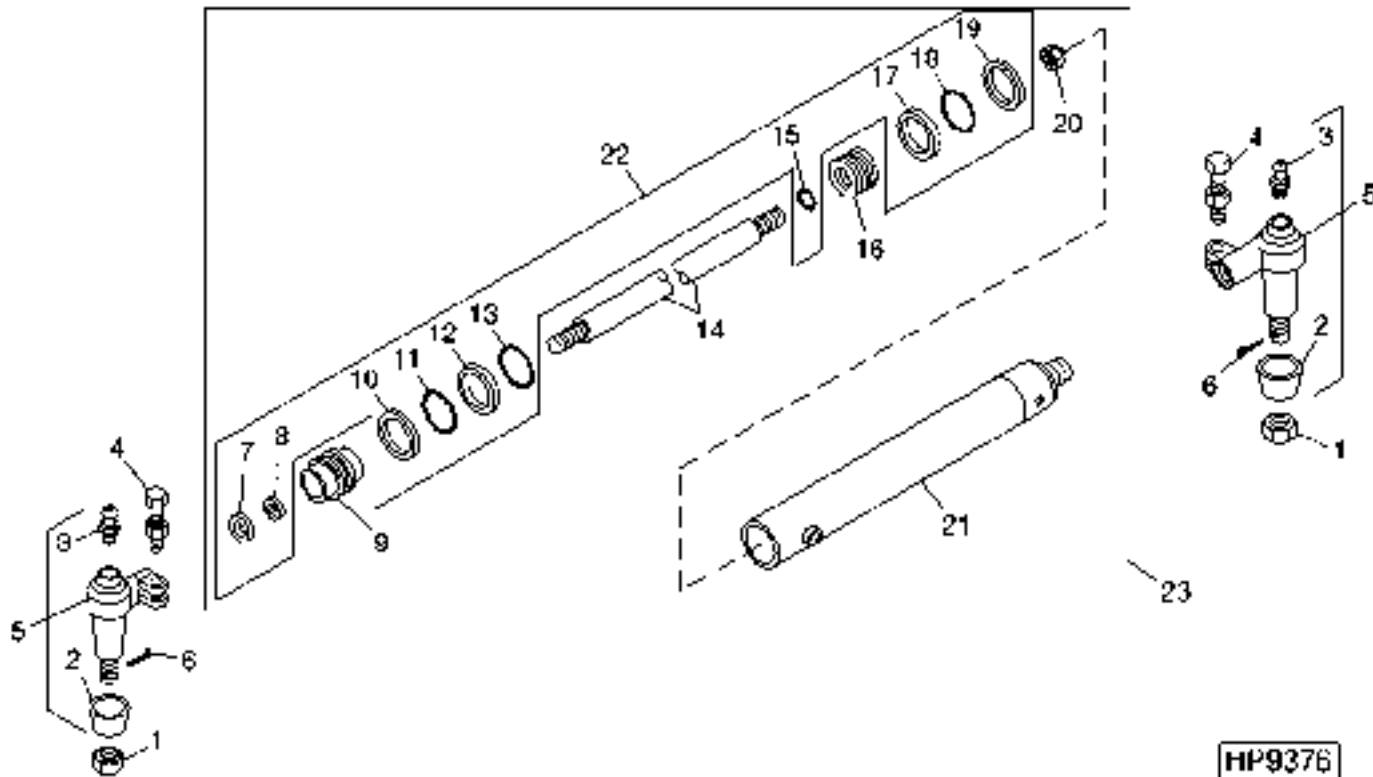
HP3192

**STEERING LINES AND HOSES, REAR - CONTINUED
(DUAL CYLINDER)**

KEY	PART NO.	PART NAME	QTY	SERIAL NO.	REMARKS
1	R26448	O-RING	4		11.887 X 1.981 MM (0.468" X 5/64")
2	38H1004	ELBOW FITTING	2		
3	T77613	O-RING	7		9.246 X 1.778 MM (0.364" X 0.070")
4	38H1160	ADAPTER	2		
5	H121168	PLATE	2		
6	H135156	CLAMP	4		
7	03M7280	BOLT	2		M6 X 45
	14M7303	FLANGE NUT	2		M6
8	AH130890	HYDRAULIC HOSE	2		9/16" X 2 452 MM (96-1/2") X 11/16"
9	AH130119	HYDRAULIC HOSE	2		
10	37M7092	SCREW	2		M8 X 16
11	AH97280	CLIP	2		
12	T77814	O-RING	2		7.645 X 1.778 MM (0.301" X 0.070")
13	19M8317	SCREW	2		M8 X 40
	14M7298	FLANGE NUT	2		M8
14	H121163	COVER	2		
15	H128515	CLAMP	4		
16	AH120871	OIL LINE	1		(RIGHT)
17	AH120875	OIL LINE	1		(LEFT)
18	24M7114	WASHER	1		19 X 30 X 4 MM
19	T81029	NUT	1		17.475 MM (11/16")

2G13

STEERING CYLINDER
HP9376 -UN-03DEC99



HP9376

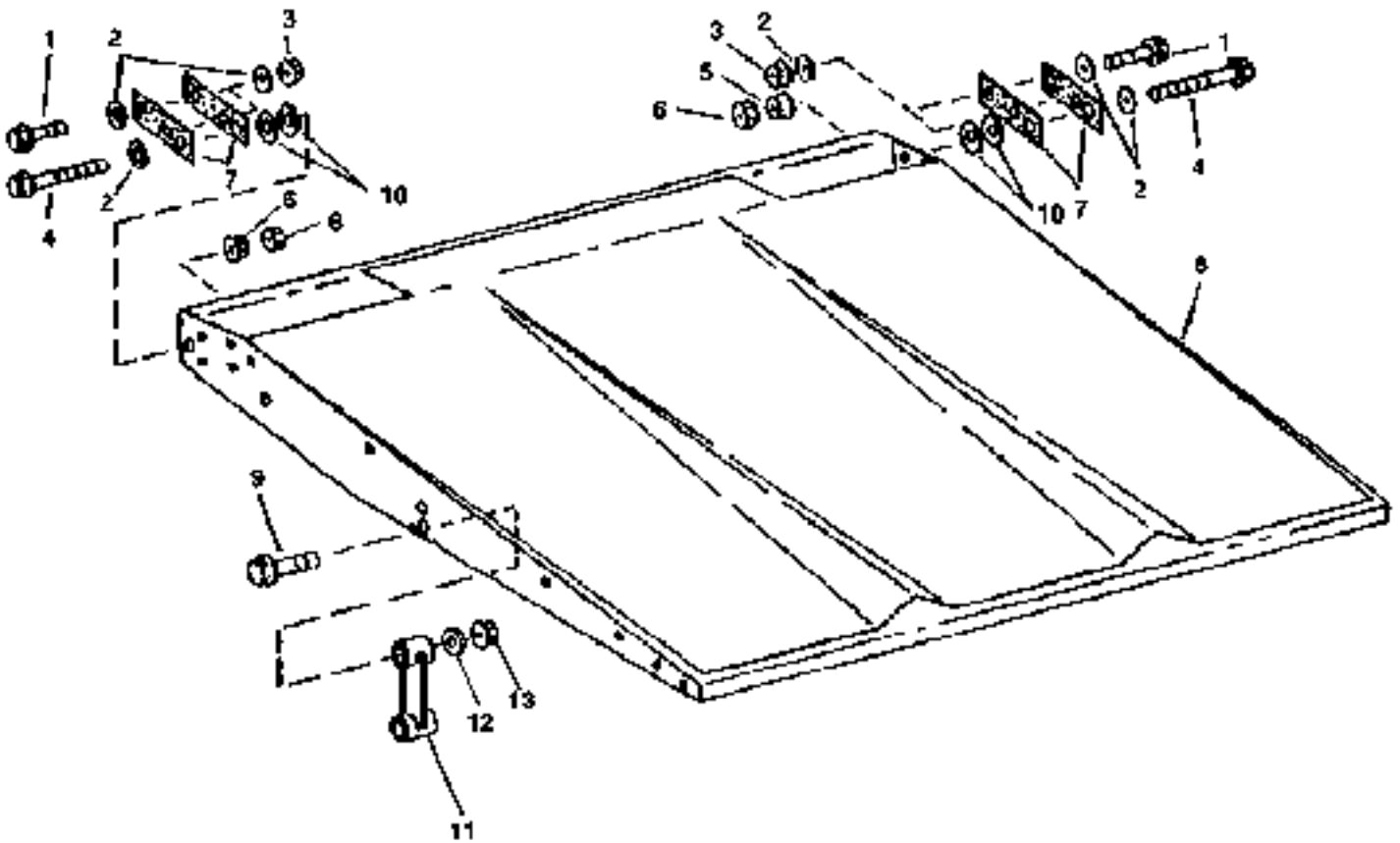
KEY	PART NO.	PART NAME	QTY	SERIAL NO.	REMARKS
1	14H902	NUT	2	3/4"	
2	R78027	COVER	2		
3	JD7797	LUBRICATION FITTING	2		
4	19H1765	CAP SCREW	2	3/8" X 1-3/4" (USE WITH O.AND S.)	
	H99923	LOCK NUT	2	9.525 MM (3/8") (USE WITH O.AND S.)	
	19H1740	CAP SCREW	2	7/16" X 1-3/4" (USE WITH TRW)	
	H80440	LOCK NUT	2	11.125 MM (7/16") (USE WITH TRW)	
5	AH117566	TIE ROD END	2		(WITH COVER, ZERK AND CLAMP BOLT)
6	11M7087	COTTER PIN	2	4 X 40 MM	
7	SEAL	1		
8	SEAL	1		
9	GUIDE	1		
10	SNAP RING	1		
11	RING	1		
12	WASHER	1		
13	O-RING	1		
14	ROD	1		
15	O-RING	1		
16	PISTON	1		
17	PISTON RING	1		
18	O-RING	1		
19	WEAR RING	1		
20	LOCK NUT	1		
21	HYDRAULIC CYLINDER BARREL	1		
22	AH101202	KIT	1		SEAL REPAIR
23	AH125658	HYDRAULIC CYLINDER	1		(COMPLETE COMPONENT, LESS TIE ROD ENDS)

NOTE: QUANTITIES SHOWN ARE FOR ONE UNIT. TWO UNITS USED PER MACHINE.

MEMORANDA

2G14

REAR AXLE TRASH SHIELD
HP6828 -UN-08SEP97



HP6828

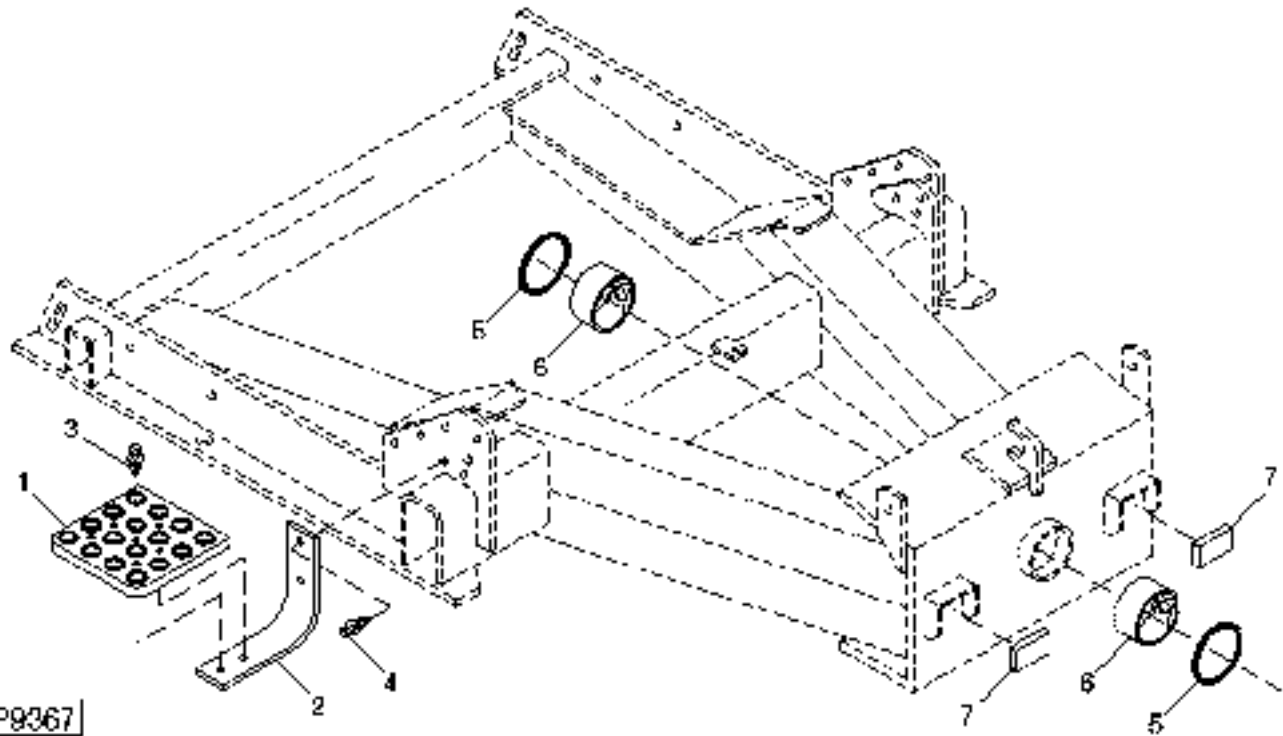
2G15

REAR AXLE TRASH SHIELD - CONTINUED

KEY	PART NO.	PART NAME	QTY	SERIAL NO.	REMARKS
1	19M8292	SCREW	4	M10 X 50	
2	24M7178	WASHER	12	10.500 X 30 X 2.500 MM	
3	14M7400	LOCK NUT	4	M10	
4	19M8292	SCREW	2	M10 X 50	
5	14M7296	FLANGE NUT	2	M10	
6	14M7274	NUT	2	M10	
7	H130388	STRAP	4		
8	AH137975	FRAME	1		
9	19M7819	SCREW	4	M12 X 90	
10	24M7180	WASHER	4	13 X 37 X 3 MM	
11	AH138233	LINK	2		
12	T62323	WASHER	4	13.487 X 51.054 X 3.175 MM	
13	14M7299	FLANGE NUT	4	M12	

2G16

REAR AXLE SUPPORT
HP9367 -UN-06DEC99

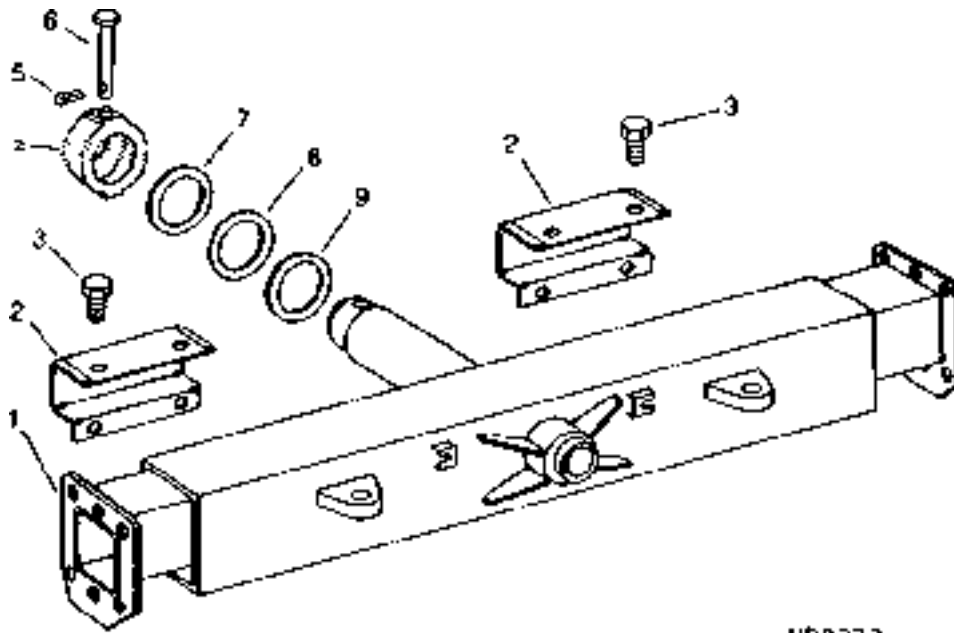


KEY	PART NO.	PART NAME	QTY	YEAR	REMARKS
1	R84943	STEP	1		
2	H133320	BRACKET	1		
3	19M7785	SCREW	2		M10 X 25
	14M7298	FLANGE NUT	2		M8
4	19M7835	SCREW	2		M10 X 35
	14M7298	FLANGE NUT	2		M8
5	AH112284	SEAL	2		
6	H138410	BUSHING	2		(HEAT TREATED) USE WITH WORN PIVOT
	H146281	BUSHING	2		
7	H151739	REINFORCEMENT	2		

MEMORANDA

2G17

FIXED REAR AXLE
HP3373 -UN-01JAN94



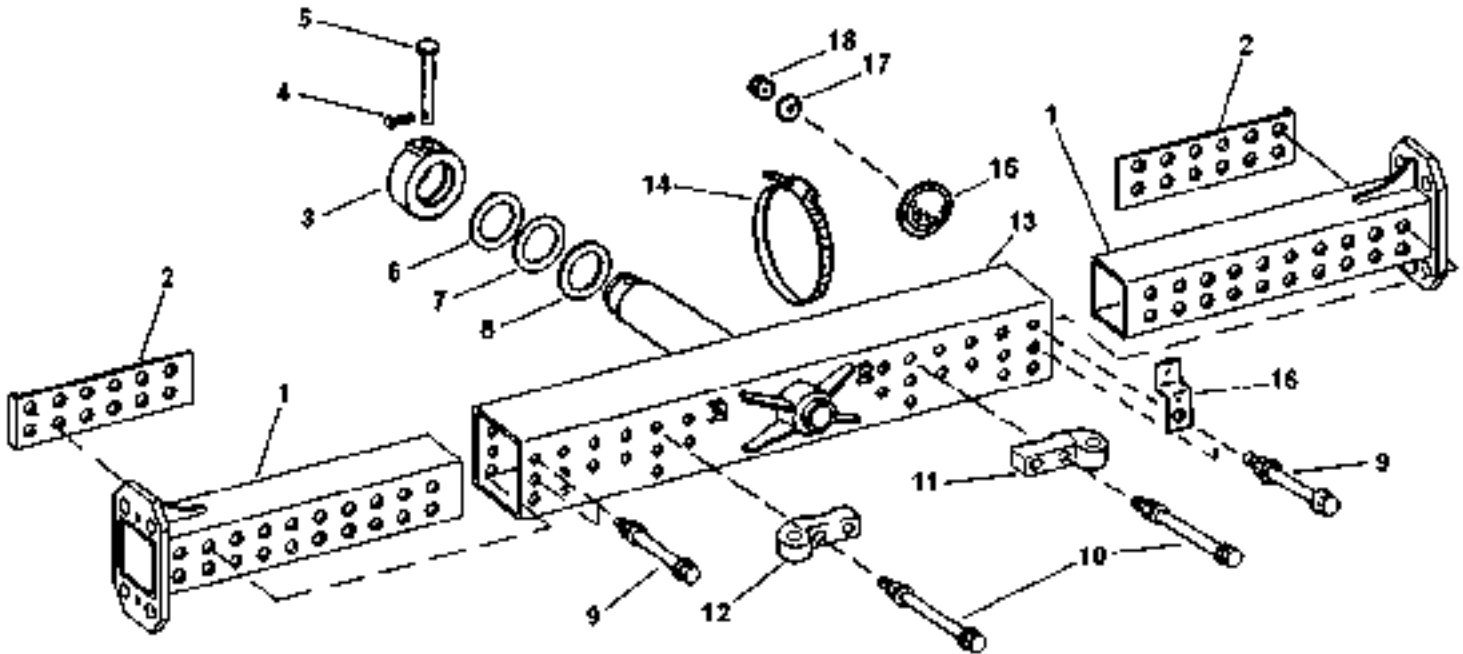
HP3373

KEY	PART NO.	PART NAME	QTY	SERIAL NO.	REMARKS
1	AH134814	AXLE	1		
2	H136115	SHIELD	2		(4-WHEEL DRIVE ONLY)
3	37M7086	SCREW	8		M10 X 20 (4-WHEEL DRIVE ONLY)
4	H134547	BUSHING	1		
5	11M7028	COTTER PIN	1		5 X 32 MM
6	H142107	PIN	1		20 X 180 MM (0.787" X 7.087")
7	H129709	WASHER	AR		128 X 158 X 1.270 MM (5.039" X 6.220" X 0.050")
8	H115140	SHIM	AR		0.635 MM (0.025")
9	H134548	WASHER	1		128 X 158 X 3 MM (5.039" X 6.220" X 0.118")
..	C16071	ADHESIVE	1		
..	BH78882	COMPLETE GOODS/SHIP. BUNDLE	1		SHIELDS

2G18

STEERING AND BRAKES

REAR AXLE, ADJUSTABLE
HP7257 -UN-19NOV97

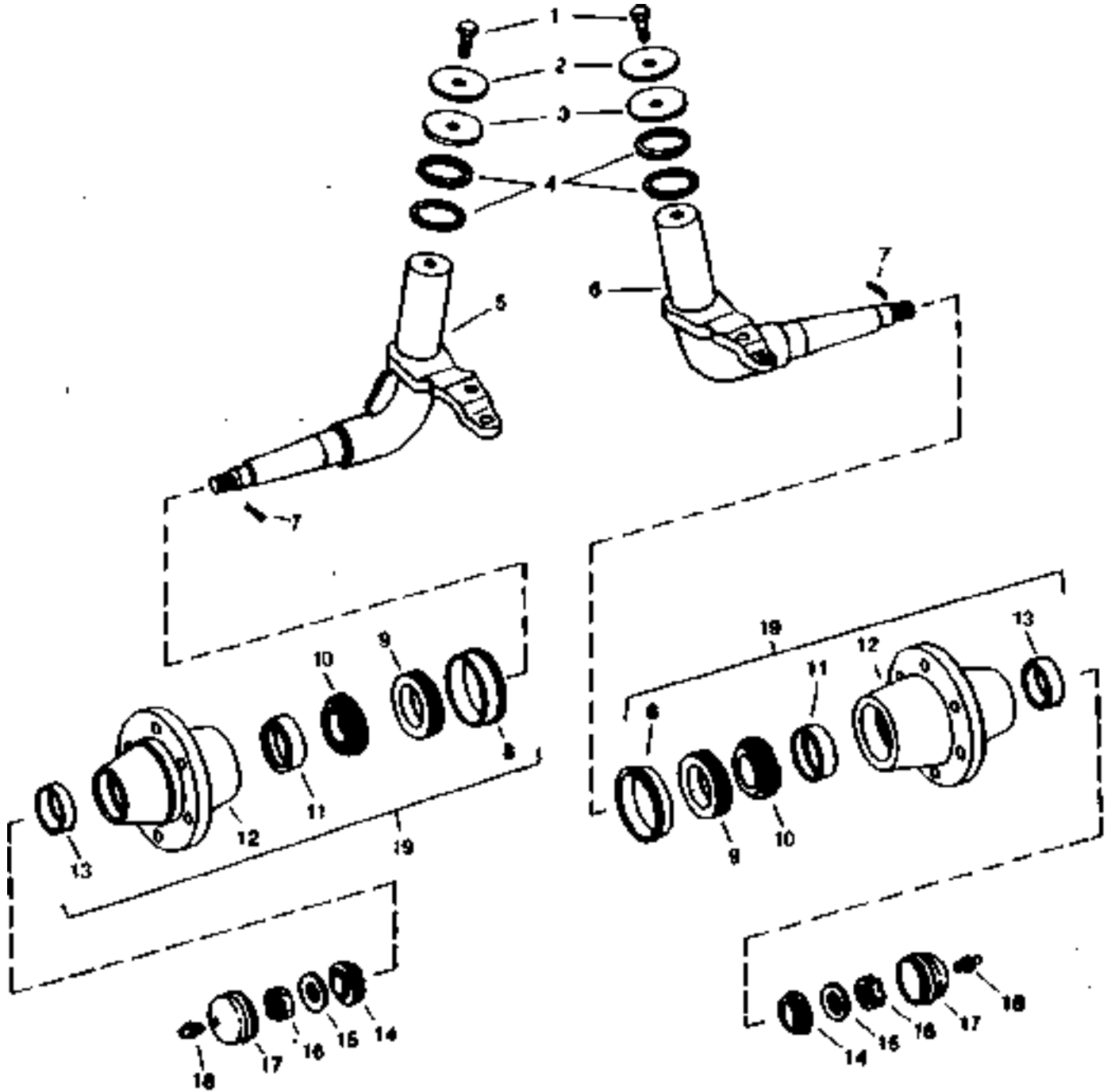


HP7257

KEY	PART NO.	PART NAME	QTY	SERIAL NO.	REMARKS
1	AH156773	TUBE	2		
2	H134549	PLATE	2		
3	H134547	BUSHING	1		
4	11M7028	COTTER PIN	1	5 X 32 MM	
5	H142107	PIN	1	20 X 180 MM	
6	H129709	WASHER	AR	5.039" X 6.220" X 0.050"	
7	H115140	SHIM	AR	0.025"	
8	H134548	WASHER	1	5.039" X 6.220" X 0.118"	
9	19M7921	CAP SCREW	8	M20 X 150, (NON-POWERED)	
	19M7921	CAP SCREW	4	M20 X 150, (4-WHEEL DRIVE)	
	24M7242	WASHER	8	21.400 X 42 X 5 MM	
	H121472	BOLT	4	(4-WHEEL DRIVE) (CONVERSION)	
	14M7300	FLANGE NUT	8	M20	
10	19M7645	SCREW	4	M20 X 200	
	14M7300	FLANGE NUT	4	M20	
11	H130224	ANCHOR	1	(R.H.)	
12	H130223	ANCHOR	1	(L.H.)	
13	AH134813	REAR AXLE	1		
14	AH130230	HOSE CLAMP	2	EXPORT ONLY	
15	L39871	REFLECTOR	2	EXPORT ONLY	
16	H158819	STRAP	2	(SUB FOR H158819) EXPORT ONLY	
17	12M7064	LOCK WASHER	2	5.100 MM, EXPORT ONLY	
18	14M7297	NUT	2	M5, EXPORT ONLY	

2G19

REAR AXLE SPINDLES
(FIXED AND ADJUSTABLE REAR AXLE)
HP5915 -UN-14FEB95



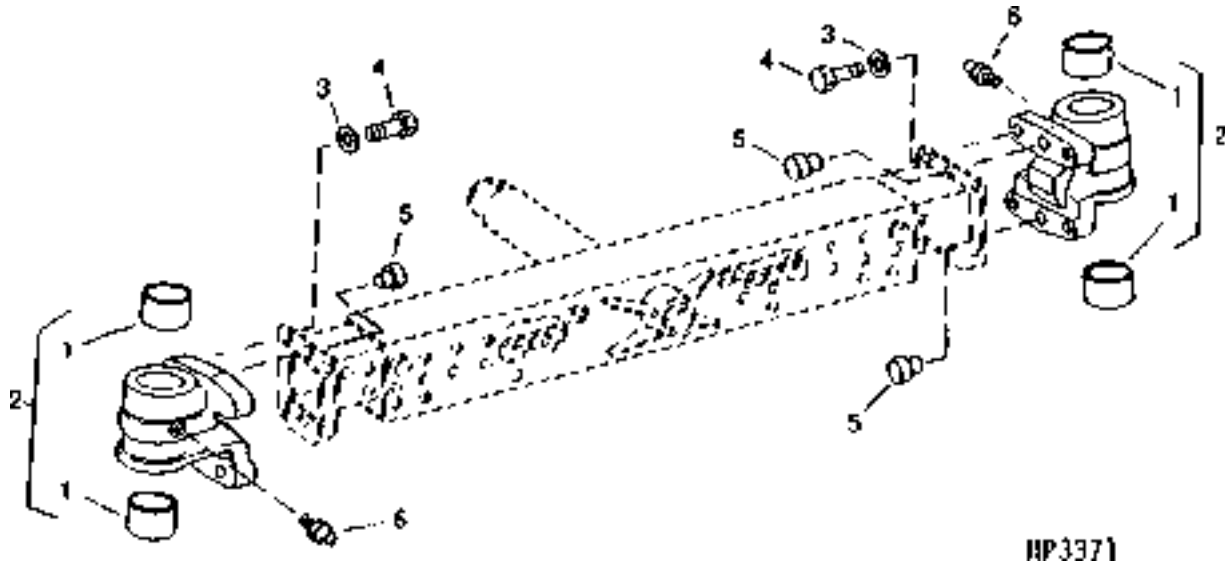
HP5915

2G20

**REAR AXLE SPINDLES - CONTINUED
(FIXED AND ADJUSTABLE REAR AXLE)**

KEY	PART NO.	PART NAME	QTY	SERIAL NO.	REMARKS
1	19H1895	CAP SCREW	2		1/2" X 3/4"
2	24H1916	WASHER	2		17/32" X 3-1/2" X 0.180"
3	H96869	CAP	2		
4	H102206	THRUST BEARING	4		
5	AH125654	SPINDLE	1		(L.H.)
6	AH125655	SPINDLE	1		(R.H.)
7	11M7030	COTTER PIN	2		5 X 40 MM
8	H94951	SLEEVE	2		
9	AH93892	SEAL	2		
10	JD8952	BEARING	2		
11	JD8258	BEARING CUP	2		
12	HUB	2		(SUB AH130871)
13	JD8237	BEARING CUP	2		
14	JD8902	BEARING CONE	2		
15	R30399	WASHER	2		26.187 X 57.150 X 6.350 MM (1-1/32" X 2-1/4" X 1/4")
16	14H920	NUT	2		1"
17	H94950	CAP	2		
18	JD7759	LUBRICATION FITTING	2		STRAIGHT, 1/8"
19	AH130871	HUB	2		(SUB AH162573)
	AH162573	HUB	2		

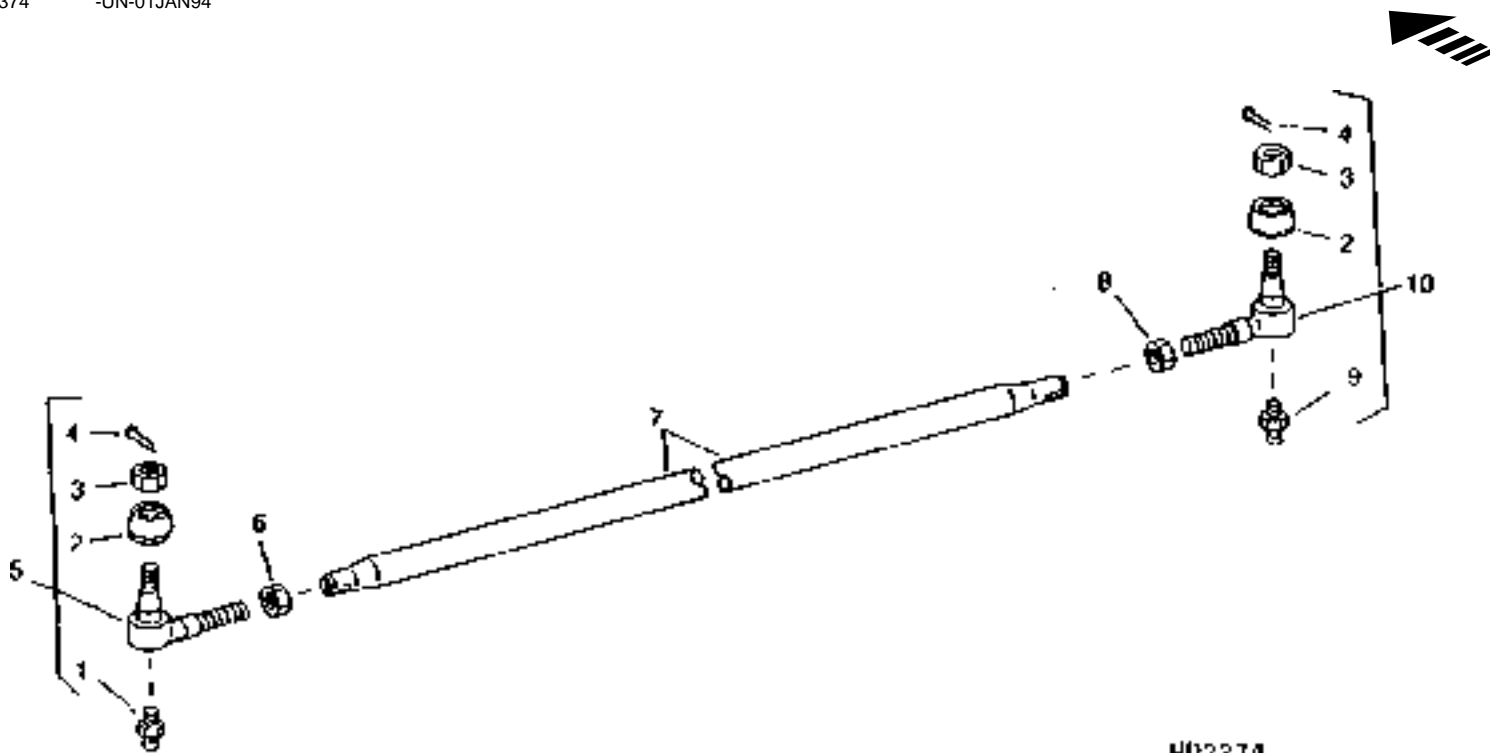
**REAR AXLE SPINDLE HOUSING
(FIXED AND ADJUSTABLE REAR AXLE)**
HP3371 -UN-01JAN94



KEY	PART NO.	PART NAME	QTY	SERIAL NO.	REMARKS
1	H158884	BUSHING	4		
2	AH156821	HOUSING	2		
3	H144293	WASHER	1		
4	19H3126	CAP SCREW	8		20 X 45 X 10 MM (0.787" X 1.772" X 0.394")
5	H75423	PIN	4		3/4" X 2-1/4"
6	JD7759	LUBRICATION FITTING	2		22.073 X 19.812 MM (0.869" X 0.780")

2G22

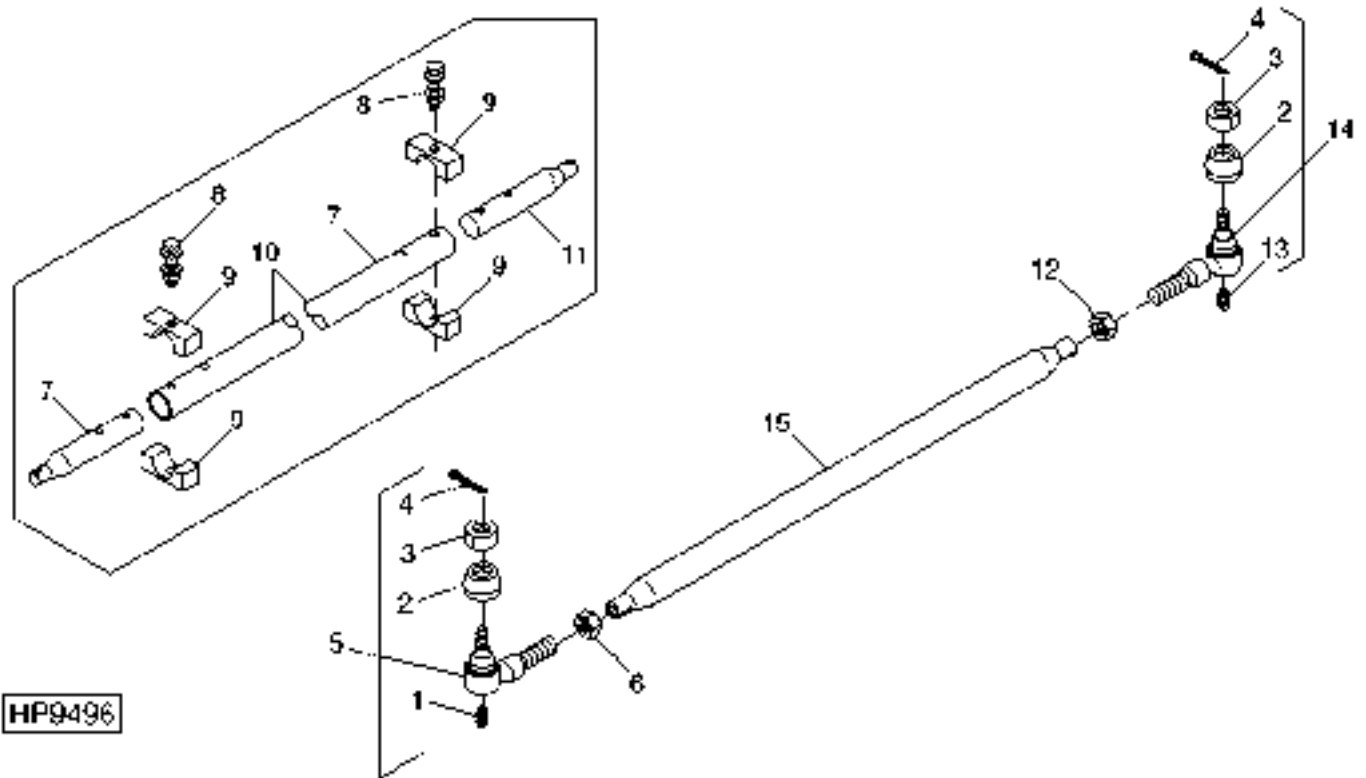
STEERING TIE RODS
(FIXED REAR AXLE)
(NON-POWERED)
HP3374 -UN-01JAN94



HP3374

KEY	PART NO.	PART NAME	QTY	SERIAL NO.	REMARKS
1	JD7797	LUBRICATION FITTING	1		
2	R78027	COVER	2		(TRW ONLY)
3	14H902	NUT	2		3/4"
4	11M7092	COTTER PIN	2	-676463	3.200 X 40 MM
	11M7087	COTTER PIN	2	676464-	4 X 40 MM
5	RE12326	TIE ROD END	1		(L.H.THREAD)
6	R78026	NUT	1		28.575 MM (1-1/8") (L.H.)
7	H134557	TUBE	1		CAN BE REVERSED IN INSTALLATION. FIT TIE ROD END BY LEFT HAND OR RIGHT HAND THREAD.
8	R78025	LOCK NUT	1		28.575 MM (1-1/8") (R.H.)
9	JD7788	LUBRICATION FITTING	1		
10	RE12325	TIE ROD END	1		(R.H.THREAD)

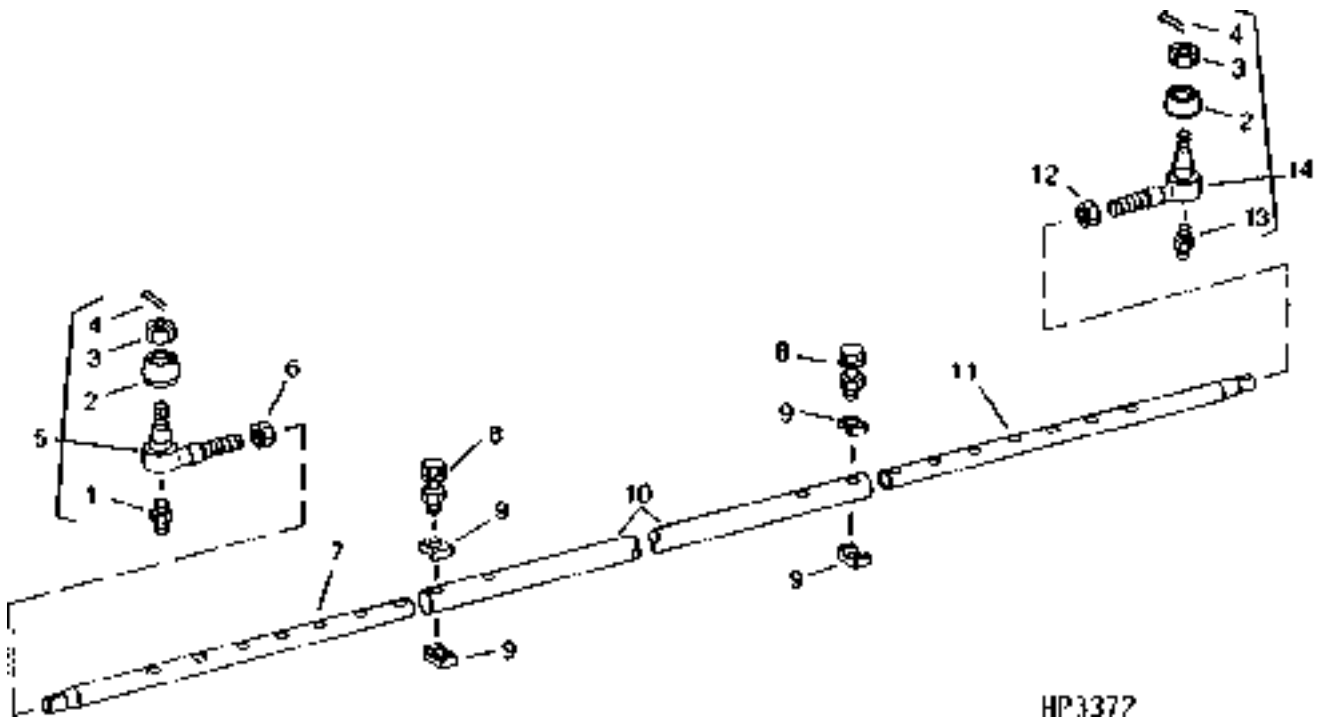
STEERING TIE RODS
(FIXED REAR AXLE)
(4-WHEEL DRIVE)
HP9496 -UN-18JAN00



STEERING TIE RODS - CONTINUED
(FIXED REAR AXLE)
(4-WHEEL DRIVE)

KEY	PART NO.	PART NAME	QTY	SERIAL NO.	REMARKS
1	JD7797	LUBRICATION FITTING	1		
2	R78027	COVER	2		(TRW ONLY)
3	14H902	NUT	2		3/4"
4	11M7092	COTTER PIN	2	-676463	3.200 X 40 MM
	11M7087	COTTER PIN	2	676464-	4 X 40 MM
5	RE12326	TIE ROD END	1		(L.H.THREAD)
6	R78026	NUT	1		28.575 MM (1-1/8") (L.H.)
7	H136335	TUBE	1		(L.H.) (SUB H173218)
8	19M7820	SCREW	4		M12 X 100
	14M7401	LOCK NUT	4		M12
9	H139807	CLAMP	8		
10	H140382	TUBE	1		
11	H136334	TUBE	1		(R.H.) (SUB H173218)
12	R78025	LOCK NUT	1		28.575 MM (1-1/8") (R.H.)
13	JD7788	LUBRICATION FITTING	1		45° X 20.574 MM LONG (0.810" LONG)
14	RE12325	TIE ROD END	1		(R.H.THREAD)
15	H173218	TUBE	1		(SUB FOR H136334 OR H136335)
..	BH79199	COMPLETE GOODS/SHIP. BUNDLE	1		POWERED REAR AXLE CONVERSION (TIE ROD)

STEERING TIE RODS
(ADJUSTABLE REAR AXLE)
(NON-POWERED AND 4-WHEEL DRIVE)
HP3372 -UN-01JAN94



HP3372

2H2

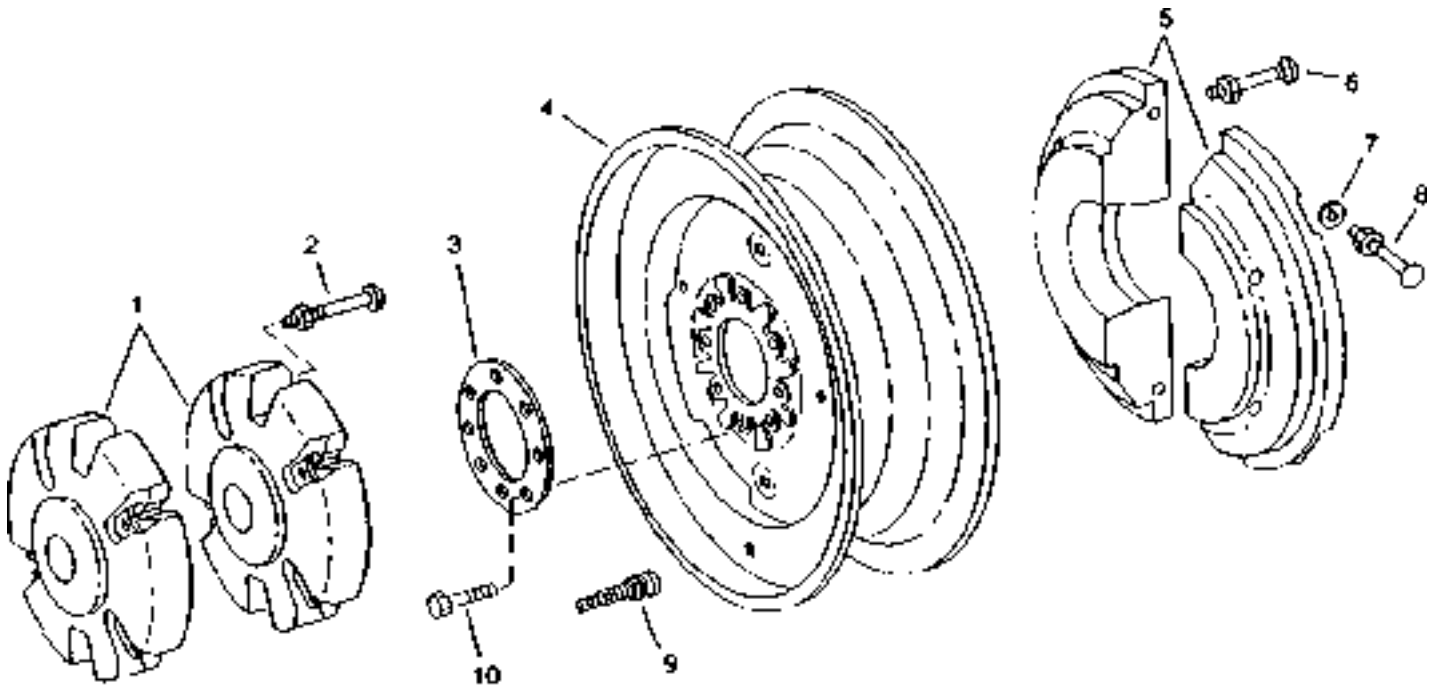
STEERING AND BRAKES

STEERING TIE RODS - CONTINUED (ADJUSTABLE REAR AXLE) (NON-POWERED AND 4-WHEEL DRIVE)

KEY	PART NO.	PART NAME	QTY	SERIAL NO.	REMARKS
1	JD7797	LUBRICATION FITTING	1		
2	R78027	COVER	2		(TRW ONLY)
3	14H902	NUT	2		3/4"
4	11M7092	COTTER PIN	2	-676463	3.200 X 40 MM
	11M7087	COTTER PIN	2	676464-	
5	RE12326	TIE ROD END	1		(L.H.THREAD)
6	R78026	NUT	1		28.575 MM (1-1/8") (L.H.)
7	H130227	TUBE	1		(L.H.)
8	19M7820	SCREW	4		M12 X 100
	14M7401	LOCK NUT	4		M12
9	H139807	CLAMP	8		
10	H140382	TUBE	1		(CENTER) (NON-POWERED REAR AXLE)
	H140383	TUBE	1		(CENTER) (4-WHEEL DRIVE REAR AXLE)
11	H130228	TUBE	1		(R.H.)
12	R78025	LOCK NUT	1		28.575 MM (1-1/8") (R.H.)
13	JD7788	LUBRICATION FITTING	1		45° X 20.574 MM LONG (0.810" LONG)
14	RE12325	TIE ROD END	1		(R.H.THREAD)

2H3

REAR WHEELS AND WHEEL WEIGHTS
HP3379 -UN-01JAN94



HP3379

2H4

STEERING AND BRAKES

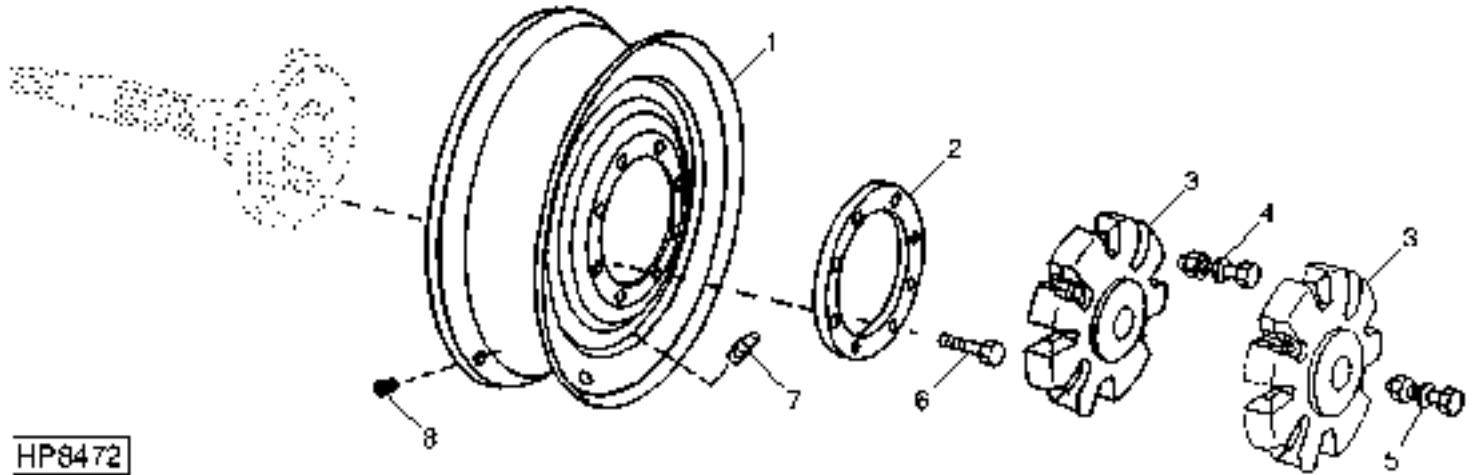
REAR WHEELS AND WHEEL WEIGHTS - CONTINUED

KEY	PART NO.	PART NAME	QTY	SERIAL NO.	REMARKS
1	H103543	WEIGHT	AR		OUTSIDE (USE 1 OR 2)
2	03H1858	BOLT	4		5/8" X 3-1/2"
	12H294	LOCK WASHER	4		5/8"
	14H1039	NUT	4		5/8"
3	H84375	RING	1		
4	AH117662	WHEEL	1		(W10H-24)
	AH122100	WHEEL	1		(W12H-24)
	AH144695	WHEEL	1		(26XDW25A) (SUB AH167584)
	AH167584	WHEEL	1		(26XDW25A)
	AH167434	WHEEL	1		(DW14-26) (SUB FOR AH135217)
5	H95547	WEIGHT	2		INSIDE
6	03H1605	BOLT	4		5/8" X 4" (WITH INSIDE WEIGHTS)
	03H1860	BOLT	4		5/8" X 6" (WITH INSIDE AND OUTSIDE WEIGHTS)
	12H294	LOCK WASHER	4		5/8"
	14H1039	NUT	4		5/8"
7	24H1111	WASHER	2		17/32" X 1-1/16" X 0.090"
8	03H1852	BOLT	2		1/2" X 4"
	12H301	LOCK WASHER	2		1/2"
	14H1040	NUT	2		1/2"
9	AT25226	TIRE VALVE STEM	1		
10	H163491	CAP SCREW	4		
..	H145995	LABEL	2		"IMPORTANT" WHEEL BOLT TORQUE
..	H150646	DECAL	2		"IMPORTANT" 15 PSI (103 KPA) (28L X 26-10 OR 12 PLY TIRE) (68 X 50-32 16 PLY TIRE)
..	H174266	LABEL	2		(SUB FOR H151575) "IMPORTANT" ON AXLE STOP (28L X 26-10 OR 12 PLY TIRE)
..	H141593	LABEL	2		"IMPORTANT" 46 PSI (317 KPA) (11.2 X 24-8 PLY TIRES)
..	H140709	LABEL	2		"IMPORTANT" 26 PSI (180 KPA) (14.9 X 24-6 PLY TIRES)
..	H153728	LABEL	2		TIRE CLEARANCE (18.4 X 30 R2 TIRES ONLY)
..	H140710	LABEL	2		TIRE PRESSURE (16.9 X 26 X 10 TIRES) 34 PSI

NOTE: QUANTITIES SHOWN ARE FOR ONE UNIT. TWO UNITS USED PER MACHINE.

REAR WHEELS
(4-WHEEL DRIVE / CAM LOBE MOTOR)

HP8472 -UN-21APR99



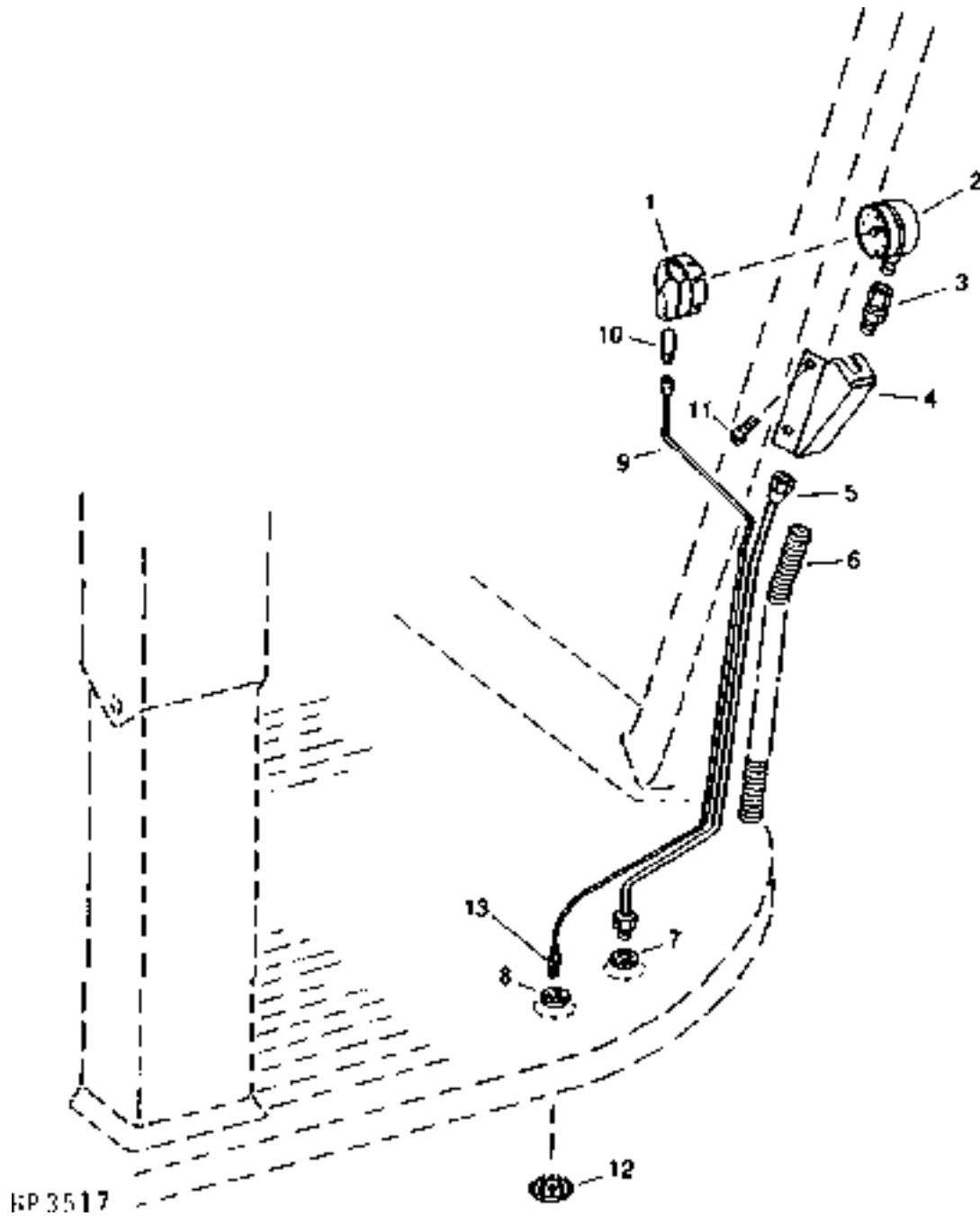
KEY	PART NO.	PART NAME	QTY	SERIAL NO.	REMARKS
1	AH64610	WHEEL	1	(DW16X26) (SUB AH167582)	
	AH167582	WHEEL CENTER	1	(DW16X26)	
	AH138809	WHEEL	1	(DW16X30)	
2	H84375	RING	1		
3	H103543	WEIGHT	2	(OPTIONAL)	
4	03H2075	BOLT	4	5/8" X 3"	
	12H294	LOCK WASHER	4	5/8"	
5	14H1039	NUT	4	5/8"	
	03H1858	BOLT	4	5/8" X 3-1/2"	
	12H294	LOCK WASHER	4	5/8"	
6	14H1039	NUT	4	5/8"	
	H163491	CAP SCREW	8		
7	AT25226	TIRE VALVE STEM	1		
8	AH86866	PLUG	1		
..	H145995	LABEL	2	"IMPORTANT" WHEEL BOLT TORQUE	

NOTE: QUANTITIES SHOWN ARE FOR ONE UNIT. TWO UNITS USED PER MACHINE.

MEMORANDA

3B9

ACCUMULATOR PRESSURE GAUGE AND WIRING HARNESS
HP3517 -UN-01JAN94



3B10

HYDRAULICS

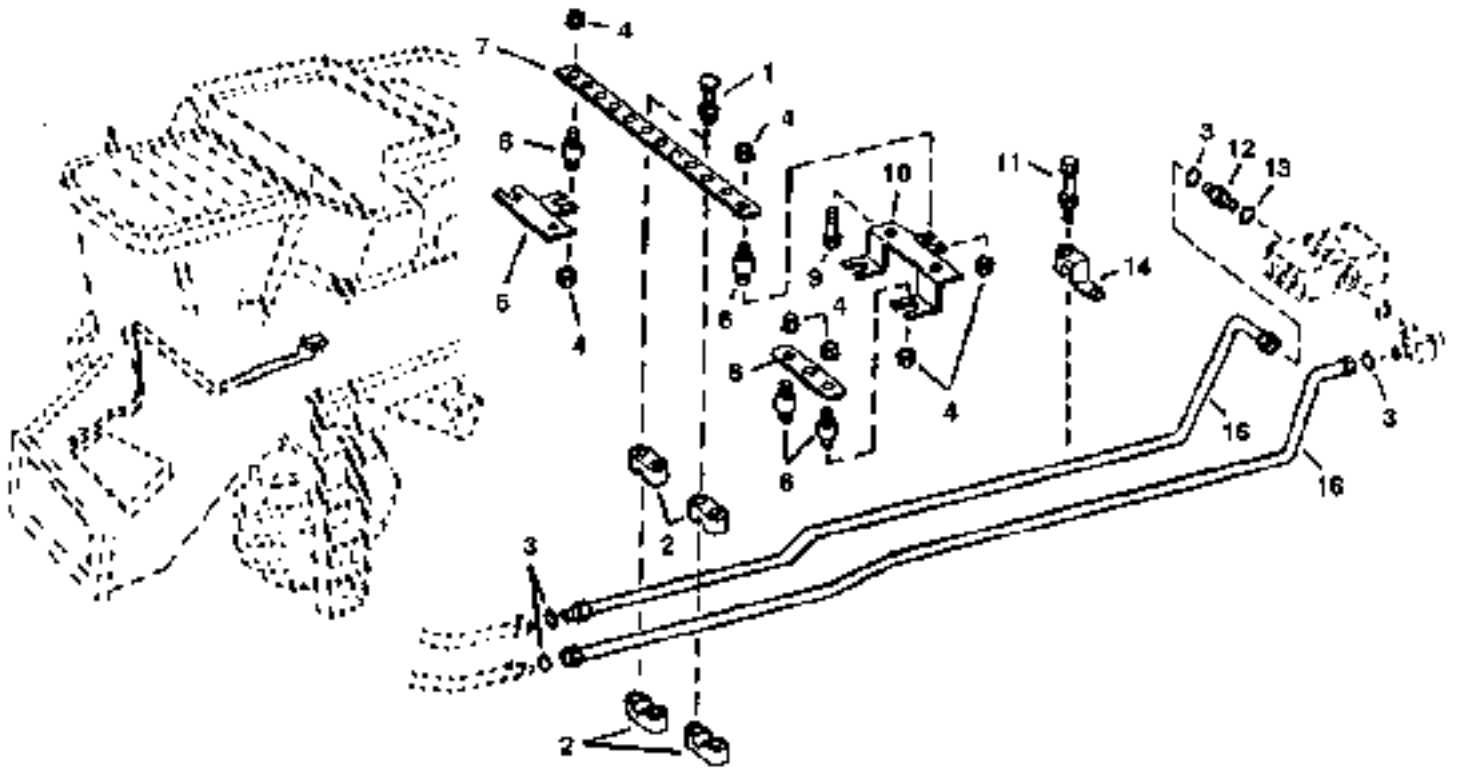
ACCUMULATOR PRESSURE GAUGE AND WIRING HARNESS - CONTINUED

KEY	PART NO.	PART NAME	QTY	SERIAL NO.	REMARKS
1	H111378	COVER	1		
2	AH108080	PRESSURE GAUGE	1		
3	AB18206	ADAPTER	1		(WITH JAM NUT)
4	AH132832	BRACKET	1		
5	AH132027	OIL LINE	1		
6	H137523	CONDUIT	1		
7	T65643	GROMMET	1		
8	T63817	GROMMET	1		
9	AH134205	WIRING LEAD	1		
10	AH108380	BULB	1		
11	H165691	SCREW	2		M6 X 20, (SUB FOR H131591 OR H168780)
12	R32239	PLUG	2		USE WITHOUT ACCUM. GAUGE
13	RE12363	CONNECTOR	1		(PKG OF 3)
	R78048	TERMINAL NIPPLE	1		(PKG OF 5)

3B11

HYDRAULICS

REEL DRIVE HYDRAULIC LINES AND HOSES, L.H. SIDE
HP6830 -UN-26AUG97



HP6830

3B12

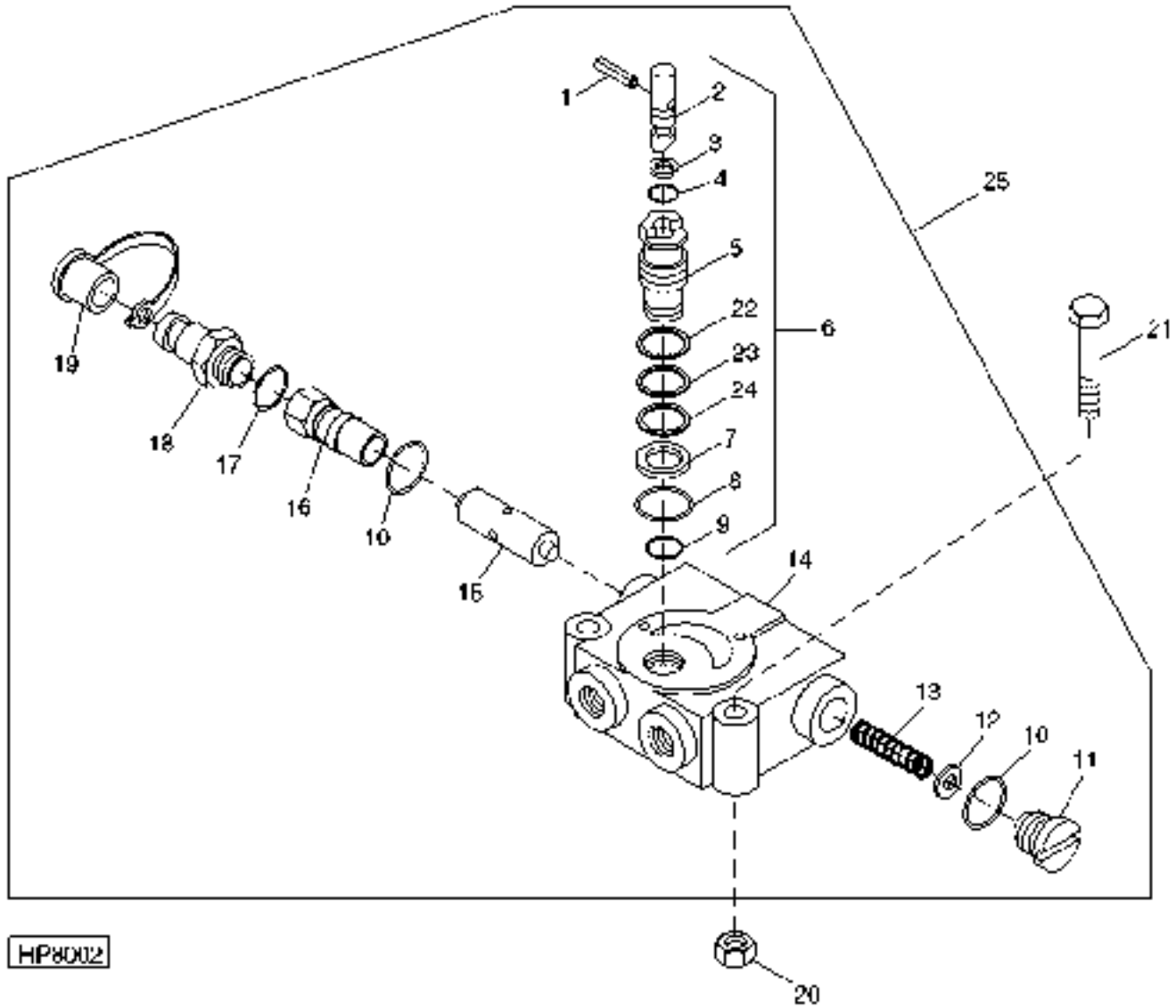
HYDRAULICS

REEL DRIVE HYDRAULIC LINES AND HOSES, L.H. SIDE - CONTINUED

KEY	PART NO.	PART NAME	QTY	SERIAL NO.	REMARKS
1	03M7189	BOLT	4	M8 X 45	
	14M7298	FLANGE NUT	4	M8	
2	H115533	CLAMP	4		
3	T77932	O-RING	4		15.596 X 1.778 MM (0.614" X 0.070")
4	N10217	LOCK NUT	8		6.350 MM (1/4")
5	H134427	BRACKET	1		
6	AH126657	ISOLATOR	4		
7	H140298	STRAP	1		
8	H134425	STRAP	1		
9	37M7058	SCREW	4	M8 X 20	
10	H140298	STRAP	1		
11	19M7801	SCREW	1	M8 X 60	
	14M7298	FLANGE NUT	1	M8	
12	38H1162	ADAPTER	1		
13	R26906	O-RING	1		19.177 X 2.464 MM (0.755" X 0.097")
14	H112162	CLAMP	1		
15	AH130209	HYDRAULIC LINE	1		(PRESSURE)
16	AH131317	HYDRAULIC LINE	1		(RETURN)

3B13

REEL DRIVE FLOW CONTROL VALVE
HP8002 -UN-02MAR99



HP8002

3B14

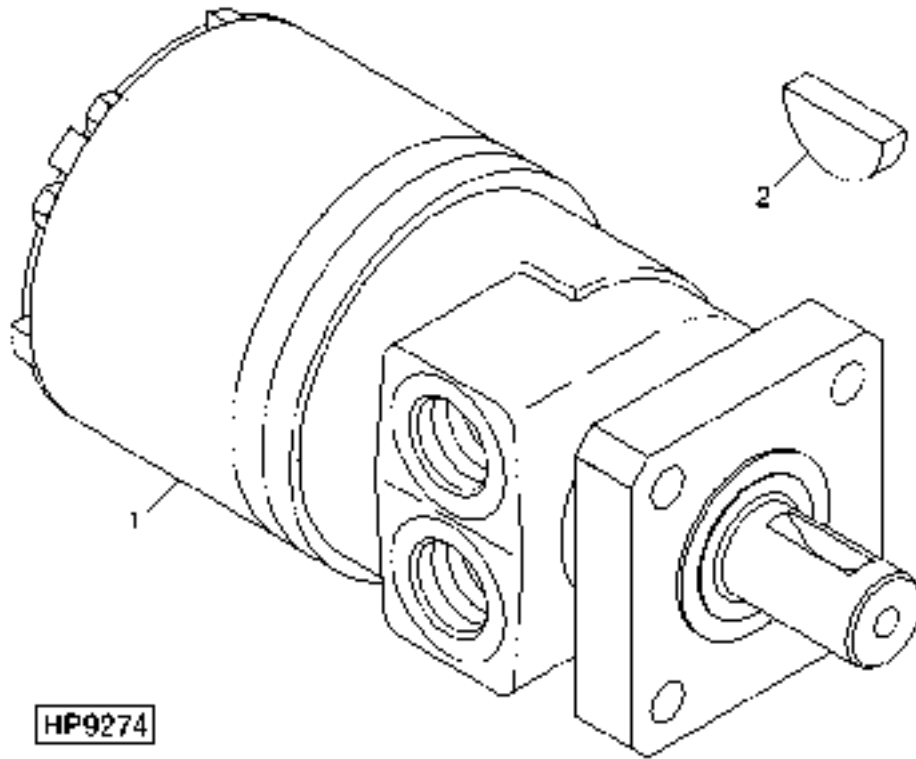
HYDRAULICS

REEL DRIVE FLOW CONTROL VALVE - CONTINUED

KEY	PART NO.	PART NAME	QTY	SERIAL NO.	REMARKS
1	GROOVE PIN	1		
2	STEM	1		
3	BACK-UP RING	1	(A)	
4	O-RING	1	(A)	
5	PLUG	1		
6	AH140903	KIT	1		
7	BACK-UP RING	1	(A)	
8	O-RING	1	(A)	
9	O-RING	1	(A)	
10	H63289	O-RING	2	(A)	20.295 X 2.616 MM
11	PLUG	1		
12	SHIM	1		
13	SPRING	1		
14	HOUSING	1		
15	SPOOL	1		
16	PLUG	1		
17	R26448	O-RING	1	(A)	11.887 X 1.981 MM
18	AH125760	HYD. QUICK-CONNECT COUPLER	1		DIAGNOSTIC
19	R77175	COVER	1		
20	14M7298	FLANGE NUT	2		M8
21	19M7801	SCREW	2		M8 X 60
22	SHIM	AR		
23	SHIM	AR		
24	SHIM	AR		
25	AH140902	CHECK VALVE	1		
..	AH136248	SEAL KIT	1		INCLUDES PARTS MARKED (A)

3B15

CHAFF SPREADER MOTOR (EATON)
HP9274 -UN-16NOV99

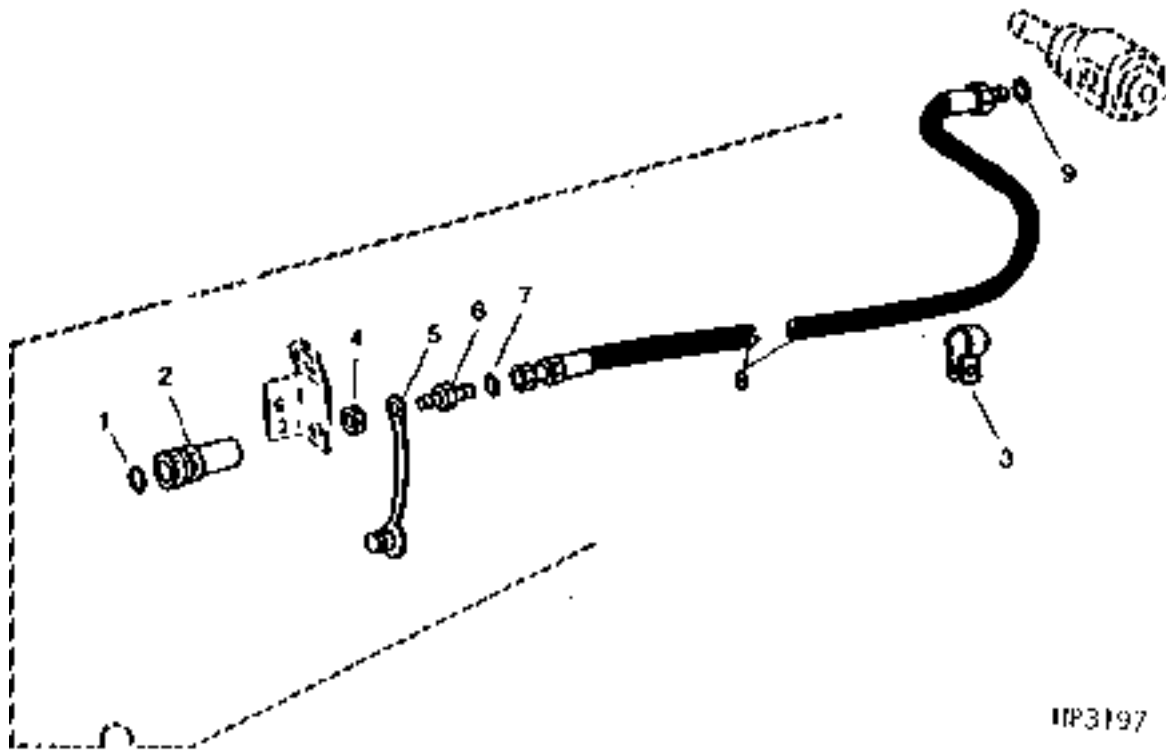


KEY	PART NO.	PART NAME	QTY	SERIAL NO.	REMARKS
1	AH141858	MOTOR	1		
2	AH144831	SEAL KIT	1		
3	26H22	SHAFT KEY	1		6.350 X 25.400 MM (1/4" X 1") WOODRUFF

3B16

HYDRAULICS

FEEDER HOUSE VARIABLE DRIVE HYDRAULIC HOSE
 HP3197 -UN-01JAN94

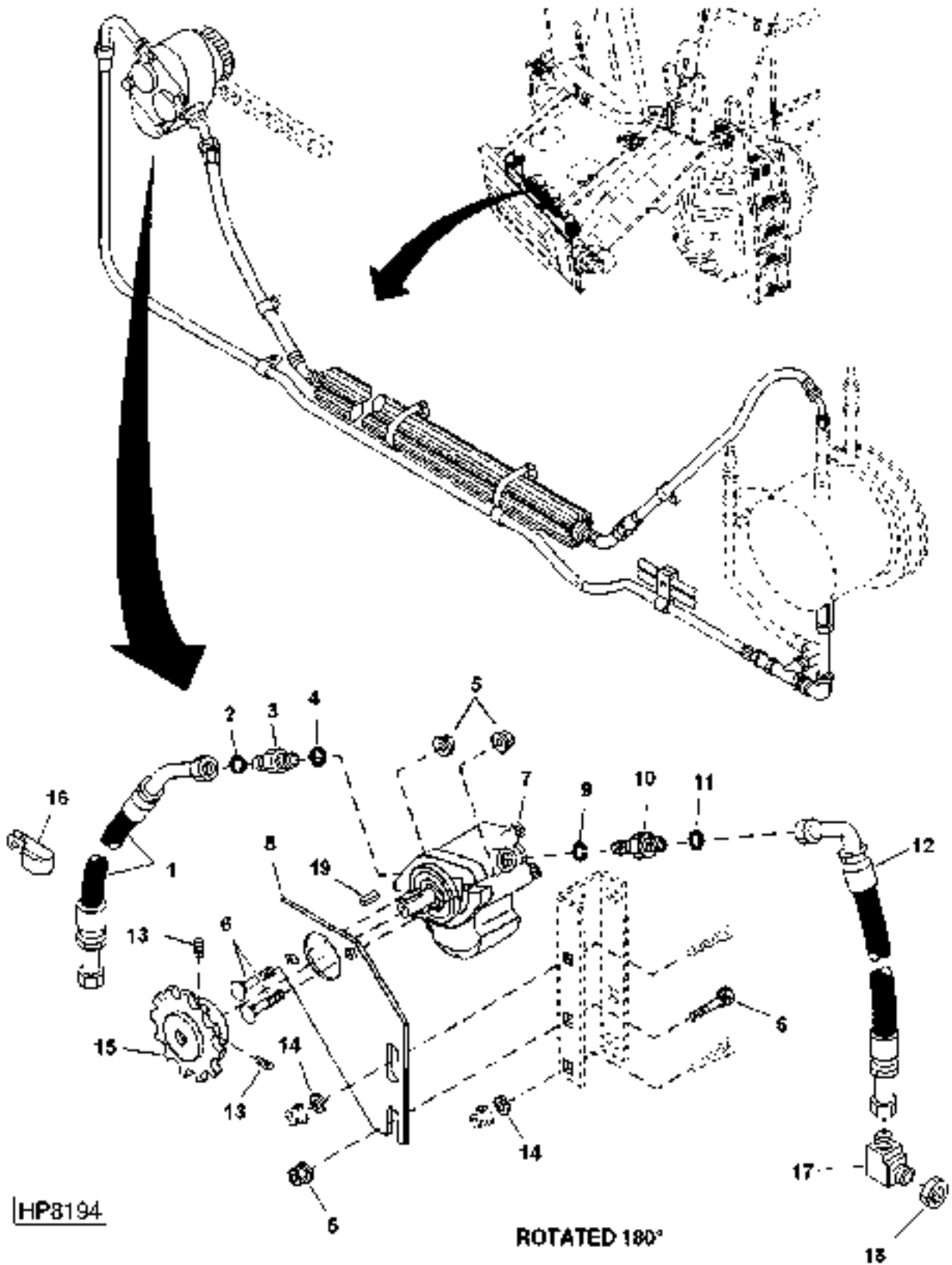


KEY	PART NO.	PART NAME	QTY	SERIAL NO.	REMARKS
1	R26375	O-RING	1		16.358 X 2.210 MM (0.644" X 0.087")
2	AH75167	HYD. QUICK-CONNECT COUPLER	1		(INCLUDES INTERNAL O-RING)
3	T27523	CLAMP	1		
4	T81029	NUT	1		17.475 MM (11/16")
5	H125403	PLUG	1		
6	AH121643	ORIFICE	1		
7	T77613	O-RING	1		9.246 X 1.778 MM (0.364" X 0.070")
8	AH156388	HYDRAULIC HOSE - FABRICATE	1		6.35MM ID BY 1115MM LONG 7/16-20
9	R28782	O-RING	1		8.915 X 1.829 MM (0.351" X 0.072")
..	BH79019	COMPLETE GOODS/SHIP. BUNDLE	1		HEADER CONVERSION KIT (1984-87)

3B17

FEEDER HOUSE GEARCASE COOLER LUBE OIL PUMP, WITHOUT DUST SUPPRESSION

HP8194 -UN-28JAN99



3B18

HYDRAULICS

FEEDER HOUSE COOLER LUBE OIL PUMP, WITHOUT DUST SUPPRESSION - CONTINUED

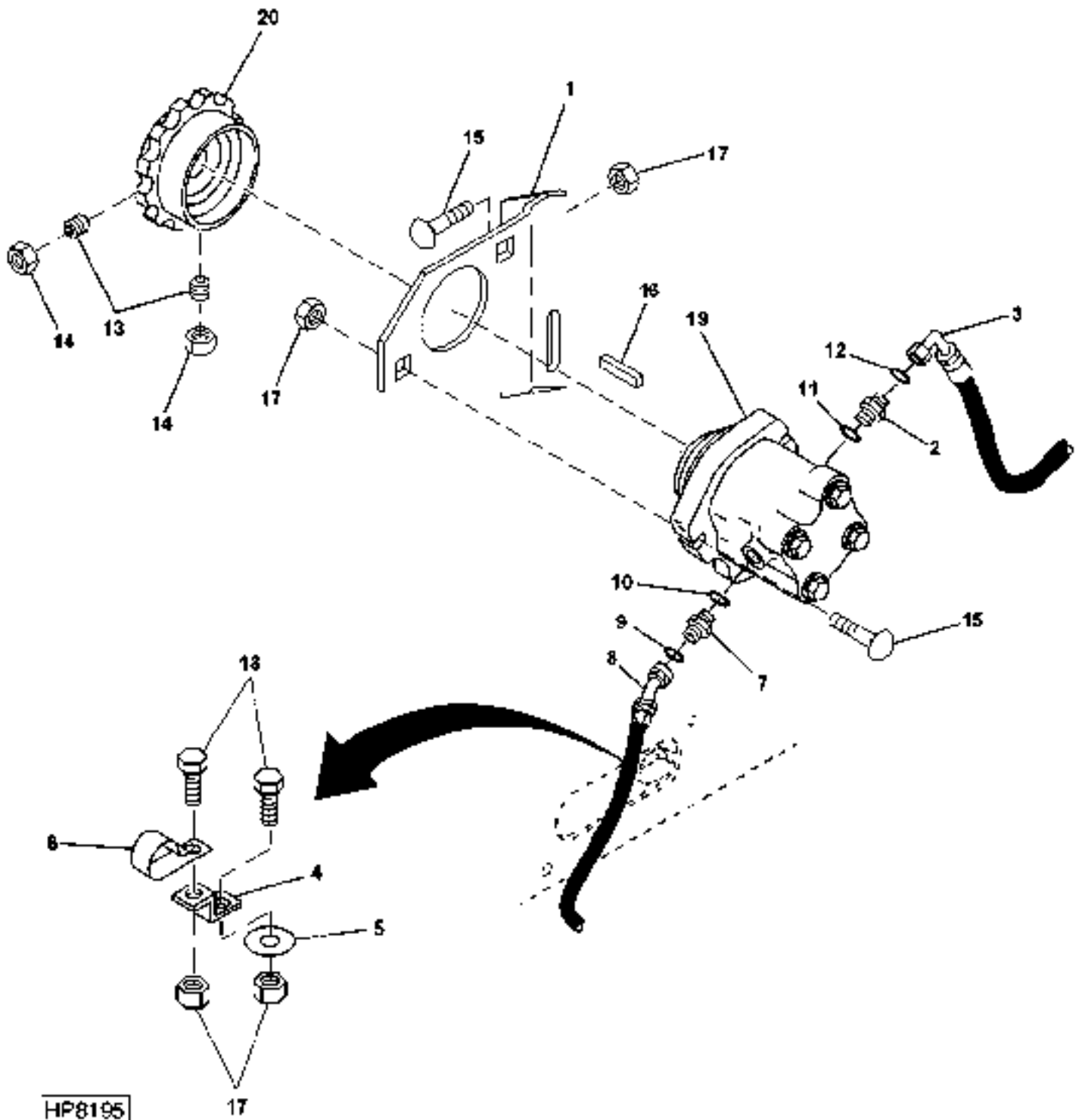
KEY	PART NO.	PART NAME	QTY	SERIAL NO.	REMARKS
1	AH156475	HYDRAULIC HOSE	2		9/16" X 9.50MM ID X 42672MM (23/64" ID X 1680") LONG X 3/4"(FROM PUMP TO COOLER)
2	T77613	O-RING	4		
3	38H1171	ADAPTER	1		
4	R26375	O-RING	1		
5	14M7296	FLANGE NUT	3	M10	
6	03M7192	BOLT	3	M10 X 30	
7	AH148416	OIL PUMP	1		
8	H157594	BRACKET	1		
9	R26906	O-RING	1		
10	38H1174	ADAPTER	1		
11	T77857	O-RING	1		
12	AH156703	HYDRAULIC HOSE	1		3/4" X 12.70MM ID X 13335MM (1/2" ID X 525") LONG X 3/4" (FROM PUMP TO COOLER)
13	22M7027	SET SCREW	2	M6 X 16	
14	24H1226	WASHER	3	1/2" X 1-1/4" X 0.083"	
15	AH151301	CHAIN SPROCKET	1	12 TEETH	
16	AH89486	CLIP	1		
17	38H1321	ELBOW FITTING	1		
18	T78716	NUT	1		
19	N85298	SHAFT KEY	1		
..	BH81389	COMPLETE GOODS/SHIP. BUNDLE	1		GEARBOX COOLER

3B19

HYDRAULICS

FEEDER HOUSE OIL COOLER, LUBE OIL PUMP WITH DUST SUPPRESSION, R.H. SIDE

HP8195 -UN-28JAN99



3B20

HYDRAULICS

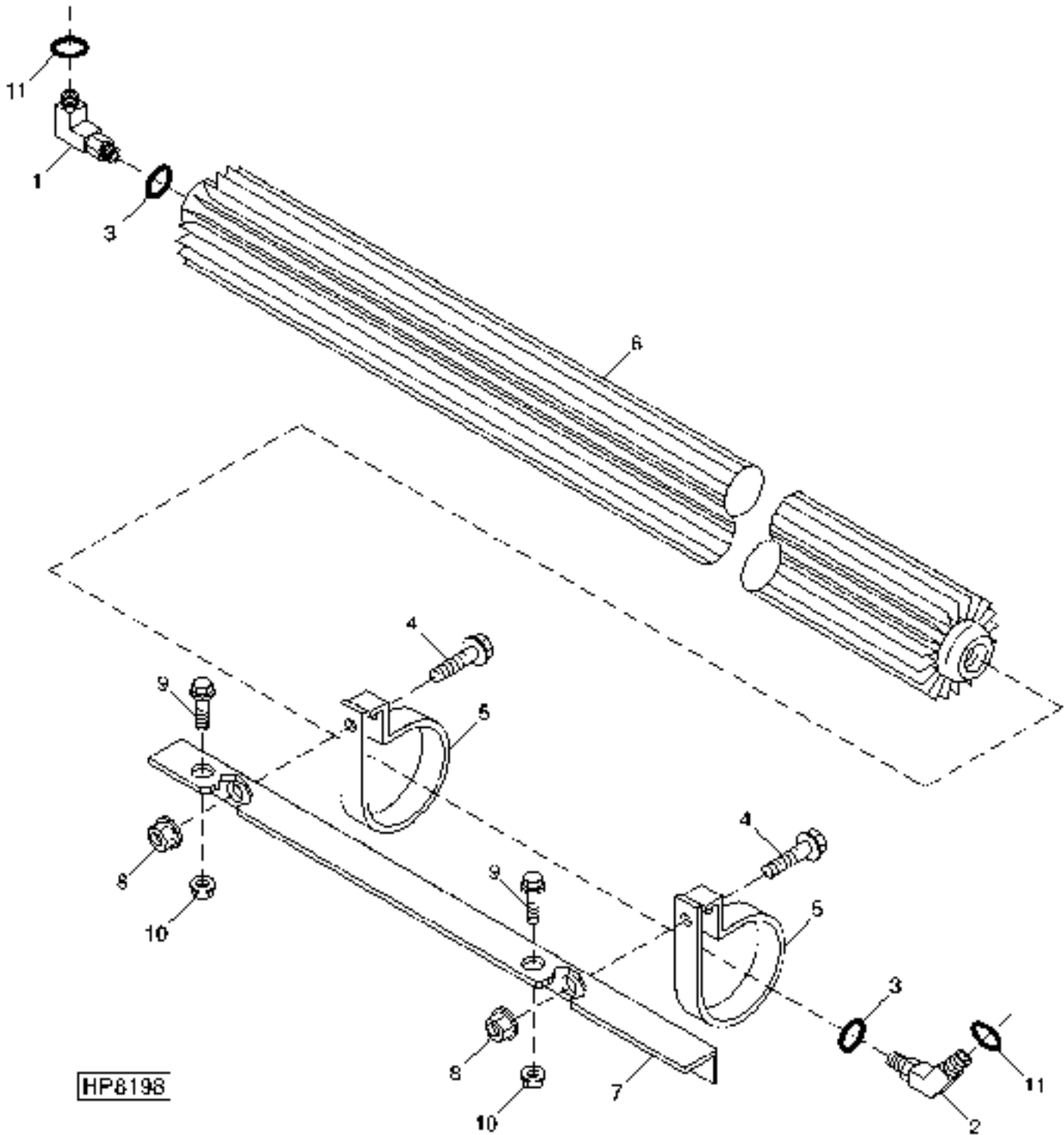
FEEDER HOUSE OIL COOLER LUBE OIL PUMP WITH DUST SUPPRESSION - CONTINUED

KEY	PART NO.	PART NAME	QTY	SERIAL NO.	REMARKS
1	H163377	BRACKET	1		WITH DUST SUPPORT
2	38H1174	ADAPTER	1		
3	AH156703	HYDRAULIC HOSE	1		3/4" X 1270MM X 63500MM (1/2" ID X 2500") LONG X 3/4" (FROM PUMP TO GEARCASE)
4	H163378	BRACKET	1		
5	24H1313	WASHER	1		
6	AH89486	CLIP	1		
7	38H1171	ADAPTER	1		
8	AH156475	HYDRAULIC HOSE	1		
9	R26375	O-RING	1		
10	T77613	O-RING	1		
11	R26906	O-RING	1		
12	T77857	O-RING	1		
13	22M7027	SET SCREW	2		M6 X 16
14	14M7272	NUT	2		M6
15	03M7192	BOLT	4		M10 X 30
16	N85298	SHAFT KEY	1		
17	14M7296	FLANGE NUT	4		M10
18	19M7784	SCREW	2		M10 X 20
19	AH148416	OIL PUMP	1		
20	AH151301	CHAIN SPROCKET	1		
..	BH81389	COMPLETE GOODS/SHIP. BUNDLE	1		GEARBOX COOLER

3B21

HYDRAULICS

FEEDER HOUSE GEARCASE OIL COOLER
HP8198 -UN-28JAN99



3B22

HYDRAULICS

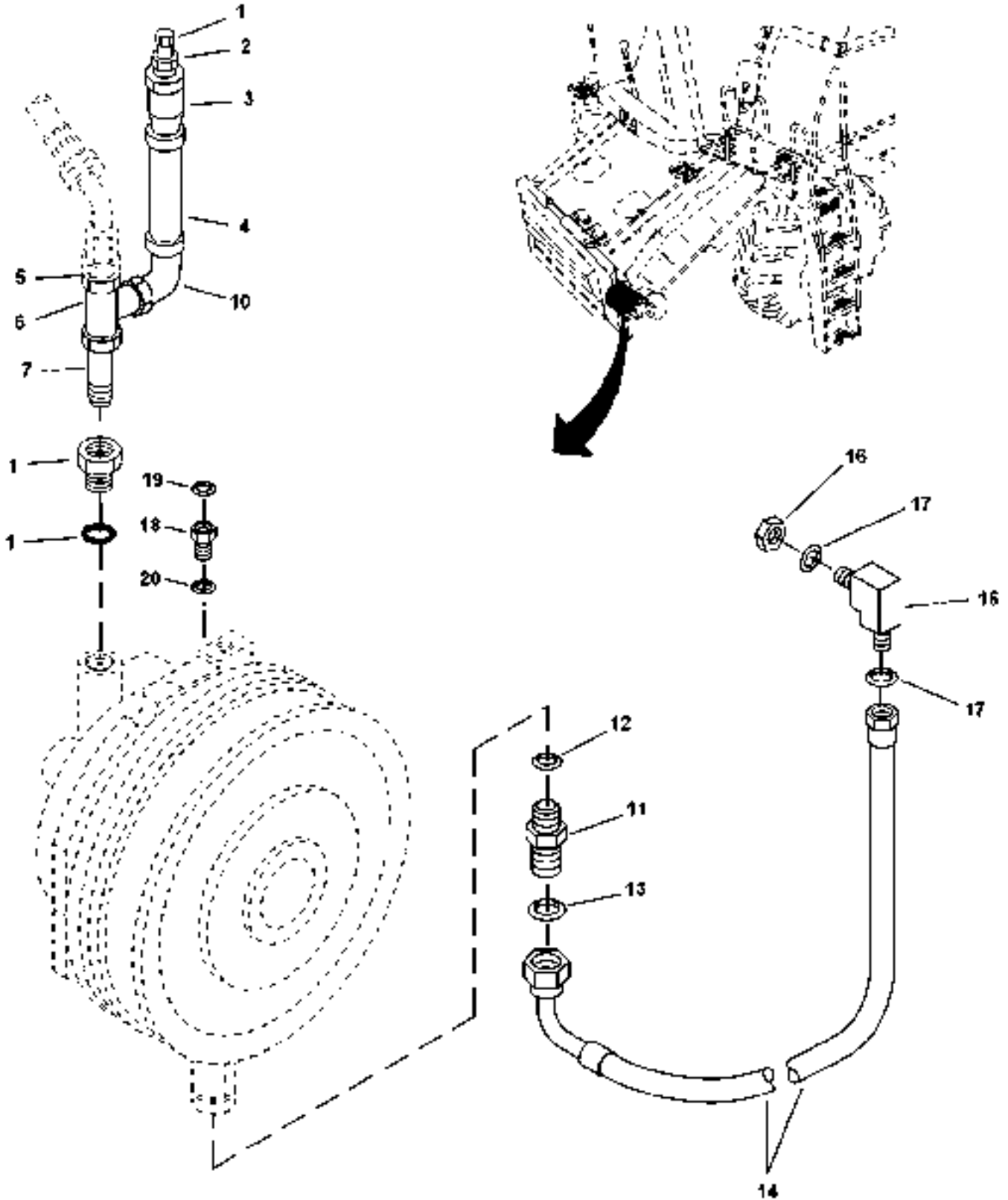
FEEDER HOUSE GEARCASE OIL COOLER - CONTINUED

KEY	PART NO.	PART NAME	QTY	SERIAL NO.	REMARKS
1	38H1005	ELBOW FITTING	1		
2	38H1046	ELBOW FITTING	1		
3	R26375	O-RING	2		
4	19M7183	CAP SCREW	2	M10 X 40	
5	R111156	CLIP	2		
6	AH150687	OIL COOLER	1		
7	H163182	ANGLE	1		
8	14M7296	FLANGE NUT	2	M10	
9	19M7784	SCREW	2	M10 X 20	
10	14M7298	FLANGE NUT	2	M8	
11	T77857	O-RING	2		
..	BH81389	COMPLETE GOODS/SHIP. BUNDLE	1	GEARBOX COOLER	

3B23

FEEDER HOUSE GEARCASE OIL COOLER FITTINGS AND HOSES

HP7572 -UN-31AUG98



HP7572

3B24

HYDRAULICS

FEEDER HOUSE GEARCASE OIL COOLER FITTINGS AND HOSES - CONTINUED

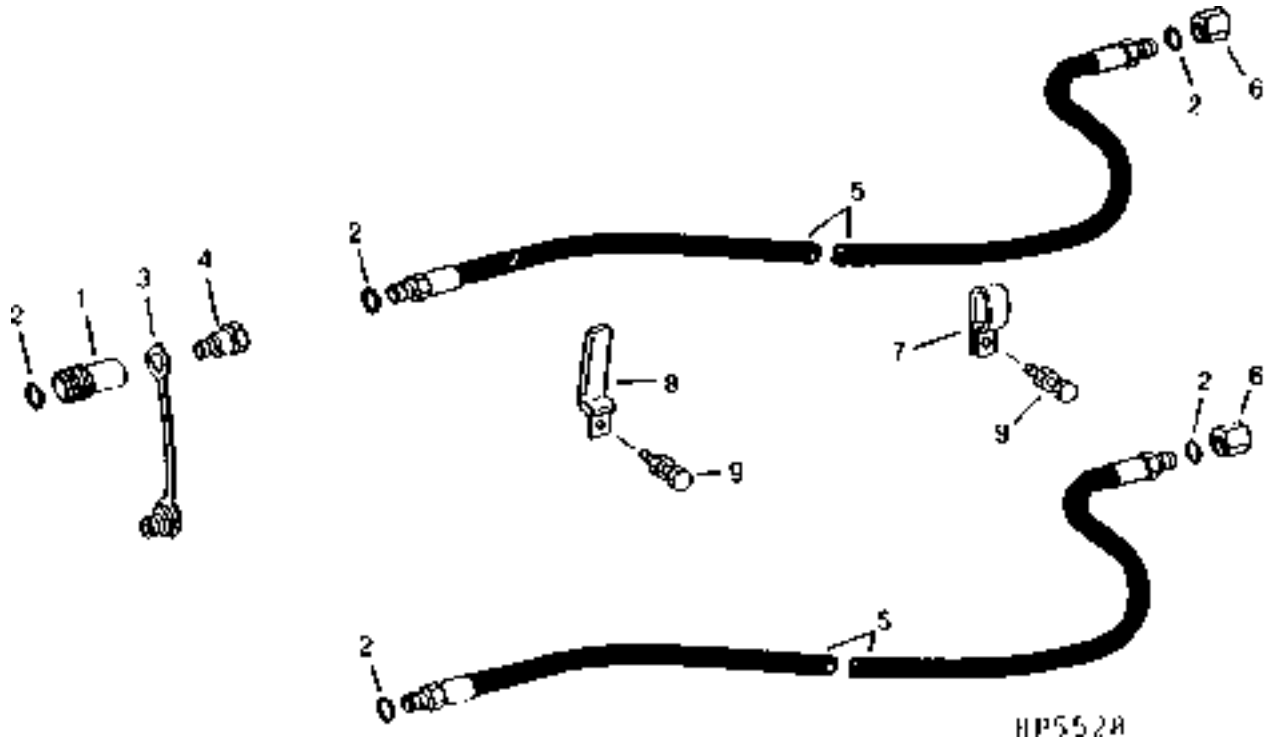
KEY	PART NO.	PART NAME	QTY	SERIAL NO.	REMARKS
1	AH106296	BREATHER	2		
2	15H514	PIPE BUSHING	1		
3	15H579	COUPLING	1		
4	29H601	THREADED NIPPLE	2		
5	T78646	ADAPTER	1		
6	15H580	TEE FITTING	1		
7	29H593	THREADED NIPPLE	1		
8	R26906	O-RING	1		
9	T27986	FITTING	1		
10	15H622	ELBOW FITTING	1		
11	38H1161	ADAPTER	1		
12	R26375	O-RING	1		
13	T77857	O-RING	1		
14	AH156704	HYDRAULIC HOSE	1		(FROM GEARCASE TO COOLER)
15	38H1321	ELBOW FITTING	1		
16	T78716	NUT	1		
17	T77857	O-RING	1		
18	38H1212	ADAPTER	1		
19	R26448	O-RING	1		W/O DUST SUPPRESSION
	R26375	O-RING	1		WITH DUST SUPPRESSION
20	T77613	O-RING	1		
..	BH81311	COMPLETE GOODS/SHIP. BUNDLE	1		GEARBOX COOLER

3B25

HYDRAULICS

200 SERIES CUTTING PLATFORM HYDRAULIC CONVERSION PARTS

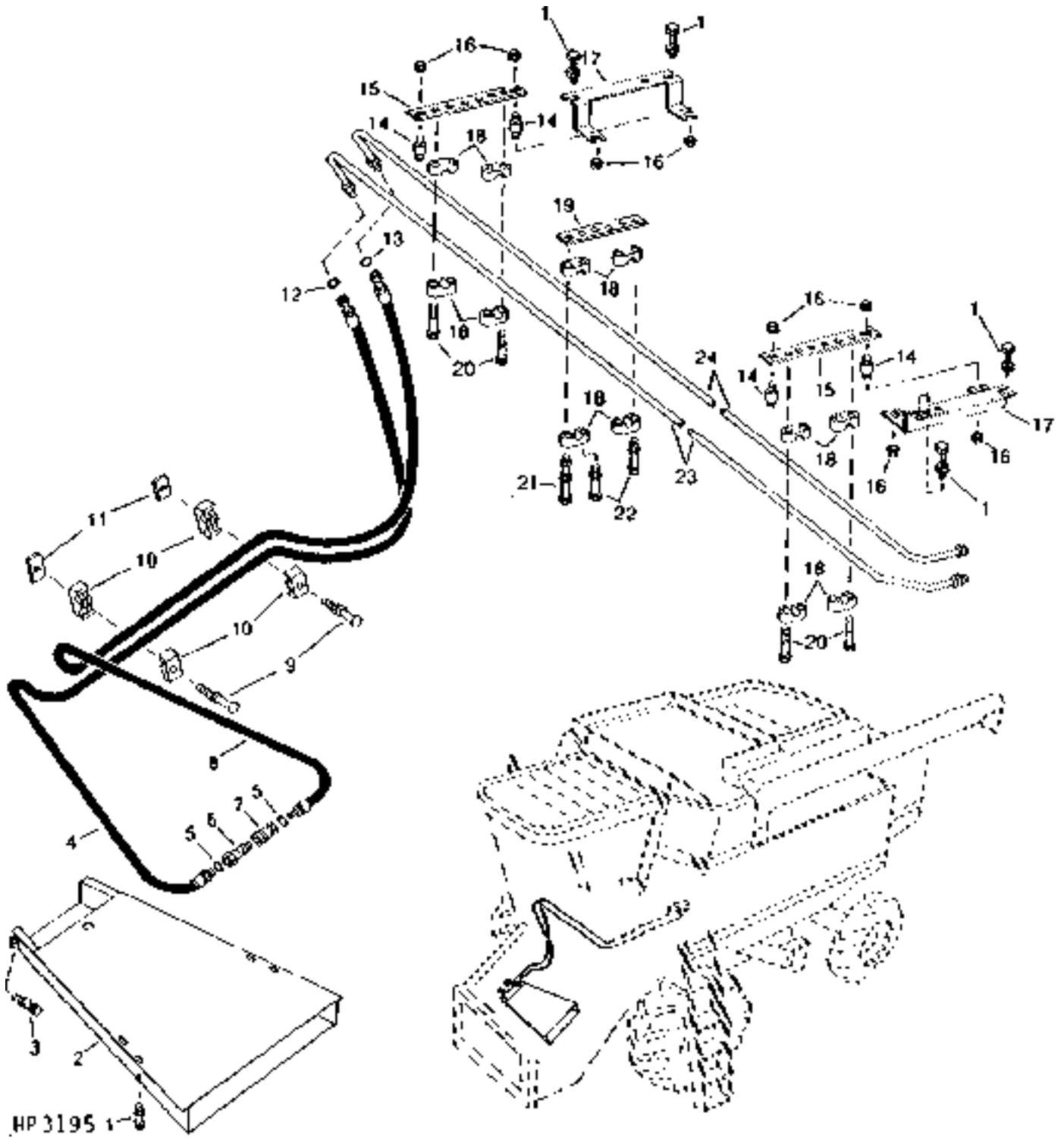
HP5528 -UN-01JAN94



KEY	PART NO.	PART NAME	QTY	SERIAL NO.	REMARKS
1	AH75167	HYD. QUICK-CONNECT COUPLER	1		(INCLUDES INTERNAL O-RING)
2	R26375	O-RING	5		16.358 X 2.210 MM (0.644" X 0.087")
3	H125403	PLUG	1		
4	H35112	ADAPTER	1		
5	AH130936	HYDRAULIC HOSE	2		3/4" X 2 640 MM (104") X 3/4"
6	R30815	FITTING	2		
7	AH77869	CLIP	3		
8	AH78124	CLIP	1		
9	19M7866	SCREW	4	M8 X 20	
	14M7298	FLANGE NUT	4	M8	

3C1

REEL DRIVE HYDRAULIC LINES AND HOSES, FRONT
HP3195 -UN-01JAN94

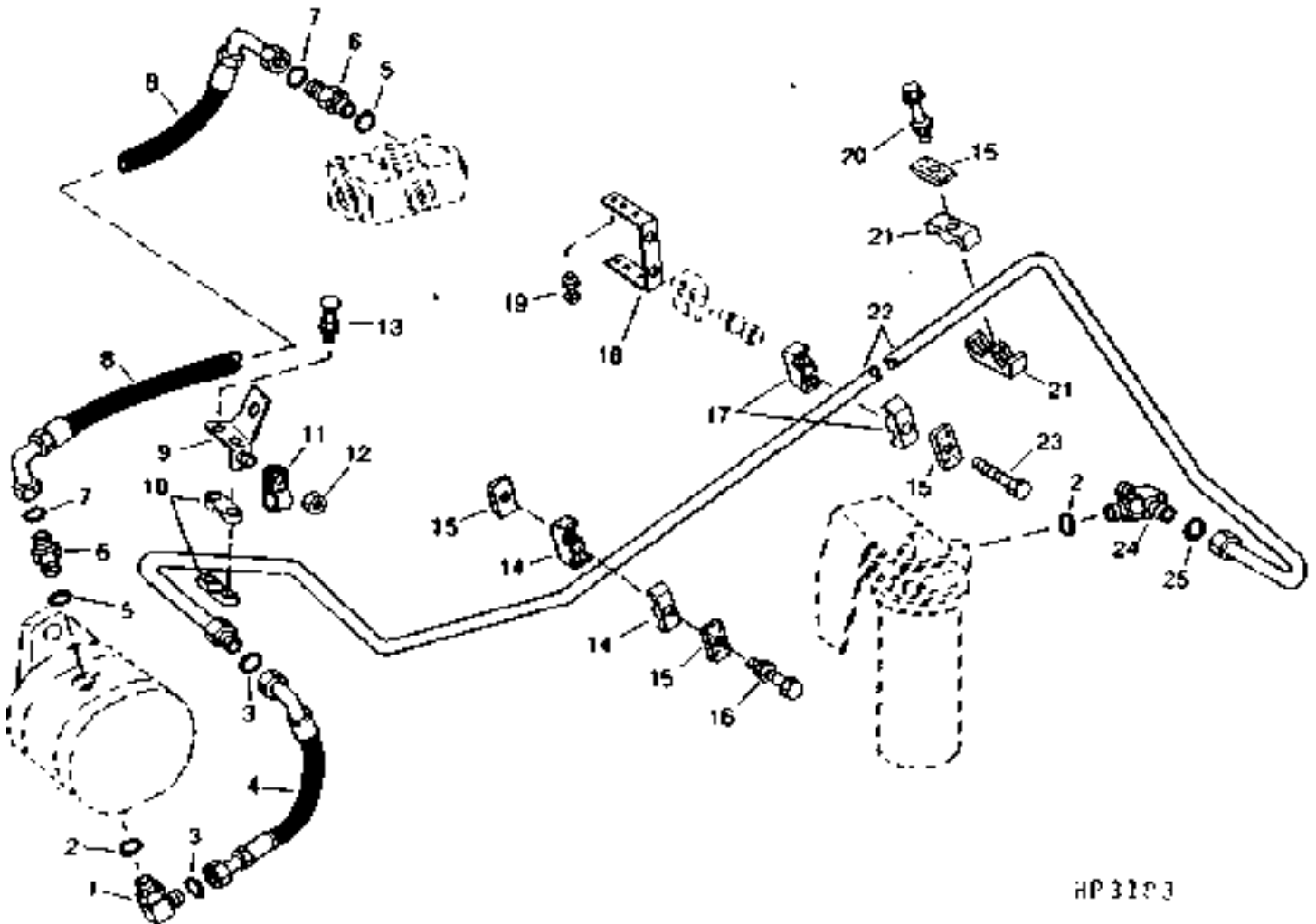
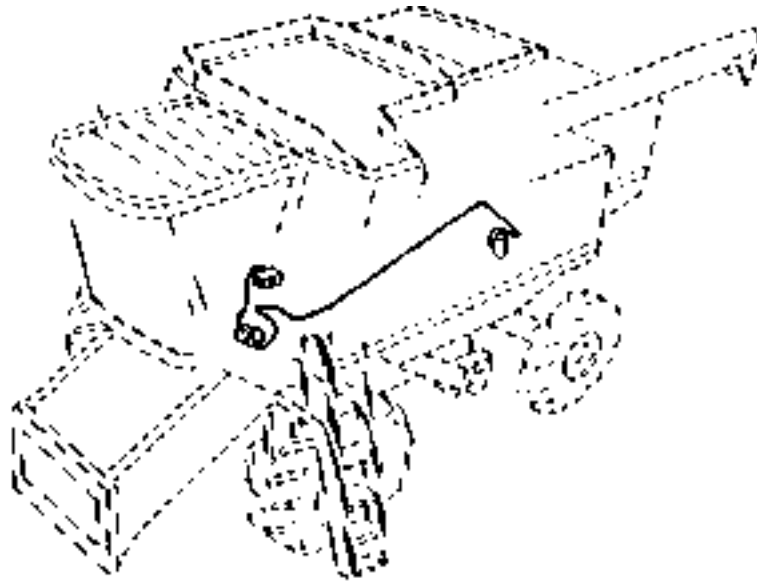


REEL DRIVE HYDRAULIC LINES AND HOSES, FRONT - CONTINUED

KEY	PART NO.	PART NAME	QTY	SERIAL NO.	REMARKS
1	19M7865	SCREW	6	M8 X 16	
	14M7298	FLANGE NUT	6	M8	
2	AH131303	PAN	1		
3	19M7784	SCREW	2	M10 X 20	
	14M7296	FLANGE NUT	2	M10	
4	AH130559	HYDRAULIC HOSE	1	3/4" X 2 789 MM (109-3/4") X 1" (RETURN)	
5	R26375	O-RING	2	16.358 X 2.210 MM (0.644" X 0.087")	
6	AR94522	INTERNAL HALF COUPLER	1		
7	AH75167	HYD. QUICK-CONNECT COUPLER	1	(INCLUDES INTERNAL O-RING)	
	P45750	O-RING	1	20.218 X 3.531 MM (0.796" X 0.139")	
	L24517	BACK-UP RING	1		
	T12960	SNAP RING	1		
8	AH130558	HYDRAULIC HOSE	1	3/4" X 2 714 MM (106-3/4") X 13/16" (PRESSURE)	
9	03M7245	BOLT	2	M8 X 55	
	14M7298	FLANGE NUT	2	M8	
10	H122772	CLAMP	4		
11	H112567	PLATE	2		
12	T77932	O-RING	1	15.596 X 1.778 MM (0.614" X 0.070")	
13	T77857	O-RING	1	12.421 X 1.778 MM (0.489" X 0.070")	
14	AH126657	ISOLATOR	4		
15	H134429	STRAP	2		
16	N10217	LOCK NUT	8	6.350 MM (1/4")	
17	H135618	BRACKET	2		
18	H115533	CLAMP	12		
19	H134558	STRAP	1		
20	37M7102	SCREW	8	M8 X 40	
21	19M7979	SCREW	1	M8 X 55	
	14M7298	FLANGE NUT	2	M8	
22	19M8318	SCREW	3	M8 X 45	
	14M7298	FLANGE NUT	3	M8	
23	AH135685	HYDRAULIC LINE	1		
24	AH135687	HYDRAULIC LINE	1		

3C3

REEL PUMP HYDRAULIC LINES AND HOSES
HP3183 -UN-01JAN94



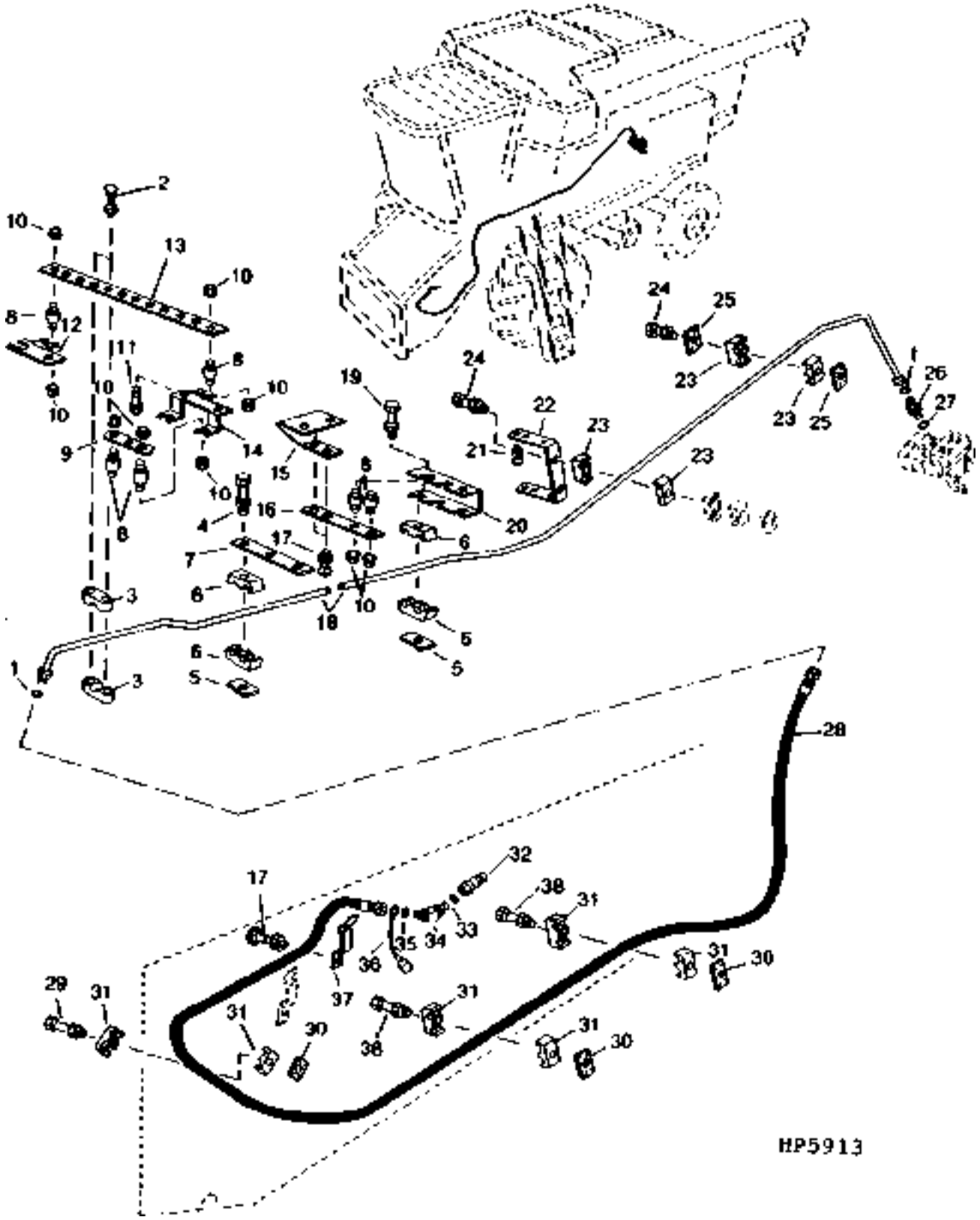
HP3183

REEL PUMP HYDRAULIC LINES AND HOSES - CONTINUED

KEY	PART NO.	PART NAME	QTY	SERIAL NO.	REMARKS
1	38H1052	ELBOW FITTING	1		
2	R29936	O-RING	2		29.743 X 2.946 MM (1.171" X 0.116")
3	T77858	O-RING	2		18.771 X 1.778 MM (0.739" X 0.070")
4	AH128584	HYDRAULIC HOSE	1		1-3/16" X 390 MM (15-1/4") X 1-3/16", (SUCTION)
5	R26906	O-RING	2		19.177 X 2.464 MM (0.755" X 0.097")
6	38H1174	ADAPTER	2		
7	T77857	O-RING	2		12.421 X 1.778 MM (0.489" X 0.070")
8	AH131876	HYDRAULIC HOSE	1		13/16" X 840 MM (33") X 13/16", (PRESSURE)
9	AH126389	BRACKET	1		
10	H114432	CLAMP	2		
11	T72393	CLAMP	1		
12	14M7298	FLANGE NUT	1		M8
13	03M7280	BOLT	2		M6 X 45
	14M7303	FLANGE NUT	2		M6
14	H114897	CLAMP	2		
15	H112567	PLATE	4		
16	19M7801	SCREW	1		M8 X 60
	14M7298	FLANGE NUT	1		M8
17	H114897	CLAMP	2		
18	H131115	BRACKET	1		
19	03M7184	BOLT	4		M8 X 20
	14M7396	LOCK NUT	4		M8
20	19M8319	SCREW	1		M8 X 50
	14M7298	FLANGE NUT	1		M8
21	H120362	CLAMP	2		
22	AH128859	OIL LINE	1		(SUCTION)
23	19M8317	SCREW	1		M8 X 40
24	38H1437	TEE FITTING	1		
25	T76938	O-RING	1		23.520 X 1.778 MM (0.926" X 0.070")

3C5

REEL LIFT LINES AND HOSES
HP5913 -UN-14FEB95



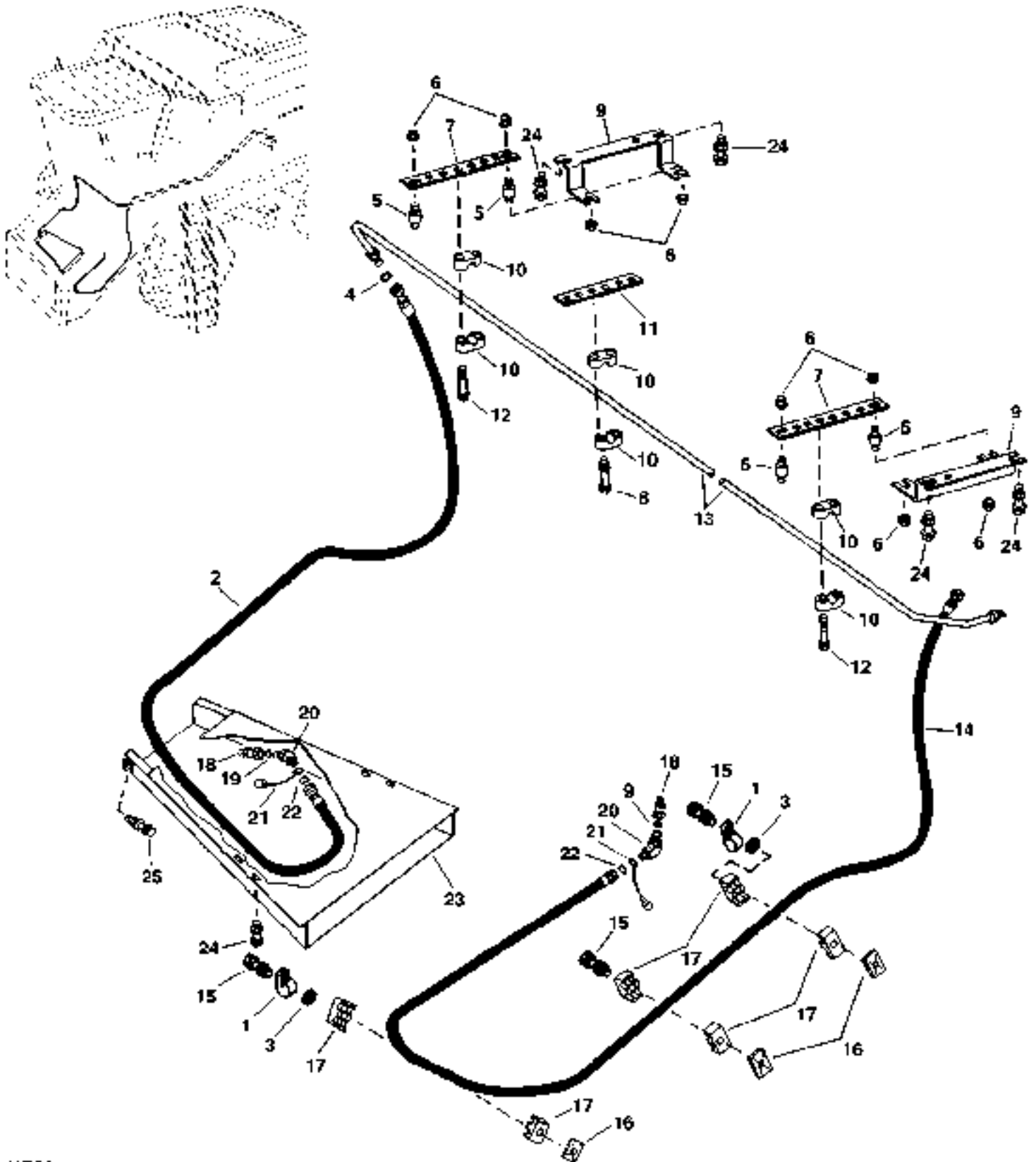
HP5913

REEL LIFT LINES AND HOSES - CONTINUED

KEY	PART NO.	PART NAME	QTY	SERIAL NO.	REMARKS
1	T77613	O-RING	2		9.246 X 1.778 MM (0.364" X 0.070")
2	03M7188	BOLT	2		M8 X 40
	14M7298	FLANGE NUT	2		M8
3	H116717	CLAMP	2		
4	19M7803	SCREW	1		M8 X 70
	14M7298	FLANGE NUT	1		M8
5	H121163	COVER	3		W/ REEL FORE/AFT OPTION
	H121163	COVER	1		W/O REEL FORE/AFT OPTION
6	H128515	CLAMP	8		W/ REEL FORE/AFT OPTION
	H127589	CLAMP	4		W/O REEL FORE/AFT OPTION
7	H131163	STRAP	1		
8	AH126657	ISOLATOR	6		
9	H134425	STRAP	1		
10	N10217	LOCK NUT	12		6.350 MM
11	37M7092	SCREW	4		M8 X 16
12	H134427	BRACKET	1		
13	H140298	STRAP	1		
14	H134424	BRACKET	1		
15	H138411	BRACKET	1		
16	H134434	SUPPORT	1		
17	03M7184	BOLT	3		M8 X 20
	14M7298	FLANGE NUT	3		M8
18	AH135688	HYDRAULIC LINE	1		
19	14M7298	FLANGE NUT	1		M8
	03M7216	BOLT	1		
20	H134428	BRACKET	1		
21	19M7866	SCREW	4		M8 X 20
	14M7396	LOCK NUT	4		M8
22	H131115	BRACKET	1		
23	H109046	CLAMP	4		
24	19M7979	SCREW	2		M8 X 55, W/O REEL FORE/AFT OPTION
	14M7298	FLANGE NUT	2		M8
25	H121168	PLATE	3		
26	38H1160	ADAPTER	1		
27	R26448	O-RING	1		11.887 X 1.981 MM (0.468" X 5/64")
28	AH130557	HYDRAULIC HOSE	1		11/16" X 3 1/8" (124") X 13/16"
29	19M8319	SCREW	1		M8 X 50
	14M7298	FLANGE NUT	1		M8
	12M7032	LOCK WASHER	1		8.400 MM (0.331")
30	H121168	PLATE	3		
31	H120847	CLAMP	6		
32	AR94522	INTERNAL HALF COUPLER	1		
33	R26375	O-RING	1		16.358 X 2.210 MM (0.644" X 0.087")
34	38H1046	ELBOW FITTING	1		
35	T77857	O-RING	1		12.421 X 1.778 MM (0.489" X 0.070")
36	A15898	CAP	1		
37	H136336	HOSE CLAMP	1		
38	19M7979	SCREW	2		M8 X 55
	14M7298	FLANGE NUT	2		M8
	12M7032	LOCK WASHER	2		8.400 MM
..	BH81384	COMPLETE GOODS/SHIP. BUNDLE	1		REEL FORE AND AFT CONVERSION

REEL FORE-AND-AFT HYDRAULIC LINES AND HOSES, FRONT (OPTIONAL)

HP6941 -UN-29AUG97



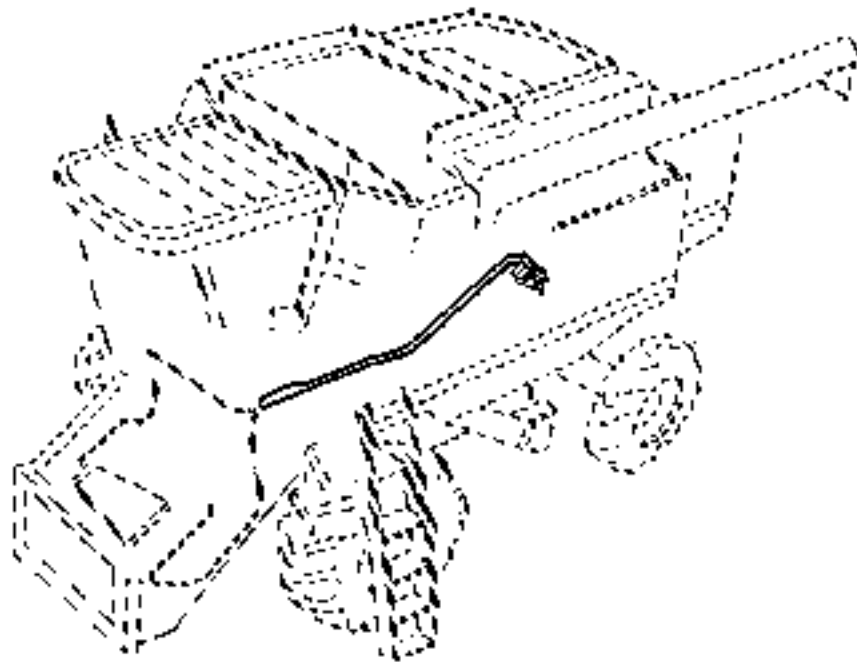
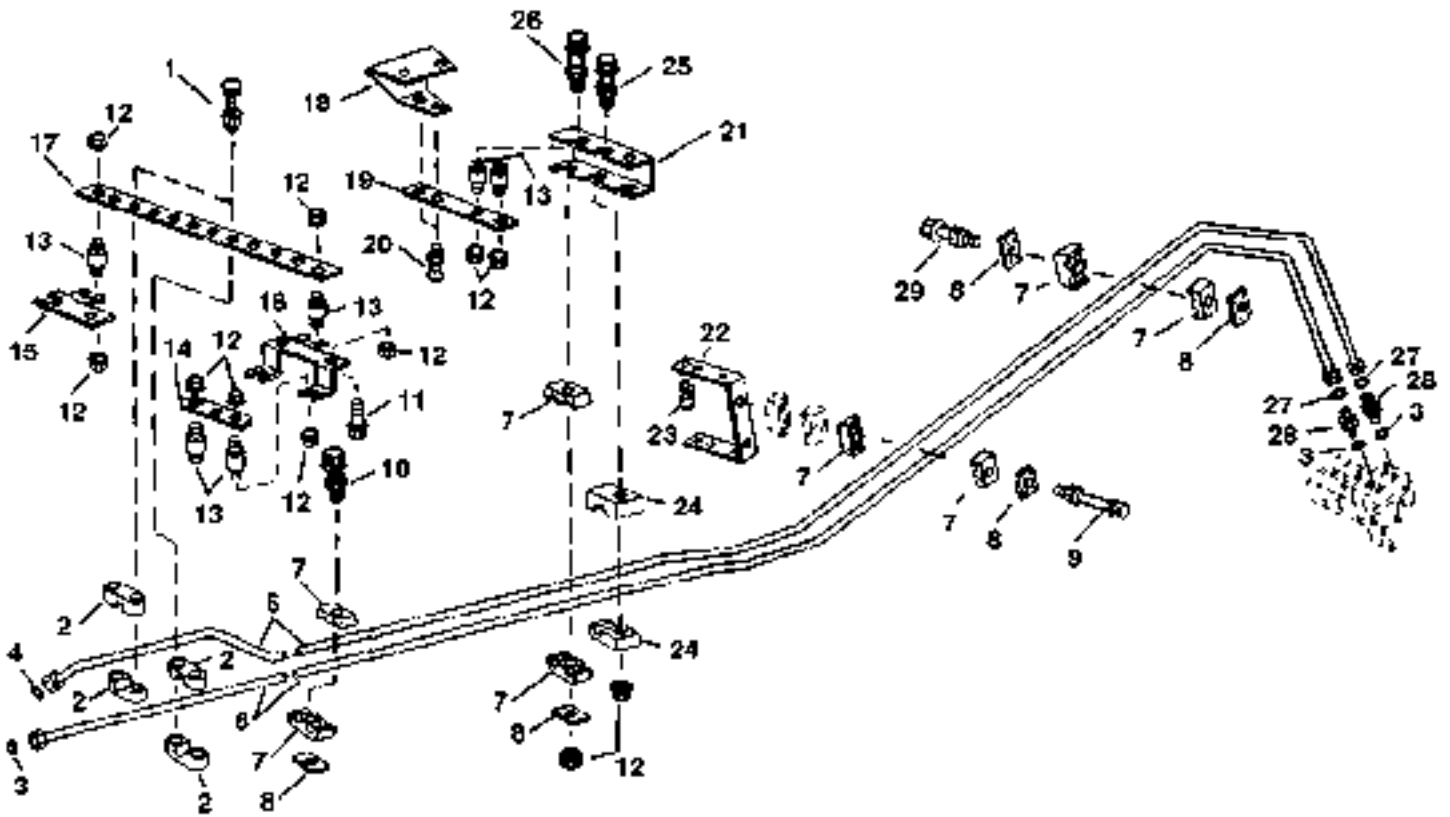
HP6941

**REEL FORE AND AFT HYDRAULIC LINES AND HOSES, FRONT - CONTINUED
(OPTIONAL)**

KEY	PART NO.	PART NAME	QTY	SERIAL NO.	REMARKS
1	AH96317	CLIP	3		
2	AH130556	HYDRAULIC HOSE	1		9/16" X 2 794 MM (110") X 11/16" (EXTEND)
3	12M7032	LOCK WASHER	3		8.400 MM (0.331")
4	T77814	O-RING	1		7.645 X 1.778 MM (0.301" X 0.070")
5	AH126657	ISOLATOR	4		
6	N10217	LOCK NUT	8		6.350 MM (1/4")
7	H134429	STRAP	2		
8	19M8317	SCREW	2		M8 X 40
	14M7298	FLANGE NUT	2		M8
9	H135618	BRACKET	2		
10	H116717	CLAMP	6		
11	H134558	STRAP	1		
12	37M7096	SCREW	4		M8 X 35
13	AH135683	HYDRAULIC LINE	1		
14	AH130555	HYDRAULIC HOSE	1		9/16" X 3 148 MM (124") X 11/16" (RETRACT)
15	19M8319	SCREW	3		M8 X 50
	14M7298	FLANGE NUT	3		M8
16	H121168	PLATE	3		
17	H120847	CLAMP	6		
18	AH116632	HYD. QUICK-CONNECT COUPLER	2		
19	R26448	O-RING	2		11.887 X 1.981 MM (0.468" X 5/64")
20	38H1045	ELBOW FITTING	2		
21	AH124832	CAP	2		
22	T77613	O-RING	2		9.246 X 1.778 MM (0.364" X 0.070")
23	AH131303	PAN	1		
24	19M7865	SCREW	6		M8 X 16
	14M7298	FLANGE NUT	6		M8
25	19M7784	SCREW	2		M10 X 20
	14M7296	FLANGE NUT	2		M10

REEL FORE-AND-AFT HYDRAULIC LINES, L.H. SIDE
(OPTIONAL)

HP6831 -UN-19SEP97



HP6831

3C10

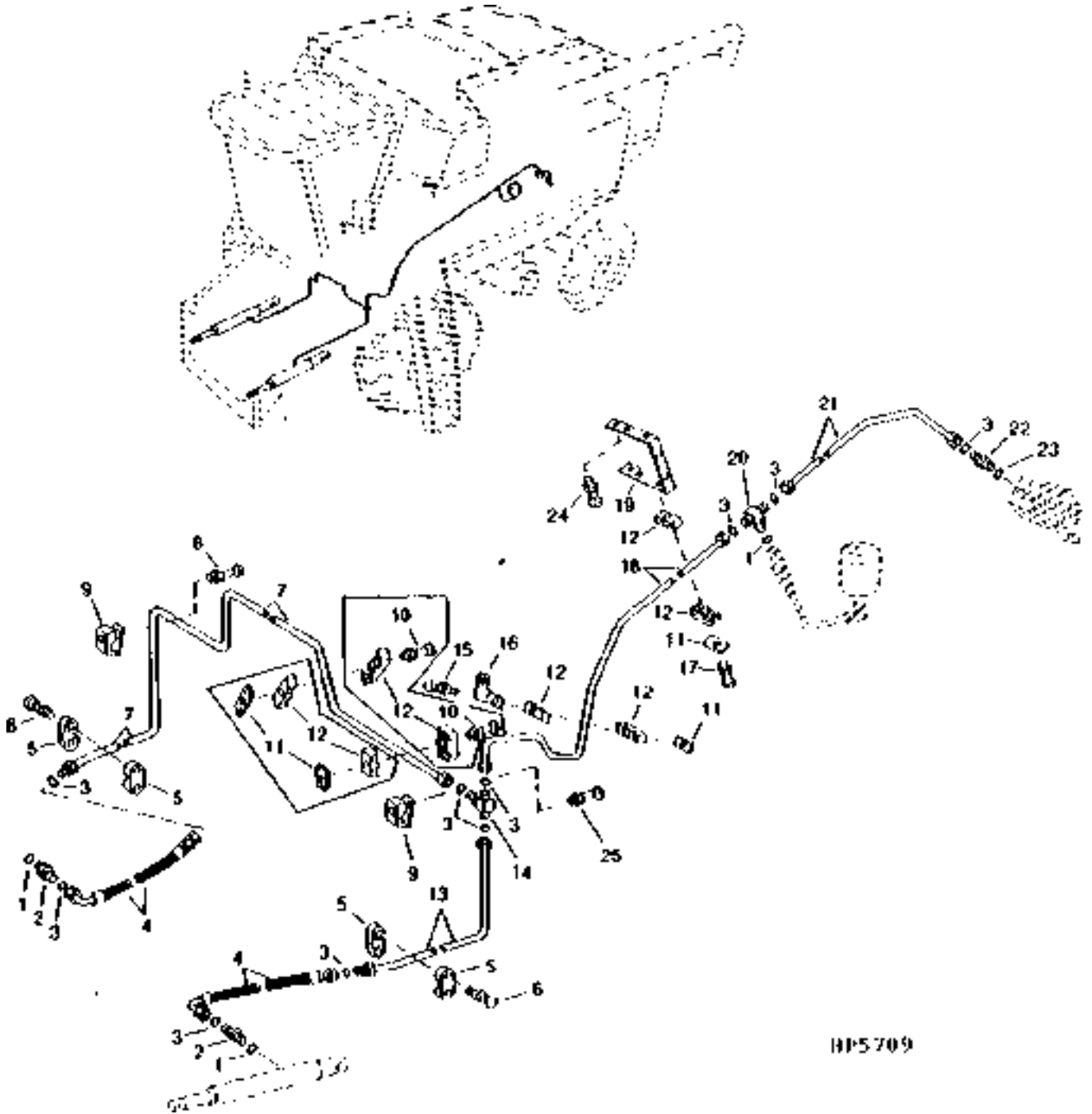
HYDRAULICS

**REEL FORE-AND-AFT HYDRAULIC LINES, L.H. SIDE - CONTINUED
(OPTIONAL)**

KEY	PART NO.	PART NAME	QTY	SERIAL NO.	REMARKS
1	03M7188	BOLT	4	M8 X 40	
	14M7298	FLANGE NUT	4	M8	
2	H116717	CLAMP	4		
3	R26375	O-RING	2	16.358 X 2.210 MM (0.644" X 0.087")	
4	T77814	O-RING	1	7.645 X 1.778 MM (0.301" X 0.070")	
5	AH135689	HYDRAULIC LINE	1		
6	AH131311	HYDRAULIC LINE	1	(EXTEND)	
7	H128515	CLAMP	8		
8	H121163	COVER	5		
9	19M7803	SCREW	2	M8 X 70	
	14M7298	FLANGE NUT	2	M8	
10	03M7189	BOLT	1	M8 X 45	
	14M7298	FLANGE NUT	1	M8	
11	03M7184	BOLT	2	M8 X 20	
	14M7298	FLANGE NUT	2	M8	
12	N10217	LOCK NUT	12	6.350 MM (1/4")	
13	AH126657	ISOLATOR	6		
14	H134425	STRAP	1		
15	H134427	BRACKET	1		
16	H134424	BRACKET	1		
17	H140298	STRAP	1	SQUARE HOLES	
18	H138411	BRACKET	1		
19	H134434	SUPPORT	1		
20	03M7184	BOLT	2	M8 X 20	
	14M7298	FLANGE NUT	2	M8	
21	H134428	BRACKET	1		
22	H131115	BRACKET	1		
23	19M7866	SCREW	4	M8 X 20	
	14M7396	LOCK NUT	4	M8	
24	H127589	CLAMP	2		
25	03M7216	BOLT	1	M8 X 50	
26	19M8291	SCREW	1	M8 X 35	
27	T77613	O-RING	3	9.246 X 1.778 MM (0.364" X 0.070")	
28	38H1171	ADAPTER	2		
	14M7298	FLANGE NUT	1	M8	
29	19M7801	SCREW	1	M8 X 60	
	14M7298	FLANGE NUT	1	M8	

3C11

HEADER LIFT HYDRAULIC LINES AND HOSES
HP5709 -UN-01JAN94



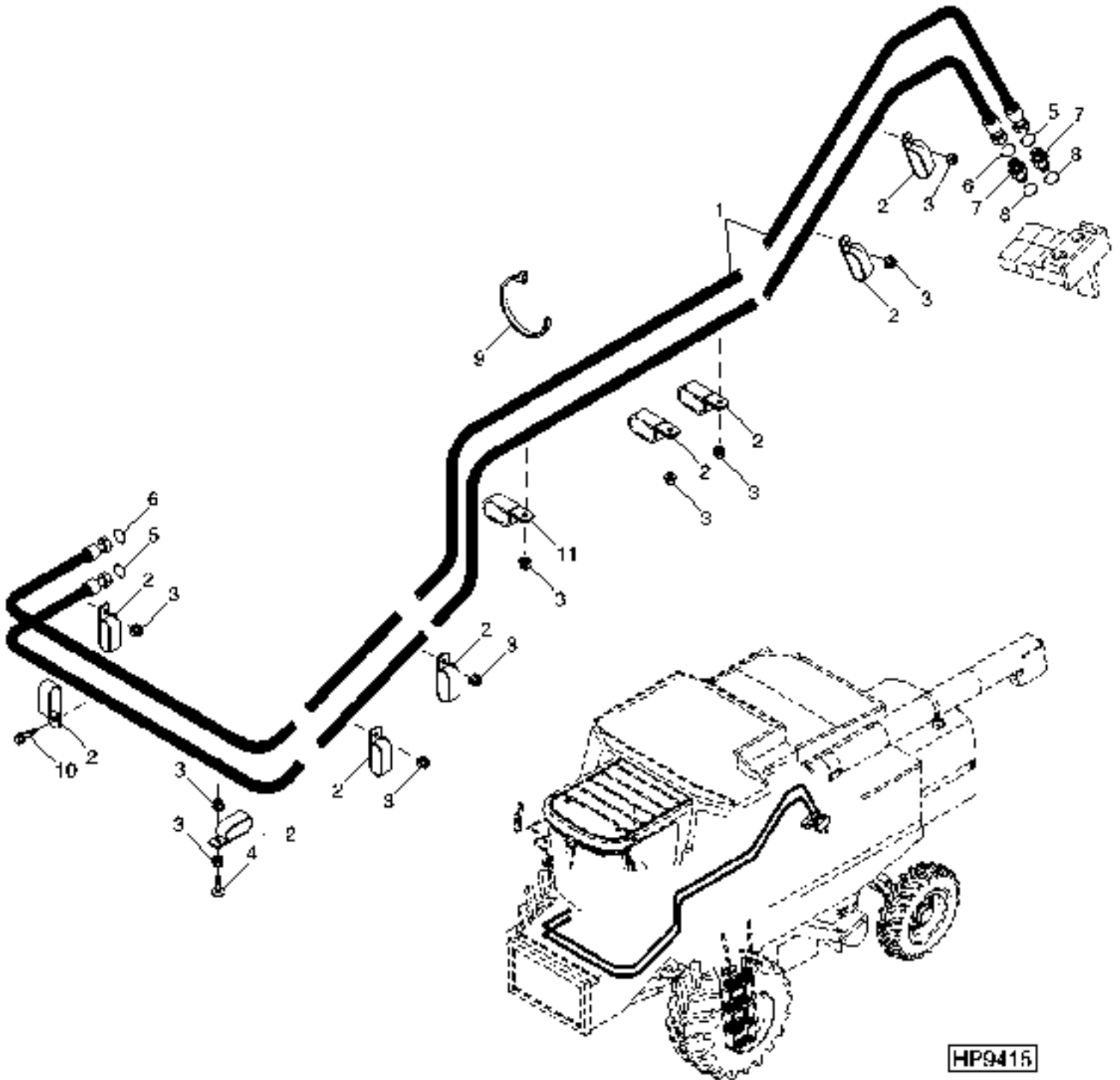
HEADER LIFT HYDRAULIC LINES AND HOSES - CONTINUED

KEY	PART NO.	PART NAME	QTY	SERIAL NO.	REMARKS
1	R26375	O-RING	3		16.358 X 2.210 MM (0.644" X 0.087")
2	38H1161	ADAPTER	2		
3	T77857	O-RING	10		12.421 X 1.778 MM (0.489" X 0.070")
4	AH121605	HYDRAULIC HOSE	2		13/16" X 515 MM (20-1/4") X 13/16"
5	H117937	CLAMP	4		
6	03M7189	BOLT	4		M8 X 45
	14M7298	FLANGE NUT	4		M8
7	AH131748	HYDRAULIC LINE	1		
8	03M7280	BOLT	2		M6 X 45
	14M7303	FLANGE NUT	2		M6
9	H116706	CLAMP	4		
10	03M7262	BOLT	2		M6 X 50
	14M7303	FLANGE NUT	2		M6
11	H121168	PLATE	4		
12	H108291	CLAMP	2		
	H135156	CLAMP	2		
13	AH130113	HYDRAULIC LINE	1		
14	38H1206	TEE FITTING	1		
15	19M8317	SCREW	1		M8 X 40
	14M7298	FLANGE NUT	1		M8
16	H135974	BRACKET	1		
17	19M8318	SCREW	1		M8 X 45
	14M7298	FLANGE NUT	1		M8
18	AH131576	HYDRAULIC LINE	1		
19	H131115	BRACKET	1		
20	38H1017	TEE FITTING	1		
21	AH128753	HYDRAULIC LINE	1		
22	38H1173	ADAPTER	1		
23	R26448	O-RING	1		11.887 X 1.981 MM (0.468" X 5/64")
24	03M7184	BOLT	4		M8 X 20
	14M7396	LOCK NUT	4		M8
25	19M8321	SCREW	2		M6 X 45
	14M7303	FLANGE NUT	2		M6

3C13

HYDRAULICS

CONTOUR MASTER HYDRAULIC HOSES, L.H. SIDE (OPTIONAL)
HP9415 -UN-06JAN00



3C14

HYDRAULICS

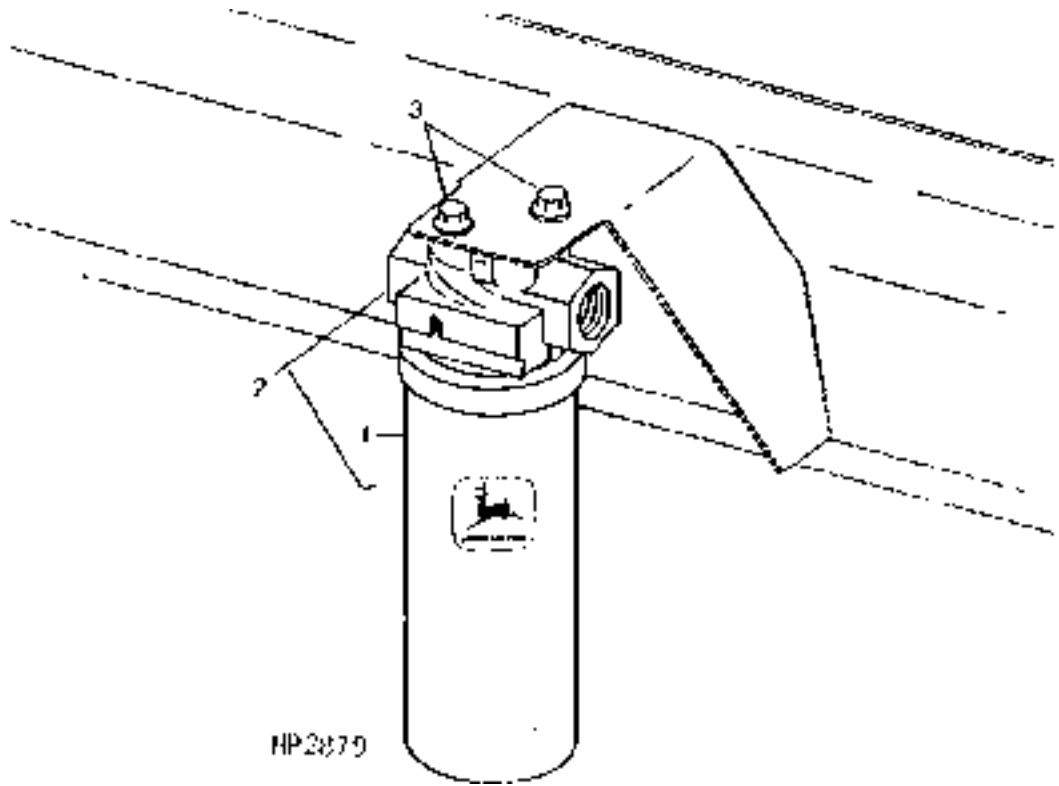
CONTOUR MASTER HYDRAULIC HOSES, L.H. SIDE (OPTIONAL) - CONTINUED

KEY	PART NO.	PART NAME	QTY	SERIAL NO.	REMARKS
1	AH143682	HYDRAULIC HOSE	2		
2	AH97280	CLIP	10		
3	14M7298	FLANGE NUT	10	M8	
4	03M7185	BOLT	1	M8 X 25	
5	T77613	O-RING	2		9.246 X 1.778 MM (0.364" X 0.070") CONNECT HOSE TO PISTON END OF CYLINDER
6	T77814	O-RING	2		7.645 X 1.778 MM (0.301" X 0.070") CONNECT HOSE TO ROD END OF CYLINDER
7	38H1445	ADAPTER	1		TO BOTTOM PORT OF VALVE
8	38H1171	ADAPTER	1		TO TOP PORT OF VALVE
9	R26375	O-RING	2		16.358 X 2.210 MM (0.644" X 0.087")
10	R44302	TIE BAND	1		171 MM (6-3/4")
11	37M7084	SCREW	1	M8 X 25	
12	AH77869	CLIP	1		

3C15

HYDRAULICS

MAIN HYDRAULIC FILTER ASSEMBLY
HP2879 -UN-01JAN94



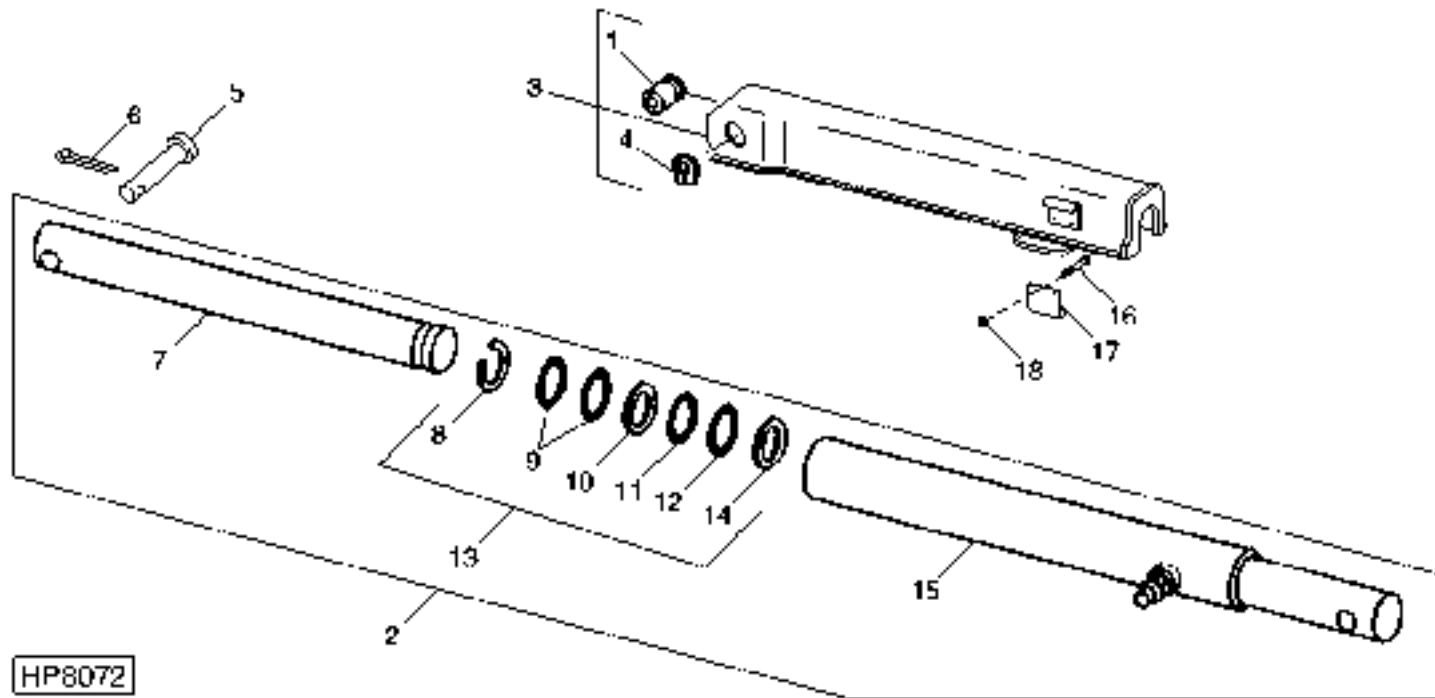
HP2879

KEY	PART NO.	PART NAME	QTY	SERIAL NO.	REMARKS
1	AH128449	HYDRAULIC FILTER	1		
2	AH125733	FILTER HEAD	1		
3	19M7784	SCREW	2	M10 X 20	

3C16

HEADER LIFT HYDRAULIC CYLINDER

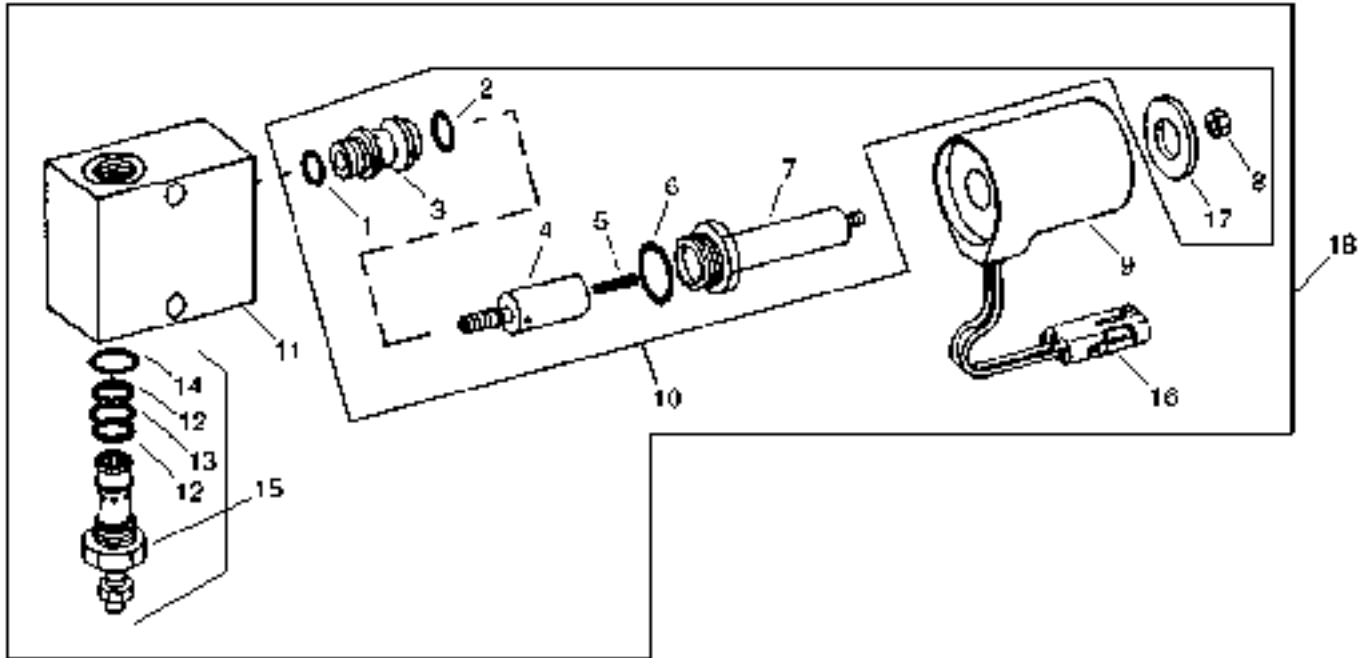
HP8072 -UN-08JUL99



KEY	PART NO.	PART NAME	QTY	SERIAL NO.	REMARKS
1	H150054	BUSHING	1		
2	AH139611	HYDRAULIC CYLINDER	1	53.98 MM (2.125")	(SUB AH155264)
	AH155264	HYDRAULIC CYLINDER	1	53.98 MM (2.125")	
	AH139612	HYDRAULIC CYLINDER	1	60.33 MM (2.375")	(SUB AH155265)
	AH155265	HYDRAULIC CYLINDER	1	60.33 MM (2.375")	
3	AH157492	STOP	1		
4	40M1835	SNAP RING	1		
5	H116894	PIN	2		
6	H147486	COTTER PIN	4		
7	ROD	1		
8	SNAP RING	1		
9	WEAR RING	2		
10	SEAL	1		
11	SEAL	1		
12	SEAL	1		
13	AH139755	HYDRAULIC CYLINDER KIT	1	53.98 MM (2.125")	(USE WITH AH139611)
	AH161885	HYDRAULIC CYLINDER KIT	1	53.98 MM (2.125")	(USE WITH AH155264)
	AH139756	HYDRAULIC CYLINDER KIT	1	60.33 MM (2.375")	(USE WITH AH139612)
	AH162432	HYDRAULIC CYLINDER KIT	1	60.33 MM (2.375")	(USE WITH AH155265)
14	RING	1		
15	HYDRAULIC CYLINDER BARREL	1		
16	03M7183	BOLT	2	M8 X 16	
17	H150055	SUPPORT	1		
18	14M7298	FLANGE NUT	2	M8	

3C17

DIAL-A-MATIC HEADER HEIGHT CONTROL VALVE
 HP8033 -UN-21APR99



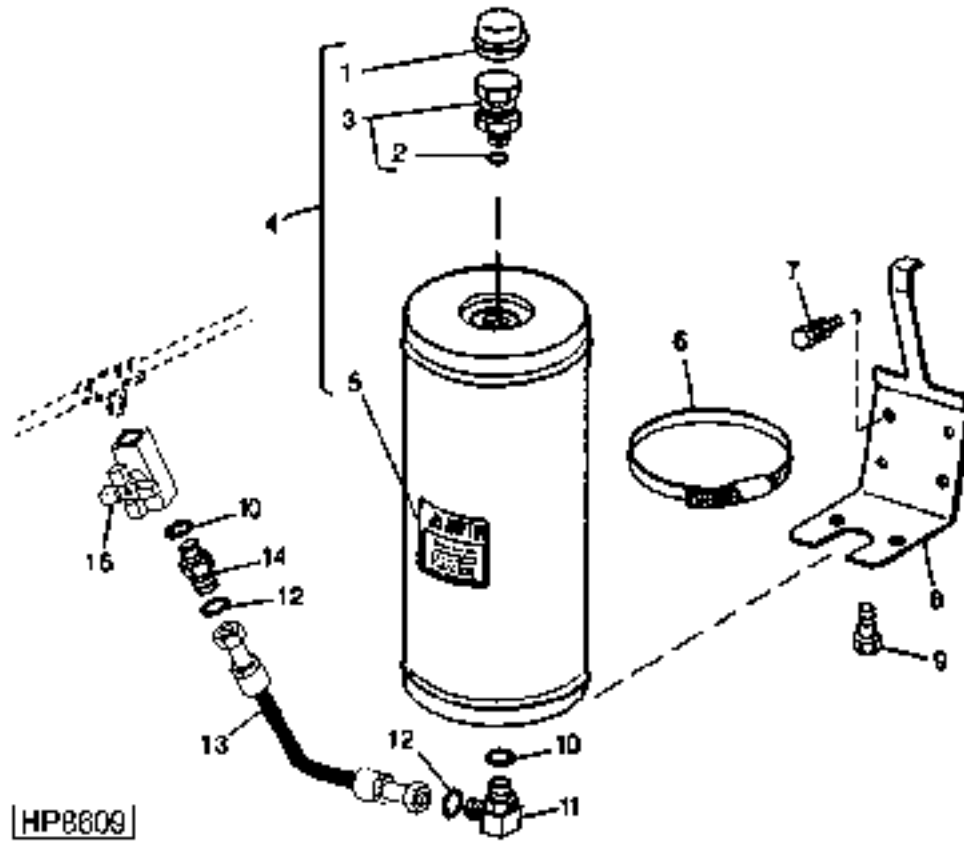
HP8033

KEY	PART NO.	PART NAME	QTY	SERIAL NO.	REMARKS
1	R28776	O-RING	1		12.421 X 1.778 MM (0.489" X 0.070")
2	T75984	O-RING	1		20.345 X 1.778 MM (0.801" X 0.070")
3	VALVE SPOOL	1		
4	PLUNGER	1		
5	SPRING	1		
6	R27928	O-RING	1		23.520 X 1.778 MM (0.926" X 0.070")
7	GUIDE	1		
8	14H866	NUT	1	5/8"	
9	AH131572	ELECTRICAL COIL	1		
10	AH131571	VALVE	1		
11	H135964	HOUSING	1		
12	BACK-UP RING	2		
13	O-RING	1		
14	R26906	O-RING	1		19.177 X 2.464 MM (0.755" X 0.097")
15	AH131570	VALVE	1		
16	R78053	PIN CONTACT CONNECTOR BODY	1		(PKG OF 3)
	R78059	ELECTRICAL PLUG	1		(PKG OF 40)
	R78061	PIN CONTACT	1		(PKG OF 40)
17	24H1368	WASHER	1		21/32" X 1-5/16" X 0.090"
18	AH125910	SOLENOID VALVE	1		

3C18

ONE HALF GALLON ACCUMULATOR AND MOUNTING

HP8609 -UN-28MAY99



HP8609

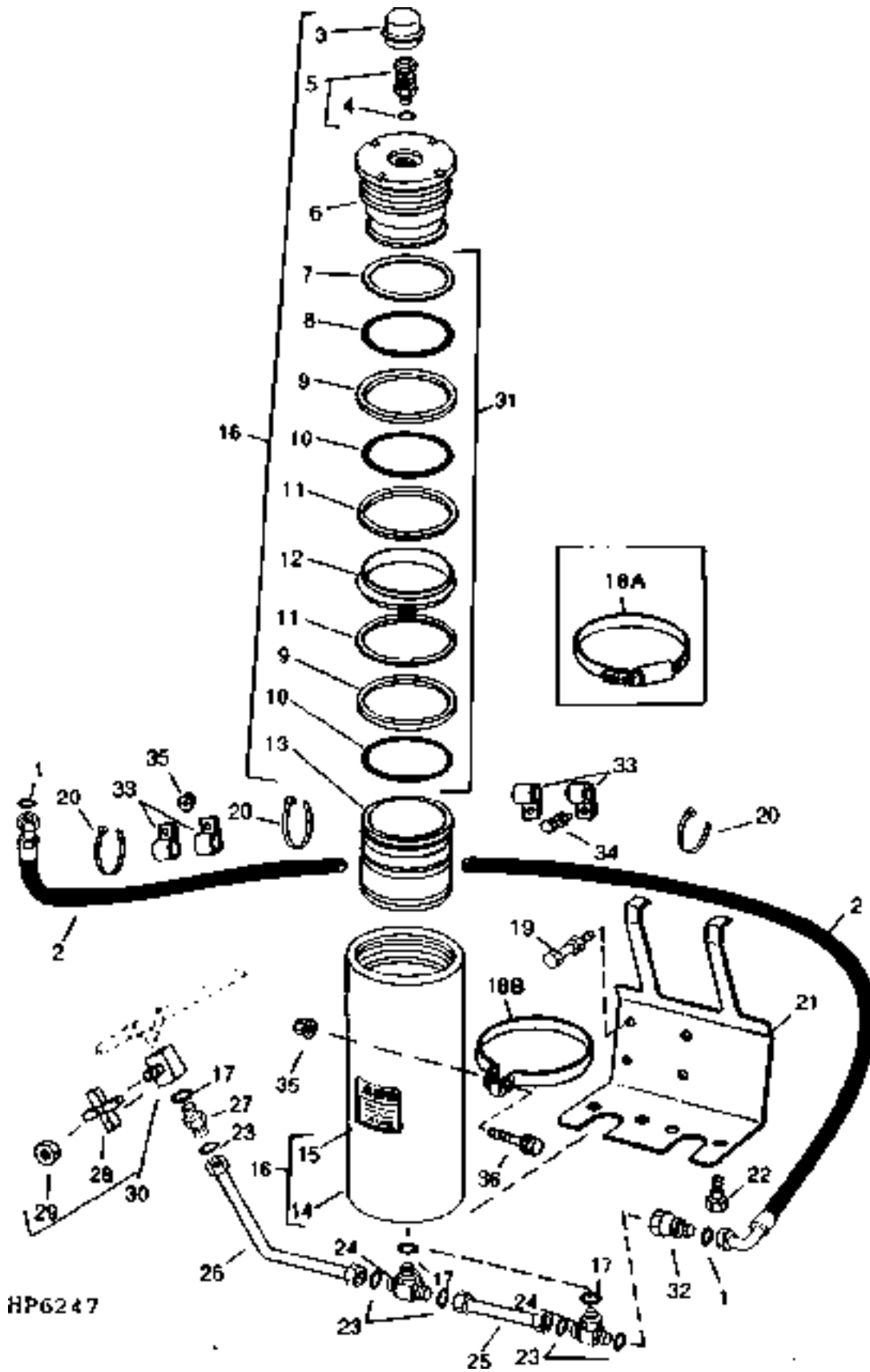
ONE HALF GALLON ACCUMULATOR AND MOUNTING - CONTINUED

KEY	PART NO.	PART NAME	QTY	SERIAL NO.	REMARKS
1	J2375M	CAP	1		
2	H135641	RING	1		
3	AH131250	BLEED VALVE	1		7.650 X 1.630 MM (0.301" X 0.064")
4	AH133265	ACCUMULATOR	1		
5	H149092	LABEL	1		"CAUTION"
6	C16054	CLAMP	1		
7	19M7866	SCREW	4		M8 X 20
	14M7298	FLANGE NUT	4		M8
8	H137593	BRACKET	1		
9	19M7864	SCREW	2		M8 X 12
10	R26375	O-RING	2		16.358 X 2.210 MM (0.644" X 0.087")
11	38H1005	ELBOW FITTING	1		
12	T77857	O-RING	2		12.421 X 1.778 MM (0.489" X 0.070")
13	AH148124	HYDRAULIC HOSE	1		
14	38H1161	ADAPTER	1		
15	AH131535	VALVE	1		

3C20

HYDRAULICS

ONE-HALF GALLON DUAL ACCUMULATOR, HOSE, LINE AND MOUNTING
HP6247 -UN-04JAN96



3C21

HYDRAULICS

ONE-HALF GALLON DUAL ACCUMULATOR, HOSE, LINE AND MOUNTING - CONTINUED

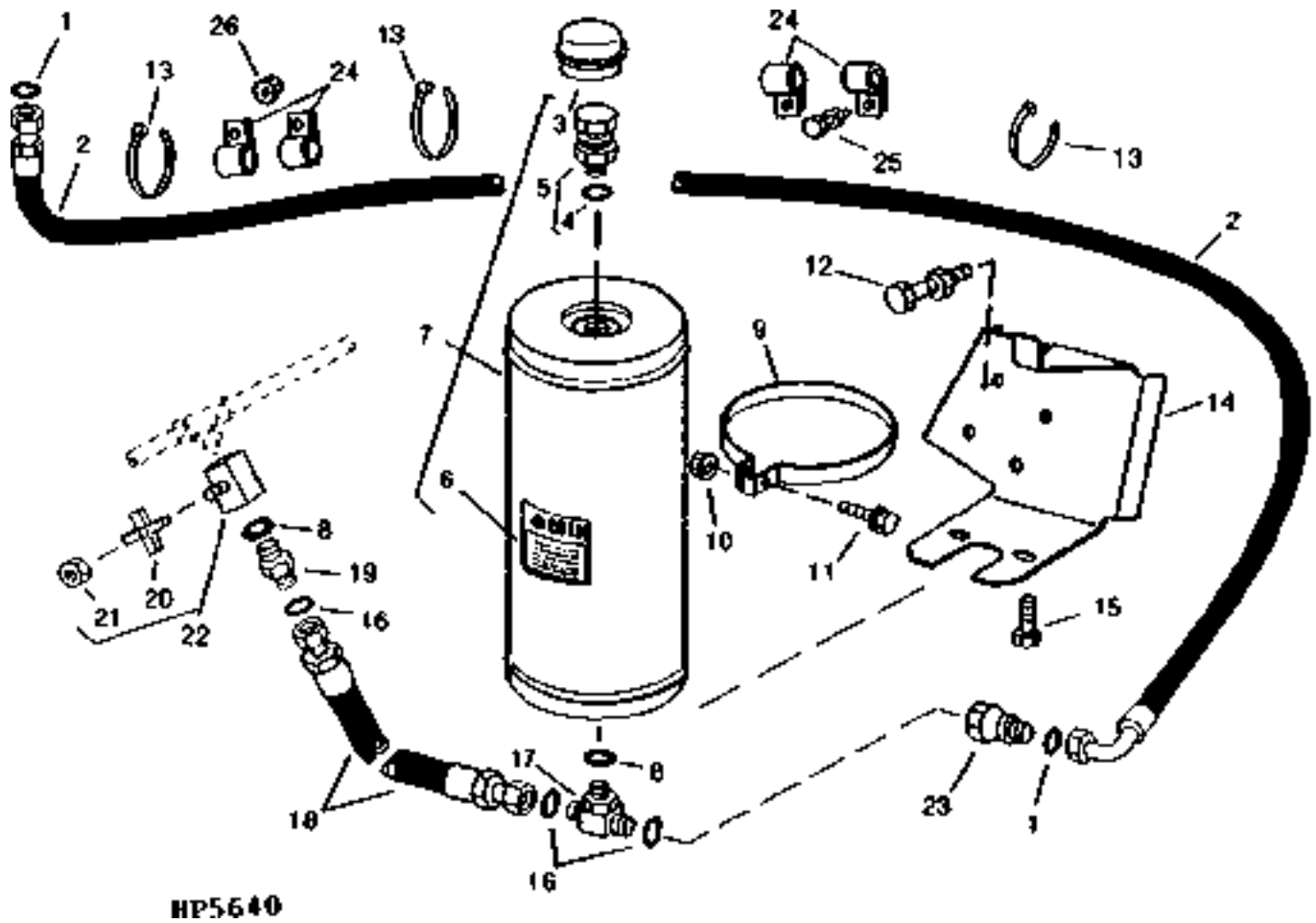
KEY	PART NO.	PART NAME	QTY	SERIAL NO.	REMARKS
1	T77613	O-RING	2		9.246 X 1.778 MM (0.364" X 0.070")
2	AH133151	HYDRAULIC HOSE	1		11/16" X 3 940 MM (155") X 11/16", TO GAUGE IN CAB
3	J2375M	CAP	2		
4	H135641	RING	2		7.650 X 1.630 MM (0.301" X 0.064")
5	AH131250	BLEED VALVE	2		
6	CAP	2		
7	BACK-UP RING	2		
8	O-RING	2		
9	SEAL	4		
10	O-RING	4		
11	BACK-UP RING	4		
12	SEAL	2		
13	PISTON	2		
14	BARREL	2		
15	H149092	LABEL	2		"CAUTION"
16	AH133265	ACCUMULATOR	2		
17	R26375	O-RING	3		16.358 X 2.210 MM (0.644" X 0.087")
18A	C16054	CLAMP	2		(SUB TY22475)
18B	R77178	CLAMP	2		
19	19M7866	SCREW	4		M8 X 20
	14M7298	FLANGE NUT	4		M8
20	R44302	TIE BAND	3		
21	H137596	BRACKET	1		
22	19M7864	SCREW	4		M8 X 12
23	T77857	O-RING	5		12.421 X 1.778 MM (0.489" X 0.070")
24	38H1017	TEE FITTING	2		
25	AH132202	OIL LINE	1		
26	AH132203	OIL LINE	1		
27	38H1161	ADAPTER	1		
28	N232713	HANDLE	1		
29	K40001	LOCK NUT	1		6.350 MM (1/4")
30	AH131535	VALVE	1		
31	AH133285	SEAL	1		KIT
32	38H1481	REDUCER	1		
33	H75541	CLAMP	4		
34	03M7183	BOLT	1		M8 X 16
	19M7298	CAP SCREW	1		M8 X 35
35	14M7296	FLANGE NUT	3		M10
36	19M8162	CAP SCREW	1		M10 X 40
..	BH80267	COMPLETE GOODS/SHIP. BUNDLE	1		ACCUMULATOR WITH FLOAT INDICATOR

3C22

HYDRAULICS

ONE GALLON ACCUMULATOR, HOSE, LINE AND MOUNTING

HP5640 -UN-01JAN94



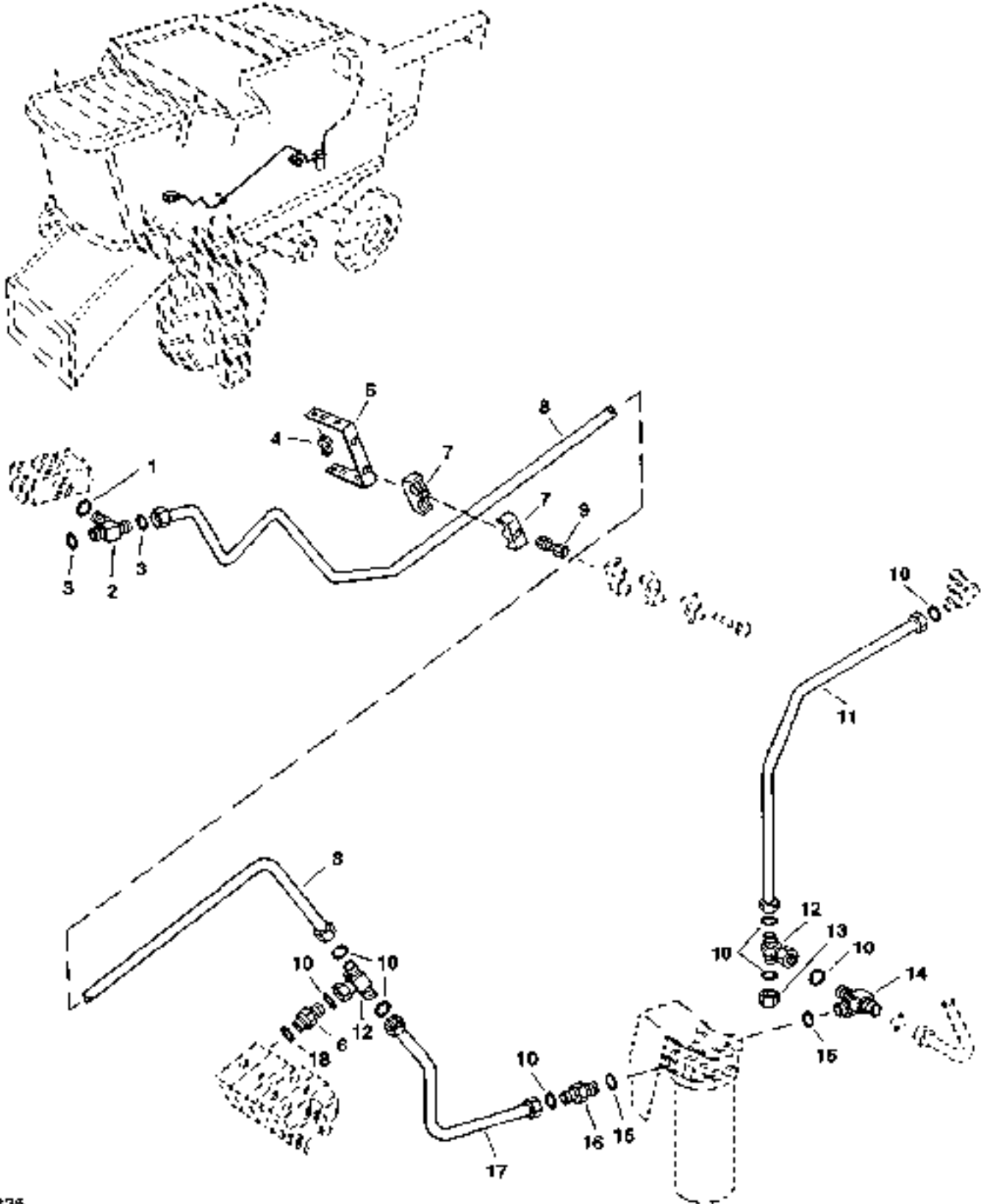
ONE GALLON ACCUMULATOR, HOSE, LINE AND MOUNTING - CONTINUED

KEY	PART NO.	PART NAME	QTY	SERIAL NO.	REMARKS
1	T77613	O-RING	2		9.246 X 1.778 MM (0.364" X 0.070")
2	AH133151	HYDRAULIC HOSE	1		11/16" X 3 940 MM (155") X 11/16"
3	J2375M	CAP	2		
4	H135641	RING	2		7.650 X 1.630 MM (0.301" X 0.064")
5	AH131250	BLEED VALVE	2		
6	H149092	LABEL	1		"CAUTION"
7	AH143455	ACCUMULATOR	1		
8	R26375	O-RING	2		16.358 X 2.210 MM (0.644" X 0.087")
9	R77178	CLAMP	1		
10	14M7296	FLANGE NUT	1		M10
11	03M7196	BOLT	1		M10 X 50
12	19M7866	SCREW	4		M8 X 20
	14M7298	FLANGE NUT	4		M8
13	R44302	TIE BAND	3		
14	H148366	BRACKET	1		
15	19M7864	SCREW	2		M8 X 12
16	T77857	O-RING	3		12.421 X 1.778 MM (0.489" X 0.070")
17	38H1017	TEE FITTING	1		
18	AH148124	HYDRAULIC HOSE	1		13/16" X 460 MM (18") X 13/16"
19	38H1161	ADAPTER	1		
20	N232713	HANDLE	1		
21	K40001	LOCK NUT	1		6.350 MM (1/4")
22	AH131535	VALVE	1		
23	38H1481	REDUCER	1		
24	AH89557	CLIP	3		
25	03M7183	BOLT	1		M8 X 16
26	14M7296	FLANGE NUT	1		M10

3C24

HYDRAULICS

HYDRAULIC RETURN LINES
HP6835 -UN-18AUG97

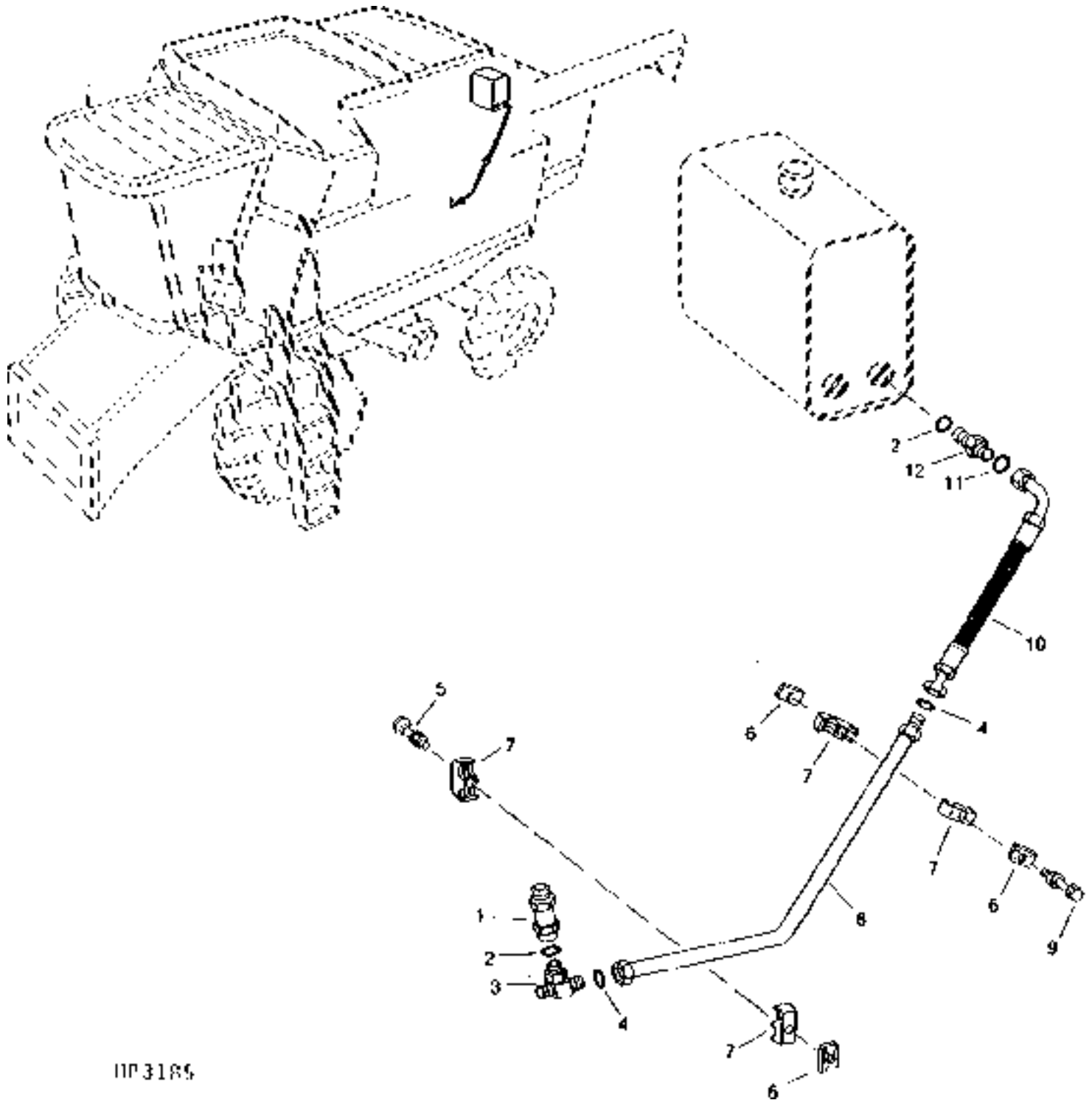


HP6835

HYDRAULIC RETURN LINES - CONTINUED

KEY	PART NO.	PART NAME	QTY	SERIAL NO.	REMARKS
1	R26906	O-RING	1		
2	38H1018	TEE FITTING	1		
3	T77932	O-RING	2		
4	03M7184	BOLT	4		19.177 X 2.464 MM (0.755" X 0.097")
	14M7396	LOCK NUT	4		
5	H131115	BRACKET	1		M8 X 20 (RD. HEAD)
6	38H1193	ADAPTER	1		M8
7	H120847	CLAMP	2		
8	AH128851	OIL LINE	1		(REEL RETURN)
9	19M7913	SCREW	1		M8 X 90
	14M7298	FLANGE NUT	1		M8
10	T77858	O-RING	8		18.771 X 1.778 MM (0.739" X 0.070")
11	AH130448	HYDRAULIC LINE	1		(RETURN)
12	38H1041	TEE FITTING	2		
13	38H1418	FITTING PLUG	1		
14	38H1437	TEE FITTING	1		
15	R29936	O-RING	2		29.743 X 2.946 MM (1.171" X 0.116")
16	38H1194	ADAPTER	1		
17	AH126122	HYDRAULIC LINE	1		(RETURN)
18	R26375	O-RING	1		16.358 X 2.210 MM (0.644" X 0.087")

RESERVOIR HYDRAULIC UPPER RETURN LINES AND HOSES
HP3185 -UN-01JAN94



HP3185

RESERVOIR HYDRAULIC UPPER RETURN LINES AND HOSES - CONTINUED

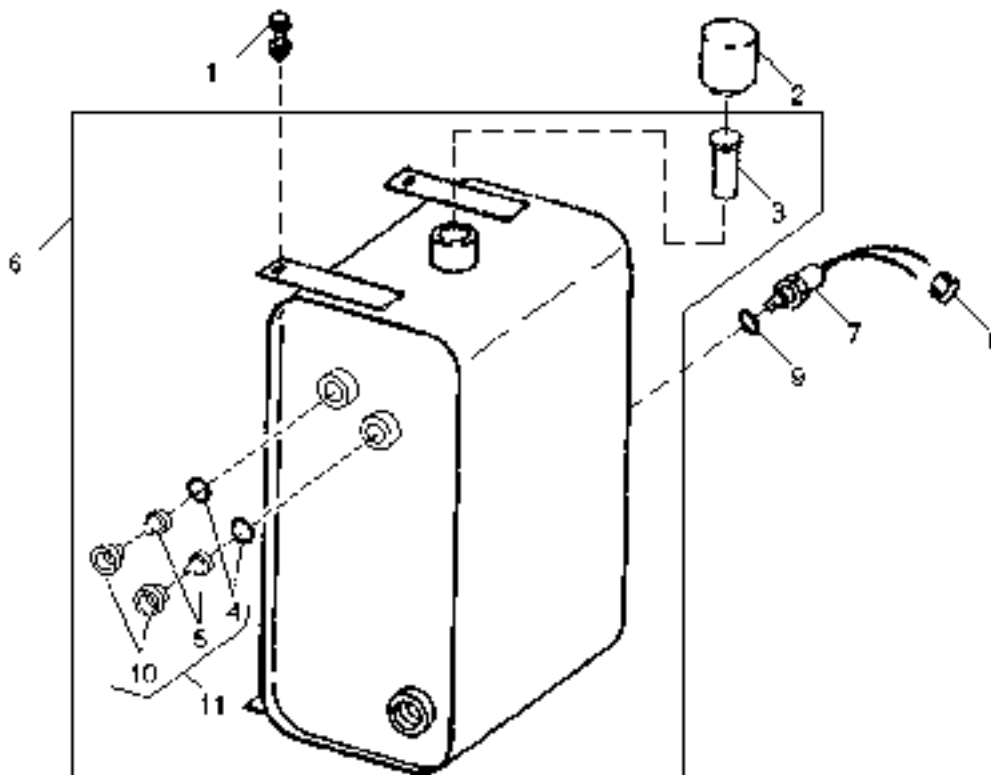
KEY	PART NO.	PART NAME	QTY	SERIAL NO.	REMARKS
1	AH118337	CHECK VALVE	1		
2	U12547	O-RING	2		23.470 X 2.946 MM (0.924" X 0.116")
3	38H1019	TEE FITTING	1		
4	T77858	O-RING	2		18.771 X 1.778 MM (0.739" X 0.070")
5	03M7245	BOLT	1		M8 X 55 (RD. HEAD)
	14M7298	FLANGE NUT	1		M8
6	H112567	PLATE	3		
7	H114865	CLAMP	4		
8	AH130568	HYDRAULIC LINE	1		(UPPER RETURN)
9	19M7801	SCREW	1		M8 X 60
	14M7298	FLANGE NUT	1		M8
10	AH130567	HYDRAULIC HOSE	1		1-3/16" X 305 MM (12") X 1-3/16", (UPPER RETURN)
11	T77858	O-RING	1		18.771 X 1.778 MM (0.739" X 0.070")
12	38H1163	ADAPTER	1		

3D3

HYDRAULICS

HYDRAULIC / HYDROSTATIC OIL RESERVOIR AND MOUNTINGS

HP8196 -UN-26JAN99



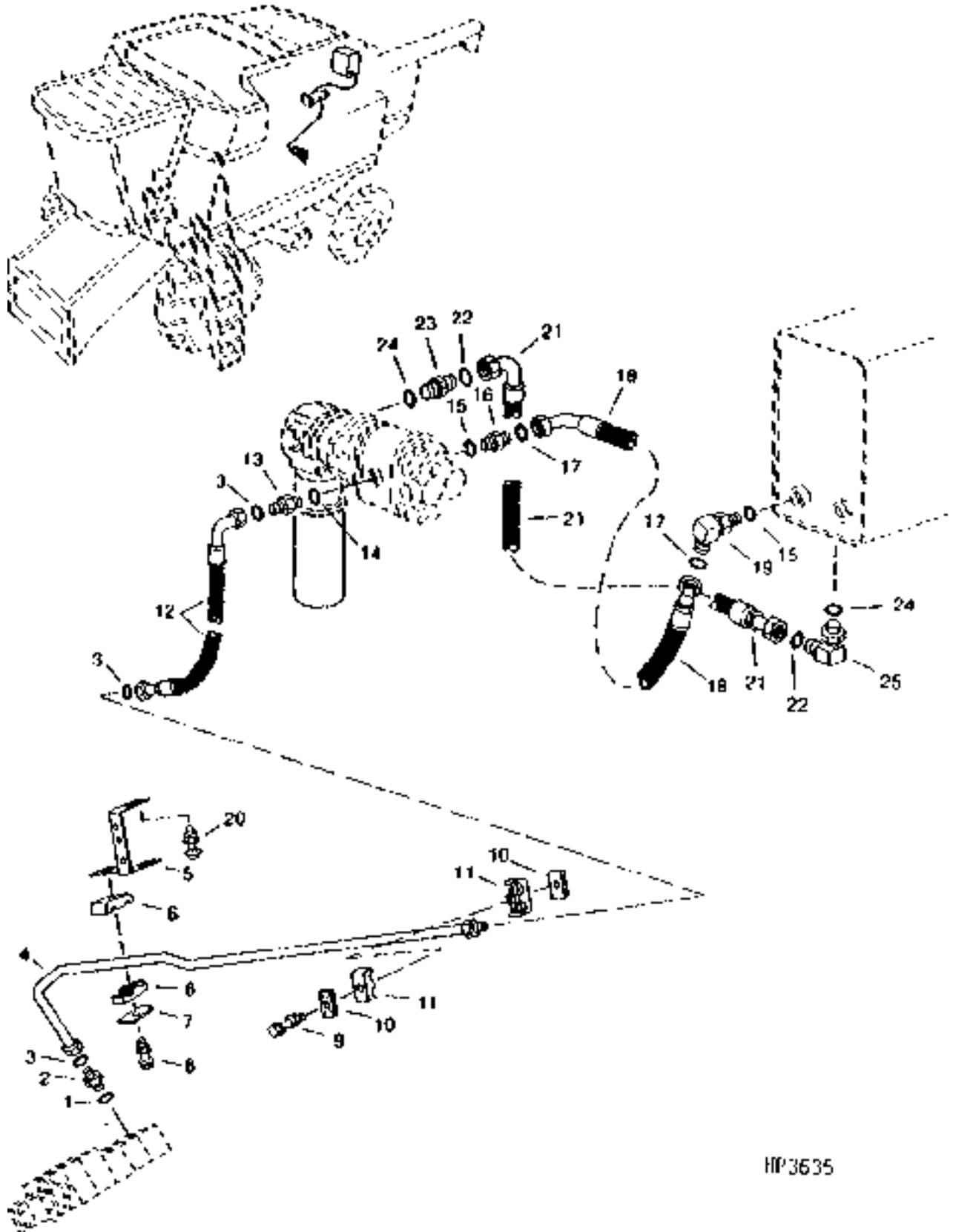
HP8196

KEY	PART NO.	PART NAME	QTY	SERIAL NO.	REMARKS
1	19M7866	SCREW	4		M8 X 20
	14M7298	FLANGE NUT	4		M8
2	AZ49144	BUCKLE	1		
3	AH131334	SCREEN	1	-XXXXXX	28 MM DIA.
	AH135064	STRAINER	1		35 MM DIA.
4	P48347	O-RING	2		
5	N209312	LENS	2		OIL LEVEL, (SUB FOR N205021)
6	AH157973	HYDRAULIC RESERVOIR	1		
7	AH116105	SWITCH	1		
8	R78059	ELECTRICAL PLUG	1		PACK OF 40
9	R26375	O-RING	1		16.358 X 2.210 MM (0.644" X 0.087")
10	N205022	RETAINER	2		
11	AE41319	GAUGE	2		SIGHT

MEMORANDA

3D4

HYDRAULIC PRESSURE LINES AND HOSES
HP3635 -UN-01JAN94



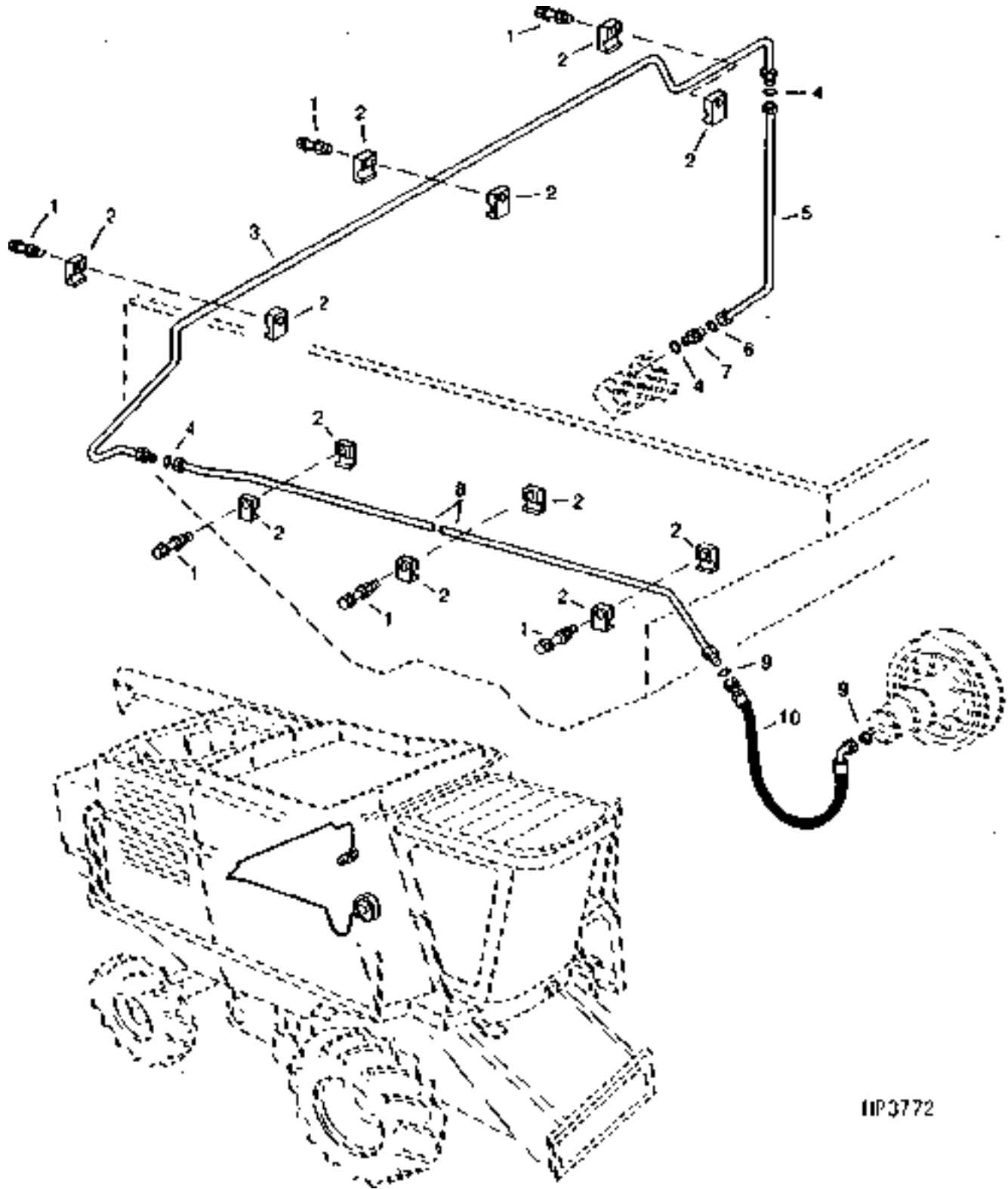
HP3635

HYDRAULIC PRESSURE LINES AND HOSES - CONTINUED

KEY	PART NO.	PART NAME	QTY	SERIAL NO.	REMARKS
1	R26375	O-RING	1		
2	38H1317	FITTING	1		
3	T77932	O-RING	3		16.358 X 2.210 MM (0.644" X 0.087")
4	AH129244	OIL LINE	1		
5	H133659	BRACKET	1		
6	H109046	CLAMP	2		
7	H121168	PLATE	1		
8	19M8318	SCREW	1		M8 X 45
	14M7298	FLANGE NUT	1		M8
9	19M7801	SCREW	1		M8 X 60
	14M7298	FLANGE NUT	1		M8
10	H112567	PLATE	2		
11	H111730	CLAMP	2		
12	AH166953	HYDRAULIC HOSE	1		(SUB FOR AH128742)
13	38H1162	ADAPTER	1		
14	R26906	O-RING	1		19.177 X 2.464 MM (0.755" X 0.097")
15	R29936	O-RING	2		29.743 X 2.946 MM (1.171" X 0.116")
16	38H1164	ADAPTER	1		
17	T76938	O-RING	2		23.520 X 1.778 MM (0.926" X 0.070")
18	AH126240	HYDRAULIC HOSE	1		1-7/16" X 600 MM (23-1/2") X 1-7/16"
19	38H1037	ELBOW FITTING	1		
20	03M7184	BOLT	4		M8 X 20 (RD. HEAD)
	14M7396	LOCK NUT	4		M8
21	AH126242	HYDRAULIC HOSE	1		1-7/16" X 730 MM (28-3/4") X 1-7/16"
22	T76938	O-RING	2		23.520 X 1.778 MM (0.926" X 0.070")
23	38H1164	ADAPTER	1		
24	R29936	O-RING	2		29.743 X 2.946 MM (1.171" X 0.116")
25	38H1037	ELBOW FITTING	1		

3D6

CYLINDER SPEED HYDRAULIC LINES AND HOSES
HP3772 -UN-01JAN94



HP3772

CYLINDER SPEED HYDRAULIC LINES AND HOSES - CONTINUED

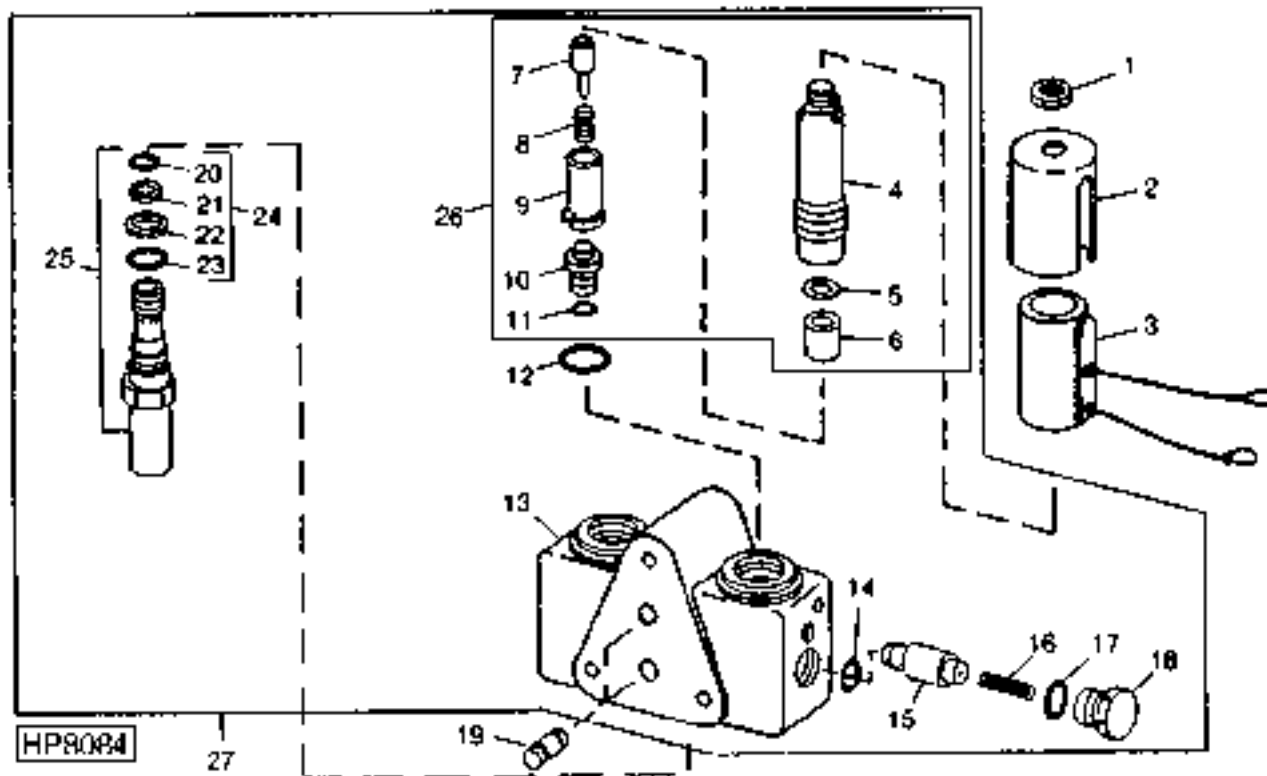
KEY	PART NO.	PART NAME	QTY	SERIAL NO.	REMARKS
1	19M8317	SCREW	6	M8 X 40	
	14M7298	FLANGE NUT	6	M8	
2	H127589	CLAMP	12		
3	AH127893	HYDRAULIC LINE	1		
4	R26448	O-RING	3	11.887 X 1.981 MM (0.468" X 5/64")	
5	AH128853	HYDRAULIC LINE	1		
6	T77613	O-RING	1	9.246 X 1.778 MM (0.364" X 0.070")	
7	38H1160	ADAPTER	1		
8	AH128640	HYDRAULIC LINE	1		
9	T77814	O-RING	2	7.645 X 1.778 MM (0.301" X 0.070")	
10	AH128639	HYDRAULIC HOSE	1	9/16" X 410 MM (16-1/4") X 9/16"	

3D8

HYDRAULICS

SOLENOID CONTROL RELIEF VALVE MODULE

HP8084 -UN-11DEC98



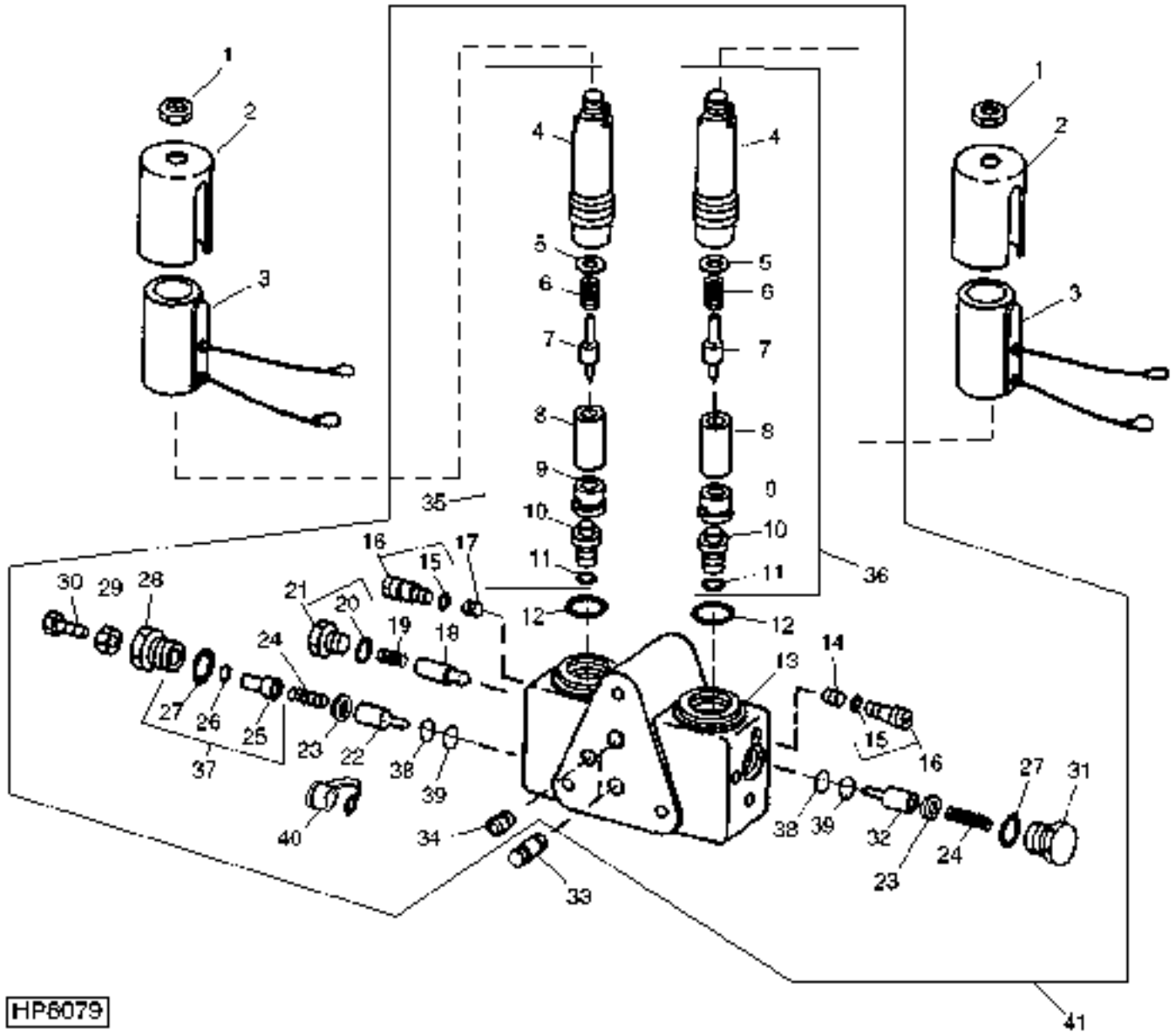
KEY	PART NO.	PART NAME	QTY	SERIAL NO.	REMARKS
1	A4655R	NUT	1		12.700 MM (1/2")
2	E62942	COVER	1		
3	AH124731	ELECTRICAL COIL	1		
4	SLEEVE	1		
5	WASHER	1		
6	ARMATURE	1		
7	POPPET	1		
8	SPRING	1		
9	GUIDE	1		
10	ORIFICE	1		
11	U40962	O-RING	1		6.071 X 1.778 MM (0.239" X 0.070")
12	T75984	O-RING	1		
13	HOUSING	1		
14	R27564	O-RING	1		
15	POPPET	1		
16	SPRING	1		
17	R26906	O-RING	1		19.177 X 2.464 MM (0.755" X 0.097")
18	PIPE PLUG	1		
19	AH131326	SEAL	2		(WITH O-RINGS AND BACKUPS)
20	SEAL	1		
21	O-RING	1		
22	O-RING	1		
23	SEAL	1		
24	AH148472	SEAL KIT	1		
25	AH147085	RELIEF VALVE	1		(CONTOUR MASTER)
26	AH134833	SEAL KIT	1		
27	AH147097	VALVE	1		UNLOAD (RELIEF) (CONTOUR MASTER)

MEMORANDA

3D9

HYDRAULICS

SOLENOID CONTROL VALVE FOR HEADER LIFT MODULE
HP8079 -UN-15DEC98



3D10

HYDRAULICS

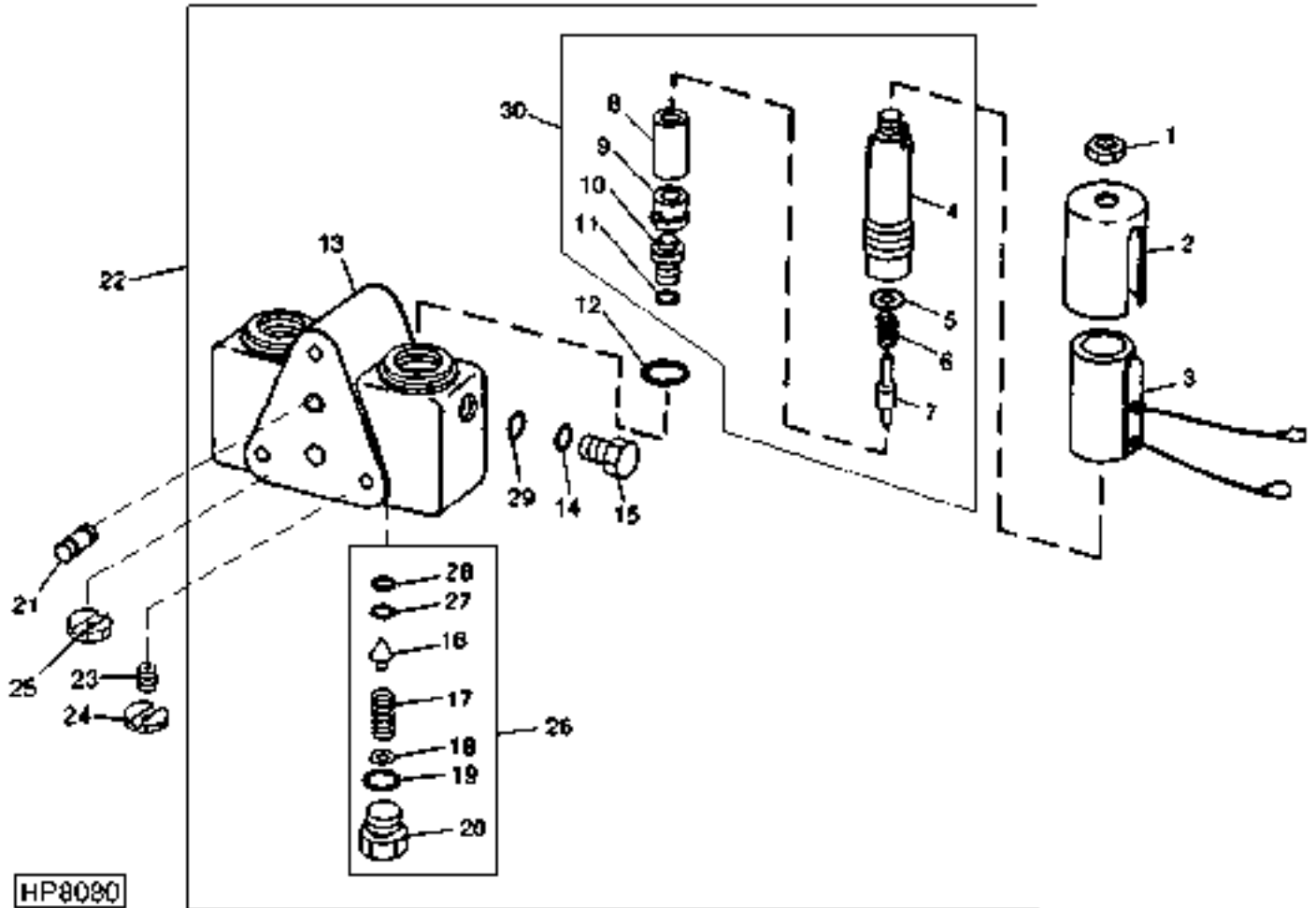
SOLENOID CONTROL VALVE FOR HEADER LIFT MODULE - CONTINUED

KEY	PART NO.	PART NAME	QTY	SERIAL NO.	REMARKS
1	A4655R	NUT	2		
2	E62942	COVER	2		
3	AH124731	ELECTRICAL COIL	2		
4	SLEEVE	2	(A)	
5	WASHER	2	(A)	
6	E62089	SPRING	2	(A)	
7	POPPET	2	(A)	
8	ARMATURE	2	(A)	
9	SOLENOID	2	(A)	
10	ORIFICE	2	(A)	
11	U40962	O-RING	2		(A) 6.071 X 1.778 MM (0.239" X 0.070")
12	T75984	O-RING	2		(A) 20.345 X 1.778 MM (0.801" X 0.070")
13	HOUSING	1		
14	ORIFICE	1		
15	T26257	O-RING	2		2.565 X 1.778 MM (0.101" X 0.070")
16	AE38734	PLUG	1		
17	ORIFICE	1		
18	E66620	CHECK VALVE	1	(A)	
19	E66619	SPRING	1		
20	R28782	O-RING	1		8.915 X 1.829 MM (0.351" X 0.072")
21	AN122518	FITTING	1		
22	H142183	CHECK VALVE	1	(A)	
23	H148775	O-RING	2		(A) 10.668 X 13.716 X 1.524 MM (0.420" X 0.540" X 0.060")
24	E66618	SPRING	2		
25	STOP	1		
26	U42902	RING	1		4.470 X 1.778 MM (0.176" X 0.070")
27	R26448	O-RING	2		11.887 X 1.981 MM (0.468" X 5/64")
28	CAP	1		
29	14H850	NUT	1		1/4"
30	19H1914	CAP SCREW	1		1/4" X 1"
31	CAP	1		
32	POPPET	1		
33	AH131326	SEAL	2		(WITH O-RING AND BACK-UP RING)
34	AH131405	SEAL	1		(WITH O-RING AND BACK-UP RING)
35	AE50995	POPPET	1		
36	AZ51851	GUIDE	1		
37	AE38021	KIT	1		
38	O-RING	1		
39	ORIFICE	1		
40	COVER	1		
41	AH147084	VALVE	1		(CONTOUR MASTER)
..	AH151400	SEAL KIT	1		INCLUDES PARTS MARKED (A)

3D11

HYDRAULICS

SOLENOID CONTROL VALVE FOR REEL LIFT / VARIABLE AND CYLINDER SPEED
HP8080 -UN-14DEC98



3D12

HYDRAULICS

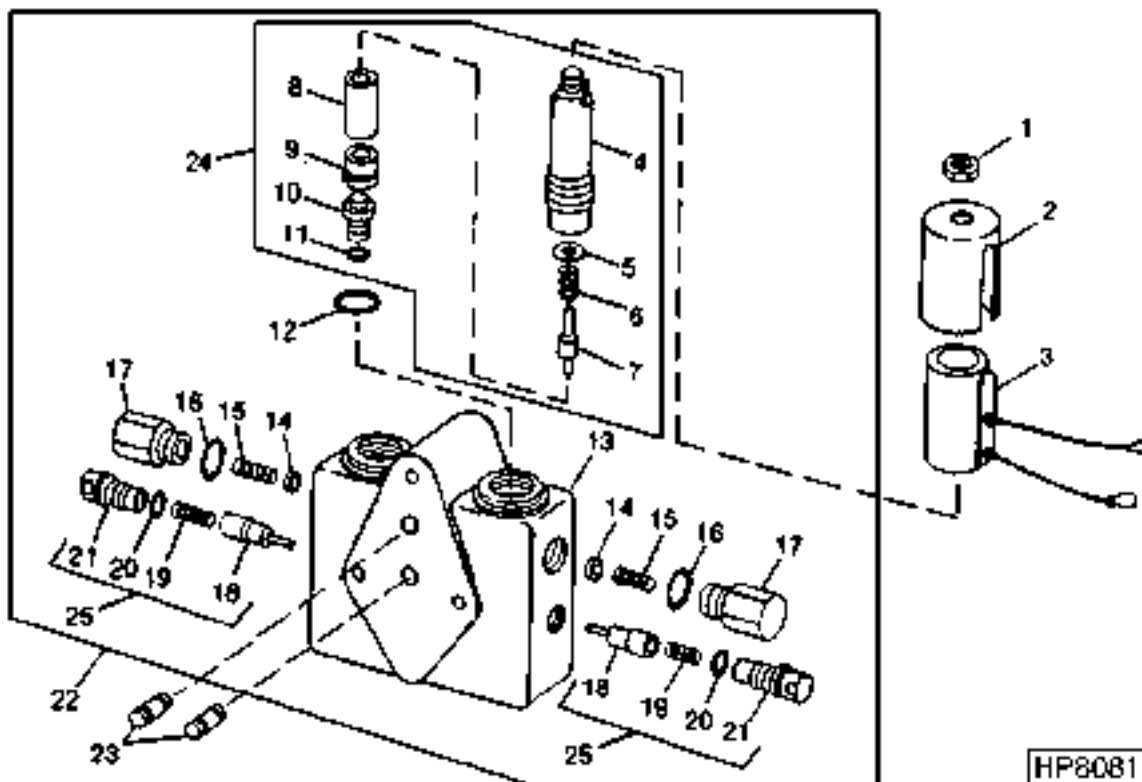
SOLENOID CONTROL VALVE FOR REEL LIFT / VARIABLE AND CYLINDER SPEED - CONTINUED

KEY	PART NO.	PART NAME	QTY	SERIAL NO.	REMARKS
1	A4655R	NUT	2		
2	E62942	COVER	2		
3	AH124731	ELECTRICAL COIL	2		
4	SLEEVE	2		
5	WASHER	2		
6	E62089	SPRING	2		
7	POPPET	2		
8	ARMATURE	2		
9	SOLENOID	2		
10	ORIFICE	2		
11	U40962	O-RING	2		6.071 X 1.778 MM (0.239" X 0.070")
12	T75984	O-RING	2		20.345 X 1.778 MM (0.801" X 0.070")
13	HOUSING	2		
14	R30903	O-RING	1		6.071 X 1.626 MM (0.239" X 0.064")
15	FITTING	1		(SAE-2)
16	POPPET	1		
17	SPRING	1		
18	SHIM	AR		
19	R28782	O-RING	1		8.915 X 1.829 MM (0.351" X 0.072")
20	PLUG	1		
21	AH131326	SEAL	2		(WITH O-RING AND BACKUP RING)
22	AH139060	VALVE	1		LESS COILS,CONNECTING TUBES AND ORIFICE
23	E62917	ORIFICE	1		.508 MM DIA.
24	H145052	APERTURE	1		.406 MM DIA.
25	H145051	APERTURE	1		.940 MM DIA.
26	AH131421	SEAT KIT	1		
27	ORIFICE	1		
28	O-RING	1		
29	ORIFICE	1		
30	AH131420	SEAT KIT	1		

3D13

HYDRAULICS

SOLENOID CONTROL VALVE FOR AUGER SWING
SOLENOID CONTROL VALVE FOR REEL FORE/AFT
HP8081 -UN-14DEC98



KEY	PART NO.	PART NAME	QTY	SERIAL NO.	REMARKS
1	A4655R	NUT	2		12.700 MM
2	E62942	COVER	2		
3	AH124731	ELECTRICAL COIL	2		
4	SLEEVE	2		
5	WASHER	2		
6	E62089	SPRING	2		
7	POPPET	2		
8	ARMREST	2		
9	SOLENOID	2		
10	ORIFICE	2		
11	U40962	O-RING	2		6.071 X 1.778 MM (0.239" X 0.070")
12	T75984	O-RING	2		20.345 X 1.778 MM (0.801" X 0.070")
13	HOUSING	1		
14	E62094	WASHER	2		7.620 X 17.526 X 2.388 MM
15	SPRING	2		
16	R26906	O-RING	2		19.177 X 2.464 MM (0.755" X 0.097")
17	PIPE PLUG	2		
18	POPPET	2		
19	SPRING	2		
20	U40745	O-RING	2		15.545 X 2.616 MM (0.612" X 0.103")
21	CAP	2		
22		
23	AH147086	VALVE	1		
24	AH131326	SEAL	2		
25	AE50995	POPPET	2		
	AH142731	KIT	2		

MEMORANDA

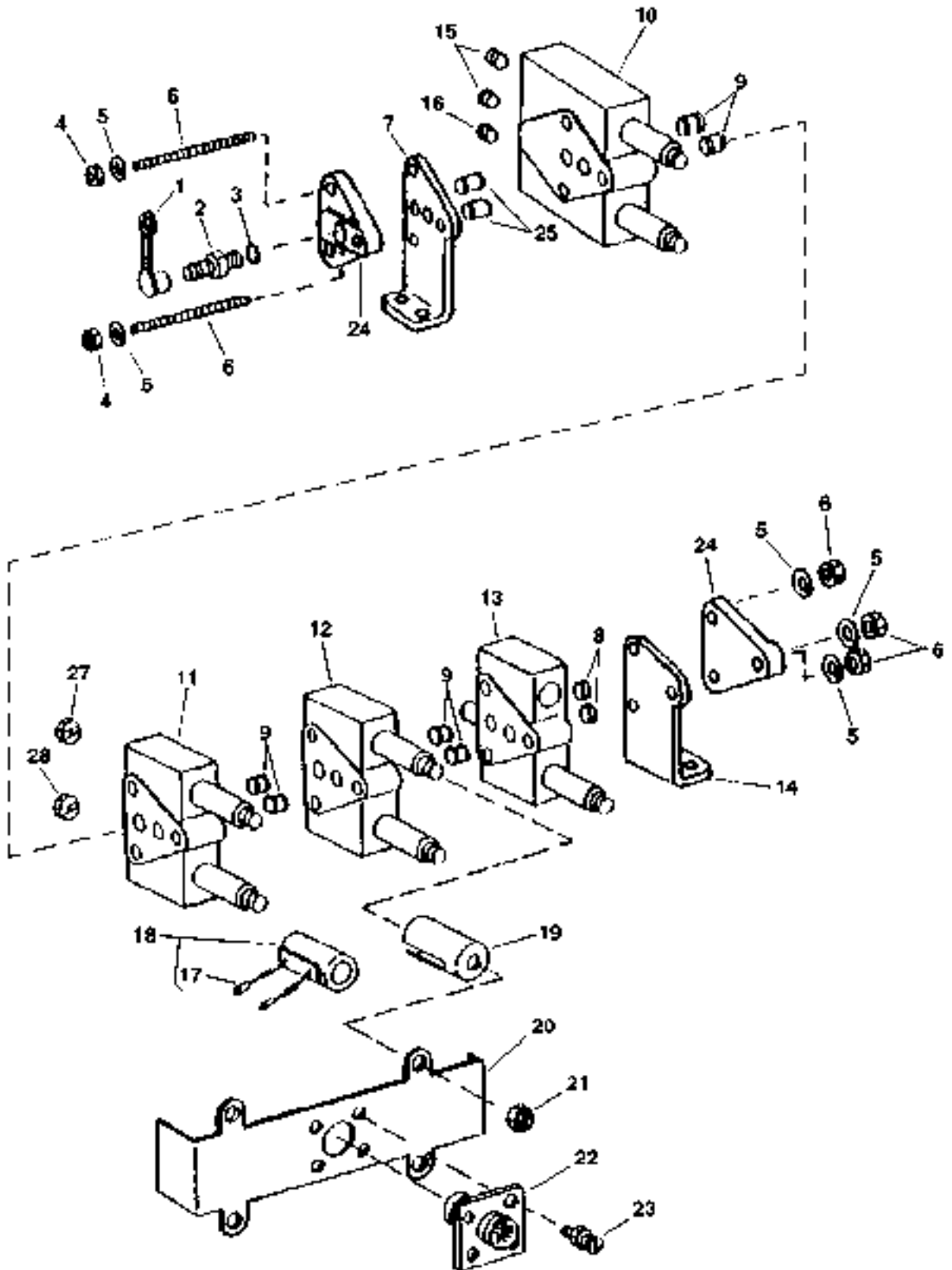
3D14

HYDRAULICS

SOLENOID CONTROL VALVE MODULE ASSEMBLY AND MOUNTINGS

FOUR STACK

HP7104 -UN-12SEP97



HP7104

3D15

HYDRAULICS

**SOLENOID CONTROL VALVE MODULE ASSEMBLY AND MOUNTINGS - CONTINUED
FOUR STACK**

KEY	PART NO.	PART NAME	QTY	SERIAL NO.	REMARKS
1	R77175	COVER	1		
2	AH125760	HYD. QUICK-CONNECT COUPLER	1		
3	R26448	O-RING	1		11.887 X 1.981 MM (0.468" X 5/64")
4	14H786	NUT	6		1/4"
5	12H297	LOCK WASHER	6		1/4"
6	E62892	STUD	3		1/4" X 11-3/4" 1/4" X 11-3/4"
7	H139513	BRACKET	1		
8	AH131405	SEAL	3		
9	AH131326	SEAL	6		
10	AH147086	VALVE	1		
11	AH139060	VALVE	1		
12	AH147084	VALVE	1		(CONTOUR MASTER)
13	AH147097	VALVE	1		UNLOAD (RELIEF) (CONTOUR MASTER)
14	H139512	BRACKET	1		
15	H135777	ORIFICE	2		0.76MM DIA.
16	H135776	ORIFICE	1		1.06MM DIA.
17	R77464	PIN CONTACT	AR		(PACKAGE OF 50)
18	AH124731	ELECTRICAL COIL	7		
19	E62942	COVER	7		
20	H135898	COVER	1		
21	A4655R	NUT	7		12.700 MM (1/2")
22	57M7199	RECEPTACLE	1		(24 WAY)
23	21H1290	SCREW	4		0.138" X 1/2"
	14H1026	NUT	4		0.138"
24	H139515	MANIFOLD	2		
25	AH134733	SEAL	2		
26	H145051	APERTURE	1		.940 MM DIA.
27	H145052	APERTURE	1		.406 MM DIA.

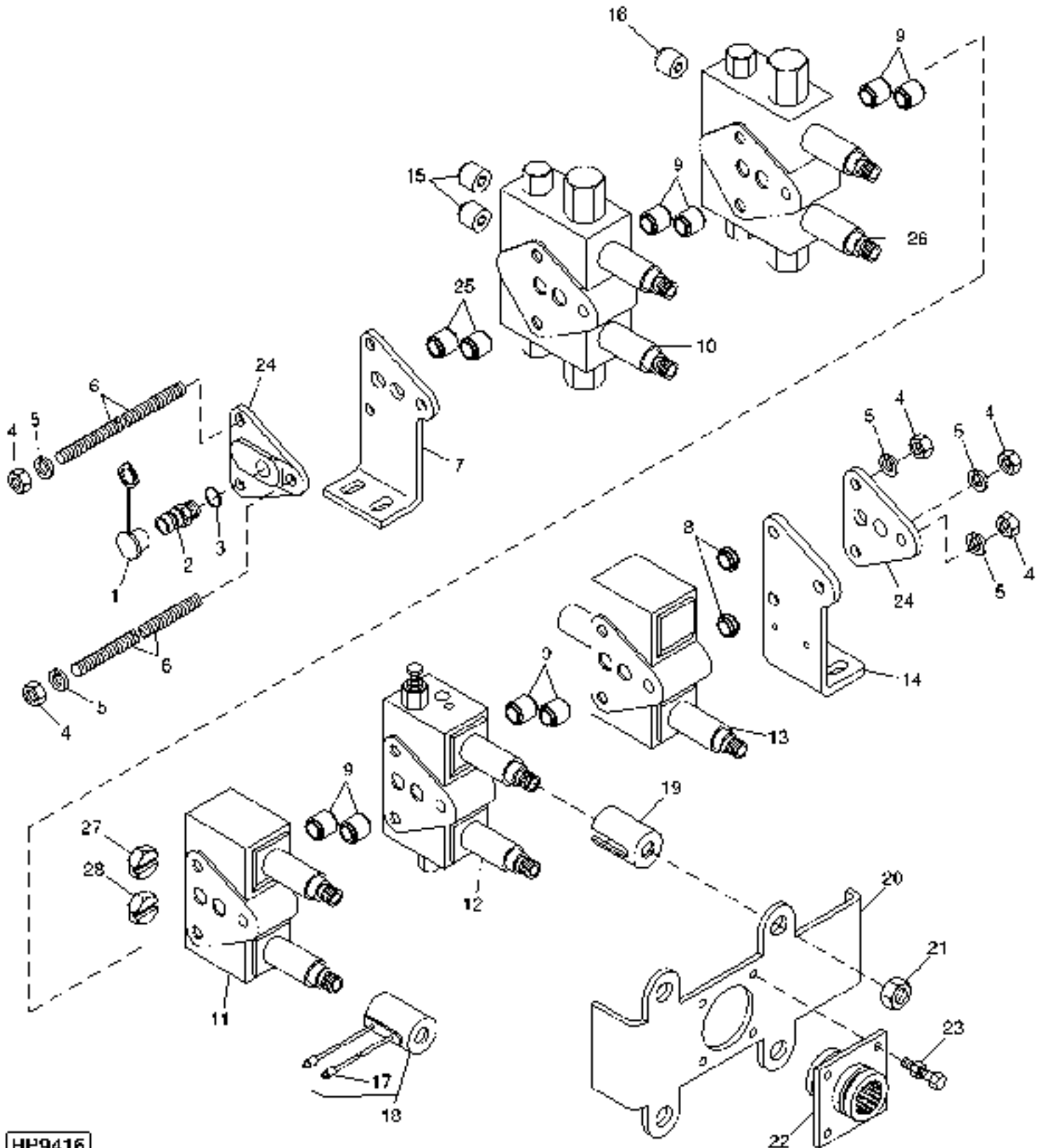
3D16

HYDRAULICS

SOLENOID CONTROL VALVE MODULE ASSEMBLY AND MOUNTINGS

FIVE STACK

HP9416 -UN-04JAN00



HP9416

3D17

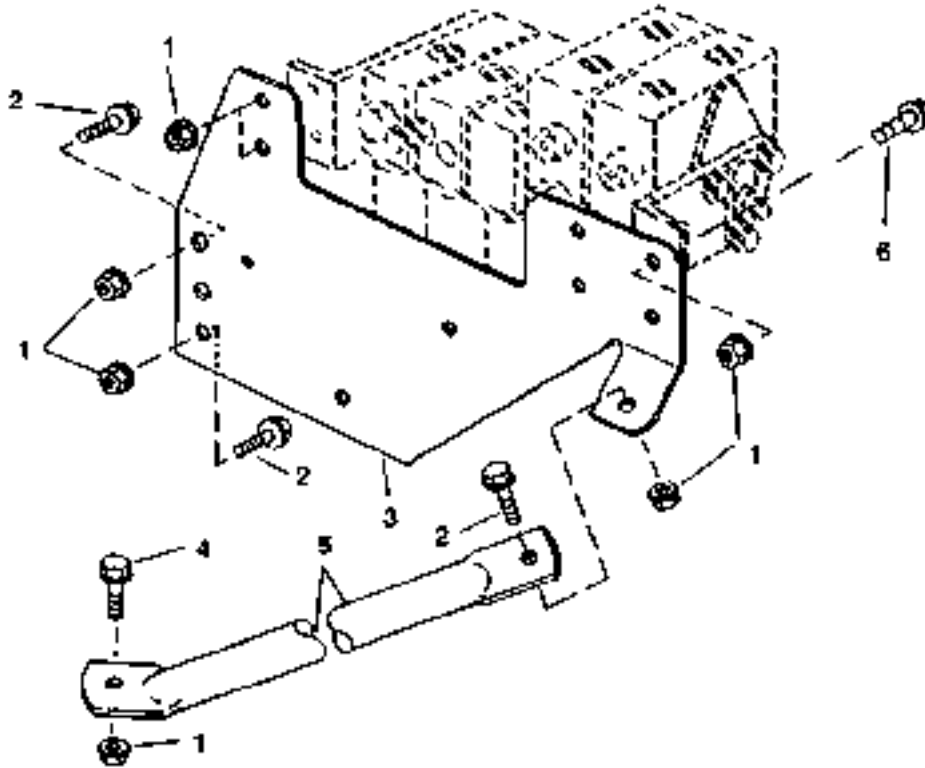
HYDRAULICS

SOLENOID CONTROL VALVE MODULE ASSEMBLY AND MOUNTINGS - CONTINUED FIVE STACK

KEY	PART NO.	PART NAME	QTY	SERIAL NO.	REMARKS
1	R77175	COVER	1		
2	AH125760	HYD. QUICK-CONNECT COUPLER	1		
3	R26448	O-RING	1		11.887 X 1.981 MM (0.468" X 5/64")
4	14H786	NUT	6		1/4"
5	12H297	LOCK WASHER	6		1/4"
6	E62892	STUD	3		1/4" X 11-3/4" 1/4" X 11-3/4"
7	H139513	BRACKET	1		
8	AH131405	SEAL	3		
9	AH131326	SEAL	8		(WITH 5 MODULES-USE 9; WITH 4 MODULES-USE 7)
10	AH147086	VALVE	1		REEL FORE/AFT
11	AH139060	VALVE	1		REEL LIFT/CYLINDER SPEED
12	AH147084	VALVE	1		(CONTOUR MASTER)
13	AH147097	VALVE	1		UNLOAD (RELIEF) (CONTOUR MASTER)
14	H139512	BRACKET	1		
15	H135777	ORIFICE	2		0.76MM DIA.
16	H135776	ORIFICE	1		1.06MM DIA.
17	R77464	PIN CONTACT	AR		(PACKAGE OF 50)
18	AH124731	ELECTRICAL COIL	9		
19	E62942	COVER	9		
20	H135898	COVER	1		
21	A4655R	NUT	9		12.700 MM (1/2")
22	57M7199	RECEPTACLE	1		(24 WAY)
23	21H1290	SCREW	4		0.138" X 1/2"
	14H1026	NUT	4		0.138"
24	H139515	MANIFOLD	2		
25	AH134733	SEAL	2		
26	AH147086	VALVE	1		(AUGER EXTEND/RETRACT)
27	H145052	APERTURE	1		.406 MM DIA.
28	H145051	APERTURE	1		.940 MM DIA.

3D18

SOLENOID CONTROL VALVE BRACKETS
 HP6838 -UN-18AUG97



HP6838

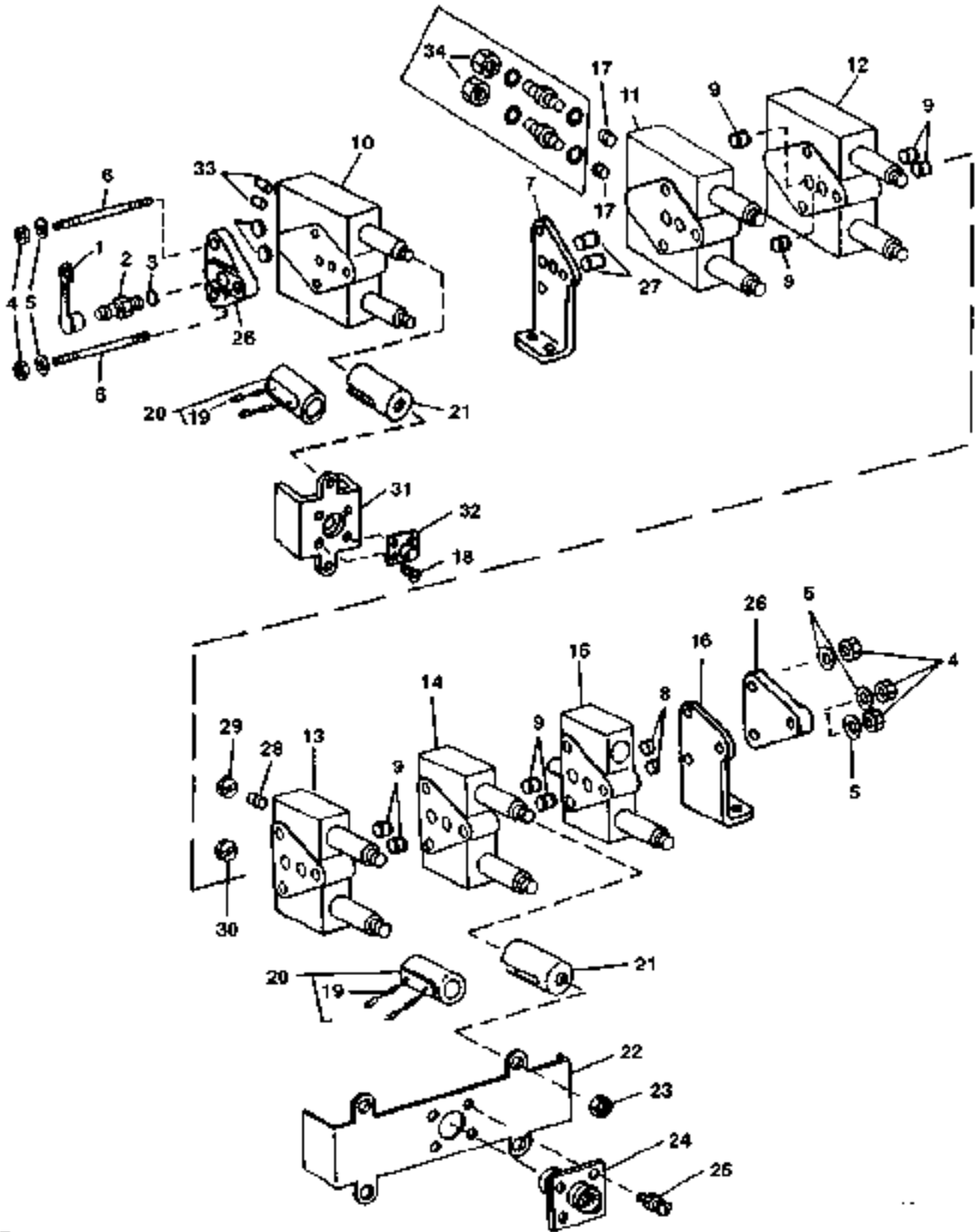
KEY	PART NO.	PART NAME	QTY	SERIAL NO.	REMARKS
1	14M7298	FLANGE NUT	8	M8	
2	19M7866	SCREW	2	M8 X 20	
3	H159291	BRACKET	1	(SUB H166148)	
4	19M7803	SCREW	1	M8 X 70	
5	H158638	BRACE	1		
6	19M7897	SCREW	4	M8 X 35	

MEMORANDA

3D19

HYDRAULICS

SIX STACK SOLENOID CONTROL VALVE MODULE ASSEMBLY AND MOUNTINGS
HP6837 -UN-18AUG97



HP6837

3D20

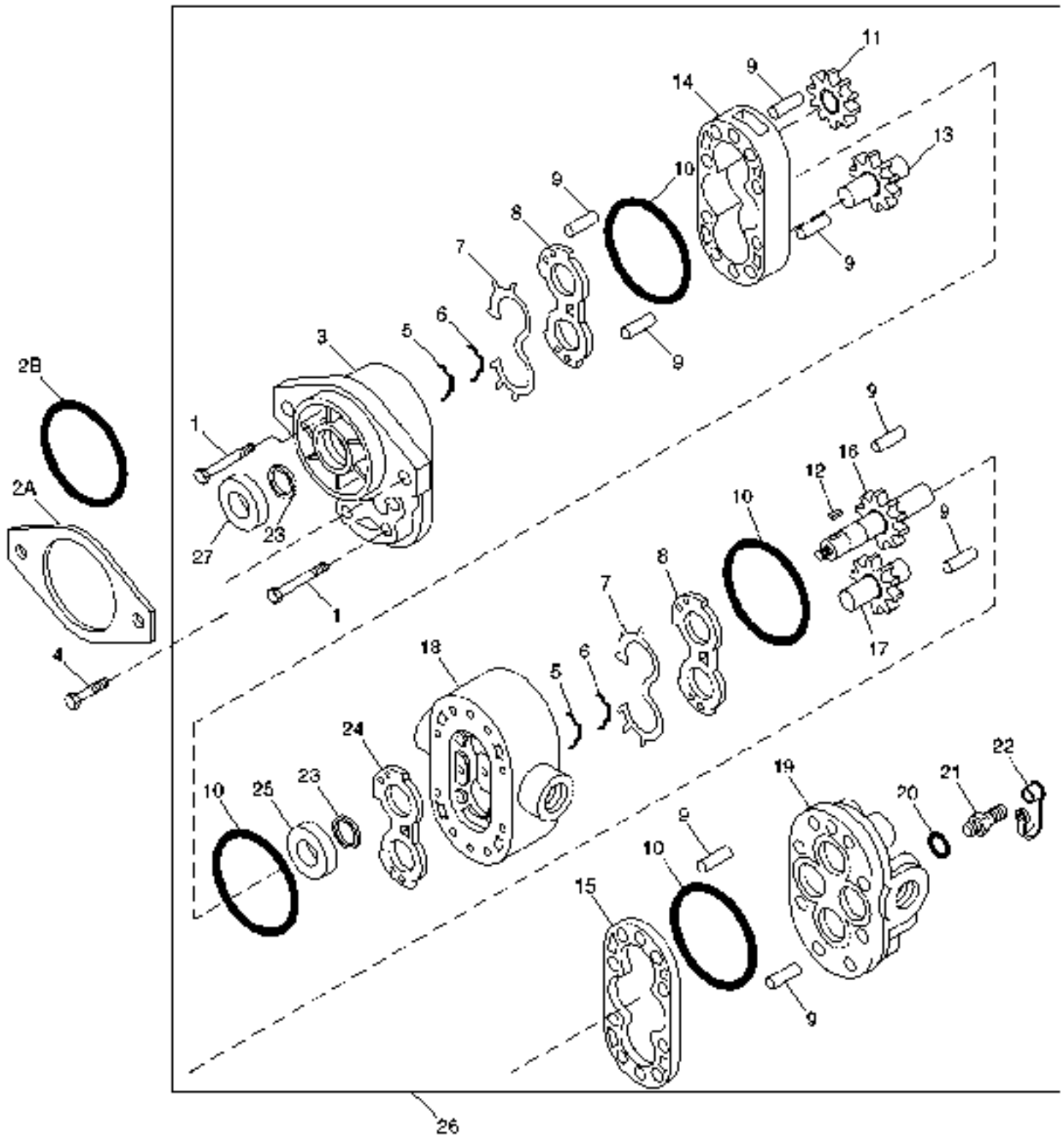
HYDRAULICS

SIX STACK SOLENOID CONTROL VALVE MODULE ASSEMBLY AND MOUNTINGS - CONTINUED

KEY	PART NO.	PART NAME	QTY	SERIAL NO.	REMARKS
1	R77175	COVER	1		
2	AH125760	HYD. QUICK-CONNECT COUPLER	1		
3	R26448	O-RING	1		
4	14H786	NUT	6	6.350 MM (1/4")	
5	12H297	LOCK WASHER	6	6.350 MM (1/4")	
6	H149803	TIE ROD	3	1/4" X 13-1/2" (CUT TO LENGTH)	
7	H139513	BRACKET	1	(USE WITH H139515 AND (2) AH134733)	
8	AH131405	SEAL	2		
9	AH131326	SEAL	10		
10	AH147086	VALVE	1	CONTOUR MASTER	
11	AH147086	VALVE	1	REEL FORE/AFT	
12	AH147086	VALVE	1	AUGER SWING	
13	AH139060	VALVE	1	(USE WITH E62917, H145051, H145052 AND (2) 38H1160) REEL LIFT/CYLINDER SPEED (CONTOUR MASTER)	
14	AH147084	VALVE	1	RELIEF VALVE	
15	AH147097	VALVE	1	(USE WITH H139515)	
16	H139512	BRACKET	1	0.76 MM DIA.	
17	H135777	ORIFICE	2		
18	M71770	SCREW	4		
19	R77464	PIN CONTACT	AR	(PKG. OF 50)	
20	AH124731	ELECTRICAL COIL	11		
21	E62942	COVER	11		
22	H135898	COVER	1		
23	A4655R	NUT	11		
24	57M7199	RECEPTACLE	1	(24 WAY)	
25	21H1290	SCREW	4	3.505 X 12.700 MM (0.138" X 1/2")	
	14H1026	NUT	4	3.505 MM (0.138")	
26	H139515	MANIFOLD	2		
27	AH134733	SEAL	2		
28	E62917	ORIFICE	1	0.508 MM DIA.	
29	H145052	APERTURE	1	0.406 MM DIA.	
30	H145051	APERTURE	1	0.940 MM DIA.	
31	H150062	COVER	1		
32	RECEPTACLE	1	(4 PIN CONNECTOR)	
33	H149804	ORIFICE	2	1.19 MM DIA.	
34	38H1415	FITTING PLUG	2	(W/CONTOUR MASTER) (W/O REEL FORE/AFT)	

3D21

MAIN HYDRAULIC PUMP
HP9204 -UN-25OCT99



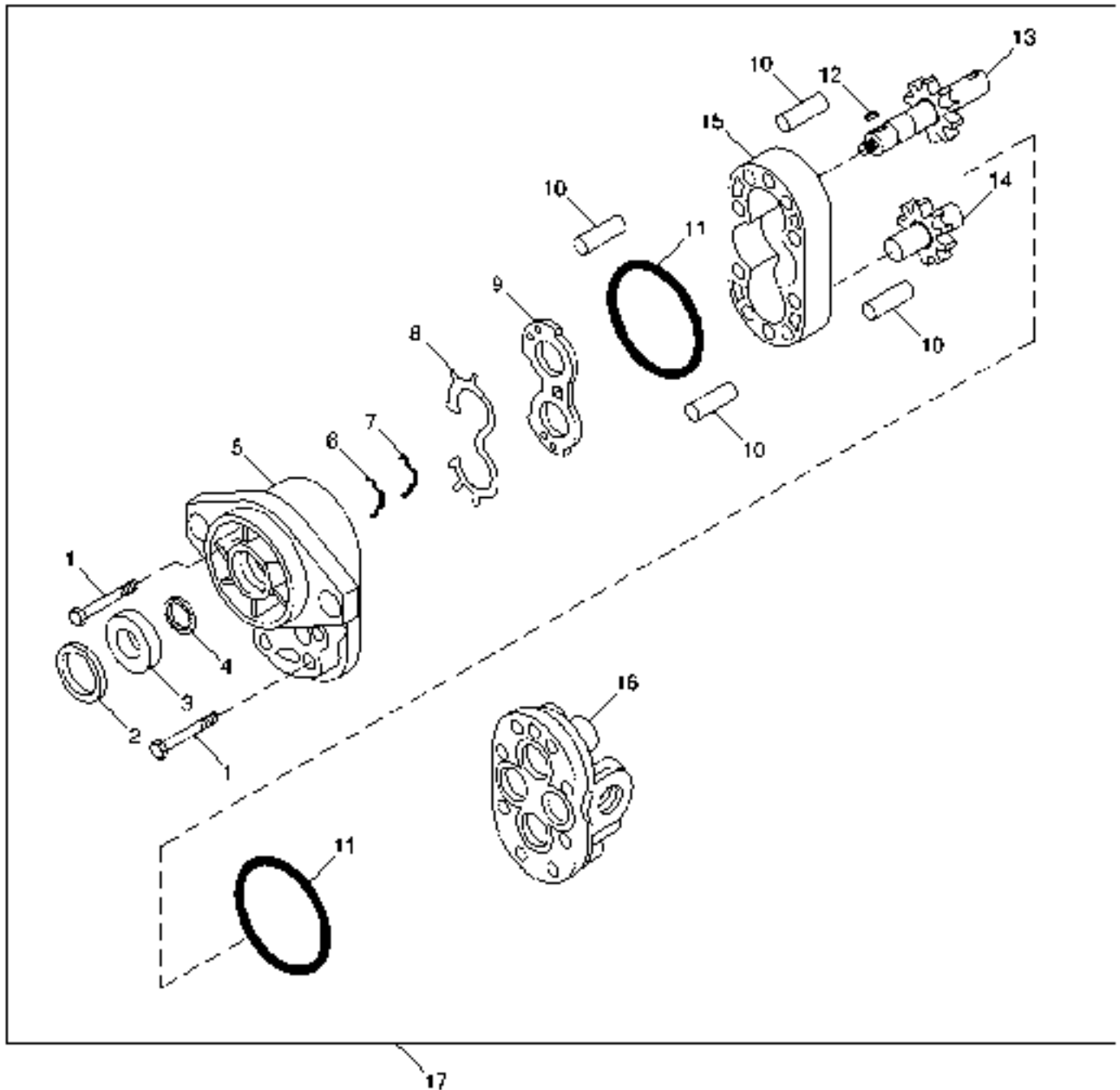
HP9204

MAIN HYDRAULIC PUMP - CONTINUED

KEY	PART NO.	PART NAME	QTY	SERIAL NO.	REMARKS
1	GG310-30411 H135569	SCREW CAP SCREW	8 8		7.925 X 133.350 MM (5/16" X 5-1/4") (PLANETARY FINAL DRIVE)
2A	H131121	GASKET	1	-678742	
2B	E65288	O-RING	1	678743-	
3	PLATE	1		
4	19H1732 12H304	CAP SCREW LOCK WASHER	2 2		3/8" X 1-1/4" 3/8"
5	SEAL	2		(A)
6	GASKET	2		(A)
7	GASKET	2		(A)
8	WEAR PLATE	2		(A)
9	H116213	DOWEL PIN	8		
10	H80821	O-RING	4		(A) 75.921 X 1.778 MM (2.989" X 0.070")
11	PARALLEL SHAFT GEAR DRIVE	1		
12	H125929 H135566	SHAFT KEY KEY	1 1		(PLANETARY FINAL DRIVE)
13	GEAR	1		
14	HOUSING	1		
15	LINK BODY	1		
16	GEAR	1		
17	GEAR	1		
18	PLATE	1		
19	PLATE	1		
20	R26448	O-RING	1		(A) 11.887 X 1.981 MM (0.468" X 5/64")
21	AH125760	HYD. QUICK-CONNECT COUPLER	1		
22	R77175	COVER	1		
23	M48869	WASHER	2		(A) 19.215 X 25.337 X 0.813 MM (0.757" X 0.998" X 0.032")
24	PLATE	1		(A)
25	SEAL	1		(A)
26	AH131183 AH131175	HYDRAULIC PUMP HYDRAULIC PUMP	1 1		(CESSNA NO. R25381 - RAH)- REMANUFACTURED (CESSNA NO. R25382- RAN) REMANUFACTURED (PLANETARY FINAL DRIVE)
27	SEAL	1		(A)
..	AH162145	SEAL KIT	1		(SUB FOR AH131181) INCLUDES PARTS MARKED (A)

3D23

REEL / BELT PICKUP DRIVE PUMP
HP8488 -UN-20APR99



HP8488

3D24

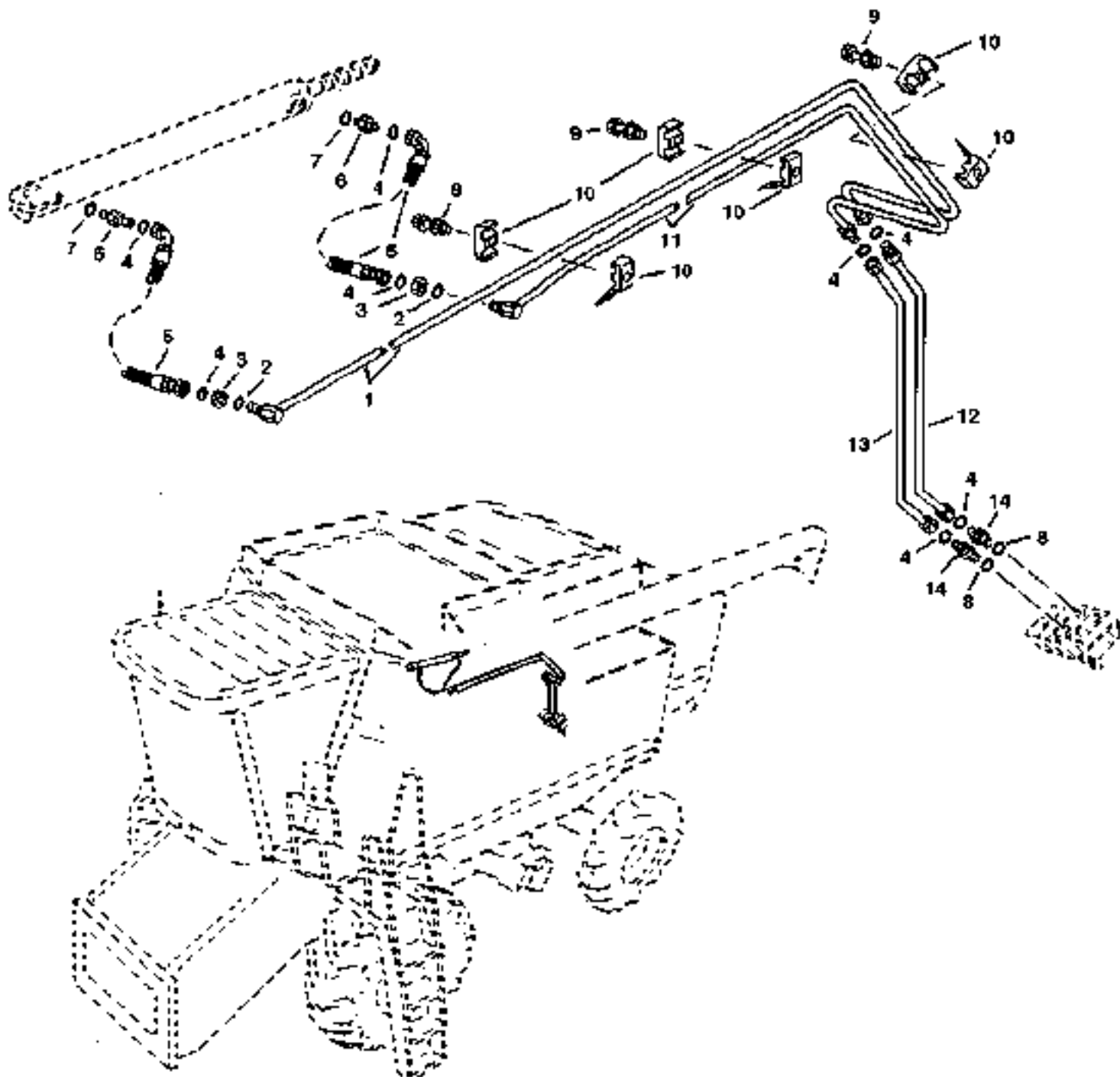
HYDRAULICS

REEL / BELT PICKUP DRIVE PUMP - CONTINUED

KEY	PART NO.	PART NAME	QTY	SERIAL NO.	REMARKS
1	E61791	BOLT	8		7.925 X 69.850 MM (5/16" X 2-3/4")
2	M41029	SNAP RING	1		(A)
3	AH131842	SEAL	1		(A)
4	M48869	WASHER	1		(A) 19.215 X 25.337 X 0.813 MM (0.757" X 0.998" X 0.032")
5	PLATE	1		
6	SEAL	1		(A)
7	GASKET	1		(A)
8	GASKET	1		(A)
9	WEAR PLATE	1		(A)
10	H116213	DOWEL PIN	4		
11	H80821	O-RING	2		(A) 75.921 X 1.778 MM (2.989" X 0.070")
12	N34986	SHAFT KEY	1		
13	AH131304	SHAFT	1		
14	GEAR	1		
15	HOUSING	1		
16	PLATE	1		
17	AH131178	HYDRAULIC PUMP	1		(CESSNA NO. R25305-RAK) - REMANUFACTURED
..	AH131176	SEAL KIT	1		INCLUDES PARTS MARKED (A)

UNLOADING AUGER SWING CYLINDER LINES AND HOSES

HP6840 -UN-26AUG97



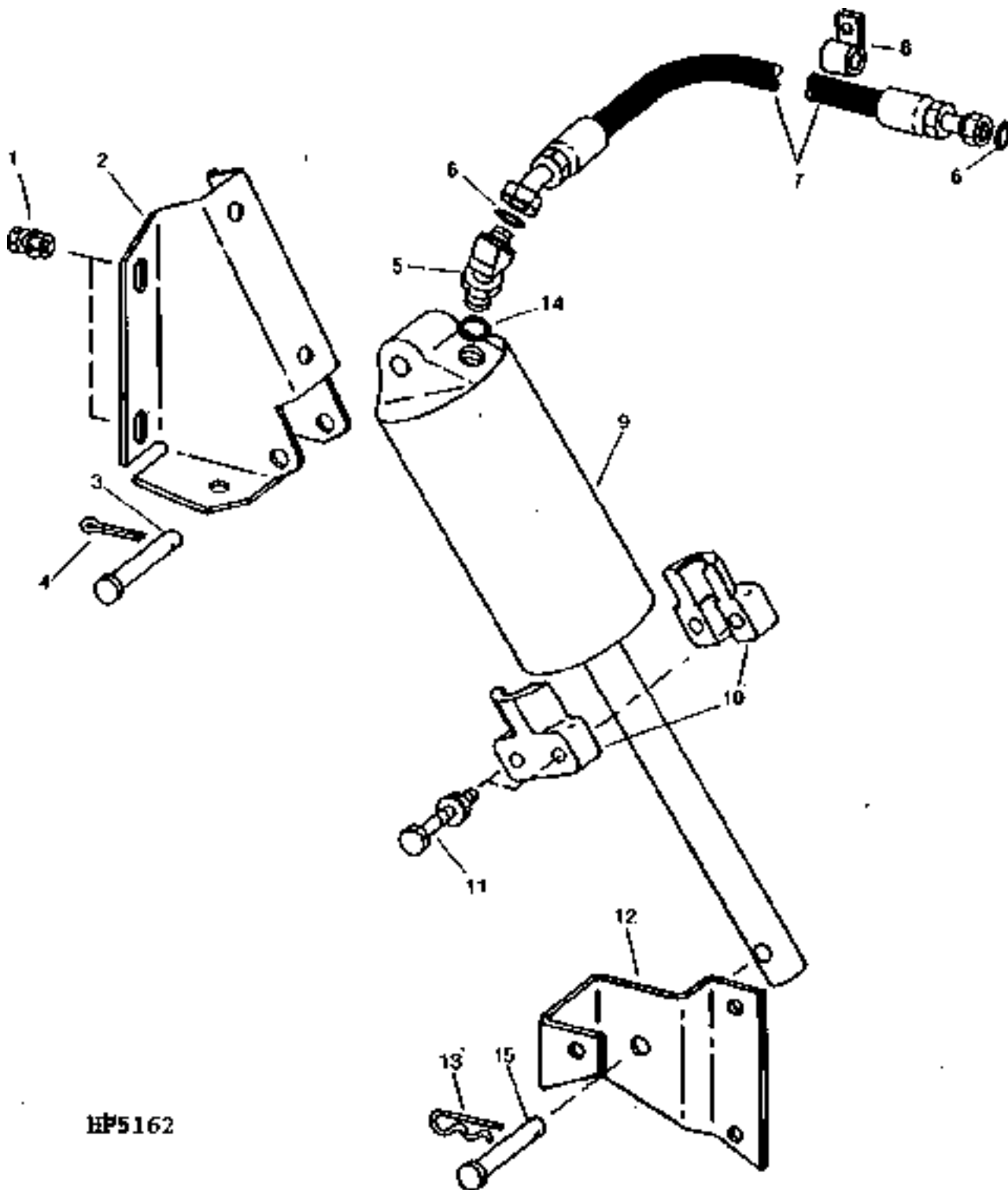
HP6840

UNLOADING AUGER SWING CYLINDER LINES AND HOSES - CONTINUED

KEY	PART NO.	PART NAME	QTY	SERIAL NO.	REMARKS
1	AH128641	HYDRAULIC LINE	1		(EXTEND)
2	24M7114	WASHER	2		19 X 30 X 4 MM
3	T81029	NUT	2		17.475 MM (11/16")
4	T77613	O-RING	8		9.246 X 1.778 MM (0.364" X 0.070")
5	AH130581	HYDRAULIC HOSE	2		11/16" X 780 MM (30-3/4") X 11/16"
6	38H1160	ADAPTER	2		
7	R26448	O-RING	2		11.887 X 1.981 MM (0.468" X 5/64")
8	R26375	O-RING	2		16.358 X 2.210 MM (0.644" X 0.087")
9	19M7868	SCREW	3		M8 X 30
	14M7298	FLANGE NUT	3		M8
10	H108745	CLAMP	3		
11	AH128642	HYDRAULIC LINE	1		(RETRACT)
12	AH128855	HYDRAULIC LINE	1		(EXTEND)
13	AH128854	HYDRAULIC LINE	1		(RETRACT)
14	38H1171	ADAPTER	2		

GRAIN TANK UNLOADING DRIVE CYLINDER WITH MOUNTING AND HOSE

HP5162 -UN-01JAN94



HP5162

GRAIN TANK UNLOADING DRIVE CYLINDER WITH MOUNTING AND HOSE - CONTINUED

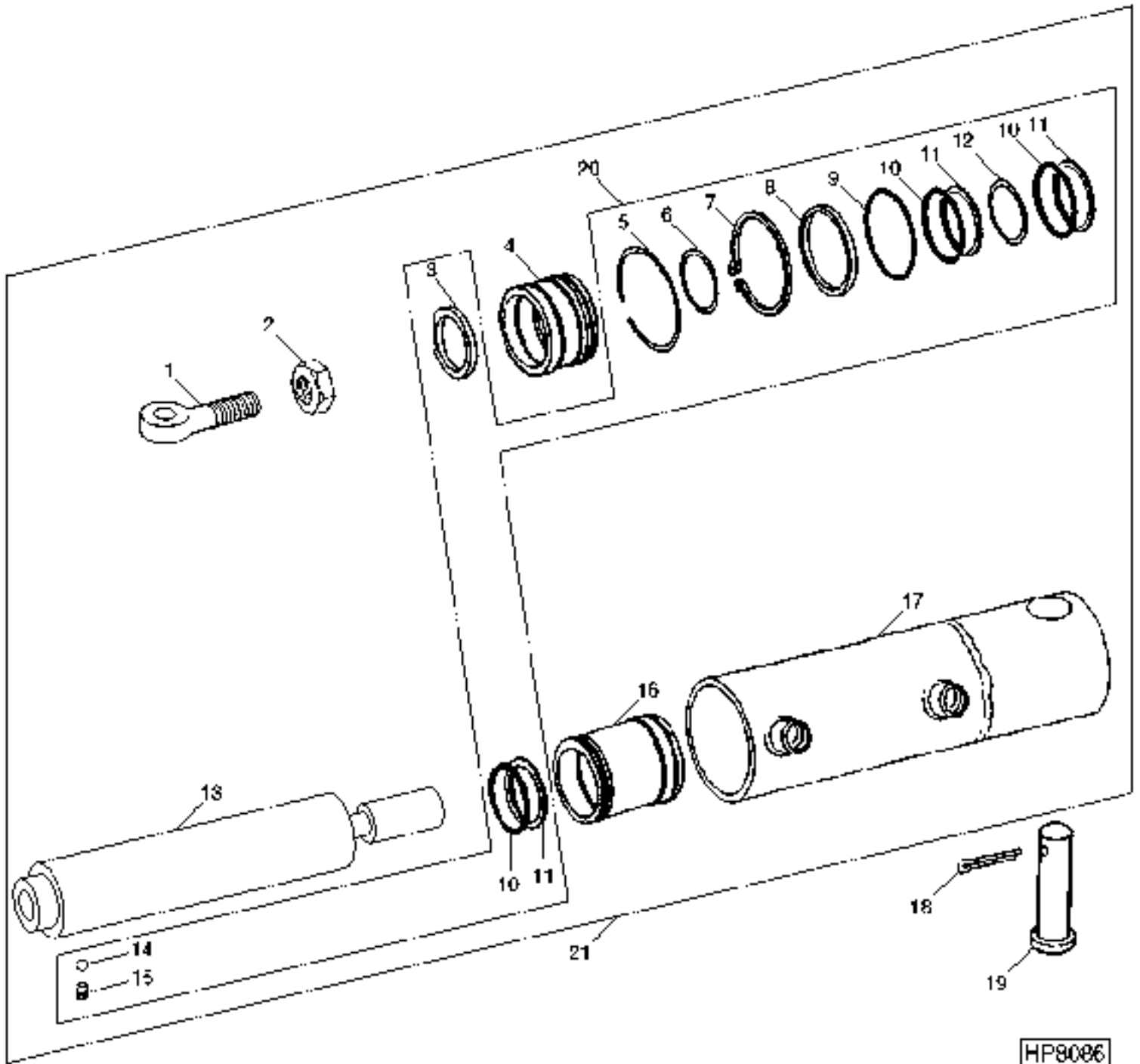
KEY	PART NO.	PART NAME	QTY	SERIAL NO.	REMARKS
1	19M7866	SCREW	4	M8 X 20	
	14M7298	FLANGE NUT	4	M8	
2	H129588	BRACKET	1		
3	H98765	PIN	1	12.700 X 60.500 MM (1/2" X 2.382")	
4	11M7059	COTTER PIN	1	3.200 X 20 MM	
5	38H1045	ELBOW FITTING	1		
6	T77613	O-RING	2	9.246 X 1.778 MM (0.364" X 0.070")	
7	AH120160	HYDRAULIC HOSE	1	11/16" X 1 050 MM (41-1/4") X 11/16"	
8	AH96317	CLIP	1		
9	AH116006	HYDRAULIC CYLINDER	1		
10	H133688	STOP	2		
11	19M8319	SCREW	2	M8 X 50	
	14M7298	FLANGE NUT	2	M8	
12	H133690	BRACKET	1		
13	J16931	SPRING LOCKING PIN	1		
14	R26448	O-RING	1	11.887 X 1.981 MM (0.468" X 5/64")	
15	H148340	PIN	1	12.700 X 60.500 MM (1/2" X 2.382")	

3E5

HYDRAULICS

UNLOADING AUGER SWING CYLINDER AND MOUNTING

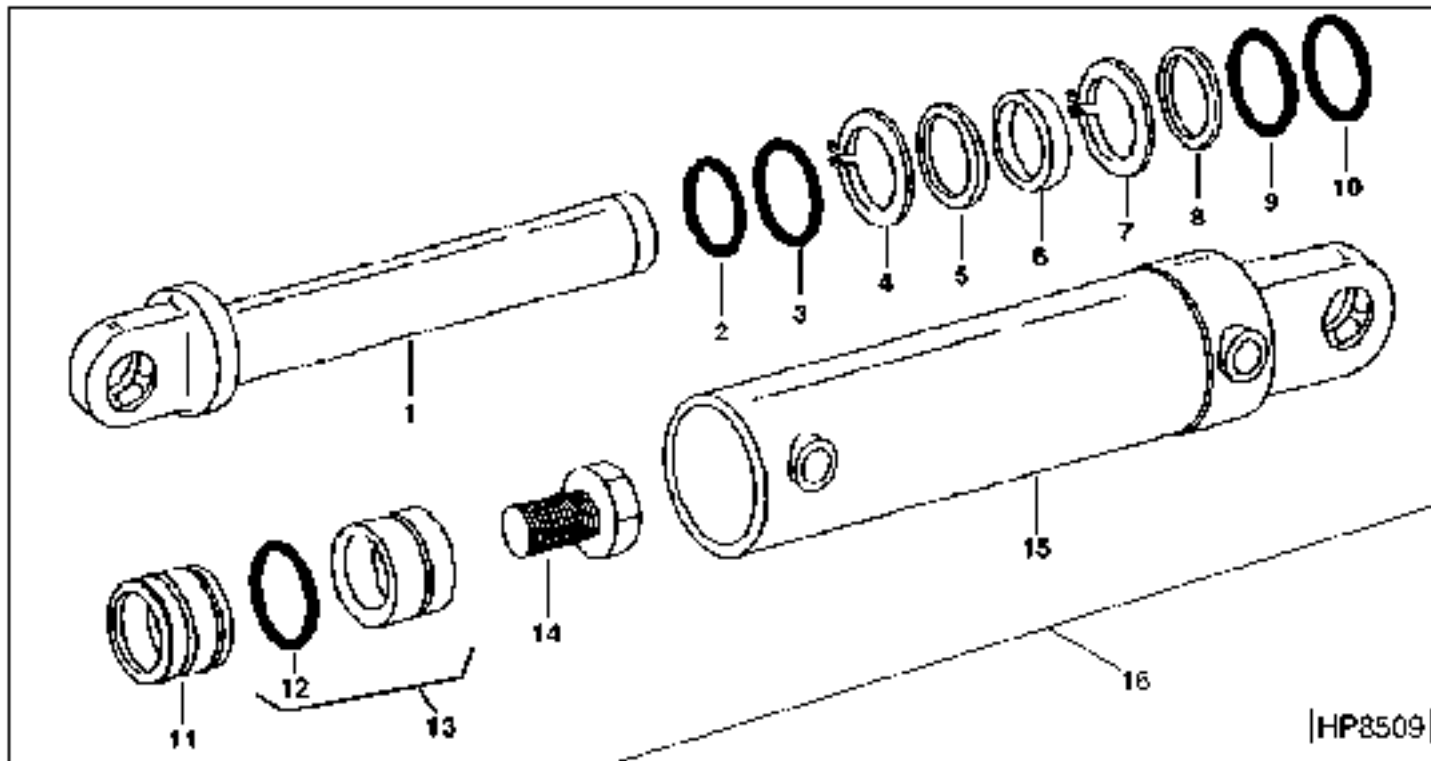
HP8086 -UN-11JAN99



UNLOADING AUGER SWING CYLINDER AND MOUNTING - CONTINUED

KEY	PART NO.	PART NAME	QTY	SERIAL NO.	REMARKS
1	H150926	EYEBOLT	1		
2	14H904	NUT	1		19.050 MM (3/4")
3	SEAL	1		
4	BEARING	1		
5	SNAP RING	1		
6	SEAL	1		
7	RING	1		
8	WASHER	1		
9	O-RING	1		
10	O-RING	1		
11	RING	1		
12	O-RING	1		
13	H150920	ROD	1		
14	L36230	BALL	1		4.500 MM (0.177")
15	22H897	SET SCREW	1		6.350 X 6.350 MM (1/4" X 1/4")
16	PISTON	1		
17	HYDRAULIC CYLINDER BARREL	1		
18	11H218	COTTER PIN	1		
19	R56930	PIN	1		
20	AH146043	KIT	1		
21	AH145030	HYDRAULIC CYLINDER	1		

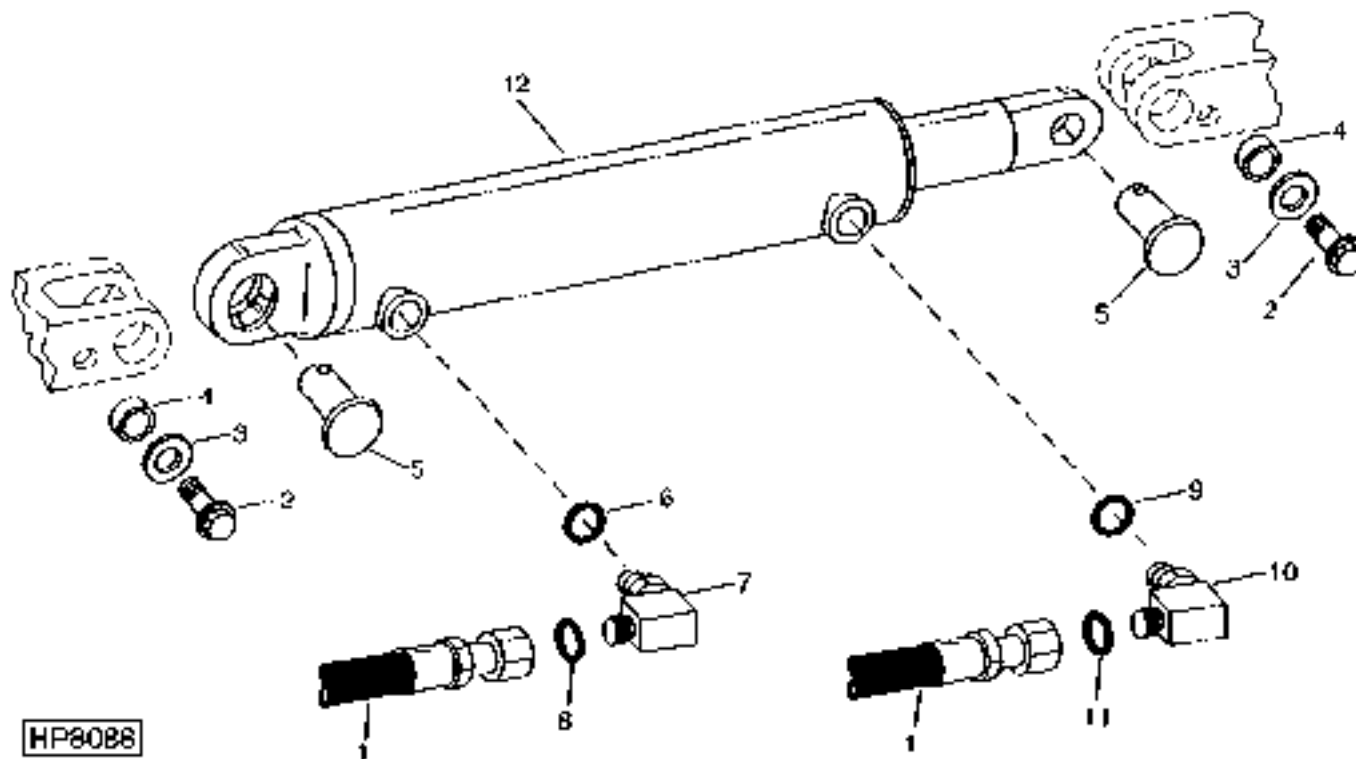
TILT CYLINDER - CONTOUR MASTER
HP8509 -UN-21APR99



KEY	PART NO.	PART NAME	QTY	SERIAL NO.	REMARKS
1	AH144482	ROD	1		
2	P45750	O-RING	1		
	T22828	O-RING	1	(A)	
3	H150411	SEAL	1	(A)	
4	R90565	SNAP RING	1		
5	H169509	BACK-UP RING	1	(A)	
6	H150412	SEAL	1	(A)	
7	R82571	SNAP RING	1		
8	H151629	WEAR RING	1	(A)	
9	R79117	WASHER	1	(A)	
10	H158942	O-RING	1	(A)	
11	H151694	HYDR. CYLINDER ROD GUIDE	1		
12	H144342	PISTON RING	1	(A)	
13	AH138200	PISTON	1		
14	19H2672	CAP SCREW	1	15.875 X 50.800 MM (5/8" X 2")	
15	AH144480	HYDRAULIC CYLINDER BARREL	1		
16	AH143322	HYDRAULIC CYLINDER	1		
..	AH167553	HYDRAULIC CYLINDER KIT	1	INCLUDES PARTS MARKED (A)	

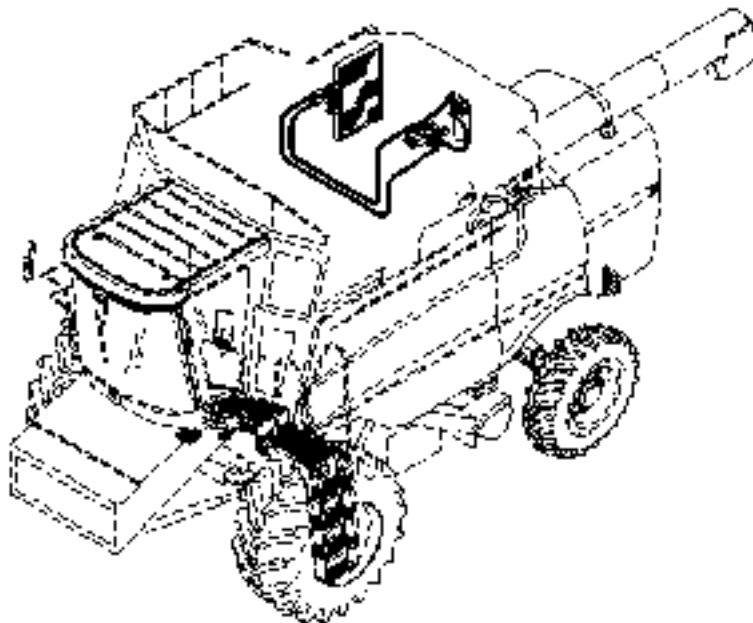
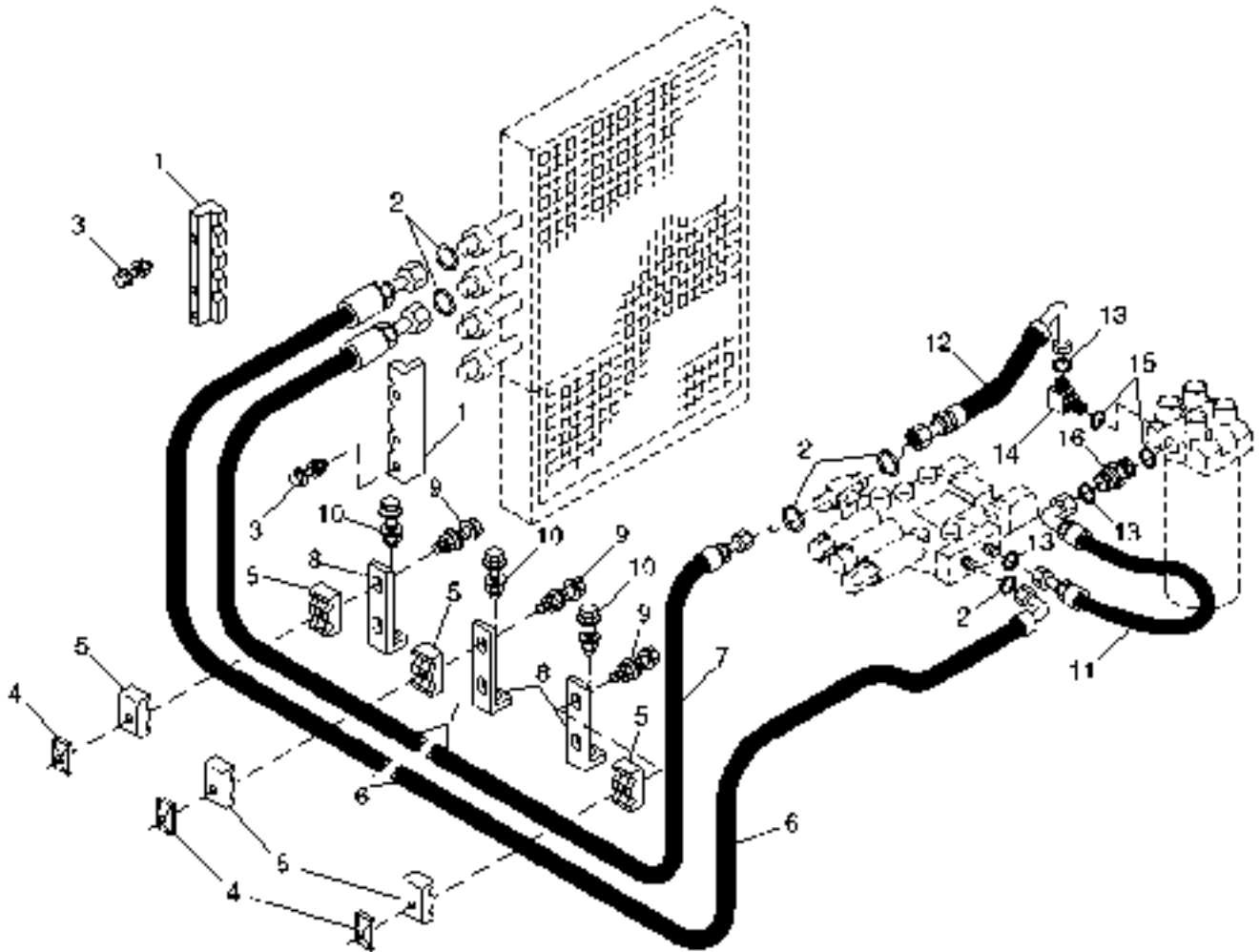
TILT CYLINDER HOSES AND FITTINGS - CONTOUR MASTER

HP8088 -UN-15DEC98



KEY	PART NO.	PART NAME	QTY	SERIAL NO.	REMARKS
1	AH143682	HYDRAULIC HOSE	2		
2	19M7866	SCREW	2	M8 X 20	
3	24H1291	WASHER	2	8.331 X 37.313 X 2.769 MM	
4	28H1511	WASHER	2	9.246 X 13.716 X 6.350 MM	
5	R56930	PIN	2	18.948 X 69.850 MM	
6	R28782	O-RING	1	8.915 X 1.829 MM	
7	38H1003	ELBOW FITTING	1		
8	T77814	O-RING	1	7.645 X 1.778 MM	
9	R26448	O-RING	1	11.887 X 1.981 MM	
10	38H1004	ELBOW FITTING	1		
11	T77613	O-RING	1	9.246 X 1.778 MM (0.364" X 0.070")	
12	AH143322	HYDRAULIC CYLINDER	1		ALSO NEED (1) R28782 O-RING AND (1)38H1003 ELBOW FITTING FOR MACHINES PRIOR TO -660314

WET CLUTCH OIL COOLER LINES AND HOSES
HP9417 -UN-04JAN00



HP9417

3E10

HYDRAULICS

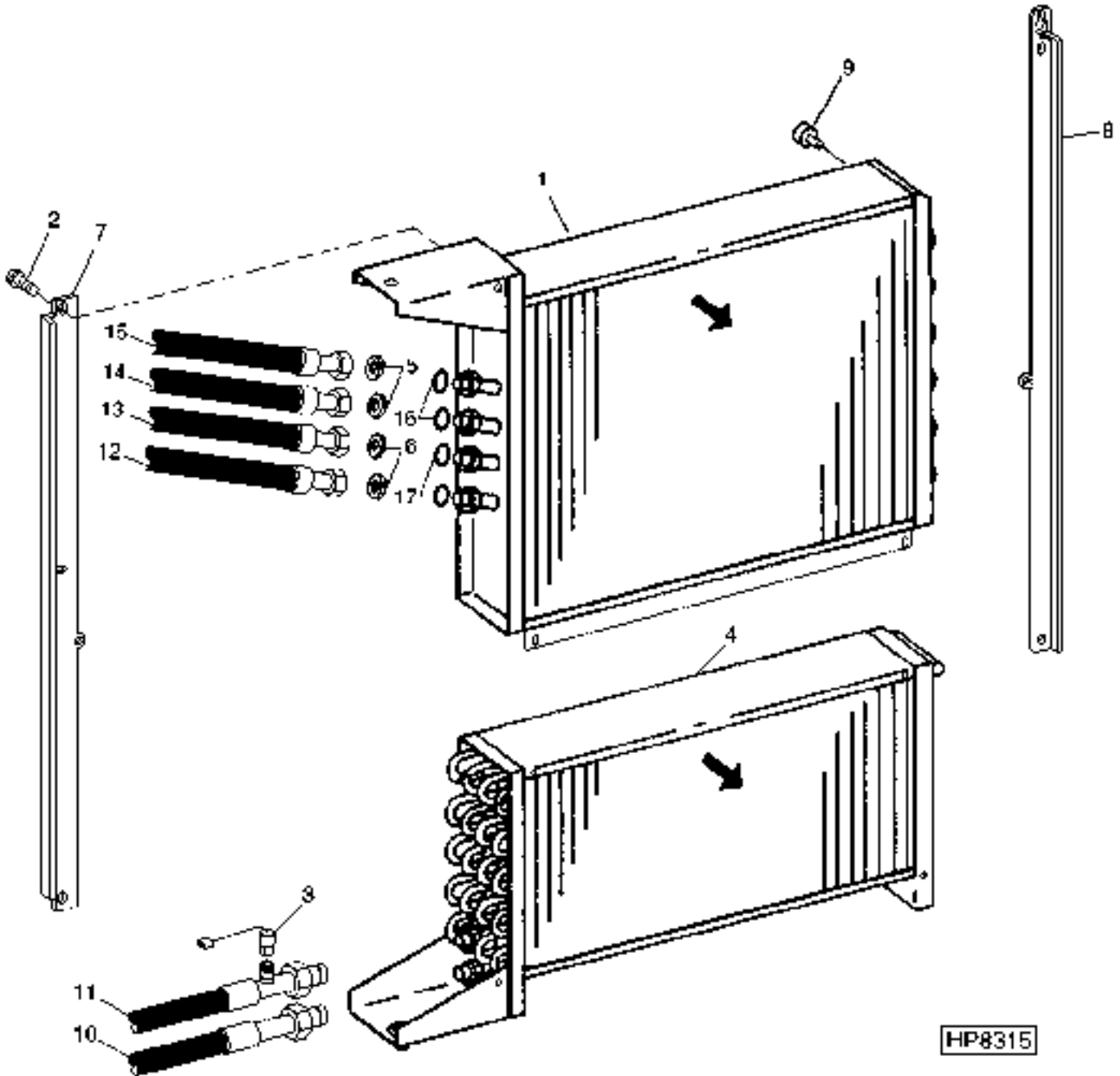
WET CLUTCH OIL COOLER LINES AND HOSES - CONTINUED

KEY	PART NO.	PART NAME	QTY	SERIAL NO.	REMARKS
1	H151585	CLAMP	2		
2	T77932	O-RING	5		15.596 X 1.778 MM (0.614" X 0.070")
3	19M8317	SCREW	6		M8 X 40
	14M7298	FLANGE NUT	3		M8
4	H112567	PLATE	3		
5	H150983	CLAMP	6		
6	AH145240	HYDRAULIC HOSE	1		
7	AH145242	HYDRAULIC HOSE	1		
8	H150980	BRACKET	3		
9	19M7979	SCREW	3		M8 X 55
	14M7298	FLANGE NUT	3		M8
10	19M7866	SCREW	3		M8 X 20
	14M7298	FLANGE NUT	3		M8
11	AH128780	HYDRAULIC HOSE	1		13/16" X 725 MM (28-1/2") X 13/16"
12	AH128779	HYDRAULIC HOSE	1		1" X 275 MM (10-3/4") X 13/16"
13	T77857	O-RING	3		12.421 X 1.778 MM (0.489" X 0.070")
14	38H1013	ELBOW FITTING	1		
15	U12547	O-RING	2		23.470 X 2.946 MM (0.924" X 0.116")
16	38H1175	ADAPTER	1		

3E11

HYDRAULICS

OIL COOLER AND A/C CONDENSER
HP8315 -UN-04MAY99



3E12

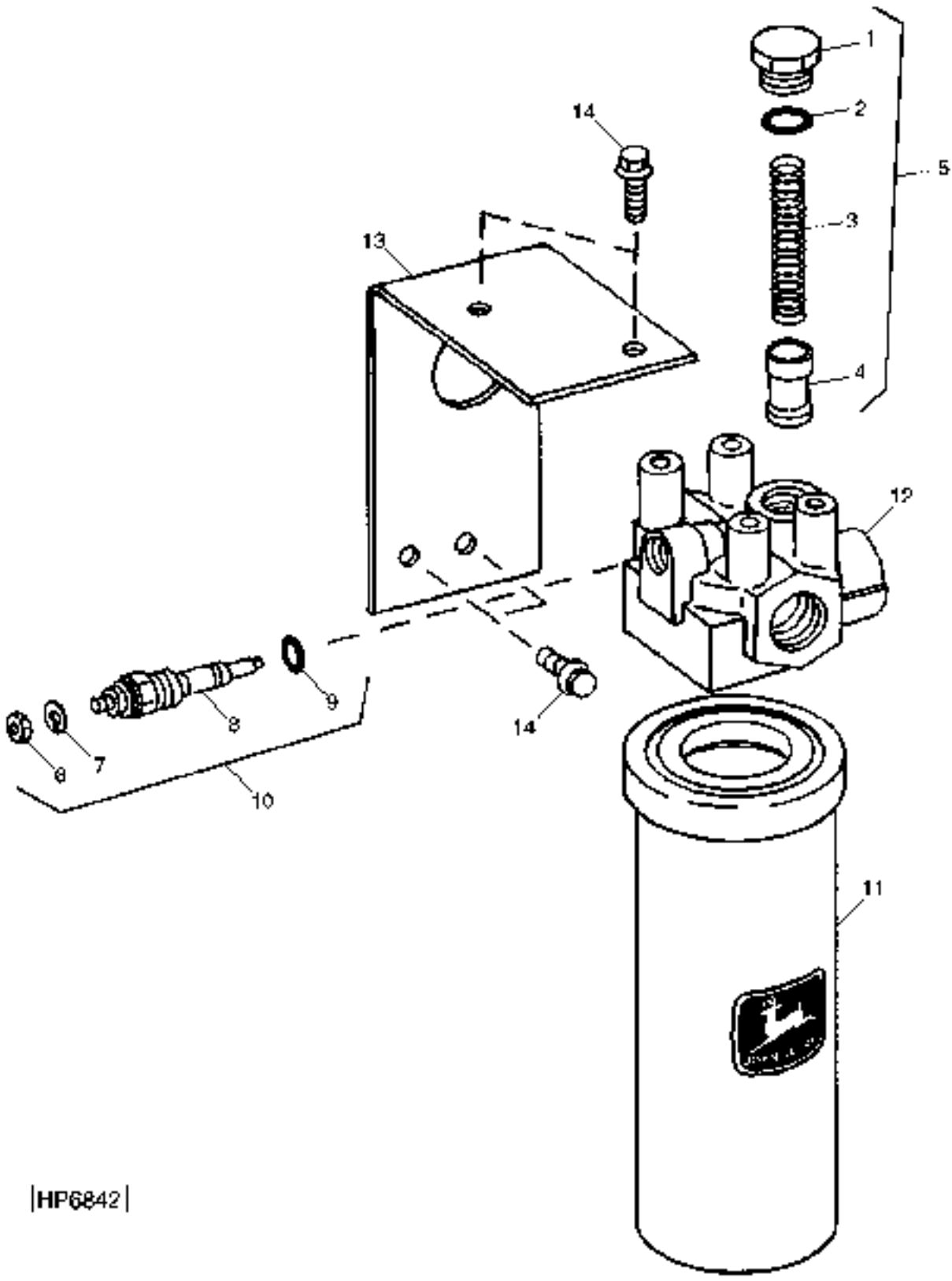
HYDRAULICS

OIL COOLER AND A/C CONDENSER - CONTINUED

KEY	PART NO.	PART NAME	QTY	SERIAL NO.	REMARKS
1	AH149588	OIL COOLER	1		(SUB FOR AH145232)
2	19M7774	SCREW	6		M6 X 12
3	RE24307	HIGH PRESSURE SWITCH	1		
4	AH149618	VAPOR CONDENSER	1		
5	T77932	O-RING	2		0.614" X 0.070"
6	T77858	O-RING	2		0.739" X 0.070"
7	H162584	BRACKET	1		R.H.
8	H162585	BRACKET	1		L.H.
9	H158596	STOP	1		
10	AH159026	REFRIGERANT HOSE	1		
11	AH159078	REFRIGERANT HOSE	1		
12	AH145236	HYDRAULIC HOSE	1		
13	AH145238	HYDRAULIC HOSE	1		
14	AH145240	HYDRAULIC HOSE	1		
15	AH145242	HYDRAULIC HOSE	1		
16	T77932	O-RING	2		
17	T77858	O-RING	2		

3E13

ENGINE GEARCASE OIL FILTER ASSEMBLY
HP6842 -UN-27JUL99



|HP6842|

3E14

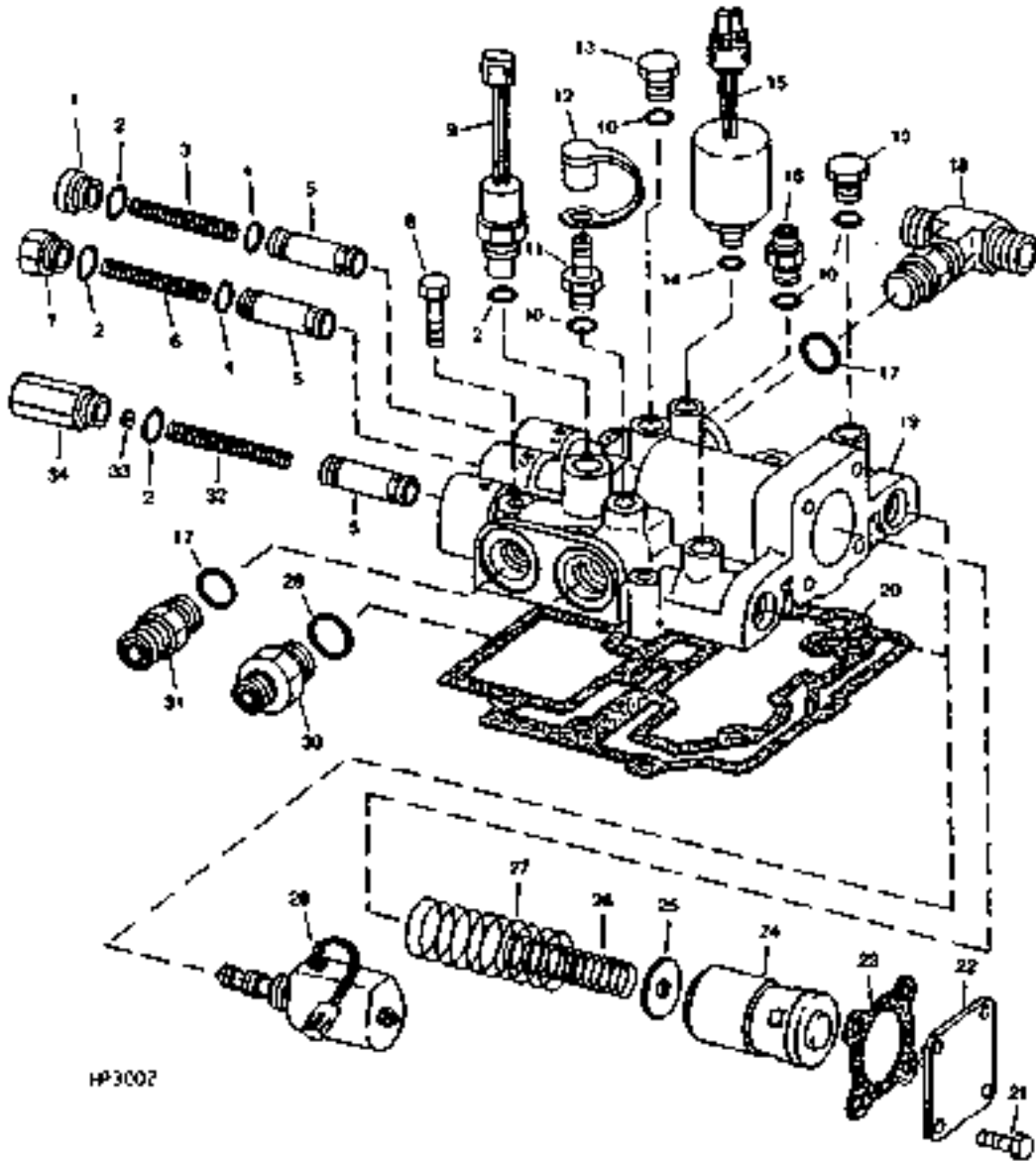
HYDRAULICS

ENGINE GEARCASE OIL FILTER ASSEMBLY - CONTINUED

KEY	PART NO.	PART NAME	QTY	SERIAL NO.	REMARKS
1	PLUG	1		
2	R26906	O-RING	1		19.177 X 2.464 MM (0.755" X 0.097")
3	SPRING	1		
4	PISTON	1		
5	AH128451	VALVE	1		
6	14H631	NUT	1		0.190"
7	12H295	LOCK WASHER	1		0.190"
8	SENDER	1		
9	R26448	O-RING	1		11.887 X 1.981 MM (0.468" X 5/64")
10	AH128450	TOUCH SWITCH	1		
11	AH128449	HYDRAULIC FILTER	1		
12	AH139434	HYDRAULIC FILTER	1		
13	H133675	BRACKET	1		
14	19M7784	SCREW	4		M10 X 20

3E15

ENGINE GEARCASE PRESSURE REGULATOR HP3002 -UN-10OCT88



HP3002

3E16

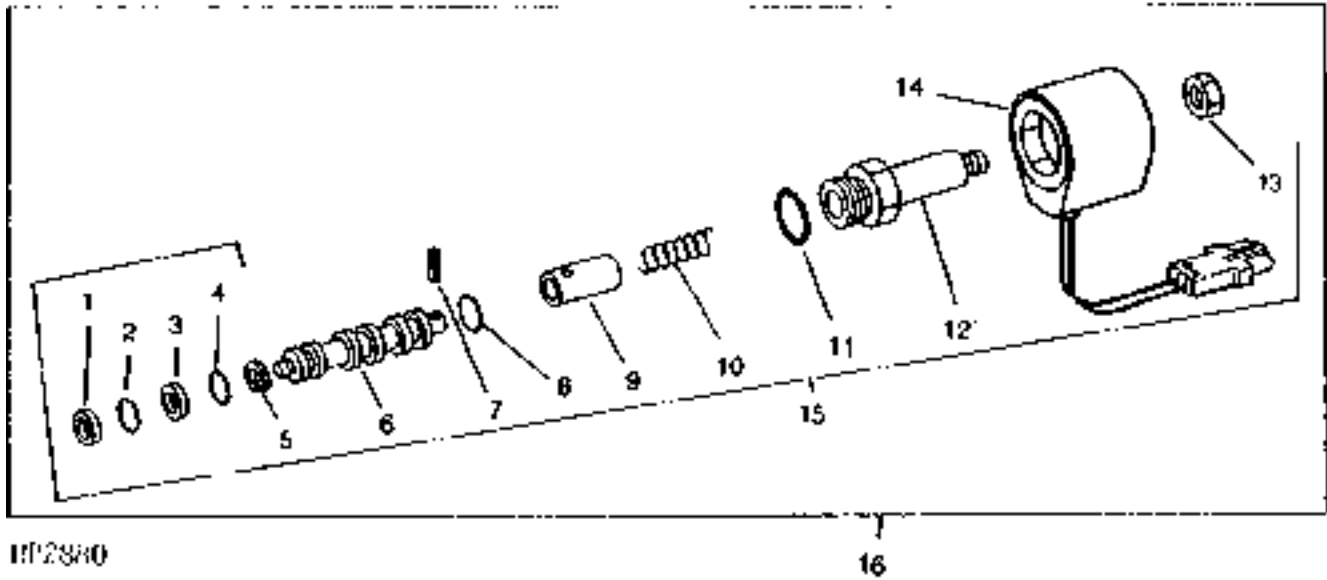
HYDRAULICS

ENGINE GEARCASE PRESSURE REGULATOR - CONTINUED

KEY	PART NO.	PART NAME	QTY	SERIAL NO.	REMARKS
1	R33138	FITTING	1		
2	R26375	O-RING	4		16.358 X 2.210 MM (0.644" X 0.087")
3	H89241	SPRING	1		
4	R28776	O-RING	2		12.421 X 1.778 MM (0.489" X 0.070")
5	R63980	VALVE	3		
6	R56782	SPRING	1		
7	H126026	FITTING	1		
8	19M7979	SCREW	7		M8 X 55
9	AH116105	SWITCH	1		GEARCASE TEMPERATURE SWITCH
	R78059	ELECTRICAL PLUG	1		(PKG OF 40)
10	R26448	O-RING	4		11.887 X 1.981 MM (0.468" X 5/64")
11	AH125760	HYD. QUICK-CONNECT COUPLER	1		
12	R77175	COVER	1		
13	R27218	FITTING PLUG	2		
14	R28782	O-RING	1		8.915 X 1.829 MM (0.351" X 0.072")
15	AH135744	SWITCH	1		
	RE12363	CONNECTOR	1		(PKG OF 40)
	R78063	TERMINAL NIPPLE	1		
	R78060	SOCKET CONTACT	1		
16	38H1160	ADAPTER	1		
17	R26906	O-RING	2		19.177 X 2.464 MM (0.755" X 0.097")
18	38H1018	TEE FITTING	1		
19	H132970	HOUSING	1		
20	H129328	GASKET	1		
21	19M7867	SCREW	4		M8 X 25
22	H118906	COVER	1		
23	H129765	GASKET	1		
24	T77514	PISTON	1		
25	24H1312	WASHER	1		13/32" X 1-3/8" X 0.105"
26	R47449	SPRING	1		
27	T45132	SPRING	1		
28	AH128655	SOLENOID VALVE	2		
29	U12547	O-RING	1		23.470 X 2.946 MM (0.924" X 0.116")
30	38H1175	ADAPTER	1		
31	38H1162	ADAPTER	1		
32	T60314	SPRING	1		
33	R33521	SHIM	AR		
34	H126028	FITTING	1		
..	AH128785	SHUT-OFF VALVE	1		(COMPLETE) DOES NOT INCLUDE KEYS 8 AND 20

3E17

SOLENOID CONTROL VALVE FOR ENGINE GEARCASE PRESSURE REGULATOR
 HP2880 -UN-01JAN94



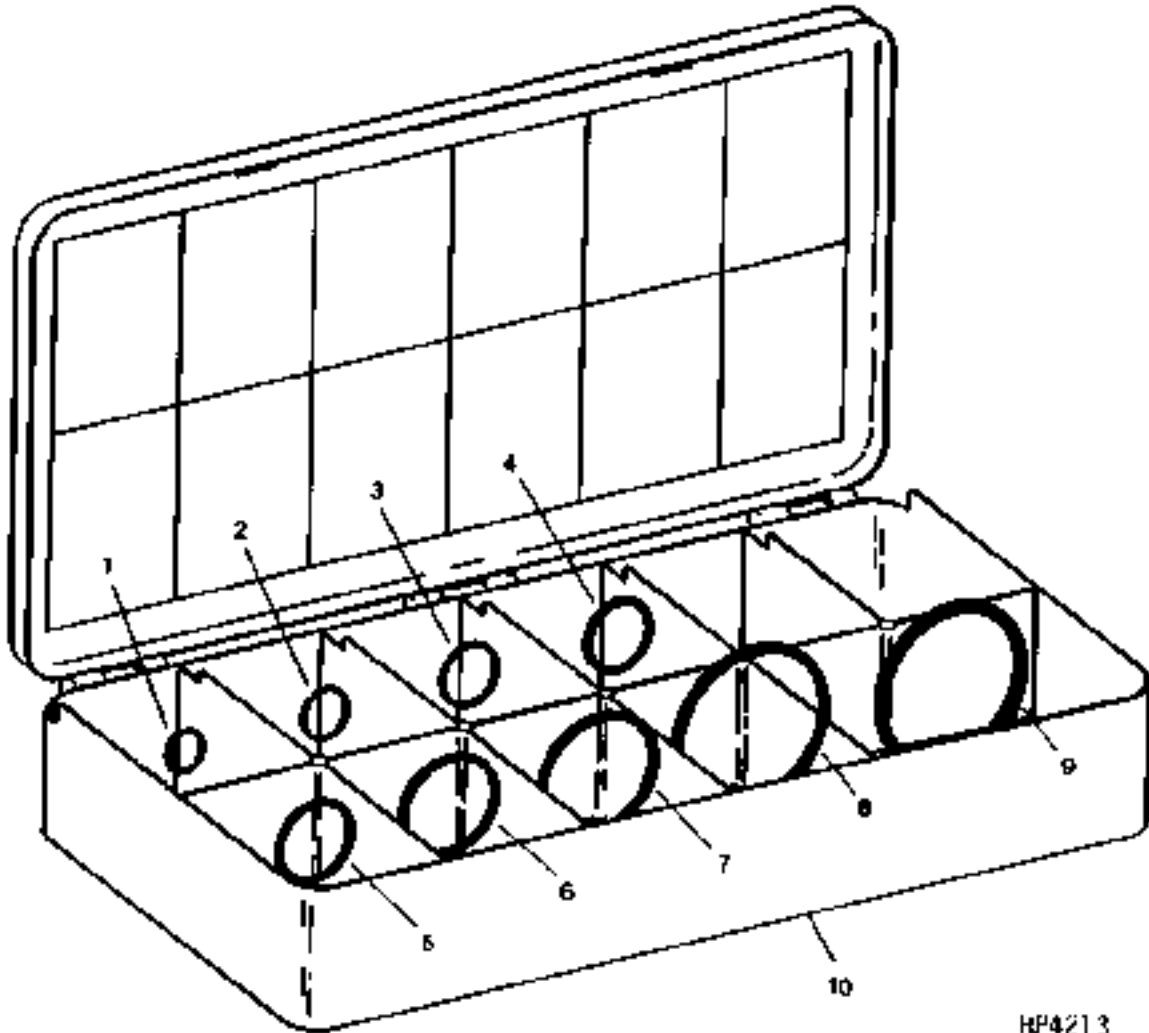
KEY	PART NO.	PART NAME	QTY	SERIAL NO.	REMARKS
1	R42926	BACK-UP RING	1		
2	T77857	O-RING	1		12.421 X 1.778 MM (0.489" X 0.070") (SUB FOR R45186)
3	R45187	BACK-UP RING	1		
4	R45638	O-RING	1		15.596 X 1.778 MM (0.614" X 0.070")
5	R46701	SNAP RING	1		
6	VALVE SPOOL	1		(KIT AH128655 OR AH130949)
7	34H227	SPRING PIN	1		3/32" X 1/2"
8	N31772	O-RING	1		18.771 X 1.778 MM (0.739" X 0.070")
9	PLUNGER	1		(KIT AH128655 OR AH130949)
10	R64698	SPRING	1		
11	U12547	O-RING	1		23.470 X 2.946 MM (0.924" X 0.116")
12	GUIDE	1		(KIT AH128655 OR AH130949)
13	M63707	LOCK NUT	1		6.350 MM (1/4")
14	AH128654	ELECTRICAL COIL	1		
	R78053	PIN CONTACT CONNECTOR BODY	1		(PKG OF 3)
	R78059	ELECTRICAL PLUG	1		(PKG OF 40)
	R78061	PIN CONTACT	1		(PKG OF 40)
15	AH130949	SOLENOID VALVE	1		
16	AH128655	SOLENOID VALVE	1		

MEMORANDA

3E18

HYDRAULICS

HYDRAULIC FLAT O-RING KIT
HP4213 -UN-01JAN94



HP4213

3E19

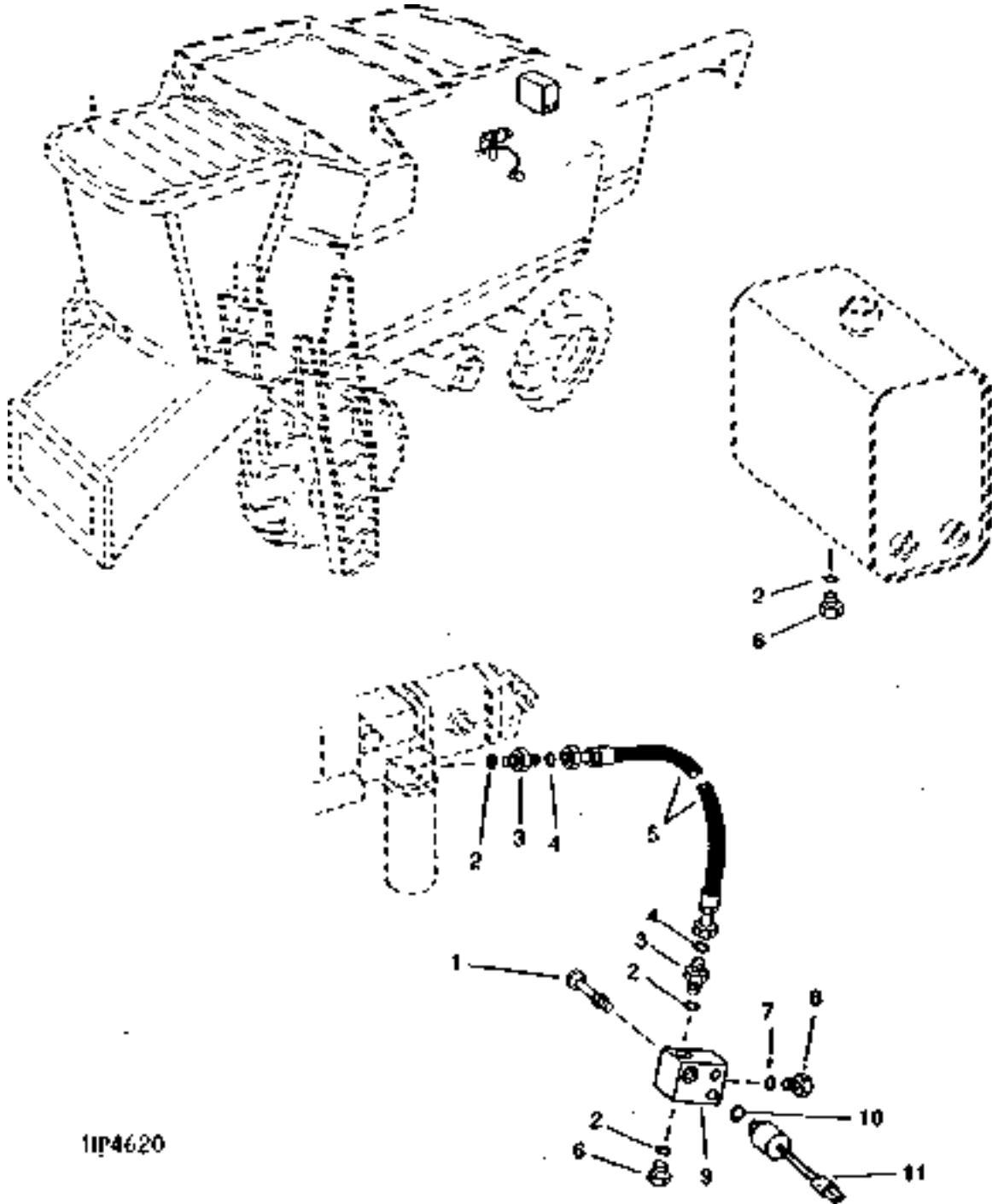
HYDRAULICS

HYDRAULIC FLAT O-RING KIT - CONTINUED

KEY	PART NO.	PART NAME	QTY	SERIAL NO.	REMARKS
1	T77814	O-RING	10		7.645 X 1.778 MM (0.301" X 0.070") SIZE -4
2	T77613	O-RING	12		9.246 X 1.778 MM (0.364" X 0.070") SIZE -6
3	T77857	O-RING	12		12.421 X 1.778 MM (0.489" X 0.070") SIZE -8
4	T77932	O-RING	12		15.596 X 1.778 MM (0.614" X 0.070") SIZE -10
5	T77858	O-RING	12		18.771 X 1.778 MM (0.739" X 0.070") SIZE -12
6	T76938	O-RING	12		23.520 X 1.778 MM (0.926" X 0.070") SIZE -16
7	T78612	O-RING	5		29.870 X 1.778 MM (1.176" X 0.070") SIZE -20
8	T78784	O-RING	5		37.821 X 1.778 MM (1.489" X 0.070") SIZE -24
9	T78313	O-RING	6		32.918 X 3.531 MM (1.296" X 0.139")
10	AT85197	O-RING KIT	1		

3E20

CHARGE PRESSURE HOSE
HP4620 -UN-01JAN94



CHARGE PRESSURE HOSE - CONTINUED

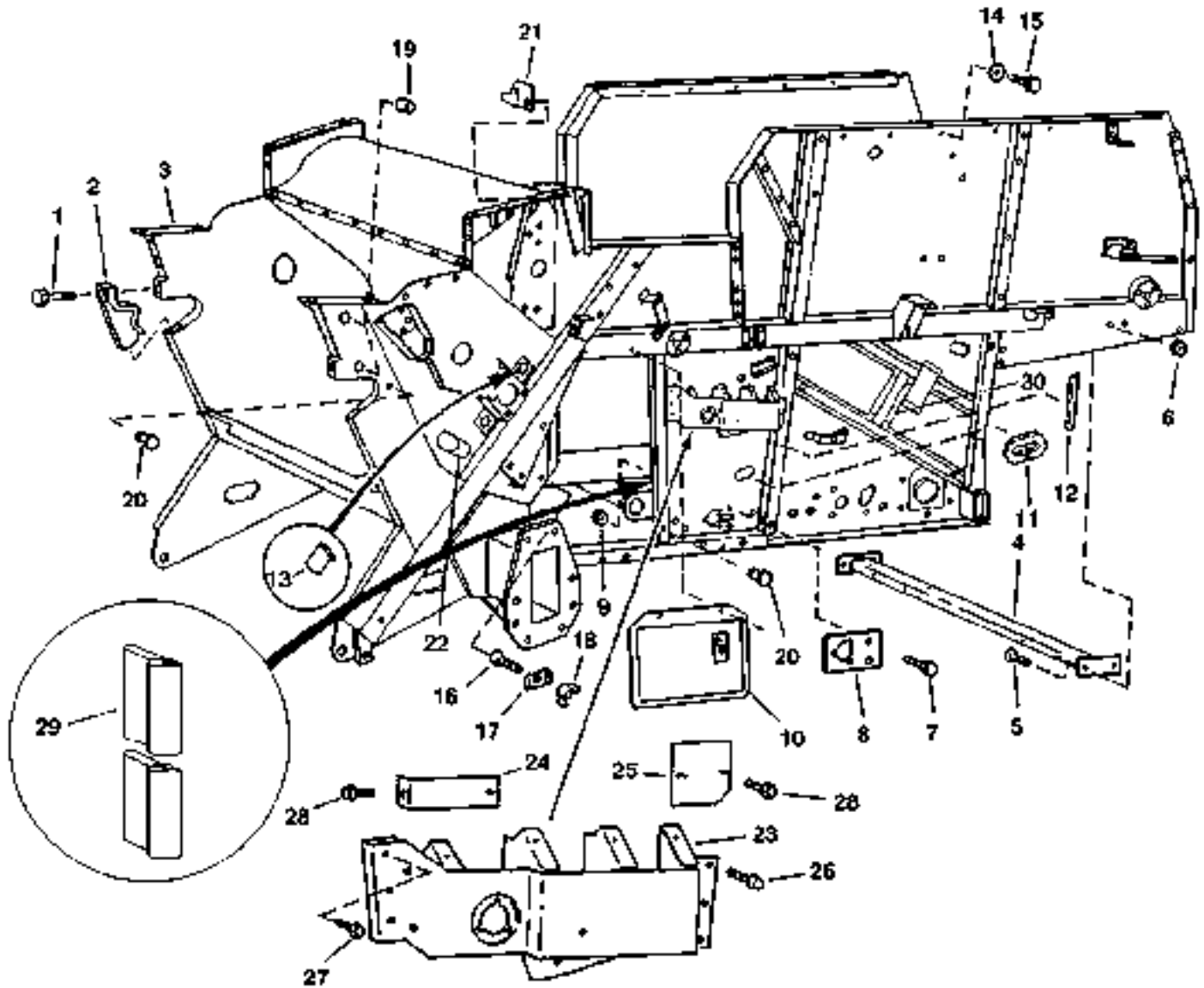
KEY	PART NO.	PART NAME	QTY	SERIAL NO.	REMARKS
1	03M7267	BOLT	2	M8 X 80	
	14M7298	FLANGE NUT	2	M8	
2	R26448	O-RING	4	11.887 X 1.981 MM (0.468" X 5/64")	
3	38H1160	ADAPTER	2		
4	T77613	O-RING	2	9.246 X 1.778 MM (0.364" X 0.070")	
5	AH128894	HYDRAULIC HOSE	1	11/16" X 505 MM (20") X 11/16", 11/16" X 570 MM (22-1/2") X 11/16" (PRESSURE)	
6	R27218	FITTING PLUG	2		
7	R26375	O-RING	1	16.358 X 2.210 MM (0.644" X 0.087")	
8	R39112	FITTING	1		
9	H139448	FITTING	1		
10	R28782	O-RING	1	8.915 X 1.829 MM (0.351" X 0.072")	
11	AH128929	SWITCH	1	PRESSURE	

MEMORANDA

3F3

SEPARATOR SHELL

SEPARATOR FRAME
HP6867 -UN-04AUG97



HP6867

3F4

SEPARATOR SHELL

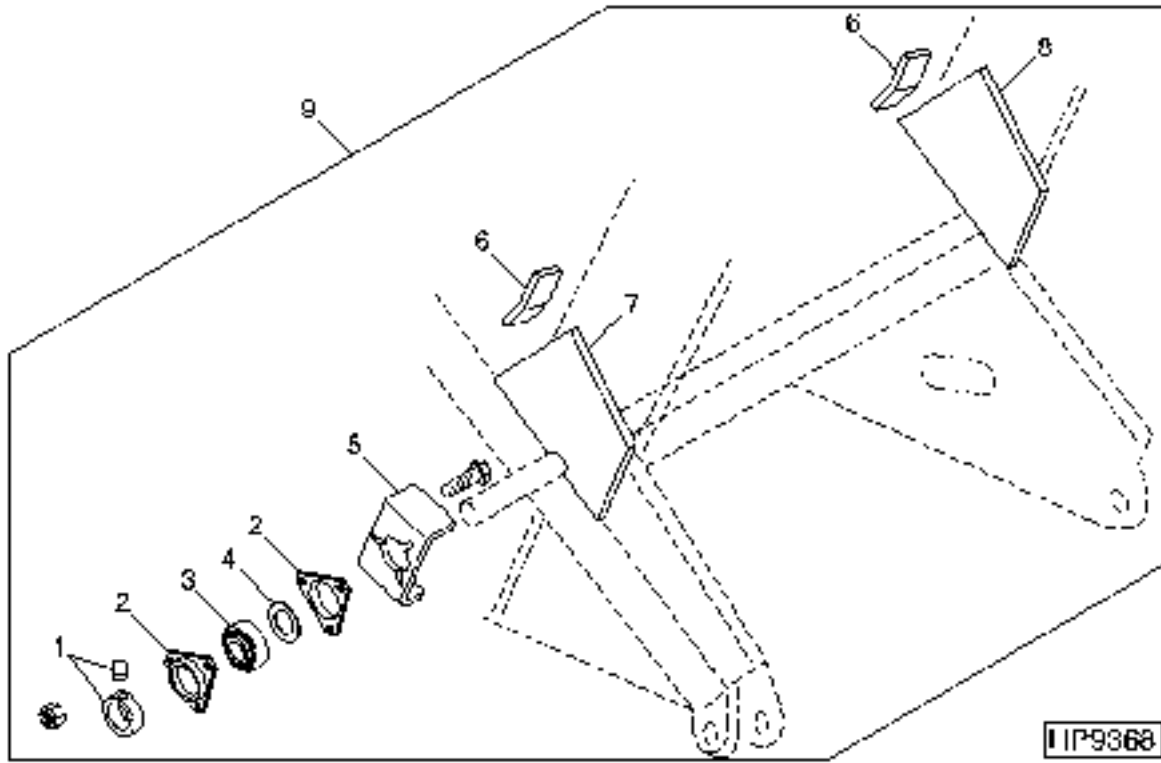
SEPARATOR FRAME- CONTINUED

KEY	PART NO.	PART NAME	QTY	SERIAL NO.	REMARKS
1	19M7831	SCREW	2		
2	H158749	RETAINER	2		
3	FRAME	1		
4	AH132360	CROSSBAR	2		
5	03M7218	BOLT	8	M10 X 80	
	03M7247	BOLT	4	M10 X 90	
	19M7811	SCREW	4	M10 X 90	
6	14M7296	FLANGE NUT	8	M10	
7	19M7865	SCREW	2	M8 X 16	
8	H132539	COVER	1		
9	14M7298	FLANGE NUT	2	M8	
10	H130349	COVER	2		
11	SEAL	2		(CUT FROM AH133091)
12	SEAL	2		(CUT FROM AH133091)
13	H89544	DOOR	4		TO CHECK CYLINDER TO CONCAVE CLEARANCE
14	24M7178	WASHER	10		10.500 X 30 X 2.500 MM
15	37M7080	SCREW	10		M10 X 30, THRU ENGINE PLATFORM AND INTO FRAME SILL WELD NUT
16	03M7185	BOLT	4	M8 X 25	
17	P47159	CLAMP	4		
18	14M7020	WING NUT	4	M8	
19	H120379	SPACER	4		10.744 X 17.140 X 66 MM (0.423" X 0.675" X 2.598")
20	H132926	PLUG	4		
21	H140866	CLAMP	1		
22	H148000	PLUG	1		KNOCK OUT PLUG (TO CONVERT TO RICE CYLINDER) IF LOST - WELD IN PLACE
23	AH140485	BRACKET	1		L. H.
	AH140484	BRACKET	1		R.H.
24	H144715	SHIELD	1		L. H.
	H144716	SHIELD	1		R.H.
25	H144717	SHIELD	1		L.H.
26	19M7785	SCREW	3	M10 X 25	
27	19M8292	SCREW	3	M10 X 50	
28	37M7089	SCREW	2	M6 X 12	
29	SEAL	1		CUT TO 180 MM FROM AH133091
30	H160265	REINFORCEMENT	2		

3F5

SEPARATOR SHELL

NO. 1 UPRIGHT KIT
HP9368 -UN-30NOV99



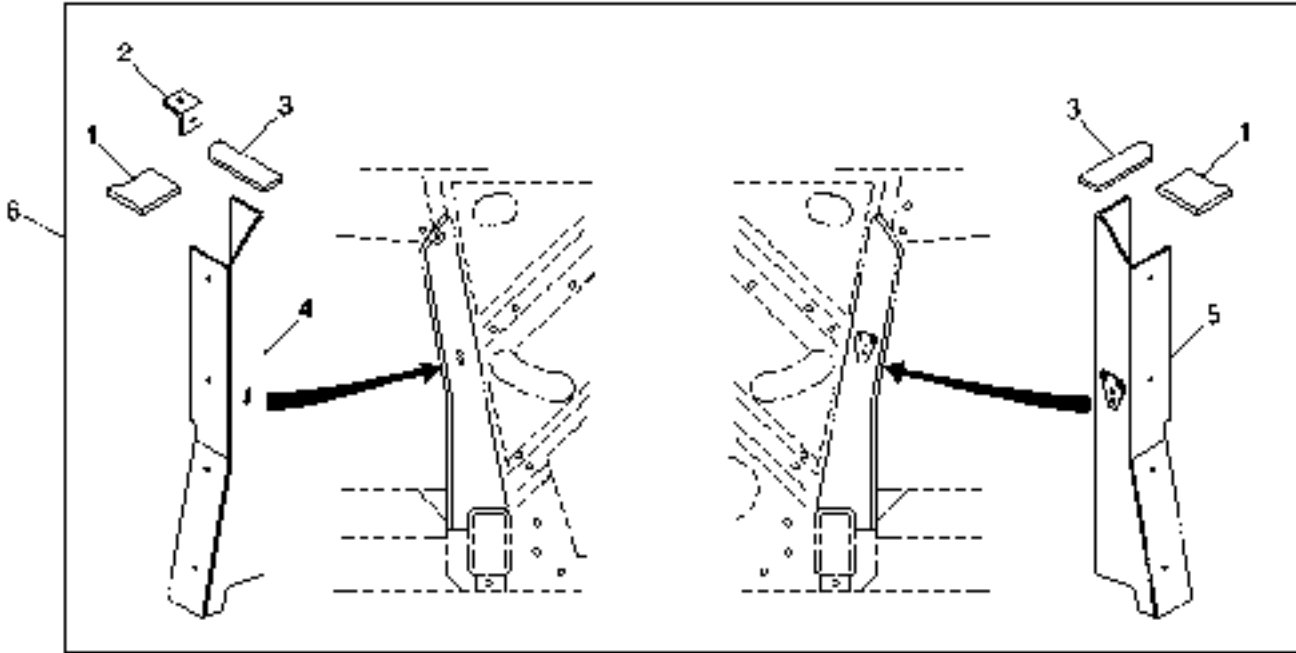
HP9368

KEY	PART NO.	PART NAME	QTY	SERIAL NO.	REMARKS
1	AH129452	ECCENTRIC LOCKING COLLAR	1		
2	E10018	PRESSED FLANGED HOUSING	2		
3	AH129451	BALL BEARING	1		
4	H102533	SHIM	1		
5	BRACKET	1		
6	ANGLE	2		
7	PLATE	1		R.H.
8	PLATE	1		L.H.
9	AH140312	KIT	1		

3F6

SEPARATOR SHELL

NO. 5 UPRIGHT KIT
HP9369 -UN-01DEC99



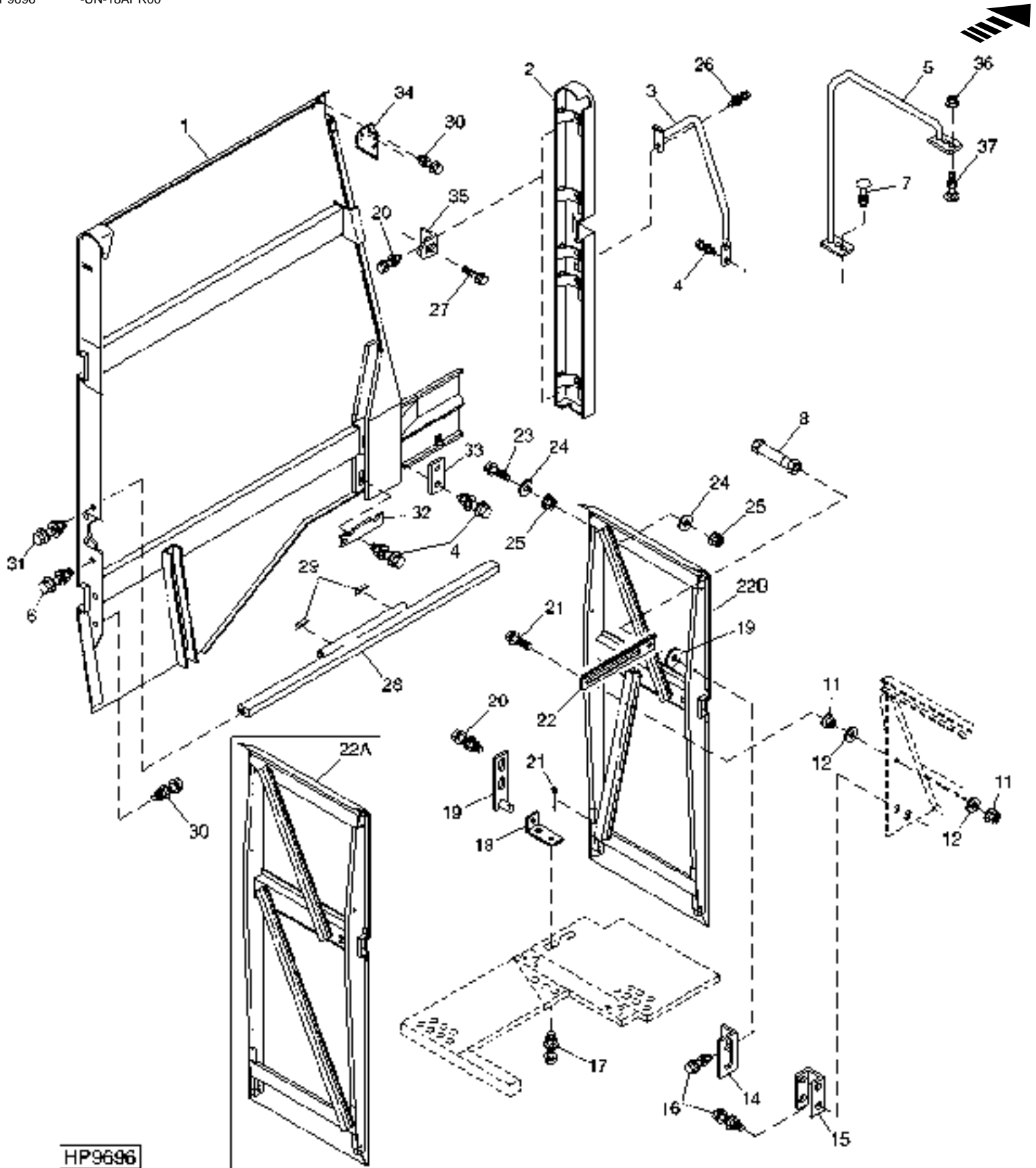
HP9369

KEY	PART NO.	PART NAME	QTY	SERIAL NO.	REMARKS
1	PLATE	2		
2	H145700	ANGLE	1		
3	H146057	REINFORCEMENT	2		
4	AH139570	REINFORCEMENT	1	R.H.	
5	AH139571	REINFORCEMENT	1	L.H.	
6	AH140427	KIT	1		

3F7

SEPARATOR SHELL

ENGINE ACCESS DOOR, HANDRAILS, AND RADIATOR DOOR
HP9696 -UN-18APR00



HP9696

3F8

SEPARATOR SHELL

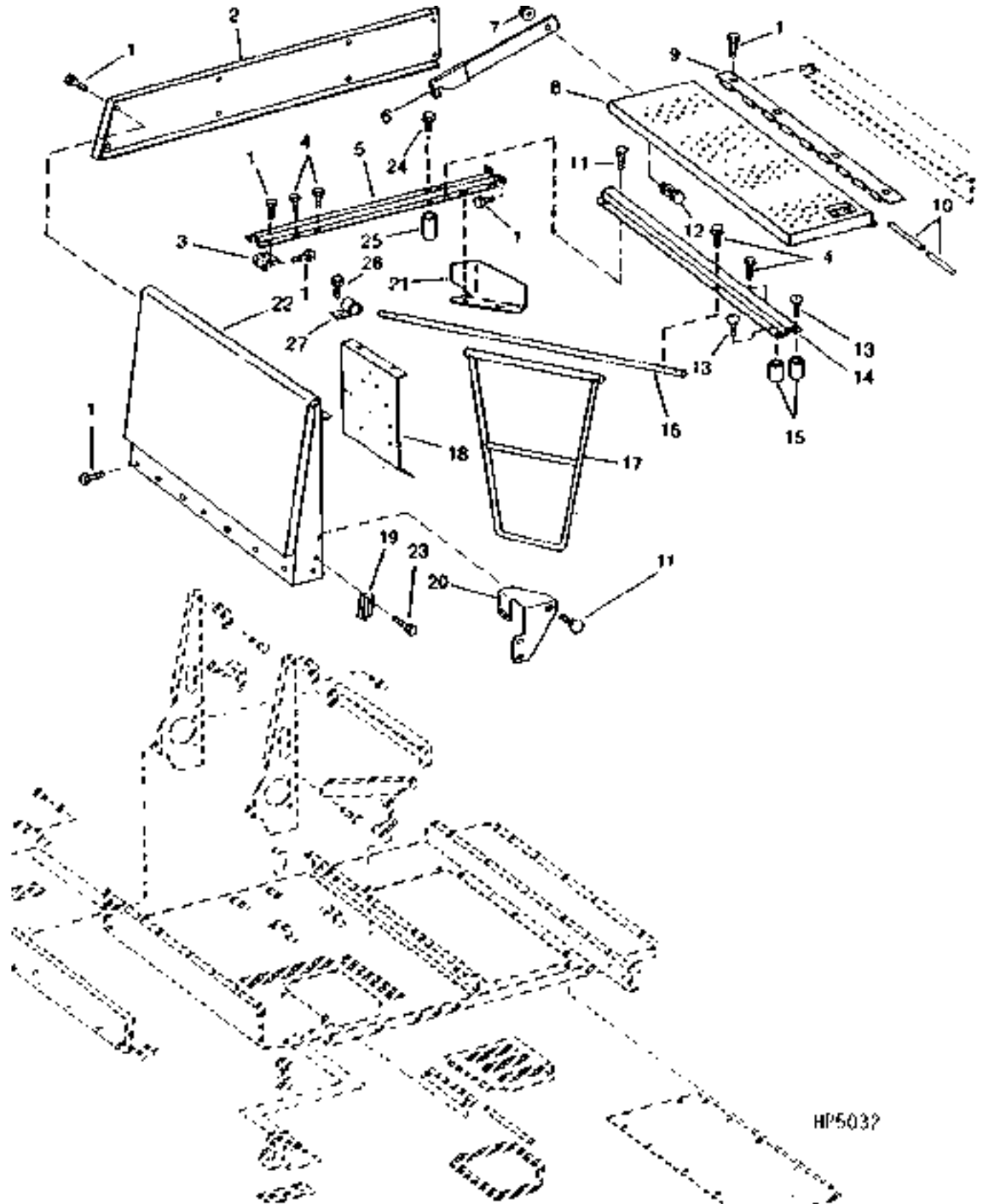
ENGINE ACCESS DOOR, HANDRAILS, AND RADIATOR DOOR - CONTINUED

KEY	PART NO.	PART NAME	QTY	SERIAL NO.	REMARKS
1	AH136163	DOOR	1		
2	AH126015	PANEL	1		
3	AH126016	HANDRAIL	1		
4	19M7785	SCREW	6	M10 X 25	
	14M7296	FLANGE NUT	6	M10	
5	AH125686	HANDRAIL	1		
6	19M7785	SCREW	3	M10 X 25	
7	19M7784	SCREW	2	M10 X 20	
	14M7296	FLANGE NUT	2	M10	
8	53M7003	SCREW	1	M8 X 25	
	E64256	LOCK NUT	1	M8	
9	24M7178	WASHER	1	10.500 X 30 X 2.500 MM	
10	H132511	STOP	1		
11	14M7273	NUT	2	M8	
12	24M7207	WASHER	2	8.400 X 24 X 2 MM	
13	19M8319	SCREW	1	M8 X 50	
14	H134072	ANGLE	1		
15	H134073	STOP	1		
16	19M7866	SCREW	4	M8 X 20	
	14M7298	FLANGE NUT	4	M8	
17	03M7185	BOLT	4	M8 X 25	
	24M7207	WASHER	4	8.400 X 24 X 2 MM	
	14M7298	FLANGE NUT	4	M8	
18	H130246	HINGE	2		
19	AH125575	PLATE	2		
20	03M7184	BOLT	7	M8 X 20	
	14M7298	FLANGE NUT	7	M8	
21	11M7012	COTTER PIN	2	3.200 X 16 MM	
22A	AH133830	DOOR	1	(SUB AH168934)	
22B	AH168934	DOOR	1		
23	H133042	PIN	1		
24	24M7180	WASHER	2	13 X 37 X 3 MM	
25	14M7299	FLANGE NUT	2	M12	
26	19M7784	SCREW	1	M10 X 20	
	24M7101	WASHER	1	11 X 34 X 3 MM	
	14M7296	FLANGE NUT	1	M10	
27	19M7866	SCREW	3	M8 X 20	
28	H130967	REINFORCEMENT	1		
29	Z39238	FOAM PAD	2		
30	19M7865	SCREW	4	M8 X 16	
	14M7298	FLANGE NUT	4	M8	
31	19M7784	SCREW	2	M10 X 20	
	14M7296	FLANGE NUT	2	M10	
32	H132793	STRAP	AR		
33	H132992	PLATE	2		
34	H134403	REINFORCEMENT	1		
35	H130968	ANGLE	3		
36	14M7296	FLANGE NUT	2	M10	
37	03M7307	BOLT	2	M10 X 25	

3F9

SEPARATOR SHELL

ENGINE COMPARTMENT
HP5032
-UN-01JAN94



HP5032

3F10

SEPARATOR SHELL

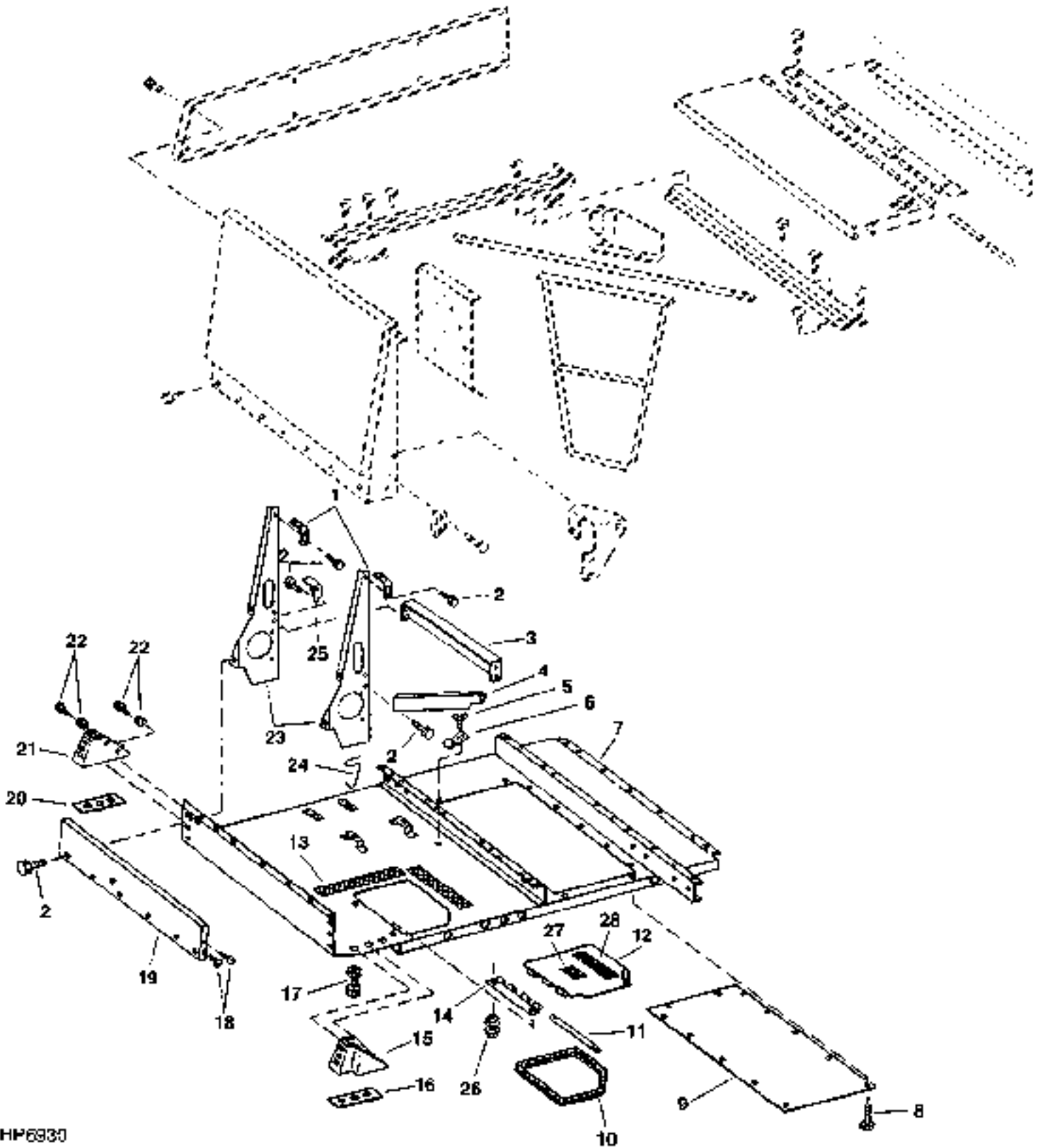
ENGINE COMPARTMENT - CONTINUED

KEY	PART NO.	PART NAME	QTY	SERIAL NO.	REMARKS
1	19M7865	SCREW	110	M8 X 16	
	14M7298	FLANGE NUT	110	M8	
2	H134106	PANEL	1	L.H.	
3	H128744	ANGLE	1		
4	19M8290	SCREW	4	M6 X 35	
	14M7397	LOCK NUT	4	M6	
5	AH162073	CHANNEL	1		(SUB FOR AH129195 OR AH158255)
6	AH136616	BRACE	1		
7	14M7396	LOCK NUT	1	M8	
8	AH139031	DOOR	1		
9	H134739	HINGE	1		
10	H134930	PIN	1		8 X 1 165 MM (0.315" X 45.866") (MAKE FROM H99599)
11	03M7183	BOLT	1	M8 X 16	
	14M7298	FLANGE NUT	1	M8	
12	19M7868	SCREW	1	M8 X 30	
	14M7273	NUT	1	M8	
13	37M7102	SCREW	2	M8 X 40	
14	AH139030	CHANNEL	1	REAR	
15	H141836	BUSHING	2		12.522 X 17.145 X 25.400 MM (0.493" X 0.675" X 1")
16	H155112	TUBE	1		
17	AH129228	LADDER	1		
18	AH130497	PLATE	1		
19	H134073	STOP	1		
20	H137267	REINFORCEMENT	1	REAR WALL	
21	H135610	DEFLECTOR	1		
22	AH130173	PANEL	1	UPPER REAR	
23	19M7866	SCREW	1	M8 X 20	
	14M7298	FLANGE NUT	1	M8	
24	19M8318	SCREW	1	M8 X 45	
25	28H1633	BUSHING	1		9.246 X 13.716 X 39.675 MM (0.364" X 0.540" X 1-9/16")
26	19M7865	SCREW	1	M8 X 16	
27	H136577	CLAMP	1		

3F11

SEPARATOR SHELL

ENGINE PLATFORM
HP6930 -UN-29AUG97



HP6930

3F12

SEPARATOR SHELL

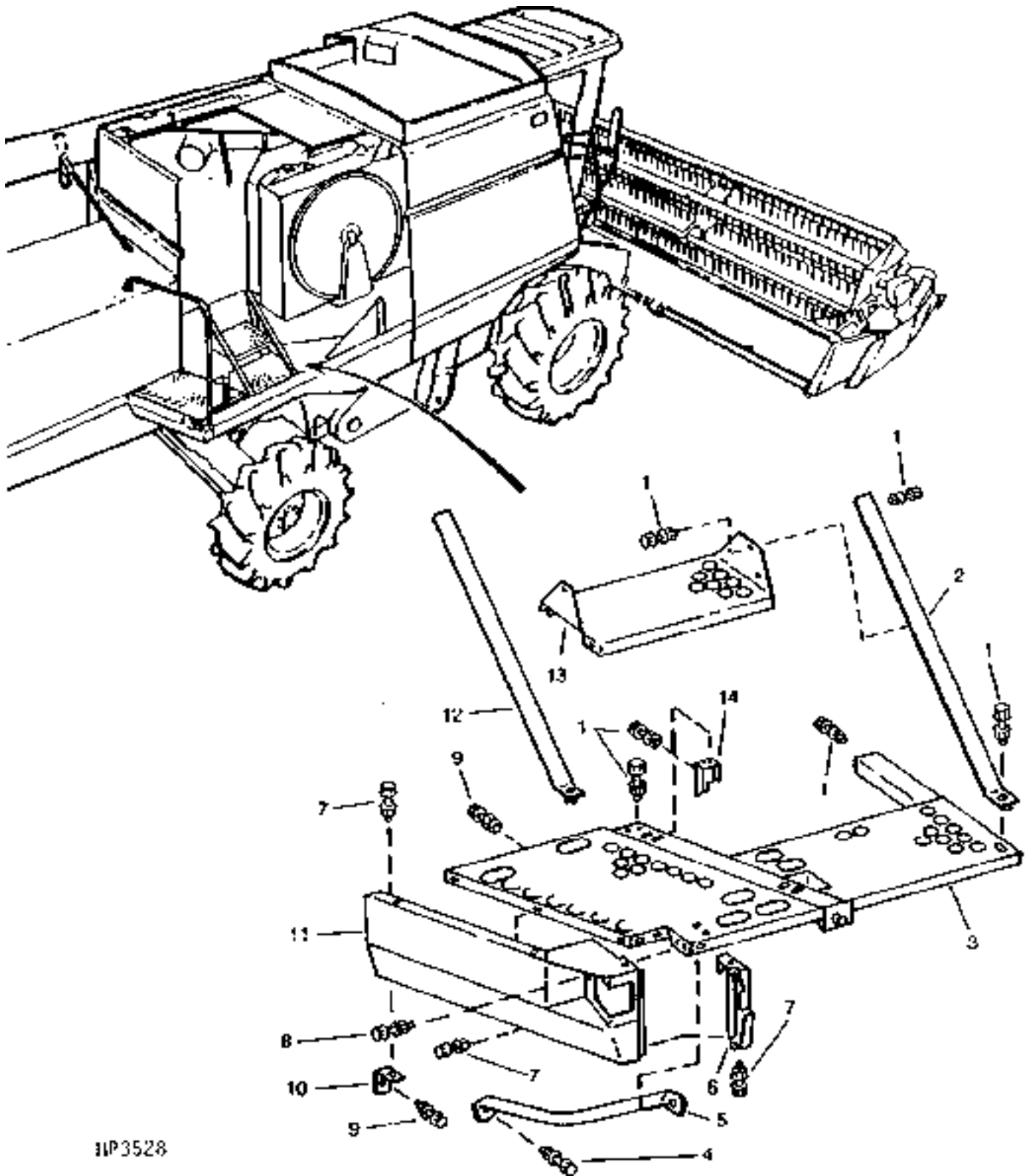
ENGINE PLATFORM - CONTINUED

KEY	PART NO.	PART NAME	QTY	SERIAL NO.	REMARKS
1	H131526	ANGLE	2		
2	19M7865	SCREW	7	M8 X 16	
	14M7298	FLANGE NUT	7	M8	
	14M7298	FLANGE NUT	2	M8	
3	H134103	CHANNEL	1		
4	H134108	GUSSET	1		
5	21M7243	WING SCREW	1	M8 X 16	
6	H135148	HALF CLAMP	1		
7	AH164363	FRAME	1	(SUB FOR AH154641)	
	H161354	COVER	1		
8	37M7058	SCREW	16	M8 X 20	
9	H150318	SHEET	1		
10	AH122244	ISOLATOR	1		
11	H130057	PIN	1	12 X 1 660 MM (0.472" X 65.354")	CUT TO FIT
12	AH130506	DOOR	1		
13	H131743	MAT	2		
14	H134506	HINGE	1		
15	H137261	SUPPORT	1	(SUB H165585) R.H.	
	H165585	SUPPORT	1	R.H.	
16	H135393	STRAP	1		
17	19M7805	SCREW	4	M10 X 45	
	14M7296	FLANGE NUT	4	M10	
18	03M7183	BOLT	2	M8 X 16	
19	AH130178	PANEL	1	LOWER REAR	
20	H135392	STRAP	1		
21	H165587	SUPPORT	1	(SUB FOR H140225) L.H.	
22	19M7866	SCREW	2	M8 X 20	
	14M7298	FLANGE NUT	2	M8	
23	H134107	GUSSET	2		
24	H135245	HOOK	1		
25	H134105	GUSSET	1		
26	19M7867	SCREW	2	M8 X 25	
	14M7298	FLANGE NUT	2	M8	
27	H136015	MAT	1		
28	H136014	MAT	1		

3F13

SEPARATOR SHELL

ENGINE ACCESS PLATFORM AND STEP
HP3528 -UN-01JAN94



HP3528

3F14

SEPARATOR SHELL

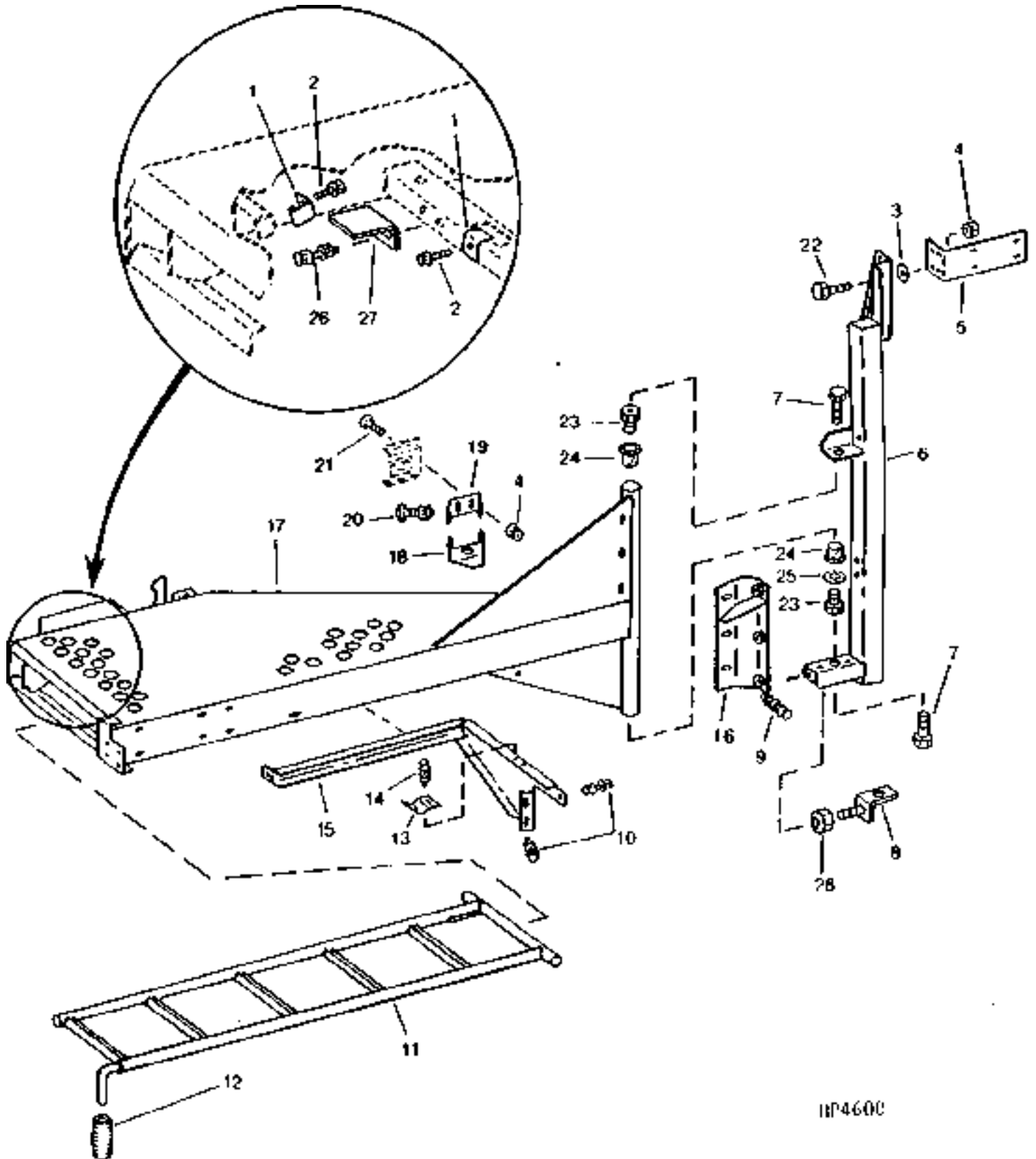
ENGINE ACCESS PLATFORM AND STEP - CONTINUED

KEY	PART NO.	PART NAME	QTY	SERIAL NO.	REMARKS
1	19M7784	SCREW	16	M10 X 20	
	14M7296	FLANGE NUT	16	M10	
2	H130424	ANGLE	1		
3	AH156186	PLATFORM	1		
4	19M7785	SCREW	1	M10 X 25	
	14M7296	FLANGE NUT	1	M10	
5	H130432	BRACE	1		
6	H130431	PANEL	1		
7	19M7865	SCREW	7	M8 X 16	
	14M7298	FLANGE NUT	7	M8	
8	03M7185	BOLT	1	M8 X 25	
	14M7298	FLANGE NUT	1	M8	
9	19M7866	SCREW	4	M8 X 20	
	14M7298	FLANGE NUT	4	M8	
10	H131526	ANGLE	1		
11	AH125685	PANEL	1		
12	H130425	ANGLE	1		
13	AH127837	STEP	1		
14	H134081	SUPPORT	1		

3F15

SEPARATOR SHELL

REAR LADDER AND LANDING
HP4600 -UN-01JAN94



HP4600

3F16

SEPARATOR SHELL

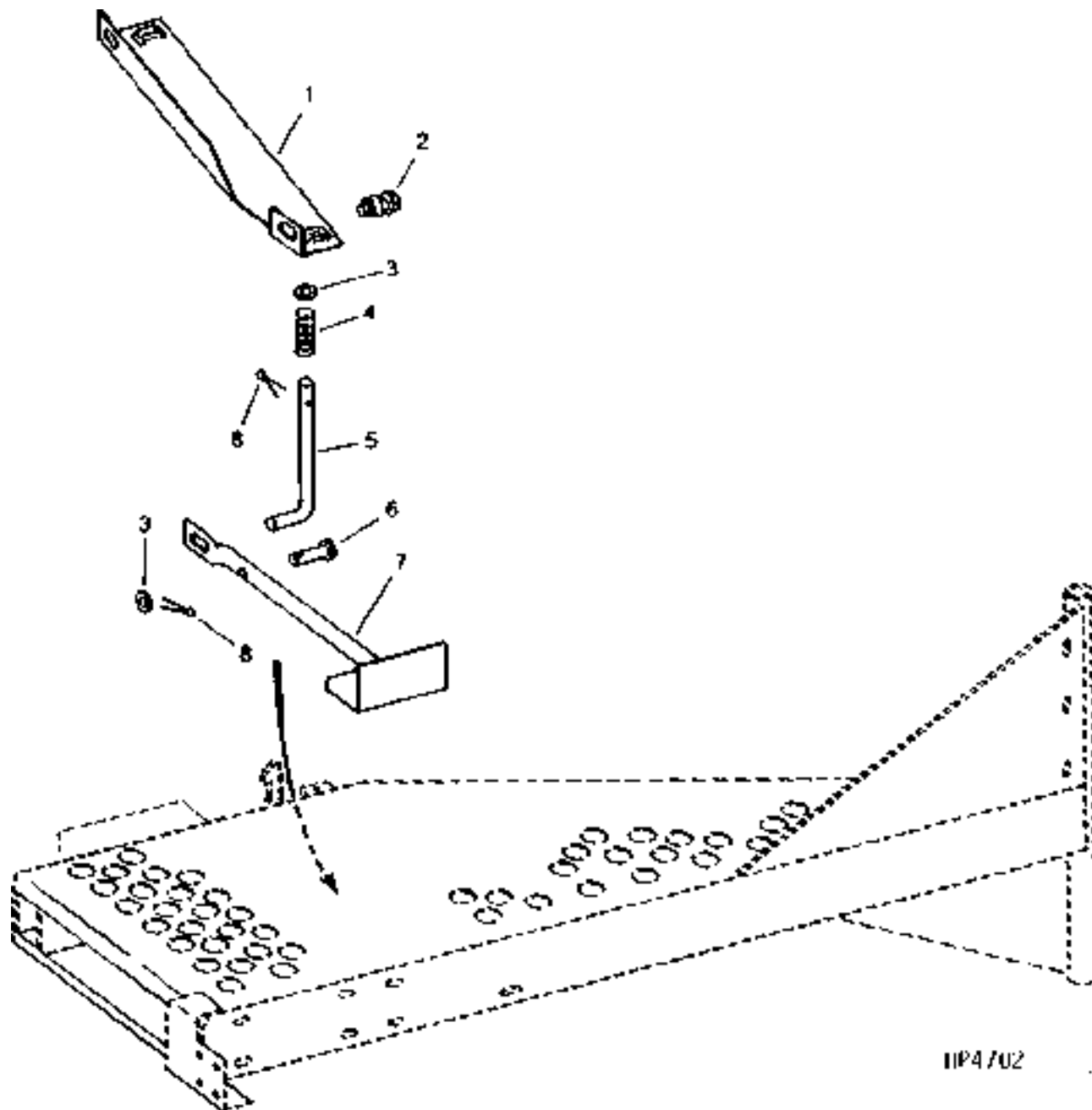
REAR LADDER AND LANDING - CONTINUED

KEY	PART NO.	PART NAME	QTY	SERIAL NO.	REMARKS
1	H130555	STRIP	4		
2	37M7060	SCREW	4	M4 X 10	
3	H141123	NUT	5	10 MM (0.394")	
4	14M7296	FLANGE NUT	7	M10	
5	H129885	ANGLE	1		
6	AH137254	SUPPORT	1		
7	19M7851	SCREW	2	M20 X 60	
8	AH120216	ADJUSTER	1		
9	19M7784	SCREW	3	M10 X 20	
10	14M7296	FLANGE NUT	3	M10	
	19M7865	SCREW	4	M8 X 16	
	14M7298	FLANGE NUT	4	M8	
11	AH139782	LADDER	1		
12	C3203E	GRIP	1		
13	H120082	LATCH	1		
14	19M7774	SCREW	2	M6 X 12	
	14M7303	FLANGE NUT	2	M6	
15	AH130193	CHANNEL	1		
16	AH125788	BRACKET	1		
17	AH135298	PLATFORM	1		
18	H142035	CATCH	1		
19	H133152	BRACKET	1		
20	03M7190	BOLT	2	M10 X 20	
	24M7178	WASHER	2	10.500 X 30 X 2.500 MM	
	14M7296	FLANGE NUT	2	M10	
21	03M7190	BOLT	2	M10 X 20	
22	19M7785	SCREW	5	M10 X 25	
23	H119411	PIN	2		
24	T40867	BUSHING	2		
25	Z39386	WASHER	1	41 X 55 X 2 MM (1.614" X 2.165" X 0.079")	
26	19M7775	SCREW	2	M6 X 16	
	14M7303	FLANGE NUT	2	M6	
27	H129004	ANGLE	1		
28	A31867	LOCK NUT	1	M12	

3F17

SEPARATOR SHELL

REAR LADDER LANDING LATCH ARM
HP4702 -UN-01JAN94



3F18

SEPARATOR SHELL

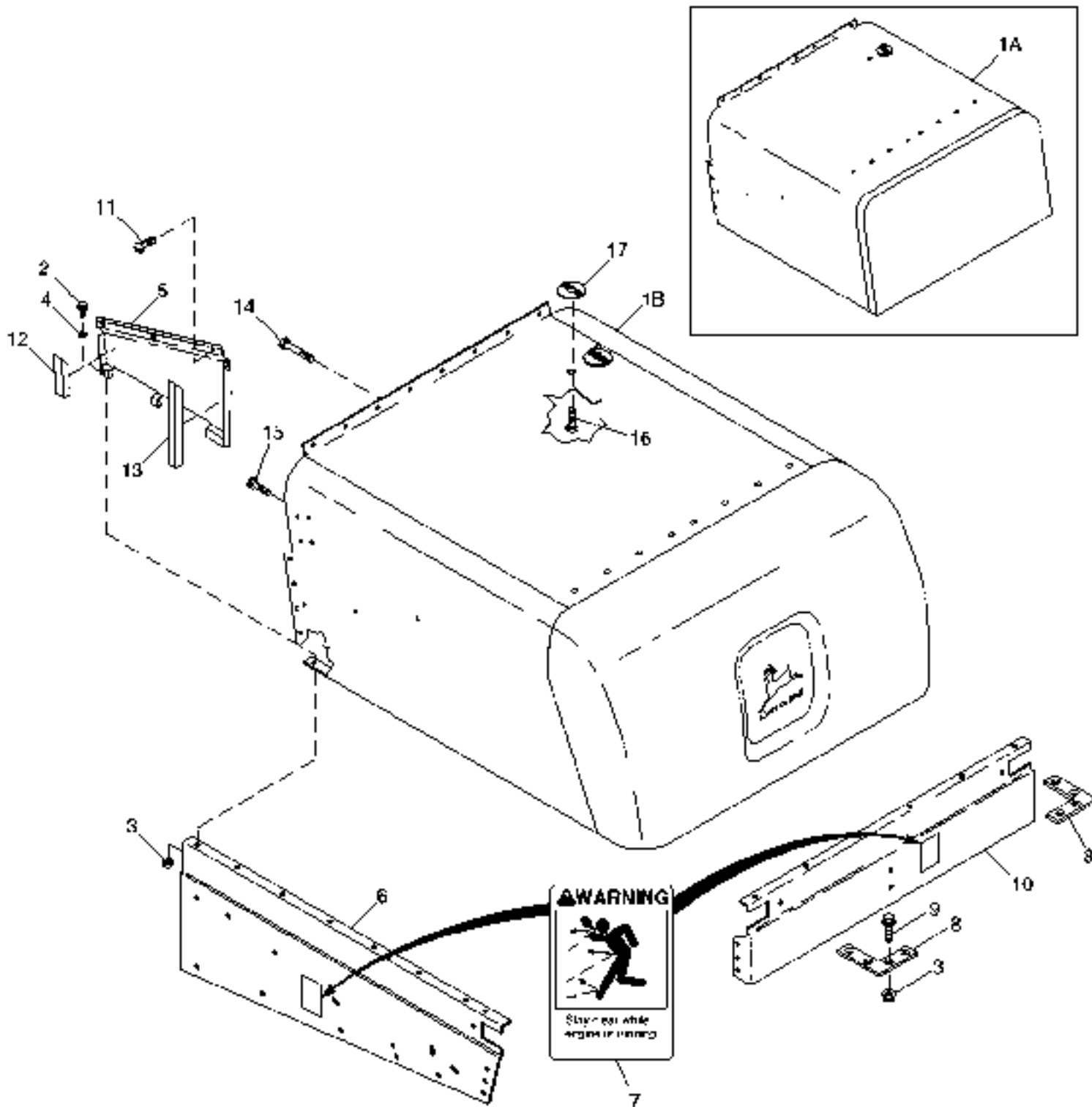
REAR LADDER LANDING LATCH ARM - CONTINUED

KEY	PART NO.	PART NAME	QTY	SERIAL NO.	REMARKS
1	H140881	CATCH	1		
2	19M7784	SCREW	2	M10 X 20	
	14M7296	FLANGE NUT	2	M10	
3	24H1341	WASHER	2	17/32" X 15/16" X 0.060"	
4	Y3082BN	SPRING	1		
5	H140872	PIN	1		
6	45M7088	PIN	1	10 X 55 MM	
7	AH135300	ARM	1		
8	11M7059	COTTER PIN	2	3.200 X 20 MM	

3F19

SEPARATOR SHELL

REAR HOOD
HP9519 -UN-26JAN00



|HP9519|

3F20

SEPARATOR SHELL

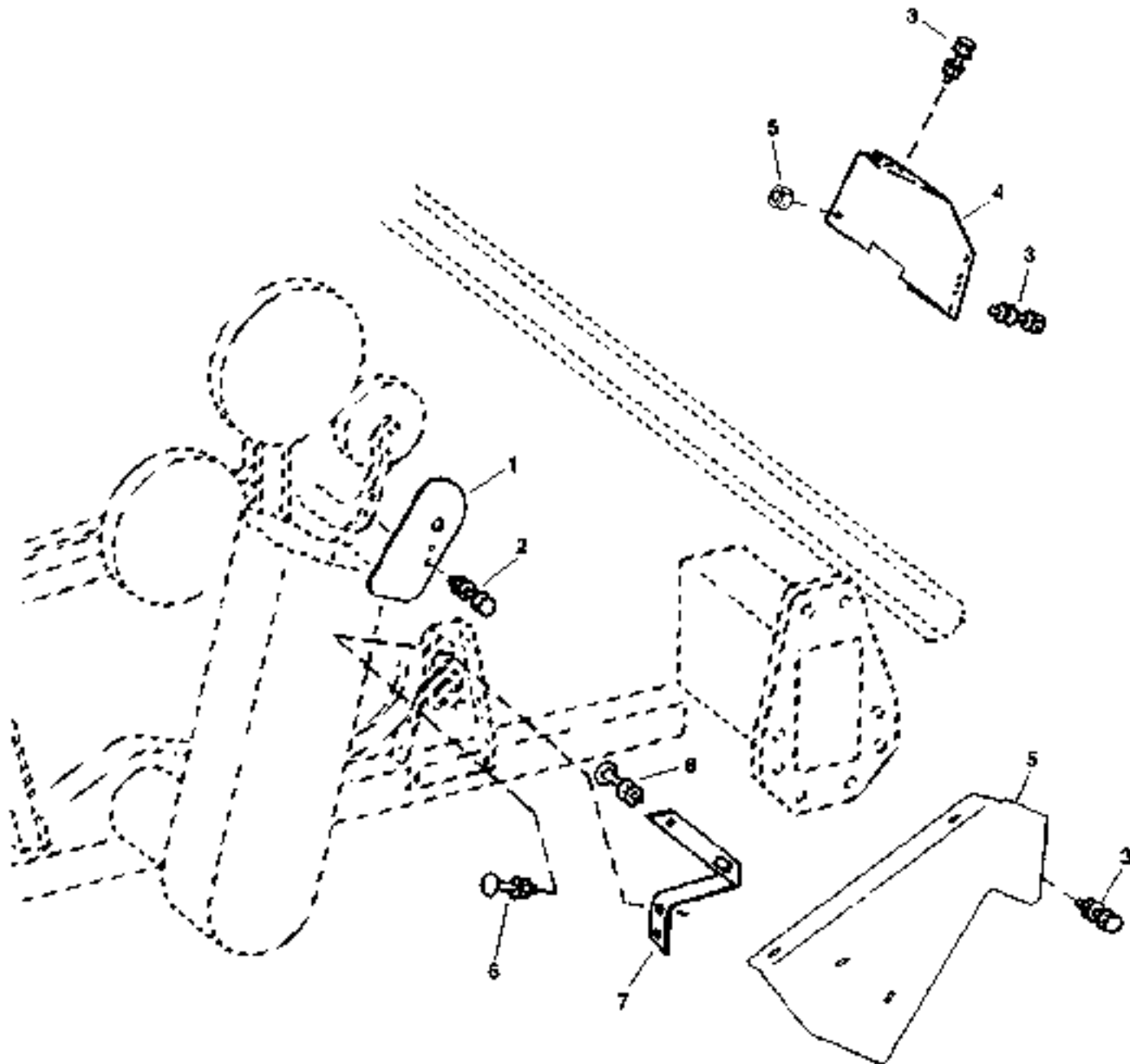
REAR HOOD - CONTINUED

KEY	PART NO.	PART NAME	QTY	SERIAL NO.	REMARKS
1A	AH158262	HOOD	1		(SUB FOR AH156188) (SUB AH161513)
1B	AH161513	HOOD	1		(SUB FOR AH158262 OR AH156188)
2	19M7867	SCREW	10		M8 X 25
3	14M7298	FLANGE NUT	12		M8
4	24M7207	WASHER	6		8.400 X 24 X 2 MM
5	AH158263	PANEL	1		(SUB FOR AH156192) L.H. WALKER SEAL
	AH158849	PANEL	1		R.H.
6	AH135477	SHEET	1		L.H.
	AH135476	SHEET	1		R.H.
7	H149096	LABEL	3		"PROJECTILE WARNING" ON R.H. REAR HOOD
8	H150749	REINFORCEMENT	1		
9	19M7866	SCREW	2		M8 X 20
10	AH135480	SHEET	1		
11	21M7089	SCREW	6		M8 X 20
	14M7298	FLANGE NUT	6		M8
12	AH125534	WEATHERSTRIP	1		
13	AH125533	WEATHERSTRIP	1		
14	19M7865	SCREW	AR		M8 X 16
15	H171977	SCREW	6		M10 X 55
16	03M7307	BOLT	2		M10 X 25
17	H141123	NUT	2		

3F21

SEPARATOR SHELL

AUGER DRIVE SHIELDS (R.H. SIDE)
HP6845 -UN-08SEP97



HP6845

3F22

SEPARATOR SHELL

AUGER DRIVE SHIELDS (R.H. SIDE) - CONTINUED

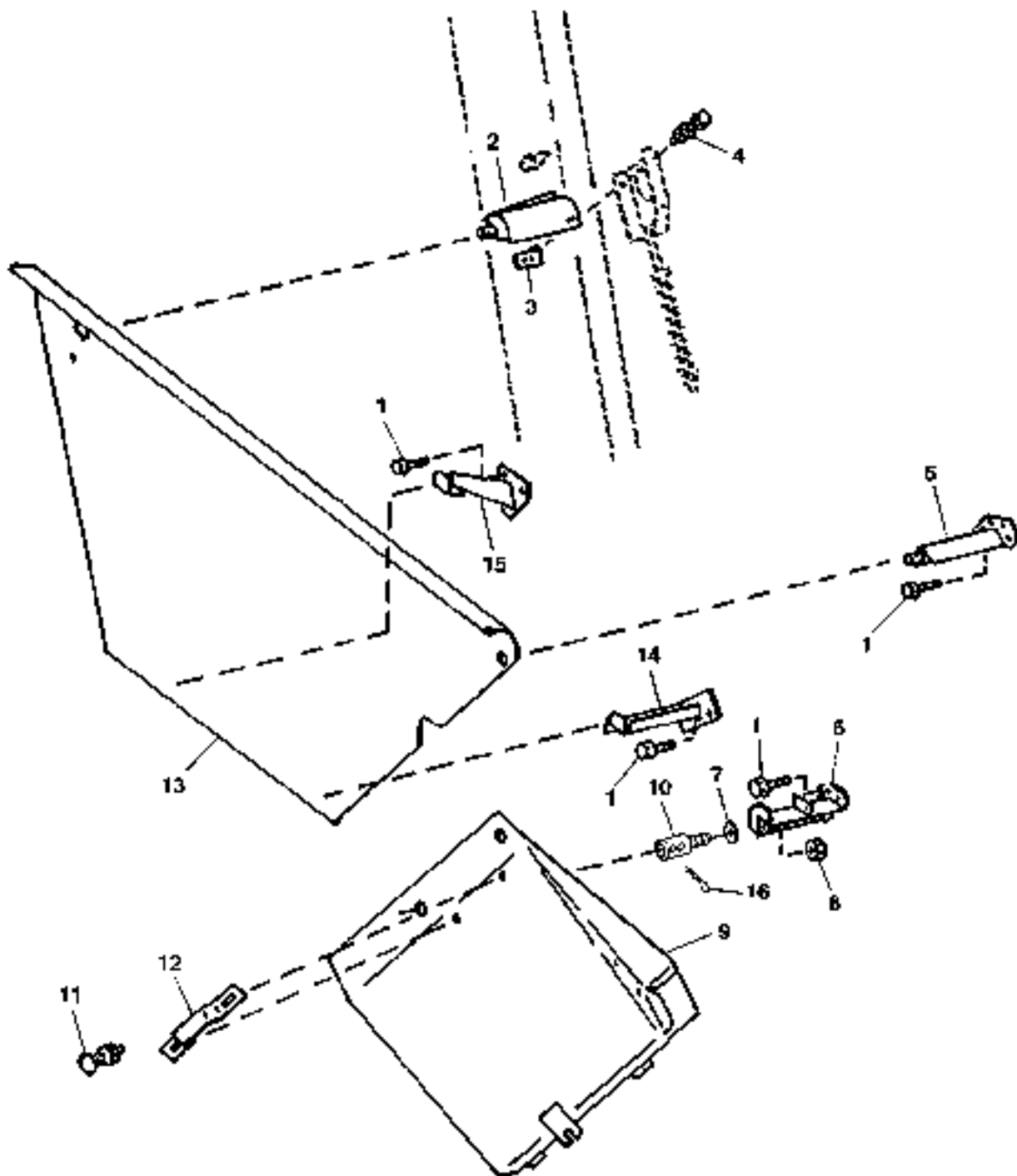
KEY	PART NO.	PART NAME	QTY	SERIAL NO.	REMARKS
1	H141772	SHIELD	1		
2	19M3131	CAP SCREW	2	M8 X 25	
	14M7298	FLANGE NUT	2	M8	
3	19M7865	SCREW	3	M8 X 16	
	14M7298	FLANGE NUT	3	M8	
4	AH146783	SHIELD	1		
5	H141770	SHIELD	1		
6	03M7184	BOLT	2	M8 X 20	
	14M7298	FLANGE NUT	2	M8	
7	H146756	STRAP	1		
8	03M7183	BOLT	2	M8 X 16	
	14M7298	FLANGE NUT	2	M8	

3F23

SEPARATOR SHELL

MUD AND FAN DRIVE SHIELDS (L.H. SIDE)

HP7228 -UN-08JAN98



HP7228

3F24

SEPARATOR SHELL

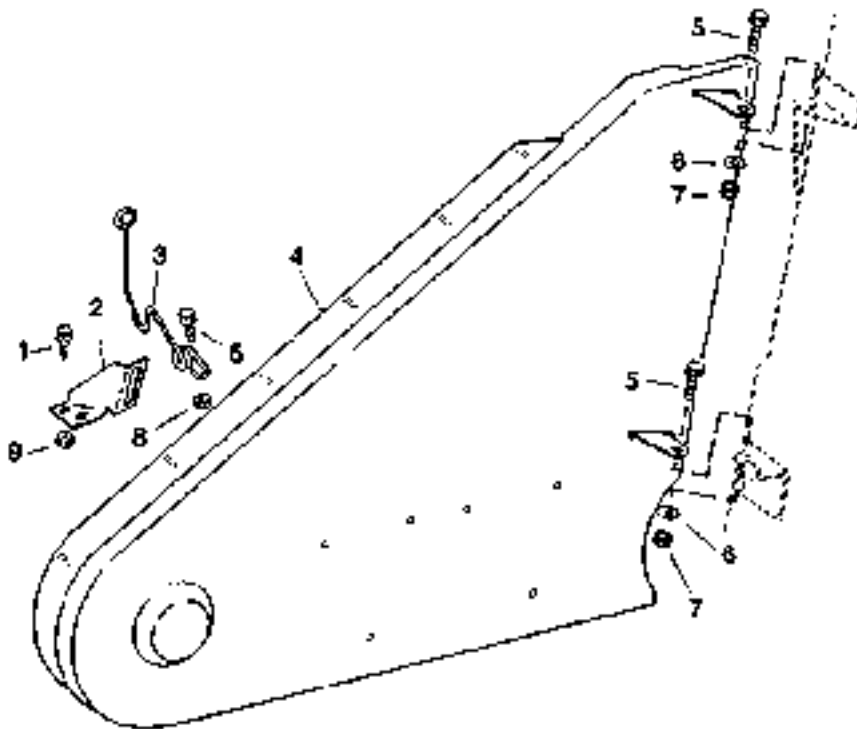
MUD AND FAN DRIVE SHIELDS (L.H. SIDE) - CONTINUED

KEY	PART NO.	PART NAME	QTY	SERIAL NO.	REMARKS
1	19M7865	SCREW	14		
2	AH130941	BRACKET	1		
3	R46414	CLAMP	1		
4	19M7865	SCREW	2	M8 X 16	
	14M7298	FLANGE NUT	2	M8	
5	AH130945	BRACKET	1		
6	AH130944	BRACKET	1		
7	24M7178	WASHER	1		10.500 X 30 X 2.500 MM
8	14M7296	FLANGE NUT	1		M10
9	AH125820	SHIELD	1		CENTER
10	H154757	STUD	1		
11	03M7183	BOLT	2	M8 X 16	
	14M7298	FLANGE NUT	2	M8	
12	H85184	HANDLE	1		
13	H140300	SHIELD	1		
14	AH128914	BRACKET	1		
15	AH130197	BRACKET	1		
16	A15147	SPRING LOCKING PIN	1		

3F25

SEPARATOR SHELL

DRIVE SHIELD (R.H. REAR)
HP6847 -UN-12SEP97



HP6847

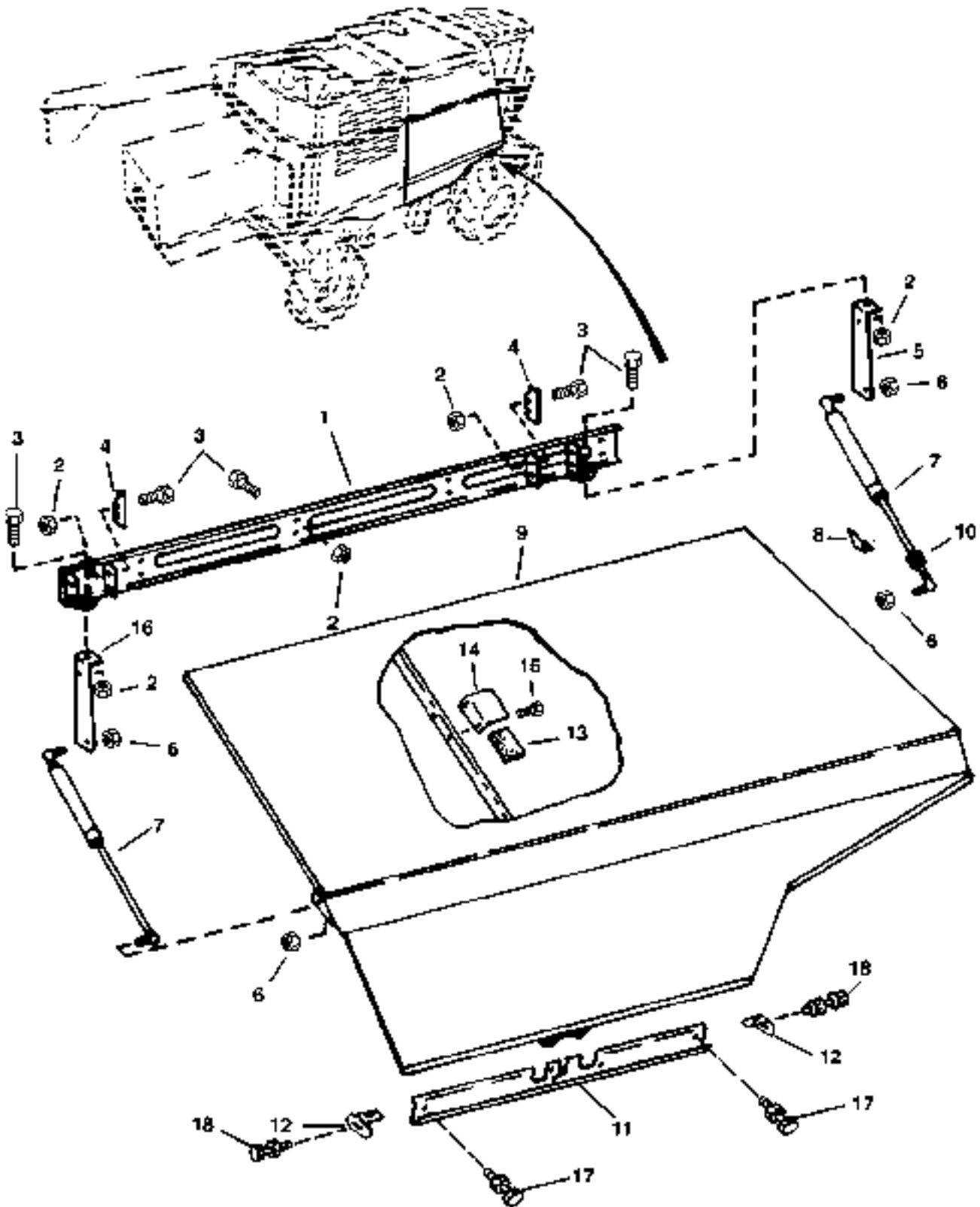
KEY	PART NO.	PART NAME	QTY	SERIAL NO.	REMARKS
1	19M7866	SCREW	2	M8 X 20	
2	H141813	BRACKET	1		
3	H130930	SPRING	1		
4	AH146361	SHIELD	1		
5	19M7785	SCREW	3	M10 X 25	
6	24M7028	WASHER	2	10.500 X 20 X 2 MM	
7	14M7400	LOCK NUT	1	M10	
8	14M7296	FLANGE NUT	1	M10	
9	14M7298	FLANGE NUT	2	M8	

MEMORANDA

3G1

SEPARATOR SHELL

R.H. SERVICE ACCESS SHIELD
HP6848 -UN-29AUG97



HP6848

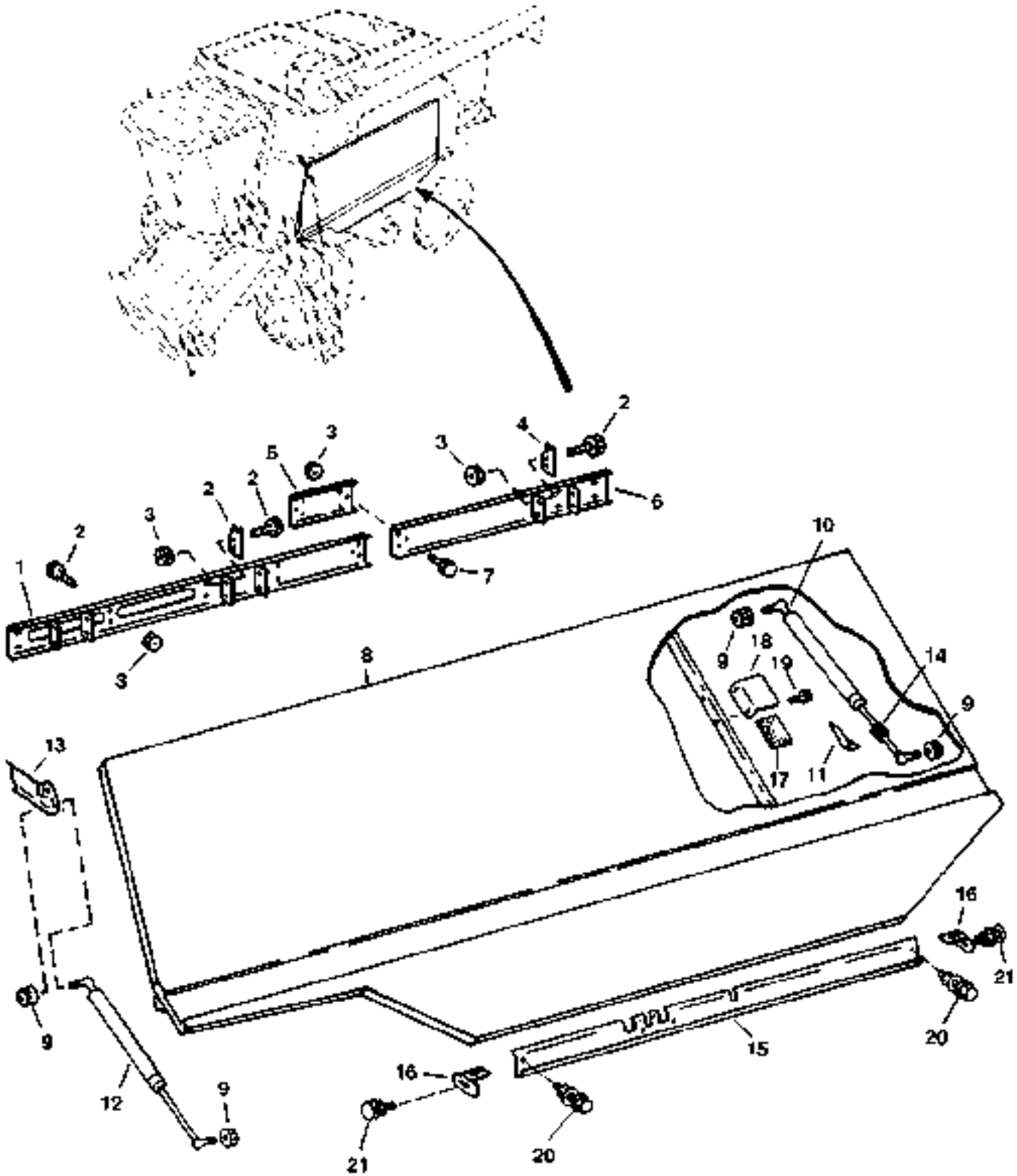
R.H. SERVICE ACCESS SHIELD - CONTINUED

KEY	PART NO.	PART NAME	QTY	SERIAL NO.	REMARKS
1	AH166713	CHANNEL	1	(SUB FOR AH125306)	
2	14M7296	FLANGE NUT	10	M10	
3	19M7784	SCREW	10	M10 X 20	
4	H125537	PLATE	2		
5	H139056	BRACKET	1		
6	14M7298	FLANGE NUT	4	M8	
7	AH128596	GAS OPERATED CYLINDER	2		
8	H135965	STOP	1		
9	AH151894	DOOR	1	R.H. FRONT	
10	M68701	GROMMET	1		
11	H152048	DEFLECTOR	1		
12	H132822	ANGLE	2		
13	H143453	FOAM PAD	2		
14	H143454	BRACKET	2		
15	37M7083	SCREW	4	M8 X 12	
16	H129833	BRACKET	1		
17	19M7865	SCREW	2	M8 X 16	
	14M7298	FLANGE NUT	2	M8	
18	03M7183	BOLT	2	M8 X 16	
	14M7298	FLANGE NUT	2	M8	

3G3

SEPARATOR SHELL

L.H. SERVICE ACCESS SHIELD
HP6849 -UN-12SEP97



HP6849

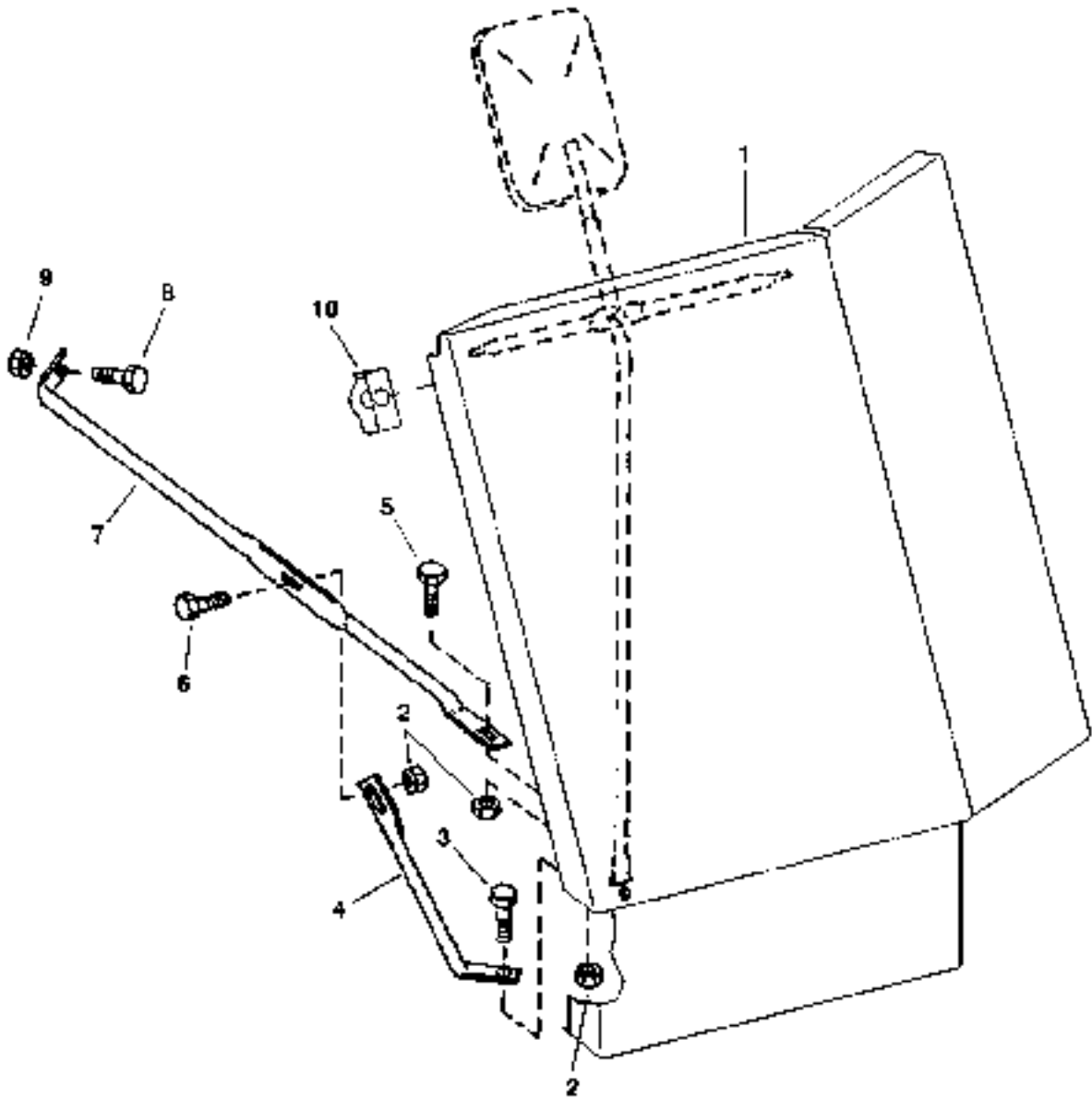
3G4

SEPARATOR SHELL

L.H. SERVICE ACCESS SHIELD - CONTINUED

KEY	PART NO.	PART NAME	QTY	SERIAL NO.	REMARKS
1	AH166714	CHANNEL	1		(SUB FOR AH125478)
2	19M7785	SCREW	12		M10 X 25
3	14M7296	FLANGE NUT	18		M10
4	H125537	PLATE	2		
5	H132008	CHANNEL	1		
6	AH127275	CHANNEL	1		
7	19M7784	SCREW	6		M10 X 20
8	AH127704	DOOR	1		
9	14M7298	FLANGE NUT	4		M8
10	AH128598	GAS OPERATED CYLINDER	1		REAR
11	H135965	STOP	1		
12	AH128597	GAS OPERATED CYLINDER	1		FRONT
13	H127677	BRACKET	1		
14	M68701	GROMMET	1		
15	H152047	DEFLECTOR	1		
16	H132822	ANGLE	2		
17	H143453	FOAM PAD	3		
18	H143454	BRACKET	3		
19	37M7083	SCREW	6		M8 X 12
20	19M7865	SCREW	2		M8 X 16
	14M7298	FLANGE NUT	2		M8
21	03M7183	BOLT	2		M8 X 16
	14M7298	FLANGE NUT	2		M8

R.H. FRONT CORNER SHEET
HP7135 -UN-03OCT97



HP7135

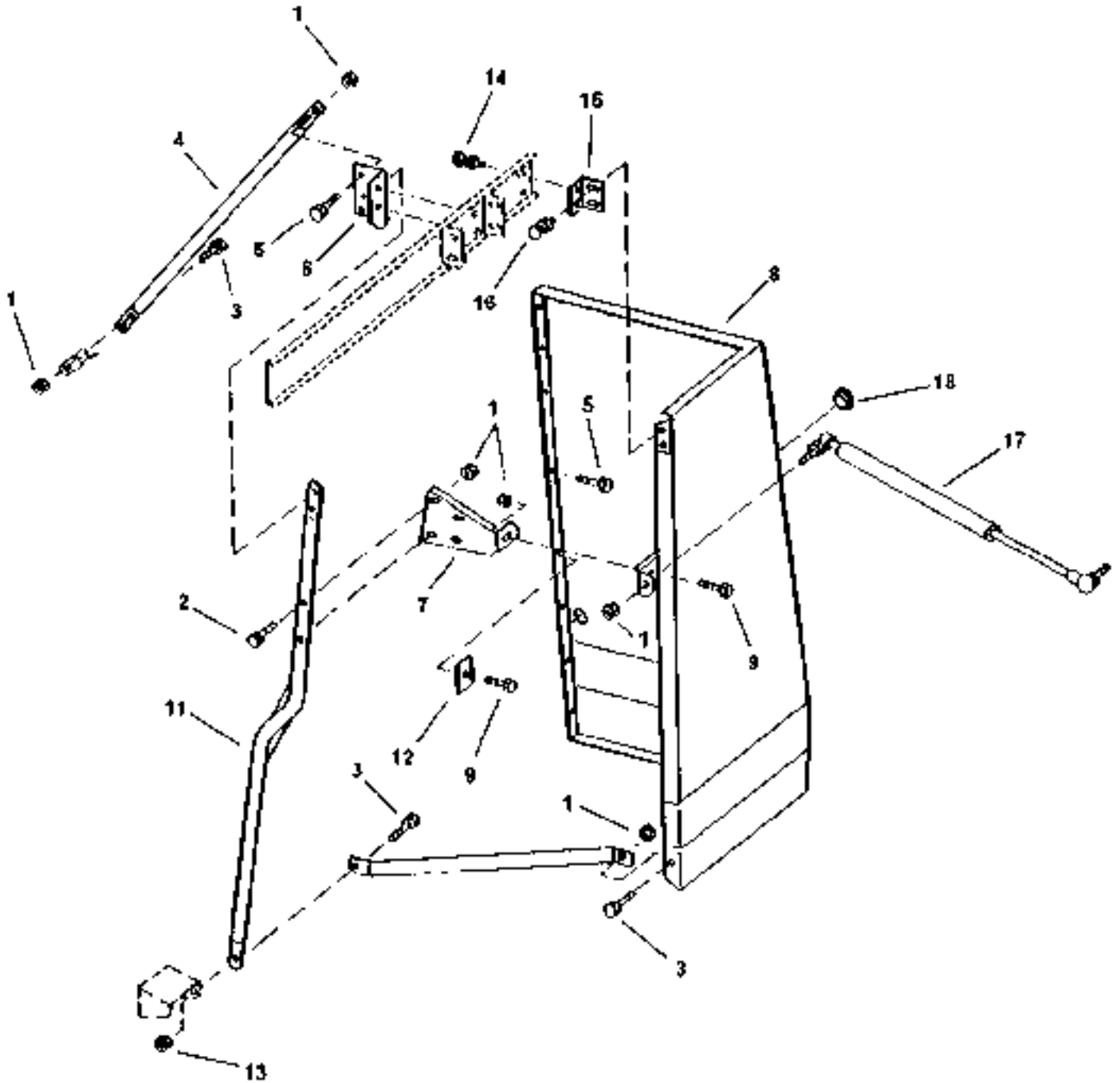
3G6

SEPARATOR SHELL

R.H. FRONT CORNER SHEET - CONTINUED

KEY	PART NO.	PART NAME	QTY	SERIAL NO.	REMARKS
1	AH147093	PANEL	1		
2	14M7298	FLANGE NUT	5		M8
3	19M7866	SCREW	4		M8 X 20
4	H127410	BRACE	1		
5	19M7865	SCREW	1		M8 X 16
6	19M7867	SCREW	1	-29SEP7	M8 X 25 M8 X 1.25 X 25
7	H127408	BRACE	1		
8	19M7785	SCREW	1		M10 X 25
9	14M7296	FLANGE NUT	1		M10

L.H. REAR CORNER SHEET
HP7250 -UN-06NOV97

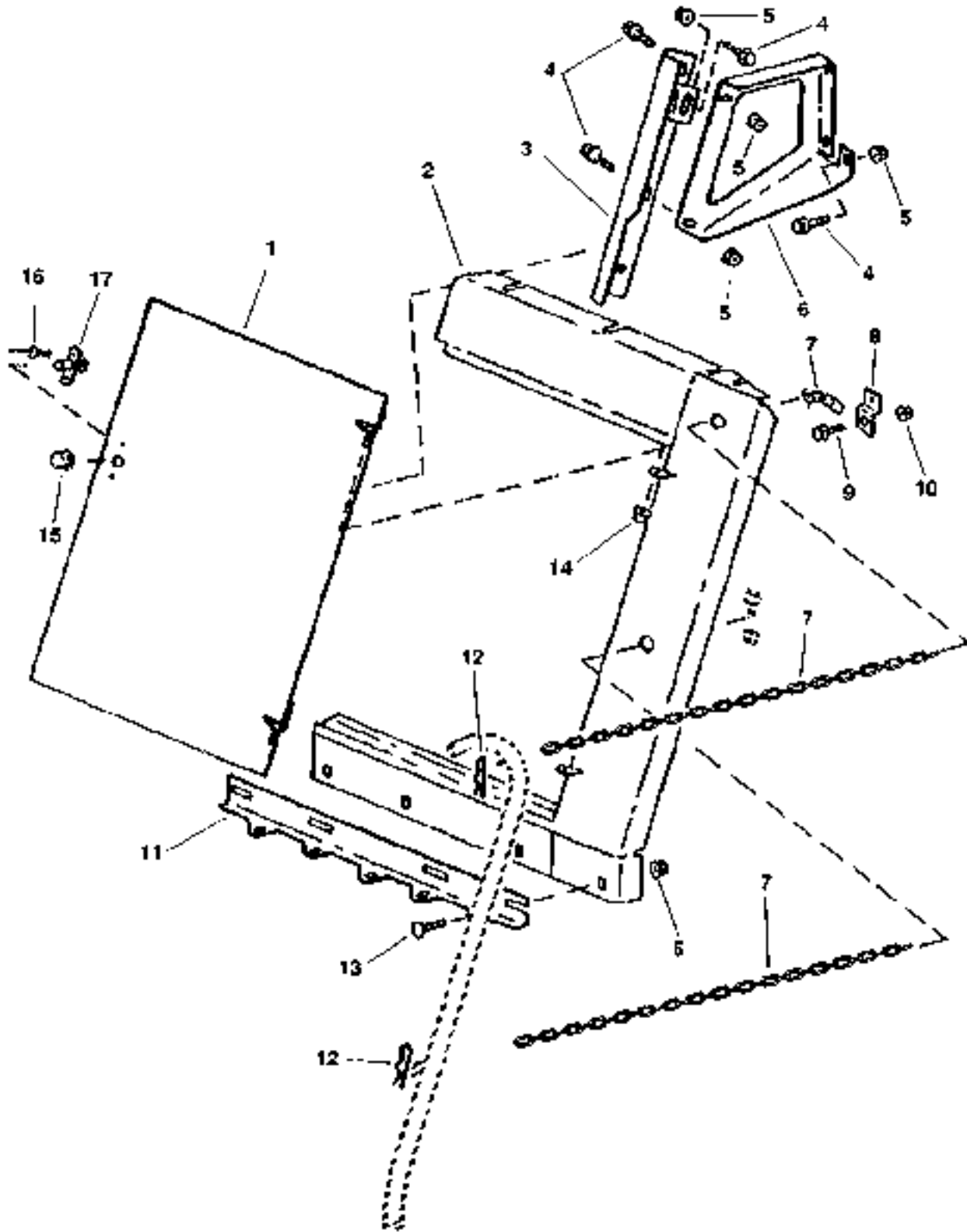


HP7250

L.H. REAR CORNER SHEET - CONTINUED

KEY	PART NO.	PART NAME	QTY	SERIAL NO.	REMARKS
1	14M7298	FLANGE NUT	9	M8	
2	19M8317	SCREW	2	M8 X 40	
	19M8318	SCREW	2	M8 X 45	
3	19M7868	SCREW	3	M8 X 30	
4	H132948	BRACE	1		
5	19M7866	SCREW	6	M8 X 20	
6	H131543	BRACKET	1		
7	H144029	BRACKET	1		
8	AH158487	PANEL	1		
9	19M7867	SCREW	6	M8 X 25	
10	H132949	BRACE	1		
11	AH126564	BRACE	1		
12	H137534	STRAP	5		
13	14M7396	LOCK NUT	1	M8	
14	19M7785	SCREW	2	M10 X 25	
	14M7196	NUT	2	M3	
15	H126672	BRACKET	1		
16	19M7785	SCREW	2		
	14M7296	FLANGE NUT	2		
17	AH128598	GAS OPERATED CYLINDER	1		
18	H164757	PLUG	1		

L.H. FRONT CORNER SHEET AND DOOR
HP7371 -UN-13JAN98



HP7371

3G10

SEPARATOR SHELL

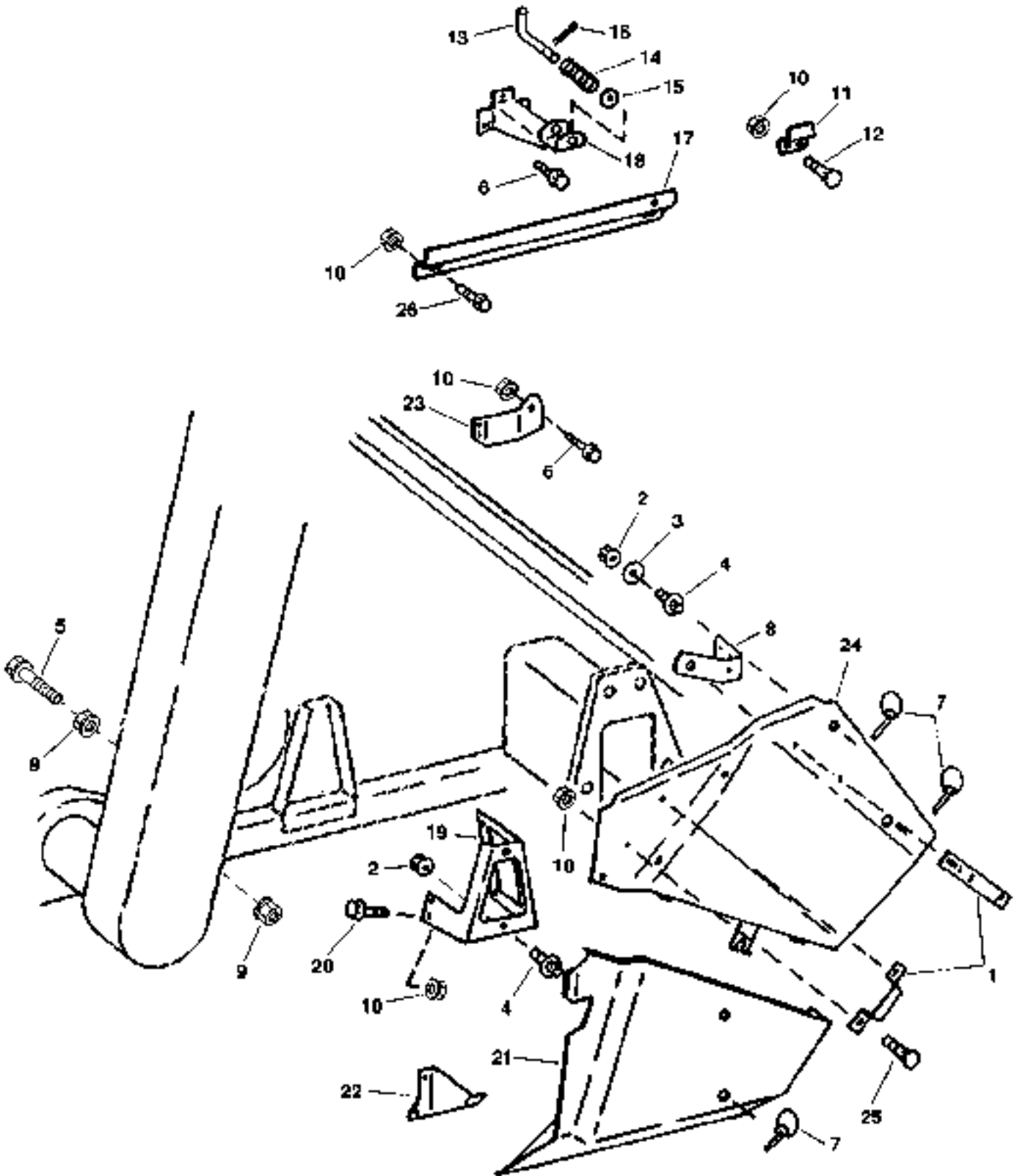
L.H. FRONT CORNER SHEET AND DOOR - CONTINUED

KEY	PART NO.	PART NAME	QTY	SERIAL NO.	REMARKS
1	AH125641	DOOR	1		
2	AH141743	PANEL	1		
3	H130364	ANGLE	1		
4	19M7865	SCREW	9	M8 X 16	
5	14M7298	FLANGE NUT	10	M8	
6	H130363	BRACKET	1		
7	AH146041	SAFETY CHAIN	2	34 LINKS	
8	H131628	BRACKET	1		
9	19M7775	SCREW	1	M6 X 16	
10	14M7303	FLANGE NUT	1	M6	
11	H130362	ANGLE	1		
12	B32630	SPRING LOCKING PIN	2		
13	03M7183	BOLT	4	M8 X 16	
14	H120499	NUT	2	6 MM (0.236")	
15	H121391	KNOB	1		
16	H64584	RIVET	1	3.175 MM (1/8")	
17	AH125644	LATCH	1		

3G11

SEPARATOR SHELL

MUD SHIELDS (R.H. SIDE)
HP7230 -UN-08JAN98



HP7230

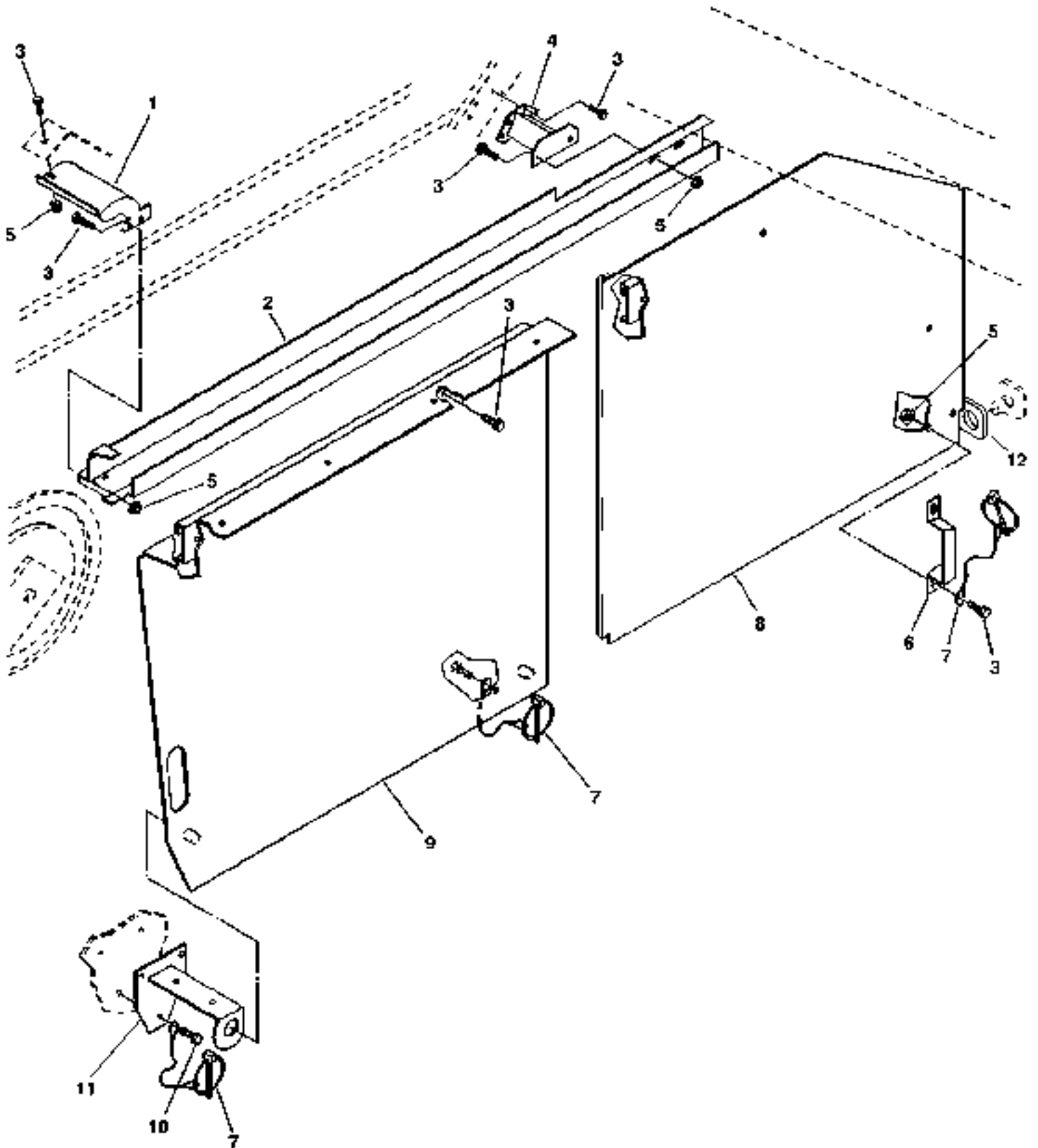
MUD SHIELDS (R.H. SIDE) - CONTINUED

KEY	PART NO.	PART NAME	QTY	SERIAL NO.	REMARKS
1	H85184	HANDLE	2		
2	14M7296	FLANGE NUT	3	M10	
3	24M7178	WASHER	3	10.500 X 30 X 2.500 MM	
4	H154757	STUD	3		
5	19M8413	CAP SCREW	1	M12 X 150	
	19M8037	CAP SCREW	1	M12 X 180	
6	19M7865	SCREW	1	M8 X 16	
7	M72598	QUICK LOCK PIN	3		
8	H141979	BRACKET	1		
9	14M7299	FLANGE NUT	2	M12	
10	14M7298	FLANGE NUT	11	M8	
11	H127732	GUIDE	1	FAN DRIVE	
12	03M7184	BOLT	2	M8 X 20	
13	H150746	PIN	1		
14	HZ5621H	SPRING	1		
15	24H1305	WASHER	1	13/32" X 13/16" X 0.065"	
16	11M1383	COTTER PIN	1	3.200 X 20 MM (0.126" X 0.787")	
17	H152135	GUIDE	1		
18	AH136285	BRACKET	1		
19	H146757	BRACKET	1		
20	19M7866	SCREW	2	M8 X 20	
21	AH126352	SHIELD	1		
22	H131876	BRACKET	1		
23	AH155669	BRACKET	1		
24	AH126620	SHIELD	1		
25	03M7183	BOLT	4	M8 X 16	
..	BH80037	COMPLETE GOODS/SHIP. BUNDLE	1	MUD SHIELDS (R.H. SIDE)	

3G13

SEPARATOR SHELL

LEFT SIDE FRONT SHIELD
HP7403 -UN-11FEB98



HP7403

3G14

SEPARATOR SHELL

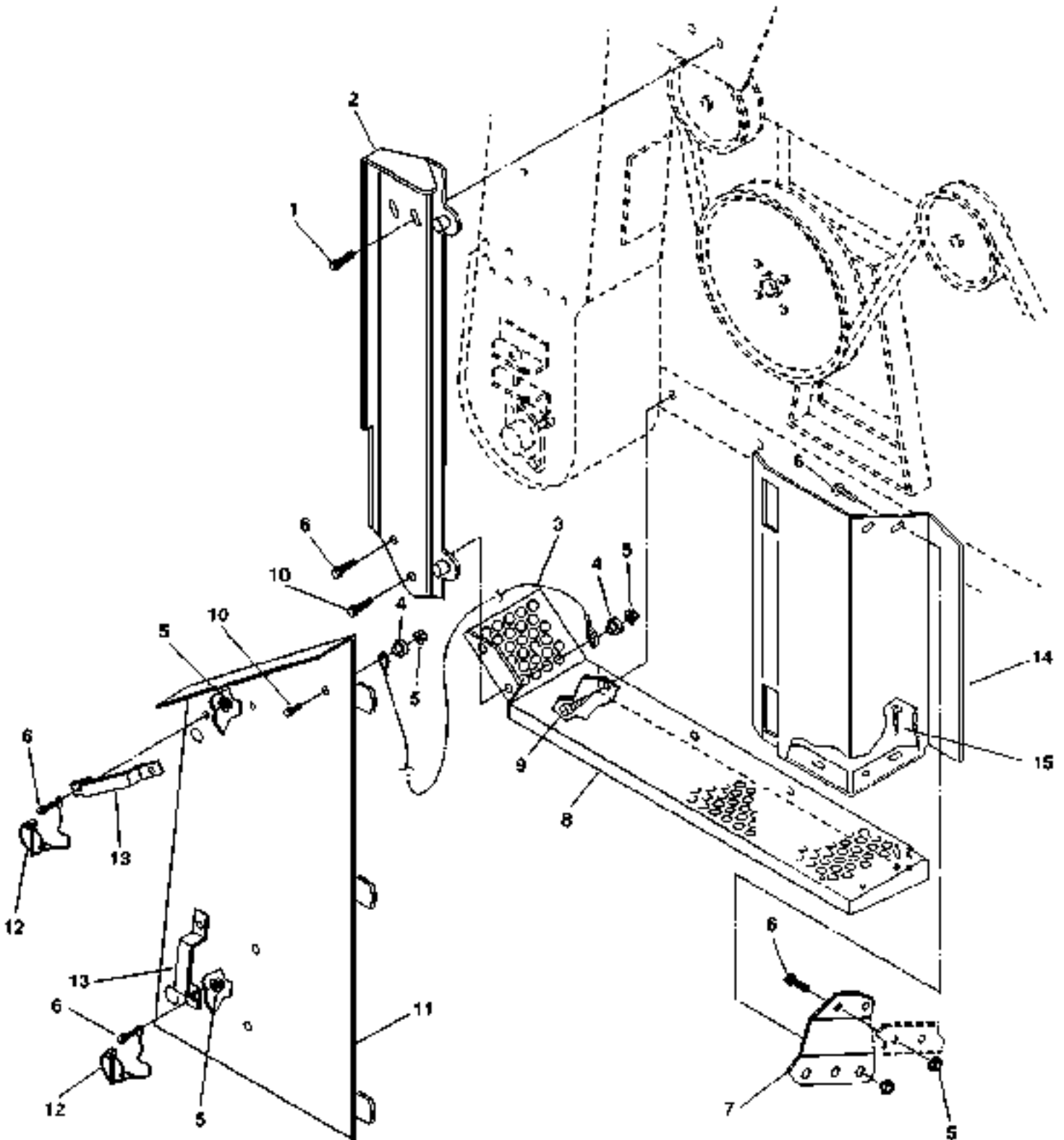
LEFT SIDE FRONT SHIELD - CONTINUED

KEY	PART NO.	PART NAME	QTY	SERIAL NO.	REMARKS
1	AH151344	BRACKET	1		
2	AH151346	CHANNEL	1		
3	19M7865	SCREW	10	M8 X 16	
4	AH151339	BRACKET	1		
5	14M7298	FLANGE NUT	8	M8	
6	H85184	HANDLE	1		
7	AH135290	QUICK LOCK PIN	3		
8	AH158151	SHIELD	1	L.H. REAR UPPER	
9	AH151340	SHIELD	1		
10	37M7058	SCREW	3	M8 X 20	
11	AH151338	BRACKET	1		
12	H164508	ANGLE	1	SHIELD CLOSURE	

3G15

SEPARATOR SHELL

RIGHT SIDE SHIELD ASSEMBLY
HP7407 -UN-04FEB98



HP7407

3G16

SEPARATOR SHELL

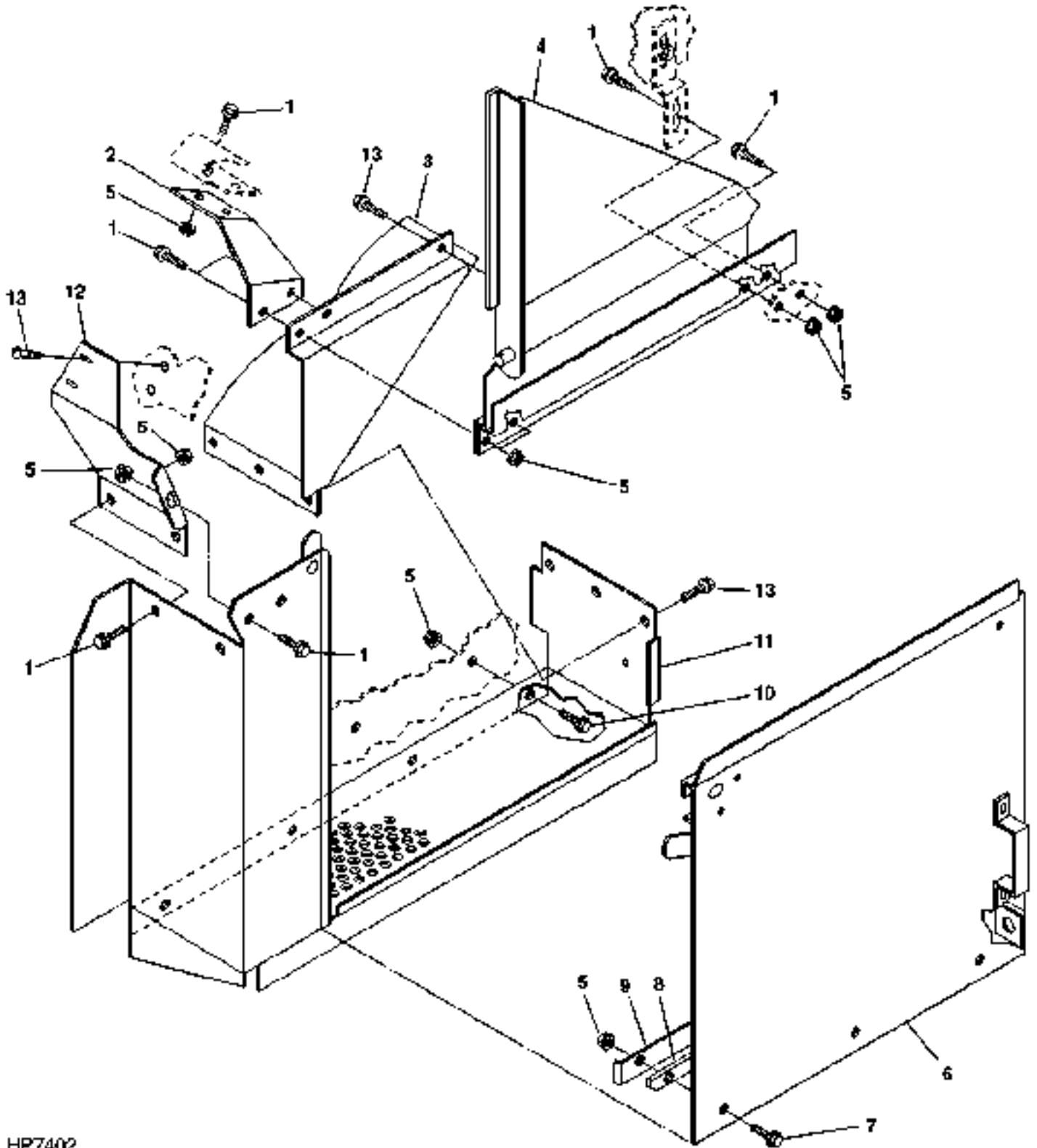
RIGHT SIDE SHIELD ASSEMBLY - CONTINUED

KEY	PART NO.	PART NAME	QTY	SERIAL NO.	REMARKS
1	19M7866	SCREW	2		
2	AH151351	SHIELD	1		
3	AH151353	CABLE	1		
4	M93425	SPACER	2		
5	14M7298	FLANGE NUT	5	M8	
6	19M7865	SCREW	7	M8 X 16	
7	H158646	SHIELD	1		
8	AH159061	SHIELD	1		R.H. LOWER
9	37M7086	SCREW	4		M10 X 20
10	19M7868	SCREW	1		M8 X 30
11	AH154401	SHIELD	1		
12	AH135290	QUICK LOCK PIN	2		
13	H85184	HANDLE	2		
14	H165320	SHIELD	1		R.H.
15	37M7058	SCREW	3		M8 X 20

3G17

SEPARATOR SHELL

LEFT SIDE SHIELD ASSEMBLY
HP7402 -UN-04FEB98



HP7402

3G18

SEPARATOR SHELL

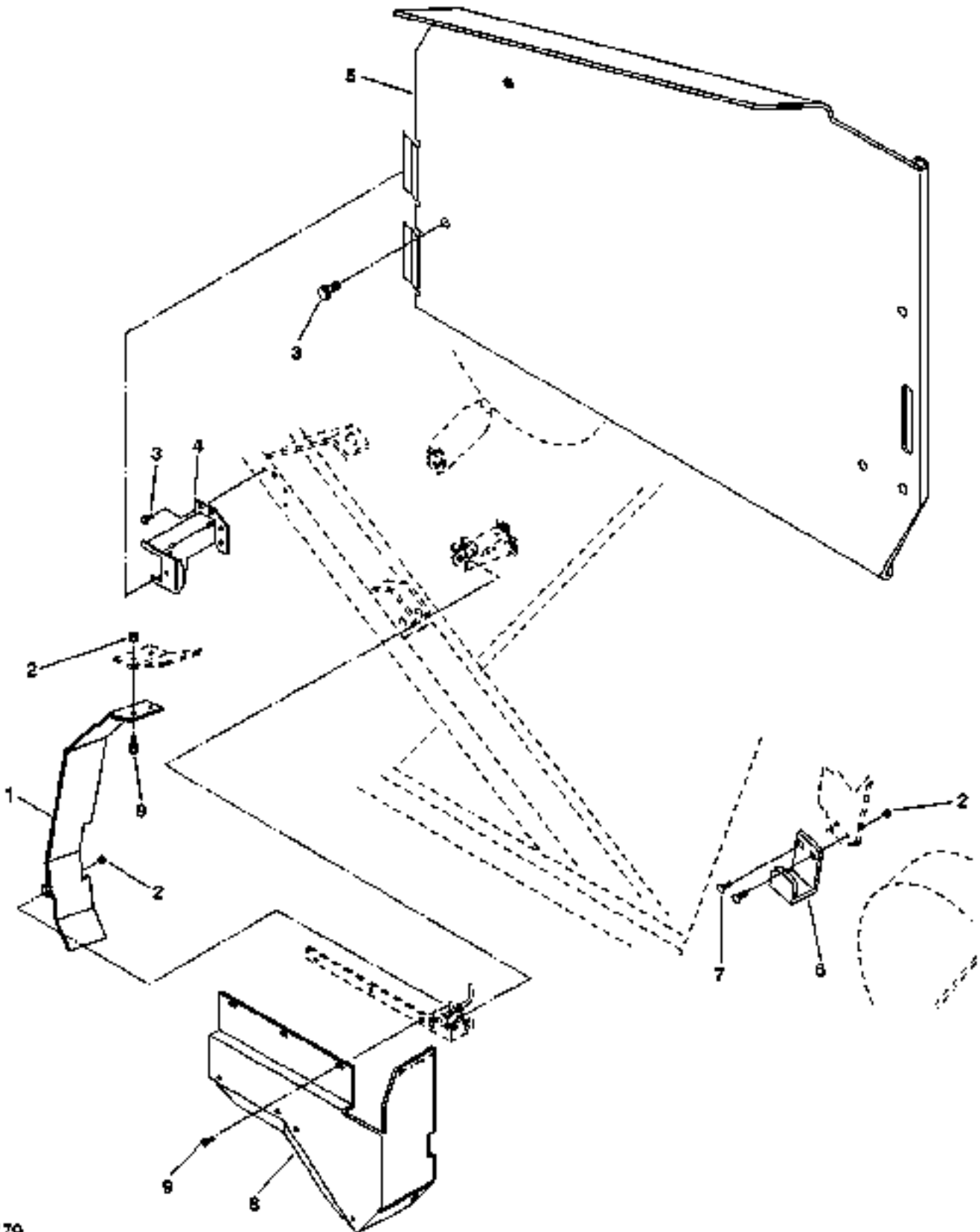
LEFT SIDE SHIELD ASSEMBLY - CONTINUED

KEY	PART NO.	PART NAME	QTY	SERIAL NO.	REMARKS
1	19M7865	SCREW	9		
2	H158614	BRACKET	1		
3	H158633	SHIELD	1		
4	AH151347	SUPPORT	1		
5	14M7298	FLANGE NUT	17		M8
6	AH151342	SHIELD	1		
7	19M7866	SCREW	3		M8 X 20
8	H160733	STRIP	1		
9	H158627	CHANNEL	1		
10	37M7086	SCREW	4		M10 X 20
11	AH151343	SHIELD	1		
12	H158616	SHIELD	1		
13	37M7058	SCREW	6		M8 X 20

3G19

SEPARATOR SHELL

RIGHT SIDE FRONT SHIELD ASSEMBLY
HP6779 -UN-18AUG97



HP6779

3G20

SEPARATOR SHELL

RIGHT SIDE FRONT SHIELD ASSEMBLY - CONTINUED

KEY	PART NO.	PART NAME	QTY	SERIAL NO.	REMARKS
1	H160978	SHIELD	1		
2	14M7298	FLANGE NUT	5	M8	
3	19M7865	SCREW	6	M8 X 16	
4	AH151352	BRACKET	1		
5	AH151349	SHIELD	1		
6	H160187	GUIDE	1		
7	03M7184	BOLT	2	M8 X 20	
8	AH154567	SHIELD	1		
9	19M7866	SCREW	3	M8 X 20	

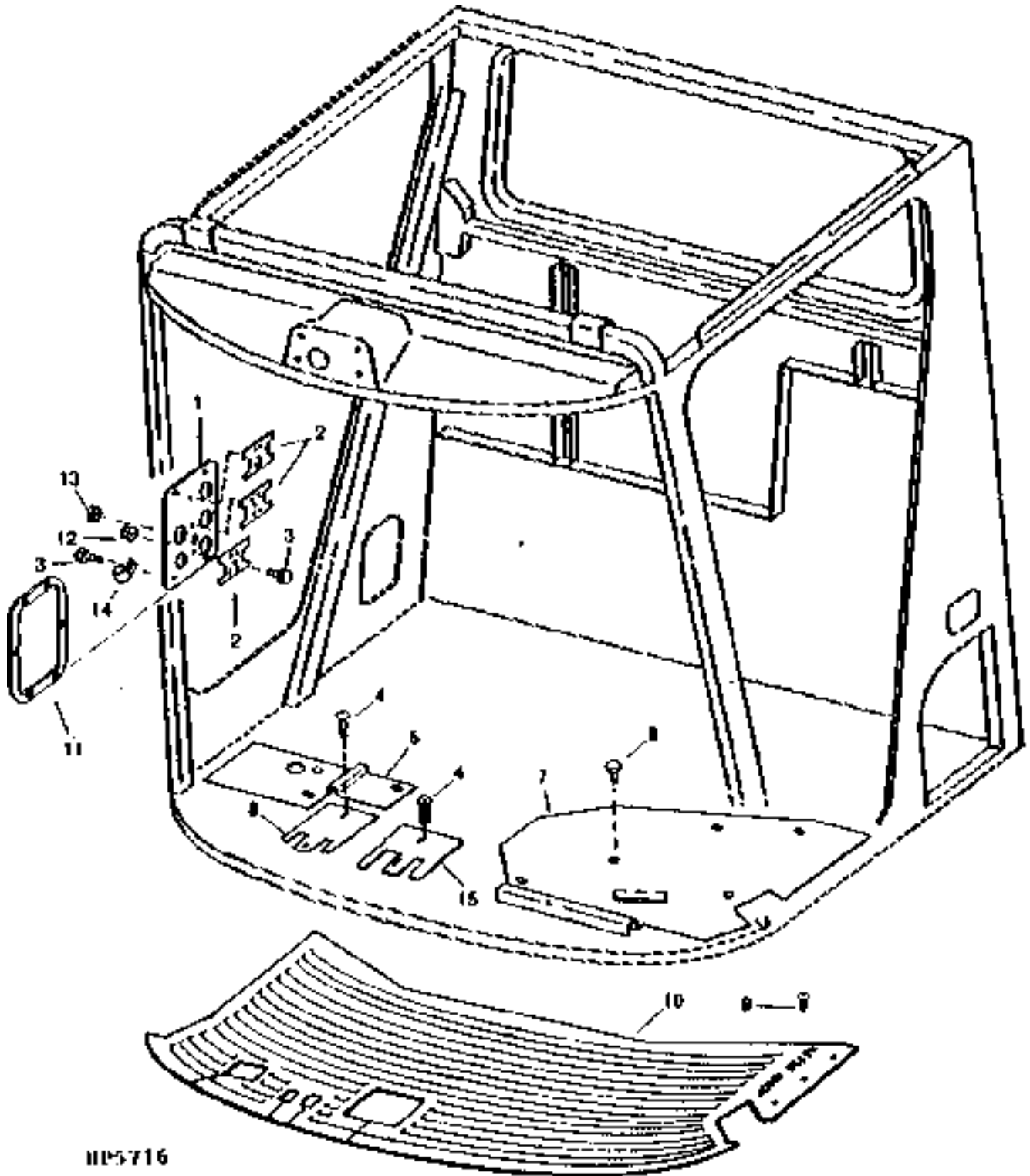
MEMORANDA

MEMORANDA

3H4

OPERATOR'S STATION

CAB PANELS AND FLOOR MAT
HP5716 -UN-01JAN94



HP5716

3H5

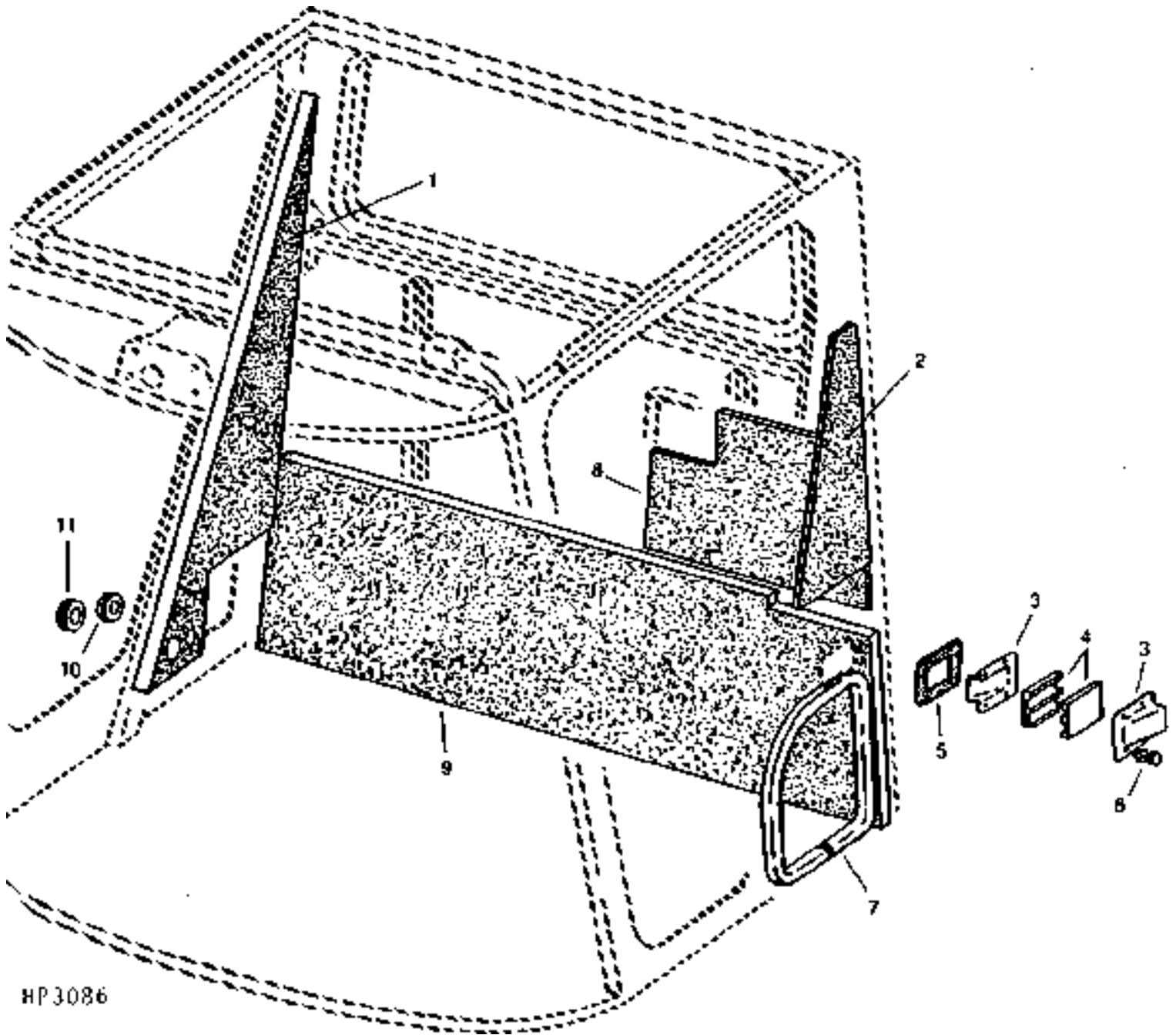
OPERATOR'S STATION

CAB PANELS AND FLOOR MAT - CONTINUED

KEY	PART NO.	PART NAME	QTY	SERIAL NO.	REMARKS
1	H131298	PLATE	1		
2	H131299	PLATE	3		
3	19M7775	SCREW	9	M6 X 16	
4	37M7071	SCREW	4	R.H.	
5	H133665	SHEET	1		
6	H124260	PLATE	1	L.H.	
7	H133666	SHEET	1		
8	37M7089	SCREW	7	M6 X 12	
9	37M7109	SCREW	3		
10	AH165073	MAT	1	(SUB FOR AH159079 OR AH128349)	
11	H131301	SEAL	1		
12	14M7303	FLANGE NUT	3	M6	
13	H131300	GROMMET	1		
14	AH89557	CLIP	1	(SUB AH90990)	
	AH90990	CLIP	1		
15	H141292	PLATE	1		

3H6

CAB SOUND DEADENING, FOAM AND SEALS
HP3086 -UN-01JAN94



3H7

OPERATOR'S STATION

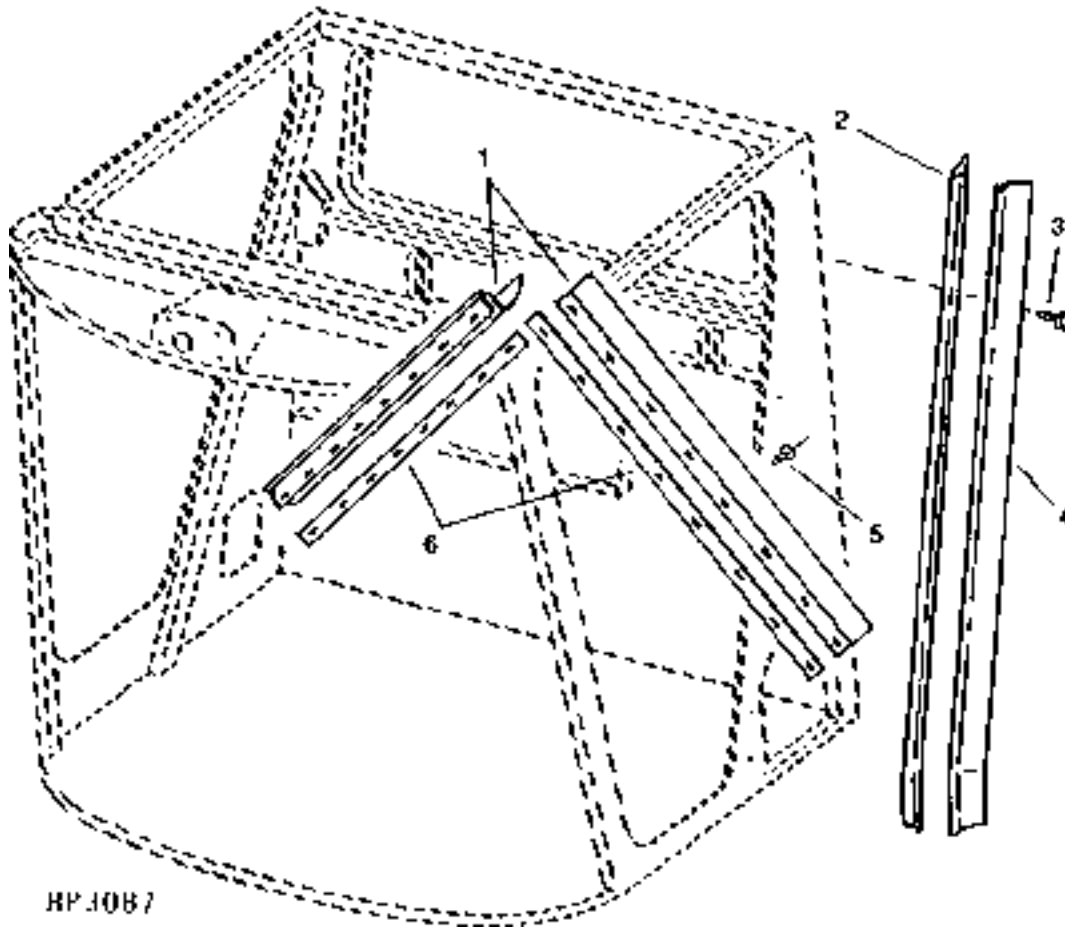
CAB SOUND DEADENING, FOAM AND SEALS - CONTINUED

KEY	PART NO.	PART NAME	QTY	SERIAL NO.	REMARKS
1	H125511	FOAM PAD	1		
2	AH127674	BARRIER	1		L.H.
3	H129606	RETAINER	2		
4	H114523	SEAL	2		
5	H114525	GASKET	1		
6	37M7090	SCREW	4		M6 X 16
7	AH80335	WEATHERSTRIP	1		
8	AH149631	BARRIER	1		REAR
9	AH149374	BARRIER	1		L.H.
	AH149373	BARRIER	1		R.H.
10	R50456	GROMMET	1		
11	H36221	GROMMET	1		

3H8

OPERATOR'S STATION

CAB REAR AND SIDE SEALS
HP3087 -UN-01JAN94



HP3087

3H9

OPERATOR'S STATION

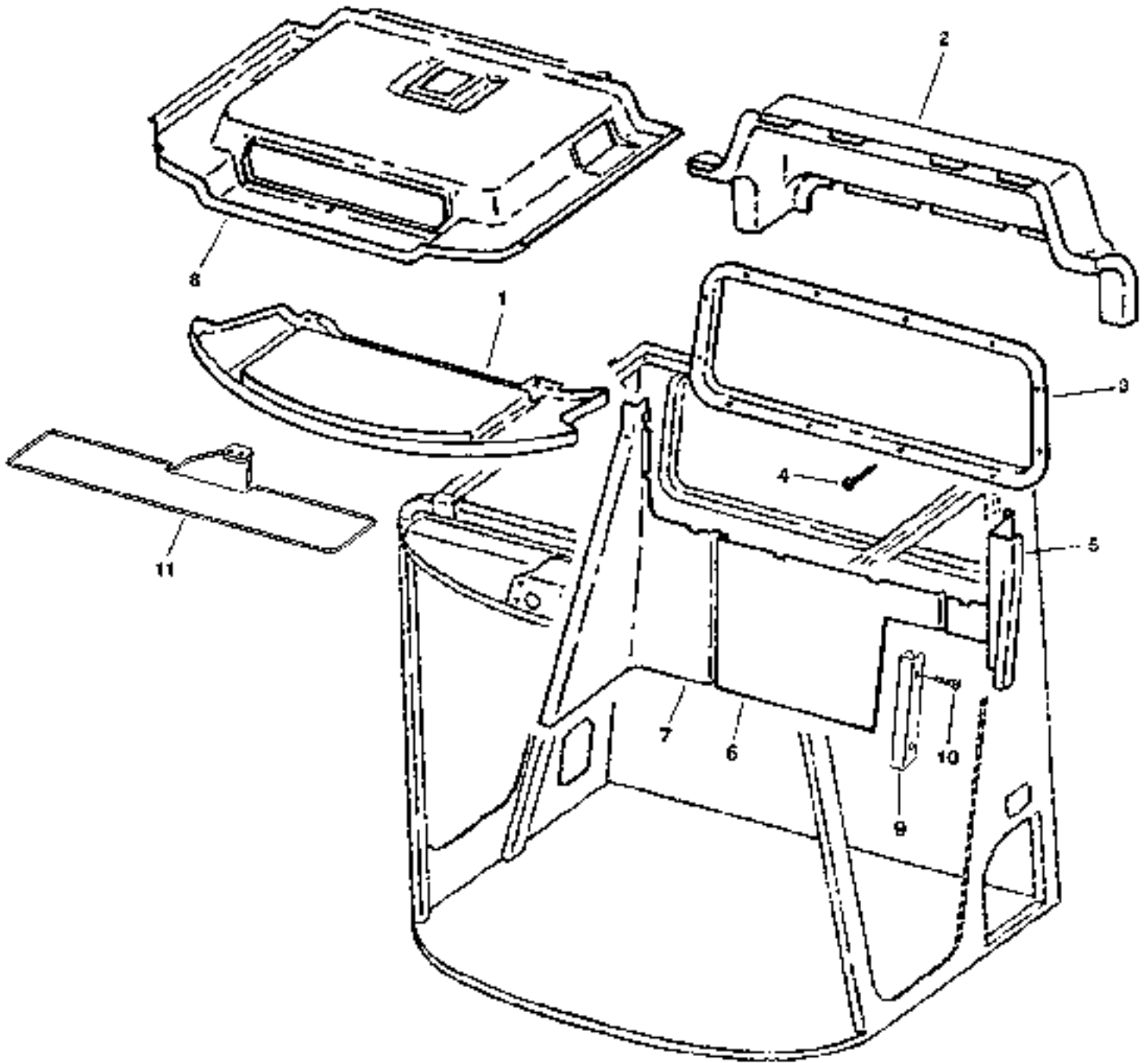
CAB REAR AND SIDE SEALS - CONTINUED

KEY	PART NO.	PART NAME	QTY	SERIAL NO.	REMARKS
1	H135614	SEAL	2		
2	H133391	BRACKET	1		
3	37M7089	SCREW	8	M6 X 12	
4	AH141774	SEAL	1		
5	H85233	RIVET	16		
6	H135615	RETAINER	2		

3H10

OPERATOR'S STATION

CAB INTERIOR TRIM PANELS
HP6769 -UN-11JUL97



HP6769

3H11

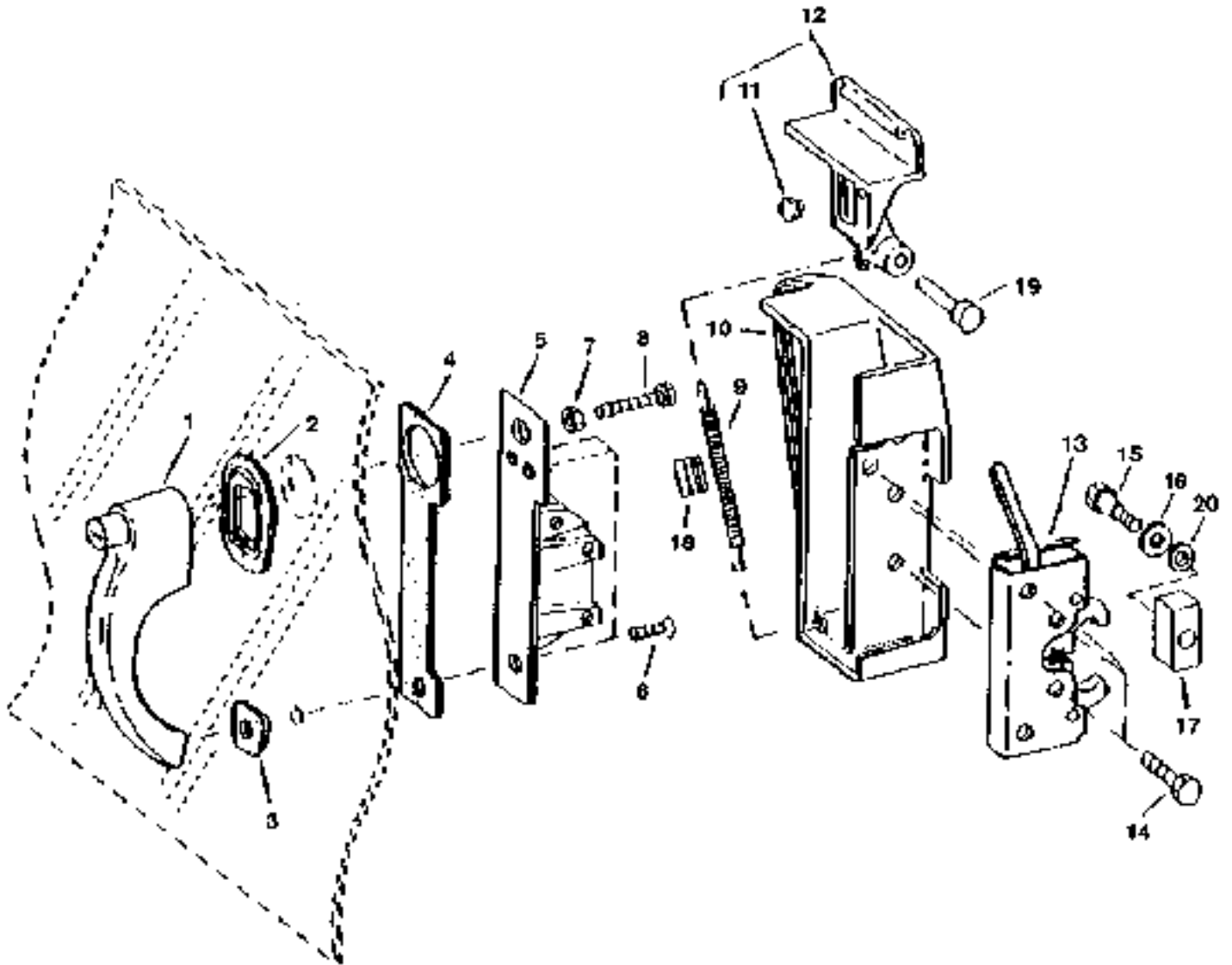
OPERATOR'S STATION

CAB INTERIOR TRIM PANELS - CONTINUED

KEY	PART NO.	PART NAME	QTY	SERIAL NO.	REMARKS
1	AH153911	HEADLINER	1		FRONT, WITH SUN VISOR
	AH120887	HEADLINER	1		FRONT, WITHOUT SUN VISOR
2	AH149883	HEADLINER	1		REAR
3	H168431	BEZEL	1		(SUB FOR H125513) REAR
4	H119088	SCREW	12		
5	AH120891	PANEL	1		L.H.
6	AH146854	PANEL	1		REAR
7	AH120890	PANEL	1		R.H.
8	AH152873	HEADLINER	1		REAR
9	H124210	COVER	1		
10	H132452	CAP SCREW	2		M6 X 50
11	AH151123	SUN VISOR	1		

3H12

CAB DOOR LATCH
HP6853 -UN-18AUG97



HP6853

3H13

OPERATOR'S STATION

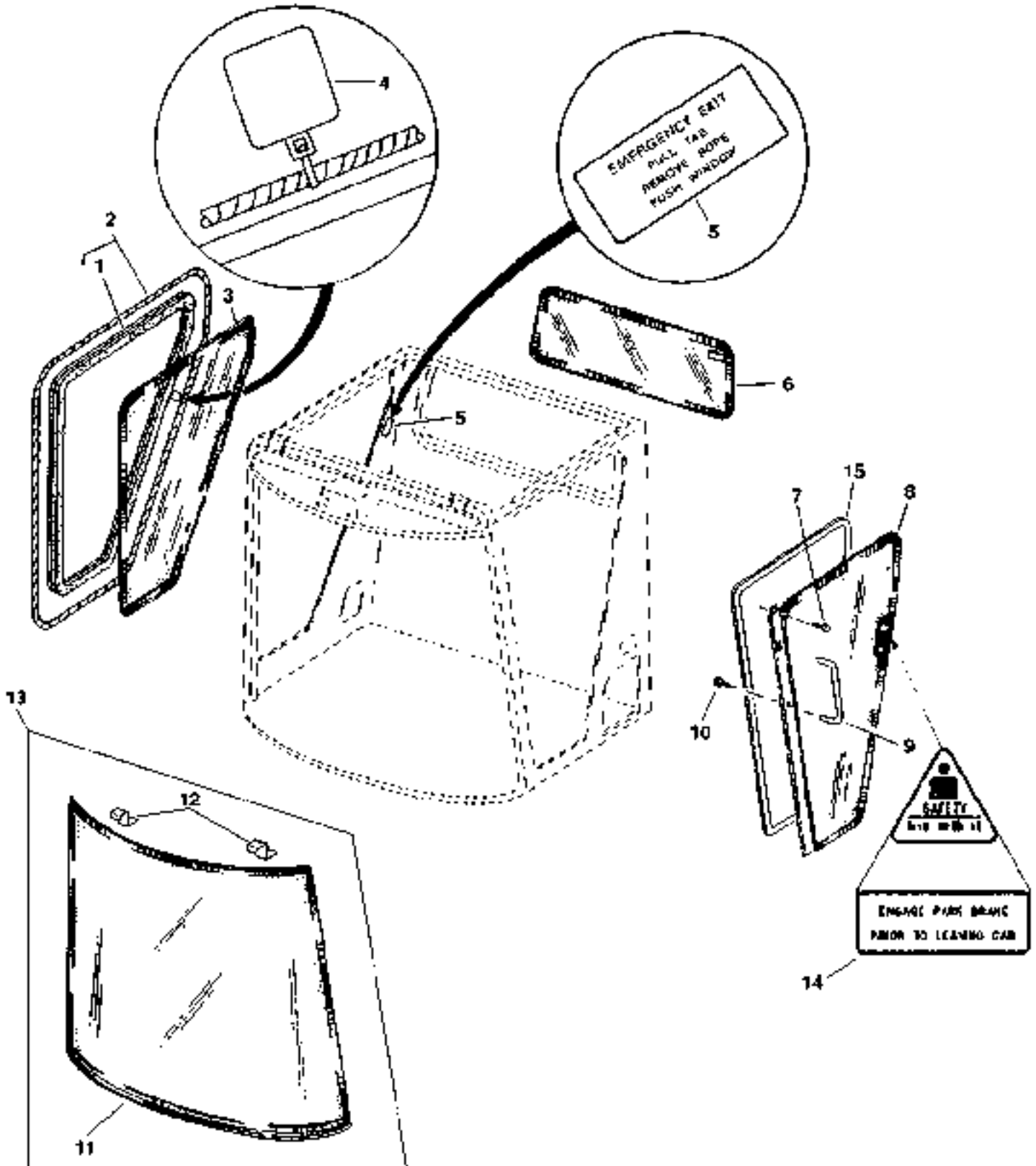
CAB DOOR LATCH - CONTINUED

KEY	PART NO.	PART NAME	QTY	SERIAL NO.	REMARKS
1	RE35161	HANDLE	1		
2	H126082	BEZEL	1		
3	H126081	BEZEL	1		
4	H126083	ISOLATOR	1		
5	H133414	SUPPORT	1		
6	21M7334	SCREW	3	M6 X 25	
7	14H786	NUT	1	1/4"	
8	19H1898	CAP SCREW	1	1/4" X 1-1/2"	
9	H134671	EXTENSION SPRING	1		
10	H150047	HOUSING	1		
11	H145893	BUMPER	1		
12	AH140838	HANDLE	1		
13	AH128585	LATCH	1		
14	19M8326	CAP SCREW	3	M6 X 35	
15	H136589	BOLT	1	11.125 X 39.790 MM (7/16" X 1.567")	
16	24H1219	WASHER	AR	7/16" X 1" X 0.083"	
17	H133219	ADJUSTING STRAP	1		
18	H107566	ISOLATOR	1		
19	H136056	PIN	1	6 X 37 MM (0.236" X 1.457")	
20	H136590	DISK SPRING	1	10.540 X 24 X 3 MM (0.415" X 0.945" X 0.118") (USE WITH H137976)	
..	TY9370	ADHESIVE	1	6 OZ. MEDIUM STRENGTH - CANADA NUMBER TY9477, APPLY ON 21M7334 SCREW, THREE PLACES	

3H14

OPERATOR'S STATION

CAB GLASS AND DOOR
HP6854 -UN-12SEP97



HP6854

3H15

OPERATOR'S STATION

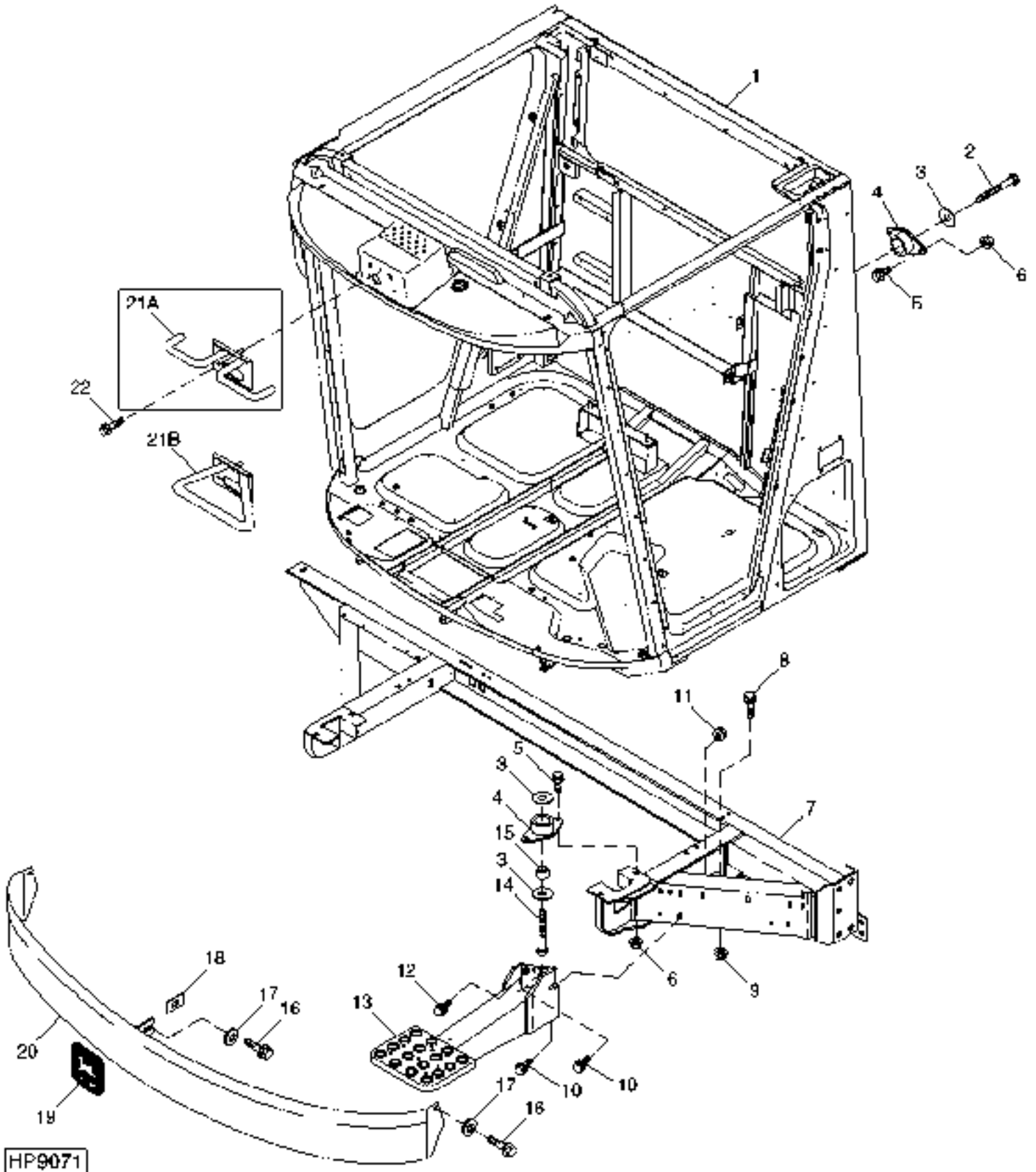
CAB GLASS AND DOOR - CONTINUED

KEY	PART NO.	PART NAME	QTY	SERIAL NO.	REMARKS
1	WEATHERSTRIP	1		(SUB AH106010)
2	AH106010	WEATHERSTRIP	1		
3	H123794	WINDOWPANE	1		
4	H138297	TIE BAND	1		
5	H134535	LABEL	1		
6	H125769	WINDOWPANE	1		
7	37M7160	SCREW	AR		M6 X 16
8	AH154280	DOOR	1		
9	H131720	RAIL	1		
10	19M8358	CAP SCREW	AR		M10 X 20
11	WINDSHIELD	1		(SUB AH132117)
12	AH132819	BRACKET	2		AVAILABLE IN AH132117 WINDSHIELD KIT ONLY
13	AH141412	KIT	1		
	AH132117	WINDSHIELD	1		(EXPORT)
14	H145982	LABEL	1		
15	AH80335	WEATHERSTRIP	1		CUT FROM AH83825

3H16

OPERATOR'S STATION

CAB FRAME AND SUPPORT
HP9071 -UN-16SEP99



3H17

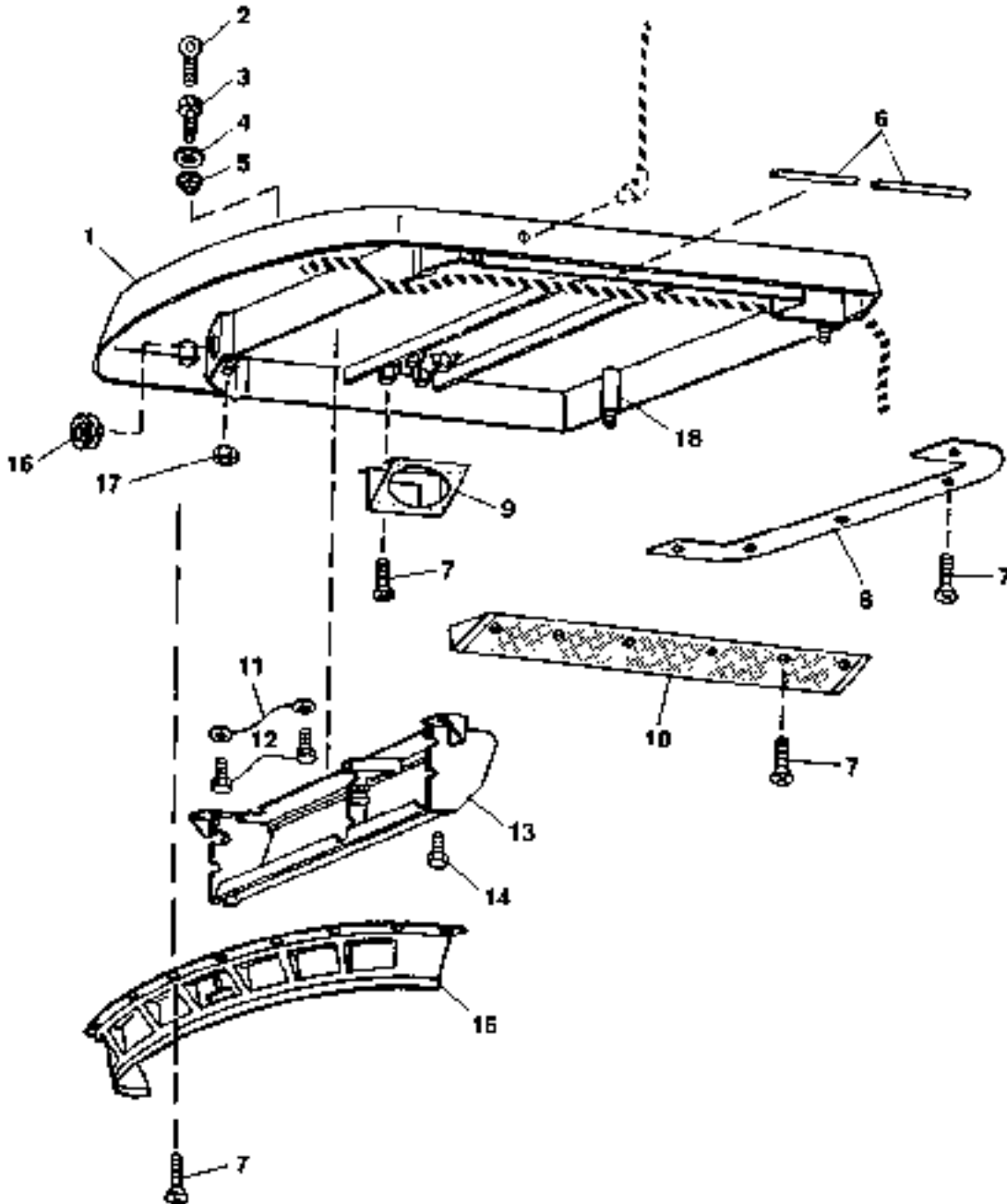
OPERATOR'S STATION

CAB FRAME AND SUPPORT - CONTINUED

KEY	PART NO.	PART NAME	QTY	SERIAL NO.	REMARKS
1	CAB	1		
2	19M7268	CAP SCREW	2	M12 X 25	
3	24M7103	WASHER	4	17.500 X 56 X 5 MM	
4	AH108299	RUBBER MOUNT	4		
5	19M7788	SCREW	8	M12 X 25	
6	14M7299	FLANGE NUT	8	M12	
7	AH130915	SUPPORT	1		
8	19M7789	SCREW	4	M12 X 30	
9	14M7299	FLANGE NUT	4	M12	
10	19M7785	SCREW	3	M10 X 25, TOP R.H. AND BOTTOM HOLES	
11	14M7296	FLANGE NUT	3	M10	
12	19M7784	SCREW	1	M10 X 20, TOP L.H. HOLE	
13	AH130594	STEP	1	L.H.	
14	19M7546	CAP SCREW	2	M16 X 150	
15	H96690	SPACER	2	16.662 X 31.750 X 28.956 MM	
16	37M7058	SCREW	3	M8 X 20	
17	24M7207	WASHER	3	8.400 X 24 X 2 MM	
18	H98111	NUT	8	4.826 MM, (USE WITH H149480)	
19	H149480	LABEL	1	(USE WITH H98111)	
20	AH132148	SHIELD	1		
21A	AH150441	HANDLE	1	(SUB AH162746)	
21B	AH162746	HANDLE	1		
22	H162748	SCREW	1		

3H18

CAB ROOF AND SUPPORTS
HP6726 -UN-22MAY97



HP6726

3H19

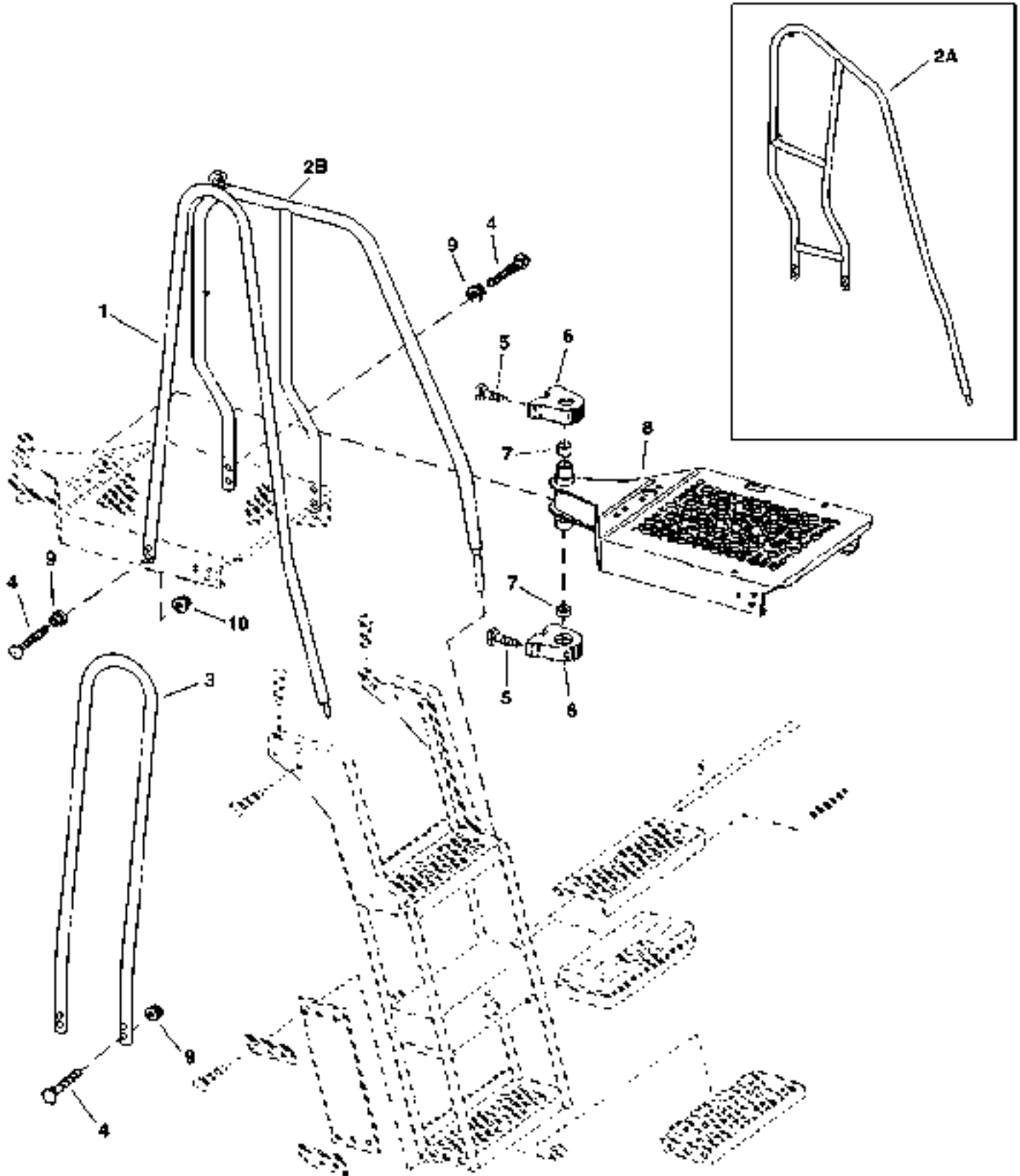
OPERATOR'S STATION

CAB ROOF AND SUPPORTS - CONTINUED

KEY	PART NO.	PART NAME	QTY	SERIAL NO.	REMARKS
1	AH153796	ROOF	1		
2	EYEBOLT	1		12 MM, FOR ROOF REMOVAL
3	19M7789	SCREW	2		M12 X 30
4	24M7051	WASHER	2		21 X 37 X 3 MM
5	H123991	SEALING WASHER	2		
6	AH120541	SEAL	AR		
7	H123995	SCREW	27		
8	H143460	COVER	1		
9	H144472	SUPPORT	2		
10	H130301	COVER	2		
11	AH124882	WIRING LEAD	2		
12	H114038	SCREW	4		
13	AH136557	SUPPORT	1	-14SE98	
	AH154696	SUPPORT	1	14SE98-	
14	H116188	SCREW	4		
15	H130303	COVER	1		
16	H123796	GROMMET	1		
17	14M7296	FLANGE NUT	4	M10	
18	H123740	STUD	4		

3H20

OPERATOR'S PIVOTING PLATFORM AND HANDRAILS HP7247 -UN-04FEB98



HP7247

3H21

OPERATOR'S STATION

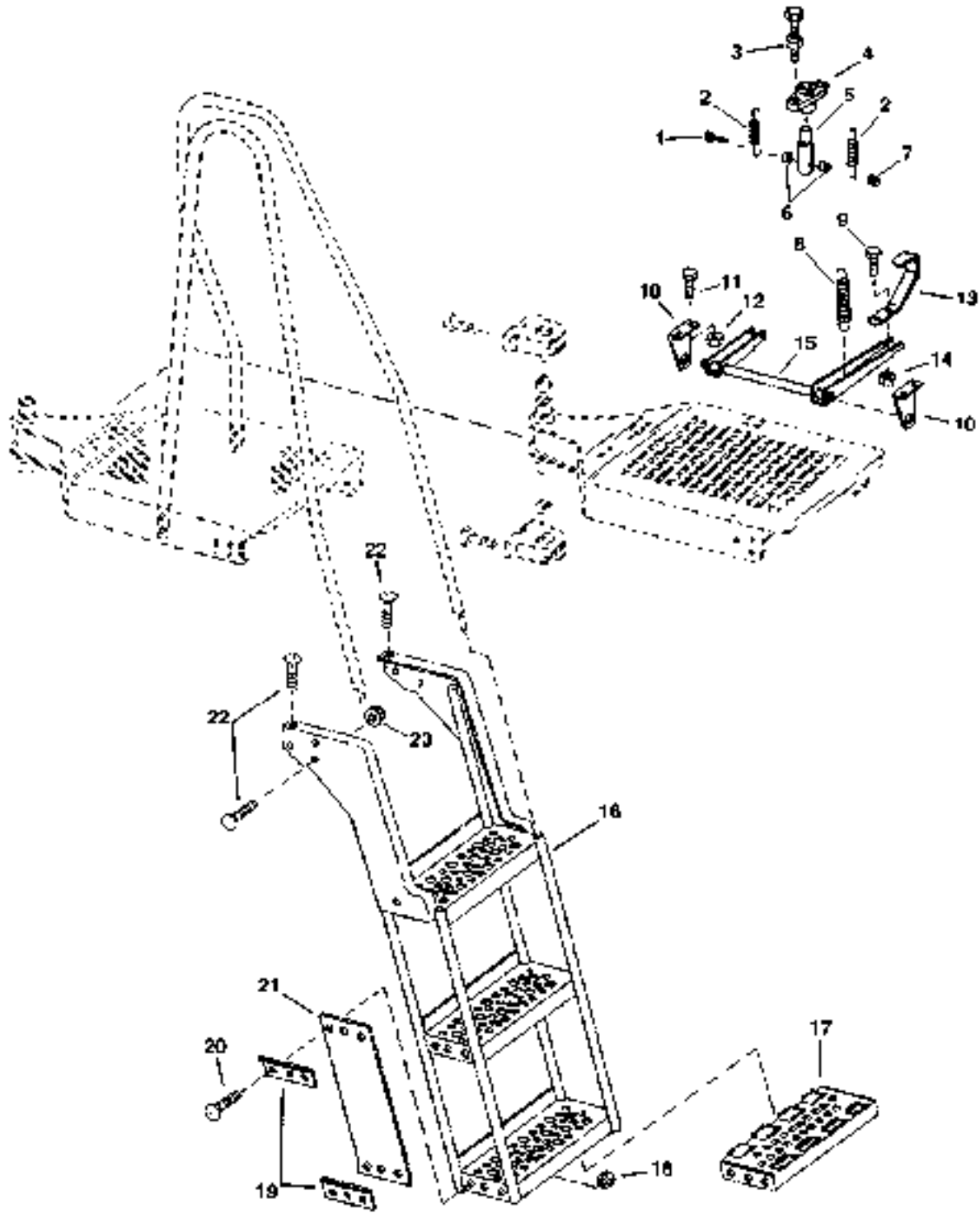
OPERATOR'S PIVOTING PLATFORM AND HANDRAILS - CONTINUED

KEY	PART NO.	PART NAME	QTY	SERIAL NO.	REMARKS
1	H136143	HANDRAIL	1	-27SE99	
	H167174	HANDRAIL	1	28SE99-	
2A	AH147974	HANDRAIL	1	-675765	USE WITH 1260 MM EXT.
	AH148171	HANDRAIL	1	-675765	USE WITH 940 MM EXT.
2B	AH131845	HANDRAIL	1	-27SE99	USE WITH 940 MM EXT.
	AH160473	HANDRAIL	1	28SE99-	
	AH131851	HANDRAIL	1	-27SE99	USE WITH 1260 MM EXT.
	AH160474	HANDRAIL	1	28SE99-	
3	H131626	HANDRAIL	1	-27SE99	(SUB FOR H131626) (1260)
	AH160469	HANDRAIL	1	28SE99-	
4	03M7196	BOLT	8		M10 X 50
5	19M7792	SCREW	4		M16 X 30
6	H129610	BUSHING	2		
7	H111478	SLEEVE	2		
8	AH133500	EXTENSION	1	-27SE99	(SUB FOR AH131849) 1260 MM EXT. SECONDARY LATCH REMOVED
	AH159187	EXTENSION	1	28SE99-	
	AH157029	EXTENSION	1	-27SE99	(SUB FOR AH133499) 940 MM EXT. SECONDARY LATCH REMOVED
	AH159186	EXTENSION	1	28SE99-	
9	14M7400	LOCK NUT	8	-675765	M10
10	14M7296	FLANGE NUT	4	675766-	M10
..	BH80671	COMPLETE GOODS/SHIP. BUNDLE	1		HANDRAIL CONVERSION (TO 1260)

3H22

OPERATOR'S STATION

OPERATOR'S PLATFORM LADDER AND LATCH
HP6506 -UN-15JUL96



HP6506

3H23

OPERATOR'S STATION

OPERATOR'S PLATFORM LADDER AND LATCH - CONTINUED

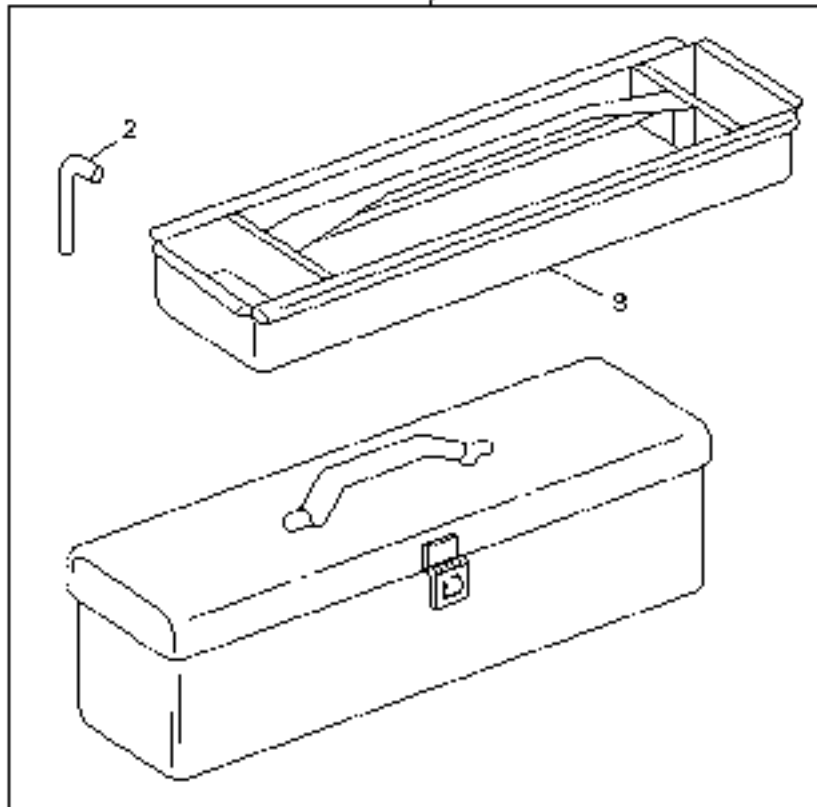
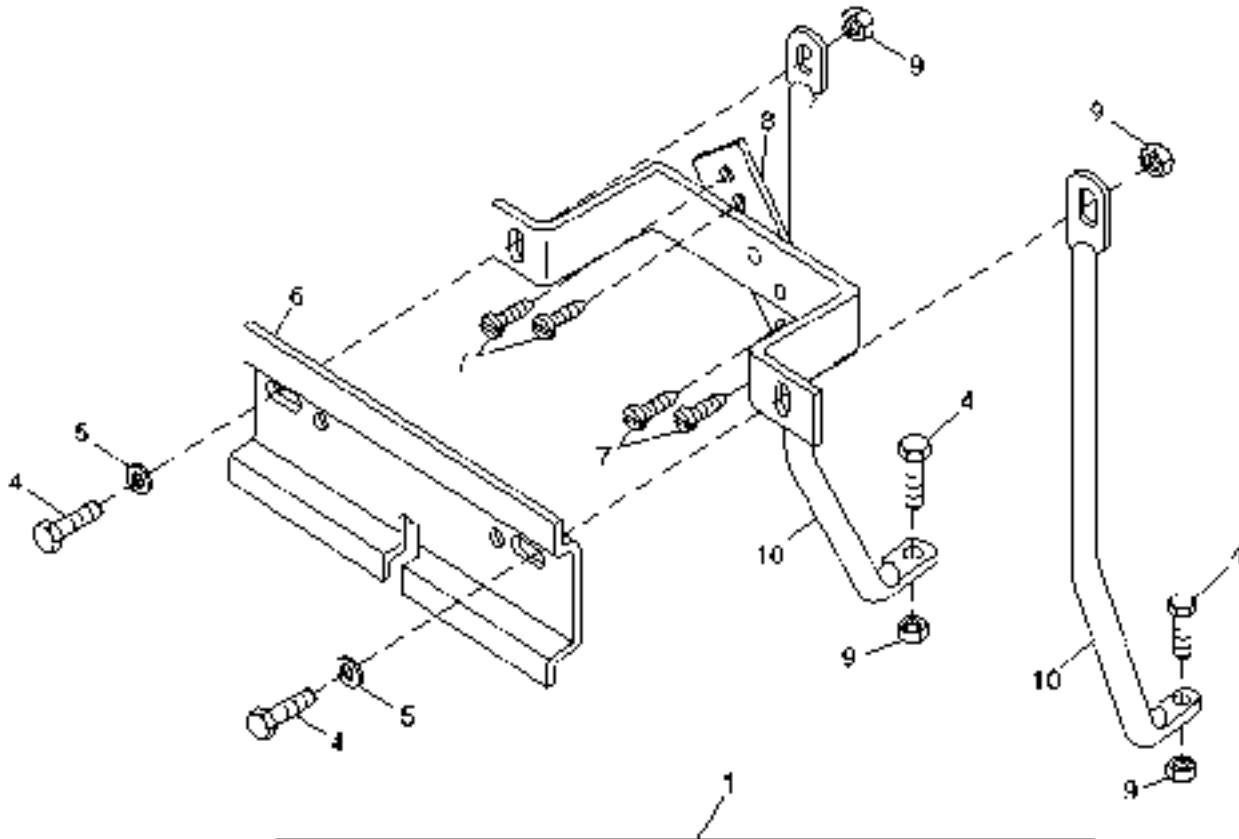
KEY	PART NO.	PART NAME	QTY	SERIAL NO.	REMARKS
1	19M7803	SCREW	AR	M8 X 70	
2	H137360	EXTENSION SPRING	2		
3	03M7186	BOLT	2	M8 X 30	
	14M7396	LOCK NUT	2	M8	
4	H129761	BUSHING	1		
5	H129760	PIN	1		
6	28H1903	BUSHING	2		
7	14M7298	FLANGE NUT	1		
8	R60730	SPRING	1		
9	03M7184	BOLT	2	M8 X 20	
10	H129763	BRACKET	2		
11	03M7251	BOLT	4	M6 X 12	
12	14M7303	FLANGE NUT	4	M6	
13	H133514	LEVER	1		
14	14M7298	FLANGE NUT	2	M8	
15	AH128610	LATCH	1		
16	AH165990	LADDER	1	(SUB FOR AH145678) WITHOUT TOOLBOX OPENING	
17	H136011	STEP	1		
18	14M7396	LOCK NUT	12	M8	
19	H136127	PLATE	4		
20	03M7185	BOLT	12	M8 X 25	
21	H136126	HANGER	2		
22	03M7190	BOLT	8	M10 X 20	
23	14M7296	FLANGE NUT	8	M10	

3H24

OPERATOR'S STATION

TOOL BOX
HP8490

-UN-13JUL99



HP8490

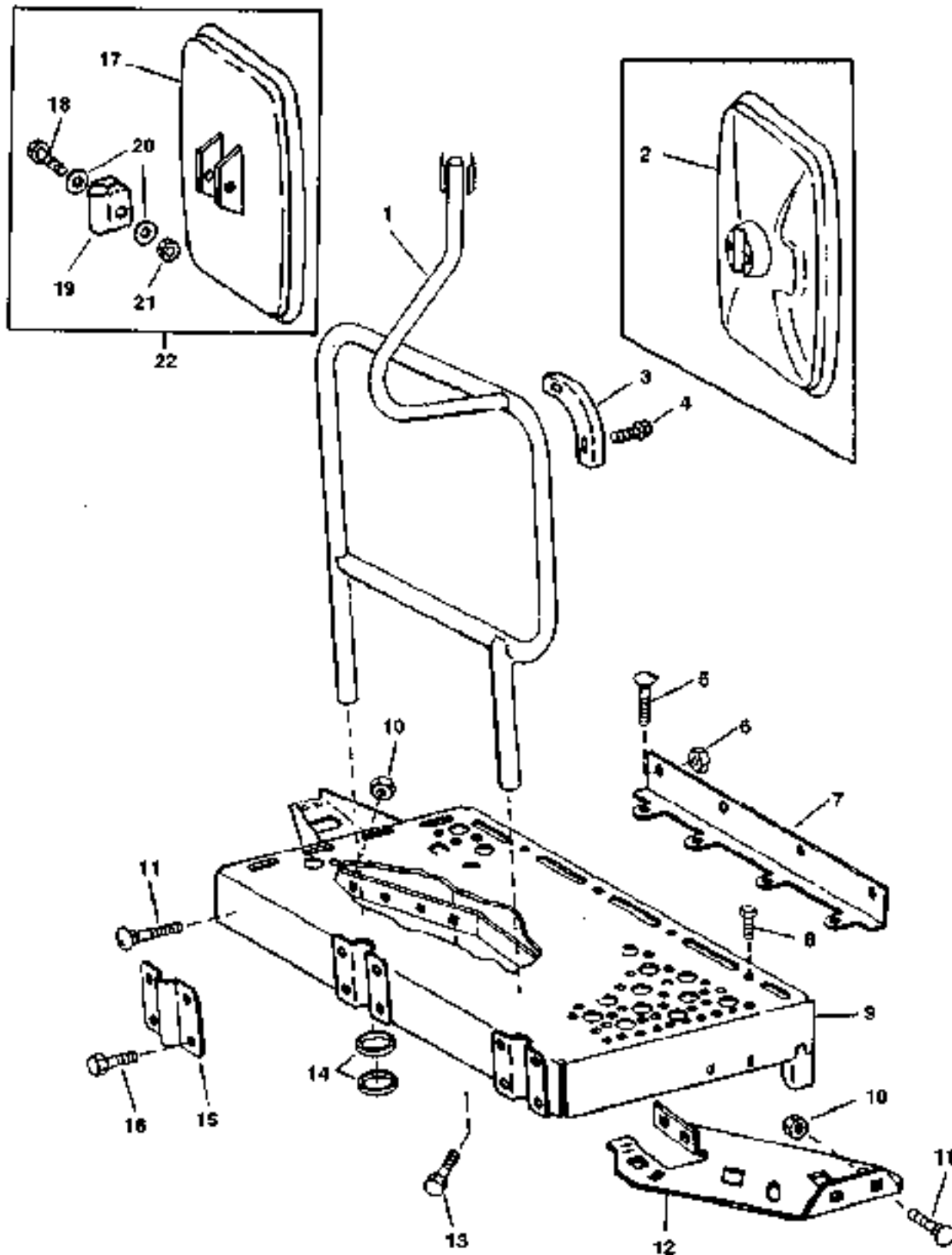
3H25

OPERATOR'S STATION

TOOL BOX - CONTINUED

KEY	PART NO.	PART NAME	QTY	SERIAL NO.	REMARKS
1	AT22070	TOOLBOX	1		
2	T23027	PIN	1		
3	AT22073	HOLDER	1		
4	19M7785	SCREW	4	M10 X 25	
5	24M7178	WASHER	2	10.500 X 30 X 2.500 MM (0.413" X 1.181" X 0.098")	
6	T23033	BRACKET	1		
7	37M7058	SCREW	4	M8 X 20	
8	AH145157	BRACKET	1		
9	14M7296	FLANGE NUT	4	M10	
10	H150951	BRACE	2		

CAB LANDING AND MIRROR (L.H.)
HP6857 -UN-18AUG97



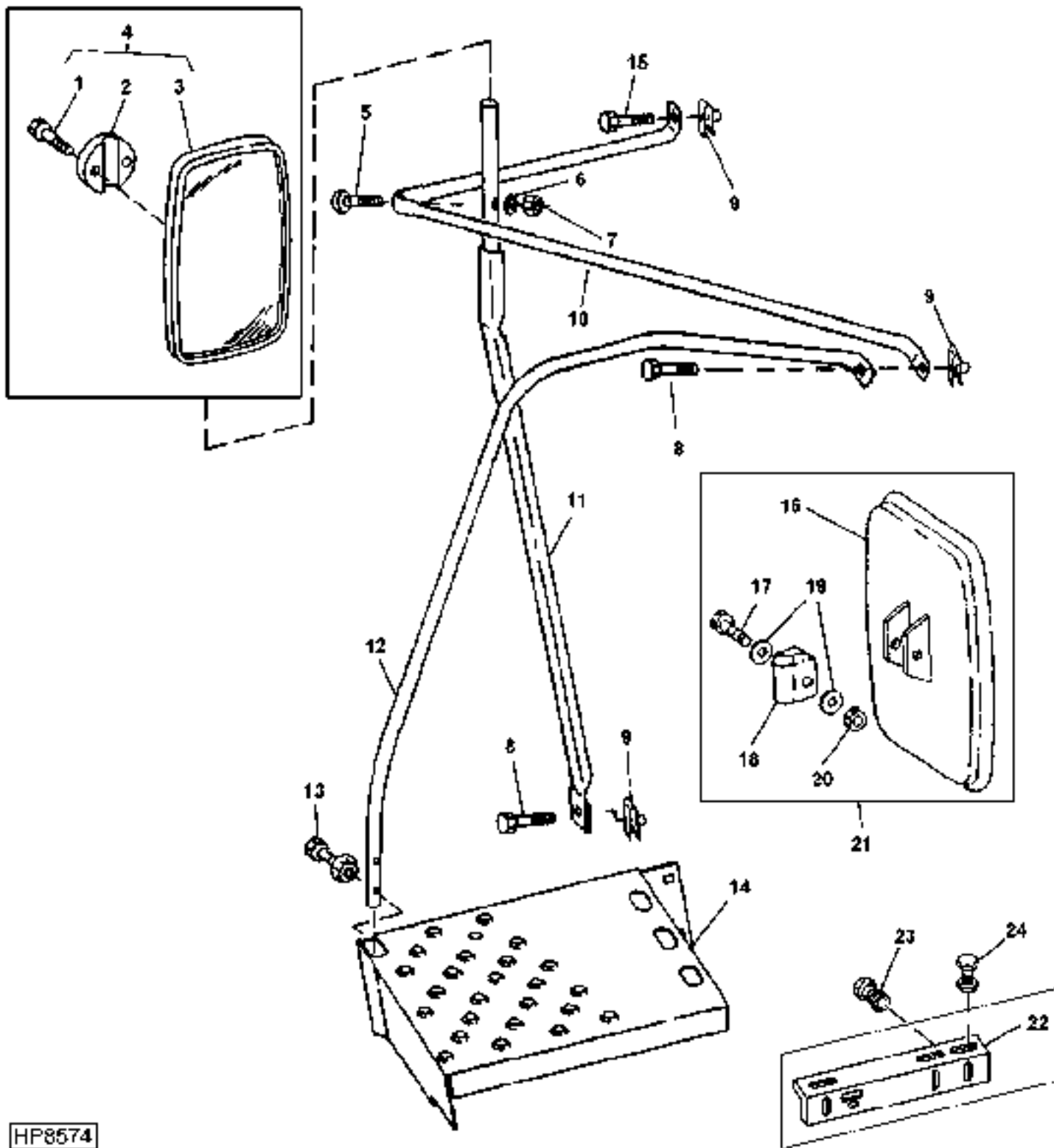
HP6857

CAB LANDING AND MIRROR (L.H.) - CONTINUED

KEY	PART NO.	PART NAME	QTY	SERIAL NO.	REMARKS
1	AH141804	RAIL	1	-27SE99	
	AH160115	HANDRAIL	1	28SE99-	
2	AH142404	REAR VIEW MIRROR	1		
3	AH122099	BUMPER	1		
4	37M7046	SCREW	2		
5	03M7183	BOLT	AR		M8 X 16
6	14M7298	FLANGE NUT	AR		M8
7	H130362	ANGLE	1		
8	37M7058	SCREW	AR		M8 X 20
9	AH141812	PLATFORM	1		
10	14M7296	FLANGE NUT	AR		M10
11	19M7784	SCREW	AR		M10 X 20
12	H172944	PLATE	1		(SUB FOR H134544)
13	19M7784	SCREW	4		M10 X 20
14	H136110	ISOLATOR	4		
15	H161289	CLAMP	4		
16	37M7131	SCREW	4		M6 X 20
17	AZ47909	REAR VIEW MIRROR	1		EXPORT ONLY
18	BOLT	2		1.25 X 45 HCS
19	CLAMP	1		
20	WASHER	4		
21	NUT	1		
22	AH142404	REAR VIEW MIRROR	1		

CAB LANDING AND MIRROR (R.H.)

HP8574 -UN-13MAY99



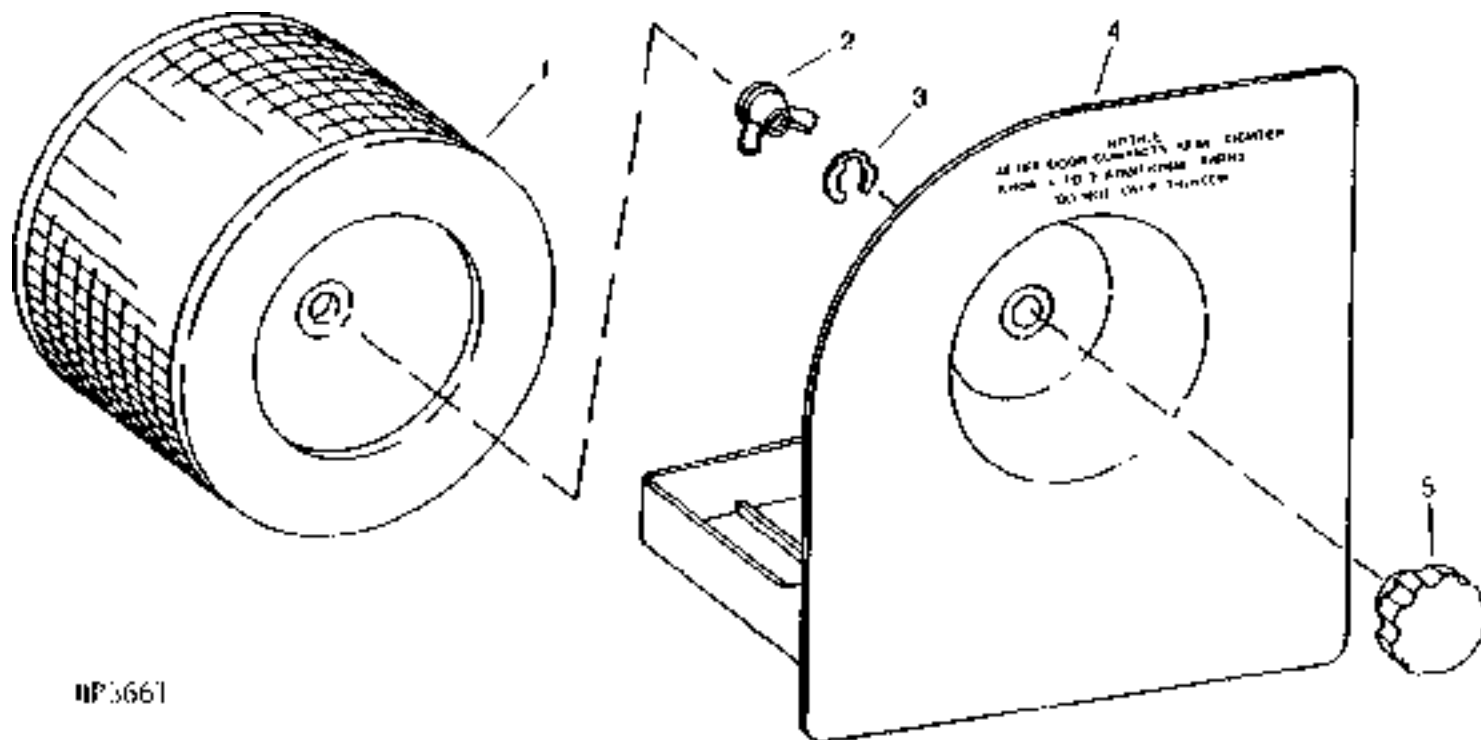
HP8574

CAB LANDING AND MIRROR (R.H.) - CONTINUED

KEY	PART NO.	PART NAME	QTY	SERIAL NO.	REMARKS
1	19M8505	SCREW	2	M6 X 25	
2	PLATE	1		
3	REAR VIEW MIRROR	1		
4	AH142404	REAR VIEW MIRROR	1		
5	03M7195	BOLT	1	M10 X 45	
6	24M7178	WASHER	1	10.500 X 30 X 2.500 MM (0.413" X 1.181" X 0.098")	
7	14M7296	FLANGE NUT	1	M10	
8	19M7786	SCREW	2	M10 X 30	
9	H137447	NUT	3		
10	H134724	SUPPORT	1		
11	AH137725	SUPPORT	1		
	AH153617	SUPPORT	1		(SUB CC25449, H162850, H163409 AND 19M7790) (EXPORT ONLY)
	CC25449	SPACER	1		
	H163409	SUPPORT	1		
	H162850	BUSHING	1		
	19M7790	SCREW	1	M12 X 35	
12	H134537	RAIL	1		
13	19M7800	SCREW	2	M8 X 50	
14	AH130587	SHIELD	1		
15	19M7805	SCREW	1	M10 X 45	
16	REAR VIEW MIRROR	1		
17	BOLT	1		
18	CLAMP	1		
19	WASHER	1		
20	NUT	1		
21	AH142404	REAR VIEW MIRROR	1		
22	H120659	ANGLE	1		USE WITH DUAL RANGE LOCKOUT
23	19M7866	SCREW	2	M8 X 20	
	14M7278	NUT	2	M24	
24	19M7865	SCREW	2	M8 X 16	
	14M7298	FLANGE NUT	2	M8	

CAB AIR FILTER AND HOUSING

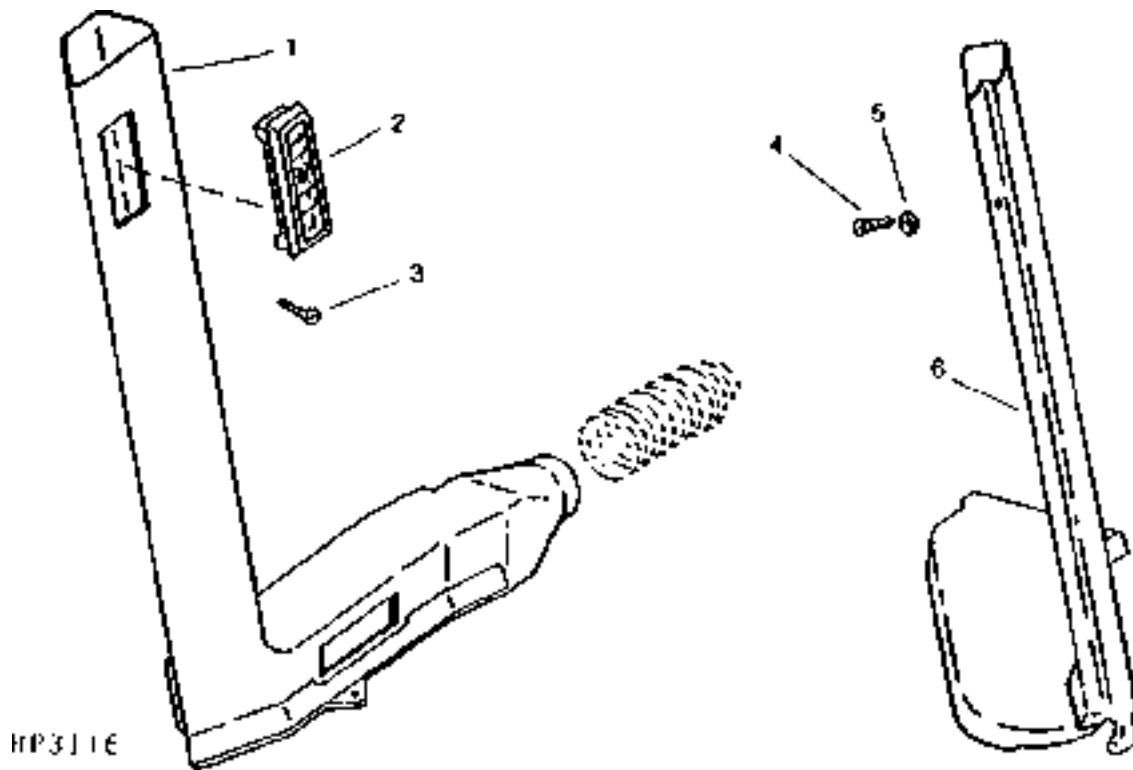
HP3661 -UN-01JAN94



KEY	PART NO.	PART NAME	QTY	SERIAL NO.	REMARKS
1	AH115833	AIR FILTER	1		
2	AH132783	NUT	1	M10	
3	R58806	SNAP RING	1		
4	AH120419	DOOR	1		DECAL IS NOW EMBOSSED RIGHT ON DOOR
5	AH120446	KNOB	1		
..	H150119	LABEL	1		"CHECK PRECLEANER AND PRECELANER OPENING IN FLOOR (50 HRS)"

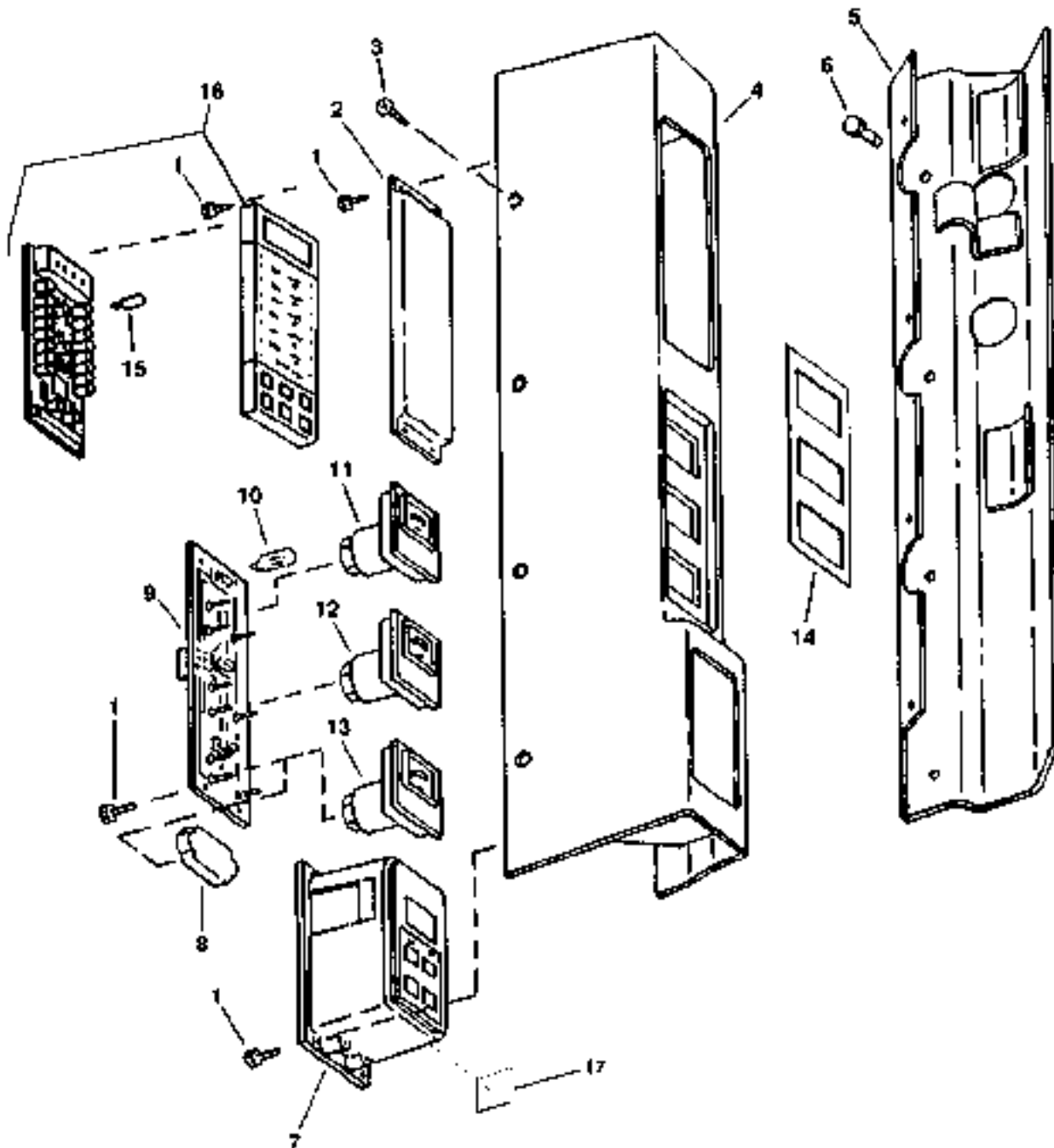
AIR CONDITIONING AND HEATER DUCTS

HP3116 -UN-01JAN94



KEY	PART NO.	PART NAME	QTY	SERIAL NO.	REMARKS
1	H168429	HOUSING	1		(SUB FOR H129553)
2	AH161926	GRILLE	6		(SUB FOR AH134522)
3	37M7160	SCREW	AR		M6 X 16
4	H165691	SCREW	AR		M6 X 20, (SUB FOR H131591 OR H168780)
5	H91315	WASHER	AR		5.842 X 14.224 X 2.540 MM
6	H130515	AIR DUCT	1	-680300	
	H168430	HOUSING	1	680301-	

CAB POST INSTRUMENT PANEL
HP7318 -UN-22DEC97



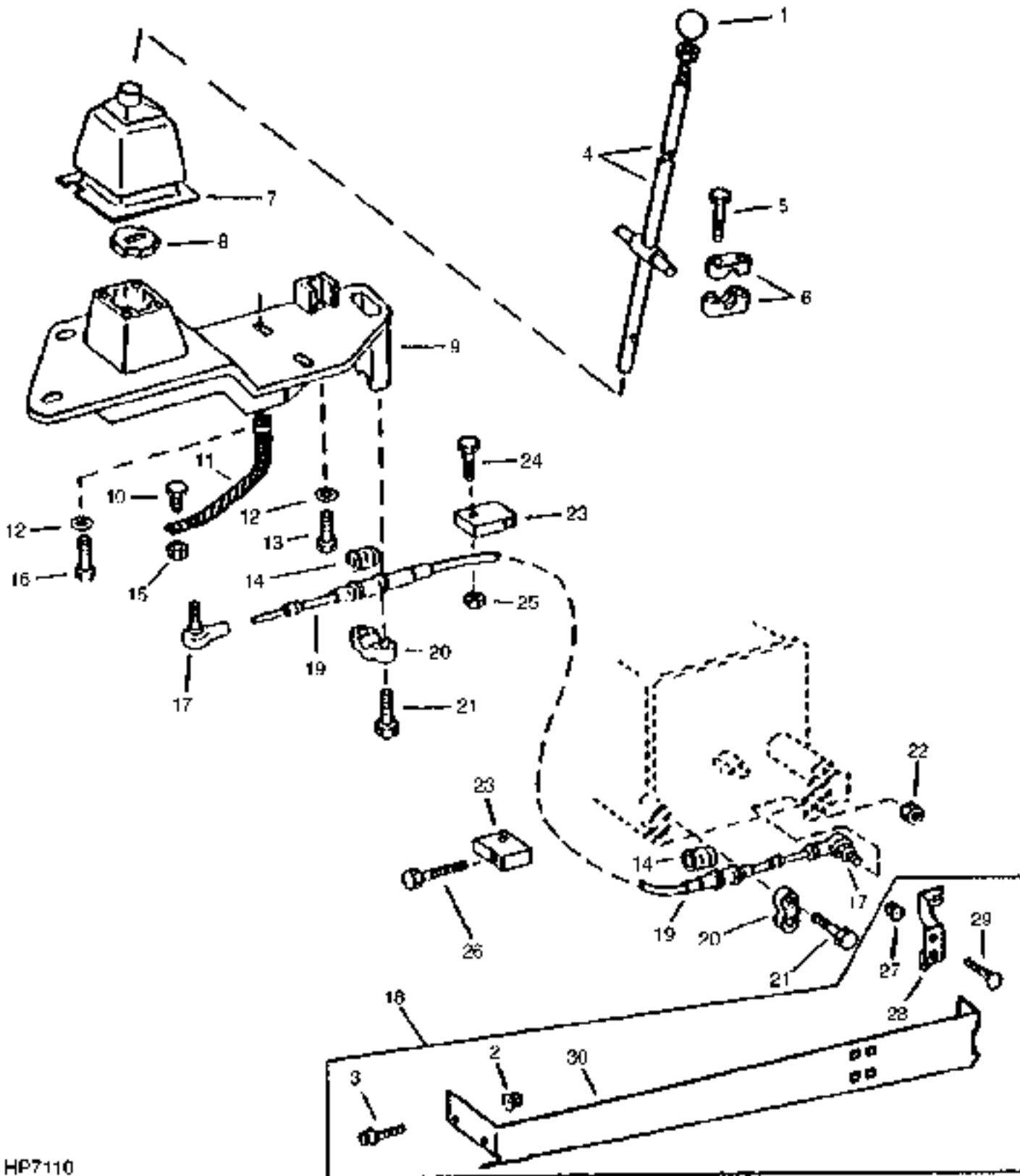
HP7318

CAB POST INSTRUMENT PANEL - CONTINUED

KEY	PART NO.	PART NAME	QTY	SERIAL NO.	REMARKS
1	21M7268	SCREW	AR		M3 X 6
2	H130058	PANEL	1	-28SE98	USE WITHOUT DATA CENTER
	H168423	PANEL	1	28SE98-	
3	H168424	SCREW	4		M5 X 12
4	AH140609	PANEL	1		
5	AH120570	BRACKET	1		
6	37M7089	SCREW	AR		M6 X 12
7	AH163527	KIT	1		(INCLUDES AH161335 DUAL TACHOMETER, AH144684 LABEL KIT, AND H165359 INSTRUCTIONS)
8	H129686	COVER	1		USE ONLY WITHOUT HARVESTRAK
9	AH141984	CIRCUIT BOARD	1		
10	AA27536	BULB	3		
11	AH120444	GAUGE	1		FOR FUEL
12	AH148354	TEMPERATURE GAUGE	1	-676755	ENGINE
	AH159352	TEMPERATURE GAUGE	1	676756-	
13	AH120445	GAUGE	1		HARVESTRAK
14	H145417	DECAL	1		GAUGE GRAPHICS DECAL
15	AH108380	BULB	20		
16	AH162661	KIT	1	680884-15NO99	(SUB FOR AH159207) COMBINE DATA CENTER, INCLUDES AH162660 MONITOR, LABELS AND INSTRUCTIONS.
	AH167934	KIT	1	16NO99-	
17	R133617	LABEL	1		

GEARSHIFT LEVER AND LINKAGE

HP7110 -UN-12SEP97

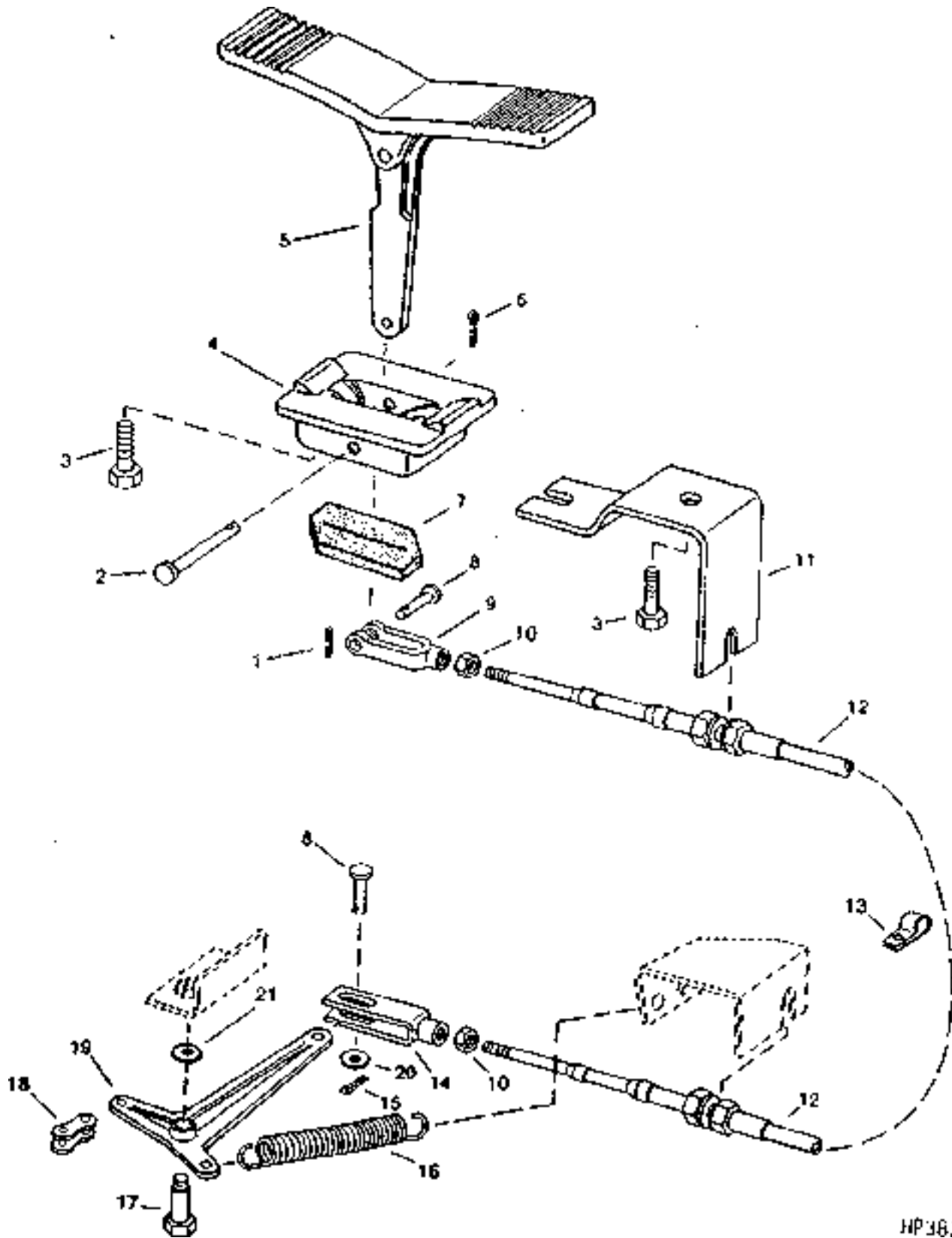


HP7110

GEARSHIFT LEVER AND LINKAGE - CONTINUED

KEY	PART NO.	PART NAME	QTY	SERIAL NO.	REMARKS
1	H125518	KNOB	1		USE WITH TY9370
2	14M7401	LOCK NUT	1		M12
3	19M7789	SCREW	1		M12 X 30
4	AH138707	ROD	1		
5	19M8318	SCREW	4		M8 X 45
6	H131040	BEARING	4		
7	H131041	BOOT	1		
8	H133660	SEAL	1		
9	H133636	HOUSING	1		
10	19M7788	SCREW	1		M12 X 25
11	AH125010	GROUND CABLE	1		
12	24H1296	WASHER	5		11/32" X 1-3/8" X 0.134"
13	19M8319	SCREW	1		M8 X 50
14	H133662	ISOLATOR	2		
15	14M7299	FLANGE NUT	1		M12
16	19M7867	SCREW	4		M8 X 25
17	AH125958	BALL JOINT	2		
18	AH138328	KIT	1		
19	AH128356	CABLE	1		
20	H133047	CLAMP	2		
21	19M8291	SCREW	4		M8 X 35
22	14M7296	FLANGE NUT	1		M10
23	AH77724	CLIP	3		
24	19M7799	SCREW	1		M8 X 45
25	14M7298	FLANGE NUT	1		M8
26	37M7058	SCREW	3		M8 X 20
27	14M7400	LOCK NUT	2		M10
28	BRACKET	1		INC. IN AH138328 KIT
29	03M7190	BOLT	2		M10 X 20
30	GUARD	1		INC. IN AH138328 KIT
..	TY9370	ADHESIVE	1		6 OZ. MEDIUM STRENGTH (CANADA NUMBER TY9477)

FEEDER HOUSE REVERSER FOOT CONTROL
HP3833 -UN-01JAN94

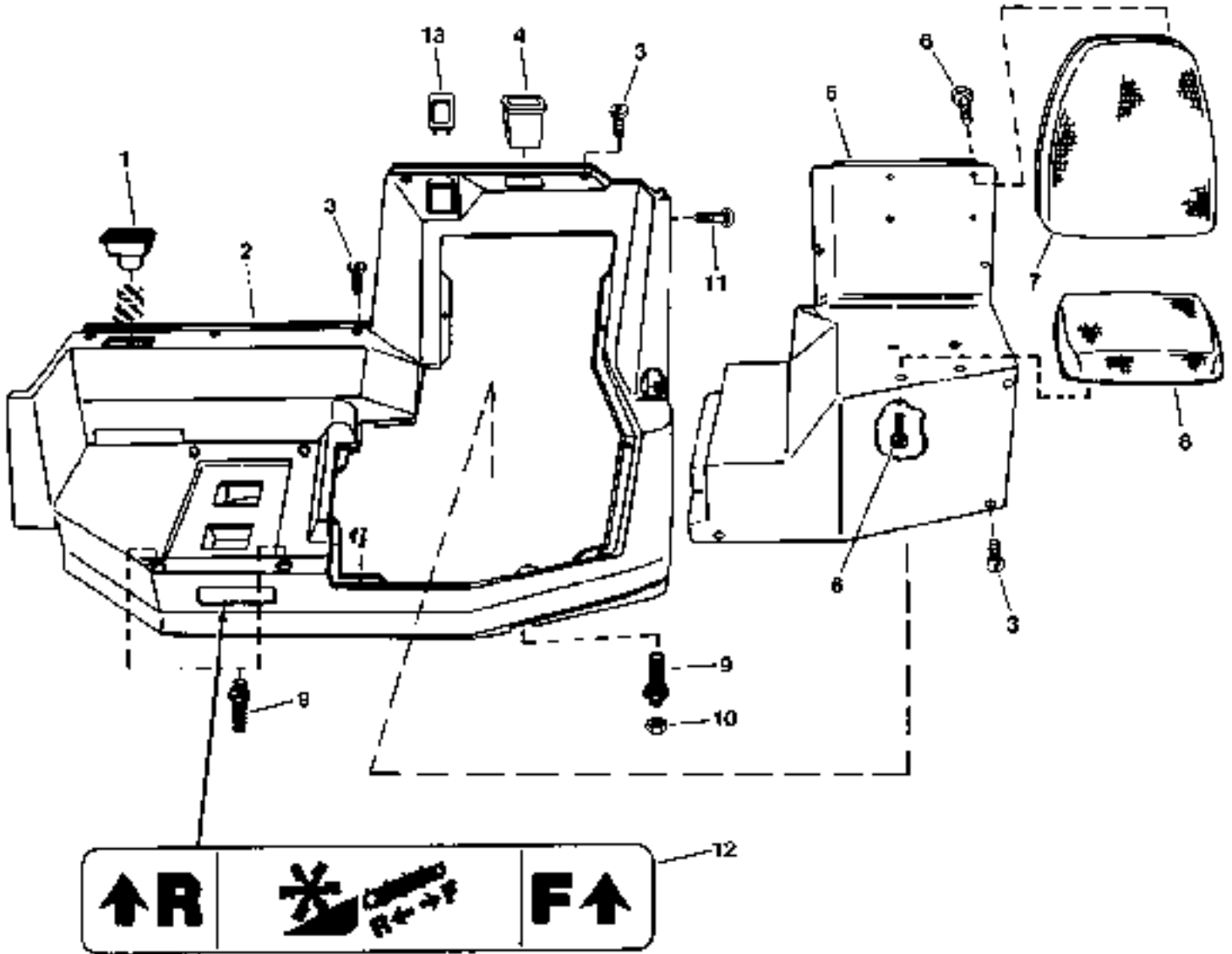


HP3833

FEEDER HOUSE REVERSER FOOT CONTROL - CONTINUED

KEY	PART NO.	PART NAME	QTY	SERIAL NO.	REMARKS
1	11M7082	COTTER PIN	1	2.500 X 25 MM	
2	R65569	PIN	1	9.398 X 49.479 MM (0.370" X 1.948")	
3	19M7866	SCREW	4	M8 X 20	
4	H153480	BEZEL	1	(SUB FOR H134489)	
5	H153479	PEDAL	1	(SUB FOR H134488)	
6	11M7081	COTTER PIN	1	2.500 X 20 MM	
7	H133210	SEAL	1		
8	T16193	PIN	1	6.248 X 29.362 MM (0.246" X 1-5/32")	
9	H130646	YOKE	1		
10	14M7273	NUT	2	M8	
11	H133208	SUPPORT	1		
12	AH128452	PUSH PULL CABLE	1		
13	R73384	CLAMP	1		
14	AH127383	YOKE	1		
15	11M7082	COTTER PIN	1	2.500 X 25 MM	
16	H84948	SPRING	1		
17	H127749	BOLT	1		
18	AE23791	CHAIN LINK	1		
19	H140836	BELLCRANK	1		
20	24M7054	WASHER	1	6.400 X 12 X 1.600 MM	
21	24M7047	WASHER	1	13 X 24 X 2.500 MM	

SEAT SHROUDS AND PASSENGER SEAT
HP7236 -UN-04DEC97

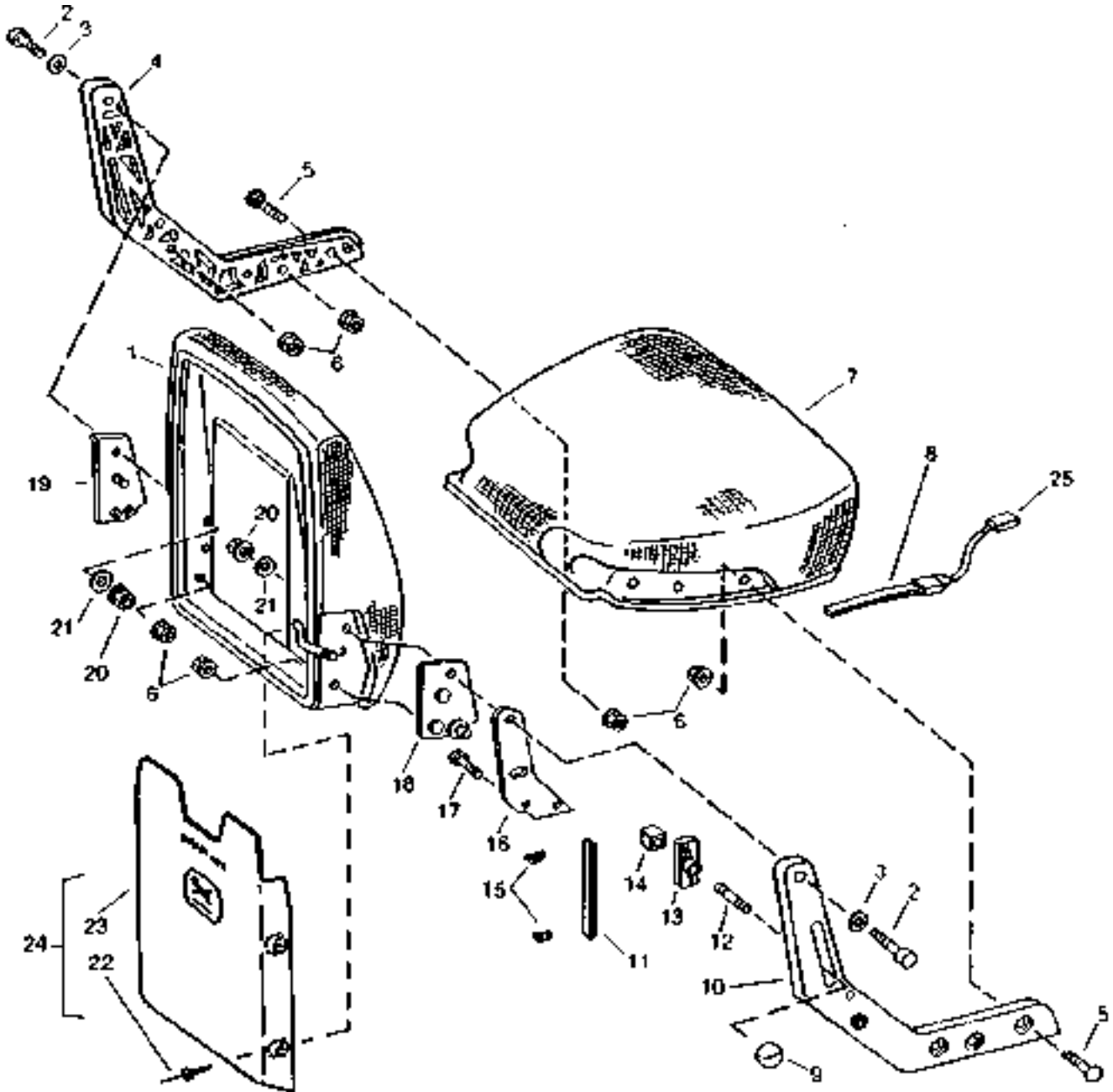


HP7236

SEAT SHROUDS AND PASSENGER SEAT - CONTINUED

KEY	PART NO.	PART NAME	QTY	SERIAL NO.	REMARKS
1	AH134724	BOX	1		
2	AH161928	CONSOLE	1		(SUB FOR AH156642)
3	H165691	SCREW	10		M6 X 20, (SUB FOR H131591 OR H168780)
4	H168433	CONTAINER	1		(SUB FOR H162048)
5	H167912	SPINDLE	1		(SUB FOR H160596)
6	19M8331	CAP SCREW	8		
7	AH147066	SEAT	1		
8	AH138111	SEAT	1		
9	H168781	STUD	6		(SUB FOR H150455)
10	14M7296	FLANGE NUT	4		M10
11	H132451	CAP SCREW	3		M6 X 50
12	H137823	PANEL	1		FEEDER HOUSE REVERSER DECAL - FORWARD, REVERSE
13	H168432	BEZEL	1		(SUB FOR H161091)
..	BH78343	COMPLETE GOODS/SHIP. BUNDLE	1		PASSENGER SEAT

OPERATOR'S SEAT AND BACKREST
HP3132 -UN-01JAN94

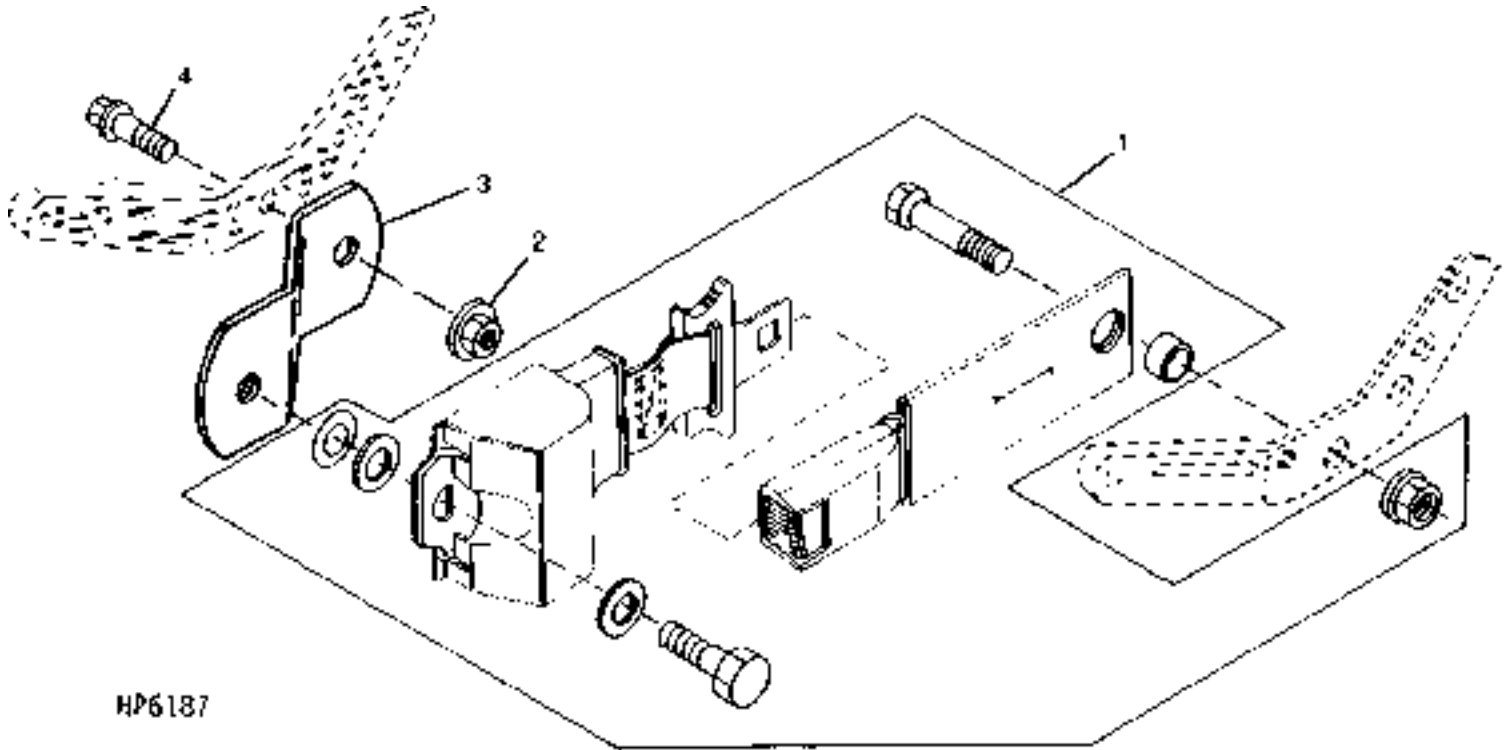


HP3132

OPERATOR'S SEAT AND BACKREST - CONTINUED

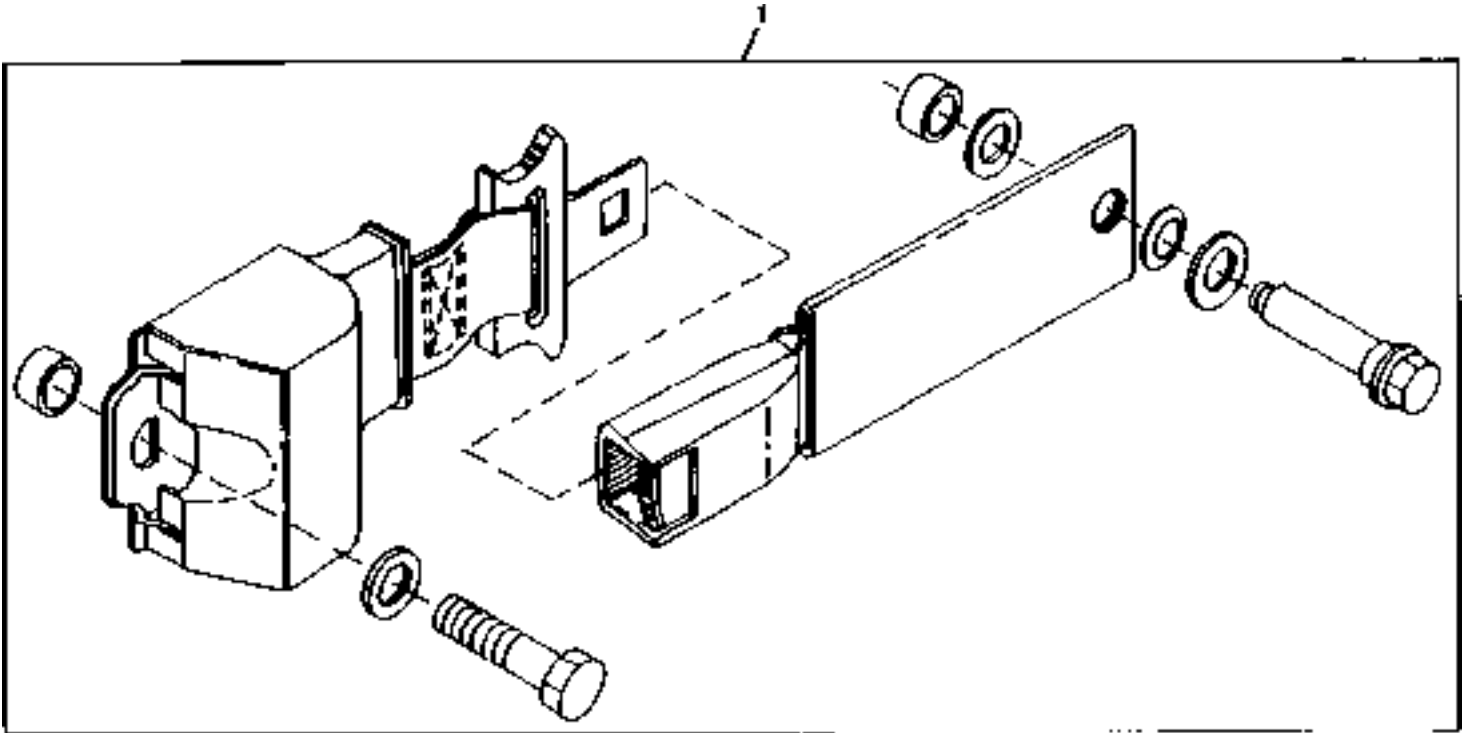
KEY	PART NO.	PART NAME	QTY	SERIAL NO.	REMARKS
1	AR71107	CUSHION	1		
2	R59019	SCREW	2	9.525 X 41.402 MM (3/8" X 1.630")	
3	T519T	WASHER	2	12.700 X 19.050 X 0.381 MM (1/2" X 3/4" X 0.015")	
4	R89143	SUPPORT	1		
5	R59015	GANG BOLT	4	9.525 X 31.750 MM (3/8" X 1-1/4")	
6	N10215	LOCK NUT	8	9.525 MM (3/8")	
7	AH145065	SEAT	1		
8	AH127662	SWITCH	1		
9	R60458	KNOB	1		
10	R89142	SUPPORT	1		
11	R59009	REINFORCEMENT	1		
12	R59012	WELD STUD	1		
13	R105581	ADJUSTER	1		
14	R59018	BUSHING	1		
15	R31890	SPRING	2		
16	R59011	PLATE	1		
17	37H120	SCREW	1	0.164" X 1/2"	
18	AR71108	PLATE	1		
19	AR71109	PLATE	1		
20	H99923	LOCK NUT	2	9.525 MM (3/8")	
21	R53665	WASHER	2	10.312 X 17.450 X 1.524 MM (13/32" X 11/16" X 0.060")	
22	RIVET	1	IN RE13541 KIT	
23	HOLDER	1	IN RE13541 KIT	
24	RE13541	KIT	1		
25	R78053	PIN CONTACT CONNECTOR BODY	1	(PKG OF 3)	
	R78063	TERMINAL NIPPLE	1	(PKG OF 40)	
	R78058	PIN CONTACT	1	(PKG OF 40)	
..	RE12049	CUSHION	1	INCLUDES MANUAL HOLDER	

OPERATOR'S SEAT SEATBELT
 HP6187 -UN-18OCT95



KEY	PART NO.	PART NAME	QTY	SERIAL NO.	REMARKS
1	AH146742	SEAT BELT	1		
2	14M7400	LOCK NUT	1		
3	AH147030	BRACKET	1		M10 (MOUNTING)
4	19M7835	SCREW	1		M10 X 35

TRAINING SEAT SEATBELT
 HP6188 -UN-03OCT95

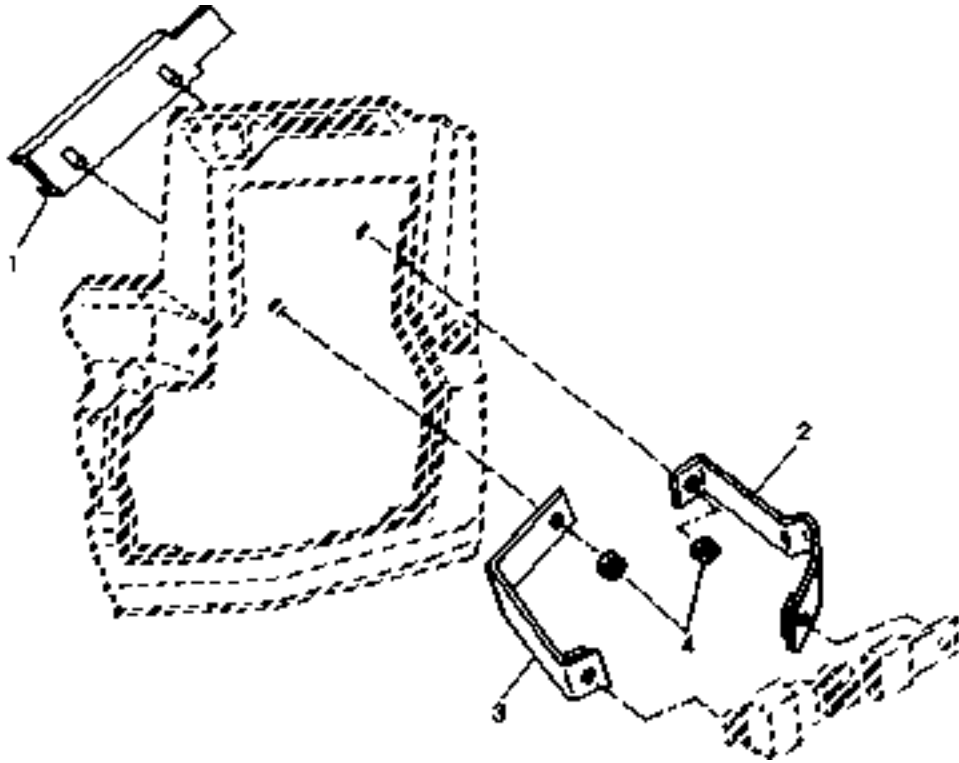


HP6188

KEY	PART NO.	PART NAME	QTY	SERIAL NO.	REMARKS
1	AH147153	SEAT BELT	1		

RETROFIT SEAT BELT KIT
(FOR ALL MACHINES PRIOR TO 1996 MODEL YEAR)

HP6265 -UN-23JAN96



HP6265

KEY	PART NO.	PART NAME	QTY	SERIAL NO.	REMARKS
1	AH148225	BRACKET	1		
2	AH148227	BRACKET	1		
3	AH148226	BRACKET	1		
4	14M7296	FLANGE NUT	2	M10	
..	BH81159	COMPLETE GOODS/SHIP. BUNDLE	1		RETROFIT SEAT BELT KIT

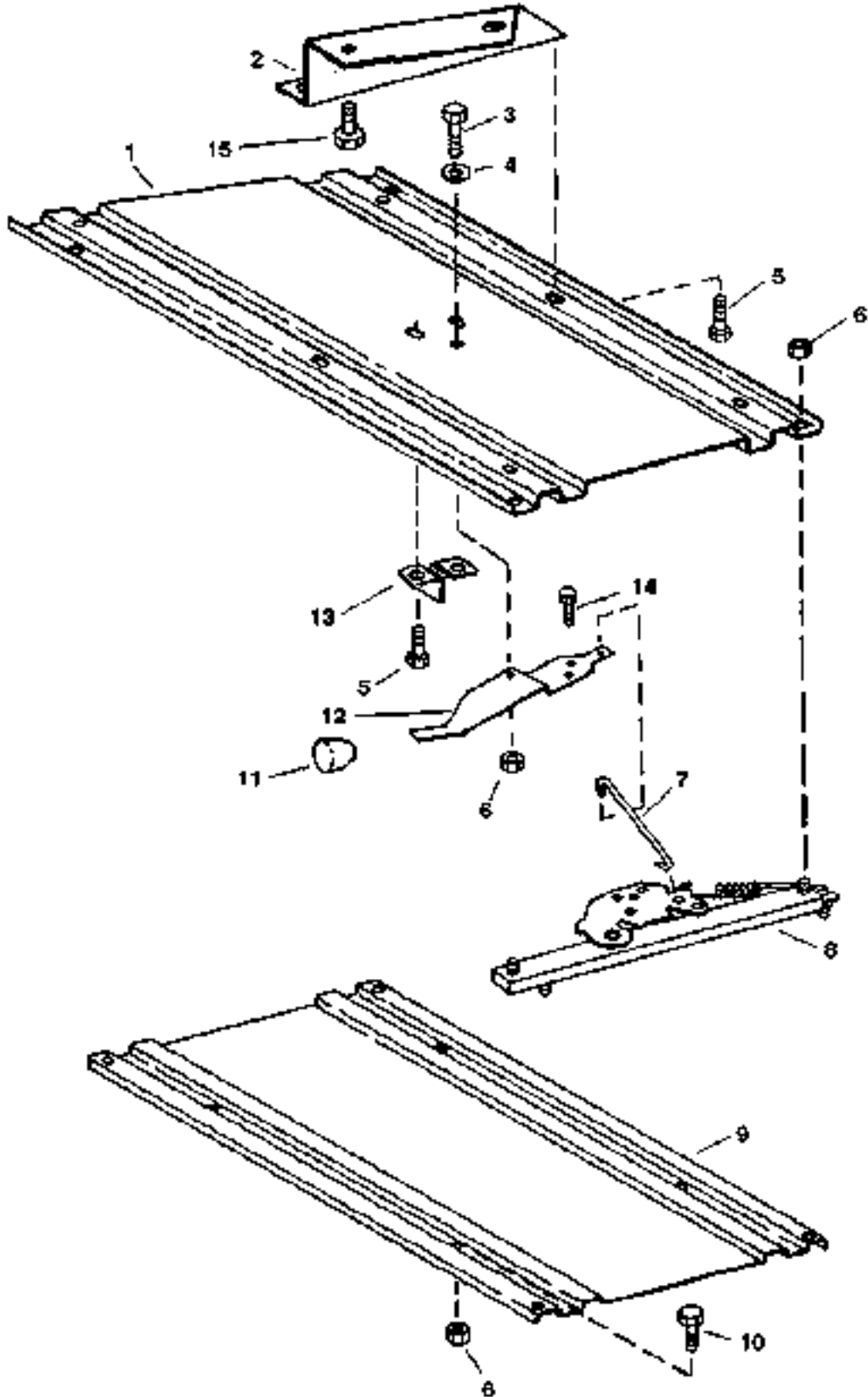
NOTE: AH146742, AH147030 AND AH147153 ARE ALSO INCLUDED IN BH81159

MEMORANDA

3120

OPERATOR'S STATION

SEAT ADJUST FORE-AND-AFT
HP6861 -UN-18AUG97

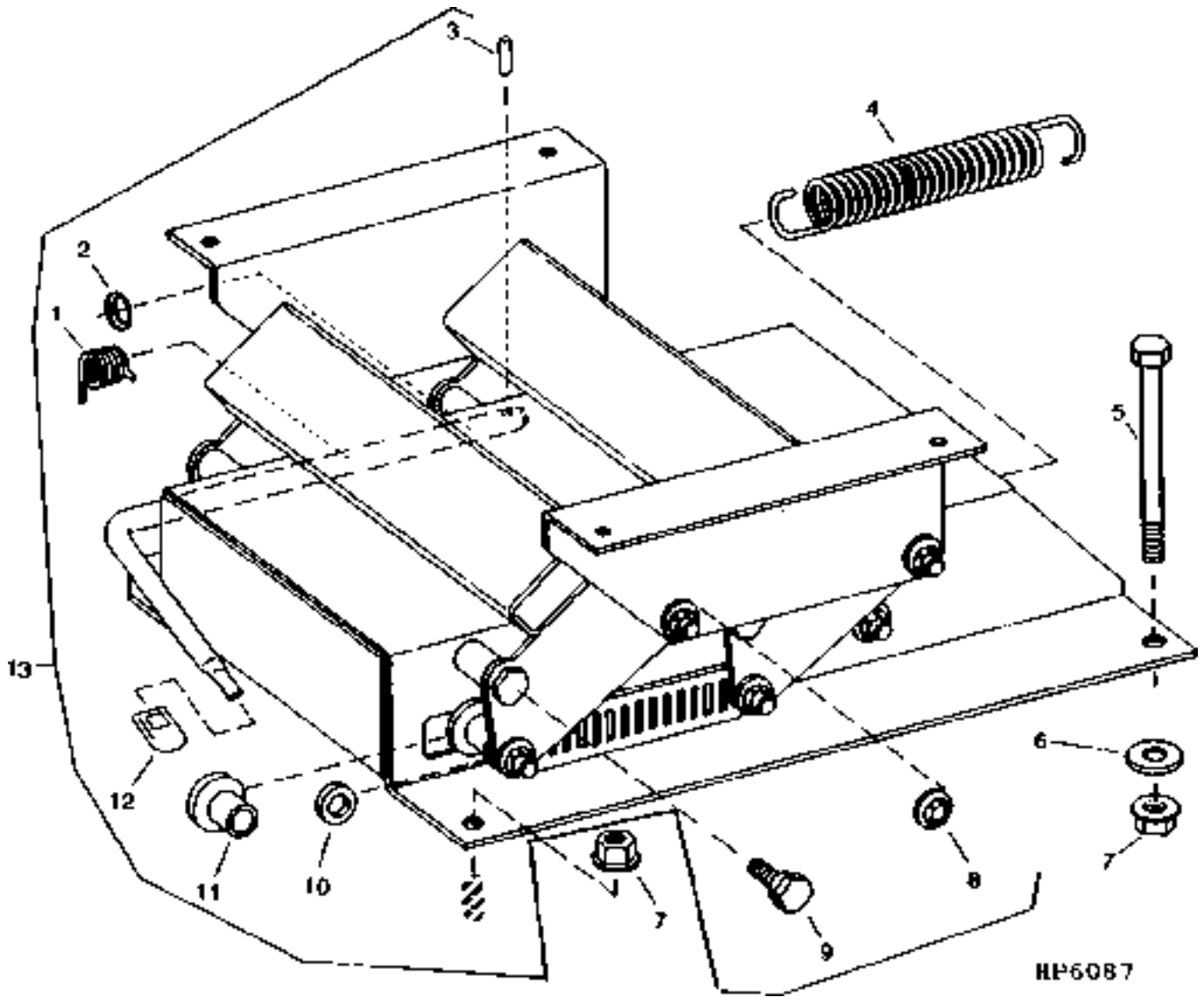


HP6861

SEAT ADJUST FORE AND AFT - CONTINUED

KEY	PART NO.	PART NAME	QTY	SERIAL NO.	REMARKS
1	AH116313	PLATE	1		
2	AH110674	BRACKET	2		
3	19M7868	SCREW	1	M8 X 30	
4	24H1296	WASHER	1	11/32" X 1-3/8" X 0.134"	
5	19M7866	SCREW	6	M8 X 20	
6	14M7298	FLANGE NUT	13	M8	
7	H96391	PIN	1		
8	AH122648	ADJUSTER	2		
9	H115987	PLATE	1		
10	19M8331	CAP SCREW	4	M8 X 20	
11	H83055	KNOB	1		
12	H141289	LEVER	1		
13	H144274	BUMPER	1		
14	37M7089	SCREW	3	M6 X 12	
15	19H1900	CAP SCREW	4	7.925 X 19.050 MM (5/16" X 3/4")	

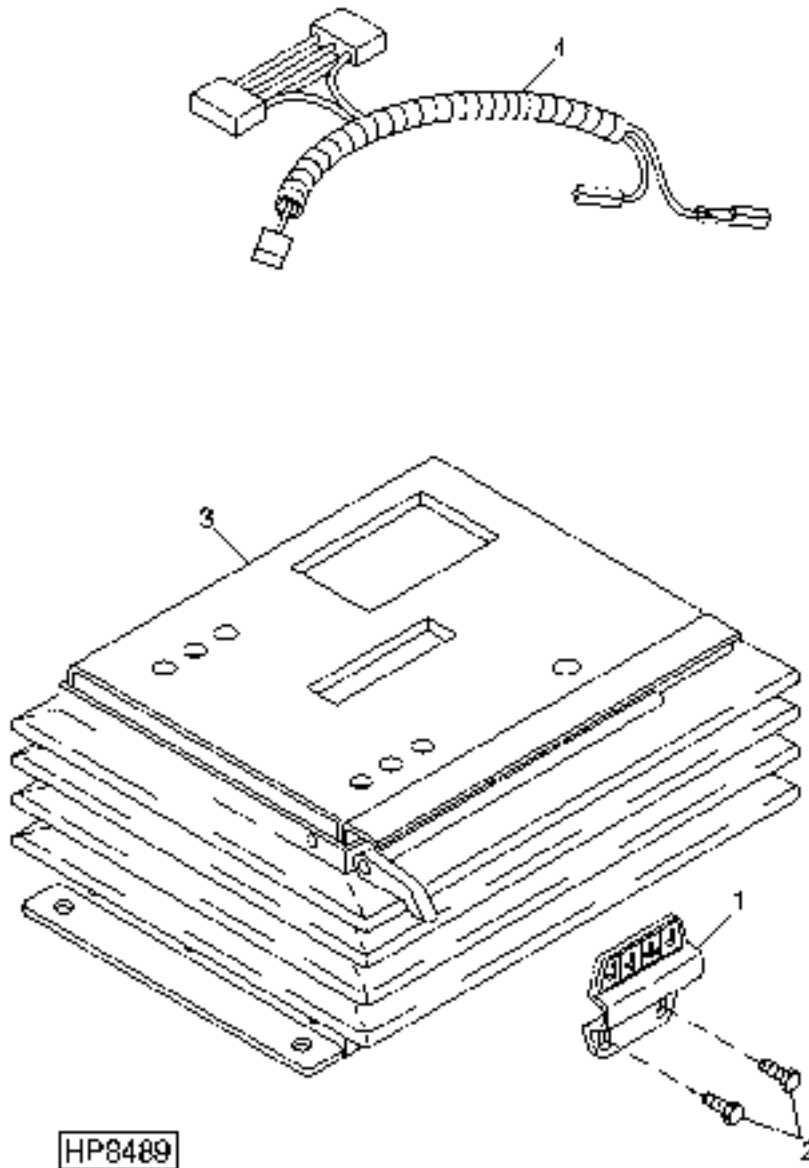
CAB SEAT HEIGHT ADJUSTER (VERTICAL CONTROL)
HP6087 -UN-07JUN95



CAB SEAT HEIGHT ADJUSTER (VERTICAL CONTROL) - CONTINUED

KEY	PART NO.	PART NAME	QTY	SERIAL NO.	REMARKS
1	T62828	SPRING	1		
2	P48925	SHIM	AR		
3	34H262	SPRING PIN	1		3.962 X 19.050 MM (5/32" X 3/4")
4	H137417	LEAF SPRING	2		
5	H132452	CAP SCREW	2		M10 X 200
6	24M7178	WASHER	2		10.500 X 30 X 2.500 MM (0.413" X 1.181" X 0.098")
7	14M7296	FLANGE NUT	4		M10
8	H86886	NUT	AR		12.700 MM (1/2") (SUB FOR E58183)
9	H137418	BOLT	4		12.700 X 24.800 MM (1/2" X 0.976")
10	H137421	WASHER	2		13 X 25 X 3 MM (0.512" X 0.984" X 0.118")
11	H137420	HALF SLEEVE	2		
12	T55201	GRIP	1		
13	AH113301	ADJUSTER	1	-28SE98	
	AH161927	ADJUSTER	1	28SE98-	

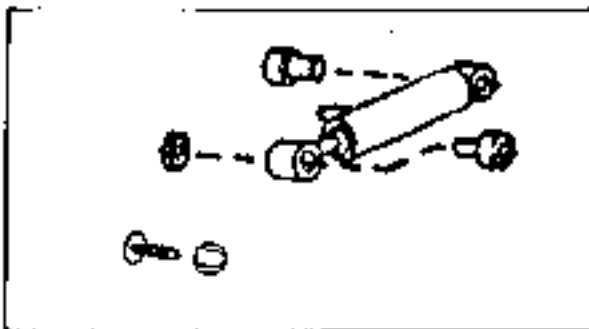
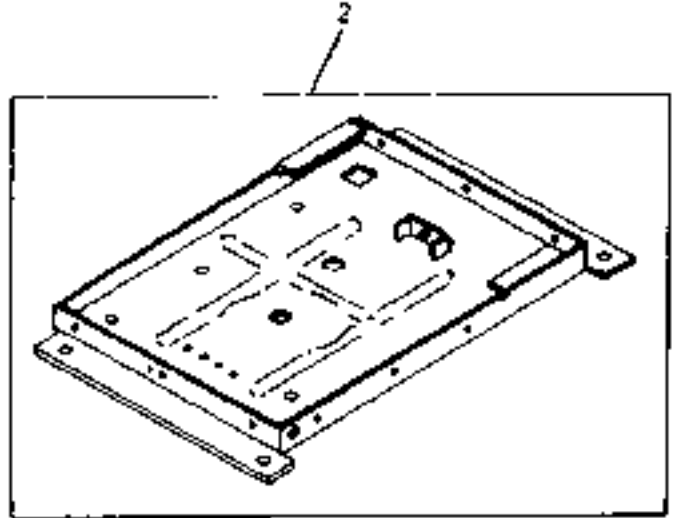
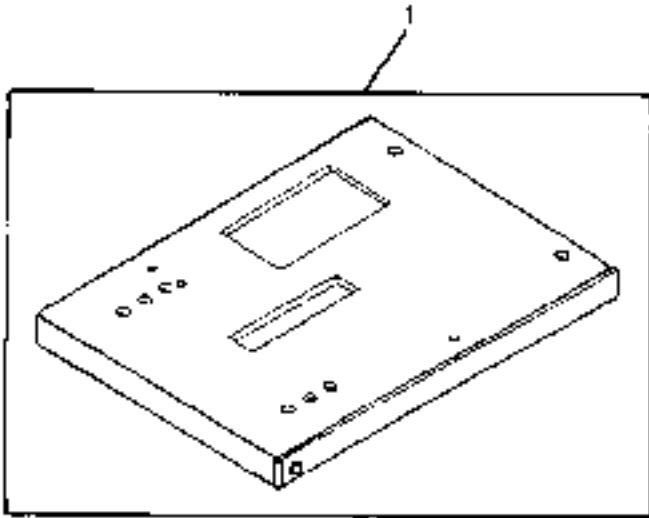
AIR SEAT SUSPENSION
HP8489 -UN-24MAY99



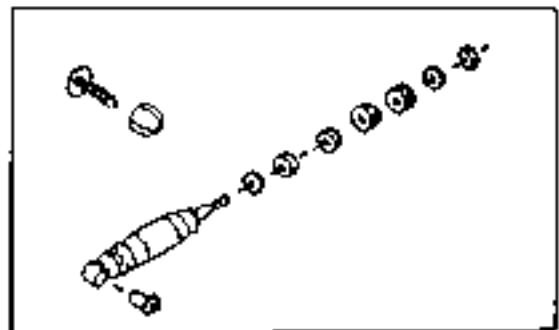
AIR SEAT SUSPENSION - CONTINUED

KEY	PART NO.	PART NAME	QTY	SERIAL NO.	REMARKS
1	AH144778	PANEL	1		
2	37M7089	SCREW	2	M6 X 12	
3	AH157491	SEAT SUSPENSION	1		
4	AH146032	WIRING HARNESS	1		
..	BH81076	COMPLETE GOODS/SHIP. BUNDLE	1		AIR RIDE SEAT

AIR SEAT SUSPENSION KITS
HP6191 -UN-08OCT97



HP6191



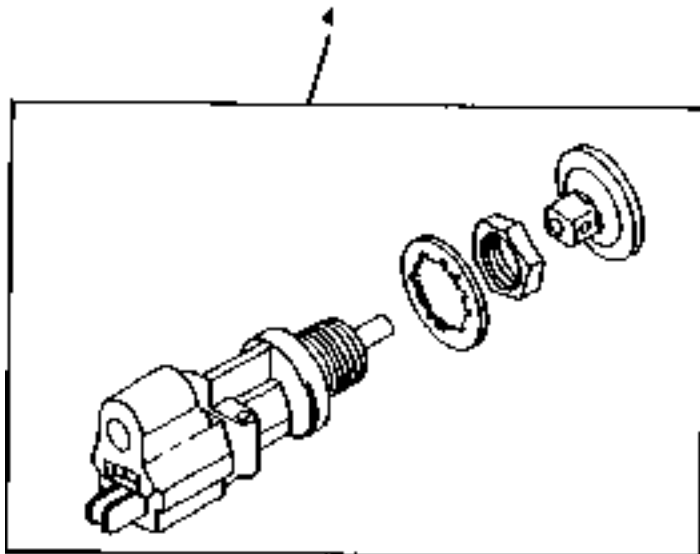
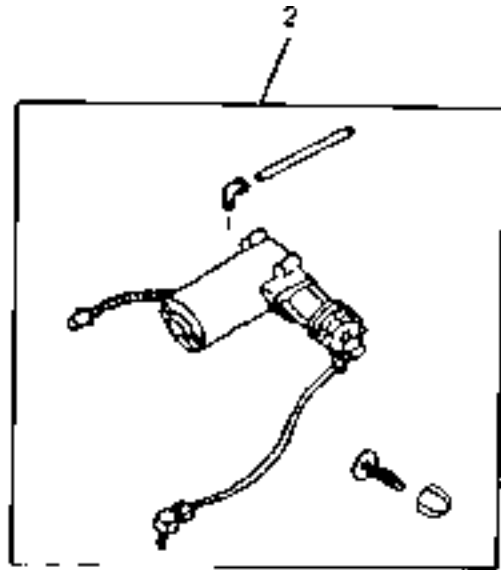
3J2

OPERATOR'S STATION

AIR SEAT SUSPENSION KITS - CONTINUED

KEY	PART NO.	PART NAME	QTY	SERIAL NO.	REMARKS
1	AH146234	KIT	1		UPPER HOUSING
2	AH136937	KIT	1		LOWER HOUSING
3	RE65695	SEAT SHOCK ABSORBER KIT	1		SHOCK ABSORBER
4	RE52553	SEAT SHOCK ABSORBER KIT	1		FORE/AFT

AIR SEAT SUSPENSION KITS
HP6192 -UN-03OCT95



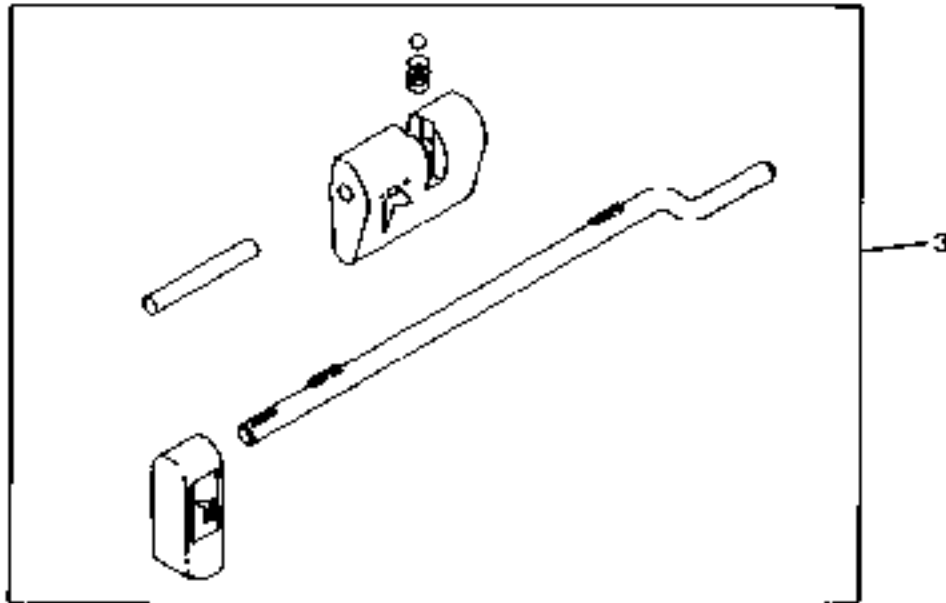
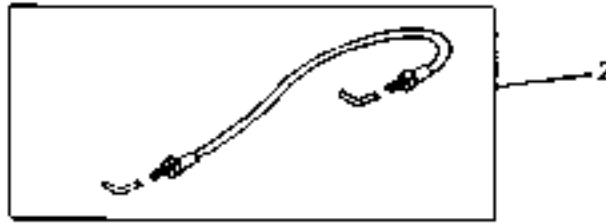
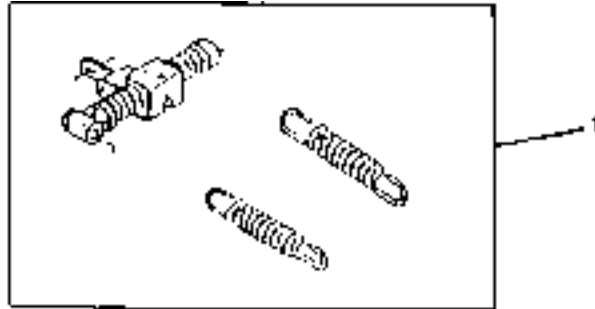
HP6192

AIR SEAT SUSPENSION KITS - CONTINUED

KEY	PART NO.	PART NAME	QTY	SERIAL NO.	REMARKS
1	RE65693	COMPRESSOR FILTER KIT	1		
2	AH136929	KIT	1		COMPRESSOR
3	RE65694	AIR SPRING SEAT KIT	1		AIR SPRING
4	AH136930	KIT	1		HT. ADJ. SWITCH VALVE

3J5

AIR SEAT SUSPENSION KITS
HP6193 -UN-03OCT95



HP6193

3J6

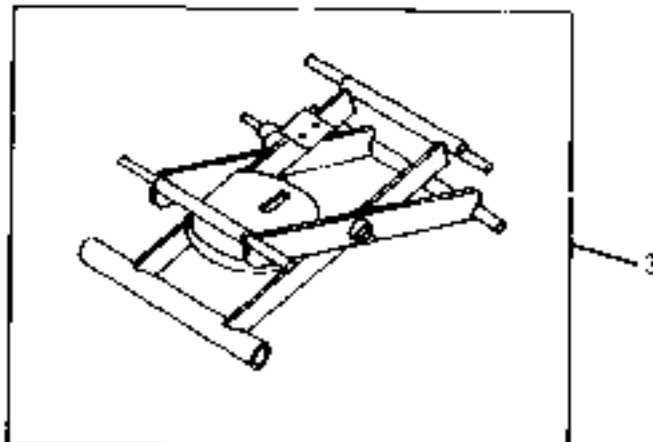
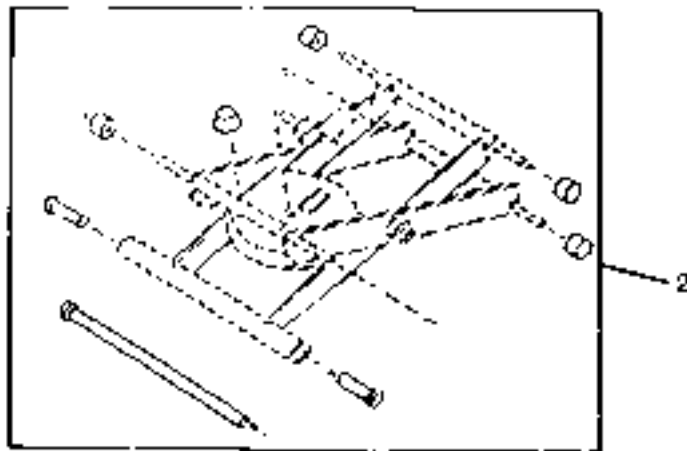
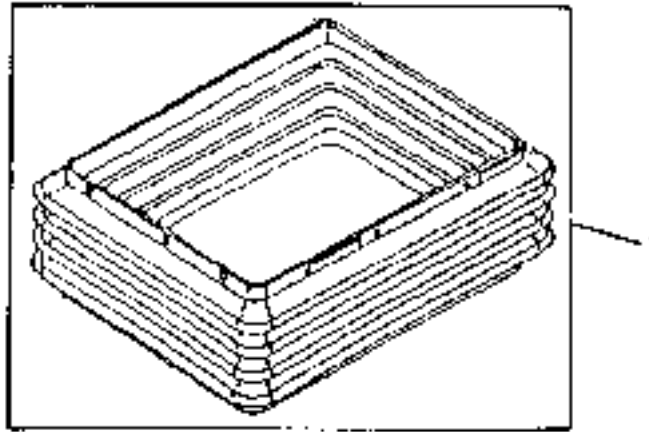
OPERATOR'S STATION

AIR SEAT SUSPENSION KITS - CONTINUED

KEY	PART NO.	PART NAME	QTY	SERIAL NO.	REMARKS
1	AH157634	KIT	1		FORE/AFT ISOLATOR
2	AH136935	KIT	1		RIDE FIRMNESS ADJ. CABLE
3	AH157557	KIT	1		KNOB

3J7

AIR SEAT SUSPENSION KITS
HP6194 -UN-03OCT95

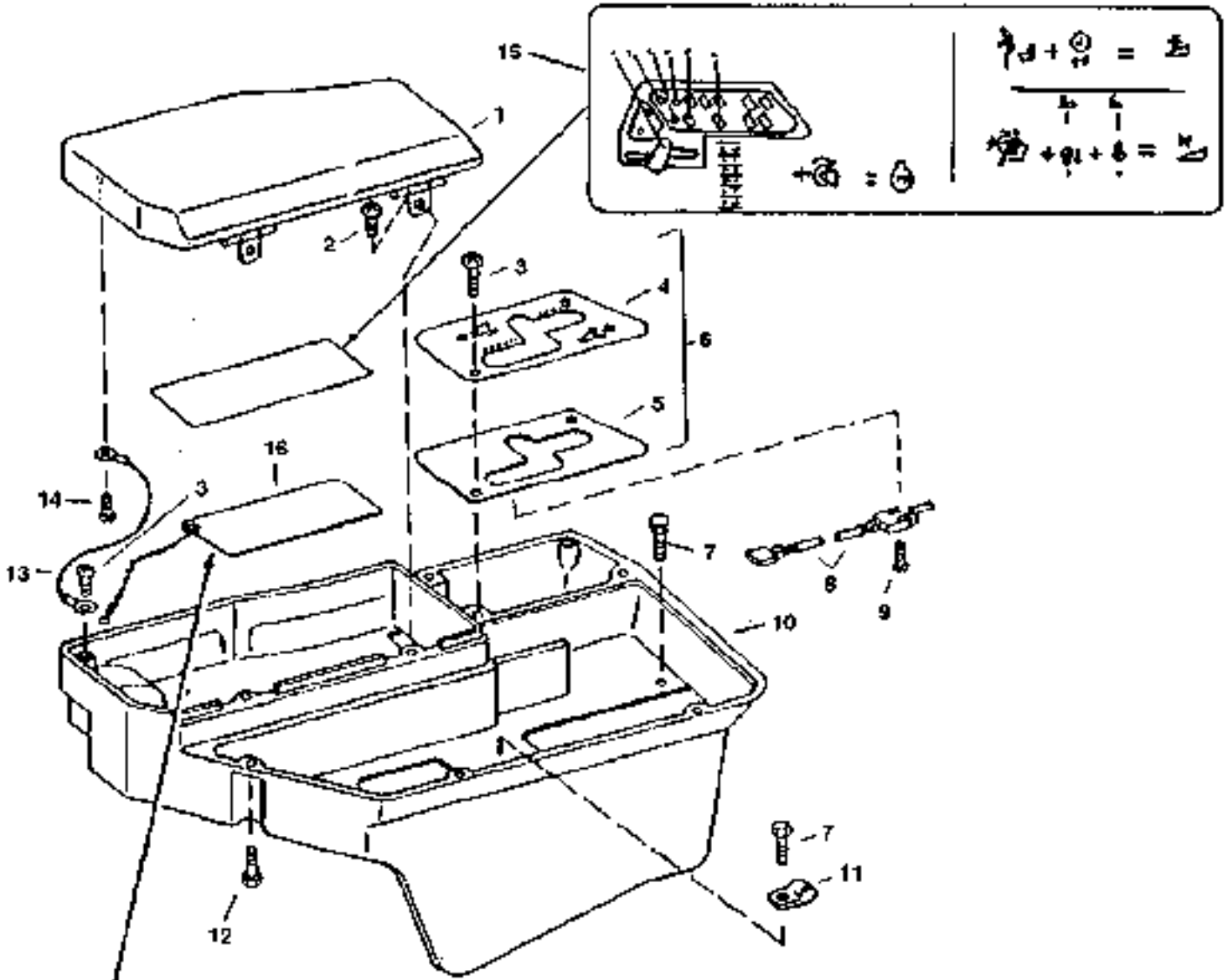


HP6194

AIR SEAT SUSPENSION KITS - CONTINUED

KEY	PART NO.	PART NAME	QTY	SERIAL NO.	REMARKS
1	RE52555	SEAT SUSPENSION BOOT KIT	1		
2	RE63832	SEAT BEARING ROLLER KIT	1		
3	AH136936	KIT	1	SCISSOR	

ARMREST WITH GLOVE BOX (R.H.)
 HP6862 -UN-18AUG97



COMBINE SETTING INFORMATION											
	1	2	3	4	5	6	7	8	9	10	11
Wash	30"	17"	20"	18"	20"	18"	20"	18"	20"	18"	20"
Control	30"	17"	20"	18"	20"	18"	20"	18"	20"	18"	20"
Control	30"	17"	20"	18"	20"	18"	20"	18"	20"	18"	20"
Upper Arm	30"	17"	20"	18"	20"	18"	20"	18"	20"	18"	20"
Lower	30"	17"	20"	18"	20"	18"	20"	18"	20"	18"	20"
Upper Control	30"	17"	20"	18"	20"	18"	20"	18"	20"	18"	20"

HP6862

3J10

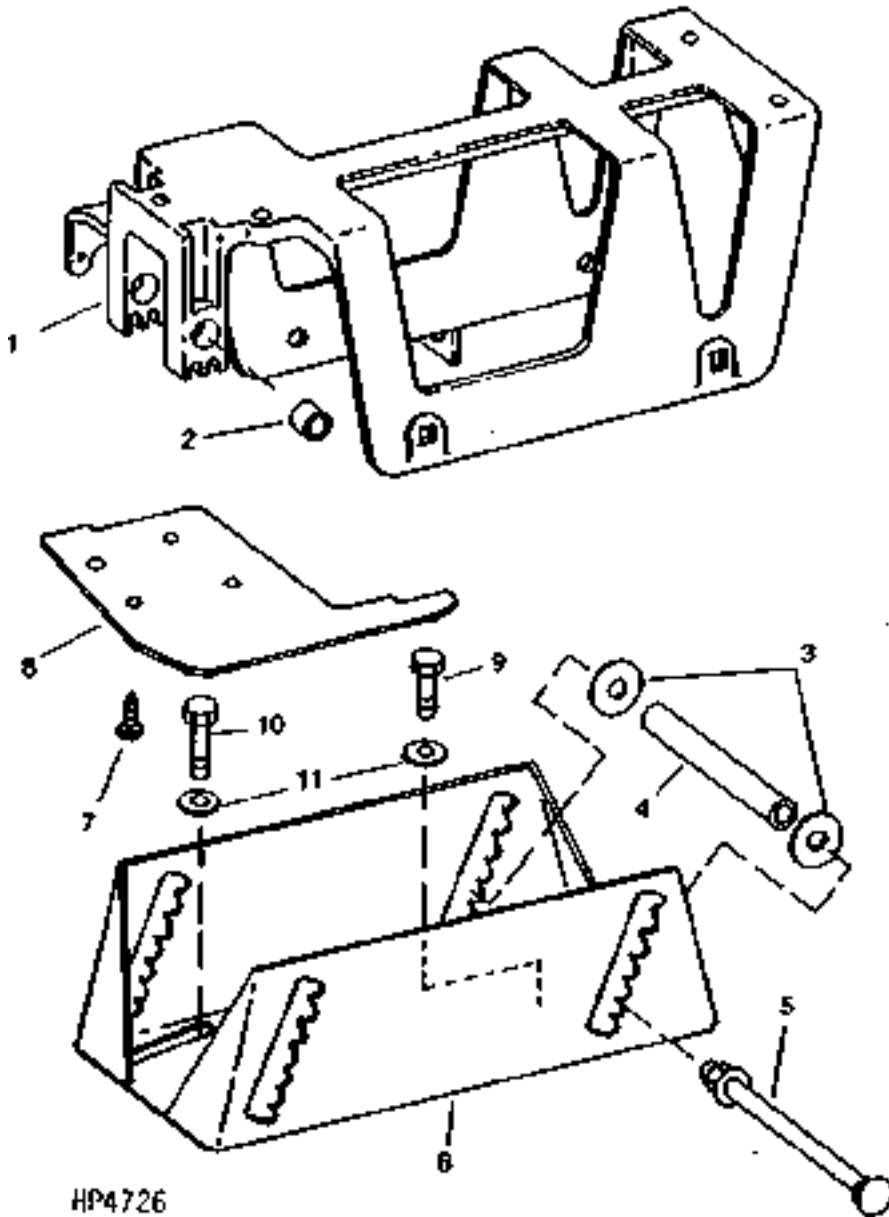
OPERATOR'S STATION

ARMREST WITH GLOVE BOX (R.H.) - CONTINUED

KEY	PART NO.	PART NAME	QTY	SERIAL NO.	REMARKS
1	AH161925	PANEL	1		(SUB FOR AH117067)
2	H123995	SCREW	2		
3	H111706	SCREW	2		
4	H145082	PANEL	1		
5	GUIDE	1		
6	AH139119	DRAWER SLIDE	1		
7	37M7091	SCREW	4	M6 X 25	
8	AH163708	NEUTRAL START SWITCH	1		(SUB FOR AH127390) ENGINE SAFETY START SWITCH
9	37M7066	SCREW	2		
10	H168425	CONSOLE	1		(SUB FOR H151165)
11	H77358	CLIP	1		
12	H111705	SCREW	4		
13	AH124857	WIRING LEAD	1		
14	37M7215	SCREW	1		
15	H146315	LABEL	1		
16	AH156402	INSTRUCTION PLATE	1		

3J11

ARMREST ADJUSTING MECHANISM (R.H.)
HP4726 -UN-01JAN94



3J12

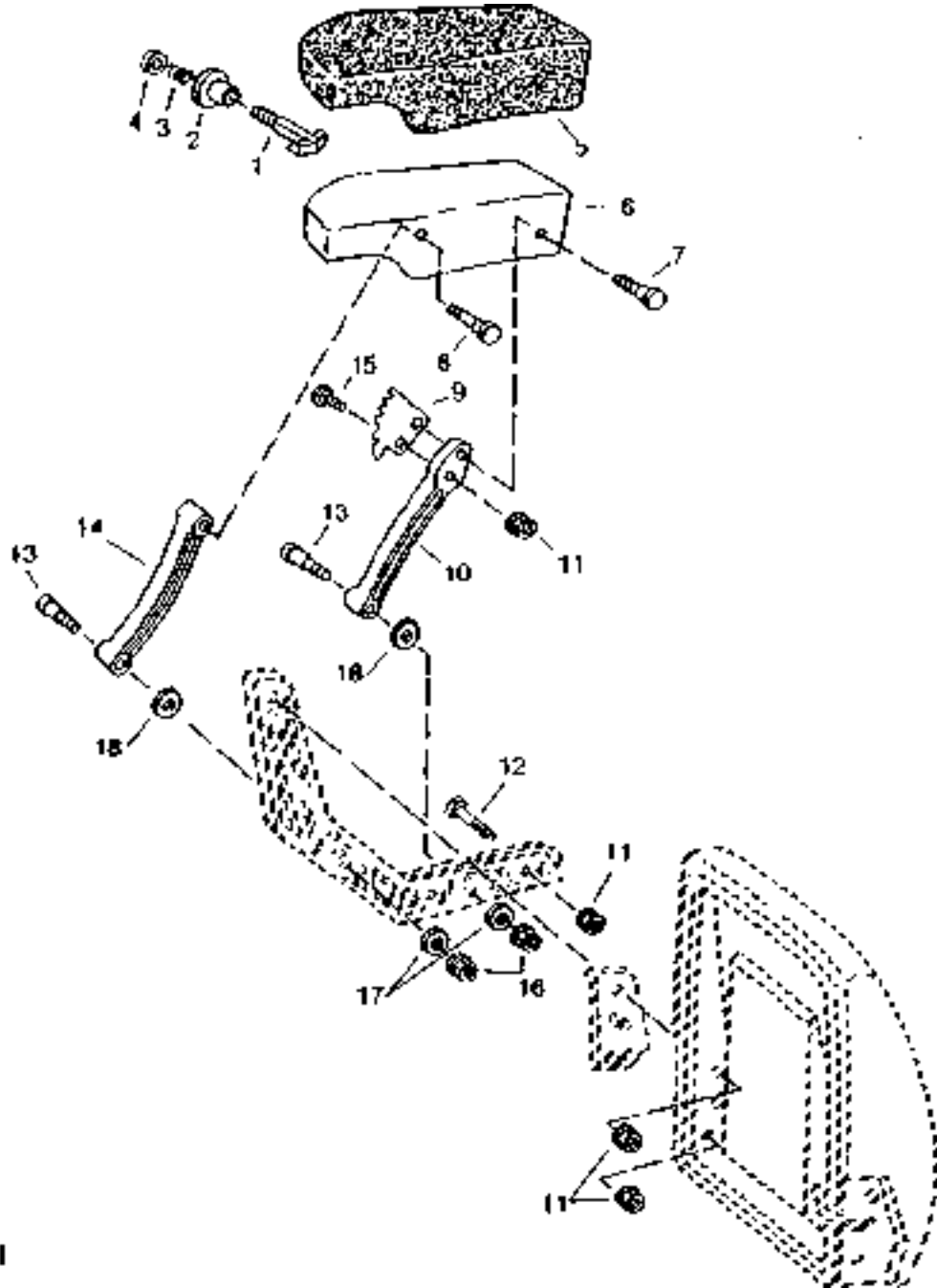
OPERATOR'S STATION

ARMREST ADJUSTING MECHANISM (R.H.) -CONTINUED

KEY	PART NO.	PART NAME	QTY	SERIAL NO.	REMARKS
1	H137854	SUPPORT	1		
2	H96455	BUSHING	2		
3	H137858	WASHER	4		11 X 34 X 3 MM (0.433" X 1.339" X 0.118")
4	H137856	SPACER	2		12.522 X 17.145 X 129 MM (0.493" X 0.675" X 5.118")
5	H137857	BOLT	2		M10 X 170
	H137859	FLANGE NUT	2		M10
6	H137855	SUPPORT	1		
7	37M7165	SCREW	3		
8	H143439	COVER	1		
9	19M8331	CAP SCREW	2		M8 X 20
10	19M8330	SCREW	1		M8 X 35
11	24M7207	WASHER	3		8.400 X 24 X 2 MM (0.331" X 0.945" X 0.079")

3J13

ARMREST (L.H.)
HP3131 -UN-01JAN94



HP3131

3J14

OPERATOR'S STATION

ARMREST (L.H.) - CONTINUED

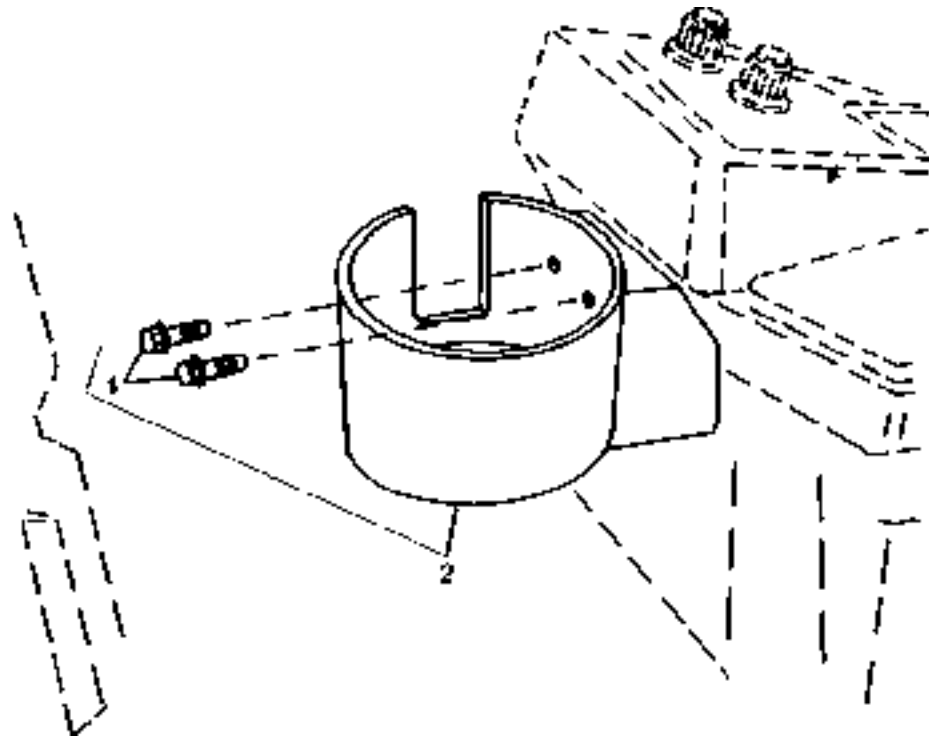
KEY	PART NO.	PART NAME	QTY	SERIAL NO.	REMARKS
1	R59070	SHAFT KEY	1		
2	R59028	BUSHING	1		
3	A4741R	SPRING	1		
4	R59029	KNOB	1		
5	H168434	PANEL	1	(SUB FOR H120099)	
6	R58816	ARMREST	1		
7	R59021	PIN	1		
8	R59023	PIN	1		
9	R61862	PLATE	1		
10	R59020	LINK	1		
11	N10215	LOCK NUT	1	9.525 MM (3/8")	
12	R59015	GANG BOLT	1	9.525 X 31.750 MM (3/8" X 1-1/4")	
13	R59022	SCREW	2		
14	R59013	LINK	1		
15	03H1765	BOLT	1	3/8" X 3/4"	
16	H99923	LOCK NUT	2	9.525 MM (3/8")	
17	R53665	WASHER	2	10.312 X 17.450 X 1.524 MM (13/32" X 11/16" X 0.060")	
18	R27441	WASHER	2	9.931 X 28.575 X 1.524 MM (25/64" X 1-1/8" X 0.060")	

3J15

OPERATOR'S STATION

CUP HOLDER

HP5912 -UN-17DEC94



HP5912

KEY	PART NO.	PART NAME	QTY	SERIAL NO.	REMARKS
1	H151166	SCREW	2	M6 X 16	
	H168428	SCREW	2	M6 X 16	
2	AH145616	HOLDER	1		

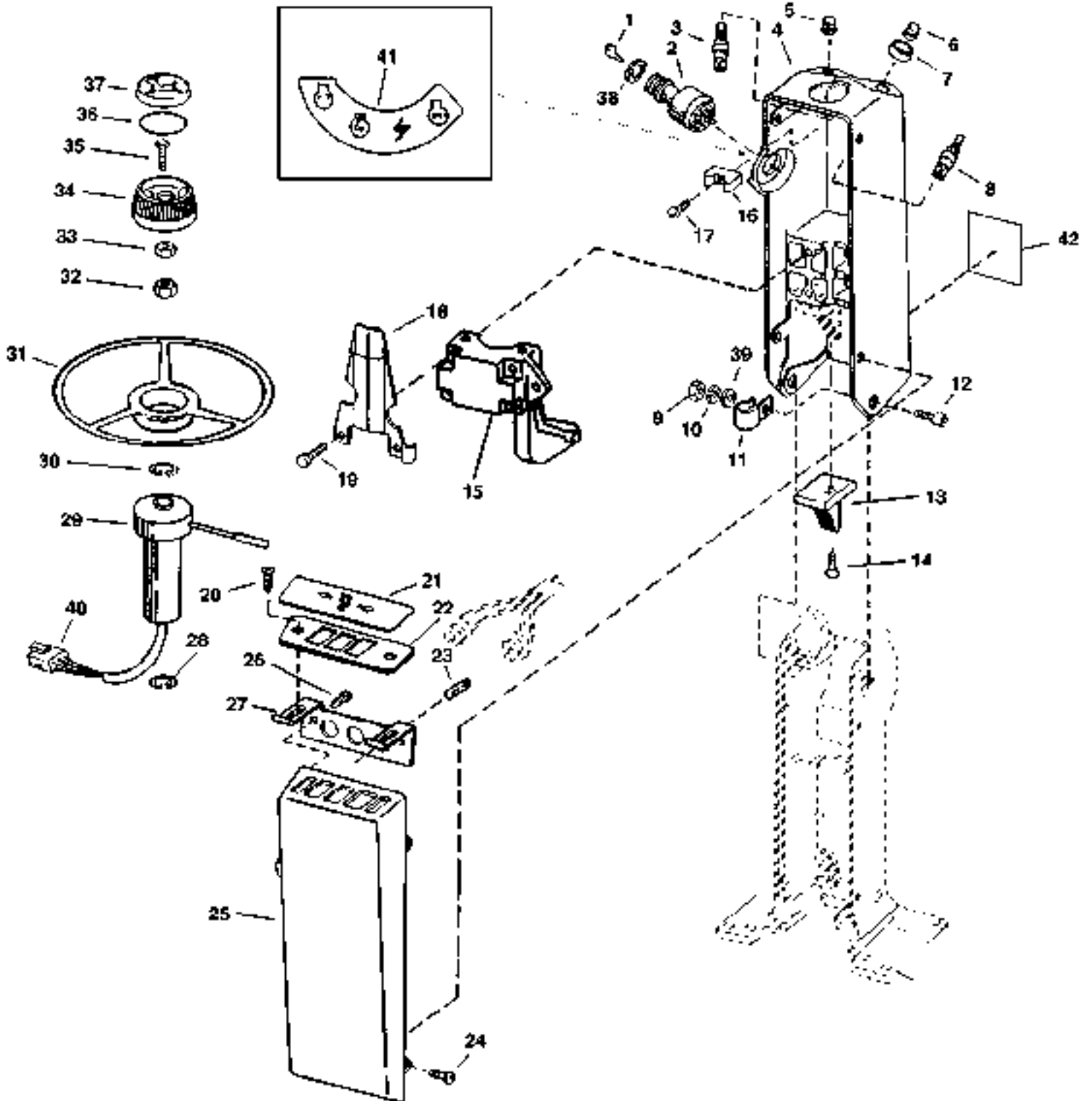
MEMORANDA

3J16

OPERATOR'S STATION

STEERING COLUMN (UPPER)

HP6825 -UN-05SEP97



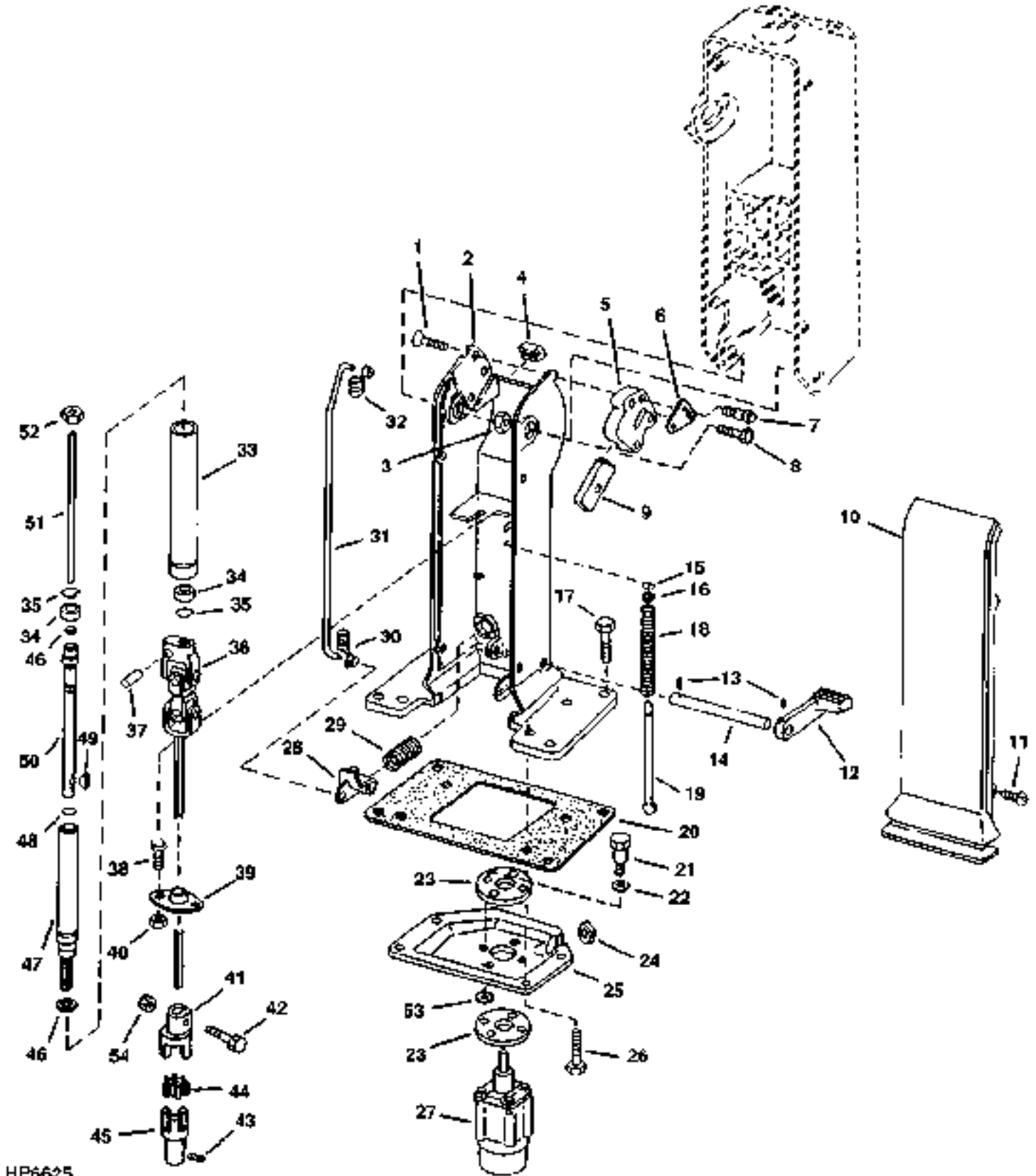
HP6825

STEERING COLUMN (UPPER) - CONTINUED

KEY	PART NO.	PART NAME	QTY	SERIAL NO.	REMARKS
1	AR51481	KEY	1		
2	AH108816	SWITCH	1		KEY START SWITCH
3	R39554	SWITCH	1		HORN BUTTON
4	H152171	HOUSING	1		(SUB FOR H113858 OR H165292)
5	T55501	CAP	1		
6	T55585	CAP	1		
7	H132895	GUARD	1		
8	R39554	SWITCH	1		EITHER AID START BUTTON
9	14M7274	NUT	2		M10
10	12M7066	LOCK WASHER	2		10.200 MM (0.402")
11	AH96317	CLIP	1		
12	H107687	SCREW	2		M10 X 23
13	H110812	GEAR	1		
14	H133205	SCREW	2		M8 X 25
15	H150383	CLAMP	1		
16	H113863	GUIDE	1		
17	37M7071	SCREW	1		
18	AH129255	GUARD	1		
19	19M7800	SCREW	4		M8 X 50
20	H132899	SCREW	1		
21	H146392	PANEL	1		
22	H146391	PANEL	1		
23	AA27536	BULB	1		
24	H165693	SCREW	4		M6 X 12, (SUB FOR H130192)
25	H123873	COVER	1	-15JN98	
	H152170	COVER	1		(SUB FOR H165291)
26	37H6	SCREW	2		
27	H132897	RETAINER	1		
28	R26192	SNAP RING	1		
29	AH121340	TURN SIGNAL CONTROLLER	1		(INCLUDES T23529) TURN SIGNAL
	T23529	SNAP RING	1		(USE WITH AH121340)
30	R26192	SNAP RING	1		
31	T22875	STEERING WHEEL	1		
32	14M7257	NUT	1		M20
33	14M7273	NUT	1		M8
34	H108822	KNOB	1		
35	19M7922	CAP SCREW	1		M8 X 40
36	B3690R	O-RING	1		47.219 X 3.531 MM (1-55/64" X 0.139")
37	R47998	CAP	1		
38	R44342	NUT	1		25.400 MM (1")
39	24M7040	WASHER	1		11 X 20 X 2 MM (0.433" X 0.787" X 0.079")
40	AH116902	CONNECTOR	1		
41	H146042	LABEL	1		FOR IGNITION SWITCH
42	H156390	LABEL	1		

3J18

STEERING COLUMN (LOWER)
HP6625 -UN-27JAN97



HP6625

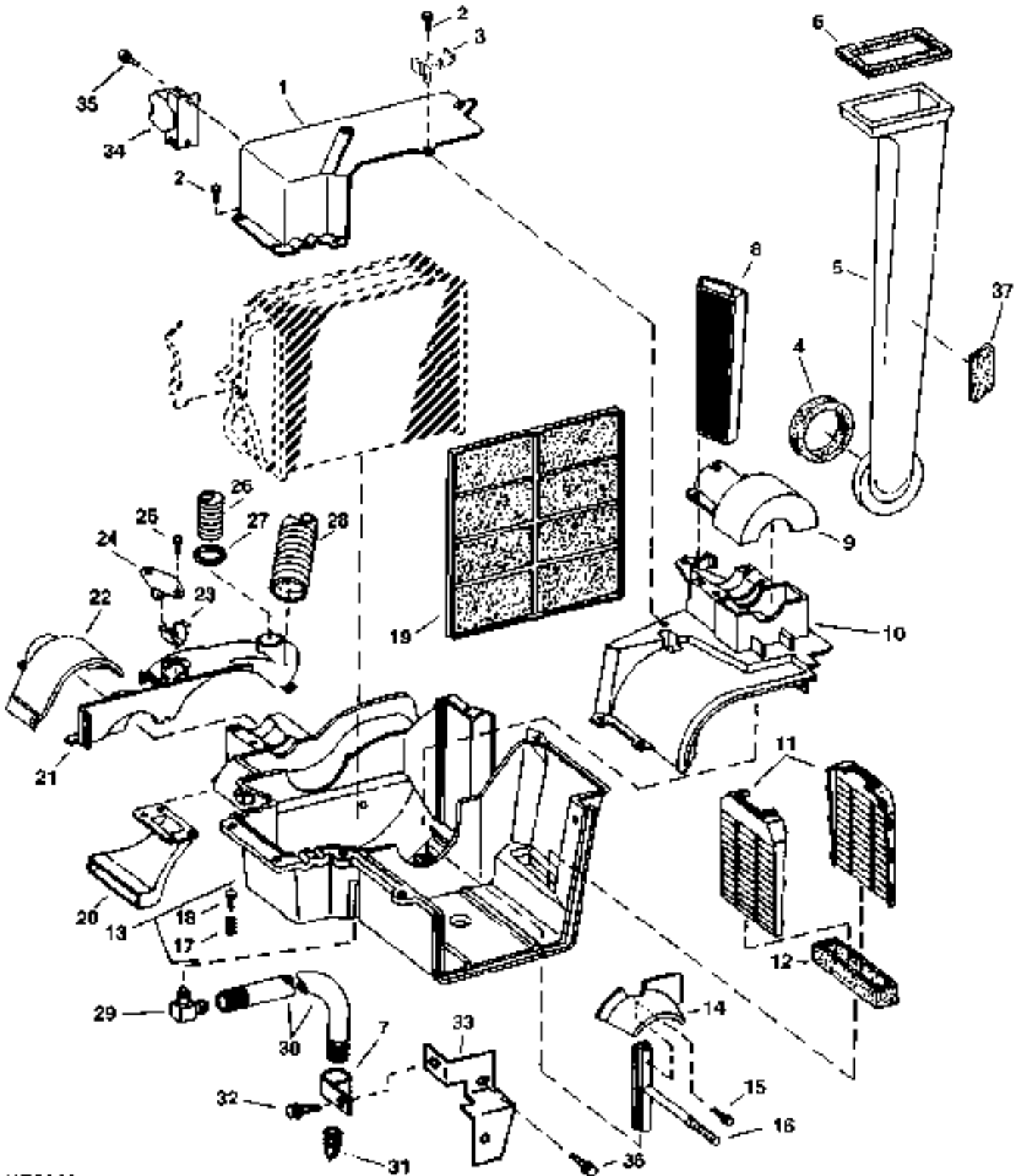
STEERING COLUMN (LOWER) - CONTINUED

KEY	PART NO.	PART NAME	QTY	SERIAL NO.	REMARKS
1	H133205	SCREW	3		
2	H152173	HOUSING	1		(SUB FOR H123877 OR H165294)
3	14M7274	NUT	2		M10
4	H107566	ISOLATOR	1		
5	H110310	HOUSING	1		
6	H110229	CRANK	1		
7	H131424	BOLT	2		
8	H107687	SCREW	2		
9	H141327	PAWL	1		
10	H152172	COVER	1		(SUB FOR H147192 OR H165293)
11	H165693	SCREW	4		(SUB FOR H130192)
12	H152174	PEDAL	1		(SUB FOR H107581)
13	34M7102	SPRING PIN	2		5 X 26 MM
14	H113864	PIN	1		
15	H133106	SNAP RING	1		
16	24M7055	WASHER	1		8.400 X 16 X 1.600 MM
17	19M7800	SCREW	4		M8 X 50
18	H113404	SPRING	1		
19	H113402	ROD	1		
20	H123874	SEALANT	1		
21	H110700	BOLT	4		
22	24M7028	WASHER	4		10.500 X 20 X 2 MM
23	H134353	ISOLATOR	2		
24	H108725	GROMMET	1		
25	H123875	SUPPORT	1		
26	19M7867	SCREW	4		M8 X 25
27	AH142441	PUMP	1		
28	H107582	ARM	1		
29	H107584	SPRING	1		
30	R26501	CLIP	1		
31	H131186	ROD	1		
32	R26524	CLIP	1		
33	H107567	HOUSING	1		
34	AH97920	BALL BEARING	2		
35	H80753	SNAP RING	2		
36	AH139065	UNIVERSAL JOINT, WITH SHAFT	1		
37	34M7124	SPRING PIN	1		8 X 30 MM
38	19M7866	SCREW	2		
39	AH129236	BEARING	1		
40	14M7166	LOCK NUT	2		M8
41	H162569	COUPLING	1		
42	H162055	SCREW	1	-675669	M8 X 40
	H164921	SCREW	1	675670-	
43	22M7072	SET SCREW	2		M6 X 10
44	H134624	ISOLATOR	1		
45	H134623	SPLINED COUPLING	1		
46	H99294	WASHER	2		
47	AH130429	STEERING SHAFT	1		
48	H36256	O-RING	1		
49	H137667	SHAFT KEY	1		
50	H107570	STEERING SHAFT	1		
51	H107586	PIN	1		
52	14M7257	NUT	1		M20
53	H141946	WASHER	4		
54	14M7396	LOCK NUT	1		M8

3J20

OPERATOR'S STATION

AIR CONDITIONING AND HEATER HOUSING AND FILTERS
HP6863 -UN-18AUG97

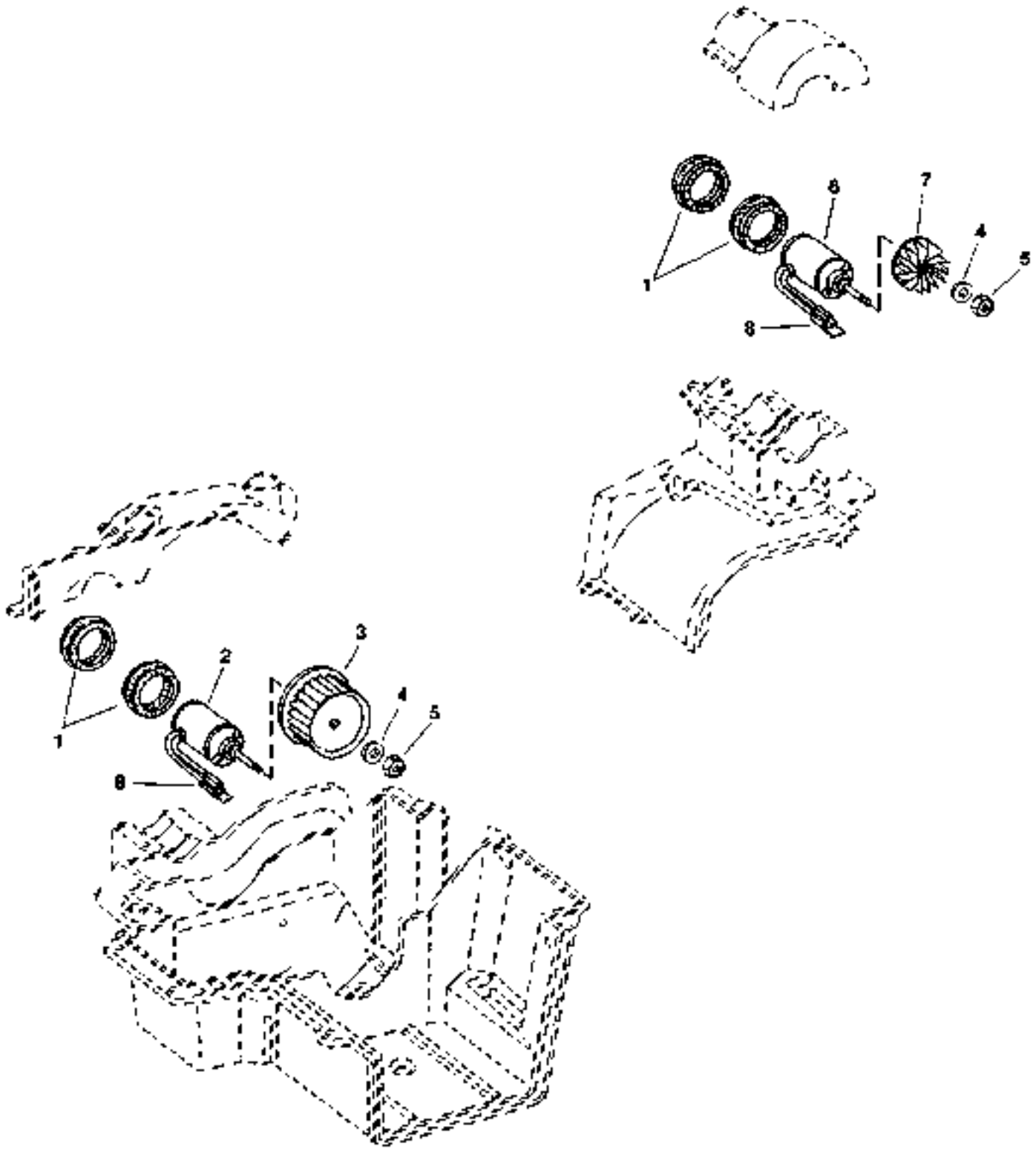


HP6863

AIR CONDITIONING AND HEATER HOUSING AND FILTERS - CONTINUED

KEY	PART NO.	PART NAME	QTY	SERIAL NO.	REMARKS
1	H161021	HOUSING	1		
2	19M7862	SCREW	AR	M6 X 20	
3	H158830	CLIP	1		
4	H163397	SEAL	1		
5	H157566	AIR DUCT	1		
6	H153438	SEAL	1	(CUT FROM H88773)	
7	R46414	CLAMP	2		
8	AH115836	AIR FILTER	1	RECIRCULATING FILTER	
9	H115031	COVER	1		
10	AH120546	HOUSING	1		
11	H114142	PRESCREENER	2		
12	H118619	SEAL	1		
13	AH138601	HOUSING	1		
14	H127978	DUST SHIELD	1		
15	37M7089	SCREW	AR	M6 X 12	
16	AH134884	SUPPORT	1		
17	H119362	BUSHING	5		
18	19M7862	SCREW	AR	M6 X 20	
19	AH120547	FILTER	1	EVAPORATOR FILTER	
20	H126589	AIR DUCT	1		
21	H158525	HOUSING	1		
22	H126590	COVER	1		
23	H130091	SHIELD	1		
24	AH125505	RESISTOR	1		
25	H123998	SCREW	AR		
26	H118872	LINE	1		
27	TY22472	CLAMP	AR		
28	H118871	LINE	1		
29	H146429	FITTING	1		
30	H159636	TUBE	1		
31	H150385	CHECK VALVE	1		
32	19M7866	SCREW	1	M8 X 20	
33	H137326	SUPPORT	1		
34	AH144020	THERMOSTAT	1		
35	H123998	SCREW	2		
36	19M7865	SCREW	2	M8 X 16	
	37M7058	SCREW	2	M8 X 20	
37	H159743	FOAM PAD	1		

PRESSURIZER FAN AND AIR CONDITIONING / HEATER FAN
HP6864 -UN-22SEP97



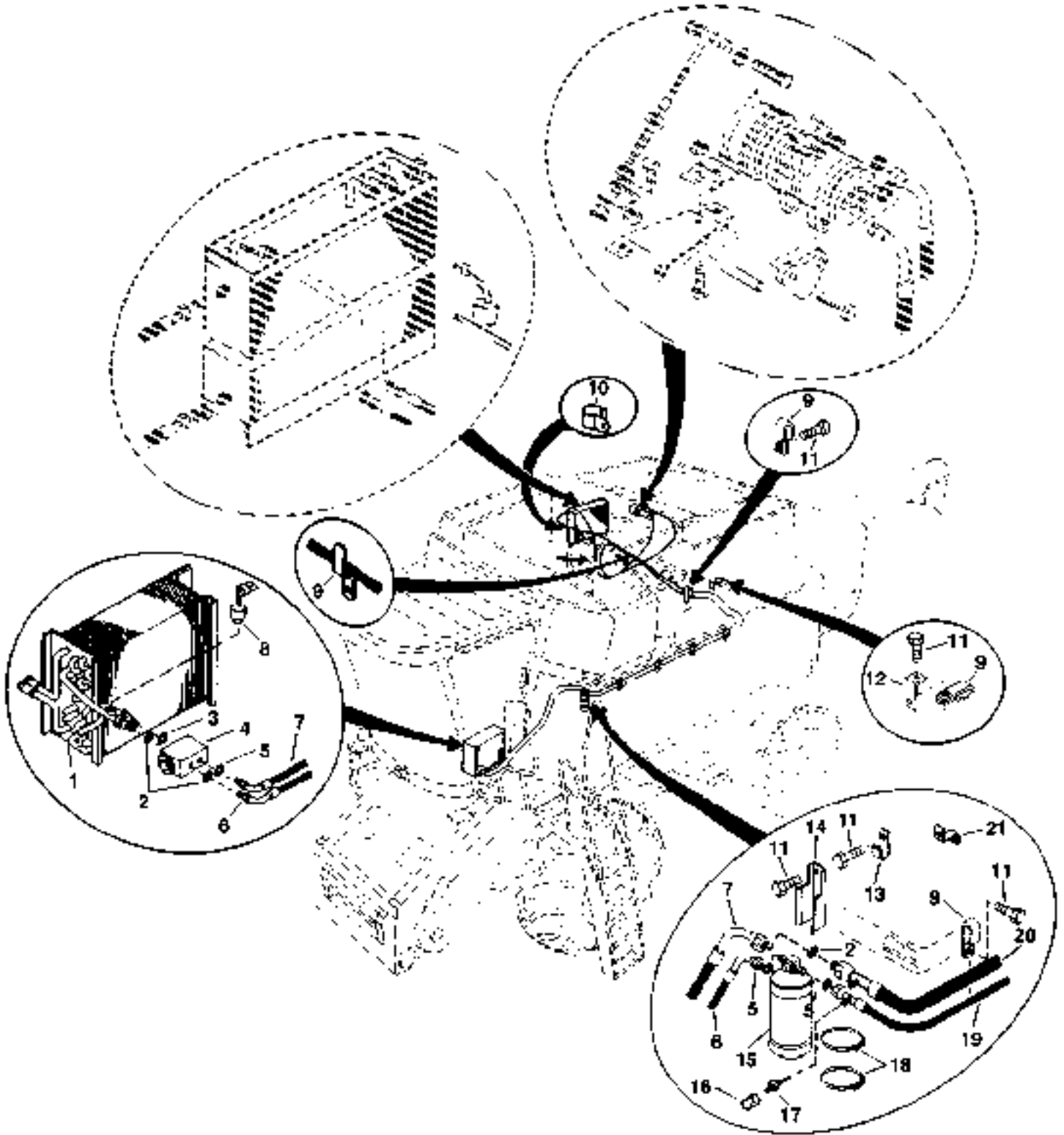
HP6864

PRESSURIZER FAN AND AIR CONDITIONING / HEATER FAN - CONTINUED

KEY	PART NO.	PART NAME	QTY	SERIAL NO.	REMARKS
1	H115521	ISOLATOR	2		
2	AH128926	MOTOR	1		AC/HEATER
3	H114046	BLOWER FAN	1		
4	24M7117	WASHER	AR		4.300 X 9 X 0.800 MM
5	14M7264	LOCK NUT	AR		M4
6	AH128925	MOTOR	1		
	H129887	ISOLATOR	1		
7	H124185	FAN	1		
8	T28586	CONNECTOR	1		

3J24

AIR CONDITIONING SYSTEM
HP6865 -UN-12SEP97



HP6865

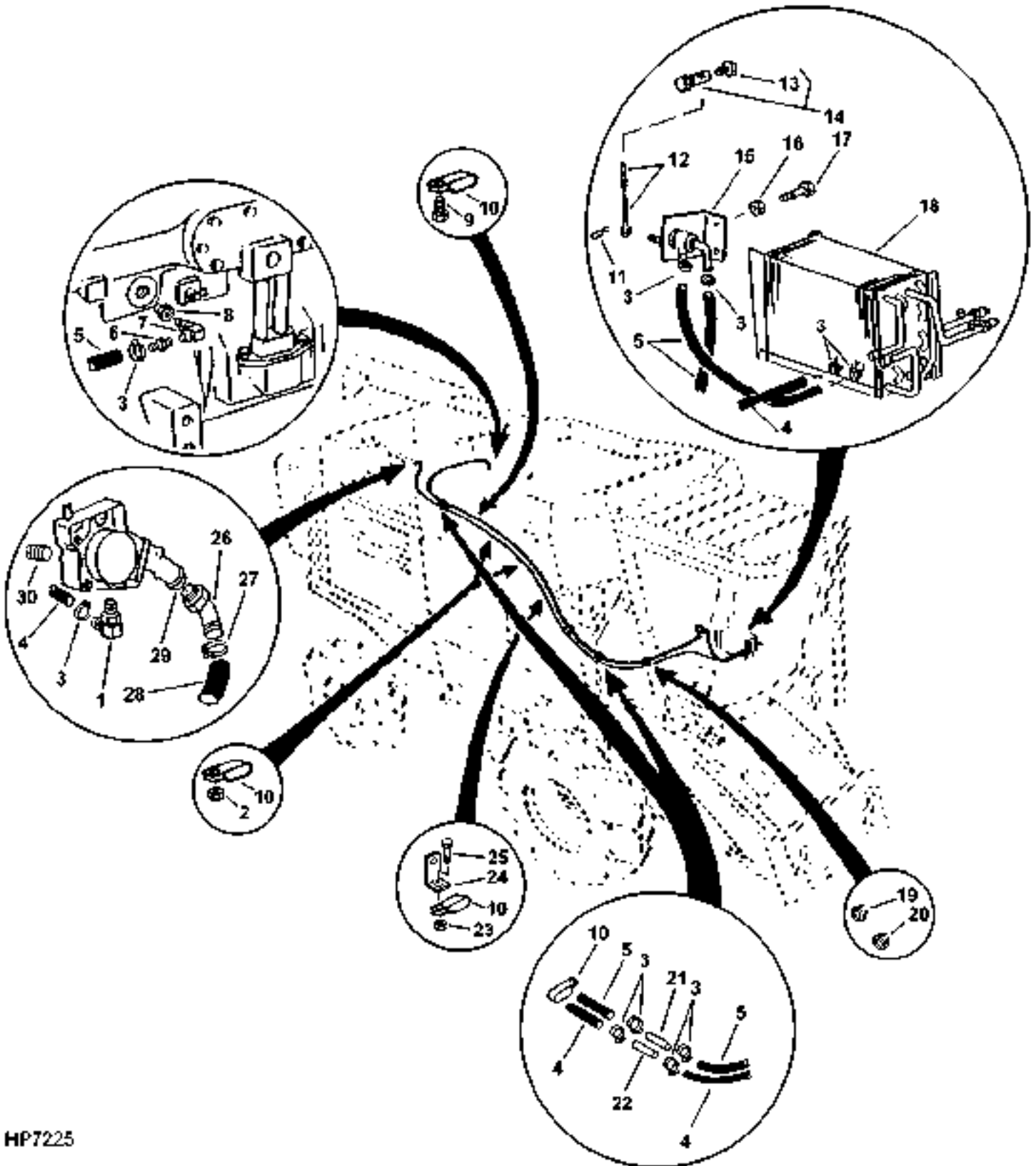
3J25

OPERATOR'S STATION

AIR CONDITIONING SYSTEM - CONTINUED

KEY	PART NO.	PART NAME	QTY	SERIAL NO.	REMARKS
1	AH132264	EVAPORATOR	1		
2	R33259	O-RING	1		13.995 X 1.778 MM (0.551" X 0.070")
3	R113050	RING	1		10.820 X 1.778 MM (0.426" X 0.070")
4	AH137702	VALVE	1		
5	R10093	O-RING	1		7.645 X 1.778 MM (0.301" X 0.070")
6	AH127684	HOSE	1		
7	AH127685	HOSE	1		7/8" X 912 MM (36") X 7/8"
8	AH144084	SWITCH	1		
9	AH77869	CLIP	1		
10	AH96317	CLIP	1		
11	19M7913	SCREW	1		M8 X 90
12	H132662	BRACKET	1		
13	AH77724	CLIP	1		
14	H136541	HOSE SUPPORT	1		
15	AH137486	RECEIVER-DRYER	1		
16	R60172	NUT	1		
17	R60170	VALVE	1		
18	TY22474	CLAMP	1		
19	AH159026	REFRIGERANT HOSE	1		(SUB FOR AH142103 OR AH158179, THIS APPLICATION)
20	AH153405	LINE	1	-675943	
	AH158180	HOSE	1	675944-	
21	H132538	HOSE SUPPORT	1		
..	R120956	CAP	1		(USE WITH AH142103)

HEATER SYSTEM
HP7225 -UN-28OCT97



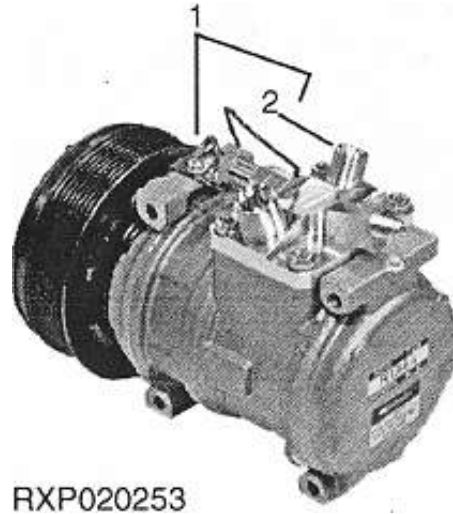
HP7225

HEATER SYSTEM - CONTINUED

KEY	PART NO.	PART NAME	QTY	SERIAL NO.	REMARKS
1	AH64349	HOSE FITTING	1		
2	14M7296	FLANGE NUT	1	M10	
3	TY22465	HOSE CLAMP	7		
4	TY22330	BULK HOSE	3		(SUB FOR (3) H108935)
5	TY22328	BULK HOSE	1		(CUT TO LENGTH)
6	H23196	FITTING	1		
7	15H200	ELBOW FITTING	1		
8	15H590	PIPE BUSHING	1		12.700 MM (1/2")
9	19M7865	SCREW	1		M8 X 16
	19M7784	SCREW	1	20AP98-	M10 X 20
10	H117952	CLAMP	4		
	AH77869	CLIP	1	20AP98-	
11	H132922	COTTER PIN	1		
12	H134655	PIN	1		
13	SCREW	1		
14	AH130610	BALL JOINT	1		
15	AH127974	CONTROL VALVE	1		
16	14M7303	FLANGE NUT	1	M6	
17	19M7775	SCREW	1		M6 X 16
18	AH132264	EVAPORATOR	1		HEATER AND EVAPORATOR COMBINATION
19	R50456	GROMMET	1		
20	H36221	GROMMET	1		
21	H153721	COUPLING	1		
22	H153722	COUPLING	1		
23	14M7298	FLANGE NUT	1	M8	
24	H132662	BRACKET	1		
25	19M7866	SCREW	1	M8 X 20	
26	H146887	TUBE	1		
	H164854	ADAPTER	1		
27	AR21999	HOSE CLAMP	1		
28	AH137758	HOSE	1		HEATER RETURN
29	29H593	THREADED NIPPLE	1		
	15H600	COUPLING	1		
30	15H515	PIPE BUSHING	1		
..	H77698	TIE BAND	1		

AIR CONDITIONING COMPRESSOR (FOR R134A REFRIGERANT)

RXP020253 -UN-01JAN94



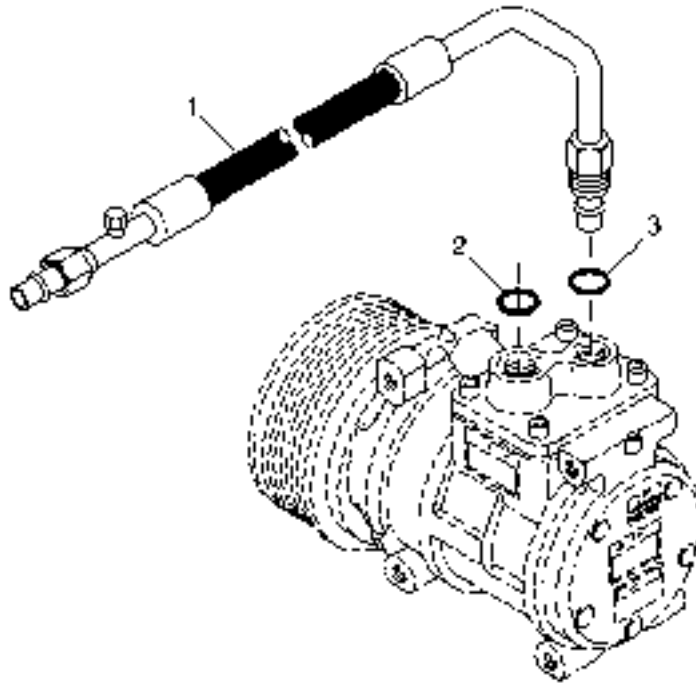
RXP020253

KEY	PART NO.	PART NAME	QTY	SERIAL NO.	REMARKS
1	RE52454	COMPRESSOR	1		(WITHOUT CLUTCH)
2	RE51052	MANIFOLD	1		(WITH SEAL)
..	R115742	SEAL	1		
..	TY22025	OIL	1		(SUB TY22101) 250 ML
..	TY22101	OIL	1		
..	TY15949	REFRIGERANT	1		12 LBS (R134A)
..	TY15950	REFRIGERANT	1		15 LBS (R134A)
..	TY15951	REFRIGERANT	1		30 LBS (R134A)
..	RE46609	COMPRESSOR	1		COMPLETE
..	TY6764	COMPRESSOR	1		

3K4

OPERATOR'S STATION

AIR CONDITIONING COMPRESSOR HOSE
HP8880 -UN-04AUG99

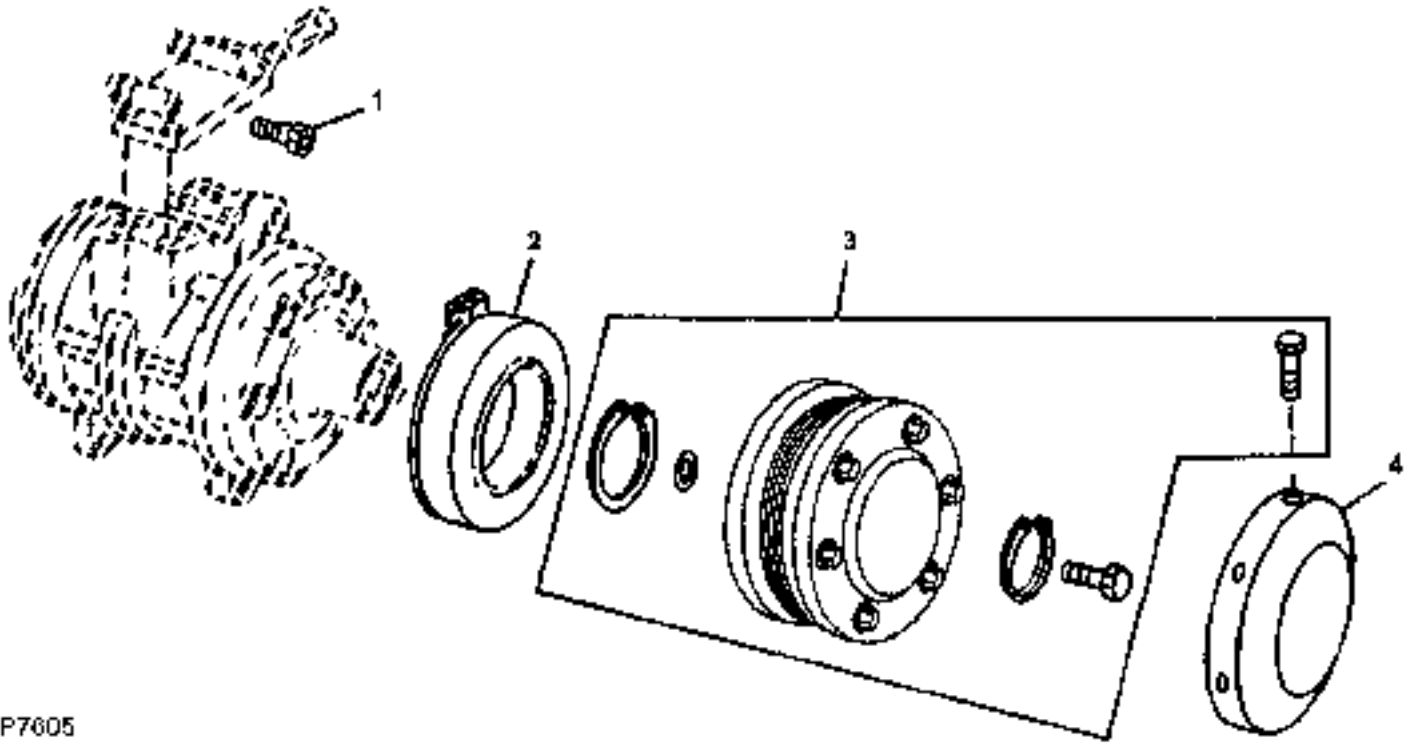


HP8880

KEY	PART NO.	PART NAME	QTY	SERIAL NO.	REMARKS
1	AH159078	REFRIGERANT HOSE	1		A/C PRESSURE
2	R113050	RING	AR		ON PRESSURE PORT
3	R33259	O-RING	AR		ON SUCTION PORT

COMPRESSOR CLUTCH AND SERVICE VALVES (FOR R134A REFRIGERANT)

HP7605 -UN-20AUG98



HP7605

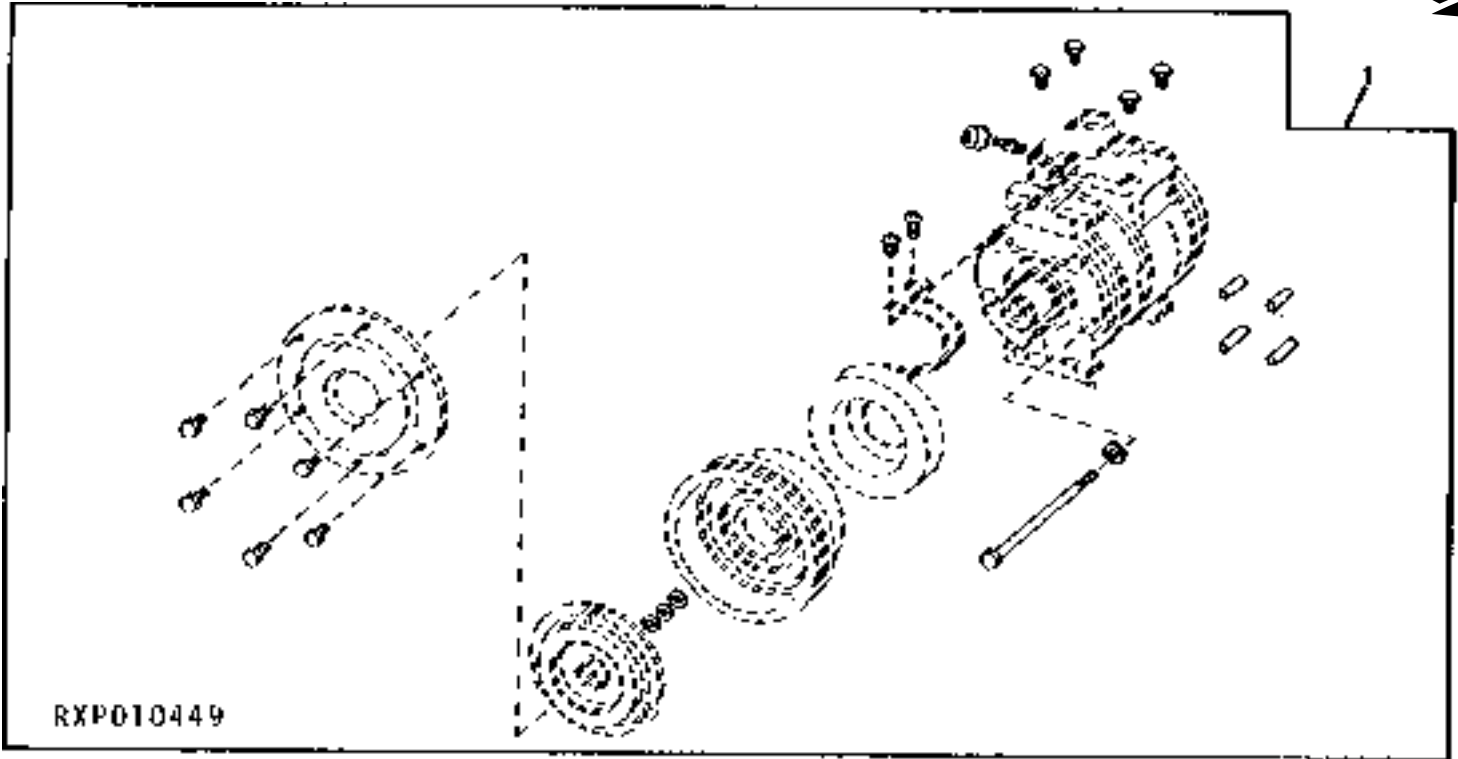
KEY	PART NO.	PART NAME	QTY	SERIAL NO.	REMARKS
1	RE52506	VALVE	1		(WITH O-RING)
2	RE52510	STATOR	1		
3	RE52508	KIT	4		CLUTCH
4	R115743	COVER	1		

3K6

OPERATOR'S STATION

COMPRESSOR HARDWARE SET (FOR R134A REFRIGERANT)

RXP010449 -UN-01JAN94

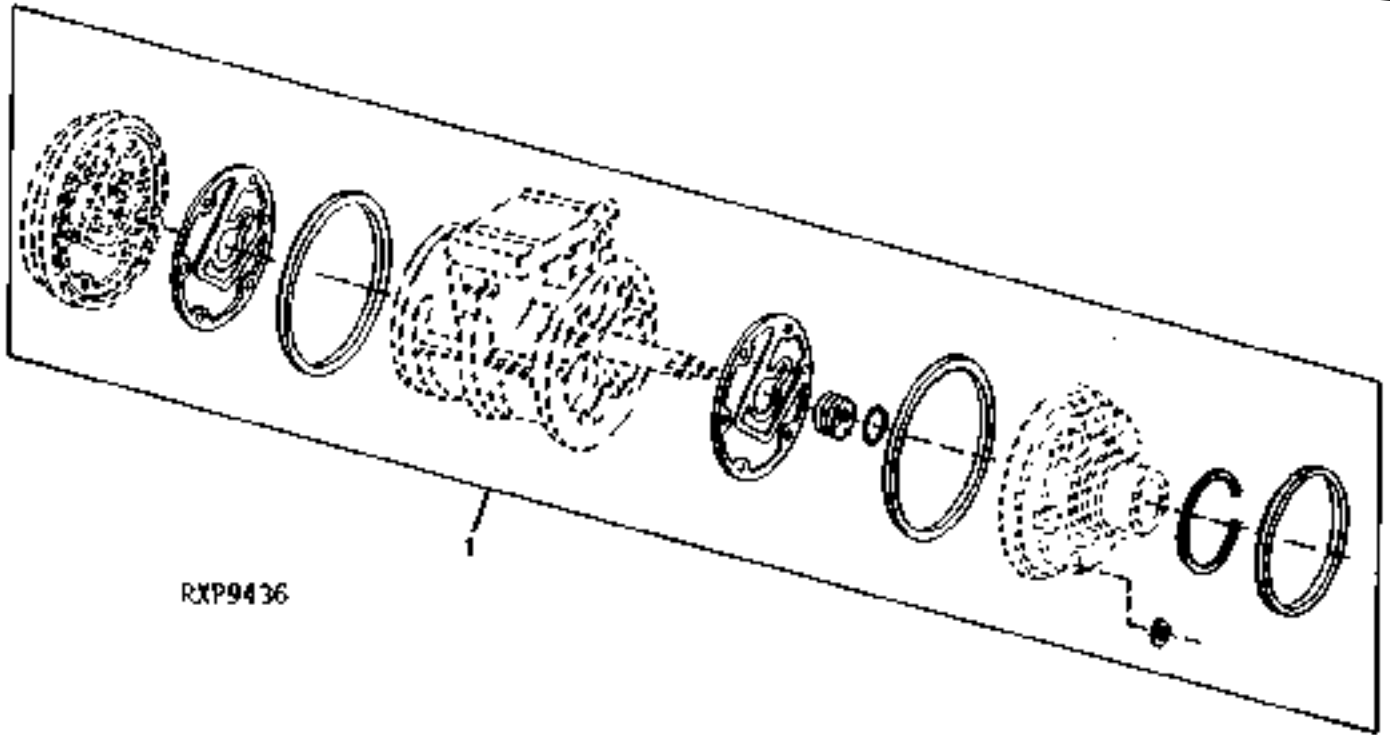


KEY	PART NO.	PART NAME	QTY	SERIAL NO.	REMARKS
1	RE52507	KIT	1		

3K7

COMPRESSOR PARTS (FOR R134A REFRIGERANT)

RXP9436 -UN-01JAN94



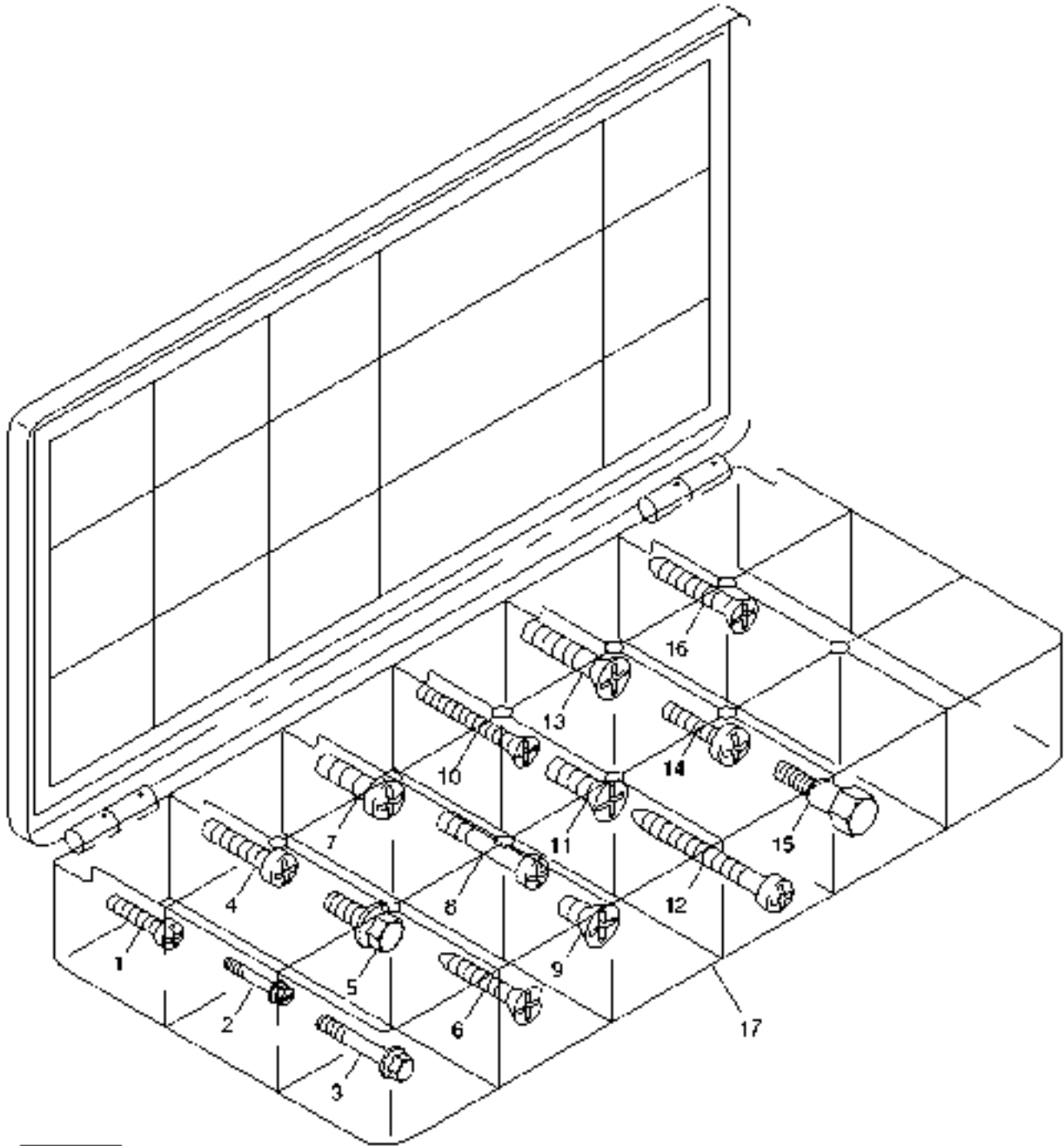
RXP9436

KEY	PART NO.	PART NAME	QTY	SERIAL NO.	REMARKS
1	RE52509	SEAL KIT	1		

MEMORANDA

3K8

CAB HARDWARE KIT
HP3731 -UN-01SEP99



HP3731

3K9

OPERATOR'S STATION

CAB HARDWARE KIT - CONTINUED

KEY	PART NO.	PART NAME	QTY	SERIAL NO.	REMARKS
1	H110842	SCREW	10		
2	H111364	SCREW	10		
3	H111705	SCREW	10		
4	H111706	SCREW	10		
5	H114038	SCREW	5		
6	H119088	SCREW	10		
7	H123995	SCREW	10		
8	H128859	SCREW	5		4.826 X 22.280 MM (0.190" X 0.877")
9	H165693	SCREW	5		M6 X 12, (SUB FOR H130192)
10	H130194	CAP SCREW	10		M4 X 30
11	H158579	SCREW	4		M5 X 12, (SUB H168424)
	H168424	SCREW	4		M5 X 12
12	H130298	SCREW	3		M5 X 40
13	H165691	SCREW	10		M6 X 20, (SUB FOR H131591 OR H168780)
14	37M7182	SCREW	10		
15	H131424	BOLT	3		M6 X 20.750
16	H132899	SCREW	5		
17	AH133088	KIT	1		

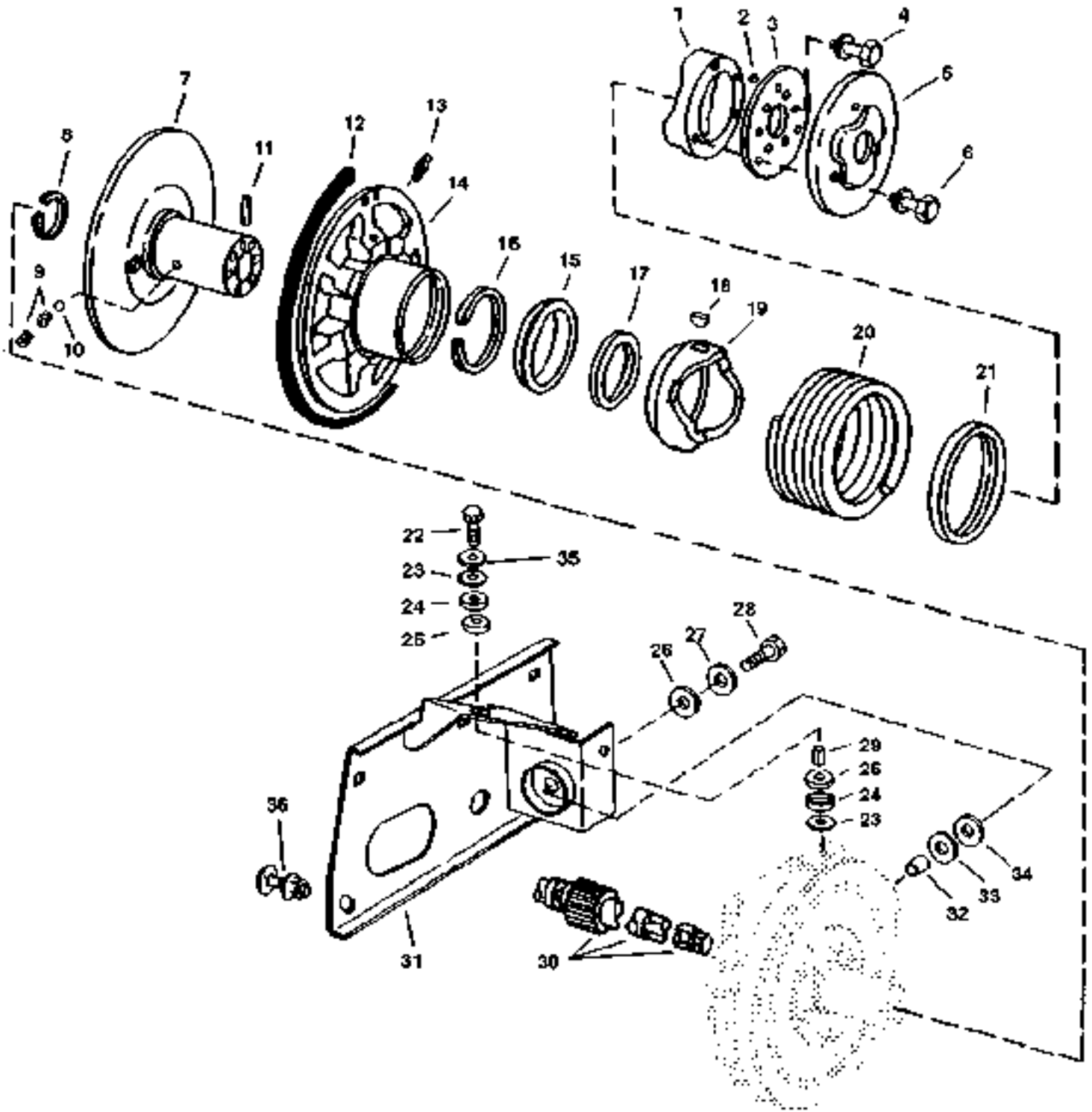
MEMORANDA

MEMORANDA

4B9

FEEDER HOUSE

FRONT VARIABLE DRIVE SHEAVE AND MOUNTINGS
HP6868 -UN-18AUG97



HP6868

4B10

FEEDER HOUSE

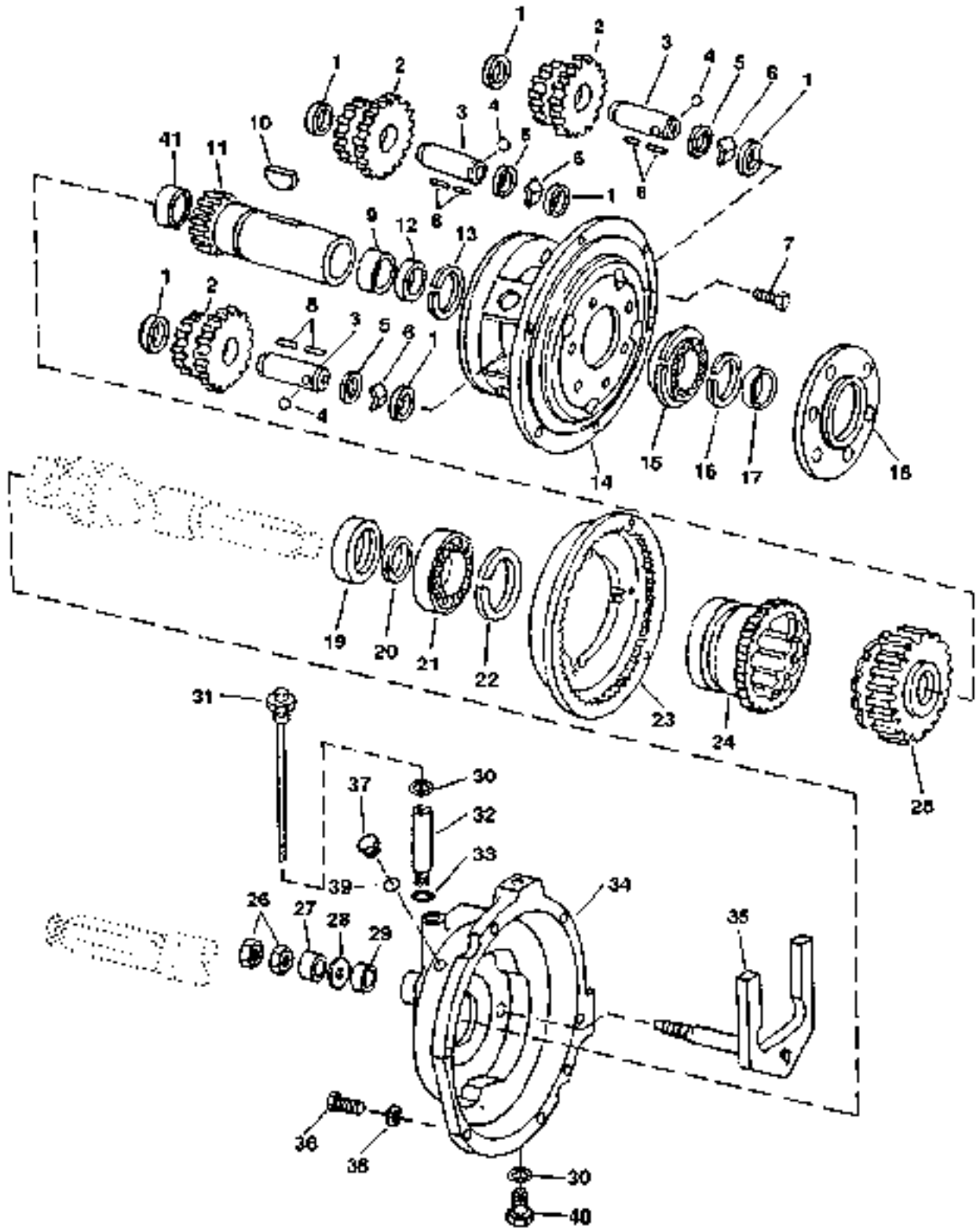
FRONT VARIABLE DRIVE SHEAVE AND MOUNTINGS - CONTINUED

KEY	PART NO.	PART NAME	QTY	SERIAL NO.	REMARKS
1	CAM	1		(ORDER AH138751) INNER
2	32243	PLUG	1		
3	H170645	SPACER	1		(SUB FOR H107793)
4	19H1648	CAP SCREW	6		3/8" X 3/4"
	12H304	LOCK WASHER	6		3/8"
5	H155459	RETAINER	1		
6	19H3034	CAP SCREW	3		3/8" X 3"
	12H304	LOCK WASHER	3		3/8"
7	H168126	SHEAVE	1		(SUB FOR H108673)
8	B3118R	SNAP RING	1		
9	22H775	SET SCREW	2		5/16" X 1/4"
10	H110922	BALL	1		0.236"
11	34M7255	SPRING PIN	1		6 X 50 MM
12	H161648	BELT	1		
13	JD7798	LUBRICATION FITTING	2		
14	AH157933	SHEAVE	1		
15	H110728	RETAINER	1		
16	H97308	SNAP RING	1		
17	AH108161	SEAL	1		
18	26H104	SHAFT KEY	1		5/16" X 2-1/8"
19	CAM	1		(ORDER AH138751) OUTER
20	H169604	COMPRESSION SPRING	1		(SUB FOR H157067)
21	AH96345	SEAL	1		
22	19M7827	SCREW	1		M16 X 80
23	P50456	WASHER	2		16.301 X 76.200 X 4.500 MM (0.642" X 3" X 0.177")
24	H148132	BUSHING	2		
25	H148133	RETAINER	1		
26	T55761	SUPPORT	1		
27	R20136	WASHER	1		19.837 X 69.850 X 6.350 MM (25/32" X 2-3/4" X 1/4")
28	19M7845	SCREW	1		M16 X 90
29	H148134	SPACER	1		16.130 X 19.930 X 41.900 MM (0.635" X 0.785" X 1.650")
30	AH97643	SHAFT	1		VARIABLE AND FIXED SPEED
	AH141550	SHAFT	1		(SUB AH152939) CONTOUR MASTER
	AH152939	SHAFT	1		CONTOUR MASTER (USE WITH AH149349 (DRIVE SPROCKET) AND H170634 (TONE WHEEL))
31	AH144099	SUPPORT	1		
32	H95417	SPACER	1		
33	H97410	WASHER	1		26 X 108 X 6 MM (1.024" X 4.252" X 0.236")
34	R62502	SUPPORT	1		
35	24M7241	WASHER	1		17 X 34 X 4 MM
36	03M7191	BOLT	4		M10 X 25
	14M7296	FLANGE NUT	5		M10
	03M7192	BOLT	1		M10 X 30
..	TY6333	GREASE	1		14 OZ. TUBE
..	AH138751	KIT	1		

4B11

FEEDER HOUSE

REVERSER GEAR BOX
HP7524 -UN-15APR98



HP7524

4B12

FEEDER HOUSE

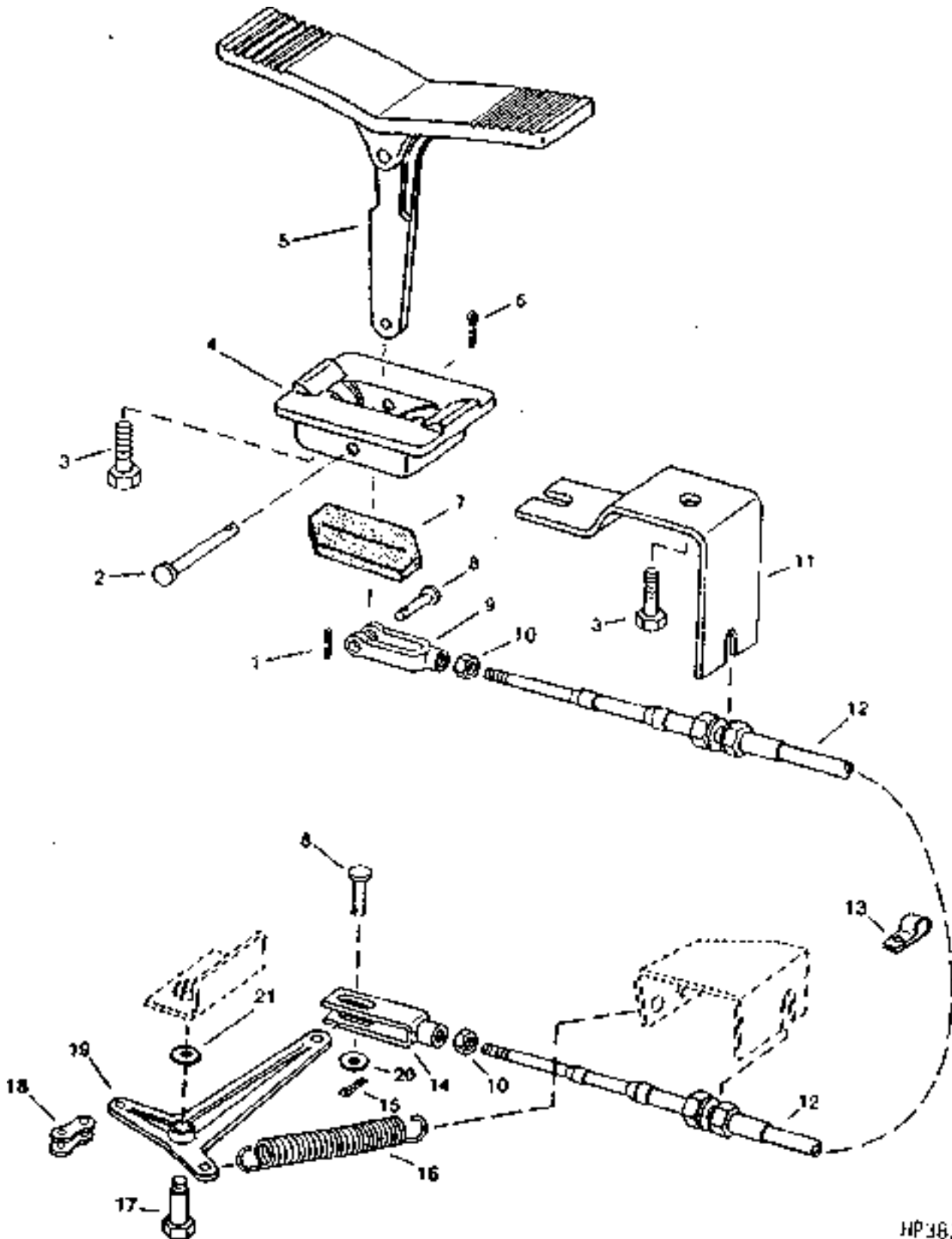
REVERSER GEAR BOX - CONTINUED

KEY	PART NO.	PART NAME	QTY	SERIAL NO.	REMARKS
1	R66197	THRUST WASHER	6		
2	H105912	PINION	3		
3	R33079	PIN	3		
4	H871R	BALL	3		
5	R33088	WASHER	3		
6	H89617	SPACER	3		
7	19H1936	CAP SCREW	6	-676032	3/8" X 3/4"
	19H1648	CAP SCREW	6	676033-	3/8" X 3/4"
8	R33058	NEEDLE ROLLER	186		(6 SETS OF 31)
9	AH150686	NEEDLE BEARING	1		
10	26H104	SHAFT KEY	2		5/16" X 2-1/8", WOODRUFF
11	H166216	GEAR	1	677192-	(SUB FOR H161566) INPUT
12	E53699	SEAL	1		
13	B3118R	SNAP RING	1		
14	H168125	COVER	1		(SUB FOR H149504)
15	JD10010	BALL BEARING	1		(WITH SNAP RING)
16	R39081	SNAP RING	1		
17	AH144715	SEAL	1		
18	H150662	BEARING HOUSING W/O BEARING	1		
19	AH140185	SEAL	1		
20	N71922	SNAP RING	1		
21	JD10011	BALL BEARING	1		
22	BP13620	SNAP RING	1		
23	AH105040	GEAR	1		
24	H132328	SHIFT COLLAR	1		
25	H106073	GEAR	1		OUTPUT
26	14H832	NUT	2		9/16"
27	28H2499	BUSHING	1		18.847 X 26.670 X 15.875 MM (0.742" X 1.050" X 5/8")
28	24H1378	WASHER	1		11/16" X 1-15/32" X 0.134"
29	AN113330	SEAL	1		
30	R26375	O-RING	2		
31	AH140615	DIPSTICK	1		
32	H140195	SPACER	1		
33	R26906	O-RING	1		
34	AH159233	HOUSING	1		
35	AH93110	SHIFTER	1		
36	19M7402	CAP SCREW	6		M10 X 25
37	R27218	FITTING PLUG	1		
38	12M7135	LOCK WASHER	6		0.402"
39	R26448	O-RING	1		
40	R39112	FITTING	1		
41	JD8819	NEEDLE BEARING	1	677192-	
..	TY15130	SEALANT	1		3 OZ. SIZE
..	AH156052	CASE	1		
..	AH153339	GEAR CASE	1		USE WITH AH149349 (DRIVE SPROCKET AND H170634 (TONE WHEEL) (SUB FOR AH156050) CONTOUR MASTER

4B13

FEEDER HOUSE

FEEDER HOUSE REVERSER FOOT CONTROL
HP3833 -UN-01JAN94



HP3833

4B14

FEEDER HOUSE

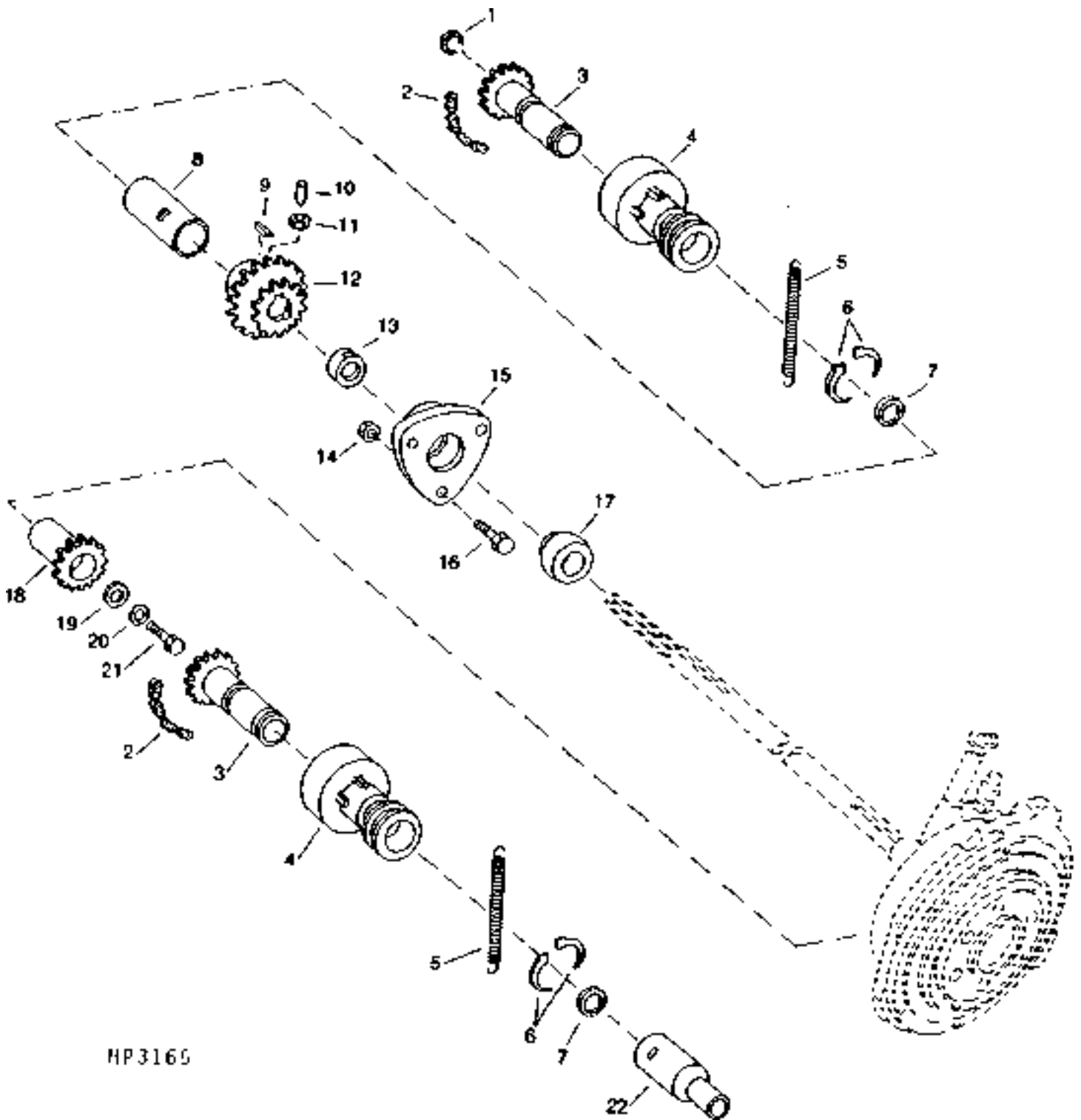
FEEDER HOUSE REVERSER FOOT CONTROL - CONTINUED

KEY	PART NO.	PART NAME	QTY	SERIAL NO.	REMARKS
1	11M7082	COTTER PIN	1		2.500 X 25 MM
2	R65569	PIN	1		9.398 X 49.479 MM (0.370" X 1.948")
3	19M7866	SCREW	4		M8 X 20
4	H153480	BEZEL	1		(SUB FOR H134489)
5	H153479	PEDAL	1		(SUB FOR H134488)
6	11M7081	COTTER PIN	1		2.500 X 20 MM
7	H133210	SEAL	1		
8	T16193	PIN	1		6.248 X 29.362 MM (0.246" X 1-5/32")
9	H130646	YOKE	1		
10	14M7273	NUT	2		M8
11	H133208	SUPPORT	1		
12	AH128452	PUSH PULL CABLE	1		
13	R73384	CLAMP	1		
14	AH127383	YOKE	1		
15	11M7082	COTTER PIN	1		2.500 X 25 MM
16	H84948	SPRING	1		
17	H127749	BOLT	1		M12 X 45
18	AE23791	CHAIN LINK	1		
19	H140836	BELLCRANK	1		
20	24M7054	WASHER	1		6.400 X 12 X 1.600 MM
21	24M7047	WASHER	1		13 X 24 X 2.500 MM

4B15

FEEDER HOUSE

FRONT SHAFT WITH REVERSER - (VARIABLE)
HP3165 -UN-01JAN94



HP 3165

4B16

FEEDER HOUSE

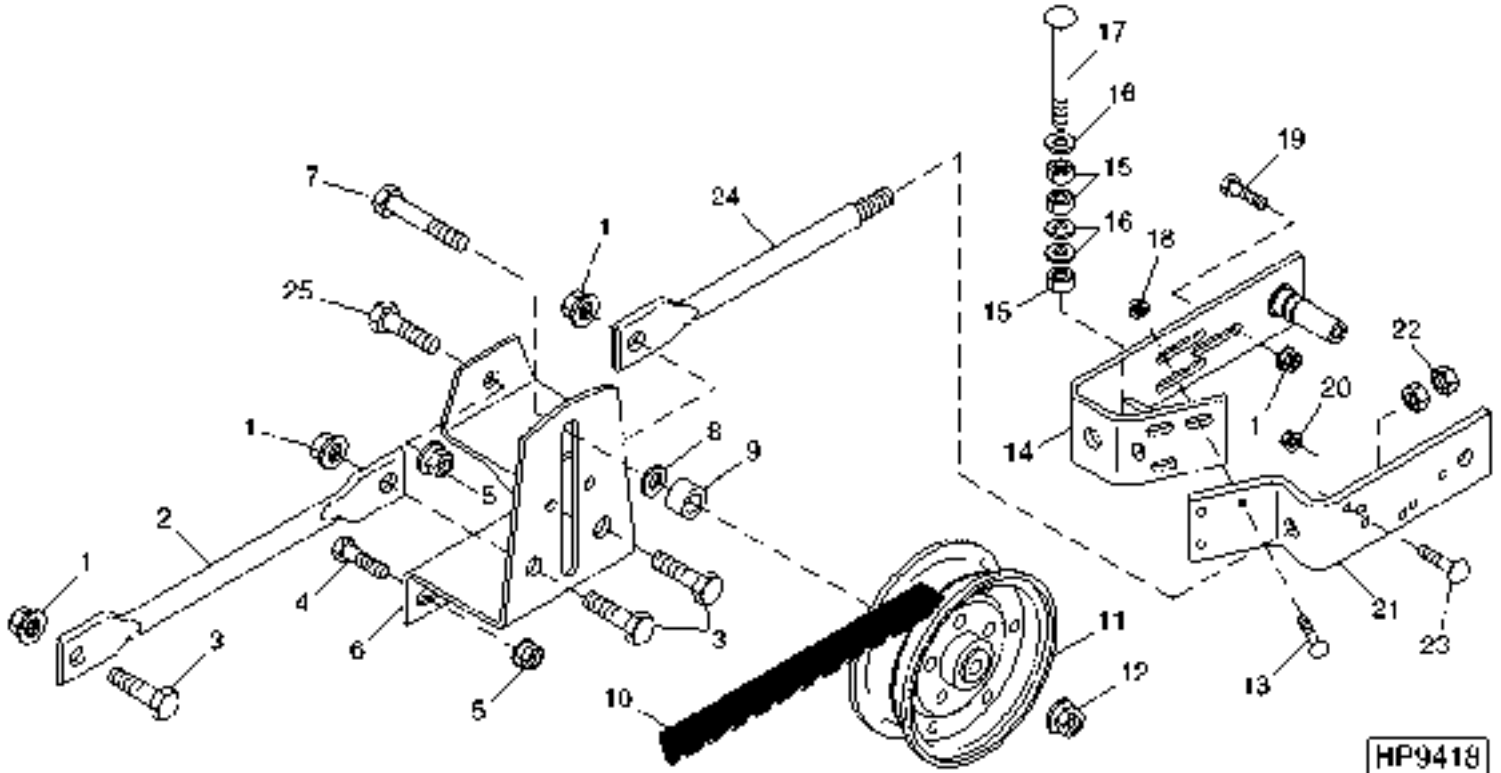
FRONT SHAFT WITH REVERSER - (VARIABLE) - CONTINUED

KEY	PART NO.	PART NAME	QTY	SERIAL NO.	REMARKS
1	H80926	SNAP RING	1		
2	AN102383	LINK CHAIN	2		
3	AN102382	CHAIN SPROCKET	2		14-TOOTH
4	H148818	QUICK COUPLER	2		
5	H128118	SPRING	2		
6	E62951	UNIVERSAL JOINT BEARING	4		
7	H25360	SNAP RING	2		
8	H127602	BUSHING	1		R.H.
	H127603	TUBE	1		L.H.
9	M73000	SHAFT KEY	1		
10	H138435	SET SCREW	2		M10 X 25
11	14M7274	NUT	2		M10
12	AH125782	CHAIN SPROCKET	1		COMBINATION, 22-TOOTH AND 15-TOOTH
13	JD9201	ECCENTRIC LOCKING COLLAR	1		
14	14M7296	FLANGE NUT	3		M10
15	H93927	HOUSING	1		
16	03M7193	BOLT	3		M10 X 35
17	JD9202	BALL BEARING	1		
18	AH96938	CHAIN SPROCKET	1		14 TEETH
19	24M7241	WASHER	1		17 X 34 X 4 MM
20	12H294	LOCK WASHER	1		5/8"
	12H236	LOCK WASHER	1		19.050 MM (3/4")
21	19H1756	CAP SCREW	1		5/8" X 1-1/2"
	19H3673	CAP SCREW	1		15.875 X 38.100 MM (5/8" X 1-1/2")
22	H127733	SHIELD	1		L.H.

4B17

FEEDER HOUSE

VARIABLE SPEED DRIVE TIGHTENER
HP9418 -UN-04JAN00



HP9418

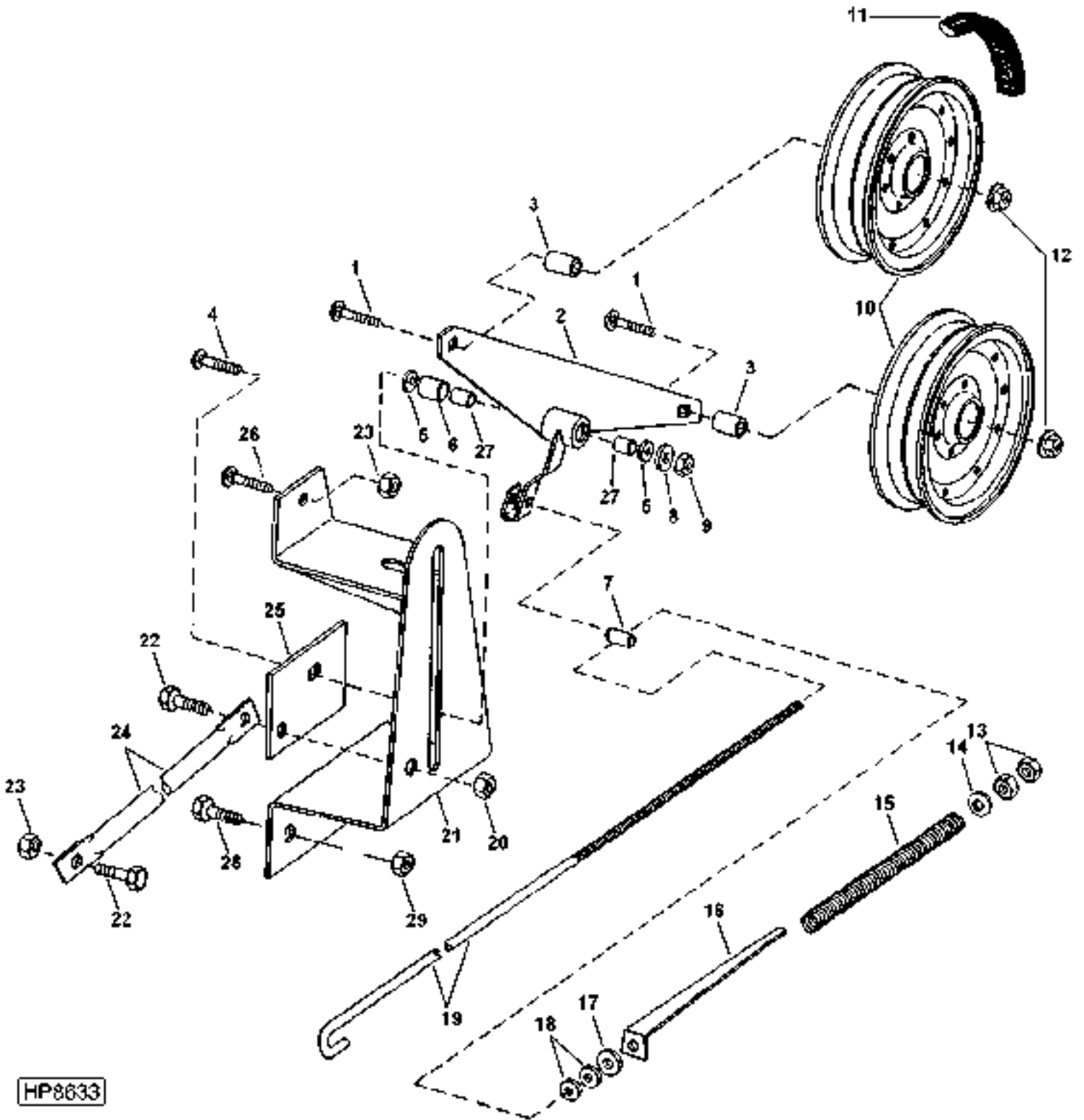
KEY	PART NO.	PART NAME	QTY	SERIAL NO.	REMARKS
1	14M7299	FLANGE NUT	6	M12	
2	H126371	BRACE	1		
3	19M7789	SCREW	3	M12 X 30	
4	19M7789	SCREW	2	M12 X 30	
5	14M7299	FLANGE NUT	3	M12	
6	AH139295	BRACKET	1		
7	19M7845	SCREW	1	M16 X 90	
8	24H1698	WASHER	1	16.662 X 41.275 X 6.350 MM (21/32" X 1-5/8" X 1/4")	
9	H113892	SHIFT COLLAR	1		
10	H161648	BELT	1		
11	AH94450	IDLER	1		
12	14M7291	FLANGE NUT	1	M16	
13	03M7192	BOLT	3	M10 X 30	
14	AH154961	STRAP	1		
15	14H821	NUT	3	5/8"	
16	24M7053	WASHER	3	17 X 30 X 3 MM	
17	03H2308	BOLT	1	5/8" X 3-1/4"	
18	14M7296	FLANGE NUT	3	M10	
19	19M7790	SCREW	3	M12 X 35	
20	14M7298	FLANGE NUT	2	M8	
21	H166971	STRAP	1	(SUB FOR H161387)	
22	14M7277	NUT	2	M20	
23	03M7185	BOLT	2	M8 X 25	
24	AH142407	BRACE	1		
25	03M7198	BOLT	1	M12 X 30	

MEMORANDA

4B18

FEEDER HOUSE

FIXED SPEED FEEDER HOUSE DRIVE TIGHTENER
HP8633 -UN-14JUN99



HP8633

4B19

FEEDER HOUSE

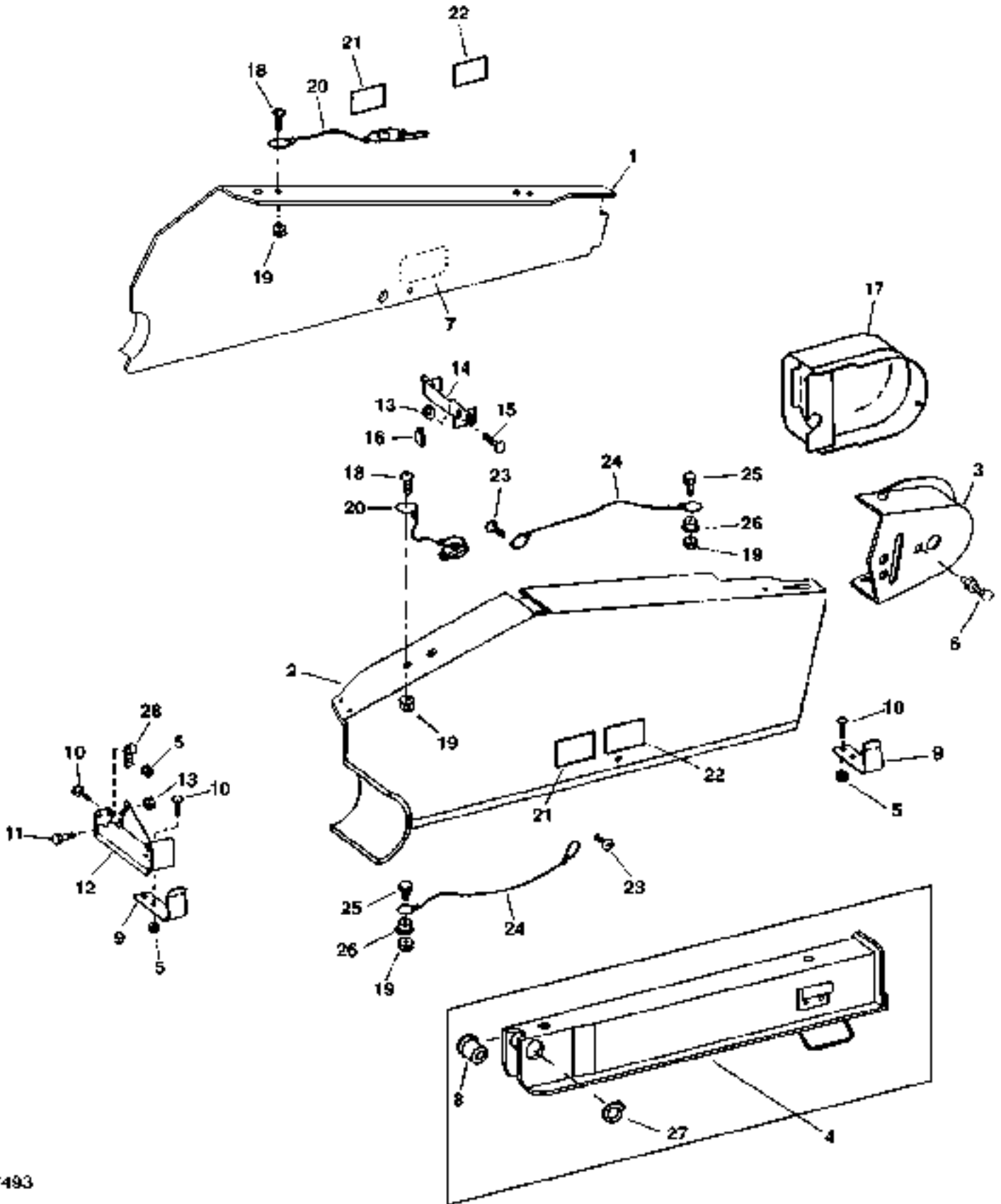
FIXED SPEED FEEDER HOUSE DRIVE TIGHTENER - CONTINUED

KEY	PART NO.	PART NAME	QTY	SERIAL NO.	REMARKS
1	03M7211	BOLT	2	M16 X 70	
2	AH97340	ARM	1		
3	L1730N	BUSHING	2	16.662 X 25.400 X 12.700 MM (21/32" X 1" X 1/2")	
4	03M7248	BOLT	1	M12 X 90	
5	24H1413	WASHER	2	57/64" X 1-3/8" X 0.048"	
6	H89297	BUSHING	1	13.487 X 22.200 X 53.340 MM (17/32" X 0.874" X 2.100")	
7	H132825	PIVOT	1		
8	24H1748	WASHER	1	1/2" X 1-1/4" X 0.105"	
9	A31867	LOCK NUT	1	M12	
10	AH94450	IDLER	2		
11	H126345	BELT	1		
12	14M7291	FLANGE NUT	2	M16	
13	14M7275	NUT	2	M12	
14	24H1789	WASHER	1	17/32" X 1-1/4" X 0.105"	
15	A25695	SPRING	1		
16	H95499	GAUGE	1		
17	24H1748	WASHER	1	1/2" X 1-1/4" X 0.105"	
18	24M7240	WASHER	2	13 X 25 X 3 MM	
19	H126346	BOLT	1		
20	14M7299	FLANGE NUT	1	M12	
21	AH139295	BRACKET	1		
22	19M7789	SCREW	2	M12 X 30	
23	14M7299	FLANGE NUT	2	M12	
24	H126371	BRACE	1	FRONT	
25	H126370	REINFORCEMENT	1		
26	03M7198	BOLT	1	M12 X 30	
27	H98655	BUSHING	2		
28	19M7789	SCREW	2	M12 X 30	
29	14M7299	FLANGE NUT	2	M12	

4B20

FEEDER HOUSE

FEEDER HOUSE DRIVE SHIELDS AND SAFETY STOP
HP7493 -UN-19JUN98



HP7493

4B21

FEEDER HOUSE

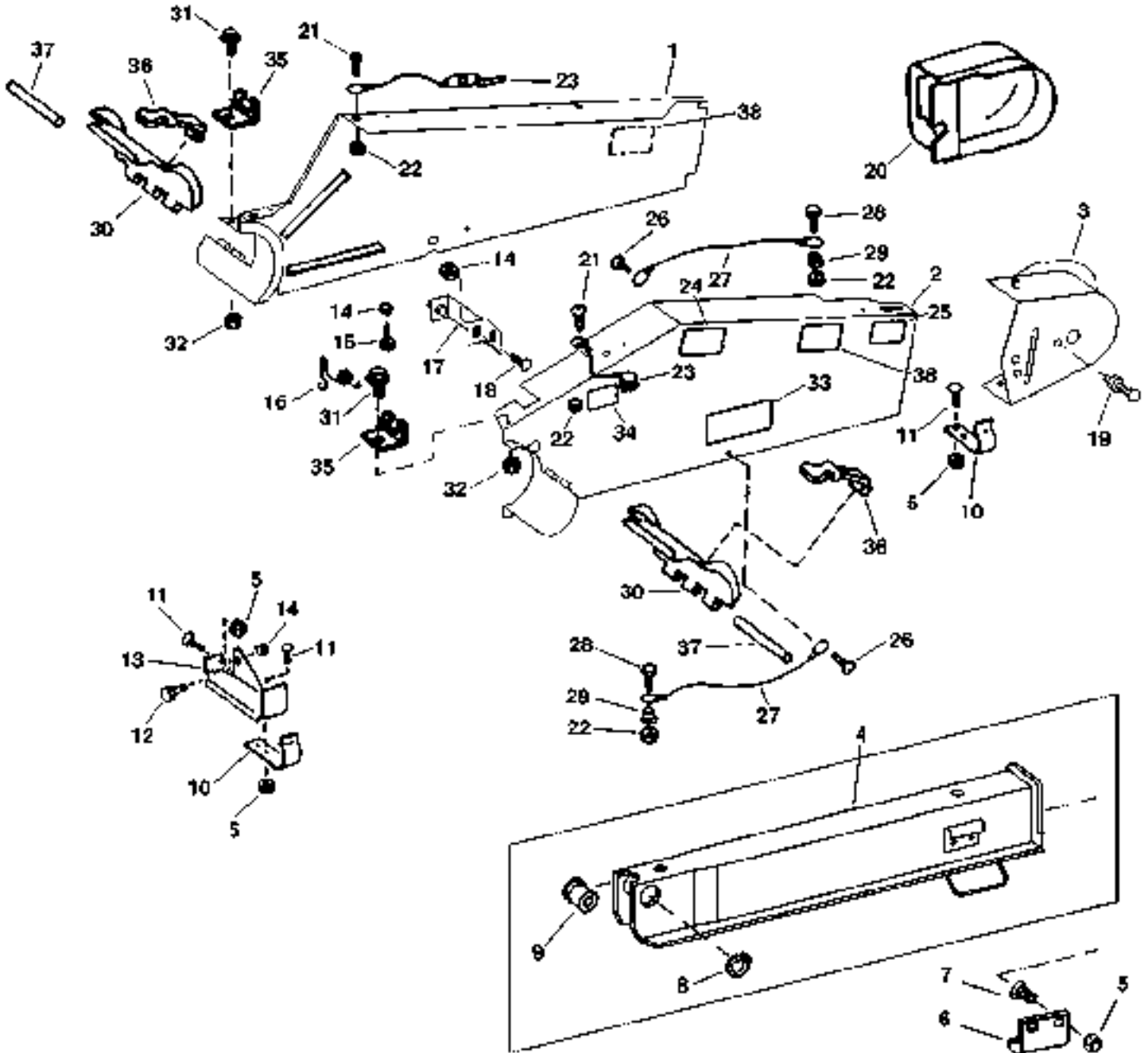
FEEDER HOUSE DRIVE SHIELDS AND SAFETY STOP - CONTINUED

KEY	PART NO.	PART NAME	QTY	SERIAL NO.	REMARKS
1	AH160053	SHIELD	1		(SUB FOR AH155737) R.H.
2	AH156376	SHIELD	1		(SUB FOR AH155245)
3	AH156066	SHIELD	1		
4	AH157492	STOP	1		(SUB FOR AH157306)
5	14M7298	FLANGE NUT	8		M8
6	03M7185	BOLT	2		M8 X 25
	14M7298	FLANGE NUT	2		M8
7	H149063	LABEL	2		
8	H150054	BUSHING	2		
9	H140122	CLIP	2		
10	03M7183	BOLT	6		M8 X 16
11	19M7785	SCREW	1		M10 X 25
12	H134085	BRACKET	1		
13	14M7296	FLANGE NUT	4		M10
14	AH158142	BRACKET	1		
15	03M7190	BOLT	2		M10 X 20
16	M72598	QUICK LOCK PIN	4		
17	H146766	POWERSHAFT SHIELD	1		
18	21M7125	SCREW	2		M8 X 25
19	14M7298	FLANGE NUT	4		M8
20	AH135290	QUICK LOCK PIN	2		
21	H137939	LABEL	1		HARNESS AND HOSE STORAGE
22	H126397	LABEL	1		VARIABLE SPEED DRIVE
23	03M7186	BOLT	2		M8 X 30
24	AH134121	CABLE	2		(INCLUDES R73290)
25	21M7125	SCREW	2		M8 X 25
26	M93425	SPACER	2		
27	40M7058	SNAP RING	2		
28	AH89486	CLIP	1		

4B22

FEEDER HOUSE

FEEDER HOUSE DRIVE SHIELDS AND SAFETY STOP - CONTOUR MASTER
HP7494 -UN-19JUN98



HP7494

4B23

FEEDER HOUSE

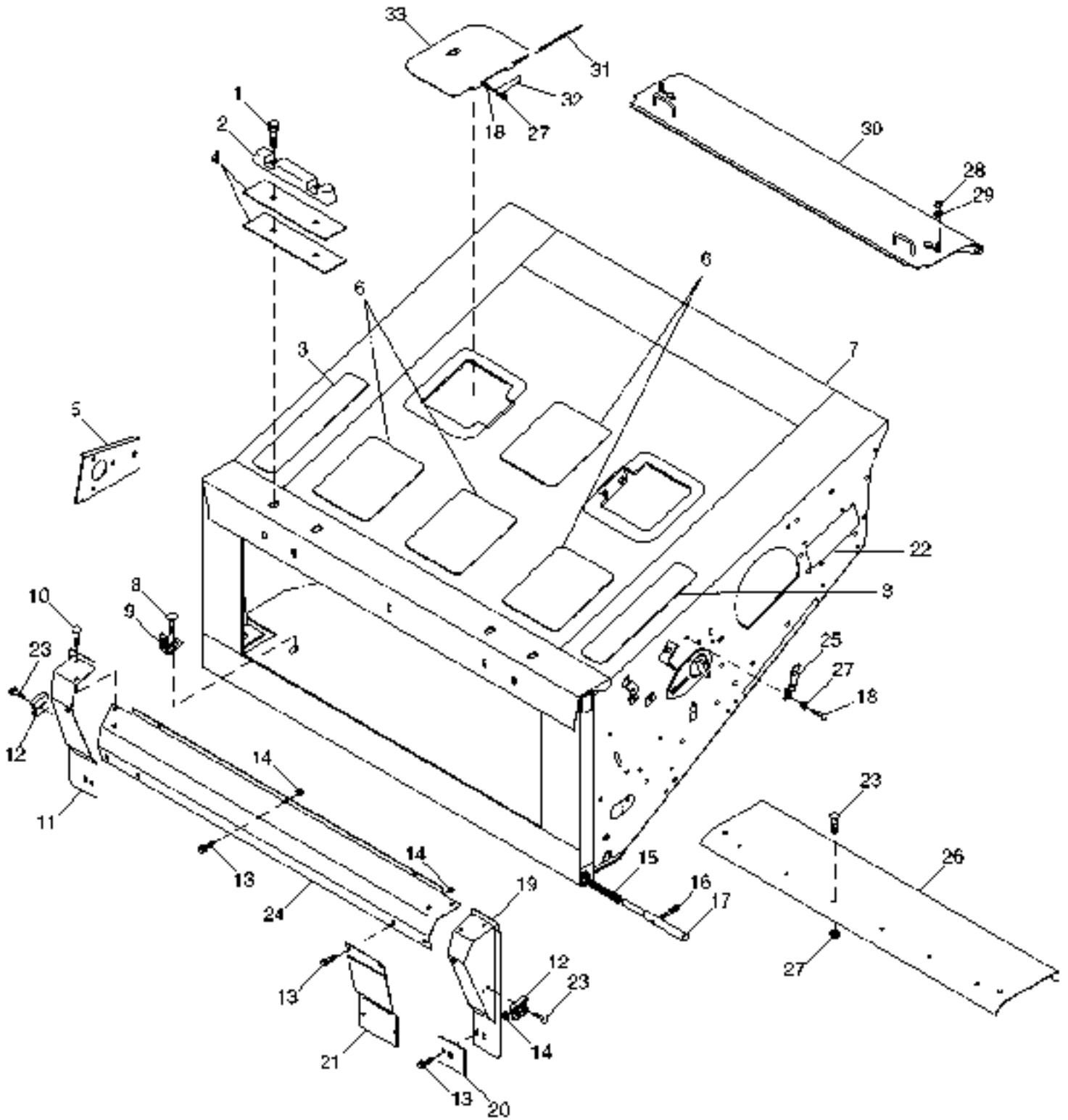
FEEDER HOUSE DRIVE SHIELDS AND SAFETY STOP - CONTOUR MASTER - CONTINUED

KEY	PART NO.	PART NAME	QTY	SERIAL NO.	REMARKS
1	AH160054	SHIELD	1	R.H.	
2	AH156374	SHIELD	1	L.H.	
3	AH156066	SHIELD	1		
4	AH157492	STOP	1	(SUB FOR AH157306)	
5	14M7298	FLANGE NUT	8	M8	
6	H150055	SUPPORT	1		
7	03M7183	BOLT	2	M8 X 16	
8	40M7058	SNAP RING	1		
9	H150054	BUSHING	2		
10	H140122	CLIP	2		
11	03M7183	BOLT	6	M8 X 16	
12	19M7784	SCREW	1	M10 X 20	
13	H134085	BRACKET	1		
14	14M7296	FLANGE NUT	4	M10	
15	03M7191	BOLT	1		
16	H127781	SPRING	1		
17	AH158142	BRACKET	1		
18	03M7190	BOLT	2	M10 X 20	
19	03M7185	BOLT	2	M8 X 25	
	14M7298	FLANGE NUT	2	M8	
20	H146766	POWERSHAFT SHIELD	1	R.H.	
21	21M7125	SCREW	3	M8 X 25	
22	14M7298	FLANGE NUT	4	M8	
23	AH135290	QUICK LOCK PIN	3		
24	H137939	LABEL	1	(HARNES AND HOSE STORAGE)	
25	H126397	LABEL	1	(VARIABLE SPEED DRIVE)	
26	03M7186	BOLT	2	M8 X 30	
27	AH134121	CABLE	1	(INCLUDES R73290)	
28	21M7125	SCREW	2	M8 X 25	
29	M93425	SPACER	2		
30	H156379	SHIELD	2		
31	19M7775	SCREW	2	M6 X 16	
32	14M7397	LOCK NUT	2	M6	
33	H164537	SIGN	2	"DANGER AIR FLOW FEEDERHOUSE OUTLET"	
34	H150434	LABEL	2	"IMPORTANT LUBRICATE UNIVERSAL"	
35	H141549	CLAMP	2		
36	A44990	LATCH	2		
37	PIN	2	(MAKE FROM H76083) (CUT TO 6.88 IN. LENGTH)	
38	H149063	LABEL	2	"DANGER HEADER FALL HAZARD"	

4B24

FEEDER HOUSE

FEEDER HOUSE FRAME
HP9716 -UN-26APR00



HP9716

4B25

FEEDER HOUSE

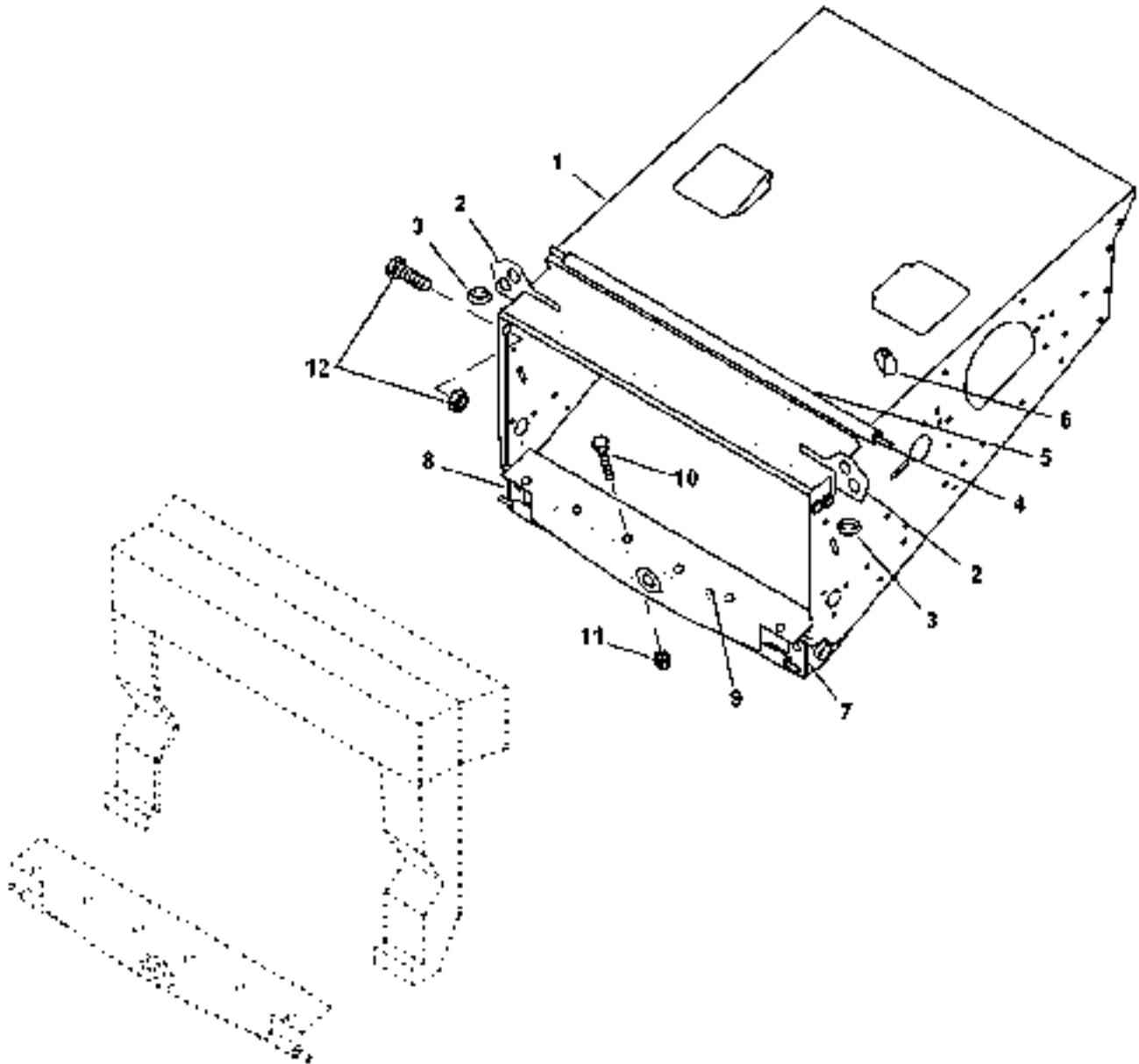
FEEDER HOUSE FRAME - CONTINUED

KEY	PART NO.	PART NAME	QTY	SERIAL NO.	REMARKS
1	19M7814	SCREW	4		
2	H159975	BLOCK CLAMP	1		
3	H136013	MAT	1		
4	H175703	SHIM	4		(SUB FOR H133843)
5	H141835	REINFORCEMENT	2		
6	H136014	MAT	4		
7	AH155676	FRAME	1		LAND LEVEL VARIABLE WITH AIR FLOW
	AH158145	FRAME	1		
8	03M7192	BOLT	4		M10 X 30
9	H134896	ANGLE	2		
10	03M7190	BOLT	1		M10 X 20
11	H159533	DEFLECTOR	1		
12	H158951	STRIPPER	1		
13	19M7784	SCREW	6		M10 X 20
14	14M7296	FLANGE NUT	6		M10
15	124424	SPRING	2		
16	H134140	BOLT	2		
17	H130040	PIN	2		
18	03M7183	BOLT	1		M8 X 16
19	H159534	DEFLECTOR	1		
20	H141713	WEAR PLATE	2		
21	H123638	EXTENSION	2		(RICE)
22	H149063	LABEL	2		
23	03M7184	BOLT	4		M8 X 20
24	H123632	SHIELD	1		
25	H136336	HOSE CLAMP	1		
26	H144052	WEAR PLATE	1		
27	14M7298	FLANGE NUT	1		M8
28	14M7401	LOCK NUT	1		
29	24M7047	WASHER	1		
30	AH126417	DOOR	1		
31	PIN	1		6.88", (CUT FROM H76083)
32	H133989	HINGE	1		
33	H152062	DOOR	1		
..	BH79543	COMPLETE GOODS/SHIP. BUNDLE	1		FH EXT - RICE CLOSURE

4C1

FEEDER HOUSE

FEEDER HOUSE SHELL, WEAR PLATES AND SEALS - CONTOUR MASTER
HP7310 -UN-08JAN98



HP7310

4C2

FEEDER HOUSE

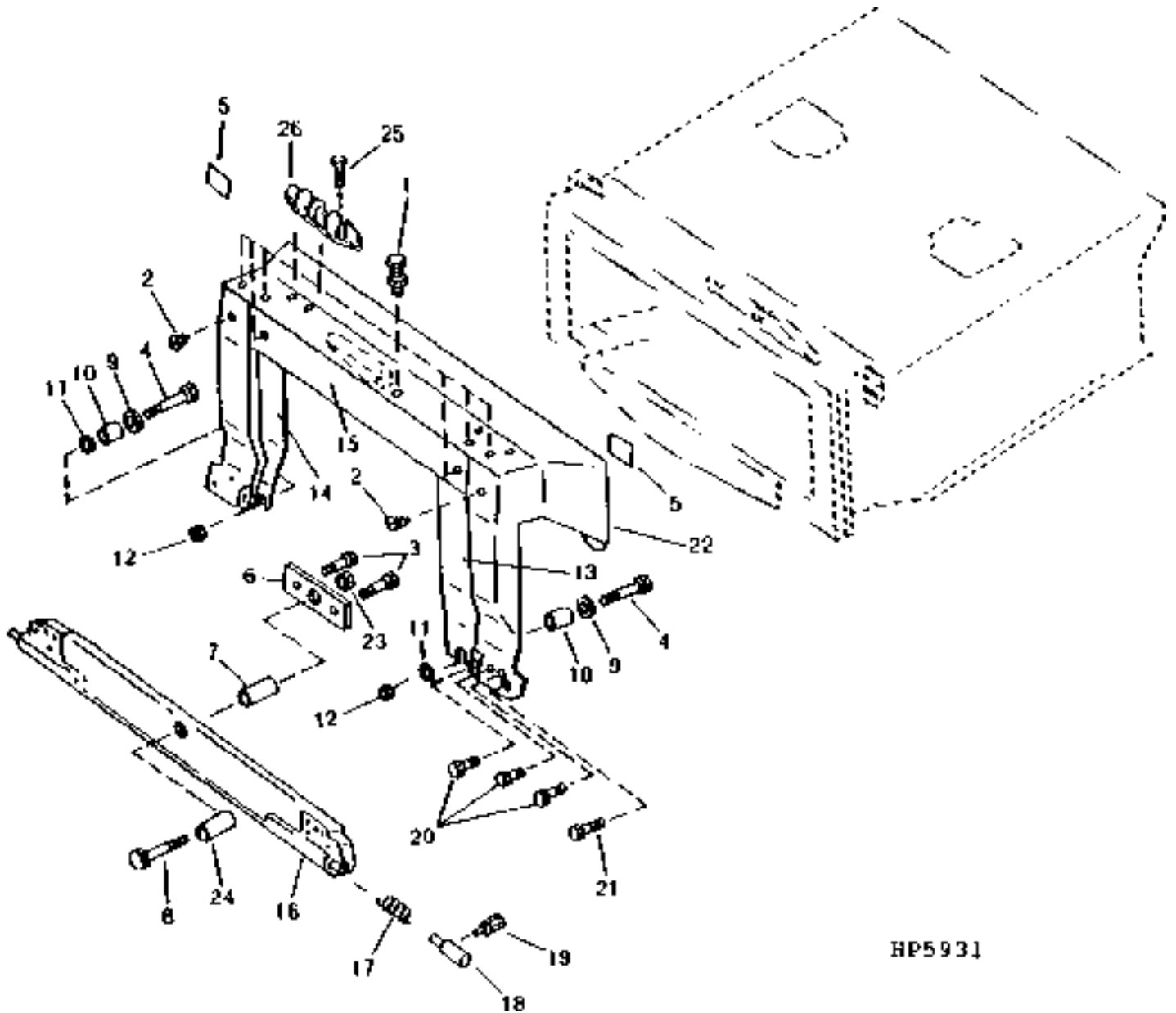
FEEDER HOUSE SHELL, WEAR PLATES AND SEALS - CONTOUR MASTER - CONTINUED

KEY	PART NO.	PART NAME	QTY	SERIAL NO.	REMARKS
1	AH155679	FRAME	1		
	AH158149	FRAME	1		
2	H149461	WEAR PLATE	2		
3	R495R	O-RING	2		(USE WITH H149461)
4	H144824	PIPE	1		
5	H148999	SEAL	1		
6	M72598	QUICK LOCK PIN	2		
7	H149459	WEAR PLATE	1		L.H. LOWER
8	H149460	WEAR PLATE	1		R.H. LOWER
9	H142862	WEAR PLATE	1		
10	03M7184	BOLT	7		M8 X 20
11	14M7298	FLANGE NUT	7		M8
12	19M7790	SCREW	4		M12 X 35
	14M7299	FLANGE NUT	4		M12

4C3

FEEDER HOUSE

FEEDER HOUSE FRAME, TILT BEAM AND CLOSURE PLATES - CONTOUR MASTER
HP5931 -UN-14FEB95



HP5931

4C4

FEEDER HOUSE

FEEDER HOUSE FRAME, TILT BEAM AND CLOSURE PLATES - CONTOUR MASTER - CONTINUED

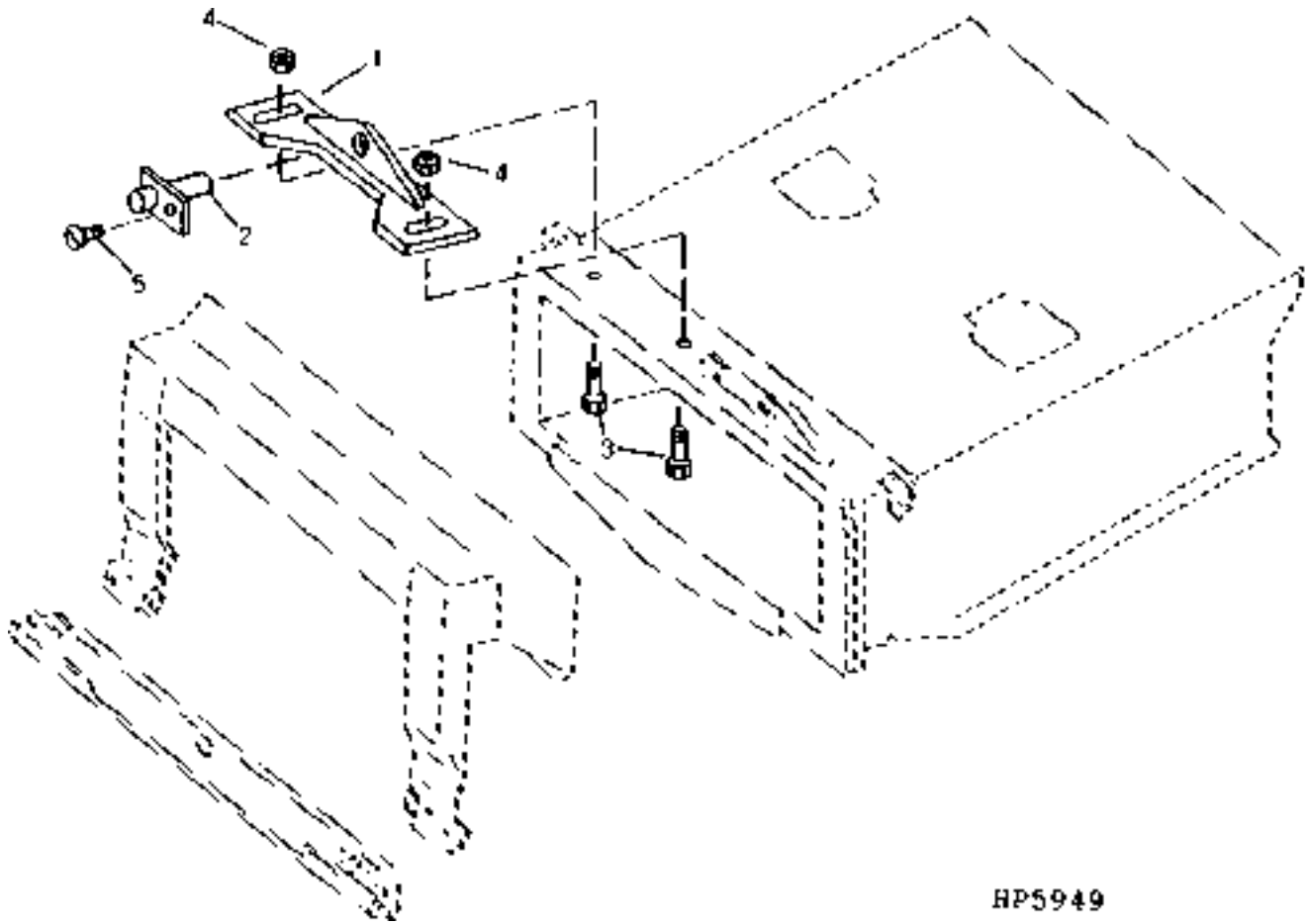
KEY	PART NO.	PART NAME	QTY	SERIAL NO.	REMARKS
1	19M7784	SCREW	7	M10 X 20	
	14M7400	LOCK NUT	7	M10	
2	19M7785	SCREW	2	M10 X 25	
3	19M7788	SCREW	2	M12 X 25	
4	19M7820	SCREW	2	M12 X 100	
5	H151607	SIGN	4	"CAUTION" HEADER TILT	
6	H149518	STRAP	1		
7	H149517	PIN	1		
8	19M7921	CAP SCREW	1	M20 X 150	
9	E81185	WASHER	2	13 X 55.500 X 6 MM	
10	28H3395	BUSHING	2	13.868 X 21.336 X 31.750 MM	
11	24H1252	WASHER	2	12.700 X 38.100 X 1.524 MM	
12	14M7299	FLANGE NUT	2	M12	
13	AH143361	SHIELD	1	L.H.	
14	AH143362	SHIELD	1	R.H.	
15	H142869	WEATHER ENCLOSURE	1		
16	AH145282	FRAME	1	-681191	
	AH162724	FRAME	1	681192-	
17	124424	SPRING	2		
18	H130040	PIN	2		
19	H149523	BOLT	2		
20	19M7844	SCREW	6	M16 X 45, (USE LOCTITE)	
	T43514	GASKET	1		
21	19M7792	SCREW	2	M16 X 30, (USE LOCTITE)	
	T43514	GASKET	1		
22	AH145281	FRAME	1		
23	14M7300	FLANGE NUT	1	M20	
24	H142870	BUSHING	1		
25	19M7790	SCREW	4	M12 X 35	
26	H159975	BLOCK CLAMP	1		

4C5

FEEDER HOUSE

LOCKOUT ASSEMBLY - CONTOUR MASTER (OPTIONAL)
(BELT PICK-UP PLATFORM AND 4-ROW CORN HEADS ONLY)

HP5949 -UN-02MAY95



HP5949

4C6

FEEDER HOUSE

LOCKOUT ASSEMBLY - CONTOUR MASTER (OPTIONAL) - CONTINUED
(BELT PICK-UP PLATFORM AND 4-ROW CORN HEADS ONLY)

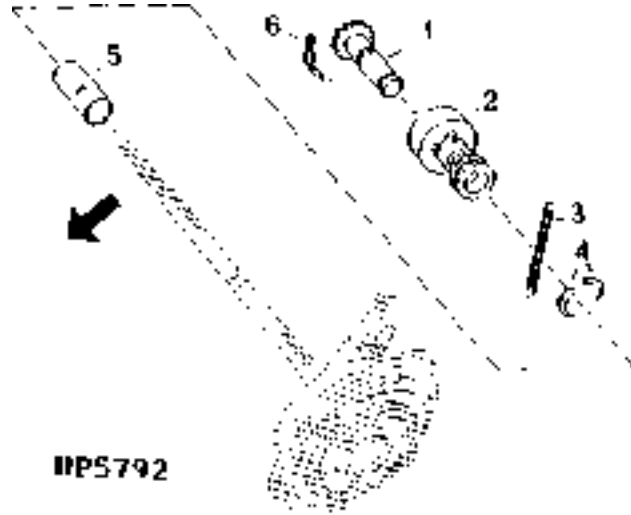
KEY	PART NO.	PART NAME	QTY	SERIAL NO.	REMARKS
1	AH145762	BRACKET	1		
2	AH145763	PIN	1		
3	03M7205	BOLT	2	M16 X 40	
4	14M7291	FLANGE NUT	2	M16	
5	19M7924	SCREW	1	M8 X 16	

4C7

FEEDER HOUSE

**LOCKOUT ADAPTER KIT - CONTOUR MASTER
(BELT PICK-UP PLATFORM AND 4-ROW CORNHEADS ONLY)**

HP5792 -UN-15OCT94

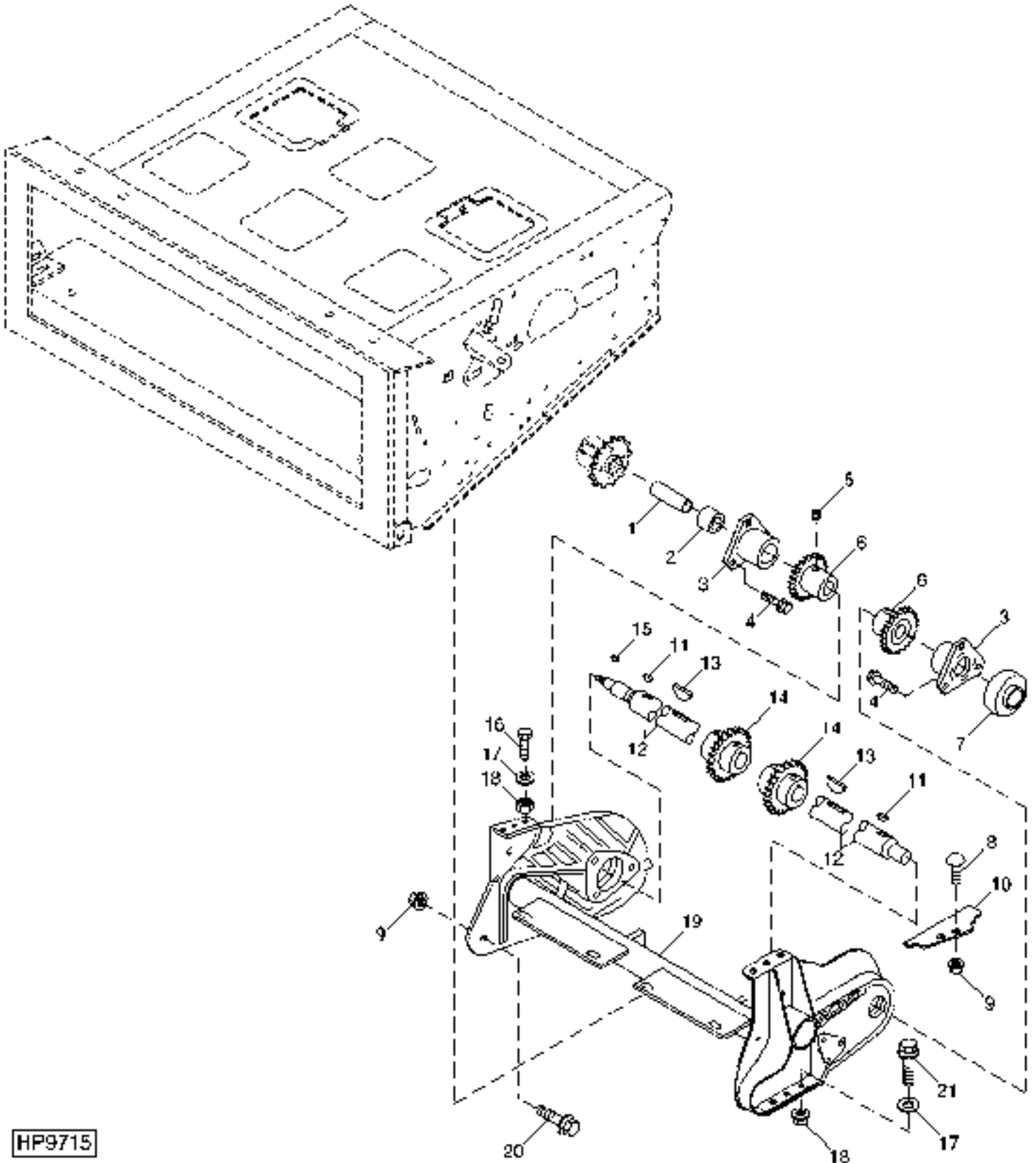


KEY	PART NO.	PART NAME	QTY	SERIAL NO.	REMARKS
1	AH142553	DRIVE SPROCKET	1		
2	H148818	QUICK COUPLER	1	14 TOOTH	
3	H128118	SPRING	1		
4	E62951	UNIVERSAL JOINT BEARING	1		
5	H127603	TUBE	2		
6	AN102383	LINK CHAIN	1	(13 LINKS)	

MEMORANDA

4C8

FEEDER HOUSE UPPER SHAFT
HP9715 -UN-18APR00



HP9715

4C9

FEEDER HOUSE

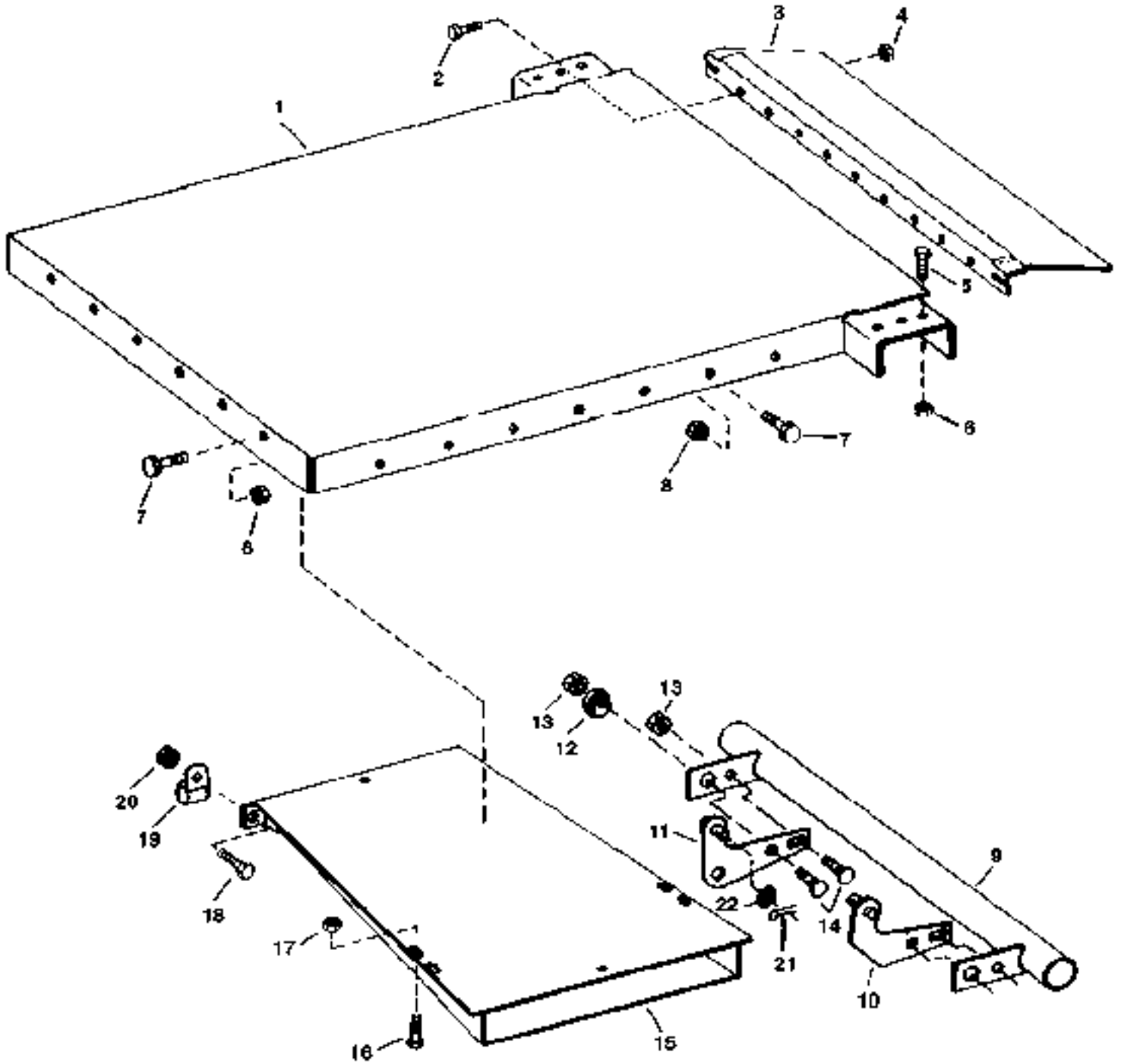
FEEDER HOUSE UPPER SHAFT - CONTINUED

KEY	PART NO.	PART NAME	QTY	SERIAL NO.	REMARKS
1	H143354	SPACER	1		38.100 X 47.625 X 99.500 MM (1-1/2" X 1-7/8" X 3.917")
2	JD10020	BALL BEARING	1		
3	H147593	HOUSING	2		
4	19M7789	SCREW	6	M12 X 30	
5	H156580	SET SCREW	8	M12 X 16	
6	H159613	CHAIN SPROCKET	2		
7	JD9373	BALL BEARING	1		
8	03M7191	BOLT	4	M10 X 25	
9	14M7296	FLANGE NUT	6	M10	
10	H147482	BRACKET	2		
11	H156578	SHAFT KEY	2		
12	H156577	SHAFT	1		
13	H156579	SHAFT KEY	2		
14	H159614	CHAIN SPROCKET	2		
15	26H103	SHAFT KEY	1	1/4" X 2-1/8"	
16	19M7597	CAP SCREW	12	M20 X 50	
17	24M7242	WASHER	1	21.400 X 42 X 5 MM	
18	14M7300	FLANGE NUT	1	M20	
19	AH141398	TUBE	1		
20	19M7785	SCREW	6	M10 X 25	
21	19M7895	SCREW	1	M20 X 50	

4C10

FEEDER HOUSE

FEEDER HOUSE FLOOR
HP6875 -UN-18AUG97



HP6875

4C11

FEEDER HOUSE

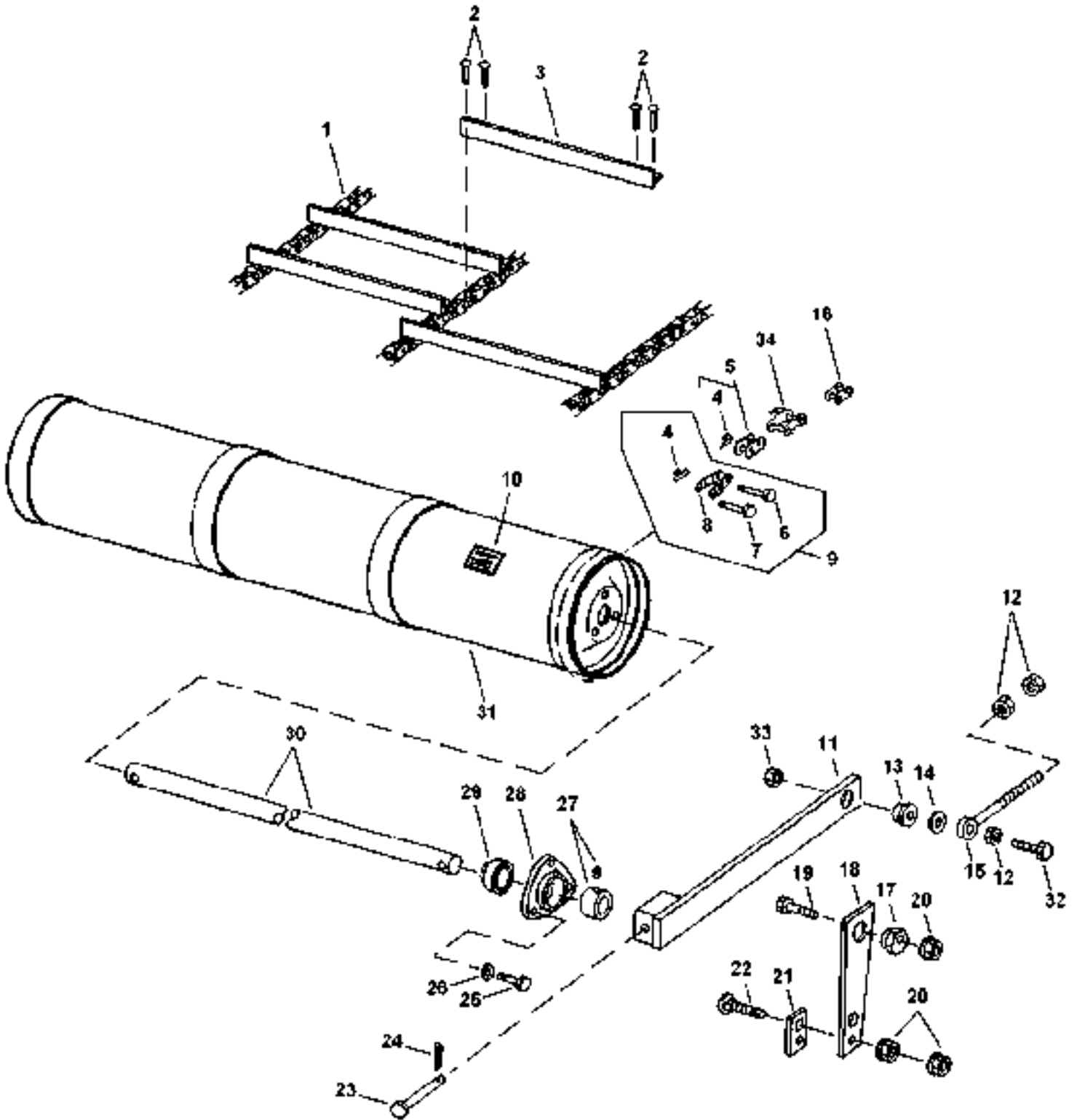
FEEDER HOUSE FLOOR - CONTINUED

KEY	PART NO.	PART NAME	QTY	SERIAL NO.	REMARKS
1	AH137732	FLOOR	1	(SUB AH159704)	
	AH159704	FLOOR	1		
2	03M7190	BOLT	10	M10 X 20	
3	H169169	SEAL	1	(SUB FOR H131451)	
4	14M7296	FLANGE NUT	10	M10	
5	19M7895	SCREW	6	M20 X 50	
6	14M7300	FLANGE NUT	6	M20	
7	19M7789	SCREW	18	M12 X 30	
8	14M7299	FLANGE NUT	18	M12	
9	AH161017	SUPPORT	1	(SUB FOR AH141779)	
10	AH141782	ARM	1	L.H.	
11	AH141781	ARM	1	R.H.	
12	H97322	CAM	1		
13	14M7299	FLANGE NUT	4	M12	
14	19M7790	SCREW	4	M12 X 35	
15	AH131303	PAN	1		
16	19M7865	SCREW	2	M8 X 16	
17	14M7298	FLANGE NUT	2	M8	
18	19M7784	SCREW	2	M10 X 20	
19	AH89557	CLIP	1	(SUB AH77279)	
	AH77279	CLIP	1		
20	14M7296	FLANGE NUT	2	M10	
21	11M7028	COTTER PIN	2	5 X 32 MM	
22	24M7053	WASHER	2	17 X 30 X 3 MM	

4C12

FEEDER HOUSE

FEEDER CONVEYOR IDLER SHAFT, DRUM AND CHAIN
HP7300 -UN-22DEC97



HP7300

4C13

FEEDER HOUSE

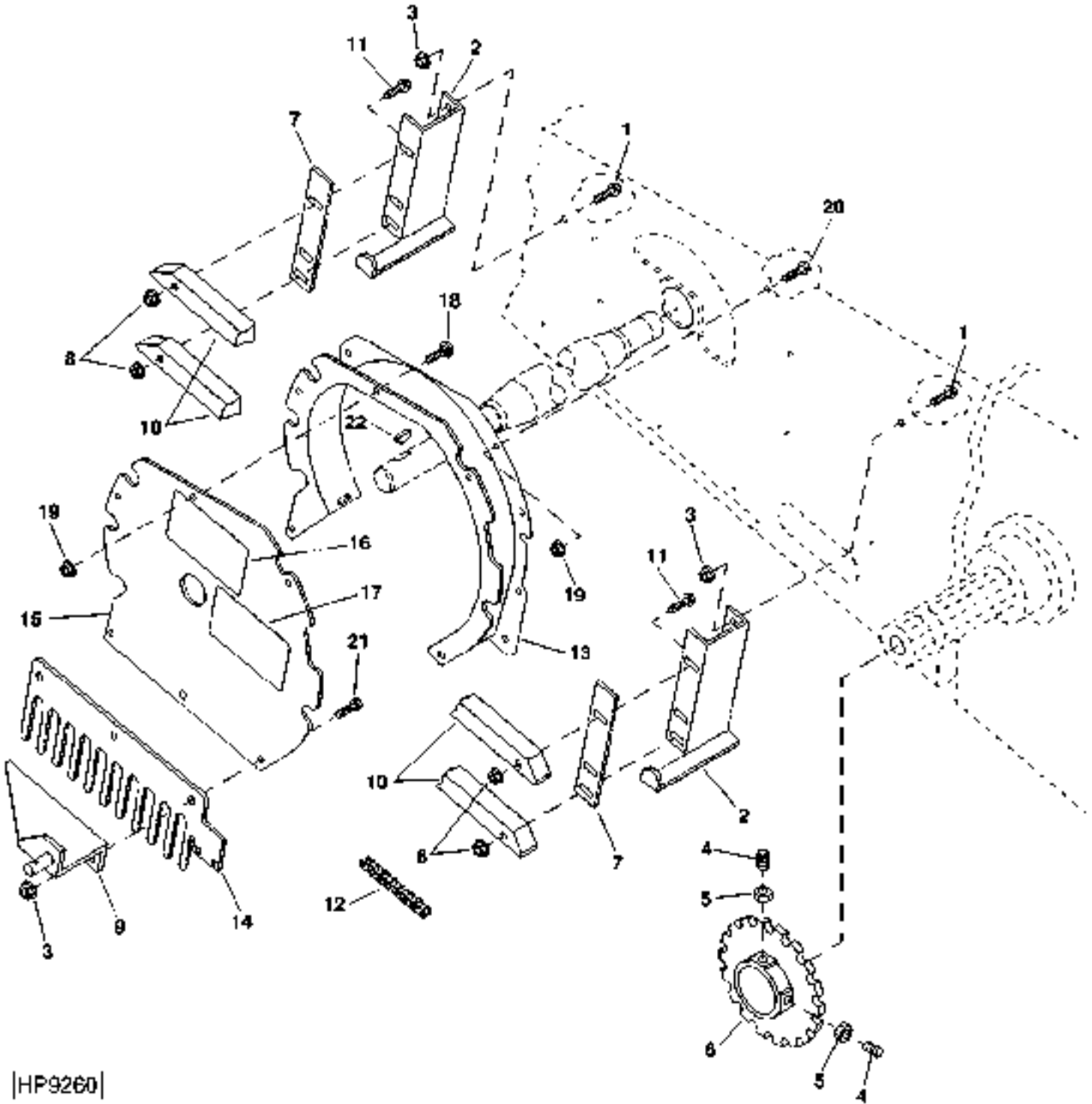
FEEDER CONVEYOR IDLER SHAFT, DRUM AND CHAIN - CONTINUED

KEY	PART NO.	PART NAME	QTY	SERIAL NO.	REMARKS
1	AH137844	CONVEYOR	1		NARROW SPACED (74 SLATS)
	AH138186	CONVEYOR	1		WIDE SPACED (51 SLATS)
	AH143399	ROLLER CHAIN	1		(CONTOUR MASTER) WIDE SPACED (51 SLAT)
	AH143400	ROLLER CHAIN	1		(CONTOUR MASTER) NARROW SPACED (74 SLAT)
2	16H1083	RIVET	196		5/16" X 5/8"
3	H134003	SLAT	AR		(17 USED, NARROW SPACE, CONTOUR MASTER) (24 USED, WIDE SPACE, CONTOUR MASTER) (51 OR 74 USED, STANDARD)
	H149559	SLAT	AR		CONTOUR MASTER ONLY (34 USED, WIDE SPACE) (50 USED, NARROW SPACE)
4	H84026	HOOK	6		
5	AH137630	CHAIN LINK	5		
6	PIN	3		REPAIR KIT
7	PIN	3		REPAIR KIT
8	LINK	3		REPAIR KIT
9	AH137631	CHAIN LINK	3		REPAIR KIT
10	H150528	LABEL	1		(CONTOUR MASTER)
11	AH126091	ARM	2		
12	14M7291	FLANGE NUT	6		M16
13	H131087	BUSHING	2		
14	24H1368	WASHER	2		21/32" X 1-5/16" X 0.090"
15	H131088	EYEBOLT	2		
16	AH158635	CHAIN LINK	1		
17	H97322	CAM	2		
18	H84942	PLATE	2		
19	H139098	BOLT	2		M12 X 51.500
20	14M7299	FLANGE NUT	6		M12
21	H144201	ADJUSTING STRAP	2		
22	H154331	BOLT	2		
23	45M7040	PIN	2		10 X 60 MM
24	11M7059	COTTER PIN	2		3.200 X 20 MM
25	19M7790	SCREW	6		M12 X 35
26	12H304	LOCK WASHER	6		3/8"
27	JD8551	ECCENTRIC LOCKING COLLAR	2		
28	H138753	HOUSING	2		
29	JD8552	BALL BEARING	2		
30	H123733	SHAFT	1		
31	AH142393	DRUM	1		
	AH143365	DRUM	1		(CONTOUR MASTER)
32	19M7399	CAP SCREW	2		M16 X 85
33	W39621	NUT	2		
34	AH158328	LINK	1		

4C14

FEEDER HOUSE

FEEDER CONVEYOR DRIVE CHAIN, TIGHTENER AND GUIDES
HP9260 -UN-11NOV99



|HP9260|

4C15

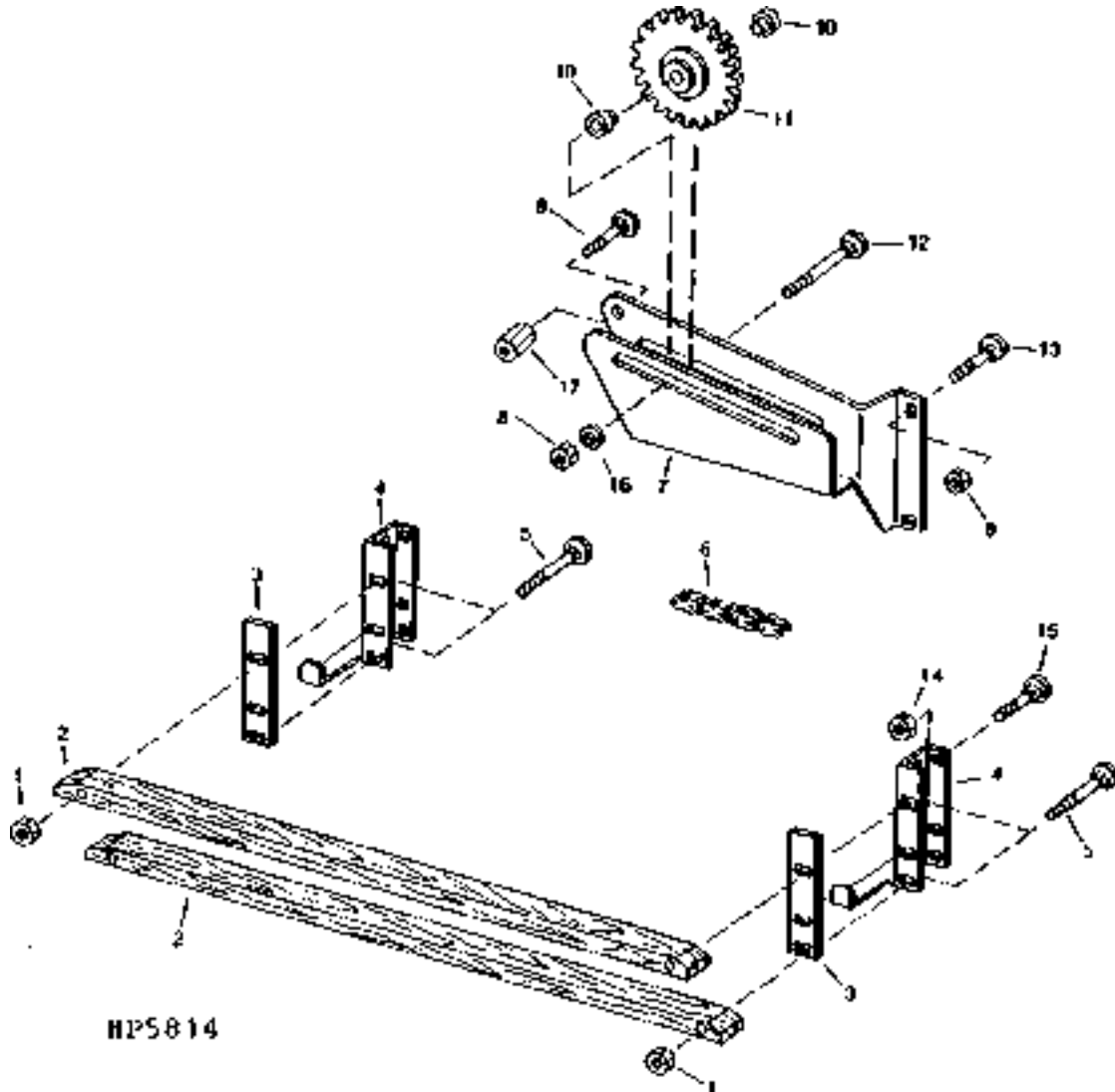
FEEDER HOUSE

FEEDER CONVEYOR DRIVE CHAIN, TIGHTENER AND GUIDES - CONTINUED

KEY	PART NO.	PART NAME	QTY	SERIAL NO.	REMARKS
1	03M7190	BOLT	2		
2	H162325	BRACKET	2		
3	14M7296	FLANGE NUT	6		
4	A50743	BOLT	2		
5	14M7272	NUT	2	M6	
6	H135772	WHEEL	1		ROLLER, TYPE 60, 19 MM (3/4") 220 LINKS (SMALL SPROCKET) AND 223 LINKS (LARGE SPROCKET); (OR ASSEMBLE FROM (4) AB1288H AND AB1289H)
7	H162326	PLATE	1		
8	14M7400	LOCK NUT	4	M10	
9	AH155739	BRACKET	1		
10	H130530	GUIDE	2		
11	03M7233	BOLT	4	M10 X 70	
12	AH145029	LINK CHAIN	1		
13	AH155659	PLATE	1		
14	H172177	FINGER	1		(SUB FOR H162425)
15	H171318	COVER	1		(SUB FOR H162177) WIDE AIRFLOW
16	H149063	LABEL	1		
17	H164537	SIGN	1		
18	19M7789	SCREW	1	M12 X 30	
19	14M7299	FLANGE NUT	7	M12	
20	03M7198	BOLT	6	M12 X 30	
21	19M7785	SCREW	2	M10 X 25	
22	26M6787	SHAFT KEY	3	10 X 32 MM	

4C16

FEEDER CONVEYOR DRIVE CHAIN IDLER BRACKET
HP5814 -UN-01JAN94

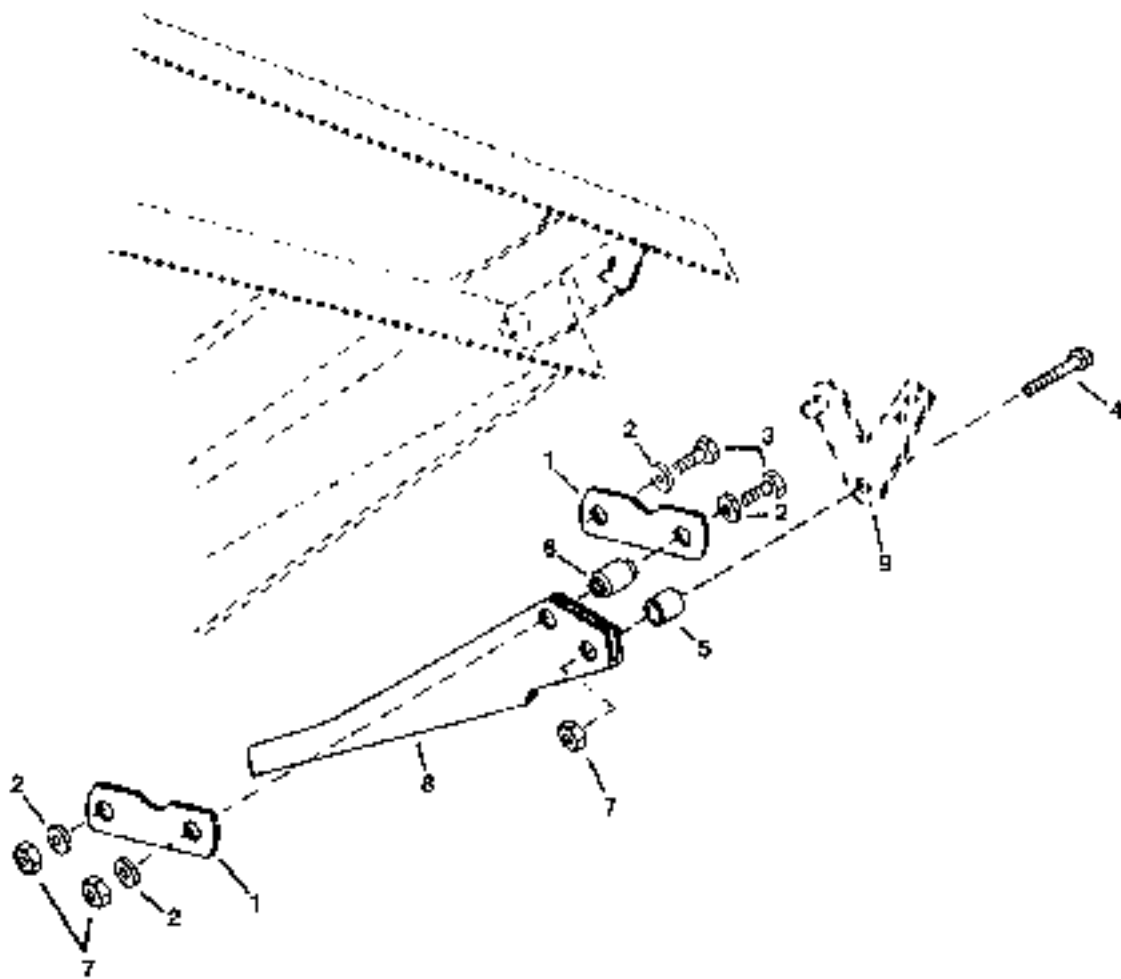


FEEDER CONVEYOR DRIVE CHAIN, IDLER BRACKET - CONTINUED

KEY	PART NO.	PART NAME	QTY	SERIAL NO.	REMARKS
1	14M7400	LOCK NUT	4		
2	H130530	GUIDE	2		
3	H134735	PLATE	2		
4	H134734	BRACKET	2		
5	03M7233	BOLT	4		M10 X 70
6	AH145029	LINK CHAIN	1		ROLLER, TYPE 60, 19 MM (3/4") 220 LINKS (SMALL SPROCKET) AND 223 LINKS (LARGE SPROCKET); (OR ASSEMBLE FROM (4) AB1288H AND AB1289H)
7	H141500	BRACKET	1		(SUB FOR H130528)
8	14M7299	FLANGE NUT	3		M12
9	19M7785	SCREW	1		M10 X 25
10	H130529	SPACER	2		12.300 X 15 X 16 MM (0.484" X 0.591" X 0.630")
11	AE27909	CHAIN SPROCKET	1		
12	03M7226	BOLT	1		M12 X 70
13	03M7197	BOLT	1	-641464	M12 X 25
	03M7198	BOLT	1	641465-	M12 X 30
14	14M7296	FLANGE NUT	4		M10
15	03M7190	BOLT	4		M10 X 20
16	24H1226	WASHER	1		12.700 X 31.750 X 2.108 MM (1/2" X 1-1/4" X 0.083")
17	H143489	BUSHING	1		

4C18

FEED PLATE LATCH HANDLE
HP6514 -UN-15JUL96



HP6514

4C19

FEEDER HOUSE

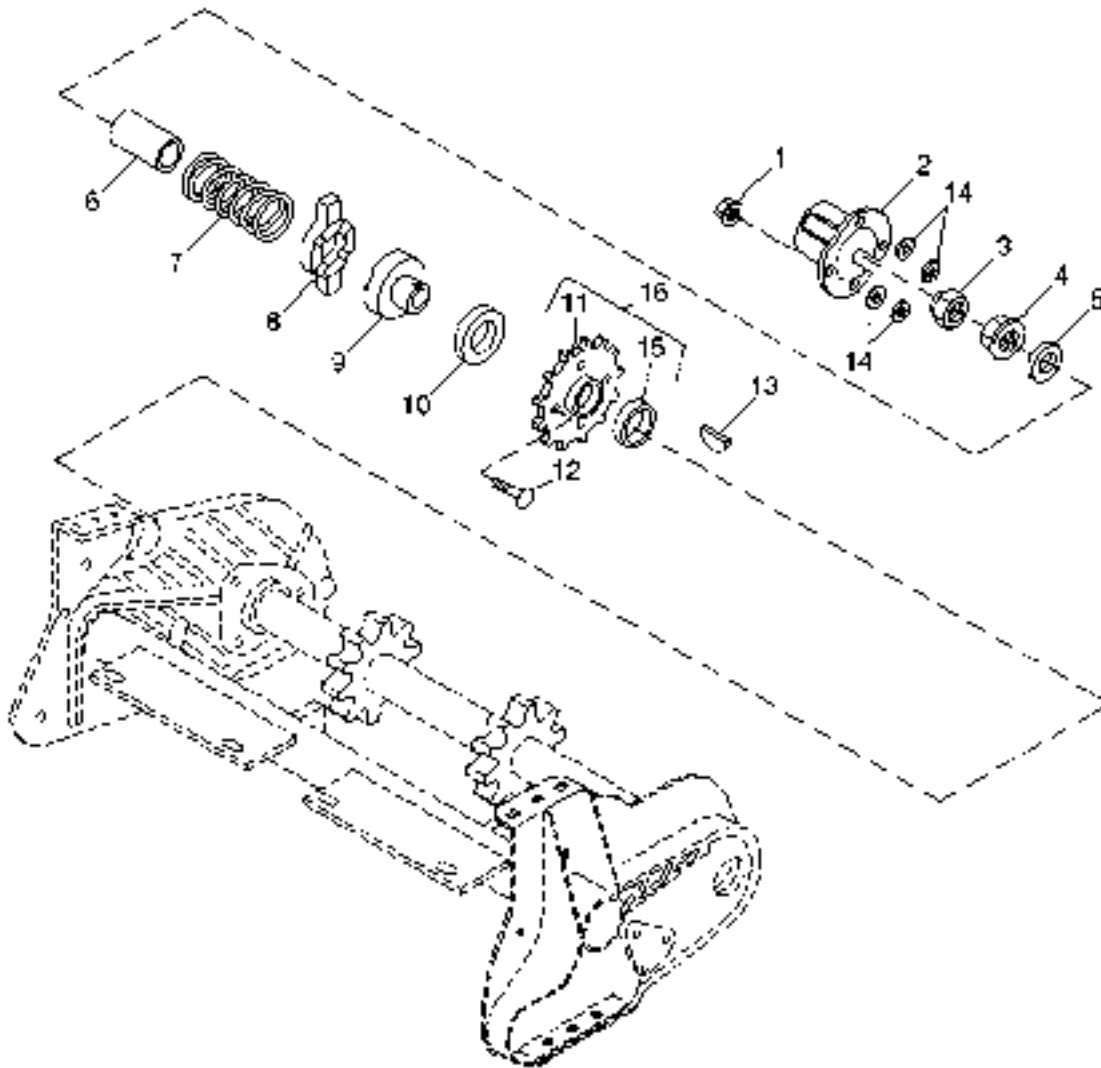
FEED PLATE LATCH HANDLE - CONTINUED

KEY	PART NO.	PART NAME	QTY	SERIAL NO.	REMARKS
1	H136144	ADJUSTING STRAP	2		
2	24M7207	WASHER	4		8.400 X 24 X 2 MM
3	19M8318	SCREW	2		M8 X 45
4	19M8291	SCREW	1		M8 X 35
5	H133060	SLEEVE	1		8.300 X 16 X 19.300 MM (0.327" X 0.630" X 0.760")
6	H132988	BUSHING	1		
7	14M7396	LOCK NUT	3		M8
8	H132986	HANDLE	1		
9	ARM	1		IDENTIFIED WITH FEEDER HOUSE FLOOR

4C20

FEEDER HOUSE

FEEDER HOUSE SLIP CLUTCH
HP8923 -UN-25AUG99



HP8923

4C21

FEEDER HOUSE

FEEDER HOUSE SLIP CLUTCH - CONTINUED

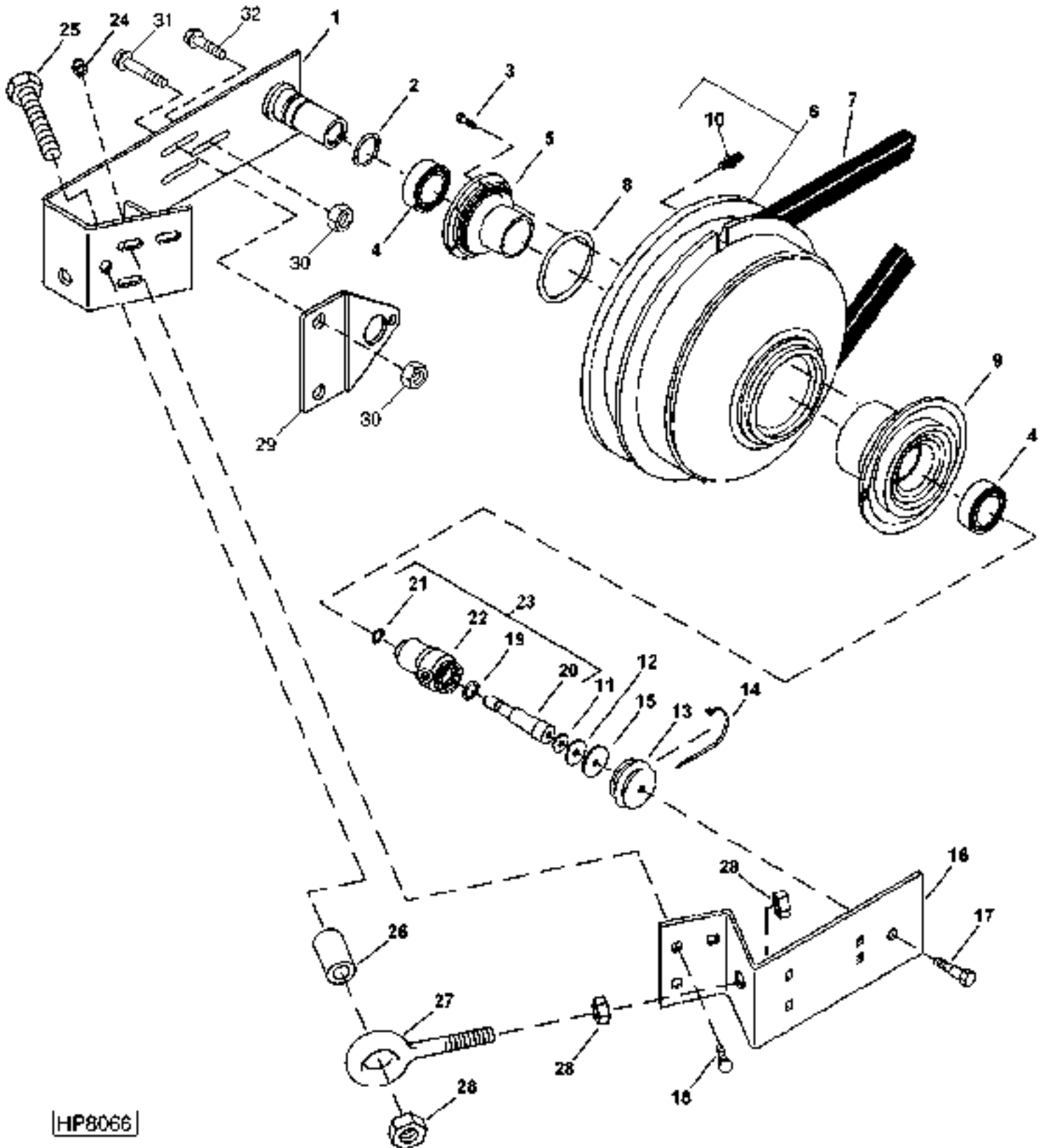
KEY	PART NO.	PART NAME	QTY	SERIAL NO.	REMARKS
1	14M7299	FLANGE NUT	4	M12	
2	H119710	PLANET PINION CARRIER	1		
3	A31871	LOCK NUT	1		
4	14M7278	NUT	1	M24	
5	R90521	WASHER	1		24.500 X 37 X 6.200 MM (0.965" X 1.457" X 0.244")
6	H129659	SPACER	1		30.140 X 38.100 X 48 MM (1.187" X 1-1/2" X 1.890")
7	H109855	SPRING	1		
8	H101677	JAW	1		
9	H105590	HUB	1		
10	H99303	WASHER	1		46.736 X 90.424 X 3.404 MM (1.840" X 3.560" X 0.134")
11	H119709	CHAIN SPROCKET	1		32 TOOTH
12	03M7200	BOLT	4	M12 X 40	
13	26H103	SHAFT KEY	1		6.350 X 53.975 MM (1/4" X 2-1/8")
14	24H1341	WASHER	4		17/32" X 15/16" X 0.060"
15	H105584	BUSHING	1		
16	AH116232	CHAIN SPROCKET	1		

4C22

FEEDER HOUSE

VARIABLE DRIVE UPPER COUNTERSHAFT, SHEAVES AND SUPPORTS

HP8066 -UN-13APR99



HP8066

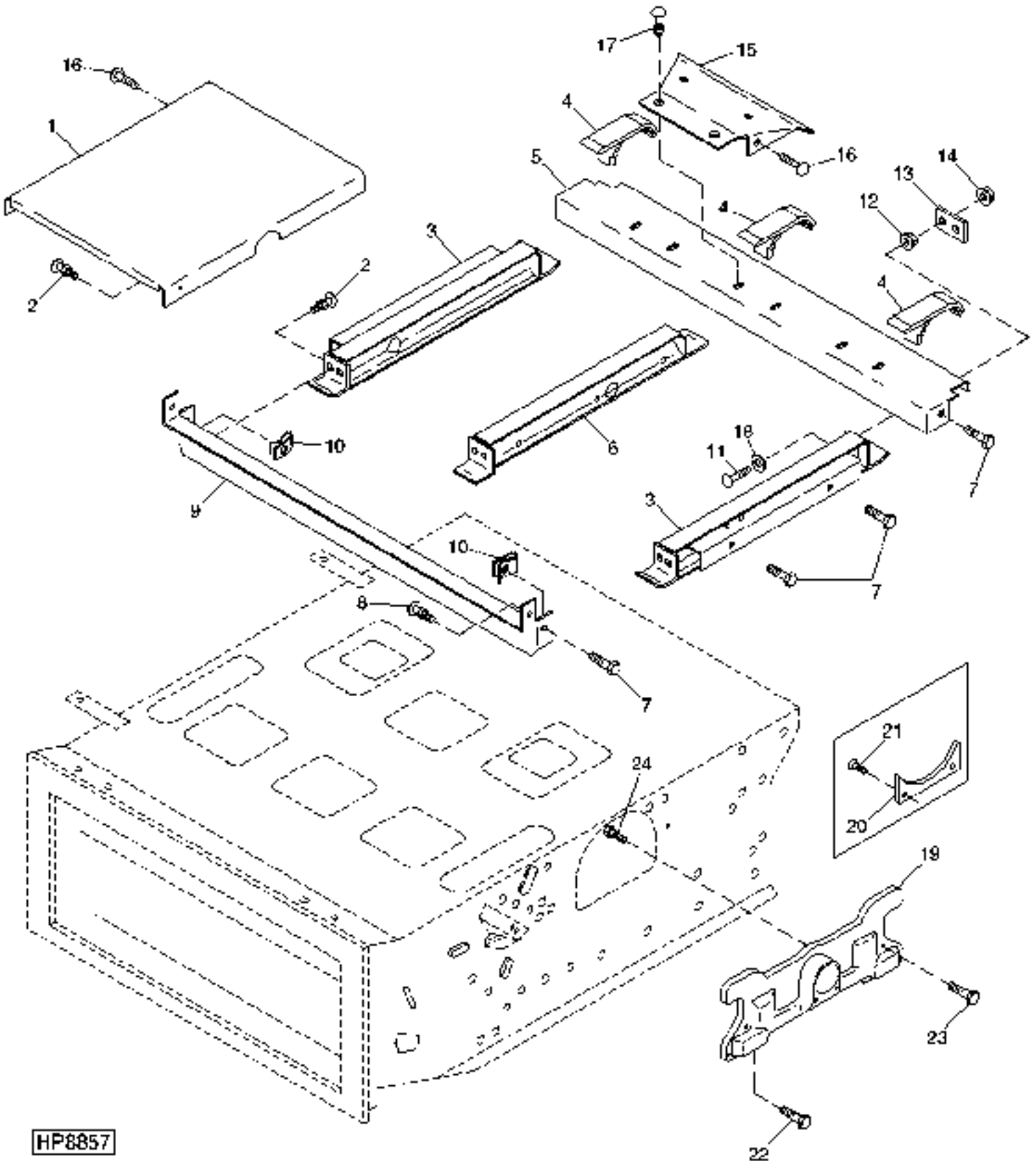
VARIABLE DRIVE UPPER COUNTERSHAFT, SHEAVES AND SUPPORTS - CONTINUED

KEY	PART NO.	PART NAME	QTY	SERIAL NO.	REMARKS
1	AH154961	STRAP	1		
2	R31378	O-RING	1		
3	19M7868	SCREW	6		M8 X 30
4	JD10018	BEARING	2		
5	H97378	HUB	1		INNER
6	AH165220	SHEAVE	1		360 MM (14-15/64") DIA. (SUB FOR AH157934 OR H125489)
7	H151952	BELT	1		
8	AH136497	SEAL	1		
9	H160869	HALF SHEAVE	1		318 MM (12-35/64") DIA.
10	JD7759	LUBRICATION FITTING	2		STRAIGHT, 1/8"
11	24H1740	WASHER	AR		21/32" X 1-3/8" X 0.032", STRAIGHT, 1/4"
12	H101448	WASHER	AR		38.500 X 60 X 0.800 MM (1.516" X 2.362" X 0.031") (SPECIAL)
13	H93084	BOOT	1		
14	H77698	TIE BAND	1		SELF-LOCKING
15	H161388	WASHER	1		17 X 90 X 1.200 MM (0.669" X 3.543" X 0.047")
16	H166971	STRAP	1		(SUB FOR H161387)
17	19M7793	SCREW	1		M16 X 40
18	03M7192	BOLT	3		M10 X 30
19	H100247	SEAL	1		
20	H161544	PISTON	1		
21	H100246	SEAL	1		
22	H100245	HYDRAULIC CYLINDER BARREL	1		
23	AH154960	CYLINDER	1		
24	14M7296	FLANGE NUT	3		M10
25	19M7892	CAP SCREW	1		M20 X 80
26	H162288	BUSHING	1		
27	H162269	EYEBOLT	1		
28	14M7277	NUT	3		M20

4C24

FEEDER HOUSE

FEEDER HOUSE RETURN FLOOR
HP8857 -UN-28JUL99



HP8857

4C25

FEEDER HOUSE

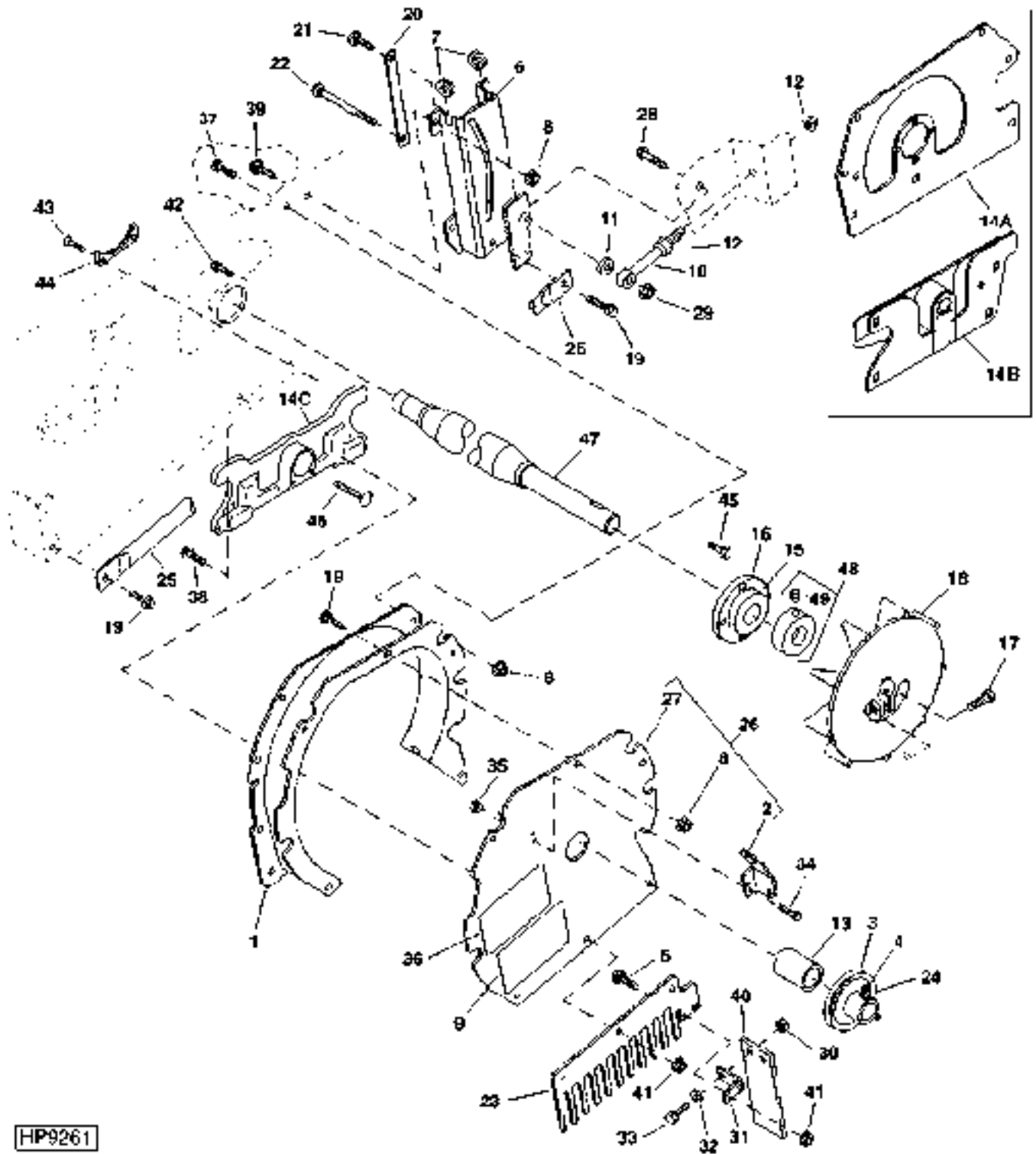
FEEDER HOUSE RETURN FLOOR - CONTINUED

KEY	PART NO.	PART NAME	QTY	SERIAL NO.	REMARKS
1	AH154574	FLOOR	2		
2	03M7190	BOLT	10		M10 X 20
	14M7296	FLANGE NUT	10		M10
3	AH139243	RUNNER	2		OUTSIDE RUNNER
4	H148187	ANGLE	4		
5	AH141860	SUPPORT	1		
6	AH157942	RUNNER	2		INSIDE RUNNER
7	19M7784	SCREW	8		M10 X 20
	14M7296	FLANGE NUT	8		M10
8	03M7191	BOLT	2		M10 X 25
	14M7296	FLANGE NUT	2		M10
9	H143357	CHANNEL	1		
10	H146457	NUT	2		10 MM (0.394")
11	03M7194	BOLT	8		M10 X 40
12	14M7296	FLANGE NUT	8		M10
13	H150458	STRAP	4		
14	14M7400	LOCK NUT	8		M10
15	H145463	STRIPPER	3		STRIPPER - TOP SHAFT
16	19M7785	SCREW	6		M10 X 25
17	03M7191	BOLT	6		M10 X 25
	14M7296	FLANGE NUT	6		M10
18	24M7028	WASHER	8		10.500 X 20 X 2 MM
19	AH159053	SCOOP	1	-681314	L.H.
	AH159054	SCOOP	1	-681314	R.H.
	H168278	SCOOP	2	681315-	
20	H164391	STRIPPER	2		
21	H165318	SCREW	2		
22	19M7788	SCREW	4		M12 X 25
23	03M7198	BOLT	2		M12 X 30
24	H144962	SCREW	4		(SUB FOR H165317)

4D1

FEEDER HOUSE

LH SIDE FEEDER HOUSE DUST FAN
HP9261 -UN-11NOV99



HP9261

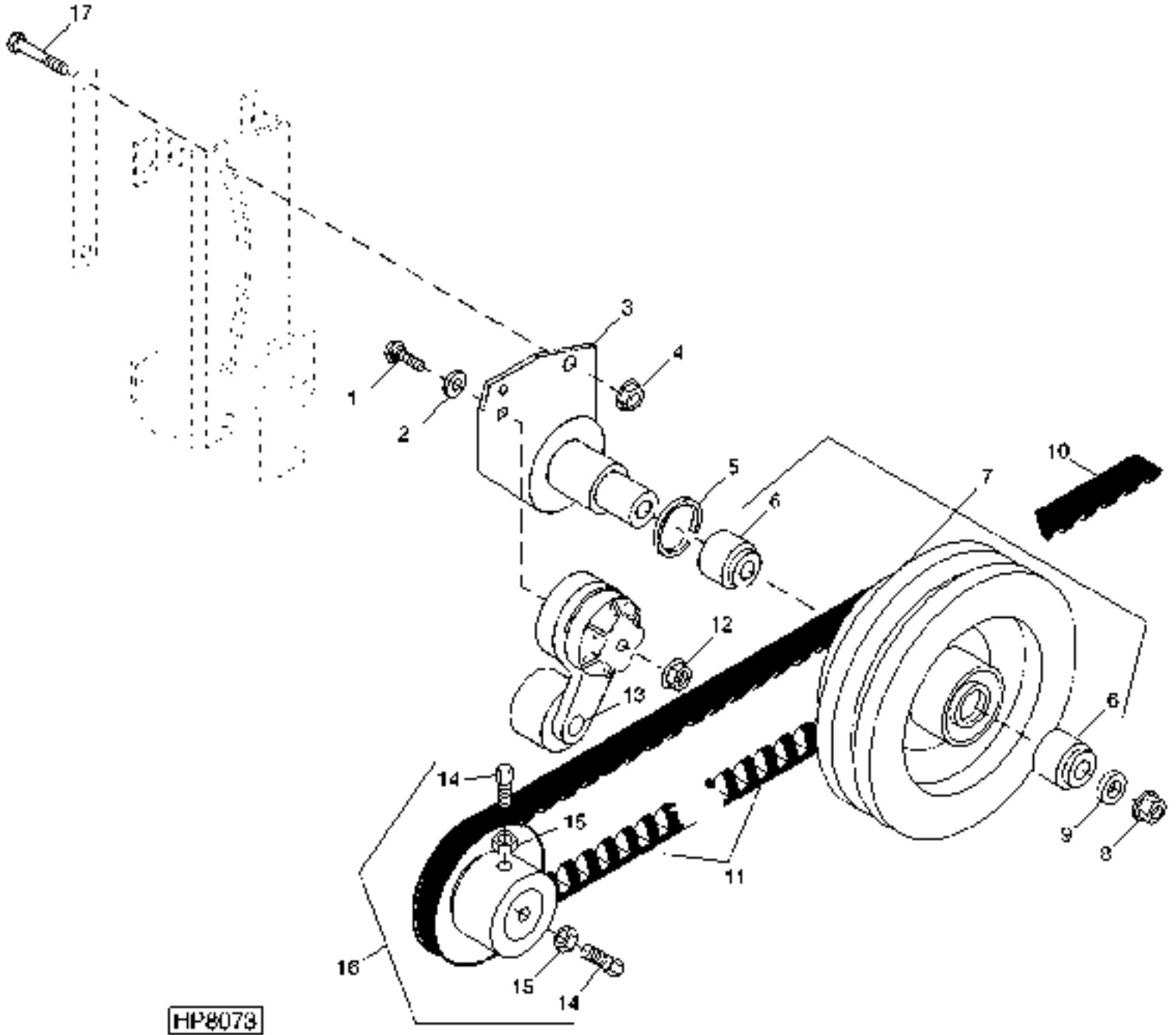
LH SIDE FEEDER HOUSE DUST FAN - CONTINUED

KEY	PART NO.	PART NAME	QTY	SERIAL NO.	REMARKS
1	AH155657	PLATE	1		
2	H134417	BRACKET	1		
3	AH155707	SHEAVE	1	127MM DIA.	
4	H138435	SET SCREW	1		
5	19M7845	SCREW	1		
6	AH155703	BRACKET	1		
7	R66626	GROMMET	2		
8	14M7299	FLANGE NUT	AR	M12	
9	H164537	SIGN	1		
10	H164222	EYEBOLT	1		
11	24M7349	WASHER	2	21 X 37 X 3 MM	
12	14M7277	NUT	2	M20	
13	H163994	SPACER	1		
14A	H164030	SUPPORT	1	(SUB AH159053 OR AH159054)	
14B	AH159053	SCOOP	1	(SUB H168278) LH	
	AH159054	SCOOP	1	(SUB H168278) RH	
14C	H168278	SCOOP	2		
15	AZ19427	BALL BEARING	1		
16	AH157168	BEARING	2		
17	19M7806	SCREW	1	M10 X 50	
18	AH157415	FAN	2		
19	19M7789	SCREW	3	M12 X 30	
20	H162211	ADJUSTING STRAP	1		
21	03M7205	BOLT	1	M16 X 40	
22	H163175	BOLT	1		
23	H172177	FINGER	1	(SUB FOR H162425)	
24	14M7152	NUT	1	M10	
25	H162278	BRACE	1		
26	AH155833	COVER	1		
27	H171318	COVER	1	(SUB FOR H162177)	
28	19M7963	CAP SCREW	1	M20 X 100	
	19M8224	CAP SCREW	1		
29	14M7277	NUT	3	M20	
30	14M7400	LOCK NUT	4	M10	
31	H164009	BRACKET	1		
32	24M7178	WASHER	4	10.500 X 30 X 2.500 MM	
33	03M7191	BOLT	4	M10 X 25	
34	03M7183	BOLT	2	M8 X 16	
35	14M7298	FLANGE NUT	2	M8	
36	H149063	LABEL	1		
37	03M7198	BOLT	6	M12 X 30	
38	19M7785	SCREW	2	M10 X 25	
39	03M7192	BOLT	5	M10 X 30	
40	H164018	LIMIT CURTAIN	2		
41	14M7296	FLANGE NUT	AR	M10	
42	H165317	SCREW	4		
43	H165318	SCREW	2		
44	H164391	STRIPPER	2		
45	03M7198	BOLT	2	M12 X 30	
46	H144962	SCREW	4	M10 X 25	
47	H164411	SHAFT	1		
48	AH133191	ECCENTRIC LOCKING COLLAR	1		
49	22M7081	SET SCREW	1		

4D3

FEEDER HOUSE

LH FEEDER HOUSE DUST FAN BELT
HP8073 -UN-08APR99



4D4

FEEDER HOUSE

LH FEEDER HOUSE DUST FAN BELT - CONTINUED

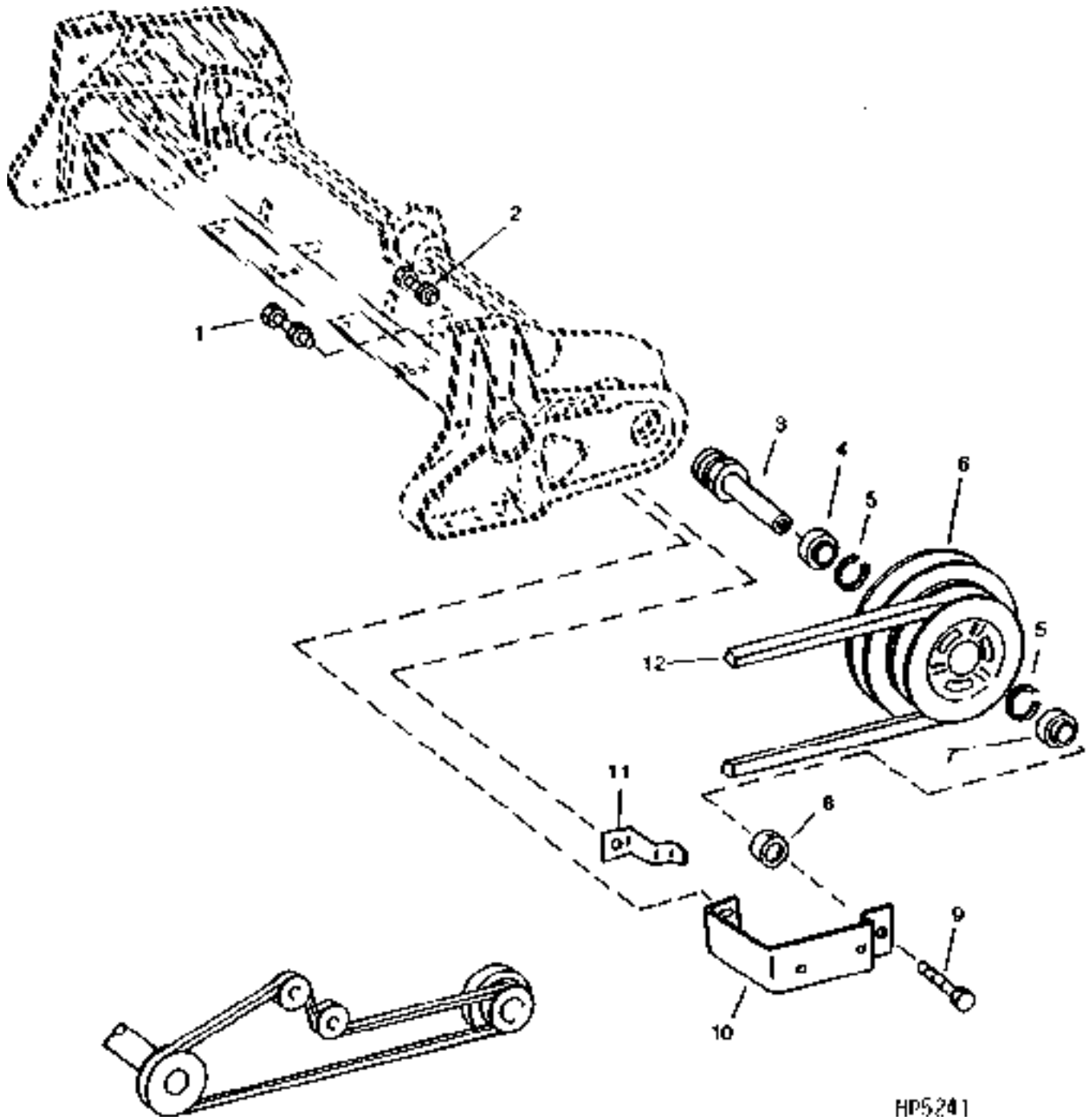
KEY	PART NO.	PART NAME	QTY	SERIAL NO.	REMARKS
1	19M7809	SCREW	1	M10 X 70	
2	24M7028	WASHER	1		
3	AH156975	BRACKET	1		
4	14M7296	FLANGE NUT	5	M10	
5	P46874	SNAP RING	1		
6	AN142665	BALL BEARING	2		
7	AH155715	SHEAVE	1		
8	14M7291	FLANGE NUT	3	M16	
9	24M7315	WASHER	1		
10	H161648	BELT	1		
11	H164452	BELT	1		
12	14M7296	FLANGE NUT	3	M10	
13	AH155348	TIGHTENER	1		
14	H138435	SET SCREW	2	M10 X 25	
15	14M7152	NUT	2	M10	
16	AH155707	SHEAVE	1		

4D5

FEEDER HOUSE

UPPER DRIVE SHAFT, SHEAVE AND MOUNTINGS (FIXED SPEED WITH REVERSER)

HP5241 -UN-01JAN94



HP5241

4D6

FEEDER HOUSE

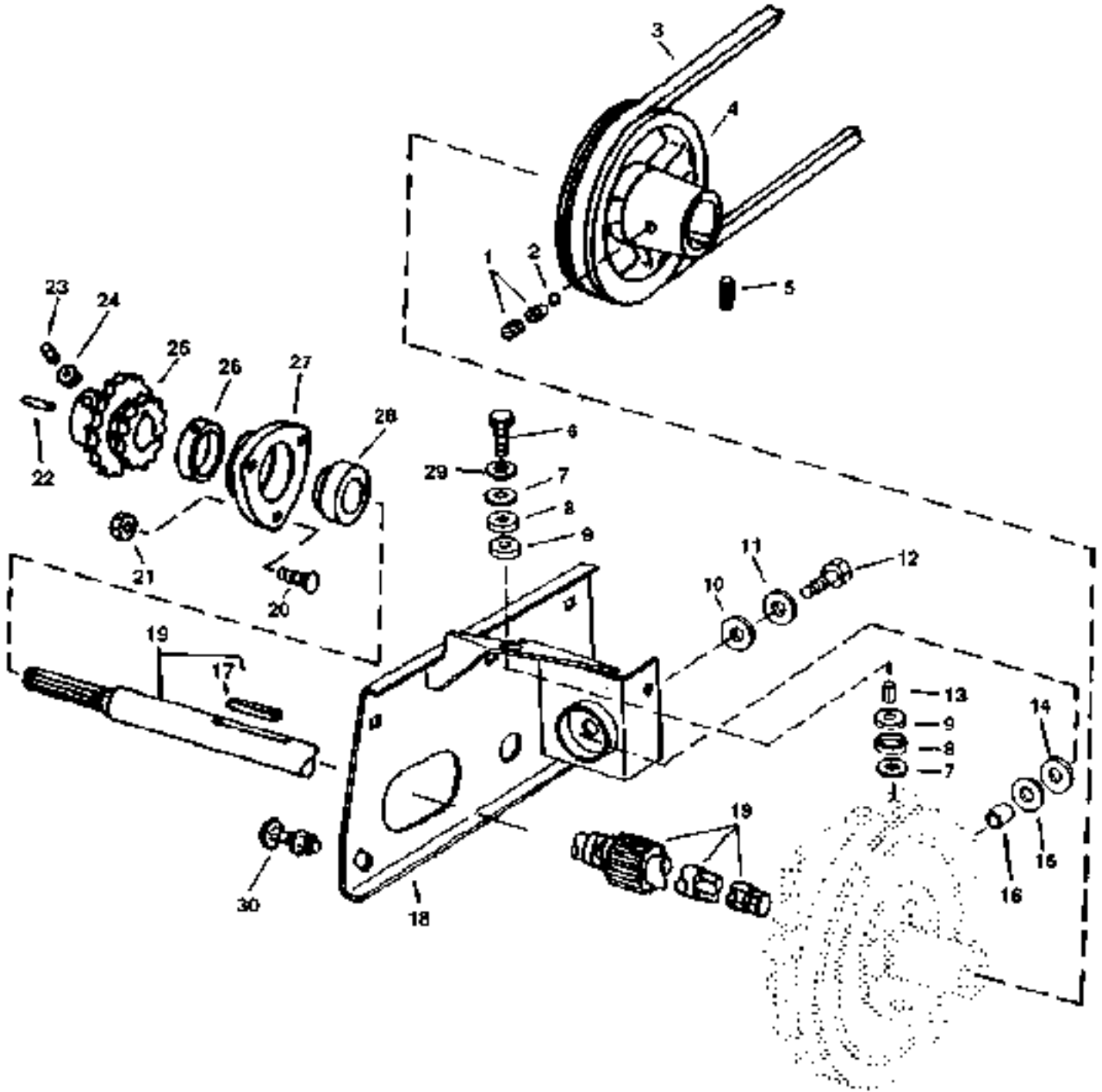
**UPPER DRIVE SHAFT, SHEAVE AND MOUNTINGS - CONTINUED
(FIXED SPEED WITH REVERSER)**

KEY	PART NO.	PART NAME	QTY	SERIAL NO.	REMARKS
1	19M7790	SCREW	1	M12 X 35	
	14M7299	FLANGE NUT	1	M12	
2	19M7789	SCREW	1	M12 X 30	
	14M7299	FLANGE NUT	1	M12	
3	AH125454	SHAFT	1		
4	JD9301	BALL BEARING	1		
5	P46874	SNAP RING	2		
6	H126261	SHEAVE	1		
7	JD9356	BALL BEARING	1		
8	JD8576	ECCENTRIC LOCKING COLLAR	1		
9	19M7790	SCREW	1	M12 X 35	
10	H172142	STRAP	1	(SUB FOR H134088)	
11	H126302	SCRAPER	1		
12	H126345	BELT	1		

4D7

FEEDER HOUSE

FRONT DRIVE SHAFT, SHEAVE AND MOUNTINGS
(FIXED SPEED WITH REVERSER)
HP6878 -UN-18AUG97



HP6878

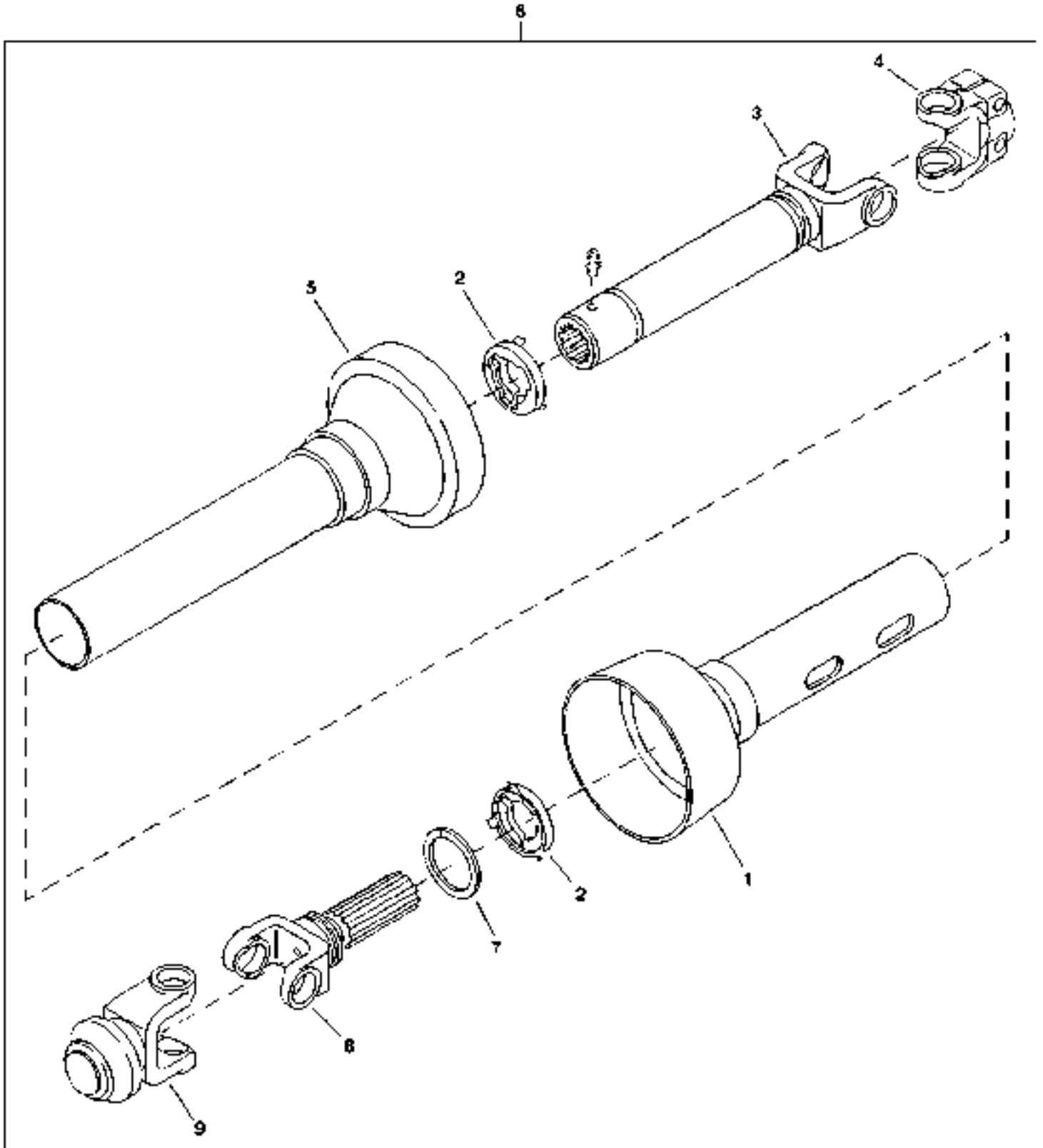
**FRONT DRIVE SHAFT, SHEAVE AND MOUNTINGS - CONTINUED
(FIXED SPEED WITH REVERSER)**

KEY	PART NO.	PART NAME	QTY	SERIAL NO.	REMARKS
1	22H775	SET SCREW	2		5/16" X 1/4"
2	H110922	BALL	1		
3	H126345	BELT	1		
4	H108889	SHEAVE	1		
5	34H305	SPRING PIN	1		5.563 X 50.800 MM (7/32" X 2")
6	19M7827	SCREW	1		M16 X 80
7	P50456	WASHER	2		16.301 X 76.200 X 4.500 MM (0.642" X 3" X 0.177")
8	H148132	BUSHING	2		
9	H148133	RETAINER	2		
10	T55761	SUPPORT	1		
11	R20136	WASHER	1		19.837 X 69.850 X 6.350 MM (25/32" X 2-3/4" X 1/4")
12	19M7845	SCREW	1		M16 X 90
13	H148134	SPACER	1		16.130 X 19.930 X 41.900 MM (0.635" X 0.785" X 1.650")
14	R62502	SUPPORT	1		
15	H97410	WASHER	1		26 X 108 X 6 MM (1.024" X 4.252" X 0.236")
16	H95417	SPACER	1		
17	26H104	SHAFT KEY	1		5/16" X 2-1/8"
18	AH144099	SUPPORT	1		
19	AH97643	SHAFT	1		(CORN)
	AH141550	SHAFT	1	-31JA00	(GRAIN) CONTOUR MASTER
	AH152939	SHAFT	1		CONTOUR MASTER (USE WITH AH149349 (DRIVE SPROCKET) AND H170634 (TONE WHEEL))
20	03M7192	BOLT	3		M10 X 30
21	14M7296	FLANGE NUT	3		M10
22	M73000	SHAFT KEY	1		
23	H138435	SET SCREW	2		M10 X 25
24	14M7274	NUT	2		M10
25	AH125782	CHAIN SPROCKET	1		
	AH149349	DRIVE SPROCKET	1		USE WITH AH153339 (GEARBOX) AND H170634 (TONE WHEEL)
26	JD9201	ECCENTRIC LOCKING COLLAR	1		
27	H93927	HOUSING	1		
28	JD9202	BALL BEARING	1		
29	24M7241	WASHER	1		17 X 34 X 4 MM
30	03M7191	BOLT	4		M10 X 25
	14M7296	FLANGE NUT	5		M10
	03M7192	BOLT	1		

4D9

FEEDER HOUSE

CONTOUR MASTER DRIVESHAFT
HP6728 -UN-02JUN97



HP6728

4D10

FEEDER HOUSE

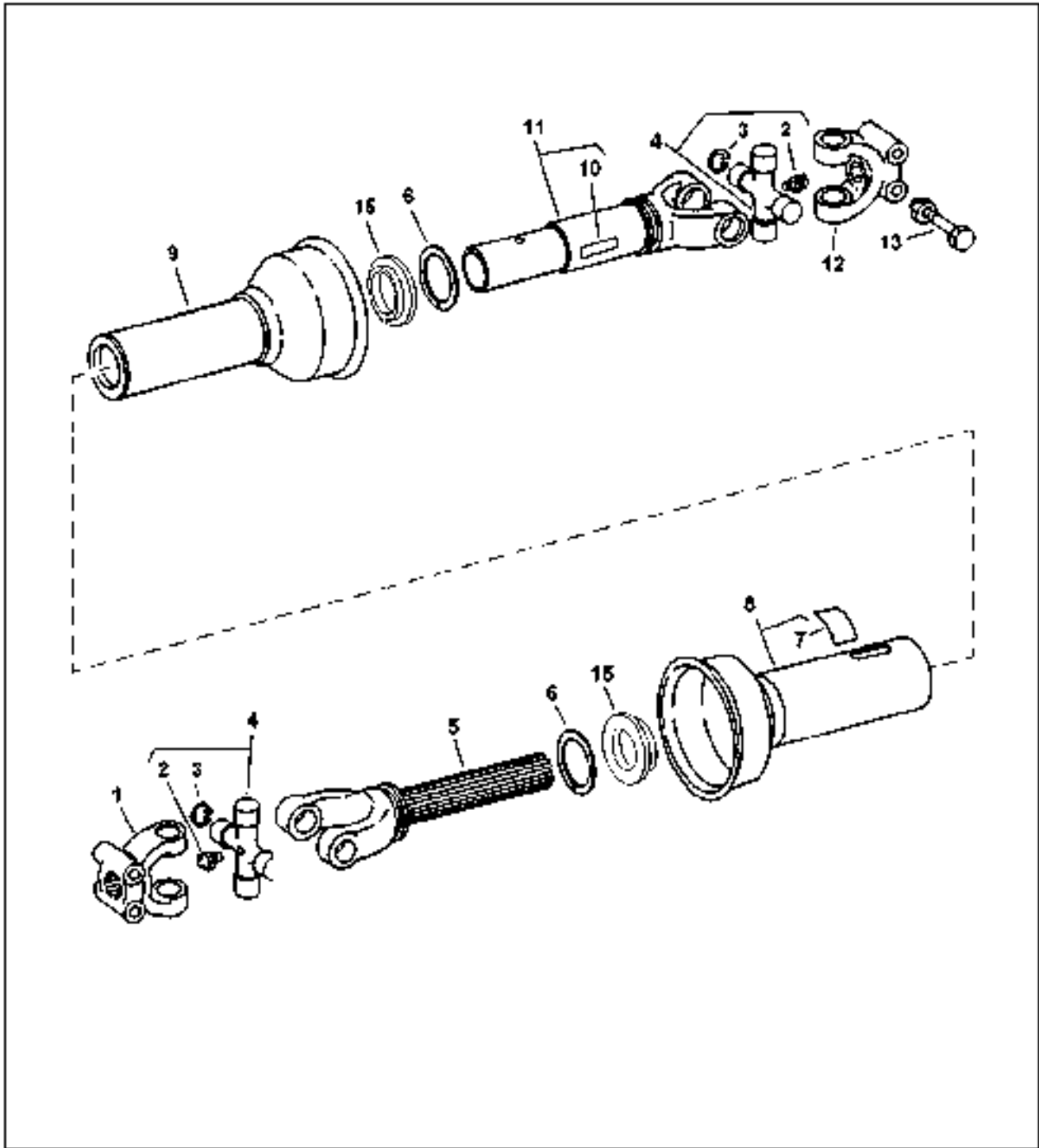
CONTOUR MASTER DRIVESHAFT - CONTINUED

KEY	PART NO.	PART NAME	QTY	SERIAL NO.	REMARKS
1	AH154742	POWERSHAFT SHIELD	1		
2	H161296	SHIELD	2		
3	AH154741	YOKE, WITH TUBE	1		
4	H161295	YOKE WITH LOCKING COLLAR	1		
5	AH154740	PTO POWR-GARD SHIELD	1		
6	AH154737	U-JOINT,WITH SHAFT & SHIELD	1		(SUB AH155077)
	AH155077	UNIVERSAL DRIVESHAFT	1		
7	H161294	SPACER	1		
8	AH154739	YOKE, WITH SHAFT	1		
9	AH154738	UNIVERSAL JOINT YOKE	1		
..	AH154743	KIT	1		

4D11

FEEDER HOUSE

CONTOUR MASTER DRIVE SHAFT (FOR 444, 494 CORNHEAD AND 914 BPU)
HP7603 -UN-31JUL98



14

HP7603

4D12

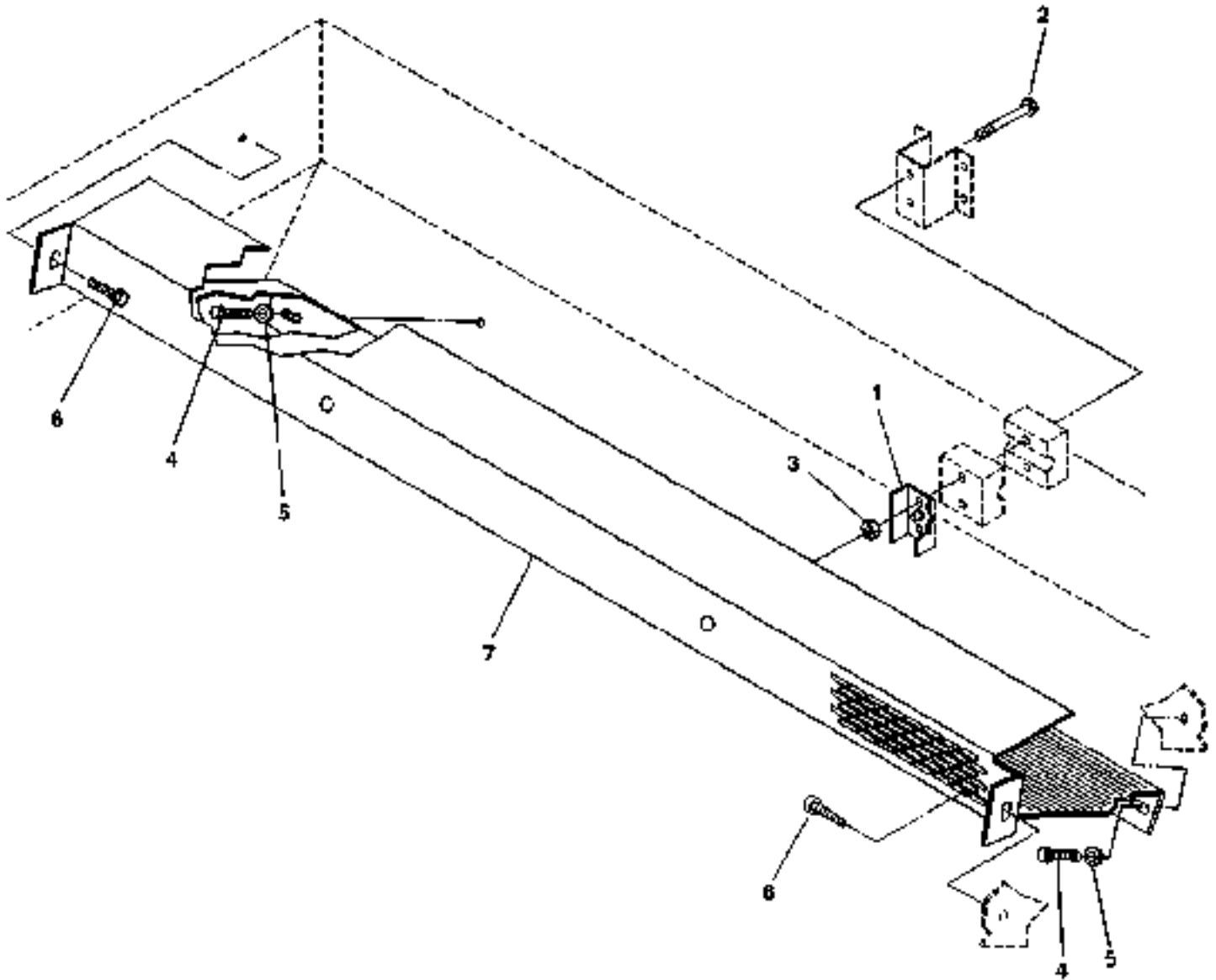
FEEDER HOUSE

KEY	PART NO.	PART NAME	QTY	SERIAL NO.	REMARKS
1	H164775	UNIVERSAL JOINT YOKE	1		SPLINE BORE
2	JD7760	LUBRICATION FITTING	2		
3	BP12946	SNAP RING	2		
4	AE23516	CROSS AND BEARING ASSEMBLY	2		
5	AH156360	YOKE	1		
6	AE50072	BEARING KIT	2		(SUB FOR AH143512)
7	E82514	LABEL	1		"DRIVE LINE ENTANGLEMENT"
8	AH156362	GUARD	1		
9	AH156363	GUARD	1		
10	W43141	LABEL	1		"DANGER (SHIELD MISSING)"
11	AH156361	YOKE	1		
12	H164774	YOKE	1		HEX BORE
13	19M7818	SCREW	4		M12 X 80
	14M7401	LOCK NUT	4		M12
14	AH164670	DRIVE SHAFT	1		(SUB FOR AH154328) COMPLETE (R.H. SIDE ONLY)
	H163010	LABEL	1		494/914 LATERAL TILT
15	RETAINER	2		(SUB AH143512)
..	AH143512	KIT	1		
..	BH81360	COMPLETE GOODS/SHIP. BUNDLE	1		CONTOUR MASTER SHAFT

4D13

FEEDER HOUSE

INTAKE SHIELD
HP7287 -UN-05DEC97



HP7287

4D14

FEEDER HOUSE

INTAKE SHIELD - CONTINUED

KEY	PART NO.	PART NAME	QTY	SERIAL NO.	REMARKS
1	AH155275	FITTING	1		
2	19M8039	SCREW	2		M8 X 80
3	14M7396	LOCK NUT	2		M8
4	37M7086	SCREW	2		M10 X 20
5	24M7178	WASHER	2		10.500 X 30 X 2.500 MM
6	37M7058	SCREW	2		M8 X 20
7	H164493	SHIELD	1		WIDE

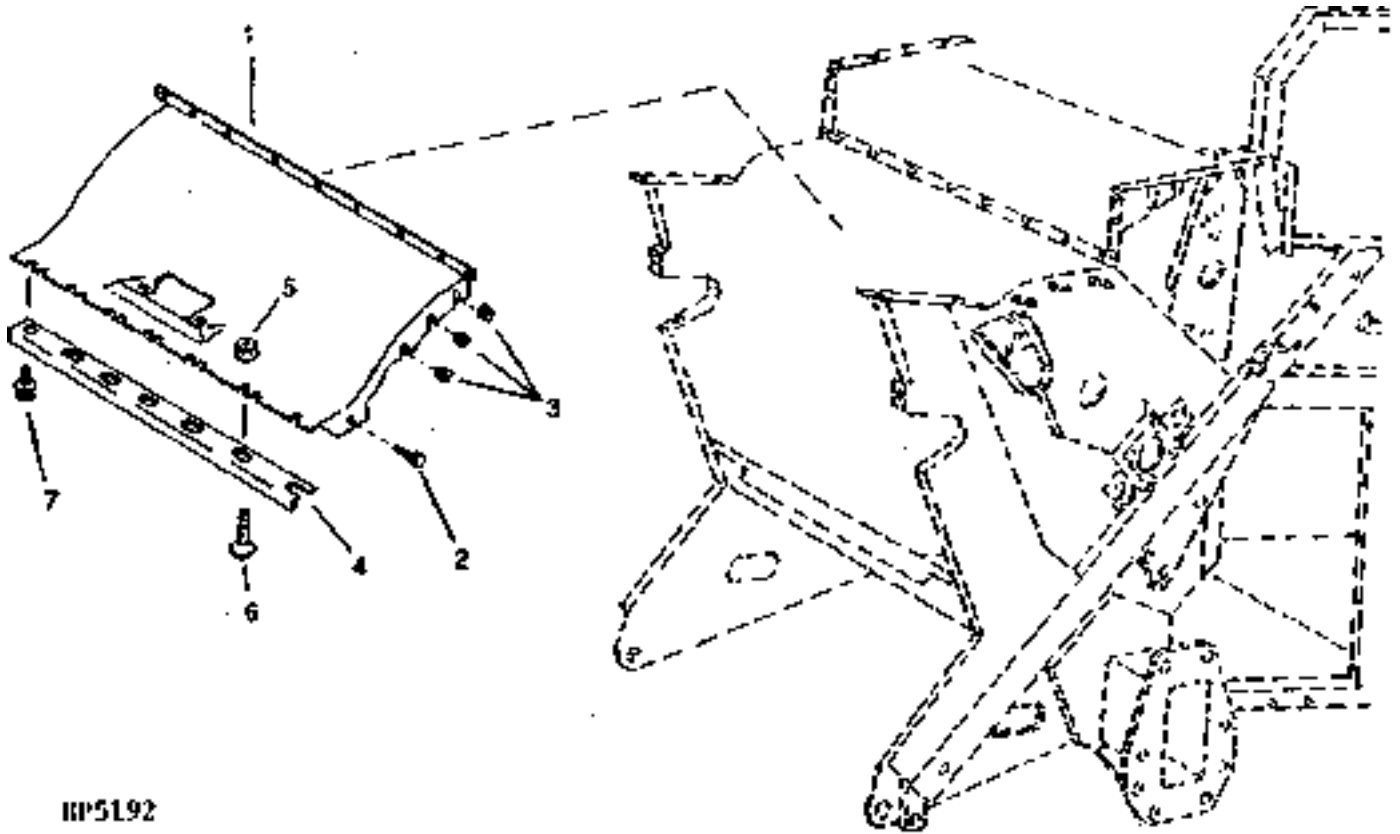
MEMORANDA

4D17

THRESHING AND SEPARATION

THRESHING CYLINDER COVER

HP5192 -UN-01JAN94



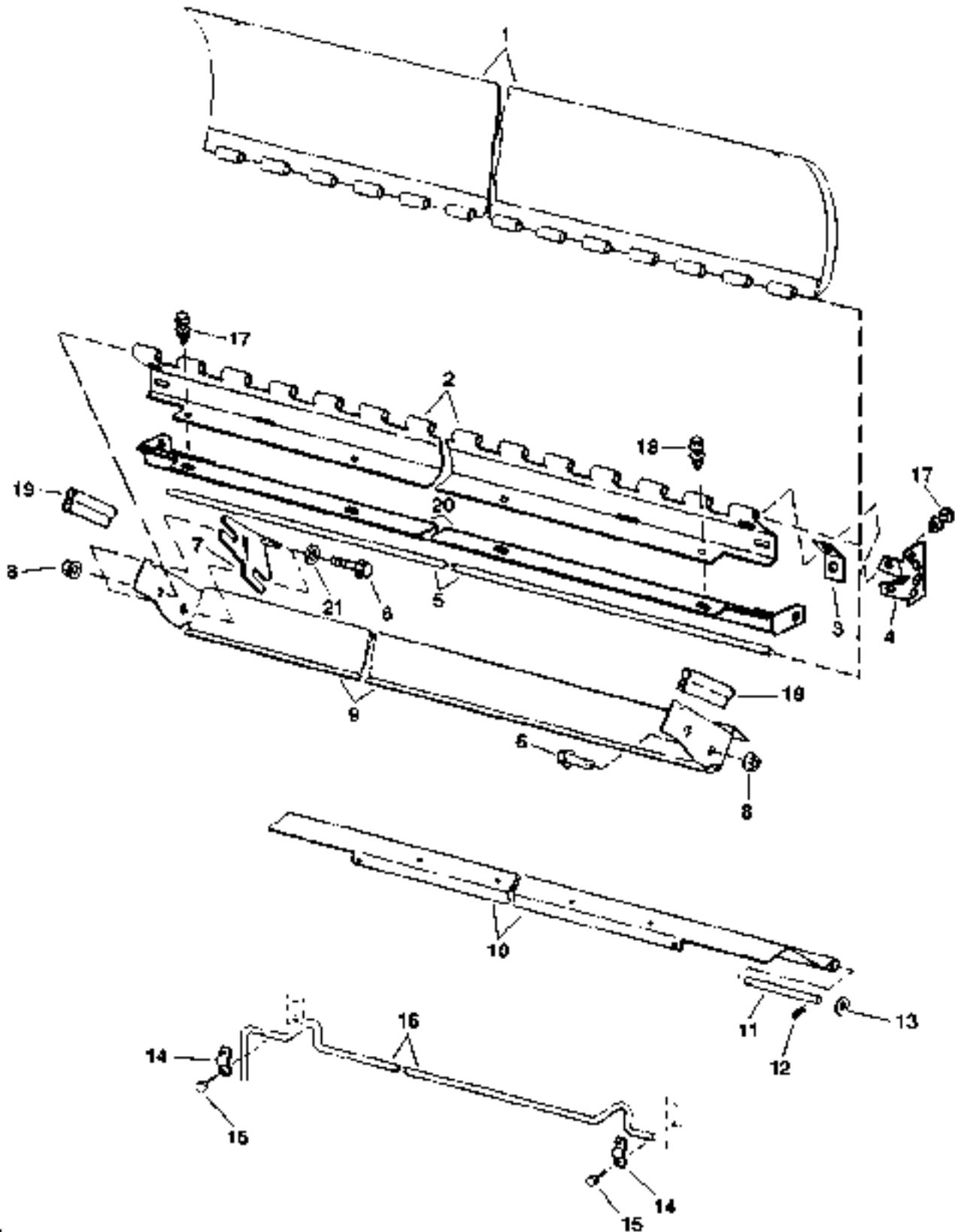
HP5192

KEY	PART NO.	PART NAME	QTY	SERIAL NO.	REMARKS
1	H147844	COVER	1		
2	19M7785	SCREW	2	M10 X 25	
3	14M7296	FLANGE NUT	8	M10	
4	H134167	SEAL	1	CORN ONLY	
5	14M7298	FLANGE NUT	6	M8	
6	19M7866	SCREW	6	M8 X 20	
7	37M7092	SCREW	1	M8 X 16	

4D18

THRESHING AND SEPARATION

SEPARATOR / FEEDER HOUSE SEAL, STONE TRAP AND DOOR
HP6795 -UN-03OCT97



HP6795

4D19

THRESHING AND SEPARATION

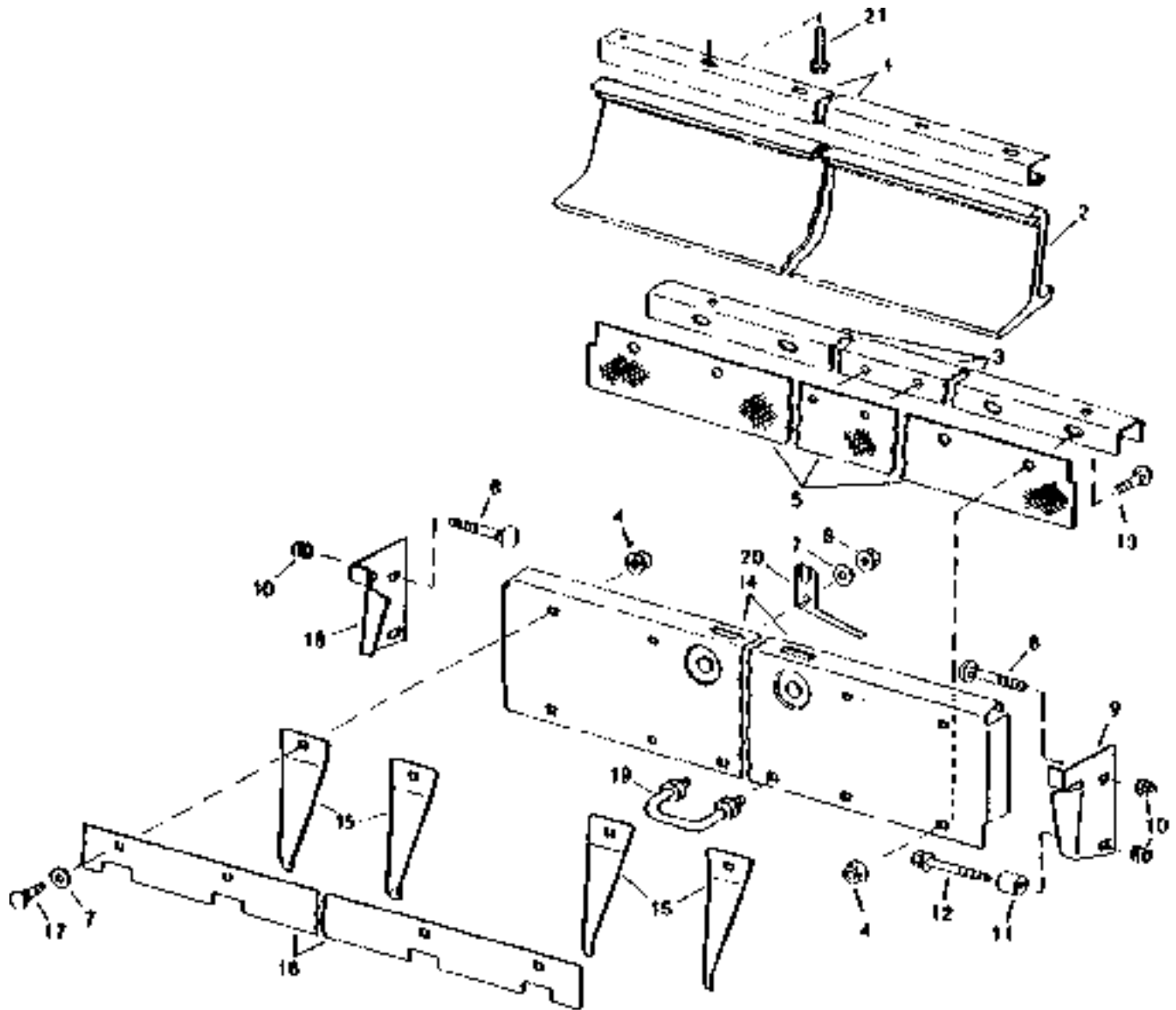
SEPARATOR / FEEDER HOUSE SEAL, STONE TRAP AND DOOR - CONTINUED

KEY	PART NO.	PART NAME	QTY	SERIAL NO.	REMARKS
1	AH120501	PLATE	1	-680300	
	AH160605	PLATE	1	680301-	
2	H148020	HINGE	1	-680300	
	AH162292	HINGE	1	680301-	
3	H148019	REINFORCEMENT	2		
4	H148018	SUPPORT	2		
5	H130057	PIN	1		12 X 1 660 MM (0.472" X 65.354")
6	19M7812	SCREW	6		M10 X 100
7	H146730	STOP	1		CASTING
8	14M7296	FLANGE NUT	6		M10
9	H151066	DEFLECTOR	1		
10	H134334	DOOR	1		
11	H148925	PIN	2		
12	11M7030	COTTER PIN	4		5 X 40 MM
13	24M7051	WASHER	2		21 X 37 X 3 MM
14	H134339	BRACKET	2		
15	37M7080	SCREW	4		M10 X 30
16	H134337	ROD	1		
17	03M7191	BOLT	4		M10 X 25
	14M7296	FLANGE NUT	4		M10
18	19M7866	SCREW	4		M8 X 20
	14M7298	FLANGE NUT	4		M8
19	H151068	SHIELD	2		
20	H148022	ANGLE	1		(FIELD CONVERSION ONLY)
21	24M7178	WASHER	2		10.500 X 30 X 2.500 MM

4D20

THRESHING AND SEPARATION

CYLINDER DOOR
(WITH CYLINDER BAFFLE)
HP5678 -UN-01JAN94



HP5678

4D21

THRESHING AND SEPARATION

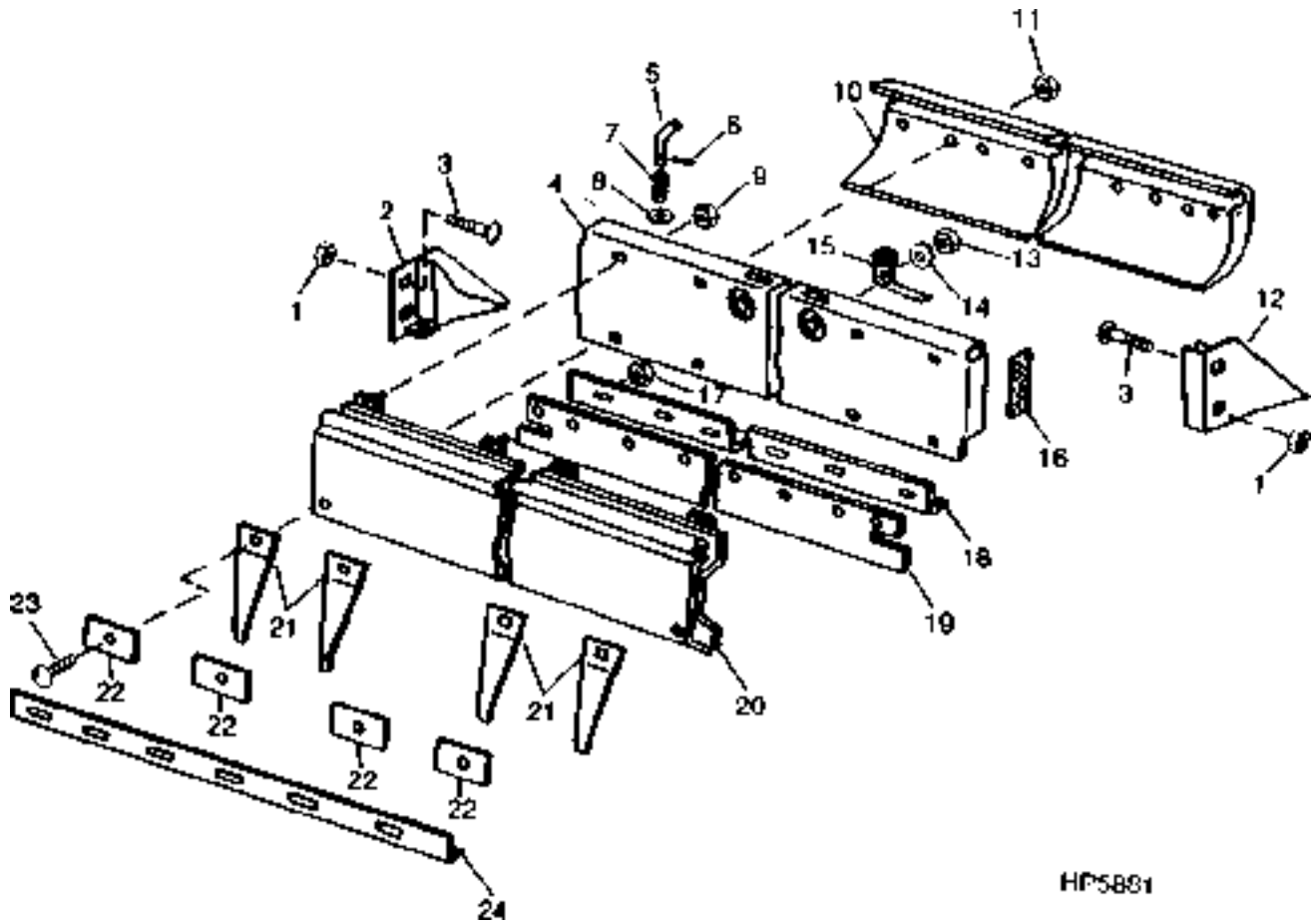
CYLINDER DOOR - CONTINUED (WITH CYLINDER BAFFLE)

KEY	PART NO.	PART NAME	QTY	SERIAL NO.	REMARKS
1	H150127	HINGE	1		
2	AH144103	DEFLECTOR	1		(USE WITH H150134)
	H150134	SEAL	1		
3	H150129	SUPPORT	1		
4	14M7298	FLANGE NUT	7	M8	
5	H150132	SEAL	1		
6	14M7396	LOCK NUT	2	M8	
7	24M7047	WASHER	2		13 X 24 X 2.500 MM (0.512" X 0.945" X 0.098")
8	03M7247	BOLT	2		M10 X 90
9	SUPPORT	1		(ORDER AH144609) (INCLUDES BOTH R.H. AND L.H. SUPPORTS)
10	14M7296	FLANGE NUT	4	M10	
11	E50096	BUSHING	2		10.312 X 25.400 X 27.940 MM (13/32" X 1" X 1.100")
12	19M7944	SCREW	2		M10 X 120
13	03M7184	BOLT	9		M8 X 20
14	AH130201	DOOR	1		
15	H148058	SPRING	5		
16	H148067	STRIP	1		
17	03M7183	BOLT	7		M8 X 16
18	SUPPORT	1		(ORDER AH144609) (INCLUDES BOTH R.H. AND L.H. SUPPORTS)
19	H150131	U-BOLT	2		
	14H785	NUT	1		7.925 MM (5/16")
	14H1042	NUT	1		7.925 MM (5/16")
20	H134654	HANDLE	2		
21	19M7866	SCREW	7		M8 X 20

4D22

THRESHING AND SEPARATION

CORN CYLINDER DOOR
(ARGENTINA ONLY)
HP5881 -UN-20JUL95



HP5881

4D23

THRESHING AND SEPARATION

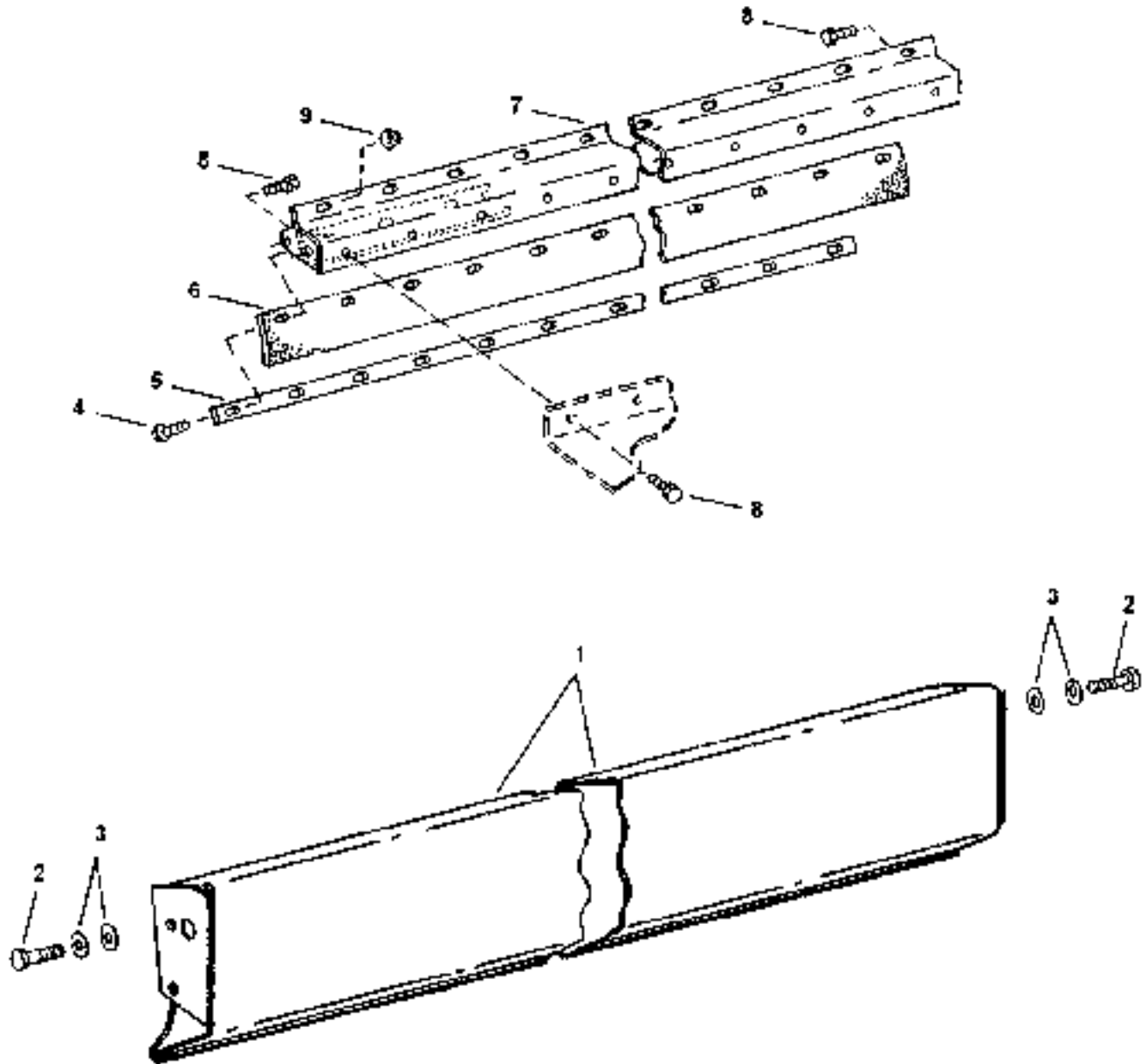
CORN CYLINDER DOOR - CONTINUED (ARGENTINA ONLY)

KEY	PART NO.	PART NAME	QTY	SERIAL NO.	REMARKS
1	14M7296	FLANGE NUT	2	M10	
2	AH144777	STOP	1	L.H.	
3	03M7247	BOLT	2	M10 X 90	
4	AH144600	DOOR	1		
5	H150746	PIN	2		
6	11M7059	COTTER PIN	2	3.200 X 20 MM (0.126" X 0.787")	
7	HZ5621H	SPRING	2		
8	24H1305	WASHER	2	10.312 X 20.625 X 1.651 MM (13/32" X 13/16" X 0.065")	
9	14M7298	FLANGE NUT	5	M8	
10	H150515	DEFLECTOR	1		
11	14M7165	LOCK NUT	4	M6	
12	AH144776	STOP	1	R.H.	
13	14M7396	LOCK NUT	2	M8	
14	24M7207	WASHER	2	8.400 X 24 X 2 MM (0.331" X 0.945" X 0.079")	
15	H134654	HANDLE	2		
16	H150134	SEAL	2		
17	14M7166	LOCK NUT	9	M8	
18	H151049	ANGLE	1		
19	H151477	SEAL	1		
20	AH144602	PANEL	1		
21	H148058	SPRING	4		
22	H150682	STRAP	4		
23	19M6755	CAP SCREW	4	M6 X 35	
24	H151528	SEAL	1		

4D24

THRESHING AND SEPARATION

CYLINDER SHEAR BAR
HP7455 -UN-06MAR98



HP7455

4D25

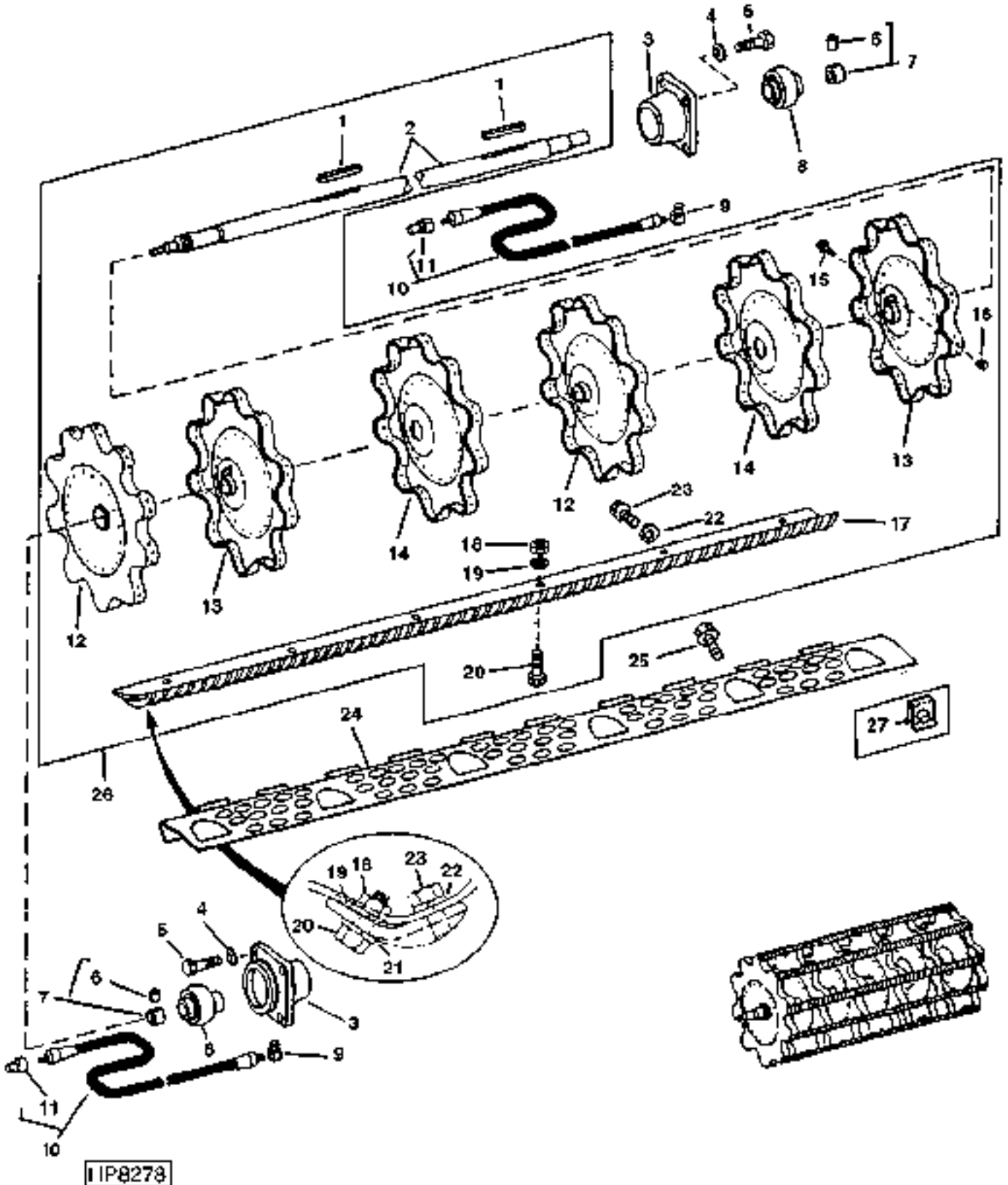
THRESHING AND SEPARATION

CYLINDER SHEAR BAR - CONTINUED

KEY	PART NO.	PART NAME	QTY	SERIAL NO.	REMARKS
1	AH141617	STRIPPER	1		
2	37M7080	SCREW	4		
3	24M7101	WASHER	4		11 X 34 X 3 MM
4	37M7096	SCREW	13		M8 X 35
5	H100067	STRIP	10		
6	H89752	SEAL	1		
7	AH126294	TIE BAR	1		
8	37M7080	SCREW	11		M10 X 30
9	14M7298	FLANGE NUT	7		M8

4E1

RASP BAR THRESHING CYLINDER
HP8278 -UN-24FEB99



RASP BAR THRESHING CYLINDER - CONTINUED

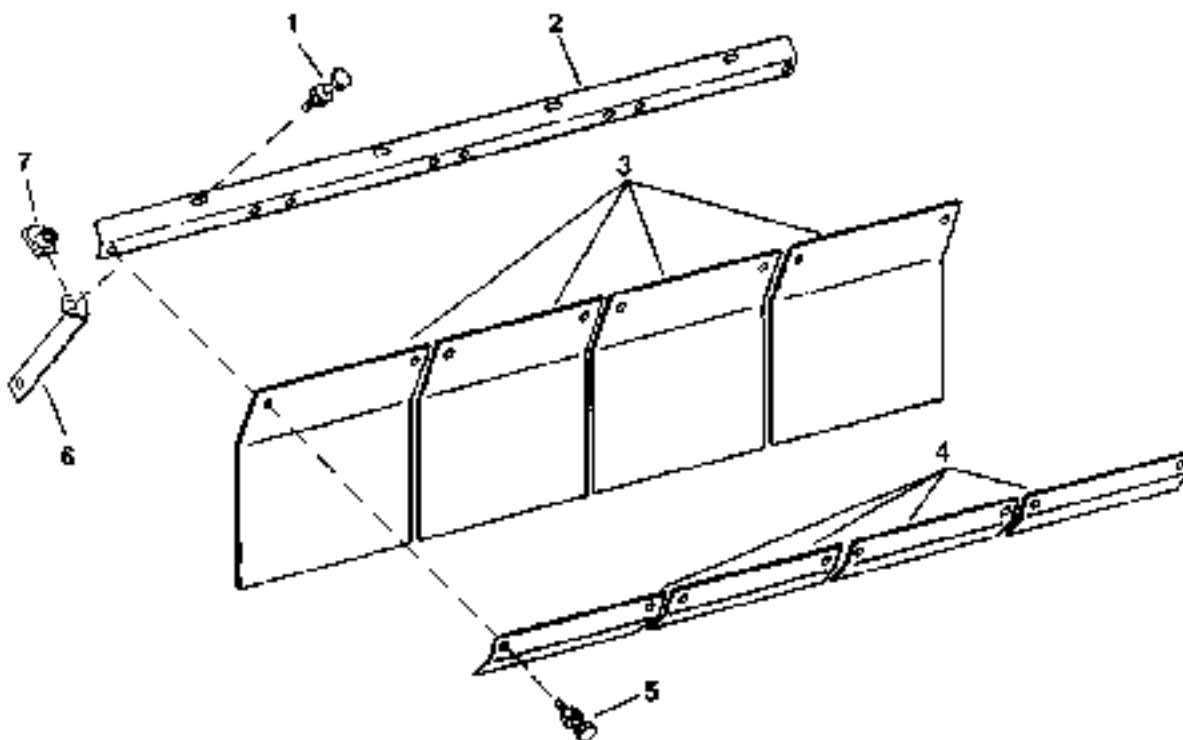
KEY	PART NO.	PART NAME	QTY	SERIAL NO.	REMARKS
1	SHAFT KEY	2		(CUT FROM H64376) IN AH64587 KEY STOCK KIT
2	H140042	SHAFT	1		DUAL RANGE
	H145969	SHAFT	1		SINGLE RANGE
3	H99149	HOUSING	2		
4	12H304	LOCK WASHER	8	3/8"	
5	19M7785	SCREW	8	M10 X 25	
6	SET SCREW	2		
7	JD10342	ECCENTRIC LOCKING COLLAR	2		
8	JD10343	BALL BEARING	2		
9	JD7845	ELBOW FITTING	2		
10	AH121009	HOSE	2	1/8" X 910 MM (35-3/4") X 1/8"	
11	JD7759	LUBRICATION FITTING	2		
12	AH126720	THRESHING CYLINDER HEAD	2		WITH PILOT HUB
13	AH126719	THRESHING CYLINDER HEAD	2		WITH KEYED HUB
14	H131878	THRESHING CYLINDER HEAD	3		
15	19H1820	CAP SCREW	2	1/2" X 3"	
	12H301	LOCK WASHER	2	1/2"	
16	14H1040	NUT	2	1/2"	
17	AH134143	RASP BAR	1		(A) (SUB AH161389) L.H. CHROME (PKG 5)
	AH139767	RASP BAR	1		(A) (SUB AH161411) SMOOTH
	AH161389	RASP BAR	1		(B) L.H. CHROME
	AH161390	RASP BAR	1		(B) R.H. CHROME
	AH161395	RASP BAR	1		(B) (SUB FOR AH139431) L.H. BLACK
	AH161398	RASP BAR	1		(B) (SUB FOR AH139430) R.H. BLACK
	AH161411	RASP BAR	1		(B) SMOOTH
18	H99923	LOCK NUT	AR	-680300	3/8"
	H135891	LOCK NUT	AR	680301-	M10
19	24H1308	WASHER	AR	-680300	13/32" X 1" X 0.134"
20	19H3239	CAP SCREW	AR	-680300	3/8" X 1-1/4"
	19M7402	CAP SCREW	AR	680301-	M10 X 25
21	24H1303	WASHER	2		13/32" X 11/16" X 0.065"
22	12H304	LOCK WASHER	AR	-680300	3/8"
23	19H2554	CAP SCREW	AR	-680300	9.525 X 15.875 MM (3/8" X 5/8")
	19M7783	SCREW	AR	680301-	M10 X 16
24	H150836	DEFLECTOR	10		PERFORATED
25	H145773	SELF-LOCKING SCREW	AR		M10 X 35
26	AH162845	RASP-BAR CYLINDER	1		(SUB FOR AH144542) DUAL RANGE W/BLACK BARS
	AH162851	RASP-BAR CYLINDER	1		(SUB FOR AH144543) SINGLE RANGE W/BLACK BARS
	AH162857	RASP-BAR CYLINDER	1		(SUB FOR AH134657) DUAL RANGE W/CHROME BARS
	AH162869	RASP-BAR CYLINDER	1		(SUB FOR AH140130) SINGLE RANGE W/CHROME BARS
27	H146457	NUT	AR		10 MM (0.394") WITH DEFLECTOR
..	AH140416	KIT	1	-680300	(INCLUDES (60) H145773, (60) H146457 AND (60) 24H1308)
..	AH161818	KIT	1		METRIC, (SUB (2) AH163920 OR AH163921) (SUB FOR AH146116) (INCLUDES (70) A51212, (70) 19M7402, (70) 19M7783 AND (70) 24M7028)
..	AH163920	KIT	2		(INCLUDES (35) H135891, (35) 19M7402 AND (35) 19M7783) METRIC
..	AH163921	KIT	1		(INCLUDES (14) H135891, (14) 19M7402 AND (14) 19M7783) METRIC
..	BH71876	COMPLETE GOODS/SHIP. BUNDLE	1		RASPBAR TO SPIKE TOOTH CONVERSION
..	BH81161	COMPLETE GOODS/SHIP. BUNDLE	1		PERFORATED FILLER PLATES - WIDE

NOTE: (A) ENGLISH RASP BARS

NOTE: (B) METRIC RASP BARS

4E3

BEATER GRATE CURTAIN
HP6882 -UN-12SEP97



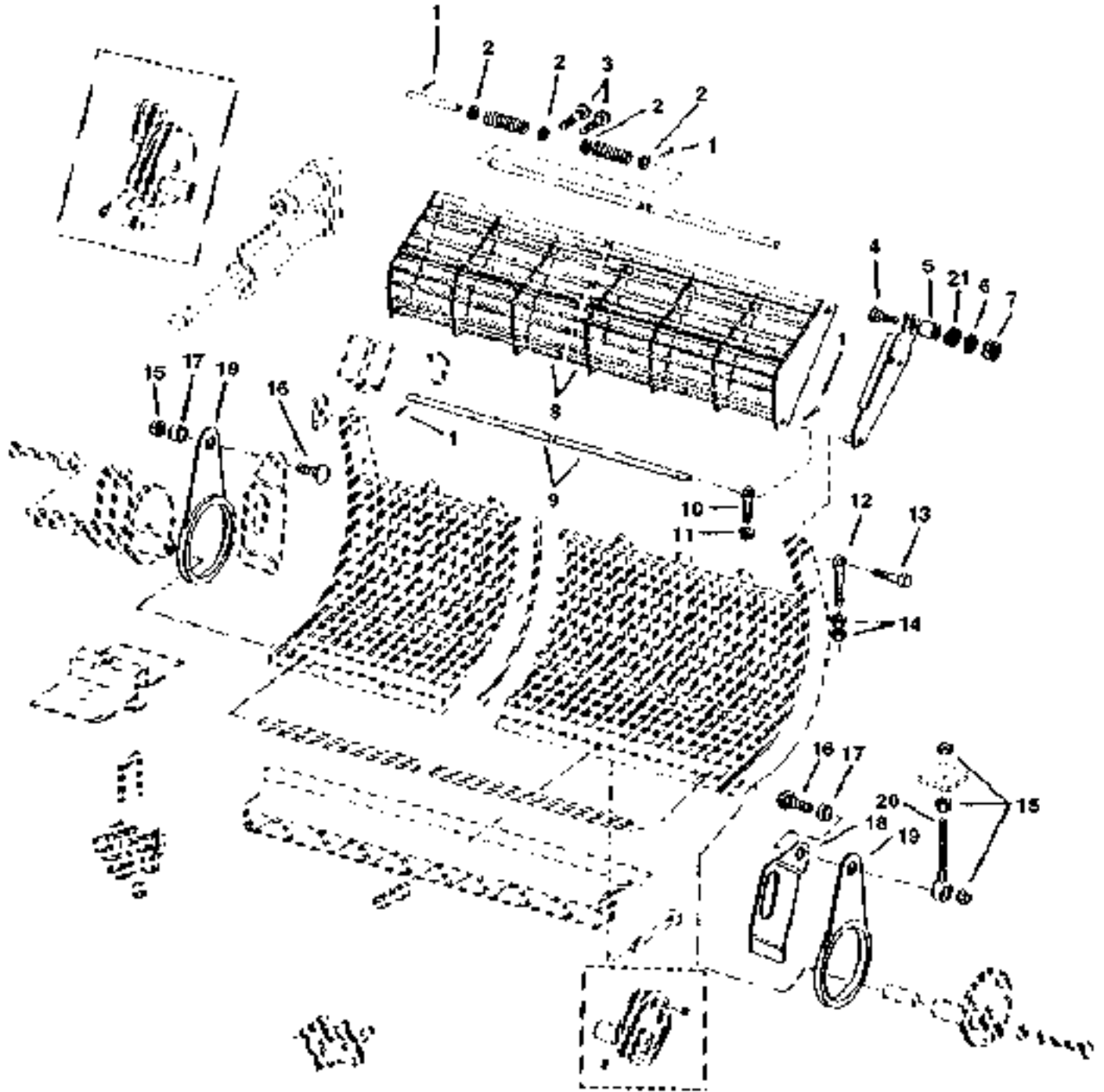
HP6882

KEY	PART NO.	PART NAME	QTY	SERIAL NO.	REMARKS
1	19M7866	SCREW	10	M8 X 20	
	14M7298	FLANGE NUT	10	M8	
2	H148300	ANGLE	1		
3	H148305	LIMIT CURTAIN	5		
4	H148302	ANGLE	5		
5	19M7866	SCREW	10	M8 X 20	
6	H148304	SUPPORT	5		
7	H156360	NUT	5	M8	
..	H151318	SIGN	1		
..	BH80229	COMPLETE GOODS/SHIP. BUNDLE	1	WIDE BEATER GRATE CURTAIN	

MEMORANDA

4E4

RASP BAR CONCAVE AND GRATE
HP6881 -UN-18AUG97



HP6881

4E5

THRESHING AND SEPARATION

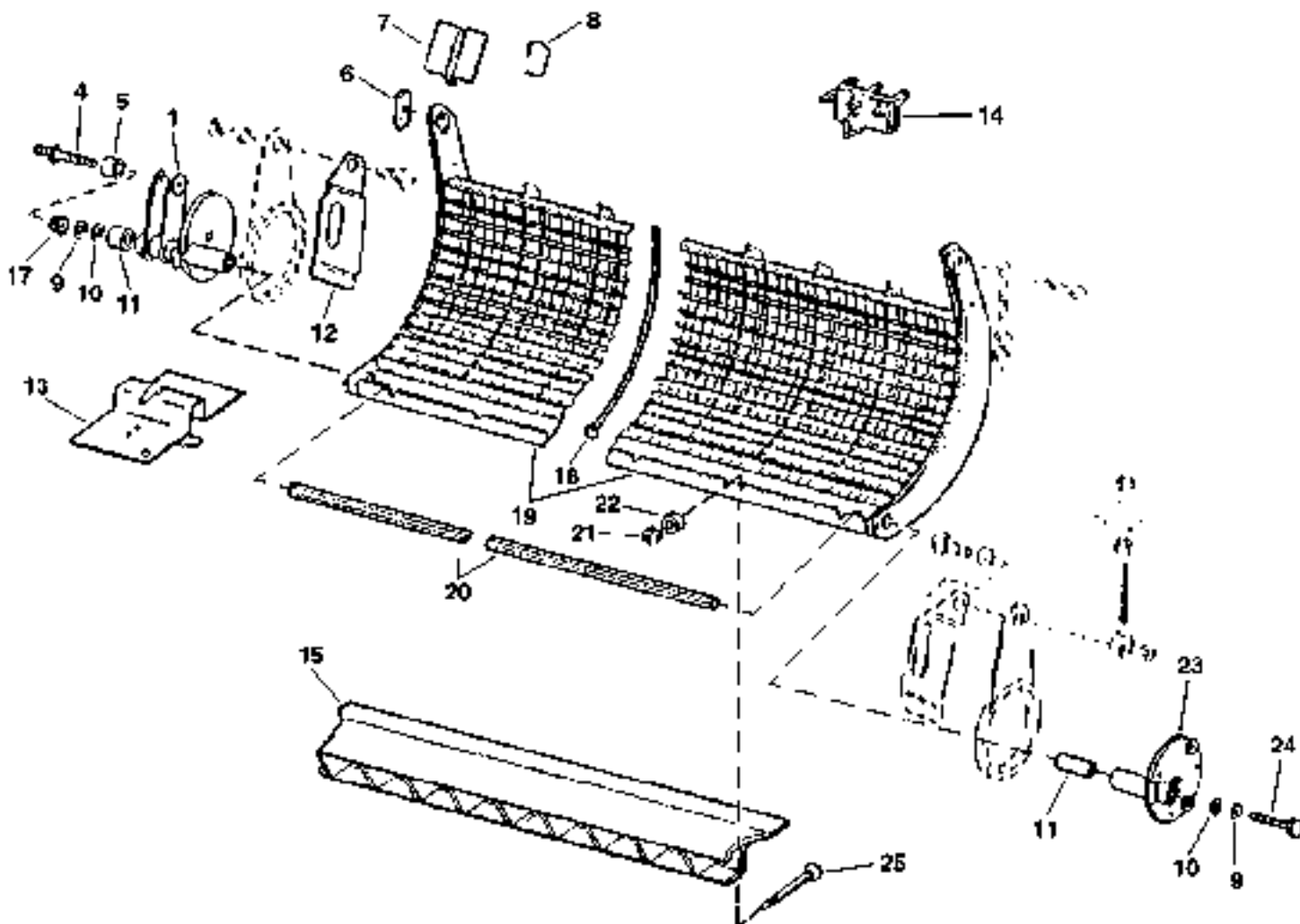
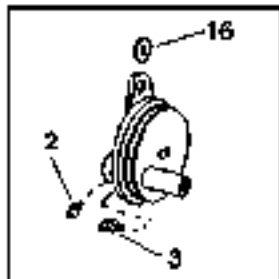
RASP BAR CONCAVE AND GRATE - CONTINUED

KEY	PART NO.	PART NAME	QTY	SERIAL NO.	REMARKS
1	11M7028	COTTER PIN	4	5 X 32 MM	
	11M7015	COTTER PIN	4	3.200 X 25 MM	
2	24M7051	WASHER	4	21 X 37 X 3 MM	
3	03M7218	BOLT	2	M10 X 80	
4	19M7813	SCREW	1	M12 X 45	
5	H140804	BUSHING	2	15 MM (0.591")	
6	12H301	LOCK WASHER	2	1/2"	
7	14M7299	FLANGE NUT	2	M12	
8	AH151120	GRATE	1		
9	H140802	PIN	1	16 X 1 627 MM (0.630" X 64.055")	
10	H144742	EYEBOLT	2		
11	14M7400	LOCK NUT	2	M10	
12	H143610	EYEBOLT	2		
13	19M7597	CAP SCREW	2	M20 X 50	
14	14M7276	NUT	4	M16	
15	14M7300	FLANGE NUT	4	M20	
16	H137203	BOLT	2	M20 X 65	
17	H137204	BUSHING	2	20.620 X 38.100 X 15 MM (0.812" X 1-1/2" X 0.591")	
18	H131989	COVER	1		
19	H151484	LINK	2		
21	24H1226	WASHER	1	12.700 X 31.750 X 2.108 MM (1/2" X 1-1/4" X 0.083")	
..	TY9371	ADHESIVE	1	APPLY ON 03M7218 (6 ML HIGH STRENGTH)	

4E6

THRESHING AND SEPARATION

RASP BAR CONCAVE AND GRATE
HP6963 -UN-08SEP97



HP6963

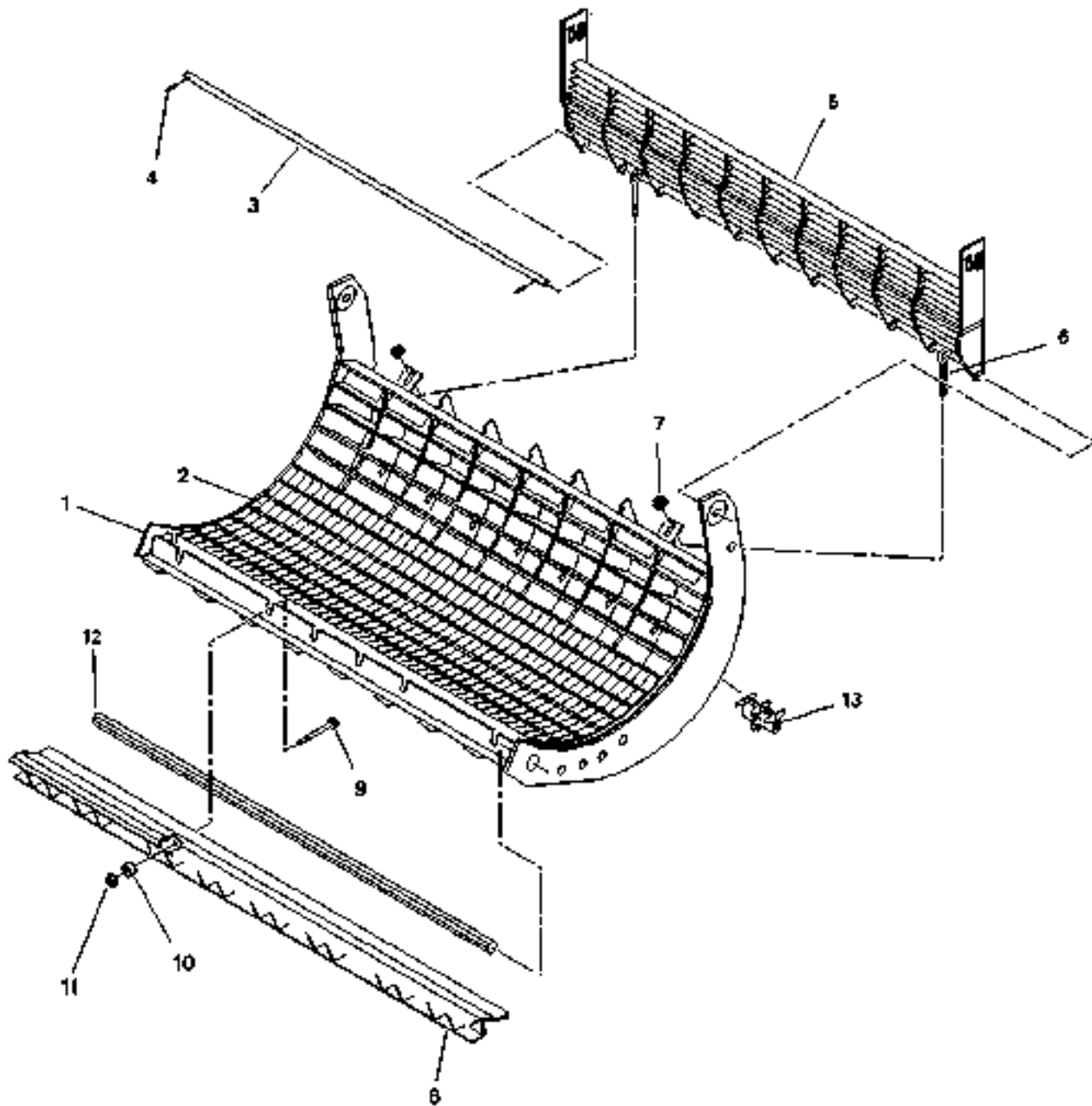
RASP BAR CONCAVE AND GRATE - CONTINUED

KEY	PART NO.	PART NAME	QTY	SERIAL NO.	REMARKS
1	AH133156	CAM	1		ALSO REQ., ONE 28H1601 & ONE 28H1597
2	JD7797	LUBRICATION FITTING	1		
3	JD7788	LUBRICATION FITTING	1		45° X 0.810" LONG
4	H147468	ROD	1		
5	28H1597	WASHER	1		0.546" X 0.840" X 3/8" 0.546" X 0.840" X 2-1/8"
6	H146318	ADJUSTING STRAP	1		
7	H134418	COVER	1		FOR REAR OF CONCAVE
8	H134420	RETAINER	1		
9	24H1351	WASHER	1		9/16" X 1-1/2" X 0.164"
10	H133633	SEAL	1		
11	28H2642	SPACER	1		13.868 X 21.336 X 63.500 MM (0.546" X 0.840" X 2-1/2")
	28H1601	BUSHING	1		13.868 X 21.336 X 104.775 MM (0.546" X 0.840" X 4-1/8")
12	H131988	COVER	1		RH (SPIKE TO RASP CONVERSION)
13	AH130465	COVER	AR		FOR BOTTOM FRONT OF CONCAVE
14	AH153688	INSERT	20		SHORT WIRE
15	AH151118	ANGLE	1		
16	24H1654	WASHER	1		9/16" X 1-15/32" X 0.105"
17	A31867	LOCK NUT	1		M12
18	H135036	PIN	AR		(USE WITH AH136604) FOR SMALL GRAIN, (SHORT)
	H135037	PIN	AR		(USE WITH AH136604) FOR CORN, (LONG)
	H157967	NAIL	1		(USE WITH AH150496)
19	AH136604	CONCAVE	1		(SUB FOR AH155493) (14 BAR)
	AH150496	CONCAVE	1		(13 BAR)
20	H145638	SHAFT	1		
21	14M7401	LOCK NUT	6		M12
22	E47782	SPACER	8		13.106 X 31.750 X 17.526 MM (33/64" X 1-1/4" X 0.690")
23	AH133157	CAM	1		
24	H147468	ROD	1		
25	H139098	BOLT	6		M12 X 51.500
..	AH144537	INSERT	1		(CARTON OF 20)
..	BH80021	COMPLETE GOODS/SHIP. BUNDLE	1		SPIKE TOOTH TO RASPBAR CONVERSION
..	BH78486	COMPLETE GOODS/SHIP. BUNDLE	1		CONCAVE COVERS
..	BH78495	COMPLETE GOODS/SHIP. BUNDLE	1		REAR CONCAVE FILLER STRIPS
..	BH81381	COMPLETE GOODS/SHIP. BUNDLE	1		CONCAVE INSERTS, BOX OF 20

4E8

CONCAVE ASSEMBLY AND BEATER GRATE (WIDE)

HP7388 -UN-02FEB98



HP7388

4E9

THRESHING AND SEPARATION

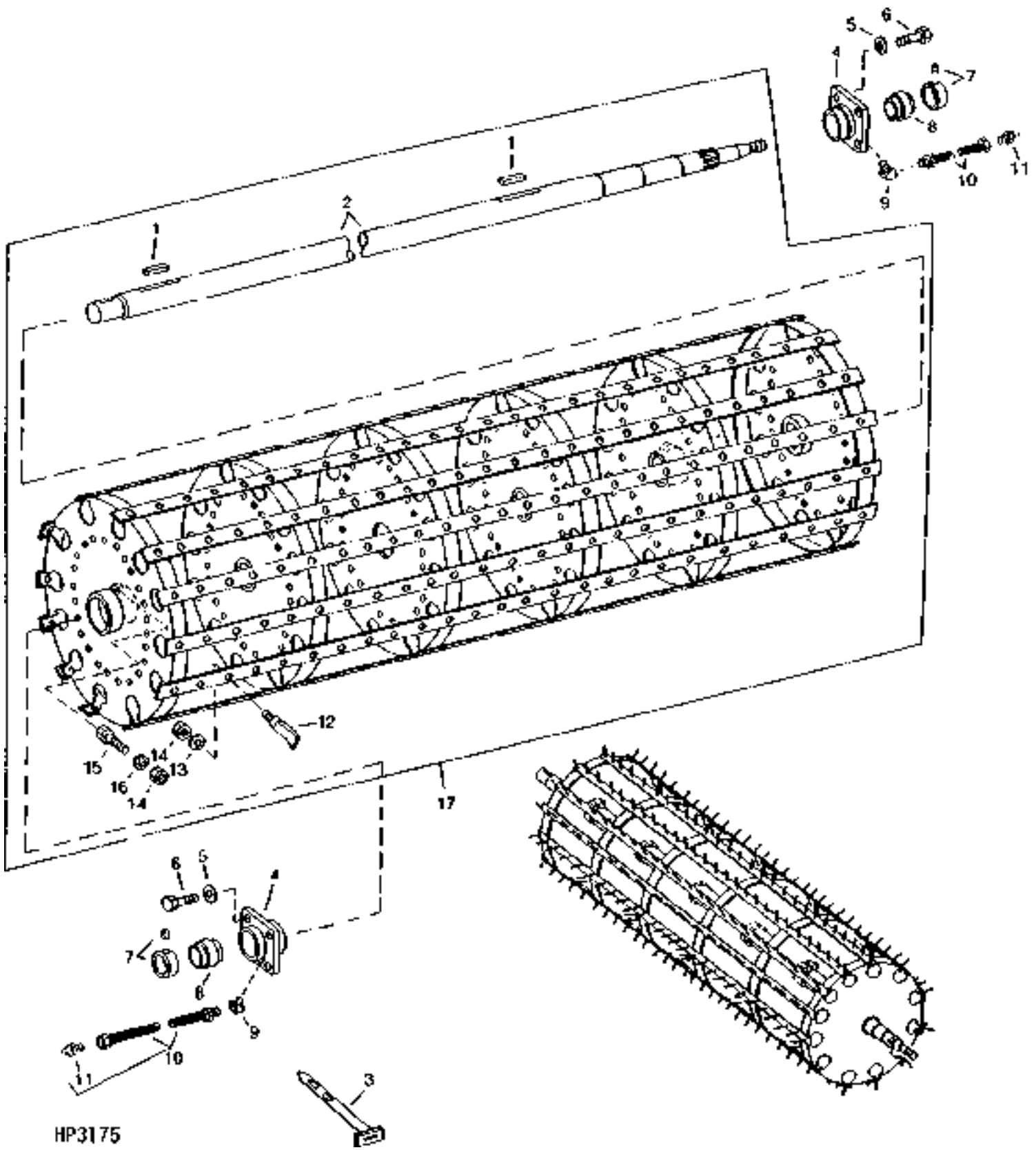
CONCAVE ASSEMBLY AND BEATER GRATE (WIDE) - CONTINUED

KEY	PART NO.	PART NAME	QTY	SERIAL NO.	REMARKS
1	AH150496	CONCAVE	1		13 BAR WIDE
	AH136604	CONCAVE	1		(14 BAR)
2	H157967	NAIL	58		(USE WITH AH150496)
	H135036	PIN	AR		(USE WITH AH136604) (SHORT)
	H135037	PIN	AR		(USE WITH AH136604) (LONG)
3	H140802	PIN	1		
4	11M7015	COTTER PIN	2		
5	AH151120	GRATE	1		WIDE BODY
6	H144742	EYEBOLT	2		M10 X 62
7	H135891	LOCK NUT	2	-677191	M10
	14M7400	LOCK NUT	2	677192-	M10
8	AH151118	ANGLE	1		WIDE BODY
9	H139098	BOLT	8		M12 X 51.5
10	E47782	SPACER	8		
11	14M7401	LOCK NUT	8		M12, (SUB FOR H137329)
12	H145638	SHAFT	1		
13	AH153688	INSERT	20		CONCAVE GRID (CARTON OF 20)
..	BH81333	COMPLETE GOODS/SHIP. BUNDLE	1		CONCAVE ASSEMBLY - WITH INSERTS
..	BH81381	COMPLETE GOODS/SHIP. BUNDLE	1		CONCAVE INSERTS

4E10

THRESHING AND SEPARATION

SPIKE TOOTH THRESHING CYLINDER
HP3175 -UN-01JAN94



HP3175

4E11

THRESHING AND SEPARATION

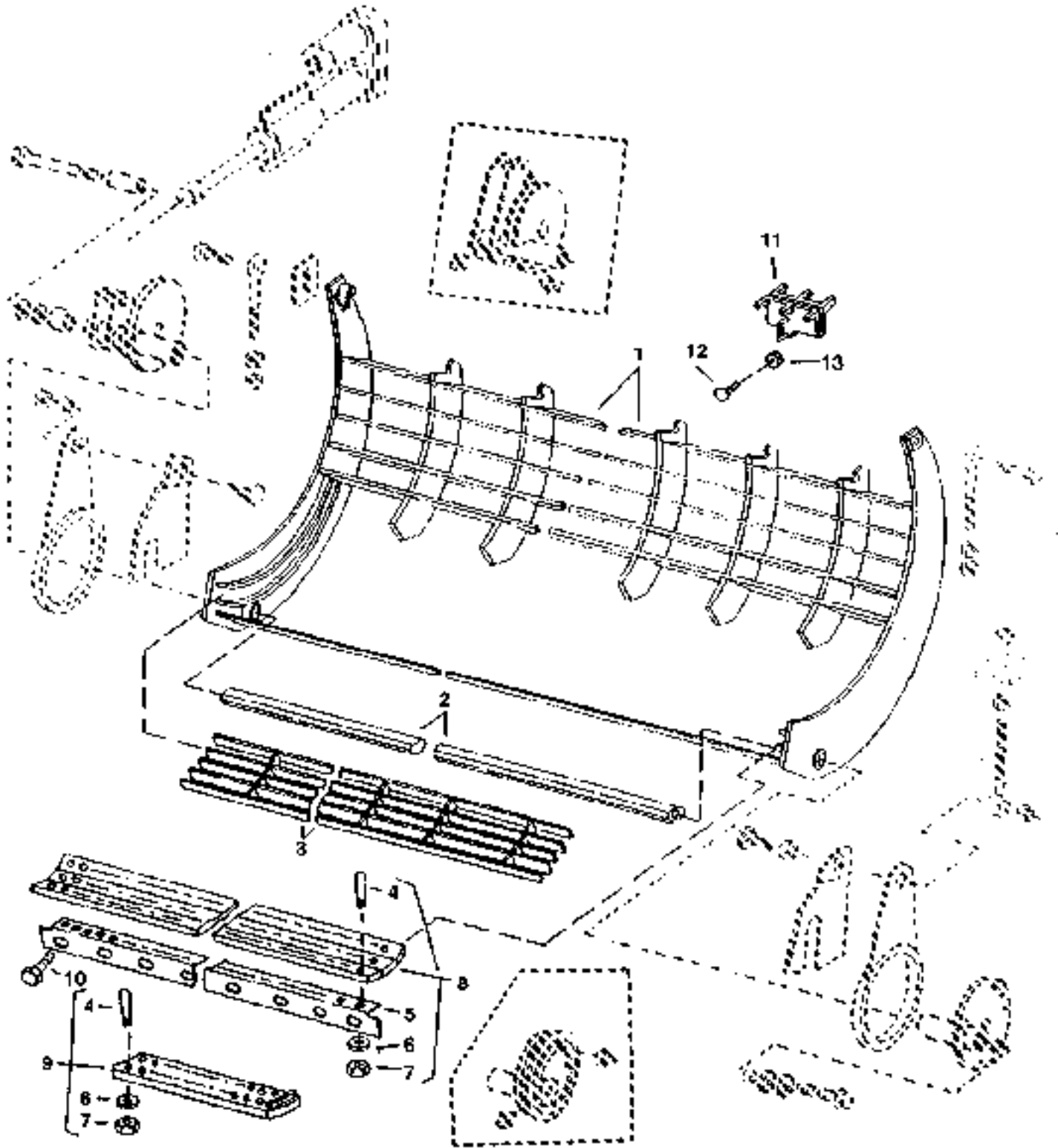
SPIKE TOOTH THRESHING CYLINDER - CONTINUED

KEY	PART NO.	PART NAME	QTY	SERIAL NO.	REMARKS
1	SHAFT KEY	2		(CUT FROM H64376) IN AH64587 KEY STOCK KIT
2	H140042	SHAFT	1		DUAL RANGE
3	P5403H	TOOL	1		
4	H99149	HOUSING	2		
5	12H304	LOCK WASHER	8	3/8"	
6	19H1732	CAP SCREW	8	3/8" X 1-1/4"	
7	JD10342	ECCENTRIC LOCKING COLLAR	2		
8	JD10343	BALL BEARING	2		
9	JD7845	ELBOW FITTING	1		
10	AH121009	HOSE	2		1/8" X 910 MM (35-3/4") X 1/8"
11	JD7759	LUBRICATION FITTING	2		
12	H132057	TOOTH	378	(A)	
13	12H301	LOCK WASHER	378	(A) 1/2"	
14	14H809	NUT	2	1/2", (INTO HEADER WITH KEYED HUB)	
	14H1040	NUT	380	(A) 1/2"	
15	19H1820	CAP SCREW	2	1/2" X 3"	
16	12H301	LOCK WASHER	2	1/2"	
17	AH134661	SPIKE-TOOTH CYLINDER	1		
..	AH126869	BAR	1		32 SPIKE, (INCLUDES PARTS MARKED "A")
..	AH126870	BAR	1		31 SPIKE, (INCLUDES PARTS MARKED "A")

4E12

THRESHING AND SEPARATION

SPIKE-TOOTH CONCAVE
HP6884 -UN-12SEP97



HP6884

4E13

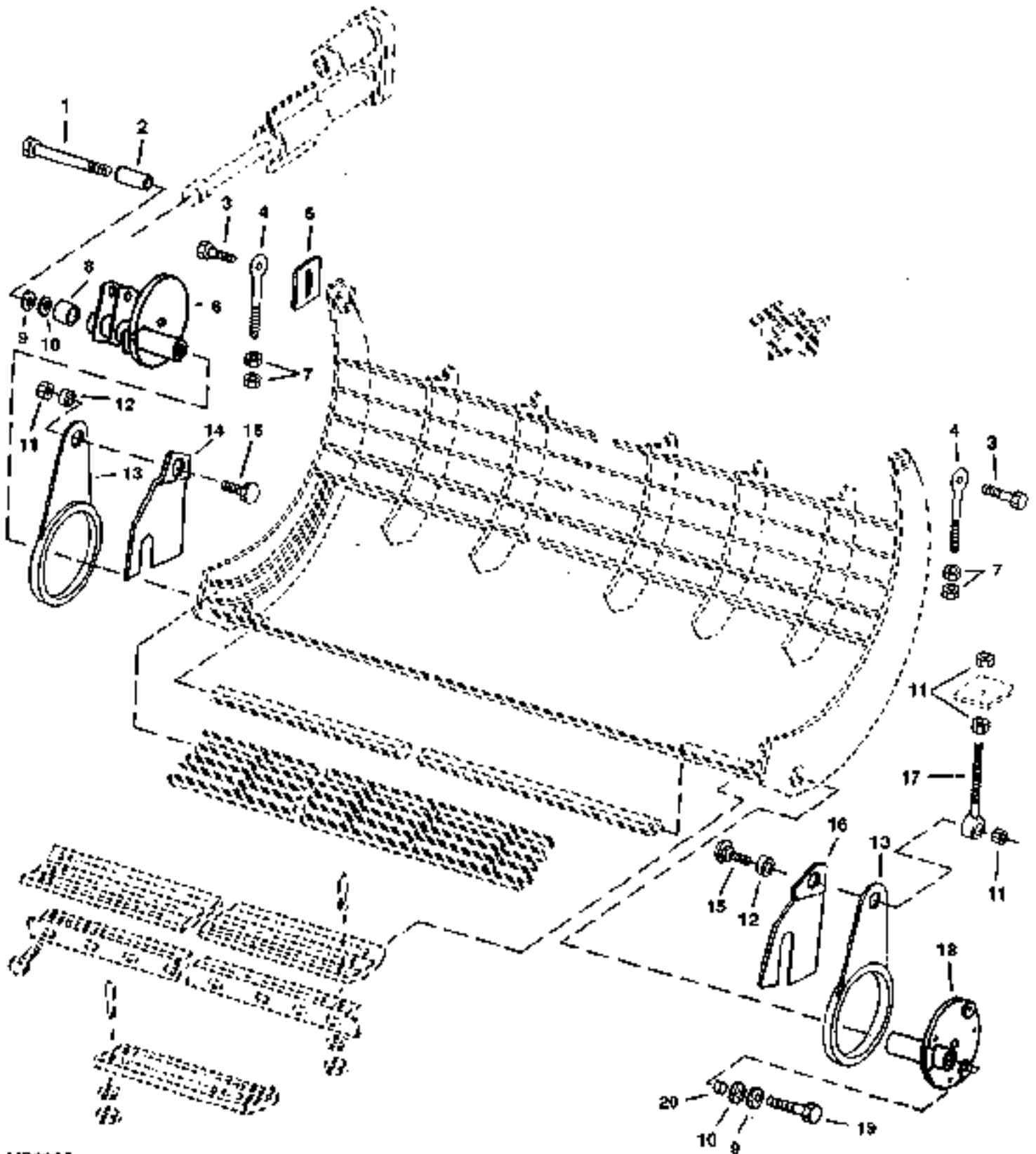
THRESHING AND SEPARATION

SPIKE-TOOTH CONCAVE - CONTINUED

KEY	PART NO.	PART NAME	QTY	SERIAL NO.	REMARKS
1	AH135646	CONCAVE	1		
2	H145638	SHAFT	1		
3	AH131330	GRATE	1		
4	H132057	TOOTH	AR		
5	H145256	ANGLE	1		
6	12H301	LOCK WASHER	AR	1/2"	
7	14H1040	NUT	AR	1/2"	
8	AH139245	BAR	AR		
9	AH126879	CONCAVE	AR		
10	19M7786	SCREW	8	M10 X 30	
11	AH153688	INSERT	20	(SHORT WIRE)	
12	03M7222	BOLT	2	M6 X 20	
13	14M7303	FLANGE NUT	2	M6	
..	AH144537	INSERT	1	(CARTON OF 20)	
..	BH71876	COMPLETE GOODS/SHIP. BUNDLE	1	RASPBAR TO SPIKE TOOTH CONVERSION	
..	BH81381	COMPLETE GOODS/SHIP. BUNDLE	1	CONCAVE INSERT, BOX OF 20	

4E14

SPIKE TOOTH CONCAVE
HP6885 -UN-18AUG97



HP6885

4E15

THRESHING AND SEPARATION

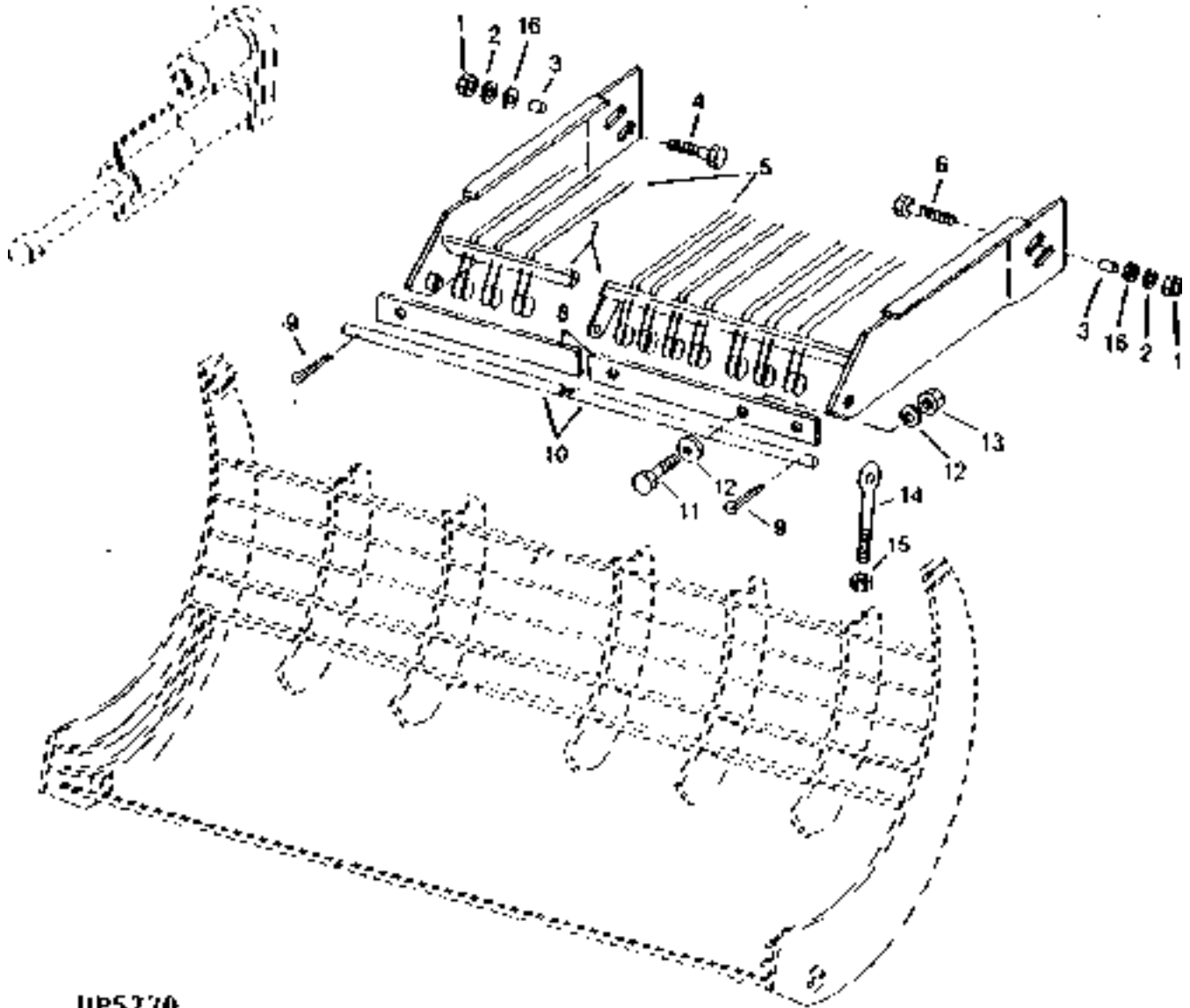
SPIKE TOOTH CONCAVE - CONTINUED

KEY	PART NO.	PART NAME	QTY	SERIAL NO.	REMARKS
1	H132541	SCREW	1	M12 X 140	
2	28H1597	WASHER	1	13.868 X 21.336 X 9.525 MM (0.546" X 0.840" X 3/8")	
3	19M7597	CAP SCREW	2	M20 X 50	
4	H143610	EYEBOLT	2		
5	H146318	ADJUSTING STRAP	1		
6	AH135240	CAM	1		
7	14M7296	FLANGE NUT	4	M10	
8	H134816	SPACER	1	13.930 X 21.330 X 111 MM (0.548" X 0.840" X 4.370")	
9	24H1351	WASHER	2	9/16" X 1-1/2" X 0.164"	
10	H133633	SEAL	2		
11	14M7300	FLANGE NUT	4	M20	
12	H137204	BUSHING	4	20.620 X 38.100 X 15 MM (0.812" X 1-1/2" X 0.591")	
13	AH127829	LINK	2		
14	H131986	COVER	1	LEFT-HAND	
15	H137203	BOLT	2	M20 X 65	
16	H131987	COVER	1		
17	H164222	EYEBOLT	1		
18	AH133157	CAM	1		
19	19M7819	SCREW	1	M12 X 90	
20	28H2642	SPACER	1	13.868 X 21.336 X 63.500 MM (0.546" X 0.840" X 2-1/2")	
..	P5403H	TOOL	1		

4E16

THRESHING AND SEPARATION

SPIKE-TOOTH FINGER GRATE
HP5770 -UN-01JAN94



HP5770

4E17

THRESHING AND SEPARATION

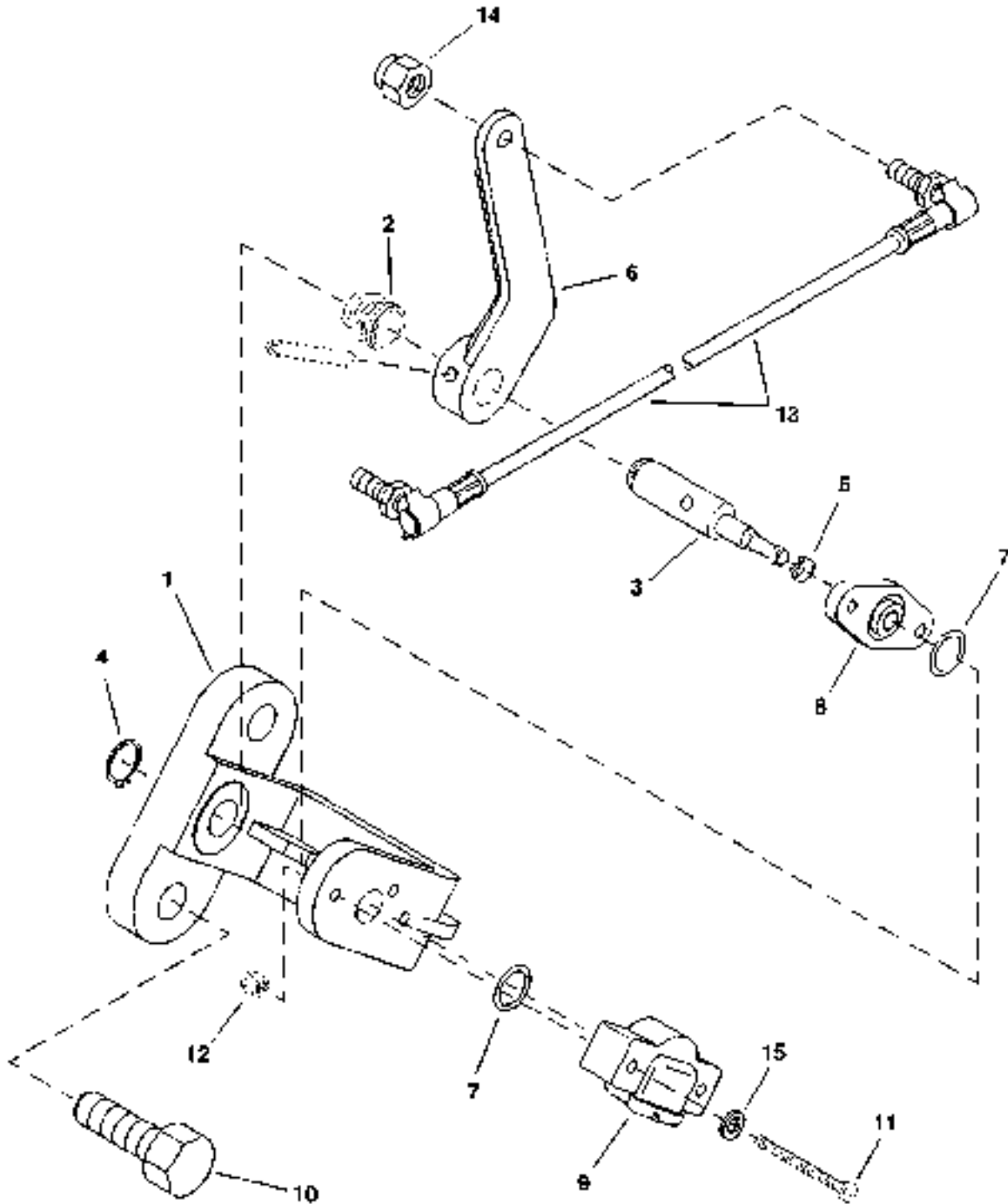
SPIKE-TOOTH FINGER GRATE - CONTINUED

KEY	PART NO.	PART NAME	QTY	SERIAL NO.	REMARKS
1	14M7299	FLANGE NUT	2	M12	
2	12H301	LOCK WASHER	2	1/2"	
3	M44269	BUSHING	2	12.954 X 19.050 X 19.685 MM (0.510" X 3/4" X 0.775")	
4	19M7813	SCREW	1	M12 X 45	
5	H134758	FINGER	AR		
6	19M7813	SCREW	1	M12 X 45	
7	AH130905	SUPPORT	1		
8	H135157	COVER	1		
9	11M7015	COTTER PIN	2	3.200 X 25 MM	
10	H134756	PIN	1	16 X 1 615 MM (0.630" X 63.583")	
11	03M7193	BOLT	4	M10 X 35	
12	24H1311	WASHER	8	13/32" X 1-1/4" X 0.220"	
13	14M7296	FLANGE NUT	4	M10	
14	H144742	EYEBOLT	2		
15	14M7400	LOCK NUT	2	M10	
16	24H1226	WASHER	2	1/2" X 1-1/4" X 0.083"	
..	BH71876	COMPLETE GOODS/SHIP. BUNDLE	1		RASPBAR TP SPIKE TOOTH CONVERSION

4E18

THRESHING AND SEPARATION

SPIKE TOOTH INDICATOR
HP7387 -UN-04FEB98



HP7387

4E19

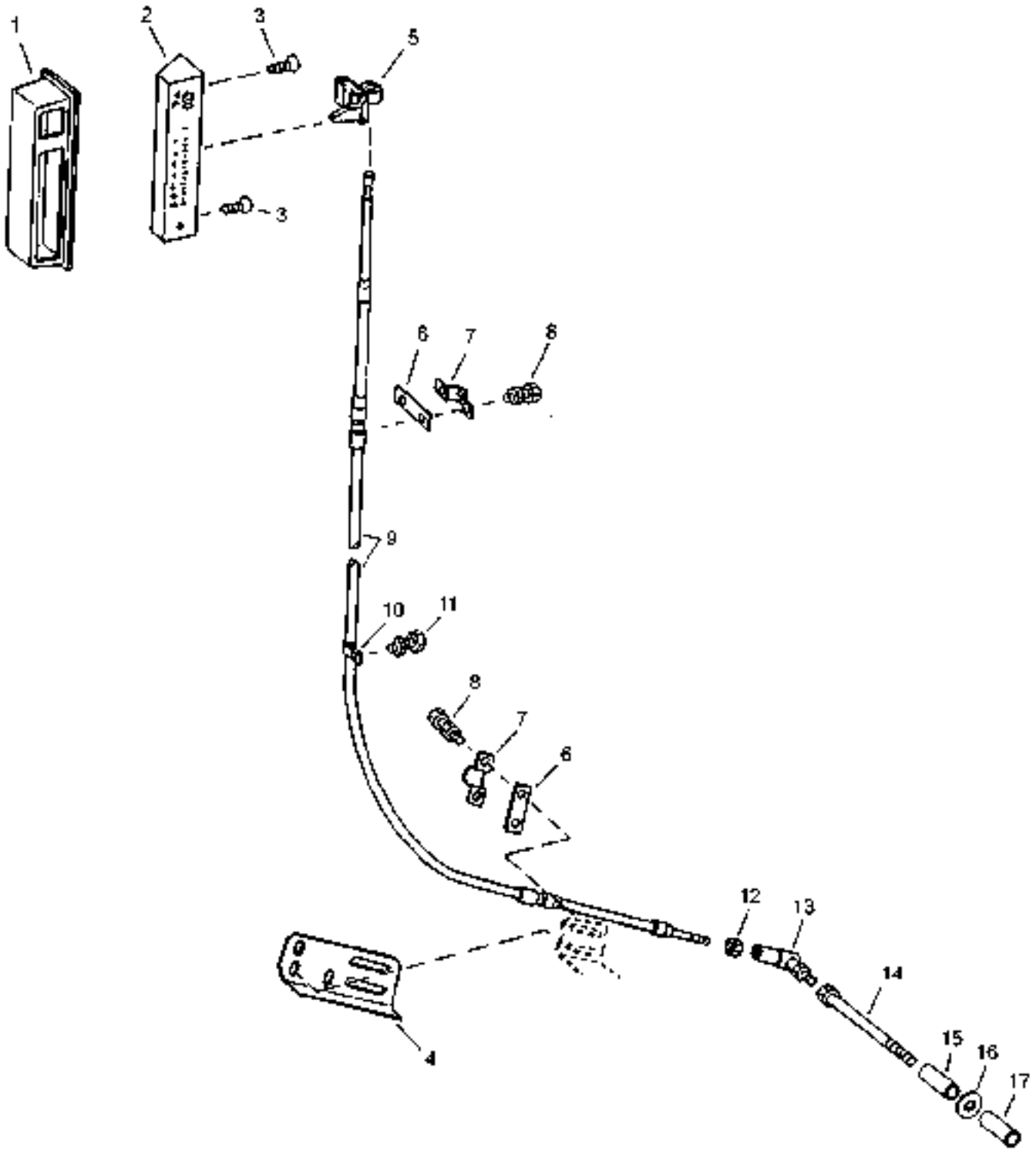
THRESHING AND SEPARATION

SPIKE TOOTH INDICATOR - CONTINUED

KEY	PART NO.	PART NAME	QTY	SERIAL NO.	REMARKS
1	H156936	BRACKET	1		
2	R41076	GROMMET	1		
3	R111692	SHAFT	1		
4	R26871	SNAP RING	1		
5	R112679	SEAL	1		
6	R40915	LEVER	1		
7	R34404	O-RING	2		
8	R86457	SUPPORT	1		
9	RE56165	SENSOR	1		
10	37M7084	SCREW	2		M8 X 25
11	21M7261	SCREW	2		M5 X 45
12	14M7297	NUT	2		
13	AH150499	BALL JOINT	1		
14	14M7397	LOCK NUT	1		M6
15	12M7060	WASHER	2		5.300 MM

CONCAVE INDICATOR, CABLE AND BRACKETS

HP6964 -UN-12SEP97



HP6964

4E21

THRESHING AND SEPARATION

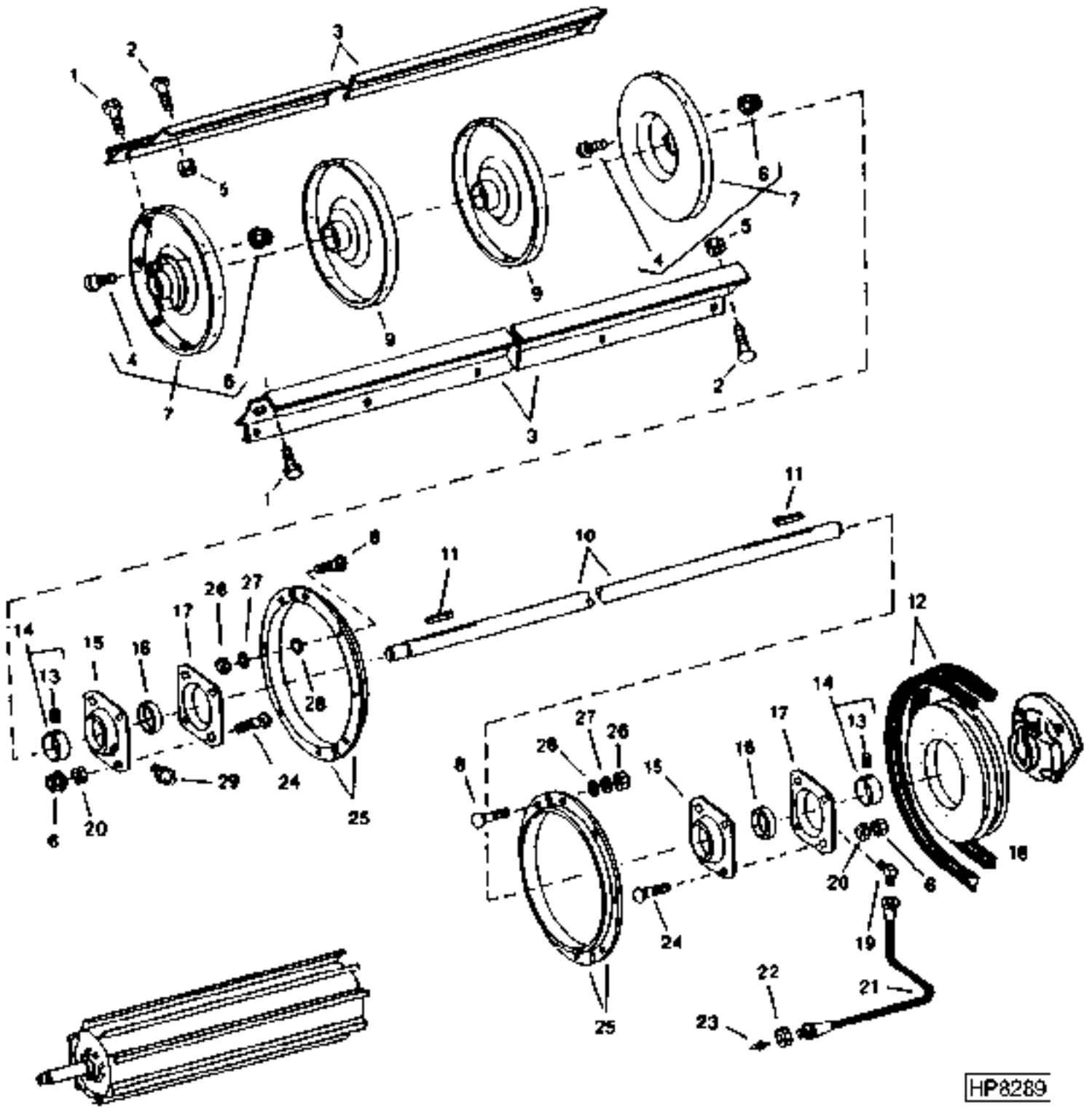
CONCAVE INDICATOR, CABLE AND BRACKETS - CONTINUED

KEY	PART NO.	PART NAME	QTY	SERIAL NO.	REMARKS
1	H128999	HOUSING	1		
2	AH141030	LENS	1		
3	H118166	SCREW	2		
4	H132540	BRACKET	1		(SPIKE TOOTH ONLY)
5	H129179	GAUGE	1		
6	H120801	STRAP	2	-675427	
7	H120800	CLAMP	2	-675427	
8	03M7166	BOLT	4		M5 X 16
	14M7297	NUT	4	-675427	M5
9	AH124573	CABLE	1	-675427	
10	M47566	CLIP	1		
11	19M7862	SCREW	1		M6 X 20
	14M7162	NUT	1		M6
12	14M7297	NUT	1		M5
13	AH129272	BALL JOINT	1		
14	H132541	SCREW	1		M12 X 140
15	28H2618	BUSHING	1		
	28H1597	WASHER	1		(SPIKE TOOTH ONLY)
16	24H1347	WASHER	1		
17	28H950	BUSHING	1		
	28H1601	BUSHING	1		(SPIKE TOOTH ONLY)

4E22

THRESHING AND SEPARATION

BEATER, SHAFT AND DRIVE BELT
HP8289 -UN-05MAR99



HP8289

4E23

THRESHING AND SEPARATION

BEATER, SHAFT AND DRIVE BELT - CONTINUED

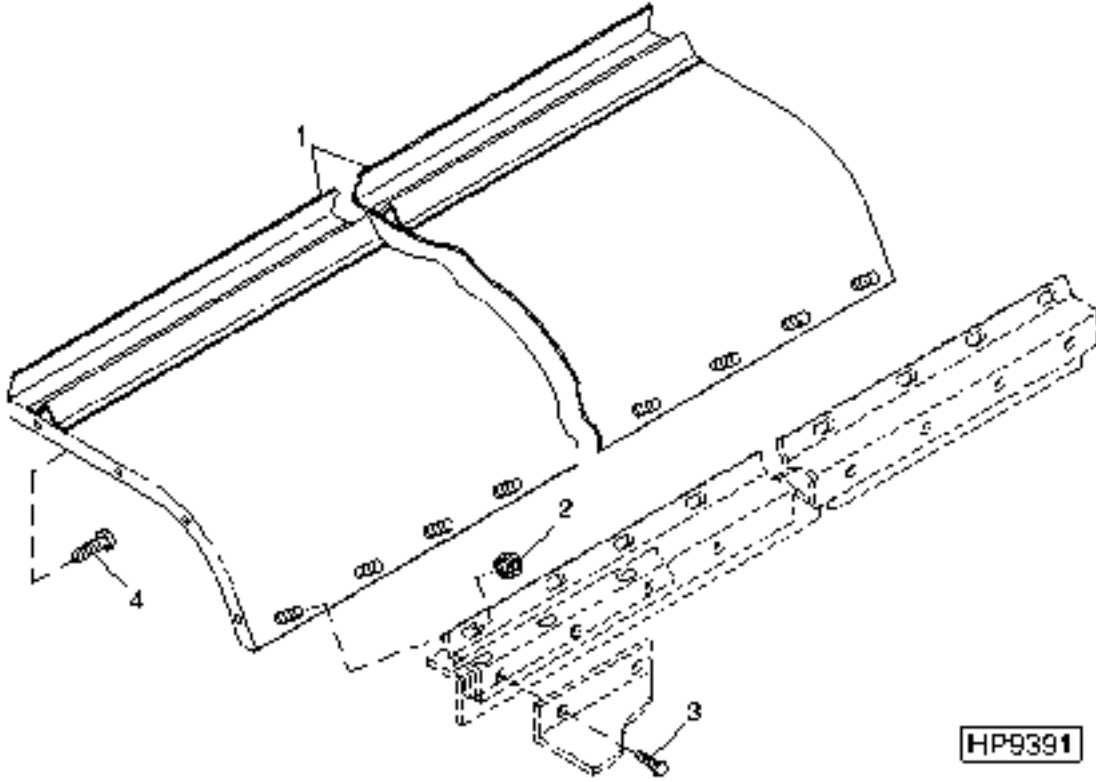
KEY	PART NO.	PART NAME	QTY	SERIAL NO.	REMARKS
1	19M7784	SCREW	2	M10 X 20	
2	03M7190	BOLT	58	M10 X 20	
3	H147788	BLADE	8		
4	03M7201	BOLT	1	M12 X 45	
5	14M7296	FLANGE NUT	1	M10	
6	14M7299	FLANGE NUT	1	M12	
7	AH128360	BEATER HEAD	2		
8	03M7185	BOLT	24	M8 X 25	
9	AH128361	BEATER HEAD	2		
10	H126940	SHAFT	1		
11	49M4121	SHAFT KEY	2		
12	AH139436	BELT SET	1		FOR 100° BEATER DRIVE
	AH163931	BELT	1		(SUB FOR AH131960) FOR 75° BEATER DRIVE
13	22H979	SET SCREW	1		3/8" X 3/8"
14	JD9201	ECCENTRIC LOCKING COLLAR	2		
15	H113625	PRESSED FLANGED HOUSING	2		
16	JD9434	BEARING	2		
17	H113626	PRESSED FLANGED HOUSING	2		
18	H125558	SHEAVE	1		FOR 100 PERCENT BEATER DRIVE
	H135850	SHEAVE	1		FOR 75 PERCENT BEATER DRIVE
19	JD7845	ELBOW FITTING	2		L H
20	H143731	NUT	8		12 MM (0.472")
21	AH121009	HOSE	2		1/8" X 910 MM (35-3/4") X 1/8", L H
22	E12379	NUT	2		3.175 MM (1/8") L H
23	JD7759	LUBRICATION FITTING	2		L H
24	03M7197	BOLT	4		M12 X 25, USE ON RIGHT SIDE ONLY
25	H130572	SEAL	4		
26	14M7298	FLANGE NUT	24		M8
27	12H303	LOCK WASHER	24		5/16"
28	24M7055	WASHER	16		8.400 X 16 X 1.600 MM
29	JD7788	LUBRICATION FITTING	1		45° X 20.574 MM LONG (0.810" LONG) R H

4E24

THRESHING AND SEPARATION

BEATER COVER

HP9391 -UN-06DEC99



HP9391

KEY	PART NO.	PART NAME	QTY	SERIAL NO.	REMARKS
1	AH121996	COVER	1		
2	14M7298	FLANGE NUT	7	M8	
3	37M7080	SCREW	11	M10 X 30	
4	37M7058	SCREW	8	M8 X 20	

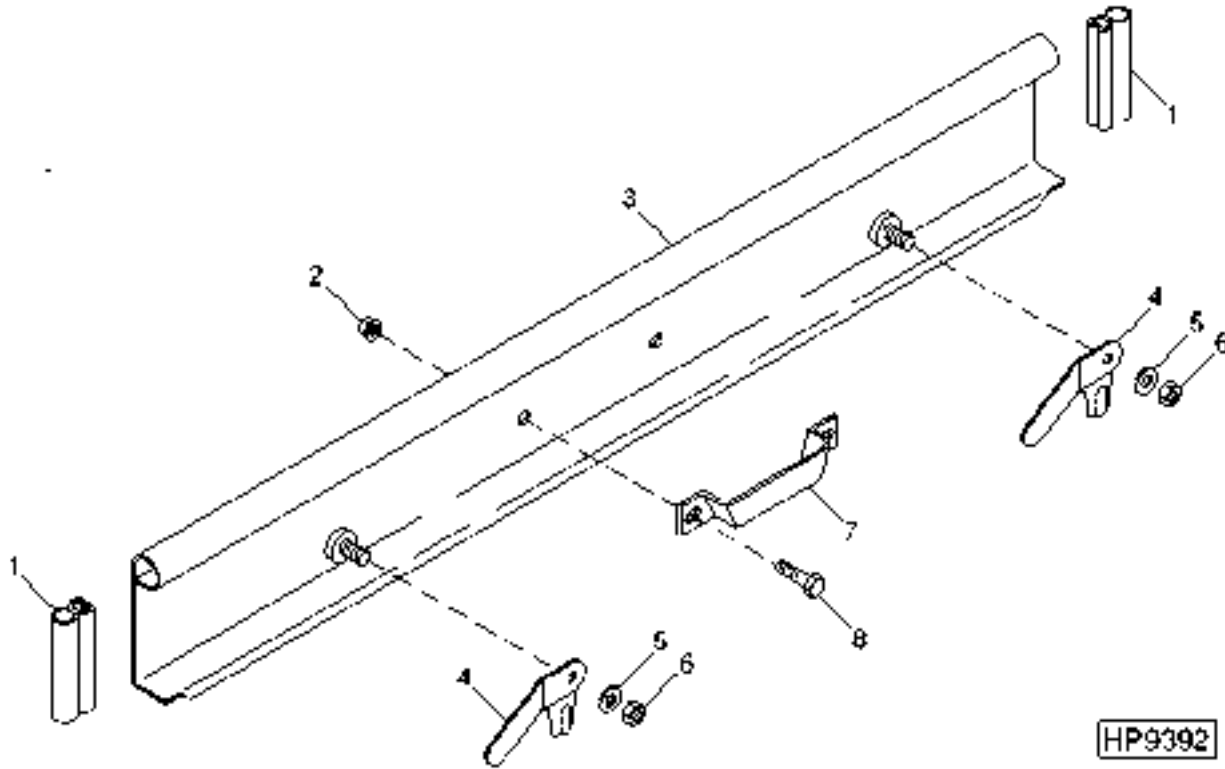
MEMORANDA

4E25

THRESHING AND SEPARATION

SHOE GRAIN SUPPLY AUGER CLEANOUT DOOR, HANDLE AND LATCHES

HP9392 -UN-06DEC99



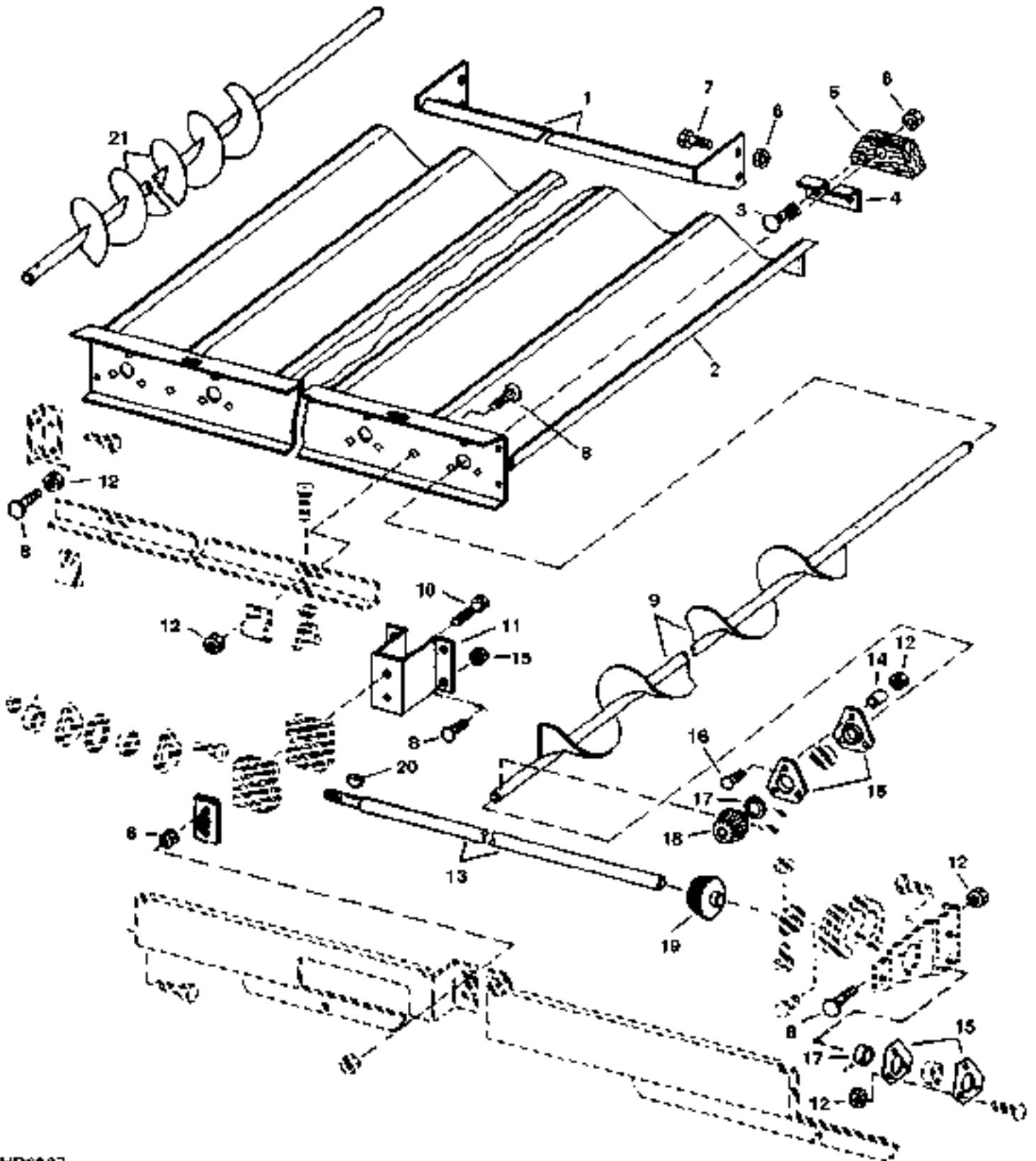
KEY	PART NO.	PART NAME	QTY	SERIAL NO.	REMARKS
1	H131108	ISOLATOR	2		
2	14M7298	FLANGE NUT	2	M8	
3	AH160722	DOOR	1	(SUB FOR AH130125)	
4	H127532	HANDLE	2		
5	24M7207	WASHER	2	8.400 X 24 X 2 MM	
6	14M7396	LOCK NUT	2	M8	
7	H85184	HANDLE	1		
8	19M7865	SCREW	2	M8 X 16	

MEMORANDA

4F1

THRESHING AND SEPARATION

SHOE GRAIN SUPPLY AUGERS AND HOUSING
HP6887 -UN-18AUG97



HP6887

4F2

THRESHING AND SEPARATION

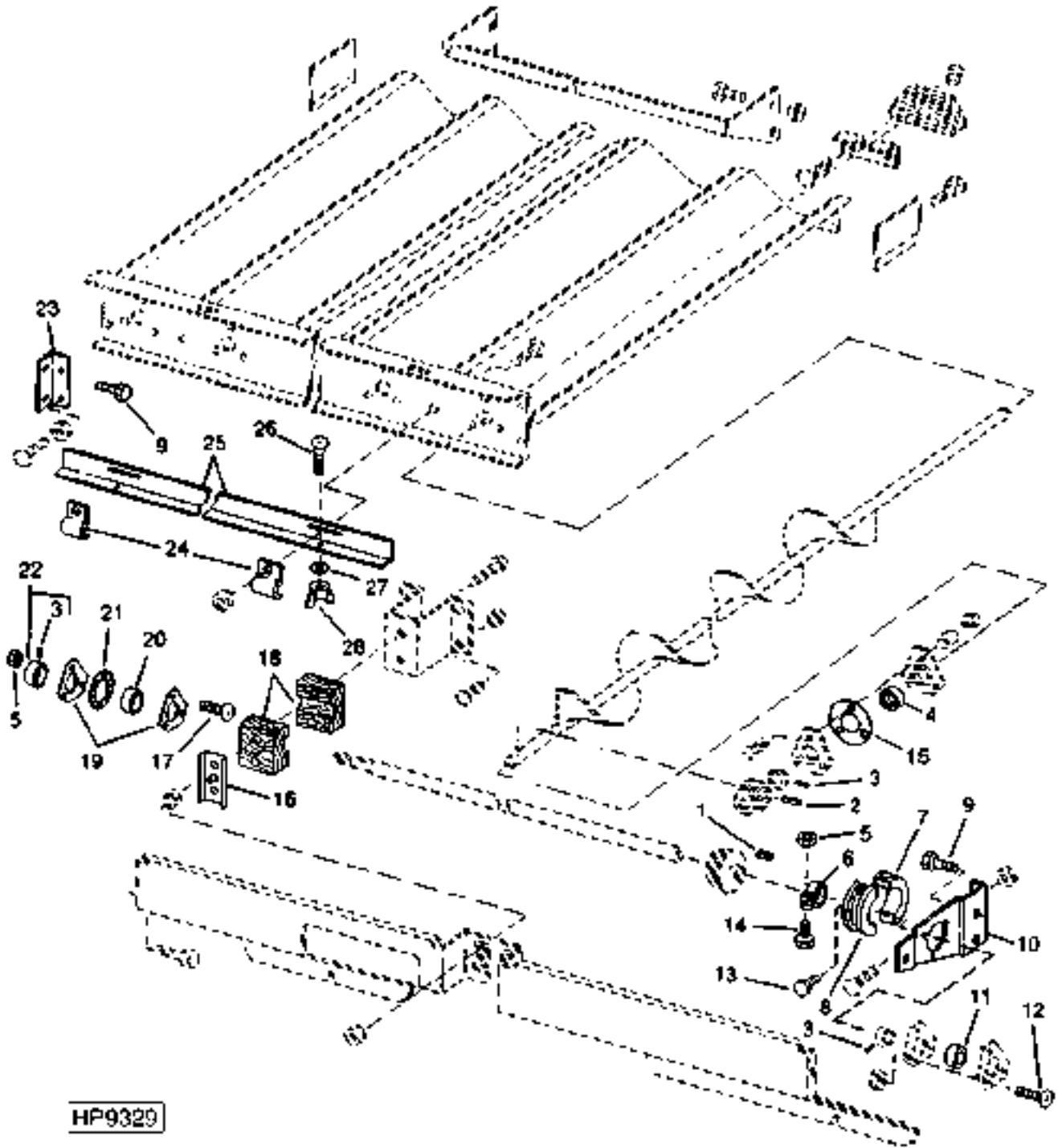
SHOE GRAIN SUPPLY AUGERS AND HOUSING - CONTINUED

KEY	PART NO.	PART NAME	QTY	SERIAL NO.	REMARKS
1	AH126190	SUPPORT	1		
2	AH146564	TROUGH	1		
3	03M7267	BOLT	AR	M8 X 80	
4	H142189	STRIPPER	1		
5	H142188	BEARING	AR	ADD GREASE TO BLOCK BEFORE ASSEMBLY	
	AH139342	BEARING KIT	1	EXTENSIVE WEAR KIT (7 AUGER BEARINGS)	
6	14M7396	LOCK NUT	21	M8	
7	19M7867	SCREW	4	M8 X 25	
8	03M7183	BOLT	AR	M8 X 16	
9	AH130424	AUGER	4	R.H. FLIGHTING	
10	19M8039	SCREW	4	M8 X 80	
11	H91205	BRACKET	2		
12	14M7298	FLANGE NUT	36	M8	
13	H135421	DRIVE SHAFT	1		
14	28H1720	BUSHING	AR	10.744 X 17.145 X 21.438 MM (0.423" X 0.675" X 27/32")	
15	H103264	PRESSED FLANGED HOUSING	16		
16	03M7189	BOLT	AR	M8 X 45	
17	JD8554	ECCENTRIC LOCKING COLLAR	8		
18	H137215	GEAR	7		
19	H137215	GEAR	7		
20	26M4226	SHAFT KEY	2	5 X 19 MM (0.197" X 0.748") WOODRUFF	
21	AH130425	AUGER	3	L.H. FLIGHTING	
..	TY6333	GREASE	1		

4F3

THRESHING AND SEPARATION

SHOE GRAIN SUPPLY AUGERS AND HOUSING
HP9329 -UN-23NOV99



HP9329

4F4

THRESHING AND SEPARATION

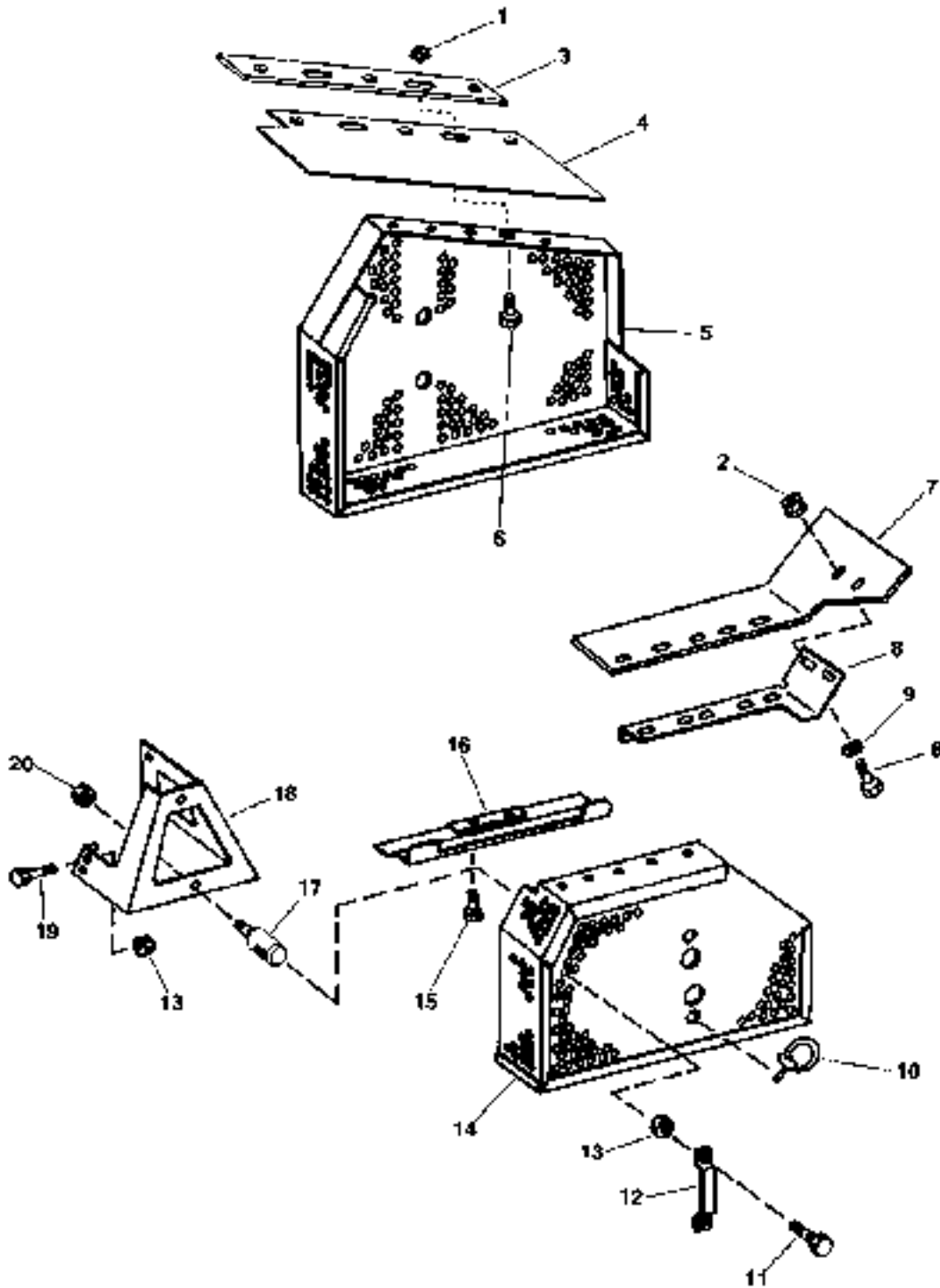
SHOE GRAIN SUPPLY AUGERS AND HOUSING - CONTINUED

KEY	PART NO.	PART NAME	QTY	SERIAL NO.	REMARKS
1	SHAFT KEY	AR		
2	E63018	SPRING PIN	AR		
3	SET SCREW	1		
4	JD9273	BALL BEARING	AR		
5	14M7296	FLANGE NUT	10	M10	
6	H145112	CLAMP	7		
7	H104795	ACTUATOR	1		
8	H104796	ACTUATOR	1		
9	19M7866	SCREW	4	M8 X 20	
10	H127524	BRACKET	1		
11	JD8665	BALL BEARING	1		
12	03M7184	BOLT	3	M8 X 20	
13	H168924	SCREW	1	0.190" X 1"	
14	19M7572	CAP SCREW	AR		
15	H36155	SHIM	1	0.762 MM	
16	AH155275	FITTING	AR		(SUB FOR H148435 AND JD7764 OR AH142370)
17	03M7191	BOLT	3	M10 X 25	
18	H135475	BEARING	4		
19	E10018	PRESSED FLANGED HOUSING	2		
20	AH129451	BALL BEARING	1		
21	H102533	SHIM	1		
22	AH129452	ECCENTRIC LOCKING COLLAR	1		
23	H127525	ANGLE	1		
24	H94167	CLAMP	2		
25	H99638	DOOR	1		
26	03M7183	BOLT	2	M8 X 16	
27	24M7139	WASHER	2	6.400 X 18 X 1.600 MM	
28	14M7019	WING NUT	2	M6	
29	H36155	SHIM	1	0.762 MM	
..	TY6333	GREASE	1		

4F5

CLEANING FAN LEAF SCREENS (CORN)

HP6508 -UN-15JUL96



HP6508

4F6

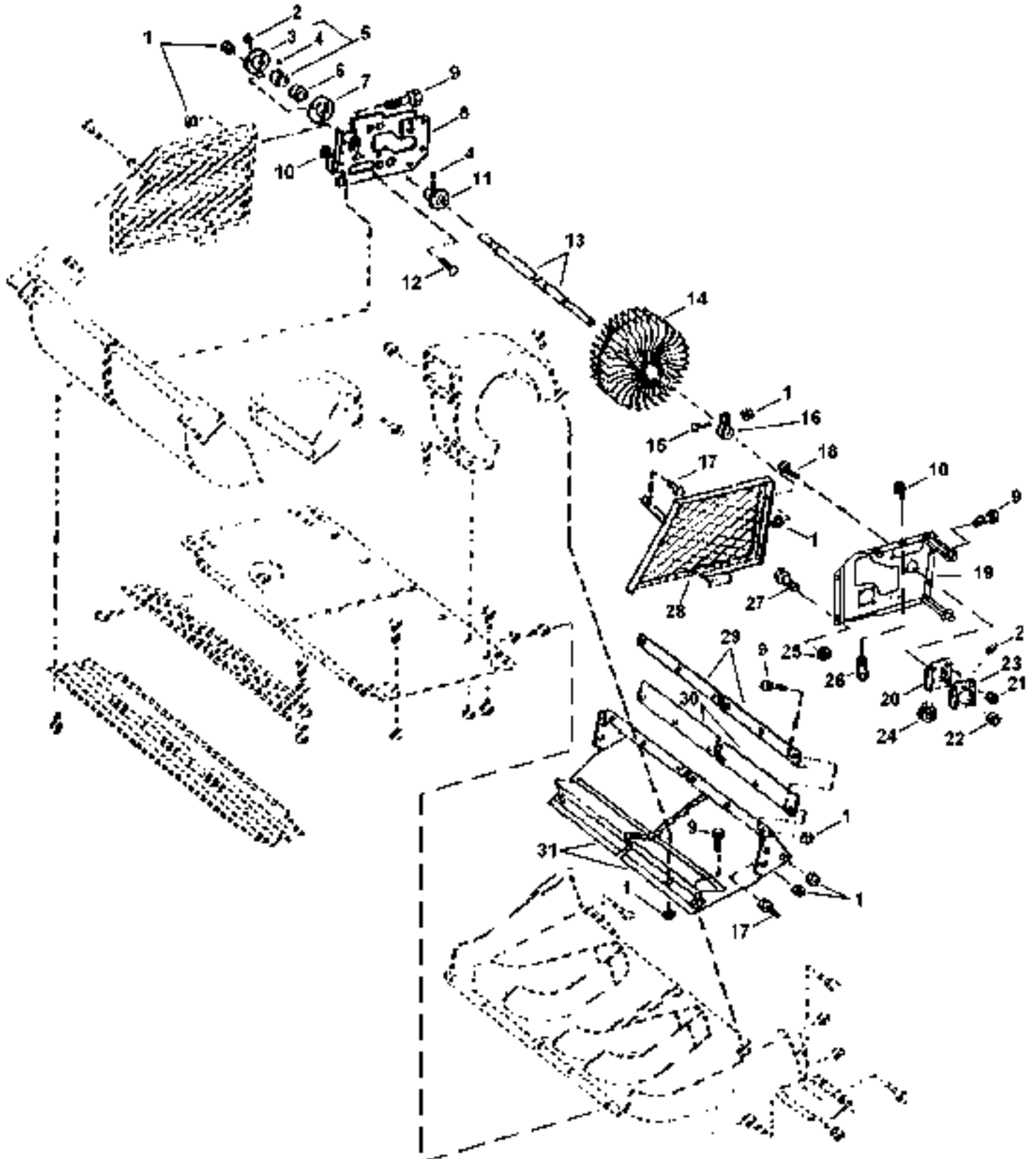
THRESHING AND SEPARATION

CLEANING FAN LEAF SCREENS (CORN) - CONTINUED

KEY	PART NO.	PART NAME	QTY	SERIAL NO.	REMARKS
1	14M7400	LOCK NUT	7	M10	
2	14M7298	FLANGE NUT	5	M8, R.H.	
3	H154763	SEAL	1		
4	H154762	SEAL	1		
5	AH148107	SCREEN	1	R.H.	
6	19M7866	SCREW	12	M8 X 20	
7	H150910	SEAL	1		
8	H153520	REINFORCEMENT	1		
9	24H1307	WASHER	2	10.312 X 25.400 X 1.600 MM	
10	M72598	QUICK LOCK PIN	2		
11	03M7183	BOLT	6	M8 X 16	
12	H85184	HANDLE	4		
13	14M7298	FLANGE NUT	10	M8	
14	AH147201	SCREEN	1	L.H.	
15	19M7898	SCREW	4	M10 X 130	
16	AH132356	CLIP	2	SHIELD	
17	H154757	STUD	2	SHOULDERED	
18	H146757	BRACKET	1		
19	19M7866	SCREW	2	M8 X 20	
20	14M7294	NUT	2	M10	

4F7

CLEANING FANS AND SHROUDS
HP7427 -UN-23FEB98



HP7427

4F8

THRESHING AND SEPARATION

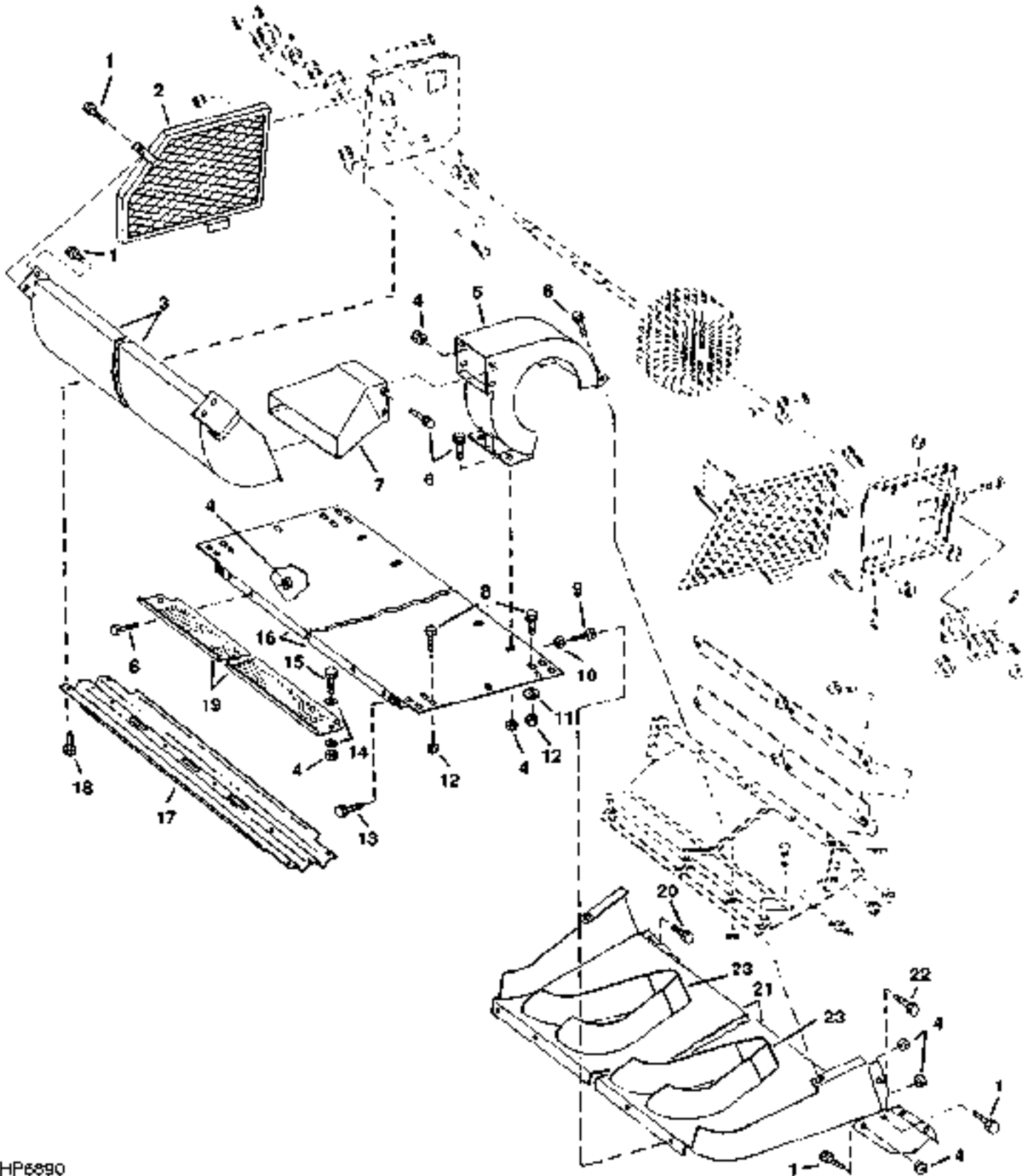
CLEANING FANS AND SHROUDS - CONTINUED

KEY	PART NO.	PART NAME	QTY	SERIAL NO.	REMARKS
1	H137328	LOCK NUT	AR	M8	
2	JD7788	LUBRICATION FITTING	2	45° X 20.574 MM LONG (0.810" LONG)	
3	AE26118	PRESSED FLANGED HOUSING	1		
4	22M7027	SET SCREW	2	M6 X 16	
5	AZ10044	ECCENTRIC LOCKING COLLAR	1		
6	JD9490	BALL BEARING	1		
7	N52258	PRESSED FLANGED HOUSING	1		
8	H150091	BRACKET	1	R.H.	
9	19M7865	SCREW	AR	M8 X 16	
10	14M7400	LOCK NUT	4	M10	
11	H122372	WHEEL	2		
12	03M7185	BOLT	3	M8 X 25	
13	AH131092	TUBE	1	(SUB H171316)	
	H171316	TUBE	1		
14	H119211	ROTOR	4		
15	03M7188	BOLT	8	M8 X 40	
16	H126247	CLAMP	8		
17	19M7867	SCREW	AR	M8 X 25	
18	03M7198	BOLT	4	M12 X 30	
19	AH149328	BRACKET	1	(INCLUDES H150092) L.H. BEARING	
	H150092	BRACKET	1	L.H.	
20	H113625	PRESSED FLANGED HOUSING	1		
21	14M7299	FLANGE NUT	AR	M12	
22	AL14674	ECCENTRIC LOCKING COLLAR	1		
23	H113626	PRESSED FLANGED HOUSING	1		
24	AH139297	BALL BEARING	1		
25	14M7396	LOCK NUT	AR	M8	
26	19M7944	SCREW	4	M10 X 120	
27	19M7803	SCREW	4	M8 X 70	
28	AH130988	SHIELD	1	L.H.	
29	H98546	REINFORCEMENT	1		
30	H133080	SEAL	1		
31	AH128312	AIR DUCT	1		

4F9

THRESHING AND SEPARATION

CLEANING FANS AND SHROUDS
HP6890 -UN-18AUG97



HP6890

4F10

THRESHING AND SEPARATION

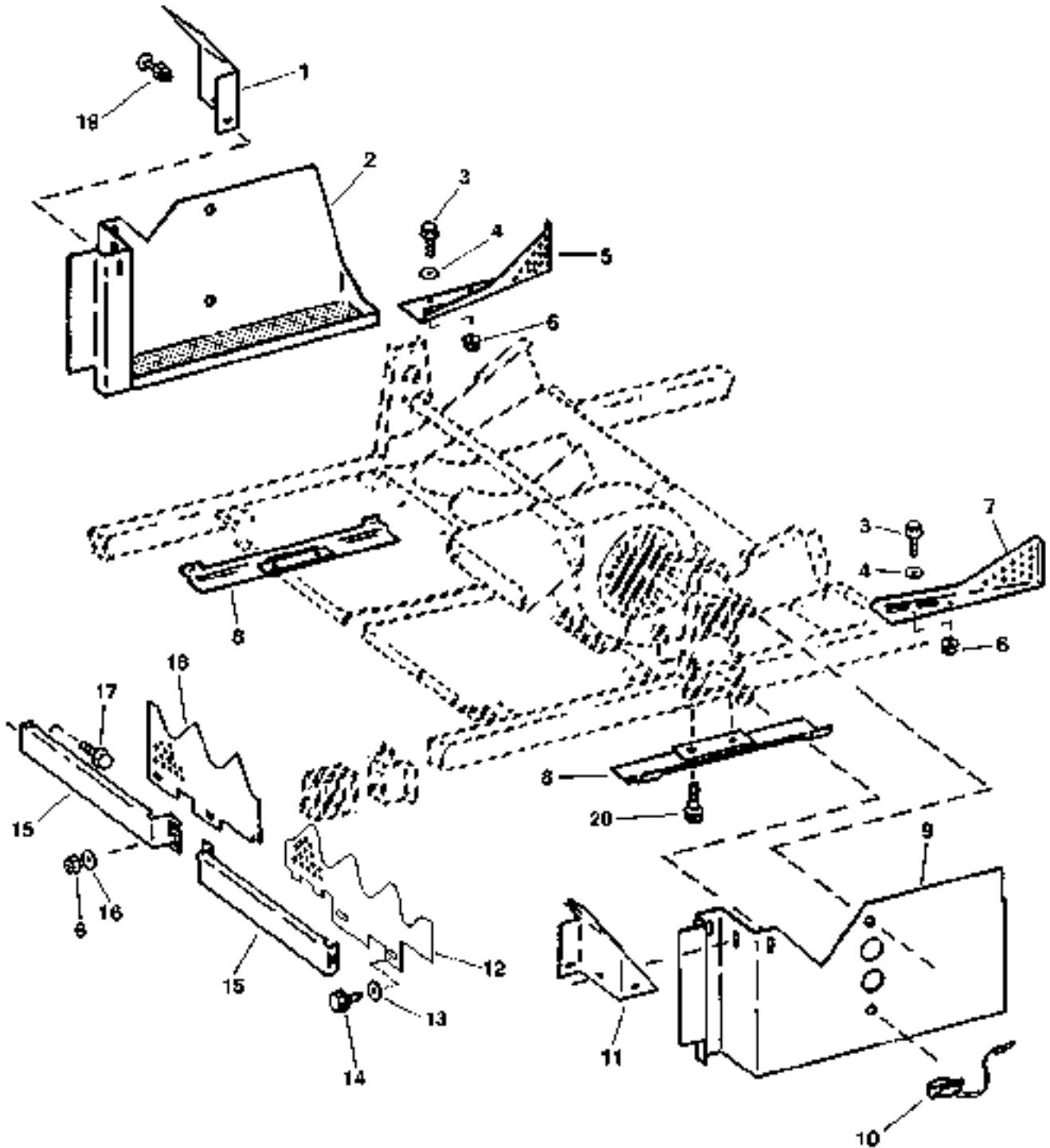
CLEANING FANS AND SHROUDS - CONTINUED

KEY	PART NO.	PART NAME	QTY	SERIAL NO.	REMARKS
1	19M7867	SCREW	AR	M8 X 25	
	37M7083	SCREW	4	M8 X 12, (USED ON AIR DUCT)	
2	AH127726	SHIELD	1	R.H.	
3	AH126213	AIR DUCT	1		
4	14M7298	FLANGE NUT	AR	M8	
5	AH163761	HOUSING	4	(SUB FOR AH125692 AND AH125693)	
6	19M7865	SCREW	AR	M8 X 16	
7	AH163761	HOUSING	4	(SUB FOR AH125693 AND AH125692)	
8	19M7818	SCREW	AR	M12 X 80	
9	19M7866	SCREW	AR	M8 X 20	
10	14M7396	LOCK NUT	AR	M8	
11	28H2611	SPACER	18	13.868 X 21.336 X 50.800 MM (0.546" X 0.840" X 2")	
12	14M7299	FLANGE NUT	AR	M12	
13	19M7789	SCREW	4	M12 X 30	
14	24M7207	WASHER	4	8.400 X 24 X 2 MM	
15	19M7868	SCREW	2	M8 X 30	
16	AH149823	SUPPORT	1		
17	H134995	PLATE	1	(FOR CORN AND GRAIN ONLY)	
	H137388	PLATE	1	(FOR RICE ONLY)	
18	19M7898	SCREW	4	M10 X 130	
19	H144559	SHIELD	1		
20	19M8039	SCREW	AR	M8 X 80	
21	AH130476	AIR DUCT	1		
22	19M7800	SCREW	1	M8 X 50	
	19M7867	SCREW	1	M8 X 25	
23	AH138385	MOUNTING PARTS	1	(CONTAINS 3 COVERS)	
..	BH80130	COMPLETE GOODS/SHIP. BUNDLE	1	CLEANING FAN SHIELDS	

4F11

THRESHING AND SEPARATION

CLEANING FAN INTAKE SHIELDS (OPTIONAL)
HP7233 -UN-12JAN98



HP7233

4F12

THRESHING AND SEPARATION

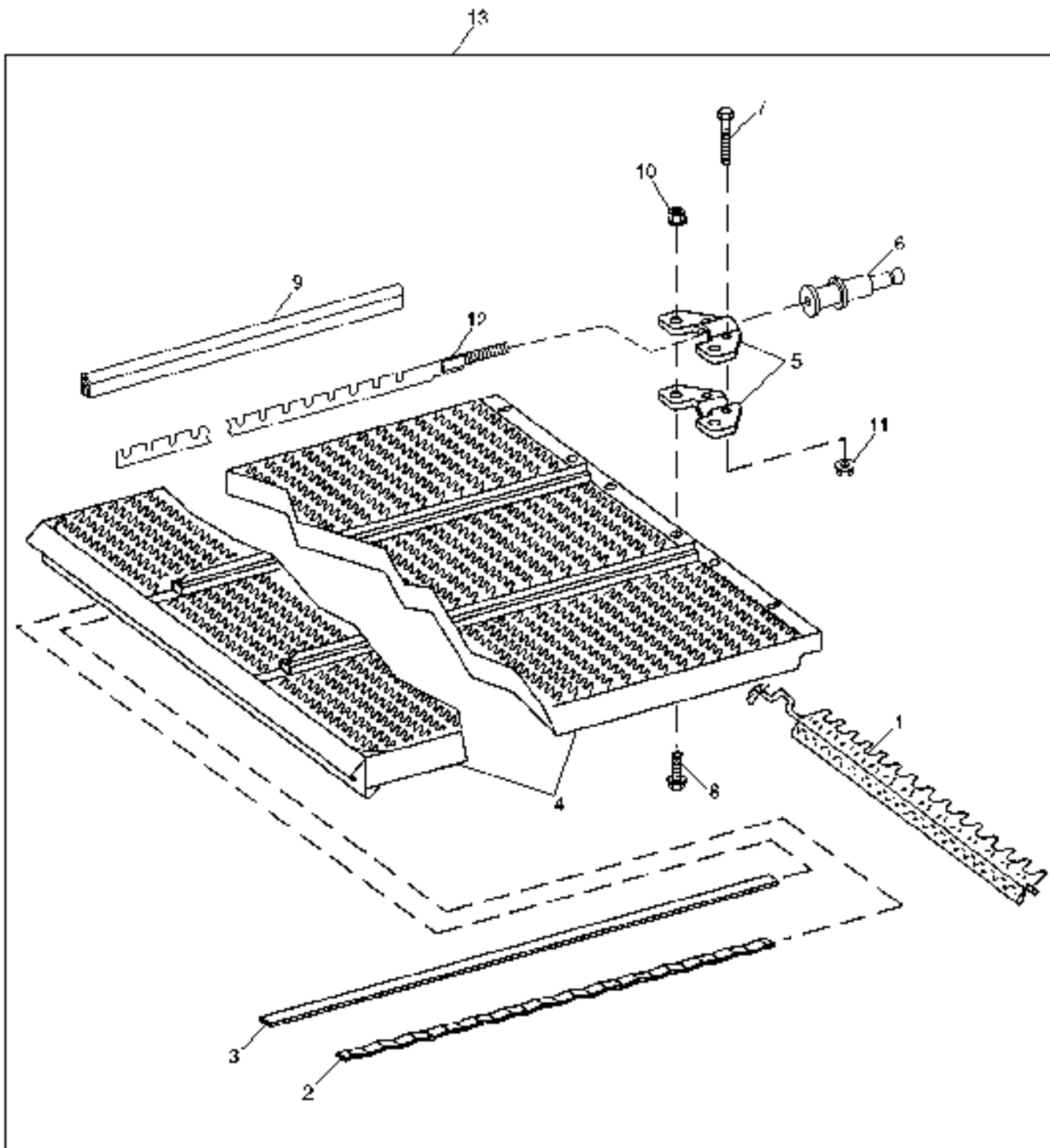
CLEANING FAN INTAKE SHIELDS (OPTIONAL) - CONTINUED

KEY	PART NO.	PART NAME	QTY	SERIAL NO.	REMARKS
1	H144556	SHIELD	1	R.H.	
2	AH138374	SHIELD	1	R.H.	
3	19M7801	SCREW	2	M8 X 60	
4	24H1296	WASHER	2	8.738 X 34.925 X 3.404 MM (11/32" X 1-3/8" X 0.134")	
5	H145950	SHIELD	1	R.H.	
6	14M7298	FLANGE NUT	4	M8	
7	H145949	SHIELD	1	L.H.	
8	AH132356	CLIP	2	(FOR RICE ONLY)	
9	AH138375	SHIELD	1	L.H.	
10	AH135290	QUICK LOCK PIN	2		
11	H144557	SHIELD	1	L.H.	
12	H145897	SHIELD	1	L.H.	
13	24M7178	WASHER	4	10.500 X 30 X 2.500 MM	
14	37M7086	SCREW	4	M10 X 20, SELF-TAPPING	
15	H134683	SHIELD	2		
16	24M7055	WASHER	2	8.400 X 16 X 1.600 MM	
17	19M7866	SCREW	2	M8 X 20, (INTO WELDNUT)	
18	H145898	SHIELD	1	R.H.	
19	03M7183	BOLT	6	M8 X 16	
	14M7298	FLANGE NUT	6	M8	
20	19M7898	SCREW	4	M10 X 130, (FOR RICE ONLY)	

4F13

THRESHING AND SEPARATION

PRECLEANING CHAFFER
HP8093 -UN-18DEC98



HP8093

4F14

THRESHING AND SEPARATION

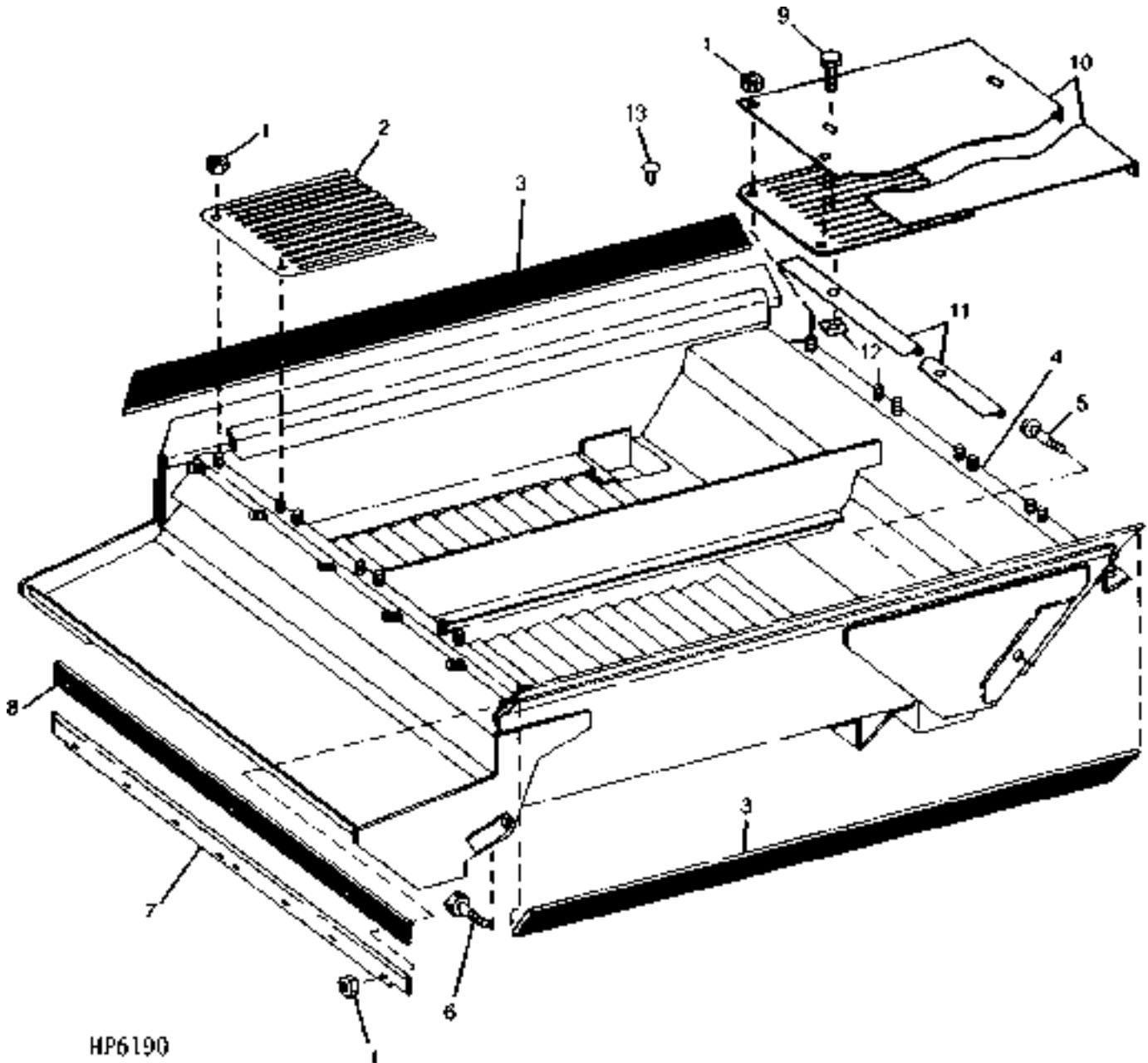
PRECLEANING CHAFFER - CONTINUED

KEY	PART NO.	PART NAME	QTY	SERIAL NO.	REMARKS
1	AH130184	LOUVER	26		PRECLEANER LOUVER (USED ON AH149544)
	AH127466	LOUVER	1		SEMI-DEEP TOOTH LOUVER (USED ON AH149544)
	AH127466	LOUVER	27		SEMI-DEEP TOOTH LOUVER (USED ON AH149548)
2	H132291	LEAF SPRING	2		
3	H132288	STRIP	3		
4	AH131214	SIEVE	2		FIXED, 3MM (1/8") ROUND HOLES
	AH127870	CHAFFER	2		
5	H156800	RETAINER	2		
6	H156801	ACTUATOR	1		
7	19M7775	SCREW	2		M6 X 16
8	19M7784	SCREW	2		M10 X 20
9	AH140044	ISOLATOR	1		(CUT TO LENGTH)
10	14M7400	LOCK NUT	2		M10
11	14M7397	LOCK NUT	2		M6
12	AH156717	STRIP	1		
13	AH149544	PRESCREENER	1		GENERAL PURPOSE
	AH149548	PRESCREENER	1		DEEP TOOTH ELEMENT

4F15

THRESHING AND SEPARATION

PRECLEANER CHAFFER FRAME
HP6190 -UN-03OCT95



HP6190

4F16

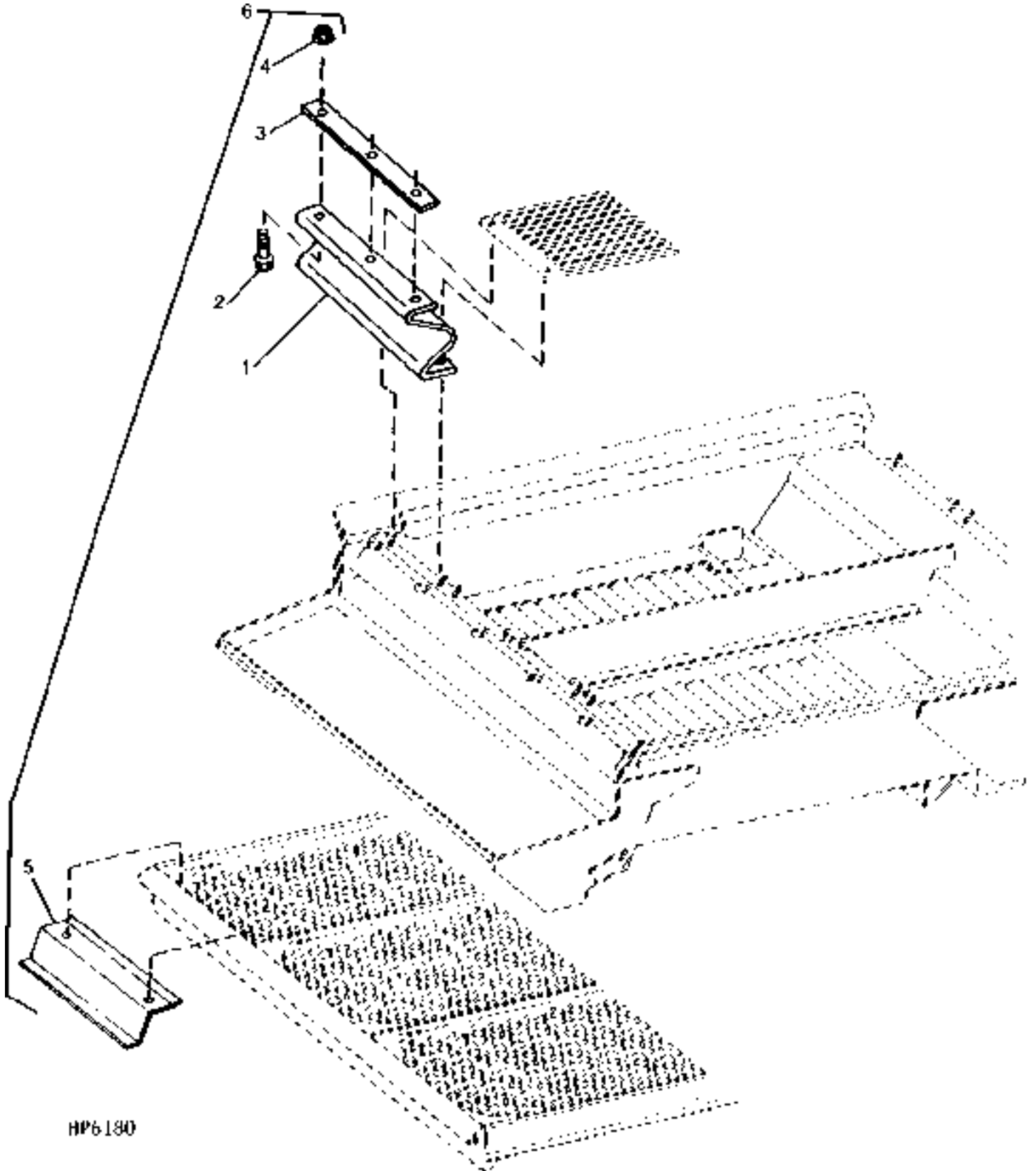
THRESHING AND SEPARATION

PRECLEANER CHAFFER FRAME - CONTINUED

KEY	PART NO.	PART NAME	QTY	SERIAL NO.	REMARKS
1	14M7396	LOCK NUT	AR	M8	
2	H132161	FINGER	4	15 FINGER (FRONT)	
	H156717	FINGER	2	12 FINGER	
	H156718	FINGER	4	15 FINGER (REAR)	
3	H152232	SEAL	2	(ILLUSTRATED)	
4	AH153807	FRAME	1		
5	03M7281	BOLT	2	M16 X 180	
6	19M7758	CAP SCREW	2	M12 X 130	
7	H152310	STRIP	1		
8	H152309	SEAL	1		
9	19M7868	SCREW	AR	M8 X 30	
10	H136608	SHEET	1		
11	H136610	ANGLE	1		
12	R87345	LOCK NUT	AR	9.525 MM (3/8")	
13	R55326	RIVET	6		

4F17

GRAIN LEAK KIT
HP6180 -UN-03OCT95



HP6180

4F18

THRESHING AND SEPARATION

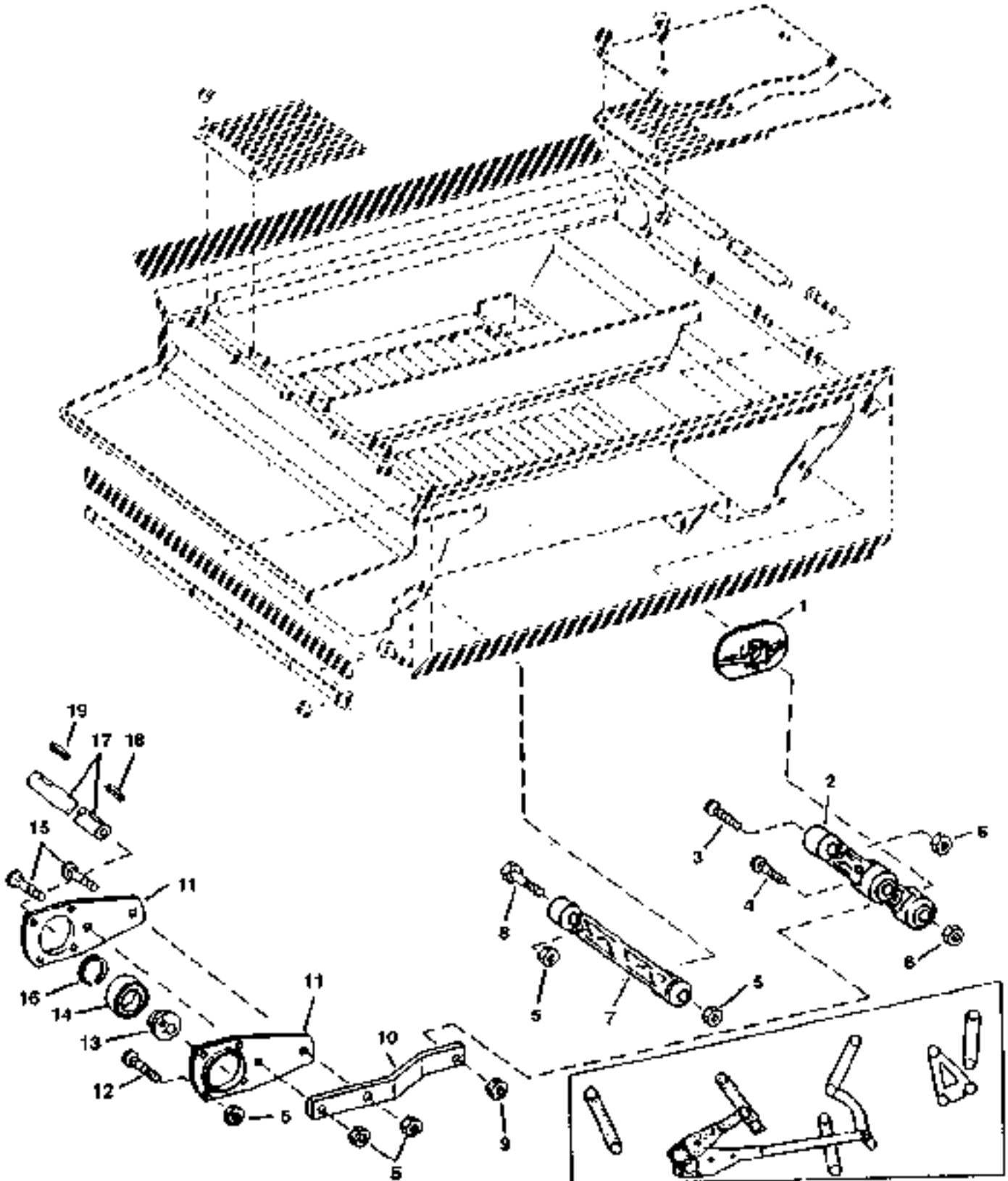
GRAIN LEAK KIT - CONTINUED

KEY	PART NO.	PART NAME	QTY	SERIAL NO.	REMARKS
1	H153647	SEAL	2		(R.H. SIDE ILLUSTRATED)
2	19M7862	SCREW	6		M6 X 20
3	H153649	STRAP	1		
4	14M7303	FLANGE NUT	6		M6
5	H153759	GUARD	4		(R.H. SIDE ILLUSTRATED)
6	AH147583	KIT	1		COMPLETE

4F19

THRESHING AND SEPARATION

PRECLEANER CHAFFER FRAME ARMS
HP6891 -UN-18AUG97



HP6891

4F20

THRESHING AND SEPARATION

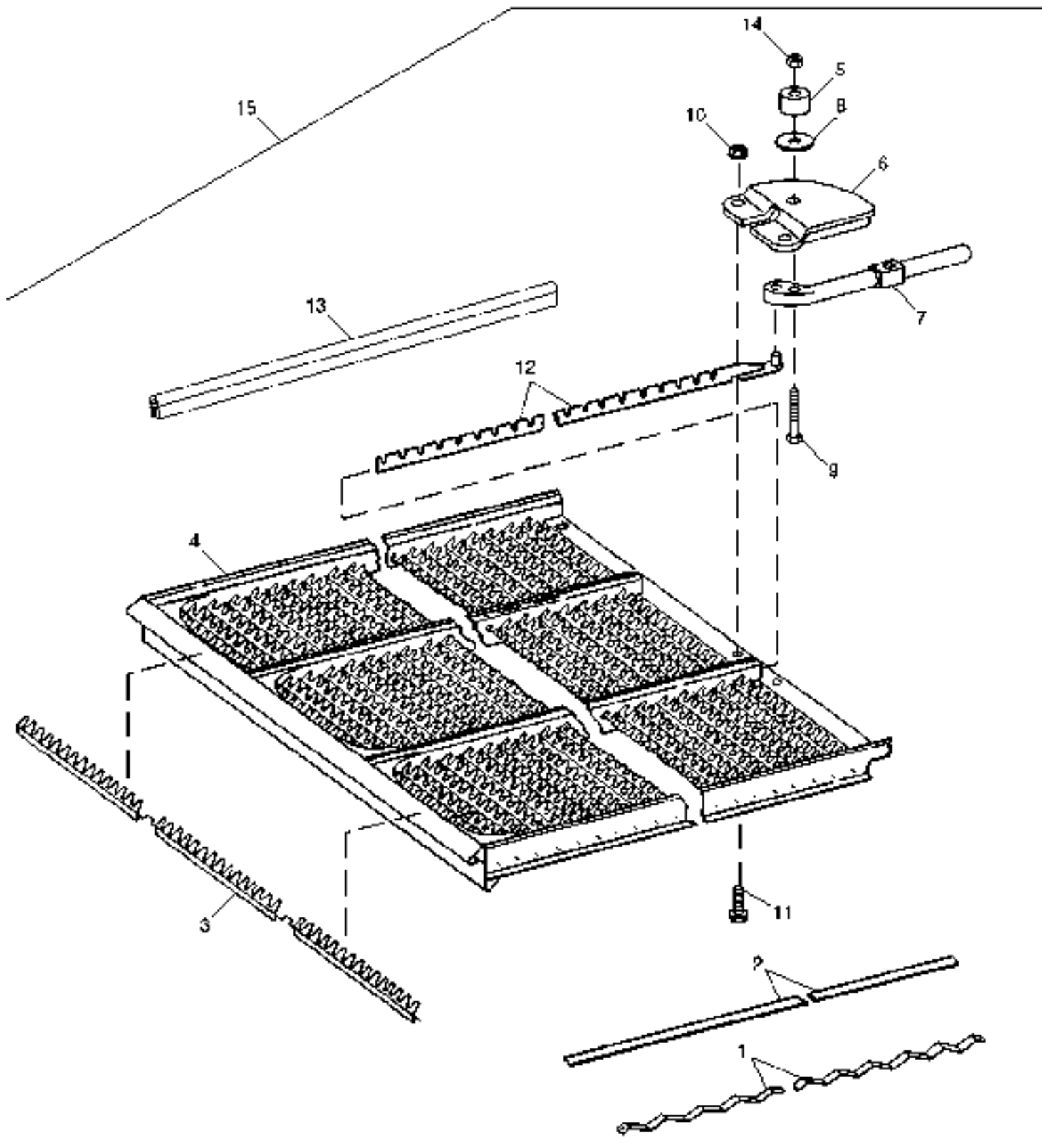
PRECLEANER CHAFFER FRAME ARMS - CONTINUED

KEY	PART NO.	PART NAME	QTY	SERIAL NO.	REMARKS
1	H146672	SEAL	2		(USE WITH AH138234) ONLY
2	AH138234	LINK	2		CAST
3	03M7248	BOLT	2		M12 X 90
4	19M8043	CAP SCREW	2		M16 X 140
5	14M7299	FLANGE NUT	AR		M12
6	14M7276	NUT	2		M16
7	AH138231	LINK	2		CAST
8	19M7818	SCREW	1		M12 X 80
9	14M7291	FLANGE NUT	2		M16
10	H130922	PITMAN	2		
11	H134118	PRESSED FLANGED HOUSING	4		
12	03M7197	BOLT	AR		M12 X 25
13	H133599	CAM	1		LEFT-HAND
	H133602	CAM	1		RIGHT-HAND
14	AH125975	BALL BEARING	2		
15	03M7200	BOLT	AR		M12 X 40
16	R43383	SNAP RING	2		
17	H133597	SHAFT	1		CLEANING SHOE SHAFT
18	SHAFT KEY	1		6 X 50 MM (IN AH141142 KEY STOCK KIT) (CUT FROM H150268)
19	SHAFT KEY	1		6 X 100 MM (IN AH141142 KEY STOCK KIT) (CUT FROM H150268)

4F21

THRESHING AND SEPARATION

CHAFFER ELEMENT
HP8094 -UN-18DEC98



HP8094

4F22

THRESHING AND SEPARATION

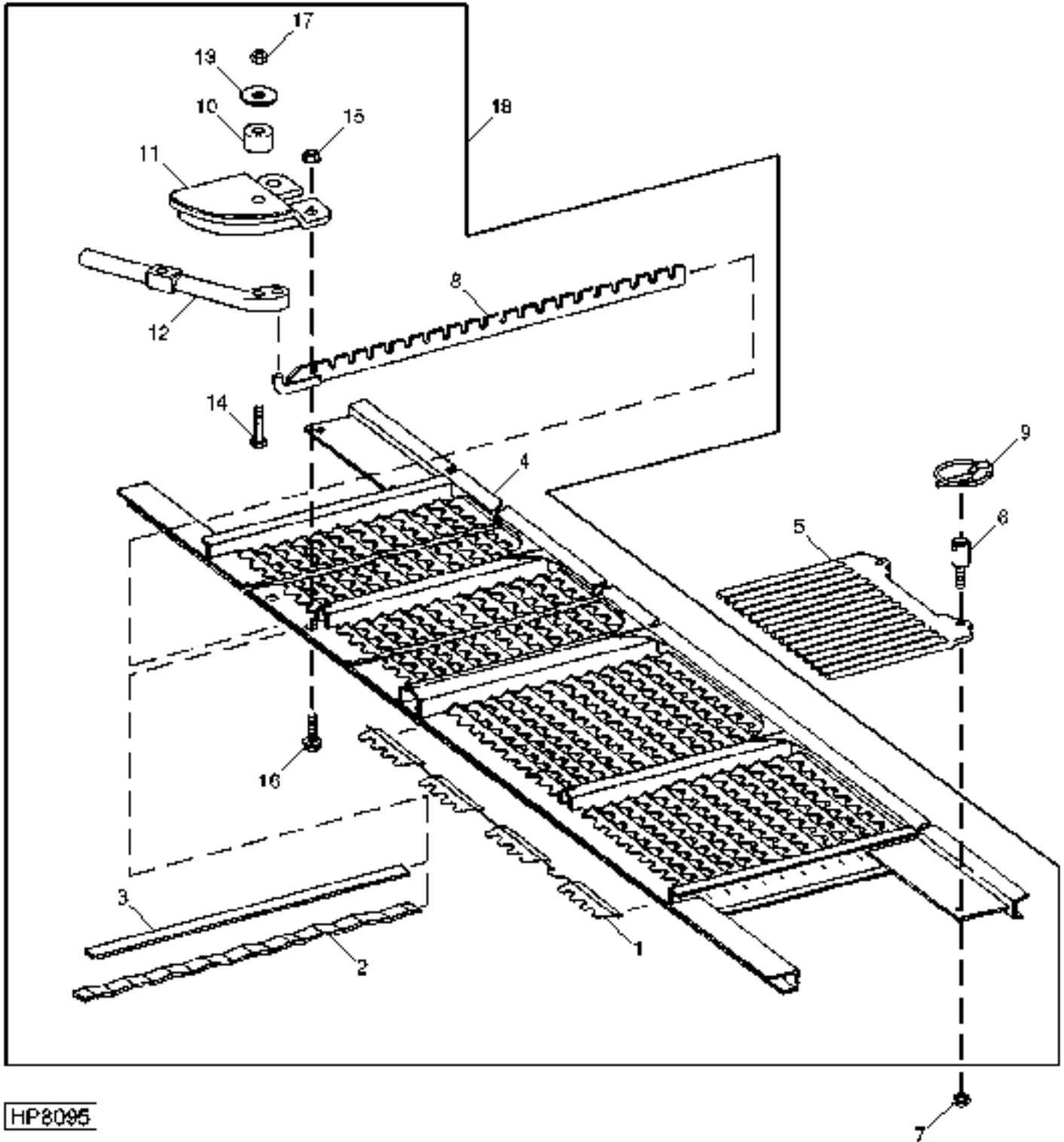
CHAFFER ELEMENT - CONTINUED

KEY	PART NO.	PART NAME	QTY	SERIAL NO.	REMARKS
1	H132291	LEAF SPRING	2		
2	H132288	STRIP	2		
3	AH132786	LOUVER	26		GENERAL PURPOSE LOUVERS
	AH127466	LOUVER	27		SEMI-DEEP TOOTH LOUVERS
4	AH130485	CHAFFER	1		FIXED LOUVER
5	A37576	PAD	1		
6	H157740	BRACKET	1		
7	H157743	HANDLE	1		
8	24H1695	WASHER	1		
9	19M7177	CAP SCREW	1		M6 X 35
10	14M7296	FLANGE NUT	2		M10
11	19M7784	SCREW	2		M10 X 20
12	AH150167	STRIP	1		
13	AH140044	ISOLATOR	1		(CUT TO LENGTH)
14	14M7397	LOCK NUT	1		M6
15	AH149550	CHAFFER	1		WIDE ELEMENT
	AH149552	CHAFFER	1		DEEP TOOTH ELEMENT

4F23

THRESHING AND SEPARATION

CHAFFER EXTENSION ELEMENT
HP8095 -UN-18DEC98



HP8095

4F24

THRESHING AND SEPARATION

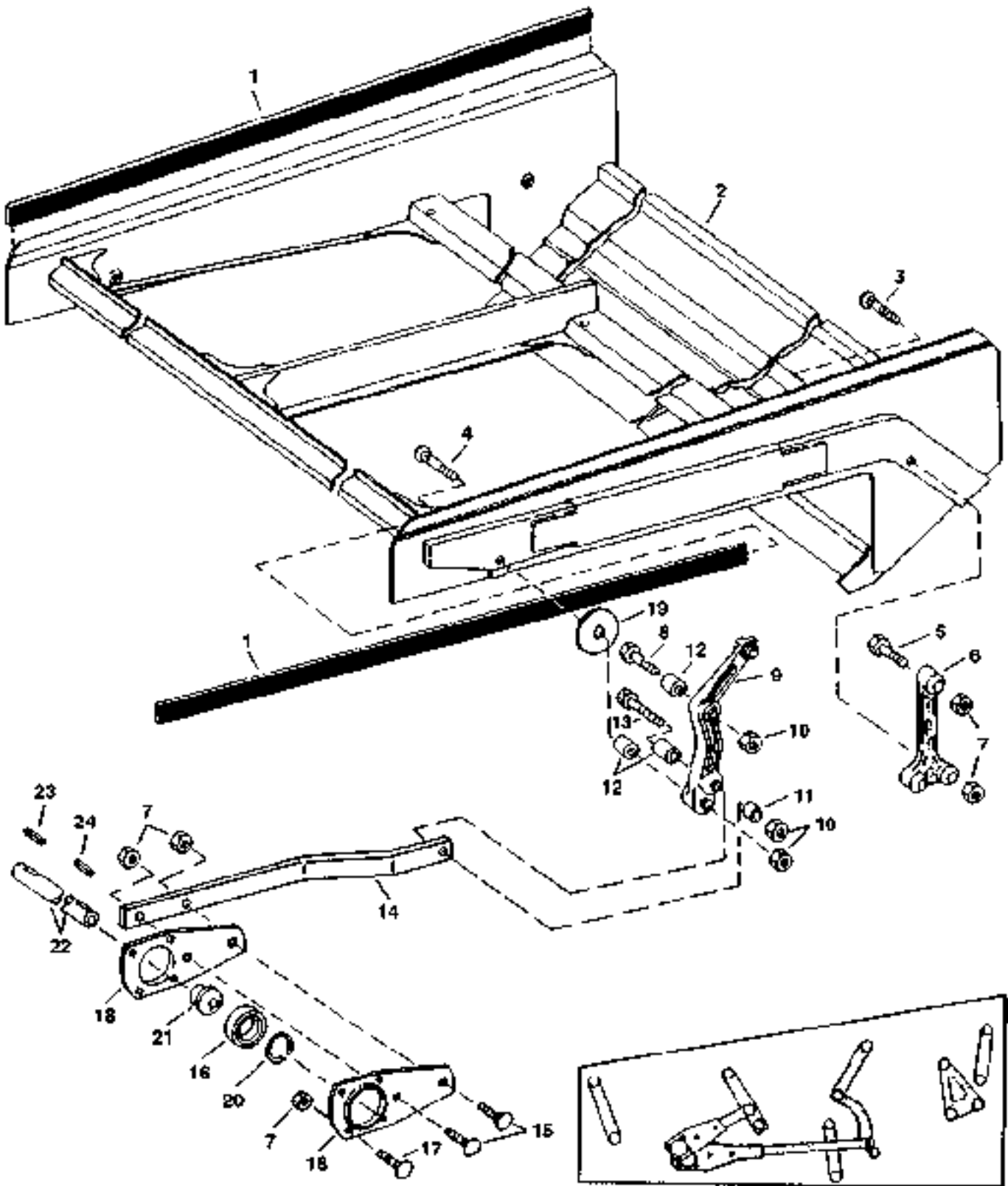
CHAFFER EXTENSION ELEMENT - CONTINUED

KEY	PART NO.	PART NAME	QTY	SERIAL NO.	REMARKS
1	AH150193	LOUVER	12		EXTENSION WIDE
2	H132293	LEAF SPRING	3		
3	H132290	STRIP	3		
4	AH130995	CHAFFER	1		FIXED ELEMENT
5	H132161	FINGER	2		15 FINGERS
	H132160	FINGER	2		FOR FIXED LOUVER
6	H157752	STUD	2		
7	14M7298	FLANGE NUT	2		M8
8	AH150169	STRIP	1		
9	M72598	QUICK LOCK PIN	2		
10	A37576	PAD	1		
11	H157740	BRACKET	1		
12	H157743	HANDLE	1		
13	24H1695	WASHER	1		9/32" X 1-3/8" X 0.065"
14	19M7177	CAP SCREW	1		M6 X 35
15	14M7296	FLANGE NUT	2		M10
16	19M7784	SCREW	2		M10 X 20
17	14M7367	LOCK NUT	1		M12
18	AH149554	EXTENSION	1		WIDE ELEMENT

4G1

THRESHING AND SEPARATION

CHAFFER FRAME
HP6892 -UN-01OCT97



HP6892

4G2

THRESHING AND SEPARATION

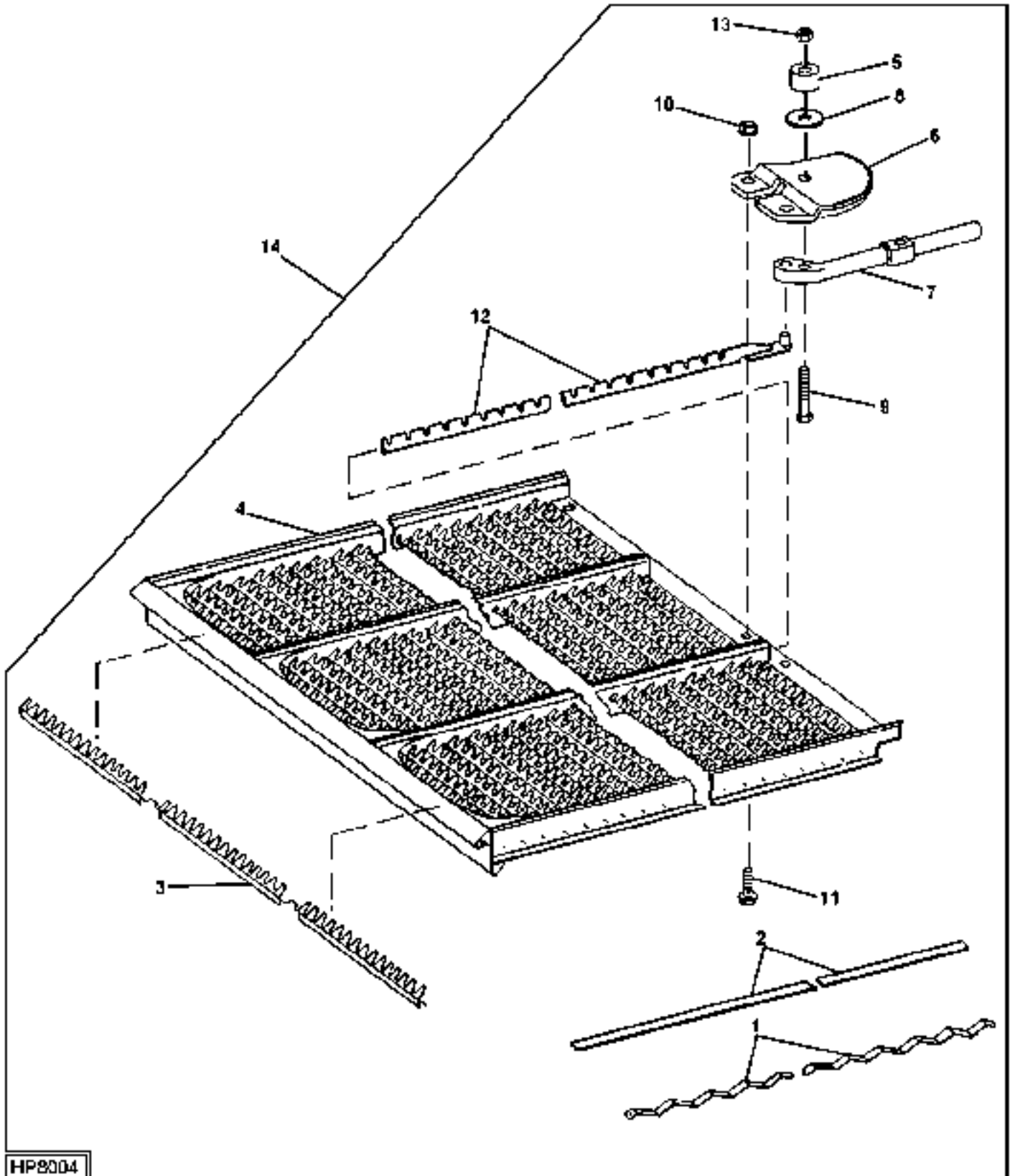
CHAFFER FRAME - CONTINUED

KEY	PART NO.	PART NAME	QTY	SERIAL NO.	REMARKS
1	H175540	SEAL	2		(SUB FOR H131319)
2	AH151970	FRAME	1		
3	19M7943	CAP SCREW	2		M12 X 90
4	19M7732	CAP SCREW	2		M16 X 130
5	03M7248	BOLT	2		M12 X 90
6	AH138232	LINK	2		
7	14M7299	FLANGE NUT	AR		M12
8	H154929	BOLT	2		M16 X 130
9	AH125969	ARM	1		L.H. SIDE
	AH125970	ARM	1		R.H. SIDE
10	14M7291	FLANGE NUT	AR		M16
11	H96690	SPACER	2		16.662 X 31.750 X 28.956 MM (21/32" X 1-1/4" X 1.140")
12	AH125201	RUBBER MOUNT	2		
13	19M8486	CAP SCREW	2		M16 X 180
14	H150034	BAR	2		
15	03M7198	BOLT	AR		M12 X 30
	03M7200	BOLT	AR		M12 X 40
16	AH125975	BALL BEARING	2		
17	03M7198	BOLT	AR		M12 X 30
18	H134118	PRESSED FLANGED HOUSING	4		
19	H137188	SEAL	2		
20	R43383	SNAP RING	2		
21	H133600	CAM	1		L H
	H133601	CAM	1		R H
22	H133597	SHAFT	1		
23	SHAFT KEY	1		6 X 50 MM (IN AH141142 KEY STOCK KIT) (CUT FROM H150268)
24	SHAFT KEY	1		6 X 100 MM (IN AH141142 KEY STOCK KIT) (CUT FROM H150268)

4G3

THRESHING AND SEPARATION

SIEVE ELEMENT
HP8004 -UN-29SEP98



HP8004

4G4

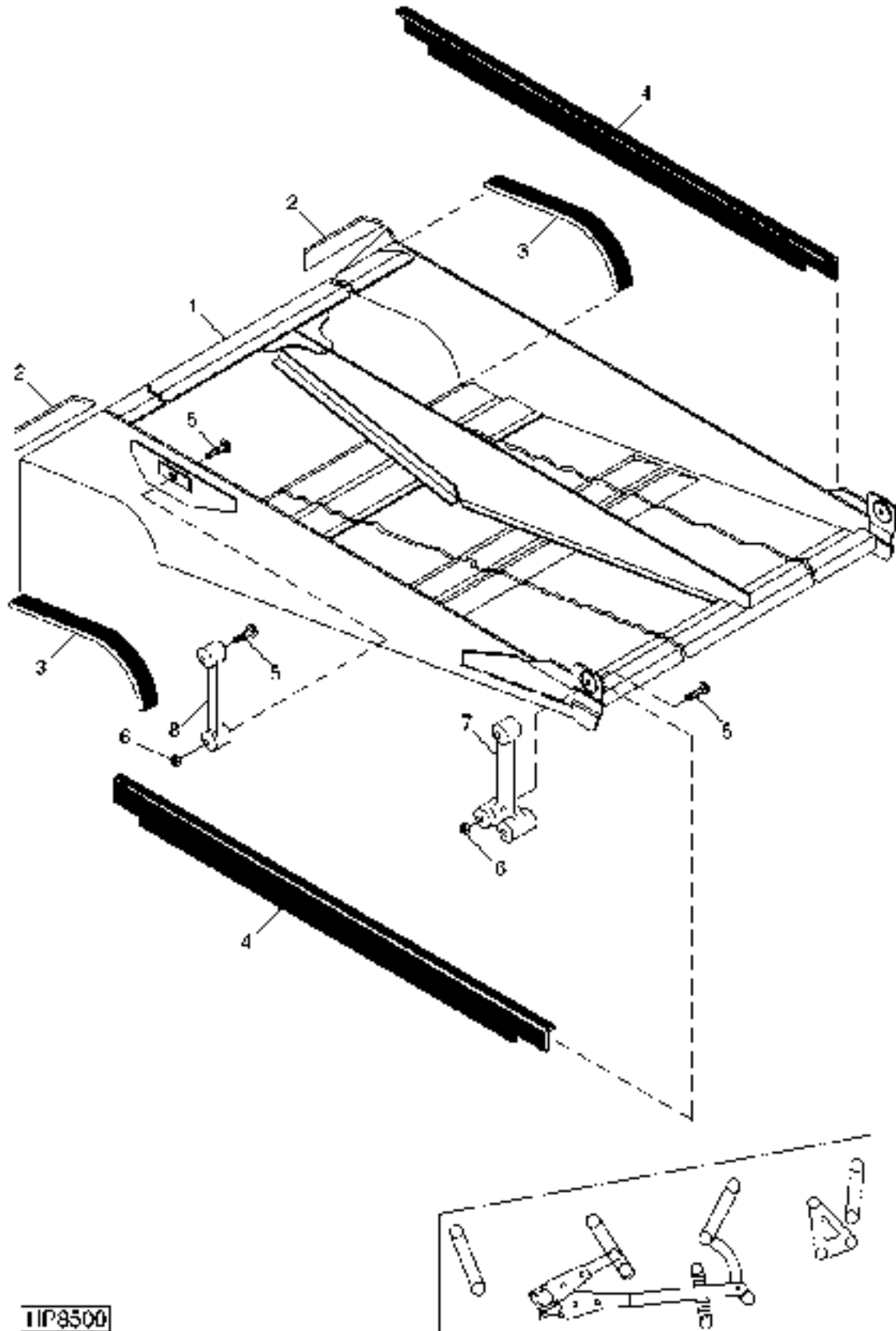
THRESHING AND SEPARATION

SIEVE ELEMENT - CONTINUED

KEY	PART NO.	PART NAME	QTY	SERIAL NO.	REMARKS
1	H132292	LEAF SPRING	1		
2	H132289	STRIP	1		
3	AH130165	LOUVER	40	L.H.	
	AH150194	LOUVER	40	R.H.	
4	AH131216	SIEVE	2		FIXED, 3MM (1/8") ROUND HOLES
	AH131218	SIEVE	2		FIXED, 10MM (3/8") ROUND HOLES
	AH149556	SIEVE	2		3MM (1/8") ADJUSTABLE, R.H.
	AH149557	SIEVE	2		10MM (3/8") ADJUSTABLE, L.H.
5	A37576	PAD	1		
6	H157742	BRACKET	1	L.H.	
	H157741	BRACKET	1	R.H.	
7	H157744	HANDLE	1		
8	24H1695	WASHER	1		9/32" X 1-3/8" X 0.065"
9	19M7177	CAP SCREW	1		M6 X 35
10	14M7296	FLANGE NUT	2		M10
11	19M7784	SCREW	2		ADJUSTABLE
12	AH150168	STRIP	1		
13	14M7397	LOCK NUT	1		M6
14	AH149557	SIEVE	1	L.H.	
	AH149556	SIEVE	1	R.H.	

4G5

SIEVE FRAME
HP8500 -UN-21APR99



HP8500

4G6

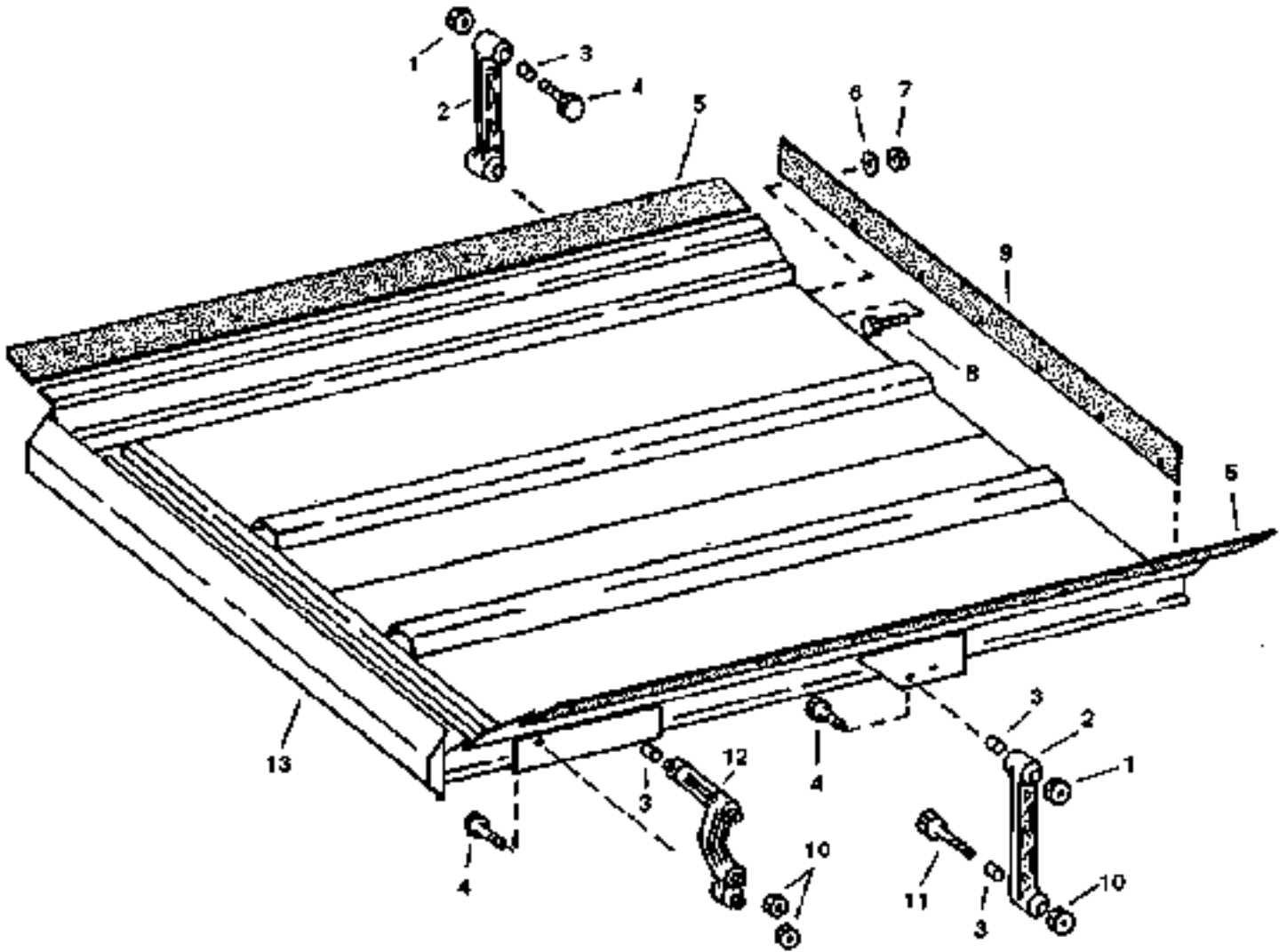
THRESHING AND SEPARATION

SIEVE FRAME - CONTINUED

KEY	PART NO.	PART NAME	QTY	SERIAL NO.	REMARKS
1	AH149702	FRAME	1		
2	H133288	SEAL	2		
3	AH133091	SEAL	2	-676267	(SUB FOR AH132965 AND AH132966) (MAKE FROM AH125163) CUT 320 MM (12-1/2 ") (50 FT. ROLL)
	AH159365	SEAL	2	676268-	
4	H133287	SEAL	2		
5	03M7248	BOLT	6		M12 X 90
6	14M7299	FLANGE NUT	6		M12
7	AH138232	LINK	2		
8	AH138230	LINK	2		

4G7

SHAKER PAN
HP6894 -UN-18AUG97



HP6894

4G8

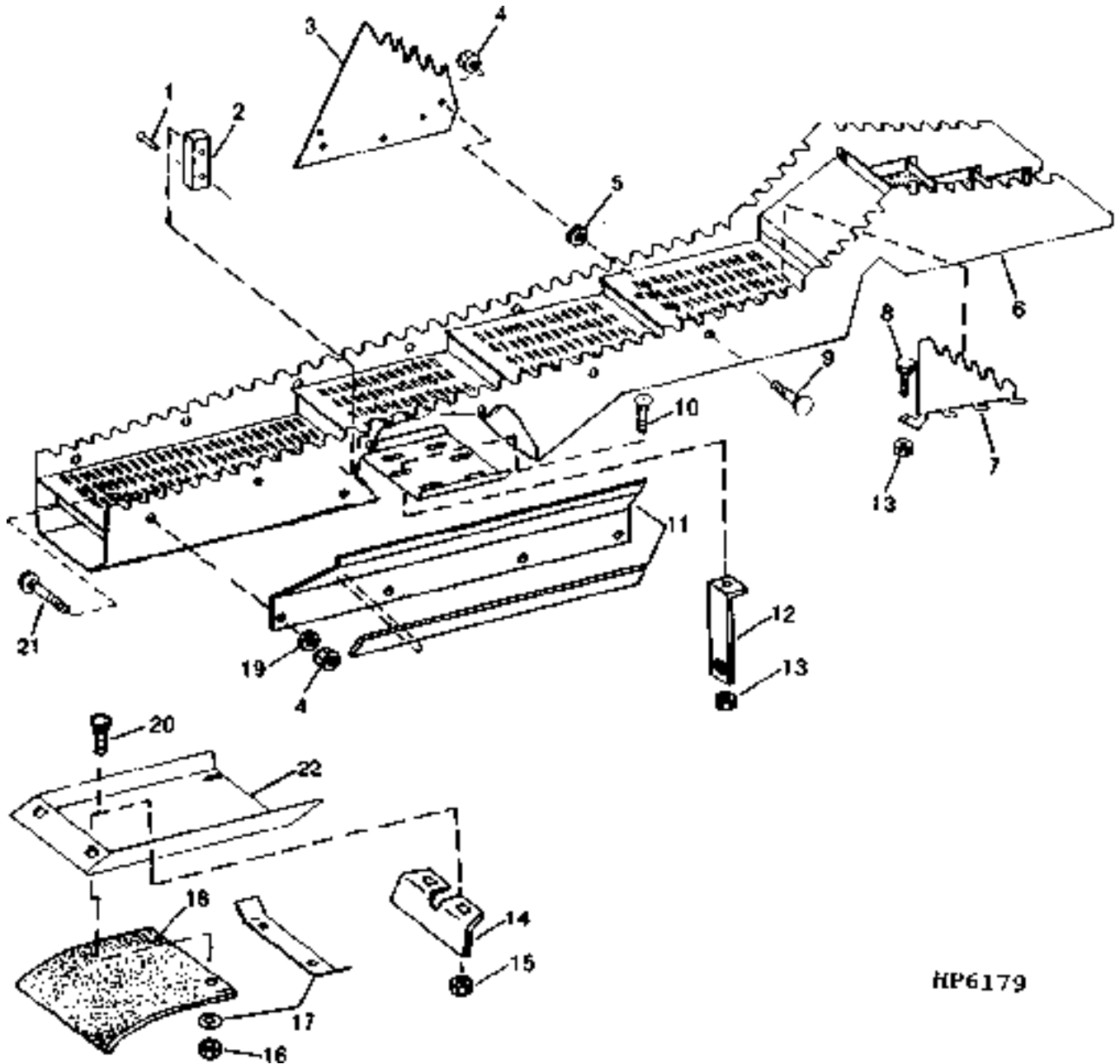
THRESHING AND SEPARATION

SHAKER PAN - CONTINUED

KEY	PART NO.	PART NAME	QTY	SERIAL NO.	REMARKS
1	14M7275	NUT	5		
2	AH138230	LINK	2		
3	BUSHING	7		
4	19M7821	SCREW	2		M12 X 120
5	H175590	SEAL	2		(SUB FOR H133768)
6	24H1299	WASHER	8		3/8" X 1-1/4" X 0.065"
7	14M7298	FLANGE NUT	8		M8
8	03M7184	BOLT	8		M8 X 20
9	H133788	SEAL	1		
10	14M7275	NUT	4		M12
11	19M7819	SCREW	2		M12 X 90
12	AH125970	ARM	1		R.H.
	AH125969	ARM	1		L.H.
13	AH128908	GRAIN PAN	1		

4G9

STRAW WALKERS
HP6179 -UN-06OCT95



HP6179

4G10

THRESHING AND SEPARATION

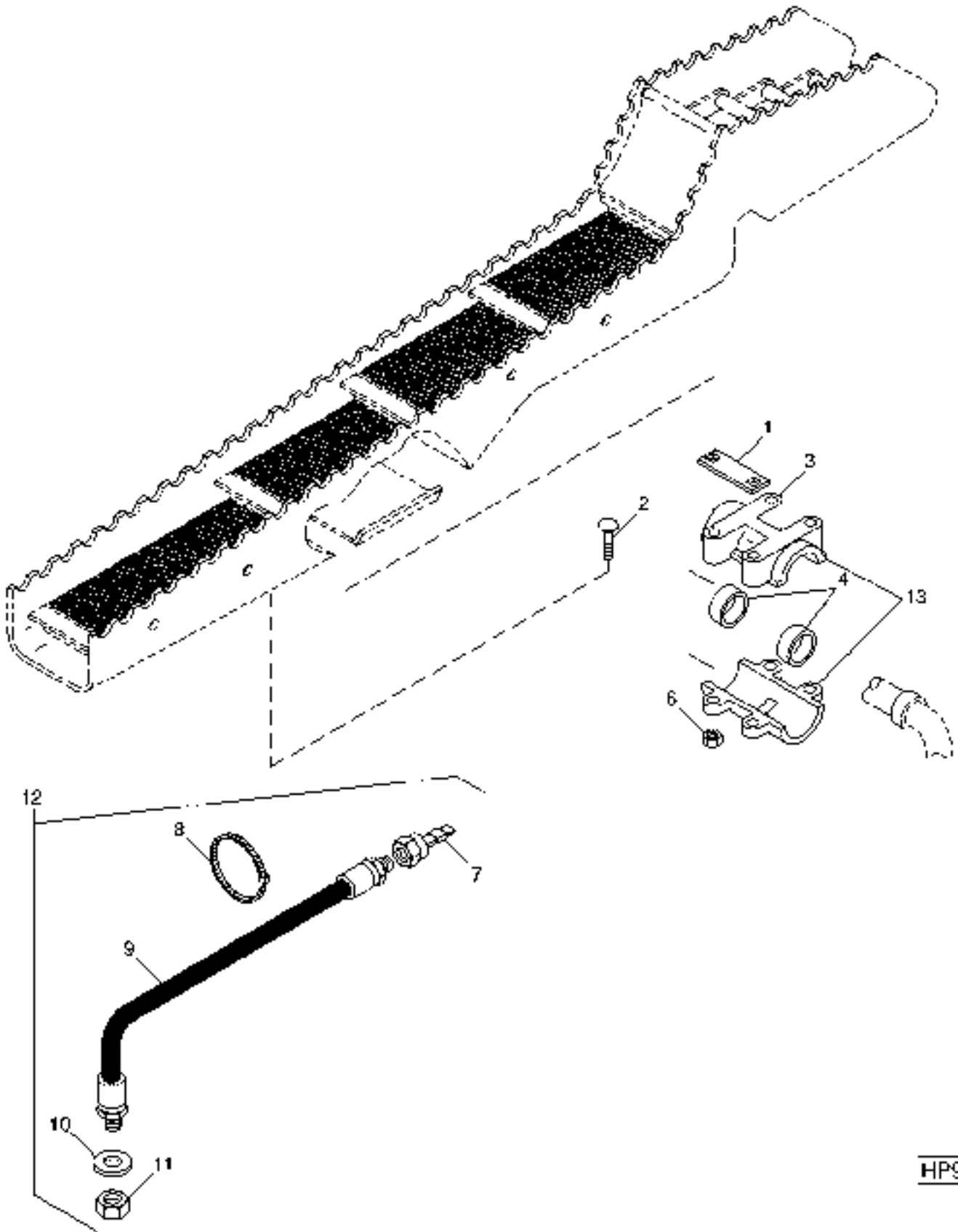
STRAW WALKERS - CONTINUED

KEY	PART NO.	PART NAME	QTY	SERIAL NO.	REMARKS
1	H85233	RIVET	2		
2	H135923	STRIP	AR		BETWEEN WALKERS ONLY
3	H131516	RISER	1		ONE PER WALKER EXCEPT R.H. OUTSIDE WALKER
4	14M7303	FLANGE NUT	3		M6
5	24H1292	WASHER	AR		8.738 X 19.050 X 3.048 MM
6	AH135380	STRAW WALKER	5		(ILLUSTRATED) LIP TYPE
	AH140434	STRAW WALKER	5		RECTANGULAR GRID
7	H141883	RISER	1		CENTER (RICE) (DOMESTIC) (ILLUSTRATED) LIP TYPE
	H141883	RISER	1		CENTER, EXPORT (FRANCE) LIP TYPE
	H146639	RISER	AR		CENTER, RECTANGULAR GRID
8	19M7865	SCREW	1		M8 X 16, TO ATTACH RISER
9	03M7251	BOLT	3		M6 X 12
10	03M7184	BOLT	2		M8 X 20
11	AH126589	SEAL	1		(SUB AH162250) OUTSIDE WALKERS ONLY
	AH162250	SEAL	1		OUTSIDE WALKERS ONLY
12	H87268	BRACKET	2		LOSS MONITOR
13	14M7298	FLANGE NUT	AR		M8
14	H140414	DEFLECTOR	1		USE WITH CORN CHOPPER TO DEFLECT COBS
15	14M7396	LOCK NUT	2		M8
16	M84309	NUT	2		TO RETAIN M8 BOLTS
17	H143615	REINFORCEMENT	1		
18	H140218	FLAP	5		FOR SUNFLOWERS
19	24M7055	WASHER	AR		8.400 X 16 X 1.600 MM
20	03M7184	BOLT	AR		M8 X 20, WITH EXTENSION PAN
21	03M7221	BOLT	AR		M6 X 16
22	H131661	PAN	1		

4G11

THRESHING AND SEPARATION

STRAW WALKER BEARING KIT
HP9646 -UN-28MAR00



4G12

THRESHING AND SEPARATION

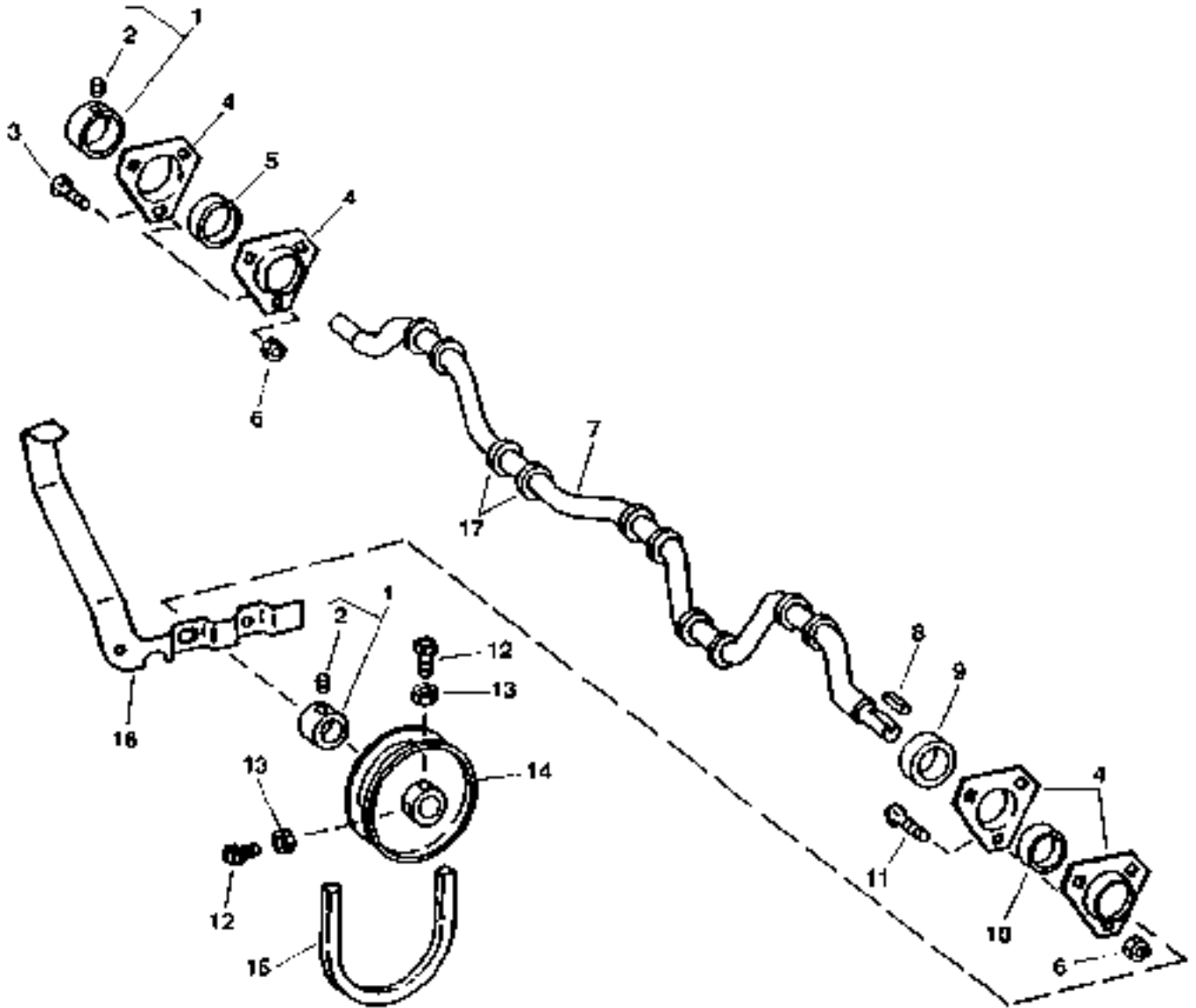
STRAW WALKER BEARING KIT - CONTINUED

KEY	PART NO.	PART NAME	QTY	SERIAL NO.	REMARKS
1	H139667	STRAP	2		
2	03M7359	BOLT	4	M10 X 85	
3	H152464	BEARING	1	(SUB AH168158) (USE WITH H152465) UPPER	
4	H154216	SEAL	2		
5	H152465	BEARING	1	(SUB AH168158) (USE WITH H152464) LOWER	
6	14M7400	LOCK NUT	4	M10	
7	AN71222	ADAPTER	1	STRAIGHT	
8	R44302	TIE BAND	10	171 MM (6-3/4")	
9	AH144816	HOSE	1	LUBRICATION (FRONT BEARING)	
10	24H1307	WASHER	1	10.312 X 25.400 X 1.600 MM	
11	E12379	NUT	1	3.175 MM 3.175 MM (1/8")	
12	AH145935	KIT	1	LUBE HOSE (FRONT BEARING ILLUSTRATED)	
13	AH168158	BEARING	1		

4G13

THRESHING AND SEPARATION

STRAW WALKER CRANKS, STRAW SPREADER DRIVE AND SHIELD
HP6965 -UN-08SEP97



HP6965

4G14

THRESHING AND SEPARATION

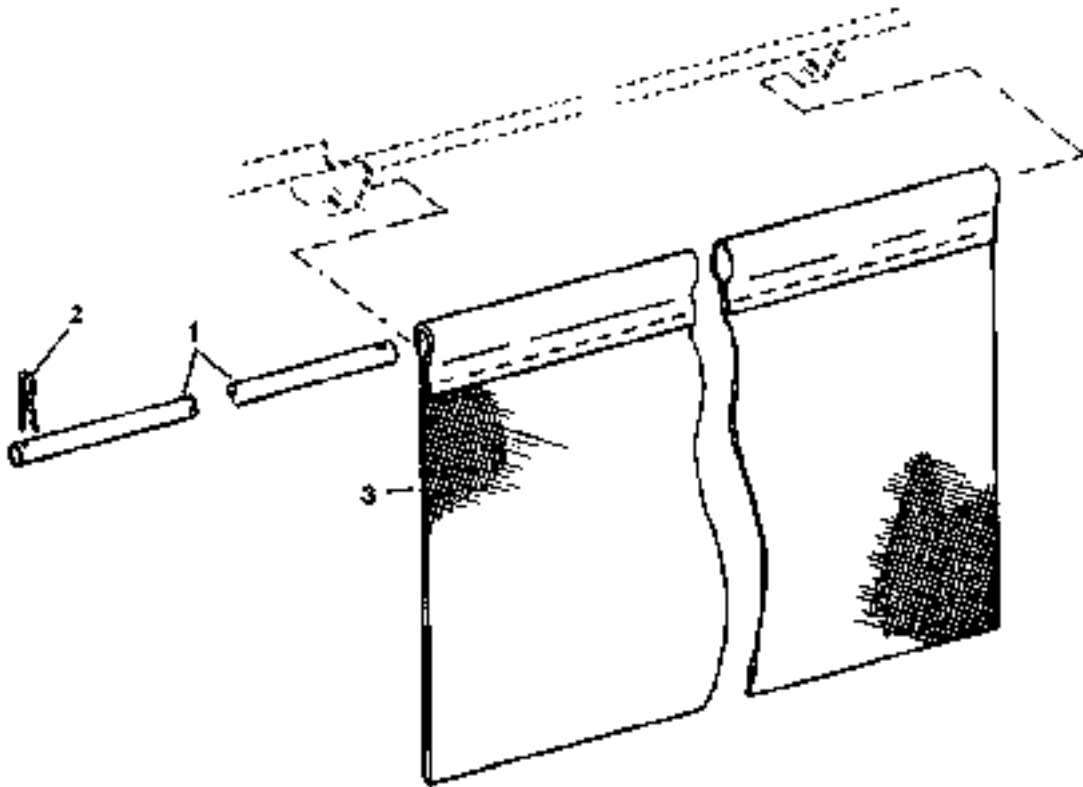
STRAW WALKER CRANKS, STRAW SPREADER DRIVE AND SHIELD - CONTINUED

KEY	PART NO.	PART NAME	QTY	SERIAL NO.	REMARKS
1	AH133191	ECCENTRIC LOCKING COLLAR	3		L.H. ON FRONT CRANK AND BOTH ON REAR CRANK
2	22M7081	SET SCREW	3		M10 X 10
3	03M7191	BOLT	12		M10 X 25
4	H103265	PRESSED FLANGED HOUSING	8		
5	AZ19427	BALL BEARING	1		FRONT L.H. ONLY
	JD39104	BALL BEARING	1		R.H. REAR
6	14M7296	FLANGE NUT	6		M10
7	AH145602	SHAFT	1		REAR CRANK ONLY (HEAT TREATED)
	AH151331	CRANKSHAFT	1		(SUB AH151331, H155973 AND N134803) FRONT CRANK ONLY (HEAT TREATED)
8	H138344	SHAFT KEY	1		
9	H135519	SPACER	1		FRONT R.H. ONLY
10	AH132823	BALL BEARING	1		FRONT R.H. ONLY
	JD39104	BALL BEARING	1		L.H. REAR
11	03M7190	BOLT	1		M10 X 20
12	H138435	SET SCREW	2		
13	14M7274	NUT	2		M10
14	AH114359	SHEAVE	1		STRAW SPREADER DRIVE (L.H. REAR)(I D 1.370)
15	H128234	BELT	1		STRAW SPREADER DRIVE
16	H140020	GUIDE	1		
17	AH141393	LOCKING COLLAR	10		

4G15

THRESHING AND SEPARATION

**SEPARATOR CURTAIN
(RASP BAR CYLINDER)**
HP6897 -UN-18AUG97



HP6897

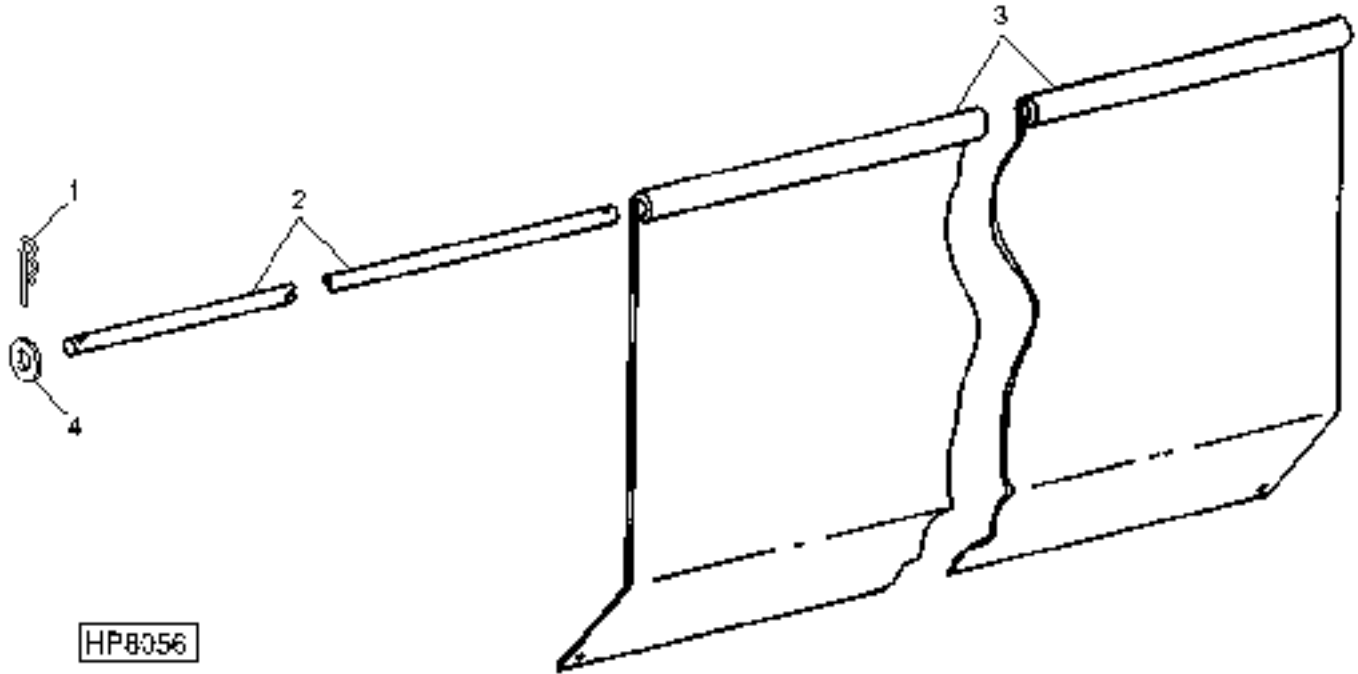
KEY	PART NO.	PART NAME	QTY	SERIAL NO.	REMARKS
1	H157281	PIPE	1		(USE WITH H144822)
2	A15147	SPRING LOCKING PIN	2		
3	H144822	LIMIT CURTAIN	1		FOR CORN/GRAIN COMBINES

4G16

THRESHING AND SEPARATION

SEPARATOR CURTAIN (SPIKE-TOOTH CYLINDER)

HP8056 -UN-30NOV98



KEY	PART NO.	PART NAME	QTY	SERIAL NO.	REMARKS
1	A15147	SPRING LOCKING PIN	2		
2	H100211	PIN	1		
3	H145515	DEFLECTOR	1		STEEL; FOR RICE/GRAIN COMBINES
4	T20217	WASHER	2		

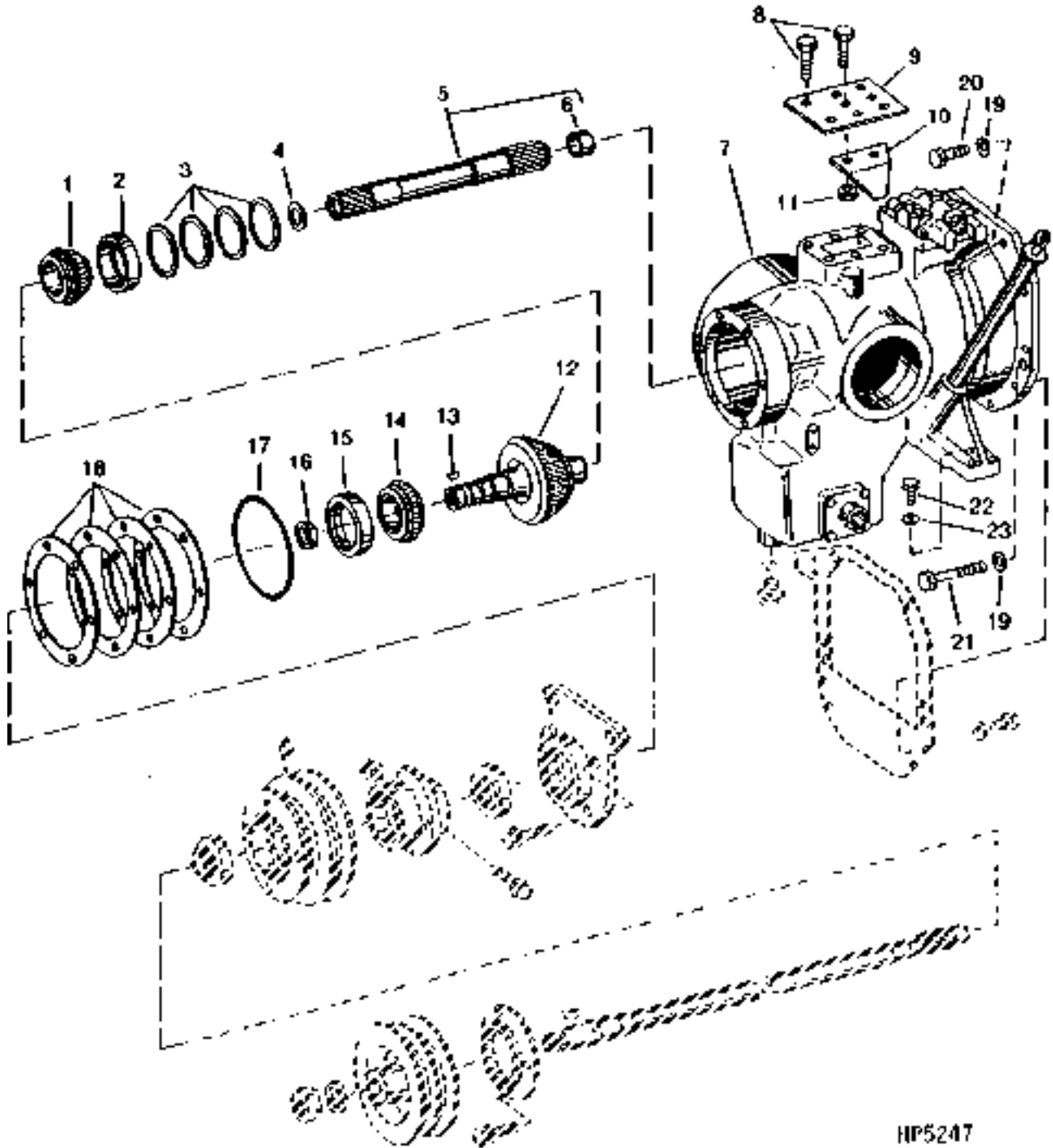
MEMORANDA

MEMORANDA

4G20

DRIVES

ENGINE GEARCASE
(STRAW CHOPPER, UNLOADING AND SEPARATOR DRIVE GEAR)
HP5247 -UN-01JAN94



HP5247

4G21

DRIVES

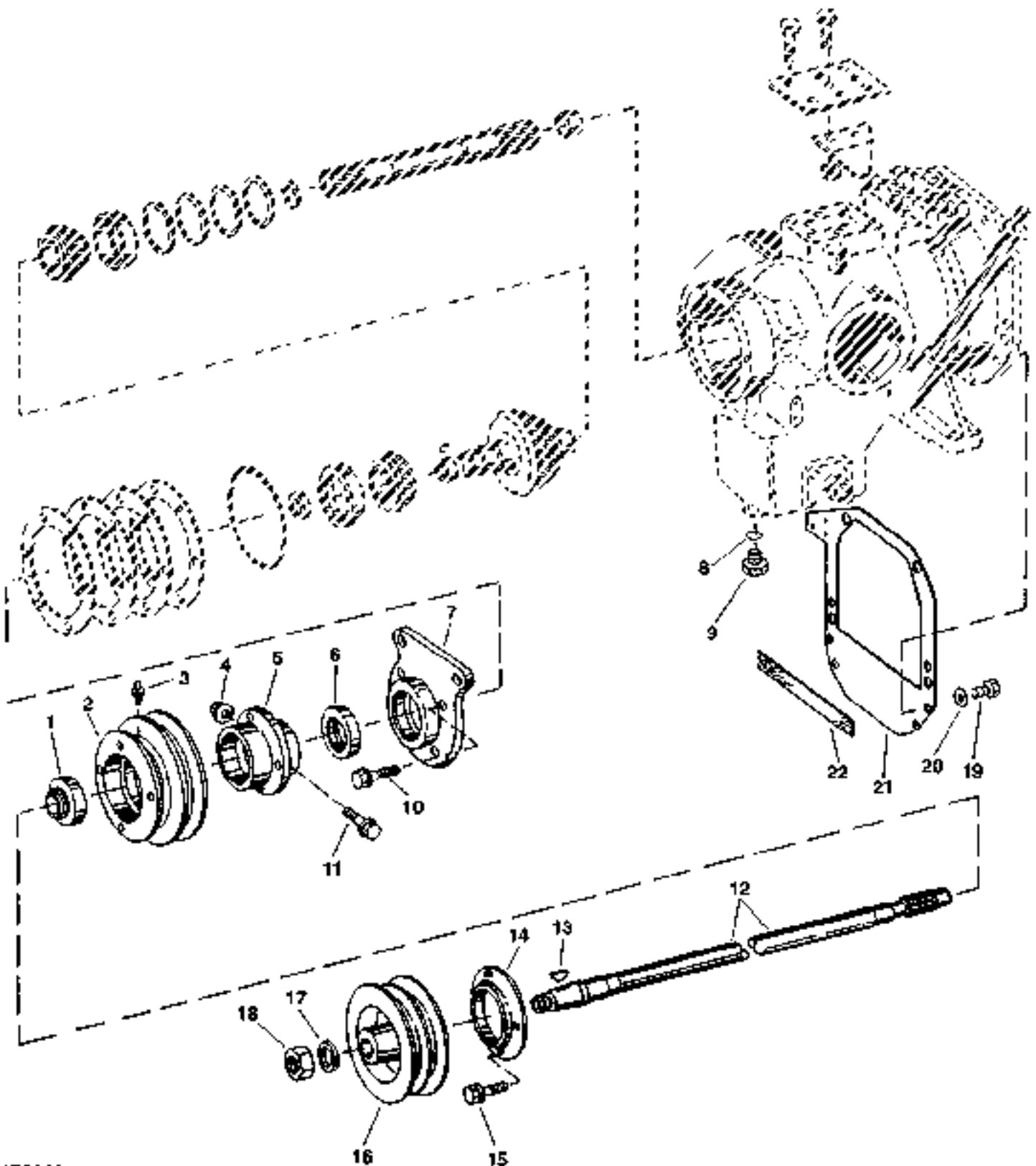
**ENGINE GEARCASE - CONTINUED
(STRAW CHOPPER, UNLOADING AND SEPARATOR DRIVE GEAR)**

KEY	PART NO.	PART NAME	QTY	SERIAL NO.	REMARKS
1	JD9091	BEARING CONE	1		
2	JD9146	BEARING CUP	1		
3	L29041	SHIM	AR	0.08 (MM)	.003 STEEL
	L29042	SHIM	AR	0.13 (MM)	.005 STEEL
	L29043	SHIM	AR	0.25 (MM)	.010 STEEL
	L29044	SHIM	AR	0.05 (MM)	.020 STEEL
4	P46770	SNAP RING	1		
5	AH139118	SHAFT	1		
6	R43305	BUSHING	1		
7	H126587	GEAR CASE	1		
8	19M7866	SCREW	8	M8 X 20	
9	H127159	COVER	1	USE TY15130	
10	H130140	TROUGH	1		
11	14M7396	LOCK NUT	2	M8	
12	BEVEL GEAR DRIVE	1		37 TEETH- SERVICE WITH AH125207 (USED WITH 6076 ENGINE)
13	26H105	SHAFT KEY	1		3/8" X 2-1/8"
14	JD8162	BEARING CONE	1		
15	JD8206	BEARING CUP	1		
16	AT28975	SEAL	1		
17	H125838	O-RING	1		177.165 X 5.334 MM (6.975" X 0.210")
18	H125740	SHIM	AR	0.08 (MM)	.003 PLASTIC
	H125741	SHIM	AR	0.13 (MM)	.005 STEEL
	H125742	SHIM	AR	0.25 (MM)	.010 STEEL
	H125743	SHIM	AR	0.50 (MM)	.020 STEEL
19	24M7242	WASHER	4	21.400 X 42 X 5 MM	
20	19H1782	CAP SCREW	2	3/4" X 2-1/4"	
21	19H2000	CAP SCREW	2	3/4" X 5"	
22	19M8162	CAP SCREW	4	M10 X 40	
23	14M7296	FLANGE NUT	4	M10	
..	TY15130	SEALANT	1		SIZE- 3 OZ. RTV (CANADA PART NO TY9484)
..	AH125207	BEVEL GEAR	1		37 AND 56 TEETH
..	AH139321	GEAR CASE	1		(USED WITH RING AND PINION FINAL DRIVE) LESS DIPSTICK
..	AH139320	GEAR CASE	1		(USED WITH PLANETARY FINAL DRIVE) LESS DIPSTICK

4G22

DRIVES

ENGINE GEARCASE
(STRAW CHOPPER, UNLOADING AND SEPARATOR DRIVE GEAR)
HP6966 -UN-05SEP97



HP6966

4G23

DRIVES

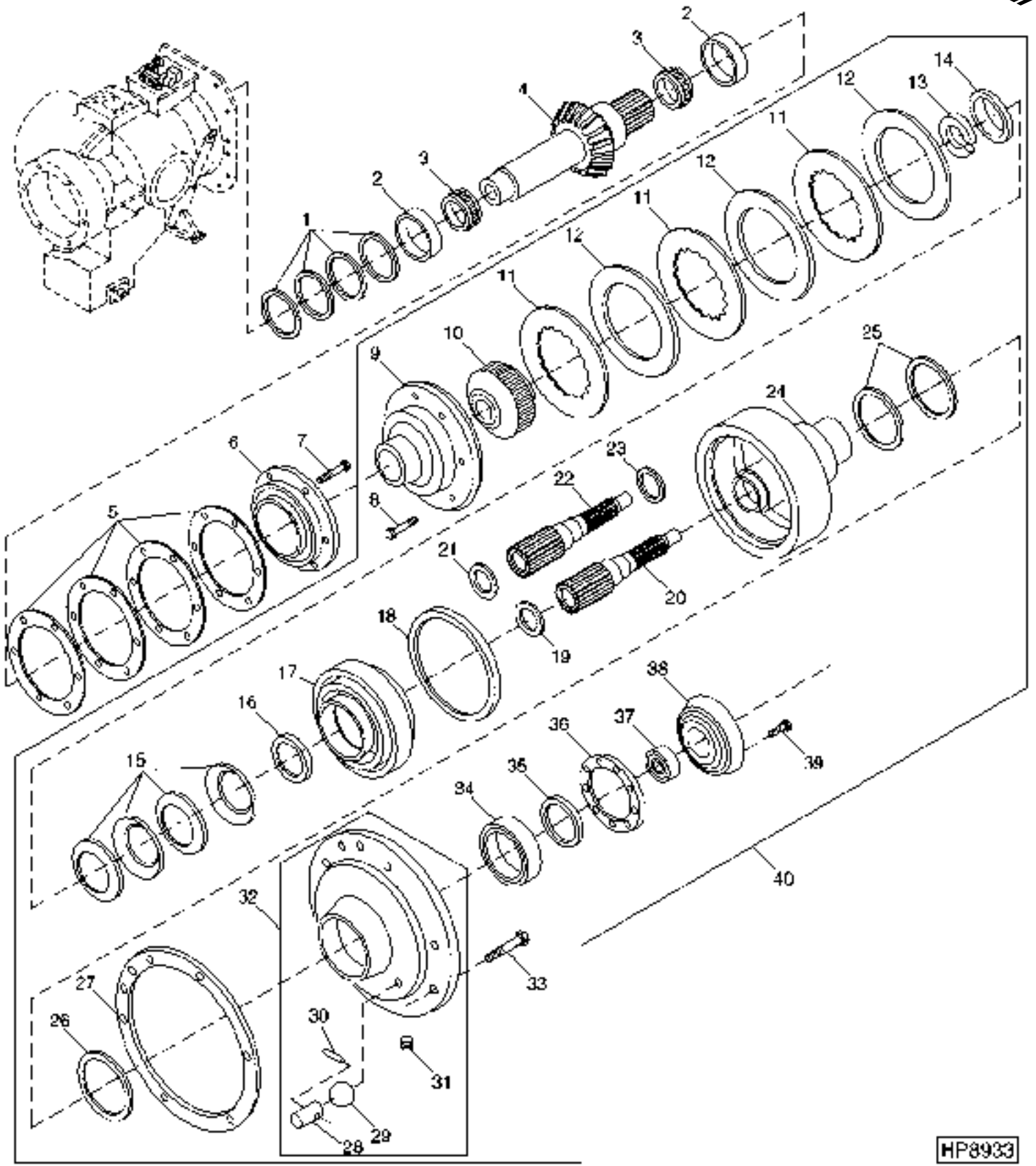
**ENGINE GEARCASE - CONTINUED
(STRAW CHOPPER, UNLOADING AND SEPARATOR DRIVE GEAR)**

KEY	PART NO.	PART NAME	QTY	SERIAL NO.	REMARKS
1	AH151653	BALL BEARING	1		
2	H143430	SHEAVE	1		
	H139986	SHEAVE	1		EXPORT ONLY - FRANCE
3	JD7797	LUBRICATION FITTING	1		
4	14M7296	FLANGE NUT	2	M10	
5	H101878	HUB	1		
6	AH117643	SEAL	1		
7	H144834	HOUSING	1		
8	R26906	O-RING	1		19.177 X 2.464 MM (0.755" X 0.097")
9	R27474	DRAIN PLUG	1		
10	19M7835	SCREW	6	M10 X 35	
11	19M7812	SCREW	2	M10 X 100	
12	H129934	SHAFT	1		
13	26M6787	SHAFT KEY	1	10 X 32 MM	
14	H75385	PRESSED FLANGED HOUSING	1		
15	19M8306	SCREW	4	M12 X 50	
16	H129935	SHEAVE	1		
17	24H1481	WASHER	1	1-5/32" X 2" X 0.134"	
18	H82619	LOCK NUT	1	28.575 MM (1-1/8")	
19	19M7866	SCREW	1	M8 X 20	
20	24M7055	WASHER	4	8.400 X 16 X 1.600 MM (0.331" X 0.630" X 0.063")	
21	H145315	PLATE	1	(SUB H170303)	
	H170303	COVER	1		
22	H88771	ISOLATOR	1		
..	TY15130	SEALANT	1	SIZE- 3 OZ. RTV (CANADA PART NO TY9484)	
..	AH125207	BEVEL GEAR	1	37 AND 56 TEETH	
..	AH139321	GEAR CASE	1	(USED WITH RING AND PINION FINAL DRIVE) LESS DIPSTICK	
..	AH139320	GEAR CASE	1	(USED WITH PLANETARY FINAL DRIVE) LESS DIPSTICK	

4G24

DRIVES

ENGINE GEARCASE
(SEPARATOR DRIVE, WET-CLUTCH AND PUMP DRIVE SHAFT)
HP8933 -UN-20AUG99



HP8933

4G25

DRIVES

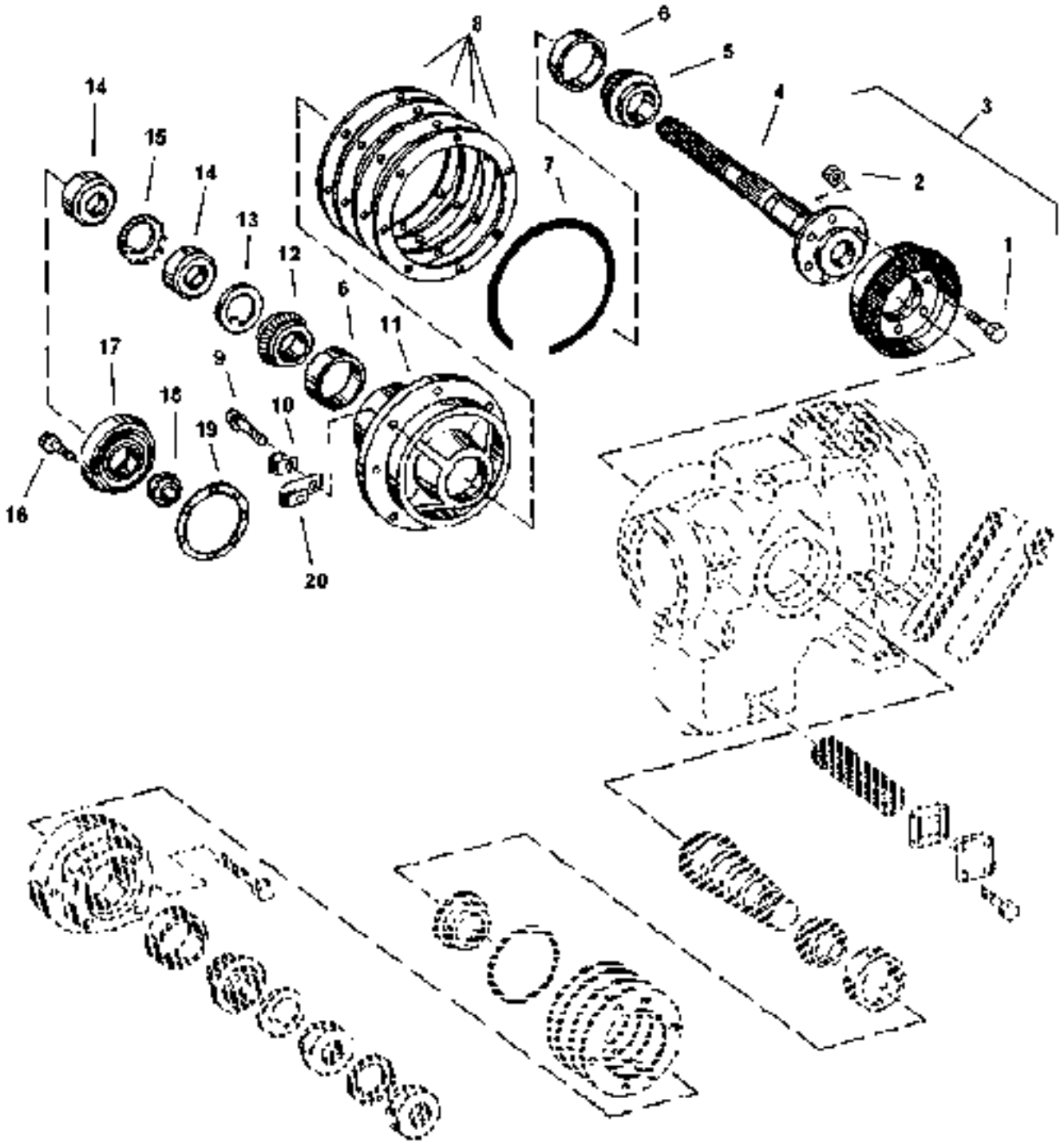
ENGINE GEARCASE - CONTINUED
(SEPARATOR DRIVE, WET-CLUTCH AND PUMP DRIVE SHAFT)

KEY	PART NO.	PART NAME	QTY	SERIAL NO.	REMARKS
1	H119028	SHIM	AR	0.08 (MM) .003 PLASTIC	
	H119029	SHIM	AR	0.13 (MM) .005 STEEL	
	H119030	SHIM	AR	0.25 (MM) .010 STEEL	
	H119031	SHIM	AR	0.50 (MM) .020 STEEL	
2	JD8206	BEARING CUP	2		
3	JD8162	BEARING CONE	2		
4	GEAR	1		33 TEETH- SERVICE IN AH125293 (USED WITH 6068 ENGINE)
	GEAR	1		35 TEETH-SERVICE IN AH125295 (USED W/6076 ENGINE W/PLANETARY FINAL DRIVES)
5	H125740	SHIM	AR	0.08 (MM) .003 PLASTIC	
	H125741	SHIM	AR	0.13 (MM) .005 STEEL	
	H125742	SHIM	AR	0.25 (MM) .010 STEEL	
	H125743	SHIM	AR	0.50 (MM) .020 STEEL	
6	H125733	HOUSING	1		
7	19M7835	SCREW	6	M10 X 35	
8	19M7786	SCREW	6	M10 X 30	
9	H144762	HUB	1		(USE WITH 3 CLUTCH DISK)
10	DE19018	HUB	1		(SUB FOR AH138660)
11	AH125490	CLUTCH DISK	3		
12	T70309	PLATE	3		
13	T50409	SNAP RING	1		
14	T49676	RETAINER	1		
15	T50415	DISK SPRING	4		
16	T62508	WASHER	1		
17	H128937	PISTON	1		
18	T62509	WASHER	1		
19	H132400	PISTON RING	1		G.B. S/N CEGB 111860
20	H148768	SHAFT	1		G.B. S/N CEGB 111860
21	40M7090	SNAP RING	1		G.B. S/N CEGB 111861
22	CE18180	DRIVE SHAFT	1		G.B. S/N CEGB 111861
23	CE17940	SNAP RING	1		G.B. S/N CEGB 111861
24	CE18181	DRUM	1		(ORDER CE18180, CE17940 AND 40M7090) (SUB FOR H143426) (G.B. S/N CEGB 111861)
25	R77764	RING	2		
26	R76937	WASHER	1		
27	H125354	GASKET	1		
28	R68824	SEAT	1		
29	400R	BALL	1		
30	H111474	PIN	1		
31	15H559	PIPE PLUG	1		USE TY9374
32	AH120737	HOUSING	1		INCLUDES KEYS 25 THROUGH 28
33	19M7835	SCREW	6	M10 X 35	
34	JD8676	BALL BEARING	1		
35	A1402R	SNAP RING	1		UP TO GEARBOX S/N - CEGB 100000 TO 111860
	T14323	SNAP RING	1		GEARBOX S/N CEGB 111861 - AND UP
36	H125356	GASKET	1		
37	AH158595	SEAL	1		(SUB FOR AH142870)
38	H148769	HOUSING	1		
39	19M7863	SCREW	8	M6 X 25	
40	DE18923	CLUTCH	1		
..	TY9374	SEALANT	1		SIZE- 6 ML
..	AH139320	GEAR CASE	1		(USED WITH PLANETARY FINAL DRIVE) LESS DIPSTICK
..	AH139321	GEAR CASE	1		(USED WITH RING AND PINION FINAL DRIVE) LESS DIPSTICK

4H1

DRIVES

ENGINE GEARCASE
(SEPARATOR AND PUMP DRIVE)
HP7244 -UN-07NOV97



HP7244

4H2

DRIVES

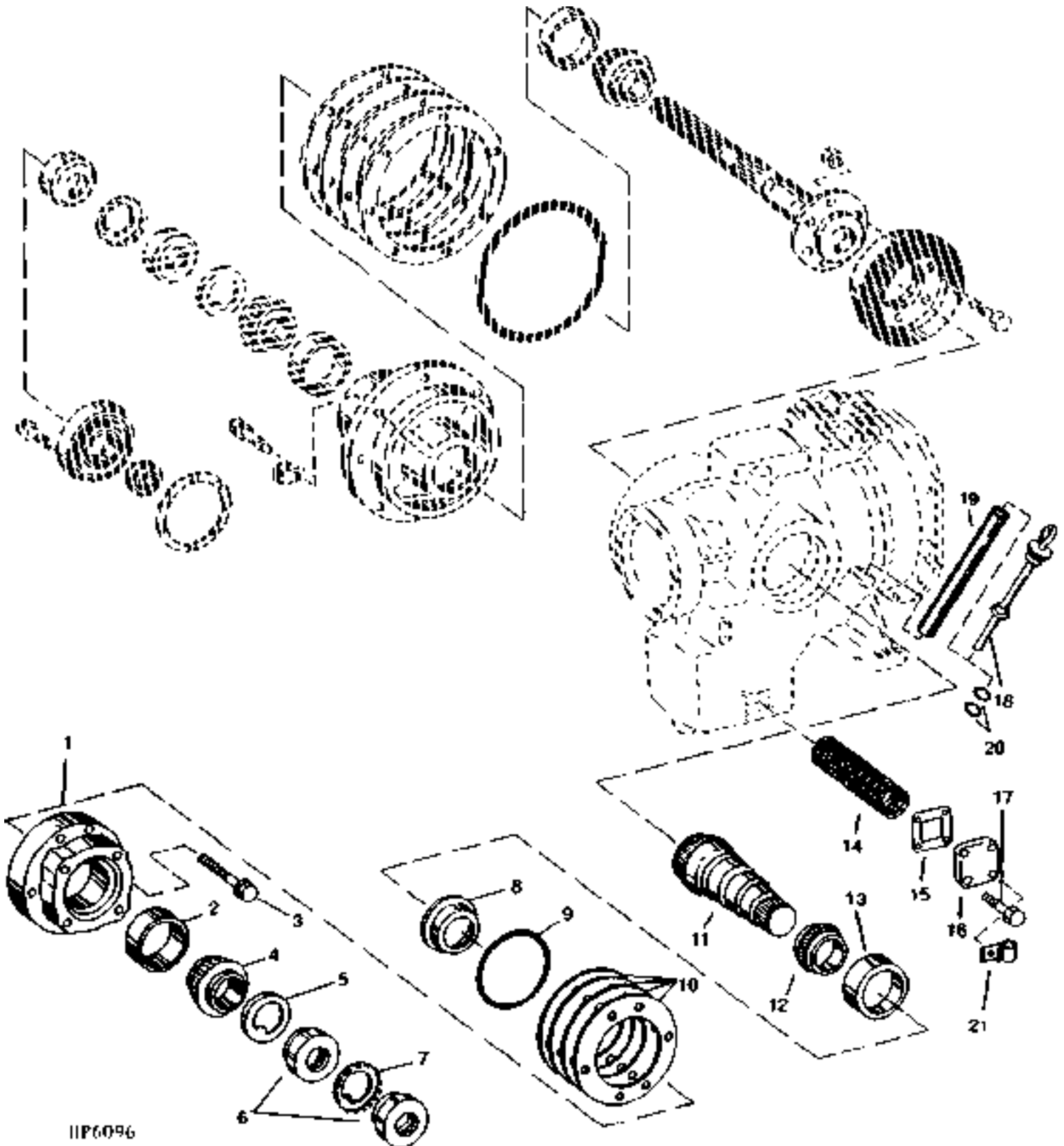
**ENGINE GEARCASE - CONTINUED
(SEPARATOR AND PUMP DRIVE)**

KEY	PART NO.	PART NAME	QTY	SERIAL NO.	REMARKS
1	H110178	SCREW	6	M10 X 30	
2	14M7274	NUT	6	M10	
3	GEAR	1	(ORDER AH125207) (56 TEETH, USED WITH 6076 ENGINE)	
4	H148770	HUB	1		
5	JD8162	BEARING CONE	1		
6	JD8206	BEARING CUP	2		
7	H125839	O-RING	1	241.300 X 5.330 MM (9-1/2" X 0.210")	
8	H125841	SHIM	AR	0.08 (MM) .003 PLASTIC	
	H125842	SHIM	AR	0.13 (MM) .005 STEEL	
	H125843	SHIM	AR	0.25 (MM) .010 STEEL	
	H125844	SHIM	AR	0.50 (MM) .020 STEEL	
9	19M7835	SCREW	7	M10 X 35	
10	AH90990	CLIP	1		
11	H125840	HOUSING	1		
12	JD9007	BEARING CONE	1		
13	H110800	LOCK WASHER	1		
14	H122650	LOCK NUT	2	59.919 MM (2-23/64")	
15	H110801	LOCK WASHER	1		
16	19M7863	SCREW	8	M6 X 25	
17	H125355	HOUSING	1		
18	AH142870	SEAL	1	-5OCT98	
	AH158595	SEAL	1	5OCT98-	
19	H125356	GASKET	1		
20	AH117301	CLAMP	1		

4H3

DRIVES

ENGINE GEARCASE
(SEPARATOR AND PUMP DRIVE)
HP6096 -UN-28JUN95



HP6096

4H4

DRIVES

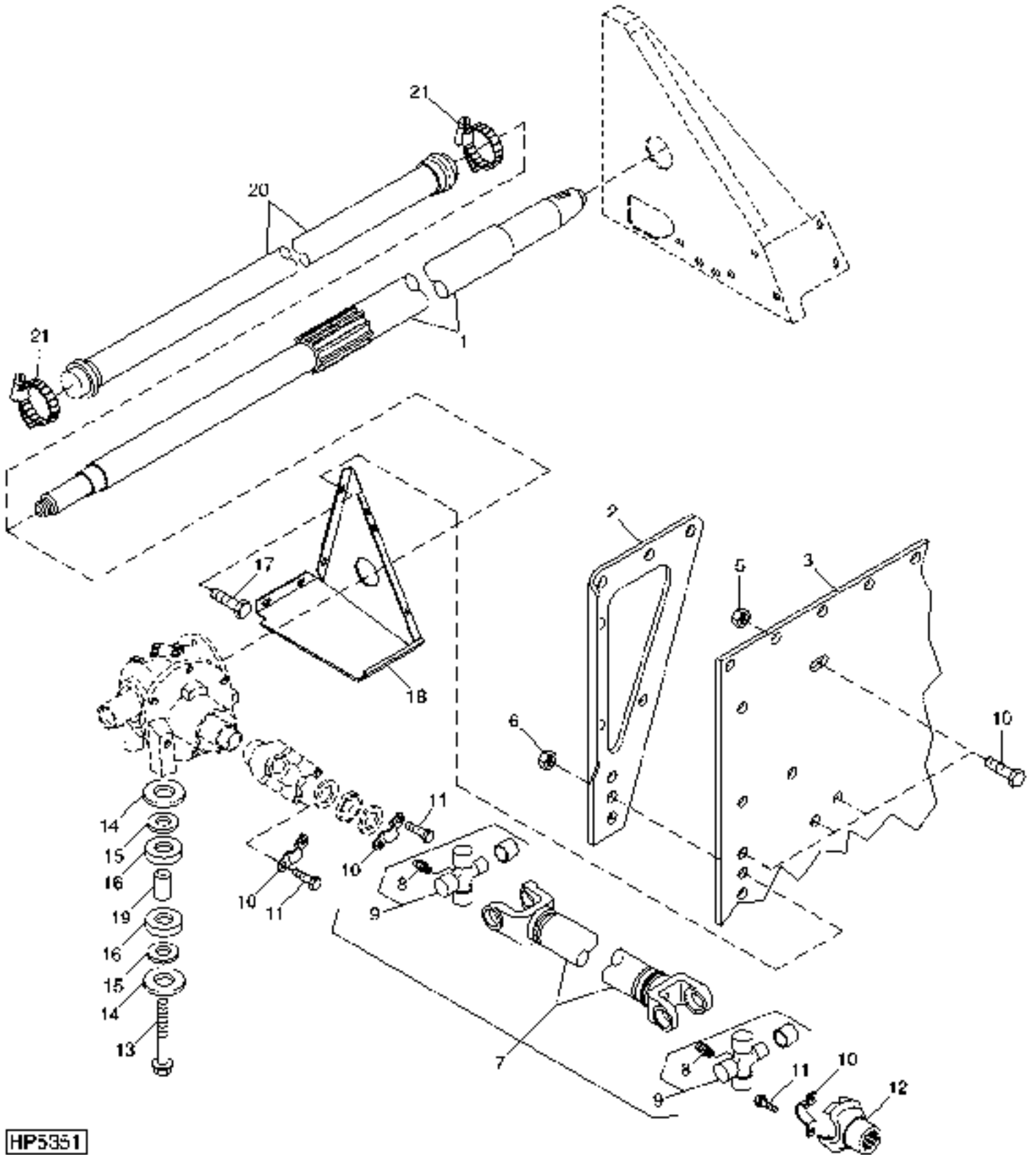
**ENGINE GEARCASE - CONTINUED
(SEPARATOR AND PUMP DRIVE)**

KEY	PART NO.	PART NAME	QTY	SERIAL NO.	REMARKS
1	H125738	HOUSING	1		
2	JD8206	BEARING CUP	1		
3	19M7805	SCREW	5	M10 X 45	
4	JD9007	BEARING CONE	1		
5	H110800	LOCK WASHER	1	61 X 95.250 X 4.750 MM (2.402" X 3-3/4" X 0.187")	
6	H122650	LOCK NUT	2	59.919 MM (2-23/64")	
7	H110801	LOCK WASHER	1		
8	H125837	OIL CUP	1		
9	R72032	O-RING	1	142.240 X 5.334 MM (5.600" X 0.210")	
10	H125734	SHIM	AR	0.08 (MM) .003 PLASTIC	
	H125735	SHIM	AR	0.13 (MM) .005 STEEL	
	H125736	SHIM	AR	0.25 (MM) .010 STEEL	
	H125737	SHIM	AR	0.50 (MM) .020 STEEL	
11	GEAR	1		22 TEETH, USED WITH 6078 ENGINE & RING & PINION FINAL DRIVES, (ORDER AH125293)
	GEAR	1		22 TEETH, USED WITH 6076 ENGINE & RING & PINION FINAL DRIVES, (ORDER AH125293)
	GEAR	1		26 TEETH, USED WITH 6076 ENGINE & PLANETARY FINAL DRIVES(ORDER AH125293)
12	JD9075	BEARING CONE	1		
13	JD9132	BEARING CUP	1		
14	R53169	SCREEN	1		
15	H126792	GASKET	1		
16	H126793	COVER	1		
17	19M7868	SCREW	4	M8 X 30	
18	AH168683	DIPSTICK	1	(SUB FOR AH137310)	
19	H132995	TUBE	1	USE TY9371	
20	A4730R	O-RING	2		
21	AH90990	CLIP	2		
..	TY9371	ADHESIVE	1	6 ML HIGH STRENGTH	
..	AH125207	BEVEL GEAR	1		
..	AH125293	GEAR	1		
..	AH125295	GEAR	1		
..	AH139320	GEAR CASE	1		
..	AH139321	GEAR CASE	1		

4H5

DRIVES

DRIVE SHAFT, GEARCASE MOUNTING AND PRIMARY COUNTERSHAFT
HP5351 -UN-17AUG99



HP5351

4H6

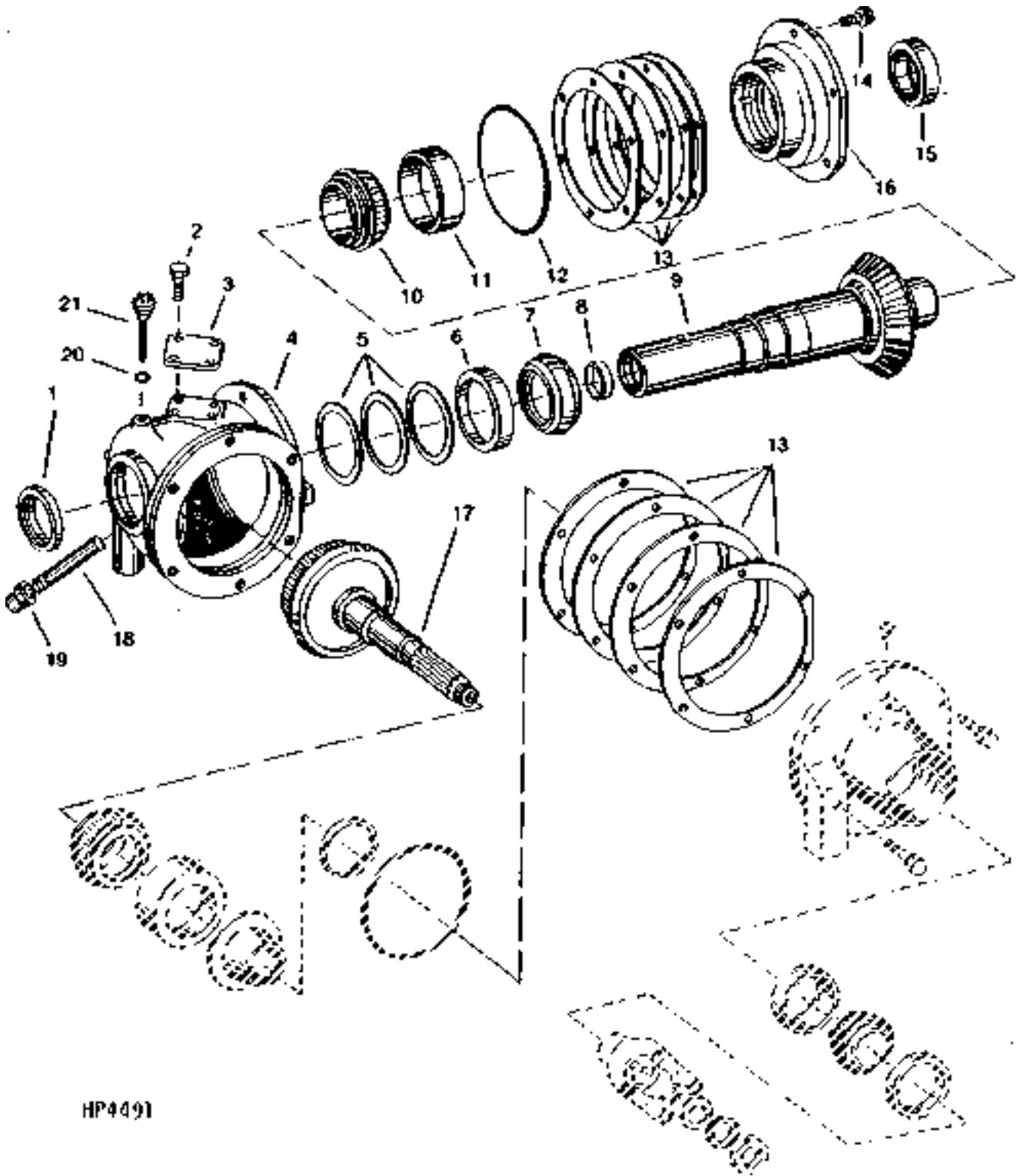
DRIVES

DRIVE SHAFT, GEARCASE MOUNTING AND PRIMARY COUNTERSHAFT - CONTINUED

KEY	PART NO.	PART NAME	QTY	SERIAL NO.	REMARKS
1	AH122240	JACKSHAFT	1		
2	H131228	ANGLE	1		
3	H147910	SHEET	1		
4	19M7866	SCREW	4	M8 X 20	
5	14M7298	FLANGE NUT	4	M8	
6	14M7296	FLANGE NUT	5	M10	
7	AH125690	DRIVE SHAFT	1		
8	JD7797	LUBRICATION FITTING	2		
9	AH128226	UNIVERSAL JOINT	2		
10	R85168	CLAMP	4		
11	R85169	SELF-LOCKING SCREW	8	9.525 X 19.050 MM (3/8" X 3/4")	
12	H130409	YOKE	1		
13	19M7827	SCREW	2	M16 X 80	
14	H163726	WASHER	2	16.250 X 76 X 5 MM (0.640" X 2.992" X 0.197")	
15	H148132	BUSHING	4		
16	H148133	RETAINER	4		
17	19M7785	SCREW	5	M10 X 25	
18	AH135565	SHEET	1		
19	H148134	SPACER	2	16.130 X 19.930 X 41.900 MM (0.635" X 0.785" X 1.650")	
20	AH163803	KIT	1	(INCLUDES (2) TY22494) (SUB FOR AH141390)	
21	TY22494	HOSE CLAMP	2		

4H7

PRIMARY COUNTERSHAFT GEARCASE
HP4491 -UN-01JAN94



HP4491

4H8

DRIVES

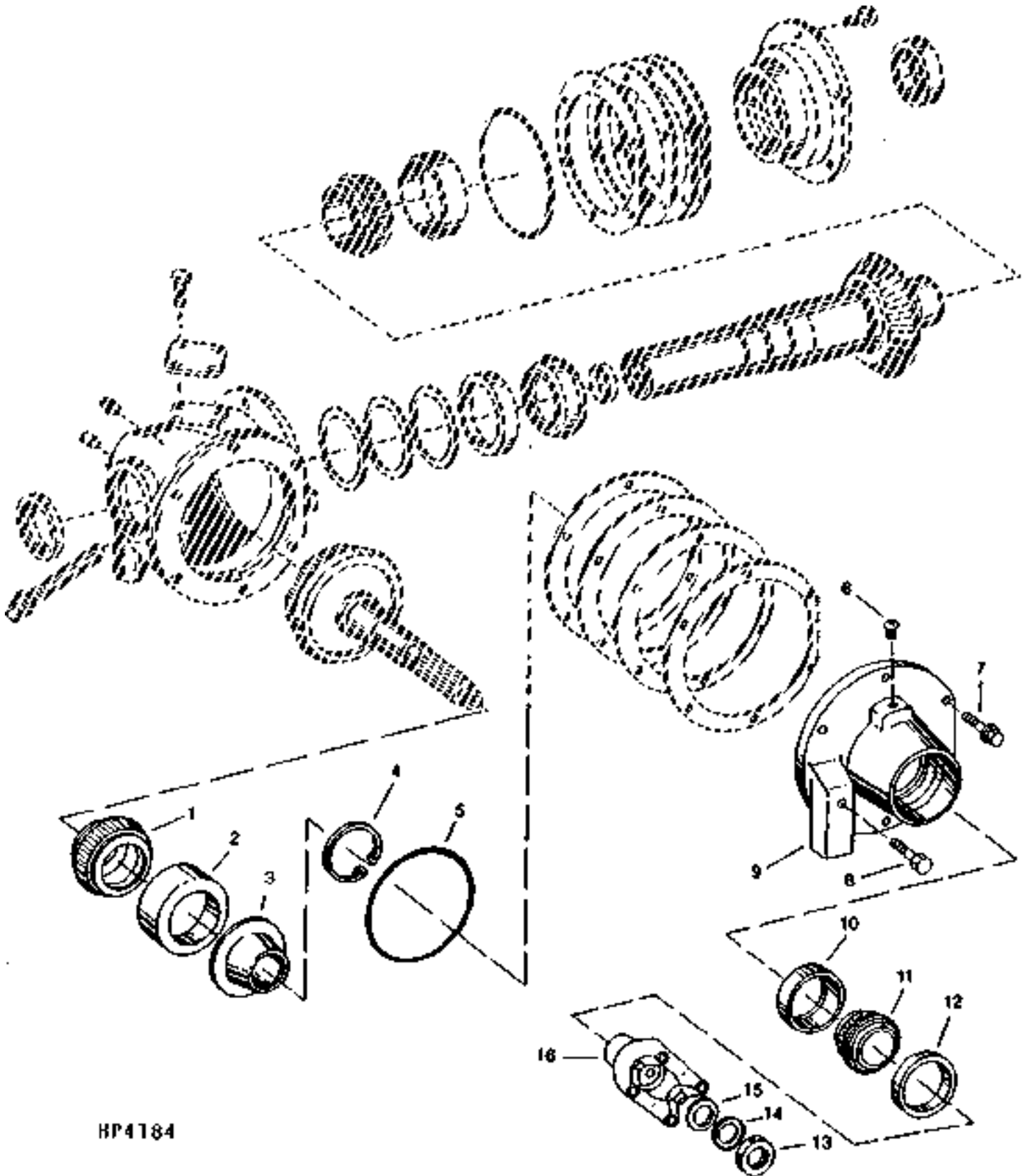
PRIMARY COUNTERSHAFT GEARCASE - CONTINUED

KEY	PART NO.	PART NAME	QTY	SERIAL NO.	REMARKS
1	AH137772	SEAL	1		
2	19M7866	SCREW	4		
3	H75267	COVER	1		
4	H145001	GEAR CASE	1		
5	T34354	SHIM	2		USE AS REQUIRED
	T34355	SHIM	2		USE AS REQUIRED
	T34356	SHIM	5		USE AS REQUIRED
6	JD8210	BEARING CUP	1		
7	JD8164	BEARING CONE	1		
8	T69027	SEAL	1		
9	GEAR	1		GEARS, 41 - TOOTH, SUB AH125243 FOR SERVICE
10	JD7378	BEARING CONE	1		
11	JD7292	BEARING CUP	1		
12	H125838	O-RING	1		
13	H114226	SHIM	2		USE ONLY ONE PER SIDE
	H114227	SHIM	AR		
	H114228	SHIM	AR		
	H118927	SHIM	AR		
14	19M7786	SCREW	6	M10 X 30	
15	E56866	SEAL	1		
16	H126564	HOUSING	1		
17	AH125243	GEAR	1		
18	29H217	THREADED NIPPLE	1	1/2"	
19	15H3	FITTING	1	1/2"	
20	R26375	O-RING	1		
21	AH141022	DIPSTICK	1		
..	T43512	SEALANT	1		MEDIUM STRENGTH - 50 ML, CANADA NO. TY9477
..	H116160	SEALANT	1		6 ML, (3 OZ.), TUBE
..	TY15130	SEALANT	1		6 ML, (3 OZ.) CANADA NO. TY9484
..	AH141051	GEAR CASE	1		
..	25M3827	GROOVE PIN	1		3 X 8 MM, (INSERT THROUGH SERIAL NUMBER PLATE AND INTO GEARCASE)

4H9

DRIVES

PRIMARY COUNTERSHAFT GEARCASE
HP4184 -UN-01JAN94



HP4184

4H10

DRIVES

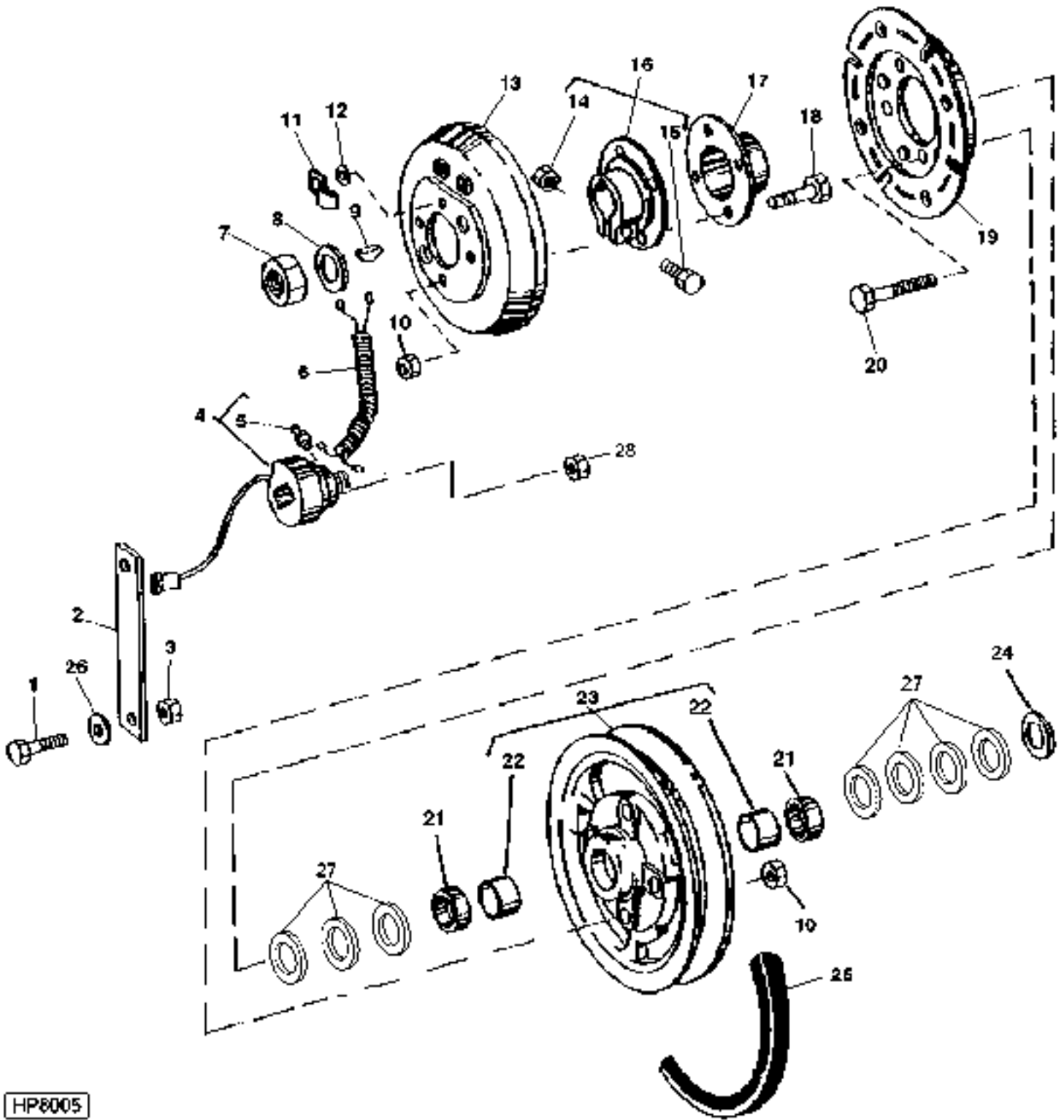
PRIMARY COUNTERSHAFT GEARCASE - CONTINUED

KEY	PART NO.	PART NAME	QTY	SERIAL NO.	REMARKS
1	JD9078	BEARING CONE	1		
2	JD8255	BEARING CUP	1		
3	H129844	RETAINER	1		
4	T41201	SNAP RING	1	-680300	
5	H125838	O-RING	1		177.165 X 5.334 MM (6.975" X 0.210")
6	U14273	BREATHER	1		
7	19M7786	SCREW	5		M10 X 30
8	19M7807	SCREW	1		
9	H144122	HOUSING	1	-680300	
	CE18400	HOUSING	1	680301-	
10	JD7418	BEARING CUP	1		
11	JD7395	BEARING CONE	1		
12	AH137771	SEAL	1		
13	N139123	NUT	1		
14	H118920	LOCK WASHER	1		
15	H118919	LOCK WASHER	1		35.460 X 55.560 X 3.180 MM (1.396" X 2.187" X 0.125")
16	H130409	YOKE	1		
..	AH125243	GEAR	1		GEARS, MATCHED SET WITH SHAFT
..	T43512	SEALANT	1		MEDIUM STRENGTH - 50 ML, CANADA NO. TY9477
..	H116160	SEALANT	1		6 ML, 3 OZ. TUBE
..	TY15130	SEALANT	1		3 OZ. ,CANADA NO. TY9484
..	AH141051	GEAR CASE	1		

4H11

DRIVES

HEADER ELECTROMAGNETIC CLUTCH
HP8005 -UN-29SEP98



HP8005

4H12

DRIVES

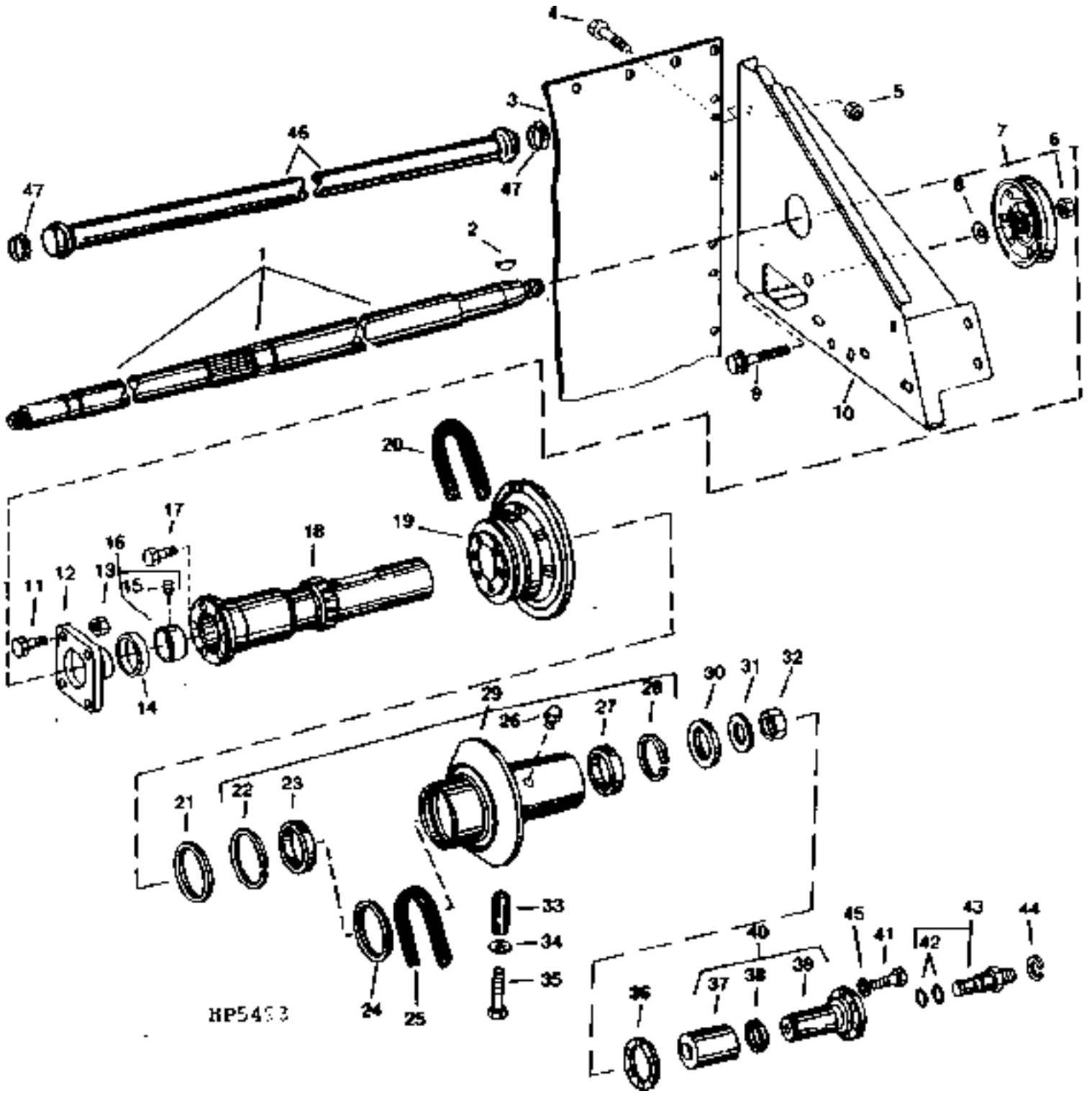
HEADER ELECTROMAGNETIC CLUTCH - CONTINUED

KEY	PART NO.	PART NAME	QTY	SERIAL NO.	REMARKS
1	19M7775	SCREW	1		M6 X 16
2	H134773	STRAP	1		
3	14M7303	FLANGE NUT	1		M6
4	AH130582	DEVICE	1	-15NO99	BRUSHHOLDER
	AH162068	KIT	1	16NO99-	
5	JD7797	LUBRICATION FITTING	1		
6	AH134207	WIRING HARNESS	1		
7	H82620	LOCK NUT	1		31.750 MM (1-1/4")
8	24H1668	WASHER	1		1-17/64" X 2-1/4" X 0.134"
9	26H105	SHAFT KEY	1		WOODRUFF
10	14M7299	FLANGE NUT	8		M12
11	AH77279	CLIP	1		
12	24H1789	WASHER	1		17/32" X 1-1/4" X 0.105"
13	AH121658	FIELD WINDING COIL	1		
14	14M7296	FLANGE NUT	1		M10
15	19M8292	SCREW	1		M10 X 50
16	AH136052	HUB	1		
17	H129676	RING	1		
18	19M7790	SCREW	4		M12 X 35
19	AH96244	ARMATURE	1		
20	19M8306	SCREW	4		M12 X 50
21	AB5070R	SEAL	2		
22	H126716	BUSHING	2		
23	AH139936	SHEAVE	1		
24	H126715	WASHER	1		63.750 X 100 X 6 MM (2.510" X 3.937" X 0.236")
25	H151952	BELT	1		
26	24M7207	WASHER	1		8.400 X 24 X 2 MM (0.331" X 0.945" X 0.079")
27	24H1616	WASHER	AR		
28	14H809	NUT	1		1/2"

4H13

DRIVES

PRIMARY COUNTERSHAFT, SUPPORTS AND VARIABLE SHEAVE
HP5493 -UN-01JAN94



4H14

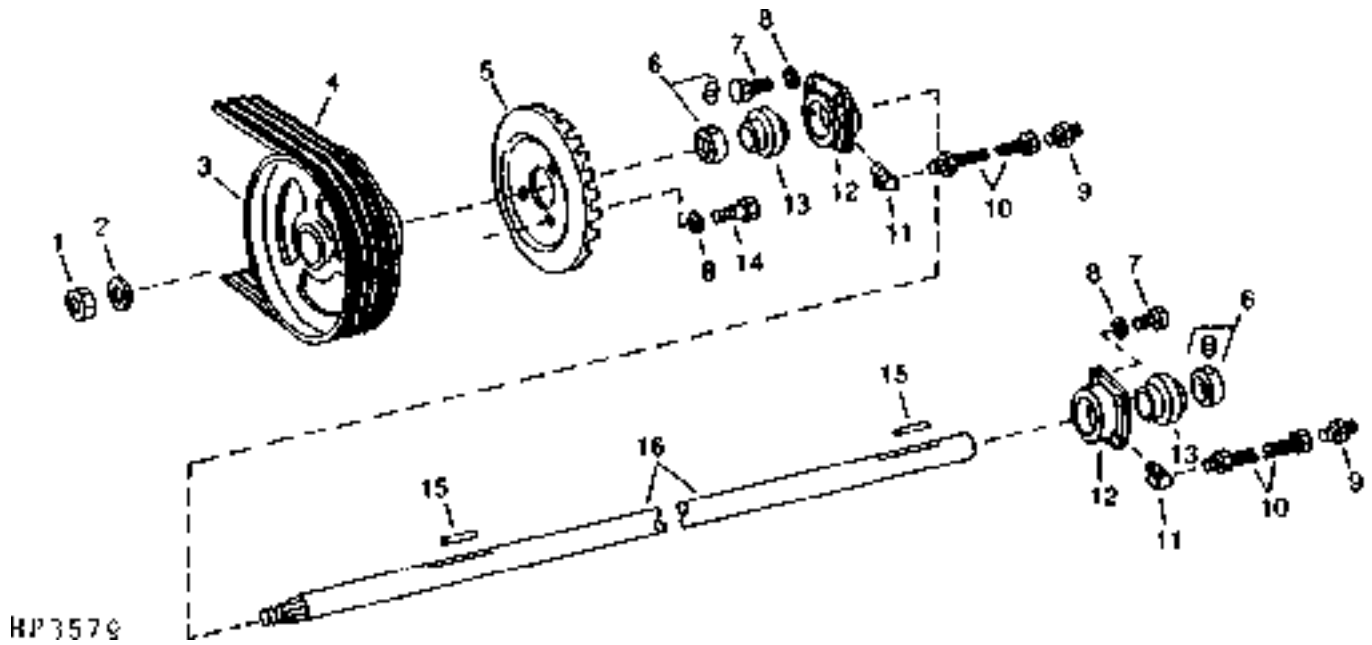
DRIVES

PRIMARY COUNTERSHAFT, SUPPORTS AND VARIABLE SHEAVE - CONTINUED

KEY	PART NO.	PART NAME	QTY	SERIAL NO.	REMARKS
1	AH122240	JACKSHAFT	1		
2	26H114	SHAFT KEY	1	1/2" X 2-3/4"	
3	H147910	SHEET	1		
4	19M7866	SCREW	AR	M8 X 20	
5	14M7298	FLANGE NUT	AR	M8	
6	14M7291	FLANGE NUT	1	M16	
7	AH97031	IDLER	1		
8	24M7053	WASHER	AR	17 X 30 X 3 MM	
9	19M7824	SCREW	1	M16 X 60	
10	AH135296	SHEET	1		
11	19M7786	SCREW	4	M10 X 30	
12	H133618	BEARING HOUSING W/O BEARING	1		
13	14M7296	FLANGE NUT	4	M10	
14	JD10017	BALL BEARING	1		
15	22H821	SET SCREW	1	1/2" X 1/2"	
16	JD8668	ECCENTRIC LOCKING COLLAR	1		
17	19M7835	SCREW	6	M10 X 35	
18	H127196	HOUSING	1		
19	H115755	HALF SHEAVE	1		
20	H128010	BELT	1		PRIMARY TO SECONDARY COUNTERSHAFT DRIVE
21	AH94853	SEAL	1		
22	H93631	SNAP RING	1		
23	H93630	BUSHING	1		
24	H118617	BUMPER	1		USED FOR SLOW SPEED CYLINDER DRIVE ONLY
25	H115759	BELT	1		PRIMARY TO INTERMEDIATE CYLINDER DRIVE, (SUB H162629)
	H162629	BELT	1		
26	JD7798	LUBRICATION FITTING	2		
27	H148131	BUSHING	1		
28	P48691	SNAP RING	1		
29	AH141820	HALF SHEAVE	1		
30	AH87141	SEAL	1		
31	24H1668	WASHER	1	1-17/64" X 2-1/4" X 0.134"	
32	H82620	LOCK NUT	1	31.750 MM (1-1/4")	
33	H110237	PIN	1		
34	24M7178	WASHER	2	10.500 X 30 X 2.500 MM	
35	19M7784	SCREW	2	M10 X 20	
36	H102533	SHIM	AR	0.762 MM (0.030")	
37	BARREL	1	(SUB AH125193)	
38	H97306	SEAL	1		
39	PISTON	1	(SUB AH125193)	
40	AH125193	CYLINDER	1		
41	19H1732	CAP SCREW	6	3/8" X 1-1/4"	
42	R27564	O-RING	2	18.771 X 1.778 MM (0.739" X 0.070")	
43	AH139238	UNION FITTING	1		
44	H135292	SNAP RING	1		
45	12H304	LOCK WASHER	6	3/8"	
46	AH163803	KIT	1	(INCLUDES (2) TY22494) (SUB FOR AH141390) FOR COUNTERSHAFT DIRT PROTECTION	
47	TY22494	HOSE CLAMP	1		

4H15

SINGLE RANGE CYLINDER DRIVE
HP3579 -UN-01JAN94



4H16

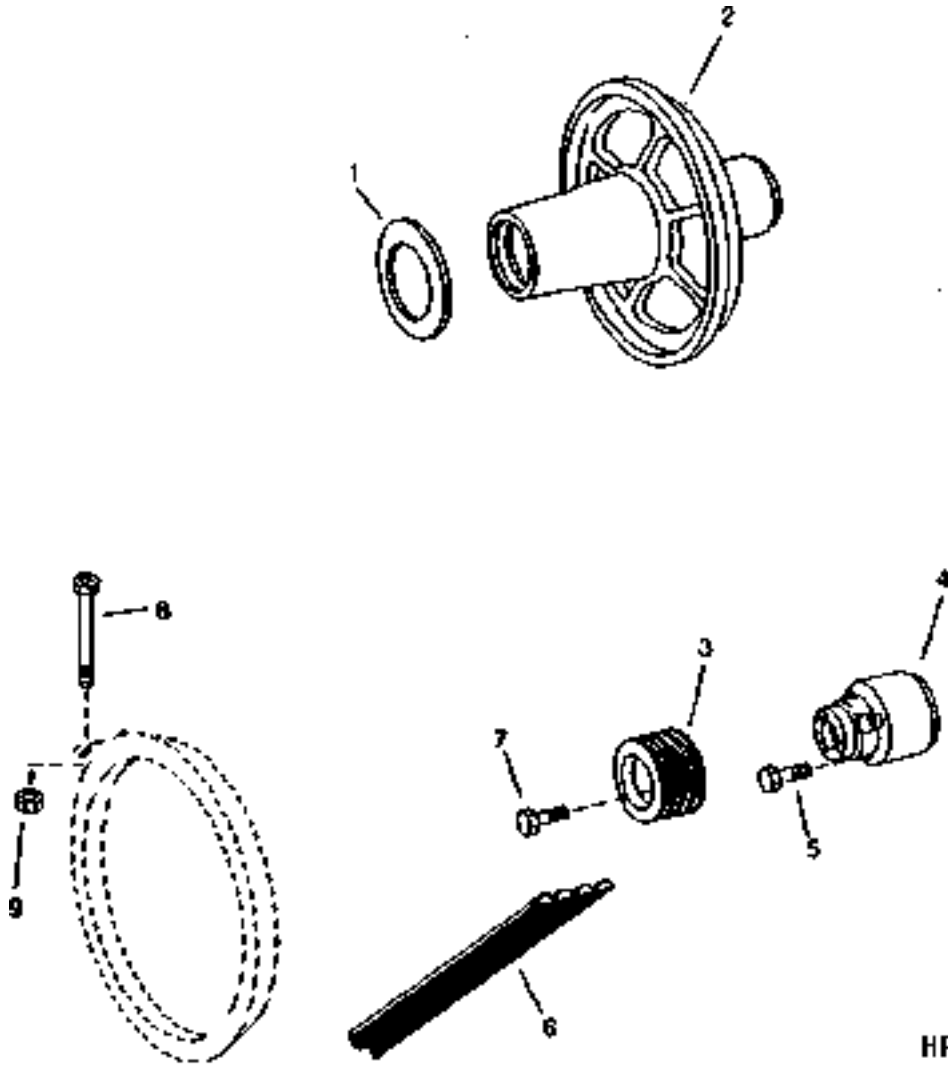
DRIVES

SINGLE RANGE CYLINDER DRIVE - CONTINUED

KEY	PART NO.	PART NAME	QTY	SERIAL NO.	REMARKS
1	H138085	LOCK NUT	1		34.925 MM (1-3/8")
2	24H1509	WASHER	1		1-25/64" X 2-1/2" X 0.194"
3	H93645	SHEAVE	1		
4	H115881	BELT	1		
5	H128297	WHEEL	1		
6	JD10342	ECCENTRIC LOCKING COLLAR	1		
7	19H1732	CAP SCREW	4		3/8" X 1-1/4"
8	12H304	LOCK WASHER	4		3/8"
9	JD7759	LUBRICATION FITTING	2		
10	AH121009	HOSE	2		1/8" X 910 MM (35-3/4") X 1/8"
11	JD7845	ELBOW FITTING	2		
12	H99149	HOUSING	2		
13	JD10343	BALL BEARING	2		
14	19H1936	CAP SCREW	3		3/8" X 3/4"
15	SHAFT KEY	2		(CUT FROM H64376) IN AH64587 KEY STOCK KIT
16	H145969	SHAFT	1		SINGLE RANGE

4H17

SLOW SPEED CYLINDER DRIVE
HP3983 -UN-01JAN94



HP3983

4H18

DRIVES

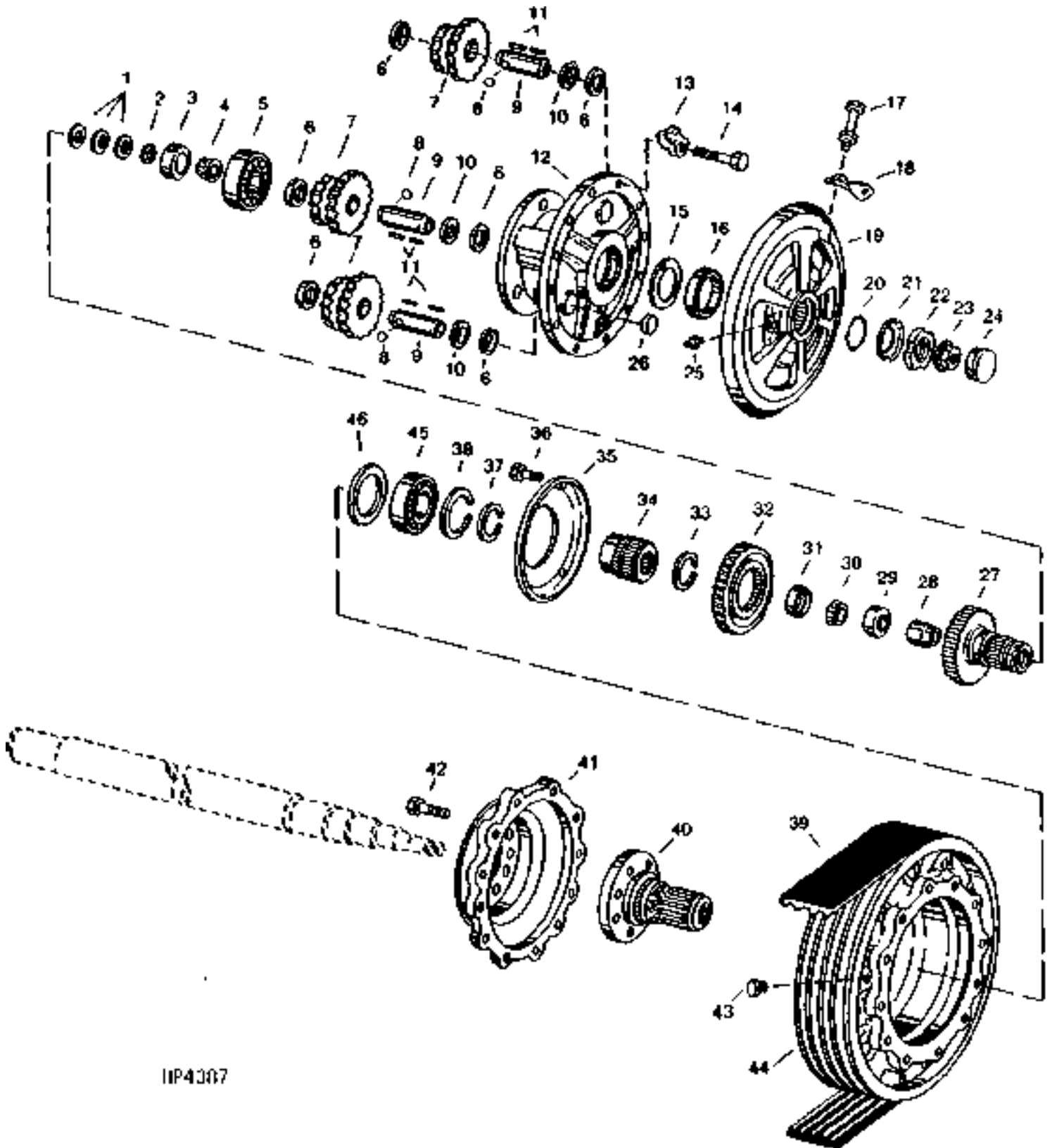
SLOW SPEED CYLINDER DRIVE - CONTINUED

KEY	PART NO.	PART NAME	QTY	SERIAL NO.	REMARKS
1	H118617	BUMPER	1		
2	AH141820	HALF SHEAVE	1		
3	H118616	SHEAVE	1		
4	H141588	HUB	1		
5	19M8017	CAP SCREW	3	M12 X 20	
6	H118618	BELT	1		
7	19M8162	CAP SCREW	3	M10 X 40	
8	H120490	BOLT	4	SPECIAL HOLLOW SHEAR BOLT	
9	M63707	LOCK NUT	4	6.350 MM	

4H19

DRIVES

DUAL-RANGE CYLINDER DRIVE GEAR CASE
HP4387 -UN-01JAN94



HP4387

4H20

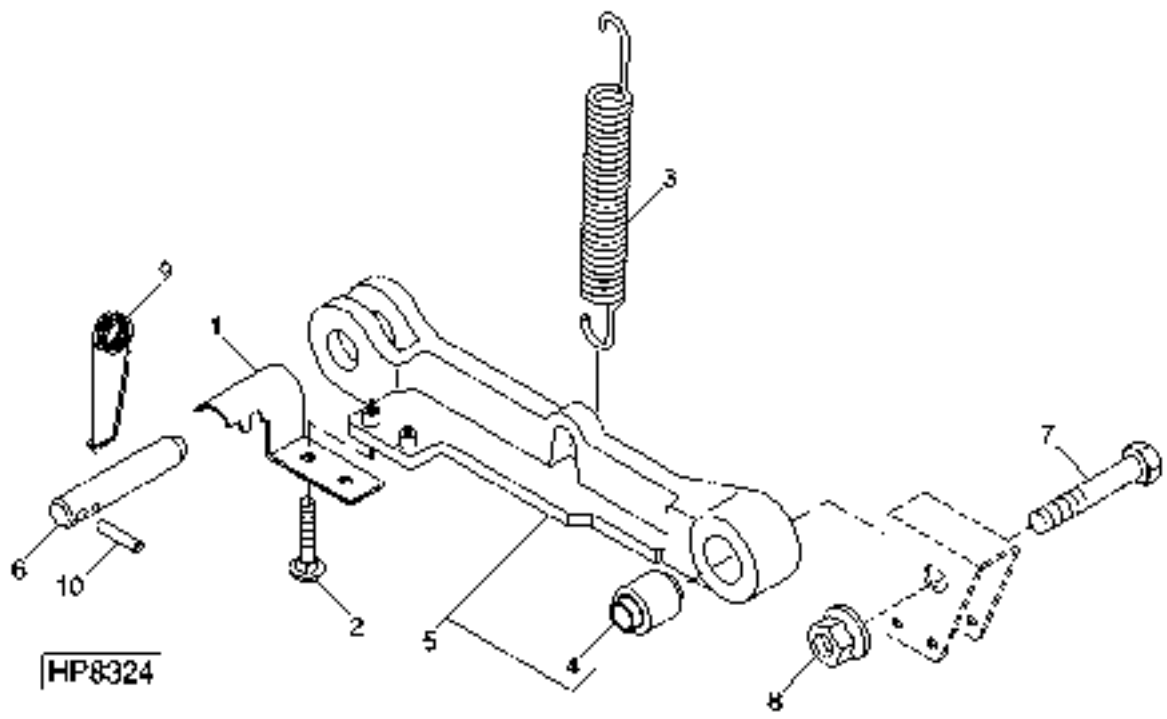
DRIVES

DUAL-RANGE CYLINDER DRIVE GEAR CASE - CONTINUED

KEY	PART NO.	PART NAME	QTY	SERIAL NO.	REMARKS
1	H111260	SHIM	AR	0.05 THICK	
	H111261	SHIM	AR	0.10 THICK	
	H111262	SHIM	AR	0.25 THICK	
2	H111041	WASHER	1	23.200 X 30 X 2.500 MM (0.913" X 1.181" X 0.098")	
3	JD8239	BEARING CUP	1		
4	JD8960	BEARING CONE	1		
5	AH108801	BALL BEARING	1		
6	R71758	THRUST WASHER	6		
7	H113947	PINION	3		
8	H871R	BALL	3		
9	H113627	PINION SHAFT	3		
10	R71756	WASHER	3	25.510 X 31.750 X 2.580 MM (1.004" X 1-1/4" X 0.102")	
11	R84261	PIN	132		
12	H118082	COVER	1		
13	H127855	RETAINER	3		
14	19M8162	CAP SCREW	12	M10 X 40	
	12H304	LOCK WASHER	9	3/8"	
15	H117703	SHIM	1		
16	AH112883	SEAL	1		
17	19H2151	CAP SCREW	1	1/4" X 3"	
	M63707	LOCK NUT	1	6.350 MM (1/4")	
18	H127590	LUG	1		
19	H113208	WHEEL	1		
20	U10063	O-RING	1	59.690 X 5.334 MM (2.350" X 0.210")	
21	H112877	LOCK WASHER	1		
22	E12305	NUT	1	64.719 MM (2.548")	
23	H113238	FLANGE NUT	1		
24	H110521	CAP	1		
25	JD7797	LUBRICATION FITTING	1		
26	H110462	PLUG	3		
27	H113063	GEAR	1		
28	H111042	SPACER	1		
29	JD7441	BEARING	1		
30	JD10214	BEARING CONE	1		
31	AH110887	SEAL	1		
32	H113946	GEAR	1		
33	T47836	SNAP RING	1		
34	H114687	BEARING HOUSING W/O BEARING	1		
35	H110337	RING	1		
36	R38131	CAP SCREW	3	7.925 X 12.700 MM (5/16" X 1/2")	
37	R80R	SNAP RING	1		
38	H114688	SNAP RING	1		
39	H115881	BELT	1		
40	H126829	HUB	1		
41	H126722	SHEAVE	1		
42	H144962	SCREW	8	M10 X 25	
43	AH109056	PIPE PLUG	1		
44	H114689	SHEAVE	1		
45	JD10032	BALL BEARING	1		
46	AF1466R	SEAL	1		
..	TY15130	SEALANT	1	SIZE: 3 OZ. (CANADA PART NO. TY9484)	
..	TY6304	SEALANT	1	(CANADA PART NO. TY9483)	
..	TY6333	GREASE	1	SIZE- 14 OZ. TUBE	
..	AH134859	GEAR CASE	1	(DOES NOT INCLUDE H115881)	

4H21

DUAL-RANGE LOCKOUT ARM
HP8324 -UN-19AUG99



4H22

DRIVES

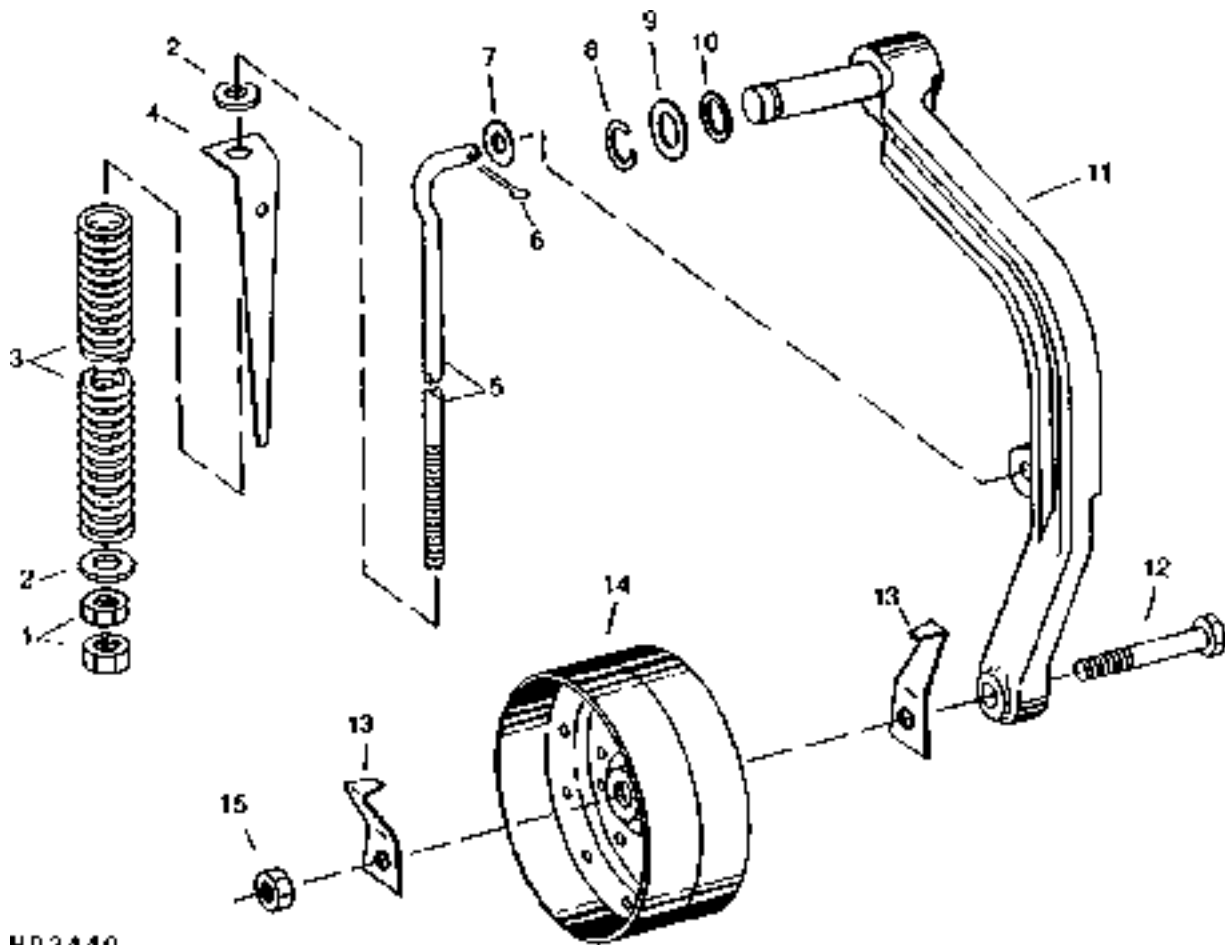
DUAL-RANGE LOCKOUT ARM - CONTINUED

KEY	PART NO.	PART NAME	QTY	SERIAL NO.	REMARKS
1	H139709	RETAINER	1		
2	19M7867	SCREW	2		M8 X 25
3	M45123	EXTENSION SPRING	1		
4	AH143746	RUBBER MOUNT	1		
5	AH143747	ARM	1		
6	H110542	PIN	1		0.787" X 4.528"
7	19M7826	SCREW	1		M16 X 70
8	14M7291	FLANGE NUT	1		M16
9	H114001	QUICK LOCK PIN	1		
10	34M7036	SPRING PIN	1		5 X 45 MM

4H23

DRIVES

DUAL-RANGE CYLINDER DRIVE TIGHTENER
HP3440 -UN-01JAN94



HP 3440

4H24

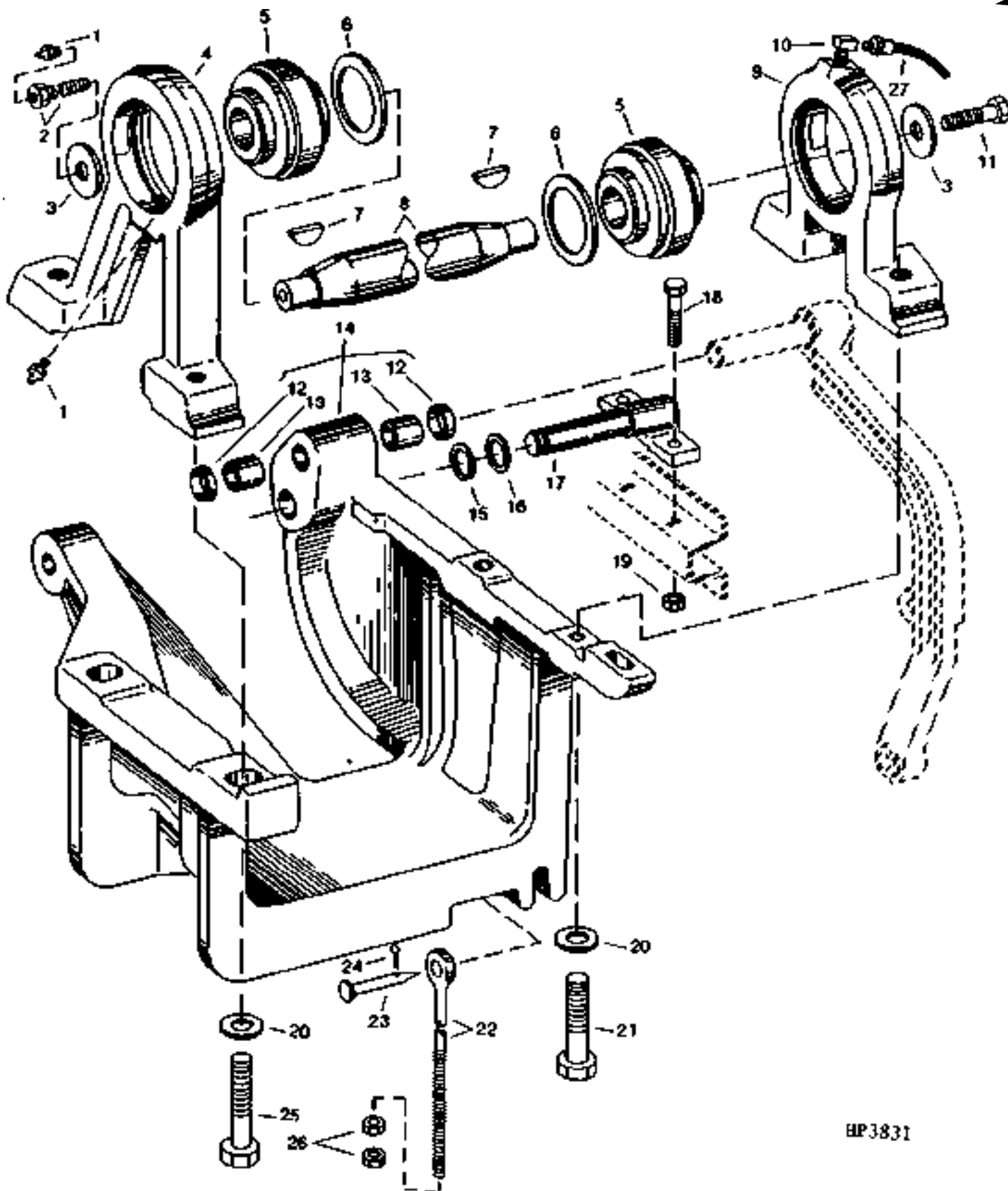
DRIVES

DUAL-RANGE CYLINDER DRIVE TIGHTENER - CONTINUED

KEY	PART NO.	PART NAME	QTY	SERIAL NO.	REMARKS
1	14M7276	NUT	2	M16	
2	24H1373	WASHER	2	21/32" X 1-9/16" X 0.180"	
3	N61654	SPRING	1		
4	H116862	GAUGE	1		
5	H116861	HOOK BOLT	1		
6	11M7028	COTTER PIN	1	5 X 32 MM	
7	24M7053	WASHER	1	17 X 30 X 3 MM	
8	P46402	SNAP RING	1		
9	24H1447	WASHER	AR	1-1/32" X 1-1/2" X 0.036" (USE FOUR OR LESS)	
10	24H1448	WASHER	1	1-1/32" X 1-1/2" X 0.120"	
11	AH113139	ARM	1		
12	19M7818	SCREW	1	M12 X 80	
13	H94386	BRACKET	2		
14	AH141762	IDLER	1		
15	14M7299	FLANGE NUT	1	M12	

DUAL-RANGE CYLINDER DRIVE INTERMEDIATE SHAFT MOUNTING

HP3831 -UN-01JAN94

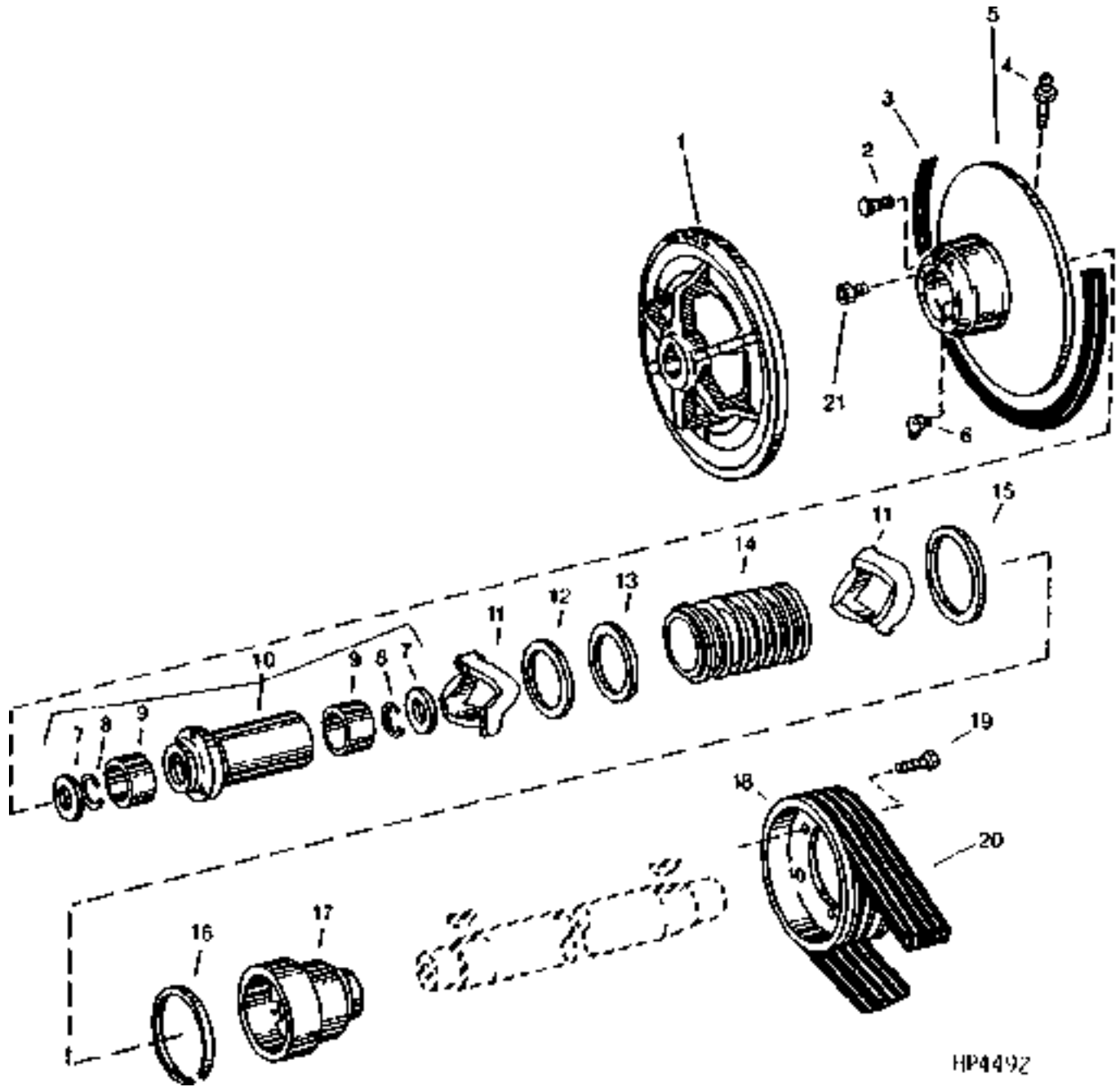


HP3831

DUAL-RANGE CYLINDER DRIVE INTERMEDIATE SHAFT MOUNTING - CONTINUED

KEY	PART NO.	PART NAME	QTY	SERIAL NO.	REMARKS
1	JD7759	LUBRICATION FITTING	2		1/8" STRAIGHT
2	H110168	SCREW	1		M16 X 60
3	R20135	WASHER	2		16.662 X 57.150 X 6.350 MM (21/32" X 2-1/4" X 1/4")
4	H121134	HOUSING	1		
5	AH108813	BALL BEARING	2		
6	E18993	WASHER	2		38.608 X 63.500 X 1.575 MM (1.520" X 2-1/2" X 1/16")
7	26M6787	SHAFT KEY	2		10 X 32 MM
8	H148241	SHAFT	1		
9	H119210	HOUSING	1		
10	JD7839	LUBRICATION FITTING	1		18" - 90 DEGREE
11	19M7793	SCREW	1		M16 X 40
12	AA5607R	SEAL	2		
13	H99147	BUSHING	2		(SUB H171061)
	H171061	BEARING	2		
14	AH122451	SUPPORT	1		
15	M2353T	SNAP RING	1		
16	24H1513	WASHER	1		1-13/32" X 2" X 0.060"
17	H127596	PIN	1		
18	19M7898	SCREW	2		M10 X 130
19	14M7296	FLANGE NUT	2		M10
20	T20217	WASHER	4		12.954 X 43.942 X 6.350 MM (0.510" X 1.730" X 1/4")
21	19H3057	CAP SCREW	2		1/2" X 2-3/4"
22	H127583	EYEBOLT	1		
23	T22714	PIN	1		15.748 X 66.040 MM (0.620" X 2.600")
24	11M7028	COTTER PIN	1		5 X 32 MM
25	19M8306	SCREW	2		M12 X 50
26	14M7291	FLANGE NUT	2		M16
27	AH121007	HOSE	1		1/8" X 1 400 MM (55") X 1/8"

DUAL-RANGE CYLINDER DRIVE INTERMEDIATE SHEAVE
HP4492 -UN-01JAN94

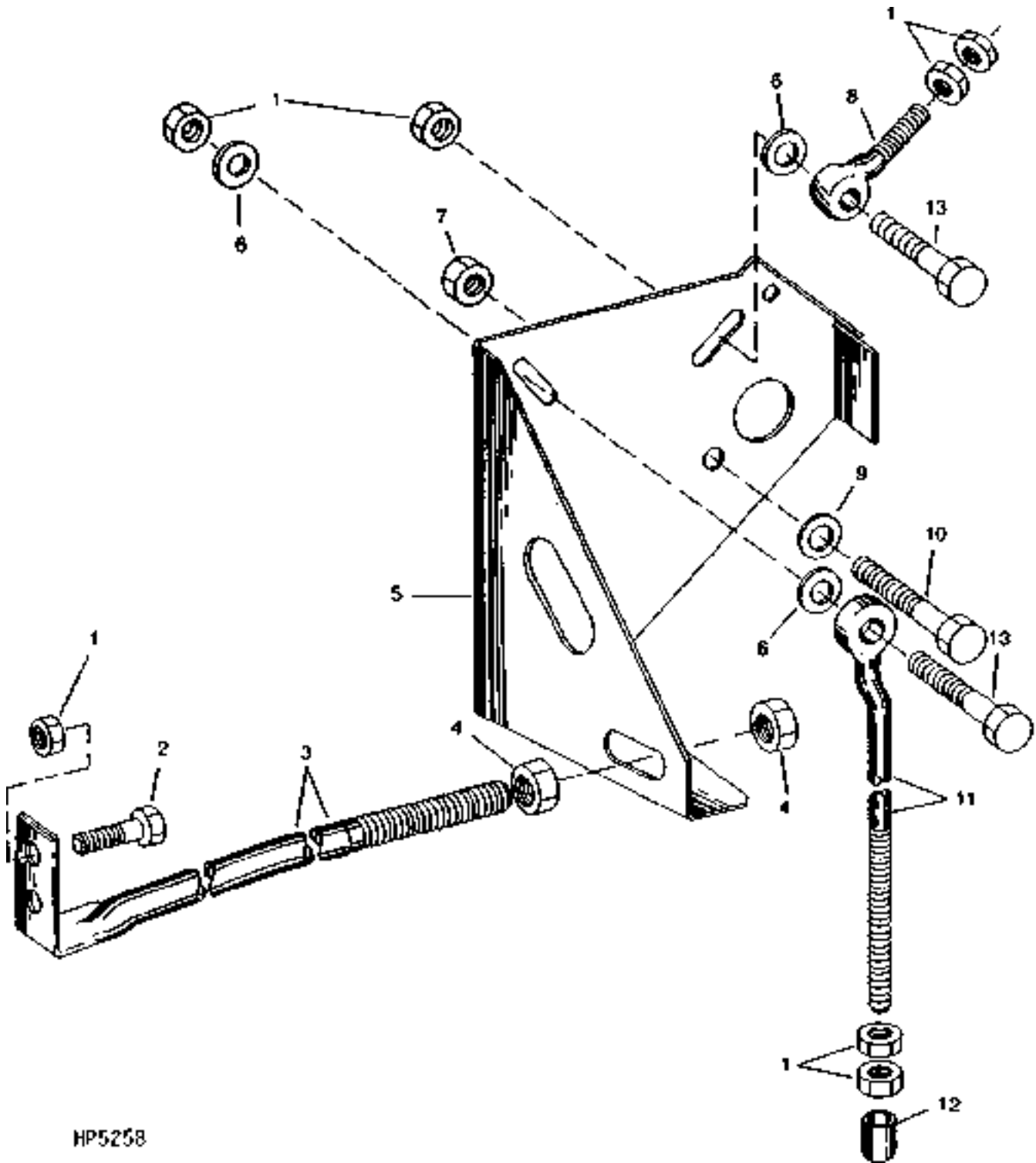


HP4492

DUAL-RANGE CYLINDER DRIVE INTERMEDIATE SHEAVE - CONTINUED

KEY	PART NO.	PART NAME	QTY	SERIAL NO.	REMARKS
1	H145955	SHEAVE	1		
2	19M7789	SCREW	3	M12 X 30	
3	H162629	BELT	1	(SUB FOR H115759)	
4	JD7759	LUBRICATION FITTING	1	1/8" STRAIGHT	
5	AH141973	HALF SHEAVE	1		INCS H144038 SHEAVE, AE38448 RELIEF VALVE, JD7759 ZERK, & JD7788 ZERK WITH ASSY BALANCED
6	JD7788	LUBRICATION FITTING	1	-10AU98	45° X 20.574 MM LONG (0.810" LONG) 45 DEGREE
7	AH106110	SEAL	2		
8	B3118R	SNAP RING	2		
9	H125528	BUSHING	2		50.778 X 55.570 X 37.800 MM (1.999" X 2.188" X 1.488")
10	AH120907	HUB	1		
11	H145243	CAM	2		
12	H96227	WASHER	1		88.900 X 112.776 X 1.600 MM (3-1/2" X 4.440" X 0.063")
13	H96232	WASHER	1		
14	AH148893	SPRING ASSEMBLY	1		(INCLUDES H96226)
15	AH136497	SEAL	1		
16	H107389	RING	1		
17	H146394	HUB	1		
18	H125391	SHEAVE	1		
19	19M7818	SCREW	3	M12 X 80	
20	H115881	BELT	1		
21	AH106296	BREATHER	1	-10AU98	
	AE38448	RELIEF VALVE	1	10AU98-	

DUAL-RANGE CYLINDER DRIVE ADJUSTING BRACKET
HP5258 -UN-01JAN94

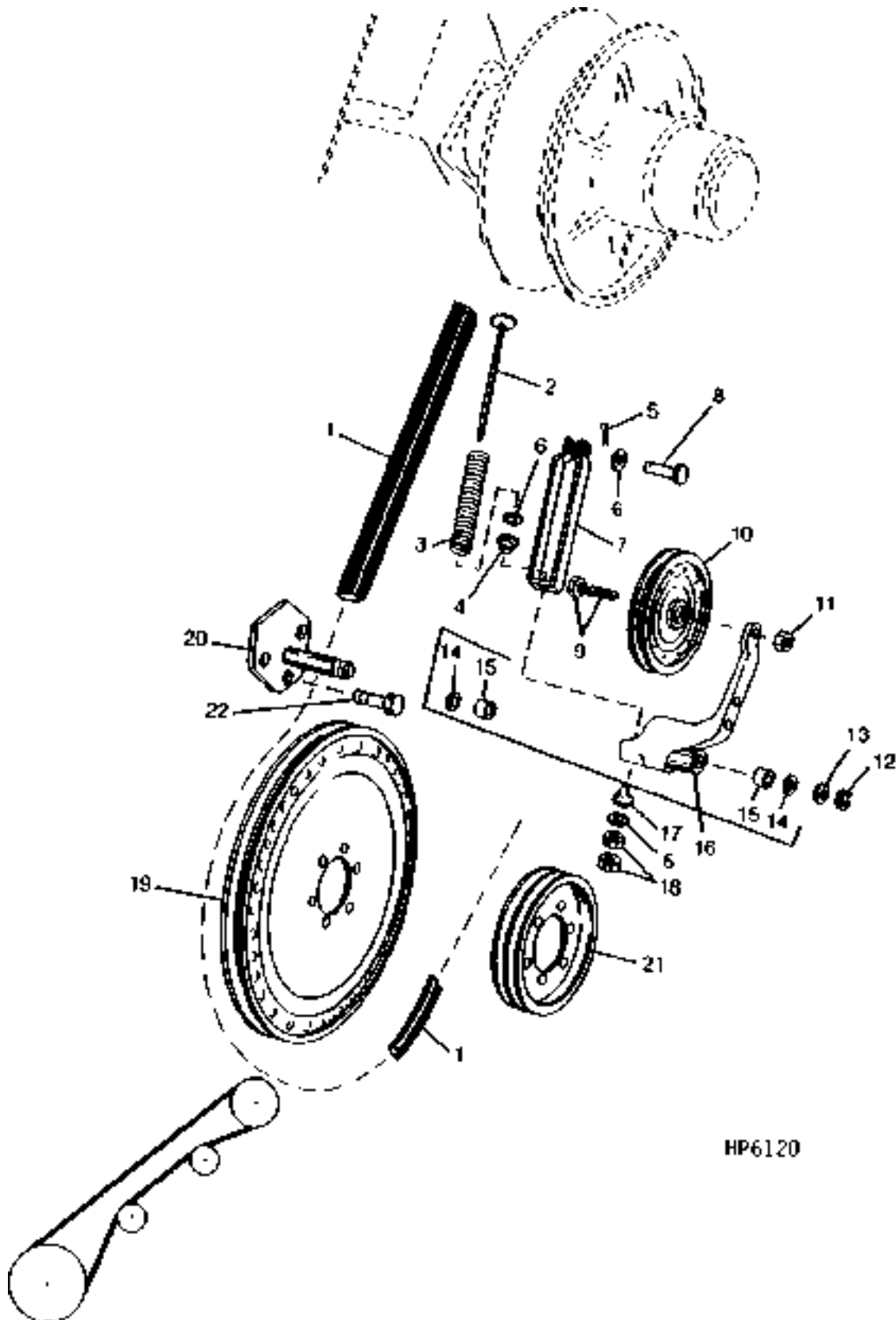


HP5258

DUAL-RANGE CYLINDER DRIVE ADJUSTING BRACKET - CONTINUED

KEY	PART NO.	PART NAME	QTY	SERIAL NO.	REMARKS
1	14M7299	FLANGE NUT	8	M12	
2	19M7837	SCREW	2	M12 X 110	
3	AH126538	BRACE	1		
4	14M7300	FLANGE NUT	2	M20	
5	H131482	SUPPORT	1		
6	24M7240	WASHER	3	13 X 25 X 3 MM	
7	14M7291	FLANGE NUT	1	M16	
8	H116065	EYEBOLT	1		
9	24M7053	WASHER	1	17 X 30 X 3 MM	
10	19M8046	CAP SCREW	1	M16 X 70	
11	H131485	EYEBOLT	1		
12	R50770	PLUG	1		
13	19M7791	SCREW	2	M12 X 40	

SECONDARY COUNTERSHAFT DRIVE
HP6120 -UN-21JUL95

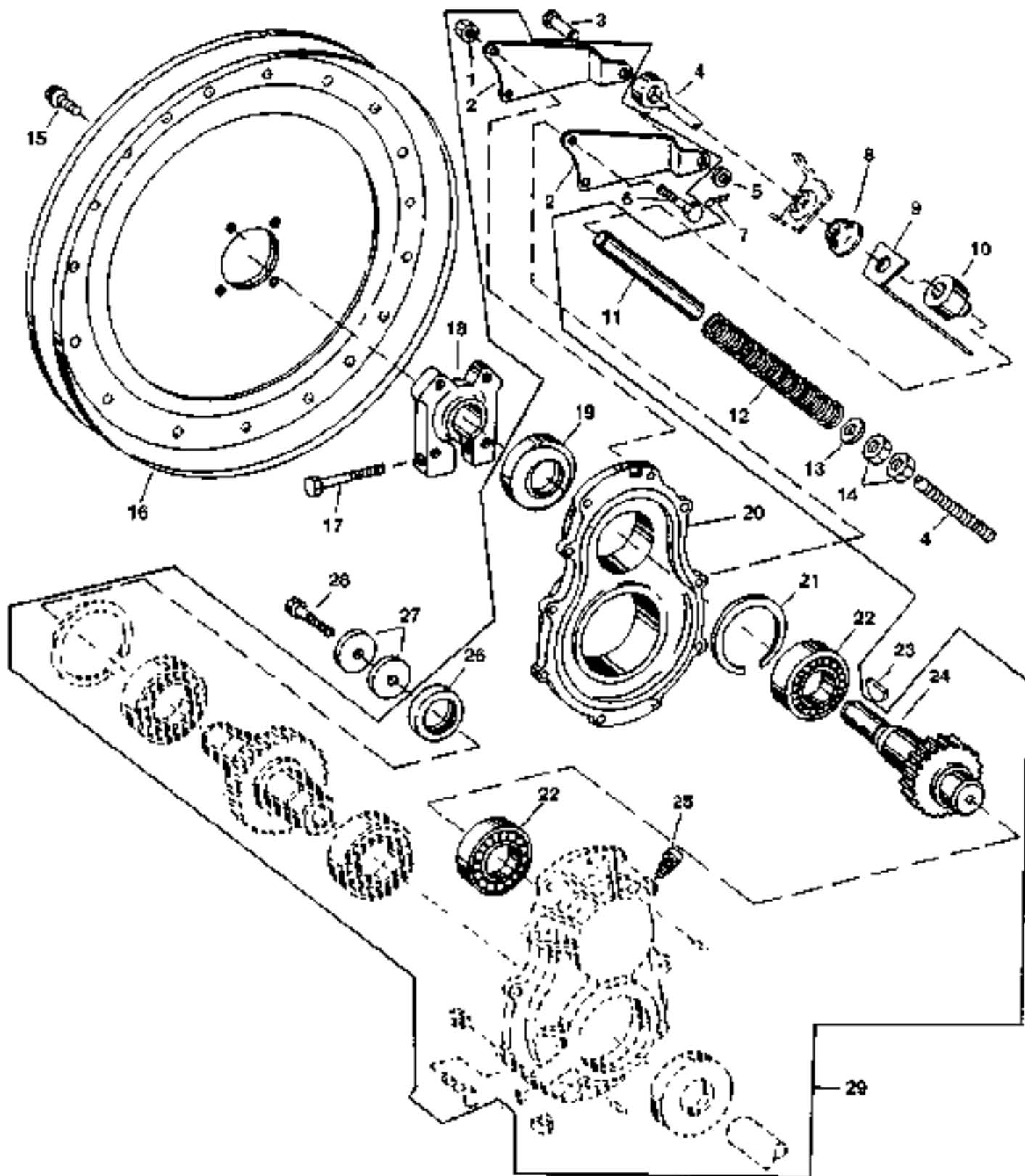


HP6120

SECONDARY COUNTERSHAFT DRIVE - CONTINUED

KEY	PART NO.	PART NAME	QTY	SERIAL NO.	REMARKS
1	H128010	BELT	1		
2	AH124826	STUD	1		
3	B10604	SPRING	1		
4	H97513	BUSHING	1		
5	11M7028	COTTER PIN	1	5 X 32 MM	
6	24M7047	WASHER	3	13 X 24 X 2.500 MM	
7	H133667	CLEVIS	1		
8	H748DA	PIN	1	12.700 X 28.575 MM (1/2" X 1-1/8")	
9	19M7824	SCREW	1	M16 X 60	
10	AH97031	IDLER	1		
11	14M7291	FLANGE NUT	1	M16	
12	P46402	SNAP RING	1		
13	24M7091	WASHER	1	26 X 44 X 4 MM	
14	AA5607R	SEAL	2		
15	H99147	BUSHING	2	(SUB H171061)	
	H171061	BEARING	2		
16	AH124828	ARM	1		
17	H129207	PIVOT	1		
18	14M7275	NUT	2	M12	
19	AH104783	PULLEY	1		
20	AH139816	PIN	1		
	AH156051	SPRING PIN	1		
21	H142143	SHEAVE	1		
22	19M7784	SCREW	3	M10 X 20	

STRAW WALKER DRIVE GEARCASE
HP6900 -UN-12SEP97

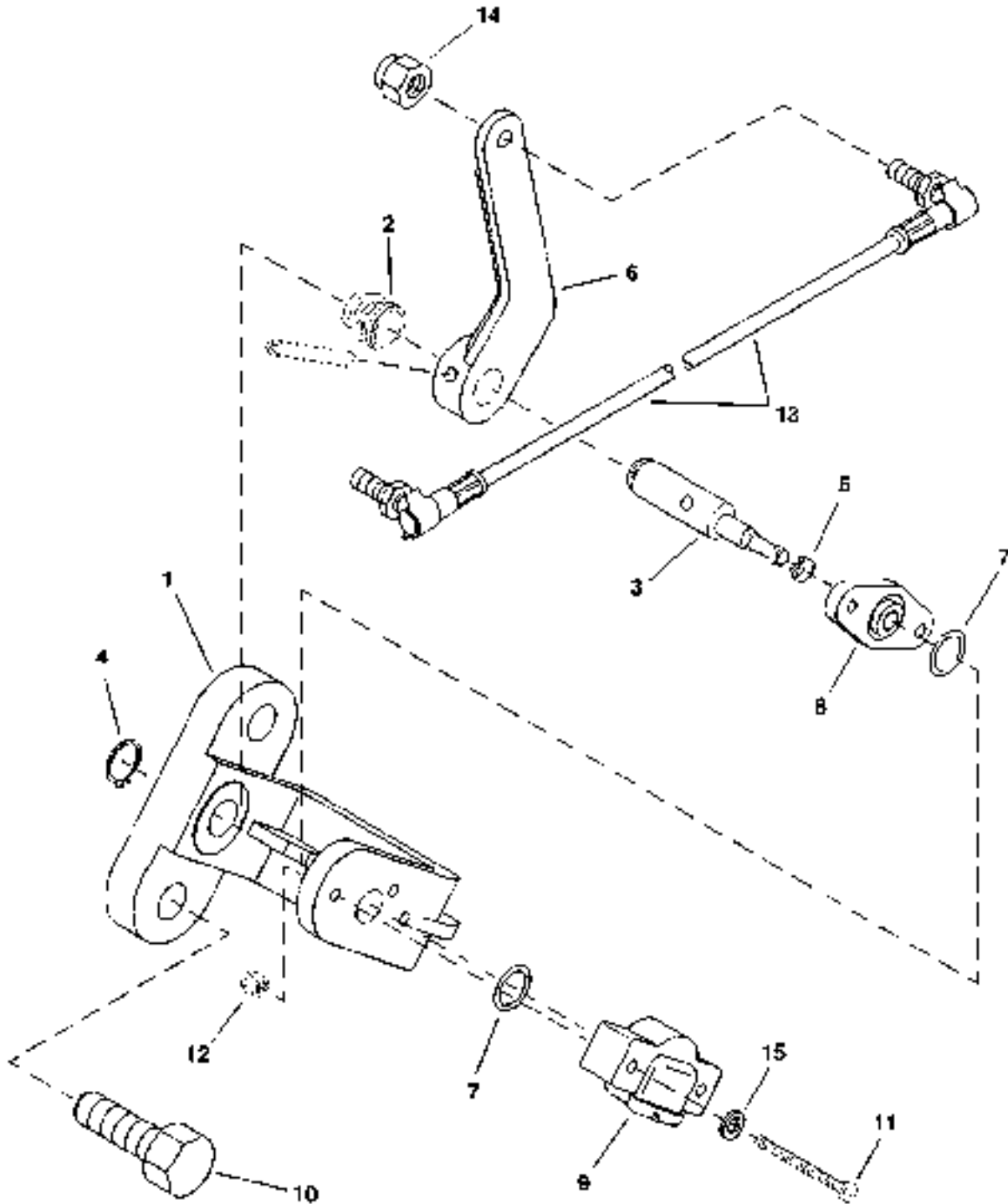


HP6900

STRAW WALKER DRIVE GEARCASE - CONTINUED

KEY	PART NO.	PART NAME	QTY	YEAR	REMARKS
1	14M7298	FLANGE NUT	10		M8
2	H129312	ARM	2		
3	45M7084	PIN	1		12 X 35 MM
4	H129311	EYEBOLT	1		
5	24M7047	WASHER	1		13 X 24 X 2.500 MM
6	19M8317	SCREW	2		M8 X 40
7	11M7015	COTTER PIN	1		3.200 X 25 MM
8	H129207	PIVOT	1		
9	H135512	GAUGE	1		
10	H135395	SPACER	1		13 X 24 X 30 MM (0.512" X 0.945" X 1.181")
11	TY22329	BULK HOSE	AR		BULK HOSE
12	H86783	SPRING	1		
13	24M7180	WASHER	1		13 X 37 X 3 MM
14	14M7275	NUT	2		M12
15	19M7784	SCREW	4		M10 X 20
16	AH122863	SHEAVE	1		
17	19M7663	CAP SCREW	1		M8 X 70
18	H134760	HUB	1		
19	RE20768	SEAL	1		
20	AH135573	GEAR CASE	1		GEARCASE W/TWO MATCHED HALVES ONLY INCLUDES TWO 34M7038, ALSO REQS.AR90369 ELBOW AND R26375 O-RING
21	R62192	SNAP RING	1		
22	JD7686	BALL BEARING	2		
23	26M4228	SHAFT KEY	1		8 X 28 MM (0.315" X 1.102") WOODRUFF
24	H114134	PINION	1		
25	U14273	BREATHER	1		
26	AH111970	SEAL	1		
27	N134803	WASHER	1		
28	H155973	SCREW	1		
29	AH135572	GEAR CASE	1		(SUB AH162469) GEARCASE W/TWO MATCHED HALVES AND COMPLETE INTERNAL PARTS. REQS. AR90369 ELBOW AND R26375 O-RING
	AH162469	GEAR CASE	1		

CORN AND SMALL GRAIN CONCAVE INDICATOR
HP7387 -UN-04FEB98

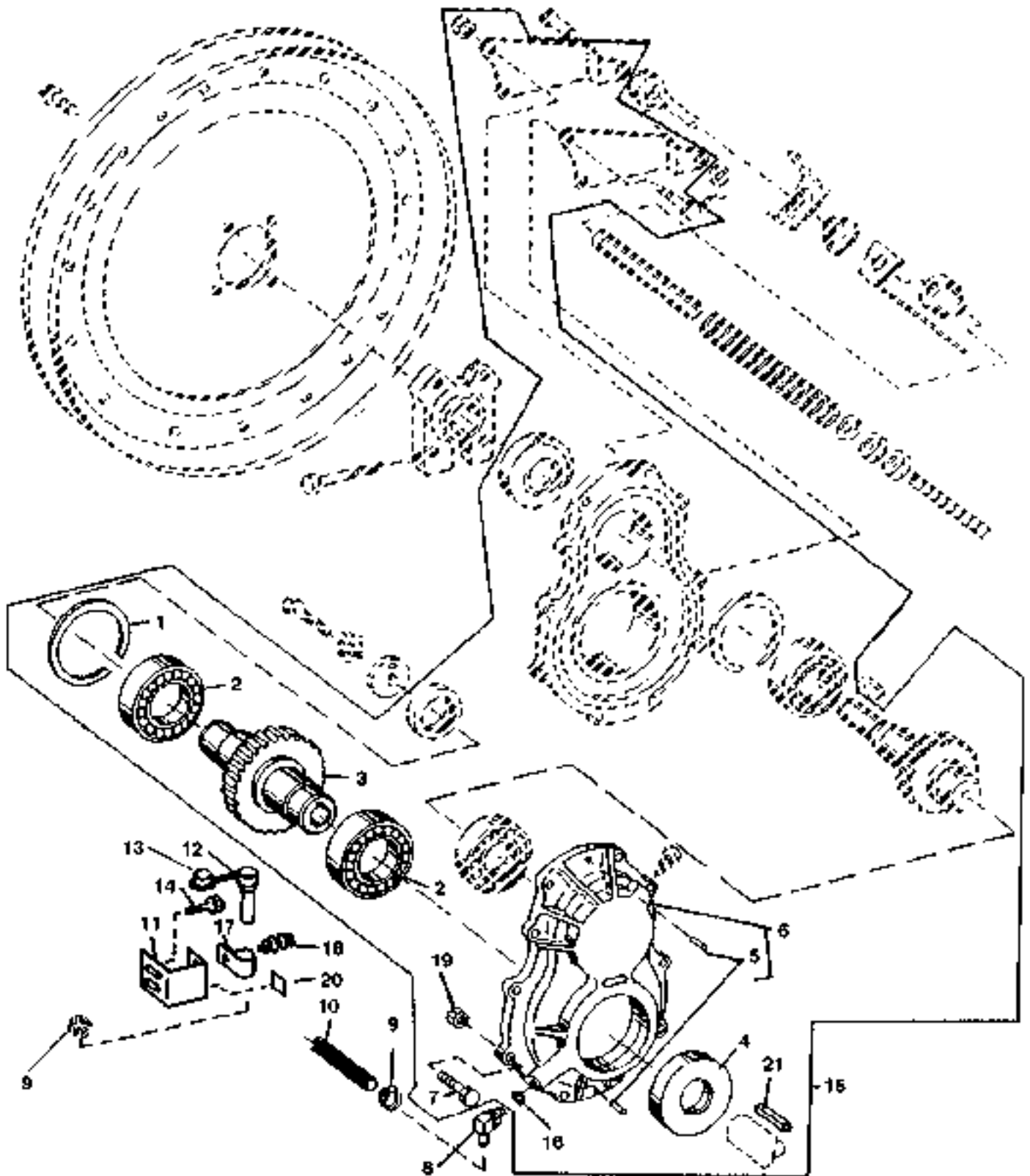


HP7387

CORN AND SMALL GRAIN CONCAVE INDICATOR - CONTINUED

KEY	PART NO.	PART NAME	QTY	SERIAL NO.	REMARKS
1	H156936	BRACKET	1		
2	R41076	GROMMET	1		
3	R111692	SHAFT	1		
4	R26871	SNAP RING	1		
5	R112679	SEAL	1		
6	R40915	LEVER	1		
7	R34404	O-RING	2		
8	R86457	SUPPORT	1		
9	RE56165	SENSOR	1		
10	37M7084	SCREW	2		M8 X 25
11	21M7261	SCREW	2		M5 X 45
12	14M7297	NUT	2		M5
13	AH150498	BALL JOINT	1		
14	14M7397	LOCK NUT	1		M6
15	12M7060	WASHER	2		5.300 MM

STRAW WALKER DRIVE GEARCASE
HP6901 -UN-12SEP97

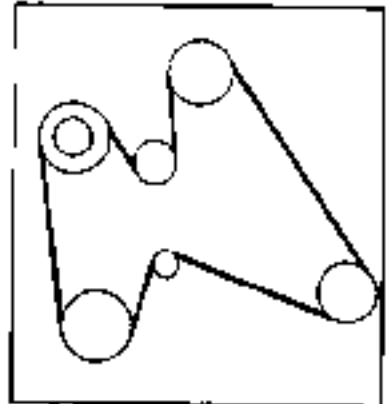
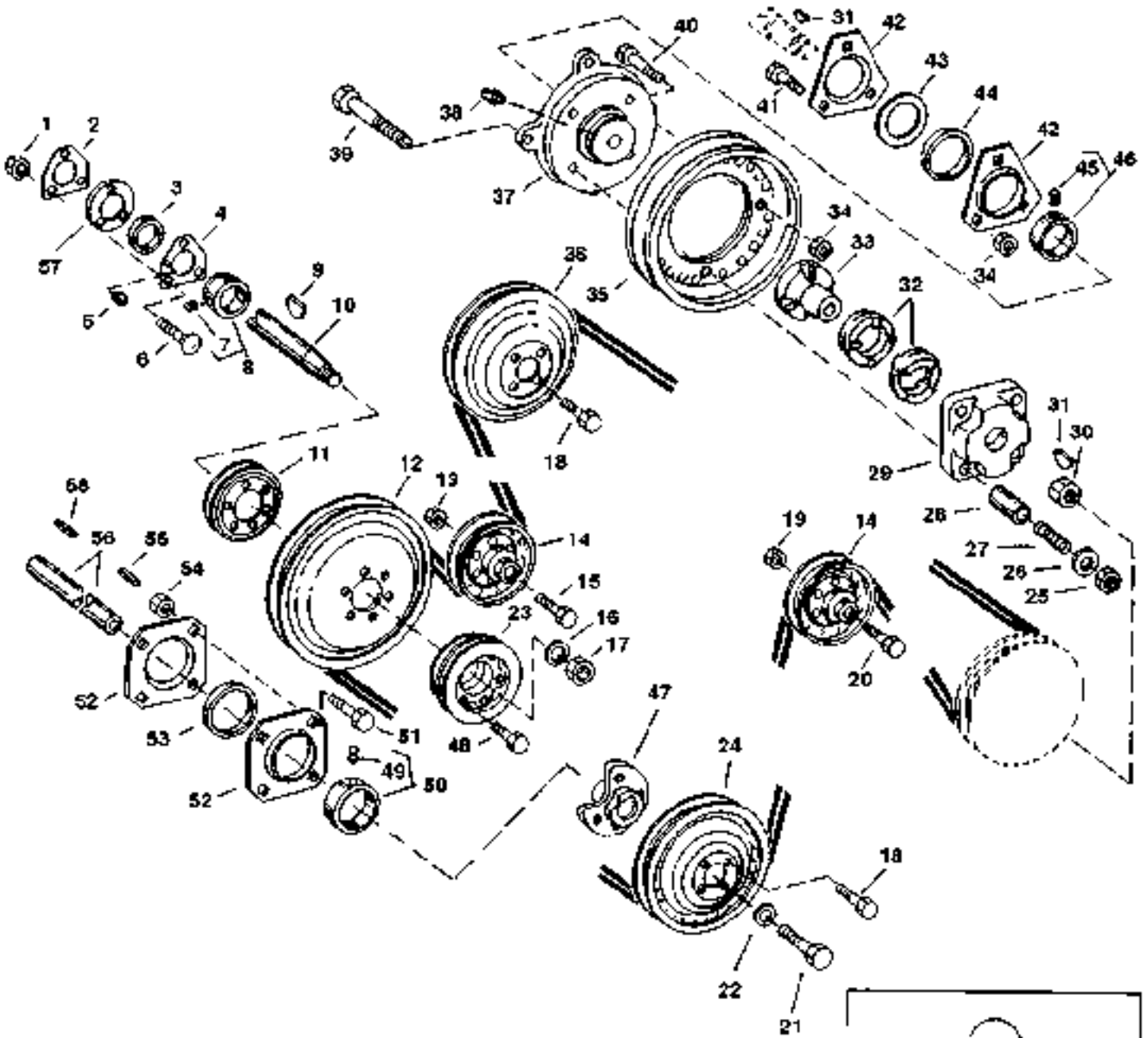


HP6901

STRAW WALKER DRIVE GEARCASE - CONTINUED

KEY	PART NO.	PART NAME	QTY	SERIAL NO.	REMARKS
1	BP13620	SNAP RING	1		
2	JD10011	BALL BEARING	2		
3	H114100	GEAR	1		
4	AH111971	SEAL	1		
5	34M7038	SPRING PIN	2	6 X 20 MM	
6	AH135573	GEAR CASE	1		GEARCASE W/TWO MATCHED HALVES ONLY INCLUDES TWO 34M7038, ALSO REQS. AR90369 ELBOW AND R26375 O-RING
7	19M7868	SCREW	8	M8 X 30	
8	AR90369	ELBOW FITTING	1		
9	TY22465	HOSE CLAMP	2		
10	H142055	LINE	1		
11	H143420	STOP	1		
12	M73346	OIL TUBE	1		
13	15H582	FITTING	1		
14	37M7083	SCREW	2	M8 X 12, FOR H133409 HOSE SUPPORT	
	37M7058	SCREW	2	M8 X 20 FOR H143420 STOP	
15	AH135572	GEAR CASE	1		(SUB AH162469) GEARCASE W/TWO HALVES AND COMPLETE INTERNAL PARTS. REQS. AR90369 ELBOW AND R26375 O-RING
	AH162469	GEAR CASE	1		
16	R26375	O-RING	1		
17	T38377	CLIP	1		FOR BLACK HOSE ON STRAW WALKER GEARBOX
18	19M7867	SCREW	2	M8 X 25	
	14M7298	FLANGE NUT	2	M8	
19	14M7298	FLANGE NUT	10	M8	
20	H145706	LABEL	1		
21	H138344	SHAFT KEY	1		

STRAW WALKER, CONVEYOR AUGERS, SIEVE AND CHAFFER DRIVE
HP6902 -UN-18AUG97



HP6902

4116

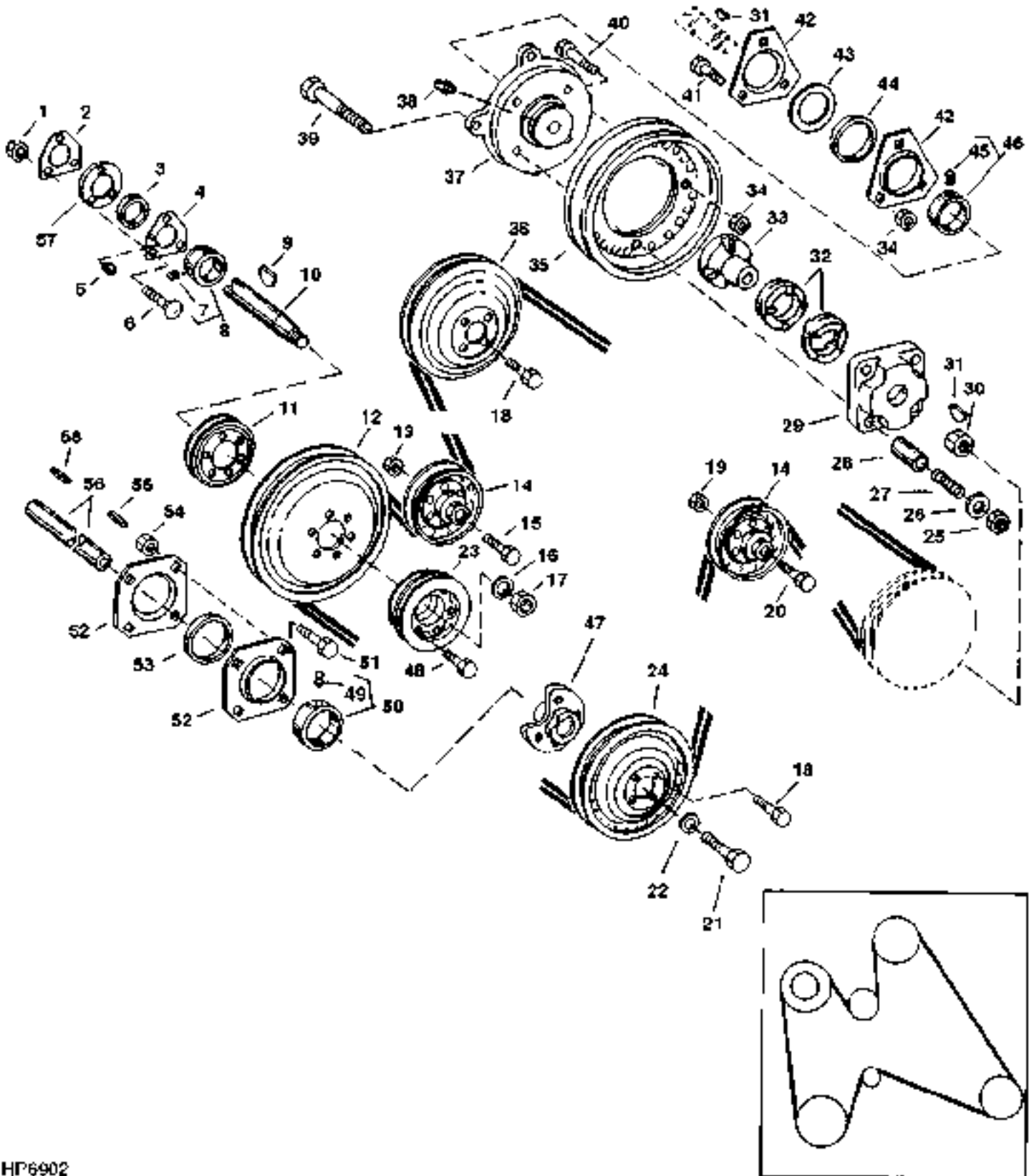
DRIVES

STRAW WALKER, CONVEYOR AUGERS, SIEVE AND CHAFFER DRIVE - CONTINUED

KEY	PART NO.	PART NAME	QTY	SERIAL NO.	REMARKS
1	14M7296	FLANGE NUT	3		
2	H135410	PRESSED FLANGED HOUSING	1		
3	AH139296	BALL BEARING	1		
4	AH129420	PRESSED FLANGED HOUSING	1		
5	JD7846	LUBRICATION FITTING	1		
6	03M7191	BOLT	3		M10 X 25
7	22M7081	SET SCREW	1		M10 X 10
8	AH133191	ECCENTRIC LOCKING COLLAR	1		
9	H153524	KEY	1		WOODRUFF (HARDENED)
10	H132207	JACKSHAFT	1		
11	H131170	SHEAVE	1		
12	AH104783	PULLEY	1		
13	14M7291	FLANGE NUT	1		M16
14	AH94450	IDLER	2		
15	19M7824	SCREW	1		M16 X 60
16	24M7091	WASHER	1		26 X 44 X 4 MM
17	14M7413	LOCK NUT	1		M24
18	19M7784	SCREW	8		M10 X 20
19	14M7291	FLANGE NUT	1		M16
20	19M7824	SCREW	1		M16 X 60
21	19M7283	CAP SCREW	2		M16 X 35
22	T119912	WASHER	2		16.662 X 41.148 X 6.350 MM (21/32" X 1.620" X 1/4")
23	H142143	SHEAVE	1		
24	AH126188	SHEAVE	1		
25	14M7400	LOCK NUT	4		M10

STRAW WALKER, CONVEYOR AUGERS, SIEVE AND CHAFFER DRIVE - CONTINUED

HP6902 -UN-18AUG97



HP6902

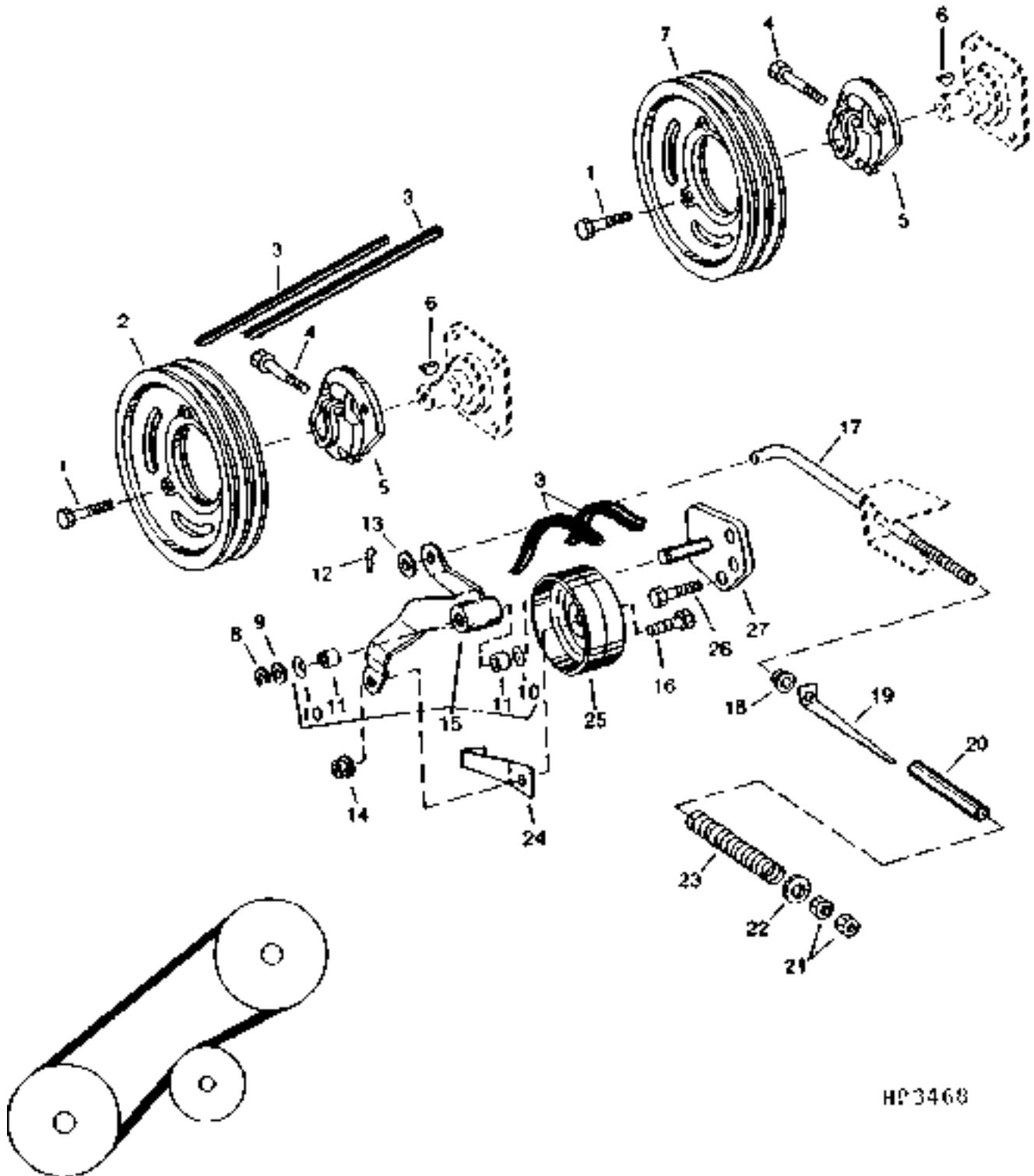
STRAW WALKER, CONVEYOR AUGERS, SIEVE AND CHAFFER DRIVE - CONTINUED

KEY	PART NO.	PART NAME	QTY	SERIAL NO.	REMARKS
26	24M7101	WASHER	4		11 X 34 X 3 MM, (SUB FOR (4) 24H1730)
27	R56722	SPRING	4		
28	H87206	SPACER	4		10.338 X 15.875 X 76.200 MM (0.407" X 5/8" X 3")
29	H89525	RETAINER	1		
30	14M7300	FLANGE NUT	1		M20
31	26M4226	SHAFT KEY	1		5 X 19 MM
32	H128265	SLIP CLUTCH	2		
33	H131098	HUB	1		
34	14M7296	FLANGE NUT	4		M10
35	AH126094	SHEAVE	1		
36	AH122863	SHEAVE	1		
37	H135423	HUB	1		
38	JD7797	LUBRICATION FITTING	1		
39	19M8166	CAP SCREW	4		M10 X 110
40	19M7786	SCREW	4		M10 X 30
41	03M7191	BOLT	3		M10 X 25
42	E10018	PRESSED FLANGED HOUSING	2		
43	H102533	SHIM	5		
44	AH129451	BALL BEARING	1		
45	SET SCREW	1		
46	AH129452	ECCENTRIC LOCKING COLLAR	1		
47	H133603	HUB	1		
48	19M7810	SCREW	6		M10 X 80
49	22M7081	SET SCREW	2		
50	AL14674	ECCENTRIC LOCKING COLLAR	2		
51	03M7198	BOLT	8		M12 X 30
52	H133621	PRESSED FLANGED HOUSING	4		
53	JD39109	BALL BEARING	2		
54	14M7299	FLANGE NUT	16		M12
55	SHAFT KEY	1		M6 X 50 MM (CUT FROM H150268)
56	H133597	SHAFT	1		CLEANING SHOE SHAFT
57	H105578	SHIM	1		
58	SHAFT KEY	1		M6 X 100 MM (CUT FROM H150268)
..	H131169	BELT	1		

4119

DRIVES

BEATER DRIVE, SHEAVES AND TIGHTENER
HP3468 -UN-01JAN94



HP 3468

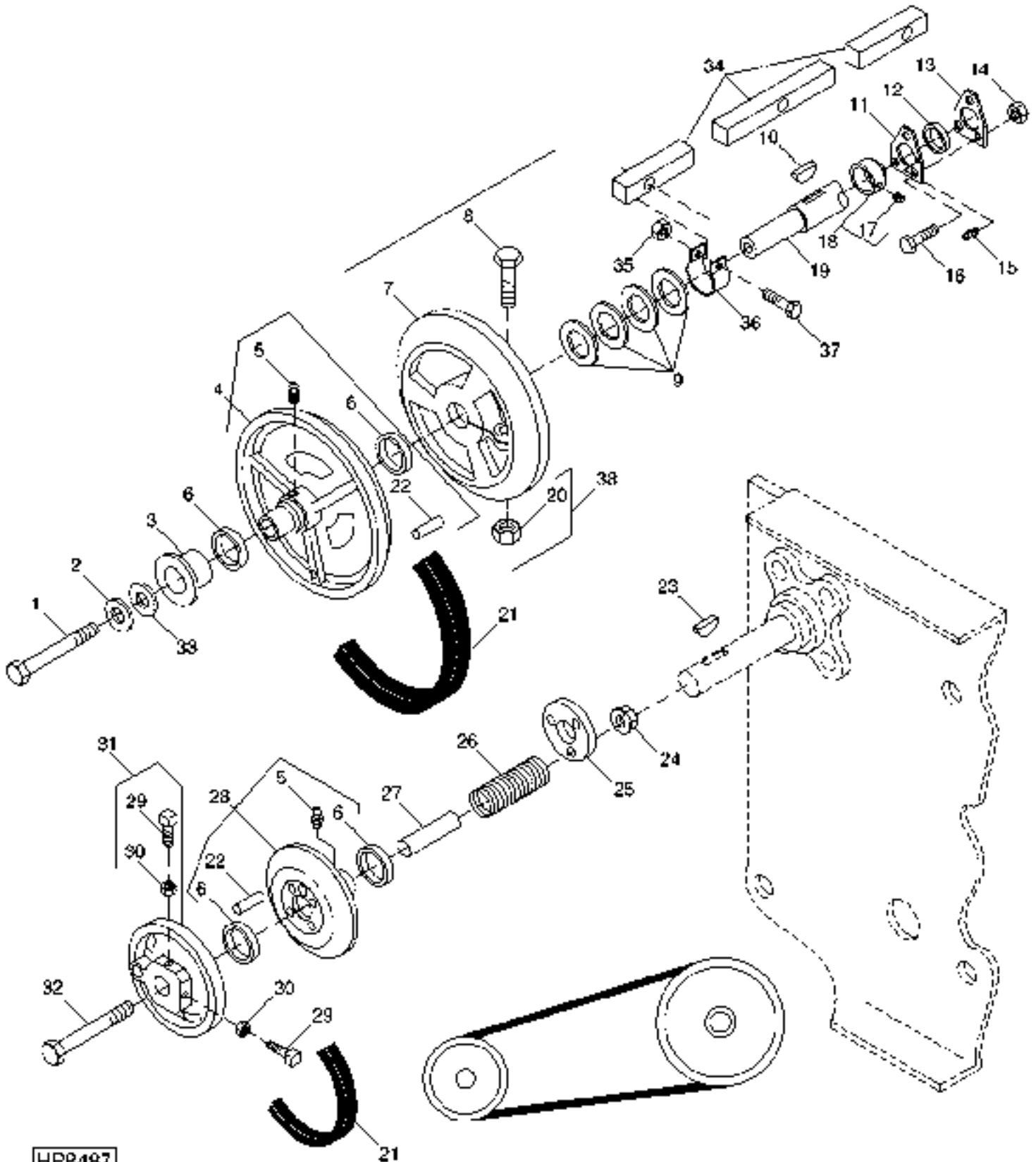
BEATER DRIVE, SHEAVES AND TIGHTENER - CONTINUED

KEY	PART NO.	PART NAME	QTY	SERIAL NO.	REMARKS
1	19M7785	SCREW	6	M10 X 25	
2	H125558	SHEAVE	2	FOR 100 PERCENT BEATER DRIVE	
	H135849	SHEAVE	1	FOR 75 PERCENT BEATER DRIVE	
3	AH139436	BELT SET	1	FOR 100 PERCENT BEATER DRIVE	
	AH163931	BELT	1	(SUB FOR AH131960) FOR 75 PERCENT BEATER DRIVE	
4	19M7808	SCREW	2	M10 X 65	
5	H128327	HUB	2		
6	26M6787	SHAFT KEY	2	10 X 32 MM, WOODRUFF	
7	H135850	SHEAVE	1	FOR 75 PERCENT BEATER DRIVE	
8	P46402	SNAP RING	1		
9	24M7091	WASHER	1	26 X 44 X 4 MM	
10	AA5607R	SEAL	2		
11	H99147	BUSHING	2	(SUB H171061)	
	H171061	BEARING	2		
12	11M7021	COTTER PIN	1	4 X 25 MM	
13	24M7047	WASHER	1	13 X 24 X 2.500 MM	
14	14M7299	FLANGE NUT	1	M12	
15	AH131508	ARM	1		
16	19M7817	SCREW	1	M12 X 70	
17	H125560	BOLT	1		
18	H129207	PIVOT	1		
19	H140944	GAUGE	1		
20	TY22326	BULK HOSE	1	BULK HOSE	
21	14M7275	NUT	2	M12	
22	24M7180	WASHER	1	13 X 37 X 3 MM	
23	H82418	SPRING	1		
24	H94386	BRACKET	2		
25	AH141762	IDLER	1		
26	19M7784	SCREW	3	M10 X 20	
27	AH156051	SPRING PIN	1		

4121

DRIVES

SEPARATOR FAN DRIVE
HP8487 -UN-20APR99

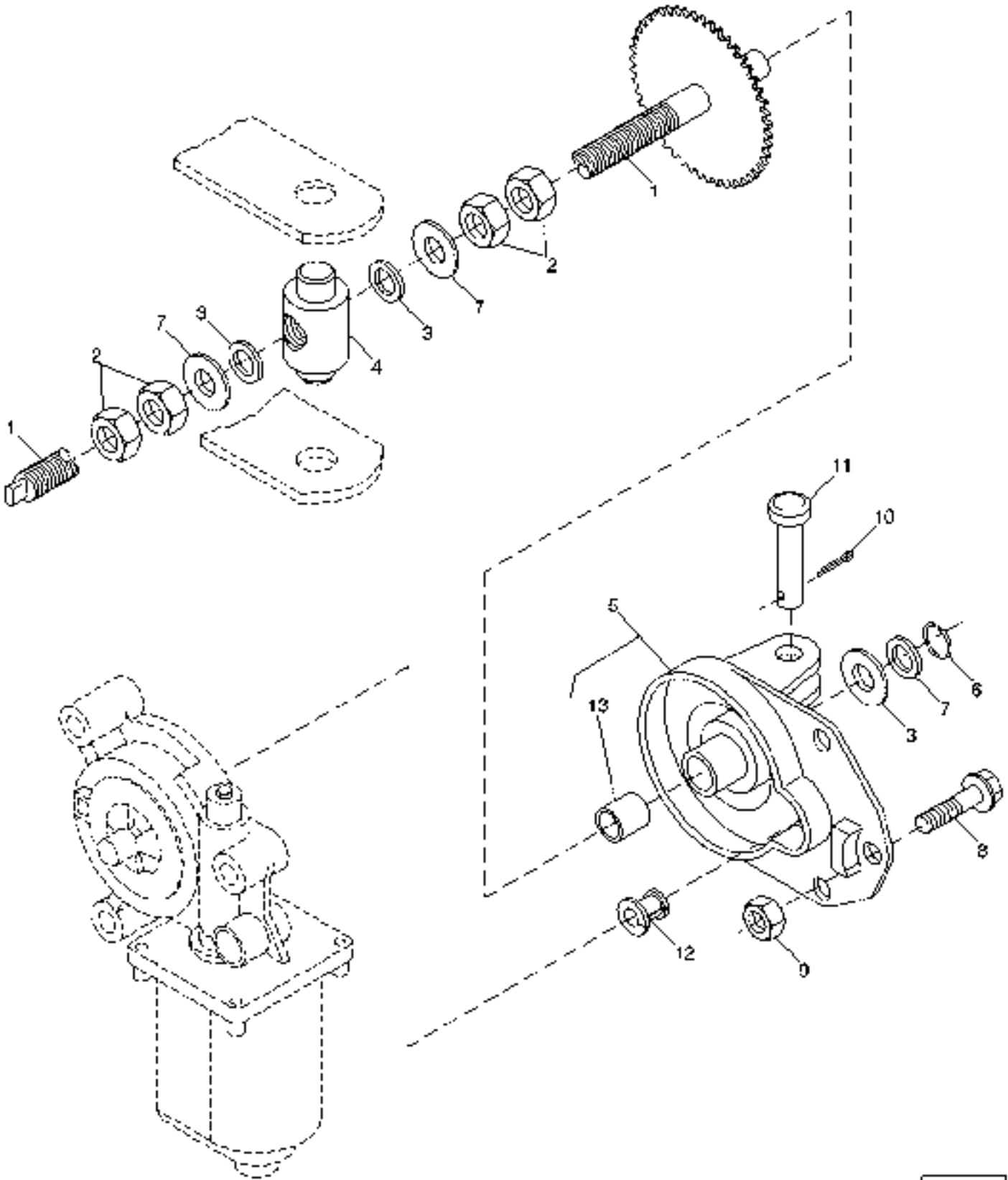


HP8487

SEPARATOR FAN DRIVE - CONTINUED

KEY	PART NO.	PART NAME	QTY	SERIAL NO.	REMARKS
1	19M7786	SCREW	1	M10 X 30	
2	24H1314	WASHER	1	13/32" X 1-3/4" X 7/64"	
3	AH124050	THROW-OUT BEARING	1		
4	AH146463	HALF SHEAVE	1	401 MM O.D. (750-1350 RPM) OUTER DRIVE	
	AH146506	HALF SHEAVE	1	(SUB AH153040) 289 MM O.D. (490-980 RPM)	
	AH153040	SHEAVE	1	289 MM O.D.(490-980 RPM)	
5	JD7759	LUBRICATION FITTING	2	1/8" STRAIGHT	
6	AH14080	SEAL	4		
7	SHEAVE	1		
8	19M8112	SCREW	1	M12 X 55	
9	24H1512	WASHER	8	1-13/32" X 2" X 0.032"	
10	H153524	KEY	1	WOODRUFF (HARDENED)	
11	AH129420	PRESSED FLANGED HOUSING	1		
12	AH139296	BALL BEARING	1		
13	H135410	PRESSED FLANGED HOUSING	1		
14	14M7296	FLANGE NUT	3	M10	
15	JD7846	LUBRICATION FITTING	1	45 DEGREE	
16	03M7191	BOLT	3	M10 X 25	
17	22M7081	SET SCREW	1	M10 X 10	
18	AH133191	ECCENTRIC LOCKING COLLAR	1		
19	H132207	JACKSHAFT	1		
20	14M7299	FLANGE NUT	1	M12	
21	H152146	BELT	1	(750-1350 RPM)	
	H152180	BELT	1	(490-980 RPM)	
22	R1964R	DOWEL PIN	2	15.875 X 68.275 MM (5/8" X 2-11/16")	
23	26M6731	SHAFT KEY	1	6 X 25 MM (0.236" X 0.984") WOODRUFF	
24	14M7396	LOCK NUT	4	M8	
25	H135599	WASHER	1		
26	H93399	SPRING	4		
27	H133489	BUSHING	4	8.630 X 11.110 X 78.500 MM (0.340" X 0.437" X 3.091")	
28	AH146461	HALF SHEAVE	1	INNER DRIVE	
29	H138435	SET SCREW	2	M10 X 25	
30	14M7152	NUT	2	M10	
31	AH146462	HALF SHEAVE	1	OUTER DRIVE	
32	19M7873	SCREW	4	M8 X 110	
33	24H1307	WASHER	AR	13/32" X 1" X 1/16"	
34	H137816	STRIPPER	1		
35	14M7397	LOCK NUT	6	M6	
36	H137815	CLAMP	6		
37	19M7862	SCREW	6	M6 X 20	
38	AH149356	HALF SHEAVE	1	(750 - 1350 RPM) INNER DRIVE	
	AH149357	HALF SHEAVE	1	(490 - 980 RPM) INNER DRIVE	
..	H137817	STRIPPER	2		
..	BH81191	COMPLETE GOODS/SHIP. BUNDLE	1	SLOW SPEED FAN DRIVE	

FAN DRIVE SPEED CONTROL LINKAGE
HP7550 -UN-16AUG99



HP7550

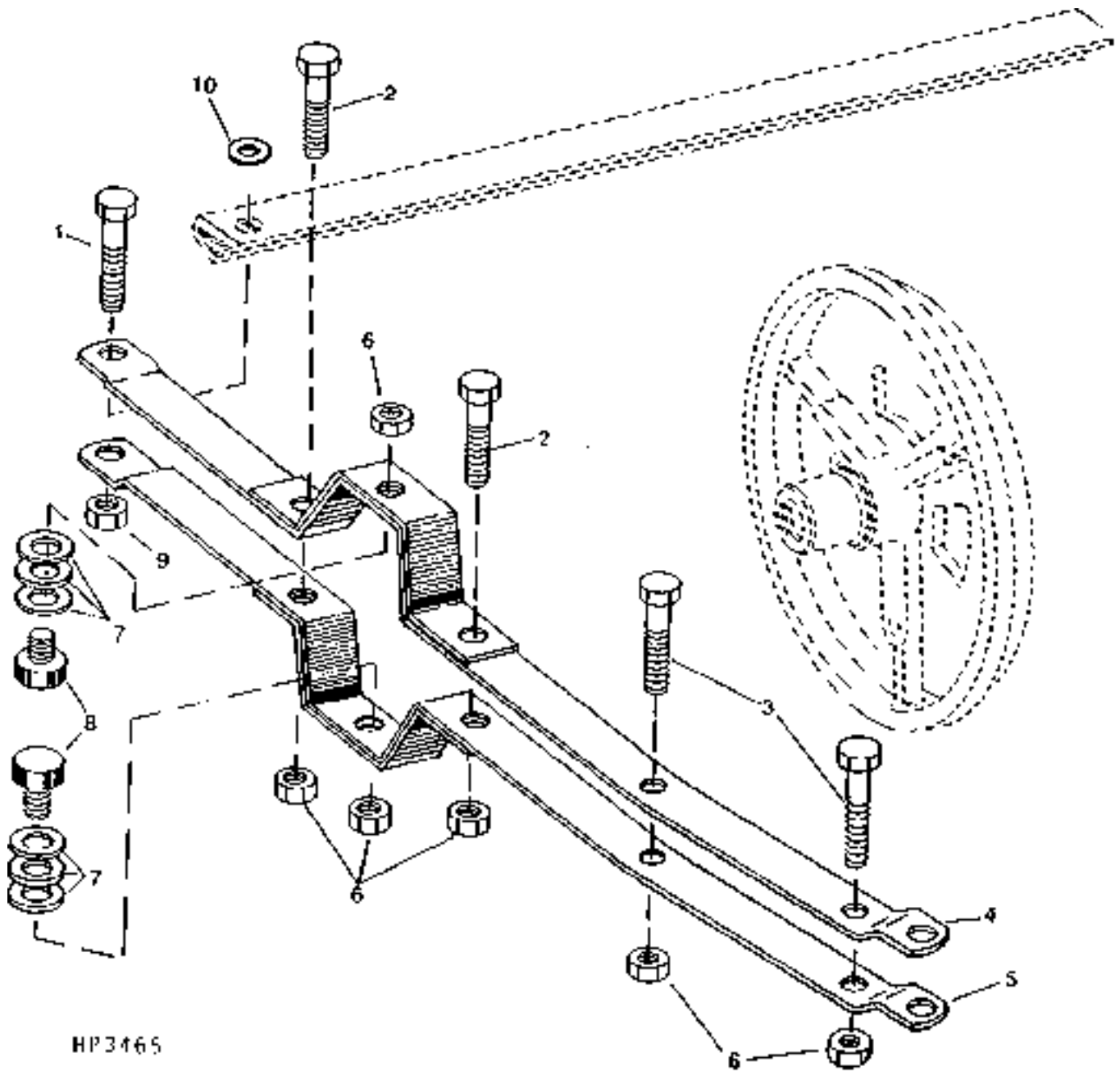
FAN DRIVE SPEED CONTROL LINKAGE - CONTINUED

KEY	PART NO.	PART NAME	QTY	SERIAL NO.	REMARKS
1	AH128384	SHAFT	1		
2	14M7382	NUT	4	M16	
3	H140397	THRUST WASHER	3		
4	H133199	TRUNNION	1		
5	AH143904	SUPPORT	1		
6	H25099	SNAP RING	1		
7	H139132	SPACER	3		
8	19M8321	SCREW	3	M6 X 45	
9	14M7165	LOCK NUT	3	M6	
10	11M7059	COTTER PIN	1	3.200 X 20 MM	
11	45M7045	PIN	1	12 X 90 MM	
12	H89515	WASHER	1		
13	H91788	BUSHING	1		

4J1

DRIVES

FAN DRIVE SPEED CONTROL SHEAVE LINKAGE
HP3465 -UN-01JAN94



HP3465

4J2

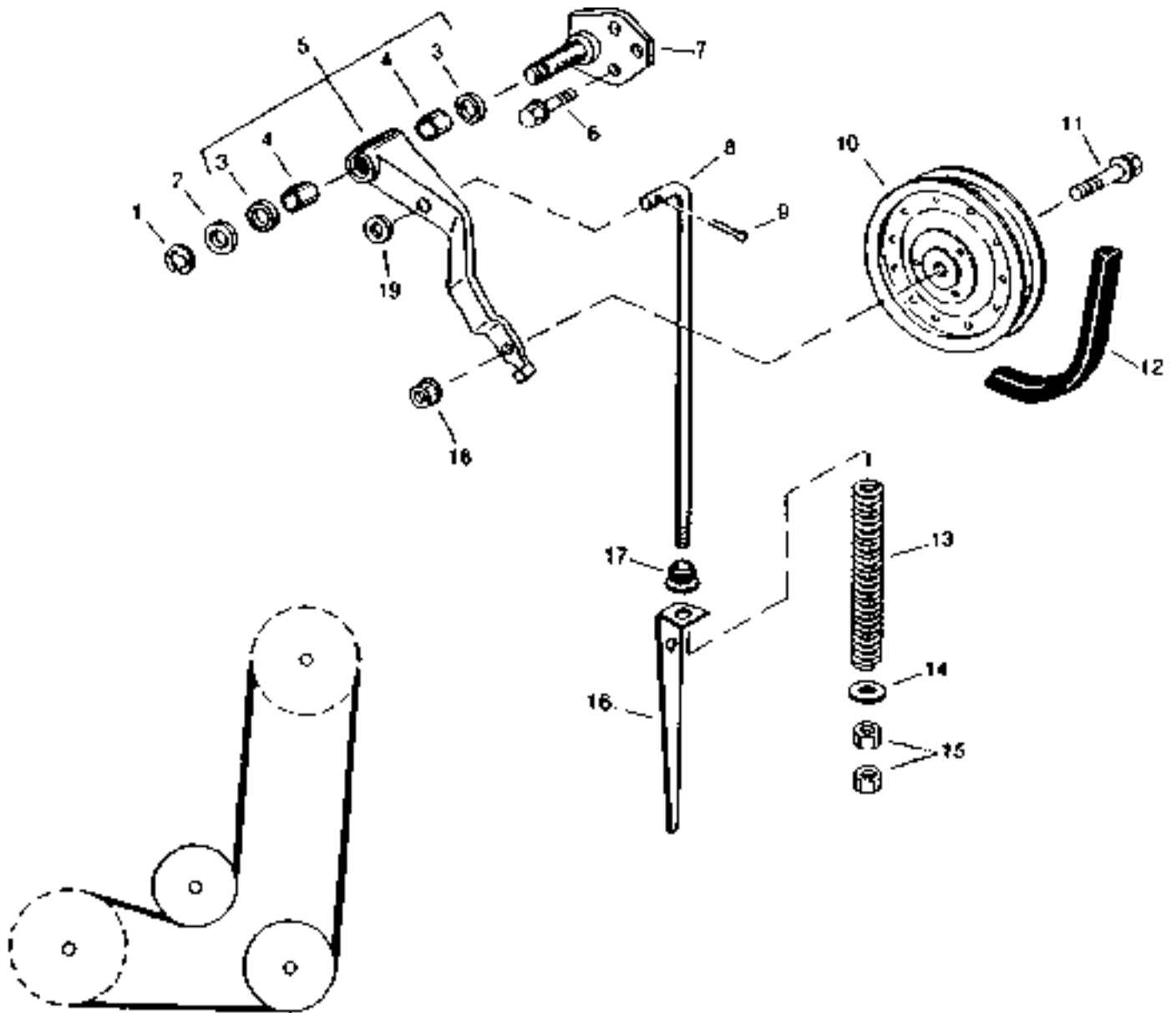
DRIVES

FAN DRIVE SPEED CONTROL SHEAVE LINKAGE - CONTINUED

KEY	PART NO.	PART NAME	QTY	SERIAL NO.	REMARKS
1	19M7868	SCREW	1		M8 X 30
2	19M7790	SCREW	2		M12 X 35
3	19M7788	SCREW	2		M12 X 25
4	AH134729	ARM	1		
5	AH134730	ARM	1		
6	14M7299	FLANGE NUT	6		M12
7	24H1882	WASHER	6		17/32" X 3/4" X 0.060"
8	19M8169	SCREW	2		M12 X 30
9	14M7298	FLANGE NUT	1		M8
10	28H1511	WASHER	1		0.364" X 0.540" X 1/4"

4J3

FEEDER HOUSE DRIVE TIGHTENER
HP3469 -UN-01JAN94



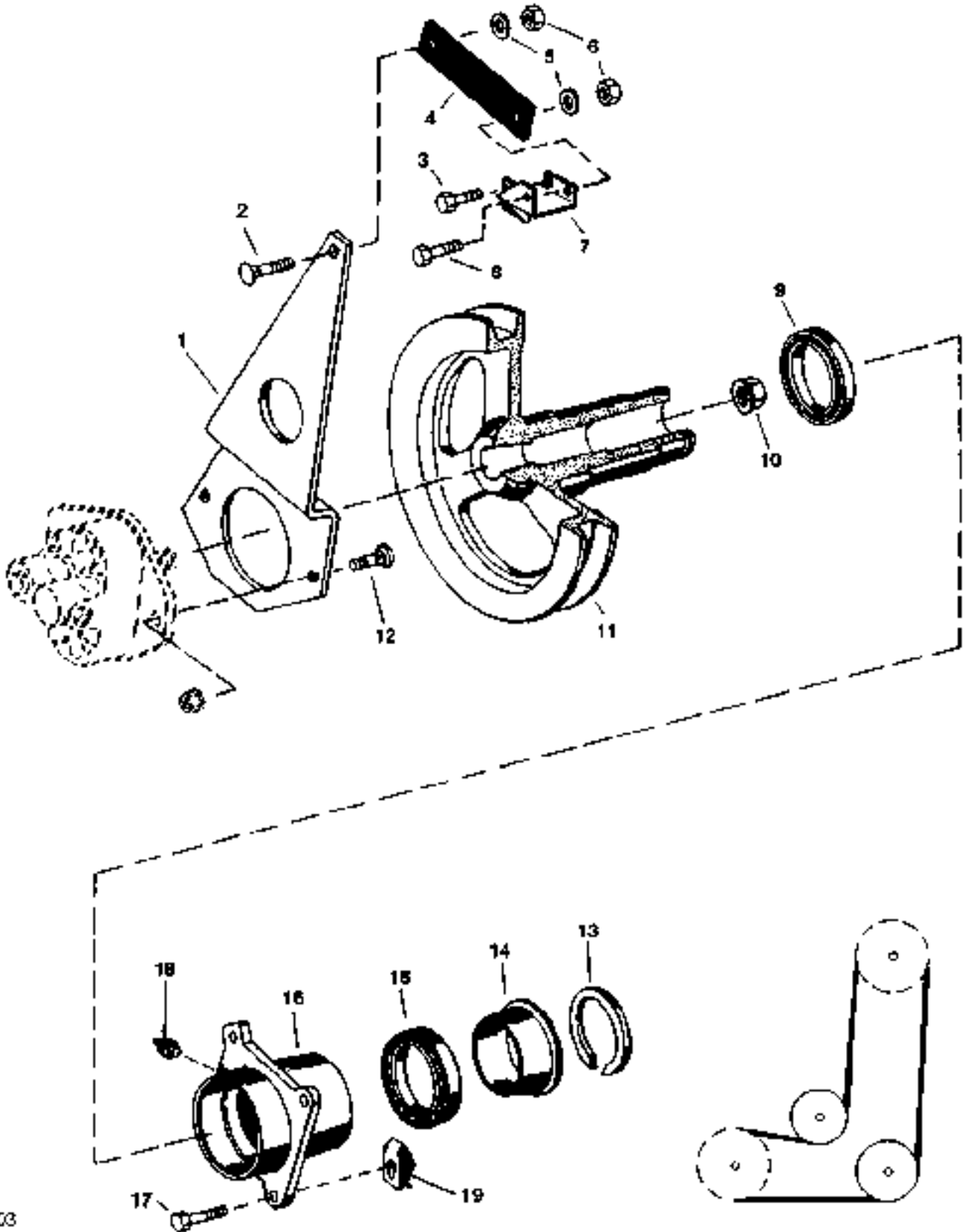
HP3469

FEEDER HOUSE DRIVE TIGHTENER - CONTINUED

KEY	PART NO.	PART NAME	QTY	SERIAL NO.	REMARKS
1	P46402	SNAP RING	1		
2	24M7091	WASHER	1	26 X 44 X 4 MM	
3	AA5607R	SEAL	2		
4	H99147	BUSHING	2	(SUB H171061)	
	H171061	BEARING	2		
5	AH128903	ARM	1		
6	19M7784	SCREW	3	M10 X 20	
7	AH156051	SPRING PIN	1		
8	H126169	BOLT	1		
9	11M7028	COTTER PIN	1	5 X 32 MM	
10	AH94450	IDLER	1		
11	19M8046	CAP SCREW	1	M16 X 70	
12	H151952	BELT	1		
13	N61654	SPRING	1		
14	24H1373	WASHER	1	21/32" X 1-9/16" X 0.180"	
15	14M7276	NUT	2	M16	
16	H116862	GAUGE	1		
17	H129208	PIVOT	1		
18	14M7291	FLANGE NUT	1	M16	
19	24M7053	WASHER	1	17 X 30 X 3 MM	

4J5

REEL / BELT PICKUP CHARGE PUMP MOUNTING AND SHEAVE
HP6903 -UN-18AUG97



HP6903

4J6

DRIVES

REEL / BELT PICKUP CHARGE PUMP MOUNTING AND SHEAVE - CONTINUED

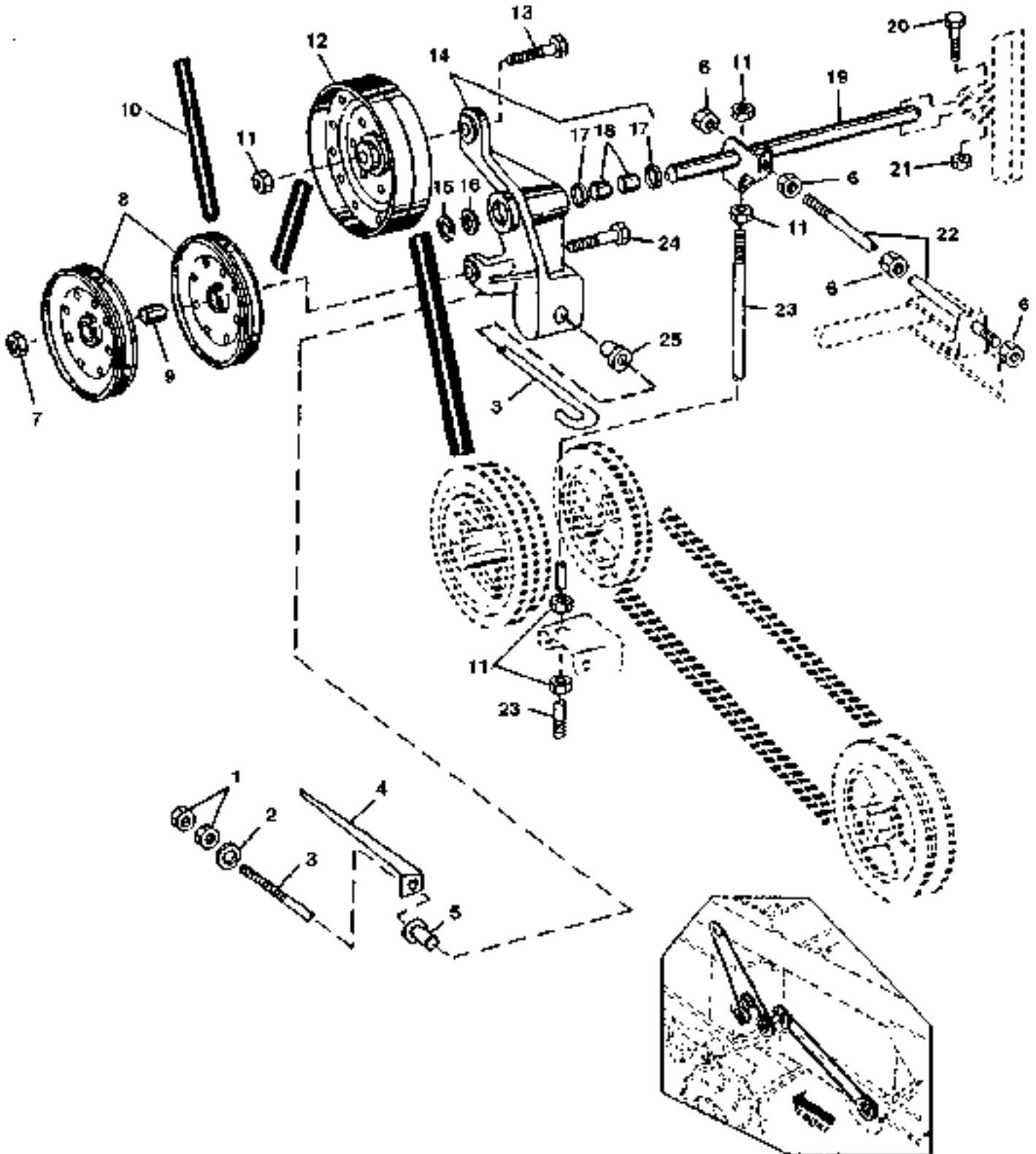
KEY	PART NO.	PART NAME	QTY	SERIAL NO.	REMARKS
1	H128098	ARM	1		
2	03M7185	BOLT	1	M8 X 25	
3	19M7865	SCREW	4	M8 X 16 (NOT FOR USE WITH MUDSHIELD)	
4	H78340	STRAP	1		
5	24M7207	WASHER	2	8.400 X 24 X 2 MM	
6	14M7396	LOCK NUT	2	M8	
7	H128111	BRACKET	1		NOT FOR USE WITH MUDSHIELD
8	19M7867	SCREW	1	M8 X 25	
9	JD10312	BALL BEARING	1		
10	E59406	FLANGE NUT	1	3/8"	
11	H132937	SHEAVE	1		
12	03M7186	BOLT	2	M8 X 30	
13	BP13616	SNAP RING	1		
14	B2984R	PLUG	1		
15	AZ20216	BALL BEARING	1		
16	H132938	HUB	1		
17	19M7785	SCREW	4	M10 X 25	
18	JD7788	LUBRICATION FITTING	1	45° X 20.574 MM LONG (0.810" LONG)	
19	H146457	NUT	4	10 MM (0.394")	

4J7

DRIVES

STRAW CHOPPER DRIVES (FRONT)

HP6904 -UN-12SEP97



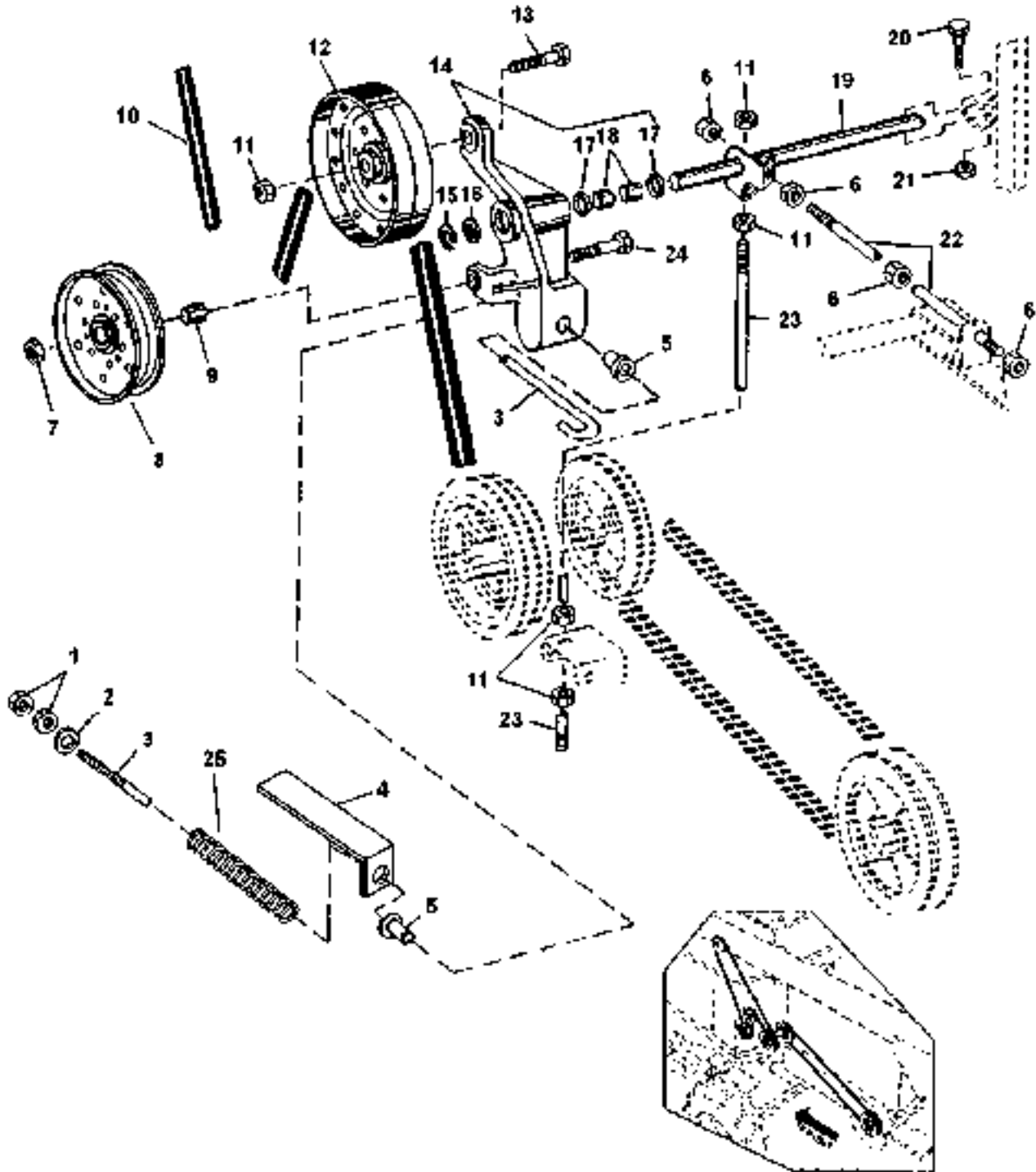
HP6904

STRAW CHOPPER DRIVES (FRONT) - CONTINUED

KEY	PART NO.	PART NAME	QTY	SERIAL NO.	REMARKS
1	14M7276	NUT	2	M16	
2	24H1106	WASHER	1	17.475 X 44.450 X 3.404 MM	
3	H141673	BOLT	1		
4	H140944	GAUGE	1		
5	H129208	PIVOT	1		
6	14M7276	NUT	4	M16	
7	14M7291	FLANGE NUT	1	M16	
8	AN15237	IDLER	2		
9	P50273	BUSHING	1	16.662 X 25.222 X 16.662 MM (21/32" X 0.993" X 21/32")	
10	H125380	BELT	1		
11	14M7299	FLANGE NUT	5	M12	
12	AH93318	IDLER	1		
13	19M7818	SCREW	1		
14	AH135342	ARM	1		
15	P46402	SNAP RING	1		
16	24M7091	WASHER	1	26 X 44 X 4 MM	
17	AA5607R	SEAL	2		
18	H99147	BUSHING	2	(SUB H171061)	
	H171061	BEARING	2		
19	AH134319	PIN	1		
20	19M8292	SCREW	1	M10 X 50	
21	14M7296	FLANGE NUT	1	M10	
22	H139545	STUD	1		
23	H120198	STUD	1		
24	19M7828	SCREW	1	M16 X 100	
25	H129208	PIVOT	1		

4J9

FINE CUT STRAW CHOPPER DRIVES (FRONT)
HP7616 -UN-31AUG98



HP7616

4J10

DRIVES

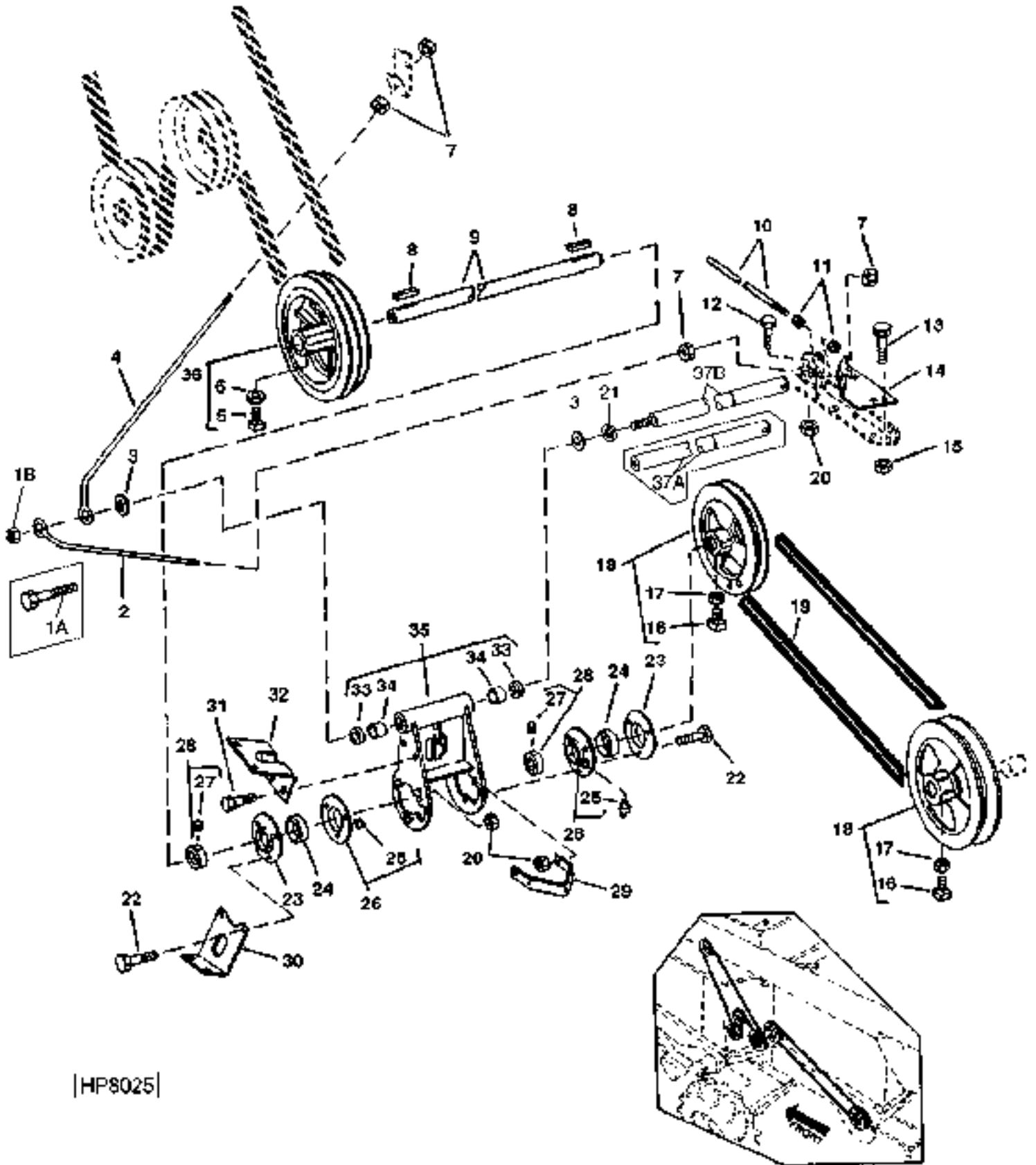
FINE CUT STRAW CHOPPER DRIVES (FRONT) - CONTINUED

KEY	PART NO.	PART NAME	QTY	SERIAL NO.	REMARKS
1	14M7276	NUT	2	M16	
2	24H1106	WASHER	1	11/16" X 1-3/4" X 0.134"	
3	H141673	BOLT	1		
4	H155062	GAUGE	1		(SUB FOR H159956) (USE WITH R35542)
5	H129208	PIVOT	2		
6	14M7276	NUT	4	M16	
7	14M7291	FLANGE NUT	1	M16	
8	AE22622	PULLEY	2		
9	N110219	BUSHING	1		
10	H157726	BELT	1		
11	14M7299	FLANGE NUT	5	M12	
12	AH93318	IDLER	1		
13	19M7818	SCREW	1		
14	AH135342	ARM	1		
15	P46402	SNAP RING	1		
16	24M7091	WASHER	1	26 X 44 X 4 MM	
17	AA5607R	SEAL	2		
18	H99147	BUSHING	2	(SUB H171061)	
	H171061	BEARING	2		
19	AH134319	PIN	1		
20	19M8292	SCREW	1	M10 X 50	
21	14M7296	FLANGE NUT	1	M10	
22	H139545	STUD	1		
23	H120198	STUD	1		
24	19M7828	SCREW	1	M16 X 100	
25	H82418	SPRING	1		

4J11

DRIVES

STRAW CHOPPER DRIVES (REAR)
HP8025 -UN-30NOV98



|HP8025|

4J12

DRIVES

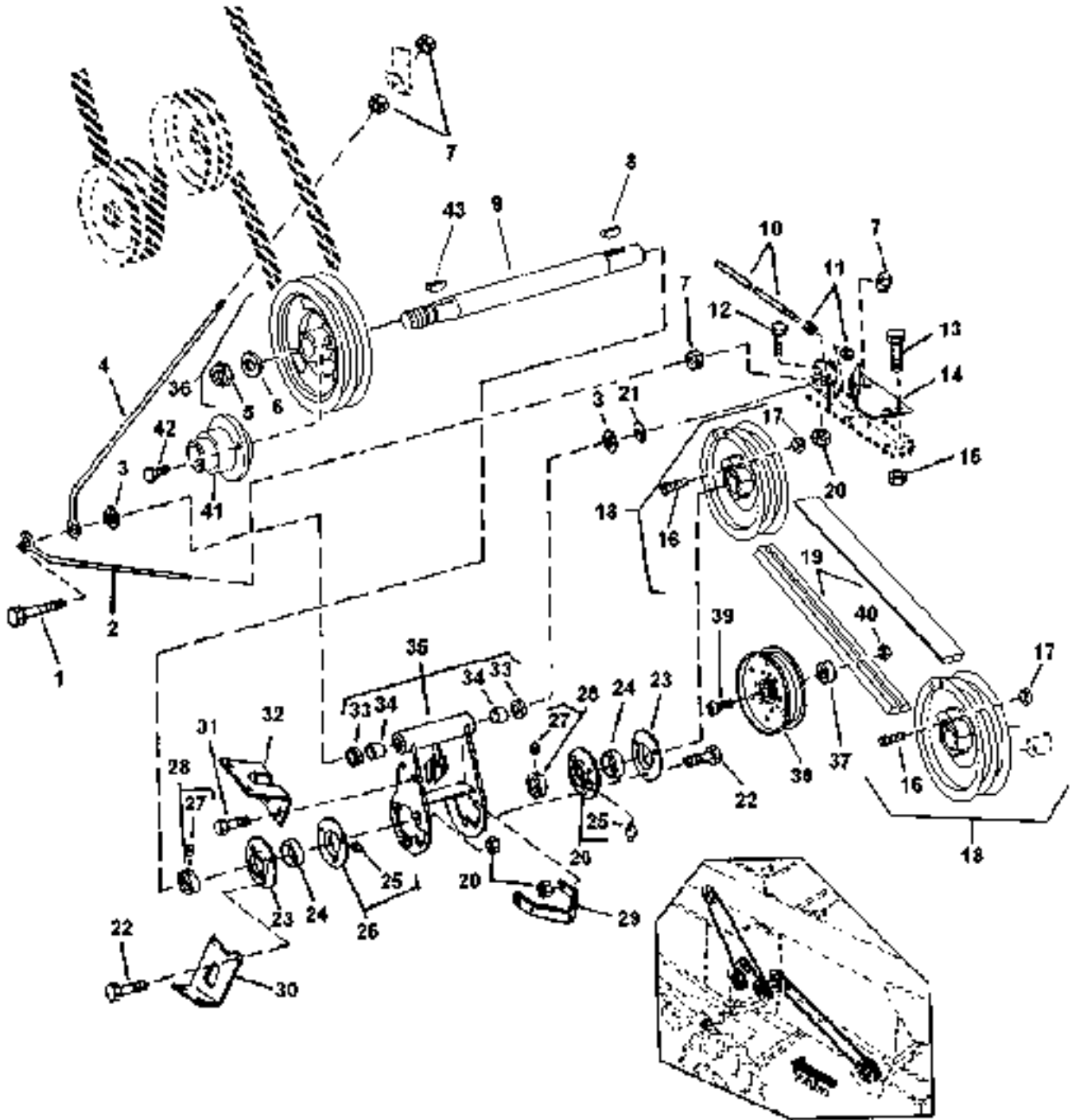
STRAW CHOPPER DRIVES (REAR) - CONTINUED

KEY	PART NO.	PART NAME	QTY	SERIAL NO.	REMARKS
1A	19M7815	SCREW	1		
1B	W39621	NUT	1		
2	H127907	EYEBOLT	1	-XXXXXX	
	H164755	EYEBOLT	1	XXXXXX-	
3	24M7091	WASHER	2		26 X 44 X 4 MM
4	H127906	EYEBOLT	1	-XXXXXX	
	H164754	EYEBOLT	1	XXXXXX-	
5	H138435	SET SCREW	2		
6	14M7152	NUT	2		M10
7	14M7291	FLANGE NUT	4		M16
8	H2383H	KEY	2		
9	H137570	JACKSHAFT	1		(FOR STRAWCHOPPER AND OR CHAFF SPREADER WITH TAPPED END)
10	H139545	STUD	1		
11	14M7276	NUT	2		M16
12	19M8292	SCREW	1		M10 X 50
13	19M7867	SCREW	2		M8 X 25
14	H133812	SUPPORT	1		
15	14M7298	FLANGE NUT	2		M8
16	H138435	SET SCREW	4		
17	14M7152	NUT	4		M10
18	AH119770	SHEAVE	2		
19	H125381	BELT	1		(CHOPPER IN REAR OPERATING POSITION)
	H23950	BELT	1		123", (CHOPPER IN WINDROW OR FORWARD POSITION)
20	14M7296	FLANGE NUT	7		M10
21	P43363	SNAP RING	1		
22	19M8162	CAP SCREW	6		M10 X 40
23	H135410	PRESSED FLANGED HOUSING	2		
24	AH139296	BALL BEARING	2		
25	JD7797	LUBRICATION FITTING	2		
26	AE30624	PRESSED FLANGED HOUSING	2	-681292	
	AH163686	PRESSED FLANGED HOUSING	2	681293-	
27	22M7081	SET SCREW	2		M10 X 10
28	AH133191	ECCENTRIC LOCKING COLLAR	2		
29	H129125	STRAP	1		
30	H132976	BRACKET	1		
31	19M7865	SCREW	2		M8 X 16
32	H132901	BRACKET	1		
33	AA5607R	SEAL	2		
34	H99147	BUSHING	2		(SUB H171061)
	H171061	BEARING	2		
35	AH136126	ARM	1		(SUB AH169220)
	AH169220	ARM	1		
36	AH127602	SHEAVE	1		
37A	H120194	PIN	1		(SUB H164756 AND W39621)
37B	H164756	PIN	1		
..	BH80122	COMPLETE GOODS/SHIP. BUNDLE	1		ATT IDENT-STRAW CHOPPER W/DRIVES

4J13

DRIVES

FINE CUT STRAW CHOPPER DRIVES (REAR)
HP7617 -UN-31AUG98



HP7617

4J14

DRIVES

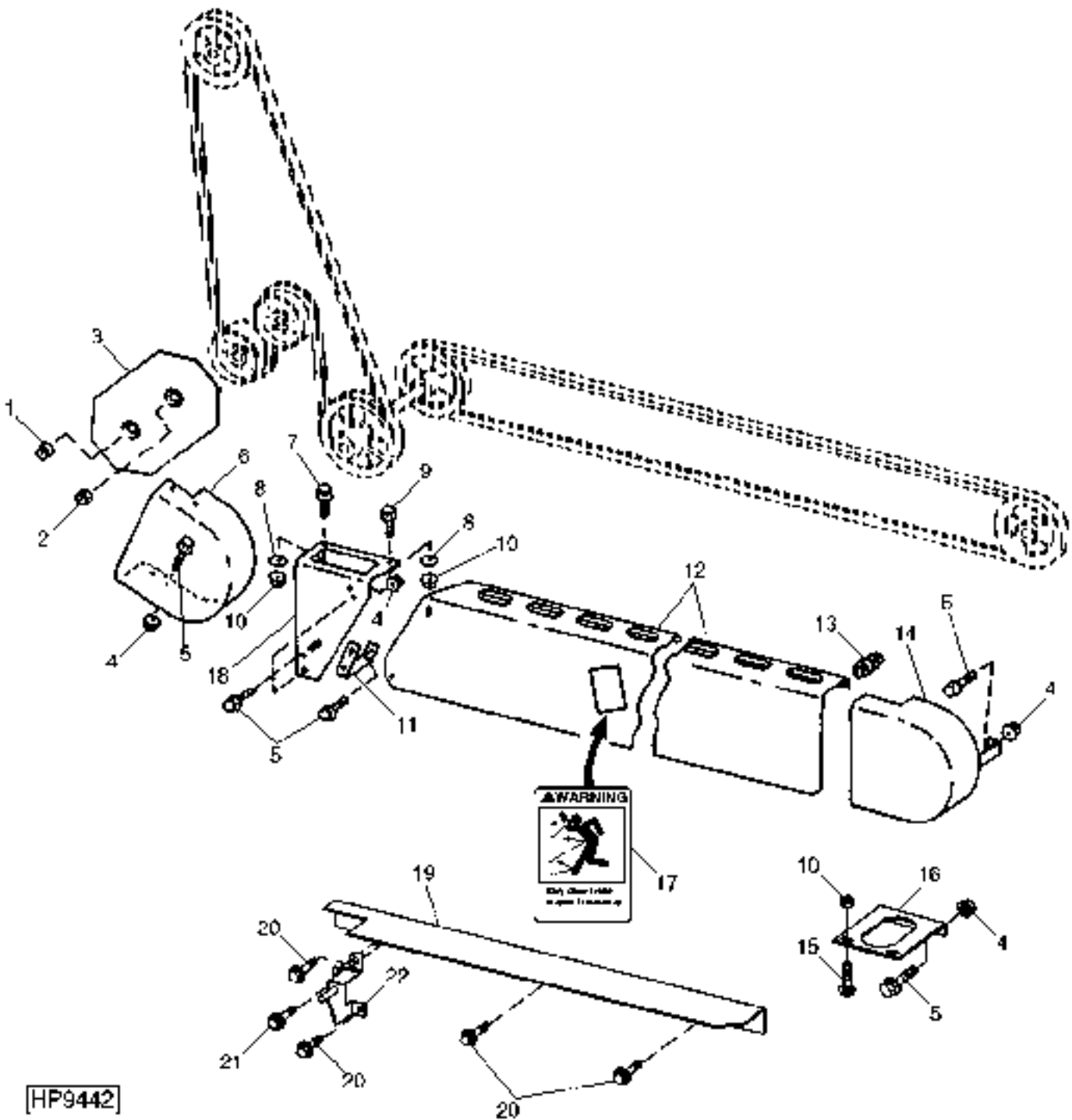
FINE CUT STRAW CHOPPER DRIVES (REAR) - CONTINUED

KEY	PART NO.	PART NAME	QTY	SERIAL NO.	REMARKS
1	19M7815	SCREW	1	M12 X 60	
2	H127907	EYEBOLT	1		
3	24M7091	WASHER	2	26 X 44 X 4 MM	
4	H127906	EYEBOLT	1		
5	14M7300	FLANGE NUT	1	M20	
6	24H1236	WASHER	1	13/16" X 2" X 0.149"	
7	14M7291	FLANGE NUT	4	M16	
8	26M6787	SHAFT KEY	1	10 X 32 MM	
9	H169712	JACKSHAFT	1		(SUB FOR H157687) (FOR STRAWCHOPPER AND OR CHAFF SPREADER WITH TAPPED END)
10	H139545	STUD	1		
11	14M7276	NUT	2	M16	
12	19M8292	SCREW	1	M10 X 50	
13	19M7867	SCREW	2	M8 X 25	
14	H133812	SUPPORT	1		
15	14M7298	FLANGE NUT	2	M8	
16	19M8292	SCREW	2	M10 X 50	
17	14M7296	FLANGE NUT	2	M10	
18	AH150016	SHEAVE	2		
19	H157727	BELT	1		(CHOPPER IN REAR OPERATING POSITION)
	H22529	BELT	1		(CHOPPER IN WINDROW OR FORWARD POSITION)
20	14M7296	FLANGE NUT	7	M10	
21	P43363	SNAP RING	1		
22	19M8162	CAP SCREW	6	M10 X 40	
23	H135410	PRESSED FLANGED HOUSING	2		
24	AH139296	BALL BEARING	2		
25	JD7797	LUBRICATION FITTING	2		
26	AE30624	PRESSED FLANGED HOUSING	2	-681292	
	AH163686	PRESSED FLANGED HOUSING	2	681293-	
27	22M7081	SET SCREW	2	M10 X 10	
28	AH133191	ECCENTRIC LOCKING COLLAR	2		
29	H129125	STRAP	1		
30	H132976	BRACKET	1		
31	19M7865	SCREW	2	M8 X 16	
32	H132901	BRACKET	1		
33	AA5607R	SEAL	2		
34	H99147	BUSHING	2		(SUB H171061)
	H171061	BEARING	2		
35	AH136126	ARM	1		(SUB AH169220)
	AH169220	ARM	1		
36	H157688	SHEAVE	1		
37	N110219	BUSHING	1		
38	AE22622	PULLEY	1		
39	19M7827	SCREW	1	M16 X 80	
40	14M7291	FLANGE NUT	1	M16	
41	H157247	HUB	1		
42	19M7788	SCREW	2	M12 X 25	
43	26H103	SHAFT KEY	1	1/4" X 2-1/8"	

4J15

DRIVES

STRAW CHOPPER DRIVE SHIELDS
HP9442 -UN-20DEC99



4J16

DRIVES

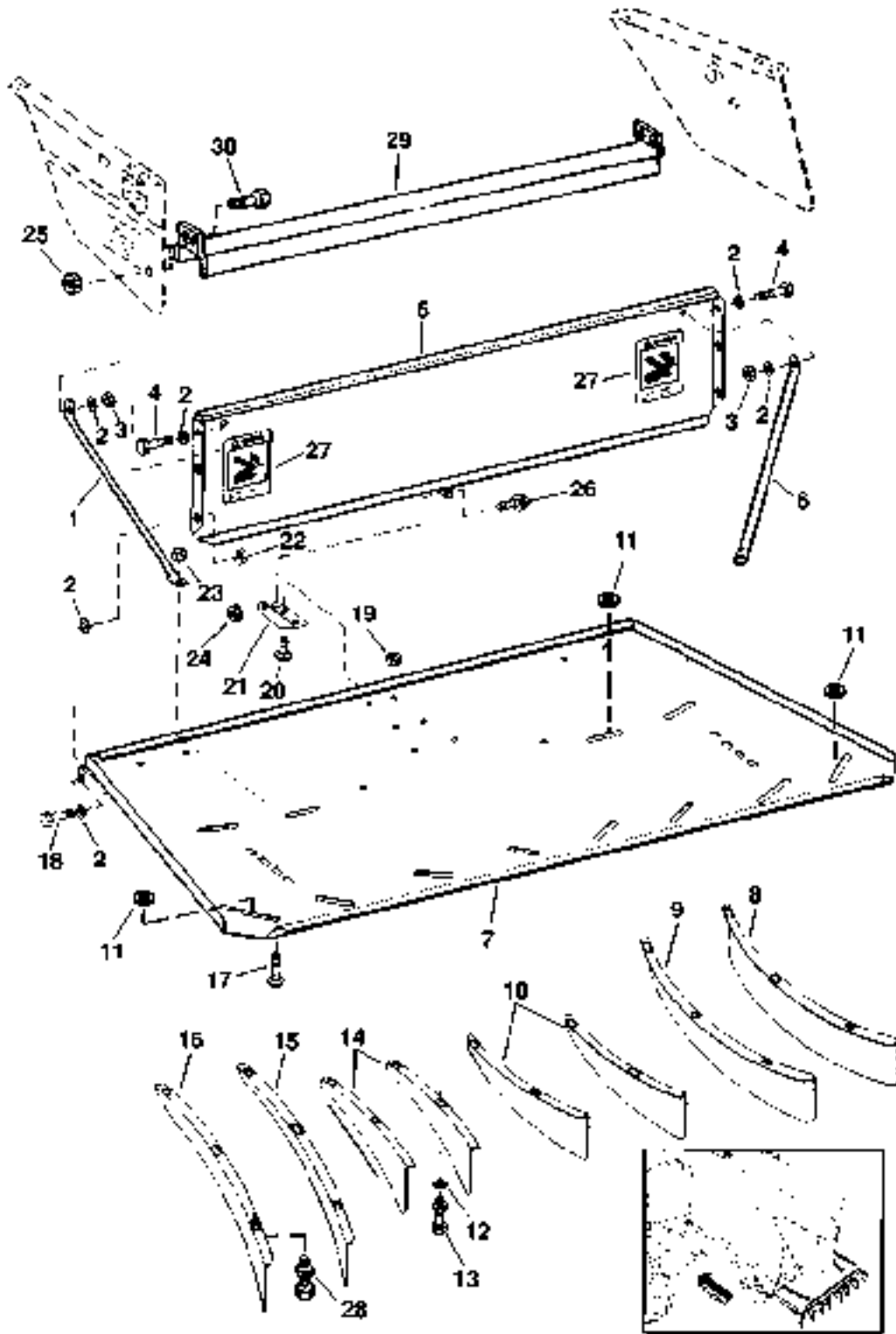
STRAW CHOPPER DRIVE SHIELDS - CONTINUED

KEY	PART NO.	PART NAME	QTY	SERIAL NO.	REMARKS
1	14M7291	FLANGE NUT	1	M16	
2	14M7299	FLANGE NUT	1	M12	
3	AH147353	SHIELD	1	(SUB AH167132)	
	AH167132	SHIELD	1		
4	14M7298	FLANGE NUT	10	M8	
5	19M7865	SCREW	11	M8 X 16	
6	H132902	CAP	1		
7	19M7866	SCREW	1	M8 X 20	
8	24M7238	WASHER	2	8.700 X 17 X 2 MM	
9	19M7867	SCREW	1	M8 X 25	
10	14M7273	NUT	2	M8	
11	H141060	BRACKET	1		
12	H155295	SHIELD	1		
13	19M7865	SCREW	5	M8 X 16	
	24M7207	WASHER	5	8.400 X 24 X 2 MM	
	14M7273	NUT	5	M8	
14	AH130592	CAP	1		
15	03M7183	BOLT	2	M8 X 16	
16	H134652	BRACKET	1		
17	H149096	LABEL	1		"PROJECTILE WARNING" ON R.H. REAR HOOD
18	H141059	SUPPORT	1		
19	H166460	GUIDE	1	CHOP TO BALE	
20	19M7785	SCREW	4	M10 X 25, CHOP TO BALE	
21	19M7786	SCREW	1	M10 X 30, CHOP TO BALE	
22	AH162061	BRACKET	1	CHOP TO BALE	

4J17

DRIVES

STRAW CHOPPER DECK, SUPPORTS AND FINNS
HP6993 -UN-12SEP97



HP6993

4J18

DRIVES

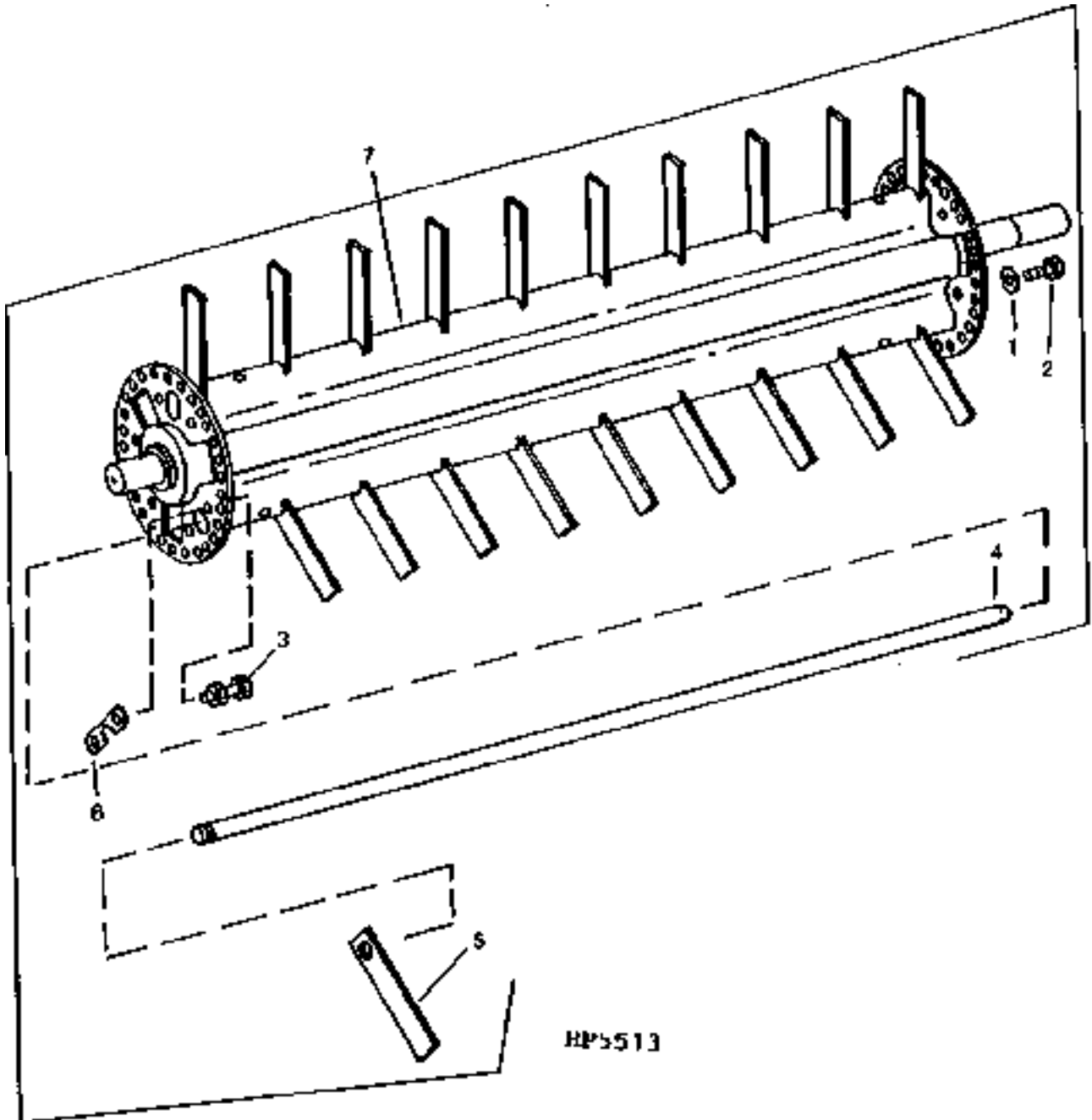
STRAW CHOPPER DECK, SUPPORTS AND FINS - CONTINUED

KEY	PART NO.	PART NAME	QTY	SERIAL NO.	REMARKS
1	H126335	PIPE	1		
	H151182	PIPE	1		FOR WIDE SPREAD STRAW CHOPPER
2	H126334	LOCK WASHER	2		11.230 X 22.230 X 1.140 MM (0.442" X 0.875" X 0.045")
3	A51212	LOCK NUT	2		M10
4	19M7835	SCREW	2		M10 X 35
5	AH139790	SHEET	1		
	AH144477	SHEET	1		FOR WIDE SPREAD STRAW CHOPPER
6	H126336	PIPE	1		
	H151181	PIPE	1		
7	AH125998	SUPPORT	1		
8	H130949	VANE	1		
	H150401	DEFLECTOR	1		FOR WIDE SPREAD STRAW COPPER
9	H114535	VANE	1		
	H150401	DEFLECTOR	1		FOR WIDE SPREAD STRAW CHOPPER
10	H114537	VANE	2		
	H150403	DEFLECTOR	2		FOR WIDE SPREAD CHOPPER
11	H128083	WASHER	4		9 X 50.800 X 5 MM
12	24M7207	WASHER	12		8.400 X 24 X 2 MM
13	03M7183	BOLT	12		M8 X 16
	14M7396	LOCK NUT	12		M8
14	H114538	VANE	2		
	H150404	DEFLECTOR	2		FOR WIDE SPREAD STRAW CHOPPER
15	H114536	VANE	1		
	H150402	DEFLECTOR	1		FOR WIDE SPREAD STRAW CHOPPER
16	H130948	VANE	1		
	H150402	DEFLECTOR	1		FOR WIDE SPREAD STRAW CHOPPER
17	03M7191	BOLT	2		M10 X 25
18	19M7167	CAP SCREW	2		M10 X 25
19	14M7298	FLANGE NUT	2		M8
20	03M7184	BOLT	2		M8 X 20
21	H128124	BRACKET	1		
22	14M7400	LOCK NUT	1		M10
23	14M7296	FLANGE NUT	1		M10
24	14M7396	LOCK NUT	1		
25	14M7298	FLANGE NUT	2		M8, FOR WIDE SPREAD STRAW CHOPPER
26	19M7866	SCREW	1		M8 X 20
27	H149102	DECAL	2		"WARNING" CHOPPER POSTION WIDE SPREAD CHOPPER - LABEL LOCATED ON REAR OF COMBINE HOOD
	H149103	DECAL	2		"WARNING" CHOPPER POSITION (FRENCH)
28	03M7184	BOLT	4		M8 X 20, USE WITH H128083 WASHER
	14M7396	LOCK NUT	4		M8
29	H150407	SHEET	1		FOR WIDE SPREAD STRAW CHOPPER
	H157108	SHEET	1		FINE CUT CHOPPER
30	19M7866	SCREW	2		M8 X 20, FOR WIDE SPREAD STRAW CHOPPER

4J19

DRIVES

TRI ROTOR STRAW CHOPPER
HP5513 -UN-01JAN94



HP5513

4J20

DRIVES

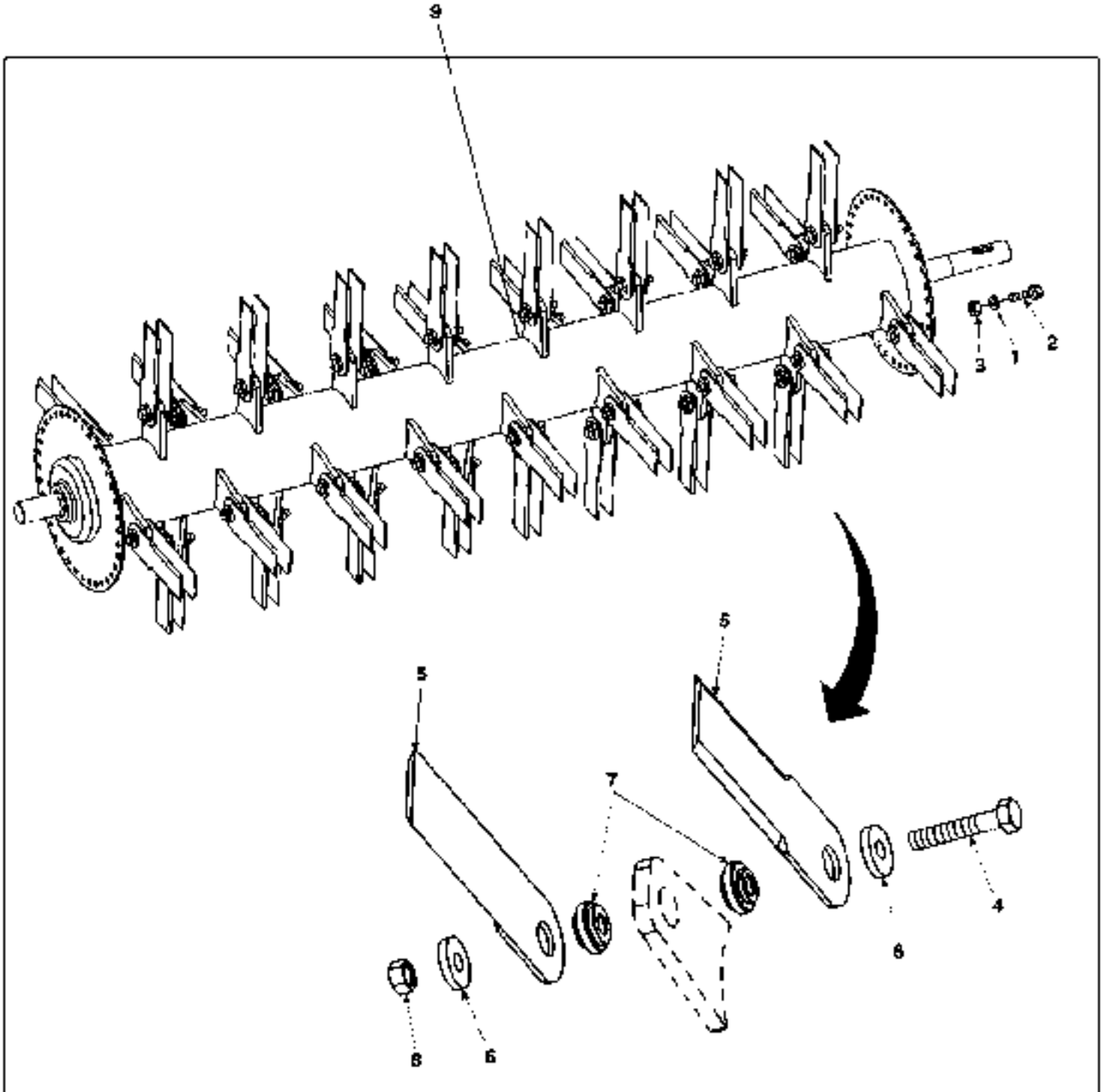
TRI ROTOR STRAW CHOPPER - CONTINUED

KEY	PART NO.	PART NAME	QTY	SERIAL NO.	REMARKS	
1	H128080	WASHER	AR		9 X 19 X 1.5; (USED FOR BALANCING SHAFT)	
	H128081	WASHER	AR		9 X 31.8 X 1.5	
	H128082	WASHER	AR		9X 34.9 X 3	
	H128083	WASHER	AR		9 X 50.8 X 5	
2	24M7024	WASHER	2		9 X 28 X 3 MM	
	H147302	BOLT	AR		3/4"	
	H128357	CAP SCREW	AR		1"	
	H128358	CAP SCREW	AR		1-1/4"	
	H128359	CAP SCREW	AR		1-1/2"	
	3	H128357	CAP SCREW	AR		
		H143332	LOCK NUT	13		
4	H132122	SPRING PIN	3			
	5	AH124635	BLADE	1	SET OF 6 BLADES	
5	AH128359	BLADE	1		SET OF 36 BLADES	
	6	H146414	RETAINER	3		
7	AH143424	ROTOR	1			

4J21

DRIVES

FINE CUT ROTOR STRAW CHOPPER (STRAIGHT WIDE)
HP6732 -UN-22MAY97



HP6732

4J22

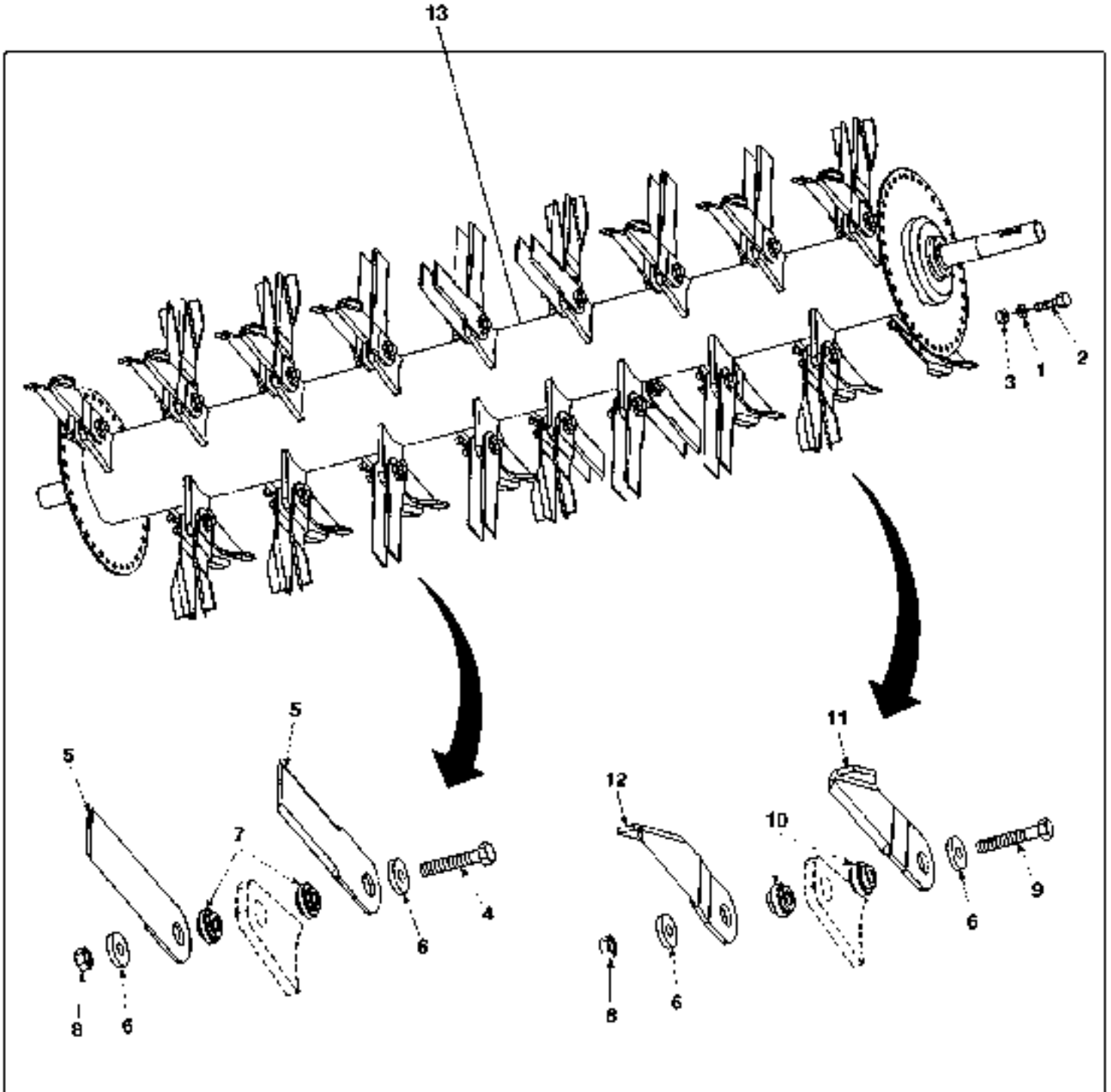
DRIVES

FINE CUT ROTOR STRAW CHOPPER (STRAIGHT WIDE) - CONTINUED

KEY	PART NO.	PART NAME	QTY	SERIAL NO.	REMARKS
1	H128080	WASHER	AR	9 X 19 X 1.5	
	H128081	WASHER	AR	9 X 31.8 X 1.5	
	H128082	WASHER	AR	9X 34.9 X 3	
2	H128083	WASHER	AR	9 X 50.8 X 5	
	H147304	WASHER	AR	9 X 34.9 X 5	
	H147302	BOLT	AR	3/4"	
	H128357	CAP SCREW	AR	1"	
	H128358	CAP SCREW	AR	1-1/4"	
	H128359	CAP SCREW	AR	1-1/2"	
3	H143332	LOCK NUT	AR	5/16"	
4	19M7935	CAP SCREW	34	M10 X 55	
5	H156098	BLADE	68		
6	H156101	WASHER	68		
7	H156100	BUSHING	68		
8	A51212	LOCK NUT	34	M10	
9	AH151536	ROTOR	1		

4J23

FINE CUT ROTOR STRAW CHOPPER (PADDLED WIDE)
HP6733 -UN-22MAY97



HP6733

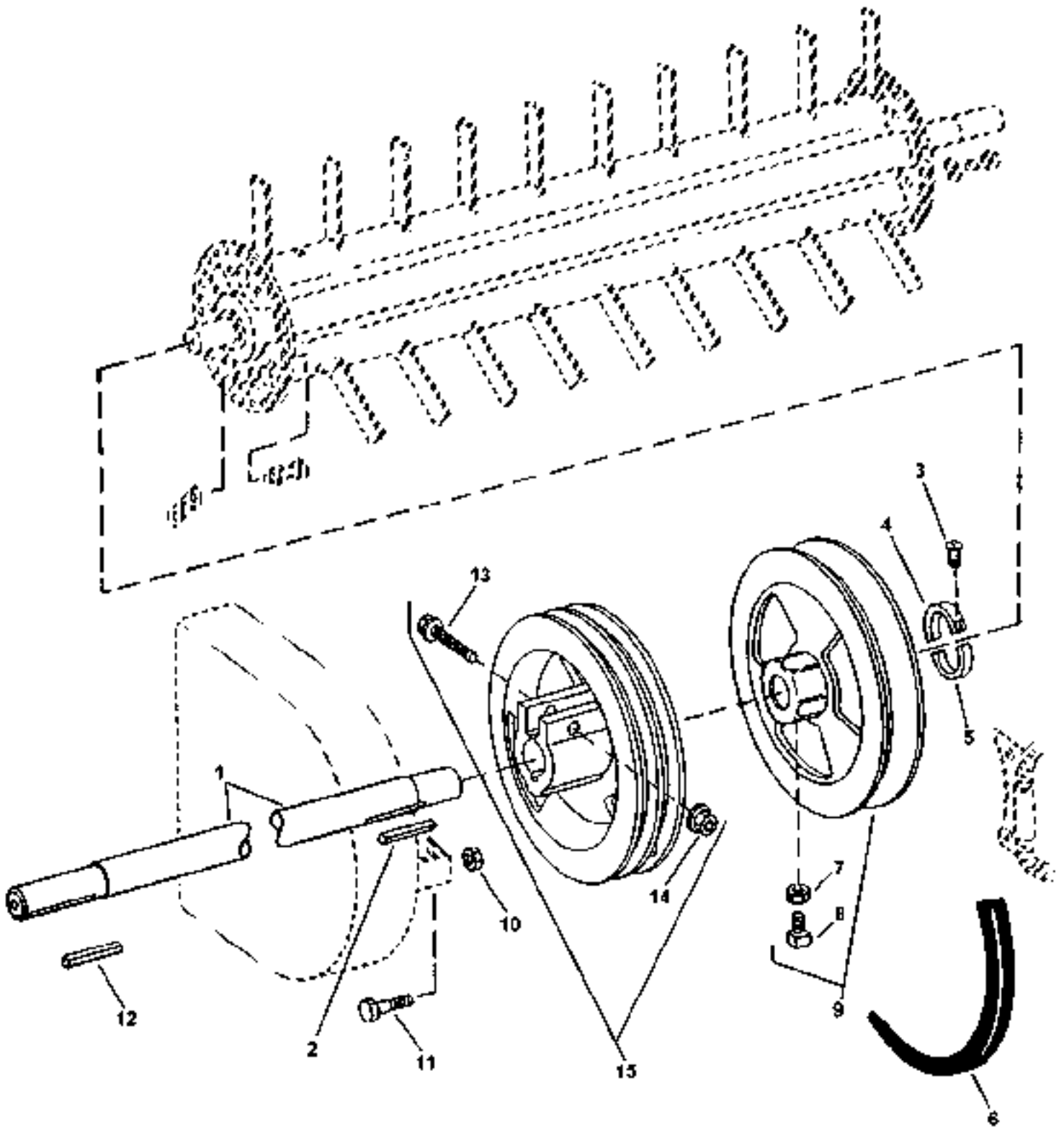
FINE CUT ROTOR STRAW CHOPPER (PADDLED WIDE) - CONTINUED

KEY	PART NO.	PART NAME	QTY	SERIAL NO.	REMARKS
1	H128080	WASHER	AR		9 X 19 X 1.5
	H128081	WASHER	AR		9 X 31.8 X 1.5
	H128082	WASHER	AR		9X 34.9 X 3
2	H128083	WASHER	AR		9 X 50.8 X 5
	H147304	WASHER	AR		9 X 34.9 X 5
	H147302	BOLT	AR		3/4"
	H128357	CAP SCREW	AR		1"
	H128358	CAP SCREW	AR		1-1/4"
	H128359	CAP SCREW	AR		1-1/2"
3	H143332	LOCK NUT	AR		5/16"
4	19M7935	CAP SCREW	12		M10 X 55
5	H156098	BLADE	24		STRAIGHT
6	H156101	WASHER	68		
7	H156100	BUSHING	24		
8	A51212	LOCK NUT	34		M10
9	19M8499	CAP SCREW	34		M10 X 60
10	H158364	BUSHING	44	-677651	
	H167127	BUSHING	68	677652-	
11	H158405	BLADE	22	-677651	PADDLED
	AH160606	BLADE	AR	677652-	INCLUDES 2 R. H. AND 2 L.H. BLADES
12	H158404	BLADE	22	-677651	PADDLED
	AH160606	BLADE	AR	677652-	INCLUDES 2 R.H. AND 2 L.H. BLADES
13	AH151538	ROTOR	1	-677651	
	AH160425	ROTOR	1	677652-	

4K1

DRIVES

STRAW CHOPPER, ROTOR AND SHEAVE
HP7504 -UN-14APR98



HP7504

4K2

DRIVES

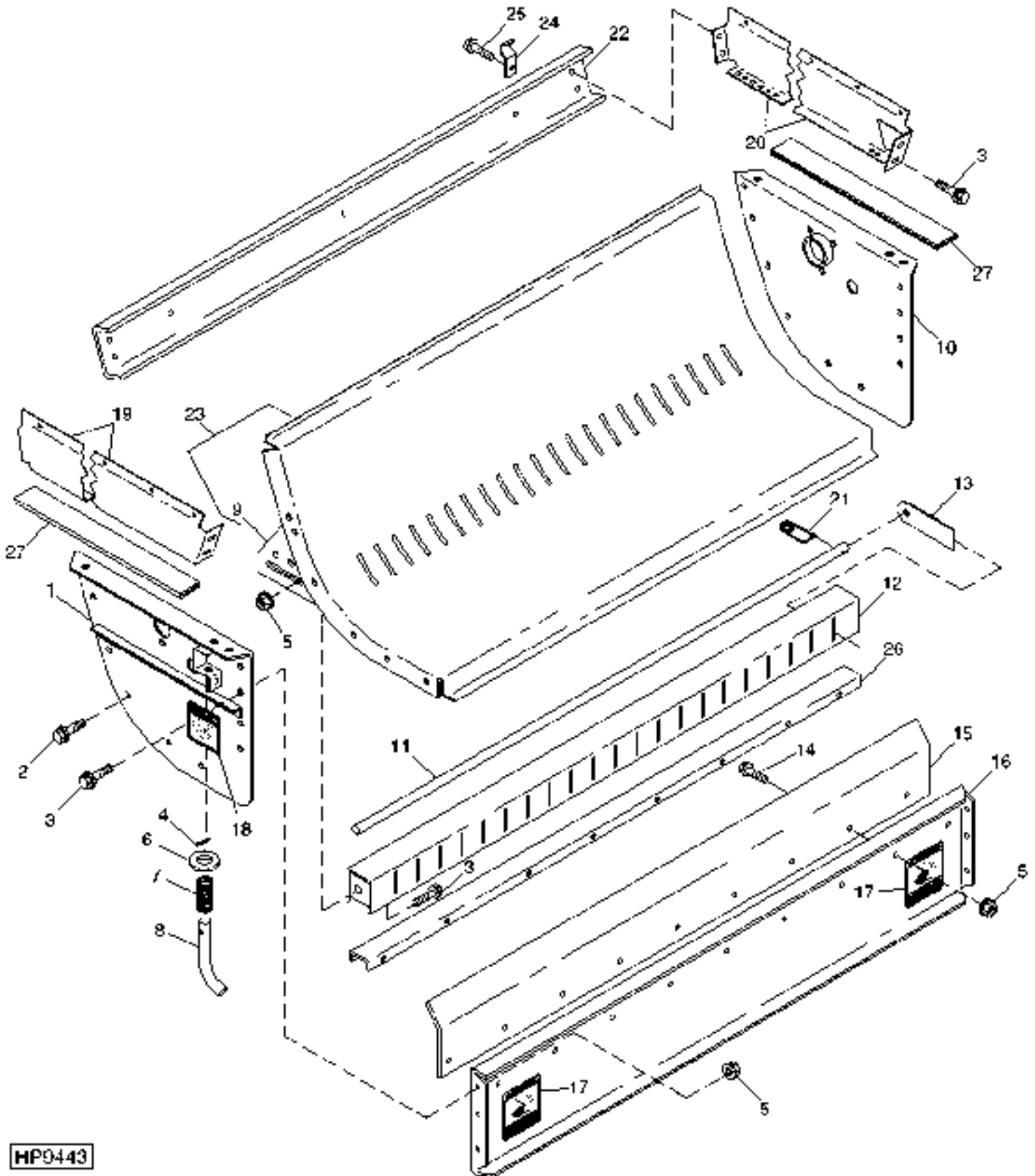
STRAW CHOPPER, ROTOR AND SHEAVE - CONTINUED

KEY	PART NO.	PART NAME	QTY	SERIAL NO.	REMARKS
1	H145276	SHAFT	1		
2	H2383H	KEY	1		6 X 304 MM (1/4 X 12 IN.) CUT TO LENGTH
	26H103	SHAFT KEY	1	675428-	1/4 X 2 1/8", FINE CUT STRAIGHT BLADE
3	H168924	SCREW	1		0.190" X 1"
4	H104794	ACTUATOR	1		
5	H104793	ACTUATOR	1		
6	H125381	BELT	1		
	P47885	BELT	1		(SUB H23950)
	H23950	BELT	1		
7	14M7152	NUT	1		M10
8	H138435	SET SCREW	2		M10 X 25
9	AH119770	SHEAVE	2		
10	14M7298	FLANGE NUT	1		M8
11	19M7865	SCREW	1		M8 X 16
12	H64375	SHAFT KEY	1		7 X 304 MM
13	19M8292	SCREW	1	675428-	WIDE FINE CUT STRAIGHT BLADE
14	14M7296	FLANGE NUT	1	675428-	WIDE FINE CUT STRAIGHT BLADE
15	AH150016	SHEAVE	1	675428-	WIDE FINE CUT STRAIGHT BLADE

4K3

DRIVES

STRAW CHOPPER HOUSING AND KNIFEBANK
HP9443 -UN-17DEC99



HP9443

STRAW CHOPPER HOUSING AND KNIFE BANK - CONTINUED

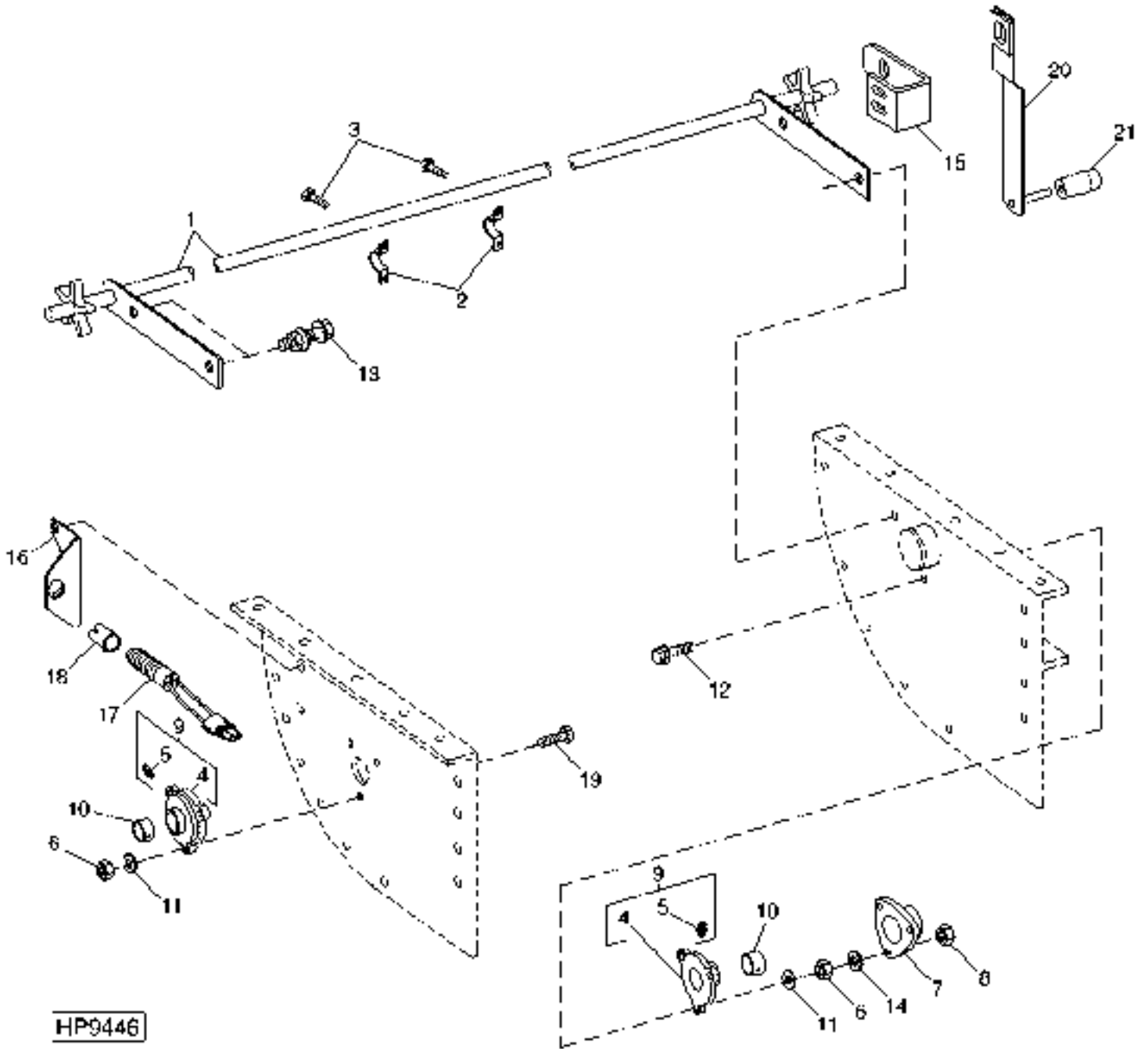
KEY	PART NO.	PART NAME	QTY	SERIAL NO.	REMARKS
1	AH138156	SHEET	1	(SUB AH165937) L.H.	
	AH165937	SHEET	1	L.H. (CHOP TO BALE)	
2	19M7866	SCREW	AR	M8 X 20	
3	19M7785	SCREW	4	M10 X 25	
4	11M7059	COTTER PIN	2	3.200 X 20 MM	
5	14M7298	FLANGE NUT	AR	M8	
6	24H1341	WASHER	2	17/32" X 15/16" X 0.060"	
7	B28970	SPRING	2		
8	H136179	PIN	2		
9	H149026	SUPPORT	1	R.H.	
	H149027	SUPPORT	1	L.H.	
10	AH138157	SHEET	1	(SUB AH165936) R.H.	
	AH165936	SHEET	1	R.H. (CHOP TO BALE)	
11	H172440	PIN	1	(SUB FOR H149993)	
12	AH140128	CHANNEL	1		
	AH158820	CHANNEL	1	FINE CUT CHOPPER	
13	H142141	KNIFE	35		
14	19M7866	SCREW	AR	M8 X 20	
15	H146307	SHIELD	1		
16	AH139790	SHEET	1		
17	H149102	DECAL	2	"WARNING" CHOPPER POSITION	
18	H171093	LABEL	2	"CHOPPER POSITION" - BOTH SIDES	
19	AH139680	SUPPORT	1	L.H.	
20	AH139679	SUPPORT	1	R.H.	
21	H114001	QUICK LOCK PIN	1		
22	H145779	RAIL	1		
23	AH143047	SHEET	1		
24	H157103	CLIP	7	FINE CUT CHOPPER	
25	19M7867	SCREW	14	M8 X 25	
26	H157041	SUPPORT	1	FINE CUT CHOPPER	
27	H164519	STRIP	2	CHOP TO BALE	

4K5

DRIVES

STRAW CHOPPER DRIVE SPROCKETS

HP9446 -UN-17DEC99



4K6

DRIVES

STRAW CHOPPER DRIVE SPROCKETS - CONTINUED

KEY	PART NO.	PART NAME	QTY	SERIAL NO.	REMARKS
1	AH135836	DRIVE SPROCKET	1		
2	H84990	CLAMP	2		
3	03M7184	BOLT	2		M8 X 20
4	JD10387	BALL BEARING	2		
5	JD7844	LUBRICATION FITTING	2		
6	14M7517	LOCK NUT	3		M10
7	H145319	COVER	1		
8	14M7274	NUT	3		M10
	A51212	LOCK NUT	6	675428-	(USE WITH 19M7805 AND 19M7835) WIDE FINE CHOPPER
9	AH139260	BEARING	2		
10	JD8576	ECCENTRIC LOCKING COLLAR	2		
11	24M7239	WASHER	6		10.700 X 21 X 2.500 MM
12	19M7805	SCREW	6		M10 X 45
	19M7805	SCREW	3	675428-	M10 X 45, R.H. WIDE FINE CHOPPER
	19M7835	SCREW	3	675428-	M10 X 35, L.H. WIDE FINE CHOPPER
13	19M7867	SCREW	4		M8 X 25
	14M7298	FLANGE NUT	4		M8
14	24M7028	WASHER	4		10.500 X 20 X 2 MM
	24M7239	WASHER	3		10.700 X 21 X 2.500 MM, WIDE FINE CHOPPER
15	H141388	SHIELD	1		
16	H165243	BRACKET	1		
17	AH116104	SENSOR	1		
18	H160880	CLIP	1		
19	19M7835	SCREW	3		M10 X 35
20	AH159356	CRANK	1		CHOP TO BALE
21	M71077	KNOB	1		CHOP TO BALE

4K7

DRIVES

METRIC KEY STOCK KIT

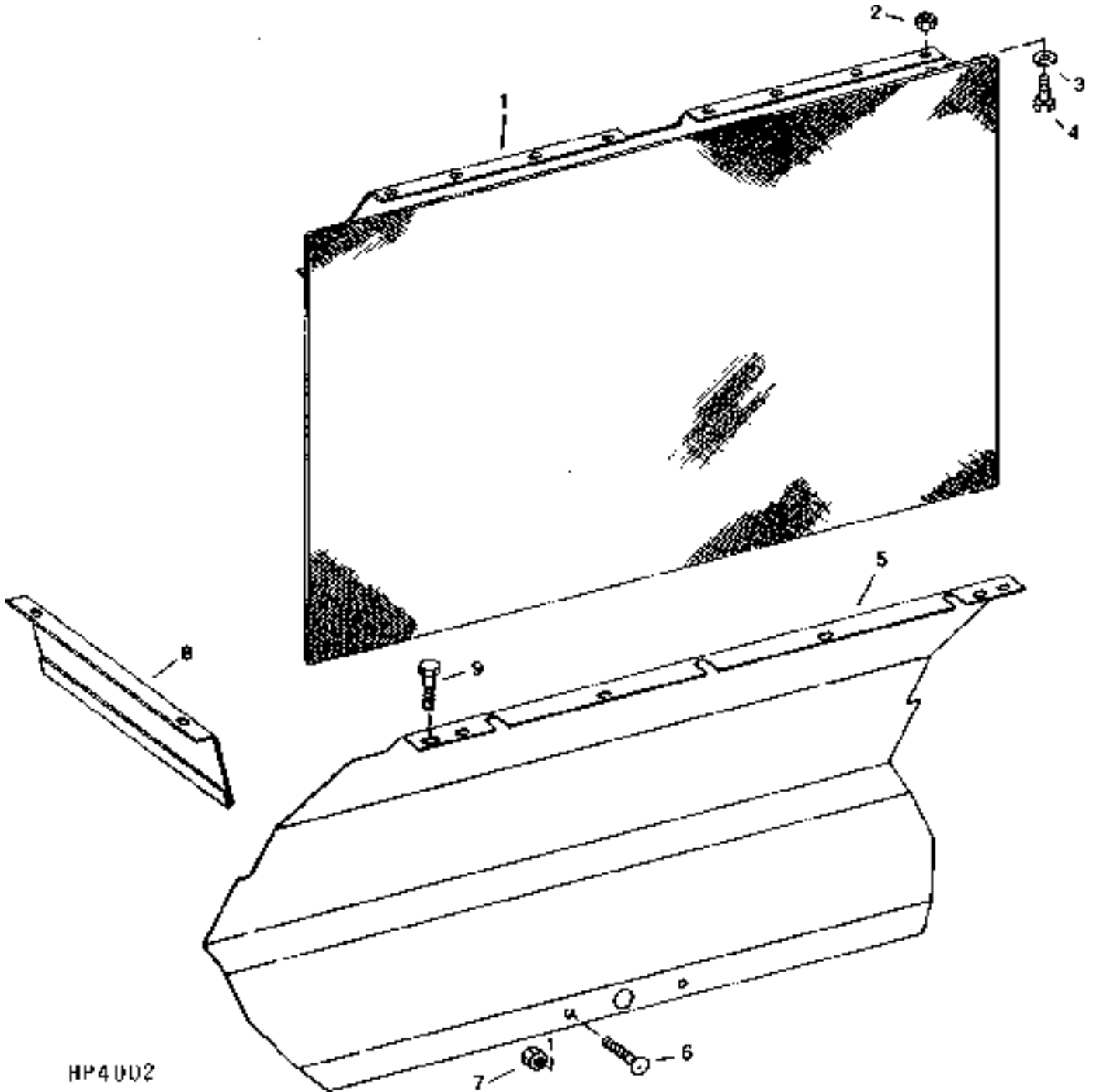
KEY	PART NO.	PART NAME	QTY	SERIAL NO.	REMARKS
..	SHAFT KEY	3		5 X 305MM SQUARE (IN AH141142 KEY STOCK KIT) (CUT FROM H150267)
..	SHAFT KEY	3		6 X 305MM SQUARE (IN AH141142 KEY STOCK KIT) (CUT FROM H150268)
..	SHAFT KEY	1		8 X 305MM SQUARE (IN AH141142 KEY STOCK KIT) (CUT FROM H150275)
..	SHAFT KEY	2		8 X 7 X 305MM RECTANGULAR (IN AH141142 KEY STOCK KIT) (CUT FROM H150269)
..	SHAFT KEY	1		10 X 8 X 305 MM RECTANGULAR (IN AH141142 KEY STOCK KIT) (CUT FROM H150270)
..	SHAFT KEY	1		12 X 8 X 305MM RECTANGULAR (IN AH141142 KEY STOCK KIT) (CUT FROM H150271)
..	SHAFT KEY	1		14 X 8 X 305MM RECTANGULAR (IN AH141142 KEY STOCK KIT) (CUT FROM H150272)
..	AH141142	SHAFT KEY	1		

MEMORANDA

5B8

RESIDUE DISPOSAL

CORN CURTAIN AND DEFLECTOR (OPTIONAL)
HP4002 -UN-01JAN94



HP4002

5B9

RESIDUE DISPOSAL

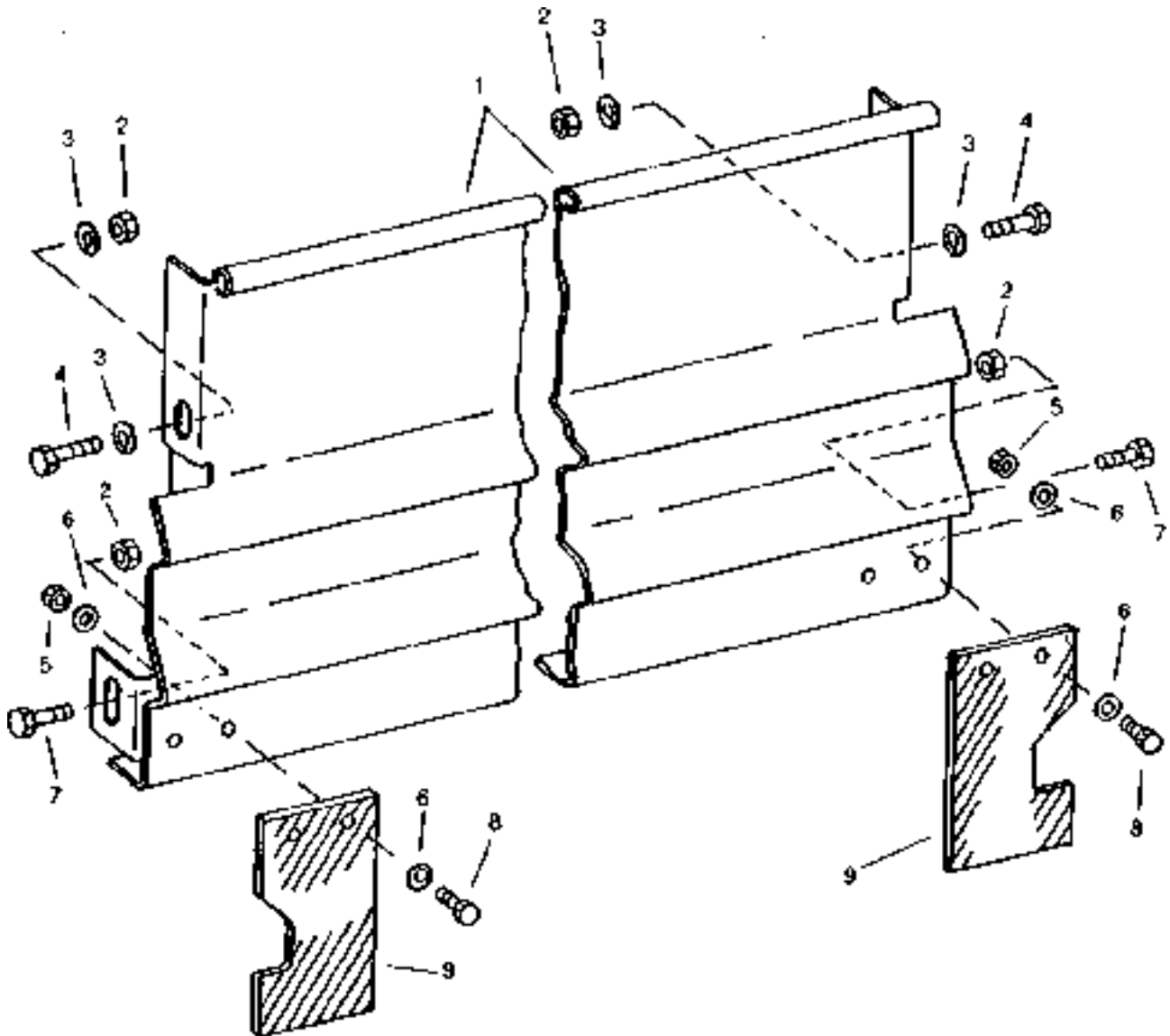
CORN CURTAIN AND DEFLECTORS (OPTIONAL) - CONTINUED

KEY	PART NO.	PART NAME	QTY	SERIAL NO.	REMARKS
1	AH117265	SUPPORT	1		
2	14M7298	FLANGE NUT	8	M8	
3	24M7207	WASHER	2	8.400 X 24 X 2 MM	
4	19M7865	SCREW	14	M8 X 16	
5	H141086	DEFLECTOR	1		
6	03M7183	BOLT	2	M8 X 16	
7	14M7298	FLANGE NUT	2	M8	
8	H134889	DEFLECTOR	2		
9	37M7058	SCREW	6	M8 X 20	

5B10

RESIDUE DISPOSAL

STRAW CHOPPER DOOR
HP3785 -UN-01JAN94



HP3785

5B11

RESIDUE DISPOSAL

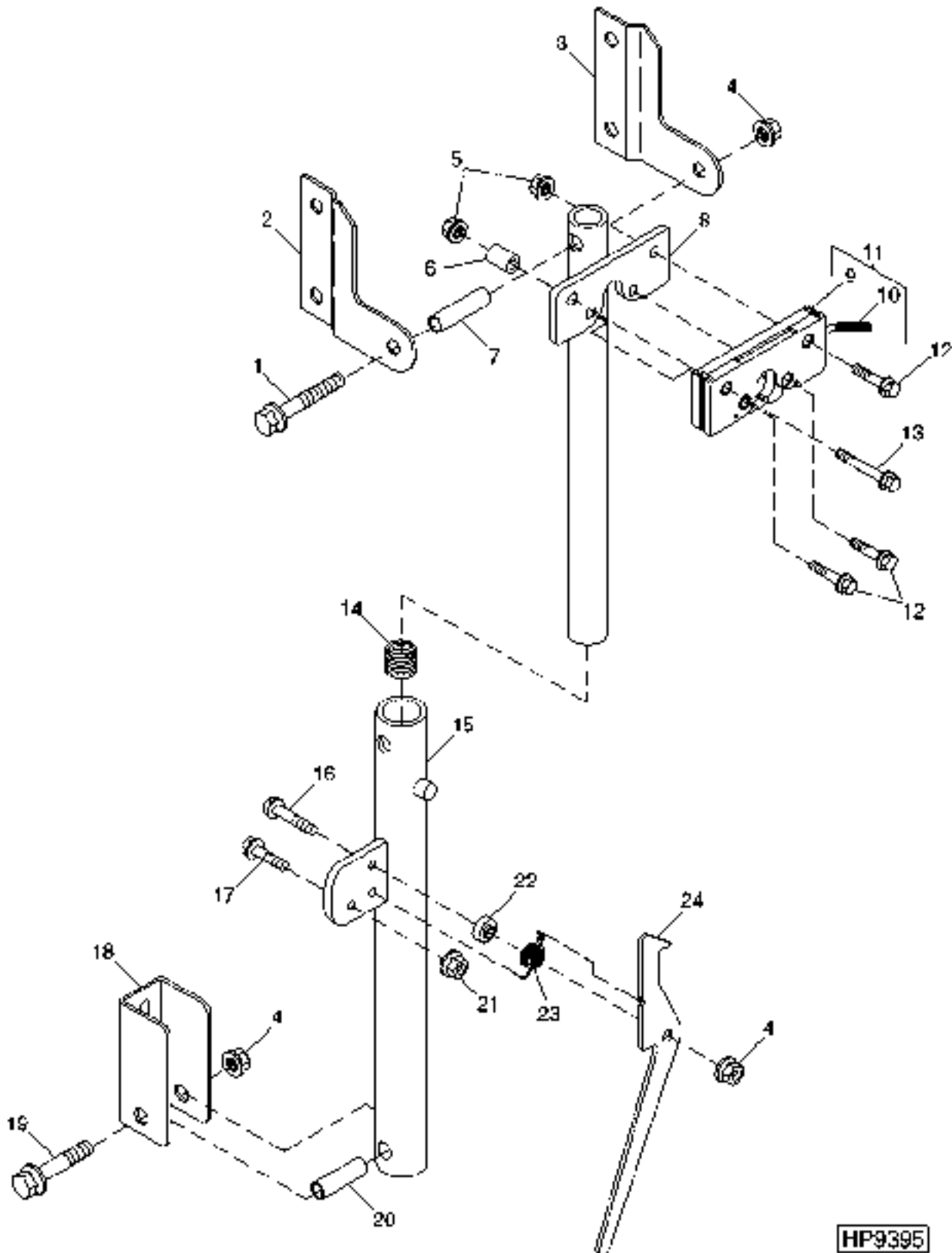
STRAW CHOPPER DOOR - CONTINUED

KEY	PART NO.	PART NAME	QTY	SERIAL NO.	REMARKS
1	AH142777	EXTENSION	1		
2	14M7400	LOCK NUT	4	M10	
3	H126334	LOCK WASHER	4		11.230 X 22.230 X 1.140 MM (0.442" X 0.875" X 0.045")
4	19M7786	SCREW	2	M10 X 30	
5	14M7396	LOCK NUT	4	M8	
6	24M7207	WASHER	8	8.400 X 24 X 2 MM	
7	19M7167	CAP SCREW	2	M10 X 25	
8	19M7407	CAP SCREW	4	M8 X 25	
9	H131612	GUARD	2		

5B12

RESIDUE DISPOSAL

TAILBOARD ARMS - CHOP-TO-BALE
HP9395 -UN-10DEC99



HP9395

5B13

RESIDUE DISPOSAL

TAILBOARD ARMS - CHOP-TO-BALE - CONTINUED

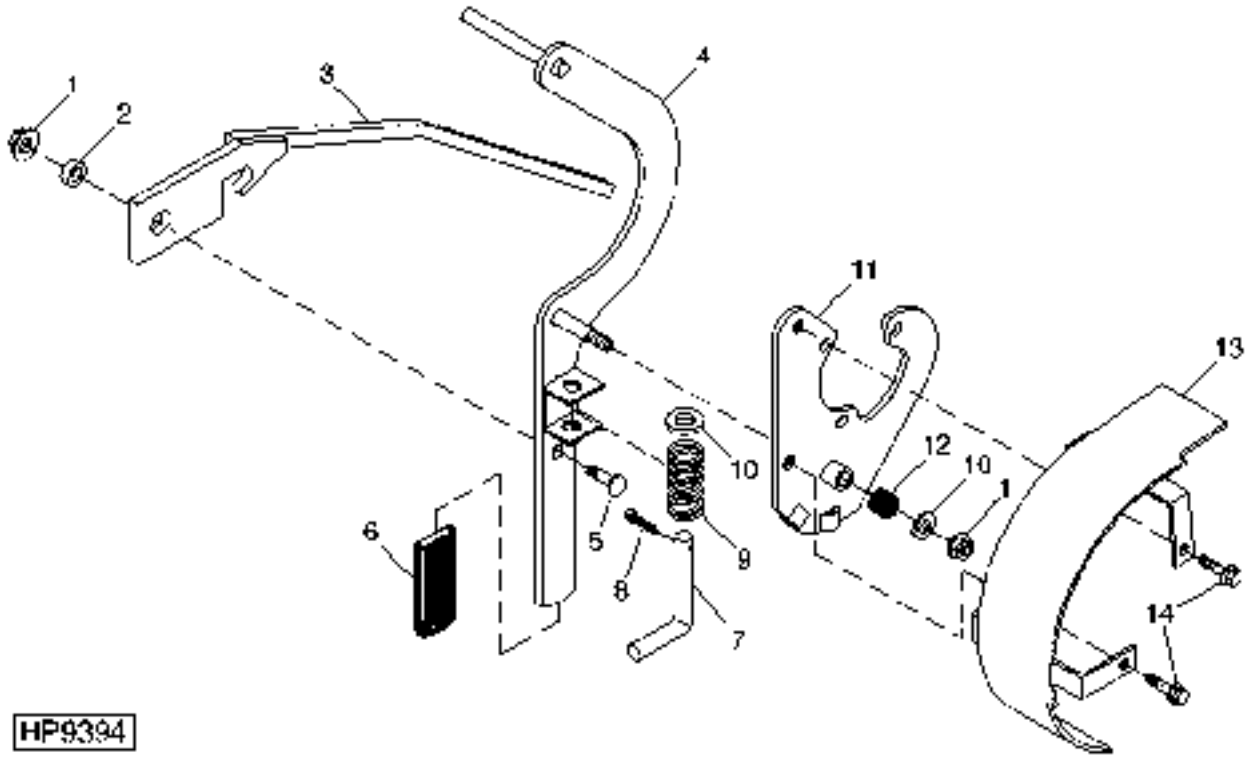
KEY	PART NO.	PART NAME	QTY	SERIAL NO.	REMARKS
1	19M8319	SCREW	2		
2	H167426	BRACKET	2		
3	H167425	BRACKET	2		
4	14M7298	FLANGE NUT	5	M8	
5	14M7303	FLANGE NUT	4	M6	
6	L59635	BUSHING	1	R.H. ONLY	
7	M90756	BUSHING	2		
8	AH166172	TUBE	2		
9	AH167030	LATCH	2		
10	H169865	CAP	2		
11	AH167031	LATCH	2		
12	19M7796	SCREW	3	M6 X 30	
13	19M8321	SCREW	1	M6 X 45, R.H.	
	19M7796	SCREW	1	M6 X 30, L.H.	
14	U44909	SPRING	2		
15	AH166167	TUBE	1	R.H.	
	AH166711	TUBE	1	L.H.	
16	19M7867	SCREW	1	M8 X 25, R.H. ONLY	
17	19M7862	SCREW	1	M6 X 20, R.H. ONLY	
18	AH168400	SUPPORT	2	(SUB FOR H172025)	
19	19M8319	SCREW	2	M8 X 50	
20	E46013	BUSHING	2		
21	14M7303	FLANGE NUT	1	M6, R.H. ONLY	
22	H170738	SPACER	1	R.H. ONLY	
23	M82701	TORSION SPRING	1	R.H. ONLY	
24	H172110	LEVER	1	R.H. ONLY	
..	BH81516	COMPLETE GOODS/SHIP. BUNDLE	1	CHOP-TO-BALE	

NOTE: QUANTITIES ARE FOR BOTH SIDES. R.H. SIDE SHOWN

5B14

RESIDUE DISPOSAL

DECLUTCHING LEVER - CHOP-TO-BALE
 HP9394 -UN-17DEC99



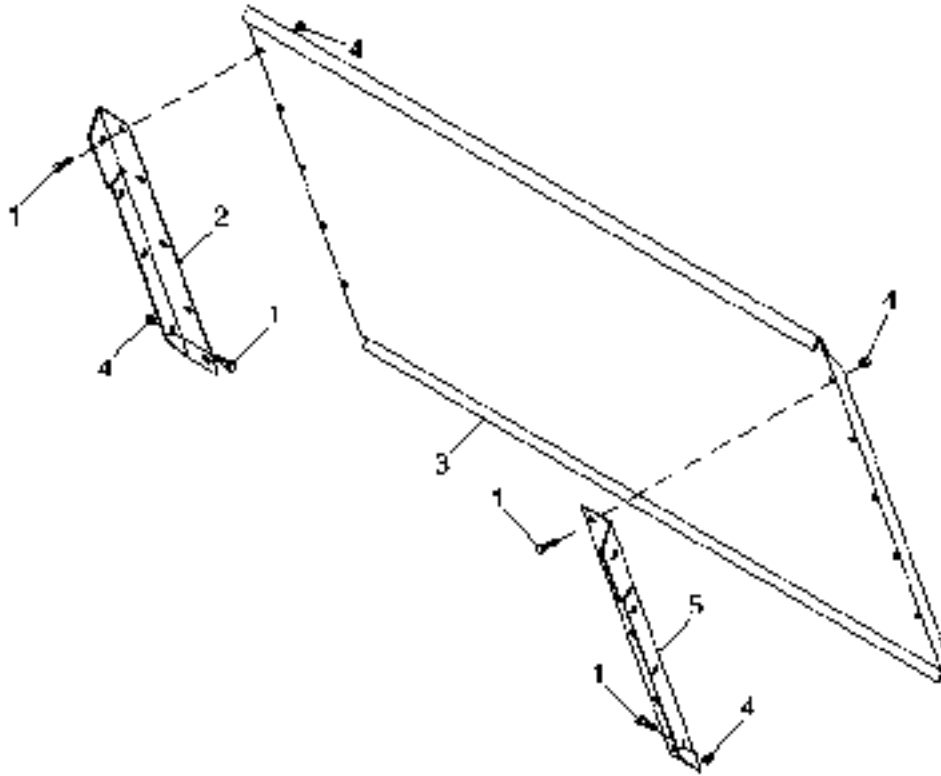
HP9394

KEY	PART NO.	PART NAME	QTY	SERIAL NO.	REMARKS
1	14M7296	FLANGE NUT	2	M10	
2	N15254	WASHER	1		
3	AH162060	LATCH	1		
4	AH161431	ARM	1		
5	03M7192	BOLT	1	M10 X 30	
6	W25634	GRIP	1		
7	H170940	PIN	1		
8	11M7059	COTTER PIN	1	3.200 X 20 MM	
9	B28970	SPRING	1		
10	24H1341	WASHER	2	17/32" X 15/16" X 0.060"	
11	AH161432	PLATE	1		
12	192SE	SPRING	1		
13	AH161433	SHIELD	1		
14	19M7801	SCREW	2	M8 X 60	

5B15

RESIDUE DISPOSAL

CHOPPER COVER AND BRACKETS - CHOP-TO-BALE
HP9447 -UN-20DEC99



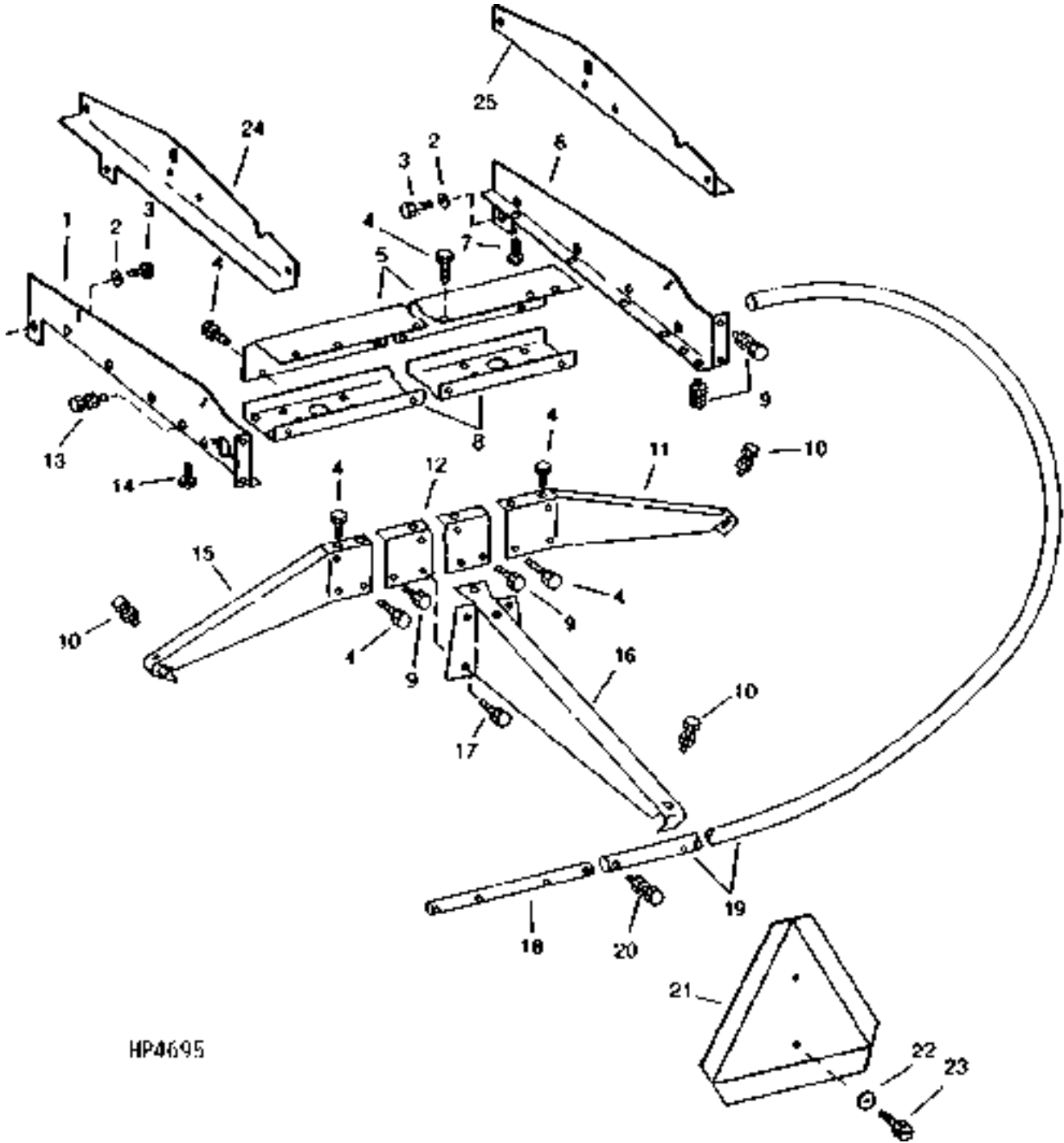
HP9447

KEY	PART NO.	PART NAME	QTY	SERIAL NO.	REMARKS
1	03M7184	BOLT	18	M8 X 20	
2	H166882	ANGLE	1		
3	H164635	COVER	1		
4	14M7298	FLANGE NUT	18	M8	
5	H166881	ANGLE	1		

5B16

RESIDUE DISPOSAL

STRAW SPREADER MOUNTING AND GUARD
HP4695 -UN-01JAN94



HP4695

5B17

RESIDUE DISPOSAL

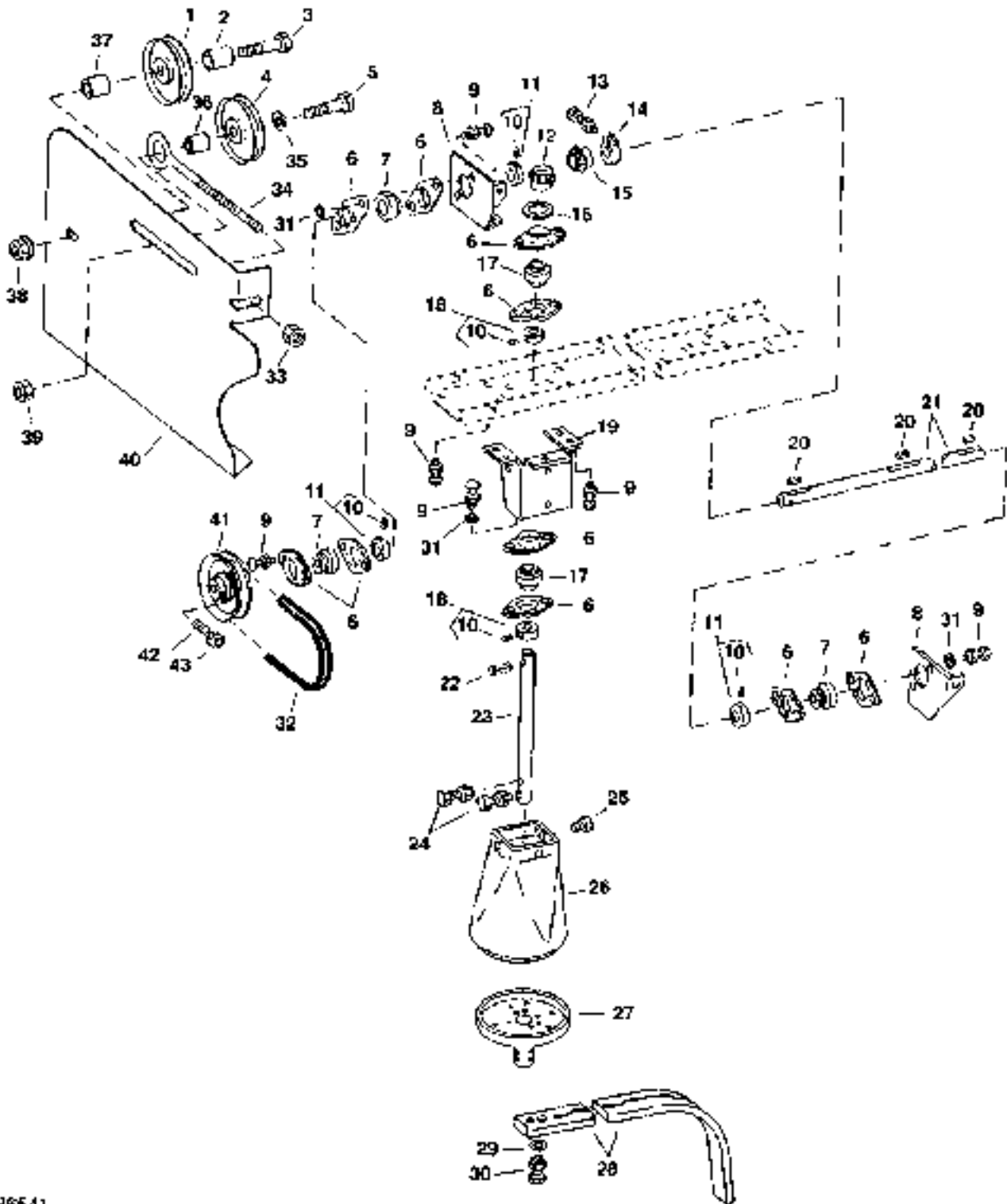
STRAW SPREADER MOUNTING AND GUARD - CONTINUED

KEY	PART NO.	PART NAME	QTY	SERIAL NO.	REMARKS
1	AH134439	ANGLE	1	L.H.	
2	12H301	LOCK WASHER	1	1/2"	
3	19H1792	CAP SCREW	1	1/2" X 1"	
4	H78354	SCREW	1	7.938 X 14.224 MM (5/16" X 0.560")	
5	H117695	SUPPORT	1		
6	AH134438	ANGLE	1	R.H.	
7	19M7784	SCREW	1	M10 X 20	
8	H117691	SUPPORT	1		
9	19M7784	SCREW	11	M10 X 20	
	14M7296	FLANGE NUT	1	M10	
10	19M7979	SCREW	11	M8 X 55	
	14M7396	LOCK NUT	1	M8	
11	H121575	SUPPORT	1		
12	H117693	SUPPORT	1		
13	19M7866	SCREW	4	M8 X 20	
	14M7298	FLANGE NUT	4	M8	
14	19M7785	SCREW	4	M10 X 25	
15	H121576	SUPPORT	1		
16	H121574	SUPPORT	1		
17	37M7058	SCREW	5	M8 X 20	
18	H95203	TUBE	1		
19	AH85415	GUARD	2		
20	19M7295	CAP SCREW	2	M8 X 45	
	19M7269	CAP SCREW	1	M8 X 50	
	14M7396	LOCK NUT	1	M8	
21	TY2615	SMV EMBLEM	1		
22	24M7139	WASHER	2	6.400 X 18 X 1.600 MM	
23	37M7131	SCREW	2	M6 X 20	
24	AH138971	REINFORCEMENT	1	L.H.	
25	AH138972	REINFORCEMENT	1	R.H.	

5B18

RESIDUE DISPOSAL

STRAW SPREADER
HP6541 -UN-23AUG96



HP6541

5B19

RESIDUE DISPOSAL

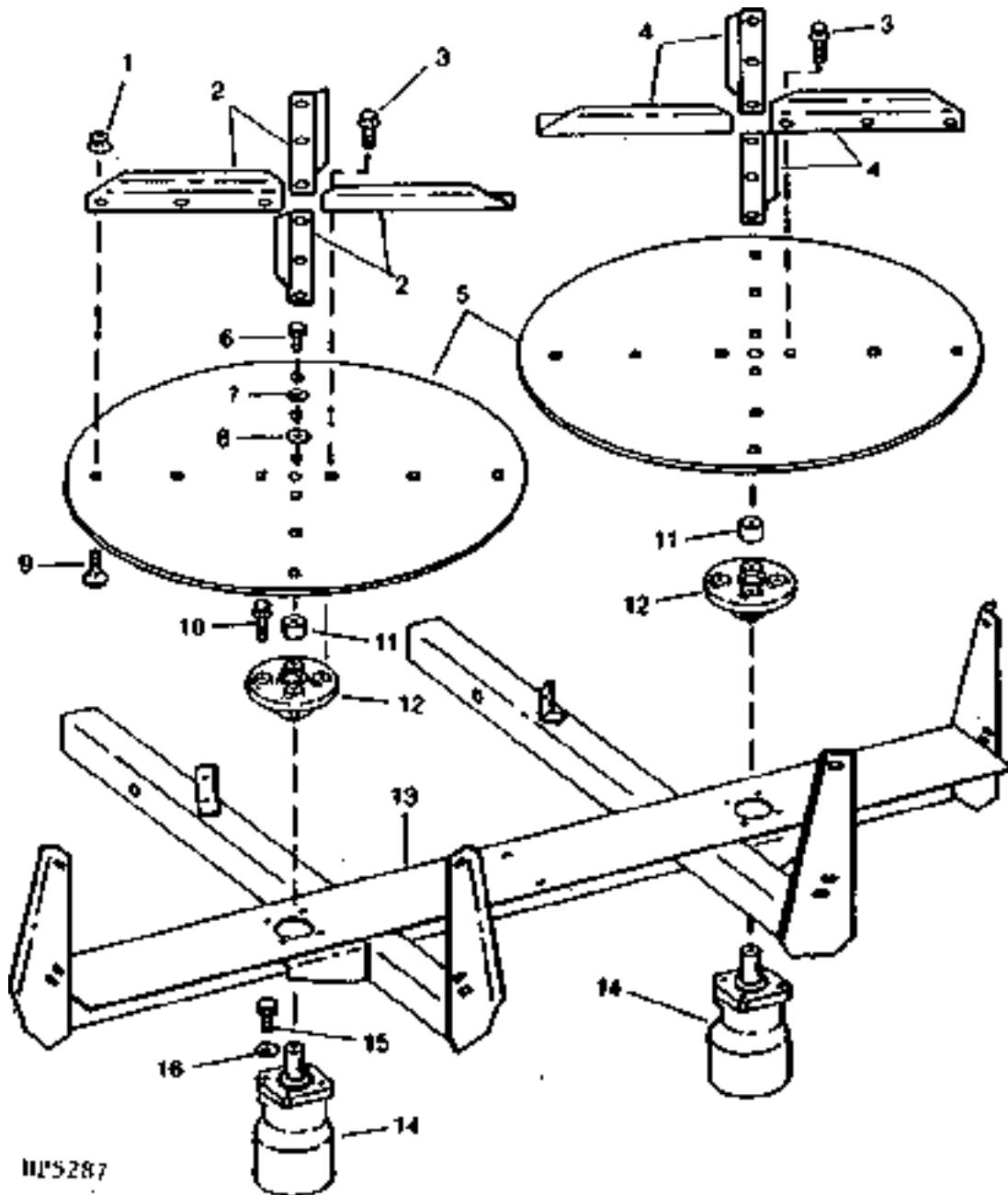
STRAW SPREADER - CONTINUED

KEY	PART NO.	PART NAME	QTY	SERIAL NO.	REMARKS
1	AH14097	SHEAVE	1		
2	28H1600	SPACER	1		13.868 X 21.336 X 25.400 MM (0.546" X 0.840" X 1")
3	19M7819	SCREW	1		M12 X 90
4	AM103480	IDLER	1		
5	19M7825	SCREW	1		M16 X 65
6	P44439	PRESSED FLANGED HOUSING	14		
7	JD8665	BALL BEARING	1		
8	H135493	SUPPORT	3		
9	03H1540	BOLT	20		5/16" X 3/4"
10	14H785	NUT	8		5/16"
11	JD8554	ECCENTRIC LOCKING COLLAR	4		
12	H91228	GEAR	2		
13	19M7572	CAP SCREW	2		M10 X 45
	14M7296	FLANGE NUT	2		M10
14	H145112	CLAMP	2		
15	H91796	GEAR	2		SET OF TWO GEARS
16	24H1433	WASHER	2		29/32" X 2-1/4" X 1/4"
17	JD9442	BALL BEARING	4		
18	JD8563	ECCENTRIC LOCKING COLLAR	4		
19	AH131166	SUPPORT	2		
20	H167587	KEY	3		
21	H134717	DRIVE SHAFT	1		
22	25H1182	GROOVE PIN	2		7.938 X 44.450 MM (5/16" X 1-3/4")
23	H135494	PIN	2		22.225 X 367 MM (7/8" X 14.449")
24	19M8318	SCREW	2		M8 X 45
	14M7396	LOCK NUT	2		M8
25	37M7058	SCREW	6		M8 X 20
26	H83795	GUARD	2		
27	AH141184	CAP	2		
28	H131614	BLADE	1		
29	24M7207	WASHER	12		8.400 X 24 X 2 MM
30	19M7322	CAP SCREW	12		M8 X 35
	14M7396	LOCK NUT	12		M8
31	24M7238	WASHER	10		8.700 X 17 X 2 MM
32	H128234	BELT	1		
	H22529	BELT	1		FINE CUT CHOPPER
33	14M7291	FLANGE NUT	1		M16
34	H127583	EYEBOLT	1		
35	24H1772	WASHER	1		21/32" X 1" X 0.105", (SUB 24H1365) THIS APPLICATION ONLY
	24H1365	WASHER	1		21/32" X 1" X 0.090"
36	Z33404	SPACER	1		17.800 X 25 X 11 MM (0.701" X 0.984" X 0.433")
37	28H2514	BUSHING	1		13.868 X 21.336 X 19.050 MM (0.546" X 0.840" X 3/4")
38	14M7299	FLANGE NUT	1		M12
39	14M7291	FLANGE NUT	1		M16
40	H135017	BRACKET	1		
41	AH130964	SHEAVE	2		
42	H138435	SET SCREW	4		M10 X 25
43	14M7152	NUT	1		M10

5B20

RESIDUE DISPOSAL

CHAFF SPREADER DISC (DUAL MOTOR)
HP5287 -UN-01JAN94



HP5287

5B21

RESIDUE DISPOSAL

CHAFF SPREADER DISC (DUAL MOTOR) - CONTINUED

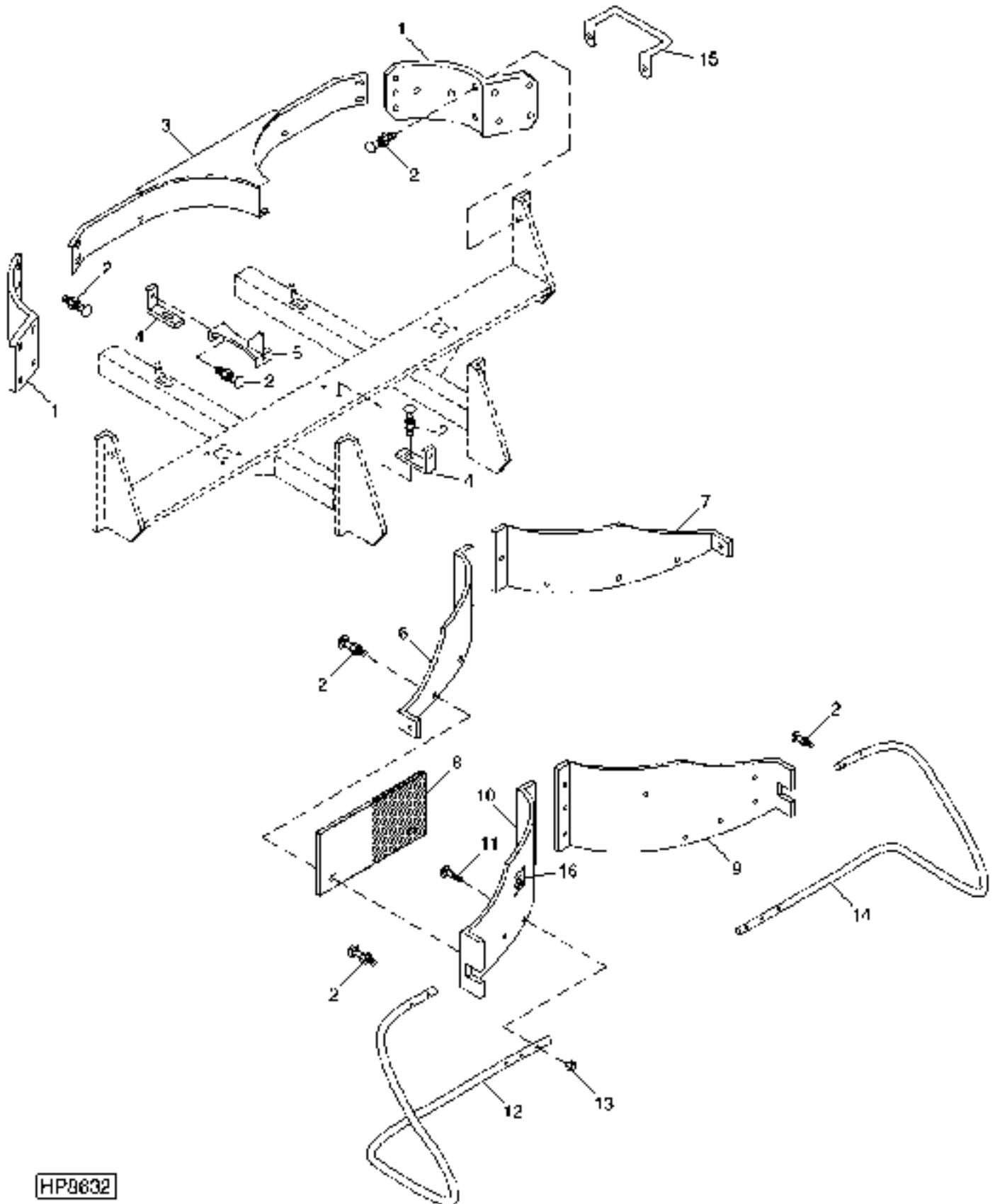
KEY	PART NO.	PART NAME	QTY	SERIAL NO.	REMARKS
1	14M7396	LOCK NUT	16	M8	
2	H140162	ANGLE	4		
3	19M7865	SCREW	8	M8 X 16	
4	H140161	ANGLE	4		
5	H136257	DISK	2		
6	19H1898	CAP SCREW	2	1/4" X 1-1/2"	
7	12H302	LOCK WASHER	2	1/4"	
8	24H1287	WASHER	2	9/32" X 5/8" X 0.065"	
9	03M7184	BOLT	16	M8 X 20	
10	19M7865	SCREW	8	M8 X 16	
11	H123918	SPACER	2		
12	H143955	HUB	2		
13	AH137752	FRAME	1		
14	AH141858	MOTOR	2		
15	19H1731	CAP SCREW	8	3/8" X 1"	
16	12H304	LOCK WASHER	8	3/8"	

5B22

RESIDUE DISPOSAL

CHAFF SPREADER (DUAL MOTOR) SHIELDS AND HANDLES

HP8632 -UN-23JUL99



HP8632

5B23

RESIDUE DISPOSAL

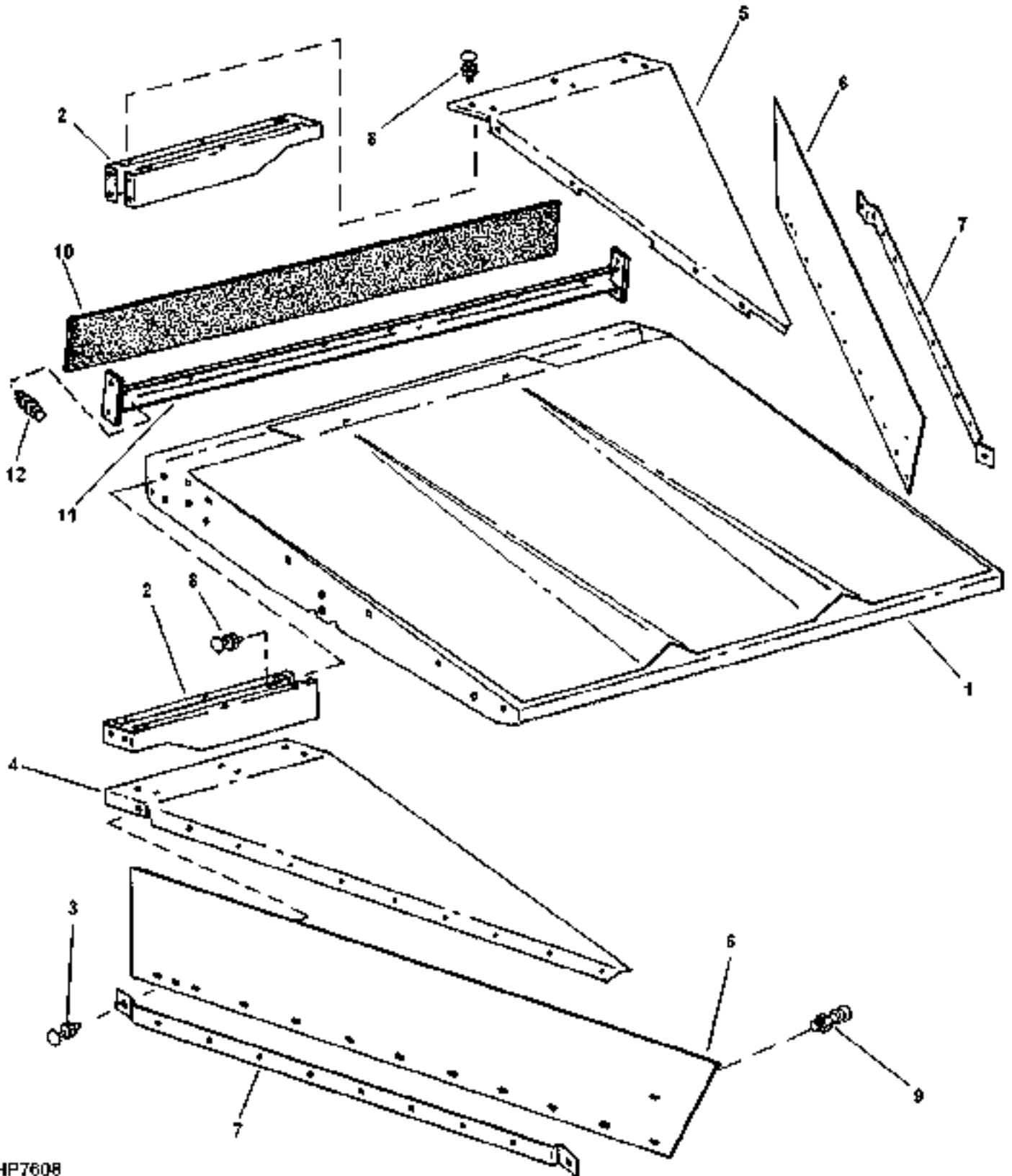
CHAFF SPREADER (DUAL MOTOR) SHIELDS AND HANDLES - CONTINUED

KEY	PART NO.	PART NAME	QTY	SERIAL NO.	REMARKS
1	H146011	SHIELD	2		
2	03M7184	BOLT	21	M8 X 20	
	14M7298	FLANGE NUT	21	M8	
3	AH137753	SHIELD	1		
4	H143948	BRACKET	2		
5	AH141652	DUST SHIELD	1		
6	H145096	SHIELD	1	L.H.	
7	H145095	SHIELD	1	R.H.	
8	H148107	DUST SHIELD	1		
9	H143950	SHIELD	1	R.H.	
10	H143949	SHIELD	1	L.H.	
11	03M7223	BOLT	6	M8 X 60	
12	H143952	TUBE	1	L.H.	
13	14M7298	FLANGE NUT	6	M8	
14	H143951	TUBE	1	R.H.	
15	M112639	STOP	2		
16	H139988	LABEL	1	CHAFF SPREADER DRIVE	

5B24

RESIDUE DISPOSAL

CHAFF SPREADER PAN, WINGS AND SEALS
HP7608 -UN-31AUG98



HP7608

5B25

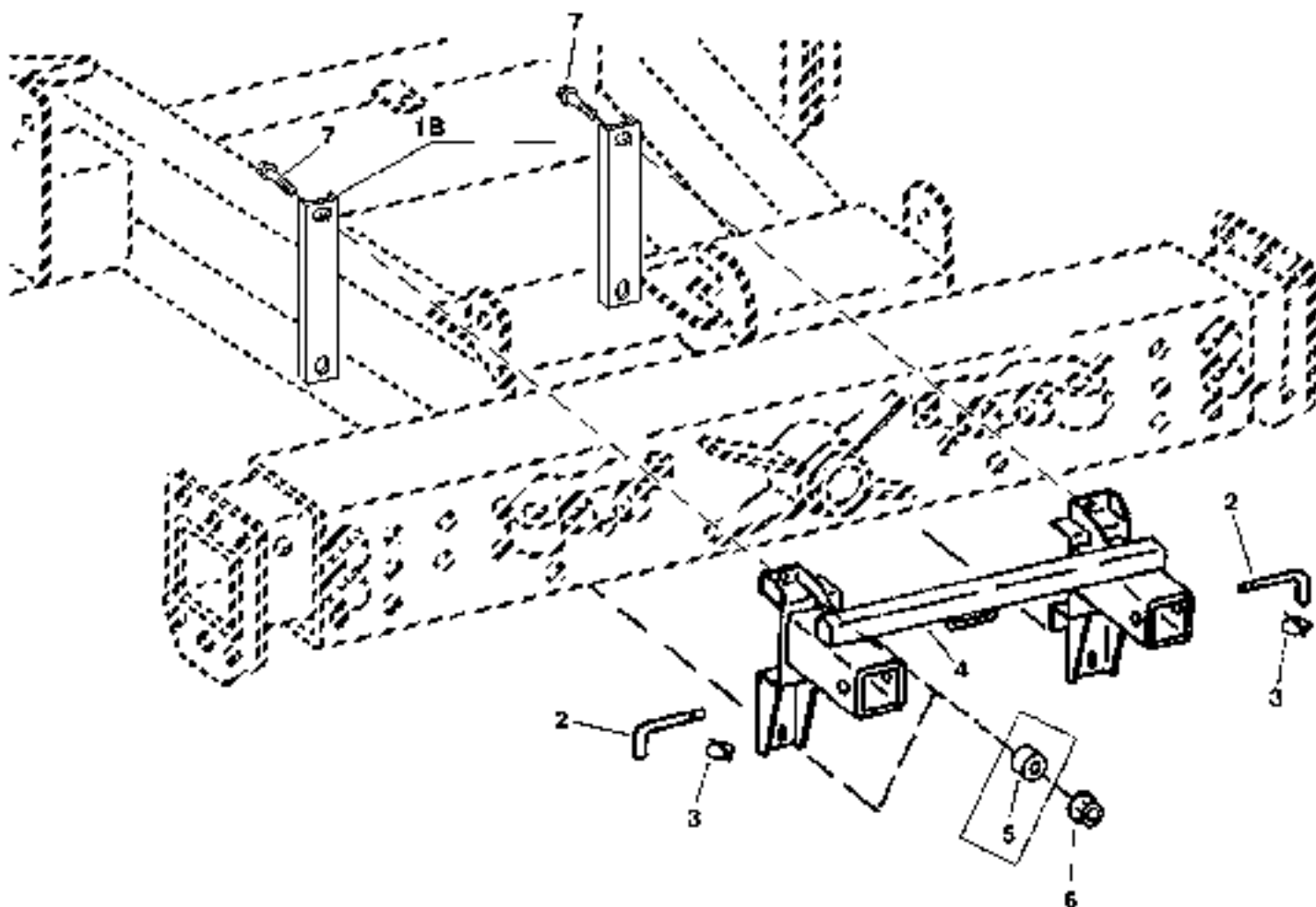
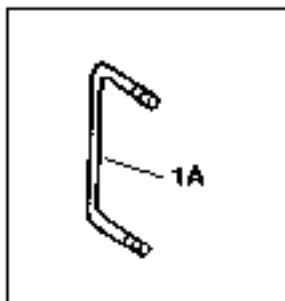
RESIDUE DISPOSAL

CHAFF SPREADER PAN, WINGS AND SEALS - CONTINUED

KEY	PART NO.	PART NAME	QTY	SERIAL NO.	REMARKS
1	AH137975	FRAME	1		
2	H144162	SUPPORT	2		
3	03M7184	BOLT	20	M8 X 20	
	14M7396	LOCK NUT	20	M8	
4	H144159	SHEET	1		
5	H144160	SHEET	1		
6	H148025	DEFLECTOR	2		
7	H144164	STRAP	2		
8	03M7184	BOLT	28	M8 X 20	
	14M7298	FLANGE NUT	28	M8	
9	03M7184	BOLT	2	M8 X 20	
	24M7207	WASHER	2	8.400 X 24 X 2 MM	
	14M7396	LOCK NUT	2	M8	
10	H135843	FLAP	1		
11	AH132360	CROSSBAR	1		
12	19M7863	SCREW	9	M6 X 25	
	24M7207	WASHER	9	8.400 X 24 X 2 MM	
	14M7303	FLANGE NUT	9	M6	
..	BH80177	COMPLETE GOODS/SHIP. BUNDLE	1		CHAFF SPREADER W/FOUR WHEEL DRIVE
..	BH80178	COMPLETE GOODS/SHIP. BUNDLE	1		CHAFF SPREADER LESS FOUR WHEEL DRIVE
..	BH79815	COMPLETE GOODS/SHIP. BUNDLE	1		CHAFF PAN WING AND EXTERNAL BUNDLE

5C1

CHAFF SPREADER MOUNTING SUPPORT
HP7199 -UN-23OCT97



HP7199

5C2

RESIDUE DISPOSAL

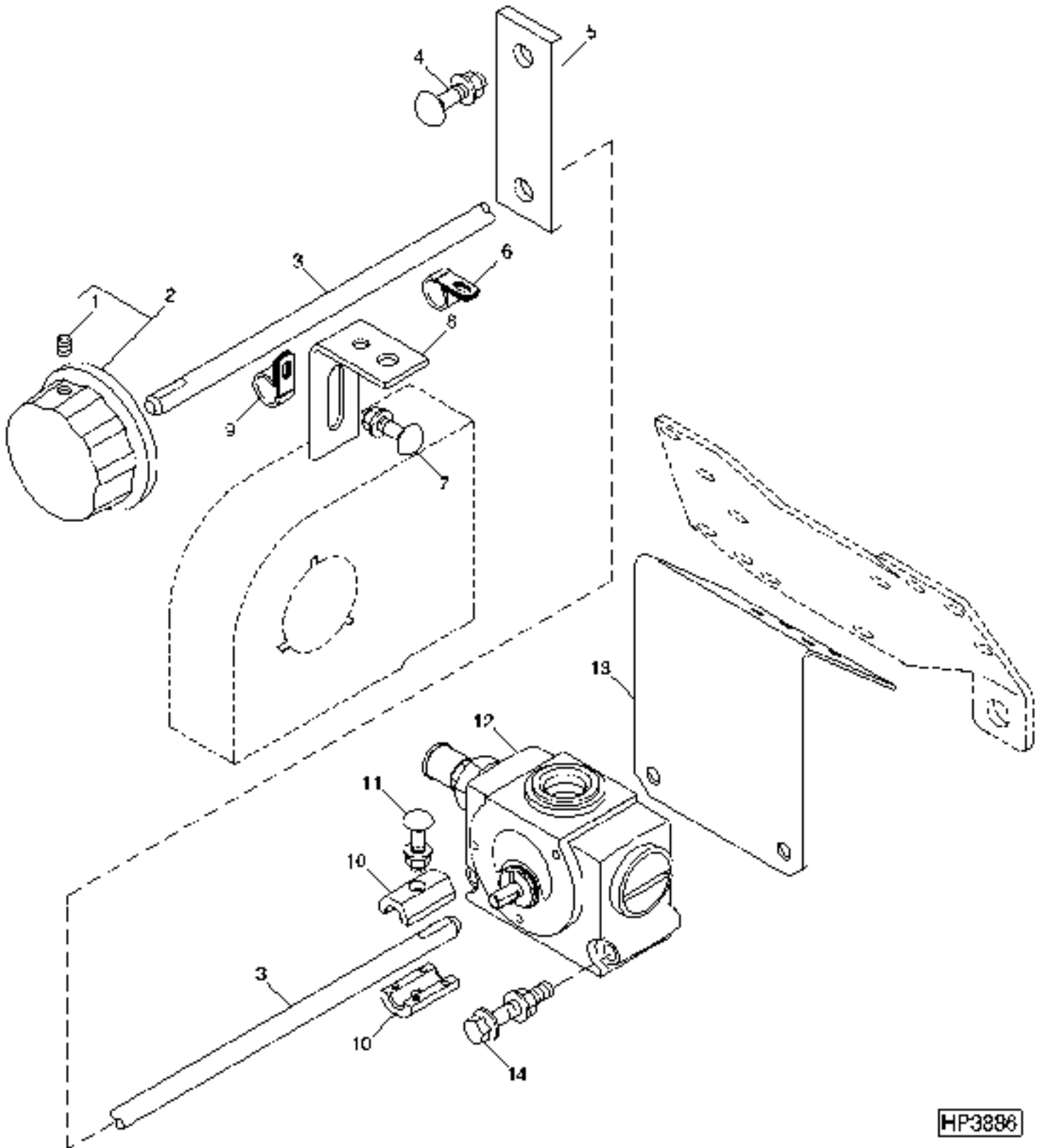
CHAFF SPREADER MOUNTING SUPPORT - CONTINUED

KEY	PART NO.	PART NAME	QTY	SERIAL NO.	REMARKS
1A	H148202	U-BOLT	2		
1B	H164605	CHANNEL	2		(SUB H164605)
2	H139005	PIN	2		
3	M72598	QUICK LOCK PIN	2		
4	AH137751	SUPPORT	1		
5	N61709	BUSHING	4		13.487 X 25.400 X 18.110 MM
6	14M7299	FLANGE NUT	4		M12
7	19M7822	SCREW	4		

5C3

RESIDUE DISPOSAL

CHAFF SPREADER CONTROL, CHECK VALVE, ROD AND KNOB
HP3886 -UN-24AUG99



HP3886

5C4

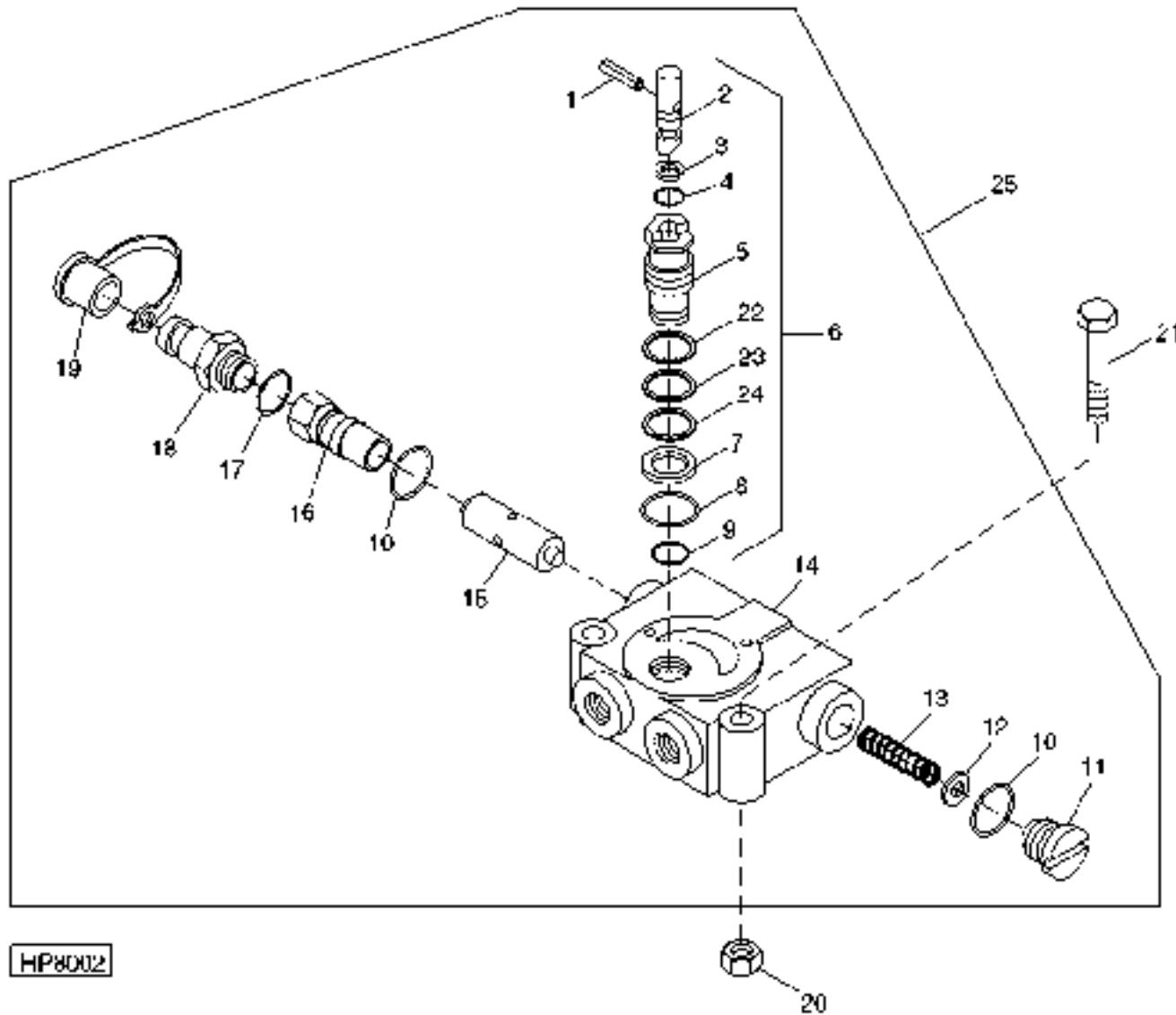
RESIDUE DISPOSAL

CHAFF SPREADER CONTROL, CHECK VALVE, ROD AND KNOB - CONTINUED

KEY	PART NO.	PART NAME	QTY	SERIAL NO.	REMARKS
1	SET SCREW	2		(ORDER AH132988)
2	AH132988	KNOB	1		
3	H137867	ROD	1		(SUB (2) H114020, (2) H144896, 03M7290 AND 14M7303)
4	H144896 37M7183	PIN SCREW	1 1		9.525 X 1 100 MM (3/8" X 43.307")
	14M7298	FLANGE NUT	1	M8	
5	H139006	STRAP	1		
6	AH11015	CLIP	1		
7	03M7184	BOLT	1	M8 X 20	
	14M7298	FLANGE NUT	1	M8	
8	H137866	BRACKET	1		
9	AH76882	CLIP	1		
10	H114020	HALF CLAMP	2		
11	19M7775	SCREW	1	M6 X 16	
	14M7303	FLANGE NUT	1	M6	
12	AH140902	CHECK VALVE	1		
13	H137865	BRACKET	1		
14	19M7979	SCREW	2	M8 X 55	
	14M7298	FLANGE NUT	2	M8	

5C5

REEL DRIVE FLOW CONTROL VALVE
HP8002 -UN-02MAR99



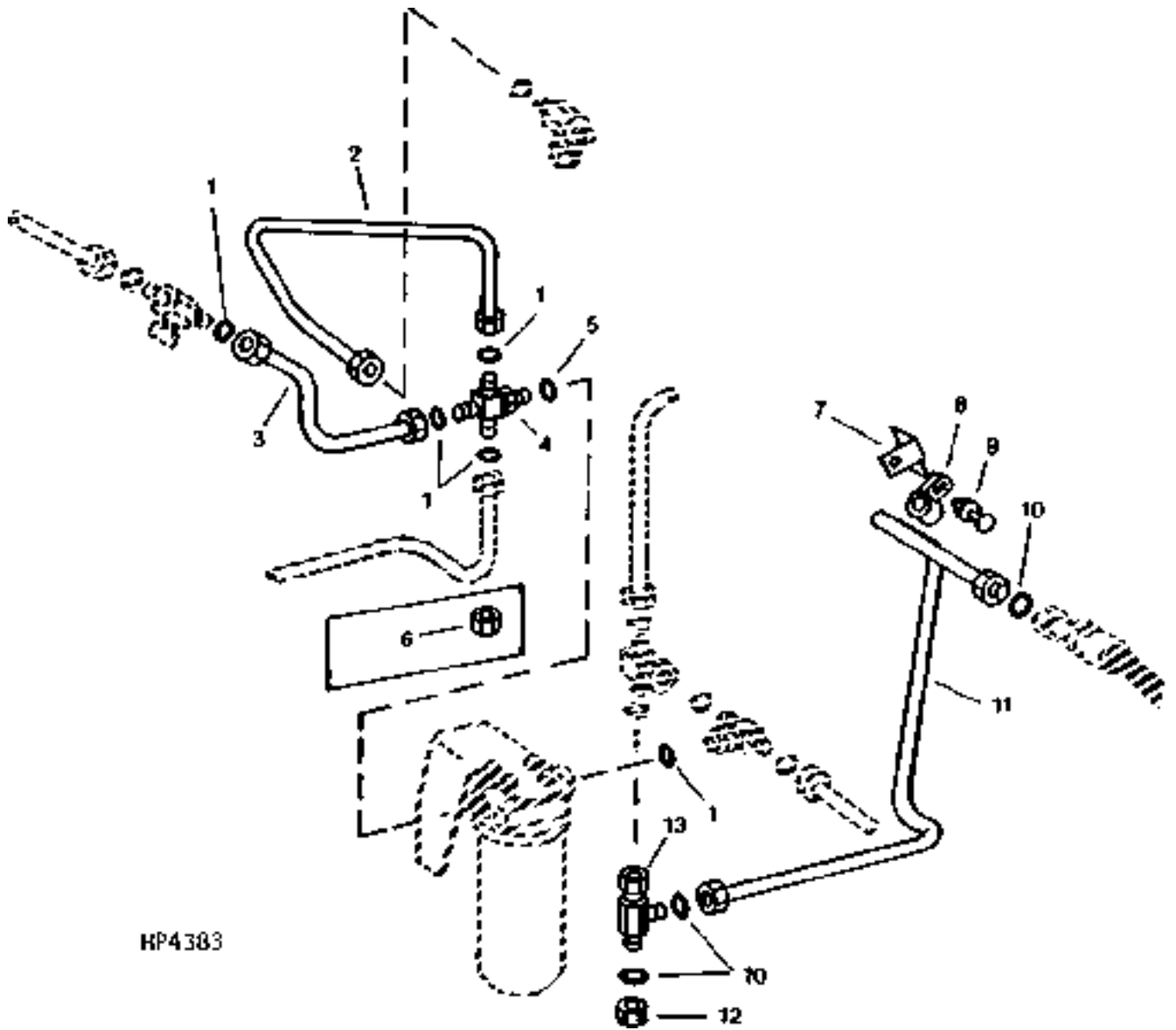
5C6

RESIDUE DISPOSAL

REEL DRIVE FLOW CONTROL VALVE - CONTINUED

KEY	PART NO.	PART NAME	QTY	SERIAL NO.	REMARKS
1	GROOVE PIN	1		
2	STEM	1		
3	BACK-UP RING	1	(A)	
4	O-RING	1	(A)	
5	PLUG	1		
6	AH140903	KIT	1		
7	BACK-UP RING	1	(A)	
8	O-RING	1	(A)	
9	O-RING	1	(A)	
10	H63289	O-RING	2	(A)	20.295 X 2.616 MM
11	PLUG	1		
12	SHIM	1		
13	SPRING	1		
14	HOUSING	1		
15	SPOOL	1		
16	PLUG	1		
17	R26448	O-RING	1	(A)	11.887 X 1.981 MM
18	AH125760	HYD. QUICK-CONNECT COUPLER	1		DIAGNOSTIC
19	R77175	COVER	1		
20	14M7298	FLANGE NUT	2		M8
21	19M7801	SCREW	2		M8 X 60
22	SHIM	AR		
23	SHIM	AR		
24	SHIM	AR		
25	AH140902	CHECK VALVE	1		
..	AH136248	SEAL KIT	1		INCLUDES PARTS MARKED (A)

CHAFF SPREADER LINES AND FITTINGS
HP4383 -UN-01JAN94



HP4383

5C8

RESIDUE DISPOSAL

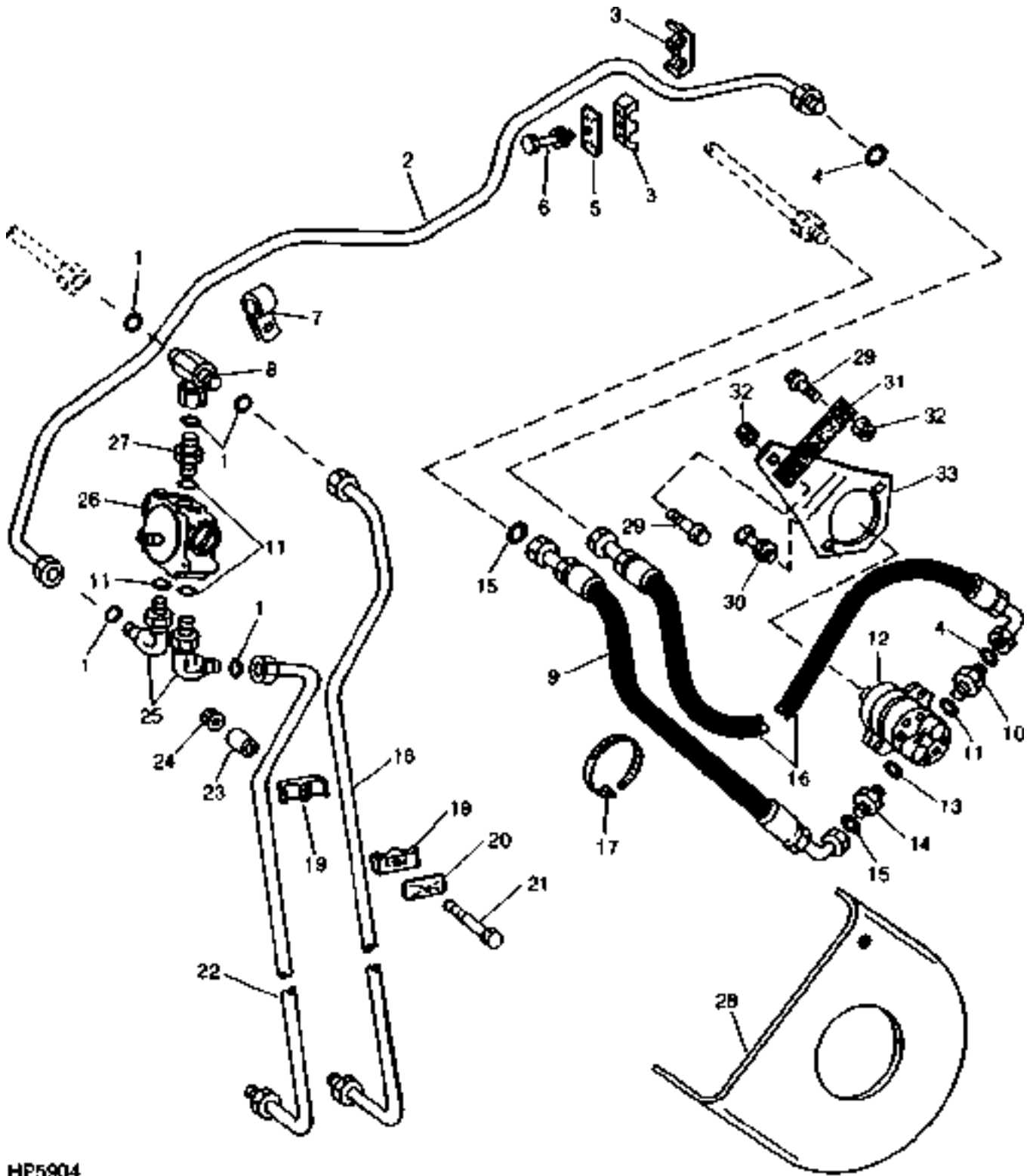
CHAFF SPREADER LINES AND FITTINGS - CONTINUED

KEY	PART NO.	PART NAME	QTY	SERIAL NO.	REMARKS
1	T77858	O-RING	5		18.771 X 1.778 MM (0.739" X 0.070")
2	AH133759	OIL LINE	1		
3	AH126169	OIL LINE	1		
4	AH132031	FITTING	1		
5	R29936	O-RING	1		29.743 X 2.946 MM (1.171" X 0.116")
6	38H1418	FITTING PLUG	1		
7	H139964	BRACKET	1		
8	R72659	CLAMP	1		
9	03M7183	BOLT	1		M8 X 16
	14M7298	FLANGE NUT	1		M8
10	T76938	O-RING	3		23.520 X 1.778 MM (0.926" X 0.070")
11	AH133770	LINE	1		
12	38H1419	FITTING PLUG	1		
13	38H1467	TEE FITTING	1		

5C9

RESIDUE DISPOSAL

CHAFF SPREADER LINES, HOSES, VALVE AND PUMP
HP5904 -UN-17DEC94



HP5904

5C10

RESIDUE DISPOSAL

CHAFF SPREADER LINES, HOSES, VALVE AND PUMP - CONTINUED

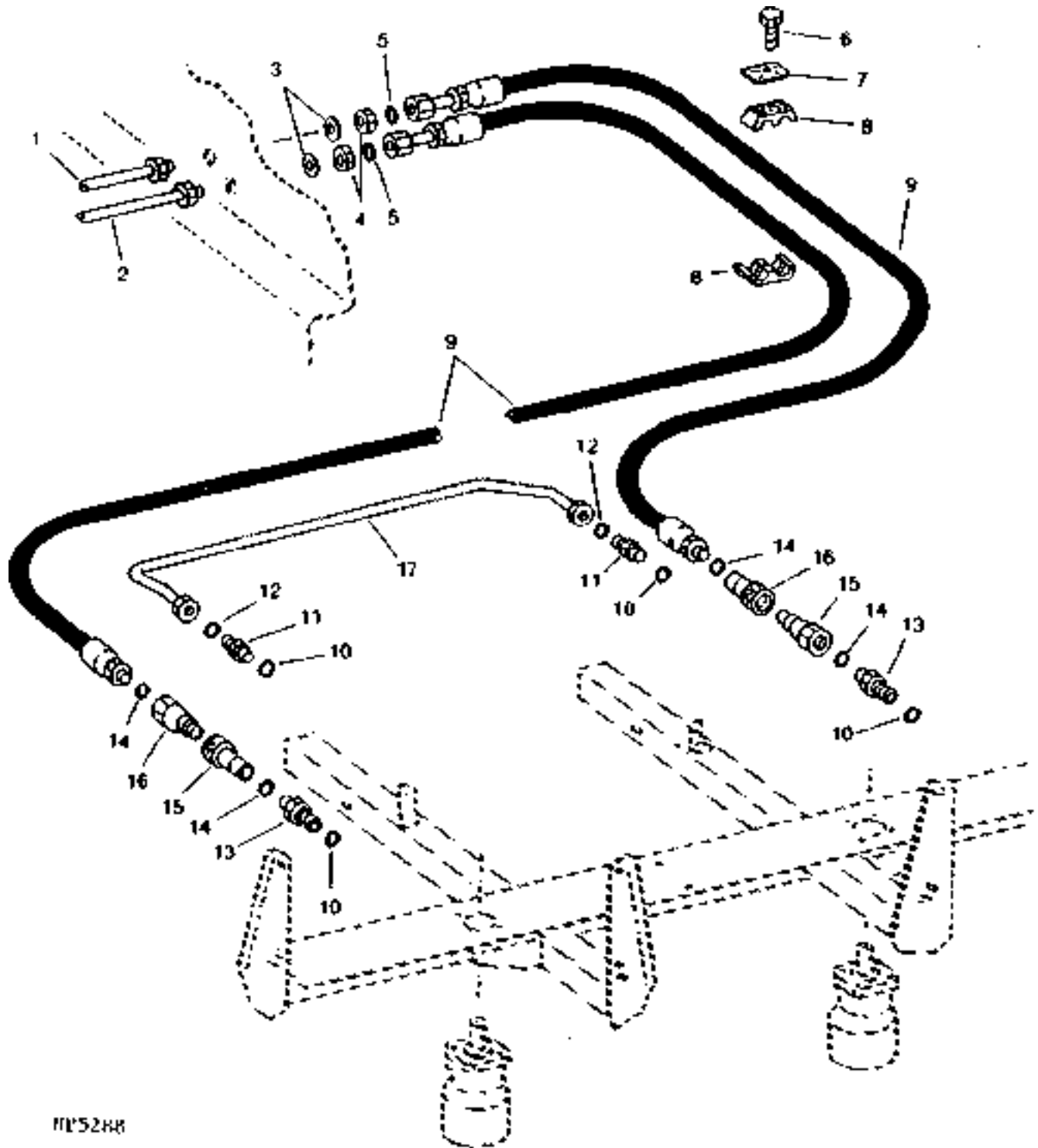
KEY	PART NO.	PART NAME	QTY	SERIAL NO.	REMARKS
1	T77932	O-RING	5		15.596 X 1.778 MM (0.614" X 0.070")
2	AH133758	OIL LINE	1		
3	H120362	CLAMP	2		
4	T77857	O-RING	2		12.421 X 1.778 MM (0.489" X 0.070")
5	H112567	PLATE	1		
6	19M7801	SCREW	1		M8 X 60
	14M7298	FLANGE NUT	1		M8
7	T27523	CLAMP	1		
8	38H1040	TEE FITTING	1		
9	AH132200	HYDRAULIC HOSE	1		1-3/16" X 975 MM (38-1/2") X 1-3/16", (SUCTION)
10	38H1174	ADAPTER	1		
11	R26906	O-RING	4		19.177 X 2.464 MM (0.755" X 0.097")
12	AH134555	PUMP	1		
13	R29936	O-RING	1		29.743 X 2.946 MM (1.171" X 0.116")
14	38H1194	ADAPTER	1		
15	T77858	O-RING	1		18.771 X 1.778 MM (0.739" X 0.070")
16	AH132201	HYDRAULIC HOSE	1		13/16" X 980 MM (38-1/2") X 13/16", (PRESSURE)
17	H77698	TIE BAND	1		
18	AH133949	OIL LINE	1		
19	H120847	CLAMP	2		
20	H121168	PLATE	1		
21	19M7873	SCREW	1		M8 X 110
22	AH133948	OIL LINE	1		
23	L3483N	BUSHING	1		10.312 X 15.875 X 53.975 MM (13/32" X 5/8" X 2-1/8") USED W/O 4-WHEEL DRIVE
24	14M7298	FLANGE NUT	1		M8
25	38H1006	ELBOW FITTING	2		
26	AH140902	CHECK VALVE	1		
27	38H1162	ADAPTER	1		
28	H137603	SHIELD	1		
29	19M7867	SCREW	2		M8 X 25
30	03M7186	BOLT	1		M8 X 30
	14M7298	FLANGE NUT	2		M8
31	H78340	STRAP	1		
32	14M7298	FLANGE NUT	2		M8
33	H137602	ARM	1		

5C11

RESIDUE DISPOSAL

CHAFF SPREADER HOSES AND LINES (DUAL MOTOR)

HP5288 -UN-01JAN94



HP5288

5C12

RESIDUE DISPOSAL

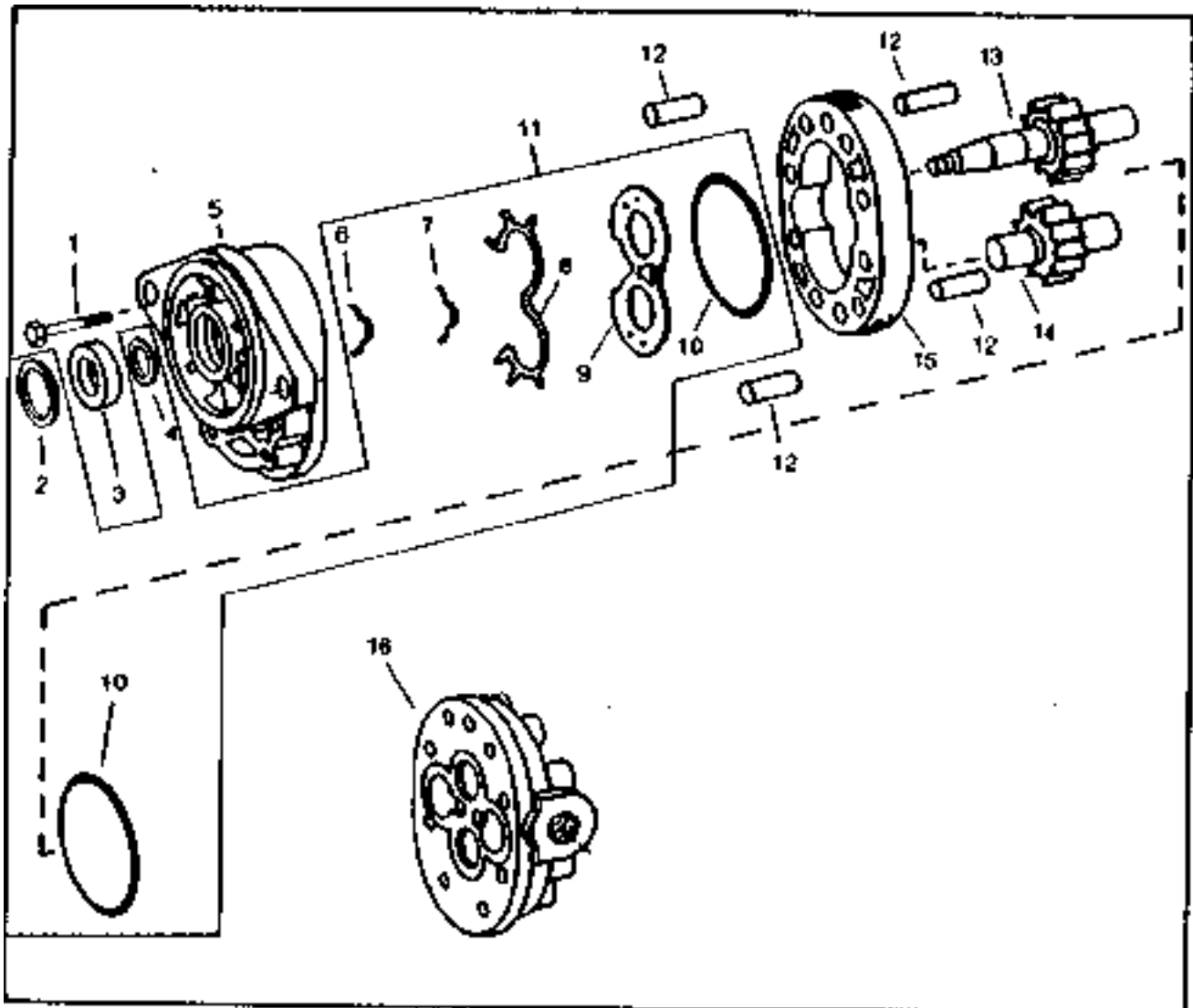
CHAFF SPREADER HOSES AND LINES - CONTINUED

KEY	PART NO.	PART NAME	QTY	SERIAL NO.	REMARKS
1	AH133948	OIL LINE	1		PRESSURE
2	AH133949	OIL LINE	1		RETURN
3	24M7051	WASHER	2		21 X 37 X 3 MM
4	T78716	NUT	2		20.625 MM (13/16")
5	T77857	O-RING	2		12.421 X 1.778 MM (0.489" X 0.070")
6	19M7913	SCREW	1		M8 X 90
7	H112567	PLATE	1		
8	H122772	CLAMP	2		
9	AH138718	HYDRAULIC HOSE	2		13/16" X 2 800 MM (110-1/4") X 13/16"
10	R26906	O-RING	8		19.177 X 2.464 MM (0.755" X 0.097")
11	38H1162	ADAPTER	3		
12	T77932	O-RING	9		15.596 X 1.778 MM (0.614" X 0.070")
13	T62843	ADAPTER	2		
14	R26375	O-RING	4		16.358 X 2.210 MM (0.644" X 0.087")
15	AH75167	HYD. QUICK-CONNECT COUPLER	2		(INCLUDES INTERNAL O-RING)
16	AR94522	INTERNAL HALF COUPLER	2		
17	AH137986	OIL LINE	1		

5C13

RESIDUE DISPOSAL

CHAFF SPREADER PUMP
HP5085 -UN-01JAN94



HP5085

17

5C14

RESIDUE DISPOSAL

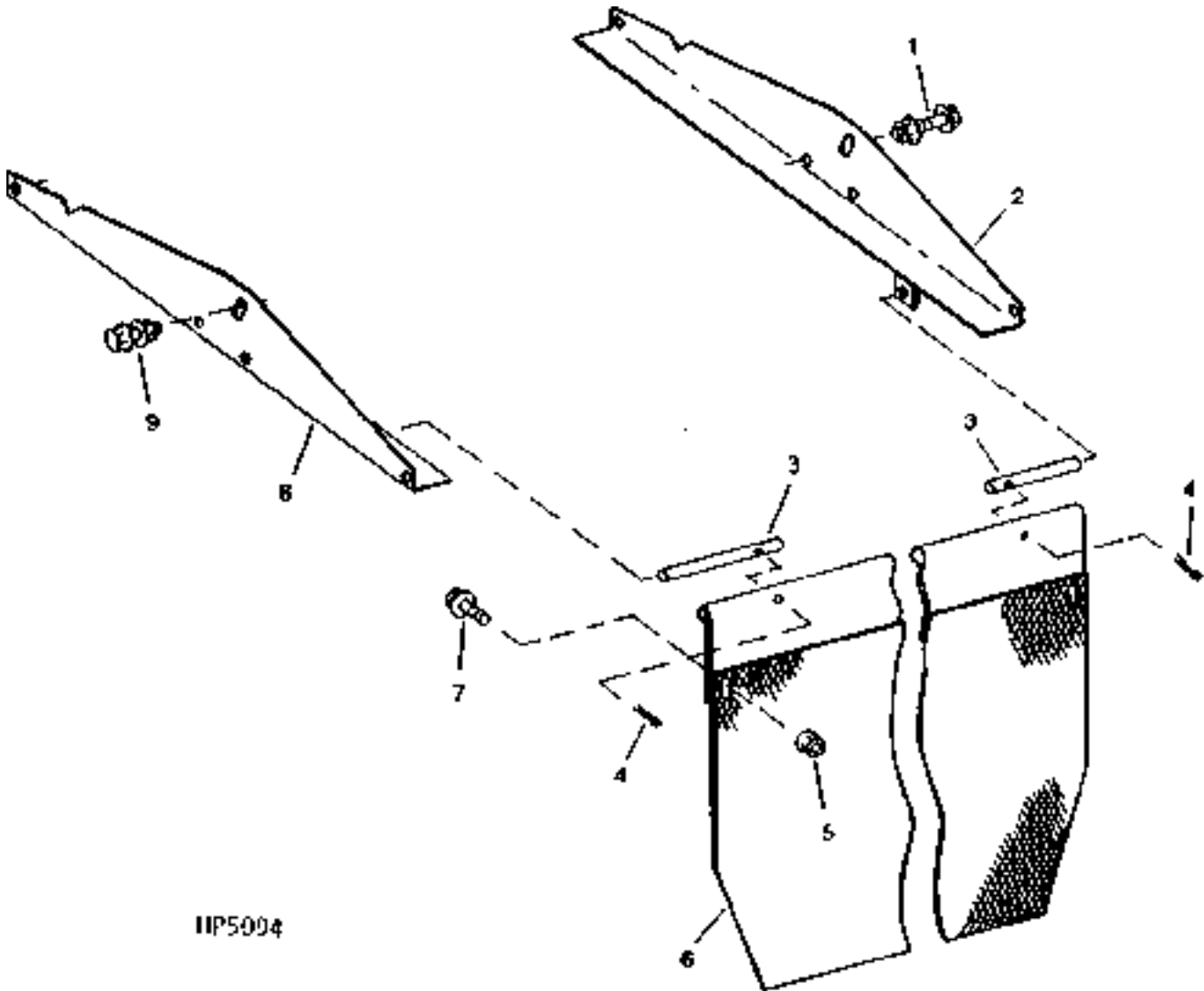
CHAFF SPREADER PUMP - CONTINUED

KEY	PART NO.	PART NAME	QTY	SERIAL NO.	REMARKS
1	E61791	BOLT	8		
2	M41029	SNAP RING	1		7.925 X 69.850 MM (5/16" X 2-3/4")
3	AH131842	SEAL	1		
4	M48869	WASHER	1		19.215 X 25.337 X 0.813 MM (0.757" X 0.998" X 0.032")
5	PLATE	1		
6	SEAL	1		
7	GASKET	1		
8	GASKET	1		
9	WEAR PLATE	1		
10	H80821	O-RING	2		75.921 X 1.778 MM (2.989" X 0.070")
11	AH131176	SEAL KIT	1		
12	H116213	DOWEL PIN	4		
13	AH134554	GEAR	1		
14	GEAR	1		
15	HOUSING	1		
16	PLATE	1		
17	AH134555	PUMP	1		(CESSNA NO. R25305-RAL) REMANUFACTURED

5C15

RESIDUE DISPOSAL

SPREADER CURTAIN
HP5094 -UN-01JAN94



HP5094

5C16

RESIDUE DISPOSAL

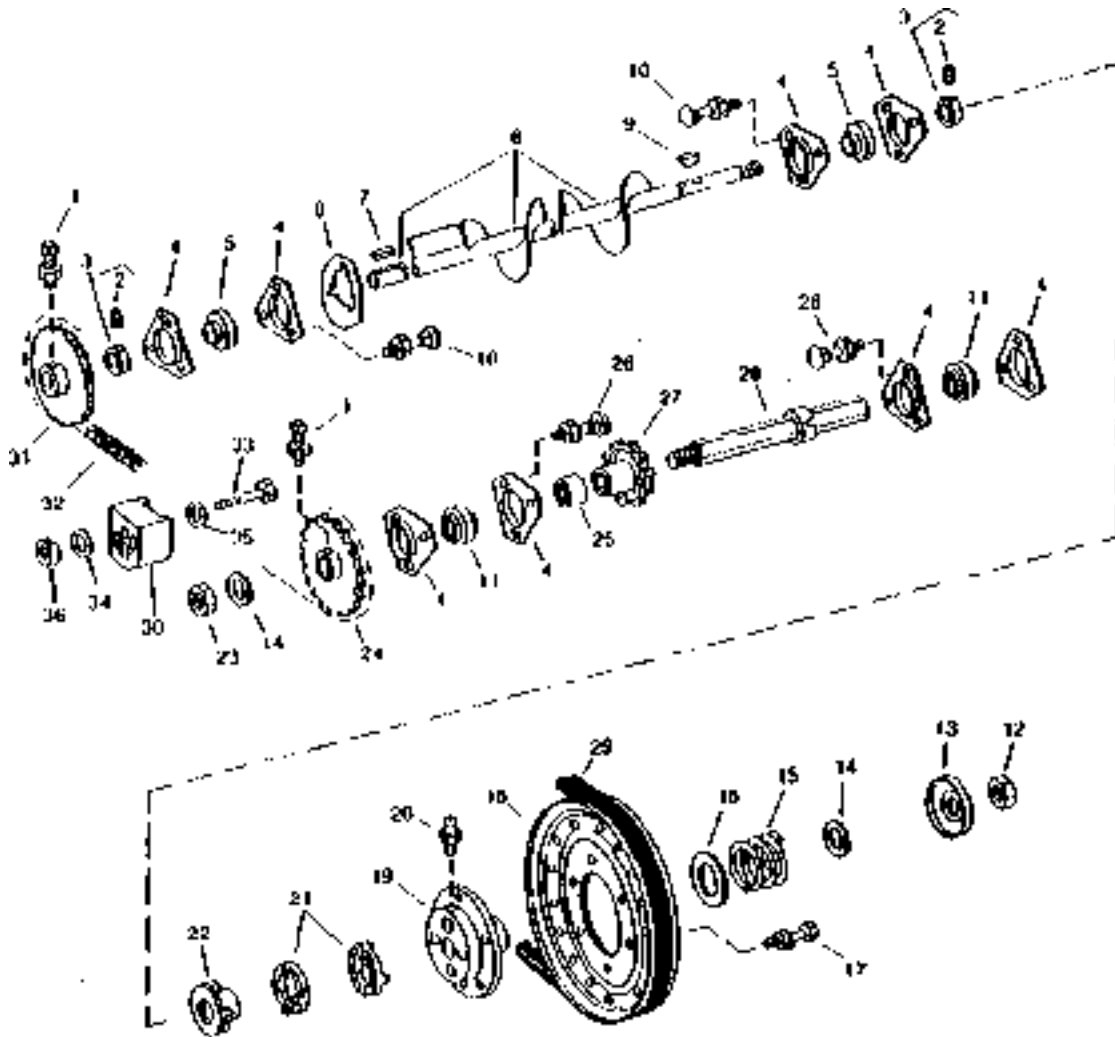
SPREADER CURTAIN - CONTINUED

KEY	PART NO.	PART NAME	QTY	SERIAL NO.	REMARKS
1	19M7809	SCREW	4	M10 X 70	
	14M7296	FLANGE NUT	4	M10	
2	AH138971	REINFORCEMENT	1		
3	H131865	PIN	2	12 X 211 MM (0.472" X 8.307")	
4	11M7086	COTTER PIN	2	2.500 X 50 MM	
5	14M7298	FLANGE NUT	2	M8	
6	AH135657	LIMIT CURTAIN	1		
7	19M7865	SCREW	2	M8 X 16	
8	AH138972	REINFORCEMENT	1		
9	19M7785	SCREW	1	M10 X 25	
	14M7296	FLANGE NUT	1	M10	

5C17

RESIDUE DISPOSAL

LOWER TAILINGS AUGER, SHAFT AND TIGHTENER
HP5817 -UN-01JAN94



HP5817

5C18

RESIDUE DISPOSAL

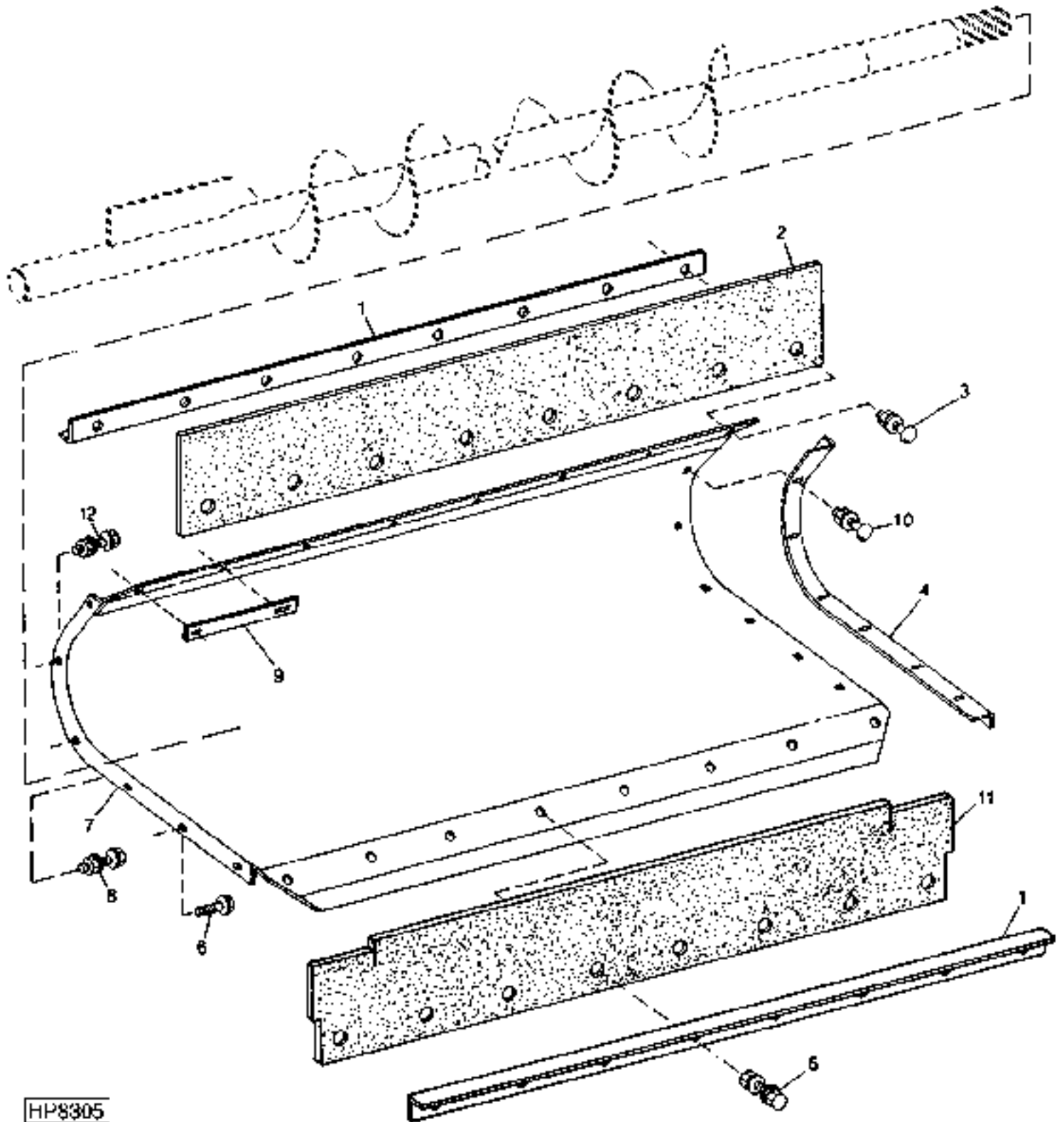
LOWER TAILINGS AUGER, SHAFT AND TIGHTENER - CONTINUED

KEY	PART NO.	PART NAME	QTY	SERIAL NO.	REMARKS
1	H138435	SET SCREW	AR		
	14M7274	NUT	AR	M10	
2	22M7080	SET SCREW	2	M8 X 8	
3	AZ10045	ECCENTRIC LOCKING COLLAR	2		
4	E10018	PRESSED FLANGED HOUSING	AR		
5	JD39103	BALL BEARING	2		
6	H132906	PLATE	1		
7	49M4111	SHAFT KEY	1		
8	AH146313	AUGER	1	(LOWER)	
9	26H82	SHAFT KEY	1	6.350 X 22.225 MM (1/4" X 7/8")	
10	03M7191	BOLT	AR	M10 X 25	
	14M7296	FLANGE NUT	AR	M10	
11	JD9313	BALL BEARING	2		
12	14M7300	FLANGE NUT	1	M20	
13	AH126677	CAP	1		
14	24M7051	WASHER	2	21 X 37 X 3 MM	
15	J21022	SPRING	1		
16	24M7176	WASHER	1	56 X 72 X 3 MM	
17	19M7867	SCREW	AR	M8 X 25	
	14M7298	FLANGE NUT	AR	M8	
18	AH126388	SHEAVE	1	270 MM (10-1/2") DIA.	
19	H97574	HUB	1		
20	JD7797	LUBRICATION FITTING	1	1/4" STRAIGHT	
21	H128265	SLIP CLUTCH	2		
22	H85015	HUB	1		
23	A31870	LOCK NUT	1	M20	
24	AH130572	CHAIN SPROCKET	1	18-TOOTH	
25	H134605	SPACER	1		
26	03M7190	BOLT	AR	M10 X 20	
	14M7296	FLANGE NUT	AR	M10	
27	H134603	CHAIN SPROCKET	1	8-TOOTH	
28	AH130570	SHAFT	1	LOWER CONVEYOR	
29	N110085	BELT	1		
30	H136582	TIGHTENER	1		
31	AH121047	CHAIN SPROCKET	1	18-TOOTH	
32	AH126239	ROLLER CHAIN	1	ROLLER, TYPE 50	
33	03M7245	BOLT	1	M8 X 55	
	14M7298	FLANGE NUT	1	M8	
34	24M7207	WASHER	1	8.400 X 24 X 2 MM	
35	H75716	LOCK WASHER	1	13.220 MM	
36	14M7298	FLANGE NUT	1	M8	

5C19

RESIDUE DISPOSAL

LOWER TAILINGS AUGER TROUGH
HP8305 -UN-02MAR99



HP8305

5C20

RESIDUE DISPOSAL

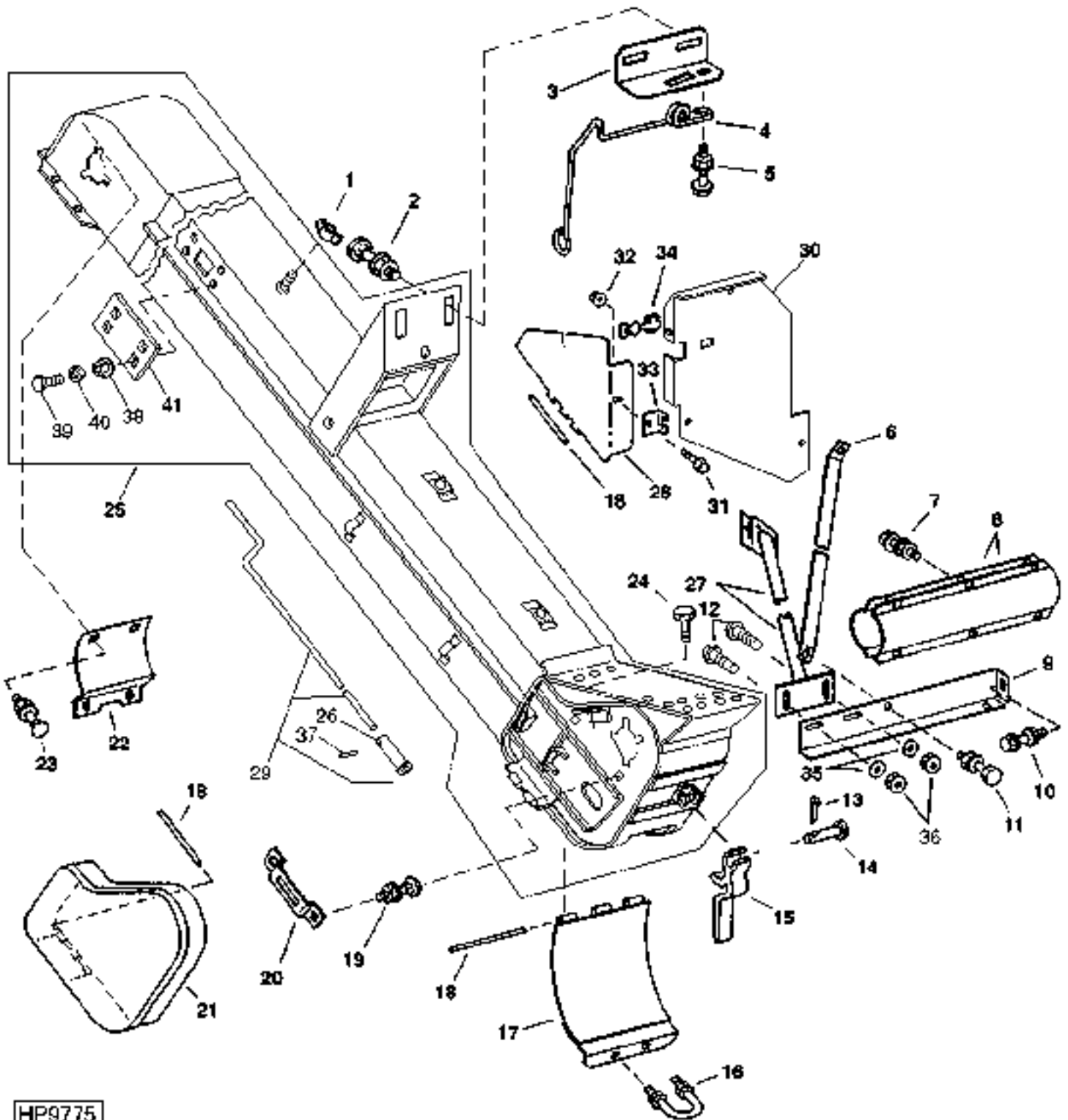
LOWER TAILINGS AUGER TROUGH - CONTINUED

KEY	PART NO.	PART NAME	QTY	SERIAL NO.	REMARKS
1	H134309	REINFORCEMENT	2		
2	H134315	SEAL	1		
3	19M7865	SCREW	AR	M8 X 16	
	14M7298	FLANGE NUT	AR	M8	
4	H134317	SUPPORT	1		
5	19M7865	SCREW	AR	M8 X 16	
	14M7298	FLANGE NUT	AR	M8	
6	19M7866	SCREW	2	M8 X 20	
7	AH138656	TROUGH	1		
8	19M7866	SCREW	2	M8 X 20	
	14M7298	FLANGE NUT	2	M8	
9	H137585	STRAP	1		
10	03M7183	BOLT	AR	M8 X 16	
	14M7298	FLANGE NUT	AR	M8	
11	H147661	ADJUSTING STRAP	1		
12	19M7867	SCREW	6		
	14M7298	FLANGE NUT	6		

5C21

RESIDUE DISPOSAL

TAILINGS ELEVATOR HOUSING
HP9775 -UN-24MAY00



HP9775

TAILINGS ELEVATOR HOUSING - CONTINUED

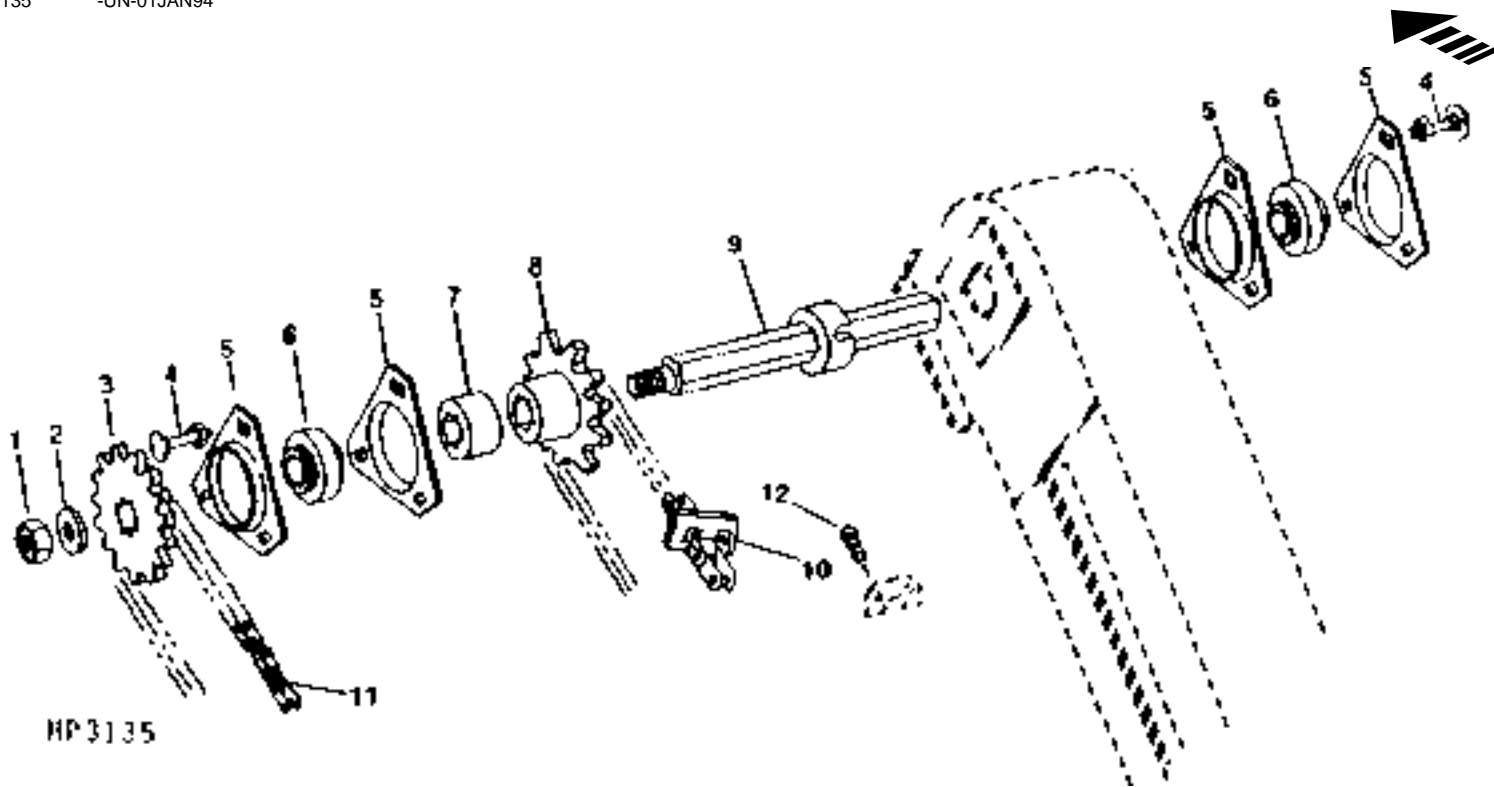
KEY	PART NO.	PART NAME	QTY	SERIAL NO.	REMARKS
1	14M7020	WING NUT	1	M8	
2	19M7784	SCREW	2	M10 X 20	
	14M7296	FLANGE NUT	2	M10	
3	H132708	BRACKET	1		
4	H130930	SPRING	1		
5	19M7784	SCREW	1	M10 X 20	
	14M7296	FLANGE NUT	1	M10	
6	H146536	SUPPORT	1		
7	19M7868	SCREW	AR	M8 X 30	
	14M7298	FLANGE NUT	AR	M8	
8	H136054	HOUSING	2	SOLID	
	H136055	HOUSING	2	PERFORATED	
9	H130667	SUPPORT	1	(SUB H171006) ELEVATOR	
	H171006	SUPPORT	1		
10	19M7785	SCREW	2	M10 X 25	
	14M7296	FLANGE NUT	2	M10	
11	19M7865	SCREW	2	M8 X 16	
	14M7298	FLANGE NUT	2	M8	
12	19M7785	SCREW	2	M10 X 25	
13	11M7081	COTTER PIN	1	2.500 X 20 MM	
14	RV810A	PIN	1	DRILLED	
15	H101297	LEVER	1		
16	H105519	U-BOLT	1		
	24M7139	WASHER	2	6.400 X 18 X 1.600 MM	
	14M7397	LOCK NUT	2	M6	
17	AH130892	DOOR	1	SOLID	
	AH130893	DOOR	1	PERFORATED	
18	H76083	PIN	3	CUT TO LENGTH	
19	03M7184	BOLT	2	M8 X 20	
	14M7298	FLANGE NUT	2	M8	
20	H130661	BRACKET	1		
21	AH130886	SHIELD	1		
22	H147846	DEFLECTOR	1		
23	03M7183	BOLT	2	M8 X 16	
	14M7298	FLANGE NUT	2	M8	
24	19M7865	SCREW	1	M8 X 16	
25	AH169233	KIT	1	COMPLETE TAILINGS ELEVATOR HOUSING, (SUB FOR AH141573 OR AH156177)	
26	TOOL	1	(A)	
27	AH151354	SUPPORT	1	(SUB AH142163, (2) H129716, (2) 24M7238, (2) 14M7298) RICE ONLY	
28	H160715	SHIELD	1	UPPER DOOR	
29	AH149543	CRANK	1	(A)	
30	H154959	SHIELD	1		
31	19M7775	SCREW	1	M6 X 16	
32	14M7303	FLANGE NUT	1	M6	
33	H141549	CLAMP	1		
34	A44990	LATCH	1		
35	24M7239	WASHER	2	10.700 X 21 X 2.500 MM	
36	14M7296	FLANGE NUT	2	M10	
37	34M7027	SPRING PIN	1	(A) 4 X 20 MM	
38	M80082	NUT	8		
39	03M7221	BOLT	8	M6 X 16	
40	14M7303	FLANGE NUT	8	M6	
41	H168019	COVER	2		
..	AH164570	KIT	1	(INCLUDES PARTS MARKED (A))	

5C23

RESIDUE DISPOSAL

TAILINGS ELEVATOR CONVEYOR CHAIN, SPROCKETS AND BEARINGS

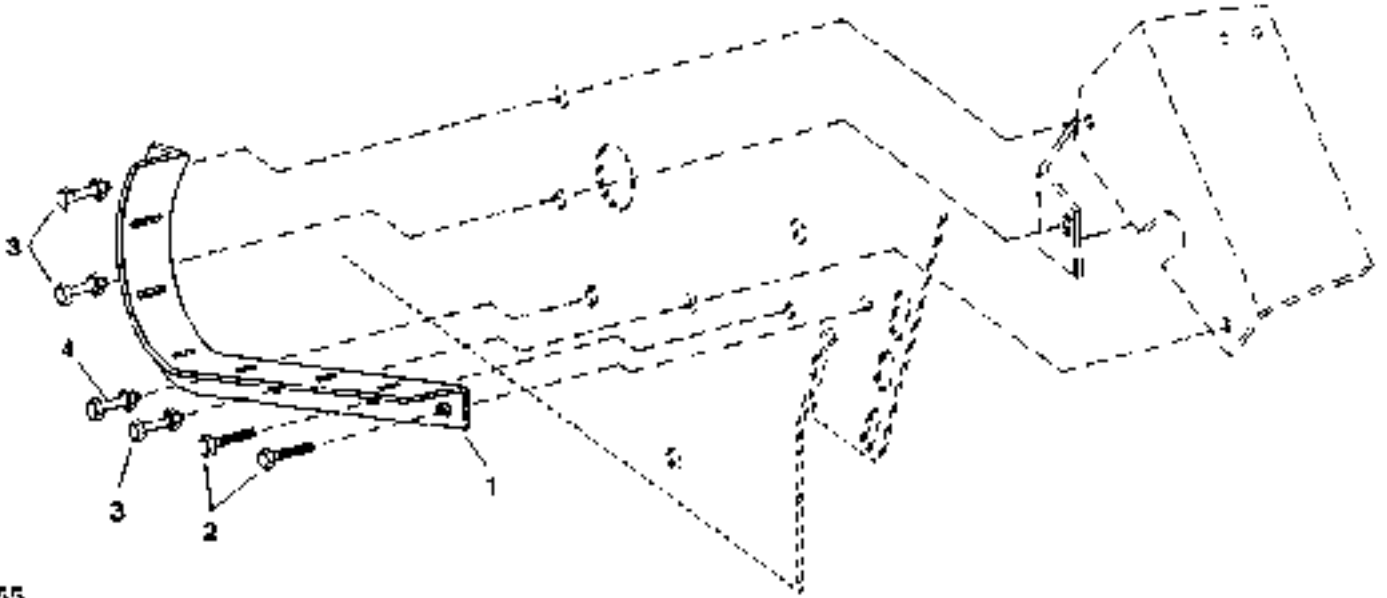
HP3135 -UN-01JAN94



HP3135

KEY	PART NO.	PART NAME	QTY	SERIAL NO.	REMARKS
1	14M7277	NUT	1	M20	
2	24M7277	WASHER	1	21 X 60 X 4 MM	
3	AH130571	CHAIN SPROCKET	1	30 TOOTH, DRIVE	
4	03M7190	BOLT	AR	M10 X 20	
	14M7296	FLANGE NUT	AR	M10	
5	E10018	PRESSED FLANGED HOUSING	4		
6	JD9313	BALL BEARING	2		
7	H134606	SPACER	1		
8	H134603	CHAIN SPROCKET	1	8 TOOTH (CONVEYOR)	
9	AH130570	SHAFT	1	UPPER CONVEYOR	
10	AH131074	LINK CHAIN	1	(CA550 ROLLER CHAIN) (25 PADDLES)	
	AH158635	CHAIN LINK	1	ROLLER	
	AC11779	PIN	1		
	C10263	TRACK CHAIN W/O SHOES	1	COUPLER	
	AC14974	PIN	1		
	H135235	PADDLE	25	RUBBER	
	H86760	PADDLE	1	STEEL CLEANING	
	RIVET	50	(SUB AH86897)	
	AH87765	CHAIN LINK	25		
11	ROLLER CHAIN	1	ROLLER, TYPE 50, 16MM (5/8") PITCH, 124 LINKS , (ASSEMBLE FROM AH18482 OR AP2245 AND (1) P20351)	
12	AH86897	BOLT	AR	(REPLACES RIVETS) (INCLUDES (1) H85934, (1) 12H302 AND (1) 14H786)	

LOWER TROUGH SUPPORT AND TAILINGS DRIVE BRACKET
 HP7155 -UN-22SEP97



HP7155

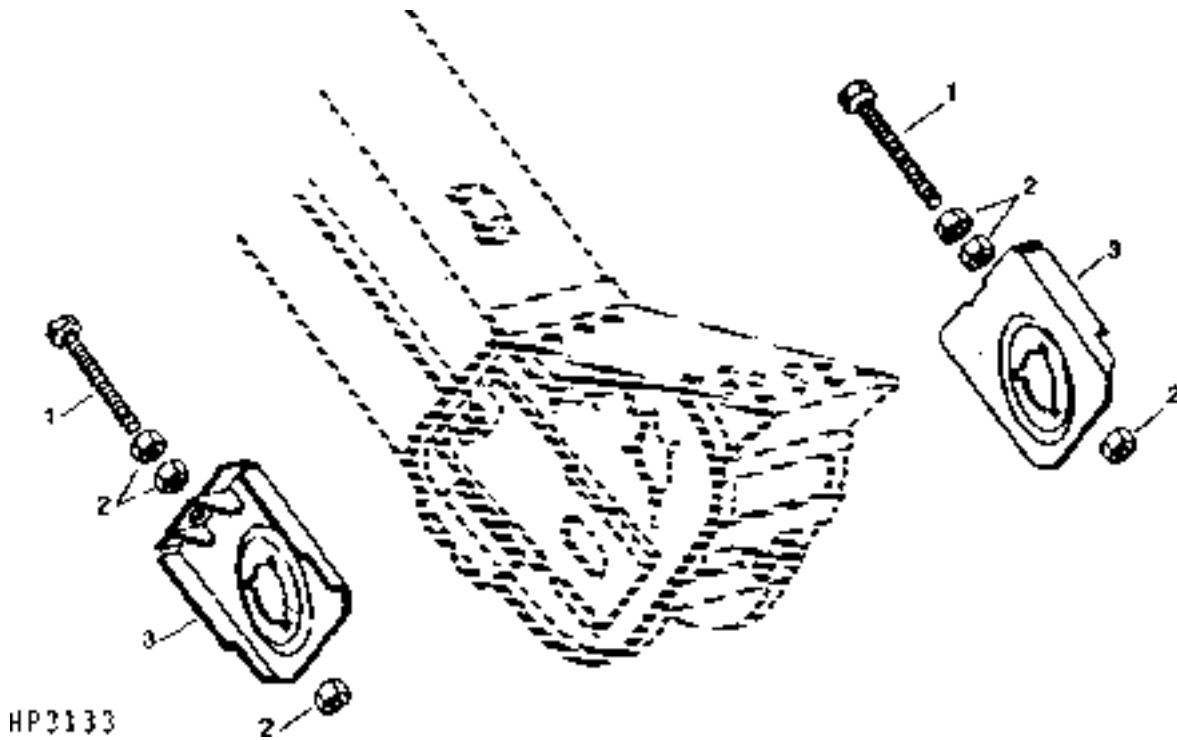
KEY	PART NO.	PART NAME	QTY	SERIAL NO.	REMARKS
1	H134317	SUPPORT	1		
2	19M7866	SCREW	2	M8 X 20	
3	19M7867	SCREW	3	M8 X 25	
	14M7298	FLANGE NUT	3	M8	
4	19M7866	SCREW	1	M8 X 20	
	14M7298	FLANGE NUT	1	M8	

5C25

RESIDUE DISPOSAL

LOWER TAILINGS AUGER CHAIN TIGHTENER

HP3133 -UN-01JAN94



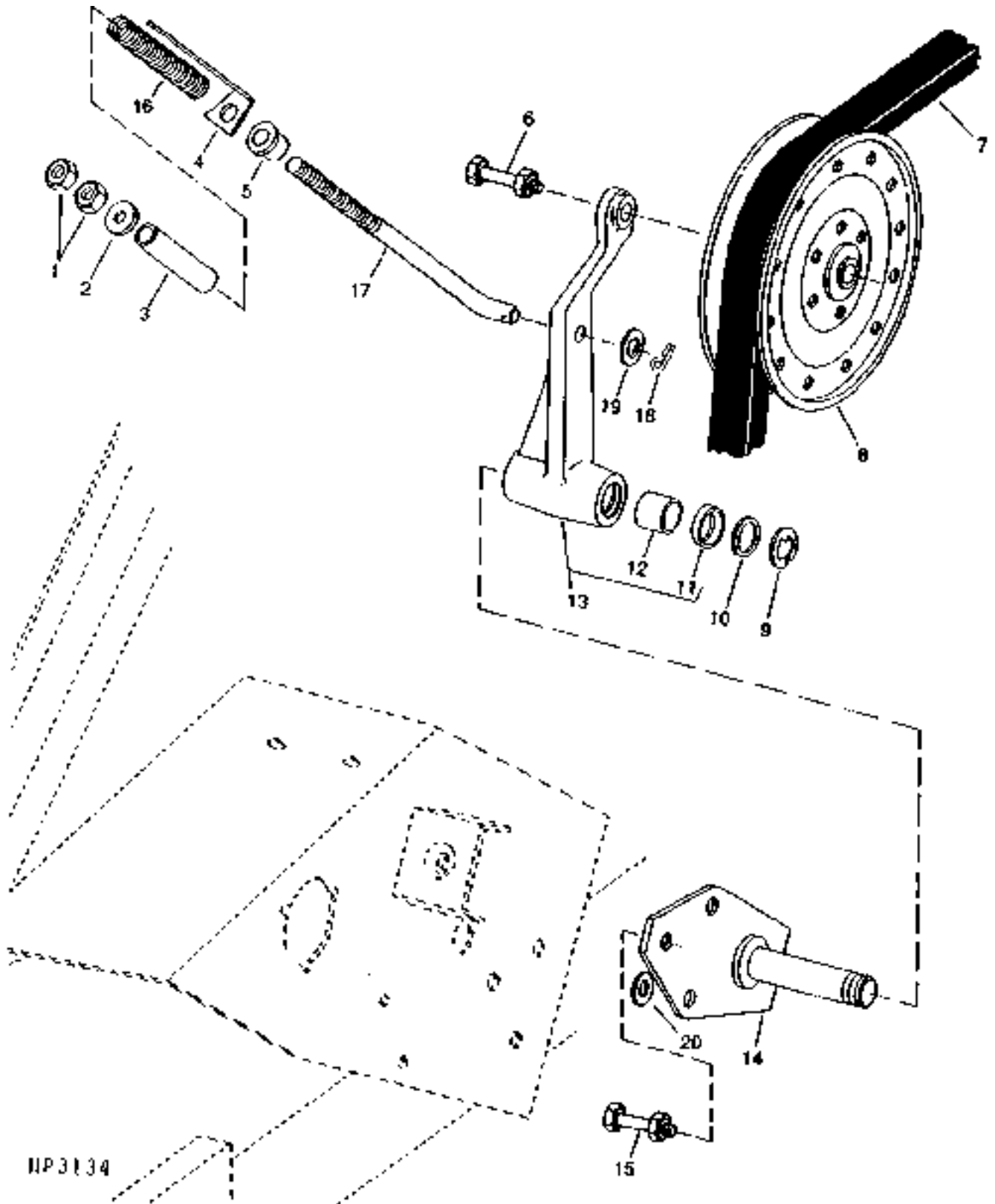
KEY	PART NO.	PART NAME	QTY	SERIAL NO.	REMARKS
1	19M7596	CAP SCREW	2	M16 X 160	
2	14M7276	NUT	6	M16	
3	AH130884	BRACKET	2		

MEMORANDA

5D1

RESIDUE DISPOSAL

LOWER TAILINGS AUGER DRIVE TIGHTENER
HP3134 -UN-01JAN94



HP3134

5D2

RESIDUE DISPOSAL

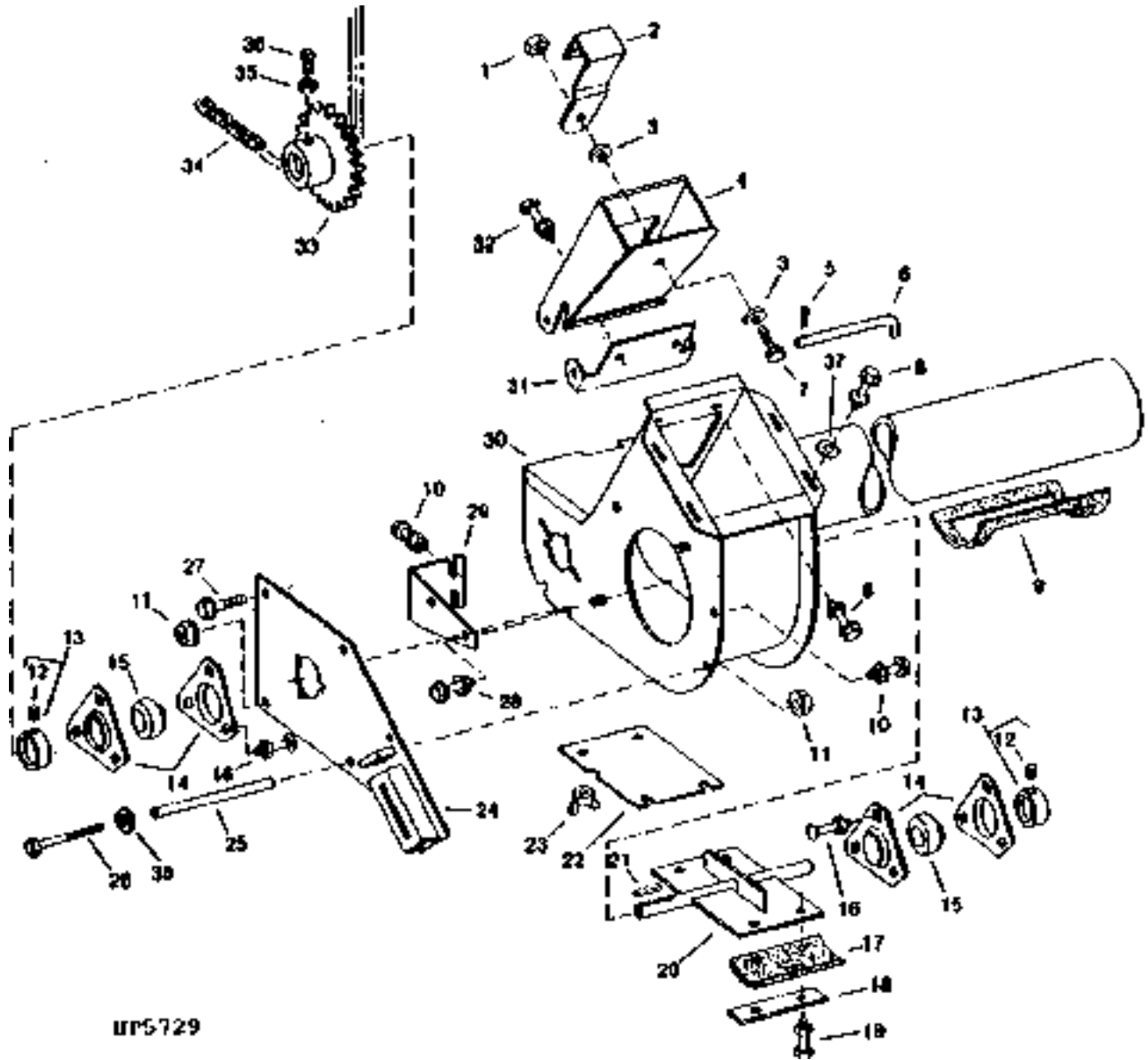
LOWER TAILINGS AUGER DRIVE TIGHTENER - CONTINUED

KEY	PART NO.	PART NAME	QTY	SERIAL NO.	REMARKS
1	14M7275	NUT	2	M12	
2	24M7180	WASHER	1	13 X 37 X 3 MM	
3	TY22326	BULK HOSE	AR	BULK HOSE	
4	H127872	GAUGE	1		
5	H129207	PIVOT	1		
6	19M7824	SCREW	1	M16 X 60	
	14M7291	FLANGE NUT	1	M16	
7	N110085	BELT	1		
8	AH97031	IDLER	1		
9	P46402	SNAP RING	1		
10	24M7091	WASHER	1	26 X 44 X 4 MM	
11	AA5607R	SEAL	2		
12	H99147	BUSHING	2	(SUB H171061)	
	H171061	BEARING	2		
13	AH126865	ARM	1	ELEVATOR DRIVE	
14	AH156051	SPRING PIN	1		
15	19M7785	SCREW	3	M10 X 25	
	14M7296	FLANGE NUT	3	M10	
16	H26552	SPRING	1		
17	H118948	HOOK BOLT	1	IDLER	
18	11M7021	COTTER PIN	1	4 X 25 MM	
19	24M7047	WASHER	1	13 X 24 X 2.500 MM	
20	24M7178	WASHER	AR	10.500 X 30 X 2.500 MM, (USE AS NEEDED IF REALIGNMENT IS NECESSARY)	

5D3

RESIDUE DISPOSAL

UPPER TAILINGS AUGER HOUSING AND PADDLE ASSEMBLY
HP5729 -UN-01JAN94



HP5729

5D4

RESIDUE DISPOSAL

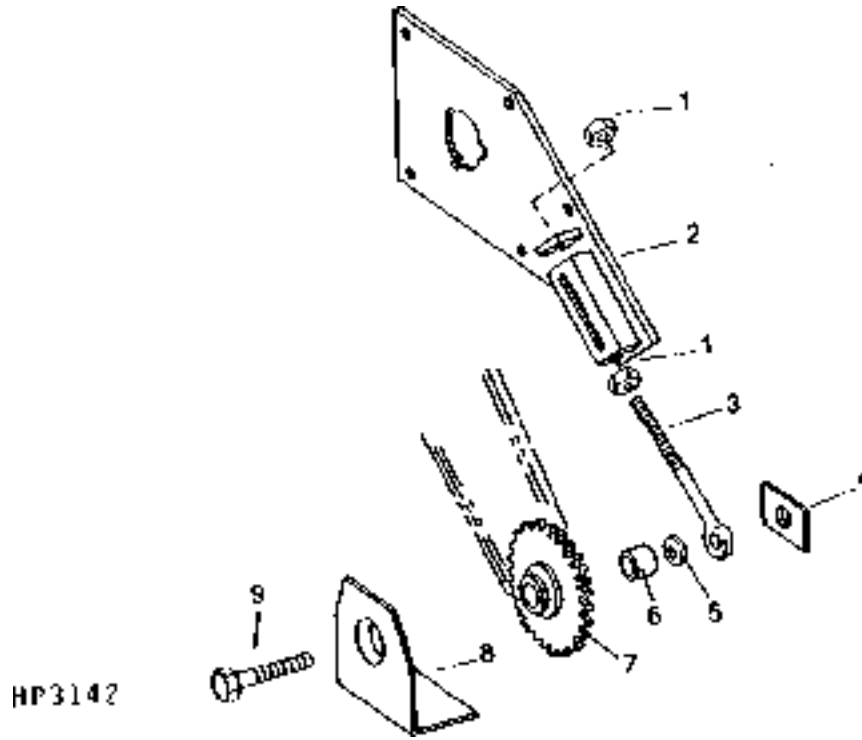
UPPER TAILINGS AUGER HOUSING AND PADDLE ASSEMBLY - CONTINUED

KEY	PART NO.	PART NAME	QTY	SERIAL NO.	REMARKS
1	14M7397	LOCK NUT	1	M6	
2	H133541	LATCH	1		
3	24M7139	WASHER	2	6.400 X 18 X 1.600 MM	
4	AH130136	DOOR	1		
5	J16931	SPRING LOCKING PIN	1		
6	H134068	PIN	1		
7	19M7775	SCREW	1	M6 X 16	
8	19M7866	SCREW	6	M8 X 20	
	14M7298	FLANGE NUT	6	M8	
9	H143735	SEAL	1		
10	19M7866	SCREW	3	M8 X 20	
	14M7298	FLANGE NUT	3	M8	
11	14M7298	FLANGE NUT	3	M8	
12	22M7080	SET SCREW	2	M8 X 8	
13	AZ10045	ECCENTRIC LOCKING COLLAR	2		
14	E10018	PRESSED FLANGED HOUSING	AR		
15	JD39103	BALL BEARING	2		
16	03M7191	BOLT	AR	M10 X 25	
	14M7296	FLANGE NUT	AR	M10	
17	H131639	PADDLE	4	RUBBER	
18	H131638	STRAP	4		
19	19M7868	SCREW	AR	M8 X 30	
	14M7396	LOCK NUT	AR	M8	
20	AH128581	PADDLE	1		
21	SHAFT KEY	AR	8 X 7 X 40 MM (IN AH141142 KEY STOCK KIT) (CUT FROM H150269)	
22	H135309	COVER	1	CLEAN OUT	
23	14M7020	WING NUT	AR	M8	
24	AH128664	SUPPORT	1	IDLER	
25	H140467	BUSHING	1	9.246 X 13.716 X 104.775 MM (0.364" X 0.540" X 4-1/8")	
26	19M8404	CAP SCREW	1	M8 X 130	
27	19M7864	SCREW	1	M8 X 12	
28	19M7862	SCREW	2	M6 X 20	
	14M7303	FLANGE NUT	2	M6	
29	H147967	SUPPORT	1		
30	AH149179	TUBE	1		
31	H134065	HINGE	1		
32	19M7865	SCREW	2	M8 X 16	
	14M7298	FLANGE NUT	2	M8	
33	AH126008	CHAIN SPROCKET	1	30 TOOTH	
34	AH126007	ROLLER CHAIN	1	ROLLER, TYPE 50, 124 LINKS	
35	14M7274	NUT	2	M10	
36	H138435	SET SCREW	2		
37	24M7207	WASHER	4	8.400 X 24 X 2 MM	
38	24M7055	WASHER	1	8.400 X 16 X 1.600 MM (0.331" X 0.630" X 0.063")	

5D5

RESIDUE DISPOSAL

UPPER TAILINGS DRIVE CHAIN TIGHTENER
HP3142 -UN-01JAN94



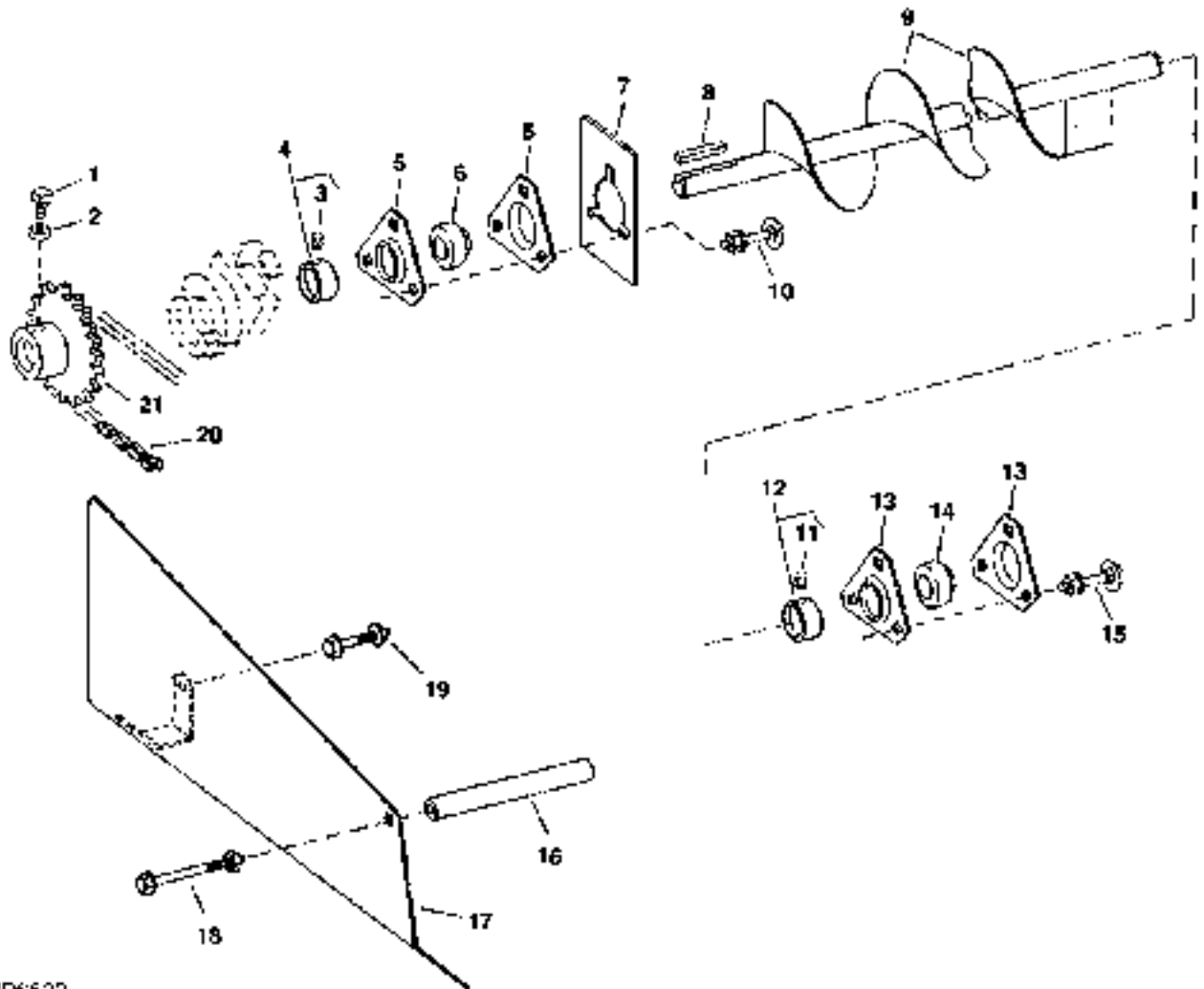
KEY	PART NO.	PART NAME	QTY	SERIAL NO.	REMARKS
1	14H1040	NUT	2	1/2"	
2	AH128664	SUPPORT	1	IDLER	
3	H130956	EYEBOLT	1		
4	H130957	NUT	1	M12	
5	24M7047	WASHER	1	13 X 24 X 2.500 MM	
6	28H1597	WASHER	1	0.546" X 0.840" X 3/8"	
7	AH98176	CHAIN SPROCKET	1	17 TOOTH	
8	H133031	SHIELD	1		
9	19M7363	CAP SCREW	1	M12 X 60	

MEMORANDA

5D6

RESIDUE DISPOSAL

UPPER TAILINGS AUGER, DRIVE AND SHIELD
HP6533 -UN-23AUG96



HP6533

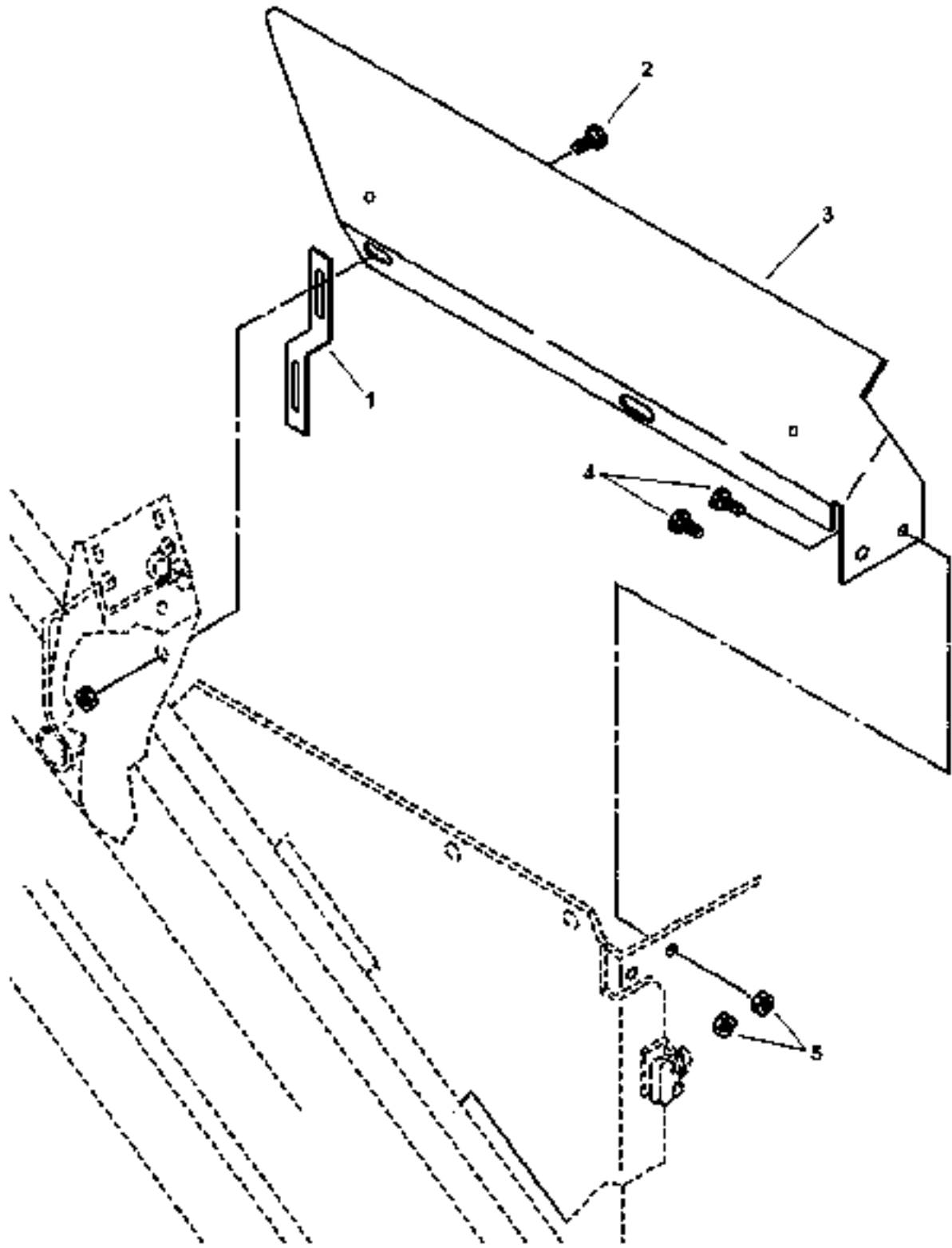
5D7

RESIDUE DISPOSAL

UPPER TAILINGS AUGER, DRIVE AND SHIELD - CONTINUED

KEY	PART NO.	PART NAME	QTY	SERIAL NO.	REMARKS
1	H138435	SET SCREW	2		
2	14M7274	NUT	2	M10	
3	22M7079	SET SCREW	1	M6 X 6	
4	AZ10044	ECCENTRIC LOCKING COLLAR	1		
5	H103264	PRESSED FLANGED HOUSING	2		
6	JD39102	BALL BEARING	1		
7	H148633	END PLATE	1		
8	49M4111	SHAFT KEY	1	8 X 7 X 40 MM	
9	AH125894	AUGER	1		
10	03M7184	BOLT	AR	M8 X 20	
	14M7298	FLANGE NUT	AR	M8	
	22M7079	SET SCREW	1	M6 X 6	
12	AZ10044	ECCENTRIC LOCKING COLLAR	1		
13	H103264	PRESSED FLANGED HOUSING	2		
14	JD39102	BALL BEARING	1		
15	03M7184	BOLT	3	M8 X 20	
	14M7298	FLANGE NUT	3	M8	
16	H140467	BUSHING	1	9.246 X 13.716 X 104.775 MM (0.364" X 0.540" X 4-1/8")	
17	AH160994	SHIELD	1	(SUB FOR AH135207)	
18	19M8262	CAP SCREW	1	M8 X 130	
	14M7298	FLANGE NUT	1	M8	
	24M7055	WASHER	1	8.400 X 16 X 1.600 MM	
19	19M7862	SCREW	1	M6 X 20	
	14M7303	FLANGE NUT	1	M6	
20	AH126007	ROLLER CHAIN	1	ROLLER, TYPE 50, 124 LINKS	
21	AH121046	CHAIN SPROCKET	1	22 TOOTH	

REAR LEFT SIDE TAILINGS SHIELD
HP7454 -UN-14APR98



HP7454

5D9

RESIDUE DISPOSAL

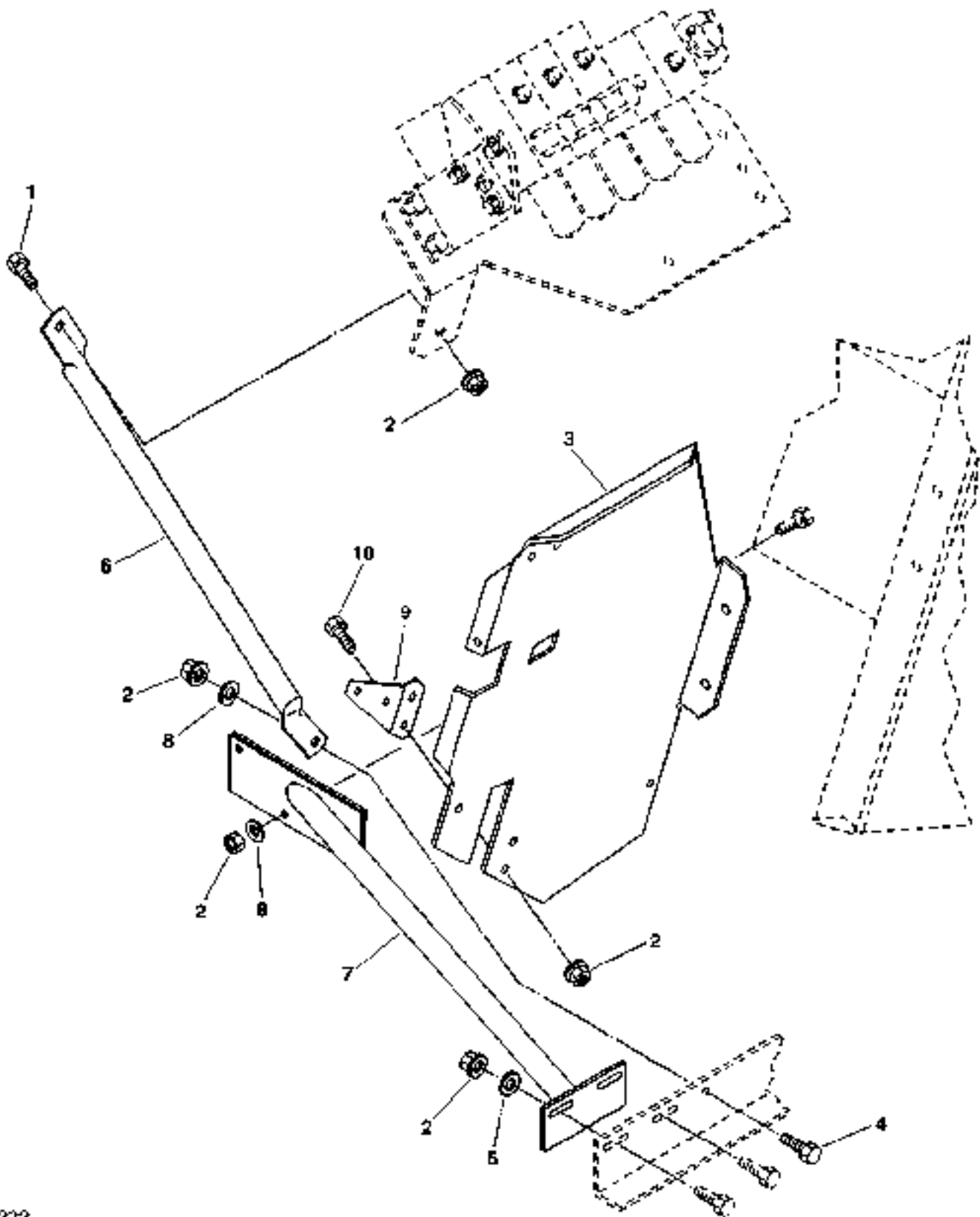
REAR LEFT SIDE TAILINGS SHIELD - CONTINUED

KEY	PART NO.	PART NAME	QTY	SERIAL NO.	REMARKS
1	H163757	BRACKET	1		
2	19M7866	SCREW	1	M8 X 20	
3	H164556	SHIELD	1	L.H. REAR	
4	19M7865	SCREW	2	M8 X 16	
5	14M7298	FLANGE NUT	3	M8	

5D10

RESIDUE DISPOSAL

UPPER REAR TAILINGS SHEILD
HP7232 -UN-08JAN98



HP7232

5D11

RESIDUE DISPOSAL

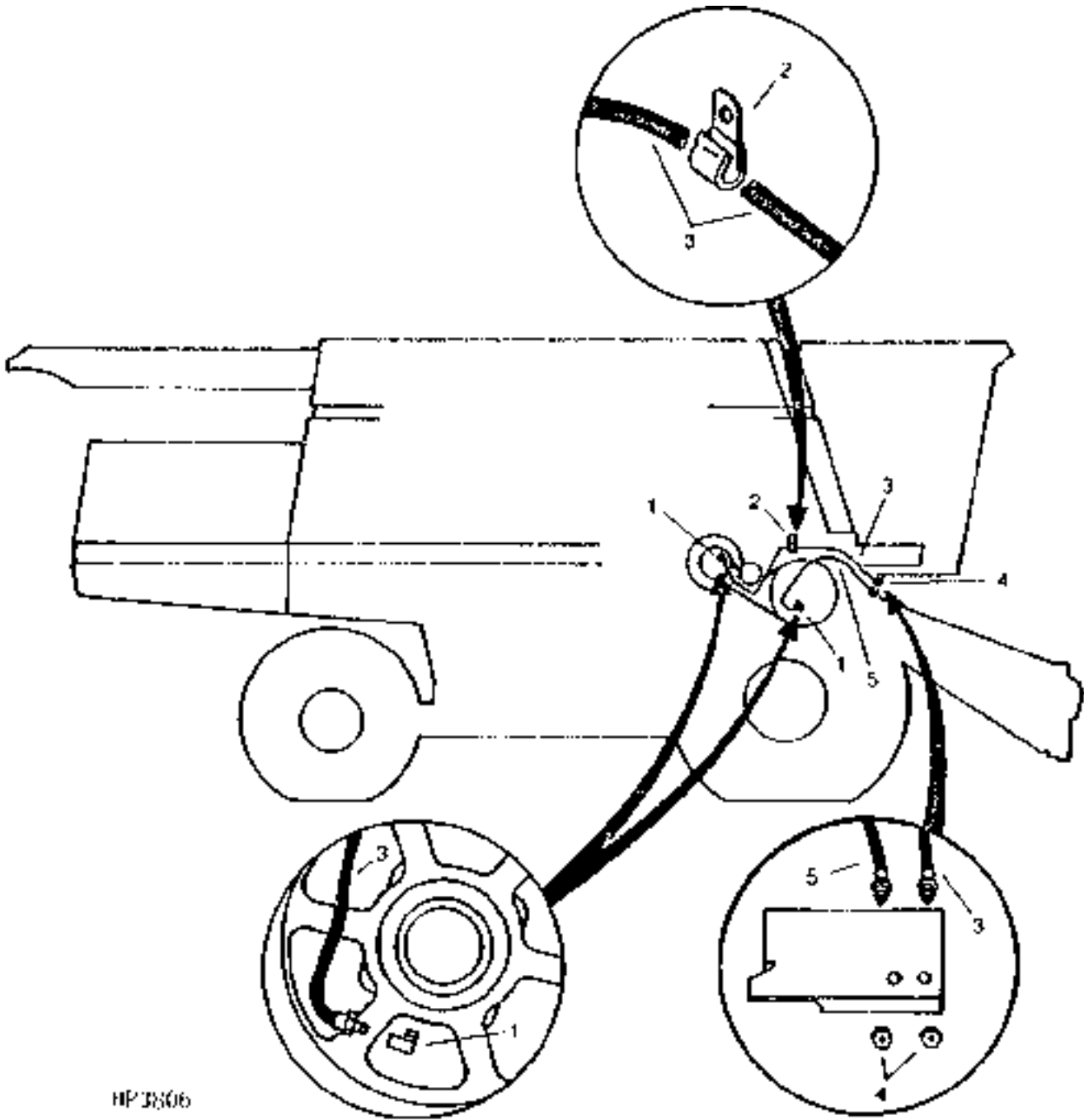
UPPER REAR TAILINGS SHEILD - CONTINUED

KEY	PART NO.	PART NAME	QTY	SERIAL NO.	REMARKS
1	19M7866	SCREW	1	M8 X 20	
2	14M7298	FLANGE NUT	8	M8	
3	H172116	SHIELD	1	(SUB FOR H158629)	
4	19M7803	SCREW	1	M8 X 70	
5	24M7241	WASHER	2	17 X 34 X 4 MM, (FOR CORN AND GRAIN)	
	24M7207	WASHER	2	8.400 X 24 X 2 MM, (FOR RICE ONLY)	
6	H158638	BRACE	1		
7	AH151354	SUPPORT	1		
8	24M7207	WASHER	2	8.400 X 24 X 2 MM	
9	H158615	ANGLE	1		
10	19M7865	SCREW	2	M8 X 16	

5D12

RESIDUE DISPOSAL

LUBE HOSES R.H.
HP3806 -UN-01JAN94



HP3806

5D13

RESIDUE DISPOSAL

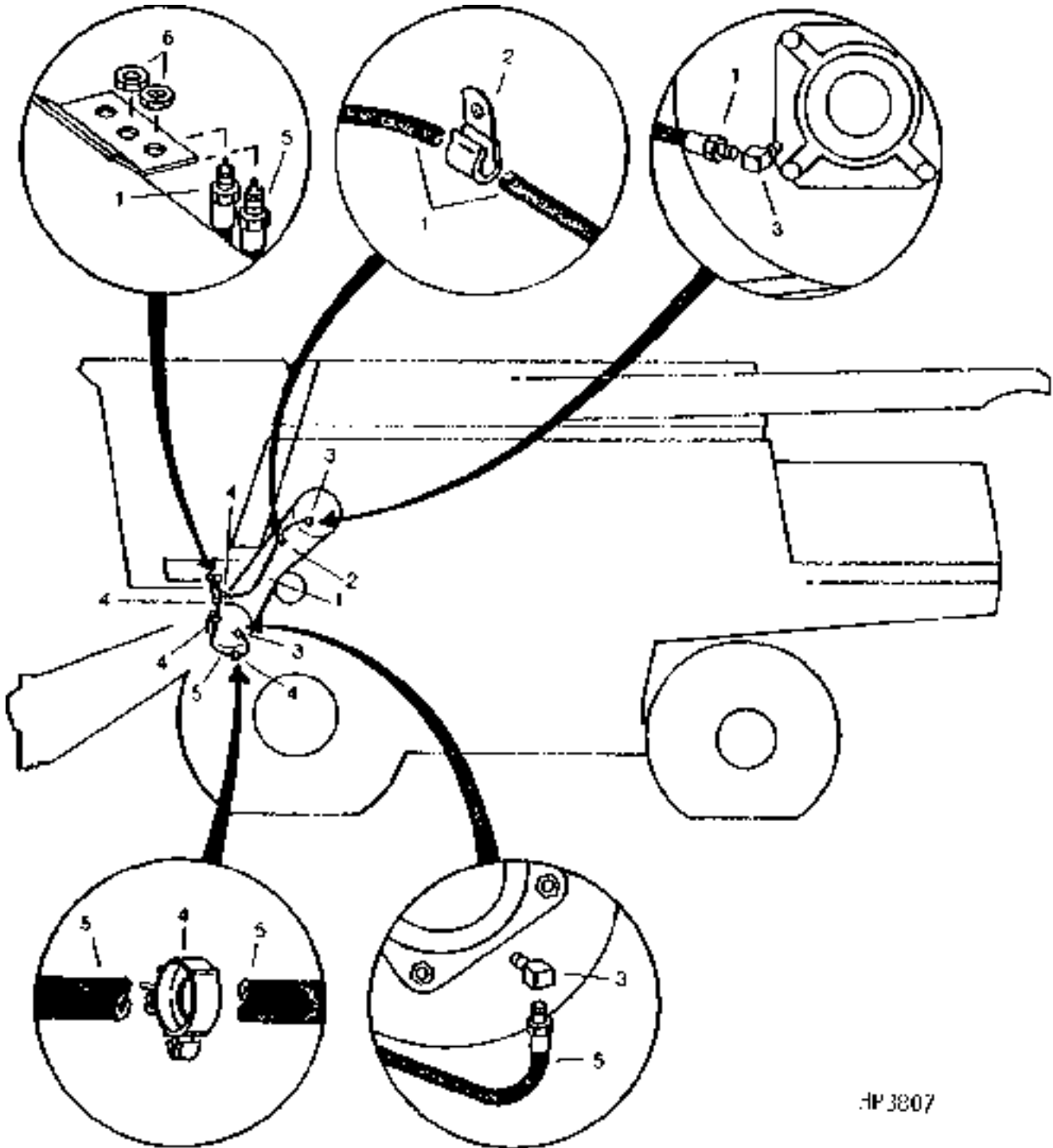
LUBE HOSES R.H. - CONTINUED

KEY	PART NO.	PART NAME	QTY	SERIAL NO.	REMARKS
1	JD7845	ELBOW FITTING	2		
2	AH96317	CLIP	1		
3	AH121007	HOSE	1		1/8" X 1 400 MM (55") X 1/8"
4	E12379	NUT	2		
5	AH121009	HOSE	1		1/8" X 910 MM (35-3/4") X 1/8"

5D14

RESIDUE DISPOSAL

LUBE HOSES L.H.
HP3807 -UN-01JAN94



HP 3807

5D15

RESIDUE DISPOSAL

LUBE HOSES L.H. - CONTINUED

KEY	PART NO.	PART NAME	QTY	SERIAL NO.	REMARKS
1	AH121009	HOSE	1		1/8" X 910 MM (35-3/4") X 1/8"
2	AH96317	CLIP	1		
3	JD7845	ELBOW FITTING	2		
4	H140149	HOLD-DOWN CLIP	4		
5	AH121009	HOSE	1		1/8" X 910 MM (35-3/4") X 1/8" 3.175 MM (1/8")
6	E12379	NUT	2		

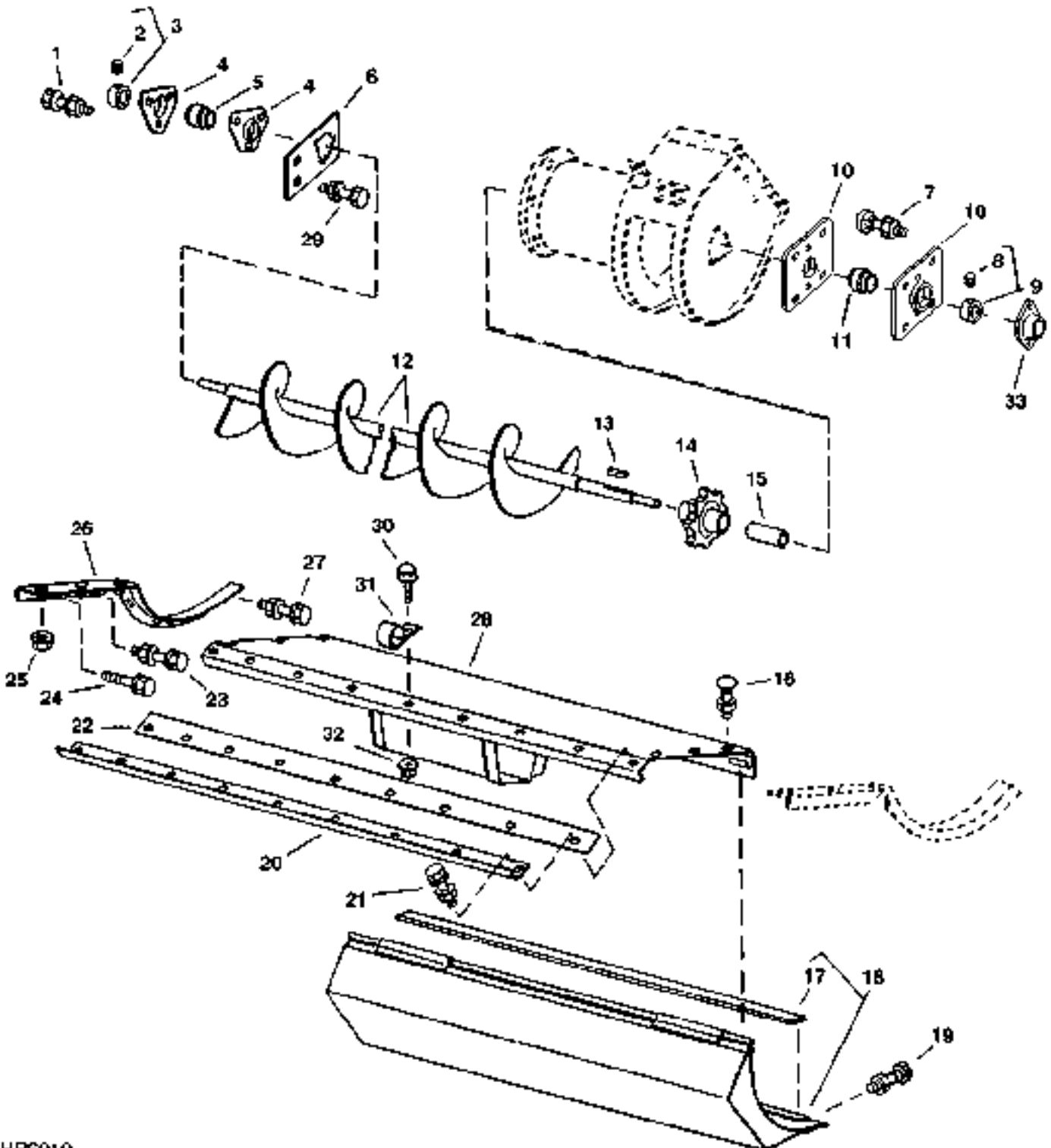
MEMORANDA

MEMORANDA

5D18

CLEAN GRAIN ELEVATOR, GRAIN TANK AND UNLOADING AUGER

CLEAN GRAIN LOWER AUGER AND HINGED DOOR
HP6910 -UN-12SEP97



HP6910

5D19

CLEAN GRAIN ELEVATOR, GRAIN TANK AND UNLOADING AUGER

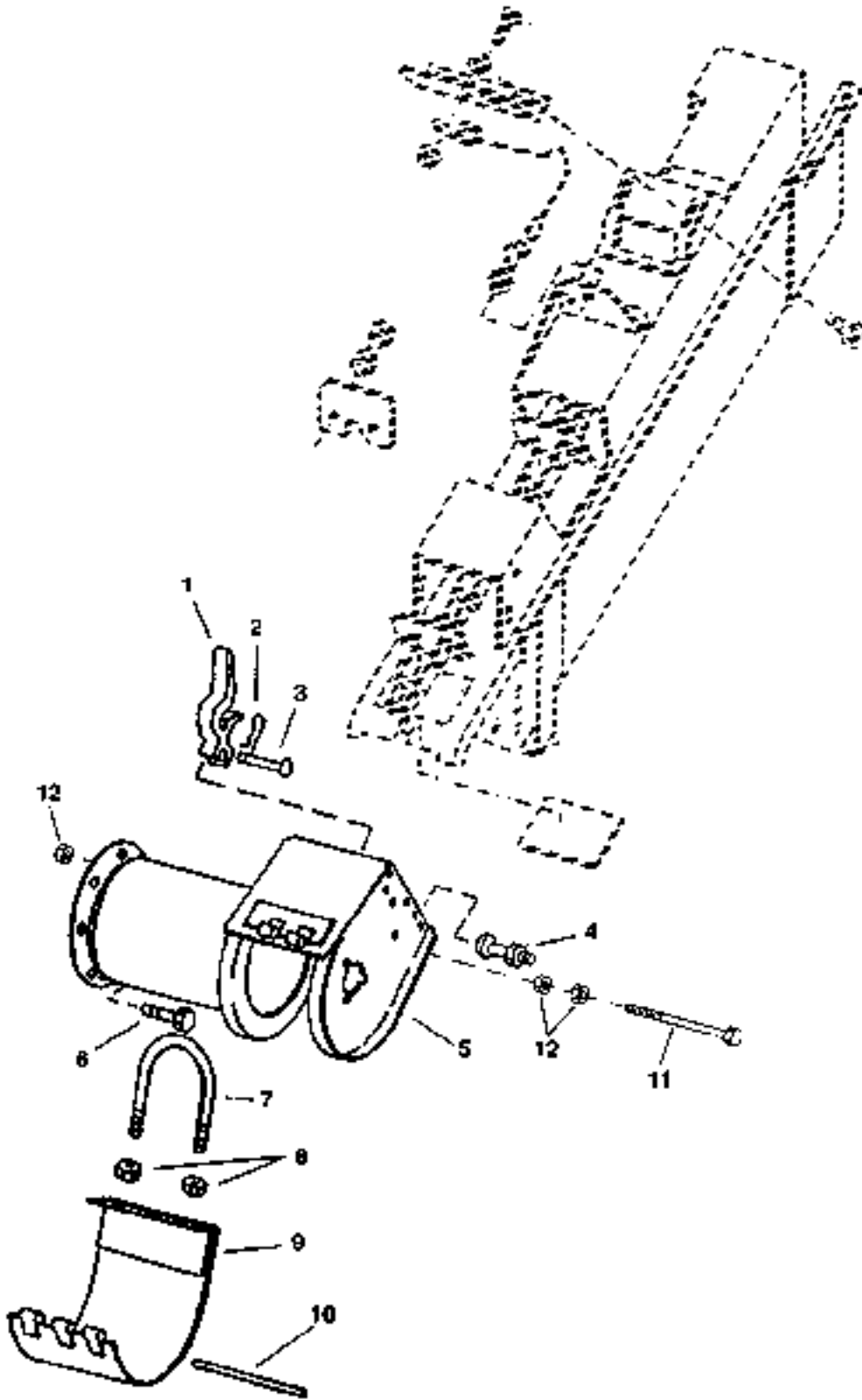
CLEAN GRAIN LOWER AUGER AND HINGED DOOR - CONTINUED

KEY	PART NO.	PART NAME	QTY	SERIAL NO.	REMARKS
1	19M7867	SCREW	3	M8 X 25	
	14M7298	FLANGE NUT	3	M8	
2	22M7079	SET SCREW	1	M6 X 6	
3	AZ10044	ECCENTRIC LOCKING COLLAR	1		
4	H103264	PRESSED FLANGED HOUSING	2		
5	JD39102	BALL BEARING	1		
6	H132539	COVER	1		
7	03M7193	BOLT	3	M10 X 35	
	Z36140	WASHER	3		
	14M7296	FLANGE NUT	3	M10	
8	22M7080	SET SCREW	1	M8 X 8	
9	AZ10045	ECCENTRIC LOCKING COLLAR	1		
10	H152916	PRESSED FLANGED HOUSING	2		
11	JD39103	BALL BEARING	1		
12	AH141576	AUGER	1	(INCLUDES N109389)	
	N109389	BUSHING	1	(USE WITH AH141576)	
13	SHAFT KEY	1	8 X 7 X 40 MM (IN AH141142 KEY STOCK KIT)	(CUT FROM H150269)
14	H133143	CHAIN SPROCKET	1		
15	H150116	SPACER	1		
16	03M7183	BOLT	3	M8 X 16	
	14M7298	FLANGE NUT	3	M8	
17	H88773	ISOLATOR	AR	CUT TO 1565 MM, 61-5/8". USE ONLY ON DOOR WITH PROTECTIVE PLATE.	
18	AH139386	DOOR	1	SOLID	
	AH139387	DOOR	1	PERFORATED	
	AH139390	DOOR	1	SOLID, WITH PROTECTIVE PLATE	
19	19M7799	SCREW	5	M8 X 45	
	14M7396	LOCK NUT	5	M8	
20	H98546	REINFORCEMENT	1		
21	19M7866	SCREW	10	M8 X 20	
	14M7298	FLANGE NUT	10	M8	
22	H98547	STRAP	1		
23	19M7865	SCREW	2	M8 X 16	
	14M7298	FLANGE NUT	2	M8	
24	19M7865	SCREW	1	M8 X 16, INTO WELDNUT	
25	14M7298	FLANGE NUT	3	M8	
26	AH122506	REINFORCEMENT	1		
27	19M8039	SCREW	3	M8 X 80	
	19M8038	CAP SCREW	2	M8 X 85	
	24M7055	WASHER	3	8.400 X 16 X 1.600 MM	
	14M7298	FLANGE NUT	3	M8	
28	AH117276	HINGE	1		
29	19M7865	SCREW	2	M8 X 16	
	14M7298	FLANGE NUT	2	M8	
30	19M7865	SCREW	1	M8 X 16	
31	AH77884	CLIP	1		
32	14M7298	FLANGE NUT	1	M8	
33	H155968	COVER	1		

5D20

CLEAN GRAIN ELEVATOR, GRAIN TANK AND UNLOADING AUGER

CLEAN GRAIN LOWER ELEVATOR AND CONVEYOR CHAIN
HP6653 -UN-07MAR97



HP6653

5D21

CLEAN GRAIN ELEVATOR, GRAIN TANK AND UNLOADING AUGER

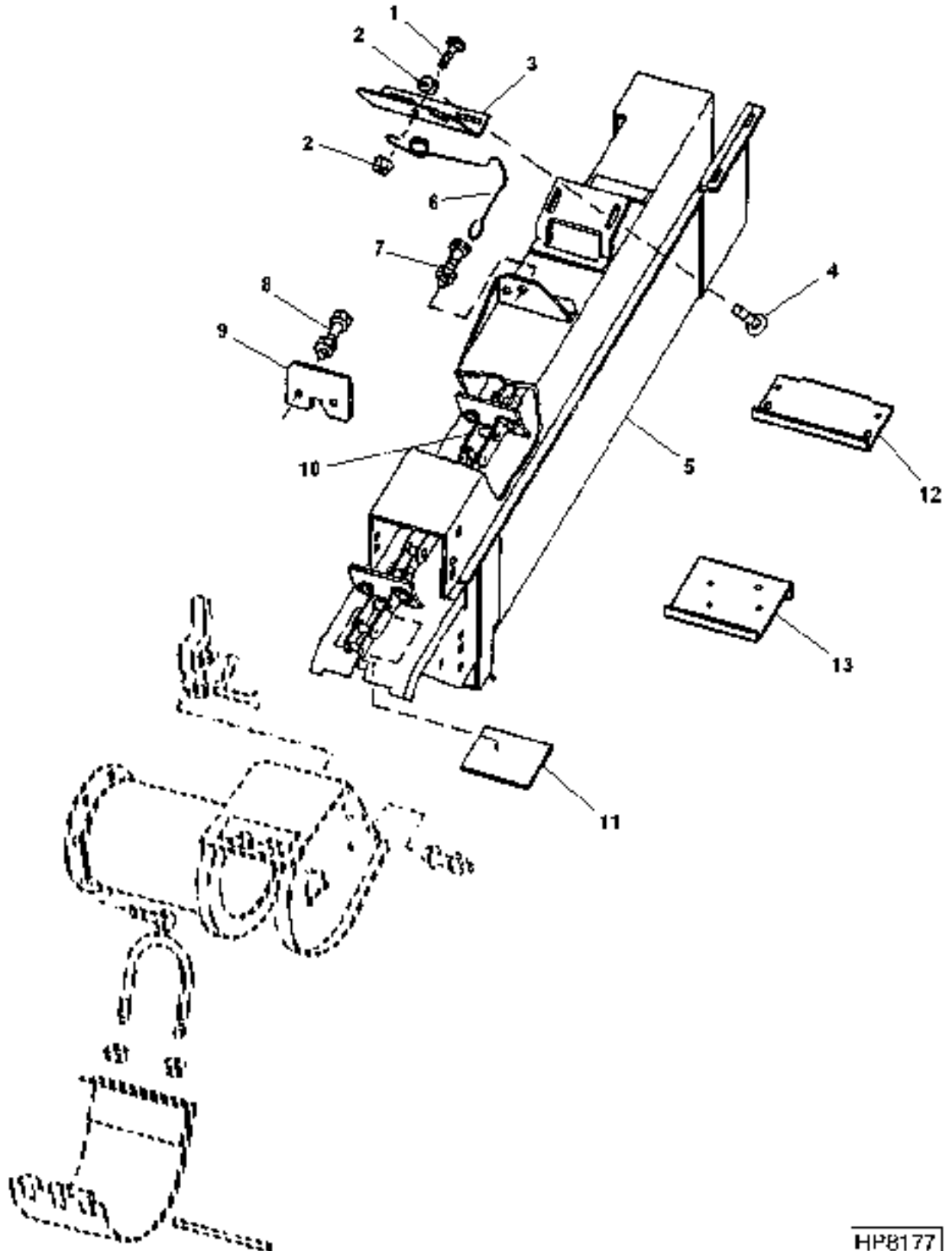
CLEAN GRAIN LOWER ELEVATOR AND CONVEYOR CHAIN - CONTINUED

KEY	PART NO.	PART NAME	QTY	SERIAL NO.	REMARKS
1	H101297	LEVER	1		
2	11M7081	COTTER PIN	1	2.500 X 20 MM	
	11H211	COTTER PIN	1	1/8" X 3/4", (STAINLESS STEEL)	
3	RV810A	PIN	1	7.925 X 38.100 MM (5/16" X 1-1/2")	
4	03M7251	BOLT	14	M6 X 12	
	14M7303	FLANGE NUT	14	M6	
5	AH149181	BOOT	1		
6	19M7865	SCREW	8	M8 X 16	
	37M7058	SCREW	8	M8 X 20	
7	H128877	U-BOLT	1		
8	14M7396	LOCK NUT	2	M8	
9	AH129358	DOOR	1	(STAINLESS STEEL)	
	AH127397	DOOR	1	(PERFORATED)	
10	H76083	PIN	1	6.350 X 863.600 MM (1/4" X 34")	
11	19M8241	CAP SCREW	1	M10 X 100	
12	14M7296	FLANGE NUT	3	M10	

5D22

CLEAN GRAIN ELEVATOR, GRAIN TANK AND UNLOADING AUGER

CLEAN GRAIN LOWER ELEVATOR AND CONVEYOR CHAIN
HP8177 -UN-19JAN99



HP8177

5D23

CLEAN GRAIN ELEVATOR, GRAIN TANK AND UNLOADING AUGER

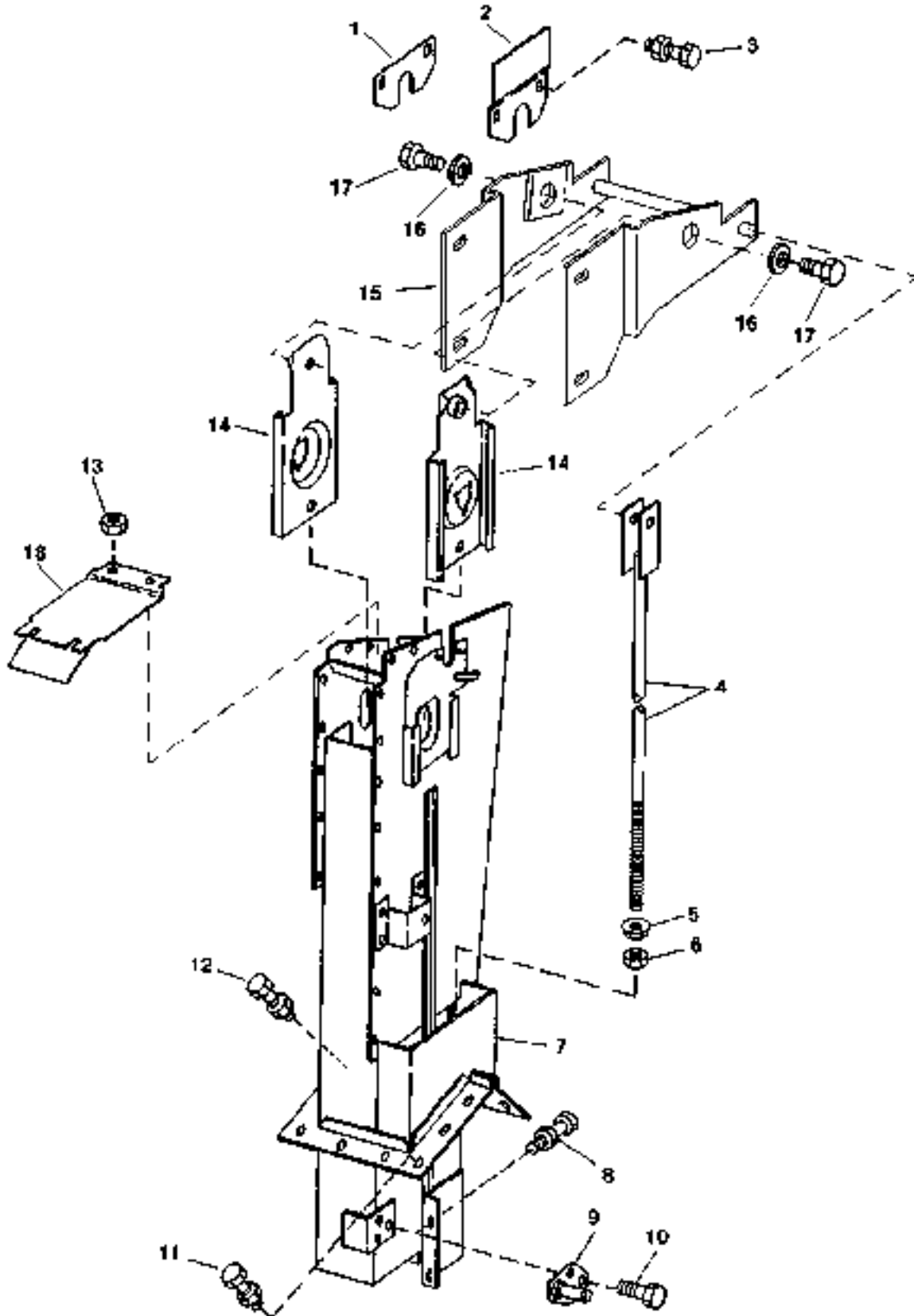
CLEAN GRAIN LOWER ELEVATOR AND CONVEYOR CHAIN - CONTINUED

KEY	PART NO.	PART NAME	QTY	SERIAL NO.	REMARKS
1	19M7784	SCREW	1	M10 X 20	
2	14M7296	FLANGE NUT	3	M10	
3	H129389	BRACKET	1		
4	03M7190	BOLT	2	M10 X 20	
5	AH156596	ELEVATOR	1		(SUB FOR AH156810) STAINLESS STEEL
	AH156597	ELEVATOR	1		(SUB FOR AH156811) STAINLESS STEEL
6	H130930	SPRING	1		
7	19M7784	SCREW	1		
	14M7296	FLANGE NUT	1		
8	AH138947	KIT	AR		(INCLUDES H144971,12H11 AND 14H255) (REPLACES RIVETS IN RUBBER PADDLES)
	H144971	BOLT	2		3/8", FOR STEEL CLEANING PADDLES
	12H11	LOCK WASHER	2		3/8", FOR STEEL CLEANING PADDLES
	14H255	NUT	2		3/8", FOR STEEL CLEANING PADDLES
9	H132228	PADDLE	1		(STEEL CLEANING)
10	AH158635	CHAIN LINK	1		(ROLLER)
	C10233	CHAIN LINK	1		(SUB AH137631) (OFFSET, WITH PIN)
	AC11779	PIN	1		
	C10263	TRACK CHAIN W/O SHOES	1		(COUPLER)
	AC14974	PIN	1		
	H137277	PADDLE	34		(RUBBER)
	AH149321	LINK CHAIN	1		(SUB AH162442)
	AH162442	LINK CHAIN	1		
11	T37851	REINFORCEMENT	1		
12	PF80112	PLATE	1		LESS GREENSTAR
13	PF80113	PLATE	1		LESS GREENSTAR
..	03M7221	BOLT	8		M6 X 16, LESS GREENSTAR
..	14M7303	FLANGE NUT	8		M6, LESS GREENSTAR

5D24

CLEAN GRAIN ELEVATOR, GRAIN TANK AND UNLOADING AUGER

UPPER CLEAN GRAIN ELEVATOR
HP6911 -UN-05SEP97



HP6911

5D25

CLEAN GRAIN ELEVATOR, GRAIN TANK AND UNLOADING AUGER

UPPER CLEAN GRAIN ELEVATOR - CONTINUED

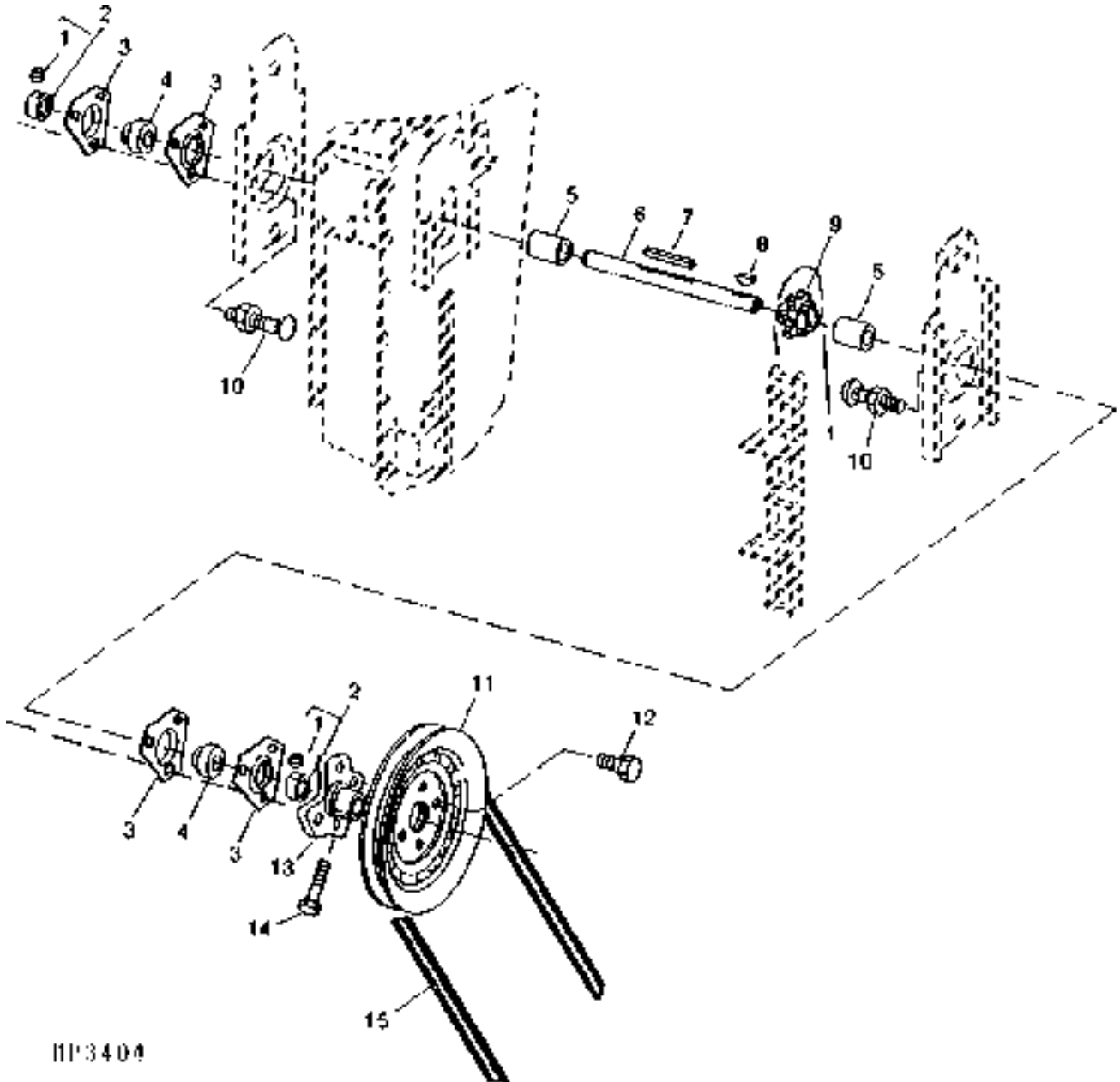
KEY	PART NO.	PART NAME	QTY	SERIAL NO.	REMARKS
1	H134286	SEAL	1		
2	H134287	SEAL	1		
3	03M7221	BOLT	2		M6 X 16, (TO PLUG HOLES WHEN MOISTURE SENSOR NOT USED)
4	AH126354	YOKE	1		
5	14M7296	FLANGE NUT	1		M10
6	14M7274	NUT	1		M10
7	AH153741	ELEVATOR	1		
	AH153742	ELEVATOR	1		STAINLESS STEEL
8	19M7785	SCREW	4		M10 X 25
	14M7296	FLANGE NUT	4		M10
9	AH156051	SPRING PIN	1		
10	19M7783	SCREW	3		M10 X 16
11	03M7186	BOLT	2		
	14M7298	FLANGE NUT	2		M8, (WELDED)
12	03M7184	BOLT	12		M8 X 20
	14M7298	FLANGE NUT	12		(WELDED)
13	14M7298	FLANGE NUT	4		M8
14	AH130370	BRACKET	2		
15	AH149243	BRACKET	1		
16	24H1710	WASHER	2		13/32" X 2" X 0.065"
17	19M7865	SCREW	2		M8 X 16
18	PF80104	DEFLECTOR	1		(SUB FOR PF80001)

5E1

CLEAN GRAIN ELEVATOR, GRAIN TANK AND UNLOADING AUGER

UPPER CLEAN GRAIN ELEVATOR SHAFT, SPROCKET AND SHEAVE

HP3404 -UN-01JAN94



5E2

CLEAN GRAIN ELEVATOR, GRAIN TANK AND UNLOADING AUGER

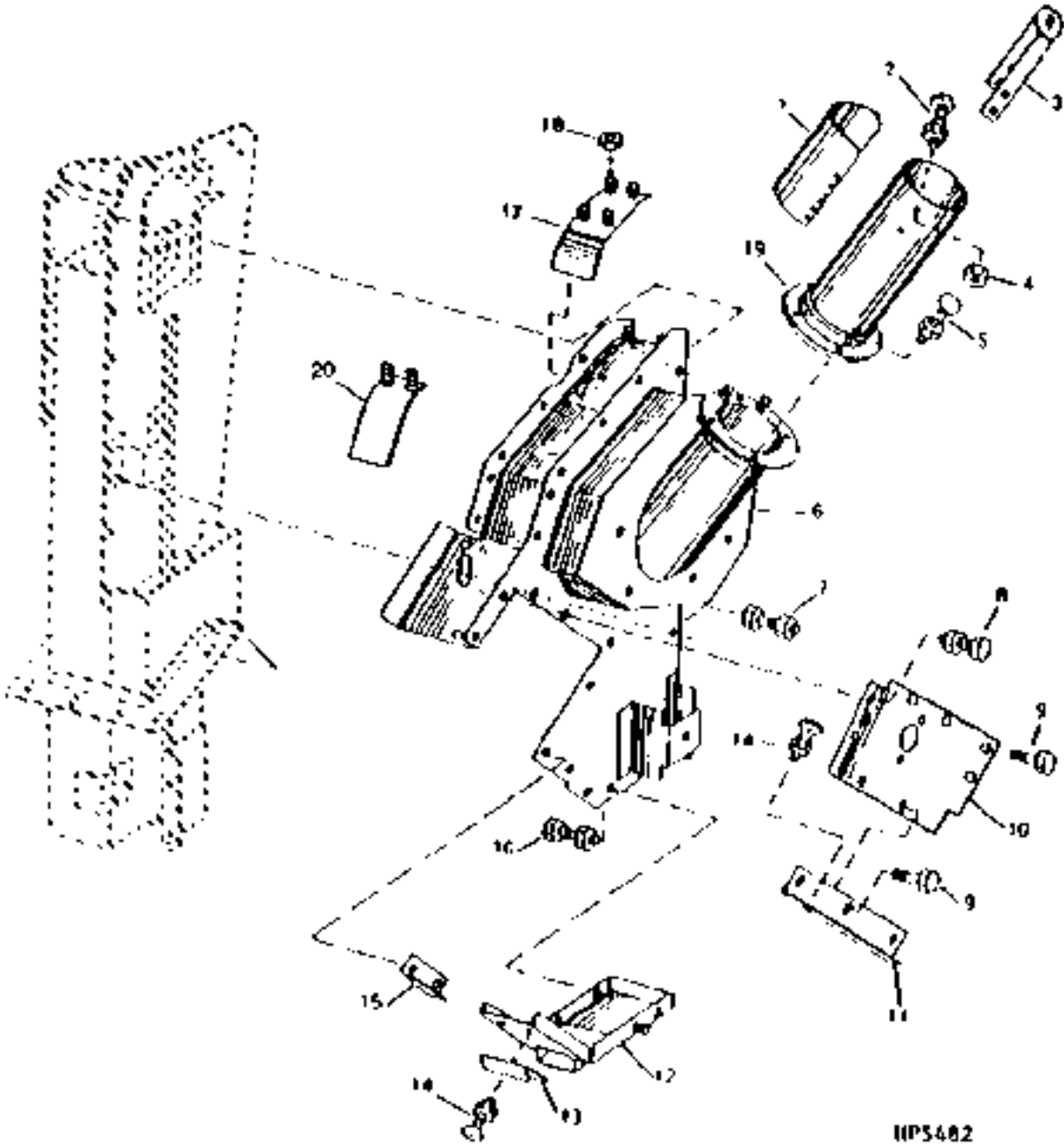
UPPER CLEAN GRAIN ELEVATOR SHAFT, SPROCKET AND SHEAVE - CONTINUED

KEY	PART NO.	PART NAME	QTY	SERIAL NO.	REMARKS
1	22M7080	SET SCREW	2		
2	AZ10045	ECCENTRIC LOCKING COLLAR	2		
3	E10018	PRESSED FLANGED HOUSING	4		
4	JD39103	BALL BEARING	2		
5	H128889	SPACER	2		
6	H135714	SHAFT	1		
7	49M6480	SHAFT KEY	1		8 X 7 X 50 MM
8	26M4228	SHAFT KEY	1		
9	H128576	CHAIN SPROCKET	1		8 TOOTH
10	03M7190	BOLT	6		M10 X 20
	14M7296	FLANGE NUT	6		M10
11	AH135463	SHEAVE	1		
12	19M7784	SCREW	4		M10 X 20
13	H134760	HUB	1		
14	19M7663	CAP SCREW	1		M8 X 70
15	H160171	BELT	1		

5E3

CLEAN GRAIN ELEVATOR, GRAIN TANK AND UNLOADING AUGER

UPPER CLEAN GRAIN LOADING AUGER HOUSING
HP5482 -UN-01JAN94



5E4

CLEAN GRAIN ELEVATOR, GRAIN TANK AND UNLOADING AUGER

UPPER CLEAN GRAIN LOADING AUGER HOUSING - CONTINUED

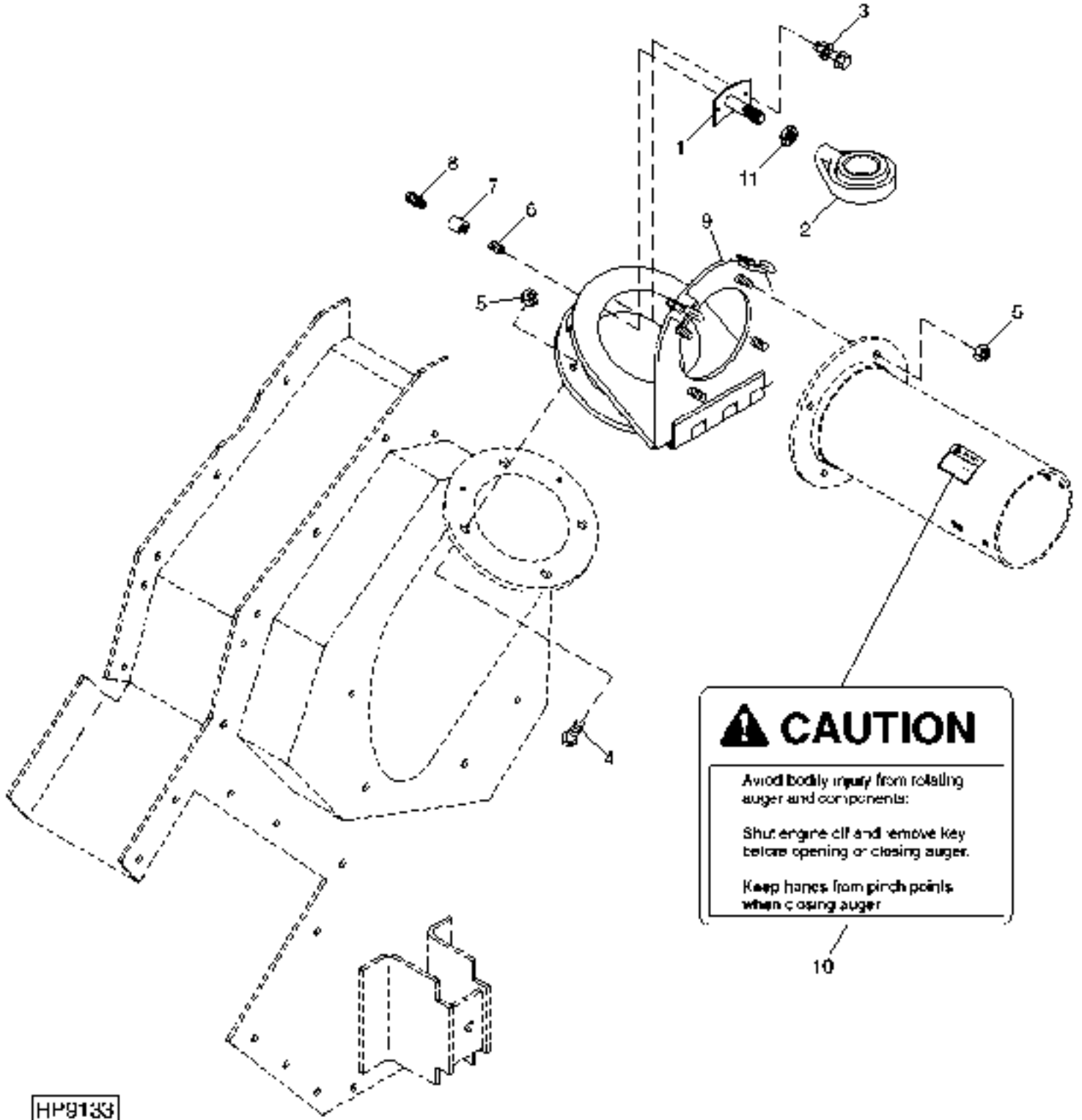
KEY	PART NO.	PART NAME	QTY	SERIAL NO.	REMARKS
1	H141160	DEFLECTOR	1		
2	03M7193	BOLT	4	M10 X 35	
	14M7296	FLANGE NUT	4	M10	
3	AH135558	SUPPORT	1		
4	14M7296	FLANGE NUT	4	M10	
5	03M7185	BOLT	4	M8 X 25	
	14M7298	FLANGE NUT	4	M8	
6	AH149186	CHUTE	1	REGULAR STEEL	
	AH149187	CHUTE	1	STAINLESS STEEL	
7	19M7865	SCREW	1	M8 X 16	
	14M7298	FLANGE NUT	9	M8	
8	19M7866	SCREW	10	M8 X 20	
	14M7298	FLANGE NUT	2	M8	
9	37M7086	SCREW	8	M10 X 20	
10	AH135560	PANEL	1		
11	H141153	ANGLE	1		
12	AH131550	DUST SHIELD	1		
13	H135538	ANGLE	1		
14	03M7183	BOLT	3	M8 X 16	
	14M7298	FLANGE NUT	3	M8	
15	H140096	ANGLE	1		
16	19M7865	SCREW	3	M8 X 16	
	14M7298	FLANGE NUT	3	M8	
17	AH135559	PLATE	1		
18	14M7298	FLANGE NUT	4	M8	
19	AH135563	HOUSING	1	REGULAR	
	AH135564	HOUSING	1	STAINLESS STEEL	
20	AH142629	HOOD	1		

5E5

CLEAN GRAIN ELEVATOR, GRAIN TANK AND UNLOADING AUGER

FOLDING UPPER CLEAN GRAIN LOADING AUGER HOUSING

HP9133 -UN-01OCT99



CAUTION

Avoid bodily injury from rotating auger and components:

Shut engine off and remove key before opening or closing auger.

Keep hands from pinch points when closing auger.

10

HP9133

5E6

CLEAN GRAIN ELEVATOR, GRAIN TANK AND UNLOADING AUGER

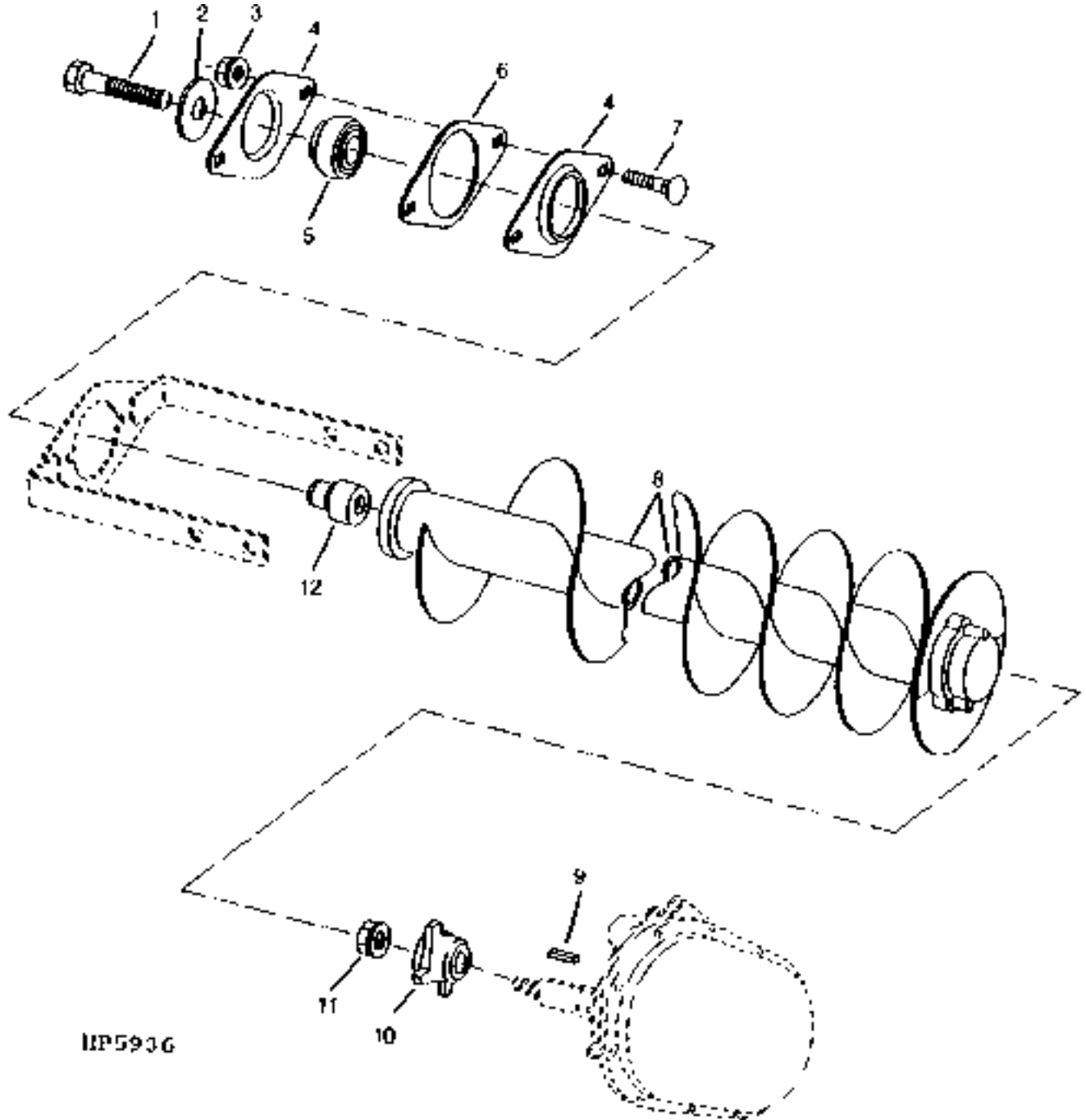
FOLDING UPPER CLEAN GRAIN LOADING AUGER HOUSING - CONTINUED

KEY	PART NO.	PART NAME	QTY	SERIAL NO.	REMARKS
1	AH146219	HANGER	1		
2	AH146221	BEARING	1		INCLUDES HANGER
3	19M7867	SCREW	2		M8 X 25
	14M7298	FLANGE NUT	2		M8
4	03M7185	BOLT	4		M8 X 25
5	14M7298	FLANGE NUT	8		M8
6	29H31	THREADED NIPPLE	1		
7	15H73	COUPLING	1		
8	JD7759	LUBRICATION FITTING	1		
9	AH146217	HINGE	1		
10	H151397	SIGN	1		"CAUTION" FOLDING AUGER
11	H160319	NUT	1		
..	BH80338	COMPLETE GOODS/SHIP. BUNDLE	1		FOLDING GRAIN TANK AUGER
..	BH81123	COMPLETE GOODS/SHIP. BUNDLE	1		PARTS BOX - AUGER ASSEMBLY - FOLDING UPPER
..	BH81125	COMPLETE GOODS/SHIP. BUNDLE	1		PARTS BOX - AUGER ASSEMBLY - LOWER

5E7

CLEAN GRAIN ELEVATOR, GRAIN TANK AND UNLOADING AUGER

CLEAN GRAIN LOADING AUGER
HP5936 -UN-26JUN95



HP5936

5E8

CLEAN GRAIN ELEVATOR, GRAIN TANK AND UNLOADING AUGER

CLEAN GRAIN LOADING AUGER - CONTINUED

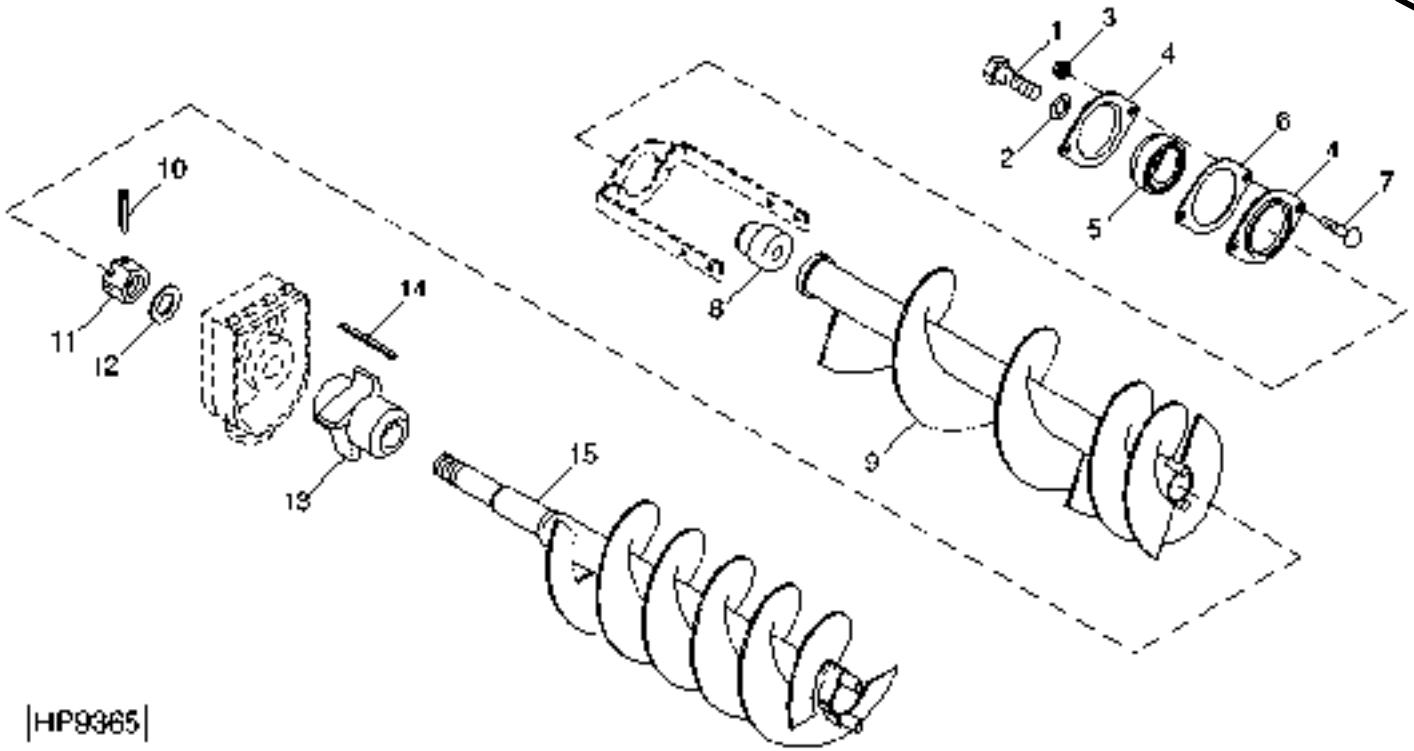
KEY	PART NO.	PART NAME	QTY	SERIAL NO.	REMARKS
1	19M7818	SCREW	1	M12 X 80	
2	24M7180	WASHER	1	13 X 37 X 3 MM	
3	14M7296	FLANGE NUT	2	M10	
4	N15764	PRESSED FLANGED HOUSING	2		
5	JD9219	BALL BEARING	1		
6	H137916	SHIM	2		
7	03M7307	BOLT	2	M10 X 25	
8	AH136636	AUGER	1		
9	49M4821	SHAFT KEY	1	6 X 32 MM	
10	H136186	AUGER	1		
11	14M7291	FLANGE NUT	1	M16	
12	H137919	BUSHING	1		

5E9

CLEAN GRAIN ELEVATOR, GRAIN TANK AND UNLOADING AUGER

FOLDING CLEAN GRAIN LOADING AUGER

HP9365 -UN-01DEC99



|HP9365|

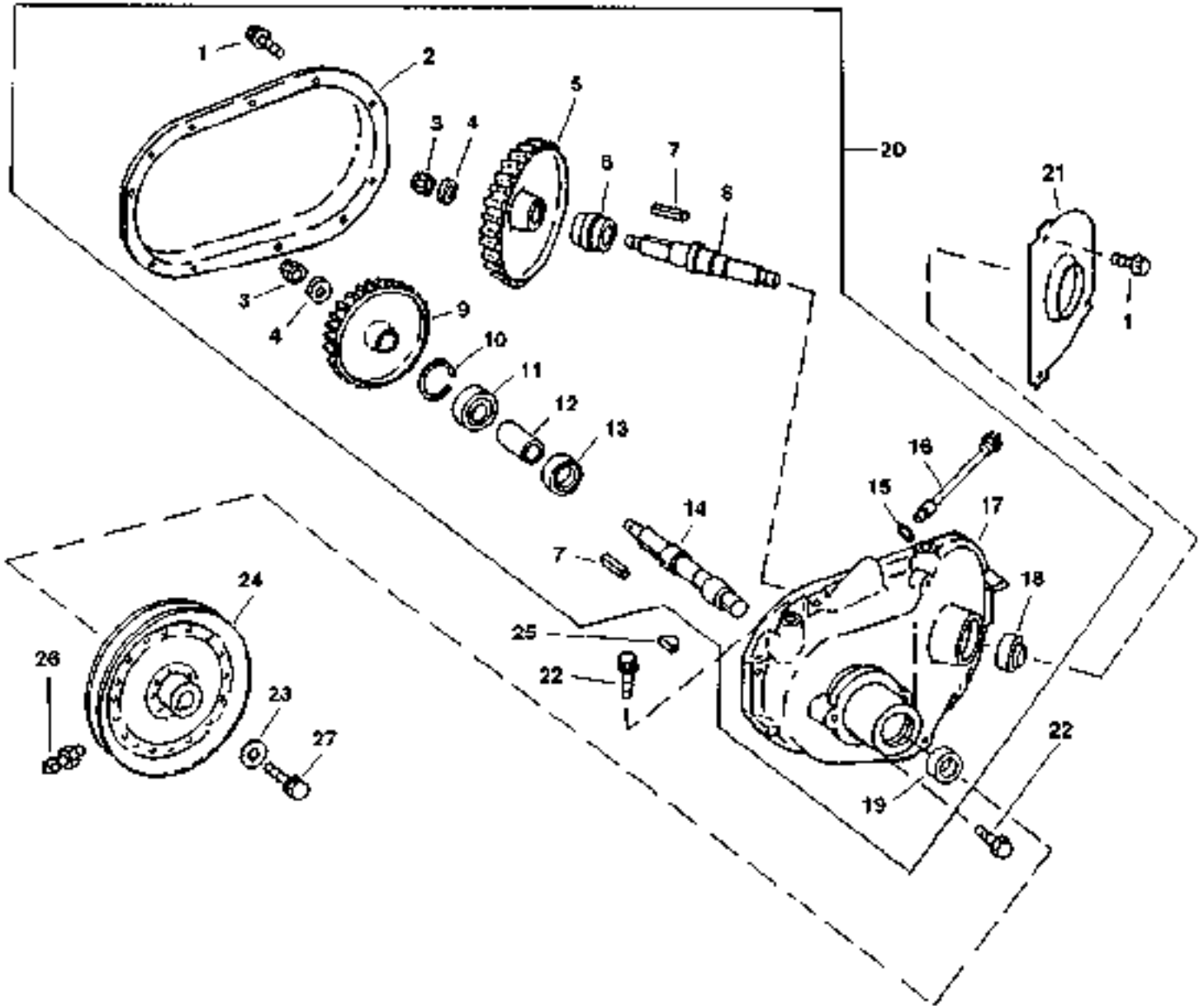
KEY	PART NO.	PART NAME	QTY	SERIAL NO.	REMARKS
1	19M7818	SCREW	1	M12 X 80	
2	24M7180	WASHER	1	13 X 37 X 3 MM (0.512" X 1.457" X 0.118")	
3	14M7296	FLANGE NUT	2	M10	
4	N15764	PRESSED FLANGED HOUSING	2		
5	JD9219	BALL BEARING	1		
6	H137916	SHIM	2		
7	03M7307	BOLT	2	M10 X 25	
8	H137919	BUSHING	1		
9	AH146553	FLIGHT	1		(INCLUDES H137919 BUSHING AND 19M7818 SCREW) UPPER
10	11M7087	COTTER PIN	1	4 X 40 MM (0.157" X 1.575")	
11	14M7205	NUT	1	M24	
12	24M7091	WASHER	1	26 X 44 X 4 MM (1.024" X 1.732" X 0.157")	
13	H136186	AUGER DRIVER	1		
14	49M4821	SHAFT KEY	1		
15	AH146215	AUGER	1		LOWER

MEMORANDA

5E10

CLEAN GRAIN ELEVATOR, GRAIN TANK AND UNLOADING AUGER

CLEAN GRAIN ELEVATOR GEARCASE AND SHEAVE
HP6913 -UN-18AUG97



HP6913

5E11

CLEAN GRAIN ELEVATOR, GRAIN TANK AND UNLOADING AUGER

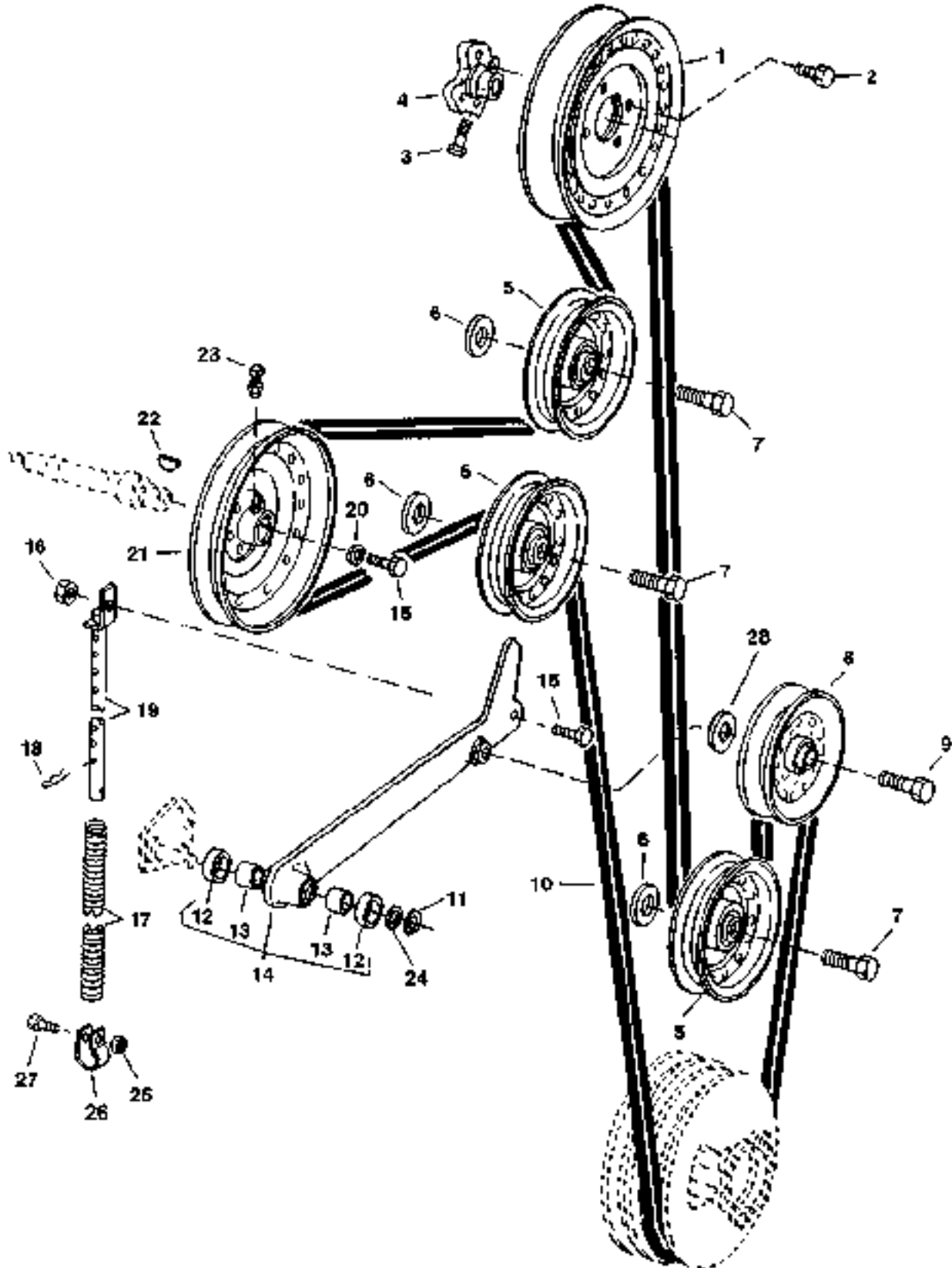
CLEAN GRAIN ELEVATOR GEARCASE AND SHEAVE - CONTINUED

KEY	PART NO.	PART NAME	QTY	SERIAL NO.	REMARKS
1	19M7866	SCREW	3	M8 X 20	
	19M7407	CAP SCREW	11	M8 X 25	
	24H1685	WASHER	22	8.738 X 18.644 X 2.108 MM (11/32" X 47/64" X 0.083") (LESS GREENSTAR)	
2	H135454	COVER	1		
3	W39621	NUT	2	M16	
4	24H1825	WASHER	2	11/16" X 1-1/2" X 0.194"	
5	H145316	BEVEL GEAR	1	(SUB H135286) 53 TEETH	
	H135286	GEAR	1		
6	AE42998	BALL BEARING	1	(CONTAINS CONE AND CUP)	
7	49M4821	SHAFT KEY	2	6 X 6 X 32 MM	
8	H136209	SHAFT	1		
9	H145317	BEVEL GEAR	1	(SUB H135287) 46 TEETH	
	H135287	GEAR	1		
10	P46874	SNAP RING	1		
11	JD7689	BALL BEARING	1		
12	28H3054	BUSHING	1	32.461 X 42.164 X 62.713 MM (1.278" X 1.660" X 2-15/32")	
13	JD7681	BALL BEARING	1		
14	H135452	SHAFT	1	(USE WITH AH140127)	
	H170967	SHAFT	1	(USE WITH DE19111)	
15	R26375	O-RING	1	16.358 X 2.210 MM (0.644" X 0.087")	
16	AH134598	DIPSTICK	1		
17	CE18015	HOUSING	1	(SUB FOR H135453) (LESS GREENSTAR)	
18	AH131860	SEAL	1		
19	AH21815	SEAL	1		
20	AH140127	GEAR CASE	1	-679156	(SUB FOR AH134858) (SUB DE19111) (ALSO ORDER AH164868, H170967 AND 26M7008)
	DE19111	GEAR CASE	1		
21	H137606	PLATE	1		
22	19M7789	SCREW	4	M12 X 30	
23	24H1351	WASHER	1	14.275 X 38.100 X 4.166 MM	
24	AH75985	SHEAVE	1	9-INCH	
	AH132372	SHEAVE	1	(USE WITH AH140127) 11-INCH	
	AH164868	SHEAVE	1	(USE WITH DE19111)	
25	26H85	SHAFT KEY	1	1/4" X 1", (USE WITH AH140127)	
	26M7008	SHAFT KEY	1	8 X 28 MM, (USE WITH DE19111)	
26	22H836	SET SCREW	2	3/8" X 1"	
	14H732	NUT	2	3/8"	
27	19M7786	SCREW	1	M10 X 30	
..	TY15130	SEALANT	1	(03 OZ. TUBE) (CANADA PART NO TY9484)	
..	TY6333	GREASE	1	(14 OZ.) MULTI-PURPOSE	
..	AH162230	KIT	1	(INCLUDES (1) H135286, (1) H135287) (LESS GREENSTAR)	

5E12

CLEAN GRAIN ELEVATOR, GRAIN TANK AND UNLOADING AUGER

CLEAN GRAIN ELEVATOR DRIVE TIGHTENER AND IDLER
HP6914 -UN-18AUG97



HP6914

5E13

CLEAN GRAIN ELEVATOR, GRAIN TANK AND UNLOADING AUGER

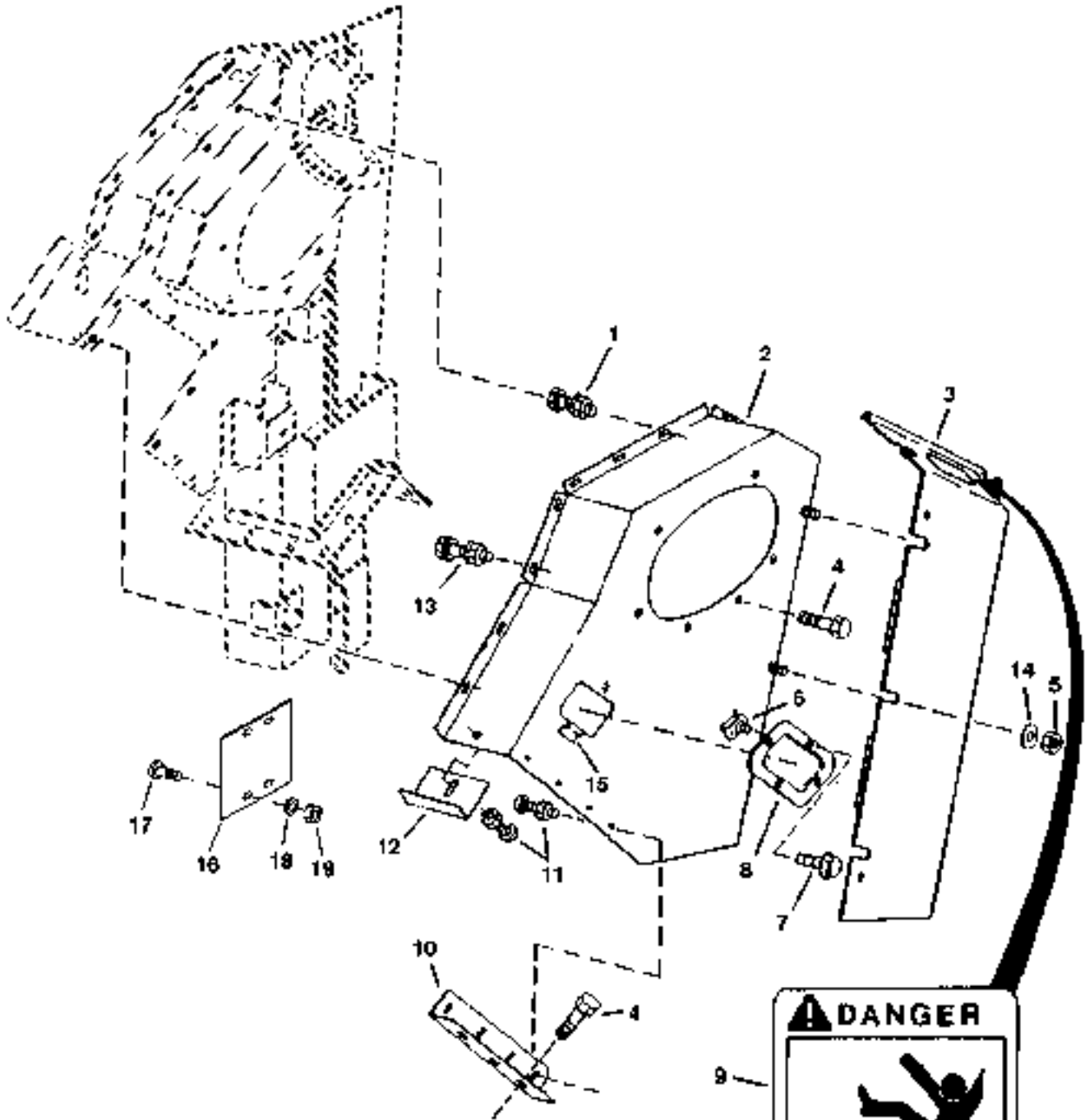
CLEAN GRAIN ELEVATOR DRIVE TIGHTENER AND IDLER - CONTINUED

KEY	PART NO.	PART NAME	QTY	SERIAL NO.	REMARKS
1	AH135463	SHEAVE	1		
2	19M7784	SCREW	4	M10 X 20	
3	19M7663	CAP SCREW	1	M8 X 70	
4	H134760	HUB	1		
5	AH94450	IDLER	3		
6	24M7053	WASHER	3	17 X 30 X 3 MM	
7	19M7824	SCREW	3	M16 X 60	
8	AN15237	IDLER	1		
9	19M7844	SCREW	1	M16 X 45	
10	H160171	BELT	1		
11	P46402	SNAP RING	1		
12	AA5607R	SEAL	2		
13	H99147	BUSHING	2	(SUB H171061)	
	H171061	BEARING	2		
14	AH135579	ARM	1		
15	19M7786	SCREW	2	M10 X 30	
16	14M7517	LOCK NUT	1	M10	
17	H129049	SPRING	1		
18	A3581R	SPRING LOCKING PIN	1		
19	AH124502	RETAINER	1		
20	24H1351	WASHER	1	14.275 X 38.100 X 4.166 MM	
21	AH132372	SHEAVE	1	GEARCASE, 11-INCH	
22	26H22	SHAFT KEY	1	1/4" X 1"	
23	22H836	SET SCREW	2	3/8" X 1"	
	14H732	NUT	2	3/8"	
24	24M7091	WASHER	1	26 X 44 X 4 MM	
25	14M7303	FLANGE NUT	1	M6	
26	H132088	CLAMP	1		
27	19M8321	SCREW	1	M6 X 45	
28	24H1373	WASHER	2	21/32" X 1-9/16" X 0.180"	

5E14

CLEAN GRAIN ELEVATOR, GRAIN TANK AND UNLOADING AUGER

UPPER CLEAN GRAIN ELEVATOR SHIELDS
HP6654 -UN-07MAR97



HP6654

5E15

CLEAN GRAIN ELEVATOR, GRAIN TANK AND UNLOADING AUGER

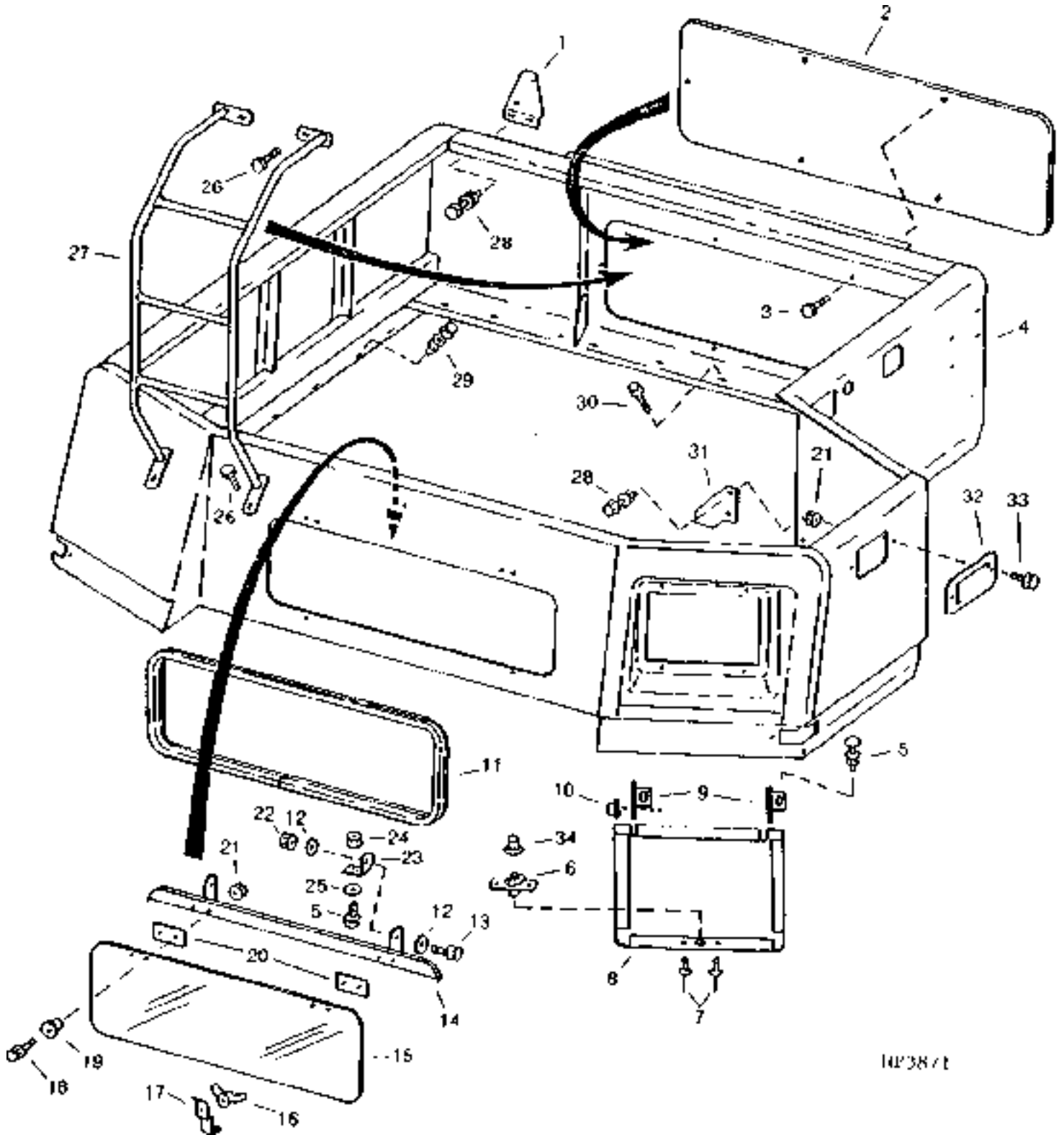
UPPER CLEAN GRAIN ELEVATOR SHIELDS - CONTINUED

KEY	PART NO.	PART NAME	QTY	SERIAL NO.	REMARKS
1	19M7865	SCREW	5	M8 X 16	
	14M7298	FLANGE NUT	5	M8	
2	AH137258	SHIELD	1		
3	AH137256	SHIELD	1		
4	03M7183	BOLT	9	M8 X 16	
	14M7298	FLANGE NUT	9	M8	
5	14M7020	WING NUT	5	M8	
6	M84972	NUT	1		
7	19M7774	SCREW	1	M6 X 12	
8	H89569	DOOR	1		
9	H149062	DECAL	1	"DANGER" ON GRAIN TANK EXTENSION	
10	H141154	ANGLE	1		
11	03M7183	BOLT	5	M8 X 16	
	14M7298	FLANGE NUT	5	M8	
12	H135590	ANGLE	1		
13	19M7866	SCREW	2	M8 X 20	
	14M7298	FLANGE NUT	2	M8	
	24M7207	WASHER	2	8.400 X 24 X 2 MM	
14	24H1297	WASHER	3	11/32" X 2" X 0.065"	
15	H82060	CLIP	1		
16	PF10025	PLATE	1		
17	03M7190	BOLT	2	M10 X 20	
18	24M7228	WASHER	2	15 X 21 X 1.300 MM	
19	14M7296	FLANGE NUT	2	M10	

5E16

CLEAN GRAIN ELEVATOR, GRAIN TANK AND UNLOADING AUGER

GRAIN TANK TOP
HP3871 -UN-01JAN94



HP3871

5E17

CLEAN GRAIN ELEVATOR, GRAIN TANK AND UNLOADING AUGER

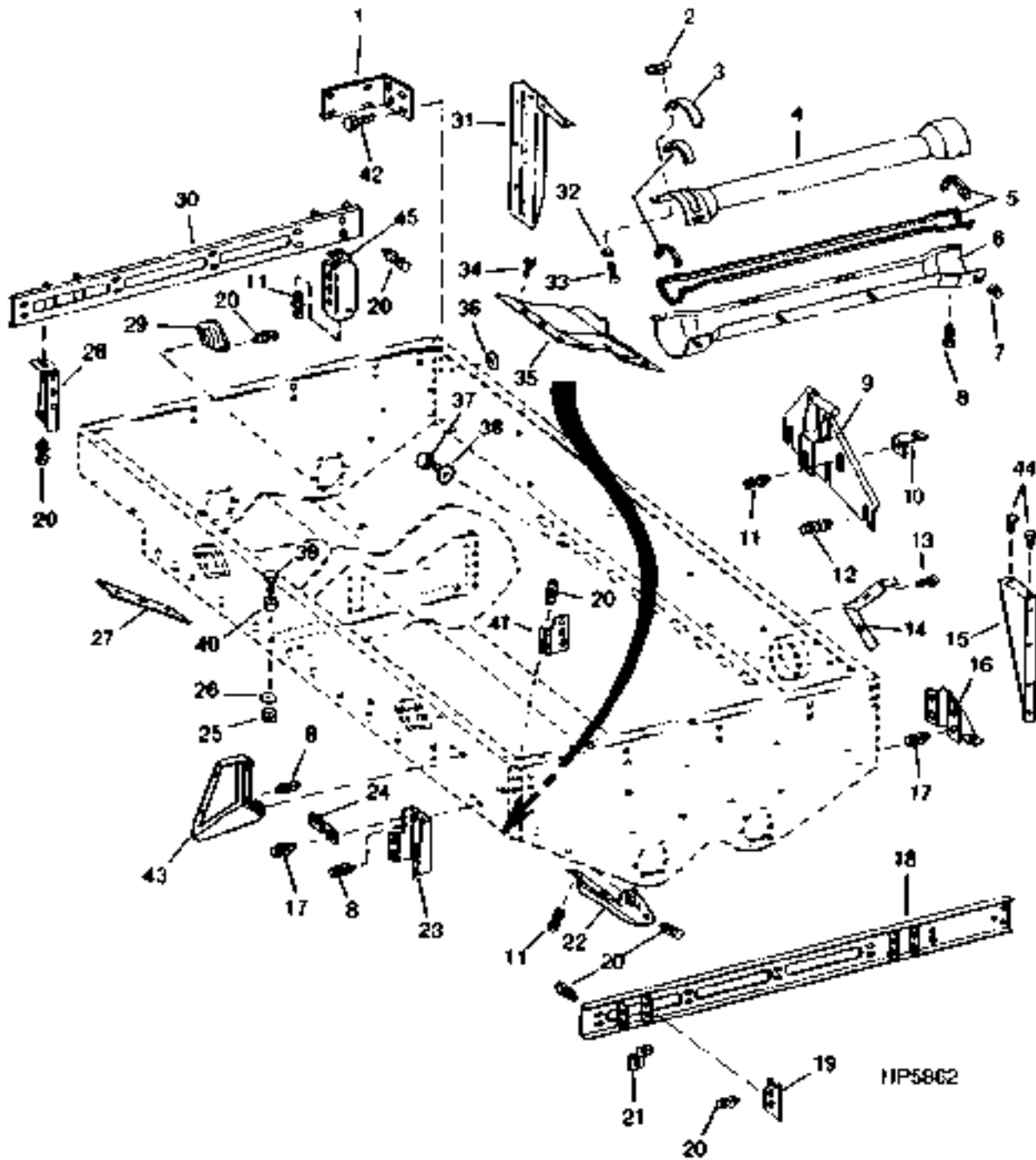
GRAIN TANK TOP - CONTINUED

KEY	PART NO.	PART NAME	QTY	SERIAL NO.	REMARKS
1	H133584	BRACKET	1		
2	H127638	PANEL	1		
3	19M7865	SCREW	6	M8 X 16	
4	AH158115	TANK	1		
5	03M7183	BOLT	6	M8 X 16	
	14M7298	FLANGE NUT	2	M8	
6	AH125644	LATCH	1		
7	H64584	RIVET	2		
8	AH122507	DOOR	1		
9	H132024	HINGE	2		
10	H120499	NUT	2		
11	AH80335	WEATHERSTRIP	AR		
12	24H1290	WASHER	4	21/64" X 3/4" X 0.035"	
13	19M7866	SCREW	2	M8 X 20	
14	AH126619	REINFORCEMENT	1		
15	H131675	WINDOWPANE	1		
16	14M7019	WING NUT	2	M6	
17	H131674	LATCH	2		
18	19M7862	SCREW	4	M6 X 20	
19	R50642	WASHER	4	6.730 X 9.910 X 9 MM (0.265" X 0.390" X 0.354")	
20	H131673	GASKET	2		
21	14M7303	FLANGE NUT	8	M6	
22	14M7396	LOCK NUT	2	M8	
23	H132542	ANGLE	2		
24	14M7298	FLANGE NUT	4	M8	
25	M84309	NUT	4	7.925 MM (5/16")	
26	19M7866	SCREW	4	M8 X 20 M8	
27	AH154920	LADDER	1	(SUB AH160622)	
	AH160622	LADDER	1		
28	19M7866	SCREW	5	M8 X 20	
	14M7298	FLANGE NUT	5	M8	
29	19M7865	SCREW	9	M8 X 16	
	14M7298	FLANGE NUT	11	M8	
	03M7183	BOLT	4	M8 X 16	
	M84309	NUT	4	7.925 MM, TO RETAIN M8 BOLTS	
30	37M7058	SCREW	19	M8 X 20	
31	H130262	PANEL	1	ROLLING THREAD	
32	H132666	PLATE	2		
33	19M7774	SCREW	4	M6 X 12, USED ONLY WITHOUT ROW LIGHTS	
34	H121391	KNOB	1		

5E18

CLEAN GRAIN ELEVATOR, GRAIN TANK AND UNLOADING AUGER

GRAIN TANK BASE
HP5862 -UN-14OCT94



5E19

CLEAN GRAIN ELEVATOR, GRAIN TANK AND UNLOADING AUGER

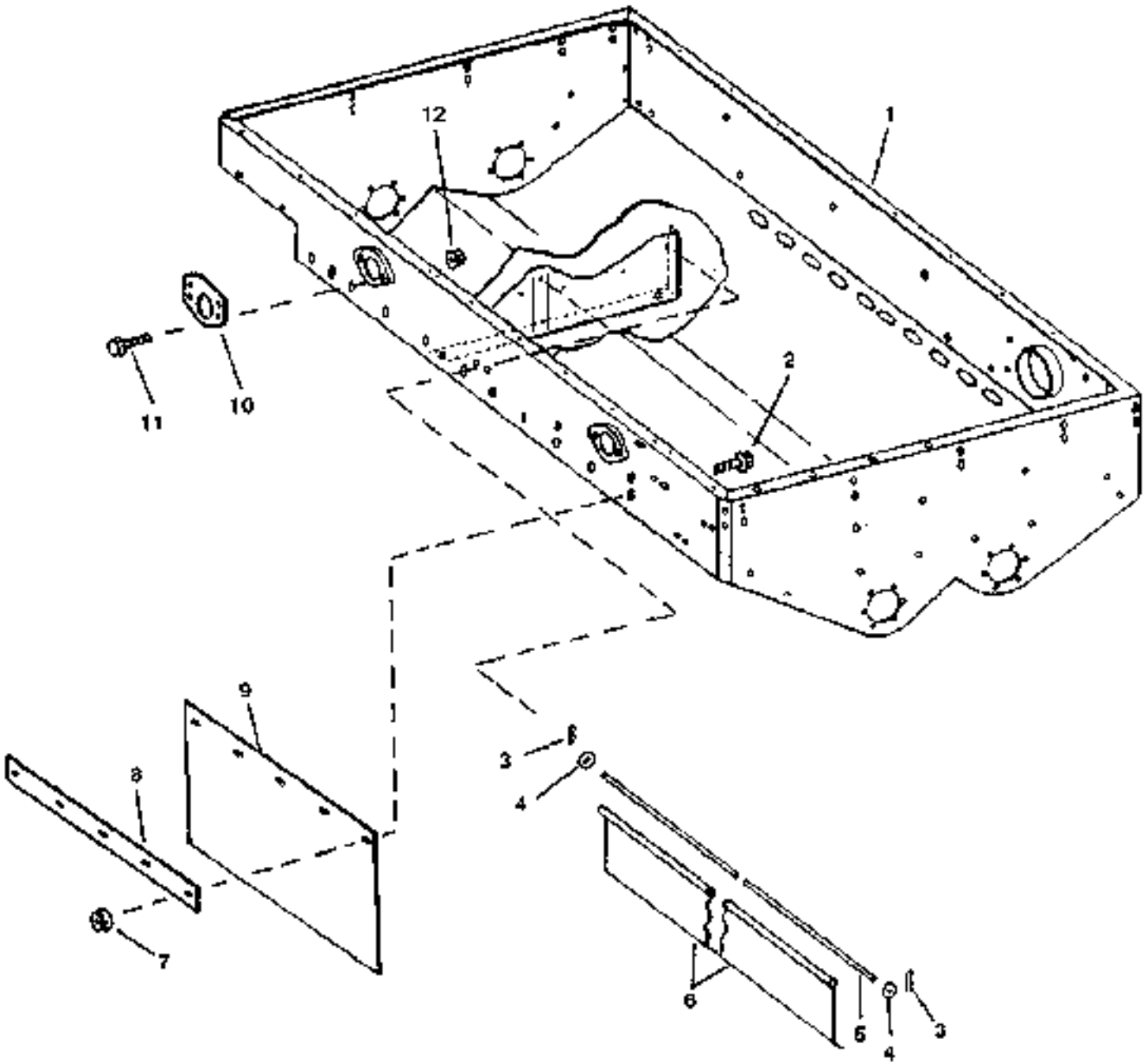
GRAIN TANK BASE - CONTINUED

KEY	PART NO.	PART NAME	QTY	SERIAL NO.	REMARKS
1	H129885	ANGLE	1		
2	14M7020	WING NUT	1	M8	
3	H131264	COVER	1		
4	H131230	HOUSING	1		UPPER
5	H81330	ISOLATOR	AR		(CUT FROM H81330) (APPROX. 16 FT.)
6	AH126279	DUST SHIELD	1		LOWER
7	14M7298	FLANGE NUT	4	M8	
8	19M7865	SCREW	8	M8 X 16	
	14M7298	FLANGE NUT	8	M8	
9	AH128037	BRACKET	1		
10	H132662	BRACKET	1		
11	19M7788	SCREW	6	M12 X 25	
	14M7299	FLANGE NUT	6	M12	
12	19M7788	SCREW	5	M12 X 25	
	24M7180	WASHER	5	13 X 37 X 3 MM	
	14M7299	FLANGE NUT	5	M12	
13	37M7083	SCREW	2		
14	H131227	DEFLECTOR	1		
15	H147299	SUPPORT	1		
16	H129588	BRACKET	1		
17	19M7866	SCREW	5	M8 X 20	
	14M7298	FLANGE NUT	5	M8	
18	AH166714	CHANNEL	1		(SUB FOR AH125478) LEFT-HAND
19	H125537	PLATE	4		
20	19M7784	SCREW	37	M10 X 20	
	14M7296	FLANGE NUT	37	M10	
21	H131628	BRACKET	1		
22	H127677	BRACKET	1		LEFT-HAND
23	H136541	HOSE SUPPORT	1		
24	H132538	HOSE SUPPORT	1		
25	14M7299	FLANGE NUT	4	M12	
26	24M7240	WASHER	4	13 X 25 X 3 MM	
27	H139972	PLATE	1		
28	H139056	BRACKET	2		
29	AH108299	RUBBER MOUNT	2		CAB ISOLATION
30	AH166713	CHANNEL	1		(SUB FOR AH125306) RIGHT-HAND
31	AH130198	SUPPORT	1		
32	M84309	NUT	1		
33	03M7184	BOLT	1	M8 X 20	
34	H145773	SELF-LOCKING SCREW	2	M10 X 35	
35	AH126275	HOUSING	1		
36	H141123	NUT	5	10 MM	
37	37M7080	SCREW	5	M10 X 30	
38	24H1347	WASHER	5	17/32" X 2" X 0.194"	
39	19M8112	SCREW	4	M12 X 55	
40	N61709	BUSHING	4		13.487 X 25.400 X 18.110 MM (17/32" X 1" X 0.713")
41	AH125814	SUPPORT	1		
42	19M7785	SCREW	5	M10 X 25	
43	H130363	BRACKET	1		
44	19M7788	SCREW	2	M12 X 25	
45	H129833	BRACKET	1		

5E20

CLEAN GRAIN ELEVATOR, GRAIN TANK AND UNLOADING AUGER

GRAIN TANK AND CURTAINS
HP6915 -UN-18AUG97



HP6915

5E21

CLEAN GRAIN ELEVATOR, GRAIN TANK AND UNLOADING AUGER

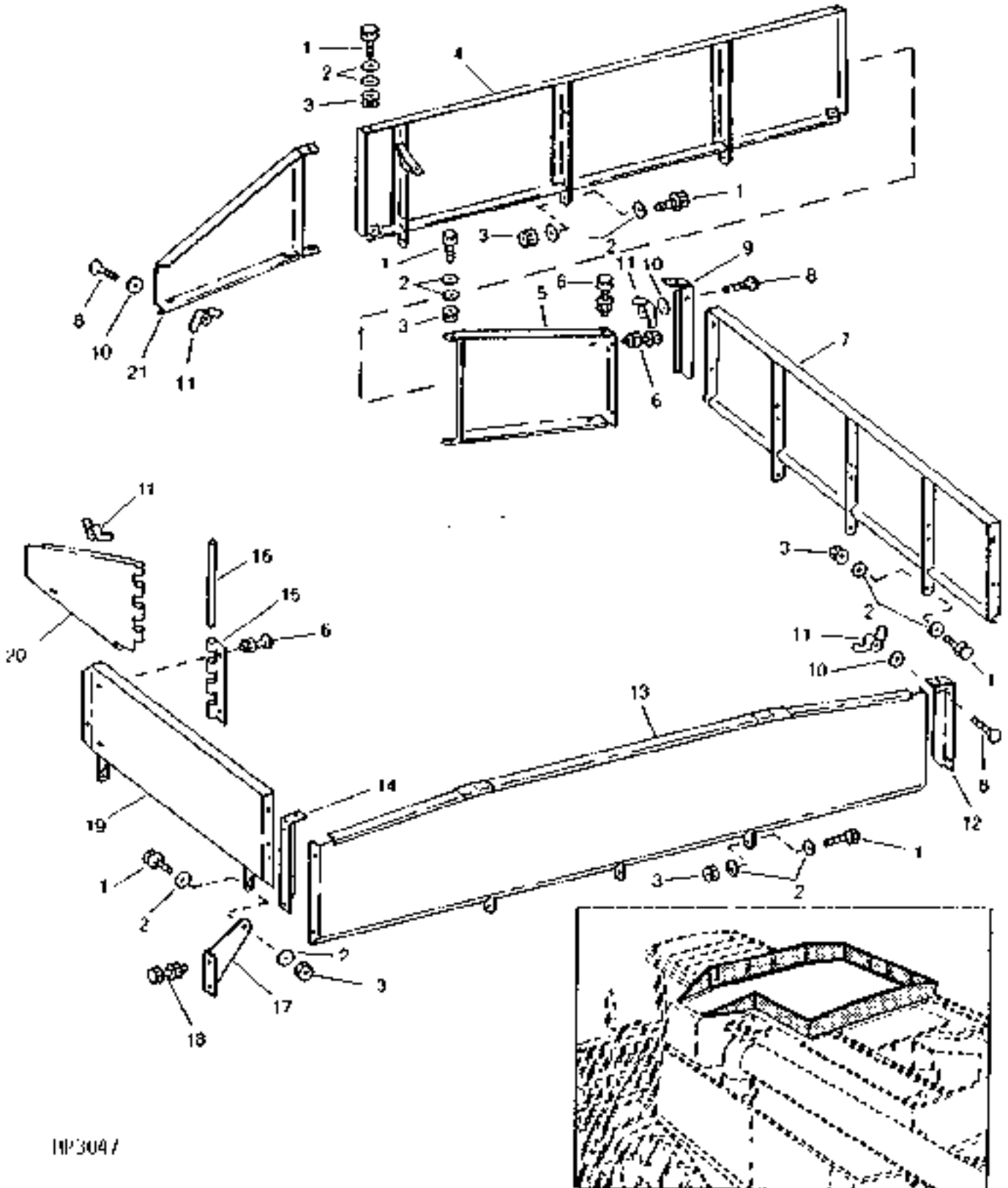
GRAIN TANK AND CURTAINS - CONTINUED

KEY	PART NO.	PART NAME	QTY	SERIAL NO.	REMARKS
1	AH158107	TANK	1		
2	03M7193	BOLT	6	M10 X 35	
3	A15147	SPRING LOCKING PIN	2		
4	T20217	WASHER	2	12.954 X 43.942 X 6.350 MM	
5	H100211	PIN	1	9.525 X 1 702.308 MM (3/8" X 67.020") (USE WITH H145515)	
	H157281	PIPE	1	(USE WITH H144822)	
6	H144822	LIMIT CURTAIN	1	RUBBER (CORN AND GRAIN)	
	H145515	DEFLECTOR	1	STEEL (RICE)	
7	14M7400	LOCK NUT	1	M10	
8	H148114	PLATE	1		
9	H148055	LIMIT CURTAIN	1		
10	H147908	PLATE	2		
11	19M7788	SCREW	4	M12 X 25	
12	14M7299	FLANGE NUT	4	M12	
..	AH168093	KIT	1	STAINLESS STEEL TROUGH LINER	

5E22

CLEAN GRAIN ELEVATOR, GRAIN TANK AND UNLOADING AUGER

GRAIN TANK EXTENSIONS
HP3047 -UN-01JAN94



HP3047

5E23

CLEAN GRAIN ELEVATOR, GRAIN TANK AND UNLOADING AUGER

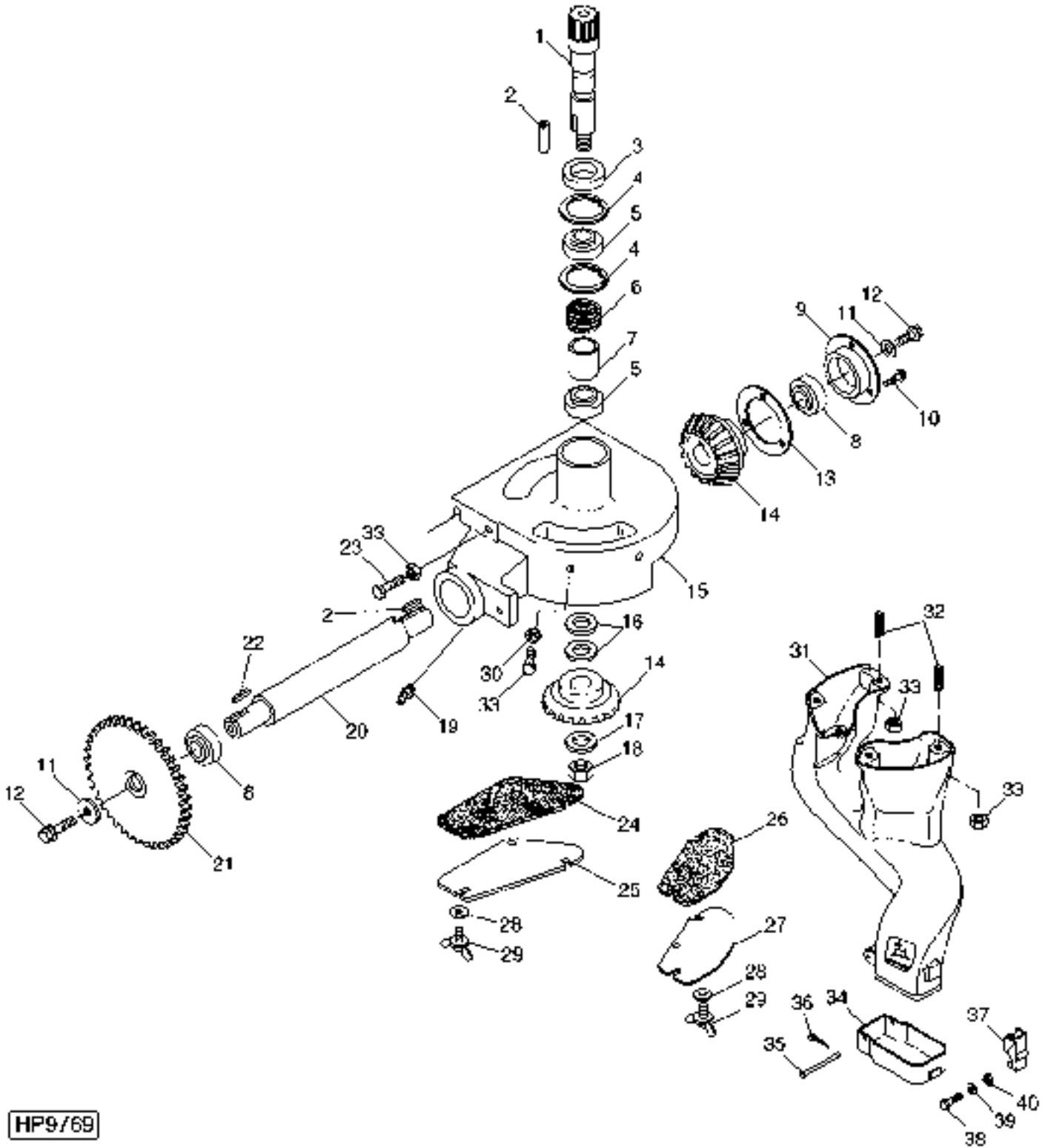
GRAIN TANK EXTENSIONS - CONTINUED

KEY	PART NO.	PART NAME	QTY	SERIAL NO.	REMARKS
1	19M7867	SCREW	AR	M8 X 25	
2	B27370	WASHER	AR	8.330 X 19.050 X 0.910 MM (0.328" X 3/4" X 0.036")	
	24H1290	WASHER	AR	21/64" X 3/4" X 0.035"	
3	14M7396	LOCK NUT	AR	M8	
4	AH151879	PANEL	1		
5	AH125905	PANEL	1		R.H. FRONT
6	03M7184	BOLT	AR	M8 X 20	
	14M7298	FLANGE NUT	AR	M8	
7	AH135228	PANEL	1		
8	03M7184	BOLT	6	M8 X 20	
9	H129803	REINFORCEMENT	1		R.H. FRONT CENTER
10	M84309	NUT	6	7.925 MM (5/16")	
11	14M7020	WING NUT	6	M8	
12	H129823	BRACKET	1		R.H. REAR CORNER
13	AH135230	PANEL	1		
14	H129822	BRACKET	1		L.H. REAR CORNER
15	H129814	HINGE	1		
16	H99599	DOWEL PIN	1	7.925 X 1 524 MM (5/16" X 60")	
17	H164404	BRACKET	2		
18	19M7866	SCREW	AR	M8 X 20	
	14M7298	FLANGE NUT	AR	M8	
19	AH135226	PANEL	1		
20	H129815	PANEL	1		L.H. OUTER
21	AH126864	PANEL	1		L.H. FRONT

5E24

CLEAN GRAIN ELEVATOR, GRAIN TANK AND UNLOADING AUGER

VERTICAL AUGER LOWER GEAR CASE
HP9769 -UN-23MAY00



HP9769

5E25

CLEAN GRAIN ELEVATOR, GRAIN TANK AND UNLOADING AUGER

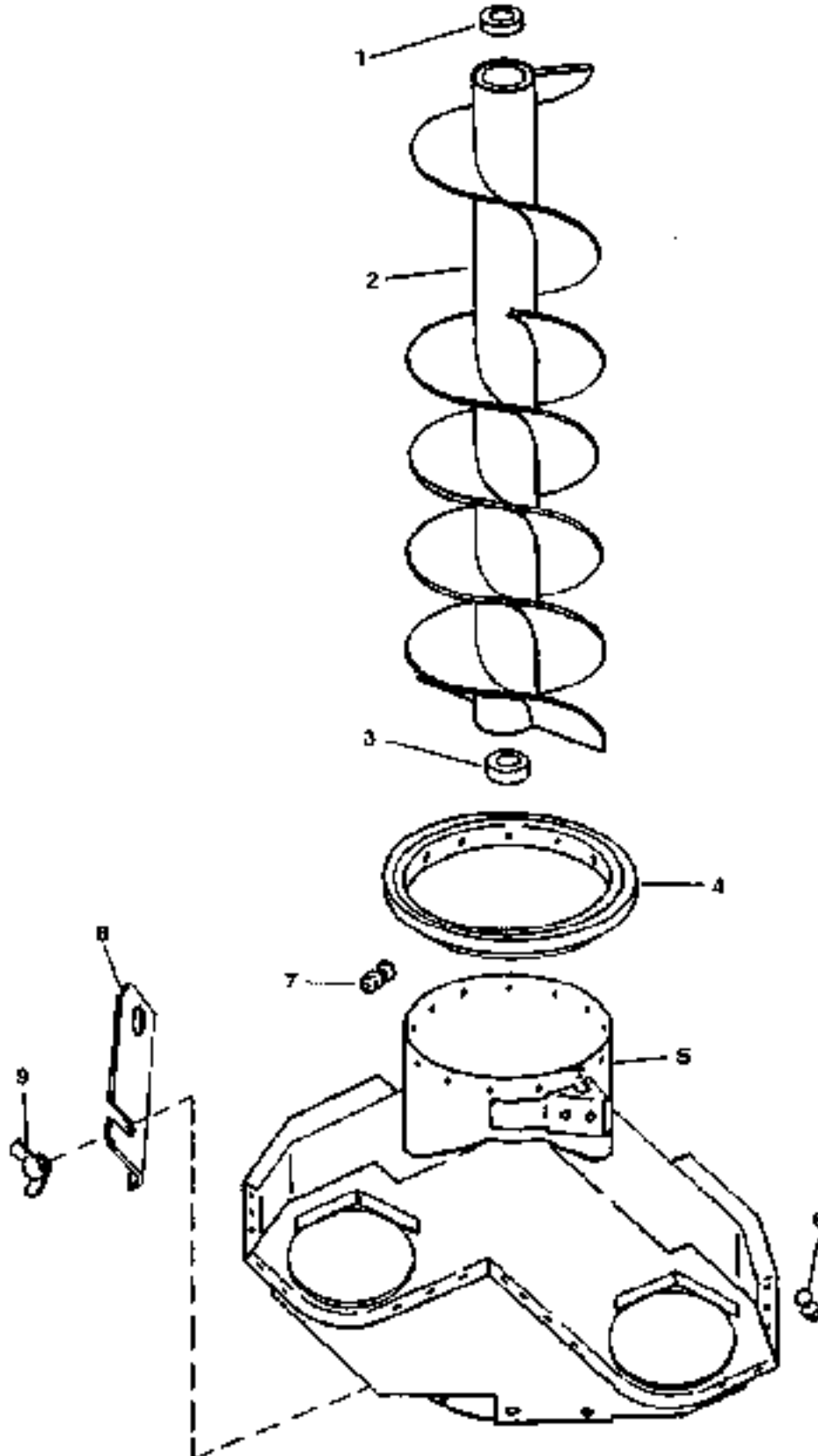
VERTICAL AUGER LOWER GEAR CASE - CONTINUED

KEY	PART NO.	PART NAME	QTY	SERIAL NO.	REMARKS
1	H96169	SHAFT	1		LOWER
2	KEY	2		10 MM X 10 MM 32 MM (3/8" X 3/8" X 1-1/4") (CUT FROM H64376 IN AH64587 KEY STOCK KIT)
3	AH90963	SEAL	1		
4	N71921	SNAP RING	2		
5	AH96585	BEARING	2		
6	H96267	SPRING	1		
7	H96149	BUSHING	1		39.675 X 50.800 X 51.765 MM (1-9/16" X 2" X 2.038")
8	JD8524	BEARING	2		
9	H113053	BEARING HOUSING W/O BEARING	1		
10	19M7785	SCREW	3		M10 X 25
11	H129716	WASHER	2		17 X 58 X 8 MM (0.669" X 2.283" X 0.315")
12	19M7843	SCREW	2		M16 X 35
13	H96297	SHIM	1		0.254 MM (0.010")
	H96298	SHIM	1		0.508 MM (0.020")
14	H96294	GEAR	2		23 TOOTH
15	H130137	CASE	1		
16	24H1533	SHIM	2		0.018"
17	24H1433	WASHER	1		29/32" X 2-1/4" X 1/4"
18	H29623	LOCK NUT	1		22.225 MM (7/8")
19	JD7759	LUBRICATION FITTING	1		STRAIGHT
20	H129653	SHAFT	1		
21	AH125080	DRIVE SPROCKET	1		46 TOOTH
	AH146352	DRIVE SPROCKET	1		(RICE ONLY) 40 TOOTH
22	KEY	1		10 MM X 10 MM X 38 MM (3/8" X 3/8" X 1-1/2") (CUT FROM H64376 IN AH64587 KEY STOCK)
23	19M7835	SCREW	1		M10 X 35
24	H135192	SEAL	1		FRONT
25	H136572	COVER	1		FRONT
26	H135193	SEAL	1		REAR
27	H136573	COVER	1		REAR
28	24M7178	WASHER	5		10.500 X 30 X 2.500 MM
29	21M7236	WING SCREW	5		M10 X 16
30	19M7786	SCREW	8		M10 X 30
	14M7296	FLANGE NUT	8		M10
31	AH167433	CHUTE	1		
32	22M7149	SET SCREW	5		M10 X 30
33	14M7296	FLANGE NUT	14		M10
34	H173223	CAP	1		
35	M112271	PIN	1		
36	J16931	SPRING LOCKING PIN	1		
37	AH168300	LATCH	1		
38	21M7284	SCREW	4		M3 X 16
39	24M7029	SHIM	4		
40	14M7196	NUT	4		M3

5F1

CLEAN GRAIN ELEVATOR, GRAIN TANK AND UNLOADING AUGER

VERTICAL UNLOADING AUGER AND CHARGE HOUSING
HP6916 -UN-18AUG97



HP6916

5F2

CLEAN GRAIN ELEVATOR, GRAIN TANK AND UNLOADING AUGER

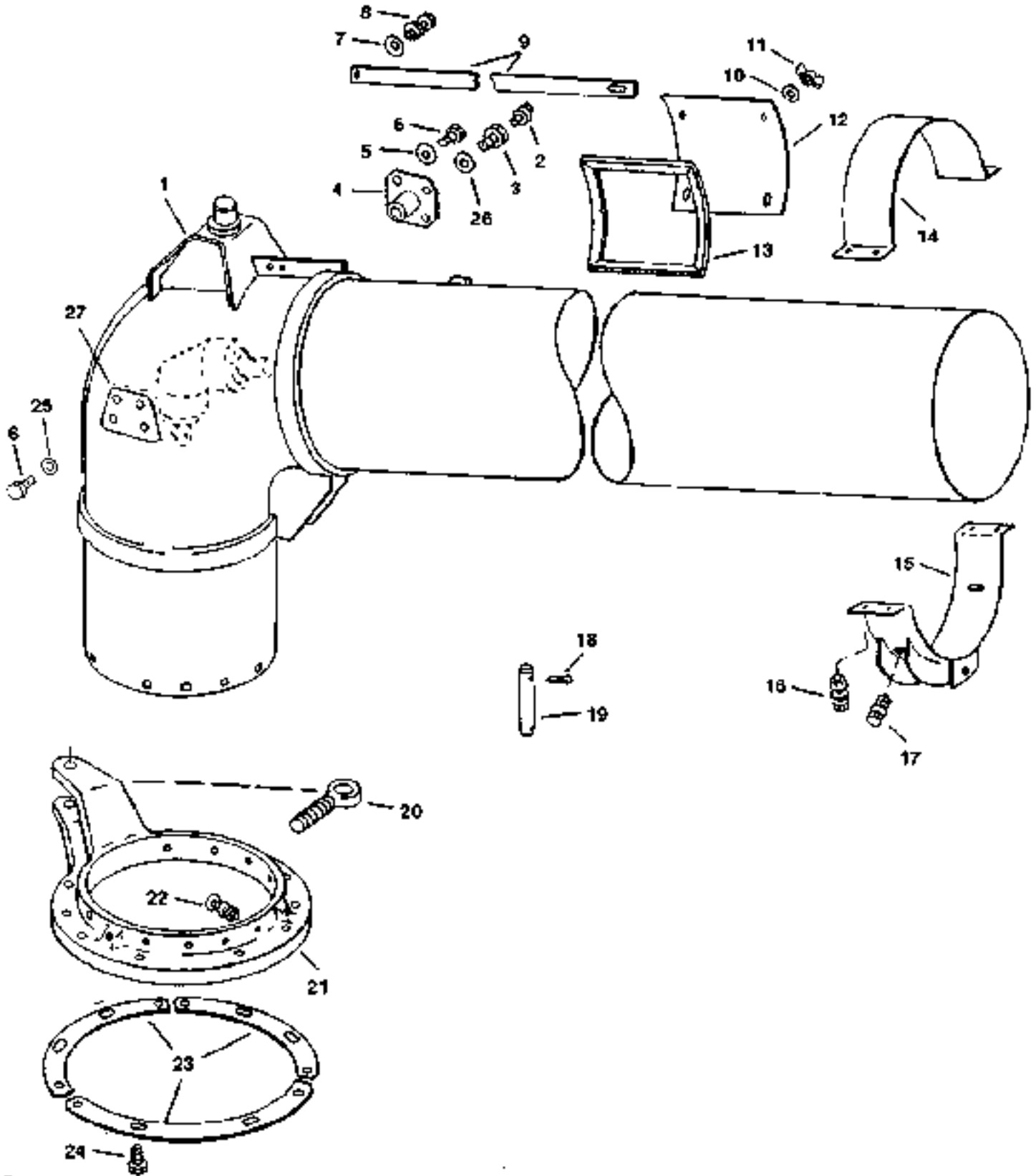
VERTICAL UNLOADING AUGER AND CHARGE HOUSING - CONTINUED

KEY	PART NO.	PART NAME	QTY	SERIAL NO.	REMARKS
1	H128861	SPLINED COUPLING	1		
2	AH124852	AUGER	1		REGULAR
	AH140081	FLIGHT	1		EDIBLE BEANS OR GRASS SEED
	AH154962	AUGER	1		HIGH WEAR (RICE)
3	AH124878	EXTERNAL HALF COUPLER	1		
4	H146775	RING	1		
5	AH155199	HOUSING	1		
6	03M7190	BOLT	30		M10 X 20
	14M7296	FLANGE NUT	30		M10
7	03M7198	BOLT	12		M12 X 30
	14M7299	FLANGE NUT	12		M12
8	H130771	PLATE	1		
9	14M7020	WING NUT	2		M8
..	WEATHERSTRIP	AR		(USE WITH H130771) (CUT FROM H81330)

5F3

CLEAN GRAIN ELEVATOR, GRAIN TANK AND UNLOADING AUGER

HORIZONTAL UNLOADING AUGER SWIVEL
HP6917 -UN-18AUG97



5F4

CLEAN GRAIN ELEVATOR, GRAIN TANK AND UNLOADING AUGER

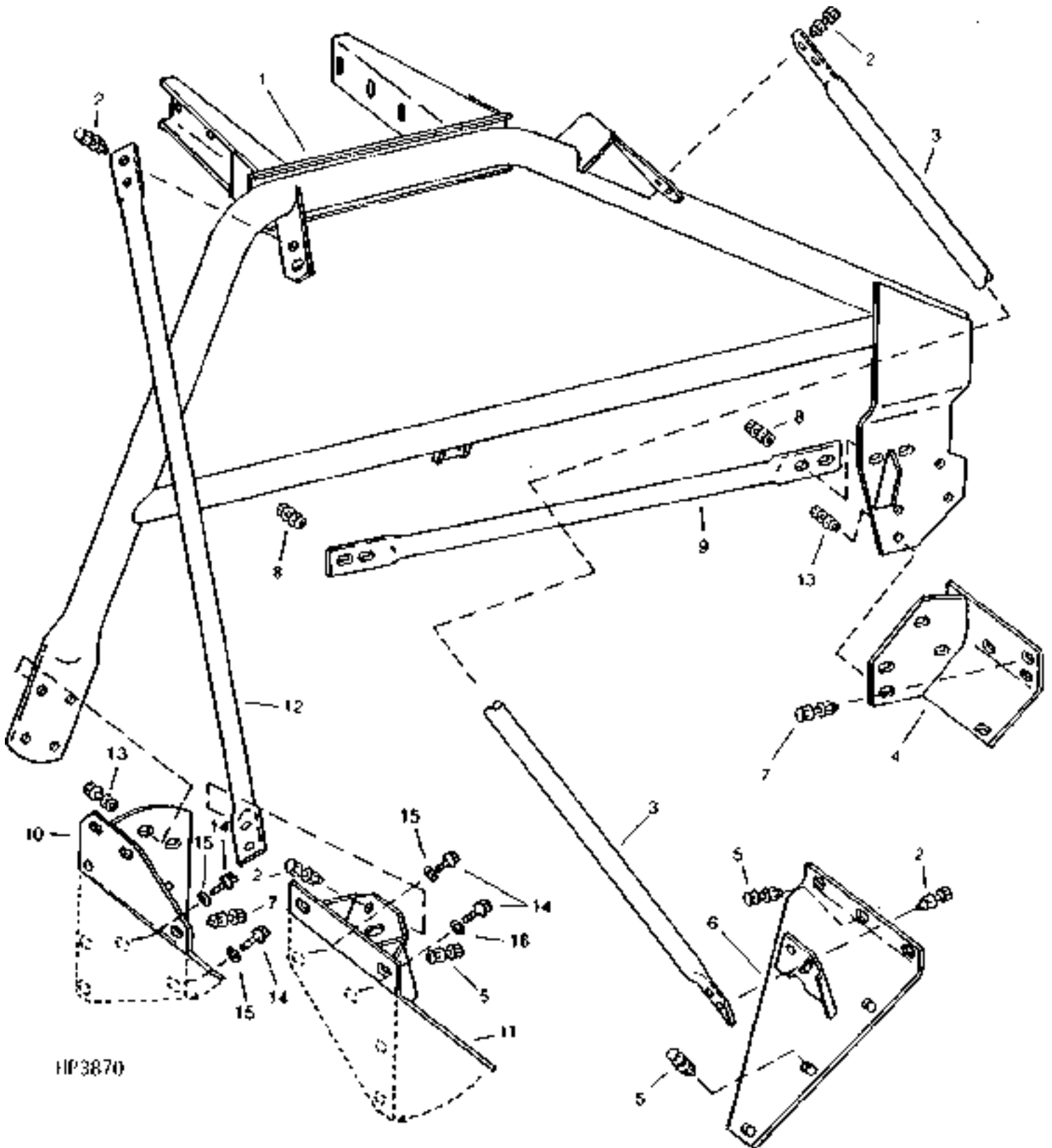
HORIZONTAL UNLOADING AUGER SWIVEL - CONTINUED

KEY	PART NO.	PART NAME	QTY	SERIAL NO.	REMARKS
1	AH162400	HOUSING	1	(SUB FOR AH145051)	
2	JD7806	LUBRICATION FITTING	1	90° X 19.050 MM LONG (3/4" LONG) 90 DEGREE	
3	H96228	SCREW	1		
4	AH123912	SUPPORT	1	(USE WITH AH123912)	
	H96690	SPACER	1		
5	12H304	LOCK WASHER	8	3/8"	
6	19H2676	CAP SCREW	8	3/8" X 1"	
7	24H1305	WASHER	1	13/32" X 13/16" X 0.065"	
8	19H1732	CAP SCREW	1	3/8" X 1-1/4"	
	E55662	FLANGE NUT	1	3/8"	
9	H116351	STRAP	1		
10	24M7207	WASHER	4	8.400 X 24 X 2 MM	
11	14H785	NUT	4	5/16"	
12	H96652	DOOR	1		
13	WEATHERSTRIP	AR	(CUT FROM H81330)	
14	H133178	CLAMP	1		
15	AH136153	STRAP	1		
16	19M7786	SCREW	4	M10 X 30	
	24H1311	WASHER	4	13/32" X 1-1/4" X 0.220"	
	14M7296	FLANGE NUT	4	M10	
17	03M7190	BOLT	2	M10 X 20	
	14M7296	FLANGE NUT	2	M10	
18	11M7038	COTTER PIN	2	6.300 X 40 MM	
19	H138930	PIN	1	22.070 X 118 MM (0.869" X 4.646")	
20	H148376	EYEBOLT	1		
21	H137227	RING	1	DOES NOT REQUIRE 24M7045 WASHERS	
22	03M7353	BOLT	12	M12 X 30	
	14M7299	FLANGE NUT	12	M12	
23	H131356	SECTOR	3		
24	19M7784	SCREW	8	M10 X 20	
	19M7783	SCREW	4	M10 X 16	
25	24H1308	WASHER	4	13/32" X 1" X 0.134"	
26	12H294	LOCK WASHER	1	5/8"	
27	H147752	PLATE	1		

5F5

CLEAN GRAIN ELEVATOR, GRAIN TANK AND UNLOADING AUGER

AUGER SWIVEL SUPPORT AND BRACES
HP3870 -UN-01JAN94



HP3870

5F6

CLEAN GRAIN ELEVATOR, GRAIN TANK AND UNLOADING AUGER

AUGER SWIVEL SUPPORT AND BRACES - CONTINUED

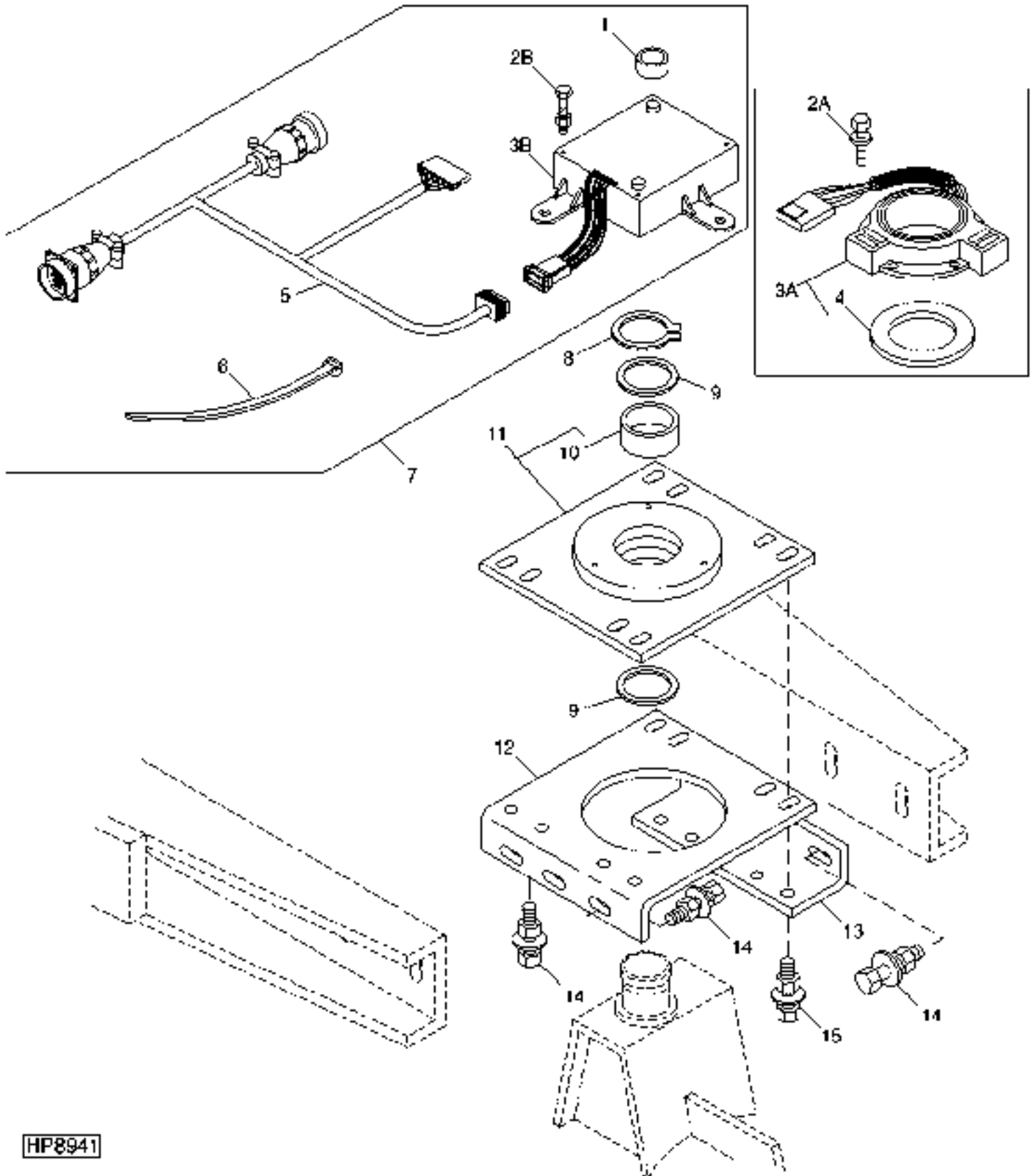
KEY	PART NO.	PART NAME	QTY	SERIAL NO.	REMARKS
1	AH140790	FRAME	1		
2	19M7793	SCREW	12	M16 X 40	
	14M7291	FLANGE NUT	12	M16	
3	H131255	BRACE	1		
4	AH126281	ANCHOR	1	LEFT HAND FRONT	
5	19M7789	SCREW	6	M12 X 30	
	14M7299	FLANGE NUT	6	M12	
6	AH126283	ANCHOR	1	RIGHT HAND FRONT	
7	19M7788	SCREW	6	M12 X 25	
	14M7299	FLANGE NUT	6	M12	
8	19M7843	SCREW	4	M16 X 35	
	14M7291	FLANGE NUT	4	M16	
9	H131261	BRACE	1	CHARGE HOUSING	
10	AH126282	ANCHOR	1	LEFT HAND REAR	
11	AH126284	ANCHOR	1	RIGHT HAND REAR	
12	H131258	BRACE	1		
13	19M7793	SCREW	8	M16 X 40	
	14M7291	FLANGE NUT	8	M16	
14	19M7791	SCREW	4	M12 X 40	
15	24H1347	WASHER	3	17/32" X 2" X 0.194"	
16	24H1380	WASHER	1	11/16" X 1-3/4" X 0.194", R.H. OUTER	

5F7

CLEAN GRAIN ELEVATOR, GRAIN TANK AND UNLOADING AUGER

HORIZONTAL UNLOADING AUGER HUB SUPPORT AND SWITCH

HP8941 -UN-23AUG99



HP8941

5F8

CLEAN GRAIN ELEVATOR, GRAIN TANK AND UNLOADING AUGER

HORIZONTAL UNLOADING AUGER HUB SUPPORT AND SWITCH - CONTINUED

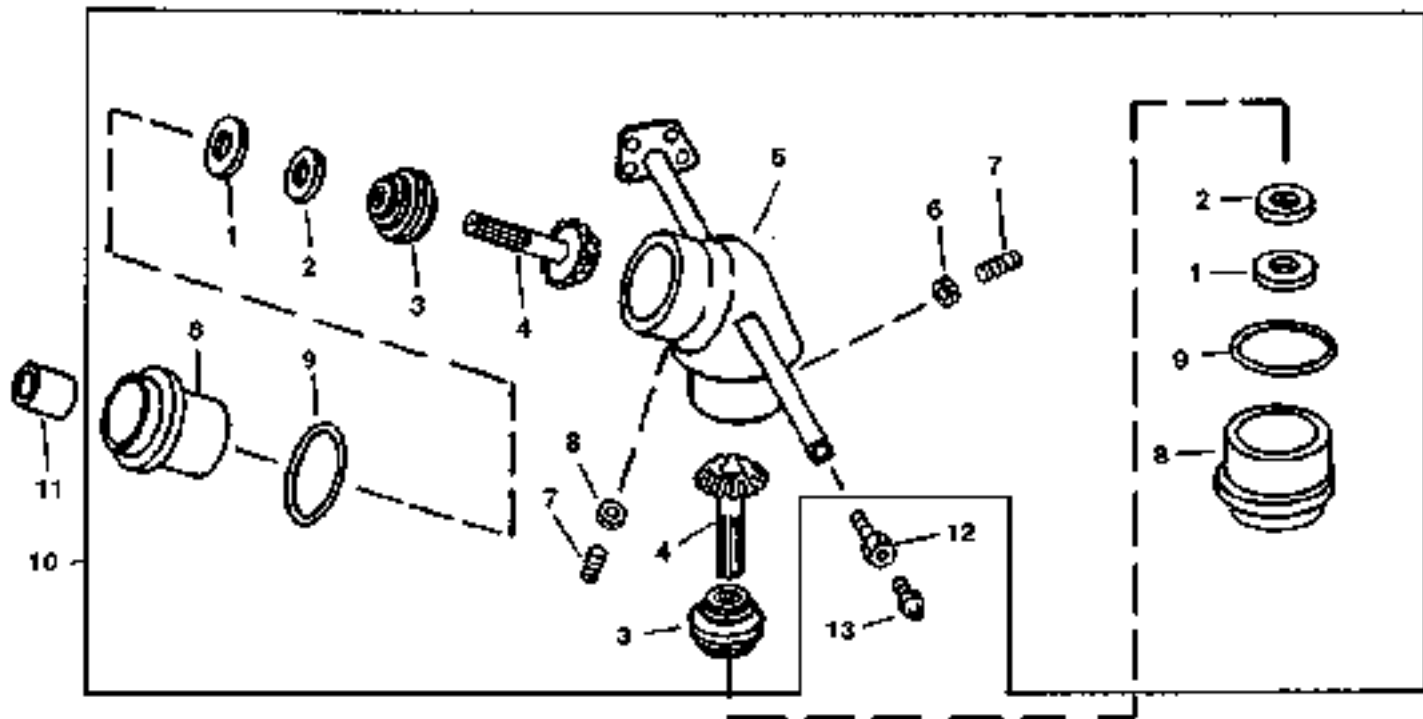
KEY	PART NO.	PART NAME	QTY	SERIAL NO.	REMARKS
1	28H3377	BUSHING	2	680301-	10.744 X 17.145 X 44.450 MM, (A)
2A	19M6755	CAP SCREW	3	-680300	M6 X 35
	24M7139	WASHER	3	-680300	6.400 X 18 X 1.600 MM
2B	19M8402	CAP SCREW	2	680301-	M8 X 65, (A)
	14M7298	FLANGE NUT	2	680301-	M8, (A)
3A	AH142999	SWITCH	1	-680300	(SUB AH163979) (INCLUDES H148702 GASKET)
3B	AH155480	MODULE	1	680301-	(A)
4	H148702	GASKET	1	-680300	
5	AH156413	WIRING HARNESS	1		(A)
6	R44302	TIE BAND	6		(A)
7	AH163979	KIT	1		(INCLUDES PARTS MARKED (A) AND INSTRUCTIONS H168641)
8	40M7166	SNAP RING	1		
9	H132097	WASHER	2		
10	H128479	BUSHING	1		
11	AH123602	HUB	1		
12	H131263	SUPPORT	1		
13	H131262	ANGLE	1		HUB MOUNTING
14	19M7790	SCREW	10		M12 X 35
	24M7180	WASHER	10		13 X 37 X 3 MM
	14M7299	FLANGE NUT	10		M12
15	19M7791	SCREW	4		M12 X 40
	24M7180	WASHER	4		13 X 37 X 3 MM
	14M7299	FLANGE NUT	4		M12

5F9

CLEAN GRAIN ELEVATOR, GRAIN TANK AND UNLOADING AUGER

HORIZONTAL UNLOADING AUGER DRIVE GEAR CASE

HP6919 -UN-18AUG97



HP6919

KEY	PART NO.	PART NAME	QTY	SERIAL NO.	REMARKS
1	AH98118	SEAL	2		
2	H99613	WASHER	2		31.707 X 44.450 X 9.525 MM (1.248" X 1-3/4" X 3/8")
3	AH94661	BEARING	2		
4	H149869	GEAR	2		
5	H149793	GEAR CASE	1		
6	14H732	NUT	4		3/8"
7	22H845	SET SCREW	4		3/8" X 3/4"
8	H96345	BEARING HOUSING W/O BEARING	1		
9	AH139072	KIT	2		
10	AH164609	GEAR CASE	1		(SUB FOR AH124509)
11	N72989	BUSHING	1		32.156 X 41.275 X 28.448 MM (1-17/64" X 1-5/8" X 1.120")
12	H96228	SCREW	1		15.875 X 63.500 MM (5/8" X 2-1/2")
	12H294	LOCK WASHER	1		5/8"
13	JD7797	LUBRICATION FITTING	1		1/4 IN., STRAIGHT

MEMORANDA

5F10

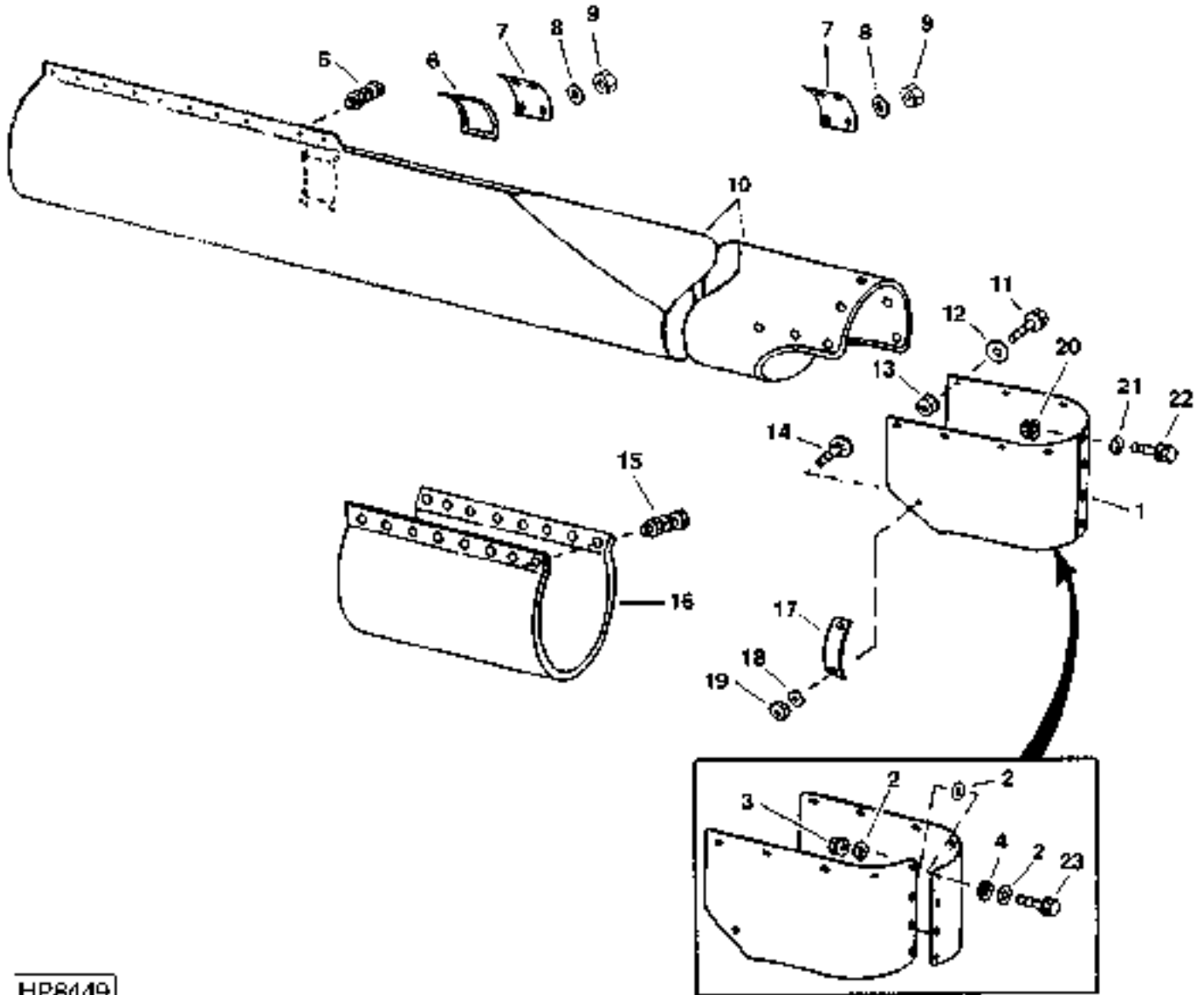
CLEAN GRAIN ELEVATOR, GRAIN TANK AND UNLOADING AUGER

HORIZONTAL UNLOADING AUGER HOUSING

(17 AND 20 FT.)

HP8449

-UN-09APR99



HP8449

5F11

CLEAN GRAIN ELEVATOR, GRAIN TANK AND UNLOADING AUGER

HORIZONTAL UNLOADING AUGER HOUSING - CONTINUED (17 AND 20 FT.)

KEY	PART NO.	PART NAME	QTY	SERIAL NO.	REMARKS
1	H149780	SPOUT	1		USE WITH 17FT AND 20FT AUGERS
2	28H5	WASHER	3		0.269" X 0.405" X 1/4", UNLOADING AUGER
3	14M7303	FLANGE NUT	3		M6
4	24H1291	WASHER	9		21/64" X 1-15/32" X 7/64"
5	19M7868	SCREW	11		M8 X 30
	14M7396	LOCK NUT	11		M8
6	WEATHERSTRIP	1		CUT FROM H81330 (USE WITH THE 20FT AUGER)
7	H96652	DOOR	2		USE WITH THE 20FT AUGER
8	24M7207	WASHER	8		8.400 X 24 X 2 MM, USE WITH THE 20FT AUGER
9	14H785	NUT	8		5/16", USE WITH THE 20FT AUGER
10	AH145049	HOUSING	1		
	AH140335	HOUSING	1		(17FT. AUGER) (PERFORATED, 3670MM LONG)
	AH145050	HOUSING	1		
	AH113392	HOUSING	1		(20FT. AUGER) (PERFORATED, 4585MM LONG)
11	19M7867	SCREW	8		M8 X 25
12	24M7207	WASHER	8		8.400 X 24 X 2 MM
13	14M7298	FLANGE NUT	8		M8
14	03M7184	BOLT	2		M8 X 20
15	19M7897	SCREW	10		M8 X 35
	14M7298	FLANGE NUT	10		M8
16	H127998	COVER	1		(17FT. AUGER) USE WITH PERFORATED AUGER HOUSING
	H100027	COVER	1		(20FT. AUGER) USE WITH PERFORATED AUGER HOUSING
17	H141450	STRAP	1		
18	24H1291	WASHER	4		21/64" X 1-15/32" X 7/64"
19	14M7298	FLANGE NUT	2		M8
20	14M7298	FLANGE NUT	1		M8
21	24H1291	WASHER	1		21/64" X 1-15/32" X 7/64"
22	19M7867	SCREW	2		M8 X 25
23	19M7863	SCREW	3		M6 X 25
	19M7796	SCREW	3		M6 X 30

5F12

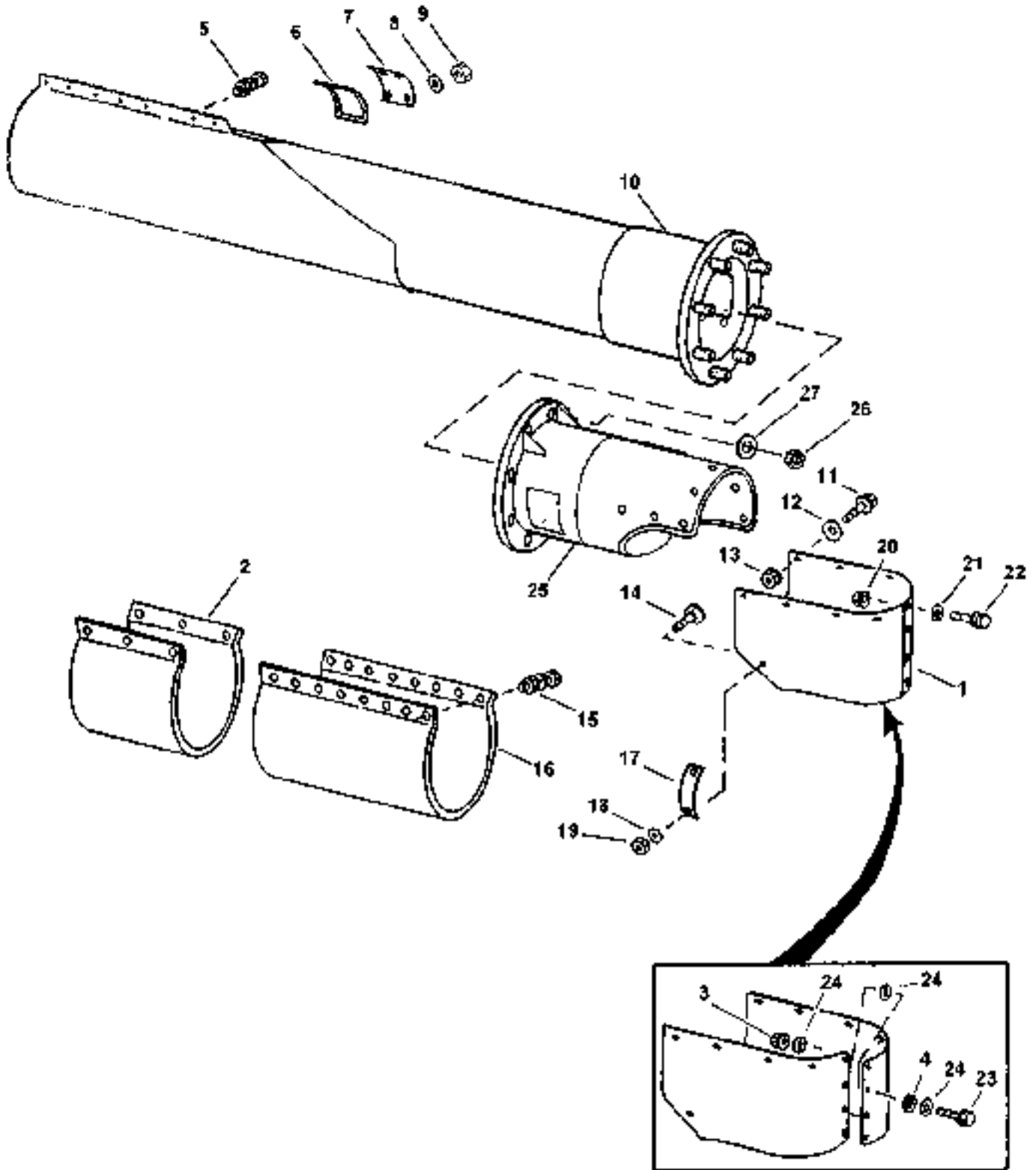
CLEAN GRAIN ELEVATOR, GRAIN TANK AND UNLOADING AUGER

HORIZONTAL UNLOADING AUGER HOUSING (EXPORT)

(17 AND 20 FT.)

HP7526

-UN-04MAY98



HP7526

5F13

CLEAN GRAIN ELEVATOR, GRAIN TANK AND UNLOADING AUGER

HORIZONTAL UNLOADING AUGER HOUSING (EXPORT) - CONTINUED (17 AND 20 FT.)

KEY	PART NO.	PART NAME	QTY	SERIAL NO.	REMARKS
1	H149780	SPOUT	1		USE WITH 17FT AND 20FT AUGERS
2	H159784	COVER	1		UNLOADING AUGER
3	14M7303	FLANGE NUT	3		M6
4	24H1291	WASHER	9		21/64" X 1-15/32" X 7/64"
5	19M7868	SCREW	11		M8 X 30
	14M7396	LOCK NUT	11		M8
6	WEATHERSTRIP	1		CUT FROM H81330 (USE WITH THE 20FT AUGER)
7	H96652	DOOR	2		USE WITH THE 20FT AUGER
8	24M7207	WASHER	8		8.400 X 24 X 2 MM, USE WITH THE 20FT AUGER
9	14H785	NUT	8		5/16", USE WITH THE 20FT AUGER
10	AH151407	HOUSING	1		INNER
	AH151411	HOUSING	1		6.1M RIGID, OUTER
11	19M7867	SCREW	8		M8 X 25
12	24M7207	WASHER	8		8.400 X 24 X 2 MM
13	14M7298	FLANGE NUT	8		M8
14	03M7184	BOLT	2		M8 X 20
15	19M7897	SCREW	10		M8 X 35
	14M7298	FLANGE NUT	10		M8
16	H127998	COVER	1		(17FT. AUGER) USE WITH PERFORATED AUGER HOUSING
	H100027	COVER	1		(20FT. AUGER) USE WITH PERFORATED AUGER HOUSING
17	H141450	STRAP	1		
18	24H1291	WASHER	4		21/64" X 1-15/32" X 7/64"
19	14M7298	FLANGE NUT	2		M8
20	14M7298	FLANGE NUT	1		M8
21	24H1291	WASHER	1		21/64" X 1-15/32" X 7/64"
22	19M7867	SCREW	2		M8 X 25
23	19M7863	SCREW	3		M6 X 25
	19M7796	SCREW	3		M6 X 30
24	28H5	WASHER	3		0.269" X 0.405" X 1/4"
25	AH151408	HOUSING	1		5.2M PERFORATED, INNER
	AH151409	HOUSING	1		6.1M PERFORATED, OUTER
	AH151410	HOUSING	1		5.2M RIGID, OUTER
26	14M7296	FLANGE NUT	8		M10
27	24M7207	WASHER	8		8.400 X 24 X 2 MM

5F14

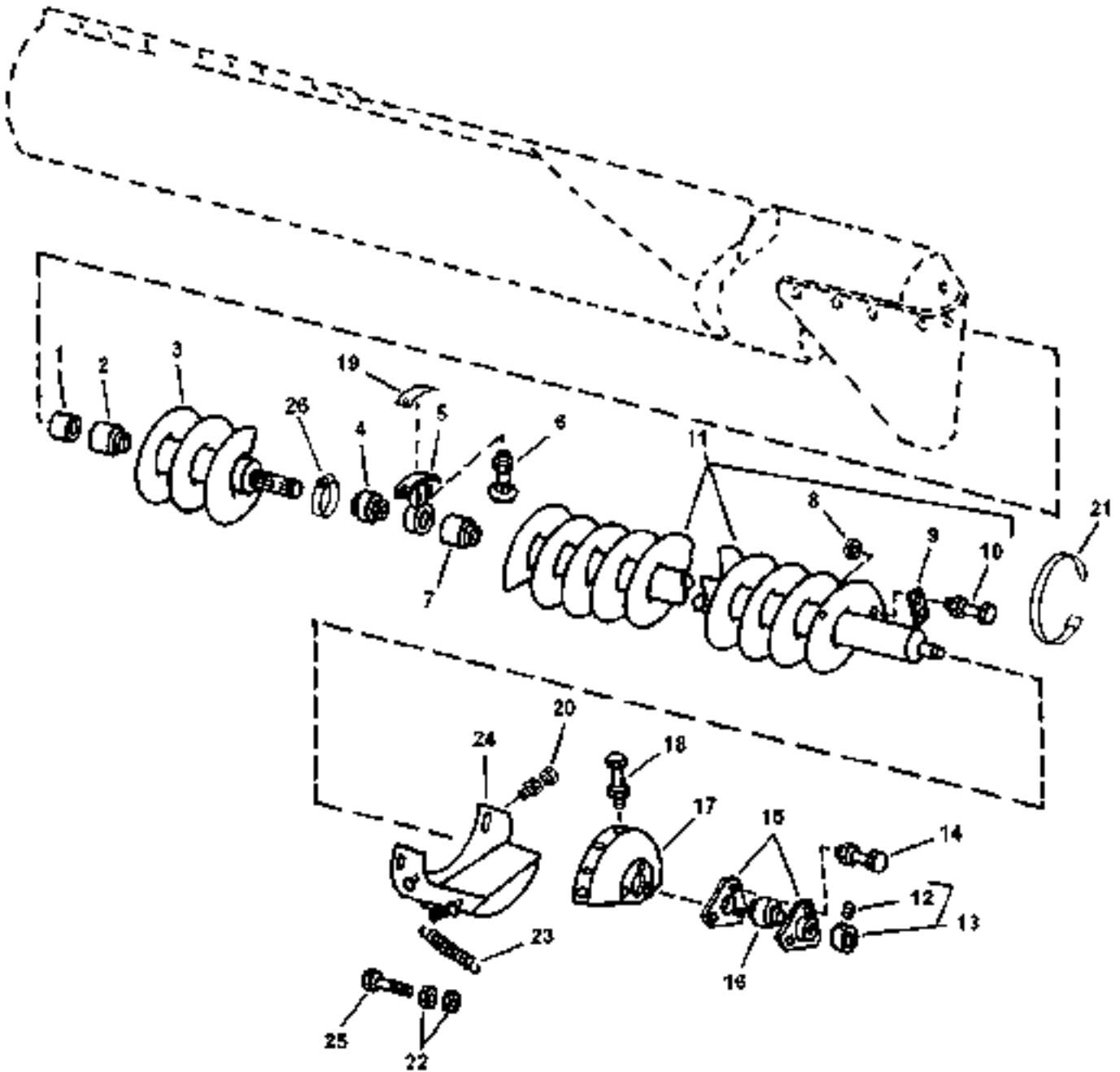
CLEAN GRAIN ELEVATOR, GRAIN TANK AND UNLOADING AUGER

HORIZONTAL UNLOADING AUGER

(17- AND 20-FT.)

HP7527

-UN-04MAY98



HP7527

5F15

CLEAN GRAIN ELEVATOR, GRAIN TANK AND UNLOADING AUGER

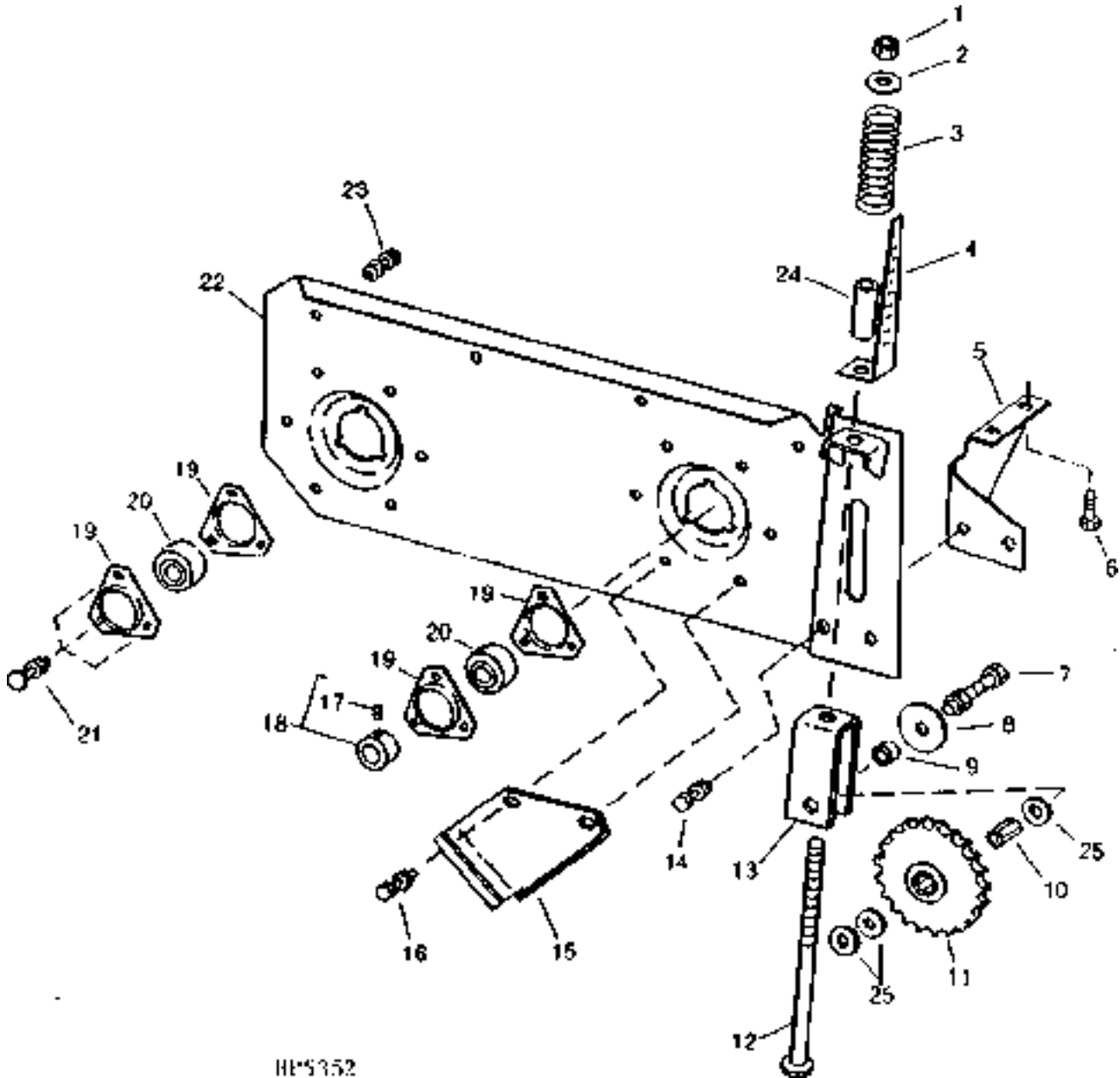
HORIZONTAL UNLOADING AUGER - CONTINUED
(17- AND 20- FT.)

KEY	PART NO.	PART NAME	QTY	SERIAL NO.	REMARKS
1	N72989	BUSHING	1		
2	H116292	SPLINED COUPLING	1		USED ON 5.2M AND 6.1 AUGER
3	AH112435	AUGER	1		(5-1/2 FT.) PLUS 14 FT. EQUALS 20 FT. OR 11-1/2 FT TO EQUAL 17 FT.
	AH151413	AUGER	1		5.2M, OUTER (EXPORT ONLY)
	AH151414	AUGER	1		6.1M, OUTER (EXPORT ONLY)
4	JD9373	BALL BEARING	1		
5	H114873	HOUSING	1		
6	03M7193	BOLT	2		M10 X 35, USED ON 5.2M AND 6.1M
	14M7296	FLANGE NUT	2		M10
7	AH122717	GUDGEON	1		
8	24H1300	WASHER	AR		25/64" X 2" X 0.220"
	24H1311	WASHER	AR		13/32" X 1-1/4" X 0.220"
9	H119566	STRIP	AR		100 MM (4") LONG
	H119567	STRIP	AR		125 MM (5") LONG
	H119568	STRIP	AR		150 MM (6") LONG
10	03H1495	BOLT	AR		3/8" X 1-1/2"
	03H1557	BOLT	AR		3/8" X 1-1/4"
	K40003	LOCK NUT	AR		
11	AH143731	AUGER	1		(14 FT.) PLUS 5 1/2 FT. TO EQUAL 20 FT.
	AH143727	AUGER	1		(17 FT)
	AH151403	AUGER	1		5.2M AND 6.1M (EXPORT ONLY)
12	22H897	SET SCREW	1		1/4" X 1/4"
13	JD8554	ECCENTRIC LOCKING COLLAR	1		
14	03M7184	BOLT	3		M8 X 20
	14M7298	FLANGE NUT	3		M8
15	H103264	PRESSED FLANGED HOUSING	2		
16	JD8665	BALL BEARING	1		
17	H96645	CAP	1		
18	19M7866	SCREW	5		M8 X 20
	14M7298	FLANGE NUT	5		M8
19	H158817	PLATE	1		SPACER (EXPORT ONLY)
20	03M7183	BOLT	2		M8 X 16, (INCLUDES Z24604)
	14M7298	FLANGE NUT	2		M8
21	N189220	TIE BAND	1		(USE WITH AH132230)
22	14M7298	FLANGE NUT	2		M8
23	J18468	SPRING	2		
24	AH132230	DOOR	1		(INCLUDES Z24604)
	Z24604	HINGE	1		(USE WITH AH132230)
25	19M7868	SCREW	1		M8 X 30
26	AR21839	CLAMP	1		

5F16

CLEAN GRAIN ELEVATOR, GRAIN TANK AND UNLOADING AUGER

CROSS AUGER BEARING PLATE - L.H.
HP5352 -UN-01JAN94



HP5352

5F17

CLEAN GRAIN ELEVATOR, GRAIN TANK AND UNLOADING AUGER

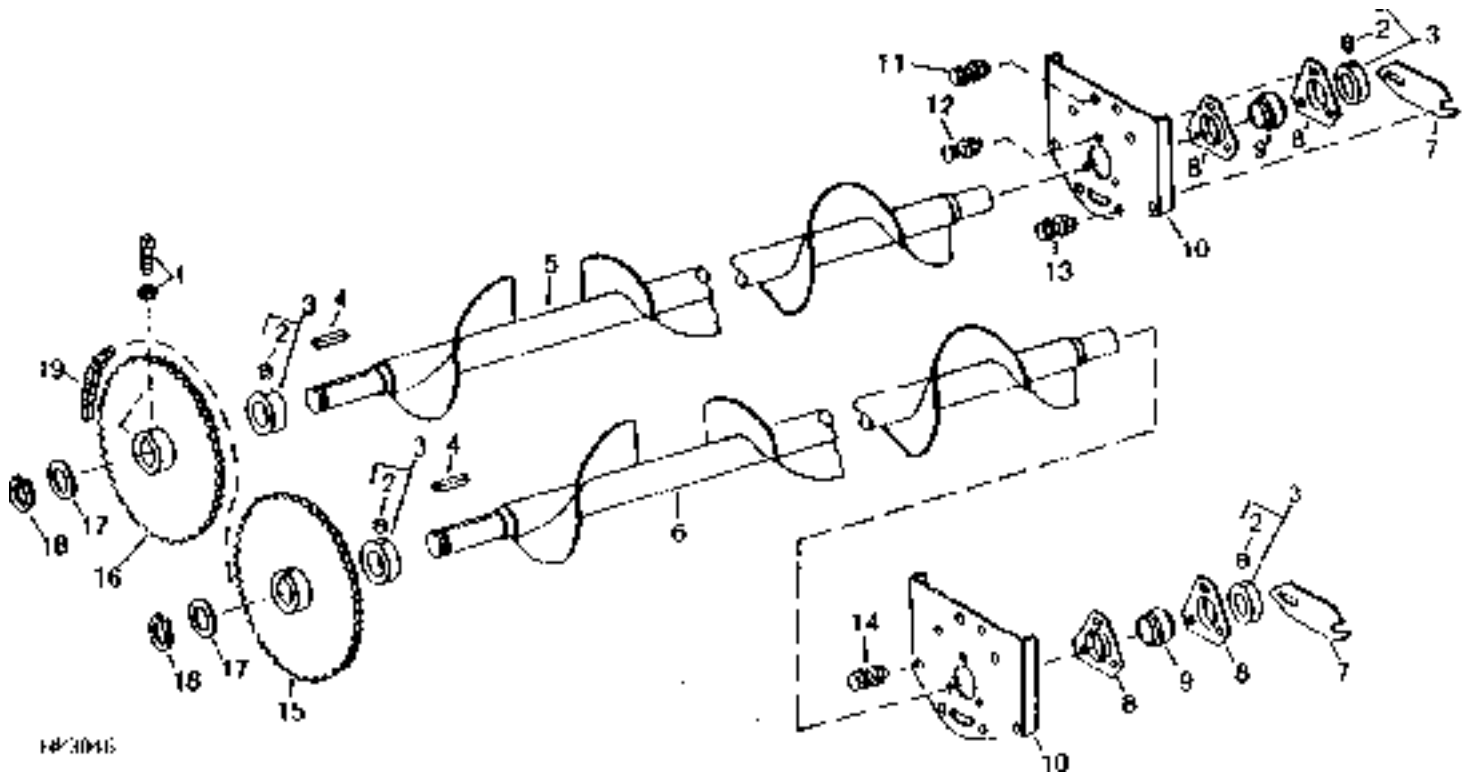
CROSS AUGER BEARING PLATE - L.H. - CONTINUED

KEY	PART NO.	PART NAME	QTY	SERIAL NO.	REMARKS
1	14M7275	NUT	2	M12	
2	24H1346	WASHER	1	13.487 X 44.450 X 3.048 MM	
3	R35542	SPRING	1		
4	H127923	GAUGE	1		
5	H127922	REINFORCEMENT	1		
6	19M7784	SCREW	2	M10 X 20	
7	19M7364	CAP SCREW	1	M12 X 80	
	14M7299	FLANGE NUT	1	M12	
8	24H1916	WASHER	1	13.487 X 88.900 X 4.572 MM (17/32" X 3-1/2" X 0.180")	
9	A22724	WASHER	1	0.510" X 3/4" X 0.210"	
10	H114395	SPACER	1		
11	AH106606	CHAIN SPROCKET	1	(INCLUDES JD7126) 24-TOOTH	
12	H163787	BOLT	1		
13	H119996	CHANNEL	1	IDLER SUPPORT	
14	19M7866	SCREW	2	M8 X 20	
	14M7298	FLANGE NUT	2	M8	
15	H133579	STOP	1		
16	19M7866	SCREW	4	M8 X 20	
	14M7396	LOCK NUT	4	M8	
17	22M7081	SET SCREW	2	M10 X 10	
18	AH133191	ECCENTRIC LOCKING COLLAR	2		
19	H161529	PRESSED FLANGED HOUSING	4	(SUB FOR H103265, THIS APPLICATION)	
20	JD39104	BALL BEARING	2		
21	03M7191	BOLT	6	M10 X 25	
	14M7296	FLANGE NUT	6	M10	
22	AH141201	SUPPORT	1		
23	19M7784	SCREW	12	M10 X 20	
	14M7296	FLANGE NUT	12	M10	
24	TY22326	BULK HOSE	AR	BULK HOSE	
25	24M7242	WASHER	3	21.400 X 42 X 5 MM	

5F18

CLEAN GRAIN ELEVATOR, GRAIN TANK AND UNLOADING AUGER

GRAIN TANK CROSS AUGERS
HP3048 -UN-01JAN94



HP3048

5F19

CLEAN GRAIN ELEVATOR, GRAIN TANK AND UNLOADING AUGER

GRAIN TANK CROSS AUGERS - CONTINUED

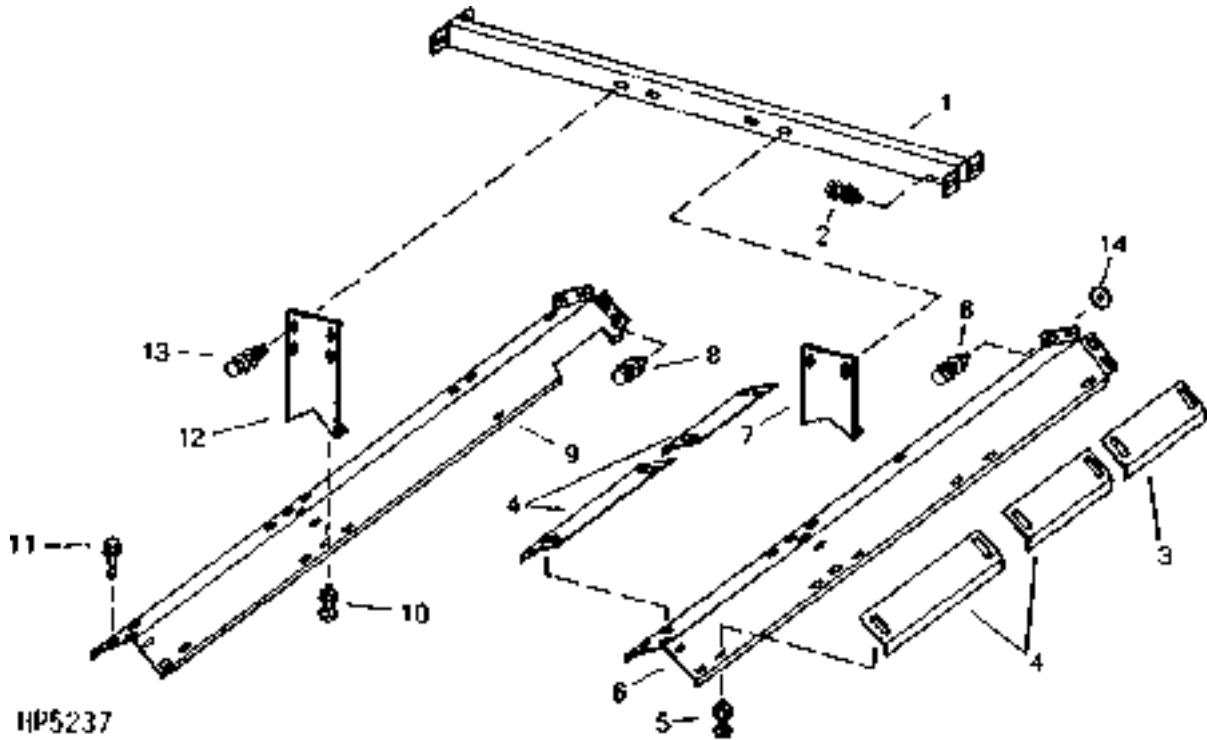
KEY	PART NO.	PART NAME	QTY	SERIAL NO.	REMARKS
1	H138435	SET SCREW	4	M10 X 25	
	14M7152	NUT	4	M10	
2	22M7081	SET SCREW	4	M10 X 10	
3	AH133191	ECCENTRIC LOCKING COLLAR	4		
4	SHAFT KEY	2	10 X 8 X 40 MM (IN AH141142 KEY STOCK KIT) (CUT FROM H150270)	
5	AH167849	AUGER	1	(SUB FOR AH154967) FRONT-HEAVY DUTY	
6	AH167850	AUGER	1	(SUB FOR AH154968) REAR-HEAVY DUTY	
7	H102909	COVER	2		
8	H103265	PRESSED FLANGED HOUSING	4		
9	JD39104	BALL BEARING	2		
10	H126280	REINFORCEMENT	2		BEARING PLATE - R.H.
11	19M7784	SCREW	8	M10 X 20	
	14M7296	FLANGE NUT	8	M10	
12	03M7190	BOLT	3	M10 X 20	
	14M7296	FLANGE NUT	3	M10	
13	19M7866	SCREW	4	M8 X 20	
	14M7396	LOCK NUT	4	M8	
14	19M7866	SCREW	4	M8 X 20	
	14M7298	FLANGE NUT	4	M8	
15	AH125070	CHAIN SPROCKET	1	49-TOOTH (REAR), REGULAR	
	AH140001	CHAIN SPROCKET	1	60-TOOTH (REAR), SLOW DOWN	
16	AH125070	CHAIN SPROCKET	1	49-TOOTH (FRONT), REGULAR	
	AH140001	CHAIN SPROCKET	1	60-TOOTH (REAR), SLOW DOWN	
17	24H1511	WASHER	AR	1-13/32" X 1-3/4" X 0.060"	
18	40M7046	SNAP RING	1		
19	AH126837	LINK CHAIN	1	ROLLER, TYPE 60H - 19 MM (3/4") PITCH, 198 LINKS (REGULAR SPEED)	
	AH146359	LINK CHAIN	1	ROLLER, TYPE 60H - 19 MM (3/4") PITCH, 206 LINKS (SLOW DOWN SPEED)	

5F20

CLEAN GRAIN ELEVATOR, GRAIN TANK AND UNLOADING AUGER

CROSS AUGER COVERS AND CHANNEL

HP5237 -UN-01JAN94



KEY	PART NO.	PART NAME	QTY	SERIAL NO.	REMARKS
1	H126801	CHANNEL	1		
2	19M7784	SCREW	4	M10 X 20	
	14M7296	FLANGE NUT	4	M10	
3	H129472	COVER	1		SMALL ADJUSTABLE
4	H129471	COVER	8		LARGE ADJUSTABLE
5	03M7183	BOLT	20	M8 X 16	
	14M7298	FLANGE NUT	20	M8	
6	H129468	COVER	1		REAR
7	H126802	SUPPORT	1		REAR COVER
8	19M7784	SCREW	4	M10 X 20	
	14M7296	FLANGE NUT	4	M10	
9	H129467	COVER	1		FRONT
10	03M7183	BOLT	8	M8 X 16	
	14M7298	FLANGE NUT	8	M8	
11	37M7058	SCREW	8	M8 X 20, (THREAD ROLLING)	
12	H126804	SUPPORT	1		FRONT COVER
13	19M7865	SCREW	4	M8 X 16	
	14M7298	FLANGE NUT	4	M8	
14	H141123	NUT	8	10 MM (0.394")	

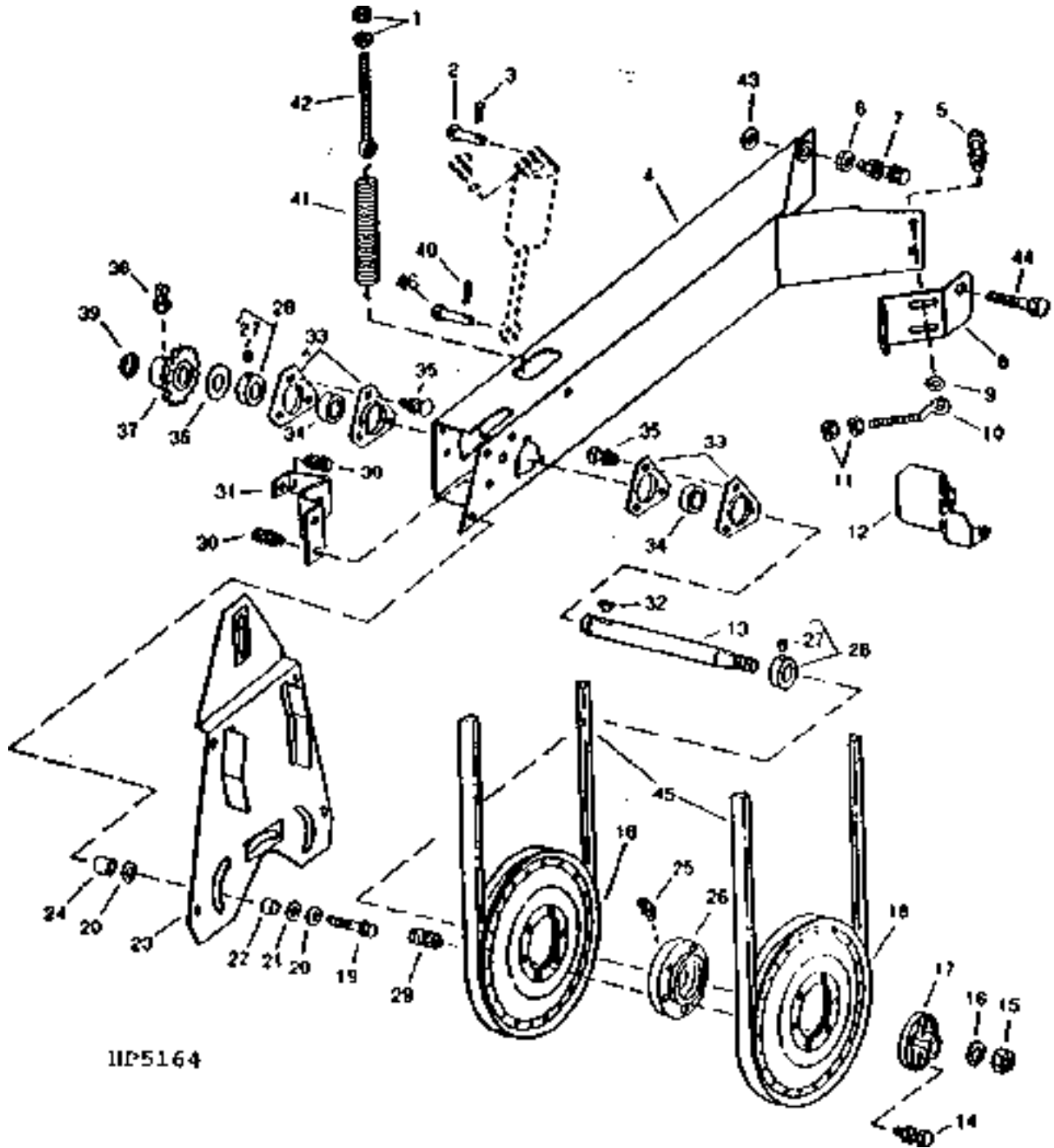
MEMORANDA

5F21

CLEAN GRAIN ELEVATOR, GRAIN TANK AND UNLOADING AUGER

UNLOADING AUGER COUNTERSHAFT DRIVE

HP5164 -UN-01JAN94



HP5164

5F22

CLEAN GRAIN ELEVATOR, GRAIN TANK AND UNLOADING AUGER

UNLOADING AUGER COUNTERSHAFT DRIVE - CONTINUED

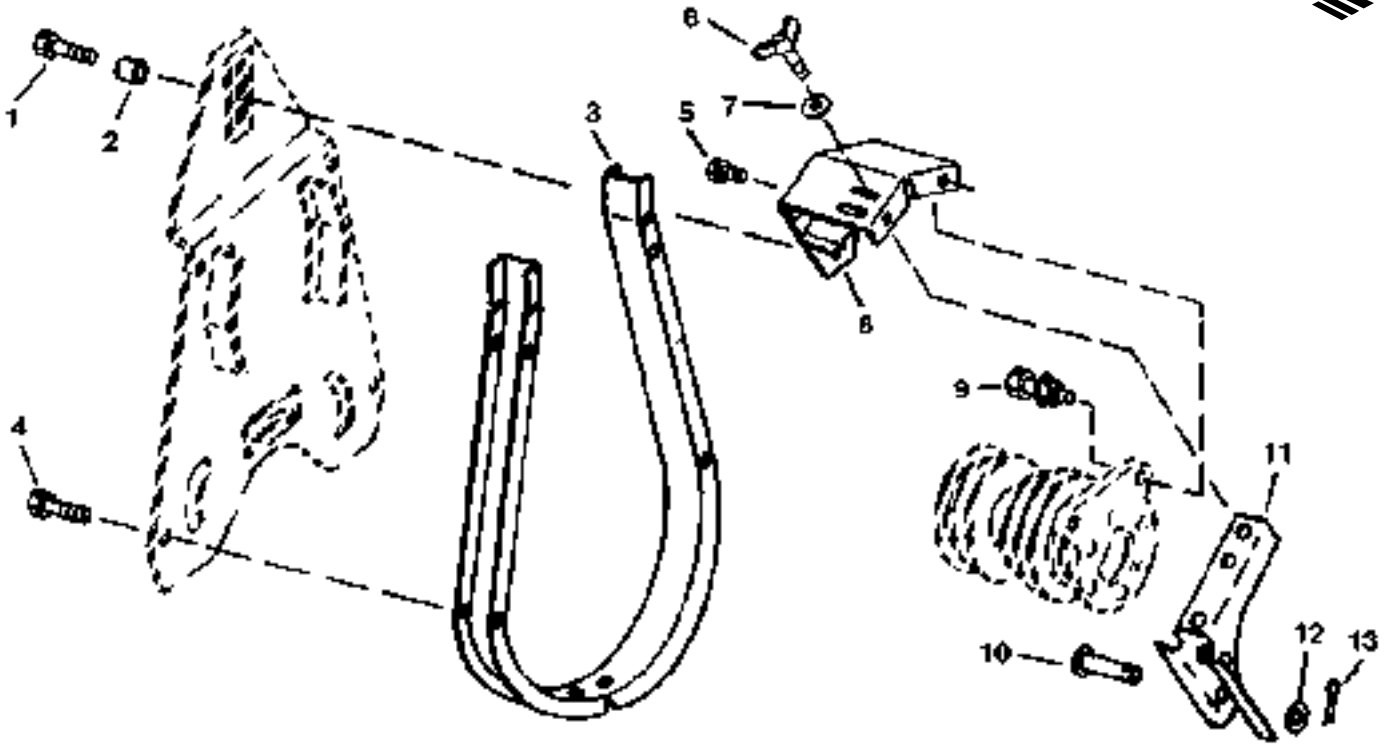
KEY	PART NO.	PART NAME	QTY	SERIAL NO.	REMARKS
1	14M7296	FLANGE NUT	2	M10	
2	H148340	PIN	2	12.700 X 60.500 MM (1/2" X 2.382")	
3	11M7059	COTTER PIN	1	3.200 X 20 MM	
4	AH144068	ARM	1	(SUB AH164841)	
	AH164841	ARM	1		
5	19M7835	SCREW	2	M10 X 35	
	14M7296	FLANGE NUT	2	M10	
6	Z33404	SPACER	2	17.800 X 25 X 11 MM (0.701" X 0.984" X 0.433")	
7	19M7794	SCREW	1	M16 X 50	
	A31869	LOCK NUT	2	M16	
8	AH118993	BRACKET	1		
9	24M7178	WASHER	2	10.500 X 30 X 2.500 MM	
10	H116262	EYEBOLT	2		
11	14M7274	NUT	4	M10	
12	H137869	SHIELD	1		
13	H133024	COUNTERSHAFT	1		
14	19M7185	CAP SCREW	1	M8 X 60, (SHEAR BOLT)	
	E64256	LOCK NUT	1	M8	
15	A31871	LOCK NUT	1	M24	
16	24M7091	WASHER	1	26 X 44 X 4 MM	
17	H133026	HUB	1		
18	AH106096	PULLEY	2		
19	19M8318	SCREW	3	M8 X 45	
20	24M7207	WASHER	6	8.400 X 24 X 2 MM	
21	24H1357	WASHER	2	19/32" X 1-5/32" X 0.090", (AT LONG SLOTS ONLY)	
22	28H1511	WASHER	3	0.364" X 0.540" X 1/4"	
23	AH140901	GUARD	2		
24	28H2531	BUSHING	3	0.546" X 0.840" X 7/8"	
25	JD7797	LUBRICATION FITTING	1		
26	H133025	HUB	1		
27	22M7081	SET SCREW	2	M10 X 10	
28	AH133191	ECCENTRIC LOCKING COLLAR	2		
29	19M8317	SCREW	6	M8 X 40	
	14M7298	FLANGE NUT	6	M8	
30	19M7866	SCREW	3	M8 X 20	
	14M7298	FLANGE NUT	3	M8	
31	H133690	BRACKET	1		
32	26M6787	SHAFT KEY	2	10 X 32 MM, (WOODRUFF)	
33	H103265	PRESSED FLANGED HOUSING	4		
34	JD39104	BALL BEARING	2		
35	03M7190	BOLT	6	M10 X 20	
	14M7296	FLANGE NUT	6	M10	
36	24H1510	WASHER	2	1-13/32" X 1-3/4" X 0.120"	
37	AH128075	CHAIN SPROCKET	1	19 TOOTH	
	AH128074	CHAIN SPROCKET	1	(RICE ONLY) 17 TOOTH	
38	H138435	SET SCREW	2	M10 X 25	
	14M7274	NUT	2	M10	
39	P44478	SNAP RING	1		
40	J16931	SPRING LOCKING PIN	1		
41	H173011	LEAF SPRING	1	(SUB FOR H146310)	
42	H114738	EYEBOLT	1		
43	24H1684	WASHER	2	11/16" X 2" X 0.105"	
44	19M7824	SCREW	1	M16 X 60	
45	AH158880	BELT SET	1	(SUB FOR AH127866)	
46	H148340	PIN	1	12.700 X 60.500 MM (1/2" X 2.382")	

5F23

CLEAN GRAIN ELEVATOR, GRAIN TANK AND UNLOADING AUGER

UNLOADING AUGER DRIVE BELT GUIDE

HP6923 -UN-18AUG97



HP6923

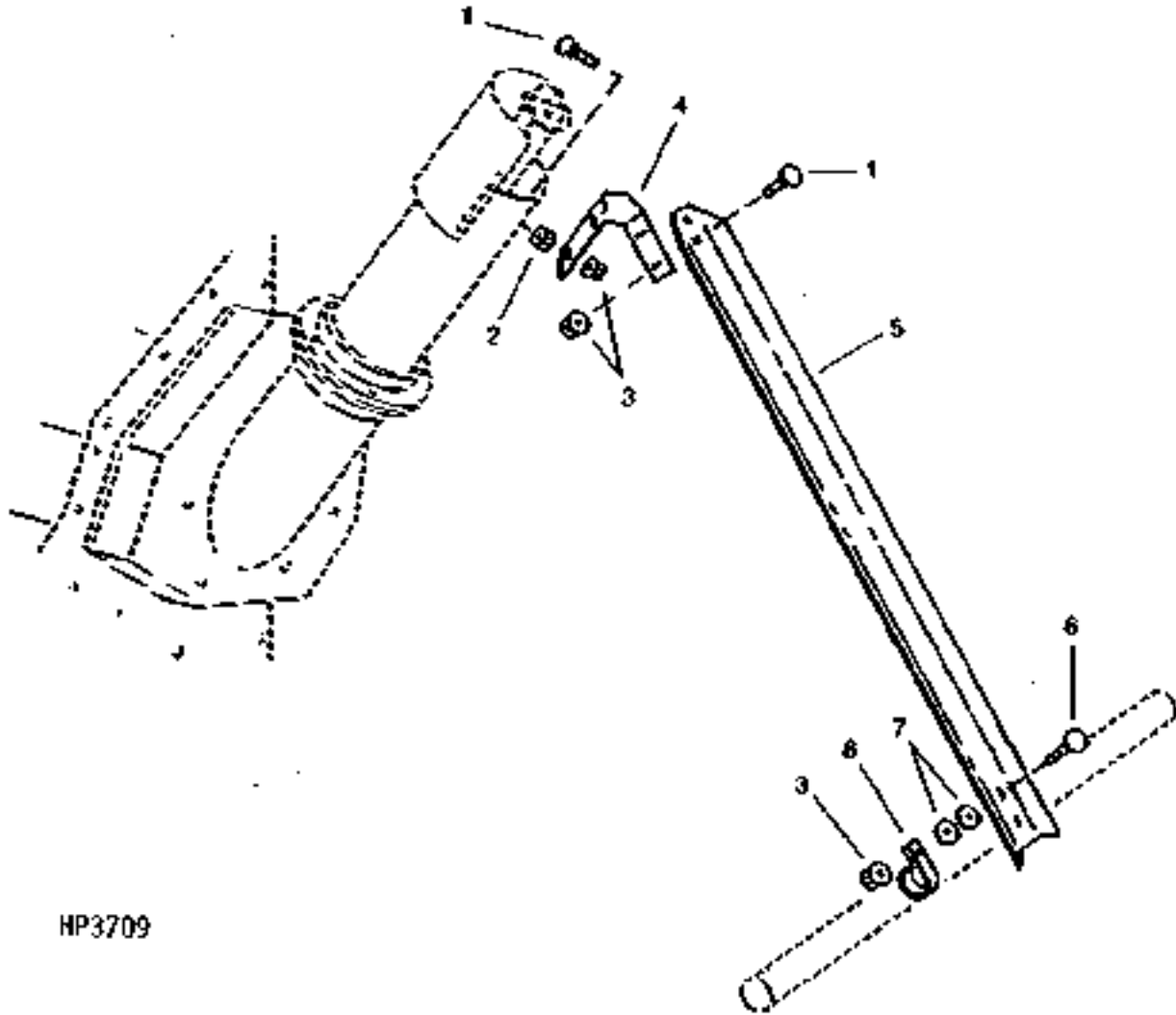
KEY	PART NO.	PART NAME	QTY	SERIAL NO.	REMARKS
1	19M7866	SCREW	1	M8 X 20	
2	28H1511	WASHER	1	0.364" X 0.540" X 1/4"	
3	AH116390	GUIDE	1		
4	19M7865	SCREW	6	M8 X 16, (INTO WELDNUTS)	
5	37M7058	SCREW	2	M8 X 20	
6	21M7269	WING SCREW	2	M8 X 20	
7	24M7207	WASHER	2	8.400 X 24 X 2 MM	
8	AH152654	SUPPORT	1		
9	19M7785	SCREW	2	M10 X 25	
	14M7296	FLANGE NUT	2	M10	
10	45M7042	PIN	2	12 X 50 MM	
11	AH127604	GUIDE	1	FOR STRAW CHOPPER DRIVE BELT	
12	24M7047	WASHER	2	13 X 24 X 2.500 MM	
13	11M7015	COTTER PIN	2	3.200 X 25 MM	

MEMORANDA

5F24

CLEAN GRAIN ELEVATOR, GRAIN TANK AND UNLOADING AUGER

GRAIN TANK SAMPLING TROUGH
HP3709 -UN-01JAN94



HP3709

5F25

CLEAN GRAIN ELEVATOR, GRAIN TANK AND UNLOADING AUGER

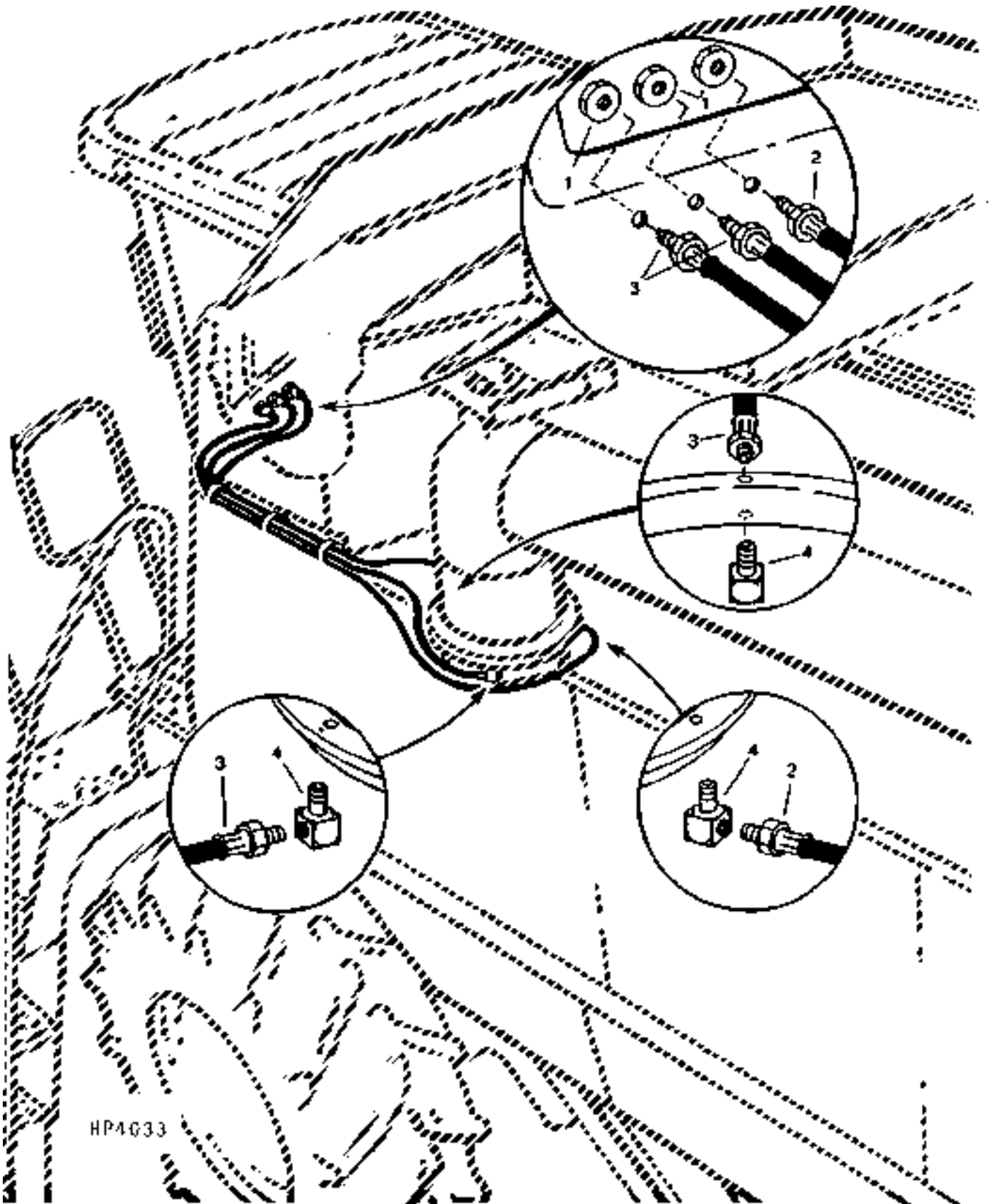
GRAIN TANK SAMPLING TROUGH - CONTINUED

KEY	PART NO.	PART NAME	QTY	SERIAL NO.	REMARKS
1	03M7184	BOLT	4		M8 X 20
2	M84309	NUT	2		7.925 MM (5/16")
3	14M7396	LOCK NUT	4		M8
4	H136306	BRACKET	1		
5	H136303	TROUGH	1		
6	03M7188	BOLT	1		M8 X 40
7	H28031	WASHER	2		10.312 X 28.575 X 9.525 MM (13/32" X 1-1/8" X 3/8")
8	AH77714	CLIP	1		

5G1

CLEAN GRAIN ELEVATOR, GRAIN TANK AND UNLOADING AUGER

UNLOADING AUGER UPPER LUBE BANK
HP4033 -UN-01JAN94



HP4033

5G2

CLEAN GRAIN ELEVATOR, GRAIN TANK AND UNLOADING AUGER

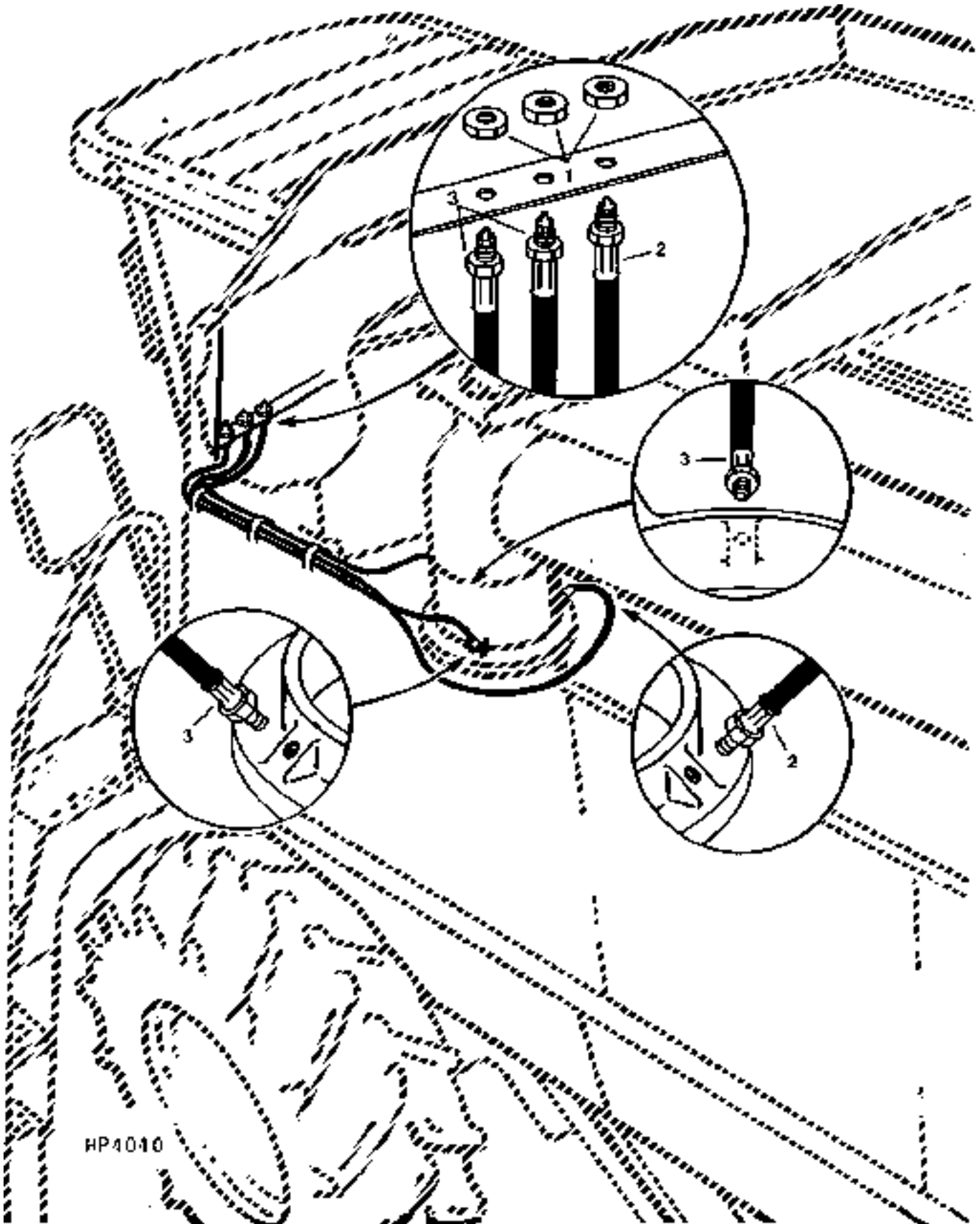
UNLOADING AUGER UPPER LUBE BANK - CONTINUED

KEY	PART NO.	PART NAME	QTY	SERIAL NO.	REMARKS
1	E12379	NUT	1		3.175 MM (1/8")
2	AH136554	HOSE	1		1/8" X 2 050 MM (80-3/4") X 1/8"
3	AH136553	HOSE	2		1/8" X 1 600 MM (63") X 1/8"
4	JD7845	ELBOW FITTING	1		

5G3

CLEAN GRAIN ELEVATOR, GRAIN TANK AND UNLOADING AUGER

UNLOADING AUGER LOWER LUBE BANK
HP4040 -UN-01JAN94



HP4040

5G4

CLEAN GRAIN ELEVATOR, GRAIN TANK AND UNLOADING AUGER

UNLOADING AUGER LOWER LUBE BANK - CONTINUED

KEY	PART NO.	PART NAME	QTY	SERIAL NO.	REMARKS
1	E12379	NUT	1		3.175 MM (1/8")
2	AH136554	HOSE	1		1/8" X 2 050 MM (80-3/4") X 1/8"
3	AH136553	HOSE	2		1/8" X 1 600 MM (63") X 1/8"

MEMORANDA

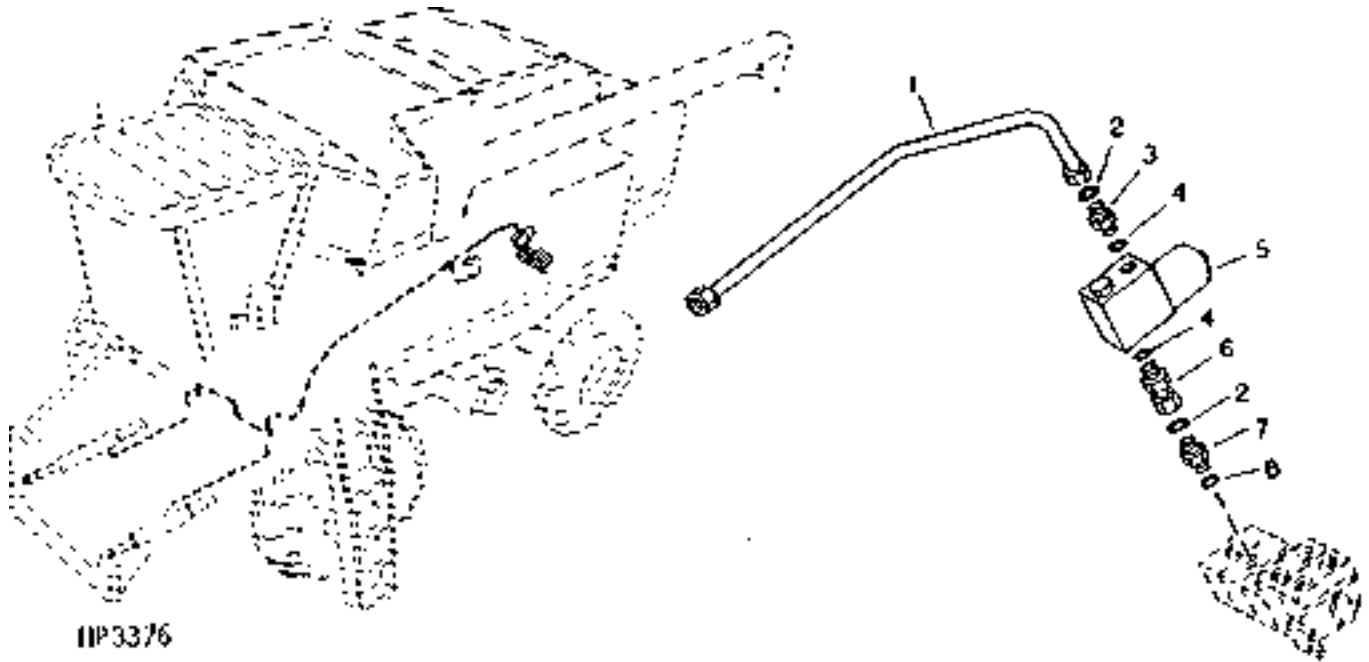
MEMORANDA

5G6

DIAL-A-MATIC HEADER HEIGHT CONTROL

**HYDRAULIC LINE AND VALVE BLOCK
(DIAL-A-MATIC HEADER HEIGHT CONTROL)**

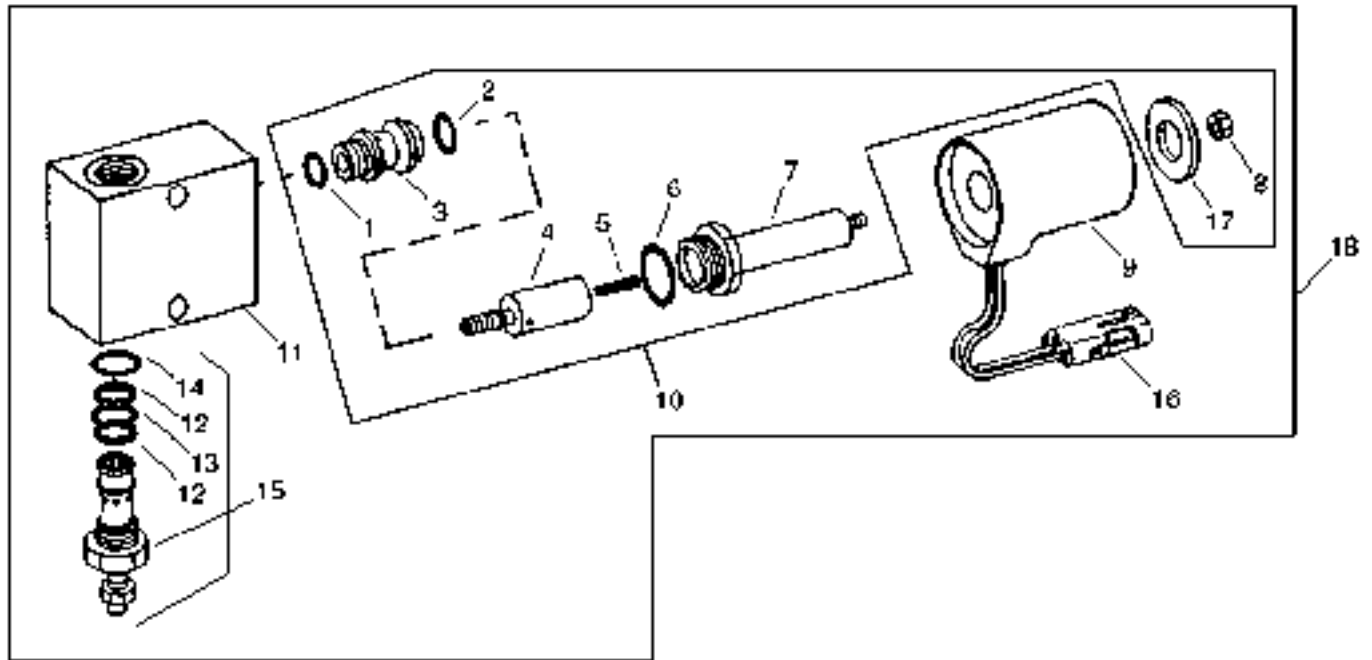
HP3376 -UN-01JAN94



KEY	PART NO.	PART NAME	QTY	SERIAL NO.	REMARKS
1	AH128727	HYDRAULIC LINE	1		
2	T77857	O-RING	2	12.421 X 1.778 MM (0.489" X 0.070")	
3	38H1161	ADAPTER	1		
4	R26375	O-RING	2	16.358 X 2.210 MM (0.644" X 0.087")	
5	AH125910	SOLENOID VALVE	1		
6	38H1068	ADAPTER	1		
7	38H1173	ADAPTER	1		
8	R26448	O-RING	1	11.887 X 1.981 MM (0.468" X 5/64")	

5G7

DIAL-A-MATIC HEADER HEIGHT CONTROL VALVE
 HP8033 -UN-21APR99



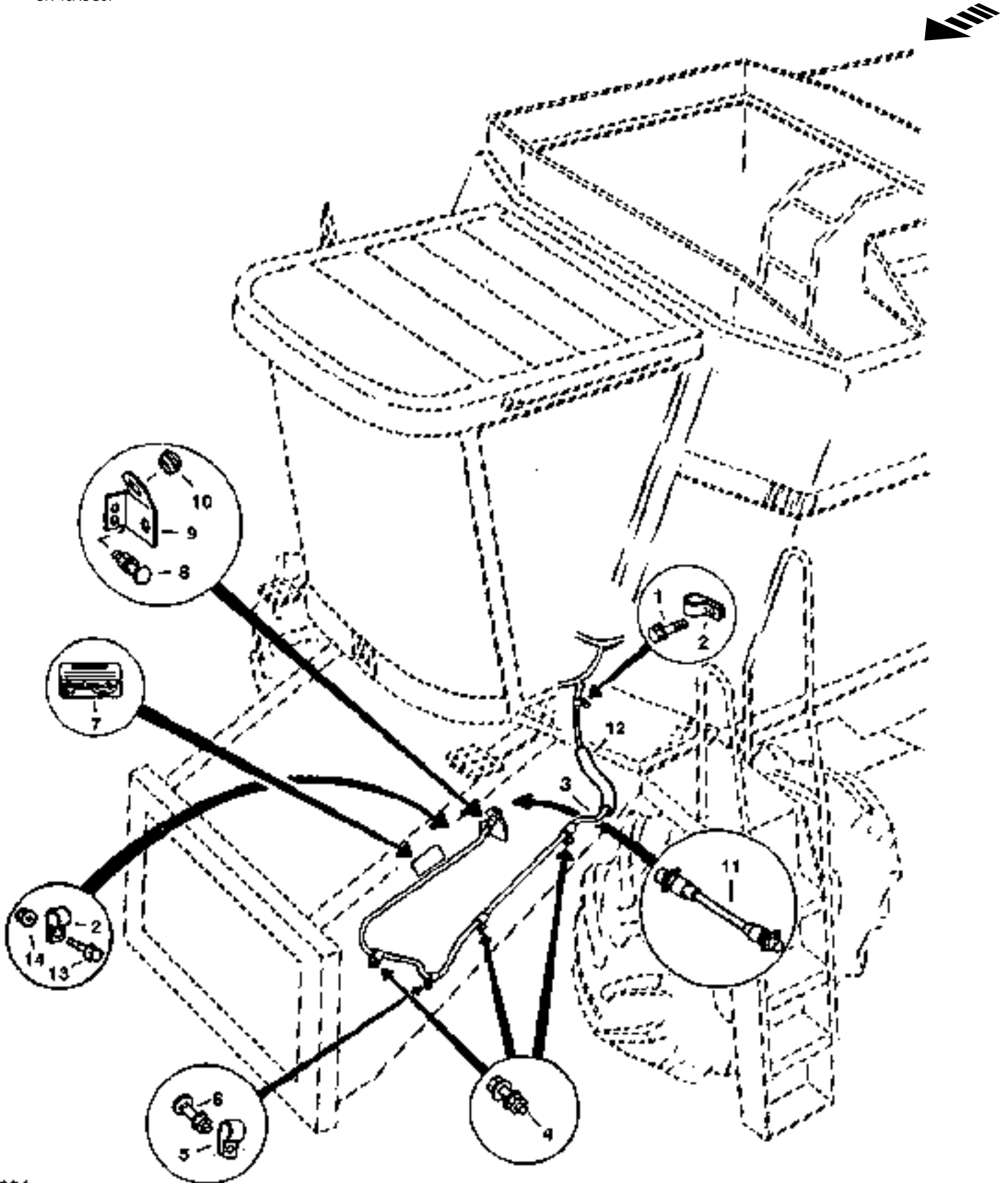
HP8033

KEY	PART NO.	PART NAME	QTY	SERIAL NO.	REMARKS
1	R28776	O-RING	1		
2	T75984	O-RING	1		
3	VALVE SPOOL	1		
4	PLUNGER	1		
5	SPRING	1		
6	R27928	O-RING	1		
7	GUIDE	1		
8	14H866	NUT	1	5/8"	
9	AH131572	ELECTRICAL COIL	1		
10	AH131571	VALVE	1		
11	H135964	HOUSING	1		
12	BACK-UP RING	2		
13	U15980	O-RING	1		
14	R26906	O-RING	1		
15	AH131570	VALVE	1		
16	R78053	PIN CONTACT CONNECTOR BODY	1		
	R78059	ELECTRICAL PLUG	1		
	R78061	PIN CONTACT	1		
17	24H1368	WASHER	1	21/32" X 1-5/16" X 0.090"	
18	AH125910	SOLENOID VALVE	1		

5G8

DIAL-A-MATIC HEADER HEIGHT CONTROL

ELECTRICAL HARNESS
(DIAL-A-MATIC HEADER HEIGHT CONTROL)
HP6924 -UN-18AUG97



HP6924

5G9

DIAL-A-MATIC HEADER HEIGHT CONTROL

**ELECTRICAL HARNESS - CONTINUED
(DIAL-A-MATIC HEADER HEIGHT CONTROL)**

KEY	PART NO.	PART NAME	QTY	SERIAL NO.	REMARKS
1	37M7083	SCREW	1		M8 X 12
2	AH89557	CLIP	2		
3	AH152443	WIRING HARNESS	1		(SUB FOR AH143900 OR AH145022)
4	03M7189	BOLT	3		M8 X 45
	14M7298	FLANGE NUT	3		M8
5	AH89557	CLIP	1		
6	03M7183	BOLT	1		M8 X 16
	14M7298	FLANGE NUT	1		M8
7	H137939	LABEL	1		(IMPORTANT)
8	03M7183	BOLT	1	-675497	M8 X 16
	14M7298	FLANGE NUT	1	-13OC97	M8
9	H134417	BRACKET	1	-13OC97	
10	H146306	PLUG	1		
11	AH128924	WIRING HARNESS	1		PIGTAIL TO CONNECT FEEDER HOUSE AND 200, 50,OR 50A SERIES ETC. ALSO REQUIRES AH89557 CLAMP, 19M7866 SCREW AND 14M7298 NUT
12	H132800	HOSE	1		SLEEVE FOR PROTECTION
13	19M7866	SCREW	1		M8 X 20
14	14M7298	FLANGE NUT	1		M8

MEMORANDA

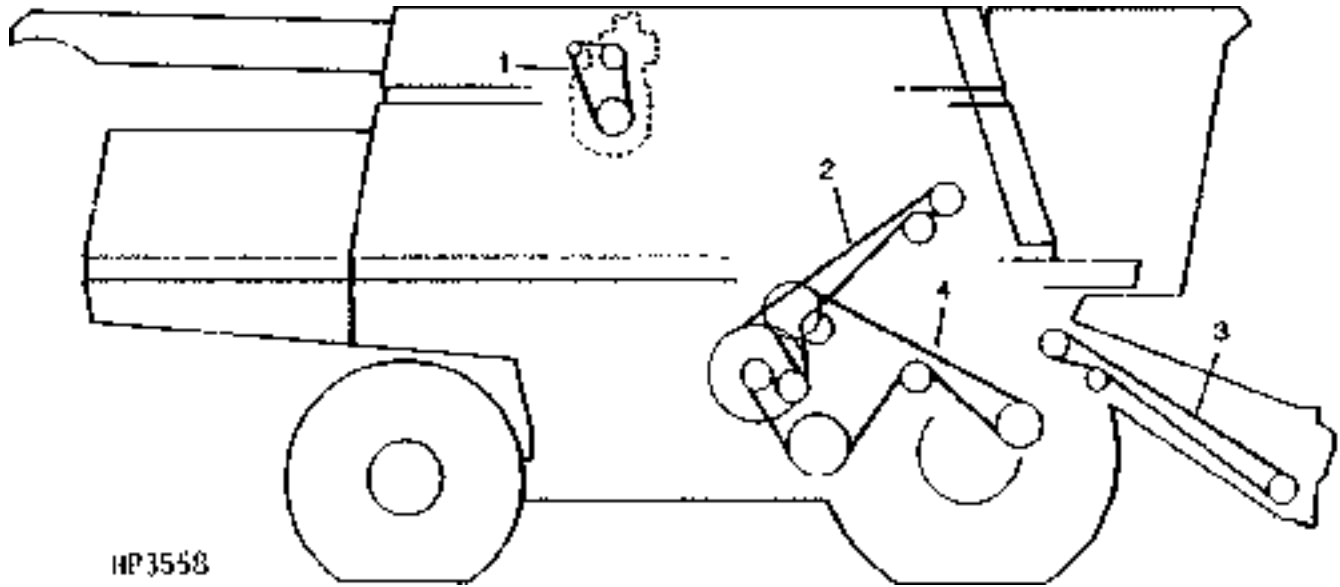
MEMORANDA

5G12

DECALS, BELTS AND CHAINS

ALTERNATOR, SECONDARY COUNTERSHAFT, FEEDER CONVEYOR, SHOE, STRAW WALKER AND CONVEYOR AUGERS

HP3558 -UN-01JAN94



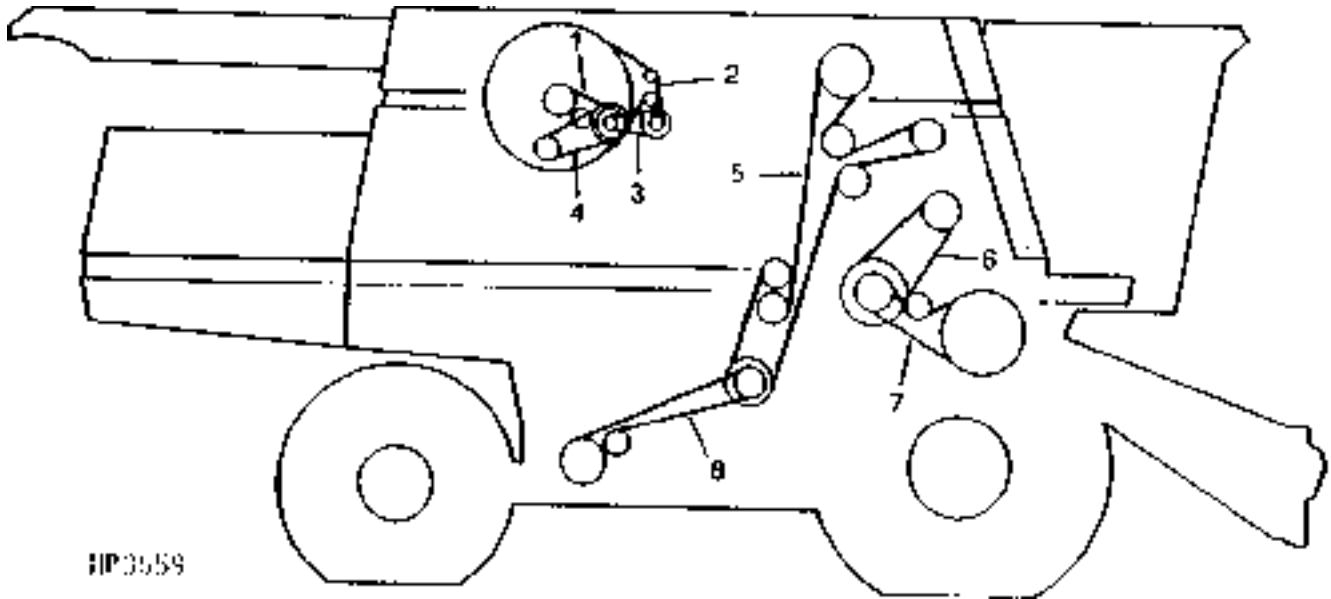
KEY	PART NO.	PART NAME	QTY	SERIAL NO.	REMARKS
1	H163515	BELT	1		
2	H128010	BELT	1		SECONDARY COUNTERSHAFT
3	AH145029	LINK CHAIN	1		FEEDER CONVEYOR CHAIN (ROLLER, TYPE 60, 19MM (3/4"); 219 LINKS
4	H131169	BELT	1		SHOE, STRAW WALKER AND CONVEYOR AUGERS

5G13

DECALS, BELTS AND CHAINS

COOLING FAN, ROTARY SCREEN, AIR CONDITIONING, CLEAN GRAIN ELEVATOR, CYLINDER INTERMEDIATE DRIVE,
CYLINDER DRIVE AND LOWER TAILINGS AUGER AND ELEVATOR

HP3559 -UN-01JAN94



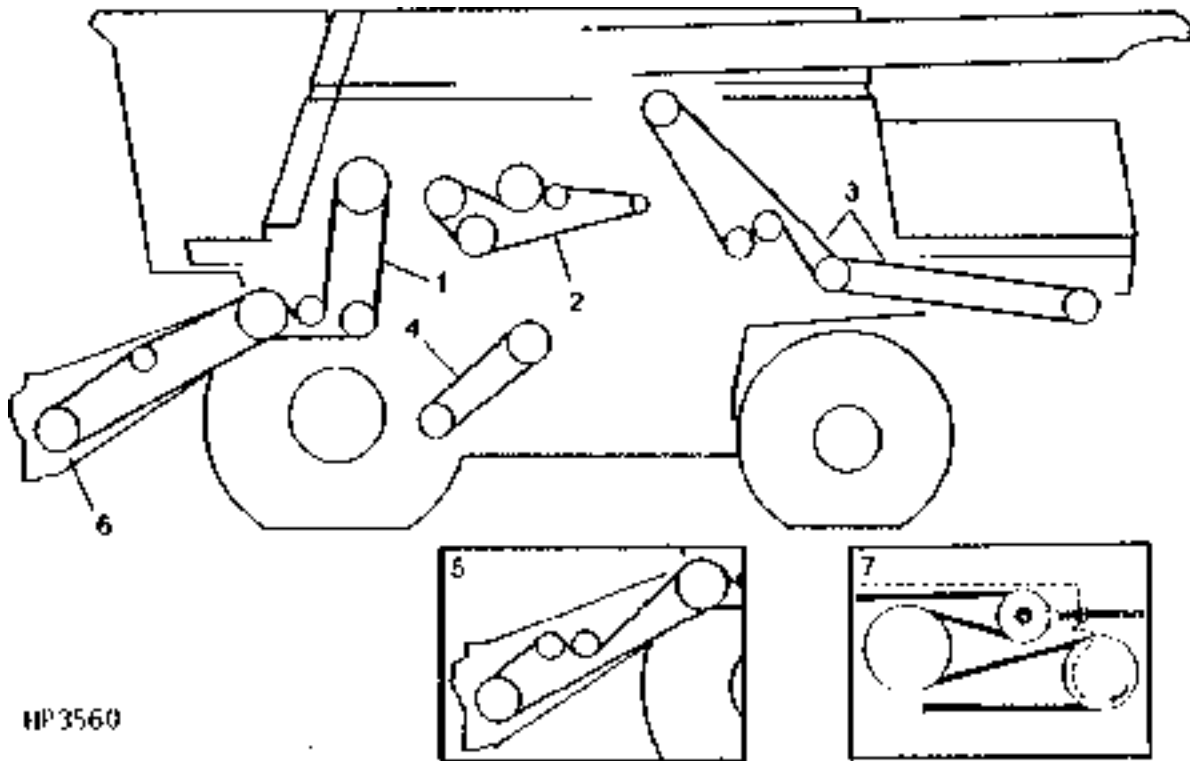
KEY	PART NO.	PART NAME	QTY	SERIAL NO.	REMARKS
1	H153297	BELT	1		COOLING FAN
2	H145158	BELT	1		
3	H146636	BELT	1		
4	H163515	BELT	1		
5	H160171	BELT	1		CLEAN GRAIN ELEVATOR
6	H162629	BELT	1		(SUB FOR H115759)
7	H115881	BELT	1		CYLINDER DRIVE REGULAR DUAL-RANGE AND SINGLE RANGE
	H118618	BELT	1		CYLINDER DRIVE SLOW SPEED
8	N110085	BELT	1		LOWER TAILINGS AUGER AND ELEVATOR

5G14

DECALS, BELTS AND CHAINS

HEADER AND REEL PUMP, UNLOADING AUGERS, STRAW CHOPPER, CLEANING FAN, FEEDER HOUSE AND STRAW SPREADER (LEFT-HAND DRIVES)

HP3560 -UN-01JAN94



HP 3560

KEY	PART NO.	PART NAME	QTY	SERIAL NO.	REMARKS
1	H151952	BELT	1		
2	AH126837	LINK CHAIN	1		ROLLER, TYPE 60H - 19 MM (3/4") PITCH, 198 LINKS (REGULAR SPEED)
	AH146359	LINK CHAIN	1		ROLLER, TYPE 60H - 19 MM (3/4") PITCH, 206 LINKS (SLOW DOWN SPEED)
3	H125380	BELT	1		FRONT
	H23950	BELT	1		CHOPPER IN WINDROW OR FORWARD POSITION
	H22529	BELT	1		CHOPPER IN WINDROW OR FORWARD POSITION (FINE CUT)
	H125381	BELT	1		CHOPPER IN REAR (OPERATING) POSITION
	H157726	BELT	1		FRONT (FINE CUT)
4	H152146	BELT	1		REGULAR
	H152180	BELT	1		SLOW SPEED
5	H126345	BELT	1		FIXED SPEED FEEDER HOUSE WITH REVERSER
6	H161648	BELT	1		
7	H128234	BELT	1		STRAW SPREADER

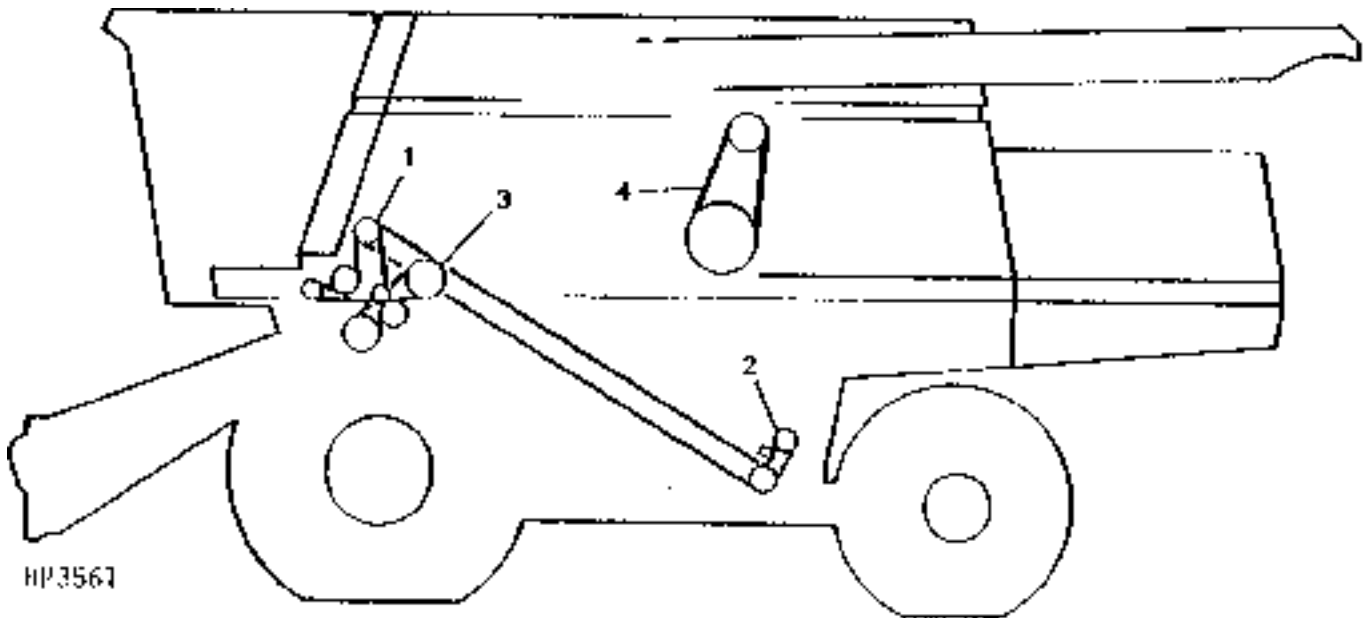
5G15

DECALS, BELTS AND CHAINS

TAILINGS AUGER, BEATER AND UNLOADING SYSTEM BELTS AND CHAINS

LEFT-HAND SIDE

HP3561 -UN-01JAN94

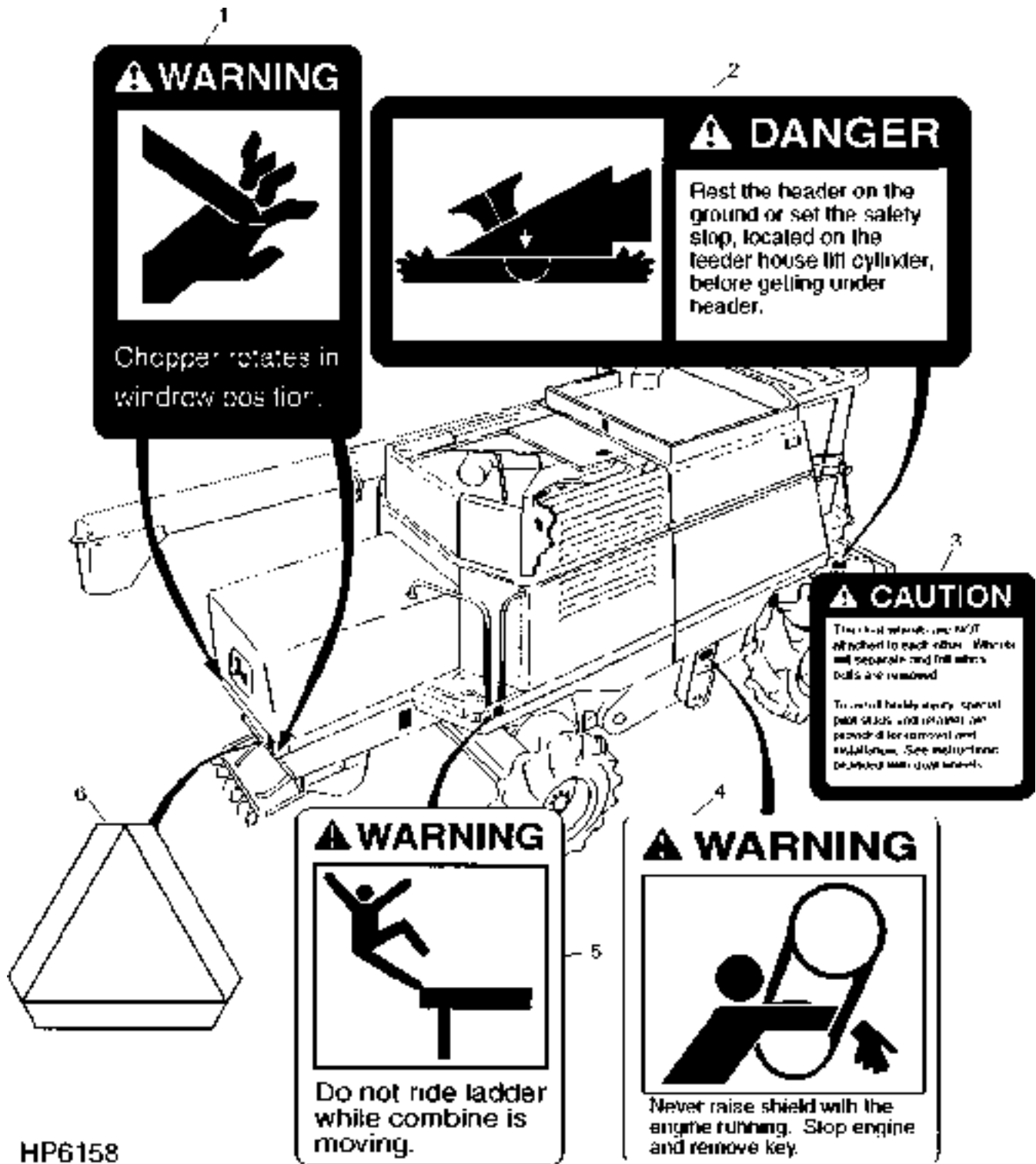


KEY	PART NO.	PART NAME	QTY	SERIAL NO.	REMARKS
1	ROLLER CHAIN	1		UPPER TAILINGS AUGER. ROLLER, TYPE 50, 16MM (5/8") PITCH, 123 LINKS, (ASSEMBLE FROM AH18482 OR AP22459 AND (1) P20351)
2	ROLLER CHAIN	1		LOWER TAILINGS AUGER. ROLLER, TYPE 50, 16MM (5/8") PITCH, 43 LINKS. (ASSEMBLE FROM AN18482 OR AP22459, (1) P20351 AND (1) P20352)
3	AH139436 AH163931	BELT SET BELT	1 1		FOR 100° BEATER DRIVE (SUB FOR AH131960) FOR 75° BEATER DRIVE
4	AH158880	BELT SET	1		(SUB FOR AH127866) UNLOADING SYSTEM

5G16

DECALS, BELTS AND CHAINS

SAFETY DECALS AND LOCATIONS
HP6158 -19-09JAN96



5G17

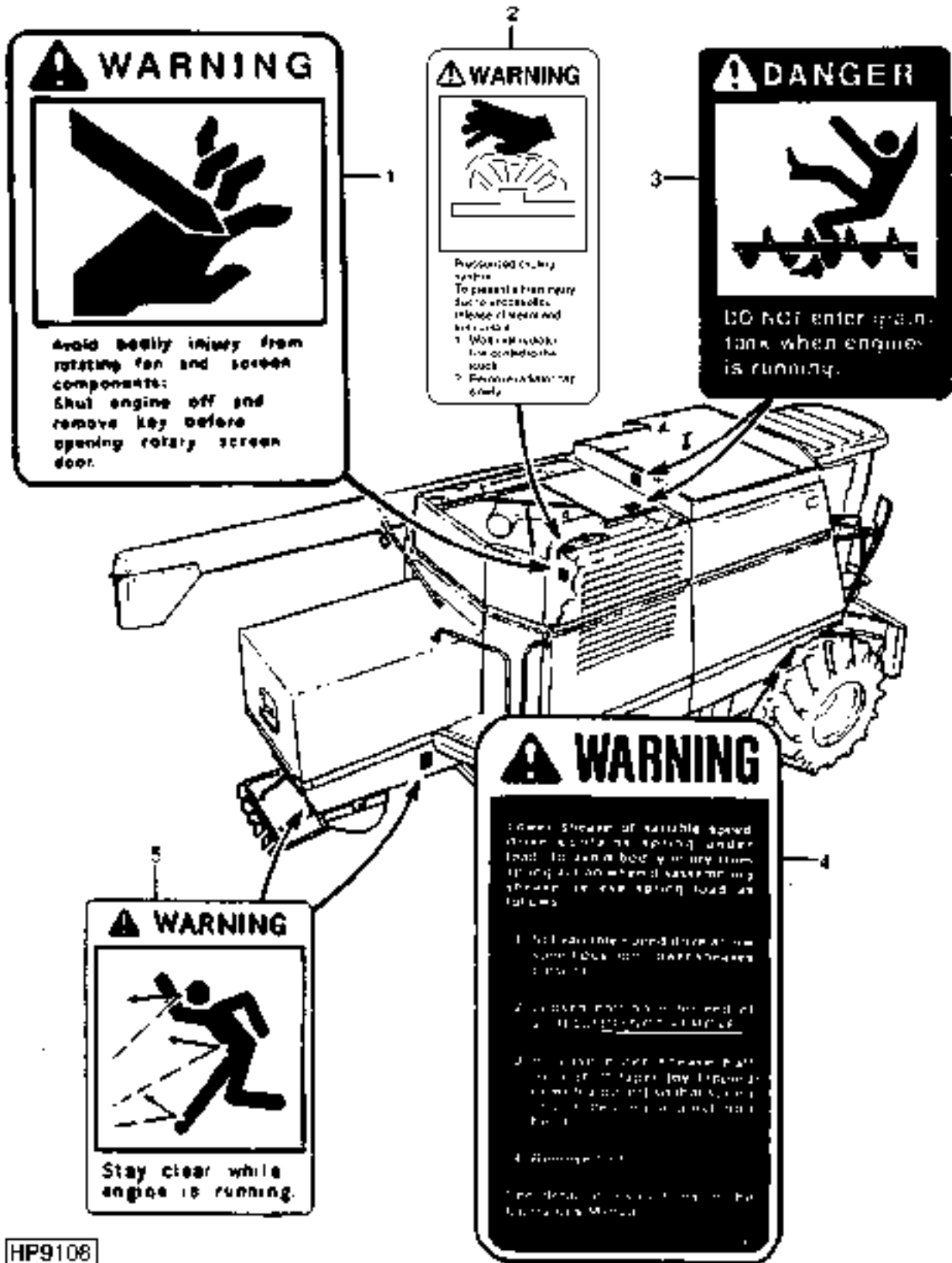
DECALS, BELTS AND CHAINS

SAFETY DECALS AND LOCATIONS - CONTINUED

KEY	PART NO.	PART NAME	QTY	SERIAL NO.	REMARKS
1	H149102	DECAL	1		CHOPPER
2	H149063	LABEL	1		HEADER
3	H122573	DECAL	1	-676080	DUAL WHEELS
	H158975	DECAL	1	676081-	
4	H149099	DECAL	1		CLEAN GRAIN ELEVATOR
5	H149064	LABEL	1		LADDER
6	JD5400	SMV EMBLEM	1	-676080	SMV (SLOW MOVING VEHICLE)
	JD5927	SMV EMBLEM	1	676081-	SMV (SLOW MOVING VEHICLE)

5G18

SAFETY DECALS AND LOCATIONS
HP9108 -UN-04JAN99



HP9108

5G19

DECALS, BELTS AND CHAINS

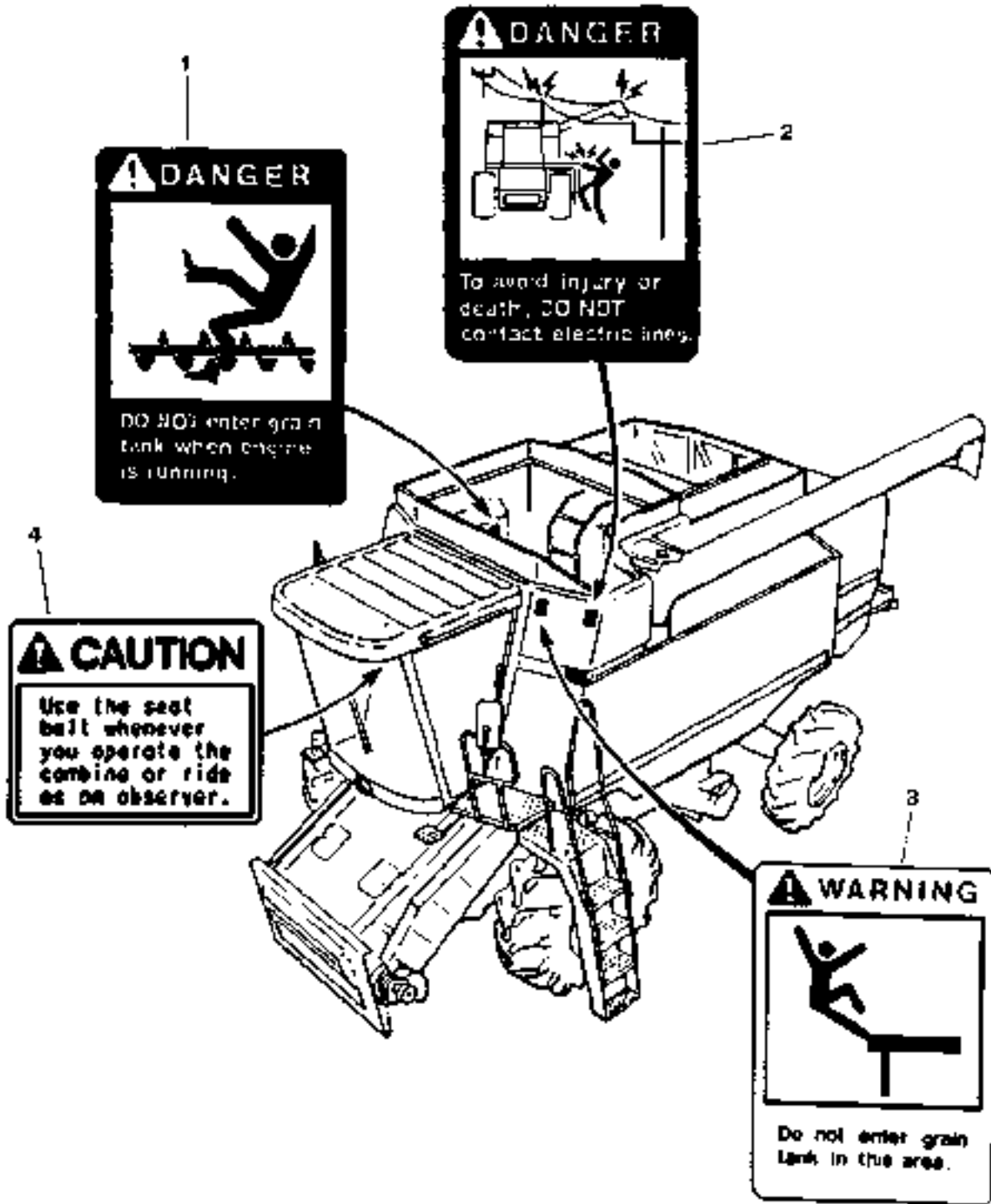
SAFETY DECALS AND LOCATIONS - CONTINUED

KEY	PART NO.	PART NAME	QTY	SERIAL NO.	REMARKS
1	H149088	DECAL	1		FAN AND ROTARY SCREEN
2	H169344	DECAL	1		(SUB FOR A2913R) PRESSURE COOLING SYSTEM
3	H149062	DECAL	2		GRAIN TANK
4	H149037	DECAL	1		VARIABLE CYLINDER DRIVE
5	H149096	LABEL	2		PROJECTILE

5G20

DECALS, BELTS AND CHAINS

SAFETY DECALS AND LOCATIONS
HP7115 -UN-15SEP97



HP7115

5G21

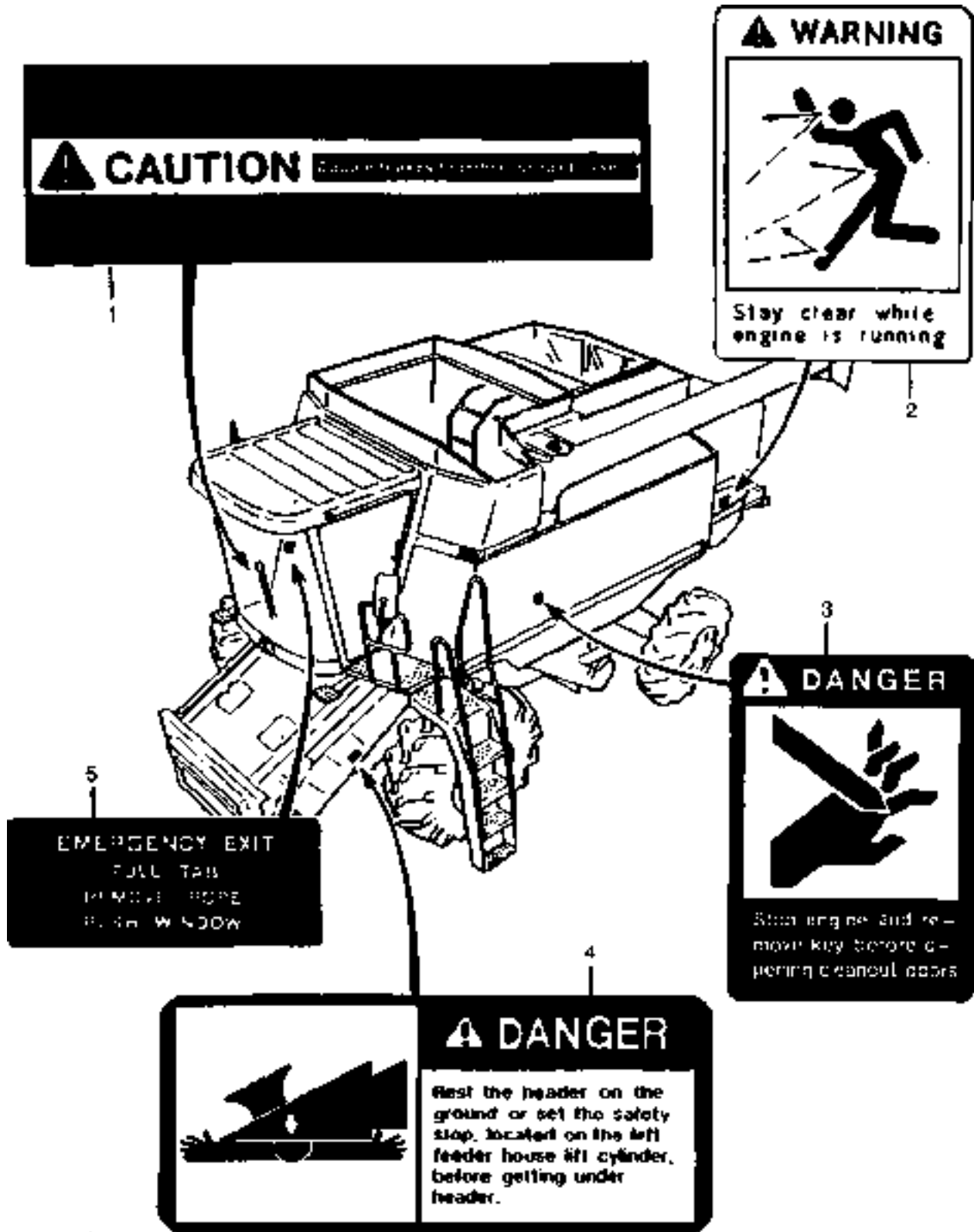
DECALS, BELTS AND CHAINS

SAFETY DECALS AND LOCATIONS - CONTINUED

KEY	PART NO.	PART NAME	QTY	SERIAL NO.	REMARKS
1	H149062	DECAL	1		GRAIN TANK
2	H149090	LABEL	1		POWERLINE
3	H149065	LABEL	2		FRONT ENTRY
4	H155510	SIGN	1		SEATBELT

5G22

SAFETY DECALS AND LOCATIONS
HP6162 -19-07SEP95




HP6162

5G23

DECALS, BELTS AND CHAINS

SAFETY DECALS AND LOCATIONS - CONTINUED

KEY	PART NO.	PART NAME	QTY	SERIAL NO.	REMARKS
1	H149068	LABEL	1		BRAKE
2	H149096	LABEL	1		PROJECTILE
3	H149066	LABEL	1		AUGER
4	H149063	LABEL	1		HEADER
5	H134535	LABEL	1		EXIT



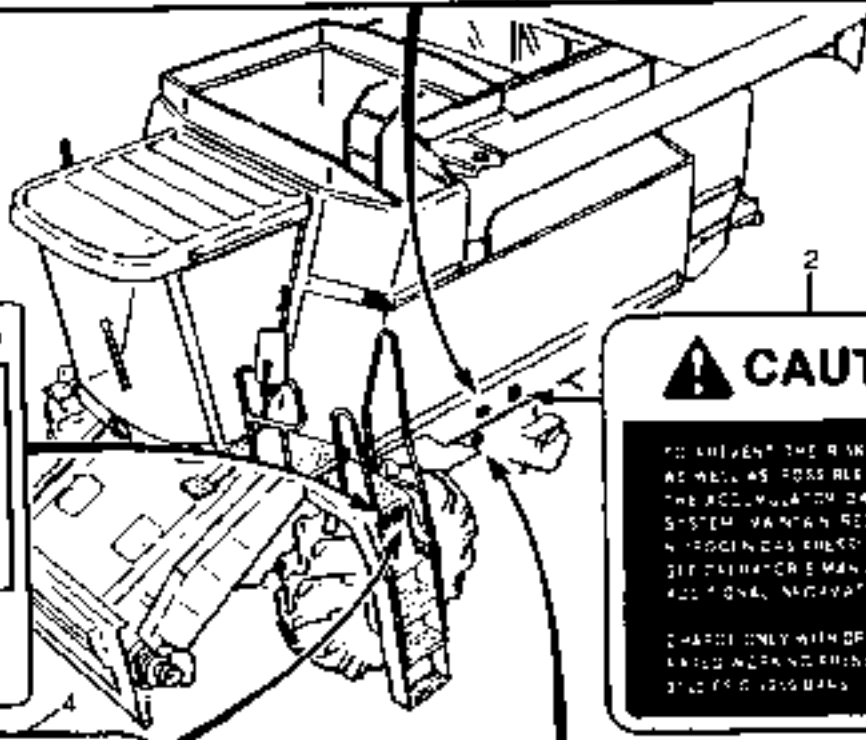
⚠ WARNING

Avoid bodily injuries from hydraulic oil and gas under pressure.

Before removing or charging accumulator

1. With feederhouse or header on the ground or in a supported position, open hand valve
2. Start engine and hold header height control to lower position for 5 seconds to relieve system hydraulic pressure
3. Stop engine.

Use only DRY NITROGEN for recharging accumulator
See your John Deere dealer



⚠ WARNING



Do not ride ladder while combine is moving.

⚠ CAUTION

TO PREVENT THE RISK OF INJURY AS WELL AS POSSIBLE DAMAGE TO THE ACCUMULATOR OR HYDRAULIC SYSTEM, MAINTAIN RECOMMENDED NITROGEN GAS PRESSURE. SEE OPERATOR'S MANUAL FOR ADDITIONAL INFORMATION.

CHARGE ONLY WITH DRY NITROGEN. EXCEEDING WORKING PRESSURE IS DANGEROUS TO LIFE.

⚠ CAUTION

1. Keep all shields in place.
2. Disconnect and shut off all auxiliary and/or motor power before servicing or adjusting John Deere machine.
3. Keep hands, feet and clothing away from moving or hot parts.

⚠ WARNING



Never raise shield with the engine running. Stop engine and remove key.

HP6163

5G25

DECALS, BELTS AND CHAINS

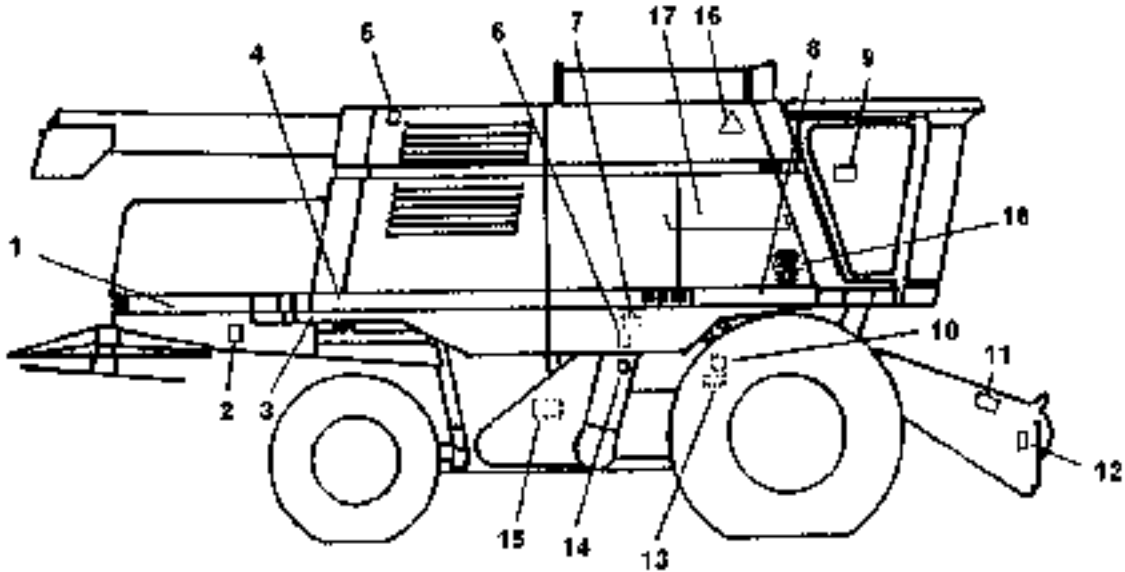
SAFETY DECALS AND LOCATIONS - CONTINUED

KEY	PART NO.	PART NAME	QTY	SERIAL NO.	REMARKS
1	H149067	LABEL	1		ACCUMULATOR
2	H149092	LABEL	1		ACCUMULATOR
3	H149099	DECAL	1		CLEAN GRAIN ELEVATOR
4	E82510	LABEL	1		SEPARATOR
5	H149064	LABEL	1		LADDER

5H1

DECALS, BELTS AND CHAINS

RIGHT-HAND DECALS
HP7630 -UN-17SEP98



HP7630

KEY	PART NO.	PART NAME	QTY	SERIAL NO.	REMARKS
1	H162066	LABEL	1		ON R.H. REAR HOOD
2	H149096	LABEL	1		"PROJECTILE WARNING" ON R.H. REAR HOOD
3	H149064	LABEL	1		"LADDER WARNING" ON INSIDE OF R.H. ENGINE ACCESS DOOR
4	H162061	LABEL	2		"JOHN DEERE" ON R.H. SERVICE ACCESS SHIELD
5	H144692	LABEL	1		"ROTARY SCREEN BELT" ON RADIATOR FRAME
6	H139392	LABEL	1		"CLEAN GRAIN ELEVATOR BELT" ON LOWER CLEAN GRAIN ELEVATOR
7	H139393	LABEL	1		"SHOE, WALKER, CONVEYOR AUGER BELT" ON CLEAN GRAIN ELEVATOR
8	H162074	LABEL	1		"9600" ON R.H. SERVICE ACCESS SHIELD
9	H134535	LABEL	1		"EMERGENCY EXIT" ON R.H. CAB GLASS
10	H149037	DECAL	1		"WARNING" ON FRONT HALF OF CLEAN GRAIN ELEVATOR
11	H149063	LABEL	1		"HEADER DANGER" ON FEEDERHOUSE AND SHIELD
12	H123351	LABEL	2		"FEEDER DRUM HEIGHT ADJUSTMENT" ON FEEDER HOUSE
13	H114270	DECAL	1		(DUAL RANGE) ON R.H. FRONT WALKER COVER
14	H149099	DECAL	1		"WARNING" ON FRONT HALF OF CLEAN GRAIN ELEVATOR
15	H155000	LABEL	1		R.H. "LUBE CHART" (DUAL RANGE) FRENCH
	H155154	LABEL	1		R.H. "LUBE CHART" (SINGLE RANGE)
	H155153	LABEL	1		R.H. "LUBE CHART" (DUAL RANGE)
16	H163216	LABEL	1		COMBINES WITH GREENSTAR
17	H162084	LABEL	1		R.H. MAXIMIZER
18	H159712	SERIAL NUMBER PLATE	1		50TH ANNIVERSARY

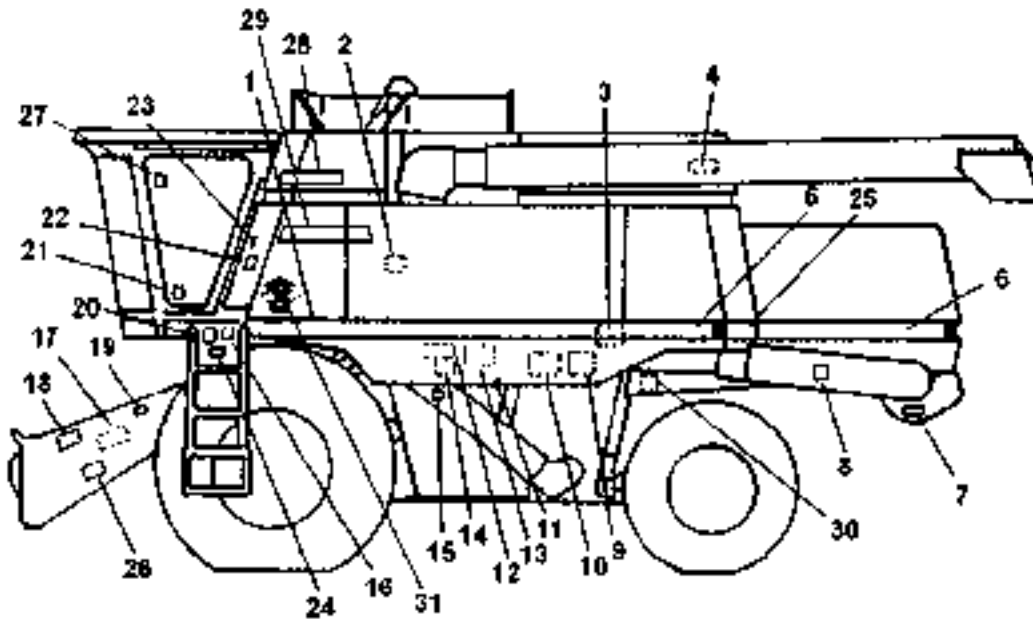
THIS PARTS LISTING IS CONTINUED

MEMORANDA

5H2

DECALS, BELTS AND CHAINS

LEFT-HAND DECALS
HP7633 -UN-17SEP98



HP7633

5H3

DECALS, BELTS AND CHAINS

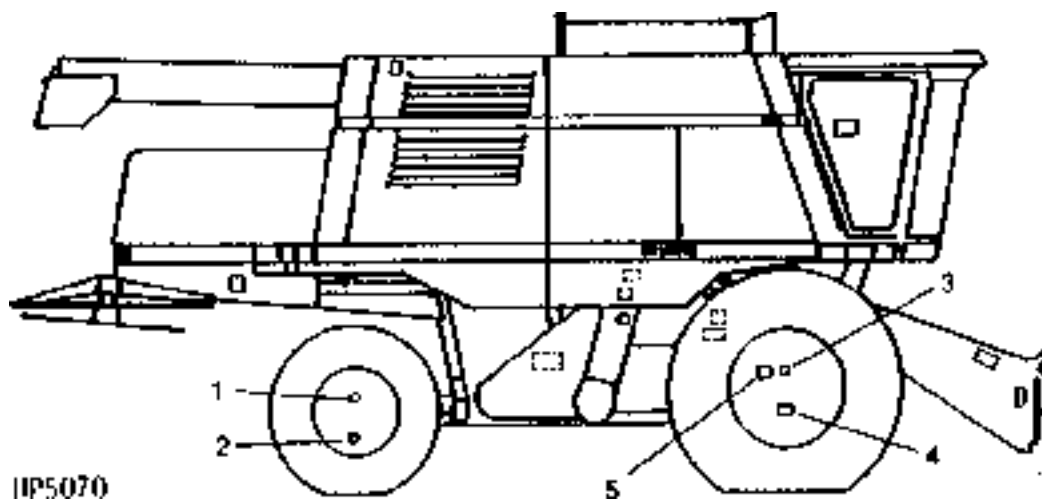
LEFT-HAND DECALS - CONTINUED

KEY	PART NO.	PART NAME	QTY	SERIAL NO.	REMARKS
1	H162075	LABEL	1		"9600" ON L.H. SERVICE ACCESS SHIELD
2	H149066	LABEL	1		"AUGER WARNING" ON UNLOADING ARM
	H149078	LABEL	1		(FRENCH) "AUGER WARNING" ON UNLOADING ARM
3	H141343	LABEL	1		HYDRAULIC RESERVOIR LABEL ON R.H. SIDE OF HYDRAULIC RESERVOIR
4	H110923	LABEL	1		HYDRAULIC RESERVOIR
5	H162061	LABEL	1		"STYLING PANEL" CENTERED ON L.H. SIDE OF REAR HOOD
6	H162065	LABEL	2		CHOPPER POSITION - ON EACH SIDE
8	H149096	LABEL	1		"PROJECTILE WARNING"
	H149097	LABEL	1		(FRENCH) "PROJECTILE WARNING" ON R.H. REAR HOOD
9	H128315	LABEL	1		"DIAGNOSTIC PORTS" ON INSIDE OF LOWER REAR CORNER OF LH SERVICE ACCESS SHIELD
	H129099	LABEL	1		(FRENCH) "DIAGNOSTIC PORTS" ON INSIDE OF LOWER REAR CORNER OF LH SERVICE ACCESS SHIELD
10	H150763	LABEL	1		
11	H80796	DECAL	1		"VARIABLE SPEED FAN HANDWHEEL" ON VARIABLE SPEED FAN WHEEL
12	H132811	LABEL	1		"ACCUMULATOR DECAL" ON L.H. SIDE SHEET
	H135132	LABEL	1		(FRENCH) "ACCUMULATOR DECAL" ON L.H. SIDE SHEET
13	H149092	LABEL	2		"CAUTION" ON ACCUMULATOR
14	H149079	LABEL	1		(FRENCH) "WARNING" ON MID SILL
15	H149099	DECAL	1		"WARNING ON FRONT HALF OF CLEAN GRAIN ELEVATOR
	H149100	LABEL	1		(FRENCH) "WARNING" ON FRONT OF TAILINGS ELEVATOR
16	H165245	LABEL	1		"TIRE LOADING" ON CAB LADDER
	H173336	LABEL	1		(SUB FOR H127325, H127326 OR H127327) (FRENCH) "TIRE LOADING"
17	H160701	LABEL	1		"FEEDER HOUSE CHAIN ADJUSTMENT"
18	H137939	LABEL	1		"HARNESS AND HOSE STORAGE" ON L.H. DRIVE SHIELD
	H137940	LABEL	1		(FRENCH) "HARNESS AND HOSE STORAGE" ON L.H. DRIVE SHIELD
19	H126397	LABEL	1		"VARIABLE SPEED DRIVE" ON SIDE OF FEEDER HOUSE SHIELD
20	H149064	LABEL	1		"LADDER WARNING" ON INSIDE OF R.H. ENGINE ACCESS DOOR
21	H173824	LABEL	1		(SUB FOR H149080) (FRENCH) "BRAKE" ON GEARSHIFT
22	H149063	LABEL	1		"HEADER DANGER" ON FEEDERHOUSE AND SHIELD
23	H136583	LABEL	1		(FRENCH) ON INSIDE WALL OF FILTER TRAY, BEHIND CAB SEAT
24	E82510	LABEL	1		"CAUTION" ON CAB LADDER
	JD5127	DECAL	1		(SUB E82575) (FRENCH) "CAUTION" ON CAB LADDER
25	H162064	LABEL	1		"JOHN DEERE" ON L.H. SERVICE ACCESS SHIELD
26	H149063	LABEL	1		"HEADER DANGER" ON FEEDERHOUSE AND SHIELD
27	H160459	LABEL	1	-XXXXXX	"ROAD CORROSION"
28	H163216	LABEL	1		L.H. (GREENSTAR)
29	H163215	LABEL	1		L.H. MAXIMIZER
30	H169764	DECAL	1		
31	H159712	SERIAL NUMBER PLATE	1		50TH ANNIVERSARY
..	AH135254	LABEL KIT	1		FRENCH DECAL KIT

5H4

FRONT AND REAR WHEEL DECALS

HP5070 -UN-01JAN94



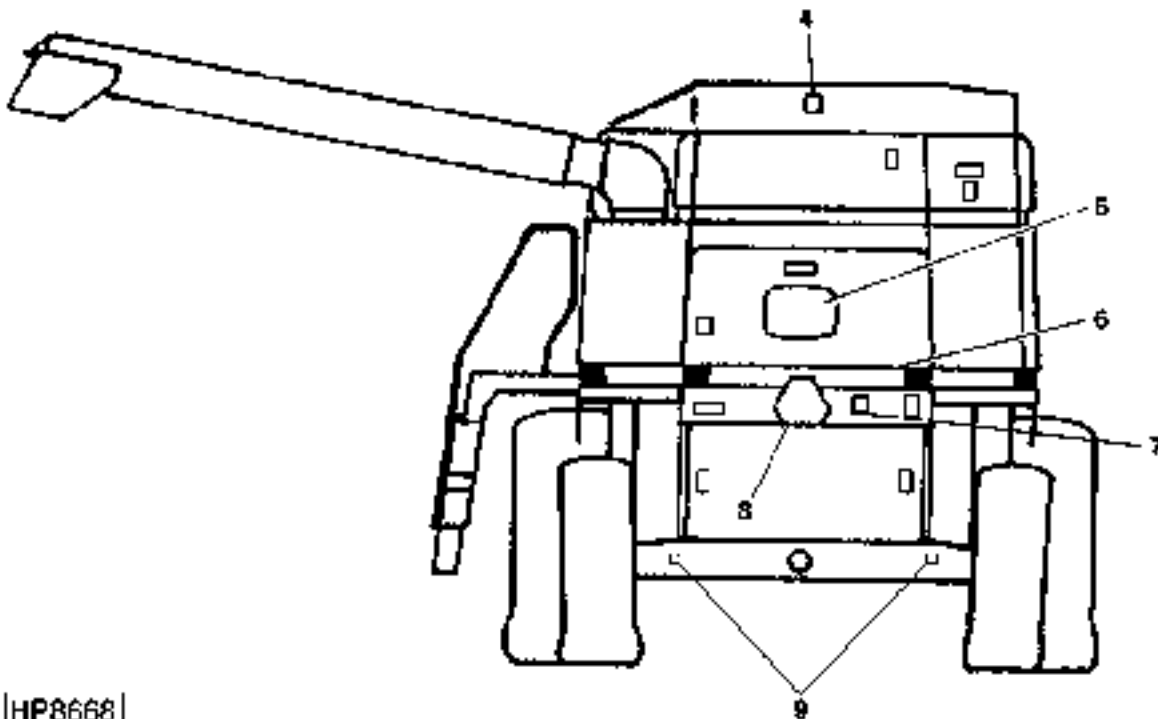
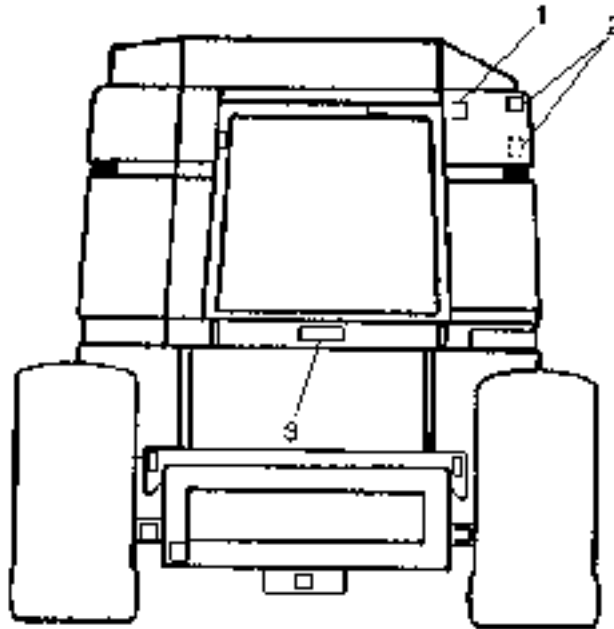
5H5

FRONT AND REAR WHEEL DECALS - CONTINUED

KEY	PART NO.	PART NAME	QTY	SERIAL NO.	REMARKS
1	H145995	LABEL	2		"IMPORTANT" WHEEL BOLT TORQUE 205 NM (150 LB-FT), REAR WHEELS
	H150646	DECAL	2		"IMPORTANT" 15 PSI (103 KPA) (28L X 26-10 OR 12 PLY TIRE) (68 X 50-32 16 PLY TIRE)
	H174266	LABEL	2		(SUB FOR H151575) "IMPORTANT" ON AXLE STOP (28L X 26-10 OR 12 PLY TIRE)
2	H111541	LABEL	2		"IMPORTANT" TIRE PRESSURE - 40 PSI (275 KPA) ON WHEEL NEAR VALVE STEM
	H140709	LABEL	2		"IMPORTANT" TIRE PRESSURE - 26 PSI (180 KPA) ON WHEEL NEAR VALVE STEM
	H108604	LABEL	2		"IMPORTANT" TIRE PRESSURE - 20 PSI (140 KPA) ON WHEEL NEAR VALVE STEM
3	H134442	LABEL	2		"WHEEL BOLT TORQUE" ON WHEEL NEAR RING
	H139603	LABEL	2		"WHEEL BOLT TORQUE" ON WHEEL NEAR RING
4	H108605	LABEL	2		"TIRE PRESSURE" 24 PSI (165 KPA) ON WHEEL NEAR VALVE STEM
	H140711	LABEL	2		"TIRE PRESSURE" 36 PSI (250 KPA) ON WHEEL NEAR VALVE STEM
	H116640	LABEL	2		"TIRE PRESSURE" 32 PSI (220 KPA) ON WHEEL NEAR VALVE STEM
	H108604	LABEL	2		"TIRE PRESSURE" 20 PSI (140 KPA) ON WHEEL NEAR VALVE STEM
	H140709	LABEL	2		"TIRE PRESSURE" 26 PSI (180 KPA) ON WHEEL NEAR VALVE STEM
	H145627	DECAL	2		"TIRE PRESSURE" 42 PSI (300 KPA) ON WHEEL NEAR VALVE STEM
5	H122573	DECAL	2	-676080	"CAUTION" REMOVING DUAL WHEELS
	H158975	DECAL	2	676081-	

5H6

FRONT AND REAR DECALS
HP8668 -UN-21JUN99



HP8668

5H7

DECALS, BELTS AND CHAINS

FRONT AND REAR DECALS - CONTINUED

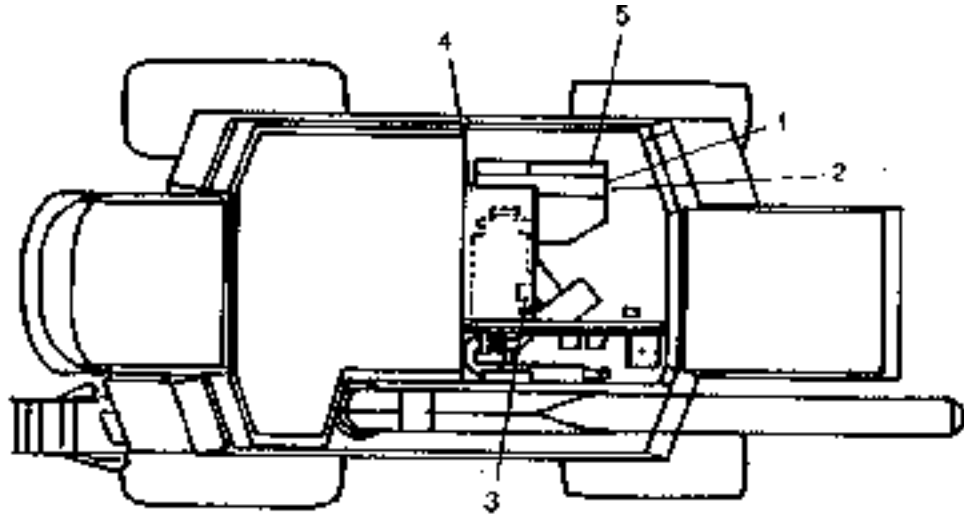
KEY	PART NO.	PART NAME	QTY	SERIAL NO.	REMARKS
1	H149090	LABEL	1		"DANGER" ON ACCESS DOOR
2	H149065	LABEL	2		"WARNING" ONE ON OUTSIDE OF ACCESS DOOR AND ONE ON INSIDE OF ACCESS DOOR
3	H136158	LABEL	1		"LEAPING DEER" ON FRONT SHIELD
4	H149062	DECAL	1		"DANGER" ON REAR GRAIN TANK EXTENSION
5	JD5592	DECAL	1		"LEAPING DEER" CENTERED ON UPPER REAR HOOD
6	H162076	LABEL	1		"STYLING LABEL" BETWEEN LIGHTS ON REAR HOOD
7	H149096	LABEL	1		"PROJECTILE WARNING" ON R.H. REAR HOOD
8	H134667	DEFLECTOR	1		ON SPREADER OR LOWER REAR HOOD
9	H170211	SIGN	2		INSTRUCTION (HOSE AJUSTMENT)

5H8

DECALS, BELTS AND CHAINS

TOP DECALS

HP3551 -UN-01JAN94



1000000

KEY	PART NO.	PART NAME	QTY	SERIAL NO.	REMARKS
1	H137201	DECAL	1		ON REAR SHEET OF RADIATOR MOUNTING FRAME
2	H149088	DECAL	1		"WARNING" FAN & ROTARY SCREEN
3	H86896	DECAL	1		ON ENGINE STARTING AID UNIT TO REAR OF OF MACHINE
4	H149062	DECAL	1		"DANGER" ON REAR GRAIN TANK EXTENSION
5	H169344	DECAL	1		(SUB FOR A2913R) ON TOP OF RADIATOR

1K12

9610 MAXIMIZER™ COMBINE

NUMERICAL INDEX

PART NO.	GRID	KEY	PAGE	PART NO.	GRID	KEY	PAGE	PART NO.	GRID	KEY	PAGE
AA27536	1F21	10	40-7	AH106612	1G4	12	40-15	AH116105	3D3	7	70-48
AA27536	2G2	23	60-19	AH106612	1I17	5	40-81	AH116105	3E16	9	70-89
AA27536	3I8	10	90-31	AH106612	1J10	5	40-99	AH116110	1G10	5	40-21
AA27536	3J17	23	90-67	AH106933	2B13	17	50-5	AH116123	1E24	3	30-3
AA5607R	1B12	15	20-7	AH106982	1E24	20	30-3	AH116232	4C21	16	110-41
AA5607R	4I2	12	121-33	AH108080	3B10	2	70-3	AH116313	3I21	1	90-45
AA5607R	4I8	14	121-39	AH108161	4B10	17	110-3	AH116390	5F23	3	130-60
AA5607R	4I20	10	121-51	AH108299	3H17	4	90-15	AH116632	3C8	18	70-27
AA5607R	4J4	3	121-59	AH108299	5E19	29	130-29	AH116902	1G2	4	40-13
AA5607R	4J8	17	121-63	AH108380	1F19	24	40-5	AH116902	2G2	40	60-19
AA5607R	4J10	17	121-65	AH108380	1F21	15	40-7	AH116902	3J17	40	90-67
AA5607R	4J12	33	121-67	AH108380	3B10	10	70-3	AH117067	3J10	1	90-59
AA5607R	4J14	33	121-69	AH108380	3I8	15	90-31	AH117265	5B9	1	125-3
AA5607R	5D2	11	125-43	AH108801	4H20	5	121-27	AH117276	5D19	28	130-3
AA5607R	5E13	12	130-23	AH108813	4I2	5	121-33	AH117301	1H25	19	40-63
AB18206	3B10	3	70-3	AH108816	2G2	2	60-19	AH117301	4H2	20	121-9
AB5070R	4H12	21	121-19	AH108816	3J17	2	90-67	AH117418	2E20	15	50-91
AC11779	5C23	10	125-38	AH10888	1B8	16	20-3	AH117566	2G13	5	60-30
AC11779	5D23	10	130-7	AH109056	4H20	43	121-27	AH117643	4G23	6	121-5
AC14974	5C23	10	125-38	AH109120	1G4	11	40-15	AH117662	2H4	4	60-47
AC14974	5D23	10	130-7	AH109120	1G4	18	40-15	AH117782	1C1	3	20-21
AC15595	1F8	3	30-11	AH109120	1G4	25	40-15	AH118337	2E12	11	50-83
AD2062R	1H25	1	40-63	AH109120	1G4	28	40-15	AH118337	2E14	10	50-85
AE22622	4J10	8	121-65	AH109555	1F15	6	40-1	AH118337	3D2	1	70-47
AE22622	4J14	38	121-69	AH109788	1B10	9	20-5	AH118993	5F22	8	130-59
AE23516	4D12	4	110-57	AH11015	5C4	6	125-19	AH119092	2E4	7	50-75
AE23791	3I12	18	90-35	AH110674	3I21	2	90-45	AH119770	4J12	18	121-67
AE23791	4B14	18	110-7	AH110887	4H20	31	121-27	AH119770	4K2	9	121-81
AE26118	1B14	3	20-9	AH111704	1G4	13	40-15	AH120160	3E4	7	70-77
AE26118	4F8	3	120-45	AH111705	1G4	23	40-15	AH120216	3F16	8	80-15
AE27909	4C17	11	110-37	AH111970	4I10	26	121-41	AH120419	3I5	4	90-28
AE30624	4J12	26	121-67	AH111971	4I14	4	121-45	AH120444	1F21	11	40-7
AE30624	4J14	26	121-69	AH112169	1G4	19	40-15	AH120444	3I8	11	90-31
AE38021	3D10	37	70-57	AH112169	1G4	21	40-15	AH120445	1F21	13	40-7
AE38448	4I4	21	121-35	AH112189	1I11	8	40-75	AH120445	3I8	13	90-31
AE38734	3D10	16	70-57	AH112284	2G16	5	60-34	AH120446	3I5	5	90-28
AE41319	3D3	11	70-48	AH112401	2C9	2	50-26	AH120501	4D19	1	120-3
AE42998	5E11	6	130-21	AH112401	2E4	4	50-75	AH120541	3H19	6	90-17
AE44392	1H4	15	40-41	AH112402	2C9	2	50-26	AH120546	3J21	10	90-71
AE44392	1H4	23	40-41	AH112435	5F15	3	130-51	AH120547	3J21	19	90-71
AE44392	1H6	15	40-43	AH112668	2D4	28	50-47	AH120570	1F21	5	40-7
AE44392	1H10	13	40-47	AH112675	2D4	29	50-47	AH120570	3I8	5	90-31
AE44927	1G23	8	40-35	AH112678	2D4	35	50-47	AH120736	2C8	7	50-25
AE44929	1J10	13	40-99	AH112678	2D4	35	50-47	AH120737	4G25	32	121-7
AE44930	1G21	6	40-33	AH112678	2D9	18	50-53	AH120815	1B12	5	20-7
AE44930	1G21	10	40-33	AH112680	2D4	13	50-47	AH120819	1B14	5	20-9
AE44930	1G21	11	40-33	AH112883	4H20	16	121-27	AH120871	2G12	16	60-29
AE44930	1H25	21	40-63	AH113139	4H24	11	121-31	AH120875	2G12	17	60-29
AE44931	1G21	8	40-33	AH113292	1H22	1	40-60	AH120887	3H11	1	90-9
AE44931	1J10	12	40-99	AH113301	3I23	13	90-47	AH120890	3H11	7	90-9
AE50072	4D12	6	110-57	AH113392	5F11	10	130-47	AH120891	3H11	5	90-9
AE50995	3D10	35	70-57	AH114359	4G14	14	120-75	AH120907	4I4	10	121-35
AE50995	3D13	24	70-60	AH115281	2B11	1	50-3	AH121007	4I2	27	121-33
AF1466R	4H20	46	121-27	AH115487	2B11	15	50-3	AH121007	5D13	3	125-55
AH101202	2G13	22	60-30	AH115639	1B8	29	20-3	AH121009	4E2	10	120-11
AH104259	1G4	2	40-15	AH115797	1F19	5	40-5	AH121009	4E11	10	120-21
AH104783	4I8	19	121-39	AH115833	3I5	1	90-28	AH121009	4E23	21	120-33
AH104783	4I16	12	121-47	AH115836	3J21	8	90-71	AH121009	4H16	10	121-23
AH105040	4B12	23	110-5	AH115943	1I17	1	40-81	AH121009	5D13	5	125-55
AH106010	3H15	1	90-13	AH116006	3E4	9	70-77	AH121009	5D15	1	125-57
AH106010	3H15	2	90-13	AH116104	1G25	16	40-37	AH121009	5D15	5	125-57
AH106096	5F22	18	130-59	AH116104	1H2	16	40-39	AH121046	5D7	21	125-49
AH106110	4I4	7	121-35	AH116104	1H10	5	40-47	AH121047	5C18	31	125-33
AH106296	3B24	1	70-17	AH116104	1J12	12	40-101	AH121190	1G4	8	40-15
AH106296	4I4	21	121-35	AH116104	2C6	25	50-23	AH121340	2G2	29	60-19
AH106606	5F17	11	130-53	AH116104	4K6	17	121-85	AH121340	3J17	29	90-67
AH106612	1G2	7	40-13	AH116105	1H19	1	40-57	AH121475	1H25	10	40-63
AH106612	1G2	7	40-13	AH116105	1H21	22	40-59				

NUMERICAL INDEX - CONTINUED

PART NO.	GRID	KEY	PAGE	PART NO.	GRID	KEY	PAGE	PART NO.	GRID	KEY	PAGE
AH121475	1I2	3	40 - 65	AH125193	4H14	37	121 - 21	AH125958	3I10	17	90 - 33
AH121580	2C2	18	50 - 19	AH125193	4H14	39	121 - 21	AH125969	4G2	9	120 - 63
AH121605	3C12	4	70 - 31	AH125193	4H14	40	121 - 21	AH125969	4G8	12	120 - 69
AH121643	3B16	6	70 - 9	AH125201	4G2	12	120 - 63	AH125970	4G2	9	120 - 63
AH121658	4H12	13	121 - 19	AH125207	4G21	..	121 - 3	AH125970	4G8	12	120 - 69
AH121996	4E24	1	120 - 34	AH125207	4G23	..	121 - 5	AH125975	4F20	14	120 - 57
AH122099	3I2	3	90 - 25	AH125207	4H2	3	121 - 9	AH125975	4G2	16	120 - 63
AH122100	2H4	4	60 - 47	AH125207	4H4	..	121 - 11	AH125998	4J18	7	121 - 73
AH122240	4H6	1	121 - 13	AH125228	2C2	16	50 - 19	AH126007	5D4	34	125 - 45
AH122240	4H14	1	121 - 21	AH125233	2C9	6	50 - 26	AH126007	5D7	20	125 - 49
AH122244	3F12	10	80 - 11	AH125243	4H8	17	121 - 15	AH126008	5D4	33	125 - 45
AH122451	4I2	14	121 - 33	AH125243	4H10	..	121 - 17	AH126015	3F8	2	80 - 7
AH122506	5D19	26	130 - 3	AH125293	4H4	..	121 - 11	AH126016	3F8	3	80 - 7
AH122507	5E17	8	130 - 27	AH125295	4H4	..	121 - 11	AH126091	4C13	11	110 - 33
AH122575	2B21	8	50 - 13	AH125306	3G2	1	80 - 27	AH126094	4I18	35	121 - 49
AH122648	3I21	8	90 - 45	AH125306	5E19	30	130 - 29	AH126122	3C25	17	70 - 45
AH122717	5F15	7	130 - 51	AH125454	4D6	3	110 - 51	AH126169	2E21	7	50 - 92
AH122742	2E2	1	50 - 72	AH125478	3G4	1	80 - 29	AH126169	5C8	3	125 - 23
AH122743	2E2	1	50 - 72	AH125478	5E19	18	130 - 29	AH126188	4I16	24	121 - 47
AH122863	4I10	16	121 - 41	AH125490	4G25	11	121 - 7	AH126190	4F2	1	120 - 39
AH122863	4I18	36	121 - 49	AH125505	3J21	24	90 - 71	AH126213	4F10	3	120 - 47
AH123014	1F23	4	40 - 9	AH125533	3F20	13	80 - 19	AH126239	5C18	32	125 - 33
AH123015	1F23	4	40 - 9	AH125534	3F20	12	80 - 19	AH126240	3D5	18	70 - 51
AH123016	1F23	4	40 - 9	AH125575	3F8	19	80 - 7	AH126242	3D5	21	70 - 51
AH123017	1F23	4	40 - 9	AH125627	1F19	1	40 - 5	AH126254	2F24	4	60 - 17
AH123602	5F8	11	130 - 43	AH125641	3G10	1	80 - 35	AH126272	1H17	3	40 - 55
AH123902	1G13	2	40 - 25	AH125644	3G10	17	80 - 35	AH126275	5E19	35	130 - 29
AH123904	1G13	35	40 - 25	AH125644	5E17	6	130 - 27	AH126279	5E19	6	130 - 29
AH123905	1G13	24	40 - 25	AH125654	2G20	5	60 - 39	AH126281	5F6	4	130 - 41
AH123907	1G13	21	40 - 25	AH125655	2G20	6	60 - 39	AH126282	5F6	10	130 - 41
AH123908	1G13	17	40 - 25	AH125658	2G13	23	60 - 30	AH126283	5F6	6	130 - 41
AH123910	1G13	27	40 - 25	AH125672	1H17	10	40 - 55	AH126284	5F6	11	130 - 41
AH123911	1G13	29	40 - 25	AH125673	1B12	6	20 - 7	AH126294	4D25	7	120 - 9
AH123912	5F4	4	130 - 39	AH125685	3F14	11	80 - 13	AH126352	3G12	21	80 - 37
AH123931	1G15	3	40 - 27	AH125686	3F8	5	80 - 7	AH126354	5D25	4	130 - 9
AH124008	2E12	9	50 - 83	AH125690	4H6	7	121 - 13	AH126358	1F17	6	40 - 3
AH124008	2E14	8	50 - 85	AH125692	4F10	5	120 - 47	AH126388	5C18	18	125 - 33
AH124050	4I22	3	121 - 53	AH125692	4F10	7	120 - 47	AH126389	3C4	9	70 - 23
AH124502	5E13	19	130 - 23	AH125693	4F10	5	120 - 47	AH126417	4B25	30	110 - 19
AH124509	5F9	10	130 - 44	AH125693	4F10	7	120 - 47	AH126538	4I6	3	121 - 37
AH124573	4E21	9	120 - 31	AH125733	3C15	2	70 - 34	AH126541	1I2	7	40 - 65
AH124635	4J20	5	121 - 75	AH125744	1H10	2	40 - 47	AH126564	3G8	11	80 - 33
AH124731	3D8	3	70 - 54	AH125744	1H17	24	40 - 55	AH126589	4G10	11	120 - 71
AH124731	3D10	3	70 - 57	AH125760	2C17	22	50 - 36	AH126619	5E17	14	130 - 27
AH124731	3D12	3	70 - 59	AH125760	2C18	22	50 - 37	AH126620	3G12	24	80 - 37
AH124731	3D13	3	70 - 60	AH125760	2C22	22	50 - 41	AH126657	2G6	14	60 - 23
AH124731	3D15	18	70 - 63	AH125760	2D6	22	50 - 50	AH126657	2G8	10	60 - 25
AH124731	3D17	18	70 - 65	AH125760	2D7	22	50 - 51	AH126657	3B12	6	70 - 5
AH124731	3D20	20	70 - 69	AH125760	2D9	22	50 - 53	AH126657	3C2	14	70 - 21
AH124826	4I8	2	121 - 39	AH125760	3B14	18	70 - 7	AH126657	3C6	8	70 - 25
AH124828	4I8	16	121 - 39	AH125760	3D15	2	70 - 63	AH126657	3C8	5	70 - 27
AH124832	3C8	21	70 - 27	AH125760	3D17	2	70 - 65	AH126657	3C10	13	70 - 29
AH124852	5F2	2	130 - 37	AH125760	3D20	2	70 - 69	AH126677	5C18	13	125 - 33
AH124857	3J10	13	90 - 59	AH125760	3D22	21	70 - 71	AH126719	4E2	13	120 - 11
AH124878	5F2	3	130 - 37	AH125760	3E16	11	70 - 89	AH126720	4E2	12	120 - 11
AH124882	3H19	11	90 - 17	AH125760	5C6	18	125 - 21	AH126811	1G4	5	40 - 15
AH124940	2B11	6	50 - 3	AH125782	4B16	12	110 - 9	AH126831	1F15	3	40 - 1
AH125010	1G21	13	40 - 33	AH125782	4D8	25	110 - 53	AH126837	5F19	19	130 - 55
AH125010	1G23	13	40 - 35	AH125788	3F16	16	80 - 15	AH126837	5G14	2	170 - 4
AH125010	2B25	11	50 - 17	AH125814	5E19	41	130 - 29	AH126864	5E23	21	130 - 33
AH125010	3I10	11	90 - 33	AH125820	3F24	9	80 - 23	AH126865	5D2	13	125 - 43
AH125036	1H12	9	40 - 49	AH125894	5D7	9	125 - 49	AH126869	4E11	..	120 - 21
AH125036	1H19	23	40 - 57	AH125905	5E23	5	130 - 33	AH126870	4E11	..	120 - 21
AH125070	5F19	15	130 - 55	AH125910	3C17	18	70 - 37	AH126879	4E13	9	120 - 23
AH125070	5F19	16	130 - 55	AH125910	5G6	5	160 - 2	AH127275	3G4	6	80 - 29
AH125080	5E25	21	130 - 35	AH125910	5G7	18	160 - 3	AH127383	3I12	14	90 - 35
AH125163	4G6	3	120 - 67	AH125958	2B25	17	50 - 17	AH127383	4B14	14	110 - 7

NUMERICAL INDEX - CONTINUED

PART NO.	GRID	KEY	PAGE	PART NO.	GRID	KEY	PAGE	PART NO.	GRID	KEY	PAGE
AH127390	3J10	8	90 - 59	AH128642	3E2	11	70 - 75	AH129280	2C24	15	50 - 43
AH127397	5D21	9	130 - 5	AH128654	2E1	14	50 - 71	AH129284	2C20	8	50 - 39
AH127466	4F14	1	120 - 51	AH128654	3E17	14	70 - 90	AH129358	5D21	9	130 - 5
AH127466	4F22	3	120 - 59	AH128655	1H21	20	40 - 59	AH129420	4I16	4	121 - 47
AH127602	4J12	36	121 - 67	AH128655	2E1	16	50 - 71	AH129420	4I22	11	121 - 53
AH127604	5F23	11	130 - 60	AH128655	3E16	28	70 - 89	AH129451	3F5	3	80 - 4
AH127656	2B14	4	50 - 6	AH128655	3E17	6	70 - 90	AH129451	4F4	20	120 - 41
AH127662	3I16	8	90 - 39	AH128655	3E17	9	70 - 90	AH129451	4I18	44	121 - 49
AH127674	3H7	2	90 - 5	AH128655	3E17	12	70 - 90	AH129452	3F5	1	80 - 4
AH127684	3J25	6	90 - 75	AH128655	3E17	16	70 - 90	AH129452	4F4	22	120 - 41
AH127685	3J25	7	90 - 75	AH128664	5D4	24	125 - 45	AH129452	4I18	46	121 - 49
AH127704	3G4	8	80 - 29	AH128664	5D5	2	125 - 46	AH130113	3C12	13	70 - 31
AH127718	1F22	2	40 - 8	AH128672	2D25	1	50 - 70	AH130119	2G12	9	60 - 29
AH127718	1I3	4	40 - 66	AH128692	2E21	1	50 - 92	AH130125	4E25	3	120 - 36
AH127718	1J18	7	40 - 107	AH128722	2B19	1	50 - 11	AH130127	1F2	7	30 - 5
AH127726	4F10	2	120 - 47	AH128722	2B20	1	50 - 12	AH130136	5D4	4	125 - 45
AH127829	4E15	13	120 - 25	AH128727	5G6	1	160 - 2	AH130165	4G4	3	120 - 65
AH127837	3F14	13	80 - 13	AH128742	3D5	12	70 - 51	AH130173	3F10	22	80 - 9
AH127866	5F22	45	130 - 59	AH128753	3C12	21	70 - 31	AH130178	3F12	19	80 - 11
AH127866	5G15	4	170 - 5	AH128757	2E20	20	50 - 91	AH130184	4F14	1	120 - 51
AH127870	4F14	4	120 - 51	AH128772	2B20	1	50 - 12	AH130193	3F16	15	80 - 15
AH127881	2E10	15	50 - 81	AH128779	3E10	12	70 - 83	AH130197	3F24	15	80 - 23
AH127881	2E12	12	50 - 83	AH128780	3E10	11	70 - 83	AH130198	5E19	31	130 - 29
AH127893	3D7	3	70 - 53	AH128785	1H21	23	40 - 59	AH130201	4D21	14	120 - 5
AH127974	3K2	15	90 - 77	AH128785	3E16	..	70 - 89	AH130209	3B12	15	70 - 5
AH128037	5E19	9	130 - 29	AH128840	2F18	30	60 - 11	AH130222	1H4	2	40 - 41
AH128074	5F22	37	130 - 59	AH128841	2F18	30	60 - 11	AH130222	1H6	2	40 - 43
AH128075	5F22	37	130 - 59	AH128842	2F14	22	60 - 7	AH130230	1F8	2	30 - 11
AH128226	4H6	9	121 - 13	AH128842	2F18	30	60 - 11	AH130230	2G18	14	60 - 37
AH128257	1B22	6	20 - 17	AH128843	2F14	23	60 - 7	AH130370	5D25	14	130 - 9
AH128267	2B23	9	50 - 15	AH128843	2F18	30	60 - 11	AH130412	2F14	19	60 - 7
AH128312	4F8	31	120 - 45	AH128851	3C25	8	70 - 45	AH130413	2F14	20	60 - 7
AH128327	1F22	3	40 - 8	AH128853	3D7	5	70 - 53	AH130424	4F2	9	120 - 39
AH128328	1F22	3	40 - 8	AH128854	3E2	13	70 - 75	AH130425	4F2	21	120 - 39
AH128328	1I3	6	40 - 66	AH128855	3E2	12	70 - 75	AH130429	2G4	47	60 - 21
AH128328	1J18	1	40 - 107	AH128859	3C4	22	70 - 23	AH130429	3J19	47	90 - 69
AH128349	3H5	10	90 - 3	AH128865	1J8	13	40 - 97	AH130445	2F6	4	50 - 101
AH128356	2B25	19	50 - 17	AH128894	3E21	5	70 - 95	AH130447	2E18	12	50 - 89
AH128356	3I10	19	90 - 33	AH128903	4J4	5	121 - 59	AH130448	3C25	11	70 - 45
AH128359	4J20	5	121 - 75	AH128904	1G4	9	40 - 15	AH130449	2E21	3	50 - 92
AH128360	4E23	7	120 - 33	AH128908	4G8	13	120 - 69	AH130465	4E7	13	120 - 17
AH128361	4E23	9	120 - 33	AH128914	3F24	14	80 - 23	AH130476	4F10	21	120 - 47
AH128384	4I24	1	121 - 55	AH128924	5G9	11	160 - 5	AH130485	4F22	4	120 - 59
AH128391	2C11	5	50 - 29	AH128925	1G10	17	40 - 21	AH130497	3F10	18	80 - 9
AH128413	1I9	7	40 - 73	AH128925	3J23	6	90 - 73	AH130506	3F12	12	80 - 11
AH128449	2C17	24	50 - 36	AH128926	1G10	7	40 - 21	AH130548	1B22	12	20 - 17
AH128449	2C18	24	50 - 37	AH128926	3J23	2	90 - 73	AH130555	3C8	14	70 - 27
AH128449	2D6	24	50 - 50	AH128929	1H4	18	40 - 41	AH130556	3C8	2	70 - 27
AH128449	2D7	24	50 - 51	AH128929	1H6	18	40 - 43	AH130557	3C6	28	70 - 25
AH128449	3C15	1	70 - 34	AH128929	3E21	11	70 - 95	AH130558	3C2	8	70 - 21
AH128449	3E14	11	70 - 87	AH128977	1F10	3	30 - 13	AH130559	3C2	4	70 - 21
AH128450	3E14	10	70 - 87	AH128986	1I2	22	40 - 65	AH130567	3D2	10	70 - 47
AH128451	3E14	5	70 - 87	AH129045	1H4	8	40 - 41	AH130568	3D2	8	70 - 47
AH128452	3I12	12	90 - 35	AH129045	1H6	8	40 - 43	AH130570	5C18	28	125 - 33
AH128452	4B14	12	110 - 7	AH129056	1E24	14	30 - 3	AH130570	5C23	9	125 - 38
AH128528	2C2	1	50 - 19	AH129056	1F4	6	30 - 7	AH130571	5C23	3	125 - 38
AH128581	5D4	20	125 - 45	AH129058	1F4	8	30 - 7	AH130572	5C18	24	125 - 33
AH128584	3C4	4	70 - 23	AH129195	3F10	5	80 - 9	AH130581	3E2	5	70 - 75
AH128585	3H13	13	90 - 11	AH129228	3F10	17	80 - 9	AH130582	4H12	4	121 - 19
AH128596	3G2	7	80 - 27	AH129236	2G4	39	60 - 21	AH130587	3I4	14	90 - 27
AH128597	3G4	12	80 - 29	AH129236	3J19	39	90 - 69	AH130592	4J16	14	121 - 71
AH128598	3G4	10	80 - 29	AH129244	3D5	4	70 - 51	AH130594	3H17	13	90 - 15
AH128598	3G8	17	80 - 33	AH129255	2G2	18	60 - 19	AH130602	1H12	7	40 - 49
AH128610	3H23	15	90 - 21	AH129255	3J17	18	90 - 67	AH130602	1H14	12	40 - 51
AH128639	3D7	10	70 - 53	AH129272	4E21	13	120 - 31	AH130603	1H14	7	40 - 51
AH128640	3D7	8	70 - 53	AH129278	2C14	3	50 - 33	AH130605	2F14	16	60 - 7
AH128641	3E2	1	70 - 75	AH129278	2D5	3	50 - 49	AH130610	3K2	14	90 - 77

NUMERICAL INDEX - CONTINUED

PART NO.	GRID	KEY	PAGE	PART NO.	GRID	KEY	PAGE	PART NO.	GRID	KEY	PAGE
AH130611	2E18	7	50-89	AH131216	4G4	4	120-65	AH131390	2D9	16	50-53
AH130612	2F14	17	60-7	AH131218	4G4	4	120-65	AH131390	2D9	24	50-53
AH130613	2F14	18	60-7	AH131250	3C19	3	70-39	AH131390	2D9	..	50-53
AH130625	2B14	4	50-6	AH131250	3C21	5	70-41	AH131390	2F2	1	50-97
AH130626	2B16	3	50-8	AH131250	3C23	5	70-43	AH131391	2C16	3	50-35
AH130627	2B16	3	50-8	AH131301	1B22	24	20-17	AH131391	2C16	5	50-35
AH130871	2G20	12	60-39	AH131302	2G8	25	60-25	AH131391	2C16	11	50-35
AH130871	2G20	19	60-39	AH131303	3C2	2	70-21	AH131391	2C16	..	50-35
AH130884	5C25	3	125-40	AH131303	3C8	23	70-27	AH131391	2C22	33	50-41
AH130886	5C22	21	125-37	AH131303	4C11	15	110-31	AH131391	2C22	34	50-41
AH130890	2G12	8	60-29	AH131304	3D24	13	70-73	AH131391	2C22	35	50-41
AH130892	5C22	17	125-37	AH131305	2C13	..	50-31	AH131391	2C22	..	50-41
AH130893	5C22	17	125-37	AH131305	2C14	..	50-33	AH131392	2D4	..	50-47
AH130905	4E17	7	120-27	AH131305	2C16	..	50-35	AH131392	2D9	33	50-53
AH130915	3H17	7	90-15	AH131305	2F4	3	50-99	AH131392	2D9	34	50-53
AH130936	3B25	5	70-19	AH131305	2F4	6	50-99	AH131392	2D9	35	50-53
AH130941	3F24	2	80-23	AH131308	2C24	1	50-43	AH131392	2D9	..	50-53
AH130944	3F24	6	80-23	AH131308	2C24	3	50-43	AH131405	3D10	34	70-57
AH130945	3F24	5	80-23	AH131308	2C24	6	50-43	AH131405	3D15	8	70-63
AH130949	2E1	15	50-71	AH131308	2D11	1	50-55	AH131405	3D17	8	70-65
AH130949	3E17	6	70-90	AH131308	2D11	3	50-55	AH131405	3D20	8	70-69
AH130949	3E17	9	70-90	AH131308	2D11	6	50-55	AH131420	3D12	30	70-59
AH130949	3E17	12	70-90	AH131310	2C22	1	50-41	AH131421	3D12	26	70-59
AH130949	3E17	15	70-90	AH131310	2C22	16	50-41	AH131508	4I20	15	121-51
AH130964	5B19	41	125-9	AH131310	2C22	24	50-41	AH131535	3C19	15	70-39
AH130988	4F8	28	120-45	AH131310	2C22	..	50-41	AH131535	3C21	30	70-41
AH130995	4F24	4	120-61	AH131310	2F2	1	50-97	AH131535	3C23	22	70-43
AH131045	2F19	6	60-12	AH131311	3C10	6	70-29	AH131547	2G6	19	60-23
AH131048	2F19	9	60-12	AH131316	2G8	24	60-25	AH131548	2G6	18	60-23
AH131049	2F19	9	60-12	AH131317	3B12	16	70-5	AH131550	5E4	12	130-13
AH131051	2F18	12	60-11	AH131320	1H15	5	40-52	AH131570	3C17	15	70-37
AH131054	2F18	19	60-11	AH131326	3D8	19	70-54	AH131570	5G7	15	160-3
AH131055	2F18	19	60-11	AH131326	3D10	33	70-57	AH131571	3C17	10	70-37
AH131058	2F18	7	60-11	AH131326	3D12	21	70-59	AH131571	5G7	10	160-3
AH131059	2F18	7	60-11	AH131326	3D13	23	70-60	AH131572	3C17	9	70-37
AH131062	2F18	28	60-11	AH131326	3D15	9	70-63	AH131572	5G7	9	160-3
AH131074	5C23	10	125-38	AH131326	3D17	9	70-65	AH131576	3C12	18	70-31
AH131092	4F8	13	120-45	AH131326	3D20	9	70-69	AH131748	3C12	7	70-31
AH131166	5B19	19	125-9	AH131330	4E13	3	120-23	AH131842	3D24	3	70-73
AH131167	2C17	28	50-36	AH131334	3D3	3	70-48	AH131842	5C14	3	125-29
AH131168	2C20	28	50-39	AH131381	2G6	30	60-23	AH131845	3H21	2B	90-19
AH131169	2C13	9	50-31	AH131382	2G6	29	60-23	AH131849	3H21	8	90-19
AH131169	2C22	2	50-41	AH131385	2D2	..	50-45	AH131851	3H21	2B	90-19
AH131169	2C23	9	50-42	AH131385	2D4	..	50-47	AH131860	5E11	18	130-21
AH131170	2C17	15	50-36	AH131385	2D5	..	50-49	AH131861	2C2	33	50-19
AH131170	2D6	15	50-50	AH131385	2F4	3	50-99	AH131862	2C4	17	50-21
AH131171	2C13	17	50-31	AH131385	2F4	6	50-99	AH131863	2C4	17	50-21
AH131171	2C22	3	50-41	AH131386	2D6	28	50-50	AH131874	2G10	9	60-27
AH131171	2C22	6	50-41	AH131387	2D2	17	50-45	AH131875	2G10	10	60-27
AH131171	2C22	7	50-41	AH131387	2D9	3	50-53	AH131876	3C4	8	70-23
AH131171	2C22	8	50-41	AH131387	2D9	6	50-53	AH131960	4E23	12	120-33
AH131171	2C22	10	50-41	AH131387	2D9	7	50-53	AH131960	4I20	3	121-51
AH131171	2C22	11	50-41	AH131387	2D9	8	50-53	AH131960	5G15	3	170-5
AH131171	2C22	13	50-41	AH131387	2D9	10	50-53	AH131965	1B22	17	20-17
AH131171	2C23	10	50-42	AH131387	2D9	11	50-53	AH132027	3B10	5	70-3
AH131172	2C16	29	50-35	AH131387	2D9	13	50-53	AH132031	5C8	4	125-23
AH131174	2C24	15	50-43	AH131387	2D10	2	50-54	AH132116	2B14	4	50-6
AH131174	2D11	15	50-55	AH131387	2D10	3	50-54	AH132117	3H15	11	90-13
AH131175	2F4	7	50-99	AH131387	2D10	4	50-54	AH132117	3H15	13	90-13
AH131175	3D22	26	70-71	AH131387	2D10	5	50-54	AH132128	2B14	4	50-6
AH131176	3D24	..	70-73	AH131387	2D10	7	50-54	AH132148	3H17	20	90-15
AH131176	5C14	11	125-29	AH131387	2D10	8	50-54	AH132200	5C10	9	125-25
AH131178	3D24	17	70-73	AH131387	2D10	10	50-54	AH132201	5C10	16	125-25
AH131181	3D22	..	70-71	AH131388	2D2	9	50-45	AH132202	3C21	25	70-41
AH131183	2F4	7	50-99	AH131388	2D9	2	50-53	AH132203	3C21	26	70-41
AH131183	3D22	26	70-71	AH131388	2D10	9	50-54	AH132230	5F15	21	130-51
AH131214	4F14	4	120-51	AH131390	2D9	1	50-53	AH132230	5F15	24	130-51

1K16

9610 MAXIMIZER™ COMBINE

NUMERICAL INDEX - CONTINUED

PART NO.	GRID	KEY	PAGE	PART NO.	GRID	KEY	PAGE	PART NO.	GRID	KEY	PAGE
AH132239	2E22	1	50-93	AH133896	1H21	12	40-59	AH135342	4J8	14	121-63
AH132240	2E22	1	50-93	AH133941	2E18	32	50-89	AH135342	4J10	14	121-65
AH132264	1G10	6	40-21	AH133942	2E18	33	50-89	AH135380	4G10	6	120-71
AH132264	3J25	1	90-75	AH133948	5C10	22	125-25	AH135463	5E2	11	130-11
AH132264	3K2	18	90-77	AH133948	5C12	1	125-27	AH135463	5E13	1	130-23
AH132356	4F6	16	120-43	AH133949	5C10	18	125-25	AH135476	3F20	6	80-19
AH132356	4F12	8	120-49	AH133949	5C12	2	125-27	AH135477	3F20	6	80-19
AH132360	3F4	4	80-3	AH134121	4B21	24	110-15	AH135480	3F20	10	80-19
AH132360	5B25	11	125-15	AH134121	4B23	27	110-17	AH135558	5E4	3	130-13
AH132365	2E23	3	50-94	AH134143	4E2	17	120-11	AH135559	5E4	17	130-13
AH132366	2E23	3	50-94	AH134205	3B10	9	70-3	AH135560	5E4	10	130-13
AH132372	5E11	24	130-21	AH134207	4H12	6	121-19	AH135563	5E4	19	130-13
AH132372	5E13	21	130-23	AH134256	1H17	15	40-55	AH135564	5E4	19	130-13
AH132783	3I5	2	90-28	AH134288	1J12	5	40-101	AH135565	4H6	18	121-13
AH132786	4F22	3	120-59	AH134296	1G8	3	40-19	AH135572	4I10	29	121-41
AH132814	1E24	1	30-3	AH134296	1G21	15	40-33	AH135572	4I14	15	121-45
AH132819	3H15	12	90-13	AH134296	1G23	15	40-35	AH135573	4I10	20	121-41
AH132823	4G14	10	120-75	AH134304	2F18	31	60-11	AH135573	4I14	6	121-45
AH132832	3B10	4	70-3	AH134305	2F18	31	60-11	AH135579	5E13	14	130-23
AH132840	2F18	24	60-11	AH134319	4J8	19	121-63	AH135620	2E18	23	50-89
AH132903	2E23	5	50-94	AH134319	4J10	19	121-65	AH135646	4E13	1	120-23
AH132965	4G6	3	120-67	AH134438	5B17	6	125-7	AH135657	5C16	6	125-31
AH132966	4G6	3	120-67	AH134439	5B17	1	125-7	AH135683	3C8	13	70-27
AH132988	5C4	1	125-19	AH134522	3I6	2	90-29	AH135685	3C2	23	70-21
AH132988	5C4	2	125-19	AH134524	1H12	3	40-49	AH135687	3C2	24	70-21
AH133088	3K9	17	90-85	AH134554	5C14	13	125-29	AH135688	3C6	18	70-25
AH133091	3F4	11	80-3	AH134555	5C10	12	125-25	AH135689	3C10	5	70-29
AH133091	3F4	12	80-3	AH134555	5C14	17	125-29	AH135695	2F10	2	60-3
AH133091	4G6	3	120-67	AH134598	5E11	16	130-21	AH135744	1H21	21	40-59
AH133126	2F16	9	60-9	AH134642	1B10	7	20-5	AH135744	3E16	15	70-89
AH133128	2F16	..	60-9	AH134657	4E2	26	120-11	AH135787	1G21	8	40-33
AH133151	3C21	2	70-41	AH134661	4E11	17	120-21	AH135787	1G21	9	40-33
AH133151	3C23	2	70-43	AH134724	3I14	1	90-37	AH135787	1G21	20	40-33
AH133156	4E7	1	120-17	AH134728	1H10	21	40-47	AH135787	1G23	9	40-35
AH133157	4E7	23	120-17	AH134728	1I8	3	40-72	AH135787	1G23	20	40-35
AH133157	4E15	18	120-25	AH134729	4J2	4	121-57	AH135787	1H4	17	40-41
AH133160	2G6	34	60-23	AH134730	4J2	5	121-57	AH135787	1H6	17	40-43
AH133161	2G6	33	60-23	AH134733	3D15	25	70-63	AH135821	1J2	3	40-91
AH133191	4D2	48	110-47	AH134733	3D17	25	70-65	AH135836	4K6	1	121-85
AH133191	4G14	1	120-75	AH134733	3D20	7	70-69	AH135844	2B11	16	50-3
AH133191	4I16	8	121-47	AH134733	3D20	27	70-69	AH136052	4H12	16	121-19
AH133191	4I22	18	121-53	AH134813	2G18	13	60-37	AH136126	4J12	35	121-67
AH133191	4J12	28	121-67	AH134814	2G17	1	60-36	AH136126	4J14	35	121-69
AH133191	4J14	28	121-69	AH134833	3D8	26	70-54	AH136146	1F4	11	30-7
AH133191	5F17	18	130-53	AH134858	5E11	20	130-21	AH136147	1E24	19	30-3
AH133191	5F19	3	130-55	AH134859	4H20	..	121-27	AH136153	5F4	15	130-39
AH133191	5F22	28	130-59	AH134884	3J21	16	90-71	AH136163	3F8	1	80-7
AH133226	1B22	6	20-17	AH135035	1B8	4	20-3	AH136248	3B14	..	70-7
AH133265	3C19	4	70-39	AH135035	1B8	6	20-3	AH136248	5C6	..	125-21
AH133265	3C21	16	70-41	AH135064	3D3	3	70-48	AH136285	3G12	18	80-37
AH133285	3C21	31	70-41	AH135155	1E24	24	30-3	AH136304	2F16	26	60-9
AH133316	1J16	12	40-105	AH135191	1E24	17	30-3	AH136305	2F16	2	60-9
AH133359	2G6	36	60-23	AH135207	5D7	17	125-49	AH136356	1G25	1	40-37
AH133499	3H21	8	90-19	AH135217	2H4	4	60-47	AH136362	2B13	11	50-5
AH133500	3H21	8	90-19	AH135226	5E23	19	130-33	AH136362	2F14	14	60-7
AH133660	2C13	29	50-31	AH135228	5E23	7	130-33	AH136386	1F10	2	30-13
AH133661	2C22	27	50-41	AH135230	5E23	13	130-33	AH136494	1J16	7	40-105
AH133662	2D9	25	50-53	AH135240	4E15	6	120-25	AH136496	1J16	3	40-105
AH133662	2D9	26	50-53	AH135254	5H3	..	170-19	AH136497	4C23	8	110-43
AH133662	2D9	27	50-53	AH135290	3G14	7	80-39	AH136497	4I4	15	121-35
AH133663	2D2	29	50-45	AH135290	3G16	12	80-41	AH136553	5G2	3	130-65
AH133752	2F24	8	60-17	AH135290	4B21	20	110-15	AH136553	5G4	3	130-67
AH133758	5C10	2	125-25	AH135290	4B23	23	110-17	AH136554	5G2	2	130-65
AH133759	5C8	2	125-23	AH135290	4F12	10	120-49	AH136554	5G4	2	130-67
AH133770	5C8	11	125-23	AH135296	4H14	10	121-21	AH136557	3H19	13	90-17
AH133830	3F8	22A	80-7	AH135298	3F16	17	80-15	AH136604	4E7	18	120-17
AH133844	2B14	4	50-6	AH135300	3F18	7	80-17	AH136604	4E7	19	120-17

NUMERICAL INDEX - CONTINUED

PART NO.	GRID	KEY	PAGE	PART NO.	GRID	KEY	PAGE	PART NO.	GRID	KEY	PAGE
AH136604	4E9	1	120 - 19	AH138718	5C12	9	125 - 27	AH139802	2E18	24	50 - 89
AH136604	4E9	2	120 - 19	AH138751	4B10	1	110 - 3	AH139816	4I8	20	121 - 39
AH136616	3F10	6	80 - 9	AH138751	4B10	19	110 - 3	AH139854	2E20	19	50 - 91
AH136636	5E8	8	130 - 17	AH138751	4B10	..	110 - 3	AH139936	4H12	23	121 - 19
AH136929	3J4	2	90 - 53	AH138809	2H5	1	60 - 48	AH139987	1J8	2	40 - 97
AH136930	3J4	4	90 - 53	AH138947	5D23	8	130 - 7	AH140001	5F19	15	130 - 55
AH136935	3J6	2	90 - 55	AH138971	5B17	24	125 - 7	AH140001	5F19	16	130 - 55
AH136936	3J8	3	90 - 57	AH138971	5C16	2	125 - 31	AH140044	4F14	9	120 - 51
AH136937	3J2	2	90 - 51	AH138972	5B17	25	125 - 7	AH140044	4F22	13	120 - 59
AH137147	1I17	7	40 - 81	AH138972	5C16	8	125 - 31	AH140081	5F2	2	130 - 37
AH137254	1E24	18	30 - 3	AH139030	3F10	14	80 - 9	AH140118	1B10	2	20 - 5
AH137254	3F16	6	80 - 15	AH139031	3F10	8	80 - 9	AH140119	1B8	2	20 - 3
AH137256	5E15	3	130 - 25	AH139060	3D12	22	70 - 59	AH140120	1F23	7	40 - 9
AH137258	5E15	2	130 - 25	AH139060	3D15	11	70 - 63	AH140120	1H8	..	40 - 45
AH137310	4H4	18	121 - 11	AH139060	3D17	11	70 - 65	AH140127	5E11	14	130 - 21
AH137350	2C2	33	50 - 19	AH139060	3D20	13	70 - 69	AH140127	5E11	20	130 - 21
AH137486	3J25	15	90 - 75	AH139065	2G4	36	60 - 21	AH140127	5E11	24	130 - 21
AH137630	4C13	5	110 - 33	AH139065	3J19	36	90 - 69	AH140127	5E11	25	130 - 21
AH137631	4C13	9	110 - 33	AH139072	5F9	9	130 - 44	AH140128	4K4	12	121 - 83
AH137631	5D23	10	130 - 7	AH139118	4G21	5	121 - 3	AH140130	4E2	26	120 - 11
AH137702	3J25	4	90 - 75	AH139119	3J10	6	90 - 59	AH140161	2B11	2	50 - 3
AH137704	1B12	17	20 - 7	AH139238	4H14	43	121 - 21	AH140170	1B8	18	20 - 3
AH137725	3I4	11	90 - 27	AH139243	4C25	3	110 - 45	AH140185	4B12	19	110 - 5
AH137732	4C11	1	110 - 31	AH139245	4E13	8	120 - 23	AH140253	2B16	3	50 - 8
AH137751	5C2	4	125 - 17	AH139260	4K6	9	121 - 85	AH140312	3F5	9	80 - 4
AH137752	5B21	13	125 - 11	AH139295	4B17	6	110 - 10	AH140335	5F11	10	130 - 47
AH137753	5B23	3	125 - 13	AH139295	4B19	21	110 - 13	AH140410	2B21	3	50 - 13
AH137754	2C7	1	50 - 24	AH139296	4I16	3	121 - 47	AH140410	2B21	..	50 - 13
AH137755	2C7	1	50 - 24	AH139296	4I22	12	121 - 53	AH140416	4E2	..	120 - 11
AH137758	3K2	28	90 - 77	AH139296	4J12	24	121 - 67	AH140427	3F6	6	80 - 5
AH137771	4H10	12	121 - 17	AH139296	4J14	24	121 - 69	AH140434	4G10	6	120 - 71
AH137772	4H8	1	121 - 15	AH139297	4F8	24	120 - 45	AH140484	3F4	23	80 - 3
AH137844	4C13	1	110 - 33	AH139320	2F4	1	50 - 99	AH140485	3F4	23	80 - 3
AH137975	2G15	8	60 - 33	AH139320	4G21	..	121 - 3	AH140495	1B8	33	20 - 3
AH137975	5B25	1	125 - 15	AH139320	4G23	..	121 - 5	AH140497	1B8	31	20 - 3
AH137986	5C12	17	125 - 27	AH139320	4G25	..	121 - 7	AH140605	1G25	14	40 - 37
AH138048	2B13	4	50 - 5	AH139320	4H4	..	121 - 11	AH140605	2F10	10	60 - 3
AH138098	1G19	12	40 - 31	AH139321	2F4	1	50 - 99	AH140609	1F21	4	40 - 7
AH138111	3I14	8	90 - 37	AH139321	4G21	..	121 - 3	AH140609	3I8	4	90 - 31
AH138156	4K4	1	121 - 83	AH139321	4G23	..	121 - 5	AH140615	4B12	31	110 - 5
AH138157	4K4	10	121 - 83	AH139321	4G25	..	121 - 7	AH140706	1F25	14	40 - 11
AH138186	4C13	1	110 - 33	AH139321	4H4	..	121 - 11	AH140706	1F25	18	40 - 11
AH138200	3E7	13	70 - 80	AH139342	4F2	5	120 - 39	AH140714	2G10	8	60 - 27
AH138230	4G6	8	120 - 67	AH139384	1B22	6	20 - 17	AH140715	2G10	7	60 - 27
AH138230	4G8	2	120 - 69	AH139386	5D19	18	130 - 3	AH140786	1F19	..	40 - 5
AH138231	4F20	7	120 - 57	AH139387	5D19	18	130 - 3	AH140786	1G19	30	40 - 31
AH138232	4G2	6	120 - 63	AH139390	5D19	18	130 - 3	AH140790	5F6	1	130 - 41
AH138232	4G6	7	120 - 67	AH139430	4E2	17	120 - 11	AH14080	4I22	6	121 - 53
AH138233	2G15	11	60 - 33	AH139431	4E2	17	120 - 11	AH140838	3H13	12	90 - 11
AH138234	4F20	1	120 - 57	AH139434	3E14	12	70 - 87	AH140901	5F22	23	130 - 59
AH138234	4F20	2	120 - 57	AH139436	4E23	12	120 - 33	AH140902	3B14	25	70 - 7
AH138257	1B10	6	20 - 5	AH139436	4I20	3	121 - 51	AH140902	5C4	12	125 - 19
AH138291	1I5	13	40 - 68	AH139436	5G15	3	170 - 5	AH140902	5C6	25	125 - 21
AH138328	2B25	18	50 - 17	AH139570	3F6	4	80 - 5	AH140902	5C10	26	125 - 25
AH138328	2B25	28	50 - 17	AH139571	3F6	5	80 - 5	AH140903	3B14	6	70 - 7
AH138328	2B25	30	50 - 17	AH139611	3C16	2	70 - 35	AH140903	5C6	6	125 - 21
AH138328	3I10	18	90 - 33	AH139611	3C16	13	70 - 35	AH140931	1B18	3	20 - 13
AH138374	4F12	2	120 - 49	AH139612	3C16	2	70 - 35	AH140965	1B14	10	20 - 9
AH138375	4F12	9	120 - 49	AH139612	3C16	13	70 - 35	AH140966	1B14	10	20 - 9
AH138385	4F10	23	120 - 47	AH139679	4K4	20	121 - 83	AH140967	1B22	14	20 - 17
AH138565	2E6	15	50 - 77	AH139680	4K4	19	121 - 83	AH14097	5B19	1	125 - 9
AH138601	3J21	13	90 - 71	AH139755	3C16	13	70 - 35	AH141012	1G19	10	40 - 31
AH138656	5C20	7	125 - 35	AH139756	3C16	13	70 - 35	AH141022	4H8	21	121 - 15
AH138660	4G25	10	121 - 7	AH139767	4E2	17	120 - 11	AH141030	4E21	2	120 - 31
AH138702	2F16	31	60 - 9	AH139782	3F16	11	80 - 15	AH141038	1H17	2	40 - 55
AH138707	2B25	4	50 - 17	AH139790	4J18	5	121 - 73	AH141051	4H8	..	121 - 15
AH138707	3I10	4	90 - 33	AH139790	4K4	16	121 - 83	AH141051	4H10	..	121 - 17

NUMERICAL INDEX - CONTINUED

PART NO.	GRID	KEY	PAGE	PART NO.	GRID	KEY	PAGE	PART NO.	GRID	KEY	PAGE
AH141131	1F25	9	40 - 11	AH142527	1B10	25	20 - 5	AH144602	4D23	20	120 - 7
AH141142	4F20	18	120 - 57	AH142553	4C7	1	110 - 26	AH144609	4D21	9	120 - 5
AH141142	4F20	19	120 - 57	AH142597	1H21	..	40 - 59	AH144609	4D21	18	120 - 5
AH141142	4K7	..	121 - 86	AH142611	2E8	4	50 - 79	AH144695	2H4	4	60 - 47
AH141171	1F25	5	40 - 11	AH142629	5E4	20	130 - 13	AH144715	4B12	17	110 - 5
AH141184	5B19	27	125 - 9	AH142731	3D13	25	70 - 60	AH144719	1B18	5	20 - 13
AH141201	5F17	22	130 - 53	AH142758	2E10	17	50 - 81	AH144719	1B22	6	20 - 17
AH141390	4H6	20	121 - 13	AH142777	5B11	1	125 - 5	AH144741	1F19	6	40 - 5
AH141390	4H14	46	121 - 21	AH142870	4G25	37	121 - 7	AH144742	1F19	7	40 - 5
AH141393	4G14	17	120 - 75	AH142870	4H2	18	121 - 9	AH144776	4D23	12	120 - 7
AH141398	4C9	19	110 - 29	AH142893	2F22	31	60 - 15	AH144777	4D23	2	120 - 7
AH141412	3H15	13	90 - 13	AH142999	1H25	18	40 - 63	AH144778	3I25	1	90 - 49
AH141544	2E14	11	50 - 85	AH142999	5F8	3A	130 - 43	AH144816	4G12	9	120 - 73
AH141550	4B10	30	110 - 3	AH143035	2E12	1	50 - 83	AH144831	3B15	2	70 - 8
AH141550	4D8	19	110 - 53	AH143036	1F2	15	30 - 5	AH144893	1H19	24	40 - 57
AH141573	5C22	25	125 - 37	AH143047	4K4	23	121 - 83	AH144893	1H21	29	40 - 59
AH141576	5D19	12	130 - 3	AH143322	3E7	16	70 - 80	AH145022	5G9	3	160 - 5
AH141580	1F8	12	30 - 11	AH143322	3E8	12	70 - 81	AH145026	1G2	1	40 - 13
AH141582	2F18	29	60 - 11	AH143333	2F18	24	60 - 11	AH145029	4C15	12	110 - 35
AH141617	4D25	1	120 - 9	AH143352	2E12	5	50 - 83	AH145029	4C17	6	110 - 37
AH141652	5B23	5	125 - 13	AH143352	2E14	11	50 - 85	AH145029	5G12	3	170 - 2
AH141671	1B10	11	20 - 5	AH143353	2E10	16	50 - 81	AH145030	3E6	21	70 - 79
AH141672	1B10	14	20 - 5	AH143361	4C4	13	110 - 23	AH145049	5F11	10	130 - 47
AH141686	2F14	5	60 - 7	AH143362	4C4	14	110 - 23	AH145050	5F11	10	130 - 47
AH141687	2F14	6	60 - 7	AH143365	4C13	31	110 - 33	AH145051	5F4	1	130 - 39
AH141743	3G10	2	80 - 35	AH143399	4C13	1	110 - 33	AH145056	1H4	20	40 - 41
AH141762	4H24	14	121 - 31	AH143400	4C13	1	110 - 33	AH145060	2B11	3	50 - 3
AH141762	4I20	25	121 - 51	AH143407	2E20	18	50 - 91	AH145061	2B11	1	50 - 3
AH141774	3H9	4	90 - 7	AH143422	1F17	6	40 - 3	AH145065	3I16	7	90 - 39
AH141779	4C11	9	110 - 31	AH143422	1G15	..	40 - 27	AH145157	3H25	8	90 - 23
AH141781	4C11	11	110 - 31	AH143424	4J20	7	121 - 75	AH145232	3E12	1	70 - 85
AH141782	4C11	10	110 - 31	AH143455	3C23	7	70 - 43	AH145233	1B22	30	20 - 17
AH141794	2F14	2	60 - 7	AH143512	4D12	6	110 - 57	AH145236	2E16	4	50 - 87
AH141804	3I2	1	90 - 25	AH143512	4D12	15	110 - 57	AH145236	3E12	12	70 - 85
AH141808	1B10	17	20 - 5	AH143512	4D12	..	110 - 57	AH145238	2E16	5	50 - 87
AH141811	2C24	16	50 - 43	AH143682	3C14	1	70 - 33	AH145238	3E12	13	70 - 85
AH141811	2C24	19	50 - 43	AH143682	3E8	1	70 - 81	AH145240	3E10	6	70 - 83
AH141811	2D11	16	50 - 55	AH143727	5F15	11	130 - 51	AH145240	3E12	14	70 - 85
AH141811	2D11	19	50 - 55	AH143731	5F15	11	130 - 51	AH145242	3E10	7	70 - 83
AH141812	3I2	9	90 - 25	AH143737	2F12	2	60 - 5	AH145242	3E12	15	70 - 85
AH141813	1J8	10	40 - 97	AH143737	2F14	1	60 - 7	AH145256	1I9	1	40 - 73
AH141820	4H14	29	121 - 21	AH143737	2F16	32	60 - 9	AH145281	4C4	22	110 - 23
AH141820	4H18	2	121 - 25	AH143746	4H22	4	121 - 29	AH145282	4C4	16	110 - 23
AH141823	1E24	26	30 - 3	AH143747	4H22	5	121 - 29	AH145348	2B16	3	50 - 8
AH141849	1B10	8	20 - 5	AH143761	1H14	17	40 - 51	AH145563	1J14	1	40 - 103
AH141858	3B15	1	70 - 8	AH143900	5G9	3	160 - 5	AH145602	4G14	7	120 - 75
AH141858	5B21	14	125 - 11	AH143903	1I4	1	40 - 67	AH145616	3J15	2	90 - 64
AH141860	4C25	5	110 - 45	AH143904	1I4	1	40 - 67	AH145674	1F19	16	40 - 5
AH141973	4I4	5	121 - 35	AH143904	4I24	5	121 - 55	AH145678	3H23	16	90 - 21
AH141984	1F21	9	40 - 7	AH144020	3J21	34	90 - 71	AH145691	2E14	11	50 - 85
AH141984	3I8	9	90 - 31	AH144068	5F22	4	130 - 59	AH145701	1I17	7	40 - 81
AH142103	3J25	19	90 - 75	AH144084	3J25	8	90 - 75	AH145762	4C6	1	110 - 25
AH142103	3J25	..	90 - 75	AH144096	1G10	1	40 - 21	AH145763	4C6	2	110 - 25
AH142139	2B19	1	50 - 11	AH144096	1G11	1	40 - 22	AH145769	1H14	14	40 - 51
AH142139	2B20	1	50 - 12	AH144099	4B10	31	110 - 3	AH145880	2E14	11	50 - 85
AH142158	2B19	1	50 - 11	AH144099	4D8	18	110 - 53	AH145935	4G12	12	120 - 73
AH142158	2B20	1	50 - 12	AH144103	4D21	2	120 - 5	AH145947	1G4	7	40 - 15
AH142163	5C22	27	125 - 37	AH144192	2E14	1	50 - 85	AH145964	1I17	6	40 - 81
AH142393	4C13	31	110 - 33	AH144477	4J18	5	121 - 73	AH146032	3I25	4	90 - 49
AH142404	3I2	2	90 - 25	AH144480	3E7	15	70 - 80	AH146041	3G10	7	80 - 35
AH142404	3I2	22	90 - 25	AH144482	3E7	1	70 - 80	AH146043	3E6	20	70 - 79
AH142404	3I4	4	90 - 27	AH144503	1G15	23	40 - 27	AH146116	4E2	..	120 - 11
AH142404	3I4	21	90 - 27	AH144537	4E7	..	120 - 17	AH146207	1G2	8	40 - 13
AH142407	4B17	24	110 - 10	AH144537	4E13	..	120 - 23	AH146215	5E9	15	130 - 18
AH142441	2F22	32	60 - 15	AH144542	4E2	26	120 - 11	AH146217	5E6	9	130 - 15
AH142441	2G4	27	60 - 21	AH144543	4E2	26	120 - 11	AH146219	5E6	1	130 - 15
AH142441	3J19	27	90 - 69	AH144600	4D23	4	120 - 7	AH146221	5E6	2	130 - 15

NUMERICAL INDEX - CONTINUED

PART NO.	GRID	KEY	PAGE	PART NO.	GRID	KEY	PAGE	PART NO.	GRID	KEY	PAGE
AH146234	3J2	1	90 - 51	AH148649	1B18	4	20 - 13	AH151120	4E9	5	120 - 19
AH146309	1I5	6	40 - 68	AH148879	1F8	1	30 - 11	AH151123	3H11	11	90 - 9
AH146313	5C18	8	125 - 33	AH148880	1F8	5	30 - 11	AH151128	1B14	16	20 - 9
AH146352	5E25	21	130 - 35	AH148893	4I4	14	121 - 35	AH151129	1B14	18	20 - 9
AH146359	5F19	19	130 - 55	AH149179	5D4	30	125 - 45	AH151301	3B18	15	70 - 11
AH146359	5G14	2	170 - 4	AH149181	5D21	5	130 - 5	AH151301	3B20	20	70 - 13
AH146361	3F25	4	80 - 24	AH149186	5E4	6	130 - 13	AH151331	4G14	7	120 - 75
AH146461	4I22	28	121 - 53	AH149187	5E4	6	130 - 13	AH151338	3G14	11	80 - 39
AH146462	4I22	31	121 - 53	AH149229	1B24	7	20 - 19	AH151339	3G14	4	80 - 39
AH146463	4I22	4	121 - 53	AH149243	5D25	15	130 - 9	AH151340	3G14	9	80 - 39
AH146492	2F10	2	60 - 3	AH149321	5D23	10	130 - 7	AH151342	3G18	6	80 - 43
AH146506	4I22	4	121 - 53	AH149328	4F8	19	120 - 45	AH151343	3G18	11	80 - 43
AH146553	5E9	9	130 - 18	AH149349	1J12	9	40 - 101	AH151344	3G14	1	80 - 39
AH146564	4F2	2	120 - 39	AH149349	4B10	30	110 - 3	AH151346	3G14	2	80 - 39
AH146621	1E24	22	30 - 3	AH149349	4B12	..	110 - 5	AH151347	3G18	4	80 - 43
AH146742	3I17	1	90 - 40	AH149349	4D8	19	110 - 53	AH151349	3G20	5	80 - 45
AH146783	3F22	4	80 - 21	AH149349	4D8	25	110 - 53	AH151351	3G16	2	80 - 41
AH146788	1F4	15	30 - 7	AH149356	4I22	38	121 - 53	AH151352	3G20	4	80 - 45
AH146854	3H11	6	90 - 9	AH149357	4I22	38	121 - 53	AH151353	3G16	3	80 - 41
AH147030	3I17	3	90 - 40	AH149373	3H7	9	90 - 5	AH151354	5C22	27	125 - 37
AH147066	3I14	7	90 - 37	AH149374	3H7	9	90 - 5	AH151354	5D11	7	125 - 53
AH147084	3D10	41	70 - 57	AH149448	2C7	1	50 - 24	AH151376	1J2	3	40 - 91
AH147084	3D15	12	70 - 63	AH149449	2C7	1	50 - 24	AH151400	3D10	..	70 - 57
AH147084	3D17	12	70 - 65	AH149543	5C22	29	125 - 37	AH151403	5F15	11	130 - 51
AH147084	3D20	14	70 - 69	AH149544	4F14	13	120 - 51	AH151407	5F13	10	130 - 49
AH147085	3D8	25	70 - 54	AH149548	4F14	13	120 - 51	AH151408	5F13	25	130 - 49
AH147086	3D13	22	70 - 60	AH149550	4F22	15	120 - 59	AH151409	5F13	25	130 - 49
AH147086	3D15	10	70 - 63	AH149552	4F22	15	120 - 59	AH151410	5F13	25	130 - 49
AH147086	3D17	10	70 - 65	AH149554	4F24	18	120 - 61	AH151411	5F13	10	130 - 49
AH147086	3D17	26	70 - 65	AH149556	4G4	4	120 - 65	AH151413	5F15	3	130 - 51
AH147086	3D20	10	70 - 69	AH149556	4G4	14	120 - 65	AH151414	5F15	3	130 - 51
AH147086	3D20	11	70 - 69	AH149557	4G4	4	120 - 65	AH151439	1B14	12	20 - 9
AH147086	3D20	12	70 - 69	AH149557	4G4	14	120 - 65	AH151458	1C3	1	20 - 23
AH147093	3G6	1	80 - 31	AH149588	3E12	1	70 - 85	AH151536	4J22	9	121 - 77
AH147097	3D8	27	70 - 54	AH149618	3E12	4	70 - 85	AH151538	4J24	13	121 - 79
AH147097	3D15	13	70 - 63	AH149631	3H7	8	90 - 5	AH151653	4G23	1	121 - 5
AH147097	3D17	13	70 - 65	AH149702	4G6	1	120 - 67	AH151757	1B18	2	20 - 13
AH147097	3D20	15	70 - 69	AH149823	4F10	16	120 - 47	AH151879	5E23	4	130 - 33
AH147153	3I18	1	90 - 41	AH149829	2F18	28	60 - 11	AH151894	3G2	9	80 - 27
AH147201	4F6	14	120 - 43	AH149833	1G13	30	40 - 25	AH151970	4G2	2	120 - 63
AH147353	4J16	3	121 - 71	AH149834	1G13	3	40 - 25	AH152020	1J10	4	40 - 99
AH147544	2B15	1	50 - 7	AH149835	1G13	1	40 - 25	AH152443	5G9	3	160 - 5
AH147545	2B15	7	50 - 7	AH149883	3H11	2	90 - 9	AH152451	1H25	2	40 - 63
AH147546	2B15	7	50 - 7	AH150016	4J14	18	121 - 69	AH152654	5F23	8	130 - 60
AH147583	4F18	6	120 - 55	AH150016	4K2	15	121 - 81	AH152668	1G6	2	40 - 17
AH147935	2F24	9	60 - 17	AH150167	4F22	12	120 - 59	AH152873	3H11	8	90 - 9
AH147974	3H21	2A	90 - 19	AH150168	4G4	12	120 - 65	AH152939	4B10	30	110 - 3
AH148028	1I2	20	40 - 65	AH150169	4F24	8	120 - 61	AH152939	4D8	19	110 - 53
AH148106	1B25	4	20 - 20	AH150193	4F24	1	120 - 61	AH153040	4I22	4	121 - 53
AH148107	4F6	5	120 - 43	AH150194	4G4	3	120 - 65	AH153133	1G6	4	40 - 17
AH148124	3C19	13	70 - 39	AH150343	2B16	4	50 - 8	AH153311	1G6	3	40 - 17
AH148124	3C23	18	70 - 43	AH150344	2B16	4	50 - 8	AH153332	1G4	26	40 - 15
AH148171	3H21	2A	90 - 19	AH150345	2B16	4	50 - 8	AH153339	1J12	9	40 - 101
AH148210	1H25	2	40 - 63	AH150346	2B16	4	50 - 8	AH153339	4B12	..	110 - 5
AH148210	1I2	14	40 - 65	AH150441	3H17	21A	90 - 15	AH153339	4D8	25	110 - 53
AH148225	3I19	1	90 - 42	AH150473	1H12	1	40 - 49	AH153405	3J25	20	90 - 75
AH148226	3I19	3	90 - 42	AH150496	4E7	18	120 - 17	AH153617	3I4	11	90 - 27
AH148227	3I19	2	90 - 42	AH150496	4E7	19	120 - 17	AH153626	1F15	3	40 - 1
AH148258	1H19	5	40 - 57	AH150496	4E9	1	120 - 19	AH153659	1B24	1	20 - 19
AH148259	1H19	22	40 - 57	AH150496	4E9	2	120 - 19	AH153688	4E7	14	120 - 17
AH148289	1F10	2	30 - 13	AH150498	4I12	13	121 - 43	AH153688	4E9	13	120 - 19
AH148354	1F21	12	40 - 7	AH150499	4E19	13	120 - 29	AH153688	4E13	11	120 - 23
AH148354	3I8	12	90 - 31	AH150686	4B12	9	110 - 5	AH153741	5D25	7	130 - 9
AH148416	3B18	7	70 - 11	AH150687	3B22	6	70 - 15	AH153742	5D25	7	130 - 9
AH148416	3B20	19	70 - 13	AH151118	4E7	15	120 - 17	AH153796	3H19	1	90 - 17
AH148472	3D8	24	70 - 54	AH151118	4E9	8	120 - 19	AH153807	4F16	4	120 - 53
AH148616	1G10	2	40 - 21	AH151120	4E5	8	120 - 15	AH153815	1I13	2	40 - 77

NUMERICAL INDEX - CONTINUED

PART NO.	GRID	KEY	PAGE	PART NO.	GRID	KEY	PAGE	PART NO.	GRID	KEY	PAGE
AH153815	1I15	2	40-79	AH155707	4D4	16	110-49	AH157699	2B22	1	50-14
AH153910	1F15	6	40-1	AH155715	4D4	7	110-49	AH157700	2B22	1	50-14
AH153911	3H11	1	90-9	AH155737	4B21	1	110-15	AH157933	4B10	14	110-3
AH153998	1G21	1	40-33	AH155739	4C15	9	110-35	AH157934	4C23	6	110-43
AH153998	1G23	1	40-35	AH155833	4D2	26	110-47	AH157942	4C25	6	110-45
AH154151	1F15	7	40-1	AH155916	1H8	1	40-45	AH157973	3D3	6	70-48
AH154238	1B22	1	20-17	AH155916	1H10	1	40-47	AH158038	1J19	1	40-108
AH154278	1G13	5	40-25	AH156050	4B12	..	110-5	AH158038	1J20	1	40-109
AH154278	1G15	10	40-27	AH156051	4I8	20	121-39	AH158107	5E21	1	130-31
AH154280	3H15	8	90-13	AH156051	4I20	27	121-51	AH158115	5E17	4	130-27
AH154328	4D12	14	110-57	AH156051	4J4	7	121-59	AH158142	4B21	14	110-15
AH154401	3G16	11	80-41	AH156051	5D2	14	125-43	AH158142	4B23	17	110-17
AH154567	3G20	8	80-45	AH156051	5D25	9	130-9	AH158145	4B25	7	110-19
AH154573	1F19	22	40-5	AH156052	4B12	..	110-5	AH158149	4C2	1	110-21
AH154574	4C25	1	110-45	AH156066	4B21	3	110-15	AH158151	3G14	8	80-39
AH154641	3F12	7	80-11	AH156066	4B23	3	110-17	AH158179	3J25	19	90-75
AH154696	3H19	13	90-17	AH156168	1B22	30	20-17	AH158180	3J25	20	90-75
AH154697	1B14	17	20-9	AH156177	5C22	25	125-37	AH158255	3F10	5	80-9
AH154737	4D10	6	110-55	AH156186	3F14	3	80-13	AH158262	3F20	1A	80-19
AH154738	4D10	9	110-55	AH156188	3F20	1A	80-19	AH158262	3F20	1B	80-19
AH154739	4D10	8	110-55	AH156188	3F20	1B	80-19	AH158263	3F20	5	80-19
AH154740	4D10	5	110-55	AH156192	3F20	5	80-19	AH158296	1C1	4	20-21
AH154741	4D10	3	110-55	AH156244	1B14	5	20-9	AH158310	1J15	4	40-104
AH154742	4D10	1	110-55	AH156360	4D12	5	110-57	AH158321	1F8	14	30-11
AH154743	4D10	..	110-55	AH156361	4D12	11	110-57	AH158328	4C13	34	110-33
AH154828	1H8	1	40-45	AH156362	4D12	8	110-57	AH158472	1G21	16	40-33
AH154828	1H10	1	40-47	AH156363	4D12	9	110-57	AH158472	1G23	16	40-35
AH154831	1F17	1	40-3	AH156374	4B23	2	110-17	AH158472	1G25	4	40-37
AH154831	1G19	14	40-31	AH156376	4B21	2	110-15	AH158472	1H2	4	40-39
AH154836	1H25	20	40-63	AH156388	3B16	8	70-9	AH158472	1H4	1	40-41
AH154837	1H25	20	40-63	AH156402	3J10	16	90-59	AH158472	1H6	1	40-43
AH154848	2B14	4	50-6	AH156413	5F8	5	130-43	AH158472	1H8	11	40-45
AH154920	5E17	27	130-27	AH156418	1I17	4	40-81	AH158487	3G8	8	80-33
AH154960	4C23	23	110-43	AH156475	3B18	1	70-11	AH158595	4G25	37	121-7
AH154961	4B17	14	110-10	AH156475	3B20	8	70-13	AH158595	4H2	18	121-9
AH154961	4C23	1	110-43	AH156596	5D23	5	130-7	AH158604	1I11	10	40-75
AH154962	5F2	2	130-37	AH156597	5D23	5	130-7	AH158635	4C13	16	110-33
AH154967	5F19	5	130-55	AH156626	2B14	4	50-6	AH158635	5C23	10	125-38
AH154968	5F19	6	130-55	AH156642	3I14	2	90-37	AH158635	5D23	10	130-7
AH154992	1B24	8	20-19	AH156703	3B18	12	70-11	AH158660	2B22	1	50-14
AH155003	2B17	1	50-9	AH156703	3B20	3	70-13	AH158661	2B22	1	50-14
AH155004	2B17	7	50-9	AH156704	3B24	14	70-17	AH158662	2B22	1	50-14
AH155077	4D10	6	110-55	AH156717	4F14	12	120-51	AH158673	1F8	17	30-11
AH155199	5F2	5	130-37	AH156773	2G18	1	60-37	AH158689	1H21	11	40-59
AH155232	2C9	6	50-26	AH156810	5D23	5	130-7	AH158820	4K4	12	121-83
AH155245	4B21	2	110-15	AH156811	5D23	5	130-7	AH158849	3F20	5	80-19
AH155264	3C16	2	70-35	AH156821	2G21	2	60-40	AH158880	5F22	45	130-59
AH155264	3C16	13	70-35	AH156962	1H25	20	40-63	AH158880	5G15	4	170-5
AH155265	3C16	2	70-35	AH156971	2C8	7	50-25	AH159026	3E12	10	70-85
AH155265	3C16	13	70-35	AH156975	4D4	3	110-49	AH159026	3J25	19	90-75
AH155275	4D14	1	110-59	AH157026	2F18	31	60-11	AH159053	4C25	19	110-45
AH155275	4F4	16	120-41	AH157027	2F18	31	60-11	AH159053	4D2	14A	110-47
AH155348	4D4	13	110-49	AH157029	3H21	8	90-19	AH159053	4D2	14B	110-47
AH155480	1H25	18	40-63	AH157168	4D2	16	110-47	AH159054	4C25	19	110-45
AH155480	5F8	3B	130-43	AH157306	4B21	4	110-15	AH159054	4D2	14A	110-47
AH155483	1E16	13	24-57	AH157306	4B23	4	110-17	AH159054	4D2	14B	110-47
AH155493	4E7	19	120-17	AH157325	1F21	16	40-7	AH159061	3G16	8	80-41
AH155522	1H19	24	40-57	AH157415	4D2	18	110-47	AH159078	3E12	11	70-85
AH155522	1H21	29	40-59	AH157491	3I25	3	90-49	AH159078	3K4	1	90-79
AH155523	1H21	11	40-59	AH157492	3C16	3	70-35	AH159079	3H5	10	90-3
AH155657	4D2	1	110-47	AH157492	4B21	4	110-15	AH159105	1I11	12	40-75
AH155659	4C15	13	110-35	AH157492	4B23	4	110-17	AH159186	3H21	8	90-19
AH155669	3G12	23	80-37	AH157554	1F8	7	30-11	AH159187	3H21	8	90-19
AH155676	4B25	7	110-19	AH157555	1F8	7	30-11	AH159207	1F21	16	40-7
AH155679	4C2	1	110-21	AH157557	3J6	3	90-55	AH159207	3I8	16	90-31
AH155703	4D2	6	110-47	AH157634	3J6	1	90-55	AH159233	4B12	34	110-5
AH155707	4D2	3	110-47	AH157698	2B22	1	50-14	AH159244	1B16	5	20-11

NUMERICAL INDEX - CONTINUED

PART NO.	GRID	KEY	PAGE	PART NO.	GRID	KEY	PAGE	PART NO.	GRID	KEY	PAGE
AH159352	1F21	12	40-7	AH161390	4E2	17	120-11	AH163373	1F5	11	30-8
AH159352	3I8	12	90-31	AH161395	4E2	17	120-11	AH163526	1F21	7	40-7
AH159356	4K6	20	121-85	AH161398	4E2	17	120-11	AH163527	1F21	7	40-7
AH159365	4G6	3	120-67	AH161411	4E2	17	120-11	AH163527	3I8	7	90-31
AH159704	4C11	1	110-31	AH161431	5B14	4	125-5C	AH163686	4J12	26	121-67
AH159962	1I2	20	40-65	AH161432	5B14	11	125-5C	AH163686	4J14	26	121-69
AH159984	1F21	7	40-7	AH161433	5B14	13	125-5C	AH163708	3J10	8	90-59
AH159985	1F21	7	40-7	AH161463	1F10	1	30-13	AH163757	1J16	..	40-105
AH160053	4B21	1	110-15	AH161463	1F10	2	30-13	AH163761	4F10	5	120-47
AH160054	4B23	1	110-17	AH161485	2F16	31	60-9	AH163761	4F10	7	120-47
AH160084	1B22	1	20-17	AH161513	3F20	1A	80-19	AH163803	4H6	20	121-13
AH160107	1H10	21	40-47	AH161513	3F20	1B	80-19	AH163803	4H14	46	121-21
AH160107	1I8	3	40-72	AH161818	4E2	..	120-11	AH163809	1J16	3	40-105
AH160115	3I2	1	90-25	AH161838	1H15	4	40-52	AH163920	4E2	..	120-11
AH160136	2F12	2	60-5	AH161839	1H15	3	40-52	AH163921	4E2	..	120-11
AH160136	2F14	1	60-7	AH161885	3C16	13	70-35	AH163931	4E23	12	120-33
AH160136	2F16	32	60-9	AH161919	1F15	3	40-1	AH163931	4I20	3	121-51
AH160198	1B18	2	20-13	AH161925	3J10	1	90-59	AH163931	5G15	3	170-5
AH160425	4J24	13	121-79	AH161926	3I6	2	90-29	AH163979	1H25	18	40-63
AH160469	3H21	3	90-19	AH161927	3I23	13	90-47	AH163979	5F8	3A	130-43
AH160473	3H21	2B	90-19	AH161928	3I14	2	90-37	AH163979	5F8	7	130-43
AH160474	3H21	2B	90-19	AH161930	1J10	4	40-99	AH164363	3F12	7	80-11
AH160605	4D19	1	120-3	AH162060	5B14	3	125-5C	AH164497	1J16	12	40-105
AH160606	4J24	11	121-79	AH162061	4J16	22	121-71	AH164570	5C22	..	125-37
AH160606	4J24	12	121-79	AH162068	4H12	4	121-19	AH164609	5F9	10	130-44
AH160622	5E17	27	130-27	AH162073	3F10	5	80-9	AH164670	4D12	14	110-57
AH160627	1I15	7	40-79	AH162145	3D22	..	70-71	AH164841	5F22	4	130-59
AH160722	4E25	3	120-36	AH162179	1I17	4	40-81	AH164868	5E11	20	130-21
AH160745	2C17	28	50-36	AH162230	5E11	..	130-21	AH164868	5E11	24	130-21
AH160745	2C18	28	50-37	AH162231	1F22	2	40-8	AH165073	3H5	10	90-3
AH160750	2D6	28	50-50	AH162231	1J18	7	40-107	AH165220	4C23	6	110-43
AH160750	2D7	28	50-51	AH162250	4G10	11	120-71	AH165877	1J19	1	40-108
AH160785	2C13	2	50-31	AH162292	4D19	2	120-3	AH165877	1J20	1	40-109
AH160785	2C13	8	50-31	AH162400	5F4	1	130-39	AH165936	4K4	10	121-83
AH160785	2C13	..	50-31	AH162432	3C16	13	70-35	AH165937	4K4	1	121-83
AH160785	2C14	10	50-33	AH162442	5D23	10	130-7	AH165990	3H23	16	90-21
AH160785	2C14	..	50-33	AH162469	4I10	29	121-41	AH166167	5B13	15	125-5B
AH160785	2C16	4	50-35	AH162469	4I14	15	121-45	AH166172	5B13	8	125-5B
AH160785	2C16	8	50-35	AH162573	2G20	19	60-39	AH166546	1H17	3	40-55
AH160785	2C16	12	50-35	AH162581	1I2	14	40-65	AH166711	5B13	15	125-5B
AH160785	2C16	15	50-35	AH162647	1G23	16	40-35	AH166713	3G2	1	80-27
AH160785	2C16	19	50-35	AH162647	1H2	4	40-39	AH166713	5E19	30	130-29
AH160785	2C16	..	50-35	AH162647	1H6	1	40-43	AH166714	3G4	1	80-29
AH160785	2C17	..	50-36	AH162647	1H8	11	40-45	AH166714	5E19	18	130-29
AH160785	2C18	..	50-37	AH162650	1H25	20	40-63	AH166953	3D5	12	70-51
AH160785	2F4	3	50-99	AH162651	1H25	20	40-63	AH167030	5B13	9	125-5B
AH160785	2F4	6	50-99	AH162652	1H25	20	40-63	AH167031	5B13	11	125-5B
AH160790	2D2	2	50-45	AH162661	1F21	16	40-7	AH167132	4J16	3	121-71
AH160790	2D2	8	50-45	AH162661	3I8	16	90-31	AH167433	5E25	31	130-35
AH160790	2D2	..	50-45	AH162723	1F5	9	30-8	AH167434	2H4	4	60-47
AH160790	2D4	4	50-47	AH162724	4C4	16	110-23	AH167553	3E7	..	70-80
AH160790	2D4	8	50-47	AH162746	3H17	21A	90-15	AH167582	2H5	1	60-48
AH160790	2D4	12	50-47	AH162746	3H17	21B	90-15	AH167584	2H4	4	60-47
AH160790	2D4	15	50-47	AH162845	4E2	26	120-11	AH167849	5F19	5	130-55
AH160790	2D4	19	50-47	AH162851	4E2	26	120-11	AH167850	5F19	6	130-55
AH160790	2D4	..	50-47	AH162857	4E2	26	120-11	AH167934	1F21	16	40-7
AH160790	2D5	10	50-49	AH162869	4E2	26	120-11	AH167934	3I8	16	90-31
AH160790	2D5	..	50-49	AH162914	1E24	24	30-3	AH168093	5E21	..	130-31
AH160790	2D6	..	50-50	AH162923	2B22	1	50-14	AH168158	4G12	3	120-73
AH160790	2D7	..	50-51	AH163046	1J16	1	40-105	AH168158	4G12	5	120-73
AH160790	2F4	3	50-99	AH163047	1J16	1	40-105	AH168158	4G12	13	120-73
AH160790	2F4	6	50-99	AH163048	1J16	1	40-105	AH168231	1H2	14B	40-39
AH160832	2B16	3	50-8	AH163049	1J16	1	40-105	AH168300	5E25	37	130-35
AH160832	2B16	4	50-8	AH163157	1B14	16	20-9	AH168400	5B13	18	125-5B
AH160994	5D7	17	125-49	AH163157	1B16	16	20-11	AH168683	4H4	18	121-11
AH161017	4C11	9	110-31	AH163345	1F17	1	40-3	AH168934	3F8	22A	80-7
AH161389	4E2	17	120-11	AH163345	1G19	14	40-31	AH168934	3F8	22B	80-7

NUMERICAL INDEX - CONTINUED

PART NO.	GRID	KEY	PAGE	PART NO.	GRID	KEY	PAGE	PART NO.	GRID	KEY	PAGE
AH169220	4J12	35	121 - 67	AH89557	1H25	15	40 - 63	AH97031	5D2	8	125 - 43
AH169220	4J14	35	121 - 69	AH89557	1I2	6	40 - 65	AH97280	1F5	3	30 - 8
AH169233	5C22	25	125 - 37	AH89557	1I2	18	40 - 65	AH97280	2G12	11	60 - 29
AH169733	1I5	6	40 - 68	AH89557	1I3	2	40 - 66	AH97280	3C14	2	70 - 33
AH20868	2C2	19	50 - 19	AH89557	1J10	6	40 - 99	AH97340	4B19	2	110 - 13
AH21815	5E11	19	130 - 21	AH89557	1J12	6	40 - 101	AH97643	4B10	30	110 - 3
AH64349	3K2	1	90 - 77	AH89557	2F20	4	60 - 13	AH97643	4D8	19	110 - 53
AH64610	2H5	1	60 - 48	AH89557	3C23	24	70 - 43	AH97920	2G4	34	60 - 21
AH65358	2D4	34	50 - 47	AH89557	3H5	14	90 - 3	AH97920	3J19	34	90 - 69
AH65358	2D9	19	50 - 53	AH89557	4C11	19	110 - 31	AH98118	5F9	1	130 - 44
AH75167	3B16	2	70 - 9	AH89557	5G9	2	160 - 5	AH98176	5D5	7	125 - 46
AH75167	3B25	1	70 - 19	AH89557	5G9	5	160 - 5	AL14674	4F8	22	120 - 45
AH75167	3C2	7	70 - 21	AH90963	5E25	3	130 - 35	AL14674	4I18	50	121 - 49
AH75167	5C12	15	125 - 27	AH90990	1F4	13	30 - 7	AL2976T	1I25	20	40 - 89
AH75985	5E11	24	130 - 21	AH90990	1G4	36	40 - 15	AM103480	5B19	4	125 - 9
AH76882	5C4	9	125 - 19	AH90990	1H4	5	40 - 41	AM108845	1G10	18	40 - 21
AH77279	1J12	3	40 - 101	AH90990	1H6	5	40 - 43	AM53945	1H21	25	40 - 59
AH77279	4C11	19	110 - 31	AH90990	1H10	8	40 - 47	AN102382	4B16	3	110 - 9
AH77279	4H12	11	121 - 19	AH90990	1H19	18	40 - 57	AN102383	4B16	2	110 - 9
AH77714	5F25	8	130 - 63	AH90990	1I11	6	40 - 75	AN102383	4C7	6	110 - 26
AH77724	1H17	16	40 - 55	AH90990	1I13	10	40 - 77	AN113330	4B12	29	110 - 5
AH77724	2B25	23	50 - 17	AH90990	1I15	5	40 - 79	AN122493	2C16	28	50 - 35
AH77724	3I10	23	90 - 33	AH90990	2E16	15	50 - 87	AN122494	2C20	11	50 - 39
AH77724	3J25	13	90 - 75	AH90990	3H5	14	90 - 3	AN122497	2C24	11	50 - 43
AH77869	1F4	4	30 - 7	AH90990	4H2	10	121 - 9	AN122497	2D11	11	50 - 55
AH77869	1G25	5	40 - 37	AH90990	4H4	21	121 - 11	AN122498	2C17	5	50 - 36
AH77869	1H2	5	40 - 39	AH93110	4B12	35	110 - 5	AN122498	2C18	5	50 - 37
AH77869	3B25	7	70 - 19	AH93318	4J8	12	121 - 63	AN122498	2D6	5	50 - 50
AH77869	3C14	12	70 - 33	AH93318	4J10	12	121 - 65	AN122498	2D7	5	50 - 51
AH77869	3J25	9	90 - 75	AH93892	2G20	9	60 - 39	AN122499	2C20	12	50 - 39
AH77869	3K2	10	90 - 77	AH94450	4B17	11	110 - 10	AN122502	2C16	22	50 - 35
AH77884	5D19	31	130 - 3	AH94450	4B19	10	110 - 13	AN122502	2D4	22	50 - 47
AH78124	3B25	8	70 - 19	AH94450	4I16	14	121 - 47	AN122506	2C16	13	50 - 35
AH80335	3H7	7	90 - 5	AH94450	4J4	10	121 - 59	AN122507	2C16	34	50 - 35
AH80335	3H15	15	90 - 13	AH94450	5E13	5	130 - 23	AN122507	2C22	19	50 - 41
AH80335	5E17	11	130 - 27	AH94661	5F9	3	130 - 44	AN122509	2C16	35	50 - 35
AH80384	1B14	17	20 - 9	AH94853	4H14	21	121 - 21	AN122509	2C22	18	50 - 41
AH80916	2B13	10	50 - 5	AH96244	4H12	19	121 - 19	AN122518	2C16	32	50 - 35
AH81622	2E6	14	50 - 77	AH96292	1B12	14	20 - 7	AN122518	2D4	32	50 - 47
AH84695	2D25	5	50 - 70	AH96317	1B22	7	20 - 17	AN122518	3D10	21	70 - 57
AH85415	5B17	19	125 - 7	AH96317	1F10	10	30 - 13	AN130930	1F8	18	30 - 11
AH86866	2H5	8	60 - 48	AH96317	1G8	4	40 - 19	AN142665	4D4	6	110 - 49
AH86897	5C23	10	125 - 38	AH96317	1G10	11	40 - 21	AN15237	4J8	8	121 - 63
AH86897	5C23	12	125 - 38	AH96317	1G21	17	40 - 33	AN15237	5E13	8	130 - 23
AH87141	4H14	30	121 - 21	AH96317	1G23	17	40 - 35	AN193084	2C20	25	50 - 39
AH87272	1B22	22	20 - 17	AH96317	1G25	18	40 - 37	AN193085	2C13	28	50 - 31
AH87765	5C23	10	125 - 38	AH96317	1H2	18	40 - 39	AN193085	2C22	39	50 - 41
AH87806	1F25	3	40 - 11	AH96317	1H4	9	40 - 41	AN193085	2C22	41	50 - 41
AH89486	3B18	16	70 - 11	AH96317	1H6	9	40 - 43	AN193085	2C22	44	50 - 41
AH89486	3B20	6	70 - 13	AH96317	1H19	3	40 - 57	AN193085	2D2	23	50 - 45
AH89486	4B21	28	110 - 15	AH96317	1H19	15	40 - 57	AN193085	2D2	27	50 - 45
AH89557	1B20	7	20 - 15	AH96317	1H25	16	40 - 63	AN193085	2D2	28	50 - 45
AH89557	1F17	4	40 - 3	AH96317	1I9	2	40 - 73	AN193085	2D9	39	50 - 53
AH89557	1G8	2	40 - 19	AH96317	1I13	8	40 - 77	AN193085	2D9	41	50 - 53
AH89557	1G10	4	40 - 21	AH96317	2G2	8	60 - 19	AN193085	2D9	44	50 - 53
AH89557	1G23	27	40 - 35	AH96317	2G2	11	60 - 19	AN220289	1I5	6	40 - 68
AH89557	1G25	12	40 - 37	AH96317	3C8	1	70 - 27	AN272356	2C24	9	50 - 43
AH89557	1H2	12	40 - 39	AH96317	3E4	8	70 - 77	AN272356	2D11	9	50 - 55
AH89557	1H4	6	40 - 41	AH96317	3J17	11	90 - 67	AN274375	2C16	6	50 - 35
AH89557	1H6	6	40 - 43	AH96317	3J25	10	90 - 75	AN274375	2C16	7	50 - 35
AH89557	1H8	2	40 - 45	AH96317	5D13	2	125 - 55	AN274375	2C16	..	50 - 35
AH89557	1H10	12	40 - 47	AH96317	5D15	2	125 - 57	AN274375	2D4	..	50 - 47
AH89557	1H14	15	40 - 51	AH96345	4B10	21	110 - 3	AN71222	4G12	7	120 - 73
AH89557	1H17	14	40 - 55	AH96585	5E25	5	130 - 35	AR100124	1D4	2	24 - 21
AH89557	1H17	23	40 - 55	AH96938	4B16	18	110 - 9	AR103807	1C3	7	20 - 23
AH89557	1H19	4	40 - 57	AH97031	4H14	7	121 - 21	AR104516	1G19	11	40 - 31
AH89557	1H19	15	40 - 57	AH97031	4I8	10	121 - 39	AR104650	1E2	..	24 - 43

NUMERICAL INDEX - CONTINUED

PART NO.	GRID	KEY	PAGE	PART NO.	GRID	KEY	PAGE	PART NO.	GRID	KEY	PAGE
AR21839	5F15	26	130 - 51	AT18904	1F4	5	30 - 7	A31870	5C18	23	125 - 33
AR21999	1B18	1	20 - 13	AT18904	1J16	5	40 - 105	A31871	4C21	3	110 - 41
AR21999	3K2	27	90 - 77	AT207952	1H19	11	40 - 57	A31871	5F22	15	130 - 59
AR28403	1F25	11	40 - 11	AT207952	1I5	13	40 - 68	A3581R	5E13	18	130 - 23
AR31790	1D4	..	24 - 21	AT22070	3H25	1	90 - 23	A37576	4F22	5	120 - 59
AR42591	1I2	12	40 - 65	AT22073	3H25	3	90 - 23	A37576	4F24	10	120 - 61
AR48751	1C1	4	20 - 21	AT25226	2B14	5	50 - 6	A37576	4G4	5	120 - 65
AR49025	1C13	..	24 - 4	AT25226	2H4	9	60 - 47	A3917R	2C20	24	50 - 39
AR49025	1C24	1	24 - 16	AT25226	2H5	7	60 - 48	A4365R	1C12	18	24 - 3
AR49352	1J10	9	40 - 99	AT26407	1G4	34	40 - 15	A44990	4B23	36	110 - 17
AR50411	1C3	1	20 - 23	AT28975	4G21	16	121 - 3	A44990	5C22	34	125 - 37
AR51481	2G2	1	60 - 19	AT36212	2B15	8	50 - 7	A4655R	3D8	1	70 - 54
AR51481	3J17	1	90 - 67	AT37368	1H21	9	40 - 59	A4655R	3D10	1	70 - 57
AR55394	1D6	16	24 - 23	AT37476	1B24	5	20 - 19	A4655R	3D12	1	70 - 59
AR55649	1I15	7	40 - 79	AT37476	1B24	6	20 - 19	A4655R	3D13	1	70 - 60
AR56766	1G4	32	40 - 15	AT39043	1G21	1	40 - 33	A4655R	3D15	21	70 - 63
AR58952	1D6	15	24 - 23	AT39043	1G23	1	40 - 35	A4655R	3D17	21	70 - 65
AR58952	1E12	36	24 - 53	AT39141	1B24	2	20 - 19	A4655R	3D20	23	70 - 69
AR61533	1C12	17	24 - 3	AT40603	2C6	1	50 - 23	A4730R	4H4	20	121 - 11
AR61589	1C12	19	24 - 3	AT63272	2C14	4	50 - 33	A4741R	3J14	3	90 - 63
AR62399	1C3	7	20 - 23	AT63272	2C14	5	50 - 33	A50743	1J12	7	40 - 101
AR62407	1F23	1	40 - 9	AT63272	2C14	9	50 - 33	A50743	4C15	4	110 - 35
AR65005	1J1	1	40 - 90	AT63272	2D5	4	50 - 49	A50744	1B8	27	20 - 3
AR65006	1J1	2	40 - 90	AT63272	2D5	5	50 - 49	A50744	1B14	8	20 - 9
AR71107	3I16	1	90 - 39	AT63272	2D5	9	50 - 49	A51212	4E2	..	120 - 11
AR71108	3I16	18	90 - 39	AT66481	1G15	7	40 - 27	A51212	4J18	3	121 - 73
AR71109	3I16	19	90 - 39	AT74407	1F10	1	30 - 13	A51212	4J22	8	121 - 77
AR73144	1I11	16	40 - 75	AT81268	1F2	13	30 - 5	A51212	4J24	8	121 - 79
AR75693	2F24	17	60 - 17	AT81476	1F2	12	30 - 5	A51212	4K6	8	121 - 85
AR79548	1G17	1	40 - 29	AT81477	1F2	10	30 - 5	A60341	1F5	6	30 - 8
AR79549	1G17	17	40 - 29	AT81478	1F2	11	30 - 5	BH71746	2E21	..	50 - 92
AR79550	1G17	11	40 - 29	AT85197	3E19	10	70 - 93	BH71876	4E2	..	120 - 11
AR84006	1I25	40	40 - 89	AU40993	2D25	2	50 - 70	BH71876	4E13	..	120 - 23
AR85519	1E2	21	24 - 43	AU43853	1G15	4	40 - 27	BH71876	4E17	..	120 - 27
AR85519	1E2	..	24 - 43	AU43857	1G15	3	40 - 27	BH71948	1G13	..	40 - 25
AR86539	2D16	3	50 - 61	AZ10044	1B8	36	20 - 3	BH78343	3I14	..	90 - 37
AR86539	2D22	3	50 - 67	AZ10044	4F8	5	120 - 45	BH78464	1I2	..	40 - 65
AR86603	1F10	1	30 - 13	AZ10044	5D7	4	125 - 49	BH78486	4E7	..	120 - 17
AR86745	1C13	..	24 - 4	AZ10044	5D7	12	125 - 49	BH78495	4E7	..	120 - 17
AR86745	1E10	7	24 - 51	AZ10044	5D19	3	130 - 3	BH78881	2E20	..	50 - 91
AR88903	1E4	19	24 - 45	AZ10045	5C18	3	125 - 33	BH78882	2G17	..	60 - 36
AR90369	4I14	8	121 - 45	AZ10045	5D4	13	125 - 45	BH79019	3B16	..	70 - 9
AR91793	1I23	42	40 - 87	AZ10045	5D19	9	130 - 3	BH79118	1H21	..	40 - 59
AR93173	1D4	6	24 - 21	AZ10045	5E2	2	130 - 11	BH79199	2G24	..	60 - 43
AR94522	3C2	6	70 - 21	AZ19427	4D2	15	110 - 47	BH79485	1I17	..	40 - 81
AR94522	3C6	32	70 - 25	AZ19427	4G14	5	120 - 75	BH79543	4B25	..	110 - 19
AR94522	5C12	16	125 - 27	AZ20216	4J6	15	121 - 61	BH79815	5B25	..	125 - 15
AR94761	2C2	6	50 - 19	AZ47247	1F25	20	40 - 11	BH79900	1I17	..	40 - 81
AR98650	2E4	8	50 - 75	AZ47909	3I2	17	90 - 25	BH79902	1I17	..	40 - 81
AR98850	1C18	9	24 - 10	AZ49144	3D3	2	70 - 48	BH80002	2F6	..	50 - 101
AT106413	1B20	4	20 - 15	AZ51851	3D10	36	70 - 57	BH80021	4E7	..	120 - 17
AT107509	1D2	11	24 - 19	A1402R	4G25	35	121 - 7	BH80037	3G12	..	80 - 37
AT112176	1B24	10	20 - 19	A15147	3F24	16	80 - 23	BH80122	4J12	..	121 - 67
AT130104	1J14	1	40 - 103	A15147	4G15	2	120 - 76	BH80130	4F10	..	120 - 47
AT135485	1F25	13	40 - 11	A15147	4G16	1	120 - 77	BH80177	5B25	..	125 - 15
AT135485	1F25	17	40 - 11	A15147	5E21	3	130 - 31	BH80178	5B25	..	125 - 15
AT13740	1B18	6	20 - 13	A15898	3C6	36	70 - 25	BH80229	4E3	..	120 - 12
AT13740	1C12	4	24 - 3	A22724	5F17	9	130 - 53	BH80267	3C21	..	70 - 41
AT13740	1D18	17	24 - 35	A24915	1C5	5	20 - 25	BH80338	5E6	..	130 - 15
AT13740	1D20	1	24 - 37	A25695	4B19	15	110 - 13	BH80671	3H21	..	90 - 19
AT13740	1E24	13	30 - 3	A27238	1C5	3	20 - 25	BH80734	1J16	..	40 - 105
AT13740	1F4	16	30 - 7	A2913R	5G19	2	170 - 9	BH81076	3I25	..	90 - 49
AT13740	1F5	8	30 - 8	A2913R	5H8	5	170 - 24	BH81123	5E6	..	130 - 15
AT141987	1G15	8	40 - 27	A31867	3F16	28	80 - 15	BH81125	5E6	..	130 - 15
AT162597	1B20	9	20 - 15	A31867	4B19	9	110 - 13	BH81146	2B15	..	50 - 7
AT18904	1C5	2	20 - 25	A31867	4E7	17	120 - 17	BH81147	2B15	..	50 - 7
AT18904	1E24	4	30 - 3	A31869	5F22	7	130 - 59	BH81148	2B15	..	50 - 7

NUMERICAL INDEX - CONTINUED

PART NO.	GRID	KEY	PAGE	PART NO.	GRID	KEY	PAGE	PART NO.	GRID	KEY	PAGE
BH81149	2B15	..	50-7	CE18180	4G25	22	121-7	E62942	3D17	19	70-65
BH81159	3I19	..	90-42	CE18180	4G25	24	121-7	E62942	3D20	21	70-69
BH81161	4E2	..	120-11	CE18181	4G25	24	121-7	E62951	4B16	6	110-9
BH81191	4I22	..	121-53	CE18201	2C4	1	50-21	E62951	4C7	4	110-26
BH81209	2B16	..	50-8	CE18206	2F18	22	60-11	E63018	4F4	2	120-41
BH81210	2B16	..	50-8	CE18223	2C4	17	50-21	E64256	1G13	4	40-25
BH81211	2B16	..	50-8	CE18224	2C6	10	50-23	E64256	3F8	8	80-7
BH81212	2B16	..	50-8	CE18224	2C6	11	50-23	E64256	5F22	14	130-59
BH81215	2B16	..	50-8	CE18400	4H10	9	121-17	E65288	2C13	..	50-31
BH81216	2B16	..	50-8	C10233	5D23	10	130-7	E65288	2C14	..	50-33
BH81217	2B16	..	50-8	C10263	5C23	10	125-38	E65288	2C16	..	50-35
BH81218	2B16	..	50-8	C10263	5D23	10	130-7	E65288	2C17	28	50-36
BH81219	1C3	..	20-23	C16054	3C19	6	70-39	E65288	2C18	25	50-37
BH81236	2B16	..	50-8	C16054	3C21	18A	70-41	E65288	2D2	..	50-45
BH81237	2B16	..	50-8	C16071	2G17	..	60-36	E65288	2D4	..	50-47
BH81238	2B16	..	50-8	C3203E	3F16	12	80-15	E65288	2D5	..	50-49
BH81239	2B16	..	50-8	C3936E	2C6	2	50-23	E65288	2D7	25	50-51
BH81240	2B16	..	50-8	DE18923	4G25	40	121-7	E65288	2F4	6	50-99
BH81241	2B16	..	50-8	DE19018	4G25	10	121-7	E65288	3D22	2B	70-71
BH81242	2B16	..	50-8	DE19111	5E11	14	130-21	E66618	3D10	24	70-57
BH81243	2B16	..	50-8	DE19111	5E11	20	130-21	E66619	3D10	19	70-57
BH81255	1G6	..	40-17	DE19111	5E11	24	130-21	E66620	3D10	18	70-57
BH81311	3B24	..	70-17	DE19111	5E11	25	130-21	E81185	4C4	9	110-23
BH81333	4E9	..	120-19	E10018	3F5	2	80-4	E82510	5G25	4	170-15
BH81356	1F21	..	40-7	E10018	4F4	19	120-41	E82510	5H3	24	170-19
BH81360	4D12	..	110-57	E10018	4I18	42	121-49	E82514	4D12	7	110-57
BH81375	2B15	..	50-7	E10018	5C18	4	125-33	E82575	5H3	24	170-19
BH81381	4E7	..	120-17	E10018	5C23	5	125-38	F1743R	1C12	11	24-3
BH81381	4E9	..	120-19	E10018	5D4	14	125-45	F2380R	2E4	19	50-75
BH81381	4E13	..	120-23	E10018	5E2	3	130-11	F3220R	1G13	22	40-25
BH81384	3C6	..	70-25	E12305	4H20	22	121-27	F3220R	1G15	21	40-27
BH81389	3B18	..	70-11	E12379	4E23	22	120-33	GG310-30411	3D22	1	70-71
BH81389	3B20	..	70-13	E12379	4G12	11	120-73	HZ5621H	3G12	14	80-37
BH81389	3B22	..	70-15	E12379	5D13	4	125-55	HZ5621H	4D23	7	120-7
BH81416	2B14	..	50-6	E12379	5D15	6	125-57	H100027	5F11	16	130-47
BH81514	2B16	..	50-8	E12379	5G2	1	130-65	H100027	5F13	16	130-49
BH81515	2B16	..	50-8	E12379	5G4	1	130-67	H100067	4D25	5	120-9
BH81516	5B13	..	125-5B	E1343FN	1C18	1	24-10	H100211	4G16	2	120-77
BH81578	1G17	..	40-29	E18993	4I2	6	121-33	H100211	5E21	5	130-31
BH81703	2B19	..	50-11	E46013	5B13	20	125-5B	H100245	4C23	22	110-43
BH81704	2B19	..	50-11	E47782	4E7	22	120-17	H100246	4C23	21	110-43
BH81705	2B19	..	50-11	E47782	4E9	10	120-19	H100247	4C23	19	110-43
BH81749	2B16	..	50-8	E50096	4D21	11	120-5	H101297	5C22	15	125-37
BH81750	2B16	..	50-8	E53699	4B12	12	110-5	H101297	5D21	1	130-5
BH81751	2B16	..	50-8	E55662	1D22	4	24-39	H101448	4C23	12	110-43
BH81752	2B16	..	50-8	E55662	1E16	1	24-57	H101677	4C21	8	110-41
BP12946	4D12	3	110-57	E55662	5F4	8	130-39	H101878	4G23	5	121-5
BP13616	4J6	13	121-61	E55758	2D18	6	50-63	H102206	2G20	4	60-39
BP13620	4B12	22	110-5	E56866	4H8	15	121-15	H102533	3F5	4	80-4
BP13620	4I14	1	121-45	E58183	3I23	8	90-47	H102533	4F4	21	120-41
B10604	4I8	3	121-39	E59406	4J6	10	121-61	H102533	4H14	36	121-21
B27370	5E23	2	130-33	E61791	3D24	1	70-73	H102533	4I18	43	121-49
B28970	4K4	7	121-83	E61791	5C14	1	125-29	H102909	5F19	7	130-55
B28970	5B14	9	125-5C	E62089	3D10	6	70-57	H103167	2C4	8	50-21
B2984R	4J6	14	121-61	E62089	3D12	6	70-59	H103264	1B8	37	20-3
B3118R	4B10	8	110-3	E62089	3D13	6	70-60	H103264	4F2	15	120-39
B3118R	4B12	13	110-5	E62094	3D13	14	70-60	H103264	5D7	5	125-49
B3118R	4I4	8	121-35	E62892	3D15	6	70-63	H103264	5D7	13	125-49
B32564	2F18	23	60-11	E62892	3D17	6	70-65	H103264	5D19	4	130-3
B32630	1I8	2	40-72	E62917	3D12	23	70-59	H103264	5F15	15	130-51
B32630	3G10	12	80-35	E62917	3D20	13	70-69	H103265	4G14	4	120-75
B3690R	2G2	36	60-19	E62917	3D20	28	70-69	H103265	5F17	19	130-53
B3690R	3J17	36	90-67	E62942	3D8	2	70-54	H103265	5F19	8	130-55
CC25449	3I4	11	90-27	E62942	3D10	2	70-57	H103265	5F22	33	130-59
CE17940	4G25	23	121-7	E62942	3D12	2	70-59	H103538	2E6	23	50-77
CE17940	4G25	24	121-7	E62942	3D13	2	70-60	H103543	2H4	1	60-47
CE18015	5E11	17	130-21	E62942	3D15	19	70-63	H103543	2H5	3	60-48

NUMERICAL INDEX - CONTINUED

PART NO.	GRID	KEY	PAGE	PART NO.	GRID	KEY	PAGE	PART NO.	GRID	KEY	PAGE
H104075	2F10	31	60-3	H110168	4I2	2	121-33	H112567	5C10	5	125-25
H104418	1G25	15	40-37	H110178	4H2	1	121-9	H112567	5C12	7	125-27
H104418	1H2	15	40-39	H110229	2G4	6	60-21	H112877	4H20	21	121-27
H104418	2C6	24	50-23	H110229	3J19	6	90-69	H112910	2F14	7	60-7
H104793	1H15	3	40-52	H110232	2F10	14	60-3	H112911	2F14	3	60-7
H104793	4K2	5	121-81	H110237	4H14	33	121-21	H112911	2F14	11	60-7
H104794	1H15	3	40-52	H110310	2G4	5	60-21	H113053	5E25	9	130-35
H104794	4K2	4	121-81	H110310	3J19	5	90-69	H113063	4H20	27	121-27
H104795	1H15	4	40-52	H110337	4H20	35	121-27	H113134	2C6	22	50-23
H104795	4F4	7	120-41	H110462	4H20	26	121-27	H113196	2E20	17	50-91
H104796	1H15	4	40-52	H110521	4H20	24	121-27	H113208	4H20	19	121-27
H104796	4F4	8	120-41	H110539	2C2	31	50-19	H113238	4H20	23	121-27
H104855	1I21	9	40-85	H110539	2C4	15	50-21	H113402	2G4	19	60-21
H105005	2F10	32	60-3	H110542	4H22	6	121-29	H113402	3J19	19	90-69
H105005	2F12	14	60-5	H110700	2G4	21	60-21	H113404	2G4	18	60-21
H105519	5C22	16	125-37	H110700	3J19	21	90-69	H113404	3J19	18	90-69
H105578	4I18	57	121-49	H110728	4B10	15	110-3	H113625	4E23	15	120-33
H105584	4C21	15	110-41	H110800	4H2	13	121-9	H113625	4F8	20	120-45
H105590	4C21	9	110-41	H110800	4H4	5	121-11	H113626	4E23	17	120-33
H105822	2B15	2	50-7	H110801	4H2	15	121-9	H113626	4F8	23	120-45
H105912	4B12	2	110-5	H110801	4H4	7	121-11	H113627	4H20	9	121-27
H106000	1J16	4	40-105	H110812	2G2	13	60-19	H113858	2G2	4	60-19
H106073	4B12	25	110-5	H110812	3J17	13	90-67	H113858	3J17	4	90-67
H106246	1G4	6	40-15	H110842	3K9	1	90-85	H113863	2G2	16	60-19
H107389	4I4	16	121-35	H110922	4B10	10	110-3	H113863	3J17	16	90-67
H107504	2B17	3	50-9	H110922	4D8	2	110-53	H113864	2G4	14	60-21
H107504	2B18	4	50-10	H110923	5H3	4	170-19	H113864	3J19	14	90-69
H107504	2B21	1	50-13	H111041	4H20	2	121-27	H113892	4B17	9	110-10
H107566	2G4	4	60-21	H111042	4H20	28	121-27	H113946	4H20	32	121-27
H107566	3H13	18	90-11	H111234	2F12	13	60-5	H113947	4H20	7	121-27
H107566	3J19	4	90-69	H111260	4H20	1	121-27	H114001	4H22	9	121-29
H107567	2G4	33	60-21	H111261	4H20	1	121-27	H114001	4K4	21	121-83
H107567	3J19	33	90-69	H111262	4H20	1	121-27	H114020	1J8	11	40-97
H107570	2G4	50	60-21	H111364	1F19	2	40-5	H114020	5C4	3	125-19
H107570	3J19	50	90-69	H111364	1F19	25	40-5	H114020	5C4	10	125-19
H107581	2G4	12	60-21	H111364	1J10	2	40-99	H114038	1F17	3	40-3
H107581	3J19	12	90-69	H111364	3K9	2	90-85	H114038	1G10	9	40-21
H107582	2G4	28	60-21	H111378	3B10	1	70-3	H114038	3H19	12	90-17
H107582	3J19	28	90-69	H111474	4G25	30	121-7	H114038	3K9	5	90-85
H107584	2G4	29	60-21	H111478	3H21	7	90-19	H114046	3J23	3	90-73
H107584	3J19	29	90-69	H111500	2B15	3	50-7	H114100	4I14	3	121-45
H107586	2G4	51	60-21	H111541	2B14	..	50-6	H114134	4I10	24	121-41
H107586	3J19	51	90-69	H111541	5H5	2	170-21	H114142	3J21	11	90-71
H107687	2G2	12	60-19	H111705	3J10	12	90-59	H114226	4H8	13	121-15
H107687	2G4	8	60-21	H111705	3K9	3	90-85	H114227	4H8	13	121-15
H107687	3J17	12	90-67	H111706	1F25	2	40-11	H114228	4H8	13	121-15
H107687	3J19	8	90-69	H111706	1G4	14	40-15	H114270	5H1	13	170-16
H107793	4B10	3	110-3	H111706	3J10	3	90-59	H114330	2F12	11	60-5
H108291	3C12	12	70-31	H111706	3K9	4	90-85	H114331	2F12	10	60-5
H108604	2B14	..	50-6	H111730	2E10	2	50-81	H114395	5F17	10	130-53
H108604	5H5	2	170-21	H111730	2E12	21	50-83	H114411	1H17	8	40-55
H108604	5H5	4	170-21	H111730	2G8	20	60-25	H114432	1C5	15	20-25
H108605	5H5	4	170-21	H111730	3D5	11	70-51	H114432	3C4	10	70-23
H108673	4B10	7	110-3	H112162	3B12	14	70-5	H114523	3H7	4	90-5
H108725	2G4	24	60-21	H112567	1C5	12	20-25	H114525	3H7	5	90-5
H108725	3J19	24	90-69	H112567	2E10	3	50-81	H114535	4J18	9	121-73
H108745	3E2	10	70-75	H112567	2E12	20	50-83	H114536	4J18	15	121-73
H108822	2G2	34	60-19	H112567	2E18	13	50-89	H114537	4J18	10	121-73
H108822	3J17	34	90-67	H112567	2E21	5	50-92	H114538	4J18	14	121-73
H108889	4D8	4	110-53	H112567	2F6	5	50-101	H114687	4H20	34	121-27
H108935	3K2	4	90-77	H112567	2G6	11	60-23	H114688	4H20	38	121-27
H109046	2G8	18	60-25	H112567	2G8	21	60-25	H114689	4H20	44	121-27
H109046	3C6	23	70-25	H112567	3C2	11	70-21	H114738	5F22	42	130-59
H109046	3D5	6	70-51	H112567	3C4	15	70-23	H114818	1B10	1	20-5
H109254	2F14	15	60-7	H112567	3D2	6	70-47	H114865	2E18	11	50-89
H109716	2F10	26	60-3	H112567	3D5	10	70-51	H114865	2E21	4	50-92
H109855	4C21	7	110-41	H112567	3E10	4	70-83	H114865	2F6	6	50-101

NUMERICAL INDEX - CONTINUED

PART NO.	GRID	KEY	PAGE	PART NO.	GRID	KEY	PAGE	PART NO.	GRID	KEY	PAGE
H114865	3D2	7	70 - 47	H117952	3K2	10	90 - 77	H120847	3C25	7	70 - 45
H114873	5F15	5	130 - 51	H118082	4H20	12	121 - 27	H120847	5C10	19	125 - 25
H114897	1C5	13	20 - 25	H118166	4E21	3	120 - 31	H121110	1H10	6	40 - 47
H114897	3C4	14	70 - 23	H118422	1H17	19	40 - 55	H121110	1J12	11	40 - 101
H114897	3C4	17	70 - 23	H118425	1H25	21	40 - 63	H121134	4I2	4	121 - 33
H114898	2E18	15	50 - 89	H118426	1G21	6	40 - 33	H121163	2E18	21	50 - 89
H114901	2E8	9	50 - 79	H118426	1G23	6	40 - 35	H121163	2G10	5	60 - 27
H114901	2E10	9	50 - 81	H118426	1H4	8	40 - 41	H121163	2G12	14	60 - 29
H114901	2E12	13	50 - 83	H118426	1H6	8	40 - 43	H121163	3C6	5	70 - 25
H114901	2E16	2	50 - 87	H118427	1G25	3	40 - 37	H121163	3C10	8	70 - 29
H114901	2E18	16	50 - 89	H118427	1H2	3	40 - 39	H121168	2G6	27	60 - 23
H115031	3J21	9	90 - 71	H118430	1F17	15	40 - 3	H121168	2G8	5	60 - 25
H115049	2D4	18	50 - 47	H118430	1G2	3	40 - 13	H121168	2G12	5	60 - 29
H115052	2D4	27	50 - 47	H118431	1F17	13	40 - 3	H121168	3C6	25	70 - 25
H115055	2D5	11	50 - 49	H118616	4H18	3	121 - 25	H121168	3C6	30	70 - 25
H115060	2D2	6	50 - 45	H118617	4H14	24	121 - 21	H121168	3C8	16	70 - 27
H115140	2G17	8	60 - 36	H118617	4H18	1	121 - 25	H121168	3C12	11	70 - 31
H115140	2G18	7	60 - 37	H118618	4H18	6	121 - 25	H121168	3D5	7	70 - 51
H115521	3J23	1	90 - 73	H118618	5G13	7	170 - 3	H121168	5C10	20	125 - 25
H115533	2G8	23	60 - 25	H118619	3J21	12	90 - 71	H121391	3G10	15	80 - 35
H115533	2G8	27	60 - 25	H118719	1B8	44	20 - 3	H121391	5E17	34	130 - 27
H115533	3B12	2	70 - 5	H118871	3J21	28	90 - 71	H121472	2E20	11	50 - 91
H115533	3C2	18	70 - 21	H118872	3J21	26	90 - 71	H121472	2G18	9	60 - 37
H115755	4H14	19	121 - 21	H118882	2C9	8	50 - 26	H121574	5B17	16	125 - 7
H115759	4H14	25	121 - 21	H118906	3E16	22	70 - 89	H121575	5B17	11	125 - 7
H115759	4I4	3	121 - 35	H118919	4H10	15	121 - 17	H121576	5B17	15	125 - 7
H115759	5G13	6	170 - 3	H118920	4H10	14	121 - 17	H121932	2E6	18	50 - 77
H115881	4H16	4	121 - 23	H118927	4H8	13	121 - 15	H122182	2E8	7	50 - 79
H115881	4H20	39	121 - 27	H118948	5D2	17	125 - 43	H122182	2E10	5	50 - 81
H115881	4I4	20	121 - 35	H119007	2B11	8	50 - 3	H122182	2E12	3	50 - 83
H115881	5G13	7	170 - 3	H119028	4G25	1	121 - 7	H122182	2E14	3	50 - 85
H115987	3I21	9	90 - 45	H119029	4G25	1	121 - 7	H122372	1H10	11	40 - 47
H116065	4I6	8	121 - 37	H119030	4G25	1	121 - 7	H122372	4F8	11	120 - 45
H116160	1H19	..	40 - 57	H119031	4G25	1	121 - 7	H122573	5G17	3	170 - 7
H116160	1H21	..	40 - 59	H119088	3H11	4	90 - 9	H122573	5H5	5	170 - 21
H116160	1I13	..	40 - 77	H119088	3K9	6	90 - 85	H122650	4H2	14	121 - 9
H116160	1I15	..	40 - 79	H119210	4I2	9	121 - 33	H122650	4H4	6	121 - 11
H116160	4H8	..	121 - 15	H119211	4F8	14	120 - 45	H122772	3C2	10	70 - 21
H116160	4H10	..	121 - 17	H119362	3J21	17	90 - 71	H122772	5C12	8	125 - 27
H116188	3H19	14	90 - 17	H119411	3F16	23	80 - 15	H123297	1B18	9	20 - 13
H116213	3D22	9	70 - 71	H119566	5F15	9	130 - 51	H123351	5H1	12	170 - 16
H116213	3D24	10	70 - 73	H119567	5F15	9	130 - 51	H123632	4B25	24	110 - 19
H116213	5C14	12	125 - 29	H119568	5F15	9	130 - 51	H123638	4B25	21	110 - 19
H116262	5F22	10	130 - 59	H119709	4C21	11	110 - 41	H123652	1B8	39	20 - 3
H116292	5F15	2	130 - 51	H119710	4C21	2	110 - 41	H123653	1B8	41	20 - 3
H116351	5F4	9	130 - 39	H119996	5F17	13	130 - 53	H123733	4C13	30	110 - 33
H116639	2B14	..	50 - 6	H120082	3F16	13	80 - 15	H123740	3H19	18	90 - 17
H116640	2B14	..	50 - 6	H120099	3J14	5	90 - 63	H123785	1I6	3	40 - 69
H116640	5H5	4	170 - 21	H120194	4J12	37A	121 - 67	H123786	1I6	7	40 - 69
H116706	3C12	9	70 - 31	H120198	4J8	23	121 - 63	H123787	1I6	8	40 - 69
H116717	3C6	3	70 - 25	H120198	4J10	23	121 - 65	H123788	1I6	6	40 - 69
H116717	3C8	10	70 - 27	H120362	3C4	21	70 - 23	H123794	3H15	3	90 - 13
H116717	3C10	2	70 - 29	H120362	5C10	3	125 - 25	H123796	3H19	16	90 - 17
H116740	1B22	4	20 - 17	H120379	3F4	19	80 - 3	H123873	2G2	25	60 - 19
H116740	1I11	1	40 - 75	H120388	2F12	6	60 - 5	H123873	3J17	25	90 - 67
H116861	4H24	5	121 - 31	H120389	2F12	5	60 - 5	H123874	2G4	20	60 - 21
H116862	4H24	4	121 - 31	H120490	4H18	8	121 - 25	H123874	3J19	20	90 - 69
H116862	4J4	16	121 - 59	H120499	3G10	14	80 - 35	H123875	2G4	25	60 - 21
H116894	3C16	5	70 - 35	H120499	5E17	10	130 - 27	H123875	3J19	25	90 - 69
H117239	1F19	12	40 - 5	H120659	3I4	22	90 - 27	H123877	2G4	2	60 - 21
H117239	1G19	19	40 - 31	H120800	4E21	7	120 - 31	H123877	3J19	2	90 - 69
H117691	5B17	8	125 - 7	H120801	4E21	6	120 - 31	H123918	1B8	23	20 - 3
H117693	5B17	12	125 - 7	H120847	2G6	26	60 - 23	H123918	5B21	11	125 - 11
H117695	5B17	5	125 - 7	H120847	2G8	4	60 - 25	H123991	3H19	5	90 - 17
H117703	4H20	15	121 - 27	H120847	2G8	15	60 - 25	H123995	1F15	5	40 - 1
H117937	3C12	5	70 - 31	H120847	3C6	31	70 - 25	H123995	1F17	5	40 - 3
H117952	1H10	9	40 - 47	H120847	3C8	17	70 - 27	H123995	3H19	7	90 - 17

NUMERICAL INDEX - CONTINUED

PART NO.	GRID	KEY	PAGE	PART NO.	GRID	KEY	PAGE	PART NO.	GRID	KEY	PAGE
H123995	3J10	2	90 - 59	H125840	4H2	11	121 - 9	H127525	4F4	23	120 - 41
H123995	3K9	7	90 - 85	H125841	4H2	8	121 - 9	H127532	4E25	4	120 - 36
H123998	1G10	10	40 - 21	H125842	4H2	8	121 - 9	H127578	1F2	2	30 - 5
H123998	1J10	7	40 - 99	H125843	4H2	8	121 - 9	H127578	1F4	12	30 - 7
H123998	3J21	25	90 - 71	H125844	4H2	8	121 - 9	H127583	4I2	22	121 - 33
H123998	3J21	35	90 - 71	H125873	1I6	13	40 - 69	H127583	5B19	34	125 - 9
H124185	3J23	7	90 - 73	H125929	3D22	12	70 - 71	H127589	2E18	20	50 - 89
H124205	1I17	9	40 - 81	H125930	1G21	3	40 - 33	H127589	3C6	6	70 - 25
H124206	1I17	2	40 - 81	H125930	1G23	3	40 - 35	H127589	3C10	24	70 - 29
H124210	3H11	9	90 - 9	H126026	3E16	7	70 - 89	H127589	3D7	2	70 - 53
H124258	2F10	18	60 - 3	H126028	3E16	34	70 - 89	H127590	4H20	18	121 - 27
H124258	2F12	8	60 - 5	H126081	3H13	3	90 - 11	H127596	4I2	17	121 - 33
H124259	2F12	7	60 - 5	H126082	3H13	2	90 - 11	H127602	4B16	8	110 - 9
H124260	3H5	6	90 - 3	H126083	3H13	4	90 - 11	H127603	4B16	8	110 - 9
H125305	2E6	17	50 - 77	H126123	2B13	8	50 - 5	H127603	4C7	5	110 - 26
H125306	2E6	17	50 - 77	H126124	2B13	7	50 - 5	H127638	5E17	2	130 - 27
H125330	2C9	13	50 - 26	H126169	4J4	8	121 - 59	H127677	3G4	13	80 - 29
H125347	1I11	15	40 - 75	H126247	4F8	16	120 - 45	H127677	5E19	22	130 - 29
H125354	4G25	27	121 - 7	H126261	4D6	6	110 - 51	H127732	3G12	11	80 - 37
H125355	4H2	17	121 - 9	H126280	5F19	10	130 - 55	H127733	4B16	22	110 - 9
H125356	4G25	36	121 - 7	H126302	4D6	11	110 - 51	H127749	3I12	17	90 - 35
H125356	4H2	19	121 - 9	H126334	4J18	2	121 - 73	H127749	4B14	17	110 - 7
H125380	4J8	10	121 - 63	H126334	5B11	3	125 - 5	H127752	2F14	10	60 - 7
H125380	5G14	3	170 - 4	H126335	4J18	1	121 - 73	H127781	4B23	16	110 - 17
H125381	4J12	19	121 - 67	H126336	4J18	6	121 - 73	H127855	4H20	13	121 - 27
H125381	4K2	6	121 - 81	H126345	4B19	11	110 - 13	H127872	5D2	4	125 - 43
H125381	5G14	3	170 - 4	H126345	4D6	12	110 - 51	H127906	4J12	4	121 - 67
H125391	4I4	18	121 - 35	H126345	4D8	3	110 - 53	H127906	4J14	4	121 - 69
H125403	3B16	5	70 - 9	H126345	5G14	5	170 - 4	H127907	4J12	2	121 - 67
H125403	3B25	3	70 - 19	H126346	4B19	19	110 - 13	H127907	4J14	2	121 - 69
H125456	2C6	11	50 - 23	H126370	4B19	25	110 - 13	H127922	5F17	5	130 - 53
H125466	1B12	1	20 - 7	H126371	4B17	2	110 - 10	H127923	5F17	4	130 - 53
H125467	1B12	2	20 - 7	H126371	4B19	24	110 - 13	H127978	3J21	14	90 - 71
H125469	1B14	2	20 - 9	H126397	4B21	22	110 - 15	H127998	5F11	16	130 - 47
H125489	4C23	6	110 - 43	H126397	4B23	25	110 - 17	H127998	5F13	16	130 - 49
H125511	3H7	1	90 - 5	H126397	5H3	19	170 - 19	H128010	4H14	20	121 - 21
H125513	3H11	3	90 - 9	H126404	2B20	16	50 - 12	H128010	4I8	1	121 - 39
H125518	2B25	1	50 - 17	H126545	2B20	16	50 - 12	H128010	5G12	2	170 - 2
H125518	3I10	1	90 - 33	H126564	4H8	16	121 - 15	H128080	4J20	1	121 - 75
H125528	4I4	9	121 - 35	H126572	2C6	12	50 - 23	H128080	4J22	1	121 - 77
H125537	3G2	4	80 - 27	H126573	2C6	12	50 - 23	H128080	4J24	1	121 - 79
H125537	3G4	4	80 - 29	H126575	2C6	12	50 - 23	H128081	4J20	1	121 - 75
H125537	5E19	19	130 - 29	H126583	2B13	16	50 - 5	H128081	4J22	1	121 - 77
H125558	4E23	18	120 - 33	H126583	2C20	23	50 - 39	H128081	4J24	1	121 - 79
H125558	4I20	2	121 - 51	H126587	4G21	7	121 - 3	H128082	4J20	1	121 - 75
H125560	4I20	17	121 - 51	H126589	3J21	20	90 - 71	H128082	4J22	1	121 - 77
H125733	4G25	6	121 - 7	H126590	3J21	22	90 - 71	H128082	4J24	1	121 - 79
H125734	4H4	10	121 - 11	H126672	3G8	15	80 - 33	H128083	4J18	11	121 - 73
H125735	4H4	10	121 - 11	H126715	4H12	24	121 - 19	H128083	4J20	1	121 - 75
H125736	4H4	10	121 - 11	H126716	4H12	22	121 - 19	H128083	4J22	1	121 - 77
H125737	4H4	10	121 - 11	H126722	4H20	41	121 - 27	H128083	4J24	1	121 - 79
H125738	4H4	1	121 - 11	H126792	4H4	15	121 - 11	H128098	4J6	1	121 - 61
H125740	4G21	18	121 - 3	H126793	4H4	16	121 - 11	H128111	4J6	7	121 - 61
H125740	4G25	5	121 - 7	H126801	5F20	1	130 - 56	H128118	4B16	5	110 - 9
H125741	4G21	18	121 - 3	H126802	5F20	7	130 - 56	H128118	4C7	3	110 - 26
H125741	4G25	5	121 - 7	H126804	5F20	12	130 - 56	H128124	4J18	21	121 - 73
H125742	4G21	18	121 - 3	H126829	4H20	40	121 - 27	H128234	4G14	15	120 - 75
H125742	4G25	5	121 - 7	H126846	1G4	35	40 - 15	H128234	5B19	32	125 - 9
H125743	4G21	18	121 - 3	H126940	4E23	10	120 - 33	H128234	5G14	7	170 - 4
H125743	4G25	5	121 - 7	H127159	4G21	9	121 - 3	H128265	4I18	32	121 - 49
H125759	2E4	25	50 - 75	H127196	4H14	18	121 - 21	H128265	5C18	21	125 - 33
H125769	3H15	6	90 - 13	H127325	5H3	16	170 - 19	H128297	4H16	5	121 - 23
H125837	4H4	8	121 - 11	H127326	5H3	16	170 - 19	H128315	5H3	9	170 - 19
H125838	4G21	17	121 - 3	H127327	5H3	16	170 - 19	H128327	4I20	5	121 - 51
H125838	4H8	12	121 - 15	H127408	3G6	7	80 - 31	H128357	4J20	2	121 - 75
H125838	4H10	5	121 - 17	H127410	3G6	4	80 - 31	H128357	4J20	3	121 - 75
H125839	4H2	7	121 - 9	H127524	4F4	10	120 - 41	H128357	4J22	2	121 - 77

NUMERICAL INDEX - CONTINUED

PART NO.	GRID	KEY	PAGE	PART NO.	GRID	KEY	PAGE	PART NO.	GRID	KEY	PAGE
H128357	4J24	2	121 - 79	H129610	3H21	6	90 - 19	H130362	3I2	7	90 - 25
H128358	4J20	2	121 - 75	H129653	5E25	20	130 - 35	H130363	3G10	6	80 - 35
H128358	4J22	2	121 - 77	H129659	4C21	6	110 - 41	H130363	5E19	43	130 - 29
H128358	4J24	2	121 - 79	H129676	4H12	17	121 - 19	H130364	3G10	3	80 - 35
H128359	4J20	2	121 - 75	H129686	1F21	8	40 - 7	H130388	2G15	7	60 - 33
H128359	4J22	2	121 - 77	H129686	3I8	8	90 - 31	H130407	2C6	6	50 - 23
H128359	4J24	2	121 - 79	H129709	2G17	7	60 - 36	H130409	4H6	12	121 - 13
H128479	5F8	10	130 - 43	H129709	2G18	6	60 - 37	H130409	4H10	16	121 - 17
H128502	1B22	16	20 - 17	H129715	2E6	31	50 - 77	H130424	3F14	2	80 - 13
H128515	2E18	22	50 - 89	H129716	5C22	27	125 - 37	H130425	3F14	12	80 - 13
H128515	2G10	4	60 - 27	H129716	5E25	11	130 - 35	H130431	3F14	6	80 - 13
H128515	2G12	15	60 - 29	H129723	1G4	1	40 - 15	H130432	3F14	5	80 - 13
H128515	3C6	6	70 - 25	H129749	2B11	5	50 - 3	H130510	1G21	21	40 - 33
H128515	3C10	7	70 - 29	H129760	3H23	5	90 - 21	H130510	1G23	21	40 - 35
H128536	2B11	10	50 - 3	H129761	3H23	4	90 - 21	H130511	1G10	8	40 - 21
H128557	2B11	9	50 - 3	H129763	3H23	10	90 - 21	H130515	3I6	6	90 - 29
H128576	5E2	9	130 - 11	H129765	3E16	23	70 - 89	H130528	4C17	7	110 - 37
H128744	3F10	3	80 - 9	H129803	5E23	9	130 - 33	H130529	4C17	10	110 - 37
H128819	1G13	5	40 - 25	H129814	5E23	15	130 - 33	H130530	4C15	10	110 - 35
H128819	1G15	10	40 - 27	H129815	5E23	20	130 - 33	H130530	4C17	2	110 - 37
H128820	1G13	10	40 - 25	H129822	5E23	14	130 - 33	H130555	3F16	1	80 - 15
H128820	1G15	16	40 - 27	H129823	5E23	12	130 - 33	H130572	4E23	25	120 - 33
H128821	1G13	12	40 - 25	H129833	3G2	16	80 - 27	H130637	1H25	19	40 - 63
H128822	1G15	18	40 - 27	H129833	5E19	45	130 - 29	H130637	1I2	1	40 - 65
H128823	1G13	25	40 - 25	H129839	1E24	21	30 - 3	H130646	3I12	9	90 - 35
H128841	1G13	18	40 - 25	H129844	4H10	3	121 - 17	H130646	4B14	9	110 - 7
H128859	1G13	26	40 - 25	H129854	2C9	12	50 - 26	H130661	5C22	20	125 - 37
H128859	3K9	8	90 - 85	H129885	3F16	5	80 - 15	H130667	5C22	9	125 - 37
H128861	5F2	1	130 - 37	H129885	5E19	1	130 - 29	H130771	5F2	8	130 - 37
H128877	5D21	7	130 - 5	H129887	1G10	17	40 - 21	H130771	5F2	..	130 - 37
H128889	5E2	5	130 - 11	H129887	3J23	6	90 - 73	H130922	4F20	10	120 - 57
H128906	1I6	11	40 - 69	H129934	4G23	12	121 - 5	H130930	3F25	3	80 - 24
H128937	4G25	17	121 - 7	H129935	4G23	16	121 - 5	H130930	5C22	4	125 - 37
H128999	4E21	1	120 - 31	H130040	4B25	17	110 - 19	H130930	5D23	6	130 - 7
H129004	3F16	27	80 - 15	H130040	4C4	18	110 - 23	H130948	4J18	16	121 - 73
H129049	5E13	17	130 - 23	H130057	3F12	11	80 - 11	H130949	4J18	8	121 - 73
H129099	5H3	9	170 - 19	H130057	4D19	5	120 - 3	H130956	5D5	3	125 - 46
H129125	4J12	29	121 - 67	H130058	1F21	2	40 - 7	H130957	5D5	4	125 - 46
H129125	4J14	29	121 - 69	H130058	3I8	2	90 - 31	H130967	3F8	28	80 - 7
H129179	4E21	5	120 - 31	H130091	3J21	23	90 - 71	H130968	3F8	35	80 - 7
H129207	4I8	17	121 - 39	H130137	5E25	15	130 - 35	H131017	1H8	4	40 - 45
H129207	4I10	8	121 - 41	H130140	4G21	10	121 - 3	H131040	2B25	6	50 - 17
H129207	4I20	18	121 - 51	H130153	1F19	10	40 - 5	H131040	3I10	6	90 - 33
H129207	5D2	5	125 - 43	H130192	2G2	24	60 - 19	H131041	2B25	7	50 - 17
H129208	4J4	17	121 - 59	H130192	2G4	11	60 - 21	H131041	3I10	7	90 - 33
H129208	4J8	5	121 - 63	H130192	3J17	24	90 - 67	H131087	4C13	13	110 - 33
H129208	4J8	25	121 - 63	H130192	3J19	11	90 - 69	H131088	4C13	15	110 - 33
H129208	4J10	5	121 - 65	H130192	3K9	9	90 - 85	H131098	4I18	33	121 - 49
H129311	4I10	4	121 - 41	H130194	1F19	15	40 - 5	H131108	4E25	1	120 - 36
H129312	4I10	2	121 - 41	H130194	3K9	10	90 - 85	H131115	2E8	15	50 - 79
H129328	3E16	20	70 - 89	H130223	2G18	12	60 - 37	H131115	2G8	14	60 - 25
H129367	1G4	31	40 - 15	H130224	2G18	11	60 - 37	H131115	3C4	18	70 - 23
H129389	5D23	3	130 - 7	H130227	2H2	7	60 - 45	H131115	3C6	22	70 - 25
H129467	5F20	9	130 - 56	H130228	2H2	11	60 - 45	H131115	3C10	22	70 - 29
H129468	5F20	6	130 - 56	H130246	3F8	18	80 - 7	H131115	3C12	19	70 - 31
H129471	5F20	4	130 - 56	H130262	5E17	31	130 - 27	H131115	3C25	5	70 - 45
H129472	5F20	3	130 - 56	H130287	2B19	7	50 - 11	H131121	2C17	25	50 - 36
H129525	2C2	34	50 - 19	H130287	2B20	9	50 - 12	H131121	2D6	25	50 - 50
H129553	3I6	1	90 - 29	H130288	2B19	8	50 - 11	H131121	2F4	6	50 - 99
H129557	2C9	9	50 - 26	H130288	2B20	10	50 - 12	H131121	3D22	2A	70 - 71
H129558	2C4	22	50 - 21	H130298	1F22	5	40 - 8	H131163	2E18	37	50 - 89
H129564	2C2	26	50 - 19	H130298	3K9	12	90 - 85	H131163	2G8	3	60 - 25
H129564	2C4	11	50 - 21	H130299	1F22	4	40 - 8	H131163	3C6	7	70 - 25
H129565	2C2	27	50 - 19	H130301	3H19	10	90 - 17	H131169	4I18	..	121 - 49
H129588	3E4	2	70 - 77	H130303	3H19	15	90 - 17	H131169	5G12	4	170 - 2
H129588	5E19	16	130 - 29	H130349	3F4	10	80 - 3	H131170	4I16	11	121 - 47
H129606	3H7	3	90 - 5	H130362	3G10	11	80 - 35	H131186	2G4	31	60 - 21

NUMERICAL INDEX - CONTINUED

PART NO.	GRID	KEY	PAGE	PART NO.	GRID	KEY	PAGE	PART NO.	GRID	KEY	PAGE
H131186	3J19	31	90 - 69	H132024	5E17	9	130 - 27	H132894	2C2	12	50 - 19
H131227	5E19	14	130 - 29	H132057	4E11	12	120 - 21	H132894	2C4	3	50 - 21
H131228	4H6	2	121 - 13	H132057	4E13	4	120 - 23	H132895	2G2	7	60 - 19
H131230	5E19	4	130 - 29	H132088	5E13	26	130 - 23	H132895	3J17	7	90 - 67
H131255	5F6	3	130 - 41	H132097	5F8	9	130 - 43	H132897	2G2	27	60 - 19
H131258	5F6	12	130 - 41	H132122	4J20	4	121 - 75	H132897	3J17	27	90 - 67
H131261	5F6	9	130 - 41	H132160	4F24	5	120 - 61	H132899	2G2	20	60 - 19
H131262	5F8	13	130 - 43	H132161	4F16	2	120 - 53	H132899	3J17	20	90 - 67
H131263	5F8	12	130 - 43	H132161	4F24	5	120 - 61	H132899	3K9	16	90 - 85
H131264	5E19	3	130 - 29	H132207	4I16	10	121 - 47	H132900	1F22	1	40 - 8
H131296	2C2	11	50 - 19	H132207	4I22	19	121 - 53	H132900	1I3	5	40 - 66
H131297	2C2	14	50 - 19	H132228	5D23	9	130 - 7	H132900	1J18	2	40 - 107
H131298	3H5	1	90 - 3	H132288	4F14	3	120 - 51	H132901	4J12	32	121 - 67
H131299	3H5	2	90 - 3	H132288	4F22	2	120 - 59	H132901	4J14	32	121 - 69
H131300	3H5	13	90 - 3	H132289	4G4	2	120 - 65	H132902	4J16	6	121 - 71
H131301	3H5	11	90 - 3	H132290	4F24	3	120 - 61	H132906	5C18	6	125 - 33
H131319	4G2	1	120 - 63	H132291	4F14	2	120 - 51	H132922	3K2	11	90 - 77
H131356	5F4	23	130 - 39	H132291	4F22	1	120 - 59	H132926	3F4	20	80 - 3
H131424	2G4	7	60 - 21	H132292	4G4	1	120 - 65	H132937	4J6	11	121 - 61
H131424	3J19	7	90 - 69	H132293	4F24	2	120 - 61	H132938	4J6	16	121 - 61
H131424	3K9	15	90 - 85	H132328	4B12	24	110 - 5	H132948	3G8	4	80 - 33
H131451	4C11	3	110 - 31	H132400	4G25	19	121 - 7	H132949	3G8	10	80 - 33
H131482	4I6	5	121 - 37	H132451	1J10	11	40 - 99	H132970	3E16	19	70 - 89
H131485	4I6	11	121 - 37	H132451	3I14	11	90 - 37	H132976	4J12	30	121 - 67
H131516	4G10	3	120 - 71	H132452	3H11	10	90 - 9	H132976	4J14	30	121 - 69
H131526	3F12	1	80 - 11	H132452	3I23	5	90 - 47	H132986	4C19	8	110 - 39
H131526	3F14	10	80 - 13	H132511	3F8	10	80 - 7	H132988	4C19	6	110 - 39
H131531	1G25	6	40 - 37	H132513	1G25	1	40 - 37	H132992	3F8	33	80 - 7
H131531	1H2	6	40 - 39	H132513	1H2	1	40 - 39	H132995	4H4	19	121 - 11
H131543	3G8	6	80 - 33	H132538	3J25	21	90 - 75	H133010	2C4	10	50 - 21
H131574	1G21	12	40 - 33	H132538	5E19	24	130 - 29	H133024	5F22	13	130 - 59
H131574	1G23	12	40 - 35	H132539	3F4	8	80 - 3	H133025	5F22	26	130 - 59
H131591	3B10	11	70 - 3	H132539	5D19	6	130 - 3	H133026	5F22	17	130 - 59
H131591	3I6	4	90 - 29	H132540	4E21	4	120 - 31	H133031	5D5	8	125 - 46
H131591	3I14	3	90 - 37	H132541	4E15	1	120 - 25	H133042	3F8	23	80 - 7
H131591	3K9	13	90 - 85	H132541	4E21	14	120 - 31	H133047	2B25	20	50 - 17
H131595	1G17	19	40 - 29	H132542	5E17	23	130 - 27	H133047	3I10	20	90 - 33
H131612	5B11	9	125 - 5	H132554	2C6	11	50 - 23	H133060	2G6	8	60 - 23
H131614	5B19	28	125 - 9	H132597	1G17	8	40 - 29	H133060	4C19	5	110 - 39
H131626	3H21	3	90 - 19	H132618	2C4	13	50 - 21	H133080	4F8	30	120 - 45
H131628	3G10	8	80 - 35	H132662	3J25	12	90 - 75	H133089	2C8	2	50 - 25
H131628	5E19	21	130 - 29	H132662	3K2	24	90 - 77	H133092	2C8	5	50 - 25
H131638	5D4	18	125 - 45	H132662	5E19	10	130 - 29	H133094	2C9	1	50 - 26
H131639	5D4	17	125 - 45	H132666	5E17	32	130 - 27	H133096	2C8	3	50 - 25
H131661	4G10	22	120 - 71	H132686	1I3	7	40 - 66	H133097	2C8	3	50 - 25
H131673	5E17	20	130 - 27	H132686	1J18	3	40 - 107	H133098	2C8	3	50 - 25
H131674	5E17	17	130 - 27	H132687	1I3	3	40 - 66	H133106	2G4	15	60 - 21
H131675	5E17	15	130 - 27	H132687	1J18	5	40 - 107	H133106	3J19	15	90 - 69
H131720	3H15	9	90 - 13	H132708	5C22	3	125 - 37	H133143	5D19	14	130 - 3
H131743	3F12	13	80 - 11	H132793	3F8	32	80 - 7	H133152	3F16	19	80 - 15
H131754	2B19	11	50 - 11	H132795	1F19	13	40 - 5	H133165	2C2	22	50 - 19
H131754	2B20	12	50 - 12	H132795	1G19	18	40 - 31	H133178	1I2	15	40 - 65
H131754	2C11	9	50 - 29	H132800	1G21	18	40 - 33	H133178	5F4	14	130 - 39
H131754	2E6	3	50 - 77	H132800	1G23	18	40 - 35	H133199	4I24	4	121 - 55
H131865	5C16	3	125 - 31	H132800	1J12	4	40 - 101	H133202	2C6	14	50 - 23
H131876	3G12	22	80 - 37	H132800	5G9	12	160 - 5	H133205	2G2	14	60 - 19
H131878	4E2	14	120 - 11	H132808	1B14	24	20 - 9	H133205	2G4	1	60 - 21
H131948	1B8	24	20 - 3	H132811	5H3	12	170 - 19	H133205	3J17	14	90 - 67
H131949	1B8	22	20 - 3	H132812	1H17	6	40 - 55	H133205	3J19	1	90 - 69
H131982	1F15	4	40 - 1	H132813	1H17	6	40 - 55	H133208	3I12	11	90 - 35
H131985	1F15	1	40 - 1	H132822	3G2	12	80 - 27	H133208	4B14	11	110 - 7
H131986	4E15	14	120 - 25	H132822	3G4	16	80 - 29	H133210	3I12	7	90 - 35
H131987	4E15	16	120 - 25	H132825	4B19	7	110 - 13	H133210	4B14	7	110 - 7
H131988	4E7	12	120 - 17	H132892	2C2	12	50 - 19	H133219	3H13	17	90 - 11
H131989	4E5	18	120 - 15	H132892	2C4	3	50 - 21	H133229	2B19	10	50 - 11
H131996	2E20	12	50 - 91	H132893	2C2	12	50 - 19	H133229	2B20	13	50 - 12
H132008	3G4	5	80 - 29	H132893	2C4	3	50 - 21	H133229	2C11	6	50 - 29

NUMERICAL INDEX - CONTINUED

PART NO.	GRID	KEY	PAGE	PART NO.	GRID	KEY	PAGE	PART NO.	GRID	KEY	PAGE
H133229	2E6	4	50-77	H133981	1J8	6	40-97	H134427	2G6	22	60-23
H133230	2B19	12	50-11	H133989	4B25	32	110-19	H134427	3B12	5	70-5
H133230	2C11	8	50-29	H134000	1I9	3	40-73	H134427	3C6	12	70-25
H133231	2B20	14	50-12	H134003	4C13	3	110-33	H134427	3C10	15	70-29
H133231	2E6	2	50-77	H134065	5D4	31	125-45	H134428	2G8	7	60-25
H133242	2B19	14	50-11	H134068	5D4	6	125-45	H134428	3C6	20	70-25
H133243	2B20	16	50-12	H134072	3F8	14	80-7	H134428	3C10	21	70-29
H133244	2B19	14	50-11	H134073	3F8	15	80-7	H134429	3C2	15	70-21
H133246	2B19	14	50-11	H134073	3F10	19	80-9	H134429	3C8	7	70-27
H133287	4G6	4	120-67	H134081	3F14	14	80-13	H134434	2G8	11	60-25
H133288	4G6	2	120-67	H134085	4B21	12	110-15	H134434	3C6	16	70-25
H133320	2G16	2	60-34	H134085	4B23	13	110-17	H134434	3C10	19	70-29
H133344	2E4	5	50-75	H134088	4D6	10	110-51	H134442	2B14	..	50-6
H133351	2F18	27	60-11	H134103	3F12	3	80-11	H134442	5H5	3	170-21
H133384	1F23	5	40-9	H134105	3F12	25	80-11	H134444	2B19	13	50-11
H133391	3H9	2	90-7	H134106	3F10	2	80-9	H134444	2B20	15	50-12
H133414	3H13	5	90-11	H134107	3F12	23	80-11	H134444	2C11	7	50-29
H133489	4I22	27	121-53	H134108	3F12	4	80-11	H134444	2E6	32	50-77
H133514	3H23	13	90-21	H134114	2B14	3	50-6	H134470	2G6	16	60-23
H133541	5D4	2	125-45	H134114	2B15	6	50-7	H134474	1I13	4	40-77
H133579	5F17	15	130-53	H134114	2B16	2	50-8	H134475	1I13	5	40-77
H133584	5E17	1	130-27	H134117	1F10	5	30-13	H134476	1I13	7	40-77
H133597	4F20	17	120-57	H134118	4F20	11	120-57	H134488	3I12	5	90-35
H133597	4G2	22	120-63	H134118	4G2	18	120-63	H134488	4B14	5	110-7
H133597	4I18	56	121-49	H134140	4B25	16	110-19	H134489	3I12	4	90-35
H133599	4F20	13	120-57	H134143	1B12	7	20-7	H134489	4B14	4	110-7
H133600	4G2	21	120-63	H134144	1B12	10	20-7	H134506	3F12	14	80-11
H133601	4G2	21	120-63	H134167	4D17	4	120-1	H134520	1B22	13	20-17
H133602	4F20	13	120-57	H134169	1G4	4	40-15	H134526	1B22	26	20-17
H133603	4I18	47	121-49	H134171	1H8	6	40-45	H134528	1B8	41	20-3
H133618	4H14	12	121-21	H134172	1H8	7	40-45	H134531	2C11	11	50-29
H133621	4I18	52	121-49	H134214	1B8	25	20-3	H134531	2E6	1	50-77
H133633	4E7	10	120-17	H134214	1B12	21	20-7	H134535	3H15	5	90-13
H133633	4E15	10	120-25	H134214	1I6	12	40-69	H134535	5G23	5	170-13
H133634	2B19	15	50-11	H134286	5D25	1	130-9	H134535	5H1	9	170-16
H133635	2B20	17	50-12	H134287	5D25	2	130-9	H134537	3I4	12	90-27
H133636	2B25	9	50-17	H134297	1E24	9	30-3	H134544	3I2	12	90-25
H133636	3I10	9	90-33	H134298	1E24	8	30-3	H134547	2G17	4	60-36
H133645	1H25	11	40-63	H134299	1E24	6	30-3	H134547	2G18	3	60-37
H133645	1I2	2	40-65	H134300	1F6	2	30-9	H134548	2G17	9	60-36
H133659	2E10	1	50-81	H134309	5C20	1	125-35	H134548	2G18	8	60-37
H133659	2E12	22	50-83	H134315	5C20	2	125-35	H134549	2G18	2	60-37
H133659	2G8	19	60-25	H134317	5C20	4	125-35	H134557	2G22	7	60-41
H133659	3D5	5	70-51	H134317	5C24	1	125-39	H134558	2G6	7	60-23
H133660	2B25	8	50-17	H134334	4D19	10	120-3	H134558	3C2	19	70-21
H133660	3I10	8	90-33	H134337	4D19	16	120-3	H134558	3C8	11	70-27
H133662	2B25	14	50-17	H134339	4D19	14	120-3	H134600	2B14	2	50-6
H133662	3I10	14	90-33	H134343	2F14	8	60-7	H134600	2B15	5	50-7
H133665	3H5	5	90-3	H134353	2G4	23	60-21	H134600	2B16	1	50-8
H133666	3H5	7	90-3	H134353	3J19	23	90-69	H134603	5C18	27	125-33
H133667	4I8	7	121-39	H134367	1G15	25	40-27	H134603	5C23	8	125-38
H133669	2E20	16	50-91	H134396	1E24	11	30-3	H134605	5C18	25	125-33
H133671	2E20	13	50-91	H134403	3F8	34	80-7	H134606	5C23	7	125-38
H133675	3E14	13	70-87	H134417	1G21	23	40-33	H134623	2G4	45	60-21
H133688	3E4	10	70-77	H134417	1G23	23	40-35	H134623	3J19	45	90-69
H133690	3E4	12	70-77	H134417	4D2	2	110-47	H134624	2G4	44	60-21
H133690	5F22	31	130-59	H134417	5G9	9	160-5	H134624	3J19	44	90-69
H133768	4G8	5	120-69	H134418	4E7	7	120-17	H134652	4J16	16	121-71
H133788	4G8	9	120-69	H134420	4E7	8	120-17	H134654	4D21	20	120-5
H133812	4J12	14	121-67	H134424	2G6	23	60-23	H134654	4D23	15	120-7
H133812	4J14	14	121-69	H134424	3C6	14	70-25	H134655	3K2	12	90-77
H133824	1H25	8	40-63	H134424	3C10	16	70-29	H134667	5H7	8	170-23
H133824	1I2	4	40-65	H134425	2G6	25	60-23	H134671	3H13	9	90-11
H133843	4B25	4	110-19	H134425	3B12	8	70-5	H134683	4F12	15	120-49
H133851	1J8	3	40-97	H134425	3C6	9	70-25	H134717	5B19	21	125-9
H133852	1J8	1	40-97	H134425	3C10	14	70-29	H134724	3I4	10	90-27
H133875	2C11	10	50-29	H134426	2G6	21	60-23	H134734	4C17	4	110-37

NUMERICAL INDEX - CONTINUED

PART NO.	GRID	KEY	PAGE	PART NO.	GRID	KEY	PAGE	PART NO.	GRID	KEY	PAGE
H134735	4C17	3	110 - 37	H135497	2D6	27	50 - 50	H135964	3C17	11	70 - 37
H134739	3F10	9	80 - 9	H135497	2D7	27	50 - 51	H135964	5G7	11	160 - 3
H134756	4E17	10	120 - 27	H135499	2C13	18	50 - 31	H135965	3G2	8	80 - 27
H134758	4E17	5	120 - 27	H135500	2C13	16	50 - 31	H135965	3G4	11	80 - 29
H134760	4I10	18	121 - 41	H135500	2C22	12	50 - 41	H135974	3C12	16	70 - 31
H134760	5E2	13	130 - 11	H135500	2C23	1	50 - 42	H136011	3H23	17	90 - 21
H134760	5E13	4	130 - 23	H135503	2C14	7	50 - 33	H136013	4B25	3	110 - 19
H134773	4H12	2	121 - 19	H135504	2C14	8	50 - 33	H136014	3F12	28	80 - 11
H134816	4E15	8	120 - 25	H135505	2C17	1	50 - 36	H136014	4B25	6	110 - 19
H134831	1H8	8	40 - 45	H135508	2C22	20	50 - 41	H136015	3F12	27	80 - 11
H134856	1B25	3	20 - 20	H135509	2C22	14	50 - 41	H136017	2C6	4	50 - 23
H134889	5B9	8	125 - 3	H135512	4I10	9	121 - 41	H136028	2E6	5	50 - 77
H134896	4B25	9	110 - 19	H135519	4G14	9	120 - 75	H136029	2E6	5	50 - 77
H134910	1B22	3	20 - 17	H135538	5E4	13	130 - 13	H136054	5C22	8	125 - 37
H134913	1B22	23	20 - 17	H135566	3D22	12	70 - 71	H136055	5C22	8	125 - 37
H134916	1B22	28	20 - 17	H135567	2C14	11	50 - 33	H136056	3H13	19	90 - 11
H134917	1B22	27	20 - 17	H135569	3D22	1	70 - 71	H136110	1J16	6	40 - 105
H134930	3F10	10	80 - 9	H135570	2C17	9	50 - 36	H136110	3I2	14	90 - 25
H134995	4F10	17	120 - 47	H135570	2C18	9	50 - 37	H136115	2G17	2	60 - 36
H135017	5B19	40	125 - 9	H135570	2D6	9	50 - 50	H136126	3H23	21	90 - 21
H135036	4E7	18	120 - 17	H135570	2D7	9	50 - 51	H136127	3H23	19	90 - 21
H135036	4E9	2	120 - 19	H135571	2C22	5	50 - 41	H136143	3H21	1	90 - 19
H135037	4E7	18	120 - 17	H135571	2D9	5	50 - 53	H136144	4C19	1	110 - 39
H135037	4E9	2	120 - 19	H135590	5E15	12	130 - 25	H136158	5H7	3	170 - 23
H135112	2B21	5	50 - 13	H135599	4I22	25	121 - 53	H136163	2C20	27	50 - 39
H135132	5H3	12	170 - 19	H135608	2G6	15	60 - 23	H136179	4K4	8	121 - 83
H135147	1F8	8	30 - 11	H135610	3F10	21	80 - 9	H136186	5E8	10	130 - 17
H135148	3F12	6	80 - 11	H135614	3H9	1	90 - 7	H136186	5E9	13	130 - 18
H135155	2G6	12	60 - 23	H135615	3H9	6	90 - 7	H136209	5E11	8	130 - 21
H135156	2G12	6	60 - 29	H135618	3C2	17	70 - 21	H136257	5B21	5	125 - 11
H135156	3C12	12	70 - 31	H135618	3C8	9	70 - 27	H136303	5F25	5	130 - 63
H135157	4E17	8	120 - 27	H135619	2G6	31	60 - 23	H136306	5F25	4	130 - 63
H135173	2C6	4	50 - 23	H135641	3C19	2	70 - 39	H136334	2G24	11	60 - 43
H135192	5E25	24	130 - 35	H135641	3C21	4	70 - 41	H136334	2G24	15	60 - 43
H135193	5E25	26	130 - 35	H135641	3C23	4	70 - 43	H136335	2G24	7	60 - 43
H135211	2C14	14	50 - 33	H135695	2D5	8	50 - 49	H136335	2G24	15	60 - 43
H135211	2D5	14	50 - 49	H135697	2D6	1	50 - 50	H136336	3C6	37	70 - 25
H135212	2D5	7	50 - 49	H135700	2D2	16	50 - 45	H136336	4B25	25	110 - 19
H135213	2C14	13	50 - 33	H135700	2D9	12	50 - 53	H136541	3J25	14	90 - 75
H135213	2D5	13	50 - 49	H135700	2D10	1	50 - 54	H136541	5E19	23	130 - 29
H135214	2C14	12	50 - 33	H135702	2D9	20	50 - 53	H136572	5E25	25	130 - 35
H135214	2D5	12	50 - 49	H135706	2D6	2	50 - 50	H136573	5E25	27	130 - 35
H135215	2C14	1	50 - 33	H135706	2D7	2	50 - 51	H136577	3F10	27	80 - 9
H135215	2D5	1	50 - 49	H135714	5E2	6	130 - 11	H136582	5C18	30	125 - 33
H135235	5C23	10	125 - 38	H135772	1J12	9	40 - 101	H136583	5H3	23	170 - 19
H135245	3F12	24	80 - 11	H135772	4C15	6	110 - 35	H136589	3H13	15	90 - 11
H135286	5E11	5	130 - 21	H135773	1J12	10	40 - 101	H136590	3H13	20	90 - 11
H135287	5E11	9	130 - 21	H135776	3D15	16	70 - 63	H136608	4F16	10	120 - 53
H135292	4H14	44	121 - 21	H135776	3D17	16	70 - 65	H136610	4F16	11	120 - 53
H135309	5D4	22	125 - 45	H135777	3D15	15	70 - 63	H137188	4G2	19	120 - 63
H135392	3F12	20	80 - 11	H135777	3D17	15	70 - 65	H137201	5H8	1	170 - 24
H135393	3F12	16	80 - 11	H135777	3D20	17	70 - 69	H137203	4E5	16	120 - 15
H135395	4I10	10	121 - 41	H135843	5B25	10	125 - 15	H137203	4E15	15	120 - 25
H135410	4I16	2	121 - 47	H135849	4I20	2	121 - 51	H137204	4E5	17	120 - 15
H135410	4I22	13	121 - 53	H135850	4E23	18	120 - 33	H137204	4E15	12	120 - 25
H135410	4J12	23	121 - 67	H135850	4I20	7	121 - 51	H137215	4F2	18	120 - 39
H135410	4J14	23	121 - 69	H135891	4E2	18	120 - 11	H137215	4F2	19	120 - 39
H135421	4F2	13	120 - 39	H135891	4E2	..	120 - 11	H137227	5F4	21	130 - 39
H135423	4I18	37	121 - 49	H135891	4E9	7	120 - 19	H137261	3F12	15	80 - 11
H135452	5E11	14	130 - 21	H135898	3D15	20	70 - 63	H137267	3F10	20	80 - 9
H135453	5E11	17	130 - 21	H135898	3D17	20	70 - 65	H137277	5D23	10	130 - 7
H135454	5E11	2	130 - 21	H135898	3D20	22	70 - 69	H137326	3J21	33	90 - 71
H135475	4F4	18	120 - 41	H135923	4G10	2	120 - 71	H137328	4F8	1	120 - 45
H135493	5B19	8	125 - 9	H135942	2C4	9	50 - 21	H137329	4E9	11	120 - 19
H135494	5B19	23	125 - 9	H135942	2C4	12	50 - 21	H137360	3H23	2	90 - 21
H135497	2C17	27	50 - 36	H135943	2C2	28	50 - 19	H137388	4F10	17	120 - 47
H135497	2C18	27	50 - 37	H135944	2C4	9	50 - 21	H137417	3I23	4	90 - 47

NUMERICAL INDEX - CONTINUED

PART NO.	GRID	KEY	PAGE	PART NO.	GRID	KEY	PAGE	PART NO.	GRID	KEY	PAGE
H137418	3I23	9	90 - 47	H138435	5D4	36	125 - 45	H140298	3B12	7	70 - 5
H137420	3I23	11	90 - 47	H138435	5D7	1	125 - 49	H140298	3B12	10	70 - 5
H137421	3I23	10	90 - 47	H138435	5F19	1	130 - 55	H140298	3C6	13	70 - 25
H137447	3I4	9	90 - 27	H138435	5F22	38	130 - 59	H140298	3C10	17	70 - 29
H137523	3B10	6	70 - 3	H138606	2B14	2	50 - 6	H140300	3F24	13	80 - 23
H137534	3G8	12	80 - 33	H138607	2B14	1	50 - 6	H140315	2F18	9	60 - 11
H137539	1F19	18	40 - 5	H138607	2B15	4	50 - 7	H140380	1B10	12	20 - 5
H137570	4J12	9	121 - 67	H138607	2B16	5	50 - 8	H140382	2G24	10	60 - 43
H137585	5C20	9	125 - 35	H138753	4C13	28	110 - 33	H140382	2H2	10	60 - 45
H137593	3C19	8	70 - 39	H138798	1F19	11	40 - 5	H140383	2H2	10	60 - 45
H137596	3C21	21	70 - 41	H138900	2D2	18	50 - 45	H140397	4I24	3	121 - 55
H137602	5C10	33	125 - 25	H138901	2D9	14	50 - 53	H140414	1H17	20	40 - 55
H137603	5C10	28	125 - 25	H138930	5F4	19	130 - 39	H140414	4G10	14	120 - 71
H137606	5E11	21	130 - 21	H139005	5C2	2	125 - 17	H140467	5D4	25	125 - 45
H137667	2G4	49	60 - 21	H139006	5C4	5	125 - 19	H140467	5D7	16	125 - 49
H137667	3J19	49	90 - 69	H139056	3G2	5	80 - 27	H140595	2F10	5	60 - 3
H137672	2C9	7	50 - 26	H139056	5E19	28	130 - 29	H140620	2F10	7	60 - 3
H137731	1H8	3	40 - 45	H139098	4C13	19	110 - 33	H140627	1F23	3	40 - 9
H137782	2E23	2	50 - 94	H139098	4E7	25	120 - 17	H140628	1F23	2	40 - 9
H137805	2E23	6	50 - 94	H139098	4E9	9	120 - 19	H140628	1H12	2	40 - 49
H137806	2E23	6	50 - 94	H139132	4I24	7	121 - 55	H140628	1H14	6	40 - 51
H137807	2E23	6	50 - 94	H139392	5H1	6	170 - 16	H140664	1F17	14	40 - 3
H137815	4I22	36	121 - 53	H139393	5H1	7	170 - 16	H140664	1G21	8	40 - 33
H137816	4I22	34	121 - 53	H139448	3E21	9	70 - 95	H140691	2F10	21	60 - 3
H137817	4I22	..	121 - 53	H139512	3D15	14	70 - 63	H140692	2F10	11	60 - 3
H137823	3I14	12	90 - 37	H139512	3D17	14	70 - 65	H140694	2F10	27	60 - 3
H137854	3J12	1	90 - 61	H139512	3D20	16	70 - 69	H140695	2F10	28	60 - 3
H137855	3J12	6	90 - 61	H139513	3D15	7	70 - 63	H140696	2F10	29	60 - 3
H137856	3J12	4	90 - 61	H139513	3D17	7	70 - 65	H140708	2F10	12	60 - 3
H137857	3J12	5	90 - 61	H139513	3D20	7	70 - 69	H140709	2B14	..	50 - 6
H137858	3J12	3	90 - 61	H139515	3D15	24	70 - 63	H140709	2H4	..	60 - 47
H137859	3J12	5	90 - 61	H139515	3D17	24	70 - 65	H140709	5H5	2	170 - 21
H137865	5C4	13	125 - 19	H139515	3D20	7	70 - 69	H140709	5H5	4	170 - 21
H137866	5C4	8	125 - 19	H139515	3D20	16	70 - 69	H140710	2B14	..	50 - 6
H137867	5C4	3	125 - 19	H139515	3D20	26	70 - 69	H140710	2H4	..	60 - 47
H137869	5F22	12	130 - 59	H139545	4J8	22	121 - 63	H140711	5H5	4	170 - 21
H137916	5E8	6	130 - 17	H139545	4J10	22	121 - 65	H140712	2F10	20	60 - 3
H137916	5E9	6	130 - 18	H139545	4J12	10	121 - 67	H140713	2F10	30	60 - 3
H137919	5E8	12	130 - 17	H139545	4J14	10	121 - 69	H140715	1B8	11	20 - 3
H137919	5E9	8	130 - 18	H139603	5H5	3	170 - 21	H140715	2F10	19	60 - 3
H137919	5E9	9	130 - 18	H139667	4G12	1	120 - 73	H140746	2F10	8	60 - 3
H137939	4B21	21	110 - 15	H139709	4H22	1	121 - 29	H140747	2F10	9	60 - 3
H137939	4B23	24	110 - 17	H139807	2G24	9	60 - 43	H140749	2B14	..	50 - 6
H137939	5G9	7	160 - 5	H139807	2H2	9	60 - 45	H140750	2B14	..	50 - 6
H137939	5H3	18	170 - 19	H139964	5C8	7	125 - 23	H140751	2B14	..	50 - 6
H137940	5H3	18	170 - 19	H139972	5E19	27	130 - 29	H140802	4E5	9	120 - 15
H137976	3H13	20	90 - 11	H139986	4G23	2	121 - 5	H140802	4E9	3	120 - 19
H138085	4H16	1	121 - 23	H139988	5B23	16	125 - 13	H140804	4E5	5	120 - 15
H138200	1H21	30	40 - 59	H140020	4G14	16	120 - 75	H140836	3I12	19	90 - 35
H138297	3H15	4	90 - 13	H140042	4E2	2	120 - 11	H140836	4B14	19	110 - 7
H138344	4G14	8	120 - 75	H140042	4E11	2	120 - 21	H140848	1B12	19	20 - 7
H138344	4I14	21	121 - 45	H140074	1H17	18	40 - 55	H140866	3F4	21	80 - 3
H138410	2G16	6	60 - 34	H140096	5E4	15	130 - 13	H140872	3F18	5	80 - 17
H138411	2G8	9	60 - 25	H140122	4B21	9	110 - 15	H140881	3F18	1	80 - 17
H138411	3C6	15	70 - 25	H140122	4B23	10	110 - 17	H140944	4I20	19	121 - 51
H138411	3C10	18	70 - 29	H140135	2F18	9	60 - 11	H140944	4J8	4	121 - 63
H138435	4B16	10	110 - 9	H140135	2F19	8	60 - 12	H141059	4J16	18	121 - 71
H138435	4D2	4	110 - 47	H140149	5D15	4	125 - 57	H141060	4J16	11	121 - 71
H138435	4D4	14	110 - 49	H140161	5B21	4	125 - 11	H141069	2F10	16	60 - 3
H138435	4D8	23	110 - 53	H140162	5B21	2	125 - 11	H141086	5B9	5	125 - 3
H138435	4G14	12	120 - 75	H140195	4B12	32	110 - 5	H141123	3F16	3	80 - 15
H138435	4I22	29	121 - 53	H140218	4G10	18	120 - 71	H141123	3F20	17	80 - 19
H138435	4J12	5	121 - 67	H140225	3F12	21	80 - 11	H141123	5E19	36	130 - 29
H138435	4J12	16	121 - 67	H140227	2C4	13	50 - 21	H141123	5F20	14	130 - 56
H138435	4K2	8	121 - 81	H140248	1F19	9	40 - 5	H141127	1G25	1	40 - 37
H138435	5B19	42	125 - 9	H140248	1G4	3	40 - 15	H141127	1G25	2	40 - 37
H138435	5C18	1	125 - 33	H140248	1J15	3	40 - 104	H141127	1H2	1	40 - 39

NUMERICAL INDEX - CONTINUED

PART NO.	GRID	KEY	PAGE	PART NO.	GRID	KEY	PAGE	PART NO.	GRID	KEY	PAGE
H141153	5E4	11	130 - 13	H143445	2B13	5	50 - 5	H144742	4E9	6	120 - 19
H141154	5E15	10	130 - 25	H143453	3G2	13	80 - 27	H144742	4E17	14	120 - 27
H141160	5E4	1	130 - 13	H143453	3G4	17	80 - 29	H144762	4G25	9	121 - 7
H141289	3I21	12	90 - 45	H143454	3G2	14	80 - 27	H144822	4G15	1	120 - 76
H141292	3H5	15	90 - 3	H143454	3G4	18	80 - 29	H144822	4G15	3	120 - 76
H141325	1G21	11	40 - 33	H143460	3H19	8	90 - 17	H144822	5E21	5	130 - 31
H141325	1G21	20	40 - 33	H143462	1H8	10	40 - 45	H144822	5E21	6	130 - 31
H141325	1H4	17	40 - 41	H143465	1B22	19	20 - 17	H144824	4C2	4	110 - 21
H141327	2G4	9	60 - 21	H143489	4C17	17	110 - 37	H144834	4G23	7	121 - 5
H141327	3J19	9	90 - 69	H143593	1G4	33	40 - 15	H144896	5C4	3	125 - 19
H141343	5H3	3	170 - 19	H143610	4E5	12	120 - 15	H144962	4C25	24	110 - 45
H141388	4K6	15	121 - 85	H143610	4E15	4	120 - 25	H144962	4D2	46	110 - 47
H141406	1G25	2	40 - 37	H143615	4G10	17	120 - 71	H144962	4H20	42	121 - 27
H141406	1H2	2	40 - 39	H143632	1F19	11	40 - 5	H144971	5D23	8	130 - 7
H141409	1I6	2	40 - 69	H143731	4E23	20	120 - 33	H145001	4H8	4	121 - 15
H141422	2F10	34	60 - 3	H143735	5D4	9	125 - 45	H145051	3D12	25	70 - 59
H141450	5F11	17	130 - 47	H143757	1B25	10	20 - 20	H145051	3D15	26	70 - 63
H141450	5F13	17	130 - 49	H143891	2B11	13	50 - 3	H145051	3D17	28	70 - 65
H141500	4C17	7	110 - 37	H143893	2C8	9	50 - 25	H145051	3D20	13	70 - 69
H141549	4B23	35	110 - 17	H143894	2C8	9	50 - 25	H145051	3D20	30	70 - 69
H141549	5C22	33	125 - 37	H143918	1G4	10	40 - 15	H145052	3D12	24	70 - 59
H141588	4H18	4	121 - 25	H143918	1G4	16	40 - 15	H145052	3D15	27	70 - 63
H141593	2H4	...	60 - 47	H143918	1G4	17	40 - 15	H145052	3D17	27	70 - 65
H141673	4J8	3	121 - 63	H143918	1G4	20	40 - 15	H145052	3D20	13	70 - 69
H141673	4J10	3	121 - 65	H143918	1G4	22	40 - 15	H145052	3D20	29	70 - 69
H141713	4B25	20	110 - 19	H143918	1G4	24	40 - 15	H145082	3J10	4	90 - 59
H141770	3F22	5	80 - 21	H143918	1G4	27	40 - 15	H145095	5B23	7	125 - 13
H141772	3F22	1	80 - 21	H143948	5B23	4	125 - 13	H145096	5B23	6	125 - 13
H141813	3F25	2	80 - 24	H143949	5B23	10	125 - 13	H145112	4F4	6	120 - 41
H141835	4B25	5	110 - 19	H143950	5B23	9	125 - 13	H145112	5B19	14	125 - 9
H141836	3F10	15	80 - 9	H143951	5B23	14	125 - 13	H145158	1B8	5	20 - 3
H141869	2F16	11	60 - 9	H143952	5B23	12	125 - 13	H145158	5G13	2	170 - 3
H141883	4G10	7	120 - 71	H143955	5B21	12	125 - 11	H145173	2C4	1	50 - 21
H141946	2G4	53	60 - 21	H144013	1H8	9	40 - 45	H145221	1G17	2	40 - 29
H141946	3J19	53	90 - 69	H144029	3G8	7	80 - 33	H145243	4I4	11	121 - 35
H141955	1F23	6	40 - 9	H144032	1J8	18	40 - 97	H145247	2E16	9	50 - 87
H141963	2C2	28	50 - 19	H144052	4B25	26	110 - 19	H145247	2E20	8	50 - 91
H141979	3G12	8	80 - 37	H144094	1I7	5	40 - 70	H145247	2E24	2	50 - 95
H142030	2C2	8	50 - 19	H144095	1I7	6	40 - 70	H145256	4E13	5	120 - 23
H142031	2C2	37	50 - 19	H144122	4H10	9	121 - 17	H145264	1G19	15	40 - 31
H142035	3F16	18	80 - 15	H144159	5B25	4	125 - 15	H145276	4K2	1	121 - 81
H142044	2B13	18	50 - 5	H144160	5B25	5	125 - 15	H145284	1G4	1	40 - 15
H142055	4I14	10	121 - 45	H144162	5B25	2	125 - 15	H145315	4G23	21	121 - 5
H142107	2G17	6	60 - 36	H144164	5B25	7	125 - 15	H145316	5E11	5	130 - 21
H142107	2G18	5	60 - 37	H144184	2B11	12	50 - 3	H145317	5E11	9	130 - 21
H142141	4K4	13	121 - 83	H144201	4C13	21	110 - 33	H145319	4K6	7	121 - 85
H142143	4I8	21	121 - 39	H144242	1I17	3	40 - 81	H145417	1F21	14	40 - 7
H142143	4I16	23	121 - 47	H144255	1G19	16	40 - 31	H145417	3I8	14	90 - 31
H142183	3D10	22	70 - 57	H144256	1I9	12	40 - 73	H145418	1F19	19	40 - 5
H142188	4F2	5	120 - 39	H144260	1F10	9	30 - 13	H145419	1F19	20	40 - 5
H142189	4F2	4	120 - 39	H144269	2F12	18	60 - 5	H145420	1F19	21	40 - 5
H142862	4C2	9	110 - 21	H144270	2F12	12	60 - 5	H145463	4C25	15	110 - 45
H142869	4C4	15	110 - 23	H144274	3I21	13	90 - 45	H145515	4G16	3	120 - 77
H142870	4C4	24	110 - 23	H144293	2D22	...	50 - 67	H145515	5E21	5	130 - 31
H143317	1J16	1	40 - 105	H144293	2G21	3	60 - 40	H145515	5E21	6	130 - 31
H143332	4J20	3	121 - 75	H144342	3E7	12	70 - 80	H145627	5H5	4	170 - 21
H143332	4J22	3	121 - 77	H144385	2C4	20	50 - 21	H145638	4E7	20	120 - 17
H143332	4J24	3	121 - 79	H144472	3H19	9	90 - 17	H145638	4E9	12	120 - 19
H143354	4C9	1	110 - 29	H144556	4F12	1	120 - 49	H145638	4E13	2	120 - 23
H143357	4C25	9	110 - 45	H144557	4F12	11	120 - 49	H145700	3F6	2	80 - 5
H143408	2C4	9	50 - 21	H144559	4F10	19	120 - 47	H145706	1E24	31	30 - 3
H143408	2C4	12	50 - 21	H144692	1B10	20	20 - 5	H145706	4I14	20	121 - 45
H143420	1E24	15	30 - 3	H144692	5H1	5	170 - 16	H145773	4E2	25	120 - 11
H143420	4I14	11	121 - 45	H144715	3F4	24	80 - 3	H145773	4E2	...	120 - 11
H143426	4G25	24	121 - 7	H144716	3F4	24	80 - 3	H145773	5E19	34	130 - 29
H143430	4G23	2	121 - 5	H144717	3F4	25	80 - 3	H145779	4K4	22	121 - 83
H143439	3J12	8	90 - 61	H144742	4E5	10	120 - 15	H145832	1B18	7	20 - 13

NUMERICAL INDEX - CONTINUED

PART NO.	GRID	KEY	PAGE	PART NO.	GRID	KEY	PAGE	PART NO.	GRID	KEY	PAGE
H145847	2F10	1	60 - 3	H147004	2F20	1	60 - 13	H148366	3C23	14	70 - 43
H145893	3H13	11	90 - 11	H147068	1B18	8	20 - 13	H148376	5F4	20	130 - 39
H145897	4F12	12	120 - 49	H147068	1B20	8	20 - 15	H148416	1B10	24	20 - 5
H145898	4F12	18	120 - 49	H147115	1B25	8	20 - 20	H148633	5D7	7	125 - 49
H145949	4F12	7	120 - 49	H147192	2G4	10	60 - 21	H148702	5F8	4	130 - 43
H145950	4F12	5	120 - 49	H147192	3J19	10	90 - 69	H148768	4G25	20	121 - 7
H145955	4I4	1	121 - 35	H147249	1F25	1	40 - 11	H148769	4G25	38	121 - 7
H145969	4E2	2	120 - 11	H147299	5E19	15	130 - 29	H148770	4H2	4	121 - 9
H145969	4H16	16	121 - 23	H147302	4J20	2	121 - 75	H148775	3D10	23	70 - 57
H145982	3H15	14	90 - 13	H147302	4J22	2	121 - 77	H148776	1F8	13	30 - 11
H145995	2B14	..	50 - 6	H147302	4J24	2	121 - 79	H148818	4B16	4	110 - 9
H145995	2H4	..	60 - 47	H147304	4J22	1	121 - 77	H148818	4C7	2	110 - 26
H145995	2H5	..	60 - 48	H147304	4J24	1	121 - 79	H148899	1I8	5	40 - 72
H145995	5H5	1	170 - 21	H147415	1E24	23	30 - 3	H148900	1I8	5	40 - 72
H146011	5B23	1	125 - 13	H147468	4E7	4	120 - 17	H148925	4D19	11	120 - 3
H146042	2G2	41	60 - 19	H147468	4E7	24	120 - 17	H148999	4C2	5	110 - 21
H146042	3J17	41	90 - 67	H147482	4C9	10	110 - 29	H149026	4K4	9	121 - 83
H146057	3F6	3	80 - 5	H147486	3C16	6	70 - 35	H149027	4K4	9	121 - 83
H146064	1B8	14	20 - 3	H147490	2E22	3	50 - 93	H149037	5G19	4	170 - 9
H146088	2E24	1	50 - 95	H147593	4C9	3	110 - 29	H149037	5H1	10	170 - 16
H146089	2E24	1	50 - 95	H147661	5C20	11	125 - 35	H149062	5E15	9	130 - 25
H146260	1B22	10	20 - 17	H147752	5F4	27	130 - 39	H149062	5G19	3	170 - 9
H146281	2G16	6	60 - 34	H147788	4E23	3	120 - 33	H149062	5G21	1	170 - 11
H146306	1G21	24	40 - 33	H147844	4D17	1	120 - 1	H149062	5H7	4	170 - 23
H146306	1G23	24	40 - 35	H147846	5C22	22	125 - 37	H149062	5H8	4	170 - 24
H146306	5G9	10	160 - 5	H147908	5E21	10	130 - 31	H149063	4B21	7	110 - 15
H146307	4K4	15	121 - 83	H147910	4H6	3	121 - 13	H149063	4B23	38	110 - 17
H146310	5F22	41	130 - 59	H147910	4H14	3	121 - 21	H149063	4B25	22	110 - 19
H146315	3J10	15	90 - 59	H147967	5D4	29	125 - 45	H149063	4C15	16	110 - 35
H146318	4E7	6	120 - 17	H148000	3F4	22	80 - 3	H149063	4D2	36	110 - 47
H146318	4E15	5	120 - 25	H148018	4D19	4	120 - 3	H149063	5G17	2	170 - 7
H146327	2F10	13	60 - 3	H148019	4D19	3	120 - 3	H149063	5G23	4	170 - 13
H146391	2G2	22	60 - 19	H148020	4D19	2	120 - 3	H149063	5H1	11	170 - 16
H146391	3J17	22	90 - 67	H148022	4D19	20	120 - 3	H149063	5H3	22	170 - 19
H146392	2G2	21	60 - 19	H148025	5B25	6	125 - 15	H149063	5H3	26	170 - 19
H146392	3J17	21	90 - 67	H148055	5E21	9	130 - 31	H149064	5G17	5	170 - 7
H146393	2G2	21	60 - 19	H148058	4D21	15	120 - 5	H149064	5G25	5	170 - 15
H146394	4I4	17	121 - 35	H148058	4D23	21	120 - 7	H149064	5H1	3	170 - 16
H146414	4J20	6	121 - 75	H148067	4D21	16	120 - 5	H149064	5H3	20	170 - 19
H146429	3J21	29	90 - 71	H148107	5B23	8	125 - 13	H149065	5G21	3	170 - 11
H146457	4C25	10	110 - 45	H148114	5E21	8	130 - 31	H149065	5H7	2	170 - 23
H146457	4E2	27	120 - 11	H148131	4H14	27	121 - 21	H149066	5G23	3	170 - 13
H146457	4E2	..	120 - 11	H148132	4B10	24	110 - 3	H149066	5H3	2	170 - 19
H146457	4J6	19	121 - 61	H148132	4D8	8	110 - 53	H149067	5G25	1	170 - 15
H146536	5C22	6	125 - 37	H148132	4H6	15	121 - 13	H149068	5G23	1	170 - 13
H146577	1B8	8	20 - 3	H148133	4B10	25	110 - 3	H149078	5H3	2	170 - 19
H146586	1B8	34	20 - 3	H148133	4D8	9	110 - 53	H149079	5H3	14	170 - 19
H146636	1B8	45	20 - 3	H148133	4H6	16	121 - 13	H149080	5H3	21	170 - 19
H146636	1B14	23	20 - 9	H148134	4B10	29	110 - 3	H149088	5G19	1	170 - 9
H146636	1B16	20	20 - 11	H148134	4D8	13	110 - 53	H149088	5H8	2	170 - 24
H146636	5G13	3	170 - 3	H148134	4H6	19	121 - 13	H149090	5G21	2	170 - 11
H146639	4G10	7	120 - 71	H148166	1E24	25	30 - 3	H149090	5H7	1	170 - 23
H146640	2B21	4	50 - 13	H148187	4C25	4	110 - 45	H149092	3C19	5	70 - 39
H146646	2C6	22	50 - 23	H148202	5C2	1A	125 - 17	H149092	3C21	15	70 - 41
H146672	4F20	1	120 - 57	H148241	4I2	8	121 - 33	H149092	3C23	6	70 - 43
H146730	1I8	4	40 - 72	H148270	1H15	1	40 - 52	H149092	5G25	2	170 - 15
H146730	4D19	7	120 - 3	H148271	1H15	6	40 - 52	H149092	5H3	13	170 - 19
H146750	1B12	3	20 - 7	H148286	2C8	9	50 - 25	H149096	3F20	7	80 - 19
H146756	3F22	7	80 - 21	H148300	4E3	2	120 - 12	H149096	4J16	17	121 - 71
H146757	3G12	19	80 - 37	H148302	4E3	4	120 - 12	H149096	5G19	5	170 - 9
H146757	4F6	18	120 - 43	H148304	4E3	6	120 - 12	H149096	5G23	2	170 - 13
H146766	4B21	17	110 - 15	H148305	4E3	3	120 - 12	H149096	5H1	2	170 - 16
H146766	4B23	20	110 - 17	H148340	1I8	1	40 - 72	H149096	5H3	8	170 - 19
H146767	1B12	22	20 - 7	H148340	1I8	5	40 - 72	H149096	5H7	7	170 - 23
H146775	5F2	4	130 - 37	H148340	3E4	15	70 - 77	H149097	5H3	8	170 - 19
H146887	3K2	26	90 - 77	H148340	5F22	2	130 - 59	H149099	5G17	4	170 - 7
H146950	1J8	9	40 - 97	H148340	5F22	46	130 - 59	H149099	5G25	3	170 - 15

NUMERICAL INDEX - CONTINUED

PART NO.	GRID	KEY	PAGE	PART NO.	GRID	KEY	PAGE	PART NO.	GRID	KEY	PAGE
H149099	5H1	14	170 - 16	H150455	3I14	9	90 - 37	H152146	4I22	21	121 - 53
H149099	5H3	15	170 - 19	H150458	4C25	13	110 - 45	H152146	5G14	4	170 - 4
H149100	5H3	15	170 - 19	H150515	4D23	10	120 - 7	H152164	2F10	7	60 - 3
H149102	4J18	27	121 - 73	H150528	4C13	10	110 - 33	H152165	2F12	18	60 - 5
H149102	4K4	17	121 - 83	H150646	2B14	..	50 - 6	H152166	2F12	12	60 - 5
H149102	5G17	1	170 - 7	H150646	2H4	..	60 - 47	H152170	2G2	25	60 - 19
H149103	4J18	27	121 - 73	H150646	5H5	1	170 - 21	H152170	3J17	25	90 - 67
H149454	1F2	14	30 - 5	H150662	4B12	18	110 - 5	H152171	2G2	4	60 - 19
H149459	4C2	7	110 - 21	H150681	1F19	8	40 - 5	H152171	3J17	4	90 - 67
H149460	4C2	8	110 - 21	H150682	4D23	22	120 - 7	H152172	2G4	10	60 - 21
H149461	4C2	2	110 - 21	H150746	3G12	13	80 - 37	H152172	3J19	10	90 - 69
H149461	4C2	3	110 - 21	H150746	4D23	5	120 - 7	H152173	2G4	2	60 - 21
H149480	3H17	18	90 - 15	H150749	3F20	8	80 - 19	H152173	3J19	2	90 - 69
H149480	3H17	19	90 - 15	H150763	5H3	10	170 - 19	H152174	2G4	12	60 - 21
H149504	4B12	14	110 - 5	H150836	4E2	24	120 - 11	H152174	3J19	12	90 - 69
H149517	4C4	7	110 - 23	H150910	4F6	7	120 - 43	H152180	4I22	21	121 - 53
H149518	4C4	6	110 - 23	H150920	3E6	13	70 - 79	H152180	5G14	4	170 - 4
H149523	4C4	19	110 - 23	H150923	1I11	3	40 - 75	H152232	4F16	3	120 - 53
H149559	4C13	3	110 - 33	H150926	3E6	1	70 - 79	H152309	4F16	8	120 - 53
H149780	5F11	1	130 - 47	H150929	1G4	1	40 - 15	H152310	4F16	7	120 - 53
H149780	5F13	1	130 - 49	H150951	3H25	10	90 - 23	H152403	1B24	3	20 - 19
H149788	1H14	9	40 - 51	H150980	2E16	6	50 - 87	H152464	4G12	3	120 - 73
H149793	5F9	5	130 - 44	H150980	3E10	8	70 - 83	H152464	4G12	5	120 - 73
H149803	3D20	6	70 - 69	H150982	2E16	3	50 - 87	H152465	4G12	3	120 - 73
H149804	3D20	33	70 - 69	H150983	3E10	5	70 - 83	H152465	4G12	5	120 - 73
H149869	5F9	4	130 - 44	H151049	4D23	18	120 - 7	H152868	1C5	1	20 - 25
H149993	4K4	11	121 - 83	H151066	4D19	9	120 - 3	H152868	1D4	1	24 - 21
H150034	4G2	14	120 - 63	H151068	4D19	19	120 - 3	H152916	5D19	10	130 - 3
H150047	3H13	10	90 - 11	H151087	2C17	18	50 - 36	H153297	1B12	4	20 - 7
H150054	3C16	1	70 - 35	H151087	2C18	18	50 - 37	H153297	1B14	24	20 - 9
H150054	4B21	8	110 - 15	H151087	2D6	18	50 - 50	H153297	1B16	19	20 - 11
H150054	4B23	9	110 - 17	H151087	2D7	18	50 - 51	H153297	5G13	1	170 - 3
H150055	3C16	17	70 - 35	H151161	2B11	17	50 - 3	H153438	3J21	6	90 - 71
H150055	4B23	6	110 - 17	H151165	3J10	10	90 - 59	H153479	3I12	5	90 - 35
H150062	3D20	31	70 - 69	H151166	3J15	1	90 - 64	H153479	4B14	5	110 - 7
H150091	4F8	8	120 - 45	H151181	4J18	6	121 - 73	H153480	3I12	4	90 - 35
H150092	4F8	19	120 - 45	H151182	4J18	1	121 - 73	H153480	4B14	4	110 - 7
H150116	5D19	15	130 - 3	H151318	4E3	..	120 - 12	H153520	4F6	8	120 - 43
H150119	3I5	..	90 - 28	H151376	1F19	17	40 - 5	H153524	4I16	9	121 - 47
H150127	4D21	1	120 - 5	H151397	5E6	10	130 - 15	H153524	4I22	10	121 - 53
H150129	4D21	3	120 - 5	H151477	4D23	19	120 - 7	H153647	4F18	1	120 - 55
H150131	4D21	19	120 - 5	H151484	4E5	19	120 - 15	H153649	4F18	3	120 - 55
H150132	4D21	5	120 - 5	H151528	4D23	24	120 - 7	H153721	3K2	21	90 - 77
H150134	4D21	2	120 - 5	H151575	2H4	..	60 - 47	H153722	3K2	22	90 - 77
H150134	4D23	16	120 - 7	H151575	5H5	1	170 - 21	H153728	2H4	..	60 - 47
H150222	2E8	13	50 - 79	H151579	1J10	1	40 - 99	H153759	4F18	5	120 - 55
H150222	2E10	12	50 - 81	H151585	2E16	16	50 - 87	H154195	1B22	5	20 - 17
H150222	2E12	14	50 - 83	H151585	3E10	1	70 - 83	H154216	4G12	4	120 - 73
H150223	2E8	10	50 - 79	H151607	4C4	5	110 - 23	H154331	4C13	22	110 - 33
H150223	2E10	10	50 - 81	H151629	3E7	8	70 - 80	H154720	2C9	15	50 - 26
H150223	2E12	18	50 - 83	H151694	3E7	11	70 - 80	H154757	3F24	10	80 - 23
H150268	4F20	18	120 - 57	H151739	2G16	7	60 - 34	H154757	3G12	4	80 - 37
H150268	4F20	19	120 - 57	H151908	1G4	10	40 - 15	H154757	4F6	17	120 - 43
H150318	3F12	9	80 - 11	H151908	1G4	16	40 - 15	H154762	4F6	4	120 - 43
H150383	2G2	15	60 - 19	H151908	1G4	17	40 - 15	H154763	4F6	3	120 - 43
H150383	3J17	15	90 - 67	H151908	1G4	20	40 - 15	H154825	1B24	5	20 - 19
H150385	3J21	31	90 - 71	H151908	1G4	22	40 - 15	H154929	4G2	8	120 - 63
H150401	4J18	8	121 - 73	H151908	1G4	24	40 - 15	H154959	5C22	30	125 - 37
H150401	4J18	9	121 - 73	H151908	1G4	27	40 - 15	H155000	5H1	15	170 - 16
H150402	4J18	15	121 - 73	H151952	4C23	7	110 - 43	H155062	4J10	4	121 - 65
H150402	4J18	16	121 - 73	H151952	4H12	25	121 - 19	H155112	3F10	16	80 - 9
H150403	4J18	10	121 - 73	H151952	4J4	12	121 - 59	H155153	5H1	15	170 - 16
H150404	4J18	14	121 - 73	H151952	5G14	1	170 - 4	H155154	5H1	15	170 - 16
H150407	4J18	29	121 - 73	H152047	3G4	15	80 - 29	H155295	4J16	12	121 - 71
H150411	3E7	3	70 - 80	H152048	3G2	11	80 - 27	H155459	4B10	5	110 - 3
H150412	3E7	6	70 - 80	H152062	4B25	33	110 - 19	H155510	1F19	3	40 - 5
H150434	4B23	34	110 - 17	H152135	3G12	17	80 - 37	H155510	5G21	4	170 - 11

NUMERICAL INDEX - CONTINUED

PART NO.	GRID	KEY	PAGE	PART NO.	GRID	KEY	PAGE	PART NO.	GRID	KEY	PAGE
H155968	5D19	33	130 - 3	H158629	5D11	3	125 - 53	H161544	4C23	20	110 - 43
H155973	4G14	7	120 - 75	H158633	3G18	3	80 - 43	H161549	1F19	4	40 - 5
H155973	4I10	28	121 - 41	H158638	3D18	5	70 - 66	H161566	4B12	11	110 - 5
H156098	4J22	5	121 - 77	H158638	5D11	6	125 - 53	H161576	1B24	4	20 - 19
H156098	4J24	5	121 - 79	H158646	3G16	7	80 - 41	H161629	2C11	3	50 - 29
H156100	4J22	7	121 - 77	H158749	3F4	2	80 - 3	H161648	4B10	12	110 - 3
H156100	4J24	7	121 - 79	H158817	5F15	19	130 - 51	H161648	4B17	10	110 - 10
H156101	4J22	6	121 - 77	H158819	2G18	16	60 - 37	H161648	4D4	10	110 - 49
H156101	4J24	6	121 - 79	H158830	3J21	3	90 - 71	H161648	5G14	6	170 - 4
H156127	2B17	5	50 - 9	H158845	1B8	50	20 - 3	H161871	2C9	16	50 - 26
H156127	2B19	3	50 - 11	H158884	2G21	1	60 - 40	H162012	1B12	25	20 - 7
H156360	4E3	7	120 - 12	H158942	3E7	10	70 - 80	H162048	3I14	4	90 - 37
H156379	4B23	30	110 - 17	H158946	2E6	30	50 - 77	H162055	2G4	42	60 - 21
H156390	2G2	42	60 - 19	H158951	4B25	12	110 - 19	H162055	3J19	42	90 - 69
H156390	3J17	42	90 - 67	H158975	5G17	3	170 - 7	H162061	5H1	4	170 - 16
H156513	2F12	3	60 - 5	H158975	5H5	5	170 - 21	H162061	5H3	5	170 - 19
H156514	2F12	1	60 - 5	H159291	3D18	3	70 - 66	H162064	5H3	25	170 - 19
H156577	4C9	12	110 - 29	H159533	4B25	11	110 - 19	H162065	5H3	6	170 - 19
H156578	4C9	11	110 - 29	H159534	4B25	19	110 - 19	H162066	5H1	1	170 - 16
H156579	4C9	13	110 - 29	H159613	4C9	6	110 - 29	H162074	5H1	8	170 - 16
H156580	4C9	5	110 - 29	H159614	4C9	14	110 - 29	H162075	5H3	1	170 - 19
H156717	4F16	2	120 - 53	H159636	3J21	30	90 - 71	H162076	5H7	6	170 - 23
H156718	4F16	2	120 - 53	H159712	5H1	18	170 - 16	H162084	5H1	17	170 - 16
H156800	4F14	5	120 - 51	H159712	5H3	31	170 - 19	H162138	1B8	46	20 - 3
H156801	4F14	6	120 - 51	H159743	3J21	37	90 - 71	H162177	4C15	15	110 - 35
H156936	4E19	1	120 - 29	H159784	5F13	2	130 - 49	H162177	4D2	27	110 - 47
H156936	4I12	1	121 - 43	H159806	1G6	7	40 - 17	H162211	4D2	20	110 - 47
H157014	2C11	3	50 - 29	H159831	1F15	1	40 - 1	H162269	4C23	27	110 - 43
H157041	4K4	26	121 - 83	H159956	4J10	4	121 - 65	H162278	4D2	25	110 - 47
H157067	4B10	20	110 - 3	H159975	4B25	2	110 - 19	H162288	4C23	26	110 - 43
H157103	4K4	24	121 - 83	H159975	4C4	26	110 - 23	H162325	4C15	2	110 - 35
H157108	4J18	29	121 - 73	H160024	1C5	6	20 - 25	H162326	4C15	7	110 - 35
H157247	4J14	41	121 - 69	H160171	5E2	15	130 - 11	H162425	4C15	14	110 - 35
H157281	4G15	1	120 - 76	H160171	5E13	10	130 - 23	H162425	4D2	23	110 - 47
H157281	5E21	5	130 - 31	H160171	5G13	5	170 - 3	H162569	2G4	41	60 - 21
H157566	3J21	5	90 - 71	H160187	3G20	6	80 - 45	H162569	3J19	41	90 - 69
H157594	3B18	8	70 - 11	H160265	3F4	30	80 - 3	H162584	3E12	7	70 - 85
H157687	4J14	9	121 - 69	H160319	5E6	11	130 - 15	H162585	3E12	8	70 - 85
H157688	4J14	36	121 - 69	H160459	5H3	27	170 - 19	H162629	4H14	25	121 - 21
H157698	2B16	6	50 - 8	H160476	1G21	3	40 - 33	H162629	4I4	3	121 - 35
H157726	4J10	10	121 - 65	H160476	1G23	3	40 - 35	H162629	5G13	6	170 - 3
H157726	5G14	3	170 - 4	H160596	3I14	5	90 - 37	H162719	2B14	6	50 - 6
H157727	4J14	19	121 - 69	H160701	5H3	17	170 - 19	H162748	3H17	22	90 - 15
H157740	4F22	6	120 - 59	H160715	5C22	28	125 - 37	H162850	3I4	11	90 - 27
H157740	4F24	11	120 - 61	H160733	3G18	8	80 - 43	H162996	1J19	4	40 - 108
H157741	4G4	6	120 - 65	H160869	4C23	9	110 - 43	H163010	4D12	14	110 - 57
H157742	4G4	6	120 - 65	H160880	1H10	6	40 - 47	H163175	4D2	22	110 - 47
H157743	4F22	7	120 - 59	H160880	4K6	18	121 - 85	H163182	3B22	7	70 - 15
H157743	4F24	12	120 - 61	H160978	3G20	1	80 - 45	H163211	2E16	18	50 - 87
H157744	4G4	7	120 - 65	H161021	3J21	1	90 - 71	H163215	5H3	29	170 - 19
H157752	4F24	6	120 - 61	H161091	3I14	13	90 - 37	H163216	5H1	16	170 - 16
H157866	1F8	9	30 - 11	H161155	1C5	10	20 - 25	H163216	5H3	28	170 - 19
H157967	4E7	18	120 - 17	H161289	1J16	8	40 - 105	H163377	3B20	1	70 - 13
H157967	4E9	2	120 - 19	H161289	3I2	15	90 - 25	H163378	3B20	4	70 - 13
H158292	1I9	6	40 - 73	H161294	4D10	7	110 - 55	H163397	3J21	4	90 - 71
H158364	4J24	10	121 - 79	H161295	4D10	4	110 - 55	H163409	3I4	11	90 - 27
H158404	4J24	12	121 - 79	H161296	4D10	2	110 - 55	H163491	2H4	10	60 - 47
H158405	4J24	11	121 - 79	H161354	3F12	7	80 - 11	H163491	2H5	6	60 - 48
H158525	3J21	21	90 - 71	H161387	4B17	21	110 - 10	H163515	1B14	25	20 - 9
H158579	1F21	3	40 - 7	H161387	4C23	16	110 - 43	H163515	1B16	7	20 - 11
H158579	3K9	11	90 - 85	H161388	4C23	15	110 - 43	H163515	1I5	3	40 - 68
H158596	3E12	9	70 - 85	H161529	5F17	19	130 - 53	H163515	5G12	1	170 - 2
H158601	1F19	19	40 - 5	H161534	2C9	1	50 - 26	H163515	5G13	4	170 - 3
H158614	3G18	2	80 - 43	H161540	2C8	2	50 - 25	H163561	2B17	5	50 - 9
H158615	5D11	9	125 - 53	H161541	2C8	3	50 - 25	H163561	2B17	6	50 - 9
H158616	3G18	12	80 - 43	H161542	2C8	3	50 - 25	H163692	2C8	9	50 - 25
H158627	3G18	9	80 - 43	H161543	2C8	3	50 - 25	H163693	2C8	9	50 - 25

NUMERICAL INDEX - CONTINUED

PART NO.	GRID	KEY	PAGE	PART NO.	GRID	KEY	PAGE	PART NO.	GRID	KEY	PAGE
H163694	2C8	5	50-25	H165510	2C11	8	50-29	H168744	2B19	1	50-11
H163726	4H6	14	121-13	H165585	3F12	15	80-11	H168744	2B20	1	50-12
H163745	2C8	3	50-25	H165587	3F12	21	80-11	H168780	3B10	11	70-3
H163757	5D9	1	125-51	H165661	2B19	14	50-11	H168780	3I6	4	90-29
H163787	5F17	12	130-53	H165662	2B19	14	50-11	H168780	3I14	3	90-37
H163994	4D2	13	110-47	H165663	2B19	14	50-11	H168780	3K9	13	90-85
H164009	4D2	31	110-47	H165691	3B10	11	70-3	H168781	3I14	9	90-37
H164018	4D2	40	110-47	H165691	3I6	4	90-29	H168924	1H15	2	40-52
H164030	4D2	14A	110-47	H165691	3I14	3	90-37	H168924	4F4	13	120-41
H164222	4D2	10	110-47	H165691	3K9	13	90-85	H168924	4K2	3	121-81
H164222	4E15	17	120-25	H165693	2G2	24	60-19	H168961	2B11	14	50-3
H164348	1I11	7	40-75	H165693	2G4	11	60-21	H168988	2B13	16	50-5
H164391	4C25	20	110-45	H165693	3J17	24	90-67	H168988	2C20	23	50-39
H164391	4D2	44	110-47	H165693	3J19	11	90-69	H168989	2B11	13	50-3
H164404	5E23	17	130-33	H165693	3K9	9	90-85	H168998	1J10	1	40-99
H164411	4D2	47	110-47	H165716	1B16	12	20-11	H169169	4C11	3	110-31
H164452	4D4	11	110-49	H165717	1B16	18	20-11	H169344	5G19	2	170-9
H164493	4D14	7	110-59	H165718	1B16	17	20-11	H169344	5H8	5	170-24
H164508	3G14	12	80-39	H166148	3D18	3	70-66	H169509	3E7	5	70-80
H164519	4K4	27	121-83	H166201	2C11	11	50-29	H169549	1F5	4	30-8
H164537	4B23	33	110-17	H166201	2E6	1	50-77	H169604	4B10	20	110-3
H164537	4C15	17	110-35	H166216	4B12	11	110-5	H169712	4J14	9	121-69
H164537	4D2	9	110-47	H166357	1J15	2	40-104	H169764	5H3	30	170-19
H164547	2C6	4	50-23	H166375	2E22	3	50-93	H169793	1E24	9	30-3
H164556	5D9	3	125-51	H166395	1B18	..	20-13	H169794	1E24	6	30-3
H164605	5C2	1A	125-17	H166460	4J16	19	121-71	H169865	5B13	10	125-5B
H164605	5C2	1B	125-17	H166881	5B15	5	125-5D	H170211	5H7	9	170-23
H164612	1B12	23	20-7	H166882	5B15	2	125-5D	H170303	1F6	2	30-9
H164632	1J15	1	40-104	H166971	4B17	21	110-10	H170303	4G23	21	121-5
H164635	5B15	3	125-5D	H166971	4C23	16	110-43	H170634	1J12	9	40-101
H164754	4J12	4	121-67	H167127	4J24	10	121-79	H170634	4B10	30	110-3
H164755	4J12	2	121-67	H167159	1B22	3	20-17	H170634	4B12	..	110-5
H164756	4J12	37A	121-67	H167174	3H21	1	90-19	H170634	4D8	19	110-53
H164756	4J12	37B	121-67	H167375	2B23	5	50-15	H170634	4D8	25	110-53
H164757	1J20	6	40-109	H167425	5B13	3	125-5B	H170645	4B10	3	110-3
H164757	3G8	18	80-33	H167426	5B13	2	125-5B	H170738	5B13	22	125-5B
H164759	1J20	4	40-109	H167587	5B19	20	125-9	H170940	5B14	7	125-5C
H164771	1F8	19	30-11	H167723	2C9	7	50-26	H170967	5E11	14	130-21
H164774	4D12	12	110-57	H167912	3I14	5	90-37	H170967	5E11	20	130-21
H164775	4D12	1	110-57	H168019	5C22	41	125-37	H171006	5C22	9	125-37
H164794	2C6	20	50-23	H168125	4B12	14	110-5	H171061	1B12	16	20-7
H164849	1F8	16	30-11	H168126	4B10	7	110-3	H171061	4I2	13	121-33
H164854	3K2	26	90-77	H168165	2B19	1	50-11	H171061	4I8	15	121-39
H164872	1I11	22	40-75	H168165	2B20	1	50-12	H171061	4I20	11	121-51
H164921	2G4	42	60-21	H168166	2B19	1	50-11	H171061	4J4	4	121-59
H164921	3J19	42	90-69	H168166	2B20	1	50-12	H171061	4J8	18	121-63
H164952	1F17	2	40-3	H168278	4C25	19	110-45	H171061	4J10	18	121-65
H165243	4K6	16	121-85	H168278	4D2	14B	110-47	H171061	4J12	34	121-67
H165245	5H3	16	170-19	H168278	4D2	14C	110-47	H171061	4J14	34	121-69
H165276	1B16	2	20-11	H168359	1B24	5	20-19	H171061	5D2	12	125-43
H165277	1B16	21	20-11	H168419	1F15	1	40-1	H171061	5E13	13	130-23
H165291	2G2	25	60-19	H168420	1G19	16	40-31	H171093	4K4	18	121-83
H165291	3J17	25	90-67	H168421	1F19	4	40-5	H171316	4F8	13	120-45
H165292	2G2	4	60-19	H168423	1F21	2	40-7	H171318	4C15	15	110-35
H165292	3J17	4	90-67	H168423	3I8	2	90-31	H171318	4D2	27	110-47
H165293	2G4	10	60-21	H168424	1F21	3	40-7	H171977	3F20	15	80-19
H165293	3J19	10	90-69	H168424	3I8	3	90-31	H172025	5B13	18	125-5B
H165294	2G4	2	60-21	H168424	3K9	11	90-85	H172031	1B16	9	20-11
H165294	3J19	2	90-69	H168425	3J10	10	90-59	H172110	5B13	24	125-5B
H165317	4C25	24	110-45	H168426	1G4	33	40-15	H172116	5D11	3	125-53
H165317	4D2	42	110-47	H168428	3J15	1	90-64	H172142	4D6	10	110-51
H165318	4C25	21	110-45	H168429	3I6	1	90-29	H172177	4C15	14	110-35
H165318	4D2	43	110-47	H168430	3I6	6	90-29	H172177	4D2	23	110-47
H165320	3G16	14	80-41	H168431	3H11	3	90-9	H172440	4K4	11	121-83
H165508	2C6	4	50-23	H168432	3I14	13	90-37	H172923	2F12	18	60-5
H165509	2C11	10	50-29	H168433	3I14	4	90-37	H172924	2F12	12	60-5
H165510	2B19	12	50-11	H168434	3J14	5	90-63	H172944	3I2	12	90-25

NUMERICAL INDEX - CONTINUED

PART NO.	GRID	KEY	PAGE	PART NO.	GRID	KEY	PAGE	PART NO.	GRID	KEY	PAGE
H173011	5F22	41	130 - 59	H64813	2D9	29	50 - 53	H85184	3G14	6	80 - 39
H173218	2G24	7	60 - 43	H748DA	4I8	8	121 - 39	H85184	3G16	13	80 - 41
H173218	2G24	11	60 - 43	H75267	4H8	3	121 - 15	H85184	4E25	7	120 - 36
H173218	2G24	15	60 - 43	H75358	2C2	30	50 - 19	H85184	4F6	12	120 - 43
H173223	5E25	34	130 - 35	H75385	4G23	14	121 - 5	H85233	3H9	5	90 - 7
H173336	5H3	16	170 - 19	H75423	2D22	..	50 - 67	H85233	4G10	1	120 - 71
H173824	5H3	21	170 - 19	H75423	2G21	5	60 - 40	H86108	1F6	4	30 - 9
H174266	2H4	..	60 - 47	H75541	1B18	11	20 - 13	H86760	5C23	10	125 - 38
H174266	5H5	1	170 - 21	H75541	1C3	8	20 - 23	H86783	4I10	12	121 - 41
H175540	4G2	1	120 - 63	H75541	3C21	33	70 - 41	H86886	3I23	8	90 - 47
H175590	4G8	5	120 - 69	H75700	2B23	7	50 - 15	H86896	5H8	3	170 - 24
H175703	4B25	4	110 - 19	H75716	5C18	35	125 - 33	H871R	4B12	4	110 - 5
H22529	4J14	19	121 - 69	H76064	1G17	9	40 - 29	H871R	4H20	8	121 - 27
H22529	5B19	32	125 - 9	H76064	1I2	19	40 - 65	H87206	4I18	28	121 - 49
H22529	5G14	3	170 - 4	H76083	4B23	37	110 - 17	H87268	4G10	12	120 - 71
H22784	2C9	14	50 - 26	H76083	4B25	31	110 - 19	H87691	2B17	4	50 - 9
H23196	3K2	6	90 - 77	H76083	5C22	18	125 - 37	H87691	2B18	1	50 - 10
H2383H	4J12	8	121 - 67	H76083	5D21	10	130 - 5	H87691	2B19	6	50 - 11
H2383H	4K2	2	121 - 81	H76152	2B21	7	50 - 13	H87691	2B20	6	50 - 12
H23950	4J12	19	121 - 67	H76441	2E6	20	50 - 77	H88769	1B22	9	20 - 17
H23950	4K2	6	121 - 81	H77337	1I6	14	40 - 69	H88769	1B22	20	20 - 17
H23950	5G14	3	170 - 4	H77358	3J10	11	90 - 59	H88771	4G23	22	121 - 5
H25099	4I24	6	121 - 55	H77507	1E24	7	30 - 3	H88773	3J21	6	90 - 71
H25360	4B16	7	110 - 9	H77698	1H21	10	40 - 59	H88773	5D19	17	130 - 3
H26552	5D2	16	125 - 43	H77698	3K2	..	90 - 77	H89241	3E16	3	70 - 89
H28031	5F25	7	130 - 63	H77698	4C23	14	110 - 43	H89297	4B19	6	110 - 13
H29623	5E25	18	130 - 35	H77698	5C10	17	125 - 25	H89515	4I24	12	121 - 55
H35112	3B25	4	70 - 19	H77739	2B11	11	50 - 3	H89525	4I18	29	121 - 49
H36155	4F4	15	120 - 41	H78340	4J6	4	121 - 61	H89544	3F4	13	80 - 3
H36155	4F4	29	120 - 41	H78340	5C10	31	125 - 25	H89569	5E15	8	130 - 25
H36221	3H7	11	90 - 5	H78354	5B17	4	125 - 7	H89617	4B12	6	110 - 5
H36221	3K2	20	90 - 77	H80306	1J20	6	40 - 109	H89752	4D25	6	120 - 9
H36256	2G4	48	60 - 21	H80440	2G13	4	60 - 30	H91205	4F2	11	120 - 39
H36256	3J19	48	90 - 69	H80753	2G4	35	60 - 21	H91228	5B19	12	125 - 9
H63271	2C13	3	50 - 31	H80753	3J19	35	90 - 69	H91315	3I6	5	90 - 29
H63271	2C16	17	50 - 35	H80796	5H3	11	170 - 19	H91788	1I6	15	40 - 69
H63271	2C17	26	50 - 36	H80821	3D22	10	70 - 71	H91788	4I24	13	121 - 55
H63271	2C18	26	50 - 37	H80821	3D24	11	70 - 73	H91796	5B19	15	125 - 9
H63271	2C22	9	50 - 41	H80821	5C14	10	125 - 29	H92308	2C6	21	50 - 23
H63271	2C23	6	50 - 42	H80926	4B16	1	110 - 9	H93084	4C23	13	110 - 43
H63271	2D2	3	50 - 45	H81330	5E19	5	130 - 29	H93399	4I22	26	121 - 53
H63271	2D4	17	50 - 47	H81461	2F16	30	60 - 9	H93630	4H14	23	121 - 21
H63271	2D6	26	50 - 50	H81467	2F16	17	60 - 9	H93631	4H14	22	121 - 21
H63271	2D7	26	50 - 51	H82060	5E15	15	130 - 25	H93645	4H16	3	121 - 23
H63271	2D9	9	50 - 53	H82232	2C2	3	50 - 19	H93674	2E6	6	50 - 77
H63271	2D10	6	50 - 54	H82233	2C2	4	50 - 19	H93675	2E6	11	50 - 77
H63288	2C24	13	50 - 43	H82234	2C2	2	50 - 19	H93676	2E6	13	50 - 77
H63288	2C24	15	50 - 43	H82418	4I20	23	121 - 51	H93681	2E6	22	50 - 77
H63288	2D11	13	50 - 55	H82418	4J10	25	121 - 65	H93927	4B16	15	110 - 9
H63289	2C17	3	50 - 36	H82619	4G23	18	121 - 5	H93927	4D8	27	110 - 53
H63289	2C18	3	50 - 37	H82620	4H12	7	121 - 19	H94167	4F4	24	120 - 41
H63289	2C24	14	50 - 43	H82620	4H14	32	121 - 21	H94386	4H24	13	121 - 31
H63289	2C24	15	50 - 43	H83055	3I21	11	90 - 45	H94386	4I20	24	121 - 51
H63289	2D6	3	50 - 50	H83285	1B10	10	20 - 5	H94950	2G20	17	60 - 39
H63289	2D7	3	50 - 51	H83790	1J14	2	40 - 103	H94951	2G20	8	60 - 39
H63289	2D11	14	50 - 55	H83791	1J14	3	40 - 103	H95203	5B17	18	125 - 7
H63289	3B14	10	70 - 7	H83795	5B19	26	125 - 9	H95368	2B11	19	50 - 3
H63289	5C6	10	125 - 21	H84026	4C13	4	110 - 33	H95417	4B10	32	110 - 3
H64374	4F4	1	120 - 41	H84375	2H4	3	60 - 47	H95417	4D8	16	110 - 53
H64375	4K2	12	121 - 81	H84375	2H5	2	60 - 48	H95499	4B19	16	110 - 13
H64376	4E2	1	120 - 11	H84942	4C13	18	110 - 33	H95547	2H4	5	60 - 47
H64376	4E11	1	120 - 21	H84948	3I12	16	90 - 35	H95902	2F12	16	60 - 5
H64376	4H16	15	121 - 23	H84948	4B14	16	110 - 7	H96149	5E25	7	130 - 35
H64376	5E25	2	130 - 35	H84990	4K6	2	121 - 85	H96169	5E25	1	130 - 35
H64584	3G10	16	80 - 35	H85015	5C18	22	125 - 33	H96226	4I4	14	121 - 35
H64584	5E17	7	130 - 27	H85184	3F24	12	80 - 23	H96227	4I4	12	121 - 35
H64813	2C22	29	50 - 41	H85184	3G12	1	80 - 37	H96228	5F4	3	130 - 39

NUMERICAL INDEX - CONTINUED

PART NO.	GRID	KEY	PAGE	PART NO.	GRID	KEY	PAGE	PART NO.	GRID	KEY	PAGE
H96228	5F9	12	130 - 44	JD10032	4H20	45	121 - 27	JD7759	5E6	8	130 - 15
H96232	4I4	13	121 - 35	JD10058	1E8	1	24 - 49	JD7759	5E25	19	130 - 35
H96267	5E25	6	130 - 35	JD10134	2C9	4	50 - 26	JD7760	2C8	4	50 - 25
H96294	5E25	14	130 - 35	JD10134	2E4	2	50 - 75	JD7760	4D12	2	110 - 57
H96297	5E25	13	130 - 35	JD10135	2C9	5	50 - 26	JD7769	2E4	18	50 - 75
H96298	5E25	13	130 - 35	JD10135	2E4	1	50 - 75	JD7788	1B12	26	20 - 7
H96345	5F9	8	130 - 44	JD10182	2C2	24	50 - 19	JD7788	2G22	9	60 - 41
H96391	3I21	7	90 - 45	JD10214	4H20	30	121 - 27	JD7788	2G24	13	60 - 43
H96455	3J12	2	90 - 61	JD10266	2C9	11	50 - 26	JD7788	2H2	13	60 - 45
H96645	5F15	17	130 - 51	JD10312	4J6	9	121 - 61	JD7788	4E7	3	120 - 17
H96652	5F4	12	130 - 39	JD10342	4E2	7	120 - 11	JD7788	4E23	29	120 - 33
H96652	5F11	7	130 - 47	JD10342	4E11	7	120 - 21	JD7788	4F8	2	120 - 45
H96652	5F13	7	130 - 49	JD10342	4H16	6	121 - 23	JD7788	4I4	6	121 - 35
H96690	3H17	15	90 - 15	JD10343	4E2	8	120 - 11	JD7788	4J6	18	121 - 61
H96690	4G2	11	120 - 63	JD10343	4E11	8	120 - 21	JD7797	1B16	3	20 - 11
H96690	5F4	4	130 - 39	JD10343	4H16	13	121 - 23	JD7797	2G13	3	60 - 30
H96869	2G20	3	60 - 39	JD10387	4K6	4	121 - 85	JD7797	2G22	1	60 - 41
H97306	4H14	38	121 - 21	JD10401	2C11	2	50 - 29	JD7797	2G24	1	60 - 43
H97308	4B10	16	110 - 3	JD10462	2D14	8	50 - 59	JD7797	2H2	1	60 - 45
H97322	4C11	12	110 - 31	JD39102	1B8	38	20 - 3	JD7797	4E7	2	120 - 17
H97322	4C13	17	110 - 33	JD39102	5D7	6	125 - 49	JD7797	4G23	3	121 - 5
H97378	4C23	5	110 - 43	JD39102	5D7	14	125 - 49	JD7797	4H6	8	121 - 13
H97410	4B10	33	110 - 3	JD39102	5D19	5	130 - 3	JD7797	4H12	5	121 - 19
H97410	4D8	15	110 - 53	JD39103	5C18	5	125 - 33	JD7797	4H20	25	121 - 27
H97513	4I8	4	121 - 39	JD39103	5D4	15	125 - 45	JD7797	4I18	38	121 - 49
H97574	5C18	19	125 - 33	JD39103	5D19	11	130 - 3	JD7797	4J12	25	121 - 67
H98111	3H17	18	90 - 15	JD39103	5E2	4	130 - 11	JD7797	4J14	25	121 - 69
H98111	3H17	19	90 - 15	JD39104	4G14	5	120 - 75	JD7797	5C18	20	125 - 33
H98546	4F8	29	120 - 45	JD39104	4G14	10	120 - 75	JD7797	5F9	13	130 - 44
H98546	5D19	20	130 - 3	JD39104	5F17	20	130 - 53	JD7797	5F22	25	130 - 59
H98547	5D19	22	130 - 3	JD39104	5F19	9	130 - 55	JD7798	4B10	13	110 - 3
H98655	4B19	27	110 - 13	JD39104	5F22	34	130 - 59	JD7798	4H14	26	121 - 21
H987R	1G17	7	40 - 29	JD39109	4I18	53	121 - 49	JD7799	2D22	11	50 - 67
H98765	3E4	3	70 - 77	JD5127	5H3	24	170 - 19	JD7806	5F4	2	130 - 39
H99147	1B12	16	20 - 7	JD5400	5G17	6	170 - 7	JD7839	4I2	10	121 - 33
H99147	4I2	13	121 - 33	JD5592	5H7	5	170 - 23	JD7844	4K6	5	121 - 85
H99147	4I8	15	121 - 39	JD5927	5G17	6	170 - 7	JD7845	4E2	9	120 - 11
H99147	4I20	11	121 - 51	JD7126	5F17	11	130 - 53	JD7845	4E11	9	120 - 21
H99147	4J4	4	121 - 59	JD7222	2E6	7	50 - 77	JD7845	4E23	19	120 - 33
H99147	4J8	18	121 - 63	JD7228	2C11	2	50 - 29	JD7845	4H16	11	121 - 23
H99147	4J10	18	121 - 65	JD7278	2C11	1	50 - 29	JD7845	5D13	1	125 - 55
H99147	4J12	34	121 - 67	JD7278	2C11	4	50 - 29	JD7845	5D15	3	125 - 57
H99147	4J14	34	121 - 69	JD7292	4H8	11	121 - 15	JD7845	5G2	4	130 - 65
H99147	5D2	12	125 - 43	JD7294	2E6	8	50 - 77	JD7846	4I16	5	121 - 47
H99147	5E13	13	130 - 23	JD7297	2D2	4	50 - 45	JD7846	4I22	15	121 - 53
H99149	4E2	3	120 - 11	JD7297	2D9	28	50 - 53	JD7847	2D14	14	50 - 59
H99149	4E11	4	120 - 21	JD7298	2C9	10	50 - 26	JD7847	2D22	11	50 - 67
H99149	4H16	12	121 - 23	JD7378	4H8	10	121 - 15	JD8147	2C6	8	50 - 23
H99264	2F12	17	60 - 5	JD7395	4H10	11	121 - 17	JD8162	4G21	14	121 - 3
H99294	2G4	46	60 - 21	JD7418	4H10	10	121 - 17	JD8162	4G25	3	121 - 7
H99294	3J19	46	90 - 69	JD7425	2C6	9	50 - 23	JD8162	4H2	5	121 - 9
H99303	4C21	10	110 - 41	JD7441	4H20	29	121 - 27	JD8164	4H8	7	121 - 15
H99599	3F10	10	80 - 9	JD7448	2D14	9	50 - 59	JD8182	2C4	18	50 - 21
H99599	5E23	16	130 - 33	JD7502	2C6	3	50 - 23	JD8206	4G21	15	121 - 3
H99613	5F9	2	130 - 44	JD7681	5E11	13	130 - 21	JD8206	4G25	2	121 - 7
H99638	4F4	25	120 - 41	JD7686	4I10	22	121 - 41	JD8206	4H2	6	121 - 9
H99897	1E24	2	30 - 3	JD7689	5E11	11	130 - 21	JD8206	4H4	2	121 - 11
H99923	2G13	4	60 - 30	JD7759	2G20	18	60 - 39	JD8210	4H8	6	121 - 15
H99923	3I16	20	90 - 39	JD7759	2G21	6	60 - 40	JD8222	2C11	1	50 - 29
H99923	3J14	16	90 - 63	JD7759	4C23	10	110 - 43	JD8223	2C4	19	50 - 21
H99923	4E2	18	120 - 11	JD7759	4E2	11	120 - 11	JD8237	2C2	23	50 - 19
JD10010	4B12	15	110 - 5	JD7759	4E11	11	120 - 21	JD8237	2G20	13	60 - 39
JD10011	4B12	21	110 - 5	JD7759	4E23	23	120 - 33	JD8239	4H20	3	121 - 27
JD10011	4I14	2	121 - 45	JD7759	4H16	9	121 - 23	JD8255	4H10	2	121 - 17
JD10017	4H14	14	121 - 21	JD7759	4I2	1	121 - 33	JD8257	2C2	5	50 - 19
JD10018	4C23	4	110 - 43	JD7759	4I4	4	121 - 35	JD8258	2G20	11	60 - 39
JD10020	4C9	2	110 - 29	JD7759	4I22	5	121 - 53	JD8267	2C4	5	50 - 21

NUMERICAL INDEX - CONTINUED

PART NO.	GRID	KEY	PAGE	PART NO.	GRID	KEY	PAGE	PART NO.	GRID	KEY	PAGE
JD8285	2E6	16	50 - 77	J16931	5F22	40	130 - 59	M73000	4B16	9	110 - 9
JD8524	5E25	8	130 - 35	J18468	5F15	23	130 - 51	M73000	4D8	22	110 - 53
JD8551	4C13	27	110 - 33	J21022	5C18	15	125 - 33	M73346	4I14	12	121 - 45
JD8552	4C13	29	110 - 33	J2375M	3C19	1	70 - 39	M78494	1B20	3	20 - 15
JD8554	4F2	17	120 - 39	J2375M	3C21	3	70 - 41	M80082	5C22	38	125 - 37
JD8554	5B19	11	125 - 9	J2375M	3C23	3	70 - 43	M82701	5B13	23	125 - 5B
JD8554	5F15	13	130 - 51	K40001	3C21	29	70 - 41	M84309	4G10	16	120 - 71
JD8563	5B19	18	125 - 9	K40001	3C23	21	70 - 43	M84309	5E17	25	130 - 27
JD8576	4D6	8	110 - 51	K40003	5F15	10	130 - 51	M84309	5E17	29	130 - 27
JD8576	4K6	10	121 - 85	L1730N	4B19	3	110 - 13	M84309	5E19	32	130 - 29
JD8665	4F4	11	120 - 41	L24517	3C2	7	70 - 21	M84309	5E23	10	130 - 33
JD8665	5B19	7	125 - 9	L29041	4G21	3	121 - 3	M84309	5F25	2	130 - 63
JD8665	5F15	16	130 - 51	L29042	4G21	3	121 - 3	M84972	5E15	6	130 - 25
JD8668	4H14	16	121 - 21	L29043	4G21	3	121 - 3	M86436	1G25	1	40 - 37
JD8676	4G25	34	121 - 7	L29044	4G21	3	121 - 3	M90756	5B13	7	125 - 5B
JD8819	4B12	41	110 - 5	L3483N	5C10	23	125 - 25	M93425	3G16	4	80 - 41
JD8902	2G20	14	60 - 39	L36230	3E6	14	70 - 79	M93425	4B21	26	110 - 15
JD8947	2C2	6	50 - 19	L38138	1G8	5	40 - 19	M93425	4B23	29	110 - 17
JD8952	2G20	10	60 - 39	L39871	2G18	15	60 - 37	N102039	1D20	..	24 - 37
JD8956	2E4	10	50 - 75	L59635	5B13	6	125 - 5B	N102039	2B21	9	50 - 13
JD8960	4H20	4	121 - 27	M111701	1B8	20	20 - 3	N10213	1G15	9	40 - 27
JD8979	2C4	6	50 - 21	M112271	5E25	35	130 - 35	N10215	3I16	6	90 - 39
JD9007	4H2	12	121 - 9	M112639	5B23	15	125 - 13	N10215	3J14	11	90 - 63
JD9007	4H4	4	121 - 11	M121T	1J8	5	40 - 97	N10217	2G6	13	60 - 23
JD9043	2D18	5	50 - 63	M2353T	4I2	15	121 - 33	N10217	2G8	8	60 - 25
JD9075	2E6	29	50 - 77	M41029	2C2	35	50 - 19	N10217	3B12	4	70 - 5
JD9075	4H4	12	121 - 11	M41029	3D24	2	70 - 73	N10217	3C2	16	70 - 21
JD9076	2C16	9	50 - 35	M41029	5C14	2	125 - 29	N10217	3C6	10	70 - 25
JD9076	2D4	9	50 - 47	M4237T	2D4	14	50 - 47	N10217	3C8	6	70 - 27
JD9078	4H10	1	121 - 17	M4237T	2D4	31	50 - 47	N10217	3C10	12	70 - 29
JD9091	2E6	24	50 - 77	M43518	2C16	31	50 - 35	N109389	5D19	12	130 - 3
JD9091	4G21	1	121 - 3	M43649	2F10	23	60 - 3	N110085	5C18	29	125 - 33
JD9092	2C9	4	50 - 26	M43835	1G25	10	40 - 37	N110085	5D2	7	125 - 43
JD9109	2D18	4	50 - 63	M43835	1H2	10	40 - 39	N110085	5G13	8	170 - 3
JD9113	2C13	4	50 - 31	M43835	1I21	2	40 - 85	N110219	4J10	9	121 - 65
JD9113	2C22	28	50 - 41	M44269	4E17	3	120 - 27	N110219	4J14	37	121 - 69
JD9120	2E4	9	50 - 75	M45123	4H22	3	121 - 29	N115096	1I21	11	40 - 85
JD9132	2E6	28	50 - 77	M47566	4E21	10	120 - 31	N126584	2C16	18	50 - 35
JD9132	4H4	13	121 - 11	M48000	2C16	2	50 - 35	N126585	2C13	6	50 - 31
JD9133	2C16	9	50 - 35	M48000	2C20	15	50 - 39	N126586	2C20	13	50 - 39
JD9133	2D4	9	50 - 47	M48000	2D4	2	50 - 47	N126600	2C16	10	50 - 35
JD9146	2E6	25	50 - 77	M48869	3D22	23	70 - 71	N126600	2D4	10	50 - 47
JD9146	4G21	2	121 - 3	M48869	3D24	4	70 - 73	N126601	2C17	7	50 - 36
JD9147	2C9	5	50 - 26	M48869	5C14	4	125 - 29	N126601	2C18	7	50 - 37
JD9201	4B16	13	110 - 9	M61266	1G13	8	40 - 25	N126602	2C16	27	50 - 35
JD9201	4D8	26	110 - 53	M63707	2E1	13	50 - 71	N126603	2C16	1	50 - 35
JD9201	4E23	14	120 - 33	M63707	3E17	13	70 - 90	N126603	2D4	1	50 - 47
JD9202	4B16	17	110 - 9	M63707	4H18	9	121 - 25	N126612	2C13	22	50 - 31
JD9202	4D8	28	110 - 53	M63707	4H20	17	121 - 27	N126612	2C22	37	50 - 41
JD9219	5E8	5	130 - 17	M66044	1I2	21	40 - 65	N126612	2D2	22	50 - 45
JD9219	5E9	5	130 - 18	M68701	1G17	5	40 - 29	N126612	2D9	37	50 - 53
JD9273	4F4	4	120 - 41	M68701	3G2	10	80 - 27	N126638	2C17	2	50 - 36
JD9301	4D6	4	110 - 51	M68701	3G4	14	80 - 29	N126638	2C18	2	50 - 37
JD9313	5C18	11	125 - 33	M71077	4K6	21	121 - 85	N126641	2C20	10	50 - 39
JD9313	5C23	6	125 - 38	M71184	1G8	7	40 - 19	N126644	2D5	11	50 - 49
JD9356	4D6	7	110 - 51	M71184	1G8	8	40 - 19	N126654	2C24	4	50 - 43
JD9373	4C9	7	110 - 29	M71442	1G8	5	40 - 19	N126654	2D11	4	50 - 55
JD9373	5F15	4	130 - 51	M71442	1G8	7	40 - 19	N12679	2F18	26	60 - 11
JD9434	4E23	16	120 - 33	M71442	1G8	8	40 - 19	N128541	2C24	5	50 - 43
JD9442	5B19	17	125 - 9	M71770	3D20	18	70 - 69	N128541	2D11	5	50 - 55
JD9490	4F8	6	120 - 45	M72490	1E4	15	24 - 45	N130510	2C24	8	50 - 43
JD9849	2D14	2	50 - 59	M72598	3G12	7	80 - 37	N130510	2D11	8	50 - 55
J16931	1B8	21	20 - 3	M72598	4B21	16	110 - 15	N134803	4G14	7	120 - 75
J16931	1B12	24	20 - 7	M72598	4C2	6	110 - 21	N134803	4I10	27	121 - 41
J16931	3E4	13	70 - 77	M72598	4F6	10	120 - 43	N139123	4H10	13	121 - 17
J16931	5D4	5	125 - 45	M72598	4F24	9	120 - 61	N14822	2E16	19	50 - 87
J16931	5E25	36	130 - 35	M72598	5C2	3	125 - 17	N15254	5B14	2	125 - 5C

NUMERICAL INDEX - CONTINUED

PART NO.	GRID	KEY	PAGE	PART NO.	GRID	KEY	PAGE	PART NO.	GRID	KEY	PAGE
N15764	5E8	4	130 - 17	P46402	5D2	9	125 - 43	RE12363	1J4	5	40 - 93
N15764	5E9	4	130 - 18	P46402	5E13	11	130 - 23	RE12363	1J6	1	40 - 95
N189220	5F15	21	130 - 51	P46770	4G21	4	121 - 3	RE12363	3B10	13	70 - 3
N191174	2C13	24	50 - 31	P46874	4D4	5	110 - 49	RE12363	3E16	15	70 - 89
N191174	2C22	42	50 - 41	P46874	4D6	5	110 - 51	RE12364	1H4	22	40 - 41
N191174	2D2	24	50 - 45	P46874	5E11	10	130 - 21	RE12364	1H6	22	40 - 43
N191174	2D9	42	50 - 53	P47159	3F4	17	80 - 3	RE12364	1119	16	40 - 83
N196034	2C13	21	50 - 31	P47885	4K2	6	121 - 81	RE12364	1J6	13	40 - 95
N196034	2C22	40	50 - 41	P48347	2D6	17	50 - 50	RE12365	1H4	24	40 - 41
N196034	2D2	21	50 - 45	P48347	2D7	17	50 - 51	RE12365	1H6	24	40 - 43
N196034	2D9	40	50 - 53	P48347	3D3	4	70 - 48	RE12365	1119	20	40 - 83
N197422	2C6	13	50 - 23	P48403	2D4	30	50 - 47	RE12365	1J6	9	40 - 95
N199920	2B23	2	50 - 15	P48691	4H14	28	121 - 21	RE12366	1H25	6	40 - 63
N205021	3D3	5	70 - 48	P48703	2E6	21	50 - 77	RE12366	1119	25	40 - 83
N205022	3D3	10	70 - 48	P48925	3I23	2	90 - 47	RE12366	1J6	11	40 - 95
N209312	3D3	5	70 - 48	P50273	4J8	9	121 - 63	RE12366	1J12	1	40 - 101
N232713	3C21	28	70 - 41	P50456	4B10	23	110 - 3	RE13541	3I16	24	90 - 39
N232713	3C23	20	70 - 43	P50456	4D8	7	110 - 53	RE155577	1E18	6	24 - 59
N276474	2C8	9	50 - 25	P5403H	4E11	3	120 - 21	RE15807	1E2	26	24 - 43
N276475	2C8	9	50 - 25	P5403H	4E15	..	120 - 25	RE15808	1E2	27	24 - 43
N276699	2B16	6	50 - 8	RE10258	1E6	4	24 - 47	RE20768	4I10	19	121 - 41
N282070	1G23	11	40 - 35	RE11154	1I25	40	40 - 89	RE21790	1D24	4	24 - 41
N282070	1G23	20	40 - 35	RE11156	1I23	36	40 - 87	RE21790	1F6	5	30 - 9
N282070	1H2	1	40 - 39	RE11157	1I23	37	40 - 87	RE22642	2D14	16	50 - 59
N282070	1H2	3	40 - 39	RE11157	1J10	15	40 - 99	RE22764	1C13	..	24 - 4
N282070	1H6	17	40 - 43	RE12049	3I16	..	90 - 39	RE22764	1C22	5	24 - 14
N282070	1H8	15	40 - 45	RE12180	1H19	8	40 - 57	RE24045	1D3	11	24 - 20
N282070	1H8	17	40 - 45	RE12325	2G22	10	60 - 41	RE24046	1D3	13	24 - 20
N31772	2E1	8	50 - 71	RE12325	2G24	14	60 - 43	RE24307	1H19	6	40 - 57
N31772	3E17	8	70 - 90	RE12325	2H2	14	60 - 45	RE24307	3E12	3	70 - 85
N34986	3D24	12	70 - 73	RE12326	2G22	5	60 - 41	RE27837	2D20	5	50 - 65
N52258	1B14	4	20 - 9	RE12326	2G24	5	60 - 43	RE28217	1E4	23	24 - 45
N52258	4F8	7	120 - 45	RE12326	2H2	5	60 - 45	RE30833	1E4	5	24 - 45
N61654	4H24	3	121 - 31	RE12330	1119	14	40 - 83	RE30920	1E4	3	24 - 45
N61654	4J4	13	121 - 59	RE12331	1119	12	40 - 83	RE31701	2D14	6	50 - 59
N61709	5C2	5	125 - 17	RE12332	1119	18	40 - 83	RE32824	2D14	10	50 - 59
N61709	5E19	40	130 - 29	RE12332	1J6	12	40 - 95	RE32856	1D14	12	24 - 31
N71921	5E25	4	130 - 35	RE12333	1119	21	40 - 83	RE33336	2D12	1	50 - 56
N71922	4B12	20	110 - 5	RE12334	1119	8	40 - 83	RE33337	2D12	1	50 - 56
N72989	5F9	11	130 - 44	RE12362	1H25	22	40 - 63	RE33338	2D12	1	50 - 56
N72989	5F15	1	130 - 51	RE12362	1119	4	40 - 83	RE33339	2D12	1	50 - 56
N85298	3B18	19	70 - 11	RE12362	1J6	7	40 - 95	RE33636	1F6	8	30 - 9
N85298	3B20	16	70 - 13	RE12363	1F17	10	40 - 3	RE34128	1E6	4	24 - 47
PF10025	5E15	16	130 - 25	RE12363	1G2	2	40 - 13	RE35161	3H13	1	90 - 11
PF80001	5D25	18	130 - 9	RE12363	1G8	11	40 - 19	RE35684	1E4	8	24 - 45
PF80104	5D25	18	130 - 9	RE12363	1G23	25	40 - 35	RE36151	1E5	4	24 - 46
PF80112	5D23	12	130 - 7	RE12363	1G25	11	40 - 37	RE36421	1E2	28	24 - 43
PF80113	5D23	13	130 - 7	RE12363	1H2	11	40 - 39	RE37651	1J10	16	40 - 99
PM797NA	1I23	57	40 - 87	RE12363	1H4	14	40 - 41	RE38503	1E18	6	24 - 59
PM797NA	1I25	40	40 - 89	RE12363	1H4	16	40 - 41	RE39131	2D16	6	50 - 61
PT2314	1G21	4	40 - 33	RE12363	1H4	21	40 - 41	RE39134	1D18	11	24 - 35
PT2314	1G23	4	40 - 35	RE12363	1H4	25	40 - 41	RE40048	1F10	4	30 - 13
P43363	4J12	21	121 - 67	RE12363	1H6	14	40 - 43	RE42068	1G23	6	40 - 35
P43363	4J14	21	121 - 69	RE12363	1H6	16	40 - 43	RE42068	1G23	9	40 - 35
P43969	2C2	25	50 - 19	RE12363	1H6	21	40 - 43	RE42068	1G23	10	40 - 35
P44439	5B19	6	125 - 9	RE12363	1H6	25	40 - 43	RE42068	1G23	20	40 - 35
P44478	5F22	39	130 - 59	RE12363	1H8	13	40 - 45	RE42068	1H2	2	40 - 39
P45313	2E6	9	50 - 77	RE12363	1H10	7	40 - 47	RE42068	1H2	3	40 - 39
P45750	3C2	7	70 - 21	RE12363	1H10	20	40 - 47	RE42068	1H2	14A	40 - 39
P45750	3E7	2	70 - 80	RE12363	1H12	10	40 - 49	RE42068	1H6	15	40 - 43
P46369	2E6	19	50 - 77	RE12363	1H14	16	40 - 51	RE42068	1H6	17	40 - 43
P46402	4H24	8	121 - 31	RE12363	1H23	1	40 - 61	RE42068	1H6	27	40 - 43
P46402	4I8	12	121 - 39	RE12363	1H25	23	40 - 63	RE46375	1E4	17	24 - 45
P46402	4I20	8	121 - 51	RE12363	1I2	23	40 - 65	RE46375	1E6	6	24 - 47
P46402	4J4	1	121 - 59	RE12363	1I2	24	40 - 65	RE46609	3K3	..	90 - 78
P46402	4J8	15	121 - 63	RE12363	1I8	6	40 - 72	RE47120	1E2	12	24 - 43
P46402	4J10	15	121 - 65	RE12363	1119	11	40 - 83	RE48310	1F6	11	30 - 9

NUMERICAL INDEX - CONTINUED

PART NO.	GRID	KEY	PAGE	PART NO.	GRID	KEY	PAGE	PART NO.	GRID	KEY	PAGE
RE48310	1H21	18	40 - 59	RE57177	1E21	5	24 - 62	RE69844	1D18	8	24 - 35
RE48321	1F6	11	30 - 9	RE57178	1C21	2	24 - 13	RE70486	1E16	12	24 - 57
RE49243	2D14	1	50 - 59	RE57186	1E12	19	24 - 53	RE70487	1E16	10	24 - 57
RE49243	2D14	6	50 - 59	RE57187	1E12	39	24 - 53	RE70756	1E16	6	24 - 57
RE500216	1D15	1	24 - 32	RE57188	1C18	8	24 - 10	RE70957	1E16	7	24 - 57
RE500280	1E10	2	24 - 51	RE57190	1D18	1	24 - 35	RE71121	1E17	2	24 - 58
RE500318	1D14	11	24 - 31	RE57394	1C13	..	24 - 4	RG24026	1D2	..	24 - 19
RE500510	1E4	1	24 - 45	RE57394	1D12	9	24 - 29	RV702A	2F10	25	60 - 3
RE500934	1E14	8	24 - 55	RE57399	1D12	9	24 - 29	RV810A	5C22	14	125 - 37
RE500934	1E14	9	24 - 55	RE57561	1D12	1	24 - 29	RV810A	5D21	3	130 - 5
RE501262	1E4	31	24 - 45	RE57561	1D22	10	24 - 39	R100569	1D8	10	24 - 25
RE501772	1E4	1	24 - 45	RE57603	1E14	3	24 - 55	R100569	1D9	1	24 - 26
RE502083	1E4	1	24 - 45	RE57604	1E14	7	24 - 55	R100569	1E12	31	24 - 53
RE502154	1D18	10	24 - 35	RE57733	1C23	4	24 - 15	R100727	2D18	7	50 - 63
RE502404	1E4	1	24 - 45	RE57750	1D2	18	24 - 19	R100747	1D22	18	24 - 39
RE502510	1C23	4	24 - 15	RE58780	1C20	9	24 - 12	R100911	1E12	2	24 - 53
RE502650	1E4	32	24 - 45	RE58781	1E21	9	24 - 62	R10093	3J25	5	90 - 75
RE502893	1E4	1	24 - 45	RE60546	1D9	2	24 - 26	R102882	1D2	5	24 - 19
RE503256	1F5	10	30 - 8	RE60577	1E4	21	24 - 45	R104534	1D2	3	24 - 19
RE503312	1E4	1	24 - 45	RE60622	1C13	..	24 - 4	R104587	1C19	3	24 - 11
RE504122	1C3	7	20 - 23	RE60622	1D8	15	24 - 25	R104587	1C20	2	24 - 12
RE504139	1E10	2	24 - 51	RE61253	1C20	4	24 - 12	R104587	1E21	2	24 - 62
RE504635	1E4	31	24 - 45	RE61253	1C21	1	24 - 13	R104589	1C25	6	24 - 17
RE51052	3K3	2	90 - 78	RE61267	1C20	9	24 - 12	R104592	1C12	12	24 - 3
RE52454	3K3	1	90 - 78	RE61268	1E21	9	24 - 62	R104592	1D12	20	24 - 29
RE52506	3K5	1	90 - 80	RE61658	1E4	10	24 - 45	R104592	1D16	1	24 - 33
RE52507	3K6	1	90 - 81	RE61693	1E10	13	24 - 51	R104595	1G17	6	40 - 29
RE52508	3K5	3	90 - 80	RE61851	1C21	1	24 - 13	R104595	1G17	18	40 - 29
RE52509	3K7	1	90 - 82	RE61851	1E21	4	24 - 62	R104621	1D12	18	24 - 29
RE52510	3K5	2	90 - 80	RE62776	1E12	3	24 - 53	R104628	1D8	14	24 - 25
RE52553	3J2	4	90 - 51	RE62777	1E12	4	24 - 53	R104628	1D9	3	24 - 26
RE52555	3J8	1	90 - 57	RE62791	1C17	1	24 - 9	R104656	1C24	9	24 - 16
RE52702	1B24	6	20 - 19	RE62791	1C18	10	24 - 10	R104656	1C25	5	24 - 17
RE53154	1C18	6	24 - 10	RE63439	1D14	2	24 - 31	R104846	1G23	10	40 - 35
RE54244	1E10	10	24 - 51	RE63439	1D14	15	24 - 31	R104846	1H6	27	40 - 43
RE54245	1E10	12	24 - 51	RE63832	3J8	2	90 - 57	R104859	1C24	5	24 - 16
RE55277	1F19	..	40 - 5	RE63932	1F8	6	30 - 11	R105346	1D22	11	24 - 39
RE55278	1F19	..	40 - 5	RE64134	1D22	12	24 - 39	R105346	1E12	14	24 - 53
RE55475	1C13	..	24 - 4	RE64767	1D22	2	24 - 39	R105581	3I16	13	90 - 39
RE55475	1D2	19	24 - 19	RE64907	1C17	1	24 - 9	R108404	1I5	11	40 - 68
RE55475	1E12	11	24 - 53	RE65050	1C15	1	24 - 7	R108699	1E7	7	24 - 48
RE55522	1C19	5	24 - 11	RE65265	1E6	1	24 - 47	R108700	1E7	8	24 - 48
RE55522	1E14	1	24 - 55	RE65347	1H10	22	40 - 47	R108701	1E7	9	24 - 48
RE56165	4E19	9	120 - 29	RE65407	1C15	1	24 - 7	R108867	1D6	5	24 - 23
RE56165	4I12	9	121 - 43	RE65407	1C17	1	24 - 9	R108867	1D12	3	24 - 29
RE57054	1C25	3	24 - 17	RE65407	1C18	10	24 - 10	R109625	1D10	1	24 - 27
RE57146	1E2	7	24 - 43	RE65693	3J4	1	90 - 53	R109625	1E12	32	24 - 53
RE57147	1E2	6	24 - 43	RE65694	3J4	3	90 - 53	R110126	1C25	2	24 - 17
RE57148	1E2	4	24 - 43	RE65695	3J2	3	90 - 51	R110126	1D3	15	24 - 20
RE57149	1E2	3	24 - 43	RE65787	1E10	5	24 - 51	R11086	1C24	6	24 - 16
RE57150	1E2	2	24 - 43	RE66000	1E4	31	24 - 45	R11086	1D18	3	24 - 35
RE57151	1E2	1	24 - 43	RE66351	1D22	2	24 - 39	R111156	3B22	5	70 - 15
RE57152	1E2	17	24 - 43	RE66614	1E4	1	24 - 45	R111692	4E19	3	120 - 29
RE57152	1E7	5	24 - 48	RE67013	1G6	5	40 - 17	R111692	4I12	3	121 - 43
RE57152	1E7	13	24 - 48	RE67014	1G6	8	40 - 17	R111995	2D14	1	50 - 59
RE57153	1E7	10	24 - 48	RE67015	1G6	6	40 - 17	R111995	2D14	6	50 - 59
RE57154	1D18	12	24 - 35	RE67934	1E4	33	24 - 45	R112053	1C25	7	24 - 17
RE57167	1C18	7	24 - 10	RE68401	2D14	16	50 - 59	R112268	1E20	17	24 - 61
RE57167	1C20	7	24 - 12	RE68495	1G6	1	40 - 17	R112679	4E19	5	120 - 29
RE57170	1C20	3	24 - 12	RE68714	1E18	6	24 - 59	R112679	4I12	5	121 - 43
RE57170	1C21	3	24 - 13	RE68715	1E20	4	24 - 61	R112857	2C13	26	50 - 31
RE57172	1C21	3	24 - 13	RE68722	1E20	2	24 - 61	R112857	2C22	38	50 - 41
RE57172	1E21	3	24 - 62	RE68767	1D22	5	24 - 39	R112857	2D2	26	50 - 45
RE57173	1C21	3	24 - 13	RE68767	1D23	8	24 - 40	R112857	2D9	38	50 - 53
RE57175	1C20	5	24 - 12	RE68844	1D22	9	24 - 39	R112975	1E4	13	24 - 45
RE57175	1C21	2	24 - 13	RE69581	1D20	16	24 - 37	R113050	3J25	3	90 - 75
RE57177	1C21	2	24 - 13	RE69704	1E16	7	24 - 57	R113050	3K4	2	90 - 79

NUMERICAL INDEX - CONTINUED

PART NO.	GRID	KEY	PAGE	PART NO.	GRID	KEY	PAGE	PART NO.	GRID	KEY	PAGE
R114130	1C12	2	24 - 3	R121350	1C21	2	24 - 13	R1612R	1C12	10	24 - 3
R114130	1E4	14	24 - 45	R121350	1E21	5	24 - 62	R1818R	2B23	4	50 - 15
R114130	1E16	14	24 - 57	R121351	1C21	2	24 - 13	R1964R	4I22	22	121 - 53
R114160	1D20	4	24 - 37	R121354	1C21	2	24 - 13	R20135	4I2	3	121 - 33
R114837	1E20	3	24 - 61	R121354	1E21	5	24 - 62	R20136	4B10	27	110 - 3
R115129	1C24	3	24 - 16	R121355	1C21	2	24 - 13	R20136	4D8	11	110 - 53
R115471	1C15	1	24 - 7	R121489	1D2	21	24 - 19	R21612	2F16	27	60 - 9
R115742	3K3	..	90 - 78	R121490	1D2	7	24 - 19	R26012	2E4	24	50 - 75
R115743	3K5	4	90 - 80	R121491	1D2	6	24 - 19	R26058	1C22	4	24 - 14
R116081	1C18	7	24 - 10	R121765	1C12	3	24 - 3	R26058	1E12	33	24 - 53
R116081	1E21	7	24 - 62	R121765	1C15	1	24 - 7	R26079	1D3	8	24 - 20
R116082	1C21	3	24 - 13	R121765	1D15	2	24 - 32	R26081	1D3	2	24 - 20
R116083	1C21	3	24 - 13	R122364	1C12	20	24 - 3	R26192	2G2	28	60 - 19
R116084	1C20	4	24 - 12	R122419	1D2	18	24 - 19	R26192	2G2	30	60 - 19
R116084	1C21	2	24 - 13	R122430	1D18	10	24 - 35	R26192	3J17	28	90 - 67
R116085	1C20	4	24 - 12	R122595	1D23	2	24 - 40	R26192	3J17	30	90 - 67
R116085	1C20	5	24 - 12	R122618	1D22	14	24 - 39	R26207	2B21	6	50 - 13
R116085	1C21	2	24 - 13	R122653	1C20	9	24 - 12	R26265	2C4	7	50 - 21
R116233	1D10	2	24 - 27	R122654	1E21	9	24 - 62	R26333	1E14	4	24 - 55
R116311	1C19	4	24 - 11	R124030	1E12	38	24 - 53	R26375	1H21	22	40 - 59
R116311	1C20	8	24 - 12	R124186	1D12	13	24 - 29	R26375	2B23	10	50 - 15
R116311	1E14	2	24 - 55	R124211	1D20	6	24 - 37	R26375	2D22	12	50 - 67
R116311	1E21	8	24 - 62	R124211	1E12	8	24 - 53	R26375	2E18	28	50 - 89
R116340	1C18	6	24 - 10	R124328	1D8	15	24 - 25	R26375	2E20	1	50 - 91
R116718	1D8	12	24 - 25	R124381	1C21	1	24 - 13	R26375	2F24	5	60 - 17
R116718	1D10	6	24 - 27	R124607	1D20	15	24 - 37	R26375	2G6	1	60 - 23
R116821	2E4	16	50 - 75	R124607	1E12	7	24 - 53	R26375	3B16	1	70 - 9
R117060	1E12	37	24 - 53	R124842	1C21	1	24 - 13	R26375	3B18	4	70 - 11
R117073	1D12	6	24 - 29	R124842	1E21	4	24 - 62	R26375	3B20	9	70 - 13
R117879	1B14	19	20 - 9	R124963	1E18	3	24 - 59	R26375	3B22	3	70 - 15
R117879	1B16	22	20 - 11	R125025	1D20	12	24 - 37	R26375	3B24	12	70 - 17
R119132	1D2	12	24 - 19	R125027	1C22	3	24 - 14	R26375	3B24	19	70 - 17
R119223	1E10	11	24 - 51	R125183	1C23	4	24 - 15	R26375	3B25	2	70 - 19
R119381	1C24	4	24 - 16	R126337	1D10	5	24 - 27	R26375	3C2	5	70 - 21
R119382	1D18	2	24 - 35	R126621	1D14	2	24 - 31	R26375	3C6	33	70 - 25
R119383	1D18	4	24 - 35	R127181	1E7	11	24 - 48	R26375	3C10	3	70 - 29
R119383	1E12	20	24 - 53	R127297	1D6	11	24 - 23	R26375	3C12	1	70 - 31
R119384	1C13	..	24 - 4	R127395	1D14	2	24 - 31	R26375	3C14	9	70 - 33
R119384	1C24	2	24 - 16	R127873	1D14	2	24 - 31	R26375	3C19	10	70 - 39
R119384	1E12	22	24 - 53	R127873	1D14	16	24 - 31	R26375	3C21	17	70 - 41
R119795	1D18	12	24 - 35	R128662	1B14	22	20 - 9	R26375	3C23	8	70 - 43
R119847	1D12	12	24 - 29	R128694	1D12	2	24 - 29	R26375	3C25	18	70 - 45
R119847	1E12	28	24 - 53	R128893	1E18	5	24 - 59	R26375	3D3	9	70 - 48
R120030	1C19	5	24 - 11	R129820	1D12	10	24 - 29	R26375	3D5	1	70 - 51
R120187	1D22	13	24 - 39	R129821	1D12	16	24 - 29	R26375	3E2	8	70 - 75
R120646	1E12	13	24 - 53	R130573	1D16	4	24 - 33	R26375	3E16	2	70 - 89
R120752	1C19	2	24 - 11	R131002	1E20	12	24 - 61	R26375	3E21	7	70 - 95
R120752	1C20	1	24 - 12	R131003	1E20	10	24 - 61	R26375	4B12	30	110 - 5
R120752	1E21	1	24 - 62	R131890	1E20	16	24 - 61	R26375	4H8	20	121 - 15
R120872	1C25	3	24 - 17	R131949	1E8	2	24 - 49	R26375	4I14	16	121 - 45
R120953	1C12	21	24 - 3	R132290	1D16	2	24 - 33	R26375	5C12	14	125 - 27
R120954	1C12	21	24 - 3	R132396	1D6	17	24 - 23	R26375	5E11	15	130 - 21
R120956	3J25	..	90 - 75	R133617	1F21	17	40 - 7	R26375	5G6	4	160 - 2
R121163	1D6	8	24 - 23	R133617	3I8	17	90 - 31	R26448	1E6	3	24 - 47
R121164	1E4	11	24 - 45	R133998	1D20	14	24 - 37	R26448	1F4	9	30 - 7
R121193	1D2	13	24 - 19	R133999	1D20	13	24 - 37	R26448	2C17	20	50 - 36
R121195	1E4	13	24 - 45	R134010	1E20	14	24 - 61	R26448	2C18	20	50 - 37
R121316	1D18	9	24 - 35	R134602	1D6	4	24 - 23	R26448	2C20	19	50 - 39
R121320	1D2	8	24 - 19	R135031	1E14	6	24 - 55	R26448	2C22	21	50 - 41
R121338	1C18	7	24 - 10	R135031	1E14	8	24 - 55	R26448	2D6	20	50 - 50
R121338	1C20	7	24 - 12	R135423	1E20	11	24 - 61	R26448	2D7	20	50 - 51
R121342	1C21	3	24 - 13	R135509	1E16	11	24 - 57	R26448	2D9	21	50 - 53
R121342	1E21	3	24 - 62	R135510	1E16	9	24 - 57	R26448	2D25	7	50 - 70
R121343	1C21	3	24 - 13	R135728	1E18	1	24 - 59	R26448	2E18	10	50 - 89
R121346	1C21	3	24 - 13	R136083	1D3	3	24 - 20	R26448	2E18	27	50 - 89
R121346	1E21	3	24 - 62	R136320	1D2	3	24 - 19	R26448	2F6	1	50 - 101
R121347	1C21	3	24 - 13	R15036	1I7	14	40 - 70	R26448	2F24	14	60 - 17

NUMERICAL INDEX - CONTINUED

PART NO.	GRID	KEY	PAGE	PART NO.	GRID	KEY	PAGE	PART NO.	GRID	KEY	PAGE
R26448	2G12	1	60-29	R27443	1D3	9	24-20	R32214	2D14	13	50-59
R26448	3B14	17	70-7	R27474	1D14	14	24-31	R32214	2D24	4	50-69
R26448	3B24	19	70-17	R27474	4G23	9	121-5	R32239	3B10	12	70-3
R26448	3C6	27	70-25	R27564	3D8	14	70-54	R33022	2E4	14	50-75
R26448	3C8	19	70-27	R27564	4H14	42	121-21	R33029	2E4	11	50-75
R26448	3C12	23	70-31	R27796	2C6	7	50-23	R33058	4B12	8	110-5
R26448	3D7	4	70-53	R27928	3C17	6	70-37	R33079	4B12	3	110-5
R26448	3D10	27	70-57	R27928	5G7	6	160-3	R33088	4B12	5	110-5
R26448	3D15	3	70-63	R28583	1D24	2	24-41	R33138	2B23	11	50-15
R26448	3D17	3	70-65	R28583	1F6	7	30-9	R33138	3E16	1	70-89
R26448	3D20	3	70-69	R28776	3C17	1	70-37	R33259	3J25	2	90-75
R26448	3D22	20	70-71	R28776	3E16	4	70-89	R33259	3K4	3	90-79
R26448	3E2	7	70-75	R28776	5G7	1	160-3	R33521	3E16	33	70-89
R26448	3E4	14	70-77	R28782	1H21	21	40-59	R34337	1G15	14	40-27
R26448	3E8	9	70-81	R28782	2C16	36	50-35	R34404	2C17	17	50-36
R26448	3E14	9	70-87	R28782	2C24	10	50-43	R34404	2C18	17	50-37
R26448	3E16	10	70-89	R28782	2D4	36	50-47	R34404	4E19	7	120-29
R26448	3E21	2	70-95	R28782	2D11	10	50-55	R34404	4I12	7	121-43
R26448	4B12	39	110-5	R28782	2D18	10	50-63	R35352	2C8	6	50-25
R26448	5C6	17	125-21	R28782	2D25	9	50-70	R35542	4J10	4	121-65
R26448	5G6	8	160-2	R28782	2E18	17	50-89	R35542	5F17	3	130-53
R26501	2G4	30	60-21	R28782	3B16	9	70-9	R35794	2F24	16	60-17
R26501	3J19	30	90-69	R28782	3D10	20	70-57	R36119	1B8	17	20-3
R26524	2G4	32	60-21	R28782	3D12	19	70-59	R36599	1C12	5	24-3
R26524	3J19	32	90-69	R28782	3E8	6	70-81	R38131	4H20	36	121-27
R26559	1D3	4	24-20	R28782	3E8	12	70-81	R39081	4B12	16	110-5
R26650	2D14	15	50-59	R28782	3E16	14	70-89	R39112	2D22	13	50-67
R26650	2D16	5	50-61	R28782	3E21	10	70-95	R39112	3E21	8	70-95
R26748	1D3	12	24-20	R28811	1C23	3	24-15	R39112	4B12	40	110-5
R26871	4E19	4	120-29	R29936	2E16	14	50-87	R394R	2C2	7	50-19
R26871	4I12	4	121-43	R29936	2E18	35	50-89	R394R	2C2	17	50-19
R26906	2C14	2	50-33	R29936	2E21	9	50-92	R39554	2G2	3	60-19
R26906	2C24	2	50-43	R29936	2F24	12	60-17	R39554	2G2	8	60-19
R26906	2D5	2	50-49	R29936	3C4	2	70-23	R39554	3J17	3	90-67
R26906	2D11	2	50-55	R29936	3C25	15	70-45	R39554	3J17	8	90-67
R26906	3B12	13	70-5	R29936	3D5	15	70-51	R39741	1C12	6	24-3
R26906	3B18	9	70-11	R29936	3D5	24	70-51	R39876	2D18	2	50-63
R26906	3B20	11	70-13	R29936	5C8	5	125-23	R40236	1D10	4	24-27
R26906	3B24	8	70-17	R29936	5C10	13	125-25	R40915	4E19	6	120-29
R26906	3C4	5	70-23	R30378	1I23	43	40-87	R40915	4I12	6	121-43
R26906	3C17	14	70-37	R30399	2G20	15	60-39	R41076	4E19	2	120-29
R26906	3C25	1	70-45	R30815	3B25	6	70-19	R41076	4I12	2	121-43
R26906	3D5	14	70-51	R30903	2C14	6	50-33	R41934	1C19	1	24-11
R26906	3D8	17	70-54	R30903	2D5	6	50-49	R41934	1C20	6	24-12
R26906	3D13	16	70-60	R30903	3D12	14	70-59	R41934	1E21	6	24-62
R26906	3E14	2	70-87	R31250	1I2	13	40-65	R42009	2F20	6	60-13
R26906	3E16	17	70-89	R31378	4C23	2	110-43	R42340	1C12	9	24-3
R26906	4B12	33	110-5	R31674	2D25	4	50-70	R42408	1B16	4	20-11
R26906	4G23	8	121-5	R31890	3I16	15	90-39	R42729	1C1	2	20-21
R26906	5C10	11	125-25	R32011	1I25	8	40-89	R42926	2E1	1	50-71
R26906	5C12	10	125-27	R32016	1I25	10	40-89	R42926	3E17	1	70-90
R26906	5G7	14	160-3	R32017	1I25	11	40-89	R43305	4G21	6	121-3
R27149	1C12	16	24-3	R32018	1I25	12	40-89	R43383	4F20	16	120-57
R27166	2C20	9	50-39	R32019	1I25	13	40-89	R43383	4G2	20	120-63
R27175	2C22	31	50-41	R32021	1I25	14	40-89	R43409	1C12	1	24-3
R27175	2C24	1	50-43	R32022	1I25	15	40-89	R43621	1C12	13	24-3
R27175	2D9	31	50-53	R32023	1I25	16	40-89	R43660	1D12	9A	24-29
R27218	2C17	21	50-36	R32024	1J1	3	40-90	R44302	1F25	..	40-11
R27218	2C18	21	50-37	R32025	1J1	4	40-90	R44302	1H21	10	40-59
R27218	2C20	20	50-39	R32026	1I23	48	40-87	R44302	1J14	5	40-103
R27218	2D6	21	50-50	R32026	1I25	17	40-89	R44302	3C14	10	70-33
R27218	2D7	21	50-51	R32027	1I25	18	40-89	R44302	3C21	20	70-41
R27218	2D25	8	50-70	R32027	1J2	1	40-91	R44302	3C23	13	70-43
R27218	3E16	13	70-89	R32028	1I25	19	40-89	R44302	4G12	8	120-73
R27218	3E21	6	70-95	R32176	1I11	11	40-75	R44302	5F8	6	130-43
R27218	4B12	37	110-5	R32176	1I11	19	40-75	R44342	2G2	38	60-19
R27441	3J14	18	90-63	R32176	1I15	8	40-79	R44342	3J17	38	90-67

NUMERICAL INDEX - CONTINUED

PART NO.	GRID	KEY	PAGE	PART NO.	GRID	KEY	PAGE	PART NO.	GRID	KEY	PAGE
R45182	2D25	3	50-70	R53436	1E18	7	24-59	R60730	3H23	8	90-21
R45186	3E17	2	70-90	R53543	2C16	30	50-35	R61033	2E4	15	50-75
R45187	2E1	3	50-71	R53665	3I16	21	90-39	R61144	1E2	5	24-43
R45187	3E17	3	70-90	R53665	3J14	17	90-63	R61144	1E2	10	24-43
R45638	2E1	4	50-71	R53884	1E5	2	24-46	R61145	1E2	9	24-43
R45638	3E17	4	70-90	R53899	1E4	27	24-45	R61288	1C12	24	24-3
R46414	3F24	3	80-23	R53899	1E5	3	24-46	R61461	2E4	22	50-75
R46414	3J21	7	90-71	R53899	1E12	25	24-53	R61497	1D5	1	24-22
R46479	1D20	15	24-37	R53901	1E5	5	24-46	R61862	3J14	9	90-63
R46701	2E1	5	50-71	R54025	1E6	2	24-47	R62192	4I10	21	121-41
R46701	3E17	5	70-90	R54123	1C3	4	20-23	R62356	1B22	29	20-17
R47151	1D14	10	24-31	R54380	2C8	8	50-25	R62502	4B10	34	110-3
R47151	1D14	13	24-31	R54380	2E6	27	50-77	R62502	4D8	14	110-53
R47153	1D6	9	24-23	R54445	1G17	6	40-29	R62930	1C12	15	24-3
R47153	1D12	7	24-29	R54445	1G17	18	40-29	R62930	1D8	1	24-25
R47153	1E12	27	24-53	R54447	1G17	3	40-29	R62938	1D8	2	24-25
R47160	1D24	3	24-41	R54510	1C3	2	20-23	R63016	1E5	6	24-46
R47160	1F6	6	30-9	R54511	1C3	3	20-23	R63308	2C13	30	50-31
R47449	3E16	26	70-89	R54565	1D3	1	24-20	R63308	2D2	30	50-45
R47693	1C3	5	20-23	R54856	1E12	24	24-53	R63308	2F2	2	50-97
R47998	2G2	37	60-19	R55326	4F16	13	120-53	R63308	2F4	2	50-99
R47998	3J17	37	90-67	R55408	1B8	32	20-3	R63604	1E4	32	24-45
R48693	1E4	7	24-45	R56722	4I18	27	121-49	R63666	1G13	13	40-25
R48887	1I21	17	40-85	R56782	3E16	6	70-89	R63666	1G15	30	40-27
R49377	1D14	1	24-31	R56930	3E6	19	70-79	R63667	1G13	14	40-25
R49377	1E12	30	24-53	R56930	3E8	5	70-81	R63667	1G15	29	40-27
R495R	2C2	17	50-19	R57269	2D14	7	50-59	R63668	1G13	15	40-25
R495R	4C2	3	110-21	R57696	1D8	5	24-25	R63668	1G15	28	40-27
R49866	1D4	7	24-21	R57725	1C1	1	20-21	R63669	1G13	16	40-25
R49866	1E12	6	24-53	R57771	1C18	2	24-10	R63669	1G15	27	40-27
R500055	1D6	5	24-23	R58186	1E2	5	24-43	R63670	1G13	34	40-25
R500055	1D12	3	24-29	R58186	1E2	10	24-43	R63670	1G15	22	40-27
R500197	1D20	9	24-37	R58806	3I5	3	90-28	R63845	1D23	5	24-40
R500330	1D12	14	24-29	R58816	3J14	6	90-63	R63980	3E16	5	70-89
R500355	1D14	2	24-31	R59009	3I16	11	90-39	R64056	1G17	13	40-29
R500355	1D14	15	24-31	R59011	3I16	16	90-39	R64058	1G17	16	40-29
R500355	1D14	16	24-31	R59012	3I16	12	90-39	R64059	1G17	12	40-29
R500355	1D14	17	24-31	R59013	3J14	14	90-63	R64060	1G17	10	40-29
R500413	1E20	6	24-61	R59015	3I16	5	90-39	R64061	1G17	4	40-29
R500642	1C12	15	24-3	R59015	3J14	12	90-63	R64698	2E1	10	50-71
R501414	1C23	4	24-15	R59018	3I16	14	90-39	R64698	3E17	10	70-90
R50390	1E12	21	24-53	R59019	3I16	2	90-39	R65499	2E4	17	50-75
R50390	1E20	15	24-61	R59020	3J14	10	90-63	R65553	1D3	3	24-20
R50405	1E12	18	24-53	R59021	3J14	7	90-63	R65569	3I12	2	90-35
R50424	1D6	12	24-23	R59022	3J14	13	90-63	R65569	4B14	2	110-7
R50424	1E12	35	24-53	R59023	3J14	8	90-63	R65593	1I25	2	40-89
R50456	3H7	10	90-5	R59028	3J14	2	90-63	R65594	1I25	9	40-89
R50456	3K2	19	90-77	R59029	3J14	4	90-63	R65595	1I25	21	40-89
R50642	5E17	19	130-27	R59070	3J14	1	90-63	R65596	1I25	22	40-89
R50770	4I6	12	121-37	R59297	1E2	8	24-43	R65597	1I25	23	40-89
R51031	2C16	33	50-35	R59297	1E2	11	24-43	R65598	1I25	24	40-89
R51031	2C24	17	50-43	R59298	1E2	8	24-43	R65599	1I25	25	40-89
R51031	2D4	33	50-47	R59298	1E2	9	24-43	R65600	1I25	26	40-89
R51031	2D11	17	50-55	R59298	1E2	11	24-43	R65601	1I25	27	40-89
R51031	2D18	11	50-63	R59305	1E2	5	24-43	R65602	1I23	49	40-87
R51031	2D25	10	50-70	R59305	1E2	10	24-43	R65602	1I25	28	40-89
R51053	1D6	10	24-23	R59439	2E4	21	50-75	R65603	1I25	29	40-89
R51936	1E2	25	24-43	R59440	2E4	20	50-75	R65604	1I25	30	40-89
R51936	1E4	2	24-45	R59933	2E4	12	50-75	R65605	1I25	31	40-89
R51936	1E4	30	24-45	R60170	3J25	17	90-75	R65606	1I25	32	40-89
R51937	1E2	20	24-43	R60172	3J25	16	90-75	R65607	1I23	46	40-87
R51937	1E2	..	24-43	R60239	2D22	4	50-67	R65607	1I25	33	40-89
R52015	2C9	3	50-26	R60277	1E7	1	24-48	R65608	1I25	3	40-89
R53014	1H21	13	40-59	R60278	1E7	4	24-48	R65609	1I25	6	40-89
R53108	1E12	34	24-53	R60279	1E7	3	24-48	R65610	1I25	7	40-89
R53169	4H4	14	121-11	R60458	3I16	9	90-39	R66197	4B12	1	110-5
R53292	1C18	5	24-10	R60730	2F10	15	60-3	R66319	1I25	1	40-89

NUMERICAL INDEX - CONTINUED

PART NO.	GRID	KEY	PAGE	PART NO.	GRID	KEY	PAGE	PART NO.	GRID	KEY	PAGE
R66320	1I21	24	40-85	R73102	2D16	2	50-61	R77465	1G21	9	40-33
R66320	1I25	5	40-89	R73102	2D22	2	50-67	R77465	1G21	11	40-33
R66321	1I21	24	40-85	R73290	4B21	24	110-15	R77465	1G25	2	40-37
R66321	1I25	4	40-89	R73290	4B23	27	110-17	R77465	1G25	3	40-37
R66452	1C17	1	24-9	R73384	3I12	13	90-35	R77465	1H4	15	40-41
R66452	1C18	4	24-10	R73384	4B14	13	110-7	R77465	1H10	16	40-47
R66626	4D2	7	110-47	R73498	1F6	10	30-9	R77465	1H17	19	40-55
R66718	1B22	29	20-17	R73858	1E4	18	24-45	R77465	1I21	31	40-85
R67092	1E10	1	24-51	R74008	1C18	3	24-10	R77465	1J6	3	40-95
R67230	1H19	9	40-57	R74030	1E2	10	24-43	R77466	1I21	33	40-85
R67264	1E4	20	24-45	R74689	2D17	4	50-62	R77467	1I21	34	40-85
R67264	1E4	34	24-45	R74690	2D17	2	50-62	R77468	1I21	32	40-85
R67364	1E4	9	24-45	R74693	2D17	6	50-62	R77469	1I23	35	40-87
R67364	1E5	7	24-46	R74694	2D17	7	50-62	R77470	1I23	45	40-87
R67377	1I2	10	40-65	R74696	2D17	3	50-62	R77471	1I23	45	40-87
R67879	1E5	8	24-46	R74697	2D17	5	50-62	R77472	1I23	45	40-87
R67879	1E6	5	24-47	R74804	1E2	10	24-43	R77473	1I23	45	40-87
R68102	2D16	4	50-61	R75036	1H2	1	40-39	R77474	1I23	44	40-87
R68824	4G25	28	121-7	R76358	1E4	12	24-45	R77475	1I21	13	40-85
R69536	2D18	8	50-63	R76491	1D2	15	24-19	R77476	1G10	14	40-21
R69536	2D22	6	50-67	R76937	4G25	26	121-7	R77476	1I21	3	40-85
R69536	2D22	16	50-67	R77175	2C17	23	50-36	R77477	1F17	12	40-3
R69927	2D20	1	50-65	R77175	2C18	23	50-37	R77477	1F17	17	40-3
R69936	1D23	3	24-40	R77175	2C22	23	50-41	R77477	1I21	4	40-85
R70112	2C6	15	50-23	R77175	2D6	23	50-50	R77478	1I21	15	40-85
R70113	2C6	17	50-23	R77175	2D7	23	50-51	R77479	1I21	5	40-85
R70114	2C6	18	50-23	R77175	2D9	23	50-53	R77479	1J4	7	40-93
R70115	2C6	19	50-23	R77175	3B14	19	70-7	R77480	1I21	6	40-85
R70210	1I23	40	40-87	R77175	3D15	1	70-63	R77481	1F17	7	40-3
R70210	1I23	41	40-87	R77175	3D17	1	70-65	R77481	1I21	7	40-85
R70211	1I23	40	40-87	R77175	3D20	1	70-69	R77482	1I21	8	40-85
R70211	1I23	41	40-87	R77175	3D22	22	70-71	R77483	1G10	13	40-21
R70212	1I23	40	40-87	R77175	3E16	12	70-89	R77483	1I21	16	40-85
R70212	1I23	41	40-87	R77175	5C6	19	125-21	R77484	1I21	19	40-85
R70213	1I23	40	40-87	R77178	3C21	18B	70-41	R77485	1I21	21	40-85
R70214	1I23	40	40-87	R77178	3C23	9	70-43	R77486	1I21	22	40-85
R70214	1I23	41	40-87	R77456	1I21	27	40-85	R77487	1I21	23	40-85
R70215	1I23	40	40-87	R77457	1G21	10	40-33	R77488	1I23	51	40-87
R70216	1I23	40	40-87	R77457	1G23	10	40-35	R77489	1I23	51	40-87
R70216	1I23	41	40-87	R77457	1H10	15	40-47	R77489	1J4	3	40-93
R70217	1I23	40	40-87	R77457	1I21	29	40-85	R77489	1J6	5	40-95
R70218	1I23	40	40-87	R77457	1J6	3	40-95	R77490	1I23	51	40-87
R70218	1I23	41	40-87	R77458	1H4	8	40-41	R77491	1I23	54	40-87
R70219	1I23	40	40-87	R77458	1H6	8	40-43	R77491	1J4	2	40-93
R70220	1I23	50	40-87	R77458	1I21	28	40-85	R77492	1I23	54	40-87
R70221	1I23	39	40-87	R77459	1I21	28	40-85	R77493	1I23	51	40-87
R70222	1I23	38	40-87	R77459	1J10	14	40-99	R77493	1J4	1	40-93
R70826	1D3	6	24-20	R77460	1I21	28	40-85	R77494	1I23	55	40-87
R71144	2B23	6	50-15	R77461	1I21	28	40-85	R77494	1J6	4	40-95
R71208	1D3	7	24-20	R77462	1I21	25	40-85	R77495	1I23	52	40-87
R71212	1E2	9	24-43	R77463	1G21	9	40-33	R77496	1I23	52	40-87
R71351	1B22	29	20-17	R77463	1G21	10	40-33	R77497	1I23	53	40-87
R71351	1F5	5	30-8	R77463	1G25	2	40-37	R77498	1I21	24	40-85
R71398	1E2	9	24-43	R77463	1G25	3	40-37	R77499	1I21	24	40-85
R71398	1E2	10	24-43	R77463	1H10	13	40-47	R77500	1I21	24	40-85
R71596	1D18	6	24-35	R77463	1I21	30	40-85	R77501	1I21	24	40-85
R71711	2D16	7	50-61	R77463	1J6	3	40-95	R77502	1I23	56	40-87
R71732	1D8	11	24-25	R77464	1F17	11	40-3	R77503	1I23	56	40-87
R71732	1D8	13	24-25	R77464	1F17	14	40-3	R77551	1E2	18	24-43
R71732	1D10	7	24-27	R77464	1F17	16	40-3	R77551	1E2	19	24-43
R71756	4H20	10	121-27	R77464	1I21	26	40-85	R77551	1E12	5	24-53
R71758	4H20	6	121-27	R77464	3D15	17	70-63	R77673	1D20	22	24-37
R72032	4H4	9	121-11	R77464	3D17	17	70-65	R77764	4G25	25	121-7
R72169	2E4	23	50-75	R77464	3D20	19	70-69	R78025	2G22	8	60-41
R72328	1D20	11	24-37	R77465	1G2	5	40-13	R78025	2G24	12	60-43
R72328	1E12	9	24-53	R77465	1G2	6	40-13	R78025	2H2	12	60-45
R72659	5C8	8	125-23	R77465	1G21	6	40-33	R78026	2G22	6	60-41

NUMERICAL INDEX - CONTINUED

PART NO.	GRID	KEY	PAGE	PART NO.	GRID	KEY	PAGE	PART NO.	GRID	KEY	PAGE
R78026	2G24	6	60 - 43	R78053	3I16	25	90 - 39	R78060	1H25	6	40 - 63
R78026	2H2	6	60 - 45	R78053	5G7	16	160 - 3	R78060	1H25	21	40 - 63
R78027	2G13	2	60 - 30	R78054	1I19	17	40 - 83	R78060	1I2	24	40 - 65
R78027	2G22	2	60 - 41	R78054	1J6	12	40 - 95	R78060	1I8	6	40 - 72
R78027	2G24	2	60 - 43	R78055	1H4	19	40 - 41	R78060	1I19	2	40 - 83
R78027	2H2	2	60 - 45	R78055	1H6	19	40 - 43	R78060	1I19	9	40 - 83
R78047	1H25	22	40 - 63	R78055	1H6	23	40 - 43	R78060	1J6	1	40 - 95
R78047	1I19	3	40 - 83	R78055	1I19	22	40 - 83	R78060	1J6	2	40 - 95
R78048	1F17	10	40 - 3	R78055	1J6	8	40 - 95	R78060	1J6	7	40 - 95
R78048	1G2	2	40 - 13	R78056	1G23	26	40 - 35	R78060	1J6	9	40 - 95
R78048	1G8	11	40 - 19	R78056	1I19	26	40 - 83	R78060	1J6	12	40 - 95
R78048	1G25	11	40 - 37	R78056	1J6	10	40 - 95	R78060	1J6	13	40 - 95
R78048	1H2	11	40 - 39	R78057	1G23	9	40 - 35	R78060	1J12	1	40 - 101
R78048	1H4	14	40 - 41	R78057	1H2	11	40 - 39	R78060	3E16	15	70 - 89
R78048	1H4	16	40 - 41	R78057	1H6	14	40 - 43	R78061	1G10	8	40 - 21
R78048	1H4	21	40 - 41	R78057	1H25	21	40 - 63	R78061	1G10	15	40 - 21
R78048	1H6	16	40 - 43	R78057	1H25	23	40 - 63	R78061	1H4	19	40 - 41
R78048	1H6	21	40 - 43	R78057	1I2	23	40 - 65	R78061	1H6	19	40 - 43
R78048	1H8	13	40 - 45	R78057	1I19	2	40 - 83	R78061	1H10	17	40 - 47
R78048	1H10	7	40 - 47	R78057	1J6	11	40 - 95	R78061	1H25	5	40 - 63
R78048	1H10	20	40 - 47	R78058	1G13	33	40 - 25	R78061	1I19	6	40 - 83
R78048	1H12	10	40 - 49	R78058	1H4	19	40 - 41	R78061	1I19	23	40 - 83
R78048	1H14	16	40 - 51	R78058	1H6	13	40 - 43	R78061	1J4	4	40 - 93
R78048	1H25	23	40 - 63	R78058	1H6	19	40 - 43	R78061	1J6	6	40 - 95
R78048	1I2	23	40 - 65	R78058	1H10	14	40 - 47	R78061	2E1	14	50 - 71
R78048	1I2	24	40 - 65	R78058	1H10	18	40 - 47	R78061	3C17	16	70 - 37
R78048	1I8	6	40 - 72	R78058	1H14	18	40 - 51	R78061	3E17	14	70 - 90
R78048	1I19	10	40 - 83	R78058	1I2	25	40 - 65	R78061	5G7	16	160 - 3
R78048	1J4	5	40 - 93	R78058	1I19	23	40 - 83	R78062	1I19	1	40 - 83
R78048	1J6	1	40 - 95	R78058	1J6	8	40 - 95	R78063	1G2	2	40 - 13
R78048	3B10	13	70 - 3	R78058	1J6	10	40 - 95	R78063	1G8	11	40 - 19
R78049	1H4	22	40 - 41	R78058	3I16	25	90 - 39	R78063	1G13	33	40 - 25
R78049	1H6	22	40 - 43	R78059	1H4	19	40 - 41	R78063	1G23	25	40 - 35
R78049	1I19	15	40 - 83	R78059	1H6	13	40 - 43	R78063	1G25	17	40 - 37
R78049	1J6	13	40 - 95	R78059	1H6	19	40 - 43	R78063	1H2	11	40 - 39
R78050	1H4	24	40 - 41	R78059	1H10	14	40 - 47	R78063	1H4	13	40 - 41
R78050	1H6	24	40 - 43	R78059	1H10	18	40 - 47	R78063	1H4	19	40 - 41
R78050	1I19	19	40 - 83	R78059	1H14	16	40 - 51	R78063	1H4	21	40 - 41
R78050	1J6	9	40 - 95	R78059	1H14	18	40 - 51	R78063	1H4	22	40 - 41
R78051	1H25	6	40 - 63	R78059	1I19	1	40 - 83	R78063	1H4	24	40 - 41
R78051	1I19	24	40 - 83	R78059	1J6	8	40 - 95	R78063	1H6	19	40 - 43
R78051	1J6	11	40 - 95	R78059	1J6	9	40 - 95	R78063	1H6	21	40 - 43
R78051	1J12	1	40 - 101	R78059	1J6	10	40 - 95	R78063	1H6	22	40 - 43
R78052	1I19	5	40 - 83	R78059	1J6	11	40 - 95	R78063	1H6	24	40 - 43
R78052	1J6	6	40 - 95	R78059	2E1	14	50 - 71	R78063	1H8	12	40 - 45
R78053	1F17	9	40 - 3	R78059	3C17	16	70 - 37	R78063	1H10	14	40 - 47
R78053	1G8	10	40 - 19	R78059	3D3	8	70 - 48	R78063	1H10	17	40 - 47
R78053	1G10	15	40 - 21	R78059	3E16	9	70 - 89	R78063	1H10	18	40 - 47
R78053	1G13	33	40 - 25	R78059	3E17	14	70 - 90	R78063	1H12	10	40 - 49
R78053	1G25	17	40 - 37	R78059	5G7	16	160 - 3	R78063	1H17	15	40 - 55
R78053	1H2	17	40 - 39	R78060	1F17	10	40 - 3	R78063	1H23	1	40 - 61
R78053	1H4	13	40 - 41	R78060	1G2	2	40 - 13	R78063	1H25	5	40 - 63
R78053	1H6	13	40 - 43	R78060	1G8	11	40 - 19	R78063	1I2	25	40 - 65
R78053	1H8	12	40 - 45	R78060	1G25	11	40 - 37	R78063	1I19	1	40 - 83
R78053	1H10	14	40 - 47	R78060	1H4	16	40 - 41	R78063	1I19	7	40 - 83
R78053	1H10	17	40 - 47	R78060	1H4	21	40 - 41	R78063	1J4	4	40 - 93
R78053	1H10	18	40 - 47	R78060	1H4	22	40 - 41	R78063	1J6	1	40 - 95
R78053	1H14	18	40 - 51	R78060	1H4	24	40 - 41	R78063	1J6	2	40 - 95
R78053	1H25	5	40 - 63	R78060	1H6	16	40 - 43	R78063	1J6	6	40 - 95
R78053	1I2	25	40 - 65	R78060	1H6	21	40 - 43	R78063	1J6	7	40 - 95
R78053	1I19	13	40 - 83	R78060	1H6	22	40 - 43	R78063	1J6	12	40 - 95
R78053	1J4	4	40 - 93	R78060	1H6	24	40 - 43	R78063	1J6	13	40 - 95
R78053	1J6	2	40 - 95	R78060	1H10	7	40 - 47	R78063	1J12	13	40 - 101
R78053	1J12	13	40 - 101	R78060	1H10	20	40 - 47	R78063	3E16	15	70 - 89
R78053	2E1	14	50 - 71	R78060	1H12	10	40 - 49	R78063	3I16	25	90 - 39
R78053	3C17	16	70 - 37	R78060	1H23	1	40 - 61	R78064	1I19	27	40 - 83
R78053	3E17	14	70 - 90	R78060	1H25	5	40 - 63	R78065	1G25	1	40 - 37

NUMERICAL INDEX - CONTINUED

PART NO.	GRID	KEY	PAGE	PART NO.	GRID	KEY	PAGE	PART NO.	GRID	KEY	PAGE
R78067	1G23	6	40-35	R87561	1C12	23	24-3	SE500182	1E7	13	24-48
R78067	1G23	8	40-35	R87561	1C25	1	24-17	TY15130	4B12	..	110-5
R78067	1G23	11	40-35	R88397	1D20	5	24-37	TY15130	4G21	..	121-3
R78067	1H2	1	40-39	R88397	1E12	12	24-53	TY15130	4G23	..	121-5
R78067	1H6	14	40-43	R88829	2D14	11	50-59	TY15130	4H8	..	121-15
R78067	1H6	26	40-43	R88959	2D20	3	50-65	TY15130	4H10	..	121-17
R78067	1H8	12	40-45	R88960	2D20	3	50-65	TY15130	4H20	..	121-27
R79060	1E4	18	24-45	R88972	2D14	1	50-59	TY15130	5E11	..	130-21
R79117	3E7	9	70-80	R88972	2D14	6	50-59	TY15949	3K3	..	90-78
R79604	1E2	22	24-43	R88993	1E12	1	24-53	TY15950	3K3	..	90-78
R79605	1E2	23	24-43	R89012	2D20	4	50-65	TY15951	3K3	..	90-78
R79606	1E2	24	24-43	R89014	1E4	24	24-45	TY16086	1I21	24	40-85
R79846	1E14	5	24-55	R89015	2D22	14	50-67	TY16302	1G13	28	40-25
R79850	1C23	1	24-15	R89142	3I16	10	90-39	TY16304	1G15	26	40-27
R79915	1H19	7	40-57	R89143	3I16	4	90-39	TY21765	1I9	8	40-73
R80R	4H20	37	121-27	R89439	1D20	17	24-37	TY22007	1C10	2	24-1
R82007	1C12	22	24-3	R89610	2D14	12	50-59	TY22008	1C10	2	24-1
R82571	3E7	7	70-80	R89879	1E12	16	24-53	TY22010	1C10	2	24-1
R82719	1D20	21	24-37	R89927	1E10	6	24-51	TY22011	1C10	2	24-1
R83020	1D23	7	24-40	R90080	2C9	3	50-26	TY22025	3K3	..	90-78
R83021	1D23	6	24-40	R90080	2E4	3	50-75	TY22041	1C10	..	24-1
R83489	1E5	12	24-46	R90521	4C21	5	110-41	TY22042	1C10	..	24-1
R83489	1E10	4	24-51	R90565	3E7	4	70-80	TY22064	1C10	1	24-1
R83489	1E12	25	24-53	R91519	1D23	1	24-40	TY22065	1C10	1	24-1
R83720	1E7	6	24-48	R91822	1D2	4	24-19	TY22066	1C10	1	24-1
R83721	1E7	6	24-48	R91824	1E4	6	24-45	TY22067	1C10	1	24-1
R83722	1E7	6	24-48	R92097	1D22	3	24-39	TY22068	1C10	1	24-1
R83723	1E7	6	24-48	R92097	1E12	15	24-53	TY22069	1C10	1	24-1
R83724	1E7	6	24-48	R92104	2D18	3	50-63	TY22070	1C10	1	24-1
R83725	1E7	6	24-48	R92148	2D20	1	50-65	TY22073	1C10	1	24-1
R83726	1E7	6	24-48	R92160	2D14	4	50-59	TY22074	1C10	1	24-1
R83727	1E7	6	24-48	R92387	2D18	7	50-63	TY22101	3K3	..	90-78
R83728	1E7	6	24-48	R92977	2D24	1	50-69	TY22326	4I20	20	121-51
R83729	1E7	6	24-48	R92978	2D24	6	50-69	TY22326	5D2	3	125-43
R83730	1E7	6	24-48	R92979	2D20	4	50-65	TY22326	5F17	24	130-53
R83731	1E7	6	24-48	R93008	1E5	11	24-46	TY22328	3K2	5	90-77
R83732	1E7	6	24-48	R93008	1E10	3	24-51	TY22329	4I10	11	121-41
R83733	1E7	6	24-48	R93030	2D14	5	50-59	TY22330	3K2	4	90-77
R83734	1E7	6	24-48	R93105	2D16	6	50-61	TY22418	1F4	2	30-7
R83735	1E7	6	24-48	R93142	2D14	17	50-59	TY22424	1C5	4	20-25
R83736	1E7	6	24-48	R93142	2D20	2	50-65	TY22462	1B20	2	20-15
R83737	1E7	6	24-48	R93180	2D14	3	50-59	TY22462	1F4	1	30-7
R83738	1E7	6	24-48	R93308	1D2	16	24-19	TY22465	3K2	3	90-77
R83739	1E7	6	24-48	R93311	1D2	17	24-19	TY22465	4I14	9	121-45
R84261	4H20	11	121-27	R93312	1D2	16	24-19	TY22467	1D4	3	24-21
R84472	1E2	16	24-43	R93313	1D2	17	24-19	TY22467	1F10	6	30-13
R84472	1E7	12	24-48	R93314	1D2	16	24-19	TY22472	3J21	27	90-71
R84472	1E12	10	24-53	R93315	1D2	17	24-19	TY22474	3J25	18	90-75
R84618	1D2	16	24-19	R93948	1C18	11	24-10	TY22475	3C21	18A	70-41
R84619	1D2	17	24-19	R94350	1I5	2	40-68	TY22494	4H6	20	121-13
R84943	2G16	1	60-34	R94351	1I5	15	40-68	TY22494	4H6	21	121-13
R85027	1D3	14	24-20	R96703	1E16	5	24-57	TY22494	4H14	46	121-21
R85168	4H6	10	121-13	R97061	1E2	29	24-43	TY22494	4H14	47	121-21
R85169	4H6	11	121-13	R97061	1E4	4	24-45	TY22566	1B20	1	20-15
R85373	2D22	15	50-67	R97998	2E4	13	50-75	TY24446	1D4	..	24-21
R85374	2D22	8	50-67	R98064	1D6	6	24-23	TY24485	1I5	1	40-68
R85376	2D22	9	50-67	R98064	1D12	4	24-29	TY24485	1I5	13	40-68
R85378	2D22	10	50-67	R98250	1E20	1	24-61	TY24485	1I7	..	40-70
R85588	2D18	1	50-63	R98500	1E4	23	24-45	TY2615	5B17	21	125-7
R86061	1D20	3	24-37	R98500	1E4	29	24-45	TY6167	1I9	8	40-73
R86063	1D12	8	24-29	R98527	1C24	8	24-16	TY6280	1C10	1	24-1
R86457	4E19	8	120-29	R98527	1D18	7	24-35	TY6304	2B21	..	50-13
R86457	4I12	8	121-43	R99047	1E4	28	24-45	TY6304	2C2	..	50-19
R86571	1D5	2	24-22	R99244	2C9	16	50-26	TY6304	4H20	..	121-27
R86743	1E12	17	24-53	R99377	2D17	1	50-62	TY6333	4B10	..	110-3
R87082	1E2	19	24-43	R99590	1E18	4	24-59	TY6333	4F2	..	120-39
R87345	4F16	12	120-53	SE500182	1E2	17	24-43	TY6333	4F4	..	120-41

NUMERICAL INDEX - CONTINUED

PART NO.	GRID	KEY	PAGE	PART NO.	GRID	KEY	PAGE	PART NO.	GRID	KEY	PAGE
TY6333	4H20	..	121 - 27	T23529	3J17	29	90 - 67	T60314	3E16	32	70 - 89
TY6333	5E11	..	130 - 21	T23891	1C23	2	24 - 15	T62323	2G15	12	60 - 33
TY6364	1C10	1	24 - 1	T24167	1F17	11	40 - 3	T62508	4G25	16	121 - 7
TY6389	1C10	2	24 - 1	T24210	1E5	1	24 - 46	T62509	4G25	18	121 - 7
TY6390	1C10	2	24 - 1	T25473	2E20	7	50 - 91	T62828	3I23	1	90 - 47
TY6391	1C10	2	24 - 1	T26257	3D10	15	70 - 57	T62843	5C12	13	125 - 27
TY6392	1C10	2	24 - 1	T27523	3B16	3	70 - 9	T63817	3B10	8	70 - 3
TY6393	1C10	2	24 - 1	T27523	5C10	7	125 - 25	T65643	3B10	7	70 - 3
TY6394	1C10	2	24 - 1	T27860	1C22	2	24 - 14	T69027	4H8	8	121 - 15
TY6750	1H19	11	40 - 57	T27888	2B23	3	50 - 15	T70309	4G25	12	121 - 7
TY6750	1I5	1	40 - 68	T27986	3B24	9	70 - 17	T70694	1C5	9	20 - 25
TY6750	1I5	13	40 - 68	T28583	1F17	8	40 - 3	T72393	2E8	12	50 - 79
TY6750	1I7	..	40 - 70	T28583	1G8	6	40 - 19	T72393	2E10	19	50 - 81
TY6764	3K3	..	90 - 78	T28583	1H10	19	40 - 47	T72393	2E12	16	50 - 83
TY9370	2B25	..	50 - 17	T28583	1I21	1	40 - 85	T72393	3C4	11	70 - 23
TY9370	3H13	..	90 - 11	T28583	1I25	34	40 - 89	T74410	1H17	12	40 - 55
TY9370	3I10	..	90 - 33	T28585	1F25	12	40 - 11	T75984	3C17	2	70 - 37
TY9371	2B21	..	50 - 13	T28585	1F25	16	40 - 11	T75984	3D8	12	70 - 54
TY9371	2B25	..	50 - 17	T28585	1I21	12	40 - 85	T75984	3D10	12	70 - 57
TY9371	2C2	..	50 - 19	T28585	1I25	35	40 - 89	T75984	3D12	12	70 - 59
TY9371	4E5	..	120 - 15	T28586	1G10	16	40 - 21	T75984	3D13	12	70 - 60
TY9371	4H4	..	121 - 11	T28586	1I21	14	40 - 85	T75984	5G7	2	160 - 3
TY9373	2B25	..	50 - 17	T28586	3J23	8	90 - 73	T76719	1E24	27	30 - 3
TY9374	4G25	..	121 - 7	T28860	1F4	19	30 - 7	T76836	2B21	10	50 - 13
TY9473	2E20	..	50 - 91	T28862	1D22	16	24 - 39	T76938	2F24	10	60 - 17
TY9478	2B25	..	50 - 17	T29342	2C13	19	50 - 31	T76938	3C4	25	70 - 23
T105740	2E10	6	50 - 81	T29342	2F4	4	50 - 99	T76938	3D5	17	70 - 51
T10745	1I5	4	40 - 68	T32231	1D16	7	24 - 33	T76938	3D5	22	70 - 51
T10745	1I7	2	40 - 70	T32231	1F6	3	30 - 9	T76938	3E19	6	70 - 93
T11180	1D22	1	24 - 39	T32231	1H25	12	40 - 63	T76938	5C8	10	125 - 23
T119912	4I16	22	121 - 47	T32255	1G13	19	40 - 25	T77514	3E16	24	70 - 89
T12033	2B11	4	50 - 3	T32255	1G15	5	40 - 27	T77613	1F2	1	30 - 5
T12960	3C2	7	70 - 21	T32255	1G15	19	40 - 27	T77613	1F4	7	30 - 7
T13119	1F6	9	30 - 9	T34067	1G10	12	40 - 21	T77613	2E18	4	50 - 89
T14065	2C16	14	50 - 35	T34067	1G10	15	40 - 21	T77613	2F6	3	50 - 101
T14323	4G25	35	121 - 7	T34067	1I21	18	40 - 85	T77613	2G10	1	60 - 27
T146102	1E16	4	24 - 57	T34354	4H8	5	121 - 15	T77613	2G12	3	60 - 29
T146104	1E16	8	24 - 57	T34355	4H8	5	121 - 15	T77613	3B16	7	70 - 9
T146515	1E16	8	24 - 57	T34356	4H8	5	121 - 15	T77613	3B18	2	70 - 11
T146516	1E16	8	24 - 57	T35390	1C12	14	24 - 3	T77613	3B20	10	70 - 13
T146517	1E16	8	24 - 57	T35440	1G15	24	40 - 27	T77613	3B24	20	70 - 17
T15005	1F19	14	40 - 5	T37851	5D23	11	130 - 7	T77613	3C6	1	70 - 25
T155858	1D24	2	24 - 41	T38377	4I14	17	121 - 45	T77613	3C8	22	70 - 27
T15712	1F6	9	30 - 9	T40867	3F16	24	80 - 15	T77613	3C10	27	70 - 29
T158584	1I7	1	40 - 70	T41201	4H10	4	121 - 17	T77613	3C14	5	70 - 33
T16193	3I12	8	90 - 35	T43512	2E20	..	50 - 91	T77613	3C21	1	70 - 41
T16193	4B14	8	110 - 7	T43512	4H8	..	121 - 15	T77613	3C23	1	70 - 43
T17568	1E24	29	30 - 3	T43512	4H10	..	121 - 17	T77613	3D7	6	70 - 53
T17568	1F4	18	30 - 7	T43514	2C2	13	50 - 19	T77613	3E2	4	70 - 75
T17568	1F5	7	30 - 8	T43514	4C4	20	110 - 23	T77613	3E4	6	70 - 77
T18012	1E4	22	24 - 45	T43514	4C4	21	110 - 23	T77613	3E8	11	70 - 81
T19832	2C22	38	50 - 41	T45132	3E16	27	70 - 89	T77613	3E19	2	70 - 93
T20077	1D2	2	24 - 19	T47836	4H20	33	121 - 27	T77613	3E21	4	70 - 95
T20129	1D2	1	24 - 19	T49676	4G25	14	121 - 7	T77814	2E18	8	50 - 89
T20217	4G16	4	120 - 77	T50409	4G25	13	121 - 7	T77814	2G12	12	60 - 29
T20217	4I2	20	121 - 33	T50415	4G25	15	121 - 7	T77814	3C8	4	70 - 27
T20217	5E21	4	130 - 31	T519T	3I16	3	90 - 39	T77814	3C10	4	70 - 29
T20294	1D4	4	24 - 21	T531T	1G13	20	40 - 25	T77814	3C14	6	70 - 33
T20328	1D4	5	24 - 21	T531T	1G15	20	40 - 27	T77814	3D7	9	70 - 53
T21242	1D8	3	24 - 25	T53268	1D20	2	24 - 37	T77814	3E8	8	70 - 81
T22714	4I2	23	121 - 33	T55201	3I23	12	90 - 47	T77814	3E19	1	70 - 93
T22828	3E7	2	70 - 80	T55501	2G2	5	60 - 19	T77857	2E1	2	50 - 71
T22875	2G2	31	60 - 19	T55501	3J17	5	90 - 67	T77857	2E18	30	50 - 89
T22875	3J17	31	90 - 67	T55585	2G2	6	60 - 19	T77857	2F24	7	60 - 17
T23027	3H25	2	90 - 23	T55585	3J17	6	90 - 67	T77857	2G6	3	60 - 23
T23033	3H25	6	90 - 23	T55761	4B10	26	110 - 3	T77857	2G8	2	60 - 25
T23529	2G2	29	60 - 19	T55761	4D8	10	110 - 53	T77857	2G10	11	60 - 27

NUMERICAL INDEX - CONTINUED

PART NO.	GRID	KEY	PAGE	PART NO.	GRID	KEY	PAGE	PART NO.	GRID	KEY	PAGE
T77857	3B18	11	70 - 11	T81029	2G10	2	60 - 27	U46662	1F17	17	40 - 3
T77857	3B20	12	70 - 13	T81029	2G12	19	60 - 29	U46662	1G8	6	40 - 19
T77857	3B22	11	70 - 15	T81029	3B16	4	70 - 9	U46662	1G23	11	40 - 35
T77857	3B24	13	70 - 17	T81029	3E2	3	70 - 75	U46662	1G25	10	40 - 37
T77857	3B24	17	70 - 17	U10063	4H20	20	121 - 27	U46662	1H2	10	40 - 39
T77857	3C2	13	70 - 21	U10746	2C4	21	50 - 21	U46662	1H10	19	40 - 47
T77857	3C4	7	70 - 23	U10776	2C4	4	50 - 21	U46662	1I21	10	40 - 85
T77857	3C6	35	70 - 25	U11647	2D16	1	50 - 61	U46662	1I25	37	40 - 89
T77857	3C12	3	70 - 31	U11647	2D22	1	50 - 67	U46662	1J4	7	40 - 93
T77857	3C19	12	70 - 39	U12331	2E6	10	50 - 77	U46663	1G8	7	40 - 19
T77857	3C21	23	70 - 41	U12547	2C22	32	50 - 41	U46663	1I25	38	40 - 89
T77857	3C23	16	70 - 43	U12547	2D9	32	50 - 53	U46664	1I23	47	40 - 87
T77857	3E10	13	70 - 83	U12547	2D25	12	50 - 70	U46664	1I25	39	40 - 89
T77857	3E17	2	70 - 90	U12547	2E1	11	50 - 71	W15277	2F19	7	60 - 12
T77857	3E19	3	70 - 93	U12547	2E8	1	50 - 79	W23690	2C16	21	50 - 35
T77857	5C10	4	125 - 25	U12547	2E12	6	50 - 83	W23690	2D4	21	50 - 47
T77857	5C12	5	125 - 27	U12547	2E14	5	50 - 85	W25634	5B14	6	125 - 5C
T77857	5G6	2	160 - 2	U12547	2E16	11	50 - 87	W38051	1H14	1	40 - 51
T77858	2E8	3	50 - 79	U12547	2E18	3	50 - 89	W39621	4C13	33	110 - 33
T77858	2E10	7	50 - 81	U12547	2E20	4	50 - 91	W39621	4J12	1B	121 - 67
T77858	2E12	8	50 - 83	U12547	2F24	1	60 - 17	W39621	4J12	37A	121 - 67
T77858	2E14	7	50 - 85	U12547	3D2	2	70 - 47	W39621	5E11	3	130 - 21
T77858	2E16	1	50 - 87	U12547	3E10	15	70 - 83	W43141	4D12	10	110 - 57
T77858	2E18	1	50 - 89	U12547	3E16	29	70 - 89	Y3082BN	3F18	4	80 - 17
T77858	2E20	3	50 - 91	U12547	3E17	11	70 - 90	Z12964	2C6	16	50 - 23
T77858	2E21	2	50 - 92	U12574	2C24	2	50 - 43	Z24604	5F15	20	130 - 51
T77858	2F24	3	60 - 17	U13639	1C3	6	20 - 23	Z24604	5F15	24	130 - 51
T77858	3C4	3	70 - 23	U13639	1C12	7	24 - 3	Z33404	5B19	36	125 - 9
T77858	3C25	10	70 - 45	U13639	1E12	23	24 - 53	Z33404	5F22	6	130 - 59
T77858	3D2	4	70 - 47	U14273	4H10	6	121 - 17	Z36140	5D19	7	130 - 3
T77858	3D2	11	70 - 47	U14273	4I10	25	121 - 41	Z39238	3F8	29	80 - 7
T77858	3E12	6	70 - 85	U15415	2C13	25	50 - 31	Z39386	3F16	25	80 - 15
T77858	3E12	17	70 - 85	U15415	2C22	43	50 - 41	Z55267	1H2	14A	40 - 39
T77858	3E19	5	70 - 93	U15415	2D2	25	50 - 45	Z55270	1H2	14A	40 - 39
T77858	5C8	1	125 - 23	U15415	2D9	43	50 - 53	Z62206	1H4	26	40 - 41
T77858	5C10	15	125 - 25	U15980	5G7	13	160 - 3	Z62206	1H6	26	40 - 43
T77932	2D25	14	50 - 70	U17409	1D6	7	24 - 23	Z63630	1G23	11	40 - 35
T77932	2E20	6	50 - 91	U17409	1D12	5	24 - 29	122SE	2B11	7	50 - 3
T77932	2G6	5	60 - 23	U17409	1D12	15	24 - 29	124424	4B25	15	110 - 19
T77932	2G8	1	60 - 25	U17409	1E12	26	24 - 53	124424	4C4	17	110 - 23
T77932	3B12	3	70 - 5	U17409	2C17	4	50 - 36	192SE	5B14	12	125 - 5C
T77932	3C2	12	70 - 21	U17409	2C18	4	50 - 37	32243	4B10	2	110 - 3
T77932	3C25	3	70 - 45	U17409	2C24	12	50 - 43	32246	2C16	20	50 - 35
T77932	3D5	3	70 - 51	U17409	2C24	15	50 - 43	32246	2D4	20	50 - 47
T77932	3E10	2	70 - 83	U17409	2D6	4	50 - 50	400R	4G25	29	121 - 7
T77932	3E12	5	70 - 85	U17409	2D7	4	50 - 51				
T77932	3E12	16	70 - 85	U17409	2D11	12	50 - 55				
T77932	3E19	4	70 - 93	U40729	2C24	7	50 - 43				
T77932	5C10	1	125 - 25	U40729	2D11	7	50 - 55				
T77932	5C12	12	125 - 27	U40745	3D13	20	70 - 60				
T78313	2E8	6	50 - 79	U40962	3D8	11	70 - 54				
T78313	2E10	8	50 - 81	U40962	3D10	11	70 - 57				
T78313	2E12	4	50 - 83	U40962	3D12	11	70 - 59				
T78313	2E14	4	50 - 85	U40962	3D13	11	70 - 60				
T78313	2E18	31	50 - 89	U41353	2D24	2	50 - 69				
T78313	3E19	9	70 - 93	U42355	1E24	30	30 - 3				
T78612	3E19	7	70 - 93	U42355	1F4	17	30 - 7				
T78646	3B24	5	70 - 17	U42902	3D10	26	70 - 57				
T78707	2E21	11	50 - 92	U44909	5B13	14	125 - 5B				
T78716	3B18	18	70 - 11	U46370	1I21	20	40 - 85				
T78716	3B24	16	70 - 17	U46370	1I25	36	40 - 89				
T78716	5C12	4	125 - 27	U46506	1G15	6	40 - 27				
T78784	3E19	8	70 - 93	U46507	1G15	3	40 - 27				
T79098	2C11	4	50 - 29	U46662	1F17	7	40 - 3				
T80393	1J14	1	40 - 103	U46662	1F17	8	40 - 3				
T80394	1J14	1	40 - 103	U46662	1F17	10	40 - 3				
T81029	2E18	6	50 - 89	U46662	1F17	11	40 - 3				